

Weatherly Index No. 002

CATALOG NO.

CA0188

August 2010



HEAVY DUTY ENGINE PARTS AND KITS

- **Agricultural/Irrigation**
- **Engine Kits**
- **Industrial**
- **Marine**
- **Medium and HD Truck**

GLOBAL TECHNOLOGY behind every part

**FEDERAL
MOGUL**

ML7,™ THE FP DIESEL® 7-LAYER HEAD GASKET THAT SEALS REBUILT ENGINES BETTER!

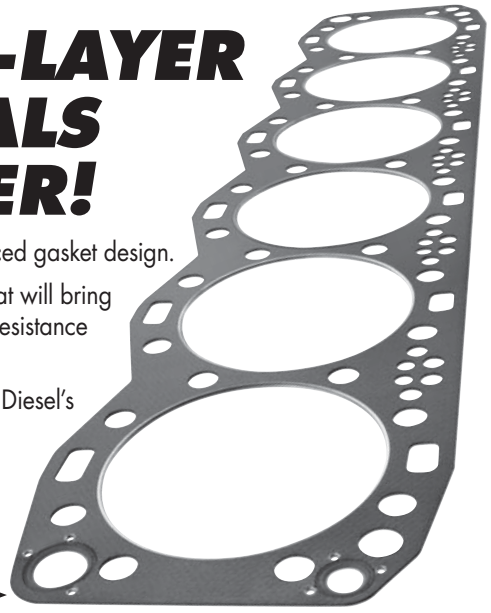
Sealing the most demanding area in a commercial engine – it takes today's most advanced gasket design.

FP Diesel® has introduced a highly advanced multi-layer-core head gasket technology that will bring significantly enhanced combustion and fluid sealing capabilities as well as temperature resistance to a broad range of high-output commercial diesel engines: The ML7™ head gasket.

As commercial engine rebuilders look for the latest and best engine sealing solutions, FP Diesel's ML7 gasket provides a new generation of head gaskets.

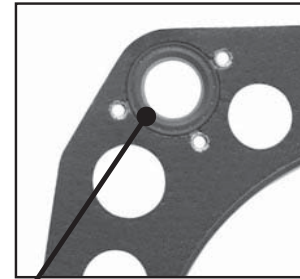
The key to the ML7 design is the reinforced gasket body which increases lateral stability and provides a rigid backbone to the combustion seal. The expanded graphite facing material is well suited to high-temperature operating environments, is impervious to chemicals, and remains conformable for unsurpassed fluid sealability.

ML7™ →



LAYERS OF INNOVATION DELIVER COMPLETE PERFORMANCE

The ML7 gasket's innovative design enables it to withstand significantly higher combustion pressures and temperatures as well as increased vertical and lateral motion between the engine block and cylinder head. Its steel core reinforcement helps ensure optimal compressed thickness control within each engine application. The thickness of the gasket body, armor and wire is engineered to achieve optimal load balance among the components and materials.



FULLY ENCAPSULATED GROMMETS

Some gasket designs utilize grommets that are staked into place. But being fixed in place, they lack the flexibility to seat properly, leading to unwanted sealing issues. In some cases, they can fall out during assembly. By contrast, the ML7 gasket's molded rubber grommets are eyeleted into the gasket body. They allow precise sealing bead location, accommodate casting movement, and enable trouble-free installation.

KEVLAR®-REINFORCED COMPOSITE MATERIAL

Kevlar-reinforced composite material between the graphite facing material and perforated steel outer core forms a better bond between the perforated cores for unprecedented strength.

1/4 HARD (301 SS) STAINLESS STEEL COMBUSTION ARMOR

PERFORATED OUTER STEEL CORES

EXPANDED GRAPHITE FACING WITH MOLY COATING AND SILICONE TOP COAT

The ML7's resilient, conformable graphite facing provides excellent fluid sealability and low creep relaxation, and stands up to temperature extremes and corrosive chemicals. This graphite facing material utilizes a special moly coating developed specifically for the aftermarket service environment. This coating helps seal imperfections in the head and block mating surfaces and allows the gasket to adapt to lateral and vertical casting motion caused by combustion pressures and extreme operating temperatures. The special top coat provides no-stick release for future engine work.

THICK, SOLID STEEL CORE

LOW-CARBON STEEL WIRE RING

Copper flash-coated low-carbon steel (LCS) wire ring is the primary combustion seal and provides enhanced sealing stress around each combustion opening.

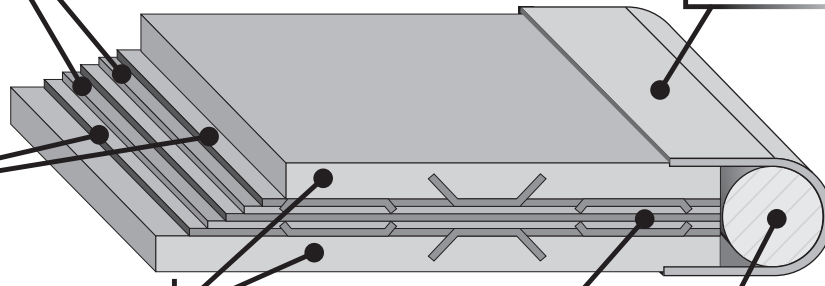




Table of Contents

Global Technology Behind Every Part

Using the Catalog

Table of Contents	i
How To Use This Catalog	iii
Abbreviations	xxi
Catalogs	vi
Coverage / Products.....	vi
Engine Families Listing	i
Engine Kit Program	vii
FP Diesel Philosophy	iv
Manufacturing / Customer Service	v
Warranty.....	1480

Product Information

Application Codes	1437
Camshafts	xv
Engine Bearings.....	viii

Product Information (continued)

Engine Kit Bill of Materials	1411
Lifters	xvi
Numerical List	1438
Oil Pumps.....	xv
Piston Rings.....	xiii
Pistons – Heavy Duty.....	x
Pistons – Medium Duty	xi
Plastigage	ix
Redi-Sleeves®	xix
Sleeves and Assemblies	xii
Temperature Recorder/Heat Tab	xx
Timing Components	xiv
Valves and Valvetrain Components	xvi

Engine Families

The following vehicle and engine makers are covered in this catalog:

FAMILY	PAGE NO.	FAMILY	PAGE NO.
Allis-Chalmers.....	1	Chevrolet Truck MD & HD.....	<i>See GMC Truck</i>
AM General	<i>See Engine Mfr.</i>	Chrysler Industrial	163
Angleworm Tractor.....	<i>See Engine Mfr.</i>	Chrysler Marine	<i>Refer to Sealed Power SP1501 Engine Parts Catalog</i>
Arien-Tiller Tractor	<i>See Engine Mfr.</i>	Chrysler Motor Home	<i>See Dodge Truck</i>
Autocar	<i>See Engine Mfr.</i>	Clark	186
Avery	<i>See Engine Mfr.</i>	Cletrac	<i>See Engine Mfr.</i>
Beeman	<i>See Engine Mfr.</i>	Climax.....	199
Bendix-Westinghouse.....	94	Clinton Engines	200
Bolens Tractor.....	<i>See Engine Mfr.</i>	Co-op Tractor	<i>See Engine Mfr.</i>
Briggs & Stratton	97	Cockshutt.....	<i>See Engine Mfr.</i>
Buda	99	Continental	201
Case Co., J.I.	108	Cummins Engines	<i>Refer to CA0030 Catalog</i>
Case/IH (formerly International Tractor)	<i>See IHC Tractor</i>	Daihatsu Truck	<i>See Engine Mfr.</i>
Caterpillar	<i>Refer to CA0010 & CA0020 Catalogs</i>	David Brown	275
Centaur Tractor	<i>See Engine Mfr.</i>	Delco	<i>See Engine Mfr.</i>
Chevrolet Truck LD	<i>Refer to Sealed Power SP1501 & SP1502 Engine Parts Catalogs</i>		





Engine Families (continued)

Global Technology Behind Every Part

FAMILY	PAGE NO.	FAMILY	PAGE NO.
Detroit Diesel Engines.....	<i>Refer to CA0040 & CA0045 Catalogs</i>	LeRoi	1054
Duetz-Allis	See KHD	Mack Truck.....	<i>Refer to CA0060 Catalog</i>
Divco Truck	<i>See Engine Mfr.</i>	Massey-Ferguson	1058
Dodge Truck LD	<i>Refer to Sealed Power SP1501 & SP1502 Engine Parts Catalogs</i>	Mazda Forklift	1145
Dodge Truck MD & HD	276	Mercedes Benz Truck	1146
Eagle Tractor.....	<i>See Engine Mfr.</i>	Mercury Marine	<i>Refer to Sealed Power SP1501 Engine Parts Catalog</i>
Fairbanks-Morse.....	330	Midland Ross Compressor	1170
Ford Industrial.....	333	Military Standard	1171
Ford Tractor	374	Minneapolis-Moline.....	<i>See White Farm</i>
Ford Tractor - British & European	374	Mitsubishi Forklift.....	1212
Ford Truck LD	<i>Refer to Sealed Power SP1501 & SP1502 Engine Parts Catalogs</i>	Navistar	<i>Refer to CA0050 Catalog</i>
Ford Truck MD & HD.....	417	Neuss	<i>See Engine Mfr.</i>
Ford Truck - British & European.....	417	Nichols & Shepard.....	<i>See Engine Mfr.</i>
Fordson Tractor.....	677	Nissan Forklift.....	1214
Freightliner Truck	<i>See Engine Mfr.</i>	Novo Engines	1217
GM Industrial Engines	680	Oliver Tractor	<i>See White Farm or Engine Mfr.</i>
GMC Truck LD	<i>Refer to Sealed Power SP1501 & SP1502 Engine Parts Catalogs</i>	OMC Marine	<i>Refer to Sealed Power SP1501 Engine Parts Catalog</i>
GMC Truck MD & HD.....	682	Onan Engines.....	1217
Gravely Tractor.....	<i>See Engine Mfr.</i>	Osterlund.....	<i>See REO Truck</i>
Gray Marine	<i>See Engine Mfr.</i>	Palmer Marine	<i>See Engine Mfr.</i>
Hercules	925	Perkins Engines.....	1218
Hummer (Humvee)	<i>See Engine Mfr.</i>	REO Truck	1250, also see <i>Engine Mfr.</i>
Hyster	<i>See Engine Mfr.</i>	Scripps Marine	<i>See Engine Mfr.</i>
Hyundai Industrial.....	<i>See Engine Mfr.</i>	Superior Diesel.....	1262
IHC Tractor.....	949	Thames.....	<i>See Engine Mfr.</i>
IHC Truck.....	<i>Refer to CA0050 Catalog</i>	Thermo-King.....	1267
Isuzu Forklift	1049	Toyota Forklift	1268
Iveco	<i>See Engine Mfr.</i>	Volvo-GM.....	<i>See Engine Mfr.</i>
John Deere	<i>Refer to CA0080 Catalog</i>	Volvo Marine	<i>Refer to Sealed Power SP1501 Engine Parts Catalog</i>
Kermath Marine	<i>See Engine Mfr.</i>	Volvo Truck.....	1271
KHD Industrial & Tractors	1050	VW Industrial	<i>See Engine Mfr.</i>
Kohler	1053	Waukesha.....	1272
Komatsu	<i>Refer to CA0085 Catalog</i>	Westinghouse Compressor	<i>See Engine Mfr.</i>
Lathrop Marine	<i>See Engine Mfr.</i>	White Farm (incl. Oliver, Minn-Moline).....	1296
Lauson Engines.....	1054	White Truck	<i>See Engine Mfr.</i>
		Wisconsin	1396
		Witte	1409
		Yale.....	<i>See Engine Mfr.</i>



FP Diesel CA0188 Engine Parts Catalog

Global Technology Behind Every Part

The new CA0188 Heavy Duty Engine Parts Catalog contains all of the components currently offered from FP Diesel for heavy and medium duty truck engines, agricultural and irrigation engines, industrial engines and marine engines not covered in the FP Diesel name-plate specific catalogs. FP Diesel offers separate replacement component catalogs for Caterpillar®, Cummins®, Detroit Diesel®, John Deere®, IH/Navistar®, Mack® and Komatsu engines.

Light duty engine components are available under the Sealed Power brand and can be found in Sealed Power SP1501 and SP1502 catalogs.

In addition to new FP Diesel part numbers included in this catalog you'll also find medium duty coverage previously available under Sealed Power that is now part of the FP Diesel offering. In cases where both a Sealed Power part number and FP Diesel part number were available for the same application, both part numbers will be listed in the catalog. As this coverage transitions to the FP Diesel product line offering, Sealed Power part numbers will be superseded to FP Diesel and only the FP Diesel number will be available for purchase.

How To Use This Catalog

This catalog is designed to allow expedient identification of correct parts using the following information.

The catalog is sorted as follows:

- 1st** by VEHICLE or ENGINE MANUFACTURER.
- 2nd** by ENGINE DISPLACEMENT.
- 3rd** by BORE DIAMETER. Engines with the same displacement are sorted by bore diameter.
- 4th** by USAGE. Engines used in Medium Duty Truck applications will be listed before engines used in Heavy Duty Truck applications.
- 5th** by VALVETRAIN CONFIGURATION. DOHC engines will be listed before SOHC engines.
- 6th** by INDUCTION SYSTEM. Naturally aspirated engines will be listed before Turbocharged engines.

Each engine header provides all the information necessary to select the desired engine. Many of the headers include serial number listings to provide absolute assurance that the correct listing is being used.

The pages within the applications are easy to read, and contain all the information required to select the correct part. Each listing will contain three distinct sections – Valvetrain, Block and Kits. The components in each section will always be listed in the following order:

Valvetrain	Block	Kits
Timing	Pistons	Re-ring Kits
Camshafts	Rings	In-Frame Kits
Lifters	Liners	Overhaul Kits
Cam Kits	Engine Bearings	
Push Rods	Oil Pumps	
Rocker Parts	Oil Coolers	
Valves	After-Coolers	
Valve Guides	Gaskets	
Valve Springs	Freeze Plugs	
Valve Seals	Seals	
Valve Seats	Redi-Sleeves	
Valve Misc.		





FP Diesel Philosophy

Global Technology Behind Every Part

FP Diesel – part of the Federal-Mogul Engine Systems group – is the industry's leading brand of premium heavy-duty replacement engine parts and gaskets, providing total engine system solutions for such well-known brands as Case®, Caterpillar®, Cummins®, Detroit Diesel®, IH/Navistar®, John Deere®, Komatsu®, Mack®, Waukesha® and White Superior®.

Federal-Mogul maintains a steadfast commitment to unsurpassed product quality and customer service. We serve construction, marine, agricultural, mining, gas compression, trucking and industrial markets around the globe. As the global leader in heavy-duty powertrain systems, Federal-Mogul is instrumental in the development of every new generation of gasoline and diesel engine technology. When you choose FP Diesel, you get unparalleled global engineering and manufacturing resources built into every product.

Today's medium and heavy duty commercial markets demand performance. Performance means precision-engineered parts that meet your demanding specifications; and are backed by a team of knowledgeable customer service representatives who can provide technical information and assistance; computerized order and inventory tracking for fast and accurate order fill; unprecedented warranty programs and a company-wide commitment to customer satisfaction.



Construction



Agriculture



On-Highway



Marine

©2010 Federal-Mogul Corporation. FP Diesel and their respective designs are registered trademarks of Federal-Mogul Corporation. Case® is the registered trademark of Case Corporation, Inc.; Cat® and Caterpillar® are the registered trademarks of the Caterpillar, Inc.; Cummins® is the registered trademark of Cummins Engine Company; Detroit Diesel® is the registered trademark of Detroit Diesel Corporation; IH/Navistar® is the registered trademark of International Truck and Engine Corporation; John Deere® is the registered trademark of Deere & Company; Komatsu® is the registered trademark of Komatsu Limited, Inc.; Mack® is the registered trademark of Mack Trucks, Inc.; Waukesha® is the registered trademark of the Waukesha Engine Division of Dresser Industries, Inc.; White Superior® is the registered trademark of White Superior Corporation, Inc. Jacobs® is a registered trademark of Jacobs Vehicle Systems. All rights reserved.





Manufacturing

Global Technology Behind Every Part



Precise manufacturing and fabricating techniques, rigorous quality control procedures, utilization of the latest CAD technology and innovative solutions to industry challenges – coupled with Federal-Mogul's global manufacturing capabilities – have established FP Diesel as the industry leader in the medium and heavy duty commercial market.

FP Diesel applies stringent quality control procedures with expertly skilled technicians supervising the manufacturing process in all phases to ensure that our parts will perform and last.

FP Diesel is a military approved supplier for the 53 Series Detroit Diesel engine. But the parts we supply for the 53 aren't the only ones that go through government testing. Every FP Diesel part must pass through high-level quality control. Plus, every part is tracked throughout the entire distribution process.

Customer Service

FP Diesel customer service representatives are among the most experienced and knowledgeable in the industry, with hands-on medium and heavy-duty experience and in-depth knowledge of engine parts and applications. With one call to your



representative you'll have answers to any product, technical, order processing, billing, warranty, pricing, order tracking or availability questions you may have. Customer service that goes the extra mile also means you not only get the parts you need, but expert assistance from a person who knows the market.

Plus, our computerized inventory system allows us to ship orders promptly anywhere in the world, while our easy-to-use cataloging system makes ordering FP Diesel parts fast and simple. For the parts and information you need, count on FP Diesel to go the extra mile.





Coverage

Global Technology Behind Every Part

The FP Diesel product offering is a comprehensive line of diesel and natural gas engine replacement parts that provides all the coverage necessary to meet your heavy-duty engine rebuilding needs. FP Diesel also offers a full line of gaskets and elastomeric products. For more specific information, please refer to our full-line catalogs, which are engine and machine specific and follow OEM format. To ensure exact part number replacement, these catalogs reference OEM part numbers and features technical information relating to the specific engine being serviced.



Products and Catalogs

Caterpillar

Replacement Caterpillar products cover 3200, 3300, 3400, 3500, D Series and G Series engines. This coverage extends from cylinder heads, fuel injection, cam and crankshafts, cylinder kits, valvetrain and electrical to engine bearings, transmission, hydraulic gasket sets and more. **Refer to FP Diesel catalog No. CA0010 (parts) and CA0020 (gaskets).**

Cummins

FP Diesel provides replacement parts coverage for V378, V504, V555, Small Vee Engines, V/VT 903, 855 Series, N14, L10, B Series, C Series, V/VT1710, N743 and K/KTA 18-, 38- and 50-liter engines, as well as components for Jacobs® brakes. **Refer to FP Diesel catalog No. CA0030.**

Detroit Diesel

FP Diesel offers the most complete coverage in the replacement parts industry for Detroit Diesel, with an extensive line of components and kits for the 8.2-liter, 53 Series, 60 Series, 71 Series, 92 Series and 149 Series engines. **Refer to FP Diesel catalog No. CA0040 for 2-cycle engines or FP Diesel catalog No. CA0045 for 4-cycle engines.**

John Deere

FP Diesel offers a broad range of in-frame and complete overhaul kits and related components for 300 Series, 400 Series, 500 Series and Powertech engines is available from FP Diesel. **Refer to FP Diesel catalog No. CA0085.**

Komatsu

Extensive coverage for Komatsu S6D155 and SA6D155 engines, as well as a full line of replacement parts for Komatsu machines using Cummins

N743, KT/KTA 19-, 38- and 50-liter engines, and the Cummins 855. **Refer to FP Diesel catalog No. CA0085.**

Mack

FP Diesel has a broad line for Mack, early ENDT 675 and 676 engines, as well as parts for later EM6 with both two- and four-valve head configurations. **Refer to FP Diesel catalog No. CA0060.**

International/Navistar

International coverage extends from the 6.9 and 7.3 liter, DT-360 and DT-466 through the 9.0 liter engine. **Refer to FP Diesel catalog No. CA0050.** For agricultural applications, FP Diesel also services the DT-414 and DT-436 Case/I.H. engines. **For industrial and agricultural applications, refer to FP Diesel catalog No. CA0188.**

Case

FP Diesel has a complete range of kits and components for the 188, 207, 301, 366, 451 and 504-Case engines along with the 4-390 & 4T-390, 6-590 & 6T-590, 6T-830 & 6TA-830, LTA 10 and NTA 855 B/C III Cummins engines. **Refer to FP Diesel catalog No. CA0095.**

Commercial, Ag, Industrial Engines

The FP Diesel CA0188 catalog includes all the engine manufacturers not covered in the FP Diesel name-plate specific catalogs. Replacement engine components for Allis-Chalmers, Bedford, Bendix-Westinghouse, Briggs & Stratton, Buda, Case Tractor, Chevrolet MD Truck, Climax, Continental, Dodge MD Truck, Ford Tractor, GMC MD Truck, Hercules, IHC Tractor, Isuzu Forklift, KHD, Kohler, LeRoi, Massey Ferguson, Mercedes, Mazda Forklift, Minneapolis-Moline, Mitsubishi, Novo, Oliver, Perkins, Superior, Thermo-King, Volvo, Waukesha, White and Wisconsin are included in the **FP Diesel CA0188 catalog.**





Engine Kits

Global Technology Behind Every Part

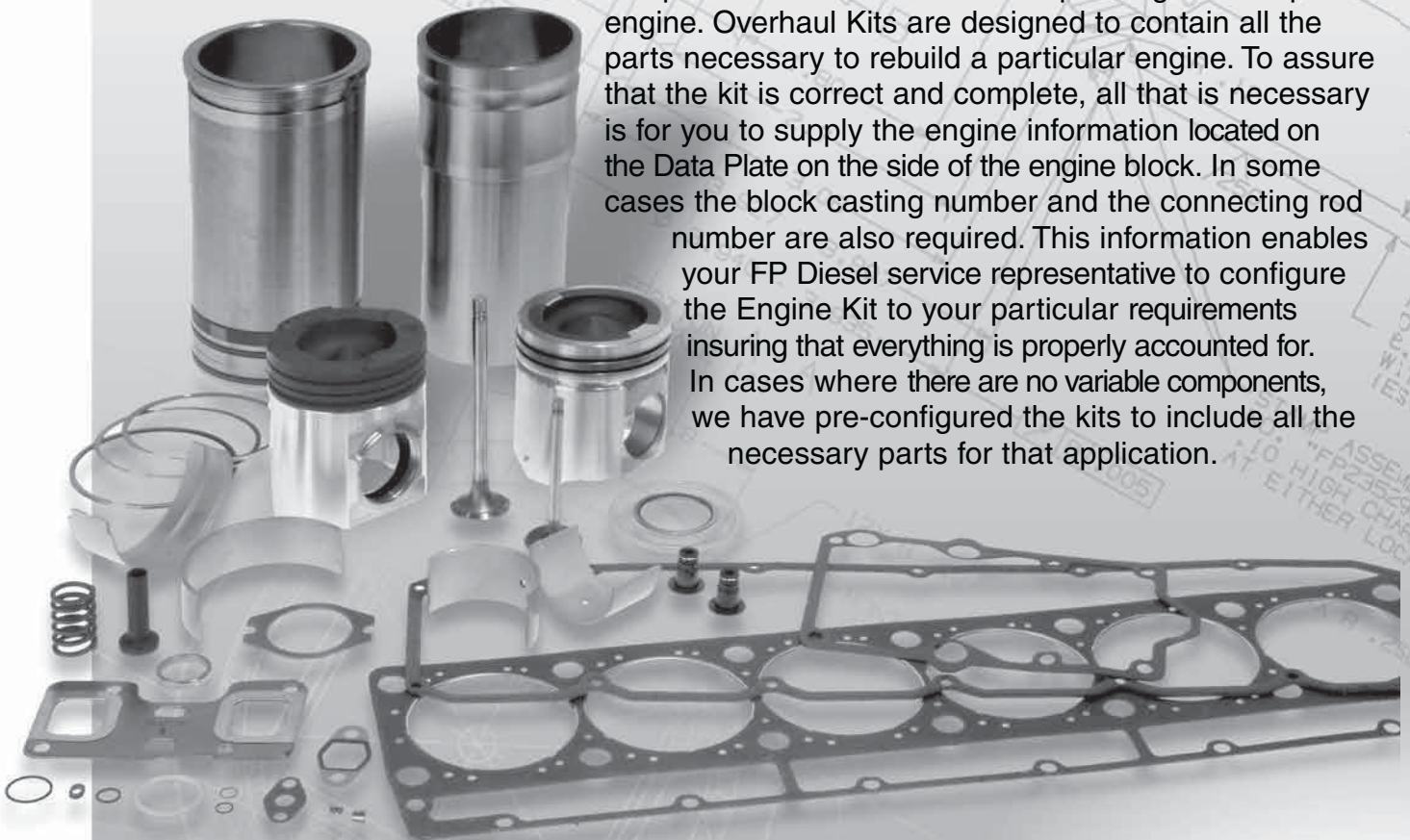
The FP Diesel Engine Kit program allows you to select a kit tailored to the job at hand. Whether performing a complete overhaul, or in-frame repair, FP Diesel engine kits contain all the necessary components to complete the rebuild job. This comprehensive program provides you with the following:

- Concise application information
- One price look-up
- A full complement of oversizes and undersizes
- Master kits that include full gasket sets

Engine kits are listed at the back of this catalog and under the In-Frame and Overhaul specific sections.

How To Specify FP Diesel Engine Kits

Many FP Diesel engine kits have several variations in components that are available depending on the specific engine. Overhaul Kits are designed to contain all the parts necessary to rebuild a particular engine. To assure that the kit is correct and complete, all that is necessary is for you to supply the engine information located on the Data Plate on the side of the engine block. In some cases the block casting number and the connecting rod number are also required. This information enables your FP Diesel service representative to configure the Engine Kit to your particular requirements insuring that everything is properly accounted for. In cases where there are no variable components, we have pre-configured the kits to include all the necessary parts for that application.





Engine Bearings

Global Technology Behind Every Part

Engine Bearing Material Selection

When selecting engine bearings, most rebuilders concentrate on getting the proper clearances and maintaining adequate oil pressure. Durability is expected from any bearing chosen, and the advantages of different bearing materials may not be considered. If engine operating conditions are considered and bearing materials chosen accordingly, the likelihood of engine longevity is greater. No single material can be correct for every application. FP Diesel engine bearings are equal to or better than the original equipment specifications

Bi-Metal Aluminum Alloys Plated and Unplated

Diesel fuels, moisture, and engine "blow-by" introduce many contaminants into the crankcase. Aluminum engine bearing materials provide outstanding resistance to the corrosive effects of these substances, and are the product of choice for most current original equipment vehicle manufacturers. The modern bi-metal aluminum engine bearing contains silicon.

As a result of using silicon, the alloy resists seizure and dramatically reduces or eliminates bearing wear. This contributes to today's extended engine life. Aluminum is often the best material for a daily driven vehicle. Adding an overplate to an aluminum engine bearing will further enhance embedability and conformability. Continued efforts to remove lead from our environment guarantee that aluminum will become the preferred engine bearing material for most applications.

for material and design. We also provide alternatives to address unique problems and special needs.

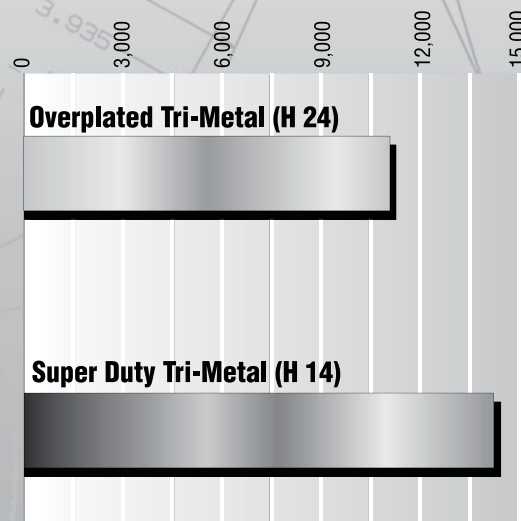
In heavy duty applications there are a number of materials that will do an excellent job. Each alloy has advantages in terms of resistance to corrosion, rate of wear and fatigue strength. The latter characteristic is critical in engines that operate under high loads, generate considerable heat and may be subjected to occasional detonation.

Tri-Metal Alloys

Tri-Metal engine bearings, such as our H-14 and H-24 alloys, have excellent fatigue resistance, but are less resistant to corrosion damage than aluminum bearings. These bearing materials are accepted by engine builders worldwide, and are proven to be reliable in a wide range of uses. While OE manufacturers are moving to aluminum for their needs, many rebuilders still specify the tri-metal bearings for older engines.

Typical Commercial Engine

Maximum Peak Load (PSI)



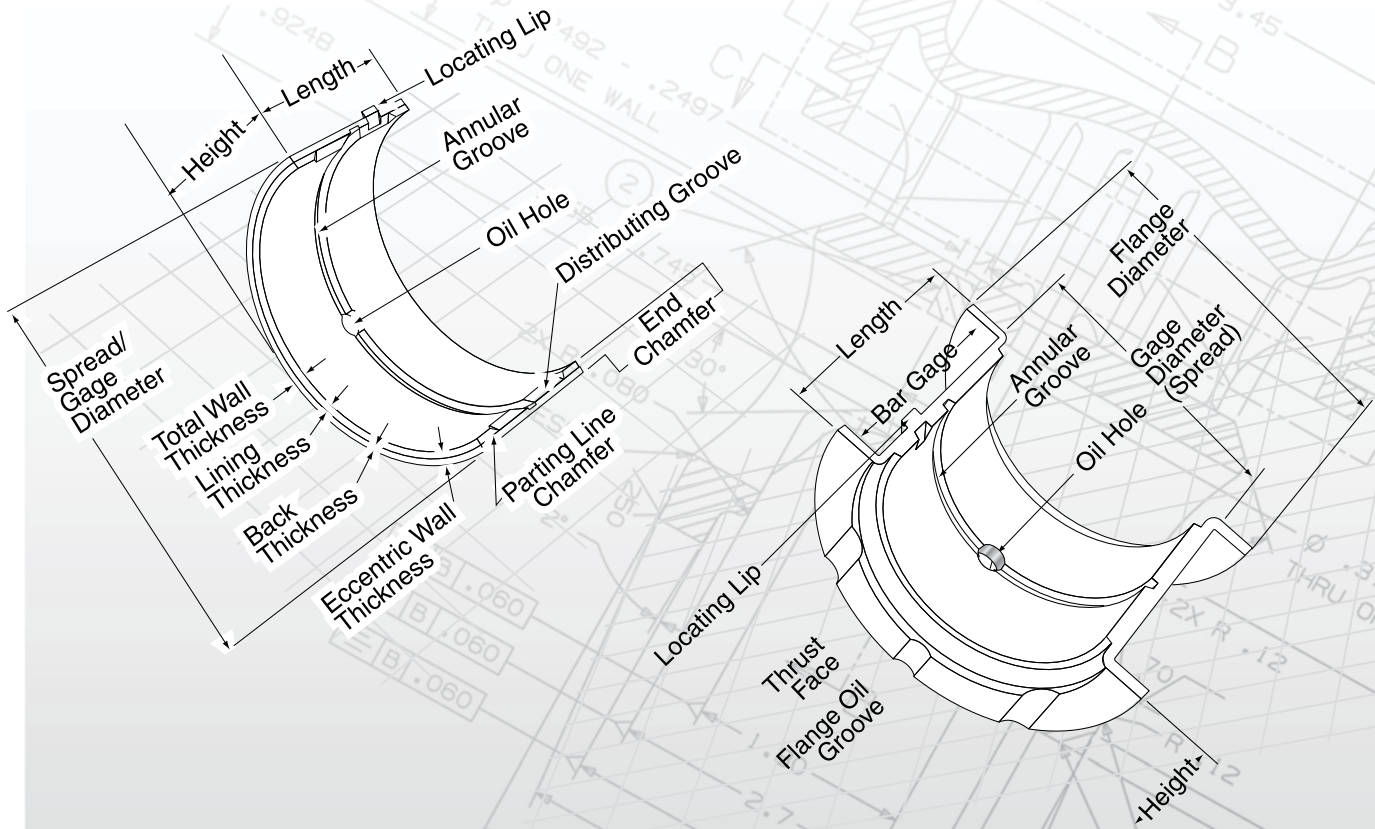


Engine Bearings

Global Technology Behind Every Part

Rod and Main Bearing

Thrust Bearing



PLASTIGAGE

**A Quick and Accurate Method
for Measuring Main and
Connecting Rod Bearing Clearances.**



Federal-Mogul offers Sealed Power Plastigage. It ends the guessing game when measuring clearances of main and connecting rod bearings. Specially formulated and oil soluble, Plastigage strips flatten precisely for accurate reading. Plastigage strips are available in four size ranges, packaged 12 to a carton, (enough to do 12 engines). Part number SPG-1 cartons contain strips in the .001-.003 inch range. Part number SPR-1 cartons hold strips in the .002-.006 inch range. SPB-1 cartons include strips in the .004-.009 inch range. SPY-1 cartons contain strips in the .009-.020 inch range. This complete range of sizes will fit every heavy duty engine.

- SPG-1 .001-.003 in.
- SPR-1 .002-.006 in.
- SPB-1 .004-.009 in.
- SPY-1 .009-.020 in.





Heavy Duty Pistons

Global Technology Behind Every Part

FP Diesel heavy duty pistons are designed and produced for severe operating conditions. Federal-Mogul is one of the world's leading manufacturers of heavy duty pistons offering one and two-piece designs including aluminum articulated, cast iron and steel materials. For severe and high load applications, FP Diesel pistons include a metallurgically bonded NI-resist insert in the top and in some cases, the second ring groove. The NI-resist insert minimizes groove wear and reduces pound-out from the compression ring. Anodized heads

and graphite-coated skirts offer additional durability in severe applications. Federal-Mogul also utilizes an in-house, patented magnesium-phosphate coating to reduce the piston corrosion caused by high-sulfate diesel fuels and break-in wear on problematic applications.

We design our heavy duty pistons using the latest in computer aided design (CAD) software. Each application is thoroughly researched to ensure the proper dimensional and metallurgical requirements. And since we also design and manufacture cylinder liners and piston rings, our engineers can make sure each piston we develop provides optimum performance as part of the "power-cylinder" system.





Medium Duty Pistons

Global Technology Behind Every Part

DUROSHIELD® Pistons

A growing number of our pistons are available with our exclusive factory-applied graphite anti-friction coating. This patented technological advance can extend the life of an engine and essentially eliminate piston scuffing problems. Coated pistons are ideal for severe duty performance engines and everyday applications. The coating is precisely applied to pistons with a computer-controlled application and unique curing process. There is no overspray with our process and no coating ends up in the ring grooves.

DUROSHIELD Pistons:

- Improve piston life
- Reduce friction
- Essentially eliminate scuffing and wear
- Help prevent damage from inadequate lubrication, especially during start-up
- Improve cylinder sealing for less blow-by and more power
- Require no increase in skirt clearance





Sleeves and Assemblies

Global Technology Behind Every Part

Cylinder sleeves are produced by Federal-Mogul in a QS9000 registered facility complete with casting, induction hardening, machining, measurement and design capabilities. We start with raw castings produced on a state-of-the-art molding line

specifically designed for the manufacture of static cast cylinder liners. The static castings produced by our foundry have a very consistent microstructure and superior scuffing resistance.

Certain applications are induction hardened or thru-hardened to enhance the wear characteristics and strength of the liner. Hardened liners are typically used in engines highly susceptible to dirt contamination, such as construction or agricultural applications.

Machining is performed on modern CNC equipment to ensure dimensional stability and exacting tolerances. Cylinder liners are typically finish honed to generate a plateau finish. The plateau finish promotes rapid ring seating during break-in while providing a long-wearing sealing surface.

FP Diesel offers sleeves for wet, dry and repair applications. Sleeve assemblies or kits include the sleeve, piston, piston pin and lock rings, piston rings and sealing rings.





Piston Rings

Global Technology Behind Every Part

FP Diesel offers a broad range of piston rings that dominate the industry with technically advanced design, dedicated research and superior quality. Our rings minimize cylinder leakage under true operating conditions, and provide maximum oil control.

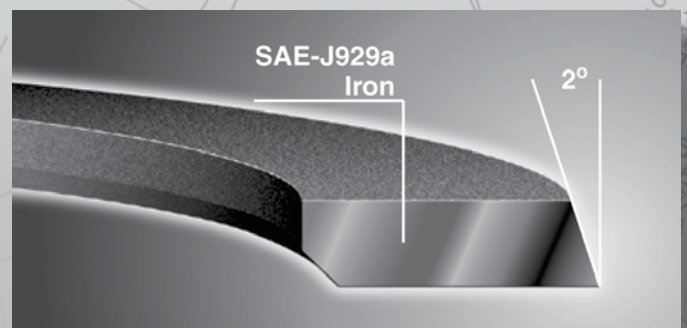
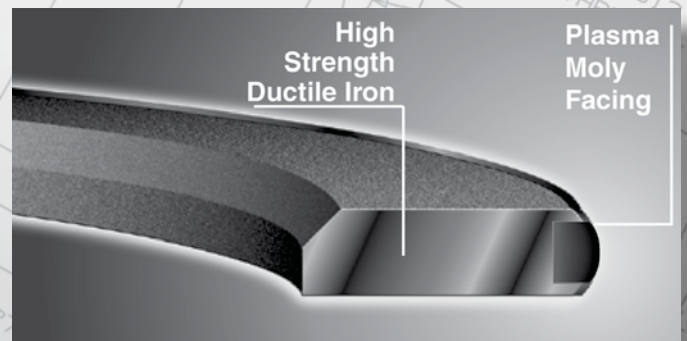
Top Ring

FP Diesel top rings provide reliable compression sealing and maximum power output, and control "blow-by." They are engineered for instant seating, superior cylinder sealing and optimum durability. We offer cast iron, high strength ductile iron, and steel material choices. All premium ring sets feature moly, chrome or plasma-moly facings for enhanced performance under demanding conditions. The inherent strength of our materials provides sealing integrity at extreme pressures and RPM. We supply rings for all popular applications: including medium and heavy duty, agricultural and high performance.

Second Ring

Second rings are manufactured from SAE-J929a iron to provide excellent durability and superior oil control. The primary function of the second ring is oil control. Our tapered face design makes this ring work as a "scraper," reducing the potential for oil migration into the combustion chamber.

The race-proven gap design creates an escape path for residual combustion gases, reducing inter-ring pressure and keeping the top ring seated against its groove. Without this escape path, trapped pressure will unseat the top ring, causing ring flutter and reduced cylinder seating at high RPM. Our one-piece second rings are far more effective and reliable than competitive designs which attempt to retain combustion pressure lost through ineffective top rings. Beware: cylinder leakage tests are steady-state; they do not account for time, piston movement or true operating pressures.





Medium and Heavy Duty Timing Components

Global Technology Behind Every Part

FP Diesel offers comprehensive coverage for every component from timing belts to complete kits.

Timing Sprockets

Cam and crank sprockets are manufactured to mesh precisely with the chain for efficient, quiet operation. Cam sprockets are powder metal, sintered metal or special nylon on aluminum. Crank sprockets are powder metal, steel or sintered metal. Both are heat-treated and manufactured for optimum performance and long life in a wide variety of applications.

Timing Chains

Timing chains are constructed from links of selected alloy steel, connected by large pins for maximum durability. Careful dynamometer testing assures you of the highest quality and dependable, long-life performance. Each chain is dipped in lubricating solution to ensure a rust-free shelf life. Chains are also pre-stressed to ensure proper fit.

Note: Always replace timing sprockets and chains or timing gears as complete sets – never one at a time – because the wear patterns that led to one component's failure will prematurely wear its replacement.

Timing Gears

Timing gears are available in aluminum, ductile, cast iron, 1144 steel and laminated fiber. Crown shaving of gear teeth equalizes heavy loads across the teeth and also accommodates minute shaft misalignments. All gears are heat-treated for durability.

Timing Component Kits

Timing sets are available for import and domestic applications. Three-piece (KT3-) and multiple-piece (KT-10) sets are available. All the parts you need for the repair are listed under one part number.





Camshafts

Global Technology Behind Every Part

Valve actuation is key to top engine performance. That's why the camshaft is one of the most critical components to check in any engine overhaul.

The camshaft controls valve timing and lift, providing input to the distributor, oil pump and fuel pump. Specifying the correct replacement camshaft is crucial in restoring OE performance after an overhaul.

FP Diesel camshafts are manufactured from carefully selected materials for compatibility with today's engines and valvetrains. Materials utilized include chilled cast, hardenable gray iron, ductile iron, forgings and steel. Our assembled camshafts feature composite materials.

Camshaft lobes are ground from one-piece masters, ensuring correct timing and elimination of indexing errors in camshaft profile. Carefully controlled shaft hardening provides long-wearing surfaces designed to mate with the engine's lifters or followers.

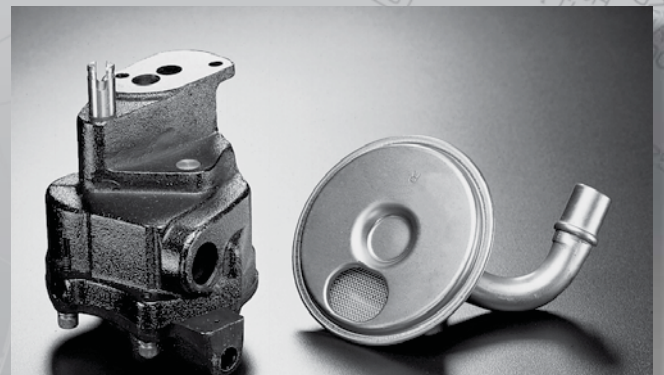
Our camshafts are precision ground to duplicate OE performance and emission specifications.

Produced for superior engine performance and smooth, quiet operation meeting the requirements of engine rebuilders worldwide.



Oil Pumps

Oil pumps and components are manufactured to meet or exceed the challenges of the repair environment. Every pump is flow- and pressure-tested with oil to ensure the quality you've come to rely on.





Medium Duty Lifters

Global Technology Behind Every Part

Valve lifters follow the contour of the camshaft, changing the rotary motion of the camshaft into the linear motion necessary to open and close an engine's intake and exhaust valves. Its primary function is to maintain precise valve timing under all engine operating conditions.



Lifters are manufactured to exacting tolerances. The internal components are machined and gauged to 33 millionths of an inch (.000033"). Components are indexed and matched to ensure efficient performance and quiet operation.

Lifters feature a flat disc check valve. Lighter and more accurately machined, it provides faster and more effective metering. Face hardness is monitored through Rockwell hardness testing to ensure all lifters provide maximum service life.

Lash adjusters are designed to eliminate excess valvetrain clearance for overhead cam engine designs.

There are five basic configurations of lifters:

- **Mechanical flat** – a hardened iron, solid tappet requiring periodic adjustment
- **Mechanical roller** – features steel rollers on the tappet to reduce friction
- **Hydraulic flat** – a hydraulic cylinder

which utilizes engine oil to provide a quiet, maintenance-free valvetrain. In more modern engines an oil-metering system is incorporated in the lifter as a means of supplying a precisely metered amount of oil to the wear points in the valvetrain

- **Hydraulic roller** – combines technological features of hydraulic and roller, developed to reduce friction and increase fuel economy
- **Hydraulic lash adjuster** – provides lash adjustment in overhead camshaft engines

Medium & Heavy Duty Valves and Valvetrain

FP Diesel valves and valvetrain components are designed to address the challenges encountered in repaired engines. We offer a complete line of valvetrain parts for medium and heavy duty engines.

Valves

We offer a wide selection of valves for hundreds of applications. FP Diesel valves are precision manufactured from alloys that provide excellent corrosion resistance, fatigue strength and heat resistance.

High-alloy steel construction gives our conventional valves excellent corrosion and heat resistance plus positive sealing. Special coatings protect heads from scale buildup, guttering and preignition. Stellite facings protect against valve "burning." Valve stems are chrome-plated for wear resistance. We also offer valve assemblies and valve kits.

Oversized valves are offered for many applications. The oversize valve is the best way to repair cylinder heads having guide bores which are not excessively worn.



Medium and Heavy Duty Valves and Valvetrain

Global Technology Behind Every Part

Valves (continued)

Machining time and expense is less than required with other methods and the repair is more durable. Use of oversize stem valves eliminates installation of sleeves or guides, which act as barriers to the transfer of heat to the cooling system. The valves will run cooler and last longer.

Sodium-filled valves offer long service life because the sodium drains excess heat away from the valve head. Valves are filled with a sodium-mercury combination for maximum resistance to excessive engine temperatures.



When used with rotocaps, our valves become self-cleaning to provide superior resistance to hot spot buildup, burning, guttering and sticking. Each time the valve opens it rotates to wipe the face clean. Positive seating, high dependability and easy installation combine to provide a long, low-cost service life in demanding applications.

Valve Springs

Our valve springs are manufactured from high-quality spring steels and are tested for correct tension. All springs are required to meet stringent dimensional and uniformity requirements to ensure trouble-free performance. We offer single springs, springs with dampers and spring assemblies.

Valve Spring Inserts

Valve spring inserts help restore springs to the proper height to assure normal spring pressure. Grinding the valves and re-facing the valve seat can remove enough material to cause the assembled height of the valve spring to increase and be out of specification. This leads to a reduction in the valve spring pressure and reduced engine performance. The correct insert installed under each valve spring will help restore springs to the proper height, assuring normal valve spring pressure and optimum engine performance. Three insert designs are available for nearly every application.

Part number suffixes:

A = Type A .060 Thick – Copper color, for springs in service

B = Type B .030 Thick – Silver color, for new springs

C = Type C .015 Thick – Black color, for balancing

Valve Guides

FP Diesel offers premium valve guides made from an upgraded material of gray iron with high phosphorous content, which gives high wear resistance and improved running properties in poorly lubricated conditions.

Hardness and the ability to retain oil in the phosphorous cavities make these valve guides ideal for use in most gasoline truck engines. Performance guides are manufactured from bronze material.

In heavy duty applications, chrome is added for increased hardness. This material is ideal for highly stressed engines with aggressive combustion.

We have replacement valve guides for a wide range of applications. We offer replacement (standard and oversizes), conversion, threaded and bronze valve guides, precision-



Medium and Heavy Duty Valves and Valvetrain

Global Technology Behind Every Part

Valve Guides (continued)

machined for a perfect fit. Inside diameter finishes are engineered for valve stem compatibility.

Conversion guides are also available in threaded I.D. (for additional lubrication) and non-threaded styles. Long-wearing iron and bronze alloys allow our conversion guides to give new life to heads with worn guide bores.

Valve Seats

The function of the valve seat is to seal the combustion chamber at the valve opening so that gases cannot escape during compression, ignition and combustion.

We offer precision-machined intake and exhaust valve seats made from hardened alloy material. The standard material is a hard, high-chrome content. These seats provide excellent performance and wear characteristics in all gasoline and diesel engines.

Valve Stem Seals

Our designs include positive seals specially designed for superior sealing and excellent heat resistance on both intake and exhaust valves.

Valve stem seals eliminate excessive oil consumption and are a perfect match with our valves. We offer two types of seals: the umbrella type, which is not pressed to the guide, and the positive type, which is pressed onto the guide. Positive valve stem seals feature premium materials, often with bonded inserts which are superior for preventing oil consumption.

Valve Keepers

Valve keepers (locks) are mounted in the retainer or valve spring cap to keep the valve stem in the proper position. When a head is disassembled, attention should be paid to the valve locks. A thorough inspection should be made for wear on the lock beads and outside diameters.



Worn parts should be replaced. As a precautionary measure, it is advisable to replace all the locks. If an unworn lock is inadvertently mated with a worn lock, the retaining cap may shift, resulting in valve tip breakage.

Rocker Arms and Assemblies

Rocker arms and assemblies are part of the engine valvetrain. The rocker arm accepts movement from the camshaft through the push rod. The rocker arm pivots on the fulcrum (or ball) and opens the valve. Another type of rocker arm is the cam follower. The rocker arm pad actually rides on the cam lobe and opens the valve as it pivots on a lash adjuster.

Our rocker arms are available in a variety of configurations and materials ranging from stamped steel individual rockers to cast cam followers. Each rocker arm is manufactured to meet the operating environment of the engine. Push rod seats, pivot areas and contact pads are all hardened for long service life and optimum compatibility with associated components.

Rocker arms are ground and hardened at the pad areas to ensure wear resistance and proper contact. This minimizes side loads on valve stems.



Medium and Heavy Duty Wear Sleeves

Global Technology Behind Every Part

Rocker Arm Shafts

Rocker arm shafts and assemblies are also part of the valvetrain. This type of design is known as a shaft rocker arm. The rocker arms are positioned on a shaft suspended above the head. Spacers or springs are used to correctly locate the arms on the shaft so they line up with the valves and push rods.

Rocker arm shafts are manufactured from premium quality steel. Induction heat treating hardens the shaft surface at critical wear points while maintaining the full tensile strength of the inner core.

Push Rods

The push rod is part of the engine valvetrain. Its function is to transfer the upward motion of the valve lifter and pivot the rocker arm, which in turn opens the valve. In many applications the push rod is hollow and

lubricant is pumped through the rod to lubricate the upper valvetrain.

The ends of the push rod are usually spherical in shape. In some cases, a ball is welded in place on the end of the shaft. The spherical ends fit into sockets in the valve lifter and the rocker arm. In the case where mechanical lifters are used, there is a socket at one end of the push rod, which connects with the ball on the rocker arm adjusting screw.

Our push rods are manufactured from high-strength tubular steel and feature special wear- and corrosion-resistant surfaces. They provide extra toughness where needed most.

The tips are hardened for long life and compatibility with mating components. Many push rods for engines with non-adjustable valvetrains are offered in over- and under-sizes.

National® Redi-Sleeves®

Redi-Sleeves are precision stainless steel wear sleeves designed to be pressed on a shaft where seal wear such as tracks or grooves is evident.

Redi-Sleeves provide fast, inexpensive repairs for grooved shafts from ½" (12.7 mm) to 8" (203 mm) diameter. Redi-Sleeves combine stainless steel construction with 0.010" (0.25 mm) wall

thickness. The thin construction of the sleeves allows the original seal size to be used with minimal additional lip loading.

The surface provided by the Redi-Sleeves is the best possible sealing surface, ground to a 10-20 micro inch Ra (.25 -.50 Micrometer Ra) finish without lead.



The stainless material offers a corrosion-free sealing surface that surpasses most original shaft finishes and materials.

Redi-Sleeves are easily pressed onto a shaft via a removable flange to provide a new seal running surface. An installation tool designed to work with the flange is provided with each Redi-Sleeve.

Supplementing our excellent stock of Redi-Sleeves, special non-stock or made-to-order Redi-Sleeves are also available.

For more information regarding Redi-Sleeves selection, installation and removal, please refer to the National #415 catalog.



FP Diesel Temperature Recorder

Global Technology Behind Every Part

Temperature Recorder

Helps protect you from warranty claims due to overheated engines.

FP Diesel Temperature Recorders are heat tabs that provide an instant, accurate and positive determination of whether a rebuilt engine has overheated beyond normal operating temperatures. Possibly voiding a warranty.

- Graduated positions cover marine, diesel and gas applications.
- Self adhesive temp recorder permanently records overheating
- Grey indicators turn permanently black when temperature points are reached.
- Pressure sensitive adhesive backing rated to 500 degrees F. (260 Celsius) on smooth clean dry surfaces
- Indicator response time is less than one second
- Color change accuracy: + or - 1% of indicated value.
- Resistant to solvents, fuels, grease, oil, water and steam



FP Diesel Temperature Recorder
Part No. FP4956
Sold 5 per box



Three black dots indicate the recommended operating temperature for a diesel application has been exceeded.



It is recommended that the FP Diesel temperature recorder, Part No. FP4956, be installed on a new, clean freeze plug in order to insure a smooth surface and proper adhesion. This location, due to its temperature sensitivity assures that overheating is recorded as soon as it occurs. Temperature recorders can also be applied directly to the end of the head(s) and / or on the block.





Abbreviations Used

Global Technology Behind Every Part

ABBREVIATION DESCRIPTION

&	And
2WD	Two Wheel Drive
4WD	Four Wheel Drive
A.I.R.	Air Injector Reactor
A/C	Air Conditioning
A/R	As Required
A/T	Automatic Transmission
ABS	Anti-lock Brake System
AC	Alternating Current
Acc	Accessory
Adj.	Adjustable
Adv.	Advance
Aft	After
Alt	Altitude
Alum	Aluminum
Amp.	Ampere
AOD	Automatic Overdrive
Appl.	Application
Approx.	Approximately
Asst.	Assist
Assy.	Assembly
ATV	All Terrain Vehicle
Auto	Automatic
Auto. Trans.	Automatic Transmission
Aux.	Auxiliary
Avail.	Available
Avg.	Average
AWD	All Wheel Drive
Bal.	Balance
Batt.	Battery
Bbl.	Barrel
Bbl. Carb.	Barrel Carburetor
Bef.	Before
Brg.	Bearing
Brkt.	Bracket
C	Celsius
C.I.	Cast Iron
C.R.	Compression Ratio
C/L	Centerline
Calib.	Calibration
Calif.	California
Cam	Camshaft
Can.	Canada
Carb.	Carburetor
Cat.	Catalytic
cc	Cubic Centimeter
CCW	Counter Clockwise
CD	Compression Distance
CFFI	Cross Fire Injection
CFI	Central Fuel Injection
CFM	Cubic Feet per Minute
CID	Cubic Inch (Displacement)
Cid.	Cooled
Cig.	Cooling
Clr.	Cooler
cm	Centimeter
Cntr. Bore	Counter Bore
Compl.	Complete
Con. Rod	Connecting Rod
Cruise	Cruise Control

ABBREVIATION DESCRIPTION

Ctr.	Center
CW	Clockwise
Cyl.	Cylinder
Cyl. Hd.	Cylinder Head
DC	Direct Current
Deg.	Degree
DFI	Digital Fuel Injection
DI	Direct Injection
Dia.	Diameter
Dim.	Dimension
Dir. Inj.	Direct Injection
Disc.	Discontinued
Dist.	Distributor
DOHC	Dual Overhead Camshaft
Dr.	Door or Drive
E.E.C.	Electronic Engine Control
E.I.S.	Electronic Ignition System
Ea.	Each
Ecc.	Eccentric
ECM	Electronic Computer Module
ECM	Electronic Control Module
ECM	Engine Control Module
Econ.	Economy
ECS	Electronic Controlled Spark
EFI	Electronic Fuel Injection
Elec.	Electric
Emis.	Emission
Eng.	Engine
Equip.	Equipment
Etc.	Et Cetera
Exc.	Except
Exh.	Exhaust
Exp.	Export
Ext.	Exterior
Ext.	External
F	Fahrenheit
Fed.	Federal
FI	Fuel Injection
Flex.	Flexible
Flg.	Flange
Flwr.	Follower
Frg.	Forged or Forging
Frnt.	Front
FWD	Front Wheel Drive
Gal.	Gallon
Gas	Gasoline
GPH	Gallons Per Hour
GPM	Gallons Per Minute
Grv(s)	Groove(s)
Gskt.	Gasket
GWW	Gross Vehicle Weight
H/D	Heavy Duty
Hd.	Head
HEI	High Energy Ignition
Hi	High



Abbreviations Used

Global Technology Behind Every Part

ABBREVIATION DESCRIPTION

Hi Alt.....	High Altitude
Hi-Perf.....	High Performance
Hi-Temp.....	High Temperature
HO.....	High Output
Horiz.....	Horizontal
HP.....	Horsepower
HSC.....	High Swirl Combustion
Hyd.....	Hydraulic
I/C.....	Intercooler
I.D.....	Identification
ID.....	Inside Diameter
IDI.....	Indirect Injection
In. Frm.....	In Frame
in.....	Inch
Incl.....	Includes
Ind.....	Industrial
Inj.....	Injection
Int.....	Intake
Inter.....	Intermediate
L.....	Liter
L.H.....	Left Hand
L/D.....	Light Duty
Lgth.....	Length
LPG.....	Liquid Propane Gas
M/D.....	Medium Duty
M/T.....	Manual Transmission
Man.....	Manual
Man. Trans.....	Manual Transmission
Max.....	Maximum
Mech.....	Mechanical
MFI.....	Multi-Port Fuel Injection
Min.....	Minimum
mm.....	Millimeters
MPH.....	Miles Per Hour
Mtl.....	Material
N/A.....	Not Available
N/R.....	Not Required
Nat.....	Natural
Nat. Asp.....	Naturally Aspirated
Neg.....	Negative
Neut.....	Neutral
No.....	Number
Nom.....	Nominal
Norm.....	Normal
O.A.L.....	Overall Length
O.E.....	Original Equipment
O/D.....	Overdrive
O/S.....	Oversize
Obs.....	Obsolete
OD.....	Outside Diameter
OEM.....	Original Equipment Manufacturer
OHC.....	Overhead Cam
OHV.....	Overhead Valve
Opt.....	Optional
Orig.....	Original

ABBREVIATION DESCRIPTION

oz.....	Ounce
P. T.O.....	Power Take Off
P/S.....	Power Steering
Pass.....	Passenger
Pc(s).....	Piece(s)
PCV.....	Positive Crankcase Ventilation
Perf.....	Performance
Pkg.....	Package
Pos.....	Positive
Prem.....	Premium
Pri.....	Primary
PSI.....	Pound Per Square Inch
Pwr.....	Power
Qtr.....	Quarter
Qty.....	Quantity
R.B.P.....	Ring Below Pin
R.H.....	Right Hand
Ref.....	Reference
Reg.....	Regular
Reman.....	Remanufactured
Req'd.....	Required
Rev.....	Revision
Rev. Rot.....	Reverse Rotation
Rlr.....	Roller
RMB.....	Rear Main Bearing
Rot.....	Rotation
RPM.....	Revolutions Per Minute
Rr.....	Rear
RWD.....	Rear Wheel Drive
S/C.....	Supercharged
Seal. Rings.....	Sealing Rings
Ser.....	Serial or Series
Ser. No.....	Serial Number
SFI.....	Sequential Fuel Injection
Slv.....	Sleeve
SOHC.....	Single Overhead Cam
Spd.....	Speed
Spec.....	Special
Sta.....	Station
Std.....	Standard
Sys.....	System
T/C.....	Turbocharged
Tach.....	Tachometer
TBI.....	Throttle Body Injection
Temp.....	Temperature
TPI.....	Tuned Port Injection
Trans.....	Transmission
Trk.....	Truck
TTY.....	Torque-to-Yield
TURBO.....	Turbocharged
U/S.....	Under Size
Veh.....	Vehicle
VIN.....	Vehicle Identification Number
VIV.....	Valve
VSS.....	Valve Stem Seal
w/.....	With
w/o.....	Without
Wagon.....	Station Wagon
Wt.....	Weight

Engine Finding Index

Engine	Line No.	Engine	Line No.
1.0L 61 L4 2.5" Bore (Waukesha Eng.).....	1	3.8L 230 OHV L6 3.4375" Bore (Buda Eng.).....	29
1.0L 62 L-HEAD L4 2.375" Bore (Continental Eng.)	2	3.8L 230 OHV Diesel L6 3.4375" Bore.....	30
1.8L 108 L-HEAD V4 3.25" Bore (Wisconsin Eng.).....	3	3.8L 230 OHV Diesel L6 3.4375" Bore (Buda Eng.).....	31
1.8L 113 L4 3" Bore (Waukesha Eng.).....	4	3.9L 235.9 OHV Diesel L4 3.875" Bore (Perkins Eng.).....	32
1.9L 116 L4 3.25" Bore.....	5	3.9L 237 L-HEAD L6 3.4375" Bore (Hercules Eng.)	33
2.0L 119.7 L-HEAD L4 3.1875" Bore (Ford Tractor) (Ford Eng.) ...	6	4.1L 248.2 OHV Diesel L4 3.975" Bore (Perkins Eng.).....	34
2.0L 125 L4 3.375" Bore.....	7	4.3L 262 OHV L6 3.5625" Bore.....	35
2.2L 133 L4 3.25" Bore (Waukesha Eng.).....	8	4.3L 262 OHV Diesel L6 3.5625" Bore.....	36
2.3L 138 L4 3.375" Bore.....	9	4.3L 265 L6 3.75" Bore.....	37
2.3L 142 OHV Diesel L2 4.25" Bore (2-71) (Detroit Diesel Eng.).....	10	4.5L 273 Diesel L6 3.75" Bore (Buda Eng.)	38
2.4L 149 L4 3.5" Bore.....	11	4.5L 273 OHV Diesel L6 3.75" Bore.....	39
2.5L 152.7 OHV Diesel L3 3.6" Bore (Perkins Eng.).....	12	4.7L 284 OHV Diesel L4 4.25" Bore (4-71) (Detroit Diesel Eng.)	40
2.5L 153 OHV L4 3.4375" Bore.....	13	4.9L 301 L6 3.875" Bore.....	41
2.5L 153 OHV Diesel L4 3.4375" Bore.....	14	4.9L 301 Diesel L6 3.875" Bore.....	42
2.5L 153 OHV Diesel L4 3.4375" Bore (Buda Eng.).....	15	4.9L 301 Turbo-Diesel L6 3.875" Bore (2900 ENG.).....	43
2.6L 160 L4 3.625" Bore.....	16	5.6L 339 OHV L6 4" Bore (Hercules Eng.).....	44
2.8L 172 OHV L4 3.9063" Bore (Ford Eng.).....	17	5.6L 344 Diesel L4 4.4375" Bore.....	45
2.9L 175 OHV Diesel L4 3.5625" Bore.....	18	5.6L 344 Diesel L4 4.4375" Bore (Buda Eng.)	46
3.0L 182 L4 3.75" Bore (Buda Eng.)	19	7.0L 426 Diesel L6 4.25" Bore.....	47
3.0L 182 Diesel L4 3.75" Bore (Buda Eng.)	20	7.0L 426 OHV Diesel L6 4.25" Bore (6-71) (Detroit Diesel Eng.)	48
3.0L 182 OHV Diesel L4 3.75" Bore.....	21	7.0L 426 Turbo-Diesel L6 4.25" Bore (3500 ENG.).....	49
3.3L 200 L4 3.875" Bore.....	22	8.5L 516 Diesel L6 4.4375" Bore.....	50
3.3L 200 Diesel L4 3.875" Bore.....	23	8.5L 516 Diesel L6 4.4375" Bore (Buda Eng.)	51
3.3L 200 Turbo-Diesel L4 3.875" Bore.....	24	9.1L 555 OHV Diesel V8 4.625" Bore (Cummins Eng.)	52
3.3L 201 L4 4" Bore.....	25	10.8L 660 OHV Diesel L6 5" Bore (Detroit Diesel Eng.)	53
3.5L 213 OHV Diesel L3 4.25" Bore (3-71) (Detroit Diesel Eng.).....	26	12.2L 743 OHV Diesel L6 5.125" Bore (Cummins Eng.).....	54
3.7L 226 L4 4" Bore.....	27	13.8L 844 Diesel L6 5.25" Bore.....	55
3.8L 230 OHV L6 3.4375" Bore.....	28		

Engine Code Index

Engine Code	Engine Description	Line No.	Engine Code	Engine Description	Line No.
AD3.152 Diesel ... Wheel Tractor.....	2.5L 152.7 OHV Diesel L3 3.6" Bore (Perkins Eng.).....	12	DA230 ... Wheel Tractor.....	3.8L 230 OHV Diesel L6 3.4375" Bore.....	30
A3.152 Diesel ... Wheel Tractor.....	2.5L 152.7 OHV Diesel L3 3.6" Bore (Perkins Eng.).....	12	DA262 ... Cotton Picker.....	4.3L 262 OHV Diesel L6 3.5625" Bore.....	36
A4.236 ... Wheel Tractor.....	3.9L 235.9 OHV Diesel L4 3.875" Bore (Perkins Eng.).....	32	DA262 ... Grader.....	4.3L 262 OHV Diesel L6 3.5625" Bore.....	36
A4.236 ... Wheel Loader.....	3.9L 235.9 OHV Diesel L4 3.875" Bore (Perkins Eng.).....	32	DA262 ... Forklift.....	4.3L 262 OHV Diesel L6 3.5625" Bore.....	36
A4.248 ... Wheel Tractor.....	4.1L 248.2 OHV Diesel L4 3.975" Bore (Perkins Eng.).....	34	DA262 ... Wheel Tractor.....	4.3L 262 OHV Diesel L6 3.5625" Bore.....	36
B ... Hay Baler.....	2.0L 125 L4 3.375" Bore.....	7	D153 ... Grader.....	2.5L 153 OHV Diesel L4 3.4375" Bore.....	14
B ... Combine.....	2.0L 125 L4 3.375" Bore.....	7	D153 ... Wheel Tractor.....	2.5L 153 OHV Diesel L4 3.4375" Bore.....	14
B ... Harvester.....	2.0L 125 L4 3.375" Bore.....	7	D175 ... Forklift.....	2.9L 175 OHV Diesel L4 3.5625" Bore.....	18
B ... Wheel Tractor.....	2.0L 125 L4 3.375" Bore.....	7	D175 ... Wheel Tractor.....	2.9L 175 OHV Diesel L4 3.5625" Bore.....	18
BE ... Wheel Tractor.....	2.0L 125 L4 3.375" Bore.....	7	D175 ... Crawler Tractor.....	2.9L 175 OHV Diesel L4 3.5625" Bore.....	18
B125 ... Hay Baler.....	2.0L 125 L4 3.375" Bore.....	7	D230 ... Grader.....	3.8L 230 OHV Diesel L6 3.4375" Bore.....	30
B125 ... Combine.....	2.0L 125 L4 3.375" Bore.....	7	D230 ... Wheel Tractor.....	3.8L 230 OHV Diesel L6 3.4375" Bore.....	30
B125 ... Harvester.....	2.0L 125 L4 3.375" Bore.....	7	D262 ... Combine.....	4.3L 262 OHV Diesel L6 3.5625" Bore.....	36
B125 ... Power Unit.....	2.0L 125 L4 3.375" Bore.....	7	D262 ... Cotton Picker.....	4.3L 262 OHV Diesel L6 3.5625" Bore.....	36
B125 ... Wheel Tractor.....	2.0L 125 L4 3.375" Bore.....	7	D262 ... Grader.....	4.3L 262 OHV Diesel L6 3.5625" Bore.....	36
B15 ... Combine.....	1.9L 116 L4 3.25" Bore.....	5	D262 ... Forklift.....	4.3L 262 OHV Diesel L6 3.5625" Bore.....	36
B15 ... Harvester.....	1.9L 116 L4 3.25" Bore.....	5	D262 ... Wheel Tractor.....	4.3L 262 OHV Diesel L6 3.5625" Bore.....	36
B15 ... Power Unit.....	1.9L 116 L4 3.25" Bore.....	5	D2800 ... Harvester.....	4.9L 301 Diesel L6 3.875" Bore.....	42
B15 ... Wheel Tractor.....	1.9L 116 L4 3.25" Bore.....	5	D2800 ... Wheel Tractor.....	4.9L 301 Diesel L6 3.875" Bore.....	42
DA153 ... Grader.....	2.5L 153 OHV Diesel L4 3.4375" Bore.....	14	D2900 ... Grader.....	4.9L 301 Diesel L6 3.875" Bore.....	42
DA153 ... Wheel Tractor.....	2.5L 153 OHV Diesel L4 3.4375" Bore.....	14			
DA175 ... Wheel Tractor.....	2.9L 175 OHV Diesel L4 3.5625" Bore.....	18			
DA175 ... Crawler Tractor.....	2.9L 175 OHV Diesel L4 3.5625" Bore.....	18			
DA230 ... Grader.....	3.8L 230 OHV Diesel L6 3.4375" Bore.....	30			

(continued on next page)

Allis-Chalmers

Engine Code Index

Engine Code	Engine Description	Line No.	Engine Code	Engine Description	Line No.
D2900 ... Wheel Tractor	4.9L 301 Diesel L6 3.875" Bore	42	N62 ... Wheel Tractor	1.0L 62 L-HEAD L4 2.375" Bore (Continental Eng.)	2
D2900 ... Wheel Loader	4.9L 301 Diesel L6 3.875" Bore	42	QXLD ... Combine	3.9L 237 L-HEAD L6 3.4375" Bore (Hercules Eng.)	33
D3.152 Diesel ... Wheel Tractor	2.5L 152.7 OHV Diesel L3 3.6" Bore (Perkins Eng.)	12	QXLD3 ... Combine	3.9L 237 L-HEAD L6 3.4375" Bore (Hercules Eng.)	33
D3400 ... Combine	7.0L 426 Diesel L6 4.25" Bore	47	QXLD5 ... Combine	3.9L 237 L-HEAD L6 3.4375" Bore (Hercules Eng.)	33
D3400 ... Wheel Tractor	7.0L 426 Diesel L6 4.25" Bore	47	VF4 ... Hay Baler	1.8L 108 L-HEAD V4 3.25" Bore (Wisconsin Eng.)	3
D3400 ... Wheel Loader	7.0L 426 Diesel L6 4.25" Bore	47	VF4 ... Combine	1.8L 108 L-HEAD V4 3.25" Bore (Wisconsin Eng.)	3
D3500 ... Combine	7.0L 426 Diesel L6 4.25" Bore	47	VF4D ... Hay Baler	1.8L 108 L-HEAD V4 3.25" Bore (Wisconsin Eng.)	3
D3500 ... Wheel Tractor	7.0L 426 Diesel L6 4.25" Bore	47	VF4D ... Combine	1.8L 108 L-HEAD V4 3.25" Bore (Wisconsin Eng.)	3
D3500 ... Wheel Loader	7.0L 426 Diesel L6 4.25" Bore	47	VF41 ... Hay Baler	1.8L 108 L-HEAD V4 3.25" Bore (Wisconsin Eng.)	3
D3750 ... Combine	7.0L 426 Diesel L6 4.25" Bore	47	VF41 ... Combine	1.8L 108 L-HEAD V4 3.25" Bore (Wisconsin Eng.)	3
D3750 ... Wheel Tractor	7.0L 426 Diesel L6 4.25" Bore	47	VH4 ... Hay Baler	1.8L 108 L-HEAD V4 3.25" Bore (Wisconsin Eng.)	3
D3750 ... Wheel Loader	7.0L 426 Diesel L6 4.25" Bore	47	VH4 ... Combine	1.8L 108 L-HEAD V4 3.25" Bore (Wisconsin Eng.)	3
FC ... Forklift	2.2L 133 L4 3.25" Bore (Waukesha Eng.)	8	VH4D ... Hay Baler	1.8L 108 L-HEAD V4 3.25" Bore (Wisconsin Eng.)	3
FCL ... Forklift	1.8L 113 L4 3" Bore (Waukesha Eng.)	4	VH4D ... Combine	1.8L 108 L-HEAD V4 3.25" Bore (Wisconsin Eng.)	3
FK ... Forklift	2.2L 133 L4 3.25" Bore (Waukesha Eng.)	8	VH4DM ... Hay Baler	1.8L 108 L-HEAD V4 3.25" Bore (Wisconsin Eng.)	3
FKJ ... Forklift	2.2L 133 L4 3.25" Bore (Waukesha Eng.)	8	VH4DM ... Combine	1.8L 108 L-HEAD V4 3.25" Bore (Wisconsin Eng.)	3
FL ... Forklift	1.8L 113 L4 3" Bore (Waukesha Eng.)	4	V555 ... Wheel Tractor	9.1L 555 OHV Diesel V8 4.625" Bore (Cummins Eng.)	52
FLT ... Forklift	1.8L 113 L4 3" Bore (Waukesha Eng.)	4	V555-C ... Wheel Tractor	9.1L 555 OHV Diesel V8 4.625" Bore (Cummins Eng.)	52
G138 ... Combine	2.3L 138 L4 3.375" Bore	9	W226 ... Wheel Tractor	3.7L 226 L4 4" Bore	27
G138 ... Wheel Tractor	2.3L 138 L4 3.375" Bore	9	119.7 ... Combine	2.0L 119.7 L-HEAD L4 3.1875" Bore (Ford Tractor) (Ford Eng.)	6
G149 ... Hay Baler	2.4L 149 L4 3.5" Bore	11	16000H ... Scraper	13.8L 844 Diesel L6 5.25" Bore	55
G149 ... Combine	2.4L 149 L4 3.5" Bore	11	16000H ... Crawler Tractor	13.8L 844 Diesel L6 5.25" Bore	55
G149 ... Harvester	2.4L 149 L4 3.5" Bore	11	16000H ... Wheel Loader	13.8L 844 Diesel L6 5.25" Bore	55
G149 ... Forklift	2.4L 149 L4 3.5" Bore	11	17000 Mark II ... Scraper	13.8L 844 Diesel L6 5.25" Bore	55
G149 ... Wheel Tractor	2.4L 149 L4 3.5" Bore	11	17000 Mark II ... Wheel Tractor	13.8L 844 Diesel L6 5.25" Bore	55
G149 ... Crawler Tractor	2.4L 149 L4 3.5" Bore	11	17000 Mark II ... Crawler Tractor	13.8L 844 Diesel L6 5.25" Bore	55
G153 ... Forklift	2.5L 153 OHV L4 3.4375" Bore	13	17000 Mark II ... Wheel Loader	13.8L 844 Diesel L6 5.25" Bore	55
G153 ... Wheel Tractor	2.5L 153 OHV L4 3.4375" Bore	13	172 ... Combine	2.8L 172 OHV L4 3.9063" Bore (Ford Eng.)	17
G160 ... Power Unit	2.6L 160 L4 3.625" Bore	16	182 Diesel ... Wheel Tractor	3.0L 182 OHV Diesel L4 3.75" Bore	21
G160 ... Wheel Tractor	2.6L 160 L4 3.625" Bore	16	182 Diesel ... Wheel Loader	3.0L 182 OHV Diesel L4 3.75" Bore	21
G201 ... Grader	3.3L 201 L4 4" Bore	25	2-71 ... Crawler Tractor	2.3L 142 OHV Diesel L2 4.25" Bore (2-71) (Detroit Diesel Eng.)	10
G201 ... Power Unit	3.3L 201 L4 4" Bore	25	21000 Mark II ... Scraper	13.8L 844 Diesel L6 5.25" Bore	55
G201 ... Wheel Tractor	3.3L 201 L4 4" Bore	25	21000 Mark II ... Wheel Tractor	13.8L 844 Diesel L6 5.25" Bore	55
G226 ... Combine	3.7L 226 L4 4" Bore	27	21000 Mark II ... Wheel Loader	13.8L 844 Diesel L6 5.25" Bore	55
G226 ... Grader	3.7L 226 L4 4" Bore	27	21000H ... Scraper	13.8L 844 Diesel L6 5.25" Bore	55
G226 ... Wheel Tractor	3.7L 226 L4 4" Bore	27	21000H ... Crawler Tractor	13.8L 844 Diesel L6 5.25" Bore	55
G226 ... Wheel Loader	3.7L 226 L4 4" Bore	27	21000H ... Wheel Loader	13.8L 844 Diesel L6 5.25" Bore	55
G230 ... Combine	3.8L 230 OHV L6 3.4375" Bore	28	25000 ... Scraper	13.8L 844 Diesel L6 5.25" Bore	55
G230 ... Grader	3.8L 230 OHV L6 3.4375" Bore	28	25000 ... Wheel Tractor	13.8L 844 Diesel L6 5.25" Bore	55
G230 ... Forklift	3.8L 230 OHV L6 3.4375" Bore	28	25000 ... Wheel Loader	13.8L 844 Diesel L6 5.25" Bore	55
G2500 ... Wheel Tractor	4.3L 265 L6 3.75" Bore	37	25000 Mark II ... Wheel Tractor	13.8L 844 Diesel L6 5.25" Bore	55
G262 ... Combine	4.3L 262 OHV L6 3.5625" Bore	35	25000 Mark II ... Wheel Loader	13.8L 844 Diesel L6 5.25" Bore	55
G262 ... Cotton Picker	4.3L 262 OHV L6 3.5625" Bore	35	25000H ... Scraper	13.8L 844 Diesel L6 5.25" Bore	55
G262 ... Grader	4.3L 262 OHV L6 3.5625" Bore	35	25000H ... Crawler Tractor	13.8L 844 Diesel L6 5.25" Bore	55
G262 ... Forklift	4.3L 262 OHV L6 3.5625" Bore	35	25000H ... Wheel Loader	13.8L 844 Diesel L6 5.25" Bore	55
G262 ... Wheel Tractor	4.3L 262 OHV L6 3.5625" Bore	35	G3400 ... Wheel Tractor	5.6L 339 OHV L6 4" Bore (Hercules Eng.)	44
G2800 ... Grader	4.9L 301 L6 3.875" Bore	41	HD344 ... Crawler Tractor	5.6L 344 Diesel L4 4.4375" Bore (Buda Eng.)	46
G2800 ... Wheel Tractor	4.9L 301 L6 3.875" Bore	41	HD516 ... Crawler Tractor	8.5L 516 Diesel L6 4.4375" Bore (Buda Eng.)	51
G2800 ... Wheel Loader	4.9L 301 L6 3.875" Bore	41	HR6 ... Wheel Tractor	12.2L 743 OHV Diesel L6 5.125" Bore (Cummins Eng.)	54
G2900 ... Wheel Tractor	4.9L 301 L6 3.875" Bore	41	ICK ... Forklift	1.0L 61 L4 2.5" Bore (Waukesha Eng.)	1
G3400 ... Wheel Tractor	5.6L 339 OHV L6 4" Bore (Hercules Eng.)	44	JXLD ... Combine	5.6L 339 OHV L6 4" Bore (Hercules Eng.)	44
HD344 ... Crawler Tractor	5.6L 344 Diesel L4 4.4375" Bore (Buda Eng.)	46	NHS ... Wheel Tractor	12.2L 743 OHV Diesel L6 5.125" Bore (Cummins Eng.)	54
HD516 ... Crawler Tractor	8.5L 516 Diesel L6 4.4375" Bore (Buda Eng.)	51			
HR6 ... Wheel Tractor	12.2L 743 OHV Diesel L6 5.125" Bore (Cummins Eng.)	54			
ICK ... Forklift	1.0L 61 L4 2.5" Bore (Waukesha Eng.)	1			
JXLD ... Combine	5.6L 339 OHV L6 4" Bore (Hercules Eng.)	44			
NHS ... Wheel Tractor	12.2L 743 OHV Diesel L6 5.125" Bore (Cummins Eng.)	54			

(continued on next page)

Engine Code Index

Engine Code	Engine Description	Line No.	Engine Code	Engine Description	Line No.
273 Diesel ... Wheel Tractor..	4.5L 273 OHV Diesel L6 3.75" Bore.....	39	426 Turbo Diesel ... Wheel Tractor.....	7.0L 426 Turbo-Diesel L6 4.25" Bore (3500 ENG.).....	49
273 Diesel ... Wheel Loader..	4.5L 273 OHV Diesel L6 3.75" Bore.....	39	433T ... Harvester.....	3.3L 200 Diesel L4 3.875" Bore....	23
3.152 Diesel ... Wheel Tractor.....	2.5L 152.7 OHV Diesel L3 3.6" Bore (Perkins Eng.).....	12	433T ... Wheel Tractor.....	3.3L 200 Diesel L4 3.875" Bore....	23
3-71 ... Grader.....	3.5L 213 OHV Diesel L3 4.25" Bore (3-71) (Detroit Diesel Eng.).....	26	433T ... Crawler Tractor.....	3.3L 200 Diesel L4 3.875" Bore....	23
3-71 ... Wheel Tractor.....	3.5L 213 OHV Diesel L3 4.25" Bore (3-71) (Detroit Diesel Eng.).....	26	433T ... Wheel Loader.....	3.3L 200 Diesel L4 3.875" Bore....	23
3-71 ... Crawler Tractor.....	3.5L 213 OHV Diesel L3 4.25" Bore (3-71) (Detroit Diesel Eng.).....	26	433T ... Harvester.....	3.3L 200 Turbo-Diesel L4 3.875" Bore.....	24
301 Turbo Diesel ... Harvester	4.9L 301 Turbo-Diesel L6 3.875" Bore (2900 ENG.).....	43	433T ... Wheel Tractor.....	3.3L 200 Turbo-Diesel L4 3.875" Bore.....	24
301 Turbo Diesel ... Wheel Tractor.....	4.9L 301 Turbo-Diesel L6 3.875" Bore (2900 ENG.).....	43	433T ... Wheel Loader.....	3.3L 200 Turbo-Diesel L4 3.875" Bore.....	24
301 Turbo Diesel ... Wheel Loader.....	4.9L 301 Turbo-Diesel L6 3.875" Bore (2900 ENG.).....	43	516 Diesel ... Grader	8.5L 516 Diesel L6 4.4375" Bore..	50
301 Turbo Diesel ... Grader... 344 Diesel ... Crawler Tractor.....	5.6L 344 Diesel L4 4.4375" Bore..	45	516 Diesel ... Crawler Tractor.....	8.5L 516 Diesel L6 4.4375" Bore..	50
344 Diesel ... Wheel Loader..	5.6L 344 Diesel L4 4.4375" Bore..	45	516 Diesel ... Wheel Loader ..	8.5L 516 Diesel L6 4.4375" Bore..	50
4.236 ... Wheel Tractor.....	3.9L 235.9 OHV Diesel L4 3.875" Bore (Perkins Eng.).....	32	6-110 ... Crawler Tractor.....	10.8L 660 OHV Diesel L6 5" Bore (Detroit Diesel Eng.).....	53
4.236 ... Wheel Loader	3.9L 235.9 OHV Diesel L4 3.875" Bore (Perkins Eng.).....	32	6-71 ... Wheel Tractor.....	7.0L 426 OHV Diesel L6 4.25" Bore (6-71) (Detroit Diesel Eng.).....	48
4.248 ... Wheel Tractor.....	4.1L 248.2 OHV Diesel L4 3.975" Bore (Perkins Eng.).....	34	6-71 ... Crawler Tractor.....	7.0L 426 OHV Diesel L6 4.25" Bore (6-71) (Detroit Diesel Eng.).....	48
4-71 ... Grader	4.7L 284 OHV Diesel L4 4.25" Bore (4-71) (Detroit Diesel Eng.).....	40	6DA230 ... Grader	3.8L 230 OHV Diesel L6 3.4375" Bore (Buda Eng.).....	31
4-71 ... Wheel Tractor.....	4.7L 284 OHV Diesel L4 4.25" Bore (4-71) (Detroit Diesel Eng.).....	40	6DA230 ... Forklift.....	3.8L 230 OHV Diesel L6 3.4375" Bore (Buda Eng.).....	31
4-71 ... Crawler Tractor.....	4.7L 284 OHV Diesel L4 4.25" Bore (4-71) (Detroit Diesel Eng.).....	40	6DA230 ... Wheel Tractor.....	3.8L 230 OHV Diesel L6 3.4375" Bore (Buda Eng.).....	31
4B-182 ... Forklift.....	3.0L 182 L4 3.75" Bore (Buda Eng.).....	19	6D230 ... Grader.....	3.8L 230 OHV Diesel L6 3.4375" Bore (Buda Eng.).....	31
4DA153 ... Grader	2.5L 153 OHV Diesel L4 3.4375" Bore (Buda Eng.).....	15	6D230 ... Forklift.....	3.8L 230 OHV Diesel L6 3.4375" Bore (Buda Eng.).....	31
4DA153 ... Forklift.....	2.5L 153 OHV Diesel L4 3.4375" Bore (Buda Eng.).....	15	6D230 ... Wheel Tractor	3.8L 230 OHV Diesel L6 3.4375" Bore (Buda Eng.).....	31
4D153 ... Grader.....	2.5L 153 OHV Diesel L4 3.4375" Bore (Buda Eng.).....	15	6G230 ... Combine	3.8L 230 OHV L6 3.4375" Bore (Buda Eng.).....	29
4D153 ... Forklift	2.5L 153 OHV Diesel L4 3.4375" Bore (Buda Eng.).....	15	6G230 ... Grader.....	3.8L 230 OHV L6 3.4375" Bore (Buda Eng.).....	29
426 Turbo Diesel ... Combine.....	7.0L 426 Turbo-Diesel L6 4.25" Bore (3500 ENG.).....	49	6G230 ... Forklift.....	3.8L 230 OHV L6 3.4375" Bore (Buda Eng.).....	29

Model Index

Model	Engine Description	Line No.	Model	Engine Description	Line No.
A ... Combine.....	3.8L 230 OHV L6 3.4375" Bore....	28	ACC100C ... Forklift.....	3.8L 230 OHV L6 3.4375" Bore....	28
A ... Combine.....	3.9L 237 L-HEAD L6 3.4375" Bore (Hercules Eng.).....	33	ACC100C ... Forklift.....	4.3L 262 OHV Diesel L6 3.5625" Bore.....	36
A ... Combine.....	4.3L 262 OHV L6 3.5625" Bore....	35	ACC120 ... Forklift	3.8L 230 OHV L6 3.4375" Bore....	28
A ... Combine.....	4.3L 262 OHV Diesel L6 3.5625" Bore.....	36	ACC120 ... Forklift	4.3L 262 OHV Diesel L6 3.5625" Bore.....	36
A-C ... Harvester.....	1.9L 116 L4 3.25" Bore.....	5	ACC60 ... Forklift	3.8L 230 OHV L6 3.4375" Bore....	28
A-C ... Harvester.....	2.0L 125 L4 3.375" Bore.....	7	ACC60 ... Forklift	4.3L 262 OHV Diesel L6 3.5625" Bore.....	36
A-11 ... Combine.....	3.8L 230 OHV L6 3.4375" Bore....	28	ACC60C ... Forklift.....	3.8L 230 OHV L6 3.4375" Bore....	28
A-11 ... Combine.....	3.9L 237 L-HEAD L6 3.4375" Bore (Hercules Eng.).....	33	ACC60C ... Forklift.....	4.3L 262 OHV Diesel L6 3.5625" Bore.....	36
AC-210 ... Wheel Tractor.....	7.0L 426 Diesel L6 4.25" Bore....	47	ACC60S ... Forklift.....	3.8L 230 OHV L6 3.4375" Bore....	28
AC-220 ... Wheel Tractor.....	7.0L 426 Diesel L6 4.25" Bore....	47	ACC60S ... Forklift.....	4.3L 262 OHV Diesel L6 3.5625" Bore.....	36
ACC100 ... Forklift	3.8L 230 OHV L6 3.4375" Bore....	28	ACC60SF ... Forklift.....	3.8L 230 OHV L6 3.4375" Bore....	28
ACC100 ... Forklift	4.3L 262 OHV Diesel L6 3.5625" Bore.....	36			

(continued on next page)

Allis-Chalmers

Model Index

Model	Engine Description	Line No.	Model	Engine Description	Line No.
ACC60SF ... Forklift.....	4.3L 262 OHV Diesel L6 3.5625" Bore.....	36	C ... Combine.....	4.3L 262 OHV L6 3.5625" Bore....	35
ACC70 ... Forklift	3.8L 230 OHV L6 3.4375" Bore....	28	C All Crop ... Combine.....	4.3L 262 OHV L6 3.5625" Bore....	35
ACC70 ... Forklift	4.3L 262 OHV Diesel L6 3.5625" Bore.....	36	C-11-4C ... Combine.....	4.3L 262 OHV L6 3.5625" Bore....	35
ACC70SF ... Forklift.....	3.8L 230 OHV L6 3.4375" Bore....	28	CA ... Wheel Tractor.....	2.0L 125 L4 3.375" Bore.....	7
ACC70SF ... Forklift.....	4.3L 262 OHV Diesel L6 3.5625" Bore.....	36	CB ... Wheel Tractor.....	2.0L 125 L4 3.375" Bore.....	7
ACC705 ... Forklift	3.8L 230 OHV L6 3.4375" Bore....	28	CE ... Wheel Tractor.....	2.0L 125 L4 3.375" Bore.....	7
ACC705 ... Forklift	4.3L 262 OHV Diesel L6 3.5625" Bore.....	36	CH ... Combine.....	4.3L 262 OHV L6 3.5625" Bore....	35
ACC705SF ... Forklift.....	3.8L 230 OHV L6 3.4375" Bore....	28	Cornhead ... Combine	3.8L 230 OHV L6 3.4375" Bore....	28
ACC705SF ... Forklift.....	4.3L 262 OHV Diesel L6 3.5625" Bore.....	36	Cornhead ... Combine	3.9L 237 L-HEAD L6 3.4375" Bore (Hercules Eng.).....	33
ACC80 ... Forklift	3.8L 230 OHV L6 3.4375" Bore....	28	CR ... Combine.....	4.3L 262 OHV L6 3.5625" Bore....	35
ACC80 ... Forklift	4.3L 262 OHV Diesel L6 3.5625" Bore.....	36	CR ... Combine.....	4.3L 262 OHV Diesel L6 3.5625" Bore.....	36
ACC80S ... Forklift.....	3.8L 230 OHV L6 3.4375" Bore....	28	D ... Grader.....	2.5L 153 OHV Diesel L4 3.4375" Bore.....	14
ACC80S ... Forklift.....	4.3L 262 OHV Diesel L6 3.5625" Bore.....	36	D ... Grader.....	3.3L 201 L4 4" Bore.....	25
ACP100 ... Forklift	4.3L 262 OHV L6 3.5625" Bore....	35	D ... Grader.....	3.7L 226 L4 4" Bore.....	27
ACP100 ... Forklift	4.3L 262 OHV Diesel L6 3.5625" Bore.....	36	D ... Grader.....	3.8L 230 OHV L6 3.4375" Bore....	28
ACP110 ... Forklift	4.3L 262 OHV Diesel L6 3.5625" Bore.....	36	D ... Grader.....	3.8L 230 OHV Diesel L6 3.4375" Bore.....	30
ACP120 ... Forklift	4.3L 262 OHV L6 3.5625" Bore....	35	D ... Grader.....	4.3L 262 OHV L6 3.5625" Bore....	35
ACP120 ... Forklift	4.3L 262 OHV Diesel L6 3.5625" Bore.....	36	D From Ser. No. 3369 ... Grader.....	3.7L 226 L4 4" Bore.....	27
ACP130 ... Forklift	4.3L 262 OHV Diesel L6 3.5625" Bore.....	36	D To Ser. No. 3370 ... Grader.....	3.3L 201 L4 4" Bore.....	25
ACP140 ... Forklift	4.3L 262 OHV L6 3.5625" Bore....	35	DD ... Grader.....	4.3L 262 OHV Diesel L6 3.5625" Bore.....	36
ACP140 ... Forklift	4.3L 262 OHV Diesel L6 3.5625" Bore.....	36	DG ... Grader.....	3.7L 226 L4 4" Bore.....	27
ACP150 ... Forklift	4.3L 262 OHV Diesel L6 3.5625" Bore.....	36	D10 ... Wheel Tractor	2.3L 138 L4 3.375" Bore.....	9
ACP60 ... Forklift	4.3L 262 OHV Diesel L6 3.5625" Bore.....	36	D10 ... Wheel Tractor	2.4L 149 L4 3.5" Bore.....	11
ACP70 ... Forklift	4.3L 262 OHV Diesel L6 3.5625" Bore.....	36	D10 ... Wheel Tractor	2.6L 160 L4 3.625" Bore.....	16
ACP80 ... Forklift	4.3L 262 OHV Diesel L6 3.5625" Bore.....	36	D12 ... Wheel Tractor	2.3L 138 L4 3.375" Bore.....	9
ACS100 (Side Loader) ... Forklift	4.3L 262 OHV Diesel L6 3.5625" Bore.....	36	D12 ... Wheel Tractor	2.4L 149 L4 3.5" Bore.....	11
ACS120 (Side Loader) ... Forklift	4.3L 262 OHV Diesel L6 3.5625" Bore.....	36	D12 ... Wheel Tractor	2.6L 160 L4 3.625" Bore.....	16
AD-30 ... Grader	3.5L 213 OHV Diesel L3 4.25" Bore (3-71) (Detroit Diesel Eng.).....	26	D14 ... Wheel Tractor	2.3L 138 L4 3.375" Bore.....	9
AD-40 ... Grader	4.7L 284 OHV Diesel L4 4.25" Bore (4-71) (Detroit Diesel Eng.).....	40	D14 ... Wheel Tractor	2.4L 149 L4 3.5" Bore.....	11
AH ... Combine	3.8L 230 OHV L6 3.4375" Bore....	28	D14 ... Wheel Tractor	2.6L 160 L4 3.625" Bore.....	16
AH ... Combine	3.9L 237 L-HEAD L6 3.4375" Bore (Hercules Eng.).....	33	D15 ... Wheel Tractor	2.3L 138 L4 3.375" Bore.....	9
AY-100 ... Forklift.....	4.3L 262 OHV Diesel L6 3.5625" Bore.....	36	D15 ... Wheel Tractor	2.4L 149 L4 3.5" Bore.....	11
AY-120 ... Forklift.....	4.3L 262 OHV Diesel L6 3.5625" Bore.....	36	D15 ... Wheel Tractor	2.6L 160 L4 3.625" Bore.....	16
AY-80 ... Forklift.....	4.3L 262 OHV Diesel L6 3.5625" Bore.....	36	D15D ... Wheel Tractor.....	2.9L 175 OHV Diesel L4 3.5625" Bore.....	18
B ... Wheel Tractor.....	2.0L 125 L4 3.375" Bore.....	7	D16 ... Wheel Tractor	5.6L 339 OHV L6 4" Bore (Hercules Eng.).....	44
B ... Combine.....	3.8L 230 OHV L6 3.4375" Bore....	28	D17 ... Wheel Tractor	3.7L 226 L4 4" Bore.....	27
B ... Combine.....	3.9L 237 L-HEAD L6 3.4375" Bore (Hercules Eng.).....	33	D17 ... Wheel Tractor	3.8L 230 OHV Diesel L6 3.4375" Bore.....	30
B Rice Special ... Combine....	3.8L 230 OHV L6 3.4375" Bore (Buda Eng.)	29	D17 ... Wheel Tractor	4.3L 262 OHV Diesel L6 3.5625" Bore.....	36
BD-30 ... Grader	3.5L 213 OHV Diesel L3 4.25" Bore (3-71) (Detroit Diesel Eng.).....	26	D17 Series IV ... Wheel Tractor.....	3.7L 226 L4 4" Bore.....	27
B125 ... Power Unit.....	2.0L 125 L4 3.375" Bore.....	7	D17D ... Wheel Tractor.....	3.8L 230 OHV Diesel L6 3.4375" Bore.....	30
B15 ... Power Unit.....	1.9L 116 L4 3.25" Bore.....	5	D17D ... Wheel Tractor.....	4.3L 262 OHV Diesel L6 3.5625" Bore.....	36
B15 ... Wheel Tractor.....	1.9L 116 L4 3.25" Bore.....	5	D17D Series IV ... Wheel Tractor.....	4.3L 262 OHV Diesel L6 3.5625" Bore.....	36
B15 ... Power Unit.....	2.0L 125 L4 3.375" Bore.....	7	D17G ... Wheel Tractor.....	3.7L 226 L4 4" Bore.....	27
C ... Wheel Tractor	2.0L 125 L4 3.375" Bore.....	7	D17G ... Wheel Tractor.....	3.8L 230 OHV Diesel L6 3.4375" Bore.....	30
			D17G ... Wheel Tractor.....	4.3L 262 OHV Diesel L6 3.5625" Bore.....	36
			D19 ... Wheel Tractor	4.3L 262 OHV L6 3.5625" Bore....	35
			D19 ... Wheel Tractor	4.3L 262 OHV Diesel L6 3.5625" Bore.....	36
			D19G ... Wheel Tractor.....	4.3L 262 OHV L6 3.5625" Bore....	35
			D19G ... Wheel Tractor.....	4.3L 262 OHV Diesel L6 3.5625" Bore.....	36
			D21 ... Wheel Tractor	7.0L 426 Diesel L6 4.25" Bore.....	47
			D272 ... Wheel Tractor	2.5L 152.7 OHV Diesel L3 3.6" Bore (Perkins Eng.).....	12
			D30 ... Grader.....	8.5L 516 Diesel L6 4.4375" Bore..	50

(continued on next page)

Model Index					
Model	Engine Description	Line No.	Model	Engine Description	Line No.
D40 ... Wheel Tractor	13.8L 844 Diesel L6 5.25" Bore	55	FDX-70 ... Forklift	4.3L 262 OHV Diesel L6 3.5625" Bore	36
E ... Combine	3.7L 226 L4 4" Bore	27	FDX-80 ... Forklift	3.8L 230 OHV L6 3.4375" Bore (Buda Eng.)	29
F-100 ... Forklift	3.8L 230 OHV L6 3.4375" Bore (Buda Eng.)	29	FDX-80 ... Forklift	4.3L 262 OHV L6 3.5625" Bore	35
F-100 ... Forklift	4.3L 262 OHV Diesel L6 3.5625" Bore	36	FDX-80 ... Forklift	4.3L 262 OHV Diesel L6 3.5625" Bore	36
F-120 ... Forklift	3.8L 230 OHV L6 3.4375" Bore (Buda Eng.)	29	FDX-90 ... Forklift	3.8L 230 OHV L6 3.4375" Bore (Buda Eng.)	29
F-120 ... Forklift	4.3L 262 OHV Diesel L6 3.5625" Bore	36	FDX-90 ... Forklift	4.3L 262 OHV L6 3.5625" Bore	35
F-60 ... Forklift	3.8L 230 OHV L6 3.4375" Bore (Buda Eng.)	29	FDX-90 ... Forklift	4.3L 262 OHV Diesel L6 3.5625" Bore	36
F-60 ... Forklift	4.3L 262 OHV Diesel L6 3.5625" Bore	36	FL-100 ... Forklift	4.3L 262 OHV Diesel L6 3.5625" Bore	36
F-70 ... Forklift	3.8L 230 OHV L6 3.4375" Bore (Buda Eng.)	29	FL-110 ... Forklift	4.3L 262 OHV Diesel L6 3.5625" Bore	36
F-70 ... Forklift	4.3L 262 OHV Diesel L6 3.5625" Bore	36	FL-120 ... Forklift	4.3L 262 OHV Diesel L6 3.5625" Bore	36
F-80 ... Forklift	3.8L 230 OHV L6 3.4375" Bore (Buda Eng.)	29	FL-60 ... Forklift	4.3L 262 OHV Diesel L6 3.5625" Bore	36
F-80 ... Forklift	4.3L 262 OHV Diesel L6 3.5625" Bore	36	FL-70 ... Forklift	4.3L 262 OHV Diesel L6 3.5625" Bore	36
FD-100 ... Forklift	3.8L 230 OHV L6 3.4375" Bore (Buda Eng.)	29	FL-80 ... Forklift	4.3L 262 OHV Diesel L6 3.5625" Bore	36
FD-100 ... Forklift	4.3L 262 OHV Diesel L6 3.5625" Bore	36	FL-90 ... Forklift	4.3L 262 OHV Diesel L6 3.5625" Bore	36
FD-110 ... Forklift	3.8L 230 OHV L6 3.4375" Bore (Buda Eng.)	29	FP-60 ... Forklift	3.8L 230 OHV L6 3.4375" Bore (Buda Eng.)	29
FD-110 ... Forklift	4.3L 262 OHV Diesel L6 3.5625" Bore	36	FP-60 ... Forklift	4.3L 262 OHV Diesel L6 3.5625" Bore	36
FD-120 ... Forklift	3.8L 230 OHV L6 3.4375" Bore (Buda Eng.)	29	FP-70 ... Forklift	3.8L 230 OHV L6 3.4375" Bore (Buda Eng.)	29
FD-120 ... Forklift	4.3L 262 OHV Diesel L6 3.5625" Bore	36	FP-70 ... Forklift	4.3L 262 OHV Diesel L6 3.5625" Bore	36
FD-60 ... Forklift	3.8L 230 OHV L6 3.4375" Bore (Buda Eng.)	29	FP-80 ... Forklift	3.8L 230 OHV L6 3.4375" Bore (Buda Eng.)	29
FD-60 ... Forklift	4.3L 262 OHV Diesel L6 3.5625" Bore	36	FP-80 ... Forklift	4.3L 262 OHV Diesel L6 3.5625" Bore	36
FD-70 ... Forklift	3.8L 230 OHV L6 3.4375" Bore (Buda Eng.)	29	FPD-60 ... Forklift	4.3L 262 OHV Diesel L6 3.5625" Bore	36
FD-70 ... Forklift	4.3L 262 OHV Diesel L6 3.5625" Bore	36	FPD-70 ... Forklift	4.3L 262 OHV Diesel L6 3.5625" Bore	36
FD-80 ... Forklift	3.8L 230 OHV L6 3.4375" Bore (Buda Eng.)	29	FPD-80 ... Forklift	4.3L 262 OHV Diesel L6 3.5625" Bore	36
FD-80 ... Forklift	4.3L 262 OHV Diesel L6 3.5625" Bore	36	FPL-60 ... Forklift	3.8L 230 OHV L6 3.4375" Bore (Buda Eng.)	29
FD-90 ... Forklift	3.8L 230 OHV L6 3.4375" Bore (Buda Eng.)	29	FPL-70 ... Forklift	3.8L 230 OHV L6 3.4375" Bore (Buda Eng.)	29
FD-90 ... Forklift	4.3L 262 OHV Diesel L6 3.5625" Bore	36	FS-60 ... Forklift	4.3L 262 OHV Diesel L6 3.5625" Bore	36
FDX-100 ... Forklift	3.8L 230 OHV L6 3.4375" Bore (Buda Eng.)	29	FS-70 ... Forklift	4.3L 262 OHV Diesel L6 3.5625" Bore	36
FDX-100 ... Forklift	4.3L 262 OHV L6 3.5625" Bore	35	FS-80 ... Forklift	4.3L 262 OHV Diesel L6 3.5625" Bore	36
FDX-100 ... Forklift	4.3L 262 OHV Diesel L6 3.5625" Bore	36	FSD-60 ... Forklift	4.3L 262 OHV Diesel L6 3.5625" Bore	36
FDX-110 ... Forklift	3.8L 230 OHV L6 3.4375" Bore (Buda Eng.)	29	FSD-70 ... Forklift	4.3L 262 OHV Diesel L6 3.5625" Bore	36
FDX-110 ... Forklift	4.3L 262 OHV L6 3.5625" Bore	35	FSD-80 ... Forklift	4.3L 262 OHV Diesel L6 3.5625" Bore	36
FDX-110 ... Forklift	4.3L 262 OHV Diesel L6 3.5625" Bore	36	FSL-60 ... Forklift	4.3L 262 OHV Diesel L6 3.5625" Bore	36
FDX-120 ... Forklift	3.8L 230 OHV L6 3.4375" Bore (Buda Eng.)	29	FSL-70 ... Forklift	4.3L 262 OHV Diesel L6 3.5625" Bore	36
FDX-120 ... Forklift	4.3L 262 OHV L6 3.5625" Bore	35	FSL-80 ... Forklift	4.3L 262 OHV Diesel L6 3.5625" Bore	36
FDX-120 ... Forklift	4.3L 262 OHV Diesel L6 3.5625" Bore	36	FST-60 ... Forklift	4.3L 262 OHV Diesel L6 3.5625" Bore	36
FDX-60 ... Forklift	3.8L 230 OHV L6 3.4375" Bore (Buda Eng.)	29	FST-70 ... Forklift	4.3L 262 OHV Diesel L6 3.5625" Bore	36
FDX-60 ... Forklift	4.3L 262 OHV L6 3.5625" Bore	35	FST-80 ... Forklift	4.3L 262 OHV Diesel L6 3.5625" Bore	36
FDX-60 ... Forklift	4.3L 262 OHV Diesel L6 3.5625" Bore	36			
FDX-70 ... Forklift	3.8L 230 OHV L6 3.4375" Bore (Buda Eng.)	29			
FDX-70 ... Forklift	4.3L 262 OHV L6 3.5625" Bore	35			

(continued on next page)

Allis-Chalmers

Model Index

Model	Engine Description	Line No.	Model	Engine Description	Line No.
FT-100 ... Forklift	3.8L 230 OHV L6 3.4375" Bore (Buda Eng.)	29	FTPD-60-24 ... Forklift	3.8L 230 OHV Diesel L6 3.4375" Bore (Buda Eng.)	31
FT-60-24 ... Forklift	3.8L 230 OHV L6 3.4375" Bore (Buda Eng.)	29	FTPDX-60 ... Forklift	3.8L 230 OHV Diesel L6 3.4375" Bore (Buda Eng.)	31
FT-70-24 ... Forklift	3.8L 230 OHV L6 3.4375" Bore (Buda Eng.)	29	FTPL-60 ... Forklift	3.8L 230 OHV L6 3.4375" Bore (Buda Eng.)	29
FT-75-24 ... Forklift	3.8L 230 OHV L6 3.4375" Bore (Buda Eng.)	29	FTPL-60-24 ... Forklift	3.8L 230 OHV L6 3.4375" Bore (Buda Eng.)	29
FT-80-24 ... Forklift	3.8L 230 OHV L6 3.4375" Bore (Buda Eng.)	29	G ... Wheel Tractor	1.0L 62 L-HEAD L4 2.375" Bore (Continental Eng.)	2
FTD-100 ... Forklift	3.8L 230 OHV Diesel L6 3.4375" Bore (Buda Eng.)	31	GA ... Wheel Tractor	1.0L 62 L-HEAD L4 2.375" Bore (Continental Eng.)	2
FTD-60 ... Forklift	3.8L 230 OHV Diesel L6 3.4375" Bore (Buda Eng.)	31	G149 ... Power Unit	2.6L 160 L4 3.625" Bore	16
FTD-60-24 ... Forklift	3.8L 230 OHV L6 3.4375" Bore (Buda Eng.)	29	G160 ... Power Unit	2.6L 160 L4 3.625" Bore	16
FTD-70 ... Forklift	3.8L 230 OHV Diesel L6 3.4375" Bore (Buda Eng.)	31	HA-120 ... Forklift	3.8L 230 OHV L6 3.4375" Bore (Buda Eng.)	29
FTD-70-24 ... Forklift	3.8L 230 OHV L6 3.4375" Bore (Buda Eng.)	29	HA-75 ... Forklift	3.8L 230 OHV L6 3.4375" Bore (Buda Eng.)	29
FTD-75 ... Forklift	3.8L 230 OHV Diesel L6 3.4375" Bore (Buda Eng.)	31	HA-90 ... Forklift	3.8L 230 OHV L6 3.4375" Bore (Buda Eng.)	29
FTD-75-24 ... Forklift	3.8L 230 OHV L6 3.4375" Bore (Buda Eng.)	29	HB-120 ... Forklift	3.8L 230 OHV L6 3.4375" Bore (Buda Eng.)	29
FTD-80 ... Forklift	3.8L 230 OHV Diesel L6 3.4375" Bore (Buda Eng.)	31	HB-75 ... Forklift	3.8L 230 OHV L6 3.4375" Bore (Buda Eng.)	29
FTD-80-24 ... Forklift	3.8L 230 OHV L6 3.4375" Bore (Buda Eng.)	29	HB-90 ... Forklift	3.8L 230 OHV L6 3.4375" Bore (Buda Eng.)	29
FTDB-50 ... Forklift	2.5L 153 OHV Diesel L4 3.4375" Bore (Buda Eng.)	15	HD10 ... Crawler Tractor	4.7L 284 OHV Diesel L4 4.25" Bore (4-71) (Detroit Diesel Eng.)	40
FTDX-30 ... Forklift	2.5L 153 OHV Diesel L4 3.4375" Bore (Buda Eng.)	15	HD10W ... Crawler Tractor	4.7L 284 OHV Diesel L4 4.25" Bore (4-71) (Detroit Diesel Eng.)	40
FTDX-40 ... Forklift	2.5L 153 OHV Diesel L4 3.4375" Bore (Buda Eng.)	15	HD11 From Ser. No. 6428 ... Crawler Tractor	8.5L 516 Diesel L6 4.4375" Bore	50
FTDX-60 ... Forklift	3.8L 230 OHV Diesel L6 3.4375" Bore (Buda Eng.)	31	HD11 To Ser. No. 6427 ... Crawler Tractor	8.5L 516 Diesel L6 4.4375" Bore (Buda Eng.)	51
FTDX-70 ... Forklift	3.8L 230 OHV Diesel L6 3.4375" Bore (Buda Eng.)	31	HD11B ... Crawler Tractor	8.5L 516 Diesel L6 4.4375" Bore	50
FTDX-75 ... Forklift	3.8L 230 OHV Diesel L6 3.4375" Bore (Buda Eng.)	31	HD11E ... Crawler Tractor	8.5L 516 Diesel L6 4.4375" Bore	50
FTDX-80 ... Forklift	3.8L 230 OHV Diesel L6 3.4375" Bore (Buda Eng.)	31	HD11EC ... Crawler Tractor	8.5L 516 Diesel L6 4.4375" Bore	50
FTDXB-50 ... Forklift	2.5L 153 OHV Diesel L4 3.4375" Bore (Buda Eng.)	15	HD11EP ... Crawler Tractor	8.5L 516 Diesel L6 4.4375" Bore	50
FTL-100 ... Forklift	3.8L 230 OHV L6 3.4375" Bore (Buda Eng.)	29	HD12G ... Crawler Tractor	8.5L 516 Diesel L6 4.4375" Bore	50
FTL-60 ... Forklift	3.8L 230 OHV L6 3.4375" Bore (Buda Eng.)	29	HD12GB From Ser. No. 10001 ... Crawler Tractor	8.5L 516 Diesel L6 4.4375" Bore	50
FTL-60-24 ... Forklift	3.8L 230 OHV L6 3.4375" Bore (Buda Eng.)	29	HD14 ... Crawler Tractor	7.0L 426 OHV Diesel L6 4.25" Bore (6-71) (Detroit Diesel Eng.)	48
FTL-70 ... Forklift	3.8L 230 OHV L6 3.4375" Bore (Buda Eng.)	29	HD14C ... Crawler Tractor	7.0L 426 OHV Diesel L6 4.25" Bore (6-71) (Detroit Diesel Eng.)	48
FTL-70-24 ... Forklift	3.8L 230 OHV L6 3.4375" Bore (Buda Eng.)	29	HD14W ... Crawler Tractor	4.7L 284 OHV Diesel L4 4.25" Bore (4-71) (Detroit Diesel Eng.)	40
FTL-75 ... Forklift	3.8L 230 OHV L6 3.4375" Bore (Buda Eng.)	29	HD14W ... Crawler Tractor	7.0L 426 OHV Diesel L6 4.25" Bore (6-71) (Detroit Diesel Eng.)	48
FTL-80 ... Forklift	3.8L 230 OHV L6 3.4375" Bore (Buda Eng.)	29	HD15 ... Crawler Tractor	7.0L 426 OHV Diesel L6 4.25" Bore (6-71) (Detroit Diesel Eng.)	48
FTL-80-24 ... Forklift	3.8L 230 OHV L6 3.4375" Bore (Buda Eng.)	29	HD16B ... Crawler Tractor	13.8L 844 Diesel L6 5.25" Bore	55
FTP-60-24 ... Forklift	3.8L 230 OHV L6 3.4375" Bore (Buda Eng.)	29	HD16D ... Crawler Tractor	13.8L 844 Diesel L6 5.25" Bore	55
FTP-60-24 ... Forklift	3.8L 230 OHV Diesel L6 3.4375" Bore (Buda Eng.)	31	HD16DC ... Crawler Tractor	13.8L 844 Diesel L6 5.25" Bore	55
FTPD ... Forklift	3.8L 230 OHV L6 3.4375" Bore (Buda Eng.)	29	HD16DP ... Crawler Tractor	13.8L 844 Diesel L6 5.25" Bore	55
FTPD ... Forklift	3.8L 230 OHV Diesel L6 3.4375" Bore (Buda Eng.)	31	HD19 ... Crawler Tractor	7.0L 426 OHV Diesel L6 4.25" Bore (6-71) (Detroit Diesel Eng.)	48
FTPD-30 ... Forklift	2.5L 153 OHV Diesel L4 3.4375" Bore (Buda Eng.)	15	HD19H ... Crawler Tractor	7.0L 426 OHV Diesel L6 4.25" Bore (6-71) (Detroit Diesel Eng.)	48
FTPD-40 ... Forklift	2.5L 153 OHV Diesel L4 3.4375" Bore (Buda Eng.)	15	HD20A ... Crawler Tractor	10.8L 660 OHV Diesel L6 5" Bore (Detroit Diesel Eng.)	53
			HD20B ... Crawler Tractor	10.8L 660 OHV Diesel L6 5" Bore (Detroit Diesel Eng.)	53
			HD20D ... Crawler Tractor	10.8L 660 OHV Diesel L6 5" Bore (Detroit Diesel Eng.)	53
			HD21 ... Crawler Tractor	13.8L 844 Diesel L6 5.25" Bore	55
			HD21P ... Crawler Tractor	13.8L 844 Diesel L6 5.25" Bore	55
			HD3 ... Crawler Tractor	2.9L 175 OHV Diesel L4 3.5625" Bore	18
			HD4 ... Crawler Tractor	3.3L 200 Diesel L4 3.875" Bore	23
			HD5 ... Crawler Tractor	2.3L 142 OHV Diesel L2 4.25" Bore (2-71) (Detroit Diesel Eng.)	10

(continued on next page)

Model Index

Model	Engine Description	Line No.	Model	Engine Description	Line No.
HD5B ... Crawler Tractor	2.3L 142 OHV Diesel L2 4.25" Bore (2-71) (Detroit Diesel Eng.)	10	SP ... Combine	3.9L 237 L-HEAD L6 3.4375" Bore (Hercules Eng.)	33
HD6 To Ser. No 13322 ... Crawler Tractor	5.6L 344 Diesel L4 4.4375" Bore (Buda Eng.)	46	SP Rice Special ... Combine	3.9L 237 L-HEAD L6 3.4375" Bore (Hercules Eng.)	33
HD6A ... Crawler Tractor	5.6L 344 Diesel L4 4.4375" Bore	45	SPH88 ... Combine	5.6L 339 OHV L6 4" Bore (Hercules Eng.)	44
HD6B ... Crawler Tractor	5.6L 344 Diesel L4 4.4375" Bore	45	Super 100SP ... Combine	3.7L 226 L4 4" Bore	27
HD6E ... Crawler Tractor	5.6L 344 Diesel L4 4.4375" Bore	45	TL-10 ... Wheel Loader	3.7L 226 L4 4" Bore	27
HD6EP From Ser. No. 13322 ... Crawler Tractor	5.6L 344 Diesel L4 4.4375" Bore	45	TL-10 ... Wheel Loader	4.3L 262 OHV Diesel L6 3.5625" Bore	36
HD6G ... Crawler Tractor	5.6L 344 Diesel L4 4.4375" Bore	45	TL-10D ... Wheel Tractor	3.8L 230 OHV Diesel L6 3.4375" Bore	30
HD6LTS ... Crawler Tractor	5.6L 344 Diesel L4 4.4375" Bore	45	TL-11 ... Wheel Loader	3.7L 226 L4 4" Bore	27
HD7 ... Crawler Tractor	3.5L 213 OHV Diesel L3 4.25" Bore (3-71) (Detroit Diesel Eng.)	26	TL-11 ... Wheel Loader	4.3L 262 OHV Diesel L6 3.5625" Bore	36
HD7G ... Crawler Tractor	3.5L 213 OHV Diesel L3 4.25" Bore (3-71) (Detroit Diesel Eng.)	26	TL-11D ... Wheel Tractor	3.8L 230 OHV Diesel L6 3.4375" Bore	30
HD7G ... Crawler Tractor	5.6L 344 Diesel L4 4.4375" Bore	45	TL-12 ... Wheel Loader	3.7L 226 L4 4" Bore	27
HD7W ... Crawler Tractor	3.5L 213 OHV Diesel L3 4.25" Bore (3-71) (Detroit Diesel Eng.)	26	TL-12 ... Wheel Loader	4.3L 262 OHV Diesel L6 3.5625" Bore	36
HD9 ... Crawler Tractor	4.7L 284 OHV Diesel L4 4.25" Bore (4-71) (Detroit Diesel Eng.)	40	TL-14 ... Wheel Loader	4.3L 262 OHV Diesel L6 3.5625" Bore	36
H3 ... Crawler Tractor	2.4L 149 L4 3.5" Bore	11	TL-14A ... Wheel Loader	4.3L 262 OHV Diesel L6 3.5625" Bore	36
I-40 ... Wheel Tractor	2.4L 149 L4 3.5" Bore	11	TL-14D ... Wheel Loader	4.3L 262 OHV Diesel L6 3.5625" Bore	36
I-40 ... Crawler Tractor	2.4L 149 L4 3.5" Bore	11	TL-545 ... Wheel Loader	4.9L 301 L6 3.875" Bore	41
I-40 ... Wheel Tractor	2.6L 160 L4 3.625" Bore	16	TL-545 ... Wheel Loader	4.9L 301 Diesel L6 3.875" Bore	42
I-400 ... Wheel Tractor	2.9L 175 OHV Diesel L4 3.5625" Bore	18	TL-6D ... Wheel Loader	3.7L 226 L4 4" Bore	27
I-60 ... Wheel Tractor	2.6L 160 L4 3.625" Bore	16	TL-645 ... Wheel Loader	7.0L 426 Diesel L6 4.25" Bore	47
I-60 ... Crawler Tractor	2.9L 175 OHV Diesel L4 3.5625" Bore	18	TL-714B ... Wheel Loader	3.9L 235.9 OHV Diesel L4 3.875" Bore (Perkins Eng.)	32
I-600G ... Wheel Tractor	2.6L 160 L4 3.625" Bore	16	TL-715B ... Wheel Loader	3.9L 235.9 OHV Diesel L4 3.875" Bore (Perkins Eng.)	32
IB ... Wheel Tractor	1.9L 116 L4 3.25" Bore	5	TL14D ... Wheel Loader	5.6L 344 Diesel L4 4.4375" Bore	45
IB ... Wheel Tractor	2.0L 125 L4 3.375" Bore	7	TL16D ... Wheel Loader	5.6L 344 Diesel L4 4.4375" Bore	45
J ... Combine	2.0L 119.7 L-HEAD L4 3.1875" Bore (Ford Tractor) (Ford Eng.)	6	TL20 ... Wheel Loader	8.5L 516 Diesel L6 4.4375" Bore	50
JG-230 ... Forklift	3.8L 230 OHV L6 3.4375" Bore (Buda Eng.)	29	TL30 ... Wheel Loader	8.5L 516 Diesel L6 4.4375" Bore	50
JG-230N ... Forklift	3.8L 230 OHV L6 3.4375" Bore (Buda Eng.)	29	TL40 ... Wheel Loader	13.8L 844 Diesel L6 5.25" Bore	55
JG-230P ... Forklift	3.8L 230 OHV L6 3.4375" Bore (Buda Eng.)	29	TL40D ... Wheel Loader	13.8L 844 Diesel L6 5.25" Bore	55
JG-230PLD ... Forklift	3.8L 230 OHV L6 3.4375" Bore (Buda Eng.)	29	TL745 ... Wheel Loader	8.5L 516 Diesel L6 4.4375" Bore	50
JG-230PLS ... Forklift	3.8L 230 OHV L6 3.4375" Bore (Buda Eng.)	29	TL745C ... Wheel Loader	8.5L 516 Diesel L6 4.4375" Bore	50
JG-230WL ... Forklift	3.8L 230 OHV L6 3.4375" Bore (Buda Eng.)	29	TL745H ... Wheel Loader	8.5L 516 Diesel L6 4.4375" Bore	50
JG-230WN ... Forklift	3.8L 230 OHV L6 3.4375" Bore (Buda Eng.)	29	TL945B ... Wheel Loader	8.5L 516 Diesel L6 4.4375" Bore	50
M100 ... Grader	8.5L 516 Diesel L6 4.4375" Bore	50	TL945B ... Wheel Loader	13.8L 844 Diesel L6 5.25" Bore	55
M100B ... Grader	8.5L 516 Diesel L6 4.4375" Bore	50	TR-200 ... Wheel Tractor	12.2L 743 OHV Diesel L6 5.125" Bore (Cummins Eng.)	54
M60 ... Grader	5.6L 344 Diesel L4 4.4375" Bore	45	TR160 ... Wheel Loader	8.5L 516 Diesel L6 4.4375" Bore	50
M70 ... Grader	5.6L 344 Diesel L4 4.4375" Bore	45	TS-200 ... Wheel Tractor	12.2L 743 OHV Diesel L6 5.125" Bore (Cummins Eng.)	54
N5 ... Combine	7.0L 426 Diesel L6 4.25" Bore	47	TS-300 ... Wheel Tractor	12.2L 743 OHV Diesel L6 5.125" Bore (Cummins Eng.)	54
N5 ... Combine	7.0L 426 Turbo-Diesel L6 4.25" Bore (3500 ENG.)	49	TS200 ... Wheel Tractor	13.8L 844 Diesel L6 5.25" Bore	55
N6 ... Combine	7.0L 426 Diesel L6 4.25" Bore	47	TS260 ... Wheel Tractor	13.8L 844 Diesel L6 5.25" Bore	55
N6 ... Combine	7.0L 426 Turbo-Diesel L6 4.25" Bore (3500 ENG.)	49	TS360 ... Wheel Tractor	13.8L 844 Diesel L6 5.25" Bore	55
P8 ... Combine	1.8L 108 L-HEAD V4 3.25" Bore (Wisconsin Eng.)	3	TW-300 ... Wheel Tractor	12.2L 743 OHV Diesel L6 5.125" Bore (Cummins Eng.)	54
P80 ... Combine	1.8L 108 L-HEAD V4 3.25" Bore (Wisconsin Eng.)	3	TW360 ... Wheel Tractor	13.8L 844 Diesel L6 5.25" Bore	55
R ... Combine	3.8L 230 OHV L6 3.4375" Bore (Buda Eng.)	29	T16-4WD ... Crawler Tractor	5.6L 344 Diesel L4 4.4375" Bore	45
R ... Combine	3.9L 237 L-HEAD L6 3.4375" Bore (Hercules Eng.)	33	T2 ... Combine	2.0L 119.7 L-HEAD L4 3.1875" Bore (Ford Tractor) (Ford Eng.)	6
R ... Combine	4.3L 262 OHV L6 3.5625" Bore	35	T2 ... Combine	2.8L 172 OHV L4 3.9063" Bore (Ford Eng.)	17
RC ... Wheel Tractor	2.0L 125 L4 3.375" Bore	7	T3 ... Combine	2.0L 119.7 L-HEAD L4 3.1875" Bore (Ford Tractor) (Ford Eng.)	6
Roto Baler ... Hay Baler	2.0L 125 L4 3.375" Bore	7	T3 ... Combine	2.8L 172 OHV L4 3.9063" Bore (Ford Eng.)	17
RT-40 ... Forklift	2.4L 149 L4 3.5" Bore	11	W ... Power Unit	3.3L 201 L4 4" Bore	25
S ... Combine	1.8L 108 L-HEAD V4 3.25" Bore (Wisconsin Eng.)	3	W ... Wheel Tractor	3.3L 201 L4 4" Bore	25
			W ... Wheel Tractor	3.7L 226 L4 4" Bore	27
			WC ... Wheel Tractor	3.3L 201 L4 4" Bore	25
			WC ... Wheel Tractor	3.7L 226 L4 4" Bore	27

(continued on next page)

Allis-Chalmers

Model Index

Model	Engine Description	Line No.	Model	Engine Description	Line No.
WD ... Wheel Tractor	3.3L 201 L4 4" Bore	25	261-B To Ser. No.		
WD ... Wheel Tractor	3.7L 226 L4 4" Bore	27	25-04576 ... Wheel Tractor	13.8L 844 Diesel L6 5.25" Bore	55
WD45 ... Wheel Tractor	2.5L 153 OHV Diesel L4 3.4375" Bore	14	262-B ... Scraper	13.8L 844 Diesel L6 5.25" Bore	55
WD45 ... Wheel Tractor	3.3L 201 L4 4" Bore	25	263-B ... Scraper	13.8L 844 Diesel L6 5.25" Bore	55
WD45 ... Wheel Tractor	3.7L 226 L4 4" Bore	27	3A ... Combine	3.8L 230 OHV L6 3.4375" Bore	28
WD45 ... Wheel Tractor	3.8L 230 OHV Diesel L6 3.4375" Bore	30	3A ... Combine	3.9L 237 L-HEAD L6 3.4375" Bore (Hercules Eng.)	33
WD45 ... Wheel Tractor	4.3L 262 OHV Diesel L6 3.5625" Bore	36	3E ... Combine	3.8L 230 OHV L6 3.4375" Bore	28
WD45D ... Wheel Tractor	2.5L 153 OHV Diesel L4 3.4375" Bore	14	3E ... Combine	3.9L 237 L-HEAD L6 3.4375" Bore (Hercules Eng.)	33
WD45D ... Wheel Tractor	3.8L 230 OHV Diesel L6 3.4375" Bore	30	302 ... Hay Baler	1.8L 108 L-HEAD V4 3.25" Bore (Wisconsin Eng.)	3
WD45D ... Wheel Tractor	4.3L 262 OHV Diesel L6 3.5625" Bore	36	302 ... Hay Baler	2.4L 149 L4 3.5" Bore	11
WF ... Wheel Tractor	3.3L 201 L4 4" Bore	25	303 ... Hay Baler	1.8L 108 L-HEAD V4 3.25" Bore (Wisconsin Eng.)	3
WF ... Wheel Tractor	3.7L 226 L4 4" Bore	27	303 ... Hay Baler	2.4L 149 L4 3.5" Bore	11
WP ... Wheel Tractor	3.7L 226 L4 4" Bore	27	3400 ... Wheel Tractor	7.0L 426 Diesel L6 4.25" Bore	47
WSP ... Wheel Tractor	3.7L 226 L4 4" Bore	27	3500 ... Wheel Tractor	7.0L 426 Diesel L6 4.25" Bore	47
WT ... Wheel Tractor	3.7L 226 L4 4" Bore	27	440 ... Wheel Tractor	9.1L 555 OHV Diesel V8 4.625" Bore (Cummins Eng.)	52
W201 ... Power Unit	3.3L 201 L4 4" Bore	25	45 ... Grader	8.5L 516 Diesel L6 4.4375" Bore	50
W226 ... Power Unit	3.3L 201 L4 4" Bore	25	50 ... Harvester	2.4L 149 L4 3.5" Bore	11
W25 ... Power Unit	3.3L 201 L4 4" Bore	25	545 ... Grader	4.9L 301 L6 3.875" Bore	41
10 ... Hay Baler	2.4L 149 L4 3.5" Bore	11	545 ... Grader	4.9L 301 Diesel L6 3.875" Bore	42
10 ... Combine	2.4L 149 L4 3.5" Bore	11	60 ... Combine	1.9L 116 L4 3.25" Bore	5
100 All Crop ... Combine	3.7L 226 L4 4" Bore	27	60 ... Combine	2.0L 125 L4 3.375" Bore	7
100-C ... Grader	8.5L 516 Diesel L6 4.4375" Bore	50	60H ... Combine	2.0L 125 L4 3.375" Bore	7
100SP ... Combine	3.7L 226 L4 4" Bore	27	60H ... Power Unit	2.0L 125 L4 3.375" Bore	7
10000 ... Grader	8.5L 516 Diesel L6 4.4375" Bore	50	6000 ... Crawler Tractor	5.6L 344 Diesel L4 4.4375" Bore	45
10000 ... Crawler Tractor	8.5L 516 Diesel L6 4.4375" Bore	50	6000 ... Wheel Loader	5.6L 344 Diesel L4 4.4375" Bore	45
10000 ... Wheel Loader	8.5L 516 Diesel L6 4.4375" Bore	50	6040 ... Wheel Tractor	2.5L 152.7 OHV Diesel L3 3.6" Bore (Perkins Eng.)	12
11000 ... Grader	8.5L 516 Diesel L6 4.4375" Bore	50	616 ... Cotton Picker	4.3L 262 OHV L6 3.5625" Bore	35
11000 ... Crawler Tractor	8.5L 516 Diesel L6 4.4375" Bore	50	616 ... Wheel Tractor	4.3L 262 OHV L6 3.5625" Bore	35
11000 ... Wheel Loader	8.5L 516 Diesel L6 4.4375" Bore	50	616 ... Cotton Picker	4.3L 262 OHV Diesel L6 3.5625" Bore	36
145 ... Grader	5.6L 344 Diesel L4 4.4375" Bore	45	616 ... Wheel Tractor	4.3L 262 OHV Diesel L6 3.5625" Bore	36
145T ... Grader	5.6L 344 Diesel L4 4.4375" Bore	45	620 ... Wheel Tractor	4.3L 262 OHV L6 3.5625" Bore	35
150-C ... Grader	8.5L 516 Diesel L6 4.4375" Bore	50	620 ... Wheel Tractor	4.3L 262 OHV Diesel L6 3.5625" Bore	36
160 ... Wheel Tractor	2.5L 152.7 OHV Diesel L3 3.6" Bore (Perkins Eng.)	12	622 ... Cotton Picker	4.3L 262 OHV L6 3.5625" Bore	35
170 ... Wheel Tractor	3.7L 226 L4 4" Bore	27	622 ... Cotton Picker	4.3L 262 OHV Diesel L6 3.5625" Bore	36
170 ... Wheel Tractor	4.1L 248.2 OHV Diesel L4 3.975" Bore (Perkins Eng.)	34	649I ... Wheel Tractor	4.9L 301 Diesel L6 3.875" Bore	42
170G ... Wheel Tractor	3.7L 226 L4 4" Bore	27	649T ... Wheel Tractor	4.9L 301 Diesel L6 3.875" Bore	42
175 ... Wheel Tractor	3.7L 226 L4 4" Bore	27	65 ... Grader	4.3L 262 OHV Diesel L6 3.5625" Bore	36
175 ... Wheel Tractor	3.9L 235.9 OHV Diesel L4 3.875" Bore (Perkins Eng.)	32	66 ... Combine	2.0L 125 L4 3.375" Bore	7
180 ... Wheel Tractor	4.3L 265 L6 3.75" Bore	37	66 ... Combine	2.4L 149 L4 3.5" Bore	11
180 ... Wheel Tractor	4.9L 301 L6 3.875" Bore	41	66 All Crop ... Combine	2.0L 125 L4 3.375" Bore	7
180 ... Wheel Tractor	4.9L 301 Diesel L6 3.875" Bore	42	670HI ... Combine	7.0L 426 Turbo-Diesel L6 4.25" Bore (3500 ENG.)	49
185 ... Wheel Tractor	4.3L 265 L6 3.75" Bore	37	670HI ... Wheel Tractor	7.0L 426 Turbo-Diesel L6 4.25" Bore (3500 ENG.)	49
185 ... Wheel Tractor	4.9L 301 L6 3.875" Bore	41	670I ... Combine	7.0L 426 Turbo-Diesel L6 4.25" Bore (3500 ENG.)	49
185 ... Wheel Tractor	4.9L 301 Diesel L6 3.875" Bore	42	670I ... Wheel Tractor	7.0L 426 Turbo-Diesel L6 4.25" Bore (3500 ENG.)	49
190 ... Wheel Tractor	4.3L 265 L6 3.75" Bore	37	685T ... Grader	8.5L 516 Diesel L6 4.4375" Bore	50
190 ... Wheel Tractor	4.9L 301 L6 3.875" Bore	41	685T ... Crawler Tractor	8.5L 516 Diesel L6 4.4375" Bore	50
190 ... Wheel Tractor	4.9L 301 Diesel L6 3.875" Bore	42	685T ... Wheel Loader	8.5L 516 Diesel L6 4.4375" Bore	50
190XT ... Wheel Tractor	4.3L 265 L6 3.75" Bore	37	7000 ... Wheel Tractor	4.9L 301 Diesel L6 3.875" Bore	42
190XT ... Wheel Tractor	4.9L 301 L6 3.875" Bore	41	7000 ... Crawler Tractor	5.6L 344 Diesel L4 4.4375" Bore	45
190XT ... Wheel Tractor	4.9L 301 Diesel L6 3.875" Bore	42	7000 ... Wheel Loader	5.6L 344 Diesel L4 4.4375" Bore	45
2A ... Combine	3.8L 230 OHV L6 3.4375" Bore	28	7020 ... Wheel Tractor	3.3L 200 Diesel L4 3.875" Bore	23
2A ... Combine	3.9L 237 L-HEAD L6 3.4375" Bore (Hercules Eng.)	33	7020 ... Wheel Tractor	3.3L 200 Turbo-Diesel L4 3.875" Bore	24
200 ... Wheel Tractor	4.3L 265 L6 3.75" Bore	37	7020 ... Wheel Tractor	4.9L 301 Turbo-Diesel L6 3.875" Bore (2900 ENG.)	43
200 ... Wheel Tractor	4.9L 301 L6 3.875" Bore	41	7030 ... Wheel Tractor	7.0L 426 Diesel L6 4.25" Bore	47
200 ... Wheel Tractor	4.9L 301 Diesel L6 3.875" Bore	42	7040 ... Wheel Tractor	7.0L 426 Diesel L6 4.25" Bore	47
200-C ... Grader	8.5L 516 Diesel L6 4.4375" Bore	50	7040PS ... Wheel Tractor	7.0L 426 Diesel L6 4.25" Bore	47
260-A ... Scraper	13.8L 844 Diesel L6 5.25" Bore	55			
260-B To Ser. No.					
25-04576 ... Wheel Tractor	13.8L 844 Diesel L6 5.25" Bore	55			
260-E ... Scraper	13.8L 844 Diesel L6 5.25" Bore	55			
260D ... Wheel Tractor	13.8L 844 Diesel L6 5.25" Bore	55			
260P ... Wheel Tractor	13.8L 844 Diesel L6 5.25" Bore	55			

(continued on next page)

Model Index					
Model	Engine Description	Line No.	Model	Engine Description	Line No.
7045 ... Wheel Tractor	7.0L 426 Diesel L6 4.25" Bore	47	8030PD ... Wheel Tractor	7.0L 426 Diesel L6 4.25" Bore	47
7045PS ... Wheel Tractor	7.0L 426 Diesel L6 4.25" Bore	47	8030PS ... Wheel Tractor	7.0L 426 Diesel L6 4.25" Bore	47
7050 ... Wheel Tractor	7.0L 426 Diesel L6 4.25" Bore	47	8050PD ... Wheel Tractor	7.0L 426 Diesel L6 4.25" Bore	47
7060 ... Wheel Tractor	7.0L 426 Diesel L6 4.25" Bore	47	8050PS ... Wheel Tractor	7.0L 426 Diesel L6 4.25" Bore	47
7060PS ... Wheel Tractor	7.0L 426 Diesel L6 4.25" Bore	47	8070PD ... Wheel Tractor	7.0L 426 Diesel L6 4.25" Bore	47
7080 ... Wheel Tractor	7.0L 426 Diesel L6 4.25" Bore	47	8070PS ... Wheel Tractor	7.0L 426 Diesel L6 4.25" Bore	47
7085 ... Wheel Tractor	7.0L 426 Diesel L6 4.25" Bore	47	860 ... Harvester	4.9L 301 Diesel L6 3.875" Bore	42
715 ... Wheel Loader	3.9L 235.9 OHV Diesel L4 3.875" Bore (Perkins Eng.)	32	88SP ... Combine	5.6L 339 OHV L6 4" Bore (Hercules Eng.)	44
72 ... Combine	2.3L 138 L4 3.375" Bore	9	880 ... Harvester	3.3L 200 Diesel L4 3.875" Bore	23
72 ... Combine	2.4L 149 L4 3.5" Bore	11	880 ... Harvester	3.3L 200 Turbo-Diesel L4 3.875" Bore	24
7580 ... Wheel Tractor	7.0L 426 Diesel L6 4.25" Bore	47	880 ... Harvester	4.9L 301 Turbo-Diesel L6 3.875" Bore (2900 ENG.)	43
801 ... Cotton Picker	4.3L 262 OHV L6 3.5625" Bore	35	90 ... Combine	2.4L 149 L4 3.5" Bore	11
801 ... Cotton Picker	4.3L 262 OHV Diesel L6 3.5625" Bore	36	940 ... Wheel Loader	3.3L 200 Diesel L4 3.875" Bore	23
8010PD ... Wheel Tractor	4.9L 301 Diesel L6 3.875" Bore	42	940 ... Wheel Loader	3.3L 200 Turbo-Diesel L4 3.875" Bore	24
8010PS ... Wheel Tractor	4.9L 301 Diesel L6 3.875" Bore	42	940 ... Wheel Loader	4.9L 301 Turbo-Diesel L6 3.875" Bore (2900 ENG.)	43
802 ... Cotton Picker	4.3L 262 OHV L6 3.5625" Bore	35			
802 ... Cotton Picker	4.3L 262 OHV Diesel L6 3.5625" Bore	36			
8030 ... Wheel Tractor	7.0L 426 Diesel L6 4.25" Bore	47			
8030 ... Wheel Tractor	7.0L 426 Turbo-Diesel L6 4.25" Bore (3500 ENG.)	49			

Forklift ICK Eng. 1				
1.0L 61 L4, 2.5" Bore (Waukesha Eng.)				

CYL. HEAD & PARTS				
QTY	VALVE	PART NO.	SIZE	DESCRIPTION
16	Keeper	FP-VK123		
16	Keeper	VK-123 +		When depleted use FP-VK123
CRANKSHAFT/OIL PUMP				
QTY	MAIN BEARINGS	PART NO.	SIZE	DESCRIPTION
2	Ball Brg.	207-SS		

Wheel Tractor N62 Eng. 2				
1.0L 62 L-HEAD L4, 2.375" Bore (Continental Eng.)				

CYL. HEAD & PARTS				
QTY	VALVE	PART NO.	SIZE	DESCRIPTION
4	Intake	FP-V1062		.8900" Head Dia., .3145" Stem Dia., 3.2630" O.A.L.
4	Intake	V-1062 +	Std Only	.8900" Head Dia., .3145" Stem Dia., 3.2630" O.A.L.; When depleted use FP-V1062
16	Keeper	FP-VK142		
16	Keeper	VK-142 +		When depleted use FP-VK142
QTY	VALVE GUIDE	PART NO.	SIZE	DESCRIPTION
8	Guide	FP-VG461		.3163" ID, 1.6560" O.A.L.
8	Guide	VG-461 +		.3163" ID, 1.6560" O.A.L.; When depleted use FP-VG461
QTY	VALVE SPRING	PART NO.	SIZE	DESCRIPTION
8	Spring	FP-VS402		1.7500" Free Height
8	Spring	VS-402 +		1.7500" Free Height; When depleted use FP-VS402
CYLINDER COMPONENTS				
QTY	PISTONS	PART NO.	SIZE	DESCRIPTION
4	Pin Bushing	FP-1664V		
4	Pin Bushing	1664V +		When depleted use FP-1664V
QTY	CONNECTING RODS & BRGS.	PART NO.	SIZE	DESCRIPTION
4	Rod Pair	FP-1660CP	Std-10-20-30	W/Horizontal split rods; FP-1660CA60 avail. as unplated & resizeable
4	Rod Pair	1660CP +	Std-10-20-30	W/Horizontal split rods; 1660CA60 avail. as unplated & resizeable; When depleted use FP-1660CP
QTY	PISTON RINGS	PART NO.	SIZE	DESCRIPTION
1	Standard Set	FP-5037X	Std Only	2-3/32, 1-3/16
1	Standard Set	5037X +	Std Only	2-3/32, 1-3/16; When depleted use FP-5037X
4	Standard Single Cylinder Set	W-5037X	Std Only	2-3/32, 1-3/16

Allis-Chalmers

3 Hay Baler VF4, VF4D, VF41, VH4, VH4D, VH4DM Engs. Combine VF4, VF4D, VF41, VH4, VH4D, VH4DM Engs. 1.8L 108 L-HEAD V4, 3.25" Bore (Wisconsin Eng.)

CYL. HEAD & PARTS

QTY	VALVE	PART NO.	SIZE	DESCRIPTION
8	Intake	FP-V816		Exh. & Int.; 1.3130" Head Dia., .3085" Stem Dia., 4.7660" O.A.L.
8	Intake	V-816 + Std Only		Exh. & Int.; 1.3130" Head Dia., .3085" Stem Dia., 4.7660" O.A.L.; When depleted use FP-V816
4	Exhaust	FP-V1326X		Optional-H/D; 1.2500" Head Dia., .3085" Stem Dia., 4.7710" O.A.L.
4	Exhaust	V-1326X + Std Only		Optional-H/D; 1.2500" Head Dia., .3085" Stem Dia., 4.7710" O.A.L.; When depleted use FP-V1326X
16	Keeper	VK-144		1 groove; Square cut key groove
16	Keeper	VK-144R		1 groove; Square cut key groove; Hardened
QTY	VALVE SEAT	PART NO.	SIZE	DESCRIPTION
8	Exh. & Int.	FP-24513755		1.3795" OD, 1.1250" ID, .2636" Depth
8	Exh. & Int.	245-1375-5 + Std Only		1.3795" OD, 1.1250" ID, .2636" Depth; When depleted use FP-24513755
QTY	VALVE GUIDE	PART NO.	SIZE	DESCRIPTION
8	Guide	FP-VG681		VF Series Engs.; .439" x 1.812"; .3133" ID, 1.8100" O.A.L.
8	Guide	VG-681 +		VF Series Engs.; .439" x 1.812"; .3133" ID, 1.8100" O.A.L.; When depleted use FP-VG681
8	Guide	FP-VG635		VH Series Engs.; .3155" ID, 2.5000" O.A.L.
8	Guide	VG-635 +		VH Series Engs.; .3155" ID, 2.5000" O.A.L.; When depleted use FP-VG635
QTY	VALVE SPRING	PART NO.	SIZE	DESCRIPTION
8	Spring	FP-VS793		Use w/FP-RC45 rotocap; VF Series Engs.; 1.9700" Free Height
8	Spring	VS-793 +		Use w/RC-45 rotocap; VF Series Engs.; 1.9700" Free Height; When depleted use FP-VS793
8	Spring	FP-VS468		2.3120" Free Height
8	Spring	VS-468 +		2.3120" Free Height; When depleted use FP-VS468
QTY	VALVE MISC.	PART NO.	SIZE	DESCRIPTION
8	Rotocap	FP-RC45		Use w/VS-793 valve spring.; VF Series Engs.
8	Rotocap	RC-45 +		Use w/VS-793 valve spring.; VF Series Engs.; When depleted use FP-RC45

CAMSHAFT GROUP

QTY	TIMING	PART NO.	SIZE	DESCRIPTION
1	Cam Gear	FP-2214108		VF4 & VH4D Engs.; 48 Teeth

CYLINDER COMPONENTS

QTY	LINERS	PART NO.	SIZE	DESCRIPTION
4	Repair Sleeve	FP-SL11M	Std Only	3/32" wall, must be cut to correct length
4	Repair Sleeve	SL-11M + Std Only		3/32" wall, must be cut to correct length; When depleted use FP-SL11M
QTY	PISTONS	PART NO.	SIZE	DESCRIPTION
4	Cast Piston	FP-628CP	Std-20-30-40-60	Cast; 2-3/32", 1-3/16" Ring Groove, 1.500" CD, .7503" Pin Dia., Recessed Head .010" deep; Piston length 2.870"; Repl. 3 ring piston in sets only
4	Cast Piston - Individual	FP-W628CP	Std-20-30-40-60	Cast; 2-3/32", 1-3/16" Ring Groove, 1.500" CD, .7500" Pin Dia., Recessed Head .010" deep; Piston length 2.870"; Repl. 3 ring piston in sets only
4	Cast Piston - Individual	W628CP + Std-20-30-40-60		Cast; 2-3/32", 1-3/16" Ring Groove, 1.500" CD, .7500" Pin Dia., Recessed Head .010" deep; Piston length 2.870"; Repl. 3 ring piston in sets only; When depleted use FP-W628CP
4	Pin Bushing	1394		1.000" max. length
QTY	CONNECTING RODS & BRGS.	PART NO.	SIZE	DESCRIPTION
4	Rod Pair	FP-3520CP	Std-10-20	VF4, VF4D Engs.
4	Rod Pair	3520CP + Std-10-20		VF4, VF4D Engs.; When depleted use FP-3520CP
4	Rod Pair	FP-3645CP	Std-10-20	VH4, VH4D, VH4DM Engs.
4	Rod Pair	3645CP + Std-10-20		VH4, VH4D, VH4DM Engs.; When depleted use FP-3645CP
QTY	PISTON RINGS	PART NO.	SIZE	DESCRIPTION
1	Premium Set	FP-5051KX	Std-20-30-40-60	3-3/32, 1-3/16
1	Premium Set	5051KX + Std-20-30-40-60		3-3/32, 1-3/16; When depleted use FP-5051KX
1	Standard Set	FP-10366X	Std Only	VF4D Engs.; 3-5/64, 1-3/16
1	Standard Set	10366X + Std Only		VF4D Engs.; 3-5/64, 1-3/16; When depleted use FP-10366X
1	Standard Set	FP-5051X	Std-20-30-40-60	3-3/32, 1-3/16
1	Standard Set	5051X + Std-20-30-40-60		3-3/32, 1-3/16; When depleted use FP-5051X

(continued on next page)

**Hay Baler VF4, VF4D, VF41, VH4, VH4D, VH4DM Engs. Combine VF4, VF4D, VF41, VH4, 3
VH4D, VH4DM Engs. (cont.)**
1.8L 108 L-HEAD V4, 3.25" Bore (Wisconsin Eng.)

CYLINDER COMPONENTS (cont.)

QTY	PISTON RINGS (cont.)	PART NO.	SIZE	DESCRIPTION
4	Premium Single Cylinder Set	W-5051KX20	20-30-60	3-3/32, 1-3/16
4	Standard Single Cylinder Set	W-5051X	Std-30	3-3/32, 1-3/16

Forklift FCX Eng. 4
1.8L 113 L4, 3" Bore (Waukesha Eng.)

CYL. HEAD & PARTS

QTY	VALVE	PART NO.	SIZE	DESCRIPTION
4	Exhaust	FP-V713		1.3490" Head Dia., .3095" Stem Dia., 4.4690" O.A.L.
4	Exhaust	V-713 +	Std Only	1.3490" Head Dia., .3095" Stem Dia., 4.4690" O.A.L.; When depleted use FP-V713
16	Keeper	FP-VK123		
16	Keeper	VK-123 +		When depleted use FP-VK123

QTY	VALVE GUIDE	PART NO.	SIZE	DESCRIPTION
8	Guide	FP-VG296		.3135" ID, 2.5000" O.A.L.
8	Guide	VG-296 +		.3135" ID, 2.5000" O.A.L.; When depleted use FP-VG296

CYLINDER COMPONENTS

QTY	PISTONS	PART NO.	SIZE	DESCRIPTION
4	Pin Bushing	FP-9629X		Bushing w/1/16" dia. oil hole
4	Pin Bushing	9629X +		Bushing w/1/16" dia. oil hole; When depleted use FP-9629X

Combine B15 Eng. Harvester B15 Eng. Power Unit B15 Eng. Wheel Tractor B15 Eng. 5
1.9L 116 L4, 3.25" Bore

CYL. HEAD & PARTS

QTY	VALVE	PART NO.	SIZE	DESCRIPTION
4	Intake	FP-V796		1.4380" Head Dia., .3412" Stem Dia., 4.9110" O.A.L.
4	Intake	V-796 +	Std Only	1.4380" Head Dia., .3412" Stem Dia., 4.9110" O.A.L.; When depleted use FP-V796
4	Exhaust	FP-V795		For Engs. w/o valve rotation; 1.3130" Head Dia., .3411" Stem Dia., 4.9055" O.A.L.
4	Exhaust	V-795 +	Std Only	For Engs. w/o valve rotation; 1.3130" Head Dia., .3411" Stem Dia., 4.9055" O.A.L.; When depleted use FP-V795
4	Exhaust	FP-V4238		For Engs. w/valve rotation; 1.3130" Head Dia., .3413" Stem Dia., 4.9060" O.A.L.
4	Exhaust	V-4238 +	Std Only	For Engs. w/valve rotation; 1.3130" Head Dia., .3413" Stem Dia., 4.9060" O.A.L.; When depleted use FP-V4238
16	Keeper	VK-115		1 groove; Square cut key groove
16	Keeper	VK-115R		1 groove; Square cut key groove; Hardened
16	Keeper, Bulk	VK-115B		1 groove; Square cut key groove; Carton of 1000

QTY	VALVE SEAT	PART NO.	SIZE	DESCRIPTION
4	Int.	245-1500-1	Std Only	1.5045" OD, 1.2500" ID, .2160" Depth

QTY	VALVE GUIDE	PART NO.	SIZE	DESCRIPTION
8	Guide	FP-VG557		.3445" ID, 2.2500" O.A.L.
8	Guide	VG-557 +		.3445" ID, 2.2500" O.A.L.; When depleted use FP-VG557

QTY	VALVE SPRING	PART NO.	SIZE	DESCRIPTION
8	Spring	FP-VS1426		2.3120" Free Height
8	Spring	VS-1426 +		2.3120" Free Height; When depleted use FP-VS1426

ENGINE BLOCK & PARTS

QTY	CAM BEARINGS	PART NO.	SIZE	DESCRIPTION
1	Cam Set	FP-1119M	Std Only	
1	Cam Set	1119M +	Std Only	When depleted use FP-1119M

CRANKSHAFT/OIL PUMP

QTY	MAIN BEARINGS	PART NO.	SIZE	DESCRIPTION
1	Main Set	FP-523M	Std-10-20-30	
1	Main Set	523M +	Std-10-20-30	When depleted use FP-523M

CYLINDER COMPONENTS

QTY	CONNECTING RODS & BRGS.	PART NO.	SIZE	DESCRIPTION
4	Rod Pair	FP-9745SB	Std-10-20-30-60	

(continued on next page)

Allis-Chalmers

5 Combine B15 Eng. Harvester B15 Eng. Power Unit B15 Eng. Wheel Tractor B15 Eng. (cont.) 1.9L 116 L4, 3.25" Bore

CYLINDER COMPONENTS (cont.)

QTY	CONNECTING RODS & BRGS. (cont.)	PART NO.	SIZE	DESCRIPTION
4	Rod Pair	9745SB + Std-10-20-30-60		When depleted use FP-9745SB
QTY	PISTON RINGS	PART NO.	SIZE	DESCRIPTION
1	Standard Set	FP-617X	Std Only	2-1/8, 1-3/16
1	Standard Set	617X + Std Only		2-1/8, 1-3/16; When depleted use FP-617X

6 Combine 119.7 Eng. (Gas) 2.0L 119.7 L-HEAD L4 (Ford Tractor), 3.1875" Bore (Ford Eng.)

CYL. HEAD & PARTS

QTY	VALVE	PART NO.	SIZE	DESCRIPTION
4	Intake	V-967 Std Only		From late 1948, From Ser. No. 42162; 1.5100" Head Dia., .3410" Stem Dia., 4.8190" O.A.L.
4	Exhaust	FP-V999		From late 1948, From Ser. No. 42162; 1.2810" Head Dia., .3410" Stem Dia., 4.8060" O.A.L.
4	Exhaust	V-999 + Std Only		From late 1948, From Ser. No. 42162; 1.2810" Head Dia., .3410" Stem Dia., 4.8060" O.A.L.; When depleted use FP-V999
4	Exhaust	FP-V1095		Rototype; 1.2795" Head Dia., .3409" Stem Dia., 4.6949" O.A.L.
4	Exhaust	V-1095 + Std Only		Rototype; 1.2795" Head Dia., .3409" Stem Dia., 4.6949" O.A.L.; When depleted use FP-V1095
16	Keeper	VK-115		From late 1948; From Ser. No. 42162; 1 groove; Square cut key groove
16	Keeper	VK-115R		From late 1948; From Ser. No. 42162; 1 groove; Square cut key groove; Hardened
8	Keeper	VK-88		Valve guide retainer
8	Keeper	VK-261		W/Rototype
16	Keeper, Bulk	VK-115B		From late 1948; From Ser. No. 42162; 1 groove; Square cut key groove; Carton of 1000
QTY	VALVE SEAT	PART NO.	SIZE	DESCRIPTION
4	Int.	245-1625-1 Std Only		From late 1948, From Ser. No. 42162; 1.6300" OD, 1.3750" ID, .2160" Depth
4	Int.	245-1625-15 Std Only		To early 1948, To Ser. No. 42161; 1.6300" OD, 1.3750" ID, .2656" Depth
QTY	VALVE GUIDE	PART NO.	SIZE	DESCRIPTION
8	Guide	VG-428		To Ser No. 42161 rototype valve only; From Ser. No. 42162 all; .3435" ID, 2.2000" O.A.L.
QTY	VALVE SPRING	PART NO.	SIZE	DESCRIPTION
8	Spring	FP-VS386		For rototype, & From Ser. No. 42162; 2.3120" Free Height
8	Spring	VS-386 +		For rototype, & From Ser. No. 42162; 2.3120" Free Height; When depleted use FP-VS386
8	Spring	FP-VS325		To early 1948, To Ser. No. 42161, exc. rototype; 2.4990" Free Height
8	Spring	VS-325 +		To early 1948, To Ser. No. 42161, exc. rototype; 2.4990" Free Height; When depleted use FP-VS325
QTY	VALVE SEAL	PART NO.	SIZE	DESCRIPTION
8	Valve Stem Seal	MV-1231		O-Ring; Carton of 50; Rubber

CAMSHAFT GROUP

QTY	TIMING	PART NO.	SIZE	DESCRIPTION
1	Gear Set	FP-2214707S		Alum. cam gear
1	Gear Set	221-4707S		Alum. cam gear
1	Cam Gear	221-4706		Alum.; 44 Teeth
QTY	CAMSHAFT/LIFTER	PART NO.	SIZE	DESCRIPTION
8	Lifter	AT-770 Std Only		Mech.; Use MT-7034 to adjust lash

ENGINE BLOCK & PARTS

QTY	GASKET SETS	PART NO.	SIZE	DESCRIPTION
1	Kit Gasket Set	FP-2601356		Incl. front & rear crank shaft seals.
1	Kit Gasket Set	260-1356 +		Incl. front & rear crank shaft seals.; When depleted use FP-2601356

CRANKSHAFT/OIL PUMP

QTY	CRANKSHAFT	PART NO.	SIZE	DESCRIPTION
1	Crank Gear	221-4704		22 Teeth
QTY	MAIN BEARINGS	PART NO.	SIZE	DESCRIPTION
1	Main Set	FP-567M Std-10-20-30-40-60		

(continued on next page)

Combine 119.7 Eng. (Gas) 6
2.0L 119.7 L-HEAD L4 (Ford Tractor), 3.1875" Bore (Ford Eng.) (cont.)

CRANKSHAFT/OIL PUMP (cont.)

QTY	MAIN BEARINGS (cont.)	PART NO.	SIZE	DESCRIPTION
1	Main Set	567M +	Std-10-20-30-40-60	When depleted use FP-567M
QTY	OIL PUMP	PART NO.	SIZE	DESCRIPTION
1	Pump Repair Kit	FP-22451106		1939-50; To Ser. No. 247570
1	Pump Repair Kit	224-51106 +		1939-50; To Ser. No. 247570; When depleted use FP-22451106
1	Pump Repair Kit	FP-22451107		1950-52; 8N Eng.s.; From Ser. No. 247571
1	Pump Repair Kit	224-51107 +		1950-52; 8N Eng.s.; From Ser. No. 247571; When depleted use FP-22451107
1	Inter. Shaft	FP-224614139		1939-50; To Ser. No. 247570; Shaft and gear, O.A.L. 1.735"
1	Inter. Shaft	224-614139 +		1939-50; To Ser. No. 247570; Shaft and gear, O.A.L. 1.735"; When depleted use FP-224614139
1	Inter. Shaft	FP-224614138		1950-52; 8N Eng.s.; From Ser. No. 247571; Shaft and gear, O.A.L. 1.900"
1	Inter. Shaft	224-614138 +		1950-52; 8N Eng.s.; From Ser. No. 247571; Shaft and gear, O.A.L. 1.900"; When depleted use FP-224614138

CYLINDER COMPONENTS

QTY	LINERS	PART NO.	SIZE	DESCRIPTION
4	Dry Sleeve	FP-SL151M	Std Only	.040" wall, finished, flanged sleeve. Do not use if sleeve drops below top of block. This indicates worn or oversize counterbores. If this condition exists use SL-147M
4	Dry Sleeve	SL-151M +	Std Only	.040" wall, finished, flanged sleeve. Do not use if sleeve drops below top of block. This indicates worn or oversize counterbores. If this condition exists use SL-147M; When depleted use FP-SL151M
4	Dry Sleeve	FP-SL147M	Std Only	.090" wall, finished, flanged sleeve.
4	Dry Sleeve	SL-147M +	Std Only	.090" wall, finished, flanged sleeve.; When depleted use FP-SL147M
4	Sleeve Assy.	FP-SL2335	Std Only	Contains .040" wall sleeve; 4-ring piston w/pin & piston rings
4	Sleeve Assy.	SL-2335 +	Std Only	Contains .040" wall sleeve; 4-ring piston w/pin & piston rings; When depleted use FP-SL2335
4	Sleeve Assy.	FP-SL1709	Std Only	Contains .090" wall sleeve; 3-ring piston w/pin & piston rings
4	Sleeve Assy.	SL-1709 +	Std Only	Contains .090" wall sleeve; 3-ring piston w/pin & piston rings; When depleted use FP-SL1709
4	Sleeve Assy.	FP-SL1624	Std Only	Contains .090" wall sleeve; 4-ring piston w/pin & piston rings
4	Sleeve Assy.	SL-1624 +	Std Only	Contains .090" wall sleeve; 4-ring piston w/pin & piston rings; When depleted use FP-SL1624
QTY	PISTONS	PART NO.	SIZE	DESCRIPTION
4	Cast Piston	FP-8PS	Std Only	3-ring piston; Cast; 2-3/32", 1-3/16" Ring Groove, 1.519 plus .210 crown" CD, .7500" Pin Dia., Crowned Head; Late 3 ring design; Repl. O.E. No. 8N-6108
4	Cast Piston	1100P	Std Only	4-ring piston; Cast; 2-3/32", 2-3/16" Ring Groove, 1.519 plus .210 crown" CD, .7500" Pin Dia., Crowned Head w/ring below pin - 7.0:1 C.R.; Not factory duplicate; Repl. O.E. No. 8BA-6108A
4	Cast Piston - Individual	FP-W8PS	Std Only	3-ring piston; Cast; 2-3/32", 1-3/16" Ring Groove, 1.519 plus .210 crown" CD, .7500" Pin Dia., Crowned Head; Late 3 ring design; Repl. O.E. No. 8N-6108
4	Cast Piston - Individual	W8PS +	Std Only	3-ring piston; Cast; 2-3/32", 1-3/16" Ring Groove, 1.519 plus .210 crown" CD, .7500" Pin Dia., Crowned Head; Late 3 ring design; Repl. O.E. No. 8N-6108; When depleted use FP-W8PS
4	Pin Bushing	9024XBS		.820" max. housing bore
QTY	CONNECTING RODS & BRGS.	PART NO.	SIZE	DESCRIPTION
1	Rod Set	FP-41055CP	Std-10-20-30-40-60	
1	Rod Set	4-1055CP +	Std-10-20-30-40-60	When depleted use FP-41055CP
4	Rod Pair	FP-1055CP	Std-1-2-10-20-30-40-60	
4	Rod Pair	1055CP +	Std-1-2-10-20-30-40-60	When depleted use FP-1055CP
QTY	PISTON RINGS	PART NO.	SIZE	DESCRIPTION
1	Premium Set	997KX	Std Only	1st Type; Check piston grooving before supplying ring set; 2-3/32, 2-5/32
1	Premium Set	FP-5033KX	Std Only	2nd Type; Check piston grooving before supplying ring set; 2-3/32, 1-3/16
1	Premium Set	5033KX +	Std Only	2nd Type; Check piston grooving before supplying ring set; 2-3/32, 1-3/16; When depleted use FP-5033KX

(continued on next page)

Allis-Chalmers

6 Combine 119.7 Eng. (Gas)

(cont.) 2.0L 119.7 L-HEAD L4 (Ford Tractor), 3.1875" Bore (Ford Eng.)

CYLINDER COMPONENTS (cont.)

QTY	PISTON RINGS (cont.)	PART NO.	SIZE	DESCRIPTION
1	Premium Set	FP-5398KX	Std Only	2nd Type; Check piston grooving before supplying ring set; 2-3/32, 2-3/16
1	Premium Set	5398KX +	Std Only	2nd Type; Check piston grooving before supplying ring set; 2-3/32, 2-3/16; When depleted use FP-5398KX
1	Standard Set	FP-598X	Std Only	1st Type; Check piston grooving before supplying ring set; 2-3/32, 1-5/32
1	Standard Set	598X +	Std Only	1st Type; Check piston grooving before supplying ring set; 2-3/32, 1-5/32; When depleted use FP-598X
1	Standard Set	997X	Std Only	1st Type; Check piston grooving before supplying ring set; 2-3/32, 2-5/32
1	Standard Set	FP-5033X	Std Only	2nd Type; Check piston grooving before supplying ring set; 2-3/32, 1-3/16
1	Standard Set	5033X +	Std Only	2nd Type; Check piston grooving before supplying ring set; 2-3/32, 1-3/16; When depleted use FP-5033X
1	Standard Set	FP-5398X	Std-30-80	2nd Type; Check piston grooving before supplying ring set; 2-3/32, 2-3/16
1	Standard Set	5398X +	Std-30-80	2nd Type; Check piston grooving before supplying ring set; 2-3/32, 2-3/16; When depleted use FP-5398X
4	Premium Single Cylinder Set	W-5033KX	Std Only	2nd Type; Check piston grooving before supplying ring set; 2-3/32, 1-3/16
4	Premium Single Cylinder Set	W-5398KX	Std Only	2nd Type; Check piston grooving before supplying ring set; 2-3/32, 2-3/16
4	Standard Single Cylinder Set	W-997X	Std Only	1st Type; Check piston grooving before supplying ring sets; 2-3/32, 2-5/32
4	Standard Single Cylinder Set	W-5033X	Std Only	2nd Type; Check piston grooving before supplying ring set; 2-3/32, 1-3/16
4	Standard Single Cylinder Set	W-5398X	Std Only	2nd Type; Check piston grooving before supplying ring set; 2-3/32, 2-3/16

KITS

QTY	OVERHAUL KIT	PART NO.	SIZE	DESCRIPTION
1	Tractor Overhaul Kit	FP-KST2335A		Models 2N, 8N & 9N; Contains Cut-To-Length Sleeve w/.040" Wall Thickness & 4-Ring Piston
1	Tractor Overhaul Kit	FP-KST1709A		Models 2N, 8N & 9N; Contains Cut-To-Length Sleeve w/.090" Wall Thickness & 3-Ring Piston
1	Tractor Overhaul Kit	FP-KST1624A		Models 2N, 8N & 9N; Contains Cut-To-Length Sleeve w/.090" Wall Thickness & 4-Ring Piston

7 Hay Baler B, B125 Engs. Combine B, B125 Engs. Harvester B, B125 Engs. Power Unit B125 Eng. Wheel Tractor B, BE, B125 Engs. 2.0L 125 L4, 3.375" Bore

CYL. HEAD & PARTS

QTY	VALVE	PART NO.	SIZE	DESCRIPTION
4	Intake	FP-V796		1.4380" Head Dia., .3412" Stem Dia., 4.9110" O.A.L.
4	Intake	V-796 +	Std Only	1.4380" Head Dia., .3412" Stem Dia., 4.9110" O.A.L.; When depleted use FP-V796
4	Exhaust	FP-V795		For Engs. w/o valve rotation; 1.3130" Head Dia., .3411" Stem Dia., 4.9055" O.A.L.
4	Exhaust	V-795 +	Std Only	For Engs. w/o valve rotation; 1.3130" Head Dia., .3411" Stem Dia., 4.9055" O.A.L.; When depleted use FP-V795
4	Exhaust	FP-V4238		For Engs. w/valve rotation; 1.3130" Head Dia., .3413" Stem Dia., 4.9060" O.A.L.
4	Exhaust	V-4238 +	Std Only	For Engs. w/valve rotation; 1.3130" Head Dia., .3413" Stem Dia., 4.9060" O.A.L.; When depleted use FP-V4238
16	Keeper	VK-115		1 groove; Square cut key groove
16	Keeper	VK-115R		1 groove; Square cut key groove; Hardened
16	Keeper, Bulk	VK-115B		1 groove; Square cut key groove; Carton of 1000
QTY	VALVE SEAT	PART NO.	SIZE	DESCRIPTION
4	Exh.	245-1375-4	Std Only	1.3795" OD, 1.1250" ID, .1855" Depth
4	Int.	245-1500-1N	Std Only	Premium Material; 1.5045" OD, 1.2500" ID, .2160" Depth
4	Int.	245-1500-1	Std Only	1.5045" OD, 1.2500" ID, .2160" Depth
QTY	VALVE GUIDE	PART NO.	SIZE	DESCRIPTION
8	Guide	FP-VG557		.3445" ID, 2.2500" O.A.L.
8	Guide	VG-557 +		.3445" ID, 2.2500" O.A.L.; When depleted use FP-VG557
QTY	VALVE SPRING	PART NO.	SIZE	DESCRIPTION
8	Spring	FP-VS1426		2.3120" Free Height
8	Spring	VS-1426 +		2.3120" Free Height; When depleted use FP-VS1426

(continued on next page)

Hay Baler B, B125 Engs. Combine B, B125 Engs. Harvester B, B125 Engs. Power Unit 7
B125 Eng. Wheel Tractor B, BE, B125 Engs. (cont.)
 2.0L 125 L4, 3.375" Bore

ENGINE BLOCK & PARTS

QTY	CAM BEARINGS	PART NO.	SIZE	DESCRIPTION
1	Cam Set	FP-1119M	Std Only	
1	Cam Set	1119M +	Std Only	When depleted use FP-1119M

CRANKSHAFT/OIL PUMP

QTY	MAIN BEARINGS	PART NO.	SIZE	DESCRIPTION
1	Main Set	FP-523M	Std-10-20-30	
1	Main Set	523M +	Std-10-20-30	When depleted use FP-523M

CYLINDER COMPONENTS

QTY	LINERS	PART NO.	SIZE	DESCRIPTION
4	Liner w/Sealing Rings	FP-SO1407	Std Only	Incl. (2) FP-SLR1640 sealing rings. Sleeve has 3.717" dia. sealing land. Check lower block sealing dia. before ordering parts.
4	Liner w/Sealing Rings	SO-1407 +	Std Only	Incl. (2) SLR-1640 sealing rings. Sleeve has 3.717" dia. sealing land. Check lower block sealing dia. before ordering parts.; When depleted use FP-SO1407
4	Sleeve Assy.	FP-SL1590	Std Only	Sleeve has 3.717" dia. sealing land. Check lower block sealing dia. before ordering parts.
4	Sleeve Assy.	SL-1590 +	Std Only	Sleeve has 3.717" dia. sealing land. Check lower block sealing dia. before ordering parts.; When depleted use FP-SL1590

QTY	CONNECTING RODS & BRGS.	PART NO.	SIZE	DESCRIPTION
4	Rod Pair	FP-9745SB	Std-10-20-30-60	
4	Rod Pair	9745SB +	Std-10-20-30-60	When depleted use FP-9745SB

QTY	PISTON RINGS	PART NO.	SIZE	DESCRIPTION
1	Premium Set	FP-5039KX	Std Only	OVERBORE To 3.4375"; 3-1/8, 1-3/16
1	Premium Set	5039KX +	Std Only	OVERBORE To 3.4375"; 3-1/8, 1-3/16; When depleted use FP-5039KX
1	Premium Set	FP-964KX	Std Only	3-1/8, 1-3/16
1	Premium Set	964KX +	Std Only	3-1/8, 1-3/16; When depleted use FP-964KX
1	Standard Set	FP-964X	Std Only	3-1/8, 1-3/16
1	Standard Set	964X +	Std Only	3-1/8, 1-3/16; When depleted use FP-964X
4	Premium Single Cylinder Set	W-5039KX	Std Only	OVERBORE To 3.4375"; 3-1/8, 1-3/16
4	Premium Single Cylinder Set	W-964KX	Std Only	3-1/8, 1-3/16
4	Standard Single Cylinder Set	W-964X	Std Only	3-1/8, 1-3/16

Forklift FC Eng. 8
 2.2L 133 L4, 3.25" Bore (Waukesha Eng.)

CYL. HEAD & PARTS

QTY	VALVE	PART NO.	SIZE	DESCRIPTION
4	Exhaust	FP-V713		1.3490" Head Dia., .3095" Stem Dia., 4.4690" O.A.L.
4	Exhaust	V-713 +	Std Only	1.3490" Head Dia., .3095" Stem Dia., 4.4690" O.A.L.; When depleted use FP-V713
16	Keeper	FP-VK123		
16	Keeper	VK-123 +		When depleted use FP-VK123

QTY	VALVE GUIDE	PART NO.	SIZE	DESCRIPTION
8	Guide	FP-VG296		.3135" ID, 2.5000" O.A.L.
8	Guide	VG-296 +		.3135" ID, 2.5000" O.A.L.; When depleted use FP-VG296

CYLINDER COMPONENTS

QTY	PISTONS	PART NO.	SIZE	DESCRIPTION
4	Cast Piston	FP-C1549P40	40	Cast; 3-3/32", 1-3/16" Ring Groove, 1.750" CD, .8750" Pin Dia., Flat Head - 6.5:1 C.R.; Cast iron 4 ring piston; Repl. O.E. Nos. alum. pistons 68304A, 68304B; Use in sets only
4	Pin Bushing	FP-9629X		Bushing w/1/16" dia. oil hole
4	Pin Bushing	9629X +		Bushing w/1/16" dia. oil hole; When depleted use FP-9629X

QTY	PISTON RINGS	PART NO.	SIZE	DESCRIPTION
1	Premium Set	FP-5051KX	Std-20-30-40-60	3-3/32, 1-3/16
1	Premium Set	5051KX +	Std-20-30-40-60	3-3/32, 1-3/16; When depleted use FP-5051KX
1	Standard Set	FP-617X	Std Only	2-1/8, 1-3/16
1	Standard Set	617X +	Std Only	2-1/8, 1-3/16; When depleted use FP-617X
1	Standard Set	FP-5051X	Std-20-30-40-60	3-3/32, 1-3/16
1	Standard Set	5051X +	Std-20-30-40-60	3-3/32, 1-3/16; When depleted use FP-5051X

(continued on next page)

+ Superseded Part Number

Allis-Chalmers

8 Forklift FC Eng. (cont.) 2.2L 133 L4, 3.25" Bore (Waukesha Eng.)

CYLINDER COMPONENTS (cont.)				
QTY	PISTON RINGS (cont.)	PART NO.	SIZE	DESCRIPTION
4	Premium Single Cylinder Set	W-5051KX20	20-30-	3-3/32, 1-3/16
4	Standard Single Cylinder Set	W-5051X	Std-30	3-3/32, 1-3/16

9 Combine G138 Eng. Wheel Tractor G138 Eng. 2.3L 138 L4, 3.375" Bore

CYL. HEAD & PARTS

QTY	VALVE	PART NO.	SIZE	DESCRIPTION
4	Intake	FP-V796		1.4380" Head Dia., .3412" Stem Dia., 4.9110" O.A.L.
4	Intake	V-796 +	Std Only	1.4380" Head Dia., .3412" Stem Dia., 4.9110" O.A.L.; When depleted use FP-V796
4	Exhaust	FP-V795		For Eng. w/o valve rotation; 1.3130" Head Dia., .3411" Stem Dia., 4.9055" O.A.L.
4	Exhaust	V-795 +	Std Only	For Eng. w/o valve rotation; 1.3130" Head Dia., .3411" Stem Dia., 4.9055" O.A.L.; When depleted use FP-V795
4	Exhaust	FP-V4238		For Eng. w/valve rotation; 1.3130" Head Dia., .3413" Stem Dia., 4.9060" O.A.L.
4	Exhaust	V-4238 +	Std Only	For Eng. w/valve rotation; 1.3130" Head Dia., .3413" Stem Dia., 4.9060" O.A.L.; When depleted use FP-V4238
16	Keeper	VK-115		1 groove; Square cut key groove
16	Keeper	VK-115R		1 groove; Square cut key groove; Hardened
16	Keeper, Bulk	VK-115B		1 groove; Square cut key groove; Carton of 1000

QTY	VALVE SEAT	PART NO.	SIZE	DESCRIPTION
4	Exh.	245-1375-4	Std Only	1.3795" OD, 1.1250" ID, .1855" Depth
4	Int.	245-1500-1N	Std Only	Premium Material; 1.5045" OD, 1.2500" ID, .2160" Depth
4	Int.	245-1500-1	Std Only	1.5045" OD, 1.2500" ID, .2160" Depth

QTY	VALVE GUIDE	PART NO.	SIZE	DESCRIPTION
8	Guide	FP-VG557		.3445" ID, 2.2500" O.A.L.
8	Guide	VG-557 +		.3445" ID, 2.2500" O.A.L.; When depleted use FP-VG557

QTY	VALVE SPRING	PART NO.	SIZE	DESCRIPTION
8	Spring	FP-VS1426		2.3120" Free Height
8	Spring	VS-1426 +		2.3120" Free Height; When depleted use FP-VS1426

ENGINE BLOCK & PARTS

QTY	GASKET SETS	PART NO.	SIZE	DESCRIPTION
1	Kit Gasket Set	FP-2601331		Compl., Incl. RMB seal
1	Kit Gasket Set	260-1331		Compl., Incl. RMB seal

CRANKSHAFT/OIL PUMP

QTY	SEALS - FRONT CRANK	PART NO.	SIZE	DESCRIPTION
1	Redi-Sleeve	99149		
1	Oil Seal	6759S		

QTY	SEALS - REAR CRANK	PART NO.	SIZE	DESCRIPTION
1	Oil Seal	5128N		
1	Redi-Sleeve	99337		

QTY	MAIN BEARINGS	PART NO.	SIZE	DESCRIPTION
1	Main Set	FP-4101M	Std-10-20-30	
1	Main Set	4101M +	Std-10-20-30	When depleted use FP-4101M

CYLINDER COMPONENTS

QTY	LINERS	PART NO.	SIZE	DESCRIPTION
4	Liner w/Sealing Rings	FP-SO1992	Std Only	OVERBORE To 3.500"; Incl. (2) FP-SLR1992 sealing rings.
4	Liner w/Sealing Rings	SO-1992 +	Std Only	OVERBORE To 3.500"; Incl. (2) SLR-1992 sealing rings.; When depleted use FP-SO1992
4	Sleeve Assy.	FP-SL1992	Std Only	OVERBORE To 3.500"
4	Sleeve Assy.	SL-1992 +	Std Only	OVERBORE To 3.500"; When depleted use FP-SL1992

QTY	PISTONS	PART NO.	SIZE	DESCRIPTION
4	Cast Piston	FP-1992PX	Std Only	OVERBORE To 3.500"; Cast; 3-1/8", 1-3/16" Ring Groove, 2.063" CD, .8125" Pin Dia., Repl. O.E. Nos. 70228738 & 70229739
4	Cast Piston	1992PX +	Std Only	OVERBORE To 3.500"; Cast; 3-1/8", 1-3/16" Ring Groove, 2.063" CD, .8125" Pin Dia., Repl. O.E. Nos. 70228738 & 70229739; When depleted use FP-1992PX

QTY	CONNECTING RODS & BRGS.	PART NO.	SIZE	DESCRIPTION
4	Rod Pair	FP-2520CP	Std-10-20-30-40	

(continued on next page)

Combine G138 Eng. Wheel Tractor G138 Eng. 9
2.3L 138 L4, 3.375" Bore (cont.)

CYLINDER COMPONENTS (cont.)

QTY	CONNECTING RODS & BRGS. (cont.)	PART NO.	SIZE	DESCRIPTION
4	Rod Pair	2520CP +	Std-10-20-30-40	When depleted use FP-2520CP
QTY	PISTON RINGS	PART NO.	SIZE	DESCRIPTION
1	Premium Set	FP-934KX	Std-20-30-60	OVERBORE To 3.500"; 3-1/8, 1-3/16
1	Premium Set	934KX +	Std-20-30-60	OVERBORE To 3.500"; 3-1/8, 1-3/16; When depleted use FP-934KX
1	Standard Set	FP-934X	Std Only	OVERBORE To 3.500"; 3-1/8, 1-3/16
1	Standard Set	934X +	Std Only	OVERBORE To 3.500"; 3-1/8, 1-3/16; When depleted use FP-934X
4	Premium Single Cylinder Set	W-934KX	Std Only	OVERBORE To 3.500"; 3-1/8, 1-3/16
4	Standard Single Cylinder Set	W-934X	Std Only	OVERBORE To 3.500"; 3-1/8, 1-3/16

KITS

QTY	OVERHAUL KIT	PART NO.	SIZE	DESCRIPTION
1	Tractor Overhaul Kit	FP-KST1992A		OVERBORE To 3.500"

Wheel Tractor 2-71 (2-Valve Cyl. Head). Crawler Tractor 2-71 (2-Valve Cyl. Head). 10
2.3L 142 OHV Diesel L2 (2-71), 4.25" Bore (Detroit Diesel Eng.)

CYL. HEAD & PARTS

QTY	GASKETS	PART NO.	SIZE	DESCRIPTION
1	Valve Cover Gasket	FP-5144484		w/Stamped rocker cover
QTY	MISCELLANEOUS	PART NO.	SIZE	DESCRIPTION
4	Bolt	FP-8927580		Rocker plate bolt; 3/8" - 16 x .875"
4	Bolt	FP-443603		.250" x 20 x .750"
QTY	VALVE	PART NO.	SIZE	DESCRIPTION
4	Exhaust	FP-5185327		1 groove, 30 deg. seat; 1.5840" Head Dia., .3420" Stem Dia., 6.4440" O.A.L.
4	Exhaust Valve Kit	FP-5192718		Contains (1) FP-5178472 & (2) FP-23507238; 45 Degree
4	Exhaust Valve Kit	FP-5193197		Contains (1) FP-5185327 & (2) FP-23507238; 30 Degree
4	Exhaust Valve Kit	FP-5194829		Jet Blade; Contains (1) FP-5178501 & (2) FP-23507238; 45 Degree
4	Exhaust Valve Kit	FP-5193666		Jet Blade; Contains (1) FP-5186381 & (2) FP-23507238; 30 Degree
4	Valve Guide Cap	FP-5199914		Seal installer; Clear
8	Keeper	FP-23507238		1 groove; Square cut key groove
4	Keeper	VK-115		1 groove; Square cut key groove
4	Keeper	VK-115R		1 groove; Square cut key groove; Hardened
4	Keeper, Bulk	VK-115B		1 groove; Square cut key groove; Carton of 1000
QTY	VALVE SEAT	PART NO.	SIZE	DESCRIPTION
4	Exh.	FP-5198230	10	30 Deg. seat; .010" O/S; 1.6380" OD, 1.3440" ID, .2485" Depth
4	Exh.	FP-8927920	STD	30 Deg. seat; 1.6280" OD, 1.3440" ID, .2485" Depth
QTY	VALVE GUIDE	PART NO.	SIZE	DESCRIPTION
4	Guide	FP-5120930		Exh.
4	Guide	FP-5192717		Exh.; .0162" O/S
QTY	VALVE SPRING	PART NO.	SIZE	DESCRIPTION
4	Spring	FP-5150289		Exh.; .177" Wire dia.
4	Spring Cap	FP-5150291		
QTY	PUSH RODS	PART NO.	SIZE	DESCRIPTION
6	Push Rod	FP-5128640		
6	Push Rod Seat	FP-5123250		Lower
6	Push Rod Seat	FP-5150302		Upper; Flange type
6	Push Rod Spring	FP-5186858		.177" Wire diameter
6	Push Rod Retainer	FP-5150303		
6	Lock Nut	FP-5151601		5/16" - 24
6	Rect. or Square Seal	FP-5154472		
QTY	VALVE MISC.	PART NO.	SIZE	DESCRIPTION
2	Bolt	FP-179803		Crankcase vent breather; 1/4" x 20 x 1.750"
2	Lock Washer	FP-103319		Crankcase vent breather; .250"
1	Crankcase Breather	FP-5101760		4"
4	Valve Spring Seat	FP-5150292		
QTY	VALVE SEAL	PART NO.	SIZE	DESCRIPTION
4	Valve Stem Seal	FP-23500480		Exh.
2	Valve Stem Seal Bulk	ST-2001BC		Exh.; W/2-valve cyl. head; Positive type; Installation requires valve guide machining; Carton of 100; Rubber/PTFE

(continued on next page)

+ Superseded Part Number

Allis-Chalmers

10 Wheel Tractor 2-71 (2-Valve Cyl. Head). Crawler Tractor 2-71 (2-Valve Cyl. Head). (cont.) 2.3L 142 OHV Diesel L2 (2-71), 4.25" Bore (Detroit Diesel Eng.)

CYL. HEAD & PARTS (cont.)				
QTY	ROCKER PARTS	PART NO.	SIZE	DESCRIPTION
2	Rocker Shaft	FP-23500714		
4	Rocker Shaft Bracket Bolt	FP-5150325	1/2" - 13 x 4.250"	
4	Arm Support	FP-5103903		
6	Follower Assy.	FP-8924439		
6	Cam Follower Roller Set	FP-8923814		Incl. pin & roller
4	Valve Bridge Adj. Screw	FP-5129101	5/16" - 24 x 1"	
4	Valve Bridge	FP-5117565		
4	Valve Bridge Guide	FP-5117564		Press fit
METERS				
QTY	METERS	PART NO.	SIZE	DESCRIPTION
1	Bolt	FP-443603		Water temp. switch; .250" x 20 x .750"
1	Bolt	FP-179803		Water temp. switch; 1/4" x 20 x 1.750"
1	Washer	FP-5150568		7/16" x 3/4" x 1/16"; Copper
1	Lock Washer	FP-103319		Tach.; .250"
2	Lock Washer	FP-103320		Tach.; 5/16"
4	Lock Washer	FP-103319		Water temp. switch; .250"
1	Gasket	FP-5113412		Water temp. switch
1	Pipe Plug	FP-5121182		1/4" - 18; Hex head
2	Pipe Plug	FP-8923847		1/4" x 18 NPTF; Square head
INT & EXH MANIFOLDS				
QTY	INT. & EXH. MANIFOLDS	PART NO.	SIZE	DESCRIPTION
1	Exhaust Manifold Gasket	FP-5154210		
1	Exhaust Manifold Gasket	FP-5156319		Exh. Manifold Cover Plate
1	Pipe Plug	FP-5115214		Exhaust Manifold; 1/2" Square Head
6	Stud	FP-8927270		Exh. Manifold to Head; 3/8" - 16/24" x 1.6875"
1	Lock Washer	FP-103320		Exh. Manifold; 5/16"
QTY	AIR INTAKE	PART NO.	SIZE	DESCRIPTION
2	Lock Washer	FP-103319		Air Inlet Hsg.; .250"
CAMSHAFT GROUP				
QTY	CAMSHAFT/LIFTER	PART NO.	SIZE	DESCRIPTION
4	Lock Washer	FP-103319		Cam follower; .250"
4	Lock Washer	FP-103321		Cam follower; 3/8"
2	Lock Washer	FP-5177769		Front balance weight; 1.125"
4	Lock Washer	FP-103320		5/16"
ACCESSORY DRIVE				
QTY	ACCESSORY DRIVE	PART NO.	SIZE	DESCRIPTION
1	Ball Brg.	FP-23504528		Accessory drive assy.
10	Bolt	FP-8927580		w/Seal Patch; 3/8" - 16 x .875"
4	Bolt	FP-8927581		w/Seal Patch; 3/8" - 16 x 1"
1	Stud	FP-8927270		3/8" - 16/24" x 1.6875"
1	Pipe Plug	FP-5121182		Cam accessory drive; 1/4" - 18; Hex head
5	Washer	FP-5150568		7/16" x 3/4" x 1/16"; Copper
14	Copper Washer	FP-5152148		25/64" ID x 9/16" OD x 1/16" Thick; Copper
1	Oil Seal	450593		
1	Redi-Sleeve	99101		
14	Lock Nut	FP-103026	3/8" x 24	
FUEL SYSTEM & PARTS				
QTY	FUEL INJECTION	PART NO.	SIZE	DESCRIPTION
2	Fuel Injector Seal Ring	FP-5104701		Injector hole tube; Viton®
2	Fuel Injector Seal Ring	FP-5234281		
4	Injector Hole Tube Kit	FP-8925981		Viton®
2	Clamp	FP-5121259		Injector hold-down, Low Crab
4	Fuel Injector Repair Kit	FP-5229649		Two required per injector
2	Fuel Injection Valve Cage	FP-5228696		
2	Fuel Injection Spring Seat	FP-5228766		
2	Fuel Injector Valve Spring	FP-5228596		
2	Fuel Injector Check Valve	FP-5228694		
2	Fuel Pump Check Valve	FP-5226411		
2	Fuel Pump Check Valve	FP-5228308		Incl. injector valve & 5228106 seat
2	Injector Plunger & Bushing	FP-5229366		C65
2	Injector Plunger & Bushing	FP-5229372		C70
2	Injector Plunger & Bushing	FP-5228306		HV6
2	Injector Plunger & Bushing	FP-5228304		HV7
2	Injector Plunger & Bushing	FP-5228804		M95

(continued on next page)

Wheel Tractor 2-71 (2-Valve Cyl. Head). Crawler Tractor 2-71 (2-Valve Cyl. Head). 10
 2.3L 142 OHV Diesel L2 (2-71), 4.25" Bore (Detroit Diesel Eng.) (cont.)

FUEL SYSTEM & PARTS (cont.)

QTY	FUEL INJECTION (cont.)	PART NO.	SIZE	DESCRIPTION
2	Injector Plunger & Bushing	FP-5228682		7C70
2	Injector Plunger & Bushing	FP-5228658		7C75
2	Injector Plunger & Bushing	FP-5229823		7E55
2	Injector Plunger & Bushing	FP-5229814		7E60
2	Injector Plunger & Bushing	FP-5229916		7G65
2	Injector Plunger & Bushing	FP-5229912		7G70
2	Injector Plunger & Bushing	FP-5229808		7G75, 7E75
2	Injector Plunger & Bushing	FP-5229354		71C5; For Inj. Assembly C50
2	Fuel Injector Tip Kit	FP-5229192		C65, C70, 7N65
2	Fuel Injector Tip Kit	FP-5228554		HV7, HV8, HV9
2	Fuel Injector Tip Kit	FP-5228312		HV7, HV8, HV9, S70, S80, S90
2	Fuel Injector Tip Kit	FP-5229256		M95
2	Fuel Injector Tip Kit	FP-5229030		7E65; For Inj. Assembly 5A50, 5A55, 5A60
2	Fuel Injector Tip Kit	FP-5229026		71C5, 7E55, 7E60; For Inj. Assembly 5N45
2	Fuel Injector Valve Kit	FP-5228313		
2	Fuel Injector Valve Kit	FP-5228769		
2	Fuel Injector Roller Pin	FP-5228608		Injector stop pin

QTY	FUEL FILTERS & PUMP	PART NO.	SIZE	DESCRIPTION
1	Mechanical Fuel Pump	FP-5199735		LH; High Output; High output; w/.375" Gear
1	Mechanical Fuel Pump	FP-5199560		LH; Standard Output; Std. output; w/.250" Gear
1	Mechanical Fuel Pump	FP-5199734		RH; High Output; High output
1	Mechanical Fuel Pump	FP-5199561		RH; Standard Output
1	Fuel Pump Valve Plug Gasket	FP-5161003		Standard & High Output
1	Fuel Pump Shaft & Gear	FP-5100313		High Output; .963" Length; High Output
1	Fuel Pump Shaft & Gear	FP-5146705		High Output; 3.09" Length; High Output
1	Fuel Pump Shaft & Gear	FP-5181747		Standard Output; .838" Length; Std. Output
1	Fuel Pump Shaft & Gear	FP-5181746		Standard Output; 3.09" Length; Std. Output
1	Fuel Pump Valve	FP-5174973		Standard & High Output
1	Fuel Pump Coupling	FP-5154216		Drive coupling
1	Fuel Pump Gear	FP-5181748		High Output; .294" Width; Std. Output
1	Fuel Pump Gear	FP-5118915		High Output; .374" Width; High Output
1	Fuel Pump Gear	FP-5128217		High Output; .374" Width; High Output
1	Fuel Pump Gear	FP-5174975		Standard Output; .294" Width; Std. Output
1	Fuel Pump Drive Shaft	FP-5100312		High Output; .963" Length; High Output
1	Fuel Pump Drive Shaft	FP-5178700		Standard & High Output; 3.09" Length
1	Fuel Pump Drive Shaft	FP-5181749		Standard Output; .838" Length; Std. Output
4	Fuel Line Connector	FP-8926992		
1	Fuel Pump Relief Valve Spring	FP-5184530		Standard & High Output
1	Fuel Pump Repair Part	FP-5174971		Fuel pump valve plug; .500" x 20 plug
1	Fuel Pump Drive Adapter Gskt.	FP-5152122		
1	Fuel Pump Drive Adapter Gskt.	FP-5150193		Standard & High Output
2	Oil Seal	FP-23512243		Standard & High Output
1	Fuel Pump Repair Kit	FP-5149599		High Output; High output; Short Shaft
1	Fuel Pump Repair Kit	FP-5195078		Standard Output; Std. output
1	Pipe Plug	FP-5121182		Fuel pump pipe; 1/4" - 18; Hex head
2	Plastic Cap	FP-5136240		Standard & High Output; .250" Dia.
2	Plastic Cap	FP-5136241		Standard & High Output; .780" Dia., 3/8" NPTF
1	Dowel Pin	FP-103709		Standard & High Output; 5/32" x 1" straight
1	Ball Brg.	FP-147481		Fuel pump drive shaft; .125" Dia. Steel
4	Copper Washer	FP-5152148		25/64" ID x 9/16" OD x 1/16" Thick; Copper

BLOWER

QTY	BLOWER	PART NO.	SIZE	DESCRIPTION
2	Ball Brg.	FP-23518811		Front
2	Ball Brg.	FP-455506		Front
2	Ball Brg.	FP-23503687		Rear; Blower rotor bearing
4	Oil Seal	FP-5125427		Blower end plate seal
4	Wear Sleeve	FP-5125428		Blower end plate sleeve
1	Fuel Blower Gasket	FP-5154133		Blower to block
6	Bolt	FP-443603		Blower rotor bolt; .250" x 20 x .750"
2	Lock Washer	FP-5154115		Blower gear
2	Lock Washer	FP-103320		Blower rotor; 5/16"
4	Shim	FP-5154226		Blower rotor gear shim; .002"
2	Shim	FP-5154227		Blower rotor gear shim; .005"
6	Shim	FP-5154228		Blower rotor gear shim; .010"

GOVERNOR

QTY	GOVERNOR	PART NO.	SIZE	DESCRIPTION
1	Governor Spring	FP-5122165		Low Speed; w/One Blue Stripe

(continued on next page)

Allis-Chalmers

10 Wheel Tractor 2-71 (2-Valve Cyl. Head). Crawler Tractor 2-71 (2-Valve Cyl. Head). (cont.) 2.3L 142 OHV Diesel L2 (2-71), 4.25" Bore (Detroit Diesel Eng.)

GOVERNOR (cont.)			
QTY	GOVERNOR (cont.)	PART NO.	SIZE DESCRIPTION
1	Governor Spring	FP-5183704	Low Speed; w/Two Yellow Stripes
1	Governor Low Speed Spring Cap	FP-5102968	Gov. Spring Hsg.
1	Governor Low Speed Spring Cap	FP-5103975	Gov. Spring Hsg.
1	Screw	FP-5102270	.250" - 28 x 1.00"
1	Screw	FP-5102270	.250" - 28 x 1.00"
1	Screw	FP-5102270	Gov. Spring Hsg.; .250" - 28 x 1.00"
1	Governor Dowel Pin	FP-5150894	Gov. Differential; 25/32" Length
2	Governor Dowel Pin	FP-5185153	Gov. Weight Shaft; .3750" Dia. x 2.150" Length
1	Governor Seal Ring	FP-5126623	Gov. Spring Hsg.
1	O-Ring	FP-5176557	.477" ID x .113" Thick
1	O-Ring	FP-5182977	Gov. cover throttle shaft
2	Cylindrical Brg.	FP-148402	.500" x .500" Dia.
1	Cylindrical Brg.	FP-148402	Lower; Gov. Operating shaft; .500" x .500" Dia.
1	Dowel Pin	FP-141195	.250" x .625"
3	Washer	FP-5179709	.250" Copper
8	Washer	FP-5151487	Gov. Weight Shaft; 3/8" x 11/16" x .033"
1	Copper Washer	FP-5155596	Gov. Spring Hsg.; 5/16"; Special copper washer
3	Copper Washer	FP-5155596	5/16"; Special copper washer
1	Lock Washer	FP-103319	Gov. cover; .250"
1	Lock Washer	FP-103320	Gov. Spring Hsg.; 5/16"
2	Lock Washer	FP-103320	5/16"
4	Governor Retainer	FP-5178581	Gov. Weight
4	Ball Brg.	FP-447196	Gov. Weight
1	Ball Brg.	FP-9437108	Gov. Weight Riser Thrust Brg.; .354" Width
1	Ball Brg.	FP-9424121	Gov. Weight Shaft
1	Pipe Plug	FP-8924380	1/8" - 27
1	Governor Spring Cover Gasket	FP-8922593	Gov. Spring Hsg.; High Speed
1	Governor Spring Cover Gasket	FP-8922593	High Speed
2	Copper Washer	FP-5152148	Cover; 25/64" ID x 9/16" OD x 1/16" Thick; Copper
3	Lock Washer	FP-103319	Governor cover; .250"
3	Screw	FP-9417926	Governor cover; 1/4" -20 x 3/4"
1	Governor Cover Gasket	FP-5150889	
1	Retainer	FP-142583	Gov. cover; 13/64" Spring
COOLING SYSTEM			
QTY	WATER PUMP	PART NO.	SIZE DESCRIPTION
1	Water Pump Shaft	FP-5151226	
1	Water Pump Impeller	FP-5170626	
1	Water Pump Repair/Rebuild Kit	FP-5196935	
1	Water Pump Retainer Ring	FP-1307368	
1	Water Pump Mech. Shaft Seal	FP-1307479	
2	Ball Brg.	FP-23503819	Fresh water pump
4	Lock Nut	FP-103026	Heat Exchanger; 3/8" x 24
1	Water Pump Cover Gasket	FP-5166130	
1	Fresh Water Pump Gasket	FP-5153898	Tank cooling
1	Oil Seal	FP-5132155	Thermostat
2	Bolt	FP-443603	Heat Exchanger; .250" x 20 x .750"
2	Bolt	FP-8927580	Heat Exchanger; 3/8" - 16 x .875"
4	Bolt	FP-8927581	Heat Exchanger; 3/8" - 16 x 1"
1	Pipe Plug	FP-5142549	Heat Exchanger; 3/4" - 14 Square Head
1	Pipe Plug	FP-8924517	Thermostat housing; 3/8" x 18 square head
1	Shaft & Bearing Assembly	FP-908337	
1	Water Pump Spacer	FP-5151227	
1	Slinger, Water Pump	FP-2082032	
6	Washer	FP-5179709	.250" Copper
1	Washer	FP-5155555	Fresh water pump seal
1	Washer	FP-103325	Raw Water Pump Drive; Lock washer; 5/8"
1	Water Pump Lock Ring	FP-2007105	
2	Water Pump Lock Ring	FP-2082031	
1	Water Pump Lock Ring	FP-2104593	
QTY	THERMOSTAT	PART NO.	SIZE DESCRIPTION
1	Thermostat	FP-3041379	w/Vent hole; 170 Deg.
1	Thermostat Gasket	FP-5154271	Housing
QTY	MISCELLANEOUS	PART NO.	SIZE DESCRIPTION
1	Nut	FP-23505397	Fresh water pump
2	Hose Clamp	FP-5186840	Water outlet; 13/16" - 1 1/2" Clamping Range
8	Lock Washer	FP-103321	Heat Exchanger; 3/8"
2	Lock Washer	FP-103320	Heat Exchanger; 5/16"
8	Lock Washer	FP-103320	Heat Exchanger; 5/16"

(continued on next page)

Wheel Tractor 2-71 (2-Valve Cyl. Head). Crawler Tractor 2-71 (2-Valve Cyl. Head). 10
2.3L 142 OHV Diesel L2 (2-71), 4.25" Bore (Detroit Diesel Eng.) (cont.)

COOLING SYSTEM (cont.)				
QTY	MISCELLANEOUS (cont.)	PART NO.	SIZE	DESCRIPTION
2	Exhaust Manifold Gasket	FP-5156319		Heat Exchanger; Manifold flange & plate
2	Exhaust Manifold Gasket	FP-5156319		Heat Exchanger; Raw water flange
1	Exhaust Manifold Gasket	FP-5156319		Water By-pass tube to manifold
ENGINE BLOCK & PARTS				
QTY	GASKETS	PART NO.	SIZE	DESCRIPTION
1	Flywheel Housing Gasket	FP-5152525		
1	Washer	FP-5177773		Oil Filter By-pass plug; 18MM x 1.5MM
4	Lock Washer	FP-103321		3/8"
2	Hand Hole Cover Gasket	FP-5152288		
QTY	GASKET SETS	PART NO.	SIZE	DESCRIPTION
1	Complete Overhaul Gasket Set	FP-5192434		Low block
1	Complete Overhaul Gasket Set	FP-5192434WS		Low block; Incl. seals
QTY	DOWEL PINS	PART NO.	SIZE	DESCRIPTION
4	Dowel Pin	FP-141346		Rear crank; .1875" x .500"
QTY	CAM BEARINGS	PART NO.	SIZE	DESCRIPTION
5	Cam Brg.	FP-5194609	STD	Cam & Balance shaft; 1.52" width
1	Cam Brg.	FP-5196023	10	Exc. Alum. block; .010" U/S ID
1	Cam Brg.	FP-5196024	20	Exc. Alum. block; .020" U/S ID
2	Cam Brg.	FP-5111423	STD	Position Front & Rear; Balance shaft brg.; Grooved
2	Cam Brg.	FP-5111423	STD	Position Front & Rear; Cam brg.; From Ser. No. 2A-37623; Grooved
5	Cam Brg.	FP-5196026	STD	Position Inter.; Alum. block; Aluminum Blocks only
1	Cam Brg.	FP-5196022	STD	Position Inter.; Exc. Alum. block
QTY	OIL COOLERS & FILTERS	PART NO.	SIZE	DESCRIPTION
1	Oil Cooler Gasket	FP-5165801		Outer; Diameter Cooling
1	Oil Cooler Housing Gasket	FP-5154213		Housing to block
QTY	FREEZE PLUGS	PART NO.	SIZE	DESCRIPTION
2	Pipe Plug	FP-5115214		Block; 1/2" Square Head
1	Pipe Plug	FP-5121182		Cyl. Block; 1/4" - 18; Hex head
1	Pipe Plug	FP-5115214		Front housing; 1/2" Square Head
1	Pipe Plug	FP-5142549		Front housing; 3/4" - 14 Square Head
1	Pipe Plug	FP-8923847		Oil filler tube; 1/4" x 18 NPTF; Square head
1	Pipe Plug	FP-5115214		Oil pan drain; 1/2" Square Head
1	Pipe Plug	FP-5121182		Oil pan drain; 1/4" - 18; Hex head
1	Pipe Plug	FP-5142549		Oil pan drain; 3/4" - 14 Square Head
1	Pipe Plug	FP-8924517		Oil pan drain; 3/8" x 18 square head
1	Pipe Plug	FP-8924517		Oil pan pipe; 3/8" x 18 square head
1	Pipe Plug	FP-5115214		Oil pan; 1/2" Square Head
1	Pipe Plug	FP-5121182		Oil pan; 1/4" - 18; Hex head
1	Pipe Plug	FP-8923313		Oil pan; 3/4"
1	Pipe Plug	FP-5142549		Oil pan; 3/4" - 14 Square Head
QTY	DIPSTICK	PART NO.	SIZE	DESCRIPTION
1	Dipstick	FP-5115162		18.88" Length
1	Dipstick	FP-5101884		24" x 1.38"
1	Dipstick	FP-5108895		26.32" x 1.46"
1	Dipstick	FP-5146679		61" Length; Unmarked
1	Dipstick	FP-5146680		72" Length; Unmarked
QTY	MISCELLANEOUS	PART NO.	SIZE	DESCRIPTION
6	Bolt	FP-9410925		Front housing; 9/16" - 18 x 2.250"
6	Bolt	FP-9412015		Front housing; 9/16" - 18 x 2.500"
2	Pipe Plug	FP-5115214		Block; 1/2" Square Head
1	Pipe Plug	FP-5121182		Cyl. Block; 1/4" - 18; Hex head
1	Pipe Plug	FP-5115214		Front housing; 1/2" Square Head
1	Pipe Plug	FP-5142549		Front housing; 3/4" - 14 Square Head
1	Pipe Plug	FP-8923847		Oil filler tube; 1/4" x 18 NPTF; Square head
1	Pipe Plug	FP-5115214		Oil pan drain; 1/2" Square Head
1	Pipe Plug	FP-5121182		Oil pan drain; 1/4" - 18; Hex head
1	Pipe Plug	FP-5142549		Oil pan drain; 3/4" - 14 Square Head
1	Pipe Plug	FP-8924517		Oil pan drain; 3/8" x 18 square head
1	Pipe Plug	FP-8924517		Oil pan pipe; 3/8" x 18 square head
1	Pipe Plug	FP-5115214		Oil pan; 1/2" Square Head
1	Pipe Plug	FP-5121182		Oil pan; 1/4" - 18; Hex head
1	Pipe Plug	FP-8923313		Oil pan; 3/4"
1	Pipe Plug	FP-5142549		Oil pan; 3/4" - 14 Square Head
4	Gasket	FP-23505525		Hand hole cover bolt gasket; 3/8" Copper
1	Oil Pan Gasket	FP-5154198		Stamped steel pan

(continued on next page)

Allis-Chalmers

10 Wheel Tractor 2-71 (2-Valve Cyl. Head). Crawler Tractor 2-71 (2-Valve Cyl. Head). (cont.) 2.3L 142 OHV Diesel L2 (2-71), 4.25" Bore (Detroit Diesel Eng.)

ENGINE BLOCK & PARTS (cont.)				
QTY	MISCELLANEOUS (cont.)	PART NO.	SIZE	DESCRIPTION
1	Washer	FP-5131755		Front housing; 17/32" x .88" x .1345"
1	Washer	FP-840277		Oil drain plug gasket; 18MM, Nylon
20	Lock Washer	FP-103320		Oil pan to block; 5/16"
11	Lock Nut	FP-103026		Front housing; 3/8" x 24
CRANKSHAFT/OIL PUMP				
QTY	CRANKSHAFT	PART NO.	SIZE	DESCRIPTION
1	Bolt	FP-23501143		Crankshaft pulley; 1" - 14 X 2.750" (1.500" Hex head)
2	Woodruff Key	FP-5131724		.375" x 1.250"
QTY	SEALS - FRONT CRANK	PART NO.	SIZE	DESCRIPTION
1	Oil Seal	FP-5154314		2-71 Eng. only
1	Redi-Sleeve	99287		Shaft dia. 2.876"
1	Oil Seal Spacer	FP-5154316		
1	Oil Seal Spacer	FP-5192496		
1	Oil Seal	455006N		
1	Oil Seal	FP-5115454		Single Lip, Std.
QTY	SEALS - REAR CRANK	PART NO.	SIZE	DESCRIPTION
1	Oil Seal	455378H		
1	Oil Seal	FP-5197860		Single lip; O/S Shaft dia. 4.812"
1	Oil Seal	FP-5114335		Single Lip, Std.; Shaft Dia. 4.687"
1	Oil Seal Kit	5460		
1	Redi-Sleeve	FP-23507225		
1	Redi-Sleeve	99468		
6	Washer	FP-103325		Lock washer; 5/8"
QTY	MAIN BEARINGS	PART NO.	SIZE	DESCRIPTION
3	Plain Main Brg.	FP-5192874	STD	
3	Plain Main Brg.	FP-5192875	2	
3	Plain Main Brg.	FP-5192876	10	
3	Plain Main Brg.	FP-5192877	20	
3	Plain Main Brg.	FP-5192878	30	
3	Plain Main Brg.	FP-5193738	40	
3	Plain Main Brg.	FP-5193739	50	
1	Thrust Washer Set	FP-5159353S	STD	Position Rear
4	Thrust Washer	FP-5159353	STD	Position Rear
4	Thrust Washer	FP-5160542	5	Position Rear
4	Thrust Washer	FP-5192111	10	Position Rear
QTY	OIL PUMP	PART NO.	SIZE	DESCRIPTION
1	Bushing	FP-5153154		Oil pump body
4	Lock Washer	FP-103320		5/16"
1	Oil Filter Adapter Gasket	FP-5152413		
CYLINDER COMPONENTS				
QTY	LINERS	PART NO.	SIZE	DESCRIPTION
2	Liner w/o Sealing Rings	FP-5102316	5	Flanged, .810" port length
2	Liner w/o Sealing Rings	FP-5102317	10	Flanged, .810" port length
2	Liner w/o Sealing Rings	FP-5102318	20	Flanged, .810" port length
2	Liner w/o Sealing Rings	FP-5102319	30	Flanged, .810" port length
2	Liner w/o Sealing Rings	FP-23504931	STD	No. 1 Bore; Flanged, .810" port length
2	Liner w/o Sealing Rings	FP-23504932	STD	No. 2 Bore; Flanged, .810" port length
2	Liner w/o Sealing Rings	FP-23504933	STD	No. 3 Bore; Flanged, .810" port length
2	Liner w/o Sealing Rings	FP-23504934	STD	No. 4 Bore; Flanged, .810" port length
2	Cylinder Kit Complete	FP-235053095	5	w/Trunk style piston; .810" port length sleeve
2	Cylinder Kit Complete	FP-2350530910	10	w/Trunk style piston; .810" port length sleeve
2	Cylinder Kit Complete	FP-2350530920	20	w/Trunk style piston; .810" port length sleeve
2	Cylinder Kit Complete	FP-2350530930	30	w/Trunk style piston; .810" port length sleeve
2	Cylinder Kit Complete	FP-20014	STD	No. 1 Bore; w/Trunk style piston
2	Cylinder Kit Complete	FP-23505308	STD	No. 2 Bore; w/Trunk style piston; .810" port length sleeve
2	Cylinder Kit Complete	FP-23505309	STD	No. 3 Bore; w/Trunk style piston
2	Cylinder Kit Complete	FP-235053091	1	No. 4 Bore; w/Trunk style piston; .810" port length sleeve
2	Liner Kit w/o Sleeve	FP-LCK5309		w/Trunk style piston
2	Flange Shim	FP-2190595	.0015	.002" Thick
2	Flange Shim	FP-5192226	3	.003" Thick
2	Cntr. Bore Insert	FP-5199871		.0015" Thicker than std., for .010-.030 O/S sleeves
2	Cntr. Bore Insert	FP-5148399		.0015" Thicker than std., for std.-.005 O/S sleeves
2	Cntr. Bore Insert	FP-CLR81008		.0030" Thicker than std., for .010-030 O/S sleeves
2	Cntr. Bore Insert	CLR-81-008 +		.0030" Thicker than std., for .010-030 O/S sleeves; When depleted use FP-CLR81008
2	Cntr. Bore Insert	FP-5193316		Std. thickness (.1795-.1800), for .010-.030 O/S sleeves

(continued on next page)

Wheel Tractor 2-71 (2-Valve Cyl. Head). Crawler Tractor 2-71 (2-Valve Cyl. Head). 10
 2.3L 142 OHV Diesel L2 (2-71), 4.25" Bore (Detroit Diesel Eng.) (cont.)

CYLINDER COMPONENTS (cont.)

QTY	LINERS (cont.)	PART NO.	SIZE	DESCRIPTION
2	Cntr. Bore Insert	FP-5184484		Std. thickness (.1795-.1800), for std.-.005 O/S sleeves
QTY	PISTONS	PART NO.	SIZE	DESCRIPTION
2	Piston With Retainers	FP-5189054	STD	17.5:1 C.R.; Trunk style piston; Dish Head, Cast Iron; 4-1/8, 2-3/16 Ring Groove
2	Pin	FP-5188406	STD	
4	Piston Pin Retainer	FP-5188405		
2	Pin Bushing	FP-5157274		w/.015" extra ID bore stock
2	Pin Bushing	FP-2409Y		w/1.5020" I.D., 1.7510" O.D., .7600" O.A.L.
2	Pin Bushing	2409Y +		w/1.5020" I.D., 1.7510" O.D., .7600" O.A.L.; When depleted use FP-2409Y
QTY	CONNECTING RODS & BRGS.	PART NO.	SIZE	DESCRIPTION
8	Con. Rod Bolt	FP-5132383		.4375" x 20 x 3.52"
8	Con. Rod Nut	FP-5117629		.4375" x 20
2	Rod Pair	FP-23511129	STD	Late design-upper brg. w/2 oil slots
2	Rod Pair	FP-23511131	2	Late design-upper brg. w/2 oil slots
2	Rod Pair	FP-23511133	10	Late design-upper brg. w/2 oil slots
2	Rod Pair	FP-23511135	20	Late design-upper brg. w/2 oil slots
2	Rod Pair	FP-23511137	30	Late design-upper brg. w/2 oil slots
2	Rod Pair	FP-5193741	40	Late design-upper brg. w/2 oil slots
QTY	PISTON RINGS	PART NO.	SIZE	DESCRIPTION
2	Ring Set Single Cylinder	FP-5193477	STD	4-1/8, 2-3/16 (1 cyl. set w/4 Chrome rings)
8	Compression Ring	FP-5185325		Top 4 grooves
KITS				
QTY	OVERHAUL KIT	PART NO.	SIZE	DESCRIPTION
1	In-Frame Overhaul Kit	FP-2712V		

Hay Baler G149 Eng. Combine G149 Eng. Harvester G149 Eng. Forklift G149 Eng. Wheel Tractor G149 Eng. Crawler Tractor G149 Eng. 11
 2.4L 149 L4, 3.5" Bore

CYL. HEAD & PARTS

QTY	VALVE	PART NO.	SIZE	DESCRIPTION
4	Intake	FP-V796		1.4380" Head Dia., .3412" Stem Dia., 4.9110" O.A.L.
4	Intake	V-796 + Std Only		1.4380" Head Dia., .3412" Stem Dia., 4.9110" O.A.L.; When depleted use FP-V796
4	Exhaust	FP-V795		For Eng. w/o valve rotation; 1.3130" Head Dia., .3411" Stem Dia., 4.9055" O.A.L.
4	Exhaust	V-795 + Std Only		For Eng. w/o valve rotation; 1.3130" Head Dia., .3411" Stem Dia., 4.9055" O.A.L.; When depleted use FP-V795
4	Exhaust	FP-V4238		For Eng. w/valve rotation; 1.3130" Head Dia., .3413" Stem Dia., 4.9060" O.A.L.
4	Exhaust	V-4238 + Std Only		For Eng. w/valve rotation; 1.3130" Head Dia., .3413" Stem Dia., 4.9060" O.A.L.; When depleted use FP-V4238
16	Keeper	VK-115		1 groove; Square cut key groove
16	Keeper	VK-115R		1 groove; Square cut key groove; Hardened
16	Keeper, Bulk	VK-115B		1 groove; Square cut key groove; Carton of 1000
QTY	VALVE SEAT	PART NO.	SIZE	DESCRIPTION
4	Exh.	245-1375-4 Std Only		1.3795" OD, 1.1250" ID, .1855" Depth
4	Int.	245-1500-1N Std Only		Premium Material; 1.5045" OD, 1.2500" ID, .2160" Depth
4	Int.	245-1500-1 Std Only		1.5045" OD, 1.2500" ID, .2160" Depth
QTY	VALVE GUIDE	PART NO.	SIZE	DESCRIPTION
8	Guide	FP-VG557		.3445" ID, 2.2500" O.A.L.
8	Guide	VG-557 +		.3445" ID, 2.2500" O.A.L.; When depleted use FP-VG557
QTY	VALVE SPRING	PART NO.	SIZE	DESCRIPTION
8	Spring	FP-VS1426		2.3120" Free Height
8	Spring	VS-1426 +		2.3120" Free Height; When depleted use FP-VS1426
ENGINE BLOCK & PARTS				
QTY	GASKET SETS	PART NO.	SIZE	DESCRIPTION
1	Kit Gasket Set	FP-2601331		Compl., Incl. RMB seal
1	Kit Gasket Set	260-1331		Compl., Incl. RMB seal
QTY	CAM BEARINGS	PART NO.	SIZE	DESCRIPTION
1	Cam Set	FP-1214M	Std Only	
1	Cam Set	1214M +	Std Only	When depleted use FP-1214M

(continued on next page)

Allis-Chalmers

11 Hay Baler G149 Eng. Combine G149 Eng. Harvester G149 Eng. Forklift G149 Eng. Wheel (cont.) Tractor G149 Eng. Crawler Tractor G149 Eng.
2.4L 149 L4, 3.5" Bore

CRANKSHAFT/OIL PUMP

QTY	SEALS - FRONT CRANK	PART NO.	SIZE	DESCRIPTION
1	Redi-Sleeve	99149		
1	Oil Seal	6759S		
QTY	SEALS - REAR CRANK	PART NO.	SIZE	DESCRIPTION
1	Oil Seal	5128N		
1	Redi-Sleeve	99337		
QTY	MAIN BEARINGS	PART NO.	SIZE	DESCRIPTION
1	Main Set	FP-4101M	Std-10-20-30	
1	Main Set	4101M +	Std-10-20-30	When depleted use FP-4101M

CYLINDER COMPONENTS

QTY	LINERS	PART NO.	SIZE	DESCRIPTION
4	Liner w/Sealing Rings	FP-SO1992	Std Only	Incl. (2) FP-SLR1992 sealing rings.
4	Liner w/Sealing Rings	SO-1992 +	Std Only	Incl. (2) SLR-1992 sealing rings.; When depleted use FP-SO1992
4	Sleeve Assy.	FP-SL1992	Std Only	
4	Sleeve Assy.	SL-1992 +	Std Only	When depleted use FP-SL1992
QTY	PISTONS	PART NO.	SIZE	DESCRIPTION
6	Cast Piston	FP-1992PX	Std Only	Cast; 3-1/8", 1-3/16" Ring Groove, 2.063" CD, .8125" Pin Dia., Repl. O.E. Nos. 70228738 & 70229739
6	Cast Piston	1992PX +	Std Only	Cast; 3-1/8", 1-3/16" Ring Groove, 2.063" CD, .8125" Pin Dia., Repl. O.E. Nos. 70228738 & 70229739; When depleted use FP-1992PX
QTY	CONNECTING RODS & BRGS.	PART NO.	SIZE	DESCRIPTION
4	Rod Pair	FP-2520CP	Std-10-20-30-40	
4	Rod Pair	2520CP +	Std-10-20-30-40	When depleted use FP-2520CP
QTY	PISTON RINGS	PART NO.	SIZE	DESCRIPTION
1	Premium Set	FP-934KX	Std-20-30-60	3-1/8, 1-3/16
1	Premium Set	934KX +	Std-20-30-60	3-1/8, 1-3/16; When depleted use FP-934KX
1	Standard Set	FP-934X	Std Only	3-1/8, 1-3/16
1	Standard Set	934X +	Std Only	3-1/8, 1-3/16; When depleted use FP-934X
4	Premium Single Cylinder Set	W-934KX	Std Only	3-1/8, 1-3/16
4	Standard Single Cylinder Set	W-934X	Std Only	3-1/8, 1-3/16

KITS

QTY	OVERHAUL KIT	PART NO.	SIZE	DESCRIPTION
1	Tractor Overhaul Kit	FP-KST1992A		

12 Wheel Tractor A3.152, AD3.152, D3.152, 3.152 Engs.
2.5L 152.7 OHV Diesel L3, 3.6" Bore (Perkins Eng.)

CYL. HEAD & PARTS

QTY	VALVE	PART NO.	SIZE	DESCRIPTION
3	Intake	FP-V2150		1.5340" Head Dia., .3115" Stem Dia., 4.4980" O.A.L.
3	Intake	V-2150 +	Std Only	1.5340" Head Dia., .3115" Stem Dia., 4.4980" O.A.L.; When depleted use FP-V2150
3	Exhaust	FP-V2149		1.3130" Head Dia., .3115" Stem Dia., 4.5030" O.A.L.
3	Exhaust	V-2149 +	Std Only	1.3130" Head Dia., .3115" Stem Dia., 4.5030" O.A.L.; When depleted use FP-V2149
12	Keeper	FP-VK222		
12	Keeper	VK-222 +		When depleted use FP-VK222
QTY	VALVE SPRING	PART NO.	SIZE	DESCRIPTION
6	Spring	FP-VS782		Inner; 1.3750" Free Height
6	Spring	VS-782 +		Inner; 1.3750" Free Height; When depleted use FP-VS782
6	Spring	FP-VS783		Outer; 1.7820" Free Height
6	Spring	VS-783 +		Outer; 1.7820" Free Height; When depleted use FP-VS783
QTY	VALVE SEAL	PART NO.	SIZE	DESCRIPTION
6	Valve Stem Seal	FP-ST2032		Positive type; PTFE
6	Valve Stem Seal	ST-2032 +		Positive type; PTFE; When depleted use FP-ST2032

ENGINE BLOCK & PARTS

QTY	GASKET SETS	PART NO.	SIZE	DESCRIPTION
1	Kit Gasket Set	FP-2601404		Compl.; Direct Inj. Engs., w/rectangular head gskt.
1	Kit Gasket Set	260-1404 +		Compl.; Direct Inj. Engs., w/rectangular head gskt.; When depleted use FP-2601404

(continued on next page)

Wheel Tractor A3.152, AD3.152, D3.152, 3.152 Engs. 12 2.5L 152.7 OHV Diesel L3, 3.6" Bore (Perkins Eng.) (cont.)

ENGINE BLOCK & PARTS (cont.)				
QTY	GASKET SETS (cont.)	PART NO.	SIZE	DESCRIPTION
1	Kit Gasket Set	FP-2601403		Compl.; Indirect Inj. Engs., w/notched head gskt.
1	Kit Gasket Set	260-1403		Compl.; Indirect Inj. Engs., w/notched head gskt.
CRANKSHAFT/OIL PUMP				
QTY	MAIN BEARINGS	PART NO.	SIZE	DESCRIPTION
1	Main Set	FP-4415M	Std-10-20-30	
1	Main Set	4415M +	Std-10-20-30	When depleted use FP-4415M
1	Thrust Washer Set	FP-2783BF	Std Only	Position 4; To Ser. No. 1400249
1	Thrust Washer Set	2783BF +	Std Only	Position 4; To Ser. No. 1400249; When depleted use FP-2783BF
CYLINDER COMPONENTS				
QTY	LINERS	PART NO.	SIZE	DESCRIPTION
3	Dry Sleeve	FP-SL375M	Std Only	Flanged sleeve. Early blocks may require machining for flanged sleeve (instructions incl.)
3	Dry Sleeve	SL-375M +	Std Only	Flanged sleeve. Early blocks may require machining for flanged sleeve (instructions incl.); When depleted use FP-SL375M
3	Sleeve Assy.	FP-SL2439	Std Only	Flanged sleeve. Early blocks may require machining for flanged sleeve (instructions incl.)
3	Sleeve Assy.	SL-2439 +	Std Only	Flanged sleeve. Early blocks may require machining for flanged sleeve (instructions incl.); When depleted use FP-SL2439
3	Sleeve Assy.	FP-SL2186	Std Only	3-152 Engs.; w/Indirect Inj.; Flanged sleeve. Early blocks may require machining for flanged sleeve (instructions incl.)
3	Sleeve Assy.	SL-2186 +	Std Only	3-152 Engs.; w/Indirect Inj.; Flanged sleeve. Early blocks may require machining for flanged sleeve (instructions incl.); When depleted use FP-SL2186
QTY	PISTONS	PART NO.	SIZE	DESCRIPTION
3	Cast Piston	FP-2439P	Std Only	Cast; 2-3/32", 1-1/8", 2-1/4" Ring Groove, 2.431" CD, 1.2500" Pin Dia., Dish Head .725" deep x 2.200" dia.; Repl. O.E. No. 82111
3	Cast Piston	2439P +	Std Only	Cast; 2-3/32", 1-1/8", 2-1/4" Ring Groove, 2.431" CD, 1.2500" Pin Dia., Dish Head .725" deep x 2.200" dia.; Repl. O.E. No. 82111; When depleted use FP-2439P
3	Cast Piston	FP-2186P	Std Only	3-152 Engs.; w/Indirect Inj.; Cast; 2-3/32", 1-1/8", 2-1/4" Ring Groove, 2.234" CD, 1.2500" Pin Dia., Flat Head - 17.4:1 C.R.; Repl. O.E. No. 81565
3	Cast Piston	2186P +	Std Only	3-152 Engs.; w/Indirect Inj.; Cast; 2-3/32", 1-1/8", 2-1/4" Ring Groove, 2.234" CD, 1.2500" Pin Dia., Flat Head - 17.4:1 C.R.; Repl. O.E. No. 81565; When depleted use FP-2186P
3	Pin Bushing	FP-2019Y20		
3	Pin Bushing	2019Y20 +		When depleted use FP-2019Y20
QTY	CONNECTING RODS & BRGS.	PART NO.	SIZE	DESCRIPTION
3	Rod Pair	FP-2015CPA	Std-10-20-30	
3	Rod Pair	2015CPA +	Std-10-20-30	When depleted use FP-2015CPA
QTY	PISTON RINGS	PART NO.	SIZE	DESCRIPTION
3	Premium Set	FP-5944KX	Std Only	2-3/32, 1-1/8, 2-1/4 (1 cyl. set); Do not use w/Chrome liners
3	Premium Set	5944KX +	Std Only	2-3/32, 1-1/8, 2-1/4 (1 cyl. set); Do not use w/Chrome liners; When depleted use FP-5944KX
3	Premium Set	9132KX	Std Only	3-152 Engs.; w/Indirect Inj.; Check piston grooving before supplying ring set; 3-3/32, 2-1/4 (1 cyl. set); Do not use w/Chrome liners
3	Premium Set	FP-9132KX	Std Only	3-152 Engs.; 3-152 Engs.; w/Indirect Inj.; Check piston grooving before supplying ring set; 3-3/32, 2-1/4 (1 cyl. set); Do not use w/Chrome liners
3	Premium Set	FP-10222KX	Std Only	3A-152 Engs.; 2-3/32, 1-1/4 (1 cyl. set)
3	Premium Set	10222KX +	Std Only	3A-152 Engs.; 2-3/32, 1-1/4 (1 cyl. set); When depleted use FP-10222KX
3	Standard Set	FP-5944X	Std Only	2-3/32, 1-1/8, 2-1/4 (1 cyl. set)
3	Standard Set	5944X +	Std Only	2-3/32, 1-1/8, 2-1/4 (1 cyl. set); When depleted use FP-5944X
3	Standard Set	9132X +	Std Only	3-152 Engs.; w/Indirect Inj.; Check piston grooving before supplying ring set; 3-3/32, 2-1/4 (1 cyl. set); When depleted use FP-9132X
3	Standard Set	FP-9132X	Std Only	3-152 Engs.; 3-152 Engs.; w/Indirect Inj.; Check piston grooving before supplying ring set; 3-3/32, 2-1/4 (1 cyl. set)
KITS				
QTY	OVERHAUL KIT	PART NO.	SIZE	DESCRIPTION
1	Tractor Overhaul Kit	FP-KST2186A		3A-152 Engs.; w/Indirect inj.; Valve stem seals not incl.

(continued on next page)

Allis-Chalmers

12 Wheel Tractor A3.152, AD3.152, D3.152, 3.152 Engs. (cont.) 2.5L 152.7 OHV Diesel L3, 3.6" Bore (Perkins Eng.)

KITS (cont.)

QTY	OVERHAUL KIT (cont.)	PART NO.	SIZE	DESCRIPTION
1	Tractor Overhaul Kit	FP-KST2439A		3AD-152 Engs.; w/Direct Inj.; From Ser. No. 1400250; Block may require machining for flanged sleeve (instructions incl.); Valve stem seals not incl.

13 Forklift G153 Eng. Wheel Tractor G153 Eng. 2.5L 153 OHV L4, 3.4375" Bore

CYL. HEAD & PARTS

QTY	VALVE	PART NO.	SIZE	DESCRIPTION
4	Intake	FP-V1837		1.4380" Head Dia., .3425" Stem Dia., 4.9520" O.A.L.
4	Intake	V-1837 +	Std Only	1.4380" Head Dia., .3425" Stem Dia., 4.9520" O.A.L.; When depleted use FP-V1837
4	Exhaust	FP-V1836		1.3750" Head Dia., .3412" Stem Dia., 4.9420" O.A.L.
4	Exhaust	V-1836 +	Std Only	1.3750" Head Dia., .3412" Stem Dia., 4.9420" O.A.L.; When depleted use FP-V1836
16	Keeper	VK-115		1 groove; Square cut key groove
16	Keeper	VK-115R		1 groove; Square cut key groove; Hardened
16	Keeper, Bulk	VK-115B		1 groove; Square cut key groove; Carton of 1000

QTY	VALVE SEAT	PART NO.	SIZE	DESCRIPTION
4	Exh.	245-1437-2N	Std Only	Premium Material; 1.4425" OD, 1.2190" ID, .2160" Depth
4	Exh.	245-1437-2	Std Only	1.4425" OD, 1.2190" ID, .2160" Depth
4	Int.	245-1562-1N	Std Only	Premium Material; 1.5675" OD, 1.3125" ID, .2160" Depth
4	Int.	245-1562-1	Std Only	1.5675" OD, 1.3125" ID, .2160" Depth

QTY	VALVE GUIDE	PART NO.	SIZE	DESCRIPTION
4	Guide	FP-VG658		Exh.; .3445" ID, 2.1200" O.A.L.
4	Guide	VG-658 +		Exh.; .3445" ID, 2.1200" O.A.L.; When depleted use FP-VG658
4	Guide	FP-VG659		Int.; .3445" ID, 2.2500" O.A.L.
4	Guide	VG-659 +		Int.; .3445" ID, 2.2500" O.A.L.; When depleted use FP-VG659

QTY	VALVE SPRING	PART NO.	SIZE	DESCRIPTION
8	Spring	FP-VS1578		
8	Spring	VS-1578 +		When depleted use FP-VS1578

QTY	VALVE SEAL	PART NO.	SIZE	DESCRIPTION
4	Valve Stem Seal	ST-2001		Int.; Positive type; Installation requires valve guide machining; Rubber/PTFE
4	Valve Stem Seal Bulk	ST-2001BC		Int.; Positive type; Installation requires valve guide machining; Carton of 100; Rubber/PTFE

ENGINE BLOCK & PARTS

QTY	CAM BEARINGS	PART NO.	SIZE	DESCRIPTION
1	Cam Set	FP-1151M	Std Only	
1	Cam Set	1151M +	Std Only	When depleted use FP-1151M

CRANKSHAFT/OIL PUMP

QTY	CRANKSHAFT	PART NO.	SIZE	DESCRIPTION
1	Harmonic Balancer Sleeve	88187		

QTY	SEALS - FRONT CRANK	PART NO.	SIZE	DESCRIPTION
1	Redi-Sleeve	99187		
1	Oil Seal	472439		

QTY	MAIN BEARINGS	PART NO.	SIZE	DESCRIPTION
1	Main Set	FP-5133M	Std-20-40	W/3 brgs.

CYLINDER COMPONENTS

QTY	LINERS	PART NO.	SIZE	DESCRIPTION
4	Sleeve Assy.	FP-SL2216	Std Only	
4	Sleeve Assy.	SL-2216 +	Std Only	When depleted use FP-SL2216

QTY	PISTONS	PART NO.	SIZE	DESCRIPTION
4	Cast Piston	FP-2216P	Std Only	Cast; 3-1/8", 1-3/16" Ring Groove, 2.078" CD, .9996" Pin Dia., Dish Head; Repl. O.E. Nos. 4512451 & 4516721
4	Cast Piston	2216P +	Std Only	Cast; 3-1/8", 1-3/16" Ring Groove, 2.078" CD, .9996" Pin Dia., Dish Head; Repl. O.E. Nos. 4512451 & 4516721; When depleted use FP-2216P
4	Pin Bushing	FP-74507127		1.255" max. length
4	Pin Bushing	1619Y20 +		1.255" max. length; When depleted use FP-74507127

QTY	CONNECTING RODS & BRGS.	PART NO.	SIZE	DESCRIPTION
4	Rod Pair	FP-1615CP	Std-10-20-30-40	

(continued on next page)

Forklift G153 Eng. Wheel Tractor G153 Eng. 13 2.5L 153 OHV L4, 3.4375" Bore (cont.)

CYLINDER COMPONENTS (cont.)

QTY	CONNECTING RODS & BRGS. (cont.)	PART NO.	SIZE	DESCRIPTION
4	Rod Pair	1615CP +	Std-10-20-30-40	When depleted use FP-1615CP
QTY	PISTON RINGS	PART NO.	SIZE	DESCRIPTION
1	Premium Set	FP-5039KX	Std Only	3-1/8, 1-3/16
1	Premium Set	5039KX +	Std Only	3-1/8, 1-3/16; When depleted use FP-5039KX
4	Premium Single Cylinder Set	W-5039KX	Std Only	3-1/8, 1-3/16

Grader D153, DA153 Engs. Wheel Tractor D153, DA153 Engs. 14 2.5L 153 OHV Diesel L4, 3.4375" Bore

CYL. HEAD & PARTS

QTY	VALVE	PART NO.	SIZE	DESCRIPTION
16	Keeper	FP-VK144		1 groove; Square cut key groove
16	Keeper	VK-144R		1 groove; Square cut key groove; Hardened
16	Keeper, Bulk	FP-VK144B		1 groove; Square cut key groove; Carton of 1000
QTY	VALVE SEAT	PART NO.	SIZE	DESCRIPTION
4	Exh.	245-1437-2N	Std Only	Premium Material; 1.4425" OD, 1.2190" ID, .2160" Depth
4	Exh.	245-1437-2	Std Only	1.4425" OD, 1.2190" ID, .2160" Depth
4	Int.	245-1500-3	Std Only	1.5045" OD, 1.2500" ID, .2480" Depth
QTY	VALVE GUIDE	PART NO.	SIZE	DESCRIPTION
4	Guide	FP-VG555		Exh.; .3135" ID, 2.2500" O.A.L.
4	Guide	VG-555 +		Exh.; .3135" ID, 2.2500" O.A.L.; When depleted use FP-VG555
QTY	VALVE SPRING	PART NO.	SIZE	DESCRIPTION
8	Spring	FP-VS1577		w/damper; 2.0900" Free Height
8	Spring	VS-1577 +		w/damper; 2.0900" Free Height; When depleted use FP-VS1577

ENGINE BLOCK & PARTS

QTY	CAM BEARINGS	PART NO.	SIZE	DESCRIPTION
1	Cam Set	FP-1151M	Std Only	
1	Cam Set	1151M +	Std Only	When depleted use FP-1151M

CRANKSHAFT/OIL PUMP

QTY	CRANKSHAFT	PART NO.	SIZE	DESCRIPTION
1	Harmonic Balancer Sleeve	88187		
QTY	SEALS - FRONT CRANK	PART NO.	SIZE	DESCRIPTION
1	Redi-Sleeve	99187		
1	Oil Seal	472439		
QTY	MAIN BEARINGS	PART NO.	SIZE	DESCRIPTION
1	Main Set	FP-5133M	Std-20-40	W/3 brgs.

CYLINDER COMPONENTS

QTY	PISTONS	PART NO.	SIZE	DESCRIPTION
4	Pin Bushing	FP-74507127		1.255" max. length
4	Pin Bushing	1619Y20 +		1.255" max. length; When depleted use FP-74507127
QTY	CONNECTING RODS & BRGS.	PART NO.	SIZE	DESCRIPTION
4	Rod Pair	FP-1615CP	Std-10-20-30-40	
4	Rod Pair	1615CP +	Std-10-20-30-40	When depleted use FP-1615CP

Grader 4D153, 4DA153 Engs. Forklift 4D153, 4DA153 Engs. 15 2.5L 153 OHV Diesel L4, 3.4375" Bore (Buda Eng.)

CYL. HEAD & PARTS

QTY	VALVE	PART NO.	SIZE	DESCRIPTION
16	Keeper	FP-VK144		1 groove; Square cut key groove
16	Keeper	VK-144R		1 groove; Square cut key groove; Hardened
16	Keeper, Bulk	FP-VK144B		1 groove; Square cut key groove; Carton of 1000
QTY	VALVE SEAT	PART NO.	SIZE	DESCRIPTION
4	Exh.	245-1437-2N	Std Only	Premium Material; 1.4425" OD, 1.2190" ID, .2160" Depth
4	Exh.	245-1437-2	Std Only	1.4425" OD, 1.2190" ID, .2160" Depth
4	Int.	245-1500-3	Std Only	1.5045" OD, 1.2500" ID, .2480" Depth
QTY	VALVE GUIDE	PART NO.	SIZE	DESCRIPTION
4	Guide	FP-VG555		Exh.; .3135" ID, 2.2500" O.A.L.

(continued on next page)

Allis-Chalmers

15 Grader 4D153, 4DA153 Engs. Forklift 4D153, 4DA153 Engs. (cont.) 2.5L 153 OHV Diesel L4, 3.4375" Bore (Buda Eng.)

CYL. HEAD & PARTS (cont.)				
QTY	VALVE GUIDE (cont.)	PART NO.	SIZE	DESCRIPTION
4	Guide	VG-555 +		Exh.; .3135" ID, 2.2500" O.A.L.; When depleted use FP-VG555
QTY	VALVE SPRING	PART NO.	SIZE	DESCRIPTION
8	Spring	FP-VS1577		w/damper; 2.0900" Free Height
8	Spring	VS-1577 +		w/damper; 2.0900" Free Height; When depleted use FP-VS1577
ENGINE BLOCK & PARTS				
QTY	CAM BEARINGS	PART NO.	SIZE	DESCRIPTION
1	Cam Set	FP-1151M	Std Only	
1	Cam Set	1151M +	Std Only	When depleted use FP-1151M
CRANKSHAFT/OIL PUMP				
QTY	CRANKSHAFT	PART NO.	SIZE	DESCRIPTION
1	Harmonic Balancer Sleeve	88187		
QTY	SEALS - FRONT CRANK	PART NO.	SIZE	DESCRIPTION
1	Redi-Sleeve	99187		
1	Oil Seal	472439		
QTY	MAIN BEARINGS	PART NO.	SIZE	DESCRIPTION
1	Main Set	FP-5133M	Std-20-40	W/3 brgs.
CYLINDER COMPONENTS				
QTY	PISTONS	PART NO.	SIZE	DESCRIPTION
4	Pin Bushing	FP-74507127		1.255" max. length
4	Pin Bushing	1619Y20 +		1.255" max. length; When depleted use FP-74507127
QTY	CONNECTING RODS & BRGS.	PART NO.	SIZE	DESCRIPTION
4	Rod Pair	FP-1615CP	Std-10-20-30-40	
4	Rod Pair	1615CP +	Std-10-20-30-40	When depleted use FP-1615CP

16 Power Unit G160 Eng. Wheel Tractor G160 Eng. 2.6L 160 L4, 3.625" Bore

CYL. HEAD & PARTS				
QTY	VALVE	PART NO.	SIZE	DESCRIPTION
4	Intake	FP-V796		1.4380" Head Dia., .3412" Stem Dia., 4.9110" O.A.L.
4	Intake	V-796 +	Std Only	1.4380" Head Dia., .3412" Stem Dia., 4.9110" O.A.L.; When depleted use FP-V796
4	Exhaust	FP-V795		For Engs. w/o valve rotation; 1.3130" Head Dia., .3411" Stem Dia., 4.9055" O.A.L.
4	Exhaust	V-795 +	Std Only	For Engs. w/o valve rotation; 1.3130" Head Dia., .3411" Stem Dia., 4.9055" O.A.L.; When depleted use FP-V795
4	Exhaust	FP-V4238		For Engs. w/valve rotation; 1.3130" Head Dia., .3413" Stem Dia., 4.9060" O.A.L.
4	Exhaust	V-4238 +	Std Only	For Engs. w/valve rotation; 1.3130" Head Dia., .3413" Stem Dia., 4.9060" O.A.L.; When depleted use FP-V4238
16	Keeper	VK-115		1 groove; Square cut key groove
16	Keeper	VK-115R		1 groove; Square cut key groove; Hardened
16	Keeper, Bulk	VK-115B		1 groove; Square cut key groove; Carton of 1000
QTY	VALVE SEAT	PART NO.	SIZE	DESCRIPTION
4	Exh.	245-1375-4	Std Only	1.3795" OD, 1.1250" ID, .1855" Depth
4	Int.	245-1500-1N	Std Only	Premium Material; 1.5045" OD, 1.2500" ID, .2160" Depth
4	Int.	245-1500-1	Std Only	1.5045" OD, 1.2500" ID, .2160" Depth
QTY	VALVE GUIDE	PART NO.	SIZE	DESCRIPTION
8	Guide	FP-VG557		.3445" ID, 2.2500" O.A.L.
8	Guide	VG-557 +		.3445" ID, 2.2500" O.A.L.; When depleted use FP-VG557
QTY	VALVE SPRING	PART NO.	SIZE	DESCRIPTION
8	Spring	FP-VS1426		2.3120" Free Height
8	Spring	VS-1426 +		2.3120" Free Height; When depleted use FP-VS1426
CRANKSHAFT/OIL PUMP				
QTY	SEALS - FRONT CRANK	PART NO.	SIZE	DESCRIPTION
1	Redi-Sleeve	99149		
1	Oil Seal	6759S		
QTY	SEALS - REAR CRANK	PART NO.	SIZE	DESCRIPTION
1	Oil Seal	5128N		
1	Redi-Sleeve	99337		

(continued on next page)

Power Unit G160 Eng. Wheel Tractor G160 Eng. 16
2.6L 160 L4, 3.625" Bore (cont.)

CRANKSHAFT/OIL PUMP (cont.)

QTY	MAIN BEARINGS	PART NO.	SIZE	DESCRIPTION
1	Main Set	FP-4101M	Std-10-20-30	
1	Main Set	4101M +	Std-10-20-30	When depleted use FP-4101M

CYLINDER COMPONENTS

QTY	CONNECTING RODS & BRGS.	PART NO.	SIZE	DESCRIPTION
4	Rod Pair	FP-2520CP	Std-10-20-30-40	
4	Rod Pair	2520CP +	Std-10-20-30-40	When depleted use FP-2520CP

QTY	PISTON RINGS	PART NO.	SIZE	DESCRIPTION
1	Premium Set	FP-5504KX	Std Only	3-3/32, 1-3/16
1	Premium Set	5504KX +	Std Only	3-3/32, 1-3/16; When depleted use FP-5504KX
1	Standard Set	FP-5504X	Std Only	3-3/32, 1-3/16
1	Standard Set	5504X +	Std Only	3-3/32, 1-3/16; When depleted use FP-5504X
4	Premium Single Cylinder Set	W-5504KX	Std Only	3-3/32, 1-3/16

Combine 172 Eng. (Gas) 17
2.8L 172 OHV L4, 3.9063" Bore (Ford Eng.)

CYL. HEAD & PARTS

QTY	VALVE	PART NO.	SIZE	DESCRIPTION
4	Intake	V-1128	Std Only	1.6470" Head Dia., .3420" Stem Dia., 5.0900" O.A.L.
4	Exhaust	FP-V1178		Rototype; 1.5100" Head Dia., .3409" Stem Dia., 4.9800" O.A.L.
4	Exhaust	V-1178 +	Std Only	Rototype; 1.5100" Head Dia., .3409" Stem Dia., 4.9800" O.A.L.; When depleted use FP-V1178
16	Keeper	VK-115		Exc. Rototype valve; 1 groove; Square cut key groove
16	Keeper	VK-115R		Exc. Rototype valve; 1 groove; Square cut key groove; Hardened
8	Keeper	VK-261		W/Rototype
16	Keeper, Bulk	VK-115B		Exc. Rototype valve; 1 groove; Square cut key groove; Carton of 1000

QTY	VALVE SEAT	PART NO.	SIZE	DESCRIPTION
4	Exh.	245-1625-15	Std Only	1.6300" OD, 1.3750" ID, .2656" Depth

QTY	VALVE GUIDE	PART NO.	SIZE	DESCRIPTION
8	Guide	FP-VG500		.3440" ID, 2.5470" O.A.L.
8	Guide	VG-500 +		.3440" ID, 2.5470" O.A.L.; When depleted use FP-VG500

QTY	VALVE SPRING	PART NO.	SIZE	DESCRIPTION
8	Spring	VS-1575		2.1250" Free Height
4	Spring Cap	MV-110		Free valve assy.; use w/V-1178

QTY	PUSH RODS	PART NO.	SIZE	DESCRIPTION
8	Push Rod	RP-3021		9.8200" O.A.L.

QTY	VALVE SEAL	PART NO.	SIZE	DESCRIPTION
8	Valve Stem Seal	ST-2001		Positive type; Installation requires valve guide machining; Rubber/PTFE
4	Valve Stem Seal	MV-1796C		Int.; Umbrella type; Fits Std. to .015" O/S valve stem; Rubber
8	Valve Stem Seal Bulk	ST-2001BC		Positive type; Installation requires valve guide machining; Carton of 100; Rubber/PTFE
4	Valve Stem Seal Bulk	MV-1796		Int.; Umbrella type; Fits Std. to .015" O/S valve stem; Carton of 100; Rubber

CAMSHAFT GROUP

QTY	TIMING	PART NO.	SIZE	DESCRIPTION
1	Gear Set	FP-2214710S		
1	Gear Set	221-4710S		
1	Cam Gear	FP-2214710		42 Teeth
1	Cam Gear	221-4710		42 Teeth

QTY	CAMSHAFT/LIFTER	PART NO.	SIZE	DESCRIPTION
8	Lifter	AT-892	Std Only	Mech.

ENGINE BLOCK & PARTS

QTY	GASKET SETS	PART NO.	SIZE	DESCRIPTION
1	Kit Gasket Set	FP-2601358		Gas & LPG Engs. From 1958
1	Kit Gasket Set	260-1358		Gas & LPG Engs. From 1958
1	Kit Gasket Set	FP-2601359		Gas & LPG Engs. 1955 To 1957
1	Kit Gasket Set	260-1359		Gas & LPG Engs. 1955 To 1957

(continued on next page)

Allis-Chalmers

17 Combine 172 Eng. (Gas)

(cont.) 2.8L 172 OHV L4, 3.9063" Bore (Ford Eng.)

CRANKSHAFT/OIL PUMP				
QTY	CRANKSHAFT	PART NO.	SIZE	DESCRIPTION
1	Crank Gear	FP-2214701		21 Teeth
1	Crank Gear	221-4701 +		21 Teeth; When depleted use FP-2214701
QTY	MAIN BEARINGS	PART NO.	SIZE	DESCRIPTION
1	Main Set	FP-4001M	Std-10-20-30-40	
1	Main Set	4001M +	Std-10-20-30-40	When depleted use FP-4001M
QTY	OIL PUMP	PART NO.	SIZE	DESCRIPTION
1	Oil Pump	FP-22441130		Gear type, hex drive
1	Oil Pump	224-41130 +		Gear type, hex drive; When depleted use FP-22441130
1	Oil Pump	FP-22441135		Rotor type
1	Oil Pump	224-41135 +		Rotor type; When depleted use FP-22441135
1	Inter. Shaft	224-61104		For gear type oil pump
CYLINDER COMPONENTS				
QTY	LINERS	PART NO.	SIZE	DESCRIPTION
4	Dry Sleeve	FP-SL173M	Std Only	Finished, flanged sleeve w/.100" wall
4	Dry Sleeve	SL-173M +	Std Only	Finished, flanged sleeve w/.100" wall; When depleted use FP-SL173M
4	Sleeve Assy.	FP-SL1853	Std Only	Includes forged piston
QTY	PISTONS	PART NO.	SIZE	DESCRIPTION
4	Powerforged	FP-L2098F	Std-30-60	Powerforged; 2-3/32", 1-3/16" Ring Groove, 2.087" CD, .9122" Pin Dia., Flat Head; Repl. O.E. No. EAF-6108F; Casting No. EAF-6110F
4	Cast Piston	FP-382P	Std-20-30-40-60	Cast; 2-3/32", 1-3/16" Ring Groove, 2.070" CD, .9122" Pin Dia., Flat Head; Repl. O.E. No. EAF-6108F; Casting No. EAF-6110F
4	Cast Piston	382P +	Std-20-30-40-60	Cast; 2-3/32", 1-3/16" Ring Groove, 2.070" CD, .9122" Pin Dia., Flat Head; Repl. O.E. No. EAF-6108F; Casting No. EAF-6110F; When depleted use FP-382P
4	Cast Piston - Individual	FP-W382P	Std-20-30-40-60	Cast; 2-3/32", 1-3/16" Ring Groove, 2.070" CD, .9122" Pin Dia., Flat Head; Repl. O.E. No. EAF-6108F; Casting No. EAF-6110F
4	Cast Piston - Individual	W382P +	Std-20-30-40-60	Cast; 2-3/32", 1-3/16" Ring Groove, 2.070" CD, .9122" Pin Dia., Flat Head; Repl. O.E. No. EAF-6108F; Casting No. EAF-6110F; When depleted use FP-W382P
4	Forged Piston - Individual	FP-WL2098F	Std-30-60	Powerforged; 2-3/32", 1-3/16" Ring Groove, 2.087" CD, .9122" Pin Dia., Flat Head; Repl. O.E. No. EAF-6108F; Casting No. EAF-6110F
4	Forged Piston - Individual	WL-2098F +	Std-30-60	Powerforged; 2-3/32", 1-3/16" Ring Groove, 2.087" CD, .9122" Pin Dia., Flat Head; Repl. O.E. No. EAF-6108F; Casting No. EAF-6110F; When depleted use FP-WL2098F
4	Pin Bushing	1834V20		1.306" length; .020" extra bore stock
4	Pin Bushing	1834V		1.306" max. length
QTY	CONNECTING RODS & BRGS.	PART NO.	SIZE	DESCRIPTION
1	Rod Set	FP-41830CP	Std-10-20-30	
1	Rod Set	4-1830CP +	Std-10-20-30	When depleted use FP-41830CP
4	Rod Pair	1830CP	Std-1-2-10-20-30-40-50	1 oil hole
QTY	PISTON RINGS	PART NO.	SIZE	DESCRIPTION
1	Premium Set	FP-5166KX	Std-20-30-40-60	2-3/32, 1-3/16
1	Premium Set	5166KX +	Std-20-30-40-60	2-3/32, 1-3/16; When depleted use FP-5166KX
1	Standard Set	FP-5166X	Std-20-30-40-60	2-3/32, 1-3/16
1	Standard Set	5166X +	Std-20-30-40-60	2-3/32, 1-3/16; When depleted use FP-5166X
4	Premium Single Cylinder Set	W-5166KX	Std-30	2-3/32, 1-3/16
18 Forklift D175 Eng. Wheel Tractor D175, DA175 Eng. Crawler Tractor D175, DA175 Eng. 2.9L 175 OHV Diesel L4, 3.5625" Bore				
CYL. HEAD & PARTS				
QTY	VALVE	PART NO.	SIZE	DESCRIPTION
4	Intake	FP-V3924		Model HD3; From Ser. No. D-05033; 1.4800" Head Dia., .3095" Stem Dia., 5.3560" O.A.L.
4	Intake	V-3924 +	Std Only	Model HD3; From Ser. No. D-05033; 1.4800" Head Dia., .3095" Stem Dia., 5.3560" O.A.L.; When depleted use FP-V3924
4	Exhaust	FP-V1840		Model HD3; From Ser. No. D-05033; 1.2500" Head Dia., .3095" Stem Dia., 4.4380" O.A.L.

(continued on next page)

Forklift D175 Eng. Wheel Tractor D175, DA175 Engs. Crawler Tractor D175, DA175 Engs. 18
 2.9L 175 OHV Diesel L4, 3.5625" Bore (cont.)

CYL. HEAD & PARTS (cont.)

QTY	VALVE (cont.)	PART NO.	SIZE	DESCRIPTION
4	Exhaust	V-1840 +	Std Only	Model HD3; From Ser. No. D-05033; 1.2500" Head Dia., .3095" Stem Dia., 4.4380" O.A.L.; When depleted use FP-V1840
16	Keeper	FP-VK144		1 groove; Square cut key groove
16	Keeper	VK-144R		1 groove; Square cut key groove; Hardened
16	Keeper, Bulk	FP-VK144B		1 groove; Square cut key groove; Carton of 1000
QTY	VALVE SEAT	PART NO.	SIZE	DESCRIPTION
4	Exh.	245-1437-2N	Std Only	Premium Material; 1.4425" OD, 1.2190" ID, .2160" Depth
4	Exh.	245-1375-1	Std Only	1.3795" OD, 1.1250" ID, .2160" Depth
4	Exh.	245-1437-2	Std Only	1.4425" OD, 1.2190" ID, .2160" Depth
4	Int.	245-1500-3	Std Only	1.5045" OD, 1.2500" ID, .2480" Depth
4	Int.	245-1562-4	Std Only	1.5670" OD, 1.3125" ID, .2480" Depth
QTY	VALVE GUIDE	PART NO.	SIZE	DESCRIPTION
4	Guide	FP-VG555		Exh.; .3135" ID, 2.2500" O.A.L.
4	Guide	VG-555 +		Exh.; .3135" ID, 2.2500" O.A.L.; When depleted use FP-VG555
QTY	VALVE SPRING	PART NO.	SIZE	DESCRIPTION
4	Spring	FP-VS1577		Exh.; w/damper; 2.0900" Free Height
4	Spring	VS-1577 +		Exh.; w/damper; 2.0900" Free Height; When depleted use FP-VS1577
QTY	VALVE SEAL	PART NO.	SIZE	DESCRIPTION
4	Valve Stem Seal	ST-2001		Int.; Positive type; Installation requires valve guide machining; Rubber/PTFE
4	Valve Stem Seal Bulk	ST-2001BC		Int.; Positive type; Installation requires valve guide machining; Carton of 100; Rubber/PTFE

ENGINE BLOCK & PARTS

QTY	GASKET SETS	PART NO.	SIZE	DESCRIPTION
1	Kit Gasket Set	FP-2601332		D175 from Ser. No. 119462; Compl., Incl. RMB seal & wear sleeve for Engs. w/press-on flywheel housing & oil seal retainer; Wear sleeve shaft style Engs.
1	Kit Gasket Set	260-1332		D175 from Ser. No. 119462; Compl., Incl. RMB seal & wear sleeve for Engs. w/press-on flywheel housing & oil seal retainer; Wear sleeve shaft style Engs.
QTY	CAM BEARINGS	PART NO.	SIZE	DESCRIPTION
1	Cam Set	FP-1151M	Std Only	
1	Cam Set	1151M +	Std Only	When depleted use FP-1151M

CRANKSHAFT/OIL PUMP

QTY	CRANKSHAFT	PART NO.	SIZE	DESCRIPTION
1	Harmonic Balancer Sleeve	88187		
QTY	SEALS - FRONT CRANK	PART NO.	SIZE	DESCRIPTION
1	Redi-Sleeve	99187		
1	Oil Seal	472439		
QTY	MAIN BEARINGS	PART NO.	SIZE	DESCRIPTION
1	Main Set	FP-5133M	Std-20-40	W/3 brgs.

CYLINDER COMPONENTS

QTY	LINERS	PART NO.	SIZE	DESCRIPTION
4	Liner w/Sealing Rings	FP-SO1993	Std Only	Incl. (2) FP-SLR2216 sealing rings. Has std. (.250") flange thickness. Top of flange must be .002" above or below block surface. Check counterbore depth before ordering.
4	Liner w/Sealing Rings	SO-1993 +	Std Only	Incl. (2) SLR-2216 sealing rings. Has std. (.250") flange thickness. Top of flange must be .002" above or below block surface. Check counterbore depth before ordering.; When depleted use FP-SO1993
4	Sleeve Assy.	FP-SL2274	Std Only	Contains late design piston with 3/32" compression rings; Sleeve has std. (.250") flange thickness. Top of flange must be .002" above or below block surface. Check counterbore depth before ordering.
4	Sleeve Assy.	SL-2274 +	Std Only	Contains late design piston with 3/32" compression rings; Sleeve has std. (.250") flange thickness. Top of flange must be .002" above or below block surface. Check counterbore depth before ordering.; When depleted use FP-SL2274
QTY	PISTONS	PART NO.	SIZE	DESCRIPTION
4	Cast Piston	FP-2274P	Std Only	Late design; Cast; 3-3/32", 2-3/16" Ring Groove, 2.270" CD, .9997" Pin Dia., Flat Head; Repl. O.E. Nos. 74613346 & 4061559

(continued on next page)

Allis-Chalmers

18 Forklift D175 Eng. Wheel Tractor D175, DA175 Engs. Crawler Tractor D175, DA175 Engs. (cont.) 2.9L 175 OHV Diesel L4, 3.5625" Bore

CYLINDER COMPONENTS (cont.)

QTY	PISTONS (cont.)	PART NO.	SIZE	DESCRIPTION
4	Cast Piston	2274P +	Std Only	Late design; Cast; 3-3/32", 2-3/16" Ring Groove, 2.270" CD, .9997" Pin Dia., Flat Head; Repl. O.E. Nos. 74613346 & 4061559; When depleted use FP-2274P
4	Pin Bushing	FP-74507127		1.255" max. length
4	Pin Bushing	1619Y20 +		1.255" max. length; When depleted use FP-74507127
QTY	CONNECTING RODS & BRGS.	PART NO.	SIZE	DESCRIPTION
4	Rod Pair	FP-1615CP	Std-10-20-30-40	
4	Rod Pair	1615CP +	Std-10-20-30-40	When depleted use FP-1615CP
QTY	PISTON RINGS	PART NO.	SIZE	DESCRIPTION
2	Premium Set	FP-9251KX	Std Only	Late design; 3-3/32, 2-3/16 (2 cyl. set)
2	Premium Set	9251KX +	Std Only	Late design; 3-3/32, 2-3/16 (2 cyl. set); When depleted use FP-9251KX
4	Premium Single Cylinder Set	W-9251KX	Std Only	Late design; 3-3/32, 2-3/16 (2 cyl. set)

19 Forklift 4G182 Eng. 3.0L 182 L4, 3.75" Bore (Buda Eng.)

CYL. HEAD & PARTS

QTY	VALVE	PART NO.	SIZE	DESCRIPTION
4	Exhaust	FP-V1173		1.2810" Head Dia., .3095" Stem Dia., 4.5000" O.A.L.
4	Exhaust	V-1173 +	Std Only	1.2810" Head Dia., .3095" Stem Dia., 4.5000" O.A.L.; When depleted use FP-V1173
16	Keeper	FP-VK144		1 groove; Square cut key groove
16	Keeper	VK-144R		1 groove; Square cut key groove; Hardened
16	Keeper, Bulk	FP-VK144B		1 groove; Square cut key groove; Carton of 1000
QTY	VALVE GUIDE	PART NO.	SIZE	DESCRIPTION
8	Guide	FP-VG497		.3128" ID, 2.5630" O.A.L.
8	Guide	VG-497 +		.3128" ID, 2.5630" O.A.L.; When depleted use FP-VG497
QTY	VALVE SPRING	PART NO.	SIZE	DESCRIPTION
8	Spring	FP-VS1577		w/damper; 2.0900" Free Height
8	Spring	VS-1577 +		w/damper; 2.0900" Free Height; When depleted use FP-VS1577

ENGINE BLOCK & PARTS

QTY	CAM BEARINGS	PART NO.	SIZE	DESCRIPTION
1	Cam Set	FP-1151M	Std Only	
1	Cam Set	1151M +	Std Only	When depleted use FP-1151M

CRANKSHAFT/OIL PUMP

QTY	MAIN BEARINGS	PART NO.	SIZE	DESCRIPTION
1	Main Set	FP-5133M	Std-20-40	W/3 brgs.

CYLINDER COMPONENTS

QTY	PISTONS	PART NO.	SIZE	DESCRIPTION
4	Pin Bushing	FP-74507127		1.255" max. length
4	Pin Bushing	1619Y20 +		1.255" max. length; When depleted use FP-74507127
QTY	CONNECTING RODS & BRGS.	PART NO.	SIZE	DESCRIPTION
4	Rod Pair	FP-1615CP	Std-10-20-30-40	
4	Rod Pair	1615CP +	Std-10-20-30-40	When depleted use FP-1615CP

20 Wheel Tractor 4DA182 Eng. Wheel Loader 4DA182 Eng. 3.0L 182 Diesel L4, 3.75" Bore (Buda Eng.)

CYL. HEAD & PARTS

QTY	VALVE	PART NO.	SIZE	DESCRIPTION
16	Keeper	FP-VK144		1 groove; Square cut key groove
16	Keeper	VK-144R		1 groove; Square cut key groove; Hardened
16	Keeper, Bulk	FP-VK144B		1 groove; Square cut key groove; Carton of 1000
QTY	VALVE GUIDE	PART NO.	SIZE	DESCRIPTION
8	Guide	FP-VG497		.3128" ID, 2.5630" O.A.L.
8	Guide	VG-497 +		.3128" ID, 2.5630" O.A.L.; When depleted use FP-VG497
QTY	VALVE SPRING	PART NO.	SIZE	DESCRIPTION
8	Spring	FP-VS1577		w/damper; 2.0900" Free Height

(continued on next page)

Wheel Tractor 4DA182 Eng. Wheel Loader 4DA182 Eng. 20
3.0L 182 Diesel L4, 3.75" Bore (Buda Eng.) (cont.)

CYL. HEAD & PARTS (cont.)

QTY	VALVE SPRING (cont.)	PART NO.	SIZE	DESCRIPTION
8	Spring	VS-1577 +		w/damper; 2.0900" Free Height; When depleted use FP-VS1577

ENGINE BLOCK & PARTS

QTY	CAM BEARINGS	PART NO.	SIZE	DESCRIPTION
1	Cam Set	FP-1151M	Std Only	
1	Cam Set	1151M +		When depleted use FP-1151M

CRANKSHAFT/OIL PUMP

QTY	MAIN BEARINGS	PART NO.	SIZE	DESCRIPTION
1	Main Set	FP-5133M	Std-20-40	W/3 brgs.

CYLINDER COMPONENTS

QTY	PISTONS	PART NO.	SIZE	DESCRIPTION
4	Pin Bushing	FP-74507127		1.255" max. length
4	Pin Bushing	1619Y20 +		1.255" max. length; When depleted use FP-74507127

QTY	CONNECTING RODS & BRGS.	PART NO.	SIZE	DESCRIPTION
4	Rod Pair	FP-1615CP	Std-10-20-30-40	
4	Rod Pair	1615CP +	Std-10-20-30-40	When depleted use FP-1615CP

Wheel Tractor DA182 Eng. Wheel Loader DA182 Eng. 21
3.0L 182 OHV Diesel L4, 3.75" Bore

CYL. HEAD & PARTS

QTY	VALVE	PART NO.	SIZE	DESCRIPTION
16	Keeper	FP-VK144		1 groove; Square cut key groove
16	Keeper	VK-144R		1 groove; Square cut key groove; Hardened
16	Keeper, Bulk	FP-VK144B		1 groove; Square cut key groove; Carton of 1000

QTY	VALVE GUIDE	PART NO.	SIZE	DESCRIPTION
8	Guide	FP-VG555		Exh.; .3135" ID, 2.2500" O.A.L.
8	Guide	VG-555 +		Exh.; .3135" ID, 2.2500" O.A.L.; When depleted use FP-VG555

QTY	VALVE SPRING	PART NO.	SIZE	DESCRIPTION
8	Spring	FP-VS1577		w/damper; 2.0900" Free Height
8	Spring	VS-1577 +		w/damper; 2.0900" Free Height; When depleted use FP-VS1577

ENGINE BLOCK & PARTS

QTY	CAM BEARINGS	PART NO.	SIZE	DESCRIPTION
1	Cam Set	FP-1151M	Std Only	
1	Cam Set	1151M +		When depleted use FP-1151M

CRANKSHAFT/OIL PUMP

QTY	MAIN BEARINGS	PART NO.	SIZE	DESCRIPTION
1	Main Set	FP-5133M	Std-20-40	W/3 brgs.

CYLINDER COMPONENTS

QTY	PISTONS	PART NO.	SIZE	DESCRIPTION
4	Pin Bushing	FP-74507127		1.255" max. length
4	Pin Bushing	1619Y20 +		1.255" max. length; When depleted use FP-74507127

QTY	CONNECTING RODS & BRGS.	PART NO.	SIZE	DESCRIPTION
4	Rod Pair	FP-1615CP	Std-10-20-30-40	
4	Rod Pair	1615CP +	Std-10-20-30-40	When depleted use FP-1615CP

Wheel Tractor G2200 Eng. Crawler Tractor G2200 Eng. 22
3.3L 200 L4, 3.875" Bore

CYLINDER COMPONENTS

QTY	PISTONS	PART NO.	SIZE	DESCRIPTION
4	Pin Bushing	FP-3469Y20		1.411" max. length
4	Pin Bushing	3469Y20 +		1.411" max. length; When depleted use FP-3469Y20

QTY	CONNECTING RODS & BRGS.	PART NO.	SIZE	DESCRIPTION
4	Rod Pair	FP-3465CPA	Std-10-20-30	
4	Rod Pair	3465CPA +	Std-10-20-30	When depleted use FP-3465CPA

Allis-Chalmers

23 Harvester D2200 Eng. Wheel Tractor D2200 Eng. Crawler Tractor D2200 Eng. Wheel Loader D2200 Eng. 3.3L 200 Diesel L4, 3.875" Bore

CYLINDER COMPONENTS

QTY	LINERS	PART NO.	SIZE	DESCRIPTION
4	Liner w/Sealing Rings	FP-SO2263G	Std Only	Incl. (2) FP-SLR2263 sealing rings.
4	Liner w/Sealing Rings	SO-2263G +	Std Only	Incl. (2) SLR-2263 sealing rings.; When depleted use FP-SO2263G
4	Sleeve Assy.	FP-SL2263G	Std Only	
4	Sleeve Assy.	SL-2263G +	Std Only	When depleted use FP-SL2263G
QTY	PISTONS	PART NO.	SIZE	DESCRIPTION
4	Pin Bushing	FP-3469Y20		1.411" max. length
4	Pin Bushing	3469Y20 +		1.411" max. length; When depleted use FP-3469Y20
QTY	CONNECTING RODS & BRGS.	PART NO.	SIZE	DESCRIPTION
4	Rod Pair	FP-3465CPA	Std-10-20-30	
4	Rod Pair	3465CPA +	Std-10-20-30	When depleted use FP-3465CPA
QTY	PISTON RINGS	PART NO.	SIZE	DESCRIPTION
2	Premium Set	FP-9217KX	Std Only	3-3/32, 1-3/16 (2 cyl. set)
2	Premium Set	9217KX +	Std Only	3-3/32, 1-3/16 (2 cyl. set); When depleted use FP-9217KX
4	Premium Single Cylinder Set	W-9217KX	Std Only	3-3/32, 1-3/16 (1 cyl. set)

24 Harvester 433T Eng. Wheel Tractor 433T Eng. Wheel Loader 433T Eng. 3.3L 200 Turbo-Diesel L4, 3.875" Bore

CYL. HEAD & PARTS

QTY	VALVE	PART NO.	SIZE	DESCRIPTION
4	Intake	FP-V2214		Repl. O.E. No. 4023378; 29 Deg. seat angle; 1.6200" Head Dia., .3718" Stem Dia., 5.9960" O.A.L.
4	Intake	V-2214 +	Std Only	Repl. O.E. No. 4023378; 29 Deg. seat angle; 1.6200" Head Dia., .3718" Stem Dia., 5.9960" O.A.L.; When depleted use FP-V2214
4	Exhaust	FP-V2213X		Repl. O.E. Nos. 4007148 & 4023379; 29 Deg. seat angle; 1.4440" Head Dia., .3708" Stem Dia., 5.9970" O.A.L.
4	Exhaust	V-2213X +	Std Only	Repl. O.E. Nos. 4007148 & 4023379; 29 Deg. seat angle; 1.4440" Head Dia., .3708" Stem Dia., 5.9970" O.A.L.; When depleted use FP-V2213X
16	Keeper	VK-138		1 groove; Square cut key groove
16	Keeper	VK-138R		1 groove; Square cut key groove; Hardened
16	Keeper, Bulk	VK-138B		1 groove; Square cut key groove; Carton of 1000
QTY	VALVE GUIDE	PART NO.	SIZE	DESCRIPTION
8	Guide	FP-VG738		Double undercut; .3740" ID, 2.8800" O.A.L.
8	Guide	VG-738 +		Double undercut; .3740" ID, 2.8800" O.A.L.; When depleted use FP-VG738
QTY	VALVE SPRING	PART NO.	SIZE	DESCRIPTION
8	Spring	FP-VS856		2.8600" Free Height
8	Spring	VS-856 +		2.8600" Free Height; When depleted use FP-VS856

CYLINDER COMPONENTS

QTY	LINERS	PART NO.	SIZE	DESCRIPTION
4	Liner w/Sealing Rings	FP-SO2263G	Std Only	Incl. (2) FP-SLR2263 sealing rings.
4	Liner w/Sealing Rings	SO-2263G +	Std Only	Incl. (2) SLR-2263 sealing rings.; When depleted use FP-SO2263G
4	Sleeve Assy.	FP-SL2729G	Std Only	
4	Sleeve Assy.	SL-2729G +	Std Only	When depleted use FP-SL2729G
QTY	PISTONS	PART NO.	SIZE	DESCRIPTION
4	Cast Piston	FP-2729PN	Std Only	Cast; 3-3/32", 1-3/16" Ring Groove, 2.515" CD, 1.2500" Pin Dia., Dish Head .590" deep x 2.480" dia.; Repl. O.E. No. 4007785
4	Cast Piston	2729PN +	Std Only	Cast; 3-3/32", 1-3/16" Ring Groove, 2.515" CD, 1.2500" Pin Dia., Dish Head .590" deep x 2.480" dia.; Repl. O.E. No. 4007785; When depleted use FP-2729PN
4	Pin Bushing	FP-3469Y20		1.411" max. length
4	Pin Bushing	3469Y20 +		1.411" max. length; When depleted use FP-3469Y20
QTY	CONNECTING RODS & BRGS.	PART NO.	SIZE	DESCRIPTION
4	Rod Pair	FP-3465CPA	Std-10-20-30	
4	Rod Pair	3465CPA +	Std-10-20-30	When depleted use FP-3465CPA
QTY	PISTON RINGS	PART NO.	SIZE	DESCRIPTION
1	Premium Set	FP-9217KX	Std Only	3-3/32, 1-3/16 (2 cyl. set)
1	Premium Set	9217KX +	Std Only	3-3/32, 1-3/16 (2 cyl. set); When depleted use FP-9217KX

(continued on next page)

+ Superseded Part Number

Harvester 433T Eng. Wheel Tractor 433T Eng. Wheel Loader 433T Eng. 24
3.3L 200 Turbo-Diesel L4, 3.875" Bore (cont.)

CYLINDER COMPONENTS (cont.)

QTY	PISTON RINGS (cont.)	PART NO.	SIZE	DESCRIPTION
4	Premium Single Cylinder Set	W-9217KX	Std Only	3-3/32, 1-3/16 (1 cyl. set)

Grader G201 Eng. Power Unit G201 Eng. Wheel Tractor G201 Eng. 25
3.3L 201 L4, 4" Bore

CYL. HEAD & PARTS

QTY	VALVE	PART NO.	SIZE	DESCRIPTION
4	Intake	FP-V869		From Eng. No. W84248; 1.6870" Head Dia., .3715" Stem Dia., 5.1550" O.A.L.
4	Intake	V-869 +	Std Only	From Eng. No. W84248; 1.6870" Head Dia., .3715" Stem Dia., 5.1550" O.A.L.; When depleted use FP-V869
4	Exhaust	FP-V868		From Eng. No. W84248; Gage dia. 1.375", gage length 5.031"; 1.4530" Head Dia., .3716" Stem Dia., 5.1330" O.A.L.
4	Exhaust	V-868 +	Std Only	From Eng. No. W84248; Gage dia. 1.375", gage length 5.031"; 1.4530" Head Dia., .3716" Stem Dia., 5.1330" O.A.L.; When depleted use FP-V868
16	Keeper	VK-138		From Eng. No. W84248; 1 groove; Square cut key groove
16	Keeper	VK-138R		From Eng. No. W84248; 1 groove; Square cut key groove; Hardened
16	Keeper, Bulk	VK-138B		From Eng. No. W84248; 1 groove; Square cut key groove; Carton of 1000

QTY	VALVE GUIDE	PART NO.	SIZE	DESCRIPTION
4	Guide	FP-VG354		Exh.; .3750" ID, 2.3400" O.A.L.
4	Guide	VG-354 +		Exh.; .3750" ID, 2.3400" O.A.L.; When depleted use FP-VG354
4	Guide	FP-VG226		Int.; .3750" ID, 2.7500" O.A.L.
4	Guide	VG-226 +		Int.; .3750" ID, 2.7500" O.A.L.; When depleted use FP-VG226

QTY	VALVE SPRING	PART NO.	SIZE	DESCRIPTION
8	Spring	FP-VS1426		From Eng. No. W84248; 2.3120" Free Height
8	Spring	VS-1426 +		From Eng. No. W84248; 2.3120" Free Height; When depleted use FP-VS1426

QTY	VALVE SEAL	PART NO.	SIZE	DESCRIPTION
8	Valve Stem Seal	ST-2002		Installation requires valve guide machining; Polyacrylate
8	Valve Stem Seal	FP-156541		Installation requires valve guide machining; Polyacrylate
8	Valve Stem Seal Bulk	ST-2002BC		Positive type; Installation requires valve guide machining; Carton of 100; Polyacrylate

ENGINE BLOCK & PARTS

QTY	GASKET SETS	PART NO.	SIZE	DESCRIPTION
1	Kit Gasket Set	FP-2601335		Compl., Incl. RMB seal
1	Kit Gasket Set	260-1335 +		Compl., Incl. RMB seal; When depleted use FP-2601335

QTY	CAM BEARINGS	PART NO.	SIZE	DESCRIPTION
1	Cam Set	FP-1017M	Std Only	
1	Cam Set	1017M +	Std Only	When depleted use FP-1017M

CRANKSHAFT/OIL PUMP

QTY	MAIN BEARINGS	PART NO.	SIZE	DESCRIPTION
1	Main Set	FP-991M	Std-10-20-30-40	
1	Main Set	991M +	Std-10-20-30-40	When depleted use FP-991M
1	Shim Set	FP-FSM119S		Set consists of 2 pcs. for No. 1, 4 pcs. for No. 2-3 positions.; Two SM130 shims w/thickness of .0085; Four SM131 shims w/thickness of .0085
1	Shim Set	FSM-119S +		Set consists of 2 pcs. for No. 1, 4 pcs. for No. 2-3 positions.; Two SM130 shims w/thickness of .0085; Four SM131 shims w/thickness of .0085; When depleted use FP-FSM119S
1	Shim Set	FP-FSM118S		Set consists of 8 pcs.; Rod brg. shim set; Eight SM129 shims w/thickness of .0085
1	Shim Set	FSM-118S +		Set consists of 8 pcs.; Rod brg. shim set; Eight SM129 shims w/thickness of .0085; When depleted use FP-FSM118S

CYLINDER COMPONENTS

QTY	LINERS	PART NO.	SIZE	DESCRIPTION
4	Liner w/Sealing Rings	FP-SO1154	Std Only	Incl. (2) FP-SLR1228 sealing rings.
4	Liner w/Sealing Rings	SO-1154 +	Std Only	Incl. (2) SLR-1228 sealing rings.; When depleted use FP-SO1154
4	Sleeve Assy.	FP-SL1533	Std Only	
4	Sleeve Assy.	SL-1533 +	Std Only	When depleted use FP-SL1533

(continued on next page)

Allis-Chalmers

25 Grader G201 Eng. Power Unit G201 Eng. Wheel Tractor G201 Eng. (cont.) 3.3L 201 L4, 4" Bore

CYLINDER COMPONENTS (cont.)

QTY	CONNECTING RODS & BRGS.	PART NO.	SIZE	DESCRIPTION
4	Rod Pair	FP-2440SB	Std-2-10-20-30-40	Late Engs.
4	Rod Pair	2440SB +	Std-2-10-20-30-40	Late Engs.; When depleted use FP-2440SB
QTY	PISTON RINGS	PART NO.	SIZE	DESCRIPTION
1	Premium Set	FP-5368KX	Std Only	OVERBORE To 4.125"; Check piston grooving before supplying ring set; 2-3/32, 1-1/8, 1-1/4
1	Premium Set	5368KX +	Std Only	OVERBORE To 4.125"; Check piston grooving before supplying ring set; 2-3/32, 1-1/8, 1-1/4; When depleted use FP-5368KX
1	Premium Set	FP-920KX	Std Only	3-1/8, 1-3/16
1	Premium Set	920KX +	Std Only	3-1/8, 1-3/16; When depleted use FP-920KX
1	Standard Set	FP-920X	Std Only	3-1/8, 1-3/16
1	Standard Set	920X +	Std Only	3-1/8, 1-3/16; When depleted use FP-920X
4	Premium Single Cylinder Set	W-5368KX	Std Only	OVERBORE To 4.125"; Check piston grooving before supplying ring set; 2-3/32, 1-1/8, 1-1/4
4	Premium Single Cylinder Set	W-920KX	Std Only	3-1/8, 1-3/16
4	Standard Single Cylinder Set	W-920X	Std Only	3-1/8, 1-3/16
QTY	ENGINE BEARING MISC.	PART NO.	SIZE	DESCRIPTION
1	Shim Set	FP-FSM119S		Set consists of 2 pcs. for No. 1, 4 pcs. for No. 2-3 positions.; Two SM130 shims w/thickness of .0085; Four SM131 shims w/thickness of .0085
1	Shim Set	FP-FSM118S		Set consists of 8 pcs.; Rod brg. shim set; Eight SM129 shims w/thickness of .0085

KITS

QTY	OVERHAUL KIT	PART NO.	SIZE	DESCRIPTION
1	Tractor Overhaul Kit	FP-KST1533A		

26 Grader 3-71 (2-Valve Cyl. Head), 3-71E (4-Valve Cyl. Head), 3-71N (4-Valve Cyl. Head) Engs. Wheel Tractor 3-71 (2-Valve Cyl. Head), 3-71E (4-Valve Cyl. Head), 3-71N (4-Valve Cyl. Head) Engs. Crawler Tractor 3-71 (2-Valve Cyl. Head), 3-71E (4-Valve Cyl. Head), 3-71N (4-Valve Cyl. Head) Engs. 3.5L 213 OHV Diesel L3 (3-71), 4.25" Bore (Detroit Diesel Eng.)

CYL. HEAD & PARTS

QTY	GASKETS	PART NO.	SIZE	DESCRIPTION
1	Accessory Drive Gasket	FP-23515145		Breather Body/Separator
1	Governor Hole Gasket	FP-5123812		Breather Pipe
1	Crankcase Breather	FP-5130750		Breather Oil Separator Pad
1	Crankcase Breather	FP-5101760		Oil Separator Filter Unit; 4"
1	Crankcase Breather	FP-5101760		4"
1	Valve Cover Gasket	FP-5143405		Neoprene
1	Valve Cover Gasket	FP-5104018		Silicone
1	Lo Filter Adapter Gasket	FP-5173482		Breather Pipe/Body/Shell Cover, A/R
1	Washer	FP-5150568		Breather Pipe; 7/16" x 3/4" x 1/16"; Copper
1	Hose Clamp	FP-5186840		Breather Body; For 1 5/8" Hose Dia.; 13/16" - 1 1/2" Clamping Range
1	Bolt	FP-8927580		Breather Pipe; 3/8" - 16 x .875"
1	Bolt	FP-5103635		Throttle Delay; 3/8" - 16 x 2.90"
2	Stud	FP-5148504		Rocker Cover; 3/8" - 16 x 4.32"
1	Screw	FP-5103642		Breather Shell Cover; No. 10 - 24 x .375"
3	Screw	FP-5103642		Oil Filler Tube; No. 10 - 24 x .375"
1	Lock Washer	FP-103321		Breather Pipe; 3/8"
2	Lock Washer	FP-103320		Breather Pipe; 5/16"
2	Isolator Bushing	FP-5104515		Rocker Cover Bolt
QTY	MISCELLANEOUS	PART NO.	SIZE	DESCRIPTION
2	Wear Sleeve	FP-5113773		Pilot; .70" Length
1	Pipe Plug	FP-8926993		Cyl. Head Fuse Plug; 1/4" X 18; Recessed socket head
7	Pipe Plug	FP-5121182		Cyl. Head Plug; 1/4" - 18; Hex head
5	Pipe Plug	FP-8923847		Cyl. Head Plug; 1/4" x 18 NPTF; Square head
2	Pipe Plug	FP-5142549		Cyl. Head Plug; 3/4" - 14 Square Head
1	Pipe Plug	FP-8924517		Cyl. Head Plug; 3/8" x 18 square head
6	Washer	FP-5125108		Fuel Stand; 7/16" x 3/4" x 1/16"
6	Lock Washer	FP-103321		Cyl. Head; 3/8"
6	Lock Nut	FP-103026		Cyl. Head; 3/8" x 24
QTY	FREEZE PLUGS	PART NO.	SIZE	DESCRIPTION
1	Pipe Plug	FP-8926993		Cyl. Head Fuse Plug; 1/4" X 18; Recessed socket head

(continued on next page)

**Grader 3-71 (2-Valve Cyl. Head), 3-71E (4-Valve Cyl. Head), 3-71N (4-Valve Cyl. Head) 26
Engs. Wheel Tractor 3-71 (2-Valve Cyl. Head), 3-71E (4-Valve Cyl. Head), 3-71N (4-Valve Cyl. Head) Engs. Crawler Tractor 3-71 (2-Valve Cyl. Head), 3-71E (4-Valve Cyl. Head),
3-71N (4-Valve Cyl. Head) Engs. 3.5L 213 OHV Diesel L3 (3-71), 4.25" Bore (Detroit Diesel Eng.)** (cont.)

CYL. HEAD & PARTS (cont.)

QTY	FREEZE PLUGS (cont.)	PART NO.	SIZE	DESCRIPTION
7	Pipe Plug	FP-5121182		Cyl. Head Plug; 1/4" - 18; Hex head
5	Pipe Plug	FP-8923847		Cyl. Head Plug; 1/4" x 18 NPTF; Square head
2	Pipe Plug	FP-5142549		Cyl. Head Plug; 3/4" - 14 Square Head
1	Pipe Plug	FP-8924517		Cyl. Head Plug; 3/8" x 18 square head
2	Expansion Plug	FP-5150132		Cyl. Head Plug; 3/4" Dia. Cup
4	Expansion Plug	FP-5154453		Cyl. Head Plug; 3/8" - 16 Headless Special
4	Expansion Plug	FP-5178976		Cyl. Head Plug; 7/16" - 14 Special
QTY	VALVE	PART NO.	SIZE	DESCRIPTION
6	Exhaust	FP-5185327		w/2 valve cyl. head; 1 groove, 30 deg. seat; 1.5840" Head Dia., .3420" Stem Dia., 6.4440" O.A.L.
6	Exhaust Valve Kit	FP-5192718		w/Locks; 2 Valve Head; Contains (1) FP-5178472 & (2) FP-23507238; 45 Degree
6	Exhaust Valve Kit	FP-5193197		w/Locks; 2 Valve Head; Contains (1) FP-5185327 & (2) FP-23507238; 30 Degree
6	Exhaust Valve Kit	FP-5194829		w/Locks; 2 Valve Head; Jet Blade; Contains (1) FP-5178501 & (2) FP-23507238; 45 Degree
6	Exhaust Valve Kit	FP-5193666		w/Locks; 2 Valve Head; Jet Blade; Contains (1) FP-5186381 & (2) FP-23507238; 30 Degree
12	Exhaust Valve Kit	FP-5149386		w/Locks; 4 Valve Head; Hi-Output Engs.; Contains (1) FP-5104280 & (2) FP-5111337
12	Exhaust Valve Kit	FP-23500501		w/Locks; 4 Valve Head; N & T Engs.; Contains (1) FP-8922516 & (2) FP-5111337
6	Valve Guide Cap	FP-5199914		Exh.; 2 Valve Head; Seal installer; Clear
12	Keeper	FP-23507238		2 Valve Head; 1 groove; Square cut key groove
24	Keeper	FP-5111337		4 Valve Head; 1 groove; Square cut key groove
QTY	VALVE SEAT	PART NO.	SIZE	DESCRIPTION
6	Exh.	FP-5198230	10	2 Valve Head; 30 Deg. seat; .010" O/S; 1.6380" OD, 1.3440" ID, .2485" Depth
6	Exh.	FP-8927920	STD	2 Valve Head; 30 Deg. seat; 1.6280" OD, 1.3440" ID, .2485" Depth
12	Exh.	FP-5197167	10	4 Valve Head; 30 Deg. seat; .010" O/S; 1.2720" OD, .9770" ID, .2355" Depth
12	Exh.	FP-5101101	STD	4 Valve Head; 30 Deg. seat; 1.2620" OD, .9770" ID, .2490" Depth
QTY	VALVE GUIDE	PART NO.	SIZE	DESCRIPTION
6	Guide	FP-5120930		Exh.; 2 Valve Head
6	Guide	FP-5192717		Exh.; 2 Valve Head; .0162" O/S
12	Guide	FP-5129919		Exh.; 4 Valve Head; 2 3/8" length; .3130" ID, 2.3800" O.A.L.
QTY	VALVE SPRING	PART NO.	SIZE	DESCRIPTION
6	Spring	FP-5150289		Exh.; 2 Valve Head; .177" Wire dia.
12	Spring	FP-5111339		Exh.; 4 Valve Head; .135" Wire dia.
12	Spring	FP-5147347		Exh.; 4 Valve Head; .148" Wire dia.
6	Valve Spring Seat	FP-5150292		Exh.; 2 Valve Head
12	Valve Spring Seat	FP-5117562		Exh.; 4 Valve Head
6	Spring Insert	FP-5111467		Exh.
6	Spring Cap	FP-5150291		Exh.; 2 Valve Head
12	Spring Cap	FP-5117563		Exh.; 4 Valve Head
QTY	PUSH RODS	PART NO.	SIZE	DESCRIPTION
9	Push Rod	FP-5128640		
9	Push Rod Seat	FP-5123250		Lower
9	Push Rod Seat	FP-5150302		Upper; Flange type
9	Push Rod Spring	FP-5186858		.177" Wire diameter
9	Push Rod Retainer	FP-5150303		
9	Lock Nut	FP-5151601		5/16" - 24
QTY	VALVE MISC.	PART NO.	SIZE	DESCRIPTION
6	Bolt	FP-443603		.250" x 20 x .750"
6	Lock Nut	FP-5151601		5/16" - 24
6	Lock Washer	FP-103319		Cam Follower; .250"
6	Lock Washer	FP-103320		Cam Follower; 5/16"
QTY	VALVE SEAL	PART NO.	SIZE	DESCRIPTION
6	Valve Stem Seal	FP-23500480		Exh.; 2 Valve Head
12	Valve Stem Seal	FP-8921209		Exh.; 4 Valve Head
12	Tools	FP-5199913		Exh.; 4 Valve Head; Seal installer; Green Stripe

(continued on next page)

Allis-Chalmers

26 Grader 3-71 (2-Valve Cyl. Head), 3-71E (4-Valve Cyl. Head), 3-71N (4-Valve Cyl. Head)
 (cont.) Engs. Wheel Tractor 3-71 (2-Valve Cyl. Head), 3-71E (4-Valve Cyl. Head), 3-71N (4-Valve
 Cyl. Head) Engs. Crawler Tractor 3-71 (2-Valve Cyl. Head), 3-71E (4-Valve Cyl. Head),
 3-71N (4-Valve Cyl. Head) Engs.
 3.5L 213 OHV Diesel L3 (3-71), 4.25" Bore (Detroit Diesel Eng.)

CYL. HEAD & PARTS (cont.)

QTY	ROCKER PARTS	PART NO.	SIZE	DESCRIPTION
3	Arm Assy.	FP-5148472		Exh. Left
3	Arm Assy.	FP-5148475		Exh. Right
3	Arm Assy.	FP-8923554		Injector; Unbushed Clevis
3	Rocker Shaft	FP-23500714		
6	Rocker Shaft Bracket Bolt	FP-5150325	1/2" - 13 x 4.250"	
6	Arm Support	FP-5103903		
3	Rocker Bushing	FP-8924355		Large
6	Rocker Bushing	FP-5123700		Exh.; Exh. Valve Clevis; .5625" OD
6	Rocker Bushing	FP-23517217		Exh.; Large; .8755" ID, .9475" OD, .840" Length, .0360" Wall thickness
6	Rocker Bushing	FP-8924354		Exh.; Small
9	Follower Assy.	FP-8924439		
9	Cam Follower Roller Set	FP-8923814		Incl. pin & roller
6	Valve Bridge Adj. Screw	FP-5129101	5/16" - 24 x 1"	
6	Valve Bridge	FP-5117565		Exh.
6	Valve Bridge Guide	FP-5117564		Exh.; Press fit
6	Valve Bridge Guide	FP-51175646		Exh.; Press fit w/.006" O/S
6	Valve Bridge Guide	FP-5196843		Exh.; Threaded
6	Rocker Arm Clevis Pin	FP-5150314		
6	Bushing	FP-5122445 +		Exh.; Large; When depleted use FP-23517217

ELECTRICAL

QTY	ELECTRICAL	PART NO.	SIZE	DESCRIPTION
1	Starting Motor Gasket	FP-5130995		Starting Motor Hole Cover

METERS

QTY	METERS	PART NO.	SIZE	DESCRIPTION
1	Tachometer Drive Shaft	FP-5135936		
1	Tachometer Drive Shaft	FP-3224992		.061" Key
1	Accessory Drive Gasket	FP-23515145		Tach. Drive Cover
1	Bolt	FP-443603		.250" x 20 x .750"
1	Bolt	FP-179803		1/4" x 20 x 1.750"
1	Washer	FP-5150568		Tach. Drive Cover; 7/16" x 3/4" x 1/16"; Copper
4	Lock Washer	FP-103319		.250"
1	Lock Washer	FP-103319		Tach. Drive Adaptor; .250"
2	Lock Washer	FP-103320		Tach. Drive Adaptor; 5/16"
2	Lock Washer	FP-103320		Water Temp. Switch; 5/16"
1	Gasket	FP-5113412		Water Temp. Switch
1	Oil Seal	FP-5135820		Tach. Drive Adaptor
2	Oil Seal	FP-3202615		Tach. Drive Cover
1	Pipe Plug	FP-5121182		Water Temp. Switch; 1/4" - 18; Hex head
2	Pipe Plug	FP-8923847		Water Temp. Switch; 1/4" x 18 NPTF; Square head

INT & EXH MANIFOLDS

QTY	INT. & EXH. MANIFOLDS	PART NO.	SIZE	DESCRIPTION
4	Stud	FP-8927270		Exh. Manifold to Head; 3/8" - 16/24" x 1.6875"
4	Stud	FP-8925804		Exh. Manifold to Head; 7/16" - 14/20" x 2 3/32"
4	Lock Nut	FP-23505398		Exh. Manifold; 7/16" - 20
4	Lock Washer	FP-103320		Exh. Manifold; 5/16"
1	Exhaust Manifold Gasket	FP-5163811		Exh. Outlet; 4.375" I.D.
4	Exhaust Manifold Gasket	FP-5156319		Manifold Cover Plate
1	Exhaust Manifold Gasket	FP-5156319		Water Outlet Flange
1	Exhaust Manifold Gasket	FP-5150194		3 Ports, Composition
4	Washer	FP-5104439		Exh. Manifold; 7/16" x 1.250" Dia.; Dished

QTY	AIR INTAKE	PART NO.	SIZE	DESCRIPTION
2	Air Intake Housing Gasket	FP-5124405		
1	Air Intake Gasket	FP-3290577		Housing Striker Plate
2	Lock Washer	FP-103319		Air Inlet Housing Shutdown Valve Shaft; .250"
4	Lock Washer	FP-103321		Air Silencer; 3/8"
6	Lock Washer	FP-103320		Air Silencer; 5/16"
2	O-Ring	FP-5182977		Air Inlet Housing Shutdown Valve Shaft

CAMSHAFT GROUP

QTY	TIMING	PART NO.	SIZE	DESCRIPTION
1	Idler Gear Hub Assembly	FP-5130135		

(continued on next page)

Grader 3-71 (2-Valve Cyl. Head), 3-71E (4-Valve Cyl. Head), 3-71N (4-Valve Cyl. Head) 26
Engs. Wheel Tractor 3-71 (2-Valve Cyl. Head), 3-71E (4-Valve Cyl. Head), 3-71N (4-Valve Cyl. Head) Engs. Crawler Tractor 3-71 (2-Valve Cyl. Head), 3-71E (4-Valve Cyl. Head),
3-71N (4-Valve Cyl. Head) Engs. (cont.)
 3.5L 213 OHV Diesel L3 (3-71), 4.25" Bore (Detroit Diesel Eng.)

CAMSHAFT GROUP (cont.)

QTY	TIMING (cont.)	PART NO.	SIZE	DESCRIPTION
1	Bolt	FP-454992		Idler Gear; 1/2" - 13 x 2 1/2
6	Bolt	FP-5103534		Idler Gear; 5/16" - 24 x 1/2"
1	Washer	FP-5167714		Idler Gear; 17/32" x 7/8" x 3/32"

QTY	CAMSHAFT/LIFTER	PART NO.	SIZE	DESCRIPTION
4	Camshaft Thrust Washer	FP-5111424		
4	Camshaft Thrust Washer	FP-5194826		
4	Camshaft Thrust Washer	FP-5194827		
2	Bolt	FP-5123383		Balance weight
2	Lock Washer	FP-5177769		Front balance weight; 1.125"
12	Lock Washer	FP-103321		Rear balance weight; 3/8"
2	Camshaft Plug	FP-5151277		.500" Drive; 15/32" x 1/2"

ACCESSORY DRIVE

QTY	ACCESSORY DRIVE	PART NO.	SIZE	DESCRIPTION
1	Accessory Drive Gasket	FP-23515145		
1	Oil Seal	FP-5131329		Accessory Drive
1	Oil Seal	FP-5138710		Accessory Drive
1	Oil Seal Kit	FP-5198175		Accessory Drive
1	Ball Brg.	FP-23503727		Accessory Drive
1	Ball Brg.	FP-23504528		Accessory Drive
1	Ball Brg.	FP-23504528		Accessory Drive
1	Drive Coupling	FP-5141773		Accessory Drive
1	Water Pump Retainer Ring	FP-9415285		Accessory Drive; Large; External
10	Bolt	FP-8927580		Accessory Drive; w/Seal Patch; 3/8" - 16 x .875"
3	Bolt	FP-8927581		Accessory Drive; w/Seal Patch; 3/8" - 16 x 1"
4	Bolt	FP-5145092		Accessory Drive; 3/8" - 24 x 1.20", Self-Locking
1	Stud	FP-8927270		Accessory Drive; 3/8" - 16/24" x 1.6875"
4	Stud	FP-8925804		Balance Weight Cover; 7/16" - 14/20" x 2 3/32"
1	Hydraulic Pump Gasket	FP-5188755		Accessory Drive
1	Pipe Plug	FP-5121182		Accessory Drive; 1/4" - 18; Hex head
5	Washer	FP-5150568		Accessory Drive; 7/16" x 3/4" x 1/16"; Copper
13	Copper Washer	FP-5152148		Accessory Drive; 25/64" ID x 9/16" OD x 1/16" Thick; Copper
13	Lock Washer	FP-103321		Accessory Drive; 3/8"
4	Lock Washer	FP-103321		Accessory Drive; 3/8"
4	Lock Washer	FP-103320		Accessory Drive; 5/16"
2	Lock Washer	FP-103321		Balance Weight Cover; 3/8"
20	Lock Washer	FP-103320		Balance Weight Cover; 5/16"
1	Oil Seal	470625		
1	Redi-Sleeve	99150		
13	Lock Nut	FP-103026		Accessory Drive; 3/8" x 24
20	Lock Nut	FP-103026		Balance Weight Cover; 3/8" x 24

FUEL SYSTEM & PARTS

QTY	FUEL INJECTION	PART NO.	SIZE	DESCRIPTION
4	Fuel Injector Nozzle	FP-5172874		Water Nozzle; Single Outlet; Single Outlet
3	Fuel Injector Seal Ring	FP-5234281		
3	Fuel Injector Seal Ring	FP-5104701		Viton®
3	Injector Hole Tube Kit	FP-8925981		Incl. Seal Ring; Viton®
3	Clamp	FP-5121259		
3	Fuel Injector	FP-5229355		Option Type 111; Injector Assembly C55
3	Fuel Injector	FP-5229360		Option Type 113; Injector Assembly C60
3	Fuel Injector	FP-5229365		Option Type 115; Injector Assembly C65
3	Fuel Injector	FP-5228780		Option Type 14, 54, 82; Injector Assembly N80
3	Fuel Injector	FP-5229695		Option Type 153; Injector Assembly 7C75
3	Fuel Injector	FP-5229790		Option Type 163; Injector Assembly 7E55
3	Fuel Injector	FP-5229795		Option Type 164; Injector Assembly 7E60
3	Fuel Injector	FP-5229800		Option Type 165; Injector Assembly 7E65
3	Fuel Injector	FP-5229895		Option Type 180; Injector Assembly 7G65
3	Fuel Injector	FP-5226440		Option Type 242; Injector Assembly 7N65
3	Fuel Injector	FP-5228760		Option Type 53, 78; Injector Assembly N60
3	Fuel Injector	FP-5228770		Option Type 57, 80; Injector Assembly N70
3	Fuel Injector	FP-5228785		Option Type 60, 77; Injector Assembly N55
3	Fuel Injector	FP-5228777		Option Type 81; Injector Assembly N75
3	Fuel Injector	FP-5228900		Option Type 97; BT; Injector Assembly N65
6	Fuel Injector Repair Kit	FP-5229649		

(continued on next page)

Allis-Chalmers

26 Grader 3-71 (2-Valve Cyl. Head), 3-71E (4-Valve Cyl. Head), 3-71N (4-Valve Cyl. Head)
 (cont.) Engs. Wheel Tractor 3-71 (2-Valve Cyl. Head), 3-71E (4-Valve Cyl. Head), 3-71N (4-Valve
 Cyl. Head) Engs. Crawler Tractor 3-71 (2-Valve Cyl. Head), 3-71E (4-Valve Cyl. Head),
 3-71N (4-Valve Cyl. Head) Engs.
 3.5L 213 OHV Diesel L3 (3-71), 4.25" Bore (Detroit Diesel Eng.)

FUEL SYSTEM & PARTS (cont.)

QTY	FUEL INJECTION (cont.)	PART NO.	SIZE	DESCRIPTION
3	Fuel Injection Valve Cage	FP-5228696		Check Valve
3	Fuel Injection Spring Seat	FP-5228766		
3	Fuel Injector Valve Spring	FP-5228596		
3	Fuel Injector Check Valve	FP-5228694		
3	Fuel Pump Check Valve	FP-5226411		
3	Fuel Pump Check Valve	FP-5228308		HV7, HV8, HV9, S70, S80, S90; Incl. injector valve & 5228106 seat
3	Fuel Pump Check Valve	FP-5228308		S55, S60, S65; Incl. injector valve & 5228106 seat
3	Injector Plunger & Bushing	FP-5229356		C55
3	Injector Plunger & Bushing	FP-5229362		C60
3	Injector Plunger & Bushing	FP-5229366		C65
3	Injector Plunger & Bushing	FP-5229372		C70
3	Injector Plunger & Bushing	FP-5228306		HV6
3	Injector Plunger & Bushing	FP-5228304		HV7
3	Injector Plunger & Bushing	FP-5228804		M95
3	Injector Plunger & Bushing	FP-5228668		N55
3	Injector Plunger & Bushing	FP-5228656		N60; For Inj. Assembly 5A60
3	Injector Plunger & Bushing	FP-5228928		N65 BT
3	Injector Plunger & Bushing	FP-5228658		N65 WT, N75, 7C75
3	Injector Plunger & Bushing	FP-5228682		N70, 7C70
3	Injector Plunger & Bushing	FP-5228661		N80
3	Injector Plunger & Bushing	FP-5228878		N90
3	Injector Plunger & Bushing	FP-5229823		7E55
3	Injector Plunger & Bushing	FP-5229814		7E60
3	Injector Plunger & Bushing	FP-5229808		7E75, 7G75
3	Injector Plunger & Bushing	FP-5229916		7G65
3	Injector Plunger & Bushing	FP-5229912		7G70
3	Injector Plunger & Bushing	FP-5229354		71C5; For Inj. Assembly C50
3	Fuel Injector Tip Kit	FP-5229026		C55, C60, 71C5, 7E55, 7E60; For Inj. Assembly 5N45
3	Fuel Injector Tip Kit	FP-5229192		C65, C70, N70, N75, 7N65
3	Fuel Injector Tip Kit	FP-5228312		HV7, HV8, HV9, S70, S80, S90
3	Fuel Injector Tip Kit	FP-5228554		HV7, HV8, HV9, S70, S80, S90
3	Fuel Injector Tip Kit	FP-5229256		M95, N80, N90
3	Fuel Injector Tip Kit	FP-5229026		N55, N60, N65 WT; For Inj. Assembly 5N45
3	Fuel Injector Tip Kit	FP-5229030		N65 BT; For Inj. Assembly 5A50, 5A55, 5A60
3	Fuel Injector Tip Kit	FP-5228491		S55, S60, S65
3	Fuel Injector Tip Kit	FP-5229030		7E65; For Inj. Assembly 5A50, 5A55, 5A60
3	Nut	FP-5228601		Inj. Valve; NV
3	Fuel Injector Valve Kit	FP-5228313		
3	Fuel Injector Valve Kit	FP-5228769		
3	Fuel Injector Roller Pin	FP-5228608		
QTY	FUEL FILTERS & PUMP	PART NO.	SIZE	DESCRIPTION
1	Mechanical Fuel Pump	FP-5199735		LH; High Output; High output; w/.375" Gear
1	Mechanical Fuel Pump	FP-5199560		LH; Std. Output; Std. output; w/.250" Gear
1	Mechanical Fuel Pump	FP-5199734		RH; High Output; High output
1	Mechanical Fuel Pump	FP-5199561		RH; Std. Output
1	Fuel Pump Shaft & Gear	FP-5100313		High Output; .963" Length; High Output
1	Fuel Pump Shaft & Gear	FP-5146705		High Output; 3.09" Length; High Output
1	Fuel Pump Shaft & Gear	FP-5181747		Std. Output; .838" Length; Std. Output
1	Fuel Pump Shaft & Gear	FP-5181746		Std. Output; 3.09" Length; Std. Output
1	Fuel Pump Valve	FP-5174973		
1	Fuel Pump Gear	FP-5118915		High Output; .374" Width; High Output
1	Fuel Pump Gear	FP-5128217		High Output; .374" Width; High Output
1	Fuel Pump Gear	FP-5174975		Std. Output; .294" Width; Std. Output
1	Fuel Pump Gear	FP-5181748		Std. Output; .294" Width; Std. Output
1	Fuel Pump Drive Shaft	FP-5100312		High Output; .963" Length; High Output
1	Fuel Pump Drive Shaft	FP-5178700		Std. & High Output; 3.09" Length
1	Fuel Pump Drive Shaft	FP-5181749		Std. Output; .838" Length; Std. Output
1	Fuel Pump Check Valve	FP-5174924		1/4" Swing type
1	Fuel Pump Check Valve	FP-5135308		3/8" Swing type
6	Fuel Line Connector	FP-5117369		
1	Fuel Pump Relief Valve Spring	FP-5184530		
2	Oil Seal	FP-23512243		Fuel pump
1	Fuel Pump Valve Plug Gasket	FP-5161003		Fuel pump
1	Fuel Pump Repair Part	FP-5174971		Fuel pump valve plug; .500" x 20 plug

(continued on next page)

Grader 3-71 (2-Valve Cyl. Head), 3-71E (4-Valve Cyl. Head), 3-71N (4-Valve Cyl. Head) 26
Engs. Wheel Tractor 3-71 (2-Valve Cyl. Head), 3-71E (4-Valve Cyl. Head), 3-71N (4-Valve Cyl. Head) Engs. Crawler Tractor 3-71 (2-Valve Cyl. Head), 3-71E (4-Valve Cyl. Head),
3-71N (4-Valve Cyl. Head) Engs. (cont.)
 3.5L 213 OHV Diesel L3 (3-71), 4.25" Bore (Detroit Diesel Eng.)

FUEL SYSTEM & PARTS (cont.)

QTY	FUEL FILTERS & PUMP (cont.)	PART NO.	SIZE	DESCRIPTION
1	Fuel Pump Drive Adapter Gskt.	FP-5150193		
1	Fuel Pump Repair Kit	FP-5149599		High Output; High output; Short Shaft
1	Fuel Pump Repair Kit	FP-5195078		Std. Output; Std. output
1	Pipe Plug	FP-5121182		Fuel pump pipe; 1/4" - 18; Hex head
2	Plastic Cap	FP-5136240		Fuel pump body; .250" Dia.
1	Plastic Cap	FP-5136241		Fuel pump body; .780" Dia., 3/8" NPTF
1	Dowel Pin	FP-103709		5/32" x 1" straight
1	Ball Brg.	FP-147481		Fuel pump shaft; .125" Dia. Steel
6	Washer	FP-5125108		Fuel pump pipe Assy.; 7/16" x 3/4" x 1/16"

BLOWER

QTY	BLOWER	PART NO.	SIZE	DESCRIPTION
2	Ball Brg.	FP-23503543		Front; Blower Rotor
2	Ball Brg.	FP-23504305		Rear; Blower Rotor
1	Oil Seal Kit	FP-23500533		Blower End Plate
2	Rect. or Square Seal	FP-23515630		Blower Drive Cover; w/Flanged & Strut Covers
1	Rect. or Square Seal	FP-5172864		Blower Drive Cover; w/Sand Cast Covers
4	Oil Seal	FP-5192438		Blower End Plate
4	Oil Seal	FP-8924453		Blower Rotor
1	Fuel Blower Gasket	FP-5150235		Blower to Block
1	Pipe Plug	FP-8924380		Blower Drive Gear Hub; 1/8" - 27
6	Bolt	FP-443603		Blower Rotor; .250" x 20 x .750"
1	Lock Washer	FP-8926285		Blower Drive Gear Hub
2	Lock Washer	FP-103321		Blower Drive Gear Hub; 3/8"
2	Lock Washer	FP-5154398		Blower Rotor; 1/2" Special, External Tooth
20	Lock Washer	FP-103320		Blower Rotor; 5/16"
1	Shim	FP-5150372		Blower Rotor Gear
1	Shim	FP-5153938		Blower Rotor Gear
1	Shim	FP-5150855		Blower Rotor Gear
1	Shim	FP-5150856		Blower Rotor Gear

GOVERNOR

QTY	GOVERNOR	PART NO.	SIZE	DESCRIPTION
1	Governor Shaft & Carrier	FP-5183624		Limiting Speed Gov.
3	Throttle/Governor Shaft	FP-5150923		Gov. Weight Carrier; w/Limiting Speed Gov.
4	Throttle/Governor Shaft	FP-5185154		Gov. Weight Shaft; w/Limiting Speed Gov.; Ring Grooves
1	Governor Spring	FP-5122165		Low Speed; w/One Blue Stripe
1	Governor Spring	FP-5183704		Low Speed; w/Two Yellow Stripes
1	Governor Low Speed Spring Cap	FP-5103975		w/Limiting Speed Gov.
1	Governor Low Speed Spring Cap	FP-5102968		Gov. Spring Hsg.
1	Governor Low Speed Spring Cap	FP-5103975		Gov. Spring Hsg.
1	Screw	FP-5102270		Gov. High Speed Spring; w/Limiting Speed Gov.; .250" - 28 x 1.00"
1	Screw	FP-5102270		Gov. Low Speed Spring; w/Limiting Speed Gov.; .250" - 28 x 1.00"
1	Screw	FP-5102270		Low speed spring adjusting; .250" - 28 x 1.00"
1	Governor Dowel Pin	FP-5150894		Gov. Differential; w/Limiting Speed Gov.; 25/32" Length
2	Governor Dowel Pin	FP-5185153		Gov. Weight Shaft; w/Limiting Speed Gov.; .3750" Dia. x 2.150" Length
1	Governor Dowel Pin	FP-5150943		Operating Shaft; w/Limiting Speed Gov.
1	Governor Dowel Pin	FP-5150894		Shutdown Shaft; w/Limiting Speed Gov.; 25/32" Length
1	Governor Seal Ring	FP-5126623		Gov. Spring Hsg.
1	O-Ring	FP-5176557		w/Limiting Speed Gov.; .477" ID x .113" Thick
1	O-Ring	FP-5182977		Gov. Cover Throttle Shaft; w/Limiting Speed Gov.
2	Cylindrical Brg.	FP-148402		w/Limiting Speed Gov.; .500" x .500" Dia.
1	Cylindrical Brg.	FP-148402		Lower; Operating Shaft; w/Limiting Speed Gov.; .500" x .500" Dia.
1	Dowel Pin	FP-141195		w/Limiting Speed Gov.; .250" x .625"
1	Washer	FP-5167714		Gov. Cover; w/Limiting Speed Gov.; 17/32" x 7/8" x 3/32"
1	Washer	FP-5151487		Gov. Cover; w/Limiting Speed Gov.; 3/8" x 11/16" x .033"
3	Washer	FP-5179709		Gov. High Speed Spring; w/Limiting Speed Gov.; .250" Copper
2	Washer	FP-5150885		Gov. Weight Pin; w/Limiting Speed Gov.
12	Washer	FP-5151487		Gov. Weight Shaft; w/Limiting Speed Gov.; 3/8" x 11/16" x .033"
2	Copper Washer	FP-5155596		Gov. High Speed Spring; w/Limiting Speed Gov.; 5/16"; Special copper washer
3	Copper Washer	FP-5155596		Gov. High Speed Spring; w/Limiting Speed Gov.; 5/16"; Special copper washer

(continued on next page)

Allis-Chalmers

26 Grader 3-71 (2-Valve Cyl. Head), 3-71E (4-Valve Cyl. Head), 3-71N (4-Valve Cyl. Head)
 (cont.) Engs. Wheel Tractor 3-71 (2-Valve Cyl. Head), 3-71E (4-Valve Cyl. Head), 3-71N (4-Valve
 Cyl. Head) Engs. Crawler Tractor 3-71 (2-Valve Cyl. Head), 3-71E (4-Valve Cyl. Head),
 3-71N (4-Valve Cyl. Head) Engs.
 3.5L 213 OHV Diesel L3 (3-71), 4.25" Bore (Detroit Diesel Eng.)

GOVERNOR (cont.)

QTY	GOVERNOR (cont.)	PART NO.	SIZE	DESCRIPTION
1	Copper Washer	FP-5155596		Gov. Spring Hsg.; 5/16"; Special copper washer
1	Lock Washer	FP-103319		Gov. Cover; w/Limiting Speed Gov.; .250"
1	Lock Washer	FP-103319		Gov. High Speed Spring; w/Limiting Speed Gov.; .250"
2	Lock Washer	FP-103320		Gov. High Speed Spring; w/Limiting Speed Gov.; 5/16"
1	Lock Washer	FP-103320		Gov. Spring Hsg.; 5/16"
4	Lock Washer	FP-103319		Gov. Weight Housing; w/Limiting Speed Gov.; .250"
1	Governor Retainer	FP-5178581		Gov. Cover; w/Limiting Speed Gov.
8	Governor Retainer	FP-5178581		Gov. Weight; w/Limiting Speed Gov.
2	Bushing	FP-5147866		Gov. Weight; w/Limiting Speed Gov.; .520" Length
1	Ball Brg.	FP-9437108		Gov. Weight Riser; w/Limiting Speed Gov.; .354" Width
1	Ball Brg.	FP-9424121		Gov. Weight Shaft; w/Limiting Speed Gov.
4	Ball Brg.	FP-447196		Gov. Weight; w/Limiting Speed Gov.
1	Ball Brg.	FP-148403		Lower; Operating Shaft; w/Limiting Speed Gov.; .750" Width
1	Ball Brg.	FP-9431894		Upper; Operating Shaft; w/Limiting Speed Gov.
1	Carrier, Governor Weight	FP-5150932		Gov. Weight Shaft; w/Limiting Speed Gov.
1	Pipe Plug	FP-8924380		w/Limiting Speed Gov.; 1/8" - 27
1	Governor Spring Cover Gasket	FP-8922593		Gov. High Speed Spring Adj. Cover
1	Governor Spring Cover Gasket	FP-8922593		Gov. High Speed Spring; w/Limiting Speed Gov.
1	Copper Washer	FP-5155596		w/Limiting Speed Gov.; 5/16"; Special copper washer
2	Washer	FP-5179709		w/Limiting Speed Gov.; .250" Copper
3	Lock Washer	FP-103319		Throttle Shaft; w/Limiting Speed Gov.; .250"
3	Screw	FP-9417926		Gov. cover; w/Limiting Speed Gov.; 1/4" -20 x 3/4"
1	Governor Hole Gasket	FP-5123812		Gov. to Cyl. Head; w/Limiting Speed Gov.
1	Governor Cover Gasket	FP-5150889		w/Limiting Speed Gov.
1	Retainer	FP-142583		Gov. Cover; w/Limiting Speed Gov.; 13/64" Spring
1	Retainer	FP-142583		Gov. Differential; w/Limiting Speed Gov.; 13/64" Spring

COOLING SYSTEM

QTY	WATER PUMP	PART NO.	SIZE	DESCRIPTION
1	Water Pump - Heavy Duty	FP-23507971		Raw Water; Option Type 1, 2, 3, 28, 31, 62, 69, 70, 71, 72, 73, 75, 76, 77, 78, 80, 83
1	Water Pump - Heavy Duty	FP-5186250		Raw Water; Option Type 13
1	Water Pump - Heavy Duty	FP-23506704		L.H.; Fresh Water; High Capacity
1	Water Pump - Heavy Duty	FP-23506723		L.H.; Fresh Water; Std. Capacity
1	Water Pump - Heavy Duty	FP-23506711		R.H.; Fresh Water; High Capacity
1	Water Pump - Heavy Duty	FP-23506735		R.H.; Fresh Water; Std. Capacity
1	Water Pump Shaft	FP-5193552		Raw Water; For Pump FP-5186250
1	Water Pump Shaft	FP-5193552		Raw Water; For Pumps FP-5115800, FP-5187140, FP-23507971
1	Water Pump Impeller	FP-23505997		Fresh Water
1	Water Pump Impeller	FP-5126911		Fresh Water
1	Water Pump Impeller	FP-23505998		Fresh Water; High Capacity
1	Water Pump Impeller	FP-8924839		Raw Water; For Pump FP-5122599
1	Water Pump Impeller	FP-8924838		Raw Water; For Pump FP-5186250
1	Water Pump Impeller	FP-8924838		Raw Water; For Pumps FP-23507971, FP-5186250
1	Water Pump Impeller	FP-8924838		Raw Water; For Pumps FP-5115800, FP-5187140, FP-23507971
1	Water Pump Impeller	FP-5193602		Raw Water; Option Type 14; For Obsolete Pump; Synthetic
1	Water Pump Repair/Rebuild Kit	FP-23506870		Fresh Water Recon. Kit; High Capacity; Incl. Impeller Assy.
1	Water Pump Repair/Rebuild Kit	FP-23506851		Fresh Water Recon. Kit; Std. Capacity; Ceramic Insert; Incl. Impeller Assy.
1	Water Pump Repair/Rebuild Kit	FP-5198307		Fresh Water Recon. Kit; Std. Capacity; Incl. Impeller Assy.
1	Water Pump Repair/Rebuild Kit	FP-5149918		Fresh Water Seals & Bearing Kit; High Capacity; Ceramic Insert
1	Water Pump Repair/Rebuild Kit	FP-23506858		Fresh Water Seals & Bearing Kit; Std. Capacity
1	Water Pump Repair/Rebuild Kit	FP-5197224		Recon. Kit; Raw Water; For Pump FP-5186250
1	Water Pump Repair/Rebuild Kit	FP-5197223		Recon. Kit; Raw Water; For Pumps FP-5115800, FP-5187140, FP-23507971
1	Water Pump Cover	FP-5193555		Raw Water Pump, End; For Pump FP-5186250
1	Water Pump Cover	FP-5193555		Raw Water Pump, End; For Pumps FP-5115800, FP-5187140, FP-23507971
1	Water Pump Gasket	FP-5178273		Fresh Water; High Capacity
1	Water Pump Retainer Ring	FP-9415285		Raw Water; For Pump FP-5186250; Large; External
1	Water Pump Retainer Ring	FP-5193569		Raw Water; For Pump FP-5186250; Small; Small
1	Water Pump Retainer Ring	FP-9415285		Raw Water; For Pumps FP-5115800, FP-5187140, FP-23507971; Large; Large; External
1	Water Pump Retainer Ring	FP-5193569		Raw Water; For Pumps FP-5115800, FP-5187140, FP-23507971; Small; Small
1	Water Pump Mech. Shaft Seal	FP-8924297		Fresh Water

(continued on next page)

Grader 3-71 (2-Valve Cyl. Head), 3-71E (4-Valve Cyl. Head), 3-71N (4-Valve Cyl. Head) 26
Engs. Wheel Tractor 3-71 (2-Valve Cyl. Head), 3-71E (4-Valve Cyl. Head), 3-71N (4-Valve Cyl. Head) Engs. Crawler Tractor 3-71 (2-Valve Cyl. Head), 3-71E (4-Valve Cyl. Head),
3-71N (4-Valve Cyl. Head) Engs. (cont.)
 3.5L 213 OHV Diesel L3 (3-71), 4.25" Bore (Detroit Diesel Eng.)

COOLING SYSTEM (cont.)

QTY	WATER PUMP (cont.)	PART NO.	SIZE	DESCRIPTION
1	Water Pump Mech. Shaft Seal	FP-5186571		Fresh Water; Seal & Spring
1	Water Pump Mech. Shaft Seal	FP-5198419		Raw Water; For Pump FP-5186250
1	Water Pump Mech. Shaft Seal	FP-5198419		Raw Water; For Pumps FP-23507971, FP-5186250, FP-5122599
1	Water Pump Mech. Shaft Seal	FP-5198419		Raw Water; For Pumps FP-5115800, FP-5187140, FP-23507971
1	Water Pump Mech. Shaft Seal	FP-5193684		Raw Water; For Pumps FP-5115800, FP-5187140, FP-23507971; Outboard
1	Ball Brg.	FP-23504426		Raw Water Pump; For Pump FP-5186250
1	Ball Brg.	FP-23504426		Raw Water Pump; For Pumps FP-5115800, FP-5187140, FP-23507971
1	Ball Brg.	FP-23503821		Inner; Fan Shaft
1	Ball Brg.	FP-903205		Inner; Fan Shaft
1	Ball Brg.	FP-9415132		Inner; Fan Shaft
1	Ball Brg.	FP-23503535		Outer; Fan Shaft
1	Oil Pump Intake Gasket	FP-5153902		Lower; Water By-Pass Tube; 2 1/4" B.C.
1	Fuel Pump Drive Adapter Gskt.	FP-5150193		Fresh Water Pump to Eng.
1	Accessory Drive Gasket	FP-23515145		Raw Water Pump Drive Gasket
1	Oil Seal	FP-5103951		Fan Shaft
1	Oil Seal	FP-5108219		Fan Shaft; Felt
1	Oil Seal	FP-23506248		Fresh Water Pump
1	Oil Seal	FP-5195101		Raw Water Pump; For Pump FP-5186250
1	Oil Seal	FP-5195101		Raw Water Pump; For Pumps FP-5115800, FP-5187140, FP-23507971
1	Oil Seal	FP-5132155		Thermostat Seal
1	Bolt	FP-454992		Fan Hub Mount; 1/2" - 13 x 2 1/2
3	Bolt	FP-8927581		Fan Hub Mount; 3/8" - 16 x 1"
4	Bolt	FP-8921930		Fresh Water Pump Body; 1/4" - 20 x 3/4"
4	Bolt	FP-443603		Heat Exchanger; .250" x 20 x .750"
1	Bolt	FP-454992		Heat Exchanger; 1/2" - 13 x 2 1/2
2	Bolt	FP-8927580		Heat Exchanger; 3/8" - 16 x .875"
5	Bolt	FP-23504236		Raw Water Pump Cover; For Pump FP-5186250; .250" - 20 x .500"; Stainless Steel
5	Bolt	FP-23504236		Raw Water Pump Cover; For Pumps FP-5115800, FP-5187140, FP-23507971; .250" - 20 x .500"; Stainless Steel
4	Bolt	FP-5145092		Raw Water Pump Drive; 3/8" - 24 x 1.20", Self-Locking
1	Pipe Plug	FP-8924380		Fan Hub; 1/8" - 27
1	Pipe Plug	FP-5121182		Heat Exchanger; 1/4" - 18; Hex head
1	Pipe Plug	FP-8924380		Heat Exchanger; 1/8" - 27
2	Pipe Plug	FP-5142549		Heat Exchanger; 3/4" - 14 Square Head
2	Pipe Plug	FP-8924517		Thermostat Housing Cover; 3/8" x 18 square head
1	Pipe Plug	FP-5115214		Thermostat Housing; 1/2" Square Head
1	Pipe Plug	FP-5121182		Thermostat Housing; 1/4" - 18; Hex head
1	Pipe Plug	FP-8924380		Thermostat Housing; 1/8" - 27
1	Pipe Plug	FP-5142549		Thermostat Housing; 3/4" - 14 Square Head
1	Pipe Plug	FP-5115214		Water Outlet Manifold Elbow; 1/2" Square Head
1	Pipe Plug	FP-5121182		Water Outlet Manifold Elbow; 1/4" - 18; Hex head
1	Pipe Plug	FP-5142549		Water Outlet Manifold Elbow; 3/4" - 14 Square Head
1	Pipe Plug	FP-5142549		Water Pump; 3/4" - 14 Square Head
1	Pipe Plug	FP-8924517		Water Pump; 3/8" x 18 square head
1	Expansion Plug	FP-5117186		Heat Exchanger; 2" Dia. Cup; Stainless Steel
1	Shaft & Bearing Assembly	FP-5136671		Fresh Water
1	Shaft & Bearing Assembly	FP-908337		Fresh Water
1	Dowel Pin	FP-5197597		Raw Water Pump; Wear Plate Locating Pin; .184" OD x .375" Length
1	Screw	FP-114366		Raw Water Pump Cam; For Pump FP-5186250; .250" - 20 x .500"; Brass
1	Screw	FP-114366		Raw Water Pump Cam; For Pumps FP-5115800, FP-5187140, FP-23507971; .250" - 20 x .500"; Brass
1	Slinger, Water Pump	FP-5114011		Fresh Water
1	Slinger, Water Pump	FP-5193676		Raw Water Pump Shaft; For Pump FP-5186250
1	Slinger, Water Pump	FP-5193676		Raw Water; For Pumps FP-5115800, FP-5187140, FP-23507971
3	Copper Washer	FP-5155596		Water Pump Mounting; 5/16"; Special copper washer
2	Washer	FP-5197310		Adhesive Washer; Fresh Water Pump; Adhesive, Ceramic Insert
1	Washer	FP-103325		Raw Water Pump Drive Gear; Lock washer; 5/8"
QTY	THERMOSTAT	PART NO.	SIZE	DESCRIPTION
1	Thermostat	FP-3041379		Vent Hole Design; 170 Deg.
2	Thermostat	FP-23503827		160 Deg.

(continued on next page)

Allis-Chalmers

26 Grader 3-71 (2-Valve Cyl. Head), 3-71E (4-Valve Cyl. Head), 3-71N (4-Valve Cyl. Head)
 (cont.) Engs. Wheel Tractor 3-71 (2-Valve Cyl. Head), 3-71E (4-Valve Cyl. Head), 3-71N (4-Valve
 Cyl. Head) Engs. Crawler Tractor 3-71 (2-Valve Cyl. Head), 3-71E (4-Valve Cyl. Head),
 3-71N (4-Valve Cyl. Head) Engs.
 3.5L 213 OHV Diesel L3 (3-71), 4.25" Bore (Detroit Diesel Eng.)

COOLING SYSTEM (cont.)

QTY	THERMOSTAT (cont.)	PART NO.	SIZE	DESCRIPTION
2	Thermostat	FP-23503826		170 Deg.
2	Thermostat	FP-5172141		170 Deg.
1	Thermostat Gasket	FP-5167761		Thermostat Housing
2	Thermostat Gasket	FP-5169478		Water By-Pass Tube Elbow
2	Thermostat Gasket	FP-5169478		Upper; Thermostat Housing
1	Thermostat Gasket	FP-5167761		Heat Exchanger
2	Exhaust Manifold Gasket	FP-5156319		Water By-Pass Tube to Exh. Manifold

QTY	MISCELLANEOUS	PART NO.	SIZE	DESCRIPTION
6	Stud	FP-8927270		Water Outlet Manifold; 3/8" - 16/24" x 1.6875"
4	Hose Clamp	FP-5186841		Raw Water Pump Inlet Tube; 1 9/16" - 2.50"
2	Hose Clamp	FP-5186840		Thermostat Housing; 13/16" - 1 1/2" Clamping Range
2	Hose Clamp	FP-5186840		Water By-pass Tube Connecting Hose; 13/16" - 1 1/2" Clamping Range
1	Hose Clamp	FP-9139809		Water Outlet Manifold; 2 1/16" - 3"
1	Hose Clamp	FP-5188036		Water Outlet Manifold; 2.750" Dia. Hose
3	Lock Washer	FP-103320		Fan Hub Mount; 5/16"
1	Lock Washer	FP-103321		Heat Exchanger; 3/8"
2	Lock Washer	FP-103320		Water Outlet Manifold Elbow; 5/16"
6	Lock Washer	FP-103321		Water Outlet Manifold; 3/8"
20	Lock Washer	FP-103320		Inlet; Heat Exchanger; 5/16"
1	Sealing Ring	FP-5159457		Water Pump Inlet
1	Sealing Ring	FP-5153560		Water Pump Inlet; 2.1875" OD
1	O-Ring	FP-5150191		Fresh Water Pump Outlet
2	O-Ring	FP-5167746		Heat Exchanger
1	O-Ring	FP-23514265		Raw Water Pump; For Pump FP-5186250
1	O-Ring	FP-23514265		Raw Water Pump; For Pumps FP-5115800, FP-5187140, FP-23507971
1	Exhaust Manifold Gasket	FP-5156319		Heat Exchanger; Cover Plate
3	Water Manifold Gasket	FP-23506469		Water Outlet Cover Plate
2	Hose Clamp	FP-5186840		Upper; Hose to Thermostat Housing; 13/16" - 1 1/2" Clamping Range
2	Oil Cooler Gasket	FP-5112401		Heat Exchanger
1	Oil Cooler Core Outer Gasket	FP-5102506		Heat Exchanger; Oil Cooler Outlet
1	Oil Cooler Cover Gasket	FP-23501591		Heat Exchanger
1	Oil Cooler Cover Gasket	FP-23501591		Heat Exchanger; Expansion Tank Cover

ENGINE BLOCK & PARTS

QTY	GASKETS	PART NO.	SIZE	DESCRIPTION
1	Pipe Plug	FP-5121182		Cyl. Block; 1/4" - 18; Hex head
2	Flywheel Housing Gasket	FP-5150055		
1	Flywheel Housing Gasket	FP-8928967		
2	Accessory Drive Gasket	FP-23515145		Flywheel Housing Large Hole Cover
2	Bolt	FP-8927580		Flywheel Housing; 3/8" - 16 x .875"
2	Washer	FP-5125108		Flywheel Housing; 7/16" x 3/4" x 1/16"
2	Copper Washer	FP-5152148		Flywheel Housing; 25/64" ID x 9/16" OD x 1/16" Thick; Copper
1	Oil Pan Gasket	FP-5150115		
4	Bolt	FP-8927580		Oil Filter; 3/8" - 16 x .875"
1	Washer	FP-5177773		Filter By-pass Valve Plug; 18MM x 1.5MM
1	Washer	FP-840277		Oil Pan Drain Plug; 18MM, Nylon
1	Washer	FP-5150568		Oil Strainer Center Stud; 7/16" x 3/4" x 1/16"; Copper
4	Lock Washer	FP-103321		Oil Filter; 3/8"
22	Lock Washer	FP-103320		Oil Pan; 5/16"
2	Lock Washer	FP-103320		Oil Pressure Regulator; 5/16"
1	Pipe Plug	FP-5115214		Oil Cooler Water Inlet; 1/2" Square Head
2	Pipe Plug	FP-8924517		Oil Cooler Water Inlet; 3/8" x 18 square head
2	Pipe Plug	FP-5121182		Oil Filter; 1/4" - 18; Hex head
1	Pipe Plug	FP-5115214		Oil Pan Drain; 1/2" Square Head
1	Pipe Plug	FP-5121182		Oil Pan Drain; 1/4" - 18; Hex head
1	Pipe Plug	FP-5142549		Oil Pan Drain; 3/4" - 14 Square Head
1	Pipe Plug	FP-8924517		Oil Pan Drain; 3/8" x 18 square head
1	Pipe Plug	FP-5115214		Oil Pan; 1/2" Square Head
1	Pipe Plug	FP-5121182		Oil Pan; 1/4" - 18; Hex head
1	Pipe Plug	FP-8923313		Oil Pan; 3/4"
1	Pipe Plug	FP-5142549		Oil Pan; 3/4" - 14 Square Head
2	Cylinder Cover Gasket	FP-23505518		Front & Rear; Cyl. Block End Plate

(continued on next page)

Grader 3-71 (2-Valve Cyl. Head), 3-71E (4-Valve Cyl. Head), 3-71N (4-Valve Cyl. Head) 26
Engs. Wheel Tractor 3-71 (2-Valve Cyl. Head), 3-71E (4-Valve Cyl. Head), 3-71N (4-Valve Cyl. Head) Engs. Crawler Tractor 3-71 (2-Valve Cyl. Head), 3-71E (4-Valve Cyl. Head),
3-71N (4-Valve Cyl. Head) Engs. (cont.)
 3.5L 213 OHV Diesel L3 (3-71), 4.25" Bore (Detroit Diesel Eng.)

ENGINE BLOCK & PARTS (cont.)

QTY	GASKETS (cont.)	PART NO.	SIZE	DESCRIPTION
1	Gasket	FP-5116357		Cyl. Block Water Hole Cover
4	Gasket	FP-23505525		Cyl. Block; 3/8" Copper
4	Hand Hole Cover Gasket	FP-5132117		
6	Copper Washer	FP-5152148		Cyl. Block; 25/64" ID x 9/16" OD x 1/16" Thick; Copper
6	Lock Washer	FP-103321		Cyl. Block; 3/8"
QTY	GASKET SETS	PART NO.	SIZE	DESCRIPTION
1	Complete Overhaul Gasket Set	FP-23512674WS		High Block; w/Seals
1	Complete Overhaul Gasket Set	FP-23512674		High Block; Crankshaft seals not incl.
1	Complete Overhaul Gasket Set	FP-5192921		Low Block
QTY	CAM BEARINGS	PART NO.	SIZE	DESCRIPTION
4	Cam Brg.	FP-5111422	STD	
4	Cam Brg.	FP-5194858	10	
8	Cam Brg.	FP-5111423	STD	Position Front & Rear; Cam & Balance shaft brg.; Grooved
8	Cam Brg.	FP-5194825	20	Position Front & Rear; Cam & Balance Shaft brg.; .020" U/S, Unfinished; Grooved
2	Cam Brg.	FP-5196022	STD	Position Inter.; w/Steel bushing in ctr. hole
2	Cam Brg.	FP-5196023	10	Position Inter.; w/Steel bushing in ctr. hole; .010" U/S ID
2	Cam Brg.	FP-5196024	20	Position Inter.; w/Steel bushing in ctr. hole; .020" U/S ID
QTY	OIL COOLERS & FILTERS	PART NO.	SIZE	DESCRIPTION
1	Oil Cooler	FP-8547581		13 plate
1	Oil Cooler	FP-8547548		6 plate
1	Oil Cooler	FP-8547563		8 plate
4	Bolt	FP-8927581		Oil Cooler By-Pass; 3/8" - 16 x 1"
8	Copper Washer	FP-5155596		Oil Cooler Housing Cover; 5/16"; Special copper washer
4	Lock Washer	FP-103320		Oil Cooler; 5/16"
1	Lock Washer	FP-103321		Oil Cooler Adaptor to Block; 3/8"
2	Oil Cooler Gasket	FP-5112401		Oil Cooler Adaptor to Block
1	Oil Cooler Gasket	FP-5112401		Oil Cooler Housing Pad Cover
1	Oil Cooler Gasket	FP-8923223		Outer
1	Oil Cooler Core Gasket	FP-23501589		Outer
1	Gasket	FP-5575086		Oil Cooler By-pass Plug
1	Oil Cooler Core Inner Gasket	FP-5150155		
1	Oil Cooler Core Outer Gasket	FP-5102506		
2	Oil Cooler Adapter Gasket Set	FP-5150154		
1	Oil Cooler Adapter Cover Gskt	FP-5175882		Spacer
1	Oil Pump Intake Gasket	FP-5153902		Oil Cooler Housing Pad Cover; 2 1/4" B.C.
1	Copper Washer	FP-5152148		Oil Cooler Adaptor to Block; 25/64" ID x 9/16" OD x 1/16" Thick; Copper
1	Pipe Plug	FP-5115214		Oil Cooler By-Pass; 1/2" Square Head
1	Pipe Plug	FP-8923313		Oil Cooler By-Pass; 3/4"
1	Pipe Plug	FP-5121182		Oil Cooler Housing; 1/4" - 18; Hex head
1	Pipe Plug	FP-8923847		Oil Cooler; 1/4" x 18 NPTF; Square head
2	Pipe Plug	FP-8924517		Oil Cooler; 3/8" x 18 square head
QTY	FREEZE PLUGS	PART NO.	SIZE	DESCRIPTION
2	Pipe Plug	FP-5115214		Cyl. Block; 1/2" Square Head
1	Pipe Plug	FP-5121182		Cyl. Block; 1/4" - 18; Hex head
2	Pipe Plug	FP-8924380		Cyl. Block; 1/8" - 27
2	Pipe Plug	FP-5115214		Flywheel Housing; 1/2" Square Head
1	Pipe Plug	FP-5142549		Flywheel Housing; 3/4" - 14 Square Head
1	Pipe Plug	FP-8923847		Oil Filler; 1/4" x 18 NPTF; Square head
QTY	DIPSTICK	PART NO.	SIZE	DESCRIPTION
1	Dipstick	FP-5115162		18.88" Length
1	Dipstick	FP-5101884		24" x 1.38"
1	Dipstick	FP-5108895		26.32" x 1.46"
1	Dipstick	FP-5146679		61" Length; Unmarked
1	Dipstick	FP-5146680		72" Length; Unmarked
1	Dipstick Guide	FP-5151430		1.50" Length
QTY	MISCELLANEOUS	PART NO.	SIZE	DESCRIPTION
6	Bolt	FP-8927581		Cyl. Block; w/Seal patch; 3/8" - 16 x 1"
6	Bolt	FP-8927581		Flywheel Housing; 3/8" - 16 x 1"
6	Bolt	FP-9410925		Flywheel Housing; 9/16" - 18 x 2.250"
6	Bolt	FP-9412015		Flywheel Housing; 9/16" - 18 x 2.500"
1	Bolt	FP-5103534		Oil Filler; 5/16" - 24 x 1/2"

(continued on next page)

Allis-Chalmers

26 Grader 3-71 (2-Valve Cyl. Head), 3-71E (4-Valve Cyl. Head), 3-71N (4-Valve Cyl. Head)
 (cont.) Engs. Wheel Tractor 3-71 (2-Valve Cyl. Head), 3-71E (4-Valve Cyl. Head), 3-71N (4-Valve
 Cyl. Head) Engs. Crawler Tractor 3-71 (2-Valve Cyl. Head), 3-71E (4-Valve Cyl. Head),
 3-71N (4-Valve Cyl. Head) Engs.
 3.5L 213 OHV Diesel L3 (3-71), 4.25" Bore (Detroit Diesel Eng.)

ENGINE BLOCK & PARTS (cont.)

QTY	MISCELLANEOUS (cont.)	PART NO.	SIZE	DESCRIPTION
2	Pipe Plug	FP-5115214		Cyl. Block; 1/2" Square Head
1	Pipe Plug	FP-5121182		Cyl. Block; 1/4" - 18; Hex head
2	Pipe Plug	FP-8924380		Cyl. Block; 1/8" - 27
2	Pipe Plug	FP-5115214		Flywheel Housing; 1/2" Square Head
1	Pipe Plug	FP-5142549		Flywheel Housing; 3/4" - 14 Square Head
1	Pipe Plug	FP-8923847		Oil Filler; 1/4" x 18 NPTF; Square head
4	Gasket	FP-5178997		Cyl. Block Core Plug
1	Washer	FP-5131755		Flywheel Housing; 17/32" x .88" x .1345"
6	Washer	FP-5138619		Flywheel Housing; 25/64" x 3/4" x .083"
1	Copper Washer	FP-5155596		Oil Filler; 5/16"; Special copper washer
2	Lock Washer	FP-103320		Cyl. Block; w/Lock Washer; 5/16"
16	Lock Washer	FP-103321		Flywheel Housing; 3/8"
2	Lock Washer	FP-103321		Oil Filler; 3/8"
1	Oil Filler Cap	FP-5117362		2.00" Dia.; Thermos Bottle Style

CRANKSHAFT/OIL PUMP

QTY	CRANKSHAFT	PART NO.	SIZE	DESCRIPTION
1	Bolt	FP-23501143		Crankshaft Hub; 1" - 14 X 2.750" (1.500" Hex head)
8	Washer	FP-103325		Lock washer; 5/8"
2	Woodruff Key	FP-5131724		Position Front; Crankshaft Pulley; .375" x 1.250"
4	Dowel Pin	FP-141346		.1875" x .500"

QTY	SEALS - FRONT CRANK	PART NO.	SIZE	DESCRIPTION
1	Oil Seal	FP-5115454		Single Lip, Std.
1	Redi-Sleeve	99287		Shaft dia. 2.876"
1	Oil Seal	455006N		
1	Oil Seal	FP-5115454		Single Lip, Std.

QTY	SEALS - REAR CRANK	PART NO.	SIZE	DESCRIPTION
1	Oil Seal	FP-5127821		Double Lip; Double Lip, Std.; Shaft Dia. 4.687"
1	Oil Seal	FP-5196927		Double Lip; O/S Seal; Double Lip; O/S Shaft Dia. 4.812"
1	Oil Seal	FP-5197860		Single Lip; O/S Seal; Single lip; O/S Shaft dia. 4.812"
1	Oil Seal	FP-5114335		Single Lip; Single Lip, Std.; Shaft Dia. 4.687"
1	Oil Seal Spacer	FP-5192496		Rear Crank Spacer; Exc. Double Lip Seal
1	Oil Seal	455378H		
1	Oil Seal	FP-5114335		Single Lip, Std.; Shaft Dia. 4.687"
1	Oil Seal Kit	5460		
1	Redi-Sleeve	FP-23507225		Rear Crank Sleeve; O/S Seal only
1	Redi-Sleeve	99468		

QTY	MAIN BEARINGS	PART NO.	SIZE	DESCRIPTION
4	Plain Main Brg.	FP-5192874	STD	
4	Plain Main Brg.	FP-5192875	2	
4	Plain Main Brg.	FP-5192876	10	
4	Plain Main Brg.	FP-5192877	20	
4	Plain Main Brg.	FP-5192878	30	
4	Plain Main Brg.	FP-5193738	40	
4	Plain Main Brg.	FP-5193739	50	
1	Thrust Washer Set	FP-5159353S	STD	
4	Thrust Washer	FP-5159353	STD	
4	Thrust Washer	FP-5160542	5	
4	Thrust Washer	FP-5192111	10	

QTY	OIL PUMP	PART NO.	SIZE	DESCRIPTION
1	Pump Repair Kit	FP-5194800		
1	Inter. Shaft	FP-5153309		Oil Pump Drive; 8 31/32" Length
1	Inter. Shaft	FP-5153310		Oil Pump Driven Gear; 3 7/32" Length
2	Bushing	FP-5153147		Oil Pump Body
2	Bushing	FP-5166840		Oil Pump Driven Gear
1	Bushing	FP-5153154		Oil Pump Shaft & Gear
1	Oil Pump Spring	FP-5155765		Oil Pump Relief Valve
3	Woodruff Key	FP-8928540		Oil Pump Shaft; 1/8" x 5/8"
1	Washer	FP-5175944		Oil Pump Idler; Small
4	Lock Washer	FP-103321		Oil Pump Body; 3/8"
4	Lock Washer	FP-103320		Oil Pump Body; 5/16"
2	Gasket	FP-105456		Oil Pump Relief Valve; 7/8" Copper
1	O-Ring	FP-5187316		Filter By-pass Valve Plug
2	Governor Hole Gasket	FP-5123812		Oil Drain Tube; Inclined Engines

(continued on next page)

Grader 3-71 (2-Valve Cyl. Head), 3-71E (4-Valve Cyl. Head), 3-71N (4-Valve Cyl. Head) 26
Engs. Wheel Tractor 3-71 (2-Valve Cyl. Head), 3-71E (4-Valve Cyl. Head), 3-71N (4-Valve Cyl. Head) Engs. Crawler Tractor 3-71 (2-Valve Cyl. Head), 3-71E (4-Valve Cyl. Head), 3-71N (4-Valve Cyl. Head) Engs. (cont.)
 3.5L 213 OHV Diesel L3 (3-71), 4.25" Bore (Detroit Diesel Eng.)

CRANKSHAFT/OIL PUMP (cont.)

QTY	OIL PUMP (cont.)	PART NO.	SIZE	DESCRIPTION
1	Oil Filter Gasket	FP-1595620		Rectangular Section
1	Lo Press. Reg. Body Gasket	FP-5104381		Type No. 1, 2, 21, 23
1	Lo Press. Reg. Body Gasket	FP-5156831		Type No. 3
1	Gasket	FP-5575086		Filter By-pass Valve Plug
1	Lock Nut	FP-114498		Oil Filter Cover; 5/8" - 18, Jam Nut
1	Oil Pressure Regulator Valve	FP-5153247		Oil Pump Relief
1	Oil Filter Adapter Gasket	FP-5152413		Filter to Oil Cooler
2	Oil Filter Adapter Gasket	FP-5188028		Filter to Oil Cooler
1	Oil Pump Spring	FP-5156815		Oil Press. Regulator
1	Pipe Plug	FP-5115214		Oil Cooler Water Inlet; 1/2" Square Head
2	Pipe Plug	FP-8924517		Oil Cooler Water Inlet; 3/8" x 18 square head
2	Pipe Plug	FP-5121182		Oil Filter; 1/4" - 18; Hex head
1	Pipe Plug	FP-5115214		Oil Pan Drain; 1/2" Square Head
1	Pipe Plug	FP-5121182		Oil Pan Drain; 1/4" - 18; Hex head
1	Pipe Plug	FP-5142549		Oil Pan Drain; 3/4" - 14 Square Head
1	Pipe Plug	FP-8924517		Oil Pan Drain; 3/8" x 18 square head
1	Pipe Plug	FP-5115214		Oil Pan; 1/2" Square Head
1	Pipe Plug	FP-5121182		Oil Pan; 1/4" - 18; Hex head
1	Pipe Plug	FP-8923313		Oil Pan; 3/4"
1	Pipe Plug	FP-5142549		Oil Pan; 3/4" - 14 Square Head

CYLINDER COMPONENTS

QTY	LINERS	PART NO.	SIZE	DESCRIPTION
3	Liner w/o Sealing Rings	FP-5102316	5	Flanged, .810" port length
3	Liner w/o Sealing Rings	FP-5102317	10	Flanged, .810" port length
3	Liner w/o Sealing Rings	FP-5102318	20	Flanged, .810" port length
3	Liner w/o Sealing Rings	FP-5102319	30	Flanged, .810" port length
3	Liner w/o Sealing Rings	FP-5107448	5	Flanged, .950" port length
3	Liner w/o Sealing Rings	FP-5107449	10	Flanged, .950" port length
3	Liner w/o Sealing Rings	FP-5107450	20	Flanged, .950" port length
3	Liner w/o Sealing Rings	FP-5193732	5	Flanged, 1.050" port length
3	Liner w/o Sealing Rings	FP-5193733	10	Flanged, 1.050" port length
3	Liner w/o Sealing Rings	FP-5193734	20	Flanged, 1.050" port length
3	Liner w/o Sealing Rings	FP-5193735	30	Flanged, 1.050" port length
3	Liner w/o Sealing Rings	FP-23504931	STD	No. 1 Bore; Flanged, .810" port length
3	Liner w/o Sealing Rings	FP-23502023	STD	No. 1 Bore; Flanged, .950" port length
3	Liner w/o Sealing Rings	FP-23502020	STD	No. 1 Bore; Flanged, 1.050" port length
3	Liner w/o Sealing Rings	FP-23504932	STD	No. 2 Bore; Flanged, .810" port length
3	Liner w/o Sealing Rings	FP-23502024	STD	No. 2 Bore; Flanged, .950" port length
3	Liner w/o Sealing Rings	FP-23502021	STD	No. 2 Bore; Flanged, 1.050" port length
3	Liner w/o Sealing Rings	FP-23504933	STD	No. 3 Bore; Flanged, .810" port length
3	Liner w/o Sealing Rings	FP-23502025	STD	No. 3 Bore; Flanged, .950" port length
3	Liner w/o Sealing Rings	FP-23502022	STD	No. 3 Bore; Flanged, 1.050" port length
3	Liner w/o Sealing Rings	FP-23504934	STD	No. 4 Bore; Flanged, .810" port length
3	Liner w/o Sealing Rings	FP-23504935	STD	No. 4 Bore; Flanged, .950" port length
3	Liner w/o Sealing Rings	FP-23504936	STD	No. 4 Bore; Flanged, 1.050" port length
3	Cylinder Kit Complete	FP-23522951	10	w/Cross Head style piston; 1.050" port length sleeve
3	Cylinder Kit Complete	FP-23522525	20	w/Cross Head style piston; 1.050" port length sleeve
3	Cylinder Kit Complete	FP-5149263	10	w/Trunk style piston; 4 Valve Head; 1.05" port length sleeve
3	Cylinder Kit Complete	FP-5149264	20	w/Trunk style piston; 4 Valve Head; 1.05" port length sleeve
3	Cylinder Kit Complete	FP-20022	STD	No. 1 Bore; w/Cross Head style piston
3	Cylinder Kit Complete	FP-20014	STD	No. 1 Bore; w/Trunk style piston; 2 Valve Head
3	Cylinder Kit Complete	FP-20011	STD	No. 1 Bore; w/Trunk style piston; 4 Valve Head; 1.05" port length sleeve
3	Cylinder Kit Complete	FP-23522949	STD	No. 2 Bore; w/Cross Head style piston; 1.050" port length sleeve
3	Cylinder Kit Complete	FP-23505308	STD	No. 2 Bore; w/Trunk style piston; 2 Valve Head; .810" port length sleeve
3	Cylinder Kit Complete	FP-23505305	STD	No. 2 Bore; w/Trunk style piston; 4 Valve Head; 1.05" port length sleeve
3	Cylinder Kit Complete	FP-23522947	STD	No. 3 Bore; w/Cross Head style piston; 1.050" port length sleeve
3	Cylinder Kit Complete	FP-23505309	STD	No. 3 Bore; w/Trunk style piston; 2 Valve Head
3	Cylinder Kit Complete	FP-23505306	STD	No. 3 Bore; w/Trunk style piston; 4 Valve Head; 1.05" port length sleeve
3	Cylinder Kit Complete	FP-23522521	STD	No. 4 Bore; w/Cross Head style piston; 1.050" port length sleeve
3	Cylinder Kit Complete	FP-5149261	STD	No. 4 Bore; w/Trunk style piston; 4 Valve Head; 1.05" port length sleeve

(continued on next page)

Allis-Chalmers

26 Grader 3-71 (2-Valve Cyl. Head), 3-71E (4-Valve Cyl. Head), 3-71N (4-Valve Cyl. Head)
 (cont.) Engs. Wheel Tractor 3-71 (2-Valve Cyl. Head), 3-71E (4-Valve Cyl. Head), 3-71N (4-Valve
 Cyl. Head) Engs. Crawler Tractor 3-71 (2-Valve Cyl. Head), 3-71E (4-Valve Cyl. Head),
 3-71N (4-Valve Cyl. Head) Engs.
 3.5L 213 OHV Diesel L3 (3-71), 4.25" Bore (Detroit Diesel Eng.)

CYLINDER COMPONENTS (cont.)

QTY	LINERS (cont.)	PART NO.	SIZE	DESCRIPTION
3	Liner Kit w/o Sleeve	FP-LCK22507		w/Cross Head style piston
3	Liner Kit w/o Sleeve	FP-LCK22949		w/Cross Head style piston
3	Liner Kit w/o Sleeve	FP-LCK5309		w/Trunk style piston; 2 Valve Head
3	Liner Kit w/o Sleeve	FP-LCK5306		w/Trunk style piston; 4 Valve Head
3	O-Ring	FP-8922221		w/Cross Head style piston
3	Flange Shim	FP-5199569	2	High Block; .002" Thick
3	Flange Shim	FP-2190595	.0015	Low Block; .002" Thick
3	Flange Shim	FP-5192226	3	Low Block; .003" Thick
3	Cntr. Bore Insert	FP-5199871		.0015" Thicker than std., for .010-.030 O/S sleeves
3	Cntr. Bore Insert	FP-5148399		.0015" Thicker than std., for std.-.005 O/S sleeves
3	Cntr. Bore Insert	FP-5148440		.0015" Thinner than std., for std.-.005 O/S sleeves
3	Cntr. Bore Insert	FP-CLR81008		.0030" Thicker than std., for .010-.030 O/S sleeves
3	Cntr. Bore Insert	FP-5194073		.0035 Thinner than std., for std.-.005 O/S sleeves
3	Cntr. Bore Insert	FP-5194163		.0040 Thinner than std., for .010-.030 O/S sleeves
3	Cntr. Bore Insert	FP-5194164		.0080" Thinner than std., for .010-.030 O/S sleeves
3	Cntr. Bore Insert	FP-5193316		Std. thickness (.1795-.1800), for .010-.030 O/S sleeves
3	Cntr. Bore Insert	FP-5184484		Std. thickness (.1795-.1800), for std.-.005 O/S sleeves
QTY	PISTONS	PART NO.	SIZE	DESCRIPTION
3	Piston With Retainers	FP-5189054	STD	17.5:1 C.R.; Trunk style piston; 2 Valve Head; Dish Head, Cast Iron; 4-1/8, 2-3/16 Ring Groove
3	Piston With Retainers	FP-5149234	STD	18.7:1 C.R.; Trunk style piston; 4 Valve Head
3	Piston Dome Kit	FP-23522475		17.0:1 C.R.; w/Cross Head style piston
3	Piston Dome Kit	FP-23522535		18.7:1 C.R.; w/Cross Head style piston
3	Crosshead Piston Dome	FP-23521992	STD	17.0:1 C.R.; Cross Head style piston
3	Crosshead Piston Dome	FP-23522026	STD	18.7:1 C.R.; w/Cross Head style piston
3	Piston Skirt	FP-23522070	STD	w/Cross Head style piston
3	Pin	FP-5101120	STD	w/Cross Head style piston
3	Pin	FP-5144744	STD	w/Cross Head style piston; Nut plate type
3	Pin	FP-5188406	STD	w/Trunk style piston
6	Piston Pin Retainer	FP-5180250		w/Cross Head style piston
6	Piston Pin Retainer	FP-5188405		w/Trunk style piston
6	Piston Pin Bolt	FP-5148373		7/16" - 20 x 2.00" Length
6	Piston Pin Bolt Spacer	FP-5144846		w/Cross Head style piston
3	Piston Pin Slipper Bearing	FP-23501687		w/Cross Head style piston; Slipper type design - 1 per cyl.
6	Pin Bushing	FP-5155839		w/Trunk style piston (In piston)
3	Pin Bushing	FP-5157274		w/Trunk style piston; w/.015" extra ID bore stock
3	Pin Bushing	FP-2409Y		w/1.5020" I.D., 1.7510" O.D., .7600" O.A.L.
3	Pin Bushing	2409Y +		w/1.5020" I.D., 1.7510" O.D., .7600" O.A.L.; When depleted use FP-2409Y
QTY	CONNECTING RODS & BRGS.	PART NO.	SIZE	DESCRIPTION
6	Con. Rod Bolt	FP-5132383		.4375" x 20 x 3.52"
6	Con. Rod Nut	FP-5117629		.4375" x 20
3	Rod Pair	FP-23511129	STD	Late design-upper brg. w/2 oil slots
3	Rod Pair	FP-23511131	2	Late design-upper brg. w/2 oil slots
3	Rod Pair	FP-23511133	10	Late design-upper brg. w/2 oil slots
3	Rod Pair	FP-23511135	20	Late design-upper brg. w/2 oil slots
3	Rod Pair	FP-23511137	30	Late design-upper brg. w/2 oil slots
3	Rod Pair	FP-5193741	40	Late design-upper brg. w/2 oil slots
QTY	PISTON RINGS	PART NO.	SIZE	DESCRIPTION
3	Ring Set Single Cylinder	FP-23522954	STD	w/Cross Head style piston; Wide gap Fire Ring
3	Ring Set Single Cylinder	FP-23522955	STD	Cross Head style piston; Std. gap Fire Ring
3	Ring Set Single Cylinder	FP-5193477	STD	Trunk style piston; 2 Valve Head; 4-1/8, 2-3/16 (1 cyl. set w/4 Chrome rings)
3	Ring Set Single Cylinder	FP-23514970	STD	Trunk style piston; 4 Valve Head; 4-.084, 2-3/16 (1 cyl. Set)
6	Compression Ring	FP-8926351		w/Cross Head style piston; 2nd & 3rd grooves
3	Compression Ring	FP-8924084		Cross Head style piston; Std. gap Fire Ring
3	Compression Ring	FP-8924083		Cross Head style piston; Wide gap Fire Ring
12	Compression Ring	FP-5185325		Trunk style piston; 2 Valve Head; Top 4 grooves
9	Compression Ring	FP-5102648		Trunk style piston; 4 Valve Head; First 4 grooves
6	Ring, Oil Control Set	FP-23522534		Cross Head style piston; For one groove
3	Ring, Oil Control Set	FP-23514965		Trunk style piston; 4 Valve Head; Set for one piston

(continued on next page)

Grader 3-71 (2-Valve Cyl. Head), 3-71E (4-Valve Cyl. Head), 3-71N (4-Valve Cyl. Head) 26
Engs. Wheel Tractor 3-71 (2-Valve Cyl. Head), 3-71E (4-Valve Cyl. Head), 3-71N (4-Valve Cyl. Head) Engs. Crawler Tractor 3-71 (2-Valve Cyl. Head), 3-71E (4-Valve Cyl. Head), 3-71N (4-Valve Cyl. Head) Engs. (cont.)
 3.5L 213 OHV Diesel L3 (3-71), 4.25" Bore (Detroit Diesel Eng.)

CLUTCH

QTY	CLUTCH	PART NO.	SIZE	DESCRIPTION
1	Ball Brg.	FP-23503707		Clutch Pilot
1	Ball Brg.	FP-23503709		Clutch Pilot
1	Ball Brg.	FP-23504892		Clutch Pilot

KITS

QTY	OVERHAUL KIT	PART NO.	SIZE	DESCRIPTION
1	In-Frame Overhaul Kit	FP-IFK371XH		Cross Head style piston
1	In-Frame Overhaul Kit	FP-371XH		Cross Head style piston
1	In-Frame Overhaul Kit	FP-IFK3712V		Trunk style piston; 2 Valve Head
1	In-Frame Overhaul Kit	FP-3712V		Trunk style piston; 2 Valve Head
1	In-Frame Overhaul Kit	FP-IFK371NA		Trunk style piston; 4 Valve Head
1	In-Frame Overhaul Kit	FP-371NA		Trunk style piston; 4 Valve Head
1	Complete Overhaul Kit	FP-OH371XH		Cross Head style piston
1	Complete Overhaul Kit	FP-371XHOH		Cross Head style piston
1	Complete Overhaul Kit	FP-OH3712V		Trunk style piston; 2 Valve Head
1	Complete Overhaul Kit	FP-3712VOH		Trunk style piston; 2 Valve Head
1	Complete Overhaul Kit	FP-OH371NA		Trunk style piston; 4 Valve Head
1	Complete Overhaul Kit	FP-371NAOH		Trunk style piston; 4 Valve Head

Combine G226 Eng. Grader G226 Eng. Wheel Tractor G226, W226 Engs. Wheel Loader G226 Eng. 27
 3.7L 226 L4, 4" Bore

CYL. HEAD & PARTS

QTY	VALVE	PART NO.	SIZE	DESCRIPTION
4	Intake	FP-V869		1.6870" Head Dia., .3715" Stem Dia., 5.1550" O.A.L.
4	Intake	V-869 + Std Only		1.6870" Head Dia., .3715" Stem Dia., 5.1550" O.A.L.; When depleted use FP-V869
4	Exhaust	FP-V868		Gage dia. 1.375", gage length 5.031"; 1.4530" Head Dia., .3716" Stem Dia., 5.1330" O.A.L.
4	Exhaust	V-868 + Std Only		Gage dia. 1.375", gage length 5.031"; 1.4530" Head Dia., .3716" Stem Dia., 5.1330" O.A.L.; When depleted use FP-V868
16	Keeper	VK-138		1 groove; Square cut key groove
16	Keeper	VK-138R		1 groove; Square cut key groove; Hardened
16	Keeper, Bulk	VK-138B		1 groove; Square cut key groove; Carton of 1000
QTY	VALVE SEAT	PART NO.	SIZE	DESCRIPTION
4	Exh.	245-1562-4 Std Only		1.5670" OD, 1.3125" ID, .2480" Depth
4	Int.	245-1750-1N Std Only		Premium Material; 1.7555" OD, 1.5000" ID, .2480" Depth
4	Int.	245-1750-1 Std Only		1.7555" OD, 1.5000" ID, .2480" Depth
QTY	VALVE GUIDE	PART NO.	SIZE	DESCRIPTION
4	Guide	FP-VG354		Exh.; .3750" ID, 2.3400" O.A.L.
4	Guide	VG-354 +		Exh.; .3750" ID, 2.3400" O.A.L.; When depleted use FP-VG354
4	Guide	FP-VG226		Int.; .3750" ID, 2.7500" O.A.L.
4	Guide	VG-226 +		Int.; .3750" ID, 2.7500" O.A.L.; When depleted use FP-VG226
QTY	VALVE SPRING	PART NO.	SIZE	DESCRIPTION
8	Spring	FP-VS1426		2.3120" Free Height
8	Spring	VS-1426 +		2.3120" Free Height; When depleted use FP-VS1426
QTY	VALVE SEAL	PART NO.	SIZE	DESCRIPTION
8	Valve Stem Seal	ST-2002		Installation requires valve guide machining; Polyacrylate
8	Valve Stem Seal	FP-156541		Installation requires valve guide machining; Polyacrylate
8	Valve Stem Seal Bulk	ST-2002BC		Positive type; Installation requires valve guide machining; Carton of 100; Polyacrylate

ENGINE BLOCK & PARTS

QTY	GASKET SETS	PART NO.	SIZE	DESCRIPTION
1	Kit Gasket Set	FP-2601336		Compl., Incl. RMB seal
1	Kit Gasket Set	260-1336		Compl., Incl. RMB seal
QTY	CAM BEARINGS	PART NO.	SIZE	DESCRIPTION
1	Cam Set	FP-1017M	Std Only	Early Engs.
1	Cam Set	1017M + Std Only		Early Engs.; When depleted use FP-1017M

(continued on next page)

Allis-Chalmers

27 Combine G226 Eng. Grader G226 Eng. Wheel Tractor G226, W226 Engs. Wheel Loader
(cont.) G226 Eng.
3.7L 226 L4, 4" Bore

CRANKSHAFT/OIL PUMP

QTY	SEALS - FRONT CRANK	PART NO.	SIZE	DESCRIPTION
1	Redi-Sleeve	99150		
1	Oil Seal	470625		
QTY	MAIN BEARINGS	PART NO.	SIZE	DESCRIPTION
1	Main Set	FP-991M	Std-10-20-30-40	Early Engs.; w/front thrust
1	Main Set	991M +	Std-10-20-30-40	Early Engs.; w/front thrust; When depleted use FP-991M
1	Main Set	FP-4086M	Std-10-20-30-40	Late Engs.; w/center thrust
1	Main Set	4086M +	Std-10-20-30-40	Late Engs.; w/center thrust; When depleted use FP-4086M
1	Shim Set	FP-FSM119S		Early Engs.; Set consists of 2 pcs. for No. 1, 4 pcs. for No. 2-3 positions.; Two SM130 shims w/thickness of .0085; Four SM131 shims w/thickness of .0085
1	Shim Set	FP-FSM118S		Set consists of 8 pcs.; Rod brg. shim set; Eight SM129 shims w/thickness of .0085

CYLINDER COMPONENTS

QTY	CONNECTING RODS & BRGS.	PART NO.	SIZE	DESCRIPTION
4	Rod Pair	FP-2440SB	Std-2-10-20-30-40	
4	Rod Pair	2440SB +	Std-2-10-20-30-40	When depleted use FP-2440SB
QTY	PISTON RINGS	PART NO.	SIZE	DESCRIPTION
1	Premium Set	FP-5368KX	Std Only	OVERBORE To 4.125"; 2-3/32, 1-1/8, 1-1/4
1	Premium Set	5368KX +	Std Only	OVERBORE To 4.125"; 2-3/32, 1-1/8, 1-1/4; When depleted use FP-5368KX
4	Premium Single Cylinder Set	W-5368KX	Std Only	OVERBORE To 4.125"; 2-3/32, 1-1/8, 1-1/4

28 Combine G230 Eng. Grader G230 Eng. Forklift G230 Eng.
3.8L 230 OHV L6, 3.4375" Bore

CYL. HEAD & PARTS

QTY	VALVE	PART NO.	SIZE	DESCRIPTION
6	Intake	FP-V1837		1.4380" Head Dia., .3425" Stem Dia., 4.9520" O.A.L.
6	Intake	V-1837 +	Std Only	1.4380" Head Dia., .3425" Stem Dia., 4.9520" O.A.L.; When depleted use FP-V1837
6	Exhaust	FP-V1836		1.3750" Head Dia., .3412" Stem Dia., 4.9420" O.A.L.
6	Exhaust	V-1836 +	Std Only	1.3750" Head Dia., .3412" Stem Dia., 4.9420" O.A.L.; When depleted use FP-V1836
24	Keeper	VK-115		1 groove; Square cut key groove
24	Keeper	VK-115R		1 groove; Square cut key groove; Hardened
24	Keeper, Bulk	VK-115B		1 groove; Square cut key groove; Carton of 1000
QTY	VALVE SEAT	PART NO.	SIZE	DESCRIPTION
6	Exh.	245-1437-2N	Std Only	Premium Material; 1.4425" OD, 1.2190" ID, .2160" Depth
6	Exh.	245-1437-2	Std Only	1.4425" OD, 1.2190" ID, .2160" Depth
6	Int.	245-1562-1N	Std Only	Premium Material; 1.5675" OD, 1.3125" ID, .2160" Depth
6	Int.	245-1562-1	Std Only	1.5675" OD, 1.3125" ID, .2160" Depth
QTY	VALVE GUIDE	PART NO.	SIZE	DESCRIPTION
6	Guide	FP-VG658		Exh.; .3445" ID, 2.1200" O.A.L.
6	Guide	VG-658 +		Exh.; .3445" ID, 2.1200" O.A.L.; When depleted use FP-VG658
6	Guide	FP-VG659		Int.; .3445" ID, 2.2500" O.A.L.
6	Guide	VG-659 +		Int.; .3445" ID, 2.2500" O.A.L.; When depleted use FP-VG659
QTY	VALVE SPRING	PART NO.	SIZE	DESCRIPTION
12	Spring	FP-VS1578		
12	Spring	VS-1578 +		When depleted use FP-VS1578
QTY	VALVE SEAL	PART NO.	SIZE	DESCRIPTION
6	Valve Stem Seal	ST-2001		Int.; Positive type; Installation requires valve guide machining; Rubber/PTFE
6	Valve Stem Seal Bulk	ST-2001BC		Int.; Positive type; Installation requires valve guide machining; Carton of 100; Rubber/PTFE

ENGINE BLOCK & PARTS

QTY	GASKET SETS	PART NO.	SIZE	DESCRIPTION
1	Kit Gasket Set	FP-2601330		Compl., Incl. valve stem seals, RMB seal & wear sleeve
1	Kit Gasket Set	260-1330		Compl., Incl. valve stem seals, RMB seal & wear sleeve
QTY	CAM BEARINGS	PART NO.	SIZE	DESCRIPTION
1	Cam Set	FP-1151M	Std Only	

(continued on next page)

+ Superseded Part Number

Combine G230 Eng. Grader G230 Eng. Forklift G230 Eng. 28
3.8L 230 OHV L6, 3.4375" Bore (cont.)

ENGINE BLOCK & PARTS (cont.)

QTY	CAM BEARINGS (cont.)	PART NO.	SIZE	DESCRIPTION
1	Cam Set	1151M +	Std Only	When depleted use FP-1151M
CRANKSHAFT/OIL PUMP				
QTY	MAIN BEARINGS	PART NO.	SIZE	DESCRIPTION
1	Main Set	FP-5132M	Std-10-20-30-40	
1	Main Set	5132M +	Std-10-20-30-40	When depleted use FP-5132M
CYLINDER COMPONENTS				
QTY	LINERS	PART NO.	SIZE	DESCRIPTION
6	Sleeve Assy.	FP-SL2216	Std Only	
6	Sleeve Assy.	SL-2216 +	Std Only	When depleted use FP-SL2216
QTY	PISTONS	PART NO.	SIZE	DESCRIPTION
6	Cast Piston	FP-2216P	Std Only	Cast; 3-1/8", 1-3/16" Ring Groove, 2.078" CD, .9996" Pin Dia., Dish Head; Repl. O.E. Nos. 4512451 & 4516721
6	Cast Piston	2216P +	Std Only	Cast; 3-1/8", 1-3/16" Ring Groove, 2.078" CD, .9996" Pin Dia., Dish Head; Repl. O.E. Nos. 4512451 & 4516721; When depleted use FP-2216P
6	Pin Bushing	FP-74507127		1.255" max. length
6	Pin Bushing	1619Y20 +		1.255" max. length; When depleted use FP-74507127
QTY	CONNECTING RODS & BRGS.	PART NO.	SIZE	DESCRIPTION
6	Rod Pair	FP-1615CP	Std-10-20-30-40	
6	Rod Pair	1615CP +	Std-10-20-30-40	When depleted use FP-1615CP
QTY	PISTON RINGS	PART NO.	SIZE	DESCRIPTION
1	Premium Set	FP-644KX	Std Only	3-1/8, 1-3/16
1	Premium Set	644KX +	Std Only	3-1/8, 1-3/16; When depleted use FP-644KX
6	Premium Single Cylinder Set	W-644KX	Std Only	3-1/8, 1-3/16
KITS				
QTY	OVERHAUL KIT	PART NO.	SIZE	DESCRIPTION
1	Tractor Overhaul Kit	FP-KST2216A		

Combine 6G230 Eng. Grader 6G230 Eng. Forklift 6G230 Eng. 29
3.8L 230 OHV L6, 3.4375" Bore (Buda Eng.)

ENGINE BLOCK & PARTS

QTY	CAM BEARINGS	PART NO.	SIZE	DESCRIPTION
1	Cam Set	FP-1151M	Std Only	
1	Cam Set	1151M +	Std Only	When depleted use FP-1151M
CRANKSHAFT/OIL PUMP				
QTY	MAIN BEARINGS	PART NO.	SIZE	DESCRIPTION
1	Main Set	FP-5132M	Std-10-20-30-40	
1	Main Set	5132M +	Std-10-20-30-40	When depleted use FP-5132M
CYLINDER COMPONENTS				
QTY	PISTONS	PART NO.	SIZE	DESCRIPTION
6	Pin Bushing	FP-74507127		1.255" max. length
6	Pin Bushing	1619Y20 +		1.255" max. length; When depleted use FP-74507127
QTY	CONNECTING RODS & BRGS.	PART NO.	SIZE	DESCRIPTION
6	Rod Pair	FP-1615CP	Std-10-20-30-40	
6	Rod Pair	1615CP +	Std-10-20-30-40	When depleted use FP-1615CP

Grader D230, DA230 Engs. Wheel Tractor D230, DA230 Engs. 30
3.8L 230 OHV Diesel L6, 3.4375" Bore

CYL. HEAD & PARTS

QTY	VALVE	PART NO.	SIZE	DESCRIPTION
24	Keeper	FP-VK144		1 groove; Square cut key groove
24	Keeper	VK-144R		1 groove; Square cut key groove; Hardened
24	Keeper, Bulk	FP-VK144B		1 groove; Square cut key groove; Carton of 1000

(continued on next page)

Allis-Chalmers

30 Grader D230, DA230 Engs. Wheel Tractor D230, DA230 Engs. (cont.) 3.8L 230 OHV Diesel L6, 3.4375" Bore

CYL. HEAD & PARTS (cont.)				
QTY	VALVE SEAT	PART NO.	SIZE	DESCRIPTION
6	Exh.	245-1437-2N	Std Only	Premium Material; 1.4425" OD, 1.2190" ID, .2160" Depth
6	Exh.	245-1437-2	Std Only	1.4425" OD, 1.2190" ID, .2160" Depth
6	Int.	245-1500-3	Std Only	1.5045" OD, 1.2500" ID, .2480" Depth
QTY	VALVE GUIDE	PART NO.	SIZE	DESCRIPTION
6	Guide	FP-VG555		Exh.; .3135" ID, 2.2500" O.A.L.
6	Guide	VG-555 +		Exh.; .3135" ID, 2.2500" O.A.L.; When depleted use FP-VG555
QTY	VALVE SPRING	PART NO.	SIZE	DESCRIPTION
12	Spring	FP-VS1577		w/damper; 2.0900" Free Height
12	Spring	VS-1577 +		w/damper; 2.0900" Free Height; When depleted use FP-VS1577
ENGINE BLOCK & PARTS				
QTY	CAM BEARINGS	PART NO.	SIZE	DESCRIPTION
1	Cam Set	FP-1151M	Std Only	
1	Cam Set	1151M +	Std Only	When depleted use FP-1151M
CRANKSHAFT/OIL PUMP				
QTY	MAIN BEARINGS	PART NO.	SIZE	DESCRIPTION
1	Main Set	FP-5132M	Std-10-20-30-40	
1	Main Set	5132M +	Std-10-20-30-40	When depleted use FP-5132M
CYLINDER COMPONENTS				
QTY	PISTONS	PART NO.	SIZE	DESCRIPTION
6	Pin Bushing	FP-74507127		1.255" max. length
6	Pin Bushing	1619Y20 +		1.255" max. length; When depleted use FP-74507127
QTY	CONNECTING RODS & BRGS.	PART NO.	SIZE	DESCRIPTION
6	Rod Pair	FP-1615CP	Std-10-20-30-40	
6	Rod Pair	1615CP +	Std-10-20-30-40	When depleted use FP-1615CP

31 Grader 6D230, 6DA230 Engs. Forklift 6D230, 6DA230 Engs. Wheel Tractor 6D230, 6DA230 Engs. 3.8L 230 OHV Diesel L6, 3.4375" Bore (Buda Eng.)

ENGINE BLOCK & PARTS				
QTY	CAM BEARINGS	PART NO.	SIZE	DESCRIPTION
1	Cam Set	FP-1151M	Std Only	
1	Cam Set	1151M +	Std Only	When depleted use FP-1151M
CRANKSHAFT/OIL PUMP				
QTY	MAIN BEARINGS	PART NO.	SIZE	DESCRIPTION
1	Main Set	FP-5132M	Std-10-20-30-40	
1	Main Set	5132M +	Std-10-20-30-40	When depleted use FP-5132M
CYLINDER COMPONENTS				
QTY	PISTONS	PART NO.	SIZE	DESCRIPTION
6	Pin Bushing	FP-74507127		1.255" max. length
6	Pin Bushing	1619Y20 +		1.255" max. length; When depleted use FP-74507127
QTY	CONNECTING RODS & BRGS.	PART NO.	SIZE	DESCRIPTION
6	Rod Pair	FP-1615CP	Std-10-20-30-40	
6	Rod Pair	1615CP +	Std-10-20-30-40	When depleted use FP-1615CP

32 Wheel Tractor A4.236, 4.236 Engs. Wheel Loader A4.236, 4.236 Engs. 3.9L 235.9 OHV Diesel L4, 3.875" Bore (Perkins Eng.)

CYL. HEAD & PARTS				
QTY	VALVE	PART NO.	SIZE	DESCRIPTION
4	Intake	FP-V1701		1.7440" Head Dia., .3730" Stem Dia., 4.8290" O.A.L.
4	Intake	V-1701 +	Std Only	1.7440" Head Dia., .3730" Stem Dia., 4.8290" O.A.L.; When depleted use FP-V1701
4	Exhaust	FP-V1700		1.4400" Head Dia., .3725" Stem Dia., 4.8570" O.A.L.
4	Exhaust	V-1700 +	Std Only	1.4400" Head Dia., .3725" Stem Dia., 4.8570" O.A.L.; When depleted use FP-V1700

(continued on next page)

Wheel Tractor A4.236, 4.236 Engs. Wheel Loader A4.236, 4.236 Engs. 32
3.9L 235.9 OHV Diesel L4, 3.875" Bore (Perkins Eng.) (cont.)

CYL. HEAD & PARTS (cont.)

QTY	VALVE (cont.)	PART NO.	SIZE	DESCRIPTION
16	Keeper	FP-VK223		
16	Keeper	VK-223 +		When depleted use FP-VK223
QTY	VALVE GUIDE	PART NO.	SIZE	DESCRIPTION
4	Guide	FP-VG619		Exh.; .3755" ID, 2.4060" O.A.L.
4	Guide	VG-619 +		Exh.; .3755" ID, 2.4060" O.A.L.; When depleted use FP-VG619
4	Guide	FP-VG620		Int.; .3755" ID, 2.2810" O.A.L.
4	Guide	VG-620 +		Int.; .3755" ID, 2.2810" O.A.L.; When depleted use FP-VG620
QTY	VALVE SPRING	PART NO.	SIZE	DESCRIPTION
8	Spring	FP-VS1432		2.5780" Free Height
8	Spring	VS-1432 +		2.5780" Free Height; When depleted use FP-VS1432

ENGINE BLOCK & PARTS

QTY	GASKET SETS	PART NO.	SIZE	DESCRIPTION
1	Kit Gasket Set	FP-2601334		Compl.; Incl. 2 pc. RMB seal
1	Kit Gasket Set	260-1334		Compl.; Incl. 2 pc. RMB seal

CRANKSHAFT/OIL PUMP

QTY	MAIN BEARINGS	PART NO.	SIZE	DESCRIPTION
1	Main Set	FP-4353M	Std-10-20	
1	Main Set	4353M +	Std-10-20	When depleted use FP-4353M
1	Thrust Washer Set	FP-3137BFA	Std Only	Position 3; Engs. From Ser. No. 4203049
1	Thrust Washer Set	3137BFA +	Std Only	Position 3; Engs. From Ser. No. 4203049; When depleted use FP-3137BFA
1	Thrust Washer Set	FP-3137BF	Std Only	Position 3; To Ser. No. 4203048
1	Thrust Washer Set	3137BF +	Std Only	Position 3; To Ser. No. 4203048; When depleted use FP-3137BF

CYLINDER COMPONENTS

QTY	LINERS	PART NO.	SIZE	DESCRIPTION
4	Dry Sleeve	FP-SL382M	Std Only	Flanged sleeve w/firewall. Early blocks may require machining for flanged sleeve (instructions incl.)
4	Dry Sleeve	SL-382M +	Std Only	Flanged sleeve w/firewall. Early blocks may require machining for flanged sleeve (instructions incl.); When depleted use FP-SL382M
4	Sleeve Assy.	FP-SL2487	Std Only	Flanged sleeve w/firewall. Early blocks may require machining for flanged sleeve (instructions incl.)
4	Sleeve Assy.	SL-2487 +	Std Only	Flanged sleeve w/firewall. Early blocks may require machining for flanged sleeve (instructions incl.); When depleted use FP-SL2487

QTY	PISTONS	PART NO.	SIZE	DESCRIPTION
4	Cast Piston	FP-2487P	Std Only	Cast; 3-3/32", 2-1/4" Ring Groove, 2.749" CD, 1.3750" Pin Dia., Cup Head .800" deep x 2.430" dia.; Repl. O.E. Nos. 82878 & 31354042
4	Cast Piston	2487P +	Std Only	Cast; 3-3/32", 2-1/4" Ring Groove, 2.749" CD, 1.3750" Pin Dia., Cup Head .800" deep x 2.430" dia.; Repl. O.E. Nos. 82878 & 31354042; When depleted use FP-2487P
4	Pin Bushing	FP-3139Y15		
4	Pin Bushing	3139Y15 +		When depleted use FP-3139Y15

QTY	PISTON RINGS	PART NO.	SIZE	DESCRIPTION
2	Premium Set	FP-9194KX	Std-30	3-3/32, 2-1/4 (2 cyl. set); Do not use w/Chrome liners
2	Premium Set	9194KX +	Std-30	3-3/32, 2-1/4 (2 cyl. set); Do not use w/Chrome liners; When depleted use FP-9194KX
4	Premium Single Cylinder Set	W-9194KX	Std Only	3-3/32, 2-1/4 (2 cyl. set); Do not use w/Chrome liners

KITS

QTY	OVERHAUL KIT	PART NO.	SIZE	DESCRIPTION
1	Tractor Overhaul Kit	FP-KST2487C		From Ser. No. 4203049
1	Tractor Overhaul Kit	FP-KST2487A		To Ser. No. 4203048

Combine QXLD, QXLD3, QXLD5 Engs. 33
3.9L 237 L-HEAD L6, 3.4375" Bore (Hercules Eng.)

CYL. HEAD & PARTS

QTY	VALVE	PART NO.	SIZE	DESCRIPTION
6	Intake	FP-V956		1.6410" Head Dia., .3100" Stem Dia., 4.2940" O.A.L.
6	Intake	V-956 +	Std Only	1.6410" Head Dia., .3100" Stem Dia., 4.2940" O.A.L.; When depleted use FP-V956
6	Exhaust	FP-V748		1.4380" Head Dia., .3100" Stem Dia., 4.3320" O.A.L.

(continued on next page)

Allis-Chalmers

33 Combine QXLD, QXLD3, QXLD5 Engs. (cont.) 3.9L 237 L-HEAD L6, 3.4375" Bore (Hercules Eng.)

CYL. HEAD & PARTS (cont.)				
QTY	VALVE (cont.)	PART NO.	SIZE	DESCRIPTION
6	Exhaust	V-748 +	Std Only	1.4380" Head Dia., .3100" Stem Dia., 4.3320" O.A.L.; When depleted use FP-V748
24	Keeper	FP-VK123		
24	Keeper	VK-123 +		When depleted use FP-VK123
QTY	VALVE GUIDE	PART NO.	SIZE	DESCRIPTION
12	Guide	FP-VG456		.532" OD; .3120" ID, 2.0940" O.A.L.
QTY	VALVE SPRING	PART NO.	SIZE	DESCRIPTION
12	Spring	FP-VS286		2.0620" Free Height
12	Spring	VS-286 +		2.0620" Free Height; When depleted use FP-VS286
ENGINE BLOCK & PARTS				
QTY	CAM BEARINGS	PART NO.	SIZE	DESCRIPTION
1	Cam Set	FP-1151M	Std Only	3 brg. set
1	Cam Set	1151M +	Std Only	3 brg. set; When depleted use FP-1151M
1	Cam Set	FP-1142M	Std Only	4 brg. set
1	Cam Set	1142M +	Std Only	4 brg. set; When depleted use FP-1142M
CRANKSHAFT/OIL PUMP				
QTY	MAIN BEARINGS	PART NO.	SIZE	DESCRIPTION
1	Plain Main Brg.	FP-2241CP10	10	Position 1
1	Plain Main Brg.	FP-2241CP20	20	Position 1
1	Plain Main Brg.	FP-2241CP30	30	Position 1
4	Plain Main Brg.	FP-2243CP10	10	Position 2-3-5-6
4	Plain Main Brg.	FP-2243CP20	20	Position 2-3-5-6
4	Plain Main Brg.	FP-2243CP30	30	Position 2-3-5-6
1	Plain Main Brg.	FP-2244CP10	10	Position 4
1	Plain Main Brg.	FP-2244CP20	20	Position 4
1	Plain Main Brg.	FP-2244CP30	30	Position 4
1	Plain Main Brg.	FP-9624CPA10	10	Position 7
1	Plain Main Brg.	FP-9624CPA20	20	Position 7
1	Plain Main Brg.	FP-9624CPA30	30	Position 7
CYLINDER COMPONENTS				
QTY	PISTONS	PART NO.	SIZE	DESCRIPTION
6	Pin Bushing	FP-9624X		Full round bushing
6	Pin Bushing	9624X +		Full round bushing; When depleted use FP-9624X
QTY	CONNECTING RODS & BRGS.	PART NO.	SIZE	DESCRIPTION
6	Rod Pair	FP-9620CPA	Std-10-20-30	W/1.9870-1.9880" std. shaft size
6	Rod Pair	9620CPA +	Std-10-20-30	W/1.9870-1.9880" std. shaft size; When depleted use FP-9620CPA
6	Rod Pair	FP-3185CP	Std-10-20-30	W/2.0590-2.0600" std. shaft size
6	Rod Pair	3185CP +	Std-10-20-30	W/2.0590-2.0600" std. shaft size; When depleted use FP-3185CP

34 Wheel Tractor A4.248, 4.248 Engs. 4.1L 248.2 OHV Diesel L4, 3.975" Bore (Perkins Eng.)

CYL. HEAD & PARTS				
QTY	VALVE	PART NO.	SIZE	DESCRIPTION
4	Intake	FP-V1701		1.7440" Head Dia., .3730" Stem Dia., 4.8290" O.A.L.
4	Intake	V-1701 +	Std Only	1.7440" Head Dia., .3730" Stem Dia., 4.8290" O.A.L.; When depleted use FP-V1701
4	Exhaust	FP-V1700		1.4400" Head Dia., .3725" Stem Dia., 4.8570" O.A.L.
4	Exhaust	V-1700 +	Std Only	1.4400" Head Dia., .3725" Stem Dia., 4.8570" O.A.L.; When depleted use FP-V1700
16	Keeper	FP-VK223		
16	Keeper	VK-223 +		When depleted use FP-VK223
QTY	VALVE SEAT	PART NO.	SIZE	DESCRIPTION
4	Int.	245-2018E-1 +	Std Only	O.E. replacement for heads w/factory-installed seats; 2.0180" OD, 1.5938" ID, .2813" Depth; When depleted use FP-2452018E1
QTY	VALVE GUIDE	PART NO.	SIZE	DESCRIPTION
4	Guide	FP-VG619		Exh.; .3755" ID, 2.4060" O.A.L.
4	Guide	VG-619 +		Exh.; .3755" ID, 2.4060" O.A.L.; When depleted use FP-VG619
QTY	VALVE SPRING	PART NO.	SIZE	DESCRIPTION
8	Spring	FP-VS1432		2.5780" Free Height

(continued on next page)

Wheel Tractor A4.248, 4.248 Engs. 34
4.1L 248.2 OHV Diesel L4, 3.975" Bore (Perkins Eng.) (cont.)

CYL. HEAD & PARTS (cont.)

QTY	VALVE SPRING (cont.)	PART NO.	SIZE	DESCRIPTION
8	Spring	VS-1432 +		2.5780" Free Height; When depleted use FP-VS1432

CRANKSHAFT/OIL PUMP

QTY	MAIN BEARINGS	PART NO.	SIZE	DESCRIPTION
1	Main Set	FP-4353M	Std-10-20	
1	Main Set	4353M +	Std-10-20	When depleted use FP-4353M
1	Thrust Washer Set	FP-3137BFA	Std Only	Position 3; Engs. From Ser. No. 4203049
1	Thrust Washer Set	3137BFA +	Std Only	Position 3; Engs. From Ser. No. 4203049; When depleted use FP-3137BFA
1	Thrust Washer Set	FP-3137BF	Std Only	Position 3; To Ser. No. 4203048
1	Thrust Washer Set	3137BF +	Std Only	Position 3; To Ser. No. 4203048; When depleted use FP-3137BF

CYLINDER COMPONENTS

QTY	PISTONS	PART NO.	SIZE	DESCRIPTION
4	Pin Bushing	FP-3139Y15		
4	Pin Bushing	3139Y15 +		When depleted use FP-3139Y15

Combine G262 Eng. Cotton Picker G262 Eng. Grader G262 Eng. Forklift G262 Eng. Wheel Tractor G262 Eng. 35
4.3L 262 OHV L6, 3.5625" Bore

CYL. HEAD & PARTS

QTY	VALVE	PART NO.	SIZE	DESCRIPTION
6	Intake	FP-V2307		1.5000" Head Dia., .3428" Stem Dia., 4.9420" O.A.L.
6	Intake	V-2307 +	Std Only	1.5000" Head Dia., .3428" Stem Dia., 4.9420" O.A.L.; When depleted use FP-V2307
6	Exhaust	FP-V1836		1.3750" Head Dia., .3412" Stem Dia., 4.9420" O.A.L.
6	Exhaust	V-1836 +	Std Only	1.3750" Head Dia., .3412" Stem Dia., 4.9420" O.A.L.; When depleted use FP-V1836
24	Keeper	VK-115		1 groove; Square cut key groove
24	Keeper	VK-115R		1 groove; Square cut key groove; Hardened
24	Keeper, Bulk	VK-115B		1 groove; Square cut key groove; Carton of 1000

QTY	VALVE SEAT	PART NO.	SIZE	DESCRIPTION
6	Exh.	245-1437-2N	Std Only	Premium Material; 1.4425" OD, 1.2190" ID, .2160" Depth
6	Exh.	245-1437-2	Std Only	1.4425" OD, 1.2190" ID, .2160" Depth
6	Int.	245-1562-1N	Std Only	Premium Material; 1.5675" OD, 1.3125" ID, .2160" Depth
6	Int.	245-1562-1	Std Only	1.5675" OD, 1.3125" ID, .2160" Depth

QTY	VALVE GUIDE	PART NO.	SIZE	DESCRIPTION
6	Guide	FP-VG658		Exh.; .3445" ID, 2.1200" O.A.L.
6	Guide	VG-658 +		Exh.; .3445" ID, 2.1200" O.A.L.; When depleted use FP-VG658
6	Guide	FP-VG659		Int.; .3445" ID, 2.2500" O.A.L.
6	Guide	VG-659 +		Int.; .3445" ID, 2.2500" O.A.L.; When depleted use FP-VG659

QTY	VALVE SPRING	PART NO.	SIZE	DESCRIPTION
12	Spring	FP-VS1578		
12	Spring	VS-1578 +		When depleted use FP-VS1578

QTY	VALVE SEAL	PART NO.	SIZE	DESCRIPTION
6	Valve Stem Seal	ST-2001		Int.; Positive type; Installation requires valve guide machining; Rubber/PTFE
6	Valve Stem Seal Bulk	ST-2001BC		Int.; Positive type; Installation requires valve guide machining; Carton of 100; Rubber/PTFE

ENGINE BLOCK & PARTS

QTY	GASKET SETS	PART NO.	SIZE	DESCRIPTION
1	Kit Gasket Set	FP-2601330		Compl., Incl. valve stem seals, RMB seal & wear sleeve
1	Kit Gasket Set	260-1330		Compl., Incl. valve stem seals, RMB seal & wear sleeve

QTY	CAM BEARINGS	PART NO.	SIZE	DESCRIPTION
1	Cam Set	FP-1151M	Std Only	
1	Cam Set	1151M +	Std Only	When depleted use FP-1151M

CRANKSHAFT/OIL PUMP

QTY	CRANKSHAFT	PART NO.	SIZE	DESCRIPTION
1	Harmonic Balancer Sleeve	88187		

QTY	SEALS - FRONT CRANK	PART NO.	SIZE	DESCRIPTION
1	Redi-Sleeve	99187		
1	Oil Seal	472439		

(continued on next page)

Allis-Chalmers

35 Combine G262 Eng. Cotton Picker G262 Eng. Grader G262 Eng. Forklift G262 Eng. Wheel
(cont.) Tractor G262 Eng.
4.3L 262 OHV L6, 3.5625" Bore

CRANKSHAFT/OIL PUMP (cont.)

QTY	MAIN BEARINGS	PART NO.	SIZE	DESCRIPTION
1	Main Set	FP-5132M	Std-10-20-30-40	
1	Main Set	5132M +	Std-10-20-30-40	When depleted use FP-5132M

QTY	LINERS	PART NO.	SIZE	DESCRIPTION
6	Liner w/Sealing Rings	FP-SO1993	Std Only	Incl. (2) FP-SLR2216 sealing rings. Has std. (.250") flange thickness. Top of flange must be .002" above or below block surface. Check counterbore depth before ordering.
6	Liner w/Sealing Rings	SO-1993 +	Std Only	Incl. (2) SLR-2216 sealing rings. Has std. (.250") flange thickness. Top of flange must be .002" above or below block surface. Check counterbore depth before ordering.; When depleted use FP-SO1993

QTY	PISTONS	PART NO.	SIZE	DESCRIPTION
6	Pin Bushing	FP-74507127		1.255" max. length
6	Pin Bushing	1619Y20 +		1.255" max. length; When depleted use FP-74507127

QTY	CONNECTING RODS & BRGS.	PART NO.	SIZE	DESCRIPTION
6	Rod Pair	FP-1615CP	Std-10-20-30-40	
6	Rod Pair	1615CP +	Std-10-20-30-40	When depleted use FP-1615CP

36 Combine D262 Eng. Cotton Picker D262, DA262 Eng. Grader D262, DA262 Eng. Forklift
D262, DA262 Eng. Wheel Tractor D262, DA262 Eng. Wheel Loader D262 Eng.
4.3L 262 OHV Diesel L6, 3.5625" Bore

CYL. HEAD & PARTS

QTY	VALVE	PART NO.	SIZE	DESCRIPTION
6	Intake	FP-V3924		From Ser. No. D01681; 1.4800" Head Dia., .3095" Stem Dia., 5.3560" O.A.L.
6	Intake	V-3924 +	Std Only	From Ser. No. D01681; 1.4800" Head Dia., .3095" Stem Dia., 5.3560" O.A.L.; When depleted use FP-V3924
6	Exhaust	FP-V1840		From Ser. No. D01681; 1.2500" Head Dia., .3095" Stem Dia., 4.4380" O.A.L.
6	Exhaust	V-1840 +	Std Only	From Ser. No. D01681; 1.2500" Head Dia., .3095" Stem Dia., 4.4380" O.A.L.; When depleted use FP-V1840
24	Keeper	FP-VK144		1 groove; Square cut key groove
24	Keeper	VK-144R		1 groove; Square cut key groove; Hardened
24	Keeper, Bulk	FP-VK144B		1 groove; Square cut key groove; Carton of 1000

QTY	VALVE SEAT	PART NO.	SIZE	DESCRIPTION
6	Exh.	245-1437-2N	Std Only	Premium Material; 1.4425" OD, 1.2190" ID, .2160" Depth
6	Exh.	245-1375-1	Std Only	1.3795" OD, 1.1250" ID, .2160" Depth
6	Exh.	245-1437-2	Std Only	1.4425" OD, 1.2190" ID, .2160" Depth
6	Int.	245-1500-3	Std Only	1.5045" OD, 1.2500" ID, .2480" Depth
6	Int.	245-1562-4	Std Only	1.5670" OD, 1.3125" ID, .2480" Depth

QTY	VALVE GUIDE	PART NO.	SIZE	DESCRIPTION
6	Guide	FP-VG555		Exh.; D262 & DA262 Engs., Model D17 wheel tractor only; .3135" ID, 2.2500" O.A.L.
6	Guide	VG-555 +		Exh.; D262 & DA262 Engs., Model D17 wheel tractor only; .3135" ID, 2.2500" O.A.L.; When depleted use FP-VG555

QTY	VALVE SPRING	PART NO.	SIZE	DESCRIPTION
12	Spring	FP-VS1577		Wheel Tractor D17D w/DA262 Engs. To Ser. No. 117087; w/damper; 2.0900" Free Height
12	Spring	VS-1577 +		Wheel Tractor D17D w/DA262 Engs. To Ser. No. 117087; w/damper; 2.0900" Free Height; When depleted use FP-VS1577

QTY	VALVE SEAL	PART NO.	SIZE	DESCRIPTION
6	Valve Stem Seal	ST-2001		Int.; Positive type; Installation requires valve guide machining; Rubber/PTFE
6	Valve Stem Seal Bulk	ST-2001BC		Int.; Positive type; Installation requires valve guide machining; Carton of 100; Rubber/PTFE

QTY	CAM BEARINGS	PART NO.	SIZE	DESCRIPTION
1	Cam Set	FP-1151M	Std Only	
1	Cam Set	1151M +	Std Only	When depleted use FP-1151M

(continued on next page)

*Combine D262 Eng. Cotton Picker D262, DA262 Engs. Grader D262, DA262 Engs. Forklift 36
D262, DA262 Engs. Wheel Tractor D262, DA262 Engs. Wheel Loader D262 Eng. (cont.)
4.3L 262 OHV Diesel L6, 3.5625" Bore*

CRANKSHAFT/OIL PUMP

QTY	CRANKSHAFT	PART NO.	SIZE	DESCRIPTION
1	Harmonic Balancer Sleeve	88187		
QTY	SEALS - FRONT CRANK	PART NO.	SIZE	DESCRIPTION
1	Redi-Sleeve	99187		
1	Oil Seal	472439		
QTY	MAIN BEARINGS	PART NO.	SIZE	DESCRIPTION
1	Main Set	FP-5132M	Std-10-20-30-40	
1	Main Set	5132M +	Std-10-20-30-40	When depleted use FP-5132M

CYLINDER COMPONENTS

QTY	LINERS	PART NO.	SIZE	DESCRIPTION
6	Liner w/Sealing Rings	FP-SO1993	Std Only	Incl. (2) FP-SLR2216 sealing rings. Has std. (.250") flange thickness. Top of flange must be .002" above or below block surface. Check counterbore depth before ordering.
6	Liner w/Sealing Rings	SO-1993 +	Std Only	Incl. (2) SLR-2216 sealing rings. Has std. (.250") flange thickness. Top of flange must be .002" above or below block surface. Check counterbore depth before ordering.; When depleted use FP-SO1993
6	Sleeve Assy.	FP-SL2274	Std Only	Contains late design piston with 3/32" compression rings; Sleeve has std. (.250") flange thickness. Top of flange must be .002" above or below block surface. Check counterbore depth before ordering.
6	Sleeve Assy.	SL-2274 +	Std Only	Contains late design piston with 3/32" compression rings; Sleeve has std. (.250") flange thickness. Top of flange must be .002" above or below block surface. Check counterbore depth before ordering.; When depleted use FP-SL2274
QTY	PISTONS	PART NO.	SIZE	DESCRIPTION
6	Cast Piston	FP-2274P	Std Only	Late design; Cast; 3-3/32", 2-3/16" Ring Groove, 2.270" CD, .9997" Pin Dia., Flat Head; Repl. O.E. Nos. 74613346 & 4061559
6	Cast Piston	2274P +	Std Only	Late design; Cast; 3-3/32", 2-3/16" Ring Groove, 2.270" CD, .9997" Pin Dia., Flat Head; Repl. O.E. Nos. 74613346 & 4061559; When depleted use FP-2274P
6	Pin Bushing	FP-74507127		1.255" max. length
6	Pin Bushing	1619Y20 +		1.255" max. length; When depleted use FP-74507127
QTY	CONNECTING RODS & BRGS.	PART NO.	SIZE	DESCRIPTION
6	Rod Pair	FP-1615CP	Std-10-20-30-40	
6	Rod Pair	1615CP +	Std-10-20-30-40	When depleted use FP-1615CP
QTY	PISTON RINGS	PART NO.	SIZE	DESCRIPTION
3	Premium Set	FP-9251KX	Std Only	Late design; 3-3/32, 2-3/16 (2 cyl. set)
3	Premium Set	9251KX +	Std Only	Late design; 3-3/32, 2-3/16 (2 cyl. set); When depleted use FP-9251KX
6	Premium Single Cylinder Set	W-9251KX	Std Only	Late design; 3-3/32, 2-3/16 (2 cyl. set)

*Wheel Tractor G2500 Eng. 37
4.3L 265 L6, 3.75" Bore*

ENGINE BLOCK & PARTS

QTY	CAM BEARINGS	PART NO.	SIZE	DESCRIPTION
1	Cam Set	FP-1424M	Std Only	
1	Cam Set	1424M +	Std Only	When depleted use FP-1424M
QTY	CRANKSHAFT/OIL PUMP	PART NO.	SIZE	DESCRIPTION
1	CRANKSHAFT	88187		
1	Harmonic Balancer Sleeve	88187		
QTY	SEALS - FRONT CRANK	PART NO.	SIZE	DESCRIPTION
1	Redi-Sleeve	99187		
1	Oil Seal	8165		
QTY	SEALS - REAR CRANK	PART NO.	SIZE	DESCRIPTION
1	Oil Seal	456641		
1	Redi-Sleeve	99463		
QTY	MAIN BEARINGS	PART NO.	SIZE	DESCRIPTION
1	Main Set	FP-5136M	Std-10	Early Engs.; w/oil hole & 3.719" flange dia.

(continued on next page)

Allis-Chalmers

37 Wheel Tractor G2500 Eng. (cont.) 4.3L 265 L6, 3.75" Bore

CRANKSHAFT/OIL PUMP (cont.)

QTY	MAIN BEARINGS (cont.)	PART NO.	SIZE	DESCRIPTION
1	Main Set	5136M +	Std-10	Early Eng.s.; w/oil hole & 3.719" flange dia.; When depleted use FP-5136M
1	Main Set	FP-5097M	Std-10-20-30	Later Eng.s.; w/oil slot & 3.719" flange dia.
1	Main Set	5097M +	Std-10-20-30	Later Eng.s.; w/oil slot & 3.719" flange dia.; When depleted use FP-5097M

CYLINDER COMPONENTS

QTY	PISTONS	PART NO.	SIZE	DESCRIPTION
6	Pin Bushing	FP-3469Y20		1.411" max. length
6	Pin Bushing	3469Y20 +		1.411" max. length; When depleted use FP-3469Y20
QTY	CONNECTING RODS & BRGS.	PART NO.	SIZE	DESCRIPTION
6	Rod Pair	FP-3465CPA	Std-10-20-30	
6	Rod Pair	3465CPA +	Std-10-20-30	When depleted use FP-3465CPA

38 Wheel Tractor 6D273 Eng. Wheel Loader 6D273 Eng. 4.5L 273 Diesel L6, 3.75" Bore (Buda Eng.)

CYL. HEAD & PARTS

QTY	VALVE	PART NO.	SIZE	DESCRIPTION
24	Keeper	FP-VK144		1 groove; Square cut key groove
24	Keeper	VK-144R		1 groove; Square cut key groove; Hardened
24	Keeper, Bulk	FP-VK144B		1 groove; Square cut key groove; Carton of 1000
QTY	VALVE GUIDE	PART NO.	SIZE	DESCRIPTION
12	Guide	FP-VG497		.3128" ID, 2.5630" O.A.L.
12	Guide	VG-497 +		.3128" ID, 2.5630" O.A.L.; When depleted use FP-VG497
QTY	VALVE SPRING	PART NO.	SIZE	DESCRIPTION
12	Spring	FP-VS1577		w/damper; 2.0900" Free Height
12	Spring	VS-1577 +		w/damper; 2.0900" Free Height; When depleted use FP-VS1577

ENGINE BLOCK & PARTS

QTY	CAM BEARINGS	PART NO.	SIZE	DESCRIPTION
1	Cam Set	FP-1151M	Std Only	
1	Cam Set	1151M +	Std Only	When depleted use FP-1151M

CRANKSHAFT/OIL PUMP

QTY	MAIN BEARINGS	PART NO.	SIZE	DESCRIPTION
1	Main Set	FP-5132M	Std-10-20-30-40	
1	Main Set	5132M +	Std-10-20-30-40	When depleted use FP-5132M

CYLINDER COMPONENTS

QTY	PISTONS	PART NO.	SIZE	DESCRIPTION
6	Pin Bushing	FP-74507127		1.255" max. length
6	Pin Bushing	1619Y20 +		1.255" max. length; When depleted use FP-74507127
QTY	CONNECTING RODS & BRGS.	PART NO.	SIZE	DESCRIPTION
6	Rod Pair	FP-1615CP	Std-10-20-30-40	
6	Rod Pair	1615CP +	Std-10-20-30-40	When depleted use FP-1615CP

39 Wheel Tractor D273 Eng. Wheel Loader D273 Eng. 4.5L 273 OHV Diesel L6, 3.75" Bore

CYL. HEAD & PARTS

QTY	VALVE	PART NO.	SIZE	DESCRIPTION
24	Keeper	FP-VK144		1 groove; Square cut key groove
24	Keeper	VK-144R		1 groove; Square cut key groove; Hardened
24	Keeper, Bulk	FP-VK144B		1 groove; Square cut key groove; Carton of 1000
QTY	VALVE GUIDE	PART NO.	SIZE	DESCRIPTION
6	Guide	FP-VG555		Exh.; .3135" ID, 2.2500" O.A.L.
6	Guide	VG-555 +		Exh.; .3135" ID, 2.2500" O.A.L.; When depleted use FP-VG555

ENGINE BLOCK & PARTS

QTY	CAM BEARINGS	PART NO.	SIZE	DESCRIPTION
1	Cam Set	FP-1151M	Std Only	

(continued on next page)

Wheel Tractor D273 Eng. Wheel Loader D273 Eng. 39
4.5L 273 OHV Diesel L6, 3.75" Bore (cont.)

ENGINE BLOCK & PARTS (cont.)

QTY	CAM BEARINGS (cont.)	PART NO.	SIZE	DESCRIPTION
1	Cam Set	1151M +	Std Only	When depleted use FP-1151M

CRANKSHAFT/OIL PUMP

QTY	MAIN BEARINGS	PART NO.	SIZE	DESCRIPTION
1	Main Set	FP-5132M	Std-10-20-30-40	
1	Main Set	5132M +	Std-10-20-30-40	When depleted use FP-5132M

CYLINDER COMPONENTS

QTY	PISTONS	PART NO.	SIZE	DESCRIPTION
6	Pin Bushing	FP-74507127		1.255" max. length
6	Pin Bushing	1619Y20 +		1.255" max. length; When depleted use FP-74507127

QTY	CONNECTING RODS & BRGS.	PART NO.	SIZE	DESCRIPTION
6	Rod Pair	FP-1615CP	Std-10-20-30-40	
6	Rod Pair	1615CP +	Std-10-20-30-40	When depleted use FP-1615CP

Grader 4-71 (2-Valve Cyl. Head), 4-71E (4-Valve Cyl. Head), 4-71N (4-Valve Cyl. Head) 40
Engs. Wheel Tractor 4-71 (2-Valve Cyl. Head), 4-71E (4-Valve Cyl. Head), 4-71N (4-Valve Cyl. Head) Engs. Crawler Tractor 4-71 (2-Valve Cyl. Head), 4-71E (4-Valve Cyl. Head), 4-71N (4-Valve Cyl. Head) Engs.
4.7L 284 OHV Diesel L4 (4-71), 4.25" Bore (Detroit Diesel Eng.)

CYL. HEAD & PARTS

QTY	GASKETS	PART NO.	SIZE	DESCRIPTION
1	Accessory Drive Gasket	FP-23515145		Breather Body/Separator
1	Governor Hole Gasket	FP-5123812		Breather Pipe
1	Crankcase Breather	FP-5130750		Breather Oil Separator Pad
1	Crankcase Breather	FP-5101760		Oil Separator Filter Unit; 4"
1	Crankcase Breather	FP-5101760		4"
1	Valve Cover Gasket	FP-5104081		Engs. w/cast Alum. valve cover; Silicone
1	Valve Cover Gasket	FP-5143406		Engs. w/Steel valve cover; Neoprene
1	Lo Filter Adapter Gasket	FP-5173482		Breather Pipe/Body/Shell Cover, A/R
1	Washer	FP-5150568		Breather Pipe; 7/16" x 3/4" x 1/16"; Copper
1	Hose Clamp	FP-5186840		Breather Body; For 1 5/8" Hose Dia.; 13/16" - 1 1/2" Clamping Range
1	Bolt	FP-8927580		Breather Pipe; 3/8" - 16 x .875"
1	Bolt	FP-5103635		Throttle Delay; 3/8" - 16 x 2.90"
2	Stud	FP-5148504		Rocker Cover; 3/8" - 16 x 4.32"
1	Screw	FP-5103642		Breather Shell Cover; No. 10 - 24 x .375"
3	Screw	FP-5103642		Oil Filler Tube; No. 10 - 24 x .375"
1	Lock Washer	FP-103321		Breather Pipe; 3/8"
2	Lock Washer	FP-103320		Breather Pipe; 5/16"
2	Isolator Bushing	FP-5104515		Rocker Cover Bolt

QTY	MISCELLANEOUS	PART NO.	SIZE	DESCRIPTION
2	Wear Sleeve	FP-5113773		Pilot; .70" Length
1	Pipe Plug	FP-8926993		Cyl. Head Fuse Plug; 1/4" X 18; Recessed socket head
9	Pipe Plug	FP-5121182		Cyl. Head Plug; 1/4" - 18; Hex head
5	Pipe Plug	FP-8923847		Cyl. Head Plug; 1/4" x 18 NPTF; Square head
2	Pipe Plug	FP-5142549		Cyl. Head Plug; 3/4" - 14 Square Head
2	Pipe Plug	FP-8924517		Cyl. Head Plug; 3/8" x 18 square head
8	Washer	FP-5125108		Fuel Stand; 7/16" x 3/4" x 1/16"
8	Lock Washer	FP-103321		Cyl. Head; 3/8"
8	Lock Nut	FP-103026		Cyl. Head; 3/8" x 24

QTY	FREEZE PLUGS	PART NO.	SIZE	DESCRIPTION
1	Pipe Plug	FP-8926993		Cyl. Head Fuse Plug; 1/4" X 18; Recessed socket head
9	Pipe Plug	FP-5121182		Cyl. Head Plug; 1/4" - 18; Hex head
5	Pipe Plug	FP-8923847		Cyl. Head Plug; 1/4" x 18 NPTF; Square head
2	Pipe Plug	FP-5142549		Cyl. Head Plug; 3/4" - 14 Square Head
2	Pipe Plug	FP-8924517		Cyl. Head Plug; 3/8" x 18 square head
2	Expansion Plug	FP-5117186		Cyl. Head Plug; 2" Dia. Cup; Stainless Steel
2	Expansion Plug	FP-5150132		Cyl. Head Plug; 3/4" Dia. Cup
4	Expansion Plug	FP-5154453		Cyl. Head Plug; 3/8" - 16 Headless Special
4	Expansion Plug	FP-5178976		Cyl. Head Plug; 7/16" - 14 Special

(continued on next page)

Allis-Chalmers

40 Grader 4-71 (2-Valve Cyl. Head), 4-71E (4-Valve Cyl. Head), 4-71N (4-Valve Cyl. Head)
 (cont.) Engs. Wheel Tractor 4-71 (2-Valve Cyl. Head), 4-71E (4-Valve Cyl. Head), 4-71N (4-Valve
 Cyl. Head) Engs. Crawler Tractor 4-71 (2-Valve Cyl. Head), 4-71E (4-Valve Cyl. Head),
 4-71N (4-Valve Cyl. Head) Engs.
 4.7L 284 OHV Diesel L4 (4-71), 4.25" Bore (Detroit Diesel Eng.)

CYL. HEAD & PARTS (cont.)

QTY	VALVE	PART NO.	SIZE	DESCRIPTION
8	Exhaust Valve Kit	FP-5192718		w/Locks; 2 Valve Head; Contains (1) FP-5178472 & (2) FP-23507238; 45 Degree
8	Exhaust Valve Kit	FP-5193197		w/Locks; 2 Valve Head; Contains (1) FP-5185327 & (2) FP-23507238; 30 Degree
8	Exhaust Valve Kit	FP-5194829		w/Locks; 2 Valve Head; Jet Blade; Contains (1) FP-5178501 & (2) FP-23507238; 45 Degree
8	Exhaust Valve Kit	FP-5193666		w/Locks; 2 Valve Head; Jet Blade; Contains (1) FP-5186381 & (2) FP-23507238; 30 Degree
16	Exhaust Valve Kit	FP-5149386		w/Locks; 4 Valve Head; Hi-Output Engs.; Contains (1) FP-5104280 & (2) FP-5111337
16	Exhaust Valve Kit	FP-23500501		w/Locks; 4 Valve Head; N & T Engs.; Contains (1) FP-8922516 & (2) FP-5111337
8	Valve Guide Cap	FP-5199914		Exh.; 2 Valve Head; Seal installer; Clear
16	Keeper	FP-23507238		2 Valve Head; 1 groove; Square cut key groove
32	Keeper	FP-5111337		4 Valve Head; 1 groove; Square cut key groove
QTY	VALVE SEAT	PART NO.	SIZE	DESCRIPTION
8	Exh.	FP-5198230	10	2 Valve Head; 30 Deg. seat; .010" O/S; 1.6380" OD, 1.3440" ID, .2485" Depth
8	Exh.	FP-8927920	STD	2 Valve Head; 30 Deg. seat; 1.6280" OD, 1.3440" ID, .2485" Depth
16	Exh.	FP-5197167	10	4 Valve Head; 30 Deg. seat; .010" O/S; 1.2720" OD, .9770" ID, .2355" Depth
16	Exh.	FP-5101101	STD	4 Valve Head; 30 Deg. seat; 1.2620" OD, .9770" ID, .2490" Depth
QTY	VALVE GUIDE	PART NO.	SIZE	DESCRIPTION
8	Guide	FP-5120930		Exh.; 2 Valve Head
8	Guide	FP-5192717		Exh.; 2 Valve Head; .0162" O/S
16	Guide	FP-5129919		Exh.; 4 Valve Head; 2 3/8" length; .3130" ID, 2.3800" O.A.L.
QTY	VALVE SPRING	PART NO.	SIZE	DESCRIPTION
8	Spring	FP-5150289		Exh.; 2 Valve Head; .177" Wire dia.
16	Spring	FP-5111339		Exh.; 4 Valve Head; .135" Wire dia.
16	Spring	FP-5147347		Exh.; 4 Valve Head; .148" Wire dia.
8	Valve Spring Seat	FP-5150292		Exh.; 2 Valve Head
16	Valve Spring Seat	FP-5117562		Exh.; 4 Valve Head
6	Spring Insert	FP-5111467		Exh.
8	Spring Cap	FP-5150291		Exh.; 2 Valve Head
16	Spring Cap	FP-5117563		Exh.; 4 Valve Head
QTY	PUSH RODS	PART NO.	SIZE	DESCRIPTION
12	Push Rod	FP-5128640		
12	Push Rod Seat	FP-5123250		Lower
12	Push Rod Seat	FP-5150302		Upper; Flange type
12	Push Rod Spring	FP-5186858		.177" Wire diameter
12	Push Rod Retainer	FP-5150303		
12	Lock Nut	FP-5151601		5/16" - 24
QTY	VALVE MISC.	PART NO.	SIZE	DESCRIPTION
8	Bolt	FP-443603		.250" x 20 x .750"
8	Lock Nut	FP-5151601		5/16" - 24
8	Lock Washer	FP-103319		Cam Follower; .250"
8	Lock Washer	FP-103320		Cam Follower; 5/16"
QTY	VALVE SEAL	PART NO.	SIZE	DESCRIPTION
8	Valve Stem Seal	FP-23500480		Exh.; 2 Valve Head
16	Valve Stem Seal	FP-8921209		Exh.; 4 Valve Head
16	Tools	FP-5199913		Exh.; 4 Valve Head; Seal installer; Green Stripe
QTY	ROCKER PARTS	PART NO.	SIZE	DESCRIPTION
4	Arm Assy.	FP-5148472		Exh. Left
4	Arm Assy.	FP-5148475		Exh. Right
4	Arm Assy.	FP-8923554		Injector; Unbushed Clevis
4	Rocker Shaft	FP-23500714		
8	Rocker Shaft Bracket Bolt	FP-5150325		1/2" - 13 x 4.250"
8	Arm Support	FP-5103903		
4	Rocker Bushing	FP-8924355		Large
8	Rocker Bushing	FP-5123700		Exh.; Exh. Valve Clevis; .5625" OD
8	Rocker Bushing	FP-23517217		Exh.; Large; .8755" ID, .9475" OD, .840" Length, .0360" Wall thickness

(continued on next page)

Grader 4-71 (2-Valve Cyl. Head), 4-71E (4-Valve Cyl. Head), 4-71N (4-Valve Cyl. Head) 40
Engs. Wheel Tractor 4-71 (2-Valve Cyl. Head), 4-71E (4-Valve Cyl. Head), 4-71N (4-Valve Cyl. Head) Engs. Crawler Tractor 4-71 (2-Valve Cyl. Head), 4-71E (4-Valve Cyl. Head),
4-71N (4-Valve Cyl. Head) Engs. (cont.)
 4.7L 284 OHV Diesel L4 (4-71), 4.25" Bore (Detroit Diesel Eng.)

CYL. HEAD & PARTS (cont.)

QTY	ROCKER PARTS (cont.)	PART NO.	SIZE	DESCRIPTION
8	Rocker Bushing	FP-8924354		Exh.; Small
12	Follower Assy.	FP-8924439		
12	Cam Follower Roller Set	FP-8923814		Incl. pin & roller
8	Valve Bridge Adj. Screw	FP-5129101		5/16" - 24 x 1"
8	Valve Bridge	FP-5117565		Exh.
8	Valve Bridge Guide	FP-5117564		Exh.; Press fit
8	Valve Bridge Guide	FP-51175646		Exh.; Press fit w/.006" O/S
8	Valve Bridge Guide	FP-5196843		Exh.; Threaded
8	Rocker Arm Clevis Pin	FP-5150314		
8	Bushing	FP-5122445 +		Exh.; Large; When depleted use FP-23517217

ELECTRICAL

QTY	ELECTRICAL	PART NO.	SIZE	DESCRIPTION
1	Starting Motor Gasket	FP-5130995		Starting Motor Hole Cover

METERS

QTY	METERS	PART NO.	SIZE	DESCRIPTION
1	Tachometer Drive Shaft	FP-5135936		
1	Tachometer Drive Shaft	FP-3224992		.061" Key
1	Accessory Drive Gasket	FP-23515145		Tach. Drive Cover
1	Bolt	FP-443603		.250" x 20 x .750"
1	Bolt	FP-179803		1/4" x 20 x 1.750"
1	Washer	FP-5150568		Tach. Drive Cover; 7/16" x 3/4" x 1/16"; Copper
4	Lock Washer	FP-103319		.250"
1	Lock Washer	FP-103319		Tach. Drive Adaptor; .250"
2	Lock Washer	FP-103320		Tach. Drive Adaptor; 5/16"
2	Lock Washer	FP-103320		Water Temp. Switch; 5/16"
1	Gasket	FP-5113412		Water Temp. Switch
1	Oil Seal	FP-5135820		Tach. Drive Adaptor
2	Oil Seal	FP-3202615		Tach. Drive Cover
1	Pipe Plug	FP-5121182		Water Temp. Switch; 1/4" - 18; Hex head
2	Pipe Plug	FP-8923847		Water Temp. Switch; 1/4" x 18 NPTF; Square head

INT & EXH MANIFOLDS

QTY	INT. & EXH. MANIFOLDS	PART NO.	SIZE	DESCRIPTION
4	Stud	FP-8927270		Exh. Manifold to Head; 3/8" - 16/24" x 1.6875"
5	Stud	FP-8925804		Exh. Manifold to Head; 7/16" - 14/20" x 2 3/32"
5	Lock Nut	FP-23505398		Exh. Manifold; 7/16" - 20
4	Lock Washer	FP-103321		Exh. Flange; 3/8"
4	Lock Washer	FP-103320		Exh. Manifold; 5/16"
1	Exhaust Manifold Gasket	FP-5113954		
1	Exhaust Manifold Gasket	FP-5120223		Diameter
2	Exhaust Manifold Gasket	FP-5150195		Ends; Composition
2	Exhaust Manifold Gasket	FP-5120224		Ends; Metal Clad
1	Exhaust Manifold Gasket	FP-5163811		Exh. Outlet; 4.375" I.D.
4	Exhaust Manifold Gasket	FP-5156319		Manifold Cover Plate
1	Exhaust Manifold Gasket	FP-5156319		Water Outlet Flange
1	Exhaust Pipe Gasket	FP-5145238		Exh. Outlet
5	Washer	FP-5104439		Exh. Manifold; 7/16" x 1.250" Dia.; Dished
1	Clamp	FP-5132650		Exh. Flange; 5.250" Dia.
1	Exhaust Manifold	FP-8921706		Water Cooled

QTY	AIR INTAKE	PART NO.	SIZE	DESCRIPTION
2	Air Intake Housing Gasket	FP-5124405		
1	Air Intake Gasket	FP-3290612		Housing Striker Plate
2	Lock Washer	FP-103319		Air Inlet Housing Shutdown Valve Shaft; .250"
4	Lock Washer	FP-103321		Air Silencer; 3/8"
2	O-Ring	FP-5182977		Air Inlet Housing Shutdown Valve Shaft

CAMSHAFT GROUP

QTY	TIMING	PART NO.	SIZE	DESCRIPTION
1	Idler Gear Hub Assembly	FP-5130135		
1	Bolt	FP-454992		Idler Gear; 1/2" - 13 x 2 1/2
6	Bolt	FP-5103534		Idler Gear; 5/16" - 24 x 1/2"
1	Washer	FP-5167714		Idler Gear; 17/32" x 7/8" x 3/32"

(continued on next page)

Allis-Chalmers

40 Grader 4-71 (2-Valve Cyl. Head), 4-71E (4-Valve Cyl. Head), 4-71N (4-Valve Cyl. Head)
 (cont.) Engs. Wheel Tractor 4-71 (2-Valve Cyl. Head), 4-71E (4-Valve Cyl. Head), 4-71N (4-Valve
 Cyl. Head) Engs. Crawler Tractor 4-71 (2-Valve Cyl. Head), 4-71E (4-Valve Cyl. Head),
 4-71N (4-Valve Cyl. Head) Engs.
 4.7L 284 OHV Diesel L4 (4-71), 4.25" Bore (Detroit Diesel Eng.)

CAMSHAFT GROUP (cont.)

QTY	CAMSHAFT/LIFTER	PART NO.	SIZE	DESCRIPTION
1	Camshaft	FP-5149391		Advanced timing; R.H. rotation; Type 16, 28, 45, 48, 71, 432, 489, 492, 500, 522, 530, 531, 567
4	Camshaft Thrust Washer	FP-5111424		
4	Camshaft Thrust Washer	FP-5194826		
4	Camshaft Thrust Washer	FP-5194827		
3	Bolt	FP-5123383		Balance weight
2	Lock Washer	FP-5177769		Front balance weight; 1.125"
12	Lock Washer	FP-103321		Rear balance weight; 3/8"
2	Camshaft Plug	FP-5151277		.500" Drive; 15/32" x 1/2"

ACCESSORY DRIVE

QTY	ACCESSORY DRIVE	PART NO.	SIZE	DESCRIPTION
1	Accessory Drive Gasket	FP-23515145		
1	Oil Seal	FP-5131329		Accessory Drive
1	Oil Seal	FP-5138710		Accessory Drive
1	Oil Seal	FP-5102456		Accessory Drive Pulley Hub
1	Oil Seal Kit	FP-5198175		Accessory Drive
1	Ball Brg.	FP-23503727		Accessory Drive
2	Ball Brg.	FP-23504528		Accessory Drive
1	Drive Coupling	FP-5141773		Accessory Drive
1	Water Pump Retainer Ring	FP-9415285		Accessory Drive; Large; External
10	Bolt	FP-8927580		Accessory Drive; w/Seal Patch; 3/8" - 16 x .875"
3	Bolt	FP-8927581		Accessory Drive; w/Seal Patch; 3/8" - 16 x 1"
4	Bolt	FP-5145092		Accessory Drive; 3/8" - 24 x 1.20", Self-Locking
1	Stud	FP-8927270		Accessory Drive; 3/8" - 16/24" x 1.6875"
4	Stud	FP-8925804		Balance Weight Cover; 7/16" - 14/20" x 2 3/32"
1	Hydraulic Pump Gasket	FP-5188755		Accessory Drive
1	Pipe Plug	FP-5121182		Accessory Drive; 1/4" - 18; Hex head
5	Washer	FP-5150568		Accessory Drive; 7/16" x 3/4" x 1/16"; Copper
13	Copper Washer	FP-5152148		Accessory Drive; 25/64" ID x 9/16" OD x 1/16" Thick; Copper
13	Lock Washer	FP-103321		Accessory Drive; 3/8"
4	Lock Washer	FP-103321		Accessory Drive; 3/8"
4	Lock Washer	FP-103320		Accessory Drive; 5/16"
2	Lock Washer	FP-103321		Balance Weight Cover; 3/8"
20	Lock Washer	FP-103320		Balance Weight Cover; 5/16"
1	Oil Seal	470625		
1	Redi-Sleeve	99150		
13	Lock Nut	FP-103026		Accessory Drive; 3/8" x 24
20	Lock Nut	FP-103026		Balance Weight Cover; 3/8" x 24

FUEL SYSTEM & PARTS

QTY	FUEL INJECTION	PART NO.	SIZE	DESCRIPTION
4	Fuel Injector Nozzle	FP-5172874		Water Nozzle; Single Outlet; Single Outlet
4	Fuel Injector Seal Ring	FP-5234281		
4	Fuel Injector Seal Ring	FP-5104701		Viton®
4	Injector Hole Tube Kit	FP-8925981		Incl. Seal Ring; Viton®
4	Clamp	FP-5121259		
4	Fuel Injector	FP-5229355		Option Type 111; Injector Assembly C55
4	Fuel Injector	FP-5229360		Option Type 113; Injector Assembly C60
4	Fuel Injector	FP-5229365		Option Type 115; Injector Assembly C65
4	Fuel Injector	FP-5228780		Option Type 14, 54, 82; Injector Assembly N80
4	Fuel Injector	FP-5229695		Option Type 153; Injector Assembly 7C75
4	Fuel Injector	FP-5229790		Option Type 163; Injector Assembly 7E55
4	Fuel Injector	FP-5229795		Option Type 164; Injector Assembly 7E60
4	Fuel Injector	FP-5229800		Option Type 165; Injector Assembly 7E65
4	Fuel Injector	FP-5229895		Option Type 180; Injector Assembly 7G65
4	Fuel Injector	FP-5226440		Option Type 242; Injector Assembly 7N65
4	Fuel Injector	FP-5228760		Option Type 53, 78; Injector Assembly N60
4	Fuel Injector	FP-5228770		Option Type 57, 80; Injector Assembly N70
4	Fuel Injector	FP-5228785		Option Type 60, 77; Injector Assembly N55
4	Fuel Injector	FP-5228777		Option Type 81; Injector Assembly N75
4	Fuel Injector	FP-5228900		Option Type 97; BT; Injector Assembly N65
8	Fuel Injector Repair Kit	FP-5229649		
4	Fuel Injection Valve Cage	FP-5228696		Check Valve
4	Fuel Injection Spring Seat	FP-5228766		
4	Fuel Injector Valve Spring	FP-5228596		

(continued on next page)

**Grader 4-71 (2-Valve Cyl. Head), 4-71E (4-Valve Cyl. Head), 4-71N (4-Valve Cyl. Head) 40
Engs. Wheel Tractor 4-71 (2-Valve Cyl. Head), 4-71E (4-Valve Cyl. Head), 4-71N (4-Valve Cyl. Head) Engs. Crawler Tractor 4-71 (2-Valve Cyl. Head), 4-71E (4-Valve Cyl. Head),
4-71N (4-Valve Cyl. Head) Engs. 4.7L 284 OHV Diesel L4 (4-71), 4.25" Bore (Detroit Diesel Eng.)** (cont.)

FUEL SYSTEM & PARTS (cont.)

QTY	FUEL INJECTION (cont.)	PART NO.	SIZE	DESCRIPTION
4	Fuel Injector Check Valve	FP-5228694		
4	Fuel Pump Check Valve	FP-5226411		
4	Fuel Pump Check Valve	FP-5228308		HV7, HV8, HV9, S70, S80, S90; Incl. injector valve & 5228106 seat
4	Fuel Pump Check Valve	FP-5228308		S55, S60, S65; Incl. injector valve & 5228106 seat
4	Injector Plunger & Bushing	FP-5229356		C55
4	Injector Plunger & Bushing	FP-5229362		C60
4	Injector Plunger & Bushing	FP-5229366		C65
4	Injector Plunger & Bushing	FP-5229372		C70
4	Injector Plunger & Bushing	FP-5228306		HV6
4	Injector Plunger & Bushing	FP-5228304		HV7
4	Injector Plunger & Bushing	FP-5228804		M95
4	Injector Plunger & Bushing	FP-5228668		N55
4	Injector Plunger & Bushing	FP-5228656		N60; For Inj. Assembly 5A60
4	Injector Plunger & Bushing	FP-5228928		N65 BT
4	Injector Plunger & Bushing	FP-5228658		N65 WT, N75, 7C75
4	Injector Plunger & Bushing	FP-5228682		N70, 7C70
4	Injector Plunger & Bushing	FP-5228661		N80
4	Injector Plunger & Bushing	FP-5228878		N90
4	Injector Plunger & Bushing	FP-5229823		7E55
4	Injector Plunger & Bushing	FP-5229814		7E60
4	Injector Plunger & Bushing	FP-5229808		7E75, 7G75
4	Injector Plunger & Bushing	FP-5229916		7G65
4	Injector Plunger & Bushing	FP-5229912		7G70
4	Injector Plunger & Bushing	FP-5229354		71C5; For Inj. Assembly C50
4	Fuel Injector Tip Kit	FP-5229026		C55, C60, 71C5. 7E55, 7E60; For Inj. Assembly 5N45
4	Fuel Injector Tip Kit	FP-5229192		C65, C70, N70, N75, 7N65
4	Fuel Injector Tip Kit	FP-5228312		HV7, HV8, HV9, S70, S80, S90
4	Fuel Injector Tip Kit	FP-5228554		HV7, HV8, HV9, S70, S80, S90
4	Fuel Injector Tip Kit	FP-5229256		M95, N80, N90
4	Fuel Injector Tip Kit	FP-5229026		N55, N60, N65 WT; For Inj. Assembly 5N45
4	Fuel Injector Tip Kit	FP-5229030		N65 BT; For Inj. Assembly 5A50, 5A55, 5A60
4	Fuel Injector Tip Kit	FP-5228491		S55, S60, S65
4	Fuel Injector Tip Kit	FP-5229030		7E65; For Inj. Assembly 5A50, 5A55, 5A60
4	Nut	FP-5228601		Inj. Valve; NV
4	Fuel Injector Valve Kit	FP-5228313		
4	Fuel Injector Valve Kit	FP-5228769		
4	Fuel Injector Roller Pin	FP-5228608		
QTY	FUEL FILTERS & PUMP	PART NO.	SIZE	DESCRIPTION
1	Mechanical Fuel Pump	FP-5199735		LH; High Output; High output; w/.375" Gear
1	Mechanical Fuel Pump	FP-5199560		LH; Std. Output; Std. output; w/.250" Gear
1	Mechanical Fuel Pump	FP-5199734		RH; High Output; High output
1	Mechanical Fuel Pump	FP-5199561		RH; Std. Output
1	Fuel Pump Shaft & Gear	FP-5100313		High Output; .963" Length; High Output
1	Fuel Pump Shaft & Gear	FP-5146705		High Output; 3.09" Length; High Output
1	Fuel Pump Shaft & Gear	FP-5181747		Std. Output; .838" Length; Std. Output
1	Fuel Pump Shaft & Gear	FP-5181746		Std. Output; 3.09" Length; Std. Output
1	Fuel Pump Valve	FP-5174973		
1	Fuel Pump Gear	FP-5118915		High Output; .374" Width; High Output
1	Fuel Pump Gear	FP-5128217		High Output; .374" Width; High Output
1	Fuel Pump Gear	FP-5174975		Std. Output; .294" Width; Std. Output
1	Fuel Pump Gear	FP-5181748		Std. Output; .294" Width; Std. Output
1	Fuel Pump Drive Shaft	FP-5100312		High Output; .963" Length; High Output
1	Fuel Pump Drive Shaft	FP-5178700		Std. & High Output; 3.09" Length
1	Fuel Pump Drive Shaft	FP-5181749		Std. Output; .838" Length; Std. Output
1	Fuel Pump Check Valve	FP-5174924		1/4" Swing type
1	Fuel Pump Check Valve	FP-5135308		3/8" Swing type
6	Fuel Line Connector	FP-5117369		
1	Fuel Pump Relief Valve Spring	FP-5184530		
2	Oil Seal	FP-23512243		Fuel pump
1	Fuel Pump Valve Plug Gasket	FP-5161003		Fuel pump
1	Fuel Pump Repair Part	FP-5174971		Fuel pump valve plug; .500" x 20 plug
1	Fuel Pump Drive Adapter Gskt.	FP-5150193		
1	Fuel Pump Repair Kit	FP-5149599		High Output; High output; Short Shaft
1	Fuel Pump Repair Kit	FP-5195078		Std. Output; Std. output

(continued on next page)

Allis-Chalmers

40 Grader 4-71 (2-Valve Cyl. Head), 4-71E (4-Valve Cyl. Head), 4-71N (4-Valve Cyl. Head)
 (cont.) Engs. Wheel Tractor 4-71 (2-Valve Cyl. Head), 4-71E (4-Valve Cyl. Head), 4-71N (4-Valve
 Cyl. Head) Engs. Crawler Tractor 4-71 (2-Valve Cyl. Head), 4-71E (4-Valve Cyl. Head),
 4-71N (4-Valve Cyl. Head) Engs.
 4.7L 284 OHV Diesel L4 (4-71), 4.25" Bore (Detroit Diesel Eng.)

FUEL SYSTEM & PARTS (cont.)

QTY	FUEL FILTERS & PUMP (cont.)	PART NO.	SIZE	DESCRIPTION
1	Pipe Plug	FP-5121182		Fuel pump pipe; 1/4" - 18; Hex head
2	Plastic Cap	FP-5136240		Fuel pump body; .250" Dia.
1	Plastic Cap	FP-5136241		Fuel pump body; .780" Dia., 3/8" NPTF
1	Dowel Pin	FP-103709		5/32" x 1" straight
1	Ball Brg.	FP-147481		Fuel pump shaft; .125" Dia. Steel
6	Washer	FP-5125108		Fuel pump pipe assy.; 7/16" x 3/4" x 1/16"

BLOWER

QTY	BLOWER	PART NO.	SIZE	DESCRIPTION
2	Ball Brg.	FP-23503543		Front; Blower Rotor
2	Ball Brg.	FP-23504305		Rear; Blower Rotor
1	Oil Seal Kit	FP-23500533		Blower End Plate
2	Rect. or Square Seal	FP-5115375		Blower Drive Cover
2	Rect. or Square Seal	FP-23515630		Blower Drive Cover; w/Flanged & Strut Covers
1	Rect. or Square Seal	FP-5172864		Blower Drive Cover; w/Sand Cast Covers
4	Oil Seal	FP-5192438		Blower End Plate
4	Oil Seal	FP-8924453		Blower Rotor
1	Fuel Blower Gasket	FP-5115657		Blower to Block
1	Pipe Plug	FP-8924380		Blower Drive Gear Hub; 1/8" - 27
6	Bolt	FP-443603		Blower Rotor; .250" x 20 x .750"
1	Lock Washer	FP-8926285		Blower Drive Gear Hub
2	Lock Washer	FP-103321		Blower Drive Gear Hub; 3/8"
2	Lock Washer	FP-5154398		Blower Rotor; 1/2" Special, External Tooth
20	Lock Washer	FP-103320		Blower Rotor; 5/16"
1	Shim	FP-5150372		Blower Rotor Gear
1	Shim	FP-5153938		Blower Rotor Gear
1	Shim	FP-5150855		Blower Rotor Gear
1	Shim	FP-5150856		Blower Rotor Gear

GOVERNOR

QTY	GOVERNOR	PART NO.	SIZE	DESCRIPTION
4	Throttle/Governor Shaft	FP-5185154		Gov. Weight Shaft; w/Limiting Speed Gov.; Ring Grooves
1	Governor Spring	FP-5122165		Low Speed; w/One Blue Stripe
1	Governor Spring	FP-5183704		Low Speed; w/Two Yellow Stripes
1	Governor Low Speed Spring Cap	FP-5103975		w/Limiting Speed Gov.
1	Governor Low Speed Spring Cap	FP-5102968		Gov. Spring Hsg.
1	Governor Low Speed Spring Cap	FP-5103975		Gov. Spring Hsg.
1	Screw	FP-5102270		Gov. High Speed Spring; w/Limiting Speed Gov.; .250" - 28 x 1.00"
1	Screw	FP-5102270		Gov. Low Speed Spring; w/Limiting Speed Gov.; .250" - 28 x 1.00"
1	Screw	FP-5102270		Low speed spring adjusting; .250" - 28 x 1.00"
1	Governor Dowel Pin	FP-5150894		Gov. Differential; w/Limiting Speed Gov.; 25/32" Length
2	Governor Dowel Pin	FP-5185153		Gov. Weight Shaft; w/Limiting Speed Gov.; .3750" Dia. x 2.150" Length
1	Governor Dowel Pin	FP-5150943		Operating Shaft; w/Limiting Speed Gov.
1	Governor Dowel Pin	FP-5150894		Shutdown Shaft; w/Limiting Speed Gov.; 25/32" Length
1	Governor Seal Ring	FP-5126623		Gov. Spring Hsg.
1	O-Ring	FP-5176557		w/Limiting Speed Gov.; .477" ID x .113" Thick
1	O-Ring	FP-5182977		Gov. Cover Throttle Shaft; w/Limiting Speed Gov.
2	Cylindrical Brg.	FP-148402		w/Limiting Speed Gov.; .500" x .500" Dia.
1	Cylindrical Brg.	FP-148402		Lower; Operating Shaft; w/Limiting Speed Gov.; .500" x .500" Dia.
1	Dowel Pin	FP-141195		w/Limiting Speed Gov.; .250" x .625"
1	Washer	FP-5167714		Gov. Cover; w/Limiting Speed Gov.; 17/32" x 7/8" x 3/32"
1	Washer	FP-5151487		Gov. Cover; w/Limiting Speed Gov.; 3/8" x 11/16" x .033"
3	Washer	FP-5179709		Gov. High Speed Spring; w/Limiting Speed Gov.; .250" Copper
2	Washer	FP-5150885		Gov. Weight Pin; w/Limiting Speed Gov.
12	Washer	FP-5151487		Gov. Weight Shaft; w/Limiting Speed Gov.; 3/8" x 11/16" x .033"
3	Copper Washer	FP-5155596		Gov. High Speed Spring; w/Limiting Speed Gov.; 5/16"; Special copper washer
1	Copper Washer	FP-5155596		Gov. Spring Hsg.; 5/16"; Special copper washer
1	Lock Washer	FP-103319		Gov. Cover; w/Limiting Speed Gov.; .250"
1	Lock Washer	FP-103319		Gov. High Speed Spring; w/Limiting Speed Gov.; .250"
2	Lock Washer	FP-103320		Gov. High Speed Spring; w/Limiting Speed Gov.; 5/16"
1	Lock Washer	FP-103320		Gov. Spring Hsg.; 5/16"
4	Lock Washer	FP-103319		Gov. Weight Housing; w/Limiting Speed Gov.; .250"

(continued on next page)

**Grader 4-71 (2-Valve Cyl. Head), 4-71E (4-Valve Cyl. Head), 4-71N (4-Valve Cyl. Head) 40
Engs. Wheel Tractor 4-71 (2-Valve Cyl. Head), 4-71E (4-Valve Cyl. Head), 4-71N (4-Valve Cyl. Head) Engs. Crawler Tractor 4-71 (2-Valve Cyl. Head), 4-71E (4-Valve Cyl. Head),
4-71N (4-Valve Cyl. Head) Engs. 4.7L 284 OHV Diesel L4 (4-71), 4.25" Bore (Detroit Diesel Eng.)** (cont.)

GOVERNOR (cont.)

QTY	GOVERNOR (cont.)	PART NO.	SIZE	DESCRIPTION
1	Governor Retainer	FP-5178581		Gov. Cover; w/Limiting Speed Gov.
8	Governor Retainer	FP-5178581		Gov. Weight; w/Limiting Speed Gov.
2	Bushing	FP-5147866		Gov. Weight; w/Limiting Speed Gov.; .520" Length
1	Ball Brg.	FP-9437108		Gov. Weight Riser; w/Limiting Speed Gov.; .354" Width
1	Ball Brg.	FP-9424121		Gov. Weight Shaft; w/Limiting Speed Gov.
4	Ball Brg.	FP-447196		Gov. Weight; w/Limiting Speed Gov.
1	Ball Brg.	FP-148403		Lower; Operating Shaft; w/Limiting Speed Gov.; .750" Width
1	Ball Brg.	FP-9431894		Upper; Operating Shaft; w/Limiting Speed Gov.
1	Carrier, Governor Weight	FP-5150932		Gov. Weight Shaft; w/Limiting Speed Gov.
1	Pipe Plug	FP-8924380		w/Limiting Speed Gov.; 1/8" - 27
1	Governor Spring Cover Gasket	FP-8922593		Gov. High Speed Spring Adj. Cover
1	Governor Spring Cover Gasket	FP-8922593		Gov. High Speed Spring; w/Limiting Speed Gov.
1	Copper Washer	FP-5155596		w/Limiting Speed Gov.; 5/16"; Special copper washer
2	Washer	FP-5179709		w/Limiting Speed Gov.; .250" Copper
3	Lock Washer	FP-103319		Throttle Shaft; w/Limiting Speed Gov.; .250"
3	Screw	FP-9417926		Gov. cover; w/Limiting Speed Gov.; 1/4" -20 x 3/4"
1	Governor Hole Gasket	FP-5123812		Gov. to Cyl. Head; w/Limiting Speed Gov.
1	Governor Cover Gasket	FP-5150889		w/Limiting Speed Gov.
1	Retainer	FP-142583		Gov. Cover; w/Limiting Speed Gov.; 13/64" Spring
1	Retainer	FP-142583		Gov. Differential; w/Limiting Speed Gov.; 13/64" Spring

COOLING SYSTEM

QTY	WATER PUMP	PART NO.	SIZE	DESCRIPTION
1	Water Pump - Heavy Duty	FP-23507971		Raw Water; Option Type 1, 2, 3, 28, 31, 62, 69, 70, 71, 72, 73, 75, 76, 77, 78, 80, 83
1	Water Pump - Heavy Duty	FP-5186250		Raw Water; Option Type 13
1	Water Pump - Heavy Duty	FP-23506704		L.H.; Fresh Water; High Capacity
1	Water Pump - Heavy Duty	FP-23506723		L.H.; Fresh Water; Std. Capacity
1	Water Pump - Heavy Duty	FP-23506711		R.H.; Fresh Water; High Capacity
1	Water Pump - Heavy Duty	FP-23506735		R.H.; Fresh Water; Std. Capacity
1	Water Pump Shaft	FP-5193552		Raw Water; For Pump FP-5186250
1	Water Pump Shaft	FP-5193552		Raw Water; For Pumps FP-5115800, FP-5187140, FP-23507971
1	Water Pump Impeller	FP-23505997		Fresh Water
1	Water Pump Impeller	FP-5126911		Fresh Water
1	Water Pump Impeller	FP-23505998		Fresh Water; High Capacity
1	Water Pump Impeller	FP-8924839		Raw Water; For Pump FP-5122599
1	Water Pump Impeller	FP-8924838		Raw Water; For Pump FP-5186250
1	Water Pump Impeller	FP-8924838		Raw Water; For Pumps FP-23507971, FP-5186250
1	Water Pump Impeller	FP-8924838		Raw Water; For Pumps FP-5115800, FP-5187140, FP-23507971
1	Water Pump Impeller	FP-5193602		Raw Water; Option Type 14; For Obsolete Pump; Synthetic
1	Water Pump Repair/Rebuild Kit	FP-23506870		Fresh Water Recon. Kit; High Capacity; Incl. Impeller Assy.
1	Water Pump Repair/Rebuild Kit	FP-23506851		Fresh Water Recon. Kit; Std. Capacity; Ceramic Insert; Incl. Impeller Assy.
1	Water Pump Repair/Rebuild Kit	FP-5198307		Fresh Water Recon. Kit; Std. Capacity; Incl. Impeller Assy.
1	Water Pump Repair/Rebuild Kit	FP-5149918		Fresh Water Seals & Bearing Kit; High Capacity; Ceramic Insert
1	Water Pump Repair/Rebuild Kit	FP-23506858		Fresh Water Seals & Bearing Kit; Std. Capacity
1	Water Pump Repair/Rebuild Kit	FP-5197224		Recon. Kit; Raw Water; For Pump FP-5186250
1	Water Pump Repair/Rebuild Kit	FP-5197223		Recon. Kit; Raw Water; For Pumps FP-5115800, FP-5187140, FP-23507971
1	Water Pump Cover	FP-5193555		Raw Water Pump, End; For Pump FP-5186250
1	Water Pump Cover	FP-5193555		Raw Water Pump, End; For Pumps FP-5115800, FP-5187140, FP-23507971
1	Water Pump Gasket	FP-5178273		Fresh Water; High Capacity
1	Water Pump Retainer Ring	FP-9415285		Raw Water; For Pump FP-5186250; Large; External
1	Water Pump Retainer Ring	FP-5193569		Raw Water; For Pump FP-5186250; Small; Small
1	Water Pump Retainer Ring	FP-9415285		Raw Water; For Pumps FP-5115800, FP-5187140, FP-23507971; Large; Large; External
1	Water Pump Retainer Ring	FP-5193569		Raw Water; For Pumps FP-5115800, FP-5187140, FP-23507971; Small; Small
1	Water Pump Mech. Shaft Seal	FP-8924297		Fresh Water
1	Water Pump Mech. Shaft Seal	FP-5186571		Fresh Water; Seal & Spring
1	Water Pump Mech. Shaft Seal	FP-5198419		Raw Water; For Pump FP-5186250
1	Water Pump Mech. Shaft Seal	FP-5198419		Raw Water; For Pumps FP-23507971, FP-5186250, FP-5122599
1	Water Pump Mech. Shaft Seal	FP-5198419		Raw Water; For Pumps FP-5115800, FP-5187140, FP-23507971
1	Water Pump Mech. Shaft Seal	FP-5193684		Raw Water; For Pumps FP-5115800, FP-5187140, FP-23507971; Outboard

(continued on next page)

Allis-Chalmers

40 Grader 4-71 (2-Valve Cyl. Head), 4-71E (4-Valve Cyl. Head), 4-71N (4-Valve Cyl. Head)
 (cont.) Engs. Wheel Tractor 4-71 (2-Valve Cyl. Head), 4-71E (4-Valve Cyl. Head), 4-71N (4-Valve
 Cyl. Head) Engs. Crawler Tractor 4-71 (2-Valve Cyl. Head), 4-71E (4-Valve Cyl. Head),
 4-71N (4-Valve Cyl. Head) Engs.
 4.7L 284 OHV Diesel L4 (4-71), 4.25" Bore (Detroit Diesel Eng.)

COOLING SYSTEM (cont.)

QTY	WATER PUMP (cont.)	PART NO.	SIZE	DESCRIPTION
1	Ball Brg.	FP-23504426		Raw Water Pump; For Pump FP-5186250
1	Ball Brg.	FP-23504426		Raw Water Pump; For Pumps FP-5115800, FP-5187140, FP-23507971
1	Ball Brg.	FP-23503821		Inner; Fan Shaft
1	Ball Brg.	FP-903205		Inner; Fan Shaft
1	Ball Brg.	FP-9415132		Inner; Fan Shaft
1	Ball Brg.	FP-23503535		Outer; Fan Shaft
1	Ball Brg.	FP-7450630		Outer; Fan Shaft
1	Oil Pump Intake Gasket	FP-5153902		Lower; Water By-Pass Tube; 2 1/4" B.C.
1	Fuel Pump Drive Adapter Gskt.	FP-5150193		Fresh Water Pump to Eng.
1	Accessory Drive Gasket	FP-23515145		Raw Water Pump Drive Gasket
1	Oil Seal	FP-5103951		Fan Shaft
1	Oil Seal	FP-5108219		Fan Shaft; Felt
1	Oil Seal	FP-5100408		Fan Shaft; Rubber Lip
1	Oil Seal	FP-23506248		Fresh Water Pump
1	Oil Seal	FP-5195101		Raw Water Pump; For Pump FP-5186250
1	Oil Seal	FP-5195101		Raw Water Pump; For Pumps FP-5115800, FP-5187140, FP-23507971
1	Oil Seal	FP-5132155		Thermostat Seal
1	Bolt	FP-454992		Fan Hub Mount; 1/2" - 13 x 2 1/2
3	Bolt	FP-8927581		Fan Hub Mount; 3/8" - 16 x 1"
4	Bolt	FP-8921930		Fresh Water Pump Body; 1/4" - 20 x 3/4"
4	Bolt	FP-443603		Heat Exchanger; .250" x 20 x .750"
1	Bolt	FP-454992		Heat Exchanger; 1/2" - 13 x 2 1/2
2	Bolt	FP-8927580		Heat Exchanger; 3/8" - 16 x .875"
5	Bolt	FP-23504236		Raw Water Pump Cover; For Pump FP-5186250; .250" - 20 x .500"; Stainless Steel
5	Bolt	FP-23504236		Raw Water Pump Cover; For Pumps FP-5115800, FP-5187140, FP-23507971; .250" - 20 x .500"; Stainless Steel
4	Bolt	FP-5145092		Raw Water Pump Drive; 3/8" - 24 x 1.20", Self-Locking
1	Pipe Plug	FP-8924380		Fan Hub; 1/8" - 27
1	Pipe Plug	FP-5121182		Heat Exchanger; 1/4" - 18; Hex head
1	Pipe Plug	FP-8924380		Heat Exchanger; 1/8" - 27
2	Pipe Plug	FP-5142549		Heat Exchanger; 3/4" - 14 Square Head
2	Pipe Plug	FP-8924517		Thermostat Housing Cover; 3/8" x 18 square head
1	Pipe Plug	FP-5115214		Thermostat Housing; 1/2" Square Head
1	Pipe Plug	FP-5121182		Thermostat Housing; 1/4" - 18; Hex head
1	Pipe Plug	FP-8924380		Thermostat Housing; 1/8" - 27
1	Pipe Plug	FP-5142549		Thermostat Housing; 3/4" - 14 Square Head
1	Pipe Plug	FP-5115214		Water Outlet Manifold Elbow; 1/2" Square Head
1	Pipe Plug	FP-5121182		Water Outlet Manifold Elbow; 1/4" - 18; Hex head
1	Pipe Plug	FP-5142549		Water Outlet Manifold Elbow; 3/4" - 14 Square Head
1	Pipe Plug	FP-5142549		Water Pump; 3/4" - 14 Square Head
1	Pipe Plug	FP-8924517		Water Pump; 3/8" x 18 square head
1	Expansion Plug	FP-5117186		Heat Exchanger; 2" Dia. Cup; Stainless Steel
1	Shaft & Bearing Assembly	FP-5136671		Fresh Water
1	Shaft & Bearing Assembly	FP-908337		Fresh Water
1	Dowel Pin	FP-5197597		Raw Water Pump; Wear Plate Locating Pin; .184" OD x .375" Length
1	Screw	FP-114366		Raw Water Pump Cam; For Pump FP-5186250; .250" - 20 x .500"; Brass
1	Screw	FP-114366		Raw Water Pump Cam; For Pumps FP-5115800, FP-5187140, FP-23507971; .250" - 20 x .500"; Brass
1	Slinger, Water Pump	FP-5114011		Fresh Water
1	Slinger, Water Pump	FP-5193676		Raw Water Pump Shaft; For Pump FP-5186250
1	Slinger, Water Pump	FP-5193676		Raw Water; For Pumps FP-5115800, FP-5187140, FP-23507971
3	Copper Washer	FP-5155596		Water Pump Mounting; 5/16"; Special copper washer
2	Washer	FP-5197310		Adhesive Washer; Fresh Water Pump; Adhesive, Ceramic Insert
1	Washer	FP-103325		Raw Water Pump Drive Gear; Lock washer; 5/8"
QTY	THERMOSTAT	PART NO.	SIZE	DESCRIPTION
1	Thermostat	FP-5186383		Vented
2	Thermostat	FP-23503827		160 Deg.
2	Thermostat	FP-23503826		170 Deg.
2	Thermostat	FP-5172141		170 Deg.
1	Thermostat	FP-5184475		173 Deg.
1	Thermostat Gasket	FP-5167761		Thermostat Housing

(continued on next page)

**Grader 4-71 (2-Valve Cyl. Head), 4-71E (4-Valve Cyl. Head), 4-71N (4-Valve Cyl. Head) 40
Engs. Wheel Tractor 4-71 (2-Valve Cyl. Head), 4-71E (4-Valve Cyl. Head), 4-71N (4-Valve Cyl. Head) Engs. Crawler Tractor 4-71 (2-Valve Cyl. Head), 4-71E (4-Valve Cyl. Head),
4-71N (4-Valve Cyl. Head) Engs.** (cont.)
4.7L 284 OHV Diesel L4 (4-71), 4.25" Bore (Detroit Diesel Eng.)

COOLING SYSTEM (cont.)

QTY	THERMOSTAT (cont.)	PART NO.	SIZE	DESCRIPTION
2	Thermostat Gasket	FP-5169478		Water By-Pass Tube Elbow
2	Thermostat Gasket	FP-5169478		Upper; Thermostat Housing
1	Thermostat Gasket	FP-5167761		Heat Exchanger
2	Exhaust Manifold Gasket	FP-5156319		Water By-Pass Tube to Exh. Manifold

QTY	MISCELLANEOUS	PART NO.	SIZE	DESCRIPTION
8	Stud	FP-8927270		Water Outlet Manifold; 3/8" - 16/24" x 1.6875"
6	Hose Clamp	FP-9139809		Heat Exchanger Raw Water Inlet Tube; 2 1/16" - 3"
4	Hose Clamp	FP-5186841		Raw Water Pump Inlet Tube; 1 9/16" - 2.50"
2	Hose Clamp	FP-5186840		Thermostat Housing; 13/16" - 1 1/2" Clamping Range
2	Hose Clamp	FP-5186840		Water By-pass Tube Connecting Hose; 13/16" - 1 1/2" Clamping Range
1	Hose Clamp	FP-9139809		Water Outlet Manifold; 2 1/16" - 3"
1	Hose Clamp	FP-5188036		Water Outlet Manifold; 2.750" Dia. Hose
1	Hose Clamp	FP-5188036		Water Pump Inlet Seal; 2.750" Dia. Hose
3	Lock Washer	FP-103320		Fan Hub Mount; 5/16"
1	Lock Washer	FP-103321		Heat Exchanger; 3/8"
2	Lock Washer	FP-103320		Water Outlet Manifold Elbow; 5/16"
6	Lock Washer	FP-103321		Water Outlet Manifold; 3/8"
20	Lock Washer	FP-103320		Inlet; Heat Exchanger; 5/16"
1	Sealing Ring	FP-5156770		Water Outlet Manifold Seal; 2.750" OD
1	Sealing Ring	FP-5159457		Water Pump Inlet
1	Sealing Ring	FP-5153560		Water Pump Inlet; 2.1875" OD
1	Sealing Ring	FP-5156770		Water Pump Inlet; 2.750" OD
1	O-Ring	FP-5150191		Fresh Water Pump Outlet
2	O-Ring	FP-5167746		Heat Exchanger
1	O-Ring	FP-23514265		Raw Water Pump; For Pump FP-5186250
1	O-Ring	FP-23514265		Raw Water Pump; For Pumps FP-5115800, FP-5187140, FP-23507971
1	Exhaust Manifold Gasket	FP-5156319		Heat Exchanger; Cover Plate
3	Water Manifold Gasket	FP-23506469		Water Outlet Cover Plate
2	Hose Clamp	FP-5186840		Upper; Hose to Thermostat Housing; 13/16" - 1 1/2" Clamping Range
2	Oil Cooler Gasket	FP-5112401		Heat Exchanger
1	Oil Cooler Core Outer Gasket	FP-5102506		Heat Exchanger; Oil Cooler Outlet
1	Oil Cooler Cover Gasket	FP-23501591		Heat Exchanger
1	Oil Cooler Cover Gasket	FP-23501591		Heat Exchanger; Expansion Tank Cover

ENGINE BLOCK & PARTS

QTY	GASKETS	PART NO.	SIZE	DESCRIPTION
1	Pipe Plug	FP-5121182		Cyl. Block; 1/4" - 18; Hex head
2	Flywheel Housing Gasket	FP-5150055		
1	Flywheel Housing Gasket	FP-8928967		
2	Accessory Drive Gasket	FP-23515145		Flywheel Housing Large Hole Cover
2	Bolt	FP-8927580		Flywheel Housing; 3/8" - 16 x .875"
2	Washer	FP-5125108		Flywheel Housing; 7/16" x 3/4" x 1/16"
2	Copper Washer	FP-5152148		Flywheel Housing; 25/64" ID x 9/16" OD x 1/16" Thick; Copper
1	Oil Pan Gasket	FP-5150116		
4	Bolt	FP-8927580		Oil Filter; 3/8" - 16 x .875"
4	Bolt	FP-8927581		Oil Filter; 3/8" - 16 x 1"
1	Washer	FP-5177773		Filter By-pass Valve Plug; 18MM x 1.5MM
1	Washer	FP-840277		Oil Pan Drain Plug; 18MM, Nylon
1	Washer	FP-5150568		Oil Strainer Center Stud; 7/16" x 3/4" x 1/16"; Copper
4	Lock Washer	FP-103321		Oil Filter; 3/8"
26	Lock Washer	FP-103320		Oil Pan; 5/16"
2	Lock Washer	FP-103320		Oil Pressure Regulator; 5/16"
1	Pipe Plug	FP-5115214		Oil Cooler Water Inlet; 1/2" Square Head
2	Pipe Plug	FP-8924517		Oil Cooler Water Inlet; 3/8" x 18 square head
2	Pipe Plug	FP-5121182		Oil Filter; 1/4" - 18; Hex head
1	Pipe Plug	FP-5115214		Oil Pan Drain; 1/2" Square Head
1	Pipe Plug	FP-5121182		Oil Pan Drain; 1/4" - 18; Hex head
1	Pipe Plug	FP-5142549		Oil Pan Drain; 3/4" - 14 Square Head
1	Pipe Plug	FP-8924517		Oil Pan Drain; 3/8" x 18 square head
1	Pipe Plug	FP-5115214		Oil Pan; 1/2" Square Head
1	Pipe Plug	FP-5121182		Oil Pan; 1/4" - 18; Hex head
1	Pipe Plug	FP-8923313		Oil Pan; 3/4"

(continued on next page)

Allis-Chalmers

40 Grader 4-71 (2-Valve Cyl. Head), 4-71E (4-Valve Cyl. Head), 4-71N (4-Valve Cyl. Head)
 (cont.) Engs. Wheel Tractor 4-71 (2-Valve Cyl. Head), 4-71E (4-Valve Cyl. Head), 4-71N (4-Valve
 Cyl. Head) Engs. Crawler Tractor 4-71 (2-Valve Cyl. Head), 4-71E (4-Valve Cyl. Head),
 4-71N (4-Valve Cyl. Head) Engs.
 4.7L 284 OHV Diesel L4 (4-71), 4.25" Bore (Detroit Diesel Eng.)

ENGINE BLOCK & PARTS (cont.)

QTY	GASKETS (cont.)	PART NO.	SIZE	DESCRIPTION
1	Pipe Plug	FP-5142549		Oil Pan; 3/4" - 14 Square Head
2	Cylinder Cover Gasket	FP-23505518		Front & Rear; Cyl. Block End Plate
1	Gasket	FP-5116357		Cyl. Block Water Hole Cover
4	Gasket	FP-23505525		Cyl. Block; 3/8" Copper
4	Hand Hole Cover Gasket	FP-5132117		
8	Copper Washer	FP-5152148		Cyl. Block; 25/64" ID x 9/16" OD x 1/16" Thick; Copper
6	Lock Washer	FP-103321		Cyl. Block; 3/8"
QTY	GASKET SETS	PART NO.	SIZE	DESCRIPTION
1	Complete Overhaul Gasket Set	FP-23512675WS		High Block; w/Seals
1	Complete Overhaul Gasket Set	FP-23512675		High Block; Crankshaft seals not incl.
1	Complete Overhaul Gasket Set	FP-5192922		Low Block
QTY	CAM BEARINGS	PART NO.	SIZE	DESCRIPTION
4	Cam Brg.	FP-5111422	STD	
4	Cam Brg.	FP-5194858	10	
8	Cam Brg.	FP-5111423	STD	Position Front & Rear; Cam & Balance shaft brg.; Grooved
8	Cam Brg.	FP-5194825	20	Position Front & Rear; Cam & Balance Shaft brg.; .020" U/S, Unfinished; Grooved
3	Cam Brg.	FP-5196022	STD	Position Inter.; w/Steel bushing in ctr. hole
3	Cam Brg.	FP-5196023	10	Position Inter.; w/Steel bushing in ctr. hole; .010" U/S ID
3	Cam Brg.	FP-5196024	20	Position Inter.; w/Steel bushing in ctr. hole; .020" U/S ID
QTY	OIL COOLERS & FILTERS	PART NO.	SIZE	DESCRIPTION
1	Oil Cooler	FP-8547236		12 plate
1	Oil Cooler	FP-8547581		13 plate
1	Oil Cooler	FP-8547551		8 plate
1	Oil Cooler	FP-8547563		8 plate
4	Bolt	FP-8927581		Oil Cooler By-Pass; 3/8" - 16 x 1"
8	Copper Washer	FP-5155596		Oil Cooler Housing Cover; 5/16"; Special copper washer
4	Lock Washer	FP-103320		Oil Cooler; 5/16"
1	Lock Washer	FP-103321		Oil Cooler Adaptor to Block; 3/8"
2	Oil Cooler Gasket	FP-5112401		Oil Cooler Adaptor to Block
1	Oil Cooler Gasket	FP-5112401		Oil Cooler Housing Pad Cover
1	Oil Cooler Gasket	FP-8923223		Outer
1	Oil Cooler Core Gasket	FP-23501589		Outer
1	Gasket	FP-5575086		Oil Cooler By-pass Plug
1	Oil Cooler Core Inner Gasket	FP-5150155		
1	Oil Cooler Core Outer Gasket	FP-5102506		
2	Oil Cooler Adapter Gasket Set	FP-5150154		
1	Oil Cooler Adapter Cover Gskt	FP-5175882		Spacer
1	Oil Pump Intake Gasket	FP-5153902		Oil Cooler Housing Pad Cover; 2 1/4" B.C.
1	Copper Washer	FP-5152148		Oil Cooler Adaptor to Block; 25/64" ID x 9/16" OD x 1/16" Thick; Copper
1	Pipe Plug	FP-5115214		Oil Cooler By-Pass; 1/2" Square Head
1	Pipe Plug	FP-8923313		Oil Cooler By-Pass; 3/4"
1	Pipe Plug	FP-5121182		Oil Cooler Housing; 1/4" - 18; Hex head
1	Pipe Plug	FP-8923847		Oil Cooler; 1/4" x 18 NPTF; Square head
2	Pipe Plug	FP-8924517		Oil Cooler; 3/8" x 18 square head
QTY	FREEZE PLUGS	PART NO.	SIZE	DESCRIPTION
2	Pipe Plug	FP-5115214		Cyl. Block; 1/2" Square Head
1	Pipe Plug	FP-5121182		Cyl. Block; 1/4" - 18; Hex head
4	Pipe Plug	FP-8924380		Cyl. Block; 1/8" - 27
2	Pipe Plug	FP-5142549		Cyl. Block; 3/4" - 14 Square Head
2	Pipe Plug	FP-5115214		Flywheel Housing; 1/2" Square Head
1	Pipe Plug	FP-5142549		Flywheel Housing; 3/4" - 14 Square Head
1	Pipe Plug	FP-8923847		Oil Filler; 1/4" x 18 NPTF; Square head
QTY	DIPSTICK	PART NO.	SIZE	DESCRIPTION
1	Dipstick	FP-5115162		18.88" Length
1	Dipstick	FP-5101884		24" x 1.38"
1	Dipstick	FP-5108895		26.32" x 1.46"
1	Dipstick	FP-5146679		61" Length; Unmarked
1	Dipstick	FP-5146680		72" Length; Unmarked
1	Dipstick Guide	FP-5151430		1.50" Length
QTY	MISCELLANEOUS	PART NO.	SIZE	DESCRIPTION
6	Bolt	FP-8927581		Cyl. Block; w/Seal patch; 3/8" - 16 x 1"

(continued on next page)

Grader 4-71 (2-Valve Cyl. Head), 4-71E (4-Valve Cyl. Head), 4-71N (4-Valve Cyl. Head) 40
Engs. Wheel Tractor 4-71 (2-Valve Cyl. Head), 4-71E (4-Valve Cyl. Head), 4-71N (4-Valve Cyl. Head) Engs. Crawler Tractor 4-71 (2-Valve Cyl. Head), 4-71E (4-Valve Cyl. Head),
4-71N (4-Valve Cyl. Head) Engs. (cont.)
 4.7L 284 OHV Diesel L4 (4-71), 4.25" Bore (Detroit Diesel Eng.)

ENGINE BLOCK & PARTS (cont.)

QTY	MISCELLANEOUS (cont.)	PART NO.	SIZE	DESCRIPTION
6	Bolt	FP-8927581		Flywheel Housing; 3/8" - 16 x 1"
6	Bolt	FP-9410925		Flywheel Housing; 9/16" - 18 x 2.250"
6	Bolt	FP-9412015		Flywheel Housing; 9/16" - 18 x 2.500"
1	Bolt	FP-5103534		Oil Filler; 5/16" - 24 x 1/2"
3	Screw	FP-5103642		Oil Filler; No. 10 - 24 x .375"
2	Pipe Plug	FP-5115214		Cyl. Block; 1/2" Square Head
1	Pipe Plug	FP-5121182		Cyl. Block; 1/4" - 18; Hex head
4	Pipe Plug	FP-8924380		Cyl. Block; 1/8" - 27
2	Pipe Plug	FP-5142549		Cyl. Block; 3/4" - 14 Square Head
2	Pipe Plug	FP-5115214		Flywheel Housing; 1/2" Square Head
1	Pipe Plug	FP-5142549		Flywheel Housing; 3/4" - 14 Square Head
1	Pipe Plug	FP-8923847		Oil Filler; 1/4" x 18 NPTF; Square head
4	Gasket	FP-5178997		Cyl. Block Core Plug
1	Lo Filter Adapter Gasket	FP-5173482		Oil Filler
1	Washer	FP-5131755		Flywheel Housing; 17/32" x .88" x .1345"
6	Washer	FP-5138619		Flywheel Housing; 25/64" x 3/4" x .083"
1	Copper Washer	FP-5155596		Oil Filler; 5/16"; Special copper washer
2	Lock Washer	FP-103320		Cyl. Block; w/Lock Washer; 5/16"
16	Lock Washer	FP-103321		Flywheel Housing; 3/8"
2	Lock Washer	FP-103321		Oil Filler; 3/8"
1	Oil Filler Cap	FP-5117362		2.00" Dia.; Thermos Bottle Style

CRANKSHAFT/OIL PUMP

QTY	CRANKSHAFT	PART NO.	SIZE	DESCRIPTION
1	Vibration Damper	FP-8922491		Heavy Viscous
1	Vibration Damper	FP-5177763		Light Viscous
1	Bolt	FP-23501143		Crankshaft Hub; 1" - 14 X 2.750" (1.500" Hex head)
10	Washer	FP-103325		Lock washer; 5/8"
2	Woodruff Key	FP-5131724		Position Front; Crankshaft Pulley; .375" x 1.250"
4	Dowel Pin	FP-141346		.1875" x .500"

QTY	SEALS - FRONT CRANK	PART NO.	SIZE	DESCRIPTION
1	Oil Seal	FP-5115454		Front; Single Lip, Std.
1	Oil Seal	FP-5143108		Front; Submersible
1	Redi-Sleeve	99287		Shaft dia. 2.876"
1	Oil Seal Spacer	FP-23507306		Front; 2.50" ID x 2.81" Length
1	Oil Seal	455006N		
1	Oil Seal	FP-5115454		Single Lip, Std.
1	O-Ring	FP-23503769		Front; Front Crankshaft Spacer Seal

QTY	SEALS - REAR CRANK	PART NO.	SIZE	DESCRIPTION
1	Oil Seal	FP-5127821		Double Lip; Double Lip, Std.; Shaft Dia. 4.687"
1	Oil Seal	FP-5196927		Double Lip; O/S Seal; Double Lip; O/S Shaft Dia. 4.812"
1	Oil Seal	FP-5197860		Single Lip; O/S Seal; Single lip; O/S Shaft dia. 4.812"
1	Oil Seal	FP-5114335		Single Lip; Single Lip, Std.; Shaft Dia. 4.687"
1	Oil Seal Spacer	FP-5192496		Rear Crank Spacer; Exc. Double Lip Seal
1	Oil Seal	455378H		
1	Oil Seal	FP-5114335		Single Lip, Std.; Shaft Dia. 4.687"
1	Oil Seal Kit	5460		
1	Redi-Sleeve	FP-23507225		Rear Crank Sleeve; O/S Seal only
1	Redi-Sleeve	99468		

QTY	MAIN BEARINGS	PART NO.	SIZE	DESCRIPTION
5	Plain Main Brg.	FP-5192874	STD	
5	Plain Main Brg.	FP-5192875	2	
5	Plain Main Brg.	FP-5192876	10	
5	Plain Main Brg.	FP-5192877	20	
5	Plain Main Brg.	FP-5192878	30	
5	Plain Main Brg.	FP-5193738	40	
5	Plain Main Brg.	FP-5193739	50	
1	Thrust Washer Set	FP-5159353S	STD	Position Rear
4	Thrust Washer	FP-5159353	STD	Position Rear
4	Thrust Washer	FP-5160542	5	Position Rear
4	Thrust Washer	FP-5192111	10	Position Rear

QTY	OIL PUMP	PART NO.	SIZE	DESCRIPTION
1	Pump Repair Kit	FP-5194800		
1	Inter. Shaft	FP-5153309		Oil Pump Drive; 8 31/32" Length

(continued on next page)

Allis-Chalmers

40 Grader 4-71 (2-Valve Cyl. Head), 4-71E (4-Valve Cyl. Head), 4-71N (4-Valve Cyl. Head)
 (cont.) Engs. Wheel Tractor 4-71 (2-Valve Cyl. Head), 4-71E (4-Valve Cyl. Head), 4-71N (4-Valve
 Cyl. Head) Engs. Crawler Tractor 4-71 (2-Valve Cyl. Head), 4-71E (4-Valve Cyl. Head),
 4-71N (4-Valve Cyl. Head) Engs.
 4.7L 284 OHV Diesel L4 (4-71), 4.25" Bore (Detroit Diesel Eng.)

CRANKSHAFT/OIL PUMP (cont.)

QTY	OIL PUMP (cont.)	PART NO.	SIZE	DESCRIPTION
1	Inter. Shaft	FP-5153310		Oil Pump Driven Gear; 3 7/32" Length
2	Bushing	FP-5153147		Oil Pump Body
4	Bushing	FP-5153154		Oil Pump Body
2	Bushing	FP-5166840		Oil Pump Driven Gear
1	Bushing	FP-5153154		Oil Pump Shaft & Gear
1	Oil Pump Spring	FP-5155765		Oil Pump Relief Valve
3	Woodruff Key	FP-8928540		Oil Pump Shaft; 1/8" x 5/8"
1	Washer	FP-5175944		Oil Pump Idler; Small
4	Lock Washer	FP-103321		Oil Pump Body; 3/8"
4	Lock Washer	FP-103320		Oil Pump Body; 5/16"
2	Gasket	FP-105456		Oil Pump Relief Valve; 7/8" Copper
1	O-Ring	FP-5187316		Filter By-pass Valve Plug
2	Governor Hole Gasket	FP-5123812		Oil Drain Tube; Inclined Engines
1	Oil Filter Gasket	FP-1595620		Rectangular Section
1	Oil Filler Tube Gasket	FP-5120540		Oil Pan Cover
1	Lo Press. Reg. Body Gasket	FP-5104381		Type No. 1, 2, 21, 23
1	Lo Press. Reg. Body Gasket	FP-5156831		Type No. 3
1	Gasket	FP-5575086		Filter By-pass Valve Plug
1	Lock Nut	FP-114498		Oil Filter Cover; 5/8" - 18, Jam Nut
1	Oil Pressure Regulator Valve	FP-5153247		Oil Pump Relief
1	Oil Filter Adapter Gasket	FP-5152413		Filter to Oil Cooler
2	Oil Filter Adapter Gasket	FP-5188028		Filter to Oil Cooler
1	Oil Pump Spring	FP-5156815		Oil Press. Regulator
1	Pipe Plug	FP-5115214		Oil Cooler Water Inlet; 1/2" Square Head
2	Pipe Plug	FP-8924517		Oil Cooler Water Inlet; 3/8" x 18 square head
2	Pipe Plug	FP-5121182		Oil Filter; 1/4" - 18; Hex head
1	Pipe Plug	FP-5115214		Oil Pan Drain; 1/2" Square Head
1	Pipe Plug	FP-5121182		Oil Pan Drain; 1/4" - 18; Hex head
1	Pipe Plug	FP-5142549		Oil Pan Drain; 3/4" - 14 Square Head
1	Pipe Plug	FP-8924517		Oil Pan Drain; 3/8" x 18 square head
1	Pipe Plug	FP-5115214		Oil Pan; 1/2" Square Head
1	Pipe Plug	FP-5121182		Oil Pan; 1/4" - 18; Hex head
1	Pipe Plug	FP-8923313		Oil Pan; 3/4"
1	Pipe Plug	FP-5142549		Oil Pan; 3/4" - 14 Square Head

CYLINDER COMPONENTS

QTY	LINERS	PART NO.	SIZE	DESCRIPTION
4	Liner w/o Sealing Rings	FP-5102316	5	Flanged, .810" port length
4	Liner w/o Sealing Rings	FP-5102317	10	Flanged, .810" port length
4	Liner w/o Sealing Rings	FP-5102318	20	Flanged, .810" port length
4	Liner w/o Sealing Rings	FP-5102319	30	Flanged, .810" port length
4	Liner w/o Sealing Rings	FP-5107448	5	Flanged, .950" port length
4	Liner w/o Sealing Rings	FP-5107449	10	Flanged, .950" port length
4	Liner w/o Sealing Rings	FP-5107450	20	Flanged, .950" port length
4	Liner w/o Sealing Rings	FP-5193732	5	Flanged, 1.050" port length
4	Liner w/o Sealing Rings	FP-5193733	10	Flanged, 1.050" port length
4	Liner w/o Sealing Rings	FP-5193734	20	Flanged, 1.050" port length
4	Liner w/o Sealing Rings	FP-5193735	30	Flanged, 1.050" port length
4	Liner w/o Sealing Rings	FP-23504931	STD	No. 1 Bore; Flanged, .810" port length
4	Liner w/o Sealing Rings	FP-23502023	STD	No. 1 Bore; Flanged, .950" port length
4	Liner w/o Sealing Rings	FP-23502020	STD	No. 1 Bore; Flanged, 1.050" port length
4	Liner w/o Sealing Rings	FP-23504932	STD	No. 2 Bore; Flanged, .810" port length
4	Liner w/o Sealing Rings	FP-23502024	STD	No. 2 Bore; Flanged, .950" port length
4	Liner w/o Sealing Rings	FP-23502021	STD	No. 2 Bore; Flanged, 1.050" port length
4	Liner w/o Sealing Rings	FP-23504933	STD	No. 3 Bore; Flanged, .810" port length
4	Liner w/o Sealing Rings	FP-23502025	STD	No. 3 Bore; Flanged, .950" port length
4	Liner w/o Sealing Rings	FP-23502022	STD	No. 3 Bore; Flanged, 1.050" port length
4	Liner w/o Sealing Rings	FP-23504934	STD	No. 4 Bore; Flanged, .810" port length
4	Liner w/o Sealing Rings	FP-23504935	STD	No. 4 Bore; Flanged, .950" port length
4	Liner w/o Sealing Rings	FP-23504936	STD	No. 4 Bore; Flanged, 1.050" port length
4	Cylinder Kit Complete	FP-23522951	10	w/Cross Head style piston; 1.050" port length sleeve
4	Cylinder Kit Complete	FP-23522525	20	w/Cross Head style piston; 1.050" port length sleeve
4	Cylinder Kit Complete	FP-5149263	10	w/Trunk style piston; 4 Valve Head; 1.05" port length sleeve
4	Cylinder Kit Complete	FP-5149264	20	w/Trunk style piston; 4 Valve Head; 1.05" port length sleeve
4	Cylinder Kit Complete	FP-20022	STD	No. 1 Bore; w/Cross Head style piston
4	Cylinder Kit Complete	FP-20014	STD	No. 1 Bore; w/Trunk style piston; 2 Valve Head

(continued on next page)

**Grader 4-71 (2-Valve Cyl. Head), 4-71E (4-Valve Cyl. Head), 4-71N (4-Valve Cyl. Head) 40
Engs. Wheel Tractor 4-71 (2-Valve Cyl. Head), 4-71E (4-Valve Cyl. Head), 4-71N (4-Valve Cyl. Head) Engs. (cont.)
Cyl. Head) Engs. Crawler Tractor 4-71 (2-Valve Cyl. Head), 4-71E (4-Valve Cyl. Head),
4-71N (4-Valve Cyl. Head) Engs.
4.7L 284 OHV Diesel L4 (4-71), 4.25" Bore (Detroit Diesel Eng.)**

CYLINDER COMPONENTS (cont.)

QTY	LINERS (cont.)	PART NO.	SIZE	DESCRIPTION
4	Cylinder Kit Complete	FP-20011	STD	No. 1 Bore; w/Trunk style piston; 4 Valve Head; 1.05" port length sleeve
4	Cylinder Kit Complete	FP-23522949	STD	No. 2 Bore; w/Cross Head style piston; 1.050" port length sleeve
4	Cylinder Kit Complete	FP-23505308	STD	No. 2 Bore; w/Trunk style piston; 2 Valve Head; .810" port length sleeve
4	Cylinder Kit Complete	FP-23505305	STD	No. 2 Bore; w/Trunk style piston; 4 Valve Head; 1.05" port length sleeve
4	Cylinder Kit Complete	FP-23522947	STD	No. 3 Bore; w/Cross Head style piston; 1.050" port length sleeve
4	Cylinder Kit Complete	FP-23505309	STD	No. 3 Bore; w/Trunk style piston; 2 Valve Head
4	Cylinder Kit Complete	FP-23505306	STD	No. 3 Bore; w/Trunk style piston; 4 Valve Head; 1.05" port length sleeve
4	Cylinder Kit Complete	FP-23522521	STD	No. 4 Bore; w/Cross Head style piston; 1.050" port length sleeve
4	Cylinder Kit Complete	FP-5149261	STD	No. 4 Bore; w/Trunk style piston; 4 Valve Head; 1.05" port length sleeve
4	Liner Kit w/o Sleeve	FP-LCK22507		w/Cross Head style piston
4	Liner Kit w/o Sleeve	FP-LCK22949		w/Cross Head style piston
4	Liner Kit w/o Sleeve	FP-LCK5309		w/Trunk style piston; 2 Valve Head
4	Liner Kit w/o Sleeve	FP-LCK5306		w/Trunk style piston; 4 Valve Head
4	O-Ring	FP-8922221		w/Cross Head style piston
4	Flange Shim	FP-5199569	2	High Block; .002" Thick
4	Flange Shim	FP-2190595	.0015	Low Block; .002" Thick
4	Flange Shim	FP-5192226	3	Low Block; .003" Thick
4	Cntr. Bore Insert	FP-5199871		.0015" Thicker than std., for .010-.030 O/S sleeves
4	Cntr. Bore Insert	FP-5148399		.0015" Thicker than std., for std.-.005 O/S sleeves
4	Cntr. Bore Insert	FP-5148440		.0015" Thinner than std., for std.-.005 O/S sleeves
4	Cntr. Bore Insert	FP-CLR81008		.0030" Thicker than std., for .010-.030 O/S sleeves
4	Cntr. Bore Insert	FP-5194073		.0035 Thinner than std., for std.-.005 O/S sleeves
4	Cntr. Bore Insert	FP-5194163		.0040 Thinner than std., for .010-.030 O/S sleeves
4	Cntr. Bore Insert	FP-5194164		.0080" Thinner than std., for .010-.030 O/S sleeves
4	Cntr. Bore Insert	FP-5193316		Std. thickness (.1795-.1800), for .010-.030 O/S sleeves
4	Cntr. Bore Insert	FP-5184484		Std. thickness (.1795-.1800), for std.-.005 O/S sleeves
QTY	PISTONS	PART NO.	SIZE	DESCRIPTION
4	Piston With Retainers	FP-5189054	STD	17.5:1 C.R.; Trunk style piston; 2 Valve Head; Dish Head, Cast Iron; 4-1/8, 2-3/16 Ring Groove
4	Piston With Retainers	FP-5149234	STD	18.7:1 C.R.; Trunk style piston; 4 Valve Head
4	Piston Dome Kit	FP-23522475		17.0:1 C.R.; w/Cross Head style piston
4	Piston Dome Kit	FP-23522535		18.7:1 C.R.; w/Cross Head style piston
4	Crosshead Piston Dome	FP-23521992	STD	17.0:1 C.R.; Cross Head style piston
4	Crosshead Piston Dome	FP-23522026	STD	18.7:1 C.R.; w/Cross Head style piston
4	Piston Skirt	FP-23522070	STD	w/Cross Head style piston
3	Pin	FP-5101120	STD	w/Cross Head style piston
3	Pin	FP-5144744	STD	w/Cross Head style piston; Nut plate type
4	Pin	FP-5188406	STD	w/Trunk style piston
4	Piston Pin Retainer	FP-5180250		w/Cross Head style piston
8	Piston Pin Retainer	FP-5188405		w/Trunk style piston
6	Piston Pin Bolt	FP-5148373		7/16" - 20 x 2.00" Length
6	Piston Pin Bolt Spacer	FP-5144846		w/Cross Head style piston
4	Piston Pin Slipper Bearing	FP-23501687		w/Cross Head style piston; Slipper type design - 1 per cyl.
8	Pin Bushing	FP-5155839		w/Trunk style piston (In piston)
8	Pin Bushing	FP-5157274		w/Trunk style piston; w/.015" extra ID bore stock
4	Pin Bushing	FP-2409Y		w/1.5020" I.D., 1.7510" O.D., .7600" O.A.L.
4	Pin Bushing	2409Y +		w/1.5020" I.D., 1.7510" O.D., .7600" O.A.L.; When depleted use FP-2409Y
QTY	CONNECTING RODS & BRGS.	PART NO.	SIZE	DESCRIPTION
8	Con. Rod Bolt	FP-5132383		.4375" x 20 x 3.52"
8	Con. Rod Nut	FP-5117629		.4375" x 20
4	Rod Pair	FP-23511129	STD	Late design-upper brg. w/2 oil slots
4	Rod Pair	FP-23511131	2	Late design-upper brg. w/2 oil slots
4	Rod Pair	FP-23511133	10	Late design-upper brg. w/2 oil slots
4	Rod Pair	FP-23511135	20	Late design-upper brg. w/2 oil slots
4	Rod Pair	FP-23511137	30	Late design-upper brg. w/2 oil slots
4	Rod Pair	FP-5193741	40	Late design-upper brg. w/2 oil slots
QTY	PISTON RINGS	PART NO.	SIZE	DESCRIPTION
4	Ring Set Single Cylinder	FP-23522954	STD	w/Cross Head style piston; Wide gap Fire Ring

(continued on next page)

+ Superseded Part Number

Allis-Chalmers

40 Grader 4-71 (2-Valve Cyl. Head), 4-71E (4-Valve Cyl. Head), 4-71N (4-Valve Cyl. Head)
 (cont.) Engs. Wheel Tractor 4-71 (2-Valve Cyl. Head), 4-71E (4-Valve Cyl. Head), 4-71N (4-Valve
 Cyl. Head) Engs. Crawler Tractor 4-71 (2-Valve Cyl. Head), 4-71E (4-Valve Cyl. Head),
 4-71N (4-Valve Cyl. Head) Engs.
 4.7L 284 OHV Diesel L4 (4-71), 4.25" Bore (Detroit Diesel Eng.)

CYLINDER COMPONENTS (cont.)

QTY	PISTON RINGS (cont.)	PART NO.	SIZE	DESCRIPTION
4	Ring Set Single Cylinder	FP-23522955	STD	Cross Head style piston; Std. gap Fire Ring
4	Ring Set Single Cylinder	FP-5193477	STD	Trunk style piston; 2 Valve Head; 4-1/8, 2-3/16 (1 cyl. set w/4 Chrome rings)
4	Ring Set Single Cylinder	FP-23514970	STD	Trunk style piston; 4 Valve Head; 4-.084, 2-3/16 (1 cyl. Set)
8	Compression Ring	FP-8926351		w/Cross Head style piston; 2nd & 3rd grooves
4	Compression Ring	FP-8924084		Cross Head style piston; Std. gap Fire Ring
4	Compression Ring	FP-8924083		Cross Head style piston; Wide gap Fire Ring
16	Compression Ring	FP-5185325		Trunk style piston; 2 Valve Head; Top 4 grooves
12	Compression Ring	FP-5102648		Trunk style piston; 4 Valve Head; First 4 grooves
8	Ring, Oil Control Set	FP-23522534		Cross Head style piston; For one groove
4	Ring, Oil Control Set	FP-23514965		Trunk style piston; 4 Valve Head; Set for one piston

CLUTCH

QTY	CLUTCH	PART NO.	SIZE	DESCRIPTION
1	Ball Brg.	FP-23503707		Clutch Pilot
1	Ball Brg.	FP-23503709		Clutch Pilot
1	Ball Brg.	FP-23504892		Clutch Pilot

KITS

QTY	OVERHAUL KIT	PART NO.	SIZE	DESCRIPTION
1	In-Frame Overhaul Kit	FP-IFK471XH		Cross Head style piston
1	In-Frame Overhaul Kit	FP-471XH		Cross Head style piston
1	In-Frame Overhaul Kit	FP-IFK4712V		Trunk style piston; 2 Valve Head
1	In-Frame Overhaul Kit	FP-4712V		Trunk style piston; 2 Valve Head
1	In-Frame Overhaul Kit	FP-IFK471NA		Trunk style piston; 4 Valve Head
1	In-Frame Overhaul Kit	FP-471NA		Trunk style piston; 4 Valve Head
1	Complete Overhaul Kit	FP-OH471XH		Cross Head style piston
1	Complete Overhaul Kit	FP-471XHOH		Cross Head style piston
1	Complete Overhaul Kit	FP-OH4712V		Trunk style piston; 2 Valve Head
1	Complete Overhaul Kit	FP-4712VOH		Trunk style piston; 2 Valve Head
1	Complete Overhaul Kit	FP-OH471NA		Trunk style piston; 4 Valve Head
1	Complete Overhaul Kit	FP-471NAOH		Trunk style piston; 4 Valve Head

41 Grader G2800 Eng. Wheel Tractor G2800, G2900 Engs. Wheel Loader G2800 Eng.
 4.9L 301 L6, 3.875" Bore

CYL. HEAD & PARTS

QTY	VALVE GUIDE	PART NO.	SIZE	DESCRIPTION
12	Guide	FP-VG738		.3740" ID, 2.8800" O.A.L.
12	Guide	VG-738 +		.3740" ID, 2.8800" O.A.L.; When depleted use FP-VG738

ENGINE BLOCK & PARTS

QTY	CAM BEARINGS	PART NO.	SIZE	DESCRIPTION
1	Cam Set	FP-1424M	Std Only	
1	Cam Set	1424M +	Std Only	When depleted use FP-1424M

CRANKSHAFT/OIL PUMP

QTY	CRANKSHAFT	PART NO.	SIZE	DESCRIPTION
1	Harmonic Balancer Sleeve	88187		
QTY	SEALS - FRONT CRANK	PART NO.	SIZE	DESCRIPTION
1	Redi-Sleeve	99187		
1	Oil Seal	8165		
QTY	SEALS - REAR CRANK	PART NO.	SIZE	DESCRIPTION
1	Oil Seal	456641		
1	Redi-Sleeve	99463		
QTY	MAIN BEARINGS	PART NO.	SIZE	DESCRIPTION
1	Main Set	FP-5136M	Std-10	Early Engs.; w/oil hole & 3.719" flange dia.
1	Main Set	5136M +	Std-10	Early Engs.; w/oil hole & 3.719" flange dia.; When depleted use FP-5136M
1	Main Set	FP-5097M	Std-10-20-30	Later Engs.; w/oil slot & 3.719" flange dia.
1	Main Set	5097M +	Std-10-20-30	Later Engs.; w/oil slot & 3.719" flange dia.; When depleted use FP-5097M

(continued on next page)

Grader G2800 Eng. Wheel Tractor G2800, G2900 Engs. Wheel Loader G2800 Eng. 41
4.9L 301 L6, 3.875" Bore (cont.)

CYLINDER COMPONENTS

QTY	LINERS	PART NO.	SIZE	DESCRIPTION
6	Liner w/Sealing Rings	FP-SO2263G	Std Only	Incl. (2) FP-SLR2263 sealing rings.
6	Liner w/Sealing Rings	SO-2263G +	Std Only	Incl. (2) SLR-2263 sealing rings.; When depleted use FP-SO2263G
QTY	PISTONS	PART NO.	SIZE	DESCRIPTION
6	Pin Bushing	FP-3469Y20		1.411" max. length
6	Pin Bushing	3469Y20 +		1.411" max. length; When depleted use FP-3469Y20
QTY	CONNECTING RODS & BRGS.	PART NO.	SIZE	DESCRIPTION
6	Rod Pair	FP-3465CPA	Std-10-20-30	
6	Rod Pair	3465CPA +	Std-10-20-30	When depleted use FP-3465CPA
QTY	PISTON RINGS	PART NO.	SIZE	DESCRIPTION
3	Premium Set	FP-9217KX	Std Only	3-3/32, 1-3/16 (2 cyl. set)
3	Premium Set	9217KX +	Std Only	3-3/32, 1-3/16 (2 cyl. set); When depleted use FP-9217KX
6	Premium Single Cylinder Set	W-9217KX	Std Only	3-3/32, 1-3/16 (1 cyl. set)

Harvester D2800 Eng. Grader D2900 Eng. Wheel Tractor D2800, D2900 Engs. Wheel Loader D2900 Eng. 42
4.9L 301 Diesel L6, 3.875" Bore

CYL. HEAD & PARTS

QTY	VALVE	PART NO.	SIZE	DESCRIPTION
6	Intake	FP-V2214		29 Deg. seat angle; 1.6200" Head Dia., .3718" Stem Dia., 5.9960" O.A.L.
6	Intake	V-2214 +	Std Only	29 Deg. seat angle; 1.6200" Head Dia., .3718" Stem Dia., 5.9960" O.A.L.; When depleted use FP-V2214
6	Exhaust	FP-V2213X		29 Deg. seat angle; 1.4440" Head Dia., .3708" Stem Dia., 5.9970" O.A.L.
6	Exhaust	V-2213X +	Std Only	29 Deg. seat angle; 1.4440" Head Dia., .3708" Stem Dia., 5.9970" O.A.L.; When depleted use FP-V2213X
24	Keeper	VK-138		1 groove; Square cut key groove
24	Keeper	VK-138R		1 groove; Square cut key groove; Hardened
24	Keeper, Bulk	VK-138B		1 groove; Square cut key groove; Carton of 1000
QTY	VALVE GUIDE	PART NO.	SIZE	DESCRIPTION
12	Guide	FP-VG738		.3740" ID, 2.8800" O.A.L.
12	Guide	VG-738 +		.3740" ID, 2.8800" O.A.L.; When depleted use FP-VG738
QTY	VALVE SPRING	PART NO.	SIZE	DESCRIPTION
12	Spring	FP-VS856		2.8600" Free Height
12	Spring	VS-856 +		2.8600" Free Height; When depleted use FP-VS856

ENGINE BLOCK & PARTS

QTY	GASKET SETS	PART NO.	SIZE	DESCRIPTION
1	Kit Gasket Set	260-1333		Compl., incl. RMB seal & wear sleeve
1	Kit Gasket Set	FP-2601333		Compl., Incl. RMB seal & wear sleeve
QTY	CAM BEARINGS	PART NO.	SIZE	DESCRIPTION
1	Cam Set	FP-1424M	Std Only	
1	Cam Set	1424M +	Std Only	When depleted use FP-1424M

CRANKSHAFT/OIL PUMP

QTY	CRANKSHAFT	PART NO.	SIZE	DESCRIPTION
1	Harmonic Balancer Sleeve	88187		
QTY	SEALS - FRONT CRANK	PART NO.	SIZE	DESCRIPTION
1	Redi-Sleeve	99187		
1	Oil Seal	8165		
QTY	SEALS - REAR CRANK	PART NO.	SIZE	DESCRIPTION
1	Oil Seal	456641		
1	Redi-Sleeve	99463		
QTY	MAIN BEARINGS	PART NO.	SIZE	DESCRIPTION
1	Main Set	FP-5136M	Std-10	Early Engs.; w/oil hole & 3.719" flange dia.
1	Main Set	5136M +	Std-10	Early Engs.; w/oil hole & 3.719" flange dia.; When depleted use FP-5136M
1	Main Set	FP-5097M	Std-10-20-30	Later Engs.; w/oil slot & 3.719" flange dia.
1	Main Set	5097M +	Std-10-20-30	Later Engs.; w/oil slot & 3.719" flange dia.; When depleted use FP-5097M

(continued on next page)

Allis-Chalmers

42 Harvester D2800 Eng. Grader D2900 Eng. Wheel Tractor D2800, D2900 Engs. Wheel
(cont.) Loader D2900 Eng.
4.9L 301 Diesel L6, 3.875" Bore

CYLINDER COMPONENTS

QTY	LINERS	PART NO.	SIZE	DESCRIPTION
6	Liner w/Sealing Rings	FP-SO2263G	Std Only	Incl. (2) FP-SLR2263 sealing rings.
6	Liner w/Sealing Rings	SO-2263G +	Std Only	Incl. (2) SLR-2263 sealing rings.; When depleted use FP-SO2263G
6	Sleeve Assy.	FP-SL2263G	Std Only	
6	Sleeve Assy.	SL-2263G +	Std Only	When depleted use FP-SL2263G
QTY	PISTONS	PART NO.	SIZE	DESCRIPTION
6	Pin Bushing	FP-3469Y20		1.411" max. length
6	Pin Bushing	3469Y20 +		1.411" max. length; When depleted use FP-3469Y20
QTY	CONNECTING RODS & BRGS.	PART NO.	SIZE	DESCRIPTION
6	Rod Pair	FP-3465CPA	Std-10-20-30	
6	Rod Pair	3465CPA +	Std-10-20-30	When depleted use FP-3465CPA
QTY	PISTON RINGS	PART NO.	SIZE	DESCRIPTION
3	Premium Set	FP-9217KX	Std Only	3-3/32, 1-3/16 (2 cyl. set)
3	Premium Set	9217KX +	Std Only	3-3/32, 1-3/16 (2 cyl. set); When depleted use FP-9217KX
6	Premium Single Cylinder Set	W-9217KX	Std Only	3-3/32, 1-3/16 (1 cyl. set)
KITS				
QTY	OVERHAUL KIT	PART NO.	SIZE	DESCRIPTION
1	Tractor Overhaul Kit	FP-KST2263A		Early Engs. w/main brgs. w/oil hole & 3.719" flange dia.
1	Tractor Overhaul Kit	FP-KST2263C		Later Engs.; w/main brgs. w/oil slot & 3.719" flange dia.

43 Harvester 649T Eng. Wheel Tractor 649T Eng. Wheel Loader 649T Eng.
4.9L 301 Turbo-Diesel L6 (2900 ENG.), 3.875" Bore

CYL. HEAD & PARTS

QTY	VALVE	PART NO.	SIZE	DESCRIPTION
6	Intake	FP-V2214		29 Deg. seat angle; 1.6200" Head Dia., .3718" Stem Dia., 5.9960" O.A.L.
6	Intake	V-2214 +	Std Only	29 Deg. seat angle; 1.6200" Head Dia., .3718" Stem Dia., 5.9960" O.A.L.; When depleted use FP-V2214
6	Exhaust	FP-V2213X		29 Deg. seat angle; 1.4440" Head Dia., .3708" Stem Dia., 5.9970" O.A.L.
6	Exhaust	V-2213X +	Std Only	29 Deg. seat angle; 1.4440" Head Dia., .3708" Stem Dia., 5.9970" O.A.L.; When depleted use FP-V2213X
24	Keeper	VK-138		1 groove; Square cut key groove
24	Keeper	VK-138R		1 groove; Square cut key groove; Hardened
24	Keeper, Bulk	VK-138B		1 groove; Square cut key groove; Carton of 1000
QTY	VALVE GUIDE	PART NO.	SIZE	DESCRIPTION
12	Guide	FP-VG738		.3740" ID, 2.8800" O.A.L.
12	Guide	VG-738 +		.3740" ID, 2.8800" O.A.L.; When depleted use FP-VG738
QTY	VALVE SPRING	PART NO.	SIZE	DESCRIPTION
12	Spring	FP-VS856		2.8600" Free Height
12	Spring	VS-856 +		2.8600" Free Height; When depleted use FP-VS856

ENGINE BLOCK & PARTS

QTY	CAM BEARINGS	PART NO.	SIZE	DESCRIPTION
1	Cam Set	FP-1424M	Std Only	
1	Cam Set	1424M +	Std Only	When depleted use FP-1424M

CRANKSHAFT/OIL PUMP

QTY	CRANKSHAFT	PART NO.	SIZE	DESCRIPTION
1	Harmonic Balancer Sleeve	88187		
QTY	SEALS - FRONT CRANK	PART NO.	SIZE	DESCRIPTION
1	Redi-Sleeve	99187		
1	Oil Seal	8165		
QTY	SEALS - REAR CRANK	PART NO.	SIZE	DESCRIPTION
1	Oil Seal	456641		
1	Redi-Sleeve	99463		
QTY	MAIN BEARINGS	PART NO.	SIZE	DESCRIPTION
1	Main Set	FP-5136M	Std-10	Early Engs.; w/oil hole & 3.719" flange dia.
1	Main Set	5136M +	Std-10	Early Engs.; w/oil hole & 3.719" flange dia.; When depleted use FP-5136M
1	Main Set	FP-5097M	Std-10-20-30	Later Engs.; w/oil slot & 3.719" flange dia.

(continued on next page)

Harvester 649T Eng. Wheel Tractor 649T Eng. Wheel Loader 649T Eng. 43
4.9L 301 Turbo-Diesel L6 (2900 ENG.), 3.875" Bore (cont.)

CRANKSHAFT/OIL PUMP (cont.)

QTY	MAIN BEARINGS (cont.)	PART NO.	SIZE	DESCRIPTION
1	Main Set	5097M +	Std-10-20-30	Later Eng.s.; w/oil slot & 3.719" flange dia.; When depleted use FP-5097M

CYLINDER COMPONENTS

QTY	LINERS	PART NO.	SIZE	DESCRIPTION
6	Liner w/Sealing Rings	FP-SO2263G	Std Only	Incl. (2) FP-SLR2263 sealing rings.
6	Liner w/Sealing Rings	SO-2263G +	Std Only	Incl. (2) SLR-2263 sealing rings.; When depleted use FP-SO2263G
6	Sleeve Assy.	FP-SL2729G	Std Only	
6	Sleeve Assy.	SL-2729G +	Std Only	When depleted use FP-SL2729G

QTY	PISTONS	PART NO.	SIZE	DESCRIPTION
6	Cast Piston	FP-2729PN	Std Only	Cast; 3-3/32", 1-3/16" Ring Groove, 2.515" CD, 1.2500" Pin Dia., Dish Head .590" deep x 2.480" dia.; Repl. O.E. No. 4007785
6	Cast Piston	2729PN +	Std Only	Cast; 3-3/32", 1-3/16" Ring Groove, 2.515" CD, 1.2500" Pin Dia., Dish Head .590" deep x 2.480" dia.; Repl. O.E. No. 4007785; When depleted use FP-2729PN
6	Pin Bushing	FP-3469Y20		1.411" max. length
6	Pin Bushing	3469Y20 +		1.411" max. length; When depleted use FP-3469Y20

QTY	CONNECTING RODS & BRGS.	PART NO.	SIZE	DESCRIPTION
6	Rod Pair	FP-3465CPA	Std-10-20-30	
6	Rod Pair	3465CPA +	Std-10-20-30	When depleted use FP-3465CPA

QTY	PISTON RINGS	PART NO.	SIZE	DESCRIPTION
1	Premium Set	FP-9217KX	Std Only	3-3/32, 1-3/16 (2 cyl. set)
1	Premium Set	9217KX +	Std Only	3-3/32, 1-3/16 (2 cyl. set); When depleted use FP-9217KX
6	Premium Single Cylinder Set	W-9217KX	Std Only	3-3/32, 1-3/16 (1 cyl. set)

KITS

QTY	OVERHAUL KIT	PART NO.	SIZE	DESCRIPTION
1	Tractor Overhaul Kit	FP-KST2729C		Later Eng.s.; w/main brgs. w/oil slot & 3.719" flange dia.; Gasket set not available

Combine JXLD Eng. Wheel Tractor G3400 Eng. 44
5.6L 339 OHV L6, 4" Bore (Hercules Eng.)

CYL. HEAD & PARTS

QTY	VALVE	PART NO.	SIZE	DESCRIPTION
12	Keeper	VK-261		Exh.
12	Keeper	VK-66		Int.; 2 groove
12	Keeper	VK-66R		Int.; 2 groove; Hardened

QTY	VALVE GUIDE	PART NO.	SIZE	DESCRIPTION
12	Guide	FP-VG414		.3745" ID, 2.3600" O.A.L.
12	Guide	VG-414 +		.3745" ID, 2.3600" O.A.L.; When depleted use FP-VG414

ENGINE BLOCK & PARTS

QTY	CAM BEARINGS	PART NO.	SIZE	DESCRIPTION
1	Cam Set	FP-1226M	Std Only	W/1.057" length on No. 1 & 4 positions
1	Cam Set	1226M +	Std Only	W/1.057" length on No. 1 & 4 positions; When depleted use FP-1226M
1	Cam Set	FP-1090M	Std Only	W/1.125" length on No. 1 & 4 positions
1	Cam Set	1090M +	Std Only	W/1.125" length on No. 1 & 4 positions; When depleted use FP-1090M

CRANKSHAFT/OIL PUMP

QTY	MAIN BEARINGS	PART NO.	SIZE	DESCRIPTION
1	Plain Main Brg.	FP-2241CP10	10	Position 1
1	Plain Main Brg.	FP-2241CP20	20	Position 1
1	Plain Main Brg.	FP-2241CP30	30	Position 1
4	Plain Main Brg.	FP-2243CP10	10	Position 2-3-5-6
4	Plain Main Brg.	FP-2243CP20	20	Position 2-3-5-6
4	Plain Main Brg.	FP-2243CP30	30	Position 2-3-5-6
1	Plain Main Brg.	FP-2242CP10	10	Position 4
1	Plain Main Brg.	FP-2242CP20	20	Position 4
1	Plain Main Brg.	FP-2242CP30	30	Position 4
1	Plain Main Brg.	FP-2244CP10	10	Position 7
1	Plain Main Brg.	FP-2244CP20	20	Position 7
1	Plain Main Brg.	FP-2244CP30	30	Position 7

(continued on next page)

+ Superseded Part Number

Allis-Chalmers

44 Combine JXLD Eng. Wheel Tractor G3400 Eng. (cont.) 5.6L 339 OHV L6, 4" Bore (Hercules Eng.)

CYLINDER COMPONENTS				
QTY	PISTONS	PART NO.	SIZE	DESCRIPTION
6	Pin Bushing	FP-1424X		Drilled rod type bushing
6	Pin Bushing	1424X +		Drilled rod type bushing; When depleted use FP-1424X
QTY	CONNECTING RODS & BRGS.	PART NO.	SIZE	DESCRIPTION
6	Rod Pair	FP-1420CP	Std-10-20-30-40	w/1.9870-1.9880" std. shaft size
6	Rod Pair	1420CP +	Std-10-20-30	w/1.9870-1.9880" std. shaft size; When depleted use FP-1420CP
6	Rod Pair	FP-3220CP	Std-10-20-30	w/2.1232-2.1240" std. shaft size
6	Rod Pair	3220CP +	Std-10-20-30	w/2.1232-2.1240" std. shaft size; When depleted use FP-3220CP
6	Rod Pair	3160CP	Std-10	w/2.3730-2.3740" std. shaft size
QTY	PISTON RINGS	PART NO.	SIZE	DESCRIPTION
6	Premium Set	FP-5647KX	Std Only	GO-339, JXDL Eng.s.; 1-3/32, 1-1/8, 2-3/16 (1 cyl. set)
6	Premium Set	5647KX +	Std Only	GO-339, JXDL Eng.s.; 1-3/32, 1-1/8, 2-3/16 (1 cyl. set); When depleted use FP-5647KX

45 Grader 6000, 7000 (Mark II) Engs. Crawler Tractor 6000, 7000 (Mark II) Engs. Wheel Loader 6000, 7000 (Mark II) Engs. 5.6L 344 Diesel L4, 4.4375" Bore

CYLINDER COMPONENTS				
QTY	LINERS	PART NO.	SIZE	DESCRIPTION
4	Liner w/Sealing Rings	FP-SO2693G	Std Only	Incl. (1) FP-SLR2693 (upper), (1) FP-SLR2694 (middle) & (1) SLR-2293 (lower) sealing rings.
4	Liner w/Sealing Rings	SO-2693G +	Std Only	Incl. (1) SLR-2693 (upper), (1) SLR-2694 (middle) & (1) SLR-2293 (lower) sealing rings.; When depleted use FP-SO2693G
4	Sleeve Assy.	FP-SL2693G	Std Only	Incl. deep cup piston
4	Sleeve Assy.	SL-2693G +	Std Only	Incl. deep cup piston; When depleted use FP-SL2693G
4	Sleeve Assy.	FP-SL2694G	Std Only	Incl. shallow cup piston
4	Sleeve Assy.	SL-2694G +	Std Only	Incl. shallow cup piston; When depleted use FP-SL2694G
QTY	PISTONS	PART NO.	SIZE	DESCRIPTION
4	Cast Piston	FP-2693PN	Std Only	Cast; 1-3/32", 2-1/8", 1-1/4" Ring Groove, 3.609" CD, 1.6270" Pin Dia., Deep Cup 1.182" deep x 2.260" dia.; Repl. O.E. No. 4358745
4	Cast Piston	2693PN +	Std Only	Cast; 1-3/32", 2-1/8", 1-1/4" Ring Groove, 3.609" CD, 1.6270" Pin Dia., Deep Cup 1.182" deep x 2.260" dia.; Repl. O.E. No. 4358745; When depleted use FP-2693PN
4	Cast Piston	FP-2694PN	Std Only	Cast; 3-1/8", 1-1/4" Ring Groove, 3.609" CD, 1.6270" Pin Dia., Recessed Head .735" deep x 3.000" dia.; Repl. O.E. No. 4321347
4	Cast Piston	2694PN +	Std Only	Cast; 3-1/8", 1-1/4" Ring Groove, 3.609" CD, 1.6270" Pin Dia., Recessed Head .735" deep x 3.000" dia.; Repl. O.E. No. 4321347; When depleted use FP-2694PN
QTY	CONNECTING RODS & BRGS.	PART NO.	SIZE	DESCRIPTION
4	Rod Pair	FP-2450CPA	Std Only	W/Oil hole
4	Rod Pair	2450CPA +	Std Only	W/Oil hole; When depleted use FP-2450CPA
QTY	PISTON RINGS	PART NO.	SIZE	DESCRIPTION
4	Premium Set	FP-10380KX	Std Only	For use w/shallow cup piston; 3-1/8, 1-1/4 (1 cyl. set)
4	Premium Set	10380KX +	Std Only	For use w/shallow cup piston; 3-1/8, 1-1/4 (1 cyl. set); When depleted use FP-10380KX

46 Grader HD344 Eng. Wheel Tractor HD344 Eng. Crawler Tractor HD344 Eng. 5.6L 344 Diesel L4, 4.4375" Bore (Buda Eng.)

CYL. HEAD & PARTS				
QTY	VALVE	PART NO.	SIZE	DESCRIPTION
24	Keeper	VK-138R		1 groove; Square cut key groove; Hardened
CYLINDER COMPONENTS				
QTY	CONNECTING RODS & BRGS.	PART NO.	SIZE	DESCRIPTION
4	Rod Pair	FP-2450CPA	Std Only	W/Oil hole
4	Rod Pair	2450CPA +	Std Only	W/Oil hole; When depleted use FP-2450CPA

Combine D3400, D3500, D3750 (Mark II) Engs. Wheel Tractor D3400, D3500, D3750 (Mark II) Engs. Wheel Loader D3400, D3500, D3750 (Mark II) Engs. **47**
7.0L 426 Diesel L6, 4.25" Bore

CYL. HEAD & PARTS

QTY	VALVE	PART NO.	SIZE	DESCRIPTION
6	Intake	FP-V2216		1.8390" Head Dia., .3718" Stem Dia., 6.0160" O.A.L.
6	Intake	V-2216 +	Std Only	1.8390" Head Dia., .3718" Stem Dia., 6.0160" O.A.L.; When depleted use FP-V2216
6	Exhaust	FP-V2215X		1.6496" Head Dia., .3709" Stem Dia., 6.0157" O.A.L.
6	Exhaust	V-2215X +	Std Only	1.6496" Head Dia., .3709" Stem Dia., 6.0157" O.A.L.; When depleted use FP-V2215X
24	Keeper	VK-138R		1 groove; Square cut key groove; Hardened
QTY	VALVE SEAT	PART NO.	SIZE	DESCRIPTION
6	Exh.	FP-24516701		1.6700" OD, 1.4220" ID, .3020" Depth
6	Exh.	245-1670-1 +	Std Only	1.6700" OD, 1.4220" ID, .3020" Depth; When depleted use FP-24516701
6	Int.	FP-24518141		1.8140" OD, 1.6070" ID, .3160" Depth
6	Int.	245-1814-1 +	Std Only	1.8140" OD, 1.6070" ID, .3160" Depth; When depleted use FP-24518141
QTY	VALVE GUIDE	PART NO.	SIZE	DESCRIPTION
12	Guide	FP-VG738		.3740" ID, 2.8800" O.A.L.
12	Guide	VG-738 +		.3740" ID, 2.8800" O.A.L.; When depleted use FP-VG738
QTY	VALVE SPRING	PART NO.	SIZE	DESCRIPTION
12	Spring	FP-VS856		2.8600" Free Height
12	Spring	VS-856 +		2.8600" Free Height; When depleted use FP-VS856
QTY	VALVE MISC.	PART NO.	SIZE	DESCRIPTION
6	Rotocap	FP-RC154		D3500 only
6	Rotocap	RC-154 +		D3500 only; When depleted use FP-RC154

ENGINE BLOCK & PARTS

QTY	GASKET SETS	PART NO.	SIZE	DESCRIPTION
1	Kit Gasket Set	FP-2601337		Compl., Incl. RMB seal & wear sleeve
1	Kit Gasket Set	260-1337 +		Compl., Incl. RMB seal & wear sleeve; When depleted use FP-2601337
QTY	CAM BEARINGS	PART NO.	SIZE	DESCRIPTION
1	Cam Set	FP-1428M	Std Only	
1	Cam Set	1428M +	Std Only	When depleted use FP-1428M

CRANKSHAFT/OIL PUMP

QTY	SEALS - FRONT CRANK	PART NO.	SIZE	DESCRIPTION
1	Oil Seal	7568		
QTY	SEALS - REAR CRANK	PART NO.	SIZE	DESCRIPTION
1	Redi-Sleeve	99549		
QTY	MAIN BEARINGS	PART NO.	SIZE	DESCRIPTION
1	Main Set	FP-5062M	Std Only	w/oil slot
1	Main Set	5062M +	Std Only	w/oil slot; When depleted use FP-5062M

CYLINDER COMPONENTS

QTY	LINERS	PART NO.	SIZE	DESCRIPTION
6	Liner w/Sealing Rings	FP-SO2584G	Std Only	Incl. (2) FP-675774 (upper & middle) & (1) FP-SLR2281 (lower) sealing rings.
6	Liner w/Sealing Rings	SO-2584G +	Std Only	Incl. (2) SLR-2023 (upper & middle) & (1) SLR-2281 (lower) sealing rings.; When depleted use FP-SO2584G
6	Sleeve Assy.	FP-SL2584G	Std Only	
6	Sleeve Assy.	SL-2584G +	Std Only	When depleted use FP-SL2584G
QTY	PISTONS	PART NO.	SIZE	DESCRIPTION
6	Cast Piston	FP-2281PN	Std Only	Cast; 1-3/32", 2-1/8", 1-1/4" Ring Groove, 3.144" CD, 1.5010" Pin Dia., Recessed Head .570" deep x 3.000" dia.; Repl. O.E. Nos. 4028023, 4035701 & 4035245
6	Cast Piston	2281PN +	Std Only	Cast; 1-3/32", 2-1/8", 1-1/4" Ring Groove, 3.144" CD, 1.5010" Pin Dia., Recessed Head .570" deep x 3.000" dia.; Repl. O.E. Nos. 4028023, 4035701 & 4035245; When depleted use FP-2281PN
6	Pin Bushing	FP-3474Y20		W/1.500" pin dia.
6	Pin Bushing	3474Y20 +		W/1.500" pin dia.; When depleted use FP-3474Y20
QTY	CONNECTING RODS & BRGS.	PART NO.	SIZE	DESCRIPTION
6	Rod Pair	FP-3470CPA	Std-10-20-30	
6	Rod Pair	3470CPA +	Std-10-20-30	When depleted use FP-3470CPA

(continued on next page)

Allis-Chalmers

47 Combine D3400, D3500, D3750 (Mark II) Engs. Wheel Tractor D3400, D3500, D3750 (Mark II) Engs. Wheel Loader D3400, D3500, D3750 (Mark II) Engs.
7.0L 426 Diesel L6, 4.25" Bore

CYLINDER COMPONENTS (cont.)

QTY	PISTON RINGS	PART NO.	SIZE	DESCRIPTION
1	Premium Set	FP-9964KX	Std Only	1-3/32, 2-1/8, 1-1/4
1	Premium Set	9964KX +	Std Only	1-3/32, 2-1/8, 1-1/4; When depleted use FP-9964KX
6	Premium Single Cylinder Set	W-9964KX	Std Only	1-3/32, 2-1/8, 1-1/4

KITS

QTY	OVERHAUL KIT	PART NO.	SIZE	DESCRIPTION
1	Tractor Overhaul Kit	FP-KST2584A		D3400 & D3500 Engs.; only. Engs. containing main brgs. w/oil slot.

48 Wheel Tractor 6-71 In-Line (2-Valve Cyl. Head), 6-71E In-Line (4-Valve Cyl. Head), 6-71N In-Line (4-Valve Cyl. Head) Engs. Crawler Tractor 6-71 In-Line (2-Valve Cyl. Head), 6-71E In-Line (4-Valve Cyl. Head), 6-71N In-Line (4-Valve Cyl. Head) Engs.
7.0L 426 OHV Diesel L6 (6-71), 4.25" Bore (Detroit Diesel Eng.)

CYL. HEAD & PARTS

QTY	GASKETS	PART NO.	SIZE	DESCRIPTION
1	Valve Cover Gasket	FP-5104019		Engs. w/cast Alum. valve cover; Silicone
1	Valve Cover Gasket	FP-5143407		Engs. w/steel valve cover; Neoprene
1	Accessory Drive Gasket	FP-23515145		Breather Body/Separator
1	Governor Hole Gasket	FP-5123812		Breather Pipe
1	Crankcase Breather	FP-5130750		Breather Oil Separator Pad
1	Crankcase Breather	FP-5101760		Oil Separator Filter Unit; 4"
1	Crankcase Breather	FP-5101760		4"
1	Valve Cover Gasket	FP-5104019		Engs. w/cast Alum. valve cover; Silicone
1	Valve Cover Gasket	FP-5143407		Engs. w/steel valve cover; Neoprene
1	Lo Filter Adapter Gasket	FP-5173482		Breather Pipe/Body/Shell Cover, A/R
1	Lo Filter Adapter Gasket	FP-5173482		Oil Filler
1	Washer	FP-5150568		Breather Pipe; 7/16" x 3/4" x 1/16"; Copper
1	Hose Clamp	FP-5186840		Breather Body; For 1 5/8" Hose Dia.; 13/16" - 1 1/2" Clamping Range
1	Bolt	FP-8927580		Breather Pipe; 3/8" - 16 x .875"
1	Bolt	FP-5103635		Throttle Delay; 3/8" - 16 x 2.90"
4	Stud	FP-5148504		Rocker Cover; 3/8" - 16 x 4.32"
1	Screw	FP-5103642		Breather Shell Cover; No. 10 - 24 x .375"
3	Screw	FP-5103642		Oil Filler Tube; No. 10 - 24 x .375"
2	Lock Washer	FP-103321		Breather Pipe; 3/8"
2	Lock Washer	FP-103320		Breather Pipe; 5/16"
4	Lock Washer	FP-103321		Breather Shell Cover; 3/8"
4	Isolator Bushing	FP-5104515		Rocker Cover Bolt
QTY	VALVE	PART NO.	SIZE	DESCRIPTION
12	Exhaust Valve Kit	FP-5192718		w/Locks; 2 Valve Head; Contains (1) FP-5178472 & (2) FP-23507238; 45 Degree
12	Exhaust Valve Kit	FP-5193197		w/Locks; 2 Valve Head; Contains (1) FP-5185327 & (2) FP-23507238; 30 Degree
12	Exhaust Valve Kit	FP-5194829		w/Locks; 2 Valve Head; Jet Blade; Contains (1) FP-5178501 & (2) FP-23507238; 45 Degree
12	Exhaust Valve Kit	FP-5193666		w/Locks; 2 Valve Head; Jet Blade; Contains (1) FP-5186381 & (2) FP-23507238; 30 Degree
24	Exhaust Valve Kit	FP-5149386		w/Locks; 4 Valve Head; Hi-Output Engs.; Contains (1) FP-5104280 & (2) FP-5111337
24	Exhaust Valve Kit	FP-23500501		w/Locks; 4 Valve Head; N & T Engs.; Contains (1) FP-8922516 & (2) FP-5111337
12	Valve Guide Cap	FP-5199914		Exh.; 2 Valve Head; Seal installer; Clear
24	Keeper	FP-23507238		2 Valve Head; 1 groove; Square cut key groove
48	Keeper	FP-5111337		4 Valve Head; 1 groove; Square cut key groove
QTY	VALVE SEAT	PART NO.	SIZE	DESCRIPTION
12	Exh.	FP-5198230	10	2 Valve Head; 30 Deg. seat; .010" O/S; 1.6380" OD, 1.3440" ID, .2485" Depth
12	Exh.	FP-8927920	STD	2 Valve Head; 30 Deg. seat; 1.6280" OD, 1.3440" ID, .2485" Depth
24	Exh.	FP-5197167	10	4 Valve Head; 30 Deg. seat; .010" O/S; 1.2720" OD, .9770" ID, .2355" Depth
24	Exh.	FP-5101101	STD	4 Valve Head; 30 Deg. seat; 1.2620" OD, .9770" ID, .2490" Depth
QTY	VALVE GUIDE	PART NO.	SIZE	DESCRIPTION
12	Guide	FP-5120930		Exh.; 2 Valve Head
12	Guide	FP-5192717		Exh.; 2 Valve Head; .0162" O/S

(continued on next page)

**Wheel Tractor 6-71 In-Line (2-Valve Cyl. Head), 6-71E In-Line (4-Valve Cyl. Head), 6-71N 48
In-Line (4-Valve Cyl. Head) Engs. Crawler Tractor 6-71 In-Line (2-Valve Cyl. Head), 6-71E (cont.)
In-Line (4-Valve Cyl. Head), 6-71N In-Line (4-Valve Cyl. Head) Engs.
7.0L 426 OHV Diesel L6 (6-71), 4.25" Bore (Detroit Diesel Eng.)**

CYL. HEAD & PARTS (cont.)

QTY	VALVE GUIDE (cont.)	PART NO.	SIZE	DESCRIPTION
24	Guide	FP-5129919		Exh.; 4 Valve Head; 2 3/8" length; .3130" ID, 2.3800" O.A.L.
QTY	VALVE SPRING	PART NO.	SIZE	DESCRIPTION
12	Spring	FP-5150289		Exh.; 2 Valve Head; .177" Wire dia.
24	Spring	FP-5111339		Exh.; 4 Valve Head; .135" Wire dia.
24	Spring	FP-5147347		Exh.; 4 Valve Head; .148" Wire dia.
12	Valve Spring Seat	FP-5150292		Exh.; 2 Valve Head
24	Valve Spring Seat	FP-5117562		Exh.; 4 Valve Head
24	Spring Insert	FP-5111467		Exh.
12	Spring Cap	FP-5150291		Exh.; 2 Valve Head
24	Spring Cap	FP-5117563		Exh.; 4 Valve Head
QTY	PUSH RODS	PART NO.	SIZE	DESCRIPTION
18	Push Rod	FP-5128640		
18	Push Rod Seat	FP-5123250		Lower
18	Push Rod Seat	FP-5150302		Upper; Flange type
18	Push Rod Spring	FP-5186858		.177" Wire diameter
18	Push Rod Retainer	FP-5150303		
18	Lock Nut	FP-5151601		5/16" - 24
QTY	VALVE MISC.	PART NO.	SIZE	DESCRIPTION
12	Bolt	FP-443603		.250" x 20 x .750"
12	Lock Nut	FP-5151601		5/16" - 24
12	Lock Washer	FP-103319		Cam Follower; .250"
12	Lock Washer	FP-103320		Cam Follower; 5/16"
QTY	VALVE SEAL	PART NO.	SIZE	DESCRIPTION
12	Valve Stem Seal	FP-23500480		Exh.; 2 Valve Head
24	Valve Stem Seal	FP-8921209		Exh.; 4 Valve Head
24	Tools	FP-5199913		Exh.; 4 Valve Head; Seal installer; Green Stripe
QTY	ROCKER PARTS	PART NO.	SIZE	DESCRIPTION
6	Arm Assy.	FP-5148472		Exh. Left
6	Arm Assy.	FP-5148475		Exh. Right
6	Arm Assy.	FP-8923554		Injector; Unbushed Clevis
6	Rocker Shaft	FP-23500714		
12	Rocker Shaft Bracket Bolt	FP-5150325		1/2" - 13 x 4.250"
12	Arm Support	FP-5103903		
12	Rocker Bushing	FP-5123700		Exh.; Exh. Valve Clevis; .5625" OD
12	Rocker Bushing	FP-23517217		Exh.; Large; .8755" ID, .9475" OD, .840" Length, .0360" Wall thickness
12	Rocker Bushing	FP-8924354		Exh.; Small
6	Rocker Bushing	FP-8924355		Injector; Large
18	Follower Assy.	FP-8924439		
18	Cam Follower Roller Set	FP-8923814		Incl. pin & roller
12	Valve Bridge Adj. Screw	FP-5129101		5/16" - 24 x 1"
12	Valve Bridge	FP-5117565		Exh.
12	Valve Bridge Guide	FP-5117564		Exh.; Press fit
12	Valve Bridge Guide	FP-51175646		Exh.; Press fit w/.006" O/S
12	Valve Bridge Guide	FP-5196843		Exh.; Threaded
12	Rocker Arm Clevis Pin	FP-5150314		
12	Bushing	FP-5122445 +		Exh.; Large; When depleted use FP-23517217
ELECTRICAL				
QTY	ELECTRICAL	PART NO.	SIZE	DESCRIPTION
1	Starting Motor Gasket	FP-5130995		Starting Motor Hole Cover
METERS				
QTY	METERS	PART NO.	SIZE	DESCRIPTION
1	Tachometer Drive Shaft	FP-5135936		
1	Tachometer Drive Shaft	FP-3224992		.061" Key
1	Accessory Drive Gasket	FP-23515145		Tach. Drive Cover
1	Bolt	FP-443603		.250" x 20 x .750"
2	Bolt	FP-8927580		Tach. Drive Cover; 3/8" - 16 x .875"
1	Bolt	FP-179803		1/4" x 20 x 1.750"
1	Washer	FP-5150568		Tach. Drive Cover; 7/16" x 3/4" x 1/16"; Copper
4	Lock Washer	FP-103319		.250"
1	Lock Washer	FP-103319		Tach. Drive Adaptor; .250"
2	Lock Washer	FP-103320		Tach. Drive Adaptor; 5/16"
2	Lock Washer	FP-103320		Water Temp. Switch; 5/16"

(continued on next page)

+ Superseded Part Number

Allis-Chalmers

48 Wheel Tractor 6-71 In-Line (2-Valve Cyl. Head), 6-71E In-Line (4-Valve Cyl. Head), 6-71N (cont.) In-Line (4-Valve Cyl. Head) Engs. Crawler Tractor 6-71 In-Line (2-Valve Cyl. Head), 6-71E In-Line (4-Valve Cyl. Head), 6-71N In-Line (4-Valve Cyl. Head) Engs.
7.0L 426 OHV Diesel L6 (6-71), 4.25" Bore (Detroit Diesel Eng.)

METERS (cont.)

QTY	METERS (cont.)	PART NO.	SIZE	DESCRIPTION
1	Gasket	FP-5113412		Water Temp. Switch
1	Oil Seal	FP-5135820		Tach. Drive Adaptor
2	Oil Seal	FP-3202615		Tach. Drive Cover
1	Pipe Plug	FP-8924380		Tach. Drive Adaptor; 1/8" - 27
1	Pipe Plug	FP-5121182		Water Temp. Switch; 1/4" - 18; Hex head
2	Pipe Plug	FP-8923847		Water Temp. Switch; 1/4" x 18 NPTF; Square head

INT & EXH MANIFOLDS

QTY	INT. & EXH. MANIFOLDS	PART NO.	SIZE	DESCRIPTION
1	Exhaust Manifold Gasket	FP-5120223		Diameter
1	Exhaust Manifold Gasket	FP-5150196		Diameter
2	Exhaust Manifold Gasket	FP-5150195		Ends; Composition
2	Exhaust Manifold Gasket	FP-5120224		Ends; Metal Clad
1	Exhaust Manifold Gasket	FP-5163811		Exh. Outlet; 4.375" I.D.
4	Exhaust Manifold Gasket	FP-5156319		Manifold Cover Plate
1	Exhaust Manifold Gasket	FP-5156319		Water Outlet Flange
1	Gasket	FP-5113412		Exh. Manifold Cover Plate
4	Lock Washer	FP-103321		Exh. Flange; 3/8"

QTY	AIR INTAKE	PART NO.	SIZE	DESCRIPTION
2	Air Intake Housing Gasket	FP-5124405		
1	Air Intake Gasket	FP-3290572		Housing Striker Plate
2	Lock Washer	FP-103319		Air Inlet Housing Shutdown Valve Shaft; .250"
4	Lock Washer	FP-103321		Air Silencer; 3/8"
6	Lock Washer	FP-103320		Air Silencer; 5/16"
2	O-Ring	FP-5182977		Air Inlet Housing Shutdown Valve Shaft

ACCESSORY DRIVE

QTY	ACCESSORY DRIVE	PART NO.	SIZE	DESCRIPTION
1	Accessory Drive Gasket	FP-23515145		
1	Oil Seal	FP-5102456		Accessory Drive
1	Oil Seal	FP-5131329		Accessory Drive
1	Oil Seal	FP-5138710		Accessory Drive
1	Oil Seal Kit	FP-5198175		Accessory Drive
1	Ball Brg.	FP-23503727		Accessory Drive
1	Ball Brg.	FP-23504528		Accessory Drive
1	Drive Coupling	FP-5141773		Accessory Drive
1	Water Pump Retainer Ring	FP-9415285		Accessory Drive; Large; External
6	Bolt	FP-5185793		Accessory Drive
10	Bolt	FP-8927580		Accessory Drive; w/Seal Patch; 3/8" - 16 x .875"
3	Bolt	FP-8927581		Accessory Drive; w/Seal Patch; 3/8" - 16 x 1"
4	Bolt	FP-5145092		Accessory Drive; 3/8" - 24 x 1.20", Self-Locking
1	Stud	FP-8927270		Accessory Drive; 3/8" - 16/24" x 1.6875"
4	Stud	FP-8925804		Balance Weight Cover; 7/16" - 14/20" x 2 3/32"
1	Hydraulic Pump Gasket	FP-5188755		Accessory Drive
1	Pipe Plug	FP-5121182		Accessory Drive; 1/4" - 18; Hex head
5	Washer	FP-5150568		Accessory Drive; 7/16" x 3/4" x 1/16"; Copper
13	Copper Washer	FP-5152148		Accessory Drive; 25/64" ID x 9/16" OD x 1/16" Thick; Copper
13	Lock Washer	FP-103321		Accessory Drive; 3/8"
4	Lock Washer	FP-103320		Accessory Drive; 5/16"
2	Lock Washer	FP-103321		Balance Weight Cover; 3/8"
23	Lock Washer	FP-103320		Balance Weight Cover; 5/16"
1	Oil Seal	470625		
1	Redi-Sleeve	99150		
13	Lock Nut	FP-103026		Accessory Drive; 3/8" x 24
23	Lock Nut	FP-103026		Balance Weight Cover; 3/8" x 24

FUEL SYSTEM & PARTS

QTY	FUEL INJECTION	PART NO.	SIZE	DESCRIPTION
4	Fuel Injector Nozzle	FP-5172874		Water Nozzle; Single Outlet; Single Outlet
6	Fuel Injector Seal Ring	FP-5234281		
6	Fuel Injector Seal Ring	FP-5104701		Viton®
6	Injector Hole Tube Kit	FP-8925981		Incl. Seal Ring; Viton®
6	Clamp	FP-5121259		
6	Fuel Injector	FP-5229355		Option Type 111; Injector Assembly C55
6	Fuel Injector	FP-5229360		Option Type 113; Injector Assembly C60
6	Fuel Injector	FP-5229365		Option Type 115; Injector Assembly C65

(continued on next page)

**Wheel Tractor 6-71 In-Line (2-Valve Cyl. Head), 6-71E In-Line (4-Valve Cyl. Head), 6-71N 48
In-Line (4-Valve Cyl. Head) Engs. Crawler Tractor 6-71 In-Line (2-Valve Cyl. Head), 6-71E (cont.)
In-Line (4-Valve Cyl. Head), 6-71N In-Line (4-Valve Cyl. Head) Engs.
7.0L 426 OHV Diesel L6 (6-71), 4.25" Bore (Detroit Diesel Eng.)**

FUEL SYSTEM & PARTS (cont.)

QTY	FUEL INJECTION (cont.)	PART NO.	SIZE	DESCRIPTION
6	Fuel Injector	FP-5228780		Option Type 14, 54, 82; Injector Assembly N80
6	Fuel Injector	FP-5229695		Option Type 153; Injector Assembly 7C75
6	Fuel Injector	FP-5229790		Option Type 163; Injector Assembly 7E55
6	Fuel Injector	FP-5229795		Option Type 164; Injector Assembly 7E60
6	Fuel Injector	FP-5229800		Option Type 165; Injector Assembly 7E65
6	Fuel Injector	FP-5229895		Option Type 180; Injector Assembly 7G65
6	Fuel Injector	FP-5226440		Option Type 242; Injector Assembly 7N65
6	Fuel Injector	FP-5228760		Option Type 53, 78; Injector Assembly N60
6	Fuel Injector	FP-5228770		Option Type 57, 80; Injector Assembly N70
6	Fuel Injector	FP-5228785		Option Type 60, 77; Injector Assembly N55
6	Fuel Injector	FP-5228777		Option Type 81; Injector Assembly N75
6	Fuel Injector	FP-5228900		Option Type 97; BT; Injector Assembly N65
12	Fuel Injector Repair Kit	FP-5229649		
6	Fuel Injection Valve Cage	FP-5228696		Check Valve
6	Fuel Injection Spring Seat	FP-5228766		
6	Fuel Injector Valve Spring	FP-5228596		
6	Fuel Injector Check Valve	FP-5228694		
6	Fuel Pump Check Valve	FP-5226411		
6	Fuel Pump Check Valve	FP-5228308		HV7, HV8, HV9, S70, S80, S90; Incl. injector valve & 5228106 seat
6	Fuel Pump Check Valve	FP-5228308		S55, S60, S65; Incl. injector valve & 5228106 seat
6	Injector Plunger & Bushing	FP-5229356		C55
6	Injector Plunger & Bushing	FP-5229362		C60
6	Injector Plunger & Bushing	FP-5229366		C65
6	Injector Plunger & Bushing	FP-5229372		C70
6	Injector Plunger & Bushing	FP-5228306		HV6
6	Injector Plunger & Bushing	FP-5228304		HV7
6	Injector Plunger & Bushing	FP-5228804		M95
6	Injector Plunger & Bushing	FP-5228668		N55
6	Injector Plunger & Bushing	FP-5228656		N60; For Inj. Assembly 5A60
6	Injector Plunger & Bushing	FP-5228928		N65 BT
6	Injector Plunger & Bushing	FP-5228658		N65 WT, N75, 7C75
6	Injector Plunger & Bushing	FP-5228682		N70, 7C70
6	Injector Plunger & Bushing	FP-5228661		N80
6	Injector Plunger & Bushing	FP-5228878		N90
6	Injector Plunger & Bushing	FP-5229823		7E55
6	Injector Plunger & Bushing	FP-5229814		7E60
6	Injector Plunger & Bushing	FP-5229808		7E75, 7G75
6	Injector Plunger & Bushing	FP-5229916		7G65
6	Injector Plunger & Bushing	FP-5229912		7G70
6	Injector Plunger & Bushing	FP-5229354		71C5; For Inj. Assembly C50
6	Fuel Injector Tip Kit	FP-5229026		C55, C60, 71C5, 7E55, 7E60; For Inj. Assembly 5N45
6	Fuel Injector Tip Kit	FP-5229192		C65, C70, N70, N75, 7N65
6	Fuel Injector Tip Kit	FP-5228312		HV7, HV8, HV9, S70, S80, S90
6	Fuel Injector Tip Kit	FP-5228554		HV7, HV8, HV9, S70, S80, S90
6	Fuel Injector Tip Kit	FP-5229256		M95, N80, N90
6	Fuel Injector Tip Kit	FP-5229026		N55, N60, N65 WT; For Inj. Assembly 5N45
6	Fuel Injector Tip Kit	FP-5229030		N65 BT; For Inj. Assembly 5A50, 5A55, 5A60
6	Fuel Injector Tip Kit	FP-5228491		S55, S60, S65
6	Fuel Injector Tip Kit	FP-5229030		7E65; For Inj. Assembly 5A50, 5A55, 5A60
6	Nut	FP-5228601		Inj. Valve; NV
6	Fuel Injector Valve Kit	FP-5228313		
6	Fuel Injector Valve Kit	FP-5228769		
6	Fuel Injector Roller Pin	FP-5228608		
QTY	FUEL FILTERS & PUMP	PART NO.	SIZE	DESCRIPTION
1	Mechanical Fuel Pump	FP-5199735		LH; High Output; High output; w/.375" Gear
1	Mechanical Fuel Pump	FP-5199560		LH; Std. Output; Std. output; w/.250" Gear
1	Mechanical Fuel Pump	FP-5199734		RH; High Output; High output
1	Mechanical Fuel Pump	FP-5199561		RH; Std. Output
1	Fuel Pump Shaft & Gear	FP-5100313		High Output; .963" Length; High Output
1	Fuel Pump Shaft & Gear	FP-5146705		High Output; 3.09" Length; High Output
1	Fuel Pump Shaft & Gear	FP-5181747		Std. Output; .838" Length; Std. Output
1	Fuel Pump Shaft & Gear	FP-5181746		Std. Output; 3.09" Length; Std. Output
1	Fuel Pump Valve	FP-5174973		
1	Fuel Pump Gear	FP-5118915		High Output; .374" Width; High Output
1	Fuel Pump Gear	FP-5128217		High Output; .374" Width; High Output
1	Fuel Pump Gear	FP-5174975		Std. Output; .294" Width; Std. Output

(continued on next page)

Allis-Chalmers

48 Wheel Tractor 6-71 In-Line (2-Valve Cyl. Head), 6-71E In-Line (4-Valve Cyl. Head), 6-71N
 (cont.) In-Line (4-Valve Cyl. Head) Engs. Crawler Tractor 6-71 In-Line (2-Valve Cyl. Head), 6-71E
 In-Line (4-Valve Cyl. Head), 6-71N In-Line (4-Valve Cyl. Head) Engs.
 7.0L 426 OHV Diesel L6 (6-71), 4.25" Bore (Detroit Diesel Eng.)

FUEL SYSTEM & PARTS (cont.)

QTY	FUEL FILTERS & PUMP (cont.)	PART NO.	SIZE	DESCRIPTION
1	Fuel Pump Gear	FP-5181748		Std. Output; .294" Width; Std. Output
1	Fuel Pump Drive Shaft	FP-5100312		High Output; .963" Length; High Output
1	Fuel Pump Drive Shaft	FP-5178700		Std. & High Output; 3.09" Length
1	Fuel Pump Drive Shaft	FP-5181749		Std. Output; .838" Length; Std. Output
1	Fuel Pump Check Valve	FP-5174924		1/4" Swing type
1	Fuel Pump Check Valve	FP-5135308		3/8" Swing type
12	Fuel Line Connector	FP-5117369		
1	Fuel Pump Relief Valve Spring	FP-5184530		
2	Oil Seal	FP-23512243		Fuel pump
1	Fuel Pump Valve Plug Gasket	FP-5161003		Fuel pump
1	Fuel Pump Repair Part	FP-5174971		Fuel pump valve plug; .500" x 20 plug
1	Fuel Pump Drive Adapter Gskt.	FP-5150193		
1	Fuel Pump Repair Kit	FP-5149599		High Output; High output; Short Shaft
1	Fuel Pump Repair Kit	FP-5195078		Std. Output; Std. output
1	Pipe Plug	FP-5121182		Fuel pump pipe; 1/4" - 18; Hex head
2	Plastic Cap	FP-5136240		Fuel pump body; .250" Dia.
1	Plastic Cap	FP-5136241		Fuel pump body; .780" Dia., 3/8" NPTF
1	Dowel Pin	FP-103709		5/32" x 1" straight
1	Ball Brg.	FP-147481		Fuel pump shaft; .125" Dia. Steel
1	Accessory Drive Gasket	FP-23515145		Fuel pump mounting plate
12	Washer	FP-5125108		Fuel pump pipe assy.; 7/16" x 3/4" x 1/16"

GOVERNOR

QTY	GOVERNOR	PART NO.	SIZE	DESCRIPTION
1	Copper Washer	FP-5155596		w/Limiting Speed Gov.; 5/16"; Special copper washer
2	Washer	FP-5179709		w/Limiting Speed Gov.; .250" Copper
3	Lock Washer	FP-103319		Throttle Shaft; w/Limiting Speed Gov.; .250"
3	Screw	FP-9417926		Gov. cover; w/Limiting Speed Gov.; 1/4" -20 x 3/4"
1	Governor Hole Gasket	FP-5123812		Gov. to Cyl. Head; w/Limiting Speed Gov.
1	Governor Cover Gasket	FP-5150889		w/Limiting Speed Gov.

COOLING SYSTEM

QTY	WATER PUMP	PART NO.	SIZE	DESCRIPTION
1	Water Pump - Heavy Duty	FP-23507971		Raw Water; Option Type 1, 2, 3, 28, 31, 62, 69, 70, 71, 72, 73, 75, 76, 77, 78, 80, 83
1	Water Pump - Heavy Duty	FP-5186250		Raw Water; Option Type 13
1	Water Pump - Heavy Duty	FP-23506704		L.H.; Fresh Water; High Capacity
1	Water Pump - Heavy Duty	FP-23506723		L.H.; Fresh Water; Std. Capacity
1	Water Pump - Heavy Duty	FP-23506711		R.H.; Fresh Water; High Capacity
1	Water Pump - Heavy Duty	FP-23506735		R.H.; Fresh Water; Std. Capacity
1	Water Pump Shaft	FP-5196169		Raw Water Pump; For Pump FP-5122599
1	Water Pump Shaft	FP-5193552		Raw Water; For Pump FP-5186250
1	Water Pump Shaft	FP-5193552		Raw Water; For Pumps FP-5115800, FP-5187140, FP-23507971
1	Water Pump Impeller	FP-23505997		Fresh Water
1	Water Pump Impeller	FP-5126911		Fresh Water
1	Water Pump Impeller	FP-23505998		Fresh Water; High Capacity
1	Water Pump Impeller	FP-8924839		Raw Water; For Pump FP-5122599
1	Water Pump Impeller	FP-8924838		Raw Water; For Pump FP-5186250
1	Water Pump Impeller	FP-8924838		Raw Water; For Pumps FP-23507971, FP-5186250
1	Water Pump Impeller	FP-8924838		Raw Water; For Pumps FP-5115800, FP-5187140, FP-23507971
1	Water Pump Impeller	FP-5193602		Raw Water; Option Type 14; For Obsolete Pump; Synthetic
1	Water Pump Repair/Rebuild Kit	FP-23506870		Fresh Water Recon. Kit; High Capacity; Incl. Impeller Assy.
1	Water Pump Repair/Rebuild Kit	FP-23506851		Fresh Water Recon. Kit; Std. Capacity; Ceramic Insert; Incl. Impeller Assy.
1	Water Pump Repair/Rebuild Kit	FP-5198307		Fresh Water Recon. Kit; Std. Capacity; Incl. Impeller Assy.
1	Water Pump Repair/Rebuild Kit	FP-5149918		Fresh Water Seals & Bearing Kit; High Capacity; Ceramic Insert
1	Water Pump Repair/Rebuild Kit	FP-23506858		Fresh Water Seals & Bearing Kit; Std. Capacity
1	Water Pump Repair/Rebuild Kit	FP-5197222		Recon. Kit; Raw Water; For Pump FP-5122599
1	Water Pump Repair/Rebuild Kit	FP-5197224		Recon. Kit; Raw Water; For Pump FP-5186250
1	Water Pump Repair/Rebuild Kit	FP-5197223		Recon. Kit; Raw Water; For Pumps FP-5115800, FP-5187140, FP-23507971
1	Water Pump Cover	FP-5193555		Raw Water Pump, End; For Pump FP-5122599
1	Water Pump Cover	FP-5193555		Raw Water Pump, End; For Pump FP-5186250
1	Water Pump Cover	FP-5193555		Raw Water Pump, End; For Pumps FP-5115800, FP-5187140, FP-23507971
1	Water Pump Gasket	FP-5178273		Fresh Water; High Capacity
1	Woodruff Key	FP-103462		Raw Water Pump Shaft; For Pump FP-5122599

(continued on next page)

**Wheel Tractor 6-71 In-Line (2-Valve Cyl. Head), 6-71E In-Line (4-Valve Cyl. Head), 6-71N 48
In-Line (4-Valve Cyl. Head) Engs. Crawler Tractor 6-71 In-Line (2-Valve Cyl. Head), 6-71E (cont.)
In-Line (4-Valve Cyl. Head), 6-71N In-Line (4-Valve Cyl. Head) Engs.
7.0L 426 OHV Diesel L6 (6-71), 4.25" Bore (Detroit Diesel Eng.)**

COOLING SYSTEM (cont.)

QTY	WATER PUMP (cont.)	PART NO.	SIZE	DESCRIPTION
1	Water Pump Retainer Ring	FP-5196171		Raw Water Pump; For Pump FP-5122599
1	Water Pump Retainer Ring	FP-9415285		Raw Water; For Pump FP-5186250; Large; External
1	Water Pump Retainer Ring	FP-5193569		Raw Water; For Pump FP-5186250; Small; Small
1	Water Pump Retainer Ring	FP-9415285		Raw Water; For Pumps FP-5115800, FP-5187140, FP-23507971; Large; External
1	Water Pump Retainer Ring	FP-5193569		Raw Water; For Pumps FP-5115800, FP-5187140, FP-23507971; Small; Small
1	Water Pump Mech. Shaft Seal	FP-8924297		Fresh Water
1	Water Pump Mech. Shaft Seal	FP-5186571		Fresh Water; Seal & Spring
1	Water Pump Mech. Shaft Seal	FP-5198419		Raw Water; For Pump FP-5186250
1	Water Pump Mech. Shaft Seal	FP-5198419		Raw Water; For Pumps FP-23507971, FP-5186250, FP-5122599
1	Water Pump Mech. Shaft Seal	FP-5198419		Raw Water; For Pumps FP-5115800, FP-5187140, FP-23507971
1	Water Pump Mech. Shaft Seal	FP-5193684		Raw Water; For Pumps FP-5115800, FP-5187140, FP-23507971; Outboard
1	Ball Brg.	FP-23505479		Raw Water Pump; For Pump FP-5122599
1	Ball Brg.	FP-23504426		Raw Water Pump; For Pump FP-5186250
1	Ball Brg.	FP-23504426		Raw Water Pump; For Pumps FP-5115800, FP-5187140, FP-23507971
1	Ball Brg.	FP-23503821		Inner; Fan Shaft
1	Ball Brg.	FP-903205		Inner; Fan Shaft
1	Ball Brg.	FP-9415132		Inner; Fan Shaft
1	Ball Brg.	FP-23503535		Outer; Fan Shaft
1	Ball Brg.	FP-7450630		Outer; Fan Shaft
2	Lock Nut	FP-103026		Fan Hub Mount; 3/8" x 24
1	Oil Pump Intake Gasket	FP-5153902		Lower; Water By-Pass Tube; 2 1/4" B.C.
1	Oil Pump Intake Gasket	FP-5153902		Water Pump Cover; 2 1/4" B.C.
1	Fuel Pump Drive Adapter Gskt.	FP-5150193		Fresh Water Pump to Eng.
1	Accessory Drive Gasket	FP-23515145		Raw Water Pump Drive Gasket
1	Oil Seal	FP-5103951		Fan Shaft
1	Oil Seal	FP-5108219		Fan Shaft; Felt
1	Oil Seal	FP-5100408		Fan Shaft; Rubber Lip
1	Oil Seal	FP-23506248		Fresh Water Pump
1	Oil Seal	FP-5195101		Raw Water Pump; For Pump FP-5122599
1	Oil Seal	FP-5195101		Raw Water Pump; For Pump FP-5186250
1	Oil Seal	FP-5195101		Raw Water Pump; For Pumps FP-5115800, FP-5187140, FP-23507971
2	Oil Seal	FP-5132155		Thermostat Seal
1	Bolt	FP-454992		Fan Hub Mount; 1/2" - 13 x 2 1/2
3	Bolt	FP-8927581		Fan Hub Mount; 3/8" - 16 x 1"
4	Bolt	FP-8921930		Fresh Water Pump Body; 1/4" - 20 x 3/4"
4	Bolt	FP-443603		Heat Exchanger; .250" x 20 x .750"
1	Bolt	FP-454992		Heat Exchanger; 1/2" - 13 x 2 1/2
2	Bolt	FP-8927580		Heat Exchanger; 3/8" - 16 x .875"
5	Bolt	FP-23504236		Raw Water Pump Cover; For Pump FP-5122599; .250" - 20 x .500"; Stainless Steel
5	Bolt	FP-23504236		Raw Water Pump Cover; For Pump FP-5186250; .250" - 20 x .500"; Stainless Steel
5	Bolt	FP-23504236		Raw Water Pump Cover; For Pumps FP-5115800, FP-5187140, FP-23507971; .250" - 20 x .500"; Stainless Steel
4	Bolt	FP-5145092		Raw Water Pump Drive; 3/8" - 24 x 1.20", Self-Locking
4	Bolt	FP-8927581		Thermostat Housing; 3/8" - 16 x 1"
2	Bolt	FP-8927581		Inlet; Heat Exchanger; 3/8" - 16 x 1"
2	Bolt	FP-8927581		Outlet; Heat Exchanger; 3/8" - 16 x 1"
1	Pipe Plug	FP-8924380		Fan Hub; 1/8" - 27
1	Pipe Plug	FP-5121182		Heat Exchanger; 1/4" - 18; Hex head
1	Pipe Plug	FP-8924380		Heat Exchanger; 1/8" - 27
2	Pipe Plug	FP-5142549		Heat Exchanger; 3/4" - 14 Square Head
2	Pipe Plug	FP-8924517		Thermostat Housing Cover; 3/8" x 18 square head
1	Pipe Plug	FP-5115214		Thermostat Housing; 1/2" Square Head
1	Pipe Plug	FP-5121182		Thermostat Housing; 1/4" - 18; Hex head
1	Pipe Plug	FP-8924380		Thermostat Housing; 1/8" - 27
1	Pipe Plug	FP-5142549		Thermostat Housing; 3/4" - 14 Square Head
1	Pipe Plug	FP-5115214		Water Outlet Manifold Elbow; 1/2" Square Head
1	Pipe Plug	FP-5121182		Water Outlet Manifold Elbow; 1/4" - 18; Hex head
1	Pipe Plug	FP-5142549		Water Outlet Manifold Elbow; 3/4" - 14 Square Head
1	Pipe Plug	FP-5121182		Water Pump; 1/4" - 18; Hex head
1	Pipe Plug	FP-5142549		Water Pump; 3/4" - 14 Square Head

(continued on next page)

Allis-Chalmers

48 *Wheel Tractor 6-71 In-Line (2-Valve Cyl. Head), 6-71E In-Line (4-Valve Cyl. Head), 6-71N (cont.) In-Line (4-Valve Cyl. Head) Engs. Crawler Tractor 6-71 In-Line (2-Valve Cyl. Head), 6-71E In-Line (4-Valve Cyl. Head), 6-71N In-Line (4-Valve Cyl. Head) Engs.*
7.0L 426 OHV Diesel L6 (6-71), 4.25" Bore (Detroit Diesel Eng.)

COOLING SYSTEM (cont.)

QTY	WATER PUMP (cont.)	PART NO.	SIZE	DESCRIPTION
1	Pipe Plug	FP-8924517		Water Pump; 3/8" x 18 square head
1	Expansion Plug	FP-5117186		Heat Exchanger; 2" Dia. Cup; Stainless Steel
1	Shaft & Bearing Assembly	FP-5136671		Fresh Water
1	Shaft & Bearing Assembly	FP-908337		Fresh Water
1	Governor Spring Cover Gasket	FP-8922593		Thermostat Housing Cover
1	Dowel Pin	FP-5197597		Raw Water Pump; Wear Plate Locating Pin; .184" OD x .375" Length
1	Screw	FP-114366		Raw Water Pump Cam; For Pump FP-5122599; .250" - 20 x .500"; Brass
1	Screw	FP-114366		Raw Water Pump Cam; For Pump FP-5186250; .250" - 20 x .500"; Brass
1	Screw	FP-114366		Raw Water Pump Cam; For Pumps FP-5115800, FP-5187140, FP-23507971; .250" - 20 x .500"; Brass
1	Slinger, Water Pump	FP-5114011		Fresh Water
1	Slinger, Water Pump	FP-5193676		Raw Water Pump Shaft; For Pump FP-5122599
1	Slinger, Water Pump	FP-5193676		Raw Water Pump Shaft; For Pump FP-5186250
1	Slinger, Water Pump	FP-5193676		Raw Water; For Pumps FP-5115800, FP-5187140, FP-23507971
3	Copper Washer	FP-5155596		Water Pump Mounting; 5/16"; Special copper washer
2	Washer	FP-5197310		Adhesive Washer; Fresh Water Pump; Adhesive, Ceramic Insert
1	Washer	FP-5131978		Fan Mount Support Spacer; .53" ID x 1.00" OD x .170" Thick
2	Washer	FP-5131978		Heat Exchanger; .53" ID x 1.00" OD x .170" Thick
1	Washer	FP-103325		Raw Water Pump Drive Gear; Lock washer; 5/8"
QTY	THERMOSTAT	PART NO.	SIZE	DESCRIPTION
1	Thermostat	FP-5104238		Choke & Shield Design; 173 Deg.
2	Thermostat	FP-23503828		Weir Type; 165 Deg., Weir Type
2	Thermostat	FP-23503827		160 Deg.
2	Thermostat	FP-23503826		170 Deg.
2	Thermostat	FP-5172141		170 Deg.
1	Thermostat	FP-5184475		173 Deg.
1	Thermostat Gasket	FP-5167761		Thermostat Housing
1	Thermostat Gasket	FP-5169478		Thermostat Housing
2	Thermostat Gasket	FP-5169478		Water By-Pass Tube Elbow
1	Thermostat Gasket	FP-5169478		Water Outlet Manifold Elbow
2	Thermostat Gasket	FP-5169478		Upper; Thermostat Housing
1	Thermostat Gasket	FP-5167761		Heat Exchanger
2	Exhaust Manifold Gasket	FP-5156319		Water By-Pass Tube to Exh. Manifold
QTY	MISCELLANEOUS	PART NO.	SIZE	DESCRIPTION
12	Stud	FP-8927270		Water Outlet Manifold; 3/8" - 16/24" x 1.6875"
4	Hose Clamp	FP-5186841		Heat Exchanger; Water Inlet Tube; 1 9/16" - 2.50"
6	Hose Clamp	FP-9139809		Heat Exchanger; Water Inlet Tube; 2 1/16" - 3"
4	Hose Clamp	FP-5186841		Raw Water Pump Inlet Tube; 1 9/16" - 2.50"
2	Hose Clamp	FP-5186840		Thermostat Housing; 13/16" - 1 1/2" Clamping Range
2	Hose Clamp	FP-5186840		Water By-pass Tube Connecting Hose; 13/16" - 1 1/2" Clamping Range
1	Hose Clamp	FP-9139809		Water Outlet Manifold; 2 1/16" - 3"
1	Hose Clamp	FP-5188036		Water Outlet Manifold; 2.750" Dia. Hose
2	Hose Clamp	FP-5188036		Water Pump Inlet Seal; 2.750" Dia. Hose
3	Lock Washer	FP-103320		Fan Hub Mount; 5/16"
2	Lock Washer	FP-103321		Heat Exchanger; 3/8"
4	Lock Washer	FP-103321		Thermostat Housing; 3/8"
4	Lock Washer	FP-103320		Thermostat Housing; 5/16"
2	Lock Washer	FP-103320		Water Outlet Manifold Elbow; 5/16"
12	Lock Washer	FP-103321		Water Outlet Manifold; 3/8"
2	Lock Washer	FP-103321		Inlet; Heat Exchanger; 3/8"
2	Lock Washer	FP-103321		Inlet; Heat Exchanger; 3/8"
20	Lock Washer	FP-103320		Inlet; Heat Exchanger; 5/16"
2	Lock Washer	FP-103321		Outlet; Heat Exchanger; 3/8"
1	Sealing Ring	FP-5153560		Water Pump Inlet; 2.1875" OD
1	Sealing Ring	FP-5156770		Water Pump Inlet; 2.750" OD
1	O-Ring	FP-5150191		Fresh Water Pump Outlet
2	O-Ring	FP-5167746		Heat Exchanger
1	O-Ring	FP-23514265		Raw Water Pump; For Pump FP-5122599
1	O-Ring	FP-23514265		Raw Water Pump; For Pump FP-5186250
1	O-Ring	FP-23514265		Raw Water Pump; For Pumps FP-5115800, FP-5187140, FP-23507971
2	Exhaust Manifold Gasket	FP-5156319		Heat Exchanger; Cover Plate

(continued on next page)

Wheel Tractor 6-71 In-Line (2-Valve Cyl. Head), 6-71E In-Line (4-Valve Cyl. Head), 6-71N 48 In-Line (4-Valve Cyl. Head) Engs. Crawler Tractor 6-71 In-Line (2-Valve Cyl. Head), 6-71E (cont.) In-Line (4-Valve Cyl. Head), 6-71N In-Line (4-Valve Cyl. Head) Engs. 7.0L 426 OHV Diesel L6 (6-71), 4.25" Bore (Detroit Diesel Eng.)

COOLING SYSTEM (cont.)

QTY	MISCELLANEOUS (cont.)	PART NO.	SIZE	DESCRIPTION
2	Hose Clamp	FP-5186840		Upper; Hose to Thermostat Housing; 13/16" - 1 1/2" Clamping Range
2	Oil Cooler Gasket	FP-5112401		Heat Exchanger
1	Oil Cooler Core Outer Gasket	FP-5102506		Heat Exchanger; Oil Cooler Outlet
1	Oil Cooler Cover Gasket	FP-23501591		Heat Exchanger
1	Oil Cooler Cover Gasket	FP-23501591		Heat Exchanger; Expansion Tank Cover

ENGINE BLOCK & PARTS

QTY	GASKETS	PART NO.	SIZE	DESCRIPTION
2	Flywheel Housing Gasket	FP-5150055		
1	Flywheel Housing Gasket	FP-8928967		
1	Governor Hole Gasket	FP-5123812		Flywheel Housing Vent Cover
2	Accessory Drive Gasket	FP-23515145		Flywheel Housing Large Hole Cover
2	Bolt	FP-8927580		Flywheel Housing; 3/8" - 16 x .875"
2	Washer	FP-5125108		Flywheel Housing; 7/16" x 3/4" x 1/16"
2	Lock Washer	FP-103319		Flywheel Housing; .250"
2	Copper Washer	FP-5152148		Flywheel Housing; 25/64" ID x 9/16" OD x 1/16" Thick; Copper
1	Oil Pan Gasket	FP-5150117		
4	Bolt	FP-8927580		Oil Filter; 3/8" - 16 x .875"
4	Bolt	FP-8927581		Oil Filter; 3/8" - 16 x 1"
1	Washer	FP-5177773		Filter By-pass Valve Plug; 18MM x 1.5MM
1	Washer	FP-8402777		Oil Pan Drain Plug; 18MM, Nylon
1	Washer	FP-5150568		Oil Strainer Center Stud; 7/16" x 3/4" x 1/16"; Copper
4	Lock Washer	FP-103321		Oil Filter; 3/8"
34	Lock Washer	FP-103320		Oil Pan; 5/16"
2	Lock Washer	FP-103320		Oil Pressure Regulator; 5/16"
1	Pipe Plug	FP-5115214		Oil Cooler Water Inlet; 1/2" Square Head
2	Pipe Plug	FP-8924517		Oil Cooler Water Inlet; 3/8" x 18 square head
2	Pipe Plug	FP-5121182		Oil Filter; 1/4" - 18; Hex head
1	Pipe Plug	FP-5115214		Oil Pan Drain; 1/2" Square Head
1	Pipe Plug	FP-5121182		Oil Pan Drain; 1/4" - 18; Hex head
1	Pipe Plug	FP-5142549		Oil Pan Drain; 3/4" - 14 Square Head
1	Pipe Plug	FP-8924517		Oil Pan Drain; 3/8" x 18 square head
2	Pipe Plug	FP-5115214		Oil Pan Sump; 1/2" Square Head
1	Pipe Plug	FP-5115214		Oil Pan; 1/2" Square Head
1	Pipe Plug	FP-5121182		Oil Pan; 1/4" - 18; Hex head
1	Pipe Plug	FP-8923313		Oil Pan; 3/4"
1	Pipe Plug	FP-5142549		Oil Pan; 3/4" - 14 Square Head
2	Cylinder Cover Gasket	FP-23505518		Front & Rear; Cyl. Block End Plate
1	Gasket	FP-5116357		Cyl. Block Water Hole Cover
8	Gasket	FP-23505525		Cyl. Block; 3/8" Copper
4	Hand Hole Cover Gasket	FP-5132117		
12	Copper Washer	FP-5152148		Cyl. Block; 25/64" ID x 9/16" OD x 1/16" Thick; Copper
6	Lock Washer	FP-103321		Cyl. Block; 3/8"

QTY	GASKET SETS	PART NO.	SIZE	DESCRIPTION
1	Complete Overhaul Gasket Set	FP-23512676WS		High Block; w/Seals; Compl., Incl. bi-directional front & rear crank seals; valve cover gskts. not incl.
1	Complete Overhaul Gasket Set	FP-23512676		High Block; Compl., Bi-directional front & rear crank seals not incl.; Valve cover gskts. not incl.
1	Complete Overhaul Gasket Set	FP-5192923		Low Block
1	Kit Gasket Set	FP-2601256		In Frm.; Valve cover gskts. not incl.
1	Kit Gasket Set	260-1256		In Frm.; Valve cover gskts. not incl.

QTY	CAM BEARINGS	PART NO.	SIZE	DESCRIPTION
4	Cam Brg.	FP-5111422	STD	
4	Cam Brg.	FP-5194858	10	
8	Cam Brg.	FP-5194825	20	Cam & Balance shaft brg.; .020" U/S, Unfinished; Grooved
8	Cam Brg.	FP-5111423	STD	Position Front & Rear; Cam & Balance shaft brg.; From Ser. No. 6A-57745; Grooved
5	Cam Brg.	FP-5196026	STD	Position Inter.; w/o Steel bushing in ctr. hole; Aluminum Blocks only
5	Cam Brg.	FP-5196022	STD	Position Inter.; w/Steel bushing in ctr. hole
5	Cam Brg.	FP-5196023	10	Position Inter.; w/Steel bushing in ctr. hole; .010" U/S ID
5	Cam Brg.	FP-5196024	20	Position Inter.; w/Steel bushing in ctr. hole; .020" U/S ID

QTY	OIL COOLERS & FILTERS	PART NO.	SIZE	DESCRIPTION
1	Lock Washer	FP-103321		Oil Cooler Adaptor to Block; 3/8"
2	Oil Cooler Gasket	FP-5112401		Oil Cooler Adaptor to Block

(continued on next page)

Allis-Chalmers

48 Wheel Tractor 6-71 In-Line (2-Valve Cyl. Head), 6-71E In-Line (4-Valve Cyl. Head), 6-71N (cont.) In-Line (4-Valve Cyl. Head) Engs. Crawler Tractor 6-71 In-Line (2-Valve Cyl. Head), 6-71E In-Line (4-Valve Cyl. Head), 6-71N In-Line (4-Valve Cyl. Head) Engs.
7.0L 426 OHV Diesel L6 (6-71), 4.25" Bore (Detroit Diesel Eng.)

ENGINE BLOCK & PARTS (cont.)

OIL COOLERS & FILTERS				
QTY	(cont.)	PART NO.	SIZE	DESCRIPTION
1	Oil Cooler Gasket	FP-8923223		Outer
1	Oil Cooler Core Gasket	FP-23501589		Outer
1	Gasket	FP-5575086		Oil Cooler By-pass Plug
1	Oil Cooler Core Inner Gasket	FP-5150155		
1	Oil Cooler Core Outer Gasket	FP-5102506		
2	Oil Cooler Adapter Gasket Set	FP-5150154		
1	Oil Cooler Adapter Cover Gskt	FP-5175882		Spacer
1	Oil Pump Intake Gasket	FP-5153902		Oil Cooler Housing Pad Cover; 2 1/4" B.C.
1	Copper Washer	FP-5152148		Oil Cooler Adaptor to Block; 25/64" ID x 9/16" OD x 1/16" Thick; Copper
FREEZE PLUGS				
QTY		PART NO.	SIZE	DESCRIPTION
2	Pipe Plug	FP-5115214		Cyl. Block; 1/2" Square Head
8	Pipe Plug	FP-5121182		Cyl. Block; 1/4" - 18; Hex head
9	Pipe Plug	FP-8924380		Cyl. Block; 1/8" - 27
2	Pipe Plug	FP-5142549		Cyl. Block; 3/4" - 14 Square Head
2	Pipe Plug	FP-5115214		Flywheel Housing; 1/2" Square Head
1	Pipe Plug	FP-5142549		Flywheel Housing; 3/4" - 14 Square Head
1	Pipe Plug	FP-8923847		Oil Filler; 1/4" x 18 NPTF; Square head
DIPSTICK				
QTY		PART NO.	SIZE	DESCRIPTION
1	Dipstick	FP-5115162		18.88" Length
1	Dipstick	FP-5101884		24" x 1.38"
1	Dipstick	FP-5108895		26.32" x 1.46"
1	Dipstick	FP-5146679		61" Length; Unmarked
1	Dipstick	FP-5146680		72" Length; Unmarked
MISCELLANEOUS				
QTY		PART NO.	SIZE	DESCRIPTION
6	Bolt	FP-8927581		Cyl. Block; w/Seal patch; 3/8" - 16 x 1"
6	Bolt	FP-8927581		Flywheel Housing; 3/8" - 16 x 1"
6	Bolt	FP-9410925		Flywheel Housing; 9/16" - 18 x 2.250"
6	Bolt	FP-9412015		Flywheel Housing; 9/16" - 18 x 2.500"
1	Bolt	FP-5103534		Oil Filler; 5/16" - 24 x 1/2"
2	Pipe Plug	FP-5115214		Cyl. Block; 1/2" Square Head
8	Pipe Plug	FP-5121182		Cyl. Block; 1/4" - 18; Hex head
9	Pipe Plug	FP-8924380		Cyl. Block; 1/8" - 27
2	Pipe Plug	FP-5142549		Cyl. Block; 3/4" - 14 Square Head
2	Pipe Plug	FP-5115214		Flywheel Housing; 1/2" Square Head
1	Pipe Plug	FP-5142549		Flywheel Housing; 3/4" - 14 Square Head
1	Pipe Plug	FP-8923847		Oil Filler; 1/4" x 18 NPTF; Square head
4	Gasket	FP-5178997		Cyl. Block Core Plug
6	Washer	FP-5131978		Flywheel Housing; .53" ID x 1.00" OD x .170" Thick
1	Washer	FP-5131755		Flywheel Housing; 17/32" x .88" x .1345"
6	Washer	FP-5138619		Flywheel Housing; 25/64" x 3/4" x .083"
1	Copper Washer	FP-5155596		Oil Filler; 5/16"; Special copper washer
2	Lock Washer	FP-103320		Cyl. Block; w/Lock Washer; 5/16"
16	Lock Washer	FP-103321		Flywheel Housing; 3/8"
2	Lock Washer	FP-103321		Oil Filler; 3/8"
1	Oil Filler Cap	FP-5117362		2.00" Dia.; Thermos Bottle Style
CRANKSHAFT/OIL PUMP				
CRANKSHAFT				
QTY		PART NO.	SIZE	DESCRIPTION
1	Vibration Damper	FP-8922491		Heavy Viscous
1	Vibration Damper	FP-5177763		Light Viscous
1	Bolt	FP-23501143		Crankshaft pulley; 1" - 14 X 2.750" (1.500" Hex head)
14	Washer	FP-103325		Lock washer; 5/8"
6	Lock Washer	FP-103321		3/8"
2	Woodruff Key	FP-5131724		Position Front; Crankshaft pulley; .375" x 1.250"
4	Dowel Pin	FP-141346		.1875" x .500"
SEALS - FRONT CRANK				
QTY		PART NO.	SIZE	DESCRIPTION
1	Oil Seal	FP-5115454		Single Lip; Single Lip, Std.
1	Oil Seal	FP-5143108		Submersible
1	Redi-Sleeve	99287		Shaft dia. 2.876"
1	Oil Seal Spacer	FP-23507306		2.50" ID x 2.81" Length
1	Oil Seal	455006N		
1	Oil Seal	FP-5115454		Single Lip, Std.
1	O-Ring	FP-23503769		Front Crank Spacer Seal

(continued on next page)

Wheel Tractor 6-71 In-Line (2-Valve Cyl. Head), 6-71E In-Line (4-Valve Cyl. Head), 6-71N 48 In-Line (4-Valve Cyl. Head) Engs. Crawler Tractor 6-71 In-Line (2-Valve Cyl. Head), 6-71E (cont.) In-Line (4-Valve Cyl. Head), 6-71N In-Line (4-Valve Cyl. Head) Engs. 7.0L 426 OHV Diesel L6 (6-71), 4.25" Bore (Detroit Diesel Eng.)

CRANKSHAFT/OIL PUMP (cont.)

QTY	SEALS - REAR CRANK	PART NO.	SIZE	DESCRIPTION
1	Oil Seal	FP-5127821		Double Lip; Double Lip, Std.; Shaft Dia. 4.687"
1	Oil Seal	FP-5196927		Double Lip; O/S Seal; Double Lip; O/S Shaft Dia. 4.812"
1	Oil Seal	FP-5197860		Single Lip; O/S Seal; Single lip; O/S Shaft dia. 4.812"
1	Oil Seal	FP-5114335		Single Lip; Single Lip, Std.; Shaft Dia. 4.687"
1	Oil Seal Spacer	FP-5192496		Rear Crank Spacer; Exc. Double Lip Seal
1	Oil Seal	455378H		
1	Oil Seal	FP-5114335		Single Lip, Std.; Shaft Dia. 4.687"
1	Oil Seal Kit	5460		
1	Redi-Sleeve	FP-23507225		Rear Crank Sleeve; O/S Seal only
1	Redi-Sleeve	99468		

QTY	MAIN BEARINGS	PART NO.	SIZE	DESCRIPTION
7	Plain Main Brg.	FP-5192874	STD	
7	Plain Main Brg.	FP-5192875	2	
7	Plain Main Brg.	FP-5192876	10	
7	Plain Main Brg.	FP-5192877	20	
7	Plain Main Brg.	FP-5192878	30	
7	Plain Main Brg.	FP-5193738	40	
7	Plain Main Brg.	FP-5193739	50	
1	Thrust Washer Set	FP-5159353S	STD	Position Rear
4	Thrust Washer	FP-5159353	STD	Position Rear
4	Thrust Washer	FP-5160542	5	Position Rear
4	Thrust Washer	FP-5192111	10	Position Rear

QTY	OIL PUMP	PART NO.	SIZE	DESCRIPTION
1	Pump Repair Kit	FP-5194801		
1	Inter. Shaft	FP-5153309		Oil Pump Drive; 8 31/32" Length
1	Inter. Shaft	FP-5153310		Oil Pump Driven Gear; 3 7/32" Length
1	Inter. Shaft	FP-5153146		Oil Pump Driven Gear; 5 5/32" Length
2	Oil Pump Intake Gasket	FP-5153902		Inlet Pipe; 2 1/4" B.C.
2	Bushing	FP-5153147		Oil Pump Body
4	Bushing	FP-5166840		Oil Pump Driven Gear
1	Bushing	FP-5153154		Oil Pump Shaft & Gear
1	Oil Pump Spring	FP-5155765		Oil Pump Relief Valve
1	Woodruff Key	FP-8928540		Oil Pump Drive Shaft; 1/8" x 5/8"
1	Woodruff Key	FP-8928540		Oil Pump Shaft; 1/8" x 5/8"
1	Washer	FP-5175944		Oil Pump Idler; Small
4	Lock Washer	FP-103321		Oil Pump Body; 3/8"
4	Lock Washer	FP-103320		Oil Pump Body; 5/16"
1	Gasket	FP-5156922		Oil Pump Outlet Pipe; 2 5/64" B.C.
2	Gasket	FP-105456		Oil Pump Relief Valve; 7/8" Copper
1	O-Ring	FP-5187316		Filter By-pass Valve Plug
2	Governor Hole Gasket	FP-5123812		Oil Drain Tube; Inclined Engines
1	Oil Filter Gasket	FP-1595620		Rectangular Section
1	Lo Press. Reg. Body Gasket	FP-5104381		Type No. 1, 2, 21, 23
1	Lo Press. Reg. Body Gasket	FP-5156831		Type No. 3
1	Gasket	FP-5575086		Filter By-pass Valve Plug
1	Lock Nut	FP-114498		Oil Filter Cover; 5/8" - 18, Jam Nut
1	Oil Pressure Regulator Valve	FP-5153247		Oil Pump Relief
1	Oil Filter Adapter Gasket	FP-5152413		Filter to Oil Cooler
1	Oil Filter Adapter Gasket	FP-5188028		Filter to Oil Cooler
1	Oil Pump Spring	FP-5156815		Oil Press. Regulator
1	Pipe Plug	FP-5115214		Oil Cooler Water Inlet; 1/2" Square Head
2	Pipe Plug	FP-8924517		Oil Cooler Water Inlet; 3/8" x 18 square head
2	Pipe Plug	FP-5121182		Oil Filter; 1/4" - 18; Hex head
1	Pipe Plug	FP-5115214		Oil Pan Drain; 1/2" Square Head
1	Pipe Plug	FP-5121182		Oil Pan Drain; 1/4" - 18; Hex head
1	Pipe Plug	FP-5142549		Oil Pan Drain; 3/4" - 14 Square Head
1	Pipe Plug	FP-8924517		Oil Pan Drain; 3/8" x 18 square head
2	Pipe Plug	FP-5115214		Oil Pan Sump; 1/2" Square Head
1	Pipe Plug	FP-5115214		Oil Pan; 1/2" Square Head
1	Pipe Plug	FP-5121182		Oil Pan; 1/4" - 18; Hex head
1	Pipe Plug	FP-8923313		Oil Pan; 3/4"
1	Pipe Plug	FP-5142549		Oil Pan; 3/4" - 14 Square Head

CYLINDER COMPONENTS

QTY	LINERS	PART NO.	SIZE	DESCRIPTION
6	Liner w/o Sealing Rings	FP-5102316	5	Flanged, .810" port length

(continued on next page)

Allis-Chalmers

48 Wheel Tractor 6-71 In-Line (2-Valve Cyl. Head), 6-71E In-Line (4-Valve Cyl. Head), 6-71N
(cont.) In-Line (4-Valve Cyl. Head) Engs. Crawler Tractor 6-71 In-Line (2-Valve Cyl. Head), 6-71E
In-Line (4-Valve Cyl. Head), 6-71N In-Line (4-Valve Cyl. Head) Engs.
7.0L 426 OHV Diesel L6 (6-71), 4.25" Bore (Detroit Diesel Eng.)

CYLINDER COMPONENTS (cont.)

QTY	LINERS (cont.)	PART NO.	SIZE	DESCRIPTION
6	Liner w/o Sealing Rings	FP-5102317	10	Flanged, .810" port length
6	Liner w/o Sealing Rings	FP-5102318	20	Flanged, .810" port length
6	Liner w/o Sealing Rings	FP-5102319	30	Flanged, .810" port length
6	Liner w/o Sealing Rings	FP-5107448	5	Flanged, .950" port length
6	Liner w/o Sealing Rings	FP-5107449	10	Flanged, .950" port length
6	Liner w/o Sealing Rings	FP-5107450	20	Flanged, .950" port length
6	Liner w/o Sealing Rings	FP-5193732	5	Flanged, 1.050" port length
6	Liner w/o Sealing Rings	FP-5193733	10	Flanged, 1.050" port length
6	Liner w/o Sealing Rings	FP-5193734	20	Flanged, 1.050" port length
6	Liner w/o Sealing Rings	FP-5193735	30	Flanged, 1.050" port length
6	Liner w/o Sealing Rings	FP-23504931	STD	No. 1 Bore; Flanged, .810" port length
6	Liner w/o Sealing Rings	FP-23502023	STD	No. 1 Bore; Flanged, .950" port length
6	Liner w/o Sealing Rings	FP-23502020	STD	No. 1 Bore; Flanged, 1.050" port length
6	Liner w/o Sealing Rings	FP-23504932	STD	No. 2 Bore; Flanged, .810" port length
6	Liner w/o Sealing Rings	FP-23502024	STD	No. 2 Bore; Flanged, .950" port length
6	Liner w/o Sealing Rings	FP-23502021	STD	No. 2 Bore; Flanged, 1.050" port length
6	Liner w/o Sealing Rings	FP-23504933	STD	No. 3 Bore; Flanged, .810" port length
6	Liner w/o Sealing Rings	FP-23502025	STD	No. 3 Bore; Flanged, .950" port length
6	Liner w/o Sealing Rings	FP-23502022	STD	No. 3 Bore; Flanged, 1.050" port length
6	Liner w/o Sealing Rings	FP-23504934	STD	No. 4 Bore; Flanged, .810" port length
6	Liner w/o Sealing Rings	FP-23504935	STD	No. 4 Bore; Flanged, .950" port length
6	Liner w/o Sealing Rings	FP-23504936	STD	No. 4 Bore; Flanged, 1.050" port length
6	Cylinder Kit Complete	FP-23522951	10	w/Cross Head style piston; 1.050" port length sleeve
6	Cylinder Kit Complete	FP-23522525	20	w/Cross Head style piston; 1.050" port length sleeve
6	Cylinder Kit Complete	FP-5149263	10	w/Trunk style piston; 4 Valve Head; 1.05" port length sleeve
6	Cylinder Kit Complete	FP-5149264	20	w/Trunk style piston; 4 Valve Head; 1.05" port length sleeve
6	Cylinder Kit Complete	FP-20022	STD	No. 1 Bore; w/Cross Head style piston
6	Cylinder Kit Complete	FP-20014	STD	No. 1 Bore; w/Trunk style piston; 2 Valve Head
6	Cylinder Kit Complete	FP-20011	STD	No. 1 Bore; w/Trunk style piston; 4 Valve Head; 1.05" port length sleeve
6	Cylinder Kit Complete	FP-23522949	STD	No. 2 Bore; w/Cross Head style piston; 1.050" port length sleeve
6	Cylinder Kit Complete	FP-23505308	STD	No. 2 Bore; w/Trunk style piston; 2 Valve Head; .810" port length sleeve
6	Cylinder Kit Complete	FP-23505305	STD	No. 2 Bore; w/Trunk style piston; 4 Valve Head; 1.05" port length sleeve
6	Cylinder Kit Complete	FP-23522947	STD	No. 3 Bore; w/Cross Head style piston; 1.050" port length sleeve
6	Cylinder Kit Complete	FP-23505309	STD	No. 3 Bore; w/Trunk style piston; 2 Valve Head
6	Cylinder Kit Complete	FP-23505306	STD	No. 3 Bore; w/Trunk style piston; 4 Valve Head; 1.05" port length sleeve
6	Cylinder Kit Complete	FP-23522521	STD	No. 4 Bore; w/Cross Head style piston; 1.050" port length sleeve
6	Cylinder Kit Complete	FP-5149261	STD	No. 4 Bore; w/Trunk style piston; 4 Valve Head; 1.05" port length sleeve
6	Liner Kit w/o Sleeve	FP-LCK22507		w/Cross Head style piston
6	Liner Kit w/o Sleeve	FP-LCK22949		w/Cross Head style piston
6	Liner Kit w/o Sleeve	FP-LCK5309		w/Trunk style piston; 2 Valve Head
6	Liner Kit w/o Sleeve	FP-LCK5306		w/Trunk style piston; 4 Valve Head
6	Flange Shim	FP-5199569	2	High Block; .002" Thick
6	Flange Shim	FP-2190595	.0015	Low Block; .002" Thick
6	Flange Shim	FP-5192226	3	Low Block; .003" Thick
6	Cntr. Bore Insert	FP-5199871		.0015" Thicker than std., for .010-.030 O/S sleeves
6	Cntr. Bore Insert	FP-5148399		.0015" Thicker than std., for std.-.005 O/S sleeves
6	Cntr. Bore Insert	FP-5148440		.0015" Thinner than std., for std.-.005 O/S sleeves
6	Cntr. Bore Insert	FP-CLR81008		.0030" Thicker than std., for .010-.030 O/S sleeves
6	Cntr. Bore Insert	FP-5194073		.0035 Thinner than std., for std.-.005 O/S sleeves
6	Cntr. Bore Insert	FP-5194163		.0040 Thinner than std., for .010-.030 O/S sleeves
6	Cntr. Bore Insert	FP-5194164		.0080" Thinner than std., for .010-.030 O/S sleeves
6	Cntr. Bore Insert	FP-5193316		Std. thickness (.1795-.1800), for .010-.030 O/S sleeves
6	Cntr. Bore Insert	FP-5184484		Std. thickness (.1795-.1800), for std.-.005 O/S sleeves
QTY	PISTONS	PART NO.	SIZE	DESCRIPTION
6	Piston With Retainers	FP-5189054	STD	17.5:1 C.R.; Trunk style piston; 2 Valve Head; Dish Head, Cast Iron; 4-1/8, 2-3/16 Ring Groove
6	Piston With Retainers	FP-5149234	STD	18.7:1 C.R.; Trunk style piston; 4 Valve Head
6	Piston Dome Kit	FP-23522475		17.0:1 C.R.; w/Cross Head style piston
6	Piston Dome Kit	FP-23522535		18.7:1 C.R.; w/Cross Head style piston
6	Crosshead Piston Dome	FP-23521992	STD	17.0:1 C.R.; Cross Head style piston
6	Crosshead Piston Dome	FP-23522026	STD	18.7:1 C.R.; w/Cross Head style piston
6	Piston Skirt	FP-23522070	STD	w/Cross Head style piston

(continued on next page)

Wheel Tractor 6-71 In-Line (2-Valve Cyl. Head), 6-71E In-Line (4-Valve Cyl. Head), 6-71N 48 In-Line (4-Valve Cyl. Head) Engs. Crawler Tractor 6-71 In-Line (2-Valve Cyl. Head), 6-71E (cont.) In-Line (4-Valve Cyl. Head), 6-71N In-Line (4-Valve Cyl. Head) Engs. 7.0L 426 OHV Diesel L6 (6-71), 4.25" Bore (Detroit Diesel Eng.)

CYLINDER COMPONENTS (cont.)

QTY	PISTONS (cont.)	PART NO.	SIZE	DESCRIPTION
6	Pin	FP-5101120	STD	w/Cross Head style piston
6	Pin	FP-5144744	STD	w/Cross Head style piston; Nut plate type
6	Pin	FP-5188406	STD	w/Trunk style piston
12	Piston Pin Retainer	FP-5180250		w/Cross Head style piston
12	Piston Pin Retainer	FP-5188405		w/Trunk style piston
6	Piston Pin Slipper Bearing	FP-23501687		w/Cross Head style piston; Slipper type design - 1 per cyl.
6	Pin Bushing	FP-5157274		w/Trunk style piston; w/.015" extra ID bore stock
6	Pin Bushing	FP-2409Y		w/1.5020" I.D., 1.7510" O.D., .7600" O.A.L.
6	Pin Bushing	2409Y +		w/1.5020" I.D., 1.7510" O.D., .7600" O.A.L.; When depleted use FP-2409Y
QTY	CONNECTING RODS & BRGS.	PART NO.	SIZE	DESCRIPTION
12	Con. Rod Bolt	FP-5132383		.4375" x 20 x 3.52"
12	Con. Rod Nut	FP-5117629		.4375" x 20
6	Rod Pair	FP-23511129	STD	Late design-upper brg. w/2 oil slots
6	Rod Pair	FP-23511131	2	Late design-upper brg. w/2 oil slots
6	Rod Pair	FP-23511133	10	Late design-upper brg. w/2 oil slots
6	Rod Pair	FP-23511135	20	Late design-upper brg. w/2 oil slots
6	Rod Pair	FP-23511137	30	Late design-upper brg. w/2 oil slots
6	Rod Pair	FP-5193741	40	Late design-upper brg. w/2 oil slots
QTY	PISTON RINGS	PART NO.	SIZE	DESCRIPTION
6	Ring Set Single Cylinder	FP-5193477	STD	4-1/8, 2-3/16 (1 cyl. set w/4 Chrome rings)
CLUTCH				
QTY	CLUTCH	PART NO.	SIZE	DESCRIPTION
1	Ball Brg.	FP-23503707		Clutch Pilot
1	Ball Brg.	FP-23503709		Clutch Pilot
1	Ball Brg.	FP-23504892		Clutch Pilot

Combine 670HI, 670I, 670T Engs. Wheel Tractor 670T Eng. 49 7.0L 426 Turbo-Diesel L6 (3500 ENG.), 4.25" Bore

CYL. HEAD & PARTS

QTY	VALVE	PART NO.	SIZE	DESCRIPTION
6	Intake	FP-V2216		1.8390" Head Dia., .3718" Stem Dia., 6.0160" O.A.L.
6	Intake	V-2216 + Std Only		1.8390" Head Dia., .3718" Stem Dia., 6.0160" O.A.L.; When depleted use FP-V2216
6	Exhaust	FP-V2215X		1.6496" Head Dia., .3709" Stem Dia., 6.0157" O.A.L.
6	Exhaust	V-2215X + Std Only		1.6496" Head Dia., .3709" Stem Dia., 6.0157" O.A.L.; When depleted use FP-V2215X
24	Keeper	VK-138R		1 groove; Square cut key groove; Hardened
QTY	VALVE SEAT	PART NO.	SIZE	DESCRIPTION
6	Exh.	FP-24516701		1.6700" OD, 1.4220" ID, .3020" Depth
6	Exh.	245-1670-1 + Std Only		1.6700" OD, 1.4220" ID, .3020" Depth; When depleted use FP-24516701
6	Int.	FP-24518141		1.8140" OD, 1.6070" ID, .3160" Depth
6	Int.	245-1814-1 + Std Only		1.8140" OD, 1.6070" ID, .3160" Depth; When depleted use FP-24518141
QTY	VALVE GUIDE	PART NO.	SIZE	DESCRIPTION
12	Guide	FP-VG738		.3740" ID, 2.8800" O.A.L.
12	Guide	VG-738 +		.3740" ID, 2.8800" O.A.L.; When depleted use FP-VG738
QTY	VALVE SPRING	PART NO.	SIZE	DESCRIPTION
12	Spring	FP-VS856		2.8600" Free Height
12	Spring	VS-856 +		2.8600" Free Height; When depleted use FP-VS856

ENGINE BLOCK & PARTS

QTY	GASKET SETS	PART NO.	SIZE	DESCRIPTION
1	Kit Gasket Set	FP-2601337		Compl., Incl. RMB seal & wear sleeve
1	Kit Gasket Set	260-1337 +		Compl., Incl. RMB seal & wear sleeve; When depleted use FP-2601337
QTY	CAM BEARINGS	PART NO.	SIZE	DESCRIPTION
1	Cam Set	FP-1428M	Std Only	
1	Cam Set	1428M + Std Only		When depleted use FP-1428M

(continued on next page)

Allis-Chalmers

49 Combine 670HI, 670I, 670T Engs. Wheel Tractor 670T Eng. (cont.) 7.0L 426 Turbo-Diesel L6 (3500 ENG.), 4.25" Bore

CRANKSHAFT/OIL PUMP				
QTY	SEALS - FRONT CRANK	PART NO.	SIZE	DESCRIPTION
1	Oil Seal	7568		
QTY	SEALS - REAR CRANK	PART NO.	SIZE	DESCRIPTION
1	Redi-Sleeve	99549		
QTY	MAIN BEARINGS	PART NO.	SIZE	DESCRIPTION
1	Main Set	FP-5062M	Std Only	w/oil slot
1	Main Set	5062M +	Std Only	w/oil slot; When depleted use FP-5062M
CYLINDER COMPONENTS				
QTY	LINERS	PART NO.	SIZE	DESCRIPTION
6	Liner w/Sealing Rings	FP-SO2584G	Std Only	Incl. (2) FP-675774 (upper & middle) & (1) FP-SLR2281 (lower) sealing rings.
6	Liner w/Sealing Rings	SO-2584G +	Std Only	Incl. (2) SLR-2023 (upper & middle) & (1) SLR-2281 (lower) sealing rings.; When depleted use FP-SO2584G
6	Sleeve Assy.	FP-SL2730G	Std Only	Contains piston w/1.750" pin dia.; O.E. Assembly No. 4062633.
6	Sleeve Assy.	SL-2730G +	Std Only	Contains piston w/1.750" pin dia.; O.E. Assembly No. 4062633.; When depleted use FP-SL2730G
QTY	CONNECTING RODS & BRGS.	PART NO.	SIZE	DESCRIPTION
6	Rod Pair	FP-3470CPA	Std-10-20-30	
6	Rod Pair	3470CPA +	Std-10-20-30	When depleted use FP-3470CPA
KITS				
QTY	OVERHAUL KIT	PART NO.	SIZE	DESCRIPTION
1	Tractor Overhaul Kit	FP-KST2730A		W/1.750" piston pin dia.; Main brgs. w/oil slot.

50 Grader 685T, 10000, 11000 (Mark II) Engs. Wheel Tractor 10000, 11000 (Mark II) Engs. Crawler Tractor 685T, 10000, 11000 (Mark II) Engs.. Wheel Loader 685T, 10000, 11000 (Mark II) Engs. 8.5L 516 Diesel L6, 4.4375" Bore

CYLINDER COMPONENTS				
QTY	LINERS	PART NO.	SIZE	DESCRIPTION
6	Liner w/Sealing Rings	FP-SO2693G	Std Only	Incl. (1) FP-SLR2693 (upper), (1) FP-SLR2694 (middle) & (1) SLR-2293 (lower) sealing rings.
6	Liner w/Sealing Rings	SO-2693G +	Std Only	Incl. (1) SLR-2693 (upper), (1) SLR-2694 (middle) & (1) SLR-2293 (lower) sealing rings.; When depleted use FP-SO2693G
6	Sleeve Assy.	FP-SL2693G	Std Only	Incl. deep cup piston
6	Sleeve Assy.	SL-2693G +	Std Only	Incl. deep cup piston; When depleted use FP-SL2693G
6	Sleeve Assy.	FP-SL2694G	Std Only	Incl. shallow cup piston
6	Sleeve Assy.	SL-2694G +	Std Only	Incl. shallow cup piston; When depleted use FP-SL2694G
QTY	PISTONS	PART NO.	SIZE	DESCRIPTION
6	Cast Piston	FP-2693PN	Std Only	Cast; 1-3/32", 2-1/8", 1-1/4" Ring Groove, 3.609" CD, 1.6270" Pin Dia., Deep Cup 1.182" deep x 2.260" dia.; Repl. O.E. No. 4358745
6	Cast Piston	2693PN +	Std Only	Cast; 1-3/32", 2-1/8", 1-1/4" Ring Groove, 3.609" CD, 1.6270" Pin Dia., Deep Cup 1.182" deep x 2.260" dia.; Repl. O.E. No. 4358745; When depleted use FP-2693PN
6	Cast Piston	FP-2694PN	Std Only	Cast; 3-1/8", 1-1/4" Ring Groove, 3.609" CD, 1.6270" Pin Dia., Recessed Head .735" deep x 3.000" dia.; Repl. O.E. No. 4321347
6	Cast Piston	2694PN +	Std Only	Cast; 3-1/8", 1-1/4" Ring Groove, 3.609" CD, 1.6270" Pin Dia., Recessed Head .735" deep x 3.000" dia.; Repl. O.E. No. 4321347; When depleted use FP-2694PN
QTY	CONNECTING RODS & BRGS.	PART NO.	SIZE	DESCRIPTION
6	Rod Pair	FP-2450CPA	Std Only	W/Oil hole
6	Rod Pair	2450CPA +	Std Only	W/Oil hole; When depleted use FP-2450CPA
QTY	PISTON RINGS	PART NO.	SIZE	DESCRIPTION
6	Premium Set	FP-10380KX	Std Only	For use w/shallow cup piston; 3-1/8, 1-1/4 (1 cyl. set)
6	Premium Set	10380KX +	Std Only	For use w/shallow cup piston; 3-1/8, 1-1/4 (1 cyl. set); When depleted use FP-10380KX

Grader HD516 Eng. Crawler Tractor HD516 Eng. 51
8.5L 516 Diesel L6, 4.4375" Bore (Buda Eng.)

CYL. HEAD & PARTS

QTY	VALVE	PART NO.	SIZE	DESCRIPTION
24	Keeper	VK-138R		1 groove; Square cut key groove; Hardened
CYLINDER COMPONENTS				
QTY	CONNECTING RODS & BRGS.	PART NO.	SIZE	DESCRIPTION
6	Rod Pair	FP-2450CPA	Std Only	W/Oil hole
6	Rod Pair	2450CPA +	Std Only	W/Oil hole; When depleted use FP-2450CPA
QTY	PISTON RINGS	PART NO.	SIZE	DESCRIPTION
1	Premium Set	FP-960KX	Std Only	1-3/32, 2-1/8, 2-3/16
1	Premium Set	960KX +	Std Only	1-3/32, 2-1/8, 2-3/16; When depleted use FP-960KX

Wheel Tractor V555, V555-C Eng. 52
9.1L 555 OHV Diesel V8, 4.625" Bore (Cummins Eng.)

CYL. HEAD & PARTS

QTY	GASKETS	PART NO.	SIZE	DESCRIPTION
1	Head Set	FP-AR63520		Upper; Incl. Big Cam & Small Cam Eng.
QTY	VALVE	PART NO.	SIZE	DESCRIPTION
16	Intake	FP-V1957		Use w/VK-138 old style keeper; O.E. No. 166774; 1.6050" Head Dia., .3788" Stem Dia., 5.5650" O.A.L.
16	Intake	V-1957 +	Std Only	Use w/VK-138 old style keeper; O.E. No. 166774; 1.6050" Head Dia., .3788" Stem Dia., 5.5650" O.A.L.; When depleted use FP-V1957
16	Exhaust	FP-3275356		Use w/FP-3275354 late style keeper; 1.6050" Head Dia., .3788" Stem Dia., 5.5650" O.A.L.
32	Valve Kit, Intake & Exhaust	FP-3275779		Exh. & Int.; V-555; Contains (1) FP-3275356 Valve & (2) FP-3275354 Keepers; 1.610" Head Dia., 5.570" O.A.L.
64	Keeper	VK-138		Exh. & Int.; Use w/V-1957 valve; 1 groove; Square cut key groove
64	Keeper	VK-138R		Exh. & Int.; Use w/V-1957 valve; 1 groove; Square cut key groove; Hardened
64	Keeper	FP-3275354		Exh. & Int.; V-555
64	Keeper	FP-166772		Exh. & Int.; V-555; Early Lock For Valve 166774; Do not use with Current Valve FP-3275356.
64	Keeper, Bulk	VK-138B		Exh. & Int.; Use w/V-1957 valve; 1 groove; Square cut key groove; Carton of 1000
QTY	VALVE SEAT	PART NO.	SIZE	DESCRIPTION
1	Exh.	FP-154390	STD	V-555
1	Int.	FP-195000	STD	V-555
QTY	VALVE GUIDE	PART NO.	SIZE	DESCRIPTION
32	Guide	FP-3278173		Exh. & Int.; .3820" ID, 2.5000" O.A.L.
QTY	VALVE SPRING	PART NO.	SIZE	DESCRIPTION
32	Spring	FP-163037		Exh. & Int.
QTY	VALVE SEAL	PART NO.	SIZE	DESCRIPTION
32	Valve Stem Seal	FP-156541		Exh. & Int.; Installation requires valve guide machining; Polyacrylate

CAMSHAFT GROUP

QTY	CAMSHAFT/LIFTER	PART NO.	SIZE	DESCRIPTION
1	Camshaft	FP-3277462		V-555; Small Cam; CPL's 5005, 5011, 5025, 5027.; Cam is cross drilled and will work with either cross-drilled or non-grooved bushing. Replaces O.E. Nos. 201050 & 3277462.
1	Prelube	55-400		4 oz. bottle; 1.5 oz. packet No. 55-403 also avail.

COOLING SYSTEM

QTY	SEALS - FAN HUB	PART NO.	SIZE	DESCRIPTION
1	Oil Seal	39835		
1	Redi-Sleeve	99181		
QTY	THERMOSTAT	PART NO.	SIZE	DESCRIPTION
1	Oil Seal	39821		

ENGINE BLOCK & PARTS

QTY	GASKET SETS	PART NO.	SIZE	DESCRIPTION
1	Gasket Conversion Set	FP-3801659		Lower; Incl. Big Cam & Small Cam Eng.
1	Kit Gasket Set	FP-2601625		Compl., Incl. Big Cam & Small Cam Eng.
1	Kit Gasket Set	260-1625		Compl., Incl. Big Cam & Small Cam Eng.
QTY	CAM BEARINGS	PART NO.	SIZE	DESCRIPTION
1	Cam Set	FP-1753M	Std Only	

(continued on next page)
+ Superseded Part Number

Allis-Chalmers

52 Wheel Tractor V555, V555-C Engs. (cont.) 9.1L 555 OHV Diesel V8, 4.625" Bore (Cummins Eng.)

ENGINE BLOCK & PARTS (cont.)				
QTY	CAM BEARINGS (cont.)	PART NO.	SIZE	DESCRIPTION
1	Cam Set	1753M + Std Only		When depleted use FP-1753M
QTY	OIL COOLERS & FILTERS	PART NO.	SIZE	DESCRIPTION
1	Oil Cooler	FP-173287		8.000" X 5.000" tube bundle
2	Snap Ring	FP-3006745		
CRANKSHAFT/OIL PUMP				
QTY	SEALS - FRONT CRANK	PART NO.	SIZE	DESCRIPTION
1	Redi-Sleeve	99311		
1	Oil Seal	39809		
QTY	SEALS - REAR CRANK	PART NO.	SIZE	DESCRIPTION
1	Oil Seal	39837		
1	Redi-Sleeve	99372		
QTY	MAIN BEARINGS	PART NO.	SIZE	DESCRIPTION
1	Main Set	FP-BM99820	STD	
1	Main Set	FP-BM99821	10	
1	Main Set	FP-BM99822	20	
1	Main Set	FP-BM99823	30	
CYLINDER COMPONENTS				
QTY	PISTONS	PART NO.	SIZE	DESCRIPTION
8	Piston Kit w/Pin & Retainers	FP-3275949	STD	Cast
8	Pin Bushing	FP-555420		
QTY	CONNECTING RODS & BRGS.	PART NO.	SIZE	DESCRIPTION
8	Rod Pair	FP-556350PR	STD	
8	Rod Pair	FP-556351PR	10	
8	Rod Pair	FP-556352PR	20	
8	Rod Pair	FP-556353PR	30	
QTY	PISTON RINGS	PART NO.	SIZE	DESCRIPTION
8	Ring Set Single Cylinder	FP-3278723	STD	1-1/8, 1-3/32, 1-7/64 (1 cyl. set)
KITS				
QTY	OVERHAUL KIT	PART NO.	SIZE	DESCRIPTION
1	Complete Overhaul Kit	KS2-2506A		
1	Complete Overhaul Kit	FP-555PREM		Premium; With Front & Rear Seals and Upper & Lower Gasket Sets

53 Crawler Tractor 6-110 (2-Valve or 4-Valve Cyl. Head) Eng. 10.8L 660 OHV Diesel L6, 5" Bore (Detroit Diesel Eng.)

CYL. HEAD & PARTS				
QTY	VALVE	PART NO.	SIZE	DESCRIPTION
24	Keeper	VK-138		Use w/2-valve cyl. head; 1 groove; Square cut key groove
24	Keeper	VK-138R		Use w/2-valve cyl. head; 1 groove; Square cut key groove; Hardened
48	Keeper	FP-VK144		Use w/4-valve cyl. head; 1 groove; Square cut key groove
48	Keeper	VK-144R		4-valve cyl. head; 1 groove; Square cut key groove; Hardened
24	Keeper, Bulk	VK-138B		Use w/2-valve cyl. head; 1 groove; Square cut key groove; Carton of 1000
48	Keeper, Bulk	FP-VK144B		Use w/4-valve cyl. head; 1 groove; Square cut key groove; Carton of 1000
QTY	VALVE SEAL	PART NO.	SIZE	DESCRIPTION
12	Valve Stem Seal	ST-2004		Exh.; 2-valve cyl. head; Positive type; Installation requires valve guide machining; Rubber/PTFE
24	Valve Stem Seal	FP-ST2005		Exh.; 4-valve cyl. head; Positive type; Installation requires valve guide machining; Rubber/PTFE
12	Valve Stem Seal Bulk	ST-2004BC		Exh.; 2-valve cyl. head; Positive type; Installation requires valve guide machining; Carton of 100; Rubber/PTFE
ACCESSORY DRIVE				
QTY	ACCESSORY DRIVE	PART NO.	SIZE	DESCRIPTION
1	Oil Seal	470625		
1	Redi-Sleeve	99150		
CRANKSHAFT/OIL PUMP				
QTY	SEALS - FRONT CRANK	PART NO.	SIZE	DESCRIPTION
1	Redi-Sleeve	99287		Shaft dia. 2.876"

(continued on next page)

Crawler Tractor 6-110 (2-Valve or 4-Valve Cyl. Head) Eng. 53
10.8L 660 OHV Diesel L6, 5" Bore (Detroit Diesel Eng.) (cont.)

CRANKSHAFT/OIL PUMP (cont.)

QTY	SEALS - FRONT CRANK (cont.)	PART NO.	SIZE	DESCRIPTION
1	Oil Seal	455006N		
1	Oil Seal	FP-5115454		Single Lip, Std.
QTY	SEALS - REAR CRANK	PART NO.	SIZE	DESCRIPTION
1	Oil Seal	455378H		
1	Oil Seal	FP-5114335		Single Lip, Std.; Shaft Dia. 4.687"
1	Oil Seal Kit	5460		
1	Redi-Sleeve	99468		

Wheel Tractor HR6, NHS Eng. 54
12.2L 743 OHV Diesel L6, 5.125" Bore (Cummins Eng.)

CYL. HEAD & PARTS

QTY	VALVE	PART NO.	SIZE	DESCRIPTION
1	Exhaust Keeper	FP-144911		NHS Eng. only; 1.7400" Head Dia., 7.0600" O.A.L.
48	Exhaust Keeper	FP-S2037		NHS Eng. only
QTY	VALVE GUIDE	PART NO.	SIZE	DESCRIPTION
12	Guide	FP-105984		HR6 Eng. only; Plain ID; .500" ID, 3.66" OAL
24	Guide	FP-66890		NHS Eng. only; Threaded ID; .405" ID, 3.44" OAL
QTY	VALVE SPRING	PART NO.	SIZE	DESCRIPTION
24	Spring	FP-111446		NHS Eng. only

CAMSHAFT GROUP

QTY	CAMSHAFT/LIFTER	PART NO.	SIZE	DESCRIPTION
1	Camshaft	FP-3801030		HR6 Exc. NHS engs.; Late style; w/.750" Keyway, replaces O.E. 129860 & 3801030; If camshaft being replaced has 1" keyway, contact Cummins dealer for replacement key

ACCESSORY DRIVE

QTY	ACCESSORY DRIVE	PART NO.	SIZE	DESCRIPTION
1	Oil Seal	39302		
1	Wear Sleeve	J1396		Wear Sleeve

COOLING SYSTEM

QTY	WATER PUMP	PART NO.	SIZE	DESCRIPTION
1	Oil Seal	473010N		
QTY	SEALS - FAN HUB	PART NO.	SIZE	DESCRIPTION
1	Oil Seal	39835		inner
1	Oil Seal	39877		outer
1	Redi-Sleeve	99181		inner
QTY	THERMOSTAT	PART NO.	SIZE	DESCRIPTION
1	Oil Seal	39821		

ENGINE BLOCK & PARTS

QTY	CAM BEARINGS	PART NO.	SIZE	DESCRIPTION
1	Cam Set	FP-BM27253	STD	
QTY	OIL COOLERS & FILTERS	PART NO.	SIZE	DESCRIPTION
1	Oil Cooler	FP-110848		6.500" X 4.000" tube bundle

CRANKSHAFT/OIL PUMP

QTY	SEALS - FRONT CRANK	PART NO.	SIZE	DESCRIPTION
1	Redi-Sleeve	99363		
1	Oil Seal	39813		
QTY	SEALS - REAR CRANK	PART NO.	SIZE	DESCRIPTION
1	Oil Seal	39703		
1	Oil Seal	39807		(w/6.000" Shaft)
1	Oil Seal	39823		(Wet Clutch)
1	Redi-Sleeve	99363		
1	Redi-Sleeve	99599		(w/ 6.000" Shaft)
1	Redi-Sleeve	99599		(Wet Clutch)
QTY	MAIN BEARINGS	PART NO.	SIZE	DESCRIPTION
1	Main Set	FP-3801260	STD	W/Partial groove brgs.; Incl. thrust washers
1	Main Set	FP-3801261	10	W/Partial groove brgs.; Incl. thrust washers
1	Main Set	FP-3801262	20	W/Partial groove brgs.; Incl. thrust washers
1	Main Set	FP-3801263	30	W/Partial groove brgs.; Incl. thrust washers
2	Thrust Washer	FP-3067568	STD	Position 7

(continued on next page)

Allis-Chalmers

54 Wheel Tractor HR6, NHS Engs. (cont.) 12.2L 743 OHV Diesel L6, 5.125" Bore (Cummins Eng.)

CYLINDER COMPONENTS				
QTY	LINERS	PART NO.	SIZE	DESCRIPTION
6	Liner w/o Sealing Rings	FP-184400		
6	Cylinder Kit Complete	FP-AR7375	STD	HR6 Eng. only; 15.5:1 C.R.
6	Cylinder Kit Complete	FP-AR7399	STD	NHS Eng. only
QTY	PISTONS	PART NO.	SIZE	DESCRIPTION
6	Piston Body w/o Pin	FP-200680		HR6 Eng. only; 15.5:1 C.R.; 15.5:1 C.R.
6	Piston Body w/o Pin	FP-200710		NHS Eng. only; 14.0:1 C.R.
6	Piston Kit w/Pin & Retainers	FP-AR7420		HR6 Eng. only; 15.5:1 C.R.
6	Piston Kit w/Pin & Retainers	FP-AR7440		NHS Eng. only
6	Pin	FP-203070		1.9989" Dia.
12	Piston Pin Retainer	FP-175755		
12	Pin Bushing	FP-43067		HR6, NHS Engs.; 2 Req'd. per rod; Straight rod bushing; 1.03" Width; 2 req'd. per rod
6	Pin Bushing	FP-187420		NHS Eng. only; 1 piece bushing; 2.20" Width
QTY	CONNECTING RODS & BRGS.	PART NO.	SIZE	DESCRIPTION
6	Rod Pair	FP-203670PR	STD	
6	Rod Pair	FP-203671PR	10	
6	Rod Pair	FP-203672PR	20	
6	Rod Pair	FP-203673PR	30	
QTY	PISTON RINGS	PART NO.	SIZE	DESCRIPTION
6	Ring Set Single Cylinder	FP-AR12098	STD	

55 Grader 21000 Eng. Scraper 25000 Eng. Wheel Tractor 16000, 21000 Engs. Crawler Tractor 25000 Eng. Wheel Loader 25000 Eng. 13.8L 844 Diesel L6, 5.25" Bore

CYLINDER COMPONENTS				
QTY	PISTONS	PART NO.	SIZE	DESCRIPTION
6	Pin Bushing	FP-3379Y20		Late Engs.
6	Pin Bushing	3379Y20 +		Late Engs.; When depleted use FP-3379Y20
QTY	CONNECTING RODS & BRGS.	PART NO.	SIZE	DESCRIPTION
6	Rod Pair	FP-1650CP	Std Only	Early Engs.; w/thin wall brgs. & 3.307" shaft dia.
6	Rod Pair	1650CP +	Std Only	Early Engs.; w/thin wall brgs. & 3.307" shaft dia.; When depleted use FP-1650CP
QTY	PISTON RINGS	PART NO.	SIZE	DESCRIPTION
6	Premium Set	A-9171KX	Std Only	3-1/8, 1-1/4 (1 cyl. set)
6	Premium Set	FP-A9171KX	Std Only	3-1/8, 1-1/4 (1 cyl. set)

Bendix-Westinghouse

Engine Finding Index					
Engine	Line No.	Engine	Line No.		
10 OHV L2 2.0625" Bore.....	1	19 OHV L3 2.1875" Bore.....	5		
13.2 OHV L2 2.7813" Bore.....	2	.3L 20 OHV L2 2.75" Bore.....	6		
16.2 OHV L2 2.625" Bore.....	3	21.5 OHV L2 2.75" Bore.....	7		
17 OHV L2 2.5" Bore.....	4				
Model Index					
Model	Engine Description	Line No.	Model	Engine Description	Line No.
F-12 ... Compressors.....	17 OHV L2 2.5" Bore.....	4	TU-FLO 600 ...		
TU-FLO 400 ...			Compressors.....	21.5 OHV L2 2.75" Bore.....	7
Compressors.....	10 OHV L2 2.0625" Bore.....	1	TU-FLO 700 ...		
TU-FLO 500 ...			Compressors.....	21.5 OHV L2 2.75" Bore.....	7
Compressors.....	17 OHV L2 2.5" Bore.....	4	Type E ... Compressors.....	17 OHV L2 2.5" Bore.....	4
TU-FLO 501 ...			1400 ... Compressors	21.5 OHV L2 2.75" Bore.....	7
Compressors.....	16.2 OHV L2 2.625" Bore.....	3	2U-7 1/4 ... Compressors	10 OHV L2 2.0625" Bore.....	1
TU-FLO 550 ...			3U12 ... Compressors.....	19 OHV L3 2.1875" Bore.....	5
Compressors.....	13.2 OHV L2 2.7813" Bore.....	2	501 ... Compressors	16.2 OHV L2 2.625" Bore.....	3
TU-FLO 600 ...					
Compressors.....	.3L 20 OHV L2 2.75" Bore.....	6			

Bendix-Westinghouse

<i>Compressors Tu-Flo 400, 2U-7 1/4 Engs. 1</i> 10 OHV L2, 2.0625" Bore				
CRANKSHAFT/OIL PUMP				
QTY	MAIN BEARINGS	PART NO.	SIZE	DESCRIPTION
2	Plain Main Brg.	FP-2571CAW	<i>Std Only</i>	Position Front & Rear; From 1959; O.E. No. 240580; 1.5010" OD
1	Ball Brg.	208		Position Front; To 1958 - inner ball bearing
1	Ball Brg.	306-S		Position Front; To 1958 - outer ball bearing
2	Ball Brg.	1207		Position Front & Rear; From 1959 - ball bearing
1	Ball Brg.	207-L		Position Rear; To 1958 - ball bearing
CYLINDER COMPONENTS				
QTY	CONNECTING RODS & BRGS.	PART NO.	SIZE	DESCRIPTION
2	Rod Pair	FP-2575SB	<i>Std-10-20-30</i>	From 1959
2	Rod Pair	2575SB +	<i>Std-10-20-30</i>	From 1959; When depleted use FP-2575SB
2	Rod Pair	FP-2565SB	<i>Std-10</i>	To 1958
2	Rod Pair	2565SB +	<i>Std-10</i>	To 1958; When depleted use FP-2565SB
QTY	PISTON RINGS	PART NO.	SIZE	DESCRIPTION
1	Standard Set	FP-7401X	<i>Std-10-20-30</i>	TU-FLO 400; 2-1/8, 2-1/8
1	Standard Set	7401X +	<i>Std-10-20-30</i>	TU-FLO 400; 2-1/8, 2-1/8; When depleted use FP-7401X
1	Standard Set	FP-5020X	<i>Std-10-20-30</i>	2U-7 1/4; 2-1/8, 2-1/8
1	Standard Set	5020X +	<i>Std-10-20-30</i>	2U-7 1/4; 2-1/8, 2-1/8; When depleted use FP-5020X
<i>Compressors Tu-Flo 550 Engs. 2</i> 13.2 OHV L2, 2.7813" Bore				
CYL. HEAD & PARTS				
QTY	GASKETS	PART NO.	SIZE	DESCRIPTION
1	Gasket	FP-4P3977		
CRANKSHAFT/OIL PUMP				
QTY	MAIN BEARINGS	PART NO.	SIZE	DESCRIPTION
2	Plain Main Brg.	FP-2573CAW *	<i>STD</i>	Position Front & Rear; 2.9950" OD
2	Plain Main Brg.	FP-2573CAW10 *	<i>10</i>	Position Front & Rear; 2.9950" OD
CYLINDER COMPONENTS				
QTY	CONNECTING RODS & BRGS.	PART NO.	SIZE	DESCRIPTION
2	Rod Pair	FP-2570SA	<i>Std-10-20-30</i>	
2	Rod Pair	FP-2570SA10	<i>Std-10-20-30</i>	
2	Rod Pair	FP-2570SA20	<i>Std-10-20-30</i>	
2	Rod Pair	FP-2570SA30	<i>Std-10-20-30</i>	
QTY	PISTON RINGS	PART NO.	SIZE	DESCRIPTION
2	Ring Set Single Cylinder	FP-7E8925	<i>STD</i>	
2	Ring Set Single Cylinder	FP-7E892510	<i>10</i>	2-3/16, 1-3/16
2	Ring Set Single Cylinder	FP-7E892520	<i>20</i>	2-3/16, 1-3/16
2	Ring Set Single Cylinder	FP-7E892530	<i>30</i>	2-3/16, 1-3/16
<i>Compressors Tu-Flo 501, 501 Engs. 3</i> 16.2 OHV L2, 2.625" Bore				
CRANKSHAFT/OIL PUMP				
QTY	MAIN BEARINGS	PART NO.	SIZE	DESCRIPTION
1	Plain Main Brg.	FP-3737CA	<i>Std-10</i>	Position Rear; Thrust washer included
1	Ball Brg.	207		Position Front; Ball bearing
CYLINDER COMPONENTS				
QTY	CONNECTING RODS & BRGS.	PART NO.	SIZE	DESCRIPTION
2	Rod Pair	FP-3735SB	<i>Std-10-20-30</i>	
2	Rod Pair	3735SB +	<i>Std-10-20-30</i>	When depleted use FP-3735SB
QTY	PISTON RINGS	PART NO.	SIZE	DESCRIPTION
2	Premium Set	FP-5364KX	<i>Std Only</i>	TU-FLO 501; 3 pc. oil ring; 2-3/32, 1-3/16 (1 cyl. set)
2	Premium Set	5364KX +	<i>Std Only</i>	TU-FLO 501; 3 pc. oil ring; 2-3/32, 1-3/16 (1 cyl. set); When depleted use FP-5364KX
2	Standard Set	FP-5364N	<i>Std-10-20-30</i>	TU-FLO 501; Cast oil ring; 2-3/32, 1-3/16 (1 cyl. set)
2	Standard Set	5364N +	<i>Std-10-20-30</i>	TU-FLO 501; Cast oil ring; 2-3/32, 1-3/16 (1 cyl. set); When depleted use FP-5364N
2	Standard Set	FP-5364X	<i>Std-20</i>	TU-FLO 501; 3 pc. oil ring; 2-3/32, 1-3/16 (1 cyl. set)

(continued on next page)

Bendix-Westinghouse

3 Compressors Tu-Flo 501, 501 Engs. (cont.) 16.2 OHV L2, 2.625" Bore

CYLINDER COMPONENTS (cont.)

QTY	PISTON RINGS (cont.)	PART NO.	SIZE	DESCRIPTION
2	Standard Set	5364X + Std Only		TU-FLO 501; 3 pc. oil ring; 2-3/32, 1-3/16 (1 cyl. set); When depleted use FP-5364X
1	Standard Set	FP-10276X	Std-20	501 Compressor; 3-3/32, 2-1/8 (2 cyl. set)
1	Standard Set	10276X + Std-20		501 Compressor; 3-3/32, 2-1/8 (2 cyl. set); When depleted use FP-10276X

4 Compressors F12, Tu-Flo 500, Type E Engs. 17 OHV L2, 2.5" Bore

CRANKSHAFT/OIL PUMP

QTY	MAIN BEARINGS	PART NO.	SIZE	DESCRIPTION
2	Plain Main Brg.	FP-2571CAW	Std Only	Position Front & Rear; From 1959; O.E. No. 240580; 1.5010" OD
1	Ball Brg.	207-S		Position Front; From 1959 - ball bearing
1	Ball Brg.	207		Position Front; To 1958 - ball bearing
1	Ball Brg.	111		Position Rear; Ball bearing

CYLINDER COMPONENTS

QTY	CONNECTING RODS & BRGS.	PART NO.	SIZE	DESCRIPTION
2	Rod Pair	FP-2570SA	Std-10-20-30	From 1959
2	Rod Pair	2570SA + Std-10-20-30		From 1959; When depleted use FP-2570SA
2	Rod Pair	FP-2570SB	Std-10	To 1958
2	Rod Pair	2570SB + Std-10		To 1958; When depleted use FP-2570SB
QTY	PISTON RINGS	PART NO.	SIZE	DESCRIPTION
1	Standard Set	FP-5022X	Std-10-20-30	Type "E". Check piston grooving before supplying ring set. Set w/o oil ring; 3-3/32, 2-1/8
1	Standard Set	FP-7407	Std-10-20-30	Type "E". Check piston grooving before supplying ring set. Set w/o oil ring; 3-3/32, 2-1/8
1	Standard Set	5022X + Std-10-20-30		Type "E". Check piston grooving before supplying ring set. Set w/o oil ring; 3-3/32, 2-1/8; When depleted use FP-5022X
1	Standard Set	7407 + Std-10-20-30		Type "E". Check piston grooving before supplying ring set. Set w/o oil ring; 3-3/32, 2-1/8; When depleted use FP-7407

5 Compressors 3U12 Eng. 19 OHV L3, 2.1875" Bore

CRANKSHAFT/OIL PUMP

QTY	MAIN BEARINGS	PART NO.	SIZE	DESCRIPTION
2	Ball Brg.	307		Position Front & Rear; Ball bearing

CYLINDER COMPONENTS

QTY	CONNECTING RODS & BRGS.	PART NO.	SIZE	DESCRIPTION
3	Rod Pair	FP-2570SB	Std-10	
3	Rod Pair	2570SB + Std-10		When depleted use FP-2570SB

6 Compressors Tu-Flo 600 Eng. .3L 20 OHV L2, 2.75" Bore

CRANKSHAFT/OIL PUMP

QTY	MAIN BEARINGS	PART NO.	SIZE	DESCRIPTION
2	Plain Main Brg.	FP-2571CAW	Std Only	Position Front & Rear; O.E. No. 240580; 1.5010" OD
1	Ball Brg.	207-S		Position Front; Ball bearing
1	Ball Brg.	111		Position Rear; Ball bearing

CYLINDER COMPONENTS

QTY	CONNECTING RODS & BRGS.	PART NO.	SIZE	DESCRIPTION
2	Rod Pair	FP-2570SA	Std-10-20-30	
2	Rod Pair	2570SA + Std-10-20-30		When depleted use FP-2570SA
QTY	PISTON RINGS	PART NO.	SIZE	DESCRIPTION
1	Standard Set	FP-9764N	Std-10-20-30	TU-FLO 600; 3-3/32, 2-1/8
1	Standard Set	9764N + Std-10-20-30		TU-FLO 600; 3-3/32, 2-1/8; When depleted use FP-9764N
2	Standard Single Cylinder Set	W-9764N	Std-10-20-30	TU-FLO 600; 3-3/32, 2-1/8

Compressors Tu-Flo 600, Tu-Flo 700, Tu-Flo 1400 Engs. **7** 21.5 OHV L2, 2.75" Bore

CRANKSHAFT/OIL PUMP				
QTY	MAIN BEARINGS	PART NO.	SIZE	DESCRIPTION
2	Plain Main Brg.	FP-2571CAW	<i>Std Only</i>	Position Front & Rear; O.E. No. 240580; 1.5010" OD
1	Ball Brg.	207-S		Position Front; Ball bearing
1	Ball Brg.	111		Position Rear; Ball bearing
CYLINDER COMPONENTS				
QTY	CONNECTING RODS & BRGS.	PART NO.	SIZE	DESCRIPTION
2	Rod Pair	FP-2570SA	<i>Std-10-20-30</i>	
2	Rod Pair	2570SA +	<i>Std-10-20-30</i>	When depleted use FP-2570SA
QTY	PISTON RINGS	PART NO.	SIZE	DESCRIPTION
1	Standard Set	FP-10457N	<i>Std Only</i>	NOTE: Ring set contains 4 surplus rings. If the ventilated oil rings are too wide for the 3rd & 5th grooves of the piston, discard and use the 4 wide compression rings in their place. NOTE: TU-FLO 1400 will require two ring sets; 2-1/8, 3-3/32, 2-3/16
1	Standard Set	10457N +	<i>Std Only</i>	NOTE: Ring set contains 4 surplus rings. If the ventilated oil rings are too wide for the 3rd & 5th grooves of the piston, discard and use the 4 wide compression rings in their place. NOTE: TU-FLO 1400 will require two ring sets; 2-1/8, 3-3/32, 2-3/16; When depleted use FP-10457N
1	Standard Set	FP-9677X	<i>Std-10-20</i>	TU-FLO 600; 2-3/32, 1-3/16
1	Standard Set	9677X +	<i>Std-10-20</i>	TU-FLO 600; 2-3/32, 1-3/16; When depleted use FP-9677X
1	Standard Set	FP-9764N	<i>Std-10-20-30</i>	TU-FLO 600; 3-3/32, 2-1/8
1	Standard Set	9764N +	<i>Std-10-20-30</i>	TU-FLO 600; 3-3/32, 2-1/8; When depleted use FP-9764N
2	Standard Single Cylinder Set	W-9764N	<i>Std-10-20-30</i>	TU-FLO 600; 3-3/32, 2-1/8

Briggs & Stratton

Engine Finding Index					
Engine	Line No.	Engine	Line No.		
7.8 L1 2.375" Bore.....	1	14.1 L1 2.75" Bore.....	4		
8.1 L1 2.625" Bore.....	2				
9 L1 2.5625" Bore.....	3				
Engine Code Index					
Engine Code	Engine Description	Line No.	Engine Code	Engine Description	Line No.
K ... Industrial Applications ...	14.1 L1 2.75" Bore.....	4	60400 ... Industrial Applications.....	7.8 L1 2.375" Bore.....	1
MODEL B ... Industrial Applications.....	8.1 L1 2.625" Bore.....	2	60500 ... Industrial Applications.....	7.8 L1 2.375" Bore.....	1
R ... Industrial Applications ...	14.1 L1 2.75" Bore.....	4	60700 ... Industrial Applications.....	7.8 L1 2.375" Bore.....	1
W ... Industrial Applications ...	14.1 L1 2.75" Bore.....	4	60900 ... Industrial Applications.....	7.8 L1 2.375" Bore.....	1
130200 ... Industrial Applications.....	9 L1 2.5625" Bore.....	3	60900 ... Industrial Applications.....	7.8 L1 2.375" Bore.....	1
130900 ... Industrial Applications.....	9 L1 2.5625" Bore.....	3	61100 ... Industrial Applications.....	7.8 L1 2.375" Bore.....	1
14 ... Industrial Applications...	8.1 L1 2.625" Bore.....	2	61200 ... Industrial Applications.....	7.8 L1 2.375" Bore.....	1
141257 ... Industrial Applications.....	14.1 L1 2.75" Bore.....	4	61300 ... Industrial Applications.....	7.8 L1 2.375" Bore.....	1
141300 ... Industrial Applications.....	14.1 L1 2.75" Bore.....	4	61400 ... Industrial Applications.....	7.8 L1 2.375" Bore.....	1
141400 ... Industrial Applications.....	14.1 L1 2.75" Bore.....	4	61500 From Ser. No. 5809260 ... Industrial Applications.....	7.8 L1 2.375" Bore.....	1
141700 ... Industrial Applications.....	14.1 L1 2.75" Bore.....	4	61700 From Ser. No. 5809280 ... Industrial Applications.....	7.8 L1 2.375" Bore.....	1
143300 ... Industrial Applications.....	14.1 L1 2.75" Bore.....	4	61900 ... Industrial Applications.....	7.8 L1 2.375" Bore.....	1
143400 ... Industrial Applications.....	14.1 L1 2.75" Bore.....	4	8B ... Industrial Applications ..	7.8 L1 2.375" Bore.....	1
143700 ... Industrial Applications.....	14.1 L1 2.75" Bore.....	4	80100 ... Industrial Applications.....	7.8 L1 2.375" Bore.....	1
60100 ... Industrial Applications.....	7.8 L1 2.375" Bore.....	1	80200 ... Industrial Applications.....	7.8 L1 2.375" Bore.....	1
60300 ... Industrial Applications.....	7.8 L1 2.375" Bore.....	1			

(continued on next page)

+ Superseded Part Number

Briggs & Stratton

Engine Code Index

Engine Code	Engine Description	Line No.	Engine Code	Engine Description	Line No.
80300 ... Industrial Applications.....	7.8 L1 2.375" Bore.....	1	81500 ... Industrial Applications.....	7.8 L1 2.375" Bore.....	1
80400 ... Industrial Applications.....	7.8 L1 2.375" Bore.....	1	81600 ... Industrial Applications.....	7.8 L1 2.375" Bore.....	1
80500 ... Industrial Applications.....	7.8 L1 2.375" Bore.....	1	81800 ... Industrial Applications.....	7.8 L1 2.375" Bore.....	1
80600 ... Industrial Applications.....	7.8 L1 2.375" Bore.....	1	81900 ... Industrial Applications.....	7.8 L1 2.375" Bore.....	1
80800 ... Industrial Applications.....	7.8 L1 2.375" Bore.....	1	81990 ... Industrial Applications.....	7.8 L1 2.375" Bore.....	1
80900 ... Industrial Applications.....	7.8 L1 2.375" Bore.....	1	84502 ... Industrial Applications.....	7.8 L1 2.375" Bore.....	1
80990 ... Industrial Applications.....	7.8 L1 2.375" Bore.....	1	84902 ... Industrial Applications.....	7.8 L1 2.375" Bore.....	1
81100 ... Industrial Applications.....	7.8 L1 2.375" Bore.....	1	85502 ... Industrial Applications.....	7.8 L1 2.375" Bore.....	1
81200 ... Industrial Applications.....	7.8 L1 2.375" Bore.....	1	85902 ... Industrial Applications.....	7.8 L1 2.375" Bore.....	1
81300 ... Industrial Applications.....	7.8 L1 2.375" Bore.....	1	92500 ... Industrial Applications.....	9 L1 2.5625" Bore.....	3
81400 ... Industrial Applications.....	7.8 L1 2.375" Bore.....	1	92900 ... Industrial Applications.....	9 L1 2.5625" Bore.....	3

Model Index

Model	Engine Description	Line No.	Model	Engine Description	Line No.
B ... Industrial Applications	8.1 L1 2.625" Bore.....	2			

1 Industrial Applications 7.8 L1, 2.375" Bore

CYLINDER COMPONENTS

QTY	PISTON RINGS	PART NO.	SIZE	DESCRIPTION
1	Standard Set	FP-5355X	<i>Std-10-30</i>	8B, 60100, 61100, 60300, 61300, 60400, 61400, 60500 From Ser. No. 5810060, 60700 From Ser. No. 5809090, 61500 After Ser. No. 5809260, 61700 After Ser. No. 5809280, 60900, 61200, 61900, 80100, 81100, 80200, 81200, 80300, 81300, 80400, 81400, 80500, 81500, 80600, 81600, 80800, 81800, 80900, 81900, 80990, 81990, 84502, 85502, 84902, 85902; 2-3/32, 1-3/16 (1 cyl. set)
1	Standard Set	5355X +	<i>Std-10</i>	8B, 60100, 61100, 60300, 61300, 60400, 61400, 60500 From Ser. No. 5810060, 60700 From Ser. No. 5809090, 61500 After Ser. No. 5809260, 61700 After Ser. No. 5809280, 60900, 61200, 61900, 80100, 81100, 80200, 81200, 80300, 81300, 80400, 81400, 80500, 81500, 80600, 81600, 80800, 81800, 80900, 81900, 80990, 81990, 84502, 85502, 84902, 85902; 2-3/32, 1-3/16 (1 cyl. set); When depleted use FP-5355X

2 Industrial Applications B, 14 Eng. 8.1 L1, 2.625" Bore

CYLINDER COMPONENTS

QTY	PISTON RINGS	PART NO.	SIZE	DESCRIPTION
1	Premium Set	FP-5364KX	<i>Std Only</i>	Model 14; 3 pc. oil ring; 2-3/32, 1-3/16 (1 cyl. set)
1	Premium Set	5364KX +	<i>Std Only</i>	Model 14; 3 pc. oil ring; 2-3/32, 1-3/16 (1 cyl. set); When depleted use FP-5364KX
1	Standard Set	FP-5364N	<i>Std-10-20-30</i>	Model 14; Cast oil ring; 2-3/32, 1-3/16 (1 cyl. set)
1	Standard Set	5364N +	<i>Std-10-20-30</i>	Model 14; Cast oil ring; 2-3/32, 1-3/16 (1 cyl. set); When depleted use FP-5364N
1	Standard Set	FP-5364X	<i>Std-20</i>	Model 14; 3 pc. oil ring; 2-3/32, 1-3/16 (1 cyl. set)
1	Standard Set	5364X +	<i>Std Only</i>	Model 14; 3 pc. oil ring; 2-3/32, 1-3/16 (1 cyl. set); When depleted use FP-5364X

3 Industrial Applications 92500, 92800, 130200, 130900 Eng. 9 L1, 2.5625" Bore

CYLINDER COMPONENTS

QTY	PISTON RINGS	PART NO.	SIZE	DESCRIPTION
1	Standard Set	FP-9701N	<i>Std-10-20-30</i>	2-5/64, 1-3/16

(continued on next page)

Industrial Applications 92500, 92800, 130200, 130900 Engs. 3
9 L1, 2.5625" Bore (cont.)

CYLINDER COMPONENTS (cont.)

QTY	PISTON RINGS (cont.)	PART NO.	SIZE	DESCRIPTION
1	Standard Set	9701N +	Std-10-20	2-5/64, 1-3/16; When depleted use FP-9701N

Industrial Applications 141257, 141300, 141400, 141700, 143300, 143400, 143700 Engs. 4
14.1 L1, 2.75" Bore

CYLINDER COMPONENTS

QTY	PISTON RINGS	PART NO.	SIZE	DESCRIPTION
1	Standard Set	5803	Std Only	2-5/64, 1-3/16

Buda

Engine Finding Index

Engine	Line No.	Engine	Line No.
.6L 38 L1 3.4375" Bore.....	1	4.3L 262 OHV Diesel L6 3.5625" Bore.....	14
.9L 53.9 L-HEAD L2 3.25" Bore (Wisconsin Eng.).....	2	4.5L 273 L6 3.75" Bore.....	15
1.0L 61 L4 2.5" Bore (Waukesha Eng.).....	3	4.5L 273 Diesel L6 3.75" Bore.....	16
2.5L 153 OHV L4 3.4375" Bore.....	4	4.9L 298 L6 3.75" Bore.....	17
2.5L 153 OHV Diesel L4 3.4375" Bore.....	5	5.6L 344 Diesel L4 4.4375" Bore.....	18
2.5L 153 L4 3.4375" Bore (Mil-Std).....	6	8.5L 516 Diesel L6 4.4375" Bore.....	19
2.8L 173 L4 3.5" Bore.....	7	10.6L 645 Diesel L4 5.625" Bore.....	20
2.9L 175 OHV Diesel L4 3.5625" Bore.....	8	12.8L 779 Diesel L6 5.25" Bore.....	21
3.0L 182 L4 3.75" Bore.....	9	14.7L 893 Diesel L6 5.625" Bore.....	22
3.0L 182 Diesel L4 3.75" Bore.....	10	15.9L 970 Diesel L6 5.625" Bore.....	23
3.8L 230 OHV L6 3.4375" Bore.....	11	18.4L 1125 Diesel V8 5.25" Bore.....	24
3.8L 230 OHV Diesel L6 3.4375" Bore.....	12	21.1L 1290 Diesel V8 5.625" Bore.....	25
3.8L 230 L6 3.4375" Bore (Mil-Std).....	13		

Engine Code Index

Engine Code	Engine Description	Line No.	Engine Code	Engine Description	Line No.
DA516 ... Industrial Applications.....	8.5L 516 Diesel L6 4.4375" Bore..	19	4B153 ... Industrial Applications.....	2.5L 153 OHV L4 3.4375" Bore.....	4
HD344 ... Industrial Applications.....	5.6L 344 Diesel L4 4.4375" Bore..	18	4B157 ... Industrial Applications.....	2.5L 153 OHV L4 3.4375" Bore.....	4
HM173 ... Industrial Applications.....	2.8L 173 L4 3.5" Bore.....	7	4B182 ... Industrial Applications.....	3.0L 182 L4 3.75" Bore.....	9
HM298 ... Industrial Applications.....	4.9L 298 L6 3.75" Bore.....	17	4DA153 ... Industrial Applications.....	2.5L 153 OHV Diesel L4 3.4375" Bore.....	5
HM298R ... Industrial Applications.....	4.9L 298 L6 3.75" Bore.....	17	4DA175 ... Industrial Applications.....	2.9L 175 OHV Diesel L4 3.5625" Bore.....	8
HPM298 ... Industrial Applications.....	4.9L 298 L6 3.75" Bore.....	17	4D153 ... Industrial Applications.....	2.5L 153 OHV Diesel L4 3.4375" Bore.....	5
HPM298R ... Industrial Applications.....	4.9L 298 L6 3.75" Bore.....	17	4D175 ... Industrial Applications.....	2.9L 175 OHV Diesel L4 3.5625" Bore.....	8
HP298 ... Industrial Applications.....	4.9L 298 L6 3.75" Bore.....	17	4G153 ... Industrial Applications.....	2.5L 153 OHV L4 3.4375" Bore.....	4
H173 ... Industrial Applications.....	2.8L 173 L4 3.5" Bore.....	7	4MB153 ... Industrial Applications.....	2.5L 153 L4 3.4375" Bore (Mil-Std).....	6
H298 ... Industrial Applications.....	4.9L 298 L6 3.75" Bore.....	17	4MO645 ... Industrial Applications.....	10.6L 645 Diesel L4 5.625" Bore..	20
1BD38 ... Industrial Applications.....	.6L 38 L1 3.4375" Bore.....	1	6BDMR230 ... Industrial Applications.....	3.8L 230 OHV Diesel L6 3.4375" Bore.....	12
4BDM153 ... Industrial Applications.....	2.5L 153 OHV Diesel L4 3.4375" Bore.....	5	6BDM230 ... Industrial Applications.....	3.8L 230 OHV Diesel L6 3.4375" Bore.....	12
4BD153 ... Industrial Applications.....	2.5L 153 OHV Diesel L4 3.4375" Bore.....	5	6BD230 ... Industrial Applications.....	3.8L 230 OHV Diesel L6 3.4375" Bore.....	12
4BD175 ... Industrial Applications.....	2.9L 175 OHV Diesel L4 3.5625" Bore.....	8	6BD273 ... Industrial Applications.....	4.5L 273 Diesel L6 3.75" Bore.....	16
4BD182 ... Industrial Applications.....	3.0L 182 Diesel L4 3.75" Bore.....	10			
4B127 ... Industrial Applications.....	2.5L 153 OHV L4 3.4375" Bore.....	4			

(continued on next page)

+ Superseded Part Number

Engine Code Index

Engine Code	Engine Description	Line No.	Engine Code	Engine Description	Line No.
6B230 ... Industrial Applications.....	3.8L 230 OHV L6 3.4375" Bore....	11	6G230 ... Industrial Applications.....	3.8L 230 OHV L6 3.4375" Bore....	11
6B273 ... Industrial Applications.....	4.5L 273 L6 3.75" Bore.....	15	6MB230 ... Industrial Applications.....	3.8L 230 L6 3.4375" Bore (Mil-Std).....	13
6DA230 ... Industrial Applications.....	3.8L 230 OHV Diesel L6 3.4375" Bore.....	12	6MO893 ... Industrial Applications.....	14.7L 893 Diesel L6 5.625" Bore..	22
6DA262 ... Industrial Applications.....	4.3L 262 OHV Diesel L6 3.5625" Bore.....	14	6M970 ... Industrial Applications.....	15.9L 970 Diesel L6 5.625" Bore..	23
6DA779 ... Industrial Applications.....	12.8L 779 Diesel L6 5.25" Bore....	21	8DCM1125 ... Industrial Applications.....	18.4L 1125 Diesel V8 5.25" Bore .	24
6DA970 ... Industrial Applications.....	15.9L 970 Diesel L6 5.625" Bore..	23	8DCSM1125 ... Industrial Applications.....	18.4L 1125 Diesel V8 5.25" Bore .	24
6DC970 ... Industrial Applications.....	15.9L 970 Diesel L6 5.625" Bore..	23	8DCS1125 ... Industrial Applications.....	18.4L 1125 Diesel V8 5.25" Bore .	24
6D230 ... Industrial Applications.....	3.8L 230 OHV Diesel L6 3.4375" Bore.....	12	8DC1125 ... Industrial Applications.....	18.4L 1125 Diesel V8 5.25" Bore .	24
6D262 ... Industrial Applications.....	4.3L 262 OHV Diesel L6 3.5625" Bore.....	14	8DC1290 ... Industrial Applications.....	21.1L 1290 Diesel V8 5.625" Bore.....	25

1 Industrial Applications 1BD38 Eng. .6L 38 L1, 3.4375" Bore

CYLINDER COMPONENTS

QTY	CONNECTING RODS & BRGS.	PART NO.	SIZE	DESCRIPTION
1	Rod Pair	FP-1615CP	Std-10-20-30-40	
1	Rod Pair	1615CP +	Std-10-20-30-40	When depleted use FP-1615CP

2 Industrial Applications .9L 53.9 L-HEAD L2, 3.25" Bore (Wisconsin Eng.)

CYLINDER COMPONENTS

QTY	CONNECTING RODS & BRGS.	PART NO.	SIZE	DESCRIPTION
2	Rod Pair	FP-3645CP	Std-10-20	TJD Eng.
2	Rod Pair	3645CP +	Std-10-20	TJD Eng.; When depleted use FP-3645CP
QTY	PISTON RINGS	PART NO.	SIZE	DESCRIPTION
2	Premium Set	FP-9981KX	Std Only	2-5/64, 1-3/16
2	Premium Set	9981KX +	Std Only	2-5/64, 1-3/16; When depleted use FP-9981KX

3 Industrial Applications 1.0L 61 L4, 2.5" Bore (Waukesha Eng.)

CYL. HEAD & PARTS

QTY	VALVE	PART NO.	SIZE	DESCRIPTION
4	Keeper	FP-VK123		
4	Keeper	VK-123 +		When depleted use FP-VK123

CRANKSHAFT/OIL PUMP

QTY	MAIN BEARINGS	PART NO.	SIZE	DESCRIPTION
2	Ball Brg.	207-SS		

4 Industrial Applications 4B127, 4B153, 4B157, 4G153 Eng. 2.5L 153 OHV L4, 3.4375" Bore

CYL. HEAD & PARTS

QTY	VALVE	PART NO.	SIZE	DESCRIPTION
4	Exhaust	FP-V1173		1.2810" Head Dia., .3095" Stem Dia., 4.5000" O.A.L.
4	Exhaust	V-1173 +	Std Only	1.2810" Head Dia., .3095" Stem Dia., 4.5000" O.A.L.; When depleted use FP-V1173
16	Keeper	FP-VK144		1 groove; Square cut key groove
16	Keeper	VK-144R		1 groove; Square cut key groove; Hardened
16	Keeper, Bulk	FP-VK144B		1 groove; Square cut key groove; Carton of 1000

(continued on next page)

Industrial Applications 4B127, 4B153, 4B157, 4G153 Engs. 4
2.5L 153 OHV L4, 3.4375" Bore (cont.)

CYL. HEAD & PARTS (cont.)				
QTY	VALVE SEAT	PART NO.	SIZE	DESCRIPTION
8	Int.	245-1625-1	Std Only	1.6300" OD, 1.3750" ID, .2160" Depth
QTY	VALVE GUIDE	PART NO.	SIZE	DESCRIPTION
8	Guide	FP-VG497		.3128" ID, 2.5630" O.A.L.
8	Guide	VG-497 +		.3128" ID, 2.5630" O.A.L.; When depleted use FP-VG497
QTY	VALVE SPRING	PART NO.	SIZE	DESCRIPTION
8	Spring	FP-VS1577		w/damper; 2.0900" Free Height
8	Spring	VS-1577 +		w/damper; 2.0900" Free Height; When depleted use FP-VS1577
ENGINE BLOCK & PARTS				
QTY	CAM BEARINGS	PART NO.	SIZE	DESCRIPTION
1	Cam Set	FP-1151M	Std Only	
1	Cam Set	1151M +	Std Only	When depleted use FP-1151M
CRANKSHAFT/OIL PUMP				
QTY	MAIN BEARINGS	PART NO.	SIZE	DESCRIPTION
1	Main Set	FP-5133M	Std-20-40	W/3 brgs.
CYLINDER COMPONENTS				
QTY	LINERS	PART NO.	SIZE	DESCRIPTION
4	Liner w/Sealing Rings	FP-SO1844	Std Only	OVERBORE To 3.5625"; Sealing Ring Grooves On Sleeve; Incl. (2) FP-SLR1844 sealing rings.
4	Liner w/Sealing Rings	SO-1844 +	Std Only	OVERBORE To 3.5625"; Sealing Ring Grooves On Sleeve; Incl. (2) SLR-1844 sealing rings.; When depleted use FP-SO1844
4	Sleeve Assy.	FP-SL1844	Std Only	OVERBORE To 3.5625"; Sealing Ring Grooves On Sleeve
4	Sleeve Assy.	SL-1844 +	Std Only	OVERBORE To 3.5625"; Sealing Ring Grooves On Sleeve; When depleted use FP-SL1844
QTY	PISTONS	PART NO.	SIZE	DESCRIPTION
4	Pin Bushing	FP-74507127		1.255" max. length
4	Pin Bushing	1619Y20 +		1.255" max. length; When depleted use FP-74507127
QTY	CONNECTING RODS & BRGS.	PART NO.	SIZE	DESCRIPTION
4	Rod Pair	FP-1615CP	Std-10-20-30-40	
4	Rod Pair	1615CP +	Std-10-20-30-40	When depleted use FP-1615CP
QTY	PISTON RINGS	PART NO.	SIZE	DESCRIPTION
1	Premium Set	FP-5039KX	Std Only	3-1/8, 1-3/16
1	Premium Set	5039KX +	Std Only	3-1/8, 1-3/16; When depleted use FP-5039KX
4	Premium Single Cylinder Set	W-5039KX	Std Only	3-1/8, 1-3/16

Industrial Applications 4BD153, 4D153, 4DA153 Engs. 5
2.5L 153 OHV Diesel L4, 3.4375" Bore

CYL. HEAD & PARTS				
QTY	VALVE	PART NO.	SIZE	DESCRIPTION
16	Keeper	FP-VK144		1 groove; Square cut key groove
16	Keeper	VK-144R		1 groove; Square cut key groove; Hardened
16	Keeper, Bulk	FP-VK144B		1 groove; Square cut key groove; Carton of 1000
QTY	VALVE SEAT	PART NO.	SIZE	DESCRIPTION
8	Int.	245-1625-1	Std Only	1.6300" OD, 1.3750" ID, .2160" Depth
QTY	VALVE GUIDE	PART NO.	SIZE	DESCRIPTION
8	Guide	FP-VG497		.3128" ID, 2.5630" O.A.L.
8	Guide	VG-497 +		.3128" ID, 2.5630" O.A.L.; When depleted use FP-VG497
QTY	VALVE SPRING	PART NO.	SIZE	DESCRIPTION
8	Spring	FP-VS1577		w/damper; 2.0900" Free Height
8	Spring	VS-1577 +		w/damper; 2.0900" Free Height; When depleted use FP-VS1577
ENGINE BLOCK & PARTS				
QTY	CAM BEARINGS	PART NO.	SIZE	DESCRIPTION
1	Cam Set	FP-1151M	Std Only	
1	Cam Set	1151M +	Std Only	When depleted use FP-1151M
CRANKSHAFT/OIL PUMP				
QTY	MAIN BEARINGS	PART NO.	SIZE	DESCRIPTION
1	Main Set	FP-5133M	Std-20-40	W/3 brgs.

(continued on next page)

Buda

5 Industrial Applications 4BD153, 4D153, 4DA153 Engs. (cont.) 2.5L 153 OHV Diesel L4, 3.4375" Bore				
CYLINDER COMPONENTS				
QTY	PISTONS	PART NO.	SIZE	DESCRIPTION
4	Pin Bushing	FP-74507127		1.255" max. length
4	Pin Bushing	1619Y20 +		1.255" max. length; When depleted use FP-74507127
QTY	CONNECTING RODS & BRGS.	PART NO.	SIZE	DESCRIPTION
4	Rod Pair	FP-1615CP	Std-10-20-30-40	
4	Rod Pair	1615CP +	Std-10-20-30-40	When depleted use FP-1615CP
6 Industrial Applications 4MB153 Eng. 2.5L 153 L4 (Mil-Std), 3.4375" Bore				
ENGINE BLOCK & PARTS				
QTY	CAM BEARINGS	PART NO.	SIZE	DESCRIPTION
1	Cam Set	FP-1151M	Std Only	
1	Cam Set	1151M +	Std Only	When depleted use FP-1151M
CYLINDER COMPONENTS				
QTY	CONNECTING RODS & BRGS.	PART NO.	SIZE	DESCRIPTION
4	Rod Pair	FP-3220CP	Std-10-20-30	w/2.1232-2.1240" std. shaft size
4	Rod Pair	3220CP +	Std-10-20-30	w/2.1232-2.1240" std. shaft size; When depleted use FP-3220CP
7 Industrial Applications H173, HM173 Engs. 2.8L 173 L4, 3.5" Bore				
CYLINDER COMPONENTS				
QTY	PISTON RINGS	PART NO.	SIZE	DESCRIPTION
1	Premium Set	FP-934KX	Std-20-30-60	3-1/8, 1-3/16
1	Premium Set	934KX +	Std-20-30-60	3-1/8, 1-3/16; When depleted use FP-934KX
1	Standard Set	FP-934X	Std Only	3-1/8, 1-3/16
1	Standard Set	934X +	Std Only	3-1/8, 1-3/16; When depleted use FP-934X
4	Premium Single Cylinder Set	W-934KX	Std Only	3-1/8, 1-3/16
4	Standard Single Cylinder Set	W-934X	Std Only	3-1/8, 1-3/16
8 Industrial Applications 4BD175, 4D175, 4DA175 Engs. 2.9L 175 OHV Diesel L4, 3.5625" Bore				
ENGINE BLOCK & PARTS				
QTY	CAM BEARINGS	PART NO.	SIZE	DESCRIPTION
1	Cam Set	FP-1151M	Std Only	
1	Cam Set	1151M +	Std Only	When depleted use FP-1151M
CRANKSHAFT/OIL PUMP				
QTY	MAIN BEARINGS	PART NO.	SIZE	DESCRIPTION
1	Main Set	FP-5133M	Std-20-40	W/3 brgs.
CYLINDER COMPONENTS				
QTY	PISTONS	PART NO.	SIZE	DESCRIPTION
4	Pin Bushing	FP-74507127		1.255" max. length
4	Pin Bushing	1619Y20 +		1.255" max. length; When depleted use FP-74507127
QTY	CONNECTING RODS & BRGS.	PART NO.	SIZE	DESCRIPTION
4	Rod Pair	FP-1615CP	Std-10-20-30-40	
4	Rod Pair	1615CP +	Std-10-20-30-40	When depleted use FP-1615CP
9 Industrial Applications 4B182, 4G182 Engs. 3.0L 182 L4, 3.75" Bore				
CYL. HEAD & PARTS				
QTY	VALVE	PART NO.	SIZE	DESCRIPTION
4	Exhaust	FP-V1173		1.2810" Head Dia., .3095" Stem Dia., 4.5000" O.A.L.
4	Exhaust	V-1173 +	Std Only	1.2810" Head Dia., .3095" Stem Dia., 4.5000" O.A.L.; When depleted use FP-V1173
16	Keeper	VK-144		1 groove; Square cut key groove
16	Keeper	VK-144R		1 groove; Square cut key groove; Hardened

(continued on next page)

Industrial Applications 4B182, 4G182 Eng. 9
3.0L 182 L4, 3.75" Bore (cont.)

CYL. HEAD & PARTS (cont.)

QTY	VALVE GUIDE	PART NO.	SIZE	DESCRIPTION
4	Guide	FP-VG497		.3128" ID, 2.5630" O.A.L.
4	Guide	VG-497 +		.3128" ID, 2.5630" O.A.L.; When depleted use FP-VG497
QTY	VALVE SPRING	PART NO.	SIZE	DESCRIPTION
8	Spring	FP-VS1577		w/damper; 2.0900" Free Height
8	Spring	VS-1577 +		w/damper; 2.0900" Free Height; When depleted use FP-VS1577

ENGINE BLOCK & PARTS

QTY	CAM BEARINGS	PART NO.	SIZE	DESCRIPTION
1	Cam Set	FP-1151M	Std Only	
1	Cam Set	1151M +	Std Only	When depleted use FP-1151M

CRANKSHAFT/OIL PUMP

QTY	MAIN BEARINGS	PART NO.	SIZE	DESCRIPTION
1	Main Set	FP-5133M	Std-20-40	W/3 brgs.

CYLINDER COMPONENTS

QTY	PISTONS	PART NO.	SIZE	DESCRIPTION
4	Pin Bushing	FP-74507127		1.255" max. length
4	Pin Bushing	1619Y20 +		1.255" max. length; When depleted use FP-74507127
QTY	CONNECTING RODS & BRGS.	PART NO.	SIZE	DESCRIPTION
4	Rod Pair	FP-1615CP	Std-10-20-30-40	
4	Rod Pair	1615CP +	Std-10-20-30-40	When depleted use FP-1615CP

Industrial Applications 4BD182, 4DA182 Eng. 10
3.0L 182 Diesel L4, 3.75" Bore

CYL. HEAD & PARTS

QTY	VALVE	PART NO.	SIZE	DESCRIPTION
16	Keeper	FP-VK144		1 groove; Square cut key groove
16	Keeper	VK-144R		1 groove; Square cut key groove; Hardened
16	Keeper, Bulk	FP-VK144B		1 groove; Square cut key groove; Carton of 1000
QTY	VALVE GUIDE	PART NO.	SIZE	DESCRIPTION
8	Guide	FP-VG497		.3128" ID, 2.5630" O.A.L.
8	Guide	VG-497 +		.3128" ID, 2.5630" O.A.L.; When depleted use FP-VG497
QTY	VALVE SPRING	PART NO.	SIZE	DESCRIPTION
8	Spring	FP-VS1577		w/damper; 2.0900" Free Height
8	Spring	VS-1577 +		w/damper; 2.0900" Free Height; When depleted use FP-VS1577

ENGINE BLOCK & PARTS

QTY	CAM BEARINGS	PART NO.	SIZE	DESCRIPTION
1	Cam Set	FP-1151M	Std Only	
1	Cam Set	1151M +	Std Only	When depleted use FP-1151M

CRANKSHAFT/OIL PUMP

QTY	MAIN BEARINGS	PART NO.	SIZE	DESCRIPTION
1	Main Set	FP-5133M	Std-20-40	W/3 brgs.

CYLINDER COMPONENTS

QTY	PISTONS	PART NO.	SIZE	DESCRIPTION
4	Pin Bushing	FP-74507127		1.255" max. length
4	Pin Bushing	1619Y20 +		1.255" max. length; When depleted use FP-74507127
QTY	CONNECTING RODS & BRGS.	PART NO.	SIZE	DESCRIPTION
4	Rod Pair	FP-1615CP	Std-10-20-30-40	
4	Rod Pair	1615CP +	Std-10-20-30-40	When depleted use FP-1615CP

Industrial Applications 6B230, 6G230 Eng. 11
3.8L 230 OHV L6, 3.4375" Bore

CYL. HEAD & PARTS

QTY	VALVE	PART NO.	SIZE	DESCRIPTION
6	Exhaust	FP-V1173		1.2810" Head Dia., .3095" Stem Dia., 4.5000" O.A.L.
6	Exhaust	V-1173 +	Std Only	1.2810" Head Dia., .3095" Stem Dia., 4.5000" O.A.L.; When depleted use FP-V1173

(continued on next page)

+ Superseded Part Number

Buda

11 Industrial Applications 6B230, 6G230 Engs.

(cont.) 3.8L 230 OHV L6, 3.4375" Bore

CYL. HEAD & PARTS (cont.)				
QTY	VALVE (cont.)	PART NO.	SIZE	DESCRIPTION
24	Keeper	FP-VK144		1 groove; Square cut key groove
24	Keeper	VK-144R		1 groove; Square cut key groove; Hardened
24	Keeper, Bulk	FP-VK144B		1 groove; Square cut key groove; Carton of 1000
QTY	VALVE SEAT	PART NO.	SIZE	DESCRIPTION
12	Int.	245-1625-1	Std Only	1.6300" OD, 1.3750" ID, .2160" Depth
QTY	VALVE GUIDE	PART NO.	SIZE	DESCRIPTION
12	Guide	FP-VG497		.3128" ID, 2.5630" O.A.L.
12	Guide	VG-497 +		.3128" ID, 2.5630" O.A.L.; When depleted use FP-VG497
QTY	VALVE SPRING	PART NO.	SIZE	DESCRIPTION
12	Spring	FP-VS1577		w/damper; 2.0900" Free Height
12	Spring	VS-1577 +		w/damper; 2.0900" Free Height; When depleted use FP-VS1577
ENGINE BLOCK & PARTS				
QTY	CAM BEARINGS	PART NO.	SIZE	DESCRIPTION
1	Cam Set	FP-1151M	Std Only	
1	Cam Set	1151M +	Std Only	When depleted use FP-1151M
CRANKSHAFT/OIL PUMP				
QTY	MAIN BEARINGS	PART NO.	SIZE	DESCRIPTION
1	Main Set	FP-5132M	Std-10-20-30-40	
1	Main Set	5132M +	Std-10-20-30-40	When depleted use FP-5132M
CYLINDER COMPONENTS				
QTY	LINERS	PART NO.	SIZE	DESCRIPTION
6	Liner w/Sealing Rings	FP-SO1844	Std Only	OVERBORE To 3.5625"; Sealing Ring Grooves On Sleeve; Incl. (2) FP-SLR1844 sealing rings.
6	Liner w/Sealing Rings	SO-1844 +	Std Only	OVERBORE To 3.5625"; Sealing Ring Grooves On Sleeve; Incl. (2) SLR-1844 sealing rings.; When depleted use FP-SO1844
6	Sleeve Assy.	FP-SL1844	Std Only	OVERBORE To 3.5625"; Sealing Ring Grooves On Sleeve
6	Sleeve Assy.	SL-1844 +	Std Only	OVERBORE To 3.5625"; Sealing Ring Grooves On Sleeve; When depleted use FP-SL1844
QTY	PISTONS	PART NO.	SIZE	DESCRIPTION
6	Pin Bushing	FP-74507127		1.255" max. length
6	Pin Bushing	1619Y20 +		1.255" max. length; When depleted use FP-74507127
QTY	CONNECTING RODS & BRGS.	PART NO.	SIZE	DESCRIPTION
6	Rod Pair	FP-1615CP	Std-10-20-30-40	
6	Rod Pair	1615CP +	Std-10-20-30-40	When depleted use FP-1615CP
QTY	PISTON RINGS	PART NO.	SIZE	DESCRIPTION
1	Premium Set	FP-644KX	Std Only	3-1/8, 1-3/16
1	Premium Set	644KX +	Std Only	3-1/8, 1-3/16; When depleted use FP-644KX
6	Premium Single Cylinder Set	W-644KX	Std Only	3-1/8, 1-3/16

12 Industrial Applications 6BD230, 6D230, 6DA230 Engs.

3.8L 230 OHV Diesel L6, 3.4375" Bore

CYL. HEAD & PARTS				
QTY	VALVE	PART NO.	SIZE	DESCRIPTION
24	Keeper	FP-VK144		1 groove; Square cut key groove
24	Keeper	VK-144R		1 groove; Square cut key groove; Hardened
24	Keeper, Bulk	FP-VK144B		1 groove; Square cut key groove; Carton of 1000
QTY	VALVE SEAT	PART NO.	SIZE	DESCRIPTION
12	Int.	245-1562-1N	Std Only	Premium Material; 1.5675" OD, 1.3125" ID, .2160" Depth
12	Int.	245-1562-1	Std Only	1.5675" OD, 1.3125" ID, .2160" Depth
QTY	VALVE GUIDE	PART NO.	SIZE	DESCRIPTION
12	Guide	FP-VG497		.3128" ID, 2.5630" O.A.L.
12	Guide	VG-497 +		.3128" ID, 2.5630" O.A.L.; When depleted use FP-VG497
QTY	VALVE SPRING	PART NO.	SIZE	DESCRIPTION
12	Spring	FP-VS1577		w/damper; 2.0900" Free Height
12	Spring	VS-1577 +		w/damper; 2.0900" Free Height; When depleted use FP-VS1577
ENGINE BLOCK & PARTS				
QTY	CAM BEARINGS	PART NO.	SIZE	DESCRIPTION
1	Cam Set	FP-1151M	Std Only	

(continued on next page)

+ Superseded Part Number

Industrial Applications **6BD230, 6D230, 6DA230 Eng. 12**
3.8L 230 OHV Diesel L6, 3.4375" Bore (cont.)

ENGINE BLOCK & PARTS (cont.)

QTY	CAM BEARINGS (cont.)	PART NO.	SIZE	DESCRIPTION
1	Cam Set	1151M +	Std Only	When depleted use FP-1151M

CRANKSHAFT/OIL PUMP

QTY	MAIN BEARINGS	PART NO.	SIZE	DESCRIPTION
1	Main Set	FP-5132M	Std-10-20-30-40	
1	Main Set	5132M +	Std-10-20-30-40	When depleted use FP-5132M

CYLINDER COMPONENTS

QTY	PISTONS	PART NO.	SIZE	DESCRIPTION
6	Pin Bushing	FP-74507127		1.255" max. length
6	Pin Bushing	1619Y20 +		1.255" max. length; When depleted use FP-74507127

QTY	CONNECTING RODS & BRGS.	PART NO.	SIZE	DESCRIPTION
6	Rod Pair	FP-1615CP	Std-10-20-30-40	
6	Rod Pair	1615CP +	Std-10-20-30-40	When depleted use FP-1615CP

Industrial Applications **6MB230 Eng. 13**
3.8L 230 L6 (Mil-Std), 3.4375" Bore

ENGINE BLOCK & PARTS

QTY	CAM BEARINGS	PART NO.	SIZE	DESCRIPTION
1	Cam Set	FP-1151M	Std Only	
1	Cam Set	1151M +	Std Only	When depleted use FP-1151M

CYLINDER COMPONENTS

QTY	CONNECTING RODS & BRGS.	PART NO.	SIZE	DESCRIPTION
6	Rod Pair	FP-3220CP	Std-10-20-30	w/2.1232-2.1240" std. shaft size
6	Rod Pair	3220CP +	Std-10-20-30	w/2.1232-2.1240" std. shaft size; When depleted use FP-3220CP

Industrial Applications **6D262, 6DA262 Eng. 14**
4.3L 262 OHV Diesel L6, 3.5625" Bore

ENGINE BLOCK & PARTS

QTY	CAM BEARINGS	PART NO.	SIZE	DESCRIPTION
1	Cam Set	FP-1151M	Std Only	
1	Cam Set	1151M +	Std Only	When depleted use FP-1151M

CRANKSHAFT/OIL PUMP

QTY	MAIN BEARINGS	PART NO.	SIZE	DESCRIPTION
1	Main Set	FP-5132M	Std-10-20-30-40	
1	Main Set	5132M +	Std-10-20-30-40	When depleted use FP-5132M

CYLINDER COMPONENTS

QTY	PISTONS	PART NO.	SIZE	DESCRIPTION
6	Pin Bushing	FP-74507127		1.255" max. length
6	Pin Bushing	1619Y20 +		1.255" max. length; When depleted use FP-74507127

QTY	CONNECTING RODS & BRGS.	PART NO.	SIZE	DESCRIPTION
6	Rod Pair	FP-1615CP	Std-10-20-30-40	
6	Rod Pair	1615CP +	Std-10-20-30-40	When depleted use FP-1615CP

Industrial Applications **6B273, 6G273 Eng. 15**
4.5L 273 L6, 3.75" Bore

CYL. HEAD & PARTS

QTY	VALVE	PART NO.	SIZE	DESCRIPTION
6	Exhaust	FP-V1173		1.2810" Head Dia., .3095" Stem Dia., 4.5000" O.A.L.
6	Exhaust	V-1173 +	Std Only	1.2810" Head Dia., .3095" Stem Dia., 4.5000" O.A.L.; When depleted use FP-V1173
24	Keeper	FP-VK144		1 groove; Square cut key groove
24	Keeper	VK-144R		1 groove; Square cut key groove; Hardened
24	Keeper, Bulk	FP-VK144B		1 groove; Square cut key groove; Carton of 1000

(continued on next page)

+ Superseded Part Number

Buda

15 Industrial Applications 6B273, 6G273 Engs.				
(cont.) 4.5L 273 L6, 3.75" Bore				
CYL. HEAD & PARTS (cont.)				
QTY	VALVE GUIDE	PART NO.	SIZE	DESCRIPTION
12	Guide	FP-VG497		.3128" ID, 2.5630" O.A.L.
12	Guide	VG-497 +		.3128" ID, 2.5630" O.A.L.; When depleted use FP-VG497
QTY	VALVE SPRING	PART NO.	SIZE	DESCRIPTION
12	Spring	FP-VS1577		w/damper; 2.0900" Free Height
12	Spring	VS-1577 +		w/damper; 2.0900" Free Height; When depleted use FP-VS1577
ENGINE BLOCK & PARTS				
QTY	CAM BEARINGS	PART NO.	SIZE	DESCRIPTION
1	Cam Set	FP-1151M	<i>Std Only</i>	
1	Cam Set	1151M +	Std Only	When depleted use FP-1151M
CRANKSHAFT/OIL PUMP				
QTY	MAIN BEARINGS	PART NO.	SIZE	DESCRIPTION
1	Main Set	FP-5132M	<i>Std-10-20-30-40</i>	
1	Main Set	5132M +	Std-10-20-30-40	When depleted use FP-5132M
CYLINDER COMPONENTS				
QTY	PISTONS	PART NO.	SIZE	DESCRIPTION
6	Pin Bushing	FP-74507127		1.255" max. length
6	Pin Bushing	1619Y20 +		1.255" max. length; When depleted use FP-74507127
QTY	CONNECTING RODS & BRGS.	PART NO.	SIZE	DESCRIPTION
6	Rod Pair	FP-1615CP	<i>Std-10-20-30-40</i>	
6	Rod Pair	1615CP +	Std-10-20-30-40	When depleted use FP-1615CP
QTY	PISTON RINGS	PART NO.	SIZE	DESCRIPTION
1	Premium Set	FP-645KX	<i>Std Only</i>	3-1/8, 1-3/16
1	Premium Set	645KX +	Std Only	3-1/8, 1-3/16; When depleted use FP-645KX
6	Premium Single Cylinder Set	W-645KX	Std Only	3-1/8, 1-3/16
16 Industrial Applications 6BD273, 6D273 Engs.				
4.5L 273 Diesel L6, 3.75" Bore				
CYL. HEAD & PARTS				
QTY	VALVE	PART NO.	SIZE	DESCRIPTION
24	Keeper	FP-VK144		1 groove; Square cut key groove
24	Keeper	VK-144R		1 groove; Square cut key groove; Hardened
24	Keeper, Bulk	FP-VK144B		1 groove; Square cut key groove; Carton of 1000
QTY	VALVE GUIDE	PART NO.	SIZE	DESCRIPTION
12	Guide	FP-VG497		.3128" ID, 2.5630" O.A.L.
12	Guide	VG-497 +		.3128" ID, 2.5630" O.A.L.; When depleted use FP-VG497
QTY	VALVE SPRING	PART NO.	SIZE	DESCRIPTION
12	Spring	FP-VS1577		w/damper; 2.0900" Free Height
12	Spring	VS-1577 +		w/damper; 2.0900" Free Height; When depleted use FP-VS1577
ENGINE BLOCK & PARTS				
QTY	CAM BEARINGS	PART NO.	SIZE	DESCRIPTION
1	Cam Set	FP-1151M	<i>Std Only</i>	
1	Cam Set	1151M +	Std Only	When depleted use FP-1151M
CRANKSHAFT/OIL PUMP				
QTY	MAIN BEARINGS	PART NO.	SIZE	DESCRIPTION
1	Main Set	FP-5132M	<i>Std-10-20-30-40</i>	
1	Main Set	5132M +	Std-10-20-30-40	When depleted use FP-5132M
CYLINDER COMPONENTS				
QTY	PISTONS	PART NO.	SIZE	DESCRIPTION
6	Pin Bushing	FP-74507127		1.255" max. length
6	Pin Bushing	1619Y20 +		1.255" max. length; When depleted use FP-74507127
QTY	CONNECTING RODS & BRGS.	PART NO.	SIZE	DESCRIPTION
6	Rod Pair	FP-1615CP	<i>Std-10-20-30-40</i>	
6	Rod Pair	1615CP +	Std-10-20-30-40	When depleted use FP-1615CP

Industrial Applications H298, HM298, HP298, HPM298 Engs. 17
4.9L 298 L6, 3.75" Bore

CYLINDER COMPONENTS				
QTY	PISTON RINGS	PART NO.	SIZE	DESCRIPTION
1	Premium Set	FP-645KX	<i>Std Only</i>	3-1/8, 1-3/16
1	Premium Set	645KX +	<i>Std Only</i>	3-1/8, 1-3/16; When depleted use FP-645KX
6	Premium Single Cylinder Set	W-645KX	<i>Std Only</i>	3-1/8, 1-3/16

Industrial Applications HD344 Eng. 18
5.6L 344 Diesel L4, 4.4375" Bore

CYL. HEAD & PARTS				
QTY	VALVE	PART NO.	SIZE	DESCRIPTION
24	Keeper	VK-138R		1 groove; Square cut key groove; Hardened

CYLINDER COMPONENTS				
QTY	CONNECTING RODS & BRGS.	PART NO.	SIZE	DESCRIPTION
4	Rod Pair	FP-2450CPA	<i>Std Only</i>	W/Oil hole
4	Rod Pair	2450CPA +	<i>Std Only</i>	W/Oil hole; When depleted use FP-2450CPA

Industrial Applications DA516, HD516 Engs. 19
8.5L 516 Diesel L6, 4.4375" Bore

CYLINDER COMPONENTS				
QTY	CONNECTING RODS & BRGS.	PART NO.	SIZE	DESCRIPTION
6	Rod Pair	FP-2450CPA	<i>Std Only</i>	W/Oil hole
6	Rod Pair	2450CPA +	<i>Std Only</i>	W/Oil hole; When depleted use FP-2450CPA

QTY	PISTON RINGS	PART NO.	SIZE	DESCRIPTION
1	Premium Set	FP-960KX	<i>Std Only</i>	1-3/32, 2-1/8, 2-3/16
1	Premium Set	960KX +	<i>Std Only</i>	1-3/32, 2-1/8, 2-3/16; When depleted use FP-960KX

Industrial Applications 4DC645, 4MO645 Engs. 20
10.6L 645 Diesel L4, 5.625" Bore

CYLINDER COMPONENTS				
QTY	CONNECTING RODS & BRGS.	PART NO.	SIZE	DESCRIPTION
4	Rod Pair	FP-1650CP	<i>Std Only</i>	W/Thin wall brgs. & 3.307" std. shaft dia.
4	Rod Pair	1650CP +	<i>Std Only</i>	W/Thin wall brgs. & 3.307" std. shaft dia.; When depleted use FP-1650CP

Industrial Applications 6DA779 Eng. 21
12.8L 779 Diesel L6, 5.25" Bore

CYLINDER COMPONENTS				
QTY	CONNECTING RODS & BRGS.	PART NO.	SIZE	DESCRIPTION
6	Rod Pair	FP-1650CP	<i>Std Only</i>	W/Thin wall brgs. & 3.307" std. shaft dia.
6	Rod Pair	1650CP +	<i>Std Only</i>	W/Thin wall brgs. & 3.307" std. shaft dia.; When depleted use FP-1650CP

Industrial Applications 6MO893 Eng. 22
14.7L 893 Diesel L6, 5.625" Bore

CYLINDER COMPONENTS				
QTY	CONNECTING RODS & BRGS.	PART NO.	SIZE	DESCRIPTION
6	Rod Pair	FP-1650CP	<i>Std Only</i>	W/Thin wall brgs. & 3.307" std. shaft dia.
6	Rod Pair	1650CP +	<i>Std Only</i>	W/Thin wall brgs. & 3.307" std. shaft dia.; When depleted use FP-1650CP

Industrial Applications 6DA970, 6DC970, 6MO970 Engs. 23
15.9L 970 Diesel L6, 5.625" Bore

CYLINDER COMPONENTS				
QTY	CONNECTING RODS & BRGS.	PART NO.	SIZE	DESCRIPTION
6	Rod Pair	FP-1650CP	<i>Std Only</i>	W/Thin wall brgs. & 3.307" std. shaft dia.
6	Rod Pair	1650CP +	<i>Std Only</i>	W/Thin wall brgs. & 3.307" std. shaft dia.; When depleted use FP-1650CP

Buda

24 Industrial Applications 8DC-1125, 8DCM-1125, 8DCS-1125, 8DCSM-1125 Engs.

18.4L 1125 Diesel V8, 5.25" Bore

CYLINDER COMPONENTS

QTY	CONNECTING RODS & BRGS.	PART NO.	SIZE	DESCRIPTION
8	Rod Pair	FP-1650CP	Std Only	W/Thin wall brgs. & 3.307" std. shaft dia.
8	Rod Pair	1650CP +	Std Only	W/Thin wall brgs. & 3.307" std. shaft dia.; When depleted use FP-1650CP

25 Industrial Applications 8DC-1290 Eng.

21.1L 1290 Diesel V8, 5.625" Bore

CYLINDER COMPONENTS

QTY	CONNECTING RODS & BRGS.	PART NO.	SIZE	DESCRIPTION
8	Rod Pair	FP-1650CP	Std Only	W/Thin wall brgs. & 3.307" std. shaft dia.
8	Rod Pair	1650CP +	Std Only	W/Thin wall brgs. & 3.307" std. shaft dia.; When depleted use FP-1650CP

Case Co., J.I.

Engine Finding Index

Engine	Line No.	Engine	Line No.
.4L 23 L-HEAD L1 3" Bore (Wisconsin Eng.)	1	4.1L 251 Diesel L4 4" Bore	27
1.5L 91.9 L-HEAD V4 3" Bore (Wisconsin Eng.)	2	4.3L 260 L4 3.875" Bore	28
1.6L 95 L-HEAD L4 2.75" Bore (Hercules Eng.)	3	4.3L 260 OHV Diesel L4 3.875" Bore (Continental Eng.)	29
1.8L 108 L-HEAD V4 3.25" Bore (Wisconsin Eng.)	4	4.4L 267 Diesel L4 4.125" Bore	30
2.1L 124 L-HEAD L4 3" Bore (Continental Eng.)	5	4.5L 273 OHV V8 3.625" Bore (Chrysler Eng.)	31
2.1L 124 L4 3.25" Bore	6	4.5L 277 OHV Diesel L4 4" Bore (Continental Eng.)	32
2.1L 126 L4 3.125" Bore	7	4.6L 282 L-HEAD L6 3.75" Bore (Hercules Eng.)	33
2.2L 132.7 L-HEAD V4 3.25" Bore (Wisconsin Eng.)	8	4.7L 284 L4 4.25" Bore	34
2.2L 133 L-HEAD L4 3.25" Bore (Early) (Waukesha Eng.)	9	4.9L 298 OHV L6 3.75" Bore (Hercules Eng.)	35
2.2L 133 L4 3.25" Bore (Waukesha Eng.)	10	5.0L 301 L4 4.375" Bore	36
2.3L 140 L-HEAD L4 3.1875" Bore (Continental Eng.)	11	5.0L 301 Diesel L4 4.375" Bore	37
2.4L 148 L4 3.375" Bore (G148)	12	5.2L 318 OHV V8 3.9063" Bore (Chrysler Eng.)	38
2.4L 148 L4 3.375" Bore (G148B)	13	5.5L 336 Diesel L4 4.625" Bore	39
2.5L 154 L4 3.5" Bore	14	5.5L 336 Turbo-Diesel L4 4.625" Bore	40
2.5L 154 L-HEAD V4 3.5" Bore (Wisconsin Eng.)	15	5.8L 354 OHV Diesel L6 3.875" Bore (12 Valve) (Perkins Eng.)	41
2.6L 157 OHV Diesel L4 3.4375" Bore (Continental Eng.)	16	6.2L 377 L6 4" Bore (Early)	42
2.6L 159 L4 3.5" Bore	17	6.2L 377 L6 4" Bore (Late)	43
2.6L 162 L-HEAD L4 3.4375" Bore (Continental Eng.)	18	6.2L 377 Diesel L6 4" Bore	44
2.7L 164 L4 3.5625" Bore	19	6.6L 401 Diesel L6 4.125" Bore	45
3.0L 186 L4 3.625" Bore (Waukesha Eng.)	20	6.6L 401 Turbo-Diesel L6 4.125" Bore	46
3.1L 188 L4 3.8125" Bore (G188B)	21	7.4L 451 Diesel L6 4.375" Bore	47
3.1L 188 Diesel L4 3.8125" Bore	22	7.4L 451 Turbo-Diesel L6 4.375" Bore	48
3.4L 207 Diesel L4 4" Bore	23	8.3L 504 Diesel L6 4.625" Bore	49
3.4L 209 L-HEAD L6 3.1875" Bore (Continental Eng.)	24	8.3L 504 Turbo-Diesel L6 4.625" Bore	50
3.7L 225 OHV L6 3.4063" Bore (Chrysler Eng.)	25		
4.1L 251 L4 4" Bore	26		

Engine Code Index

Engine Code	Engine Description	Line No.	Engine Code	Engine Description	Line No.
AE ... Grain Elevator	.4L 23 L-HEAD L1 3" Bore (Wisconsin Eng.)	1	AENS ... Grain Elevator	.4L 23 L-HEAD L1 3" Bore (Wisconsin Eng.)	1
AEH ... Grain Elevator	.4L 23 L-HEAD L1 3" Bore (Wisconsin Eng.)	1	AES ... Grain Elevator	.4L 23 L-HEAD L1 3" Bore (Wisconsin Eng.)	1
AEHS ... Grain Elevator	.4L 23 L-HEAD L1 3" Bore (Wisconsin Eng.)	1	A2 ... Grain Elevator	.4L 23 L-HEAD L1 3" Bore (Wisconsin Eng.)	1
AEM ... Grain Elevator	.4L 23 L-HEAD L1 3" Bore (Wisconsin Eng.)	1	A251 ... Combine	4.1L 251 L4 4" Bore	26
AEN ... Grain Elevator	.4L 23 L-HEAD L1 3" Bore (Wisconsin Eng.)	1	A251 ... Wheel Tractor	4.1L 251 L4 4" Bore	26
AEND ... Grain Elevator	.4L 23 L-HEAD L1 3" Bore (Wisconsin Eng.)	1	A251B ... Combine	4.1L 251 L4 4" Bore	26
AENL ... Grain Elevator	.4L 23 L-HEAD L1 3" Bore (Wisconsin Eng.)	1	A251B ... Wheel Tractor	4.1L 251 L4 4" Bore	26
AENLD ... Grain Elevator	.4L 23 L-HEAD L1 3" Bore (Wisconsin Eng.)	1	A251G ... Combine	4.1L 251 L4 4" Bore	26
			A251G ... Wheel Tractor	4.1L 251 L4 4" Bore	26
			A251S ... Combine	4.1L 251 L4 4" Bore	26
			A251S ... Wheel Tractor	4.1L 251 L4 4" Bore	26
			A267 ... Combine	4.4L 267 Diesel L4 4.125" Bore	30
			A267 ... Wheel Tractor	4.4L 267 Diesel L4 4.125" Bore	30
			A267 ... Wheel Loader	4.4L 267 Diesel L4 4.125" Bore	30

(continued on next page)

Engine Code Index

Engine Code	Engine Description	Line No.	Engine Code	Engine Description	Line No.
A267B ... Combine	4.4L 267 Diesel L4 4.125" Bore	30	A504BDT ... Wheel Loader	8.3L 504 Turbo-Diesel L6 4.625" Bore	50
A267B ... Wheel Tractor	4.4L 267 Diesel L4 4.125" Bore	30	A504BDT ... Excavator	8.3L 504 Turbo-Diesel L6 4.625" Bore	50
A267B ... Wheel Loader	4.4L 267 Diesel L4 4.125" Bore	30	A504BDT ... Concrete Placer	8.3L 504 Turbo-Diesel L6 4.625" Bore	50
A267BD ... Combine	4.4L 267 Diesel L4 4.125" Bore	30	A6.354 ... Wheel Tractor	5.8L 354 OHV Diesel L6 3.875" Bore (12 Valve) (Perkins Eng.)	41
A267BD ... Wheel Tractor	4.4L 267 Diesel L4 4.125" Bore	30	CE ... Combine	4.3L 260 L4 3.875" Bore	28
A267BD ... Wheel Loader	4.4L 267 Diesel L4 4.125" Bore	30	CE ... Wheel Tractor	4.3L 260 L4 3.875" Bore	28
A267D ... Combine	4.4L 267 Diesel L4 4.125" Bore	30	FK ... Combine	2.2L 133 L-HEAD L4 3.25" Bore (Early) (Waukesha Eng.)	9
A267D ... Wheel Tractor	4.4L 267 Diesel L4 4.125" Bore	30	FK ... Wheel Tractor	2.2L 133 L-HEAD L4 3.25" Bore (Early) (Waukesha Eng.)	9
A267D ... Wheel Loader	4.4L 267 Diesel L4 4.125" Bore	30	FK ... Combine	2.2L 133 L4 3.25" Bore (Waukesha Eng.)	10
A284G ... Combine	4.7L 284 L4 4.25" Bore	34	FK ... Wheel Tractor	2.2L 133 L4 3.25" Bore (Waukesha Eng.)	10
A284G ... Wheel Tractor	4.7L 284 L4 4.25" Bore	34	F124 ... Wheel Tractor	2.1L 124 L-HEAD L4 3" Bore (Continental Eng.)	5
A284GF ... Combine	4.7L 284 L4 4.25" Bore	34	F140 ... Wheel Tractor	2.3L 140 L-HEAD L4 3.1875" Bore (Continental Eng.)	11
A284GF ... Wheel Tractor	4.7L 284 L4 4.25" Bore	34	F162 ... Wheel Tractor	2.6L 162 L-HEAD L4 3.4375" Bore (Continental Eng.)	18
A284S ... Combine	4.7L 284 L4 4.25" Bore	34	F209 ... Wheel Tractor	3.4L 209 L-HEAD L6 3.1875" Bore (Continental Eng.)	24
A284S ... Wheel Tractor	4.7L 284 L4 4.25" Bore	34	GD157 ... Wheel Tractor	2.6L 157 OHV Diesel L4 3.4375" Bore (Continental Eng.)	16
A301 ... Wheel Tractor	5.0L 301 L4 4.375" Bore	36	GO298 ... Combine	4.9L 298 OHV L6 3.75" Bore (Hercules Eng.)	35
A301BD ... Wheel Tractor	5.0L 301 Diesel L4 4.375" Bore	37	G126 ... Combine	2.1L 126 L4 3.125" Bore	7
A301BD ... Crawler Tractor	5.0L 301 Diesel L4 4.375" Bore	37	G126 ... Wheel Tractor	2.1L 126 L4 3.125" Bore	7
A301BD ... Wheel Loader	5.0L 301 Diesel L4 4.375" Bore	37	G148 ... Combine	2.4L 148 L4 3.375" Bore (G148)	12
A301D ... Wheel Tractor	5.0L 301 Diesel L4 4.375" Bore	37	G148 ... Wheel Tractor	2.4L 148 L4 3.375" Bore (G148)	12
A301D ... Crawler Tractor	5.0L 301 Diesel L4 4.375" Bore	37	G148B ... Wheel Tractor	2.4L 148 L4 3.375" Bore (G148B)	13
A301D ... Wheel Loader	5.0L 301 Diesel L4 4.375" Bore	37	G159 ... Wheel Tractor	2.6L 159 L4 3.5" Bore	17
A301DF ... Combine	5.0L 301 Diesel L4 4.375" Bore	37	G159B ... Wheel Tractor	2.6L 159 L4 3.5" Bore	17
A336BD ... Wheel Tractor	5.5L 336 Diesel L4 4.625" Bore	39	G164 ... Wheel Tractor	2.7L 164 L4 3.5625" Bore	19
A336BD ... Crawler Tractor	5.5L 336 Diesel L4 4.625" Bore	39	G188 ... Combine	3.1L 188 L4 3.8125" Bore (G188B)	21
A336BD ... Wheel Loader	5.5L 336 Diesel L4 4.625" Bore	39	G188 ... Wheel Tractor	3.1L 188 L4 3.8125" Bore (G188B)	21
A336BD ... Excavator	5.5L 336 Diesel L4 4.625" Bore	39	G188B ... Combine	3.1L 188 L4 3.8125" Bore (G188B)	21
A336BD ... Wheel Skidder	5.5L 336 Diesel L4 4.625" Bore	39	G188B ... Wheel Tractor	3.1L 188 L4 3.8125" Bore (G188B)	21
A336BD ... Concrete Placer	5.5L 336 Diesel L4 4.625" Bore	39	G188D ... Combine	3.1L 188 Diesel L4 3.8125" Bore	22
A336BDT ... Wheel Tractor	5.5L 336 Turbo-Diesel L4 4.625" Bore	40	G188D ... Wheel Tractor	3.1L 188 Diesel L4 3.8125" Bore	22
A336BDT ... Crawler Tractor	5.5L 336 Turbo-Diesel L4 4.625" Bore	40	G188D ... Windrower	3.1L 188 Diesel L4 3.8125" Bore	22
A336BDT ... Wheel Loader	5.5L 336 Turbo-Diesel L4 4.625" Bore	40	G188D ... Crawler Tractor	3.1L 188 Diesel L4 3.8125" Bore	22
A336BDT ... Excavator	5.5L 336 Turbo-Diesel L4 4.625" Bore	40	G188D ... Wheel Loader	3.1L 188 Diesel L4 3.8125" Bore	22
A336BDT ... Wheel Skidder	5.5L 336 Turbo-Diesel L4 4.625" Bore	40	G207D ... Forklift	3.4L 207 Diesel L4 4" Bore	23
A336BDT ... Concrete Placer	5.5L 336 Turbo-Diesel L4 4.625" Bore	40	G207D ... Loader	3.4L 207 Diesel L4 4" Bore	23
A377B ... Wheel Tractor	6.2L 377 L6 4" Bore (Early)	42	G207D ... Wheel Tractor	3.4L 207 Diesel L4 4" Bore	23
A377S ... Wheel Tractor	6.2L 377 L6 4" Bore (Early)	42	G207D ... Crawler Tractor	3.4L 207 Diesel L4 4" Bore	23
A401B ... Wheel Tractor	6.6L 401 Diesel L6 4.125" Bore	45	H-225 ... Combine	3.7L 225 OHV L6 3.4063" Bore (Chrysler Eng.)	25
A401B ... Crawler Tractor	6.6L 401 Diesel L6 4.125" Bore	45	H-273 ... Combine	4.5L 273 OHV V8 3.625" Bore (Chrysler Eng.)	31
A401B ... Wheel Loader	6.6L 401 Diesel L6 4.125" Bore	45	H-318 ... Combine	5.2L 318 OHV V8 3.9063" Bore (Chrysler Eng.)	38
A401BD ... Wheel Tractor	6.6L 401 Diesel L6 4.125" Bore	45	HA-273 ... Combine	4.5L 273 OHV V8 3.625" Bore (Chrysler Eng.)	31
A401BD ... Crawler Tractor	6.6L 401 Diesel L6 4.125" Bore	45	HAENL ... Grain Elevator	.4L 23 L-HEAD L1 3" Bore (Wisconsin Eng.)	1
A401BD ... Wheel Loader	6.6L 401 Diesel L6 4.125" Bore	45	HD260 ... Wheel Tractor	4.3L 260 OHV Diesel L4 3.875" Bore (Continental Eng.)	29
A401D ... Wheel Tractor	6.6L 401 Diesel L6 4.125" Bore	45	HD277 ... Wheel Tractor	4.5L 277 OHV Diesel L4 4" Bore (Continental Eng.)	32
A401D ... Crawler Tractor	6.6L 401 Diesel L6 4.125" Bore	45			
A401D ... Wheel Loader	6.6L 401 Diesel L6 4.125" Bore	45			
A451 ... Wheel Tractor	7.4L 451 Diesel L6 4.375" Bore	47			
A451B ... Wheel Tractor	7.4L 451 Diesel L6 4.375" Bore	47			
A451B ... Crawler Tractor	7.4L 451 Diesel L6 4.375" Bore	47			
A451BD ... Wheel Tractor	7.4L 451 Diesel L6 4.375" Bore	47			
A451BD ... Crawler Tractor	7.4L 451 Diesel L6 4.375" Bore	47			
A451D ... Wheel Tractor	7.4L 451 Diesel L6 4.375" Bore	47			
A451T ... Wheel Tractor	7.4L 451 Turbo-Diesel L6 4.375" Bore	48			
A504BD ... Wheel Tractor	8.3L 504 Diesel L6 4.625" Bore	49			
A504BD ... Crawler Tractor	8.3L 504 Diesel L6 4.625" Bore	49			
A504BD ... Wheel Loader	8.3L 504 Diesel L6 4.625" Bore	49			
A504BD ... Excavator	8.3L 504 Diesel L6 4.625" Bore	49			
A504BD ... Concrete Placer	8.3L 504 Diesel L6 4.625" Bore	49			
A504BDT ... Combine	8.3L 504 Turbo-Diesel L6 4.625" Bore	50			
A504BDT ... Wheel Tractor	8.3L 504 Turbo-Diesel L6 4.625" Bore	50			
A504BDT ... Crawler Tractor	8.3L 504 Turbo-Diesel L6 4.625" Bore	50			

(continued on next page)

Engine Code Index

Engine Code	Engine Description	Line No.	Engine Code	Engine Description	Line No.
H6.354 ... Wheel Tractor	5.8L 354 OHV Diesel L6 3.875" Bore (12 Valve) (Perkins Eng.)	41	148B ... Wheel Tractor	2.4L 148 L4 3.375" Bore (G148B)	13
IXF3 ... Combine	1.6L 95 L-HEAD L4 2.75" Bore (Hercules Eng.)	3	148G ... Combine	2.4L 148 L4 3.375" Bore (G148)	12
JXC ... Combine	4.6L 282 L-HEAD L6 3.75" Bore (Hercules Eng.)	33	148G ... Wheel Tractor	2.4L 148 L4 3.375" Bore (G148)	12
LH-318 ... Combine	5.2L 318 OHV V8 3.9063" Bore (Chrysler Eng.)	38	159 ... Wheel Tractor	2.6L 159 L4 3.5" Bore	17
SE ... Combine	2.5L 154 L4 3.5" Bore	14	159B ... Wheel Tractor	2.6L 159 L4 3.5" Bore	17
SE ... Wheel Tractor	2.5L 154 L4 3.5" Bore	14	164 ... Wheel Tractor	2.7L 164 L4 3.5625" Bore	19
VA124 ... Hay Baler	2.1L 124 L4 3.25" Bore	6	188 ... Combine	3.1L 188 L4 3.8125" Bore (G188B)	21
VA124 ... Combine	2.1L 124 L4 3.25" Bore	6	188 ... Wheel Tractor	3.1L 188 L4 3.8125" Bore (G188B)	21
VA124 ... Wheel Tractor	2.1L 124 L4 3.25" Bore	6	188 ... Combine	3.1L 188 Diesel L4 3.8125" Bore	22
VE4 ... Hay Baler	1.5L 91.9 L-HEAD V4 3" Bore (Wisconsin Eng.)	2	188 ... Wheel Tractor	3.1L 188 Diesel L4 3.8125" Bore	22
VE4 ... Combine	1.5L 91.9 L-HEAD V4 3" Bore (Wisconsin Eng.)	2	188 ... Windrower	3.1L 188 Diesel L4 3.8125" Bore	22
VE4D ... Hay Baler	1.5L 91.9 L-HEAD V4 3" Bore (Wisconsin Eng.)	2	188 ... Crawler Tractor	3.1L 188 Diesel L4 3.8125" Bore	22
VE4D ... Combine	1.5L 91.9 L-HEAD V4 3" Bore (Wisconsin Eng.)	2	188 ... Wheel Loader	3.1L 188 Diesel L4 3.8125" Bore	22
VE41 ... Hay Baler	1.5L 91.9 L-HEAD V4 3" Bore (Wisconsin Eng.)	2	188B ... Combine	3.1L 188 L4 3.8125" Bore (G188B)	21
VE41 ... Combine	1.5L 91.9 L-HEAD V4 3" Bore (Wisconsin Eng.)	2	188B ... Wheel Tractor	3.1L 188 L4 3.8125" Bore (G188B)	21
VF4 ... Hay Baler	1.8L 108 L-HEAD V4 3.25" Bore (Wisconsin Eng.)	4	188D ... Combine	3.1L 188 Diesel L4 3.8125" Bore	22
VF4 ... Combine	1.8L 108 L-HEAD V4 3.25" Bore (Wisconsin Eng.)	4	188D ... Wheel Tractor	3.1L 188 Diesel L4 3.8125" Bore	22
VF4D ... Hay Baler	1.8L 108 L-HEAD V4 3.25" Bore (Wisconsin Eng.)	4	188D ... Windrower	3.1L 188 Diesel L4 3.8125" Bore	22
VF4D ... Combine	1.8L 108 L-HEAD V4 3.25" Bore (Wisconsin Eng.)	4	188D ... Crawler Tractor	3.1L 188 Diesel L4 3.8125" Bore	22
VF41 ... Hay Baler	1.8L 108 L-HEAD V4 3.25" Bore (Wisconsin Eng.)	4	188D ... Wheel Loader	3.1L 188 Diesel L4 3.8125" Bore	22
VF41 ... Combine	1.8L 108 L-HEAD V4 3.25" Bore (Wisconsin Eng.)	4	207 ... Forklift	3.4L 207 Diesel L4 4" Bore	23
VG4D ... Harvester	2.5L 154 L-HEAD V4 3.5" Bore (Wisconsin Eng.)	15	207 ... Loader	3.4L 207 Diesel L4 4" Bore	23
VH4 ... Hay Baler	1.8L 108 L-HEAD V4 3.25" Bore (Wisconsin Eng.)	4	207 ... Wheel Tractor	3.4L 207 Diesel L4 4" Bore	23
VH4 ... Combine	1.8L 108 L-HEAD V4 3.25" Bore (Wisconsin Eng.)	4	207 ... Crawler Tractor	3.4L 207 Diesel L4 4" Bore	23
VH4D ... Hay Baler	1.8L 108 L-HEAD V4 3.25" Bore (Wisconsin Eng.)	4	207D ... Wheel Tractor	3.4L 207 Diesel L4 4" Bore	23
VH4D ... Combine	1.8L 108 L-HEAD V4 3.25" Bore (Wisconsin Eng.)	4	251 ... Combine	4.1L 251 L4 4" Bore	26
VH4DM ... Hay Baler	1.8L 108 L-HEAD V4 3.25" Bore (Wisconsin Eng.)	4	251 ... Wheel Tractor	4.1L 251 L4 4" Bore	26
VH4DM ... Combine	1.8L 108 L-HEAD V4 3.25" Bore (Wisconsin Eng.)	4	251 Diesel ... Wheel Tractor	4.1L 251 Diesel L4 4" Bore	27
VM4 ... Hay Baler	2.2L 132.7 L-HEAD V4 3.25" Bore (Wisconsin Eng.)	8	251B ... Combine	4.1L 251 L4 4" Bore	26
VP4 ... Harvester	2.5L 154 L-HEAD V4 3.5" Bore (Wisconsin Eng.)	15	251B ... Wheel Tractor	4.1L 251 L4 4" Bore	26
VP4D ... Harvester	2.5L 154 L-HEAD V4 3.5" Bore (Wisconsin Eng.)	15	251BG ... Wheel Tractor	4.1L 251 L4 4" Bore	26
V460D ... Harvester	2.5L 154 L-HEAD V4 3.5" Bore (Wisconsin Eng.)	15	267 ... Combine	4.4L 267 Diesel L4 4.125" Bore	30
V461D ... Harvester	2.5L 154 L-HEAD V4 3.5" Bore (Wisconsin Eng.)	15	267 ... Wheel Tractor	4.4L 267 Diesel L4 4.125" Bore	30
W106 ... Combine	2.1L 124 L4 3.25" Bore	6	267 ... Wheel Loader	4.4L 267 Diesel L4 4.125" Bore	30
W106 ... Wheel Tractor	2.1L 124 L4 3.25" Bore	6	267B ... Combine	4.4L 267 Diesel L4 4.125" Bore	30
XAH ... Combine	3.0L 186 L4 3.625" Bore (Waukesha Eng.)	20	267B ... Wheel Tractor	4.4L 267 Diesel L4 4.125" Bore	30
124 ... Hay Baler	2.1L 124 L4 3.25" Bore	6	267B ... Wheel Loader	4.4L 267 Diesel L4 4.125" Bore	30
124 ... Combine	2.1L 124 L4 3.25" Bore	6	284 ... Combine	4.7L 284 L4 4.25" Bore	34
124 ... Wheel Tractor	2.1L 124 L4 3.25" Bore	6	284 ... Wheel Tractor	4.7L 284 L4 4.25" Bore	34
126 ... Combine	2.1L 126 L4 3.125" Bore	7	284B ... Combine	4.7L 284 L4 4.25" Bore	34
126 ... Wheel Tractor	2.1L 126 L4 3.125" Bore	7	284B ... Wheel Tractor	4.7L 284 L4 4.25" Bore	34
148 ... Combine	2.4L 148 L4 3.375" Bore (G148)	12	284S ... Combine	4.7L 284 L4 4.25" Bore	34
148 ... Wheel Tractor	2.4L 148 L4 3.375" Bore (G148)	12	284S ... Wheel Tractor	4.7L 284 L4 4.25" Bore	34
148B ... Wheel Tractor	2.4L 148 L4 3.375" Bore (G148)	12	301 ... Wheel Tractor	5.0L 301 Diesel L4 4.375" Bore	37
			301 ... Crawler Tractor	5.0L 301 Diesel L4 4.375" Bore	37
			301 ... Wheel Loader	5.0L 301 Diesel L4 4.375" Bore	37
			301B ... Wheel Tractor	5.0L 301 L4 4.375" Bore	36
			301B ... Wheel Tractor	5.0L 301 Diesel L4 4.375" Bore	37
			301B ... Crawler Tractor	5.0L 301 Diesel L4 4.375" Bore	37
			301B ... Wheel Loader	5.0L 301 Diesel L4 4.375" Bore	37
			301BG ... Combine	5.0L 301 L4 4.375" Bore	36
			301BG ... Wheel Tractor	5.0L 301 L4 4.375" Bore	36
			336 ... Wheel Tractor	5.5L 336 Diesel L4 4.625" Bore	39
			336 ... Crawler Tractor	5.5L 336 Diesel L4 4.625" Bore	39
			336 ... Wheel Loader	5.5L 336 Diesel L4 4.625" Bore	39
			336 ... Excavator	5.5L 336 Diesel L4 4.625" Bore	39
			336 ... Wheel Skidder	5.5L 336 Diesel L4 4.625" Bore	39
			336 ... Concrete Placer	5.5L 336 Diesel L4 4.625" Bore	39
			336B ... Wheel Tractor	5.5L 336 Diesel L4 4.625" Bore	39
			336B ... Crawler Tractor	5.5L 336 Diesel L4 4.625" Bore	39
			336B ... Wheel Loader	5.5L 336 Diesel L4 4.625" Bore	39
			336B ... Excavator	5.5L 336 Diesel L4 4.625" Bore	39
			336B ... Wheel Skidder	5.5L 336 Diesel L4 4.625" Bore	39
			336B ... Concrete Placer	5.5L 336 Diesel L4 4.625" Bore	39
			336BD ... Wheel Tractor	5.5L 336 Diesel L4 4.625" Bore	39
			336BD ... Crawler Tractor	5.5L 336 Diesel L4 4.625" Bore	39
			336BD ... Wheel Loader	5.5L 336 Diesel L4 4.625" Bore	39
			336BD ... Excavator	5.5L 336 Diesel L4 4.625" Bore	39

(continued on next page)

Engine Code Index

Engine Code	Engine Description	Line No.	Engine Code	Engine Description	Line No.
336BD ... Wheel Skidder	5.5L 336 Diesel L4 4.625" Bore	39	451BD ... Wheel Tractor	7.4L 451 Diesel L6 4.375" Bore	47
336BD ... Concrete Placer	5.5L 336 Diesel L4 4.625" Bore	39	451BDT ... Wheel Tractor	7.4L 451 Turbo-Diesel L6 4.375" Bore	48
336BDT ... Wheel Tractor	5.5L 336 Turbo-Diesel L4 4.625" Bore	40	451BT ... Wheel Tractor	7.4L 451 Turbo-Diesel L6 4.375" Bore	48
336BDT ... Crawler Tractor	5.5L 336 Turbo-Diesel L4 4.625" Bore	40	451DT ... Wheel Tractor	7.4L 451 Turbo-Diesel L6 4.375" Bore	48
336BDT ... Wheel Loader	5.5L 336 Turbo-Diesel L4 4.625" Bore	40	504 ... Wheel Tractor	8.3L 504 Diesel L6 4.625" Bore	49
336BDT ... Excavator	5.5L 336 Turbo-Diesel L4 4.625" Bore	40	504 ... Crawler Tractor	8.3L 504 Diesel L6 4.625" Bore	49
336BDT ... Wheel Skidder	5.5L 336 Turbo-Diesel L4 4.625" Bore	40	504 ... Wheel Loader	8.3L 504 Diesel L6 4.625" Bore	49
336BDT ... Concrete Placer	5.5L 336 Turbo-Diesel L4 4.625" Bore	40	504 ... Excavator	8.3L 504 Diesel L6 4.625" Bore	49
377 ... Wheel Tractor	6.2L 377 L6 4" Bore (Early)	42	504 ... Concrete Placer	8.3L 504 Diesel L6 4.625" Bore	49
377 ... Wheel Tractor	6.2L 377 L6 4" Bore (Late)	43	504B ... Wheel Tractor	8.3L 504 Diesel L6 4.625" Bore	49
377 ... Crawler Tractor	6.2L 377 L6 4" Bore (Late)	43	504B ... Crawler Tractor	8.3L 504 Diesel L6 4.625" Bore	49
377A ... Wheel Tractor	6.2L 377 L6 4" Bore (Late)	43	504B ... Wheel Loader	8.3L 504 Diesel L6 4.625" Bore	49
377A ... Crawler Tractor	6.2L 377 L6 4" Bore (Late)	43	504B ... Excavator	8.3L 504 Diesel L6 4.625" Bore	49
377B ... Wheel Tractor	6.2L 377 L6 4" Bore (Early)	42	504B ... Concrete Placer	8.3L 504 Diesel L6 4.625" Bore	49
377D ... Wheel Tractor	6.2L 377 Diesel L6 4" Bore	44	504BD ... Wheel Tractor	8.3L 504 Diesel L6 4.625" Bore	49
377D ... Crawler Tractor	6.2L 377 Diesel L6 4" Bore	44	504BD ... Crawler Tractor	8.3L 504 Diesel L6 4.625" Bore	49
401B ... Wheel Tractor	6.6L 401 Diesel L6 4.125" Bore	45	504BD ... Wheel Loader	8.3L 504 Diesel L6 4.625" Bore	49
401B ... Crawler Tractor	6.6L 401 Diesel L6 4.125" Bore	45	504BD ... Excavator	8.3L 504 Diesel L6 4.625" Bore	49
401B ... Wheel Loader	6.6L 401 Diesel L6 4.125" Bore	45	504BD ... Concrete Placer	8.3L 504 Diesel L6 4.625" Bore	49
401BD ... Wheel Tractor	6.6L 401 Diesel L6 4.125" Bore	45	504BDT ... Combine	8.3L 504 Turbo-Diesel L6 4.625" Bore	50
401BD ... Crawler Tractor	6.6L 401 Diesel L6 4.125" Bore	45	504BDT ... Wheel Tractor	8.3L 504 Turbo-Diesel L6 4.625" Bore	50
401BD ... Wheel Loader	6.6L 401 Diesel L6 4.125" Bore	45	504BDT ... Crawler Tractor	8.3L 504 Turbo-Diesel L6 4.625" Bore	50
401BDT ... Wheel Tractor	6.6L 401 Turbo-Diesel L6 4.125" Bore	46	504BDT ... Wheel Loader	8.3L 504 Turbo-Diesel L6 4.625" Bore	50
401BDT ... Crawler Tractor	6.6L 401 Turbo-Diesel L6 4.125" Bore	46	504BDT ... Excavator	8.3L 504 Turbo-Diesel L6 4.625" Bore	50
401BDT ... Wheel Loader	6.6L 401 Turbo-Diesel L6 4.125" Bore	46	504BDT ... Concrete Placer	8.3L 504 Turbo-Diesel L6 4.625" Bore	50
401DT ... Wheel Tractor	6.6L 401 Turbo-Diesel L6 4.125" Bore	46	504BDTI ... Wheel Tractor	8.3L 504 Turbo-Diesel L6 4.625" Bore	50
451 ... Wheel Tractor	7.4L 451 Diesel L6 4.375" Bore	47	6.354 ... Wheel Tractor	5.8L 354 OHV Diesel L6 3.875" Bore (12 Valve) (Perkins Eng.)	41
451B ... Wheel Tractor	7.4L 451 Diesel L6 4.375" Bore	47			

Model Index

Model	Engine Description	Line No.	Model	Engine Description	Line No.
A ... Combine	1.8L 108 L-HEAD V4 3.25" Bore (Wisconsin Eng.)	4	CC ... Wheel Tractor	4.3L 260 L4 3.875" Bore	28
A ... Combine	3.0L 186 L4 3.625" Bore (Waukesha Eng.)	20	CD ... Combine	4.3L 260 L4 3.875" Bore	28
A ... Combine	1.5L 91.9 L-HEAD V4 3" Bore (Wisconsin Eng.)	2	CD ... Wheel Tractor	4.3L 260 L4 3.875" Bore	28
A ... Combine	1.6L 95 L-HEAD L4 2.75" Bore (Hercules Eng.)	3	CE ... Combine	4.3L 260 L4 3.875" Bore	28
A 8-12 Cut ... Combine	3.0L 186 L4 3.625" Bore (Waukesha Eng.)	20	CE ... Wheel Tractor	4.3L 260 L4 3.875" Bore	28
B ... Combine	3.0L 186 L4 3.625" Bore (Waukesha Eng.)	20	CI ... Combine	4.3L 260 L4 3.875" Bore	28
B 8-12 Cut ... Combine	3.0L 186 L4 3.625" Bore (Waukesha Eng.)	20	CI ... Wheel Tractor	4.3L 260 L4 3.875" Bore	28
C ... Combine	2.2L 133 L-HEAD L4 3.25" Bore (Early) (Waukesha Eng.)	9	CO ... Combine	4.3L 260 L4 3.875" Bore	28
C ... Combine	2.2L 133 L4 3.25" Bore (Waukesha Eng.)	10	CO ... Wheel Tractor	4.3L 260 L4 3.875" Bore	28
C ... Harvester	2.5L 154 L-HEAD V4 3.5" Bore (Wisconsin Eng.)	15	D ... Wheel Tractor	4.3L 260 L4 3.875" Bore	28
C ... Wheel Tractor	4.3L 260 L4 3.875" Bore	28	DC ... Wheel Tractor	4.3L 260 L4 3.875" Bore	28
C 8-12 Cut ... Combine	4.3L 260 L4 3.875" Bore	28	DC3 ... Wheel Tractor	4.3L 260 L4 3.875" Bore	28
C-2 ... Harvester	2.5L 154 L-HEAD V4 3.5" Bore (Wisconsin Eng.)	15	DC4 ... Wheel Tractor	4.3L 260 L4 3.875" Bore	28
CB ... Combine	2.2L 133 L-HEAD L4 3.25" Bore (Early) (Waukesha Eng.)	9	DE ... Wheel Tractor	4.3L 260 L4 3.875" Bore	28
CB ... Combine	2.2L 133 L4 3.25" Bore (Waukesha Eng.)	10	DH ... Wheel Tractor	4.3L 260 L4 3.875" Bore	28
CC ... Combine	4.3L 260 L4 3.875" Bore	28	DI ... Wheel Tractor	4.3L 260 L4 3.875" Bore	28
			DIM ... Wheel Tractor	4.3L 260 L4 3.875" Bore	28
			DO ... Wheel Tractor	4.3L 260 L4 3.875" Bore	28
			DS ... Wheel Tractor	4.3L 260 L4 3.875" Bore	28
			DT34 ... Wheel Tractor	2.6L 157 OHV Diesel L4 3.4375" Bore (Continental Eng.)	16
			DV ... Wheel Tractor	4.3L 260 L4 3.875" Bore	28
			E Series ... Wheel Loader	4.4L 267 Diesel L4 4.125" Bore	30
			E Series ... Crawler Tractor	5.5L 336 Diesel L4 4.625" Bore	39
			E Series ... Wheel Loader	5.5L 336 Diesel L4 4.625" Bore	39
			EH ... Grain Elevator	.4L 23 L-HEAD L1 3" Bore (Wisconsin Eng.)	1
			G ... Combine	1.8L 108 L-HEAD V4 3.25" Bore (Wisconsin Eng.)	4

(continued on next page)

Model Index

Model	Engine Description	Line No.	Model	Engine Description	Line No.
G ... Combine	1.5L 91.9 L-HEAD V4 3" Bore (Wisconsin Eng.)	2	VAC ... Wheel Tractor	2.1L 124 L4 3.25" Bore	6
K ... Combine	2.2L 133 L-HEAD L4 3.25" Bore (Early) (Waukesha Eng.)	9	VAC-14 ... Wheel Tractor	2.1L 124 L4 3.25" Bore	6
K ... Combine	2.2L 133 L4 3.25" Bore (Waukesha Eng.)	10	VAE ... Wheel Tractor	2.1L 124 L4 3.25" Bore	6
K (Except Prairie) ... Combine	2.1L 124 L4 3.25" Bore	6	VAH ... Wheel Tractor	2.1L 124 L4 3.25" Bore	6
MCM ... Hay Baler	1.5L 91.9 L-HEAD V4 3" Bore (Wisconsin Eng.)	2	VAI ... Wheel Tractor	2.1L 124 L4 3.25" Bore	6
M2 ... Combine	2.1L 124 L4 3.25" Bore	6	VAO ... Wheel Tractor	2.1L 124 L4 3.25" Bore	6
NAP-M ... Hay Baler	2.1L 124 L4 3.25" Bore	6	VAS ... Wheel Tractor	2.1L 124 L4 3.25" Bore	6
NCM ... Hay Baler	1.5L 91.9 L-HEAD V4 3" Bore (Wisconsin Eng.)	2	VC ... Wheel Tractor	2.1L 124 L-HEAD L4 3" Bore (Continental Eng.)	5
NCMT ... Hay Baler	1.5L 91.9 L-HEAD V4 3" Bore (Wisconsin Eng.)	2	VI ... Wheel Tractor	2.1L 124 L-HEAD L4 3" Bore (Continental Eng.)	5
NT ... Hay Baler	1.5L 91.9 L-HEAD V4 3" Bore (Wisconsin Eng.)	2	VO ... Wheel Tractor	2.1L 124 L-HEAD L4 3" Bore (Continental Eng.)	5
P Prairie ... Combine	4.3L 260 L4 3.875" Bore	28	V2 ... Combine	4.6L 282 L-HEAD L6 3.75" Bore (Hercules Eng.)	33
PT336 ... Wheel Skidder	5.5L 336 Diesel L4 4.625" Bore	39	WA106 ... Wheel Tractor	2.1L 124 L4 3.25" Bore	6
P336 ... Concrete Placer	5.5L 336 Diesel L4 4.625" Bore	39	W10 ... Wheel Loader	5.0L 301 Diesel L4 4.375" Bore	37
P336 ... Concrete Placer	5.5L 336 Turbo-Diesel L4 4.625" Bore	40	W10 ... Wheel Loader	6.6L 401 Diesel L6 4.125" Bore	45
P504 ... Concrete Placer	8.3L 504 Diesel L6 4.625" Bore	49	W10B ... Wheel Loader	6.6L 401 Diesel L6 4.125" Bore	45
P504 ... Concrete Placer	8.3L 504 Turbo-Diesel L6 4.625" Bore	50	W10C ... Wheel Loader	6.6L 401 Diesel L6 4.125" Bore	45
R ... Wheel Tractor	2.2L 133 L-HEAD L4 3.25" Bore (Early) (Waukesha Eng.)	9	W10E ... Wheel Loader	6.6L 401 Diesel L6 4.125" Bore	45
R ... Wheel Tractor	2.2L 133 L4 3.25" Bore (Waukesha Eng.)	10	W10E ... Wheel Loader	6.6L 401 Turbo-Diesel L6 4.125" Bore	46
RC ... Wheel Tractor	2.2L 133 L-HEAD L4 3.25" Bore (Early) (Waukesha Eng.)	9	W11 Articulated Loader ... Loader	3.4L 207 Diesel L4 4" Bore	23
RC ... Wheel Tractor	2.2L 133 L4 3.25" Bore (Waukesha Eng.)	10	W12 ... Wheel Loader	6.6L 401 Diesel L6 4.125" Bore	45
RI ... Wheel Tractor	2.2L 133 L-HEAD L4 3.25" Bore (Early) (Waukesha Eng.)	9	W14 ... Wheel Loader	5.5L 336 Diesel L4 4.625" Bore	39
RI ... Wheel Tractor	2.2L 133 L4 3.25" Bore (Waukesha Eng.)	10	W14 ... Wheel Loader	5.5L 336 Turbo-Diesel L4 4.625" Bore	40
RO ... Wheel Tractor	2.2L 133 L-HEAD L4 3.25" Bore (Early) (Waukesha Eng.)	9	W14 Articulated Loader ... Wheel Loader	5.5L 336 Diesel L4 4.625" Bore	39
RO ... Wheel Tractor	2.2L 133 L4 3.25" Bore (Waukesha Eng.)	10	W14 Articulated Loader ... Wheel Loader	5.5L 336 Turbo-Diesel L4 4.625" Bore	40
S ... Wheel Tractor	2.5L 154 L4 3.5" Bore	14	W14H ... Wheel Loader	5.5L 336 Diesel L4 4.625" Bore	39
SC ... Wheel Tractor	2.5L 154 L4 3.5" Bore	14	W14H ... Wheel Loader	5.5L 336 Turbo-Diesel L4 4.625" Bore	40
SE ... Wheel Tractor	2.5L 154 L4 3.5" Bore	14	W14H Articulated Loader ... Wheel Loader	5.5L 336 Turbo-Diesel L4 4.625" Bore	40
SI ... Wheel Tractor	2.5L 154 L4 3.5" Bore	14	W18 ... Wheel Loader	6.6L 401 Diesel L6 4.125" Bore	45
SO ... Wheel Tractor	2.5L 154 L4 3.5" Bore	14	W18 ... Wheel Loader	6.6L 401 Turbo-Diesel L6 4.125" Bore	46
SP Rice ... Combine	4.3L 260 L4 3.875" Bore	28	W18 Articulated Loader ... Wheel Loader	6.6L 401 Diesel L6 4.125" Bore	45
SP12 ... Combine	4.3L 260 L4 3.875" Bore	28	W18 Articulated Loader ... Wheel Loader	6.6L 401 Turbo-Diesel L6 4.125" Bore	46
SP9 ... Combine	2.5L 154 L4 3.5" Bore	14	W20 ... Wheel Loader	6.6L 401 Diesel L6 4.125" Bore	45
SP9 ... Combine	4.3L 260 L4 3.875" Bore	28	W20 ... Wheel Loader	6.6L 401 Turbo-Diesel L6 4.125" Bore	46
TB336 ... Wheel Skidder	5.5L 336 Diesel L4 4.625" Bore	39	W20 Articulated Loader ... Wheel Loader	6.6L 401 Diesel L6 4.125" Bore	45
TB336 ... Concrete Placer	5.5L 336 Diesel L4 4.625" Bore	39	W20 Articulated Loader ... Wheel Loader	6.6L 401 Turbo-Diesel L6 4.125" Bore	46
TB336 ... Concrete Placer	5.5L 336 Turbo-Diesel L4 4.625" Bore	40	W20B ... Wheel Loader	6.6L 401 Diesel L6 4.125" Bore	45
TB80 ... Concrete Placer	8.3L 504 Diesel L6 4.625" Bore	49	W20B ... Wheel Loader	6.6L 401 Turbo-Diesel L6 4.125" Bore	46
TB80 ... Concrete Placer	8.3L 504 Turbo-Diesel L6 4.625" Bore	50	W20B Articulated Loader ... Wheel Loader	6.6L 401 Diesel L6 4.125" Bore	45
T336 ... Wheel Skidder	5.5L 336 Diesel L4 4.625" Bore	39	W20B Articulated Loader ... Wheel Loader	6.6L 401 Turbo-Diesel L6 4.125" Bore	46
T336 ... Concrete Placer	5.5L 336 Diesel L4 4.625" Bore	39	W24 ... Wheel Loader	8.3L 504 Diesel L6 4.625" Bore	49
T336 ... Concrete Placer	5.5L 336 Turbo-Diesel L4 4.625" Bore	40	W24 ... Wheel Loader	8.3L 504 Turbo-Diesel L6 4.625" Bore	50
T80 ... Concrete Placer	8.3L 504 Diesel L6 4.625" Bore	49	W24B ... Wheel Loader	8.3L 504 Diesel L6 4.625" Bore	49
T80 ... Concrete Placer	8.3L 504 Turbo-Diesel L6 4.625" Bore	50	W24B ... Wheel Loader	8.3L 504 Turbo-Diesel L6 4.625" Bore	50
U ... Combine	1.8L 108 L-HEAD V4 3.25" Bore (Wisconsin Eng.)	4	W24C ... Wheel Loader	8.3L 504 Diesel L6 4.625" Bore	49
U ... Combine	2.1L 124 L4 3.25" Bore	6	W24C ... Wheel Loader	8.3L 504 Turbo-Diesel L6 4.625" Bore	50
U ... Combine	1.5L 91.9 L-HEAD V4 3" Bore (Wisconsin Eng.)	2			
V ... Wheel Tractor	2.1L 124 L-HEAD L4 3" Bore (Continental Eng.)	5			
VA ... Wheel Tractor	2.1L 124 L4 3.25" Bore	6			

Model Index					
Model	Engine Description	Line No.	Model	Engine Description	Line No.
W26 ... Wheel Tractor	2.1L 126 L4 3.125" Bore	7	1060 ... Combine	4.5L 273 OHV V8 3.625" Bore	
W26B ... Wheel Loader	8.3L 504 Diesel L6 4.625" Bore	49		(Chrysler Eng.)	31
W26B ... Wheel Loader	8.3L 504 Turbo-Diesel L6 4.625" Bore	50	1060 ... Combine	4.7L 284 L4 4.25" Bore	34
W3 ... Wheel Loader	3.1L 188 Diesel L4 3.8125" Bore	22	1060 ... Combine	5.0L 301 Diesel L4 4.375" Bore	37
W3D ... Wheel Loader	3.1L 188 Diesel L4 3.8125" Bore	22	1060 ... Combine	5.2L 318 OHV V8 3.9063" Bore	
W36 ... Wheel Loader	8.3L 504 Diesel L6 4.625" Bore	49		(Chrysler Eng.)	38
W36 ... Wheel Loader	8.3L 504 Turbo-Diesel L6 4.625" Bore	50	1060 Rice ... Combine	4.7L 284 L4 4.25" Bore	34
W5 ... Wheel Loader	3.1L 188 Diesel L4 3.8125" Bore	22	1060 Rice ... Combine	5.0L 301 Diesel L4 4.375" Bore	37
W5A ... Wheel Tractor	3.1L 188 L4 3.8125" Bore (G188B)	21	1060 Rice ... Combine	5.2L 318 OHV V8 3.9063" Bore	
W5A ... Wheel Loader	3.1L 188 Diesel L4 3.8125" Bore	22		(Chrysler Eng.)	38
W5AD ... Wheel Loader	3.1L 188 Diesel L4 3.8125" Bore	22	1070 ... Wheel Tractor	7.4L 451 Diesel L6 4.375" Bore	47
W7 ... Wheel Loader	5.0L 301 Diesel L4 4.375" Bore	37	1070 Agri King ... Wheel Tractor	6.6L 401 Diesel L6 4.125" Bore	45
W7C ... Wheel Loader	5.0L 301 Diesel L4 4.375" Bore	37	1070 Agri King ... Wheel Tractor	6.6L 401 Turbo-Diesel L6 4.125" Bore	46
W7C (4WD) ... Wheel Loader	5.0L 301 Diesel L4 4.375" Bore	37	1070 Agri King ... Wheel Tractor	7.4L 451 Turbo-Diesel L6 4.375" Bore	48
W7E ... Wheel Loader	5.0L 301 Diesel L4 4.375" Bore	37	1090 ... Wheel Tractor	7.4L 451 Diesel L6 4.375" Bore	47
W8B ... Wheel Loader	6.6L 401 Diesel L6 4.125" Bore	45	1090 Agri King ... Wheel Tractor	7.4L 451 Diesel L6 4.375" Bore	47
W8C ... Wheel Loader	6.6L 401 Diesel L6 4.125" Bore	45	110 ... Combine	2.1L 124 L4 3.25" Bore	6
W8E ... Wheel Loader	6.6L 401 Diesel L6 4.125" Bore	45	1140 ... Wheel Tractor	2.6L 159 L4 3.5" Bore	17
W8E ... Wheel Loader	6.6L 401 Turbo-Diesel L6 4.125" Bore	46	1140 ... Windrower	3.1L 188 Diesel L4 3.8125" Bore	22
W9 ... Wheel Loader	4.4L 267 Diesel L4 4.125" Bore	30	1150 ... Wheel Tractor	2.6L 159 L4 3.5" Bore	17
W9 ... Wheel Loader	6.6L 401 Diesel L6 4.125" Bore	45	1150 ... Windrower	3.1L 188 Diesel L4 3.8125" Bore	22
W9 (4WD) ... Wheel Loader	6.6L 401 Diesel L6 4.125" Bore	45	1150 ... Crawler Tractor	6.6L 401 Diesel L6 4.125" Bore	45
W9 Unit Loader ... Wheel Loader	6.6L 401 Diesel L6 4.125" Bore	45	1150 ... Crawler Tractor	6.6L 401 Turbo-Diesel L6 4.125" Bore	46
W9A ... Wheel Loader	5.0L 301 Diesel L4 4.375" Bore	37	1150B ... Crawler Tractor	7.4L 451 Diesel L6 4.375" Bore	47
W9B ... Wheel Tractor	4.7L 284 L4 4.25" Bore	34	1150C ... Crawler Tractor	7.4L 451 Diesel L6 4.375" Bore	47
W9B ... Wheel Tractor	6.6L 401 Diesel L6 4.125" Bore	45	1155 ... Wheel Tractor	2.6L 159 L4 3.5" Bore	17
W9B ... Wheel Loader	6.6L 401 Diesel L6 4.125" Bore	45	1155 ... Windrower	3.1L 188 Diesel L4 3.8125" Bore	22
W9C ... Wheel Loader	6.6L 401 Diesel L6 4.125" Bore	45	1160 ... Combine	4.7L 284 L4 4.25" Bore	34
W9C (4WD) ... Wheel Loader	6.6L 401 Diesel L6 4.125" Bore	45	1160 ... Combine	5.0L 301 Diesel L4 4.375" Bore	37
W9E ... Wheel Loader	6.6L 401 Diesel L6 4.125" Bore	45	1160 ... Combine	5.2L 318 OHV V8 3.9063" Bore	
W9E ... Wheel Loader	6.6L 401 Turbo-Diesel L6 4.125" Bore	46		(Chrysler Eng.)	38
1000 ... Combine	4.4L 267 Diesel L4 4.125" Bore	30	1170 ... Wheel Tractor	7.4L 451 Turbo-Diesel L6 4.375" Bore	48
1000 ... Combine	4.7L 284 L4 4.25" Bore	34	1170 Agri King ... Wheel Tractor	7.4L 451 Diesel L6 4.375" Bore	47
1000 ... Combine	4.9L 298 OHV L6 3.75" Bore (Hercules Eng.)	35	1175 ... Wheel Tractor	7.4L 451 Turbo-Diesel L6 4.375" Bore	48
1000 ... Combine	5.0L 301 L4 4.375" Bore	36	1175 Agri King ... Wheel Tractor	7.4L 451 Turbo-Diesel L6 4.375" Bore	48
1000 ... Combine	5.0L 301 Diesel L4 4.375" Bore	37	120 ... Combine	4.4L 267 Diesel L4 4.125" Bore	30
1000 ... Combine	5.2L 318 OHV V8 3.9063" Bore (Chrysler Eng.)	38	1200 ... Wheel Tractor	7.4L 451 Diesel L6 4.375" Bore	47
1000 Rice ... Combine	4.7L 284 L4 4.25" Bore	34	1255 ... Combine	3.1L 188 L4 3.8125" Bore (G188B)	21
1000 Rice ... Combine	4.9L 298 OHV L6 3.75" Bore (Hercules Eng.)	35	1255 ... Windrower	3.1L 188 Diesel L4 3.8125" Bore	22
1000 Rice ... Combine	5.0L 301 Diesel L4 4.375" Bore	37	1270 ... Wheel Tractor	7.4L 451 Turbo-Diesel L6 4.375" Bore	48
1000 Rice ... Combine	5.2L 318 OHV V8 3.9063" Bore (Chrysler Eng.)	38	1270 Agri King ... Wheel Tractor	7.4L 451 Turbo-Diesel L6 4.375" Bore	48
1010 ... Combine	4.5L 273 OHV V8 3.625" Bore (Chrysler Eng.)	31	1275 ... Combine	3.7L 225 OHV L6 3.4063" Bore (Chrysler Eng.)	25
1010 ... Combine	4.7L 284 L4 4.25" Bore	34	1370 ... Wheel Tractor	8.3L 504 Diesel L6 4.625" Bore	49
1010 ... Combine	4.9L 298 OHV L6 3.75" Bore (Hercules Eng.)	35	1370 ... Wheel Tractor	8.3L 504 Turbo-Diesel L6 4.625" Bore	50
1010 ... Combine	5.0L 301 Diesel L4 4.375" Bore	37	1370 Agri King ... Wheel Tractor	8.3L 504 Turbo-Diesel L6 4.625" Bore	50
1010 ... Combine	5.2L 318 OHV V8 3.9063" Bore (Chrysler Eng.)	38	140 ... Hay Baler	1.5L 91.9 L-HEAD V4 3" Bore (Wisconsin Eng.)	2
1010 Rice ... Combine	4.7L 284 L4 4.25" Bore	34	140W ... Hay Baler	1.5L 91.9 L-HEAD V4 3" Bore (Wisconsin Eng.)	2
1010 Rice ... Combine	4.9L 298 OHV L6 3.75" Bore (Hercules Eng.)	35	140W ... Combine	1.5L 91.9 L-HEAD V4 3" Bore (Wisconsin Eng.)	2
1010 Rice ... Combine	5.0L 301 Diesel L4 4.375" Bore	37	1450 ... Crawler Tractor	8.3L 504 Diesel L6 4.625" Bore	49
1010 Rice ... Combine	5.2L 318 OHV V8 3.9063" Bore (Chrysler Eng.)	38			
1030 ... Wheel Tractor	7.4L 451 Diesel L6 4.375" Bore	47			
1030 Confort King ... Wheel Tractor	7.4L 451 Diesel L6 4.375" Bore	47			
1030 Construction King ... Wheel Tractor	7.4L 451 Diesel L6 4.375" Bore	47			

(continued on next page)

Model Index

Model	Engine Description	Line No.	Model	Engine Description	Line No.
1450 ... Crawler Tractor.....	8.3L 504 Turbo-Diesel L6 4.625" Bore.....	50	188G Type 201 ... Wheel Tractor.....	3.1L 188 L4 3.8125" Bore (G188B).....	21
1450 ... Wheel Loader	8.3L 504 Turbo-Diesel L6 4.625" Bore.....	50	200 ... Wheel Tractor.....	2.3L 140 L-HEAD L4 3.1875" Bore (Continental Eng.).....	11
1450B ... Crawler Tractor	8.3L 504 Turbo-Diesel L6 4.625" Bore.....	50	200B ... Wheel Tractor.....	2.1L 126 L4 3.125" Bore.....	7
1470 ... Wheel Tractor.....	8.3L 504 Diesel L6 4.625" Bore.....	49	200B ... Wheel Tractor.....	2.4L 148 L4 3.375" Bore (G148) ..	12
1470 ... Wheel Tractor.....	8.3L 504 Turbo-Diesel L6 4.625" Bore.....	50	2090 ... Wheel Tractor.....	8.3L 504 Turbo-Diesel L6 4.625" Bore.....	50
1470 Trac King ... Wheel Tractor.....	8.3L 504 Diesel L6 4.625" Bore.....	49	210B ... Wheel Tractor.....	2.1L 126 L4 3.125" Bore.....	7
1470 Trac King ... Wheel Tractor.....	8.3L 504 Turbo-Diesel L6 4.625" Bore.....	50	210B ... Wheel Tractor.....	2.4L 148 L4 3.375" Bore (G148) ..	12
150 ... Combine	4.1L 251 L4 4" Bore.....	26	211B ... Wheel Tractor.....	2.1L 126 L4 3.125" Bore.....	7
1570 ... Wheel Tractor.....	8.3L 504 Diesel L6 4.625" Bore.....	49	211B ... Wheel Tractor.....	2.4L 148 L4 3.375" Bore (G148) ..	12
1570 ... Wheel Tractor.....	8.3L 504 Turbo-Diesel L6 4.625" Bore.....	50	2290 ... Wheel Tractor.....	8.3L 504 Diesel L6 4.625" Bore.....	49
160T ... Hay Baler.....	1.8L 108 L-HEAD V4 3.25" Bore (Wisconsin Eng.)	4	2290 ... Wheel Tractor.....	8.3L 504 Turbo-Diesel L6 4.625" Bore.....	50
160T ... Combine	1.8L 108 L-HEAD V4 3.25" Bore (Wisconsin Eng.)	4	2390 ... Wheel Tractor.....	8.3L 504 Diesel L6 4.625" Bore.....	49
160W ... Hay Baler	1.8L 108 L-HEAD V4 3.25" Bore (Wisconsin Eng.)	4	2390 ... Wheel Tractor.....	8.3L 504 Turbo-Diesel L6 4.625" Bore.....	50
160W ... Combine.....	1.8L 108 L-HEAD V4 3.25" Bore (Wisconsin Eng.)	4	2470 ... Wheel Tractor.....	8.3L 504 Diesel L6 4.625" Bore.....	49
1660 ... Combine	5.2L 318 OHV V8 3.9063" Bore (Chrysler Eng.)	38	2470 ... Wheel Tractor.....	8.3L 504 Turbo-Diesel L6 4.625" Bore.....	50
1660 ... Wheel Tractor.....	5.8L 354 OHV Diesel L6 3.875" Bore (12 Valve) (Perkins Eng.).....	41	2470 Trac King ... Wheel Tractor.....	8.3L 504 Turbo-Diesel L6 4.625" Bore.....	50
1665 ... Combine	5.2L 318 OHV V8 3.9063" Bore (Chrysler Eng.)	38	2590 ... Wheel Tractor.....	8.3L 504 Diesel L6 4.625" Bore.....	49
1665 ... Wheel Tractor.....	5.8L 354 OHV Diesel L6 3.875" Bore (12 Valve) (Perkins Eng.).....	41	2590 ... Wheel Tractor.....	8.3L 504 Turbo-Diesel L6 4.625" Bore.....	50
17/27 ... Wheel Tractor.....	4.3L 260 L4 3.875" Bore.....	28	2670 ... Wheel Tractor.....	8.3L 504 Turbo-Diesel L6 4.625" Bore.....	50
1700 ... Wheel Tractor.....	2.6L 159 L4 3.5" Bore.....	17	2670 Trac King ... Wheel Tractor.....	8.3L 504 Turbo-Diesel L6 4.625" Bore.....	50
1737 ... Wheel Tractor.....	2.6L 159 L4 3.5" Bore.....	17	284G Type 1 ... Wheel Tractor.....	4.7L 284 L4 4.25" Bore.....	34
1737 Uni-Loader ... Wheel Tractor.....	2.4L 148 L4 3.375" Bore (G148) ..	12	284G Type 11 ... Wheel Tractor.....	4.7L 284 L4 4.25" Bore.....	34
1737 Uni-Loader ... Wheel Tractor.....	2.4L 148 L4 3.375" Bore (G148B).....	13	284G Type 111 ... Wheel Tractor.....	4.7L 284 L4 4.25" Bore.....	34
1737S ... Wheel Tractor.....	2.6L 159 L4 3.5" Bore.....	17	284L Type 1 ... Wheel Tractor.....	4.7L 284 L4 4.25" Bore.....	34
1737S Uni-Loader ... Wheel Tractor.....	2.4L 148 L4 3.375" Bore (G148) ..	12	284L Type 11 ... Wheel Tractor.....	4.7L 284 L4 4.25" Bore.....	34
1737S Uni-Loader ... Wheel Tractor.....	2.4L 148 L4 3.375" Bore (G148B).....	13	284L Type 111 ... Wheel Tractor.....	4.7L 284 L4 4.25" Bore.....	34
1740 Uni-Loader ... Wheel Loader.....	3.1L 188 Diesel L4 3.8125" Bore..	22	284N Type 1 ... Wheel Tractor.....	4.7L 284 L4 4.25" Bore.....	34
177 ... Hay Baler.....	2.2L 132.7 L-HEAD V4 3.25" Bore (Wisconsin Eng.)	8	284N Type 11 ... Wheel Tractor.....	4.7L 284 L4 4.25" Bore.....	34
1835 ... Wheel Tractor.....	2.4L 148 L4 3.375" Bore (G148) ..	12	300 ... Wheel Tractor.....	2.3L 140 L-HEAD L4 3.1875" Bore (Continental Eng.).....	11
1835 ... Wheel Tractor.....	2.4L 148 L4 3.375" Bore (G148B).....	13	300 ... Wheel Tractor.....	2.4L 148 L4 3.375" Bore (G148) ..	12
1835 ... Wheel Loader.....	3.1L 188 Diesel L4 3.8125" Bore..	22	300 ... Wheel Tractor.....	2.4L 148 L4 3.375" Bore (G148B).....	13
1845 Uni-Loader ... Wheel Loader.....	3.1L 188 Diesel L4 3.8125" Bore..	22	300 ... Wheel Tractor.....	2.6L 157 OHV Diesel L4 3.4375" Bore (Continental Eng.).....	16
1845S Uni-Loader ... Wheel Loader.....	3.1L 188 Diesel L4 3.8125" Bore..	22	300 ... Wheel Tractor.....	2.6L 162 L-HEAD L4 3.4375" Bore (Continental Eng.).....	18
1855 Uni-Loader ... Wheel Loader.....	3.1L 188 Diesel L4 3.8125" Bore..	22	300 ... Wheel Skidder	5.5L 336 Diesel L4 4.625" Bore.....	39
188D Type 1 ... Wheel Tractor.....	3.1L 188 Diesel L4 3.8125" Bore..	22	300B ... Wheel Tractor.....	2.4L 148 L4 3.375" Bore (G148) ..	12
188D Type 11 ... Wheel Tractor.....	3.1L 188 Diesel L4 3.8125" Bore..	22	300B ... Wheel Tractor.....	2.4L 148 L4 3.375" Bore (G148B).....	13
188G Type 1 ... Wheel Tractor.....	3.1L 188 L4 3.8125" Bore (G188B).....	21	300B ... Wheel Tractor.....	2.6L 157 OHV Diesel L4 3.4375" Bore (Continental Eng.).....	16
188G Type 11 ... Wheel Tractor.....	3.1L 188 L4 3.8125" Bore (G188B).....	21	300C ... Wheel Skidder.....	5.5L 336 Diesel L4 4.625" Bore.....	39
			300C ... Wheel Skidder.....	5.5L 336 Turbo-Diesel L4 4.625" Bore.....	40
			301 ... Wheel Tractor.....	2.6L 157 OHV Diesel L4 3.4375" Bore (Continental Eng.).....	16
			301D Type 1 ... Wheel Tractor.....	5.0L 301 Diesel L4 4.375" Bore.....	37

(continued on next page)

Model Index

Model	Engine Description	Line No.	Model	Engine Description	Line No.
301D Type 11 ... Wheel Tractor.....	5.0L 301 Diesel L4 4.375" Bore....	37	320BD ... Wheel Tractor.....	2.4L 148 L4 3.375" Bore (G148B).....	13
301D Type 111 ... Wheel Tractor.....	5.0L 301 Diesel L4 4.375" Bore....	37	320BD ... Wheel Tractor.....	2.6L 157 OHV Diesel L4 3.4375" Bore (Continental Eng.).....	16
302 ... Wheel Tractor.....	2.6L 157 OHV Diesel L4 3.4375" Bore (Continental Eng.).....	16	320BD ... Wheel Tractor.....	2.6L 159 L4 3.5" Bore.....	17
310 ... Wheel Tractor.....	2.4L 148 L4 3.375" Bore (G148) ..	12	320BD ... Wheel Tractor.....	3.1L 188 Diesel L4 3.8125" Bore..	22
310 ... Wheel Tractor.....	2.4L 148 L4 3.375" Bore (G148B).....	13	330 ... Hay Baler.....	1.8L 108 L-HEAD V4 3.25" Bore (Wisconsin Eng.)	4
310 ... Wheel Tractor.....	3.1L 188 Diesel L4 3.8125" Bore..	22	330 ... Wheel Tractor.....	2.4L 148 L4 3.375" Bore (G148) ..	12
310 ... Crawler Tractor.....	3.1L 188 Diesel L4 3.8125" Bore..	22	330 ... Wheel Tractor.....	2.4L 148 L4 3.375" Bore (G148B).....	13
310B ... Wheel Tractor.....	2.4L 148 L4 3.375" Bore (G148) ..	12	330 ... Wheel Tractor.....	2.6L 157 OHV Diesel L4 3.4375" Bore (Continental Eng.).....	16
310B ... Wheel Tractor.....	2.4L 148 L4 3.375" Bore (G148B).....	13	330 ... Wheel Tractor.....	2.6L 159 L4 3.5" Bore.....	17
310B ... Wheel Tractor.....	3.1L 188 Diesel L4 3.8125" Bore..	22	330 ... Wheel Tractor.....	3.1L 188 Diesel L4 3.8125" Bore..	22
310C ... Wheel Tractor.....	2.4L 148 L4 3.375" Bore (G148) ..	12	350 ... Wheel Tractor.....	2.7L 164 L4 3.5625" Bore.....	19
310C ... Wheel Tractor.....	2.4L 148 L4 3.375" Bore (G148B).....	13	350 ... Combine	3.1L 188 Diesel L4 3.8125" Bore..	22
310C From Ser. No. 3008188 ... Crawler Tractor.....	3.1L 188 Diesel L4 3.8125" Bore..	22	350 ... Crawler Tractor.....	3.1L 188 Diesel L4 3.8125" Bore..	22
310D ... Wheel Tractor.....	2.4L 148 L4 3.375" Bore (G148) ..	12	350 ... Crawler Tractor.....	3.4L 207 Diesel L4 4" Bore.....	23
310D ... Wheel Tractor.....	2.4L 148 L4 3.375" Bore (G148B).....	13	350B ... Wheel Tractor.....	3.1L 188 Diesel L4 3.8125" Bore..	22
310D ... Crawler Tractor.....	3.1L 188 Diesel L4 3.8125" Bore..	22	350B ... Crawler Tractor.....	3.1L 188 Diesel L4 3.8125" Bore..	22
310E ... Wheel Tractor.....	2.4L 148 L4 3.375" Bore (G148) ..	12	351 ... Wheel Tractor.....	2.7L 164 L4 3.5625" Bore.....	19
310E ... Wheel Tractor.....	2.4L 148 L4 3.375" Bore (G148B).....	13	400 ... Wheel Tractor.....	2.6L 162 L-HEAD L4 3.4375" Bore (Continental Eng.).....	18
310E ... Combine.....	3.1L 188 Diesel L4 3.8125" Bore..	22	400 ... Wheel Tractor.....	4.1L 251 L4 4" Bore.....	26
310E ... Crawler Tractor.....	3.1L 188 Diesel L4 3.8125" Bore..	22	400 ... Wheel Tractor.....	4.1L 251 Diesel L4 4" Bore.....	27
310F ... Wheel Tractor.....	2.4L 148 L4 3.375" Bore (G148) ..	12	400 ... Wheel Tractor.....	4.4L 267 Diesel L4 4.125" Bore....	30
310F ... Wheel Tractor.....	2.4L 148 L4 3.375" Bore (G148B).....	13	400 ... Wheel Skidder.....	5.5L 336 Diesel L4 4.625" Bore....	39
310F ... Combine.....	3.1L 188 Diesel L4 3.8125" Bore..	22	400B ... Wheel Tractor.....	2.4L 148 L4 3.375" Bore (G148) ..	12
310F ... Crawler Tractor.....	3.1L 188 Diesel L4 3.8125" Bore..	22	400B ... Wheel Tractor.....	2.4L 148 L4 3.375" Bore (G148B).....	13
310G ... Wheel Tractor.....	2.4L 148 L4 3.375" Bore (G148) ..	12	400B ... Wheel Tractor.....	2.6L 157 OHV Diesel L4 3.4375" Bore (Continental Eng.).....	16
310G ... Wheel Tractor.....	2.4L 148 L4 3.375" Bore (G148B).....	13	400C ... Wheel Skidder.....	5.5L 336 Diesel L4 4.625" Bore....	39
310G ... Combine.....	3.1L 188 Diesel L4 3.8125" Bore..	22	400C ... Wheel Skidder.....	5.5L 336 Turbo-Diesel L4 4.625" Bore.....	40
310G From Ser. No. 3032031 ... Crawler Tractor.....	3.1L 188 Diesel L4 3.8125" Bore..	22	400D ... Wheel Tractor.....	3.1L 188 Diesel L4 3.8125" Bore..	22
311 ... Wheel Tractor.....	2.4L 148 L4 3.375" Bore (G148) ..	12	401 ... Wheel Tractor.....	4.4L 267 Diesel L4 4.125" Bore....	30
311 ... Wheel Tractor.....	2.4L 148 L4 3.375" Bore (G148B).....	13	401D ... Wheel Tractor.....	3.1L 188 Diesel L4 3.8125" Bore..	22
311 ... Wheel Tractor.....	3.1L 188 Diesel L4 3.8125" Bore..	22	401D Type 1 ... Wheel Tractor.....	6.6L 401 Diesel L6 4.125" Bore....	45
311B ... Wheel Tractor.....	2.4L 148 L4 3.375" Bore (G148) ..	12	401D Type 11 ... Wheel Tractor.....	6.6L 401 Diesel L6 4.125" Bore....	45
311B ... Wheel Tractor.....	2.4L 148 L4 3.375" Bore (G148B).....	13	401D Type 111 ... Wheel Tractor.....	6.6L 401 Diesel L6 4.125" Bore....	45
311B ... Wheel Tractor.....	3.1L 188 Diesel L4 3.8125" Bore..	22	402 ... Wheel Tractor.....	5.0L 301 Diesel L4 4.375" Bore....	37
312 ... Wheel Tractor.....	2.4L 148 L4 3.375" Bore (G148) ..	12	402D ... Wheel Tractor.....	3.1L 188 Diesel L4 3.8125" Bore..	22
312 ... Wheel Tractor.....	2.4L 148 L4 3.375" Bore (G148B).....	13	403 ... Wheel Tractor.....	4.4L 267 Diesel L4 4.125" Bore....	30
312 ... Wheel Tractor.....	3.1L 188 Diesel L4 3.8125" Bore..	22	403D ... Wheel Tractor.....	3.1L 188 Diesel L4 3.8125" Bore..	22
312 ... Wheel Tractor.....	2.4L 148 L4 3.375" Bore (G148) ..	12	410 ... Wheel Tractor.....	4.1L 251 L4 4" Bore.....	26
312 ... Wheel Tractor.....	2.4L 148 L4 3.375" Bore (G148B).....	13	410B ... Wheel Tractor.....	2.4L 148 L4 3.375" Bore (G148) ..	12
312 ... Wheel Tractor.....	3.1L 188 Diesel L4 3.8125" Bore..	22	410B ... Wheel Tractor.....	2.4L 148 L4 3.375" Bore (G148B).....	13
319 ... Wheel Tractor.....	2.4L 148 L4 3.375" Bore (G148) ..	12	411 ... Wheel Tractor.....	4.1L 251 L4 4" Bore.....	26
319 ... Wheel Tractor.....	2.4L 148 L4 3.375" Bore (G148B).....	13	411B ... Wheel Tractor.....	2.4L 148 L4 3.375" Bore (G148) ..	12
319 ... Wheel Tractor.....	2.4L 148 L4 3.375" Bore (G148B).....	13	411B ... Wheel Tractor.....	2.4L 148 L4 3.375" Bore (G148B).....	13
320 ... Wheel Tractor.....	2.4L 148 L4 3.375" Bore (G148) ..	12	412 ... Wheel Tractor.....	4.7L 284 L4 4.25" Bore.....	34
320 ... Wheel Tractor.....	2.4L 148 L4 3.375" Bore (G148B).....	13	413 ... Wheel Tractor.....	4.1L 251 L4 4" Bore.....	26
320 ... Wheel Tractor.....	2.6L 157 OHV Diesel L4 3.4375" Bore (Continental Eng.).....	16	419 ... Wheel Tractor.....	4.1L 251 L4 4" Bore.....	26
320 ... Wheel Tractor.....	2.6L 159 L4 3.5" Bore.....	17	420 ... Wheel Tractor.....	2.4L 148 L4 3.375" Bore (G148) ..	12
320 ... Wheel Tractor.....	3.1L 188 Diesel L4 3.8125" Bore..	22	420 ... Wheel Tractor.....	2.4L 148 L4 3.375" Bore (G148B).....	13
320 ... Crawler Tractor.....	3.1L 188 Diesel L4 3.8125" Bore..	22	420 ... Wheel Tractor.....	2.6L 157 OHV Diesel L4 3.4375" Bore (Continental Eng.).....	16
320B ... Wheel Tractor.....	2.4L 148 L4 3.375" Bore (G148) ..	12	420 ... Wheel Tractor.....	2.6L 159 L4 3.5" Bore.....	17
320B ... Wheel Tractor.....	2.4L 148 L4 3.375" Bore (G148B).....	13	420 ... Wheel Tractor.....	3.1L 188 L4 3.8125" Bore (G188B).....	21
320B ... Wheel Tractor.....	2.6L 157 OHV Diesel L4 3.4375" Bore (Continental Eng.).....	16	420 ... Wheel Tractor.....	3.1L 188 Diesel L4 3.8125" Bore..	22
320B ... Wheel Tractor.....	2.6L 159 L4 3.5" Bore.....	17	420 ... Crawler Tractor.....	3.1L 188 Diesel L4 3.8125" Bore..	22
320B ... Wheel Tractor.....	3.1L 188 Diesel L4 3.8125" Bore..	22	420B ... Wheel Tractor.....	2.4L 148 L4 3.375" Bore (G148) ..	12
320BD ... Wheel Tractor.....	2.4L 148 L4 3.375" Bore (G148) ..	12	420B ... Wheel Tractor.....	2.4L 148 L4 3.375" Bore (G148B).....	13

(continued on next page)

Model Index

Model	Engine Description	Line No.	Model	Engine Description	Line No.
420B ... Wheel Tractor.....	2.6L 157 OHV Diesel L4 3.4375" Bore (Continental Eng.).....	16	441 ... Wheel Tractor.....	3.1L 188 Diesel L4 3.8125" Bore..	22
420B ... Wheel Tractor.....	2.6L 159 L4 3.5" Bore.....	17	4490 ... Wheel Tractor.....	8.3L 504 Diesel L6 4.625" Bore....	49
420B ... Wheel Tractor.....	3.1L 188 L4 3.8125" Bore (G188B).....	21	4490 ... Wheel Tractor.....	8.3L 504 Turbo-Diesel L6 4.625" Bore.....	50
420B ... Wheel Tractor.....	3.1L 188 Diesel L4 3.8125" Bore..	22	4494 ... Wheel Tractor.....	8.3L 504 Turbo-Diesel L6 4.625" Bore.....	50
420B ... Crawler Tractor.....	3.1L 188 Diesel L4 3.8125" Bore..	22	450 ... Combine.....	3.1L 188 Diesel L4 3.8125" Bore..	22
420BD ... Wheel Tractor.....	2.4L 148 L4 3.375" Bore (G148) ..	12	450 ... Crawler Tractor.....	3.1L 188 Diesel L4 3.8125" Bore..	22
420BD ... Wheel Tractor.....	2.4L 148 L4 3.375" Bore (G148B).....	13	450 ... Crawler Tractor.....	3.4L 207 Diesel L4 4" Bore.....	23
420BD ... Wheel Tractor.....	2.6L 157 OHV Diesel L4 3.4375" Bore (Continental Eng.).....	16	450B ... Wheel Tractor.....	3.1L 188 Diesel L4 3.8125" Bore..	22
420BD ... Wheel Tractor.....	2.6L 159 L4 3.5" Bore.....	17	450B ... Wheel Tractor.....	3.4L 207 Diesel L4 4" Bore.....	23
420BD ... Wheel Tractor.....	3.1L 188 L4 3.8125" Bore (G188B).....	21	450B ... Crawler Tractor.....	3.4L 207 Diesel L4 4" Bore.....	23
420BD ... Wheel Tractor.....	3.1L 188 Diesel L4 3.8125" Bore..	22	4690 ... Wheel Tractor.....	8.3L 504 Turbo-Diesel L6 4.625" Bore.....	50
420C ... Wheel Tractor.....	2.4L 148 L4 3.375" Bore (G148) ..	12	4694 ... Wheel Tractor.....	8.3L 504 Turbo-Diesel L6 4.625" Bore.....	50
420C ... Wheel Tractor.....	2.4L 148 L4 3.375" Bore (G148B).....	13	470 Series ... Wheel Tractor..	2.4L 148 L4 3.375" Bore (G148) ..	12
420C ... Wheel Tractor.....	2.6L 157 OHV Diesel L4 3.4375" Bore (Continental Eng.).....	16	470 Series ... Wheel Tractor..	2.4L 148 L4 3.375" Bore (G148B).....	13
420C ... Wheel Tractor.....	2.6L 159 L4 3.5" Bore.....	17	470 Series ... Wheel Tractor..	2.6L 157 OHV Diesel L4 3.4375" Bore (Continental Eng.).....	16
420C ... Wheel Tractor.....	3.1L 188 L4 3.8125" Bore (G188B).....	21	470 Series ... Wheel Tractor..	2.6L 159 L4 3.5" Bore.....	17
420C ... Combine.....	3.1L 188 Diesel L4 3.8125" Bore..	22	470 Series ... Wheel Tractor..	3.1L 188 L4 3.8125" Bore (G188B).....	21
420C ... Wheel Tractor.....	3.1L 188 Diesel L4 3.8125" Bore..	22	470 Series ... Wheel Tractor..	3.1L 188 Diesel L4 3.8125" Bore..	22
420C ... Crawler Tractor.....	3.1L 188 Diesel L4 3.8125" Bore..	22	475 ... Wheel Tractor.....	5.0L 301 Diesel L4 4.375" Bore....	37
420CK ... Wheel Tractor.....	3.1L 188 Diesel L4 3.8125" Bore..	22	475 ... Wheel Tractor.....	5.5L 336 Diesel L4 4.625" Bore....	39
425 ... Wheel Tractor.....	2.4L 148 L4 3.375" Bore (G148) ..	12	475 ... Crawler Tractor.....	5.5L 336 Diesel L4 4.625" Bore....	39
425 ... Wheel Tractor.....	2.4L 148 L4 3.375" Bore (G148B).....	13	480 ... Wheel Tractor.....	2.4L 148 L4 3.375" Bore (G148) ..	12
425 ... Wheel Tractor.....	2.6L 157 OHV Diesel L4 3.4375" Bore (Continental Eng.).....	16	480 ... Wheel Tractor.....	2.4L 148 L4 3.375" Bore (G148B).....	13
425 ... Wheel Tractor.....	2.6L 159 L4 3.5" Bore.....	17	480 ... Wheel Tractor.....	2.6L 157 OHV Diesel L4 3.4375" Bore (Continental Eng.).....	16
425 ... Wheel Tractor.....	3.1L 188 L4 3.8125" Bore (G188B).....	21	480 ... Wheel Tractor.....	2.6L 159 L4 3.5" Bore.....	17
425 ... Wheel Tractor.....	3.1L 188 Diesel L4 3.8125" Bore..	22	480 ... Wheel Tractor.....	3.1L 188 L4 3.8125" Bore (G188B).....	21
430 ... Crawler Tractor.....	3.1L 188 Diesel L4 3.8125" Bore..	22	480 ... Wheel Tractor.....	3.1L 188 Diesel L4 3.8125" Bore..	22
430 Series ... Wheel Tractor..	2.4L 148 L4 3.375" Bore (G148) ..	12	480 ... Crawler Tractor.....	3.1L 188 Diesel L4 3.8125" Bore..	22
430 Series ... Wheel Tractor..	2.4L 148 L4 3.375" Bore (G148B).....	13	480B ... Wheel Tractor.....	2.4L 148 L4 3.375" Bore (G148) ..	12
430 Series ... Wheel Tractor..	2.6L 157 OHV Diesel L4 3.4375" Bore (Continental Eng.).....	16	480B ... Wheel Tractor.....	2.4L 148 L4 3.375" Bore (G148B).....	13
430 Series ... Wheel Tractor..	2.6L 159 L4 3.5" Bore.....	17	480B ... Wheel Tractor.....	2.6L 157 OHV Diesel L4 3.4375" Bore (Continental Eng.).....	16
430 Series ... Wheel Tractor..	3.1L 188 L4 3.8125" Bore (G188B).....	21	480B ... Wheel Tractor.....	2.6L 159 L4 3.5" Bore.....	17
430 Series ... Wheel Tractor..	3.1L 188 Diesel L4 3.8125" Bore..	22	480B ... Wheel Tractor.....	3.1L 188 L4 3.8125" Bore (G188B).....	21
431 ... Wheel Tractor.....	2.4L 148 L4 3.375" Bore (G148) ..	12	480B ... Wheel Tractor.....	3.1L 188 Diesel L4 3.8125" Bore..	22
431 ... Wheel Tractor.....	2.4L 148 L4 3.375" Bore (G148B).....	13	480B ... Crawler Tractor.....	3.1L 188 Diesel L4 3.8125" Bore..	22
431 ... Wheel Tractor.....	2.6L 157 OHV Diesel L4 3.4375" Bore (Continental Eng.).....	16	480C ... Wheel Tractor.....	2.4L 148 L4 3.375" Bore (G148) ..	12
431 ... Wheel Tractor.....	2.6L 159 L4 3.5" Bore.....	17	480C ... Wheel Tractor.....	2.4L 148 L4 3.375" Bore (G148B).....	13
431 ... Wheel Tractor.....	3.1L 188 L4 3.8125" Bore (G188B).....	21	480C ... Wheel Tractor.....	2.6L 157 OHV Diesel L4 3.4375" Bore (Continental Eng.).....	16
431 ... Wheel Tractor.....	3.1L 188 Diesel L4 3.8125" Bore..	22	480C ... Wheel Tractor.....	2.6L 159 L4 3.5" Bore.....	17
440 ... Wheel Tractor.....	2.4L 148 L4 3.375" Bore (G148) ..	12	480C ... Wheel Tractor.....	3.1L 188 L4 3.8125" Bore (G188B).....	21
440 ... Wheel Tractor.....	2.4L 148 L4 3.375" Bore (G148B).....	13	480C ... Wheel Tractor.....	3.1L 188 Diesel L4 3.8125" Bore..	22
440 ... Wheel Tractor.....	2.6L 157 OHV Diesel L4 3.4375" Bore (Continental Eng.).....	16	480C ... Crawler Tractor.....	3.1L 188 Diesel L4 3.8125" Bore..	22
440 ... Wheel Tractor.....	2.6L 159 L4 3.5" Bore.....	17	480C ... Wheel Loader.....	3.1L 188 Diesel L4 3.8125" Bore..	22
440 ... Wheel Tractor.....	3.1L 188 L4 3.8125" Bore (G188B).....	21	480CK ... Wheel Tractor.....	2.4L 148 L4 3.375" Bore (G148) ..	12
440 ... Wheel Tractor.....	3.1L 188 Diesel L4 3.8125" Bore..	22	480CK ... Wheel Tractor.....	2.4L 148 L4 3.375" Bore (G148B).....	13
441 ... Wheel Tractor.....	2.4L 148 L4 3.375" Bore (G148) ..	12	480CK ... Wheel Tractor.....	2.6L 157 OHV Diesel L4 3.4375" Bore (Continental Eng.).....	16
441 ... Wheel Tractor.....	2.4L 148 L4 3.375" Bore (G148B).....	13	480CK ... Wheel Tractor.....	2.6L 159 L4 3.5" Bore.....	17
441 ... Wheel Tractor.....	2.6L 157 OHV Diesel L4 3.4375" Bore (Continental Eng.).....	16	480CK ... Wheel Tractor.....	3.1L 188 L4 3.8125" Bore (G188B).....	21
441 ... Wheel Tractor.....	2.6L 159 L4 3.5" Bore.....	17	480CK ... Wheel Tractor.....	3.1L 188 Diesel L4 3.8125" Bore..	22
441 ... Wheel Tractor.....	3.1L 188 L4 3.8125" Bore (G188B).....	21	480CK ... Crawler Tractor.....	3.1L 188 Diesel L4 3.8125" Bore..	22
			480LL ... Wheel Tractor.....	2.4L 148 L4 3.375" Bore (G148) ..	12
			480LL ... Wheel Tractor.....	2.4L 148 L4 3.375" Bore (G148B).....	13

(continued on next page)

Model Index

Model	Engine Description	Line No.	Model	Engine Description	Line No.
480LL ... Wheel Tractor	2.6L 157 OHV Diesel L4 3.4375" Bore (Continental Eng.)	16	541C ... Wheel Tractor	3.1L 188 Diesel L4 3.8125" Bore..	22
480LL ... Wheel Tractor	2.6L 159 L4 3.5" Bore	17	570 ... Wheel Tractor	2.4L 148 L4 3.375" Bore (G148)	12
480LL ... Wheel Tractor	3.1L 188 L4 3.8125" Bore (G188B)	21	570 ... Wheel Tractor	2.4L 148 L4 3.375" Bore (G148B)	13
480LL ... Wheel Tractor	3.1L 188 Diesel L4 3.8125" Bore..	22	570 ... Wheel Tractor	2.6L 159 L4 3.5" Bore	17
500 ... Wheel Tractor	2.6L 162 L-HEAD L4 3.4375" Bore (Continental Eng.)	18	570 ... Wheel Tractor	3.1L 188 L4 3.8125" Bore (G188B)	21
500 ... Wheel Tractor	4.1L 251 L4 4" Bore	26	570 ... Wheel Tractor	3.1L 188 Diesel L4 3.8125" Bore..	22
500 ... Wheel Tractor	4.1L 251 Diesel L4 4" Bore	27	580 ... Wheel Tractor	2.4L 148 L4 3.375" Bore (G148)	12
500 ... Wheel Tractor	6.2L 377 L6 4" Bore (Early)	42	580 ... Wheel Tractor	2.4L 148 L4 3.375" Bore (G148B)	13
500 ... Wheel Tractor	6.2L 377 Diesel L6 4" Bore	44	580 ... Wheel Tractor	2.6L 159 L4 3.5" Bore	17
500 ... Wheel Tractor	6.6L 401 Diesel L6 4.125" Bore	45	580 ... Wheel Tractor	3.1L 188 L4 3.8125" Bore (G188B)	21
500 Load King ... Crawler Tractor	3.1L 188 Diesel L4 3.8125" Bore..	22	580 ... Wheel Tractor	3.1L 188 Diesel L4 3.8125" Bore..	22
500 Load King ... Crawler Tractor	3.4L 207 Diesel L4 4" Bore	23	580 ... Crawler Tractor	3.1L 188 Diesel L4 3.8125" Bore..	22
500B ... Wheel Tractor	2.7L 164 L4 3.5625" Bore	19	580 ... Crawler Tractor	3.4L 207 Diesel L4 4" Bore	23
500D ... Wheel Tractor	2.6L 157 OHV Diesel L4 3.4375" Bore (Continental Eng.)	16	580B ... Wheel Tractor	2.4L 148 L4 3.375" Bore (G148)	12
500LK ... Wheel Tractor	3.1L 188 L4 3.8125" Bore (G188B)	21	580B ... Wheel Tractor	2.4L 148 L4 3.375" Bore (G148B)	13
500LK ... Wheel Tractor	3.1L 188 Diesel L4 3.8125" Bore..	22	580B ... Wheel Tractor	2.6L 159 L4 3.5" Bore	17
510B ... Wheel Tractor	2.7L 164 L4 3.5625" Bore	19	580B ... Wheel Tractor	3.1L 188 L4 3.8125" Bore (G188B)	21
511B ... Wheel Tractor	2.7L 164 L4 3.5625" Bore	19	580B ... Wheel Tractor	3.1L 188 Diesel L4 3.8125" Bore..	22
519 ... Wheel Tractor	6.2L 377 L6 4" Bore (Early)	42	580B ... Crawler Tractor	3.1L 188 Diesel L4 3.8125" Bore..	22
519 ... Wheel Tractor	6.2L 377 L6 4" Bore (Late)	43	580B ... Crawler Tractor	3.4L 207 Diesel L4 4" Bore	23
520 ... Crawler Tractor	6.2L 377 Diesel L6 4" Bore	44	580B Hydrostatic ... Wheel Tractor	2.4L 148 L4 3.375" Bore (G148)	12
530 ... Wheel Tractor	2.6L 159 L4 3.5" Bore	17	580B Hydrostatic ... Wheel Tractor	2.4L 148 L4 3.375" Bore (G148B)	13
530 ... Crawler Tractor	3.1L 188 Diesel L4 3.8125" Bore..	22	580B Hydrostatic ... Wheel Tractor	2.6L 159 L4 3.5" Bore	17
530 ... Forklift	3.4L 207 Diesel L4 4" Bore	23	580B Hydrostatic ... Wheel Tractor	3.1L 188 L4 3.8125" Bore (G188B)	21
530 ... Crawler Tractor	3.4L 207 Diesel L4 4" Bore	23	580B Hydrostatic ... Wheel Tractor	3.1L 188 Diesel L4 3.8125" Bore..	22
530 Series ... Wheel Tractor	2.4L 148 L4 3.375" Bore (G148)	12	580C ... Wheel Tractor	3.1L 188 Diesel L4 3.8125" Bore..	22
530 Series ... Wheel Tractor	2.4L 148 L4 3.375" Bore (G148B)	13	580C ... Wheel Loader	3.1L 188 Diesel L4 3.8125" Bore..	22
530 Series ... Wheel Tractor	2.6L 159 L4 3.5" Bore	17	580C ... Loader	3.4L 207 Diesel L4 4" Bore	23
530 Series ... Wheel Tractor	3.1L 188 L4 3.8125" Bore (G188B)	21	580C ... Wheel Tractor	3.4L 207 Diesel L4 4" Bore	23
530 Series ... Wheel Tractor	3.1L 188 Diesel L4 3.8125" Bore..	22	580C ... Crawler Tractor	3.4L 207 Diesel L4 4" Bore	23
531 ... Wheel Tractor	2.4L 148 L4 3.375" Bore (G148)	12	580CK ... Wheel Tractor	2.4L 148 L4 3.375" Bore (G148)	12
531 ... Wheel Tractor	2.4L 148 L4 3.375" Bore (G148B)	13	580CK ... Wheel Tractor	2.4L 148 L4 3.375" Bore (G148B)	13
531 ... Wheel Tractor	2.6L 159 L4 3.5" Bore	17	580CK ... Wheel Tractor	2.6L 159 L4 3.5" Bore	17
531 ... Wheel Tractor	3.1L 188 L4 3.8125" Bore (G188B)	21	580CK ... Wheel Tractor	3.1L 188 L4 3.8125" Bore (G188B)	21
531 ... Wheel Tractor	3.1L 188 Diesel L4 3.8125" Bore..	22	580CK ... Wheel Tractor	3.1L 188 Diesel L4 3.8125" Bore..	22
540 ... Wheel Tractor	2.4L 148 L4 3.375" Bore (G148)	12	580CK ... Crawler Tractor	3.1L 188 Diesel L4 3.8125" Bore..	22
540 ... Wheel Tractor	2.4L 148 L4 3.375" Bore (G148B)	13	580CK ... Wheel Tractor	3.4L 207 Diesel L4 4" Bore	23
540 ... Wheel Tractor	2.6L 159 L4 3.5" Bore	17	580CK ... Crawler Tractor	3.4L 207 Diesel L4 4" Bore	23
540 ... Wheel Tractor	3.1L 188 L4 3.8125" Bore (G188B)	21	580D ... Wheel Tractor	3.4L 207 Diesel L4 4" Bore	23
540 ... Wheel Tractor	3.1L 188 Diesel L4 3.8125" Bore..	22	580D-CK ... Wheel Tractor	3.4L 207 Diesel L4 4" Bore	23
540C ... Wheel Tractor	2.4L 148 L4 3.375" Bore (G148)	12	584 ... Wheel Tractor	2.4L 148 L4 3.375" Bore (G148)	12
540C ... Wheel Tractor	2.4L 148 L4 3.375" Bore (G148B)	13	584 ... Wheel Tractor	2.4L 148 L4 3.375" Bore (G148B)	13
540C ... Wheel Tractor	2.6L 159 L4 3.5" Bore	17	584 ... Wheel Tractor	2.6L 159 L4 3.5" Bore	17
540C ... Wheel Tractor	3.1L 188 L4 3.8125" Bore (G188B)	21	584 ... Wheel Tractor	3.1L 188 L4 3.8125" Bore (G188B)	21
540C ... Wheel Tractor	3.1L 188 Diesel L4 3.8125" Bore..	22	584 ... Wheel Tractor	3.1L 188 Diesel L4 3.8125" Bore..	22
541 ... Wheel Tractor	2.4L 148 L4 3.375" Bore (G148)	12	584C ... Forklift	3.4L 207 Diesel L4 4" Bore	23
541 ... Wheel Tractor	2.4L 148 L4 3.375" Bore (G148B)	13	585 ... Forklift	3.4L 207 Diesel L4 4" Bore	23
541 ... Wheel Tractor	2.6L 159 L4 3.5" Bore	17	585C ... Forklift	3.4L 207 Diesel L4 4" Bore	23
541 ... Wheel Tractor	3.1L 188 L4 3.8125" Bore (G188B)	21	586 ... Forklift	3.4L 207 Diesel L4 4" Bore	23
541 ... Wheel Tractor	3.1L 188 Diesel L4 3.8125" Bore..	22	586C ... Forklift	3.4L 207 Diesel L4 4" Bore	23
541C ... Wheel Tractor	2.4L 148 L4 3.375" Bore (G148)	12	600 ... Combine	3.1L 188 L4 3.8125" Bore (G188B)	21
541C ... Wheel Tractor	2.4L 148 L4 3.375" Bore (G148B)	13	600 ... Combine	3.1L 188 Diesel L4 3.8125" Bore..	22
541C ... Wheel Tractor	2.6L 159 L4 3.5" Bore	17	600 ... Wheel Tractor	3.1L 188 Diesel L4 3.8125" Bore..	22
541C ... Wheel Tractor	3.1L 188 L4 3.8125" Bore (G188B)	21	600 ... Wheel Tractor	3.4L 209 L-HEAD L6 3.1875" Bore (Continental Eng.)	24

(continued on next page)

Model Index

Model	Engine Description	Line No.	Model	Engine Description	Line No.
600 ... Combine	3.7L 225 OHV L6 3.4063" Bore (Chrysler Eng.)	25	712B ... Wheel Tractor	4.4L 267 Diesel L4 4.125" Bore	30
600 ... Wheel Tractor	4.1L 251 Diesel L4 4" Bore	27	713B ... Wheel Tractor	4.4L 267 Diesel L4 4.125" Bore	30
600 ... Wheel Skidder	5.5L 336 Diesel L4 4.625" Bore	39	715B ... Wheel Tractor	4.4L 267 Diesel L4 4.125" Bore	30
600 ... Wheel Skidder	5.5L 336 Turbo-Diesel L4 4.625" Bore	40	730 ... Wheel Tractor	4.1L 251 L4 4" Bore	26
600 ... Wheel Tractor	6.2L 377 Diesel L6 4" Bore	44	730 ... Wheel Tractor	4.4L 267 Diesel L4 4.125" Bore	30
600 Bean Special ... Combine	3.1L 188 L4 3.8125" Bore (G188B)	21	730 Eagle Hitch ... Wheel Tractor	4.1L 251 L4 4" Bore	26
600 Bean Special ... Combine	3.1L 188 Diesel L4 3.8125" Bore	22	730 Eagle Hitch ... Wheel Tractor	4.4L 267 Diesel L4 4.125" Bore	30
600B ... Wheel Tractor	2.7L 164 L4 3.5625" Bore	19	730 Orchard ... Wheel Tractor	4.1L 251 L4 4" Bore	26
610 ... Wheel Tractor	3.1L 188 Diesel L4 3.8125" Bore	22	730 Orchard ... Wheel Tractor	4.4L 267 Diesel L4 4.125" Bore	30
610 ... Wheel Tractor	3.4L 209 L-HEAD L6 3.1875" Bore (Continental Eng.)	24	730CK ... Wheel Tractor	4.1L 251 L4 4" Bore	26
610 ... Wheel Tractor	6.2L 377 L6 4" Bore (Early)	42	730CK ... Wheel Tractor	4.4L 267 Diesel L4 4.125" Bore	30
610 ... Wheel Tractor	6.6L 401 Diesel L6 4.125" Bore	45	740 ... Wheel Tractor	4.1L 251 L4 4" Bore	26
610B ... Wheel Tractor	2.7L 164 L4 3.5625" Bore	19	740 ... Wheel Tractor	4.1L 251 Diesel L4 4" Bore	27
611B ... Wheel Tractor	2.7L 164 L4 3.5625" Bore	19	740 ... Wheel Tractor	4.4L 267 Diesel L4 4.125" Bore	30
630 ... Wheel Tractor	3.1L 188 L4 3.8125" Bore (G188B)	21	75 ... Combine	1.5L 91.9 L-HEAD V4 3" Bore (Wisconsin Eng.)	2
630 ... Wheel Tractor	3.1L 188 Diesel L4 3.8125" Bore	22	750 To Ser. No. 7070350 ... Crawler Tractor	5.0L 301 Diesel L4 4.375" Bore	37
630C ... Wheel Tractor	3.1L 188 L4 3.8125" Bore (G188B)	21	77 ... Combine	2.1L 126 L4 3.125" Bore	7
630C ... Wheel Tractor	3.1L 188 Diesel L4 3.8125" Bore	22	77 ... Combine	2.4L 148 L4 3.375" Bore (G148)	12
631 ... Wheel Tractor	3.1L 188 L4 3.8125" Bore (G188B)	21	770 ... Wheel Tractor	4.4L 267 Diesel L4 4.125" Bore	30
631 ... Wheel Tractor	3.1L 188 Diesel L4 3.8125" Bore	22	770 Agri King ... Wheel Tractor	4.1L 251 L4 4" Bore	26
631C ... Wheel Tractor	3.1L 188 L4 3.8125" Bore (G188B)	21	770 Agri King ... Wheel Tractor	4.1L 251 Diesel L4 4" Bore	27
631C ... Wheel Tractor	3.1L 188 Diesel L4 3.8125" Bore	22	770 Agri King ... Wheel Tractor	4.4L 267 Diesel L4 4.125" Bore	30
640 ... Wheel Tractor	3.1L 188 L4 3.8125" Bore (G188B)	21	780 ... Crawler Tractor	5.5L 336 Diesel L4 4.625" Bore	39
640 ... Wheel Tractor	3.1L 188 Diesel L4 3.8125" Bore	22	780CK ... Wheel Tractor	5.5L 336 Diesel L4 4.625" Bore	39
641 ... Wheel Tractor	3.1L 188 L4 3.8125" Bore (G188B)	21	780CK ... Wheel Loader	5.5L 336 Diesel L4 4.625" Bore	39
641 ... Wheel Tractor	3.1L 188 Diesel L4 3.8125" Bore	22	780CK ... Wheel Loader	5.5L 336 Turbo-Diesel L4 4.625" Bore	40
65 ... Combine	1.8L 108 L-HEAD V4 3.25" Bore (Wisconsin Eng.)	4	8-12 Cut ... Combine	3.0L 186 L4 3.625" Bore (Waukesha Eng.)	20
65 ... Combine	1.5L 91.9 L-HEAD V4 3" Bore (Wisconsin Eng.)	2	8-12 Cut ... Combine	4.3L 260 L4 3.875" Bore	28
650 ... Combine	1.8L 108 L-HEAD V4 3.25" Bore (Wisconsin Eng.)	4	80 ... Combine	2.1L 126 L4 3.125" Bore	7
660 ... Combine	3.1L 188 L4 3.8125" Bore (G188B)	21	80 ... Combine	2.4L 148 L4 3.375" Bore (G148)	12
660 ... Combine	3.1L 188 Diesel L4 3.8125" Bore	22	800 ... Combine	4.1L 251 L4 4" Bore	26
680 ... Wheel Tractor	4.1L 251 L4 4" Bore	26	800 ... Combine	4.4L 267 Diesel L4 4.125" Bore	30
680 ... Wheel Tractor	4.4L 267 Diesel L4 4.125" Bore	30	800 ... Wheel Tractor	4.5L 277 OHV Diesel L4 4" Bore (Continental Eng.)	32
680 ... Wheel Loader	4.4L 267 Diesel L4 4.125" Bore	30	800 ... Crawler Tractor	5.5L 336 Diesel L4 4.625" Bore	39
680 ... Wheel Tractor	5.0L 301 L4 4.375" Bore	36	800 ... Wheel Loader	5.5L 336 Diesel L4 4.625" Bore	39
680 ... Wheel Tractor	5.0L 301 Diesel L4 4.375" Bore	37	800 ... Wheel Skidder	5.5L 336 Diesel L4 4.625" Bore	39
680B ... Wheel Loader	4.4L 267 Diesel L4 4.125" Bore	30	800 ... Wheel Skidder	5.5L 336 Turbo-Diesel L4 4.625" Bore	40
680C ... Wheel Loader	5.0L 301 Diesel L4 4.375" Bore	37	800 ... Wheel Loader	6.6L 401 Diesel L6 4.125" Bore	45
680CK ... Wheel Tractor	4.1L 251 L4 4" Bore	26	800B ... Wheel Tractor	4.4L 267 Diesel L4 4.125" Bore	30
680CK ... Wheel Tractor	4.4L 267 Diesel L4 4.125" Bore	30	801 ... Wheel Tractor	4.4L 267 Diesel L4 4.125" Bore	30
680CK ... Wheel Loader	4.4L 267 Diesel L4 4.125" Bore	30	802B ... Wheel Tractor	4.4L 267 Diesel L4 4.125" Bore	30
680CK ... Wheel Tractor	5.0L 301 L4 4.375" Bore	36	803B ... Wheel Tractor	4.4L 267 Diesel L4 4.125" Bore	30
680CK ... Wheel Tractor	5.0L 301 Diesel L4 4.375" Bore	37	810 ... Wheel Tractor	4.3L 260 OHV Diesel L4 3.875" Bore (Continental Eng.)	29
680CK ... Wheel Loader	5.0L 301 Diesel L4 4.375" Bore	37	810 ... Wheel Tractor	4.5L 277 OHV Diesel L4 4" Bore (Continental Eng.)	32
680CK-B ... Wheel Tractor	4.4L 267 Diesel L4 4.125" Bore	30	810B ... Wheel Tractor	4.1L 251 L4 4" Bore	26
700 ... Combine	3.7L 225 OHV L6 3.4063" Bore (Chrysler Eng.)	25	811B ... Wheel Tractor	4.1L 251 L4 4" Bore	26
700 Rice ... Combine	3.7L 225 OHV L6 3.4063" Bore (Chrysler Eng.)	25	812B ... Wheel Tractor	4.1L 251 L4 4" Bore	26
700B ... Wheel Tractor	4.1L 251 L4 4" Bore	26	813B ... Wheel Tractor	4.1L 251 L4 4" Bore	26
700B ... Wheel Tractor	4.4L 267 Diesel L4 4.125" Bore	30	825 ... Wheel Skidder	5.5L 336 Diesel L4 4.625" Bore	39
701B ... Wheel Tractor	4.1L 251 L4 4" Bore	26	825 ... Wheel Skidder	5.5L 336 Turbo-Diesel L4 4.625" Bore	40
702B ... Wheel Tractor	4.1L 251 L4 4" Bore	26	830 ... Wheel Tractor	4.7L 284 L4 4.25" Bore	34
703B ... Wheel Tractor	4.1L 251 L4 4" Bore	26	830 ... Wheel Tractor	5.0L 301 L4 4.375" Bore	36
705B ... Wheel Tractor	4.1L 251 L4 4" Bore	26	830 ... Wheel Tractor	5.0L 301 Diesel L4 4.375" Bore	37
710B ... Wheel Tractor	4.4L 267 Diesel L4 4.125" Bore	30	830 Eagle Hitch ... Wheel Tractor	4.7L 284 L4 4.25" Bore	34
711B ... Wheel Tractor	4.4L 267 Diesel L4 4.125" Bore	30			

(continued on next page)

Model Index					
Model	Engine Description	Line No.	Model	Engine Description	Line No.
830 Eagle Hitch ... Wheel Tractor.....	5.0L 301 Diesel L4 4.375" Bore....	37	930CK Special ... Wheel Tractor.....	6.2L 377 L6 4" Bore (Late)	43
830C ... Wheel Tractor	4.7L 284 L4 4.25" Bore.....	34	930CK Special ... Wheel Tractor	6.6L 401 Diesel L6 4.125" Bore....	45
830C ... Wheel Tractor	5.0L 301 Diesel L4 4.375" Bore....	37	930G ... Crawler Tractor.....	6.6L 401 Diesel L6 4.125" Bore....	45
830CK ... Wheel Tractor.....	4.7L 284 L4 4.25" Bore.....	34	930GB ... Wheel Tractor.....	6.2L 377 L6 4" Bore (Early)	42
830CK ... Wheel Tractor.....	5.0L 301 Diesel L4 4.375" Bore....	37	930GB ... Wheel Tractor.....	6.2L 377 L6 4" Bore (Late)	43
840 ... Wheel Tractor.....	4.7L 284 L4 4.25" Bore.....	34	930GB ... Wheel Tractor.....	6.6L 401 Diesel L6 4.125" Bore....	45
840 ... Wheel Tractor.....	5.0L 301 Diesel L4 4.375" Bore....	37	930GP ... Crawler Tractor.....	6.2L 377 L6 4" Bore (Late)	43
850 ... Wheel Tractor.....	4.7L 284 L4 4.25" Bore.....	34	930GP ... Crawler Tractor.....	6.6L 401 Diesel L6 4.125" Bore....	45
850 ... Wheel Tractor.....	5.0L 301 Diesel L4 4.375" Bore....	37	930WS ... Wheel Tractor	6.2L 377 L6 4" Bore (Early)	42
850 ... Crawler Tractor.....	5.0L 301 Diesel L4 4.375" Bore....	37	930WS ... Wheel Tractor	6.2L 377 L6 4" Bore (Late)	43
870 ... Wheel Tractor.....	5.0L 301 L4 4.375" Bore.....	36	930WS ... Crawler Tractor.....	6.2L 377 L6 4" Bore (Late)	43
870 ... Wheel Tractor.....	5.5L 336 Diesel L4 4.625" Bore....	39	930WS ... Wheel Tractor	6.6L 401 Diesel L6 4.125" Bore....	45
870 ... Wheel Tractor.....	5.5L 336 Turbo-Diesel L4 4.625" Bore	40	930WS ... Crawler Tractor.....	6.6L 401 Diesel L6 4.125" Bore....	45
870 Agri King ... Wheel Tractor.....	5.0L 301 L4 4.375" Bore.....	36	931CK Draft-O-Matic ... Wheel Tractor	6.2L 377 L6 4" Bore (Early)	42
870 Agri King ... Wheel Tractor.....	5.5L 336 Diesel L4 4.625" Bore....	39	931CK Draft-O-Matic ... Wheel Tractor	6.2L 377 L6 4" Bore (Late)	43
880 ... Crawler Tractor.....	5.5L 336 Diesel L4 4.625" Bore....	39	940 ... Wheel Tractor	6.2L 377 L6 4" Bore (Early)	42
880 ... Excavator.....	5.5L 336 Diesel L4 4.625" Bore....	39	940 ... Wheel Tractor	6.2L 377 L6 4" Bore (Late)	43
880 ... Crawler Tractor.....	5.5L 336 Turbo-Diesel L4 4.625" Bore	40	940 ... Wheel Tractor	6.6L 401 Diesel L6 4.125" Bore....	45
880 ... Excavator.....	5.5L 336 Turbo-Diesel L4 4.625" Bore	40	955 ... Wheel Tractor.....	2.6L 159 L4 3.5" Bore.....	17
880B ... Excavator	5.5L 336 Diesel L4 4.625" Bore....	39	960 ... Combine	3.7L 225 OHV L6 3.4063" Bore (Chrysler Eng.)	25
880B ... Excavator	5.5L 336 Turbo-Diesel L4 4.625" Bore	40	960 Rice ... Combine	3.7L 225 OHV L6 3.4063" Bore (Chrysler Eng.)	25
880C ... Wheel Loader.....	8.3L 504 Diesel L6 4.625" Bore....	49	970 ... Wheel Tractor	6.6L 401 Diesel L6 4.125" Bore....	45
900 ... Combine	3.7L 225 OHV L6 3.4063" Bore (Chrysler Eng.)	25	970 ... Wheel Tractor	6.6L 401 Turbo-Diesel L6 4.125" Bore	46
900 ... Wheel Tractor	4.1L 251 Diesel L4 4" Bore.....	27	970 Agri King ... Wheel Tractor.....	6.2L 377 L6 4" Bore (Early)	42
900 Series ... Wheel Tractor..	6.2L 377 Diesel L6 4" Bore.....	44	970 Agri King ... Wheel Tractor.....	6.2L 377 L6 4" Bore (Late)	43
910B ... Wheel Tractor.....	4.1L 251 L4 4" Bore.....	26	970 Agri King ... Wheel Tractor.....	6.6L 401 Diesel L6 4.125" Bore....	45
910B ... Wheel Tractor.....	6.6L 401 Diesel L6 4.125" Bore....	45	970 Agri King ... Wheel Tractor.....	6.6L 401 Turbo-Diesel L6 4.125" Bore	46
920 ... Wheel Tractor.....	4.1L 251 Diesel L4 4" Bore.....	27	970 Agri King ... Wheel Tractor.....	7.4L 451 Turbo-Diesel L6 4.375" Bore	48
920 ... Wheel Tractor.....	6.6L 401 Diesel L6 4.125" Bore....	45	980 ... Combine	8.3L 504 Turbo-Diesel L6 4.625" Bore	50
930 ... Wheel Tractor.....	4.1L 251 Diesel L4 4" Bore.....	27	980 ... Crawler Tractor.....	8.3L 504 Turbo-Diesel L6 4.625" Bore	50
930 ... Wheel Tractor.....	6.2L 377 L6 4" Bore (Early)	42	980 ... Wheel Loader	8.3L 504 Turbo-Diesel L6 4.625" Bore	50
930 ... Wheel Tractor.....	6.2L 377 L6 4" Bore (Late)	43	980B ... Excavator	8.3L 504 Diesel L6 4.625" Bore....	49
930 ... Wheel Tractor.....	6.6L 401 Diesel L6 4.125" Bore....	45	980B ... Combine.....	8.3L 504 Turbo-Diesel L6 4.625" Bore	50
930 ... Crawler Tractor.....	6.6L 401 Diesel L6 4.125" Bore....	45	980B ... Excavator	8.3L 504 Turbo-Diesel L6 4.625" Bore	50
930CK ... Wheel Tractor.....	6.2L 377 L6 4" Bore (Early)	42			
930CK ... Wheel Tractor.....	6.2L 377 L6 4" Bore (Late)	43			
930CK Draft-O-Matic ... Wheel Tractor	6.2L 377 L6 4" Bore (Early)	42			
930CK Draft-O-Matic ... Wheel Tractor	6.2L 377 L6 4" Bore (Late)	43			
930CK Draft-O-Matic ... Wheel Tractor	6.6L 401 Diesel L6 4.125" Bore....	45			
930CK Special ... Wheel Tractor.....	6.2L 377 L6 4" Bore (Early)	42			

Grain Elevator A2, AE, AEH, AEHS, AEM, AEN, AEND, AENL, AENLD, AENS, AES, HAENL Eng. **1**
 .4L 23 L-HEAD L1, 3" Bore (Wisconsin Eng.)

CYL. HEAD & PARTS

QTY	VALVE	PART NO.	SIZE	DESCRIPTION
2	Intake	FP-V816		AEND Engs.; Valves w/single groove stem can be substituted in Early Engs.; 1.3130" Head Dia., .3085" Stem Dia., 4.7660" O.A.L.
2	Intake	V-816 + Std Only		AEND Engs.; Valves w/single groove stem can be substituted in Early Engs.; 1.3130" Head Dia., .3085" Stem Dia., 4.7660" O.A.L.; When depleted use FP-V816
2	Intake	FP-V816		Exh. & Int.; Exc. AEND Engs.; Note: valves w/single groove stem can be substituted in Early Engs.; AE series; To Ser. No. 70194 having valves w/drilled stem if valve keeper VK-144 and spring retainer are also installed w/this valve; 1.3130" Head Dia., .3085" Stem Dia., 4.7660" O.A.L.

(continued on next page)

+ Superseded Part Number

Case Co., J.I.

1 Grain Elevator A2, AE, AEH, AEHS, AEM, AEN, AEND, AENL, AENLD, AENS, AES,
 (cont.) **HAENL Engs.**
 .4L 23 L-HEAD L1, 3" Bore (Wisconsin Eng.)

CYL. HEAD & PARTS (cont.)

QTY	VALVE (cont.)	PART NO.	SIZE	DESCRIPTION
2	Intake	V-816 +	Std Only	Exh. & Int.; Exc. AEND Engs.; Note: valves w/single groove stem can be substituted in Early Engs.; AE series; To Ser. No. 70194 having valves w/drilled stem if valve keeper VK-144 and spring retainer are also installed w/this valve; 1.3130" Head Dia., .3085" Stem Dia., 4.7660" O.A.L.; When depleted use FP-V816
2	Exhaust	FP-V1326X		AEND Engs.; Valves w/single groove stem can be substituted in Early Engs.; 1.2500" Head Dia., .3085" Stem Dia., 4.7710" O.A.L.
2	Exhaust	V-1326X +	Std Only	AEND Engs.; Valves w/single groove stem can be substituted in Early Engs.; 1.2500" Head Dia., .3085" Stem Dia., 4.7710" O.A.L.; When depleted use FP-V1326X
2	Exhaust	FP-V1326X		Optional-H/D valve w/single groove stem; Exc. AEND Engs.; 1.2500" Head Dia., .3085" Stem Dia., 4.7710" O.A.L.
2	Exhaust	FP-V1326X		Optional-H/D valve w/single groove stem; Exc. AEND Engs.; 1.2500" Head Dia., .3085" Stem Dia., 4.7710" O.A.L.
2	Exhaust	V-1326X +	Std Only	Optional-H/D valve w/single groove stem; Exc. AEND Engs.; 1.2500" Head Dia., .3085" Stem Dia., 4.7710" O.A.L.; When depleted use FP-V1326X
4	Keeper	VK-144		1 groove; Square cut key groove
4	Keeper	VK-144R		1 groove; Square cut key groove; Hardened

QTY	VALVE SEAT	PART NO.	SIZE	DESCRIPTION
2	Exh.	FP-24513755		1.3795" OD, 1.1250" ID, .2636" Depth
2	Exh.	245-1375-5 +	Std Only	1.3795" OD, 1.1250" ID, .2636" Depth; When depleted use FP-24513755

QTY	VALVE GUIDE	PART NO.	SIZE	DESCRIPTION
2	Guide	FP-VG635		Exc. AEND & AE Engs.; .3155" ID, 2.5000" O.A.L.
2	Guide	VG-635 +		Exc. AEND & AE Engs.; .3155" ID, 2.5000" O.A.L.; When depleted use FP-VG635

QTY	VALVE SPRING	PART NO.	SIZE	DESCRIPTION
2	Spring	FP-VS793		Use w/FP-RC45 rotocap; 1.9700" Free Height
2	Spring	VS-793 +		Use w/RC-45 rotocap; 1.9700" Free Height; When depleted use FP-VS793
2	Spring	FP-VS468		2.3120" Free Height
2	Spring	VS-468 +		2.3120" Free Height; When depleted use FP-VS468

QTY	VALVE MISC.	PART NO.	SIZE	DESCRIPTION
2	Rotocap	FP-RC45		Use w/VS-793 valve spring.; VF Series Engs.
2	Rotocap	RC-45 +		Use w/VS-793 valve spring.; VF Series Engs.; When depleted use FP-RC45

CRANKSHAFT/OIL PUMP

QTY	MAIN BEARINGS	PART NO.	SIZE	DESCRIPTION
2	Cone Taper Brg.	14130		Position 1-2; Tapered roller brg. cone
2	Cup Taper Brg.	14276		Position 1-2; Tapered roller brg. cup

CYLINDER COMPONENTS

QTY	CONNECTING RODS & BRGS.	PART NO.	SIZE	DESCRIPTION
1	Rod Pair	FP-3600SB	Std-10-20-30-40	Exc. AES Engs.
1	Rod Pair	3600SB +	Std-10-20-30-40	Exc. AES Engs.; When depleted use FP-3600SB

QTY	PISTON RINGS	PART NO.	SIZE	DESCRIPTION
1	Premium Set	FP-5090KX	Std-20-30	3-3/32, 1-3/16 (1 cyl. set)
1	Premium Set	5090KX	Std-20-30	3-3/32, 1-3/16 (1 cyl. set)
1	Standard Set	FP-5090X	Std Only	3-3/32, 1-3/16 (1 cyl. set)
1	Standard Set	5090X +	Std Only	3-3/32, 1-3/16 (1 cyl. set); When depleted use FP-5090X

2 Hay Baler VE4, VE4D, VE41 Engs. Combine VE4, VE4D, VE41 Engs.
 1.5L 91.9 L-HEAD V4, 3" Bore (Wisconsin Eng.)

CYL. HEAD & PARTS

QTY	VALVE	PART NO.	SIZE	DESCRIPTION
2	Intake	FP-V816		Exh. & Int.; Note: Valves w/single groove stem can be substituted in Early Engs.; AE series To Ser. No. 70194 having valves w/drilled stem if valve keeper VK-144 and spring retainer are also installed w/this valve; 1.3130" Head Dia., .3085" Stem Dia., 4.7660" O.A.L.

(continued on next page)

Hay Baler VE4, VE4D, VE41 Engs. Combine VE4, VE4D, VE41 Engs. 2
1.5L 91.9 L-HEAD V4, 3" Bore (Wisconsin Eng.) (cont.)

CYL. HEAD & PARTS (cont.)

QTY	VALVE (cont.)	PART NO.	SIZE	DESCRIPTION
2	Intake	V-816 +	Std Only	Exh. & Int.; Note: Valves w/single groove stem can be substituted in Early Engs.; AE series To Ser. No. 70194 having valves w/drilled stem if valve keeper VK-144 and spring retainer are also installed w/this valve; 1.3130" Head Dia., .3085" Stem Dia., 4.7660" O.A.L.; When depleted use FP-V816
2	Exhaust	FP-V1326X		Optional-H/D valve; 1.2500" Head Dia., .3085" Stem Dia., 4.7710" O.A.L.
2	Exhaust	V-1326X +	Std Only	Optional-H/D valve; 1.2500" Head Dia., .3085" Stem Dia., 4.7710" O.A.L.; When depleted use FP-V1326X
16	Keeper	VK-144		1 groove; Square cut key groove
16	Keeper	VK-144R		1 groove; Square cut key groove; Hardened
QTY	VALVE SEAT	PART NO.	SIZE	DESCRIPTION
4	Exh.	FP-24513755		1.3795" OD, 1.1250" ID, .2636" Depth
4	Exh.	245-1375-5 +	Std Only	1.3795" OD, 1.1250" ID, .2636" Depth; When depleted use FP-24513755
QTY	VALVE GUIDE	PART NO.	SIZE	DESCRIPTION
8	Guide	FP-VG681		.439" x 1.812"; .3133" ID, 1.8100" O.A.L.
8	Guide	VG-681 +		.439" x 1.812"; .3133" ID, 1.8100" O.A.L.; When depleted use FP-VG681
QTY	VALVE SPRING	PART NO.	SIZE	DESCRIPTION
8	Spring	FP-VS793		Use w/FP-RC45 rotocap; 1.9700" Free Height
8	Spring	VS-793 +		Use w/RC-45 rotocap; 1.9700" Free Height; When depleted use FP-VS793
8	Spring	FP-VS468		2.3120" Free Height
8	Spring	VS-468 +		2.3120" Free Height; When depleted use FP-VS468
QTY	VALVE MISC.	PART NO.	SIZE	DESCRIPTION
8	Rotocap	FP-RC45		Use w/VS-793 valve spring.; VF Series Engs.
8	Rotocap	RC-45 +		Use w/VS-793 valve spring.; VF Series Engs.; When depleted use FP-RC45

CAMSHAFT GROUP

QTY	TIMING	PART NO.	SIZE	DESCRIPTION
1	Cam Gear	FP-2214108		Replaces O.E. No. GB-45A; 48 Teeth

CYLINDER COMPONENTS

QTY	LINERS	PART NO.	SIZE	DESCRIPTION
4	Repair Sleeve	FP-SL7M	Std Only	3/32" wall, must be cut to correct length
QTY	PISTONS	PART NO.	SIZE	DESCRIPTION
4	Pin Bushing	1394		1.000" max. length
QTY	CONNECTING RODS & BRGS.	PART NO.	SIZE	DESCRIPTION
4	Rod Pair	FP-3520CP	Std-10-20	
4	Rod Pair	3520CP +	Std-10-20	When depleted use FP-3520CP
QTY	PISTON RINGS	PART NO.	SIZE	DESCRIPTION
4	Premium Set	FP-5090KX	Std-20-30	3-3/32, 1-3/16 (1 cyl. set)
4	Premium Set	5090KX	Std-20-30	3-3/32, 1-3/16 (1 cyl. set)
1	Standard Set	FP-968X	Std Only	3-3/32, 1-3/16
4	Standard Set	FP-5090X	Std Only	3-3/32, 1-3/16 (1 cyl. set)
4	Standard Set	5090X +	Std Only	3-3/32, 1-3/16 (1 cyl. set); When depleted use FP-5090X
1	Standard Set	968X +	Std Only	3-3/32, 1-3/16; When depleted use FP-968X

Combine IXF3 Eng. (Gas) 3
1.6L 95 L-HEAD L4, 2.75" Bore (Hercules Eng.)

CYLINDER COMPONENTS

QTY	CONNECTING RODS & BRGS.	PART NO.	SIZE	DESCRIPTION
4	Rod Pair	FP-1450SB	Std-10-20-30	
4	Rod Pair	1450SB +	Std-10-20-30	When depleted use FP-1450SB

Case Co., J.I.

4 Hay Baler VF4, VF4D, VF41, VH4, VH4D, VH4DM Engs. Combine VF4, VF4D, VF41, VH4, VH4D, VH4DM Engs. 1.8L 108 L-HEAD V4, 3.25" Bore (Wisconsin Eng.)

CYL. HEAD & PARTS

QTY	VALVE	PART NO.	SIZE	DESCRIPTION
8	Intake	FP-V816		Exh. & Int.; 1.3130" Head Dia., .3085" Stem Dia., 4.7660" O.A.L.
8	Intake	V-816 + Std Only		Exh. & Int.; 1.3130" Head Dia., .3085" Stem Dia., 4.7660" O.A.L.; When depleted use FP-V816
4	Exhaust	FP-V1326X		Optional-H/D; 1.2500" Head Dia., .3085" Stem Dia., 4.7710" O.A.L.
4	Exhaust	V-1326X + Std Only		Optional-H/D; 1.2500" Head Dia., .3085" Stem Dia., 4.7710" O.A.L.; When depleted use FP-V1326X
16	Keeper	FP-VK144		1 groove; Square cut key groove
16	Keeper	VK-144R		1 groove; Square cut key groove; Hardened
16	Keeper, Bulk	FP-VK144B		1 groove; Square cut key groove; Carton of 1000
QTY	VALVE SEAT	PART NO.	SIZE	DESCRIPTION
8	Exh. & Int.	FP-24513755		1.3795" OD, 1.1250" ID, .2636" Depth
8	Exh. & Int.	245-1375-5 + Std Only		1.3795" OD, 1.1250" ID, .2636" Depth; When depleted use FP-24513755
QTY	VALVE GUIDE	PART NO.	SIZE	DESCRIPTION
8	Guide	FP-VG635		Exc. VF Series Engs.; .3155" ID, 2.5000" O.A.L.
8	Guide	VG-635 +		Exc. VF Series Engs.; .3155" ID, 2.5000" O.A.L.; When depleted use FP-VG635
8	Guide	FP-VG681		VF Series Engs.; .439" x 1.812"; .3133" ID, 1.8100" O.A.L.
8	Guide	VG-681 +		VF Series Engs.; .439" x 1.812"; .3133" ID, 1.8100" O.A.L.; When depleted use FP-VG681
QTY	VALVE SPRING	PART NO.	SIZE	DESCRIPTION
8	Spring	FP-VS793		Use w/FP-RC45 rotacap; VF Series Engs.; 1.9700" Free Height
8	Spring	VS-793 +		Use w/RC-45 rotacap; VF Series Engs.; 1.9700" Free Height; When depleted use FP-VS793
8	Spring	FP-VS468		2.3120" Free Height
8	Spring	VS-468 +		2.3120" Free Height; When depleted use FP-VS468
QTY	VALVE MISC.	PART NO.	SIZE	DESCRIPTION
8	Rotacap	FP-RC45		Use w/VS-793 valve spring.; VF Series Engs.
8	Rotacap	RC-45 +		Use w/VS-793 valve spring.; VF Series Engs.; When depleted use FP-RC45

CAMSHAFT GROUP

QTY	TIMING	PART NO.	SIZE	DESCRIPTION
1	Cam Gear	FP-2214108		VF4 & VH4D Engs.; O.E. No. GB-45A; 48 Teeth

CYLINDER COMPONENTS

QTY	LINERS	PART NO.	SIZE	DESCRIPTION
4	Repair Sleeve	FP-SL11M	Std Only	3/32" wall, must be cut to correct length
QTY	PISTONS	PART NO.	SIZE	DESCRIPTION
4	Cast Piston	FP-628CP	Std-20-30-40-60	Use w/FP5051X or FP5051KX ring set; Cast; 2-3/32", 1-3/16" Ring Groove, 1.500" CD, .7503" Pin Dia., Recessed Head .010" deep; Piston length 2.870"; Repl. 3 ring piston in sets only
4	Cast Piston - Individual	FP-W628CP	Std-20-30-40-60	Use w/5051X or 5051KX ring set; Cast; 2-3/32", 1-3/16" Ring Groove, 1.500" CD, .7500" Pin Dia., Recessed Head .010" deep; Piston length 2.870"; Repl. 3 ring piston in sets only
4	Cast Piston - Individual	W628CP +	Std-20-30-40-60	Use w/5051X or 5051KX ring set; Cast; 2-3/32", 1-3/16" Ring Groove, 1.500" CD, .7500" Pin Dia., Recessed Head .010" deep; Piston length 2.870"; Repl. 3 ring piston in sets only; When depleted use FP-W628CP
4	Pin Bushing	1394		1.000" max. length
QTY	CONNECTING RODS & BRGS.	PART NO.	SIZE	DESCRIPTION
4	Rod Pair	FP-3520CP	Std-10-20	VF4, VF4D Engs.
4	Rod Pair	3520CP +	Std-10-20	VF4, VF4D Engs.; When depleted use FP-3520CP
4	Rod Pair	FP-3645CP	Std-10-20	VH4, VH4D, VH4DM Engs.
4	Rod Pair	3645CP +	Std-10-20	VH4, VH4D, VH4DM Engs.; When depleted use FP-3645CP
QTY	PISTON RINGS	PART NO.	SIZE	DESCRIPTION
1	Premium Set	FP-5051KX	Std-20-30-40-60	3-3/32, 1-3/16
1	Premium Set	5051KX +	Std-20-30-40-60	3-3/32, 1-3/16; When depleted use FP-5051KX
1	Standard Set	FP-10366X	Std Only	VF4D Engs.; 3-5/64, 1-3/16
1	Standard Set	10366X +	Std Only	VF4D Engs.; 3-5/64, 1-3/16; When depleted use FP-10366X
1	Standard Set	FP-5051X	Std-20-30-40-60	3-3/32, 1-3/16
1	Standard Set	5051X +	Std-20-30-40-60	3-3/32, 1-3/16; When depleted use FP-5051X

(continued on next page)

*Hay Baler VF4, VF4D, VF41, VH4, VH4D, VH4DM Engs. Combine VF4, VF4D, VF41, VH4, 4
VH4D, VH4DM Engs. (cont.)
1.8L 108 L-HEAD V4, 3.25" Bore (Wisconsin Eng.)*

CYLINDER COMPONENTS (cont.)

QTY	PISTON RINGS (cont.)	PART NO.	SIZE	DESCRIPTION
4	Premium Single Cylinder Set	W-5051KX20	20-30-60	3-3/32, 1-3/16
4	Standard Single Cylinder Set	W-5051X	Std-30	3-3/32, 1-3/16

*Wheel Tractor F124 Eng. (Gas) 5
2.1L 124 L-HEAD L4, 3" Bore (Continental Eng.)*

CYL. HEAD & PARTS

QTY	VALVE	PART NO.	SIZE	DESCRIPTION
4	Intake	FP-V801		Drilled stem; 1.5200" Head Dia., .3411" Stem Dia., 5.1760" O.A.L.
4	Intake	V-801 +	Std Only	Drilled stem; 1.5200" Head Dia., .3411" Stem Dia., 5.1760" O.A.L.; When depleted use FP-V801
4	Exhaust	FP-V800		Drilled stem; 1.2030" Head Dia., .3381" Stem Dia., 5.1520" O.A.L.
4	Exhaust	V-800 +	Std Only	Drilled stem; 1.2030" Head Dia., .3381" Stem Dia., 5.1520" O.A.L.; When depleted use FP-V800
4	Exhaust	FP-V954		Drilled stem; 1.3280" Head Dia., .3386" Stem Dia., 5.1950" O.A.L.
4	Exhaust	V-954 +	Std Only	Drilled stem; 1.3280" Head Dia., .3386" Stem Dia., 5.1950" O.A.L.; When depleted use FP-V954
4	Exhaust	FP-V1684		W/Single groove stem; Use w/rotocap; 1.2030" Head Dia., .3392" Stem Dia., 5.1890" O.A.L.
4	Exhaust	V-1684 +	Std Only	W/Single groove stem; Use w/rotocap; 1.2030" Head Dia., .3392" Stem Dia., 5.1890" O.A.L.; When depleted use FP-V1684
8	Keeper	FP-VK142		Use w/drilled stem
8	Keeper	VK-142 +		Use w/drilled stem; When depleted use FP-VK142
16	Keeper	VK-144		1 groove; Square cut key groove
16	Keeper	VK-144R		1 groove; Square cut key groove; Hardened

QTY	VALVE SEAT	PART NO.	SIZE	DESCRIPTION
4	Exh.	FP-2451348E1N		1.3480" OD, 1.0870" ID, .2005" Depth
4	Exh.	245-1348-E1N +	Std Only	1.3480" OD, 1.0870" ID, .2005" Depth; When depleted use FP-2451348E1N
4	Int.	245-1625-1	Std Only	1.6300" OD, 1.3750" ID, .2160" Depth

QTY	VALVE GUIDE	PART NO.	SIZE	DESCRIPTION
8	Guide	FP-VG336		.3427" ID, 2.5600" O.A.L.

QTY	VALVE SPRING	PART NO.	SIZE	DESCRIPTION
8	Spring	FP-VS356		2.0000" Free Height
8	Spring	VS-356 +		2.0000" Free Height; When depleted use FP-VS356

CAMSHAFT GROUP

QTY	TIMING	PART NO.	SIZE	DESCRIPTION
1	Cam Gear	FP-2212600		Replacement O.E. No. 10281; 48 Teeth
1	Cam Gear	221-2600 +		Replacement O.E. No. 10281; 48 Teeth; When depleted use FP-2212600

ENGINE BLOCK & PARTS

QTY	CAM BEARINGS	PART NO.	SIZE	DESCRIPTION
1	Cam Set	FP-1158M	Std Only	
1	Cam Set	1158M +	Std Only	When depleted use FP-1158M

CRANKSHAFT/OIL PUMP

QTY	CRANKSHAFT	PART NO.	SIZE	DESCRIPTION
1	Crank Gear	FP-2212603A		Repl. O.E. No. 10282; 24 Teeth
1	Crank Gear	221-2603A		Repl. O.E. No. 10282; 24 Teeth

QTY	MAIN BEARINGS	PART NO.	SIZE	DESCRIPTION
1	Main Set	FP-4004M	Std-10-20	W/Single flanged front brg.
1	Main Set	4004M +	Std-10-20	W/Single flanged front brg.; When depleted use FP-4004M
1	Main Set	FP-4005M	Std-10-20	W/Straight shell front brg.
1	Main Set	FP-6632M	Std-10-20-30	W/Straight shell front brg. & thrust washer
1	Main Set	6632M +	Std-10-20-30	W/Straight shell front brg. & thrust washer; When depleted use FP-6632M
1	Main Set	4005M +	Std-10-20	W/Straight shell front brg.; When depleted use FP-4005M
1	Thrust Washer Set	FP-9811BFA	Std Only	Position 1; Use w/straight shell frt. main brg. set
1	Thrust Washer Set	9811BFA +	Std Only	Position 1; Use w/straight shell frt. main brg. set; When depleted use FP-9811BFA
1	Thrust Washer Set	FP-9811BF	Std Only	Position 1; Use w/Flanged main brg.

(continued on next page)

+ Superseded Part Number

Case Co., J.I.

5 Wheel Tractor F124 Eng. (Gas) (cont.) 2.1L 124 L-HEAD L4, 3" Bore (Continental Eng.)

CRANKSHAFT/OIL PUMP (cont.)				
QTY	MAIN BEARINGS (cont.)	PART NO.	SIZE	DESCRIPTION
1	Thrust Washer Set	9811BF +	Std Only	Position 1; Use w/Flanged main brg.; When depleted use FP-9811BF
QTY	OIL PUMP	PART NO.	SIZE	DESCRIPTION
1	Oil Pump	FP-2244132		Cast Iron drive gear; Use w/Cast Iron cams; 7 1/8" from flange to end of shaft; Incl. screen
1	Oil Pump	224-4132 +		Cast Iron drive gear; Use w/Cast Iron cams; 7 1/8" from flange to end of shaft; Incl. screen; When depleted use FP-2244132
1	Oil Pump	FP-2244137		Steel drive gear w/groove at pin; Use w/Steel cams; 7-1/8" from flange to end of shaft; Incl. pin
1	Oil Pump	224-4137 +		Steel drive gear w/groove at pin; Use w/Steel cams; 7-1/8" from flange to end of shaft; Incl. pin; When depleted use FP-2244137
CYLINDER COMPONENTS				
QTY	PISTONS	PART NO.	SIZE	DESCRIPTION
4	Pin Bushing	8649XAS		Forging No. F400D-502; Full round, thin wall .0055" O/S OD bushing
4	Pin Bushing	8649XA		Forging No. F400D-502; Full round, thin wall bushing w/.9150" OD
4	Pin Bushing	8649V		Forging No. F400D-502; Split type, thin wall bushing w/.9135" OD
4	Pin Bushing	8649V20		Forging No. F400D-502; Split type, thin wall bushing w/.9135" OD & .020" extra bore stock
4	Pin Bushing	FP-9324X		Full round, heavy wall bushing w/1.0625" OD; Forging No. F400D-500
4	Pin Bushing	9324X +		Full round, heavy wall bushing w/1.0625" OD; Forging No. F400D-500; When depleted use FP-9324X
QTY	CONNECTING RODS & BRGS.	PART NO.	SIZE	DESCRIPTION
2	Rod Pair	FP-9320CPA	Std-2-10-20-30-40	Position 1-3
2	Rod Pair	9320CPA +	Std-2-10-20-30-40	Position 1-3; When depleted use FP-9320CPA
2	Rod Pair	FP-9320CP	Std-10-20-30-40	Position 2-4
2	Rod Pair	9320CP +	Std-10-20-30-40	Position 2-4; When depleted use FP-9320CP
QTY	PISTON RINGS	PART NO.	SIZE	DESCRIPTION
1	Premium Set	FP-918KX	Std Only	3-1/8, 1-1/4
1	Premium Set	918KX +	Std Only	3-1/8, 1-1/4; When depleted use FP-918KX
1	Standard Set	FP-918X	Std Only	3-1/8, 1-1/4
1	Standard Set	918X +	Std Only	3-1/8, 1-1/4; When depleted use FP-918X
4	Standard Single Cylinder Set	W-918X	Std Only	3-1/8, 1-1/4

6 Hay Baler VA124, 124 Engs. (Gas). Combine VA124, W106, 124 Engs. (Gas). Wheel Tractor VA124, W106, 124 Engs. (Gas). 2.1L 124 L4, 3.25" Bore

CYL. HEAD & PARTS				
QTY	VALVE	PART NO.	SIZE	DESCRIPTION
4	Intake	FP-V1053		1.3280" Head Dia., .3411" Stem Dia., 4.9570" O.A.L.
4	Intake	V-1053 +	Std Only	1.3280" Head Dia., .3411" Stem Dia., 4.9570" O.A.L.; When depleted use FP-V1053
4	Exhaust	FP-V1052		1.2030" Head Dia., .3387" Stem Dia., 4.9830" O.A.L.
4	Exhaust	V-1052 +	Std Only	1.2030" Head Dia., .3387" Stem Dia., 4.9830" O.A.L.; When depleted use FP-V1052
16	Keeper	VK-115		1 groove; Square cut key groove
16	Keeper	VK-115R		1 groove; Square cut key groove; Hardened
16	Keeper, Bulk	VK-115B		1 groove; Square cut key groove; Carton of 1000
QTY	VALVE SEAT	PART NO.	SIZE	DESCRIPTION
4	Exh.	FP-2451348E1N		1.3480" OD, 1.0870" ID, .2005" Depth
4	Exh.	245-1348-E1N +	Std Only	1.3480" OD, 1.0870" ID, .2005" Depth; When depleted use FP-2451348E1N
4	Int.	245-1437-3	Std Only	1.4425" OD, 1.1880" ID, .2160" Depth
QTY	VALVE GUIDE	PART NO.	SIZE	DESCRIPTION
8	Guide	FP-VG457		.3430" ID, 2.6870" O.A.L.
8	Guide	VG-457 +		.3430" ID, 2.6870" O.A.L.; When depleted use FP-VG457
QTY	VALVE SPRING	PART NO.	SIZE	DESCRIPTION
8	Spring	FP-A30025		

(continued on next page)

Hay Baler VA124, 124 Engs. (Gas). Combine VA124, W106, 124 Engs. (Gas). Wheel Tractor VA124, W106, 124 Engs. (Gas). (cont.) **6**
2.1L 124 L4, 3.25" Bore

CYL. HEAD & PARTS (cont.)

QTY	VALVE MISC.	PART NO.	SIZE	DESCRIPTION
4	Rotocap Assy.	FP-RC117A		
4	Rotocap Assy.	RC-117A +		When depleted use FP-RC117A
QTY	VALVE SEAL	PART NO.	SIZE	DESCRIPTION
8	Valve Stem Seal	ST-2001		Positive type; Installation requires valve guide machining; Rubber/PTFE
8	Valve Stem Seal Bulk	ST-2001BC		Positive type; Installation requires valve guide machining; Carton of 100; Rubber/PTFE

ENGINE BLOCK & PARTS

QTY	CAM BEARINGS	PART NO.	SIZE	DESCRIPTION
1	Cam Set	FP-1227M	Std Only	
1	Cam Set	1227M +	Std Only	When depleted use FP-1227M

CRANKSHAFT/OIL PUMP

QTY	MAIN BEARINGS	PART NO.	SIZE	DESCRIPTION
1	Main Set	FP-768M	Std-10-20-30	
1	Main Set	768M +	Std-10-20-30	When depleted use FP-768M

CYLINDER COMPONENTS

QTY	LINERS	PART NO.	SIZE	DESCRIPTION
4	Liner w/Sealing Rings	FP-SO1776	Std Only	OVERBORE To 3.375"; Incl. (2) FP-SLR1640 sealing rings.
4	Liner w/Sealing Rings	SO-1776 +	Std Only	OVERBORE To 3.375"; Incl. (2) SLR-1640 sealing rings.; When depleted use FP-SO1776
4	Sleeve Assy.	FP-SL1776	Std Only	OVERBORE To 3.375"
4	Sleeve Assy.	SL-1776 +	Std Only	OVERBORE To 3.375"; When depleted use FP-SL1776
QTY	PISTONS	PART NO.	SIZE	DESCRIPTION
4	Cast Piston	FP-1776P	Std Only	OVERBORE to 3.375". Use w/FP-5456KX ring set; Cast; 3-1/8", 1-1/4" Ring Groove, 2.187" CD, .8600" Pin Dia., Flat Head - 6.5:1 C.R.
4	Cast Piston	1776P +	Std Only	OVERBORE to 3.375". Use w/FP-5456KX ring set; Cast; 3-1/8", 1-1/4" Ring Groove, 2.187" CD, .8600" Pin Dia., Flat Head - 6.5:1 C.R.; When depleted use FP-1776P
4	Pin Bushing	FP-9324X		
4	Pin Bushing	9324X +		When depleted use FP-9324X
QTY	CONNECTING RODS & BRGS.	PART NO.	SIZE	DESCRIPTION
4	Rod Pair	FP-9320CPA	Std-2-10-20-30-40	
4	Rod Pair	9320CPA +	Std-2-10-20-30-40	When depleted use FP-9320CPA
QTY	PISTON RINGS	PART NO.	SIZE	DESCRIPTION
1	Premium Set	FP-5456KX	Std Only	OVERBORE To 3.375"; 3-1/8, 1-1/4
1	Premium Set	5456KX +	Std Only	OVERBORE To 3.375"; 3-1/8, 1-1/4; When depleted use FP-5456KX
1	Premium Set	FP-962KX	Std Only	3-1/8, 1-1/4
1	Premium Set	962KX +	Std Only	3-1/8, 1-1/4; When depleted use FP-962KX
4	Premium Single Cylinder Set	W-5456KX	Std Only	OVERBORE To 3.375"; 3-1/8, 1-1/4

Combine G126, 126 Engs. (Gas). Wheel Tractor G126, 126 Engs. (Gas). (cont.) **7**
2.1L 126 L4, 3.125" Bore

CYL. HEAD & PARTS

QTY	VALVE	PART NO.	SIZE	DESCRIPTION
4	Intake	FP-V1053		1.3280" Head Dia., .3411" Stem Dia., 4.9570" O.A.L.
4	Intake	V-1053 +	Std Only	1.3280" Head Dia., .3411" Stem Dia., 4.9570" O.A.L.; When depleted use FP-V1053
4	Exhaust	FP-V1052		1.2030" Head Dia., .3387" Stem Dia., 4.9830" O.A.L.
4	Exhaust	V-1052 +	Std Only	1.2030" Head Dia., .3387" Stem Dia., 4.9830" O.A.L.; When depleted use FP-V1052
QTY	VALVE SEAT	PART NO.	SIZE	DESCRIPTION
4	Int.	245-1437-3	Std Only	1.4425" OD, 1.1880" ID, .2160" Depth
QTY	VALVE GUIDE	PART NO.	SIZE	DESCRIPTION
4	Guide	FP-VG842		Exh.; .3434" ID, 2.4400" O.A.L.
4	Guide	VG-842 +		Exh.; .3434" ID, 2.4400" O.A.L.; When depleted use FP-VG842
4	Guide	FP-VG457		Int.; .3430" ID, 2.6870" O.A.L.
4	Guide	VG-457 +		Int.; .3430" ID, 2.6870" O.A.L.; When depleted use FP-VG457

(continued on next page)

+ Superseded Part Number

Case Co., J.I.

7 Combine G126, 126 Engs. (Gas). Wheel Tractor G126, 126 Engs. (Gas). (cont.) 2.1L 126 L4, 3.125" Bore

CYL. HEAD & PARTS (cont.)				
QTY	VALVE SPRING	PART NO.	SIZE	DESCRIPTION
4	Spring	FP-A30025		Int.
QTY	VALVE MISC.	PART NO.	SIZE	DESCRIPTION
4	Rotocap Assy.	FP-RC117A		
4	Rotocap Assy.	RC-117A +		When depleted use FP-RC117A
ENGINE BLOCK & PARTS				
QTY	CAM BEARINGS	PART NO.	SIZE	DESCRIPTION
1	Cam Set	FP-1227M	Std Only	
1	Cam Set	1227M +	Std Only	When depleted use FP-1227M
CRANKSHAFT/OIL PUMP				
QTY	MAIN BEARINGS	PART NO.	SIZE	DESCRIPTION
1	Main Set	FP-4154M	Std-10-20-30	
1	Main Set	4154M +	Std-10-20-30	When depleted use FP-4154M
CYLINDER COMPONENTS				
QTY	PISTONS	PART NO.	SIZE	DESCRIPTION
4	Pin Bushing	FP-9324X		
4	Pin Bushing	9324X +		When depleted use FP-9324X
QTY	CONNECTING RODS & BRGS.	PART NO.	SIZE	DESCRIPTION
4	Rod Pair	FP-9320CPA	Std-2-10-20-30-40	
4	Rod Pair	9320CPA +	Std-2-10-20-30-40	When depleted use FP-9320CPA

8 Hay Baler VM4 Eng. 2.2L 132.7 L-HEAD V4, 3.25" Bore (Wisconsin Eng.)

CYL. HEAD & PARTS				
QTY	VALVE	PART NO.	SIZE	DESCRIPTION
8	Intake	FP-V818		Exh. & Int.; 1.5630" Head Dia., .3089" Stem Dia., 6.3346" O.A.L.
4	Exhaust	FP-V1676X		Optional; 1.5570" Head Dia., .3085" Stem Dia., 6.3330" O.A.L.
16	Keeper	FP-VK144		Exh. & Int.; 1 groove; Square cut key groove
CRANKSHAFT/OIL PUMP				
QTY	MAIN BEARINGS	PART NO.	SIZE	DESCRIPTION
2	Cone Taper Brg.	455S		Position 1-2; Tapered roller brg. cone
2	Cup Taper Brg.	453A		Position 1-2; Tapered roller brg. cup
CYLINDER COMPONENTS				
QTY	PISTONS	PART NO.	SIZE	DESCRIPTION
4	Pin Bushing	1394		1.000" max. length

9 Combine FK Eng. Wheel Tractor FK Eng. 2.2L 133 L-HEAD L4 (Early), 3.25" Bore (Waukesha Eng.)

CYL. HEAD & PARTS				
QTY	VALVE	PART NO.	SIZE	DESCRIPTION
4	Exhaust	FP-V713		1.3490" Head Dia., .3095" Stem Dia., 4.4690" O.A.L.
4	Exhaust	V-713 +	Std Only	1.3490" Head Dia., .3095" Stem Dia., 4.4690" O.A.L.; When depleted use FP-V713
16	Keeper	FP-VK123		
16	Keeper	VK-123 +		When depleted use FP-VK123
QTY	VALVE GUIDE	PART NO.	SIZE	DESCRIPTION
8	Guide	FP-VG296		.3135" ID, 2.5000" O.A.L.
8	Guide	VG-296 +		.3135" ID, 2.5000" O.A.L.; When depleted use FP-VG296
CYLINDER COMPONENTS				
QTY	LINERS	PART NO.	SIZE	DESCRIPTION
4	Repair Sleeve	FP-SL11M	Std Only	3/32" wall, must be cut to correct length
QTY	PISTONS	PART NO.	SIZE	DESCRIPTION
4	Cast Piston	FP-C1549P40	40	Cast; 3-3/32", 1-3/16" Ring Groove, 1.750" CD, .8750" Pin Dia., Flat Head - 6.5:1 C.R.; Cast iron 4 ring piston; Repl. O.E. Nos. alum. pistons 68304A, 68304B; Use in sets only
4	Pin Bushing	FP-9629X		Bushing w/1/16" dia. oil hole
4	Pin Bushing	9629X +		Bushing w/1/16" dia. oil hole; When depleted use FP-9629X

(continued on next page)

Combine FK Eng. Wheel Tractor FK Eng. 9
2.2L 133 L-HEAD L4 (Early), 3.25" Bore (Waukesha Eng.) (cont.)

CYLINDER COMPONENTS (cont.)

QTY	PISTON RINGS	PART NO.	SIZE	DESCRIPTION
1	Premium Set	FP-5051KX	Std-20-30-40-60	3-3/32, 1-3/16
1	Premium Set	5051KX +	Std-20-30-40-60	3-3/32, 1-3/16; When depleted use FP-5051KX
1	Standard Set	FP-617X	Std Only	2-1/8, 1-3/16
1	Standard Set	617X +	Std Only	2-1/8, 1-3/16; When depleted use FP-617X
1	Standard Set	FP-5051X	Std-20-30-40-60	3-3/32, 1-3/16
1	Standard Set	5051X +	Std-20-30-40-60	3-3/32, 1-3/16; When depleted use FP-5051X
4	Premium Single Cylinder Set	W-5051KX20	20-30-60	3-3/32, 1-3/16
4	Standard Single Cylinder Set	W-5051X	Std-30	3-3/32, 1-3/16

Combine FK Eng. Wheel Tractor FK Eng. 10
2.2L 133 L4, 3.25" Bore (Waukesha Eng.)

CYL. HEAD & PARTS

QTY	VALVE	PART NO.	SIZE	DESCRIPTION
4	Exhaust	FP-V713		1.3490" Head Dia., .3095" Stem Dia., 4.4690" O.A.L.
4	Exhaust	V-713 +	Std Only	1.3490" Head Dia., .3095" Stem Dia., 4.4690" O.A.L.; When depleted use FP-V713
16	Keeper	FP-VK123		
16	Keeper	VK-123 +		When depleted use FP-VK123
QTY	VALVE GUIDE	PART NO.	SIZE	DESCRIPTION
8	Guide	FP-VG296		.3135" ID, 2.5000" O.A.L.
8	Guide	VG-296 +		.3135" ID, 2.5000" O.A.L.; When depleted use FP-VG296

CYLINDER COMPONENTS

QTY	LINERS	PART NO.	SIZE	DESCRIPTION
4	Repair Sleeve	FP-SL11M	Std Only	3/32" wall, must be cut to correct length
QTY	PISTONS	PART NO.	SIZE	DESCRIPTION
4	Cast Piston	FP-C1549P40	40	Cast; 3-3/32", 1-3/16" Ring Groove, 1.750" CD, .8750" Pin Dia., Flat Head - 6.5:1 C.R.; Cast iron 4 ring piston; Repl. O.E. Nos. alum. pistons 68304A, 68304B; Use in sets only
4	Pin Bushing	FP-9629X		Bushing w/1/16" dia. oil hole
4	Pin Bushing	9629X +		Bushing w/1/16" dia. oil hole; When depleted use FP-9629X
QTY	PISTON RINGS	PART NO.	SIZE	DESCRIPTION
1	Premium Set	FP-5051KX	Std-20-30-40-60	3-3/32, 1-3/16
1	Premium Set	5051KX +	Std-20-30-40-60	3-3/32, 1-3/16; When depleted use FP-5051KX
1	Standard Set	FP-617X	Std Only	2-1/8, 1-3/16
1	Standard Set	617X +	Std Only	2-1/8, 1-3/16; When depleted use FP-617X
1	Standard Set	FP-5051X	Std-20-30-40-60	3-3/32, 1-3/16
1	Standard Set	5051X +	Std-20-30-40-60	3-3/32, 1-3/16; When depleted use FP-5051X
4	Premium Single Cylinder Set	W-5051KX20	20-30-60	3-3/32, 1-3/16
4	Standard Single Cylinder Set	W-5051X	Std-30	3-3/32, 1-3/16

Wheel Tractor F140 Eng. (Gas) 11
2.3L 140 L-HEAD L4, 3.1875" Bore (Continental Eng.)

CYL. HEAD & PARTS

QTY	VALVE	PART NO.	SIZE	DESCRIPTION
4	Intake	FP-V801		Drilled stem; 1.5200" Head Dia., .3411" Stem Dia., 5.1760" O.A.L.
4	Intake	V-801 +	Std Only	Drilled stem; 1.5200" Head Dia., .3411" Stem Dia., 5.1760" O.A.L.; When depleted use FP-V801
4	Intake	FP-V1748		Single groove stem; 1.5160" Head Dia., .3410" Stem Dia., 5.1570" O.A.L.
4	Intake	V-1748 +	Std Only	Single groove stem; 1.5160" Head Dia., .3410" Stem Dia., 5.1570" O.A.L.; When depleted use FP-V1748
4	Exhaust	FP-V800		Drilled stem; 1.2030" Head Dia., .3381" Stem Dia., 5.1520" O.A.L.
4	Exhaust	V-800 +	Std Only	Drilled stem; 1.2030" Head Dia., .3381" Stem Dia., 5.1520" O.A.L.; When depleted use FP-V800
4	Exhaust	FP-V954		Drilled stem; 1.3280" Head Dia., .3386" Stem Dia., 5.1950" O.A.L.
4	Exhaust	V-954 +	Std Only	Drilled stem; 1.3280" Head Dia., .3386" Stem Dia., 5.1950" O.A.L.; When depleted use FP-V954

(continued on next page)

+ Superseded Part Number

Case Co., J.I.

11 Wheel Tractor F140 Eng. (Gas)

(cont.) 2.3L 140 L-HEAD L4, 3.1875" Bore (Continental Eng.)

CYL. HEAD & PARTS (cont.)				
QTY	VALVE (cont.)	PART NO.	SIZE	DESCRIPTION
4	Exhaust	FP-V1684		Single groove stem; 1.2030" Head Dia., .3392" Stem Dia., 5.1890" O.A.L.
4	Exhaust	V-1684 +	Std Only	Single groove stem; 1.2030" Head Dia., .3392" Stem Dia., 5.1890" O.A.L.; When depleted use FP-V1684
8	Keeper	FP-VK142		For drilled stem
8	Keeper	VK-142 +		For drilled stem; When depleted use FP-VK142
16	Keeper	FP-VK144		1 groove; Square cut key groove
16	Keeper	VK-144R		1 groove; Square cut key groove; Hardened
16	Keeper, Bulk	FP-VK144B		1 groove; Square cut key groove; Carton of 1000
QTY	VALVE SEAT	PART NO.	SIZE	DESCRIPTION
4	Exh.	245-1437-3N	Std Only	Premium Material; 1.4425" OD, 1.1880" ID, .2160" Depth
4	Exh.	FP-24513753		1.3795" OD, 1.0625" ID, .1855" Depth
4	Exh.	245-1375-3 +	Std Only	1.3795" OD, 1.0625" ID, .1855" Depth; When depleted use FP-24513753
4	Exh.	245-1437-3	Std Only	1.4425" OD, 1.1880" ID, .2160" Depth
4	Int.	245-1625-1N	Std Only	Premium Material; 1.6300" OD, 1.3750" ID, .2160" Depth
4	Int.	FP-2451348E1N		1.3480" OD, 1.0870" ID, .2005" Depth
4	Int.	245-1348-E1N +	Std Only	1.3480" OD, 1.0870" ID, .2005" Depth; When depleted use FP-2451348E1N
4	Int.	245-1625-1	Std Only	1.6300" OD, 1.3750" ID, .2160" Depth
QTY	VALVE GUIDE	PART NO.	SIZE	DESCRIPTION
8	Guide	FP-VG418		Exc. Rototype; .3425" ID, 2.3100" O.A.L.
8	Guide	VG-418 +		Exc. Rototype; .3425" ID, 2.3100" O.A.L.; When depleted use FP-VG418
QTY	VALVE SPRING	PART NO.	SIZE	DESCRIPTION
8	Spring	FP-VS356		2.0000" Free Height
8	Spring	VS-356 +		2.0000" Free Height; When depleted use FP-VS356
CAMSHAFT GROUP				
QTY	TIMING	PART NO.	SIZE	DESCRIPTION
1	Cam Gear	FP-2212601		F140, & F4140 Engs.; Governor Type; 48 Teeth
1	Cam Gear	221-2601		F140, & F4140 Engs.; Governor Type; 48 Teeth
1	Cam Gear	FP-2212600		F140, & F4140 Engs.; Replacement O.E. No. F400H310; 48 Teeth
1	Cam Gear	221-2600 +		F140, & F4140 Engs.; Replacement O.E. No. F400H310; 48 Teeth; When depleted use FP-2212600
ENGINE BLOCK & PARTS				
QTY	GASKET SETS	PART NO.	SIZE	DESCRIPTION
1	Kit Gasket Set	FP-2601355		Compl.; Timing cover gskt. & seal not incl.
1	Kit Gasket Set	260-1355		Compl.; Timing cover gskt. & seal not incl.
QTY	CAM BEARINGS	PART NO.	SIZE	DESCRIPTION
1	Cam Set	FP-1158M	Std Only	
1	Cam Set	1158M +	Std Only	When depleted use FP-1158M
CRANKSHAFT/OIL PUMP				
QTY	CRANKSHAFT	PART NO.	SIZE	DESCRIPTION
1	Crank Gear	FP-2212603A		F140, & F4140 Engs.; Repl. O.E. No. F400H326; 24 Teeth
1	Crank Gear	221-2603A		F140, & F4140 Engs.; Repl. O.E. No. F400H326; 24 Teeth
QTY	MAIN BEARINGS	PART NO.	SIZE	DESCRIPTION
1	Main Set	FP-4004M	Std-10-20	W/Single flanged front brg.
1	Main Set	4004M +	Std-10-20	W/Single flanged front brg.; When depleted use FP-4004M
1	Main Set	FP-4005M	Std-10-20	W/Straight shell front brg.
1	Main Set	FP-6632M	Std-10-20-30	W/Straight shell front brg. & thrust washer
1	Main Set	6632M +	Std-10-20-30	W/Straight shell front brg. & thrust washer; When depleted use FP-6632M
1	Main Set	4005M +	Std-10-20	W/Straight shell front brg.; When depleted use FP-4005M
1	Thrust Washer Set	FP-9811BFA	Std Only	Position 1; Use w/straight shell main brg. set
1	Thrust Washer Set	9811BFA +	Std Only	Position 1; Use w/straight shell main brg. set; When depleted use FP-9811BFA
1	Thrust Washer Set	FP-9811BF	Std Only	Position 1; Use w/Flanged main brg.
1	Thrust Washer Set	9811BF +	Std Only	Position 1; Use w/Flanged main brg.; When depleted use FP-9811BF
CYLINDER COMPONENTS				
QTY	PISTONS	PART NO.	SIZE	DESCRIPTION
4	Pin Bushing	8649XAS		Forging No. F400D-502; Full round, thin wall .0055" O/S OD bushing

(continued on next page)

+ Superseded Part Number

Wheel Tractor F140 Eng. (Gas) 11
2.3L 140 L-HEAD L4, 3.1875" Bore (Continental Eng.) (cont.)

CYLINDER COMPONENTS (cont.)

QTY	PISTONS (cont.)	PART NO.	SIZE	DESCRIPTION
4	Pin Bushing	8649XA		Forging No. F400D-502; Full round, thin wall bushing w/.9150" OD
4	Pin Bushing	8649V		Forging No. F400D-502; Split type, thin wall bushing w/.9135" OD
4	Pin Bushing	8649V20		Forging No. F400D-502; Split type, thin wall bushing w/.9135" OD & .020" extra bore stock
4	Pin Bushing	FP-9324X		Full round, heavy wall bushing w/1.0625" OD; Forging No. F400D-500
4	Pin Bushing	9324X +		Full round, heavy wall bushing w/1.0625" OD; Forging No. F400D-500; When depleted use FP-9324X
QTY	CONNECTING RODS & BRGS.	PART NO.	SIZE	DESCRIPTION
2	Rod Pair	FP-9320CPA	Std-2-10-20-30-40	Position 1-3
2	Rod Pair	9320CPA +	Std-2-10-20-30-40	Position 1-3; When depleted use FP-9320CPA
2	Rod Pair	FP-9320CP	Std-10-20-30-40	Position 2-4
2	Rod Pair	9320CP +	Std-10-20-30-40	Position 2-4; When depleted use FP-9320CP
QTY	PISTON RINGS	PART NO.	SIZE	DESCRIPTION
1	Standard Set	FP-948X	Std Only	Check piston grooving before supplying ring set; 3-1/8, 1-1/4
1	Standard Set	948X +	Std Only	Check piston grooving before supplying ring set; 3-1/8, 1-1/4; When depleted use FP-948X
1	Standard Set	FP-5036X	Std Only	Check piston grooving before supplying ring set; 3-1/8, 1-3/16
1	Standard Set	5036X +	Std Only	Check piston grooving before supplying ring set; 3-1/8, 1-3/16; When depleted use FP-5036X

Combine G148, 148, 148G Engs. (Gas or LPG). Wheel Tractor G148, 148, 148G Engs. (Gas or LPG) 12
2.4L 148 L4 (G148), 3.375" Bore

CYL. HEAD & PARTS

QTY	VALVE	PART NO.	SIZE	DESCRIPTION
4	Intake	FP-V1053		1.3280" Head Dia., .3411" Stem Dia., 4.9570" O.A.L.
4	Intake	V-1053 +	Std Only	1.3280" Head Dia., .3411" Stem Dia., 4.9570" O.A.L.; When depleted use FP-V1053
4	Exhaust	FP-V1052		1.2030" Head Dia., .3387" Stem Dia., 4.9830" O.A.L.
4	Exhaust	V-1052 +	Std Only	1.2030" Head Dia., .3387" Stem Dia., 4.9830" O.A.L.; When depleted use FP-V1052
16	Keeper	VK-115		1 groove; Square cut key groove
16	Keeper	VK-115R		1 groove; Square cut key groove; Hardened
16	Keeper, Bulk	VK-115B		1 groove; Square cut key groove; Carton of 1000
QTY	VALVE SEAT	PART NO.	SIZE	DESCRIPTION
4	Exh.	FP-2451348E1N		1.3480" OD, 1.0870" ID, .2005" Depth
4	Exh.	245-1348-E1N +	Std Only	1.3480" OD, 1.0870" ID, .2005" Depth; When depleted use FP-2451348E1N
4	Int.	245-1437-3	Std Only	1.4425" OD, 1.1880" ID, .2160" Depth
QTY	VALVE GUIDE	PART NO.	SIZE	DESCRIPTION
8	Guide	FP-VG457		.3430" ID, 2.6870" O.A.L.
8	Guide	VG-457 +		.3430" ID, 2.6870" O.A.L.; When depleted use FP-VG457
QTY	VALVE SPRING	PART NO.	SIZE	DESCRIPTION
4	Spring	FP-VS581		Exh.; 2.6400" Free Height
4	Spring	VS-581 +		Exh.; 2.6400" Free Height; When depleted use FP-VS581
4	Spring	FP-A30025		Int.
QTY	VALVE SEAL	PART NO.	SIZE	DESCRIPTION
8	Valve Stem Seal	ST-2001		Positive type; Installation requires valve guide machining; Rubber/PTFE
8	Valve Stem Seal Bulk	ST-2001BC		Positive type; Installation requires valve guide machining; Carton of 100; Rubber/PTFE

ENGINE BLOCK & PARTS

QTY	GASKET SETS	PART NO.	SIZE	DESCRIPTION
1	Kit Gasket Set	260-1339		Compl., incl. RMB seal & valve stem seals
1	Kit Gasket Set	FP-2601339		Compl., Incl. RMB seal & valve stem seals
QTY	CAM BEARINGS	PART NO.	SIZE	DESCRIPTION
1	Cam Set	FP-1227M	Std Only	
1	Cam Set	1227M +	Std Only	When depleted use FP-1227M

(continued on next page)

Case Co., J.I.

12 Combine G148, 148, 148G Engs. (Gas or LPG). Wheel Tractor G148, 148, 148G Engs. (Gas or LPG).
2.4L 148 L4 (G148), 3.375" Bore

CRANKSHAFT/OIL PUMP

QTY	SEALS - FRONT CRANK	PART NO.	SIZE	DESCRIPTION
1	Redi-Sleeve	99210		
1	Oil Seal	472015		
QTY	SEALS - REAR CRANK	PART NO.	SIZE	DESCRIPTION
1	Redi-Sleeve	99400		
QTY	MAIN BEARINGS	PART NO.	SIZE	DESCRIPTION
1	Main Set	FP-4154M	Std-10-20-30	
1	Main Set	4154M +	Std-10-20-30	When depleted use FP-4154M

CYLINDER COMPONENTS

QTY	LINERS	PART NO.	SIZE	DESCRIPTION
4	Liner w/Sealing Rings	FP-SO1776	Std Only	Incl. (2) FP-SLR1640 sealing rings.
4	Liner w/Sealing Rings	SO-1776 +	Std Only	Incl. (2) SLR-1640 sealing rings.; When depleted use FP-SO1776
4	Sleeve Assy.	FP-SL2684	Std Only	
4	Sleeve Assy.	SL-2684 +	Std Only	When depleted use FP-SL2684
QTY	PISTONS	PART NO.	SIZE	DESCRIPTION
4	Pin Bushing	FP-9324X		
4	Pin Bushing	9324X +		When depleted use FP-9324X
QTY	CONNECTING RODS & BRGS.	PART NO.	SIZE	DESCRIPTION
4	Rod Pair	FP-9320CPA	Std-2-10-20-30-40	
4	Rod Pair	9320CPA +	Std-2-10-20-30-40	When depleted use FP-9320CPA
QTY	PISTON RINGS	PART NO.	SIZE	DESCRIPTION
1	Premium Set	FP-5456KX	Std Only	3-1/8, 1-1/4
1	Premium Set	5456KX +	Std Only	3-1/8, 1-1/4; When depleted use FP-5456KX
1	Premium Set	FP-5579KX	Std Only	3-3/32, 1-1/4
1	Premium Set	5579KX +	Std Only	3-3/32, 1-1/4; When depleted use FP-5579KX
1	Standard Set	FP-5579X	Std Only	3-3/32, 1-1/4
1	Standard Set	5579X +	Std Only	3-3/32, 1-1/4; When depleted use FP-5579X
4	Premium Single Cylinder Set	W-5456KX	Std Only	3-1/8, 1-1/4
4	Premium Single Cylinder Set	W-5579KX	Std Only	3-3/32, 1-1/4

KITS

QTY	OVERHAUL KIT	PART NO.	SIZE	DESCRIPTION
1	Tractor Overhaul Kit	FP-KST2684A		Exc. Model 310G

13 Wheel Tractor G148B, 148B Engs. (Gas or LPG)
2.4L 148 L4 (G148B), 3.375" Bore

CYL. HEAD & PARTS

QTY	VALVE	PART NO.	SIZE	DESCRIPTION
4	Intake	FP-V1053		1.3280" Head Dia., .3411" Stem Dia., 4.9570" O.A.L.
4	Intake	V-1053 +	Std Only	1.3280" Head Dia., .3411" Stem Dia., 4.9570" O.A.L.; When depleted use FP-V1053
4	Exhaust	FP-V1052		1.2030" Head Dia., .3387" Stem Dia., 4.9830" O.A.L.
4	Exhaust	V-1052 +	Std Only	1.2030" Head Dia., .3387" Stem Dia., 4.9830" O.A.L.; When depleted use FP-V1052
16	Keeper	VK-115		1 groove; Square cut key groove
16	Keeper	VK-115R		1 groove; Square cut key groove; Hardened
16	Keeper, Bulk	VK-115B		1 groove; Square cut key groove; Carton of 1000
QTY	VALVE SEAT	PART NO.	SIZE	DESCRIPTION
4	Exh.	FP-2451348E1N		1.3480" OD, 1.0870" ID, .2005" Depth
4	Exh.	245-1348-E1N +	Std Only	1.3480" OD, 1.0870" ID, .2005" Depth; When depleted use FP-2451348E1N
4	Int.	245-1437-3	Std Only	1.4425" OD, 1.1880" ID, .2160" Depth
QTY	VALVE GUIDE	PART NO.	SIZE	DESCRIPTION
8	Guide	FP-VG457		.3430" ID, 2.6870" O.A.L.
8	Guide	VG-457 +		.3430" ID, 2.6870" O.A.L.; When depleted use FP-VG457
QTY	VALVE SPRING	PART NO.	SIZE	DESCRIPTION
4	Spring	FP-VS581		Exh.; 2.6400" Free Height
4	Spring	VS-581 +		Exh.; 2.6400" Free Height; When depleted use FP-VS581
4	Spring	FP-A30025		Int.

(continued on next page)

Wheel Tractor G148B, 148B Engs. (Gas or LPG) 13
2.4L 148 L4 (G148B), 3.375" Bore (cont.)

CYL. HEAD & PARTS (cont.)

QTY	VALVE SEAL	PART NO.	SIZE	DESCRIPTION
8	Valve Stem Seal	ST-2001		Positive type; Installation requires valve guide machining; Rubber/PTFE
8	Valve Stem Seal Bulk	ST-2001BC		Positive type; Installation requires valve guide machining; Carton of 100; Rubber/PTFE

ENGINE BLOCK & PARTS

QTY	GASKET SETS	PART NO.	SIZE	DESCRIPTION
1	Kit Gasket Set	260-1339		Compl., incl. RMB seal & valve stem seals
1	Kit Gasket Set	FP-2601339		Compl., Incl. RMB seal & valve stem seals
QTY	CAM BEARINGS	PART NO.	SIZE	DESCRIPTION
1	Cam Set	FP-1227M	Std Only	
1	Cam Set	1227M +	Std Only	When depleted use FP-1227M

CRANKSHAFT/OIL PUMP

QTY	SEALS - FRONT CRANK	PART NO.	SIZE	DESCRIPTION
1	Redi-Sleeve	99210		
1	Oil Seal	472015		
QTY	SEALS - REAR CRANK	PART NO.	SIZE	DESCRIPTION
1	Redi-Sleeve	99400		
QTY	MAIN BEARINGS	PART NO.	SIZE	DESCRIPTION
1	Main Set	FP-4149M	Std-10-20-30	
1	Main Set	4149M +	Std-10-20-30	When depleted use FP-4149M

CYLINDER COMPONENTS

QTY	LINERS	PART NO.	SIZE	DESCRIPTION
4	Liner w/Sealing Rings	FP-SO1776	Std Only	Incl. (2) FP-SLR1640 sealing rings.
4	Liner w/Sealing Rings	SO-1776 +	Std Only	Incl. (2) SLR-1640 sealing rings.; When depleted use FP-SO1776
4	Sleeve Assy.	FP-SL2684	Std Only	
4	Sleeve Assy.	SL-2684 +	Std Only	When depleted use FP-SL2684
QTY	PISTONS	PART NO.	SIZE	DESCRIPTION
4	Pin Bushing	FP-9324X		
4	Pin Bushing	9324X +		When depleted use FP-9324X
QTY	CONNECTING RODS & BRGS.	PART NO.	SIZE	DESCRIPTION
4	Rod Pair	FP-A46050	STD	
4	Rod Pair	FP-A46052	10	
4	Rod Pair	FP-A46053	20	
4	Rod Pair	FP-A46054	30	
QTY	PISTON RINGS	PART NO.	SIZE	DESCRIPTION
1	Premium Set	FP-5456KX	Std Only	3-1/8, 1-1/4
1	Premium Set	5456KX +	Std Only	3-1/8, 1-1/4; When depleted use FP-5456KX
1	Premium Set	FP-5579KX	Std Only	3-3/32, 1-1/4
1	Premium Set	5579KX +	Std Only	3-3/32, 1-1/4; When depleted use FP-5579KX
1	Standard Set	FP-5579X	Std Only	3-3/32, 1-1/4
1	Standard Set	5579X +	Std Only	3-3/32, 1-1/4; When depleted use FP-5579X
4	Premium Single Cylinder Set	W-5456KX	Std Only	3-1/8, 1-1/4
4	Premium Single Cylinder Set	W-5579KX	Std Only	3-3/32, 1-1/4

KITS

QTY	OVERHAUL KIT	PART NO.	SIZE	DESCRIPTION
1	Tractor Overhaul Kit	FP-KST2684C		Exc. Model 310G

Combine SE Eng. (Gas). Wheel Tractor SE Eng. (Gas). 14
2.5L 154 L4, 3.5" Bore

CYL. HEAD & PARTS

QTY	VALVE	PART NO.	SIZE	DESCRIPTION
16	Keeper	FP-VK123		
16	Keeper	VK-123 +		When depleted use FP-VK123
QTY	VALVE SEAT	PART NO.	SIZE	DESCRIPTION
4	Exh.	245-1375-4	Std Only	1.3795" OD, 1.1250" ID, .1855" Depth
4	Int.	245-1500-1	Std Only	1.5045" OD, 1.2500" ID, .2160" Depth
QTY	VALVE GUIDE	PART NO.	SIZE	DESCRIPTION
8	Guide	FP-VG386		.3128" ID, 2.7500" O.A.L.
8	Guide	VG-386 +		.3128" ID, 2.7500" O.A.L.; When depleted use FP-VG386

(continued on next page)

Case Co., J.I.

14 Combine SE Eng. (Gas). Wheel Tractor SE Eng. (Gas). (cont.) 2.5L 154 L4, 3.5" Bore

CYL. HEAD & PARTS (cont.)

QTY	VALVE SPRING	PART NO.	SIZE	DESCRIPTION
8	Spring	FP-VS332		2.0310" Free Height
8	Spring	VS-332 +		2.0310" Free Height; When depleted use FP-VS332

CYLINDER COMPONENTS

QTY	PISTON RINGS	PART NO.	SIZE	DESCRIPTION
1	Premium Set	FP-5504KX	Std Only	OVERBORE To 3.625"; 3-3/32, 1-3/16
1	Premium Set	5504KX +	Std Only	OVERBORE To 3.625"; 3-3/32, 1-3/16; When depleted use FP-5504KX
1	Premium Set	FP-934KX	Std-20-30-60	3-1/8, 1-3/16
1	Premium Set	934KX +	Std-20-30-60	3-1/8, 1-3/16; When depleted use FP-934KX
1	Standard Set	FP-5504X	Std Only	OVERBORE To 3.625"; 3-3/32, 1-3/16
1	Standard Set	5504X +	Std Only	OVERBORE To 3.625"; 3-3/32, 1-3/16; When depleted use FP-5504X
1	Standard Set	FP-934X	Std Only	3-1/8, 1-3/16
1	Standard Set	934X +	Std Only	3-1/8, 1-3/16; When depleted use FP-934X
4	Premium Single Cylinder Set	W-5504KX	Std Only	OVERBORE To 3.625"; 3-3/32, 1-3/16
4	Premium Single Cylinder Set	W-934KX	Std Only	3-1/8, 1-3/16
4	Standard Single Cylinder Set	W-934X	Std Only	3-1/8, 1-3/16

15 Harvester V460D, V461D, VG4D, VP4, VP4D Engs. 2.5L 154 L-HEAD V4, 3.5" Bore (Wisconsin Eng.)

CYL. HEAD & PARTS

QTY	VALVE	PART NO.	SIZE	DESCRIPTION
4	Intake	FP-V818		VG4D & VP4D Engs.; 1.5630" Head Dia., .3089" Stem Dia., 6.3346" O.A.L.
4	Intake	V-818 +	Std Only	VG4D & VP4D Engs.; 1.5630" Head Dia., .3089" Stem Dia., 6.3346" O.A.L.; When depleted use FP-V818
4	Exhaust	FP-V1676X		VG4D & VP4D Engs.; 1.5570" Head Dia., .3085" Stem Dia., 6.3330" O.A.L.
4	Exhaust	V-1676X +	Std Only	VG4D & VP4D Engs.; 1.5570" Head Dia., .3085" Stem Dia., 6.3330" O.A.L.; When depleted use FP-V1676X
16	Keeper	FP-VK144		Exc. V460D, V461D Engs.; 1 groove; Square cut key groove
16	Keeper	VK-144R		Exc. V460D, V461D Engs.; 1 groove; Square cut key groove; Hardened
16	Keeper	FP-23507238		V460D, V461D Engs.; 1 groove; Square cut key groove
16	Keeper	VK-115		V460D, V461D Engs.; 1 groove; Square cut key groove
16	Keeper, Bulk	FP-VK144B		Exc. V460D, V461D Engs.; 1 groove; Square cut key groove; Carton of 1000
16	Keeper, Bulk	VK-115B		V460D, V461D Engs.; 1 groove; Square cut key groove; Carton of 1000

QTY	VALVE GUIDE	PART NO.	SIZE	DESCRIPTION
8	Guide	VG-855		VG4D & VP4D Engs.; .3130" ID, 2.5000" O.A.L.

QTY	VALVE SPRING	PART NO.	SIZE	DESCRIPTION
8	Spring	FP-VS468		AP4 Engs.; 2.3120" Free Height
8	Spring	VS-468 +		AP4 Engs.; 2.3120" Free Height; When depleted use FP-VS468

CRANKSHAFT/OIL PUMP

QTY	MAIN BEARINGS	PART NO.	SIZE	DESCRIPTION
1	Plain Main Brg.	FP-3224CP	Std-10	Position Center; V-460D, V-461D, V-465D Engs.
1	Plain Main Brg.	3224CP +	Std-10	Position Center; V-460D, V-461D, V-465D Engs.; When depleted use FP-3224CP
2	Cone Taper Brg.	39590		Position Ends; V-460D, V-461D & V-465D Engs. Tapered roller brg. cone
2	Cone Taper Brg.	455S		Position 1-2; AM-4, AM-41, AP-4, AP-41, VG4D, VM4 & VP4 Engs. Tapered roller brg. cone
2	Cup Taper Brg.	39520		Position Ends; V-460D, V-461D & V-465D Engs. Tapered roller brg. cup
2	Cup Taper Brg.	453A		Position 1-2; AM-4, AM-41, AP-4, AP-41, VG4D, VM4 & VP4 Engs. Tapered roller brg. cup

CYLINDER COMPONENTS

QTY	LINERS	PART NO.	SIZE	DESCRIPTION
4	Repair Sleeve	SL-15M	Std Only	3/32" wall, Must be cut to correct length

QTY	PISTONS	PART NO.	SIZE	DESCRIPTION
4	Pin Bushing	1394		VG4D & VP4 Engs.; 1.000" max. length

(continued on next page)

Harvester V460D, V461D, VG4D, VP4, VP4D Engs. 15
2.5L 154 L-HEAD V4, 3.5" Bore (Wisconsin Eng.) (cont.)

CYLINDER COMPONENTS (cont.)

CONNECTING RODS & BRGS.				
QTY		PART NO.	SIZE	DESCRIPTION
4	Rod Pair	FP-3220CP	Std-10-20-30	V-460D, V-461D, V-465D Engs.; w/2.1232-2.1240" std. shaft size
4	Rod Pair	3220CP +	Std-10-20-30	V-460D, V-461D, V-465D Engs.; w/2.1232-2.1240" std. shaft size; When depleted use FP-3220CP
4	Rod Pair	FP-3605SB	Std-10-20	VG4D, VM4, VP4 Engs.
4	Rod Pair	3605SB +	Std-10-20	VG4D, VM4, VP4 Engs.; When depleted use FP-3605SB
PISTON RINGS				
QTY		PART NO.	SIZE	DESCRIPTION
1	Premium Set	FP-934KX	Std-20-30-60	VG4D, VP4, VP4D Engs.; 3-1/8, 1-3/16
4	Premium Set	FP-5091KX	Std-30	VG4D, VP4, VP4D Engs.; 3-1/8, 1-3/16 (1 cyl. set)
4	Premium Set	5091KX +	Std-30	VG4D, VP4, VP4D Engs.; 3-1/8, 1-3/16 (1 cyl. set); When depleted use FP-5091KX
1	Premium Set	934KX +	Std-20-30-60	VG4D, VP4, VP4D Engs.; 3-1/8, 1-3/16; When depleted use FP-934KX
1	Standard Set	FP-934X	Std Only	VG4D, VP4, VP4D Engs.; 3-1/8, 1-3/16
1	Standard Set	934X +	Std Only	VG4D, VP4, VP4D Engs.; 3-1/8, 1-3/16; When depleted use FP-934X
4	Premium Single Cylinder Set	W-934KX	Std Only	VG4D, VP4, VP4D Engs.; 3-1/8, 1-3/16
4	Standard Single Cylinder Set	W-934X	Std Only	VG4D, VP4, VP4D Engs.; 3-1/8, 1-3/16

Wheel Tractor GD157 Eng. (Diesel) 16
2.6L 157 OHV Diesel L4, 3.4375" Bore (Continental Eng.)

CYLINDER COMPONENTS

PISTON RINGS				
QTY		PART NO.	SIZE	DESCRIPTION
1	Premium Set	FP-5456KX	Std Only	3-1/8, 1-1/4
1	Premium Set	5456KX +	Std Only	3-1/8, 1-1/4; When depleted use FP-5456KX
4	Premium Single Cylinder Set	W-5456KX	Std Only	3-1/8, 1-1/4

Wheel Tractor G159, G159B, 159, 159B Engs. (Gas or LPG) 17
2.6L 159 L4, 3.5" Bore

CYL. HEAD & PARTS

VALVE				
QTY		PART NO.	SIZE	DESCRIPTION
4	Intake	FP-V4075		1.4173" Head Dia., .3409" Stem Dia., 5.2913" O.A.L.
4	Intake	V-4075 +	Std Only	1.4173" Head Dia., .3409" Stem Dia., 5.2913" O.A.L.; When depleted use FP-V4075
4	Exhaust	FP-V4097		1.2697" Head Dia., .3386" Stem Dia., 5.3272" O.A.L.
4	Exhaust	V-4097 +	Std Only	1.2697" Head Dia., .3386" Stem Dia., 5.3272" O.A.L.; When depleted use FP-V4097
16	Keeper	VK-115		1 groove; Square cut key groove
16	Keeper	VK-115R		1 groove; Square cut key groove; Hardened
16	Keeper, Bulk	VK-115B		1 groove; Square cut key groove; Carton of 1000
VALVE GUIDE				
QTY		PART NO.	SIZE	DESCRIPTION
4	Guide	FP-VG457		Exh.; .3430" ID, 2.6870" O.A.L.
4	Guide	VG-457 +		Exh.; .3430" ID, 2.6870" O.A.L.; When depleted use FP-VG457
4	Guide	FP-VG842		Int.; .3434" ID, 2.4400" O.A.L.
4	Guide	VG-842 +		Int.; .3434" ID, 2.4400" O.A.L.; When depleted use FP-VG842
VALVE MISC.				
QTY		PART NO.	SIZE	DESCRIPTION
4	Rotocap Assy.	FP-RC117A		
4	Rotocap Assy.	RC-117A +		When depleted use FP-RC117A
VALVE SEAL				
QTY		PART NO.	SIZE	DESCRIPTION
8	Valve Stem Seal	ST-2001		Exh. & Int.; Positive type; Installation requires valve guide machining; Rubber/PTFE
4	Valve Stem Seal	MV-1233C		Int.; O-Ring; Rubber
8	Valve Stem Seal Bulk	ST-2001BC		Exh. & Int.; Positive type; Installation requires valve guide machining; Carton of 100; Rubber/PTFE
4	Valve Stem Seal Bulk	MV-1233		Int.; O-Ring; Carton of 100; Rubber

ENGINE BLOCK & PARTS

CAM BEARINGS				
QTY		PART NO.	SIZE	DESCRIPTION
1	Cam Set	FP-1227M	Std Only	
1	Cam Set	1227M +	Std Only	When depleted use FP-1227M

CRANKSHAFT/OIL PUMP

SEALS - FRONT CRANK				
QTY		PART NO.	SIZE	DESCRIPTION
1	Redi-Sleeve	99210		
1	Oil Seal	472015		

(continued on next page)

Case Co., J.I.

17 Wheel Tractor G159, G159B, 159, 159B Engs. (Gas or LPG) (cont.) 2.6L 159 L4, 3.5" Bore				
CRANKSHAFT/OIL PUMP (cont.)				
QTY	SEALS - REAR CRANK	PART NO.	SIZE	DESCRIPTION
1	Redi-Sleeve	99400		
QTY	MAIN BEARINGS	PART NO.	SIZE	DESCRIPTION
1	Main Set	FP-4149M	Std-10-20-30	
1	Main Set	4149M +	Std-10-20-30	When depleted use FP-4149M
CYLINDER COMPONENTS				
QTY	CONNECTING RODS & BRGS.	PART NO.	SIZE	DESCRIPTION
4	Rod Pair	FP-A46050	STD	
4	Rod Pair	FP-A46052	10	
4	Rod Pair	FP-A46053	20	
4	Rod Pair	FP-A46054	30	
18 Wheel Tractor F162 Eng. (Gas) 2.6L 162 L-HEAD L4, 3.4375" Bore (Continental Eng.)				
ENGINE BLOCK & PARTS				
QTY	CAM BEARINGS	PART NO.	SIZE	DESCRIPTION
1	Cam Set	FP-1158M	Std Only	
1	Cam Set	1158M +	Std Only	When depleted use FP-1158M
CRANKSHAFT/OIL PUMP				
QTY	MAIN BEARINGS	PART NO.	SIZE	DESCRIPTION
1	Main Set	FP-4004M	Std-10-20	W/Single flanged front brg.
1	Main Set	4004M +	Std-10-20	W/Single flanged front brg.; When depleted use FP-4004M
1	Main Set	FP-4005M	Std-10-20	W/Straight shell front brg.
1	Main Set	FP-6632M	Std-10-20-30	W/Straight shell front brg. & thrust washer
1	Main Set	6632M +	Std-10-20-30	W/Straight shell front brg. & thrust washer; When depleted use FP-6632M
1	Main Set	4005M +	Std-10-20	W/Straight shell front brg.; When depleted use FP-4005M
1	Thrust Washer Set	FP-9811BFA	Std Only	Position 1; Use w/straight shell main brg. set
1	Thrust Washer Set	9811BFA +	Std Only	Position 1; Use w/straight shell main brg. set; When depleted use FP-9811BFA
1	Thrust Washer Set	FP-9811BF	Std Only	Position 1; Use w/Flanged main brg.
1	Thrust Washer Set	9811BF +	Std Only	Position 1; Use w/Flanged main brg.; When depleted use FP-9811BF
CYLINDER COMPONENTS				
QTY	PISTONS	PART NO.	SIZE	DESCRIPTION
4	Pin Bushing	8649XAS		Forging No. F400D-502; Full round, thin wall .0055" O/S OD bushing
4	Pin Bushing	8649XA		Forging No. F400D-502; Full round, thin wall bushing w/.9150" OD
4	Pin Bushing	8649V		Forging No. F400D-502; Split type, thin wall bushing w/.9135" OD
4	Pin Bushing	8649V20		Forging No. F400D-502; Split type, thin wall bushing w/.9135" OD & .020" extra bore stock
4	Pin Bushing	FP-9324X		Full round, heavy wall bushing w/1.0625" OD; Forging No. F400D-500
4	Pin Bushing	9324X +		Full round, heavy wall bushing w/1.0625" OD; Forging No. F400D-500; When depleted use FP-9324X
QTY	CONNECTING RODS & BRGS.	PART NO.	SIZE	DESCRIPTION
2	Rod Pair	FP-9320CPA	Std-2-10-20-30-40	Position 1-3
2	Rod Pair	9320CPA +	Std-2-10-20-30-40	Position 1-3; When depleted use FP-9320CPA
2	Rod Pair	FP-9320CP	Std-10-20-30-40	Position 2-4
2	Rod Pair	9320CP +	Std-10-20-30-40	Position 2-4; When depleted use FP-9320CP
19 Wheel Tractor G164, 164 Engs. (Gas or LPG) 2.7L 164 L4, 3.5625" Bore				
CYL. HEAD & PARTS				
QTY	VALVE	PART NO.	SIZE	DESCRIPTION
4	Exhaust	FP-V1052		Gas Engs.; 1.2030" Head Dia., .3387" Stem Dia., 4.9830" O.A.L.
4	Exhaust	V-1052 +	Std Only	Gas Engs.; 1.2030" Head Dia., .3387" Stem Dia., 4.9830" O.A.L.; When depleted use FP-V1052
16	Keeper	VK-115		1 groove; Square cut key groove

(continued on next page)

Wheel Tractor G164, 164 Engs. (Gas or LPG) 19
2.7L 164 L4, 3.5625" Bore (cont.)

CYL. HEAD & PARTS (cont.)

QTY	VALVE (cont.)	PART NO.	SIZE	DESCRIPTION
16	Keeper	VK-115R		1 groove; Square cut key groove; Hardened
16	Keeper, Bulk	VK-115B		1 groove; Square cut key groove; Carton of 1000
QTY	VALVE GUIDE	PART NO.	SIZE	DESCRIPTION
4	Guide	FP-VG457		Exh.; L.P.G. Engs.; .3430" ID, 2.6870" O.A.L.
4	Guide	VG-457 +		Exh.; L.P.G. Engs.; .3430" ID, 2.6870" O.A.L.; When depleted use FP-VG457
4	Guide	FP-VG842		Int.; Gas Engs.; .3434" ID, 2.4400" O.A.L.
4	Guide	VG-842 +		Int.; Gas Engs.; .3434" ID, 2.4400" O.A.L.; When depleted use FP-VG842
QTY	VALVE SPRING	PART NO.	SIZE	DESCRIPTION
4	Spring	FP-A30025		Int.
QTY	VALVE SEAL	PART NO.	SIZE	DESCRIPTION
8	Valve Stem Seal	ST-2001		Positive type; Installation requires valve guide machining; Rubber/PTFE
4	Valve Stem Seal	MV-1233C		Int.; O-Ring; Rubber
8	Valve Stem Seal Bulk	ST-2001BC		Positive type; Installation requires valve guide machining; Carton of 100; Rubber/PTFE
4	Valve Stem Seal Bulk	MV-1233		Int.; O-Ring; Carton of 100; Rubber

ENGINE BLOCK & PARTS

QTY	CAM BEARINGS	PART NO.	SIZE	DESCRIPTION
1	Cam Set	FP-1227M	Std Only	
1	Cam Set	1227M +	Std Only	When depleted use FP-1227M

CRANKSHAFT/OIL PUMP

QTY	MAIN BEARINGS	PART NO.	SIZE	DESCRIPTION
1	Main Set	FP-4149M	Std-10-20-30	
1	Main Set	4149M +	Std-10-20-30	When depleted use FP-4149M

CYLINDER COMPONENTS

QTY	CONNECTING RODS & BRGS.	PART NO.	SIZE	DESCRIPTION
4	Rod Pair	FP-A46050	STD	
4	Rod Pair	FP-A46052	10	
4	Rod Pair	FP-A46053	20	
4	Rod Pair	FP-A46054	30	
QTY	PISTON RINGS	PART NO.	SIZE	DESCRIPTION
1	Premium Set	FP-5448KX	Std Only	3-3/32, 1-1/4
1	Premium Set	5448KX +	Std Only	3-3/32, 1-1/4; When depleted use FP-5448KX

Combine XAH Eng. 20
3.0L 186 L4, 3.625" Bore (Waukesha Eng.)

CYLINDER COMPONENTS

QTY	PISTONS	PART NO.	SIZE	DESCRIPTION
4	Pin Bushing	FP-8944X		
4	Pin Bushing	8944X +		When depleted use FP-8944X

Combine G188, G188B, 188, 188B Engs. (Gas). Wheel Tractor G188, G188B, 188, 188B Engs. (Gas). 21
3.1L 188 L4 (G188B), 3.8125" Bore

CYL. HEAD & PARTS

QTY	VALVE	PART NO.	SIZE	DESCRIPTION
16	Keeper	VK-115		1 groove; Square cut key groove
16	Keeper	VK-115R		1 groove; Square cut key groove; Hardened
16	Keeper, Bulk	VK-115B		1 groove; Square cut key groove; Carton of 1000
QTY	VALVE GUIDE	PART NO.	SIZE	DESCRIPTION
4	Guide	FP-G2069		Int.
QTY	VALVE SPRING	PART NO.	SIZE	DESCRIPTION
4	Spring	FP-A30025		Int.
QTY	VALVE MISC.	PART NO.	SIZE	DESCRIPTION
4	Rotocap Assy.	FP-RC117A		Exh.
4	Rotocap Assy.	RC-117A +		Exh.; When depleted use FP-RC117A

(continued on next page)

Case Co., J.I.

21 Combine G188, G188B, 188, 188B Engs. (Gas). Wheel Tractor G188, G188B, 188, 188B (cont.) Engs. (Gas).
3.1L 188 L4 (G188B), 3.8125" Bore

CYL. HEAD & PARTS (cont.)

QTY	VALVE SEAL	PART NO.	SIZE	DESCRIPTION
8	Valve Stem Seal	ST-2001		Positive type; Installation requires valve guide machining; Rubber/PTFE
4	Valve Stem Seal	MV-1233C		Int.; O-Ring; Rubber
8	Valve Stem Seal Bulk	ST-2001BC		Positive type; Installation requires valve guide machining; Carton of 100; Rubber/PTFE
4	Valve Stem Seal Bulk	MV-1233		Int.; O-Ring; Carton of 100; Rubber

CRANKSHAFT/OIL PUMP

QTY	SEALS - FRONT CRANK	PART NO.	SIZE	DESCRIPTION
1	Redi-Sleeve	99210		
1	Oil Seal	472015		

QTY	SEALS - REAR CRANK	PART NO.	SIZE	DESCRIPTION
1	Redi-Sleeve	99400		

CYLINDER COMPONENTS

QTY	CONNECTING RODS & BRGS.	PART NO.	SIZE	DESCRIPTION
4	Rod Pair	FP-A46050	STD	
4	Rod Pair	FP-A46052	10	
4	Rod Pair	FP-A46053	20	
4	Rod Pair	FP-A46054	30	

22 Combine G188D, 188, 188D Engs. (Diesel). Wheel Tractor G188D, 188, 188D Engs. (Diesel). Windrower G188D, 188, 188D Engs. (Diesel). Crawler Tractor G188D, 188, 188D Engs. (Diesel). Wheel Loader G188D, 188, 188D Engs. (Diesel).
3.1L 188 Diesel L4, 3.8125" Bore

CYL. HEAD & PARTS

QTY	VALVE	PART NO.	SIZE	DESCRIPTION
4	Intake	FP-A38422		
4	Exhaust	FP-A38423		
16	Keeper	VK-115		1 groove; Square cut key groove
16	Keeper	VK-115R		1 groove; Square cut key groove; Hardened
16	Keeper, Bulk	VK-115B		1 groove; Square cut key groove; Carton of 1000

QTY	VALVE GUIDE	PART NO.	SIZE	DESCRIPTION
4	Guide	FP-G2069		Exh.
4	Guide	FP-G2068		Int.

QTY	VALVE SPRING	PART NO.	SIZE	DESCRIPTION
8	Spring	FP-A30025		

QTY	VALVE MISC.	PART NO.	SIZE	DESCRIPTION
4	Rotocap Assy.	FP-RC117A		Exh.
4	Rotocap Assy.	RC-117A +		Exh.; When depleted use FP-RC117A

QTY	VALVE SEAL	PART NO.	SIZE	DESCRIPTION
8	Valve Stem Seal	ST-2001		Positive type; Installation requires valve guide machining; Rubber/PTFE
4	Valve Stem Seal	MV-1233C		Int.; O-Ring; Rubber
8	Valve Stem Seal Bulk	ST-2001BC		Positive type; Installation requires valve guide machining; Carton of 100; Rubber/PTFE
4	Valve Stem Seal Bulk	MV-1233		Int.; O-Ring; Carton of 100; Rubber

ENGINE BLOCK & PARTS

QTY	GASKET SETS	PART NO.	SIZE	DESCRIPTION
1	Complete Overhaul Gasket Set	FP-PGE207C		Use w/large dia. flange sleeve
1	Complete Overhaul Gasket Set	PGE207C +		Use w/large dia. flange sleeve; When depleted use FP-PGE207C

QTY	CAM BEARINGS	PART NO.	SIZE	DESCRIPTION
1	Cam Set	FP-A151075	STD	W/Tach drive
1	Cam Set	FP-A41232	STD	W/1.218" length on No. 5 brg.; Engs. w/o tach drive

CRANKSHAFT/OIL PUMP

QTY	SEALS - FRONT CRANK	PART NO.	SIZE	DESCRIPTION
1	Redi-Sleeve	99210		
1	Oil Seal	472015		

QTY	SEALS - REAR CRANK	PART NO.	SIZE	DESCRIPTION
1	Redi-Sleeve	99400		

(continued on next page)

Combine G188D, 188, 188D Engs. (Diesel). Wheel Tractor G188D, 188, 188D Engs. 22
(Diesel). Windrower G188D, 188, 188D Engs. (Diesel). Crawler Tractor G188D, 188, 188D (cont.)
Engs. (Diesel). Wheel Loader G188D, 188, 188D Engs. (Diesel).
 3.1L 188 Diesel L4, 3.8125" Bore

CRANKSHAFT/OIL PUMP (cont.)

QTY	MAIN BEARINGS	PART NO.	SIZE	DESCRIPTION
1	Main Set	FP-4397M	Std-10-20-30	
1	Main Set	FP-4397M10	Std-10-20-30	
1	Main Set	FP-4397M20	Std-10-20-30	
1	Main Set	FP-4397M30	Std-10-20-30	

CYLINDER COMPONENTS

QTY	LINERS	PART NO.	SIZE	DESCRIPTION
4	Liner w/Sealing Rings	FP-A39006WS	STD	From Ser. No. 2656844
4	Liner w/Sealing Rings	FP-A43009WS	STD	To Ser. No. 2656843
4	Cylinder Kit Complete	FP-A151995	STD	From Ser. No. 2656844
4	Cylinder Kit Complete	FP-A37769	STD	To Ser. No. 2656843

QTY	PISTONS	PART NO.	SIZE	DESCRIPTION
4	Piston Kit w/Pin & Retainers	FP-A38424WP	STD	3-ring piston; Replaces 4-ring piston in sets; Cast; 1-1/8, 1-3/32, 1-3/16 Ring Groove; Recessed Head .540" deep & 2.492" dia. w/2 valve reliefs; 17.5:1 C.R.
4	Pin Bushing	FP-A44038		Bushing w/1.292" length
4	Pin Bushing	FP-G49659		To 1974; bushing w/1.240" length

QTY	CONNECTING RODS & BRGS.	PART NO.	SIZE	DESCRIPTION
4	Rod Pair	FP-A46050	STD	
4	Rod Pair	FP-A46052	10	
4	Rod Pair	FP-A46053	20	
4	Rod Pair	FP-A46054	30	

QTY	PISTON RINGS	PART NO.	SIZE	DESCRIPTION
1	Premium Set	FP-G37075	STD	Late style; 3-ring; 1-1/8, 1-3/32, 1-3/16

KITS

QTY	OVERHAUL KIT	PART NO.	SIZE	DESCRIPTION
1	Complete Overhaul Kit	FP-IFK188L		From Ser. No. 2656844
1	Complete Overhaul Kit	FP-IFK188E		To Ser. No. 2656843

Forklift G207D, 207 Engs. (Diesel). Loader G207D, 207, 207D Engs. (Diesel). Wheel Tractor 23
G207D, 207, 207D Engs. (Diesel). Crawler Tractor G207D, 207 Engs. (Diesel).
 3.4L 207 Diesel L4, 4" Bore

CYL. HEAD & PARTS

QTY	VALVE	PART NO.	SIZE	DESCRIPTION
4	Intake	FP-A38422		
4	Exhaust	FP-A38423		
16	Keeper	VK-115		1 groove; Square cut key groove
16	Keeper	VK-115R		1 groove; Square cut key groove; Hardened
16	Keeper, Bulk	VK-115B		1 groove; Square cut key groove; Carton of 1000

QTY	VALVE SPRING	PART NO.	SIZE	DESCRIPTION
8	Spring	FP-A30025		

ENGINE BLOCK & PARTS

QTY	GASKET SETS	PART NO.	SIZE	DESCRIPTION
1	Complete Overhaul Gasket Set	FP-PGE207C		Oil pan gskt. for 580D-CK not incl.
1	Complete Overhaul Gasket Set	PGE207C +		Oil pan gskt. for 580D-CK not incl.; When depleted use FP-PGE207C

QTY	CAM BEARINGS	PART NO.	SIZE	DESCRIPTION
1	Cam Set	FP-A151075	STD	W/Tach drive

CRANKSHAFT/OIL PUMP

QTY	MAIN BEARINGS	PART NO.	SIZE	DESCRIPTION
1	Main Set	FP-4397M	Std-10-20-30	
1	Main Set	FP-4397M10	Std-10-20-30	
1	Main Set	FP-4397M20	Std-10-20-30	
1	Main Set	FP-4397M30	Std-10-20-30	

CYLINDER COMPONENTS

QTY	LINERS	PART NO.	SIZE	DESCRIPTION
4	Cylinder Kit Complete	FP-A46382	STD	From Eng. Ser. No. 2869291
4	Cylinder Kit Complete	FP-A151991	STD	To Eng. Ser. No. 2869290

(continued on next page)

Case Co., J.I.

23 Forklift G207D, 207 Engs. (Diesel). Loader G207D, 207, 207D Engs. (Diesel). Wheel Tractor (cont.) G207D, 207, 207D Engs. (Diesel). Crawler Tractor G207D, 207 Engs. (Diesel).
3.4L 207 Diesel L4, 4" Bore

CYLINDER COMPONENTS (cont.)

CONNECTING RODS & BRGS.				
QTY		PART NO.	SIZE	DESCRIPTION
4	Rod Pair	FP-A50975	STD	
4	Rod Pair	FP-A50977	10	
4	Rod Pair	FP-A50978	20	
4	Rod Pair	FP-A50979	30	
PISTON RINGS				
QTY		PART NO.	SIZE	DESCRIPTION
4	Ring Set Single Cylinder	FP-A151892	STD	Do not use w/Chrome liners; 1-1/8, 1-3/32, 1-3/16
1	Premium Set	FP-A151892S	STD	Do not use w/Chrome liners; 1-1/8, 1-3/32, 1-3/16
1	Standard Set	FP-10456X	Std Only	1-1/8, 1-3/32, 1-3/16
4	Premium Single Cylinder Set	W-9330KX	Std Only	Do not use w/Chrome liners; 1-1/8, 1-3/32, 1-3/16
KITS				
QTY	OVERHAUL KIT	PART NO.	SIZE	DESCRIPTION
1	Complete Overhaul Kit	FP-IFK207L		From Eng. Ser. No. 2869291; Oil pan gskt. for Wheel Tractor Model 580D-CK not incl.
1	Complete Overhaul Kit	FP-IFK207E		To Eng. Ser. No. 2869290; Oil pan gskt. for Wheel Tractor Model 580D-CK not incl.

24 Wheel Tractor F209 Eng. (Gas)
3.4L 209 L-HEAD L6, 3.1875" Bore (Continental Eng.)

CYL. HEAD & PARTS

QTY	VALVE	PART NO.	SIZE	DESCRIPTION
6	Intake	FP-V801		Drilled stem; 1.5200" Head Dia., .3411" Stem Dia., 5.1760" O.A.L.
6	Intake	V-801 + Std Only		Drilled stem; 1.5200" Head Dia., .3411" Stem Dia., 5.1760" O.A.L.; When depleted use FP-V801
6	Intake	FP-V1748		Single groove stem; 1.5160" Head Dia., .3410" Stem Dia., 5.1570" O.A.L.
6	Intake	V-1748 + Std Only		Single groove stem; 1.5160" Head Dia., .3410" Stem Dia., 5.1570" O.A.L.; When depleted use FP-V1748
6	Exhaust	FP-V800		Drilled stem; 1.2030" Head Dia., .3381" Stem Dia., 5.1520" O.A.L.
6	Exhaust	V-800 + Std Only		Drilled stem; 1.2030" Head Dia., .3381" Stem Dia., 5.1520" O.A.L.; When depleted use FP-V800
6	Exhaust	FP-V954		Drilled stem; 1.3280" Head Dia., .3386" Stem Dia., 5.1950" O.A.L.
6	Exhaust	V-954 + Std Only		Drilled stem; 1.3280" Head Dia., .3386" Stem Dia., 5.1950" O.A.L.; When depleted use FP-V954
6	Exhaust	FP-V1684		Single groove stem; 1.2030" Head Dia., .3392" Stem Dia., 5.1890" O.A.L.
6	Exhaust	V-1684 + Std Only		Single groove stem; 1.2030" Head Dia., .3392" Stem Dia., 5.1890" O.A.L.; When depleted use FP-V1684
6	Exhaust	FP-V959		Use w/Rotocaps; 1.3230" Head Dia., .3382" Stem Dia., 5.1100" O.A.L.
6	Keeper	FP-VK27		For drilled stem
6	Keeper	VK-27 +		For drilled stem; When depleted use FP-VK27
12	Keeper	VK-115		1 groove; Square cut key groove
12	Keeper	VK-115R		1 groove; Square cut key groove; Hardened
12	Keeper, Bulk	VK-115B		1 groove; Square cut key groove; Carton of 1000
QTY	VALVE SEAT	PART NO.	SIZE	DESCRIPTION
6	Exh.	245-1437-3N Std Only		Premium Material; 1.4425" OD, 1.1880" ID, .2160" Depth
6	Exh.	FP-24513753		1.3795" OD, 1.0625" ID, .1855" Depth
6	Exh.	245-1375-3 + Std Only		1.3795" OD, 1.0625" ID, .1855" Depth; When depleted use FP-24513753
6	Exh.	245-1437-3 Std Only		1.4425" OD, 1.1880" ID, .2160" Depth
6	Int.	245-1625-1N Std Only		Premium Material; 1.6300" OD, 1.3750" ID, .2160" Depth
6	Int.	FP-2451348E1N		1.3480" OD, 1.0870" ID, .2005" Depth
6	Int.	245-1348-E1N + Std Only		1.3480" OD, 1.0870" ID, .2005" Depth; When depleted use FP-2451348E1N
6	Int.	245-1625-1 Std Only		1.6300" OD, 1.3750" ID, .2160" Depth
QTY	VALVE GUIDE	PART NO.	SIZE	DESCRIPTION
6	Guide	FP-VG336		.3427" ID, 2.5600" O.A.L.
QTY	VALVE SPRING	PART NO.	SIZE	DESCRIPTION
6	Spring	FP-VS310		1.9690" Free Height

(continued on next page)

Wheel Tractor F209 Eng. (Gas) 24
 3.4L 209 L-HEAD L6, 3.1875" Bore (Continental Eng.) (cont.)

CAMSHAFT GROUP				
QTY	TIMING	PART NO.	SIZE	DESCRIPTION
1	Timing Chain	222-489		Late model; 46 Links
1	Cam Gear	FP-223233		Early model; 36 Teeth
1	Cam Gear	FP-2212601		Governor type; 48 Teeth
1	Cam Gear	221-2601		Governor type; 48 Teeth
1	Cam Gear	FP-2212600		Replacement O.E. No. F400H310; 48 Teeth
1	Cam Gear	221-2600 +		Replacement O.E. No. F400H310; 48 Teeth; When depleted use FP-2212600
ENGINE BLOCK & PARTS				
QTY	CAM BEARINGS	PART NO.	SIZE	DESCRIPTION
1	Cam Set	FP-1088M		
CRANKSHAFT/OIL PUMP				
QTY	CRANKSHAFT	PART NO.	SIZE	DESCRIPTION
1	Crank Gear	FP-223234A		Early model; 18 Teeth
1	Crank Gear	FP-2212603A		24 Teeth
1	Crank Gear	221-2603A		24 Teeth
QTY	MAIN BEARINGS	PART NO.	SIZE	DESCRIPTION
1	Main Set	FP-4247M		F209, F6209 Dynatork, & 24B 4th Ser.
1	Thrust Washer Set	FP-9811BFA	Std Only	Position 1; Use w/straight shell main brg. set
1	Thrust Washer Set	9811BFA +	Std Only	Position 1; Use w/straight shell main brg. set; When depleted use FP-9811BFA
1	Thrust Washer Set	FP-9811BF	Std Only	Position 1; Use w/Flanged main brg.
1	Thrust Washer Set	9811BF +	Std Only	Position 1; Use w/Flanged main brg.; When depleted use FP-9811BF
QTY	OIL PUMP	PART NO.	SIZE	DESCRIPTION
1	Oil Pump	FP-2244132		F209 and F6209 Eng.s.; Cast Iron drive gear; Use w/Cast Iron cams; 7 1/8" from flange to end of shaft; Incl. screen
1	Oil Pump	224-4132 +		F209 and F6209 Eng.s.; Cast Iron drive gear; Use w/Cast Iron cams; 7 1/8" from flange to end of shaft; Incl. screen; When depleted use FP-2244132
1	Oil Pump	FP-2244137		F209 and F6209 Eng.s.; Steel drive gear w/groove at pin; Use w/Steel cams; 7-1/8" from flange to end of shaft; Incl. pin
1	Oil Pump	224-4137 +		F209 and F6209 Eng.s.; Steel drive gear w/groove at pin; Use w/Steel cams; 7-1/8" from flange to end of shaft; Incl. pin; When depleted use FP-2244137
CYLINDER COMPONENTS				
QTY	PISTONS	PART NO.	SIZE	DESCRIPTION
6	Pin Bushing	8649XAS		Forging No. F400D-502; Full round, thin wall .0055" O/S OD bushing
6	Pin Bushing	8649XA		Forging No. F400D-502; Full round, thin wall bushing w/.9150" OD
6	Pin Bushing	8649V		Forging No. F400D-502; Split type, thin wall bushing w/.9135" OD
6	Pin Bushing	8649V20		Forging No. F400D-502; Split type, thin wall bushing w/.9135" OD & .020" extra bore stock
6	Pin Bushing	FP-9324X		Full round, heavy wall bushing w/1.0625" OD; Frg. Nos. D600D-500, F400D-500 & F600D-500. Except F209 4th series, F6209 Dynatork & 24B 4th series Eng.s.
6	Pin Bushing	9324X +		Full round, heavy wall bushing w/1.0625" OD; Frg. Nos. D600D-500, F400D-500 & F600D-500. Except F209 4th series, F6209 Dynatork & 24B 4th series Eng.s.; When depleted use FP-9324X
QTY	CONNECTING RODS & BRGS.	PART NO.	SIZE	DESCRIPTION
3	Rod Pair	FP-1995CPA	STD	Position 1-3-5; F209 4th series, F6209 Dynatork & 24B 4th series Eng.s.
3	Rod Pair	FP-9320CPA	Std-2-10-20-30-40	Position 1-3-5; F209, PF209, F6209 & 24B 1st, 2nd, 3rd series Eng.s.
3	Rod Pair	9320CPA +	Std-2-10-20-30-40	Position 1-3-5; F209, PF209, F6209 & 24B 1st, 2nd, 3rd series Eng.s.; When depleted use FP-9320CPA
3	Rod Pair	FP-1995CP	STD	Position 2-4-6; F209 4th series, F6209 Dynatork & 24B 4th series Eng.s.
3	Rod Pair	FP-9320CP	Std-10-20-30-40	Position 2-4-6; F209, PF209, F6209 & 24B 1st, 2nd, 3rd series Eng.s.
3	Rod Pair	9320CP +	Std-10-20-30-40	Position 2-4-6; F209, PF209, F6209 & 24B 1st, 2nd, 3rd series Eng.s.; When depleted use FP-9320CP

Case Co., J.I.

25 Combine H-225 Eng. (Gas) 3.7L 225 OHV L6, 3.4063" Bore (Chrysler Eng.)

CYL. HEAD & PARTS				
QTY	VALVE	PART NO.	SIZE	DESCRIPTION
6	Intake	V-1434	Std Only	2 groove; 1.6200" Head Dia., .3725" Stem Dia., 4.7740" O.A.L.
24	Keeper	VK-66		2 groove
24	Keeper	VK-66R		2 groove; Hardened
24	Keeper	VK-174		4 groove
24	Keeper	VK-174R		4 groove; Hardened
QTY	VALVE SPRING	PART NO.	SIZE	DESCRIPTION
12	Spring	VS-510		Exh. & Int.; 2.0000" Free Height
12	Spring Insert	259-103C		.015"; ID 1.030"; Carton of 100
QTY	PUSH RODS	PART NO.	SIZE	DESCRIPTION
12	Push Rod	RP-3036		9.9540" O.A.L.
QTY	VALVE SEAL	PART NO.	SIZE	DESCRIPTION
6	Valve Stem Seal	MV-1918		Exh.; Umbrella type; Viton®
6	Valve Stem Seal	MV-1771C		Int.; Eng. No. H2254071330; Umbrella type; Polyacrylate
6	Valve Stem Seal Bulk	MV-1771		Int.; Eng. No. H2254071330; Umbrella type; Carton of 100; Polyacrylate
CAMSHAFT GROUP				
QTY	TIMING	PART NO.	SIZE	DESCRIPTION
1	Timing Chain	222-495		Silent type; 50 Links
1	Crank Sprocket	223-291		Use w/silent type chain; 19 Teeth
1	Cam Sprocket	223-314		38 Teeth
QTY	CAMSHAFT/LIFTER	PART NO.	SIZE	DESCRIPTION
1	Camshaft	CS-380		
12	Lifter	AT-2084	Std Only	Dumbbell shaped mech.
12	Lifter, Bulk	AT-2084B	Std Only	Dumbbell shaped mech.; Carton of 117
1	Prelube	55-400		4 oz. bottle; 1.5 oz. packet No. 55-403 also avail.
ENGINE BLOCK & PARTS				
QTY	GASKET SETS	PART NO.	SIZE	DESCRIPTION
1	Kit Gasket Set	260-1004		Premium valve stem seals incl.
QTY	CAM BEARINGS	PART NO.	SIZE	DESCRIPTION
1	Cam Set	1454M	Std Only	
1	Cam Set	1473M	Std Only	
CRANKSHAFT/OIL PUMP				
QTY	MAIN BEARINGS	PART NO.	SIZE	DESCRIPTION
1	Main Set	5070M	Std-10-20-30-40	
1	Main Set	4092M	Std-10-20-30	1960-76; w/Forged crankshaft; w/ 1.255" O.A.L. No. 3 brg.
QTY	OIL PUMP	PART NO.	SIZE	DESCRIPTION
1	Oil Pump	224-4165C		w/.826" rotor thickness; 5 bolt pump; Will replace early 6 bolt pump
CYLINDER COMPONENTS				
QTY	PISTONS	PART NO.	SIZE	DESCRIPTION
6	Cast Piston	244NP	Std-20-30-40-60	Cast; 2-5/64", 1-3/16" Ring Groove, 1.740" CD, .9011" Pin Dia., Flat Head - 8.2:1 C.R.
6	Cast Piston - Individual	W244NP	Std-20-30-40-60-80	Cast; 2-5/64", 1-3/16" Ring Groove, 1.740" CD, .9011" Pin Dia., Flat Head - 8.2:1 C.R.
6	Pin Bushing	2134Y		
QTY	CONNECTING RODS & BRGS.	PART NO.	SIZE	DESCRIPTION
1	Rod Set	6-3695RA	Std-10-20-30-40	A-Series aluminum bearings
1	Rod Set	6-2375CP	Std-10-20-30-40	6-2375CA 60 avail. as unplated & resizeable
6	Rod Pair	2375CP	Std-10-20-30-40	
6	Rod Pair	3695RA	Std-1-10-20-30-40	A-Series aluminum bearings
QTY	PISTON RINGS	PART NO.	SIZE	DESCRIPTION
1	Premium Set	E-196K	Std-20-30-40-60	2-5/64, 1-3/16
1	Standard Set	E-196X	Std-20-30-40-60	2-5/64, 1-3/16
6	Premium Single Cylinder Set	WE-196K	Std-20-30-40-60	2-5/64, 1-3/16

(continued on next page)

Combine H-225 Eng. (Gas) 25
3.7L 225 OHV L6, 3.4063" Bore (Chrysler Eng.) (cont.)

CYLINDER COMPONENTS (cont.)

QTY	PISTON RINGS (cont.)	PART NO.	SIZE	DESCRIPTION
6	Standard Single Cylinder Set	WE-196X Std-20-30-40-60		2-5/64, 1-3/16

Combine A251, A251B, A251G, A251S, 251, 251B Engs. (Gas). Wheel Tractor A251, 26
A251B, A251G, A251S, 251, 251B, 251BG Engs. (Gas).
4.1L 251 L4, 4" Bore

CYL. HEAD & PARTS

QTY	VALVE	PART NO.	SIZE	DESCRIPTION
16	Keeper	FP-A27872		251B Eng.
8	Guide	FP-VG544		Models 730 & 740; .4050" ID, 3.5800" O.A.L.
8	Guide	VG-544 +		Models 730 & 740; .4050" ID, 3.5800" O.A.L.; When depleted use FP-VG544
4	Guide	FP-A26294		Int.; Model 400, 700 & 800; .4050" ID, 4.3800" O.A.L.
8	Spring	FP-A66444		Model 770
4	Rotocap	FP-A66336		Exh.; 251B Eng.
8	Valve Stem Seal	ST-2001		Positive type; Installation requires valve guide machining; Rubber/PTFE
8	Valve Stem Seal	FP-A58628		251B Eng.; O-Ring style
8	Valve Stem Seal Bulk	ST-2001BC		Positive type; Installation requires valve guide machining; Carton of 100; Rubber/PTFE

ENGINE BLOCK & PARTS

QTY	CAM BEARINGS	PART NO.	SIZE	DESCRIPTION
1	Cam Set	FP-A23577	STD	W/2.250" dia. brgs.

CRANKSHAFT/OIL PUMP

QTY	SEALS - FRONT CRANK	PART NO.	SIZE	DESCRIPTION
1	Redi-Sleeve	99260		
1	Oil Seal	475003N		
QTY	SEALS - REAR CRANK	PART NO.	SIZE	DESCRIPTION
1	Oil Seal	415138		
1	Redi-Sleeve	99475		
QTY	MAIN BEARINGS	PART NO.	SIZE	DESCRIPTION
1	Main Set	FP-7039M	Std-10-20	Optional main set w/o thrust washer
1	Main Set	7039M +	Std-10	Optional main set w/o thrust washer; When depleted use FP-7039M
1	Thrust Washer Set	FP-A62572S		Position 3; .156" thick
1	Thrust Washer Set	FP-A62573S		Position 3; .186" thick

CYLINDER COMPONENTS

QTY	PISTONS	PART NO.	SIZE	DESCRIPTION
4	Pin Bushing	FP-A27846		W/1.3596" pin dia.
QTY	CONNECTING RODS & BRGS.	PART NO.	SIZE	DESCRIPTION
4	Rod Pair	FP-A43173	STD	
4	Rod Pair	FP-A43174	2	
4	Rod Pair	FP-A43175	10	
4	Rod Pair	FP-A43176	20	
4	Rod Pair	FP-A43177	30	
QTY	PISTON RINGS	PART NO.	SIZE	DESCRIPTION
1	Premium Set	FP-5194KX	Std Only	3-3/32, 1-1/4
1	Premium Set	5194KX +	Std Only	3-3/32, 1-1/4; When depleted use FP-5194KX
4	Premium Single Cylinder Set	W-5194KX	Std Only	3-3/32, 1-1/4

Wheel Tractor A251D, 251D Engs. (Diesel) 27
4.1L 251 Diesel L4, 4" Bore

CYL. HEAD & PARTS

QTY	VALVE GUIDE	PART NO.	SIZE	DESCRIPTION
4	Guide	FP-A26294		Int.; 400 Powerdyne; .4050" ID, 4.3800" O.A.L.

(continued on next page)

Case Co., J.I.

27 Wheel Tractor A251D, 251D Engs. (Diesel)				
(cont.) 4.1L 251 Diesel L4, 4" Bore				
CYL. HEAD & PARTS (cont.)				
QTY	VALVE SPRING	PART NO.	SIZE	DESCRIPTION
8	Spring	FP-VS581		Models 400 Powerdyne & 600 Series only; 2.6400" Free Height
8	Spring	VS-581 +		Models 400 Powerdyne & 600 Series only; 2.6400" Free Height; When depleted use FP-VS581
ENGINE BLOCK & PARTS				
QTY	CAM BEARINGS	PART NO.	SIZE	DESCRIPTION
1	Cam Set	FP-A23577	STD	W/2.250" dia. brgs.
CRANKSHAFT/OIL PUMP				
QTY	SEALS - FRONT CRANK	PART NO.	SIZE	DESCRIPTION
1	Redi-Sleeve	99260		
1	Oil Seal	475003N		
QTY	SEALS - REAR CRANK	PART NO.	SIZE	DESCRIPTION
1	Oil Seal	415138		
1	Redi-Sleeve	99475		
QTY	MAIN BEARINGS	PART NO.	SIZE	DESCRIPTION
1	Main Set	FP-7039M	Std-10-20	Optional main set w/o thrust washer
1	Main Set	7039M +	Std-10	Optional main set w/o thrust washer; When depleted use FP-7039M
1	Thrust Washer Set	FP-A62572S		Position 3; .156" thick
1	Thrust Washer Set	FP-A62573S		Position 3; .186" thick
CYLINDER COMPONENTS				
QTY	CONNECTING RODS & BRGS.	PART NO.	SIZE	DESCRIPTION
4	Rod Pair	FP-A43173	STD	
4	Rod Pair	FP-A43174	2	
4	Rod Pair	FP-A43175	10	
4	Rod Pair	FP-A43176	20	
4	Rod Pair	FP-A43177	30	
28 Combine CE Eng. (Gas). Wheel Tractor CE Eng. (Gas).				
4.3L 260 L4, 3.875" Bore				
CYL. HEAD & PARTS				
QTY	VALVE	PART NO.	SIZE	DESCRIPTION
8	Exhaust	FP-V773		For Int. & Exh.; 1.7500" Head Dia., .4335" Stem Dia., 5.7030" O.A.L.
8	Exhaust	V-773 +	Std Only	For Int. & Exh.; 1.7500" Head Dia., .4335" Stem Dia., 5.7030" O.A.L.; When depleted use FP-V773
QTY	VALVE SEAT	PART NO.	SIZE	DESCRIPTION
8	Exh. & Int.	FP-24518125		1.8175" OD, 1.5000" ID, .2480" Depth
8	Exh. & Int.	245-1812-5 +	Std Only	1.8175" OD, 1.5000" ID, .2480" Depth; When depleted use FP-24518125
QTY	VALVE SEAL	PART NO.	SIZE	DESCRIPTION
8	Valve Stem Seal	ST-2007		Positive type; Rubber
CYLINDER COMPONENTS				
QTY	PISTON RINGS	PART NO.	SIZE	DESCRIPTION
1	Premium Set	FP-5138KX	Std Only	OVERBORE To 4.000"; 2-3/32, 1-1/8, 1-1/4
1	Premium Set	5138KX +	Std Only	OVERBORE To 4.000"; 2-3/32, 1-1/8, 1-1/4; When depleted use FP-5138KX
1	Premium Set	FP-5194KX	Std Only	OVERBORE To 4.000"; 3-3/32, 1-1/4
1	Premium Set	5194KX +	Std Only	OVERBORE To 4.000"; 3-3/32, 1-1/4; When depleted use FP-5194KX
1	Premium Set	FP-919KX	Std Only	3-1/8, 1-1/4
1	Premium Set	919KX +	Std Only	3-1/8, 1-1/4; When depleted use FP-919KX
4	Premium Single Cylinder Set	W-5194KX	Std Only	OVERBORE To 4.000"; 3-3/32, 1-1/4
29 Wheel Tractor HD260 Eng. (Diesel)				
4.3L 260 OHV Diesel L4, 3.875" Bore (Continental Eng.)				
CYL. HEAD & PARTS				
QTY	VALVE	PART NO.	SIZE	DESCRIPTION
16	Keeper	VK-140		
QTY	VALVE GUIDE	PART NO.	SIZE	DESCRIPTION
8	Guide	FP-VG483		.4365" ID, 2.8750" O.A.L.

(continued on next page)

<i>Wheel Tractor HD260 Eng. (Diesel) 29</i> 4.3L 260 OHV Diesel L4, 3.875" Bore (Continental Eng.) (cont.)				
CYL. HEAD & PARTS (cont.)				
QTY	VALVE GUIDE (cont.)	PART NO.	SIZE	DESCRIPTION
8	Guide	VG-483 +		.4365" ID, 2.8750" O.A.L.; When depleted use FP-VG483
QTY	VALVE SPRING	PART NO.	SIZE	DESCRIPTION
8	Spring	FP-A30025		
CYLINDER COMPONENTS				
QTY	PISTONS	PART NO.	SIZE	DESCRIPTION
4	Pin Bushing	FP-1669Y20		
4	Pin Bushing	1669Y20 +		When depleted use FP-1669Y20
Combine A267, A267B, A267BD, A267D, 267, 267B Eng. (Diesel). Wheel Tractor A267, 30 A267B, A267BD, A267D, 267, 267B Eng. (Diesel). Wheel Loader A267, A267B, A267BD, A267D, 267, 267B Eng. (Diesel). 4.4L 267 Diesel L4, 4.125" Bore				
CYL. HEAD & PARTS				
QTY	VALVE	PART NO.	SIZE	DESCRIPTION
4	Intake	FP-A11801		A267D Eng.; Model 730
4	Exhaust	FP-A11802		A267D Eng.; Model 730
16	Keeper	FP-A27872		A267BD Eng.; Model 730
QTY	VALVE GUIDE	PART NO.	SIZE	DESCRIPTION
4	Guide	FP-A11803		Exh.; A267D Eng.; Model 730; .4050" ID, 3.2200" O.A.L.
8	Guide	FP-A11803		Exh. & Int.; A267BD Eng.; Model 770; .4050" ID, 3.2200" O.A.L.
4	Guide	FP-A26294		Int.; A267D Eng.; Model 730; .4050" ID, 4.3800" O.A.L.
QTY	VALVE SPRING	PART NO.	SIZE	DESCRIPTION
8	Spring	FP-A66444		A267BD Eng.
QTY	VALVE SEAL	PART NO.	SIZE	DESCRIPTION
8	Valve Stem Seal	FP-A58628		A267BD Eng.; O-Ring style
ENGINE BLOCK & PARTS				
QTY	GASKET SETS	PART NO.	SIZE	DESCRIPTION
1	Complete Overhaul Gasket Set	FP-PGE267EC		Eng. oil pan gskt. for Case-O-Matic & Model. 730 after Ser. No. 8353501 not incl.
1	Complete Overhaul Gasket Set	PGE267EC +		Eng. oil pan gskt. for Case-O-Matic & Model. 730 after Ser. No. 8353501 not incl.; When depleted use FP-PGE267EC
QTY	CAM BEARINGS	PART NO.	SIZE	DESCRIPTION
1	Cam Set	FP-A23577	STD	W/2.250" dia. brgs.
CRANKSHAFT/OIL PUMP				
QTY	SEALS - FRONT CRANK	PART NO.	SIZE	DESCRIPTION
1	Redi-Sleeve	99260		
1	Oil Seal	475003N		
QTY	SEALS - REAR CRANK	PART NO.	SIZE	DESCRIPTION
1	Oil Seal	415138		
1	Redi-Sleeve	99475		
QTY	MAIN BEARINGS	PART NO.	SIZE	DESCRIPTION
1	Main Set	FP-7039M	Std-10-20	Optional main set w/o thrust washer
1	Main Set	7039M +	Std-10	Optional main set w/o thrust washer; When depleted use FP-7039M
1	Thrust Washer Set	FP-A62572S		Position 3; .156" thick
1	Thrust Washer Set	FP-A62573S		Position 3; .186" thick
CYLINDER COMPONENTS				
QTY	LINERS	PART NO.	SIZE	DESCRIPTION
4	Liner w/Sealing Rings	FP-A23658WS	STD	
4	Liner w/Sealing Rings	FP-A182186WS	STD	Wheel Tractor Model 770 only, A267BD Eng.
4	Cylinder Kit Complete	FP-A418211	STD	Contains cast-iron piston w/1.359" dia. pin
4	Cylinder Kit Complete	FP-A404791	STD	Contains Alum. piston w/1.500" dia. pin
4	Cylinder Kit Complete	FP-A1481351	STD	Wheel Tractor Model 770 only, A267BD Eng.
QTY	PISTONS	PART NO.	SIZE	DESCRIPTION
4	Piston Body w/o Pin	FP-2489N	STD	OVERBORE To 4.250"; 700B Eng. only; 3-3/32, 1-1/4 Ring Groove; Flat Head
4	Piston Kit w/Pin & Retainers	FP-A11101WP	STD	Exc. Model 770 Eng.; w/1.3586" pin dia.; Cast; 3-3/32, 1-1/4 Ring Groove; Flat Head. Cast Iron
4	Piston Kit w/Pin & Retainers	FP-A24488WP	STD	Exc. Model 770 Eng.; w/1.500" pin dia.; Cast; 3-3/32, 1-1/4 Ring Groove; Flat Head. Alum. w/Ni-Resist Insert

(continued on next page)

Case Co., J.I.

30 Combine A267, A267B, A267BD, A267D, 267, 267B Eng. (Diesel). Wheel Tractor A267, (cont.) A267B, A267BD, A267D, 267, 267B Eng. (Diesel). Wheel Loader A267, A267B, A267BD, A267D, 267, 267B Eng. (Diesel).
4.4L 267 Diesel L4, 4.125" Bore

CYLINDER COMPONENTS (cont.)

QTY	PISTONS (cont.)	PART NO.	SIZE	DESCRIPTION
4	Piston Kit w/Pin & Retainers	FP-A65127WP	STD	Wheel Tractor Model 770 only A267BD Eng.; Cast; 2-3/32, 1-1/4 Ring Groove; Dish Head .890" deep x 2.310" dia. w/2 valve reliefs
4	Pin Bushing	FP-A27846		W/1.3586" pin dia.
QTY	CONNECTING RODS & BRGS.	PART NO.	SIZE	DESCRIPTION
4	Rod Pair	FP-A43173	STD	
4	Rod Pair	FP-A43174	2	
4	Rod Pair	FP-A43175	10	
4	Rod Pair	FP-A43176	20	
4	Rod Pair	FP-A43177	30	
QTY	PISTON RINGS	PART NO.	SIZE	DESCRIPTION
4	Ring Set Single Cylinder	FP-A41967	STD	A267BD Eng.; 2-3/32, 1-1/4
4	Ring Set Single Cylinder	FP-A40364	STD	A267D Eng.; 3-3/32, 1-1/4
4	Ring Set Single Cylinder	FP-A40367	STD	OVERBORE TO 4.250"; 3-3/32, 1-1/4
2	Premium Set	FP-A41967S	STD	A267BD Eng.; 2-3/32, 1-1/4; 2 Cyl Set
1	Premium Set	FP-A40364S	STD	A267D Eng.; 3-3/32, 1-1/4
1	Premium Set	FP-A40367S	STD	OVERBORE TO 4.250"; 3-3/32, 1-1/4
4	Premium Single Cylinder Set	W-10138KX Std Only		A267BD Eng.; 2-3/32, 1-1/4 (2 cyl. set)
4	Premium Single Cylinder Set	W-5538KX Std Only		A267D Eng.; 3-3/32, 1-1/4
4	Premium Single Cylinder Set	W-5702KX + Std Only		OVERBORE TO 4.250"; 3-3/32, 1-1/4; When depleted use FP-A40367

KITS

QTY	OVERHAUL KIT	PART NO.	SIZE	DESCRIPTION
1	In-Frame Overhaul Kit	FP-IFK267E		W/1.3586" pin dia. & thrust washer set .156" thick; Oil pan gskt. for Case-O Matic & Model 730 From Ser. No. 8353501 not incl.
1	In-Frame Overhaul Kit	FP-IFK267E		W/1.3586" pin dia. & thrust washer set .186" thick; Oil pan gskt. for Case-O-Matic & Model 730 From Ser. No. 8353501 not incl.
1	In-Frame Overhaul Kit	FP-IFK267E		W/1.500" pin dia. & thrust washer set .156" thick; Oil pan gskt. for Case-O-Matic & Model 730 From Ser. No. 8353501 not incl.
1	In-Frame Overhaul Kit	FP-IFK267E		W/1.500" pin dia. & thrust washer set .186" thick; Oil pan gskt. for Case-O-Matic & Model 730 From Ser. No. 8353501 not incl.

31 Combine H-273, HA-273 Eng. (Gas)
4.5L 273 OHV V8, 3.625" Bore (Chrysler Eng.)

ENGINE BLOCK & PARTS

QTY	CAM BEARINGS	PART NO.	SIZE	DESCRIPTION
1	Cam Set	1484M Std Only		
1	Cam Set	1451M Std Only		.760" length ctr. brg.

CRANKSHAFT/OIL PUMP

QTY	CRANKSHAFT	PART NO.	SIZE	DESCRIPTION
1	Harmonic Balancer Sleeve	88218		
QTY	SEALS - FRONT CRANK	PART NO.	SIZE	DESCRIPTION
1	Redi-Sleeve	99218		
1	Oil Seal	3103		
QTY	SEALS - REAR CRANK	PART NO.	SIZE	DESCRIPTION
1	Oil Seal Kit	5414		
QTY	MAIN BEARINGS	PART NO.	SIZE	DESCRIPTION
1	Main Set	4923MA Std-1-10-20-30-40-50-60		A-Series aluminum bearings

CYLINDER COMPONENTS

QTY	PISTONS	PART NO.	SIZE	DESCRIPTION
8	Pin Bushing	2134Y		
8	Pin Bushing	2134Y20		w/.020" extra bore stock
QTY	CONNECTING RODS & BRGS.	PART NO.	SIZE	DESCRIPTION
1	Rod Set	8-2130CP10X2 10X2-20X2		Use in .002" O/S Rod Bore
1	Rod Set	8-2130CP Std-1-10-20-30-40-50		8-2130CA 60 avail. as unplated & resizeable
1	Rod Set	8-2130CA60 60		Unplated & resizeable

(continued on next page)

Combine H-273, HA-273 Engs. (Gas) 31
4.5L 273 OHV V8, 3.625" Bore (Chrysler Eng.) (cont.)

CYLINDER COMPONENTS (cont.)

QTY	CONNECTING RODS & BRGS. (cont.)	PART NO.	SIZE	DESCRIPTION
8	Rod Pair	2130CP	Std-1-2-10-20-30-40-50	

Wheel Tractor HD277 Eng. (Diesel) 32
4.5L 277 OHV Diesel L4, 4" Bore (Continental Eng.)

CYL. HEAD & PARTS

QTY	VALVE	PART NO.	SIZE	DESCRIPTION
16	Keeper	VK-140		
8	VALVE GUIDE Guide	FP-VG483		.4365" ID, 2.8750" O.A.L.
8	VALVE SPRING Spring	FP-A30025		

CYLINDER COMPONENTS

QTY	PISTONS	PART NO.	SIZE	DESCRIPTION
4	Pin Bushing	FP-1669Y20		
4	Pin Bushing	1669Y20 +		When depleted use FP-1669Y20

Combine JXC Eng. (Gas) 33
4.6L 282 L-HEAD L6, 3.75" Bore (Hercules Eng.)

CYL. HEAD & PARTS

QTY	VALVE	PART NO.	SIZE	DESCRIPTION
6	Intake	FP-V318		1.6930" Head Dia., .3725" Stem Dia., 5.1150" O.A.L.
6	Intake	V-318 +	Std Only	1.6930" Head Dia., .3725" Stem Dia., 5.1150" O.A.L.; When depleted use FP-V318
12	VALVE GUIDE Guide	FP-VG414		.3745" ID, 2.3600" O.A.L.
12	Guide	VG-414 +		.3745" ID, 2.3600" O.A.L.; When depleted use FP-VG414

ENGINE BLOCK & PARTS

QTY	CAM BEARINGS	PART NO.	SIZE	DESCRIPTION
1	Cam Set	FP-1090M	Std Only	
1	Cam Set	1090M +	Std Only	When depleted use FP-1090M

CRANKSHAFT/OIL PUMP

QTY	MAIN BEARINGS	PART NO.	SIZE	DESCRIPTION
1	Plain Main Brg.	FP-2241CP10	10	Position 1
1	Plain Main Brg.	FP-2241CP20	20	Position 1
1	Plain Main Brg.	FP-2241CP30	30	Position 1
4	Plain Main Brg.	FP-2243CP10	10	Position 2-3-5-6
4	Plain Main Brg.	FP-2243CP20	20	Position 2-3-5-6
4	Plain Main Brg.	FP-2243CP30	30	Position 2-3-5-6
1	Plain Main Brg.	FP-2242CP10	10	Position 4
1	Plain Main Brg.	FP-2242CP20	20	Position 4
1	Plain Main Brg.	FP-2242CP30	30	Position 4
1	Plain Main Brg.	FP-2244CP10	10	Position 7
1	Plain Main Brg.	FP-2244CP20	20	Position 7
1	Plain Main Brg.	FP-2244CP30	30	Position 7

CYLINDER COMPONENTS

QTY	PISTONS	PART NO.	SIZE	DESCRIPTION
6	Pin Bushing	FP-1424X		Drilled rod type bushing
6	Pin Bushing	1424X +		Drilled rod type bushing; When depleted use FP-1424X
6	CONNECTING RODS & BRGS.	FP-1420CP	Std-10-20-30-40	w/1.9870-1.9880" std. shaft size
6	Rod Pair	1420CP +	Std-10-20-30	w/1.9870-1.9880" std. shaft size; When depleted use FP-1420CP
1	PISTON RINGS	FP-645KX	Std Only	3-1/8, 1-3/16
1	Premium Set	645KX +	Std Only	3-1/8, 1-3/16; When depleted use FP-645KX
6	Premium Single Cylinder Set	W-645KX	Std Only	3-1/8, 1-3/16

Case Co., J.I.

34 Combine A284G, A284GF, A284S, 284, 284B, 284S Engs. (Gas). Wheel Tractor A284G, A284GF, A284S, 284, 284B, 284S Engs. (Gas). 4.7L 284 L4, 4.25" Bore

CYL. HEAD & PARTS

QTY	VALVE	PART NO.	SIZE	DESCRIPTION
16	Keeper	FP-A27872		284 Engs.
4	Exh.	FP-24518125		830 & 840 Models; 1.8175" OD, 1.5000" ID, .2480" Depth
4	Exh.	245-1812-5 + Std Only		830 & 840 Models; 1.8175" OD, 1.5000" ID, .2480" Depth; When depleted use FP-24518125
8	Guide	FP-VG544		284S Engs.; .4050" ID, 3.5800" O.A.L.
8	Guide	VG-544 +		284S Engs.; .4050" ID, 3.5800" O.A.L.; When depleted use FP-VG544
8	Spring	FP-A21076		284 Engs.

ENGINE BLOCK & PARTS

QTY	CAM BEARINGS	PART NO.	SIZE	DESCRIPTION
1	Cam Set	FP-A23577	STD	W/2.250" dia. brgs.

CRANKSHAFT/OIL PUMP

QTY	SEALS - FRONT CRANK	PART NO.	SIZE	DESCRIPTION
1	Redi-Sleeve	99260		
1	Oil Seal	475003N		
QTY	SEALS - REAR CRANK	PART NO.	SIZE	DESCRIPTION
1	Oil Seal	415138		
1	Redi-Sleeve	99475		
QTY	MAIN BEARINGS	PART NO.	SIZE	DESCRIPTION
1	Main Set	FP-7039M	Std-10-20	Optional main set w/o thrust washer
1	Main Set	7039M + Std-10		Optional main set w/o thrust washer; When depleted use FP-7039M
1	Thrust Washer Set	FP-A62572S		Position 3

CYLINDER COMPONENTS

QTY	PISTONS	PART NO.	SIZE	DESCRIPTION
4	Pin Bushing	FP-A27846		W/1.3596" pin dia.
QTY	CONNECTING RODS & BRGS.	PART NO.	SIZE	DESCRIPTION
4	Rod Pair	FP-A43173	STD	
4	Rod Pair	FP-A43174	2	
4	Rod Pair	FP-A43175	10	
4	Rod Pair	FP-A43176	20	
4	Rod Pair	FP-A43177	30	
QTY	PISTON RINGS	PART NO.	SIZE	DESCRIPTION
4	Ring Set Single Cylinder	FP-A40367	STD	3-3/32, 1-1/4
1	Premium Set	FP-A40367S	STD	3-3/32, 1-1/4
4	Premium Single Cylinder Set	W-5702KX + Std Only		3-3/32, 1-1/4; When depleted use FP-A40367

35 Combine GO298 Eng. (Gas) 4.9L 298 OHV L6, 3.75" Bore (Hercules Eng.)

CYL. HEAD & PARTS

QTY	VALVE	PART NO.	SIZE	DESCRIPTION
6	Intake	FP-V318		1.6930" Head Dia., .3725" Stem Dia., 5.1150" O.A.L.
6	Intake	V-318 + Std Only		1.6930" Head Dia., .3725" Stem Dia., 5.1150" O.A.L.; When depleted use FP-V318
QTY	VALVE GUIDE	PART NO.	SIZE	DESCRIPTION
12	Guide	FP-VG414		.3745" ID, 2.3600" O.A.L.
12	Guide	VG-414 +		.3745" ID, 2.3600" O.A.L.; When depleted use FP-VG414

ENGINE BLOCK & PARTS

QTY	CAM BEARINGS	PART NO.	SIZE	DESCRIPTION
1	Cam Set	FP-1226M	Std Only	
1	Cam Set	1226M + Std Only		When depleted use FP-1226M

CYLINDER COMPONENTS

QTY	CONNECTING RODS & BRGS.	PART NO.	SIZE	DESCRIPTION
6	Rod Pair	FP-1420CP	Std-10-20-30-40	w/1.9870-1.9880" std. shaft size

(continued on next page)

Combine GO298 Eng. (Gas) 35
4.9L 298 OHV L6, 3.75" Bore (Hercules Eng.) (cont.)

CYLINDER COMPONENTS (cont.)

QTY	CONNECTING RODS & BRGS. (cont.)	PART NO.	SIZE	DESCRIPTION
6	Rod Pair	1420CP + Std-10-20-30		w/1.9870-1.9880" std. shaft size; When depleted use FP-1420CP
6	Rod Pair	3160CP Std-10		w/2.3730-2.3740" std. shaft size
QTY	PISTON RINGS	PART NO.	SIZE	DESCRIPTION
6	Premium Set	FP-5648KX	Std Only	GO-298 Eng.s.; 1-3/32, 1-1/8, 2-3/16 (1 cyl. set)
6	Premium Set	5648KX + Std Only		GO-298 Eng.s.; 1-3/32, 1-1/8, 2-3/16 (1 cyl. set); When depleted use FP-5648KX

Combine 301BG Eng. (Gas). Wheel Tractor A301, 301B, 301BG Eng.s. (Gas) 36
5.0L 301 L4, 4.375" Bore

CYL. HEAD & PARTS

QTY	VALVE	PART NO.	SIZE	DESCRIPTION
16	Keeper	FP-A27872		
QTY	VALVE SPRING	PART NO.	SIZE	DESCRIPTION
8	Spring	FP-A66444		
QTY	VALVE MISC.	PART NO.	SIZE	DESCRIPTION
4	Rotocap	FP-A66336		Exh.
QTY	VALVE SEAL	PART NO.	SIZE	DESCRIPTION
8	Valve Stem Seal	FP-A58628		O-Ring style

ENGINE BLOCK & PARTS

QTY	CAM BEARINGS	PART NO.	SIZE	DESCRIPTION
1	Cam Set	FP-A23577	STD	W/2.250" dia. brgs.

CRANKSHAFT/OIL PUMP

QTY	SEALS - FRONT CRANK	PART NO.	SIZE	DESCRIPTION
1	Redi-Sleeve	99260		
1	Oil Seal	475003N		
QTY	SEALS - REAR CRANK	PART NO.	SIZE	DESCRIPTION
1	Oil Seal	714750		
1	Redi-Sleeve	99475		
QTY	MAIN BEARINGS	PART NO.	SIZE	DESCRIPTION
1	Main Set	FP-7039M	Std-10-20	Optional main set w/o thrust washer
1	Main Set	7039M + Std-10		Optional main set w/o thrust washer; When depleted use FP-7039M
1	Thrust Washer Set	FP-A62572S		Position 3

CYLINDER COMPONENTS

QTY	LINERS	PART NO.	SIZE	DESCRIPTION
4	Liner w/Sealing Rings	FP-A148203WS	STD	Incl. (2) sealing rings; Flange dia. 5.173"
QTY	PISTONS	PART NO.	SIZE	DESCRIPTION
4	Pin Bushing	FP-A27846		W/1.3596" pin dia.
QTY	CONNECTING RODS & BRGS.	PART NO.	SIZE	DESCRIPTION
1	Rod Pair	FP-A43173	STD	
1	Rod Pair	FP-A43174	2	
1	Rod Pair	FP-A43175	10	
1	Rod Pair	FP-A43176	20	
1	Rod Pair	FP-A43177	30	

Combine A301DF Eng. (Diesel). Wheel Tractor A301BD, A301D, 301, 301B Eng.s. (Diesel) 37
Crawler Tractor A301BD, A301D, 301, 301B Eng.s. (Diesel). Wheel Loader A301BD, A301D, 301, 301B Eng.s. (Diesel).
5.0L 301 Diesel L4, 4.375" Bore

CYL. HEAD & PARTS

QTY	VALVE	PART NO.	SIZE	DESCRIPTION
16	Keeper	FP-A27872		
QTY	VALVE GUIDE	PART NO.	SIZE	DESCRIPTION
4	Guide	FP-A11803		Exh.; A301D & A301DF Eng.s.; .4050" ID, 3.2200" O.A.L.
4	Guide	FP-A26294		Int.; A301D & A301DF Eng.s.; .4050" ID, 4.3800" O.A.L.

(continued on next page)

Case Co., J.I.

37 Combine A301DF Eng. (Diesel). Wheel Tractor A301BD, A301D, 301, 301B Eng. (Diesel).
 (cont.) Crawler Tractor A301BD, A301D, 301, 301B Eng. (Diesel). Wheel Loader A301BD, A301D,
301, 301B Eng. (Diesel).
 5.0L 301 Diesel L4, 4.375" Bore

CYL. HEAD & PARTS (cont.)

QTY	VALVE SPRING	PART NO.	SIZE	DESCRIPTION
8	Spring	FP-A21076		A301D & A301DF Eng.
QTY	VALVE SEAL	PART NO.	SIZE	DESCRIPTION
8	Valve Stem Seal	FP-A58628		A301BD Eng.; O-Ring style

ENGINE BLOCK & PARTS

QTY	GASKET SETS	PART NO.	SIZE	DESCRIPTION
1	Complete Overhaul Gasket Set	FP-PGE301LC		Complete, A301BD Eng.
1	Complete Overhaul Gasket Set	PGE301LC +		Complete, A301BD Eng.; When depleted use FP-PGE301LC
1	Complete Overhaul Gasket Set	FP-PGE301EC		Complete, A301D & A301DF Eng.
1	Complete Overhaul Gasket Set	PGE301EC +		Complete, A301D & A301DF Eng.; When depleted use FP-PGE301EC
1	Kit Gasket Set	260-1654 +		Complete, A301BD Eng.; When depleted use PGE301LC
1	Kit Gasket Set	260-1346R +		Complete, A301D & A301DF Eng.; When depleted use PGE301EC

QTY	CAM BEARINGS	PART NO.	SIZE	DESCRIPTION
1	Cam Set	FP-A23577	STD	W/2.250" dia. brgs.

CRANKSHAFT/OIL PUMP

QTY	SEALS - FRONT CRANK	PART NO.	SIZE	DESCRIPTION
1	Redi-Sleeve	99260		
1	Oil Seal	475003N		

QTY	SEALS - REAR CRANK	PART NO.	SIZE	DESCRIPTION
1	Oil Seal	714750		
1	Redi-Sleeve	99475		

QTY	MAIN BEARINGS	PART NO.	SIZE	DESCRIPTION
1	Main Set	FP-7039M	Std-10-20	Optional main set w/o thrust washer
1	Main Set	7039M + Std-10		Optional main set w/o thrust washer; When depleted use FP-7039M
1	Thrust Washer Set	FP-A62572S		Position 3

CYLINDER COMPONENTS

QTY	LINERS	PART NO.	SIZE	DESCRIPTION
4	Liner w/Sealing Rings	FP-A148203WS	STD	A301BD Eng.; Incl. (2) sealing rings; Flange dia. 5.173"
4	Liner w/Sealing Rings	FP-A23660WS	STD	A301D & A301DF Eng.; Flange Dia. 5.127"
4	Cylinder Kit Complete	FP-A460221	STD	A301BD Eng.; Liner Flange Dia. 5.173"
4	Cylinder Kit Complete	FP-A429951	STD	A301D & A301DF Eng.; Liner Flange Dia. 5.127"

QTY	PISTONS	PART NO.	SIZE	DESCRIPTION
4	Piston Kit w/Pin & Retainers	FP-A64766WP	STD	A301BD Eng.; Cast; 2-3/32, 1-1/4 Ring Groove; Dish Head .908" deep x 2.450" dia. w/2 valve reliefs
4	Piston Kit w/Pin & Retainers	FP-A57139WP	STD	A301D & A301DF Eng.; Cast; 3-3/32, 1-1/4 Ring Groove; Flat Head

QTY	CONNECTING RODS & BRGS.	PART NO.	SIZE	DESCRIPTION
1	Rod Pair	FP-A43173	STD	
1	Rod Pair	FP-A43174	2	
1	Rod Pair	FP-A43175	10	
1	Rod Pair	FP-A43176	20	
1	Rod Pair	FP-A43177	30	

QTY	PISTON RINGS	PART NO.	SIZE	DESCRIPTION
4	Ring Set Single Cylinder	FP-A43028	STD	A301BD Eng.; 2-3/32, 1-1/4; 1 cyl. set
4	Ring Set Single Cylinder	FP-A42996	STD	A301D & A301DF Eng.; 3-3/32, 1-1/4
2	Premium Set	FP-A43028S	STD	A301BD Eng.; 2-3/32, 1-1/4 (2 cyl. set)
1	Premium Set	FP-A42996S	STD	A301D & A301DF Eng.; 3-3/32, 1-1/4
4	Premium Single Cylinder Set	W-10162KX Std Only		A301BD Eng.; 2-3/32, 1-1/4; 1 cyl. set
4	Premium Single Cylinder Set	W-5701KX Std Only		A301D & A301DF Eng.; 3-3/32, 1-1/4

KITS

QTY	OVERHAUL KIT	PART NO.	SIZE	DESCRIPTION
1	Complete Overhaul Kit	FP-IFK301L		A-301BD Eng.; w/thrust washer set
1	Complete Overhaul Kit	FP-IFK301E		A-301D & A-301DF Eng.; w/thrust washer set

Combine H-318, LH-318 Eng. (Gas) 38
5.2L 318 OHV V8, 3.9063" Bore (Chrysler Eng.)

CYL. HEAD & PARTS				
QTY	VALVE	PART NO.	SIZE	DESCRIPTION
8	Intake	V-1344 Std Only		H-318 & HT-318 Eng.; 2 groove; 1.8440" Head Dia., .3725" Stem Dia., 4.6000" O.A.L.
8	Intake	V-1722 Std-5-15		LH-318 & LT-318 Eng.; 2 groove; 1.7800" Head Dia., .3725" Stem Dia., 4.9790" O.A.L.
8	Exhaust	V-1343 Std Only		H-318, HT-318 Eng.; 4 groove; 1.5630" Head Dia., .3715" Stem Dia., 4.5390" O.A.L.
8	Exhaust	V-1389 Std Only		HT-318 Eng.; 2 groove; 1.5630" Head Dia., .3715" Stem Dia., 4.5390" O.A.L.
8	Exhaust	V-2029 Std-5-15		LH-318 & LT-318 Eng.; 4 groove; Chrome plated stem; 1.5000" Head Dia., .3715" Stem Dia., 5.0020" O.A.L.
8	Exhaust, Bulk	V-2029B15 15		LH-318 & LT-318 Eng.; 4 groove; Chrome plated stem; Carton of 25; 1.5000" Head Dia., .3914" Stem Dia., 5.0020" O.A.L.
16	Keeper	VK-138		1 groove; Square cut key groove
16	Keeper	VK-138R		1 groove; Square cut key groove; Hardened
16	Keeper	VK-66		2 groove
16	Keeper	VK-66R		2 groove; Hardened
16	Keeper	VK-174		4 groove
16	Keeper	VK-174R		4 groove; Hardened
16	Keeper, Bulk	VK-138B		1 groove; Square cut key groove; Carton of 1000
QTY	VALVE SEAT	PART NO.	SIZE	DESCRIPTION
8	Exh.	245-1687-2N Std Only		Use w/V-1343; Premium Material; 1.6925" OD, 1.4375" ID, .2160" Depth
8	Exh.	245-1687-2 Std Only		Use w/V-1343; 1.6925" OD, 1.4375" ID, .2160" Depth
8	Int.	245-1937-1 Std Only		Use w/V-1344; 1.9425" OD, 1.6875" ID, .2480" Depth
QTY	VALVE GUIDE	PART NO.	SIZE	DESCRIPTION
8	Guide	VG-5062		Exh.; .3735" ID, 2.3800" O.A.L.
8	Guide	VG-5033		Int.; .3735" ID, 2.6200" O.A.L.
QTY	VALVE SPRING	PART NO.	SIZE	DESCRIPTION
8	Spring	VS-680		Exh.; HT-318 Eng.; 1.8800" Free Height
16	Spring	VS-1435		Exh. & Int.; H-318 Eng.; 1.9650" Free Height
16	Spring	VS-680		Exh. & Int.; 5 3/4 coils - R.H.; LH-318 & LT-318 Eng.; 1.8800" Free Height
16	Spring	VS-510		Exh. & Int.; 6 1/4 coils - L.H.; LH-318 & LT-318 Eng.; 2.0000" Free Height
8	Spring	VS-1435		Int.; HT-318 Eng.; 1.9650" Free Height
16	Spring, Bulk	VS-1435B		Exh. & Int.; H-318 Eng.; Carton of 250; 1.9650" Free Height
8	Spring, Bulk	VS-1435B		Int.; HT-318 Eng.; Carton of 250; 1.9650" Free Height
QTY	PUSH RODS	PART NO.	SIZE	DESCRIPTION
16	Push Rod	RP-3030		H-318 & HT-318 Eng.; w/Mech. lifters; Ball & cup type ends; .360" dia. ball at one end; 8.7350" O.A.L.
16	Push Rod	RP-3194		LH-318 & LT-318 Eng.; .312" dia. ball at both ends; 7.5000" O.A.L.
16	Push Rod, Bulk	BRP-3194		LH-318 Eng.; LT-318 Eng.; .312" dia. ball at both ends; Carton of 100; 7.5000" O.A.L.
QTY	VALVE SEAL	PART NO.	SIZE	DESCRIPTION
8	Valve Stem Seal	ST-2048		Int.; W/5-bolt valve covers; OEM style; Positive type; Viton®
8	Valve Stem Seal	MV-1918		Exh.; Umbrella type; Viton®
8	Valve Stem Seal	MV-1771C		Int.; Umbrella type; Polyacrylate
8	Valve Stem Seal Bulk	MV-1771		Int.; Umbrella type; Carton of 100; Polyacrylate
QTY	ROCKER PARTS	PART NO.	SIZE	DESCRIPTION
8	Arm	R-861		L.H.; LH-318 & LT-318 Eng.
8	Arm	R-862		R.H.; LH-318 & LT-318 Eng.
8	Arm, Bulk	R-861B		L.H.; LH-318 & LT-318 Eng.; Carton of 64
8	Arm, Bulk	R-862B		R.H.; LH-318 & LT-318 Eng.; Carton of 64
CAMSHAFT GROUP				
QTY	TIMING	PART NO.	SIZE	DESCRIPTION
1	3 Piece Set	KT3-361S		LH-318 Eng.; Incl. silent type chain; Incl. (1) 222-361, (1) 223-358, (1) 223-359
1	Timing Chain	222-348		H-318 Eng.; Silent type; 68 Links
1	Timing Chain	222-361		LH-318 Eng.; Silent type; 68 Links
1	Crank Sprocket	223-274		H-318 Eng.; Use w/silent type chain; .750" wide sprocket; 23 Teeth
1	Crank Sprocket	223-359		LH-318 Eng.; Use w/silent type chain; .405" tooth width sprocket; 23 Teeth
1	Cam Sprocket	223-358		LH-318 Eng.; Use w/silent type chain; 46 Teeth

(continued on next page)

Case Co., J.I.

38 Combine H-318, LH-318 Engs. (Gas) (cont.) 5.2L 318 OHV V8, 3.9063" Bore (Chrysler Eng.)

CAMSHAFT GROUP (cont.)				
QTY	CAMSHAFT/LIFTER	PART NO.	SIZE	DESCRIPTION
1	Camshaft	CS-645		LH318 Engs.; Hyd.
16	Lifter	AT-2084 Std Only		H-318 Engs.; Dumbbell shaped mech.
16	Lifter	HT-879 Std Only		H-318 Engs.; Hyd.
16	Lifter	HT-2011 Std Only		LH-318 Engs.; Hyd.
16	Lifter, Bulk	AT-2084B Std Only		H-318 Engs.; Dumbbell shaped mech.; Carton of 117
16	Lifter, Bulk	HT-2011B Std Only		LH-318 Engs.; Hyd.; Carton of 117
1	Prelube	55-400		4 oz. bottle; 1.5 oz. packet No. 55-403 also avail.
ENGINE BLOCK & PARTS				
QTY	GASKET SETS	PART NO.	SIZE	DESCRIPTION
1	Kit Gasket Set	260-1154		W/2 Bbl. Carb.; Premium valve stem seals incl.
1	Kit Gasket Set	260-1121		W/4 Bbl. Carb.; Premium valve stem seals incl.
QTY	CAM BEARINGS	PART NO.	SIZE	DESCRIPTION
1	Cam Set	1484M Std Only		
CRANKSHAFT/OIL PUMP				
QTY	CRANKSHAFT	PART NO.	SIZE	DESCRIPTION
1	Harmonic Balancer Sleeve	88218		
1	Harmonic Balancer Sleeve	88218		
QTY	SEALS - FRONT CRANK	PART NO.	SIZE	DESCRIPTION
1	Redi-Sleeve	99218		
1	Redi-Sleeve	99218		
1	Oil Seal	3103		
1	Oil Seal	3103		
QTY	SEALS - REAR CRANK	PART NO.	SIZE	DESCRIPTION
1	Oil Seal Kit	5414		
QTY	MAIN BEARINGS	PART NO.	SIZE	DESCRIPTION
1	Main Set	5024MA Std-1-10-20-30		A-Series aluminum bearings; 3.530" max. flange OD; Pos. 1 upper brg. grooved
1	Main Set	4923MA Std-1-10-20-30-40-50-60		W/3.374" max. flange OD.; A-Series aluminum bearings
QTY	OIL PUMP	PART NO.	SIZE	DESCRIPTION
1	Oil Pump	224-4166		
CYLINDER COMPONENTS				
QTY	PISTONS	PART NO.	SIZE	DESCRIPTION
8	Powerforged	L-2329F30 30		LH-318 Engs.; To Ser. No. E-169358.; Repl. O.E. No. 3004509; Powerforged; 2-5/64", 1-3/16" Ring Groove, 1.759" CD, .9842" Pin Dia., Flat Head w/4 valve reliefs. DUROSHIELD® skirt coated piston.
8	Forged Piston - Individual	WL-2329F30 30		LH-318 Engs.; To Ser. No. E-169358.; Repl. O.E. No. 3004509; Powerforged; 2-5/64", 1-3/16" Ring Groove, 1.759" CD, .9842" Pin Dia., Flat Head w/4 valve reliefs. DUROSHIELD® skirt coated piston.
8	Pin Bushing	2134Y		
QTY	CONNECTING RODS & BRGS.	PART NO.	SIZE	DESCRIPTION
1	Rod Set	8-2130CP Std-1-10-20-30-40-50		8-2130CA 60 avail. as unplated & resizeable
1	Rod Set	8-2130CA60 60		Unplated & resizeable
8	Rod Pair	2130CP Std-1-2-10-20-30-40-50		
QTY	PISTON RINGS	PART NO.	SIZE	DESCRIPTION
1	Premium Set	E-178K Std-20-30-40-60		2-5/64, 1-3/16
1	Standard Set	E-178X Std-20-30-40-60		2-5/64, 1-3/16
8	Premium Single Cylinder Set	WE-178K Std-20-30-40-60		2-5/64, 1-3/16
8	Standard Single Cylinder Set	WE-178X Std-20-30-40-60		2-5/64, 1-3/16

Wheel Tractor A336BD, 336, 336B, 336BD Engs. (Diesel). Crawler Tractor A336BD, 336, 336B, 336BD Engs. (Diesel). Wheel Loader A336BD, 336, 336B, 336BD Engs. (Diesel). Excavator A336BD, 336, 336B, 336BD Engs. (Diesel). Wheel Skidder A336BD, 336, 336B, 336BD Engs. (Diesel). Concrete Placer A336BD, 336, 336B, 336BD Engs. (Diesel). **39**
5.5L 336 Diesel L4, 4.625" Bore

CYL. HEAD & PARTS

QTY	VALVE	PART NO.	SIZE	DESCRIPTION
4	Intake	FP-A58626		Early style; 45 deg. seat; Chrome plated stem; Replaces O.E. Nos. A41754 & A58626
4	Intake	FP-A182172		Late style; 30 deg. seat; Chrome plated stem; Replaces O.E. Nos. A44575, A66193 & A182172
4	Exhaust	FP-A182173		Chrome plated stem; 1.7500" Head Dia., .4015" Stem Dia., 6.4280" O.A.L.
4	Exhaust	FP-V2422X		Optional stellite face; Chrome plated stem; 1.7500" Head Dia., .4015" Stem Dia., 6.4300" O.A.L.
4	Exhaust	V-2422X + Std Only		Optional stellite face; Chrome plated stem; 1.7500" Head Dia., .4015" Stem Dia., 6.4300" O.A.L.; When depleted use FP-V2422X
16	Keeper	FP-A27872		
QTY	VALVE GUIDE	PART NO.	SIZE	DESCRIPTION
8	Guide	FP-A11803		.4050" ID, 3.2200" O.A.L.
QTY	VALVE SPRING	PART NO.	SIZE	DESCRIPTION
8	Spring	FP-A66444		
QTY	VALVE MISC.	PART NO.	SIZE	DESCRIPTION
4	Rotocap	FP-A66336		Exh.
QTY	VALVE SEAL	PART NO.	SIZE	DESCRIPTION
8	Valve Stem Seal	FP-A58628		O-Ring style

ENGINE BLOCK & PARTS

QTY	GASKET SETS	PART NO.	SIZE	DESCRIPTION
1	Complete Overhaul Gasket Set	FP-PGE336LC		From Ser. No. 2539001; May be used before Ser. No. 2539001 if Cntr. Bores are re-worked & 5.19" Dia. firewall sleeves are used.
1	Complete Overhaul Gasket Set	FP-PGE336EC		To Ser. No. 2539000 w/5.09" Dia. firewall sleeves
1	Complete Overhaul Gasket Set	PGE336EC +		When depleted use FP-PGE336EC
1	Complete Overhaul Gasket Set	PGE336LC +		When depleted use FP-PGE336LC
1	Kit Gasket Set	260-1349 +		To Ser. No. 2539000 w/5.09" dia. firewall sleeves.; When depleted use PGE336EC
QTY	CAM BEARINGS	PART NO.	SIZE	DESCRIPTION
1	Cam Set	FP-A23577	STD	W/2.250" dia. brgs.

CYLINDER COMPONENTS

QTY	LINERS	PART NO.	SIZE	DESCRIPTION
4	Liner w/Sealing Rings	FP-A153638WS	STD	From Ser. No. 2539001. For blocks w/5.427" counterbore dia.; Sleeve has 5.19" dia. firewall & (3) FP-SLR2585 sealing rings; May be used before Ser. No. 2539001 if the counterbores are reworked.
4	Liner w/Sealing Rings	FP-A182185WS	STD	To Ser. No. 2539000 - for blocks w/5.386" dia. counterbores; Sleeve has 5.09" dia. firewall & (2) SLR-2540 sealing rings; Counterbores may be reworked to use FP-A153638WS sleeve with 3 sealing rings and 5.19" dia. firewall.
4	Cylinder Kit Complete	FP-A166134	STD	From Ser. No. 2539001; w/1.625" dia. piston pins; Contains FP-A153638 sleeve and FP-A166122 piston
4	Cylinder Kit Complete	FP-CK51233638	STD	From Ser. No. 2539001; w/1.800" dia. piston pins; Contains FP-A153638WS sleeve and FP-A65123WP piston
QTY	PISTONS	PART NO.	SIZE	DESCRIPTION
4	Piston Kit w/Pin & Retainers	FP-A166122WP	STD	From Ser. No. 2539001; w/1.625" dia. piston pins; Cast; 2-3/32, 1-3/16 Ring Groove; Dish Head .812" deep x 2.680" dia. w/2 valve reliefs; 16.1:1 C.R.
4	Piston Kit w/Pin & Retainers	FP-A65123WP	STD	From Ser. No. 2539001; w/1.800" dia. piston pins; 1-1/8, 1-3/32, 1-1/4 Ring Groove; Dish Head .865" deep x 2.680" dia. w/2 valve reliefs
4	Pin Bushing	FP-A58580		W/1.800" pin dia.
QTY	CONNECTING RODS & BRGS.	PART NO.	SIZE	DESCRIPTION
4	Rod Pair	FP-A41758	STD	
4	Rod Pair	FP-A41900	10	
4	Rod Pair	FP-A41901	20	
4	Rod Pair	FP-A41902	30	
QTY	PISTON RINGS	PART NO.	SIZE	DESCRIPTION
4	Ring Set Single Cylinder	FP-A42988	STD	Check piston grooving before supplying ring set; 1-1/8, 1-3/32, 1-1/4; 2 cyl. set

(continued on next page)
+ Superseded Part Number

Case Co., J.I.

39 Wheel Tractor A336BD, 336, 336B, 336BD Engs. (Diesel). Crawler Tractor A336BD, 336, 336B, 336BD Engs. (Diesel). Wheel Loader A336BD, 336, 336B, 336BD Engs. (Diesel). Excavator A336BD, 336, 336B, 336BD Engs. (Diesel). Wheel Skidder A336BD, 336, 336B, 336BD Engs. (Diesel). Concrete Placer A336BD, 336, 336B, 336BD Engs. (Diesel).
5.5L 336 Diesel L4, 4.625" Bore

CYLINDER COMPONENTS (cont.)

QTY	PISTON RINGS (cont.)	PART NO.	SIZE	DESCRIPTION
4	Ring Set Single Cylinder	FP-A48320	STD	Check piston grooving before supplying ring set; 2-3/32, 1-3/16; 2 cyl. set
2	Premium Set	FP-A42988S	STD	Check piston grooving before supplying ring set; 1-1/8, 1-3/32, 1-1/4 (2 cyl. set)
2	Premium Set	FP-A48320S	STD	Check piston grooving before supplying ring set; 2-3/32, 1-3/16; 2 cyl. set
4	Premium Single Cylinder Set	W-10141KX Std Only		Check piston grooving before supplying ring set; 1-1/8, 1-3/32, 1-1/4 (2 cyl. set)
4	Premium Single Cylinder Set	W-9676KX Std Only		Check piston grooving before supplying ring set; 2-3/32, 1-3/16 (2 cyl. set)

KITS

QTY	OVERHAUL KIT	PART NO.	SIZE	DESCRIPTION
1	Complete Overhaul Kit	FP-IFK336L		Must specify the correct cylinder kit when ordering this kit.

40 Wheel Tractor A336BDT, 336BDT Engs. (Turbo-Diesel). Crawler Tractor A336BDT, 336BDT Engs. (Turbo-Diesel). Wheel Loader A336BDT, 336BDT Engs. (Turbo-Diesel). Excavator A336BDT, 336BDT Engs. (Turbo-Diesel). Wheel Skidder A336BDT, 336BDT Engs. (Turbo-Diesel). Concrete Placer A336BDT, 336BDT Engs. (Turbo-Diesel).
5.5L 336 Turbo-Diesel L4, 4.625" Bore

CYL. HEAD & PARTS

QTY	VALVE	PART NO.	SIZE	DESCRIPTION
4	Intake	FP-A58626		Early style; 45 deg. seat; Chrome plated stem; Replaces O.E. Nos. A41754 & A58626
4	Intake	FP-A182172		Late style; 30 deg. seat; Chrome plated stem; Replaces O.E. Nos. A44575, A66193 & A182172
4	Exhaust	FP-A182173		Chrome plated stem; 1.7500" Head Dia., .4015" Stem Dia., 6.4280" O.A.L.
4	Exhaust	FP-V2422X		Optional stellite face; Chrome plated stem; 1.7500" Head Dia., .4015" Stem Dia., 6.4300" O.A.L.
4	Exhaust	V-2422X + Std Only		Optional stellite face; Chrome plated stem; 1.7500" Head Dia., .4015" Stem Dia., 6.4300" O.A.L.; When depleted use FP-V2422X
16	Keeper	FP-A27872		
QTY	VALVE GUIDE	PART NO.	SIZE	DESCRIPTION
8	Guide	FP-A11803		.4050" ID, 3.2200" O.A.L.
QTY	VALVE SPRING	PART NO.	SIZE	DESCRIPTION
8	Spring	FP-A66444		
QTY	VALVE MISC.	PART NO.	SIZE	DESCRIPTION
4	Rotocap	FP-A66336		Exh.
QTY	VALVE SEAL	PART NO.	SIZE	DESCRIPTION
8	Valve Stem Seal	FP-A58628		O-Ring style

ENGINE BLOCK & PARTS

QTY	GASKET SETS	PART NO.	SIZE	DESCRIPTION
1	Complete Overhaul Gasket Set	FP-PGE336LC		From Ser. No. 2539001; May be used before Ser. No. 2539001 if Cntr. Bores are re-worked & 5.19" Dia. firewall sleeves are used.
1	Complete Overhaul Gasket Set	FP-PGE336EC		To Ser. No. 2539000 w/5.09" Dia. firewall sleeves
1	Complete Overhaul Gasket Set	PGE336EC +		When depleted use FP-PGE336EC
1	Complete Overhaul Gasket Set	PGE336LC +		When depleted use FP-PGE336LC
1	Kit Gasket Set	260-1349 +		To Ser. No. 2539000 w/5.09" dia. firewall sleeves.; When depleted use PGE336EC
QTY	CAM BEARINGS	PART NO.	SIZE	DESCRIPTION
1	Cam Set	FP-A23577	STD	W/2.250" dia. brgs.

CYLINDER COMPONENTS

QTY	LINERS	PART NO.	SIZE	DESCRIPTION
4	Liner w/Sealing Rings	FP-A153638WS	STD	From Ser. No. 2539001. For blocks w/5.427" counterbore dia.; Sleeve has 5.19" dia. firewall & (3) FP-SLR2585 sealing rings; May be used before Ser. No. 2539001 if the counterbores are reworked.

(continued on next page)

Wheel Tractor A336BDT, 336BDT Engs. (Turbo-Diesel). Crawler Tractor A336BDT, 40336BDT Engs. (Turbo-Diesel). Wheel Loader A336BDT, 336BDT Engs. (Turbo-Diesel). (cont.) Excavator A336BDT, 336BDT Engs. (Turbo-Diesel). Wheel Skidder A336BDT, 336BDT Engs. (Turbo-Diesel). Concrete Placer A336BDT, 336BDT Engs. (Turbo-Diesel). 5.5L 336 Turbo-Diesel L4, 4.625" Bore

CYLINDER COMPONENTS (cont.)

QTY	LINERS (cont.)	PART NO.	SIZE	DESCRIPTION
4	Liner w/Sealing Rings	FP-A182185WS	STD	To Ser. No. 2539000 - for blocks w/5.386" dia. counterbores; Sleeve has 5.09" dia. firewall & (2) SLR-2540 sealing rings; Counterbores may be reworked to use FP-A153638WS sleeve with 3 sealing rings and 5.19" dia. firewall.
4	Cylinder Kit Complete	FP-A1521771	STD	From Ser. No. 2539001; Contains FP-A153638 sleeve; May be used before Ser. No. 2539001 if the cntr. bores are reworked.
4	Cylinder Kit Complete	FP-CK24852185	STD	To Ser. No. 2539000; Contains FP-A182185 sleeve
QTY	PISTONS	PART NO.	SIZE	DESCRIPTION
4	Piston Kit w/Pin & Retainers	FP-A146697WP		Cast; 2-1/8, 1-3/16 Ring Groove; Dish Head .790" deep x 2.680" dia. w/2 valve reliefs; 16.1:1 C.R.
4	Piston Kit w/Pin & Retainers	FP-A152485WP	STD	Cast; 2-1/8, 1-3/16 Ring Groove; Dish Head .790" deep x 2.680" dia. w/2 valve reliefs; 16.1:1 C.R.
4	Pin Bushing	FP-A58580		W/1.800" pin dia.
QTY	CONNECTING RODS & BRGS.	PART NO.	SIZE	DESCRIPTION
4	Rod Pair	FP-A41758	STD	
4	Rod Pair	FP-A41900	10	
4	Rod Pair	FP-A41901	20	
4	Rod Pair	FP-A41902	30	
QTY	PISTON RINGS	PART NO.	SIZE	DESCRIPTION
4	Ring Set Single Cylinder	FP-A44054	STD	Check piston grooving before supplying ring set; 2-1/8, 1-3/16; 2 cyl. set
2	Premium Set	FP-A44054S	STD	Check piston grooving before supplying ring set; 2-1/8, 1-3/16 (2 cyl. set)
4	Premium Single Cylinder Set	W-9769KX Std Only		Check piston grooving before supplying ring set; 2-1/8, 1-3/16 (2 cyl. set)
KITS				
QTY	OVERHAUL KIT	PART NO.	SIZE	DESCRIPTION
1	Complete Overhaul Kit	FP-IFK336L		Models 870, W14 & 780CK w/1.800" pin dia. From Ser. No. 2539001. May be used before Ser. No. 2359001 if the cntr. bores are reworked.
1	Complete Overhaul Kit	FP-IFK336E		Models 870, W14 & 780CK w/1.800" pin dia. To Ser. No. 2539000

Wheel Tractor A6.354, H6.354, 6.354 Engs. (Diesel) 41
5.8L 354 OHV Diesel L6 (12 Valve), 3.875" Bore (Perkins Eng.)

CYL. HEAD & PARTS

QTY	VALVE	PART NO.	SIZE	DESCRIPTION
6	Intake	FP-V1701		1.7440" Head Dia., .3730" Stem Dia., 4.8290" O.A.L.
6	Intake	V-1701 + Std Only		1.7440" Head Dia., .3730" Stem Dia., 4.8290" O.A.L.; When depleted use FP-V1701
6	Exhaust	FP-V1700		1.4400" Head Dia., .3725" Stem Dia., 4.8570" O.A.L.
6	Exhaust	V-1700 + Std Only		1.4400" Head Dia., .3725" Stem Dia., 4.8570" O.A.L.; When depleted use FP-V1700
24	Keeper	FP-VK223		
24	Keeper	VK-223 +		When depleted use FP-VK223
QTY	VALVE SEAT	PART NO.	SIZE	DESCRIPTION
6	Int.	245-2018E-1 + Std Only		O.E. replacement for heads w/factory-installed seats; 2.0180" OD, 1.5938" ID, .2813" Depth; When depleted use FP-2452018E1
QTY	VALVE GUIDE	PART NO.	SIZE	DESCRIPTION
6	Guide	FP-VG619		Exh.; .3755" ID, 2.4060" O.A.L.
6	Guide	VG-619 +		Exh.; .3755" ID, 2.4060" O.A.L.; When depleted use FP-VG619
6	Guide	FP-VG620		Int.; .3755" ID, 2.2810" O.A.L.
6	Guide	VG-620 +		Int.; .3755" ID, 2.2810" O.A.L.; When depleted use FP-VG620
QTY	VALVE SPRING	PART NO.	SIZE	DESCRIPTION
12	Spring	FP-VS1432		Outer; 2.5780" Free Height
12	Spring	VS-1432 +		Outer; 2.5780" Free Height; When depleted use FP-VS1432
QTY	VALVE SEAL	PART NO.	SIZE	DESCRIPTION
12	Valve Stem Seal	ST-2004		Exh.; Positive type; Installation requires valve guide machining; Rubber/PTFE
6	Valve Stem Seal	MV-1598C		Int.; Umbrella type; Rubber

(continued on next page)
+ Superseded Part Number

Case Co., J.I.

41 Wheel Tractor A6.354, H6.354, 6.354 Engs. (Diesel) (cont.) 5.8L 354 OHV Diesel L6 (12 Valve), 3.875" Bore (Perkins Eng.)

CYL. HEAD & PARTS (cont.)				
QTY	VALVE SEAL (cont.)	PART NO.	SIZE	DESCRIPTION
12	Valve Stem Seal Bulk	ST-2004BC		Exh.; Positive type; Installation requires valve guide machining; Carton of 100; Rubber/PTFE
6	Valve Stem Seal Bulk	MV-1598		Int.; Umbrella type; Carton of 100; Rubber
CRANKSHAFT/OIL PUMP				
QTY	MAIN BEARINGS	PART NO.	SIZE	DESCRIPTION
1	Main Set	FP-4352M	Std Only	T6-354 & T6-354.2 Engs. Only
1	Main Set	4352M +	Std Only	T6-354 & T6-354.2 Engs. Only; When depleted use FP-4352M
1	Thrust Washer Set	FP-3137BFA	Std Only	Position 4; Engs. From Ser. No. 8504189
1	Thrust Washer Set	3137BFA +	Std Only	Position 4; Engs. From Ser. No. 8504189; When depleted use FP-3137BFA
1	Thrust Washer Set	FP-3137BF	Std Only	Position 4; To Ser. No. 8504188
1	Thrust Washer Set	3137BF +	Std Only	Position 4; To Ser. No. 8504188; When depleted use FP-3137BF
QTY	OIL PUMP	PART NO.	SIZE	DESCRIPTION
1	Oil Pump	224-43394 +		When depleted use FP-22443394
CYLINDER COMPONENTS				
QTY	LINERS	PART NO.	SIZE	DESCRIPTION
6	Dry Sleeve	FP-SL382M	Std Only	6-354 Engs.; Flanged sleeve w/firewall. Early blocks may require machining for flanged sleeve (instructions incl.)
6	Dry Sleeve	SL-382M +	Std Only	6-354 Engs.; Flanged sleeve w/firewall. Early blocks may require machining for flanged sleeve (instructions incl.); When depleted use FP-SL382M
6	Sleeve Assy.	FP-SL2193	Std Only	6-354 Engs.; Flanged sleeve. Early blocks may require machining for flanged sleeve (instructions incl.)
6	Sleeve Assy.	SL-2193 +	Std Only	6-354 Engs.; Flanged sleeve. Early blocks may require machining for flanged sleeve (instructions incl.); When depleted use FP-SL2193
QTY	PISTONS	PART NO.	SIZE	DESCRIPTION
6	Cast Piston	FP-2193PX	Std Only	6-354 Engs.; Cast; 3-3/32", 2-1/4" Ring Groove, 2.757" CD, 1.3750" Pin Dia., Recessed Head 1.00" deep x 2.125" dia. - 16.0:1 C.R.; Repl. O.E. Nos. MF-738871M91, 2236105
6	Cast Piston	2193PX +	Std Only	6-354 Engs.; Cast; 3-3/32", 2-1/4" Ring Groove, 2.757" CD, 1.3750" Pin Dia., Recessed Head 1.00" deep x 2.125" dia. - 16.0:1 C.R.; Repl. O.E. Nos. MF-738871M91, 2236105; When depleted use FP-2193PX
6	Pin Bushing	FP-3139Y15		
6	Pin Bushing	3139Y15 +		When depleted use FP-3139Y15
QTY	PISTON RINGS	PART NO.	SIZE	DESCRIPTION
3	Premium Set	FP-9194KX	Std-30	6-354 Engs.; 3-3/32, 2-1/4 (2 cyl. set); Do not use w/Chrome liners
3	Premium Set	9194KX +	Std-30	6-354 Engs.; 3-3/32, 2-1/4 (2 cyl. set); Do not use w/Chrome liners; When depleted use FP-9194KX
3	Standard Set	FP-9596X	Std Only	6-354 Engs.; 3-3/32, 2-1/4 (2 cyl. set)
3	Standard Set	9596X +	Std Only	6-354 Engs.; 3-3/32, 2-1/4 (2 cyl. set); When depleted use FP-9596X
6	Premium Single Cylinder Set	W-9194KX	Std Only	6-354 Engs.; 3-3/32, 2-1/4 (2 cyl. set); Do not use w/Chrome liners
6	Standard Single Cylinder Set	W-9596X	Std Only	6-354 Engs.; 3-3/32, 2-1/4 (2 cyl. set)

42 Wheel Tractor A377B, A377S, 377, 377B Engs. (Gas or LPG) 6.2L 377 L6 (Early), 4" Bore

CYL. HEAD & PARTS				
QTY	VALVE GUIDE	PART NO.	SIZE	DESCRIPTION
12	Guide	FP-VG544		377 Engs.; Model 930; .4050" ID, 3.5800" O.A.L.
12	Guide	VG-544 +		377 Engs.; Model 930; .4050" ID, 3.5800" O.A.L.; When depleted use FP-VG544
QTY	VALVE SPRING	PART NO.	SIZE	DESCRIPTION
12	Spring	FP-A21076		
QTY	VALVE SEAL	PART NO.	SIZE	DESCRIPTION
12	Valve Stem Seal	ST-2001		Positive type; Installation requires valve guide machining; Rubber/PTFE
12	Valve Stem Seal	FP-A58628		377B Eng. only; O-Ring style
12	Valve Stem Seal Bulk	ST-2001BC		Positive type; Installation requires valve guide machining; Carton of 100; Rubber/PTFE

(continued on next page)

Wheel Tractor A377B, A377S, 377, 377B Engs. (Gas or LPG) 42
6.2L 377 L6 (Early), 4" Bore (cont.)

ENGINE BLOCK & PARTS

QTY	CAM BEARINGS	PART NO.	SIZE	DESCRIPTION
1	Cam Set	FP-A23544	STD	W/2.250" dia. brgs.

CRANKSHAFT/OIL PUMP

QTY	SEALS - FRONT CRANK	PART NO.	SIZE	DESCRIPTION
1	Redi-Sleeve	99260		
1	Oil Seal	475003N		

QTY	SEALS - REAR CRANK	PART NO.	SIZE	DESCRIPTION
1	Oil Seal	714750		
1	Redi-Sleeve	99475		

QTY	MAIN BEARINGS	PART NO.	SIZE	DESCRIPTION
1	Main Set	FP-7040M	Std-10-20	Optional main set w/o thrust washer
1	Main Set	FP-7040M10	Std-10-20	Optional main set w/o thrust washer
1	Main Set	FP-7040M20	Std-10-20	Optional main set w/o thrust washer
1	Thrust Washer Set	FP-A62572S		Position 5

CYLINDER COMPONENTS

QTY	PISTONS	PART NO.	SIZE	DESCRIPTION
6	Pin Bushing	FP-A27846		

QTY	CONNECTING RODS & BRGS.	PART NO.	SIZE	DESCRIPTION
6	Rod Pair	FP-A43173	STD	
6	Rod Pair	FP-A43174	2	
6	Rod Pair	FP-A43175	10	
6	Rod Pair	FP-A43176	20	
6	Rod Pair	FP-A43177	30	

Wheel Tractor 377, 377A Engs. (Gas or LPG). Crawler Tractor 377, 377A Engs. (Gas or LPG) 43
6.2L 377 L6 (Late), 4" Bore

CYL. HEAD & PARTS

QTY	VALVE GUIDE	PART NO.	SIZE	DESCRIPTION
12	Guide	FP-VG544		.4050" ID, 3.5800" O.A.L.
12	Guide	VG-544 +		.4050" ID, 3.5800" O.A.L.; When depleted use FP-VG544

QTY	VALVE SEAL	PART NO.	SIZE	DESCRIPTION
12	Valve Stem Seal	ST-2001		Positive type; Installation requires valve guide machining; Rubber/PTFE
12	Valve Stem Seal Bulk	ST-2001BC		Positive type; Installation requires valve guide machining; Carton of 100; Rubber/PTFE

ENGINE BLOCK & PARTS

QTY	CAM BEARINGS	PART NO.	SIZE	DESCRIPTION
1	Cam Set	FP-A23544	STD	W/2.250" dia. brgs.

CRANKSHAFT/OIL PUMP

QTY	SEALS - FRONT CRANK	PART NO.	SIZE	DESCRIPTION
1	Redi-Sleeve	99260		
1	Oil Seal	475003N		

QTY	SEALS - REAR CRANK	PART NO.	SIZE	DESCRIPTION
1	Oil Seal	714750		
1	Redi-Sleeve	99475		

QTY	MAIN BEARINGS	PART NO.	SIZE	DESCRIPTION
1	Main Set	FP-7040M	Std-10-20	Optional main set w/o thrust washer
1	Main Set	FP-7040M10	Std-10-20	Optional main set w/o thrust washer
1	Main Set	FP-7040M20	Std-10-20	Optional main set w/o thrust washer
1	Main Set	FP-5047M	Std-10-20	W/.186" thick thrust washer
1	Main Set	5047M +	Std-10-20	W/.186" thick thrust washer; When depleted use FP-5047M
1	Thrust Washer Set	FP-A62573S		Position 5; .186" thick

CYLINDER COMPONENTS

QTY	PISTONS	PART NO.	SIZE	DESCRIPTION
6	Pin Bushing	FP-A27846		

QTY	CONNECTING RODS & BRGS.	PART NO.	SIZE	DESCRIPTION
6	Rod Pair	FP-A43173	STD	
6	Rod Pair	FP-A43174	2	

(continued on next page)

+ Superseded Part Number

Case Co., J.I.

43 Wheel Tractor 377, 377A Engs. (Gas or LPG). Crawler Tractor 377, 377A Engs. (Gas or (cont.) LPG).
6.2L 377 L6 (Late), 4" Bore

CYLINDER COMPONENTS (cont.)

QTY	CONNECTING RODS & BRGS. (cont.)	PART NO.	SIZE	DESCRIPTION
6	Rod Pair	FP-A43175	10	
6	Rod Pair	FP-A43176	20	
6	Rod Pair	FP-A43177	30	

44 Wheel Tractor A377D, 377D Engs. (Diesel). Crawler Tractor A377D, 377D Engs. (Diesel).
6.2L 377 Diesel L6, 4" Bore

CYL. HEAD & PARTS

QTY	VALVE GUIDE	PART NO.	SIZE	DESCRIPTION
6	Guide	FP-A26294		Int.; .4050" ID, 4.3800" O.A.L.
QTY	VALVE SEAL	PART NO.	SIZE	DESCRIPTION
12	Valve Stem Seal	FP-A58628		O-Ring style

ENGINE BLOCK & PARTS

QTY	CAM BEARINGS	PART NO.	SIZE	DESCRIPTION
1	Cam Set	FP-A23544	STD	W/2.250" dia. brgs.

CRANKSHAFT/OIL PUMP

QTY	SEALS - FRONT CRANK	PART NO.	SIZE	DESCRIPTION
1	Redi-Sleeve	99260		
1	Oil Seal	475003N		
QTY	SEALS - REAR CRANK	PART NO.	SIZE	DESCRIPTION
1	Oil Seal	714750		
1	Redi-Sleeve	99475		
QTY	MAIN BEARINGS	PART NO.	SIZE	DESCRIPTION
1	Main Set	FP-7040M	Std-10-20	Optional main set w/o thrust washer
1	Main Set	FP-7040M10	Std-10-20	Optional main set w/o thrust washer
1	Main Set	FP-7040M20	Std-10-20	Optional main set w/o thrust washer
1	Thrust Washer Set	FP-A62572S		Position 5

CYLINDER COMPONENTS

QTY	PISTONS	PART NO.	SIZE	DESCRIPTION
6	Pin Bushing	FP-A27846		
QTY	CONNECTING RODS & BRGS.	PART NO.	SIZE	DESCRIPTION
6	Rod Pair	FP-A43173	STD	
6	Rod Pair	FP-A43174	2	
6	Rod Pair	FP-A43175	10	
6	Rod Pair	FP-A43176	20	
6	Rod Pair	FP-A43177	30	

45 Wheel Tractor A401B, A401BD, A401D, 401B, 401BD Engs. (Diesel). Crawler Tractor A401B, A401BD, A401D, 401B, 401BD Engs. (Diesel). Wheel Loader A401B, A401BD, A401D, 401B, 401BD Engs. (Diesel).
6.6L 401 Diesel L6, 4.125" Bore

CYL. HEAD & PARTS

QTY	VALVE	PART NO.	SIZE	DESCRIPTION
6	Intake	FP-A11801		A401D Engs.; Models W10, 930 & 940
6	Exhaust	FP-A11802		A401D Engs.; Models W10, 930 & 940
24	Keeper	FP-A27872		A401BD Engs. & A401D Engs.; Model 930
QTY	VALVE GUIDE	PART NO.	SIZE	DESCRIPTION
6	Guide	FP-A11803		Exh.; A401D Engs.; Model 930; .4050" ID, 3.2200" O.A.L.
8	Guide	FP-A11803		Exh. & Int.; A401BD Engs.; .4050" ID, 3.2200" O.A.L.
6	Guide	FP-A26294		Int.; A401D Engs.; Model 930; .4050" ID, 4.3800" O.A.L.
QTY	VALVE SPRING	PART NO.	SIZE	DESCRIPTION
12	Spring	FP-A66444		A401BD Engs.
12	Spring	FP-A21076		A401D Engs.; Model 930
QTY	VALVE SEAL	PART NO.	SIZE	DESCRIPTION
12	Valve Stem Seal	FP-A58628		A401BD Engs.; O-Ring style

(continued on next page)

Wheel Tractor A401B, A401BD, A401D, 401B, 401BD Engs. (Diesel). Crawler Tractor 45 A401B, A401BD, A401D, 401B, 401BD Engs. (Diesel). Wheel Loader A401B, A401BD, A401D, 401B, 401BD Engs. (Diesel). (cont.)
6.6L 401 Diesel L6, 4.125" Bore

ENGINE BLOCK & PARTS

QTY	GASKET SETS	PART NO.	SIZE	DESCRIPTION
1	Complete Overhaul Gasket Set	FP-PGE401LC		A401BD Engs.
1	Complete Overhaul Gasket Set	PGE401LC		A401BD Engs.
1	Complete Overhaul Gasket Set	FP-PGE401DM		A401D Engs.; Exc. 940 Wheel Tractor & W10 Loader Tractor
1	Complete Overhaul Gasket Set	PGE401DM +		A401D Engs.; Exc. 940 Wheel Tractor & W10 Loader Tractor; When depleted use FP-PGE401DM

QTY	CAM BEARINGS	PART NO.	SIZE	DESCRIPTION
1	Cam Set	FP-A23544	STD	W/2.250" dia. brgs.

CRANKSHAFT/OIL PUMP

QTY	SEALS - FRONT CRANK	PART NO.	SIZE	DESCRIPTION
1	Redi-Sleeve	99260		
1	Oil Seal	475003N		

QTY	SEALS - REAR CRANK	PART NO.	SIZE	DESCRIPTION
1	Oil Seal	714750		
1	Redi-Sleeve	99475		

QTY	MAIN BEARINGS	PART NO.	SIZE	DESCRIPTION
1	Main Set	FP-7040M	Std-10-20	Optional main set w/o thrust washer
1	Main Set	FP-7040M10	Std-10-20	Optional main set w/o thrust washer
1	Main Set	FP-7040M20	Std-10-20	Optional main set w/o thrust washer
1	Main Set	FP-5047M	Std-10-20	W/.186" thick thrust washer
1	Main Set	5047M + Std-10-20		W/.186" thick thrust washer; When depleted use FP-5047M
1	Thrust Washer Set	FP-A62572S		Position 5; .156" thick
1	Thrust Washer Set	FP-A62573S		Position 5; .186" thick

CYLINDER COMPONENTS

QTY	LINERS	PART NO.	SIZE	DESCRIPTION
6	Liner w/Sealing Rings	FP-A182186WS	STD	A401BD Engs.
6	Liner w/Sealing Rings	FP-A23658WS	STD	A401D Engs.
6	Cylinder Kit Complete	FP-A1481351	STD	A401BD Engs.
6	Cylinder Kit Complete	FP-A418211	STD	A401D Engs.; Contains cast-iron piston w/1.359" dia. pin
6	Cylinder Kit Complete	FP-A404791	STD	A401D Engs.; Contains Alum. piston w/1.500" dia. pin

QTY	PISTONS	PART NO.	SIZE	DESCRIPTION
6	Piston Body w/o Pin	FP-2489N	STD	OVERBORE To 4.250". A401D engines w/1.3586" Dia. pin.; 3-3/32, 1-1/4 Ring Groove; Flat Head
6	Piston Kit w/Pin & Retainers	FP-A65127WP	STD	A401BD Engs.; Cast; 2-3/32, 1-1/4 Ring Groove; Dish Head .890" deep x 2.310" dia. w/2 valve reliefs
6	Piston Kit w/Pin & Retainers	FP-A11101WP	STD	A401D Engs.; w/1.3586" pin dia.; Cast; 3-3/32, 1-1/4 Ring Groove; Flat Head. Cast Iron
6	Piston Kit w/Pin & Retainers	FP-A24488WP	STD	A401D Engs.; w/1.500" pin dia.; Cast; 3-3/32, 1-1/4 Ring Groove; Flat Head. Alum. w/Ni-Resist Insert
6	Pin Bushing	FP-A27846		W/1.3596" pin dia.

QTY	CONNECTING RODS & BRGS.	PART NO.	SIZE	DESCRIPTION
6	Rod Pair	FP-A43173	STD	
6	Rod Pair	FP-A43174	2	
6	Rod Pair	FP-A43175	10	
6	Rod Pair	FP-A43176	20	
6	Rod Pair	FP-A43177	30	

QTY	PISTON RINGS	PART NO.	SIZE	DESCRIPTION
6	Ring Set Single Cylinder	FP-A41967	STD	2-3/32, 1-1/4
3	Premium Set	FP-A41967S	STD	2-3/32, 1-1/4; 2 Cyl Set
1	Premium Set	FP-5029KX	Std Only	3-3/32, 1-1/4
1	Premium Set	5029KX + Std Only		3-3/32, 1-1/4; When depleted use FP-5029KX
6	Premium Single Cylinder Set	W-10138KX Std Only		2-3/32, 1-1/4 (2 cyl. set)

KITS

QTY	OVERHAUL KIT	PART NO.	SIZE	DESCRIPTION
1	In-Frame Overhaul Kit	FP-IFK401L		A-401BD Engs.; w/thrust washer set
1	In-Frame Overhaul Kit	FP-IFK401E		A-401D Engs.; w/1.3586" pin dia. & thrust washer set .156" & .186" thick; Exc. Wheel Tractor Model 940 & Loader Tractor Model W10
1	In-Frame Overhaul Kit	FP-IFK401E		A-401D Engs.; w/1.500" pin dia. & thrust washer set .156" & .186" thick; Exc. Wheel Tractor Model 940 & Loader Tractor Model W10

Case Co., J.I.

46 Wheel Tractor 401BDT, 401DT Engs. (Turbo-Diesel). Crawler Tractor 401BDT Eng. (Turbo-Diesel). Wheel Loader 401BDT Eng. (Turbo-Diesel).
6.6L 401 Turbo-Diesel L6, 4.125" Bore

CYL. HEAD & PARTS

QTY	VALVE	PART NO.	SIZE	DESCRIPTION
24	Keeper	FP-A27872		
12	VALVE GUIDE Guide	FP-A11803		.4050" ID, 3.2200" O.A.L.
12	VALVE SPRING Spring	FP-A66444		
12	VALVE SEAL Valve Stem Seal	FP-A58628		O-Ring style

ENGINE BLOCK & PARTS

QTY	GASKET SETS	PART NO.	SIZE	DESCRIPTION
1	Complete Overhaul Gasket Set	FP-PGE401LC		
1	Complete Overhaul Gasket Set	PGE401LC		
1	CAM BEARINGS Cam Set	FP-A23544	STD	W/2.250" dia. brgs.

CRANKSHAFT/OIL PUMP

QTY	SEALS - FRONT CRANK	PART NO.	SIZE	DESCRIPTION
1	Redi-Sleeve	99260		
1	Oil Seal	475003N		
1	SEALS - REAR CRANK Oil Seal	714750		
1	Redi-Sleeve	99475		
1	MAIN BEARINGS Main Set	FP-7040M	Std-10-20	Optional main set w/o thrust washer
1	Main Set	FP-7040M10	Std-10-20	Optional main set w/o thrust washer
1	Main Set	FP-7040M20	Std-10-20	Optional main set w/o thrust washer
1	Main Set	FP-5047M	Std-10-20	W/.186" thick thrust washer
1	Main Set	5047M + Std-10-20		W/.186" thick thrust washer; When depleted use FP-5047M
1	Thrust Washer Set	FP-A62572S		Position 5; .156" thick
1	Thrust Washer Set	FP-A62573S		Position 5; .186" thick

CYLINDER COMPONENTS

QTY	LINERS	PART NO.	SIZE	DESCRIPTION
6	Liner w/Sealing Rings	FP-A182186WS	STD	
6	Cylinder Kit Complete	FP-A1481351	STD	
6	PISTONS Piston Kit w/Pin & Retainers	FP-A65127WP	STD	Cast; 2-3/32, 1-1/4 Ring Groove; Dish Head .890" deep x 2.310" dia. w/2 valve reliefs
6	Pin Bushing	FP-A27846		W/1.3596" pin dia.
6	CONNECTING RODS & BRGS. Rod Pair	FP-A43173	STD	
6	Rod Pair	FP-A43174	2	
6	Rod Pair	FP-A43175	10	
6	Rod Pair	FP-A43176	20	
6	Rod Pair	FP-A43177	30	
6	PISTON RINGS Ring Set Single Cylinder	FP-A41967	STD	2-3/32, 1-1/4
3	Premium Set	FP-A41967S	STD	2-3/32, 1-1/4; 2 Cyl Set
6	Premium Single Cylinder Set	W-10138KX Std Only		2-3/32, 1-1/4 (2 cyl. set)

KITS

QTY	OVERHAUL KIT	PART NO.	SIZE	DESCRIPTION
1	In-Frame Overhaul Kit	FP-IFK401L		W/Thrust washer set

47 Wheel Tractor A451, A451B, A451BD, A451D, 451, 451B, 451BD Engs. (Diesel). Crawler Tractor A451B, A451BD Engs. (Diesel).
7.4L 451 Diesel L6, 4.375" Bore

CYL. HEAD & PARTS

QTY	VALVE	PART NO.	SIZE	DESCRIPTION
6	Intake	FP-A58869		A451BD Engs.
6	Exhaust	FP-A58870		A451BD Engs.
24	Keeper	FP-A27872		

(continued on next page)

*Wheel Tractor A451, A451B, A451BD, A451D, 451, 451B, 451BD Engs. (Diesel). Crawler 47
Tractor A451B, A451BD Engs. (Diesel). (cont.)
7.4L 451 Diesel L6, 4.375" Bore*

CYL. HEAD & PARTS (cont.)

QTY	VALVE GUIDE	PART NO.	SIZE	DESCRIPTION
6	Guide	FP-A11803		Exh.; A451D Engs.; .4050" ID, 3.2200" O.A.L.
12	Guide	FP-A11803		Exh. & Int.; A451BD Engs.; .4050" ID, 3.2200" O.A.L.
6	Guide	FP-A26294		Int.; A451D Engs.; .4050" ID, 4.3800" O.A.L.
QTY	VALVE SPRING	PART NO.	SIZE	DESCRIPTION
12	Spring	FP-A66444		A451B & A451BD Engs.; Model 1070
12	Spring	FP-A21076		A451D Engs.
QTY	VALVE MISC.	PART NO.	SIZE	DESCRIPTION
6	Rotocap	FP-A66336		A451D Eng. Model 1030 & A451BD Eng. Model 1070 only
QTY	VALVE SEAL	PART NO.	SIZE	DESCRIPTION
12	Valve Stem Seal	FP-A58628		O-Ring style

ENGINE BLOCK & PARTS

QTY	GASKET SETS	PART NO.	SIZE	DESCRIPTION
1	Complete Overhaul Gasket Set	FP-PGE451LC		A451BD Engs.
1	Complete Overhaul Gasket Set	PGE451LC +		A451BD Engs.; When depleted use FP-PGE451LC
1	Complete Overhaul Gasket Set	FP-PGE451EC		A451D Engs.
1	Complete Overhaul Gasket Set	PGE451EC +		A451D Engs.; When depleted use FP-PGE451EC
1	Kit Gasket Set	260-1348		A451D Engs.
QTY	CAM BEARINGS	PART NO.	SIZE	DESCRIPTION
1	Cam Set	FP-A23544	STD	W/2.250" dia. brgs.

CRANKSHAFT/OIL PUMP

QTY	SEALS - FRONT CRANK	PART NO.	SIZE	DESCRIPTION
1	Redi-Sleeve	99260		
1	Oil Seal	475003N		
QTY	SEALS - REAR CRANK	PART NO.	SIZE	DESCRIPTION
1	Oil Seal	714750		
1	Redi-Sleeve	99475		
QTY	MAIN BEARINGS	PART NO.	SIZE	DESCRIPTION
1	Main Set	FP-7040M	Std-10-20	Optional main set w/o thrust washer
1	Main Set	FP-7040M10	Std-10-20	Optional main set w/o thrust washer
1	Main Set	FP-7040M20	Std-10-20	Optional main set w/o thrust washer
1	Main Set	FP-5047M	Std-10-20	W/.186" thick thrust washer
1	Main Set	5047M +	Std-10-20	W/.186" thick thrust washer; When depleted use FP-5047M
1	Thrust Washer Set	FP-A62572S		Position 5; .156" thick
1	Thrust Washer Set	FP-A62573S		Position 5; .186" thick

CYLINDER COMPONENTS

QTY	LINERS	PART NO.	SIZE	DESCRIPTION
6	Liner w/Sealing Rings	FP-A148203WS	STD	A451B & A451BD Engs.; Incl. (2) sealing rings; Flange dia. 5.173"
6	Liner w/Sealing Rings	FP-A23660WS	STD	A451D Engs.; Flange Dia. 5.127"
6	Cylinder Kit Complete	FP-A460221	STD	A451B & A451BD Engs.; Liner Flange Dia. 5.173"
6	Cylinder Kit Complete	FP-A429951	STD	A451D Engs.; Liner Flange Dia. 5.127"
QTY	PISTONS	PART NO.	SIZE	DESCRIPTION
6	Piston Kit w/Pin & Retainers	FP-A64766WP	STD	A451D & A451BD Engs.; Cast; 2-3/32, 1-1/4 Ring Groove; Dish Head .908" deep x 2.450" dia. w/2 valve reliefs
6	Piston Kit w/Pin & Retainers	FP-A57139WP	STD	A451D Engs.; Cast; 3-3/32, 1-1/4 Ring Groove; Flat Head
QTY	CONNECTING RODS & BRGS.	PART NO.	SIZE	DESCRIPTION
6	Rod Pair	FP-A43173	STD	
6	Rod Pair	FP-A43174	2	
6	Rod Pair	FP-A43175	10	
6	Rod Pair	FP-A43176	20	
6	Rod Pair	FP-A43177	30	
QTY	PISTON RINGS	PART NO.	SIZE	DESCRIPTION
6	Ring Set Single Cylinder	FP-A42996	STD	A451D Engs.; 3-3/32, 1-1/4
6	Ring Set Single Cylinder	FP-A43028	STD	Exc. A451D Engs.; 2-3/32, 1-1/4; 1 cyl. set
3	Premium Set	FP-A43028S	STD	Exc. A451D Engs.; 2-3/32, 1-1/4 (2 cyl. set)
6	Premium Single Cylinder Set	W-10162KX	Std Only	Exc. A451D Engs.; 2-3/32, 1-1/4; 1 cyl. set

KITS

QTY	OVERHAUL KIT	PART NO.	SIZE	DESCRIPTION
1	Complete Overhaul Kit	FP-IFK451L		A-451BD Engs.; From Ser. No. 2323001; w/thrust washer set .156" & .186" thick

(continued on next page)

+ Superseded Part Number

Case Co., J.I.

47 Wheel Tractor A451, A451B, A451BD, A451D, 451, 451B, 451BD Eng. (Diesel). Crawler
 (cont.) **Tractor A451B, A451BD Eng. (Diesel).**
 7.4L 451 Diesel L6, 4.375" Bore

KITS (cont.)

QTY	OVERHAUL KIT (cont.)	PART NO.	SIZE	DESCRIPTION
1	Complete Overhaul Kit	FP-IFK451E		A-451D Engs. w/thrust washer set

48 Wheel Tractor A451T, 451BT, 451BDT, 451DT Eng. (Turbo-Diesel)
 7.4L 451 Turbo-Diesel L6, 4.375" Bore

CYL. HEAD & PARTS

QTY	VALVE	PART NO.	SIZE	DESCRIPTION
6	Intake	FP-A58869		Models 1170 & 1175; Model 1270 To Ser. No. 8736001
6	Exhaust	FP-A58870		Models 1170 & 1175; Model 1270 To Ser. No. 8736001
24	Keeper	FP-A27872		
QTY	VALVE GUIDE	PART NO.	SIZE	DESCRIPTION
6	Guide	FP-A11803		Exh.; .4050" ID, 3.2200" O.A.L.
6	Guide	FP-A26294		Int.; .4050" ID, 4.3800" O.A.L.
QTY	VALVE SPRING	PART NO.	SIZE	DESCRIPTION
12	Spring	FP-A66444		Model 1175, Model 1270; To Ser. No. 8736001
QTY	VALVE MISC.	PART NO.	SIZE	DESCRIPTION
6	Rotocap	FP-A66336		Exh.; To Ser. No. 8736001
QTY	VALVE SEAL	PART NO.	SIZE	DESCRIPTION
12	Valve Stem Seal	FP-A58628		O-Ring style

ENGINE BLOCK & PARTS

QTY	GASKET SETS	PART NO.	SIZE	DESCRIPTION
1	Complete Overhaul Gasket Set	FP-PGE451LC		451BDT Engs.
1	Complete Overhaul Gasket Set	PGE451LC +		451BDT Engs.; When depleted use FP-PGE451LC
QTY	CAM BEARINGS	PART NO.	SIZE	DESCRIPTION
1	Cam Set	FP-A23544	STD	W/2.250" dia. brgs.

CRANKSHAFT/OIL PUMP

QTY	SEALS - FRONT CRANK	PART NO.	SIZE	DESCRIPTION
1	Redi-Sleeve	99260		
1	Oil Seal	475003N		
QTY	SEALS - REAR CRANK	PART NO.	SIZE	DESCRIPTION
1	Oil Seal	714750		
1	Redi-Sleeve	99475		
QTY	MAIN BEARINGS	PART NO.	SIZE	DESCRIPTION
1	Main Set	FP-7040M	Std-10-20	Optional main set w/o thrust washer
1	Main Set	FP-7040M10	Std-10-20	Optional main set w/o thrust washer
1	Main Set	FP-7040M20	Std-10-20	Optional main set w/o thrust washer
1	Main Set	FP-5047M	Std-10-20	W/.186" thick thrust washer
1	Main Set	5047M + Std-10-20		W/.186" thick thrust washer; When depleted use FP-5047M
1	Thrust Washer Set	FP-A62572S		Position 5; .156" thick
1	Thrust Washer Set	FP-A62573S		Position 5; .186" thick

CYLINDER COMPONENTS

QTY	LINERS	PART NO.	SIZE	DESCRIPTION
6	Liner w/Sealing Rings	FP-A148203WS	STD	Incl. (2) sealing rings; Flange dia. 5.173"
6	Cylinder Kit Complete	FP-A1514081	STD	Liner Flange dia. 5.173"
QTY	CONNECTING RODS & BRGS.	PART NO.	SIZE	DESCRIPTION
6	Rod Pair	FP-A43173	STD	
6	Rod Pair	FP-A43174	2	
6	Rod Pair	FP-A43175	10	
6	Rod Pair	FP-A43176	20	
6	Rod Pair	FP-A43177	30	

KITS

QTY	OVERHAUL KIT	PART NO.	SIZE	DESCRIPTION
1	Complete Overhaul Kit	FP-IFK451L		451BDT, 451BT Engs.; w/thrust washer .156" & .186" thick; Gasket Set not included for 451BT Eng.
1	Complete Overhaul Kit	FP-IFK451L		451BT Engs.; w/thrust washer .186" thick.; Gasket Set Not Available

Wheel Tractor A504BD, 504, 504B, 504BD Engs. (Diesel). Crawler Tractor A504BD, 504, 49 504B, 504BD Engs. (Diesel). Wheel Loader A504BD, 504, 504B, 504BD Engs. (Diesel). Excavator A504BD, 504, 504B, 504BD Engs. (Diesel). Concrete Placer A504BD, 504, 504B, 504BD Engs. (Diesel). 8.3L 504 Diesel L6, 4.625" Bore

CYL. HEAD & PARTS

QTY	VALVE	PART NO.	SIZE	DESCRIPTION
6	Intake	FP-A58626		Early style; 45 deg. seat; Chrome plated stem; Replaces O.E. Nos. A41754 & A58626
6	Intake	FP-A182172		Late style; 30 deg. seat; Chrome plated stem; Replaces O.E. Nos. A44575, A66193 & A182172
6	Exhaust	FP-A182173		Chrome plated stem; 1.7500" Head Dia., .4015" Stem Dia., 6.4280" O.A.L.
6	Exhaust	FP-V2422X		Optional stellite face; Chrome plated stem; 1.7500" Head Dia., .4015" Stem Dia., 6.4300" O.A.L.
6	Exhaust	V-2422X + Std Only		Optional stellite face; Chrome plated stem; 1.7500" Head Dia., .4015" Stem Dia., 6.4300" O.A.L.; When depleted use FP-V2422X
24	Keeper	FP-A27872		
QTY	VALVE GUIDE	PART NO.	SIZE	DESCRIPTION
12	Guide	FP-A11803		.4050" ID, 3.2200" O.A.L.
12	Guide	FP-A41783		Flanged
QTY	VALVE SPRING	PART NO.	SIZE	DESCRIPTION
12	Spring	FP-A66444		
QTY	VALVE MISC.	PART NO.	SIZE	DESCRIPTION
6	Rotocap	FP-A66336		Exh.
QTY	VALVE SEAL	PART NO.	SIZE	DESCRIPTION
12	Valve Stem Seal	FP-A58628		O-Ring style

ENGINE BLOCK & PARTS

QTY	GASKET SETS	PART NO.	SIZE	DESCRIPTION
1	Complete Overhaul Gasket Set	FP-PGE504LC		From Ser. No. 2539001; May be used before Ser. No. 2539001 if Cntr. Bores are re-worked & 5.19" Dia. firewall sleeves are used.
1	Complete Overhaul Gasket Set	FP-PGE504EC		To Ser. No. 2539000
1	Complete Overhaul Gasket Set	PGE504LC +		When depleted use FP-PGE504LC
QTY	CAM BEARINGS	PART NO.	SIZE	DESCRIPTION
1	Cam Set	FP-A23544	STD	W/2.250" dia. brgs.

CRANKSHAFT/OIL PUMP

QTY	SEALS - FRONT CRANK	PART NO.	SIZE	DESCRIPTION
1	Redi-Sleeve	99260		
1	Oil Seal	475003N		
QTY	SEALS - REAR CRANK	PART NO.	SIZE	DESCRIPTION
1	Oil Seal	714750		
1	Redi-Sleeve	99475		

CYLINDER COMPONENTS

QTY	LINERS	PART NO.	SIZE	DESCRIPTION
6	Liner w/Sealing Rings	FP-A153638WS	STD	From Ser. No. 2539001. For blocks w/5.427" counterbore dia.; Sleeve has 5.19" dia. firewall & (3) FP-SLR2585 sealing rings; May be used before Ser. No. 2539001 if the counterbores are reworked.
6	Liner w/Sealing Rings	FP-A182185WS	STD	To Ser. No. 2539000 - for blocks w/5.386" dia. counterbores; Sleeve has 5.09" dia. firewall & (2) SLR-2540 sealing rings; Counterbores may be reworked to use FP-A153638WS sleeve with 3 sealing rings and 5.19" dia. firewall.
6	Cylinder Kit Complete	FP-A166134	STD	From Ser. No. 2539001; w/1.625" dia. piston pins; Contains FP-A153638 sleeve and FP-A166122 piston
6	Cylinder Kit Complete	FP-CK51233638	STD	From Ser. No. 2539001; w/1.800" dia. piston pins; Contains FP-A153638WS sleeve and FP-A65123WP piston
6	Cylinder Kit Complete	FP-CK61222185		To Ser. No. 2539000; 1.625" pin dia.; Contains FPA182185 Sleeve & FPA166122 piston
6	Cylinder Kit Complete	FP-A460251		To Ser. No. 2539000; 1.800" pin dia.
QTY	PISTONS	PART NO.	SIZE	DESCRIPTION
6	Piston Kit w/Pin & Retainers	FP-A166122WP	STD	Cast; 2-3/32, 1-3/16 Ring Groove; Dish Head .812" deep x 2.680" dia. w/2 valve reliefs; 16.1:1 C.R.
6	Piston Kit w/Pin & Retainers	FP-A65123WP	STD	1-1/8, 1-3/32, 1-1/4 Ring Groove; Dish Head .865" deep x 2.680" dia. w/2 valve reliefs
6	Pin Bushing	FP-A58580		W/1.800" pin dia.

(continued on next page)

Case Co., J.I.

49 Wheel Tractor A504BD, 504, 504B, 504BD Engs. (Diesel). Crawler Tractor A504BD, 504, (cont.) 504B, 504BD Engs. (Diesel). Wheel Loader A504BD, 504, 504B, 504BD Engs. (Diesel). Excavator A504BD, 504, 504B, 504BD Engs. (Diesel). Concrete Placer A504BD, 504, 504B, 504BD Engs. (Diesel).
8.3L 504 Diesel L6, 4.625" Bore

CYLINDER COMPONENTS (cont.)

QTY	CONNECTING RODS & BRGS.	PART NO.	SIZE	DESCRIPTION
6	Rod Pair	FP-A41758	STD	
6	Rod Pair	FP-A41900	10	
6	Rod Pair	FP-A41901	20	
6	Rod Pair	FP-A41902	30	
QTY	PISTON RINGS	PART NO.	SIZE	DESCRIPTION
6	Ring Set Single Cylinder	FP-A42988	STD	Check piston grooving before supplying ring set; 1-1/8, 1-3/32, 1-1/4; 2 cyl. set
6	Ring Set Single Cylinder	FP-A48320	STD	Check piston grooving before supplying ring set; 2-3/32, 1-3/16; 2 cyl. set
3	Premium Set	FP-A42988S	STD	Check piston grooving before supplying ring set; 1-1/8, 1-3/32, 1-1/4 (2 cyl. set)
3	Premium Set	FP-A48320S	STD	Check piston grooving before supplying ring set; 2-3/32, 1-3/16; 2 cyl. set
6	Premium Single Cylinder Set	W-10141KX Std Only		Check piston grooving before supplying ring set; 1-1/8, 1-3/32, 1-1/4 (2 cyl. set)
6	Premium Single Cylinder Set	W-9676KX Std Only		Check piston grooving before supplying ring set; 2-3/32, 1-3/16 (2 cyl. set)
KITS				
QTY	OVERHAUL KIT	PART NO.	SIZE	DESCRIPTION
1	Complete Overhaul Kit	FP-IFK504L		From Ser. No. 2539001
1	Complete Overhaul Kit	FP-IFK504E		To Ser. No. 2539000

50 Combine A504BDT, 504BDT Engs. (Turbo-Diesel). Wheel Tractor A504BDT, 504BDT, 504BDTI Engs. (Turbo-Diesel). Crawler Tractor A504BDT, 504BDT Engs. (Turbo-Diesel). Wheel Loader A504BDT, 504BDT Engs. (Turbo-Diesel). Excavator A504BDT, 504BDT Engs. (Turbo-Diesel). Concrete Placer A504BDT, 504BDT Engs. (Turbo-Diesel).
8.3L 504 Turbo-Diesel L6, 4.625" Bore

CYL. HEAD & PARTS

QTY	VALVE	PART NO.	SIZE	DESCRIPTION
6	Intake	FP-A58626		Early style; 45 deg. seat; Chrome plated stem; Replaces O.E. Nos. A41754 & A58626
6	Intake	FP-A182172		Late style; 30 deg. seat; Chrome plated stem; Replaces O.E. Nos. A44575, A66193 & A182172
6	Exhaust	FP-A182173		Chrome plated stem; 1.7500" Head Dia., .4015" Stem Dia., 6.4280" O.A.L.
6	Exhaust	FP-V2422X		Optional stellite face; Chrome plated stem; 1.7500" Head Dia., .4015" Stem Dia., 6.4300" O.A.L.
6	Exhaust	V-2422X + Std Only		Optional stellite face; Chrome plated stem; 1.7500" Head Dia., .4015" Stem Dia., 6.4300" O.A.L.; When depleted use FP-V2422X
24	Keeper	FP-A27872		
QTY	VALVE GUIDE	PART NO.	SIZE	DESCRIPTION
12	Guide	FP-A11803		.4050" ID, 3.2200" O.A.L.
12	Guide	FP-A41783		Flanged
QTY	VALVE SPRING	PART NO.	SIZE	DESCRIPTION
12	Spring	FP-A66444		
QTY	VALVE MISC.	PART NO.	SIZE	DESCRIPTION
6	Rotocap	FP-A66336		Exh.
QTY	VALVE SEAL	PART NO.	SIZE	DESCRIPTION
12	Valve Stem Seal	FP-A58628		O-Ring style

ENGINE BLOCK & PARTS

QTY	GASKET SETS	PART NO.	SIZE	DESCRIPTION
1	Complete Overhaul Gasket Set	FP-PGE504LC		
1	Complete Overhaul Gasket Set	PGE504LC +		When depleted use FP-PGE504LC
QTY	CAM BEARINGS	PART NO.	SIZE	DESCRIPTION
1	Cam Set	FP-A23544	STD	W/2.250" dia. brgs.

(continued on next page)

*Combine A504BDT, 504BDT Engs. (Turbo-Diesel). Wheel Tractor A504BDT, 504BDT, 504BDTI Engs. (Turbo-Diesel). Crawler Tractor A504BDT, 504BDT Engs. (Turbo-Diesel). (cont.)
Wheel Loader A504BDT, 504BDT Engs. (Turbo-Diesel). Excavator A504BDT, 504BDT Engs. (Turbo-Diesel). Concrete Placer A504BDT, 504BDT Engs. (Turbo-Diesel).
8.3L 504 Turbo-Diesel L6, 4.625" Bore*

CRANKSHAFT/OIL PUMP

QTY	SEALS - FRONT CRANK	PART NO.	SIZE	DESCRIPTION
1	Redi-Sleeve	99260		
1	Oil Seal	475003N		
QTY	SEALS - REAR CRANK	PART NO.	SIZE	DESCRIPTION
1	Oil Seal	714750		
1	Redi-Sleeve	99475		

CYLINDER COMPONENTS

QTY	LINERS	PART NO.	SIZE	DESCRIPTION
6	Liner w/Sealing Rings	FP-A153638WS	STD	From Ser. No. 2539001. For blocks w/5.427" counterbore dia.; Sleeve has 5.19" dia. firewall & (3) FP-SLR2585 sealing rings; May be used before Ser. No. 2539001 if the counterbores are reworked.
6	Liner w/Sealing Rings	FP-A182185WS	STD	To Ser. No. 2539000 - for blocks w/5.386" dia. counterbores; Sleeve has 5.09" dia. firewall & (2) SLR-2540 sealing rings; Counterbores may be reworked to use FP-A153638WS sleeve with 3 sealing rings and 5.19" dia. firewall.
6	Cylinder Kit Complete	FP-A1521771	STD	A504BDT Engs.; From Ser. No. 2539001; Contains FP-A153638 sleeve; May be used before Ser. No. 2539001 if the cntr. bores are reworked
6	Cylinder Kit Complete	FP-CK24852185	STD	A504BDT Engs.; To Ser. No. 2539000; Contains FP-A182185 sleeve
6	Cylinder Kit Complete	FP-CK82353638	STD	A504BDTI (Turbo & Aftercooled) Engs.; From Ser. No. 2539001 Contains FP-A153638 sleeve

QTY	PISTONS	PART NO.	SIZE	DESCRIPTION
6	Piston Kit w/Pin & Retainers	FP-A152485WP	STD	A504BDT Engs.; Cast; 2-1/8, 1-3/16 Ring Groove; Dish Head .790" deep x 2.680" dia. w/2 valve reliefs; 16.1:1 C.R.
6	Piston Kit w/Pin & Retainers	FP-A138235WP	STD	A504BDTI Turbo & Aftercooled Engs.; Cast; 2-1/8, 1-3/16 Ring Groove; Dish Head .790" deep x 2.680" dia. w/2 valve reliefs. Dual Ni-resist Insert
6	Pin Bushing	FP-A58580		W/1.800" pin dia.

QTY	CONNECTING RODS & BRGS.	PART NO.	SIZE	DESCRIPTION
6	Rod Pair	FP-A41758	STD	
6	Rod Pair	FP-A41900	10	
6	Rod Pair	FP-A41901	20	
6	Rod Pair	FP-A41902	30	

QTY	PISTON RINGS	PART NO.	SIZE	DESCRIPTION
6	Ring Set Single Cylinder	FP-A44054	STD	Check piston grooving before supplying ring set; 2-1/8, 1-3/16; 2 cyl. set
3	Premium Set	FP-A44054S	STD	Check piston grooving before supplying ring set; 2-1/8, 1-3/16 (2 cyl. set)
6	Premium Single Cylinder Set	W-9769KX Std Only		Check piston grooving before supplying ring set; 2-1/8, 1-3/16 (2 cyl. set)

KITS

QTY	OVERHAUL KIT	PART NO.	SIZE	DESCRIPTION
1	Complete Overhaul Kit	FP-IFK504L		From Ser. No. 2539001
1	Complete Overhaul Kit	FP-IFK504E		To Ser. No. 2539000

**Caterpillar - Refer to CA0010 & CA0020 Catalogs
Chevrolet Truck - L/D - Refer to SP1501 & SP1502 Catalogs
Chevrolet Truck - M/D & H/D - See GMC Truck
Chrysler Indust. - Also See Dodge Truck**

Engine Finding Index

Engine	Line No.	Engine	Line No.
2.8L 170 OHV L6 3.4063" Bore.....	1	3.7L 225 OHV L6 3.4063" Bore.....	4
3.3L 201.3 L-HEAD L6 3.125" Bore (Plymouth).....	2	3.7L 228.1 L-HEAD L6 3.375" Bore (DeSoto).....	5
3.6L 217.8 L-HEAD L6 3.25" Bore (Dodge/Plymouth).....	3	3.8L 230 L-HEAD L6 3.25" Bore (Dodge).....	6

(continued on next page)

Chrysler Indust. - Also See Dodge Truck

Engine Finding Index			
Engine	Line No.	Engine	Line No.
3.9L 236.6 L-HEAD L6 3.4375" Bore (DeSoto).....	7	5.4L 331 OHV V8 3.8125" Bore (Chrysler).....	15
4.0L 241.4 OHV V8 3.4375" Bore (Dodge).....	8	5.8L 354 OHV V8 3.9375" Bore (Chrysler).....	16
4.1L 251 L-HEAD L6 3.4375" Bore (Chrysler).....	9	5.9L 361 OHV V8 4.125" Bore.....	17
4.3L 265 L-HEAD L6 3.4375" Bore (Chrysler).....	10	6.3L 383 OHV V8 4.25" Bore.....	18
4.4L 270 OHV V8 3.625" Bore (Dodge/Plymouth).....	11	6.6L 400 OHV V8 4.342" Bore.....	19
4.5L 276 OHV V8 3.625" Bore (DeSoto).....	12	6.7L 413 OHV V8 4.1875" Bore.....	20
5.1L 313 OHV V8 3.875" Bore (Plymouth).....	13	7.2L 440 OHV V8 4.32" Bore.....	21
5.2L 318 OHV V8 3.9063" Bore.....	14		

Engine Code Index					
Engine Code	Engine Description	Line No.	Engine Code	Engine Description	Line No.
170 ... Industrial Applications.....	2.8L 170 OHV L6 3.4063" Bore.....	1	270 ... Industrial Applications.....	4.4L 270 OHV V8 3.625" Bore (Dodge/Plymouth).....	11
201 ... Industrial Applications.....	3.3L 201.3 L-HEAD L6 3.125" Bore (Plymouth).....	2	276 ... Industrial Applications.....	4.5L 276 OHV V8 3.625" Bore (DeSoto).....	12
218 ... Industrial Applications.....	3.6L 217.8 L-HEAD L6 3.25" Bore (Dodge/Plymouth).....	3	313 ... Industrial Applications.....	5.1L 313 OHV V8 3.875" Bore (Plymouth).....	13
225 ... Industrial Applications.....	3.7L 225 OHV L6 3.4063" Bore.....	4	318 ... Industrial Applications.....	5.2L 318 OHV V8 3.9063" Bore ...	14
228 ... Industrial Applications.....	3.7L 228.1 L-HEAD L6 3.375" Bore (DeSoto).....	5	331 ... Industrial Applications.....	5.4L 331 OHV V8 3.8125" Bore (Chrysler).....	15
230 ... Industrial Applications.....	3.8L 230 L-HEAD L6 3.25" Bore (Dodge).....	6	354 ... Industrial Applications.....	5.8L 354 OHV V8 3.9375" Bore (Chrysler).....	16
237 ... Industrial Applications.....	3.9L 236.6 L-HEAD L6 3.4375" Bore (DeSoto).....	7	361 ... Industrial Applications.....	5.9L 361 OHV V8 4.125" Bore.....	17
241 ... Industrial Applications.....	4.0L 241.4 OHV V8 3.4375" Bore (Dodge).....	8	383 ... Industrial Applications.....	6.3L 383 OHV V8 4.25" Bore.....	18
251 ... Industrial Applications.....	4.1L 251 L-HEAD L6 3.4375" Bore (Chrysler).....	9	400 ... Industrial Applications.....	6.6L 400 OHV V8 4.342" Bore.....	19
265 ... Industrial Applications.....	4.3L 265 L-HEAD L6 3.4375" Bore (Chrysler).....	10	413 ... Industrial Applications.....	6.7L 413 OHV V8 4.1875" Bore ...	20
			440 ... Industrial Applications.....	7.2L 440 OHV V8 4.32" Bore.....	21

Model Index					
Model	Engine Description	Line No.	Model	Engine Description	Line No.
H-170 ... Industrial Applications.....	2.8L 170 OHV L6 3.4063" Bore.....	1	HA-383 ... Industrial Applications.....	6.3L 383 OHV V8 4.25" Bore.....	18
H-225 ... Industrial Applications.....	3.7L 225 OHV L6 3.4063" Bore.....	4	HB-170 ... Industrial Applications.....	2.8L 170 OHV L6 3.4063" Bore.....	1
H-318 ... Industrial Applications.....	5.2L 318 OHV V8 3.9063" Bore ...	14	HB-225 ... Industrial Applications.....	3.7L 225 OHV L6 3.4063" Bore.....	4
H-361 ... Industrial Applications.....	5.9L 361 OHV V8 4.125" Bore.....	17	HB-318 ... Industrial Applications.....	5.2L 318 OHV V8 3.9063" Bore ...	14
H-383 ... Industrial Applications.....	6.3L 383 OHV V8 4.25" Bore.....	18	HB-361 ... Industrial Applications.....	5.9L 361 OHV V8 4.125" Bore.....	17
H-400 ... Industrial Applications.....	6.6L 400 OHV V8 4.342" Bore.....	19	HB-383 ... Industrial Applications.....	6.3L 383 OHV V8 4.25" Bore.....	18
H-413 ... Industrial Applications.....	6.7L 413 OHV V8 4.1875" Bore ...	20	HB-413 ... Industrial Applications.....	6.7L 413 OHV V8 4.1875" Bore ...	20
H-440 ... Industrial Applications.....	7.2L 440 OHV V8 4.32" Bore.....	21	HC-170 ... Industrial Applications.....	2.8L 170 OHV L6 3.4063" Bore.....	1
H-905A ... Industrial Applications.....	3.6L 217.8 L-HEAD L6 3.25" Bore (Dodge/Plymouth).....	3	HC-225 ... Industrial Applications.....	3.7L 225 OHV L6 3.4063" Bore.....	4
H-908A ... Industrial Applications.....	4.3L 265 L-HEAD L6 3.4375" Bore (Chrysler).....	10	HC-318 ... Industrial Applications.....	5.2L 318 OHV V8 3.9063" Bore ...	14
HA-225 ... Industrial Applications.....	3.7L 225 OHV L6 3.4063" Bore.....	4	HC-361 ... Industrial Applications.....	5.9L 361 OHV V8 4.125" Bore.....	17
HA-318 ... Industrial Applications.....	5.2L 318 OHV V8 3.9063" Bore ...	14	HC-413 ... Industrial Applications.....	6.7L 413 OHV V8 4.1875" Bore ...	20
			HT-318 ... Industrial Applications.....	5.2L 318 OHV V8 3.9063" Bore ...	14

(continued on next page)

Chrysler Indust. - Also See Dodge Truck

Model Index					
Model	Engine Description	Line No.	Model	Engine Description	Line No.
HT-361 ... Industrial Applications.....	5.9L 361 OHV V8 4.125" Bore	17	T176 ... Industrial Applications.....	3.8L 230 L-HEAD L6 3.25" Bore (Dodge).....	6
HT-413 ... Industrial Applications.....	6.7L 413 OHV V8 4.1875" Bore ...	20	T2 ... Industrial Applications ..	3.6L 217.8 L-HEAD L6 3.25" Bore (Dodge/Plymouth).....	3
HT-931 ... Industrial Applications.....	3.8L 230 L-HEAD L6 3.25" Bore (Dodge).....	6	T211 ... Industrial Applications.....	3.8L 230 L-HEAD L6 3.25" Bore (Dodge).....	6
LH-318 ... Industrial Applications.....	5.2L 318 OHV V8 3.9063" Bore ...	14	T214 ... Industrial Applications.....	3.8L 230 L-HEAD L6 3.25" Bore (Dodge).....	6
LT-318 ... Industrial Applications.....	5.2L 318 OHV V8 3.9063" Bore ...	14	T215 ... Industrial Applications.....	3.8L 230 L-HEAD L6 3.25" Bore (Dodge).....	6
P Series ... Industrial Applications.....	3.7L 225 OHV L6 3.4063" Bore.....	4	T23 ... Industrial Applications.....	3.6L 217.8 L-HEAD L6 3.25" Bore (Dodge/Plymouth).....	3
T100 ... Industrial Applications.....	3.7L 228.1 L-HEAD L6 3.375" Bore (DeSoto)	5	T245 ... Industrial Applications.....	3.8L 230 L-HEAD L6 3.25" Bore (Dodge).....	6
T105 ... Industrial Applications.....	3.3L 201.3 L-HEAD L6 3.125" Bore (Plymouth)	2	T25 ... Industrial Applications.....	3.6L 217.8 L-HEAD L6 3.25" Bore (Dodge/Plymouth).....	3
T112 ... Industrial Applications.....	3.3L 201.3 L-HEAD L6 3.125" Bore (Plymouth)	2	T26 ... Industrial Applications.....	3.8L 230 L-HEAD L6 3.25" Bore (Dodge).....	6
T112 ... Industrial Applications.....	3.6L 217.8 L-HEAD L6 3.25" Bore (Dodge/Plymouth).....	3	T3 ... Industrial Applications ..	3.6L 217.8 L-HEAD L6 3.25" Bore (Dodge/Plymouth).....	3
T116 ... Industrial Applications.....	3.8L 230 L-HEAD L6 3.25" Bore (Dodge).....	6	T30 ... Industrial Applications.....	3.7L 228.1 L-HEAD L6 3.375" Bore (DeSoto)	5
T118 ... Industrial Applications.....	3.7L 228.1 L-HEAD L6 3.375" Bore (DeSoto)	5	T310 ... Industrial Applications.....	3.8L 230 L-HEAD L6 3.25" Bore (Dodge).....	6
T118 ... Industrial Applications.....	3.9L 236.6 L-HEAD L6 3.4375" Bore (DeSoto).....	7	T334 ... Industrial Applications.....	3.8L 230 L-HEAD L6 3.25" Bore (Dodge).....	6
T12 ... Industrial Applications.....	3.8L 230 L-HEAD L6 3.25" Bore (Dodge).....	6	T38 ... Industrial Applications.....	3.7L 228.1 L-HEAD L6 3.375" Bore (DeSoto)	5
T120 ... Industrial Applications.....	3.7L 228.1 L-HEAD L6 3.375" Bore (DeSoto)	5	T40 ... Industrial Applications.....	3.7L 228.1 L-HEAD L6 3.375" Bore (DeSoto)	5
T120 ... Industrial Applications.....	3.9L 236.6 L-HEAD L6 3.4375" Bore (DeSoto).....	7	T41 ... Industrial Applications.....	3.7L 228.1 L-HEAD L6 3.375" Bore (DeSoto)	5
T125 ... Industrial Applications.....	3.3L 201.3 L-HEAD L6 3.125" Bore (Plymouth)	2	T42 ... Industrial Applications.....	3.7L 228.1 L-HEAD L6 3.375" Bore (DeSoto)	5
T125 ... Industrial Applications.....	3.6L 217.8 L-HEAD L6 3.25" Bore (Dodge/Plymouth).....	3	T5 ... Industrial Applications ..	3.6L 217.8 L-HEAD L6 3.25" Bore (Dodge/Plymouth).....	3
T128 ... Industrial Applications.....	3.6L 217.8 L-HEAD L6 3.25" Bore (Dodge/Plymouth).....	3	T50 ... Industrial Applications.....	3.3L 201.3 L-HEAD L6 3.125" Bore (Plymouth)	2
T13 ... Industrial Applications.....	3.6L 217.8 L-HEAD L6 3.25" Bore (Dodge/Plymouth).....	3	T57 ... Industrial Applications.....	3.3L 201.3 L-HEAD L6 3.125" Bore (Plymouth)	2
T137 ... Industrial Applications.....	3.8L 230 L-HEAD L6 3.25" Bore (Dodge).....	6	T6 ... Industrial Applications ..	3.8L 230 L-HEAD L6 3.25" Bore (Dodge).....	6
T14 ... Industrial Applications.....	3.8L 230 L-HEAD L6 3.25" Bore (Dodge).....	6	T70 ... Industrial Applications.....	3.8L 230 L-HEAD L6 3.25" Bore (Dodge).....	6
T146 ... Industrial Applications.....	3.8L 230 L-HEAD L6 3.25" Bore (Dodge).....	6	T72 ... Industrial Applications.....	3.8L 230 L-HEAD L6 3.25" Bore (Dodge).....	6
T164 ... Industrial Applications.....	3.8L 230 L-HEAD L6 3.25" Bore (Dodge).....	6	T74 ... Industrial Applications.....	3.7L 228.1 L-HEAD L6 3.375" Bore (DeSoto)	5
T165 ... Industrial Applications.....	3.8L 230 L-HEAD L6 3.25" Bore (Dodge).....	6	T76 ... Industrial Applications.....	3.7L 228.1 L-HEAD L6 3.375" Bore (DeSoto)	5
T17 ... Industrial Applications.....	3.6L 217.8 L-HEAD L6 3.25" Bore (Dodge/Plymouth).....	3			

(continued on next page)

Chrysler Indust. - Also See Dodge Truck

Model Index					
Model	Engine Description	Line No.	Model	Engine Description	Line No.
T78 ... Industrial Applications.....	3.7L 228.1 L-HEAD L6 3.375" Bore (DeSoto)	5	3A ... Industrial Applications ..	3.6L 217.8 L-HEAD L6 3.25" Bore (Dodge/Plymouth).....	3
T81 ... Industrial Applications.....	3.3L 201.3 L-HEAD L6 3.125" Bore (Plymouth)	2	30 ... Industrial Applications...	3.8L 230 L-HEAD L6 3.25" Bore (Dodge).....	6
T88 ... Industrial Applications.....	3.7L 228.1 L-HEAD L6 3.375" Bore (DeSoto)	5	31 ... Industrial Applications...	3.8L 230 L-HEAD L6 3.25" Bore (Dodge).....	6
T90 ... Industrial Applications.....	3.7L 228.1 L-HEAD L6 3.375" Bore (DeSoto)	5	313 ... Industrial Applications.....	5.1L 313 OHV V8 3.875" Bore (Plymouth).....	13
T96 ... Industrial Applications.....	3.8L 230 L-HEAD L6 3.25" Bore (Dodge).....	6	32 ... Industrial Applications...	4.3L 265 L-HEAD L6 3.4375" Bore (Chrysler).....	10
T98 ... Industrial Applications.....	3.7L 228.1 L-HEAD L6 3.375" Bore (DeSoto)	5	33 ... Industrial Applications...	4.3L 265 L-HEAD L6 3.4375" Bore (Chrysler).....	10
10 ... Industrial Applications...	3.6L 217.8 L-HEAD L6 3.25" Bore (Dodge/Plymouth).....	3	5 ... Industrial Applications.....	3.6L 217.8 L-HEAD L6 3.25" Bore (Dodge/Plymouth).....	3
16 ... Industrial Applications...	4.3L 265 L-HEAD L6 3.4375" Bore (Chrysler).....	10	5A ... Industrial Applications ..	3.6L 217.8 L-HEAD L6 3.25" Bore (Dodge/Plymouth).....	3
16A ... Industrial Applications.....	4.3L 265 L-HEAD L6 3.4375" Bore (Chrysler).....	10	52 ... Industrial Applications...	4.4L 270 OHV V8 3.625" Bore (Dodge/Plymouth).....	11
18 ... Industrial Applications...	4.0L 241.4 OHV V8 3.4375" Bore (Dodge).....	8	56 ... Industrial Applications...	5.4L 331 OHV V8 3.8125" Bore (Chrysler).....	15
18A ... Industrial Applications.....	4.0L 241.4 OHV V8 3.4375" Bore (Dodge).....	8	56A ... Industrial Applications.....	5.8L 354 OHV V8 3.9375" Bore (Chrysler).....	16
19 ... Industrial Applications...	4.5L 276 OHV V8 3.625" Bore (DeSoto)	12	6 ... Industrial Applications.....	3.6L 217.8 L-HEAD L6 3.25" Bore (Dodge/Plymouth).....	3
19A ... Industrial Applications.....	4.5L 276 OHV V8 3.625" Bore (DeSoto)	12	6 ... Industrial Applications.....	3.8L 230 L-HEAD L6 3.25" Bore (Dodge).....	6
20 ... Industrial Applications...	5.4L 331 OHV V8 3.8125" Bore (Chrysler).....	15	6A ... Industrial Applications ..	3.6L 217.8 L-HEAD L6 3.25" Bore (Dodge/Plymouth).....	3
20A ... Industrial Applications.....	5.4L 331 OHV V8 3.8125" Bore (Chrysler).....	15	6A ... Industrial Applications ..	3.8L 230 L-HEAD L6 3.25" Bore (Dodge).....	6
24 ... Industrial Applications...	5.4L 331 OHV V8 3.8125" Bore (Chrysler).....	15	7 ... Industrial Applications.....	3.9L 236.6 L-HEAD L6 3.4375" Bore (DeSoto).....	7
24A ... Industrial Applications.....	5.4L 331 OHV V8 3.8125" Bore (Chrysler).....	15	7A ... Industrial Applications ..	3.9L 236.6 L-HEAD L6 3.4375" Bore (DeSoto).....	7
3 ... Industrial Applications.....	3.6L 217.8 L-HEAD L6 3.25" Bore (Dodge/Plymouth).....	3	8 ... Industrial Applications.....	4.1L 251 L-HEAD L6 3.4375" Bore (Chrysler).....	9
			8-213 ... Industrial Applications.....	4.1L 251 L-HEAD L6 3.4375" Bore (Chrysler).....	9
			8-231 ... Industrial Applications.....	4.1L 251 L-HEAD L6 3.4375" Bore (Chrysler).....	9
			8A ... Industrial Applications ..	4.1L 251 L-HEAD L6 3.4375" Bore (Chrysler).....	9

1 Industrial Applications H-170, HB-170, HC-170 Engs. 2.8L 170 OHV L6, 3.4063" Bore					
ENGINE BLOCK & PARTS					
QTY	CAM BEARINGS	PART NO.	SIZE	DESCRIPTION	
1	Cam Set	1454M		Std Only	
CRANKSHAFT/OIL PUMP					
QTY	MAIN BEARINGS	PART NO.	SIZE	DESCRIPTION	
1	Main Set	4092M		Std-10-20-30	
CYLINDER COMPONENTS					
QTY	CONNECTING RODS & BRGS.	PART NO.	SIZE	DESCRIPTION	
1	Rod Set	6-2375CP		Std-10-20-30-40	
6	Rod Pair	2375CP		Std-10-20-30-40	
QTY	PISTON RINGS	PART NO.	SIZE	DESCRIPTION	
1	Premium Set	E-196K		Std-20-30-40-60	

(continued on next page)

Chrysler Indust. - Also See Dodge Truck

<i>Industrial Applications H-170, HB-170, HC-170 Eng. 1</i> 2.8L 170 OHV L6, 3.4063" Bore (cont.)				
CYLINDER COMPONENTS (cont.)				
QTY	PISTON RINGS (cont.)	PART NO.	SIZE	DESCRIPTION
1	Standard Set	E-196X Std-20-30-40-60		2-5/64, 1-3/16
6	Premium Single Cylinder Set	WE-196K Std-20-30-40-60		2-5/64, 1-3/16
6	Standard Single Cylinder Set	WE-196X Std-20-30-40-60		2-5/64, 1-3/16
<i>Industrial Applications T50, T57, T81, T105, T112, T125 Eng. 2</i> 3.3L 201.3 L-HEAD L6 (Plymouth), 3.125" Bore				
CYL. HEAD & PARTS				
QTY	VALVE	PART NO.	SIZE	DESCRIPTION
24	Keeper	VK-63		2 groove; Round key groove
QTY	VALVE GUIDE	PART NO.	SIZE	DESCRIPTION
6	Guide	VG-419		Exh.; Install taper end down; .3445" ID, 2.8130" O.A.L.
6	Guide	VG-420		Int.; Install taper end up; .3425" ID, 2.8130" O.A.L.
QTY	VALVE SPRING	PART NO.	SIZE	DESCRIPTION
12	Spring	VS-304		For T112 & T125 Eng.; 2.0000" Free Height
ENGINE BLOCK & PARTS				
QTY	CAM BEARINGS	PART NO.	SIZE	DESCRIPTION
1	Cam Set	1010M Std Only		
CYLINDER COMPONENTS				
QTY	LINERS	PART NO.	SIZE	DESCRIPTION
1	Repair Sleeve	SL-9M Std Only		3/32" wall, must be cut to correct length
<i>Industrial Applications H-905A, T2, T3, T5, T13, T17, T23, T25, T112, T125, T128, 3, 3A, 5, 5A, 6, 6A, 10 Eng. 3</i> 3.6L 217.8 L-HEAD L6 (Dodge/Plymouth), 3.25" Bore				
CYL. HEAD & PARTS				
QTY	VALVE	PART NO.	SIZE	DESCRIPTION
6	Intake	V-1086 Std Only		T112, IND5, IND6, Replacement Eng. 218; 1.5310" Head Dia., .3405" Stem Dia., 4.8450" O.A.L.
6	Exhaust	V-1351 Std Only		T112, IND5, IND6, Replacement Eng. 218; 1.4070" Head Dia., .3405" Stem Dia., 4.8410" O.A.L.
QTY	VALVE GUIDE	PART NO.	SIZE	DESCRIPTION
6	Guide	VG-419		Exh.; T112, IND5, IND6, Replacement Eng. 218; .3445" ID, 2.8130" O.A.L.
6	Guide	VG-420		Int.; T112, IND5, IND6, Replacement Eng. 218; .3425" ID, 2.8130" O.A.L.
QTY	VALVE SPRING	PART NO.	SIZE	DESCRIPTION
12	Spring	VS-506		T112, IND5, IND6, Replacement Eng. 218; Use w/Rotocaps; 1.8570" Free Height
12	Spring	VS-304		T112, IND5, IND6, Replacement Eng. 218; 2.0000" Free Height
ENGINE BLOCK & PARTS				
QTY	CAM BEARINGS	PART NO.	SIZE	DESCRIPTION
1	Cam Set	1010M Std Only		
CRANKSHAFT/OIL PUMP				
QTY	CRANKSHAFT	PART NO.	SIZE	DESCRIPTION
1	Harmonic Balancer Sleeve	88218		
QTY	SEALS - FRONT CRANK	PART NO.	SIZE	DESCRIPTION
1	Redi-Sleeve	99218		
1	Oil Seal	6636S		
QTY	MAIN BEARINGS	PART NO.	SIZE	DESCRIPTION
1	Main Set	415M Std-10-20-30-40		
CYLINDER COMPONENTS				
QTY	LINERS	PART NO.	SIZE	DESCRIPTION
6	Repair Sleeve	SL-123M Std Only		3/32" wall, cut to length; Press fit sleeve
QTY	PISTONS	PART NO.	SIZE	DESCRIPTION
6	Cast Piston	37P Std-20-30-40-60-80		Cast; 2-3/32", 2-5/32" Ring Groove, 1.980" CD, .8591" Pin Dia., Flat Head - 7.8:1 C.R.

(continued on next page)

Chrysler Indust. - Also See Dodge Truck

3 Industrial Applications H-905A, T2, T3, T5, T13, T17, T23, T25, T112, T125, T128, 3, 3A, 5,
(cont.) 5A, 6, 6A, 10 Engs.
3.6L 217.8 L-HEAD L6 (Dodge/Plymouth), 3.25" Bore

CYLINDER COMPONENTS (cont.)

QTY	PISTONS (cont.)	PART NO.	SIZE	DESCRIPTION
6	Cast Piston - Individual	W37P	Std-20-30-40-60-80	Cast; 2-3/32", 2-5/32" Ring Groove, 1.980" CD, .8591" Pin Dia., Flat Head - 7.8:1 C.R.
6	Pin Bushing	8649XAS		Full round, thin wall .0055" O/S OD bushing
6	Pin Bushing	8649XA		Full round, thin wall bushing w/.9150" OD
6	Pin Bushing	8649V		Split type, thin wall bushing w/.9135" OD
6	Pin Bushing	8649V20		Split type, thin wall bushing w/.9135" OD & .020" extra bore stock
QTY	CONNECTING RODS & BRGS.	PART NO.	SIZE	DESCRIPTION
1	Rod Set	6-9185CP	Std-10-20-30-40	
6	Rod Pair	9185CP	Std-10-20-30-40	
QTY	PISTON RINGS	PART NO.	SIZE	DESCRIPTION
1	Premium Set	E-108KC	Std-30-60	2-3/32, 2-5/32
1	Standard Set	E-108X	Std-30-40-60	2-3/32, 2-5/32
6	Standard Single Cylinder Set	WE-108X	Std-30	2-3/32, 2-5/32

4 Industrial Applications H-225, HA-225, HB-225, HC-225, P Series Engs.
3.7L 225 OHV L6, 3.4063" Bore

CYL. HEAD & PARTS

QTY	VALVE	PART NO.	SIZE	DESCRIPTION
6	Intake	V-1434	Std Only	2 groove; 1.6200" Head Dia., .3725" Stem Dia., 4.7740" O.A.L.
24	Keeper	VK-66		2 groove
24	Keeper	VK-66R		2 groove; Hardened
24	Keeper	VK-174		4 groove
24	Keeper	VK-174R		4 groove; Hardened
QTY	VALVE GUIDE	PART NO.	SIZE	DESCRIPTION
6	Guide	VG-5073		Int.; .3745" ID, 2.3750" O.A.L.
QTY	VALVE SPRING	PART NO.	SIZE	DESCRIPTION
12	Spring	VS-510		Exh. & Int.; 2.0000" Free Height
12	Spring Insert	259-103C		.015"; ID 1.030"; Carton of 100
QTY	PUSH RODS	PART NO.	SIZE	DESCRIPTION
12	Push Rod	RP-3036		9.9540" O.A.L.
QTY	VALVE SEAL	PART NO.	SIZE	DESCRIPTION
6	Valve Stem Seal	MV-1918		Exh.; Umbrella type; Viton®
6	Valve Stem Seal	MV-1771C		Int.; Replacement Engs. No. H2254071330; Umbrella type; Polyacrylate
6	Valve Stem Seal Bulk	MV-1771		Int.; Replacement Engs. No. H2254071330; Umbrella type; Carton of 100; Polyacrylate

CAMSHAFT GROUP

QTY	TIMING	PART NO.	SIZE	DESCRIPTION
1	Timing Chain	222-495		Silent type; 50 Links
1	Crank Sprocket	223-291		Use w/silent type chain; 19 Teeth
1	Cam Sprocket	223-314		38 Teeth
QTY	CAMSHAFT/LIFTER	PART NO.	SIZE	DESCRIPTION
1	Camshaft	CS-380		
12	Lifter	AT-2084	Std Only	Dumbbell shaped mech.
12	Lifter, Bulk	AT-2084B	Std Only	Dumbbell shaped mech.; Carton of 117
1	Prelube	55-400		4 oz. bottle; 1.5 oz. packet No. 55-403 also avail.
QTY	CAMSHAFT KIT	PART NO.	SIZE	DESCRIPTION
1	Cam/Lifter Kit	KC-380		Dumbbell shaped mech.; Incl. (12) AT-2084, (1) CS-380, (1) 55-403B

ENGINE BLOCK & PARTS

QTY	GASKET SETS	PART NO.	SIZE	DESCRIPTION
1	Kit Gasket Set	260-1004		Premium valve stem seals incl.
QTY	CAM BEARINGS	PART NO.	SIZE	DESCRIPTION
1	Cam Set	1454M	Std Only	
1	Cam Set	1473M	Std Only	

CRANKSHAFT/OIL PUMP

QTY	MAIN BEARINGS	PART NO.	SIZE	DESCRIPTION
1	Main Set	5070M	Std-10-20-30-40	

(continued on next page)

Chrysler Indust. - Also See Dodge Truck

<i>Industrial Applications H-225, HA-225, HB-225, HC-225, P Series Engs. 4</i> 3.7L 225 OHV L6, 3.4063" Bore (cont.)				
CRANKSHAFT/OIL PUMP (cont.)				
QTY	MAIN BEARINGS (cont.)	PART NO.	SIZE	DESCRIPTION
1	Main Set	4092M	Std-10-20-30	1960-76; w/Forged crankshaft
QTY	OIL PUMP	PART NO.	SIZE	DESCRIPTION
1	Oil Pump	224-4165C		w/.826" rotor thickness; 5 bolt pump; Will replace early 6 bolt pump
CYLINDER COMPONENTS				
QTY	PISTONS	PART NO.	SIZE	DESCRIPTION
6	Cast Piston	244NP	Std-20-30-40-60	Cast; 2-5/64", 1-3/16" Ring Groove, 1.740" CD, .9011" Pin Dia., Flat Head - 8.2:1 C.R.
6	Cast Piston - Individual	W244NP	Std-20-30-40-60-80	Cast; 2-5/64", 1-3/16" Ring Groove, 1.740" CD, .9011" Pin Dia., Flat Head - 8.2:1 C.R.
6	Pin Bushing	2134Y		
QTY	CONNECTING RODS & BRGS.	PART NO.	SIZE	DESCRIPTION
1	Rod Set	6-3695RA	Std-10-20-30-40	A-Series aluminum bearings
1	Rod Set	6-2375CP	Std-10-20-30-40	6-2375CA 60 avail. as unplated & resizeable
6	Rod Pair	2375CP	Std-10-20-30-40	
6	Rod Pair	3695RA	Std-1-10-20-30-40	A-Series aluminum bearings
QTY	PISTON RINGS	PART NO.	SIZE	DESCRIPTION
1	Premium Set	E-196K	Std-20-30-40-60	2-5/64, 1-3/16
1	Standard Set	E-196X	Std-20-30-40-60	2-5/64, 1-3/16
6	Premium Single Cylinder Set	WE-196K	Std-20-30-40-60	2-5/64, 1-3/16
6	Standard Single Cylinder Set	WE-196X	Std-20-30-40-60	2-5/64, 1-3/16
<i>Industrial Applications T30, T38, T40, T41, T42, T74, T76, T78, T88, T90, T98, T100, T118, T120 Engs. 5</i> 3.7L 228.1 L-HEAD L6 (DeSoto), 3.375" Bore				
CYL. HEAD & PARTS				
QTY	VALVE	PART NO.	SIZE	DESCRIPTION
24	Keeper	VK-63		2 groove; Round key groove
QTY	VALVE GUIDE	PART NO.	SIZE	DESCRIPTION
6	Guide	VG-419		Exh.; Install taper end down; .3445" ID, 2.8130" O.A.L.
6	Guide	VG-420		Int.; Install taper end up; .3425" ID, 2.8130" O.A.L.
QTY	VALVE SPRING	PART NO.	SIZE	DESCRIPTION
12	Spring	VS-304		2.0000" Free Height
ENGINE BLOCK & PARTS				
QTY	CAM BEARINGS	PART NO.	SIZE	DESCRIPTION
1	Cam Set	1011M	Std Only	
CRANKSHAFT/OIL PUMP				
QTY	MAIN BEARINGS	PART NO.	SIZE	DESCRIPTION
1	Main Set	485M	Std-10-20-30-40	
CYLINDER COMPONENTS				
QTY	LINERS	PART NO.	SIZE	DESCRIPTION
1	Repair Sleeve	SL-13M	Std Only	3/32" wall, must be cut to correct length
QTY	PISTONS	PART NO.	SIZE	DESCRIPTION
6	Pin Bushing	8649XAS		Full round, thin wall .0055" O/S OD bushing
6	Pin Bushing	8649XA		Full round, thin wall bushing w/.9150" OD
6	Pin Bushing	8649V		Split type, thin wall bushing w/.9135" OD
6	Pin Bushing	8649V20		Split type, thin wall bushing w/.9135" OD & .020" extra bore stock
QTY	CONNECTING RODS & BRGS.	PART NO.	SIZE	DESCRIPTION
6	Rod Pair	9560CPA	Std-10-20-30-40-50	

Chrysler Indust. - Also See Dodge Truck

6 Industrial Applications HT-931, T6, T12, T14, T26, T70, T72, T96, T116, T137, T146, T164, T165, T176, T211, T214, T215, T245, T310, T334, 6, 6A, 30, 31 Engs. 3.8L 230 L-HEAD L6 (Dodge), 3.25" Bore				
CYL. HEAD & PARTS				
QTY	VALVE	PART NO.	SIZE	DESCRIPTION
6	Intake	V-1086	Std Only	T116, IND5, IND6, IND30, IND31, Replacement Engs. 230 only; 1.5310" Head Dia., .3405" Stem Dia., 4.8450" O.A.L.
6	Exhaust	V-1351	Std Only	T116, IND5, IND6, IND30, IND31, Replacement Engs. 230 only; 1.4070" Head Dia., .3405" Stem Dia., 4.8410" O.A.L.
QTY	VALVE GUIDE	PART NO.	SIZE	DESCRIPTION
6	Guide	VG-419		Exh.; T116, IND5, IND6, IND30, IND31, Replacement Engs. 230 only. Install taper end down; .3445" ID, 2.8130" O.A.L.
6	Guide	VG-420		Int.; T116, IND5, IND6, IND30, IND31, Replacement Engs. 230 only. Install taper end down; .3425" ID, 2.8130" O.A.L.
QTY	VALVE SPRING	PART NO.	SIZE	DESCRIPTION
12	Spring	VS-506		T116, IND5, IND6, IND30, IND31, Replacement Engs. 230; Use w/Rotocaps; 1.8570" Free Height
12	Spring	VS-304		T116, IND5, IND6, IND30, IND31, Replacement Engs. 230; 2.0000" Free Height
ENGINE BLOCK & PARTS				
QTY	CAM BEARINGS	PART NO.	SIZE	DESCRIPTION
1	Cam Set	1010M	Std Only	
CRANKSHAFT/OIL PUMP				
QTY	CRANKSHAFT	PART NO.	SIZE	DESCRIPTION
1	Harmonic Balancer Sleeve	88218		
QTY	SEALS - FRONT CRANK	PART NO.	SIZE	DESCRIPTION
1	Redi-Sleeve	99218		
1	Oil Seal	6636S		
QTY	MAIN BEARINGS	PART NO.	SIZE	DESCRIPTION
1	Main Set	415M	Std-10-20-30-40	
CYLINDER COMPONENTS				
QTY	LINERS	PART NO.	SIZE	DESCRIPTION
6	Repair Sleeve	SL-123M	Std Only	3/32" wall, cut to length; Press fit sleeve
QTY	PISTONS	PART NO.	SIZE	DESCRIPTION
6	Cast Piston	37P	Std-20-30-40-60-80	Cast; 2-3/32", 2-5/32" Ring Groove, 1.980" CD, .8591" Pin Dia., Flat Head - 7.8:1 C.R.
6	Cast Piston - Individual	W37P	Std-20-30-40-60-80	Cast; 2-3/32", 2-5/32" Ring Groove, 1.980" CD, .8591" Pin Dia., Flat Head - 7.8:1 C.R.
6	Pin Bushing	8649XAS		Full round, thin wall .0055" O/S OD bushing
6	Pin Bushing	8649XA		Full round, thin wall bushing w/.9150" OD
6	Pin Bushing	8649V		Split type, thin wall bushing w/.9135" OD
6	Pin Bushing	8649V20		Split type, thin wall bushing w/.9135" OD & .020" extra bore stock
QTY	CONNECTING RODS & BRGS.	PART NO.	SIZE	DESCRIPTION
1	Rod Set	6-9185CP	Std-10-20-30-40	
6	Rod Pair	9185CP	Std-10-20-30-40	
QTY	PISTON RINGS	PART NO.	SIZE	DESCRIPTION
1	Premium Set	E-108KC	Std-30-60	2-3/32, 2-5/32
1	Standard Set	E-108X	Std-30-40-60	2-3/32, 2-5/32
6	Standard Single Cylinder Set	WE-108X	Std-30	2-3/32, 2-5/32
7 Industrial Applications T118, T120, 7, 7A Engs. 3.9L 236.6 L-HEAD L6 (DeSoto), 3.4375" Bore				
CYL. HEAD & PARTS				
QTY	VALVE	PART NO.	SIZE	DESCRIPTION
6	Intake	V-1005	Std Only	1.7180" Head Dia., .3410" Stem Dia., 4.8450" O.A.L.
6	Exhaust	V-1004	Std Only	For IND16 & IND16A Engs.; 1.5010" Head Dia., .3400" Stem Dia., 4.8450" O.A.L.
24	Keeper	VK-63		2 groove; Round key groove
QTY	VALVE GUIDE	PART NO.	SIZE	DESCRIPTION
6	Guide	VG-419		Exh.; Install taper end down; .3445" ID, 2.8130" O.A.L.
6	Guide	VG-420		Int.; Install taper end up; .3425" ID, 2.8130" O.A.L.
QTY	VALVE SPRING	PART NO.	SIZE	DESCRIPTION
12	Spring	VS-506		Use w/Rotocaps; 1.8570" Free Height

(continued on next page)

Chrysler Indust. - Also See Dodge Truck

<i>Industrial Applications T118, T120, 7, 7A Engs. 7</i> 3.9L 236.6 L-HEAD L6 (DeSoto), 3.4375" Bore (cont.)				
CYL. HEAD & PARTS (cont.)				
QTY	VALVE SPRING (cont.)	PART NO.	SIZE	DESCRIPTION
12	Spring	VS-304		2.0000" Free Height
ENGINE BLOCK & PARTS				
QTY	CAM BEARINGS	PART NO.	SIZE	DESCRIPTION
1	Cam Set	1011M		Std Only
CRANKSHAFT/OIL PUMP				
QTY	MAIN BEARINGS	PART NO.	SIZE	DESCRIPTION
1	Main Set	485M		Std-10-20-30-40
QTY	OIL PUMP	PART NO.	SIZE	DESCRIPTION
1	Oil Pump	224-4160		IND32 Engs.; Rotor type
CYLINDER COMPONENTS				
QTY	PISTONS	PART NO.	SIZE	DESCRIPTION
6	Cast Piston	32NP		Std-20-30-40-60 Cast; 2-3/32", 2-5/32" Ring Groove, 1.977" CD, .8591" Pin Dia., Flat Head - 6.9:1 C.R.
6	Cast Piston - Individual	W32NP		Std-20-30-40-60 Cast; 2-3/32", 2-5/32" Ring Groove, 1.977" CD, .8591" Pin Dia., Flat Head - 6.9:1 C.R.
6	Pin Bushing	8649XAS		Full round, thin wall .0055" O/S OD bushing
6	Pin Bushing	8649XA		Full round, thin wall bushing w/.9150" OD
6	Pin Bushing	8649V		Split type, thin wall bushing w/.9135" OD
6	Pin Bushing	8649V20		Split type, thin wall bushing w/.9135" OD & .020" extra bore stock
QTY	CONNECTING RODS & BRGS.	PART NO.	SIZE	DESCRIPTION
6	Rod Pair	9560CPA		Std-10-20-30-40-50
QTY	PISTON RINGS	PART NO.	SIZE	DESCRIPTION
1	Standard Set	E-107X		Std-30-40 2-3/32, 2-5/32
<i>Industrial Applications 18, 18A Engs. 8</i> 4.0L 241.4 OHV V8 (Dodge), 3.4375" Bore				
CYL. HEAD & PARTS				
QTY	VALVE	PART NO.	SIZE	DESCRIPTION
32	Keeper	VK-66		2 groove
32	Keeper	VK-66R		2 groove; Hardened
QTY	VALVE SEAL	PART NO.	SIZE	DESCRIPTION
8	Valve Stem Seal	MV-1771C		Int.; Umbrella type; Polyacrylate
8	Valve Stem Seal Bulk	MV-1771		Int.; Umbrella type; Carton of 100; Polyacrylate
CAMSHAFT GROUP				
QTY	TIMING	PART NO.	SIZE	DESCRIPTION
1	Timing Chain	222-348		IND 18A Engs.; Silent type; 68 Links
1	Crank Sprocket	223-274		IND 18A Engs.; Use w/silent type chain; .750" wide sprocket; 23 Teeth
QTY	CAMSHAFT/LIFTER	PART NO.	SIZE	DESCRIPTION
16	Lifter	HT-812		Std Only Hyd.; 1.830" - 1.860" Length
16	Lifter, Bulk	HT-812B		Std Only Hyd.; Carton of 117; 1.830" - 1.860" Length
CYLINDER COMPONENTS				
QTY	LINERS	PART NO.	SIZE	DESCRIPTION
1	Repair Sleeve	SL-14M		Std Only 3/32" wall, must be cut to correct length
QTY	PISTONS	PART NO.	SIZE	DESCRIPTION
8	Pin Bushing	1904V		Split type bushing
<i>Industrial Applications 8, 8A, 8-213, 8-231 Engs. 9</i> 4.1L 251 L-HEAD L6 (Chrysler), 3.4375" Bore				
CYL. HEAD & PARTS				
QTY	VALVE	PART NO.	SIZE	DESCRIPTION
24	Keeper	VK-66		2 groove
24	Keeper	VK-66R		2 groove; Hardened
QTY	VALVE GUIDE	PART NO.	SIZE	DESCRIPTION
6	Guide	VG-419		Exh.; Install taper end down; .3445" ID, 2.8130" O.A.L.
6	Guide	VG-420		Int.; Install taper end up; .3425" ID, 2.8130" O.A.L.

(continued on next page)

Chrysler Indust. - Also See Dodge Truck

9 Industrial Applications 8, 8A, 8-213, 8-231 Engs. (cont.) 4.1L 251 L-HEAD L6 (Chrysler), 3.4375" Bore

CYL. HEAD & PARTS (cont.)				
QTY	VALVE SEAL	PART NO.	SIZE	DESCRIPTION
6	Valve Stem Seal	MV-1771C		Int.; Umbrella type; Polyacrylate
6	Valve Stem Seal Bulk	MV-1771		Int.; Umbrella type; Carton of 100; Polyacrylate
ENGINE BLOCK & PARTS				
QTY	CAM BEARINGS	PART NO.	SIZE	DESCRIPTION
1	Cam Set	1011M	Std Only	
CRANKSHAFT/OIL PUMP				
QTY	CRANKSHAFT	PART NO.	SIZE	DESCRIPTION
1	Harmonic Balancer Sleeve	88218		
QTY	SEALS - FRONT CRANK	PART NO.	SIZE	DESCRIPTION
1	Redi-Sleeve	99218		
1	Oil Seal	6636S		
QTY	MAIN BEARINGS	PART NO.	SIZE	DESCRIPTION
1	Main Set	485M	Std-10-20-30-40	
QTY	OIL PUMP	PART NO.	SIZE	DESCRIPTION
1	Oil Pump	224-4160		IND32 Engs.; Rotor type
CYLINDER COMPONENTS				
QTY	PISTONS	PART NO.	SIZE	DESCRIPTION
6	Cast Piston	32NP	Std-20-30-40-60	Cast; 2-3/32", 2-5/32" Ring Groove, 1.977" CD, .8591" Pin Dia., Flat Head - 6.9:1 C.R.
6	Cast Piston - Individual	W32NP	Std-20-30-40-60	Cast; 2-3/32", 2-5/32" Ring Groove, 1.977" CD, .8591" Pin Dia., Flat Head - 6.9:1 C.R.
6	Pin Bushing	8649XAS		Full round, thin wall .0055" O/S OD bushing
6	Pin Bushing	8649XA		Full round, thin wall bushing w/.9150" OD
6	Pin Bushing	8649V		Split type, thin wall bushing w/.9135" OD
6	Pin Bushing	8649V20		Split type, thin wall bushing w/.9135" OD & .020" extra bore stock
QTY	CONNECTING RODS & BRGS.	PART NO.	SIZE	DESCRIPTION
6	Rod Pair	9560CPA	Std-10-20-30-40-50	
QTY	PISTON RINGS	PART NO.	SIZE	DESCRIPTION
1	Standard Set	E-107X	Std-30-40	2-3/32, 2-5/32

10 Industrial Applications H-908A, 16, 16A, 32, 33 Engs. 4.3L 265 L-HEAD L6 (Chrysler), 3.4375" Bore

CYL. HEAD & PARTS				
QTY	VALVE	PART NO.	SIZE	DESCRIPTION
6	Intake	V-1005	Std Only	1.7180" Head Dia., .3410" Stem Dia., 4.8450" O.A.L.
24	Keeper	VK-63		2 groove; Round key groove
QTY	VALVE GUIDE	PART NO.	SIZE	DESCRIPTION
6	Guide	VG-419		Exh.; Install taper end down; .3445" ID, 2.8130" O.A.L.
6	Guide	VG-420		Int.; Install taper end up; .3425" ID, 2.8130" O.A.L.
ENGINE BLOCK & PARTS				
QTY	CAM BEARINGS	PART NO.	SIZE	DESCRIPTION
1	Cam Set	1011M	Std Only	
CRANKSHAFT/OIL PUMP				
QTY	CRANKSHAFT	PART NO.	SIZE	DESCRIPTION
1	Harmonic Balancer Sleeve	88218		
QTY	SEALS - FRONT CRANK	PART NO.	SIZE	DESCRIPTION
1	Redi-Sleeve	99218		
1	Oil Seal	6636S		
QTY	MAIN BEARINGS	PART NO.	SIZE	DESCRIPTION
1	Main Set	485M	Std-10-20-30-40	
CYLINDER COMPONENTS				
QTY	PISTONS	PART NO.	SIZE	DESCRIPTION
6	Cast Piston	32NP	Std-20-30-40-60	Cast; 2-3/32", 2-5/32" Ring Groove, 1.977" CD, .8591" Pin Dia., Flat Head - 6.9:1 C.R.
6	Cast Piston - Individual	W32NP	Std-20-30-40-60	Cast; 2-3/32", 2-5/32" Ring Groove, 1.977" CD, .8591" Pin Dia., Flat Head - 6.9:1 C.R.
6	Pin Bushing	8649XAS		Full round, thin wall .0055" O/S OD bushing

(continued on next page)

Chrysler Indust. - Also See Dodge Truck

<i>Industrial Applications H-908A, 16, 16A, 32, 33 Engs. 10</i> 4.3L 265 L-HEAD L6 (Chrysler), 3.4375" Bore (cont.)				
CYLINDER COMPONENTS (cont.)				
QTY	PISTONS (cont.)	PART NO.	SIZE	DESCRIPTION
6	Pin Bushing	8649XA		Full round, thin wall bushing w/.9150" OD
6	Pin Bushing	8649V		Split type, thin wall bushing w/.9135" OD
6	Pin Bushing	8649V20		Split type, thin wall bushing w/.9135" OD & .020" extra bore stock
QTY	CONNECTING RODS & BRGS.	PART NO.	SIZE	DESCRIPTION
6	Rod Pair	9560CPA	Std-10-20-30-40-50	
QTY	PISTON RINGS	PART NO.	SIZE	DESCRIPTION
1	Standard Set	E-107X	Std-30-40	2-3/32, 2-5/32
<i>Industrial Applications 52 Eng. 11</i> 4.4L 270 OHV V8 (Dodge/Plymouth), 3.625" Bore				
CYL. HEAD & PARTS				
QTY	VALVE	PART NO.	SIZE	DESCRIPTION
16	Keeper	VK-66		Exh.; IND52 Engs.; 2 groove
16	Keeper	VK-66R		Exh.; IND52 Engs.; 2 groove; Hardened
16	Keeper	VK-174		Int.; IND52 Engs.; 4 groove
16	Keeper	VK-174R		Int.; IND52 Engs.; 4 groove; Hardened
QTY	VALVE GUIDE	PART NO.	SIZE	DESCRIPTION
16	Guide	VG-5062		IND52 Engs.; .3735" ID, 2.3800" O.A.L.
QTY	VALVE SPRING	PART NO.	SIZE	DESCRIPTION
8	Spring	VS-1435		Int.; IND52 Engs.; 1.9650" Free Height
8	Spring, Bulk	VS-1435B		Int.; IND52 Engs.; Carton of 250; 1.9650" Free Height
QTY	VALVE SEAL	PART NO.	SIZE	DESCRIPTION
16	Valve Stem Seal	ST-2002		IND52 Engs.; Installation requires valve guide machining; Polyacrylate
8	Valve Stem Seal	MV-1771C		Int.; IND52 Engs.; Umbrella type; Polyacrylate
16	Valve Stem Seal Bulk	ST-2002BC		IND52 Engs.; Positive type; Installation requires valve guide machining; Carton of 100; Polyacrylate
8	Valve Stem Seal Bulk	MV-1771		Int.; IND52 Engs.; Umbrella type; Carton of 100; Polyacrylate
CAMSHAFT GROUP				
QTY	TIMING	PART NO.	SIZE	DESCRIPTION
1	Timing Chain	222-348		Silent type; 68 Links
1	Crank Sprocket	223-274		Use w/silent type chain; .750" wide sprocket; 23 Teeth
QTY	CAMSHAFT/LIFTER	PART NO.	SIZE	DESCRIPTION
16	Lifter	HT-812	Std Only	Hyd.; 1.830" - 1.860" Length
16	Lifter, Bulk	HT-812B	Std Only	Hyd.; Carton of 117; 1.830" - 1.860" Length
CYLINDER COMPONENTS				
QTY	LINERS	PART NO.	SIZE	DESCRIPTION
1	Repair Sleeve	SL-17M	Std Only	3/32" wall, must be cut to correct length & notched
QTY	PISTONS	PART NO.	SIZE	DESCRIPTION
8	Pin Bushing	1904V		Split type bushing
QTY	PISTON RINGS	PART NO.	SIZE	DESCRIPTION
1	Premium Set	E-239K	Std-30-60	2-5/64, 1-3/16
1	Standard Set	E-239X	Std-30-40	2-5/64, 1-3/16
8	Standard Single Cylinder Set	WE-239X	Std-30	2-5/64, 1-3/16
<i>Industrial Applications 19, 19A Engs. 12</i> 4.5L 276 OHV V8 (DeSoto), 3.625" Bore				
CYL. HEAD & PARTS				
QTY	VALVE	PART NO.	SIZE	DESCRIPTION
32	Keeper	VK-66		2 groove
32	Keeper	VK-66R		2 groove; Hardened
QTY	VALVE SEAL	PART NO.	SIZE	DESCRIPTION
16	Valve Stem Seal	MV-1233C		O-Ring; Rubber
16	Valve Stem Seal Bulk	MV-1233		O-Ring; Carton of 100; Rubber
CAMSHAFT GROUP				
QTY	TIMING	PART NO.	SIZE	DESCRIPTION
1	Timing Chain	222-348		IND 19A Engs.; Silent type; 68 Links

(continued on next page)

Chrysler Indust. - Also See Dodge Truck

12 Industrial Applications 19, 19A Engs. (cont.) 4.5L 276 OHV V8 (DeSoto), 3.625" Bore				
CAMSHAFT GROUP (cont.)				
QTY	TIMING (cont.)	PART NO.	SIZE	DESCRIPTION
1	Crank Sprocket	223-274		IND 19A Engs.; Use w/silent type chain; .750" wide sprocket; 23 Teeth
QTY	CAMSHAFT/LIFTER	PART NO.	SIZE	DESCRIPTION
16	Lifter	HT-812 Std Only		Hyd.; 1.830" - 1.860" Length
16	Lifter, Bulk	HT-812B Std Only		Hyd.; Carton of 117; 1.830" - 1.860" Length
CYLINDER COMPONENTS				
QTY	LINERS	PART NO.	SIZE	DESCRIPTION
1	Repair Sleeve	SL-17M Std Only		3/32" wall, must be cut to correct length & notched
QTY	PISTON RINGS	PART NO.	SIZE	DESCRIPTION
1	Premium Set	E-239K Std-30-60		2-5/64, 1-3/16
1	Standard Set	E-239X Std-30-40		2-5/64, 1-3/16
8	Standard Single Cylinder Set	WE-239X Std-30		2-5/64, 1-3/16
13 Industrial Applications 313 Eng. 5.1L 313 OHV V8 (Plymouth), 3.875" Bore				
ENGINE BLOCK & PARTS				
QTY	CAM BEARINGS	PART NO.	SIZE	DESCRIPTION
1	Cam Set	1484M Std Only		
1	Cam Set	1451M Std Only		.760" length ctr. brg.
CRANKSHAFT/OIL PUMP				
QTY	MAIN BEARINGS	PART NO.	SIZE	DESCRIPTION
1	Main Set	4923MA Std-1-10-20-30-40-50-60		A-Series aluminum bearings
CYLINDER COMPONENTS				
QTY	CONNECTING RODS & BRGS.	PART NO.	SIZE	DESCRIPTION
1	Rod Set	8-2130CP10X2 10X2-20X2		Use in .002" O/S Rod Bore
1	Rod Set	8-2130CP Std-1-10-20-30-40-50		8-2130CA 60 avail. as unplated & resizeable
1	Rod Set	8-2130CA60 60		Unplated & resizeable
8	Rod Pair	2130CP Std-1-2-10-20-30-40-50		
14 Industrial Applications H-318, HA-318, HB-318, HC-318, HT-318, LH-318, LT-318 Engs. 5.2L 318 OHV V8, 3.9063" Bore				
CYL. HEAD & PARTS				
QTY	VALVE	PART NO.	SIZE	DESCRIPTION
8	Intake	V-1344 Std Only		H-318 & HT-318 Engs.; 2 groove; 1.8440" Head Dia., .3725" Stem Dia., 4.6000" O.A.L.
8	Intake	V-1722 Std-5-15		LH-318 & LT-318 Engs.; 2 groove; 1.7800" Head Dia., .3725" Stem Dia., 4.9790" O.A.L.
8	Exhaust	V-1343 Std Only		H-318 & HT-318 Engs.; 4 groove; 1.5630" Head Dia., .3715" Stem Dia., 4.5390" O.A.L.
8	Exhaust	V-1389 Std Only		HT-318 Engs.; 2 groove; 1.5630" Head Dia., .3715" Stem Dia., 4.5390" O.A.L.
8	Exhaust	V-2029 Std-5-15		LH-318 & LT-318 Engs.; 4 groove; Chrome plated stem; 1.5000" Head Dia., .3715" Stem Dia., 5.0020" O.A.L.
8	Exhaust, Bulk	V-2029B15 15		LH-318 & LT-318 Engs.; 4 groove; Chrome plated stem; Carton of 25; 1.5000" Head Dia., .3914" Stem Dia., 5.0020" O.A.L.
16	Keeper	VK-138		1 groove; Square cut key groove
16	Keeper	VK-138R		1 groove; Square cut key groove; Hardened
16	Keeper	VK-66		2 groove
16	Keeper	VK-66R		2 groove; Hardened
16	Keeper	VK-174		4 groove
16	Keeper	VK-174R		4 groove; Hardened
16	Keeper, Bulk	VK-138B		1 groove; Square cut key groove; Carton of 1000
QTY	VALVE SEAT	PART NO.	SIZE	DESCRIPTION
8	Exh.	245-1687-2N Std Only		Use w/V-1343; Premium Material; 1.6925" OD, 1.4375" ID, .2160" Depth
8	Exh.	245-1687-2 Std Only		Use w/V-1343; 1.6925" OD, 1.4375" ID, .2160" Depth
8	Int.	245-1937-1 Std Only		Use w/V-1344; 1.9425" OD, 1.6875" ID, .2480" Depth

(continued on next page)

Chrysler Indust. - Also See Dodge Truck

Industrial Applications H-318, HA-318, HB-318, HC-318, HT-318, LH-318, LT-318 Engs. 14
5.2L 318 OHV V8, 3.9063" Bore (cont.)

CYL. HEAD & PARTS (cont.)

QTY	VALVE GUIDE	PART NO.	SIZE	DESCRIPTION
8	Guide	VG-5062		Exh.; .3735" ID, 2.3800" O.A.L.
8	Guide	VG-5033		Int.; .3735" ID, 2.6200" O.A.L.
QTY	VALVE SPRING	PART NO.	SIZE	DESCRIPTION
8	Spring	VS-680		Exh.; HT-318 Engs.; 1.8800" Free Height
16	Spring	VS-1435		Exh. & Int.; H-318 Engs.; 1.9650" Free Height
16	Spring	VS-680		Exh. & Int.; 5 3/4 coils - R.H.; LH-318 & LT-318 Engs.; 1.8800" Free Height
16	Spring	VS-1435		Exh. & Int.; 6 1/4 coils - L.H.; LH-318 & LT-318 Engs.; 1.9650" Free Height
16	Spring	VS-510		Exh. & Int.; 6 1/4 coils - L.H.; LH-318 & LT-318 Engs.; 2.0000" Free Height
8	Spring	VS-1435		Int.; HT-318 Engs.; 1.9650" Free Height
16	Spring, Bulk	VS-1435B		Exh. & Int.; H-318 Engs.; Carton of 250; 1.9650" Free Height
16	Spring, Bulk	VS-1435B		Exh. & Int.; 6 1/4 coils - L.H.; LH-318 & LT-318 Engs.; Carton of 250; 1.9650" Free Height
8	Spring, Bulk	VS-1435B		Int.; HT-318 Engs.; Carton of 250; 1.9650" Free Height
QTY	PUSH RODS	PART NO.	SIZE	DESCRIPTION
16	Push Rod	RP-3030		H-318, HT-318 Engs. w/Mech. lifters; Ball & cup type ends; .360" dia. ball at one end; 8.7350" O.A.L.
16	Push Rod	RP-3194		LH-318 & LT-318 Engs.; .312" dia. ball at both ends; 7.5000" O.A.L.
16	Push Rod, Bulk	BRP-3194		LH-318 Engs.; LT-318 Engs.; .312" dia. ball at both ends; Carton of 100; 7.5000" O.A.L.
QTY	VALVE SEAL	PART NO.	SIZE	DESCRIPTION
8	Valve Stem Seal	ST-2048		Int.; OEM Style; Positive type; Viton®
8	Valve Stem Seal	MV-1918		Exh.; Umbrella type; Viton®
8	Valve Stem Seal	MV-1771C		Int.; Umbrella type; Polyacrylate
8	Valve Stem Seal Bulk	MV-1771		Int.; Umbrella type; Carton of 100; Polyacrylate
QTY	ROCKER PARTS	PART NO.	SIZE	DESCRIPTION
8	Arm	R-861		L.H.; LH-318 & LT-318 Engs.
8	Arm	R-862		R.H.; LH-318 & LT-318 Engs.
8	Arm, Bulk	R-861B		L.H.; LH-318 & LT-318 Engs.; Carton of 64
8	Arm, Bulk	R-862B		R.H.; LH-318 & LT-318 Engs.; Carton of 64
CAMSHAFT GROUP				
QTY	TIMING	PART NO.	SIZE	DESCRIPTION
1	3 Piece Set	KT3-361S		LH-318 Engs.; Incl. silent type chain; Incl. (1) 222-361, (1) 223-358, (1) 223-359
1	Timing Chain	222-348		H-318 Engs.; Silent type; 68 Links
1	Timing Chain	222-160		HT-318 Engs.; Double rlr.; 68 Links
1	Timing Chain	222-361		LH-318 Engs.; Silent type; 68 Links
1	Crank Sprocket	223-274		H-318 Engs.; Use w/silent type chain; .750" wide sprocket; 23 Teeth
1	Crank Sprocket	223-297		HT-318 Engs.; Double row; 23 Teeth
1	Crank Sprocket	223-359		LH-318 Engs.; Use w/silent type chain; .405" tooth width sprocket; 23 Teeth
1	Cam Sprocket	223-358		LH-318 Engs.; Use w/silent type chain; 46 Teeth
QTY	CAMSHAFT/LIFTER	PART NO.	SIZE	DESCRIPTION
1	Camshaft	CS-645		LH-318 & LT-318 Engs.; Hyd.
16	Lifter	AT-2084	Std Only	H-318 & HT-318 Engs.; Dumbbell shaped mech.
16	Lifter	HT-879	Std Only	H-318 & HT-318 Engs.; Hyd.
16	Lifter	HT-2011	Std Only	LH-318 & LT-318 Engs.; Hyd.
16	Lifter, Bulk	AT-2084B	Std Only	H-318 & HT-318 Engs.; Dumbbell shaped mech.; Carton of 117
16	Lifter, Bulk	HT-2011B	Std Only	LH-318 & LT-318 Engs.; Hyd.; Carton of 117
1	Prelube	55-400		4 oz. bottle; 1.5 oz. packet No. 55-403 also avail.
QTY	CAMSHAFT KIT	PART NO.	SIZE	DESCRIPTION
1	Cam/Lifter Kit	KC-645		LH-318 & LT-318 Engs.; Hyd.; Incl. (1) CS-645, (16) HT-2011, (1) 55-403B
ENGINE BLOCK & PARTS				
QTY	GASKET SETS	PART NO.	SIZE	DESCRIPTION
1	Kit Gasket Set	260-1154		W/2 Bbl. Carb.; Premium valve stem seals incl.
1	Kit Gasket Set	260-1121		W/4 Bbl. Carb.; Premium valve stem seals incl.
QTY	CAM BEARINGS	PART NO.	SIZE	DESCRIPTION
1	Cam Set	1484M	Std Only	
1	Cam Set	1451M	Std Only	.760" length ctr. brg.

(continued on next page)

Chrysler Indust. - Also See Dodge Truck

14 Industrial Applications H-318, HA-318, HB-318, HC-318, HT-318, LH-318, LT-318 Engs. (cont.) 5.2L 318 OHV V8, 3.9063" Bore

CRANKSHAFT/OIL PUMP				
QTY	CRANKSHAFT	PART NO.	SIZE	DESCRIPTION
1	Harmonic Balancer Sleeve	88218		
QTY	SEALS - FRONT CRANK	PART NO.	SIZE	DESCRIPTION
1	Redi-Sleeve	99218		
1	Oil Seal	3103		
QTY	SEALS - REAR CRANK	PART NO.	SIZE	DESCRIPTION
1	Oil Seal Kit	5414		
QTY	MAIN BEARINGS	PART NO.	SIZE	DESCRIPTION
1	Main Set	7381MA10X20	10X20	A-Series aluminum bearings; Use in .020" O/S OD
1	Main Set	5095MA	Std-10-20-30	A-Series aluminum bearings; 3.530" max. flange OD; Pos. 1 bearing full grooved
1	Main Set	5024MA	Std-1-10-20-30	A-Series aluminum bearings; 3.530" max. flange OD; Pos. 1 upper brg. grooved
QTY	OIL PUMP	PART NO.	SIZE	DESCRIPTION
1	Oil Pump	224-4166		
CYLINDER COMPONENTS				
QTY	PISTONS	PART NO.	SIZE	DESCRIPTION
8	Powerforged	L-2329F30	30	LH-318 Engs.; To Ser. No. E-169358.; Repl. O.E. No. 3004509; Powerforged; 2-5/64", 1-3/16" Ring Groove, 1.759" CD, .9842" Pin Dia., Flat Head w/4 valve reliefs. DUROSHIELD® skirt coated piston.
8	Forged Piston - Individual	WL-2329F30	30	LH-318 Engs.; To Ser. No. E-169358.; Repl. O.E. No. 3004509; Powerforged; 2-5/64", 1-3/16" Ring Groove, 1.759" CD, .9842" Pin Dia., Flat Head w/4 valve reliefs. DUROSHIELD® skirt coated piston.
8	Pin Bushing	2134Y		
8	Pin Bushing	2134Y20		w/.020" extra bore stock
QTY	CONNECTING RODS & BRGS.	PART NO.	SIZE	DESCRIPTION
1	Rod Set	8-2130CP10X2	10X2-20X2	Use in .002" O/S Rod Bore
1	Rod Set	8-2130CP	Std-1-10-20-30-40-50	8-2130CA 60 avail. as unplated & resizeable
1	Rod Set	8-2130CA60	60	Unplated & resizeable
8	Rod Pair	2130CP	Std-1-2-10-20-30-40-50	
QTY	PISTON RINGS	PART NO.	SIZE	DESCRIPTION
1	Premium Set	E-178K	Std-20-30-40-60	2-5/64, 1-3/16
1	Standard Set	E-178X	Std-20-30-40-60	2-5/64, 1-3/16
8	Premium Single Cylinder Set	WE-178K	Std-20-30-40-60	2-5/64, 1-3/16
8	Standard Single Cylinder Set	WE-178X	Std-20-30-40-60	2-5/64, 1-3/16

15 Industrial Applications 20, 20A, 24, 24A, 56 Engs. 5.4L 331 OHV V8 (Chrysler), 3.8125" Bore

CYL. HEAD & PARTS				
QTY	VALVE	PART NO.	SIZE	DESCRIPTION
32	Keeper	VK-66		2 groove
32	Keeper	VK-66R		2 groove; Hardened
QTY	VALVE SEAL	PART NO.	SIZE	DESCRIPTION
8	Valve Stem Seal	MV-1771C		Int.; IND20 Engs.; Umbrella type; Polyacrylate
8	Valve Stem Seal	MV-1233C		Int.; IND20A Engs.; O-Ring; Rubber
8	Valve Stem Seal Bulk	MV-1771		Int.; IND20 Engs.; Umbrella type; Carton of 100; Polyacrylate
8	Valve Stem Seal Bulk	MV-1233		Int.; IND20A Engs.; O-Ring; Carton of 100; Rubber
CAMSHAFT GROUP				
QTY	TIMING	PART NO.	SIZE	DESCRIPTION
1	Timing Chain	222-348		IND 24A & IND 56 Engs.; Silent type; 68 Links
1	Crank Sprocket	223-274		IND 24A & IND 56 Engs.; Use w/silent type chain; .750" wide sprocket; 23 Teeth
QTY	CAMSHAFT/LIFTER	PART NO.	SIZE	DESCRIPTION
16	Lifter	HT-812	Std Only	IND 24, IND 24A & IND 56 Engs.; Hyd.; 1.830" - 1.860" Length

(continued on next page)

Chrysler Indust. - Also See Dodge Truck

<i>Industrial Applications 20, 20A, 24, 24A, 56 Eng. 15</i> 5.4L 331 OHV V8 (Chrysler), 3.8125" Bore (cont.)				
CAMSHAFT GROUP (cont.)				
QTY	CAMSHAFT/LIFTER (cont.)	PART NO.	SIZE	DESCRIPTION
16	Lifter, Bulk	HT-812B	Std Only	IND 24, IND 24A & IND 56 Eng.; Hyd.; Carton of 117; 1.830" - 1.860" Length
ENGINE BLOCK & PARTS				
QTY	CAM BEARINGS	PART NO.	SIZE	DESCRIPTION
1	Cam Set	1149M	Std Only	
CRANKSHAFT/OIL PUMP				
QTY	MAIN BEARINGS	PART NO.	SIZE	DESCRIPTION
1	Main Set	916M	Std-10	
CYLINDER COMPONENTS				
QTY	LINERS	PART NO.	SIZE	DESCRIPTION
1	Repair Sleeve	SL-93M	Std Only	3/32" wall, must be cut to correct length
QTY	PISTONS	PART NO.	SIZE	DESCRIPTION
8	Pin Bushing	1804V		
QTY	CONNECTING RODS & BRGS.	PART NO.	SIZE	DESCRIPTION
8	Rod Pair	1800CP	Std-10	
<i>Industrial Applications 56A Eng. 16</i> 5.8L 354 OHV V8 (Chrysler), 3.9375" Bore				
CAMSHAFT GROUP				
QTY	TIMING	PART NO.	SIZE	DESCRIPTION
1	Timing Chain	222-348		Silent type; 68 Links
1	Crank Sprocket	223-274		Use w/silent type chain; .750" wide sprocket; 23 Teeth
1	Cam Sprocket	223-273		46 Teeth
QTY	CAMSHAFT/LIFTER	PART NO.	SIZE	DESCRIPTION
16	Lifter	HT-812	Std Only	Hyd.; 1.830" - 1.860" Length
16	Lifter, Bulk	HT-812B	Std Only	Hyd.; Carton of 117; 1.830" - 1.860" Length
ENGINE BLOCK & PARTS				
QTY	CAM BEARINGS	PART NO.	SIZE	DESCRIPTION
1	Cam Set	1149M	Std Only	
CRANKSHAFT/OIL PUMP				
QTY	MAIN BEARINGS	PART NO.	SIZE	DESCRIPTION
1	Main Set	916M	Std-10	
CYLINDER COMPONENTS				
QTY	PISTONS	PART NO.	SIZE	DESCRIPTION
8	Pin Bushing	1804V		
QTY	CONNECTING RODS & BRGS.	PART NO.	SIZE	DESCRIPTION
8	Rod Pair	1800CP	Std-10	
QTY	PISTON RINGS	PART NO.	SIZE	DESCRIPTION
1	Standard Set	E-252X	Std-30	2-5/64, 1-3/16
<i>Industrial Applications H-361, HB-361, HC-361, HT-361 Eng. 17</i> 5.9L 361 OHV V8, 4.125" Bore				
CYL. HEAD & PARTS				
QTY	VALVE	PART NO.	SIZE	DESCRIPTION
8	Intake	V-1386	Std Only	H-361 Eng.; 2.0800" Head Dia., .3725" Stem Dia., 4.8685" O.A.L.
8	Intake	V-1438	Std Only	HT-361 & HB-361 Eng.; 1.8800" Head Dia., .3725" Stem Dia., 5.6680" O.A.L.
8	Exhaust	V-1339	Std Only	H-361 Eng.; 1.5980" Head Dia., .3715" Stem Dia., 4.8900" O.A.L.
32	Keeper	VK-66		2 groove
32	Keeper	VK-66R		2 groove; Hardened
32	Keeper	VK-174		4 groove
32	Keeper	VK-174R		4 groove; Hardened
QTY	VALVE GUIDE	PART NO.	SIZE	DESCRIPTION
8	Guide	VG-549		Exh.; HB-361 & HT-361 Eng.; .4385" ID, 3.0900" O.A.L.

(continued on next page)

Chrysler Indust. - Also See Dodge Truck

17 Industrial Applications H-361, HB-361, HC-361, HT-361 Eng.

(cont.) 5.9L 361 OHV V8, 4.125" Bore

CYL. HEAD & PARTS (cont.)				
QTY	VALVE GUIDE (cont.)	PART NO.	SIZE	DESCRIPTION
16	Guide	VG-5062		Exh. & Int.; H-361 Eng.; .3735" ID, 2.3800" O.A.L.
8	Spring	VS-700		Exh.; HB-361 & HT-361 Eng.; Single spring, will replace orig. inner & outer.; 2.1300" Free Height
16	Spring	VS-673		Exh. & Int.; H-361 Eng.; 2.5800" Free Height
8	Spring	VS-673		Int.; HB-361 & HT-361 Eng.; 2.5800" Free Height
16	PUSH RODS	PART NO.	SIZE	DESCRIPTION
16	Push Rod	RP-3192		HT-361 & HB-361; From 1968 D-Series; w/chain drive; 10.2650" O.A.L.
16	VALVE SEAL	PART NO.	SIZE	DESCRIPTION
16	Valve Stem Seal	ST-2014		Exh. & Int.; H-361 Eng.; Use w/repair guide; Positive type; Installation requires valve guide machining; PTFE
16	Valve Stem Seal	ST-2002		Exh. & Int.; H-361 Eng.; Use w/O.E. guide; Installation requires valve guide machining; Polyacrylate
16	Valve Stem Seal	MV-1707C		Exh. & Int.; H-361 Eng.; Umbrella type; Nitrile
16	Valve Stem Seal Bulk	MV-1707		Exh. & Int.; H-361 Eng.; Umbrella type; Carton of 100; Nitrile
16	Valve Stem Seal Bulk	ST-2014BC		Exh. & Int.; H-361 Eng.; Use w/repair guide; Positive type; Installation requires valve guide machining; Carton of 100; PTFE
16	Valve Stem Seal Bulk	ST-2002BC		Exh. & Int.; H-361, Eng.; Use w/O.E. guide; Positive type; Installation requires valve guide machining; Carton of 100; Polyacrylate
8	Valve Stem Seal Bulk	MV-1707		Int.; HT-361 & HB-361 Eng.; Umbrella type; Carton of 100; Nitrile
8	ROCKER PARTS	PART NO.	SIZE	DESCRIPTION
8	Arm	R-829		L.H.; HT-361 & HB-361 Eng.
8	Arm	R-828		R.H.; HT-361 & HB-361 Eng.
2	Rocker Shaft	RS-612		HT-361 & HB-361 Eng.
CAMSHAFT GROUP				
1	TIMING	PART NO.	SIZE	DESCRIPTION
1	3 Piece Set	KT3-495S		H-361 Eng.; Incl. silent type chain; Incl. (1) 222-495, (1) 223-290, (1) 223-291
1	Timing Chain	222-495		H-361 Eng.; Silent type; 50 Links
1	Crank Sprocket	223-291		H-361 Eng.; Use w/silent type chain; 19 Teeth
1	Cam Sprocket	223-290		H-361 Eng.; Use w/silent type chain; 38 Teeth
1	CAMSHAFT/LIFTER	PART NO.	SIZE	DESCRIPTION
1	Camshaft	CS-327		Exc. Hemi Eng.
16	Lifter	HT-812 Std Only		Hyd.; 1.830" - 1.860" Length
16	Lifter, Bulk	HT-812B Std Only		Hyd.; Carton of 117; 1.830" - 1.860" Length
1	Prelube	55-400		4 oz. bottle; 1.5 oz. packet No. 55-403 also avail.
1	CAMSHAFT KIT	PART NO.	SIZE	DESCRIPTION
1	Cam/Lifter Kit	KC-327A		HB-361 Eng.; Hyd.; Incl. (1) CS-327, (16) HT-812, (1) 55-403B
ENGINE BLOCK & PARTS				
1	CAM BEARINGS	PART NO.	SIZE	DESCRIPTION
1	Cam Set	1453M Std Only		Babbitt material; Full round design
CRANKSHAFT/OIL PUMP				
1	CRANKSHAFT	PART NO.	SIZE	DESCRIPTION
1	Harmonic Balancer Sleeve	88218		
1	SEALS - FRONT CRANK	PART NO.	SIZE	DESCRIPTION
1	Redi-Sleeve	99218		
1	Oil Seal	3103		
1	SEALS - REAR CRANK	PART NO.	SIZE	DESCRIPTION
1	Oil Seal Kit	5414		
1	MAIN BEARINGS	PART NO.	SIZE	DESCRIPTION
1	Main Set	4094M Std-10-20-30-40-60		3.453" max. flange OD
1	OIL PUMP	PART NO.	SIZE	DESCRIPTION
1	Oil Pump	224-4174		Use original cover plate on Eng. w/canister oil filter
CYLINDER COMPONENTS				
8	PISTONS	PART NO.	SIZE	DESCRIPTION
8	Cast Piston	H251P Std-20-30-40-60		HT-361 Eng.; Hypereutectic; 2-3/32", 1-3/16" Ring Groove, 1.880" CD, 1.0939" Pin Dia., Recessed Head .130" deep x 2.960" dia. - 7.5:1 C.R.

(continued on next page)

Chrysler Indust. - Also See Dodge Truck

Industrial Applications H-361, HB-361, HC-361, HT-361 Eng. **17**
5.9L 361 OHV V8, 4.125" Bore (cont.)

CYLINDER COMPONENTS (cont.)

QTY	PISTONS (cont.)	PART NO.	SIZE	DESCRIPTION
8	Cast Piston - Individual	WH251P Std-20-30-40-60		HT-361 Eng.; Hypereutectic; 2-3/32", 1-3/16" Ring Groove, 1.880" CD, 1.0939" Pin Dia., Recessed Head .130" deep x 2.960" dia. - 7.5:1 C.R.
QTY	CONNECTING RODS & BRGS.	PART NO.	SIZE	DESCRIPTION
1	Rod Set	8-2320CP Std-10-20-30-40-50		8-2320CA 60 avail. as unplated & resizeable
1	Rod Set	8-2320CA60 60		Unplated & resizeable
8	Rod Pair	2320CP Std-1-10-20-30-40-50		
QTY	PISTON RINGS	PART NO.	SIZE	DESCRIPTION
1	Premium Set	E-273K Std-20-30-40-60		2-3/32, 1-3/16
1	Premium Set	E-243K Std-20-30-40-60		2-5/64, 1-3/16
1	Standard Set	E-422X30 30		2-3/32, 1-3/16
1	Standard Set	E-243X Std-20-30-40-60		2-5/64, 1-3/16
8	Premium Single Cylinder Set	WE-273K Std-20-30-40-60		2-3/32, 1-3/16
8	Premium Single Cylinder Set	WE-243K Std-20-30-40-60		2-5/64, 1-3/16
8	Standard Single Cylinder Set	WE-243X Std-20-30-40-60		2-5/64, 1-3/16

Industrial Applications H-383, HA-383, HB-383 Eng. **18**
6.3L 383 OHV V8, 4.25" Bore

CYL. HEAD & PARTS

QTY	VALVE	PART NO.	SIZE	DESCRIPTION
8	Intake	V-1386 Std Only		2.0800" Head Dia., .3725" Stem Dia., 4.8685" O.A.L.
8	Exhaust	V-1339 Std Only		H-383 Eng.; 1.5980" Head Dia., .3715" Stem Dia., 4.8900" O.A.L.
32	Keeper	VK-66		2 groove
32	Keeper	VK-66R		2 groove; Hardened
32	Keeper	VK-174		4 groove
32	Keeper	VK-174R		4 groove; Hardened
QTY	VALVE GUIDE	PART NO.	SIZE	DESCRIPTION
16	Guide	VG-5062		H-383 Eng.; .3735" ID, 2.3800" O.A.L.
QTY	VALVE SPRING	PART NO.	SIZE	DESCRIPTION
8	Spring	VS-700		Exh.; HB-383 Eng.; 2.1300" Free Height
16	Spring	VS-673		Exh. & Int.; H-383 Eng.; 2.5800" Free Height
8	Spring	VS-673		Int.; HB-383 Eng.; 2.5800" Free Height
QTY	PUSH RODS	PART NO.	SIZE	DESCRIPTION
16	Push Rod	RP-3191		HB-383 Eng.; 8.5750" O.A.L.
QTY	VALVE MISC.	PART NO.	SIZE	DESCRIPTION
8	Rotocap	RC-78S		Exh.; HB-383 Eng.
QTY	VALVE SEAL	PART NO.	SIZE	DESCRIPTION
16	Valve Stem Seal	ST-2014		H-383 Eng.; Use w/repair guide; Positive type; Installation requires valve guide machining; PTFE
16	Valve Stem Seal	ST-2002		H-383 Eng.; Use w/O.E. guide; Installation requires valve guide machining; Polyacrylate
16	Valve Stem Seal	MV-1707C		Umbrella type; Nitrile
16	Valve Stem Seal Bulk	ST-2014BC		H-383 Eng.; Use w/repair guide; Positive type; Installation requires valve guide machining; Carton of 100; PTFE
16	Valve Stem Seal Bulk	ST-2002BC		H-383 Eng.; Use w/O.E. guide; Positive type; Installation requires valve guide machining; Carton of 100; Polyacrylate
16	Valve Stem Seal Bulk	MV-1707		Umbrella type; Carton of 100; Nitrile
QTY	ROCKER PARTS	PART NO.	SIZE	DESCRIPTION
8	Arm	R-829		L.H.; HB-383 Eng.
8	Arm	R-828		R.H.; HB-383 Eng.
2	Rocker Shaft	RS-612		HB-383 Eng.

INT & EXH MANIFOLDS

QTY	INT. & EXH. MANIFOLDS	PART NO.	SIZE	DESCRIPTION
1	Valley Pan Gasket Set	260-4011		

(continued on next page)

Chrysler Indust. - Also See Dodge Truck

18 Industrial Applications H-383, HA-383, HB-383 Engs.

(cont.) 6.3L 383 OHV V8, 4.25" Bore

CAMSHAFT GROUP					
QTY	TIMING	PART NO.	SIZE	DESCRIPTION	
1	3 Piece Set	KT3-501S		HB-383 Engs.; Incl. silent type chain; 223-366 & 223-367 not sold separately; Incl. (1) 222-501, (1) 223-366, (1) 223-367	
1	Timing Chain	222-495		H-383 Engs.; Silent type; 50 Links	
1	Timing Chain	222-501		HB-383 Engs.; Silent type; 50 Links	
1	Crank Sprocket	223-291		H-383 Engs.; Use w/silent type chain; 19 Teeth	
1	Cam Sprocket	223-290		H-383 Engs.; Use w/silent type chain; 38 Teeth	
QTY	CAMSHAFT/LIFTER	PART NO.	SIZE	DESCRIPTION	
1	Camshaft	CS-327			
16	Lifter	HT-812 Std Only		H-383 Engs.; Hyd.; 1.830" - 1.860" Length	
16	Lifter	HT-976 Std Only		HB-383 Engs.; Hyd.	
16	Lifter, Bulk	HT-812B Std Only		H-383 Engs.; Hyd.; Carton of 117; 1.830" - 1.860" Length	
16	Lifter, Bulk	HT-976B Std Only		HB-383 Engs.; Hyd.; Carton of 117	
1	Prelube	55-400		4 oz. bottle; 1.5 oz. packet No. 55-403 also avail.	
QTY	CAMSHAFT KIT	PART NO.	SIZE	DESCRIPTION	
1	Cam/Lifter Kit	KC-327		HB-383 Engs.; Hyd.; Incl. (1) CS-327, (16) HT-976, (1) 55-403B	
ENGINE BLOCK & PARTS					
QTY	GASKET SETS	PART NO.	SIZE	DESCRIPTION	
1	Kit Gasket Set	260-1001		Int. manifold gskt. not incl.; Use valley pan 260-4011; Premium valve stem seals incl.	
QTY	CAM BEARINGS	PART NO.	SIZE	DESCRIPTION	
1	Cam Set	1453M Std Only		Babbitt material; Full round design	
CRANKSHAFT/OIL PUMP					
QTY	CRANKSHAFT	PART NO.	SIZE	DESCRIPTION	
1	Harmonic Balancer Sleeve	88218			
QTY	SEALS - FRONT CRANK	PART NO.	SIZE	DESCRIPTION	
1	Redi-Sleeve	99218			
1	Oil Seal	3103			
QTY	MAIN BEARINGS	PART NO.	SIZE	DESCRIPTION	
1	Main Set	4094M Std-10-20-30-40-60		3.453" max. flange OD	
QTY	OIL PUMP	PART NO.	SIZE	DESCRIPTION	
1	Oil Pump	224-4174		Use original cover plate on Engs. w/canister oil filter	
CYLINDER COMPONENTS					
QTY	PISTONS	PART NO.	SIZE	DESCRIPTION	
8	Cast Piston	366NP Std-20-30-40-60		Replaces both flat head & dish O.E. piston; Cast; 2-5/64", 1-3/16" Ring Groove, 1.848" CD, 1.0939" Pin Dia., Flat Head - 8.4:1 C.R.	
8	Cast Piston - Individual	W366NP Std-20-30-40-60		Replaces both flat head & dish O.E. piston; Cast; 2-5/64", 1-3/16" Ring Groove, 1.848" CD, 1.0939" Pin Dia., Flat Head - 8.4:1 C.R.	
QTY	CONNECTING RODS & BRGS.	PART NO.	SIZE	DESCRIPTION	
1	Rod Set	8-2320CP Std-10-20-30-40-50		8-2320CA 60 avail. as unplated & resizeable	
1	Rod Set	8-2320CA60 60		Unplated & resizeable	
8	Rod Pair	2320CP Std-1-10-20-30-40-50			
QTY	PISTON RINGS	PART NO.	SIZE	DESCRIPTION	
1	Premium Set	E-233K Std-20-30-40-60		2-5/64, 1-3/16	
1	Standard Set	E-233X Std-20-30-40-60		2-5/64, 1-3/16	
8	Premium Single Cylinder Set	WE-233K Std-20-30-40-60		2-5/64, 1-3/16	
8	Standard Single Cylinder Set	WE-233X Std-20-30-40-60		2-5/64, 1-3/16	
KITS					
RE-RING KIT	DESCRIPTION	QTY	PREMIUM KIT NO.	QTY	ECONOMY KIT NO.
	Int. manifold gskt. not incl.; Use valley pan 260-4011; Re-ring Premium valve stem seals incl.	1	205-667		----
	Int. manifold gskt. not incl.; Use valley pan 260-4011; Re-ring Premium valve stem seals incl.		----	1	205-167

(continued on next page)

Chrysler Indust. - Also See Dodge Truck

<i>Industrial Applications H-383, HA-383, HB-383 Eng. 18</i> 6.3L 383 OHV V8, 4.25" Bore (cont.)				
KITS (cont.)				
OVERHAUL KIT	YEARS	DESCRIPTION	QTY	PREMIUM KIT NO.
		Int. manifold gskt. not incl.; Premium valve stem seals incl.; Use original cover plate on Eng. w/canister oil filter; Incl. silent type chain; w/3.453" max. brg. flange OD	Master w/o Pistons	----- 1 MKP-667E MK-667E -----
		Int. manifold gskt. not incl.; Use valley pan 260-4011; HB-383 Eng.; Premium valve stem seals incl.; Use original cover plate on Eng. w/canister oil filter; Incl. silent type chain; w/3.453" max. brg. flange OD	Master Master w/o Pistons	1 1 MKP-667E MK-667E -----
<i>Industrial Applications H-400 Eng. 19</i> 6.6L 400 OHV V8, 4.342" Bore				
CYL. HEAD & PARTS				
QTY	VALVE	PART NO.	SIZE	DESCRIPTION
8	Intake	V-1386	Std Only	2.0800" Head Dia., .3725" Stem Dia., 4.8685" O.A.L.
16	Keeper	VK-138		Exh.; 1 groove; Square cut key groove
16	Keeper	VK-138R		Exh.; 1 groove; Square cut key groove; Hardened
16	Keeper	VK-66		Int.; 2 groove
16	Keeper	VK-66R		Int.; 2 groove; Hardened
16	Keeper, Bulk	VK-138B		Exh.; 1 groove; Square cut key groove; Carton of 1000
QTY	VALVE SPRING	PART NO.	SIZE	DESCRIPTION
8	Spring	VS-700		Exh.; 2.1300" Free Height
8	Spring	VS-673		Int.; 2.5800" Free Height
QTY	PUSH RODS	PART NO.	SIZE	DESCRIPTION
16	Push Rod	RP-3191		8.5750" O.A.L.
QTY	VALVE MISC.	PART NO.	SIZE	DESCRIPTION
8	Rotocap	RC-78S		Exh.
QTY	VALVE SEAL	PART NO.	SIZE	DESCRIPTION
16	Valve Stem Seal	ST-2048		Exh. & Int.; Positive type; Viton®
16	Valve Stem Seal	MV-1707C		Umbrella type; Nitrile
16	Valve Stem Seal Bulk	MV-1707		Umbrella type; Carton of 100; Nitrile
QTY	ROCKER PARTS	PART NO.	SIZE	DESCRIPTION
8	Arm	R-829		L.H.
8	Arm	R-828		R.H.
2	Rocker Shaft	RS-612		
INT & EXH MANIFOLDS				
QTY	INT. & EXH. MANIFOLDS	PART NO.	SIZE	DESCRIPTION
1	Valley Pan Gasket Set	260-4011		
CAMSHAFT GROUP				
QTY	TIMING	PART NO.	SIZE	DESCRIPTION
1	3 Piece Set	KT3-168S		Incl. rlr. type chain; Incl. (1) 222-168, (1) 223-339, (1) 223-380
1	3 Piece Set	KT3-501S		Incl. silent type chain; 223-366 & 223-367 not sold separately; Incl. (1) 222-501, (1) 223-366, (1) 223-367
1	Timing Chain	222-168		Double rlr.; 66 Links
1	Timing Chain	222-501		Silent type; 50 Links
1	Crank Sprocket	223-339		Double row; 25 Teeth
1	Cam Sprocket	223-380		Double row; 50 Teeth
QTY	CAMSHAFT/LIFTER	PART NO.	SIZE	DESCRIPTION
1	Camshaft	CS-327		
16	Lifter	HT-976	Std Only	Hyd.
16	Lifter, Bulk	HT-976B	Std Only	Hyd.; Carton of 117
1	Prelube	55-400		4 oz. bottle; 1.5 oz. packet No. 55-403 also avail.
QTY	CAMSHAFT KIT	PART NO.	SIZE	DESCRIPTION
1	Cam/Lifter Kit	KC-327		Hyd.; Incl. (1) CS-327, (16) HT-976, (1) 55-403B
ENGINE BLOCK & PARTS				
QTY	GASKET SETS	PART NO.	SIZE	DESCRIPTION
1	Kit Gasket Set	260-1001		1972-73; Int. manifold gskt. not incl.; Use valley pan gskt. 260-4011; Premium valve stem seals incl.
1	Kit Gasket Set	260-1043		1974-80; Int. manifold gskt. not incl.; Use valley pan gskt. 260-4011; Premium valve stem seals incl.
QTY	CAM BEARINGS	PART NO.	SIZE	DESCRIPTION
1	Cam Set	1453M	Std Only	Babbitt material; Full round design

(continued on next page)

Chrysler Indust. - Also See Dodge Truck

19 Industrial Applications H-400 Eng.

(cont.) 6.6L 400 OHV V8, 4.342" Bore

CRANKSHAFT/OIL PUMP							
QTY	CRANKSHAFT	PART NO.	SIZE	DESCRIPTION			
1	Harmonic Balancer Sleeve	88218					
QTY	SEALS - FRONT CRANK	PART NO.	SIZE	DESCRIPTION			
1	Redi-Sleeve	99218					
1	Oil Seal	3103					
QTY	MAIN BEARINGS	PART NO.	SIZE	DESCRIPTION			
1	Main Set	4094M	Std-10-20-30-40-60	3.453" max. flange OD			
QTY	OIL PUMP	PART NO.	SIZE	DESCRIPTION			
1	Oil Pump	224-4174		Use original cover plate on Eng. w/canister oil filter			
CYLINDER COMPONENTS							
QTY	PISTONS	PART NO.	SIZE	DESCRIPTION			
8	Cast Piston	406AP	Std-20-30-40	Cast; 2-5/64", 1-3/16" Ring Groove, 1.813" CD, 1.0939" Pin Dia., Flat Head - 8.0:1 C.R.			
8	Cast Piston - Individual	W406AP	Std-20-30-40	Cast; 2-5/64", 1-3/16" Ring Groove, 1.813" CD, 1.0939" Pin Dia., Flat Head - 8.0:1 C.R.			
QTY	CONNECTING RODS & BRGS.	PART NO.	SIZE	DESCRIPTION			
1	Rod Set	8-2320CP	Std-10-20-30-40-50	8-2320CA 60 avail. as unplated & resizeable			
1	Rod Set	8-2320CA60	60	Unplated & resizeable			
8	Rod Pair	2320CP	Std-1-10-20-30-40-50				
QTY	PISTON RINGS	PART NO.	SIZE	DESCRIPTION			
1	Premium Set	E-318K	Std-30	2-5/64, 1-3/16			
1	Standard Set	E-318X	Std-30	2-5/64, 1-3/16			
8	Premium Single Cylinder Set	WE-318K30	30	2-5/64, 1-3/16			
8	Standard Single Cylinder Set	WE-318X	Std Only	2-5/64, 1-3/16			
KITS							
RE-RING KIT				QTY	PREMIUM KIT NO.	QTY	ECONOMY KIT NO.
YEARS	DESCRIPTION						
	1972-73;	Int. manifold gskt. not incl.; Use valley pan gskt. 260-4011; Premium valve stem seals incl.	Re-ring	1	205-642		----
	1974-80;	Int. manifold gskt. not incl.; Use valley pan gskt. 260-4011; Premium valve stem seals incl.	Re-ring	1	205-655		----
	1972-73;	Int. manifold gskt. not incl.; Use valley pan gskt. 260-4011; Premium valve stem seals incl.	Re-ring	----		1	205-142
	1974-80;	Int. manifold gskt. not incl.; Use valley pan gskt. 260-4011; Premium valve stem seals incl.	Re-ring	----		1	205-155
OVERHAUL KIT				QTY	PREMIUM KIT NO.	QTY	ECONOMY KIT NO.
YEARS	DESCRIPTION						
	1972-73;	Int. manifold gskt. not incl.; Use valley pan gskt. 260-4011; Premium valve stem seals incl.; Use original cover plate on Eng. w/canister oil filter; Incl. silent type chain; w/3.453" max. brg. flange OD	Master Master w/o Pistons	1	MKP-642A	1	MKP-142A
	1974-79;	Int. manifold gskt. not incl.; w/3.453" max. brg. flange OD	Master Master w/o Pistons	1 1	MKP-655A MK-655A	1 1	MKP-155A MK-155A

20 Industrial Applications H-413, HB-413, HC-413, HT-413 Eng.

6.7L 413 OHV V8, 4.1875" Bore

CYL. HEAD & PARTS							
QTY	VALVE	PART NO.	SIZE	DESCRIPTION			
8	Intake	V-1386	Std Only	H-413 Eng.; 2.0800" Head Dia., .3725" Stem Dia., 4.8685" O.A.L.			
8	Intake	V-1438	Std Only	HT-413 & HB-413 Eng.; 1.8800" Head Dia., .3725" Stem Dia., 5.6680" O.A.L.			
8	Exhaust	V-1339	Std Only	H-413 Eng.; 1.5980" Head Dia., .3715" Stem Dia., 4.8900" O.A.L.			
32	Keeper	VK-66		2 groove			
32	Keeper	VK-66R		2 groove; Hardened			
32	Keeper	VK-174		4 groove			
32	Keeper	VK-174R		4 groove; Hardened			
QTY	VALVE GUIDE	PART NO.	SIZE	DESCRIPTION			
8	Guide	VG-549		Exh.; HB-413 & HT-413 Eng.; .4385" ID, 3.0900" O.A.L.			

(continued on next page)

Chrysler Indust. - Also See Dodge Truck

Industrial Applications H-413, HB-413, HC-413, HT-413 Eng. **20**
6.7L 413 OHV V8, 4.1875" Bore (cont.)

CYL. HEAD & PARTS (cont.)				
QTY	VALVE GUIDE (cont.)	PART NO.	SIZE	DESCRIPTION
16	Guide	VG-5062		Exh. & Int.; H-413 Engs.; .3735" ID, 2.3800" O.A.L.
8	Spring	VS-700		Exh.; HB-413 & HT-413 Engs.; Single spring, will replace orig. inner & outer.; 2.1300" Free Height
16	Spring	VS-673		Exh. & Int.; H-413 Engs.; 2.5800" Free Height
8	Spring	VS-673		Int.; HB-413 & HT-413 Engs.; 2.5800" Free Height
16	PUSH RODS	PART NO.	SIZE	DESCRIPTION
16	Push Rod	RP-3192		HT-413 & HB-413 Engs.; From 1968 D-Series; w/chain drive; 10.2650" O.A.L.
16	VALVE SEAL	PART NO.	SIZE	DESCRIPTION
16	Valve Stem Seal	ST-2014		Exh. & Int.; H-413 Engs.; Use w/repair guide; Positive type; Installation requires valve guide machining; PTFE
16	Valve Stem Seal	ST-2002		Exh. & Int.; H-413 Engs.; Use w/O.E. guide; Installation requires valve guide machining; Polyacrylate
16	Valve Stem Seal	MV-1707C		Exh. & Int.; H-413 Engs.; Umbrella type; Nitrile
16	Valve Stem Seal Bulk	MV-1707		Exh. & Int.; H-413 Engs.; Umbrella type; Carton of 100; Nitrile
16	Valve Stem Seal Bulk	ST-2014BC		Exh. & Int.; H-413 Engs.; Use w/repair guide; Positive type; Installation requires valve guide machining; Carton of 100; PTFE
16	Valve Stem Seal Bulk	ST-2002BC		Exh. & Int.; H-413 Engs.; Use w/O.E. guide; Positive type; Installation requires valve guide machining; Carton of 100; Polyacrylate
8	Valve Stem Seal Bulk	MV-1707		Int.; HT-413 & HB-413 Engs.; Umbrella type; Carton of 100; Nitrile
8	ARM	R-829		L.H.; HT-413 & HB-413 Engs.
8	ARM	R-828		R.H.; HT-413 & HB-413 Engs.
2	ROCKER SHAFT	RS-612		HT-413 & HB-413 Engs.
INT & EXH MANIFOLDS				
1	INT. & EXH. MANIFOLDS	PART NO.	SIZE	DESCRIPTION
1	Valley Pan Gasket Set	260-4032		
CAMSHAFT GROUP				
1	TIMING	PART NO.	SIZE	DESCRIPTION
1	3 Piece Set	KT3-495S		HB-413 Engs.; w/1 bolt cam sprocket mounting; Incl. silent type chain; Incl. (1) 222-495, (1) 223-290, (1) 223-291
1	Timing Chain	222-495		HB-413 Engs.; Silent type; 50 Links
1	Crank Sprocket	223-291		HB-413 Engs.; Use w/silent type chain; 19 Teeth
1	Cam Sprocket	223-290		HB-413 Engs.; w/1 bolt cam sprocket mounting; Use w/silent type chain; 38 Teeth
1	CAMSHAFT/LIFTER	PART NO.	SIZE	DESCRIPTION
1	Camshaft	CS-327		HB-413 Engs.; w/1 bolt cam sprocket mounting
16	Lifter	HT-812 Std Only		H-413 Engs.; Hyd.; 1.830" - 1.860" Length
16	Lifter	HT-976 Std Only		HB-413 & HT-413 Engs.; Hyd.
16	Lifter, Bulk	HT-812B Std Only		H-413 Engs.; Hyd.; Carton of 117; 1.830" - 1.860" Length
16	Lifter, Bulk	HT-976B Std Only		HB-413 & HT-413 Engs.; Hyd.; Carton of 117
1	Prelube	55-400		4 oz. bottle; 1.5 oz. packet No. 55-403 also avail.
1	CAMSHAFT KIT	PART NO.	SIZE	DESCRIPTION
1	Cam/Lifter Kit	KC-327		HB-413 Engs.; w/1 bolt cam sprocket mounting; Hyd.; Incl. (1) CS-327, (16) HT-976, (1) 55-403B
ENGINE BLOCK & PARTS				
1	CAM BEARINGS	PART NO.	SIZE	DESCRIPTION
1	Cam Set	1453M Std Only		Babbitt material; Full round design
1	FREEZE PLUGS	PART NO.	SIZE	DESCRIPTION
1	Brass Block Plug Kit	381-8011		
1	Steel Block Plug Kit	381-4031		
CRANKSHAFT/OIL PUMP				
1	CRANKSHAFT	PART NO.	SIZE	DESCRIPTION
1	Harmonic Balancer Sleeve	88218		
1	SEALS - FRONT CRANK	PART NO.	SIZE	DESCRIPTION
1	Redi-Sleeve	99218		
1	Oil Seal	3103		

(continued on next page)

Chrysler Indust. - Also See Dodge Truck

20 Industrial Applications H-413, HB-413, HC-413, HT-413 Eng. (cont.) 6.7L 413 OHV V8, 4.1875" Bore

CRANKSHAFT/OIL PUMP (cont.)							
QTY	MAIN BEARINGS	PART NO.	SIZE	DESCRIPTION			
1	Main Set	4924MA	Std-10-20-30	1959-73; A-Series aluminum bearings; Partial grooved; 3.624" max. flange OD			
1	Main Set	5025MA	Std-10-20-30	1974-79; A-Series aluminum bearings; Partial grooved; 3.930" max. flange OD			
QTY	OIL PUMP	PART NO.	SIZE	DESCRIPTION			
1	Oil Pump	224-4174		Use original cover plate on Eng. w/canister oil filter			
CYLINDER COMPONENTS							
QTY	PISTONS	PART NO.	SIZE	DESCRIPTION			
8	Cast Piston	H254P30	30-40	Hypereutectic; 2-3/32", 1-3/16" Ring Groove, 2.019" CD, 1.0939" Pin Dia., Recessed Head .220" deep x 3.250" dia. - 7.5:1 C.R.			
8	Cast Piston - Individual	WH254P30	30-40	Hypereutectic; 2-3/32", 1-3/16" Ring Groove, 2.019" CD, 1.0939" Pin Dia., Recessed Head .220" deep x 3.250" dia. - 7.5:1 C.R.			
QTY	CONNECTING RODS & BRGS.	PART NO.	SIZE	DESCRIPTION			
1	Rod Set	8-2320CP	Std-10-20-30-40-50	8-2320CA 60 avail. as unplated & resizeable			
1	Rod Set	8-2320CA60	60	Unplated & resizeable			
8	Rod Pair	2320CP	Std-1-10-20-30-40-50				
QTY	PISTON RINGS	PART NO.	SIZE	DESCRIPTION			
1	Premium Set	E-321K	Std-30-40-60	2-3/32, 1-3/16			
1	Standard Set	E-287X	Std-30-40	2-5/64, 1-3/16			
1	Premium Single Cylinder Set	WE-321K60	60	2-3/32, 1-3/16			
8	Standard Single Cylinder Set	WE-287X	Std-30	2-5/64, 1-3/16			
KITS							
RE-RING KIT				QTY	PREMIUM KIT NO.	QTY	ECONOMY KIT NO.
YEARS	DESCRIPTION						
1960-77;	Irrigation; Int. manifold gskt. not incl.; Premium valve stem seals incl.			Re-ring	----	1	205-205
1960-77;	Irrigation; Int. manifold gskt. not incl.			Re-ring	----	1	FP-205205

21 Industrial Applications H-440 Eng. 7.2L 440 OHV V8, 4.32" Bore

CYL. HEAD & PARTS							
QTY	VALVE	PART NO.	SIZE	DESCRIPTION			
8	Intake	V-1386	Std Only	H-440 Eng.; 2.0800" Head Dia., .3725" Stem Dia., 4.8685" O.A.L.			
8	Intake	V-2065	Std Only	I-440-3 Eng.; Not Street Legal; 2.0800" Head Dia., .3721" Stem Dia., 4.8780" O.A.L.			
8	Exhaust	V-1900	Std Only	H-440 Eng.; 4 groove; Chrome plated stem; 1.7400" Head Dia., .3717" Stem Dia., 4.8840" O.A.L.			
32	Keeper	VK-138		1 groove; Square cut key groove			
32	Keeper	VK-138R		1 groove; Square cut key groove; Hardened			
32	Keeper	VK-66		2 groove			
32	Keeper	VK-66R		2 groove; Hardened			
32	Keeper	VK-174		4 groove			
32	Keeper	VK-174R		4 groove; Hardened			
32	Keeper, Bulk	VK-138B		1 groove; Square cut key groove; Carton of 1000			
QTY	VALVE GUIDE	PART NO.	SIZE	DESCRIPTION			
16	Guide	VG-5073		Exh. & Int.; .3745" ID, 2.3750" O.A.L.			
QTY	VALVE SPRING	PART NO.	SIZE	DESCRIPTION			
8	Spring	VS-778		Exh.; I-440-3 Eng.; w/damper; 2.3600" Free Height			
16	Spring	VS-673		Exh. & Int.; H-440 Eng.; 2.5800" Free Height			
8	Spring	VS-673		Int.; I-440-3 Eng.; 2.5800" Free Height			
QTY	PUSH RODS	PART NO.	SIZE	DESCRIPTION			
16	Push Rod	RP-3221R		H-440 Eng.; From 1968 D series; w/Oil hole; Chrome-Moly; 9.2950" O.A.L.			
16	Push Rod	RP-3193		H-440 Eng.; From 1968 D series; 9.3150" O.A.L.			
16	Push Rod	RP-3034		H-440 Eng.; To 1968 D series; 9.3750" O.A.L.			
16	Push Rod	RP-3221R		I-440-3 Eng.; w/Oil hole; Chrome-Moly; 9.2950" O.A.L.			
16	Push Rod	RP-3193		I-440-3 Eng.; 9.3150" O.A.L.			
16	Push Rod, Bulk	BRP-3193		H-440 Eng.; From 1968 D series; Carton of 100; 9.3150" O.A.L.			
16	Push Rod, Bulk	BRP-3193		I-440-3 Eng.; Carton of 100; 9.3150" O.A.L.			

(continued on next page)

Chrysler Indust. - Also See Dodge Truck

Industrial Applications H-440 Eng. 21
7.2L 440 OHV V8, 4.32" Bore (cont.)

CYL. HEAD & PARTS (cont.)				
QTY	VALVE MISC.	PART NO.	SIZE	DESCRIPTION
8	Rotocap	RC-78S		Exh.; I-440-3 Engs.
QTY	VALVE SEAL	PART NO.	SIZE	DESCRIPTION
8	Valve Stem Seal	ST-2048		Int.; OEM Style; Positive type; Viton®
16	Valve Stem Seal	MV-1707C		Umbrella type; Nitrile
16	Valve Stem Seal Bulk	MV-1707		Umbrella type; Carton of 100; Nitrile
QTY	ROCKER PARTS	PART NO.	SIZE	DESCRIPTION
16	Arm	R-829		L.H.
16	Arm	R-828		R.H.
2	Rocker Shaft	RS-612		
INT & EXH MANIFOLDS				
QTY	INT. & EXH. MANIFOLDS	PART NO.	SIZE	DESCRIPTION
1	Valley Pan Gasket Set	260-4019		
CAMSHAFT GROUP				
QTY	TIMING	PART NO.	SIZE	DESCRIPTION
1	3 Piece Set	KT3-168S		Incl. rlr. type chain; Incl. (1) 222-168, (1) 223-339, (1) 223-380
1	3 Piece Set	KT3-501S		Incl. silent type chain; 223-366 & 223-367 not sold separately; Incl. (1) 222-501, (1) 223-366, (1) 223-367
1	Timing Chain	222-168		Double rlr.; 66 Links
1	Timing Chain	222-501		Silent type; 50 Links
1	Crank Sprocket	223-339		Double row; 25 Teeth
1	Cam Sprocket	223-380		Double row; 50 Teeth
QTY	CAMSHAFT/LIFTER	PART NO.	SIZE	DESCRIPTION
1	Camshaft	CS-327		
16	Lifter	HT-812 Std Only		Early Engs.; w/.250" ball seat; Hyd.; 1.830" - 1.860" Length
16	Lifter	HT-976 Std Only		Late Engs.; w/.312" ball seat; Hyd.
16	Lifter, Bulk	HT-812B Std Only		Early Engs.; w/.250" ball seat; Hyd.; Carton of 117; 1.830" - 1.860" Length
16	Lifter, Bulk	HT-976B Std Only		Late Engs.; w/.312" ball seat; Hyd.; Carton of 117
1	Prelube	55-400		4 oz. bottle; 1.5 oz. packet No. 55-403 also avail.
QTY	CAMSHAFT KIT	PART NO.	SIZE	DESCRIPTION
1	Cam/Lifter Kit	KC-327A		Early Engs.; w/.250" ball seat; Hyd.; Incl. (1) CS-327, (16) HT-812, (1) 55-403B
1	Cam/Lifter Kit	KC-327		Late Engs.; w/.312" ball seat; Hyd.; Incl. (1) CS-327, (16) HT-976, (1) 55-403B
ENGINE BLOCK & PARTS				
QTY	GASKET SETS	PART NO.	SIZE	DESCRIPTION
1	Kit Gasket Set	260-1001		1972-73; Int. manifold gskt. not incl.; Use valley pan gskt. 260-4019; Premium valve stem seals incl.
1	Kit Gasket Set	260-1043		1974-80; Int. manifold gskt. not incl., Use 260-4019; Premium valve stem seals incl.
QTY	CAM BEARINGS	PART NO.	SIZE	DESCRIPTION
1	Cam Set	1453M Std Only		Babbitt material; Full round design
QTY	FREEZE PLUGS	PART NO.	SIZE	DESCRIPTION
1	Brass Block Plug Kit	381-8011		
1	Steel Block Plug Kit	381-4031		
CRANKSHAFT/OIL PUMP				
QTY	CRANKSHAFT	PART NO.	SIZE	DESCRIPTION
1	Harmonic Balancer Sleeve	88218		
QTY	SEALS - FRONT CRANK	PART NO.	SIZE	DESCRIPTION
1	Redi-Sleeve	99218		
1	Oil Seal	3103		
QTY	MAIN BEARINGS	PART NO.	SIZE	DESCRIPTION
1	Main Set	4095M Std-10-20-30-40		Engs. w/full groove brgs. & 3.624" max. flange OD.
1	Main Set	4924MA Std-10-20-30		1959-73; A-Series aluminum bearings; Partial grooved; 3.624" max. flange OD
1	Main Set	5025MA Std-10-20-30		1974-79; A-Series aluminum bearings; Partial grooved; 3.930" max. flange OD
QTY	OIL PUMP	PART NO.	SIZE	DESCRIPTION
1	Oil Pump	224-4174		Use original cover plate on Engs. w/canister oil filter

(continued on next page)

Chrysler Indust. - Also See Dodge Truck

21 Industrial Applications H-440 Eng. (cont.) 7.2L 440 OHV V8, 4.32" Bore

CYLINDER COMPONENTS							
QTY	PISTONS		PART NO.	SIZE	DESCRIPTION		
8	Cast Piston		424NP	Std-20-30-40-60	Cast; 2-5/64", 1-3/16" Ring Groove, 1.912" CD, 1.0939" Pin Dia., Flat Head - 8.0:1 C.R.		
8	Cast Piston - Individual		W424NP	Std-30	Cast; 2-5/64", 1-3/16" Ring Groove, 1.912" CD, 1.0939" Pin Dia., Flat Head - 8.0:1 C.R.		
QTY	CONNECTING RODS & BRGS.		PART NO.	SIZE	DESCRIPTION		
1	Rod Set		8-2320CP	Std-10-20-30-40-50	8-2320CA 60 avail. as unplated & resizeable		
1	Rod Set		8-2320CA60	60	Unplated & resizeable		
8	Rod Pair		2320CP	Std-1-10-20-30-40-50			
QTY	PISTON RINGS		PART NO.	SIZE	DESCRIPTION		
1	Premium Set		E-424K	Std-20-30-40-60	2-5/64, 1-3/16		
1	Standard Set		E-424X	Std-30-40-60	2-5/64, 1-3/16		
8	Premium Single Cylinder Set		WE-424K	Std-30-40-60	2-5/64, 1-3/16		
8	Standard Single Cylinder Set		WE-424X	Std-30-40-60	2-5/64, 1-3/16		
KITS							
RE-RING KIT				QTY	PREMIUM KIT NO.	QTY	ECONOMY KIT NO.
YEARS	DESCRIPTION						
	1973; H-440; Int. manifold gskt. not incl.; Use valley pan gskt. 260-4019; Premium valve stem seals incl.			1	205-632A		----
	1974-80; H-440; Int. manifold gskt. not incl.; Use 260-4019; Premium valve stem seals incl.			1	205-656		----
	1973; H-440; Int. manifold gskt. not incl.; Use valley pan gskt. 260-4019; Premium valve stem seals incl.				----	1	205-132A
	1974-80; H-440; Int. manifold gskt. not incl.; Use 260-4019; Premium valve stem seals incl.				----	1	205-156
	1974-80; H-440; Int. manifold gskt. not incl.; Use 260-4019; Incl. A-Series aluminum bearings; Incl. partial grooved brgs.; w/3.930" max. brg. flange OD; Premium valve stem seals incl.			1	205-656M	1	205-156M
OVERHAUL KIT				QTY	PREMIUM KIT NO.	QTY	ECONOMY KIT NO.
YEARS	DESCRIPTION						
	1974-80; H-440; w/partial groove main brg. & 3.930" max flg. OD; Int. manifold gskt. not incl.; Incl. A-Series aluminum bearings; Incl. partial grooved brgs.; w/3.930" max. brg. flange OD			1	MKP-656A	1	MKP-156A
				1	MK-656A	1	MK-156A
	1974-80; H-440; w/partial groove main brg. & 3.930" max flg. OD; Int. manifold gskt. not incl.; Premium valve stem seals incl.; Use original cover plate on Eng. w/canister oil filter; Incl. silent type chain			1	505-656A	1	505-156A

Chrysler Marine - Refer to SP1501 Catalog

Chrysler Motor Home - See Dodge Truck

Clark - Also See Engine Manufacturer

Engine Finding Index			
Engine	Line No.	Engine	Line No.
1.1L 69 L-HEAD L4 2.5" Bore (Continental Eng.)	1	3.6L 217.8 L-HEAD L6 3.25" Bore (Dodge/Plymouth) (Chrysler Eng.)	8
1.8L 112 L-HEAD L4 3.1875" Bore (Continental Eng.)	2	3.7L 226 L-HEAD L6 3.3125" Bore (12 Valve) (Continental Eng.) .	9
2.1L 124 L-HEAD L4 3" Bore (Continental Eng.)	3	3.7L 227 OHV L4 3.625" Bore (Continental Eng.).....	10
2.5L 155 OHV L4 3.625" Bore (Waukesha Eng.)	4	4.0L 244 L-HEAD L6 3.4375" Bore (Continental Eng.)	11
2.9L 176 L4 3.625" Bore (Waukesha Eng.).....	5		
3.3L 201.3 L-HEAD L6 3.125" Bore (Plymouth) (Chrysler Eng.)....	6		
3.4L 209 L-HEAD L6 3.1875" Bore (Continental Eng.)	7		

Clark - Also See Engine Manufacturer

Engine Code Index					
Engine Code	Engine Description	Line No.	Engine Code	Engine Description	Line No.
D155G ... Forklift	2.5L 155 OHV L4 3.625" Bore (Waukesha Eng.)	4	T25 ... Forklift	3.6L 217.8 L-HEAD L6 3.25" Bore (Dodge/Plymouth) (Chrysler Eng.)	8
D176G ... Forklift	2.9L 176 L4 3.625" Bore (Waukesha Eng.)	5	T3 ... Forklift	3.6L 217.8 L-HEAD L6 3.25" Bore (Dodge/Plymouth) (Chrysler Eng.)	8
F227 ... Forklift	3.7L 226 L-HEAD L6 3.3125" Bore (12 Valve) (Continental Eng.)	9	T5 ... Forklift	3.6L 217.8 L-HEAD L6 3.25" Bore (Dodge/Plymouth) (Chrysler Eng.)	8
F245 ... Forklift	4.0L 244 L-HEAD L6 3.4375" Bore (Continental Eng.)	11	T50 ... Forklift	3.3L 201.3 L-HEAD L6 3.125" Bore (Plymouth) (Chrysler Eng.)	6
F4124 ... Forklift	2.1L 124 L-HEAD L4 3" Bore (Continental Eng.)	3	T57 ... Forklift	3.3L 201.3 L-HEAD L6 3.125" Bore (Plymouth) (Chrysler Eng.)	6
F6209 ... Forklift	3.4L 209 L-HEAD L6 3.1875" Bore (Continental Eng.)	7	T81 ... Forklift	3.3L 201.3 L-HEAD L6 3.125" Bore (Plymouth) (Chrysler Eng.)	6
T105 ... Forklift	3.3L 201.3 L-HEAD L6 3.125" Bore (Plymouth) (Chrysler Eng.)	6	Y112 ... Forklift	1.8L 112 L-HEAD L4 3.1875" Bore (Continental Eng.)	2
T112 ... Forklift	3.3L 201.3 L-HEAD L6 3.125" Bore (Plymouth) (Chrysler Eng.)	6	Y4069 ... Forklift	1.1L 69 L-HEAD L4 2.5" Bore (Continental Eng.)	1
T112 ... Forklift	3.6L 217.8 L-HEAD L6 3.25" Bore (Dodge/Plymouth) (Chrysler Eng.)	8	Y4112 ... Forklift	1.8L 112 L-HEAD L4 3.1875" Bore (Continental Eng.)	2
T125 ... Forklift	3.3L 201.3 L-HEAD L6 3.125" Bore (Plymouth) (Chrysler Eng.)	6	10 ... Forklift	3.6L 217.8 L-HEAD L6 3.25" Bore (Dodge/Plymouth) (Chrysler Eng.)	8
T125 ... Forklift	3.6L 217.8 L-HEAD L6 3.25" Bore (Dodge/Plymouth) (Chrysler Eng.)	8	3 ... Forklift	3.6L 217.8 L-HEAD L6 3.25" Bore (Dodge/Plymouth) (Chrysler Eng.)	8
T128 ... Forklift	3.6L 217.8 L-HEAD L6 3.25" Bore (Dodge/Plymouth) (Chrysler Eng.)	8	3A ... Forklift	3.6L 217.8 L-HEAD L6 3.25" Bore (Dodge/Plymouth) (Chrysler Eng.)	8
T13 ... Forklift	3.6L 217.8 L-HEAD L6 3.25" Bore (Dodge/Plymouth) (Chrysler Eng.)	8	5 ... Forklift	3.6L 217.8 L-HEAD L6 3.25" Bore (Dodge/Plymouth) (Chrysler Eng.)	8
T17 ... Forklift	3.6L 217.8 L-HEAD L6 3.25" Bore (Dodge/Plymouth) (Chrysler Eng.)	8	5A ... Forklift	3.6L 217.8 L-HEAD L6 3.25" Bore (Dodge/Plymouth) (Chrysler Eng.)	8
T2 ... Forklift	3.6L 217.8 L-HEAD L6 3.25" Bore (Dodge/Plymouth) (Chrysler Eng.)	8	6 ... Forklift	3.6L 217.8 L-HEAD L6 3.25" Bore (Dodge/Plymouth) (Chrysler Eng.)	8
T23 ... Forklift	3.6L 217.8 L-HEAD L6 3.25" Bore (Dodge/Plymouth) (Chrysler Eng.)	8	6A ... Forklift	3.6L 217.8 L-HEAD L6 3.25" Bore (Dodge/Plymouth) (Chrysler Eng.)	8

Model Index

Model	Engine Description	Line No.	Model	Engine Description	Line No.
C ... Forklift	1.8L 112 L-HEAD L4 3.1875" Bore (Continental Eng.)	2	Clarktor ... Forklift	3.6L 217.8 L-HEAD L6 3.25" Bore (Dodge/Plymouth) (Chrysler Eng.)	8
C ... Forklift	3.3L 201.3 L-HEAD L6 3.125" Bore (Plymouth) (Chrysler Eng.)	6	Clipper ... Forklift	1.1L 69 L-HEAD L4 2.5" Bore (Continental Eng.)	1
C ... Forklift	3.6L 217.8 L-HEAD L6 3.25" Bore (Dodge/Plymouth) (Chrysler Eng.)	8	CL3024 ... Forklift	2.1L 124 L-HEAD L4 3" Bore (Continental Eng.)	3
Carloader ... Forklift	2.1L 124 L-HEAD L4 3" Bore (Continental Eng.)	3	CL4024 ... Forklift	2.1L 124 L-HEAD L4 3" Bore (Continental Eng.)	3
Carloader ... Forklift	3.4L 209 L-HEAD L6 3.1875" Bore (Continental Eng.)	7	CL5024 ... Forklift	2.1L 124 L-HEAD L4 3" Bore (Continental Eng.)	3
CE-42-101 ... Forklift	1.1L 69 L-HEAD L4 2.5" Bore (Continental Eng.)	1	CT21 ... Forklift	3.6L 217.8 L-HEAD L6 3.25" Bore (Dodge/Plymouth) (Chrysler Eng.)	8
CK20 ... Forklift	1.8L 112 L-HEAD L4 3.1875" Bore (Continental Eng.)	2	CT30 ... Forklift	3.6L 217.8 L-HEAD L6 3.25" Bore (Dodge/Plymouth) (Chrysler Eng.)	8
CK26 ... Forklift	1.8L 112 L-HEAD L4 3.1875" Bore (Continental Eng.)	2	CT40 ... Forklift	3.6L 217.8 L-HEAD L6 3.25" Bore (Dodge/Plymouth) (Chrysler Eng.)	8
CK30 ... Forklift	1.8L 112 L-HEAD L4 3.1875" Bore (Continental Eng.)	2	CT46 ... Forklift	3.6L 217.8 L-HEAD L6 3.25" Bore (Dodge/Plymouth) (Chrysler Eng.)	8
Clark ... Forklift	2.5L 155 OHV L4 3.625" Bore (Waukesha Eng.)	4	C25 ... Forklift	1.8L 112 L-HEAD L4 3.1875" Bore (Continental Eng.)	2
Clark ... Forklift	2.9L 176 L4 3.625" Bore (Waukesha Eng.)	5	C30 ... Forklift	1.8L 112 L-HEAD L4 3.1875" Bore (Continental Eng.)	2
Clark ... Forklift	3.3L 201.3 L-HEAD L6 3.125" Bore (Plymouth) (Chrysler Eng.)	6	C40 ... Forklift	1.8L 112 L-HEAD L4 3.1875" Bore (Continental Eng.)	2
Clark ... Forklift	3.7L 226 L-HEAD L6 3.3125" Bore (12 Valve) (Continental Eng.)	9	C50 ... Forklift	1.8L 112 L-HEAD L4 3.1875" Bore (Continental Eng.)	2
Clarkat ... Forklift	1.8L 112 L-HEAD L4 3.1875" Bore (Continental Eng.)	2	C500 ... Forklift	3.7L 226 L-HEAD L6 3.3125" Bore (12 Valve) (Continental Eng.)	9
Clarkat ... Forklift	3.6L 217.8 L-HEAD L6 3.25" Bore (Dodge/Plymouth) (Chrysler Eng.)	8	C500 ... Forklift	4.0L 244 L-HEAD L6 3.4375" Bore (Continental Eng.)	11
Clarkat B ... Forklift	1.8L 112 L-HEAD L4 3.1875" Bore (Continental Eng.)	2	C500-S100 ... Forklift	3.7L 226 L-HEAD L6 3.3125" Bore (12 Valve) (Continental Eng.)	9
Clarkat Tractor ... Forklift	1.8L 112 L-HEAD L4 3.1875" Bore (Continental Eng.)	2	C500-S100 ... Forklift	3.7L 227 OHV L4 3.625" Bore (Continental Eng.)	10

(continued on next page)

Clark - Also See Engine Manufacturer

Model Index					
Model	Engine Description	Line No.	Model	Engine Description	Line No.
C500-S60 ... Forklift.....	2.9L 176 L4 3.625" Bore (Waukesha Eng.).....	5	Truck Lift ... Forklift.....	3.6L 217.8 L-HEAD L6 3.25" Bore (Dodge/Plymouth) (Chrysler Eng.) .	8
C500-S80 ... Forklift.....	3.7L 226 L-HEAD L6 3.3125" Bore (12 Valve) (Continental Eng.).....	9	Truck Loader N ... Forklift.....	1.1L 69 L-HEAD L4 2.5" Bore (Continental Eng.).....	1
C500-S80 ... Forklift.....	3.7L 227 OHV L4 3.625" Bore (Continental Eng.).....	10	Trucktier Railway Express ... Forklift.....	3.6L 217.8 L-HEAD L6 3.25" Bore (Dodge/Plymouth) (Chrysler Eng.) .	8
C500-YS60 ... Forklift.....	2.9L 176 L4 3.625" Bore (Waukesha Eng.).....	5	Tructractor ... Forklift.....	2.1L 124 L-HEAD L4 3" Bore (Continental Eng.).....	3
C500-YS80 ... Forklift.....	4.0L 244 L-HEAD L6 3.4375" Bore (Continental Eng.).....	11	Tructractor ... Forklift.....	3.4L 209 L-HEAD L6 3.1875" Bore (Continental Eng.).....	7
C500-Y100 ... Forklift.....	4.0L 244 L-HEAD L6 3.4375" Bore (Continental Eng.).....	11	Utilitruc ... Forklift.....	2.1L 124 L-HEAD L4 3" Bore (Continental Eng.).....	3
C500-Y40 ... Forklift.....	2.9L 176 L4 3.625" Bore (Waukesha Eng.).....	5	Utilitruc ... Forklift.....	3.4L 209 L-HEAD L6 3.1875" Bore (Continental Eng.).....	7
C500-Y45 ... Forklift.....	2.9L 176 L4 3.625" Bore (Waukesha Eng.).....	5	Utilitruc Dynatork C ... Forklift.....	3.4L 209 L-HEAD L6 3.1875" Bore (Continental Eng.).....	7
C500-Y50 ... Forklift.....	2.9L 176 L4 3.625" Bore (Waukesha Eng.).....	5	Utilitruc Dynatork D ... Forklift.....	3.4L 209 L-HEAD L6 3.1875" Bore (Continental Eng.).....	7
C500-Y55 ... Forklift.....	2.9L 176 L4 3.625" Bore (Waukesha Eng.).....	5	Utilitruc Dynatork E ... Forklift.....	3.4L 209 L-HEAD L6 3.1875" Bore (Continental Eng.).....	7
C500-Y60 ... Forklift.....	4.0L 244 L-HEAD L6 3.4375" Bore (Continental Eng.).....	11	Utilitruc Dynatork E ... Forklift.....	3.4L 209 L-HEAD L6 3.1875" Bore (Continental Eng.).....	7
C500-Y70 ... Forklift.....	4.0L 244 L-HEAD L6 3.4375" Bore (Continental Eng.).....	11	Utilitruc Hydratork 100E ... Forklift.....	3.4L 209 L-HEAD L6 3.1875" Bore (Continental Eng.).....	7
C500-Y80 ... Forklift.....	4.0L 244 L-HEAD L6 3.4375" Bore (Continental Eng.).....	11	Utility 100 ... Forklift.....	2.1L 124 L-HEAD L4 3" Bore (Continental Eng.).....	3
C500-Y90 ... Forklift.....	4.0L 244 L-HEAD L6 3.4375" Bore (Continental Eng.).....	11	Utiltrac ... Forklift.....	3.4L 209 L-HEAD L6 3.1875" Bore (Continental Eng.).....	7
C500-100 ... Forklift.....	4.0L 244 L-HEAD L6 3.4375" Bore (Continental Eng.).....	11	UT100 Dynatork ... Forklift.....	3.4L 209 L-HEAD L6 3.1875" Bore (Continental Eng.).....	7
C500-120 ... Forklift.....	4.0L 244 L-HEAD L6 3.4375" Bore (Continental Eng.).....	11	UT6024 Dynatork ... Forklift.....	3.4L 209 L-HEAD L6 3.1875" Bore (Continental Eng.).....	7
C500-135 ... Forklift.....	4.0L 244 L-HEAD L6 3.4375" Bore (Continental Eng.).....	11	UT7024 Dynatork ... Forklift.....	3.4L 209 L-HEAD L6 3.1875" Bore (Continental Eng.).....	7
C500-20 ... Forklift.....	1.8L 112 L-HEAD L4 3.1875" Bore (Continental Eng.).....	2	Y100 ... Forklift.....	3.4L 209 L-HEAD L6 3.1875" Bore (Continental Eng.).....	7
C500-25 ... Forklift.....	1.8L 112 L-HEAD L4 3.1875" Bore (Continental Eng.).....	2	Y40 ... Forklift.....	2.1L 124 L-HEAD L4 3" Bore (Continental Eng.).....	3
C500-30 ... Forklift.....	1.8L 112 L-HEAD L4 3.1875" Bore (Continental Eng.).....	2	Y40 ... Forklift.....	2.9L 176 L4 3.625" Bore (Waukesha Eng.).....	5
C500-35 ... Forklift.....	2.5L 155 OHV L4 3.625" Bore (Waukesha Eng.).....	4	Y45 ... Forklift.....	2.9L 176 L4 3.625" Bore (Waukesha Eng.).....	5
C500-40 ... Forklift.....	2.5L 155 OHV L4 3.625" Bore (Waukesha Eng.).....	4	Y50 ... Forklift.....	2.9L 176 L4 3.625" Bore (Waukesha Eng.).....	5
C500-45 ... Forklift.....	2.5L 155 OHV L4 3.625" Bore (Waukesha Eng.).....	4	Y55 ... Forklift.....	2.9L 176 L4 3.625" Bore (Waukesha Eng.).....	5
C500-50 ... Forklift.....	2.5L 155 OHV L4 3.625" Bore (Waukesha Eng.).....	4	Y60 ... Forklift.....	3.4L 209 L-HEAD L6 3.1875" Bore (Continental Eng.).....	7
C500-55 ... Forklift.....	2.9L 176 L4 3.625" Bore (Waukesha Eng.).....	5	Y70 ... Forklift.....	3.4L 209 L-HEAD L6 3.1875" Bore (Continental Eng.).....	7
Dump Truck ... Forklift.....	3.6L 217.8 L-HEAD L6 3.25" Bore (Dodge/Plymouth) (Chrysler Eng.) .	8	Y80 ... Forklift.....	3.4L 209 L-HEAD L6 3.1875" Bore (Continental Eng.).....	7
HUT 100 ... Forklift.....	3.4L 209 L-HEAD L6 3.1875" Bore (Continental Eng.).....	7	Y90 ... Forklift.....	3.4L 209 L-HEAD L6 3.1875" Bore (Continental Eng.).....	7
HUT 8024 ... Forklift.....	3.4L 209 L-HEAD L6 3.1875" Bore (Continental Eng.).....	7	100 ... Forklift.....	3.4L 209 L-HEAD L6 3.1875" Bore (Continental Eng.).....	7
Plane Loader ... Forklift.....	3.4L 209 L-HEAD L6 3.1875" Bore (Continental Eng.).....	7	100 Dynatorque ... Forklift.....	3.4L 209 L-HEAD L6 3.1875" Bore (Continental Eng.).....	7
Platform Trucktier ... Forklift.....	3.6L 217.8 L-HEAD L6 3.25" Bore (Dodge/Plymouth) (Chrysler Eng.) .	8	20 ... Forklift.....	1.8L 112 L-HEAD L4 3.1875" Bore (Continental Eng.).....	2
SC ... Forklift.....	3.3L 201.3 L-HEAD L6 3.125" Bore (Plymouth) (Chrysler Eng.).....	6	21 ... Forklift.....	3.6L 217.8 L-HEAD L6 3.25" Bore (Dodge/Plymouth) (Chrysler Eng.) .	8
Shovel ... Forklift.....	2.1L 124 L-HEAD L4 3" Bore (Continental Eng.).....	3	26 ... Forklift.....	1.8L 112 L-HEAD L4 3.1875" Bore (Continental Eng.).....	2
Standard 18 ... Forklift.....	3.6L 217.8 L-HEAD L6 3.25" Bore (Dodge/Plymouth) (Chrysler Eng.) .	8	30 ... Forklift.....	3.6L 217.8 L-HEAD L6 3.25" Bore (Dodge/Plymouth) (Chrysler Eng.) .	8
Standard 24 ... Forklift.....	3.6L 217.8 L-HEAD L6 3.25" Bore (Dodge/Plymouth) (Chrysler Eng.) .	8	3024 ... Forklift.....	2.1L 124 L-HEAD L4 3" Bore (Continental Eng.).....	3
SY60 ... Forklift.....	2.9L 176 L4 3.625" Bore (Waukesha Eng.).....	5	40 ... Forklift.....	3.6L 217.8 L-HEAD L6 3.25" Bore (Dodge/Plymouth) (Chrysler Eng.) .	8
S60 ... Forklift.....	2.9L 176 L4 3.625" Bore (Waukesha Eng.).....	5			

(continued on next page)

Clark - Also See Engine Manufacturer

Model Index					
Model	Engine Description	Line No.	Model	Engine Description	Line No.
40C Yardlift ... Forklift.....	2.1L 124 L-HEAD L4 3" Bore (Continental Eng.).....	3	6024 Dynatorque ... Forklift ...	3.4L 209 L-HEAD L6 3.1875" Bore (Continental Eng.).....	7
4024 ... Forklift.....	2.1L 124 L-HEAD L4 3" Bore (Continental Eng.).....	3	6025 Dynatorque ... Forklift ...	3.4L 209 L-HEAD L6 3.1875" Bore (Continental Eng.).....	7
50 Stalwart ... Forklift.....	3.4L 209 L-HEAD L6 3.1875" Bore (Continental Eng.).....	7	6025 Stalwart ... Forklift.....	3.4L 209 L-HEAD L6 3.1875" Bore (Continental Eng.).....	7
50 Stauch ... Forklift.....	3.4L 209 L-HEAD L6 3.1875" Bore (Continental Eng.).....	7	6025 Stauch ... Forklift.....	3.4L 209 L-HEAD L6 3.1875" Bore (Continental Eng.).....	7
5024 ... Forklift.....	2.1L 124 L-HEAD L4 3" Bore (Continental Eng.).....	3	70 ... Forklift.....	3.4L 209 L-HEAD L6 3.1875" Bore (Continental Eng.).....	7
60 ... Forklift.....	3.4L 209 L-HEAD L6 3.1875" Bore (Continental Eng.).....	7	70 Stalwart ... Forklift.....	3.4L 209 L-HEAD L6 3.1875" Bore (Continental Eng.).....	7
60 Stalwart ... Forklift.....	3.4L 209 L-HEAD L6 3.1875" Bore (Continental Eng.).....	7	70 Stauch ... Forklift.....	3.4L 209 L-HEAD L6 3.1875" Bore (Continental Eng.).....	7
60 Stauch ... Forklift.....	3.4L 209 L-HEAD L6 3.1875" Bore (Continental Eng.).....	7	7024 Dynatorque ... Forklift ...	3.4L 209 L-HEAD L6 3.1875" Bore (Continental Eng.).....	7
60C Dynatorque ... Forklift.....	3.4L 209 L-HEAD L6 3.1875" Bore (Continental Eng.).....	7	7025 Dynatorque ... Forklift ...	3.4L 209 L-HEAD L6 3.1875" Bore (Continental Eng.).....	7

Forklift Y4069 Eng. 1				
1.1L 69 L-HEAD L4, 2.5" Bore (Continental Eng.)				
CYL. HEAD & PARTS				
QTY	VALVE	PART NO.	SIZE	DESCRIPTION
4	Intake	FP-V1019		Drilled stem; use w/VG437 guide & VK142 locks; 1.2030" Head Dia., .3144" Stem Dia., 4.0140" O.A.L.
4	Intake	V-1019 +	Std Only	Drilled stem; use w/VG437 guide & VK142 locks; 1.2030" Head Dia., .3144" Stem Dia., 4.0140" O.A.L.; When depleted use FP-V1019
4	Exhaust	FP-V1018		Drilled stem; use w/VG437 guide & VK142 locks; 1.0150" Head Dia., .3128" Stem Dia., 4.0610" O.A.L.
4	Exhaust	V-1018 +	Std Only	Drilled stem; use w/VG437 guide & VK142 locks; 1.0150" Head Dia., .3128" Stem Dia., 4.0610" O.A.L.; When depleted use FP-V1018
4	Exhaust	FP-V1421		Single groove stem, use w/VG437 guide & VK144 locks; 1.0150" Head Dia., .3128" Stem Dia., 4.0770" O.A.L.
4	Exhaust	V-1421 +	Std Only	Single groove stem, use w/VG437 guide & VK144 locks; 1.0150" Head Dia., .3128" Stem Dia., 4.0770" O.A.L.; When depleted use FP-V1421
8	Keeper	FP-VK142		For drilled stem
8	Keeper	VK-142 +		For drilled stem; When depleted use FP-VK142
16	Keeper	FP-VK144		1 groove; Square cut key groove
16	Keeper	VK-144R		1 groove; Square cut key groove; Hardened
16	Keeper, Bulk	FP-VK144B		1 groove; Square cut key groove; Carton of 1000
QTY	VALVE SEAT	PART NO.	SIZE	DESCRIPTION
4	Int.	FP-24513121		1.3170" OD, 1.0625" ID, .1855" Depth
QTY	VALVE GUIDE	PART NO.	SIZE	DESCRIPTION
8	Guide	FP-VG437		Use w/4.031" O.A.L. valves FP-V1018, FP-V1019 & FP-V1421; .3163" ID, 2.2810" O.A.L.
8	Guide	VG-437 +		Use w/4.031" O.A.L. valves V-1018, V-1019 & V-1421; .3163" ID, 2.2810" O.A.L.; When depleted use FP-VG437
QTY	VALVE SPRING	PART NO.	SIZE	DESCRIPTION
8	Spring	FP-VS356		2.0000" Free Height
8	Spring	VS-356 +		2.0000" Free Height; When depleted use FP-VS356
ENGINE BLOCK & PARTS				
QTY	CAM BEARINGS	PART NO.	SIZE	DESCRIPTION
1	Cam Set	FP-1093M	Std Only	
1	Cam Set	1093M +	Std Only	When depleted use FP-1093M
CRANKSHAFT/OIL PUMP				
QTY	MAIN BEARINGS	PART NO.	SIZE	DESCRIPTION
1	Main Set	FP-5142M	Std-10-20	Later Eng.s.; w/flanged upper half front brg.
1	Main Set	5142M +	Std-10-20	Later Eng.s.; w/flanged upper half front brg.; When depleted use FP-5142M
1	Main Set	FP-836M	Std-10-20	Later Eng.s.; w/straight shell front brg.; Thrust Washer not incl.
1	Main Set	836M +	Std-10-20	Later Eng.s.; w/straight shell front brg.; Thrust Washer not incl.; When depleted use FP-836M

(continued on next page)

Clark - Also See Engine Manufacturer

1 Forklift Y4069 Eng. (cont.) 1.1L 69 L-HEAD L4, 2.5" Bore (Continental Eng.)				
CYLINDER COMPONENTS				
QTY	PISTONS	PART NO.	SIZE	DESCRIPTION
4	Pin Bushing	FP-1214VA		Split type, thin wall bushing w/.7625" OD
4	Pin Bushing	1214VA +		Split type, thin wall bushing w/.7625" OD; When depleted use FP-1214VA
QTY	CONNECTING RODS & BRGS.	PART NO.	SIZE	DESCRIPTION
2	Rod Pair	FP-9885CP	Std-10-20-30	Position 1-3
2	Rod Pair	9885CP +	Std-10-20-30	Position 1-3; When depleted use FP-9885CP
2	Rod Pair	FP-9885CPA	Std-10-20	Position 2-4
2	Rod Pair	9885CPA +	Std-10-20	Position 2-4; When depleted use FP-9885CPA
2 Forklift Y112, Y4112 Engs. 1.8L 112 L-HEAD L4, 3.1875" Bore (Continental Eng.)				
CYL. HEAD & PARTS				
QTY	VALVE	PART NO.	SIZE	DESCRIPTION
4	Intake	FP-V1019		Drilled stem; use w/VG437 guide & VK142 locks; 1.2030" Head Dia., .3144" Stem Dia., 4.0140" O.A.L.
4	Intake	V-1019 +	Std Only	Drilled stem; use w/VG437 guide & VK142 locks; 1.2030" Head Dia., .3144" Stem Dia., 4.0140" O.A.L.; When depleted use FP-V1019
4	Exhaust	FP-V1018		Drilled stem; use w/VG437 guide & VK142 locks; 1.0150" Head Dia., .3128" Stem Dia., 4.0610" O.A.L.
4	Exhaust	V-1018 +	Std Only	Drilled stem; use w/VG437 guide & VK142 locks; 1.0150" Head Dia., .3128" Stem Dia., 4.0610" O.A.L.; When depleted use FP-V1018
4	Exhaust	FP-V1421		Single groove stem, use w/VG437 guide & VK144 locks; 1.0150" Head Dia., .3128" Stem Dia., 4.0770" O.A.L.
4	Exhaust	V-1421 +	Std Only	Single groove stem, use w/VG437 guide & VK144 locks; 1.0150" Head Dia., .3128" Stem Dia., 4.0770" O.A.L.; When depleted use FP-V1421
8	Keeper	FP-VK142		For drilled stem
8	Keeper	VK-142 +		For drilled stem; When depleted use FP-VK142
16	Keeper	VK-144		1 groove; Square cut key groove
16	Keeper	VK-144R		1 groove; Square cut key groove; Hardened
QTY	VALVE SEAT	PART NO.	SIZE	DESCRIPTION
4	Int.	FP-24513121		1.3170" OD, 1.0625" ID, .1855" Depth
4	Int.	245-1312-1	Std Only	1.3170" OD, 1.0625" ID, .1855" Depth
QTY	VALVE GUIDE	PART NO.	SIZE	DESCRIPTION
8	Guide	FP-VG437		Use w/4.031" O.A.L. valves FP-V1018, FP-V1019 & FP-V1421; .3163" ID, 2.2810" O.A.L.
8	Guide	VG-437 +		Use w/4.031" O.A.L. valves V-1018, V-1019 & V-1421; .3163" ID, 2.2810" O.A.L.; When depleted use FP-VG437
QTY	VALVE SPRING	PART NO.	SIZE	DESCRIPTION
8	Spring	FP-VS356		2.0000" Free Height
8	Spring	VS-356 +		2.0000" Free Height; When depleted use FP-VS356
ENGINE BLOCK & PARTS				
QTY	CAM BEARINGS	PART NO.	SIZE	DESCRIPTION
1	Cam Set	FP-1093M	Std Only	
1	Cam Set	1093M +	Std Only	When depleted use FP-1093M
CRANKSHAFT/OIL PUMP				
QTY	MAIN BEARINGS	PART NO.	SIZE	DESCRIPTION
1	Main Set	FP-5142M	Std-10-20	w/flanged upper half front brg.
1	Main Set	5142M +	Std-10-20	w/flanged upper half front brg.; When depleted use FP-5142M
1	Main Set	FP-836M	Std-10-20	W/Straight shell front brg.; Thrust Washer not incl.
1	Main Set	836M +	Std-10-20	W/Straight shell front brg.; Thrust Washer not incl.; When depleted use FP-836M
QTY	OIL PUMP	PART NO.	SIZE	DESCRIPTION
1	Oil Pump	224-4130 +		Iron drive gear - use only w/iron cams. 5-13/16" flange to end of shaft. Incl. screen.; When depleted use FP-2244130
1	Oil Pump	FP-2244130		Iron drive gear - use w/iron cams. 5-13/16" flange to end of shaft. Incl. screen.
CYLINDER COMPONENTS				
QTY	PISTONS	PART NO.	SIZE	DESCRIPTION
4	Pin Bushing	FP-1214VA		Split type, thin wall bushing w/.7625" OD

(continued on next page)

Clark - Also See Engine Manufacturer

<i>Forklift Y112, Y4112 Eng.</i> 2 1.8L 112 L-HEAD L4, 3.1875" Bore (Continental Eng.) (cont.)				
CYLINDER COMPONENTS (cont.)				
QTY	PISTONS (cont.)	PART NO.	SIZE	DESCRIPTION
4	Pin Bushing	1214VA +		Split type, thin wall bushing w/.7625" OD; When depleted use FP-1214VA
QTY	CONNECTING RODS & BRGS.	PART NO.	SIZE	DESCRIPTION
2	Rod Pair	FP-9885CP	Std-10-20-30	Position 1-3
2	Rod Pair	9885CP +	Std-10-20-30	Position 1-3; When depleted use FP-9885CP
2	Rod Pair	FP-9885CPA	Std-10-20	Position 2-4
2	Rod Pair	9885CPA +	Std-10-20	Position 2-4; When depleted use FP-9885CPA
QTY	PISTON RINGS	PART NO.	SIZE	DESCRIPTION
1	Premium Set	FP-670KX	Std-20-30	2-3/32, 1-1/4
1	Premium Set	670KX +	Std-20-30	2-3/32, 1-1/4; When depleted use FP-670KX
1	Standard Set	FP-670X	Std-20-30	2-3/32, 1-1/4
1	Standard Set	670X +	Std-20-30	2-3/32, 1-1/4; When depleted use FP-670X
4	Standard Single Cylinder Set	W-670X	Std Only	2-3/32, 1-1/4
<i>Forklift F4124 Eng.</i> 3 2.1L 124 L-HEAD L4, 3" Bore (Continental Eng.)				
CYL. HEAD & PARTS				
QTY	VALVE	PART NO.	SIZE	DESCRIPTION
4	Intake	FP-V801		Drilled stem; 1.5200" Head Dia., .3411" Stem Dia., 5.1760" O.A.L.
4	Intake	V-801 +	Std Only	Drilled stem; 1.5200" Head Dia., .3411" Stem Dia., 5.1760" O.A.L.; When depleted use FP-V801
4	Intake	FP-V1748		Single groove stem; 1.5160" Head Dia., .3410" Stem Dia., 5.1570" O.A.L.
4	Intake	V-1748 +	Std Only	Single groove stem; 1.5160" Head Dia., .3410" Stem Dia., 5.1570" O.A.L.; When depleted use FP-V1748
4	Exhaust	FP-V800		Drilled stem; 1.2030" Head Dia., .3381" Stem Dia., 5.1520" O.A.L.
4	Exhaust	V-800 +	Std Only	Drilled stem; 1.2030" Head Dia., .3381" Stem Dia., 5.1520" O.A.L.; When depleted use FP-V800
4	Exhaust	FP-V954		Drilled stem; 1.3280" Head Dia., .3386" Stem Dia., 5.1950" O.A.L.
4	Exhaust	V-954 +	Std Only	Drilled stem; 1.3280" Head Dia., .3386" Stem Dia., 5.1950" O.A.L.; When depleted use FP-V954
4	Exhaust	FP-V1684		Single groove stem; 1.2030" Head Dia., .3392" Stem Dia., 5.1890" O.A.L.
4	Exhaust	V-1684 +	Std Only	Single groove stem; 1.2030" Head Dia., .3392" Stem Dia., 5.1890" O.A.L.; When depleted use FP-V1684
8	Keeper	FP-VK142		For drilled stem
8	Keeper	VK-142 +		For drilled stem; When depleted use FP-VK142
16	Keeper	FP-VK144		1 groove; Square cut key groove
16	Keeper	VK-144R		1 groove; Square cut key groove; Hardened
16	Keeper, Bulk	FP-VK144B		1 groove; Square cut key groove; Carton of 1000
QTY	VALVE SEAT	PART NO.	SIZE	DESCRIPTION
4	Exh.	245-1437-3N	Std Only	Premium Material; 1.4425" OD, 1.1880" ID, .2160" Depth
4	Exh.	FP-24513753		1.3795" OD, 1.0625" ID, .1855" Depth
4	Exh.	245-1375-3 +	Std Only	1.3795" OD, 1.0625" ID, .1855" Depth; When depleted use FP-24513753
4	Exh.	245-1437-3	Std Only	1.4425" OD, 1.1880" ID, .2160" Depth
4	Int.	245-1625-1N	Std Only	Premium Material; 1.6300" OD, 1.3750" ID, .2160" Depth
4	Int.	FP-2451348E1N		1.3480" OD, 1.0870" ID, .2005" Depth
4	Int.	245-1348-E1N +	Std Only	1.3480" OD, 1.0870" ID, .2005" Depth; When depleted use FP-2451348E1N
4	Int.	245-1625-1	Std Only	1.6300" OD, 1.3750" ID, .2160" Depth
QTY	VALVE GUIDE	PART NO.	SIZE	DESCRIPTION
8	Guide	FP-VG418		Exc. Rototype; .3425" ID, 2.3100" O.A.L.
8	Guide	VG-418 +		Exc. Rototype; .3425" ID, 2.3100" O.A.L.; When depleted use FP-VG418
QTY	VALVE SPRING	PART NO.	SIZE	DESCRIPTION
8	Spring	FP-VS356		2.0000" Free Height
8	Spring	VS-356 +		2.0000" Free Height; When depleted use FP-VS356
CAMSHAFT GROUP				
QTY	TIMING	PART NO.	SIZE	DESCRIPTION
1	Cam Gear	FP-2212601		Governor type; 48 Teeth

(continued on next page)

+ Superseded Part Number

Clark - Also See Engine Manufacturer

3 Forklift F4124 Eng.				
(cont.) 2.1L 124 L-HEAD L4, 3" Bore (Continental Eng.)				
CAMSHAFT GROUP (cont.)				
QTY	TIMING (cont.)	PART NO.	SIZE	DESCRIPTION
1	Cam Gear	221-2601		Governor type; 48 Teeth
1	Cam Gear	FP-2212600		48 Teeth
1	Cam Gear	221-2600 +		48 Teeth; When depleted use FP-2212600
ENGINE BLOCK & PARTS				
QTY	CAM BEARINGS	PART NO.	SIZE	DESCRIPTION
1	Cam Set	FP-1158M	Std Only	
1	Cam Set	1158M +	Std Only	When depleted use FP-1158M
CRANKSHAFT/OIL PUMP				
QTY	CRANKSHAFT	PART NO.	SIZE	DESCRIPTION
1	Crank Gear	FP-2212603A		Repl. O.E. No. F400H326; 24 Teeth
1	Crank Gear	221-2603A		Repl. O.E. No. F400H326; 24 Teeth
QTY	MAIN BEARINGS	PART NO.	SIZE	DESCRIPTION
1	Main Set	FP-4004M	Std-10-20	W/Single flanged front brg.
1	Main Set	4004M +	Std-10-20	W/Single flanged front brg.; When depleted use FP-4004M
1	Main Set	FP-4005M	Std-10-20	W/Straight shell front brg.
1	Main Set	FP-6632M	Std-10-20-30	W/Straight shell front brg. & thrust washer
1	Main Set	6632M +	Std-10-20-30	W/Straight shell front brg. & thrust washer; When depleted use FP-6632M
1	Main Set	4005M +	Std-10-20	W/Straight shell front brg.; When depleted use FP-4005M
1	Thrust Washer Set	FP-9811BFA	Std Only	Position 1; Use w/straight shell main brg. set
1	Thrust Washer Set	9811BFA +	Std Only	Position 1; Use w/straight shell main brg. set; When depleted use FP-9811BFA
1	Thrust Washer Set	FP-9811BF	Std Only	Position 1; Use w/Flanged main brg.
1	Thrust Washer Set	9811BF +	Std Only	Position 1; Use w/Flanged main brg.; When depleted use FP-9811BF
CYLINDER COMPONENTS				
QTY	PISTONS	PART NO.	SIZE	DESCRIPTION
4	Pin Bushing	8649XAS		Forging No. F400D-502; Full round, thin wall .0055" O/S OD bushing
4	Pin Bushing	8649XA		Forging No. F400D-502; Full round, thin wall bushing w/.9150" OD
4	Pin Bushing	8649V		Forging No. F400D-502; Split type, thin wall bushing w/.9135" OD
4	Pin Bushing	8649V20		Forging No. F400D-502; Split type, thin wall bushing w/.9135" OD & .020" extra bore stock
4	Pin Bushing	FP-9324X		Full round, heavy wall bushing w/1.0625" OD; Forging No. F400D-500
4	Pin Bushing	9324X +		Full round, heavy wall bushing w/1.0625" OD; Forging No. F400D-500; When depleted use FP-9324X
QTY	CONNECTING RODS & BRGS.	PART NO.	SIZE	DESCRIPTION
2	Rod Pair	FP-9320CPA	Std-2-10-20-30-40	Position 1-3
2	Rod Pair	9320CPA +	Std-2-10-20-30-40	Position 1-3; When depleted use FP-9320CPA
2	Rod Pair	FP-9320CP	Std-10-20-30-40	Position 2-4
2	Rod Pair	9320CP +	Std-10-20-30-40	Position 2-4; When depleted use FP-9320CP
4 Forklift D155G Eng.				
2.5L 155 OHV L4, 3.625" Bore (Waukesha Eng.)				
CYL. HEAD & PARTS				
QTY	VALVE	PART NO.	SIZE	DESCRIPTION
4	Intake	FP-V1472		1.4550" Head Dia., .3725" Stem Dia., 4.9840" O.A.L.
4	Intake	V-1472 +	Std Only	1.4550" Head Dia., .3725" Stem Dia., 4.9840" O.A.L.; When depleted use FP-V1472
4	Exhaust	FP-V1471		1.3950" Head Dia., .3715" Stem Dia., 4.9840" O.A.L.
4	Exhaust	V-1471 +	Std Only	1.3950" Head Dia., .3715" Stem Dia., 4.9840" O.A.L.; When depleted use FP-V1471
16	Keeper	VK-66		2 groove
16	Keeper	VK-66R		2 groove; Hardened
QTY	VALVE GUIDE	PART NO.	SIZE	DESCRIPTION
4	Guide	FP-VG859		Exh.; .3695" ID, 2.3100" O.A.L.
4	Guide	VG-859 +		Exh.; .3695" ID, 2.3100" O.A.L.; When depleted use FP-VG859
4	Guide	FP-VG615		Int.; .3695" ID, 2.4100" O.A.L.

(continued on next page)

Clark - Also See Engine Manufacturer

<i>Forklift D155G Eng. 4</i> 2.5L 155 OHV L4, 3.625" Bore (Waukesha Eng.) (cont.)				
CYL. HEAD & PARTS (cont.)				
QTY	VALVE GUIDE (cont.)	PART NO.	SIZE	DESCRIPTION
4	Guide	VG-615 +		Int.; .3695" ID, 2.4100" O.A.L.; When depleted use FP-VG615
QTY	VALVE SPRING	PART NO.	SIZE	DESCRIPTION
4	Spring	FP-VS400		Int.; 2.8130" Free Height
4	Spring	VS-400 +		Int.; 2.8130" Free Height; When depleted use FP-VS400
QTY	VALVE MISC.	PART NO.	SIZE	DESCRIPTION
4	Rotocap	RC-58		Exh.
QTY	VALVE SEAL	PART NO.	SIZE	DESCRIPTION
4	Valve Stem Seal	ST-2004		Int.; Positive type; Installation requires valve guide machining; Rubber/PTFE
4	Valve Stem Seal Bulk	ST-2004BC		Int.; Positive type; Installation requires valve guide machining; Carton of 100; Rubber/PTFE
ENGINE BLOCK & PARTS				
QTY	GASKET SETS	PART NO.	SIZE	DESCRIPTION
1	Kit Gasket Set	FP-2601352		Compl.
1	Kit Gasket Set	260-1352 +		Compl.; When depleted use FP-2601352
QTY	CAM BEARINGS	PART NO.	SIZE	DESCRIPTION
1	Cam Set	FP-1137M	<i>Std Only</i>	
1	Cam Set	1137M +	<i>Std Only</i>	When depleted use FP-1137M
CRANKSHAFT/OIL PUMP				
QTY	MAIN BEARINGS	PART NO.	SIZE	DESCRIPTION
1	Main Set	FP-5102M	<i>Std-10-30</i>	
1	Main Set	5102M +	<i>Std-10-30</i>	When depleted use FP-5102M
CYLINDER COMPONENTS				
QTY	LINERS	PART NO.	SIZE	DESCRIPTION
4	Liner w/Sealing Rings	FP-SO1982	<i>Std Only</i>	Incl. (2) FP-SLR1640 sealing rings
4	Liner w/Sealing Rings	SO-1982 +	<i>Std Only</i>	Incl. (2) SLR-1640 sealing rings; When depleted use FP-SO1982
4	Sleeve Assy.	FP-SL1982	<i>Std Only</i>	
4	Sleeve Assy.	SL-1982 +	<i>Std Only</i>	When depleted use FP-SL1982
QTY	PISTONS	PART NO.	SIZE	DESCRIPTION
4	Cast Piston	FP-1982PX	<i>Std Only</i>	Cast; 3-3/32", 1-3/16" Ring Groove, 2.312" CD, 1.2500" Pin Dia., Flat Head; Repl. O.E. No. 183004
4	Cast Piston	1982PX +	<i>Std Only</i>	Cast; 3-3/32", 1-3/16" Ring Groove, 2.312" CD, 1.2500" Pin Dia., Flat Head; Repl. O.E. No. 183004; When depleted use FP-1982PX
8	Pin Bushing	FP-1884Y20		2 req'd. per rod
8	Pin Bushing	1884Y20 +		2 req'd. per rod; When depleted use FP-1884Y20
QTY	CONNECTING RODS & BRGS.	PART NO.	SIZE	DESCRIPTION
4	Rod Pair	FP-3880CP	<i>Std-10-20-30-40</i>	W/1.750" crankpin
4	Rod Pair	3880CP +	<i>Std-10-20-30</i>	W/1.750" crankpin; When depleted use FP-3880CP
4	Rod Pair	FP-1865CP	<i>Std-10-20</i>	W/2.00" crankpin; O.A.L. 1.109"
4	Rod Pair	1865CP +	<i>Std-10-20</i>	W/2.00" crankpin; O.A.L. 1.109"; When depleted use FP-1865CP
4	Rod Pair	FP-1880CP	<i>Std-10-20-30</i>	W/2.25" crankpin
4	Rod Pair	1880CP +	<i>Std-10-20-30</i>	W/2.25" crankpin; When depleted use FP-1880CP
QTY	PISTON RINGS	PART NO.	SIZE	DESCRIPTION
1	Premium Set	FP-5504KX	<i>Std Only</i>	3-3/32, 1-3/16
1	Premium Set	5504KX +	<i>Std Only</i>	3-3/32, 1-3/16; When depleted use FP-5504KX
4	Premium Single Cylinder Set	W-5504KX	<i>Std Only</i>	3-3/32, 1-3/16
KITS				
QTY	OVERHAUL KIT	PART NO.	SIZE	DESCRIPTION
1	Tractor Overhaul Kit	FP-KST1982L		D155G Engs.
<i>Forklift D176G Eng. 5</i> 2.9L 176 L4, 3.625" Bore (Waukesha Eng.)				
ENGINE BLOCK & PARTS				
QTY	GASKET SETS	PART NO.	SIZE	DESCRIPTION
1	Kit Gasket Set	FP-2601352		Compl.
1	Kit Gasket Set	260-1352 +		Compl.; When depleted use FP-2601352

(continued on next page)

Clark - Also See Engine Manufacturer

5 Forklift D176G Eng. (cont.) 2.9L 176 L4, 3.625" Bore (Waukesha Eng.)				
ENGINE BLOCK & PARTS (cont.)				
QTY	CAM BEARINGS	PART NO.	SIZE	DESCRIPTION
1	Cam Set	FP-1137M	Std Only	
1	Cam Set	1137M +	Std Only	When depleted use FP-1137M
CRANKSHAFT/OIL PUMP				
QTY	MAIN BEARINGS	PART NO.	SIZE	DESCRIPTION
1	Main Set	FP-5102M	Std-10-30	
1	Main Set	5102M +	Std-10-30	When depleted use FP-5102M
CYLINDER COMPONENTS				
QTY	LINERS	PART NO.	SIZE	DESCRIPTION
4	Liner w/Sealing Rings	FP-SO1982	Std Only	Incl. (2) FP-SLR1640 sealing rings
4	Liner w/Sealing Rings	SO-1982 +	Std Only	Incl. (2) SLR-1640 sealing rings; When depleted use FP-SO1982
4	Sleeve Assy.	FP-SL2650	Std Only	
4	Sleeve Assy.	SL-2650 +	Std Only	When depleted use FP-SL2650
QTY	CONNECTING RODS & BRGS.	PART NO.	SIZE	DESCRIPTION
4	Rod Pair	FP-3880CP	Std-10-20-30-40	W/1.750" crankpin
4	Rod Pair	3880CP +	Std-10-20-30	W/1.750" crankpin; When depleted use FP-3880CP
4	Rod Pair	FP-1865CP	Std-10-20	W/2.00" crankpin; O.A.L. 1.109"
4	Rod Pair	1865CP +	Std-10-20	W/2.00" crankpin; O.A.L. 1.109"; When depleted use FP-1865CP
4	Rod Pair	FP-1880CP	Std-10-20-30	W/2.25" crankpin
4	Rod Pair	1880CP +	Std-10-20-30	W/2.25" crankpin; When depleted use FP-1880CP
QTY	PISTON RINGS	PART NO.	SIZE	DESCRIPTION
1	Premium Set	FP-5923KX	Std Only	2-3/32, 1-3/16
1	Premium Set	5923KX +	Std Only	2-3/32, 1-3/16; When depleted use FP-5923KX
4	Premium Single Cylinder Set	W-5923KX	Std Only	2-3/32, 1-3/16
KITS				
QTY	OVERHAUL KIT	PART NO.	SIZE	DESCRIPTION
1	Tractor Overhaul Kit	FP-KST2650A		W/1.750" crankpin
6 Forklift T50, T57, T81, T105, T112, T125 Engs. 3.3L 201.3 L-HEAD L6 (Plymouth), 3.125" Bore (Chrysler Eng.)				
CYL. HEAD & PARTS				
QTY	VALVE	PART NO.	SIZE	DESCRIPTION
24	Keeper	VK-63		2 groove; Round key groove
QTY	VALVE GUIDE	PART NO.	SIZE	DESCRIPTION
6	Guide	VG-419		Exh.; .3445" ID, 2.8130" O.A.L.
6	Guide	VG-420		Int.; .3425" ID, 2.8130" O.A.L.
QTY	VALVE SPRING	PART NO.	SIZE	DESCRIPTION
12	Spring	VS-304		2.0000" Free Height
CYLINDER COMPONENTS				
QTY	LINERS	PART NO.	SIZE	DESCRIPTION
1	Repair Sleeve	SL-9M	Std Only	3/32" wall, must be cut to correct length
QTY	PISTONS	PART NO.	SIZE	DESCRIPTION
6	Pin Bushing	8649XAS		Full round, thin wall .0055" O/S OD bushing
6	Pin Bushing	8649XA		Full round, thin wall bushing w/.9150" OD
6	Pin Bushing	8649V		Split type, thin wall bushing w/.9135" OD
6	Pin Bushing	8649V20		Split type, thin wall bushing w/.9135" OD & .020" extra bore stock
7 Forklift F6209 Eng. 3.4L 209 L-HEAD L6, 3.1875" Bore (Continental Eng.)				
CYL. HEAD & PARTS				
QTY	VALVE	PART NO.	SIZE	DESCRIPTION
6	Intake	FP-V801		Drilled stem; 1.5200" Head Dia., .3411" Stem Dia., 5.1760" O.A.L.
6	Intake	V-801 +	Std Only	Drilled stem; 1.5200" Head Dia., .3411" Stem Dia., 5.1760" O.A.L.; When depleted use FP-V801
6	Intake	FP-V1748		Single groove stem; 1.5160" Head Dia., .3410" Stem Dia., 5.1570" O.A.L.
6	Intake	V-1748 +	Std Only	Single groove stem; 1.5160" Head Dia., .3410" Stem Dia., 5.1570" O.A.L.; When depleted use FP-V1748

(continued on next page)

Clark - Also See Engine Manufacturer

Forklift F6209 Eng. 7

3.4L 209 L-HEAD L6, 3.1875" Bore (Continental Eng.) (cont.)

CYL. HEAD & PARTS (cont.)				
QTY	VALVE (cont.)	PART NO.	SIZE	DESCRIPTION
6	Exhaust	FP-V800		Drilled stem; 1.2030" Head Dia., .3381" Stem Dia., 5.1520" O.A.L.
6	Exhaust	V-800 + Std Only		Drilled stem; 1.2030" Head Dia., .3381" Stem Dia., 5.1520" O.A.L.; When depleted use FP-V800
6	Exhaust	FP-V954		Drilled stem; 1.3280" Head Dia., .3386" Stem Dia., 5.1950" O.A.L.
6	Exhaust	V-954 + Std Only		Drilled stem; 1.3280" Head Dia., .3386" Stem Dia., 5.1950" O.A.L.; When depleted use FP-V954
6	Exhaust	FP-V1684		Single groove stem; 1.2030" Head Dia., .3392" Stem Dia., 5.1890" O.A.L.
6	Exhaust	V-1684 + Std Only		Single groove stem; 1.2030" Head Dia., .3392" Stem Dia., 5.1890" O.A.L.; When depleted use FP-V1684
6	Exhaust	FP-V959		Use w/Rotocaps; 1.3230" Head Dia., .3382" Stem Dia., 5.1100" O.A.L.
6	Keeper	FP-VK142		For drilled stem
6	Keeper	FP-VK27		For drilled stem; F186 Eng.
6	Keeper	VK-27 +		For drilled stem; F186 Eng.; When depleted use FP-VK27
6	Keeper	VK-142 +		For drilled stem; When depleted use FP-VK142
12	Keeper	VK-115		F186 Eng.; 1 groove; Square cut key groove
12	Keeper	VK-115R		F186 Eng.; 1 groove; Square cut key groove; Hardened
12	Keeper	FP-VK144		1 groove; Square cut key groove
12	Keeper	VK-144R		1 groove; Square cut key groove; Hardened
12	Keeper, Bulk	VK-115B		F186 Eng.; 1 groove; Square cut key groove; Carton of 1000
12	Keeper, Bulk	FP-VK144B		1 groove; Square cut key groove; Carton of 1000
VALVE SEAT				
6	Exh.	245-1437-3N Std Only		Premium Material; 1.4425" OD, 1.1880" ID, .2160" Depth
6	Exh.	FP-24513753		1.3795" OD, 1.0625" ID, .1855" Depth
6	Exh.	245-1375-3 + Std Only		1.3795" OD, 1.0625" ID, .1855" Depth; When depleted use FP-24513753
6	Exh.	245-1437-3 Std Only		1.4425" OD, 1.1880" ID, .2160" Depth
6	Int.	245-1625-1N Std Only		Premium Material; 1.6300" OD, 1.3750" ID, .2160" Depth
6	Int.	FP-2451348E1N		1.3480" OD, 1.0870" ID, .2005" Depth
6	Int.	245-1348-E1N + Std Only		1.3480" OD, 1.0870" ID, .2005" Depth; When depleted use FP-2451348E1N
6	Int.	245-1625-1 Std Only		1.6300" OD, 1.3750" ID, .2160" Depth
VALVE GUIDE				
6	Guide	FP-VG336		.3427" ID, 2.5600" O.A.L.
VALVE SPRING				
6	Spring	FP-VS310		1.9690" Free Height
CAMSHAFT GROUP				
TIMING				
1	Timing Chain	222-489		Late model; 46 Links
1	Cam Gear	FP-223233		Early model; 36 Teeth
ENGINE BLOCK & PARTS				
CAM BEARINGS				
1	Cam Set	FP-1088M		
CRANKSHAFT/OIL PUMP				
CRANKSHAFT				
1	Crank Gear	FP-223234A		Early model; 18 Teeth
MAIN BEARINGS				
1	Main Set	FP-4247M		F209, F6209 Dynatork, & 24B 4th Ser.
1	Thrust Washer Set	FP-9811BFA	Std Only	Position 1; Use w/straight shell main brg. set
1	Thrust Washer Set	9811BFA +	Std Only	Position 1; Use w/straight shell main brg. set; When depleted use FP-9811BFA
1	Thrust Washer Set	FP-9811BF	Std Only	Position 1; Use w/Flanged main brg.
1	Thrust Washer Set	9811BF +	Std Only	Position 1; Use w/Flanged main brg.; When depleted use FP-9811BF
OIL PUMP				
1	Oil Pump	FP-2244132		F209 and F6209 Eng.; Cast Iron drive gear; Use w/Cast Iron cams; 7 1/8" from flange to end of shaft; Incl. screen
1	Oil Pump	224-4132 +		F209 and F6209 Eng.; Cast Iron drive gear; Use w/Cast Iron cams; 7 1/8" from flange to end of shaft; Incl. screen; When depleted use FP-2244132
1	Oil Pump	FP-2244137		F209 and F6209 Eng.; Steel drive gear w/groove at pin; Use w/Steel cams; 7-1/8" from flange to end of shaft; Incl. pin

(continued on next page)

+ Superseded Part Number

Clark - Also See Engine Manufacturer

7 Forklift F6209 Eng.				
(cont.) 3.4L 209 L-HEAD L6, 3.1875" Bore (Continental Eng.)				
CRANKSHAFT/OIL PUMP (cont.)				
QTY	OIL PUMP (cont.)	PART NO.	SIZE	DESCRIPTION
1	Oil Pump	224-4137 +		F209 and F6209 Eng.s.; Steel drive gear w/groove at pin; Use w/Steel cams; 7-1/8" from flange to end of shaft; Incl. pin; When depleted use FP-2244137
CYLINDER COMPONENTS				
QTY	PISTONS	PART NO.	SIZE	DESCRIPTION
6	Pin Bushing	8649XAS		Forging No. F400D-502; Full round, thin wall .0055" O/S OD bushing
6	Pin Bushing	8649XA		Forging No. F400D-502; Full round, thin wall bushing w/.9150" OD
6	Pin Bushing	8649V		Forging No. F400D-502; Split type, thin wall bushing w/.9135" OD
6	Pin Bushing	8649V20		Forging No. F400D-502; Split type, thin wall bushing w/.9135" OD & .020" extra bore stock
6	Pin Bushing	FP-9324X		Full round, heavy wall bushing w/1.0625" OD; Frg. Nos. D600D-500 & F600D-500
6	Pin Bushing	9324X +		Full round, heavy wall bushing w/1.0625" OD; Frg. Nos. D600D-500 & F600D-500; When depleted use FP-9324X
QTY	CONNECTING RODS & BRGS.	PART NO.	SIZE	DESCRIPTION
3	Rod Pair	FP-1995CPA	STD	Position 1-3-5; F209 4th series, F6209 Dynatork & 24B 4th series Eng.s.
3	Rod Pair	FP-9320CPA	Std-2-10-20-30-40	Position 1-3-5; F209, PF209, F6209 & 24B 1st, 2nd, 3rd series Eng.s.
3	Rod Pair	9320CPA +	Std-2-10-20-30-40	Position 1-3-5; F209, PF209, F6209 & 24B 1st, 2nd, 3rd series Eng.s.; When depleted use FP-9320CPA
3	Rod Pair	FP-1995CP	STD	Position 2-4-6; F209 4th series, F6209 Dynatork & 24B 4th series Eng.s.
3	Rod Pair	FP-9320CP	Std-10-20-30-40	Position 2-4-6; F209, PF209, F6209 & 24B 1st, 2nd, 3rd series Eng.s.
3	Rod Pair	9320CP +	Std-10-20-30-40	Position 2-4-6; F209, PF209, F6209 & 24B 1st, 2nd, 3rd series Eng.s.; When depleted use FP-9320CP
8 Forklift T2, T3, T5, T13, T17, T23, T25, T112, T125, T128, 3, 3A, 5, 5A, 6, 6A, 10 Eng.s.				
3.6L 217.8 L-HEAD L6 (Dodge/Plymouth), 3.25" Bore (Chrysler Eng.)				
CYL. HEAD & PARTS				
QTY	VALVE	PART NO.	SIZE	DESCRIPTION
6	Intake	V-1086	Std Only	1.5310" Head Dia., .3405" Stem Dia., 4.8450" O.A.L.
6	Exhaust	V-1351	Std Only	1.4070" Head Dia., .3405" Stem Dia., 4.8410" O.A.L.
24	Keeper	VK-63		2 groove; Round key groove
QTY	VALVE GUIDE	PART NO.	SIZE	DESCRIPTION
6	Guide	VG-419		Exh.; .3445" ID, 2.8130" O.A.L.
6	Guide	VG-420		Int.; .3425" ID, 2.8130" O.A.L.
QTY	VALVE SPRING	PART NO.	SIZE	DESCRIPTION
6	Spring	VS-506		Use w/Rotocaps; 1.8570" Free Height
6	Spring	VS-304		2.0000" Free Height
ENGINE BLOCK & PARTS				
QTY	CAM BEARINGS	PART NO.	SIZE	DESCRIPTION
1	Cam Set	1010M	Std Only	
CRANKSHAFT/OIL PUMP				
QTY	MAIN BEARINGS	PART NO.	SIZE	DESCRIPTION
1	Main Set	415M	Std-10-20-30-40	
CYLINDER COMPONENTS				
QTY	PISTONS	PART NO.	SIZE	DESCRIPTION
6	Cast Piston	37P	Std-20-30-40-60-80	Cast; 2-3/32", 2-5/32" Ring Groove, 1.980" CD, .8591" Pin Dia., Flat Head - 7.8:1 C.R.
6	Cast Piston - Individual	W37P	Std-20-30-40-60-80	Cast; 2-3/32", 2-5/32" Ring Groove, 1.980" CD, .8591" Pin Dia., Flat Head - 7.8:1 C.R.
6	Pin Bushing	8649XAS		Full round, thin wall .0055" O/S OD bushing
6	Pin Bushing	8649XA		Full round, thin wall bushing w/.9150" OD
6	Pin Bushing	8649V		Split type, thin wall bushing w/.9135" OD
6	Pin Bushing	8649V20		Split type, thin wall bushing w/.9135" OD & .020" extra bore stock

(continued on next page)

Clark - Also See Engine Manufacturer

Forklift T2, T3, T5, T13, T17, T23, T25, T112, T125, T128, 3, 3A, 5, 5A, 6, 6A, 10 Eng. 8
 3.6L 217.8 L-HEAD L6 (Dodge/Plymouth), 3.25" Bore (Chrysler Eng.) (cont.)

CYLINDER COMPONENTS (cont.)

QTY	CONNECTING RODS & BRGS.	PART NO.	SIZE	DESCRIPTION
1	Rod Set	6-9185CP	Std-10-20-30-40	
1	Rod Pair	9185CP	Std-10-20-30-40	
QTY	PISTON RINGS	PART NO.	SIZE	DESCRIPTION
1	Premium Set	E-108KC	Std-30-60	2-3/32, 2-5/32
1	Standard Set	E-108X	Std-30-40-60	2-3/32, 2-5/32
6	Standard Single Cylinder Set	WE-108X	Std-30	2-3/32, 2-5/32

Forklift F227 Eng. 9
 3.7L 226 L-HEAD L6 (12 Valve), 3.3125" Bore (Continental Eng.)

CYL. HEAD & PARTS

QTY	VALVE	PART NO.	SIZE	DESCRIPTION
6	Intake	FP-V1855		1.5160" Head Dia., .3410" Stem Dia., 5.1670" O.A.L.
6	Intake	V-1855 +	Std Only	1.5160" Head Dia., .3410" Stem Dia., 5.1670" O.A.L.; When depleted use FP-V1855
6	Exhaust	FP-V1854		1.2030" Head Dia., .3381" Stem Dia., 5.1900" O.A.L.
6	Exhaust	V-1854 +	Std Only	1.2030" Head Dia., .3381" Stem Dia., 5.1900" O.A.L.; When depleted use FP-V1854
12	Keeper	VK-115		1 groove; Square cut key groove
12	Keeper	VK-115R		1 groove; Square cut key groove; Hardened
12	Keeper, Bulk	VK-115B		1 groove; Square cut key groove; Carton of 1000
QTY	VALVE SEAT	PART NO.	SIZE	DESCRIPTION
6	Exh.	FP-2451348E1N		Optional-Premium Material; 1.3480" OD, 1.0870" ID, .2005" Depth
6	Exh.	245-1348-E1N +	Std Only	Optional-Premium Material; 1.3480" OD, 1.0870" ID, .2005" Depth; When depleted use FP-2451348E1N
6	Int.	245-1625-1N	Std Only	Premium Material; 1.6300" OD, 1.3750" ID, .2160" Depth
6	Int.	245-1625-1	Std Only	1.6300" OD, 1.3750" ID, .2160" Depth
QTY	VALVE GUIDE	PART NO.	SIZE	DESCRIPTION
6	Guide	FP-VG418		.3425" ID, 2.3100" O.A.L.
6	Guide	VG-418 +		.3425" ID, 2.3100" O.A.L.; When depleted use FP-VG418
QTY	VALVE SPRING	PART NO.	SIZE	DESCRIPTION
6	Spring	FP-VS356		2.0000" Free Height
6	Spring	VS-356 +		2.0000" Free Height; When depleted use FP-VS356
QTY	VALVE MISC.	PART NO.	SIZE	DESCRIPTION
6	Rotocap Assy.	FP-RC139A		
6	Rotocap Assy.	RC-139A +		When depleted use FP-RC139A

ENGINE BLOCK & PARTS

QTY	GASKET SETS	PART NO.	SIZE	DESCRIPTION
1	Kit Gasket Set	FP-2601351		Compl.
1	Kit Gasket Set	260-1351 +		Compl.; When depleted use FP-2601351
QTY	CAM BEARINGS	PART NO.	SIZE	DESCRIPTION
1	Cam Set	FP-1088M		Exc. CF6226 L-head, CFD6226 OHV, FO6226 OHV & FO6226 spec. 10 & 11 Eng.

CRANKSHAFT/OIL PUMP

QTY	MAIN BEARINGS	PART NO.	SIZE	DESCRIPTION
1	Main Set	FP-4247M		

CYLINDER COMPONENTS

QTY	PISTONS	PART NO.	SIZE	DESCRIPTION
6	Cast Piston	FP-704P	Std-20-30-40-60	Cast; 1-5/64", 2-3/32", 1-1/4" Ring Groove, 1.980" CD, .8592" Pin Dia., Flat Head
6	Cast Piston	704P +	Std-20-30-40-60	Cast; 1-5/64", 2-3/32", 1-1/4" Ring Groove, 1.980" CD, .8592" Pin Dia., Flat Head; When depleted use FP-704P
6	Cast Piston - Individual	FP-W704P	Std-20-30-40-60	Cast; 1-5/64", 2-3/32", 1-1/4" Ring Groove, 1.980" CD, .8592" Pin Dia., Flat Head
6	Cast Piston - Individual	W704P +	Std-20-30-40-60	Cast; 1-5/64", 2-3/32", 1-1/4" Ring Groove, 1.980" CD, .8592" Pin Dia., Flat Head; When depleted use FP-W704P
6	Pin Bushing	8649V		Split type, thin wall bushing w/.9135" OD
6	Pin Bushing	8649V20		Split type, thin wall bushing w/.9135" OD & .020" extra bore stock

(continued on next page)

Clark - Also See Engine Manufacturer

9 Forklift F227 Eng.				
(cont.) 3.7L 226 L-HEAD L6 (12 Valve), 3.3125" Bore (Continental Eng.)				
CYLINDER COMPONENTS (cont.)				
QTY	CONNECTING RODS & BRGS.	PART NO.	SIZE	DESCRIPTION
3	Rod Pair	FP-1995CPA	STD	Position 1-3-5
3	Rod Pair	FP-1995CP	STD	Position 2-4-6
QTY	PISTON RINGS	PART NO.	SIZE	DESCRIPTION
1	Premium Set	FP-9323KX	Std-20-30-40-60	1-5/64, 2-3/32, 1-1/4
1	Premium Set	9323KX +	Std-20-30-40-60	1-5/64, 2-3/32, 1-1/4; When depleted use FP-9323KX
1	Standard Set	FP-9323X	Std-20-30-40-60	1-5/64, 2-3/32, 1-1/4
1	Standard Set	9323X +	Std-20-30-40-60	1-5/64, 2-3/32, 1-1/4; When depleted use FP-9323X
10 Forklift				
3.7L 227 OHV L4, 3.625" Bore (Continental Eng.)				
CAMSHAFT GROUP				
QTY	TIMING	PART NO.	SIZE	DESCRIPTION
1	Cam Gear	FP-2212601		F227 Engs.; Governor type; 48 Teeth
1	Cam Gear	221-2601		F227 Engs.; Governor type; 48 Teeth
1	Cam Gear	FP-2212600		F227 Engs.; Replacement O.E. No. F400H310; 48 Teeth
1	Cam Gear	221-2600 +		F227 Engs.; Replacement O.E. No. F400H310; 48 Teeth; When depleted use FP-2212600
ENGINE BLOCK & PARTS				
QTY	GASKET SETS	PART NO.	SIZE	DESCRIPTION
1	Kit Gasket Set	FP-2601351		Compl.
1	Kit Gasket Set	260-1351 +		Compl.; When depleted use FP-2601351
CRANKSHAFT/OIL PUMP				
QTY	CRANKSHAFT	PART NO.	SIZE	DESCRIPTION
1	Crank Gear	FP-2212603A		F227 Engs.; Repl. O.E. No. F400H326; 24 Teeth
1	Crank Gear	221-2603A		F227 Engs.; Repl. O.E. No. F400H326; 24 Teeth
CYLINDER COMPONENTS				
QTY	PISTONS	PART NO.	SIZE	DESCRIPTION
4	Pin Bushing	FP-1669Y20		
4	Pin Bushing	1669Y20 +		When depleted use FP-1669Y20
QTY	CONNECTING RODS & BRGS.	PART NO.	SIZE	DESCRIPTION
4	Rod Pair	FP-1665SB	Std-10-20	
4	Rod Pair	1665SB +	Std-10-20	When depleted use FP-1665SB
11 Forklift F245 Eng.				
4.0L 244 L-HEAD L6, 3.4375" Bore (Continental Eng.)				
CYL. HEAD & PARTS				
QTY	VALVE	PART NO.	SIZE	DESCRIPTION
6	Intake	FP-V1855		1.5160" Head Dia., .3410" Stem Dia., 5.1670" O.A.L.
6	Intake	V-1855 +	Std Only	1.5160" Head Dia., .3410" Stem Dia., 5.1670" O.A.L.; When depleted use FP-V1855
6	Exhaust	FP-V1854		1.2030" Head Dia., .3381" Stem Dia., 5.1900" O.A.L.
6	Exhaust	V-1854 +	Std Only	1.2030" Head Dia., .3381" Stem Dia., 5.1900" O.A.L.; When depleted use FP-V1854
12	Keeper	VK-115		1 groove; Square cut key groove
12	Keeper	VK-115R		1 groove; Square cut key groove; Hardened
12	Keeper, Bulk	VK-115B		1 groove; Square cut key groove; Carton of 1000
QTY	VALVE SEAT	PART NO.	SIZE	DESCRIPTION
6	Exh.	245-1437-3N	Std Only	Premium Material; 1.4425" OD, 1.1880" ID, .2160" Depth
6	Exh.	FP-2451348E1N		1.3480" OD, 1.0870" ID, .2005" Depth
6	Exh.	245-1348-E1N +	Std Only	1.3480" OD, 1.0870" ID, .2005" Depth; When depleted use FP-2451348E1N
6	Exh.	245-1437-3	Std Only	1.4425" OD, 1.1880" ID, .2160" Depth
6	Int.	245-1625-1N	Std Only	Premium Material; 1.6300" OD, 1.3750" ID, .2160" Depth
6	Int.	245-1625-1	Std Only	1.6300" OD, 1.3750" ID, .2160" Depth
QTY	VALVE GUIDE	PART NO.	SIZE	DESCRIPTION
6	Guide	FP-VG418		Exc. Rototype; .3425" ID, 2.3100" O.A.L.
6	Guide	VG-418 +		Exc. Rototype; .3425" ID, 2.3100" O.A.L.; When depleted use FP-VG418

(continued on next page)

Clark - Also See Engine Manufacturer

<i>Forklift F245 Eng. 11</i> 4.0L 244 L-HEAD L6, 3.4375" Bore (Continental Eng.) (cont.)				
ENGINE BLOCK & PARTS				
QTY	GASKET SETS	PART NO.	SIZE	DESCRIPTION
1	Kit Gasket Set	FP-2601351		Compl.
1	Kit Gasket Set	260-1351 +		Compl.; When depleted use FP-2601351
QTY	CAM BEARINGS	PART NO.	SIZE	DESCRIPTION
1	Cam Set	FP-1088M		
CRANKSHAFT/OIL PUMP				
QTY	MAIN BEARINGS	PART NO.	SIZE	DESCRIPTION
1	Main Set	FP-4247M		
CYLINDER COMPONENTS				
QTY	PISTONS	PART NO.	SIZE	DESCRIPTION
6	Cast Piston	FP-1080P	Std-20-30-40-60	F245 Eng.s.; w/full skirt; Cast; 1-5/64", 2-3/32", 1-1/4" Ring Groove, 2.000" CD, .8592" Pin Dia., Flat Head
6	Cast Piston	1080P +	Std-20-30-40-60	F245 Eng.s.; w/full skirt; Cast; 1-5/64", 2-3/32", 1-1/4" Ring Groove, 2.000" CD, .8592" Pin Dia., Flat Head; When depleted use FP-1080P
6	Cast Piston - Individual	FP-W1080P	Std-20-30-40-60	F245 Eng.s.; w/full skirt; Cast; 1-5/64", 2-3/32", 1-1/4" Ring Groove, 2.000" CD, .8592" Pin Dia., Flat Head
6	Cast Piston - Individual	W1080P +	Std-20-30-40-60	F245 Eng.s.; w/full skirt; Cast; 1-5/64", 2-3/32", 1-1/4" Ring Groove, 2.000" CD, .8592" Pin Dia., Flat Head; When depleted use FP-W1080P
6	Pin Bushing	8649XAS		Full round, thin wall .0055" O/S OD bushing
6	Pin Bushing	8649XA		Full round, thin wall bushing w/.9150" OD
6	Pin Bushing	8649V		Split type, thin wall bushing w/.9135" OD
6	Pin Bushing	8649V20		Split type, thin wall bushing w/.9135" OD & .020" extra bore stock
QTY	CONNECTING RODS & BRGS.	PART NO.	SIZE	DESCRIPTION
3	Rod Pair	FP-1995CPA	STD	Position 1-3-5
3	Rod Pair	FP-1995CP	STD	Position 2-4-6
QTY	PISTON RINGS	PART NO.	SIZE	DESCRIPTION
1	Premium Set	FP-E324KC	Std-20-30-40-60	1-5/64, 2-3/32, 1-1/4
1	Premium Set	E-324KC +	Std-20-30-40-60	1-5/64, 2-3/32, 1-1/4; When depleted use FP-E324KC
1	Standard Set	FP-E324X	Std-30-60	1-5/64, 2-3/32, 1-1/4
1	Standard Set	E-324X +	Std-30-60	1-5/64, 2-3/32, 1-1/4; When depleted use FP-E324X
6	Premium Single Cylinder Set	WE-324KC	Std Only	1-5/64, 2-3/32, 1-1/4

Climax Engines

Engine Finding Index					
Engine	Line No.	Engine	Line No.		
.7L 46 L1 5" Bore.....	1	1.6L 96 L1 7" Bore.....	3		
1.1L 66 L1 5.75" Bore.....	2				
Engine Code Index					
Engine Code	Engine Description	Line No.	Engine Code	Engine Description	Line No.
C46 ... Industrial Applications.....	.7L 46 L1 5" Bore.....	1	C96 ... Industrial Applications.....	1.6L 96 L1 7" Bore.....	3
C66 ... Industrial Applications.....	1.1L 66 L1 5.75" Bore.....	2			

<i>Industrial Applications C46 Eng. 1</i> .7L 46 L1, 5" Bore				
CYL. HEAD & PARTS				
QTY	VALVE	PART NO.	SIZE	DESCRIPTION
4	Keeper	VK-66		2 groove
4	Keeper	VK-66R		2 groove; Hardened
CYLINDER COMPONENTS				
QTY	PISTON RINGS	PART NO.	SIZE	DESCRIPTION
1	Standard Set	7641	Std Only	3-1/4, 1-1/4

Climax Engines

2 Industrial Applications C66 Eng. 1.1L 66 L1, 5.75" Bore				
CYL. HEAD & PARTS				
QTY	VALVE	PART NO.	SIZE	DESCRIPTION
1	Intake	FP-V1595		2.0000" Head Dia., .5610" Stem Dia., 7.3140" O.A.L.
1	Intake	V-1595 + Std Only		2.0000" Head Dia., .5610" Stem Dia., 7.3140" O.A.L.; When depleted use FP-V1595
1	Exhaust	FP-V1594		2.0000" Head Dia., .5600" Stem Dia., 7.3120" O.A.L.
1	Exhaust	V-1594 + Std Only		2.0000" Head Dia., .5600" Stem Dia., 7.3120" O.A.L.; When depleted use FP-V1594
CYLINDER COMPONENTS				
QTY	PISTON RINGS	PART NO.	SIZE	DESCRIPTION
1	Standard Set	7640 Std Only		4-1/4, 1-1/4
3 Industrial Applications C96 Eng. 1.6L 96 L1, 7" Bore				
CYL. HEAD & PARTS				
QTY	VALVE	PART NO.	SIZE	DESCRIPTION
1	Exhaust	FP-V1596		2.5000" Head Dia., .5600" Stem Dia., 7.3750" O.A.L.
1	Exhaust	V-1596 + Std Only		2.5000" Head Dia., .5600" Stem Dia., 7.3750" O.A.L.; When depleted use FP-V1596
CYLINDER COMPONENTS				
QTY	PISTON RINGS	PART NO.	SIZE	DESCRIPTION
1	Ring Set Single Cylinder	FP-7347	Std Only	3-1/4, 2-1/4
1	Standard Set	7347 + Std Only		3-1/4, 2-1/4; When depleted use FP-7347

Clinton Engines

Engine Finding Index					
Engine		Line No.	Engine		Line No.
8.3 L1 2.375" Bore.....		1			
Engine Code Index					
Engine Code	Engine Description	Line No.	Engine Code	Engine Description	Line No.
AVS3100 ... Industrial Applications.....	8.3 L1 2.375" Bore.....	1	VS2100E ... Industrial Applications.....	8.3 L1 2.375" Bore.....	1
A2100-1000A ... Industrial Applications.....	8.3 L1 2.375" Bore.....	1	VS3100A ... Industrial Applications.....	8.3 L1 2.375" Bore.....	1
A2100-1000B ... Industrial Applications.....	8.3 L1 2.375" Bore.....	1	VS3100B ... Industrial Applications.....	8.3 L1 2.375" Bore.....	1
A2100A ... Industrial Applications.....	8.3 L1 2.375" Bore.....	1	VS3100C ... Industrial Applications.....	8.3 L1 2.375" Bore.....	1
A2100B ... Industrial Applications.....	8.3 L1 2.375" Bore.....	1	VS900 ... Industrial Applications.....	8.3 L1 2.375" Bore.....	1
VS100 ... Industrial Applications.....	8.3 L1 2.375" Bore.....	1	100 ... Industrial Applications.....	8.3 L1 2.375" Bore.....	1
VS100-1000 ... Industrial Applications.....	8.3 L1 2.375" Bore.....	1	100-1000 ... Industrial Applications.....	8.3 L1 2.375" Bore.....	1
VS1100 ... Industrial Applications.....	8.3 L1 2.375" Bore.....	1	2100 ... Industrial Applications.....	8.3 L1 2.375" Bore.....	1
VS2100-1000A ... Industrial Applications.....	8.3 L1 2.375" Bore.....	1	3100 ... Industrial Applications.....	8.3 L1 2.375" Bore.....	1
VS2100-1000B ... Industrial Applications.....	8.3 L1 2.375" Bore.....	1	3100-1000 ... Industrial Applications.....	8.3 L1 2.375" Bore.....	1
VS2100-1000C ... Industrial Applications.....	8.3 L1 2.375" Bore.....	1	3100A ... Industrial Applications.....	8.3 L1 2.375" Bore.....	1
VS2100-1000D ... Industrial Applications.....	8.3 L1 2.375" Bore.....	1	900-1000A ... Industrial Applications.....	8.3 L1 2.375" Bore.....	1
VS2100A ... Industrial Applications.....	8.3 L1 2.375" Bore.....	1	900-1000B ... Industrial Applications.....	8.3 L1 2.375" Bore.....	1
VS2100B ... Industrial Applications.....	8.3 L1 2.375" Bore.....	1	900-1000C ... Industrial Applications.....	8.3 L1 2.375" Bore.....	1
VS2100C ... Industrial Applications.....	8.3 L1 2.375" Bore.....	1	900-1000D ... Industrial Applications.....	8.3 L1 2.375" Bore.....	1
VS2100D ... Industrial Applications.....	8.3 L1 2.375" Bore.....	1	900-2000A ... Industrial Applications.....	8.3 L1 2.375" Bore.....	1

(continued on next page)
+ Superseded Part Number

Engine Code Index					
Engine Code	Engine Description	Line No.	Engine Code	Engine Description	Line No.
900-2000B ... Industrial Applications.....	8.3 L1 2.375" Bore.....	1	900A ... Industrial Applications.....	8.3 L1 2.375" Bore.....	1
900-2000C ... Industrial Applications.....	8.3 L1 2.375" Bore.....	1	900B ... Industrial Applications.....	8.3 L1 2.375" Bore.....	1

Industrial Applications A2100-1000A, A2100-1000B, A2100A, A2100B, AVS3100, VS100, VS100-1000, VS900, VS1100, VS2100-1000A, VS2100-1000B, VS2100-1000C, VS2100-1000D, VS2100A, VS2100B, VS2100C, VS2100D, VS2100E, VS2100E, VS3100A, VS3100B, VS3100C, 100, 100-1000, 900-1000A, 900-1000B, 900-1000C, 900-1000D, 900-2000A, 900-2000B, 900-2000C, 900A, 900B, 2100, 3100, 3100-1000, 3100A Eng. 8.3 L1, 2.375" Bore

CYLINDER COMPONENTS					
QTY	PISTON RINGS	PART NO.	SIZE	DESCRIPTION	
1	Standard Set	FP-5355X	Std-10-30	2-3/32, 1-3/16 (1 cyl. set)	
1	Standard Set	5355X + Std-10		2-3/32, 1-3/16 (1 cyl. set); When depleted use FP-5355X	

Engine Finding Index					
Engine	Line No.	Engine	Line No.		
.9L 56 L-HEAD L4 2.25" Bore	1	3.3L 201 OHV L4 3.625" Bore H/D Truck.....	47		
1.0L 62 L-HEAD L4 2.375" Bore	2	3.3L 201 OHV L4 3.625" Bore.....	48		
1.1L 69 L-HEAD L4 2.5" Bore	3	3.3L 202 L-HEAD L6 3.125" Bore H/D Truck	49		
1.5L 91 L-HEAD L4 2.875" Bore	4	3.3L 202 L-HEAD L6 3.125" Bore	50		
1.8L 112 L-HEAD L4 3.1875" Bore	5	3.4L 208 OHV L4 3.6875" Bore H/D Truck.....	51		
2.0L 120 OHV L4 3.1875" Bore H/D Truck.....	6	3.4L 208 OHV L4 3.6875" Bore.....	52		
2.0L 120 OHV L4 3.1875" Bore.....	7	3.4L 209 L-HEAD L6 3.1875" Bore H/D Truck	53		
2.1L 124 L-HEAD L4 3" Bore	8	3.4L 209 L-HEAD L6 3.1875" Bore	54		
2.1L 124 L-HEAD L4 3" Bore H/D Truck	9	3.6L 218 L-HEAD L6 3.25" Bore H/D Truck	55		
2.1L 124 L-HEAD L4 3" Bore	10	3.6L 218 L-HEAD L6 3.25" Bore	56		
2.1L 129 OHV L4 3.25" Bore H/D Truck.....	11	3.6L 218 L-HEAD L6 3.25" Bore (Mil-Std) H/D Truck.....	57		
2.1L 129 OHV L4 3.25" Bore	12	3.7L 223 OHV L4 3.8125" Bore H/D Truck.....	58		
2.2L 134 OHV L4 3.3125" Bore H/D Truck.....	13	3.7L 223 OHV L4 3.8125" Bore.....	59		
2.2L 134 OHV L4 3.3125" Bore.....	14	3.7L 226 OHV L6 3.3125" Bore (12 Valve) H/D Truck	60		
2.2L 135 L-HEAD L4 3.125" Bore H/D Truck	15	3.7L 226 OHV L6 3.3125" Bore (12 Valve)	61		
2.2L 135 L-HEAD L4 3.125" Bore	16	3.7L 226 L-HEAD L6 3.3125" Bore (12 Valve).....	62		
2.3L 140 L-HEAD L4 3.1875" Bore H/D Truck	17	3.7L 227 OHV L4 3.625" Bore H/D Truck.....	63		
2.3L 140 L-HEAD L4 3.1875" Bore	18	3.7L 227 OHV L4 3.625" Bore	64		
2.4L 145 OHV L4 3.25" Bore H/D Truck.....	19	4.0L 242 OHV L4 3.875" Bore H/D Truck.....	65		
2.4L 145 OHV L4 3.25" Bore	20	4.0L 242 OHV L4 3.875" Bore	66		
2.4L 145 L-HEAD L4 3.25" Bore (Mil-Std) H/D Truck.....	21	4.0L 243 OHV L4 3.75" Bore H/D Truck.....	67		
2.4L 145 L-HEAD L4 3.25" Bore (Mil-Std).....	22	4.0L 243 OHV L4 3.75" Bore.....	68		
2.4L 145 OHV L4 3.375" Bore H/D Truck.....	23	4.0L 244 L-HEAD L6 3.4375" Bore H/D Truck	69		
2.4L 145 OHV L4 3.375" Bore	24	4.0L 244 L-HEAD L6 3.4375" Bore	70		
2.6L 162 L-HEAD L4 3.4375" Bore H/D Truck	25	4.0L 244 L-HEAD L6 3.4375" Bore (Mil-Std) H/D Truck.....	71		
2.6L 162 L-HEAD L4 3.4375" Bore	26	4.1L 253 OHV L6 3.5" Bore H/D Truck.....	72		
2.6L 162 L-HEAD L4 3.4375" Bore (Mil-Std) H/D Truck.....	27	4.1L 253 OHV L6 3.5" Bore	73		
2.6L 162 L-HEAD L4 3.4375" Bore (Mil-Std).....	28	4.3L 260 OHV L4 3.875" Bore H/D Truck.....	74		
2.6L 162 L-HEAD L4 3.4375" Bore H/D Truck	29	4.3L 260 OHV L4 3.875" Bore	75		
2.6L 162 L-HEAD L4 3.4375" Bore	30	4.3L 260 OHV Diesel L4 3.875" Bore H/D Truck.....	76		
2.7L 163 L-HEAD L4 3.4375" Bore H/D Truck	31	4.3L 260 OHV Diesel L4 3.875" Bore.....	77		
2.7L 163 L-HEAD L4 3.4375" Bore	32	4.4L 270.9 OHV L6 3.625" Bore H/D Truck.....	78		
2.8L 170 L-HEAD L6 3" Bore H/D Truck	33	4.4L 270.9 OHV L6 3.625" Bore.....	79		
2.8L 170 L-HEAD L6 3" Bore	34	4.4L 270.9 L-HEAD L6 3.625" Bore	80		
2.9L 176 OHV L4 3.625" Bore H/D Truck.....	35	4.5L 277 OHV L4 4" Bore H/D Truck.....	81		
2.9L 176 OHV L4 3.625" Bore.....	36	4.5L 277 OHV L4 4" Bore.....	82		
3.0L 184 L-HEAD L6 3.125" Bore H/D Truck	37	4.5L 277 OHV Diesel L4 4" Bore H/D Truck.....	83		
3.0L 184 L-HEAD L6 3.125" Bore	38	4.5L 277 OHV Diesel L4 4" Bore.....	84		
3.0L 186 L-HEAD L6 3.125" Bore H/D Truck	39	4.7L 289.9 OHV L6 3.75" Bore H/D Truck.....	85		
3.0L 186 L-HEAD L6 3.125" Bore	40	4.7L 289.9 OHV L6 3.75" Bore	86		
3.2L 193 OHV L4 3.75" Bore H/D Truck.....	41	5.4L 329.9 OHV L6 4" Bore H/D Truck.....	87		
3.2L 193 OHV L4 3.75" Bore.....	42	5.4L 329.9 OHV L6 4" Bore.....	88		
3.2L 193 OHV Diesel L4 3.75" Bore H/D Truck.....	43	5.4L 329.9 L-HEAD L6 4" Bore	89		
3.2L 193 OHV Diesel L4 3.75" Bore.....	44	5.9L 363 OHV L6 4" Bore H/D Truck.....	90		
3.3L 199 L-HEAD L6 3.25" Bore H/D Truck	45	5.9L 363 OHV L6 4" Bore.....	91		
3.3L 199 L-HEAD L6 3.25" Bore	46	5.9L 363 L-HEAD L6 4" Bore	92		

Engine Finding Index

Engine	Line No.	Engine	Line No.
6.1L 371 OHV L6 4.125" Bore H/D Truck.....	93	7.0L 427.3 OHV Diesel L6 4.3125" Bore H/D Truck.....	101
6.1L 371 OHV L6 4.125" Bore.....	94	7.8L 478 OHV L6 4.5625" Bore H/D Truck.....	102
6.5L 396 OHV L6 4.375" Bore H/D Truck.....	95	7.8L 478 OHV L6 4.5625" Bore.....	103
6.5L 396 OHV L6 4.375" Bore.....	96	8.4L 513 OHV L6 4.5" Bore.....	104
6.6L 405.3 L-HEAD L6 4.3125" Bore H/D Truck.....	97	9.4L 572 OHV L6 4.75" Bore.....	105
6.6L 405.3 L-HEAD L6 4.3125" Bore.....	98	9.9L 602 OHV L6 4.875" Bore.....	106
7.0L 427.3 OHV L6 4.3125" Bore H/D Truck.....	99		
7.0L 427.3 OHV L6 4.3125" Bore.....	100		

Engine Code Index

Engine Code	Engine Description	Line No.	Engine Code	Engine Description	Line No.
A244.....	4.0L 244 L-HEAD L6 3.4375" Bore H/D Truck.....	69	CF6226 ... Multi-Purpose Engines.....	3.7L 226 L-HEAD L6 3.3125" Bore (12 Valve).....	62
A244 ... Industrial Applications.....	4.0L 244 L-HEAD L6 3.4375" Bore.....	70	DS202.....	3.3L 202 L-HEAD L6 3.125" Bore H/D Truck.....	49
A4124.....	2.1L 124 L-HEAD L4 3" Bore H/D Truck.....	9	DS202 ... Multi-Purpose Engines.....	3.3L 202 L-HEAD L6 3.125" Bore.....	50
A4124 ... Multi-Purpose Engines.....	2.1L 124 L-HEAD L4 3" Bore.....	10	DS209.....	3.4L 209 L-HEAD L6 3.1875" Bore H/D Truck.....	53
A4140 ... Multi-Purpose Engines.....	2.3L 140 L-HEAD L4 3.1875" Bore.....	18	DS209 ... Multi-Purpose Engines.....	3.4L 209 L-HEAD L6 3.1875" Bore.....	54
A4142 ... Multi-Purpose Engines.....	2.3L 140 L-HEAD L4 3.1875" Bore.....	18	DS6170.....	2.8L 170 L-HEAD L6 3" Bore H/D Truck.....	33
A6244.....	4.0L 244 L-HEAD L6 3.4375" Bore H/D Truck.....	69	DS6184.....	3.0L 184 L-HEAD L6 3.125" Bore H/D Truck.....	37
A6244 ... Multi-Purpose Engines.....	4.0L 244 L-HEAD L6 3.4375" Bore.....	70	DS6184 ... Industrial Applications.....	3.0L 184 L-HEAD L6 3.125" Bore.....	38
BY112 ... Industrial Applications.....	1.8L 112 L-HEAD L4 3.1875" Bore.....	5	DS6199.....	3.3L 199 L-HEAD L6 3.25" Bore H/D Truck.....	45
BY4112 ... Multi-Purpose Engines.....	1.8L 112 L-HEAD L4 3.1875" Bore.....	5	DS6202.....	3.3L 202 L-HEAD L6 3.125" Bore H/D Truck.....	49
B371.....	6.1L 371 OHV L6 4.125" Bore H/D Truck.....	93	DS6202 ... Multi-Purpose Engines.....	3.3L 202 L-HEAD L6 3.125" Bore.....	50
B371 ... Industrial Applications.....	6.1L 371 OHV L6 4.125" Bore.....	94	D199.....	3.3L 199 L-HEAD L6 3.25" Bore H/D Truck.....	45
B405.....	6.6L 405.3 L-HEAD L6 4.3125" Bore H/D Truck.....	97	D199 ... Industrial Applications.....	3.3L 199 L-HEAD L6 3.25" Bore ..	46
B405 ... Industrial Applications.....	6.6L 405.3 L-HEAD L6 4.3125" Bore.....	98	D202.....	3.3L 202 L-HEAD L6 3.125" Bore H/D Truck.....	49
B427.....	7.0L 427.3 OHV L6 4.3125" Bore H/D Truck.....	99	D202 ... Industrial Applications.....	3.3L 202 L-HEAD L6 3.125" Bore.....	50
B427 ... Industrial Applications.....	7.0L 427.3 OHV L6 4.3125" Bore.....	100	D6170.....	2.8L 170 L-HEAD L6 3" Bore H/D Truck.....	33
B6371.....	6.1L 371 OHV L6 4.125" Bore H/D Truck.....	93	D6184.....	3.0L 184 L-HEAD L6 3.125" Bore H/D Truck.....	37
B6371 ... Multi-Purpose Engines.....	6.1L 371 OHV L6 4.125" Bore.....	94	D6184 ... Industrial Applications.....	3.0L 184 L-HEAD L6 3.125" Bore.....	38
B6405.....	6.6L 405.3 L-HEAD L6 4.3125" Bore H/D Truck.....	97	D6199.....	3.3L 199 L-HEAD L6 3.25" Bore H/D Truck.....	45
B6405 ... Multi-Purpose Engines.....	6.6L 405.3 L-HEAD L6 4.3125" Bore.....	98	D6202.....	3.3L 202 L-HEAD L6 3.125" Bore H/D Truck.....	49
B6427.....	7.0L 427.3 OHV L6 4.3125" Bore H/D Truck.....	99	D6202 ... Multi-Purpose Engines.....	3.3L 202 L-HEAD L6 3.125" Bore.....	50
B6427 ... Multi-Purpose Engines.....	7.0L 427.3 OHV L6 4.3125" Bore.....	100	D6218.....	3.6L 218 L-HEAD L6 3.25" Bore H/D Truck.....	55
CF226 ... Industrial Applications.....	3.7L 226 L-HEAD L6 3.3125" Bore (12 Valve).....	62	E201.....	3.3L 201 OHV L4 3.625" Bore H/D Truck.....	47
			E201 ... Industrial Applications.....	3.3L 201 OHV L4 3.625" Bore.....	48
			E208.....	3.4L 208 OHV L4 3.6875" Bore H/D Truck.....	51

(continued on next page)

Engine Code Index

Engine Code	Engine Description	Line No.	Engine Code	Engine Description	Line No.
E208 ... Industrial Applications.....	3.4L 208 OHV L4 3.6875" Bore....	52	F163 ... Industrial Applications.....	2.7L 163 L-HEAD L4 3.4375" Bore	32
E223	3.7L 223 OHV L4 3.8125" Bore H/D Truck.....	58	F168	2.8L 170 L-HEAD L6 3" Bore H/D Truck.....	33
E223 ... Industrial Applications.....	3.7L 223 OHV L4 3.8125" Bore....	59	F168 ... Industrial Applications.....	2.8L 170 L-HEAD L6 3" Bore	34
E242	4.0L 242 OHV L4 3.875" Bore H/D Truck.....	65	F170	2.8L 170 L-HEAD L6 3" Bore H/D Truck.....	33
E242 ... Industrial Applications.....	4.0L 242 OHV L4 3.875" Bore.....	66	F170 ... Industrial Applications.....	2.8L 170 L-HEAD L6 3" Bore	34
E243	4.0L 242 OHV L4 3.875" Bore H/D Truck.....	65	F186	3.0L 186 L-HEAD L6 3.125" Bore H/D Truck	39
E243 ... Industrial Applications.....	4.0L 242 OHV L4 3.875" Bore.....	66	F186 ... Industrial Applications.....	3.0L 186 L-HEAD L6 3.125" Bore	40
E400	3.4L 208 OHV L4 3.6875" Bore H/D Truck.....	51	F199	3.3L 199 L-HEAD L6 3.25" Bore H/D Truck	45
E400 ... Industrial Applications.....	3.4L 208 OHV L4 3.6875" Bore....	52	F199 ... Industrial Applications.....	3.3L 199 L-HEAD L6 3.25" Bore ..	46
E602 ... Industrial Applications.....	9.9L 602 OHV L6 4.875" Bore....	106	F209	3.4L 209 L-HEAD L6 3.1875" Bore H/D Truck	53
FA244	4.0L 244 L-HEAD L6 3.4375" Bore H/D Truck	69	F209 ... Industrial Applications.....	3.4L 209 L-HEAD L6 3.1875" Bore	54
FA244 ... Industrial Applications.....	4.0L 244 L-HEAD L6 3.4375" Bore	70	F218	3.6L 218 L-HEAD L6 3.25" Bore H/D Truck	55
FO6226.....	3.7L 226 OHV L6 3.3125" Bore (12 Valve) H/D Truck	60	F218 ... Industrial Applications.....	3.6L 218 L-HEAD L6 3.25" Bore ..	56
FS145 ... Industrial Applications.....	2.4L 145 OHV L4 3.25" Bore.....	20	F226	3.7L 226 OHV L6 3.3125" Bore (12 Valve) H/D Truck	60
FS162	2.6L 162 L-HEAD L4 3.4375" Bore H/D Truck	25	F226 ... Industrial Applications.....	3.7L 226 OHV L6 3.3125" Bore (12 Valve)	61
FS162 ... Industrial Applications.....	2.6L 162 L-HEAD L4 3.4375" Bore	26	F226 ... Industrial Applications.....	3.7L 226 L-HEAD L6 3.3125" Bore (12 Valve)	62
FS218	3.6L 218 L-HEAD L6 3.25" Bore H/D Truck	55	F227	3.7L 226 OHV L6 3.3125" Bore (12 Valve) H/D Truck	60
FS218 ... Industrial Applications.....	3.6L 218 L-HEAD L6 3.25" Bore ..	56	F227 ... Industrial Applications.....	3.7L 226 OHV L6 3.3125" Bore (12 Valve)	61
FS244	4.0L 244 L-HEAD L6 3.4375" Bore H/D Truck	69	F227 ... Industrial Applications.....	3.7L 226 L-HEAD L6 3.3125" Bore (12 Valve)	62
FS244 ... Industrial Applications.....	4.0L 244 L-HEAD L6 3.4375" Bore	70	F227 ... Industrial Applications.....	3.7L 227 OHV L4 3.625" Bore.....	64
FS244	4.0L 244 L-HEAD L6 3.4375" Bore (Mil-Std) H/D Truck.....	71	F244	4.0L 244 L-HEAD L6 3.4375" Bore H/D Truck	69
F124 ... Industrial Applications.....	2.1L 124 L-HEAD L4 3" Bore	8	F244 ... Industrial Applications.....	4.0L 244 L-HEAD L6 3.4375" Bore	70
F124	2.1L 124 L-HEAD L4 3" Bore H/D Truck.....	9	F245	4.0L 244 L-HEAD L6 3.4375" Bore H/D Truck	69
F124 ... Industrial Applications.....	2.1L 124 L-HEAD L4 3" Bore	10	F245 ... Industrial Applications.....	4.0L 244 L-HEAD L6 3.4375" Bore	70
F124 Dynatork.....	2.1L 124 L-HEAD L4 3" Bore H/D Truck.....	9	F4124	2.1L 124 L-HEAD L4 3" Bore H/D Truck.....	9
F124 Dynatork ... Industrial Applications.....	2.1L 124 L-HEAD L4 3" Bore	10	F4124 ... Multi-Purpose Engines	2.1L 124 L-HEAD L4 3" Bore	10
F135	2.2L 135 L-HEAD L4 3.125" Bore H/D Truck	15	F4124 Dynatork.....	2.1L 124 L-HEAD L4 3" Bore H/D Truck.....	9
F135 ... Industrial Applications.....	2.2L 135 L-HEAD L4 3.125" Bore	16	F4124 Dynatork ... Multi-Purpose Engines.....	2.1L 124 L-HEAD L4 3" Bore	10
F140	2.3L 140 L-HEAD L4 3.1875" Bore H/D Truck	17	F4135	2.2L 135 L-HEAD L4 3.125" Bore H/D Truck	15
F140 ... Industrial Applications.....	2.3L 140 L-HEAD L4 3.1875" Bore	18	F4135 ... Multi-Purpose Engines.....	2.2L 135 L-HEAD L4 3.125" Bore	16
F162	2.6L 162 L-HEAD L4 3.4375" Bore H/D Truck	25	F4140	2.3L 140 L-HEAD L4 3.1875" Bore H/D Truck	17
F162 ... Industrial Applications.....	2.6L 162 L-HEAD L4 3.4375" Bore	26			
F163	2.7L 163 L-HEAD L4 3.4375" Bore H/D Truck	31			

(continued on next page)

Engine Code Index

Engine Code	Engine Description	Line No.	Engine Code	Engine Description	Line No.
F4140 ... Multi-Purpose Engines	2.3L 140 L-HEAD L4 3.1875" Bore	18	F6245	4.0L 244 L-HEAD L6 3.4375" Bore H/D Truck	69
F4142	2.3L 140 L-HEAD L4 3.1875" Bore H/D Truck	17	F6245 ... Multi-Purpose Engines	4.0L 244 L-HEAD L6 3.4375" Bore	70
F4142 ... Multi-Purpose Engines	2.3L 140 L-HEAD L4 3.1875" Bore	18	GD193 ... Industrial Applications	3.2L 193 OHV Diesel L4 3.75" Bore	44
F4162	2.6L 162 L-HEAD L4 3.4375" Bore H/D Truck	25	GD4193 ... Industrial Applications	3.2L 193 OHV Diesel L4 3.75" Bore	44
F4162 ... Multi-Purpose Engines	2.6L 162 L-HEAD L4 3.4375" Bore	26	G176	2.9L 176 OHV L4 3.625" Bore H/D Truck	35
F4162 Super	2.6L 162 L-HEAD L4 3.4375" Bore H/D Truck	25	G176 ... Industrial Applications	2.9L 176 OHV L4 3.625" Bore	36
F4162 Super ... Multi-Purpose Engines	2.6L 162 L-HEAD L4 3.4375" Bore	26	G193	3.2L 193 OHV L4 3.75" Bore H/D Truck	41
F4162 Super	2.6L 162 L-HEAD L4 3.4375" Bore H/D Truck	29	G193 ... Industrial Applications	3.2L 193 OHV L4 3.75" Bore	42
F4162 Super ... Industrial Applications	2.6L 162 L-HEAD L4 3.4375" Bore	30	G4193	3.2L 193 OHV L4 3.75" Bore H/D Truck	41
F4162C	2.6L 162 L-HEAD L4 3.4375" Bore H/D Truck	25	G4193 ... Multi-Purpose Engines	3.2L 193 OHV L4 3.75" Bore	42
F4162C ... Multi-Purpose Engines	2.6L 162 L-HEAD L4 3.4375" Bore	26	HD260	4.3L 260 OHV Diesel L4 3.875" Bore H/D Truck	76
F4163	2.7L 163 L-HEAD L4 3.4375" Bore H/D Truck	31	HD260 ... Industrial Applications	4.3L 260 OHV Diesel L4 3.875" Bore	77
F6170	2.8L 170 L-HEAD L6 3" Bore H/D Truck	33	HD277	4.5L 277 OHV Diesel L4 4" Bore H/D Truck	83
F6186	3.0L 186 L-HEAD L6 3.125" Bore H/D Truck	39	HD277 ... Industrial Applications	4.5L 277 OHV Diesel L4 4" Bore	84
F6186 ... Multi-Purpose Engines	3.0L 186 L-HEAD L6 3.125" Bore	40	H243 ... Industrial Applications	4.0L 243 OHV L4 3.75" Bore	68
F6199	3.3L 199 L-HEAD L6 3.25" Bore H/D Truck	45	H260	4.3L 260 OHV L4 3.875" Bore H/D Truck	74
F6209	3.4L 209 L-HEAD L6 3.1875" Bore H/D Truck	53	H260 ... Industrial Applications	4.3L 260 OHV L4 3.875" Bore	75
F6209 ... Multi-Purpose Engines	3.4L 209 L-HEAD L6 3.1875" Bore	54	H277	4.5L 277 OHV L4 4" Bore H/D Truck	81
F6209 Dynatork	3.4L 209 L-HEAD L6 3.1875" Bore H/D Truck	53	H277 ... Industrial Applications	4.5L 277 OHV L4 4" Bore	82
F6209 Dynatork ... Multi-Purpose Engines	3.4L 209 L-HEAD L6 3.1875" Bore	54	K330 ... Industrial Applications	5.4L 329.9 OHV L6 4" Bore	88
F6218	3.6L 218 L-HEAD L6 3.25" Bore H/D Truck	55	K363 ... Industrial Applications	5.9L 363 OHV L6 4" Bore	91
F6226	3.7L 226 OHV L6 3.3125" Bore (12 Valve) H/D Truck	60	K6252 ... Multi-Purpose Engines	4.1L 253 OHV L6 3.5" Bore	73
F6226 ... Multi-Purpose Engines	3.7L 226 OHV L6 3.3125" Bore (12 Valve)	61	K6290 ... Multi-Purpose Engines	4.7L 289.9 OHV L6 3.75" Bore	86
F6226 ... Multi-Purpose Engines	3.7L 226 L-HEAD L6 3.3125" Bore (12 Valve)	62	K6330 ... Multi-Purpose Engines	5.4L 329.9 OHV L6 4" Bore	88
F6227	3.7L 226 OHV L6 3.3125" Bore (12 Valve) H/D Truck	60	K6363 ... Multi-Purpose Engines	5.9L 363 OHV L6 4" Bore	91
F6227 ... Multi-Purpose Engines	3.7L 226 OHV L6 3.3125" Bore (12 Valve)	61	LDS465-1 ... Industrial Applications	7.8L 478 OHV L6 4.5625" Bore	103
F6227 ... Multi-Purpose Engines	3.7L 226 L-HEAD L6 3.3125" Bore (12 Valve)	62	LDS478 ... Industrial Applications	7.8L 478 OHV L6 4.5625" Bore	103
F6244	4.0L 244 L-HEAD L6 3.4375" Bore H/D Truck	69	LD478 ... Industrial Applications	7.8L 478 OHV L6 4.5625" Bore	103
F6244 ... Multi-Purpose Engines	4.0L 244 L-HEAD L6 3.4375" Bore	70	LD5427-2 ... Industrial Applications	7.8L 478 OHV L6 4.5625" Bore	103
			LF124	2.1L 124 L-HEAD L4 3" Bore H/D Truck	9
			LF124 ... Power Unit	2.1L 124 L-HEAD L4 3" Bore	10
			LF140	2.3L 140 L-HEAD L4 3.1875" Bore H/D Truck	17
			LF140 ... Power Unit	2.3L 140 L-HEAD L4 3.1875" Bore	18
			LF162	2.6L 162 L-HEAD L4 3.4375" Bore H/D Truck	25
			LF162 ... Power Unit	2.6L 162 L-HEAD L4 3.4375" Bore	26

Engine Code Index

Engine Code	Engine Description	Line No.	Engine Code	Engine Description	Line No.
LY69 ... Power Unit.....	1.1L 69 L-HEAD L4 2.5" Bore	3	PF209 ... Power Unit	3.4L 209 L-HEAD L6 3.1875" Bore	54
LY91 ... Power Unit.....	1.5L 91 L-HEAD L4 2.875" Bore	4	PF218	3.6L 218 L-HEAD L6 3.25" Bore H/D Truck	55
L478 ... Industrial Applications.....	7.8L 478 OHV L6 4.5625" Bore..	103	PM271 ... Power Unit.....	4.4L 270.9 L-HEAD L6 3.625" Bore	80
L6478 ... Industrial Applications.....	7.8L 478 OHV L6 4.5625" Bore..	103	PM290 ... Power Unit.....	4.7L 289.9 OHV L6 3.75" Bore.....	86
M271 ... Industrial Applications.....	4.4L 270.9 L-HEAD L6 3.625" Bore	80	PM330 ... Power Unit.....	5.4L 329.9 L-HEAD L6 4" Bore	89
M290 ... Industrial Applications.....	4.7L 289.9 OHV L6 3.75" Bore.....	86	PY112 ... Power Unit	1.8L 112 L-HEAD L4 3.1875" Bore	5
M330 ... Industrial Applications.....	5.4L 329.9 L-HEAD L6 4" Bore	89	PY69 ... Power Unit	1.1L 69 L-HEAD L4 2.5" Bore	3
M363 ... Industrial Applications.....	5.9L 363 L-HEAD L6 4" Bore	92	PY91 ... Power Unit	1.5L 91 L-HEAD L4 2.875" Bore	4
M6271 ... Multi-Purpose Engines	4.4L 270.9 L-HEAD L6 3.625" Bore	80	P244	4.0L 244 L-HEAD L6 3.4375" Bore H/D Truck	69
M6290 ... Multi-Purpose Engines	4.7L 289.9 OHV L6 3.75" Bore.....	86	P244 ... Power Unit.....	4.0L 244 L-HEAD L6 3.4375" Bore	70
M6330 ... Multi-Purpose Engines	5.4L 329.9 L-HEAD L6 4" Bore	89	R513 ... Industrial Applications.....	8.4L 513 OHV L6 4.5" Bore.....	104
N4062 ... Industrial Applications.....	1.0L 62 L-HEAD L4 2.375" Bore	2	R572 ... Industrial Applications.....	9.4L 572 OHV L6 4.75" Bore.....	105
N56 ... Industrial Applications.....	.9L 56 L-HEAD L4 2.25" Bore	1	R602 ... Industrial Applications.....	9.9L 602 OHV L6 4.875" Bore....	106
N62 ... Industrial Applications.....	1.0L 62 L-HEAD L4 2.375" Bore	2	R6513 ... Multi-Purpose Engines	8.4L 513 OHV L6 4.5" Bore.....	104
OS202	3.3L 202 L-HEAD L6 3.125" Bore H/D Truck	49	R6572 ... Multi-Purpose Engines	9.4L 572 OHV L6 4.75" Bore.....	105
OS202 ... Multi-Purpose Engines	3.3L 202 L-HEAD L6 3.125" Bore	50	R6602 ... Multi-Purpose Engines	9.9L 602 OHV L6 4.875" Bore....	106
PA244	4.0L 244 L-HEAD L6 3.4375" Bore H/D Truck	69	S244 ... Industrial Applications.....	4.0L 244 L-HEAD L6 3.4375" Bore	70
PA244 ... Power Unit	4.0L 244 L-HEAD L6 3.4375" Bore	70	Y112 ... Industrial Applications.....	1.8L 112 L-HEAD L4 3.1875" Bore	5
PB371	6.1L 371 OHV L6 4.125" Bore H/D Truck.....	93	Y124	2.1L 124 L-HEAD L4 3" Bore H/D Truck.....	9
PB405	6.6L 405.3 L-HEAD L6 4.3125" Bore H/D Truck.....	97	Y4069 ... Multi-Purpose Engines	1.1L 69 L-HEAD L4 2.5" Bore	3
PB427	7.0L 427.3 OHV L6 4.3125" Bore H/D Truck	99	Y4091 ... Multi-Purpose Engines	1.5L 91 L-HEAD L4 2.875" Bore	4
PD170.....	2.8L 170 L-HEAD L6 3" Bore H/D Truck.....	33	Y4112 ... Multi-Purpose Engines	1.8L 112 L-HEAD L4 3.1875" Bore	5
PD199.....	3.3L 199 L-HEAD L6 3.25" Bore H/D Truck	45	Y69 ... Industrial Applications.....	1.1L 69 L-HEAD L4 2.5" Bore	3
PD202.....	3.3L 202 L-HEAD L6 3.125" Bore H/D Truck	49	Y69A ... Industrial Applications.....	1.1L 69 L-HEAD L4 2.5" Bore	3
PD202 ... Power Unit.....	3.3L 202 L-HEAD L6 3.125" Bore	50	Y91 ... Industrial Applications.....	1.5L 91 L-HEAD L4 2.875" Bore	4
PD218.....	3.6L 218 L-HEAD L6 3.25" Bore H/D Truck	55	Z120	2.0L 120 OHV L4 3.1875" Bore H/D Truck.....	6
PF124	2.1L 124 L-HEAD L4 3" Bore H/D Truck.....	9	Z120 ... Industrial Applications.....	2.0L 120 OHV L4 3.1875" Bore.....	7
PF124 ... Power Unit	2.1L 124 L-HEAD L4 3" Bore	10	Z129	2.1L 129 OHV L4 3.25" Bore H/D Truck.....	11
PF140.....	2.3L 140 L-HEAD L4 3.1875" Bore H/D Truck	17	Z129 ... Industrial Applications.....	2.1L 129 OHV L4 3.25" Bore.....	12
PF140 ... Power Unit	2.3L 140 L-HEAD L4 3.1875" Bore	18	Z134	2.2L 134 OHV L4 3.3125" Bore H/D Truck.....	13
PF162	2.6L 162 L-HEAD L4 3.4375" Bore H/D Truck	25	Z134 ... Industrial Applications.....	2.2L 134 OHV L4 3.3125" Bore....	14
PF162 ... Power Unit	2.6L 162 L-HEAD L4 3.4375" Bore	26	Z145	2.4L 145 OHV L4 3.375" Bore H/D Truck.....	23
PF170.....	2.8L 170 L-HEAD L6 3" Bore H/D Truck.....	33	Z145 ... Industrial Applications.....	2.4L 145 OHV L4 3.375" Bore.....	24
PF186.....	3.0L 186 L-HEAD L6 3.125" Bore H/D Truck	39	24B	3.4L 209 L-HEAD L6 3.1875" Bore H/D Truck	53
PF199.....	3.3L 199 L-HEAD L6 3.25" Bore H/D Truck	45	24B ... Multi-Purpose Engines	3.4L 209 L-HEAD L6 3.1875" Bore	54
PF209.....	3.4L 209 L-HEAD L6 3.1875" Bore H/D Truck	53	25B	4.0L 244 L-HEAD L6 3.4375" Bore H/D Truck	69

(continued on next page)

Continental

Engine Code Index

Engine Code	Engine Description	Line No.	Engine Code	Engine Description	Line No.
25B ... Multi-Purpose Engines.....	4.0L 244 L-HEAD L6 3.4375" Bore.....	70	42B	6.6L 405.3 L-HEAD L6 4.3125" Bore H/D Truck.....	97
38B ... Multi-Purpose Engines.....	4.7L 289.9 OHV L6 3.75" Bore.....	86	42BX.....	7.0L 427.3 OHV L6 4.3125" Bore H/D Truck	99
40B ... Multi-Purpose Engines.....	5.4L 329.9 L-HEAD L6 4" Bore	89	42BX ... Multi-Purpose Engines.....	7.0L 427.3 OHV L6 4.3125" Bore.....	100
41B	6.1L 371 OHV L6 4.125" Bore H/D Truck.....	93	48B ... Multi-Purpose Engines.....	9.4L 572 OHV L6 4.75" Bore.....	105
41B ... Multi-Purpose Engines.....	6.1L 371 OHV L6 4.125" Bore.....	94			

1 Industrial Applications N56 Eng.

.9L 56 L-HEAD L4, 2.25" Bore

CYLINDER COMPONENTS

QTY	PISTONS	PART NO.	SIZE	DESCRIPTION
4	Pin Bushing	FP-1664V		
4	Pin Bushing	1664V +		When depleted use FP-1664V
QTY	CONNECTING RODS & BRGS.	PART NO.	SIZE	DESCRIPTION
4	Rod Pair	FP-1660CP	Std-10-20-30	W/Horizontal split rods; FP-1660CA60 avail. as unplated & resizeable
4	Rod Pair	1660CP +	Std-10-20-30	W/Horizontal split rods; 1660CA60 avail. as unplated & resizeable; When depleted use FP-1660CP
4	Rod Pair	FP-1660CA60	60	Unplated & resizeable
4	Rod Pair	1660CA60 +	60	Unplated & resizeable; When depleted use FP-1660CA60

2 Industrial Applications N62, N4062 Eng.

1.0L 62 L-HEAD L4, 2.375" Bore

CYL. HEAD & PARTS

QTY	VALVE	PART NO.	SIZE	DESCRIPTION
4	Intake	FP-V1062		.8900" Head Dia., .3145" Stem Dia., 3.2630" O.A.L.
4	Intake	V-1062 +	Std Only	.8900" Head Dia., .3145" Stem Dia., 3.2630" O.A.L.; When depleted use FP-V1062
16	Keeper	FP-VK142		
16	Keeper	VK-142 +		When depleted use FP-VK142
QTY	VALVE GUIDE	PART NO.	SIZE	DESCRIPTION
8	Guide	FP-VG461		.3163" ID, 1.6560" O.A.L.
8	Guide	VG-461 +		.3163" ID, 1.6560" O.A.L.; When depleted use FP-VG461
QTY	VALVE SPRING	PART NO.	SIZE	DESCRIPTION
8	Spring	FP-VS402		1.7500" Free Height
8	Spring	VS-402 +		1.7500" Free Height; When depleted use FP-VS402

CYLINDER COMPONENTS

QTY	PISTONS	PART NO.	SIZE	DESCRIPTION
4	Pin Bushing	FP-1664V		
4	Pin Bushing	1664V +		When depleted use FP-1664V
QTY	CONNECTING RODS & BRGS.	PART NO.	SIZE	DESCRIPTION
4	Rod Pair	FP-1660CP	Std-10-20-30	W/Horizontal split rods; FP-1660CA60 avail. as unplated & resizeable
4	Rod Pair	1660CP +	Std-10-20-30	W/Horizontal split rods; 1660CA60 avail. as unplated & resizeable; When depleted use FP-1660CP
QTY	PISTON RINGS	PART NO.	SIZE	DESCRIPTION
1	Standard Set	FP-5037X	Std Only	2-3/32, 1-3/16
1	Standard Set	5037X +	Std Only	2-3/32, 1-3/16; When depleted use FP-5037X
4	Standard Single Cylinder Set	W-5037X	Std Only	2-3/32, 1-3/16

Power Unit LY69, PY69 Engs. Industrial Applications Y69, Y69A Engs. Multi-Purpose Engines Y4069 Eng. **3**
1.1L 69 L-HEAD L4, 2.5" Bore

CYL. HEAD & PARTS				
QTY	VALVE	PART NO.	SIZE	DESCRIPTION
4	Intake	FP-V1019		Drilled stem; use w/VG437 guide & VK142 locks; 1.2030" Head Dia., .3144" Stem Dia., 4.0140" O.A.L.
4	Intake	V-1019 +	Std Only	Drilled stem; use w/VG437 guide & VK142 locks; 1.2030" Head Dia., .3144" Stem Dia., 4.0140" O.A.L.; When depleted use FP-V1019
4	Exhaust	FP-V1018		Drilled stem; use w/VG437 guide & VK142 locks; 1.0150" Head Dia., .3128" Stem Dia., 4.0610" O.A.L.
4	Exhaust	V-1018 +	Std Only	Drilled stem; use w/VG437 guide & VK142 locks; 1.0150" Head Dia., .3128" Stem Dia., 4.0610" O.A.L.; When depleted use FP-V1018
4	Exhaust	FP-V1421		Single groove stem, use w/VG437 guide & VK144 locks; 1.0150" Head Dia., .3128" Stem Dia., 4.0770" O.A.L.
4	Exhaust	V-1421 +	Std Only	Single groove stem, use w/VG437 guide & VK144 locks; 1.0150" Head Dia., .3128" Stem Dia., 4.0770" O.A.L.; When depleted use FP-V1421
8	Keeper	FP-VK142		For drilled stem
8	Keeper	VK-142 +		For drilled stem; When depleted use FP-VK142
16	Keeper	FP-VK144		1 groove; Square cut key groove
16	Keeper	VK-144R		1 groove; Square cut key groove; Hardened
16	Keeper, Bulk	FP-VK144B		1 groove; Square cut key groove; Carton of 1000
VALVE SEAT				
4	Int.	FP-24513121		1.3170" OD, 1.0625" ID, .1855" Depth
4	Int.	245-1312-1	Std Only	1.3170" OD, 1.0625" ID, .1855" Depth
VALVE GUIDE				
8	Guide	FP-VG437		Use w/4.031" O.A.L. valves FP-V1018, FP-V1019 & FP-V1421; .3163" ID, 2.2810" O.A.L.
8	Guide	VG-437 +		Use w/4.031" O.A.L. valves V-1018, V-1019 & V-1421; .3163" ID, 2.2810" O.A.L.; When depleted use FP-VG437
VALVE SPRING				
8	Spring	FP-VS356		2.0000" Free Height
8	Spring	VS-356 +		2.0000" Free Height; When depleted use FP-VS356
ENGINE BLOCK & PARTS				
CAM BEARINGS				
1	Cam Set	FP-1093M	Std Only	
1	Cam Set	1093M +	Std Only	When depleted use FP-1093M
CRANKSHAFT/OIL PUMP				
MAIN BEARINGS				
1	Main Set	FP-5142M	Std-10-20	Later Engs.; w/flanged upper half front brg.
1	Main Set	5142M +	Std-10-20	Later Engs.; w/flanged upper half front brg.; When depleted use FP-5142M
1	Main Set	FP-836M	Std-10-20	Later Engs.; w/straight shell front brg.; Thrust Washer not incl.
1	Main Set	836M +	Std-10-20	Later Engs.; w/straight shell front brg.; Thrust Washer not incl.; When depleted use FP-836M
OIL PUMP				
1	Oil Pump	224-4130 +		Y69 Engs. only; Iron drive gear - use only w/iron cams. 5-13/16" flange to end of shaft. Incl. screen.; When depleted use FP-2244130
1	Oil Pump	FP-2244130		Y69 Engs. only; Iron drive gear - use w/iron cams. 5-13/16" flange to end of shaft. Incl. screen.
CYLINDER COMPONENTS				
PISTONS				
4	Pin Bushing	FP-1214VA		Split type, thin wall bushing w/.7625" OD
4	Pin Bushing	1214VA +		Split type, thin wall bushing w/.7625" OD; When depleted use FP-1214VA
CONNECTING RODS & BRGS.				
2	Rod Pair	FP-9885CP	Std-10-20-30	Position 1-3
2	Rod Pair	9885CP +	Std-10-20-30	Position 1-3; When depleted use FP-9885CP
2	Rod Pair	FP-9885CPA	Std-10-20	Position 2-4
2	Rod Pair	9885CPA +	Std-10-20	Position 2-4; When depleted use FP-9885CPA
PISTON RINGS				
1	Premium Set	FP-5098KX	Std-20-30	2-3/32, 1-3/16
1	Premium Set	5098KX +	Std-20-30	2-3/32, 1-3/16; When depleted use FP-5098KX

(continued on next page)

+ Superseded Part Number

Continental

3 Power Unit LY69, PY69 Engs. Industrial Applications Y69, Y69A Engs. Multi-Purpose (cont.) Engines Y4069 Eng. 1.1L 69 L-HEAD L4, 2.5" Bore

CYLINDER COMPONENTS (cont.)

QTY	PISTON RINGS (cont.)	PART NO.	SIZE	DESCRIPTION
1	Standard Set	FP-5098X	Std-20-30-40-60	2-3/32, 1-3/16
1	Standard Set	5098X +	Std-20-30-40-60	2-3/32, 1-3/16; When depleted use FP-5098X
1	Standard Set	FP-5016X	Std Only	2-3/32, 1-5/32
4	Standard Single Cylinder Set	W-5098X	Std-20-30-40	2-3/32, 1-3/16

4 Power Unit LY91, PY91 Engs. Industrial Applications Y91 Eng. Multi-Purpose Engines Y4091 Eng. 1.5L 91 L-HEAD L4, 2.875" Bore

CYL. HEAD & PARTS

QTY	VALVE	PART NO.	SIZE	DESCRIPTION
4	Intake	FP-V1019		Drilled stem; use w/VG437 guide & VK142 locks; 1.2030" Head Dia., .3144" Stem Dia., 4.0140" O.A.L.
4	Intake	V-1019 +	Std Only	Drilled stem; use w/VG437 guide & VK142 locks; 1.2030" Head Dia., .3144" Stem Dia., 4.0140" O.A.L.; When depleted use FP-V1019
4	Exhaust	FP-V1018		Drilled stem; use w/VG437 guide & VK142 locks; 1.0150" Head Dia., .3128" Stem Dia., 4.0610" O.A.L.
4	Exhaust	V-1018 +	Std Only	Drilled stem; use w/VG437 guide & VK142 locks; 1.0150" Head Dia., .3128" Stem Dia., 4.0610" O.A.L.; When depleted use FP-V1018
4	Exhaust	FP-V1421		Single groove stem, use w/VG437 guide & VK144 locks; 1.0150" Head Dia., .3128" Stem Dia., 4.0770" O.A.L.
4	Exhaust	V-1421 +	Std Only	Single groove stem, use w/VG437 guide & VK144 locks; 1.0150" Head Dia., .3128" Stem Dia., 4.0770" O.A.L.; When depleted use FP-V1421
8	Keeper	FP-VK142		For drilled stem
8	Keeper	VK-142 +		For drilled stem; When depleted use FP-VK142
16	Keeper	FP-VK144		1 groove; Square cut key groove
16	Keeper	VK-144R		1 groove; Square cut key groove; Hardened
16	Keeper, Bulk	FP-VK144B		1 groove; Square cut key groove; Carton of 1000

QTY	VALVE SEAT	PART NO.	SIZE	DESCRIPTION
4	Int.	FP-24513121		1.3170" OD, 1.0625" ID, .1855" Depth
4	Int.	245-1312-1	Std Only	1.3170" OD, 1.0625" ID, .1855" Depth

QTY	VALVE GUIDE	PART NO.	SIZE	DESCRIPTION
8	Guide	FP-VG437		Use w/4.031" O.A.L. valves FP-V1018, FP-V1019 & FP-V1421; .3163" ID, 2.2810" O.A.L.
8	Guide	VG-437 +		Use w/4.031" O.A.L. valves V-1018, V-1019 & V-1421; .3163" ID, 2.2810" O.A.L.; When depleted use FP-VG437

QTY	VALVE SPRING	PART NO.	SIZE	DESCRIPTION
8	Spring	FP-VS356		2.0000" Free Height
8	Spring	VS-356 +		2.0000" Free Height; When depleted use FP-VS356

ENGINE BLOCK & PARTS

QTY	CAM BEARINGS	PART NO.	SIZE	DESCRIPTION
1	Cam Set	FP-1093M	Std Only	
1	Cam Set	1093M +	Std Only	When depleted use FP-1093M

CRANKSHAFT/OIL PUMP

QTY	MAIN BEARINGS	PART NO.	SIZE	DESCRIPTION
1	Main Set	FP-5142M	Std-10-20	Later Engs.; w/flanged upper half front brg.
1	Main Set	5142M +	Std-10-20	Later Engs.; w/flanged upper half front brg.; When depleted use FP-5142M
1	Main Set	FP-836M	Std-10-20	Later Engs.; w/straight shell front brg.; Thrust Washer not incl.
1	Main Set	836M +	Std-10-20	Later Engs.; w/straight shell front brg.; Thrust Washer not incl.; When depleted use FP-836M

QTY	OIL PUMP	PART NO.	SIZE	DESCRIPTION
1	Oil Pump	224-4130 +		Y91 Engs.; Iron drive gear - use only w/iron cams. 5-13/16" flange to end of shaft. Incl. screen.; When depleted use FP-2244130
1	Oil Pump	FP-2244130		Y91 Engs.; Iron drive gear - use w/iron cams. 5-13/16" flange to end of shaft. Incl. screen.

CYLINDER COMPONENTS

QTY	PISTONS	PART NO.	SIZE	DESCRIPTION
4	Pin Bushing	FP-1214VA		Split type, thin wall bushing w/.7625" OD

(continued on next page)

+ Superseded Part Number

Power Unit LY91, PY91 Engs. Industrial Applications Y91 Eng. Multi-Purpose Engines Y4091 4 Eng. (cont.)
1.5L 91 L-HEAD L4, 2.875" Bore

CYLINDER COMPONENTS (cont.)

QTY	PISTONS (cont.)	PART NO.	SIZE	DESCRIPTION
4	Pin Bushing	1214VA +		Split type, thin wall bushing w/.7625" OD; When depleted use FP-1214VA
CONNECTING RODS & BRGS.				
QTY		PART NO.	SIZE	DESCRIPTION
2	Rod Pair	FP-9885CP	Std-10-20-30	Position 1-3
2	Rod Pair	9885CP +	Std-10-20-30	Position 1-3; When depleted use FP-9885CP
2	Rod Pair	FP-9885CPA	Std-10-20	Position 2-4
2	Rod Pair	9885CPA +	Std-10-20	Position 2-4; When depleted use FP-9885CPA

Power Unit PY112 Eng. Industrial Applications BY112, Y112 Engs. Multi-Purpose Engines BY4112, Y4112 Engs. 5
1.8L 112 L-HEAD L4, 3.1875" Bore

CYL. HEAD & PARTS

QTY	VALVE	PART NO.	SIZE	DESCRIPTION
4	Intake	FP-V1019		Drilled stem; use w/VG437 guide & VK142 locks; 1.2030" Head Dia., .3144" Stem Dia., 4.0140" O.A.L.
4	Intake	V-1019 +	Std Only	Drilled stem; use w/VG437 guide & VK142 locks; 1.2030" Head Dia., .3144" Stem Dia., 4.0140" O.A.L.; When depleted use FP-V1019
4	Exhaust	FP-V1018		Drilled stem; use w/VG437 guide & VK142 locks; 1.0150" Head Dia., .3128" Stem Dia., 4.0610" O.A.L.
4	Exhaust	V-1018 +	Std Only	Drilled stem; use w/VG437 guide & VK142 locks; 1.0150" Head Dia., .3128" Stem Dia., 4.0610" O.A.L.; When depleted use FP-V1018
4	Exhaust	FP-V1421		Single groove stem, use w/VG437 guide & VK144 locks; 1.0150" Head Dia., .3128" Stem Dia., 4.0770" O.A.L.
4	Exhaust	V-1421 +	Std Only	Single groove stem, use w/VG437 guide & VK144 locks; 1.0150" Head Dia., .3128" Stem Dia., 4.0770" O.A.L.; When depleted use FP-V1421
8	Keeper	FP-VK142		For drilled stem
8	Keeper	VK-142 +		For drilled stem; When depleted use FP-VK142
16	Keeper	VK-144		1 groove; Square cut key groove
16	Keeper	VK-144R		1 groove; Square cut key groove; Hardened
VALVE SEAT				
4	Int.	FP-24513121		1.3170" OD, 1.0625" ID, .1855" Depth
4	Int.	245-1312-1	Std Only	1.3170" OD, 1.0625" ID, .1855" Depth
VALVE GUIDE				
8	Guide	FP-VG437		Use w/4.031" O.A.L. valves FP-V1018, FP-V1019 & FP-V1421; .3163" ID, 2.2810" O.A.L.
8	Guide	VG-437 +		Use w/4.031" O.A.L. valves V-1018, V-1019 & V-1421; .3163" ID, 2.2810" O.A.L.; When depleted use FP-VG437
VALVE SPRING				
8	Spring	FP-VS356		2.0000" Free Height
8	Spring	VS-356 +		2.0000" Free Height; When depleted use FP-VS356

ENGINE BLOCK & PARTS

QTY	CAM BEARINGS	PART NO.	SIZE	DESCRIPTION
1	Cam Set	FP-1093M	Std Only	
1	Cam Set	1093M +	Std Only	When depleted use FP-1093M

CRANKSHAFT/OIL PUMP

QTY	MAIN BEARINGS	PART NO.	SIZE	DESCRIPTION
1	Main Set	FP-5142M	Std-10-20	w/flanged upper half front brg.
1	Main Set	5142M +	Std-10-20	w/flanged upper half front brg.; When depleted use FP-5142M
1	Main Set	FP-836M	Std-10-20	W/Straight shell front brg.; Thrust Washer not incl.
1	Main Set	836M +	Std-10-20	W/Straight shell front brg.; Thrust Washer not incl.; When depleted use FP-836M

CYLINDER COMPONENTS

QTY	LINERS	PART NO.	SIZE	DESCRIPTION
1	Repair Sleeve	FP-SL10Y	Std Only	1/8" wall, must be cut to correct length
1	Repair Sleeve	FP-SL10M	Std Only	3/32" wall, must be cut to correct length
1	Repair Sleeve	SL-10M +	Std Only	3/32" wall, must be cut to correct length; When depleted use FP-SL10M

(continued on next page)

Continental

5 Power Unit PY112 Eng. Industrial Applications BY112, Y112 Engs. Multi-Purpose Engines (cont.) BY4112, Y4112 Engs. 1.8L 112 L-HEAD L4, 3.1875" Bore

CYLINDER COMPONENTS (cont.)

QTY	PISTONS	PART NO.	SIZE	DESCRIPTION
4	Pin Bushing	FP-1214VA		Split type, thin wall bushing w/.7625" OD
4	Pin Bushing	1214VA +		Split type, thin wall bushing w/.7625" OD; When depleted use FP-1214VA
QTY	CONNECTING RODS & BRGS.	PART NO.	SIZE	DESCRIPTION
2	Rod Pair	FP-9885CP	Std-10-20-30	Position 1-3
2	Rod Pair	9885CP +	Std-10-20-30	Position 1-3; When depleted use FP-9885CP
2	Rod Pair	FP-9885CPA	Std-10-20	Position 2-4
2	Rod Pair	9885CPA +	Std-10-20	Position 2-4; When depleted use FP-9885CPA
QTY	PISTON RINGS	PART NO.	SIZE	DESCRIPTION
1	Premium Set	FP-670KX	Std-20-30	Check piston grooving before supplying ring set; 2-3/32, 1-1/4
1	Premium Set	670KX +	Std-20-30	Check piston grooving before supplying ring set; 2-3/32, 1-1/4; When depleted use FP-670KX
1	Standard Set	FP-670X	Std-20-30	Check piston grooving before supplying ring set; 2-3/32, 1-1/4
1	Standard Set	670X +	Std-20-30	Check piston grooving before supplying ring set; 2-3/32, 1-1/4; When depleted use FP-670X
1	Standard Set	FP-598X	Std Only	Check piston grooving before supplying ring set; 2-3/32, 1-5/32
1	Standard Set	598X +	Std Only	Check piston grooving before supplying ring set; 2-3/32, 1-5/32; When depleted use FP-598X
4	Standard Single Cylinder Set	W-670X	Std Only	Check piston grooving before supplying ring set; 2-3/32, 1-1/4

6 H/D Truck Z120 Eng. 2.0L 120 OHV L4, 3.1875" Bore

CRANKSHAFT/OIL PUMP

QTY	MAIN BEARINGS	PART NO.	SIZE	DESCRIPTION
1	Main Set	FP-755M	Std-10-20-30-40	W/Single flanged front brg.
1	Main Set	755M +	Std-10-20-30-40	W/Single flanged front brg.; When depleted use FP-755M
1	Thrust Washer Set	FP-9811BF	Std Only	Position 1; Use w/Flanged main brg.
1	Thrust Washer Set	9811BF +	Std Only	Position 1; Use w/Flanged main brg.; When depleted use FP-9811BF

CYLINDER COMPONENTS

QTY	PISTONS	PART NO.	SIZE	DESCRIPTION
4	Pin Bushing	8649XAS		Full round, thin wall .0055" O/S OD bushing
4	Pin Bushing	8649XA		Full round, thin wall bushing w/.9150" OD
4	Pin Bushing	8649V		Split type, thin wall bushing w/.9135" OD
4	Pin Bushing	8649V20		Split type, thin wall bushing w/.9135" OD & .020" extra bore stock
QTY	CONNECTING RODS & BRGS.	PART NO.	SIZE	DESCRIPTION
4	Rod Pair	FP-1670SB	Std-2-10-20-30-40-60	
4	Rod Pair	1670SB +	Std-2-10-20-30-40-60	When depleted use FP-1670SB

7 Industrial Applications Z120 Eng. 2.0L 120 OHV L4, 3.1875" Bore

CYL. HEAD & PARTS

QTY	VALVE	PART NO.	SIZE	DESCRIPTION
8	Intake	FP-V1017		Exh. & Int.; Drilled stem; 1.0157" Head Dia., .3128" Stem Dia., 3.9409" O.A.L.
8	Intake	V-1017 +	Std Only	Exh. & Int.; Drilled stem; 1.0157" Head Dia., .3128" Stem Dia., 3.9409" O.A.L.; When depleted use FP-V1017
8	Exhaust	FP-V1421		Exh. & Int.; Single groove stem; 1.0150" Head Dia., .3128" Stem Dia., 4.0770" O.A.L.
8	Exhaust	V-1421 +	Std Only	Exh. & Int.; Single groove stem; 1.0150" Head Dia., .3128" Stem Dia., 4.0770" O.A.L.; When depleted use FP-V1421
8	Keeper	FP-VK142		For drilled stem
8	Keeper	VK-142 +		For drilled stem; When depleted use FP-VK142
16	Keeper	FP-VK144		1 groove; Square cut key groove
16	Keeper	VK-144R		1 groove; Square cut key groove; Hardened
16	Keeper, Bulk	FP-VK144B		1 groove; Square cut key groove; Carton of 1000
QTY	VALVE GUIDE	PART NO.	SIZE	DESCRIPTION
8	Guide	FP-VG474		.3170" ID, 1.8130" O.A.L.

(continued on next page)

Industrial Applications Z120 Eng. 7
2.0L 120 OHV L4, 3.1875" Bore (cont.)

CYL. HEAD & PARTS (cont.)				
QTY	VALVE GUIDE (cont.)	PART NO.	SIZE	DESCRIPTION
8	Guide	VG-474 +		.3170" ID, 1.8130" O.A.L.; When depleted use FP-VG474
QTY	VALVE SPRING	PART NO.	SIZE	DESCRIPTION
8	Spring	FP-VS356		2.0000" Free Height
8	Spring	VS-356 +		2.0000" Free Height; When depleted use FP-VS356
QTY	VALVE SEAL	PART NO.	SIZE	DESCRIPTION
8	Valve Stem Seal	ST-2017R		Positive type; PTFE
CAMSHAFT GROUP				
QTY	TIMING	PART NO.	SIZE	DESCRIPTION
1	Cam Gear	221-4702		48 Teeth
ENGINE BLOCK & PARTS				
QTY	GASKET SETS	PART NO.	SIZE	DESCRIPTION
1	Kit Gasket Set	FP-2601353		Compl.
1	Kit Gasket Set	260-1353		Compl.
CRANKSHAFT/OIL PUMP				
QTY	CRANKSHAFT	PART NO.	SIZE	DESCRIPTION
1	Crank Gear	FP-2214703		24 Teeth
1	Crank Gear	221-4703		24 Teeth
QTY	MAIN BEARINGS	PART NO.	SIZE	DESCRIPTION
1	Main Set	FP-755M	<i>Std-10-20-30-40</i>	W/Single flanged front brg.
1	Main Set	755M +	<i>Std-10-20-30-40</i>	W/Single flanged front brg.; When depleted use FP-755M
1	Thrust Washer Set	FP-9811BF	<i>Std Only</i>	Position 1; Use w/Flanged main brg.
1	Thrust Washer Set	9811BF +	<i>Std Only</i>	Position 1; Use w/Flanged main brg.; When depleted use FP-9811BF
QTY	OIL PUMP	PART NO.	SIZE	DESCRIPTION
1	Pump Repair Kit	FP-2245133		
1	Pump Repair Kit	224-5133 +		When depleted use FP-2245133
CYLINDER COMPONENTS				
QTY	PISTONS	PART NO.	SIZE	DESCRIPTION
4	Cast Piston	FP-1105P30	<i>30-60</i>	OVERBORE To 3.3125"; Cast; 2-3/32", 2-5/32" Ring Groove, 1.980" CD, .8592" Pin Dia., Flat Head - 7.0:1 C.R.
4	Cast Piston	1105P30 +	<i>30-60</i>	OVERBORE To 3.3125"; Cast; 2-3/32", 2-5/32" Ring Groove, 1.980" CD, .8592" Pin Dia., Flat Head - 7.0:1 C.R.; When depleted use FP-1105P30
4	Cast Piston - Individual	FP-W1105P30	<i>30-60</i>	OVERBORE To 3.3125"; Cast; 2-3/32", 2-5/32" Ring Groove, 1.980" CD, .8592" Pin Dia., Flat Head - 7.0:1 C.R.
4	Cast Piston - Individual	W1105P30 +	<i>30-60</i>	OVERBORE To 3.3125"; Cast; 2-3/32", 2-5/32" Ring Groove, 1.980" CD, .8592" Pin Dia., Flat Head - 7.0:1 C.R.; When depleted use FP-W1105P30
4	Pin Bushing	8649XAS		Full round, thin wall .0055" O/S OD bushing
4	Pin Bushing	8649XA		Full round, thin wall bushing w/.9150" OD
4	Pin Bushing	8649V		Split type, thin wall bushing w/.9135" OD
4	Pin Bushing	8649V20		Split type, thin wall bushing w/.9135" OD & .020" extra bore stock
QTY	CONNECTING RODS & BRGS.	PART NO.	SIZE	DESCRIPTION
4	Rod Pair	FP-1670SB	<i>Std-2-10-20-30-40-60</i>	
4	Rod Pair	1670SB +	<i>Std-2-10-20-30-40-60</i>	When depleted use FP-1670SB
QTY	PISTON RINGS	PART NO.	SIZE	DESCRIPTION
1	Premium Set	FP-5600KX	<i>Std Only</i>	OVERBORE To 3.3125"; Check piston grooving before supplying ring set; 2-3/32, 2-5/32
1	Premium Set	5600KX +	<i>Std Only</i>	OVERBORE To 3.3125"; Check piston grooving before supplying ring set; 2-3/32, 2-5/32; When depleted use FP-5600KX
1	Standard Set	FP-5036X	<i>Std Only</i>	3-1/8, 1-3/16
1	Standard Set	5036X +	<i>Std Only</i>	3-1/8, 1-3/16; When depleted use FP-5036X

Continental

8 Industrial Applications F124 Eng. 2.1L 124 L-HEAD L4, 3" Bore

CAMSHAFT GROUP				
QTY	TIMING	PART NO.	SIZE	DESCRIPTION
1	Cam Gear	FP-2212601		Governor type; 48 Teeth
1	Cam Gear	221-2601		Governor type; 48 Teeth
1	Cam Gear	FP-2212600		Replacement O.E. No. F400H310; 48 Teeth
1	Cam Gear	221-2600 +		Replacement O.E. No. F400H310; 48 Teeth; When depleted use FP-2212600
ENGINE BLOCK & PARTS				
QTY	CAM BEARINGS	PART NO.	SIZE	DESCRIPTION
1	Cam Set	FP-1227M	Std Only	
1	Cam Set	1227M +	Std Only	When depleted use FP-1227M
CRANKSHAFT/OIL PUMP				
QTY	CRANKSHAFT	PART NO.	SIZE	DESCRIPTION
1	Crank Gear	FP-2212603A		Repl. O.E. No. F400H326; 24 Teeth
1	Crank Gear	221-2603A		Repl. O.E. No. F400H326; 24 Teeth
QTY	MAIN BEARINGS	PART NO.	SIZE	DESCRIPTION
1	Main Set	FP-768M	Std-10-20-30	
1	Main Set	768M +	Std-10-20-30	When depleted use FP-768M
CYLINDER COMPONENTS				
QTY	PISTONS	PART NO.	SIZE	DESCRIPTION
4	Pin Bushing	FP-9324X		
4	Pin Bushing	9324X +		When depleted use FP-9324X
QTY	CONNECTING RODS & BRGS.	PART NO.	SIZE	DESCRIPTION
4	Rod Pair	FP-9320CPA	Std-2-10-20-30-40	
4	Rod Pair	9320CPA +	Std-2-10-20-30-40	When depleted use FP-9320CPA
QTY	PISTON RINGS	PART NO.	SIZE	DESCRIPTION
1	Premium Set	FP-918KX	Std Only	From Ser. No. 5001; 3-1/8, 1-1/4
1	Premium Set	918KX +	Std Only	From Ser. No. 5001; 3-1/8, 1-1/4; When depleted use FP-918KX
1	Standard Set	FP-918X	Std Only	From Ser. No. 5001; 3-1/8, 1-1/4
1	Standard Set	918X +	Std Only	From Ser. No. 5001; 3-1/8, 1-1/4; When depleted use FP-918X
4	Standard Single Cylinder Set	W-918X	Std Only	From Ser. No. 5001; 3-1/8, 1-1/4

9 H/D Truck A4124, F124, F124 Dynatork, F4124, F4124 Dynatork, LF124, PF124 Eng. 2.1L 124 L-HEAD L4, 3" Bore

CYL. HEAD & PARTS				
QTY	VALVE	PART NO.	SIZE	DESCRIPTION
4	Intake	FP-V801		Drilled stem; 1.5200" Head Dia., .3411" Stem Dia., 5.1760" O.A.L.
4	Intake	V-801 +	Std Only	Drilled stem; 1.5200" Head Dia., .3411" Stem Dia., 5.1760" O.A.L.; When depleted use FP-V801
4	Intake	FP-V1748		Single groove stem; 1.5160" Head Dia., .3410" Stem Dia., 5.1570" O.A.L.
4	Intake	V-1748 +	Std Only	Single groove stem; 1.5160" Head Dia., .3410" Stem Dia., 5.1570" O.A.L.; When depleted use FP-V1748
4	Exhaust	FP-V800		Drilled stem; 1.2030" Head Dia., .3381" Stem Dia., 5.1520" O.A.L.
4	Exhaust	V-800 +	Std Only	Drilled stem; 1.2030" Head Dia., .3381" Stem Dia., 5.1520" O.A.L.; When depleted use FP-V800
4	Exhaust	FP-V954		Drilled stem; 1.3280" Head Dia., .3386" Stem Dia., 5.1950" O.A.L.
4	Exhaust	V-954 +	Std Only	Drilled stem; 1.3280" Head Dia., .3386" Stem Dia., 5.1950" O.A.L.; When depleted use FP-V954
4	Exhaust	FP-V1684		Single groove stem; 1.2030" Head Dia., .3392" Stem Dia., 5.1890" O.A.L.
4	Exhaust	V-1684 +	Std Only	Single groove stem; 1.2030" Head Dia., .3392" Stem Dia., 5.1890" O.A.L.; When depleted use FP-V1684
8	Keeper	FP-VK142		For drilled stem
8	Keeper	VK-142 +		For drilled stem; When depleted use FP-VK142
16	Keeper	FP-VK144		1 groove; Square cut key groove
16	Keeper	VK-144R		1 groove; Square cut key groove; Hardened
16	Keeper, Bulk	FP-VK144B		1 groove; Square cut key groove; Carton of 1000
QTY	VALVE SEAT	PART NO.	SIZE	DESCRIPTION
4	Exh.	245-1437-3N	Std Only	Premium Material; 1.4425" OD, 1.1880" ID, .2160" Depth

(continued on next page)

H/D Truck A4124, F124, F124 Dynatork, F4124, F4124 Dynatork, LF124, PF124 Eng. 9
 2.1L 124 L-HEAD L4, 3" Bore (cont.)

CYL. HEAD & PARTS (cont.)

QTY	VALVE SEAT (cont.)	PART NO.	SIZE	DESCRIPTION
4	Exh.	FP-24513753		1.3795" OD, 1.0625" ID, .1855" Depth
4	Exh.	245-1375-3 + Std Only		1.3795" OD, 1.0625" ID, .1855" Depth; When depleted use FP-24513753
4	Exh.	245-1437-3 Std Only		1.4425" OD, 1.1880" ID, .2160" Depth
4	Int.	245-1625-1N Std Only		Premium Material; 1.6300" OD, 1.3750" ID, .2160" Depth
4	Int.	FP-2451348E1N		1.3480" OD, 1.0870" ID, .2005" Depth
4	Int.	245-1348-E1N + Std Only		1.3480" OD, 1.0870" ID, .2005" Depth; When depleted use FP-2451348E1N
4	Int.	245-1625-1 Std Only		1.6300" OD, 1.3750" ID, .2160" Depth

QTY	VALVE GUIDE	PART NO.	SIZE	DESCRIPTION
8	Guide	FP-VG418		Exc. Rototype; .3425" ID, 2.3100" O.A.L.
8	Guide	VG-418 +		Exc. Rototype; .3425" ID, 2.3100" O.A.L.; When depleted use FP-VG418

QTY	VALVE SPRING	PART NO.	SIZE	DESCRIPTION
8	Spring	FP-VS356		2.0000" Free Height
8	Spring	VS-356 +		2.0000" Free Height; When depleted use FP-VS356

CAMSHAFT GROUP

QTY	TIMING	PART NO.	SIZE	DESCRIPTION
1	Cam Gear	FP-2212601		Governor type; 48 Teeth
1	Cam Gear	221-2601		Governor type; 48 Teeth
1	Cam Gear	FP-2212600		Replacement O.E. No. F400H310; 48 Teeth
1	Cam Gear	221-2600 +		Replacement O.E. No. F400H310; 48 Teeth; When depleted use FP-2212600

ENGINE BLOCK & PARTS

QTY	GASKET SETS	PART NO.	SIZE	DESCRIPTION
1	Kit Gasket Set	FP-2601355		Compl.; Timing cover gskt. & seal not incl.
1	Kit Gasket Set	260-1355		Compl.; Timing cover gskt. & seal not incl.

QTY	CAM BEARINGS	PART NO.	SIZE	DESCRIPTION
1	Cam Set	FP-1158M	<i>Std Only</i>	
1	Cam Set	1158M + Std Only		When depleted use FP-1158M

CRANKSHAFT/OIL PUMP

QTY	CRANKSHAFT	PART NO.	SIZE	DESCRIPTION
1	Crank Gear	FP-2212603A		Repl. O.E. No. F400H326; 24 Teeth
1	Crank Gear	221-2603A		Repl. O.E. No. F400H326; 24 Teeth

QTY	MAIN BEARINGS	PART NO.	SIZE	DESCRIPTION
1	Main Set	FP-4004M	<i>Std-10-20</i>	W/Single flanged front brg.
1	Main Set	4004M + Std-10-20		W/Single flanged front brg.; When depleted use FP-4004M
1	Main Set	FP-4005M	<i>Std-10-20</i>	W/Straight shell front brg.
1	Main Set	FP-6632M	<i>Std-10-20-30</i>	W/Straight shell front brg. & thrust washer
1	Main Set	6632M + Std-10-20-30		W/Straight shell front brg. & thrust washer; When depleted use FP-6632M
1	Main Set	4005M + Std-10-20		W/Straight shell front brg.; When depleted use FP-4005M
1	Thrust Washer Set	FP-9811BFA	<i>Std Only</i>	Position 1; Use w/straight shell main brg. set
1	Thrust Washer Set	9811BFA + Std Only		Position 1; Use w/straight shell main brg. set; When depleted use FP-9811BFA
1	Thrust Washer Set	FP-9811BF	<i>Std Only</i>	Position 1; Use w/Flanged main brg.
1	Thrust Washer Set	9811BF + Std Only		Position 1; Use w/Flanged main brg.; When depleted use FP-9811BF

QTY	OIL PUMP	PART NO.	SIZE	DESCRIPTION
1	Oil Pump	FP-2244132		Cast Iron drive gear; Use w/Cast Iron cams; 7 1/8" from flange to end of shaft; Incl. screen
1	Oil Pump	224-4132 +		Cast Iron drive gear; Use w/Cast Iron cams; 7 1/8" from flange to end of shaft; Incl. screen; When depleted use FP-2244132
1	Oil Pump	FP-2244137		Steel drive gear w/groove at pin; Use w/Steel cams; 7-1/8" from flange to end of shaft; Incl. pin
1	Oil Pump	224-4137 +		Steel drive gear w/groove at pin; Use w/Steel cams; 7-1/8" from flange to end of shaft; Incl. pin; When depleted use FP-2244137

CYLINDER COMPONENTS

QTY	LINERS	PART NO.	SIZE	DESCRIPTION
1	Repair Sleeve	FP-SL7M	<i>Std Only</i>	3/32" wall, must be cut to correct length
1	Repair Sleeve	SL-7M + Std Only		3/32" wall, must be cut to correct length; When depleted use FP-SL7M

(continued on next page)

Continental

9 H/D Truck A4124, F124, F124 Dynatork, F4124, F4124 Dynatork, LF124, PF124 Engs. (cont.) 2.1L 124 L-HEAD L4, 3" Bore

CYLINDER COMPONENTS (cont.)

QTY	PISTONS	PART NO.	SIZE	DESCRIPTION
4	Pin Bushing	8649XAS		Forging No. F400D-502; Full round, thin wall .0055" O/S OD bushing
4	Pin Bushing	8649XA		Forging No. F400D-502; Full round, thin wall bushing w/.9150" OD
4	Pin Bushing	8649V		Forging No. F400D-502; Split type, thin wall bushing w/.9135" OD
4	Pin Bushing	8649V20		Forging No. F400D-502; Split type, thin wall bushing w/.9135" OD & .020" extra bore stock
4	Pin Bushing	FP-9324X		Full round, heavy wall bushing w/1.0625" OD; Forging No. F400D-500
4	Pin Bushing	9324X +		Full round, heavy wall bushing w/1.0625" OD; Forging No. F400D-500; When depleted use FP-9324X
QTY	CONNECTING RODS & BRGS.	PART NO.	SIZE	DESCRIPTION
2	Rod Pair	FP-9320CPA	Std-2-10-20-30-40	Position 1-3
2	Rod Pair	9320CPA +	Std-2-10-20-30-40	Position 1-3; When depleted use FP-9320CPA
2	Rod Pair	FP-9320CP	Std-10-20-30-40	Position 2-4
2	Rod Pair	9320CP +	Std-10-20-30-40	Position 2-4; When depleted use FP-9320CP
QTY	PISTON RINGS	PART NO.	SIZE	DESCRIPTION
1	Premium Set	FP-918KX	Std Only	From Ser. No. 5001; 3-1/8, 1-1/4
1	Premium Set	918KX +	Std Only	From Ser. No. 5001; 3-1/8, 1-1/4; When depleted use FP-918KX
1	Standard Set	FP-918X	Std Only	From Ser. No. 5001; 3-1/8, 1-1/4
1	Standard Set	918X +	Std Only	From Ser. No. 5001; 3-1/8, 1-1/4; When depleted use FP-918X
4	Standard Single Cylinder Set	W-918X	Std Only	From Ser. No. 5001; 3-1/8, 1-1/4

10 Power Unit LF124, PF124 Engs. Industrial Applications F124, F124 Dynatork Engs. Multi-Purpose Engines A4124, F4124, F4124 Dynatork Engs. 2.1L 124 L-HEAD L4, 3" Bore

CYL. HEAD & PARTS

QTY	VALVE	PART NO.	SIZE	DESCRIPTION
4	Intake	FP-V801		Drilled stem; 1.5200" Head Dia., .3411" Stem Dia., 5.1760" O.A.L.
4	Intake	V-801 +	Std Only	Drilled stem; 1.5200" Head Dia., .3411" Stem Dia., 5.1760" O.A.L.; When depleted use FP-V801
4	Intake	FP-V1748		Single groove stem; 1.5160" Head Dia., .3410" Stem Dia., 5.1570" O.A.L.
4	Intake	V-1748 +	Std Only	Single groove stem; 1.5160" Head Dia., .3410" Stem Dia., 5.1570" O.A.L.; When depleted use FP-V1748
4	Exhaust	FP-V800		Drilled stem; 1.2030" Head Dia., .3381" Stem Dia., 5.1520" O.A.L.
4	Exhaust	V-800 +	Std Only	Drilled stem; 1.2030" Head Dia., .3381" Stem Dia., 5.1520" O.A.L.; When depleted use FP-V800
4	Exhaust	FP-V954		Drilled stem; 1.3280" Head Dia., .3386" Stem Dia., 5.1950" O.A.L.
4	Exhaust	V-954 +	Std Only	Drilled stem; 1.3280" Head Dia., .3386" Stem Dia., 5.1950" O.A.L.; When depleted use FP-V954
4	Exhaust	FP-V1684		Single groove stem; 1.2030" Head Dia., .3392" Stem Dia., 5.1890" O.A.L.
4	Exhaust	V-1684 +	Std Only	Single groove stem; 1.2030" Head Dia., .3392" Stem Dia., 5.1890" O.A.L.; When depleted use FP-V1684
8	Keeper	FP-VK142		For drilled stem
8	Keeper	VK-142 +		For drilled stem; When depleted use FP-VK142
16	Keeper	FP-VK144		1 groove; Square cut key groove
16	Keeper	VK-144R		1 groove; Square cut key groove; Hardened
16	Keeper, Bulk	FP-VK144B		1 groove; Square cut key groove; Carton of 1000
QTY	VALVE SEAT	PART NO.	SIZE	DESCRIPTION
4	Exh.	245-1437-3N	Std Only	Premium Material; 1.4425" OD, 1.1880" ID, .2160" Depth
4	Exh.	FP-24513753		1.3795" OD, 1.0625" ID, .1855" Depth
4	Exh.	245-1375-3 +	Std Only	1.3795" OD, 1.0625" ID, .1855" Depth; When depleted use FP-24513753
4	Exh.	245-1437-3	Std Only	1.4425" OD, 1.1880" ID, .2160" Depth
4	Int.	245-1625-1N	Std Only	Premium Material; 1.6300" OD, 1.3750" ID, .2160" Depth
4	Int.	FP-2451348E1N		1.3480" OD, 1.0870" ID, .2005" Depth
4	Int.	245-1348-E1N +	Std Only	1.3480" OD, 1.0870" ID, .2005" Depth; When depleted use FP-2451348E1N

(continued on next page)

Power Unit LF124, PF124 Engs. Industrial Applications F124, F124 Dynatork Engs. 10
Multi-Purpose Engines A4124, F4124, F4124 Dynatork Engs. (cont.)
 2.1L 124 L-HEAD L4, 3" Bore

CYL. HEAD & PARTS (cont.)

QTY	VALVE SEAT (cont.)	PART NO.	SIZE	DESCRIPTION
4	Int.	245-1625-1	Std Only	1.6300" OD, 1.3750" ID, .2160" Depth
8	Guide	FP-VG418		Exc. Rototype; .3425" ID, 2.3100" O.A.L.
8	Guide	VG-418 +		Exc. Rototype; .3425" ID, 2.3100" O.A.L.; When depleted use FP-VG418
8	Spring	FP-VS356		2.0000" Free Height
8	Spring	VS-356 +		2.0000" Free Height; When depleted use FP-VS356

CAMSHAFT GROUP

QTY	TIMING	PART NO.	SIZE	DESCRIPTION
1	Cam Gear	FP-2212601		Governor type; 48 Teeth
1	Cam Gear	221-2601		Governor type; 48 Teeth
1	Cam Gear	FP-2212600		Replacement O.E. No. F400H310; 48 Teeth
1	Cam Gear	221-2600 +		Replacement O.E. No. F400H310; 48 Teeth; When depleted use FP-2212600

ENGINE BLOCK & PARTS

QTY	GASKET SETS	PART NO.	SIZE	DESCRIPTION
1	Kit Gasket Set	FP-2601355		Compl.; Timing cover gskt. & seal not incl.
1	Kit Gasket Set	260-1355		Compl.; Timing cover gskt. & seal not incl.
1	Cam Set	FP-1158M	Std Only	
1	Cam Set	1158M +	Std Only	When depleted use FP-1158M

CRANKSHAFT/OIL PUMP

QTY	CRANKSHAFT	PART NO.	SIZE	DESCRIPTION
1	Crank Gear	FP-2212603A		Repl. O.E. No. F400H326; 24 Teeth
1	Crank Gear	221-2603A		Repl. O.E. No. F400H326; 24 Teeth
1	Main Set	FP-4004M	Std-10-20	W/Single flanged front brg.
1	Main Set	4004M +	Std-10-20	W/Single flanged front brg.; When depleted use FP-4004M
1	Main Set	FP-4005M	Std-10-20	W/Straight shell front brg.
1	Main Set	FP-6632M	Std-10-20-30	W/Straight shell front brg. & thrust washer
1	Main Set	6632M +	Std-10-20-30	W/Straight shell front brg. & thrust washer; When depleted use FP-6632M
1	Main Set	4005M +	Std-10-20	W/Straight shell front brg.; When depleted use FP-4005M
1	Thrust Washer Set	FP-9811BFA	Std Only	Position 1; Use w/straight shell main brg. set
1	Thrust Washer Set	9811BFA +	Std Only	Position 1; Use w/straight shell main brg. set; When depleted use FP-9811BFA
1	Thrust Washer Set	FP-9811BF	Std Only	Position 1; Use w/Flanged main brg.
1	Thrust Washer Set	9811BF +	Std Only	Position 1; Use w/Flanged main brg.; When depleted use FP-9811BF
1	Oil Pump	FP-2244132		Cast Iron drive gear; Use w/Cast Iron cams; 7 1/8" from flange to end of shaft; Incl. screen
1	Oil Pump	224-4132 +		Cast Iron drive gear; Use w/Cast Iron cams; 7 1/8" from flange to end of shaft; Incl. screen; When depleted use FP-2244132
1	Oil Pump	FP-2244137		Steel drive gear w/groove at pin; Use w/Steel cams; 7-1/8" from flange to end of shaft; Incl. pin
1	Oil Pump	224-4137 +		Steel drive gear w/groove at pin; Use w/Steel cams; 7-1/8" from flange to end of shaft; Incl. pin; When depleted use FP-2244137

CYLINDER COMPONENTS

QTY	LINERS	PART NO.	SIZE	DESCRIPTION
1	Repair Sleeve	FP-SL7M	Std Only	3/32" wall, must be cut to correct length
1	Repair Sleeve	SL-7M +	Std Only	3/32" wall, must be cut to correct length; When depleted use FP-SL7M
4	Pin Bushing	8649XAS		Forging No. F400D-502; Full round, thin wall .0055" O/S OD bushing
4	Pin Bushing	8649XA		Forging No. F400D-502; Full round, thin wall bushing w/.9150" OD
4	Pin Bushing	8649V		Forging No. F400D-502; Split type, thin wall bushing w/.9135" OD
4	Pin Bushing	8649V20		Forging No. F400D-502; Split type, thin wall bushing w/.9135" OD & .020" extra bore stock

(continued on next page)

Continental

10 Power Unit LF124, PF124 Engs. Industrial Applications F124, F124 Dynatork Engs. (cont.) Multi-Purpose Engines A4124, F4124, F4124 Dynatork Engs. 2.1L 124 L-HEAD L4, 3" Bore

CYLINDER COMPONENTS (cont.)

QTY	PISTONS (cont.)	PART NO.	SIZE	DESCRIPTION
4	Pin Bushing	FP-9324X		Full round, heavy wall bushing w/1.0625" OD; Forging No. F400D-500
4	Pin Bushing	9324X +		Full round, heavy wall bushing w/1.0625" OD; Forging No. F400D-500; When depleted use FP-9324X
QTY	CONNECTING RODS & BRGS.	PART NO.	SIZE	DESCRIPTION
2	Rod Pair	FP-9320CPA	Std-2-10-20-30-40	Position 1-3
2	Rod Pair	9320CPA +	Std-2-10-20-30-40	Position 1-3; When depleted use FP-9320CPA
2	Rod Pair	FP-9320CP	Std-10-20-30-40	Position 2-4
2	Rod Pair	9320CP +	Std-10-20-30-40	Position 2-4; When depleted use FP-9320CP
QTY	PISTON RINGS	PART NO.	SIZE	DESCRIPTION
1	Premium Set	FP-918KX	Std Only	From Ser. No. 5001; 3-1/8, 1-1/4
1	Premium Set	918KX +	Std Only	From Ser. No. 5001; 3-1/8, 1-1/4; When depleted use FP-918KX
1	Standard Set	FP-918X	Std Only	From Ser. No. 5001; 3-1/8, 1-1/4
1	Standard Set	918X +	Std Only	From Ser. No. 5001; 3-1/8, 1-1/4; When depleted use FP-918X
4	Standard Single Cylinder Set	W-918X	Std Only	From Ser. No. 5001; 3-1/8, 1-1/4

11 H/D Truck Z129 Eng. 2.1L 129 OHV L4, 3.25" Bore

CYL. HEAD & PARTS

QTY	VALVE	PART NO.	SIZE	DESCRIPTION
4	Intake	FP-V1102		Drilled stem; 1.2780" Head Dia., .3145" Stem Dia., 3.9770" O.A.L.
4	Intake	V-1102 +	Std Only	Drilled stem; 1.2780" Head Dia., .3145" Stem Dia., 3.9770" O.A.L.; When depleted use FP-V1102
4	Exhaust	FP-V4088X		Optional-H/D material; 1 groove stem; New design, lash cap is not req'd.; 1.1400" Head Dia., .3128" Stem Dia., 4.0790" O.A.L.
4	Exhaust	V-4088X +	Std Only	Optional-H/D material; 1 groove stem; New design, lash cap is not req'd.; 1.1400" Head Dia., .3128" Stem Dia., 4.0790" O.A.L.; When depleted use FP-V4088X
4	Exhaust	FP-V1422		Single groove stem; 1.1400" Head Dia., .3128" Stem Dia., 3.9890" O.A.L.
4	Exhaust	V-1422 +	Std Only	Single groove stem; 1.1400" Head Dia., .3128" Stem Dia., 3.9890" O.A.L.; When depleted use FP-V1422
8	Keeper	FP-VK144		Exh.; 1 groove; Square cut key groove
8	Keeper	VK-144R		Exh.; 1 groove; Square cut key groove; Hardened
4	Keeper	FP-VK142		Int.; For drilled stem
4	Keeper	VK-142 +		Int.; For drilled stem; When depleted use FP-VK142
4	Keeper, Bulk	FP-VK144B		Exh.; 1 groove; Square cut key groove; Carton of 1000
QTY	VALVE SEAT	PART NO.	SIZE	DESCRIPTION
4	Exh.	FP-24512501		1.2545" OD, 1.0000" ID, .2160" Depth
4	Exh.	245-1250-1 +	Std Only	1.2545" OD, 1.0000" ID, .2160" Depth; When depleted use FP-24512501
4	Int.	245-1375-4	Std Only	1.3795" OD, 1.1250" ID, .1855" Depth
QTY	VALVE GUIDE	PART NO.	SIZE	DESCRIPTION
8	Guide	FP-VG474		.3170" ID, 1.8130" O.A.L.
8	Guide	VG-474 +		.3170" ID, 1.8130" O.A.L.; When depleted use FP-VG474
QTY	VALVE SPRING	PART NO.	SIZE	DESCRIPTION
8	Spring	FP-VS356		2.0000" Free Height
8	Spring	VS-356 +		2.0000" Free Height; When depleted use FP-VS356
QTY	VALVE SEAL	PART NO.	SIZE	DESCRIPTION
8	Valve Stem Seal	ST-2017R		Exh. & Int.; Positive type; PTFE
4	Valve Stem Seal	MV-1233C		Int.; O-Ring; Rubber
4	Valve Stem Seal Bulk	MV-1233		Int.; O-Ring; Carton of 100; Rubber

CAMSHAFT GROUP

QTY	TIMING	PART NO.	SIZE	DESCRIPTION
1	Cam Gear	221-4702		48 Teeth

ENGINE BLOCK & PARTS

QTY	GASKET SETS	PART NO.	SIZE	DESCRIPTION
1	Kit Gasket Set	FP-2601353		Compl.

(continued on next page)

H/D Truck Z129 Eng. 11
2.1L 129 OHV L4, 3.25" Bore (cont.)

ENGINE BLOCK & PARTS (cont.)

QTY	GASKET SETS (cont.)	PART NO.	SIZE	DESCRIPTION
1	Kit Gasket Set	260-1353		Compl.
CRANKSHAFT/OIL PUMP				
QTY	CRANKSHAFT	PART NO.	SIZE	DESCRIPTION
1	Crank Gear	FP-2214703		24 Teeth
1	Crank Gear	221-4703		24 Teeth
QTY	MAIN BEARINGS	PART NO.	SIZE	DESCRIPTION
1	Main Set	FP-755M	Std-10-20-30-40	W/Single flanged front brg.
1	Main Set	755M +	Std-10-20-30-40	W/Single flanged front brg.; When depleted use FP-755M
1	Thrust Washer Set	FP-9811BF	Std Only	Position 1; Use w/Flanged main brg.
1	Thrust Washer Set	9811BF +	Std Only	Position 1; Use w/Flanged main brg.; When depleted use FP-9811BF
QTY	OIL PUMP	PART NO.	SIZE	DESCRIPTION
1	Pump Repair Kit	FP-2245133		
1	Pump Repair Kit	224-5133 +		When depleted use FP-2245133
CYLINDER COMPONENTS				
QTY	LINERS	PART NO.	SIZE	DESCRIPTION
4	Liner w/Sealing Rings	FP-SO1762	Std Only	OVERBORE To 3.375"; Incl. (2) FP-SLR1762 sealing rings.
4	Sleeve Assy.	FP-SL2314	Std Only	OVERBORE To 3.375"
4	Sleeve Assy.	SL-2314 +	Std Only	OVERBORE To 3.375"; When depleted use FP-SL2314
QTY	PISTONS	PART NO.	SIZE	DESCRIPTION
4	Powerforged	FP-L2031F	Std Only	OVERBORE To 3.375"; Powerforged; 3-3/32", 1-3/16" Ring Groove, 1.875" CD, .8592" Pin Dia., Recessed Head .187" deep
4	Forged Piston - Individual	FP-WL2031F	Std Only	OVERBORE To 3.375"; Powerforged; 3-3/32", 1-3/16" Ring Groove, 1.875" CD, .8592" Pin Dia., Recessed Head .187" deep
4	Pin Bushing	8649XAS		Full round, thin wall .0055" O/S OD bushing
4	Pin Bushing	8649XA		Full round, thin wall bushing w/.9150" OD
4	Pin Bushing	8649V		Split type, thin wall bushing w/.9135" OD
4	Pin Bushing	8649V20		Split type, thin wall bushing w/.9135" OD & .020" extra bore stock
QTY	CONNECTING RODS & BRGS.	PART NO.	SIZE	DESCRIPTION
4	Rod Pair	FP-1670SB	Std-2-10-20-30-40-60	
4	Rod Pair	1670SB +	Std-2-10-20-30-40-60	When depleted use FP-1670SB
QTY	PISTON RINGS	PART NO.	SIZE	DESCRIPTION
1	Premium Set	FP-964KX	Std Only	OVERBORE To 3.375"; Check piston grooving before supplying ring set; 3-1/8, 1-3/16
1	Premium Set	964KX +	Std Only	OVERBORE To 3.375"; Check piston grooving before supplying ring set; 3-1/8, 1-3/16; When depleted use FP-964KX
1	Premium Set	FP-974KX	Std Only	OVERBORE To 3.375"; Check piston grooving before supplying ring set; 3-3/32, 1-3/16
1	Premium Set	974KX +	Std Only	OVERBORE To 3.375"; Check piston grooving before supplying ring set; 3-3/32, 1-3/16; When depleted use FP-974KX
1	Standard Set	FP-964X	Std Only	OVERBORE To 3.375"; Check piston grooving before supplying ring set; 3-1/8, 1-3/16
1	Standard Set	964X +	Std Only	OVERBORE To 3.375"; Check piston grooving before supplying ring set; 3-1/8, 1-3/16; When depleted use FP-964X
4	Premium Single Cylinder Set	W-964KX	Std Only	OVERBORE To 3.375"; Check piston grooving before supplying ring set; 3-1/8, 1-3/16
4	Premium Single Cylinder Set	W-974KX	Std Only	OVERBORE To 3.375"; Check piston grooving before supplying ring set; 3-3/32, 1-3/16
4	Standard Single Cylinder Set	W-964X	Std Only	OVERBORE To 3.375"; Check piston grooving before supplying ring set; 3-1/8, 1-3/16
Industrial Applications Z129 Eng. 12				
2.1L 129 OHV L4, 3.25" Bore				
CYL. HEAD & PARTS				
QTY	VALVE	PART NO.	SIZE	DESCRIPTION
4	Intake	FP-V1102		Drilled stem; 1.2780" Head Dia., .3145" Stem Dia., 3.9770" O.A.L.
4	Intake	V-1102 +	Std Only	Drilled stem; 1.2780" Head Dia., .3145" Stem Dia., 3.9770" O.A.L.; When depleted use FP-V1102
4	Exhaust	FP-V4088X		Optional-H/D material; 1 groove stem; New design, lash cap is not req'd.; 1.1400" Head Dia., .3128" Stem Dia., 4.0790" O.A.L.

(continued on next page)

+ Superseded Part Number

Continental

12 Industrial Applications Z129 Eng.

(cont.) 2.1L 129 OHV L4, 3.25" Bore

CYL. HEAD & PARTS (cont.)				
QTY	VALVE (cont.)	PART NO.	SIZE	DESCRIPTION
4	Exhaust	V-4088X +	Std Only	Optional-H/D material; 1 groove stem; New design, lash cap is not req'd.; 1.1400" Head Dia., .3128" Stem Dia., 4.0790" O.A.L.; When depleted use FP-V4088X
4	Exhaust	FP-V1422		Single groove stem; 1.1400" Head Dia., .3128" Stem Dia., 3.9890" O.A.L.
4	Exhaust	V-1422 +	Std Only	Single groove stem; 1.1400" Head Dia., .3128" Stem Dia., 3.9890" O.A.L.; When depleted use FP-V1422
8	Keeper	FP-VK144		Exh.; 1 groove; Square cut key groove
8	Keeper	VK-144R		Exh.; 1 groove; Square cut key groove; Hardened
4	Keeper	FP-VK142		Int.; For drilled stem
4	Keeper	VK-142 +		Int.; For drilled stem; When depleted use FP-VK142
8	Keeper, Bulk	FP-VK144B		Exh.; 1 groove; Square cut key groove; Carton of 1000
QTY	VALVE SEAT	PART NO.	SIZE	DESCRIPTION
4	Exh.	FP-24512501		1.2545" OD, 1.0000" ID, .2160" Depth
4	Exh.	245-1250-1 +	Std Only	1.2545" OD, 1.0000" ID, .2160" Depth; When depleted use FP-24512501
4	Int.	245-1375-4	Std Only	1.3795" OD, 1.1250" ID, .1855" Depth
QTY	VALVE GUIDE	PART NO.	SIZE	DESCRIPTION
8	Guide	FP-VG474		.3170" ID, 1.8130" O.A.L.
8	Guide	VG-474 +		.3170" ID, 1.8130" O.A.L.; When depleted use FP-VG474
QTY	VALVE SPRING	PART NO.	SIZE	DESCRIPTION
8	Spring	FP-VS356		2.0000" Free Height
8	Spring	VS-356 +		2.0000" Free Height; When depleted use FP-VS356
QTY	VALVE SEAL	PART NO.	SIZE	DESCRIPTION
8	Valve Stem Seal	ST-2017R		Exh. & Int.; Positive type; PTFE
4	Valve Stem Seal	MV-1233C		Int.; O-Ring; Rubber
4	Valve Stem Seal Bulk	MV-1233		Int.; O-Ring; Carton of 100; Rubber
CAMSHAFT GROUP				
QTY	TIMING	PART NO.	SIZE	DESCRIPTION
1	Cam Gear	221-4702		48 Teeth
ENGINE BLOCK & PARTS				
QTY	GASKET SETS	PART NO.	SIZE	DESCRIPTION
1	Kit Gasket Set	FP-2601353		Compl.
1	Kit Gasket Set	260-1353		Compl.
CRANKSHAFT/OIL PUMP				
QTY	CRANKSHAFT	PART NO.	SIZE	DESCRIPTION
1	Crank Gear	FP-2214703		24 Teeth
1	Crank Gear	221-4703		24 Teeth
QTY	MAIN BEARINGS	PART NO.	SIZE	DESCRIPTION
1	Main Set	FP-755M	Std-10-20-30-40	W/Single flanged front brg.
1	Main Set	755M +	Std-10-20-30-40	W/Single flanged front brg.; When depleted use FP-755M
1	Thrust Washer Set	FP-9811BF	Std Only	Position 1; Use w/Flanged main brg.
1	Thrust Washer Set	9811BF +	Std Only	Position 1; Use w/Flanged main brg.; When depleted use FP-9811BF
QTY	OIL PUMP	PART NO.	SIZE	DESCRIPTION
1	Pump Repair Kit	FP-2245133		
1	Pump Repair Kit	224-5133 +		When depleted use FP-2245133
CYLINDER COMPONENTS				
QTY	LINERS	PART NO.	SIZE	DESCRIPTION
4	Liner w/Sealing Rings	FP-SO1762	Std Only	OVERBORE To 3.375"; Incl. (2) FP-SLR1762 sealing rings.
4	Sleeve Assy.	FP-SL2314	Std Only	OVERBORE To 3.375"
4	Sleeve Assy.	SL-2314 +	Std Only	OVERBORE To 3.375"; When depleted use FP-SL2314
QTY	PISTONS	PART NO.	SIZE	DESCRIPTION
4	Powerforged	FP-L2031F	Std Only	OVERBORE To 3.375"; Powerforged; 3-3/32", 1-3/16" Ring Groove, 1.875" CD, .8592" Pin Dia., Recessed Head .187" deep
4	Forged Piston - Individual	FP-WL2031F	Std Only	OVERBORE To 3.375"; Powerforged; 3-3/32", 1-3/16" Ring Groove, 1.875" CD, .8592" Pin Dia., Recessed Head .187" deep
4	Pin Bushing	8649XAS		Full round, thin wall .0055" O/S OD bushing
4	Pin Bushing	8649XA		Full round, thin wall bushing w/.9150" OD
4	Pin Bushing	8649V		Split type, thin wall bushing w/.9135" OD
4	Pin Bushing	8649V20		Split type, thin wall bushing w/.9135" OD & .020" extra bore stock

(continued on next page)

Industrial Applications Z129 Eng. 12
2.1L 129 OHV L4, 3.25" Bore (cont.)

CYLINDER COMPONENTS (cont.)

QTY	CONNECTING RODS & BRGS.	PART NO.	SIZE	DESCRIPTION
4	Rod Pair	FP-1670SB	Std-2-10-20-30-40-60	
4	Rod Pair	1670SB +	Std-2-10-20-30-40-60	When depleted use FP-1670SB
QTY	PISTON RINGS	PART NO.	SIZE	DESCRIPTION
1	Premium Set	FP-964KX	Std Only	OVERBORE To 3.375"; Check piston grooving before supplying ring set; 3-1/8, 1-3/16
1	Premium Set	964KX +	Std Only	OVERBORE To 3.375"; Check piston grooving before supplying ring set; 3-1/8, 1-3/16; When depleted use FP-964KX
1	Premium Set	FP-974KX	Std Only	OVERBORE To 3.375"; Check piston grooving before supplying ring set; 3-3/32, 1-3/16
1	Premium Set	974KX +	Std Only	OVERBORE To 3.375"; Check piston grooving before supplying ring set; 3-3/32, 1-3/16; When depleted use FP-974KX
1	Standard Set	FP-964X	Std Only	OVERBORE To 3.375"; Check piston grooving before supplying ring set; 3-1/8, 1-3/16
1	Standard Set	964X +	Std Only	OVERBORE To 3.375"; Check piston grooving before supplying ring set; 3-1/8, 1-3/16; When depleted use FP-964X
4	Premium Single Cylinder Set	W-964KX	Std Only	OVERBORE To 3.375"; Check piston grooving before supplying ring set; 3-1/8, 1-3/16
4	Premium Single Cylinder Set	W-974KX	Std Only	OVERBORE To 3.375"; Check piston grooving before supplying ring set; 3-3/32, 1-3/16
4	Standard Single Cylinder Set	W-964X	Std Only	OVERBORE To 3.375"; Check piston grooving before supplying ring set; 3-1/8, 1-3/16

H/D Truck Z134 Eng. 13
2.2L 134 OHV L4, 3.3125" Bore

CYL. HEAD & PARTS

QTY	VALVE	PART NO.	SIZE	DESCRIPTION
4	Intake	FP-V1102		Drilled stem; 1.2780" Head Dia., .3145" Stem Dia., 3.9770" O.A.L.
4	Intake	V-1102 +	Std Only	Drilled stem; 1.2780" Head Dia., .3145" Stem Dia., 3.9770" O.A.L.; When depleted use FP-V1102
4	Exhaust	FP-V4088X		Optional-H/D material; 1 groove stem; New design, lash cap is not req'd.; 1.1400" Head Dia., .3128" Stem Dia., 4.0790" O.A.L.
4	Exhaust	V-4088X +	Std Only	Optional-H/D material; 1 groove stem; New design, lash cap is not req'd.; 1.1400" Head Dia., .3128" Stem Dia., 4.0790" O.A.L.; When depleted use FP-V4088X
4	Exhaust	FP-V1422		Single groove stem; 1.1400" Head Dia., .3128" Stem Dia., 3.9890" O.A.L.
4	Exhaust	V-1422 +	Std Only	Single groove stem; 1.1400" Head Dia., .3128" Stem Dia., 3.9890" O.A.L.; When depleted use FP-V1422
8	Keeper	FP-VK144		Exh.; 1 groove; Square cut key groove
8	Keeper	VK-144R		Exh.; 1 groove; Square cut key groove; Hardened
4	Keeper	FP-VK142		Int.; For drilled stem
4	Keeper	VK-142 +		Int.; For drilled stem; When depleted use FP-VK142
8	Keeper, Bulk	FP-VK144B		Exh.; 1 groove; Square cut key groove; Carton of 1000
QTY	VALVE SEAT	PART NO.	SIZE	DESCRIPTION
4	Exh.	FP-24512501		1.2545" OD, 1.0000" ID, .2160" Depth
4	Exh.	245-1250-1 +	Std Only	1.2545" OD, 1.0000" ID, .2160" Depth; When depleted use FP-24512501
4	Int.	245-1375-4	Std Only	1.3795" OD, 1.1250" ID, .1855" Depth
QTY	VALVE GUIDE	PART NO.	SIZE	DESCRIPTION
8	Guide	FP-VG474		.3170" ID, 1.8130" O.A.L.
8	Guide	VG-474 +		.3170" ID, 1.8130" O.A.L.; When depleted use FP-VG474
QTY	VALVE SPRING	PART NO.	SIZE	DESCRIPTION
8	Spring	FP-VS356		2.0000" Free Height
8	Spring	VS-356 +		2.0000" Free Height; When depleted use FP-VS356
QTY	VALVE SEAL	PART NO.	SIZE	DESCRIPTION
8	Valve Stem Seal	ST-2017R		Exh. & Int.; Positive type; PTFE
4	Valve Stem Seal	MV-1233C		Int.; O-Ring; Rubber
4	Valve Stem Seal Bulk	MV-1233		Int.; O-Ring; Carton of 100; Rubber

CAMSHAFT GROUP

QTY	TIMING	PART NO.	SIZE	DESCRIPTION
1	Gear Set	FP-2214711S		
1	Gear Set	221-4711S		

(continued on next page)

+ Superseded Part Number

Continental

13 H/D Truck Z134 Eng. (cont.) 2.2L 134 OHV L4, 3.3125" Bore

ENGINE BLOCK & PARTS				
QTY	GASKET SETS	PART NO.	SIZE	DESCRIPTION
1	Kit Gasket Set	FP-2601354		Compl.
1	Kit Gasket Set	260-1354 +		Compl.; When depleted use FP-2601354
CRANKSHAFT/OIL PUMP				
QTY	CRANKSHAFT	PART NO.	SIZE	DESCRIPTION
1	Crank Gear	FP-2214709		24 Teeth
1	Crank Gear	221-4709		24 Teeth
QTY	MAIN BEARINGS	PART NO.	SIZE	DESCRIPTION
1	Main Set	FP-4015M	Std-10-20-30-60	
1	Main Set	4015M +	Std-10-20-30-60	When depleted use FP-4015M
QTY	OIL PUMP	PART NO.	SIZE	DESCRIPTION
1	Pump Repair Kit	FP-2245133		
1	Pump Repair Kit	224-5133 +		When depleted use FP-2245133
CYLINDER COMPONENTS				
QTY	LINERS	PART NO.	SIZE	DESCRIPTION
4	Liner w/Sealing Rings	FP-SO1762	Std Only	OVERBORE To 3.375"; Incl. (2) FP-SLR1762 sealing rings.
4	Sleeve Assy.	FP-SL2314	Std Only	OVERBORE To 3.375"
4	Sleeve Assy.	SL-2314 +	Std Only	OVERBORE To 3.375"; When depleted use FP-SL2314
QTY	PISTONS	PART NO.	SIZE	DESCRIPTION
4	Powerforged	FP-L2031F	Std Only	OVERBORE To 3.375"; Powerforged; 3-3/32", 1-3/16" Ring Groove, 1.875" CD, .8592" Pin Dia., Recessed Head .187" deep
4	Forged Piston - Individual	FP-WL2031F	Std Only	OVERBORE To 3.375"; Powerforged; 3-3/32", 1-3/16" Ring Groove, 1.875" CD, .8592" Pin Dia., Recessed Head .187" deep
4	Pin Bushing	8649XAS		Full round, thin wall .0055" O/S OD bushing
4	Pin Bushing	8649XA		Full round, thin wall bushing w/.9150" OD
4	Pin Bushing	8649V		Split type, thin wall bushing w/.9135" OD
4	Pin Bushing	8649V20		Split type, thin wall bushing w/.9135" OD & .020" extra bore stock
QTY	CONNECTING RODS & BRGS.	PART NO.	SIZE	DESCRIPTION
4	Rod Pair	FP-1670SB	Std-2-10-20-30-40-60	
4	Rod Pair	1670SB +	Std-2-10-20-30-40-60	When depleted use FP-1670SB
QTY	PISTON RINGS	PART NO.	SIZE	DESCRIPTION
1	Premium Set	FP-964KX	Std Only	OVERBORE To 3.375"; Check piston grooving before supplying ring set; 3-1/8, 1-3/16
1	Premium Set	964KX +	Std Only	OVERBORE To 3.375"; Check piston grooving before supplying ring set; 3-1/8, 1-3/16; When depleted use FP-964KX
1	Premium Set	FP-974KX	Std Only	OVERBORE To 3.375"; Check piston grooving before supplying ring set; 3-3/32, 1-3/16
1	Premium Set	974KX +	Std Only	OVERBORE To 3.375"; Check piston grooving before supplying ring set; 3-3/32, 1-3/16; When depleted use FP-974KX
1	Premium Set	FP-5446KX	Std Only	3-1/8, 1-3/16
1	Premium Set	5446KX +	Std Only	3-1/8, 1-3/16; When depleted use FP-5446KX
1	Standard Set	FP-964X	Std Only	OVERBORE To 3.375"; Check piston grooving before supplying ring set; 3-1/8, 1-3/16
1	Standard Set	964X +	Std Only	OVERBORE To 3.375"; Check piston grooving before supplying ring set; 3-1/8, 1-3/16; When depleted use FP-964X
4	Premium Single Cylinder Set	W-964KX	Std Only	OVERBORE To 3.375"; Check piston grooving before supplying ring set; 3-1/8, 1-3/16
4	Premium Single Cylinder Set	W-974KX	Std Only	OVERBORE To 3.375"; Check piston grooving before supplying ring set; 3-3/32, 1-3/16
4	Standard Single Cylinder Set	W-964X	Std Only	OVERBORE To 3.375"; Check piston grooving before supplying ring set; 3-1/8, 1-3/16
KITS				
QTY	OVERHAUL KIT	PART NO.	SIZE	DESCRIPTION
1	Tractor Overhaul Kit	FP-KST2314C		OVERBORE To 3.375"
14 Industrial Applications Z134 Eng. 2.2L 134 OHV L4, 3.3125" Bore				
CYL. HEAD & PARTS				
QTY	VALVE	PART NO.	SIZE	DESCRIPTION
4	Intake	FP-V1102		Drilled stem; 1.2780" Head Dia., .3145" Stem Dia., 3.9770" O.A.L.

(continued on next page)

CYL. HEAD & PARTS (cont.)				
QTY	VALVE (cont.)	PART NO.	SIZE	DESCRIPTION
4	Intake	V-1102 + Std Only		Drilled stem; 1.2780" Head Dia., .3145" Stem Dia., 3.9770" O.A.L.; When depleted use FP-V1102
4	Exhaust	FP-V4088X		Optional-H/D material; 1 groove stem; New design, lash cap is not req'd.; 1.1400" Head Dia., .3128" Stem Dia., 4.0790" O.A.L.
4	Exhaust	V-4088X + Std Only		Optional-H/D material; 1 groove stem; New design, lash cap is not req'd.; 1.1400" Head Dia., .3128" Stem Dia., 4.0790" O.A.L.; When depleted use FP-V4088X
4	Exhaust	FP-V1422		Single groove stem; 1.1400" Head Dia., .3128" Stem Dia., 3.9890" O.A.L.
4	Exhaust	V-1422 + Std Only		Single groove stem; 1.1400" Head Dia., .3128" Stem Dia., 3.9890" O.A.L.; When depleted use FP-V1422
8	Keeper	FP-VK144		Exh.; 1 groove; Square cut key groove
8	Keeper	VK-144R		Exh.; 1 groove; Square cut key groove; Hardened
4	Keeper	FP-VK142		Int.; For drilled stem
4	Keeper	VK-142 +		Int.; For drilled stem; When depleted use FP-VK142
8	Keeper, Bulk	FP-VK144B		Exh.; 1 groove; Square cut key groove; Carton of 1000
VALVE SEAT				
4	Exh.	FP-24512501		1.2545" OD, 1.0000" ID, .2160" Depth
4	Exh.	245-1250-1 + Std Only		1.2545" OD, 1.0000" ID, .2160" Depth; When depleted use FP-24512501
4	Int.	245-1375-4 Std Only		1.3795" OD, 1.1250" ID, .1855" Depth
VALVE GUIDE				
8	Guide	FP-VG474		.3170" ID, 1.8130" O.A.L.
8	Guide	VG-474 +		.3170" ID, 1.8130" O.A.L.; When depleted use FP-VG474
VALVE SPRING				
8	Spring	FP-VS356		2.0000" Free Height
8	Spring	VS-356 +		2.0000" Free Height; When depleted use FP-VS356
VALVE SEAL				
8	Valve Stem Seal	ST-2017R		Exh. & Int.; Positive type; PTFE
4	Valve Stem Seal	MV-1233C		Int.; O-Ring; Rubber
4	Valve Stem Seal Bulk	MV-1233		Int.; O-Ring; Carton of 100; Rubber
CAMSHAFT GROUP				
QTY	TIMING	PART NO.	SIZE	DESCRIPTION
1	Gear Set	FP-2214711S		
1	Gear Set	221-4711S		
ENGINE BLOCK & PARTS				
GASKET SETS				
1	Kit Gasket Set	FP-2601354		Compl.
1	Kit Gasket Set	260-1354 +		Compl.; When depleted use FP-2601354
CRANKSHAFT/OIL PUMP				
CRANKSHAFT				
1	Crank Gear	FP-2214709		24 Teeth
1	Crank Gear	221-4709		24 Teeth
MAIN BEARINGS				
1	Main Set	FP-4015M Std-10-20-30-60		
1	Main Set	4015M + Std-10-20-30-60		When depleted use FP-4015M
OIL PUMP				
1	Pump Repair Kit	FP-2245133		
1	Pump Repair Kit	224-5133 +		When depleted use FP-2245133
CYLINDER COMPONENTS				
LINERS				
4	Liner w/Sealing Rings	FP-SO1762	Std Only	OVERBORE To 3.375"; Incl. (2) FP-SLR1762 sealing rings.
4	Sleeve Assy.	FP-SL2314	Std Only	OVERBORE To 3.375"
4	Sleeve Assy.	SL-2314 + Std Only		OVERBORE To 3.375"; When depleted use FP-SL2314
PISTONS				
4	Powerforged	FP-L2031F	Std Only	OVERBORE To 3.375"; Powerforged; 3-3/32", 1-3/16" Ring Groove, 1.875" CD, .8592" Pin Dia., Recessed Head .187" deep
4	Forged Piston - Individual	FP-WL2031F	Std Only	OVERBORE To 3.375"; Powerforged; 3-3/32", 1-3/16" Ring Groove, 1.875" CD, .8592" Pin Dia., Recessed Head .187" deep
4	Pin Bushing	8649XAS		Full round, thin wall .0055" O/S OD bushing
4	Pin Bushing	8649XA		Full round, thin wall bushing w/.9150" OD
4	Pin Bushing	8649V		Split type, thin wall bushing w/.9135" OD

(continued on next page)

+ Superseded Part Number

Continental

14 Industrial Applications Z134 Eng.

(cont.) 2.2L 134 OHV L4, 3.3125" Bore

CYLINDER COMPONENTS (cont.)

QTY	PISTONS (cont.)	PART NO.	SIZE	DESCRIPTION
4	Pin Bushing	8649V20		Split type, thin wall bushing w/.9135" OD & .020" extra bore stock
CONNECTING RODS & BRGS.				
4	Rod Pair	FP-1670SB	Std-2-10-20-30-40-60	
4	Rod Pair	1670SB +	Std-2-10-20-30-40-60	When depleted use FP-1670SB
PISTON RINGS				
1	Premium Set	FP-964KX	Std Only	OVERBORE To 3.375"; Check piston grooving before supplying ring set; 3-1/8, 1-3/16
1	Premium Set	964KX +	Std Only	OVERBORE To 3.375"; Check piston grooving before supplying ring set; 3-1/8, 1-3/16; When depleted use FP-964KX
1	Premium Set	FP-974KX	Std Only	OVERBORE To 3.375"; Check piston grooving before supplying ring set; 3-3/32, 1-3/16
1	Premium Set	974KX +	Std Only	OVERBORE To 3.375"; Check piston grooving before supplying ring set; 3-3/32, 1-3/16; When depleted use FP-974KX
1	Premium Set	FP-5446KX	Std Only	3-1/8, 1-3/16
1	Premium Set	5446KX +	Std Only	3-1/8, 1-3/16; When depleted use FP-5446KX
1	Standard Set	FP-964X	Std Only	OVERBORE To 3.375"; Check piston grooving before supplying ring set; 3-1/8, 1-3/16
1	Standard Set	964X +	Std Only	OVERBORE To 3.375"; Check piston grooving before supplying ring set; 3-1/8, 1-3/16; When depleted use FP-964X
4	Premium Single Cylinder Set	W-964KX	Std Only	OVERBORE To 3.375"; Check piston grooving before supplying ring set; 3-1/8, 1-3/16
4	Premium Single Cylinder Set	W-974KX	Std Only	OVERBORE To 3.375"; Check piston grooving before supplying ring set; 3-3/32, 1-3/16
4	Standard Single Cylinder Set	W-964X	Std Only	OVERBORE To 3.375"; Check piston grooving before supplying ring set; 3-1/8, 1-3/16

KITS

QTY	OVERHAUL KIT	PART NO.	SIZE	DESCRIPTION
1	Tractor Overhaul Kit	FP-KST2314C		OVERBORE To 3.375"

15 H/D Truck F135, F4135 Engs.

2.2L 135 L-HEAD L4, 3.125" Bore

CYL. HEAD & PARTS

QTY	VALVE	PART NO.	SIZE	DESCRIPTION
4	Intake	FP-V1855		1.5160" Head Dia., .3410" Stem Dia., 5.1670" O.A.L.
4	Intake	V-1855 +	Std Only	1.5160" Head Dia., .3410" Stem Dia., 5.1670" O.A.L.; When depleted use FP-V1855
4	Exhaust	FP-V1854		1.2030" Head Dia., .3381" Stem Dia., 5.1900" O.A.L.
4	Exhaust	V-1854 +	Std Only	1.2030" Head Dia., .3381" Stem Dia., 5.1900" O.A.L.; When depleted use FP-V1854
16	Keeper	VK-115		1 groove; Square cut key groove
16	Keeper	VK-115R		1 groove; Square cut key groove; Hardened
16	Keeper, Bulk	VK-115B		1 groove; Square cut key groove; Carton of 1000
VALVE SEAT				
4	Exh.	FP-24513753		1.3795" OD, 1.0625" ID, .1855" Depth
4	Exh.	245-1375-3 +	Std Only	1.3795" OD, 1.0625" ID, .1855" Depth; When depleted use FP-24513753
4	Int.	245-1625-1N	Std Only	Premium Material; 1.6300" OD, 1.3750" ID, .2160" Depth
4	Int.	245-1625-1	Std Only	1.6300" OD, 1.3750" ID, .2160" Depth
VALVE GUIDE				
8	Guide	FP-VG638		.3433" ID, 2.3800" O.A.L.
8	Guide	VG-638 +		.3433" ID, 2.3800" O.A.L.; When depleted use FP-VG638
VALVE SPRING				
8	Spring	FP-VS356		2.0000" Free Height
8	Spring	VS-356 +		2.0000" Free Height; When depleted use FP-VS356
VALVE MISC.				
4	Rotocap Assy.	FP-RC139A		
4	Rotocap Assy.	RC-139A +		When depleted use FP-RC139A

ENGINE BLOCK & PARTS

QTY	GASKET SETS	PART NO.	SIZE	DESCRIPTION
1	Kit Gasket Set	FP-2601355		Compl.; Timing cover gskt. & seal not incl.
1	Kit Gasket Set	260-1355		Compl.; Timing cover gskt. & seal not incl.

(continued on next page)

H/D Truck F135, F4135 Engs. 15
2.2L 135 L-HEAD L4, 3.125" Bore (cont.)

ENGINE BLOCK & PARTS (cont.)				
QTY	CAM BEARINGS	PART NO.	SIZE	DESCRIPTION
1	Cam Set	FP-1158M	Std Only	
1	Cam Set	1158M +	Std Only	When depleted use FP-1158M
CRANKSHAFT/OIL PUMP				
QTY	MAIN BEARINGS	PART NO.	SIZE	DESCRIPTION
1	Main Set	FP-4918M	Std-10-20-30	
CYLINDER COMPONENTS				
QTY	LINERS	PART NO.	SIZE	DESCRIPTION
1	Repair Sleeve	SL-9M	Std Only	3/32" wall, must be cut to correct length
QTY	CONNECTING RODS & BRGS.	PART NO.	SIZE	DESCRIPTION
2	Rod Pair	FP-1995CPA	STD	Position 1-3
2	Rod Pair	FP-1995CP	STD	Position 2-4
Industrial Applications F135 Eng. Multi-Purpose Engines F4135 Eng. 16 2.2L 135 L-HEAD L4, 3.125" Bore				
CYL. HEAD & PARTS				
QTY	VALVE	PART NO.	SIZE	DESCRIPTION
4	Intake	FP-V1855		1.5160" Head Dia., .3410" Stem Dia., 5.1670" O.A.L.
4	Intake	V-1855 +	Std Only	1.5160" Head Dia., .3410" Stem Dia., 5.1670" O.A.L.; When depleted use FP-V1855
4	Exhaust	FP-V1854		1.2030" Head Dia., .3381" Stem Dia., 5.1900" O.A.L.
4	Exhaust	V-1854 +	Std Only	1.2030" Head Dia., .3381" Stem Dia., 5.1900" O.A.L.; When depleted use FP-V1854
16	Keeper	VK-115		1 groove; Square cut key groove
16	Keeper	VK-115R		1 groove; Square cut key groove; Hardened
16	Keeper, Bulk	VK-115B		1 groove; Square cut key groove; Carton of 1000
QTY	VALVE SEAT	PART NO.	SIZE	DESCRIPTION
4	Exh.	FP-24513753		1.3795" OD, 1.0625" ID, .1855" Depth
4	Exh.	245-1375-3 +	Std Only	1.3795" OD, 1.0625" ID, .1855" Depth; When depleted use FP-24513753
4	Int.	245-1625-1N	Std Only	Premium Material; 1.6300" OD, 1.3750" ID, .2160" Depth
4	Int.	245-1625-1	Std Only	1.6300" OD, 1.3750" ID, .2160" Depth
QTY	VALVE GUIDE	PART NO.	SIZE	DESCRIPTION
8	Guide	FP-VG638		.3433" ID, 2.3800" O.A.L.
8	Guide	VG-638 +		.3433" ID, 2.3800" O.A.L.; When depleted use FP-VG638
QTY	VALVE SPRING	PART NO.	SIZE	DESCRIPTION
8	Spring	FP-VS356		2.0000" Free Height
8	Spring	VS-356 +		2.0000" Free Height; When depleted use FP-VS356
QTY	VALVE MISC.	PART NO.	SIZE	DESCRIPTION
4	Rotocap Assy.	FP-RC139A		
4	Rotocap Assy.	RC-139A +		When depleted use FP-RC139A
ENGINE BLOCK & PARTS				
QTY	GASKET SETS	PART NO.	SIZE	DESCRIPTION
1	Kit Gasket Set	FP-2601355		Compl.; Timing cover gskt. & seal not incl.
1	Kit Gasket Set	260-1355		Compl.; Timing cover gskt. & seal not incl.
QTY	CAM BEARINGS	PART NO.	SIZE	DESCRIPTION
1	Cam Set	FP-1158M	Std Only	
1	Cam Set	1158M +	Std Only	When depleted use FP-1158M
CRANKSHAFT/OIL PUMP				
QTY	MAIN BEARINGS	PART NO.	SIZE	DESCRIPTION
1	Main Set	FP-4918M	Std-10-20-30	
CYLINDER COMPONENTS				
QTY	LINERS	PART NO.	SIZE	DESCRIPTION
1	Repair Sleeve	SL-9M	Std Only	3/32" wall, must be cut to correct length
QTY	CONNECTING RODS & BRGS.	PART NO.	SIZE	DESCRIPTION
2	Rod Pair	FP-1995CPA	STD	Position 1-3
2	Rod Pair	FP-1995CP	STD	Position 2-4

Continental

17 H/D Truck F140, F4140, F4142, LF140, PF140 Engs. 2.3L 140 L-HEAD L4, 3.1875" Bore

CYL. HEAD & PARTS				
QTY	VALVE	PART NO.	SIZE	DESCRIPTION
4	Intake	FP-V801		Drilled stem; 1.5200" Head Dia., .3411" Stem Dia., 5.1760" O.A.L.
4	Intake	V-801 + Std Only		Drilled stem; 1.5200" Head Dia., .3411" Stem Dia., 5.1760" O.A.L.; When depleted use FP-V801
4	Intake	FP-V1748		Single groove stem; 1.5160" Head Dia., .3410" Stem Dia., 5.1570" O.A.L.
4	Intake	V-1748 + Std Only		Single groove stem; 1.5160" Head Dia., .3410" Stem Dia., 5.1570" O.A.L.; When depleted use FP-V1748
4	Exhaust	FP-V800		Drilled stem; 1.2030" Head Dia., .3381" Stem Dia., 5.1520" O.A.L.
4	Exhaust	V-800 + Std Only		Drilled stem; 1.2030" Head Dia., .3381" Stem Dia., 5.1520" O.A.L.; When depleted use FP-V800
4	Exhaust	FP-V954		Drilled stem; 1.3280" Head Dia., .3386" Stem Dia., 5.1950" O.A.L.
4	Exhaust	V-954 + Std Only		Drilled stem; 1.3280" Head Dia., .3386" Stem Dia., 5.1950" O.A.L.; When depleted use FP-V954
4	Exhaust	FP-V1684		Single groove stem; 1.2030" Head Dia., .3392" Stem Dia., 5.1890" O.A.L.
4	Exhaust	V-1684 + Std Only		Single groove stem; 1.2030" Head Dia., .3392" Stem Dia., 5.1890" O.A.L.; When depleted use FP-V1684
8	Keeper	FP-VK142		For drilled stem
8	Keeper	VK-142 +		For drilled stem; When depleted use FP-VK142
16	Keeper	FP-VK144		1 groove; Square cut key groove
16	Keeper	VK-144R		1 groove; Square cut key groove; Hardened
16	Keeper, Bulk	FP-VK144B		1 groove; Square cut key groove; Carton of 1000
QTY	VALVE SEAT	PART NO.	SIZE	DESCRIPTION
4	Exh.	245-1437-3N Std Only		Premium Material; 1.4425" OD, 1.1880" ID, .2160" Depth
4	Exh.	FP-24513753		1.3795" OD, 1.0625" ID, .1855" Depth
4	Exh.	245-1375-3 + Std Only		1.3795" OD, 1.0625" ID, .1855" Depth; When depleted use FP-24513753
4	Exh.	245-1437-3 Std Only		1.4425" OD, 1.1880" ID, .2160" Depth
4	Int.	245-1625-1N Std Only		Premium Material; 1.6300" OD, 1.3750" ID, .2160" Depth
4	Int.	FP-2451348E1N		1.3480" OD, 1.0870" ID, .2005" Depth
4	Int.	245-1348-E1N + Std Only		1.3480" OD, 1.0870" ID, .2005" Depth; When depleted use FP-2451348E1N
4	Int.	245-1625-1 Std Only		1.6300" OD, 1.3750" ID, .2160" Depth
QTY	VALVE GUIDE	PART NO.	SIZE	DESCRIPTION
8	Guide	FP-VG418		Exc. Rototype; .3425" ID, 2.3100" O.A.L.
8	Guide	VG-418 +		Exc. Rototype; .3425" ID, 2.3100" O.A.L.; When depleted use FP-VG418
QTY	VALVE SPRING	PART NO.	SIZE	DESCRIPTION
8	Spring	FP-VS356		2.0000" Free Height
8	Spring	VS-356 +		2.0000" Free Height; When depleted use FP-VS356
CAMSHAFT GROUP				
QTY	TIMING	PART NO.	SIZE	DESCRIPTION
1	Cam Gear	FP-2212601		F140, & F4140 Engs.; Governor Type; 48 Teeth
1	Cam Gear	221-2601		F140, & F4140 Engs.; Governor Type; 48 Teeth
1	Cam Gear	FP-2212600		F140, & F4140 Engs.; Replacement O.E. No. F400H310; 48 Teeth
1	Cam Gear	221-2600 +		F140, & F4140 Engs.; Replacement O.E. No. F400H310; 48 Teeth; When depleted use FP-2212600
ENGINE BLOCK & PARTS				
QTY	CAM BEARINGS	PART NO.	SIZE	DESCRIPTION
1	Cam Set	FP-1158M	Std Only	
1	Cam Set	1158M + Std Only		When depleted use FP-1158M
CRANKSHAFT/OIL PUMP				
QTY	CRANKSHAFT	PART NO.	SIZE	DESCRIPTION
1	Crank Gear	FP-2212603A		F140, & F4140 Engs.; Repl. O.E. No. F400H326; 24 Teeth
1	Crank Gear	221-2603A		F140, & F4140 Engs.; Repl. O.E. No. F400H326; 24 Teeth
QTY	MAIN BEARINGS	PART NO.	SIZE	DESCRIPTION
1	Main Set	FP-4004M	Std-10-20	W/Single flanged front brg.
1	Main Set	4004M + Std-10-20		W/Single flanged front brg.; When depleted use FP-4004M
1	Main Set	FP-4005M	Std-10-20	W/Straight shell front brg.
1	Main Set	FP-6632M	Std-10-20-30	W/Straight shell front brg. & thrust washer
1	Main Set	6632M + Std-10-20-30		W/Straight shell front brg. & thrust washer; When depleted use FP-6632M

(continued on next page)

+ Superseded Part Number

H/D Truck F140, F4140, F4142, LF140, PF140 Engs. 17
2.3L 140 L-HEAD L4, 3.1875" Bore (cont.)

CRANKSHAFT/OIL PUMP (cont.)

QTY	MAIN BEARINGS (cont.)	PART NO.	SIZE	DESCRIPTION
1	Main Set	4005M +	Std-10-20	W/Straight shell front brg.; When depleted use FP-4005M
1	Thrust Washer Set	FP-9811BFA	Std Only	Position 1; Use w/straight shell main brg. set
1	Thrust Washer Set	9811BFA +	Std Only	Position 1; Use w/straight shell main brg. set; When depleted use FP-9811BFA
1	Thrust Washer Set	FP-9811BF	Std Only	Position 1; Use w/Flanged main brg.
1	Thrust Washer Set	9811BF +	Std Only	Position 1; Use w/Flanged main brg.; When depleted use FP-9811BF

CYLINDER COMPONENTS

QTY	PISTONS	PART NO.	SIZE	DESCRIPTION
4	Pin Bushing	8649XAS		Forging No. F400D-502; Full round, thin wall .0055" O/S OD bushing
4	Pin Bushing	8649XA		Forging No. F400D-502; Full round, thin wall bushing w/.9150" OD
4	Pin Bushing	8649V		Forging No. F400D-502; Split type, thin wall bushing w/.9135" OD
4	Pin Bushing	8649V20		Forging No. F400D-502; Split type, thin wall bushing w/.9135" OD & .020" extra bore stock
4	Pin Bushing	FP-9324X		Full round, heavy wall bushing w/1.0625" OD; Forging No. F400D-500
4	Pin Bushing	9324X +		Full round, heavy wall bushing w/1.0625" OD; Forging No. F400D-500; When depleted use FP-9324X

QTY	CONNECTING RODS & BRGS.	PART NO.	SIZE	DESCRIPTION
2	Rod Pair	FP-9320CPA	Std-2-10-20-30-40	Position 1-3
2	Rod Pair	9320CPA +	Std-2-10-20-30-40	Position 1-3; When depleted use FP-9320CPA
2	Rod Pair	FP-9320CP	Std-10-20-30-40	Position 2-4
2	Rod Pair	9320CP +	Std-10-20-30-40	Position 2-4; When depleted use FP-9320CP

QTY	PISTON RINGS	PART NO.	SIZE	DESCRIPTION
1	Standard Set	FP-948X	Std Only	Check piston grooving before supplying ring set; 3-1/8, 1-1/4
1	Standard Set	948X +	Std Only	Check piston grooving before supplying ring set; 3-1/8, 1-1/4; When depleted use FP-948X
1	Standard Set	FP-5036X	Std Only	Check piston grooving before supplying ring set; 3-1/8, 1-3/16
1	Standard Set	5036X +	Std Only	Check piston grooving before supplying ring set; 3-1/8, 1-3/16; When depleted use FP-5036X

Power Unit LF140, PF140 Engs. Industrial Applications F140 Eng. Multi-Purpose Engines 18
A4140, A4142, F4140, F4142 Engs.
2.3L 140 L-HEAD L4, 3.1875" Bore

CYL. HEAD & PARTS

QTY	VALVE	PART NO.	SIZE	DESCRIPTION
4	Intake	FP-V801		Drilled stem; 1.5200" Head Dia., .3411" Stem Dia., 5.1760" O.A.L.
4	Intake	V-801 +	Std Only	Drilled stem; 1.5200" Head Dia., .3411" Stem Dia., 5.1760" O.A.L.; When depleted use FP-V801
4	Intake	FP-V1748		Single groove stem; 1.5160" Head Dia., .3410" Stem Dia., 5.1570" O.A.L.
4	Intake	V-1748 +	Std Only	Single groove stem; 1.5160" Head Dia., .3410" Stem Dia., 5.1570" O.A.L.; When depleted use FP-V1748
4	Exhaust	FP-V800		Drilled stem; 1.2030" Head Dia., .3381" Stem Dia., 5.1520" O.A.L.
4	Exhaust	V-800 +	Std Only	Drilled stem; 1.2030" Head Dia., .3381" Stem Dia., 5.1520" O.A.L.; When depleted use FP-V800
4	Exhaust	FP-V954		Drilled stem; 1.3280" Head Dia., .3386" Stem Dia., 5.1950" O.A.L.
4	Exhaust	V-954 +	Std Only	Drilled stem; 1.3280" Head Dia., .3386" Stem Dia., 5.1950" O.A.L.; When depleted use FP-V954
4	Exhaust	FP-V1684		Single groove stem; 1.2030" Head Dia., .3392" Stem Dia., 5.1890" O.A.L.
4	Exhaust	V-1684 +	Std Only	Single groove stem; 1.2030" Head Dia., .3392" Stem Dia., 5.1890" O.A.L.; When depleted use FP-V1684
8	Keeper	FP-VK142		For drilled stem
8	Keeper	VK-142 +		For drilled stem; When depleted use FP-VK142
16	Keeper	FP-VK144		1 groove; Square cut key groove
16	Keeper	VK-144R		1 groove; Square cut key groove; Hardened
16	Keeper, Bulk	FP-VK144B		1 groove; Square cut key groove; Carton of 1000

(continued on next page)

+ Superseded Part Number

Continental

18 Power Unit LF140, PF140 Engs. Industrial Applications F140 Eng. Multi-Purpose Engines (cont.) A4140, A4142, F4140, F4142 Engs. 2.3L 140 L-HEAD L4, 3.1875" Bore

CYL. HEAD & PARTS (cont.)

QTY	VALVE SEAT	PART NO.	SIZE	DESCRIPTION
4	Exh.	245-1437-3N	Std Only	Premium Material; 1.4425" OD, 1.1880" ID, .2160" Depth
4	Exh.	FP-24513753		1.3795" OD, 1.0625" ID, .1855" Depth
4	Exh.	245-1375-3 +	Std Only	1.3795" OD, 1.0625" ID, .1855" Depth; When depleted use FP-24513753
4	Exh.	245-1437-3	Std Only	1.4425" OD, 1.1880" ID, .2160" Depth
4	Int.	245-1625-1N	Std Only	Premium Material; 1.6300" OD, 1.3750" ID, .2160" Depth
4	Int.	FP-2451348E1N		1.3480" OD, 1.0870" ID, .2005" Depth
4	Int.	245-1348-E1N +	Std Only	1.3480" OD, 1.0870" ID, .2005" Depth; When depleted use FP-2451348E1N
4	Int.	245-1625-1	Std Only	1.6300" OD, 1.3750" ID, .2160" Depth
QTY	VALVE GUIDE	PART NO.	SIZE	DESCRIPTION
8	Guide	FP-VG418		Exc. Rototype; .3425" ID, 2.3100" O.A.L.
8	Guide	VG-418 +		Exc. Rototype; .3425" ID, 2.3100" O.A.L.; When depleted use FP-VG418
QTY	VALVE SPRING	PART NO.	SIZE	DESCRIPTION
8	Spring	FP-VS356		2.0000" Free Height
8	Spring	VS-356 +		2.0000" Free Height; When depleted use FP-VS356
CAMSHAFT GROUP				
QTY	TIMING	PART NO.	SIZE	DESCRIPTION
1	Cam Gear	FP-2212601		F140, & F4140 Engs.; Governor Type; 48 Teeth
1	Cam Gear	221-2601		F140, & F4140 Engs.; Governor Type; 48 Teeth
1	Cam Gear	FP-2212600		F140, & F4140 Engs.; Replacement O.E. No. F400H310; 48 Teeth
1	Cam Gear	221-2600 +		F140, & F4140 Engs.; Replacement O.E. No. F400H310; 48 Teeth; When depleted use FP-2212600
ENGINE BLOCK & PARTS				
QTY	GASKET SETS	PART NO.	SIZE	DESCRIPTION
1	Kit Gasket Set	FP-2601355		Compl.; Timing cover gskt. & seal not incl.
1	Kit Gasket Set	260-1355		Compl.; Timing cover gskt. & seal not incl.
QTY	CAM BEARINGS	PART NO.	SIZE	DESCRIPTION
1	Cam Set	FP-1158M	Std Only	
1	Cam Set	1158M +	Std Only	When depleted use FP-1158M
CRANKSHAFT/OIL PUMP				
QTY	CRANKSHAFT	PART NO.	SIZE	DESCRIPTION
1	Crank Gear	FP-2212603A		F140, & F4140 Engs.; Repl. O.E. No. F400H326; 24 Teeth
1	Crank Gear	221-2603A		F140, & F4140 Engs.; Repl. O.E. No. F400H326; 24 Teeth
QTY	MAIN BEARINGS	PART NO.	SIZE	DESCRIPTION
1	Main Set	FP-4004M	Std-10-20	W/Single flanged front brg.
1	Main Set	4004M +	Std-10-20	W/Single flanged front brg.; When depleted use FP-4004M
1	Main Set	FP-4005M	Std-10-20	W/Straight shell front brg.
1	Main Set	FP-6632M	Std-10-20-30	W/Straight shell front brg. & thrust washer
1	Main Set	6632M +	Std-10-20-30	W/Straight shell front brg. & thrust washer; When depleted use FP-6632M
1	Main Set	4005M +	Std-10-20	W/Straight shell front brg.; When depleted use FP-4005M
1	Thrust Washer Set	FP-9811BFA	Std Only	Position 1; Use w/straight shell main brg. set
1	Thrust Washer Set	9811BFA +	Std Only	Position 1; Use w/straight shell main brg. set; When depleted use FP-9811BFA
1	Thrust Washer Set	FP-9811BF	Std Only	Position 1; Use w/Flanged main brg.
1	Thrust Washer Set	9811BF +	Std Only	Position 1; Use w/Flanged main brg.; When depleted use FP-9811BF
CYLINDER COMPONENTS				
QTY	PISTONS	PART NO.	SIZE	DESCRIPTION
4	Pin Bushing	8649XAS		Forging No. F400D-502; Full round, thin wall .0055" O/S OD bushing
4	Pin Bushing	8649XA		Forging No. F400D-502; Full round, thin wall bushing w/.9150" OD
4	Pin Bushing	8649V		Forging No. F400D-502; Split type, thin wall bushing w/.9135" OD
4	Pin Bushing	8649V20		Forging No. F400D-502; Split type, thin wall bushing w/.9135" OD & .020" extra bore stock
4	Pin Bushing	FP-9324X		Full round, heavy wall bushing w/1.0625" OD; Forging No. F400D-500
4	Pin Bushing	9324X +		Full round, heavy wall bushing w/1.0625" OD; Forging No. F400D-500; When depleted use FP-9324X

(continued on next page)

Power Unit LF140, PF140 Engs. Industrial Applications F140 Eng. Multi-Purpose Engines 18
A4140, A4142, F4140, F4142 Engs. (cont.)
 2.3L 140 L-HEAD L4, 3.1875" Bore

CYLINDER COMPONENTS (cont.)

QTY	CONNECTING RODS & BRGS.	PART NO.	SIZE	DESCRIPTION
2	Rod Pair	FP-9320CPA	<i>Std-2-10-20-30-40</i>	Position 1-3
2	Rod Pair	9320CPA +	<i>Std-2-10-20-30-40</i>	Position 1-3; When depleted use FP-9320CPA
2	Rod Pair	FP-9320CP	<i>Std-10-20-30-40</i>	Position 2-4
2	Rod Pair	9320CP +	<i>Std-10-20-30-40</i>	Position 2-4; When depleted use FP-9320CP
QTY	PISTON RINGS	PART NO.	SIZE	DESCRIPTION
1	Standard Set	FP-948X	<i>Std Only</i>	Check piston grooving before supplying ring set; 3-1/8, 1-1/4
1	Standard Set	948X +	<i>Std Only</i>	Check piston grooving before supplying ring set; 3-1/8, 1-1/4; When depleted use FP-948X
1	Standard Set	FP-5036X	<i>Std Only</i>	Check piston grooving before supplying ring set; 3-1/8, 1-3/16
1	Standard Set	5036X +	<i>Std Only</i>	Check piston grooving before supplying ring set; 3-1/8, 1-3/16; When depleted use FP-5036X

H/D Truck **19**
 2.4L 145 OHV L4, 3.25" Bore

ENGINE BLOCK & PARTS

QTY	CAM BEARINGS	PART NO.	SIZE	DESCRIPTION
1	Cam Set	FP-1158M	<i>Std Only</i>	
1	Cam Set	1158M +	<i>Std Only</i>	When depleted use FP-1158M

CYLINDER COMPONENTS

QTY	CONNECTING RODS & BRGS.	PART NO.	SIZE	DESCRIPTION
4	Rod Pair	FP-3185CP	<i>Std-10-20-30</i>	
4	Rod Pair	3185CP +	<i>Std-10-20-30</i>	When depleted use FP-3185CP

Industrial Applications **FS145 Eng. 20**
 2.4L 145 OHV L4, 3.25" Bore

ENGINE BLOCK & PARTS

QTY	CAM BEARINGS	PART NO.	SIZE	DESCRIPTION
1	Cam Set	FP-1158M	<i>Std Only</i>	
1	Cam Set	1158M +	<i>Std Only</i>	When depleted use FP-1158M

CYLINDER COMPONENTS

QTY	CONNECTING RODS & BRGS.	PART NO.	SIZE	DESCRIPTION
4	Rod Pair	FP-3185CP	<i>Std-10-20-30</i>	
4	Rod Pair	3185CP +	<i>Std-10-20-30</i>	When depleted use FP-3185CP

H/D Truck **21**
 2.4L 145 L-HEAD L4 (Mil-Std), 3.25" Bore

ENGINE BLOCK & PARTS

QTY	CAM BEARINGS	PART NO.	SIZE	DESCRIPTION
1	Cam Set	FP-1158M	<i>Std Only</i>	
1	Cam Set	1158M +	<i>Std Only</i>	When depleted use FP-1158M

CYLINDER COMPONENTS

QTY	CONNECTING RODS & BRGS.	PART NO.	SIZE	DESCRIPTION
4	Rod Pair	FP-3185CP	<i>Std-10-20-30</i>	
4	Rod Pair	3185CP +	<i>Std-10-20-30</i>	When depleted use FP-3185CP

Industrial Applications **22**
 2.4L 145 L-HEAD L4 (Mil-Std), 3.25" Bore

ENGINE BLOCK & PARTS

QTY	CAM BEARINGS	PART NO.	SIZE	DESCRIPTION
1	Cam Set	FP-1158M	<i>Std Only</i>	

(continued on next page)

+ Superseded Part Number

Continental

22 Industrial Applications (cont.) 2.4L 145 L-HEAD L4 (Mil-Std), 3.25" Bore				
ENGINE BLOCK & PARTS (cont.)				
QTY	CAM BEARINGS (cont.)	PART NO.	SIZE	DESCRIPTION
1	Cam Set	1158M +	Std Only	When depleted use FP-1158M
CYLINDER COMPONENTS				
QTY	CONNECTING RODS & BRGS.	PART NO.	SIZE	DESCRIPTION
4	Rod Pair	FP-3185CP	Std-10-20-30	When depleted use FP-3185CP
4	Rod Pair	3185CP +	Std-10-20-30	
23 H/D Truck Z145 Eng. 2.4L 145 OHV L4, 3.375" Bore				
CYL. HEAD & PARTS				
QTY	VALVE	PART NO.	SIZE	DESCRIPTION
4	Intake	FP-V1102		1.2780" Head Dia., .3145" Stem Dia., 3.9770" O.A.L.
4	Intake	V-1102 +	Std Only	1.2780" Head Dia., .3145" Stem Dia., 3.9770" O.A.L.; When depleted use FP-V1102
4	Exhaust	FP-V1422		1.1400" Head Dia., .3128" Stem Dia., 3.9890" O.A.L.
4	Exhaust	V-1422 +	Std Only	1.1400" Head Dia., .3128" Stem Dia., 3.9890" O.A.L.; When depleted use FP-V1422
16	Keeper	FP-VK144		1 groove; Square cut key groove
16	Keeper	VK-144R		1 groove; Square cut key groove; Hardened
16	Keeper, Bulk	FP-VK144B		1 groove; Square cut key groove; Carton of 1000
QTY	VALVE GUIDE	PART NO.	SIZE	DESCRIPTION
8	Guide	FP-VG474		.3170" ID, 1.8130" O.A.L.
8	Guide	VG-474 +		.3170" ID, 1.8130" O.A.L.; When depleted use FP-VG474
QTY	VALVE SPRING	PART NO.	SIZE	DESCRIPTION
8	Spring	FP-VS356		2.0000" Free Height
8	Spring	VS-356 +		2.0000" Free Height; When depleted use FP-VS356
QTY	VALVE SEAL	PART NO.	SIZE	DESCRIPTION
8	Valve Stem Seal	ST-2017R		Positive type; PTFE
CAMSHAFT GROUP				
QTY	TIMING	PART NO.	SIZE	DESCRIPTION
1	Gear Set	FP-2214711S		
1	Gear Set	221-4711S		
ENGINE BLOCK & PARTS				
QTY	GASKET SETS	PART NO.	SIZE	DESCRIPTION
1	Kit Gasket Set	FP-2601354		Compl.
1	Kit Gasket Set	260-1354 +		Compl.; When depleted use FP-2601354
CRANKSHAFT/OIL PUMP				
QTY	CRANKSHAFT	PART NO.	SIZE	DESCRIPTION
1	Crank Gear	FP-2214709		24 Teeth
1	Crank Gear	221-4709		24 Teeth
QTY	MAIN BEARINGS	PART NO.	SIZE	DESCRIPTION
1	Main Set	FP-4015M	Std-10-20-30-60	When depleted use FP-4015M
1	Main Set	4015M +	Std-10-20-30-60	
CYLINDER COMPONENTS				
QTY	LINERS	PART NO.	SIZE	DESCRIPTION
4	Liner w/Sealing Rings	FP-SO2488	Std Only	Incl. (2) FP-SLR2488 sealing rings.
4	Liner w/Sealing Rings	SO-2488 +	Std Only	Incl. (2) SLR-2488 sealing rings.; When depleted use FP-SO2488
4	Sleeve Assy.	FP-SL2488	Std Only	Contains piston w/1.838"CD, .859" Pin dia., Dished head 2.500" Dia. X .310" Deep (Ref. O.E. No. Z145A401). Pin bushing No. 8649V20 also included.
4	Sleeve Assy.	SL-2488 +	Std Only	Contains piston w/1.838"CD, .859" Pin dia., Dished head 2.500" Dia. X .310" Deep (Ref. O.E. No. Z145A401). Pin bushing No. 8649V20 also included.; When depleted use FP-SL2488
QTY	PISTONS	PART NO.	SIZE	DESCRIPTION
4	Cast Piston	2488P	Std Only	Cast; 3-1/8", 1-3/16" Ring Groove, 1.838" CD, .8590" Pin Dia., Dish Head .310" deep x 2.500 dia.; Repl. O.E. No. Z145-A401; AVAILABLE ONLY IN SLEEVE ASSY
4	Pin Bushing	8649XAS		Full round, thin wall .0055" O/S OD bushing
4	Pin Bushing	8649XA		Full round, thin wall bushing w/.9150" OD
4	Pin Bushing	8649V		Split type, thin wall bushing w/.9135" OD

(continued on next page)

+ Superseded Part Number

H/D Truck Z145 Eng. 23
2.4L 145 OHV L4, 3.375" Bore (cont.)

CYLINDER COMPONENTS (cont.)

QTY	PISTONS (cont.)	PART NO.	SIZE	DESCRIPTION
4	Pin Bushing	8649V20		Split type, thin wall bushing w/.9135" OD & .020" extra bore stock
QTY	CONNECTING RODS & BRGS.	PART NO.	SIZE	DESCRIPTION
4	Rod Pair	FP-1670SB	Std-2-10-20-30-40-60	
4	Rod Pair	1670SB +	Std-2-10-20-30-40-60	When depleted use FP-1670SB
QTY	PISTON RINGS	PART NO.	SIZE	DESCRIPTION
1	Premium Set	FP-964KX	Std Only	3-1/8, 1-3/16
1	Premium Set	964KX +	Std Only	3-1/8, 1-3/16; When depleted use FP-964KX
1	Standard Set	FP-964X	Std Only	3-1/8, 1-3/16
1	Standard Set	964X +	Std Only	3-1/8, 1-3/16; When depleted use FP-964X
4	Premium Single Cylinder Set	W-964KX	Std Only	3-1/8, 1-3/16
4	Standard Single Cylinder Set	W-964X	Std Only	3-1/8, 1-3/16
KITS				
QTY	OVERHAUL KIT	PART NO.	SIZE	DESCRIPTION
1	Tractor Overhaul Kit	FP-KST2488A		

Industrial Applications Z145 Eng. 24
2.4L 145 OHV L4, 3.375" Bore

CYL. HEAD & PARTS

QTY	VALVE	PART NO.	SIZE	DESCRIPTION
4	Intake	FP-V1102		1.2780" Head Dia., .3145" Stem Dia., 3.9770" O.A.L.
4	Intake	V-1102 +	Std Only	1.2780" Head Dia., .3145" Stem Dia., 3.9770" O.A.L.; When depleted use FP-V1102
4	Exhaust	FP-V1422		1.1400" Head Dia., .3128" Stem Dia., 3.9890" O.A.L.
4	Exhaust	V-1422 +	Std Only	1.1400" Head Dia., .3128" Stem Dia., 3.9890" O.A.L.; When depleted use FP-V1422
16	Keeper	FP-VK144		1 groove; Square cut key groove
16	Keeper	VK-144R		1 groove; Square cut key groove; Hardened
16	Keeper, Bulk	FP-VK144B		1 groove; Square cut key groove; Carton of 1000
QTY	VALVE GUIDE	PART NO.	SIZE	DESCRIPTION
8	Guide	FP-VG474		.3170" ID, 1.8130" O.A.L.
8	Guide	VG-474 +		.3170" ID, 1.8130" O.A.L.; When depleted use FP-VG474
QTY	VALVE SPRING	PART NO.	SIZE	DESCRIPTION
8	Spring	FP-VS356		2.0000" Free Height
8	Spring	VS-356 +		2.0000" Free Height; When depleted use FP-VS356
QTY	VALVE SEAL	PART NO.	SIZE	DESCRIPTION
8	Valve Stem Seal	ST-2017R		Positive type; PTFE

CAMSHAFT GROUP

QTY	TIMING	PART NO.	SIZE	DESCRIPTION
1	Gear Set	FP-2214711S		
1	Gear Set	221-4711S		

ENGINE BLOCK & PARTS

QTY	GASKET SETS	PART NO.	SIZE	DESCRIPTION
1	Kit Gasket Set	FP-2601354		Compl.
1	Kit Gasket Set	260-1354 +		Compl.; When depleted use FP-2601354

CRANKSHAFT/OIL PUMP

QTY	CRANKSHAFT	PART NO.	SIZE	DESCRIPTION
1	Crank Gear	FP-2214709		24 Teeth
1	Crank Gear	221-4709		24 Teeth
QTY	MAIN BEARINGS	PART NO.	SIZE	DESCRIPTION
1	Main Set	FP-4015M	Std-10-20-30-60	
1	Main Set	4015M +	Std-10-20-30-60	When depleted use FP-4015M

CYLINDER COMPONENTS

QTY	LINERS	PART NO.	SIZE	DESCRIPTION
4	Liner w/Sealing Rings	FP-SO2488	Std Only	Incl. (2) FP-SLR2488 sealing rings.
4	Liner w/Sealing Rings	SO-2488 +	Std Only	Incl. (2) SLR-2488 sealing rings.; When depleted use FP-SO2488

(continued on next page)

Continental

24 Industrial Applications Z145 Eng. (cont.) 2.4L 145 OHV L4, 3.375" Bore

CYLINDER COMPONENTS (cont.)				
QTY	LINERS (cont.)	PART NO.	SIZE	DESCRIPTION
4	Sleeve Assy.	FP-SL2488	Std Only	Contains piston w/1.838"CD, .859" Pin dia., Dished head 2.500" Dia. X .310" Deep (Ref. O.E. No. Z145A401). Pin bushing No. 8649V20 also included.
4	Sleeve Assy.	SL-2488 +	Std Only	Contains piston w/1.838"CD, .859" Pin dia., Dished head 2.500" Dia. X .310" Deep (Ref. O.E. No. Z145A401). Pin bushing No. 8649V20 also included.; When depleted use FP-SL2488
QTY	PISTONS	PART NO.	SIZE	DESCRIPTION
4	Cast Piston	2488P	Std Only	Avail. in sleeve assy. only.; Cast; 3-1/8", 1-3/16" Ring Groove, 1.838" CD, .8590" Pin Dia., Dish Head .310" deep x 2.500 dia.; Repl. O.E. No. Z145-A401; AVAILABLE ONLY IN SLEEVE ASSY
4	Pin Bushing	8649XAS		Full round, thin wall .0055" O/S OD bushing
4	Pin Bushing	8649XA		Full round, thin wall bushing w/.9150" OD
4	Pin Bushing	8649V		Split type, thin wall bushing w/.9135" OD
4	Pin Bushing	8649V20		Split type, thin wall bushing w/.9135" OD & .020" extra bore stock
QTY	CONNECTING RODS & BRGS.	PART NO.	SIZE	DESCRIPTION
4	Rod Pair	FP-1670SB	Std-2-10-20-30-40-60	
4	Rod Pair	1670SB +	Std-2-10-20-30-40-60	When depleted use FP-1670SB
QTY	PISTON RINGS	PART NO.	SIZE	DESCRIPTION
1	Premium Set	FP-964KX	Std Only	3-1/8, 1-3/16
1	Premium Set	964KX +	Std Only	3-1/8, 1-3/16; When depleted use FP-964KX
1	Standard Set	FP-964X	Std Only	3-1/8, 1-3/16
1	Standard Set	964X +	Std Only	3-1/8, 1-3/16; When depleted use FP-964X
4	Premium Single Cylinder Set	W-964KX	Std Only	3-1/8, 1-3/16
4	Standard Single Cylinder Set	W-964X	Std Only	3-1/8, 1-3/16
KITS				
QTY	OVERHAUL KIT	PART NO.	SIZE	DESCRIPTION
1	Tractor Overhaul Kit	FP-KST2488A		

25 H/D Truck F162, F4162, F4162 Super, F4162C, FS162, LF162, PF162 Engs. 2.6L 162 L-HEAD L4, 3.4375" Bore

CYL. HEAD & PARTS				
QTY	VALVE	PART NO.	SIZE	DESCRIPTION
4	Intake	FP-V801		Drilled stem; 1.5200" Head Dia., .3411" Stem Dia., 5.1760" O.A.L.
4	Intake	V-801 +	Std Only	Drilled stem; 1.5200" Head Dia., .3411" Stem Dia., 5.1760" O.A.L.; When depleted use FP-V801
4	Intake	FP-V1748		Single groove stem; 1.5160" Head Dia., .3410" Stem Dia., 5.1570" O.A.L.
4	Intake	V-1748 +	Std Only	Single groove stem; 1.5160" Head Dia., .3410" Stem Dia., 5.1570" O.A.L.; When depleted use FP-V1748
4	Exhaust	FP-V800		Drilled stem; 1.2030" Head Dia., .3381" Stem Dia., 5.1520" O.A.L.
4	Exhaust	V-800 +	Std Only	Drilled stem; 1.2030" Head Dia., .3381" Stem Dia., 5.1520" O.A.L.; When depleted use FP-V800
4	Exhaust	FP-V954		Drilled stem; 1.3280" Head Dia., .3386" Stem Dia., 5.1950" O.A.L.
4	Exhaust	V-954 +	Std Only	Drilled stem; 1.3280" Head Dia., .3386" Stem Dia., 5.1950" O.A.L.; When depleted use FP-V954
4	Exhaust	FP-V1684		Single groove stem; 1.2030" Head Dia., .3392" Stem Dia., 5.1890" O.A.L.
4	Exhaust	V-1684 +	Std Only	Single groove stem; 1.2030" Head Dia., .3392" Stem Dia., 5.1890" O.A.L.; When depleted use FP-V1684
8	Keeper	FP-VK142		For drilled stem
8	Keeper	VK-142 +		For drilled stem; When depleted use FP-VK142
16	Keeper	FP-VK144		1 groove; Square cut key groove
16	Keeper	VK-144R		1 groove; Square cut key groove; Hardened
16	Keeper, Bulk	FP-VK144B		1 groove; Square cut key groove; Carton of 1000
QTY	VALVE SEAT	PART NO.	SIZE	DESCRIPTION
4	Exh.	245-1437-3N	Std Only	Premium Material; 1.4425" OD, 1.1880" ID, .2160" Depth
4	Exh.	FP-24513753		1.3795" OD, 1.0625" ID, .1855" Depth
4	Exh.	245-1375-3 +	Std Only	1.3795" OD, 1.0625" ID, .1855" Depth; When depleted use FP-24513753
4	Exh.	245-1437-3	Std Only	1.4425" OD, 1.1880" ID, .2160" Depth

(continued on next page)

H/D Truck F162, F4162, F4162 Super, F4162C, FS162, LF162, PF162 Eng. 25
2.6L 162 L-HEAD L4, 3.4375" Bore (cont.)

CYL. HEAD & PARTS (cont.)

QTY	VALVE SEAT (cont.)	PART NO.	SIZE	DESCRIPTION
4	Int.	245-1625-1N	Std Only	Premium Material; 1.6300" OD, 1.3750" ID, .2160" Depth
4	Int.	FP-2451348E1N		1.3480" OD, 1.0870" ID, .2005" Depth
4	Int.	245-1348-E1N +	Std Only	1.3480" OD, 1.0870" ID, .2005" Depth; When depleted use FP-2451348E1N
4	Int.	245-1625-1	Std Only	1.6300" OD, 1.3750" ID, .2160" Depth
QTY	VALVE GUIDE	PART NO.	SIZE	DESCRIPTION
8	Guide	FP-VG418		Exc. Rototype; .3425" ID, 2.3100" O.A.L.
8	Guide	VG-418 +		Exc. Rototype; .3425" ID, 2.3100" O.A.L.; When depleted use FP-VG418
QTY	VALVE SPRING	PART NO.	SIZE	DESCRIPTION
8	Spring	FP-VS356		2.0000" Free Height
8	Spring	VS-356 +		2.0000" Free Height; When depleted use FP-VS356

CAMSHAFT GROUP

QTY	TIMING	PART NO.	SIZE	DESCRIPTION
1	Cam Gear	FP-2212601		Governor type; 48 Teeth
1	Cam Gear	221-2601		Governor type; 48 Teeth
1	Cam Gear	FP-2212600		Replacement O.E. No. F400H310; 48 Teeth
1	Cam Gear	221-2600 +		Replacement O.E. No. F400H310; 48 Teeth; When depleted use FP-2212600

ENGINE BLOCK & PARTS

QTY	GASKET SETS	PART NO.	SIZE	DESCRIPTION
1	Kit Gasket Set	FP-2601355		Compl.; Timing cover gskt. & seal not incl.
1	Kit Gasket Set	260-1355		Compl.; Timing cover gskt. & seal not incl.
QTY	CAM BEARINGS	PART NO.	SIZE	DESCRIPTION
1	Cam Set	FP-1158M	Std Only	
1	Cam Set	1158M +	Std Only	When depleted use FP-1158M

CRANKSHAFT/OIL PUMP

QTY	CRANKSHAFT	PART NO.	SIZE	DESCRIPTION
1	Crank Gear	FP-2212603A		Repl. O.E. No. F400H326; 24 Teeth
1	Crank Gear	221-2603A		Repl. O.E. No. F400H326; 24 Teeth
QTY	MAIN BEARINGS	PART NO.	SIZE	DESCRIPTION
1	Main Set	FP-4004M	Std-10-20	W/Single flanged front brg.
1	Main Set	4004M +	Std-10-20	W/Single flanged front brg.; When depleted use FP-4004M
1	Main Set	FP-4005M	Std-10-20	W/Straight shell front brg.
1	Main Set	FP-6632M	Std-10-20-30	W/Straight shell front brg. & thrust washer
1	Main Set	6632M +	Std-10-20-30	W/Straight shell front brg. & thrust washer; When depleted use FP-6632M
1	Main Set	4005M +	Std-10-20	W/Straight shell front brg.; When depleted use FP-4005M
1	Thrust Washer Set	FP-9811BFA	Std Only	Position 1; Use w/straight shell main brg. set
1	Thrust Washer Set	9811BFA +	Std Only	Position 1; Use w/straight shell main brg. set; When depleted use FP-9811BFA
1	Thrust Washer Set	FP-9811BF	Std Only	Position 1; Use w/Flanged main brg.
1	Thrust Washer Set	9811BF +	Std Only	Position 1; Use w/Flanged main brg.; When depleted use FP-9811BF
QTY	OIL PUMP	PART NO.	SIZE	DESCRIPTION
1	Oil Pump	FP-2244132		Cast Iron drive gear; Use w/Cast Iron cams; 7 1/8" from flange to end of shaft; Incl. screen
1	Oil Pump	224-4132 +		Cast Iron drive gear; Use w/Cast Iron cams; 7 1/8" from flange to end of shaft; Incl. screen; When depleted use FP-2244132
1	Oil Pump	FP-2244137		Steel drive gear w/groove at pin; Use w/Steel cams; 7-1/8" from flange to end of shaft; Incl. pin
1	Oil Pump	224-4137 +		Steel drive gear w/groove at pin; Use w/Steel cams; 7-1/8" from flange to end of shaft; Incl. pin; When depleted use FP-2244137

CYLINDER COMPONENTS

QTY	LINERS	PART NO.	SIZE	DESCRIPTION
1	Repair Sleeve	SL-14M	Std Only	3/32" wall, must be cut to correct length
QTY	PISTONS	PART NO.	SIZE	DESCRIPTION
4	Cast Piston	FP-1102P	Std-20-30-40-60	F162, F4162, LF162 and PF162 Eng.s.; Cast; 1-5/64", 2-3/32", 1-1/4" Ring Groove, 2.000" CD, .8592" Pin Dia., Flat Head
4	Cast Piston	1102P +	Std-20-30-40-60	F162, F4162, LF162 and PF162 Eng.s.; Cast; 1-5/64", 2-3/32", 1-1/4" Ring Groove, 2.000" CD, .8592" Pin Dia., Flat Head; When depleted use FP-1102P
4	Cast Piston - Individual	FP-W1102P	Std-20-30-40-60	F162, F4162, LF162 and PF162 Eng.s.; Cast; 1-5/64", 2-3/32", 1-1/4" Ring Groove, 2.000" CD, .8592" Pin Dia., Flat Head

(continued on next page)

+ Superseded Part Number

Continental

25 H/D Truck F162, F4162, F4162 Super, F4162C, FS162, LF162, PF162 Engs. (cont.) 2.6L 162 L-HEAD L4, 3.4375" Bore

CYLINDER COMPONENTS (cont.)

QTY	PISTONS (cont.)	PART NO.	SIZE	DESCRIPTION
4	Cast Piston - Individual	W1102P + Std-20-30-40-60		F162, F4162, LF162 and PF162 Engs.; Cast; 1-5/64", 2-3/32", 1-1/4" Ring Groove, 2.000" CD, .8592" Pin Dia., Flat Head; When depleted use FP-W1102P
4	Pin Bushing	8649XAS		Forging No. F400D-502; Full round, thin wall .0055" O/S OD bushing
4	Pin Bushing	8649XA		Forging No. F400D-502; Full round, thin wall bushing w/.9150" OD
4	Pin Bushing	8649V		Forging No. F400D-502; Split type, thin wall bushing w/.9135" OD
4	Pin Bushing	8649V20		Forging No. F400D-502; Split type, thin wall bushing w/.9135" OD & .020" extra bore stock
4	Pin Bushing	FP-9324X		Full round, heavy wall bushing w/1.0625" OD; Forging No. F400D-500
4	Pin Bushing	9324X +		Full round, heavy wall bushing w/1.0625" OD; Forging No. F400D-500; When depleted use FP-9324X
QTY	CONNECTING RODS & BRGS.	PART NO.	SIZE	DESCRIPTION
2	Rod Pair	FP-9320CPA Std-2-10-20-30-40		Position 1-3
2	Rod Pair	9320CPA + Std-2-10-20-30-40		Position 1-3; When depleted use FP-9320CPA
2	Rod Pair	FP-9320CP Std-10-20-30-40		Position 2-4
2	Rod Pair	9320CP + Std-10-20-30-40		Position 2-4; When depleted use FP-9320CP
QTY	PISTON RINGS	PART NO.	SIZE	DESCRIPTION
1	Premium Set	FP-E323KC Std-20-30-40-60		Check piston grooving before supplying ring set; 1-5/64, 2-3/32, 1-1/4
1	Premium Set	E-323KC + Std-20-30-40-60		Check piston grooving before supplying ring set; 1-5/64, 2-3/32, 1-1/4; When depleted use FP-E323KC
1	Premium Set	FP-926KX Std Only		Check piston grooving before supplying ring set; 3-1/8, 1-1/4
1	Premium Set	926KX + Std Only		Check piston grooving before supplying ring set; 3-1/8, 1-1/4; When depleted use FP-926KX
1	Premium Set	FP-5039KX Std Only		Check piston grooving before supplying ring set; 3-1/8, 1-3/16
1	Premium Set	5039KX + Std Only		Check piston grooving before supplying ring set; 3-1/8, 1-3/16; When depleted use FP-5039KX
1	Premium Set	FP-5607KX Std Only		Check piston grooving before supplying ring set; 3-3/32, 1-1/4
1	Premium Set	5607KX + Std Only		Check piston grooving before supplying ring set; 3-3/32, 1-1/4; When depleted use FP-5607KX
1	Standard Set	FP-E323X Std-20-30-40-60		Check piston grooving before supplying ring set; 1-5/64, 2-3/32, 1-1/4
1	Standard Set	E-323X + Std-20-30-40-60		Check piston grooving before supplying ring set; 1-5/64, 2-3/32, 1-1/4; When depleted use FP-E323X
1	Standard Set	FP-926X Std Only		Check piston grooving before supplying ring set; 3-1/8, 1-1/4
1	Standard Set	926X + Std Only		Check piston grooving before supplying ring set; 3-1/8, 1-1/4; When depleted use FP-926X
4	Premium Single Cylinder Set	WE-323KC Std-20-30-40-60		Check piston grooving before supplying ring set; 1-5/64, 2-3/32, 1-1/4
4	Premium Single Cylinder Set	W-5039KX Std Only		Check piston grooving before supplying ring set; 3-1/8, 1-3/16
4	Standard Single Cylinder Set	WE-323X Std-20-30-40-60		Check piston grooving before supplying ring set; 1-5/64, 2-3/32, 1-1/4

26 Power Unit LF162, PF162 Engs. Industrial Applications F162, FS162 Engs. Multi-Purpose Engines F4162, F4162 Super, F4162C Engs. 2.6L 162 L-HEAD L4, 3.4375" Bore

CYL. HEAD & PARTS

QTY	VALVE	PART NO.	SIZE	DESCRIPTION
4	Intake	FP-V801		Drilled stem; 1.5200" Head Dia., .3411" Stem Dia., 5.1760" O.A.L.
4	Intake	V-801 + Std Only		Drilled stem; 1.5200" Head Dia., .3411" Stem Dia., 5.1760" O.A.L.; When depleted use FP-V801
4	Intake	FP-V1748		Single groove stem; 1.5160" Head Dia., .3410" Stem Dia., 5.1570" O.A.L.
4	Intake	V-1748 + Std Only		Single groove stem; 1.5160" Head Dia., .3410" Stem Dia., 5.1570" O.A.L.; When depleted use FP-V1748
4	Exhaust	FP-V800		Drilled stem; 1.2030" Head Dia., .3381" Stem Dia., 5.1520" O.A.L.
4	Exhaust	V-800 + Std Only		Drilled stem; 1.2030" Head Dia., .3381" Stem Dia., 5.1520" O.A.L.; When depleted use FP-V800
4	Exhaust	FP-V954		Drilled stem; 1.3280" Head Dia., .3386" Stem Dia., 5.1950" O.A.L.

(continued on next page)

+ Superseded Part Number

**Power Unit LF162, PF162 Engs. Industrial Applications F162, FS162 Engs. Multi-Purpose 26
Engines F4162, F4162 Super, F4162C Engs. (cont.)
2.6L 162 L-HEAD L4, 3.4375" Bore**

CYL. HEAD & PARTS (cont.)

QTY	VALVE (cont.)	PART NO.	SIZE	DESCRIPTION
4	Exhaust	V-954 +	Std Only	Drilled stem; 1.3280" Head Dia., .3386" Stem Dia., 5.1950" O.A.L.; When depleted use FP-V954
4	Exhaust	FP-V1684		Single groove stem; 1.2030" Head Dia., .3392" Stem Dia., 5.1890" O.A.L.
4	Exhaust	V-1684 +	Std Only	Single groove stem; 1.2030" Head Dia., .3392" Stem Dia., 5.1890" O.A.L.; When depleted use FP-V1684
8	Keeper	FP-VK142		For drilled stem
8	Keeper	VK-142 +		For drilled stem; When depleted use FP-VK142
16	Keeper	FP-VK144		1 groove; Square cut key groove
16	Keeper	VK-144R		1 groove; Square cut key groove; Hardened
16	Keeper, Bulk	FP-VK144B		1 groove; Square cut key groove; Carton of 1000
QTY	VALVE SEAT	PART NO.	SIZE	DESCRIPTION
4	Exh.	245-1437-3N	Std Only	Premium Material; 1.4425" OD, 1.1880" ID, .2160" Depth
4	Exh.	FP-24513753		1.3795" OD, 1.0625" ID, .1855" Depth
4	Exh.	245-1375-3 +	Std Only	1.3795" OD, 1.0625" ID, .1855" Depth; When depleted use FP-24513753
4	Exh.	245-1437-3	Std Only	1.4425" OD, 1.1880" ID, .2160" Depth
4	Int.	245-1625-1N	Std Only	Premium Material; 1.6300" OD, 1.3750" ID, .2160" Depth
4	Int.	FP-2451348E1N		1.3480" OD, 1.0870" ID, .2005" Depth
4	Int.	245-1348-E1N +	Std Only	1.3480" OD, 1.0870" ID, .2005" Depth; When depleted use FP-2451348E1N
4	Int.	245-1625-1	Std Only	1.6300" OD, 1.3750" ID, .2160" Depth
QTY	VALVE GUIDE	PART NO.	SIZE	DESCRIPTION
8	Guide	FP-VG418		Exc. Rototype; .3425" ID, 2.3100" O.A.L.
8	Guide	VG-418 +		Exc. Rototype; .3425" ID, 2.3100" O.A.L.; When depleted use FP-VG418
QTY	VALVE SPRING	PART NO.	SIZE	DESCRIPTION
8	Spring	FP-VS356		2.0000" Free Height
8	Spring	VS-356 +		2.0000" Free Height; When depleted use FP-VS356
CAMSHAFT GROUP				
QTY	TIMING	PART NO.	SIZE	DESCRIPTION
1	Cam Gear	FP-2212601		Governor type; 48 Teeth
1	Cam Gear	221-2601		Governor type; 48 Teeth
1	Cam Gear	FP-2212600		Replacement O.E. No. F400H310; 48 Teeth
1	Cam Gear	221-2600 +		Replacement O.E. No. F400H310; 48 Teeth; When depleted use FP-2212600
ENGINE BLOCK & PARTS				
QTY	GASKET SETS	PART NO.	SIZE	DESCRIPTION
1	Kit Gasket Set	FP-2601355		Compl.; Timing cover gskt. & seal not incl.
1	Kit Gasket Set	260-1355		Compl.; Timing cover gskt. & seal not incl.
QTY	CAM BEARINGS	PART NO.	SIZE	DESCRIPTION
1	Cam Set	FP-1158M	Std Only	
1	Cam Set	1158M +	Std Only	When depleted use FP-1158M
CRANKSHAFT/OIL PUMP				
QTY	CRANKSHAFT	PART NO.	SIZE	DESCRIPTION
1	Crank Gear	FP-2212603A		Repl. O.E. No. F400H326; 24 Teeth
1	Crank Gear	221-2603A		Repl. O.E. No. F400H326; 24 Teeth
QTY	MAIN BEARINGS	PART NO.	SIZE	DESCRIPTION
1	Main Set	FP-4004M	Std-10-20	W/Single flanged front brg.
1	Main Set	4004M +	Std-10-20	W/Single flanged front brg.; When depleted use FP-4004M
1	Main Set	FP-4005M	Std-10-20	W/Straight shell front brg.
1	Main Set	FP-6632M	Std-10-20-30	W/Straight shell front brg. & thrust washer
1	Main Set	6632M +	Std-10-20-30	W/Straight shell front brg. & thrust washer; When depleted use FP-6632M
1	Main Set	4005M +	Std-10-20	W/Straight shell front brg.; When depleted use FP-4005M
1	Thrust Washer Set	FP-9811BFA	Std Only	Position 1; Use w/straight shell main brg. set
1	Thrust Washer Set	9811BFA +	Std Only	Position 1; Use w/straight shell main brg. set; When depleted use FP-9811BFA
1	Thrust Washer Set	FP-9811BF	Std Only	Position 1; Use w/Flanged main brg.
1	Thrust Washer Set	9811BF +	Std Only	Position 1; Use w/Flanged main brg.; When depleted use FP-9811BF

(continued on next page)

Continental

26 Power Unit LF162, PF162 Engs. Industrial Applications F162, FS162 Engs. Multi-Purpose
(cont.) Engines F4162, F4162 Super, F4162C Engs.
2.6L 162 L-HEAD L4, 3.4375" Bore

CRANKSHAFT/OIL PUMP (cont.)

QTY	OIL PUMP	PART NO.	SIZE	DESCRIPTION
1	Oil Pump	FP-2244132		Cast Iron drive gear; Use w/Cast Iron cams; 7 1/8" from flange to end of shaft; Incl. screen
1	Oil Pump	224-4132 +		Cast Iron drive gear; Use w/Cast Iron cams; 7 1/8" from flange to end of shaft; Incl. screen; When depleted use FP-2244132
1	Oil Pump	FP-2244137		Steel drive gear w/groove at pin; Use w/Steel cams; 7-1/8" from flange to end of shaft; Incl. pin
1	Oil Pump	224-4137 +		Steel drive gear w/groove at pin; Use w/Steel cams; 7-1/8" from flange to end of shaft; Incl. pin; When depleted use FP-2244137

CYLINDER COMPONENTS

QTY	LINERS	PART NO.	SIZE	DESCRIPTION
1	Repair Sleeve	SL-14M	Std Only	3/32" wall, must be cut to correct length
QTY	PISTONS	PART NO.	SIZE	DESCRIPTION
4	Cast Piston	FP-1102P	Std-20-30-40-60	Cast; 1-5/64", 2-3/32", 1-1/4" Ring Groove, 2.000" CD, .8592" Pin Dia., Flat Head
4	Cast Piston	1102P +	Std-20-30-40-60	Cast; 1-5/64", 2-3/32", 1-1/4" Ring Groove, 2.000" CD, .8592" Pin Dia., Flat Head; When depleted use FP-1102P
4	Cast Piston - Individual	FP-W1102P	Std-20-30-40-60	Cast; 1-5/64", 2-3/32", 1-1/4" Ring Groove, 2.000" CD, .8592" Pin Dia., Flat Head
4	Cast Piston - Individual	W1102P +	Std-20-30-40-60	Cast; 1-5/64", 2-3/32", 1-1/4" Ring Groove, 2.000" CD, .8592" Pin Dia., Flat Head; When depleted use FP-W1102P
4	Pin Bushing	8649XAS		Forging No. F400D-502; Full round, thin wall .0055" O/S OD bushing
4	Pin Bushing	8649XA		Forging No. F400D-502; Full round, thin wall bushing w/.9150" OD
4	Pin Bushing	8649V		Forging No. F400D-502; Split type, thin wall bushing w/.9135" OD
4	Pin Bushing	8649V20		Forging No. F400D-502; Split type, thin wall bushing w/.9135" OD & .020" extra bore stock
4	Pin Bushing	FP-9324X		Full round, heavy wall bushing w/1.0625" OD; Forging No. F400D-500
4	Pin Bushing	9324X +		Full round, heavy wall bushing w/1.0625" OD; Forging No. F400D-500; When depleted use FP-9324X
QTY	CONNECTING RODS & BRGS.	PART NO.	SIZE	DESCRIPTION
2	Rod Pair	FP-9320CPA	Std-2-10-20-30-40	Position 1-3
2	Rod Pair	9320CPA +	Std-2-10-20-30-40	Position 1-3; When depleted use FP-9320CPA
2	Rod Pair	FP-9320CP	Std-10-20-30-40	Position 2-4
2	Rod Pair	9320CP +	Std-10-20-30-40	Position 2-4; When depleted use FP-9320CP
QTY	PISTON RINGS	PART NO.	SIZE	DESCRIPTION
1	Premium Set	FP-E323KC	Std-20-30-40-60	Check piston grooving before supplying ring set; 1-5/64, 2-3/32, 1-1/4
1	Premium Set	E-323KC +	Std-20-30-40-60	Check piston grooving before supplying ring set; 1-5/64, 2-3/32, 1-1/4; When depleted use FP-E323KC
1	Premium Set	FP-926KX	Std Only	Check piston grooving before supplying ring set; 3-1/8, 1-1/4
1	Premium Set	926KX +	Std Only	Check piston grooving before supplying ring set; 3-1/8, 1-1/4; When depleted use FP-926KX
1	Premium Set	FP-5039KX	Std Only	Check piston grooving before supplying ring set; 3-1/8, 1-3/16
1	Premium Set	5039KX +	Std Only	Check piston grooving before supplying ring set; 3-1/8, 1-3/16; When depleted use FP-5039KX
1	Premium Set	FP-5607KX	Std Only	Check piston grooving before supplying ring set; 3-3/32, 1-1/4
1	Premium Set	5607KX +	Std Only	Check piston grooving before supplying ring set; 3-3/32, 1-1/4; When depleted use FP-5607KX
1	Standard Set	FP-E323X	Std-20-30-40-60	Check piston grooving before supplying ring set; 1-5/64, 2-3/32, 1-1/4
1	Standard Set	E-323X +	Std-20-30-40-60	Check piston grooving before supplying ring set; 1-5/64, 2-3/32, 1-1/4; When depleted use FP-E323X
1	Standard Set	FP-926X	Std Only	Check piston grooving before supplying ring set; 3-1/8, 1-1/4
1	Standard Set	926X +	Std Only	Check piston grooving before supplying ring set; 3-1/8, 1-1/4; When depleted use FP-926X
4	Premium Single Cylinder Set	WE-323KC	Std-20-30-40-60	Check piston grooving before supplying ring set; 1-5/64, 2-3/32, 1-1/4
4	Premium Single Cylinder Set	W-5039KX	Std Only	Check piston grooving before supplying ring set; 3-1/8, 1-3/16
4	Standard Single Cylinder Set	WE-323X	Std-20-30-40-60	Check piston grooving before supplying ring set; 1-5/64, 2-3/32, 1-1/4

<i>H/D Truck</i> 27				
2.6L 162 L-HEAD L4 (Mil-Std), 3.4375" Bore				
ENGINE BLOCK & PARTS				
QTY	CAM BEARINGS	PART NO.	SIZE	DESCRIPTION
1	Cam Set	FP-1158M	<i>Std Only</i>	
1	Cam Set	1158M +	<i>Std Only</i>	When depleted use FP-1158M
CYLINDER COMPONENTS				
QTY	CONNECTING RODS & BRGS.	PART NO.	SIZE	DESCRIPTION
4	Rod Pair	FP-3185CP	<i>Std-10-20-30</i>	
4	Rod Pair	3185CP +	<i>Std-10-20-30</i>	When depleted use FP-3185CP
<i>Industrial Applications</i> 28				
2.6L 162 L-HEAD L4 (Mil-Std), 3.4375" Bore				
ENGINE BLOCK & PARTS				
QTY	CAM BEARINGS	PART NO.	SIZE	DESCRIPTION
1	Cam Set	FP-1158M	<i>Std Only</i>	
1	Cam Set	1158M +	<i>Std Only</i>	When depleted use FP-1158M
CYLINDER COMPONENTS				
QTY	CONNECTING RODS & BRGS.	PART NO.	SIZE	DESCRIPTION
4	Rod Pair	FP-3185CP	<i>Std-10-20-30</i>	
4	Rod Pair	3185CP +	<i>Std-10-20-30</i>	When depleted use FP-3185CP
<i>H/D Truck</i> F4162 Super Eng. 29				
2.6L 162 L-HEAD L4, 3.4375" Bore				
ENGINE BLOCK & PARTS				
QTY	GASKET SETS	PART NO.	SIZE	DESCRIPTION
1	Kit Gasket Set	FP-2601355		Compl.; Timing cover gskt. & seal not incl.
1	Kit Gasket Set	260-1355		Compl.; Timing cover gskt. & seal not incl.
QTY	CAM BEARINGS	PART NO.	SIZE	DESCRIPTION
1	Cam Set	FP-1158M	<i>Std Only</i>	
1	Cam Set	1158M +	<i>Std Only</i>	When depleted use FP-1158M
CYLINDER COMPONENTS				
QTY	CONNECTING RODS & BRGS.	PART NO.	SIZE	DESCRIPTION
2	Rod Pair	FP-1995CPA	<i>STD</i>	Position 1-3
2	Rod Pair	FP-1995CP	<i>STD</i>	Position 2-4
<i>Industrial Applications</i> F4162 Super Eng. 30				
2.6L 162 L-HEAD L4, 3.4375" Bore				
ENGINE BLOCK & PARTS				
QTY	GASKET SETS	PART NO.	SIZE	DESCRIPTION
1	Kit Gasket Set	FP-2601355		Compl.; Timing cover gskt. & seal not incl.
1	Kit Gasket Set	260-1355		Compl.; Timing cover gskt. & seal not incl.
QTY	CAM BEARINGS	PART NO.	SIZE	DESCRIPTION
1	Cam Set	FP-1158M	<i>Std Only</i>	
1	Cam Set	1158M +	<i>Std Only</i>	When depleted use FP-1158M
CYLINDER COMPONENTS				
QTY	CONNECTING RODS & BRGS.	PART NO.	SIZE	DESCRIPTION
2	Rod Pair	FP-1995CPA	<i>STD</i>	Position 1-3
2	Rod Pair	FP-1995CP	<i>STD</i>	Position 2-4
<i>H/D Truck</i> F163, F4163 Eng. 31				
2.7L 163 L-HEAD L4, 3.4375" Bore				
CYL. HEAD & PARTS				
QTY	VALVE	PART NO.	SIZE	DESCRIPTION
4	Intake	FP-V1855		1.5160" Head Dia., .3410" Stem Dia., 5.1670" O.A.L.
4	Intake	V-1855 +	<i>Std Only</i>	1.5160" Head Dia., .3410" Stem Dia., 5.1670" O.A.L.; When depleted use FP-V1855
4	Exhaust	FP-V1854		1.2030" Head Dia., .3381" Stem Dia., 5.1900" O.A.L.

(continued on next page)

+ Superseded Part Number

Continental

31 H/D Truck F163, F4163 Engs. (cont.) 2.7L 163 L-HEAD L4, 3.4375" Bore

CYL. HEAD & PARTS (cont.)				
QTY	VALVE (cont.)	PART NO.	SIZE	DESCRIPTION
4	Exhaust	V-1854 +	Std Only	1.2030" Head Dia., .3381" Stem Dia., 5.1900" O.A.L.; When depleted use FP-V1854
16	Keeper	VK-115		1 groove; Square cut key groove
16	Keeper	VK-115R		1 groove; Square cut key groove; Hardened
16	Keeper, Bulk	VK-115B		1 groove; Square cut key groove; Carton of 1000
QTY	VALVE SEAT	PART NO.	SIZE	DESCRIPTION
4	Exh.	FP-2451348E1N		1.3480" OD, 1.0870" ID, .2005" Depth
4	Exh.	245-1348-E1N +	Std Only	1.3480" OD, 1.0870" ID, .2005" Depth; When depleted use FP-2451348E1N
4	Int.	245-1625-1N	Std Only	Premium Material; 1.6300" OD, 1.3750" ID, .2160" Depth
4	Int.	245-1625-1	Std Only	1.6300" OD, 1.3750" ID, .2160" Depth
QTY	VALVE GUIDE	PART NO.	SIZE	DESCRIPTION
8	Guide	FP-VG638		.3433" ID, 2.3800" O.A.L.
8	Guide	VG-638 +		.3433" ID, 2.3800" O.A.L.; When depleted use FP-VG638
QTY	VALVE SPRING	PART NO.	SIZE	DESCRIPTION
8	Spring	FP-VS356		2.0000" Free Height
8	Spring	VS-356 +		2.0000" Free Height; When depleted use FP-VS356
QTY	VALVE MISC.	PART NO.	SIZE	DESCRIPTION
4	Rotocap Assy.	FP-RC139A		
4	Rotocap Assy.	RC-139A +		When depleted use FP-RC139A
CAMSHAFT GROUP				
QTY	TIMING	PART NO.	SIZE	DESCRIPTION
1	Cam Gear	FP-2212601		Governor type; 48 Teeth
1	Cam Gear	221-2601		Governor type; 48 Teeth
1	Cam Gear	FP-2212600		Replacement O.E. No. F400H310; 48 Teeth
1	Cam Gear	221-2600 +		Replacement O.E. No. F400H310; 48 Teeth; When depleted use FP-2212600
ENGINE BLOCK & PARTS				
QTY	GASKET SETS	PART NO.	SIZE	DESCRIPTION
1	Kit Gasket Set	FP-2601355		Compl.; Timing cover gskt. & seal not incl.
1	Kit Gasket Set	260-1355		Compl.; Timing cover gskt. & seal not incl.
QTY	CAM BEARINGS	PART NO.	SIZE	DESCRIPTION
1	Cam Set	FP-1158M	Std Only	
1	Cam Set	1158M +	Std Only	When depleted use FP-1158M
CRANKSHAFT/OIL PUMP				
QTY	CRANKSHAFT	PART NO.	SIZE	DESCRIPTION
1	Crank Gear	FP-2212603A		Repl. O.E. No. F400H326; 24 Teeth
1	Crank Gear	221-2603A		Repl. O.E. No. F400H326; 24 Teeth
QTY	MAIN BEARINGS	PART NO.	SIZE	DESCRIPTION
1	Main Set	FP-4918M	Std-10-20-30	
QTY	OIL PUMP	PART NO.	SIZE	DESCRIPTION
1	Oil Pump	FP-2244137		F163 Engs.; Steel drive gear w/groove at pin; Use w/Steel cams; 7-1/8" from flange to end of shaft; Incl. pin
1	Oil Pump	224-4137 +		F163 Engs.; Steel drive gear w/groove at pin; Use w/Steel cams; 7-1/8" from flange to end of shaft; Incl. pin; When depleted use FP-2244137
CYLINDER COMPONENTS				
QTY	LINERS	PART NO.	SIZE	DESCRIPTION
1	Repair Sleeve	SL-14M	Std Only	3/32" wall, must be cut to correct length
QTY	PISTONS	PART NO.	SIZE	DESCRIPTION
4	Cast Piston	FP-1102P	Std-20-30-40-60	F163 Engs.; w/full skirt; Cast; 1-5/64", 2-3/32", 1-1/4" Ring Groove, 2.000" CD, .8592" Pin Dia., Flat Head
4	Cast Piston	1102P +	Std-20-30-40-60	F163 Engs.; w/full skirt; Cast; 1-5/64", 2-3/32", 1-1/4" Ring Groove, 2.000" CD, .8592" Pin Dia., Flat Head; When depleted use FP-1102P
4	Cast Piston - Individual	FP-W1102P	Std-20-30-40-60	F163 Engs.; w/full skirt; Cast; 1-5/64", 2-3/32", 1-1/4" Ring Groove, 2.000" CD, .8592" Pin Dia., Flat Head
4	Cast Piston - Individual	W1102P +	Std-20-30-40-60	F163 Engs.; w/full skirt; Cast; 1-5/64", 2-3/32", 1-1/4" Ring Groove, 2.000" CD, .8592" Pin Dia., Flat Head; When depleted use FP-W1102P
4	Pin Bushing	8649XAS		Full round, thin wall .0055" O/S OD bushing
4	Pin Bushing	8649XA		Full round, thin wall bushing w/.9150" OD
4	Pin Bushing	8649V		Split type, thin wall bushing w/.9135" OD

(continued on next page)

+ Superseded Part Number

H/D Truck F163, F4163 Engs. 31
2.7L 163 L-HEAD L4, 3.4375" Bore (cont.)

CYLINDER COMPONENTS (cont.)

QTY	DESCRIPTION	PART NO.	SIZE	DESCRIPTION
4	PISTONS (cont.) Pin Bushing	8649V20		Split type, thin wall bushing w/.9135" OD & .020" extra bore stock
CONNECTING RODS & BRGS.				
4	Rod Pair	FP-1995CPA	STD	Position 1-2-3-4; Later F163 Engs.
2	Rod Pair	FP-1995CPA	STD	Position 1-3; Early F163 Engs.
2	Rod Pair	FP-1995CP	STD	Position 2-4; Early F163 Engs.
PISTON RINGS				
1	Premium Set	FP-E323KC	Std-20-30-40-60	1-5/64, 2-3/32, 1-1/4
1	Premium Set	E-323KC +	Std-20-30-40-60	1-5/64, 2-3/32, 1-1/4; When depleted use FP-E323KC
1	Standard Set	FP-E323X	Std-20-30-40-60	1-5/64, 2-3/32, 1-1/4
1	Standard Set	E-323X +	Std-20-30-40-60	1-5/64, 2-3/32, 1-1/4; When depleted use FP-E323X
4	Premium Single Cylinder Set	WE-323KC	Std-20-30-40-60	1-5/64, 2-3/32, 1-1/4
4	Standard Single Cylinder Set	WE-323X	Std-20-30-40-60	1-5/64, 2-3/32, 1-1/4

KITS

QTY	DESCRIPTION	PART NO.	SIZE	DESCRIPTION
1	OVERHAUL KIT Tractor Overhaul Kit	FP-KST2470A		Early Engs.; Timing cover gskt. & seal not incl.

Industrial Applications F163 Eng. 32
2.7L 163 L-HEAD L4, 3.4375" Bore

CYL. HEAD & PARTS

QTY	DESCRIPTION	PART NO.	SIZE	DESCRIPTION
4	VALVE Intake	FP-V1855		1.5160" Head Dia., .3410" Stem Dia., 5.1670" O.A.L.
4	Intake	V-1855 +	Std Only	1.5160" Head Dia., .3410" Stem Dia., 5.1670" O.A.L.; When depleted use FP-V1855
4	Exhaust	FP-V1854		1.2030" Head Dia., .3381" Stem Dia., 5.1900" O.A.L.
4	Exhaust	V-1854 +	Std Only	1.2030" Head Dia., .3381" Stem Dia., 5.1900" O.A.L.; When depleted use FP-V1854
16	Keeper	VK-115		1 groove; Square cut key groove
16	Keeper	VK-115R		1 groove; Square cut key groove; Hardened
16	Keeper, Bulk	VK-115B		1 groove; Square cut key groove; Carton of 1000
VALVE SEAT				
4	Exh.	FP-2451348E1N		1.3480" OD, 1.0870" ID, .2005" Depth
4	Exh.	245-1348-E1N +	Std Only	1.3480" OD, 1.0870" ID, .2005" Depth; When depleted use FP-2451348E1N
4	Int.	245-1625-1N	Std Only	Premium Material; 1.6300" OD, 1.3750" ID, .2160" Depth
4	Int.	245-1625-1	Std Only	1.6300" OD, 1.3750" ID, .2160" Depth
VALVE GUIDE				
8	Guide	FP-VG638		.3433" ID, 2.3800" O.A.L.
8	Guide	VG-638 +		.3433" ID, 2.3800" O.A.L.; When depleted use FP-VG638
VALVE SPRING				
8	Spring	FP-VS356		2.0000" Free Height
8	Spring	VS-356 +		2.0000" Free Height; When depleted use FP-VS356
VALVE MISC.				
4	Rotocap Assy.	FP-RC139A		
4	Rotocap Assy.	RC-139A +		When depleted use FP-RC139A

CAMSHAFT GROUP

QTY	DESCRIPTION	PART NO.	SIZE	DESCRIPTION
1	TIMING Cam Gear	FP-2212601		Governor type; 48 Teeth
1	Cam Gear	221-2601		Governor type; 48 Teeth
1	Cam Gear	FP-2212600		Replacement O.E. No. F400H310; 48 Teeth
1	Cam Gear	221-2600 +		Replacement O.E. No. F400H310; 48 Teeth; When depleted use FP-2212600

ENGINE BLOCK & PARTS

QTY	DESCRIPTION	PART NO.	SIZE	DESCRIPTION
1	GASKET SETS Kit Gasket Set	FP-2601355		Compl.; Timing cover gskt. & seal not incl.
1	Kit Gasket Set	260-1355		Compl.; Timing cover gskt. & seal not incl.
CAM BEARINGS				
1	Cam Set	FP-1158M	Std Only	

(continued on next page)

Continental

32 Industrial Applications F163 Eng. (cont.) 2.7L 163 L-HEAD L4, 3.4375" Bore

ENGINE BLOCK & PARTS (cont.)				
QTY	CAM BEARINGS (cont.)	PART NO.	SIZE	DESCRIPTION
1	Cam Set	1158M +	Std Only	When depleted use FP-1158M
CRANKSHAFT/OIL PUMP				
QTY	CRANKSHAFT	PART NO.	SIZE	DESCRIPTION
1	Crank Gear	FP-2212603A		Repl. O.E. No. F400H326; 24 Teeth
1	Crank Gear	221-2603A		Repl. O.E. No. F400H326; 24 Teeth
QTY	MAIN BEARINGS	PART NO.	SIZE	DESCRIPTION
1	Main Set	FP-4918M	Std-10-20-30	
QTY	OIL PUMP	PART NO.	SIZE	DESCRIPTION
1	Oil Pump	FP-2244137		F163 Engs.; Steel drive gear w/groove at pin; Use w/Steel cams; 7-1/8" from flange to end of shaft; Incl. pin
1	Oil Pump	224-4137 +		F163 Engs.; Steel drive gear w/groove at pin; Use w/Steel cams; 7-1/8" from flange to end of shaft; Incl. pin; When depleted use FP-2244137
CYLINDER COMPONENTS				
QTY	LINERS	PART NO.	SIZE	DESCRIPTION
1	Repair Sleeve	SL-14M	Std Only	3/32" wall, must be cut to correct length
QTY	PISTONS	PART NO.	SIZE	DESCRIPTION
4	Cast Piston	FP-1102P	Std-20-30-40-60	Cast; 1-5/64", 2-3/32", 1-1/4" Ring Groove, 2.000" CD, .8592" Pin Dia., Flat Head
4	Cast Piston	1102P +	Std-20-30-40-60	Cast; 1-5/64", 2-3/32", 1-1/4" Ring Groove, 2.000" CD, .8592" Pin Dia., Flat Head; When depleted use FP-1102P
4	Cast Piston - Individual	FP-W1102P	Std-20-30-40-60	Cast; 1-5/64", 2-3/32", 1-1/4" Ring Groove, 2.000" CD, .8592" Pin Dia., Flat Head
4	Cast Piston - Individual	W1102P +	Std-20-30-40-60	Cast; 1-5/64", 2-3/32", 1-1/4" Ring Groove, 2.000" CD, .8592" Pin Dia., Flat Head; When depleted use FP-W1102P
4	Pin Bushing	8649XAS		Full round, thin wall .0055" O/S OD bushing
4	Pin Bushing	8649XA		Full round, thin wall bushing w/.9150" OD
4	Pin Bushing	8649V		Split type, thin wall bushing w/.9135" OD
4	Pin Bushing	8649V20		Split type, thin wall bushing w/.9135" OD & .020" extra bore stock
QTY	CONNECTING RODS & BRGS.	PART NO.	SIZE	DESCRIPTION
4	Rod Pair	FP-1995CPA	STD	Position 1-2-3-4; Later F163 Engs.
2	Rod Pair	FP-1995CPA	STD	Position 1-3; Early F163 Engs.
2	Rod Pair	FP-1995CP	STD	Position 2-4; Early F163 Engs.
QTY	PISTON RINGS	PART NO.	SIZE	DESCRIPTION
1	Premium Set	FP-E323KC	Std-20-30-40-60	1-5/64, 2-3/32, 1-1/4
1	Premium Set	E-323KC +	Std-20-30-40-60	1-5/64, 2-3/32, 1-1/4; When depleted use FP-E323KC
1	Standard Set	FP-E323X	Std-20-30-40-60	1-5/64, 2-3/32, 1-1/4
1	Standard Set	E-323X +	Std-20-30-40-60	1-5/64, 2-3/32, 1-1/4; When depleted use FP-E323X
4	Premium Single Cylinder Set	WE-323KC	Std-20-30-40-60	1-5/64, 2-3/32, 1-1/4
4	Standard Single Cylinder Set	WE-323X	Std-20-30-40-60	1-5/64, 2-3/32, 1-1/4
KITS				
QTY	OVERHAUL KIT	PART NO.	SIZE	DESCRIPTION
1	Tractor Overhaul Kit	FP-KST2470A		Early Engs.; Timing cover gskt. & seal not incl.

33 H/D Truck D6170, DS6170, F168, F170, F6170, PD170, PF170 Engs. 2.8L 170 L-HEAD L6, 3" Bore

ENGINE BLOCK & PARTS				
QTY	CAM BEARINGS	PART NO.	SIZE	DESCRIPTION
1	Cam Set	FP-1088M		
CRANKSHAFT/OIL PUMP				
QTY	MAIN BEARINGS	PART NO.	SIZE	DESCRIPTION
1	Thrust Washer Set	FP-9811BFA	Std Only	Position 1; Use w/straight shell main brg. set
1	Thrust Washer Set	9811BFA +	Std Only	Position 1; Use w/straight shell main brg. set; When depleted use FP-9811BFA
1	Thrust Washer Set	FP-9811BF	Std Only	Position 1; Use w/Flanged main brg.
1	Thrust Washer Set	9811BF +	Std Only	Position 1; Use w/Flanged main brg.; When depleted use FP-9811BF

(continued on next page)

H/D Truck D6170, DS6170, F168, F170, F6170, PD170, PF170 Engs. 33
2.8L 170 L-HEAD L6, 3" Bore (cont.)

CYLINDER COMPONENTS

QTY	PISTONS	PART NO.	SIZE	DESCRIPTION
6	Pin Bushing	8649XAS		Forging No. F400D-502; Full round, thin wall .0055" O/S OD bushing
6	Pin Bushing	8649XA		Forging No. F400D-502; Full round, thin wall bushing w/.9150" OD
6	Pin Bushing	8649V		Forging No. F400D-502; Split type, thin wall bushing w/.9135" OD
6	Pin Bushing	8649V20		Forging No. F400D-502; Split type, thin wall bushing w/.9135" OD & .020" extra bore stock
6	Pin Bushing	FP-9324X		Full round, heavy wall bushing w/1.0625" OD; Forging Nos. D600D-500 & F600D-500
6	Pin Bushing	9324X +		Full round, heavy wall bushing w/1.0625" OD; Forging Nos. D600D-500 & F600D-500; When depleted use FP-9324X

QTY	CONNECTING RODS & BRGS.	PART NO.	SIZE	DESCRIPTION
3	Rod Pair	FP-9320CPA	Std-2-10-20-30-40	Position 1-3-5
3	Rod Pair	9320CPA +	Std-2-10-20-30-40	Position 1-3-5; When depleted use FP-9320CPA
3	Rod Pair	FP-9320CP	Std-10-20-30-40	Position 2-4-6
3	Rod Pair	9320CP +	Std-10-20-30-40	Position 2-4-6; When depleted use FP-9320CP

Industrial Applications F168, F170 Engs. 34
2.8L 170 L-HEAD L6, 3" Bore

ENGINE BLOCK & PARTS

QTY	CAM BEARINGS	PART NO.	SIZE	DESCRIPTION
1	Cam Set	FP-1088M		

CRANKSHAFT/OIL PUMP

QTY	MAIN BEARINGS	PART NO.	SIZE	DESCRIPTION
1	Thrust Washer Set	FP-9811BFA	Std Only	Position 1; Use w/straight shell main brg. set
1	Thrust Washer Set	9811BFA +	Std Only	Position 1; Use w/straight shell main brg. set; When depleted use FP-9811BFA
1	Thrust Washer Set	FP-9811BF	Std Only	Position 1; Use w/Flanged main brg.
1	Thrust Washer Set	9811BF +	Std Only	Position 1; Use w/Flanged main brg.; When depleted use FP-9811BF

CYLINDER COMPONENTS

QTY	PISTONS	PART NO.	SIZE	DESCRIPTION
6	Pin Bushing	8649XAS		Forging No. F400D-502; Full round, thin wall .0055" O/S OD bushing
6	Pin Bushing	8649XA		Forging No. F400D-502; Full round, thin wall bushing w/.9150" OD
6	Pin Bushing	8649V		Forging No. F400D-502; Split type, thin wall bushing w/.9135" OD
6	Pin Bushing	8649V20		Forging No. F400D-502; Split type, thin wall bushing w/.9135" OD & .020" extra bore stock
6	Pin Bushing	FP-9324X		Full round, heavy wall bushing w/1.0625" OD; Forging Nos. D600D-500 & F600D-500
6	Pin Bushing	9324X +		Full round, heavy wall bushing w/1.0625" OD; Forging Nos. D600D-500 & F600D-500; When depleted use FP-9324X

QTY	CONNECTING RODS & BRGS.	PART NO.	SIZE	DESCRIPTION
3	Rod Pair	FP-9320CPA	Std-2-10-20-30-40	Position 1-3-5
3	Rod Pair	9320CPA +	Std-2-10-20-30-40	Position 1-3-5; When depleted use FP-9320CPA
3	Rod Pair	FP-9320CP	Std-10-20-30-40	Position 2-4-6
3	Rod Pair	9320CP +	Std-10-20-30-40	Position 2-4-6; When depleted use FP-9320CP

H/D Truck G176 Eng. 35
2.9L 176 OHV L4, 3.625" Bore

CYL. HEAD & PARTS

QTY	VALVE	PART NO.	SIZE	DESCRIPTION
4	Intake	FP-V1508		Exc. LPG Engs.; 1.3268" Head Dia., .3407" Stem Dia., 4.3346" O.A.L.
4	Intake	V-1508 +	Std Only	Exc. LPG Engs.; 1.3268" Head Dia., .3407" Stem Dia., 4.3346" O.A.L.; When depleted use FP-V1508

(continued on next page)

+ Superseded Part Number

Continental

35 H/D Truck G176 Eng. (cont.) 2.9L 176 OHV L4, 3.625" Bore

CYL. HEAD & PARTS (cont.)				
QTY	VALVE (cont.)	PART NO.	SIZE	DESCRIPTION
4	Exhaust	FP-V1507X		1.2030" Head Dia., .3386" Stem Dia., 4.3510" O.A.L.
4	Exhaust	V-1507X +	Std Only	1.2030" Head Dia., .3386" Stem Dia., 4.3510" O.A.L.; When depleted use FP-V1507X
16	Keeper	VK-115		1 groove; Square cut key groove
16	Keeper	VK-115R		1 groove; Square cut key groove; Hardened
16	Keeper, Bulk	VK-115B		1 groove; Square cut key groove; Carton of 1000
QTY	VALVE SEAT	PART NO.	SIZE	DESCRIPTION
4	Exh.	FP-2451348E1N		Optional-Premium Material; 1.3480" OD, 1.0870" ID, .2005" Depth
4	Exh.	245-1348-E1N +	Std Only	Optional-Premium Material; 1.3480" OD, 1.0870" ID, .2005" Depth; When depleted use FP-2451348E1N
4	Int.	245-1437-3N	Std Only	Premium Material; 1.4425" OD, 1.1880" ID, .2160" Depth
4	Int.	245-1437-3	Std Only	1.4425" OD, 1.1880" ID, .2160" Depth
QTY	VALVE GUIDE	PART NO.	SIZE	DESCRIPTION
8	Guide	FP-VG569		.3432" ID, 1.8100" O.A.L.
8	Guide	VG-569 +		.3432" ID, 1.8100" O.A.L.; When depleted use FP-VG569
QTY	VALVE SPRING	PART NO.	SIZE	DESCRIPTION
8	Spring	FP-VS583		1.9680" Free Height
8	Spring	VS-583 +		1.9680" Free Height; When depleted use FP-VS583
QTY	VALVE MISC.	PART NO.	SIZE	DESCRIPTION
4	Rotocap Assy.	FP-RC122A		Exh.; Exc. LPG Eng.
4	Rotocap Assy.	RC-122A +		Exh.; Exc. LPG Eng.; When depleted use FP-RC122A
CRANKSHAFT/OIL PUMP				
QTY	MAIN BEARINGS	PART NO.	SIZE	DESCRIPTION
1	Main Set	FP-5063M	Std-10-20-30	
1	Main Set	5063M +	Std-10-20-30	When depleted use FP-5063M
CYLINDER COMPONENTS				
QTY	LINERS	PART NO.	SIZE	DESCRIPTION
4	Sleeve Assy.	FP-SL2419	Std Only	OVERBORE To 3.655"; Sold as complete assembly only. Contains Dome Head Piston. Comp. Ht. 2.160" + Dome.
4	Sleeve Assy.	SL-2419 +	Std Only	OVERBORE To 3.655"; Sold as complete assembly only. Contains Dome Head Piston. Comp. Ht. 2.160" + Dome.; When depleted use FP-SL2419
QTY	PISTONS	PART NO.	SIZE	DESCRIPTION
4	Pin Bushing	FP-2924V		
4	Pin Bushing	2924V +		When depleted use FP-2924V
QTY	CONNECTING RODS & BRGS.	PART NO.	SIZE	DESCRIPTION
4	Rod Pair	FP-2925CP	Std-10-20-30	
4	Rod Pair	2925CP +	Std-10-20-30	When depleted use FP-2925CP
QTY	PISTON RINGS	PART NO.	SIZE	DESCRIPTION
1	Premium Set	FP-5597KX	Std Only	3-1/8, 1-1/4
1	Premium Set	5597KX +	Std Only	3-1/8, 1-1/4; When depleted use FP-5597KX

36 Industrial Applications G176 Eng. 2.9L 176 OHV L4, 3.625" Bore

CYL. HEAD & PARTS				
QTY	VALVE	PART NO.	SIZE	DESCRIPTION
4	Intake	FP-V1508		Exc. LPG Eng.; 1.3268" Head Dia., .3407" Stem Dia., 4.3346" O.A.L.
4	Intake	V-1508 +	Std Only	Exc. LPG Eng.; 1.3268" Head Dia., .3407" Stem Dia., 4.3346" O.A.L.; When depleted use FP-V1508
4	Exhaust	FP-V1507X		1.2030" Head Dia., .3386" Stem Dia., 4.3510" O.A.L.
4	Exhaust	V-1507X +	Std Only	1.2030" Head Dia., .3386" Stem Dia., 4.3510" O.A.L.; When depleted use FP-V1507X
16	Keeper	VK-115		1 groove; Square cut key groove
16	Keeper	VK-115R		1 groove; Square cut key groove; Hardened
16	Keeper, Bulk	VK-115B		1 groove; Square cut key groove; Carton of 1000
QTY	VALVE SEAT	PART NO.	SIZE	DESCRIPTION
4	Exh.	FP-2451348E1N		Optional-Premium Material; 1.3480" OD, 1.0870" ID, .2005" Depth
4	Exh.	245-1348-E1N +	Std Only	Optional-Premium Material; 1.3480" OD, 1.0870" ID, .2005" Depth; When depleted use FP-2451348E1N

(continued on next page)

+ Superseded Part Number

Industrial Applications G176 Eng. 36
2.9L 176 OHV L4, 3.625" Bore (cont.)

CYL. HEAD & PARTS (cont.)				
QTY	VALVE SEAT (cont.)	PART NO.	SIZE	DESCRIPTION
4	Int.	245-1437-3N	Std Only	Premium Material; 1.4425" OD, 1.1880" ID, .2160" Depth
4	Int.	245-1437-3	Std Only	1.4425" OD, 1.1880" ID, .2160" Depth
QTY	VALVE GUIDE	PART NO.	SIZE	DESCRIPTION
8	Guide	FP-VG569		.3432" ID, 1.8100" O.A.L.
8	Guide	VG-569 +		.3432" ID, 1.8100" O.A.L.; When depleted use FP-VG569
QTY	VALVE SPRING	PART NO.	SIZE	DESCRIPTION
8	Spring	FP-VS583		1.9680" Free Height
8	Spring	VS-583 +		1.9680" Free Height; When depleted use FP-VS583
QTY	VALVE MISC.	PART NO.	SIZE	DESCRIPTION
4	Rotocap Assy.	FP-RC122A		Exh.; Exc. LPG Eng.
4	Rotocap Assy.	RC-122A +		Exh.; Exc. LPG Eng.; When depleted use FP-RC122A
CRANKSHAFT/OIL PUMP				
QTY	MAIN BEARINGS	PART NO.	SIZE	DESCRIPTION
1	Main Set	FP-5063M	Std-10-20-30	
1	Main Set	5063M +	Std-10-20-30	When depleted use FP-5063M
CYLINDER COMPONENTS				
QTY	LINERS	PART NO.	SIZE	DESCRIPTION
4	Sleeve Assy.	FP-SL2419	Std Only	OVERBORE To 3.655"; Sold as complete assembly only. Contains Dome Head Piston. Comp. Ht. 2.160" + Dome.
4	Sleeve Assy.	SL-2419 +	Std Only	OVERBORE To 3.655"; Sold as complete assembly only. Contains Dome Head Piston. Comp. Ht. 2.160" + Dome.; When depleted use FP-SL2419
QTY	PISTONS	PART NO.	SIZE	DESCRIPTION
4	Pin Bushing	FP-2924V		
4	Pin Bushing	2924V +		When depleted use FP-2924V
QTY	CONNECTING RODS & BRGS.	PART NO.	SIZE	DESCRIPTION
4	Rod Pair	FP-2925CP	Std-10-20-30	
4	Rod Pair	2925CP +	Std-10-20-30	When depleted use FP-2925CP
QTY	PISTON RINGS	PART NO.	SIZE	DESCRIPTION
1	Premium Set	FP-5597KX	Std Only	3-1/8, 1-1/4
1	Premium Set	5597KX +	Std Only	3-1/8, 1-1/4; When depleted use FP-5597KX
H/D Truck D6184, DS6184 Eng. 37 3.0L 184 L-HEAD L6, 3.125" Bore				
ENGINE BLOCK & PARTS				
QTY	CAM BEARINGS	PART NO.	SIZE	DESCRIPTION
1	Cam Set	FP-1088M		
CRANKSHAFT/OIL PUMP				
QTY	MAIN BEARINGS	PART NO.	SIZE	DESCRIPTION
1	Thrust Washer Set	FP-9811BFA	Std Only	Position 1; Use w/straight shell main brg. set
1	Thrust Washer Set	9811BFA +	Std Only	Position 1; Use w/straight shell main brg. set; When depleted use FP-9811BFA
1	Thrust Washer Set	FP-9811BF	Std Only	Position 1; Use w/Flanged main brg.
1	Thrust Washer Set	9811BF +	Std Only	Position 1; Use w/Flanged main brg.; When depleted use FP-9811BF
CYLINDER COMPONENTS				
QTY	PISTONS	PART NO.	SIZE	DESCRIPTION
6	Pin Bushing	8649XAS		Forging No. F400D-502; Full round, thin wall .0055" O/S OD bushing
6	Pin Bushing	8649XA		Forging No. F400D-502; Full round, thin wall bushing w/.9150" OD
6	Pin Bushing	8649V		Forging No. F400D-502; Split type, thin wall bushing w/.9135" OD
6	Pin Bushing	8649V20		Forging No. F400D-502; Split type, thin wall bushing w/.9135" OD & .020" extra bore stock
6	Pin Bushing	FP-9324X		Full round, heavy wall bushing w/1.0625" OD; Forging Nos. D600D-500 & F600D-500
6	Pin Bushing	9324X +		Full round, heavy wall bushing w/1.0625" OD; Forging Nos. D600D-500 & F600D-500; When depleted use FP-9324X

(continued on next page)

Continental

37 H/D Truck D6184, DS6184 Engs. (cont.) 3.0L 184 L-HEAD L6, 3.125" Bore

CYLINDER COMPONENTS (cont.)

QTY	CONNECTING RODS & BRGS.	PART NO.	SIZE	DESCRIPTION
3	Rod Pair	FP-9320CPA	Std-2-10-20-30-40	Position 1-3-5
3	Rod Pair	9320CPA +	Std-2-10-20-30-40	Position 1-3-5; When depleted use FP-9320CPA
3	Rod Pair	FP-9320CP	Std-10-20-30-40	Position 2-4-6
3	Rod Pair	9320CP +	Std-10-20-30-40	Position 2-4-6; When depleted use FP-9320CP

38 Industrial Applications D6184, DS6184 Engs. 3.0L 184 L-HEAD L6, 3.125" Bore

ENGINE BLOCK & PARTS

QTY	CAM BEARINGS	PART NO.	SIZE	DESCRIPTION
1	Cam Set	FP-1088M		

CRANKSHAFT/OIL PUMP

QTY	MAIN BEARINGS	PART NO.	SIZE	DESCRIPTION
1	Thrust Washer Set	FP-9811BFA	Std Only	Position 1; Use w/straight shell main brg. set
1	Thrust Washer Set	9811BFA +	Std Only	Position 1; Use w/straight shell main brg. set; When depleted use FP-9811BFA
1	Thrust Washer Set	FP-9811BF	Std Only	Position 1; Use w/Flanged main brg.
1	Thrust Washer Set	9811BF +	Std Only	Position 1; Use w/Flanged main brg.; When depleted use FP-9811BF

CYLINDER COMPONENTS

QTY	PISTONS	PART NO.	SIZE	DESCRIPTION
6	Pin Bushing	8649XAS		Forging No. F400D-502; Full round, thin wall .0055" O/S OD bushing
6	Pin Bushing	8649XA		Forging No. F400D-502; Full round, thin wall bushing w/.9150" OD
6	Pin Bushing	8649V		Forging No. F400D-502; Split type, thin wall bushing w/.9135" OD
6	Pin Bushing	8649V20		Forging No. F400D-502; Split type, thin wall bushing w/.9135" OD & .020" extra bore stock
6	Pin Bushing	FP-9324X		Full round, heavy wall bushing w/1.0625" OD; Forging Nos. D600D-500 & F600D-500
6	Pin Bushing	9324X +		Full round, heavy wall bushing w/1.0625" OD; Forging Nos. D600D-500 & F600D-500; When depleted use FP-9324X

QTY	CONNECTING RODS & BRGS.	PART NO.	SIZE	DESCRIPTION
3	Rod Pair	FP-9320CPA	Std-2-10-20-30-40	Position 1-3-5
3	Rod Pair	9320CPA +	Std-2-10-20-30-40	Position 1-3-5; When depleted use FP-9320CPA
3	Rod Pair	FP-9320CP	Std-10-20-30-40	Position 2-4-6
3	Rod Pair	9320CP +	Std-10-20-30-40	Position 2-4-6; When depleted use FP-9320CP

39 H/D Truck F186, F6186, PF186 Engs. 3.0L 186 L-HEAD L6, 3.125" Bore

CYL. HEAD & PARTS

QTY	VALVE	PART NO.	SIZE	DESCRIPTION
6	Intake	FP-V801		Drilled stem; 1.5200" Head Dia., .3411" Stem Dia., 5.1760" O.A.L.
6	Intake	V-801 +	Std Only	Drilled stem; 1.5200" Head Dia., .3411" Stem Dia., 5.1760" O.A.L.; When depleted use FP-V801
6	Intake	FP-V1748		Single groove stem; 1.5160" Head Dia., .3410" Stem Dia., 5.1570" O.A.L.
6	Intake	V-1748 +	Std Only	Single groove stem; 1.5160" Head Dia., .3410" Stem Dia., 5.1570" O.A.L.; When depleted use FP-V1748
6	Exhaust	FP-V800		Drilled stem; 1.2030" Head Dia., .3381" Stem Dia., 5.1520" O.A.L.
6	Exhaust	V-800 +	Std Only	Drilled stem; 1.2030" Head Dia., .3381" Stem Dia., 5.1520" O.A.L.; When depleted use FP-V800
6	Exhaust	FP-V954		Drilled stem; 1.3280" Head Dia., .3386" Stem Dia., 5.1950" O.A.L.
6	Exhaust	V-954 +	Std Only	Drilled stem; 1.3280" Head Dia., .3386" Stem Dia., 5.1950" O.A.L.; When depleted use FP-V954

(continued on next page)

H/D Truck F186, F6186, PF186 Engs. 39
3.0L 186 L-HEAD L6, 3.125" Bore (cont.)

CYL. HEAD & PARTS (cont.)				
QTY	VALVE (cont.)	PART NO.	SIZE	DESCRIPTION
6	Exhaust	FP-V1684		Single groove stem; 1.2030" Head Dia., .3392" Stem Dia., 5.1890" O.A.L.
6	Exhaust	V-1684 +	Std Only	Single groove stem; 1.2030" Head Dia., .3392" Stem Dia., 5.1890" O.A.L.; When depleted use FP-V1684
6	Keeper	FP-VK142		For drilled stem
6	Keeper	FP-VK27		For drilled stem; F186 Engs.
6	Keeper	VK-27 +		For drilled stem; F186 Engs.; When depleted use FP-VK27
6	Keeper	VK-142 +		For drilled stem; When depleted use FP-VK142
12	Keeper	VK-115		F186 Engs.; 1 groove; Square cut key groove
12	Keeper	VK-115R		F186 Engs.; 1 groove; Square cut key groove; Hardened
12	Keeper	FP-VK144		1 groove; Square cut key groove
12	Keeper	VK-144R		1 groove; Square cut key groove; Hardened
12	Keeper, Bulk	VK-115B		F186 Engs.; 1 groove; Square cut key groove; Carton of 1000
12	Keeper, Bulk	FP-VK144B		1 groove; Square cut key groove; Carton of 1000
VALVE SEAT				
6	Exh.	245-1437-3N	Std Only	Premium Material; 1.4425" OD, 1.1880" ID, .2160" Depth
6	Exh.	FP-24513753		1.3795" OD, 1.0625" ID, .1855" Depth
6	Exh.	245-1375-3 +	Std Only	1.3795" OD, 1.0625" ID, .1855" Depth; When depleted use FP-24513753
6	Exh.	245-1437-3	Std Only	1.4425" OD, 1.1880" ID, .2160" Depth
6	Int.	245-1625-1N	Std Only	Premium Material; 1.6300" OD, 1.3750" ID, .2160" Depth
6	Int.	FP-2451348E1N		1.3480" OD, 1.0870" ID, .2005" Depth
6	Int.	245-1348-E1N +	Std Only	1.3480" OD, 1.0870" ID, .2005" Depth; When depleted use FP-2451348E1N
6	Int.	245-1625-1	Std Only	1.6300" OD, 1.3750" ID, .2160" Depth
VALVE GUIDE				
6	Guide	FP-VG336		.3427" ID, 2.5600" O.A.L.
VALVE SPRING				
6	Spring	FP-VS310		1.9690" Free Height
CAMSHAFT GROUP				
TIMING				
1	Cam Gear	FP-2212600		F186 Engs.; Replacement O.E. No. F400H310; 48 Teeth
1	Cam Gear	221-2600 +		F186 Engs.; Replacement O.E. No. F400H310; 48 Teeth; When depleted use FP-2212600
ENGINE BLOCK & PARTS				
CAM BEARINGS				
1	Cam Set	FP-1088M		
CRANKSHAFT/OIL PUMP				
CRANKSHAFT				
1	Crank Gear	FP-2212603A		F186 Engs.; 24 Teeth
1	Crank Gear	221-2603A		F186 Engs.; 24 Teeth
MAIN BEARINGS				
1	Thrust Washer Set	FP-9811BFA	Std Only	Position 1
1	Thrust Washer Set	9811BFA +	Std Only	Position 1; When depleted use FP-9811BFA
CYLINDER COMPONENTS				
LINERS				
1	Repair Sleeve	FP-SL7M	Std Only	3/32" wall, must be cut to correct length
1	Repair Sleeve	SL-7M +	Std Only	3/32" wall, must be cut to correct length; When depleted use FP-SL7M
PISTONS				
6	Pin Bushing	8649XAS		Forging No. F400D-502; Full round, thin wall .0055" O/S OD bushing
6	Pin Bushing	8649XA		Forging No. F400D-502; Full round, thin wall bushing w/.9150" OD
6	Pin Bushing	8649V		Forging No. F400D-502; Split type, thin wall bushing w/.9135" OD
6	Pin Bushing	8649V20		Forging No. F400D-502; Split type, thin wall bushing w/.9135" OD & .020" extra bore stock
6	Pin Bushing	FP-9324X		Full round, heavy wall bushing w/1.0625" OD; Forging Nos. D600D-500 & F600D-500
6	Pin Bushing	9324X +		Full round, heavy wall bushing w/1.0625" OD; Forging Nos. D600D-500 & F600D-500; When depleted use FP-9324X

(continued on next page)

Continental

39 H/D Truck F186, F6186, PF186 Engs. (cont.) 3.0L 186 L-HEAD L6, 3.125" Bore

CYLINDER COMPONENTS (cont.)

QTY	CONNECTING RODS & BRGS.	PART NO.	SIZE	DESCRIPTION
3	Rod Pair	FP-9320CPA	Std-2-10-20-30-40	Position 1-3-5
3	Rod Pair	9320CPA +	Std-2-10-20-30-40	Position 1-3-5; When depleted use FP-9320CPA
3	Rod Pair	FP-9320CP	Std-10-20-30-40	Position 2-4-6
3	Rod Pair	9320CP +	Std-10-20-30-40	Position 2-4-6; When depleted use FP-9320CP

40 Industrial Applications F186 Eng. Multi-Purpose Engines F6186 Eng. 3.0L 186 L-HEAD L6, 3.125" Bore

CYL. HEAD & PARTS

QTY	VALVE	PART NO.	SIZE	DESCRIPTION
6	Intake	FP-V801		Drilled stem; 1.5200" Head Dia., .3411" Stem Dia., 5.1760" O.A.L.
6	Intake	V-801 +	Std Only	Drilled stem; 1.5200" Head Dia., .3411" Stem Dia., 5.1760" O.A.L.; When depleted use FP-V801
6	Intake	FP-V1748		Single groove stem; 1.5160" Head Dia., .3410" Stem Dia., 5.1570" O.A.L.
6	Intake	V-1748 +	Std Only	Single groove stem; 1.5160" Head Dia., .3410" Stem Dia., 5.1570" O.A.L.; When depleted use FP-V1748
6	Exhaust	FP-V800		Drilled stem; 1.2030" Head Dia., .3381" Stem Dia., 5.1520" O.A.L.
6	Exhaust	V-800 +	Std Only	Drilled stem; 1.2030" Head Dia., .3381" Stem Dia., 5.1520" O.A.L.; When depleted use FP-V800
6	Exhaust	FP-V954		Drilled stem; 1.3280" Head Dia., .3386" Stem Dia., 5.1950" O.A.L.
6	Exhaust	V-954 +	Std Only	Drilled stem; 1.3280" Head Dia., .3386" Stem Dia., 5.1950" O.A.L.; When depleted use FP-V954
6	Exhaust	FP-V1684		Single groove stem; 1.2030" Head Dia., .3392" Stem Dia., 5.1890" O.A.L.
6	Exhaust	V-1684 +	Std Only	Single groove stem; 1.2030" Head Dia., .3392" Stem Dia., 5.1890" O.A.L.; When depleted use FP-V1684
6	Keeper	FP-VK142		For drilled stem
6	Keeper	FP-VK27		For drilled stem; F186 Engs.
6	Keeper	VK-27 +		For drilled stem; F186 Engs.; When depleted use FP-VK27
6	Keeper	VK-142 +		For drilled stem; When depleted use FP-VK142
12	Keeper	VK-115		F186 Engs.; 1 groove; Square cut key groove
12	Keeper	VK-115R		F186 Engs.; 1 groove; Square cut key groove; Hardened
12	Keeper	FP-VK144		1 groove; Square cut key groove
12	Keeper	VK-144R		1 groove; Square cut key groove; Hardened
12	Keeper, Bulk	VK-115B		F186 Engs.; 1 groove; Square cut key groove; Carton of 1000
12	Keeper, Bulk	FP-VK144B		1 groove; Square cut key groove; Carton of 1000
QTY	VALVE SEAT	PART NO.	SIZE	DESCRIPTION
6	Exh.	245-1437-3N	Std Only	Premium Material; 1.4425" OD, 1.1880" ID, .2160" Depth
6	Exh.	FP-24513753		1.3795" OD, 1.0625" ID, .1855" Depth
6	Exh.	245-1375-3 +	Std Only	1.3795" OD, 1.0625" ID, .1855" Depth; When depleted use FP-24513753
6	Exh.	245-1437-3	Std Only	1.4425" OD, 1.1880" ID, .2160" Depth
6	Int.	245-1625-1N	Std Only	Premium Material; 1.6300" OD, 1.3750" ID, .2160" Depth
6	Int.	FP-2451348E1N		1.3480" OD, 1.0870" ID, .2005" Depth
6	Int.	245-1348-E1N +	Std Only	1.3480" OD, 1.0870" ID, .2005" Depth; When depleted use FP-2451348E1N
6	Int.	245-1625-1	Std Only	1.6300" OD, 1.3750" ID, .2160" Depth
QTY	VALVE GUIDE	PART NO.	SIZE	DESCRIPTION
6	Guide	FP-VG336		.3427" ID, 2.5600" O.A.L.
QTY	VALVE SPRING	PART NO.	SIZE	DESCRIPTION
6	Spring	FP-VS310		1.9690" Free Height
CAMSHAFT GROUP				
QTY	TIMING	PART NO.	SIZE	DESCRIPTION
1	Cam Gear	FP-2212600		F186 Engs.; Replacement O.E. No. F400H310; 48 Teeth
1	Cam Gear	221-2600 +		F186 Engs.; Replacement O.E. No. F400H310; 48 Teeth; When depleted use FP-2212600

(continued on next page)

Industrial Applications F186 Eng. Multi-Purpose Engines F6186 Eng. 40
3.0L 186 L-HEAD L6, 3.125" Bore (cont.)

ENGINE BLOCK & PARTS				
QTY	CAM BEARINGS	PART NO.	SIZE	DESCRIPTION
1	Cam Set	FP-1088M		
CRANKSHAFT/OIL PUMP				
QTY	CRANKSHAFT	PART NO.	SIZE	DESCRIPTION
1	Crank Gear	FP-2212603A		F186 Engs.; 24 Teeth
1	Crank Gear	221-2603A		F186 Engs.; 24 Teeth
QTY	MAIN BEARINGS	PART NO.	SIZE	DESCRIPTION
1	Thrust Washer Set	FP-9811BFA	Std Only	Position 1
1	Thrust Washer Set	9811BFA +	Std Only	Position 1; When depleted use FP-9811BFA
CYLINDER COMPONENTS				
QTY	LINERS	PART NO.	SIZE	DESCRIPTION
1	Repair Sleeve	FP-SL7M	Std Only	3/32" wall, must be cut to correct length
1	Repair Sleeve	SL-7M +	Std Only	3/32" wall, must be cut to correct length; When depleted use FP-SL7M
QTY	PISTONS	PART NO.	SIZE	DESCRIPTION
6	Pin Bushing	8649XAS		Forging No. F400D-502; Full round, thin wall .0055" O/S OD bushing
6	Pin Bushing	8649XA		Forging No. F400D-502; Full round, thin wall bushing w/.9150" OD
6	Pin Bushing	8649V		Forging No. F400D-502; Split type, thin wall bushing w/.9135" OD
6	Pin Bushing	8649V20		Forging No. F400D-502; Split type, thin wall bushing w/.9135" OD & .020" extra bore stock
6	Pin Bushing	FP-9324X		Full round, heavy wall bushing w/1.0625" OD; Forging Nos. D600D-500 & F600D-500
6	Pin Bushing	9324X +		Full round, heavy wall bushing w/1.0625" OD; Forging Nos. D600D-500 & F600D-500; When depleted use FP-9324X
QTY	CONNECTING RODS & BRGS.	PART NO.	SIZE	DESCRIPTION
3	Rod Pair	FP-9320CPA	Std-2-10-20-30-40	Position 1-3-5
3	Rod Pair	9320CPA +	Std-2-10-20-30-40	Position 1-3-5; When depleted use FP-9320CPA
3	Rod Pair	FP-9320CP	Std-10-20-30-40	Position 2-4-6
3	Rod Pair	9320CP +	Std-10-20-30-40	Position 2-4-6; When depleted use FP-9320CP
<i>H/D Truck G193, G4193 Engs. 41</i>				
3.2L 193 OHV L4, 3.75" Bore				
CYL. HEAD & PARTS				
QTY	VALVE	PART NO.	SIZE	DESCRIPTION
4	Intake	FP-V2220		1.6410" Head Dia., .3406" Stem Dia., 5.5310" O.A.L.
4	Intake	V-2220 +	Std Only	1.6410" Head Dia., .3406" Stem Dia., 5.5310" O.A.L.; When depleted use FP-V2220
4	Exhaust	FP-V2219		1.3750" Head Dia., .3386" Stem Dia., 5.5240" O.A.L.
4	Exhaust	V-2219 +	Std Only	1.3750" Head Dia., .3386" Stem Dia., 5.5240" O.A.L.; When depleted use FP-V2219
16	Keeper	VK-115		1 groove; Square cut key groove
16	Keeper	VK-115R		1 groove; Square cut key groove; Hardened
16	Keeper, Bulk	VK-115B		1 groove; Square cut key groove; Carton of 1000
QTY	VALVE SEAT	PART NO.	SIZE	DESCRIPTION
4	Exh.	245-1437-3N	Std Only	Premium Material; 1.4425" OD, 1.1880" ID, .2160" Depth
4	Exh.	245-1437-3	Std Only	1.4425" OD, 1.1880" ID, .2160" Depth
4	Int.	FP-24518125N		Optional-Premium Material; Non-magenetic material; 1.8175" OD, 1.5000" ID, .2480" Depth
4	Int.	245-1812-5N +	Std Only	Optional-Premium Material; Non-magenetic material; 1.8175" OD, 1.5000" ID, .2480" Depth; When depleted use FP-24518125N
4	Int.	FP-24518125		1.8175" OD, 1.5000" ID, .2480" Depth
4	Int.	245-1812-5 +	Std Only	1.8175" OD, 1.5000" ID, .2480" Depth; When depleted use FP-24518125
QTY	VALVE GUIDE	PART NO.	SIZE	DESCRIPTION
8	Guide	FP-VG696		.3435" ID, 2.7200" O.A.L.
8	Guide	VG-696 +		.3435" ID, 2.7200" O.A.L.; When depleted use FP-VG696
QTY	VALVE SPRING	PART NO.	SIZE	DESCRIPTION
8	Spring	FP-VS796		2.1250" Free Height

(continued on next page)

Continental

41 H/D Truck G193, G4193 Engs.				
(cont.) 3.2L 193 OHV L4, 3.75" Bore				
CYL. HEAD & PARTS (cont.)				
QTY	VALVE SPRING (cont.)	PART NO.	SIZE	DESCRIPTION
8	Spring	VS-796 +		2.1250" Free Height; When depleted use FP-VS796
QTY	VALVE SEAL	PART NO.	SIZE	DESCRIPTION
4	Valve Stem Seal	MV-1233C		Int.; O-Ring; Rubber
4	Valve Stem Seal Bulk	MV-1233		Int.; O-Ring; Carton of 100; Rubber
ENGINE BLOCK & PARTS				
QTY	CAM BEARINGS	PART NO.	SIZE	DESCRIPTION
1	Cam Set	FP-1474M	Std Only	
1	Cam Set	1474M +	Std Only	When depleted use FP-1474M
CRANKSHAFT/OIL PUMP				
QTY	MAIN BEARINGS	PART NO.	SIZE	DESCRIPTION
1	Main Set	FP-5063M	Std-10-20-30	
1	Main Set	5063M +	Std-10-20-30	When depleted use FP-5063M
CYLINDER COMPONENTS				
QTY	PISTONS	PART NO.	SIZE	DESCRIPTION
4	Pin Bushing	FP-2924V		
4	Pin Bushing	2924V +		When depleted use FP-2924V
QTY	CONNECTING RODS & BRGS.	PART NO.	SIZE	DESCRIPTION
4	Rod Pair	FP-2920CP	Std-10-20	
4	Rod Pair	2920CP +	Std-10-20	When depleted use FP-2920CP
QTY	PISTON RINGS	PART NO.	SIZE	DESCRIPTION
1	Premium Set	FP-5677KX	Std Only	Early 4-Ring piston; Check piston grooving before supplying ring set; 1-3/32, 2-1/8, 1-1/4
1	Premium Set	5677KX +	Std Only	Early 4-Ring piston; Check piston grooving before supplying ring set; 1-3/32, 2-1/8, 1-1/4; When depleted use FP-5677KX
42 Industrial Applications G193 Eng. Multi-Purpose Engines G4193 Eng.				
3.2L 193 OHV L4, 3.75" Bore				
CYL. HEAD & PARTS				
QTY	VALVE	PART NO.	SIZE	DESCRIPTION
4	Intake	FP-V2220		1.6410" Head Dia., .3406" Stem Dia., 5.5310" O.A.L.
4	Intake	V-2220 +	Std Only	1.6410" Head Dia., .3406" Stem Dia., 5.5310" O.A.L.; When depleted use FP-V2220
4	Exhaust	FP-V2219		1.3750" Head Dia., .3386" Stem Dia., 5.5240" O.A.L.
4	Exhaust	V-2219 +	Std Only	1.3750" Head Dia., .3386" Stem Dia., 5.5240" O.A.L.; When depleted use FP-V2219
16	Keeper	VK-115		1 groove; Square cut key groove
16	Keeper	VK-115R		1 groove; Square cut key groove; Hardened
16	Keeper, Bulk	VK-115B		1 groove; Square cut key groove; Carton of 1000
QTY	VALVE SEAT	PART NO.	SIZE	DESCRIPTION
4	Exh.	245-1437-3N	Std Only	Premium Material; 1.4425" OD, 1.1880" ID, .2160" Depth
4	Exh.	245-1437-3	Std Only	1.4425" OD, 1.1880" ID, .2160" Depth
4	Int.	FP-24518125N		Optional-Premium Material; Non-magenetic material; 1.8175" OD, 1.5000" ID, .2480" Depth
4	Int.	245-1812-5N +	Std Only	Optional-Premium Material; Non-magenetic material; 1.8175" OD, 1.5000" ID, .2480" Depth; When depleted use FP-24518125N
4	Int.	FP-24518125		1.8175" OD, 1.5000" ID, .2480" Depth
4	Int.	245-1812-5 +	Std Only	1.8175" OD, 1.5000" ID, .2480" Depth; When depleted use FP-24518125
QTY	VALVE GUIDE	PART NO.	SIZE	DESCRIPTION
8	Guide	FP-VG696		.3435" ID, 2.7200" O.A.L.
8	Guide	VG-696 +		.3435" ID, 2.7200" O.A.L.; When depleted use FP-VG696
QTY	VALVE SPRING	PART NO.	SIZE	DESCRIPTION
8	Spring	FP-VS796		2.1250" Free Height
8	Spring	VS-796 +		2.1250" Free Height; When depleted use FP-VS796
QTY	VALVE SEAL	PART NO.	SIZE	DESCRIPTION
4	Valve Stem Seal	MV-1233C		Int.; O-Ring; Rubber
4	Valve Stem Seal Bulk	MV-1233		Int.; O-Ring; Carton of 100; Rubber
ENGINE BLOCK & PARTS				
QTY	CAM BEARINGS	PART NO.	SIZE	DESCRIPTION
1	Cam Set	FP-1474M	Std Only	

(continued on next page)

+ Superseded Part Number

Industrial Applications G193 Eng. Multi-Purpose Engines G4193 Eng. 42
3.2L 193 OHV L4, 3.75" Bore (cont.)

ENGINE BLOCK & PARTS (cont.)

QTY	CAM BEARINGS (cont.)	PART NO.	SIZE	DESCRIPTION
1	Cam Set	1474M +	Std Only	When depleted use FP-1474M

CRANKSHAFT/OIL PUMP

QTY	MAIN BEARINGS	PART NO.	SIZE	DESCRIPTION
1	Main Set	FP-5063M	Std-10-20-30	
1	Main Set	5063M +	Std-10-20-30	When depleted use FP-5063M

CYLINDER COMPONENTS

QTY	PISTONS	PART NO.	SIZE	DESCRIPTION
4	Pin Bushing	FP-2924V		
4	Pin Bushing	2924V +		When depleted use FP-2924V

QTY	CONNECTING RODS & BRGS.	PART NO.	SIZE	DESCRIPTION
4	Rod Pair	FP-2920CP	Std-10-20	
4	Rod Pair	2920CP +	Std-10-20	When depleted use FP-2920CP

QTY	PISTON RINGS	PART NO.	SIZE	DESCRIPTION
1	Premium Set	FP-5677KX	Std Only	Early 4-Ring piston; Check piston grooving before supplying ring set; 1-3/32, 2-1/8, 1-1/4
1	Premium Set	5677KX +	Std Only	Early 4-Ring piston; Check piston grooving before supplying ring set; 1-3/32, 2-1/8, 1-1/4; When depleted use FP-5677KX

H/D Truck GD193, GD4193 Engs. 43
3.2L 193 OHV Diesel L4, 3.75" Bore

ENGINE BLOCK & PARTS

QTY	CAM BEARINGS	PART NO.	SIZE	DESCRIPTION
1	Cam Set	FP-1474M	Std Only	
1	Cam Set	1474M +	Std Only	When depleted use FP-1474M

CYLINDER COMPONENTS

QTY	CONNECTING RODS & BRGS.	PART NO.	SIZE	DESCRIPTION
4	Rod Pair	FP-2920CP	Std-10-20	
4	Rod Pair	2920CP +	Std-10-20	When depleted use FP-2920CP

Industrial Applications GD193, GD4193 Engs. 44
3.2L 193 OHV Diesel L4, 3.75" Bore

ENGINE BLOCK & PARTS

QTY	CAM BEARINGS	PART NO.	SIZE	DESCRIPTION
1	Cam Set	FP-1474M	Std Only	
1	Cam Set	1474M +	Std Only	When depleted use FP-1474M

CYLINDER COMPONENTS

QTY	CONNECTING RODS & BRGS.	PART NO.	SIZE	DESCRIPTION
4	Rod Pair	FP-2920CP	Std-10-20	
4	Rod Pair	2920CP +	Std-10-20	When depleted use FP-2920CP

H/D Truck D199, D6199, DS6199, F199, F6199, PD199, PF199 Engs. 45
3.3L 199 L-HEAD L6, 3.25" Bore

ENGINE BLOCK & PARTS

QTY	CAM BEARINGS	PART NO.	SIZE	DESCRIPTION
1	Cam Set	FP-1088M		

CRANKSHAFT/OIL PUMP

QTY	MAIN BEARINGS	PART NO.	SIZE	DESCRIPTION
1	Thrust Washer Set	FP-9811BFA	Std Only	Position 1; Use w/straight shell main brg. set
1	Thrust Washer Set	9811BFA +	Std Only	Position 1; Use w/straight shell main brg. set; When depleted use FP-9811BFA
1	Thrust Washer Set	FP-9811BF	Std Only	Position 1; Use w/Flanged main brg.
1	Thrust Washer Set	9811BF +	Std Only	Position 1; Use w/Flanged main brg.; When depleted use FP-9811BF

(continued on next page)

Continental

45 H/D Truck D199, D6199, DS6199, F199, F6199, PD199, PF199 Engs. (cont.) 3.3L 199 L-HEAD L6, 3.25" Bore

CYLINDER COMPONENTS

QTY	PISTONS	PART NO.	SIZE	DESCRIPTION
6	Pin Bushing	8649XAS		Forging No. F400D-502; Full round, thin wall .0055" O/S OD bushing
6	Pin Bushing	8649XA		Forging No. F400D-502; Full round, thin wall bushing w/.9150" OD
6	Pin Bushing	8649V		Forging No. F400D-502; Split type, thin wall bushing w/.9135" OD
6	Pin Bushing	8649V20		Forging No. F400D-502; Split type, thin wall bushing w/.9135" OD & .020" extra bore stock
6	Pin Bushing	FP-9324X		Full round, heavy wall bushing w/1.0625" OD; Forging Nos. D600D-500 & F600D-500
6	Pin Bushing	9324X +		Full round, heavy wall bushing w/1.0625" OD; Forging Nos. D600D-500 & F600D-500; When depleted use FP-9324X

QTY	CONNECTING RODS & BRGS.	PART NO.	SIZE	DESCRIPTION
3	Rod Pair	FP-9320CPA	Std-2-10-20-30-40	Position 1-3-5
3	Rod Pair	9320CPA +	Std-2-10-20-30-40	Position 1-3-5; When depleted use FP-9320CPA
3	Rod Pair	FP-9320CP	Std-10-20-30-40	Position 2-4-6
3	Rod Pair	9320CP +	Std-10-20-30-40	Position 2-4-6; When depleted use FP-9320CP

46 Industrial Applications D199, F199 Engs. 3.3L 199 L-HEAD L6, 3.25" Bore

ENGINE BLOCK & PARTS

QTY	CAM BEARINGS	PART NO.	SIZE	DESCRIPTION
1	Cam Set	FP-1088M		

CRANKSHAFT/OIL PUMP

QTY	MAIN BEARINGS	PART NO.	SIZE	DESCRIPTION
1	Thrust Washer Set	FP-9811BFA	Std Only	Position 1; Use w/straight shell main brg. set
1	Thrust Washer Set	9811BFA +	Std Only	Position 1; Use w/straight shell main brg. set; When depleted use FP-9811BFA
1	Thrust Washer Set	FP-9811BF	Std Only	Position 1; Use w/Flanged main brg.
1	Thrust Washer Set	9811BF +	Std Only	Position 1; Use w/Flanged main brg.; When depleted use FP-9811BF

CYLINDER COMPONENTS

QTY	PISTONS	PART NO.	SIZE	DESCRIPTION
6	Pin Bushing	8649XAS		Forging No. F400D-502; Full round, thin wall .0055" O/S OD bushing
6	Pin Bushing	8649XA		Forging No. F400D-502; Full round, thin wall bushing w/.9150" OD
6	Pin Bushing	8649V		Forging No. F400D-502; Split type, thin wall bushing w/.9135" OD
6	Pin Bushing	8649V20		Forging No. F400D-502; Split type, thin wall bushing w/.9135" OD & .020" extra bore stock
6	Pin Bushing	FP-9324X		Full round, heavy wall bushing w/1.0625" OD; Forging Nos. D600D-500 & F600D-500
6	Pin Bushing	9324X +		Full round, heavy wall bushing w/1.0625" OD; Forging Nos. D600D-500 & F600D-500; When depleted use FP-9324X

QTY	CONNECTING RODS & BRGS.	PART NO.	SIZE	DESCRIPTION
3	Rod Pair	FP-9320CPA	Std-2-10-20-30-40	Position 1-3-5
3	Rod Pair	9320CPA +	Std-2-10-20-30-40	Position 1-3-5; When depleted use FP-9320CPA
3	Rod Pair	FP-9320CP	Std-10-20-30-40	Position 2-4-6
3	Rod Pair	9320CP +	Std-10-20-30-40	Position 2-4-6; When depleted use FP-9320CP

47 H/D Truck E201 Eng. 3.3L 201 OHV L4, 3.625" Bore

CYL. HEAD & PARTS

QTY	VALVE SPRING	PART NO.	SIZE	DESCRIPTION
8	Spring	FP-VS310		1.9690" Free Height

(continued on next page)

H/D Truck E201 Eng. 47
3.3L 201 OHV L4, 3.625" Bore (cont.)

CRANKSHAFT/OIL PUMP

QTY	MAIN BEARINGS	PART NO.	SIZE	DESCRIPTION
1	Main Set	FP-4139M	Std-10-20	
1	Main Set	4139M +	Std-10-20	When depleted use FP-4139M

CYLINDER COMPONENTS

QTY	CONNECTING RODS & BRGS.	PART NO.	SIZE	DESCRIPTION
4	Rod Pair	FP-2590CP	Std-10-20	
4	Rod Pair	2590CP +	Std-10-20	When depleted use FP-2590CP

Industrial Applications E201 Eng. 48
3.3L 201 OHV L4, 3.625" Bore

CYL. HEAD & PARTS

QTY	VALVE SPRING	PART NO.	SIZE	DESCRIPTION
8	Spring	FP-VS310		1.9690" Free Height

CRANKSHAFT/OIL PUMP

QTY	MAIN BEARINGS	PART NO.	SIZE	DESCRIPTION
1	Main Set	FP-4139M	Std-10-20	
1	Main Set	4139M +	Std-10-20	When depleted use FP-4139M

CYLINDER COMPONENTS

QTY	CONNECTING RODS & BRGS.	PART NO.	SIZE	DESCRIPTION
4	Rod Pair	FP-2590CP	Std-10-20	
4	Rod Pair	2590CP +	Std-10-20	When depleted use FP-2590CP

H/D Truck D202, D6202, DS202, DS6202, OS202, PD202 Eng. 49
3.3L 202 L-HEAD L6, 3.125" Bore

CYL. HEAD & PARTS

QTY	VALVE	PART NO.	SIZE	DESCRIPTION
24	Keeper	VK-66		2 groove
24	Keeper	VK-66R		2 groove; Hardened
QTY	VALVE SEAT	PART NO.	SIZE	DESCRIPTION
6	Exh.	FP-24513753		1.3795" OD, 1.0625" ID, .1855" Depth
6	Exh.	245-1375-3 +	Std	1.3795" OD, 1.0625" ID, .1855" Depth; When depleted use FP-24513753 Only
6	Int.	245-1625-1N	Std Only	Premium Material; 1.6300" OD, 1.3750" ID, .2160" Depth
6	Int.	245-1625-1	Std Only	1.6300" OD, 1.3750" ID, .2160" Depth
QTY	VALVE SPRING	PART NO.	SIZE	DESCRIPTION
12	Spring	FP-A30025		
QTY	VALVE SEAL	PART NO.	SIZE	DESCRIPTION
12	Valve Stem Seal	ST-2002		Installation requires valve guide machining; Polyacrylate
12	Valve Stem Seal Bulk	ST-2002BC		Positive type; Installation requires valve guide machining; Carton of 100; Polyacrylate

ENGINE BLOCK & PARTS

QTY	CAM BEARINGS	PART NO.	SIZE	DESCRIPTION
1	Cam Set	FP-1088M		

CRANKSHAFT/OIL PUMP

QTY	MAIN BEARINGS	PART NO.	SIZE	DESCRIPTION
1	Thrust Washer Set	FP-9811BFA	Std Only	Position 1
1	Thrust Washer Set	FP-9811BF	Std Only	Position 1; Use w/Flanged main brg.
1	Thrust Washer Set	9811BF +	Std Only	Position 1; Use w/Flanged main brg.; When depleted use FP-9811BF
1	Thrust Washer Set	9811BFA +	Std Only	Position 1; When depleted use FP-9811BFA

CYLINDER COMPONENTS

QTY	PISTONS	PART NO.	SIZE	DESCRIPTION
6	Pin Bushing	8649XAS		Forging No. F400D-502; Full round, thin wall .0055" O/S OD bushing
6	Pin Bushing	8649XA		Forging No. F400D-502; Full round, thin wall bushing w/.9150" OD
6	Pin Bushing	8649V		Forging No. F400D-502; Split type, thin wall bushing w/.9135" OD
6	Pin Bushing	8649V20		Forging No. F400D-502; Split type, thin wall bushing w/.9135" OD & .020" extra bore stock

(continued on next page)

+ Superseded Part Number

Continental

49 H/D Truck D202, D6202, DS202, DS6202, OS202, PD202 Engs.

(cont.) 3.3L 202 L-HEAD L6, 3.125" Bore

CYLINDER COMPONENTS (cont.)

QTY	PISTONS (cont.)	PART NO.	SIZE	DESCRIPTION
6	Pin Bushing	FP-9324X		Full round, heavy wall bushing w/1.0625" OD; Forging Nos. D600D-500 & F600D-500
6	Pin Bushing	9324X +		Full round, heavy wall bushing w/1.0625" OD; Forging Nos. D600D-500 & F600D-500; When depleted use FP-9324X
QTY	CONNECTING RODS & BRGS.	PART NO.	SIZE	DESCRIPTION
3	Rod Pair	FP-9320CPA	Std-2-10-20-30-40	Position 1-3-5
3	Rod Pair	9320CPA +	Std-2-10-20-30-40	Position 1-3-5; When depleted use FP-9320CPA
3	Rod Pair	FP-9320CP	Std-10-20-30-40	Position 2-4-6
3	Rod Pair	9320CP +	Std-10-20-30-40	Position 2-4-6; When depleted use FP-9320CP
QTY	PISTON RINGS	PART NO.	SIZE	DESCRIPTION
1	Premium Set	E-108KC	Std-30-60	OVERBORE To 3.250"; 2-3/32, 2-5/32
1	Standard Set	E-108X	Std-30-40-60	OVERBORE To 3.250"; 2-3/32, 2-5/32
6	Standard Single Cylinder Set	WE-108X	Std-30	OVERBORE To 3.250"; 2-3/32, 2-5/32

50 Power Unit PD202 Eng. Industrial Applications D202 Eng. Multi-Purpose Engines D6202, DS202, DS6202, OS202 Engs.

3.3L 202 L-HEAD L6, 3.125" Bore

CYL. HEAD & PARTS

QTY	VALVE	PART NO.	SIZE	DESCRIPTION
24	Keeper	VK-66		2 groove
24	Keeper	VK-66R		2 groove; Hardened
QTY	VALVE SEAT	PART NO.	SIZE	DESCRIPTION
6	Exh.	FP-24513753		1.3795" OD, 1.0625" ID, .1855" Depth
6	Exh.	245-1375-3 +	Std Only	1.3795" OD, 1.0625" ID, .1855" Depth; When depleted use FP-24513753
6	Int.	245-1625-1N	Std Only	Premium Material; 1.6300" OD, 1.3750" ID, .2160" Depth
6	Int.	245-1625-1	Std Only	1.6300" OD, 1.3750" ID, .2160" Depth
QTY	VALVE SPRING	PART NO.	SIZE	DESCRIPTION
12	Spring	FP-A30025		
QTY	VALVE SEAL	PART NO.	SIZE	DESCRIPTION
12	Valve Stem Seal	ST-2002		Installation requires valve guide machining; Polyacrylate
12	Valve Stem Seal Bulk	ST-2002BC		Positive type; Installation requires valve guide machining; Carton of 100; Polyacrylate

ENGINE BLOCK & PARTS

QTY	CAM BEARINGS	PART NO.	SIZE	DESCRIPTION
1	Cam Set	FP-1088M		

CRANKSHAFT/OIL PUMP

QTY	MAIN BEARINGS	PART NO.	SIZE	DESCRIPTION
1	Thrust Washer Set	FP-9811BFA	Std Only	Position 1
1	Thrust Washer Set	FP-9811BF	Std Only	Position 1; Use w/Flanged main brg.
1	Thrust Washer Set	9811BF +	Std Only	Position 1; Use w/Flanged main brg.; When depleted use FP-9811BF
1	Thrust Washer Set	9811BFA +	Std Only	Position 1; When depleted use FP-9811BFA

CYLINDER COMPONENTS

QTY	PISTONS	PART NO.	SIZE	DESCRIPTION
6	Pin Bushing	8649XAS		Forging No. F400D-502; Full round, thin wall .0055" O/S OD bushing
6	Pin Bushing	8649XA		Forging No. F400D-502; Full round, thin wall bushing w/.9150" OD
6	Pin Bushing	8649V		Forging No. F400D-502; Split type, thin wall bushing w/.9135" OD
6	Pin Bushing	8649V20		Forging No. F400D-502; Split type, thin wall bushing w/.9135" OD & .020" extra bore stock
6	Pin Bushing	FP-9324X		Full round, heavy wall bushing w/1.0625" OD; Forging Nos. D600D-500 & F600D-500
6	Pin Bushing	9324X +		Full round, heavy wall bushing w/1.0625" OD; Forging Nos. D600D-500 & F600D-500; When depleted use FP-9324X

(continued on next page)

Power Unit PD202 Eng. Industrial Applications D202 Eng. Multi-Purpose Engines D6202, 50 DS202, DS6202, OS202 Engs. (cont.)
3.3L 202 L-HEAD L6, 3.125" Bore

CYLINDER COMPONENTS (cont.)

QTY	CONNECTING RODS & BRGS.	PART NO.	SIZE	DESCRIPTION
3	Rod Pair	FP-9320CPA	Std-2-10-20-30-40	Position 1-3-5
3	Rod Pair	9320CPA +	Std-2-10-20-30-40	Position 1-3-5; When depleted use FP-9320CPA
3	Rod Pair	FP-9320CP	Std-10-20-30-40	Position 2-4-6
3	Rod Pair	9320CP +	Std-10-20-30-40	Position 2-4-6; When depleted use FP-9320CP
QTY	PISTON RINGS	PART NO.	SIZE	DESCRIPTION
1	Premium Set	E-108KC	Std-30-60	OVERBORE To 3.250"; 2-3/32, 2-5/32
1	Standard Set	E-108X	Std-30-40-60	OVERBORE To 3.250"; 2-3/32, 2-5/32
6	Standard Single Cylinder Set	WE-108X	Std-30	OVERBORE To 3.250"; 2-3/32, 2-5/32

H/D Truck E208, E400 Engs. 51
3.4L 208 OHV L4, 3.6875" Bore

CYL. HEAD & PARTS

QTY	VALVE SEAT	PART NO.	SIZE	DESCRIPTION
4	Exh.	245-1437-3	Std Only	E208 Eng.; 1.4425" OD, 1.1880" ID, .2160" Depth
4	Int.	245-1562-1	Std Only	E208 Eng.; 1.5675" OD, 1.3125" ID, .2160" Depth
QTY	VALVE GUIDE	PART NO.	SIZE	DESCRIPTION
8	Guide	FP-VG457		E208 Eng.; .3430" ID, 2.6870" O.A.L.
8	Guide	VG-457 +		E208 Eng.; .3430" ID, 2.6870" O.A.L.; When depleted use FP-VG457
QTY	VALVE SPRING	PART NO.	SIZE	DESCRIPTION
8	Spring	FP-VS583		E208 Eng.; 1.9680" Free Height
8	Spring	VS-583 +		E208 Eng.; 1.9680" Free Height; When depleted use FP-VS583
QTY	VALVE MISC.	PART NO.	SIZE	DESCRIPTION
4	Rotocap Assy.	FP-RC122A		Exh.; E208 Eng.
4	Rotocap Assy.	RC-122A +		Exh.; E208 Eng.; When depleted use FP-RC122A

CRANKSHAFT/OIL PUMP

QTY	MAIN BEARINGS	PART NO.	SIZE	DESCRIPTION
1	Main Set	FP-4139M	Std-10-20	
1	Main Set	4139M +	Std-10-20	When depleted use FP-4139M

CYLINDER COMPONENTS

QTY	CONNECTING RODS & BRGS.	PART NO.	SIZE	DESCRIPTION
4	Rod Pair	FP-2590CP	Std-10-20	
4	Rod Pair	2590CP +	Std-10-20	When depleted use FP-2590CP

Industrial Applications E208, E400 Engs. 52
3.4L 208 OHV L4, 3.6875" Bore

CYL. HEAD & PARTS

QTY	VALVE SEAT	PART NO.	SIZE	DESCRIPTION
4	Exh.	245-1437-3	Std Only	E208 Eng.; 1.4425" OD, 1.1880" ID, .2160" Depth
4	Int.	245-1562-1	Std Only	E208 Eng.; 1.5675" OD, 1.3125" ID, .2160" Depth
QTY	VALVE GUIDE	PART NO.	SIZE	DESCRIPTION
8	Guide	FP-VG457		E208 Eng.; .3430" ID, 2.6870" O.A.L.
8	Guide	VG-457 +		E208 Eng.; .3430" ID, 2.6870" O.A.L.; When depleted use FP-VG457
QTY	VALVE SPRING	PART NO.	SIZE	DESCRIPTION
8	Spring	FP-VS583		E208 Eng.; 1.9680" Free Height
8	Spring	VS-583 +		E208 Eng.; 1.9680" Free Height; When depleted use FP-VS583
QTY	VALVE MISC.	PART NO.	SIZE	DESCRIPTION
4	Rotocap Assy.	FP-RC122A		Exh.; E208 Eng.
4	Rotocap Assy.	RC-122A +		Exh.; E208 Eng.; When depleted use FP-RC122A

CRANKSHAFT/OIL PUMP

QTY	MAIN BEARINGS	PART NO.	SIZE	DESCRIPTION
1	Main Set	FP-4139M	Std-10-20	
1	Main Set	4139M +	Std-10-20	When depleted use FP-4139M

(continued on next page)

Continental

52 Industrial Applications E208, E400 Engs. (cont.) 3.4L 208 OHV L4, 3.6875" Bore

CYLINDER COMPONENTS

QTY	CONNECTING RODS & BRGS.	PART NO.	SIZE	DESCRIPTION
4	Rod Pair	FP-2590CP	Std-10-20	
4	Rod Pair	2590CP +	Std-10-20	When depleted use FP-2590CP

53 H/D Truck DS209, F209, F6209, F6209 Dynatork, PF209, 24B Engs. 3.4L 209 L-HEAD L6, 3.1875" Bore

CYL. HEAD & PARTS

QTY	VALVE	PART NO.	SIZE	DESCRIPTION
6	Intake	FP-V801		Drilled stem; 1.5200" Head Dia., .3411" Stem Dia., 5.1760" O.A.L.
6	Intake	V-801 +	Std Only	Drilled stem; 1.5200" Head Dia., .3411" Stem Dia., 5.1760" O.A.L.; When depleted use FP-V801
6	Intake	FP-V1748		Single groove stem; 1.5160" Head Dia., .3410" Stem Dia., 5.1570" O.A.L.
6	Intake	V-1748 +	Std Only	Single groove stem; 1.5160" Head Dia., .3410" Stem Dia., 5.1570" O.A.L.; When depleted use FP-V1748
6	Exhaust	FP-V800		Drilled stem; 1.2030" Head Dia., .3381" Stem Dia., 5.1520" O.A.L.
6	Exhaust	V-800 +	Std Only	Drilled stem; 1.2030" Head Dia., .3381" Stem Dia., 5.1520" O.A.L.; When depleted use FP-V800
6	Exhaust	FP-V954		Drilled stem; 1.3280" Head Dia., .3386" Stem Dia., 5.1950" O.A.L.
6	Exhaust	V-954 +	Std Only	Drilled stem; 1.3280" Head Dia., .3386" Stem Dia., 5.1950" O.A.L.; When depleted use FP-V954
6	Exhaust	FP-V1684		Single groove stem; 1.2030" Head Dia., .3392" Stem Dia., 5.1890" O.A.L.
6	Exhaust	V-1684 +	Std Only	Single groove stem; 1.2030" Head Dia., .3392" Stem Dia., 5.1890" O.A.L.; When depleted use FP-V1684
6	Exhaust	FP-V959		Use w/Rotocaps; 1.3230" Head Dia., .3382" Stem Dia., 5.1100" O.A.L.
6	Keeper	FP-VK27		For drilled stem
6	Keeper	VK-27 +		For drilled stem; When depleted use FP-VK27
12	Keeper	VK-115		1 groove; Square cut key groove
12	Keeper	VK-115R		1 groove; Square cut key groove; Hardened
12	Keeper, Bulk	VK-115B		1 groove; Square cut key groove; Carton of 1000

QTY	VALVE SEAT	PART NO.	SIZE	DESCRIPTION
6	Exh.	245-1437-3N	Std Only	Premium Material; 1.4425" OD, 1.1880" ID, .2160" Depth
6	Exh.	FP-24513753		1.3795" OD, 1.0625" ID, .1855" Depth
6	Exh.	245-1375-3 +	Std Only	1.3795" OD, 1.0625" ID, .1855" Depth; When depleted use FP-24513753
6	Exh.	245-1437-3	Std Only	1.4425" OD, 1.1880" ID, .2160" Depth
6	Int.	245-1625-1N	Std Only	Premium Material; 1.6300" OD, 1.3750" ID, .2160" Depth
6	Int.	FP-2451348E1N		1.3480" OD, 1.0870" ID, .2005" Depth
6	Int.	245-1348-E1N +	Std Only	1.3480" OD, 1.0870" ID, .2005" Depth; When depleted use FP-2451348E1N
6	Int.	245-1625-1	Std Only	1.6300" OD, 1.3750" ID, .2160" Depth

QTY	VALVE GUIDE	PART NO.	SIZE	DESCRIPTION
6	Guide	FP-VG336		.3427" ID, 2.5600" O.A.L.

QTY	VALVE SPRING	PART NO.	SIZE	DESCRIPTION
6	Spring	FP-VS310		1.9690" Free Height

CAMSHAFT GROUP

QTY	TIMING	PART NO.	SIZE	DESCRIPTION
1	Timing Chain	222-489		Late model; 46 Links
1	Cam Gear	FP-223233		Early model; 36 Teeth
1	Cam Gear	FP-2212601		Governor type; 48 Teeth
1	Cam Gear	221-2601		Governor type; 48 Teeth
1	Cam Gear	FP-2212600		Replacement O.E. No. F400H310; 48 Teeth
1	Cam Gear	221-2600 +		Replacement O.E. No. F400H310; 48 Teeth; When depleted use FP-2212600

ENGINE BLOCK & PARTS

QTY	CAM BEARINGS	PART NO.	SIZE	DESCRIPTION
1	Cam Set	FP-1088M		

CRANKSHAFT/OIL PUMP

QTY	CRANKSHAFT	PART NO.	SIZE	DESCRIPTION
1	Crank Gear	FP-223234A		Early model; 18 Teeth

(continued on next page)

+ Superseded Part Number

H/D Truck DS209, F209, F6209, F6209 Dynatork, PF209, 24B Eng. 53
3.4L 209 L-HEAD L6, 3.1875" Bore (cont.)

CRANKSHAFT/OIL PUMP (cont.)

QTY	CRANKSHAFT (cont.)	PART NO.	SIZE	DESCRIPTION
1	Crank Gear	FP-2212603A		24 Teeth
1	Crank Gear	221-2603A		24 Teeth
QTY	MAIN BEARINGS	PART NO.	SIZE	DESCRIPTION
1	Main Set	FP-4247M		F209, F6209 Dynatork, & 24B 4th Ser.
1	Thrust Washer Set	FP-9811BFA	Std Only	Position 1; Use w/straight shell main brg. set
1	Thrust Washer Set	9811BFA +	Std Only	Position 1; Use w/straight shell main brg. set; When depleted use FP-9811BFA
1	Thrust Washer Set	FP-9811BF	Std Only	Position 1; Use w/Flanged main brg.
1	Thrust Washer Set	9811BF +	Std Only	Position 1; Use w/Flanged main brg.; When depleted use FP-9811BF
QTY	OIL PUMP	PART NO.	SIZE	DESCRIPTION
1	Oil Pump	FP-2244132		F209 and F6209 Eng.; Cast Iron drive gear; Use w/Cast Iron cams; 7 1/8" from flange to end of shaft; Incl. screen
1	Oil Pump	224-4132 +		F209 and F6209 Eng.; Cast Iron drive gear; Use w/Cast Iron cams; 7 1/8" from flange to end of shaft; Incl. screen; When depleted use FP-2244132
1	Oil Pump	FP-2244137		F209 and F6209 Eng.; Steel drive gear w/groove at pin; Use w/Steel cams; 7-1/8" from flange to end of shaft; Incl. pin
1	Oil Pump	224-4137 +		F209 and F6209 Eng.; Steel drive gear w/groove at pin; Use w/Steel cams; 7-1/8" from flange to end of shaft; Incl. pin; When depleted use FP-2244137

CYLINDER COMPONENTS

QTY	PISTONS	PART NO.	SIZE	DESCRIPTION
6	Pin Bushing	8649XAS		Forging No. F400D-502; Full round, thin wall .0055" O/S OD bushing
6	Pin Bushing	8649XA		Forging No. F400D-502; Full round, thin wall bushing w/.9150" OD
6	Pin Bushing	8649V		Forging No. F400D-502; Split type, thin wall bushing w/.9135" OD
6	Pin Bushing	8649V20		Forging No. F400D-502; Split type, thin wall bushing w/.9135" OD & .020" extra bore stock
6	Pin Bushing	FP-9324X		Full round, heavy wall bushing w/1.0625" OD; Frg. Nos. D600D-500 & F600D-500. Except F209 4th series, F6209 Dynatork & 24B 4th series Eng.
6	Pin Bushing	9324X +		Full round, heavy wall bushing w/1.0625" OD; Frg. Nos. D600D-500 & F600D-500. Except F209 4th series, F6209 Dynatork & 24B 4th series Eng.; When depleted use FP-9324X

QTY	CONNECTING RODS & BRGS.	PART NO.	SIZE	DESCRIPTION
3	Rod Pair	FP-1995CPA	STD	Position 1-3-5; F209 4th series, F6209 Dynatork & 24B 4th series Eng.
3	Rod Pair	FP-9320CPA	Std-2-10-20-30-40	Position 1-3-5; F209, PF209, F6209 & 24B 1st, 2nd, 3rd series Eng.
3	Rod Pair	9320CPA +	Std-2-10-20-30-40	Position 1-3-5; F209, PF209, F6209 & 24B 1st, 2nd, 3rd series Eng.; When depleted use FP-9320CPA
3	Rod Pair	FP-1995CP	STD	Position 2-4-6; F209 4th series, F6209 Dynatork & 24B 4th series Eng.
3	Rod Pair	FP-9320CP	Std-10-20-30-40	Position 2-4-6; F209, PF209, F6209 & 24B 1st, 2nd, 3rd series Eng.
3	Rod Pair	9320CP +	Std-10-20-30-40	Position 2-4-6; F209, PF209, F6209 & 24B 1st, 2nd, 3rd series Eng.; When depleted use FP-9320CP

Power Unit PF209 Eng. Industrial Applications F209 Eng. Multi-Purpose Engines DS209, 54
F6209, F6209 Dynatork, 24B Eng.
3.4L 209 L-HEAD L6, 3.1875" Bore

CYL. HEAD & PARTS

QTY	VALVE	PART NO.	SIZE	DESCRIPTION
6	Intake	FP-V801		Drilled stem; 1.5200" Head Dia., .3411" Stem Dia., 5.1760" O.A.L.
6	Intake	V-801 +	Std Only	Drilled stem; 1.5200" Head Dia., .3411" Stem Dia., 5.1760" O.A.L.; When depleted use FP-V801
6	Intake	FP-V1748		Single groove stem; 1.5160" Head Dia., .3410" Stem Dia., 5.1570" O.A.L.
6	Intake	V-1748 +	Std Only	Single groove stem; 1.5160" Head Dia., .3410" Stem Dia., 5.1570" O.A.L.; When depleted use FP-V1748
6	Exhaust	FP-V800		Drilled stem; 1.2030" Head Dia., .3381" Stem Dia., 5.1520" O.A.L.

(continued on next page)

Continental

54 Power Unit PF209 Eng. Industrial Applications F209 Eng. Multi-Purpose Engines DS209,
(cont.) F6209, F6209 Dynatork, 24B Engs.
3.4L 209 L-HEAD L6, 3.1875" Bore

CYL. HEAD & PARTS (cont.)

QTY	VALVE (cont.)	PART NO.	SIZE	DESCRIPTION
6	Exhaust	V-800 + Std Only		Drilled stem; 1.2030" Head Dia., .3381" Stem Dia., 5.1520" O.A.L.; When depleted use FP-V800
6	Exhaust	FP-V954		Drilled stem; 1.3280" Head Dia., .3386" Stem Dia., 5.1950" O.A.L.
6	Exhaust	V-954 + Std Only		Drilled stem; 1.3280" Head Dia., .3386" Stem Dia., 5.1950" O.A.L.; When depleted use FP-V954
6	Exhaust	FP-V1684		Single groove stem; 1.2030" Head Dia., .3392" Stem Dia., 5.1890" O.A.L.
6	Exhaust	V-1684 + Std Only		Single groove stem; 1.2030" Head Dia., .3392" Stem Dia., 5.1890" O.A.L.; When depleted use FP-V1684
6	Exhaust	FP-V959		Use w/Rotocaps; 1.3230" Head Dia., .3382" Stem Dia., 5.1100" O.A.L.
6	Keeper	FP-VK27		For drilled stem
6	Keeper	VK-27 +		For drilled stem; When depleted use FP-VK27
12	Keeper	VK-115		1 groove; Square cut key groove
12	Keeper	VK-115R		1 groove; Square cut key groove; Hardened
12	Keeper, Bulk	VK-115B		1 groove; Square cut key groove; Carton of 1000
QTY	VALVE SEAT	PART NO.	SIZE	DESCRIPTION
6	Exh.	245-1437-3N Std Only		Premium Material; 1.4425" OD, 1.1880" ID, .2160" Depth
6	Exh.	FP-24513753		1.3795" OD, 1.0625" ID, .1855" Depth
6	Exh.	245-1375-3 + Std Only		1.3795" OD, 1.0625" ID, .1855" Depth; When depleted use FP-24513753
6	Exh.	245-1437-3 Std Only		1.4425" OD, 1.1880" ID, .2160" Depth
6	Int.	245-1625-1N Std Only		Premium Material; 1.6300" OD, 1.3750" ID, .2160" Depth
6	Int.	FP-2451348E1N		1.3480" OD, 1.0870" ID, .2005" Depth
6	Int.	245-1348-E1N + Std Only		1.3480" OD, 1.0870" ID, .2005" Depth; When depleted use FP-2451348E1N
6	Int.	245-1625-1 Std Only		1.6300" OD, 1.3750" ID, .2160" Depth
QTY	VALVE GUIDE	PART NO.	SIZE	DESCRIPTION
6	Guide	FP-VG336		.3427" ID, 2.5600" O.A.L.
QTY	VALVE SPRING	PART NO.	SIZE	DESCRIPTION
6	Spring	FP-VS310		1.9690" Free Height
CAMSHAFT GROUP				
QTY	TIMING	PART NO.	SIZE	DESCRIPTION
1	Timing Chain	222-489		Late model; 46 Links
1	Cam Gear	FP-223233		Early model; 36 Teeth
1	Cam Gear	FP-2212601		Governor type; 48 Teeth
1	Cam Gear	221-2601		Governor type; 48 Teeth
1	Cam Gear	FP-2212600		Replacement O.E. No. F400H310; 48 Teeth
1	Cam Gear	221-2600 +		Replacement O.E. No. F400H310; 48 Teeth; When depleted use FP-2212600
ENGINE BLOCK & PARTS				
QTY	CAM BEARINGS	PART NO.	SIZE	DESCRIPTION
1	Cam Set	FP-1088M		
CRANKSHAFT/OIL PUMP				
QTY	CRANKSHAFT	PART NO.	SIZE	DESCRIPTION
1	Crank Gear	FP-223234A		Early model; 18 Teeth
1	Crank Gear	FP-2212603A		24 Teeth
1	Crank Gear	221-2603A		24 Teeth
QTY	MAIN BEARINGS	PART NO.	SIZE	DESCRIPTION
1	Main Set	FP-4247M		F209, F6209 Dynatork, & 24B 4th Ser.
1	Thrust Washer Set	FP-9811BFA	Std Only	Position 1; Use w/straight shell main brg. set
1	Thrust Washer Set	9811BFA + Std Only		Position 1; Use w/straight shell main brg. set; When depleted use FP-9811BFA
1	Thrust Washer Set	FP-9811BF	Std Only	Position 1; Use w/Flanged main brg.
1	Thrust Washer Set	9811BF + Std Only		Position 1; Use w/Flanged main brg.; When depleted use FP-9811BF
QTY	OIL PUMP	PART NO.	SIZE	DESCRIPTION
1	Oil Pump	FP-2244132		F209 and F6209 Engs.; Cast Iron drive gear; Use w/Cast Iron cams; 7 1/8" from flange to end of shaft; Incl. screen
1	Oil Pump	224-4132 +		F209 and F6209 Engs.; Cast Iron drive gear; Use w/Cast Iron cams; 7 1/8" from flange to end of shaft; Incl. screen; When depleted use FP-2244132

(continued on next page)

**Power Unit PF209 Eng. Industrial Applications F209 Eng. Multi-Purpose Engines DS209, 54
F6209, F6209 Dynatork, 24B Engs. (cont.)
3.4L 209 L-HEAD L6, 3.1875" Bore**

CRANKSHAFT/OIL PUMP (cont.)

QTY	OIL PUMP (cont.)	PART NO.	SIZE	DESCRIPTION
1	Oil Pump	FP-2244137		F209 and F6209 Engs.; Steel drive gear w/groove at pin; Use w/Steel cams; 7-1/8" from flange to end of shaft; Incl. pin
1	Oil Pump	224-4137 +		F209 and F6209 Engs.; Steel drive gear w/groove at pin; Use w/Steel cams; 7-1/8" from flange to end of shaft; Incl. pin; When depleted use FP-2244137

CYLINDER COMPONENTS

QTY	PISTONS	PART NO.	SIZE	DESCRIPTION
6	Pin Bushing	8649XAS		Forging No. F400D-502; Full round, thin wall .0055" O/S OD bushing
6	Pin Bushing	8649XA		Forging No. F400D-502; Full round, thin wall bushing w/.9150" OD
6	Pin Bushing	8649V		Forging No. F400D-502; Split type, thin wall bushing w/.9135" OD
6	Pin Bushing	8649V20		Forging No. F400D-502; Split type, thin wall bushing w/.9135" OD & .020" extra bore stock
6	Pin Bushing	FP-9324X		Full round, heavy wall bushing w/1.0625" OD; Frg. Nos. D600D-500 & F600D-500. Except F209 4th series, F6209 Dynatork & 24B 4th series Engs.
6	Pin Bushing	9324X +		Full round, heavy wall bushing w/1.0625" OD; Frg. Nos. D600D-500 & F600D-500. Except F209 4th series, F6209 Dynatork & 24B 4th series Engs.; When depleted use FP-9324X

QTY	CONNECTING RODS & BRGS.	PART NO.	SIZE	DESCRIPTION
3	Rod Pair	FP-1995CPA	STD	Position 1-3-5; F209 4th series, F6209 Dynatork & 24B 4th series Engs.
3	Rod Pair	FP-9320CPA	Std-2-10-20-30-40	Position 1-3-5; F209, PF209, F6209 & 24B 1st, 2nd, 3rd series Engs.
3	Rod Pair	9320CPA +	Std-2-10-20-30-40	Position 1-3-5; F209, PF209, F6209 & 24B 1st, 2nd, 3rd series Engs.; When depleted use FP-9320CPA
3	Rod Pair	FP-1995CP	STD	Position 2-4-6; F209 4th series, F6209 Dynatork & 24B 4th series Engs.
3	Rod Pair	FP-9320CP	Std-10-20-30-40	Position 2-4-6; F209, PF209, F6209 & 24B 1st, 2nd, 3rd series Engs.
3	Rod Pair	9320CP +	Std-10-20-30-40	Position 2-4-6; F209, PF209, F6209 & 24B 1st, 2nd, 3rd series Engs.; When depleted use FP-9320CP

**H/D Truck D6218, F218, F6218, FS218, PD218, PF218 Engs. 55
3.6L 218 L-HEAD L6, 3.25" Bore**

ENGINE BLOCK & PARTS

QTY	CAM BEARINGS	PART NO.	SIZE	DESCRIPTION
1	Cam Set	FP-1088M		

CRANKSHAFT/OIL PUMP

QTY	MAIN BEARINGS	PART NO.	SIZE	DESCRIPTION
1	Thrust Washer Set	FP-9811BFA	Std Only	Position 1; Use w/straight shell main brg. set
1	Thrust Washer Set	9811BFA +	Std Only	Position 1; Use w/straight shell main brg. set; When depleted use FP-9811BFA
1	Thrust Washer Set	FP-9811BF	Std Only	Position 1; Use w/Flanged main brg.
1	Thrust Washer Set	9811BF +	Std Only	Position 1; Use w/Flanged main brg.; When depleted use FP-9811BF

CYLINDER COMPONENTS

QTY	PISTONS	PART NO.	SIZE	DESCRIPTION
6	Pin Bushing	8649XAS		Forging No. F400D-502; Full round, thin wall .0055" O/S OD bushing
6	Pin Bushing	8649XA		Forging No. F400D-502; Full round, thin wall bushing w/.9150" OD
6	Pin Bushing	8649V		Forging No. F400D-502; Split type, thin wall bushing w/.9135" OD
6	Pin Bushing	8649V20		Forging No. F400D-502; Split type, thin wall bushing w/.9135" OD & .020" extra bore stock
6	Pin Bushing	FP-9324X		Full round, heavy wall bushing w/1.0625" OD; Forging Nos. D600D-500 & F600D-500
6	Pin Bushing	9324X +		Full round, heavy wall bushing w/1.0625" OD; Forging Nos. D600D-500 & F600D-500; When depleted use FP-9324X

(continued on next page)

Continental

55 H/D Truck D6218, F218, F6218, FS218, PD218, PF218 Engs. (cont.) 3.6L 218 L-HEAD L6, 3.25" Bore

CYLINDER COMPONENTS (cont.)

QTY	CONNECTING RODS & BRGS.	PART NO.	SIZE	DESCRIPTION
3	Rod Pair	FP-9320CPA	Std-2-10-20-30-40	Position 1-3-5
3	Rod Pair	9320CPA +	Std-2-10-20-30-40	Position 1-3-5; When depleted use FP-9320CPA
3	Rod Pair	FP-9320CP	Std-10-20-30-40	Position 2-4-6
3	Rod Pair	9320CP +	Std-10-20-30-40	Position 2-4-6; When depleted use FP-9320CP
QTY	PISTON RINGS	PART NO.	SIZE	DESCRIPTION
1	Premium Set	E-108KC	Std-30-60	2-3/32, 2-5/32
1	Standard Set	E-108X	Std-30-40-60	2-3/32, 2-5/32
6	Standard Single Cylinder Set	WE-108X	Std-30	2-3/32, 2-5/32

56 Industrial Applications F218, FS218 Engs. 3.6L 218 L-HEAD L6, 3.25" Bore

ENGINE BLOCK & PARTS

QTY	CAM BEARINGS	PART NO.	SIZE	DESCRIPTION
1	Cam Set	FP-1088M		
CRANKSHAFT/OIL PUMP				
QTY	MAIN BEARINGS	PART NO.	SIZE	DESCRIPTION
1	Thrust Washer Set	FP-9811BFA	Std Only	Position 1; Use w/straight shell main brg. set
1	Thrust Washer Set	9811BFA +	Std Only	Position 1; Use w/straight shell main brg. set; When depleted use FP-9811BFA
1	Thrust Washer Set	FP-9811BF	Std Only	Position 1; Use w/Flanged main brg.
1	Thrust Washer Set	9811BF +	Std Only	Position 1; Use w/Flanged main brg.; When depleted use FP-9811BF

CYLINDER COMPONENTS

QTY	PISTONS	PART NO.	SIZE	DESCRIPTION
6	Pin Bushing	8649XAS		Forging No. F400D-502; Full round, thin wall .0055" O/S OD bushing
6	Pin Bushing	8649XA		Forging No. F400D-502; Full round, thin wall bushing w/.9150" OD
6	Pin Bushing	8649V		Forging No. F400D-502; Split type, thin wall bushing w/.9135" OD
6	Pin Bushing	8649V20		Forging No. F400D-502; Split type, thin wall bushing w/.9135" OD & .020" extra bore stock
6	Pin Bushing	FP-9324X		Full round, heavy wall bushing w/1.0625" OD; Forging Nos. D600D-500 & F600D-500
6	Pin Bushing	9324X +		Full round, heavy wall bushing w/1.0625" OD; Forging Nos. D600D-500 & F600D-500; When depleted use FP-9324X
QTY	CONNECTING RODS & BRGS.	PART NO.	SIZE	DESCRIPTION
3	Rod Pair	FP-9320CPA	Std-2-10-20-30-40	Position 1-3-5
3	Rod Pair	9320CPA +	Std-2-10-20-30-40	Position 1-3-5; When depleted use FP-9320CPA
3	Rod Pair	FP-9320CP	Std-10-20-30-40	Position 2-4-6
3	Rod Pair	9320CP +	Std-10-20-30-40	Position 2-4-6; When depleted use FP-9320CP
QTY	PISTON RINGS	PART NO.	SIZE	DESCRIPTION
1	Premium Set	E-108KC	Std-30-60	2-3/32, 2-5/32
1	Standard Set	E-108X	Std-30-40-60	2-3/32, 2-5/32
6	Standard Single Cylinder Set	WE-108X	Std-30	2-3/32, 2-5/32

57 H/D Truck 3.6L 218 L-HEAD L6 (Mil-Std), 3.25" Bore

ENGINE BLOCK & PARTS

QTY	CAM BEARINGS	PART NO.	SIZE	DESCRIPTION
1	Cam Set	FP-1088M		
CYLINDER COMPONENTS				
QTY	CONNECTING RODS & BRGS.	PART NO.	SIZE	DESCRIPTION
6	Rod Pair	FP-3185CP	Std-10-20-30	

(continued on next page)

H/D Truck **57**
3.6L 218 L-HEAD L6 (Mil-Std), 3.25" Bore (cont.)

CYLINDER COMPONENTS (cont.)

QTY	CONNECTING RODS & BRGS. (cont.)	PART NO.	SIZE	DESCRIPTION
6	Rod Pair	3185CP +	Std-10-20-30	When depleted use FP-3185CP

H/D Truck **E223 Eng. 58**
3.7L 223 OHV L4, 3.8125" Bore

CYL. HEAD & PARTS

QTY	VALVE SEAT	PART NO.	SIZE	DESCRIPTION
4	Exh.	245-1437-5	Std Only	1.4375" OD, 1.1875" ID, .2500" Depth
4	Int.	245-1562-1	Std Only	1.5675" OD, 1.3125" ID, .2160" Depth
QTY	VALVE GUIDE	PART NO.	SIZE	DESCRIPTION
8	Guide	FP-VG457		.3430" ID, 2.6870" O.A.L.
8	Guide	VG-457 +		.3430" ID, 2.6870" O.A.L.; When depleted use FP-VG457
QTY	VALVE SPRING	PART NO.	SIZE	DESCRIPTION
8	Spring	FP-VS583		1.9680" Free Height
8	Spring	VS-583 +		1.9680" Free Height; When depleted use FP-VS583
QTY	VALVE MISC.	PART NO.	SIZE	DESCRIPTION
4	Rotocap Assy.	FP-RC122A		Exh.
4	Rotocap Assy.	RC-122A +		Exh.; When depleted use FP-RC122A

CRANKSHAFT/OIL PUMP

QTY	MAIN BEARINGS	PART NO.	SIZE	DESCRIPTION
1	Main Set	FP-4139M	Std-10-20	
1	Main Set	4139M +	Std-10-20	When depleted use FP-4139M

CYLINDER COMPONENTS

QTY	CONNECTING RODS & BRGS.	PART NO.	SIZE	DESCRIPTION
4	Rod Pair	FP-2590CP	Std-10-20	
4	Rod Pair	2590CP +	Std-10-20	When depleted use FP-2590CP

Industrial Applications **E223 Eng. 59**
3.7L 223 OHV L4, 3.8125" Bore

CYL. HEAD & PARTS

QTY	VALVE SEAT	PART NO.	SIZE	DESCRIPTION
4	Exh.	245-1437-5	Std Only	1.4375" OD, 1.1875" ID, .2500" Depth
4	Int.	245-1562-1	Std Only	1.5675" OD, 1.3125" ID, .2160" Depth
QTY	VALVE GUIDE	PART NO.	SIZE	DESCRIPTION
8	Guide	FP-VG457		.3430" ID, 2.6870" O.A.L.
8	Guide	VG-457 +		.3430" ID, 2.6870" O.A.L.; When depleted use FP-VG457
QTY	VALVE SPRING	PART NO.	SIZE	DESCRIPTION
8	Spring	FP-VS583		1.9680" Free Height
8	Spring	VS-583 +		1.9680" Free Height; When depleted use FP-VS583
QTY	VALVE MISC.	PART NO.	SIZE	DESCRIPTION
4	Rotocap Assy.	FP-RC122A		Exh.
4	Rotocap Assy.	RC-122A +		Exh.; When depleted use FP-RC122A

CRANKSHAFT/OIL PUMP

QTY	MAIN BEARINGS	PART NO.	SIZE	DESCRIPTION
1	Main Set	FP-4139M	Std-10-20	
1	Main Set	4139M +	Std-10-20	When depleted use FP-4139M

CYLINDER COMPONENTS

QTY	CONNECTING RODS & BRGS.	PART NO.	SIZE	DESCRIPTION
4	Rod Pair	FP-2590CP	Std-10-20	
4	Rod Pair	2590CP +	Std-10-20	When depleted use FP-2590CP

Continental

60 H/D Truck F226, F227, F6226, F6227, FO6226 Engs.
3.7L 226 OHV L6 (12 Valve), 3.3125" Bore

CYL. HEAD & PARTS				
QTY	VALVE	PART NO.	SIZE	DESCRIPTION
6	Intake	FP-V801		Drilled stem; 1.5200" Head Dia., .3411" Stem Dia., 5.1760" O.A.L.
6	Intake	V-801 + Std Only		Drilled stem; 1.5200" Head Dia., .3411" Stem Dia., 5.1760" O.A.L.; When depleted use FP-V801
6	Intake	FP-V1203		Single groove stem; Use w/rotocap; 1.5200" Head Dia., .3405" Stem Dia., 5.1820" O.A.L.
6	Intake	FP-V1748		Single groove stem; 1.5160" Head Dia., .3410" Stem Dia., 5.1570" O.A.L.
6	Intake	V-1748 + Std Only		Single groove stem; 1.5160" Head Dia., .3410" Stem Dia., 5.1570" O.A.L.; When depleted use FP-V1748
6	Exhaust	FP-V800		Drilled stem; 1.2030" Head Dia., .3381" Stem Dia., 5.1520" O.A.L.
6	Exhaust	V-800 + Std Only		Drilled stem; 1.2030" Head Dia., .3381" Stem Dia., 5.1520" O.A.L.; When depleted use FP-V800
6	Exhaust	FP-V954		Drilled stem; 1.3280" Head Dia., .3386" Stem Dia., 5.1950" O.A.L.
6	Exhaust	V-954 + Std Only		Drilled stem; 1.3280" Head Dia., .3386" Stem Dia., 5.1950" O.A.L.; When depleted use FP-V954
6	Exhaust	FP-V959		Single groove stem; Use w/Rotocaps; 1.3230" Head Dia., .3382" Stem Dia., 5.1100" O.A.L.
6	Keeper	FP-VK27		For drilled stem
6	Keeper	VK-27 +		For drilled stem; When depleted use FP-VK27
12	Keeper	VK-115		1 groove; Square cut key groove
12	Keeper	VK-115R		1 groove; Square cut key groove; Hardened
12	Keeper, Bulk	VK-115B		1 groove; Square cut key groove; Carton of 1000
QTY	VALVE SEAT	PART NO.	SIZE	DESCRIPTION
6	Exh.	FP-24513753		1.3795" OD, 1.0625" ID, .1855" Depth
6	Exh.	245-1375-3 + Std Only		1.3795" OD, 1.0625" ID, .1855" Depth; When depleted use FP-24513753
6	Int.	245-1625-1N Std Only		Premium Material; 1.6300" OD, 1.3750" ID, .2160" Depth
6	Int.	245-1625-1 Std Only		1.6300" OD, 1.3750" ID, .2160" Depth
QTY	VALVE GUIDE	PART NO.	SIZE	DESCRIPTION
6	Guide	FP-VG336		.3427" ID, 2.5600" O.A.L.
QTY	VALVE SPRING	PART NO.	SIZE	DESCRIPTION
6	Spring	FP-VS310		1.9690" Free Height
CAMSHAFT GROUP				
QTY	TIMING	PART NO.	SIZE	DESCRIPTION
1	Timing Chain	222-489		Late Model; 46 Links
1	Cam Gear	FP-223233		Early model; 36 Teeth
1	Cam Gear	FP-2212601		Governor type; 48 Teeth
1	Cam Gear	221-2601		Governor type; 48 Teeth
1	Cam Gear	FP-2212600		Replacement O.E. No. F400H310; 48 Teeth
1	Cam Gear	221-2600 +		Replacement O.E. No. F400H310; 48 Teeth; When depleted use FP-2212600
ENGINE BLOCK & PARTS				
QTY	GASKET SETS	PART NO.	SIZE	DESCRIPTION
1	Kit Gasket Set	FP-2601351		F227, F6227 Engs.; Compl.
1	Kit Gasket Set	260-1351 +		F227, F6227 Engs.; Compl.; When depleted use FP-2601351
QTY	CAM BEARINGS	PART NO.	SIZE	DESCRIPTION
1	Cam Set	FP-1088M		Exc. CF6226 L-head, CFD6226 OHV, FO6226 OHV & FO6226 spec. 10 & 11 Engs.
CRANKSHAFT/OIL PUMP				
QTY	CRANKSHAFT	PART NO.	SIZE	DESCRIPTION
1	Crank Gear	FP-223234A		Early model; 18 Teeth
1	Crank Gear	FP-2212603A		Repl. O.E. No. F400H326; 24 Teeth
1	Crank Gear	221-2603A		Repl. O.E. No. F400H326; 24 Teeth
QTY	MAIN BEARINGS	PART NO.	SIZE	DESCRIPTION
1	Main Set	FP-4247M		
QTY	OIL PUMP	PART NO.	SIZE	DESCRIPTION
1	Oil Pump	FP-2244132		Cast Iron drive gear; Use w/Cast Iron cams; 7 1/8" from flange to end of shaft; Incl. screen
1	Oil Pump	224-4132 +		Cast Iron drive gear; Use w/Cast Iron cams; 7 1/8" from flange to end of shaft; Incl. screen; When depleted use FP-2244132
1	Oil Pump	FP-2244137		Steel drive gear w/groove at pin; Use w/Steel cams; 7-1/8" from flange to end of shaft; Incl. pin

(continued on next page)

H/D Truck F226, F227, F6226, F6227, FO6226 Engs. 60
3.7L 226 OHV L6 (12 Valve), 3.3125" Bore (cont.)

CRANKSHAFT/OIL PUMP (cont.)

QTY	OIL PUMP (cont.)	PART NO.	SIZE	DESCRIPTION
1	Oil Pump	224-4137 +		Steel drive gear w/groove at pin; Use w/Steel cams; 7-1/8" from flange to end of shaft; Incl. pin; When depleted use FP-2244137
1	Oil Pump	FP-22441171		226 "L" head Engs.
1	Oil Pump	224-41171 +		226 "L" head Engs.; When depleted use FP-22441171

CYLINDER COMPONENTS

QTY	PISTONS	PART NO.	SIZE	DESCRIPTION
6	Cast Piston	FP-704P	Std-20-30-40-60	Cast; 1-5/64", 2-3/32", 1-1/4" Ring Groove, 1.980" CD, .8592" Pin Dia., Flat Head
6	Cast Piston	704P +	Std-20-30-40-60	Cast; 1-5/64", 2-3/32", 1-1/4" Ring Groove, 1.980" CD, .8592" Pin Dia., Flat Head; When depleted use FP-704P
6	Cast Piston - Individual	FP-W704P	Std-20-30-40-60	Cast; 1-5/64", 2-3/32", 1-1/4" Ring Groove, 1.980" CD, .8592" Pin Dia., Flat Head
6	Cast Piston - Individual	W704P +	Std-20-30-40-60	Cast; 1-5/64", 2-3/32", 1-1/4" Ring Groove, 1.980" CD, .8592" Pin Dia., Flat Head; When depleted use FP-W704P
6	Pin Bushing	8649XAS		Full round, thin wall .0055" O/S OD bushing
6	Pin Bushing	8649XA		Full round, thin wall bushing w/.9150" OD
6	Pin Bushing	8649V		Split type, thin wall bushing w/.9135" OD
6	Pin Bushing	8649V20		Split type, thin wall bushing w/.9135" OD & .020" extra bore stock

QTY	CONNECTING RODS & BRGS.	PART NO.	SIZE	DESCRIPTION
3	Rod Pair	FP-1995CPA	STD	Position 1-3-5; Use on all 6 positions if rod Forging No. ends in 402
3	Rod Pair	FP-1995CP	STD	Position 2-4-6

QTY	PISTON RINGS	PART NO.	SIZE	DESCRIPTION
1	Standard Set	5141X30	30	Check piston grooving before supplying ring set; 2-3/32, 2-5/32
1	Standard Set	FP-965X	Std Only	Check piston grooving before supplying ring set; 3-1/8, 1-1/4
1	Standard Set	965X +	Std Only	Check piston grooving before supplying ring set; 3-1/8, 1-1/4; When depleted use FP-965X

Industrial Applications F226, F227 Engs. Multi-Purpose Engines F6226, F6227 Engs. 61
3.7L 226 OHV L6 (12 Valve), 3.3125" Bore

CYL. HEAD & PARTS

QTY	VALVE	PART NO.	SIZE	DESCRIPTION
6	Intake	FP-V801		Drilled stem; 1.5200" Head Dia., .3411" Stem Dia., 5.1760" O.A.L.
6	Intake	V-801 +	Std Only	Drilled stem; 1.5200" Head Dia., .3411" Stem Dia., 5.1760" O.A.L.; When depleted use FP-V801
6	Intake	FP-V1203		Single groove stem; Use w/rotocap; 1.5200" Head Dia., .3405" Stem Dia., 5.1820" O.A.L.
6	Intake	FP-V1748		Single groove stem; 1.5160" Head Dia., .3410" Stem Dia., 5.1570" O.A.L.
6	Intake	V-1748 +	Std Only	Single groove stem; 1.5160" Head Dia., .3410" Stem Dia., 5.1570" O.A.L.; When depleted use FP-V1748
6	Exhaust	FP-V800		Drilled stem; 1.2030" Head Dia., .3381" Stem Dia., 5.1520" O.A.L.
6	Exhaust	V-800 +	Std Only	Drilled stem; 1.2030" Head Dia., .3381" Stem Dia., 5.1520" O.A.L.; When depleted use FP-V800
6	Exhaust	FP-V954		Drilled stem; 1.3280" Head Dia., .3386" Stem Dia., 5.1950" O.A.L.
6	Exhaust	V-954 +	Std Only	Drilled stem; 1.3280" Head Dia., .3386" Stem Dia., 5.1950" O.A.L.; When depleted use FP-V954
6	Exhaust	FP-V959		Single groove stem; Use w/Rotocaps; 1.3230" Head Dia., .3382" Stem Dia., 5.1100" O.A.L.
6	Keeper	FP-VK27		For drilled stem
6	Keeper	VK-27 +		For drilled stem; When depleted use FP-VK27
12	Keeper	VK-115		1 groove; Square cut key groove
12	Keeper	VK-115R		1 groove; Square cut key groove; Hardened
12	Keeper, Bulk	VK-115B		1 groove; Square cut key groove; Carton of 1000

QTY	VALVE SEAT	PART NO.	SIZE	DESCRIPTION
6	Exh.	FP-24513753		1.3795" OD, 1.0625" ID, .1855" Depth
6	Exh.	245-1375-3 +	Std Only	1.3795" OD, 1.0625" ID, .1855" Depth; When depleted use FP-24513753
6	Int.	245-1625-1N	Std Only	Premium Material; 1.6300" OD, 1.3750" ID, .2160" Depth
6	Int.	245-1625-1	Std Only	1.6300" OD, 1.3750" ID, .2160" Depth

QTY	VALVE GUIDE	PART NO.	SIZE	DESCRIPTION
6	Guide	FP-VG336		.3427" ID, 2.5600" O.A.L.

(continued on next page)

Continental

61 Industrial Applications F226, F227 Engs. Multi-Purpose Engines F6226, F6227 Engs. (cont.) 3.7L 226 OHV L6 (12 Valve), 3.3125" Bore

CYL. HEAD & PARTS (cont.)				
QTY	VALVE SPRING	PART NO.	SIZE	DESCRIPTION
6	Spring	FP-VS310		1.9690" Free Height
CAMSHAFT GROUP				
QTY	TIMING	PART NO.	SIZE	DESCRIPTION
1	Timing Chain	222-489		Late Model; 46 Links
1	Cam Gear	FP-223233		Early model; 36 Teeth
1	Cam Gear	FP-2212601		Governor type; 48 Teeth
1	Cam Gear	221-2601		Governor type; 48 Teeth
1	Cam Gear	FP-2212600		Replacement O.E. No. F400H310; 48 Teeth
1	Cam Gear	221-2600 +		Replacement O.E. No. F400H310; 48 Teeth; When depleted use FP-2212600
ENGINE BLOCK & PARTS				
QTY	GASKET SETS	PART NO.	SIZE	DESCRIPTION
1	Kit Gasket Set	FP-2601351		F227, F6227 Engs.; Compl.
1	Kit Gasket Set	260-1351 +		F227, F6227 Engs.; Compl.; When depleted use FP-2601351
QTY	CAM BEARINGS	PART NO.	SIZE	DESCRIPTION
1	Cam Set	FP-1088M		Exc. CF6226 L-head, CFD6226 OHV, FO6226 OHV & FO6226 spec. 10 & 11 Engs.
CRANKSHAFT/OIL PUMP				
QTY	CRANKSHAFT	PART NO.	SIZE	DESCRIPTION
1	Crank Gear	FP-223234A		Early model; 18 Teeth
1	Crank Gear	FP-2212603A		Repl. O.E. No. F400H326; 24 Teeth
1	Crank Gear	221-2603A		Repl. O.E. No. F400H326; 24 Teeth
QTY	MAIN BEARINGS	PART NO.	SIZE	DESCRIPTION
1	Main Set	FP-4247M		
QTY	OIL PUMP	PART NO.	SIZE	DESCRIPTION
1	Oil Pump	FP-2244132		Cast Iron drive gear; Use w/Cast Iron cams; 7 1/8" from flange to end of shaft; Incl. screen
1	Oil Pump	224-4132 +		Cast Iron drive gear; Use w/Cast Iron cams; 7 1/8" from flange to end of shaft; Incl. screen; When depleted use FP-2244132
1	Oil Pump	FP-2244137		Steel drive gear w/groove at pin; Use w/Steel cams; 7-1/8" from flange to end of shaft; Incl. pin
1	Oil Pump	224-4137 +		Steel drive gear w/groove at pin; Use w/Steel cams; 7-1/8" from flange to end of shaft; Incl. pin; When depleted use FP-2244137
1	Oil Pump	FP-22441171		226 "L" head Engs.
1	Oil Pump	224-41171 +		226 "L" head Engs.; When depleted use FP-22441171
CYLINDER COMPONENTS				
QTY	PISTONS	PART NO.	SIZE	DESCRIPTION
6	Cast Piston	FP-704P	Std-20-30-40-60	Cast; 1-5/64", 2-3/32", 1-1/4" Ring Groove, 1.980" CD, .8592" Pin Dia., Flat Head
6	Cast Piston	704P +	Std-20-30-40-60	Cast; 1-5/64", 2-3/32", 1-1/4" Ring Groove, 1.980" CD, .8592" Pin Dia., Flat Head; When depleted use FP-704P
6	Cast Piston - Individual	FP-W704P	Std-20-30-40-60	Cast; 1-5/64", 2-3/32", 1-1/4" Ring Groove, 1.980" CD, .8592" Pin Dia., Flat Head
6	Cast Piston - Individual	W704P +	Std-20-30-40-60	Cast; 1-5/64", 2-3/32", 1-1/4" Ring Groove, 1.980" CD, .8592" Pin Dia., Flat Head; When depleted use FP-W704P
6	Pin Bushing	8649XAS		Full round, thin wall .0055" O/S OD bushing
6	Pin Bushing	8649XA		Full round, thin wall bushing w/.9150" OD
6	Pin Bushing	8649V		Split type, thin wall bushing w/.9135" OD
6	Pin Bushing	8649V20		Split type, thin wall bushing w/.9135" OD & .020" extra bore stock
QTY	CONNECTING RODS & BRGS.	PART NO.	SIZE	DESCRIPTION
3	Rod Pair	FP-1995CPA	STD	Position 1-3-5; Use on all 6 positions if rod Forging No. ends in 402
3	Rod Pair	FP-1995CP	STD	Position 2-4-6
QTY	PISTON RINGS	PART NO.	SIZE	DESCRIPTION
1	Standard Set	5141X30	30	Check piston grooving before supplying ring set; 2-3/32, 2-5/32
1	Standard Set	FP-965X	Std Only	Check piston grooving before supplying ring set; 3-1/8, 1-1/4
1	Standard Set	965X +	Std Only	Check piston grooving before supplying ring set; 3-1/8, 1-1/4; When depleted use FP-965X

Industrial Applications CF226, F226, F227 Engs. Multi-Purpose Engines CF6226, F6226, 62 F6227 Engs.
3.7L 226 L-HEAD L6 (12 Valve), 3.3125" Bore

CYL. HEAD & PARTS				
QTY	VALVE	PART NO.	SIZE	DESCRIPTION
6	Intake	FP-V1855		1.5160" Head Dia., .3410" Stem Dia., 5.1670" O.A.L.
6	Intake	V-1855 + Std Only		1.5160" Head Dia., .3410" Stem Dia., 5.1670" O.A.L.; When depleted use FP-V1855
6	Exhaust	FP-V1854		1.2030" Head Dia., .3381" Stem Dia., 5.1900" O.A.L.
6	Exhaust	V-1854 + Std Only		1.2030" Head Dia., .3381" Stem Dia., 5.1900" O.A.L.; When depleted use FP-V1854
12	Keeper	VK-115		1 groove; Square cut key groove
12	Keeper	VK-115R		1 groove; Square cut key groove; Hardened
12	Keeper, Bulk	VK-115B		1 groove; Square cut key groove; Carton of 1000
VALVE SEAT				
6	Exh.	FP-2451348E1N		Optional-Premium Material; 1.3480" OD, 1.0870" ID, .2005" Depth
6	Exh.	245-1348-E1N + Std Only		Optional-Premium Material; 1.3480" OD, 1.0870" ID, .2005" Depth; When depleted use FP-2451348E1N
6	Int.	245-1625-1N Std Only		Premium Material; 1.6300" OD, 1.3750" ID, .2160" Depth
6	Int.	245-1625-1 Std Only		1.6300" OD, 1.3750" ID, .2160" Depth
VALVE GUIDE				
6	Guide	FP-VG418		.3425" ID, 2.3100" O.A.L.
6	Guide	VG-418 +		.3425" ID, 2.3100" O.A.L.; When depleted use FP-VG418
VALVE SPRING				
6	Spring	FP-VS356		2.0000" Free Height
6	Spring	VS-356 +		2.0000" Free Height; When depleted use FP-VS356
VALVE MISC.				
6	Rotocap Assy.	FP-RC139A		
6	Rotocap Assy.	RC-139A +		When depleted use FP-RC139A
CAMSHAFT GROUP				
TIMING				
1	Cam Gear	FP-2212601		F227 Engs.; Governor type; 48 Teeth
1	Cam Gear	221-2601		F227 Engs.; Governor type; 48 Teeth
1	Cam Gear	FP-2212600		F227 Engs.; Replacement O.E. No. F400H310; 48 Teeth
1	Cam Gear	221-2600 +		F227 Engs.; Replacement O.E. No. F400H310; 48 Teeth; When depleted use FP-2212600
ENGINE BLOCK & PARTS				
GASKET SETS				
1	Kit Gasket Set	FP-2601351		F227, F6227 Engs.; Compl.
1	Kit Gasket Set	260-1351 +		F227, F6227 Engs.; Compl.; When depleted use FP-2601351
CAM BEARINGS				
1	Cam Set	FP-1088M		Exc. CF6226 L-head, CFD6226 OHV, FO6226 OHV & FO6226 spec. 10 & 11 Engs.
CRANKSHAFT/OIL PUMP				
CRANKSHAFT				
1	Crank Gear	FP-2212603A		F227 Engs.; Repl. O.E. No. F400H326; 24 Teeth
1	Crank Gear	221-2603A		F227 Engs.; Repl. O.E. No. F400H326; 24 Teeth
MAIN BEARINGS				
1	Main Set	FP-4247M		
CYLINDER COMPONENTS				
LINERS				
1	Repair Sleeve	SL-12M Std Only		3/32" wall, must be cut to correct length
PISTONS				
6	Cast Piston	FP-704P Std-20-30-40-60		Cast; 1-5/64", 2-3/32", 1-1/4" Ring Groove, 1.980" CD, .8592" Pin Dia., Flat Head
6	Cast Piston	704P + Std-20-30-40-60		Cast; 1-5/64", 2-3/32", 1-1/4" Ring Groove, 1.980" CD, .8592" Pin Dia., Flat Head; When depleted use FP-704P
6	Cast Piston - Individual	FP-W704P Std-20-30-40-60		Cast; 1-5/64", 2-3/32", 1-1/4" Ring Groove, 1.980" CD, .8592" Pin Dia., Flat Head
6	Cast Piston - Individual	W704P + Std-20-30-40-60		Cast; 1-5/64", 2-3/32", 1-1/4" Ring Groove, 1.980" CD, .8592" Pin Dia., Flat Head; When depleted use FP-W704P
6	Pin Bushing	8649V		Split type, thin wall bushing w/.9135" OD
6	Pin Bushing	8649V20		Split type, thin wall bushing w/.9135" OD & .020" extra bore stock

(continued on next page)

Continental

62 Industrial Applications CF226, F226, F227 Engs. Multi-Purpose Engines CF6226, F6226, (cont.) F6227 Engs.
3.7L 226 L-HEAD L6 (12 Valve), 3.3125" Bore

CYLINDER COMPONENTS (cont.)

QTY	CONNECTING RODS & BRGS.	PART NO.	SIZE	DESCRIPTION
3	Rod Pair	FP-1995CPA	STD	Position 1-3-5
3	Rod Pair	FP-1995CP	STD	Position 2-4-6
QTY	PISTON RINGS	PART NO.	SIZE	DESCRIPTION
1	Premium Set	FP-9323KX	Std-20-30-40-60	1-5/64, 2-3/32, 1-1/4
1	Premium Set	9323KX +	Std-20-30-40-60	1-5/64, 2-3/32, 1-1/4; When depleted use FP-9323KX
1	Standard Set	FP-9323X	Std-20-30-40-60	1-5/64, 2-3/32, 1-1/4
1	Standard Set	9323X +	Std-20-30-40-60	1-5/64, 2-3/32, 1-1/4; When depleted use FP-9323X

63 H/D Truck H227 Eng.
3.7L 227 OHV L4, 3.625" Bore

CYLINDER COMPONENTS

QTY	PISTONS	PART NO.	SIZE	DESCRIPTION
4	Pin Bushing	FP-1669Y20		
4	Pin Bushing	1669Y20 +		When depleted use FP-1669Y20
QTY	CONNECTING RODS & BRGS.	PART NO.	SIZE	DESCRIPTION
4	Rod Pair	FP-1665SB	Std-10-20	
4	Rod Pair	1665SB +	Std-10-20	When depleted use FP-1665SB

64 Industrial Applications H227 Eng. Multi-Purpose Engines H227 Eng.
3.7L 227 OHV L4, 3.625" Bore

CAMSHAFT GROUP

QTY	TIMING	PART NO.	SIZE	DESCRIPTION
1	Cam Gear	FP-2212601		F227 Engs.; Governor type; 48 Teeth
1	Cam Gear	221-2601		F227 Engs.; Governor type; 48 Teeth
1	Cam Gear	FP-2212600		F227 Engs.; Replacement O.E. No. F400H310; 48 Teeth
1	Cam Gear	221-2600 +		F227 Engs.; Replacement O.E. No. F400H310; 48 Teeth; When depleted use FP-2212600

ENGINE BLOCK & PARTS

QTY	GASKET SETS	PART NO.	SIZE	DESCRIPTION
1	Kit Gasket Set	FP-2601351		Compl.
1	Kit Gasket Set	260-1351 +		Compl.; When depleted use FP-2601351

CRANKSHAFT/OIL PUMP

QTY	CRANKSHAFT	PART NO.	SIZE	DESCRIPTION
1	Crank Gear	FP-2212603A		F227 Engs.; Repl. O.E. No. F400H326; 24 Teeth
1	Crank Gear	221-2603A		F227 Engs.; Repl. O.E. No. F400H326; 24 Teeth

CYLINDER COMPONENTS

QTY	CONNECTING RODS & BRGS.	PART NO.	SIZE	DESCRIPTION
4	Rod Pair	FP-1665SB	Std-10-20	
4	Rod Pair	1665SB +	Std-10-20	When depleted use FP-1665SB

65 H/D Truck E242, E243 Engs.
4.0L 242 OHV L4, 3.875" Bore

CRANKSHAFT/OIL PUMP

QTY	MAIN BEARINGS	PART NO.	SIZE	DESCRIPTION
1	Main Set	FP-4139M	Std-10-20	
1	Main Set	4139M +	Std-10-20	When depleted use FP-4139M

CYLINDER COMPONENTS

QTY	CONNECTING RODS & BRGS.	PART NO.	SIZE	DESCRIPTION
4	Rod Pair	FP-2590CP	Std-10-20	
4	Rod Pair	2590CP +	Std-10-20	When depleted use FP-2590CP

Industrial Applications E242, E243 Eng. 66
4.0L 242 OHV L4, 3.875" Bore

CYL. HEAD & PARTS

QTY	VALVE	PART NO.	SIZE	DESCRIPTION
16	Keeper	VK-115		1 groove; Square cut key groove
16	Keeper	VK-115R		1 groove; Square cut key groove; Hardened
16	Keeper, Bulk	VK-115B		1 groove; Square cut key groove; Carton of 1000
QTY	VALVE SEAT	PART NO.	SIZE	DESCRIPTION
4	Exh.	245-1437-3	Std Only	1.4425" OD, 1.1880" ID, .2160" Depth
QTY	VALVE GUIDE	PART NO.	SIZE	DESCRIPTION
8	Guide	FP-VG457		.3430" ID, 2.6870" O.A.L.
8	Guide	VG-457 +		.3430" ID, 2.6870" O.A.L.; When depleted use FP-VG457
QTY	VALVE SEAL	PART NO.	SIZE	DESCRIPTION
8	Valve Stem Seal	ST-2001		Positive type; Installation requires valve guide machining; Rubber/PTFE
4	Valve Stem Seal	MV-1233C		Exh.; O-Ring; Rubber
8	Valve Stem Seal Bulk	ST-2001BC		Positive type; Installation requires valve guide machining; Carton of 100; Rubber/PTFE
4	Valve Stem Seal Bulk	MV-1233		Exh.; O-Ring; Carton of 100; Rubber

CRANKSHAFT/OIL PUMP

QTY	MAIN BEARINGS	PART NO.	SIZE	DESCRIPTION
1	Main Set	FP-4139M	Std-10-20	
1	Main Set	4139M +	Std-10-20	When depleted use FP-4139M

CYLINDER COMPONENTS

QTY	CONNECTING RODS & BRGS.	PART NO.	SIZE	DESCRIPTION
4	Rod Pair	FP-2590CP	Std-10-20	
4	Rod Pair	2590CP +	Std-10-20	When depleted use FP-2590CP

H/D Truck H243 Eng. 67
4.0L 243 OHV L4, 3.75" Bore

CYLINDER COMPONENTS

QTY	PISTONS	PART NO.	SIZE	DESCRIPTION
4	Pin Bushing	FP-1669Y20		
4	Pin Bushing	1669Y20 +		When depleted use FP-1669Y20
QTY	CONNECTING RODS & BRGS.	PART NO.	SIZE	DESCRIPTION
4	Rod Pair	FP-1665SB	Std-10-20	
4	Rod Pair	1665SB +	Std-10-20	When depleted use FP-1665SB

Industrial Applications H243 Eng. 68
4.0L 243 OHV L4, 3.75" Bore

CYLINDER COMPONENTS

QTY	CONNECTING RODS & BRGS.	PART NO.	SIZE	DESCRIPTION
4	Rod Pair	FP-1665SB	Std-10-20	
4	Rod Pair	1665SB +	Std-10-20	When depleted use FP-1665SB

H/D Truck A244, A6244, F244, F245, F6244, F6245, FA244, FS244, P244, PA244, 25B Eng. 69
4.0L 244 L-HEAD L6, 3.4375" Bore

ENGINE BLOCK & PARTS

QTY	CAM BEARINGS	PART NO.	SIZE	DESCRIPTION
1	Cam Set	FP-1088M		

CRANKSHAFT/OIL PUMP

QTY	MAIN BEARINGS	PART NO.	SIZE	DESCRIPTION
1	Main Set	FP-4247M		

CYLINDER COMPONENTS

QTY	PISTONS	PART NO.	SIZE	DESCRIPTION
6	Cast Piston	FP-1080P	Std-20-30-40-60	F244, F6244, F245 Eng.s.; w/full skirt; Cast; 1-5/64", 2-3/32", 1-1/4" Ring Groove, 2.000" CD, .8592" Pin Dia., Flat Head
6	Cast Piston	1080P +	Std-20-30-40-60	F244, F6244, F245 Eng.s.; w/full skirt; Cast; 1-5/64", 2-3/32", 1-1/4" Ring Groove, 2.000" CD, .8592" Pin Dia., Flat Head; When depleted use FP-1080P

(continued on next page)

+ Superseded Part Number

Continental

69 H/D Truck A244, A6244, F244, F245, F6244, F6245, FA244, FS244, P244, PA244, 25B
(cont.) Eng.
 4.0L 244 L-HEAD L6, 3.4375" Bore

CYLINDER COMPONENTS (cont.)

QTY	PISTONS (cont.)	PART NO.	SIZE	DESCRIPTION
6	Cast Piston - Individual	FP-W1080P	Std-20-30-40-60	F244, F6244, F245 Engs.; w/full skirt; Cast; 1-5/64", 2-3/32", 1-1/4" Ring Groove, 2.000" CD, .8592" Pin Dia., Flat Head
6	Cast Piston - Individual	W1080P +	Std-20-30-40-60	F244, F6244, F245 Engs.; w/full skirt; Cast; 1-5/64", 2-3/32", 1-1/4" Ring Groove, 2.000" CD, .8592" Pin Dia., Flat Head; When depleted use FP-W1080P
6	Pin Bushing	8649XAS		Full round, thin wall .0055" O/S OD bushing
6	Pin Bushing	8649XA		Full round, thin wall bushing w/.9150" OD
6	Pin Bushing	8649V		Split type, thin wall bushing w/.9135" OD
6	Pin Bushing	8649V20		Split type, thin wall bushing w/.9135" OD & .020" extra bore stock
QTY	CONNECTING RODS & BRGS.	PART NO.	SIZE	DESCRIPTION
3	Rod Pair	FP-1995CPA	STD	Position 1-3-5
3	Rod Pair	FP-1995CP	STD	Position 2-4-6
QTY	PISTON RINGS	PART NO.	SIZE	DESCRIPTION
1	Premium Set	FP-E324KC	Std-20-30-40-60	1-5/64, 2-3/32, 1-1/4
1	Premium Set	E-324KC +	Std-20-30-40-60	1-5/64, 2-3/32, 1-1/4; When depleted use FP-E324KC
1	Standard Set	FP-E324X	Std-30-60	1-5/64, 2-3/32, 1-1/4
1	Standard Set	E-324X +	Std-30-60	1-5/64, 2-3/32, 1-1/4; When depleted use FP-E324X
6	Premium Single Cylinder Set	WE-324KC	Std Only	1-5/64, 2-3/32, 1-1/4

70 Power Unit P244, PA244 Engs. Industrial Applications A244, F244, F245, FA244, FS244
Engs. Multi-Purpose Engines A6244, F6244, F6245, 25B Engs.
 4.0L 244 L-HEAD L6, 3.4375" Bore

CYL. HEAD & PARTS

QTY	VALVE	PART NO.	SIZE	DESCRIPTION
6	Intake	FP-V801		Exc. F245 Engs.; Drilled stem; 1.5200" Head Dia., .3411" Stem Dia., 5.1760" O.A.L.
6	Intake	V-801 +	Std Only	Exc. F245 Engs.; Drilled stem; 1.5200" Head Dia., .3411" Stem Dia., 5.1760" O.A.L.; When depleted use FP-V801
6	Intake	FP-V1748		Exc. F245 Engs.; 1 groove stem; 1.5160" Head Dia., .3410" Stem Dia., 5.1570" O.A.L.
6	Intake	V-1748 +	Std Only	Exc. F245 Engs.; 1 groove stem; 1.5160" Head Dia., .3410" Stem Dia., 5.1570" O.A.L.; When depleted use FP-V1748
6	Intake	FP-V1855		F245 Engs.; 1.5160" Head Dia., .3410" Stem Dia., 5.1670" O.A.L.
6	Intake	V-1855 +	Std Only	F245 Engs.; 1.5160" Head Dia., .3410" Stem Dia., 5.1670" O.A.L.; When depleted use FP-V1855
6	Exhaust	FP-V1684		Exc. F245 Engs.; 1 groove stem; 1.2030" Head Dia., .3392" Stem Dia., 5.1890" O.A.L.
6	Exhaust	V-1684 +	Std Only	Exc. F245 Engs.; 1 groove stem; 1.2030" Head Dia., .3392" Stem Dia., 5.1890" O.A.L.; When depleted use FP-V1684
6	Exhaust	FP-V1854		F245 Engs.; 1.2030" Head Dia., .3381" Stem Dia., 5.1900" O.A.L.
6	Exhaust	V-1854 +	Std Only	F245 Engs.; 1.2030" Head Dia., .3381" Stem Dia., 5.1900" O.A.L.; When depleted use FP-V1854
6	Keeper	FP-VK142		Exc. F245 Engs.; For drilled stem
6	Keeper	VK-142 +		Exc. F245 Engs.; For drilled stem; When depleted use FP-VK142
12	Keeper	FP-VK144		Exc. F245 Engs.; 1 groove; Square cut key groove
12	Keeper	VK-144R		Exc. F245 Engs.; 1 groove; Square cut key groove; Hardened
12	Keeper	VK-115		F245 Engs.; 1 groove; Square cut key groove
12	Keeper	VK-115R		F245 Engs.; 1 groove; Square cut key groove; Hardened
12	Keeper, Bulk	FP-VK144B		Exc. F245 Engs.; 1 groove; Square cut key groove; Carton of 1000
12	Keeper, Bulk	VK-115B		F245 Engs.; 1 groove; Square cut key groove; Carton of 1000
QTY	VALVE SEAT	PART NO.	SIZE	DESCRIPTION
6	Exh.	245-1437-3N	Std Only	Premium Material; 1.4425" OD, 1.1880" ID, .2160" Depth
6	Exh.	FP-2451348E1N		1.3480" OD, 1.0870" ID, .2005" Depth
6	Exh.	245-1348-E1N +	Std Only	1.3480" OD, 1.0870" ID, .2005" Depth; When depleted use FP-2451348E1N
6	Exh.	245-1437-3	Std Only	1.4425" OD, 1.1880" ID, .2160" Depth
6	Int.	245-1625-1N	Std Only	Premium Material; 1.6300" OD, 1.3750" ID, .2160" Depth
6	Int.	245-1625-1	Std Only	1.6300" OD, 1.3750" ID, .2160" Depth
QTY	VALVE GUIDE	PART NO.	SIZE	DESCRIPTION
6	Guide	FP-VG418		Exc. Rototype; .3425" ID, 2.3100" O.A.L.
6	Guide	VG-418 +		Exc. Rototype; .3425" ID, 2.3100" O.A.L.; When depleted use FP-VG418

(continued on next page)

Power Unit P244, PA244 Engs. Industrial Applications A244, F244, F245, FA244, FS244 70
Engs. Multi-Purpose Engines A6244, F6244, F6245, 25B Engs. (cont.)
 4.0L 244 L-HEAD L6, 3.4375" Bore

CYL. HEAD & PARTS (cont.)

QTY	VALVE SPRING	PART NO.	SIZE	DESCRIPTION
6	Spring	FP-VS356		2.0000" Free Height
6	Spring	VS-356 +		2.0000" Free Height; When depleted use FP-VS356

CAMSHAFT GROUP

QTY	TIMING	PART NO.	SIZE	DESCRIPTION
1	Cam Gear	FP-2212601		Governor type; 48 Teeth
1	Cam Gear	221-2601		Governor type; 48 Teeth
1	Cam Gear	FP-2212600		Replacement O.E. No. F400H310; 48 Teeth
1	Cam Gear	221-2600 +		Replacement O.E. No. F400H310; 48 Teeth; When depleted use FP-2212600

ENGINE BLOCK & PARTS

QTY	GASKET SETS	PART NO.	SIZE	DESCRIPTION
1	Kit Gasket Set	FP-2601351		Compl.
1	Kit Gasket Set	260-1351 +		Compl.; When depleted use FP-2601351

QTY	CAM BEARINGS	PART NO.	SIZE	DESCRIPTION
1	Cam Set	FP-1088M		

CRANKSHAFT/OIL PUMP

QTY	CRANKSHAFT	PART NO.	SIZE	DESCRIPTION
1	Crank Gear	FP-2212603A		Repl. O.E. No. F400H326; 24 Teeth
1	Crank Gear	221-2603A		Repl. O.E. No. F400H326; 24 Teeth

QTY	MAIN BEARINGS	PART NO.	SIZE	DESCRIPTION
1	Main Set	FP-4247M		

CYLINDER COMPONENTS

QTY	LINERS	PART NO.	SIZE	DESCRIPTION
1	Repair Sleeve	SL-14M	Std Only	3/32" wall, must be cut to correct length

QTY	PISTONS	PART NO.	SIZE	DESCRIPTION
6	Cast Piston	FP-1080P	Std-20-30-40-60	F244, F6244, F245 Engs.; w/full skirt; Cast; 1-5/64", 2-3/32", 1-1/4" Ring Groove, 2.000" CD, .8592" Pin Dia., Flat Head
6	Cast Piston	1080P +	Std-20-30-40-60	F244, F6244, F245 Engs.; w/full skirt; Cast; 1-5/64", 2-3/32", 1-1/4" Ring Groove, 2.000" CD, .8592" Pin Dia., Flat Head; When depleted use FP-1080P
6	Cast Piston - Individual	FP-W1080P	Std-20-30-40-60	F244, F6244, F245 Engs.; w/full skirt; Cast; 1-5/64", 2-3/32", 1-1/4" Ring Groove, 2.000" CD, .8592" Pin Dia., Flat Head
6	Cast Piston - Individual	W1080P +	Std-20-30-40-60	F244, F6244, F245 Engs.; w/full skirt; Cast; 1-5/64", 2-3/32", 1-1/4" Ring Groove, 2.000" CD, .8592" Pin Dia., Flat Head; When depleted use FP-W1080P
6	Pin Bushing	8649XAS		Full round, thin wall .0055" O/S OD bushing
6	Pin Bushing	8649XA		Full round, thin wall bushing w/.9150" OD
6	Pin Bushing	8649V		Split type, thin wall bushing w/.9135" OD
6	Pin Bushing	8649V20		Split type, thin wall bushing w/.9135" OD & .020" extra bore stock

QTY	CONNECTING RODS & BRGS.	PART NO.	SIZE	DESCRIPTION
3	Rod Pair	FP-1995CPA	STD	Position 1-3-5
3	Rod Pair	FP-1995CP	STD	Position 2-4-6

QTY	PISTON RINGS	PART NO.	SIZE	DESCRIPTION
1	Premium Set	FP-644KX	Std Only	Check piston grooving before supplying ring set; 3-1/8, 1-3/16
1	Premium Set	644KX +	Std Only	Check piston grooving before supplying ring set; 3-1/8, 1-3/16; When depleted use FP-644KX
1	Premium Set	FP-E324KC	Std-20-30-40-60	1-5/64, 2-3/32, 1-1/4
1	Premium Set	E-324KC +	Std-20-30-40-60	1-5/64, 2-3/32, 1-1/4; When depleted use FP-E324KC
1	Standard Set	FP-E324X	Std-30-60	1-5/64, 2-3/32, 1-1/4
1	Standard Set	E-324X +	Std-30-60	1-5/64, 2-3/32, 1-1/4; When depleted use FP-E324X
1	Standard Set	E-107X	Std-30-40	2-3/32, 2-5/32
6	Premium Single Cylinder Set	W-644KX	Std Only	Check piston grooving before supplying ring set; 3-1/8, 1-3/16
6	Premium Single Cylinder Set	WE-324KC	Std Only	1-5/64, 2-3/32, 1-1/4

KITS

QTY	OVERHAUL KIT	PART NO.	SIZE	DESCRIPTION
1	Tractor Overhaul Kit	FP-KST2470C		W/Flanged rear brg.

Continental

71 H/D Truck FS244 Eng. 4.0L 244 L-HEAD L6 (Mil-Std), 3.4375" Bore				
ENGINE BLOCK & PARTS				
QTY	CAM BEARINGS	PART NO.	SIZE	DESCRIPTION
1	Cam Set	FP-1088M		
CYLINDER COMPONENTS				
QTY	CONNECTING RODS & BRGS.	PART NO.	SIZE	DESCRIPTION
6	Rod Pair	FP-3185CP	Std-10-20-30	
6	Rod Pair	3185CP +	Std-10-20-30	When depleted use FP-3185CP
72 H/D Truck K6253, M6253, 39B Eng. 4.1L 253 OHV L6, 3.5" Bore				
CYLINDER COMPONENTS				
QTY	PISTONS	PART NO.	SIZE	DESCRIPTION
6	Pin Bushing	FP-9909X		
6	Pin Bushing	9909X +		When depleted use FP-9909X
73 Multi-Purpose Engines K6253, M6253, 39B Eng. 4.1L 253 OHV L6, 3.5" Bore				
CYLINDER COMPONENTS				
QTY	PISTONS	PART NO.	SIZE	DESCRIPTION
6	Pin Bushing	FP-9909X		
6	Pin Bushing	9909X +		When depleted use FP-9909X
74 H/D Truck H260 Eng. 4.3L 260 OHV L4, 3.875" Bore				
CYL. HEAD & PARTS				
QTY	VALVE	PART NO.	SIZE	DESCRIPTION
16	Keeper	VK-140		
QTY	VALVE SEAT	PART NO.	SIZE	DESCRIPTION
4	Exh.	FP-24516253		1.6305" OD, 1.3125" ID, .2480" Depth
4	Exh.	245-1625-3 +	Std	1.6305" OD, 1.3125" ID, .2480" Depth; When depleted use FP-24516253
4	Int.	FP-24518125N		Non-magenetic material; 1.8175" OD, 1.5000" ID, .2480" Depth
4	Int.	245-1812-5N +	Std	Non-magenetic material; 1.8175" OD, 1.5000" ID, .2480" Depth; When depleted use FP-24518125N
4	Int.	FP-24518125		1.8175" OD, 1.5000" ID, .2480" Depth
4	Int.	245-1812-5 +	Std	1.8175" OD, 1.5000" ID, .2480" Depth; When depleted use FP-24518125
QTY	VALVE GUIDE	PART NO.	SIZE	DESCRIPTION
8	Guide	FP-VG483		.4365" ID, 2.8750" O.A.L.
8	Guide	VG-483 +		.4365" ID, 2.8750" O.A.L.; When depleted use FP-VG483
QTY	VALVE SPRING	PART NO.	SIZE	DESCRIPTION
8	Spring	FP-A30025		
QTY	VALVE SEAL	PART NO.	SIZE	DESCRIPTION
8	Valve Stem Seal	ST-2007		Positive type; Rubber
CYLINDER COMPONENTS				
QTY	PISTONS	PART NO.	SIZE	DESCRIPTION
4	Pin Bushing	FP-1669Y20		
4	Pin Bushing	1669Y20 +		When depleted use FP-1669Y20
QTY	CONNECTING RODS & BRGS.	PART NO.	SIZE	DESCRIPTION
4	Rod Pair	FP-1665SB	Std-10-20	
4	Rod Pair	1665SB +	Std-10-20	When depleted use FP-1665SB
QTY	PISTON RINGS	PART NO.	SIZE	DESCRIPTION
1	Premium Set	FP-919KX	Std Only	3-1/8, 1-1/4
1	Premium Set	919KX +	Std Only	3-1/8, 1-1/4; When depleted use FP-919KX

Industrial Applications H260 Eng. 75
4.3L 260 OHV L4, 3.875" Bore

CYL. HEAD & PARTS				
QTY	VALVE	PART NO.	SIZE	DESCRIPTION
16	Keeper	VK-140		
QTY	VALVE SEAT	PART NO.	SIZE	DESCRIPTION
4	Exh.	FP-24516253		1.6305" OD, 1.3125" ID, .2480" Depth
4	Exh.	245-1625-3 + Std Only		1.6305" OD, 1.3125" ID, .2480" Depth; When depleted use FP-24516253
4	Int.	FP-24518125N		Non-magenetic material; 1.8175" OD, 1.5000" ID, .2480" Depth
4	Int.	245-1812-5N + Std Only		Non-magenetic material; 1.8175" OD, 1.5000" ID, .2480" Depth; When depleted use FP-24518125N
4	Int.	FP-24518125		1.8175" OD, 1.5000" ID, .2480" Depth
4	Int.	245-1812-5 + Std Only		1.8175" OD, 1.5000" ID, .2480" Depth; When depleted use FP-24518125
QTY	VALVE GUIDE	PART NO.	SIZE	DESCRIPTION
8	Guide	FP-VG483		.4365" ID, 2.8750" O.A.L.
8	Guide	VG-483 +		.4365" ID, 2.8750" O.A.L.; When depleted use FP-VG483
QTY	VALVE SPRING	PART NO.	SIZE	DESCRIPTION
8	Spring	FP-A30025		
QTY	VALVE SEAL	PART NO.	SIZE	DESCRIPTION
8	Valve Stem Seal	ST-2007		Positive type; Rubber
CYLINDER COMPONENTS				
QTY	PISTONS	PART NO.	SIZE	DESCRIPTION
4	Pin Bushing	FP-1669Y20		
4	Pin Bushing	1669Y20 +		When depleted use FP-1669Y20
QTY	CONNECTING RODS & BRGS.	PART NO.	SIZE	DESCRIPTION
4	Rod Pair	FP-1665SB	Std-10-20	
4	Rod Pair	1665SB +	Std-10-20	When depleted use FP-1665SB
QTY	PISTON RINGS	PART NO.	SIZE	DESCRIPTION
1	Premium Ring	FP-919KX	Std Only	3-1/8, 1-1/4
1	Premium Set	919KX +	Std Only	3-1/8, 1-1/4; When depleted use FP-919KX

H/D Truck HD260 Eng. 76
4.3L 260 OHV Diesel L4, 3.875" Bore

CYL. HEAD & PARTS				
QTY	VALVE	PART NO.	SIZE	DESCRIPTION
16	Keeper	VK-140		
QTY	VALVE GUIDE	PART NO.	SIZE	DESCRIPTION
8	Guide	FP-VG483		.4365" ID, 2.8750" O.A.L.
8	Guide	VG-483 +		.4365" ID, 2.8750" O.A.L.; When depleted use FP-VG483
QTY	VALVE SPRING	PART NO.	SIZE	DESCRIPTION
8	Spring	FP-A30025		
CYLINDER COMPONENTS				
QTY	PISTONS	PART NO.	SIZE	DESCRIPTION
4	Pin Bushing	FP-1669Y20		
4	Pin Bushing	1669Y20 +		When depleted use FP-1669Y20
QTY	PISTON RINGS	PART NO.	SIZE	DESCRIPTION
1	Premium Set	FP-919KX	Std Only	3-1/8, 1-1/4
1	Premium Set	919KX +	Std Only	3-1/8, 1-1/4; When depleted use FP-919KX

Industrial Applications HD260 Eng. 77
4.3L 260 OHV Diesel L4, 3.875" Bore

CYL. HEAD & PARTS				
QTY	VALVE	PART NO.	SIZE	DESCRIPTION
16	Keeper	VK-140		
QTY	VALVE GUIDE	PART NO.	SIZE	DESCRIPTION
8	Guide	FP-VG483		.4365" ID, 2.8750" O.A.L.
8	Guide	VG-483 +		.4365" ID, 2.8750" O.A.L.; When depleted use FP-VG483
QTY	VALVE SPRING	PART NO.	SIZE	DESCRIPTION
8	Spring	FP-A30025		

(continued on next page)

Continental

77 Industrial Applications HD260 Eng. (cont.) 4.3L 260 OHV Diesel L4, 3.875" Bore

CYLINDER COMPONENTS

QTY	PISTONS	PART NO.	SIZE	DESCRIPTION
4	Pin Bushing	FP-1669Y20		
4	Pin Bushing	1669Y20 +		When depleted use FP-1669Y20
QTY	PISTON RINGS	PART NO.	SIZE	DESCRIPTION
1	Premium Set	FP-919KX	Std Only	3-1/8, 1-1/4
1	Premium Set	919KX +	Std Only	3-1/8, 1-1/4; When depleted use FP-919KX

78 H/D Truck K271, K6271, M271, M6271, PM271 Engs. 4.4L 270.9 OHV L6, 3.625" Bore

CYL. HEAD & PARTS

QTY	VALVE SEAT	PART NO.	SIZE	DESCRIPTION
6	Exh.	245-1687-7	Std Only	1.6925" OD, 1.3750" ID, .2480" Depth
6	Int.	245-2000-6	Std Only	2.0000" OD, 1.6250" ID, .2812" Depth
QTY	VALVE SPRING	PART NO.	SIZE	DESCRIPTION
12	Spring	FP-A30025		

CYLINDER COMPONENTS

QTY	LINERS	PART NO.	SIZE	DESCRIPTION
1	Repair Sleeve	SL-17M	Std Only	3/32" wall, must be cut to correct length & notched
QTY	PISTONS	PART NO.	SIZE	DESCRIPTION
6	Pin Bushing	FP-9909X		
6	Pin Bushing	9909X +		When depleted use FP-9909X

79 Industrial Applications K271, M271 Engs. 4.4L 270.9 OHV L6, 3.625" Bore

CYL. HEAD & PARTS

QTY	VALVE SEAT	PART NO.	SIZE	DESCRIPTION
6	Exh.	245-1687-7	Std Only	1.6925" OD, 1.3750" ID, .2480" Depth
6	Int.	245-2000-6	Std Only	2.0000" OD, 1.6250" ID, .2812" Depth
QTY	VALVE SPRING	PART NO.	SIZE	DESCRIPTION
12	Spring	FP-A30025		

CYLINDER COMPONENTS

QTY	LINERS	PART NO.	SIZE	DESCRIPTION
1	Repair Sleeve	SL-17M	Std Only	3/32" wall, must be cut to correct length & notched
QTY	PISTONS	PART NO.	SIZE	DESCRIPTION
6	Pin Bushing	FP-9909X		
6	Pin Bushing	9909X +		When depleted use FP-9909X

80 Power Unit PM271 Eng. Industrial Applications M271 Eng. Multi-Purpose Engines M6271 Eng. 4.4L 270.9 L-HEAD L6, 3.625" Bore

CYL. HEAD & PARTS

QTY	VALVE SEAT	PART NO.	SIZE	DESCRIPTION
6	Exh.	245-1687-7	Std Only	1.6925" OD, 1.3750" ID, .2480" Depth
6	Int.	245-2000-6	Std Only	2.0000" OD, 1.6250" ID, .2812" Depth
QTY	VALVE SPRING	PART NO.	SIZE	DESCRIPTION
12	Spring	FP-A30025		

CYLINDER COMPONENTS

QTY	LINERS	PART NO.	SIZE	DESCRIPTION
1	Repair Sleeve	SL-17M	Std Only	3/32" wall, must be cut to correct length & notched
QTY	PISTONS	PART NO.	SIZE	DESCRIPTION
6	Pin Bushing	FP-9909X		
6	Pin Bushing	9909X +		When depleted use FP-9909X

81 H/D Truck H277 Eng. 4.5L 277 OHV L4, 4" Bore

CYL. HEAD & PARTS

QTY	VALVE	PART NO.	SIZE	DESCRIPTION
16	Keeper	VK-140		

(continued on next page)

H/D Truck H277 Eng. 81
4.5L 277 OHV L4, 4" Bore (cont.)

CYL. HEAD & PARTS (cont.)

QTY	VALVE SEAT	PART NO.	SIZE	DESCRIPTION
4	Exh.	FP-24516253		1.6305" OD, 1.3125" ID, .2480" Depth
4	Exh.	245-1625-3 + Std Only		1.6305" OD, 1.3125" ID, .2480" Depth; When depleted use FP-24516253
4	Int.	FP-24518125N		Non-magenetic material; 1.8175" OD, 1.5000" ID, .2480" Depth
4	Int.	245-1812-5N + Std Only		Non-magenetic material; 1.8175" OD, 1.5000" ID, .2480" Depth; When depleted use FP-24518125N
4	Int.	FP-24518125		1.8175" OD, 1.5000" ID, .2480" Depth
4	Int.	245-1812-5 + Std Only		1.8175" OD, 1.5000" ID, .2480" Depth; When depleted use FP-24518125
QTY	VALVE GUIDE	PART NO.	SIZE	DESCRIPTION
8	Guide	FP-VG483		.4365" ID, 2.8750" O.A.L.
8	Guide	VG-483 +		.4365" ID, 2.8750" O.A.L.; When depleted use FP-VG483
QTY	VALVE SPRING	PART NO.	SIZE	DESCRIPTION
8	Spring	FP-A30025		
QTY	VALVE SEAL	PART NO.	SIZE	DESCRIPTION
8	Valve Stem Seal	ST-2007		Positive type; Rubber
CYLINDER COMPONENTS				
QTY	PISTONS	PART NO.	SIZE	DESCRIPTION
4	Pin Bushing	FP-1669Y20		
4	Pin Bushing	1669Y20 +		When depleted use FP-1669Y20
QTY	CONNECTING RODS & BRGS.	PART NO.	SIZE	DESCRIPTION
4	Rod Pair	FP-1665SB	<i>Std-10-20</i>	
4	Rod Pair	1665SB + Std-10-20		When depleted use FP-1665SB

Industrial Applications H277 Eng. 82
4.5L 277 OHV L4, 4" Bore

CYL. HEAD & PARTS

QTY	VALVE	PART NO.	SIZE	DESCRIPTION
16	Keeper	VK-140		
QTY	VALVE SEAT	PART NO.	SIZE	DESCRIPTION
4	Exh.	FP-24516253		1.6305" OD, 1.3125" ID, .2480" Depth
4	Exh.	245-1625-3 + Std Only		1.6305" OD, 1.3125" ID, .2480" Depth; When depleted use FP-24516253
4	Int.	FP-24518125N		Non-magenetic material; 1.8175" OD, 1.5000" ID, .2480" Depth
4	Int.	245-1812-5N + Std Only		Non-magenetic material; 1.8175" OD, 1.5000" ID, .2480" Depth; When depleted use FP-24518125N
4	Int.	FP-24518125		1.8175" OD, 1.5000" ID, .2480" Depth
4	Int.	245-1812-5 + Std Only		1.8175" OD, 1.5000" ID, .2480" Depth; When depleted use FP-24518125
QTY	VALVE GUIDE	PART NO.	SIZE	DESCRIPTION
8	Guide	FP-VG483		.4365" ID, 2.8750" O.A.L.
8	Guide	VG-483 +		.4365" ID, 2.8750" O.A.L.; When depleted use FP-VG483
QTY	VALVE SPRING	PART NO.	SIZE	DESCRIPTION
8	Spring	FP-A30025		
QTY	VALVE SEAL	PART NO.	SIZE	DESCRIPTION
8	Valve Stem Seal	ST-2007		Positive type; Rubber
CYLINDER COMPONENTS				
QTY	PISTONS	PART NO.	SIZE	DESCRIPTION
4	Pin Bushing	FP-1669Y20		
4	Pin Bushing	1669Y20 +		When depleted use FP-1669Y20
QTY	CONNECTING RODS & BRGS.	PART NO.	SIZE	DESCRIPTION
4	Rod Pair	FP-1665SB	<i>Std-10-20</i>	
4	Rod Pair	1665SB + Std-10-20		When depleted use FP-1665SB

H/D Truck HD277 Eng. 83
4.5L 277 OHV Diesel L4, 4" Bore

CYL. HEAD & PARTS

QTY	VALVE	PART NO.	SIZE	DESCRIPTION
16	Keeper	VK-140		

(continued on next page)

Continental

83 H/D Truck HD277 Eng. (cont.) 4.5L 277 OHV Diesel L4, 4" Bore				
CYL. HEAD & PARTS (cont.)				
QTY	VALVE GUIDE	PART NO.	SIZE	DESCRIPTION
8	Guide	FP-VG483		.4365" ID, 2.8750" O.A.L.
8	Guide	VG-483 +		.4365" ID, 2.8750" O.A.L.; When depleted use FP-VG483
QTY	VALVE SPRING	PART NO.	SIZE	DESCRIPTION
8	Spring	FP-A30025		
CYLINDER COMPONENTS				
QTY	PISTONS	PART NO.	SIZE	DESCRIPTION
4	Pin Bushing	FP-1669Y20		
4	Pin Bushing	1669Y20 +		When depleted use FP-1669Y20
84 Industrial Applications HD277 Eng. 4.5L 277 OHV Diesel L4, 4" Bore				
CYL. HEAD & PARTS				
QTY	VALVE	PART NO.	SIZE	DESCRIPTION
16	Keeper	VK-140		
QTY	VALVE GUIDE	PART NO.	SIZE	DESCRIPTION
8	Guide	FP-VG483		.4365" ID, 2.8750" O.A.L.
8	Guide	VG-483 +		.4365" ID, 2.8750" O.A.L.; When depleted use FP-VG483
QTY	VALVE SPRING	PART NO.	SIZE	DESCRIPTION
8	Spring	FP-A30025		
CYLINDER COMPONENTS				
QTY	PISTONS	PART NO.	SIZE	DESCRIPTION
4	Pin Bushing	FP-1669Y20		
4	Pin Bushing	1669Y20 +		When depleted use FP-1669Y20
85 H/D Truck K290, K6290, M290, M6290, PM290, 38B Eng. 4.7L 289.9 OHV L6, 3.75" Bore				
CYL. HEAD & PARTS				
QTY	VALVE SEAT	PART NO.	SIZE	DESCRIPTION
6	Exh.	245-1687-7 Std Only		1.6925" OD, 1.3750" ID, .2480" Depth
6	Int.	245-2000-6 Std Only		2.0000" OD, 1.6250" ID, .2812" Depth
QTY	VALVE SPRING	PART NO.	SIZE	DESCRIPTION
12	Spring	FP-A30025		
CYLINDER COMPONENTS				
QTY	LINERS	PART NO.	SIZE	DESCRIPTION
1	Repair Sleeve	SL-19M Std Only		3/32" wall, must be cut to correct length
QTY	PISTONS	PART NO.	SIZE	DESCRIPTION
6	Pin Bushing	FP-9909X		
6	Pin Bushing	9909X +		When depleted use FP-9909X
QTY	PISTON RINGS	PART NO.	SIZE	DESCRIPTION
1	Premium Set	FP-645KX	Std Only	3-1/8, 1-3/16
1	Premium Set	645KX +	Std Only	3-1/8, 1-3/16; When depleted use FP-645KX
6	Premium Single Cylinder Set	W-645KX	Std Only	3-1/8, 1-3/16
86 Power Unit PM290 Eng. Industrial Applications K290, M290 Eng. Multi-Purpose Engines K6290, M6290, 38B Eng. 4.7L 289.9 OHV L6, 3.75" Bore				
CYL. HEAD & PARTS				
QTY	VALVE SEAT	PART NO.	SIZE	DESCRIPTION
6	Exh.	245-1687-7 Std Only		1.6925" OD, 1.3750" ID, .2480" Depth
QTY	VALVE SPRING	PART NO.	SIZE	DESCRIPTION
12	Spring	FP-A30025		
CYLINDER COMPONENTS				
QTY	LINERS	PART NO.	SIZE	DESCRIPTION
1	Repair Sleeve	SL-19M Std Only		3/32" wall, must be cut to correct length
QTY	PISTONS	PART NO.	SIZE	DESCRIPTION
6	Pin Bushing	FP-9909X		
6	Pin Bushing	9909X +		When depleted use FP-9909X

(continued on next page)

Power Unit PM290 Eng. Industrial Applications K290, M290 Engs. Multi-Purpose Engines **86**
K6290, M6290, 38B Engs. (cont.)
 4.7L 289.9 OHV L6, 3.75" Bore

CYLINDER COMPONENTS (cont.)

QTY	PISTON RINGS	PART NO.	SIZE	DESCRIPTION
1	Premium Set	FP-645KX	<i>Std Only</i>	3-1/8, 1-3/16
1	Premium Set	645KX +	<i>Std Only</i>	3-1/8, 1-3/16; When depleted use FP-645KX
6	Premium Single Cylinder Set	W-645KX	<i>Std Only</i>	3-1/8, 1-3/16

H/D Truck K330, K6330, M330, M6330, PM330, 40B Engs. **87**
 5.4L 329.9 OHV L6, 4" Bore

CYL. HEAD & PARTS

QTY	VALVE SEAT	PART NO.	SIZE	DESCRIPTION
6	Exh.	245-1687-7	<i>Std Only</i>	1.693" OD; M330, PM330, M6330, 40B Engs.; 1.6925" OD, 1.3750" ID, .2480" Depth
6	Int.	245-2000-6	<i>Std Only</i>	M330, PM330, M6330, 40B Engs.; 2.0000" OD, 1.6250" ID, .2812" Depth
QTY	VALVE SPRING	PART NO.	SIZE	DESCRIPTION
12	Spring	FP-A30025		M330, PM330, M6330, 40B Engs.

CYLINDER COMPONENTS

QTY	LINERS	PART NO.	SIZE	DESCRIPTION
1	Repair Sleeve	SL-22Y	<i>Std Only</i>	M330, PM330, M6330, 40B Engs.; 1/8" wall, must be cut to correct length; O.A.L. 10.250"
1	Repair Sleeve	SL-22M	<i>Std Only</i>	M330, PM330, M6330, 40B Engs.; 3/32" wall, must be cut to correct length; O.A.L. 10.250"
QTY	PISTONS	PART NO.	SIZE	DESCRIPTION
6	Pin Bushing	FP-9909X		When depleted use FP-9909X
6	Pin Bushing	9909X +		

Industrial Applications K330, M330 Engs. Multi-Purpose Engines K6330, M6330, 40B Engs. **88**
 5.4L 329.9 OHV L6, 4" Bore

CYL. HEAD & PARTS

QTY	VALVE SEAT	PART NO.	SIZE	DESCRIPTION
6	Exh.	245-1687-7	<i>Std Only</i>	1.693" OD; M330, PM330, M6330, 40B Engs.; 1.6925" OD, 1.3750" ID, .2480" Depth
6	Int.	245-2000-6	<i>Std Only</i>	M330, PM330, M6330, 40B Engs.; 2.0000" OD, 1.6250" ID, .2812" Depth
QTY	VALVE SPRING	PART NO.	SIZE	DESCRIPTION
12	Spring	FP-A30025		M330, PM330, M6330, 40B Engs.

CYLINDER COMPONENTS

QTY	LINERS	PART NO.	SIZE	DESCRIPTION
1	Repair Sleeve	SL-22Y	<i>Std Only</i>	M330, PM330, M6330, 40B Engs.; 1/8" wall, must be cut to correct length; O.A.L. 10.250"
1	Repair Sleeve	SL-22M	<i>Std Only</i>	M330, PM330, M6330, 40B Engs.; 3/32" wall, must be cut to correct length; O.A.L. 10.250"
QTY	PISTONS	PART NO.	SIZE	DESCRIPTION
6	Pin Bushing	FP-9909X		When depleted use FP-9909X
6	Pin Bushing	9909X +		

Power Unit PM330 Engs. Industrial Applications M330 Eng. Multi-Purpose Engines M6330, 40B Engs. **89**
 5.4L 329.9 L-HEAD L6, 4" Bore

CYL. HEAD & PARTS

QTY	VALVE SEAT	PART NO.	SIZE	DESCRIPTION
6	Exh.	245-1687-7	<i>Std Only</i>	1.693" OD; M330, PM330, M6330, 40B Engs.; 1.6925" OD, 1.3750" ID, .2480" Depth
6	Int.	245-2000-6	<i>Std Only</i>	M330, PM330, M6330, 40B Engs.; 2.0000" OD, 1.6250" ID, .2812" Depth
QTY	VALVE SPRING	PART NO.	SIZE	DESCRIPTION
12	Spring	FP-A30025		M330, PM330, M6330, 40B Engs.

CYLINDER COMPONENTS

QTY	LINERS	PART NO.	SIZE	DESCRIPTION
1	Repair Sleeve	SL-22Y	<i>Std Only</i>	M330, PM330, M6330, 40B Engs.; 1/8" wall, must be cut to correct length; O.A.L. 10.250"

(continued on next page)

Continental

89 Power Unit PM330 Engs. Industrial Applications M330 Eng. Multi-Purpose Engines M6330, (cont.) 40B Engs.
5.4L 329.9 L-HEAD L6, 4" Bore

CYLINDER COMPONENTS (cont.)

QTY	LINERS (cont.)	PART NO.	SIZE	DESCRIPTION
1	Repair Sleeve	SL-22M	Std Only	M330, PM330, M6330, 40B Engs.; 3/32" wall, must be cut to correct length; O.A.L. 10.250"
6	Pin Bushing	FP-9909X		
6	Pin Bushing	9909X +		When depleted use FP-9909X

90 H/D Truck K363, K6363, M363, M6363 Engs.
5.9L 363 OHV L6, 4" Bore

CYL. HEAD & PARTS

QTY	VALVE SEAT	PART NO.	SIZE	DESCRIPTION
6	Exh.	245-1687-7	Std Only	1.6925" OD, 1.3750" ID, .2480" Depth
6	Int.	245-2000-6	Std Only	2.0000" OD, 1.6250" ID, .2812" Depth
12	VALVE SPRING	FP-A30025		
	Spring			

CYLINDER COMPONENTS

QTY	PISTONS	PART NO.	SIZE	DESCRIPTION
6	Pin Bushing	FP-9909X		
6	Pin Bushing	9909X +		When depleted use FP-9909X

91 Industrial Applications K363, M363 engs. Multi-Purpose Engines K6363, M6363 Engs.
5.9L 363 OHV L6, 4" Bore

CYL. HEAD & PARTS

QTY	VALVE SEAT	PART NO.	SIZE	DESCRIPTION
6	Exh.	245-1687-7	Std Only	1.6925" OD, 1.3750" ID, .2480" Depth
6	Int.	245-2000-6	Std Only	2.0000" OD, 1.6250" ID, .2812" Depth
12	VALVE SPRING	FP-A30025		
	Spring			

CYLINDER COMPONENTS

QTY	PISTONS	PART NO.	SIZE	DESCRIPTION
6	Pin Bushing	FP-9909X		
6	Pin Bushing	9909X +		When depleted use FP-9909X

92 Industrial Applications M363 Eng.
5.9L 363 L-HEAD L6, 4" Bore

CYL. HEAD & PARTS

QTY	VALVE SEAT	PART NO.	SIZE	DESCRIPTION
6	Exh.	245-1687-7	Std Only	1.6925" OD, 1.3750" ID, .2480" Depth
6	Int.	245-2000-6	Std Only	2.0000" OD, 1.6250" ID, .2812" Depth
12	VALVE SPRING	FP-A30025		
	Spring			

CYLINDER COMPONENTS

QTY	PISTONS	PART NO.	SIZE	DESCRIPTION
6	Pin Bushing	FP-9909X		
6	Pin Bushing	9909X +		When depleted use FP-9909X

93 H/D Truck B371, B6371, PB371, 41B Engs.
6.1L 371 OHV L6, 4.125" Bore

CYLINDER COMPONENTS

QTY	CONNECTING RODS & BRGS.	PART NO.	SIZE	DESCRIPTION
6	Rod Pair	FP-1215CPA	Std Only	
6	Rod Pair	1215CPA +	Std Only	When depleted use FP-1215CPA

Industrial Applications **B371 Eng. Multi-Purpose Engines B6371, 41B Engs. 94**
6.1L 371 OHV L6, 4.125" Bore

CYL. HEAD & PARTS

QTY	VALVE SEAT	PART NO.	SIZE	DESCRIPTION
6	Exh.	245-1875-0	Std Only	1.8750" OD, 1.5000" ID, .3750" Depth

CYLINDER COMPONENTS

QTY	CONNECTING RODS & BRGS.	PART NO.	SIZE	DESCRIPTION
6	Rod Pair	FP-1215CPA	Std Only	
6	Rod Pair	1215CPA +	Std Only	When depleted use FP-1215CPA

H/D Truck **95**
6.5L 396 OHV L6, 4.375" Bore

CYLINDER COMPONENTS

QTY	PISTONS	PART NO.	SIZE	DESCRIPTION
6	Pin Bushing	FP-9909X		
6	Pin Bushing	9909X +		When depleted use FP-9909X

Industrial Applications **96**
6.5L 396 OHV L6, 4.375" Bore

CYLINDER COMPONENTS

QTY	PISTONS	PART NO.	SIZE	DESCRIPTION
6	Pin Bushing	FP-9909X		
6	Pin Bushing	9909X +		When depleted use FP-9909X

H/D Truck **B405, B6405, PB405, 42B Engs. 97**
6.6L 405.3 L-HEAD L6, 4.3125" Bore

CYL. HEAD & PARTS

QTY	VALVE	PART NO.	SIZE	DESCRIPTION
12	Keeper	VK-140		

QTY	VALVE SEAT	PART NO.	SIZE	DESCRIPTION
6	Exh.	245-1875-0	Std Only	1.8750" OD, 1.5000" ID, .3750" Depth

QTY	VALVE SPRING	PART NO.	SIZE	DESCRIPTION
12	Spring	FP-A30025		Outer

CYLINDER COMPONENTS

QTY	CONNECTING RODS & BRGS.	PART NO.	SIZE	DESCRIPTION
6	Rod Pair	FP-1215CPA	Std Only	
6	Rod Pair	1215CPA +	Std Only	When depleted use FP-1215CPA

Industrial Applications **B405 Eng. Multi-Purpose Engines B6405 Eng. 98**
6.6L 405.3 L-HEAD L6, 4.3125" Bore

CYL. HEAD & PARTS

QTY	VALVE	PART NO.	SIZE	DESCRIPTION
12	Keeper	VK-140		

QTY	VALVE SEAT	PART NO.	SIZE	DESCRIPTION
6	Exh.	245-1875-0	Std Only	1.8750" OD, 1.5000" ID, .3750" Depth

QTY	VALVE SPRING	PART NO.	SIZE	DESCRIPTION
12	Spring	FP-A30025		Outer

CYLINDER COMPONENTS

QTY	CONNECTING RODS & BRGS.	PART NO.	SIZE	DESCRIPTION
6	Rod Pair	FP-1215CPA	Std Only	
6	Rod Pair	1215CPA +	Std Only	When depleted use FP-1215CPA

H/D Truck **B427, B6427, PB427, 42BX Engs. 99**
7.0L 427.3 OHV L6, 4.3125" Bore

CYL. HEAD & PARTS

QTY	VALVE	PART NO.	SIZE	DESCRIPTION
12	Keeper	VK-140		

QTY	VALVE SEAT	PART NO.	SIZE	DESCRIPTION
6	Exh.	245-1875-0	Std Only	1.8750" OD, 1.5000" ID, .3750" Depth

(continued on next page)

Continental

99 H/D Truck B427, B6427, PB427, 42BX Engs. (cont.) 7.0L 427.3 OHV L6, 4.3125" Bore				
CYL. HEAD & PARTS (cont.)				
QTY	VALVE SPRING	PART NO.	SIZE	DESCRIPTION
12	Spring	FP-A30025		Outer
CYLINDER COMPONENTS				
QTY	CONNECTING RODS & BRGS.	PART NO.	SIZE	DESCRIPTION
6	Rod Pair	FP-1215CPA	Std Only	
6	Rod Pair	1215CPA +	Std Only	When depleted use FP-1215CPA
100 Industrial Applications B427 Eng. Multi-Purpose Engines B6427, 42BX Engs. 7.0L 427.3 OHV L6, 4.3125" Bore				
CYL. HEAD & PARTS				
QTY	VALVE	PART NO.	SIZE	DESCRIPTION
12	Keeper	VK-140		
QTY	VALVE SEAT	PART NO.	SIZE	DESCRIPTION
6	Exh.	245-1875-0	Std Only	1.8750" OD, 1.5000" ID, .3750" Depth
QTY	VALVE SPRING	PART NO.	SIZE	DESCRIPTION
12	Spring	FP-A30025		Outer
CYLINDER COMPONENTS				
QTY	CONNECTING RODS & BRGS.	PART NO.	SIZE	DESCRIPTION
6	Rod Pair	FP-1215CPA	Std Only	
6	Rod Pair	1215CPA +	Std Only	When depleted use FP-1215CPA
101 H/D Truck TD427, TD6427 Engs. 7.0L 427.3 OHV Diesel L6, 4.3125" Bore				
CYLINDER COMPONENTS				
QTY	CONNECTING RODS & BRGS.	PART NO.	SIZE	DESCRIPTION
6	Rod Pair	FP-1215CPA	Std Only	
6	Rod Pair	1215CPA +	Std Only	When depleted use FP-1215CPA
102 H/D Truck L478, L6478, LD465-1, LD478, LDS427-2, LDS465-1, LDS478 Engs. 7.8L 478 OHV L6, 4.5625" Bore				
CRANKSHAFT/OIL PUMP				
QTY	MAIN BEARINGS	PART NO.	SIZE	DESCRIPTION
1	Main Set	FP-4910M	Std-10	
CYLINDER COMPONENTS				
QTY	CONNECTING RODS & BRGS.	PART NO.	SIZE	DESCRIPTION
6	Rod Pair	FP-3355CP	Std-10	
6	Rod Pair	3355CP +	Std-10	When depleted use FP-3355CP
103 Industrial Applications L478, L6478, LD465-1, LD478, LDS427-2, LDS465-1, LDS478 Engs. 7.8L 478 OHV L6, 4.5625" Bore				
CRANKSHAFT/OIL PUMP				
QTY	MAIN BEARINGS	PART NO.	SIZE	DESCRIPTION
1	Main Set	FP-4910M	Std-10	
CYLINDER COMPONENTS				
QTY	CONNECTING RODS & BRGS.	PART NO.	SIZE	DESCRIPTION
6	Rod Pair	FP-3355CP	Std-10	
6	Rod Pair	3355CP +	Std-10	When depleted use FP-3355CP
104 Industrial Applications R513 Eng. Multi-Purpose Engines R6513 Eng. 8.4L 513 OHV L6, 4.5" Bore				
CYL. HEAD & PARTS				
QTY	VALVE	PART NO.	SIZE	DESCRIPTION
24	Keeper	VK-140		

(continued on next page)

Industrial Applications R513 Eng. Multi-Purpose Engines R6513 Eng. 104
8.4L 513 OHV L6, 4.5" Bore (cont.)

CYLINDER COMPONENTS

QTY	LINERS	PART NO.	SIZE	DESCRIPTION
6	Repair Sleeve	FP-SL26Y	<i>Std Only</i>	1/8" wall, must be cut to correct length
6	Repair Sleeve	SL-26Y +	<i>Std Only</i>	1/8" wall, must be cut to correct length; When depleted use FP-SL26Y
6	Repair Sleeve	FP-SL26M	<i>Std Only</i>	3/32" wall, must be cut to correct length

Industrial Applications R572 Eng. Multi-Purpose Engines R6572, 48B Eng. 105
9.4L 572 OHV L6, 4.75" Bore

CYL. HEAD & PARTS

QTY	VALVE	PART NO.	SIZE	DESCRIPTION
24	Keeper	VK-140		

CYLINDER COMPONENTS

QTY	LINERS	PART NO.	SIZE	DESCRIPTION
6	Repair Sleeve	FP-SL27Y	<i>Std Only</i>	1/8" wall, must be cut to correct length
6	Repair Sleeve	SL-27Y +	<i>Std Only</i>	1/8" wall, must be cut to correct length; When depleted use FP-SL27Y

Industrial Applications E602, R602 Eng. Multi-Purpose Engines R6602 Eng. 106
9.9L 602 OHV L6, 4.875" Bore

CYL. HEAD & PARTS

QTY	VALVE	PART NO.	SIZE	DESCRIPTION
24	Keeper	VK-140		

Cummins - Refer to CA0030 Catalog David Brown

Engine Finding Index

Engine	Years	Line No.	Engine	Years	Line No.
1.3L 1262cc (77) OHV Diesel L2 3.5" Bore.....	1948-54	1	3.0L 3045cc (186) OHV Diesel L4 3.625" Bore.....	1961-71	4
2.5L 2523cc (154) OHV Diesel L4 3.5" Bore.....	1948-60	2			
2.7L 2706cc (165) OHV Diesel L4 3.625" Bore.....	1955-60	3			

Engine Code Index

Engine Code	Engine Description	Line No.	Engine Code	Engine Description	Line No.
20 ... Wheel Tractor.....	1.3L 1262cc (77) OHV Diesel L2 3.5" Bore.....	1	950 ... Wheel Tractor.....	2.7L 2706cc (165) OHV Diesel L4 3.625" Bore.....	3
850AD4/36 ... Wheel Tractor.....	2.5L 2523cc (154) OHV Diesel L4 3.5" Bore.....	2	990 ... Wheel Tractor.....	3.0L 3045cc (186) OHV Diesel L4 3.625" Bore.....	4
900 ... Wheel Tractor.....	2.7L 2706cc (165) OHV Diesel L4 3.625" Bore.....	3			

Model Index

Model	Engine Description	Line No.	Model	Engine Description	Line No.
Cropmaster ... Wheel Tractor.....	2.5L 2523cc (154) OHV Diesel L4 3.5" Bore.....	2	51-65 Series ... Wheel Tractor.....	2.7L 2706cc (165) OHV Diesel L4 3.625" Bore.....	3
Series 250 ... Wheel Tractor..	1.3L 1262cc (77) OHV Diesel L2 3.5" Bore.....	1	51-65 Series ... Wheel Tractor.....	3.0L 3045cc (186) OHV Diesel L4 3.625" Bore.....	4
Series 250 ... Wheel Tractor..	2.5L 2523cc (154) OHV Diesel L4 3.5" Bore.....	2			
30D ... Wheel Tractor	3.0L 3045cc (186) OHV Diesel L4 3.625" Bore.....	4			

David Brown

1 Wheel Tractor AD2/36 Eng.
1.3L 1262cc (77) OHV Diesel L2, 3.5" Bore 1948-54

CYLINDER COMPONENTS

QTY	PISTON RINGS	YEARS	PART NO.	SIZE	DESCRIPTION
1	Premium Set	54-48	FP-5835KX	<i>Std Only</i>	3-3/32, 1-3/16 (2 cyl. set)
1	Premium Set	54-48	5835KX +	<i>Std Only</i>	3-3/32, 1-3/16 (2 cyl. set); When depleted use FP-5835KX
2	Premium Single Cylinder Set	54-48	W-5835KX	<i>Std Only</i>	3-3/32, 1-3/16 (1 cyl. set)

2 Wheel Tractor AD4/36 Eng.
2.5L 2523cc (154) OHV Diesel L4, 3.5" Bore 1948-60

CYLINDER COMPONENTS

QTY	PISTON RINGS	YEARS	PART NO.	SIZE	DESCRIPTION
1	Premium Set	60-55	FP-934KX	<i>Std-20-30-60</i>	3-1/8, 1-3/16
1	Premium Set	60-55	934KX +	<i>Std-20-30-60</i>	3-1/8, 1-3/16; When depleted use FP-934KX
2	Premium Set	54-48	FP-5835KX	<i>Std Only</i>	3-3/32, 1-3/16 (2 cyl. set)
2	Premium Set	54-48	5835KX +	<i>Std Only</i>	3-3/32, 1-3/16 (2 cyl. set); When depleted use FP-5835KX
1	Standard Set	60-55	FP-934X	<i>Std Only</i>	3-1/8, 1-3/16
1	Standard Set	60-55	934X +	<i>Std Only</i>	3-1/8, 1-3/16; When depleted use FP-934X
4	Premium Single Cylinder Set	60-55	W-934KX	<i>Std Only</i>	3-1/8, 1-3/16
4	Premium Single Cylinder Set	54-48	W-5835KX	<i>Std Only</i>	3-3/32, 1-3/16 (1 cyl. set)
4	Standard Single Cylinder Set	60-55	W-934X	<i>Std Only</i>	3-1/8, 1-3/16

3 Wheel Tractor AD4/45 Eng.
2.7L 2706cc (165) OHV Diesel L4, 3.625" Bore 1955-60

CYLINDER COMPONENTS

QTY	PISTON RINGS	YEARS	PART NO.	SIZE	DESCRIPTION
1	Premium Set	60-55	FP-5504KX	<i>Std Only</i>	3-3/32, 1-3/16
1	Premium Set	60-55	5504KX +	<i>Std Only</i>	3-3/32, 1-3/16; When depleted use FP-5504KX
1	Standard Set	60-55	FP-5504X	<i>Std Only</i>	3-3/32, 1-3/16
1	Standard Set	60-55	5504X +	<i>Std Only</i>	3-3/32, 1-3/16; When depleted use FP-5504X
4	Premium Single Cylinder Set	60-55	W-5504KX	<i>Std Only</i>	3-3/32, 1-3/16

4 Wheel Tractor AD4/47 Eng.
3.0L 3045cc (186) OHV Diesel L4, 3.625" Bore 1961-71

CYLINDER COMPONENTS

QTY	PISTON RINGS	YEARS	PART NO.	SIZE	DESCRIPTION
1	Premium Set	71-61	FP-5504KX	<i>Std Only</i>	3-3/32, 1-3/16
1	Premium Set	71-61	5504KX +	<i>Std Only</i>	3-3/32, 1-3/16; When depleted use FP-5504KX
1	Standard Set	71-61	FP-5504X	<i>Std Only</i>	3-3/32, 1-3/16
1	Standard Set	71-61	5504X +	<i>Std Only</i>	3-3/32, 1-3/16; When depleted use FP-5504X
4	Premium Single Cylinder Set	71-61	W-5504KX	<i>Std Only</i>	3-3/32, 1-3/16

Detroit Diesel - Refer to CA0040 & CA0045 Catalogs

Deutz-Allis - See KHD

Dodge Truck - L/D - Refer to SP1501 & SP1502 Catalogs

Dodge Truck - M/D & H/D

Engine Finding Index					
Engine	Years	Line No.	Engine	Years	Line No.
2.8L 170 OHV L6 3.4063" Bore M/D Truck	1961	1	6.7L 413 OHV V8 4.1875" Bore M/D Truck.....	1960-77	11
3.7L 225 OHV L6 3.4063" Bore M/D Truck	1961-74	2	6.7L 413 OHV V8 4.1875" Bore H/D Truck	1960-77	11
3.8L 230 L-HEAD L6 3.25" Bore (Dodge) M/D Truck.....	1957-60	3	7.2L 440 OHV V8 4.32" Bore M/D Truck.....	1974-79	12
4.1L 251 L-HEAD L6 3.4375" Bore (Chrysler) M/D Truck.....	1942-63	4	7.3L 446 OHV V8 4.125" Bore (16 Valve) (International Eng.) M/D Truck.....	1979-80	13
4.3L 265 L-HEAD L6 3.4375" Bore (Chrysler) M/D Truck.....	1955-60	5	7.7L 470 OHV Diesel V8 4.625" Bore (Cummins Eng.) M/D Truck.....	1969	14
5.2L 318 OHV V8 3.9063" Bore M/D Truck.....	1959-89	6	7.7L 470 OHV Diesel V8 4.625" Bore (Cummins Eng.) H/D Truck	1969-71	14
5.8L 354 OHV Turbo-Diesel L6 3.875" Bore (12 Valve) (Perkins Eng.) M/D Truck	1964-67	7	7.8L 478 OHV V8 4.5" Bore (16 Valve) (International Eng.) H/D Truck	1969-77	15
5.9L 360 OHV V8 4" Bore M/D Truck.....	1972-89	8	8.3L 504 OHV Diesel V8 4.625" Bore (Cummins Eng.) H/D Truck	1971-73	16
5.9L 361 OHV V8 4.125" Bore M/D Truck.....	1960-77	9	8.5L 522 OHV Diesel V8 4.5" Bore (Caterpillar Eng.) M/D Truck.....	1975	17
5.9L 361 OHV V8 4.125" Bore H/D Truck	1960-77	9			
6.6L 400 OHV V8 4.342" Bore M/D Truck.....	1977-78	10			

(continued on next page)
+ Superseded Part Number

Dodge Truck - M/D & H/D

Engine Finding Index					
Engine	Years	Line No.	Engine	Years	Line No.
9.0L 549 OHV V8 4.5" Bore (16 Valve) (International Eng.) H/D Truck.....	1969-77	18	14.0L 855 OHV Diesel L6 5.5" Bore (Cummins Eng.) M/D Truck.....	1975	24
9.1L 555 OHV Diesel V8 4.625" Bore (Cummins Eng.) H/D Truck.....	1973	19	14.0L 855 OHV Diesel L6 5.5" Bore (Cummins Eng.) H/D Truck.....	1969-75	25
9.1L 555 OHV Turbo-Diesel V8 4.625" Bore (Cummins Eng.) M/D Truck.....	1975	20	14.0L 855 OHV Turbo-Diesel L6 5.5" Bore (Cummins Eng.) M/D Truck.....	1975	26
9.3L 568 OHV Diesel V8 4.25" Bore (Detroit Diesel Eng.) H/D Truck.....	1969-71	21	15.2L 927 OHV Diesel L6 5.5" Bore (Cummins Eng.) H/D Truck.....	1974-75	27
11.0L 672 OHV Diesel L6 4.875" Bore (Cummins Eng.) H/D Truck.....	1967-75	22			
12.2L 743 OHV Diesel L6 5.125" Bore (Cummins Eng.) H/D Truck.....	1967-68	23			

Engine Code Index					
Engine Code	Engine Description	Line No.	Engine Code	Engine Description	Line No.
MV446.....	7.3L 446 OHV V8 4.125" Bore (16 Valve) (International Eng.) M/D Truck.....	13	V549.....	9.0L 549 OHV V8 4.5" Bore (16 Valve) (International Eng.) H/D Truck.....	18
NHC250.....	14.0L 855 OHV Diesel L6 5.5" Bore (Cummins Eng.) M/D Truck.....	24	V555.....	9.1L 555 OHV Diesel V8 4.625" Bore (Cummins Eng.) H/D Truck..	19
NHC250.....	14.0L 855 OHV Diesel L6 5.5" Bore (Cummins Eng.) H/D Truck.....	25	V8-185.....	7.7L 470 OHV Diesel V8 4.625" Bore (Cummins Eng.) M/D Truck..	14
NHE195.....	12.2L 743 OHV Diesel L6 5.125" Bore (Cummins Eng.) H/D Truck..	23	V8-185.....	7.7L 470 OHV Diesel V8 4.625" Bore (Cummins Eng.) H/D Truck..	14
NHT230.....	14.0L 855 OHV Turbo-Diesel L6 5.5" Bore (Cummins Eng.) M/D Truck.....	26	V8-210.....	8.3L 504 OHV Diesel V8 4.625" Bore (Cummins Eng.) H/D Truck..	16
NH180.....	11.0L 672 OHV Diesel L6 4.875" Bore (Cummins Eng.) H/D Truck..	22	1145.....	8.5L 522 OHV Diesel V8 4.5" Bore (Caterpillar Eng.) M/D Truck.....	17
NH220.....	12.2L 743 OHV Diesel L6 5.125" Bore (Cummins Eng.) H/D Truck..	23	170.....	2.8L 170 OHV L6 3.4063" Bore M/D Truck.....	1
NH230.....	14.0L 855 OHV Diesel L6 5.5" Bore (Cummins Eng.) M/D Truck.....	24	225.....	3.7L 225 OHV L6 3.4063" Bore M/D Truck.....	2
NH230.....	14.0L 855 OHV Diesel L6 5.5" Bore (Cummins Eng.) H/D Truck.....	25	230.....	3.8L 230 L-HEAD L6 3.25" Bore (Dodge) M/D Truck.....	3
NH250.....	14.0L 855 OHV Diesel L6 5.5" Bore (Cummins Eng.) M/D Truck.....	24	251.....	4.1L 251 L-HEAD L6 3.4375" Bore (Chrysler) M/D Truck.....	4
NH250.....	14.0L 855 OHV Diesel L6 5.5" Bore (Cummins Eng.) H/D Truck.....	25	265.....	4.3L 265 L-HEAD L6 3.4375" Bore (Chrysler) M/D Truck.....	5
NTC280.....	14.0L 855 OHV Turbo-Diesel L6 5.5" Bore (Cummins Eng.) M/D Truck.....	26	318.....	5.2L 318 OHV V8 3.9063" Bore M/D Truck.....	6
NTC290.....	14.0L 855 OHV Turbo-Diesel L6 5.5" Bore (Cummins Eng.) M/D Truck.....	26	360.....	5.9L 360 OHV V8 4" Bore M/D Truck.....	8
NTC335.....	14.0L 855 OHV Turbo-Diesel L6 5.5" Bore (Cummins Eng.) M/D Truck.....	26	361.....	5.9L 361 OHV V8 4.125" Bore M/D Truck.....	9
Super 250.....	15.2L 927 OHV Diesel L6 5.5" Bore (Cummins Eng.) H/D Truck.....	27	361.....	5.9L 361 OHV V8 4.125" Bore H/D Truck.....	9
T6.354.....	5.8L 354 OHV Turbo-Diesel L6 3.875" Bore (12 Valve) (Perkins Eng.) M/D Truck.....	7	400.....	6.6L 400 OHV V8 4.342" Bore M/D Truck.....	10
T6.354-3.....	5.8L 354 OHV Turbo-Diesel L6 3.875" Bore (12 Valve) (Perkins Eng.) M/D Truck.....	7	413.....	6.7L 413 OHV V8 4.1875" Bore M/D Truck.....	11
VT555.....	9.1L 555 OHV Turbo-Diesel V8 4.625" Bore (Cummins Eng.) M/D Truck.....	20	413.....	6.7L 413 OHV V8 4.1875" Bore H/D Truck.....	11
V478.....	7.8L 478 OHV V8 4.5" Bore (16 Valve) (International Eng.) H/D Truck.....	15	440.....	7.2L 440 OHV V8 4.32" Bore M/D Truck.....	12
			8V-71.....	9.3L 568 OHV Diesel V8 4.25" Bore (Detroit Diesel Eng.) H/D Truck....	21
			8V-71E.....	9.3L 568 OHV Diesel V8 4.25" Bore (Detroit Diesel Eng.) H/D Truck....	21
			8V-71N.....	9.3L 568 OHV Diesel V8 4.25" Bore (Detroit Diesel Eng.) H/D Truck....	21

Model Index					
Model	Engine Description	Line No.	Model	Engine Description	Line No.
B Series.....	3.8L 230 L-HEAD L6 3.25" Bore (Dodge) M/D Truck.....	3	B Series.....	4.1L 251 L-HEAD L6 3.4375" Bore (Chrysler) M/D Truck.....	4

(continued on next page)

Dodge Truck - M/D & H/D

Model Index					
Model	Engine Description	Line No.	Model	Engine Description	Line No.
C Series.....	3.8L 230 L-HEAD L6 3.25" Bore (Dodge) M/D Truck.....	3	CN900.....	14.0L 855 OHV Diesel L6 5.5" Bore (Cummins Eng.) H/D Truck.....	25
C Series.....	4.1L 251 L-HEAD L6 3.4375" Bore (Chrysler) M/D Truck.....	4	CN900.....	14.0L 855 OHV Turbo-Diesel L6 5.5" Bore (Cummins Eng.) M/D Truck.....	26
C Series.....	4.3L 265 L-HEAD L6 3.4375" Bore (Chrysler) M/D Truck.....	5	CN900.....	15.2L 927 OHV Diesel L6 5.5" Bore (Cummins Eng.) H/D Truck.....	27
CB400.....	5.9L 360 OHV V8 4" Bore M/D Truck.....	8	CN950.....	11.0L 672 OHV Diesel L6 4.875" Bore (Cummins Eng.) H/D Truck..	22
CB450.....	5.9L 360 OHV V8 4" Bore M/D Truck.....	8	CN950.....	12.2L 743 OHV Diesel L6 5.125" Bore (Cummins Eng.) H/D Truck..	23
CL500.....	5.2L 318 OHV V8 3.9063" Bore M/D Truck.....	6	CN950.....	14.0L 855 OHV Diesel L6 5.5" Bore (Cummins Eng.) H/D Truck.....	25
CL500.....	5.9L 361 OHV V8 4.125" Bore M/D Truck.....	9	CN950.....	14.0L 855 OHV Turbo-Diesel L6 5.5" Bore (Cummins Eng.) M/D Truck.....	26
CL600.....	5.2L 318 OHV V8 3.9063" Bore M/D Truck.....	6	CN950.....	15.2L 927 OHV Diesel L6 5.5" Bore (Cummins Eng.) H/D Truck.....	27
CL600.....	5.8L 354 OHV Turbo-Diesel L6 3.875" Bore (12 Valve) (Perkins Eng.) M/D Truck.....	7	CT700.....	5.9L 361 OHV V8 4.125" Bore M/D Truck.....	9
CL600.....	5.9L 360 OHV V8 4" Bore M/D Truck.....	8	CT700.....	6.7L 413 OHV V8 4.1875" Bore H/D Truck.....	11
CL600.....	5.9L 361 OHV V8 4.125" Bore M/D Truck.....	9	CT800.....	5.9L 361 OHV V8 4.125" Bore H/D Truck.....	9
CL700.....	5.2L 318 OHV V8 3.9063" Bore M/D Truck.....	6	CT800.....	6.7L 413 OHV V8 4.1875" Bore H/D Truck.....	11
CL700.....	5.9L 360 OHV V8 4" Bore M/D Truck.....	8	CT800.....	7.7L 470 OHV Diesel V8 4.625" Bore (Cummins Eng.) H/D Truck..	14
CL700.....	5.9L 361 OHV V8 4.125" Bore M/D Truck.....	9	CT800.....	8.3L 504 OHV Diesel V8 4.625" Bore (Cummins Eng.) H/D Truck..	16
CL700.....	6.7L 413 OHV V8 4.1875" Bore M/D Truck.....	11	CT800.....	9.1L 555 OHV Diesel V8 4.625" Bore (Cummins Eng.) H/D Truck..	19
CNT800.....	8.5L 522 OHV Diesel V8 4.5" Bore (Caterpillar Eng.) M/D Truck.....	17	CT900.....	6.7L 413 OHV V8 4.1875" Bore H/D Truck.....	11
CNT800.....	9.1L 555 OHV Turbo-Diesel V8 4.625" Bore (Cummins Eng.) M/D Truck.....	20	CT900.....	7.8L 478 OHV V8 4.5" Bore (16 Valve) (International Eng.) H/D Truck.....	15
CNT900.....	11.0L 672 OHV Diesel L6 4.875" Bore (Cummins Eng.) H/D Truck..	22	CT900.....	9.0L 549 OHV V8 4.5" Bore (16 Valve) (International Eng.) H/D Truck.....	18
CNT900.....	12.2L 743 OHV Diesel L6 5.125" Bore (Cummins Eng.) H/D Truck..	23	C1000.....	6.7L 413 OHV V8 4.1875" Bore H/D Truck.....	11
CNT900.....	14.0L 855 OHV Diesel L6 5.5" Bore (Cummins Eng.) H/D Truck.....	25	C1000.....	7.8L 478 OHV V8 4.5" Bore (16 Valve) (International Eng.) H/D Truck.....	15
CNT900.....	14.0L 855 OHV Turbo-Diesel L6 5.5" Bore (Cummins Eng.) M/D Truck.....	26	C1000.....	9.0L 549 OHV V8 4.5" Bore (16 Valve) (International Eng.) H/D Truck.....	18
CNT900.....	15.2L 927 OHV Diesel L6 5.5" Bore (Cummins Eng.) H/D Truck.....	27	C500.....	5.2L 318 OHV V8 3.9063" Bore M/D Truck.....	6
CNT950.....	11.0L 672 OHV Diesel L6 4.875" Bore (Cummins Eng.) H/D Truck..	22	C500.....	5.9L 361 OHV V8 4.125" Bore M/D Truck.....	9
CNT950.....	12.2L 743 OHV Diesel L6 5.125" Bore (Cummins Eng.) H/D Truck..	23	C600.....	4.3L 265 L-HEAD L6 3.4375" Bore (Chrysler) M/D Truck.....	5
CNT950.....	14.0L 855 OHV Diesel L6 5.5" Bore (Cummins Eng.) H/D Truck.....	25	C600.....	5.2L 318 OHV V8 3.9063" Bore M/D Truck.....	6
CNT950.....	14.0L 855 OHV Turbo-Diesel L6 5.5" Bore (Cummins Eng.) M/D Truck.....	26	C600.....	5.8L 354 OHV Turbo-Diesel L6 3.875" Bore (12 Valve) (Perkins Eng.) M/D Truck.....	7
CNT950.....	15.2L 927 OHV Diesel L6 5.5" Bore (Cummins Eng.) H/D Truck.....	27	C600.....	5.9L 360 OHV V8 4" Bore M/D Truck.....	8
CN800.....	8.5L 522 OHV Diesel V8 4.5" Bore (Caterpillar Eng.) M/D Truck.....	17	C600.....	5.9L 361 OHV V8 4.125" Bore M/D Truck.....	9
CN800.....	9.1L 555 OHV Turbo-Diesel V8 4.625" Bore (Cummins Eng.) M/D Truck.....	20	C700.....	5.2L 318 OHV V8 3.9063" Bore M/D Truck.....	6
CN800.....	14.0L 855 OHV Diesel L6 5.5" Bore (Cummins Eng.) M/D Truck.....	24	C700.....	5.9L 360 OHV V8 4" Bore M/D Truck.....	8
CN800.....	14.0L 855 OHV Turbo-Diesel L6 5.5" Bore (Cummins Eng.) M/D Truck.....	26	C700.....	5.9L 361 OHV V8 4.125" Bore M/D Truck.....	9
CN900.....	11.0L 672 OHV Diesel L6 4.875" Bore (Cummins Eng.) H/D Truck..	22	C700.....	6.7L 413 OHV V8 4.1875" Bore M/D Truck.....	11
CN900.....	12.2L 743 OHV Diesel L6 5.125" Bore (Cummins Eng.) H/D Truck..	23	C800.....	5.9L 361 OHV V8 4.125" Bore H/D Truck.....	9

(continued on next page)

Dodge Truck - M/D & H/D

Model Index					
Model	Engine Description	Line No.	Model	Engine Description	Line No.
C800	6.7L 413 OHV V8 4.1875" Bore H/D Truck	11	D500	3.7L 225 OHV L6 3.4063" Bore M/D Truck	2
C800	7.7L 470 OHV Diesel V8 4.625" Bore (Cummins Eng.) H/D Truck	14	D500	4.1L 251 L-HEAD L6 3.4375" Bore (Chrysler) M/D Truck	4
C800	8.3L 504 OHV Diesel V8 4.625" Bore (Cummins Eng.) H/D Truck	16	D500	4.3L 265 L-HEAD L6 3.4375" Bore (Chrysler) M/D Truck	5
C800	9.1L 555 OHV Diesel V8 4.625" Bore (Cummins Eng.) H/D Truck	19	D500	5.2L 318 OHV V8 3.9063" Bore M/D Truck	6
C850	5.9L 361 OHV V8 4.125" Bore H/D Truck	9	D500	5.9L 360 OHV V8 4" Bore M/D Truck	8
C850	6.7L 413 OHV V8 4.1875" Bore H/D Truck	11	D500	5.9L 361 OHV V8 4.125" Bore M/D Truck	9
C900	6.7L 413 OHV V8 4.1875" Bore H/D Truck	11	D600	4.3L 265 L-HEAD L6 3.4375" Bore (Chrysler) M/D Truck	5
C900	7.8L 478 OHV V8 4.5" Bore (16 Valve) (International Eng.) H/D Truck	15	D600	5.2L 318 OHV V8 3.9063" Bore M/D Truck	6
C900	9.0L 549 OHV V8 4.5" Bore (16 Valve) (International Eng.) H/D Truck	18	D600	5.8L 354 OHV Turbo-Diesel L6 3.875" Bore (12 Valve) (Perkins Eng.) M/D Truck	7
DL400	3.7L 225 OHV L6 3.4063" Bore M/D Truck	2	D600	5.9L 360 OHV V8 4" Bore M/D Truck	8
DL400	4.1L 251 L-HEAD L6 3.4375" Bore (Chrysler) M/D Truck	4	D600	5.9L 361 OHV V8 4.125" Bore M/D Truck	9
DL400	5.2L 318 OHV V8 3.9063" Bore M/D Truck	6	D700	5.2L 318 OHV V8 3.9063" Bore M/D Truck	6
DL400	5.9L 360 OHV V8 4" Bore M/D Truck	8	D700	5.9L 360 OHV V8 4" Bore M/D Truck	8
DL500	2.8L 170 OHV L6 3.4063" Bore M/D Truck	1	D700	5.9L 361 OHV V8 4.125" Bore M/D Truck	9
DL500	3.7L 225 OHV L6 3.4063" Bore M/D Truck	2	D700	6.7L 413 OHV V8 4.1875" Bore M/D Truck	11
DL500	4.1L 251 L-HEAD L6 3.4375" Bore (Chrysler) M/D Truck	4	D800	5.9L 361 OHV V8 4.125" Bore H/D Truck	9
DL500	4.3L 265 L-HEAD L6 3.4375" Bore (Chrysler) M/D Truck	5	D800	6.7L 413 OHV V8 4.1875" Bore H/D Truck	11
DL500	5.2L 318 OHV V8 3.9063" Bore M/D Truck	6	LCF	5.2L 318 OHV V8 3.9063" Bore M/D Truck	6
DL500	5.9L 360 OHV V8 4" Bore M/D Truck	8	LCF	5.8L 354 OHV Turbo-Diesel L6 3.875" Bore (12 Valve) (Perkins Eng.) M/D Truck	7
DL500	5.9L 361 OHV V8 4.125" Bore M/D Truck	9	LCF	5.9L 360 OHV V8 4" Bore M/D Truck	8
DL600	4.3L 265 L-HEAD L6 3.4375" Bore (Chrysler) M/D Truck	5	LCF	5.9L 361 OHV V8 4.125" Bore M/D Truck	9
DL600	5.2L 318 OHV V8 3.9063" Bore M/D Truck	6	LCF	5.9L 361 OHV V8 4.125" Bore H/D Truck	9
DL600	5.8L 354 OHV Turbo-Diesel L6 3.875" Bore (12 Valve) (Perkins Eng.) M/D Truck	7	LCF	6.7L 413 OHV V8 4.1875" Bore H/D Truck	11
DL600	5.9L 360 OHV V8 4" Bore M/D Truck	8	LNT1000	9.3L 568 OHV Diesel V8 4.25" Bore (Detroit Diesel Eng.) H/D Truck	21
DL600	5.9L 361 OHV V8 4.125" Bore M/D Truck	9	LNT1000	12.2L 743 OHV Diesel L6 5.125" Bore (Cummins Eng.) H/D Truck	23
DL700	5.2L 318 OHV V8 3.9063" Bore M/D Truck	6	LNT1000	14.0L 855 OHV Diesel L6 5.5" Bore (Cummins Eng.) H/D Truck	25
DL700	5.9L 360 OHV V8 4" Bore M/D Truck	8	LNT1000	14.0L 855 OHV Turbo-Diesel L6 5.5" Bore (Cummins Eng.) M/D Truck	26
DL700	5.9L 361 OHV V8 4.125" Bore M/D Truck	9	LN1000	9.3L 568 OHV Diesel V8 4.25" Bore (Detroit Diesel Eng.) H/D Truck	21
DL700	6.7L 413 OHV V8 4.1875" Bore M/D Truck	11	LN1000	12.2L 743 OHV Diesel L6 5.125" Bore (Cummins Eng.) H/D Truck	23
D400	3.7L 225 OHV L6 3.4063" Bore M/D Truck	2	LN1000	14.0L 855 OHV Diesel L6 5.5" Bore (Cummins Eng.) H/D Truck	25
D400	4.1L 251 L-HEAD L6 3.4375" Bore (Chrysler) M/D Truck	4	LN1000	14.0L 855 OHV Turbo-Diesel L6 5.5" Bore (Cummins Eng.) M/D Truck	26
D400	5.2L 318 OHV V8 3.9063" Bore M/D Truck	6	LST1000	9.3L 568 OHV Diesel V8 4.25" Bore (Detroit Diesel Eng.) H/D Truck	21
D400	5.9L 360 OHV V8 4" Bore M/D Truck	8	LST1000	14.0L 855 OHV Diesel L6 5.5" Bore (Cummins Eng.) H/D Truck	25
D450	5.9L 360 OHV V8 4" Bore M/D Truck	8	LST1000	14.0L 855 OHV Turbo-Diesel L6 5.5" Bore (Cummins Eng.) M/D Truck	26
D500	2.8L 170 OHV L6 3.4063" Bore M/D Truck	1			

(continued on next page)

Dodge Truck - M/D & H/D

Model Index					
Model	Engine Description	Line No.	Model	Engine Description	Line No.
LS1000	9.3L 568 OHV Diesel V8 4.25" Bore (Detroit Diesel Eng.) H/D Truck	21	PC500	5.8L 354 OHV Turbo-Diesel L6 3.875" Bore (12 Valve) (Perkins Eng.) M/D Truck	7
LS1000	14.0L 855 OHV Diesel L6 5.5" Bore (Cummins Eng.) H/D Truck	25	PC600	5.8L 354 OHV Turbo-Diesel L6 3.875" Bore (12 Valve) (Perkins Eng.) M/D Truck	7
LS1000	14.0L 855 OHV Turbo-Diesel L6 5.5" Bore (Cummins Eng.) M/D Truck	26	PDD600	5.8L 354 OHV Turbo-Diesel L6 3.875" Bore (12 Valve) (Perkins Eng.) M/D Truck	7
LT1000	9.3L 568 OHV Diesel V8 4.25" Bore (Detroit Diesel Eng.) H/D Truck	21	PD500	5.8L 354 OHV Turbo-Diesel L6 3.875" Bore (12 Valve) (Perkins Eng.) M/D Truck	7
LT1000	14.0L 855 OHV Diesel L6 5.5" Bore (Cummins Eng.) H/D Truck	25	PL400	2.8L 170 OHV L6 3.4063" Bore M/D Truck	1
LT1000	14.0L 855 OHV Turbo-Diesel L6 5.5" Bore (Cummins Eng.) M/D Truck	26	PL400	3.7L 225 OHV L6 3.4063" Bore M/D Truck	2
LVT1000	9.3L 568 OHV Diesel V8 4.25" Bore (Detroit Diesel Eng.) H/D Truck	21	PL400	3.8L 230 L-HEAD L6 3.25" Bore (Dodge) M/D Truck	3
LVT1000	14.0L 855 OHV Diesel L6 5.5" Bore (Cummins Eng.) H/D Truck	25	PL400	4.1L 251 L-HEAD L6 3.4375" Bore (Chrysler) M/D Truck	4
LVT1000	14.0L 855 OHV Turbo-Diesel L6 5.5" Bore (Cummins Eng.) M/D Truck	26	PL400	5.2L 318 OHV V8 3.9063" Bore M/D Truck	6
LV1000	9.3L 568 OHV Diesel V8 4.25" Bore (Detroit Diesel Eng.) H/D Truck	21	P400	2.8L 170 OHV L6 3.4063" Bore M/D Truck	1
LV1000	14.0L 855 OHV Diesel L6 5.5" Bore (Cummins Eng.) H/D Truck	25	P400	3.7L 225 OHV L6 3.4063" Bore M/D Truck	2
LV1000	14.0L 855 OHV Turbo-Diesel L6 5.5" Bore (Cummins Eng.) M/D Truck	26	P400	3.8L 230 L-HEAD L6 3.25" Bore (Dodge) M/D Truck	3
L1000	9.3L 568 OHV Diesel V8 4.25" Bore (Detroit Diesel Eng.) H/D Truck	21	P400	4.1L 251 L-HEAD L6 3.4375" Bore (Chrysler) M/D Truck	4
L1000	14.0L 855 OHV Diesel L6 5.5" Bore (Cummins Eng.) H/D Truck	25	P400	5.2L 318 OHV V8 3.9063" Bore M/D Truck	6
L1000	14.0L 855 OHV Turbo-Diesel L6 5.5" Bore (Cummins Eng.) M/D Truck	26	RM400	7.2L 440 OHV V8 4.32" Bore M/D Truck	12
L600	3.7L 225 OHV L6 3.4063" Bore M/D Truck	2	S400	2.8L 170 OHV L6 3.4063" Bore M/D Truck	1
L600	5.2L 318 OHV V8 3.9063" Bore M/D Truck	6	S400	3.7L 225 OHV L6 3.4063" Bore M/D Truck	2
L600	5.8L 354 OHV Turbo-Diesel L6 3.875" Bore (12 Valve) (Perkins Eng.) M/D Truck	7	S400	4.1L 251 L-HEAD L6 3.4375" Bore (Chrysler) M/D Truck	4
L600	5.9L 361 OHV V8 4.125" Bore M/D Truck	9	S400	5.2L 318 OHV V8 3.9063" Bore M/D Truck	6
L700	5.9L 361 OHV V8 4.125" Bore M/D Truck	9	S500	2.8L 170 OHV L6 3.4063" Bore M/D Truck	1
L700	6.7L 413 OHV V8 4.1875" Bore M/D Truck	11	S500	3.7L 225 OHV L6 3.4063" Bore M/D Truck	2
L700	7.7L 470 OHV Diesel V8 4.625" Bore (Cummins Eng.) M/D Truck	14	S500	4.1L 251 L-HEAD L6 3.4375" Bore (Chrysler) M/D Truck	4
MB400	5.9L 360 OHV V8 4" Bore M/D Truck	8	S500	4.3L 265 L-HEAD L6 3.4375" Bore (Chrysler) M/D Truck	5
MB400	7.2L 440 OHV V8 4.32" Bore M/D Truck	12	S500	5.2L 318 OHV V8 3.9063" Bore M/D Truck	6
MB450	5.9L 360 OHV V8 4" Bore M/D Truck	8	S500	5.9L 361 OHV V8 4.125" Bore M/D Truck	9
M300	5.2L 318 OHV V8 3.9063" Bore M/D Truck	6	S550	3.7L 225 OHV L6 3.4063" Bore M/D Truck	2
M300	6.7L 413 OHV V8 4.1875" Bore M/D Truck	11	S550	5.2L 318 OHV V8 3.9063" Bore M/D Truck	6
M375	6.7L 413 OHV V8 4.1875" Bore M/D Truck	11	S550	5.9L 361 OHV V8 4.125" Bore M/D Truck	9
M400	5.2L 318 OHV V8 3.9063" Bore M/D Truck	6	S600	5.2L 318 OHV V8 3.9063" Bore M/D Truck	6
M400	5.9L 360 OHV V8 4" Bore M/D Truck	8	S600	5.9L 360 OHV V8 4" Bore M/D Truck	8
M400	7.2L 440 OHV V8 4.32" Bore M/D Truck	12	S600	5.9L 361 OHV V8 4.125" Bore M/D Truck	9
M500	7.2L 440 OHV V8 4.32" Bore M/D Truck	12	S700	5.2L 318 OHV V8 3.9063" Bore M/D Truck	6
M600	7.2L 440 OHV V8 4.32" Bore M/D Truck	12	S700	5.9L 360 OHV V8 4" Bore M/D Truck	8
			S700	5.9L 361 OHV V8 4.125" Bore M/D Truck	9

(continued on next page)

Dodge Truck - M/D & H/D

Model Index					
Model	Engine Description	Line No.	Model	Engine Description	Line No.
S700	6.7L 413 OHV V8 4.1875" Bore M/D Truck	11	W400	6.6L 400 OHV V8 4.342" Bore M/D Truck	10
TL700	5.2L 318 OHV V8 3.9063" Bore M/D Truck	6	W400	7.2L 440 OHV V8 4.32" Bore M/D Truck	12
TL700	5.9L 360 OHV V8 4" Bore M/D Truck	8	W450	5.9L 360 OHV V8 4" Bore M/D Truck	8
TL700	5.9L 361 OHV V8 4.125" Bore M/D Truck	9	W500	3.7L 225 OHV L6 3.4063" Bore M/D Truck	2
TL700	6.7L 413 OHV V8 4.1875" Bore M/D Truck	11	W500	4.1L 251 L-HEAD L6 3.4375" Bore (Chrysler) M/D Truck	4
T700	5.2L 318 OHV V8 3.9063" Bore M/D Truck	6	W500	4.3L 265 L-HEAD L6 3.4375" Bore (Chrysler) M/D Truck	5
T700	5.9L 360 OHV V8 4" Bore M/D Truck	8	W500	5.2L 318 OHV V8 3.9063" Bore M/D Truck	6
T700	5.9L 361 OHV V8 4.125" Bore M/D Truck	9	W500	5.9L 361 OHV V8 4.125" Bore M/D Truck	9
T700	6.7L 413 OHV V8 4.1875" Bore M/D Truck	11	W600	5.2L 318 OHV V8 3.9063" Bore M/D Truck	6
WL500	3.7L 225 OHV L6 3.4063" Bore M/D Truck	2	W600	5.8L 354 OHV Turbo-Diesel L6 3.875" Bore (12 Valve) (Perkins Eng.) M/D Truck	7
WL500	4.1L 251 L-HEAD L6 3.4375" Bore (Chrysler) M/D Truck	4	W600	5.9L 360 OHV V8 4" Bore M/D Truck	8
WL500	4.3L 265 L-HEAD L6 3.4375" Bore (Chrysler) M/D Truck	5	W600	5.9L 361 OHV V8 4.125" Bore M/D Truck	9
WL500	5.2L 318 OHV V8 3.9063" Bore M/D Truck	6	XNT900	14.0L 855 OHV Diesel L6 5.5" Bore (Cummins Eng.) H/D Truck	25
WL500	5.9L 361 OHV V8 4.125" Bore M/D Truck	9	XNT950	11.0L 672 OHV Diesel L6 4.875" Bore (Cummins Eng.) H/D Truck	22
W400	3.7L 225 OHV L6 3.4063" Bore M/D Truck	2	XNT950	12.2L 743 OHV Diesel L6 5.125" Bore (Cummins Eng.) H/D Truck	23
W400	4.1L 251 L-HEAD L6 3.4375" Bore (Chrysler) M/D Truck	4	XNT950	14.0L 855 OHV Turbo-Diesel L6 5.5" Bore (Cummins Eng.) M/D Truck	26
W400	5.2L 318 OHV V8 3.9063" Bore M/D Truck	6	XNT950	15.2L 927 OHV Diesel L6 5.5" Bore (Cummins Eng.) H/D Truck	27
W400	5.9L 360 OHV V8 4" Bore M/D Truck	8			

M/D Truck 170 Eng. 1
2.8L 170 OHV L6, 3.4063" Bore 1961

CYL. HEAD & PARTS

QTY	VALVE	YEARS	PART NO.	SIZE	DESCRIPTION
6	Intake	61	V-1434	Std Only	2 groove; 1.6200" Head Dia., .3725" Stem Dia., 4.7740" O.A.L.
6	Exhaust	61	V-4093	Std-15	1.3600" Head Dia., .3715" Stem Dia., 4.7970" O.A.L.
12	Keeper	61	VK-174		Exh.; 4 groove
12	Keeper	61	VK-174R		Exh.; 4 groove; Hardened
12	Keeper	61	VK-66		Int.; 2 groove
12	Keeper	61	VK-66R		Int.; 2 groove; Hardened
QTY	VALVE SEAT	YEARS	PART NO.	SIZE	DESCRIPTION
6	Exh.	61	245-1437-1	Std Only	1.4420" OD, 1.2500" ID, .2160" Depth
6	Int.	61	245-1750-2N	Std Only	Premium Material; 1.7550" OD, 1.5000" ID, .2160" Depth
6	Int.	61	245-1750-2	Std Only	1.7550" OD, 1.5000" ID, .2160" Depth
QTY	VALVE GUIDE	YEARS	PART NO.	SIZE	DESCRIPTION
6	Guide	61	VG-5073		Int.; .3745" ID, 2.3750" O.A.L.
QTY	VALVE SPRING	YEARS	PART NO.	SIZE	DESCRIPTION
12	Spring	61	VS-510		2.0000" Free Height
12	Spring Insert	61	259-103C		.015"; ID 1.030"; Carton of 100
12	Spring Insert	61	259-103B		.030"; ID 1.030"; Carton of 100
12	Spring Insert	61	259-103BRS		.030"; ID 1.030"; Carton of 500
12	Spring Insert	61	259-103A		.060"; ID 1.030"; Carton of 100
12	Spring Insert	61	259-103ARS		.060"; ID 1.030"; Carton of 500
QTY	PUSH RODS	YEARS	PART NO.	SIZE	DESCRIPTION
12	Push Rod	61	RP-3079		8.5220" O.A.L.
QTY	VALVE MISC.	YEARS	PART NO.	SIZE	DESCRIPTION
6	Rotocap	61	RC-78S		
QTY	VALVE SEAL	YEARS	PART NO.	SIZE	DESCRIPTION
12	Valve Stem Seal	61	ST-2004		Positive type; Installation requires valve guide machining; Rubber/PTFE

(continued on next page)

Dodge Truck - M/D & H/D

1 M/D Truck 170 Eng.
(cont.) 2.8L 170 OHV L6, 3.4063" Bore 1961

CYL. HEAD & PARTS (cont.)					
QTY	VALVE SEAL (cont.)	YEARS	PART NO.	SIZE	DESCRIPTION
12	Valve Stem Seal	61	ST-2014		Use w/repair guide; Positive type; Installation requires valve guide machining; PTFE
6	Valve Stem Seal	61	MV-1599C		Umbrella type; Rubber
6	Valve Stem Seal	61	MV-1918		Exh.; Umbrella type; Viton®
6	Valve Stem Seal	61	MV-1771C		Int.; Umbrella type; Polyacrylate
12	Valve Stem Seal Bulk	61	ST-2004BC		Positive type; Installation requires valve guide machining; Carton of 100; Rubber/PTFE
6	Valve Stem Seal Bulk	61	MV-1599		Umbrella type; Carton of 100; Rubber
12	Valve Stem Seal Bulk	61	ST-2014BC		Use w/repair guide; Positive type; Installation requires valve guide machining; Carton of 100; PTFE
6	Valve Stem Seal Bulk	61	MV-1771		Int.; Umbrella type; Carton of 100; Polyacrylate
CAMSHAFT GROUP					
QTY	TIMING	YEARS	PART NO.	SIZE	DESCRIPTION
1	3 Piece Set	61	KT3-495SA		Incl. (1) KT3-495SA
1	Timing Chain	61	222-495		Silent type; 50 Links
1	Crank Sprocket	61	223-291		Use w/silent type chain; 19 Teeth
1	Cam Sprocket	61	223-314		38 Teeth
QTY	CAMSHAFT/LIFTER	YEARS	PART NO.	SIZE	DESCRIPTION
1	Camshaft	61	CS-380		
12	Lifter	61	AT-2084	Std Only	Dumbbell shaped mech.
12	Lifter, Bulk	61	AT-2084B	Std Only	Dumbbell shaped mech.; Carton of 117
1	Prelube	61	55-400		4 oz. bottle; 1.5 oz. packet No. 55-403 also avail.
QTY	CAMSHAFT KIT	YEARS	PART NO.	SIZE	DESCRIPTION
1	Cam/Lifter Kit	61	KC-380		Dumbbell shaped mech.; Incl. (12) AT-2084, (1) CS-380, (1) 55-403B
ENGINE BLOCK & PARTS					
QTY	GASKET SETS	YEARS	PART NO.	SIZE	DESCRIPTION
1	Kit Gasket Set	61	260-1004		Premium valve stem seals incl.
QTY	CAM BEARINGS	YEARS	PART NO.	SIZE	DESCRIPTION
1	Cam Set	61	1454M	Std Only	
QTY	FREEZE PLUGS	YEARS	PART NO.	SIZE	DESCRIPTION
1	Brass Block Plug Kit	61	381-8012		
CRANKSHAFT/OIL PUMP					
QTY	SEALS - FRONT CRANK	YEARS	PART NO.	SIZE	DESCRIPTION
1	Redi-Sleeve	61	99226		
1	Oil Seal	61	3095		
QTY	MAIN BEARINGS	YEARS	PART NO.	SIZE	DESCRIPTION
1	Main Set	61	4092M	Std-10-20-30	
QTY	OIL PUMP	YEARS	PART NO.	SIZE	DESCRIPTION
1	Oil Pump	61	224-4165C		w/.826" rotor thickness; 5 bolt pump; Will replace early 6 bolt pump
1	Oil Pump	61	224-4165V		High Volume; Will replace 5 bolt pump
CYLINDER COMPONENTS					
QTY	PISTONS	YEARS	PART NO.	SIZE	DESCRIPTION
6	Cast Piston	61	244NP	Std-20-30-40-60	Cast; 2-5/64", 1-3/16" Ring Groove, 1.740" CD, .9011" Pin Dia., Flat Head - 8.2:1 C.R.
6	Cast Piston - Individual	61	W244NP	Std-20-30-40-60-80	Cast; 2-5/64", 1-3/16" Ring Groove, 1.740" CD, .9011" Pin Dia., Flat Head - 8.2:1 C.R.
QTY	CONNECTING RODS & BRGS.	YEARS	PART NO.	SIZE	DESCRIPTION
1	Rod Set	61	6-2375CP	Std-10-20-30-40	6-2375CA 60 avail. as unplated & resizeable
6	Rod Pair	61	2375CP	Std-10-20-30-40	
QTY	PISTON RINGS	YEARS	PART NO.	SIZE	DESCRIPTION
1	Premium Set	61	E-196K	Std-20-30-40-60	2-5/64, 1-3/16
1	Standard Set	61	E-196X	Std-20-30-40-60	2-5/64, 1-3/16
6	Premium Single Cylinder Set	61	WE-196K	Std-20-30-40-60	2-5/64, 1-3/16

(continued on next page)

Dodge Truck - M/D & H/D

M/D Truck 170 Eng. 1
2.8L 170 OHV L6, 3.4063" Bore 1961 (cont.)

CYLINDER COMPONENTS (cont.)

QTY	PISTON RINGS (cont.)	YEARS	PART NO.	SIZE	DESCRIPTION
6	Standard Single Cylinder Set	61	WE-196X Std-20-30-40-60		2-5/64, 1-3/16

KITS							
RE-RING KIT				QTY	PREMIUM KIT NO.	QTY	ECONOMY KIT NO.
YEARS	DESCRIPTION						
61	Premium valve stem seals incl.		Re-ring	1	205-602		----
61	Premium valve stem seals incl.		Re-ring		----	1	205-102
			Re-ring w/Mains	1	205-602M	1	205-102M

OVERHAUL KIT				QTY	PREMIUM KIT NO.	QTY	ECONOMY KIT NO.
YEARS	DESCRIPTION						
61	Premium valve stem seals incl.; Incl. 5 bolt oil pump w/.826" rotor thickness; Will replace early 6 bolt pump		Master	1	MKP-602A	1	MKP-102A
			Master w/o Pistons	1	MK-602A	1	MK-102A
61	Premium valve stem seals incl.; Incl. 5 bolt oil pump; w/.826" rotor thickness; Will replace early 6 bolt pump		Master w/o Rods & Mains	1	505-602A	1	505-102A

M/D Truck 225 Eng. 2
3.7L 225 OHV L6, 3.4063" Bore 1961-74

CYL. HEAD & PARTS

QTY	VALVE	YEARS	PART NO.	SIZE	DESCRIPTION
6	Intake	74-61	V-1434 Std Only		2 groove; 1.6200" Head Dia., .3725" Stem Dia., 4.7740" O.A.L.
12	Keeper	74-61	VK-66		2 groove
12	Keeper	74-61	VK-66R		2 groove; Hardened
12	Keeper	74-61	VK-174		4 groove
12	Keeper	74-61	VK-174R		4 groove; Hardened

QTY	VALVE SEAT	YEARS	PART NO.	SIZE	DESCRIPTION
6	Exh.	74-61	245-1437-1 Std Only		1.4420" OD, 1.2500" ID, .2160" Depth
6	Int.	74-61	245-1750-2N Std Only		Premium Material; 1.7550" OD, 1.5000" ID, .2160" Depth
6	Int.	74-61	245-1750-2 Std Only		1.7550" OD, 1.5000" ID, .2160" Depth

QTY	VALVE GUIDE	YEARS	PART NO.	SIZE	DESCRIPTION
6	Guide	74-61	VG-5073		Int.; .3745" ID, 2.3750" O.A.L.

QTY	VALVE SPRING	YEARS	PART NO.	SIZE	DESCRIPTION
6	Spring	74-61	VS-680		Exh.; 1.8800" Free Height
6	Spring	74-61	VS-510		Int.; 2.0000" Free Height
12	Spring Insert	74-61	259-103C		.015"; ID 1.030"; Carton of 100
12	Spring Insert	74-61	259-103B		.030"; ID 1.030"; Carton of 100
12	Spring Insert	74-61	259-103BRS		.030"; ID 1.030"; Carton of 500
12	Spring Insert	74-61	259-103A		.060"; ID 1.030"; Carton of 100
12	Spring Insert	74-61	259-103ARS		.060"; ID 1.030"; Carton of 500

QTY	PUSH RODS	YEARS	PART NO.	SIZE	DESCRIPTION
12	Push Rod	74-61	RP-3036		9.9540" O.A.L.

QTY	VALVE MISC.	YEARS	PART NO.	SIZE	DESCRIPTION
6	Rotocap	74-61	RC-78S		

QTY	VALVE SEAL	YEARS	PART NO.	SIZE	DESCRIPTION
12	Valve Stem Seal	74-61	ST-2004		Positive type; Installation requires valve guide machining; Rubber/PTFE
6	Valve Stem Seal	74-63	MV-1771C		Int.; Umbrella type; Polyacrylate
6	Valve Stem Seal	74-61	MV-1918		Exh.; Umbrella type; Viton®
6	Valve Stem Seal	62-61	MV-1598C		Int.; Umbrella type; Rubber
6	Valve Stem Seal Bulk	74-63	MV-1771		Int.; Umbrella type; Carton of 100; Polyacrylate
12	Valve Stem Seal Bulk	74-61	ST-2004BC		Positive type; Installation requires valve guide machining; Carton of 100; Rubber/PTFE
6	Valve Stem Seal Bulk	62-61	MV-1598		Int.; Umbrella type; Carton of 100; Rubber

CAMSHAFT GROUP

QTY	TIMING	YEARS	PART NO.	SIZE	DESCRIPTION
1	3 Piece Set	74-61	KT3-495SA		Incl. (1) KT3-495SA
1	Timing Chain	74-61	222-168		Premium Eng.s.; Double rlr.; 66 Links
1	Timing Chain	74-61	222-495		Std. Eng.s.; Silent type; 50 Links
1	Crank Sprocket	74-62	223-339		Premium Eng.s.; Double row; 25 Teeth
1	Crank Sprocket	74-61	223-291		Std. Eng.s.; Use w/silent type chain; 19 Teeth
1	Crank Sprocket	61	223-339		Double row; 25 Teeth

(continued on next page)

Dodge Truck - M/D & H/D

2 M/D Truck 225 Eng. (cont.) 3.7L 225 OHV L6, 3.4063" Bore 1961-74									
CAMSHAFT GROUP (cont.)									
QTY	TIMING (cont.)	YEARS	PART NO.	SIZE	DESCRIPTION				
1	Cam Sprocket	74-61	223-314		Std. Eng.s.; 38 Teeth				
QTY	CAMSHAFT/LIFTER	YEARS	PART NO.	SIZE	DESCRIPTION				
1	Camshaft	74-61	CS-380						
12	Lifter	74-61	AT-2084	Std Only	Dumbbell shaped mech.				
12	Lifter, Bulk	74-61	AT-2084B	Std Only	Dumbbell shaped mech.; Carton of 117				
1	Prelube	74-61	55-400		4 oz. bottle; 1.5 oz. packet No. 55-403 also avail.				
QTY	CAMSHAFT KIT	YEARS	PART NO.	SIZE	DESCRIPTION				
1	Cam/Lifter Kit	74-61	KC-380		Dumbbell shaped mech.; Incl. (12) AT-2084, (1) CS-380, (1) 55-403B				
ENGINE BLOCK & PARTS									
QTY	GASKET SETS	YEARS	PART NO.	SIZE	DESCRIPTION				
1	Kit Gasket Set	74-61	260-1004		Premium valve stem seals incl.				
QTY	CAM BEARINGS	YEARS	PART NO.	SIZE	DESCRIPTION				
1	Cam Set	74-61	1454M	Std Only					
QTY	FREEZE PLUGS	YEARS	PART NO.	SIZE	DESCRIPTION				
1	Brass Block Plug Kit	74-61	381-8012						
CRANKSHAFT/OIL PUMP									
QTY	SEALS - FRONT CRANK	YEARS	PART NO.	SIZE	DESCRIPTION				
1	Redi-Sleeve	74-61	99226						
1	Oil Seal	74-61	3095						
QTY	SEALS - REAR CRANK	YEARS	PART NO.	SIZE	DESCRIPTION				
1	Oil Seal Kit	74-61	5650						
QTY	MAIN BEARINGS	YEARS	PART NO.	SIZE	DESCRIPTION				
1	Main Set	74-61	4092M	Std-10-20-30	w/Forged crankshaft				
QTY	OIL PUMP	YEARS	PART NO.	SIZE	DESCRIPTION				
1	Oil Pump	74-61	224-4165C		w/.826" rotor thickness; 5 bolt pump; Will replace early 6 bolt pump				
1	Oil Pump	74-61	224-4165V		High Volume; Will replace 5 bolt pump				
CYLINDER COMPONENTS									
QTY	PISTONS	YEARS	PART NO.	SIZE	DESCRIPTION				
6	Cast Piston	74-61	244NP	Std-20-30-40-60	Cast; 2-5/64", 1-3/16" Ring Groove, 1.740" CD, .9011" Pin Dia., Flat Head - 8.2:1 C.R.				
6	Cast Piston - Individual	74-61	W244NP	Std-20-30-40-60-80	Cast; 2-5/64", 1-3/16" Ring Groove, 1.740" CD, .9011" Pin Dia., Flat Head - 8.2:1 C.R.				
6	Pin Bushing	74-61	2134Y						
QTY	CONNECTING RODS & BRGS.	YEARS	PART NO.	SIZE	DESCRIPTION				
1	Rod Set	74-61	6-2375CP	Std-10-20-30-40	W/Forged crankshaft; 6-2375CA 60 avail. as unplated & resizeable				
6	Rod Pair	74-61	2375CP	Std-10-20-30-40	W/Forged crankshaft				
QTY	PISTON RINGS	YEARS	PART NO.	SIZE	DESCRIPTION				
1	Premium Set	74-61	E-196K	Std-20-30-40-60	2-5/64, 1-3/16				
1	Standard Set	74-61	E-196X	Std-20-30-40-60	2-5/64, 1-3/16				
6	Premium Single Cylinder Set	74-61	WE-196K	Std-20-30-40-60	2-5/64, 1-3/16				
6	Standard Single Cylinder Set	74-61	WE-196X	Std-20-30-40-60	2-5/64, 1-3/16				
KITS									
RE-RING KIT						QTY	PREMIUM KIT NO.	QTY	ECONOMY KIT NO.
YEARS	DESCRIPTION								
74-61	W/Forged crankshaft; Premium valve stem seals incl.	Re-ring			1	205-602			----
74-61	W/Forged crankshaft; Premium valve stem seals incl.	Re-ring			1	205-602M	1	205-102	
		Re-ring w/Mains			1		1	205-102M	
OVERHAUL KIT						QTY	PREMIUM KIT NO.	QTY	ECONOMY KIT NO.
YEARS	DESCRIPTION								
74-61	Premium valve stem seals incl.; Incl. 5 bolt oil pump; w/.826" rotor thickness; Will replace early 6 bolt pump	Master w/o Rods & Mains			1	505-602A	1	505-102A	

(continued on next page)

Dodge Truck - M/D & H/D

M/D Truck 225 Eng. 2
3.7L 225 OHV L6, 3.4063" Bore 1961-74 (cont.)

KITS (cont.)

OVERHAUL KIT (cont.)				QTY	PREMIUM KIT NO.	QTY	ECONOMY KIT NO.
YEARS	DESCRIPTION						
74-61	W/Forged crankshaft; Premium valve stem seals incl.; Incl. 5 bolt oil pump w/.826" rotor thickness; Will replace early 6 bolt pump	Master		1	MKP-602A	1	MKP-102A
		Master w/o Pistons		1	MK-602A	1	MK-102A

M/D Truck 230 Eng. 3
3.8L 230 L-HEAD L6 (Dodge), 3.25" Bore 1957-60

CYL. HEAD & PARTS

QTY	VALVE	YEARS	PART NO.	SIZE	DESCRIPTION
6	Intake	60-57	V-1086 Std Only		1.5310" Head Dia., .3405" Stem Dia., 4.8450" O.A.L.
6	Exhaust	60-57	V-1351 Std Only		1.4070" Head Dia., .3405" Stem Dia., 4.8410" O.A.L.
24	Keeper	60-57	VK-63		2 groove; Round key groove
QTY	VALVE SEAT	YEARS	PART NO.	SIZE	DESCRIPTION
6	Int.	60-57	245-1625-1N Std Only		Premium Material; 1.6300" OD, 1.3750" ID, .2160" Depth
6	Int.	60-57	245-1625-1 Std Only		1.6300" OD, 1.3750" ID, .2160" Depth
QTY	VALVE GUIDE	YEARS	PART NO.	SIZE	DESCRIPTION
6	Guide	60-57	VG-419		Exh.; .3445" ID, 2.8130" O.A.L.
6	Guide	60-57	VG-420		Int.; .3425" ID, 2.8130" O.A.L.
QTY	VALVE SPRING	YEARS	PART NO.	SIZE	DESCRIPTION
12	Spring	60-57	VS-304		w/o Rotocaps; 2.0000" Free Height
12	Spring	60-57	VS-506		Use w/Rotocaps; 1.8570" Free Height

CAMSHAFT GROUP

QTY	TIMING	YEARS	PART NO.	SIZE	DESCRIPTION
1	Timing Chain	60-59	222-494		48 Links

ENGINE BLOCK & PARTS

QTY	CAM BEARINGS	YEARS	PART NO.	SIZE	DESCRIPTION
1	Cam Set	60-57	1010M Std Only		

CRANKSHAFT/OIL PUMP

QTY	CRANKSHAFT	YEARS	PART NO.	SIZE	DESCRIPTION
1	Harmonic Balancer Sleeve	60-57	88218		
QTY	SEALS - FRONT CRANK	YEARS	PART NO.	SIZE	DESCRIPTION
1	Redi-Sleeve	60-57	99218		
1	Oil Seal	60-57	6636S		
QTY	MAIN BEARINGS	YEARS	PART NO.	SIZE	DESCRIPTION
1	Main Set	60-57	415M Std-10-20-30-40		

CYLINDER COMPONENTS

QTY	LINERS	YEARS	PART NO.	SIZE	DESCRIPTION
1	Repair Sleeve	60-57	SL-123M Std Only		3/32" wall, cut to length; Press fit sleeve
QTY	PISTONS	YEARS	PART NO.	SIZE	DESCRIPTION
6	Cast Piston	60-57	37P Std-20-30-40-60-80		Cast; 2-3/32", 2-5/32" Ring Groove, 1.980" CD, .8591" Pin Dia., Flat Head - 7.8:1 C.R.
6	Cast Piston - Individual	60-57	W37P Std-20-30-40-60-80		Cast; 2-3/32", 2-5/32" Ring Groove, 1.980" CD, .8591" Pin Dia., Flat Head - 7.8:1 C.R.
6	Pin Bushing	60-57	1904V		From Ser. No. 17001; Split type bushing
6	Pin Bushing	60-57	8649XAS		Full round, thin wall .0055" O/S OD bushing
6	Pin Bushing	60-57	8649XA		Full round, thin wall bushing w/.9150" OD
6	Pin Bushing	60-57	8649V		Split type, thin wall bushing w/.9135" OD
6	Pin Bushing	60-57	8649V20		Split type, thin wall bushing w/.9135" OD & .020" extra bore stock
QTY	CONNECTING RODS & BRGS.	YEARS	PART NO.	SIZE	DESCRIPTION
1	Rod Set	60-57	6-9185CP Std-10-20-30-40		
6	Rod Pair	60-57	9185CP Std-10-20-30-40		
QTY	PISTON RINGS	YEARS	PART NO.	SIZE	DESCRIPTION
1	Premium Set	60-57	E-108KC Std-30-60		2-3/32, 2-5/32
1	Standard Set	60-57	E-108X Std-30-40-60		2-3/32, 2-5/32
6	Standard Single Cylinder Set	60-57	WE-108X Std-30		2-3/32, 2-5/32

Dodge Truck - M/D & H/D

4 M/D Truck 251 Eng. 4.1L 251 L-HEAD L6 (Chrysler), 3.4375" Bore 1942-63					
CYL. HEAD & PARTS					
QTY	VALVE	YEARS	PART NO.	SIZE	DESCRIPTION
6	Intake	63-42	V-1005 Std Only		1.7180" Head Dia., .3410" Stem Dia., 4.8450" O.A.L.
6	Exhaust	63-48	V-1004 Std Only		From Chrys. Ser. No. 175886; From Dodge Ser. No. 184448; 1.5010" Head Dia., .3400" Stem Dia., 4.8450" O.A.L.
24	Keeper	63-42	VK-63		2 groove; Round key groove
QTY	VALVE SEAT	YEARS	PART NO.	SIZE	DESCRIPTION
6	Exh.	63-42	245-1640-1 Std Only		1.6395" OD, 1.3750" ID, .2480" Depth
6	Int.	63-42	245-1812-1N Std Only		Premium Material; 1.8175" OD, 1.5625" ID, .2480" Depth
6	Int.	63-42	245-1812-1 Std Only		1.8175" OD, 1.5625" ID, .2480" Depth
QTY	VALVE GUIDE	YEARS	PART NO.	SIZE	DESCRIPTION
6	Guide	63-42	VG-419		Exh.; Use w/V-1004; .3445" ID, 2.8130" O.A.L.
6	Guide	63-42	VG-420		Int.; .3425" ID, 2.8130" O.A.L.
QTY	VALVE SPRING	YEARS	PART NO.	SIZE	DESCRIPTION
6	Spring	63-57	VS-506		Exh.; Use w/Rotocaps; 1.8570" Free Height
6	Spring	63-57	VS-304		Int.; 2.0000" Free Height
12	Spring	56-42	VS-304		Exh. & Int.; 2.0000" Free Height
CAMSHAFT GROUP					
QTY	TIMING	YEARS	PART NO.	SIZE	DESCRIPTION
1	Timing Chain	63-59	222-494		48 Links
ENGINE BLOCK & PARTS					
QTY	CAM BEARINGS	YEARS	PART NO.	SIZE	DESCRIPTION
1	Cam Set	63-42	1011M Std Only		
CRANKSHAFT/OIL PUMP					
QTY	CRANKSHAFT	YEARS	PART NO.	SIZE	DESCRIPTION
1	Harmonic Balancer Sleeve	63-42	88218		
QTY	SEALS - FRONT CRANK	YEARS	PART NO.	SIZE	DESCRIPTION
1	Redi-Sleeve	63-42	99218		
1	Oil Seal	63-42	6636S		
QTY	MAIN BEARINGS	YEARS	PART NO.	SIZE	DESCRIPTION
1	Main Set	63-42	485M Std-10-20-30-40		
QTY	OIL PUMP	YEARS	PART NO.	SIZE	DESCRIPTION
1	Oil Pump	63-42	224-4160		Rotor type
CYLINDER COMPONENTS					
QTY	PISTONS	YEARS	PART NO.	SIZE	DESCRIPTION
6	Cast Piston	63-42	32NP Std-20-30-40-60		Use w/E-107X ring set; Cast; 2-3/32", 2-5/32" Ring Groove, 1.977" CD, .8591" Pin Dia., Flat Head - 6.9:1 C.R.
6	Cast Piston - Individual	63-42	W32NP Std-20-30-40-60		Check piston grooving before supplying ring set; Cast; 2-3/32", 2-5/32" Ring Groove, 1.977" CD, .8591" Pin Dia., Flat Head - 6.9:1 C.R.
6	Pin Bushing	63-42	8649XAS		Full round, thin wall .0055" O/S OD bushing
6	Pin Bushing	63-42	8649XA		Full round, thin wall bushing w/.9150" OD
6	Pin Bushing	63-42	8649V		Split type, thin wall bushing w/.9135" OD
6	Pin Bushing	63-42	8649V20		Split type, thin wall bushing w/.9135" OD & .020" extra bore stock
QTY	CONNECTING RODS & BRGS.	YEARS	PART NO.	SIZE	DESCRIPTION
6	Rod Pair	63-42	9560CPA Std-10-20-30-40-50		
QTY	PISTON RINGS	YEARS	PART NO.	SIZE	DESCRIPTION
1	Standard Set	54-42	E-107X Std-30-40		To Early 1954; 2-3/32, 2-5/32
5 M/D Truck 265 Eng. 4.3L 265 L-HEAD L6 (Chrysler), 3.4375" Bore 1955-60					
CYL. HEAD & PARTS					
QTY	VALVE	YEARS	PART NO.	SIZE	DESCRIPTION
6	Intake	60-55	V-1005 Std Only		1.7180" Head Dia., .3410" Stem Dia., 4.8450" O.A.L.
6	Exhaust	60-55	V-1004 Std Only		1.5010" Head Dia., .3400" Stem Dia., 4.8450" O.A.L.
24	Keeper	60-55	VK-63		2 groove; Round key groove
QTY	VALVE SEAT	YEARS	PART NO.	SIZE	DESCRIPTION
6	Exh.	60-55	245-1640-1 Std Only		1.6395" OD, 1.3750" ID, .2480" Depth
6	Int.	60-55	245-1812-1N Std Only		Premium Material; 1.8175" OD, 1.5625" ID, .2480" Depth
6	Int.	60-55	245-1812-1 Std Only		1.8175" OD, 1.5625" ID, .2480" Depth

(continued on next page)

Dodge Truck - M/D & H/D

<i>M/D Truck 265 Eng. 5</i> 4.3L 265 L-HEAD L6 (Chrysler), 3.4375" Bore 1955-60 (cont.)					
CYL. HEAD & PARTS (cont.)					
QTY	VALVE GUIDE	YEARS	PART NO.	SIZE	DESCRIPTION
6	Guide	60-55	VG-420		Int.; .3425" ID, 2.8130" O.A.L.
QTY	VALVE SPRING	YEARS	PART NO.	SIZE	DESCRIPTION
6	Spring	60-57	VS-506		Exh.; Use w/Rotocaps; 1.8570" Free Height
6	Spring	60-57	VS-304		Int.; 2.0000" Free Height
12	Spring	56-55	VS-304		Exh. & Int.; 2.0000" Free Height
CAMSHAFT GROUP					
QTY	TIMING	YEARS	PART NO.	SIZE	DESCRIPTION
1	Timing Chain	60-59	222-494		48 Links
ENGINE BLOCK & PARTS					
QTY	CAM BEARINGS	YEARS	PART NO.	SIZE	DESCRIPTION
1	Cam Set	60-55	1011M		Std Only
CRANKSHAFT/OIL PUMP					
QTY	CRANKSHAFT	YEARS	PART NO.	SIZE	DESCRIPTION
1	Harmonic Balancer Sleeve	60-55	88218		
QTY	SEALS - FRONT CRANK	YEARS	PART NO.	SIZE	DESCRIPTION
1	Redi-Sleeve	60-55	99218		
1	Oil Seal	60-55	6636S		
QTY	MAIN BEARINGS	YEARS	PART NO.	SIZE	DESCRIPTION
1	Main Set	60-55	485M		Std-10-20-30-40
QTY	OIL PUMP	YEARS	PART NO.	SIZE	DESCRIPTION
1	Oil Pump	60-55	224-4160		Rotor type
CYLINDER COMPONENTS					
QTY	PISTONS	YEARS	PART NO.	SIZE	DESCRIPTION
6	Cast Piston	60-55	32NP		Std-20-30-40-60 Use w/E-107X ring set; Cast; 2-3/32", 2-5/32" Ring Groove, 1.977" CD, .8591" Pin Dia., Flat Head - 6.9:1 C.R.
6	Cast Piston - Individual	60-55	W32NP		Std-20-30-40-60 Check piston grooving before supplying ring set; Cast; 2-3/32", 2-5/32" Ring Groove, 1.977" CD, .8591" Pin Dia., Flat Head - 6.9:1 C.R.
6	Pin Bushing	60-55	8649XAS		Full round, thin wall .0055" O/S OD bushing
6	Pin Bushing	60-55	8649XA		Full round, thin wall bushing w/.9150" OD
6	Pin Bushing	60-55	8649V		Split type, thin wall bushing w/.9135" OD
6	Pin Bushing	60-55	8649V20		Split type, thin wall bushing w/.9135" OD & .020" extra bore stock
QTY	CONNECTING RODS & BRGS.	YEARS	PART NO.	SIZE	DESCRIPTION
6	Rod Pair	60-55	9560CPA		Std-10-20-30-40-50
QTY	PISTON RINGS	YEARS	PART NO.	SIZE	DESCRIPTION
1	Standard Set	60-55	E-107X		Std-30-40 Use w/32NP piston; 2-3/32, 2-5/32
<i>M/D Truck 318 Eng. 6</i> 5.2L 318 OHV V8, 3.9063" Bore 1959-89					
CYL. HEAD & PARTS					
QTY	VALVE	YEARS	PART NO.	SIZE	DESCRIPTION
8	Intake	68-67	V-1722		Std-5-15 2 groove; 1.7800" Head Dia., .3725" Stem Dia., 4.9790" O.A.L.
8	Intake	68-67	V-1344		Std Only 2 groove; 1.8440" Head Dia., .3725" Stem Dia., 4.6000" O.A.L.
8	Exhaust	68-67	V-1389		Std Only W/Hyd. lifters; 2 groove; 1.5630" Head Dia., .3715" Stem Dia., 4.5390" O.A.L.
8	Exhaust	68-67	V-1343		Std Only W/Mech. lifters; 4 groove; 1.5630" Head Dia., .3715" Stem Dia., 4.5390" O.A.L.
8	Exhaust	68-67	V-2029		Std-5-15 4 groove; Chrome plated stem; 1.5000" Head Dia., .3715" Stem Dia., 5.0020" O.A.L.
8	Exhaust, Bulk	68-67	V-2029B15		15 4 groove; Chrome plated stem; Carton of 25; 1.5000" Head Dia., .3914" Stem Dia., 5.0020" O.A.L.
16	Keeper	77-63	VK-138		1 groove; Square cut key groove
16	Keeper	77-63	VK-138R		1 groove; Square cut key groove; Hardened
16	Keeper	77-63	VK-66		2 groove
16	Keeper	77-63	VK-66R		2 groove; Hardened
16	Keeper, Bulk	77-63	VK-138B		1 groove; Square cut key groove; Carton of 1000
QTY	VALVE SEAT	YEARS	PART NO.	SIZE	DESCRIPTION
8	Exh.	75-69	245-1625-2N		Std Only Premium Material; 1.6300" OD, 1.3750" ID, .2480" Depth
8	Exh.	75-69	245-1625-2		Std Only 1.6300" OD, 1.3750" ID, .2480" Depth
8	Int.	75-69	245-1812-1N		Std Only Premium Material; 1.8175" OD, 1.5625" ID, .2480" Depth

(continued on next page)

Dodge Truck - M/D & H/D

6 M/D Truck 318 Eng.

(cont.) 5.2L 318 OHV V8, 3.9063" Bore 1959-89

CYL. HEAD & PARTS (cont.)

QTY	VALVE SEAT (cont.)	YEARS	PART NO.	SIZE	DESCRIPTION
8	Int.	75-69	245-1812-1	Std Only	1.8175" OD, 1.5625" ID, .2480" Depth
QTY	VALVE GUIDE	YEARS	PART NO.	SIZE	DESCRIPTION
8	Guide	75-69	VG-5003		Int.; .3740" ID, 3.0600" O.A.L.
QTY	VALVE SPRING	YEARS	PART NO.	SIZE	DESCRIPTION
8	Spring	75-69	VS-680		Exh.; 1.8800" Free Height
8	Spring	75-69	VS-510		Int.; 2.0000" Free Height
16	Spring Insert	75-69	259-103C		.015"; ID 1.030"; Carton of 100
16	Spring Insert	75-69	259-103B		.030"; ID 1.030"; Carton of 100
16	Spring Insert	75-69	259-103BRS		.030"; ID 1.030"; Carton of 500
16	Spring Insert	75-69	259-103A		.060"; ID 1.030"; Carton of 100
16	Spring Insert	75-69	259-103ARS		.060"; ID 1.030"; Carton of 500
QTY	PUSH RODS	YEARS	PART NO.	SIZE	DESCRIPTION
16	Push Rod	75-69	RP-3194		.312" dia. ball at both ends; 7.5000" O.A.L.
16	Push Rod, Bulk	75-69	BRP-3194		.312" dia. ball at both ends; Carton of 100; 7.5000" O.A.L.
QTY	VALVE SEAL	YEARS	PART NO.	SIZE	DESCRIPTION
8	Valve Stem Seal	89-67	ST-2048		Int.; OEM Style; Positive type; Viton®
16	Valve Stem Seal	75-69	ST-2002		Installation requires valve guide machining; Polyacrylate
8	Valve Stem Seal	77-61	MV-1918		Exh.; Umbrella type; Viton®
8	Valve Stem Seal	77-61	MV-1771C		Int.; Umbrella type; Polyacrylate
8	Valve Stem Seal Bulk	77-61	MV-1771		Int.; Umbrella type; Carton of 100; Polyacrylate
16	Valve Stem Seal Bulk	75-69	ST-2002BC		Positive type; Installation requires valve guide machining; Carton of 100; Polyacrylate
QTY	ROCKER PARTS	YEARS	PART NO.	SIZE	DESCRIPTION
16	Arm	75-63	R-861		L.H.
16	Arm	75-63	R-862		R.H.
16	Arm, Bulk	75-63	R-861B		L.H.; Carton of 64
16	Arm, Bulk	75-63	R-862B		R.H.; Carton of 64
2	Rocker Shaft	75-63	RS-626		

CAMSHAFT GROUP

QTY	TIMING	YEARS	PART NO.	SIZE	DESCRIPTION
1	3 Piece Set	81-80	KT3-160S		Incl. double rlr. type chain; Incl. (1) 222-160, (1) 223-297, (1) 223-402
1	3 Piece Set	76-69	KT3-160S		Incl. double rlr. type chain; Incl. (1) 222-160, (1) 223-297, (1) 223-402
1	Timing Chain	81-80	222-160		Double rlr.; 68 Links
1	Timing Chain	76-69	222-160		Double rlr.; 68 Links
1	Crank Sprocket	81-80	223-297		Double row; 23 Teeth
1	Crank Sprocket	76-69	223-297		Double row; 23 Teeth
1	Cam Sprocket	81-80	223-402		Double row; 46 Teeth
1	Cam Sprocket	76-69	223-402		Double row; 46 Teeth
QTY	CAMSHAFT/LIFTER	YEARS	PART NO.	SIZE	DESCRIPTION
1	Camshaft	81-69	CS-645		Hyd.
16	Lifter	87-69	HT-2011	Std Only	Hyd.
16	Lifter	81-69	AT-937	Std Only	Barrel shaped mech.
16	Lifter, Bulk	87-69	HT-2011B	Std Only	Hyd.; Carton of 117
1	Prelube	81-69	55-400		4 oz. bottle; 1.5 oz. packet No. 55-403 also avail.
QTY	CAMSHAFT KIT	YEARS	PART NO.	SIZE	DESCRIPTION
1	Cam/Lifter Kit	87-77	KC-645		Hyd.; Incl. (1) CS-645, (16) HT-2011, (1) 55-403B
1	Cam/Lifter Kit	76-69	KC-645		Exc. 318 Premium Eng.s.; Hyd.; Incl. (1) CS-645, (16) HT-2011, (1) 55-403B
1	Cam/Lifter/Timing Kit	81-80	KCT-645A		Hyd.; Incl. double rlr. type chain; Incl. (1) CS-645, (16) HT-2011, (1) KT3-160S, (1) 55-403B
1	Cam/Lifter/Timing Kit	76-69	KCT-645A		Exc. 318 Premium Eng.s.; Hyd.; Incl. double rlr. type chain; Incl. (1) CS-645, (16) HT-2011, (1) KT3-160S, (1) 55-403B

ENGINE BLOCK & PARTS

QTY	GASKET SETS	YEARS	PART NO.	SIZE	DESCRIPTION
1	Kit Gasket Set	87-82	260-1152		Premium valve stem seals incl.
1	Kit Gasket Set	81-78	260-1121		W/4 Bbl. Carb.; Exc. H/D; Premium valve stem seals incl.
1	Kit Gasket Set	81-76	260-1152		H/D Eng.s.; Premium valve stem seals incl.
1	Kit Gasket Set	81-68	260-1154		W/2 Bbl. Carb.; Exc. H/D; Premium valve stem seals incl.
1	Kit Gasket Set	67	260-1571		W/2 bolt valve covers; Canadian Built Eng.s.; Premium valve stem seals incl.
1	Kit Gasket Set	67	260-1154		W/5-bolt valve covers; Exc. Canadian Built Eng.s.; Premium valve stem seals incl.
1	Kit Gasket Set	66-59	260-1571		Premium valve stem seals incl.

(continued on next page)

Dodge Truck - M/D & H/D

M/D Truck 318 Eng. 6
5.2L 318 OHV V8, 3.9063" Bore 1959-89 (cont.)

ENGINE BLOCK & PARTS (cont.)					
QTY	CAM BEARINGS	YEARS	PART NO.	SIZE	DESCRIPTION
1	Cam Set	77-59	1484M		Std Only
1	Cam Set	77-59	1451M		Std Only .760" length ctr. brg.
QTY	FREEZE PLUGS	YEARS	PART NO.	SIZE	DESCRIPTION
1	Brass Block Plug Kit	87-59	381-8010		
1	Steel Block Plug Kit	87-59	381-4014		
CRANKSHAFT/OIL PUMP					
QTY	CRANKSHAFT	YEARS	PART NO.	SIZE	DESCRIPTION
1	Harmonic Balancer Sleeve	77-59	88218		
QTY	SEALS - FRONT CRANK	YEARS	PART NO.	SIZE	DESCRIPTION
1	Redi-Sleeve	77-59	99218		
1	Oil Seal	77-59	3103		
QTY	SEALS - REAR CRANK	YEARS	PART NO.	SIZE	DESCRIPTION
1	Oil Seal Kit	77-59	5414		
QTY	MAIN BEARINGS	YEARS	PART NO.	SIZE	DESCRIPTION
1	Main Set	77-59	5024MA		Std-1-10-20-30 A-Series aluminum bearings; 3.530" max. flange OD; Pos. 1 upper brg. grooved
QTY	OIL PUMP	YEARS	PART NO.	SIZE	DESCRIPTION
1	Oil Pump	81-62	224-4166		
1	Inter. Shaft	81-62	224-6166		
1	Screen Assy.	81-78	224-14162		318-3 Engs.
1	Screen Assy.	77-74	224-14162		Motor Home
1	Screen Assy.	74-63	224-14162		500/600 Series
CYLINDER COMPONENTS					
QTY	PISTONS	YEARS	PART NO.	SIZE	DESCRIPTION
8	Powerforged	72-69	L-2329F30	30	Powerforged; 2-5/64", 1-3/16" Ring Groove, 1.759" CD, .9842" Pin Dia., Flat Head w/4 valve reliefs. DUROSHIELD® skirt coated piston.
1	Cast Piston Set w/Econ. Rings	87-85	8X526P20	20-40-60	Cast; 2-5/64", 1-3/16" Ring Groove, 1.745" CD, .9842" Pin Dia., Flat Head - 9.0:1 C.R.
1	Cast Piston Set w/Econ. Rings	84-69	8X285NP20	20-40-60	Cast; 2-5/64", 1-3/16" Ring Groove, 1.720" CD, .9842" Pin Dia., Flat Head w/4 valve reliefs; Designed for full-float or press-in-rod pin - 8.5:1 C.R.
1	Cast Piston Set w/Prem. Rings	87-85	8K526P30	30-60	Cast; 2-5/64", 1-3/16" Ring Groove, 1.745" CD, .9842" Pin Dia., Flat Head - 9.0:1 C.R.
1	Cast Piston Set w/Prem. Rings	84-69	8K285NP20	20-30-60	Cast; 2-5/64", 1-3/16" Ring Groove, 1.720" CD, .9842" Pin Dia., Flat Head w/4 valve reliefs; Designed for full-float or press-in-rod pin - 8.5:1 C.R.
8	Cast Piston	87-85	526P +	Std-20-30-40-60	Cast; 2-5/64", 1-3/16" Ring Groove, 1.745" CD, .9842" Pin Dia., Flat Head - 9.0:1 C.R.; When depleted use 526AP
8	Cast Piston	84-69	285NP +	Std-20-30-40-60	Cast; 2-5/64", 1-3/16" Ring Groove, 1.720" CD, .9842" Pin Dia., Flat Head w/4 valve reliefs; Designed for full-float or press-in-rod pin - 8.5:1 C.R.; When depleted use 285AP
8	Cast Piston	68-59	1061NP30	30-40-60	Exc. 318LA; Exc. Premium Engs.; Cast; 2-5/64", 1-3/16" Ring Groove, 1.790" CD, .9844" Pin Dia., Recessed Head .090" deep w/2 valve reliefs
8	Cast Piston - Individual	87-85	W526P	Std-20-30-40	Cast; 2-5/64", 1-3/16" Ring Groove, 1.745" CD, .9842" Pin Dia., Flat Head - 9.0:1 C.R.
8	Cast Piston - Individual	84-69	W285NCP30	30-40-60	Cast; 2-5/64", 1-3/16" Ring Groove, 1.720" CD, .9842" Pin Dia., Flat Head w/4 valve reliefs; Designed for full-float or press-in-rod pin - 8.5:1 C.R.; DUROSHIELD® skirt coated piston
8	Cast Piston - Individual	84-69	W285NP	Std-20-30-40-60	Cast; 2-5/64", 1-3/16" Ring Groove, 1.720" CD, .9842" Pin Dia., Flat Head w/4 valve reliefs; Designed for full-float or press-in-rod pin - 8.5:1 C.R.
8	Cast Piston - Individual	68-59	W1061P30	30-40-60	Exc. 318LA; Exc. Premium Engs.; Cast; 2-5/64", 1-3/16" Ring Groove, 1.790" CD, .9842" Pin Dia., Recessed Head .090" deep x 3.000" dia. - 7.1:1 C.R.; Designed for full-float or press-in rod
8	Forged Piston - Individual	72-69	WL-2329F30	30	Powerforged; 2-5/64", 1-3/16" Ring Groove, 1.759" CD, .9842" Pin Dia., Flat Head w/4 valve reliefs. DUROSHIELD® skirt coated piston.
8	Pin Bushing	77-59	2134Y		
8	Pin Bushing	77-59	2134Y20		w/.020" extra bore stock
QTY	CONNECTING RODS & BRGS.	YEARS	PART NO.	SIZE	DESCRIPTION
1	Rod Set	77-59	8-2130CP10X2	10X2-20X2	Use in .002" O/S Rod Bore

(continued on next page)

+ Superseded Part Number

Dodge Truck - M/D & H/D

6 M/D Truck 318 Eng.
 (cont.) 5.2L 318 OHV V8, 3.9063" Bore 1959-89

CYLINDER COMPONENTS (cont.)

QTY	CONNECTING RODS & BRGS. (cont.)	YEARS	PART NO.	SIZE	DESCRIPTION
1	Rod Set	77-59	8-2130CP Std-1-10-20-30-40-50		8-2130CA 60 avail. as unplated & resizeable
1	Rod Set	77-59	8-2130CA60 60		Unplated & resizeable
8	Rod Pair	77-59	2130CP Std-1-2-10-20-30-40-50		
QTY	PISTON RINGS	YEARS	PART NO.	SIZE	DESCRIPTION
1	Premium Set	75-69	E-178K Std-20-30-40-60		2-5/64, 1-3/16
1	Standard Set	75-69	E-178X Std-20-30-40-60		2-5/64, 1-3/16
8	Premium Single Cylinder Set	75-69	WE-178K Std-20-30-40-60		2-5/64, 1-3/16
8	Standard Single Cylinder Set	75-69	WE-178X Std-20-30-40-60		2-5/64, 1-3/16

KITS

RE-RING KIT	YEARS	DESCRIPTION		QTY	PREMIUM KIT NO.	QTY	ECONOMY KIT NO.
87-82		Premium valve stem seals incl.	Re-ring	1	205-718	-----	
81-78		W/4 Bbl. Carb.; Exc. H/D; Premium valve stem seals incl.	Re-ring	1	205-743	-----	
81-77		H/D Eng.s.; Premium valve stem seals incl.	Re-ring	1	205-718	-----	
81-77		W/2 Bbl. Carb.; Exc. H/D; Premium valve stem seals incl.	Re-ring	1	205-744A	-----	
76-67		318LA Eng.s.; w/2 Bbl. Carb.; Exc. H/D; Premium valve stem seals incl.	Re-ring	1	205-744A	-----	
87-82		Incl. A-Series aluminum bearings; w/3.530" max. brg. flange OD; Pos. 1 upper brg. grooved; Premium valve stem seals incl.	Re-ring w/Mains	1	205-718M	1	205-218M
87-82		Premium valve stem seals incl.	Re-ring	-----		1	205-218A
81-78		W/4 Bbl. Carb.; Exc. H/D Eng.s.; Incl. A-Series aluminum bearings; w/3.530" max. brg. flange OD; Pos. 1 upper brg. grooved; Premium valve stem seals incl.	Re-ring w/Mains	-----		1	205-243M
81-78		W/4 Bbl. Carb.; Exc. H/D; Incl. A-Series aluminum bearings; w/3.530" max. brg. flange OD; Pos. 1 upper brg. grooved; Premium valve stem seals incl.	Re-ring w/Mains	1	205-743M	-----	
81-78		W/4 Bbl. Carb.; Exc. H/D; Premium valve stem seals incl.	Re-ring	-----		1	205-243
81-77		H/D Eng.s.; Incl. A-Series aluminum bearings; w/3.530" max. brg. flange OD; Pos. 1 upper brg. grooved; Premium valve stem seals incl.	Re-ring w/Mains	1	205-718M	1	205-218M
81-77		H/D Eng.s.; Premium valve stem seals incl.	Re-ring	-----		1	205-218A
81-77		W/2 Bbl. Carb.; Exc. H/D Eng.s.; Incl. A-Series aluminum bearings; w/3.530" max. brg. flange OD; Pos. 1 upper brg. grooved; Premium valve stem seals incl.	Re-ring w/Mains	1	205-744AM	-----	
81-77		W/2 Bbl. Carb.; Exc. H/D; Premium valve stem seals incl.	Re-ring	-----		1	205-244A
81-77		318LA Eng.s.; w/2 Bbl. Carb.; Exc. H/D Eng.s.; Incl. A-Series aluminum bearings; w/3.530" max. brg. flange OD; Pos. 1 upper brg. grooved; Premium valve stem seals incl.	Re-ring w/Mains	-----		1	205-244AM
76-74		318LA Eng.s.; w/2 Bbl. Carb.; Exc. H/D Eng.s.; Incl. A-Series aluminum bearings; w/3.530" max. brg. flange OD; Pos. 1 upper brg. grooved; Premium valve stem seals incl.	Re-ring w/Mains	1	205-744AM	1	205-244AM
76-68		318LA Eng.s.; w/2 Bbl. Carb.; Exc. H/D; Premium valve stem seals incl.	Re-ring	-----		1	205-244A

(continued on next page)

Dodge Truck - M/D & H/D

M/D Truck 318 Eng. 6
5.2L 318 OHV V8, 3.9063" Bore 1959-89 (cont.)

KITS (cont.)

RE-RING KIT (cont.)		QTY	PREMIUM KIT NO.	QTY	ECONOMY KIT NO.
YEARS	DESCRIPTION				
73-69	W/2 Bbl. Carb.; Exc. H/D; Incl. A-Series aluminum bearings; w/3.530" max. brg. flange OD; Pos. 1 upper brg. grooved; Premium valve stem seals incl.	1	205-744AM	1	205-244AM
73-67	318LA Eng.s.; w/2 Bbl. Carb.; Exc. H/D; Incl. A-Series aluminum bearings; Premium valve stem seals incl.	1	205-744M	1	205-244M
67	318LA Eng.s.; w/2 Bbl. Carb.; w/5 bolt valve covers; Exc. H/D & Canadian built Eng.s.; Premium valve stem seals incl.	-----		1	205-244A
OVERHAUL KIT		QTY	PREMIUM KIT NO.	QTY	ECONOMY KIT NO.
YEARS	DESCRIPTION				
87-82	Incl. A-Series aluminum bearings; w/3.530" max. brg. flange OD; Pos. 1 upper brg. grooved; Premium valve stem seals incl.; Incl. double rlr. type chain	1	MKP-718A	1	MKP-218A
		1	MK-718A	1	MK-218A
87-82	Premium valve stem seals incl.; Incl. double rlr. type chain	1	505-718A	-----	
87-82	Premium valve stem seals incl.; Incl. silent type chain	-----		1	505-218A
81-78	W/4 Bbl. Carb.; Exc. H/D Eng.s.; Incl. A-Series aluminum bearings; w/3.530" max. brg. flange OD; Pos. 1 upper bearing grooved; Premium valve stem seals incl.; Incl. silent type chain	1	MKP-743A	-----	
81-78	W/4 Bbl. Carb.; Exc. H/D Eng.s.; Incl. A-Series aluminum bearings; w/3.530" max. brg. flange OD; Pos. 1 upper brg. grooved; Premium valve stem seals incl.; Incl. silent type chain	1	MK-743A	1	MK-243A
81-78	W/4 Bbl. Carb.; Exc. H/D Eng.s.; Premium valve stem seals incl.; Incl. silent type chain	1	505-743A	1	505-243A
81-77	H/D Eng.s.; Incl. A-Series aluminum bearings; w/3.530" max. brg. flange OD; Pos. 1 upper brg. grooved; Premium valve stem seals incl.; Incl. double rlr. type chain	1	MK-718A	1	MKP-218A
		1	MK-718A	1	MK-218A
81-77	H/D Eng.s.; Premium valve stem seals incl.; Incl. silent type chain	-----		1	505-218A
81-77	H/D; Incl. A-Series aluminum bearings; w/3.530" max. brg. flange OD; Pos. 1 upper brg. grooved; Premium valve stem seals incl.; Incl. double rlr. type chain	1	MKP-718A	-----	
81-77	H/D; Premium valve stem seals incl.; Incl. double rlr. type chain	1	505-718A	-----	
81-74	W/2 Bbl. Carb.; Exc. H/D Eng.s.; Premium valve stem seals incl.; Incl. silent type chain	1	505-744C	-----	
81-74	W/2 Bbl. Carb.; Exc. H/D; Exc. 318 Premium Eng.s.; Incl. A-Series aluminum bearings; w/3.530" max. brg. flange OD; Pos. 1 upper brg. grooved; Premium valve stem seals incl.; Incl. silent type chain	1	MK-744C	1	MKP-244C
		1	MK-744C	1	MK-244C
81-74	W/2 Bbl. Carb.; Exc. H/D; Exc. 318 Premium Eng.s.; Premium valve stem seals incl.; Incl. silent type chain	-----		1	505-244C
81-74	W/2 Bbl. Carb., Exc. H/D; Exc. 318 Premium Eng.s.; Incl. A-Series aluminum bearings; w/3.530" max. brg. flange OD; Pos. 1 upper brg. grooved; Premium valve stem seals incl.; Incl. silent type chain	1	MKP-744C	-----	
79-78	W/4 Bbl. Carb.; Exc. H/D Eng.s.; Incl. A-Series aluminum bearings; w/3.530" max. brg. flange OD; .760" length ctr. brg.; Pos. 1 upper bearing grooved; Premium valve stem seals incl.; Incl. silent type chain	-----		1	MKP-243A
73-69	W/2 Bbl. Carb.; Exc. H/D Eng.s.; Premium valve stem seals incl.; Incl. silent type chain	1	505-744C	-----	

(continued on next page)

Dodge Truck - M/D & H/D

6 M/D Truck 318 Eng.					
(cont.) 5.2L 318 OHV V8, 3.9063" Bore 1959-89					
KITS (cont.)					
OVERHAUL KIT (cont.)					
YEARS	DESCRIPTION	QTY	PREMIUM KIT NO.	QTY	ECONOMY KIT NO.
73-69	W/2 Bbl. Carb.; Exc. H/D; Premium valve stem seals incl.; Incl. silent type chain		-----	1	505-244C
7 M/D Truck T6.354, T6.354-3 Turbo-Diesel Eng.					
5.8L 354 OHV Turbo-Diesel L6 (12 Valve), 3.875" Bore (Perkins Eng.) 1964-67					
CYL. HEAD & PARTS					
QTY	VALVE	YEARS	PART NO.	SIZE	DESCRIPTION
6	Intake	67-64	FP-V1701		T6.354 Eng.; From Ser. No. 354UA3357T; 1.7440" Head Dia., .3730" Stem Dia., 4.8290" O.A.L.
6	Intake	67-64	V-1701 +	Std Only	T6.354 Eng.; From Ser. No. 354UA3357T; 1.7440" Head Dia., .3730" Stem Dia., 4.8290" O.A.L.; When depleted use FP-V1701
6	Exhaust	67-64	FP-V1700		T6.354 Eng.; 1.4400" Head Dia., .3725" Stem Dia., 4.8570" O.A.L.
6	Exhaust	67-64	V-1700 +	Std Only	T6.354 Eng.; 1.4400" Head Dia., .3725" Stem Dia., 4.8570" O.A.L.; When depleted use FP-V1700
24	Keeper	67-64	FP-VK223		
24	Keeper	67-64	VK-223 +		When depleted use FP-VK223
CRANKSHAFT/OIL PUMP					
QTY	MAIN BEARINGS	YEARS	PART NO.	SIZE	DESCRIPTION
1	Main Set	67-64	FP-4352M	Std Only	T6.354 Eng.
1	Main Set	67-64	4352M +	Std Only	T6.354 Eng.; When depleted use FP-4352M
1	Thrust Washer Set	67-64	FP-3137BFA	Std Only	Position 4; Eng. From Ser. No. 8504189
1	Thrust Washer Set	67-64	3137BFA +	Std Only	Position 4; Eng. From Ser. No. 8504189; When depleted use FP-3137BFA
1	Thrust Washer Set	67-64	FP-3137BF	Std Only	Position 4; To Ser. No. 8504188
1	Thrust Washer Set	67-64	3137BF +	Std Only	Position 4; To Ser. No. 8504188; When depleted use FP-3137BF
CYLINDER COMPONENTS					
QTY	CONNECTING RODS & BRGS.	YEARS	PART NO.	SIZE	DESCRIPTION
1	Rod Set	67-64	FP-63135CPA	Std-10	
1	Rod Set	67-64	6-3135CPA +	Std-10	When depleted use FP-63135CPA
QTY	PISTON RINGS	YEARS	PART NO.	SIZE	DESCRIPTION
3	Premium Set	67-64	FP-9194KX	Std-30	3-3/32, 2-1/4 (2 cyl. set); Do not use w/Chrome liners
3	Premium Set	67-64	9194KX +	Std-30	3-3/32, 2-1/4 (2 cyl. set); Do not use w/Chrome liners; When depleted use FP-9194KX
1	Premium Set	67-64	FP-E816KC	Std Only	3-3/32, 2-1/4; Do not use w/Chrome liners
1	Premium Set	67-64	E-816KC +	Std Only	3-3/32, 2-1/4; Do not use w/Chrome liners; When depleted use FP-E816KC
6	Premium Single Cylinder Set	67-64	W-9194KX	Std Only	3-3/32, 2-1/4 (2 cyl. set); Do not use w/Chrome liners
8 M/D Truck 360 Eng.					
5.9L 360 OHV V8, 4" Bore 1972-89					
CYL. HEAD & PARTS					
QTY	VALVE	YEARS	PART NO.	SIZE	DESCRIPTION
8	Intake	77-76	V-1908	Std-15	2 groove; 1.8800" Head Dia., .3725" Stem Dia., 4.9810" O.A.L.
8	Exhaust	79-78	V-2113	Std Only	2 groove; 1.6000" Head Dia., .3715" Stem Dia., 5.0050" O.A.L.
8	Exhaust	77-76	V-1900	Std Only	4 groove; Chrome plated stem; 1.7400" Head Dia., .3717" Stem Dia., 4.8840" O.A.L.
16	Keeper	79-76	VK-66		2 groove
16	Keeper	79-76	VK-66R		2 groove; Hardened
16	Keeper	79-76	VK-174		4 groove
16	Keeper	79-76	VK-174R		4 groove; Hardened
QTY	VALVE SEAT	YEARS	PART NO.	SIZE	DESCRIPTION
8	Exh.	81-80	245-1687-2N	Std Only	Premium Material; 1.6925" OD, 1.4375" ID, .2160" Depth
8	Exh.	81-80	245-1687-2	Std Only	1.6925" OD, 1.4375" ID, .2160" Depth
8	Int.	81-78	245-2000-1	Std Only	2.0055" OD, 1.7500" ID, .2160" Depth
8	Exh.	79-78	245-1750-2N	Std Only	Premium Material; 1.7550" OD, 1.5000" ID, .2160" Depth
8	Exh.	79-78	245-1750-2	Std Only	1.7550" OD, 1.5000" ID, .2160" Depth
QTY	VALVE SPRING	YEARS	PART NO.	SIZE	DESCRIPTION
8	Spring	79-76	VS-510		Exh.; 2.0000" Free Height
16	Spring Insert	79-76	259-103C		.015"; ID 1.030"; Carton of 100
16	Spring Insert	79-76	259-103B		.030"; ID 1.030"; Carton of 100
16	Spring Insert	79-76	259-103BRS		.030"; ID 1.030"; Carton of 500

(continued on next page)

Dodge Truck - M/D & H/D

M/D Truck 360 Eng. 8
5.9L 360 OHV V8, 4" Bore 1972-89 (cont.)

CYL. HEAD & PARTS (cont.)					
QTY	VALVE SPRING (cont.)	YEARS	PART NO.	SIZE	DESCRIPTION
16	Spring Insert	79-76	259-103A		.060"; ID 1.030"; Carton of 100
16	Spring Insert	79-76	259-103ARS		.060"; ID 1.030"; Carton of 500
QTY	PUSH RODS	YEARS	PART NO.	SIZE	DESCRIPTION
16	Push Rod	79-76	RP-3194		.312" dia. ball at both ends; 7.5000" O.A.L.
16	Push Rod, Bulk	79-76	BRP-3194		.312" dia. ball at both ends; Carton of 100; 7.5000" O.A.L.
QTY	VALVE SEAL	YEARS	PART NO.	SIZE	DESCRIPTION
8	Valve Stem Seal	89-72	ST-2048		Int.; OEM Style; Positive type; Viton®
8	Valve Stem Seal	79-76	ST-2004		Int.; Positive type; Installation requires valve guide machining; Rubber/PTFE
8	Valve Stem Seal	79-76	MV-1918		Exh.; Umbrella type; Viton®
8	Valve Stem Seal	79-76	MV-1771C		Int.; Umbrella type; Polyacrylate
8	Valve Stem Seal Bulk	79-76	ST-2004BC		Int.; Positive type; Installation requires valve guide machining; Carton of 100; Rubber/PTFE
8	Valve Stem Seal Bulk	79-76	MV-1771		Int.; Umbrella type; Carton of 100; Polyacrylate
QTY	ROCKER PARTS	YEARS	PART NO.	SIZE	DESCRIPTION
8	Arm	79-78	R-861		L.H.
8	Arm	79-78	R-862		R.H.
8	Arm	76	R-861		L.H.
8	Arm	76	R-862		R.H.
8	Arm, Bulk	79-78	R-861B		L.H.; Carton of 64
8	Arm, Bulk	79-78	R-862B		R.H.; Carton of 64
8	Arm, Bulk	76	R-861B		L.H.; Carton of 64
8	Arm, Bulk	76	R-862B		R.H.; Carton of 64
2	Rocker Shaft	79-76	RS-626		
CAMSHAFT GROUP					
QTY	TIMING	YEARS	PART NO.	SIZE	DESCRIPTION
1	3 Piece Set	81-76	KT3-160S		Incl. double rlr. type chain; Incl. (1) 222-160, (1) 223-297, (1) 223-402
1	Timing Set w/Gaskets	81-76	CTS-3002		Incl. double rlr. type chain
1	Timing Chain	81-78	222-160		Double rlr.; 68 Links
1	Timing Chain	79-78	222-361		Silent type; 68 Links
1	Timing Chain	76-74	222-160		Motor home; Double rlr.; 68 Links
1	Crank Sprocket	81-78	223-297		Double row; 23 Teeth
1	Crank Sprocket	79-78	223-359		Use w/silent type chain; .405" tooth width sprocket; 23 Teeth
1	Crank Sprocket	76-74	223-297		Motor home; Double row; 23 Teeth
1	Cam Sprocket	81-78	223-402		Double row; 46 Teeth
1	Cam Sprocket	79-78	223-358		Use w/silent type chain; 46 Teeth
1	Cam Sprocket	76-74	223-402		Motor home; Double row; 46 Teeth
QTY	CAMSHAFT/LIFTER	YEARS	PART NO.	SIZE	DESCRIPTION
1	Camshaft	81-78	CS-665		
1	Camshaft	76	CS-665		
16	Lifter	81-78	HT-2011 Std Only		Hyd.
16	Lifter	76	HT-2011 Std Only		Hyd.
16	Lifter, Bulk	81-78	HT-2011B Std Only		Hyd.; Carton of 117
16	Lifter, Bulk	76	HT-2011B Std Only		Hyd.; Carton of 117
1	Prelube	79-76	55-400		4 oz. bottle; 1.5 oz. packet No. 55-403 also avail.
QTY	CAMSHAFT KIT	YEARS	PART NO.	SIZE	DESCRIPTION
1	Cam/Lifter Kit	81-76	KC-665		Hyd.; Incl. (1) CS-665, (16) HT-2011, (1) 55-403B
1	Cam/Lifter/Timing Kit	81-76	KCT-665		Hyd.; Incl. double rlr. type chain; Incl. (1) CS-665, (16) HT-2011, (1) KT3-160S, (1) 55-403B
ENGINE BLOCK & PARTS					
QTY	GASKET SETS	YEARS	PART NO.	SIZE	DESCRIPTION
1	Kit Gasket Set	81-76	260-1033		Exc. H/D Eng.s.; Large port int. manifold gsks. incl.; Small port int. manifold gsks. incl.; Premium valve stem seals incl.
1	Kit Gasket Set	81-76	260-1095		H/D Eng.s.; Premium valve stem seals incl.
QTY	CAM BEARINGS	YEARS	PART NO.	SIZE	DESCRIPTION
1	Cam Set	81-76	1484M Std Only		
1	Cam Set	79-76	1451M Std Only		.760" length ctr. brg.
QTY	FREEZE PLUGS	YEARS	PART NO.	SIZE	DESCRIPTION
1	Brass Block Plug Kit	81-76	381-8010		
1	Steel Block Plug Kit	81-76	381-4014		

(continued on next page)

Dodge Truck - M/D & H/D

8 M/D Truck 360 Eng. (cont.) 5.9L 360 OHV V8, 4" Bore 1972-89										
CRANKSHAFT/OIL PUMP										
QTY	CRANKSHAFT	YEARS	PART NO.	SIZE	DESCRIPTION					
1	Harmonic Balancer Sleeve	81-76	88218							
QTY	SEALS - FRONT CRANK	YEARS	PART NO.	SIZE	DESCRIPTION					
1	Redi-Sleeve	81-76	99218							
1	Oil Seal	81-76	3103							
QTY	SEALS - REAR CRANK	YEARS	PART NO.	SIZE	DESCRIPTION					
1	Oil Seal Kit	81-76	5106		(Split Seal)					
QTY	MAIN BEARINGS	YEARS	PART NO.	SIZE	DESCRIPTION					
1	Main Set	81-76	4999MA	Std-1-10-20-30	A-Series aluminum bearings; w/3.910" max. flange OD					
QTY	OIL PUMP	YEARS	PART NO.	SIZE	DESCRIPTION					
1	Oil Pump	81-76	224-4166							
1	Oil Pump	81-76	224-4166V		High Volume, check pan for clearance					
1	Inter. Shaft	81-76	224-6166							
1	Screen Assy.	81-78	224-14162		360-3 Eng.					
1	Screen Assy.	77-76	224-14162		Motor Home					
CYLINDER COMPONENTS										
QTY	LINERS	YEARS	PART NO.	SIZE	DESCRIPTION					
1	Repair Sleeve	81-76	SL-22Y	Std Only	1/8" wall, must be cut to correct length; O.A.L. 10.250"					
1	Repair Sleeve	81-76	SL-22M	Std Only	3/32" wall, must be cut to correct length; O.A.L. 10.250"					
QTY	PISTONS	YEARS	PART NO.	SIZE	DESCRIPTION					
1	Cast Piston Set w/Econ. Rings	81-76	8X405P30	30-40-60	360-3 Eng.; Cast; 2-5/64", 1-3/16" Ring Groove, 1.576" CD, .9842" Pin Dia., Recessed Head .070" deep x 3.140" dia. - 8.0:1 C.R.					
1	Cast Piston Set w/Prem. Rings	81-76	8K405CP30	30-40-60	360-3 Eng.; Cast; 2-5/64", 1-3/16" Ring Groove, 1.576" CD, .9842" Pin Dia., Recessed Head .070" deep x 3.140" dia. - 8.0:1 C.R.; DUROSHIELD® skirt coated piston					
1	Cast Piston Set w/Prem. Rings	81-76	8K405P30	30-40-60	360-3 Eng.; Cast; 2-5/64", 1-3/16" Ring Groove, 1.576" CD, .9842" Pin Dia., Recessed Head .070" deep x 3.140" dia. - 8.0:1 C.R.					
8	Cast Piston	81-76	405P	Std-20-30-40-60	360-3 Eng.; Cast; 2-5/64", 1-3/16" Ring Groove, 1.576" CD, .9842" Pin Dia., Recessed Head .070" deep x 3.140" dia. - 8.0:1 C.R.					
8	Cast Piston - Individual	81-76	W405P	Std-20-30-40-60	360-3 Eng.; Cast; 2-5/64", 1-3/16" Ring Groove, 1.576" CD, .9842" Pin Dia., Recessed Head .070" deep x 3.140" dia. - 8.0:1 C.R.					
QTY	CONNECTING RODS & BRGS.	YEARS	PART NO.	SIZE	DESCRIPTION					
1	Rod Set	81-76	8-2130CP10X2	10X2-20X2	Use in .002" O/S Rod Bore					
1	Rod Set	81-76	8-2130CP	Std-1-10-20-30-40-50	8-2130CA 60 avail. as unplated & resizeable					
1	Rod Set	81-76	8-2130CA60	60	Unplated & resizeable					
8	Rod Pair	81-76	2130CP	Std-1-2-10-20-30-40-50						
QTY	PISTON RINGS	YEARS	PART NO.	SIZE	DESCRIPTION					
1	Premium Set	79-76	E-251K	Std-10-20-30-40-60	2-5/64, 1-3/16					
1	Premium Set	79-76	E-251KC	Std-10-20-30-40-60	2-5/64, 1-3/16					
1	Standard Set	79-76	E-251X	Std-10-20-30-40-60-80	2-5/64, 1-3/16					
8	Premium Single Cylinder Set	79-76	WE-251K	Std-20-30-40-60	2-5/64, 1-3/16					
8	Premium Single Cylinder Set	79-76	WE-251KC	Std-20-30-40-60	2-5/64, 1-3/16					
8	Standard Single Cylinder Set	79-76	WE-251X	Std-20-30-40-60-80	2-5/64, 1-3/16					
KITS										
RE-RING KIT					QTY	PREMIUM KIT NO.	QTY	ECONOMY KIT NO.		
81-76	Exc. H/D Eng.; Large port int. manifold gskts. incl.; Small port int. manifold gskts. incl.; Premium valve stem seals incl.		Re-ring		1	205-622A		-----		
81-76	H/D Eng.; Premium valve stem seals incl.		Re-ring		1	205-683A		-----		

(continued on next page)

Dodge Truck - M/D & H/D

M/D Truck 360 Eng. 8
5.9L 360 OHV V8, 4" Bore 1972-89 (cont.)

KITS (cont.)

RE-RING KIT (cont.)		QTY	PREMIUM KIT NO.	QTY	ECONOMY KIT NO.
YEARS	DESCRIPTION				
81-76	Exc. H/D Eng.s.; Large port int. manifold gskts. incl.; Small port int. manifold gskts. incl.; Incl. A-Series aluminum bearings; w/3.910" max. brg. flange OD; Premium valve stem seals incl.	1	205-622AM	1	205-122AM
81-76	Exc. H/D Eng.s.; Large port int. manifold gskts. incl.; Small port int. manifold gskts. incl.; Premium valve stem seals incl.	-----		1	205-122A
81-76	H/D Eng.s.; Incl. A-Series aluminum bearings; w/3.910" max. brg. flange OD; Premium valve stem seals incl.	1	205-683AM	1	205-183AM
81-76	H/D Eng.s.; Premium valve stem seals incl.	-----		1	205-183A
OVERHAUL KIT		QTY	PREMIUM KIT NO.	QTY	ECONOMY KIT NO.
YEARS	DESCRIPTION				
81-76	Exc. H/D Eng.s.; Large port int. manifold gskts. incl.; Small port int. manifold gskts. incl.; Incl. A-Series aluminum bearings; w/3.910" max. brg. flange OD; Premium valve stem seals incl.; Incl. silent type chain	1	MKP-622C	1	MKP-122C
	Master w/o Pistons	1	MK-622C	1	MK-122C
81-76	Exc. H/D Eng.s.; Large port int. manifold gskts. incl.; Small port int. manifold gskts. incl.; Premium valve stem seals incl.; Incl. silent type chain	1	505-622C	1	505-122C
81-76	H/D Eng.s.; Incl. A-Series aluminum bearings; w/3.910" max. brg. flange OD; Premium valve stem seals incl.; Incl. double rlr. type chain	1	MKP-683C	1	MKP-183C
	Master w/o Pistons	1	MK-683C	1	MK-183C
81-76	H/D Eng.s.; Premium valve stem seals incl.; Incl. double rlr. type chain	1	505-683C	1	505-183C

M/D Truck 361 Eng. H/D Truck 361 Eng. 9
5.9L 361 OHV V8, 4.125" Bore 1960-77

CYL. HEAD & PARTS

QTY	VALVE	YEARS	PART NO.	SIZE	DESCRIPTION
8	Intake	77-60	V-1438 Std Only		Exc. 1966 w/11" Clutch; 1.8800" Head Dia., .3725" Stem Dia., 5.6680" O.A.L.
8	Intake	66	V-1386 Std Only		W/11" clutch; 2.0800" Head Dia., .3725" Stem Dia., 4.8685" O.A.L.
8	Exhaust	66	V-1339 Std Only		W/11" clutch; 1.5980" Head Dia., .3715" Stem Dia., 4.8900" O.A.L.
16	Keeper	77-60	VK-66		Exh.; 2 groove
16	Keeper	77-60	VK-66R		Exh.; 2 groove; Hardened
16	Keeper	77-60	VK-174		Int.; 4 groove
16	Keeper	77-60	VK-174R		Int.; 4 groove; Hardened
QTY	VALVE SEAT	YEARS	PART NO.	SIZE	DESCRIPTION
8	Int.	77-60	245-2000-1 Std Only		Exc. 1966 w/11" Clutch; 2.0055" OD, 1.7500" ID, .2160" Depth
8	Exh.	66	245-1750-2N Std Only		W/11" clutch; Premium Material; 1.7550" OD, 1.5000" ID, .2160" Depth
8	Exh.	66	245-1750-2 Std Only		W/11" clutch; 1.7550" OD, 1.5000" ID, .2160" Depth
8	Int.	66	245-2250-1 Std Only		W/11" clutch; 2.2555" OD, 1.9375" ID, .1855" Depth
QTY	VALVE GUIDE	YEARS	PART NO.	SIZE	DESCRIPTION
8	Guide	76-60	VG-549		Exh.; Exc. 1966 w/11" Clutch; .4385" ID, 3.0900" O.A.L.
QTY	VALVE SPRING	YEARS	PART NO.	SIZE	DESCRIPTION
8	Spring	77-60	VS-700		Exh.; Exc. 1966; 2.1300" Free Height
8	Spring	76-60	VS-673		Int.; 2.5800" Free Height
8	Spring	66	VS-673		Exh.; 2.5800" Free Height
16	Spring Insert	77-60	259-103C		.015"; ID 1.030"; Carton of 100
16	Spring Insert	77-60	259-103B		.030"; ID 1.030"; Carton of 100
16	Spring Insert	77-60	259-103BRS		.030"; ID 1.030"; Carton of 500
16	Spring Insert	77-60	259-103A		.060"; ID 1.030"; Carton of 100
16	Spring Insert	77-60	259-103ARS		.060"; ID 1.030"; Carton of 500
QTY	VALVE SEAL	YEARS	PART NO.	SIZE	DESCRIPTION
8	Valve Stem Seal	77-60	ST-2007		Exh.; Exc. 1966 w/11" Clutch; Positive type; Rubber
8	Valve Stem Seal	77-60	ST-2002		Int.; Exc. 1966 w/11" Clutch; Installation requires valve guide machining; Polyacrylate
8	Valve Stem Seal	66	ST-2002		Exh. & Int.; W/11" Clutch; Installation requires valve guide machining; Polyacrylate

(continued on next page)

Dodge Truck - M/D & H/D

9 M/D Truck 361 Eng. H/D Truck 361 Eng.
(cont.) 5.9L 361 OHV V8, 4.125" Bore 1960-77

CYL. HEAD & PARTS (cont.)					
QTY	VALVE SEAL (cont.)	YEARS	PART NO.	SIZE	DESCRIPTION
8	Valve Stem Seal	77-60	MV-1707C		Int.; Umbrella type; Nitrile
8	Valve Stem Seal Bulk	77-60	ST-2002BC		Int.; Exc. 1966 w/11" Clutch; Positive type; Installation requires valve guide machining; Carton of 100; Polyacrylate
8	Valve Stem Seal Bulk	77-60	MV-1707		Int.; Umbrella type; Carton of 100; Nitrile
8	Valve Stem Seal Bulk	66	ST-2002BC		Exh. & Int.; W/11" Clutch; Positive type; Installation requires valve guide machining; Carton of 100; Polyacrylate
ROCKER PARTS					
QTY	ROCKER PARTS	YEARS	PART NO.	SIZE	DESCRIPTION
8	Arm	77-60	R-829		L.H.
8	Arm	77-60	R-828		R.H.
1	Rocker Shaft	77-60	RS-612		
CAMSHAFT GROUP					
QTY	TIMING	YEARS	PART NO.	SIZE	DESCRIPTION
1	3 Piece Set	77-72	KT3-168SA		361-4 Eng.s.; Incl. rlr. type chain; Incl. (1) 222-168, (1) 223-339, (1) 223-340A
1	Timing Chain	77-72	222-168		Double rlr.; 66 Links
1	Crank Sprocket	77-72	223-339		361-2, 361-3 & 361-4 Eng.s.; Double row; 25 Teeth
1	Cam Sprocket	77-72	223-340A		361-4 Eng.s.; Double row; 50 Teeth
QTY	CAMSHAFT/LIFTER	YEARS	PART NO.	SIZE	DESCRIPTION
1	Camshaft	66	CS-327		
16	Lifter	77-68	HT-2011 Std Only		From Ser. No. 21680001; Hyd.
16	Lifter	77-68	HT-976 Std Only		From Ser. No. 21680001; Hyd.
16	Lifter	68-60	HT-812 Std Only		To Ser. No. 21680000; Hyd.; 1.830" - 1.860" Length
16	Lifter, Bulk	77-68	HT-2011B Std Only		From Ser. No. 21680001; Hyd.; Carton of 117
16	Lifter, Bulk	77-68	HT-976B Std Only		From Ser. No. 21680001; Hyd.; Carton of 117
16	Lifter, Bulk	68-60	HT-812B Std Only		To Ser. No. 21680000; Hyd.; Carton of 117; 1.830" - 1.860" Length
1	Prelube	77-65	55-400		4 oz. bottle; 1.5 oz. packet No. 55-403 also avail.
QTY	CAMSHAFT KIT	YEARS	PART NO.	SIZE	DESCRIPTION
1	Cam/Lifter Kit	66	KC-327A		Hyd.; Incl. (1) CS-327, (16) HT-812, (1) 55-403B
ENGINE BLOCK & PARTS					
QTY	CAM BEARINGS	YEARS	PART NO.	SIZE	DESCRIPTION
1	Cam Set	76-60	1453M Std Only		Babbitt material; Full round design
QTY	FREEZE PLUGS	YEARS	PART NO.	SIZE	DESCRIPTION
1	Brass Block Plug Kit	76-60	381-8011		
1	Steel Block Plug Kit	76-60	381-4031		
CRANKSHAFT/OIL PUMP					
QTY	CRANKSHAFT	YEARS	PART NO.	SIZE	DESCRIPTION
1	Harmonic Balancer Sleeve	77-60	88218		
QTY	SEALS - FRONT CRANK	YEARS	PART NO.	SIZE	DESCRIPTION
1	Redi-Sleeve	77-60	99218		
1	Oil Seal	77-60	3103		
QTY	SEALS - REAR CRANK	YEARS	PART NO.	SIZE	DESCRIPTION
1	Oil Seal Kit	77-60	5650		
QTY	MAIN BEARINGS	YEARS	PART NO.	SIZE	DESCRIPTION
1	Main Set	76-60	4094M Std-10-20-30-40-60		3.453" max. flange OD
QTY	OIL PUMP	YEARS	PART NO.	SIZE	DESCRIPTION
1	Oil Pump	77-72	224-43499		Pump cover not incl., reuse original cover
1	Oil Pump	71-60	224-43366A		High Pressure; Use original cover plate on Eng.s. with canister oil filter
1	Oil Pump	71-60	224-4174V		High-Volume; Use original cover plate on Eng.s. w/canister oil filter
1	Oil Pump	71-60	224-4174		Use original cover plate on Eng.s. w/canister oil filter
1	Pump Repair Kit	71-60	224-5174		
1	Inter. Shaft	77-72	224-6174		W/Timing chain
CYLINDER COMPONENTS					
QTY	PISTONS	YEARS	PART NO.	SIZE	DESCRIPTION
8	Cast Piston	77-60	H251P Std-20-30-40-60		Exc. 1966 w/11" clutch; Hypereutectic; 2-3/32", 1-3/16" Ring Groove, 1.880" CD, 1.0939" Pin Dia., Recessed Head .130" deep x 2.960" dia. - 7.5:1 C.R.
8	Cast Piston - Individual	77-60	WH251P Std-20-30-40-60		Exc. 1966 w/11" clutch; Hypereutectic; 2-3/32", 1-3/16" Ring Groove, 1.880" CD, 1.0939" Pin Dia., Recessed Head .130" deep x 2.960" dia. - 7.5:1 C.R.

(continued on next page)

Dodge Truck - M/D & H/D

M/D Truck 361 Eng. H/D Truck 361 Eng. **9**
5.9L 361 OHV V8, 4.125" Bore 1960-77 (cont.)

CYLINDER COMPONENTS (cont.)

QTY	PISTONS (cont.)	YEARS	PART NO.	SIZE	DESCRIPTION
8	Pin	77-60	P-1940 Std-3		
QTY	CONNECTING RODS & BRGS.	YEARS	PART NO.	SIZE	DESCRIPTION
1	Rod Set	76-60	8-2320CP Std-10-20-30-40-50		8-2320CA 60 avail. as unplated & resizeable
1	Rod Set	76-60	8-2320CA60 60		Unplated & resizeable
8	Rod Pair	76-60	2320CP Std-1-10-20-30-40-50		
QTY	PISTON RINGS	YEARS	PART NO.	SIZE	DESCRIPTION
1	Premium Set	77-60	E-404K Std-30-60		Exc. 1966 w/11" Clutch; H/D; Highway; 2-3/32, 1-3/16
1	Premium Set	77-60	E-273K Std-20-30-40-60		Exc. 1966 w/11" Clutch; 2-3/32, 1-3/16
1	Premium Set	66	E-243K Std-20-30-40-60		W/11" Clutch; 2-5/64, 1-3/16
1	Standard Set	77-60	E-422X30 30		Exc. 1966 w/11" Clutch; 2-3/32, 1-3/16
1	Standard Set	66	E-243X Std-20-30-40-60		W/11" Clutch; 2-5/64, 1-3/16
8	Premium Single Cylinder Set	77-60	WE-404K Std-30		Exc. 1966 w/11" Clutch; H/D use; Highway use; 2-3/32, 1-3/16
8	Premium Single Cylinder Set	77-60	WE-273K Std-20-30-40-60		Exc. 1966 w/11" Clutch; 2-3/32, 1-3/16
8	Premium Single Cylinder Set	66	WE-243K Std-20-30-40-60		W/11" Clutch; 2-5/64, 1-3/16
8	Standard Single Cylinder Set	66	WE-243X Std-20-30-40-60		W/11" Clutch; 2-5/64, 1-3/16

M/D Truck 400 Eng. **10**
6.6L 400 OHV V8, 4.342" Bore 1977-78

CYL. HEAD & PARTS

QTY	VALVE	YEARS	PART NO.	SIZE	DESCRIPTION
8	Intake	78-77	V-1386 Std Only		2.0800" Head Dia., .3725" Stem Dia., 4.8685" O.A.L.
8	Exhaust	78-77	V-1900 Std Only		w/o Catalytic Converter; 4 groove; Chrome plated stem; 1.7400" Head Dia., .3717" Stem Dia., 4.8840" O.A.L.
8	Exhaust	78-77	V-3925 Std-15		W/Catalytic converter; 4 groove; Chrome plated stem; 1.6000" Head Dia., .3710" Stem Dia., 5.0050" O.A.L.
16	Keeper	78-77	VK-174		Exh.; 4 groove
16	Keeper	78-77	VK-174R		Exh.; 4 groove; Hardened
16	Keeper	78-77	VK-66		Int.; 2 groove
16	Keeper	78-77	VK-66R		Int.; 2 groove; Hardened
QTY	VALVE SEAT	YEARS	PART NO.	SIZE	DESCRIPTION
8	Exh.	78-77	245-1875-1N Std Only		Premium Material; 1.8810" OD, 1.6100" ID, .2485" Depth
8	Exh.	78-77	245-1875-1 Std Only		1.8810" OD, 1.6100" ID, .2485" Depth
8	Int.	78-77	245-2250-1 Std Only		2.2555" OD, 1.9375" ID, .1855" Depth
QTY	PUSH RODS	YEARS	PART NO.	SIZE	DESCRIPTION
16	Push Rod	78-77	RP-3191		8.5750" O.A.L.
QTY	VALVE MISC.	YEARS	PART NO.	SIZE	DESCRIPTION
8	Rotocap	78-77	RC-78S		
QTY	VALVE SEAL	YEARS	PART NO.	SIZE	DESCRIPTION
8	Valve Stem Seal	78-77	ST-2002		Exh.; Installation requires valve guide machining; Polyacrylate
8	Valve Stem Seal	78-77	ST-2004		Int.; Positive type; Installation requires valve guide machining; Rubber/PTFE
8	Valve Stem Seal	78-77	MV-1918		Exh.; Umbrella type; Viton®
8	Valve Stem Seal Bulk	78-77	ST-2002BC		Exh.; Positive type; Installation requires valve guide machining; Carton of 100; Polyacrylate
8	Valve Stem Seal Bulk	78-77	ST-2004BC		Int.; Positive type; Installation requires valve guide machining; Carton of 100; Rubber/PTFE
QTY	ROCKER PARTS	YEARS	PART NO.	SIZE	DESCRIPTION
8	Arm	78-77	R-829		L.H.
8	Arm	78-77	R-828		R.H.
2	Rocker Shaft	78-77	RS-612		

INT & EXH MANIFOLDS

QTY	INT. & EXH. MANIFOLDS	YEARS	PART NO.	SIZE	DESCRIPTION
1	Valley Pan Gasket Set	78-77	260-4011		

(continued on next page)

Dodge Truck - M/D & H/D

10 M/D Truck 400 Eng.

(cont.) 6.6L 400 OHV V8, 4.342" Bore 1977-78

CAMSHAFT GROUP							
QTY	TIMING	YEARS	PART NO.	SIZE	DESCRIPTION		
1	3 Piece Set	78-77	KT3-501S		Incl. silent type chain; 223-366 & 223-367 not sold separately; Incl. (1) 222-501, (1) 223-366, (1) 223-367		
1	Timing Chain	78-77	222-501		Silent type; 50 Links		
QTY	CAMSHAFT/LIFTER	YEARS	PART NO.	SIZE	DESCRIPTION		
1	Camshaft	78-77	CS-327				
1	Prelube	78-77	55-400		4 oz. bottle; 1.5 oz. packet No. 55-403 also avail.		
QTY	CAMSHAFT KIT	YEARS	PART NO.	SIZE	DESCRIPTION		
1	Cam/Lifter Kit	78-77	KC-327		Hyd.; Incl. (1) CS-327, (16) HT-976, (1) 55-403B		
1	Cam/Lifter/Timing Kit	78-77	KCT-327		Hyd.; Incl. silent type chain; Incl. (1) CS-327, (16) HT-976, (1) KT3-501S, (1) 55-403B		
ENGINE BLOCK & PARTS							
QTY	GASKET SETS	YEARS	PART NO.	SIZE	DESCRIPTION		
1	Kit Gasket Set	78-77	260-1043		Int. manifold gskt. not incl.; Premium valve stem seals incl.		
QTY	CAM BEARINGS	YEARS	PART NO.	SIZE	DESCRIPTION		
1	Cam Set	78-77	1453M Std Only		Babbitt material; Full round design		
QTY	FREEZE PLUGS	YEARS	PART NO.	SIZE	DESCRIPTION		
1	Brass Block Plug Kit	78-77	381-8011				
1	Steel Block Plug Kit	78-77	381-4031				
CRANKSHAFT/OIL PUMP							
QTY	CRANKSHAFT	YEARS	PART NO.	SIZE	DESCRIPTION		
1	Harmonic Balancer Sleeve	78-77	88218				
QTY	SEALS - FRONT CRANK	YEARS	PART NO.	SIZE	DESCRIPTION		
1	Redi-Sleeve	78-77	99218				
1	Oil Seal	78-77	3103				
QTY	MAIN BEARINGS	YEARS	PART NO.	SIZE	DESCRIPTION		
1	Main Set	78-77	4094M Std-10-20-30-40-60		3.453" max. flange OD		
QTY	OIL PUMP	YEARS	PART NO.	SIZE	DESCRIPTION		
1	Inter. Shaft	78-77	224-6174		Exc. W300		
CYLINDER COMPONENTS							
QTY	PISTONS	YEARS	PART NO.	SIZE	DESCRIPTION		
8	Cast Piston	78-77	406AP Std-20-30-40		Cast; 2-5/64", 1-3/16" Ring Groove, 1.813" CD, 1.0939" Pin Dia., Flat Head - 8.0:1 C.R.		
8	Cast Piston - Individual	78-77	W406AP Std-20-30-40		Cast; 2-5/64", 1-3/16" Ring Groove, 1.813" CD, 1.0939" Pin Dia., Flat Head - 8.0:1 C.R.		
8	Pin	78-77	P-1940 Std-3				
QTY	CONNECTING RODS & BRGS.	YEARS	PART NO.	SIZE	DESCRIPTION		
1	Rod Set	78-77	8-2320CP Std-10-20-30-40-50		8-2320CA 60 avail. as unplated & resizeable		
1	Rod Set	78-77	8-2320CA60 60		Unplated & resizeable		
8	Rod Pair	78-77	2320CP Std-1-10-20-30-40-50				
QTY	PISTON RINGS	YEARS	PART NO.	SIZE	DESCRIPTION		
1	Premium Set	78-77	E-318K Std-30		2-5/64, 1-3/16		
1	Standard Set	78-77	E-318X Std-30		2-5/64, 1-3/16		
8	Premium Single Cylinder Set	78-77	WE-318K30 30		2-5/64, 1-3/16		
8	Standard Single Cylinder Set	78-77	WE-318X Std Only		2-5/64, 1-3/16		
KITS							
RE-RING KIT				QTY	PREMIUM KIT NO.	QTY	ECONOMY KIT NO.
YEARS	DESCRIPTION						
78-77	Int. manifold gskt. not incl.; Premium valve stem seals incl.		Re-ring	1	205-655		----
78-77	Int. manifold gskt. not incl.; Premium valve stem seals incl.		Re-ring		----	1	205-155
OVERHAUL KIT				QTY	PREMIUM KIT NO.	QTY	ECONOMY KIT NO.
YEARS	DESCRIPTION						
78-77	Int. manifold gskt. not incl.; w/3.453" max. brg. flange OD		Master	1	MKP-655A	1	MKP-155A
			Master w/o Pistons	1	MK-655A	1	MK-155A

Dodge Truck - M/D & H/D

M/D Truck 413 Eng. H/D Truck 413 Eng. 11
6.7L 413 OHV V8, 4.1875" Bore 1960-77

CYL. HEAD & PARTS					
QTY	VALVE	YEARS	PART NO.	SIZE	DESCRIPTION
8	Intake	77-60	V-1438 Std Only		1.8800" Head Dia., .3725" Stem Dia., 5.6680" O.A.L.
16	Keeper	77-60	VK-66		Exh.; 2 groove
16	Keeper	77-60	VK-66R		Exh.; 2 groove; Hardened
16	Keeper	77-60	VK-174		Int.; 4 groove
16	Keeper	77-60	VK-174R		Int.; 4 groove; Hardened
QTY	VALVE SEAT	YEARS	PART NO.	SIZE	DESCRIPTION
8	Int.	77-60	245-2000-1 Std Only		2.0055" OD, 1.7500" ID, .2160" Depth
QTY	VALVE GUIDE	YEARS	PART NO.	SIZE	DESCRIPTION
8	Guide	77-60	VG-549		Exh.; .4385" ID, 3.0900" O.A.L.
QTY	VALVE SPRING	YEARS	PART NO.	SIZE	DESCRIPTION
8	Spring	77-60	VS-700		Exh.; 2.1300" Free Height
8	Spring	76-60	VS-673		Int.; 2.5800" Free Height
16	Spring Insert	77-60	259-101B		.030"; Carton of 100
16	Spring Insert	77-60	259-101A		.060"; Carton of 100
QTY	PUSH RODS	YEARS	PART NO.	SIZE	DESCRIPTION
16	Push Rod	77-68	RP-3192		From Ser. No. 21680001; 10.2650" O.A.L.
QTY	VALVE MISC.	YEARS	PART NO.	SIZE	DESCRIPTION
8	Rotocap	77-60	RC-78S		
QTY	VALVE SEAL	YEARS	PART NO.	SIZE	DESCRIPTION
8	Valve Stem Seal	77-60	ST-2007		Exh.; Positive type; Rubber
8	Valve Stem Seal	77-60	ST-2002		Int.; Installation requires valve guide machining; Polyacrylate
16	Valve Stem Seal	77-60	MV-1707C		Umbrella type; Nitrile
16	Valve Stem Seal Bulk	77-60	MV-1707		Umbrella type; Carton of 100; Nitrile
8	Valve Stem Seal Bulk	77-60	ST-2002BC		Int.; Positive type; Installation requires valve guide machining; Carton of 100; Polyacrylate
QTY	ROCKER PARTS	YEARS	PART NO.	SIZE	DESCRIPTION
8	Arm	77-60	R-829		L.H.
8	Arm	77-60	R-828		R.H.
2	Rocker Shaft	77-60	RS-612		
INT & EXH MANIFOLDS					
QTY	INT. & EXH. MANIFOLDS	YEARS	PART NO.	SIZE	DESCRIPTION
1	Valley Pan Gasket Set	77-60	260-4032		
CAMSHAFT GROUP					
QTY	TIMING	YEARS	PART NO.	SIZE	DESCRIPTION
1	3 Piece Set	77-72	KT3-168SA		Incl. rlr. type chain; Incl. (1) 222-168, (1) 223-339, (1) 223-340A
1	Timing Chain	77-72	222-168		Double rlr.; 66 Links
1	Crank Sprocket	77-72	223-339		Double row; 25 Teeth
1	Cam Sprocket	77-72	223-340A		Double row; 50 Teeth
QTY	CAMSHAFT/LIFTER	YEARS	PART NO.	SIZE	DESCRIPTION
16	Lifter	77-68	HT-976 Std Only		From Ser. No. 21680001; Hyd.
16	Lifter	68-60	HT-812 Std Only		To Ser. No. 21680000; Hyd.; 1.830" - 1.860" Length
16	Lifter, Bulk	77-68	HT-976B Std Only		From Ser. No. 21680001; Hyd.; Carton of 117
16	Lifter, Bulk	68-60	HT-812B Std Only		To Ser. No. 21680000; Hyd.; Carton of 117; 1.830" - 1.860" Length
1	Prelube	77-60	55-400		4 oz. bottle; 1.5 oz. packet No. 55-403 also avail.
1	Prelube	77-60	55-400		4 oz. bottle; 1.5 oz. packet No. 55-403 also avail.
ENGINE BLOCK & PARTS					
QTY	CAM BEARINGS	YEARS	PART NO.	SIZE	DESCRIPTION
1	Cam Set	76-67	1453M Std Only		Babbitt material; Full round design
QTY	FREEZE PLUGS	YEARS	PART NO.	SIZE	DESCRIPTION
1	Brass Block Plug Kit	77-60	381-8011		
1	Steel Block Plug Kit	77-60	381-4031		
CRANKSHAFT/OIL PUMP					
QTY	CRANKSHAFT	YEARS	PART NO.	SIZE	DESCRIPTION
1	Harmonic Balancer Sleeve	77-67	88218		
QTY	SEALS - FRONT CRANK	YEARS	PART NO.	SIZE	DESCRIPTION
1	Redi-Sleeve	77-67	99218		
1	Oil Seal	77-67	3103		
QTY	SEALS - REAR CRANK	YEARS	PART NO.	SIZE	DESCRIPTION
1	Oil Seal Kit	77-67	5650		

(continued on next page)

Dodge Truck - M/D & H/D

11 M/D Truck 413 Eng. H/D Truck 413 Eng. (cont.) 6.7L 413 OHV V8, 4.1875" Bore 1960-77

CRANKSHAFT/OIL PUMP (cont.)

QTY	MAIN BEARINGS	YEARS	PART NO.	SIZE	DESCRIPTION
1	Main Set	76-74	5025MA Std-10-20-30		A-Series aluminum bearings; Partial grooved; 3.930" max. flange OD
1	Main Set	76-67	4095M Std-10-20-30-40		W/Full groove brgs. & 3.624" max. flange OD.
1	Main Set	74-67	4924MA Std-10-20-30		A-Series aluminum bearings; Partial grooved; 3.624" max. flange OD
QTY	OIL PUMP	YEARS	PART NO.	SIZE	DESCRIPTION
1	Oil Pump	77-72	224-43499		Pump cover not incl., reuse original cover
1	Oil Pump	71-60	224-43366A		High Pressure; Use original cover plate on Eng. with canister oil filter
1	Oil Pump	71-60	224-4174V		High-Volume; Use original cover plate on Eng. w/canister oil filter
1	Oil Pump	71-60	224-4174		Use original cover plate on Eng. w/canister oil filter
1	Pump Repair Kit	77-60	224-5174		
1	Inter. Shaft	77-72	224-6174		W/Timing chain

CYLINDER COMPONENTS

QTY	PISTONS	YEARS	PART NO.	SIZE	DESCRIPTION
8	Cast Piston	77-60	H254P30 30-40		Hypereutectic; 2-3/32", 1-3/16" Ring Groove, 2.019" CD, 1.0939" Pin Dia., Recessed Head .220" deep x 3.250" dia. - 7.5:1 C.R.
8	Cast Piston - Individual	77-60	WH254P30 30-40		Hypereutectic; 2-3/32", 1-3/16" Ring Groove, 2.019" CD, 1.0939" Pin Dia., Recessed Head .220" deep x 3.250" dia. - 7.5:1 C.R.
QTY	CONNECTING RODS & BRGS.	YEARS	PART NO.	SIZE	DESCRIPTION
1	Rod Set	76-67	8-2320CP Std-10-20-30-40-50		8-2320CA 60 avail. as unplated & resizeable
1	Rod Set	76-67	8-2320CA60 60		Unplated & resizeable
8	Rod Pair	76-67	2320CP Std-1-10-20-30-40-50		
QTY	PISTON RINGS	YEARS	PART NO.	SIZE	DESCRIPTION
1	Premium Set	77-60	E-321K Std-30-40-60		2-3/32, 1-3/16
8	Premium Single Cylinder Set	77-60	WE-321K60 60		2-3/32, 1-3/16

12 M/D Truck 440 Eng. 7.2L 440 OHV V8, 4.32" Bore 1974-79

CYL. HEAD & PARTS

QTY	VALVE	YEARS	PART NO.	SIZE	DESCRIPTION
8	Intake	79-74	V-2065 Std Only		Not Street Legal; 2.0800" Head Dia., .3721" Stem Dia., 4.8780" O.A.L.
8	Exhaust	79-74	V-1900 Std Only		4 groove; Chrome plated stem; 1.7400" Head Dia., .3717" Stem Dia., 4.8840" O.A.L.
16	Keeper	79-74	VK-66		Exh.; 2 groove
16	Keeper	79-74	VK-66R		Exh.; 2 groove; Hardened
16	Keeper	79-74	VK-174		Int.; 4 groove
16	Keeper	79-74	VK-174R		Int.; 4 groove; Hardened
QTY	VALVE SEAT	YEARS	PART NO.	SIZE	DESCRIPTION
8	Int.	79-77	245-2250-1 Std Only		2.2555" OD, 1.9375" ID, .1855" Depth
8	Exh.	79-74	245-1875-1 Std Only		1.8810" OD, 1.6100" ID, .2485" Depth
QTY	VALVE SPRING	YEARS	PART NO.	SIZE	DESCRIPTION
8	Spring	77-74	VS-673		Exh. & Int.; 2.5800" Free Height
QTY	PUSH RODS	YEARS	PART NO.	SIZE	DESCRIPTION
16	Push Rod	79-74	RP-3221R		w/Oil hole; Chrome-Moly; 9.2950" O.A.L.
16	Push Rod	79-74	RP-3193		9.3150" O.A.L.
16	Push Rod, Bulk	79-74	BRP-3193		Carton of 100; 9.3150" O.A.L.
QTY	VALVE SEAL	YEARS	PART NO.	SIZE	DESCRIPTION
8	Valve Stem Seal	79-78	ST-2002		Exh.; Sealed Power Premium design; Installation requires valve guide machining; Polyacrylate
8	Valve Stem Seal	79-78	ST-2004		Int.; Positive type; Installation requires valve guide machining; Rubber/PTFE
8	Valve Stem Seal	79-74	ST-2048		Int.; O.E. design; Positive type; Viton®
16	Valve Stem Seal	77-74	ST-2002		Exh. & Int.; Installation requires valve guide machining; Polyacrylate
16	Valve Stem Seal	77-74	MV-1707C		Exh. & Int.; Umbrella type; Nitrile
8	Valve Stem Seal Bulk	79-78	ST-2002BC		Exh.; Positive type; Installation requires valve guide machining; Carton of 100; Polyacrylate
8	Valve Stem Seal Bulk	79-78	ST-2004BC		Int.; Positive type; Installation requires valve guide machining; Carton of 100; Rubber/PTFE

(continued on next page)

Dodge Truck - M/D & H/D

M/D Truck 440 Eng. 12
7.2L 440 OHV V8, 4.32" Bore 1974-79 (cont.)

CYL. HEAD & PARTS (cont.)					
QTY	VALVE SEAL (cont.)	YEARS	PART NO.	SIZE	DESCRIPTION
16	Valve Stem Seal Bulk	77-74	ST-2002BC		Exh. & Int.; Positive type; Installation requires valve guide machining; Carton of 100; Polyacrylate
16	Valve Stem Seal Bulk	77-74	MV-1707		Exh. & Int.; Umbrella type; Carton of 100; Nitrile
QTY	ROCKER PARTS	YEARS	PART NO.	SIZE	DESCRIPTION
8	Arm	79-74	R-829		L.H.
8	Arm	79-74	R-828		R.H.
2	Rocker Shaft	79-74	RS-612		
INT & EXH MANIFOLDS					
QTY	INT. & EXH. MANIFOLDS	YEARS	PART NO.	SIZE	DESCRIPTION
1	Valley Pan Gasket Set	79-74	260-4019		
CAMSHAFT GROUP					
QTY	TIMING	YEARS	PART NO.	SIZE	DESCRIPTION
1	3 Piece Set	79-74	KT3-168S		Incl. rlr. type chain; Incl. (1) 222-168, (1) 223-339, (1) 223-380
1	3 Piece Set	79-74	KT3-501S		Incl. silent type chain; 223-366 & 223-367 not sold separately; Incl. (1) 222-501, (1) 223-366, (1) 223-367
1	Timing Chain	79-74	222-168		Double rlr.; 66 Links
1	Timing Chain	79-74	222-501		Silent type; 50 Links
1	Crank Sprocket	79-74	223-339		Premium Engs.; w/1 bolt cam sprocket mounting; Double row; 25 Teeth
1	Cam Sprocket	79-74	223-380		Premium Engs.; Double row; 50 Teeth
QTY	CAMSHAFT/LIFTER	YEARS	PART NO.	SIZE	DESCRIPTION
1	Camshaft	79-74	CS-327		
16	Lifter	79-74	HT-976 Std Only		Hyd.
16	Lifter, Bulk	79-74	HT-976B Std Only		Hyd.; Carton of 117
1	Prelube	79-74	55-400		4 oz. bottle; 1.5 oz. packet No. 55-403 also avail.
1	Prelube	79-74	55-400		4 oz. bottle; 1.5 oz. packet No. 55-403 also avail.
QTY	CAMSHAFT KIT	YEARS	PART NO.	SIZE	DESCRIPTION
1	Cam/Lifter Kit	79-74	KC-327		Hyd.; Incl. (1) CS-327, (16) HT-976, (1) 55-403B
1	Cam/Lifter/Timing Kit	79-74	KCT-327		W/Silent timing chain; Hyd.; Incl. silent type chain; Incl. (1) CS-327, (16) HT-976, (1) KT3-501S, (1) 55-403B
ENGINE BLOCK & PARTS					
QTY	GASKET SETS	YEARS	PART NO.	SIZE	DESCRIPTION
1	Kit Gasket Set	79-74	260-1043		Int. manifold gskt. not incl.; Premium valve stem seals incl.
QTY	CAM BEARINGS	YEARS	PART NO.	SIZE	DESCRIPTION
1	Cam Set	79-74	1453M Std Only		Babbitt material; Full round design
CRANKSHAFT/OIL PUMP					
QTY	CRANKSHAFT	YEARS	PART NO.	SIZE	DESCRIPTION
1	Harmonic Balancer Sleeve	79-74	88218		
QTY	SEALS - FRONT CRANK	YEARS	PART NO.	SIZE	DESCRIPTION
1	Redi-Sleeve	79-74	99218		
1	Oil Seal	79-74	3103		
QTY	MAIN BEARINGS	YEARS	PART NO.	SIZE	DESCRIPTION
1	Main Set	79-74	5025MA Std-10-20-30		A-Series aluminum bearings; Partial grooved; 3.930" max. flange OD
1	Main Set	74	4924MA Std-10-20-30		A-Series aluminum bearings; Partial grooved; 3.624" max. flange OD
QTY	OIL PUMP	YEARS	PART NO.	SIZE	DESCRIPTION
1	Oil Pump	79-74	224-43366A		High Pressure; Use original cover plate on Engs. with canister oil filter
1	Oil Pump	79-74	224-4174V		High-Volume; Use original cover plate on Engs. w/canister oil filter
1	Pump Repair Kit	79-74	224-5174		
1	Inter. Shaft	79-74	224-6174		
CYLINDER COMPONENTS					
QTY	PISTONS	YEARS	PART NO.	SIZE	DESCRIPTION
8	Cast Piston	79-74	424NP Std-20-30-40-60		Cast; 2-5/64", 1-3/16" Ring Groove, 1.912" CD, 1.0939" Pin Dia., Flat Head - 8.0:1 C.R.
8	Cast Piston - Individual	79-74	W424NP Std-30		Cast; 2-5/64", 1-3/16" Ring Groove, 1.912" CD, 1.0939" Pin Dia., Flat Head - 8.0:1 C.R.

(continued on next page)

Dodge Truck - M/D & H/D

12 M/D Truck 440 Eng.

(cont.) 7.2L 440 OHV V8, 4.32" Bore 1974-79

CYLINDER COMPONENTS (cont.)

CONNECTING RODS & BRGS.								
QTY	DESCRIPTION	YEARS	PART NO.	SIZE	DESCRIPTION			
1	Rod Set	79-74	8-2320CP	Std-10-20-30-40-50	8-2320CA 60 avail. as unplated & resizeable			
1	Rod Set	79-74	8-2320CA60	60	Unplated & resizeable			
8	Rod Pair	79-74	2320CP	Std-1-10-20-30-40-50				
PISTON RINGS								
QTY	DESCRIPTION	YEARS	PART NO.	SIZE	DESCRIPTION			
1	Premium Set	79-74	E-424K	Std-20-30-40-60	2-5/64, 1-3/16			
1	Standard Set	79-74	E-424X	Std-30-40-60	2-5/64, 1-3/16			
8	Premium Single Cylinder Set	79-74	WE-424K	Std-30-40-60	2-5/64, 1-3/16			
8	Standard Single Cylinder Set	79-74	WE-424X	Std-30-40-60	2-5/64, 1-3/16			
KITS								
RE-RING KIT					QTY	PREMIUM KIT NO.	QTY	ECONOMY KIT NO.
YEARS	DESCRIPTION							
79-74	Int. manifold gskt. not incl.; Premium valve stem seals incl.			Re-ring	1	205-656	----	
79-74	Int. manifold gskt. not incl.; Incl. A-Series aluminum bearings; Incl. partial grooved brgs.; w/3.930" max. brg. flange OD; Premium valve stem seals incl.			Re-ring w/Mains	1	205-656M	1 205-156M	
79-74	Int. manifold gskt. not incl.; Premium valve stem seals incl.			Re-ring	----		1 205-156	
OVERHAUL KIT					QTY	PREMIUM KIT NO.	QTY	ECONOMY KIT NO.
YEARS	DESCRIPTION							
79-74	Incl. A-Series aluminum bearings; Incl. partial grooved brgs.; w/3.930" max. brg. flange OD			Master	1	MKP-656A	1 MKP-156A	
				Master w/o Pistons	1	MK-656A	1 MK-156A	
79-74	Premium valve stem seals incl.; Use original cover plate on Eng. w/canister oil filter; Incl. silent type chain			Master w/o Rods & Mains	1	505-656A	1 505-156A	

13 M/D Truck MV446 Eng.

7.3L 446 OHV V8 (16 Valve), 4.125" Bore (International Eng.) 1979-80

CYL. HEAD & PARTS

QTY	VALVE	YEARS	PART NO.	SIZE	DESCRIPTION
8	Intake	80-79	V-2523	Std Only	Chrome plated stem; 2.0540" Head Dia., .3725" Stem Dia., 5.4670" O.A.L.
8	Exhaust	80-79	V-2090X	Std Only	Chrome plated stem; 1.5350" Head Dia., .3720" Stem Dia., 5.4820" O.A.L.
32	Keeper	80-79	FP-41339		1 groove; Square cut key groove
32	Keeper	80-79	VK-138R		1 groove; Square cut key groove; Hardened
32	Keeper, Bulk	80-79	VK-138B		1 groove; Square cut key groove; Carton of 1000
QTY	VALVE SEAT	YEARS	PART NO.	SIZE	DESCRIPTION
8	Int.	80-79	245-2125-1	Std Only	2.1305" OD, 1.8125" ID, .2480" Depth
QTY	VALVE GUIDE	YEARS	PART NO.	SIZE	DESCRIPTION
16	Guide	80-79	VG-660		.3745" ID, 2.6000" O.A.L.
QTY	VALVE SPRING	YEARS	PART NO.	SIZE	DESCRIPTION
16	Spring	80-79	FP-317365		Incl. damper; 2.0500" Free Height
QTY	VALVE MISC.	YEARS	PART NO.	SIZE	DESCRIPTION
8	Rotocap Assy.	80-79	FP-RC126SA		Exh.
8	Rotocap	80-79	FP-443128		Exh.
8	Rotocap	80-79	RC-126S		Exh.
QTY	VALVE SEAL	YEARS	PART NO.	SIZE	DESCRIPTION
16	Valve Stem Seal	80-79	ST-2002		Installation requires valve guide machining; Polyacrylate
16	Valve Stem Seal	80-79	FP-156541		Installation requires valve guide machining; Polyacrylate
16	Valve Stem Seal Bulk	80-79	ST-2002BC		Positive type; Installation requires valve guide machining; Carton of 100; Polyacrylate
CAMSHAFT GROUP					
QTY	CAMSHAFT/LIFTER	YEARS	PART NO.	SIZE	DESCRIPTION
1	Prelube	80-79	55-400		4 oz. bottle; 1.5 oz. packet No. 55-403 also avail.

(continued on next page)

Dodge Truck - M/D & H/D

M/D Truck MV446 Eng. 13
7.3L 446 OHV V8 (16 Valve), 4.125" Bore (International Eng.) 1979-80 (cont.)

ENGINE BLOCK & PARTS

QTY	GASKETS	YEARS	PART NO.	SIZE	DESCRIPTION
1	Oil Pan Gasket Set	80-79	FP-2606054		
1	Oil Pan Gasket Set	80-79	260-6054		
QTY	CAM BEARINGS	YEARS	PART NO.	SIZE	DESCRIPTION
1	Cam Set	80-79	FP-1804475		
CRANKSHAFT/OIL PUMP					
QTY	SEALS - FRONT CRANK	YEARS	PART NO.	SIZE	DESCRIPTION
1	Oil Seal Kit	80-79	FP-1808751		
1	Oil Seal Kit	80-79	5064		(Seal & Sleeve)
1	Oil Seal	80-79	3894V		Viton®
QTY	SEALS - REAR CRANK	YEARS	PART NO.	SIZE	DESCRIPTION
1	Oil Seal	80-79	FP-1804009		
1	Oil Seal	80-79	2218		
1	Redi-Sleeve	80-79	99372		
QTY	MAIN BEARINGS	YEARS	PART NO.	SIZE	DESCRIPTION
1	Main Set	80-79	5082M	Std-10-20	
QTY	OIL PUMP	YEARS	PART NO.	SIZE	DESCRIPTION
1	Oil Pump	80-79	224-41189		Repl. O.E. No. 446455C91
CYLINDER COMPONENTS					
QTY	PISTONS	YEARS	PART NO.	SIZE	DESCRIPTION
8	Cast Piston	80	H999P	Std-20-30-40-60	Hypereutectic; 2-3/32", 1-3/16" Ring Groove, 1.900" CD, 1.0200" Pin Dia., Recessed Head .327" deep x 3.320" dia.
8	Cast Piston - Individual	80	WH999P	Std-20-30-40-60	Hypereutectic; 2-3/32", 1-3/16" Ring Groove, 1.900" CD, 1.0200" Pin Dia., Recessed Head .327" deep x 3.320" dia.
8	Pin Bushing	80-79	FP-3734Y20		
8	Pin Bushing	80-79	3734Y20 +		When depleted use FP-3734Y20
QTY	CONNECTING RODS & BRGS.	YEARS	PART NO.	SIZE	DESCRIPTION
8	Rod Pair	80-79	FP-3730CP	Std-10-20-30-40	
8	Rod Pair	80-79	3730CP +	Std-10-20-30-40	When depleted use FP-3730CP
QTY	PISTON RINGS	YEARS	PART NO.	SIZE	DESCRIPTION
1	Premium Set	80-79	E-404K	Std-30-60	H/D; Highway; 2-3/32, 1-3/16
1	Premium Set	80-79	E-273K	Std-20-30-40-60	L/D Use; 2-3/32, 1-3/16
1	Standard Set	80-79	E-422X30	30	L/D Use; 2-3/32, 1-3/16
8	Premium Single Cylinder Set	80-79	WE-404K	Std-30	H/D use; Highway use; 2-3/32, 1-3/16
8	Premium Single Cylinder Set	80-79	WE-273K	Std-20-30-40-60	L/D Use; 2-3/32, 1-3/16

M/D Truck V8-185 Eng. H/D Truck V8-185 Eng. 14
7.7L 470 OHV Diesel V8, 4.625" Bore (Cummins Eng.) 1969-71

CYL. HEAD & PARTS

QTY	GASKETS	YEARS	PART NO.	SIZE	DESCRIPTION
2	Valve Cover Gasket	69	FP-3277099		
QTY	VALVE	YEARS	PART NO.	SIZE	DESCRIPTION
8	Intake	69	FP-V1957		Use w/FP-166772 keeper; 1.6050" Head Dia., .3788" Stem Dia., 5.5650" O.A.L.
8	Intake	69	V-1957 +	Std Only	Use w/FP-166772 keeper; 1.6050" Head Dia., .3788" Stem Dia., 5.5650" O.A.L.; When depleted use FP-V1957
8	Exhaust	69	FP-3275356		Use w/FP-3275354 late style keeper; 1.6050" Head Dia., .3788" Stem Dia., 5.5650" O.A.L.
16	Keeper	69	FP-3275354		Use w/FP3275356 valve
16	Keeper	69	FP-166772		Use w/V1957 valve; Early Lock For Valve 166774; Do not use with Current Valve FP-3275356.
QTY	VALVE SEAT	YEARS	PART NO.	SIZE	DESCRIPTION
16	Exh. & Int.	69	FP-195000	STD	
QTY	VALVE GUIDE	YEARS	PART NO.	SIZE	DESCRIPTION
16	Guide	69	FP-3278173		.3820" ID, 2.5000" O.A.L.
QTY	VALVE SPRING	YEARS	PART NO.	SIZE	DESCRIPTION
16	Spring	69	FP-163037		
QTY	ROCKER PARTS	YEARS	PART NO.	SIZE	DESCRIPTION
16	Cam Follower Roller	69	FP-153679		V8-185; Valve

(continued on next page)

+ Superseded Part Number

Dodge Truck - M/D & H/D

14 M/D Truck V8-185 Eng. H/D Truck V8-185 Eng. (cont.) 7.7L 470 OHV Diesel V8, 4.625" Bore (Cummins Eng.) 1969-71

CYL. HEAD & PARTS (cont.)					
QTY	ROCKER PARTS (cont.)	YEARS	PART NO.	SIZE	DESCRIPTION
8	Injector Cam Roller	69	FP-154571		V8-185
16	Valve Roller Pin	69	FP-169154		V8-185; Cam follower
8	Valve Lock Pin	69	FP-111272		V8-185; Injector; Cam follower
CAMSHAFT GROUP					
QTY	CAMSHAFT/LIFTER	YEARS	PART NO.	SIZE	DESCRIPTION
1	Camshaft	69	FP-3277462		Cam is cross drilled and will work with either cross-drilled or non-grooved bushing. Replaces O.E. Nos. 201050 & 3277462.
1	Prelube	69	55-400		4 oz. bottle; 1.5 oz. packet No. 55-403 also avail.
FUEL SYSTEM & PARTS					
QTY	FUEL INJECTION	YEARS	PART NO.	SIZE	DESCRIPTION
8	Fuel Injector Sleeve	69	FP-169630		V8-185
QTY	FUEL FILTERS & PUMP	YEARS	PART NO.	SIZE	DESCRIPTION
8	O-Ring	69	FP-3007759		Injector Tube Seal
ENGINE BLOCK & PARTS					
QTY	GASKETS	YEARS	PART NO.	SIZE	DESCRIPTION
1	Oil Pan Gasket	69	FP-175727		
QTY	GASKET SETS	YEARS	PART NO.	SIZE	DESCRIPTION
1	In-Frame Gasket Set	69	FP-4025271S		Incl. valve stem seals
QTY	CAM BEARINGS	YEARS	PART NO.	SIZE	DESCRIPTION
1	Cam Set	69	FP-1753M	Std Only	W/2.186" housing bore
1	Cam Set	69	1753M +	Std Only	W/2.186" housing bore; When depleted use FP-1753M
2	Cam Brg.	69	FP-3278345	STD	Position POS. 1, 5; V8-185
3	Cam Brg.	69	FP-3031037	STD	Position POS. 2, 3, 4; V8-185
CRANKSHAFT/OIL PUMP					
QTY	MAIN BEARINGS	YEARS	PART NO.	SIZE	DESCRIPTION
1	Main Set	69	FP-BM99820	STD	Phase 5F series Eng.
1	Main Set	69	FP-BM99821	10	Phase 5F series Eng.
1	Thrust Washer Set	69	FP-173640S		Position Rear; Phase 3.5D, Phase 5F series Eng.
CYLINDER COMPONENTS					
QTY	LINERS	YEARS	PART NO.	SIZE	DESCRIPTION
8	Liner w/o Sealing Rings	69	FP-3022530		
8	Liner w/Sealing Rings	69	FP-3277592	STD	Incl. (1) FP216283, (1) FP216284
8	Sealing Ring, Liner	69	FP-216283		Crevice seal
8	Sealing Ring, Liner	69	FP-216284		Liner seal
QTY	PISTONS	YEARS	PART NO.	SIZE	DESCRIPTION
8	Pin	69	FP-151770		
8	Pin Bushing	69	FP-3277332		
QTY	CONNECTING RODS & BRGS.	YEARS	PART NO.	SIZE	DESCRIPTION
32	Con. Rod Bolt	69	FP-551143		
32	Con. Rod Nut	69	FP-152838		
8	Rod Pair	69	FP-3012360PR	STD	
8	Rod Pair	69	FP-3012361PR	10	
8	Rod Pair	69	FP-3012362PR	20	
QTY	PISTON RINGS	YEARS	PART NO.	SIZE	DESCRIPTION
8	Ring Set Single Cylinder	69	FP-3278723	STD	1-1/8, 1-3/32, 1-7/64 (1 cyl. set)
8	Ring Set Single Cylinder	69	FP-AR62258	STD	2-3/32, 1-3/16 (1 cyl. set)

15 H/D Truck V478 Eng. 7.8L 478 OHV V8 (16 Valve), 4.5" Bore (International Eng.) 1969-77

CYL. HEAD & PARTS					
QTY	VALVE	YEARS	PART NO.	SIZE	DESCRIPTION
8	Intake	73-69	FP-V3958		2.1570" Head Dia., .4345" Stem Dia., 6.3410" O.A.L.
8	Intake	73-69	V-3958 +	Std Only	2.1570" Head Dia., .4345" Stem Dia., 6.3410" O.A.L.; When depleted use FP-V3958
8	Exhaust	73-69	FP-V2021X		1.8050" Head Dia., .4335" Stem Dia., 6.3430" O.A.L.
8	Exhaust	73-69	V-2021X +	Std Only	1.8050" Head Dia., .4335" Stem Dia., 6.3430" O.A.L.; When depleted use FP-V2021X
32	Keeper	73-69	FP-R35431		

(continued on next page)

Dodge Truck - M/D & H/D

H/D Truck V478 Eng. 15
7.8L 478 OHV V8 (16 Valve), 4.5" Bore (International Eng.) 1969-77 (cont.)

CYL. HEAD & PARTS (cont.)

QTY	VALVE SEAT	YEARS	PART NO.	SIZE	DESCRIPTION
8	Int.	73-69	245-2250-1	Std Only	2.2555" OD, 1.9375" ID, .1855" Depth
QTY	VALVE GUIDE	YEARS	PART NO.	SIZE	DESCRIPTION
8	Guide	73-69	FP-VG529		Exh.; .4385" ID, 3.2500" O.A.L.
8	Guide	73-69	VG-529 +		Exh.; .4385" ID, 3.2500" O.A.L.; When depleted use FP-VG529
QTY	VALVE SPRING	YEARS	PART NO.	SIZE	DESCRIPTION
16	Spring	73-69	FP-317365		Late Eng.s.; Incl. damper; 2.0500" Free Height
QTY	VALVE MISC.	YEARS	PART NO.	SIZE	DESCRIPTION
8	Rotocap Assy.	73-69	FP-RC126SA		Exh.; Late Eng.s.
8	Rotocap	73-69	FP-443128		Exh.; Late Eng.s.
8	Rotocap	73-69	RC-126S		Exh.; Late Eng.s.
QTY	VALVE SEAL	YEARS	PART NO.	SIZE	DESCRIPTION
16	Valve Stem Seal	73-69	ST-2007		Positive type; Rubber
16	Valve Stem Seal	73-69	MV-1551		Late Eng.s.; O-Ring; Carton of 50; Rubber
16	Valve Stem Seal	73-69	MV-1233C		O-Ring; Rubber
16	Valve Stem Seal Bulk	73-69	MV-1233		O-Ring; Carton of 100; Rubber

CAMSHAFT GROUP

QTY	CAMSHAFT/LIFTER	YEARS	PART NO.	SIZE	DESCRIPTION
1	Camshaft	77-70	CS-218		
16	Lifter	73-69	FP-HT886		Hyd.
16	Lifter	73-69	HT-886 +	Std Only	Hyd.; When depleted use FP-HT886

ENGINE BLOCK & PARTS

QTY	GASKET SETS	YEARS	PART NO.	SIZE	DESCRIPTION
1	Kit Gasket Set	77-69	260-1115		Note: head gskt. requires retorque; Valve stem seals from Ser. No. 139494 not incl.
QTY	CAM BEARINGS	YEARS	PART NO.	SIZE	DESCRIPTION
1	Cam Set	77-69	FP-1479M	Std Only	
1	Cam Set	77-69	FP-448139	STD	

CRANKSHAFT/OIL PUMP

QTY	MAIN BEARINGS	YEARS	PART NO.	SIZE	DESCRIPTION
1	Main Set	77-69	FP-4405M	Std-10-20	Eng.s. From Ser. No. 64557
1	Main Set	77-69	4405M +	Std-10-20	Eng.s. From Ser. No. 64557; When depleted use FP-4405M

CYLINDER COMPONENTS

QTY	LINERS	YEARS	PART NO.	SIZE	DESCRIPTION
8	Repair Sleeve	77-70	FP-SL26Y	Std Only	1/8" wall, must be cut to correct length
8	Repair Sleeve	77-70	SL-26Y +	Std Only	1/8" wall, must be cut to correct length; When depleted use FP-SL26Y
QTY	PISTONS	YEARS	PART NO.	SIZE	DESCRIPTION
8	Pin Bushing	77-69	2199Y20		
QTY	CONNECTING RODS & BRGS.	YEARS	PART NO.	SIZE	DESCRIPTION
8	Rod Pair	77-69	FP-2195CP	Std-10	
8	Rod Pair	77-69	2195CP +	Std-10	When depleted use FP-2195CP
QTY	PISTON RINGS	YEARS	PART NO.	SIZE	DESCRIPTION
1	Premium Set	77-70	FP-E308K	Std Only	2-3/32, 1-3/16
1	Premium Set	77-70	E-308K +	Std Only	2-3/32, 1-3/16; When depleted use FP-E308K

H/D Truck V8-210 Eng. 16
8.3L 504 OHV Diesel V8, 4.625" Bore (Cummins Eng.) 1971-73

CYL. HEAD & PARTS

QTY	GASKETS	YEARS	PART NO.	SIZE	DESCRIPTION
1	Head Set	73-71	FP-4025271		Incl. valve stem seals
QTY	VALVE	YEARS	PART NO.	SIZE	DESCRIPTION
8	Intake	73-71	FP-V1957		Use w/FP166772 Keepers only; OEM No. 166774; 1.6050" Head Dia., .3788" Stem Dia., 5.5650" O.A.L.
8	Intake	73-71	V-1957 +	Std Only	Use w/FP166772 Keepers only; OEM No. 166774; 1.6050" Head Dia., .3788" Stem Dia., 5.5650" O.A.L.; When depleted use FP-V1957
8	Exhaust	73-71	FP-3275356		1.6050" Head Dia., .3788" Stem Dia., 5.5650" O.A.L.
8	Valve Kit, Intake & Exhaust	73-71	FP-3275779		Contains (1) FP-3275356 Valve & (2) FP-3275354 Keepers; 1.610" Head Dia., 5.570" O.A.L.
16	Keeper	73-71	FP-3275354		Exh.; Use w/FP-3275356 valve only

(continued on next page)

+ Superseded Part Number

Dodge Truck - M/D & H/D

16 H/D Truck V8-210 Eng.

(cont.) 8.3L 504 OHV Diesel V8, 4.625" Bore (Cummins Eng.) 1971-73

CYL. HEAD & PARTS (cont.)					
QTY	VALVE (cont.)	YEARS	PART NO.	SIZE	DESCRIPTION
16	Keeper	73-71	FP-166772		Int.; Use w/V-1957 valve only; Early Lock For Valve 166774; Do not use with Current Valve FP-3275356.
QTY	VALVE GUIDE	YEARS	PART NO.	SIZE	DESCRIPTION
16	Guide	73-71	FP-3278173		Exh. & Int.; .3820" ID, 2.5000" O.A.L.
QTY	VALVE SPRING	YEARS	PART NO.	SIZE	DESCRIPTION
16	Spring	73-71	FP-163037		Exh. & Int.
QTY	VALVE SEAL	YEARS	PART NO.	SIZE	DESCRIPTION
16	Valve Stem Seal	73-71	FP-156541		Exh. & Int.; Installation requires valve guide machining; Polyacrylate
CAMSHAFT GROUP					
QTY	CAMSHAFT/LIFTER	YEARS	PART NO.	SIZE	DESCRIPTION
1	Camshaft	73-71	FP-3277462		Cam is cross drilled and will work with either cross-drilled or non-grooved bushing. Replaces O.E. Nos. 201050 & 3277462.
1	Prelube	73-71	55-400		4 oz. bottle; 1.5 oz. packet No. 55-403 also avail.
ACCESSORY DRIVE					
QTY	ACCESSORY DRIVE	YEARS	PART NO.	SIZE	DESCRIPTION
1	Oil Seal	73-71	FP-200307		Fan Drive
COOLING SYSTEM					
QTY	THERMOSTAT	YEARS	PART NO.	SIZE	DESCRIPTION
1	Rect. or Square Seal	73-71	FP-186780		
ENGINE BLOCK & PARTS					
QTY	GASKET SETS	YEARS	PART NO.	SIZE	DESCRIPTION
1	In-Frame Gasket Set	73-71	FP-4025271S		Incl. valve stem seals
1	Kit Gasket Set	73-71	FP-2601543		Compl.; Incl. valve stem seals
1	Kit Gasket Set	73-71	260-1543		Compl.; Incl. valve stem seals
QTY	CAM BEARINGS	YEARS	PART NO.	SIZE	DESCRIPTION
1	Cam Set	73-71	FP-1753M	Std Only	W/2.186" housing bore
1	Cam Set	73-71	1753M +	Std Only	W/2.186" housing bore; When depleted use FP-1753M
QTY	OIL COOLERS & FILTERS	YEARS	PART NO.	SIZE	DESCRIPTION
1	Oil Cooler	73-71	FP-110848		6.500" X 4.000" tube bundle
CRANKSHAFT/OIL PUMP					
QTY	SEALS - FRONT CRANK	YEARS	PART NO.	SIZE	DESCRIPTION
1	Oil Seal	73-71	FP-3010457		Front
1	Redi-Sleeve	73-71	FP-3010464		
QTY	SEALS - REAR CRANK	YEARS	PART NO.	SIZE	DESCRIPTION
1	Oil Seal	73-71	FP-3010459		Rear
1	Redi-Sleeve	73-71	FP-3006744		
QTY	MAIN BEARINGS	YEARS	PART NO.	SIZE	DESCRIPTION
1	Main Set	73-71	FP-BM99820	STD	Phase 5F series Eng.
1	Main Set	73-71	FP-BM99821	10	Phase 5F series Eng.
1	Main Set	73-71	FP-BM99822	20	Phase 5F series Eng.
1	Main Set	73-71	FP-BM99823	30	Phase 5F series Eng.
1	Thrust Washer Set	73-71	FP-173640S		Phase 5F series Eng.
CYLINDER COMPONENTS					
QTY	LINERS	YEARS	PART NO.	SIZE	DESCRIPTION
8	Liner w/o Sealing Rings	73-71	FP-3022530		
8	Liner w/Sealing Rings	73-71	FP-3277592	STD	Incl. (1) FP216283, (1) FP216284
8	Cylinder Kit Complete	73-71	FP-AR61504	STD	
8	Sealing Ring, Liner	73-71	FP-216283		Crevice seal
8	Sealing Ring, Liner	73-71	FP-216284		Lower seal
QTY	PISTONS	YEARS	PART NO.	SIZE	DESCRIPTION
8	Piston Body w/o Pin	73-71	FP-200800		
8	Piston Kit w/Pin & Retainers	73-71	FP-AR60740	STD	Cast
8	Pin	73-71	FP-151770		
16	Piston Pin Retainer	73-71	FP-157978		
8	Pin Bushing	73-71	FP-3277332		
QTY	CONNECTING RODS & BRGS.	YEARS	PART NO.	SIZE	DESCRIPTION
1	Rod Pair	73-71	FP-3012360PR	STD	
1	Rod Pair	73-71	FP-3012361PR	10	

(continued on next page)

Dodge Truck - M/D & H/D

H/D Truck V8-210 Eng. 16
8.3L 504 OHV Diesel V8, 4.625" Bore (Cummins Eng.) 1971-73 (cont.)

CYLINDER COMPONENTS (cont.)

QTY	CONNECTING RODS & BRGS. (cont.)	YEARS	PART NO.	SIZE	DESCRIPTION
1	Rod Pair	73-71	FP-3012362PR	20	
QTY	PISTON RINGS	YEARS	PART NO.	SIZE	DESCRIPTION
8	Ring Set Single Cylinder	73-71	FP-3278723	STD	1-1/8, 1-3/32, 1-7/64 (1 cyl. set)
KITS					
QTY	OVERHAUL KIT	YEARS	PART NO.	SIZE	DESCRIPTION
1	Complete Overhaul Kit	73-71	KS2-2423A		
1	Complete Overhaul Kit	73-71	FP-504PREM		Premium; With Front & Rear Seals and Upper & Lower Gasket Sets

M/D Truck 1145 Eng. 17
8.5L 522 OHV Diesel V8, 4.5" Bore (Caterpillar Eng.) 1975

CYL. HEAD & PARTS

QTY	VALVE	YEARS	PART NO.	SIZE	DESCRIPTION
8	Intake	75	FP-9L7682		2.0900" Head Dia., 5.7000" O.A.L.
8	Exhaust	75	FP-1196772		Opt. H/D; 1.8000" Head Dia., 5.6800" O.A.L.
8	Exhaust	75	FP-9L7683		1.8000" Head Dia., 5.6800" O.A.L.
32	Keeper	75	FP-2A4429		Exh. & Int.
QTY	VALVE SEAT	YEARS	PART NO.	SIZE	DESCRIPTION
8	Exh.	75	FP-9N2837		
8	Int.	75	FP-2N8943		
QTY	VALVE GUIDE	YEARS	PART NO.	SIZE	DESCRIPTION
8	Guide	75	FP-6I2864		Exh.; .3740" ID, 2.5500" O.A.L.
8	Guide	75	FP-6I2864		Int.; .3740" ID, 2.5500" O.A.L.
QTY	VALVE SPRING	YEARS	PART NO.	SIZE	DESCRIPTION
16	Spring	75	FP-9L9172		Inner
16	Spring	75	FP-9N3617		Outer

CAMSHAFT GROUP

QTY	CAMSHAFT/LIFTER	YEARS	PART NO.	SIZE	DESCRIPTION
1	Camshaft	75	FP-2W4197		Use w/late style gear assy. O.E. No. 2W4197 or 2W6944
16	Lifter	75	FP-9N5786		Dumbbell shaped mech.
1	Prelube	75	55-400		4 oz. bottle; 1.5 oz. packet No. 55-403 also avail.

ENGINE BLOCK & PARTS

QTY	CAM BEARINGS	YEARS	PART NO.	SIZE	DESCRIPTION
1	Cam Set	75	FP-9N5246S		

CRANKSHAFT/OIL PUMP

QTY	SEALS - FRONT CRANK	YEARS	PART NO.	SIZE	DESCRIPTION
1	Redi-Sleeve	75	99237		(2.375" Shaft)
1	Redi-Sleeve	75	99287		Shaft dia. 2.876"
1	Oil Seal	75	39802		
1	Oil Seal	75	480988H		(2.375" Shaft)
QTY	SEALS - REAR CRANK	YEARS	PART NO.	SIZE	DESCRIPTION
1	Oil Seal	75	39801		
1	Redi-Sleeve	75	99499		
QTY	MAIN BEARINGS	YEARS	PART NO.	SIZE	DESCRIPTION
1	Main Set	75	FP-5034M	Std-10-20-30	W/Crankshaft Frg. Nos. 9L-9230, 9L-9231 & 9L-9232 & 1.253" length on No. 4 brg.
1	Main Set	75	5034M +	Std-10-20-30	W/Crankshaft Frg. Nos. 9L-9230, 9L-9231 & 9L-9232 & 1.253" length on No. 4 brg.; When depleted use FP-5034M
4	Plain Main Brg.	75	FP-4W8092	STD	W/Crankshaft Frg. Nos. 9L-9230, 9L-9231 & 9L-9232 & 1.253" length on No. 4 brg.
4	Plain Main Brg.	75	FP-8N9022	10	W/Crankshaft Frg. Nos. 9L-9230, 9L-9231 & 9L-9232 & 1.253" length on No. 4 brg.
4	Plain Main Brg.	75	FP-8N9023	20	W/Crankshaft Frg. Nos. 9L-9230, 9L-9231 & 9L-9232 & 1.253" length on No. 4 brg.
4	Plain Main Brg.	75	FP-4W809230	30	W/Crankshaft Frg. Nos. 9L-9230, 9L-9231 & 9L-9232 & 1.253" length on No. 4 brg.

CYLINDER COMPONENTS

QTY	LINERS	YEARS	PART NO.	SIZE	DESCRIPTION
8	Repair Sleeve	75	FP-9N6275	STD	3/32" wall, cut to length, press fit sleeve

(continued on next page)

Dodge Truck - M/D & H/D

17 M/D Truck 1145 Eng.

(cont.) 8.5L 522 OHV Diesel V8, 4.5" Bore (Caterpillar Eng.) 1975

CYLINDER COMPONENTS (cont.)

QTY	PISTONS	YEARS	PART NO.	SIZE	DESCRIPTION
8	Piston Body w/o Pin	75	FP-9L9317	STD	Straight Rod only
8	Piston Body w/o Pin	75	FP-9L9667	20	Straight Rod only
8	Piston w/Pin, Retainer, Rings	75	FP-PK9317	STD	Straight Rod only
8	Piston w/Pin, Retainer, Rings	75	FP-PK9667	20	Straight Rod only
8	Pin	75	FP-7N9803	STD	
16	Piston Pin Retainer	75	FP-8N7294		
8	Pin Bushing	75	FP-8N0701		Straight bushing; O.E. No. 8N0701

QTY	CONNECTING RODS & BRGS.	YEARS	PART NO.	SIZE	DESCRIPTION
8	Rod Pair	75	FP-9N5923	STD	
8	Rod Pair	75	FP-9N5924	10	
8	Rod Pair	75	FP-9N5925	20	
8	Rod Pair	75	FP-9N592330	30	

QTY	PISTON RINGS	YEARS	PART NO.	SIZE	DESCRIPTION
8	Ring Set Single Cylinder	75	FP-2W826530	30	
8	Ring Set Single Cylinder	75	FP-2W8265	STD	Use w/FP9L9317 Piston; 1-1/8, 1-7/64
8	Ring Set Single Cylinder	75	FP-2W8647	40	Use w/FP9L9320 Piston; 1-1/8, 1-7/64
8	Ring Set Single Cylinder	75	FP-2W8646	20	Use w/FP9L9667 Piston; 1-1/8, 1-7/64
1	Premium Set	75	FP-2W86463RS	20	For 3-Ring pistons; 2-3/32, 1-3/16; Check piston grooving before using
1	Premium Set	75	FP-2W8265S	STD	Use w/FP9L9317 Piston; 1-1/8, 1-7/64
1	Premium Set	75	FP-2W8647S	40	Use w/FP9L9320 Piston; 1-1/8, 1-7/64
1	Premium Set	75	FP-2W8646S	20	Use w/FP9L9667 Piston; 1-1/8, 1-7/64
1	Premium Set	75	FP-2W8265S10	10	1-1/8, 1-7/64
1	Premium Set	75	FP-2W8265S30	30	1-1/8, 1-7/64
1	Premium Set	75	FP-2W82653RS	STD	2-3/32, 1-3/16 (Rectangular Comp. Rings)
8	Premium Single Cylinder Set	75	WE-479K Std-20-40		1-1/8, 1-7/64

18 H/D Truck V549 Eng.

9.0L 549 OHV V8 (16 Valve), 4.5" Bore (International Eng.) 1969-77

CYL. HEAD & PARTS

QTY	VALVE	YEARS	PART NO.	SIZE	DESCRIPTION
8	Intake	76-70	FP-V3958		2.1570" Head Dia., .4345" Stem Dia., 6.3410" O.A.L.
8	Intake	76-70	V-3958 + Std Only		2.1570" Head Dia., .4345" Stem Dia., 6.3410" O.A.L.; When depleted use FP-V3958
8	Exhaust	76-70	FP-V2021X		1.8050" Head Dia., .4335" Stem Dia., 6.3430" O.A.L.
8	Exhaust	76-70	V-2021X + Std Only		1.8050" Head Dia., .4335" Stem Dia., 6.3430" O.A.L.; When depleted use FP-V2021X
32	Keeper	76-70	VK-140		

QTY	VALVE SEAT	YEARS	PART NO.	SIZE	DESCRIPTION
8	Int.	76-70	245-2250-1 Std Only		2.2555" OD, 1.9375" ID, .1855" Depth

QTY	VALVE GUIDE	YEARS	PART NO.	SIZE	DESCRIPTION
8	Guide	76-70	FP-VG529		Exh.; .4385" ID, 3.2500" O.A.L.
8	Guide	76-70	VG-529 +		Exh.; .4385" ID, 3.2500" O.A.L.; When depleted use FP-VG529

QTY	VALVE SPRING	YEARS	PART NO.	SIZE	DESCRIPTION
16	Spring	76-70	FP-317365		Late Eng.; Incl. damper; 2.0500" Free Height

QTY	VALVE MISC.	YEARS	PART NO.	SIZE	DESCRIPTION
8	Rotocap Assy.	76-70	FP-RC126SA		Exh.; Late Eng.
8	Rotocap	76-70	FP-443128		Exh.; Late Eng.
8	Rotocap	76-70	RC-126S		Exh.; Late Eng.

QTY	VALVE SEAL	YEARS	PART NO.	SIZE	DESCRIPTION
16	Valve Stem Seal	76-70	ST-2007		Positive type; Rubber
16	Valve Stem Seal	76-70	MV-1551		Late Eng.; O-Ring; Carton of 50; Rubber

CAMSHAFT GROUP

QTY	CAMSHAFT/LIFTER	YEARS	PART NO.	SIZE	DESCRIPTION
1	Camshaft	77-70	CS-218		

ENGINE BLOCK & PARTS

QTY	GASKET SETS	YEARS	PART NO.	SIZE	DESCRIPTION
1	Kit Gasket Set	77-69	260-1115		Note: head gskt. requires retorque; Valve stem seals from Ser. No. 139494 not incl.
1	Oil Pan Gasket	77-69	FP-448428		

QTY	CAM BEARINGS	YEARS	PART NO.	SIZE	DESCRIPTION
1	Cam Set	77-69	FP-448139	STD	

(continued on next page)

Dodge Truck - M/D & H/D

<i>H/D Truck V549 Eng. 18</i>					
9.0L 549 OHV V8 (16 Valve), 4.5" Bore (International Eng.) 1969-77 (cont.)					
CRANKSHAFT/OIL PUMP					
QTY	CRANKSHAFT	YEARS	PART NO.	SIZE	DESCRIPTION
1	Crank Gear	77-69	221-3329A		53 Teeth
QTY	SEALS - FRONT CRANK	YEARS	PART NO.	SIZE	DESCRIPTION
1	Redi-Sleeve	77-69	99248		
1	Oil Seal	77-69	7581H		
QTY	SEALS - REAR CRANK	YEARS	PART NO.	SIZE	DESCRIPTION
1	Oil Seal Kit	77-69	5065		
QTY	MAIN BEARINGS	YEARS	PART NO.	SIZE	DESCRIPTION
1	Main Set	77-69	FP-4405M	Std-10-20	Engs. From Ser. No. 64557
1	Main Set	77-69	4405M +	Std-10-20	Engs. From Ser. No. 64557; When depleted use FP-4405M
CYLINDER COMPONENTS					
QTY	PISTONS	YEARS	PART NO.	SIZE	DESCRIPTION
8	Pin Bushing	77-69	2199Y20		
QTY	CONNECTING RODS & BRGS.	YEARS	PART NO.	SIZE	DESCRIPTION
8	Rod Pair	77-69	FP-2195CP	Std-10	
8	Rod Pair	77-69	2195CP +	Std-10	When depleted use FP-2195CP
QTY	PISTON RINGS	YEARS	PART NO.	SIZE	DESCRIPTION
1	Premium Set	77-70	FP-E308K	Std Only	2-3/32, 1-3/16
1	Premium Set	77-70	E-308K +	Std Only	2-3/32, 1-3/16; When depleted use FP-E308K
<i>H/D Truck V555 Eng. 19</i>					
9.1L 555 OHV Diesel V8, 4.625" Bore (Cummins Eng.) 1973					
CYL. HEAD & PARTS					
QTY	GASKETS	YEARS	PART NO.	SIZE	DESCRIPTION
1	Head Set	73	FP-AR63520		Incl. Big Cam & Small Cam Engs.
1	Head Set	73	FP-AR63520		Upper; Incl. Big Cam & Small Cam Engs.
QTY	VALVE	YEARS	PART NO.	SIZE	DESCRIPTION
8	Intake	73	FP-V1957		Use w/VK-138 old style keeper; O.E. No. 166774; 1.6050" Head Dia., .3788" Stem Dia., 5.5650" O.A.L.
8	Intake	73	V-1957 +	Std Only	Use w/VK-138 old style keeper; O.E. No. 166774; 1.6050" Head Dia., .3788" Stem Dia., 5.5650" O.A.L.; When depleted use FP-V1957
8	Exhaust	73	FP-3275356		1.6050" Head Dia., .3788" Stem Dia., 5.5650" O.A.L.
16	Valve Kit, Intake & Exhaust	73	FP-3275779		Exh. & Int.; Contains (1) FP-3275356 Valve & (2) FP-3275354 Keepers; 1.610" Head Dia., 5.570" O.A.L.
32	Keeper	73	FP-3275354		Exh. & Int.; Use w/FP-3275356 valve only
32	Keeper	73	FP-166772		Exh. & Int.; Use w/V-1957 valve only; Early Lock For Valve 166774; Do not use with Current Valve FP-3275356.
QTY	VALVE GUIDE	YEARS	PART NO.	SIZE	DESCRIPTION
32	Guide	73	FP-3278173		Exh. & Int.; .3820" ID, 2.5000" O.A.L.
QTY	VALVE SPRING	YEARS	PART NO.	SIZE	DESCRIPTION
32	Spring	73	FP-163037		Exh. & Int.
QTY	VALVE SEAL	YEARS	PART NO.	SIZE	DESCRIPTION
32	Valve Stem Seal	73	FP-156541		Exh. & Int.; Installation requires valve guide machining; Polyacrylate
CAMSHAFT GROUP					
QTY	CAMSHAFT/LIFTER	YEARS	PART NO.	SIZE	DESCRIPTION
1	Camshaft	73	FP-3277462		Cam is cross drilled and will work with either cross-drilled or non-grooved bushing. Replaces O.E. Nos. 201050 & 3277462.
1	Prelube	73	55-400		4 oz. bottle; 1.5 oz. packet No. 55-403 also avail.
ACCESSORY DRIVE					
QTY	ACCESSORY DRIVE	YEARS	PART NO.	SIZE	DESCRIPTION
1	Oil Seal	73	FP-200307		
COOLING SYSTEM					
QTY	THERMOSTAT	YEARS	PART NO.	SIZE	DESCRIPTION
1	Rect. or Square Seal	73	FP-186780		
ENGINE BLOCK & PARTS					
QTY	GASKET SETS	YEARS	PART NO.	SIZE	DESCRIPTION
1	Gasket Conversion Set	73	FP-3801659		Lower; Incl. Big Cam & Small Cam Engs.
1	Gasket Conversion Set	73	FP-3801659		Incl. Big Cam & Small Cam Engs.

(continued on next page)

+ Superseded Part Number

Dodge Truck - M/D & H/D

19 H/D Truck V555 Eng.

(cont.) 9.1L 555 OHV Diesel V8, 4.625" Bore (Cummins Eng.) 1973

ENGINE BLOCK & PARTS (cont.)

QTY	GASKET SETS (cont.)	YEARS	PART NO.	SIZE	DESCRIPTION
1	Kit Gasket Set	73	FP-2601625		Compl., Incl. Big Cam & Small Cam Eng.
1	Kit Gasket Set	73	260-1625		Compl., Incl. Big Cam & Small Cam Eng.
QTY	CAM BEARINGS	YEARS	PART NO.	SIZE	DESCRIPTION
1	Cam Set	73	FP-1753M	Std Only	
1	Cam Set	73	1753M + Std Only		When depleted use FP-1753M
QTY	OIL COOLERS & FILTERS	YEARS	PART NO.	SIZE	DESCRIPTION
1	Oil Cooler	73	FP-173287		8.000" X 5.000" tube bundle
2	Snap Ring	73	FP-3006745		

CRANKSHAFT/OIL PUMP

QTY	SEALS - FRONT CRANK	YEARS	PART NO.	SIZE	DESCRIPTION
1	Oil Seal	73	FP-3010457		Front
1	Redi-Sleeve	73	FP-3010464		
1	Redi-Sleeve	73	99311		
1	Oil Seal	73	39809		
QTY	SEALS - REAR CRANK	YEARS	PART NO.	SIZE	DESCRIPTION
1	Oil Seal	73	FP-3010459		Rear
1	Redi-Sleeve	73	FP-3006744		
QTY	MAIN BEARINGS	YEARS	PART NO.	SIZE	DESCRIPTION
1	Main Set	73	FP-BM99820	STD	
1	Main Set	73	FP-BM99821	10	
1	Main Set	73	FP-BM99822	20	
1	Main Set	73	FP-BM99823	30	
1	Thrust Washer Set	73	FP-173640S		Position 5

CYLINDER COMPONENTS

QTY	LINERS	YEARS	PART NO.	SIZE	DESCRIPTION
8	Liner w/o Sealing Rings	73	FP-3022529		
8	Liner w/Sealing Rings	73	FP-3277608	STD	Incl. (1) FP-216283 Crevice seal, (1) FP-216284 Lower seal; Replaces O.E. No. 3277608
8	Cylinder Kit Complete	73	FP-3277626	STD	
8	Sealing Ring, Liner	73	FP-216283		Crevice seal
8	Sealing Ring, Liner	73	FP-216284		Lower seal
QTY	PISTONS	YEARS	PART NO.	SIZE	DESCRIPTION
8	Piston Body w/o Pin	73	FP-3275431		
8	Piston Kit w/Pin & Retainers	73	FP-3275949	STD	Cast
8	Pin	73	FP-554785		
16	Piston Pin Retainer	73	FP-S16256		
8	Pin Bushing	73	FP-555420		
QTY	CONNECTING RODS & BRGS.	YEARS	PART NO.	SIZE	DESCRIPTION
8	Rod Pair	73	FP-556350PR	STD	
8	Rod Pair	73	FP-556351PR	10	
8	Rod Pair	73	FP-556352PR	20	
8	Rod Pair	73	FP-556353PR	30	
QTY	PISTON RINGS	YEARS	PART NO.	SIZE	DESCRIPTION
8	Ring Set Single Cylinder	73	FP-3278723	STD	1-1/8, 1-3/32, 1-7/64 (1 cyl. set)

KITS

QTY	OVERHAUL KIT	YEARS	PART NO.	SIZE	DESCRIPTION
1	Complete Overhaul Kit	73	KS2-2506A		
1	Complete Overhaul Kit	73	FP-555PREM		Premium; With Front & Rear Seals and Upper & Lower Gasket Sets

20 M/D Truck VT555 Eng.

9.1L 555 OHV Turbo-Diesel V8, 4.625" Bore (Cummins Eng.) 1975

CYL. HEAD & PARTS

QTY	GASKETS	YEARS	PART NO.	SIZE	DESCRIPTION
1	Head Set	75	FP-AR63520		Incl. Big Cam & Small Cam Eng.
1	Head Set	75	FP-AR63520		Upper; Incl. Big Cam & Small Cam Eng.
QTY	VALVE	YEARS	PART NO.	SIZE	DESCRIPTION
8	Intake	75	FP-V1957		Use w/VK-138 old style keeper; O.E. No. 166774; 1.6050" Head Dia., .3788" Stem Dia., 5.5650" O.A.L.

(continued on next page)

Dodge Truck - M/D & H/D

M/D Truck VT555 Eng. **20**
9.1L 555 OHV Turbo-Diesel V8, 4.625" Bore (Cummins Eng.) 1975 (cont.)

CYL. HEAD & PARTS (cont.)					
QTY	VALVE (cont.)	YEARS	PART NO.	SIZE	DESCRIPTION
8	Intake	75	V-1957 +	Std Only	Use w/VK-138 old style keeper; O.E. No. 166774; 1.6050" Head Dia., .3788" Stem Dia., 5.5650" O.A.L.; When depleted use FP-V1957
8	Exhaust	75	FP-3275356		1.6050" Head Dia., .3788" Stem Dia., 5.5650" O.A.L.
16	Valve Kit, Intake & Exhaust	75	FP-3275779		Exh. & Int.; Contains (1) FP-3275356 Valve & (2) FP-3275354 Keepers; 1.610" Head Dia., 5.570" O.A.L.
32	Keeper	75	FP-3275354		Exh. & Int.; Use w/FP-3275356 valve only
32	Keeper	75	FP-166772		Exh. & Int.; Use w/V-1957 valve only; Early Lock For Valve 166774; Do not use with Current Valve FP-3275356.
QTY	VALVE GUIDE	YEARS	PART NO.	SIZE	DESCRIPTION
32	Guide	75	FP-3278173		Exh. & Int.; .3820" ID, 2.5000" O.A.L.
QTY	VALVE SPRING	YEARS	PART NO.	SIZE	DESCRIPTION
32	Spring	75	FP-163037		Exh. & Int.
QTY	VALVE SEAL	YEARS	PART NO.	SIZE	DESCRIPTION
32	Valve Stem Seal	75	FP-156541		Exh. & Int.; Installation requires valve guide machining; Polyacrylate
ACCESSORY DRIVE					
QTY	ACCESSORY DRIVE	YEARS	PART NO.	SIZE	DESCRIPTION
1	Oil Seal	75	FP-200307		
COOLING SYSTEM					
QTY	SEALS - FAN HUB	YEARS	PART NO.	SIZE	DESCRIPTION
1	Oil Seal	75	39835		
1	Redi-Sleeve	75	99181		
QTY	THERMOSTAT	YEARS	PART NO.	SIZE	DESCRIPTION
1	Rect. or Square Seal	75	FP-186780		
1	Oil Seal	75	39821		
ENGINE BLOCK & PARTS					
QTY	GASKET SETS	YEARS	PART NO.	SIZE	DESCRIPTION
1	Gasket Conversion Set	75	FP-3801659		Lower; Incl. Big Cam & Small Cam Eng.
1	Gasket Conversion Set	75	FP-3801659		Incl. Big Cam & Small Cam Eng.
1	Kit Gasket Set	75	FP-2601625		Compl., Incl. Big Cam & Small Cam Eng.
1	Kit Gasket Set	75	260-1625		Compl., Incl. Big Cam & Small Cam Eng.
QTY	CAM BEARINGS	YEARS	PART NO.	SIZE	DESCRIPTION
1	Cam Set	75	FP-1753M	Std Only	
1	Cam Set	75	1753M +	Std Only	When depleted use FP-1753M
QTY	OIL COOLERS & FILTERS	YEARS	PART NO.	SIZE	DESCRIPTION
1	Oil Cooler	75	FP-173287		8.000" X 5.000" tube bundle
2	Snap Ring	75	FP-3006745		
CRANKSHAFT/OIL PUMP					
QTY	SEALS - FRONT CRANK	YEARS	PART NO.	SIZE	DESCRIPTION
1	Oil Seal	75	FP-3010457		Front
1	Redi-Sleeve	75	FP-3010464		
1	Redi-Sleeve	75	99311		
1	Oil Seal	75	39809		
QTY	SEALS - REAR CRANK	YEARS	PART NO.	SIZE	DESCRIPTION
1	Oil Seal	75	FP-3010459		Rear
1	Oil Seal	75	39837		
1	Redi-Sleeve	75	FP-3006744		
1	Redi-Sleeve	75	99372		
QTY	MAIN BEARINGS	YEARS	PART NO.	SIZE	DESCRIPTION
1	Main Set	75	FP-BM99820	STD	
1	Main Set	75	FP-BM99821	10	
1	Main Set	75	FP-BM99822	20	
1	Main Set	75	FP-BM99823	30	
1	Thrust Washer Set	75	FP-173640S		Position 5
CYLINDER COMPONENTS					
QTY	LINERS	YEARS	PART NO.	SIZE	DESCRIPTION
8	Liner w/o Sealing Rings	75	FP-3022529		
8	Liner w/Sealing Rings	75	FP-3277608	STD	Incl. (1) FP-216283 Crevice seal, (1) FP-216284 Lower seal; Replaces O.E. No. 3277608
8	Cylinder Kit Complete	75	FP-3277626	STD	

(continued on next page)

+ Superseded Part Number

Dodge Truck - M/D & H/D

20 M/D Truck VT555 Eng.

(cont.) 9.1L 555 OHV Turbo-Diesel V8, 4.625" Bore (Cummins Eng.) 1975

CYLINDER COMPONENTS (cont.)

QTY	LINERS (cont.)	YEARS	PART NO.	SIZE	DESCRIPTION
8	Sealing Ring, Liner	75	FP-216283		Crevice seal
8	Sealing Ring, Liner	75	FP-216284		Lower seal
QTY	PISTONS	YEARS	PART NO.	SIZE	DESCRIPTION
8	Piston Body w/o Pin	75	FP-3275431		
8	Piston Kit w/Pin & Retainers	75	FP-3275949	STD	Cast
8	Pin	75	FP-554785		
16	Piston Pin Retainer	75	FP-S16256		
8	Pin Bushing	75	FP-555420		
QTY	CONNECTING RODS & BRGS.	YEARS	PART NO.	SIZE	DESCRIPTION
8	Rod Pair	75	FP-556350PR	STD	
8	Rod Pair	75	FP-556351PR	10	
8	Rod Pair	75	FP-556352PR	20	
8	Rod Pair	75	FP-556353PR	30	
QTY	PISTON RINGS	YEARS	PART NO.	SIZE	DESCRIPTION
8	Ring Set Single Cylinder	75	FP-3278723	STD	1-1/8, 1-3/32, 1-7/64 (1 cyl. set)
KITS					
QTY	OVERHAUL KIT	YEARS	PART NO.	SIZE	DESCRIPTION
1	Complete Overhaul Kit	75	KS2-2506A		
1	Complete Overhaul Kit	75	FP-555PREM		Premium; With Front & Rear Seals and Upper & Lower Gasket Sets

21 H/D Truck 8V-71 (2-Valve Cyl. Head), 8V-71E (4-Valve Cyl. Head), 8V-71N (4-Valve Cyl. Head) Eng.

9.3L 568 OHV Diesel V8, 4.25" Bore (Detroit Diesel Eng.) 1969-71

CYL. HEAD & PARTS

QTY	GASKETS	YEARS	PART NO.	SIZE	DESCRIPTION
2	Valve Cover Gasket	71-69	FP-5104081		Engs. w/cast Alum. valve cover; Silicone
2	Valve Cover Gasket	71-69	FP-5143406		Engs. w/Steel valve cover; Neoprene
QTY	VALVE	YEARS	PART NO.	SIZE	DESCRIPTION
32	Exhaust	71-69	FP-5104280		30 deg. seat
32	Exhaust	71-69	FP-8922516		30 deg. seat; 30 deg. seat; 1.1800" Head Dia., .3103" Stem Dia., 5.5280" O.A.L.
64	Keeper	71-69	VK-144		1 groove; Square cut key groove
64	Keeper	71-69	VK-144R		1 groove; Square cut key groove; Hardened
QTY	VALVE SEAT	YEARS	PART NO.	SIZE	DESCRIPTION
32	Exh.	71-69	FP-5197170	30	.030" O/S; 1.2920" OD, .9770" ID, .2490" Depth
32	Exh.	71-69	FP-5101101	STD	30 Deg. seat; 1.2620" OD, .9770" ID, .2490" Depth
QTY	VALVE GUIDE	YEARS	PART NO.	SIZE	DESCRIPTION
32	Guide	71-69	FP-5129919		2 3/8" length; 2 3/8" length; .3130" ID, 2.3800" O.A.L.
QTY	VALVE SPRING	YEARS	PART NO.	SIZE	DESCRIPTION
32	Spring	71-69	FP-5147347		To Ser. No. 6V-8191; .148" Wire dia.
QTY	PUSH RODS	YEARS	PART NO.	SIZE	DESCRIPTION
16	Push Rod	71-69	FP-5128640		O.E. No. 5128640
QTY	VALVE SEAL	YEARS	PART NO.	SIZE	DESCRIPTION
32	Valve Stem Seal	71-69	FP-8921209		Use w/VG-647 guide
QTY	ROCKER PARTS	YEARS	PART NO.	SIZE	DESCRIPTION
8	Arm Assy.	71-69	FP-5148472		Exh. Left
8	Arm Assy.	71-69	FP-5148475		Exh. Right
8	Arm Assy.	71-69	FP-8923554		Injector
2	Rocker Shaft	71-69	FP-23500714		
24	Arm Support	71-69	FP-5103903		
16	Rocker Bushing	71-69	FP-23517217		.8755" ID, .9475" OD, .840" Length, .0360" Wall thickness
12	Follower Assy.	71-69	FP-8924439		
24	Cam Follower Roller Set	71-69	FP-8923814		Incl. pin & roller
16	Valve Bridge	71-69	FP-5117565		
16	Valve Bridge Guide	71-69	FP-5117564		Press fit
CAMSHAFT GROUP					
QTY	CAMSHAFT/LIFTER	YEARS	PART NO.	SIZE	DESCRIPTION
1	Prelube	71-69	55-400		4 oz. bottle; 1.5 oz. packet No. 55-403 also avail.

(continued on next page)

Dodge Truck - M/D & H/D

H/D Truck 8V-71 (2-Valve Cyl. Head), 8V-71E (4-Valve Cyl. Head), 8V-71N (4-Valve Cyl. Head) Engs. (cont.)
 9.3L 568 OHV Diesel V8, 4.25" Bore (Detroit Diesel Eng.) 1969-71

ACCESSORY DRIVE

QTY	ACCESSORY DRIVE	YEARS	PART NO.	SIZE	DESCRIPTION
1	Oil Seal	71-69	470625		
1	Redi-Sleeve	71-69	99150		

FUEL SYSTEM & PARTS

QTY	FUEL INJECTION	YEARS	PART NO.	SIZE	DESCRIPTION
16	Injector Hole Tube Kit	71-69	FP-8925981		Viton®

COOLING SYSTEM

QTY	WATER PUMP	YEARS	PART NO.	SIZE	DESCRIPTION
1	Water Pump - Heavy Duty	71-69	FP-23507971		Raw water pump

ENGINE BLOCK & PARTS

QTY	GASKET SETS	YEARS	PART NO.	SIZE	DESCRIPTION
1	Complete Overhaul Gasket Set	71-69	FP-23512680WS		Includes Seals
QTY	CAM BEARINGS	YEARS	PART NO.	SIZE	DESCRIPTION
4	Cam Brg.	71-69	FP-5111423	STD	Position Front & Rear; Grooved
6	Cam Brg.	71-69	FP-5196026	STD	Position Inter.; w/o Steel bushing in ctr. hole; Aluminum Blocks only
6	Cam Brg.	71-69	FP-5196022	STD	Position Inter.; W/Steel bushing in ctr. hole

CRANKSHAFT/OIL PUMP

QTY	SEALS - FRONT CRANK	YEARS	PART NO.	SIZE	DESCRIPTION
1	Redi-Sleeve	71-69	99287		Shaft dia. 2.876"
1	Oil Seal	71-69	455006N		
1	Oil Seal	71-69	FP-5115454		Single Lip, Std.
QTY	SEALS - REAR CRANK	YEARS	PART NO.	SIZE	DESCRIPTION
1	Oil Seal	71-69	455378H		
1	Oil Seal	71-69	FP-5114335		Single Lip, Std.; Shaft Dia. 4.687"
1	Oil Seal Kit	71-69	5460		
1	Redi-Sleeve	71-69	99468		

QTY	MAIN BEARINGS	YEARS	PART NO.	SIZE	DESCRIPTION
5	Plain Main Brg.	71-69	FP-5149565	STD	Upper brg. w/elongated oil slot. May also be used as replacement for brg. w/11/32" oil hole.
5	Plain Main Brg.	71-69	FP-5149566	2	Upper brg. w/elongated oil slot. May also be used as replacement for brg. w/11/32" oil hole.
5	Plain Main Brg.	71-69	FP-5149567	10	Upper brg. w/elongated oil slot. May also be used as replacement for brg. w/11/32" oil hole.
5	Plain Main Brg.	71-69	FP-5149568	20	Upper brg. w/elongated oil slot. May also be used as replacement for brg. w/11/32" oil hole.
5	Plain Main Brg.	71-69	FP-8922118	30	Upper brg. w/elongated oil slot. May also be used as replacement for brg. w/11/32" oil hole.

CYLINDER COMPONENTS

QTY	LINERS	YEARS	PART NO.	SIZE	DESCRIPTION
8	Liner w/o Sealing Rings	71-69	FP-23502024	STD	Flanged, .950" port length
8	Liner w/o Sealing Rings	71-69	FP-23502021	STD	Flanged, 1.050" port length
8	Liner w/o Sealing Rings	71-69	FP-23504936	STD	Flanged, 1.050" port length
8	Liner w/o Sealing Rings	71-69	FP-5193733	10	Flanged, 1.050" port length
8	Liner w/o Sealing Rings	71-69	FP-5193734	20	Flanged, 1.050" port length
8	Liner w/o Sealing Rings	71-69	FP-5193735	30	Flanged, 1.050" port length
8	Cylinder Kit Complete	71-69	FP-23505305	STD	1.05" port length sleeve
8	Cylinder Kit Complete	71-69	FP-5149261	STD	1.05" port length sleeve
8	Cylinder Kit Complete	71-69	FP-5149263	10	1.05" port length sleeve
8	Cylinder Kit Complete	71-69	FP-5149264	20	1.05" port length sleeve
8	Cylinder Kit Complete	71-69	FP-2350530630	30	1.05" port length sleeve
8	Cylinder Kit Complete	71-69	FP-23522521	STD	1.050" port length sleeve
8	Cylinder Kit Complete	71-69	FP-23522947	STD	1.050" port length sleeve
8	Cylinder Kit Complete	71-69	FP-23522951	10	1.050" port length sleeve
8	Cylinder Kit Complete	71-69	FP-23522525	20	1.050" port length sleeve
8	Cylinder Kit Complete	71-69	FP-2352294930	30	1.050" port length sleeve
8	O-Ring	71-69	FP-8922221		
8	Cntr. Bore Insert	71-69	FP-5199871		.0015" Thicker than std., for .010-.030 O/S sleeves
8	Cntr. Bore Insert	71-69	FP-5148399		.0015" Thicker than std., for std.-.005 O/S sleeves
8	Cntr. Bore Insert	71-69	FP-CLR81008		.0030" Thicker than std., for .010-030 O/S sleeves
8	Cntr. Bore Insert	71-69	CLR-81-008 +		.0030" Thicker than std., for .010-030 O/S sleeves; When depleted use FP-CLR81008
8	Cntr. Bore Insert	71-69	FP-5193316		Std. thickness (.1795-.1800), for .010-.030 O/S sleeves

(continued on next page)

+ Superseded Part Number

Dodge Truck - M/D & H/D

21 H/D Truck 8V-71 (2-Valve Cyl. Head), 8V-71E (4-Valve Cyl. Head), 8V-71N (4-Valve Cyl. Head) Engs.
 (cont.) 9.3L 568 OHV Diesel V8, 4.25" Bore (Detroit Diesel Eng.) 1969-71

CYLINDER COMPONENTS (cont.)

QTY	LINERS (cont.)	YEARS	PART NO.	SIZE	DESCRIPTION
8	Cntr. Bore Insert	71-69	FP-5184484		Std. thickness (.1795-.1800), for std.-.005 O/S sleeves
QTY	PISTONS	YEARS	PART NO.	SIZE	DESCRIPTION
16	Piston Pin Retainer	71-69	FP-5188405		w/Trunk style pistons
16	Piston Pin Retainer	71-69	FP-5180250		Cross Head pistons
8	Piston Pin Slipper Bearing	71-69	FP-23501687		w/Cross Head pistons.; Slipper type design - 1 per cyl.
16	Pin Bushing	71-69	FP-5157274		w/Trunk style pistons.; w/.015" extra ID bore stock
16	Pin Bushing	71-69	FP-2409Y		w/Trunk style pistons; w/1.5020" I.D., 1.7510" O.D., .7600" O.A.L.
16	Pin Bushing	71-69	2409Y +		w/Trunk style pistons; w/1.5020" I.D., 1.7510" O.D., .7600" O.A.L.; When depleted use FP-2409Y
QTY	CONNECTING RODS & BRGS.	YEARS	PART NO.	SIZE	DESCRIPTION
8	Rod Pair	71-69	FP-5149572	STD	
8	Rod Pair	71-69	FP-5149575	10	
8	Rod Pair	71-69	FP-5149577	20	
8	Rod Pair	71-69	FP-5149579	30	
QTY	PISTON RINGS	YEARS	PART NO.	SIZE	DESCRIPTION
8	Ring Set Single Cylinder	71-69	FP-23514970	STD	w/Trunk style piston; 4-.084, 2-3/16 (1 cyl. Set)
8	Premium Set	71-69	FP-9518KX	Std Only	w/Cross Head style piston; 1-.110, 2-.084, 2-3/16 (1 cyl. set)
8	Premium Set	71-69	9518KX +	Std Only	w/Cross Head style piston; 1-.110, 2-.084, 2-3/16 (1 cyl. set); When depleted use FP-9518KX
KITS					
QTY	OVERHAUL KIT	YEARS	PART NO.	SIZE	DESCRIPTION
1	In-Frame Overhaul Kit	71-69	FP-8V71XH		w/Cross Head style piston; Valve cover gskts. not incl.
1	In-Frame Overhaul Kit	71-69	FP-8V71NA		w/Trunk style piston & 1.050" Port Length Sleeve. Valve cover gskt. not incl.
1	Complete Overhaul Kit	71-69	FP-8V71XHOH		w/Cross Head style piston; Valve cover gskts. not incl.
1	Complete Overhaul Kit	71-69	FP-8V71NAOH		w/Trunk style piston & 1.050" Port Length Sleeve. Valve cover gskt. not incl.

22 H/D Truck NH180 Eng.
 11.0L 672 OHV Diesel L6, 4.875" Bore (Cummins Eng.) 1967-75

CYL. HEAD & PARTS

QTY	VALVE	YEARS	PART NO.	SIZE	DESCRIPTION
6	Exhaust	75-67	FP-144911		1.7400" Head Dia., 7.0600" O.A.L.
24	Keeper	75-67	FP-S2037		Exh. & Int.
QTY	VALVE GUIDE	YEARS	PART NO.	SIZE	DESCRIPTION
12	Guide	75-67	FP-66890		Exh. & Int.; Threaded I.D.; Ream .405"; Threaded ID; .405" ID, 3.44" OAL
QTY	VALVE SPRING	YEARS	PART NO.	SIZE	DESCRIPTION
12	Spring	75-67	FP-111446		Exh. & Int.

CAMSHAFT GROUP

QTY	CAMSHAFT/LIFTER	YEARS	PART NO.	SIZE	DESCRIPTION
1	Camshaft	75-67	FP-3801030		w/.750" Keyway, replaces O.E. 129860 & 3801030; If camshaft being replaced has 1" keyway, contact Cummins dealer for replacement key

ACCESSORY DRIVE

QTY	ACCESSORY DRIVE	YEARS	PART NO.	SIZE	DESCRIPTION
1	Wear Sleeve	75-67	FP-190397		Pulley
1	Oil Seal	75-67	39302		
1	Oil Seal	75-67	FP-3004316		Front Cover
1	Oil Seal	75-67	FP-200307		Inner; Fan Drive
1	Oil Seal	75-67	FP-3027675		Outer; Fan Drive

COOLING SYSTEM

QTY	WATER PUMP	YEARS	PART NO.	SIZE	DESCRIPTION
1	Oil Seal	75-67	473010N		
1	Oil Seal	75-67	FP-3038998		Water pump bearing seal
QTY	SEALS - FAN HUB	YEARS	PART NO.	SIZE	DESCRIPTION
1	Oil Seal	75-67	39835		INNER
1	Oil Seal	75-67	39877		OUTER
1	Redi-Sleeve	75-67	99181		INNER

(continued on next page)

Dodge Truck - M/D & H/D

<i>H/D Truck NH180 Eng. 22</i>					
11.0L 672 OHV Diesel L6, 4.875" Bore (Cummins Eng.) 1967-75 (cont.)					
COOLING SYSTEM (cont.)					
QTY	THERMOSTAT	YEARS	PART NO.	SIZE	DESCRIPTION
1	Rect. or Square Seal	75-67	FP-186780		
1	Oil Seal	75-67	39821		
ENGINE BLOCK & PARTS					
QTY	CAM BEARINGS	YEARS	PART NO.	SIZE	DESCRIPTION
1	Cam Set	75-67	FP-BM27253	STD	Later series "H" Eng.
CRANKSHAFT/OIL PUMP					
QTY	SEALS - FRONT CRANK	YEARS	PART NO.	SIZE	DESCRIPTION
1	Oil Seal	75-67	FP-3006736		
1	Redi-Sleeve	75-67	99363		
1	Oil Seal	75-67	39813		
QTY	SEALS - REAR CRANK	YEARS	PART NO.	SIZE	DESCRIPTION
1	Oil Seal	75-67	FP-3020183		
1	Oil Seal	75-67	FP-3006738		Wet Clutch
1	Oil Seal	75-67	FP-3006737		6.000" Shaft; 6.00" Shaft
1	Oil Seal	75-67	39703		
1	Redi-Sleeve	75-67	FP-3006743		6.000" Shaft; Wet Clutch; 6.00" Shaft
1	Redi-Sleeve	75-67	99363		
QTY	MAIN BEARINGS	YEARS	PART NO.	SIZE	DESCRIPTION
1	Main Set	75-67	FP-3801260	STD	Later series "H" Eng.; w/partial groove brgs.; Incl. thrust washers
1	Main Set	75-67	FP-3801261	10	Later series "H" Eng.; w/partial groove brgs.; Incl. thrust washers
1	Main Set	75-67	FP-3801262	20	Later series "H" Eng.; w/partial groove brgs.; Incl. thrust washers
1	Main Set	75-67	FP-3801263	30	Later series "H" Eng.; w/partial groove brgs.; Incl. thrust washers
1	Thrust Washer Set	75-67	FP-1334AFA +	Std Only	Position 7; When depleted use FP-3067568
4	Thrust Washer	75-67	FP-3067568	STD	Position 7
CYLINDER COMPONENTS					
QTY	PISTONS	YEARS	PART NO.	SIZE	DESCRIPTION
12	Pin Bushing	75-67	FP-43067		2 Required per rod; Straight rod bushing; 1.03" Width; 2 req'd. per rod
QTY	CONNECTING RODS & BRGS.	YEARS	PART NO.	SIZE	DESCRIPTION
6	Rod Pair	75-67	FP-203670PR	STD	All Series "H" Eng.; w/insert type brgs.
6	Rod Pair	75-67	FP-203671PR	10	All Series "H" Eng.; w/insert type brgs.
6	Rod Pair	75-67	FP-203672PR	20	All Series "H" Eng.; w/insert type brgs.
6	Rod Pair	75-67	FP-203673PR	30	All Series "H" Eng.; w/insert type brgs.
<i>H/D Truck NH220, NHE195 Eng. 23</i>					
12.2L 743 OHV Diesel L6, 5.125" Bore (Cummins Eng.) 1967-68					
CYL. HEAD & PARTS					
QTY	VALVE	YEARS	PART NO.	SIZE	DESCRIPTION
6	Exhaust	68-67	FP-144911		1.7400" Head Dia., 7.0600" O.A.L.
24	Keeper	68-67	FP-S2037		Exh. & Int.
QTY	VALVE GUIDE	YEARS	PART NO.	SIZE	DESCRIPTION
12	Guide	68-67	FP-66890		Exh. & Int.; Threaded ID; .405" ID, 3.44" OAL
CAMSHAFT GROUP					
QTY	CAMSHAFT/LIFTER	YEARS	PART NO.	SIZE	DESCRIPTION
1	Camshaft	68-67	FP-3801030		w/.750" Keyway, replaces O.E. 129860 & 3801030; If camshaft being replaced has 1" keyway, contact Cummins dealer for replacement key
1	Prelube	68-67	55-400		4 oz. bottle; 1.5 oz. packet No. 55-403 also avail.
ACCESSORY DRIVE					
QTY	ACCESSORY DRIVE	YEARS	PART NO.	SIZE	DESCRIPTION
1	Wear Sleeve	68-67	FP-190397		Pulley
1	Oil Seal	68-67	39302		
1	Oil Seal	68-67	FP-3004316		Front Cover
1	Oil Seal	68-67	FP-200307		Inner; Fan Drive
1	Oil Seal	68-67	FP-3027675		Outer; Fan Drive
COOLING SYSTEM					
QTY	WATER PUMP	YEARS	PART NO.	SIZE	DESCRIPTION
1	Oil Seal	68-67	473010N		
1	Oil Seal	68-67	FP-3038998		Water pump bearing seal

(continued on next page)

+ Superseded Part Number

Dodge Truck - M/D & H/D

23 H/D Truck NH220, NHE195 Engs.
 (cont.) 12.2L 743 OHV Diesel L6, 5.125" Bore (Cummins Eng.) 1967-68

COOLING SYSTEM (cont.)					
QTY	SEALS - FAN HUB	YEARS	PART NO.	SIZE	DESCRIPTION
1	Oil Seal	68-67	39835		INNER
1	Oil Seal	68-67	39877		OUTER
1	Redi-Sleeve	68-67	99181		INNER
QTY	THERMOSTAT	YEARS	PART NO.	SIZE	DESCRIPTION
1	Rect. or Square Seal	68-67	FP-186780		
1	Oil Seal	68-67	39821		
ENGINE BLOCK & PARTS					
QTY	CAM BEARINGS	YEARS	PART NO.	SIZE	DESCRIPTION
1	Cam Set	68-67	FP-BM27253	STD	
QTY	OIL COOLERS & FILTERS	YEARS	PART NO.	SIZE	DESCRIPTION
1	Oil Cooler	68-67	FP-110848		6.500" X 4.000" tube bundle
CRANKSHAFT/OIL PUMP					
QTY	SEALS - FRONT CRANK	YEARS	PART NO.	SIZE	DESCRIPTION
1	Oil Seal	68-67	FP-3006736		
1	Redi-Sleeve	68-67	99363		
1	Oil Seal	68-67	39813		
QTY	SEALS - REAR CRANK	YEARS	PART NO.	SIZE	DESCRIPTION
1	Oil Seal	68-67	FP-3020183		
1	Oil Seal	68-67	FP-3006738		Wet Clutch
1	Oil Seal	68-67	FP-3006737		6.000" Shaft; 6.00" Shaft
1	Oil Seal	68-67	39703		
1	Redi-Sleeve	68-67	FP-3006743		Wet Clutch; 6.00" Shaft
1	Redi-Sleeve	68-67	99363		
QTY	MAIN BEARINGS	YEARS	PART NO.	SIZE	DESCRIPTION
1	Main Set	68-67	FP-3801260	STD	W/Partial groove brgs.; Incl. thrust washers
1	Main Set	68-67	FP-3801261	10	W/Partial groove brgs.; Incl. thrust washers
1	Main Set	68-67	FP-3801262	20	W/Partial groove brgs.; Incl. thrust washers
1	Main Set	68-67	FP-3801263	30	W/Partial groove brgs.; Incl. thrust washers
1	Thrust Washer Set	68-67	FP-1334AFA +	Std Only	Position 7; When depleted use FP-3067568
4	Thrust Washer	68-67	FP-3067568	STD	Position 7
CYLINDER COMPONENTS					
QTY	LINERS	YEARS	PART NO.	SIZE	DESCRIPTION
6	Liner w/o Sealing Rings	68-67	FP-184400		NH-220; 4 Valve Head
6	Liner w/Sealing Rings	68-67	FP-BM98224	STD	NH-220; 4 Valve Head
6	Cylinder Kit Complete	68-67	FP-AR7383	STD	NH-220; 14.5:1 C.R.
6	Sleeve Assy.	68-67	FP-SL2271G	Std Only	NHE-195; 15.0:1 C.R.
6	Sealing Ring, Liner	68-67	FP-215983		NH-220; Crevice Seal
6	Sealing Ring, Liner	68-67	FP-181449		NH-220; 4 Valve Head; Lower Seal
6	Sealing Ring, Liner	68-67	FP-216879		NH-220; 4 Valve Head; Middle Seal
QTY	PISTONS	YEARS	PART NO.	SIZE	DESCRIPTION
6	Piston Kit w/Pin & Retainers	68-67	FP-AR7510	STD	NH-220; 14.5:1 C.R. Dish Head .240" deep x 3.880" dia., straight pin boss piston.
6	Pin	68-67	FP-203070		NH-220; 1.9989" Dia.
12	Piston Pin Retainer	68-67	FP-175755		NH-220
12	Pin Bushing	68-67	FP-43067		Straight rod bushing; 1.03" Width; 2 req'd. per rod
6	Pin Bushing	68-67	FP-187420		1 piece bushing; 2.20" Width
QTY	CONNECTING RODS & BRGS.	YEARS	PART NO.	SIZE	DESCRIPTION
6	Rod Pair	68-67	FP-203670PR	STD	
6	Rod Pair	68-67	FP-203671PR	10	
6	Rod Pair	68-67	FP-203672PR	20	
6	Rod Pair	68-67	FP-203673PR	30	
QTY	PISTON RINGS	YEARS	PART NO.	SIZE	DESCRIPTION
6	Ring Set Single Cylinder	68-67	FP-AR12098	STD	NH-220
6	Premium Set	68-67	FP-9822KX	Std Only	NHE-195; 1-5/32, 1-1/8, 1-3/16 (1 cyl. set)
24 M/D Truck NH230, NH250, NHC250 Engs. 14.0L 855 OHV Diesel L6, 5.5" Bore (Cummins Eng.) 1975					
CYL. HEAD & PARTS					
QTY	GASKETS	YEARS	PART NO.	SIZE	DESCRIPTION
3	Valve Cover Gasket	75	FP-3049187S		Single rocker box gskt., 7-bolt Engs.; 3 req'd.
3	Valve Cover Gasket	75	FP-3054841		Single valve cover gskt., 5-bolt Engs.; 3 req'd.

(continued on next page)

Dodge Truck - M/D & H/D

M/D Truck NH230, NH250, NHC250 Engs. **24**
 14.0L 855 OHV Diesel L6, 5.5" Bore (Cummins Eng.) 1975 (cont.)

CYL. HEAD & PARTS (cont.)

QTY	GASKETS (cont.)	YEARS	PART NO.	SIZE	DESCRIPTION
3	Valve Cover Gasket	75	FP-3058532		Single valve cover gskt., 7-bolt Eng.s.; 3 req'd.
3	Head Set	75	FP-3801329		.010 O/S Water Grommets; Single head set, SC & BC I, II, III, 5-bolt Eng.s., w/FFC. 3 req'd.
1	Head Set	75	FP-3801348		.010 O/S Water Grommets; Upper set, SC & BC I, II, III, 5 bolt Eng.s.; w/ & w/o FFC
1	Head Set	75	FP-380175310		Incl. .010" oversized grommets
1	Head Set	75	FP-380145310		Incl. .010" oversized grommets; Single head set, BC IV NTC 300-315-350-365-400, 5-bolt Eng.s., w/fixed timing. 3 req'd.
3	Head Set	75	FP-380315010		Incl. .010" oversized grommets; Single head set, BC IV NT88, 7-bolt Eng.s. 3 req'd.
1	Head Set	75	FP-380175410		Incl. .010" oversized grommets; Upper set, BC IV NTC 444, MVT/step timing Eng.s., incl. 5 & 7-bolt valve cover gskts. & 5-bolt rocker box gskts.
1	Head Set	75	FP-380304010		Incl. .010" oversized grommets; Upper set, BC IV NT88, 7-bolt Eng.s.
1	Head Set	75	FP-380145110		Incl. .010" oversized grommets; Upper set, BC IV, NTC 300-315-350-365-400, 5-bolt, fixed timing Eng.s.
1	Valve Timing Gasket	75	FP-PGC100		Cam timing gskt. set, BC Eng.s., Incl. 3 each .007", .021", & .030" thick gskts. & 3 beaded seal cover gskts.
1	Valve Timing Gasket	75	FP-PGC101		Cam timing gskt. set, SC Eng.s., incl. 3 each .007", .015", & .030" thick gskts.
3	Rocker Housing Gasket	75	FP-3017750		Single rocker box gskt., 5-bolt Eng.s.; 3 req'd.
QTY	VALVE	YEARS	PART NO.	SIZE	DESCRIPTION
12	Intake	75	FP-135957		1.8700" Head Dia., .4505" Stem Dia., 7.0660" O.A.L.
12	Exhaust	75	FP-145701		Stellite; 1.8700" Head Dia., .4505" Stem Dia., 7.0660" O.A.L.
48	Keeper	75	FP-127554		Exh. & Int.
QTY	VALVE SEAT	YEARS	PART NO.	SIZE	DESCRIPTION
24	Exh. & Int.	75	FP-3017759		O.E. Nos. 127930 & 3017759; Check Cummins Service Topics 93T2-2; 2.0030" OD, 1.6900" ID, .2795" Depth
QTY	VALVE GUIDE	YEARS	PART NO.	SIZE	DESCRIPTION
24	Guide	75	FP-3006456		Exh. & Int.; Plain w/threaded I.D.; Check Cummins Service Topics 93T2-2; .4530" ID, 3.3900" O.A.L.
QTY	VALVE SPRING	YEARS	PART NO.	SIZE	DESCRIPTION
24	Spring	75	FP-211999		Exh. & Int.; w/o Exh. brake; Check Cummins Service Topics 93T2-2; 2.6850" Free Height
24	Spring	75	FP-3081212		Exh. & Int.; Big Cam IV only; Check Cummins Service Topics 93T2-2; w/One Green Stripe
24	Spring	75	FP-3035996 +		Exh. & Int.; Big Cam IV only; 2.6350" Free Height; When depleted use FP-3081212
QTY	PUSH RODS	YEARS	PART NO.	SIZE	DESCRIPTION
12	Push Rod	75	FP-3046420		Exh. & Int.; 17.7220" O.A.L.
QTY	VALVE MISC.	YEARS	PART NO.	SIZE	DESCRIPTION
6	O-Ring	75	FP-3007759		Injector Tube Seal
6	Fuel Injector Sleeve	75	FP-3070486		Thin
1	Crosshead Valve Assembly	75	FP-3030038		Int. & Exh.; 855 Big Cam
1	Crosshead Valve	75	FP-3028293 +		855 Big Cam; When depleted use FP-3030038
QTY	ROCKER PARTS	YEARS	PART NO.	SIZE	DESCRIPTION
1	Valve Bridge Guide	75	FP-123558		855 Big Cam
1	Valve Bridge Guide	75	FP-123558		855 Small Cam
CAMSHAFT GROUP					
QTY	TIMING	YEARS	PART NO.	SIZE	DESCRIPTION
1	Cam Gear	75	FP-215966		72 Teeth; 72 Teeth
QTY	CAMSHAFT/LIFTER	YEARS	PART NO.	SIZE	DESCRIPTION
1	Camshaft	75	FP-3801763		Flanged 2.500" camshaft; Late style w/3/4" keyway; Replaces O.E. Nos. 3000580, 3021588, & 3801763.; If camshaft being replaced has 1" keyway contact Cummins dealer for 3/4" replacement key.
1	Camshaft	75	FP-3801030		Late style; w/3/4" keyway, Replaces O.E. Nos. 129860, & 3801030; If camshaft being replaced has 1" keyway contact Cummins dealer for replacement key.; w/.750" Keyway, replaces O.E. 129860 & 3801030; If camshaft being replaced has 1" keyway, contact Cummins dealer for replacement key
1	Prelube	75	55-400		4 oz. bottle; 1.5 oz. packet No. 55-403 also avail.

(continued on next page)

Dodge Truck - M/D & H/D

24 M/D Truck NH230, NH250, NHC250 Engs.

(cont.) 14.0L 855 OHV Diesel L6, 5.5" Bore (Cummins Eng.) 1975

ACCESSORY DRIVE					
QTY	ACCESSORY DRIVE	YEARS	PART NO.	SIZE	DESCRIPTION
1	Wear Sleeve	75	FP-190397		
1	Oil Seal	75	39302		
1	Wear Sleeve	75	J1396		Wear Sleeve
1	Oil Seal	75	FP-3004316		
COOLING SYSTEM					
QTY	WATER PUMP	YEARS	PART NO.	SIZE	DESCRIPTION
1	Oil Seal	75	473010N		
QTY	SEALS - FAN HUB	YEARS	PART NO.	SIZE	DESCRIPTION
1	Oil Seal	75	39835		INNER
1	Oil Seal	75	39877		OUTER
1	Redi-Sleeve	75	99181		INNER
QTY	THERMOSTAT	YEARS	PART NO.	SIZE	DESCRIPTION
1	Rect. or Square Seal	75	FP-186780		
1	Oil Seal	75	39821		
ENGINE BLOCK & PARTS					
QTY	GASKETS	YEARS	PART NO.	SIZE	DESCRIPTION
1	Oil Pan Gasket Set	75	FP-PGC300		All 855 Engs.; Incl. 1 pc. oil pan gskt.; Includes Seals For Suction Tube & Drain Plug
QTY	GASKET SETS	YEARS	PART NO.	SIZE	DESCRIPTION
1	Gasket Conversion Set	75	FP-3801454		BC IV NTC 300-315-350-365-400-444, & NT88 Engs.; Incl. 1 pc. oil pan gskt.
1	In-Frame Gasket Set	75	FP-3801348S		In Frm.; Small Cam & Big Cam I, II, III, 5-bolt Engs.; O/S Grommets
1	In-Frame Gasket Set	75	FP-3801451S10		In Frm., BC IV NTC 300-315-350-365-400; fixed timing, 5-bolt Engs.; Incl. .010" oversized grommets
1	In-Frame Gasket Set	75	FP-3801754S10		Incl. .010" oversized grommets; In Frm., BC IV NTC444, MVT/step timing; incl. 5 & 7 bolt VC gskts & 5-bolt rocker box gskts.
1	In-Frame Gasket Set	75	FP-3803040S10		Incl. .010" oversized grommets; In Frm., BC IV NT88, 7-bolt Engs.
1	Complete Overhaul Gasket Set	75	FP-3803040C10		Compl., BC IV NT88, 7-bolt Engs.; Incl. .010" oversized grommets
1	Complete Overhaul Gasket Set	75	FP-3801348C		Compl., S/C 5-bolt Engs., w/FFC. Incl. bull nose crank seal & 2 pc. oil pan gskt.
1	Kit Gasket Set	75	FP-2601250		Compl., BC I, II, III, 5-bolt Engs., w/FFC.
1	Oil Pan Gasket	75	FP-3349820		0.79mm / 0.031" Thick; One piece gskt.
1	C-Brake Gasket Set	75	FP-PGC20		Jake Brake gskt. set, 7-bolt Engs. 1 req'd.
1	C-Brake Gasket Set	75	PGC20 +		Jake Brake gskt. set, 7-bolt Engs. 1 req'd.; When depleted use FP-PGC20
1	Jake Brake Gasket Set	75	PGJ-10		Jake Brake gskt. set, 5-bolt Engs. 1 req'd.
QTY	CAM BEARINGS	YEARS	PART NO.	SIZE	DESCRIPTION
1	Cam Set	75	FP-3007689S	STD	Big Cam 2.500" dia.; Engs. w/2.625" cam housing
1	Cam Set	75	FP-3801106	STD	Big Cam 2.500" dia.; Engs. w/2.687" cam housing
1	Cam Set	75	FP-BM27253	STD	Small Cam 2.000" dia.; Engs. w/2.1295" cam. housing
QTY	OIL COOLERS & FILTERS	YEARS	PART NO.	SIZE	DESCRIPTION
1	Aftercooler Core Assembly	75	FP-3411460		For Big Cam III and Engs. up-dated to cross bolt mount, O.E. Nos. 3028997 & 3068724.
1	Aftercooler Core Assembly	75	FP-214836		Through Big Cam II; Single Pass; Flange mount; O.E. No. 214836; Through Big Cam II - Flange Mount, O.E. No. 214836.
1	Oil Cooler	75	FP-110848		NH-855; 6.500" X 4.000" tube bundle
1	Oil Cooler	75	FP-142608		15.312" x 5.000" tube bundle. Industrial w/FFC, Non-FFC NT Engs.
1	Oil Cooler	75	213-142608 +		15.312" x 5.000" tube bundle. Industrial w/FFC, Non-FFC NT Engs.; When depleted use FP-142608
1	Oil Cooler Element	75	FP-3021581		12.625" x 5.000" tube bundle. O.E. Nos. 3021581 & 208149. Automotive w/FFC
1	Oil Cooler Element	75	213-3021581		12.625" x 5.000" tube bundle. O.E. Nos. 3021581 & 208149. Automotive w/FFC
1	Oil Cooler Element	75	FP-3052514		13.125" x 3.125" tube bundle w/1.250" nipple. For Engs. w/single oil filter, Big Cam III & Big Cam IV (from 10/15/86)
1	Oil Cooler Element	75	213-3052514 +		13.125" x 3.125" tube bundle w/1.250" nipple. For Engs. w/single oil filter, Big Cam III & Big Cam IV (from 10/15/86); When depleted use FP-3052514
1	Snap Ring	75	FP-110827		NH-855; Oil Cooler

(continued on next page)

Dodge Truck - M/D & H/D

M/D Truck NH230, NH250, NHC250 Engs. **24**
 14.0L 855 OHV Diesel L6, 5.5" Bore (Cummins Eng.) 1975 (cont.)

CRANKSHAFT/OIL PUMP

QTY	CRANKSHAFT	YEARS	PART NO.	SIZE	DESCRIPTION
1	Crank Gear	75	FP-3014614		36 Teeth; 36 Teeth
1	Oil Press. Reg. Low Pressure	75	FP-109333		NH-855 Small Cam; NTC270-NTC400
QTY	SEALS - FRONT CRANK	YEARS	PART NO.	SIZE	DESCRIPTION
1	Redi-Sleeve	75	99363		
1	Oil Seal	75	39813		
QTY	SEALS - REAR CRANK	YEARS	PART NO.	SIZE	DESCRIPTION
1	Oil Seal	75	39703		
1	Redi-Sleeve	75	99363		
QTY	MAIN BEARINGS	YEARS	PART NO.	SIZE	DESCRIPTION
1	Main Set	75	FP-3801260	STD	W/Partial groove brgs.; Incl. thrust washers
1	Main Set	75	FP-3801261	10	W/Partial groove brgs.; Incl. thrust washers
1	Main Set	75	FP-3801262	20	W/Partial groove brgs.; Incl. thrust washers
1	Main Set	75	FP-3801263	30	W/Partial groove brgs.; Incl. thrust washers
1	Thrust Washer	75	FP-3067568	STD	Position 7
QTY	OIL PUMP	YEARS	PART NO.	SIZE	DESCRIPTION
1	Oil Pump	75	FP-3821572		For Big Cam (2.500"dia.) Engs.
1	Oil Pump	75	FP-AR10172		NH-855 Small Cam; NTC270-NTC400; New

CYLINDER COMPONENTS

QTY	LINERS	YEARS	PART NO.	SIZE	DESCRIPTION
6	Liner w/Sealing Rings	75	FP-3801387	20	Incl. (1) FP215090 crevice seal, (2) FP3032874 (Blk., middle & lower) sealing rings. Oversize, flange Press Fit dia. .020" larger & flange thickness .010" greater than Std. Replaces O.E. Nos. 3046325 & 3801387 w/seals (referred to as '10/20 Size').
6	Liner w/Sealing Rings	75	FP-3803219	20	Incl. (1) FP215090 crevice seal, (2) FP3032874 (Blk., middle & lower) sealing rings. Oversize, flange Press Fit dia. .020" larger than Std. & lower Press Fit is increased by .040". Replaces O.E. Nos. 3056405 & 3803219 (referred to as '20/40 Size').
6	Liner w/Sealing Rings	75	FP-3801826	STD	Incl. (1) FP215090 crevice seal, (2) FP3032874 (Blk., middle & lower) sealing rings. Std. size, Lower Press Fit design. Replaces O.E. Nos. 3055099 & 3801826 w/seals.
6	Cylinder Kit Complete	75	FP-3803221	20	Barrel Profile Skirt; Premium Plus; 4 Rings; Refer to CPL chart for CPL application data
6	Cylinder Kit Complete	75	FP-3803223	20	Barrel Profile Skirt; Premium Plus; 4 Rings; Refer to CPL chart for CPL application data
6	Cylinder Kit Complete	75	FP-3803226	20	Barrel Profile Skirt; Premium Plus; 4 Rings; Refer to CPL chart for CPL application data
6	Cylinder Kit Complete	75	FP-CK31025099	STD	Barrel Profile Skirt; Premium; 4 Rings; Refer to CPL chart for CPL application data
6	Cylinder Kit Complete	75	FP-CK55165099	STD	Barrel Profile Skirt; Premium; 4 Rings; Refer to CPL chart for CPL application data
6	Cylinder Kit Complete	75	FP-3801764	STD	Barrel Profile Skirt; Premium; 4 Rings; Refer to CPL chart for CPL application data
6	Cylinder Kit Complete	75	FP-3801795	STD	Barrel Profile Skirt; Premium; 4 Rings; Refer to CPL chart for CPL application data
6	Cylinder Kit Complete	75	FP-3801872	STD	Barrel Profile Skirt; Premium; 4 Rings; Refer to CPL chart for CPL application data
6	Cylinder Kit Complete	75	FP-3801874	STD	Barrel Profile Skirt; Premium; 4 Rings; Refer to CPL chart for CPL application data
6	Cylinder Kit Complete	75	FP-CK15535405	20	Barrel Profile Skirt; Premium; 4 Rings; Refer to CPL chart for CPL application data
6	Cylinder Kit Complete	75	FP-CK31025405	20	Barrel Profile Skirt; Premium; 4 Rings; Refer to CPL chart for CPL application data
6	Cylinder Kit Complete	75	FP-CK55165405	20	Barrel Profile Skirt; Premium; 4 Rings; Refer to CPL chart for CPL application data
6	Cylinder Kit Complete	75	FP-3801232	STD	Premium Plus TriTech; 4 Rings, Dual NI-Resist; Std. Liners
6	Cylinder Kit Complete	75	FP-3801956	STD	Sled Runner Skirt; Dual NI-Resist; Premium Plus; 4 Rings; Refer to CPL chart for CPL application data
6	Cylinder Kit Complete	75	FP-3803233	20	Sled Runner Skirt; Dual NI-Resist; Premium Plus; 4 Rings; Refer to CPL chart for CPL application data
6	Cylinder Kit Complete	75	FP-3801746	STD	Sled Runner Skirt; Dual NI-Resist; Premium Plus; 4 Rings; Refer to CPL chart for CPL application data
6	Cylinder Kit Complete	75	FP-3801823	STD	Sled Runner Skirt; Dual NI-Resist; Premium Plus; 4 Rings; Refer to CPL chart for CPL application data
6	Cylinder Kit Complete	75	FP-3803346	STD	Sled Runner Skirt; Dual NI-Resist; Premium Plus; 4 Rings; Refer to CPL chart for CPL application data
6	Cylinder Kit Complete	75	FP-CK33465405	20	Sled Runner Skirt; Dual NI-Resist; Premium Plus; 4 Rings; Refer to CPL chart for CPL application data

(continued on next page)

Dodge Truck - M/D & H/D

24 M/D Truck NH230, NH250, NHC250 Engs.
 (cont.) 14.0L 855 OHV Diesel L6, 5.5" Bore (Cummins Eng.) 1975

CYLINDER COMPONENTS (cont.)

QTY	LINERS (cont.)	YEARS	PART NO.	SIZE	DESCRIPTION
6	Cylinder Kit Complete	75	FP-3803216	20	Sled Runner Skirt; Dual NI-Resist; Premium Plus; 4 Rings; Refer to CPL chart for CPL application data
6	Cylinder Kit Complete	75	FP-3803217	20	Sled Runner Skirt; Dual NI-Resist; Premium Plus; 4 Rings; Refer to CPL chart for CPL application data
6	Cylinder Kit Complete	75	FP-3801817	STD	Sled Runner Skirt; Dual NI-Resist; 4 Rings; Refer to CPL chart for CPL application data
6	Cylinder Kit Complete	75	FP-3801230	STD	Sled Runner Skirt; Premium Plus; 4 Rings; Refer to CPL chart for CPL application data
6	Cylinder Kit Complete	75	FP-3801768	STD	Sled Runner Skirt; Premium Plus; 4 Rings; Refer to CPL chart for CPL application data
6	Cylinder Kit Complete	75	FP-3801771	STD	Sled Runner Skirt; Premium Plus; 4 Rings; Refer to CPL chart for CPL application data
6	Cylinder Kit Complete	75	FP-3801775	STD	Sled Runner Skirt; Premium Plus; 4 Rings; Refer to CPL chart for CPL application data
6	Cylinder Kit Complete	75	FP-3801777	STD	Sled Runner Skirt; Premium Plus; 4 Rings; Refer to CPL chart for CPL application data
6	Cylinder Kit Complete	75	FP-3801796	STD	Sled Runner Skirt; Premium Plus; 4 Rings; Refer to CPL chart for CPL application data
6	Cylinder Kit Complete	75	FP-3803209	20	Sled Runner Skirt; Premium Plus; 4 Rings; Refer to CPL chart for CPL application data
6	Cylinder Kit Complete	75	FP-3803210	20	Sled Runner Skirt; Premium Plus; 4 Rings; Refer to CPL chart for CPL application data
6	Cylinder Kit Complete	75	FP-3803212	20	Sled Runner Skirt; Premium Plus; 4 Rings; Refer to CPL chart for CPL application data
6	Cylinder Kit Complete	75	FP-3803213	20	Sled Runner Skirt; Premium Plus; 4 Rings; Refer to CPL chart for CPL application data
6	Cylinder Kit Complete	75	FP-3803214	20	Sled Runner Skirt; Premium Plus; 4 Rings; Refer to CPL chart for CPL application data
6	Cylinder Kit Complete	75	FP-3803228	20	Sled Runner Skirt; Premium Plus; 4 Rings; Refer to CPL chart for CPL application data
6	Cylinder Kit Complete	75	FP-3801781	STD	Sled Runner Skirt; Premium; 4 Rings; Refer to CPL chart for CPL application data
6	Flange Shim	75	FP-SLG23773	3-5-10	.003" Thick, fits Std. & 10/20 sleeves
6	Flange Shim	75	FP-SLG23775	3-5-10	.005" Thick, fits Std. & 10/20 sleeves
6	Flange Shim	75	FP-3019956	8	.008" Thick, fits Std. & 10/20 sleeves
6	Flange Shim	75	FP-SLG237710	3-5-10	.010" Thick, fits Std. & 10/20 sleeves
6	Flange Shim	75	FP-3054948	20	.020" Thick, fits Std. & 10/20 sleeves
1	Repair Block Bushing	75	FP-RBL002		Lower Eng. block repair bushing
1	Repair Block Bushing	75	FP-RBU001		Upper Eng. block repair bushing, non-bored.
QTY	PISTONS	YEARS	PART NO.	SIZE	DESCRIPTION
6	Piston Body w/o Pin	75	FP-3048650		Barrel Profile Skirt; Single NI-Resist; 4 Rings; Tin Plating; 15.5:1 C.R.
6	Piston Body w/o Pin	75	FP-3052794		Sled Runner Skirt; Dual NI-Resist; 4 Rings; 15.5:1 C.R.
6	Piston Kit w/Pin & Retainers	75	FP-3801058WP	STD	Barrel Profile Skirt; Single NI-Resist; 4 Rings; 14.5:1 C.R.
6	Piston Kit w/Pin & Retainers	75	FP-3801057WP	STD	Barrel Profile Skirt; Single NI-Resist; 4 Rings; 15.0:1 C.R.
6	Piston Kit w/Pin & Retainers	75	FP-3801534WP	STD	Dual NI-Resist; 4 Rings; 14.5:1 C.R.
6	Piston Kit w/Pin & Retainers	75	FP-3801233WP	STD	Single NI-Resist; 4 Rings; .34" Valve Relief for Hi Lift Cams; 14.0:1 C.R.
6	Piston Kit w/Pin & Retainers	75	FP-3801231WP	STD	Single NI-Resist; 4 Rings; .34" Valve Relief for Hi Lift Cams; 14.5:1 C.R.
6	Piston Kit w/Pin & Retainers	75	FP-3801229WP	STD	Single NI-Resist; 4 Rings; .34" Valve Relief for Hi Lift Cams; 15.3:1 C.R.
6	Piston Kit w/Pin & Retainers	75	FP-3801773WP	STD	Single NI-Resist; 4 Rings; 14.0:1 C.R.
6	Piston Kit w/Pin & Retainers	75	FP-3801770WP	STD	Single NI-Resist; 4 Rings; 14.5:1 C.R.
6	Piston Kit w/Pin & Retainers	75	FP-3801876WP	STD	Single NI-Resist; 4 Rings; 15.0:1 C.R.
6	Piston Kit w/Pin & Retainers	75	FP-3801535WP	STD	Single NI-Resist; 4 Rings; 15.5:1 C.R.
6	Piston With Retainers	75	FP-3801058		Barrel Profile Skirt; Single NI-Resist; 4 Rings; 14.5:1 C.R.
6	Piston With Retainers	75	FP-3801057		Barrel Profile Skirt; Single NI-Resist; 4 Rings; 15.0:1 C.R.
6	Piston With Retainers	75	FP-3801233		Single NI-Resist; 4 Rings; .34" Valve Relief for Hi Lift Cams; 14.0:1 C.R.
6	Piston With Retainers	75	FP-3801231		Single NI-Resist; 4 Rings; .34" Valve Relief for Hi Lift Cams; 14.5:1 C.R.
6	Piston With Retainers	75	FP-3801535		Sled Runner Skirt; Single NI-Resist; 4 Rings; 15.5:1 C.R.
6	Piston With Retainers	75	FP-3801534		Sled Runner Skirt; Dual NI-Resist; 4 Rings; 14.5:1 C.R.
6	Piston With Retainers	75	FP-3801229		Sled Runner Skirt; Single NI-Resist; 4 Rings; .34" Valve Relief for Hi Lift Cams; 15.3:1 C.R.
6	Piston With Retainers	75	FP-3801773		Sled Runner Skirt; Single NI-Resist; 4 Rings; 14.0:1 C.R.
6	Piston With Retainers	75	FP-3801770		Sled Runner Skirt; Single NI-Resist; 4 Rings; 14.5:1 C.R.
6	Piston With Retainers	75	FP-3801876		Sled Runner Skirt; Single NI-Resist; 4 Rings; 15.0:1 C.R.
6	Piston Cooling Nozzle	75	FP-3013591		

(continued on next page)

Dodge Truck - M/D & H/D

M/D Truck NH230, NH250, NHC250 Engs. **24**
 14.0L 855 OHV Diesel L6, 5.5" Bore (Cummins Eng.) 1975 (cont.)

CYLINDER COMPONENTS (cont.)

QTY	PISTONS (cont.)	YEARS	PART NO.	SIZE	DESCRIPTION
12	Pin Bushing	75	FP-43067		Use w/straight pin boss con. rods; Straight rod bushing; 1.03" Width; 2 req'd. per rod
6	Pin Bushing	75	FP-187420		Use w/tapered pin boss con. rods; 1 piece bushing; 2.20" Width
6	Bushing	75	FP-116391		Accessory drive bushing; O.E. No. 116391
6	Bushing	75	FP-132770		Front cover bushing; O.E. No. 132770; w/1.567" ID, 1.697" OD, 1.500" O.A.L.
QTY	CONNECTING RODS & BRGS.	YEARS	PART NO.	SIZE	DESCRIPTION
12	Con. Rod Bolt	75	FP-219153		Big Cam Engs.
12	Con. Rod Nut	75	FP-69936		Big Cam Engs.
6	Rod Pair	75	FP-214950PR	STD	Big Cam 2.500" dia.; Engs. w/1.741" length. brgs.; Used w/con. rod No. 218808; w/3.1240-3.1250" std. shaft size
6	Rod Pair	75	FP-214951PR	10	Big Cam 2.500" dia.; Engs. w/1.741" length. brgs.; Used w/con. rod No. 218808; w/3.1240-3.1250" std. shaft size
6	Rod Pair	75	FP-214952PR	20	Big Cam 2.500" dia.; Engs. w/1.741" length. brgs.; Used w/con. rod No. 218808; w/3.1240-3.1250" std. shaft size
6	Rod Pair	75	FP-203660PR	STD	Small Cam 2.000" dia.; Engs. w/1.730" length. brgs.; w/3.2725-3.2730" std. shaft size
6	Rod Pair	75	FP-203661PR	10	Small Cam 2.000" dia.; Engs. w/1.730" length. brgs.; w/3.2725-3.2730" std. shaft size
6	Rod Pair	75	FP-203662PR	20	Small Cam 2.000" dia.; Engs. w/1.730" length. brgs.; w/3.2725-3.2730" std. shaft size
6	Rod Pair	75	FP-203670PR	STD	Small Cam 2.000" dia.; Engs. w/1.980" length. brgs.
6	Rod Pair	75	FP-203671PR	10	Small Cam 2.000" dia.; Engs. w/1.980" length. brgs.
6	Rod Pair	75	FP-203672PR	20	Small Cam 2.000" dia.; Engs. w/1.980" length. brgs.
6	Rod Pair	75	FP-203673PR	30	Small Cam 2.000" dia.; Engs. w/1.980" length. brgs.
QTY	PISTON RINGS	YEARS	PART NO.	SIZE	DESCRIPTION
6	Ring Set Single Cylinder	75	FP-4089489	STD	
6	Ring Set Single Cylinder	75	FP-4089811	STD	
6	Ring Set Single Cylinder	75	FP-4089810	STD	1-5/32, 2-1/8, 1-3/16 (1 cyl. set)

H/D Truck NH230, NH250, NHC250 Engs. **25**
 14.0L 855 OHV Diesel L6, 5.5" Bore (Cummins Eng.) 1969-75

CYL. HEAD & PARTS

QTY	GASKETS	YEARS	PART NO.	SIZE	DESCRIPTION
3	Valve Cover Gasket	75-69	FP-3049187S		Single rocker box gskt., 7-bolt Engs.; 3 req'd.
3	Valve Cover Gasket	75-69	FP-3054841		Single valve cover gskt., 5-bolt Engs.; 3 req'd.
3	Valve Cover Gasket	75-69	FP-3058532		Single valve cover gskt., 7-bolt Engs.; 3 req'd.
3	Head Set	75-69	FP-3801329		.010 O/S Water Grommets; Single head set, SC & BC I, II, III, 5-bolt Engs., w/FFC. 3 req'd.
1	Head Set	75-69	FP-3801348		.010 O/S Water Grommets; Upper set, SC & BC I, II, III, 5 bolt Engs.; w/ & w/o FFC
1	Head Set	75-69	FP-380175310		Incl. .010" oversized grommets
1	Head Set	75-69	FP-380145310		Incl. .010" oversized grommets; Single head set, BC IV NTC 300-315-350-365-400, 5-bolt Engs., w/fixed timing. 3 req'd.
3	Head Set	75-69	FP-380315010		Incl. .010" oversized grommets; Single head set, BC IV NT88, 7-bolt Engs. 3 req'd.
1	Head Set	75-69	FP-380175410		Incl. .010" oversized grommets; Upper set, BC IV NTC 444, MVT/step timing Engs., incl. 5 & 7-bolt valve cover gskts. & 5-bolt rocker box gskts.
1	Head Set	75-69	FP-380304010		Incl. .010" oversized grommets; Upper set, BC IV NT88, 7-bolt Engs.
1	Head Set	75-69	FP-380145110		Incl. .010" oversized grommets; Upper set, BC IV, NTC 300-315-350-365-400, 5-bolt, fixed timing Engs.
1	Valve Timing Gasket	75-69	FP-PGC100		Cam timing gskt. set, BC Engs., Incl. 3 each .007", .021", & .030" thick gskts. & 3 beaded seal cover gskts.
1	Valve Timing Gasket	75-69	FP-PGC101		Cam timing gskt. set, SC Engs., incl. 3 each .007", .015", & .030" thick gskts.
3	Rocker Housing Gasket	75-69	FP-3017750		Single rocker box gskt., 5-bolt Engs.; 3 req'd.
QTY	VALVE	YEARS	PART NO.	SIZE	DESCRIPTION
12	Intake	75-69	FP-135957		1.8700" Head Dia., .4505" Stem Dia., 7.0660" O.A.L.
12	Exhaust	75-69	FP-145701		Stellite; 1.8700" Head Dia., .4505" Stem Dia., 7.0660" O.A.L.
48	Keeper	75-69	FP-127554		Exh. & Int.
QTY	VALVE SEAT	YEARS	PART NO.	SIZE	DESCRIPTION
24	Exh. & Int.	75-69	FP-3017759		O.E. Nos. 127930 & 3017759; Check Cummins Service Topics 93T2-2; 2.0030" OD, 1.6900" ID, .2795" Depth

(continued on next page)

Dodge Truck - M/D & H/D

25 H/D Truck NH230, NH250, NHC250 Engs.
 (cont.) 14.0L 855 OHV Diesel L6, 5.5" Bore (Cummins Eng.) 1969-75

CYL. HEAD & PARTS (cont.)					
QTY	VALVE GUIDE	YEARS	PART NO.	SIZE	DESCRIPTION
24	Guide	75-69	FP-3006456		Exh. & Int.; Plain w/threaded I.D.; Check Cummins Service Topics 93T2-2; .4530" ID, 3.3900" O.A.L.
24	Spring	75-69	FP-211999		Exh. & Int.; w/o Exh. brake; Check Cummins Service Topics 93T2-2; 2.6850" Free Height
24	Spring	75-69	FP-3081212		Exh. & Int.; Big Cam IV only; Check Cummins Service Topics 93T2-2; w/One Green Stripe
24	Spring	75-69	FP-3035996 +		Exh. & Int.; Big Cam IV only; 2.6350" Free Height; When depleted use FP-3081212
QTY	PUSH RODS	YEARS	PART NO.	SIZE	DESCRIPTION
12	Push Rod	75-69	FP-3046420		Exh. & Int.; 17.7220" O.A.L.
QTY	VALVE MISC.	YEARS	PART NO.	SIZE	DESCRIPTION
6	O-Ring	75-69	FP-3007759		Injector Tube Seal
6	Fuel Injector Sleeve	75-69	FP-3070486		Thin
1	Crosshead Valve Assembly	75-69	FP-3030038		Int. & Exh.; 855 Big Cam
1	Crosshead Valve	75-69	FP-3028293 +		855 Big Cam; When depleted use FP-3030038
QTY	ROCKER PARTS	YEARS	PART NO.	SIZE	DESCRIPTION
1	Valve Bridge Guide	75-69	FP-123558		855 Big Cam
1	Valve Bridge Guide	75-69	FP-123558		855 Small Cam
CAMSHAFT GROUP					
QTY	TIMING	YEARS	PART NO.	SIZE	DESCRIPTION
1	Cam Gear	75-69	FP-215966		72 Teeth; 72 Teeth
QTY	CAMSHAFT/LIFTER	YEARS	PART NO.	SIZE	DESCRIPTION
1	Camshaft	75-69	FP-3801763		Flanged 2.500" camshaft; Late style w/3/4" keyway; Replaces O.E. Nos. 3000580, 3021588, & 3801763.; If camshaft being replaced has 1" keyway contact Cummins dealer for 3/4" replacement key.
1	Camshaft	75-69	FP-3801030		Late style; w/3/4" keyway, Replaces O.E. Nos. 129860, & 3801030; If camshaft being replaced has 1" keyway contact Cummins dealer for replacement key.; w/.750" Keyway, replaces O.E. 129860 & 3801030; If camshaft being replaced has 1" keyway, contact Cummins dealer for replacement key 4 oz. bottle; 1.5 oz. packet No. 55-403 also avail.
1	Prelube	75-69	55-400		
ACCESSORY DRIVE					
QTY	ACCESSORY DRIVE	YEARS	PART NO.	SIZE	DESCRIPTION
1	Wear Sleeve	75-69	FP-190397		
1	Oil Seal	75-69	FP-3004316		
COOLING SYSTEM					
QTY	WATER PUMP	YEARS	PART NO.	SIZE	DESCRIPTION
2	Oil Seal	75-69	FP-3074482		For rear pump brg. & rear idler shaft
1	Oil Seal	75-69	FP-3038998		Water pump bearing seal
QTY	SEALS - FAN HUB	YEARS	PART NO.	SIZE	DESCRIPTION
1	Oil Seal	75-69	FP-200307		Inner; Fan drive bearing
1	Oil Seal	75-69	FP-3027675		Outer; Fan drive bearing
QTY	THERMOSTAT	YEARS	PART NO.	SIZE	DESCRIPTION
1	Rect. or Square Seal	75-69	FP-186780		
ENGINE BLOCK & PARTS					
QTY	GASKETS	YEARS	PART NO.	SIZE	DESCRIPTION
1	Oil Pan Gasket Set	75-69	FP-PGC300		All 855 Engs.; Incl. 1 pc. oil pan gskt.; Includes Seals For Suction Tube & Drain Plug
QTY	GASKET SETS	YEARS	PART NO.	SIZE	DESCRIPTION
1	Gasket Conversion Set	75-69	FP-3801454		BC IV NTC 300-315-350-365-400-444, & NT88 Engs.; Incl. 1 pc. oil pan gskt.
1	In-Frame Gasket Set	75-69	FP-3801348S		In Frm.; Small Cam & Big Cam I, II, III, 5-bolt Engs.; O/S Grommets
1	In-Frame Gasket Set	75-69	FP-3801451S10		In Frm., BC IV NTC 300-315-350-365-400; fixed timing, 5-bolt Engs.; Incl. .010" oversized grommets
1	In-Frame Gasket Set	75-69	FP-3801754S10		Incl. .010" oversized grommets; In Frm., BC IV NTC444, MVT/step timing; incl. 5 & 7 bolt VC gskts & 5-bolt rocker box gskts.
1	In-Frame Gasket Set	75-69	FP-3803040S10		Incl. .010" oversized grommets; In Frm., BC IV NT88, 7-bolt Engs.

(continued on next page)

Dodge Truck - M/D & H/D

H/D Truck NH230, NH250, NHC250 Engs. **25**
14.0L 855 OHV Diesel L6, 5.5" Bore (Cummins Eng.) 1969-75 (cont.)

ENGINE BLOCK & PARTS (cont.)

QTY	GASKET SETS (cont.)	YEARS	PART NO.	SIZE	DESCRIPTION
1	Complete Overhaul Gasket Set	75-69	FP-3803040C10		Compl., BC IV NT88, 7-bolt Engs.; Incl. .010" oversized grommets
1	Complete Overhaul Gasket Set	75-69	FP-3801348C		Compl., S/C 5-bolt Engs., w/FFC. Incl. bull nose crank seal & 2 pc. oil pan gskt.
1	Kit Gasket Set	75-69	FP-2601250		Compl., BC I, II, III, 5-bolt Engs., w/FFC.
1	Oil Pan Gasket	75-69	FP-3349820		0.79mm / 0.031" Thick; One piece gskt.
1	C-Brake Gasket Set	75-69	FP-PGC20		Jake Brake gskt. set, 7-bolt Engs. 1 req'd.
1	C-Brake Gasket Set	75-69	PGC20 +		Jake Brake gskt. set, 7-bolt Engs. 1 req'd.; When depleted use FP-PGC20
1	Jake Brake Gasket Set	75-69	PGJ-10		Jake Brake gskt. set, 5-bolt Engs. 1 req'd.
QTY	CAM BEARINGS	YEARS	PART NO.	SIZE	DESCRIPTION
1	Cam Set	75-69	FP-3007689S	STD	Big Cam 2.500" dia.; Engs. w/2.625" cam housing
1	Cam Set	75-69	FP-3801106	STD	Big Cam 2.500" dia.; Engs. w/2.687" cam housing
1	Cam Set	75-69	FP-BM27253	STD	Small Cam 2.000" dia.; Engs. w/2.1295" cam. housing
QTY	OIL COOLERS & FILTERS	YEARS	PART NO.	SIZE	DESCRIPTION
1	Aftercooler Core Assembly	75-69	FP-3411460		For Big Cam III and Engs. up-dated to cross bolt mount, O.E. Nos. 3028997 & 3068724.
1	Aftercooler Core Assembly	75-69	FP-214836		Through Big Cam II; Single Pass; Flange mount; O.E. No. 214836; Through Big Cam II - Flange Mount, O.E. No. 214836.
1	Oil Cooler	75-69	FP-110848		NH-855; 6.500" X 4.000" tube bundle
1	Oil Cooler	75-69	FP-142608		15.312" x 5.000" tube bundle. Industrial w/FFC, Non-FFC NT Engs.
1	Oil Cooler	75-69	213-142608 +		15.312" x 5.000" tube bundle. Industrial w/FFC, Non-FFC NT Engs.; When depleted use FP-142608
1	Oil Cooler Element	75-69	FP-3021581		12.625" x 5.000" tube bundle. O.E. Nos. 3021581 & 208149. Automotive w/FFC
1	Oil Cooler Element	75-69	213-3021581		12.625" x 5.000" tube bundle. O.E. Nos. 3021581 & 208149. Automotive w/FFC
1	Oil Cooler Element	75-69	FP-3052514		13.125" x 3.125" tube bundle w/1.250" nipple. For Engs. w/single oil filter, Big Cam III & Big Cam IV (from 10/15/86)
1	Oil Cooler Element	75-69	213-3052514 +		13.125" x 3.125" tube bundle w/1.250" nipple. For Engs. w/single oil filter, Big Cam III & Big Cam IV (from 10/15/86); When depleted use FP-3052514
1	Snap Ring	75-69	FP-110827		NH-855; Oil Cooler
CRANKSHAFT/OIL PUMP					
QTY	CRANKSHAFT	YEARS	PART NO.	SIZE	DESCRIPTION
1	Crank Gear	75-69	FP-3014614		36 Teeth; 36 Teeth
1	Oil Press. Reg. Low Pressure	75-69	FP-109333		NH-855 Small Cam; NTC270-NTC400
QTY	SEALS - FRONT CRANK	YEARS	PART NO.	SIZE	DESCRIPTION
1	Oil Seal	75-69	FP-3006736		Front
QTY	SEALS - REAR CRANK	YEARS	PART NO.	SIZE	DESCRIPTION
1	Oil Seal	75-69	FP-3020183		Rear
1	Oil Seal	75-69	FP-3006738		Rear; Wet Clutch
1	Oil Seal	75-69	FP-3006737		Rear; 6.00" Shaft
1	Redi-Sleeve	75-69	FP-3006743		Wet Clutch; 6.00" Shaft
QTY	MAIN BEARINGS	YEARS	PART NO.	SIZE	DESCRIPTION
1	Main Set	75-69	FP-3801260	STD	W/Partial groove brgs.; Incl. thrust washers
1	Main Set	75-69	FP-3801261	10	W/Partial groove brgs.; Incl. thrust washers
1	Main Set	75-69	FP-3801262	20	W/Partial groove brgs.; Incl. thrust washers
1	Main Set	75-69	FP-3801263	30	W/Partial groove brgs.; Incl. thrust washers
1	Thrust Washer	75-69	FP-3067568	STD	Position 7
QTY	OIL PUMP	YEARS	PART NO.	SIZE	DESCRIPTION
1	Oil Pump	75-69	FP-3821572		For Big Cam (2.500"dia.) Engs.
1	Oil Pump	75-69	FP-AR10172		NH-855 Small Cam; NTC270-NTC400; New
CYLINDER COMPONENTS					
QTY	LINERS	YEARS	PART NO.	SIZE	DESCRIPTION
6	Liner w/Sealing Rings	75-69	FP-3801387	20	Incl. (1) FP215090 crevice seal, (2) FP3032874 (Blk., middle & lower) sealing rings. Oversize, flange Press Fit dia. .020" larger & flange thickness .010" greater than Std. Replaces O.E. Nos. 3046325 & 3801387 w/seals (referred to as '10/20 Size').
6	Liner w/Sealing Rings	75-69	FP-3803219	20	Incl. (1) FP215090 crevice seal, (2) FP3032874 (Blk., middle & lower) sealing rings. Oversize, flange Press Fit dia. .020" larger than Std. & lower Press Fit is increased by .040". Replaces O.E. Nos. 3056405 & 3803219 (referred to as '20/40 Size').

(continued on next page)

Dodge Truck - M/D & H/D

25 H/D Truck NH230, NH250, NHC250 Engs.
 (cont.) 14.0L 855 OHV Diesel L6, 5.5" Bore (Cummins Eng.) 1969-75

CYLINDER COMPONENTS (cont.)

QTY	LINERS (cont.)	YEARS	PART NO.	SIZE	DESCRIPTION
6	Liner w/Sealing Rings	75-69	FP-3801826	STD	Incl. (1) FP215090 crevice seal, (2) FP3032874 (Blk., middle & lower) sealing rings. Std. size, Lower Press Fit design. Replaces O.E. Nos. 3055099 & 3801826 w/seals.
6	Cylinder Kit Complete	75-69	FP-3803221	20	Barrel Profile Skirt; Premium Plus; 4 Rings; Refer to CPL chart for CPL application data
6	Cylinder Kit Complete	75-69	FP-3803223	20	Barrel Profile Skirt; Premium Plus; 4 Rings; Refer to CPL chart for CPL application data
6	Cylinder Kit Complete	75-69	FP-3803226	20	Barrel Profile Skirt; Premium Plus; 4 Rings; Refer to CPL chart for CPL application data
6	Cylinder Kit Complete	75-69	FP-CK31025099	STD	Barrel Profile Skirt; Premium; 4 Rings; Refer to CPL chart for CPL application data
6	Cylinder Kit Complete	75-69	FP-CK55165099	STD	Barrel Profile Skirt; Premium; 4 Rings; Refer to CPL chart for CPL application data
6	Cylinder Kit Complete	75-69	FP-3801764	STD	Barrel Profile Skirt; Premium; 4 Rings; Refer to CPL chart for CPL application data
6	Cylinder Kit Complete	75-69	FP-3801795	STD	Barrel Profile Skirt; Premium; 4 Rings; Refer to CPL chart for CPL application data
6	Cylinder Kit Complete	75-69	FP-3801872	STD	Barrel Profile Skirt; Premium; 4 Rings; Refer to CPL chart for CPL application data
6	Cylinder Kit Complete	75-69	FP-3801874	STD	Barrel Profile Skirt; Premium; 4 Rings; Refer to CPL chart for CPL application data
6	Cylinder Kit Complete	75-69	FP-CK15535405	20	Barrel Profile Skirt; Premium; 4 Rings; Refer to CPL chart for CPL application data
6	Cylinder Kit Complete	75-69	FP-CK31025405	20	Barrel Profile Skirt; Premium; 4 Rings; Refer to CPL chart for CPL application data
6	Cylinder Kit Complete	75-69	FP-CK55165405	20	Barrel Profile Skirt; Premium; 4 Rings; Refer to CPL chart for CPL application data
6	Cylinder Kit Complete	75-69	FP-3801232	STD	Premium Plus TriTech; 4 Rings, Dual NI-Resist; Std. Liners
6	Cylinder Kit Complete	75-69	FP-3801956	STD	Sled Runner Skirt; Dual NI-Resist; Premium Plus; 4 Rings; Refer to CPL chart for CPL application data
6	Cylinder Kit Complete	75-69	FP-3803233	20	Sled Runner Skirt; Dual NI-Resist; Premium Plus; 4 Rings; Refer to CPL chart for CPL application data
6	Cylinder Kit Complete	75-69	FP-3801746	STD	Sled Runner Skirt; Dual NI-Resist; Premium Plus; 4 Rings; Refer to CPL chart for CPL application data
6	Cylinder Kit Complete	75-69	FP-3801823	STD	Sled Runner Skirt; Dual NI-Resist; Premium Plus; 4 Rings; Refer to CPL chart for CPL application data
6	Cylinder Kit Complete	75-69	FP-3803346	STD	Sled Runner Skirt; Dual NI-Resist; Premium Plus; 4 Rings; Refer to CPL chart for CPL application data
6	Cylinder Kit Complete	75-69	FP-CK33465405	20	Sled Runner Skirt; Dual NI-Resist; Premium Plus; 4 Rings; Refer to CPL chart for CPL application data
6	Cylinder Kit Complete	75-69	FP-3803216	20	Sled Runner Skirt; Dual NI-Resist; Premium Plus; 4 Rings; Refer to CPL chart for CPL application data
6	Cylinder Kit Complete	75-69	FP-3803217	20	Sled Runner Skirt; Dual NI-Resist; Premium Plus; 4 Rings; Refer to CPL chart for CPL application data
6	Cylinder Kit Complete	75-69	FP-3801817	STD	Sled Runner Skirt; Dual NI-Resist; 4 Rings; Refer to CPL chart for CPL application data
6	Cylinder Kit Complete	75-69	FP-3801230	STD	Sled Runner Skirt; Premium Plus; 4 Rings; Refer to CPL chart for CPL application data
6	Cylinder Kit Complete	75-69	FP-3801768	STD	Sled Runner Skirt; Premium Plus; 4 Rings; Refer to CPL chart for CPL application data
6	Cylinder Kit Complete	75-69	FP-3801771	STD	Sled Runner Skirt; Premium Plus; 4 Rings; Refer to CPL chart for CPL application data
6	Cylinder Kit Complete	75-69	FP-3801775	STD	Sled Runner Skirt; Premium Plus; 4 Rings; Refer to CPL chart for CPL application data
6	Cylinder Kit Complete	75-69	FP-3801777	STD	Sled Runner Skirt; Premium Plus; 4 Rings; Refer to CPL chart for CPL application data
6	Cylinder Kit Complete	75-69	FP-3801796	STD	Sled Runner Skirt; Premium Plus; 4 Rings; Refer to CPL chart for CPL application data
6	Cylinder Kit Complete	75-69	FP-3803209	20	Sled Runner Skirt; Premium Plus; 4 Rings; Refer to CPL chart for CPL application data
6	Cylinder Kit Complete	75-69	FP-3803210	20	Sled Runner Skirt; Premium Plus; 4 Rings; Refer to CPL chart for CPL application data
6	Cylinder Kit Complete	75-69	FP-3803212	20	Sled Runner Skirt; Premium Plus; 4 Rings; Refer to CPL chart for CPL application data
6	Cylinder Kit Complete	75-69	FP-3803213	20	Sled Runner Skirt; Premium Plus; 4 Rings; Refer to CPL chart for CPL application data
6	Cylinder Kit Complete	75-69	FP-3803214	20	Sled Runner Skirt; Premium Plus; 4 Rings; Refer to CPL chart for CPL application data
6	Cylinder Kit Complete	75-69	FP-3803228	20	Sled Runner Skirt; Premium Plus; 4 Rings; Refer to CPL chart for CPL application data

(continued on next page)

Dodge Truck - M/D & H/D

H/D Truck NH230, NH250, NHC250 Engs. **25**
 14.0L 855 OHV Diesel L6, 5.5" Bore (Cummins Eng.) 1969-75 (cont.)

CYLINDER COMPONENTS (cont.)

QTY	LINERS (cont.)	YEARS	PART NO.	SIZE	DESCRIPTION
6	Cylinder Kit Complete	75-69	FP-3801781	STD	Sled Runner Skirt; Premium; 4 Rings; Refer to CPL chart for CPL application data
6	Flange Shim	75-69	FP-SLG23773	3-5-10	.003" Thick, fits Std. & 10/20 sleeves
6	Flange Shim	75-69	FP-SLG23775	3-5-10	.005" Thick, fits Std. & 10/20 sleeves
6	Flange Shim	75-69	FP-3019956	8	.008" Thick, fits Std. & 10/20 sleeves
6	Flange Shim	75-69	FP-SLG237710	3-5-10	.010" Thick, fits Std. & 10/20 sleeves
6	Flange Shim	75-69	FP-3054948	20	.020" Thick, fits Std. & 10/20 sleeves
1	Repair Block Bushing	75-69	FP-RBL002		Lower Eng. block repair bushing
1	Repair Block Bushing	75-69	FP-RBU001		Upper Eng. block repair bushing, non-bored.
QTY	PISTONS	YEARS	PART NO.	SIZE	DESCRIPTION
6	Piston Body w/o Pin	75-69	FP-3048650		Barrel Profile Skirt; Single NI-Resist; 4 Rings; Tin Plating; 15.5:1 C.R.
6	Piston Body w/o Pin	75-69	FP-3052794		Sled Runner Skirt; Dual NI-Resist; 4 Rings; 15.5:1 C.R.
6	Piston Kit w/Pin & Retainers	75-69	FP-3801058WP	STD	Barrel Profile Skirt; Single NI-Resist; 4 Rings; 14.5:1 C.R.
6	Piston Kit w/Pin & Retainers	75-69	FP-3801057WP	STD	Barrel Profile Skirt; Single NI-Resist; 4 Rings; 15.0:1 C.R.
6	Piston Kit w/Pin & Retainers	75-69	FP-3801534WP	STD	Dual NI-Resist; 4 Rings; 14.5:1 C.R.
6	Piston Kit w/Pin & Retainers	75-69	FP-3801233WP	STD	Single NI-Resist; 4 Rings; .34" Valve Relief for Hi Lift Cams; 14.0:1 C.R.
6	Piston Kit w/Pin & Retainers	75-69	FP-3801231WP	STD	Single NI-Resist; 4 Rings; .34" Valve Relief for Hi Lift Cams; 14.5:1 C.R.
6	Piston Kit w/Pin & Retainers	75-69	FP-3801229WP	STD	Single NI-Resist; 4 Rings; .34" Valve Relief for Hi Lift Cams; 15.3:1 C.R.
6	Piston Kit w/Pin & Retainers	75-69	FP-3801773WP	STD	Single NI-Resist; 4 Rings; 14.0:1 C.R.
6	Piston Kit w/Pin & Retainers	75-69	FP-3801770WP	STD	Single NI-Resist; 4 Rings; 14.5:1 C.R.
6	Piston Kit w/Pin & Retainers	75-69	FP-3801876WP	STD	Single NI-Resist; 4 Rings; 15.0:1 C.R.
6	Piston Kit w/Pin & Retainers	75-69	FP-3801535WP	STD	Single NI-Resist; 4 Rings; 15.5:1 C.R.
6	Piston With Retainers	75-69	FP-3801058		Barrel Profile Skirt; Single NI-Resist; 4 Rings; 14.5:1 C.R.
6	Piston With Retainers	75-69	FP-3801057		Barrel Profile Skirt; Single NI-Resist; 4 Rings; 15.0:1 C.R.
6	Piston With Retainers	75-69	FP-3801233		Single NI-Resist; 4 Rings; .34" Valve Relief for Hi Lift Cams; 14.0:1 C.R.
6	Piston With Retainers	75-69	FP-3801231		Single NI-Resist; 4 Rings; .34" Valve Relief for Hi Lift Cams; 14.5:1 C.R.
6	Piston With Retainers	75-69	FP-3801535		Sled Runner Skirt; Single NI-Resist; 4 Rings; 15.5:1 C.R.
6	Piston With Retainers	75-69	FP-3801534		Sled Runner Skirt; Dual NI-Resist; 4 Rings; 14.5:1 C.R.
6	Piston With Retainers	75-69	FP-3801229		Sled Runner Skirt; Single NI-Resist; 4 Rings; .34" Valve Relief for Hi Lift Cams; 15.3:1 C.R.
6	Piston With Retainers	75-69	FP-3801773		Sled Runner Skirt; Single NI-Resist; 4 Rings; 14.0:1 C.R.
6	Piston With Retainers	75-69	FP-3801770		Sled Runner Skirt; Single NI-Resist; 4 Rings; 14.5:1 C.R.
6	Piston With Retainers	75-69	FP-3801876		Sled Runner Skirt; Single NI-Resist; 4 Rings; 15.0:1 C.R.
6	Piston Cooling Nozzle	75-69	FP-3013591		
12	Pin Bushing	75-69	FP-43067		Use w/straight pin boss con. rods; Straight rod bushing; 1.03" Width; 2 req'd. per rod
6	Pin Bushing	75-69	FP-187420		Use w/tapered pin boss con. rods; 1 piece bushing; 2.20" Width
6	Bushing	75-69	FP-116391		Accessory drive bushing; O.E. No. 116391
6	Bushing	75-69	FP-132770		Front cover bushing; O.E. No. 132770; w/1.567" ID, 1.697" OD, 1.500" O.A.L.
QTY	CONNECTING RODS & BRGS.	YEARS	PART NO.	SIZE	DESCRIPTION
12	Con. Rod Bolt	75-69	FP-219153		Big Cam Engs.
12	Con. Rod Nut	75-69	FP-69936		Big Cam Engs.
6	Rod Pair	75-69	FP-214950PR	STD	Big Cam 2.500" dia.; Engs. w/1.741" length. brgs.; Used w/con. rod No. 218808; w/3.1240-3.1250" std. shaft size
6	Rod Pair	75-69	FP-214951PR	10	Big Cam 2.500" dia.; Engs. w/1.741" length. brgs.; Used w/con. rod No. 218808; w/3.1240-3.1250" std. shaft size
6	Rod Pair	75-69	FP-214952PR	20	Big Cam 2.500" dia.; Engs. w/1.741" length. brgs.; Used w/con. rod No. 218808; w/3.1240-3.1250" std. shaft size
6	Rod Pair	75-69	FP-203660PR	STD	Small Cam 2.000" dia.; Engs. w/1.730" length. brgs.; w/3.2725-3.2730" std. shaft size
6	Rod Pair	75-69	FP-203661PR	10	Small Cam 2.000" dia.; Engs. w/1.730" length. brgs.; w/3.2725-3.2730" std. shaft size
6	Rod Pair	75-69	FP-203662PR	20	Small Cam 2.000" dia.; Engs. w/1.730" length. brgs.; w/3.2725-3.2730" std. shaft size
6	Rod Pair	75-69	FP-203670PR	STD	Small Cam 2.000" dia.; Engs. w/1.980" length. brgs.
6	Rod Pair	75-69	FP-203671PR	10	Small Cam 2.000" dia.; Engs. w/1.980" length. brgs.
6	Rod Pair	75-69	FP-203672PR	20	Small Cam 2.000" dia.; Engs. w/1.980" length. brgs.
6	Rod Pair	75-69	FP-203673PR	30	Small Cam 2.000" dia.; Engs. w/1.980" length. brgs.
QTY	PISTON RINGS	YEARS	PART NO.	SIZE	DESCRIPTION
6	Ring Set Single Cylinder	75-69	FP-4089489	STD	
6	Ring Set Single Cylinder	75-69	FP-4089811	STD	

(continued on next page)

Dodge Truck - M/D & H/D

25 H/D Truck NH230, NH250, NHC250 Engs.					
(cont.) 14.0L 855 OHV Diesel L6, 5.5" Bore (Cummins Eng.) 1969-75					
CYLINDER COMPONENTS (cont.)					
QTY	PISTON RINGS (cont.)	YEARS	PART NO.	SIZE	DESCRIPTION
6	Ring Set Single Cylinder	75-69	FP-4089810	STD	1-5/32, 2-1/8, 1-3/16 (1 cyl. set)
26 M/D Truck NHT230, NTC280, NTC290, NTC335 Engs.					
14.0L 855 OHV Turbo-Diesel L6, 5.5" Bore (Cummins Eng.) 1975					
CYL. HEAD & PARTS					
QTY	GASKETS	YEARS	PART NO.	SIZE	DESCRIPTION
1	Valve Cover Gasket	75	FP-3054841		Single valve cover gskt., 5-bolt Engs.; 3 req'd.
1	Rocker Housing Gasket	75	FP-3017750		Single rocker box gskt., 5-bolt Engs.; 3 req'd.
1	Head Gasket	75	FP-4058790		855 Big Cam; Std. Head Gasket
1	Head Set	75	FP-3801348		.010 O/S Water Grommets; Upper set, SC & BC I, II, III, 5 bolt Engs.; w/ & w/o FFC
1	Head Set	75	FP-3804276		Contains standard size water grommets
1	Head Set	75	FP-3801332		855 Big Cam
QTY	VALVE	YEARS	PART NO.	SIZE	DESCRIPTION
6	Intake	75	FP-135957		1.8700" Head Dia., .4505" Stem Dia., 7.0660" O.A.L.
6	Exhaust	75	FP-145701		Stellite; 1.8700" Head Dia., .4505" Stem Dia., 7.0660" O.A.L.
24	Keeper	75	FP-127554		Exh. & Int.
QTY	VALVE SEAT	YEARS	PART NO.	SIZE	DESCRIPTION
12	Exh. & Int.	75	FP-3017759		Check Cummins Service Topics 93T2-2; 2.0030" OD, 1.6900" ID, .2795" Depth
QTY	VALVE GUIDE	YEARS	PART NO.	SIZE	DESCRIPTION
12	Guide	75	FP-3006457		Exh. & Int.; Check Cummins Service Topics 93T2-2
12	Guide	75	FP-3006458		Exh. & Int.; Check Cummins Service Topics 93T2-2
12	Guide	75	FP-3006456		Exh. & Int.; Check Cummins Service Topics 93T2-2; .4530" ID, 3.3900" O.A.L.
QTY	VALVE SPRING	YEARS	PART NO.	SIZE	DESCRIPTION
12	Spring	75	FP-3081212		Exh. & Int.; Check Cummins Service Topics 93T2-2; w/One Green Stripe
12	Spring	75	FP-211999		Exh. & Int.; Check Cummins Service Topics 93T2-2; 2.6850" Free Height
12	Spring	75	FP-3035996 +		Exh. & Int.; 2.6350" Free Height; When depleted use FP-3081212
12	Retainer	75	FP-170296		Exh. & Int.
12	Valve Spring Seat	75	FP-3042745		Exh. & Int.
QTY	PUSH RODS	YEARS	PART NO.	SIZE	DESCRIPTION
12	Push Rod	75	FP-3046420		Exh. & Int.; 855 Big Cam; 17.7220" O.A.L.
QTY	VALVE MISC.	YEARS	PART NO.	SIZE	DESCRIPTION
12	Crosshead Valve Assembly	75	FP-3030038		Exh. & Int.; 855 Big Cam
12	Crosshead Valve	75	FP-3028293 +		Exh. & Int.; 855 Big Cam; When depleted use FP-3030038
QTY	VALVE SEAL	YEARS	PART NO.	SIZE	DESCRIPTION
12	Valve Stem Seal	75	FP-156541		Exh. & Int.; Installation requires valve guide machining; Polyacrylate
QTY	ROCKER PARTS	YEARS	PART NO.	SIZE	DESCRIPTION
12	Valve Bridge Guide	75	FP-123558		Exh. & Int.
ENGINE BRAKE					
QTY	ENGINE BRAKE	YEARS	PART NO.	SIZE	DESCRIPTION
1	Jake Brake Gasket Set	75	FP-PGJ10		Jake Brake gskt. set, 5-bolt Engs. 1 req'd.
CAMSHAFT GROUP					
QTY	TIMING	YEARS	PART NO.	SIZE	DESCRIPTION
1	Cam Gear	75	FP-215966		Hardened; Replaces O.E. No. 215966; 72 Teeth; 72 Teeth
ACCESSORY DRIVE					
QTY	ACCESSORY DRIVE	YEARS	PART NO.	SIZE	DESCRIPTION
1	Oil Seal	75	39302		
1	Wear Sleeve	75	J1396		Wear Sleeve
FUEL SYSTEM & PARTS					
QTY	FUEL FILTERS & PUMP	YEARS	PART NO.	SIZE	DESCRIPTION
6	O-Ring	75	FP-3007759		Injector Tube Seal
COOLING SYSTEM					
QTY	WATER PUMP	YEARS	PART NO.	SIZE	DESCRIPTION
1	Oil Seal	75	473010N		

(continued on next page)

Dodge Truck - M/D & H/D

M/D Truck NHT230, NTC280, NTC290, NTC335 Engs. **26**
14.0L 855 OHV Turbo-Diesel L6, 5.5" Bore (Cummins Eng.) 1975 (cont.)

COOLING SYSTEM (cont.)					
QTY	SEALS - FAN HUB	YEARS	PART NO.	SIZE	DESCRIPTION
1	Oil Seal	75	39835		INNER
1	Oil Seal	75	39877		OUTER
1	Redi-Sleeve	75	99181		INNER
QTY	THERMOSTAT	YEARS	PART NO.	SIZE	DESCRIPTION
1	Oil Seal	75	39821		
ENGINE BLOCK & PARTS					
QTY	GASKETS	YEARS	PART NO.	SIZE	DESCRIPTION
1	Oil Pan Gasket	75	FP-3349820		0.79mm / 0.031" Thick; One piece gskt.
QTY	GASKET SETS	YEARS	PART NO.	SIZE	DESCRIPTION
1	In-Frame Gasket Set	75	FP-3804276IF		Contains standard size water grommets
1	In-Frame Gasket Set	75	FP-3801348S		In Frm.; Small Cam & Big Cam I, II, III, 5-bolt Engs.; O/S Grommets
1	In-Frame Gasket Set	75	FP-3801332S		855 Big Cam III; NTC475
1	Complete Overhaul Gasket Set	75	FP-3801348C		Compl., S/C 5-bolt Engs., w/FFC. Incl. bull nose crank seal & 2 pc. oil pan gskt.
QTY	CAM BEARINGS	YEARS	PART NO.	SIZE	DESCRIPTION
1	Cam Set	75	FP-3007689S	STD	Big Cam 2.500" dia.; Engs. w/2.625" cam housing
1	Cam Set	75	FP-3801106	STD	Big Cam 2.500" dia.; Engs. w/2.687" cam housing
1	Cam Set	75	FP-BM27253	STD	Small Cam 2.000" dia.; Engs. w/2.1295" cam. housing
QTY	OIL COOLERS & FILTERS	YEARS	PART NO.	SIZE	DESCRIPTION
1	Aftercooler Core Assembly	75	FP-3411460		For Big Cam III and Engs. up-dated to cross bolt mount, O.E. Nos. 3028997 & 3068724.
1	Aftercooler Core Assembly	75	FP-214836		Through Big Cam II; Single Pass; Flange mount; O.E. No. 214836; Through Big Cam II - Flange Mount, O.E. No. 214836.
1	Oil Cooler	75	FP-110848		NH-855; 6.500" X 4.000" tube bundle
1	Oil Cooler	75	FP-142608		15.312" x 5.000" tube bundle. Industrial w/FFC, Non-FFC NT Engs.
1	Oil Cooler	75	213-142608 +		15.312" x 5.000" tube bundle. Industrial w/FFC, Non-FFC NT Engs.; When depleted use FP-142608
1	Oil Cooler Element	75	FP-3021581		12.625" x 5.000" tube bundle. O.E. Nos. 3021581 & 208149. Automotive w/FFC
1	Oil Cooler Element	75	213-3021581		12.625" x 5.000" tube bundle. O.E. Nos. 3021581 & 208149. Automotive w/FFC
1	Oil Cooler Element	75	FP-3052514		13.125" x 3.125" tube bundle w/1.250" nipple. For Engs. w/single oil filter, Big Cam III & Big Cam IV (from 10/15/86)
1	Oil Cooler Element	75	213-3052514 +		13.125" x 3.125" tube bundle w/1.250" nipple. For Engs. w/single oil filter, Big Cam III & Big Cam IV (from 10/15/86); When depleted use FP-3052514
1	Snap Ring	75	FP-110827		NH-855; Oil Cooler
CRANKSHAFT/OIL PUMP					
QTY	CRANKSHAFT	YEARS	PART NO.	SIZE	DESCRIPTION
1	Crank Gear	75	FP-3014614		Front; w/Stub Nose Crankshaft; 36 Teeth; 36 Teeth
1	Oil Press. Reg. Low Pressure	75	FP-109333		NH-855 Small Cam; NTC270-NTC400
QTY	SEALS - FRONT CRANK	YEARS	PART NO.	SIZE	DESCRIPTION
1	Redi-Sleeve	75	99363		
1	Oil Seal	75	39813		
QTY	SEALS - REAR CRANK	YEARS	PART NO.	SIZE	DESCRIPTION
1	Oil Seal	75	39703		
1	Redi-Sleeve	75	99363		
QTY	MAIN BEARINGS	YEARS	PART NO.	SIZE	DESCRIPTION
1	Main Set	75	FP-3801260	STD	W/Partial groove brgs.; Incl. thrust washers
1	Main Set	75	FP-3801261	10	W/Partial groove brgs.; Incl. thrust washers
1	Main Set	75	FP-3801262	20	W/Partial groove brgs.; Incl. thrust washers
1	Main Set	75	FP-3801263	30	W/Partial groove brgs.; Incl. thrust washers
1	Thrust Washer	75	FP-3067568	STD	Position 7
QTY	OIL PUMP	YEARS	PART NO.	SIZE	DESCRIPTION
1	Oil Pump	75	FP-3821572		For Big Cam (2.500"dia.) Engs.
1	Oil Pump	75	FP-AR10172		NH-855 Small Cam; NTC270-NTC400; New

(continued on next page)

Dodge Truck - M/D & H/D

26 M/D Truck NHT230, NTC280, NTC290, NTC335 Engs.
(cont.) 14.0L 855 OHV Turbo-Diesel L6, 5.5" Bore (Cummins Eng.) 1975

CYLINDER COMPONENTS

QTY	LINERS	YEARS	PART NO.	SIZE	DESCRIPTION
6	Liner w/Sealing Rings	75	FP-3801387	20	.020 UPF; Incl. (1) FP215090 crevice seal, (2) FP3032874 (Blk., middle & lower) sealing rings. Oversize, flange Press Fit dia. .020" larger & flange thickness .010" greater than Std. Replaces O.E. Nos. 3046325 & 3801387 w/seals (referred to as '10/20 Size').
6	Liner w/Sealing Rings	75	FP-3803219	20	.020/.040 LPF; Incl. (1) FP215090 crevice seal, (2) FP3032874 (Blk., middle & lower) sealing rings. Oversize, flange Press Fit dia. .020" larger than Std. & lower Press Fit is increased by .040". Replaces O.E. Nos. 3056405 & 3803219 (referred to as '20/40 Size').
6	Liner w/Sealing Rings	75	FP-3801826	STD	Standard LPF; Incl. (1) FP215090 crevice seal, (2) FP3032874 (Blk., middle & lower) sealing rings. Std. size, Lower Press Fit design. Replaces O.E. Nos. 3055099 & 3801826 w/seals.
6	Cylinder Kit Complete	75	FP-3801873	STD	14.5:1 C.R.; Barrel Profile Skirt; Premium Plus; 4 Rings
6	Cylinder Kit Complete	75	FP-3803226	20	14.5:1 C.R.; Barrel Profile Skirt; Premium Plus; 4 Rings; Refer to CPL chart for CPL application data
6	Cylinder Kit Complete	75	FP-3803226	20	14.5:1 C.R.; Barrel Profile Skirt; Premium Plus; 4 Rings; Refer to CPL chart for CPL application data
6	Cylinder Kit Complete	75	FP-3801872	STD	14.5:1 C.R.; Barrel Profile Skirt; Premium; 4 Rings; Refer to CPL chart for CPL application data
6	Cylinder Kit Complete	75	FP-3801769	20	14.5:1 C.R.; Sled Runner Skirt; Premium Plus; 4 Rings
6	Cylinder Kit Complete	75	FP-3801768	STD	14.5:1 C.R.; Sled Runner Skirt; Premium Plus; 4 Rings; Refer to CPL chart for CPL application data
6	Cylinder Kit Complete	75	FP-3803213	20	14.5:1 C.R.; Sled Runner Skirt; Premium Plus; 4 Rings; Refer to CPL chart for CPL application data
6	Cylinder Kit Complete	75	FP-3803213	20	14.5:1 C.R.; Sled Runner Skirt; Premium Plus; 4 Rings; Refer to CPL chart for CPL application data
6	Cylinder Kit Complete	75	FP-3801779	STD	14.5:1 C.R.; Sled Runner Skirt; Premium; 4 Rings
6	Cylinder Kit Complete	75	FP-3801778	20	15.0:1 C.R.; Sled Runner Skirt; Premium Plus; 4 Rings
6	Cylinder Kit Complete	75	FP-3801777	STD	15.0:1 C.R.; Sled Runner Skirt; Premium Plus; 4 Rings; Refer to CPL chart for CPL application data
6	Cylinder Kit Complete	75	FP-3803212	20	15.0:1 C.R.; Sled Runner Skirt; Premium Plus; 4 Rings; Refer to CPL chart for CPL application data
6	Cylinder Kit Complete	75	FP-3801776	STD	15.0:1 C.R.; Sled Runner Skirt; Premium; 4 Rings
6	Cylinder Kit Complete	75	FP-3803211	20	16.0:1 C.R.; Barrel Profile Skirt; Premium Plus; 4 Rings
6	Cylinder Kit Complete	75	FP-3801765	STD	16.0:1 C.R.; Barrel Profile Skirt; Premium Plus; 4 Rings
6	Cylinder Kit Complete	75	FP-3801920	20	16.0:1 C.R.; Barrel Profile Skirt; Premium Plus; 4 Rings
6	Cylinder Kit Complete	75	FP-3801764	STD	16.0:1 C.R.; Barrel Profile Skirt; Premium; 4 Rings; Refer to CPL chart for CPL application data
6	Cylinder Kit Complete	75	FP-CK15535405	20	16.0:1 C.R.; Barrel Profile Skirt; Premium; 4 Rings; Refer to CPL chart for CPL application data
1	Flange Shim	75	FP-SLG23773	3-5-10	.003" Thick, fits Std. & 10/20 sleeves
1	Flange Shim	75	FP-SLG23775	3-5-10	.005" Thick, fits Std. & 10/20 sleeves
1	Flange Shim	75	FP-3019956	8	.008" Thick, fits Std. & 10/20 sleeves
1	Flange Shim	75	FP-SLG237710	3-5-10	.010" Thick, fits Std. & 10/20 sleeves
1	Flange Shim	75	FP-3054948	20	.020" Thick, fits Std. & 10/20 sleeves
1	Repair Block Bushing	75	FP-RBL002		Lower Eng. block repair bushing
1	Repair Block Bushing	75	FP-RBU001		Upper Eng. block repair bushing, non-bored.
QTY	PISTONS	YEARS	PART NO.	SIZE	DESCRIPTION
6	Piston Body w/o Pin	75	FP-3048650		Barrel Profile Skirt; Single NI-Resist; 4 Rings; Tin Plating; 15.5:1 C.R.
6	Piston Body w/o Pin	75	FP-3052794		Sled Runner Skirt; Dual NI-Resist; 4 Rings; 15.5:1 C.R.
6	Piston Kit w/Pin & Retainers	75	FP-3801058WP	STD	Barrel Profile Skirt; Single NI-Resist; 4 Rings; 14.5:1 C.R.
6	Piston Kit w/Pin & Retainers	75	FP-3801057WP	STD	Barrel Profile Skirt; Single NI-Resist; 4 Rings; 15.0:1 C.R.
6	Piston Kit w/Pin & Retainers	75	FP-3801534WP	STD	Dual NI-Resist; 4 Rings; 14.5:1 C.R.
6	Piston Kit w/Pin & Retainers	75	FP-3801233WP	STD	Single NI-Resist; 4 Rings; .34" Valve Relief for Hi Lift Cams; 14.0:1 C.R.
6	Piston Kit w/Pin & Retainers	75	FP-3801231WP	STD	Single NI-Resist; 4 Rings; .34" Valve Relief for Hi Lift Cams; 14.5:1 C.R.
6	Piston Kit w/Pin & Retainers	75	FP-3801229WP	STD	Single NI-Resist; 4 Rings; .34" Valve Relief for Hi Lift Cams; 15.3:1 C.R.
6	Piston Kit w/Pin & Retainers	75	FP-3801773WP	STD	Single NI-Resist; 4 Rings; 14.0:1 C.R.
6	Piston Kit w/Pin & Retainers	75	FP-3801770WP	STD	Single NI-Resist; 4 Rings; 14.5:1 C.R.
6	Piston Kit w/Pin & Retainers	75	FP-3801876WP	STD	Single NI-Resist; 4 Rings; 15.0:1 C.R.
6	Piston Kit w/Pin & Retainers	75	FP-3801535WP	STD	Single NI-Resist; 4 Rings; 15.5:1 C.R.
6	Piston With Retainers	75	FP-3801058		Barrel Profile Skirt; Single NI-Resist; 4 Rings; 14.5:1 C.R.
6	Piston With Retainers	75	FP-3801057		Barrel Profile Skirt; Single NI-Resist; 4 Rings; 15.0:1 C.R.
6	Piston With Retainers	75	FP-3801233		Single NI-Resist; 4 Rings; .34" Valve Relief for Hi Lift Cams; 14.0:1 C.R.

(continued on next page)

Dodge Truck - M/D & H/D

M/D Truck NHT230, NTC280, NTC290, NTC335 Engs. **26**
14.0L 855 OHV Turbo-Diesel L6, 5.5" Bore (Cummins Eng.) 1975 (cont.)

CYLINDER COMPONENTS (cont.)

QTY	PISTONS (cont.)	YEARS	PART NO.	SIZE	DESCRIPTION
6	Piston With Retainers	75	FP-3801231		Single NI-Resist; 4 Rings; .34" Valve Relief for Hi Lift Cams; 14.5:1 C.R.
6	Piston With Retainers	75	FP-3801535		Sled Runner Skirt; Single NI-Resist; 4 Rings; 15.5:1 C.R.
6	Piston With Retainers	75	FP-3801534		Sled Runner Skirt; Dual NI-Resist; 4 Rings; 14.5:1 C.R.
6	Piston With Retainers	75	FP-3801229		Sled Runner Skirt; Single NI-Resist; 4 Rings; .34" Valve Relief for Hi Lift Cams; 15.3:1 C.R.
6	Piston With Retainers	75	FP-3801773		Sled Runner Skirt; Single NI-Resist; 4 Rings; 14.0:1 C.R.
6	Piston With Retainers	75	FP-3801770		Sled Runner Skirt; Single NI-Resist; 4 Rings; 14.5:1 C.R.
6	Piston With Retainers	75	FP-3801876		Sled Runner Skirt; Single NI-Resist; 4 Rings; 15.0:1 C.R.
6	Piston Cooling Nozzle	75	FP-3013591		
12	Pin Bushing	75	FP-43067		Straight rod bushing; 1.03" Width; 2 req'd. per rod
6	Pin Bushing	75	FP-187420		1 piece bushing; 1 piece bushing; 2.20" Width
6	Bushing	75	FP-116391		Accessory drive bushing; O.E. No. 116391
6	Bushing	75	FP-132770		Front cover bushing; O.E. No. 132770; w/1.567" ID, 1.697" OD, 1.500" O.A.L.

QTY	CONNECTING RODS & BRGS.	YEARS	PART NO.	SIZE	DESCRIPTION
12	Con. Rod Bolt	75	FP-219153		Big Cam Engs.
12	Con. Rod Nut	75	FP-69936		Big Cam Engs.
6	Rod Pair	75	FP-214950PR	STD	Big Cam 2.500" dia.; Engs. w/1.741" length. brgs.; Used w/con. rod No. 218808; w/3.1240-3.1250" std. shaft size
6	Rod Pair	75	FP-214951PR	10	Big Cam 2.500" dia.; Engs. w/1.741" length. brgs.; Used w/con. rod No. 218808; w/3.1240-3.1250" std. shaft size
6	Rod Pair	75	FP-214952PR	20	Big Cam 2.500" dia.; Engs. w/1.741" length. brgs.; Used w/con. rod No. 218808; w/3.1240-3.1250" std. shaft size
6	Rod Pair	75	FP-203660PR	STD	Small Cam 2.000" dia.; Engs. w/1.730" length. brgs.; w/3.2725-3.2730" std. shaft size
6	Rod Pair	75	FP-203661PR	10	Small Cam 2.000" dia.; Engs. w/1.730" length. brgs.; w/3.2725-3.2730" std. shaft size
6	Rod Pair	75	FP-203662PR	20	Small Cam 2.000" dia.; Engs. w/1.730" length. brgs.; w/3.2725-3.2730" std. shaft size
6	Rod Pair	75	FP-203670PR	STD	Small Cam 2.000" dia.; Engs. w/1.980" length. brgs.
6	Rod Pair	75	FP-203671PR	10	Small Cam 2.000" dia.; Engs. w/1.980" length. brgs.
6	Rod Pair	75	FP-203672PR	20	Small Cam 2.000" dia.; Engs. w/1.980" length. brgs.
6	Rod Pair	75	FP-203673PR	30	Small Cam 2.000" dia.; Engs. w/1.980" length. brgs.

QTY	PISTON RINGS	YEARS	PART NO.	SIZE	DESCRIPTION
6	Ring Set Single Cylinder	75	FP-4089489	STD	
6	Ring Set Single Cylinder	75	FP-4089811	STD	
6	Ring Set Single Cylinder	75	FP-4089810	STD	1-5/32, 2-1/8, 1-3/16 (1 cyl. set)

KITS

QTY	OVERHAUL KIT	YEARS	PART NO.	SIZE	DESCRIPTION
1	In-Frame Overhaul Kit	75	FP-855PREMP		Premium Plus; 4 Rings
1	In-Frame Overhaul Kit	75	FP-855PREM		Premium; 4 Rings
1	Complete Overhaul Kit	75	FP-855PREMPOH		Premium Plus; 4 Rings; With Front & Rear Seals and Upper & Lower Gasket Sets
1	Complete Overhaul Kit	75	FP-855PREMOH		Premium; 4 Rings; With Front & Rear Seals and Upper & Lower Gasket Sets

H/D Truck Super 250 Eng. **27**
15.2L 927 OHV Diesel L6, 5.5" Bore (Cummins Eng.) 1974-75

CYL. HEAD & PARTS

QTY	GASKETS	YEARS	PART NO.	SIZE	DESCRIPTION
1	Head Set	75-74	FP-3801348		.010 O/S Water Grommets; Upper set, SC & BC I, II, III, 5 bolt Engs.; w/ & w/o FFC
1	Head Set	75-74	FP-3804276		Contains standard size water grommets
QTY	VALVE	YEARS	PART NO.	SIZE	DESCRIPTION
12	Intake	75-74	FP-135957		1.8700" Head Dia., .4505" Stem Dia., 7.0660" O.A.L.
12	Exhaust	75-74	FP-145701		Stellite; 1.8700" Head Dia., .4505" Stem Dia., 7.0660" O.A.L.
24	Keeper	75-74	FP-127554		Exh. & Int.
QTY	VALVE SEAT	YEARS	PART NO.	SIZE	DESCRIPTION
24	Exh. & Int.	75-74	FP-3017759		Check Cummins Service Topics 93T2-2; 2.0030" OD, 1.6900" ID, .2795" Depth
QTY	VALVE GUIDE	YEARS	PART NO.	SIZE	DESCRIPTION
24	Guide	75-74	FP-3006456		Exh. & Int.; Check Cummins Service Topics 93T2-2; .4530" ID, 3.3900" O.A.L.

(continued on next page)

Dodge Truck - M/D & H/D

27 H/D Truck Super 250 Eng.
 (cont.) 15.2L 927 OHV Diesel L6, 5.5" Bore (Cummins Eng.) 1974-75

CYL. HEAD & PARTS (cont.)					
QTY	VALVE SPRING	YEARS	PART NO.	SIZE	DESCRIPTION
24	Spring	75-74	FP-211999		Exh. & Int.; Check Cummins Service Topics 93T2-2; 2.6850" Free Height
CAMSHAFT GROUP					
QTY	CAMSHAFT/LIFTER	YEARS	PART NO.	SIZE	DESCRIPTION
1	Camshaft	75-74	FP-3801030		w/.750" Keyway, replaces O.E. 129860 & 3801030; If camshaft being replaced has 1" keyway, contact Cummins dealer for replacement key
ENGINE BLOCK & PARTS					
QTY	GASKET SETS	YEARS	PART NO.	SIZE	DESCRIPTION
1	Gasket Conversion Set	75-74	FP-3014459		Lower set
QTY	CAM BEARINGS	YEARS	PART NO.	SIZE	DESCRIPTION
1	Cam Set	75-74	FP-BM27253	STD	
CRANKSHAFT/OIL PUMP					
QTY	MAIN BEARINGS	YEARS	PART NO.	SIZE	DESCRIPTION
1	Main Set	75-74	FP-3801260	STD	W/Partial groove brgs.; Incl. thrust washers
1	Main Set	75-74	FP-3801261	10	W/Partial groove brgs.; Incl. thrust washers
1	Main Set	75-74	FP-3801262	20	W/Partial groove brgs.; Incl. thrust washers
1	Main Set	75-74	FP-3801263	30	W/Partial groove brgs.; Incl. thrust washers
1	Thrust Washer Set	75-74	FP-1334AFA +	Std Only	Position 7; When depleted use FP-3067568
4	Thrust Washer	75-74	FP-3067568	STD	Position 7
CYLINDER COMPONENTS					
QTY	LINERS	YEARS	PART NO.	SIZE	DESCRIPTION
6	Flange Shim	75-74	FP-SLG23773	3-5-10	.003" Thick, fits Std. & 10/20 sleeves
6	Flange Shim	75-74	FP-SLG23775	3-5-10	.005" Thick, fits Std. & 10/20 sleeves
6	Flange Shim	75-74	FP-3019956	8	.008" Thick, fits Std. & 10/20 sleeves
6	Flange Shim	75-74	FP-SLG237710	3-5-10	.010" Thick, fits Std. & 10/20 sleeves
6	Flange Shim	75-74	FP-3054948	20	.020" Thick, fits Std. & 10/20 sleeves
6	Flange Shim	75-74	FP-3054948B	20	.020" Thick, fits Std. & 10/20 sleeves; Carton of 50
6	Flange Shim	75-74	FP-30549486	20	.020" Thick, fits Std. & 10/20 sleeves; Carton of 6
QTY	PISTONS	YEARS	PART NO.	SIZE	DESCRIPTION
6	Pin Bushing	75-74	FP-187420		1 piece bushing; 2.20" Width
QTY	PISTON RINGS	YEARS	PART NO.	SIZE	DESCRIPTION
6	Ring Set Single Cylinder	75-74	FP-4089810	STD	1-5/32, 2-1/8, 1-3/16 (1 cyl. set)

Fairbanks-Morse

Engine Finding Index					
Engine	Line No.	Engine	Line No.	Engine	Line No.
1.9L 118 L1 5" Bore.....	1	8.2L 503 L1 8" Bore.....	4		
3.4L 208 L1 5.75" Bore.....	2	12.1L 739 L1 9.25" Bore.....	5		
5.7L 346 L1 7" Bore.....	3				
Engine Code Index					
Engine Code	Engine Description	Line No.	Engine Code	Engine Description	Line No.
ZC-739 ... Industrial Applications.....	12.1L 739 L1 9.25" Bore.....	5	18 H.P. ... Industrial Applications.....	8.2L 503 L1 8" Bore.....	4
ZC118 ... Industrial Applications.....	1.9L 118 L1 5" Bore.....	1	25 H.P. ... Industrial Applications.....	12.1L 739 L1 9.25" Bore.....	5
ZC208 ... Industrial Applications.....	3.4L 208 L1 5.75" Bore.....	2	30 H.P. ... Industrial Applications.....	12.1L 739 L1 9.25" Bore.....	5
ZC346 ... Industrial Applications.....	5.7L 346 L1 7" Bore.....	3	6 H.P. ... Industrial Applications.....	1.9L 118 L1 5" Bore.....	1
ZC503 ... Industrial Applications.....	8.2L 503 L1 8" Bore.....	4	7 H.P. ... Industrial Applications.....	1.9L 118 L1 5" Bore.....	1
12 H.P. ... Industrial Applications.....	5.7L 346 L1 7" Bore.....	3	8 H.P. ... Industrial Applications.....	3.4L 208 L1 5.75" Bore.....	2
13 H.P. ... Industrial Applications.....	5.7L 346 L1 7" Bore.....	3	9 H.P. ... Industrial Applications.....	3.4L 208 L1 5.75" Bore.....	2
17 H.P. ... Industrial Applications.....	8.2L 503 L1 8" Bore.....	4			

Fairbanks-Morse

<i>Industrial Applications ZC118 Eng. (7, 8 HP) 1</i> 1.9L 118 L1, 5" Bore				
CYL. HEAD & PARTS				
QTY	VALVE	PART NO.	SIZE	DESCRIPTION
2	Keeper	FP-VK199		Exh.
2	Keeper	VK-199 +		Exh.; When depleted use FP-VK199
QTY	VALVE GUIDE	PART NO.	SIZE	DESCRIPTION
1	Guide	FP-VG596		Exh.; .4370" ID, 3.7500" O.A.L.
1	Guide	VG-596 +		Exh.; .4370" ID, 3.7500" O.A.L.; When depleted use FP-VG596
1	Guide	FP-VG597		Int.; .4370" ID, 3.8120" O.A.L.
1	Guide	VG-597 +		Int.; .4370" ID, 3.8120" O.A.L.; When depleted use FP-VG597
QTY	VALVE SPRING	PART NO.	SIZE	DESCRIPTION
1	Retainer	FP-VS620		Exh.
1	Retainer	FP-VS619		Int.
1	Retainer	VS-619 +		Int.; When depleted use FP-VS619
CRANKSHAFT/OIL PUMP				
QTY	MAIN BEARINGS	PART NO.	SIZE	DESCRIPTION
2	Cone Taper Brg.	3779		Position 1-2; Tapered roller brg. cone
CYLINDER COMPONENTS				
QTY	PISTON RINGS	PART NO.	SIZE	DESCRIPTION
1	Ring Set Single Cylinder	FP-5840	Std Only	2-3/16, 1-3/16
1	Standard Set	5840 +	Std Only	2-3/16, 1-3/16; When depleted use FP-5840
<i>Industrial Applications ZC208 Eng. (6, 7 1/2 HP) 2</i> 3.4L 208 L1, 5.75" Bore				
CYL. HEAD & PARTS				
QTY	VALVE	PART NO.	SIZE	DESCRIPTION
1	Intake	FP-V1582		2.2500" Head Dia., .4335" Stem Dia., 7.0930" O.A.L.
1	Intake	V-1582 +	Std Only	2.2500" Head Dia., .4335" Stem Dia., 7.0930" O.A.L.; When depleted use FP-V1582
1	Exhaust	FP-V1581K		Valve kit; contains valve, spring, retainer & keepers
1	Exhaust	FP-V1581		2.2500" Head Dia., .4335" Stem Dia., 7.4380" O.A.L.
1	Exhaust	V-1581 +	Std Only	2.2500" Head Dia., .4335" Stem Dia., 7.4380" O.A.L.; When depleted use FP-V1581
2	Keeper	FP-VK199		Exh.
2	Keeper	VK-199 +		Exh.; When depleted use FP-VK199
QTY	VALVE GUIDE	PART NO.	SIZE	DESCRIPTION
1	Guide	FP-VG596		Exh.; .4370" ID, 3.7500" O.A.L.
1	Guide	VG-596 +		Exh.; .4370" ID, 3.7500" O.A.L.; When depleted use FP-VG596
1	Guide	FP-VG597		Int.; .4370" ID, 3.8120" O.A.L.
1	Guide	VG-597 +		Int.; .4370" ID, 3.8120" O.A.L.; When depleted use FP-VG597
QTY	VALVE SPRING	PART NO.	SIZE	DESCRIPTION
1	Spring	FP-VS601		Exh.; 3.1870" Free Height
1	Spring	VS-601 +		Exh.; 3.1870" Free Height; When depleted use FP-VS601
1	Retainer	FP-VS620		Exh.
1	Retainer	FP-VS619		Int.
1	Retainer	VS-619 +		Int.; When depleted use FP-VS619
CRANKSHAFT/OIL PUMP				
QTY	MAIN BEARINGS	PART NO.	SIZE	DESCRIPTION
2	Cone Taper Brg.	558A		Position 1-2; Tapered roller brg. cone
2	Cup Taper Brg.	552A		Position 1-2; Tapered roller brg. cup
CYLINDER COMPONENTS				
QTY	PISTON RINGS	PART NO.	SIZE	DESCRIPTION
1	Standard Set	FP-5841X	Std Only	3 pc. oil ring; 2-3/16, 1-3/16
1	Standard Set	5841X +	Std Only	3 pc. oil ring; 2-3/16, 1-3/16; When depleted use FP-5841X
<i>Industrial Applications ZC346 Eng. (12, 13 HP) 3</i> 5.7L 346 L1, 7" Bore				
CYL. HEAD & PARTS				
QTY	VALVE	PART NO.	SIZE	DESCRIPTION
2	Intake	FP-V1582		For late style head; 2.2500" Head Dia., .4335" Stem Dia., 7.0930" O.A.L.
2	Intake	V-1582 +	Std Only	For late style head; 2.2500" Head Dia., .4335" Stem Dia., 7.0930" O.A.L.; When depleted use FP-V1582
2	Keeper	FP-VK201		Exh.

(continued on next page)

+ Superseded Part Number

Fairbanks-Morse

3 Industrial Applications ZC346 Eng. (12, 13 HP) (cont.) 5.7L 346 L1, 7" Bore

CYL. HEAD & PARTS (cont.)				
QTY	VALVE (cont.)	PART NO.	SIZE	DESCRIPTION
2	Keeper	VK-201 +		Exh.; When depleted use FP-VK201
2	Keeper	FP-VK202		Int.; For old style head
2	Keeper	VK-202 +		Int.; For old style head; When depleted use FP-VK202
QTY	VALVE GUIDE	PART NO.	SIZE	DESCRIPTION
2	Guide	FP-VG597		Int.; For late style head; .4370" ID, 3.8120" O.A.L.
2	Guide	VG-597 +		Int.; For late style head; .4370" ID, 3.8120" O.A.L.; When depleted use FP-VG597
QTY	VALVE SPRING	PART NO.	SIZE	DESCRIPTION
1	Spring	FP-VS606		Exh.; 4.5000" Free Height
2	Retainer	FP-VS619		Int.; For late style head
2	Retainer	VS-619 +		Int.; For late style head; When depleted use FP-VS619
1	Retainer	VS-630		Int.; For old style head
CYLINDER COMPONENTS				
QTY	PISTON RINGS	PART NO.	SIZE	DESCRIPTION
1	Ring Set Single Cylinder	FP-7347	Std Only	3-1/4, 2-1/4
1	Standard Set	7347 + Std Only		3-1/4, 2-1/4; When depleted use FP-7347

4 Industrial Applications ZC503 Eng. (17, 18 HP) 8.2L 503 L1, 8" Bore

CYL. HEAD & PARTS				
QTY	VALVE	PART NO.	SIZE	DESCRIPTION
2	Intake	FP-V1582		For late style head; 2.2500" Head Dia., .4335" Stem Dia., 7.0930" O.A.L.
2	Intake	V-1582 + Std Only		For late style head; 2.2500" Head Dia., .4335" Stem Dia., 7.0930" O.A.L.; When depleted use FP-V1582
1	Exhaust	FP-V1586		2.8750" Head Dia., .5605" Stem Dia., 9.7820" O.A.L.
1	Exhaust	V-1586 + Std Only		2.8750" Head Dia., .5605" Stem Dia., 9.7820" O.A.L.; When depleted use FP-V1586
2	Keeper	FP-VK201		Exh.
2	Keeper	VK-201 +		Exh.; When depleted use FP-VK201
2	Keeper	FP-VK202		Int.; For old style head
2	Keeper	VK-202 +		Int.; For old style head; When depleted use FP-VK202
QTY	VALVE GUIDE	PART NO.	SIZE	DESCRIPTION
2	Guide	FP-VG597		Int.; For late style head; .4370" ID, 3.8120" O.A.L.
2	Guide	VG-597 +		Int.; For late style head; .4370" ID, 3.8120" O.A.L.; When depleted use FP-VG597
QTY	VALVE SPRING	PART NO.	SIZE	DESCRIPTION
1	Spring	FP-VS606		Exh.; 4.5000" Free Height
2	Retainer	FP-VS619		Int.; For late style head
2	Retainer	VS-619 +		Int.; For late style head; When depleted use FP-VS619
1	Retainer	VS-630		Int.; For old style head
CRANKSHAFT/OIL PUMP				
QTY	MAIN BEARINGS	PART NO.	SIZE	DESCRIPTION
2	Cone Taper Brg.	759		Position 1-2; Tapered roller brg. cone
2	Cup Taper Brg.	752		Position 1-2; Tapered roller brg. cup

5 Industrial Applications ZC739 Eng. (25, 30 HP) 12.1L 739 L1, 9.25" Bore

CYL. HEAD & PARTS				
QTY	VALVE	PART NO.	SIZE	DESCRIPTION
3	Intake	FP-V1582		For late style head; 2.2500" Head Dia., .4335" Stem Dia., 7.0930" O.A.L.
3	Intake	V-1582 + Std Only		For late style head; 2.2500" Head Dia., .4335" Stem Dia., 7.0930" O.A.L.; When depleted use FP-V1582
4	Keeper	FP-VK202		Int.; For old style head
4	Keeper	VK-202 +		Int.; For old style head; When depleted use FP-VK202
QTY	VALVE GUIDE	PART NO.	SIZE	DESCRIPTION
3	Guide	FP-VG597		Int.; For late style head; .4370" ID, 3.8120" O.A.L.
3	Guide	VG-597 +		Int.; For late style head; .4370" ID, 3.8120" O.A.L.; When depleted use FP-VG597
QTY	VALVE SPRING	PART NO.	SIZE	DESCRIPTION
3	Retainer	FP-VS619		Int.; For late style head
3	Retainer	VS-619 +		Int.; For late style head; When depleted use FP-VS619

(continued on next page)

CYL. HEAD & PARTS (cont.)

QTY	VALVE SPRING (cont.)	PART NO.	SIZE	DESCRIPTION
2	Retainer	VS-630		Int.; For old style head

CRANKSHAFT/OIL PUMP

QTY	MAIN BEARINGS	PART NO.	SIZE	DESCRIPTION
2	Cup Taper Brg.	71750		Position 1-2; Tapered roller brg. cup

Ford Industrial Engines

Engine Finding Index

Engine	Years	Line No.	Engine	Years	Line No.
2.0L 119.7 L-HEAD L4 3.1875" Bore (Ford Tractor)	1946-53	1	4.6L 279 OHV V8 3.5625" Bore	1952-55	28
2.2L 134 OHV L4 3.4375" Bore	1953-67	2	4.8L 292 OHV V8 3.75" Bore	1955-66	29
2.4L 144 OHV Diesel L4 3.5625" Bore		3	4.9L 300 OHV L6 4" Bore		30
2.4L 144 OHV L4 3.5625" Bore	1961-67	4	5.0L 302 OHV V8 3.625" Bore		31
2.6L 158 OHV L3 4.2" Bore		5	5.0L 302 OHV V8 4" Bore	1968-69	32
2.6L 158 OHV Diesel L3 4.2" Bore		6	5.2L 317 OHV V8 3.8125" Bore	1952-55	33
2.8L 170 OHV L6 3.5" Bore		7	5.2L 317.5 OHV V8 3.8125" Bore (Lincoln)	1952-55	34
2.8L 172 OHV L4 3.9063" Bore	1953-78	8	5.4L 330 OHV V8 3.875" Bore (M/D Eng.)	1964-76	35
2.8L 172 OHV Diesel L4 3.9063" Bore	1958-67	9	5.4L 330 OHV V8 3.875" Bore (H/D Eng.)		36
2.9L 175 OHV Diesel L3 4.2" Bore		10	5.4L 330 (5409cc) OHV Diesel L6 100mm Bore (Dagenham) (Ford Europe Eng.)		37
3.2L 192 OHV Diesel L4 4.125" Bore		11	5.4L 330 (5416cc) OHV Diesel L6 100mm Bore (Dagenham) (Ford Europe Eng.)	1958-61	38
3.2L 192 OHV L4 4.125" Bore		12	5.4L 332 OHV V8 3.8125" Bore	1956-64	39
3.3L 200 OHV L6 3.68" Bore	1968-2000	13	5.8L 351 OHV V8 4" Bore (Cleveland)	1970-74	40
3.3L 201 OHV Diesel L3 4.4" Bore		14	5.8L 351 OHV V8 4" Bore (Windsor)	1969-72	41
3.5L 215 OHV L6 3.5625" Bore	1952-53	15	5.9L 361 OHV V8 4.05" Bore	1958-74	42
3.6L 220 (3611cc) OHV Diesel L4 100mm Bore (Dagenham) (Ford Europe Eng.)	1958-67	16	6.1L 370 OHV V8 4.05" Bore		43
3.6L 223 OHV L6 3.625" Bore	1956-69	17	6.4L 391 OHV V8 4.05" Bore	1964-74	44
3.7L 226 L-HEAD L6 3.2969" Bore	1947-52	18	6.6L 401 OHV V8 4.125" Bore		45
3.9L 239 OHV V8 3.5" Bore (Ford)	1954-58	19	6.6L 401 OHV Diesel L6 4.4" Bore		46
3.9L 239.4 L-HEAD V8 3.1875" Bore (Ford/Mercury)	1948-53	20	6.6L 401 OHV Turbo-Diesel L6 4.4" Bore		47
3.9L 240 OHV L6 4" Bore	1965-74	21	7.0L 428 OHV V8 4.13" Bore		48
4.1L 250 OHV L6 3.68" Bore		22	7.0L 429 OHV V8 4.36" Bore		49
4.2L 254 L-HEAD L6 3.5" Bore	1948-53	23	7.5L 460 OHV V8 4.36" Bore		50
4.2L 256 OHV V8 3.625" Bore (Mercury)	1954-55	24	7.8L 476 OHV Turbo-Diesel L6 4.4" Bore		51
4.2L 256 OHV Diesel L4 4.4" Bore		25	7.8L 477 OHV V8 4.5" Bore		52
4.3L 262 OHV L6 3.7188" Bore		26	8.8L 534 OHV V8 4.5" Bore		53
4.4L 272 OHV V8 3.625" Bore	1959-66	27			

Engine Code Index

Engine Code	Engine Description	Line No.	Engine Code	Engine Description	Line No.
119.7 ... Industrial Applications	2.0L 119.7 L-HEAD L4 3.1875" Bore (Ford Tractor)	1	192 ... Industrial Applications	3.2L 192 OHV L4 4.125" Bore	12
134 ... Industrial Applications	2.2L 134 OHV L4 3.4375" Bore	2	192 Diesel ... Industrial Applications	3.2L 192 OHV Diesel L4 4.125" Bore	11
144 Diesel ... Industrial Applications	2.4L 144 OHV Diesel L4 3.5625" Bore	3	200 ... Industrial Applications	3.3L 200 OHV L6 3.68" Bore	13
158 ... Industrial Applications	2.6L 158 OHV L3 4.2" Bore	5	201 Diesel ... Industrial Applications	3.3L 201 OHV Diesel L3 4.4" Bore	14
158 Diesel ... Industrial Applications	2.6L 158 OHV Diesel L3 4.2" Bore	6	215 ... Industrial Applications	3.5L 215 OHV L6 3.5625" Bore	15
170 ... Industrial Applications	2.8L 170 OHV L6 3.5" Bore	7	220 Diesel ... Industrial Applications	3.6L 220 (3611cc) OHV Diesel L4 100mm Bore (Dagenham) (Ford Europe Eng.)	16
172 ... Industrial Applications	2.8L 172 OHV L4 3.9063" Bore	8	223 ... Industrial Applications	3.6L 223 OHV L6 3.625" Bore	17
172 Diesel ... Industrial Applications	2.8L 172 OHV Diesel L4 3.9063" Bore	9	226 ... Industrial Applications	3.7L 226 L-HEAD L6 3.2969" Bore	18
175 Diesel ... Industrial Applications	2.9L 175 OHV Diesel L3 4.2" Bore	10			

(continued on next page)

Ford Industrial Engines

Engine Code Index					
Engine Code	Engine Description	Line No.	Engine Code	Engine Description	Line No.
239 ... Industrial Applications.....	3.9L 239.4 L-HEAD V8 3.1875" Bore (Ford/Mercury)	20	330 M/D ... Industrial Applications.....	5.4L 330 OHV V8 3.875" Bore (M/D Eng.).....	35
239 ... Industrial Applications.....	3.9L 239 OHV V8 3.5" Bore (Ford).....	19	332 ... Industrial Applications.....	5.4L 332 OHV V8 3.8125" Bore ...	39
240 ... Industrial Applications.....	3.9L 240 OHV L6 4" Bore.....	21	351C ... Industrial Applications.....	5.8L 351 OHV V8 4" Bore (Cleveland)	40
250 ... Industrial Applications.....	4.1L 250 OHV L6 3.68" Bore.....	22	351W ... Industrial Applications.....	5.8L 351 OHV V8 4" Bore (Windsor).....	41
254 ... Industrial Applications.....	4.2L 254 L-HEAD L6 3.5" Bore	23	361 ... Industrial Applications.....	5.9L 361 OHV V8 4.05" Bore	42
256 ... Industrial Applications.....	4.2L 256 OHV V8 3.625" Bore (Mercury)	24	370 ... Industrial Applications.....	6.1L 370 OHV V8 4.05" Bore	43
256 Diesel ... Industrial Applications.....	4.2L 256 OHV Diesel L4 4.4" Bore.....	25	391 ... Industrial Applications.....	6.4L 391 OHV V8 4.05" Bore	44
262 ... Industrial Applications.....	4.3L 262 OHV L6 3.7188" Bore....	26	401 ... Industrial Applications.....	6.6L 401 OHV V8 4.125" Bore	45
272 ... Industrial Applications.....	4.4L 272 OHV V8 3.625" Bore	27	401 Diesel ... Industrial Applications.....	6.6L 401 OHV Diesel L6 4.4" Bore	46
279 ... Industrial Applications.....	4.6L 279 OHV V8 3.5625" Bore ...	28	401 Turbo-Diesel ... Industrial Applications.....	6.6L 401 OHV Turbo-Diesel L6 4.4" Bore.....	47
292 ... Industrial Applications.....	4.8L 292 OHV V8 3.75" Bore	29	428 Irrigation ... Industrial Applications.....	7.0L 428 OHV V8 4.13" Bore	48
300 ... Industrial Applications.....	4.9L 300 OHV L6 4" Bore.....	30	429 ... Industrial Applications.....	7.0L 429 OHV V8 4.36" Bore	49
302 ... Industrial Applications.....	5.0L 302 OHV V8 4" Bore	32	460 ... Industrial Applications.....	7.5L 460 OHV V8 4.36" Bore	50
302 ... Industrial Applications.....	5.0L 302 OHV V8 3.625" Bore	31	474 Turbo-Diesel ... Industrial Applications.....	7.8L 476 OHV Turbo-Diesel L6 4.4" Bore.....	51
317 ... Industrial Applications.....	5.2L 317 OHV V8 3.8125" Bore ...	33	477 ... Industrial Applications.....	7.8L 477 OHV V8 4.5" Bore	52
330 Diesel ... Industrial Applications.....	5.4L 330 (5416cc) OHV Diesel L6 100mm Bore (Dagenham) (Ford Europe Eng.)	38	534 ... Industrial Applications.....	8.8L 534 OHV V8 4.5" Bore	53
330 H/D ... Industrial Applications.....	5.4L 330 OHV V8 3.875" Bore (H/D Eng.).....	36			
Model Index					
Model	Engine Description	Line No.	Model	Engine Description	Line No.
B ... Industrial Applications.....	2.8L 172 OHV Diesel L4 3.9063" Bore.....	9	B6PJ ... Industrial Applications.....	4.4L 272 OHV V8 3.625" Bore	27
BSD326 ... Industrial Applications.....	2.6L 158 OHV Diesel L3 4.2" Bore. 6		B6PL ... Industrial Applications.....	5.4L 332 OHV V8 3.8125" Bore ...	39
BSD329 ... Industrial Applications.....	2.9L 175 OHV Diesel L3 4.2" Bore.....	10	B8PD ... Industrial Applications.....	2.8L 172 OHV Diesel L4 3.9063" Bore	9
BSD333 ... Industrial Applications.....	3.3L 201 OHV Diesel L3 4.4" Bore.....	14	B8PE ... Industrial Applications.....	2.2L 134 OHV L4 3.4375" Bore.....	2
BSD442 ... Industrial Applications.....	4.2L 256 OHV Diesel L4 4.4" Bore.....	25	B8PK ... Industrial Applications.....	4.8L 292 OHV V8 3.75" Bore	29
BSD666 ... Industrial Applications.....	6.6L 401 OHV Diesel L6 4.4" Bore.....	46	B8PM ... Industrial Applications.....	7.8L 477 OHV V8 4.5" Bore	52
BSD666T ... Industrial Applications.....	6.6L 401 OHV Turbo-Diesel L6 4.4" Bore.....	47	B8PN ... Industrial Applications.....	8.8L 534 OHV V8 4.5" Bore	53
BSD678T ... Industrial Applications.....	7.8L 476 OHV Turbo-Diesel L6 4.4" Bore.....	51	B8PQ ... Industrial Applications.....	6.6L 401 OHV V8 4.125" Bore	45
BSG326 ... Industrial Applications.....	2.6L 158 OHV L3 4.2" Bore.....	5	CSG649 ... Industrial Applications.....	4.9L 300 OHV L6 4" Bore.....	30
B6PF ... Industrial Applications.....	3.6L 223 OHV L6 3.625" Bore.....	17	CSG850 ... Industrial Applications.....	5.0L 302 OHV V8 4" Bore	32
			CSG858 ... Industrial Applications.....	5.8L 351 OHV V8 4" Bore (Cleveland)	40
			C1PG ... Industrial Applications.....	4.3L 262 OHV L6 3.7188" Bore....	26

(continued on next page)

Ford Industrial Engines

Model Index					
Model	Engine Description	Line No.	Model	Engine Description	Line No.
C4PA ... Industrial Applications.....	5.4L 330 OHV V8 3.875" Bore (H/D Eng.).....	36	JG-5 ... Industrial Applications.....	3.9L 239 OHV V8 3.5" Bore (Ford).....	19
C4PB ... Industrial Applications.....	5.9L 361 OHV V8 4.05" Bore	42	JH ... Industrial Applications ..	4.2L 256 OHV V8 3.625" Bore (Mercury)	24
C4PC ... Industrial Applications.....	6.4L 391 OHV V8 4.05" Bore	44	JH-5 ... Industrial Applications.....	4.2L 256 OHV V8 3.625" Bore (Mercury)	24
C4PD ... Industrial Applications.....	5.4L 330 OHV V8 3.875" Bore (M/D Eng.).....	35	K ... Industrial Applications ...	4.8L 292 OHV V8 3.75" Bore	29
C4PG ... Industrial Applications.....	4.9L 300 OHV L6 4" Bore.....	30	L ... Industrial Applications.....	5.4L 332 OHV V8 3.8125" Bore ...	39
C5PB ... Industrial Applications.....	5.9L 361 OHV V8 4.05" Bore	42	LSG628 ... Industrial Applications.....	2.8L 170 OHV L6 3.5" Bore.....	7
C5PC ... Industrial Applications.....	6.4L 391 OHV V8 4.05" Bore	44	LSG633 ... Industrial Applications.....	3.3L 200 OHV L6 3.68" Bore.....	13
C5PD ... Industrial Applications.....	5.4L 330 OHV V8 3.875" Bore (M/D Eng.).....	35	LSG641 ... Industrial Applications.....	4.1L 250 OHV L6 3.68" Bore.....	22
C5PF ... Industrial Applications.....	3.9L 240 OHV L6 4" Bore.....	21	LSG661 ... Industrial Applications.....	6.1L 370 OHV V8 4.05" Bore	43
C5PG ... Industrial Applications.....	4.9L 300 OHV L6 4" Bore.....	30	LSG670 ... Industrial Applications.....	7.0L 429 OHV V8 4.36" Bore	49
D ... Industrial Applications.....	2.8L 172 OHV L4 3.9063" Bore.....	8	LSG675 ... Industrial Applications.....	7.5L 460 OHV V8 4.36" Bore	50
DD ... Industrial Applications ..	2.8L 172 OHV Diesel L4 3.9063" Bore	9	LSG678 ... Industrial Applications.....	7.8L 477 OHV V8 4.5" Bore	52
DE ... Industrial Applications.....	2.4L 144 OHV Diesel L4 3.5625" Bore	3	LSG888 ... Industrial Applications.....	8.8L 534 OHV V8 4.5" Bore	53
E ... Industrial Applications	2.2L 134 OHV L4 3.4375" Bore.....	2	M ... Industrial Applications.....	7.8L 477 OHV V8 4.5" Bore	52
E ... Industrial Applications	2.4L 144 OHV Diesel L4 3.5625" Bore.....	3	N ... Industrial Applications.....	8.8L 534 OHV V8 4.5" Bore	53
F ... Industrial Applications	3.6L 223 OHV L6 3.625" Bore.....	17	Q ... Industrial Applications.....	6.6L 401 OHV V8 4.125" Bore	45
G ... Industrial Applications.....	4.3L 262 OHV L6 3.7188" Bore.....	26	WSG858 ... Industrial Applications.....	5.8L 351 OHV V8 4" Bore (Windsor).....	41
Industrial ... Industrial Applications.....	3.2L 192 OHV Diesel L4 4.125" Bore	11	X ... Industrial Applications	3.6L 220 (3611cc) OHV Diesel L4 100mm Bore (Dagenham) (Ford Europe Eng.)	16
J ... Industrial Applications.....	4.4L 272 OHV V8 3.625" Bore	27	Y ... Industrial Applications	5.4L 330 (5416cc) OHV Diesel L6 100mm Bore (Dagenham) (Ford Europe Eng.)	38
JA ... Industrial Applications ..	3.5L 215 OHV L6 3.5625" Bore	15	YSD424 ... Industrial Applications.....	2.4L 144 OHV Diesel L4 3.5625" Bore	3
JB ... Industrial Applications ..	5.2L 317 OHV V8 3.8125" Bore ...	33	134GF ... Industrial Applications.....	2.2L 134 OHV L4 3.4375" Bore.....	2
JB-M ... Industrial Applications.....	5.2L 317 OHV V8 3.8125" Bore ...	33	144DF ... Industrial Applications.....	2.4L 144 OHV Diesel L4 3.5625" Bore	3
JB-N ... Industrial Applications.....	5.2L 317 OHV V8 3.8125" Bore ...	33	158DF ... Industrial Applications.....	2.6L 158 OHV Diesel L3 4.2" Bore ..	6
JB-5 ... Industrial Applications.....	5.2L 317 OHV V8 3.8125" Bore ...	33	158GF ... Industrial Applications.....	2.6L 158 OHV L3 4.2" Bore.....	5
JC ... Industrial Applications ..	4.6L 279 OHV V8 3.5625" Bore ...	28	170GF ... Industrial Applications.....	2.8L 170 OHV L6 3.5" Bore.....	7
JC ... Industrial Applications ..	5.0L 302 OHV V8 3.625" Bore	31	172DF ... Industrial Applications.....	2.8L 172 OHV Diesel L4 3.9063" Bore	9
JC-N ... Industrial Applications.....	4.6L 279 OHV V8 3.5625" Bore ...	28	172GF ... Industrial Applications.....	2.8L 172 OHV L4 3.9063" Bore.....	8
JC-N ... Industrial Applications.....	5.0L 302 OHV V8 3.625" Bore	31	175DF ... Industrial Applications.....	2.9L 175 OHV Diesel L3 4.2" Bore	10
JC-5 ... Industrial Applications.....	4.6L 279 OHV V8 3.5625" Bore ...	28	192DF ... Industrial Applications.....	3.2L 192 OHV Diesel L4 4.125" Bore	11
JC-5 ... Industrial Applications.....	5.0L 302 OHV V8 3.625" Bore	31	192GF ... Industrial Applications.....	3.2L 192 OHV L4 4.125" Bore.....	12
JD ... Industrial Applications ..	2.8L 172 OHV L4 3.9063" Bore.....	8	192GFO ... Industrial Applications.....	3.2L 192 OHV L4 4.125" Bore.....	12
JD ... Industrial Applications ..	2.8L 172 OHV Diesel L4 3.9063" Bore.....	9	200GF ... Industrial Applications.....	3.3L 200 OHV L6 3.68" Bore.....	13
JD-5 ... Industrial Applications.....	2.8L 172 OHV L4 3.9063" Bore.....	8	201DF ... Industrial Applications.....	3.3L 201 OHV Diesel L3 4.4" Bore	14
JD-5 ... Industrial Applications.....	2.8L 172 OHV Diesel L4 3.9063" Bore	9			
JE ... Industrial Applications ..	2.2L 134 OHV L4 3.4375" Bore.....	2			
JE-5 ... Industrial Applications.....	2.2L 134 OHV L4 3.4375" Bore.....	2			
JF ... Industrial Applications.....	3.6L 223 OHV L6 3.625" Bore.....	17			
JF-5 ... Industrial Applications.....	3.6L 223 OHV L6 3.625" Bore.....	17			
JG ... Industrial Applications.....	3.9L 239 OHV V8 3.5" Bore (Ford).....	19			

(continued on next page)

Ford Industrial Engines

Model Index					
Model	Engine Description	Line No.	Model	Engine Description	Line No.
240GF ... Industrial Applications.....	3.9L 240 OHV L6 4" Bore.....	21	428GI ... Industrial Applications.....	7.0L 428 OHV V8 4.13" Bore	48
250GF ... Industrial Applications.....	4.1L 250 OHV L6 3.68" Bore.....	22	460GM ... Industrial Applications.....	7.5L 460 OHV V8 4.36" Bore	50
256DF ... Industrial Applications.....	4.2L 256 OHV Diesel L4 4.4" Bore.....	25	460GP ... Industrial Applications.....	7.5L 460 OHV V8 4.36" Bore	50
300GF ... Industrial Applications.....	4.9L 300 OHV L6 4" Bore.....	30	460L ... Industrial Applications.....	7.5L 460 OHV V8 4.36" Bore	50
302GM ... Industrial Applications.....	5.0L 302 OHV V8 4" Bore	32	460S ... Industrial Applications.....	7.5L 460 OHV V8 4.36" Bore	50
302GP ... Industrial Applications.....	5.0L 302 OHV V8 4" Bore	32	477GF ... Industrial Applications.....	7.8L 477 OHV V8 4.5" Bore	52
330GF ... Industrial Applications.....	5.4L 330 OHV V8 3.875" Bore (M/D Eng.).....	35	534GF ... Industrial Applications.....	8.8L 534 OHV V8 4.5" Bore	53
330GF ... Industrial Applications.....	5.4L 330 OHV V8 3.875" Bore (H/D Eng.).....	36	7HNN ... Industrial Applications.....	3.7L 226 L-HEAD L6 3.2969" Bore	18
351GM ... Industrial Applications.....	5.8L 351 OHV V8 4" Bore (Windsor).....	41	8MNN ... Industrial Applications.....	4.2L 254 L-HEAD L6 3.5" Bore	23
351GP ... Industrial Applications.....	5.8L 351 OHV V8 4" Bore (Windsor).....	41	8MTH ... Industrial Applications.....	4.2L 254 L-HEAD L6 3.5" Bore	23
361GF ... Industrial Applications.....	5.9L 361 OHV V8 4.05" Bore	42	8NNN ... Industrial Applications.....	2.0L 119.7 L-HEAD L4 3.1875" Bore (Ford Tractor).....	1
391GF ... Industrial Applications.....	6.4L 391 OHV V8 4.05" Bore	44	8RNN ... Industrial Applications.....	3.9L 239.4 L-HEAD V8 3.1875" Bore (Ford/Mercury)	20
401DF ... Industrial Applications.....	6.6L 401 OHV Diesel L6 4.4" Bore.....	46	87HA ... Industrial Applications.....	3.7L 226 L-HEAD L6 3.2969" Bore	18
401DFT ... Industrial Applications.....	6.6L 401 OHV Turbo-Diesel L6 4.4" Bore.....	47	875R ... Industrial Applications.....	7.5L 460 OHV V8 4.36" Bore	50
			899A ... Industrial Applications.....	3.9L 239.4 L-HEAD V8 3.1875" Bore (Ford/Mercury)	20

1 Industrial Applications 8NNN Eng. (119.7 Gas) 2.0L 119.7 L-HEAD L4 (Ford Tractor), 3.1875" Bore 1946-53

CRANKSHAFT/OIL PUMP

QTY	MAIN BEARINGS	YEARS	PART NO.	SIZE	DESCRIPTION
1	Main Set	53-46	FP-567M	Std-10-20-30-40-60	
1	Main Set	53-46	567M +	Std-10-20-30-40-60	When depleted use FP-567M

CYLINDER COMPONENTS

QTY	PISTONS	YEARS	PART NO.	SIZE	DESCRIPTION
4	Pin Bushing	53-46	9024XBS		.820" max. housing bore
QTY	CONNECTING RODS & BRGS.	YEARS	PART NO.	SIZE	DESCRIPTION
1	Rod Set	53-46	FP-41055CP	Std-10-20-30-40-60	
1	Rod Set	53-46	4-1055CP +	Std-10-20-30-40-60	When depleted use FP-41055CP
4	Rod Pair	53-46	FP-1055CP	Std-1-2-10-20-30-40-60	
4	Rod Pair	53-46	1055CP +	Std-1-2-10-20-30-40-60	When depleted use FP-1055CP
QTY	PISTON RINGS	YEARS	PART NO.	SIZE	DESCRIPTION
1	Premium Set	53-46	997KX	Std Only	2-3/32, 2-5/32
1	Standard Set	53-46	FP-598X	Std Only	2-3/32, 1-5/32
1	Standard Set	53-46	598X +	Std Only	2-3/32, 1-5/32; When depleted use FP-598X
1	Standard Set	53-46	997X	Std Only	2-3/32, 2-5/32
4	Standard Single Cylinder Set	53-46	W-997X	Std Only	2-3/32, 2-5/32

Ford Industrial Engines

Industrial Applications B8PE, E, JE, JE-5, 134GF Engs. (134 Gas) 2
2.2L 134 OHV L4, 3.4375" Bore 1953-67

CYL. HEAD & PARTS

QTY	VALVE	YEARS	PART NO.	SIZE	DESCRIPTION
4	Intake	67-53	V-1128 Std Only		1.6470" Head Dia., .3420" Stem Dia., 5.0900" O.A.L.
4	Exhaust	67-53	V-1127 Std Only		Rototype; Free valve; 1.5100" Head Dia., .3418" Stem Dia., 5.0900" O.A.L.
4	Exhaust	67-53	FP-V1178		1.5100" Head Dia., .3409" Stem Dia., 4.9800" O.A.L.
4	Exhaust	67-53	V-1178 + Std Only		1.5100" Head Dia., .3409" Stem Dia., 4.9800" O.A.L.; When depleted use FP-V1178
16	Keeper	67-53	VK-115		Exc. Rototype valve; 1 groove; Square cut key groove
16	Keeper	67-53	VK-115R		Exc. Rototype valve; 1 groove; Square cut key groove; Hardened
8	Keeper	67-53	VK-261		W/Rototype
16	Keeper, Bulk	67-53	VK-115B		Exc. Rototype valve; 1 groove; Square cut key groove; Carton of 1000
QTY	VALVE SEAT	YEARS	PART NO.	SIZE	DESCRIPTION
4	Exh.	67-53	245-1625-15 Std Only		1.6300" OD, 1.3750" ID, .2656" Depth
QTY	VALVE GUIDE	YEARS	PART NO.	SIZE	DESCRIPTION
8	Guide	67-53	FP-VG500		.3440" ID, 2.5470" O.A.L.
8	Guide	67-53	VG-500 +		.3440" ID, 2.5470" O.A.L.; When depleted use FP-VG500
QTY	VALVE SPRING	YEARS	PART NO.	SIZE	DESCRIPTION
8	Spring	67-53	VS-1575		2.1250" Free Height
4	Spring Cap	67-53	MV-110		Free valve assy.; use w/V-1178
QTY	PUSH RODS	YEARS	PART NO.	SIZE	DESCRIPTION
8	Push Rod	67-53	RP-3021		9.8200" O.A.L.
QTY	VALVE SEAL	YEARS	PART NO.	SIZE	DESCRIPTION
4	Valve Stem Seal	67-53	MV-1599C		Int.; Umbrella type; Rubber
4	Valve Stem Seal Bulk	67-53	MV-1599		Int.; Umbrella type; Carton of 100; Rubber

CAMSHAFT GROUP

QTY	TIMING	YEARS	PART NO.	SIZE	DESCRIPTION
1	Gear Set	63-53	FP-2214710S		
1	Gear Set	63-53	221-4710S		
1	Cam Gear	63-53	FP-2214710		42 Teeth
1	Cam Gear	63-53	221-4710		42 Teeth
QTY	CAMSHAFT/LIFTER	YEARS	PART NO.	SIZE	DESCRIPTION
8	Lifter	67-53	AT-892 Std Only		Mech.

CRANKSHAFT/OIL PUMP

QTY	CRANKSHAFT	YEARS	PART NO.	SIZE	DESCRIPTION
1	Crank Gear	63-53	FP-2214701		21 Teeth
1	Crank Gear	63-53	221-4701 +		21 Teeth; When depleted use FP-2214701
QTY	MAIN BEARINGS	YEARS	PART NO.	SIZE	DESCRIPTION
1	Main Set	67-53	FP-4001M Std-10-20-30-40		
1	Main Set	67-53	4001M + Std-10-20-30-40		When depleted use FP-4001M
QTY	OIL PUMP	YEARS	PART NO.	SIZE	DESCRIPTION
1	Oil Pump	67-53	FP-22441135		Pump w/1 hole in cover plate; Rotor type
1	Oil Pump	67-53	224-41135 +		Pump w/1 hole in cover plate; Rotor type; When depleted use FP-22441135
1	Oil Pump	67-53	FP-22441137		Pump w/2 holes in cover plate
1	Oil Pump	67-53	224-41137 +		Pump w/2 holes in cover plate; When depleted use FP-22441137

CYLINDER COMPONENTS

QTY	LINERS	YEARS	PART NO.	SIZE	DESCRIPTION
4	Dry Sleeve	67-53	FP-SL167M Std Only		Finished, flanged sleeve.
4	Dry Sleeve	67-53	SL-167M + Std Only		Finished, flanged sleeve.; When depleted use FP-SL167M
4	Sleeve Assy.	67-53	FP-SL1746 Std Only		
4	Sleeve Assy.	67-53	SL-1746 + Std Only		When depleted use FP-SL1746
QTY	PISTONS	YEARS	PART NO.	SIZE	DESCRIPTION
4	Cast Piston	67-53	FP-1027P Std-20-30-40-60		Cast; 2-3/32", 1-3/16" Ring Groove, 2.090" CD, .9122" Pin Dia., Flat Head; Repl. O.E. No. EAE-6108F
4	Cast Piston	67-53	1027P + Std-20-30-40-60		Cast; 2-3/32", 1-3/16" Ring Groove, 2.090" CD, .9122" Pin Dia., Flat Head; Repl. O.E. No. EAE-6108F; When depleted use FP-1027P
4	Cast Piston - Individual	67-53	FP-W1027P Std-20-30-40-60		Cast; 2-3/32", 1-3/16" Ring Groove, 2.090" CD, .9122" Pin Dia., Flat Head; Repl. O.E. No. EAE-6108F
4	Cast Piston - Individual	67-53	W1027P + Std-20-30-40-60		Cast; 2-3/32", 1-3/16" Ring Groove, 2.090" CD, .9122" Pin Dia., Flat Head; Repl. O.E. No. EAE-6108F; When depleted use FP-W1027P

(continued on next page)

+ Superseded Part Number

Ford Industrial Engines

2 Industrial Applications B8PE, E, JE, JE-5, 134GF Engs. (134 Gas) (cont.) 2.2L 134 OHV L4, 3.4375" Bore 1953-67

CYLINDER COMPONENTS (cont.)

QTY	PISTONS (cont.)	YEARS	PART NO.	SIZE	DESCRIPTION
4	Pin Bushing	67-53	1834V20		1.306" length; .020" extra bore stock
4	Pin Bushing	67-53	1834V		1.306" max. length
QTY	CONNECTING RODS & BRGS.	YEARS	PART NO.	SIZE	DESCRIPTION
1	Rod Set	67-53	FP-41830CP	Std-10-20-30	
1	Rod Set	67-53	4-1830CP +	Std-10-20-30	When depleted use FP-41830CP
4	Rod Pair	67-53	1830CP	Std-1-2-10-20-30-40-50	1 oil hole
QTY	PISTON RINGS	YEARS	PART NO.	SIZE	DESCRIPTION
1	Premium Set	67-53	FP-5156KX	Std-30	2-3/32, 1-3/16
1	Premium Set	67-53	5156KX +	Std-30	2-3/32, 1-3/16; When depleted use FP-5156KX
1	Standard Set	67-53	FP-5156X	Std-30-40-60	2-3/32, 1-3/16
1	Standard Set	67-53	5156X +	Std-30-40-60	2-3/32, 1-3/16; When depleted use FP-5156X
4	Premium Single Cylinder Set	67-53	W-5156KX	Std Only	2-3/32, 1-3/16
4	Standard Single Cylinder Set	67-53	W-5156X	Std Only	2-3/32, 1-3/16

3 Industrial Applications DE, E, YSD424, 144DF Engs. (144 Diesel) 2.4L 144 OHV Diesel L4, 3.5625" Bore

CYL. HEAD & PARTS

QTY	VALVE	PART NO.	SIZE	DESCRIPTION
16	Keeper	VK-115		1 groove; Square cut key groove
16	Keeper	VK-115R		1 groove; Square cut key groove; Hardened
16	Keeper, Bulk	VK-115B		1 groove; Square cut key groove; Carton of 1000
QTY	VALVE GUIDE	PART NO.	SIZE	DESCRIPTION
4	Guide	FP-VG500		Exh.; .3440" ID, 2.5470" O.A.L.
4	Guide	VG-500 +		Exh.; .3440" ID, 2.5470" O.A.L.; When depleted use FP-VG500
QTY	VALVE SPRING	PART NO.	SIZE	DESCRIPTION
8	Spring	VS-1575		2.1250" Free Height
QTY	PUSH RODS	PART NO.	SIZE	DESCRIPTION
8	Push Rod	RP-3021		9.8200" O.A.L.
QTY	VALVE SEAL	PART NO.	SIZE	DESCRIPTION
4	Valve Stem Seal	MV-1599C		Int.; Umbrella type; Rubber
4	Valve Stem Seal Bulk	MV-1599		Int.; Umbrella type; Carton of 100; Rubber

CAMSHAFT GROUP

QTY	CAMSHAFT/LIFTER	PART NO.	SIZE	DESCRIPTION
8	Lifter	AT-892	Std Only	Mech.

CRANKSHAFT/OIL PUMP

QTY	SEALS - FRONT CRANK	PART NO.	SIZE	DESCRIPTION
1	Redi-Sleeve	99174		
1	Oil Seal	7486S		
QTY	SEALS - REAR CRANK	PART NO.	SIZE	DESCRIPTION
1	Oil Seal Kit	5095		(Rope Type)
QTY	MAIN BEARINGS	PART NO.	SIZE	DESCRIPTION
1	Main Set	FP-4001M	Std-10-20-30-40	
1	Main Set	4001M +	Std-10-20-30-40	When depleted use FP-4001M
QTY	OIL PUMP	PART NO.	SIZE	DESCRIPTION
1	Oil Pump	FP-22441137		
1	Oil Pump	224-41137 +		When depleted use FP-22441137

CYLINDER COMPONENTS

QTY	PISTONS	PART NO.	SIZE	DESCRIPTION
4	Pin Bushing	1834V20		1.306" length; .020" extra bore stock
4	Pin Bushing	1834V		1.306" max. length
QTY	CONNECTING RODS & BRGS.	PART NO.	SIZE	DESCRIPTION
1	Rod Set	FP-41830CP	Std-10-20-30	
1	Rod Set	4-1830CP +	Std-10-20-30	When depleted use FP-41830CP
4	Rod Pair	1830CP	Std-1-2-10-20-30-40-50	1 oil hole

Ford Industrial Engines

<i>Industrial Applications EE, 144GF Engs. (144 Gas) 4</i> 2.4L 144 OHV L4, 3.5625" Bore 1961-67					
CRANKSHAFT/OIL PUMP					
QTY	SEALS - FRONT CRANK	YEARS	PART NO.	SIZE	DESCRIPTION
1	Redi-Sleeve	67-61	99174		
1	Oil Seal	67-61	7486S		
QTY	SEALS - REAR CRANK	YEARS	PART NO.	SIZE	DESCRIPTION
1	Oil Seal Kit	67-61	5095		(Rope Type)
<i>Industrial Applications BSG326, 158GF Engs. (158 Gas) 5</i> 2.6L 158 OHV L3, 4.2" Bore					
CYLINDER COMPONENTS					
QTY	PISTON RINGS		PART NO.	SIZE	DESCRIPTION
1	Premium Set		FP-E502KC	Std-20-40	2-3/32, 1-3/16 (1 cyl. set)
1	Premium Set		E-502KC +	Std-20-40	2-3/32, 1-3/16 (1 cyl. set); When depleted use FP-E502KC
<i>Industrial Applications BSD326, 158DF Engs. (158 Diesel) 6</i> 2.6L 158 OHV Diesel L3, 4.2" Bore					
CYL. HEAD & PARTS					
QTY	VALVE GUIDE		PART NO.	SIZE	DESCRIPTION
6	Guide		FP-VG5084T		Exh. & Int.; .3750" ID, 3.9690" O.A.L.
CYLINDER COMPONENTS					
QTY	PISTON RINGS		PART NO.	SIZE	DESCRIPTION
1	Premium Set		FP-E503KC	Std-20-30-40	3-3/32, 1-3/16 (1 cyl. set)
1	Premium Set		E-503KC +	Std-20-30-40	3-3/32, 1-3/16 (1 cyl. set); When depleted use FP-E503KC
<i>Industrial Applications LSG628, 170GF Engs. (170 Gas) 7</i> 2.8L 170 OHV L6, 3.5" Bore					
ENGINE BLOCK & PARTS					
QTY	GASKET SETS		PART NO.	SIZE	DESCRIPTION
1	Kit Gasket Set		260-1002		Premium valve stem seals incl.
QTY	CAM BEARINGS		PART NO.	SIZE	DESCRIPTION
1	Cam Set		1439M	Std Only	
CRANKSHAFT/OIL PUMP					
QTY	SEALS - FRONT CRANK		PART NO.	SIZE	DESCRIPTION
1	Redi-Sleeve		99174		
1	Oil Seal		7486S		
QTY	SEALS - REAR CRANK		PART NO.	SIZE	DESCRIPTION
1	Oil Seal Kit		5095		(Rope Type)
QTY	MAIN BEARINGS		PART NO.	SIZE	DESCRIPTION
1	Main Set		4222M	Std-10-20	
CYLINDER COMPONENTS					
QTY	PISTONS		PART NO.	SIZE	DESCRIPTION
6	Cast Piston		302NP	Std-30-40-60	Cast; 2-5/64", 1-3/16" Ring Groove, 1.580" CD, .9122" Pin Dia., Flat Head - 8.5:1 C.R.
6	Cast Piston - Individual		W302NP	Std-30-40-60	Cast; 2-5/64", 1-3/16" Ring Groove, 1.580" CD, .9122" Pin Dia., Flat Head - 8.5:1 C.R.
QTY	CONNECTING RODS & BRGS.		PART NO.	SIZE	DESCRIPTION
1	Rod Set		6-2380CP	Std-1-10-20-30-40	
6	Rod Pair		2380CP	Std-1-10-20-30-40	
QTY	PISTON RINGS		PART NO.	SIZE	DESCRIPTION
1	Premium Set		E-197K	Std-20-30-40-60	2-5/64, 1-3/16
1	Standard Set		E-197X	Std-20-30-40-60	2-5/64, 1-3/16
6	Premium Single Cylinder Set		WE-197K	Std-20-30	2-5/64, 1-3/16
6	Standard Single Cylinder Set		WE-197X	Std-20-30-40-60	2-5/64, 1-3/16

Ford Industrial Engines

8 Industrial Applications D, JD, JD-5, 172GF Eng. (172 Gas) 2.8L 172 OHV L4, 3.9063" Bore 1953-78

CYL. HEAD & PARTS					
QTY	VALVE	YEARS	PART NO.	SIZE	DESCRIPTION
4	Intake	67-53	V-1128	Std Only	1.6470" Head Dia., .3420" Stem Dia., 5.0900" O.A.L.
4	Exhaust	67-53	FP-V1178		Rototype; 1.5100" Head Dia., .3409" Stem Dia., 4.9800" O.A.L.
4	Exhaust	67-53	V-1178 +	Std Only	Rototype; 1.5100" Head Dia., .3409" Stem Dia., 4.9800" O.A.L.; When depleted use FP-V1178
8	Keeper	67-53	VK-261		Exh.
8	Keeper	67-53	VK-115		Int.; 1 groove; Square cut key groove
8	Keeper	67-53	VK-115R		Int.; 1 groove; Square cut key groove; Hardened
8	Keeper, Bulk	67-53	VK-115B		Int.; 1 groove; Square cut key groove; Carton of 1000
QTY	VALVE SEAT	YEARS	PART NO.	SIZE	DESCRIPTION
4	Exh.	67-53	245-1625-15	Std Only	1.6300" OD, 1.3750" ID, .2656" Depth
QTY	VALVE GUIDE	YEARS	PART NO.	SIZE	DESCRIPTION
4	Guide	67-53	FP-VG500		.3440" ID, 2.5470" O.A.L.
4	Guide	67-53	VG-500 +		.3440" ID, 2.5470" O.A.L.; When depleted use FP-VG500
QTY	VALVE SPRING	YEARS	PART NO.	SIZE	DESCRIPTION
8	Spring	67-53	VS-1575		2.1250" Free Height
4	Spring Cap	67-53	MV-110		Free valve assy.; use w/V-1178
QTY	PUSH RODS	YEARS	PART NO.	SIZE	DESCRIPTION
8	Push Rod	67-53	RP-3021		9.8200" O.A.L.
QTY	VALVE SEAL	YEARS	PART NO.	SIZE	DESCRIPTION
8	Valve Stem Seal	67-53	ST-2001		Positive type; Installation requires valve guide machining; Rubber/PTFE
8	Valve Stem Seal	67-53	MV-1796C		Umbrella type; Fits Std. to .015" O/S valve stem; Rubber
8	Valve Stem Seal Bulk	67-53	ST-2001BC		Positive type; Installation requires valve guide machining; Carton of 100; Rubber/PTFE
8	Valve Stem Seal Bulk	67-53	MV-1796		Umbrella type; Fits Std. to .015" O/S valve stem; Carton of 100; Rubber
CAMSHAFT GROUP					
QTY	TIMING	YEARS	PART NO.	SIZE	DESCRIPTION
1	Gear Set	67-53	FP-2214710S		
1	Gear Set	67-53	221-4710S		
1	Cam Gear	67-53	FP-2214710		42 Teeth
1	Cam Gear	67-53	221-4710		42 Teeth
QTY	CAMSHAFT/LIFTER	YEARS	PART NO.	SIZE	DESCRIPTION
8	Lifter	67-55	AT-892	Std Only	Mech.
CRANKSHAFT/OIL PUMP					
QTY	CRANKSHAFT	YEARS	PART NO.	SIZE	DESCRIPTION
1	Crank Gear	67-53	FP-2214701		21 Teeth
1	Crank Gear	67-53	221-4701 +		21 Teeth; When depleted use FP-2214701
QTY	MAIN BEARINGS	YEARS	PART NO.	SIZE	DESCRIPTION
1	Main Set	67-53	FP-4001M	Std-10-20-30-40	
1	Main Set	67-53	4001M +	Std-10-20-30-40	When depleted use FP-4001M
QTY	OIL PUMP	YEARS	PART NO.	SIZE	DESCRIPTION
1	Oil Pump	67-53	FP-22441135		Pump w/1 hole in cover plate; Rotor type
1	Oil Pump	67-53	224-41135 +		Pump w/1 hole in cover plate; Rotor type; When depleted use FP-22441135
1	Oil Pump	67-53	FP-22441137		Pump w/2 holes in cover plate
1	Oil Pump	67-53	224-41137 +		Pump w/2 holes in cover plate; When depleted use FP-22441137
CYLINDER COMPONENTS					
QTY	LINERS	YEARS	PART NO.	SIZE	DESCRIPTION
4	Dry Sleeve		FP-SL173M	Std Only	Finished, flanged sleeve w/.100" wall
4	Dry Sleeve		SL-173M +	Std Only	Finished, flanged sleeve w/.100" wall; When depleted use FP-SL173M
4	Sleeve Assy.		FP-SL1853	Std Only	Includes forged piston
QTY	PISTONS	YEARS	PART NO.	SIZE	DESCRIPTION
4	Powerforged		FP-L2098F	Std-30-60	Powerforged; 2-3/32", 1-3/16" Ring Groove, 2.087" CD, .9122" Pin Dia., Flat Head; Repl. O.E. No. EAF-6108F; Casting No. EAF-6110F
4	Forged Piston - Individual		FP-WL2098F	Std-30-60	Powerforged; 2-3/32", 1-3/16" Ring Groove, 2.087" CD, .9122" Pin Dia., Flat Head; Repl. O.E. No. EAF-6108F; Casting No. EAF-6110F

(continued on next page)

Ford Industrial Engines

Industrial Applications D, JD, JD-5, 172GF Eng. (172 Gas) 8 2.8L 172 OHV L4, 3.9063" Bore 1953-78 (cont.)

CYLINDER COMPONENTS (cont.)

QTY	PARTS (cont.)	YEARS	PART NO.	SIZE	DESCRIPTION
4	Forged Piston - Individual		WL-2098F + Std-30-60		Powerforged; 2-3/32", 1-3/16" Ring Groove, 2.087" CD, .9122" Pin Dia., Flat Head; Repl. O.E. No. EAF-6108F; Casting No. EAF-6110F; When depleted use FP-WL2098F
4	Pin Bushing	67-53	1834V20		1.306" length; .020" extra bore stock
4	Pin Bushing	67-53	1834V		1.306" max. length
QTY	CONNECTING RODS & BRGS.	YEARS	PART NO.	SIZE	DESCRIPTION
1	Rod Set	67-53	FP-41830CP	Std-10-20-30	
1	Rod Set	67-53	4-1830CP +	Std-10-20-30	When depleted use FP-41830CP
4	Rod Pair	67-53	1830CP	Std-1-2-10-20-30-40-50	1 oil hole
QTY	PISTON RINGS	YEARS	PART NO.	SIZE	DESCRIPTION
1	Premium Set	78-73	FP-5166KX	Std-20-30-40-60	2-3/32, 1-3/16
1	Premium Set	78-73	5166KX +	Std-20-30-40-60	2-3/32, 1-3/16; When depleted use FP-5166KX
1	Standard Set	78-73	FP-5166X	Std-20-30-40-60	2-3/32, 1-3/16
1	Standard Set	78-73	5166X +	Std-20-30-40-60	2-3/32, 1-3/16; When depleted use FP-5166X
4	Premium Single Cylinder Set	78-73	W-5166KX	Std-30	2-3/32, 1-3/16

Industrial Applications B, B8PD, DD, JD, JD-5, 172DF Eng. (172 Diesel) 9 2.8L 172 OHV Diesel L4, 3.9063" Bore 1958-67

CYL. HEAD & PARTS

QTY	VALVE	YEARS	PART NO.	SIZE	DESCRIPTION
4	Intake	67-58	FP-V2087		1.6470" Head Dia., .3418" Stem Dia., 5.9330" O.A.L.
4	Intake	67-58	V-2087 +	Std Only	1.6470" Head Dia., .3418" Stem Dia., 5.9330" O.A.L.; When depleted use FP-V2087
4	Exhaust	67-58	FP-V2086		Rototype; 1.5100" Head Dia., .3410" Stem Dia., 5.8250" O.A.L.
4	Exhaust	67-58	V-2086 +	Std Only	Rototype; 1.5100" Head Dia., .3410" Stem Dia., 5.8250" O.A.L.; When depleted use FP-V2086
8	Keeper	67-58	VK-261		Exh.
8	Keeper	67-58	VK-115		Int.; 1 groove; Square cut key groove
8	Keeper	67-58	VK-115R		Int.; 1 groove; Square cut key groove; Hardened
8	Keeper, Bulk	67-58	VK-115B		Int.; 1 groove; Square cut key groove; Carton of 1000
QTY	VALVE SEAT	YEARS	PART NO.	SIZE	DESCRIPTION
4	Exh.	67-58	245-1625-15	Std Only	1.6300" OD, 1.3750" ID, .2656" Depth
QTY	VALVE GUIDE	YEARS	PART NO.	SIZE	DESCRIPTION
4	Guide	67-58	FP-VG500		Exh.; .3440" ID, 2.5470" O.A.L.
4	Guide	67-58	VG-500 +		Exh.; .3440" ID, 2.5470" O.A.L.; When depleted use FP-VG500
QTY	VALVE SPRING	YEARS	PART NO.	SIZE	DESCRIPTION
8	Spring	67-58	VS-718		2.0280" Free Height
QTY	PUSH RODS	YEARS	PART NO.	SIZE	DESCRIPTION
8	Push Rod	67-58	RP-3021		9.8200" O.A.L.
QTY	VALVE SEAL	YEARS	PART NO.	SIZE	DESCRIPTION
8	Valve Stem Seal	67-58	ST-2001		Positive type; Installation requires valve guide machining; Rubber/PTFE
8	Valve Stem Seal	67-58	MV-1796C		Umbrella type; Fits Std. to .015" O/S valve stem; Rubber
8	Valve Stem Seal Bulk	67-58	ST-2001BC		Positive type; Installation requires valve guide machining; Carton of 100; Rubber/PTFE
8	Valve Stem Seal Bulk	67-58	MV-1796		Umbrella type; Fits Std. to .015" O/S valve stem; Carton of 100; Rubber

CAMSHAFT GROUP

QTY	TIMING	YEARS	PART NO.	SIZE	DESCRIPTION
1	Gear Set	67-58	FP-2214710S		
1	Gear Set	67-58	221-4710S		
1	Cam Gear	67-58	FP-2214710		42 Teeth
1	Cam Gear	67-58	221-4710		42 Teeth
QTY	CAMSHAFT/LIFTER	YEARS	PART NO.	SIZE	DESCRIPTION
8	Lifter	67-58	AT-892	Std Only	Mech.

CRANKSHAFT/OIL PUMP

QTY	CRANKSHAFT	YEARS	PART NO.	SIZE	DESCRIPTION
1	Crank Gear	67-58	FP-2214701		21 Teeth

(continued on next page)

Ford Industrial Engines

9 Industrial Applications B, B8PD, DD, JD, JD-5, 172DF Engs. (172 Diesel)					
(cont.) 2.8L 172 OHV Diesel L4, 3.9063" Bore 1958-67					
CRANKSHAFT/OIL PUMP (cont.)					
QTY	CRANKSHAFT (cont.)	YEARS	PART NO.	SIZE	DESCRIPTION
1	Crank Gear	67-58	221-4701 +		21 Teeth; When depleted use FP-2214701
QTY	MAIN BEARINGS	YEARS	PART NO.	SIZE	DESCRIPTION
1	Main Set	67-58	FP-4001M	<i>Std-10-20-30-40</i>	
1	Main Set	67-58	4001M +	<i>Std-10-20-30-40</i>	When depleted use FP-4001M
QTY	OIL PUMP	YEARS	PART NO.	SIZE	DESCRIPTION
1	Oil Pump	67-58	FP-22441135		Pump w/1 hole in cover plate; Rotor type
1	Oil Pump	67-58	224-41135 +		Pump w/1 hole in cover plate; Rotor type; When depleted use FP-22441135
1	Oil Pump	67-58	FP-22441137		Pump w/2 holes in cover plate
1	Oil Pump	67-58	224-41137 +		Pump w/2 holes in cover plate; When depleted use FP-22441137
CYLINDER COMPONENTS					
QTY	LINERS	YEARS	PART NO.	SIZE	DESCRIPTION
4	Dry Sleeve		FP-SL173M	<i>Std Only</i>	Finished, flanged sleeve w/.100" wall
4	Dry Sleeve		SL-173M +	<i>Std Only</i>	Finished, flanged sleeve w/.100" wall; When depleted use FP-SL173M
4	Sleeve Assy.		FP-SL2170	<i>Std Only</i>	
4	Sleeve Assy.		SL-2170 +	<i>Std Only</i>	When depleted use FP-SL2170
QTY	PISTONS	YEARS	PART NO.	SIZE	DESCRIPTION
4	Cast Piston		FP-2170P	<i>Std-20-30-40</i>	To 1974. 5-ring piston; Cast; 3-3/32", 2-3/16" Ring Groove, 2.125" CD, 1.2493" Pin Dia., Recessed Head w/2 valve reliefs
4	Cast Piston		2170P +	<i>Std-20-30-40</i>	To 1974. 5-ring piston; Cast; 3-3/32", 2-3/16" Ring Groove, 2.125" CD, 1.2493" Pin Dia., Recessed Head w/2 valve reliefs; When depleted use FP-2170P
4	Pin Bushing	67-58	FP-1839V		172 Diesel Engs.
4	Pin Bushing	67-58	1839V +		172 Diesel Engs.; When depleted use FP-1839V
QTY	CONNECTING RODS & BRGS.	YEARS	PART NO.	SIZE	DESCRIPTION
1	Rod Set	67-58	FP-41830CP	<i>Std-10-20-30</i>	
1	Rod Set	67-58	4-1830CP +	<i>Std-10-20-30</i>	When depleted use FP-41830CP
4	Rod Pair	67-58	1830CP	<i>Std-1-2-10-20-30-40-50</i>	1 oil hole
QTY	PISTON RINGS	YEARS	PART NO.	SIZE	DESCRIPTION
1	Premium Set		FP-5166KX	<i>Std-20-30-40-60</i>	Check piston grooving before supplying ring set; 2-3/32, 1-3/16
1	Premium Set		5166KX +	<i>Std-20-30-40-60</i>	Check piston grooving before supplying ring set; 2-3/32, 1-3/16; When depleted use FP-5166KX
1	Premium Set		FP-5676KX	<i>Std-20-30-40</i>	Check piston grooving before supplying ring set; 3-3/32, 2-3/16
1	Premium Set		5676KX +	<i>Std-20-30-40</i>	Check piston grooving before supplying ring set; 3-3/32, 2-3/16; When depleted use FP-5676KX
1	Standard Set		FP-5166X	<i>Std-20-30-40-60</i>	Check piston grooving before supplying ring set; 2-3/32, 1-3/16
1	Standard Set		5166X +	<i>Std-20-30-40-60</i>	Check piston grooving before supplying ring set; 2-3/32, 1-3/16; When depleted use FP-5166X
4	Premium Single Cylinder Set		W-5166KX	<i>Std-30</i>	Check piston grooving before supplying ring set; 2-3/32, 1-3/16
4	Premium Single Cylinder Set		W-5676KX	<i>Std Only</i>	Check piston grooving before supplying ring set; 3-3/32, 2-3/16
10 Industrial Applications BSD329, 175DF Engs. (175 Diesel)					
2.9L 175 OHV Diesel L3, 4.2" Bore					
CYL. HEAD & PARTS					
QTY	VALVE GUIDE		PART NO.	SIZE	DESCRIPTION
6	Guide		FP-VG5084T		Exh. & Int.; .3750" ID, 3.9690" O.A.L.
CRANKSHAFT/OIL PUMP					
QTY	OIL PUMP		PART NO.	SIZE	DESCRIPTION
1	Oil Pump		FP-22441979		Overall pump body length - 3.80", Repl. O.E. Nos. D1NN-6600D & E1NN-6600DC
1	Oil Pump		224-41979 +		Overall pump body length - 3.80", Repl. O.E. Nos. D1NN-6600D & E1NN-6600DC; When depleted use FP-22441979
CYLINDER COMPONENTS					
QTY	PISTON RINGS		PART NO.	SIZE	DESCRIPTION
1	Premium Set		FP-E503KC	<i>Std-20-30-40</i>	3-3/32, 1-3/16 (1 cyl. set)
1	Premium Set		E-503KC +	<i>Std-20-30-40</i>	3-3/32, 1-3/16 (1 cyl. set); When depleted use FP-E503KC

Ford Industrial Engines

Industrial Applications Industrial, 192DF Eng. (192 Diesel) 11 3.2L 192 OHV Diesel L4, 4.125" Bore

CYL. HEAD & PARTS				
QTY	VALVE	PART NO.	SIZE	DESCRIPTION
4	Intake	FP-V2087		1.6470" Head Dia., .3418" Stem Dia., 5.9330" O.A.L.
4	Intake	V-2087 +	Std Only	1.6470" Head Dia., .3418" Stem Dia., 5.9330" O.A.L.; When depleted use FP-V2087
4	Exhaust	FP-V2086		1.5100" Head Dia., .3410" Stem Dia., 5.8250" O.A.L.
4	Exhaust	V-2086 +	Std Only	1.5100" Head Dia., .3410" Stem Dia., 5.8250" O.A.L.; When depleted use FP-V2086
16	Keeper	VK-115		1 groove; Square cut key groove
16	Keeper	VK-115R		1 groove; Square cut key groove; Hardened
16	Keeper, Bulk	VK-115B		1 groove; Square cut key groove; Carton of 1000
QTY	VALVE GUIDE	PART NO.	SIZE	DESCRIPTION
8	Guide	FP-VG500		.3440" ID, 2.5470" O.A.L.
8	Guide	VG-500 +		.3440" ID, 2.5470" O.A.L.; When depleted use FP-VG500
QTY	VALVE SPRING	PART NO.	SIZE	DESCRIPTION
8	Spring	VS-718		2.0280" Free Height
QTY	PUSH RODS	PART NO.	SIZE	DESCRIPTION
8	Push Rod	RP-3021		9.8200" O.A.L.
CAMSHAFT GROUP				
QTY	CAMSHAFT/LIFTER	PART NO.	SIZE	DESCRIPTION
8	Lifter	AT-892	Std Only	Mech.
CRANKSHAFT/OIL PUMP				
QTY	MAIN BEARINGS	PART NO.	SIZE	DESCRIPTION
1	Main Set	FP-4001M	Std-10-20-30-40	
1	Main Set	4001M +	Std-10-20-30-40	When depleted use FP-4001M
QTY	OIL PUMP	PART NO.	SIZE	DESCRIPTION
1	Oil Pump	FP-22441137		
1	Oil Pump	224-41137 +		When depleted use FP-22441137
CYLINDER COMPONENTS				
QTY	CONNECTING RODS & BRGS.	PART NO.	SIZE	DESCRIPTION
1	Rod Set	FP-41830CP	Std-10-20-30	
1	Rod Set	4-1830CP +	Std-10-20-30	When depleted use FP-41830CP
4	Rod Pair	1830CP	Std-1-2-10-20-30-40-50	1 oil hole
QTY	PISTON RINGS	PART NO.	SIZE	DESCRIPTION
1	Premium Set	FP-9841KX	Std-20-30	2-5/64, 1-3/16
1	Premium Set	9841KX +	Std-20-30	2-5/64, 1-3/16; When depleted use FP-9841KX
Industrial Applications 192GF, 192GFO Eng. (192 Gas) 12 3.2L 192 OHV L4, 4.125" Bore				
CYL. HEAD & PARTS				
QTY	VALVE	PART NO.	SIZE	DESCRIPTION
4	Intake	V-1128	Std Only	1.6470" Head Dia., .3420" Stem Dia., 5.0900" O.A.L.
4	Exhaust	FP-V1178		Rototype; 1.5100" Head Dia., .3409" Stem Dia., 4.9800" O.A.L.
4	Exhaust	V-1178 +	Std Only	Rototype; 1.5100" Head Dia., .3409" Stem Dia., 4.9800" O.A.L.; When depleted use FP-V1178
8	Keeper	VK-261		Exh.
8	Keeper	VK-115		Int.; 1 groove; Square cut key groove
8	Keeper	VK-115R		Int.; 1 groove; Square cut key groove; Hardened
8	Keeper, Bulk	VK-115B		Int.; 1 groove; Square cut key groove; Carton of 1000
QTY	VALVE SEAT	PART NO.	SIZE	DESCRIPTION
4	Exh.	245-1625-15	Std Only	1.6300" OD, 1.3750" ID, .2656" Depth
QTY	VALVE GUIDE	PART NO.	SIZE	DESCRIPTION
8	Guide	FP-VG500		.3440" ID, 2.5470" O.A.L.
8	Guide	VG-500 +		.3440" ID, 2.5470" O.A.L.; When depleted use FP-VG500
QTY	VALVE SPRING	PART NO.	SIZE	DESCRIPTION
8	Spring	VS-718		2.0280" Free Height
4	Spring Cap	MV-110		Free valve assy.; use w/V-1178
QTY	PUSH RODS	PART NO.	SIZE	DESCRIPTION
16	Push Rod	RP-3021		9.8200" O.A.L.

(continued on next page)

Ford Industrial Engines

12 Industrial Applications 192GF, 192GFO Eng. (192 Gas) (cont.) 3.2L 192 OHV L4, 4.125" Bore

CYL. HEAD & PARTS (cont.)					
QTY	VALVE SEAL		PART NO.	SIZE	DESCRIPTION
8	Valve Stem Seal		MV-1796C		Umbrella type; Fits Std. to .015" O/S valve stem; Rubber
8	Valve Stem Seal Bulk		MV-1796		Umbrella type; Fits Std. to .015" O/S valve stem; Carton of 100; Rubber
CAMSHAFT GROUP					
QTY	CAMSHAFT/LIFTER		PART NO.	SIZE	DESCRIPTION
8	Lifter		AT-892	Std Only	Mech.
CRANKSHAFT/OIL PUMP					
QTY	MAIN BEARINGS		PART NO.	SIZE	DESCRIPTION
1	Main Set		FP-4001M	Std-10-20-30-40	
1	Main Set		4001M +	Std-10-20-30-40	When depleted use FP-4001M
QTY	OIL PUMP		PART NO.	SIZE	DESCRIPTION
1	Oil Pump		FP-22441137		
1	Oil Pump		224-41137 +		When depleted use FP-22441137
CYLINDER COMPONENTS					
QTY	PISTONS		PART NO.	SIZE	DESCRIPTION
4	Powerforged		FP-L2461F	Std-20-30	1972-78; Powerforged; 2-5/64", 1-3/16" Ring Groove, 2.090" CD, .9123" Pin Dia., Flat Head; DUROSHIELD® skirt coated piston
4	Powerforged		L-2461F +	Std-20-30	1972-78; Powerforged; 2-5/64", 1-3/16" Ring Groove, 2.090" CD, .9123" Pin Dia., Flat Head; DUROSHIELD® skirt coated piston; When depleted use FP-L2461F
4	Forged Piston - Individual		FP-WL2461F	Std-20-30	1972-78; Powerforged; 2-5/64", 1-3/16" Ring Groove, 2.090" CD, .9123" Pin Dia., Flat Head; DUROSHIELD® skirt coated piston
4	Forged Piston - Individual		WL-2461F +	Std-20-30	1972-78; Powerforged; 2-5/64", 1-3/16" Ring Groove, 2.090" CD, .9123" Pin Dia., Flat Head; DUROSHIELD® skirt coated piston; When depleted use FP-WL2461F
4	Pin Bushing		1834V20		1.306" length; .020" extra bore stock
4	Pin Bushing		1834V		1.306" max. length
QTY	CONNECTING RODS & BRGS.		PART NO.	SIZE	DESCRIPTION
1	Rod Set		FP-41830CP	Std-10-20-30	
1	Rod Set		4-1830CP +	Std-10-20-30	When depleted use FP-41830CP
4	Rod Pair		1830CP	Std-1-2-10-20-30-40-50	1 oil hole
QTY	PISTON RINGS		PART NO.	SIZE	DESCRIPTION
1	Premium Set		FP-9841KX	Std-20-30	2-5/64, 1-3/16
1	Premium Set		9841KX +	Std-20-30	2-5/64, 1-3/16; When depleted use FP-9841KX

13 Industrial Applications LSG633, 200GF Eng. (200 Gas) 3.3L 200 OHV L6, 3.68" Bore 1968-2000

CYL. HEAD & PARTS					
QTY	VALVE	YEARS	PART NO.	SIZE	DESCRIPTION
6	Intake	80-77	V-2073	Std Only	Chrome plated stem; 1.7510" Head Dia., .3103" Stem Dia., 4.2600" O.A.L.
6	Intake	76-68	V-1717	Std Only	w/o Chrome plated stem; 1.6555" Head Dia., .3102" Stem Dia., 4.2638" O.A.L.
24	Keeper	80-69	VK-144		1 groove; Square cut key groove
24	Keeper	80-69	VK-144R		1 groove; Square cut key groove; Hardened
QTY	VALVE GUIDE	YEARS	PART NO.	SIZE	DESCRIPTION
12	Guide	80-68	VG-5009		.3120" ID, 1.8800" O.A.L.
QTY	VALVE SPRING	YEARS	PART NO.	SIZE	DESCRIPTION
6	Spring	80-68	VS-624		Int.; 1.8280" Free Height
QTY	PUSH RODS	YEARS	PART NO.	SIZE	DESCRIPTION
12	Push Rod	80-68	RP-3176A		W/Non-adj. rocker arms; +1/16" longer length; 8.4100" O.A.L.
12	Push Rod	80-68	RP-3176B		W/Non-adj. rocker arms; -1/16" shorter length; 8.2900" O.A.L.
12	Push Rod	80-68	RP-3176		W/Non-adj. rocker arms; Std. length; 8.3500" O.A.L.
12	Push Rod, Bulk	80-68	BRP-3176		W/Non-adj. rocker arms; Std. length; Carton of 100; 8.3500" O.A.L.
QTY	VALVE SEAL	YEARS	PART NO.	SIZE	DESCRIPTION
12	Valve Stem Seal	80-68	FP-ST2005		Positive type; Installation requires valve guide machining; Rubber/PTFE
12	Valve Stem Seal	80-69	MV-1796A		Umbrella type; Fits Std. to .015" O/S valve stem

(continued on next page)

Ford Industrial Engines

Industrial Applications LSG633, 200GF Engs. (200 Gas) 13 3.3L 200 OHV L6, 3.68" Bore 1968-2000 (cont.)

CYL. HEAD & PARTS (cont.)					
QTY	VALVE SEAL (cont.)	YEARS	PART NO.	SIZE	DESCRIPTION
12	Valve Stem Seal Bulk	80-69	MV-1796		Umbrella type; Fits Std. to .015" O/S valve stem; Carton of 100; Rubber
QTY	ROCKER PARTS	YEARS	PART NO.	SIZE	DESCRIPTION
1	Rocker Shaft	80-69	RS-619		
CAMSHAFT GROUP					
QTY	TIMING	YEARS	PART NO.	SIZE	DESCRIPTION
1	Timing Chain	80-68	222-354		Silent type; 1" wide chain; 56 Links
1	Crank Sprocket	80-68	223-397		19 Teeth
1	Cam Sprocket	80-68	223-308		38 Teeth
QTY	CAMSHAFT/LIFTER	YEARS	PART NO.	SIZE	DESCRIPTION
1	Camshaft	80-68	CS-448		Hyd.
12	Lifter	80-68	HT-2083	Std Only	Hyd.
12	Lifter, Bulk	80-68	HT-2083B	Std Only	Hyd.; Carton of 122
1	Prelube	80-68	55-400		4 oz. bottle; 1.5 oz. packet No. 55-403 also avail.
QTY	CAMSHAFT KIT	YEARS	PART NO.	SIZE	DESCRIPTION
1	Cam/Lifter Kit	80-68	KC-448		Hyd.; Incl. (1) CS-448, (12) HT-2083, (1) 55-403B
ENGINE BLOCK & PARTS					
QTY	GASKET SETS	YEARS	PART NO.	SIZE	DESCRIPTION
1	Kit Gasket Set		260-1002		Premium valve stem seals incl.
QTY	CAM BEARINGS	YEARS	PART NO.	SIZE	DESCRIPTION
1	Cam Set		1439M	Std Only	
CRANKSHAFT/OIL PUMP					
QTY	SEALS - FRONT CRANK	YEARS	PART NO.	SIZE	DESCRIPTION
1	Redi-Sleeve	80-68	99174		
1	Oil Seal	80-68	7486S		
QTY	SEALS - REAR CRANK	YEARS	PART NO.	SIZE	DESCRIPTION
1	Oil Seal Kit	80-68	5095		(Rope Type)
QTY	MAIN BEARINGS	YEARS	PART NO.	SIZE	DESCRIPTION
1	Main Set		5071M	Std-1-10-20-30	From 5/75; 7 partial groove brgs.
1	Main Set		4290M	Std-10-20-30-40	To 4/75; 7 full groove brgs.
1	Main Set		4222M	Std-10-20	W/4 brgs.
QTY	OIL PUMP	YEARS	PART NO.	SIZE	DESCRIPTION
1	Oil Pump	80-68	224-41146		
1	Inter. Shaft	80-68	224-61120		
1	Screen Assy.	80-68	224-11146		
CYLINDER COMPONENTS					
QTY	CONNECTING RODS & BRGS.	YEARS	PART NO.	SIZE	DESCRIPTION
1	Rod Set		6-2380CP	Std-1-10-20-30-40	
6	Rod Pair		2380CP	Std-1-10-20-30-40	
QTY	PISTON RINGS	YEARS	PART NO.	SIZE	DESCRIPTION
1	Premium Set	00-68	E-219K	Std-20-30-40-60	2-5/64, 1-3/16
1	Standard Set	00-68	E-219X	Std-20-30-40-60	2-5/64, 1-3/16
6	Premium Single Cylinder Set	00-68	WE-219K	Std-20-30-40-60	2-5/64, 1-3/16
6	Standard Single Cylinder Set	00-68	WE-219X	Std-20-30-40-60	2-5/64, 1-3/16
Industrial Applications BSD333, 201DF Engs. (201 Diesel) 14 3.3L 201 OHV Diesel L3, 4.4" Bore					
CYL. HEAD & PARTS					
QTY	VALVE	YEARS	PART NO.	SIZE	DESCRIPTION
3	Intake		FP-V3945		1.8050" Head Dia., .3714" Stem Dia., 5.7430" O.A.L.
3	Intake		V-3945 +	Std Only	1.8050" Head Dia., .3714" Stem Dia., 5.7430" O.A.L.; When depleted use FP-V3945
3	Exhaust		FP-V2494		1.5000" Head Dia., .3705" Stem Dia., 5.7440" O.A.L.

(continued on next page)

Ford Industrial Engines

14 Industrial Applications BSD333, 201DF Eng. (201 Diesel) (cont.) 3.3L 201 OHV Diesel L3, 4.4" Bore

CYL. HEAD & PARTS (cont.)				
QTY	VALVE (cont.)	PART NO.	SIZE	DESCRIPTION
3	Exhaust	V-2494 +	Std Only	1.5000" Head Dia., .3705" Stem Dia., 5.7440" O.A.L.; When depleted use FP-V2494
12	Keeper	FP-41339		Exh. & Int.; 1 groove; Square cut key groove
QTY	VALVE GUIDE	PART NO.	SIZE	DESCRIPTION
6	Guide	FP-VG5084T		Exh. & Int.; .3750" ID, 3.9690" O.A.L.
ENGINE BLOCK & PARTS				
QTY	CAM BEARINGS	PART NO.	SIZE	DESCRIPTION
1	Cam Set	FP-1477M	Std Only	
1	Cam Set	1477M +	Std Only	When depleted use FP-1477M
CRANKSHAFT/OIL PUMP				
QTY	MAIN BEARINGS	PART NO.	SIZE	DESCRIPTION
1	Main Set	FP-5187M	Std-10-20	
1	Main Set	5187M +	Std-10-20	When depleted use FP-5187M
QTY	OIL PUMP	PART NO.	SIZE	DESCRIPTION
1	Oil Pump	FP-22441979		Overall pump body length - 3.80", Repl. O.E. Nos. D1NN-6600D & E1NN-6600DC
1	Oil Pump	224-41979 +		Overall pump body length - 3.80", Repl. O.E. Nos. D1NN-6600D & E1NN-6600DC; When depleted use FP-22441979
CYLINDER COMPONENTS				
QTY	LINERS	PART NO.	SIZE	DESCRIPTION
3	Dry Sleeve	FP-SL401M	Std Only	Flanged, press fit design; To be bored & honed in place; .053" Wall
3	Dry Sleeve	SL-401M +	Std Only	Flanged, press fit design; To be bored & honed in place; When depleted use FP-SL401M
QTY	PISTONS	PART NO.	SIZE	DESCRIPTION
3	Cast Piston	FP-2359PN	Std-20-40	Exc. Turbo; Cast; 3-3/32", 1-3/16" Ring Groove, 2.662" CD, 1.5000" Pin Dia., Recessed Head .870" deep x 2.280" dia. - 16.5:1 C.R.; Repl O.E. No. C5NN-6108AD; Casting No. C5NN-6110H
3	Cast Piston	2359PN +	Std-20-40	Exc. Turbo; Cast; 3-3/32", 1-3/16" Ring Groove, 2.662" CD, 1.5000" Pin Dia., Recessed Head .870" deep x 2.280" dia. - 16.5:1 C.R.; Repl O.E. No. C5NN-6108AD; Casting No. C5NN-6110H; When depleted use FP-2359PN
3	Cast Piston	FP-2692PN	Std-20-40	Turbo; Cast; 1-1/8", 2-3/32", 1-3/16" Ring Groove, 2.670" CD, 1.6250" Pin Dia., Recessed Head .817" deep x 2.280" dia. - 16.0:1 C.R.; Repl. O.E. No. D5NN-6110G
3	Cast Piston	2692PN +	Std-20-40	Turbo; Cast; 1-1/8", 2-3/32", 1-3/16" Ring Groove, 2.670" CD, 1.6250" Pin Dia., Recessed Head .817" deep x 2.280" dia. - 16.0:1 C.R.; Repl. O.E. No. D5NN-6110G; When depleted use FP-2692PN
QTY	CONNECTING RODS & BRGS.	PART NO.	SIZE	DESCRIPTION
3	Rod Pair	FP-3105P	Std-10-20-30	
3	Rod Pair	3105P +	Std-10-20-30	When depleted use FP-3105P
QTY	PISTON RINGS	PART NO.	SIZE	DESCRIPTION
1	Premium Set	FP-E504KC	Std-20-40	Exc. Turbo; 3-3/32, 1-3/16 (3 cyl. set)
1	Premium Set	E-504KC +	Std-20-40	Exc. Turbo; 3-3/32, 1-3/16 (3 cyl. set); When depleted use FP-E504KC
1	Premium Set	FP-E505KC	Std-20-30-40	Turbo; 1-1/8, 2-3/32, 1-3/16 (2 cyl. set)
1	Premium Set	E-505KC +	Std-20-30	Turbo; 1-1/8, 2-3/32, 1-3/16 (2 cyl. set); When depleted use FP-E505KC
3	Premium Single Cylinder Set	WE-504KC	Std-20-40	Exc. Turbo; 3-3/32, 1-3/16 (3 cyl. set)
3	Premium Single Cylinder Set	FP-WE504KC		Exc. Turbo; 3-3/32, 1-3/16 (3 cyl. set)
3	Premium Single Cylinder Set	WE-505KC	Std-20	Turbo; 1-1/8, 2-3/32, 1-3/16 (2 cyl. set)
3	Premium Single Cylinder Set	FP-WE505KC		Turbo; 1-1/8, 2-3/32, 1-3/16 (2 cyl. set)
KITS				
QTY	OVERHAUL KIT	PART NO.	SIZE	DESCRIPTION
1	Piston and Ring Kit	PK1-2359D		
1	Piston and Ring Kit w/Bearing	PK2-2359D		
1	Piston Kit w/Ring Set	FP-PK12359D		
1	Piston Kit w/Rings & Bearings	FP-PK22359D		
1	Tractor Overhaul Kit	FP-KST2359A		From 1968 to 05/31/69; Exc. Turbo; Exc. sleeved engs.
1	Tractor Overhaul Kit	FP-KST2359D		From 6/1/69; Exc. Turbo; Exc. sleeved engs.

Ford Industrial Engines

Industrial Applications JA Eng. (215 Gas) 15 3.5L 215 OHV L6, 3.5625" Bore 1952-53

ENGINE BLOCK & PARTS

QTY	CAM BEARINGS	YEARS	PART NO.	SIZE	DESCRIPTION
1	Cam Set	53-52	1133M Std Only		w/o cross-drilled cam journals

CRANKSHAFT/OIL PUMP					
QTY	MAIN BEARINGS	YEARS	PART NO.	SIZE	DESCRIPTION
1	Main Set	53-52	4056M Std-10-20-30		

CYLINDER COMPONENTS					
QTY	PISTONS	YEARS	PART NO.	SIZE	DESCRIPTION
6	Pin Bushing	53-52	1834V20		1.306" length; .020" extra bore stock
6	Pin Bushing	53-52	1834V		1.306" max. length

QTY	CONNECTING RODS & BRGS.	YEARS	PART NO.	SIZE	DESCRIPTION
6	Rod Pair	53-52	1830CP Std-1-2-10-20-30-40-50		1 oil hole

QTY	PISTON RINGS	YEARS	PART NO.	SIZE	DESCRIPTION
1	Premium Set	53-52	E-237KC Std-20-30-40-60		2-3/32, 1-3/16
1	Standard Set	53-52	E-237X Std-20-30-40-60-80		2-3/32, 1-3/16
6	Premium Single Cylinder Set	53-52	WE-237KC Std-20-30-40-60		2-3/32, 1-3/16
6	Standard Single Cylinder Set	53-52	WE-237X Std-30-40-60-80		2-3/32, 1-3/16

Industrial Applications X Eng. (220 Dagenham Diesel) 16 3.6L 220 (3611cc) OHV Diesel L4 (Dagenham), 100mm Bore (Ford Europe Eng.) 1958-67

CRANKSHAFT/OIL PUMP

QTY	MAIN BEARINGS	YEARS	PART NO.	SIZE	DESCRIPTION
1	Thrust Washer Set	67-58	FP-2248BF	STD	Position 3

CYLINDER COMPONENTS					
QTY	CONNECTING RODS & BRGS.	YEARS	PART NO.	SIZE	DESCRIPTION
1	Rod Set	67-58	FP-42245CPA		

Industrial Applications B6PF, F, JF, JF-5 Eng. (223 Gas) 17 3.6L 223 OHV L6, 3.625" Bore 1956-69

CYL. HEAD & PARTS

QTY	VALVE	YEARS	PART NO.	SIZE	DESCRIPTION
6	Keeper	67-56	VK-261		Exh.
12	Keeper	67-56	VK-115		Int.; 1 groove; Square cut key groove
12	Keeper	67-56	VK-115R		Int.; 1 groove; Square cut key groove; Hardened
12	Keeper, Bulk	67-56	VK-115B		Int.; 1 groove; Square cut key groove; Carton of 1000

QTY	VALVE GUIDE	YEARS	PART NO.	SIZE	DESCRIPTION
12	Guide	67-56	VG-5034		Cut to fit; .3430" ID, 2.5000" O.A.L.

QTY	VALVE SPRING	YEARS	PART NO.	SIZE	DESCRIPTION
12	Spring	67-56	VS-1575		2.1250" Free Height

QTY	PUSH RODS	YEARS	PART NO.	SIZE	DESCRIPTION
12	Push Rod	69-56	RP-3021		9.8200" O.A.L.

QTY	VALVE SEAL	YEARS	PART NO.	SIZE	DESCRIPTION
12	Valve Stem Seal	67-56	MV-1903		Use w/repair guide; Positive type; Rubber
12	Valve Stem Seal	67-56	ST-2001		Use w/O.E. guide; Positive type; Installation requires valve guide machining; Rubber/PTFE
12	Valve Stem Seal	67-56	MV-1599C		Umbrella type; Rubber
12	Valve Stem Seal Bulk	67-56	MV-1599		Umbrella type; Carton of 100; Rubber
12	Valve Stem Seal Bulk	67-56	ST-2001BC		Use w/O.E. guide; Positive type; Installation requires valve guide machining; Carton of 100; Rubber/PTFE

CAMSHAFT GROUP

QTY	TIMING	YEARS	PART NO.	SIZE	DESCRIPTION
1	Timing Chain	67-58	222-354		Silent type; 1" wide chain; 56 Links
1	Crank Sprocket	67-58	223-250		Use w/silent type chain; 21 Teeth
1	Cam Sprocket	67-58	223-249		Use w/silent type chain; 42 Teeth

(continued on next page)

Ford Industrial Engines

17 Industrial Applications B6PF, F, JF, JF-5 Engs. (223 Gas) (cont.) 3.6L 223 OHV L6, 3.625" Bore 1956-69

CAMSHAFT GROUP (cont.)					
QTY	CAMSHAFT/LIFTER	YEARS	PART NO.	SIZE	DESCRIPTION
12	Lifter	67-58	AT-892	Std Only	Mech.
ENGINE BLOCK & PARTS					
QTY	CAM BEARINGS	YEARS	PART NO.	SIZE	DESCRIPTION
1	Cam Set	66-56	1133M	Std Only	w/o cross-drilled cam journals
CRANKSHAFT/OIL PUMP					
QTY	CRANKSHAFT	YEARS	PART NO.	SIZE	DESCRIPTION
1	Harmonic Balancer Sleeve	67-56	88187		
QTY	SEALS - FRONT CRANK	YEARS	PART NO.	SIZE	DESCRIPTION
1	Redi-Sleeve	67-56	99187		
1	Oil Seal	67-56	350936		
QTY	MAIN BEARINGS	YEARS	PART NO.	SIZE	DESCRIPTION
1	Main Set	66-56	4056M	Std-10-20-30	
QTY	OIL PUMP	YEARS	PART NO.	SIZE	DESCRIPTION
1	Oil Pump	60-56	224-41105		1/4" drive & roll pin shaft retainer
1	Inter. Shaft	60-56	224-61104		For gear type oil pump
CYLINDER COMPONENTS					
QTY	PISTONS	YEARS	PART NO.	SIZE	DESCRIPTION
6	Cast Piston	64-56	1011P	Std-30-40-60-80	Cast; 2-3/32", 1-3/16" Ring Groove, 1.858" CD, .9122" Pin Dia., Flat Head - 8.3:1 C.R.
6	Cast Piston - Individual	64-56	W1011P	Std-30-40-60-80	Cast; 2-3/32", 1-3/16" Ring Groove, 1.858" CD, .9122" Pin Dia., Flat Head - 8.3:1 C.R.
6	Pin Bushing	66-61	2469V		1.276" length
6	Pin Bushing	60-56	1834V20		1.306" length; .020" extra bore stock
6	Pin Bushing	60-56	1834V		1.306" max. length
QTY	CONNECTING RODS & BRGS.	YEARS	PART NO.	SIZE	DESCRIPTION
6	Rod Pair	66-61	2465CPB	Std-10-20	3 oil holes
6	Rod Pair	60-56	1830CP	Std-1-2-10-20-30-40-50	1 oil hole
QTY	PISTON RINGS	YEARS	PART NO.	SIZE	DESCRIPTION
1	Premium Set	64-56	FP-5666KX	Std Only	Chrome top ring; 2-3/32, 1-3/16
1	Premium Set	64-56	5666KX +	Std Only	Chrome top ring; 2-3/32, 1-3/16; When depleted use FP-5666KX
1	Standard Set	64-56	E-156X	Std-30-40-60	Plain top ring; 2-3/32, 1-3/16
6	Standard Single Cylinder Set	64-56	WE-156X	Std-60	Plain top ring; 2-3/32, 1-3/16

18 Industrial Applications 7HNN, 87HA Engs. (226 Gas) 3.7L 226 L-HEAD L6, 3.2969" Bore 1947-52

ENGINE BLOCK & PARTS					
QTY	CAM BEARINGS	YEARS	PART NO.	SIZE	DESCRIPTION
1	Cam Set	52-47	1089M	Std Only	
CRANKSHAFT/OIL PUMP					
QTY	MAIN BEARINGS	YEARS	PART NO.	SIZE	DESCRIPTION
1	Main Set	52-47	645M10	10	
CYLINDER COMPONENTS					
QTY	PISTONS	YEARS	PART NO.	SIZE	DESCRIPTION
6	Pin Bushing	52-47	1229VA		
QTY	CONNECTING RODS & BRGS.	YEARS	PART NO.	SIZE	DESCRIPTION
6	Rod Pair	52-47	1525CA10	10-20	

19 Industrial Applications JG, JG-5 Engs. (239 OHV Gas) 3.9L 239 OHV V8 (Ford), 3.5" Bore 1954-58

ENGINE BLOCK & PARTS					
QTY	CAM BEARINGS	YEARS	PART NO.	SIZE	DESCRIPTION
1	Cam Set	58-55	1160M	Std Only	w/Grooved No. 3 cam journal
1	Cam Set	58-54	1223M	Std Only	w/Cross-drilled No. 3 cam journal

(continued on next page)

Ford Industrial Engines

Industrial Applications JG, JG-5 Engs. (239 OHV Gas) 19 3.9L 239 OHV V8 (Ford), 3.5" Bore 1954-58 (cont.)

CRANKSHAFT/OIL PUMP

QTY	MAIN BEARINGS	YEARS	PART NO.	SIZE	DESCRIPTION
1	Main Set	58-54	884M Std-10-20-30-40-50		

CYLINDER COMPONENTS

QTY	PISTONS	YEARS	PART NO.	SIZE	DESCRIPTION
8	Pin Bushing	58-54	1834V20		1.306" length; .020" extra bore stock
8	Pin Bushing	58-54	1834V		1.306" max. length

QTY	CONNECTING RODS & BRGS.	YEARS	PART NO.	SIZE	DESCRIPTION
1	Rod Set	58-54	8-2000CPA Std-10-20-30-40		8-2000CAA 60 avail. as unplated & resizeable
8	Rod Pair	58-54	2000CPA Std-1-10-20-30-40		

Industrial Applications 8RNN, 899A Engs. (239 L-Head Gas) 20 3.9L 239.4 L-HEAD V8 (Ford/Mercury), 3.1875" Bore 1948-53

ENGINE BLOCK & PARTS

QTY	CAM BEARINGS	YEARS	PART NO.	SIZE	DESCRIPTION
1	Cam Set	53-48	1005M Std Only		

CRANKSHAFT/OIL PUMP

QTY	MAIN BEARINGS	YEARS	PART NO.	SIZE	DESCRIPTION
1	Main Set	53-48	646M Std-10-20-30		

CYLINDER COMPONENTS

QTY	PISTONS	YEARS	PART NO.	SIZE	DESCRIPTION
8	Cast Piston	53-48	1003P Std-20-30-40-60-80		95-100 HP; Cast; 2-3/32", 2-3/16" Ring Groove, 1.519 plus .210 crown" CD, .7500" Pin Dia., Crowned Head w/ring below pin - 7.0:1 C.R.; Not factory duplicate; Repl. O.E. No. 8BA-6108A
8	Cast Piston - Individual	53-48	W1003P Std-20-30-40-60-80		95-100 HP; Cast; 2-3/32", 2-3/16" Ring Groove, 1.519 plus .210 crown" CD, .7500" Pin Dia., Crowned Head w/ring below pin - 7.0:1 C.R.; Not factory duplicate; Repl. O.E. No. 8BA-6108A
8	Pin Bushing	53-48	9024XBS		.820" max. housing bore
8	Pin Bushing	53-48	9024VA		Split type bushing; .8125" max. housing bore

QTY	CONNECTING RODS & BRGS.	YEARS	PART NO.	SIZE	DESCRIPTION
1	Rod Set	53-48	8-1505CAA Std-10-20		
8	Rod Pair	53-48	1505CAA Std-10-20-30-40		

QTY	PISTON RINGS	YEARS	PART NO.	SIZE	DESCRIPTION
1	Premium Set	53-48	E-247KC30 30-40-60		2-3/32, 2-3/16
1	Standard Set	53-48	E-247X Std-30-40-60-80		2-3/32, 2-3/16
8	Standard Single Cylinder Set	53-48	WE-247X Std-30-40		2-3/32, 2-3/16

Industrial Applications C5PF, 240GF Engs. (240 Gas) 21 3.9L 240 OHV L6, 4" Bore 1965-74

CYL. HEAD & PARTS

QTY	VALVE	YEARS	PART NO.	SIZE	DESCRIPTION
6	Exhaust	73-65	V-1937X Std Only		Chrome plated stem; Stellite face; 1.5590" Head Dia., .3419" Stem Dia., 4.8100" O.A.L.
24	Keeper	73-65	VK-115		1 groove; Square cut key groove
24	Keeper	73-65	VK-115R		1 groove; Square cut key groove; Hardened
24	Keeper, Bulk	73-65	VK-115B		1 groove; Square cut key groove; Carton of 1000

QTY	VALVE SEAT	YEARS	PART NO.	SIZE	DESCRIPTION
6	Exh.	73-65	245-1687-2 Std Only		1.6925" OD, 1.4375" ID, .2160" Depth

QTY	VALVE GUIDE	YEARS	PART NO.	SIZE	DESCRIPTION
6	Guide	70-65	VG-5005		Exh.; .3430" ID, 2.2500" O.A.L.
6	Guide	70-65	VG-5038		Int.; .3430" ID, 2.1200" O.A.L.
6	Guide, Bulk	70-65	VG-5005B		Exh.; Carton of 50; .3430" ID, 2.2500" O.A.L.
6	Guide, Bulk	70-65	VG-5038B		Int.; Carton of 50; .3430" ID, 2.1200" O.A.L.

QTY	VALVE SPRING	YEARS	PART NO.	SIZE	DESCRIPTION
12	Spring	73-65	VS-648		1.9900" Free Height

QTY	PUSH RODS	YEARS	PART NO.	SIZE	DESCRIPTION
12	Push Rod	73-65	RP-3183		Std. length; 10.1400" O.A.L.

(continued on next page)

Ford Industrial Engines

21 Industrial Applications C5PF, 240GF Engs. (240 Gas)

(cont.) 3.9L 240 OHV L6, 4" Bore 1965-74

CYL. HEAD & PARTS (cont.)					
QTY	PUSH RODS (cont.)	YEARS	PART NO.	SIZE	DESCRIPTION
12	Push Rod, Bulk	73-65	BRP-3183		Std. length; Carton of 100; 10.1640" O.A.L.
QTY	VALVE MISC.	YEARS	PART NO.	SIZE	DESCRIPTION
6	Rotocap Assy.	73-65	RC-128SA		Exh.; Incl. VS-656 spring
6	Rotocap	73-65	RC-128S		Exh.
QTY	VALVE SEAL	YEARS	PART NO.	SIZE	DESCRIPTION
12	Valve Stem Seal	73-65	MV-1903		Use w/repair guide; Positive type; Rubber
12	Valve Stem Seal	73-65	ST-2001		Use w/O.E. guide; Positive type; Installation requires valve guide machining; Rubber/PTFE
12	Valve Stem Seal	73-65	MV-1599C		Umbrella type; Rubber
12	Valve Stem Seal Bulk	73-65	MV-1599		Umbrella type; Carton of 100; Rubber
12	Valve Stem Seal Bulk	73-65	ST-2001BC		Use w/O.E. guide; Positive type; Installation requires valve guide machining; Carton of 100; Rubber/PTFE
QTY	ROCKER PARTS	YEARS	PART NO.	SIZE	DESCRIPTION
12	Arm Assy.	73-65	R-854		Incl. arm, ball & 2-nuts; Incl. 3/8" nut; Incl. 5/16" nut
12	Arm Assy., Bulk	73-65	R-854B		Incl. arm, ball & 2-nuts; Incl. 3/8" nut; Incl. 5/16" nut; Carton of 64
12	Arm	73-65	R-854A		
12	Stud	73-65	MR-1902		.006" O/S, .378" X 24 x 2.600"
12	Stud	73-65	MR-1901		3/8" x 24 x 2.600"
CAMSHAFT GROUP					
QTY	TIMING	YEARS	PART NO.	SIZE	DESCRIPTION
1	Gear Set	73-65	221-2764S		58 tooth H/D metal cam gear & 29 tooth crank gear incl.; 221-2763 & 221-2764 not sold separately; Incl. (1) 221-2763, (1) 221-2764
QTY	CAMSHAFT/LIFTER	YEARS	PART NO.	SIZE	DESCRIPTION
1	Camshaft	73-65	CS-1230		
12	Lifter	73-65	HT-900	Std Only	Hyd.
12	Lifter	73-65	HT-900R	Std Only	Speed-Pro Hi-Revolution Hyd.; Use w/adj. rocker assy.
12	Lifter, Bulk	73-65	HT-900B	Std Only	Hyd.; Carton of 122
1	Prelube	73-65	55-400		4 oz. bottle; 1.5 oz. packet No. 55-403 also avail.
QTY	CAMSHAFT KIT	YEARS	PART NO.	SIZE	DESCRIPTION
1	Cam/Lifter Kit	73-65	KC-1230		Hyd.; Incl. (1) CS-1230, (12) HT-900, (1) 55-403B
ENGINE BLOCK & PARTS					
QTY	GASKET SETS	YEARS	PART NO.	SIZE	DESCRIPTION
1	Kit Gasket Set		260-1006		Premium valve stem seals incl.
QTY	CAM BEARINGS	YEARS	PART NO.	SIZE	DESCRIPTION
1	Cam Set	74-65	1450M	Std Only	
CRANKSHAFT/OIL PUMP					
QTY	CRANKSHAFT	YEARS	PART NO.	SIZE	DESCRIPTION
1	Harmonic Balancer Sleeve	73-65	88187		
QTY	SEALS - FRONT CRANK	YEARS	PART NO.	SIZE	DESCRIPTION
1	Redi-Sleeve	73-65	99187		
1	Redi-Sleeve	73-65	99187		
1	Oil Seal	73-65	2942		
QTY	SEALS - REAR CRANK	YEARS	PART NO.	SIZE	DESCRIPTION
1	Oil Seal	73-65	2377		
1	Redi-Sleeve	73-65	99372		
QTY	MAIN BEARINGS	YEARS	PART NO.	SIZE	DESCRIPTION
1	Main Set	74-65	4916M	Std-1-10-20-30-40	3.602" max. brg. flange OD
1	Main Set	74-65	7153M10	10-20-30	3.602" max. brg. flange OD; .020" O/S length flange brg.
QTY	OIL PUMP	YEARS	PART NO.	SIZE	DESCRIPTION
1	Oil Pump		224-41124		
1	Oil Pump		224-41124V		High Volume, check pan for clearance
1	Inter. Shaft		224-61124		
CYLINDER COMPONENTS					
QTY	PISTONS	YEARS	PART NO.	SIZE	DESCRIPTION
6	Cast Piston	74-69	352AP30	30-40-60	From late 1969; Cast; 2-5/64", 1-3/16" Ring Groove, 1.585" CD, .9751" Pin Dia., Recessed Head .080" deep x 2.480" dia. - 7.2:1 C.R.

(continued on next page)

Ford Industrial Engines

Industrial Applications C5PF, 240GF Eng. (240 Gas) 21 3.9L 240 OHV L6, 4" Bore 1965-74 (cont.)

CYLINDER COMPONENTS (cont.)

QTY	PARTS (cont.)	YEARS	PART NO.	SIZE	DESCRIPTION
6	Cast Piston	69-65	1109P Std-20-30-40-60		To early 1969; Cast; 2-5/64", 1-3/16" Ring Groove, 1.585" CD, .9122" Pin Dia., Recessed Head .110" deep x 2.910" dia. w/4 valve reliefs - 8.9:1 C.R.
CONNECTING RODS & BRGS.					
1	Rod Set	74-65	6-3150CPA10X2 10X2-20X2		Use in .002" O/S Rod Bore
1	Rod Set	74-65	6-3150CPA Std-1-10-20-30-40-50		6-3150CAA 60 avail. as unplated & resizeable
1	Rod Set	74-65	FP-63150CAA60		
6	Rod Pair	74-65	3150CPA Std-1-2-10-20-30-40-50		
PISTON RINGS					
1	Premium Set	68-65	E-229K Std-20-30-40-60		2-5/64, 1-3/16
1	Premium Set	68-65	E-464KC Std-20-30-40		2-5/64, 1-3/16
1	Standard Set	68-65	E-229X Std-20-30-40-60		2-5/64, 1-3/16
6	Premium Single Cylinder Set	68-65	WE-229K Std-20-30-40-60		2-5/64, 1-3/16
6	Standard Single Cylinder Set	68-65	WE-229X Std-20-30-40-60		2-5/64, 1-3/16

Industrial Applications LSG641, 250GF Eng. (250 Gas) 22 4.1L 250 OHV L6, 3.68" Bore

ENGINE BLOCK & PARTS

QTY	CAM BEARINGS		PART NO.	SIZE	DESCRIPTION
1	Cam Set		1439M Std Only		

CRANKSHAFT/OIL PUMP

QTY	CRANKSHAFT		PART NO.	SIZE	DESCRIPTION
1	Harmonic Balancer Sleeve		88187		
SEALS - FRONT CRANK					
1	Redi-Sleeve		99187		
1	Oil Seal		2942		
SEALS - REAR CRANK					
1	Oil Seal Kit		5095		(Rope Type)
1	Oil Seal Kit		5108		(Split Seal)
MAIN BEARINGS					
1	Main Set		4916M Std-1-10-20-30-40		3.602" max. brg. flange OD
1	Main Set		7153M10 10-20-30		3.602" max. brg. flange OD; .020" O/S length flange brg.

CYLINDER COMPONENTS

QTY	PISTONS		PART NO.	SIZE	DESCRIPTION
6	Cast Piston		275NP Std-20-30-40-60-80		Cast; 2-5/64", 1-3/16" Ring Groove, 1.500" CD, .9125" Pin Dia., Recessed Head .105" deep x 2.320" dia. - 9.2:1 C.R.
6	Cast Piston - Individual		W275NP Std-20-30-40-60-80		Cast; 2-5/64", 1-3/16" Ring Groove, 1.500" CD, .9125" Pin Dia., Recessed Head .105" deep x 2.320" dia. - 9.2:1 C.R.
CONNECTING RODS & BRGS.					
1	Rod Set		6-2380CP Std-1-10-20-30-40		
6	Rod Pair		2380CP Std-1-10-20-30-40		

Industrial Applications 8MNN, 8MTH Eng. (254 Gas) 23 4.2L 254 L-HEAD L6, 3.5" Bore 1948-53

ENGINE BLOCK & PARTS

QTY	CAM BEARINGS	YEARS	PART NO.	SIZE	DESCRIPTION
1	Cam Set	53-48	1089M Std Only		

CRANKSHAFT/OIL PUMP

QTY	MAIN BEARINGS	YEARS	PART NO.	SIZE	DESCRIPTION
1	Main Set	53-48	645M10 10		

(continued on next page)

Ford Industrial Engines

23 Industrial Applications 8MNN, 8MTH Engs. (254 Gas) (cont.) 4.2L 254 L-HEAD L6, 3.5" Bore 1948-53

CYLINDER COMPONENTS

QTY	PISTONS	YEARS	PART NO.	SIZE	DESCRIPTION
6	Pin Bushing	53-48	1229VA		
QTY	CONNECTING RODS & BRGS.	YEARS	PART NO.	SIZE	DESCRIPTION
6	Rod Pair	53-48	1525CA10	10-20	

24 Industrial Applications JH, JH-5 Engs. (256 OHV Gas) 4.2L 256 OHV V8 (Mercury), 3.625" Bore 1954-55

ENGINE BLOCK & PARTS

QTY	CAM BEARINGS	YEARS	PART NO.	SIZE	DESCRIPTION
1	Cam Set	55	1160M	Std Only	w/Grooved No. 3 cam journal
1	Cam Set	55-54	1223M	Std Only	w/Cross-drilled No. 3 cam journal

CRANKSHAFT/OIL PUMP

QTY	MAIN BEARINGS	YEARS	PART NO.	SIZE	DESCRIPTION
1	Main Set	55-54	884M	Std-10-20-30-40-50	

CYLINDER COMPONENTS

QTY	PISTONS	YEARS	PART NO.	SIZE	DESCRIPTION
8	Pin Bushing	55-54	1834V20		1.306" length; .020" extra bore stock
8	Pin Bushing	55-54	1834V		1.306" max. length
QTY	CONNECTING RODS & BRGS.	YEARS	PART NO.	SIZE	DESCRIPTION
1	Rod Set	55-54	8-2000CPA	Std-10-20-30-40	8-2000CAA 60 avail. as unplated & resizeable
8	Rod Pair	55-54	2000CPA	Std-1-10-20-30-40	
QTY	PISTON RINGS	YEARS	PART NO.	SIZE	DESCRIPTION
1	Standard Set	55-54	5155X	Std Only	2-3/32, 1-3/16

25 Industrial Applications BSD442, 256DF Engs. (256 Diesel) 4.2L 256 OHV Diesel L4, 4.4" Bore

ENGINE BLOCK & PARTS

QTY	CAM BEARINGS	PART NO.	SIZE	DESCRIPTION
1	Cam Set	FP-1478M	Std Only	

CRANKSHAFT/OIL PUMP

QTY	MAIN BEARINGS	PART NO.	SIZE	DESCRIPTION
1	Main Set	FP-5122M	Std-10-20	

CYLINDER COMPONENTS

QTY	LINERS	PART NO.	SIZE	DESCRIPTION
4	Dry Sleeve	FP-SL401M	Std Only	Flanged, press fit design; To be bored & honed in place; .053" Wall
QTY	PISTONS	PART NO.	SIZE	DESCRIPTION
4	Cast Piston	FP-2631PN	Std-20-40	Cast; 3-3/32", 1-3/16" Ring Groove, 2.780" CD, 1.5000" Pin Dia., Recessed Head .730" deep x 2.500" dia. - 16.5:1 C.R.; Repl. O.E. Nos. N-6108N, D4NN-6108AA & EDPN-6102A; Casting No. E4NN-6110E
QTY	CONNECTING RODS & BRGS.	PART NO.	SIZE	DESCRIPTION
4	Rod Pair	FP-3105P	Std-10-20-30	
QTY	PISTON RINGS	PART NO.	SIZE	DESCRIPTION
2	Premium Set	FP-E506KC	Std-20-30-40	3-3/32, 1-3/16 (2 cyl. set)
4	Premium Single Cylinder Set	FP-WE506KC		3-3/32, 1-3/16 (2 cyl. set)

KITS

QTY	OVERHAUL KIT	PART NO.	SIZE	DESCRIPTION
1	Piston Kit w/Ring Set	FP-PK12631A		
1	Piston Kit w/Rings & Bearings	FP-PK22631A		
1	Tractor Overhaul Kit	FP-KST2631A		Non-sleeved engs.

Ford Industrial Engines

Industrial Applications **C1PG, G Engs. (262 Gas) 26**
4.3L 262 OHV L6, 3.7188" Bore

CYL. HEAD & PARTS					
QTY	VALVE		PART NO.	SIZE	DESCRIPTION
24	Keeper		VK-138		1 groove; Square cut key groove
24	Keeper		VK-138R		1 groove; Square cut key groove; Hardened
24	Keeper, Bulk		VK-138B		1 groove; Square cut key groove; Carton of 1000
QTY	VALVE GUIDE		PART NO.	SIZE	DESCRIPTION
6	Guide		VG-5034		Exh.; Cut to fit; .3430" ID, 2.5000" O.A.L.
6	Guide		VG-5007T		Exh.; Threaded; .3725" ID, 2.3800" O.A.L.
6	Guide		VG-5007		Int.; .3725" ID, 2.3800" O.A.L.
6	Guide		VG-5070H		Int.; Threaded; Hardened; .3730" ID, 2.6250" O.A.L.
6	Guide, Bulk		VG-5007TB		Exh.; Threaded; Carton of 100; .3725" ID, 2.3800" O.A.L.
6	Guide, Bulk		VG-5007B		Int.; Carton of 50; .3725" ID, 2.3800" O.A.L.
QTY	PUSH RODS		PART NO.	SIZE	DESCRIPTION
12	Push Rod		RP-3021		9.8200" O.A.L.
QTY	VALVE SEAL		PART NO.	SIZE	DESCRIPTION
12	Valve Stem Seal		ST-2014		Use w/repair guide; Positive type; Installation requires valve guide machining; PTFE
12	Valve Stem Seal		ST-2004		Use w/O.E. guide; Positive type; Installation requires valve guide machining; Rubber/PTFE
12	Valve Stem Seal		MV-1599C		Umbrella type; Rubber
12	Valve Stem Seal Bulk		MV-1599		Umbrella type; Carton of 100; Rubber
12	Valve Stem Seal Bulk		ST-2014BC		Use w/repair guide; Positive type; Installation requires valve guide machining; Carton of 100; PTFE
12	Valve Stem Seal Bulk		ST-2004BC		Use w/O.E. guide; Positive type; Installation requires valve guide machining; Carton of 100; Rubber/PTFE
CAMSHAFT GROUP					
QTY	CAMSHAFT/LIFTER		PART NO.	SIZE	DESCRIPTION
12	Lifter		AT-892	Std Only	Mech.
ENGINE BLOCK & PARTS					
QTY	CAM BEARINGS		PART NO.	SIZE	DESCRIPTION
1	Cam Set		1133M	Std Only	w/o cross-drilled cam journals
CRANKSHAFT/OIL PUMP					
QTY	MAIN BEARINGS		PART NO.	SIZE	DESCRIPTION
1	Main Set		4056M	Std-10-20-30	
CYLINDER COMPONENTS					
QTY	PISTONS		PART NO.	SIZE	DESCRIPTION
6	Pin Bushing		2469V		1.276" length
QTY	CONNECTING RODS & BRGS.		PART NO.	SIZE	DESCRIPTION
6	Rod Pair		2465CPB	Std-10-20	3 oil holes
<i>Industrial Applications</i> B6PJ, J Engs. (272 Gas) 27 4.4L 272 OHV V8, 3.625" Bore 1959-66					
ENGINE BLOCK & PARTS					
QTY	CAM BEARINGS	YEARS	PART NO.	SIZE	DESCRIPTION
1	Cam Set	66-59	1223M	Std Only	w/Cross-drilled No. 3 cam journal
1	Cam Set	63-59	1160M	Std Only	w/Grooved No. 3 cam journal
CRANKSHAFT/OIL PUMP					
QTY	CRANKSHAFT	YEARS	PART NO.	SIZE	DESCRIPTION
1	Harmonic Balancer Sleeve	66-59	88187		
QTY	SEALS - FRONT CRANK	YEARS	PART NO.	SIZE	DESCRIPTION
1	Redi-Sleeve	66-59	99187		
1	Oil Seal	66-59	350936		
QTY	MAIN BEARINGS	YEARS	PART NO.	SIZE	DESCRIPTION
1	Main Set	66-59	884M	Std-10-20-30-40-50	
QTY	OIL PUMP	YEARS	PART NO.	SIZE	DESCRIPTION
1	Oil Pump	66-59	224-41123		
1	Pump Repair Kit	66-59	224-51297		Rotor type

(continued on next page)

Ford Industrial Engines

27 Industrial Applications B6PJ, J Eng. (272 Gas) (cont.) 4.4L 272 OHV V8, 3.625" Bore 1959-66

CYLINDER COMPONENTS

QTY	PISTONS	YEARS	PART NO.	SIZE	DESCRIPTION
8	Pin Bushing	64-59	1834V20		1.306" length; .020" extra bore stock
8	Pin Bushing	64-59	1834V		1.306" max. length
QTY	CONNECTING RODS & BRGS.	YEARS	PART NO.	SIZE	DESCRIPTION
1	Rod Set	66-59	8-2000CPA Std-10-20-30-40		8-2000CAA 60 avail. as unplated & resizeable
8	Rod Pair	66-59	2000CPA Std-1-10-20-30-40		

28 Industrial Applications JC, JC-N, JC-5 Eng. (279 Gas) 4.6L 279 OHV V8, 3.5625" Bore 1952-55

CYLINDER COMPONENTS

QTY	PISTONS	YEARS	PART NO.	SIZE	DESCRIPTION
8	Pin Bushing	55	2469V		H/D Eng.; 1.276" length
8	Pin Bushing	55-52	1834V20		Exc. H/D Eng.; 1.306" length; .020" extra bore stock
8	Pin Bushing	55-52	1834V		Exc. H/D Eng.; 1.306" max. length
QTY	CONNECTING RODS & BRGS.	YEARS	PART NO.	SIZE	DESCRIPTION
8	Rod Pair	55-52	1835CPA Std-10		

29 Industrial Applications B8PK, K Eng. (292 Gas) 4.8L 292 OHV V8, 3.75" Bore 1955-66

CYL. HEAD & PARTS

QTY	VALVE	YEARS	PART NO.	SIZE	DESCRIPTION
8	Intake	64-58	V-1128 Std Only		Concave head; 1.6470" Head Dia., .3420" Stem Dia., 5.0900" O.A.L.
8	Intake	64-58	V-1115 Std Only		1.7800" Head Dia., .3421" Stem Dia., 5.1100" O.A.L.
16	Keeper	64-58	VK-261		Exh.
16	Keeper	64-58	VK-115		Int.; 1 groove; Square cut key groove
16	Keeper	64-58	VK-115R		Int.; 1 groove; Square cut key groove; Hardened
16	Keeper, Bulk	64-58	VK-115B		Int.; 1 groove; Square cut key groove; Carton of 1000
QTY	VALVE GUIDE	YEARS	PART NO.	SIZE	DESCRIPTION
16	Guide	64-58	VG-5034		Cut to fit; .3430" ID, 2.5000" O.A.L.
QTY	VALVE SPRING	YEARS	PART NO.	SIZE	DESCRIPTION
16	Spring	64-58	VS-1575		2.1250" Free Height
QTY	PUSH RODS	YEARS	PART NO.	SIZE	DESCRIPTION
16	Push Rod	64-58	RP-3022		8.3400" O.A.L.
QTY	VALVE SEAL	YEARS	PART NO.	SIZE	DESCRIPTION
16	Valve Stem Seal	64-58	ST-2001		Positive type; Installation requires valve guide machining; Rubber/PTFE
16	Valve Stem Seal	64-58	MV-1599C		Umbrella type; Rubber
16	Valve Stem Seal Bulk	64-58	ST-2001BC		Positive type; Installation requires valve guide machining; Carton of 100; Rubber/PTFE
16	Valve Stem Seal Bulk	64-58	MV-1599		Umbrella type; Carton of 100; Rubber

CAMSHAFT GROUP

QTY	TIMING	YEARS	PART NO.	SIZE	DESCRIPTION
1	Timing Chain	64-58	222-354		Silent type; 1" wide chain; 56 Links
1	Crank Sprocket	64-58	223-250		Use w/silent type chain; 21 Teeth
1	Cam Sprocket	64-58	223-249		Use w/silent type chain; 42 Teeth
QTY	CAMSHAFT/LIFTER	YEARS	PART NO.	SIZE	DESCRIPTION
1	Camshaft	64-58	CS-210		14 teeth on dist. drive gear; Shaft has oil groove in No. 3 journal
16	Lifter	64-58	AT-892 Std Only		Mech.
1	Prelube	64-58	55-400		4 oz. bottle; 1.5 oz. packet No. 55-403 also avail.

ENGINE BLOCK & PARTS

QTY	CAM BEARINGS	YEARS	PART NO.	SIZE	DESCRIPTION
1	Cam Set	66-55	1223M Std Only		w/Cross-drilled No. 3 cam journal
1	Cam Set	63-55	1160M Std Only		w/Grooved No. 3 cam journal

CRANKSHAFT/OIL PUMP

QTY	CRANKSHAFT	YEARS	PART NO.	SIZE	DESCRIPTION
1	Harmonic Balancer Sleeve	64-58	88187		

(continued on next page)

Ford Industrial Engines

Industrial Applications **B8PK, K Eng. (292 Gas) 29**
4.8L 292 OHV V8, 3.75" Bore 1955-66 (cont.)

CRANKSHAFT/OIL PUMP (cont.)

QTY	SEALS - FRONT CRANK	YEARS	PART NO.	SIZE	DESCRIPTION
1	Redi-Sleeve	64-58	99187		
1	Oil Seal	64-58	350936		
QTY	MAIN BEARINGS	YEARS	PART NO.	SIZE	DESCRIPTION
1	Main Set	66-55	884M	Std-10-20-30-40-50	
QTY	OIL PUMP	YEARS	PART NO.	SIZE	DESCRIPTION
1	Oil Pump	64-58	224-41123		
1	Pump Repair Kit	64-58	224-51297		Rotor type
CYLINDER COMPONENTS					
QTY	PISTONS	YEARS	PART NO.	SIZE	DESCRIPTION
8	Cast Piston	64-55	1022P	Std-30-40-60	Cast; 2-5/64", 1-3/16" Ring Groove, 1.760" CD, .9122" Pin Dia., Flat Head - 8.6:1 C.R.
8	Cast Piston - Individual	64-55	W1022P	Std-30-40-60	Cast; 2-5/64", 1-3/16" Ring Groove, 1.760" CD, .9122" Pin Dia., Flat Head - 8.6:1 C.R.
8	Pin Bushing	64-61	2469V		1.276" length
8	Pin Bushing	64-55	1834V20		1.306" length; .020" extra bore stock
8	Pin Bushing	64-55	1834V		1.306" max. length
QTY	CONNECTING RODS & BRGS.	YEARS	PART NO.	SIZE	DESCRIPTION
1	Rod Set	66-55	8-2000CPA	Std-10-20-30-40	8-2000CAA 60 avail. as unplated & resizeable
8	Rod Pair	66-55	2000CPA	Std-1-10-20-30-40	
QTY	PISTON RINGS	YEARS	PART NO.	SIZE	DESCRIPTION
1	Standard Set	64-58	E-240X	Std-30-40-60	2-5/64, 1-3/16
8	Standard Single Cylinder Set	64-58	WE-240X	Std-30-40-60	2-5/64, 1-3/16

Industrial Applications **C4PG, C5PG, CSG649, 300GF Eng. (300 Gas) 30**
4.9L 300 OHV L6, 4" Bore

CYL. HEAD & PARTS

QTY	VALVE		PART NO.	SIZE	DESCRIPTION
6	Intake		V-2041	Std-15	Chrome plated stem; 1.7800" Head Dia., .3420" Stem Dia., 4.8100" O.A.L.
6	Exhaust		V-1937X	Std Only	Chrome plated stem; Stellite face; 1.5590" Head Dia., .3419" Stem Dia., 4.8100" O.A.L.
24	Keeper		VK-115		1 groove; Square cut key groove
24	Keeper		VK-115R		1 groove; Square cut key groove; Hardened
24	Keeper, Bulk		VK-115B		1 groove; Square cut key groove; Carton of 1000
QTY	VALVE SEAT		PART NO.	SIZE	DESCRIPTION
6	Exh.		245-1687-2	Std Only	1.6925" OD, 1.4375" ID, .2160" Depth
QTY	VALVE GUIDE		PART NO.	SIZE	DESCRIPTION
6	Guide		VG-5005		Exh.; 1965-70; .3430" ID, 2.2500" O.A.L.
6	Guide		VG-5038		Int.; 1965-70; .3430" ID, 2.1200" O.A.L.
6	Guide, Bulk		VG-5005B		Exh.; 1965-70; Carton of 50; .3430" ID, 2.2500" O.A.L.
6	Guide, Bulk		VG-5038B		Int.; 1965-70; Carton of 50; .3430" ID, 2.1200" O.A.L.
QTY	VALVE SPRING		PART NO.	SIZE	DESCRIPTION
6	Spring		VS-656		Exh.; Use w/Rotators; 1.8750" Free Height
6	Spring		VS-648		Int.; 1.9900" Free Height
QTY	PUSH RODS		PART NO.	SIZE	DESCRIPTION
12	Push Rod		RP-3183		Std. length; 10.1400" O.A.L.
12	Push Rod, Bulk		BRP-3183		Std. length; Carton of 100; 10.1640" O.A.L.
QTY	VALVE MISC.		PART NO.	SIZE	DESCRIPTION
6	Rotocap Assy.		RC-128SA		Exh.; Incl. VS-656 spring
6	Rotocap		RC-128S		Exh.
QTY	VALVE SEAL		PART NO.	SIZE	DESCRIPTION
12	Valve Stem Seal		MV-1903		Use w/repair guide; Positive type; Rubber
12	Valve Stem Seal		ST-2001		Use w/O.E. guide; Positive type; Installation requires valve guide machining; Rubber/PTFE
12	Valve Stem Seal		MV-1599C		Umbrella type; Rubber
12	Valve Stem Seal Bulk		MV-1599		Umbrella type; Carton of 100; Rubber
12	Valve Stem Seal Bulk		ST-2001BC		Use w/O.E. guide; Positive type; Installation requires valve guide machining; Carton of 100; Rubber/PTFE

(continued on next page)

Ford Industrial Engines

30 Industrial Applications C4PG, C5PG, CSG649, 300GF Eng. (300 Gas) (cont.) 4.9L 300 OHV L6, 4" Bore

CYL. HEAD & PARTS (cont.)				
QTY	ROCKER PARTS	PART NO.	SIZE	DESCRIPTION
12	Arm Assy.	R-854		Incl. arm, ball & 2-nuts; Incl. 3/8" nut; Incl. 5/16" nut
12	Arm Assy., Bulk	R-854B		Incl. arm, ball & 2-nuts; Incl. 3/8" nut; Incl. 5/16" nut; Carton of 64
12	Arm	R-854A		
12	Stud	MR-1902		.006" O/S, .378" X 24 x 2.600"
12	Stud	MR-1901		3/8" x 24 x 2.600"
CAMSHAFT GROUP				
QTY	TIMING	PART NO.	SIZE	DESCRIPTION
1	Gear Set	221-2764S		58 tooth H/D metal cam gear & 29 tooth crank gear incl.; 221-2763 & 221-2764 not sold separately; Incl. (1) 221-2763, (1) 221-2764
QTY	CAMSHAFT/LIFTER	PART NO.	SIZE	DESCRIPTION
1	Camshaft	CS-1230		
12	Lifter	HT-900 Std Only		Hyd.
12	Lifter	HT-900R Std Only		Speed-Pro Hi-Revolution Hyd.; Use w/adj. rocker assy.
12	Lifter, Bulk	HT-900B Std Only		Hyd.; Carton of 122
1	Prelube	55-400		4 oz. bottle; 1.5 oz. packet No. 55-403 also avail.
QTY	CAMSHAFT KIT	PART NO.	SIZE	DESCRIPTION
1	Cam/Lifter Kit	KC-1230		Hyd.; Incl. (1) CS-1230, (12) HT-900, (1) 55-403B
ENGINE BLOCK & PARTS				
QTY	GASKET SETS	PART NO.	SIZE	DESCRIPTION
1	Kit Gasket Set	260-1006		1965-67; Valve cover gskt. not incl.; Premium valve stem seals incl.
QTY	CAM BEARINGS	PART NO.	SIZE	DESCRIPTION
1	Cam Set	1450M Std Only		
CRANKSHAFT/OIL PUMP				
QTY	CRANKSHAFT	PART NO.	SIZE	DESCRIPTION
1	Harmonic Balancer Sleeve	88187		
QTY	SEALS - FRONT CRANK	PART NO.	SIZE	DESCRIPTION
1	Redi-Sleeve	99187		
1	Redi-Sleeve	99187		
1	Oil Seal	2942		
QTY	SEALS - REAR CRANK	PART NO.	SIZE	DESCRIPTION
1	Oil Seal	2377		
1	Oil Seal Kit	5278		PTFE
1	Redi-Sleeve	99372		
QTY	MAIN BEARINGS	PART NO.	SIZE	DESCRIPTION
1	Main Set	4916M Std-1-10-20-30-40		3.602" max. brg. flange OD
1	Main Set	7153M10 10-20-30		3.602" max. brg. flange OD; .020" O/S length flange brg.
QTY	OIL PUMP	PART NO.	SIZE	DESCRIPTION
1	Oil Pump	224-41124		
1	Oil Pump	224-41124V		High Volume, check pan for clearance
1	Inter. Shaft	224-61124		
CYLINDER COMPONENTS				
QTY	CONNECTING RODS & BRGS.	PART NO.	SIZE	DESCRIPTION
1	Rod Set	6-3150CPA10X2 10X2-20X2		Use in .002" O/S Rod Bore
1	Rod Set	6-3150CPA Std-1-10-20-30-40-50		6-3150CAA 60 avail. as unplated & resizeable
1	Rod Set	FP-63150CAA60		
6	Rod Pair	3150CPA Std-1-2-10-20-30-40-50		
QTY	PISTON RINGS	PART NO.	SIZE	DESCRIPTION
1	Premium Set	E-229K Std-20-30-40-60		2-5/64, 1-3/16
1	Standard Set	E-229X Std-20-30-40-60		2-5/64, 1-3/16
6	Premium Single Cylinder Set	WE-229K Std-20-30-40-60		2-5/64, 1-3/16
6	Standard Single Cylinder Set	WE-229X Std-20-30-40-60		2-5/64, 1-3/16

Ford Industrial Engines

Industrial Applications JC, JC-N, JC-5 Eng. (302 Gas) 31
5.0L 302 OHV V8, 3.625" Bore

CRANKSHAFT/OIL PUMP

QTY	CRANKSHAFT	PART NO.	SIZE	DESCRIPTION
1	Harmonic Balancer Sleeve	88187		
QTY	SEALS - FRONT CRANK	PART NO.	SIZE	DESCRIPTION
1	Redi-Sleeve	99187		
1	Oil Seal	2942		
QTY	SEALS - REAR CRANK	PART NO.	SIZE	DESCRIPTION
1	Oil Seal Kit	5095		(Rope Type)
QTY	OIL PUMP	PART NO.	SIZE	DESCRIPTION
1	Oil Pump	224-41123		

CYLINDER COMPONENTS

QTY	PISTONS	PART NO.	SIZE	DESCRIPTION
8	Pin Bushing	2469V		1.276" length
8	Pin Bushing	1834V20		1.306" length; .020" extra bore stock
8	Pin Bushing	1834V		1.306" max. length
QTY	CONNECTING RODS & BRGS.	PART NO.	SIZE	DESCRIPTION
8	Rod Pair	1835CPA Std-10		

Industrial Applications CSG850, 302GM, 302GP Eng. (302 Gas) 32
5.0L 302 OHV V8, 4" Bore 1968-69

ENGINE BLOCK & PARTS

QTY	GASKET SETS	YEARS	PART NO.	SIZE	DESCRIPTION
1	Kit Gasket Set	69-68	260-1125		Premium set; Premium valve stem seals incl.
QTY	CAM BEARINGS	YEARS	PART NO.	SIZE	DESCRIPTION
1	Cam Set	69-68	1204M Std-10		Babbitt material; Full round design

CRANKSHAFT/OIL PUMP

QTY	CRANKSHAFT	YEARS	PART NO.	SIZE	DESCRIPTION
1	Harmonic Balancer Sleeve	69-68	88187		
QTY	SEALS - FRONT CRANK	YEARS	PART NO.	SIZE	DESCRIPTION
1	Redi-Sleeve	69-68	99187		
1	Oil Seal	69-68	2942		
QTY	SEALS - REAR CRANK	YEARS	PART NO.	SIZE	DESCRIPTION
1	Oil Seal Kit	69-68	5095		(Rope Type)
QTY	MAIN BEARINGS	YEARS	PART NO.	SIZE	DESCRIPTION
1	Main Set	69-68	7151M10 10-20-30		.020" O/S length flange brg.
1	Main Set	69-68	4125MA Std-1-10-20-30-40		A-Series aluminum bearings; Incl. contoured design thrust brg.
1	Main Set	69-68	4125M Std-1-10-20-30-40		Incl. contoured design thrust brg.
QTY	OIL PUMP	YEARS	PART NO.	SIZE	DESCRIPTION
1	Oil Pump	69-68	224-41118		
1	Oil Pump	69-68	224-43370		High Pressure
1	Oil Pump	69-68	224-41128		High Volume, check pan for clearance; Incl. inter. shaft
1	Inter. Shaft	69-68	224-61118		

CYLINDER COMPONENTS

QTY	PISTONS	YEARS	PART NO.	SIZE	DESCRIPTION
1	Cast Piston Set w/Econ. Rings	69-68	8X272AP20 20-30-40-60		VIN Codes "F" & "J"; Cast; 2-5/64", 1-3/16" Ring Groove, 1.585" CD, .9122" Pin Dia., Recessed Head .110" deep x 2.910" dia. w/4 valve reliefs - 8.9:1 C.R.
1	Cast Piston Set w/Prem. Rings	69-68	8K272AP20 20-30-40-60		Cast; 2-5/64", 1-3/16" Ring Groove, 1.585" CD, .9122" Pin Dia., Recessed Head .110" deep x 2.910" dia. w/4 valve reliefs - 8.9:1 C.R.
8	Cast Piston	69-68	272AP Std-20-30-40-60-80		Cast; 2-5/64", 1-3/16" Ring Groove, 1.585" CD, .9122" Pin Dia., Recessed Head .110" deep x 2.910" dia. w/4 valve reliefs - 8.9:1 C.R.
8	Cast Piston - Individual	69-68	W272AP Std-20-30-40-60-80		Cast; 2-5/64", 1-3/16" Ring Groove, 1.585" CD, .9122" Pin Dia., Recessed Head .110" deep x 2.910" dia. w/4 valve reliefs - 8.9:1 C.R.
QTY	CONNECTING RODS & BRGS.	YEARS	PART NO.	SIZE	DESCRIPTION
1	Rod Set	69-68	8-2600A Std-1-10-20-30		A-Series aluminum bearings

(continued on next page)

Ford Industrial Engines

32 Industrial Applications CSG850, 302GM, 302GP Eng. (302 Gas) (cont.) 5.0L 302 OHV V8, 4" Bore 1968-69

CYLINDER COMPONENTS (cont.)

QTY	CONNECTING RODS & BRGS. (cont.)	YEARS	PART NO.	SIZE	DESCRIPTION
1	Rod Set	69-68	8-2600CP10X2	10X2-20X2-30X2	Use in .002" O/S Rod Bore
1	Rod Set	69-68	8-2600CP	Std-1-10-20-30-40	8-2600CA 60 avail. as unplated & resizeable
1	Rod Set	69-68	8-2600CA60	60	Unplated & resizeable
8	Rod Pair	69-68	2600CP	Std-1-10-20-30-40	
8	Rod Pair	69-68	2600A	Std-1-10-20-30	A-Series aluminum bearings
QTY	PISTON RINGS	YEARS	PART NO.	SIZE	DESCRIPTION
1	Premium Set	68	E-251K	Std-10-20-30-40-60	2-5/64, 1-3/16
1	Premium Set	68	E-251KC	Std-10-20-30-40-60	2-5/64, 1-3/16
1	Standard Set	68	E-251X	Std-10-20-30-40-60-80	2-5/64, 1-3/16
8	Premium Single Cylinder Set	68	WE-251K	Std-20-30-40-60	2-5/64, 1-3/16
8	Premium Single Cylinder Set	68	WE-251KC	Std-20-30-40-60	2-5/64, 1-3/16
8	Standard Single Cylinder Set	68	WE-251X	Std-20-30-40-60-80	2-5/64, 1-3/16

33 Industrial Applications JB, JB-M, JB-N, JB-5 Eng. (317 Gas) 5.2L 317 OHV V8, 3.8125" Bore 1952-55

CRANKSHAFT/OIL PUMP

QTY	OIL PUMP	YEARS	PART NO.	SIZE	DESCRIPTION
1	Oil Pump	55	224-41123		
1	Pump Repair Kit	55	224-51297		Rotor type

CYLINDER COMPONENTS

QTY	PISTONS	YEARS	PART NO.	SIZE	DESCRIPTION
8	Pin Bushing	55	2469V		1.276" length
8	Pin Bushing	55-52	1834V20		1.306" length; .020" extra bore stock
8	Pin Bushing	55-52	1834V		1.306" max. length
QTY	CONNECTING RODS & BRGS.	YEARS	PART NO.	SIZE	DESCRIPTION
8	Rod Pair	55-52	1835CPA	Std-10	

34 Industrial Applications 5.2L 317.5 OHV V8 (Lincoln), 3.8125" Bore 1952-55

CYL. HEAD & PARTS

QTY	VALVE	YEARS	PART NO.	SIZE	DESCRIPTION
8	Intake	53-52	V-1115	Std Only	1.7800" Head Dia., .3421" Stem Dia., 5.1100" O.A.L.
32	Keeper	55-52	VK-115		1 groove; Square cut key groove
32	Keeper	55-52	VK-115R		1 groove; Square cut key groove; Hardened
32	Keeper, Bulk	55-52	VK-115B		1 groove; Square cut key groove; Carton of 1000
QTY	VALVE GUIDE	YEARS	PART NO.	SIZE	DESCRIPTION
16	Guide	55-52	VG-5071		Exh. & Int.; Cut to fit; .3440" ID, 2.6250" O.A.L.
QTY	PUSH RODS	YEARS	PART NO.	SIZE	DESCRIPTION
16	Push Rod	55-52	RP-3021		9.8200" O.A.L.
QTY	VALVE SEAL	YEARS	PART NO.	SIZE	DESCRIPTION
16	Valve Stem Seal	55-52	MV-1903		Use w/repair guide; Positive type; Rubber
16	Valve Stem Seal	55-52	ST-2001		Use w/O.E. guide; Positive type; Installation requires valve guide machining; Rubber/PTFE
8	Valve Stem Seal	55-52	MV-1599C		Int.; Umbrella type; Rubber
16	Valve Stem Seal Bulk	55-52	ST-2001BC		Use w/O.E. guide; Positive type; Installation requires valve guide machining; Carton of 100; Rubber/PTFE
8	Valve Stem Seal Bulk	55-52	MV-1599		Int.; Umbrella type; Carton of 100; Rubber

CAMSHAFT GROUP

QTY	CAMSHAFT/LIFTER	YEARS	PART NO.	SIZE	DESCRIPTION
16	Lifter	55-52	HT-2083	Std Only	Hyd.
16	Lifter, Bulk	55-52	HT-2083B	Std Only	Hyd.; Carton of 122

(continued on next page)

Ford Industrial Engines

Industrial Applications **34**
5.2L 317.5 OHV V8 (Lincoln), 3.8125" Bore 1952-55 (cont.)

CYLINDER COMPONENTS

QTY	PISTON RINGS	YEARS	PART NO.	SIZE	DESCRIPTION
1	Premium Set	55-52	E-288K Std-20-30-40-60		2-5/64, 1-3/16
1	Premium Set	55-52	E-288KC20 20-40		2-5/64, 1-3/16
1	Standard Set	55-52	E-288X Std-20-30-40-60		2-5/64, 1-3/16
8	Premium Single Cylinder Set	55-52	WE-288K Std-20-30-40-60		2-5/64, 1-3/16
8	Standard Single Cylinder Set	55-52	WE-288X Std-20-30-40-60		2-5/64, 1-3/16

Industrial Applications **C4PD, C5PD, 330GF Eng. (330 M/D Gas)** **35**
5.4L 330 OHV V8 (M/D Eng.), 3.875" Bore 1964-76

CYL. HEAD & PARTS

QTY	VALVE	YEARS	PART NO.	SIZE	DESCRIPTION
8	Exhaust	69-64	V-2039 Std Only		Chrome plated stem; 1.5080" Head Dia., .3704" Stem Dia., 5.3730" O.A.L.
32	Keeper	69-64	VK-138		1 groove; Square cut key groove
32	Keeper	69-64	VK-138R		1 groove; Square cut key groove; Hardened
32	Keeper, Bulk	69-64	VK-138B		1 groove; Square cut key groove; Carton of 1000
QTY	VALVE SEAT	YEARS	PART NO.	SIZE	DESCRIPTION
8	Exh.	69-64	245-1630-1 Std Only		1.6300" OD, 1.3350" ID, .3105" Depth
QTY	VALVE GUIDE	YEARS	PART NO.	SIZE	DESCRIPTION
8	Guide	69-64	VG-5062		Exh.; .3735" ID, 2.3800" O.A.L.
QTY	PUSH RODS	YEARS	PART NO.	SIZE	DESCRIPTION
16	Push Rod	69-64	RP-3227R		Ball & ball type ends; Chrome-Moly; 9.5950" O.A.L.
16	Push Rod	69-64	RP-3172B		Ball & ball type ends; 9.5600" O.A.L.
16	Push Rod	69-64	RP-3172		Ball & ball type ends; 9.6210" O.A.L.
16	Push Rod, Bulk	69-64	BRP-3172B		Ball & ball type ends; Carton of 100; 9.5600" O.A.L.
16	Push Rod, Bulk	69-64	BRP-3172		Ball & ball type ends; Carton of 100; 9.6210" O.A.L.
QTY	VALVE SEAL	YEARS	PART NO.	SIZE	DESCRIPTION
16	Valve Stem Seal	69-64	ST-2014		Use w/repair guide; Positive type; Installation requires valve guide machining; PTFE
16	Valve Stem Seal	69-64	ST-2002		Use w/O.E. guide; Installation requires valve guide machining; Polyacrylate
16	Valve Stem Seal	69-64	MV-1775C		Umbrella type; Polyacrylate
16	Valve Stem Seal Bulk	69-64	MV-1775		Umbrella type; Carton of 100; Polyacrylate
16	Valve Stem Seal Bulk	69-64	ST-2014BC		Use w/repair guide; Positive type; Installation requires valve guide machining; Carton of 100; PTFE
16	Valve Stem Seal Bulk	69-64	ST-2002BC		Use w/O.E. guide; Positive type; Installation requires valve guide machining; Carton of 100; Polyacrylate
QTY	ROCKER PARTS	YEARS	PART NO.	SIZE	DESCRIPTION
16	Arm	69-64	R-814		
2	Rocker Shaft	69-64	RS-621		

CAMSHAFT GROUP

QTY	CAMSHAFT/LIFTER	YEARS	PART NO.	SIZE	DESCRIPTION
1	Camshaft	69-64	CS-619		
16	Lifter	69-64	HT-2083 Std Only		Hyd.
16	Lifter, Bulk	69-64	HT-2083B Std Only		Hyd.; Carton of 122
1	Prelube	69-64	55-400		4 oz. bottle; 1.5 oz. packet No. 55-403 also avail.
QTY	CAMSHAFT KIT	YEARS	PART NO.	SIZE	DESCRIPTION
1	Cam/Lifter Kit	69-64	KC-619		Incl. (1) CS-619, (16) HT-2083, (1) 55-403B

ENGINE BLOCK & PARTS

QTY	GASKET SETS	YEARS	PART NO.	SIZE	DESCRIPTION
1	Kit Gasket Set	76-73	260-1039		Premium valve stem seals incl.
1	Kit Gasket Set	72-64	260-1042		Premium valve stem seals incl.
QTY	CAM BEARINGS	YEARS	PART NO.	SIZE	DESCRIPTION
1	Cam Set		1445M Std Only		

CRANKSHAFT/OIL PUMP

QTY	CRANKSHAFT	YEARS	PART NO.	SIZE	DESCRIPTION
1	Harmonic Balancer Sleeve	69-64	88187		
QTY	SEALS - FRONT CRANK	YEARS	PART NO.	SIZE	DESCRIPTION
1	Redi-Sleeve	69-64	99187		

(continued on next page)

Ford Industrial Engines

35 Industrial Applications C4PD, C5PD, 330GF Engs. (330 M/D Gas) (cont.) 5.4L 330 OHV V8 (M/D Eng.), 3.875" Bore 1964-76

CRANKSHAFT/OIL PUMP (cont.)					
SEALS - FRONT CRANK					
QTY		YEARS	PART NO.	SIZE	DESCRIPTION
(cont.)					
1	Oil Seal	69-64	2942		
SEALS - REAR CRANK					
1	Oil Seal	69-64	5112S		
1	Oil Seal Kit	69-64	5095		(Rope Type)
MAIN BEARINGS					
1	Main Set		4261M	Std-1-10-20-30-40-50-60	3.824" max. flange OD
OIL PUMP					
1	Oil Pump	68-64	224-41173		
1	Oil Pump	68-64	224-43365A		High Pressure
1	Oil Pump	68-64	224-41177		High Volume, check pan for clearance
1	Inter. Shaft	68-64	224-61114		
CYLINDER COMPONENTS					
PISTONS					
QTY		YEARS	PART NO.	SIZE	DESCRIPTION
8	Cast Piston	76-64	329NP	Std-20-30-40-60	Cast; 1-5/64", 1-3/32", 1-3/16" Ring Groove, 1.830" CD, .9751" Pin Dia., Recessed Head .055" deep x 2.780" dia. - 7.2:1 C.R.
8	Cast Piston - Individual	76-64	W329NP	Std-20-30-40-60	Cast; 1-5/64", 1-3/32", 1-3/16" Ring Groove, 1.830" CD, .9751" Pin Dia., Recessed Head .055" deep x 2.780" dia. - 7.2:1 C.R.
8	Pin Bushing	65-64	2304V		Split type bushing
8	Pin Bushing	65-64	2304V20		Split type bushing; w/.020" extra bore stock
CONNECTING RODS & BRGS.					
QTY		YEARS	PART NO.	SIZE	DESCRIPTION
1	Rod Set		8-3230CP	Std-10-20-30-40-50	Squirt hole removed from all Ford V Engs.; 8-3230CA 60 avail. as unplated & resizeable
1	Rod Set		8-3230CP10X2	10X2-20X2-30X2	Use in .002" O/S Rod Bore; Squirt hole removed from all Ford V Engs.
1	Rod Set		8-3230CA60	60	Unplated & resizeable; Squirt hole removed from all Ford V Engs.
8	Rod Pair		3230CP	Std-1-2-10-20-30-40-50	Squirt hole removed from all Ford V Engs.
PISTON RINGS					
QTY		YEARS	PART NO.	SIZE	DESCRIPTION
1	Premium Set	70-64	E-224K	Std-20-30-40-60	1-5/64, 1-3/32, 1-3/16
8	Premium Single Cylinder Set	70-64	WE-224K	Std-40-60	1-5/64, 1-3/32, 1-3/16

36 Industrial Applications C4PA, 330GF Engs. (330 H/D Gas) 5.4L 330 OHV V8 (H/D Eng.), 3.875" Bore

CYL. HEAD & PARTS					
VALVE					
QTY			PART NO.	SIZE	DESCRIPTION
8	Intake		V-1833X	Std Only	Chrome plated stem; 1.7520" Head Dia., .3714" Stem Dia., 5.3930" O.A.L.
8	Intake		FP-V1769		1.7520" Head Dia., .3715" Stem Dia., 5.3930" O.A.L.
8	Intake		V-1769 +	Std Only	1.7520" Head Dia., .3715" Stem Dia., 5.3930" O.A.L.; When depleted use FP-V1769
8	Exhaust		V-1768X	Std Only	W/Seal groove; Sodium cooled; Chrome plated stem; 1.5050" Head Dia., .4343" Stem Dia., 5.3720" O.A.L.
32	Keeper		VK-138		1 groove; Square cut key groove
32	Keeper		VK-138R		1 groove; Square cut key groove; Hardened
32	Keeper, Bulk		VK-138B		n; 1 groove; Square cut key groove; Carton of 1000
VALVE SEAT					
QTY			PART NO.	SIZE	DESCRIPTION
8	Exh.		245-1630-1	Std Only	1.6300" OD, 1.3350" ID, .3105" Depth
VALVE GUIDE					
QTY			PART NO.	SIZE	DESCRIPTION
8	Guide		VG-5032		Exh.; .4375" ID, 2.5000" O.A.L.
VALVE SPRING					
QTY			PART NO.	SIZE	DESCRIPTION
16	Spring		VS-721		1.9600" Free Height
16	Spring, Bulk		VS-721B		Carton of 250; 1.9600" Free Height
PUSH RODS					
QTY			PART NO.	SIZE	DESCRIPTION
16	Push Rod		RP-3227R		Ball & ball type ends; Chrome-Moly; 9.5950" O.A.L.
16	Push Rod		RP-3172B		Ball & ball type ends; 9.5600" O.A.L.
16	Push Rod		RP-3172		Ball & ball type ends; 9.6210" O.A.L.
16	Push Rod, Bulk		BRP-3172B		Ball & ball type ends; Carton of 100; 9.5600" O.A.L.
16	Push Rod, Bulk		BRP-3172		Ball & ball type ends; Carton of 100; 9.6210" O.A.L.

(continued on next page)

Ford Industrial Engines

Industrial Applications **C4PA, 330GF Engs. (330 H/D Gas) 36**
5.4L 330 OHV V8 (H/D Eng.), 3.875" Bore (cont.)

CYL. HEAD & PARTS (cont.)

QTY	VALVE MISC.	PART NO.	SIZE	DESCRIPTION
8	Rotocap Assy.	RC-141A		Exh.; Must be used w/MV-1775 seal
QTY	VALVE SEAL	PART NO.	SIZE	DESCRIPTION
8	Valve Stem Seal	ST-2007		Exh.; Positive type; Rubber
8	Valve Stem Seal	ST-2002		Int.; Installation requires valve guide machining; Polyacrylate
8	Valve Stem Seal	MV-1233C		Exh.; For valve w/seal groove; O-Ring; Rubber
8	Valve Stem Seal	MV-1775C		Exh.; W/ or w/o seal groove; RC-141A must be used; Umbrella type; Polyacrylate
8	Valve Stem Seal Bulk	MV-1233		Exh.; For valve w/seal groove; O-Ring; Carton of 100; Rubber
8	Valve Stem Seal Bulk	MV-1775		Exh.; W/ or w/o seal groove; RC-141A must be used; Umbrella type; Carton of 100; Polyacrylate
8	Valve Stem Seal Bulk	ST-2002BC		Int.; Positive type; Installation requires valve guide machining; Carton of 100; Polyacrylate
QTY	ROCKER PARTS	PART NO.	SIZE	DESCRIPTION
16	Arm	R-814		
2	Rocker Shaft	RS-621		

CAMSHAFT GROUP

QTY	CAMSHAFT/LIFTER	PART NO.	SIZE	DESCRIPTION
1	Camshaft	CS-619		
16	Lifter	HT-2083 Std Only		Hyd.
16	Lifter, Bulk	HT-2083B Std Only		Hyd.; Carton of 122
1	Prelube	55-400		4 oz. bottle; 1.5 oz. packet No. 55-403 also avail.
QTY	CAMSHAFT KIT	PART NO.	SIZE	DESCRIPTION
1	Cam/Lifter Kit	KC-619		Incl. (1) CS-619, (16) HT-2083, (1) 55-403B

ENGINE BLOCK & PARTS

QTY	GASKET SETS	PART NO.	SIZE	DESCRIPTION
1	Kit Gasket Set	260-1039		Premium valve stem seals incl.
QTY	CAM BEARINGS	PART NO.	SIZE	DESCRIPTION
1	Cam Set	1445M Std Only		

CRANKSHAFT/OIL PUMP

QTY	MAIN BEARINGS	PART NO.	SIZE	DESCRIPTION
1	Main Set	4261M Std-1-10-20-30-40-50-60		3.824" max. flange OD
QTY	OIL PUMP	PART NO.	SIZE	DESCRIPTION
1	Oil Pump	224-41176		
1	Inter. Shaft	224-61126		

CYLINDER COMPONENTS

QTY	PISTONS	PART NO.	SIZE	DESCRIPTION
8	Cast Piston - Individual	FP-W993P	Std-30-40-60	Cast; 1-3/32", 2-5/64", 1-3/16" Ring Groove, 1.883" CD, .9751" Pin Dia., Recessed Head .080" deep x 2.900" dia. w/top ring groove protector
8	Pin Bushing	2304V		Split type bushing
8	Pin Bushing	2304V20		Split type bushing; w/.020" extra bore stock
QTY	CONNECTING RODS & BRGS.	PART NO.	SIZE	DESCRIPTION
1	Rod Set	8-3230CP Std-10-20-30-40-50		Squirt hole removed from all Ford V Engs.; 8-3230CA 60 avail. as unplated & resizeable
1	Rod Set	8-3230CP10X2 10X2-20X2-30X2		Use in .002" O/S Rod Bore; Squirt hole removed from all Ford V Engs.
1	Rod Set	8-3230CA60 60		Unplated & resizeable; Squirt hole removed from all Ford V Engs.
8	Rod Pair	3230CP Std-1-2-10-20-30-40-50		Squirt hole removed from all Ford V Engs.

Industrial Applications **ESD654 Eng. (330 Dorset Diesel) 37**
5.4L 330 (5409cc) OHV Diesel L6 (Dagenham), 100mm Bore (Ford Europe Eng.)

CRANKSHAFT/OIL PUMP

QTY	MAIN BEARINGS	PART NO.	SIZE	DESCRIPTION
1	Thrust Washer Set	FP-2248BF	STD	Position 3

Ford Industrial Engines

38 Industrial Applications Y Eng. (330 Dagenham Diesel) 5.4L 330 (5416cc) OHV Diesel L6 (Dagenham), 100mm Bore (Ford Europe Eng.) 1958-61

CRANKSHAFT/OIL PUMP

QTY	MAIN BEARINGS	YEARS	PART NO.	SIZE	DESCRIPTION
1	Thrust Washer Set	61-58	FP-2248BF	STD	Position 4

39 Industrial Applications B6PL, L Eng. (332 Gas) 5.4L 332 OHV V8, 3.8125" Bore 1956-64

CYL. HEAD & PARTS

QTY	VALVE GUIDE	YEARS	PART NO.	SIZE	DESCRIPTION
4	Guide	57-56	VG-5006T		Int.; Threaded; .3425" ID, 2.3800" O.A.L.

CAMSHAFT GROUP

QTY	CAMSHAFT/LIFTER	YEARS	PART NO.	SIZE	DESCRIPTION
16	Lifter	64-56	AT-872 Std Only		Mech.
16	Lifter, Bulk	64-56	AT-872B Std Only		Mech.; Carton of 122

CRANKSHAFT/OIL PUMP

QTY	CRANKSHAFT	YEARS	PART NO.	SIZE	DESCRIPTION
1	Harmonic Balancer Sleeve	64-56	88187		
QTY	SEALS - FRONT CRANK	YEARS	PART NO.	SIZE	DESCRIPTION
1	Redi-Sleeve	64-56	99187		
1	Oil Seal	64-56	2942		
QTY	SEALS - REAR CRANK	YEARS	PART NO.	SIZE	DESCRIPTION
1	Oil Seal Kit	64-56	5095		(Rope Type)
1	Oil Seal Kit	64-56	5108		(Split Seal)
QTY	OIL PUMP	YEARS	PART NO.	SIZE	DESCRIPTION
1	Oil Pump	63-56	224-41123		
1	Pump Repair Kit	63-56	224-51297		Rotor type

CYLINDER COMPONENTS

QTY	PISTONS	YEARS	PART NO.	SIZE	DESCRIPTION
8	Pin Bushing	64-56	2469V		1.276" length
8	Pin Bushing	64-56	1834V20		1.306" length; .020" extra bore stock
8	Pin Bushing	64-56	1834V		1.306" max. length
QTY	CONNECTING RODS & BRGS.	YEARS	PART NO.	SIZE	DESCRIPTION
8	Rod Pair	64-56	1835CPA Std-10		

40 Industrial Applications CSG858 Eng. (351C Gas) 5.8L 351 OHV V8 (Cleveland), 4" Bore 1970-74

CYL. HEAD & PARTS

QTY	PUSH RODS	YEARS	PART NO.	SIZE	DESCRIPTION
16	Push Rod	74-70	RP-3226R		Chrome-Moly; 8.4100" O.A.L.
16	Push Rod	74-70	RP-3184		8.4120" O.A.L.
QTY	ROCKER PARTS	YEARS	PART NO.	SIZE	DESCRIPTION
16	Arm Assy.	74-70	R-855		Incl. arm & pivot
16	Arm Assy., Bulk	74-70	R-855B		Incl. arm & pivot; Carton of 64
16	Arm	74-70	R-855A		
16	Bolt	74-70	MR-1951		5/16" X 18 UNC w/o washer
16	Pivot	74-70	MR-1811		

ENGINE BLOCK & PARTS

QTY	CAM BEARINGS	YEARS	PART NO.	SIZE	DESCRIPTION
1	Cam Set	74-70	1403M Std Only		Babbitt material; Full round design

CRANKSHAFT/OIL PUMP

QTY	CRANKSHAFT	YEARS	PART NO.	SIZE	DESCRIPTION
1	Harmonic Balancer Sleeve	74-70	88187		
QTY	SEALS - FRONT CRANK	YEARS	PART NO.	SIZE	DESCRIPTION
1	Redi-Sleeve	74-70	99187		
1	Oil Seal	74-70	2692		
1	Oil Seal	74-70	2942		
QTY	SEALS - REAR CRANK	YEARS	PART NO.	SIZE	DESCRIPTION
1	Oil Seal Kit	74-70	5095		(Rope Type)
1	Oil Seal Kit	74-70	5108		(Split Seal)

(continued on next page)

Ford Industrial Engines

Industrial Applications CSG858 Eng. (351C Gas) 40 5.8L 351 OHV V8 (Cleveland), 4" Bore 1970-74 (cont.)

CRANKSHAFT/OIL PUMP (cont.)

QTY	MAIN BEARINGS	YEARS	PART NO.	SIZE	DESCRIPTION
1	Main Set	74-70	4925M	Std-1-10-20-30	

CYLINDER COMPONENTS

QTY	PISTONS	YEARS	PART NO.	SIZE	DESCRIPTION
8	Cast Piston	74-70	425NP	Std-20-30-40-60	Cast; 2-5/64", 1-3/16" Ring Groove, 1.630" CD, .9123" Pin Dia., Recessed Head .080" deep x 2.770" dia. - 7.9:1 C.R.
8	Cast Piston - Individual	74-70	W425NP30	30	Cast; 2-5/64", 1-3/16" Ring Groove, 1.630" CD, .9123" Pin Dia., Recessed Head .080" deep x 2.770" dia. - 7.9:1 C.R.

QTY	CONNECTING RODS & BRGS.	YEARS	PART NO.	SIZE	DESCRIPTION
1	Rod Set	74-70	8-3400CP	Std-1-10-20-30-40	
8	Rod Pair	74-70	3400CP	Std-1-10-20-30-40	

Industrial Applications WSG858, 351GM, 351GP Engs. (351W Gas) 41 5.8L 351 OHV V8 (Windsor), 4" Bore 1969-72

ENGINE BLOCK & PARTS

QTY	CAM BEARINGS	YEARS	PART NO.	SIZE	DESCRIPTION
1	Cam Set	72-69	1204M	Std-10	Babbitt material; Full round design

CRANKSHAFT/OIL PUMP

QTY	CRANKSHAFT	YEARS	PART NO.	SIZE	DESCRIPTION
1	Harmonic Balancer Sleeve	72-69	88187		

QTY	SEALS - FRONT CRANK	YEARS	PART NO.	SIZE	DESCRIPTION
1	Redi-Sleeve	72-69	99187		
1	Oil Seal	72-69	2942		

QTY	SEALS - REAR CRANK	YEARS	PART NO.	SIZE	DESCRIPTION
1	Oil Seal Kit	72-69	5095		(Rope Type)
1	Oil Seal Kit	72-69	5108		(Split Seal)

QTY	MAIN BEARINGS	YEARS	PART NO.	SIZE	DESCRIPTION
1	Main Set	72-69	5107M	Std-1-10-20-30-40	

CYLINDER COMPONENTS

QTY	PISTONS	YEARS	PART NO.	SIZE	DESCRIPTION
8	Powerforged	72-69	L-2378F30	30-40	Powerforged; 2-5/64", 1-3/16" Ring Groove, 1.736" CD, .9123" Pin Dia., Recessed Head .160" deep. DUROSHIELD® skirt coated piston.
8	Cast Piston	72-69	416P	Std-20-30-40-60	Cast; 2-5/64", 1-3/16" Ring Groove, 1.720" CD, .9122" Pin Dia., Recessed Head .240" deep - 7.7:1 C.R.
8	Cast Piston - Individual	72-69	W416P	Std-20-30-40-60	Cast; 2-5/64", 1-3/16" Ring Groove, 1.720" CD, .9122" Pin Dia., Recessed Head .240" deep - 7.7:1 C.R.

QTY	CONNECTING RODS & BRGS.	YEARS	PART NO.	SIZE	DESCRIPTION
1	Rod Set	72-69	8-3380CPA	Std-1-10-20-30-40	
1	Rod Set	72-69	8-3380A	Std-1-10-20-30-40	A-Series aluminum bearings
1	Rod Set	72-69	8-3380A10X2	10X2-20X2-30X2	A-Series aluminum bearings; Use in .002" O/S Rod Bore
1	Rod Set	72-69	8-3380CPA10X2 +	10X2-20X2-30X2	Use in .002" O/S Rod Bore; When depleted use 8-3380A 10X2
8	Rod Pair	72-69	3380CPA	Std-1-10-20-30-40	
8	Rod Pair	72-69	3380A	Std-1-10-20-30-40	A-Series aluminum bearings

Industrial Applications C4PB, C5PB, 361GF Engs. (361 Gas) 42 5.9L 361 OHV V8, 4.05" Bore 1958-74

CYL. HEAD & PARTS

QTY	VALVE	YEARS	PART NO.	SIZE	DESCRIPTION
8	Intake	74-64	V-1833X	Std Only	Chrome plated stem; 1.7520" Head Dia., .3714" Stem Dia., 5.3930" O.A.L.
8	Intake	74-64	FP-V1769		1.7520" Head Dia., .3715" Stem Dia., 5.3930" O.A.L.

(continued on next page)

+ Superseded Part Number

Ford Industrial Engines

42 Industrial Applications C4PB, C5PB, 361GF Eng. (361 Gas) (cont.) 5.9L 361 OHV V8, 4.05" Bore 1958-74

CYL. HEAD & PARTS (cont.)					
QTY	VALVE (cont.)	YEARS	PART NO.	SIZE	DESCRIPTION
8	Intake	74-64	V-1769 + Std Only		1.7520" Head Dia., .3715" Stem Dia., 5.3930" O.A.L.; When depleted use FP-V1769
8	Exhaust	74-64	V-1768X Std Only		W/Seal groove; Sodium cooled; Chrome plated stem; 1.5050" Head Dia., .4343" Stem Dia., 5.3720" O.A.L.
32	Keeper	74-64	VK-138		1 groove; Square cut key groove
32	Keeper	74-64	VK-138R		1 groove; Square cut key groove; Hardened
32	Keeper, Bulk	74-64	VK-138B		1 groove; Square cut key groove; Carton of 1000
QTY	VALVE SEAT	YEARS	PART NO.	SIZE	DESCRIPTION
8	Exh.	74-64	245-1630-1 Std Only		1.6300" OD, 1.3350" ID, .3105" Depth
QTY	VALVE GUIDE	YEARS	PART NO.	SIZE	DESCRIPTION
8	Guide	69-64	VG-5032		Exh.; .4375" ID, 2.5000" O.A.L.
QTY	VALVE SPRING	YEARS	PART NO.	SIZE	DESCRIPTION
16	Spring	74-64	VS-721		1.9600" Free Height
16	Spring, Bulk	74-64	VS-721B		Carton of 250; 1.9600" Free Height
QTY	PUSH RODS	YEARS	PART NO.	SIZE	DESCRIPTION
16	Push Rod	74-66	RP-3172B		Ball & ball type ends; 9.5600" O.A.L.
16	Push Rod	74-66	RP-3172		Ball & ball type ends; 9.6210" O.A.L.
16	Push Rod	74-66	RP-3172C		9.5910" O.A.L.
16	Push Rod	69-66	RP-3227R		Ball & ball type ends; Chrome-Moly; 9.5950" O.A.L.
16	Push Rod, Bulk	74-66	BRP-3172B		Ball & ball type ends; Carton of 100; 9.5600" O.A.L.
16	Push Rod, Bulk	74-66	BRP-3172		Ball & ball type ends; Carton of 100; 9.6210" O.A.L.
QTY	VALVE MISC.	YEARS	PART NO.	SIZE	DESCRIPTION
8	Rotocap Assy.	74-64	RC-141A		Exh.; Must be used w/MV-1775 seal
QTY	VALVE SEAL	YEARS	PART NO.	SIZE	DESCRIPTION
8	Valve Stem Seal	74-64	ST-2007		Exh.; Positive type; Rubber
8	Valve Stem Seal	74-64	ST-2002		Int.; Installation requires valve guide machining; Polyacrylate
8	Valve Stem Seal	74-64	MV-1233C		Exh.; For valve w/seal groove; O-Ring; Rubber
8	Valve Stem Seal	74-64	MV-1775C		Exh.; W/ or w/o seal groove; RC-141A must be used; Umbrella type; Polyacrylate
8	Valve Stem Seal Bulk	74-64	MV-1233		Exh.; For valve w/seal groove; O-Ring; Carton of 100; Rubber
8	Valve Stem Seal Bulk	74-64	MV-1775		Exh.; W/ or w/o seal groove; RC-141A must be used; Umbrella type; Carton of 100; Polyacrylate
8	Valve Stem Seal Bulk	74-64	ST-2002BC		Int.; Positive type; Installation requires valve guide machining; Carton of 100; Polyacrylate
QTY	ROCKER PARTS	YEARS	PART NO.	SIZE	DESCRIPTION
16	Arm	74-66	R-814		
2	Rocker Shaft	74-66	RS-621		Int.
CAMSHAFT GROUP					
QTY	CAMSHAFT/LIFTER	YEARS	PART NO.	SIZE	DESCRIPTION
1	Camshaft		CS-619		
16	Lifter	74-64	HT-2083 Std Only		Hyd.
16	Lifter, Bulk	74-64	HT-2083B Std Only		Hyd.; Carton of 122
1	Prelube		55-400		4 oz. bottle; 1.5 oz. packet No. 55-403 also avail.
ENGINE BLOCK & PARTS					
QTY	GASKET SETS	YEARS	PART NO.	SIZE	DESCRIPTION
1	Kit Gasket Set	74-58	260-1039		Heat shield not incl.; Premium valve stem seals incl.
QTY	CAM BEARINGS	YEARS	PART NO.	SIZE	DESCRIPTION
1	Cam Set	74-58	1445M Std Only		
CRANKSHAFT/OIL PUMP					
QTY	CRANKSHAFT	YEARS	PART NO.	SIZE	DESCRIPTION
1	Harmonic Balancer Sleeve	74-64	88187		
QTY	SEALS - FRONT CRANK	YEARS	PART NO.	SIZE	DESCRIPTION
1	Redi-Sleeve	74-64	99187		
1	Oil Seal	74-64	412038N		
QTY	SEALS - REAR CRANK	YEARS	PART NO.	SIZE	DESCRIPTION
1	Oil Seal Kit	74-64	5095		(Rope Type)
1	Oil Seal Kit	74-64	5108		(Split Seal)
QTY	MAIN BEARINGS	YEARS	PART NO.	SIZE	DESCRIPTION
1	Main Set	74-64	4261M Std-1-10-20-30-40-50-60		3.824" max. flange OD
1	Main Set	63-58	4020M Std-10		3.684" max. flange OD

(continued on next page)

Ford Industrial Engines

Industrial Applications C4PB, C5PB, 361GF Eng. (361 Gas) 42
5.9L 361 OHV V8, 4.05" Bore 1958-74 (cont.)

CRANKSHAFT/OIL PUMP (cont.)

QTY	OIL PUMP	YEARS	PART NO.	SIZE	DESCRIPTION
1	Oil Pump	68-64	224-41176		
1	Inter. Shaft	68-64	224-61126		

CYLINDER COMPONENTS

QTY	PISTONS	YEARS	PART NO.	SIZE	DESCRIPTION
8	Cast Piston	74-65	H994P	Std-20-30-40-60	Hypereutectic; 1-3/32", 1-5/64", 1-3/16" Ring Groove, 1.882" CD, .9751" Pin Dia., Stepped Recessed Head; First recess .045" deep x 3.320" dia.; Second recess .188" deep x 2.524" dia.; Floating pin w/bushing in rod
8	Cast Piston - Individual	74-65	WH994P	Std-20-30-40-60	Hypereutectic; 1-3/32", 1-5/64", 1-3/16" Ring Groove, 1.882" CD, .9751" Pin Dia., Stepped Recessed Head; First recess .045" deep x 3.320" dia.; Second recess .188" deep x 2.524" dia.; Floating pin w/bushing in rod
8	Pin Bushing	65-58	2304V		Split type bushing
8	Pin Bushing	65-58	2304V20		Split type bushing; w/.020" extra bore stock

QTY	CONNECTING RODS & BRGS.	YEARS	PART NO.	SIZE	DESCRIPTION
1	Rod Set	74-58	8-3230CP	Std-10-20-30-40-50	Squirt hole removed from all Ford V Eng.; 8-3230CA 60 avail. as unplated & resizeable
1	Rod Set	74-58	8-3230CP10X2	10X2-20X2-30X2	Use in .002" O/S Rod Bore; Squirt hole removed from all Ford V Eng.
1	Rod Set	74-58	8-3230CA60	60	Unplated & resizeable; Squirt hole removed from all Ford V Eng.
8	Rod Pair	74-58	3230CP	Std-1-2-10-20-30-40-50	Squirt hole removed from all Ford V Eng.

QTY	PISTON RINGS	YEARS	PART NO.	SIZE	DESCRIPTION
1	Premium Set	74-65	E-339K	Std-20-30-40-60	Check piston grooving before supplying ring set; 1-3/32, 1-5/64, 1-3/16
1	Premium Set	74-65	E-353K	Std-20-30-40-60	Check piston grooving before supplying ring set; 1-3/32, 1-5/64, 1-3/16
8	Premium Single Cylinder Set	74-65	WE-339K	Std-20-30-40-60	Check piston grooving before supplying ring set; 1-3/32, 1-5/64, 1-3/16
8	Premium Single Cylinder Set	74-65	WE-353K	Std-30-40-60	Check piston grooving before supplying ring set; 1-3/32, 1-5/64, 1-3/16

Industrial Applications LSG861 Eng. (370 Gas) 43
6.1L 370 OHV V8, 4.05" Bore

INT & EXH MANIFOLDS

QTY	INT. & EXH. MANIFOLDS	PART NO.	SIZE	DESCRIPTION
1	Valley Pan Gasket Set	260-4005		Valley pan gskt.; Exc. LPG Eng.
1	Valley Pan Gasket Set	260-4031		Valley pan gskt.; LPG Eng.

ENGINE BLOCK & PARTS

QTY	GASKET SETS	PART NO.	SIZE	DESCRIPTION
1	Kit Gasket Set	260-1421		Int. manifold gskt. & heat shield not incl.; Oil pan gskt. after 3/30/89 not incl.; Use valley pan 2604005; Premium valve stem seals incl.
1	Kit Gasket Set	260-1098		Int. manifold gskt. & heat shield not incl.; Use valley pan gskt. 2604005.; Premium valve stem seals incl.

Industrial Applications C4PC, C5PC, 391GF Eng. (391 Gas) 44
6.4L 391 OHV V8, 4.05" Bore 1964-74

CYL. HEAD & PARTS

QTY	VALVE	YEARS	PART NO.	SIZE	DESCRIPTION
8	Intake	74-64	V-1833X	Std Only	Chrome plated stem; 1.7520" Head Dia., .3714" Stem Dia., 5.3930" O.A.L.
8	Intake	74-64	FP-V1769		1.7520" Head Dia., .3715" Stem Dia., 5.3930" O.A.L.
8	Intake	74-64	V-1769 +	Std Only	1.7520" Head Dia., .3715" Stem Dia., 5.3930" O.A.L.; When depleted use FP-V1769
8	Exhaust	74-64	V-1768X	Std Only	W/Seal groove; Sodium cooled; Chrome plated stem; 1.5050" Head Dia., .4343" Stem Dia., 5.3720" O.A.L.
32	Keeper	74-64	VK-138		1 groove; Square cut key groove
32	Keeper	74-64	VK-138R		1 groove; Square cut key groove; Hardened
32	Keeper, Bulk	74-64	VK-138B		1 groove; Square cut key groove; Carton of 1000
QTY	VALVE SEAT	YEARS	PART NO.	SIZE	DESCRIPTION
8	Exh.	74-64	245-1630-1	Std Only	1.6300" OD, 1.3350" ID, .3105" Depth

(continued on next page)

Ford Industrial Engines

44 Industrial Applications C4PC, C5PC, 391GF Engs. (391 Gas)

(cont.) 6.4L 391 OHV V8, 4.05" Bore 1964-74

CYL. HEAD & PARTS (cont.)					
QTY	VALVE GUIDE	YEARS	PART NO.	SIZE	DESCRIPTION
8	Guide	74-64	VG-5070H		Int.; Threaded; Hardened; .3730" ID, 2.6250" O.A.L.
8	Guide	69-64	VG-5032		Exh.; .4375" ID, 2.5000" O.A.L.
QTY	VALVE SPRING	YEARS	PART NO.	SIZE	DESCRIPTION
16	Spring	74-64	VS-721		1.9600" Free Height
16	Spring, Bulk	74-64	VS-721B		Carton of 250; 1.9600" Free Height
QTY	PUSH RODS	YEARS	PART NO.	SIZE	DESCRIPTION
16	Push Rod	74-66	RP-3172B		Ball & ball type ends; 9.5600" O.A.L.
16	Push Rod	74-66	RP-3172		Ball & ball type ends; 9.6210" O.A.L.
16	Push Rod	74-66	RP-3172C		9.5910" O.A.L.
16	Push Rod	69-66	RP-3227R		Ball & ball type ends; Chrome-Moly; 9.5950" O.A.L.
16	Push Rod, Bulk	74-66	BRP-3172B		Ball & ball type ends; Carton of 100; 9.5600" O.A.L.
16	Push Rod, Bulk	74-66	BRP-3172		Ball & ball type ends; Carton of 100; 9.6210" O.A.L.
QTY	VALVE MISC.	YEARS	PART NO.	SIZE	DESCRIPTION
8	Rotocap Assy.	74-64	RC-141A		Exh.; Must be used w/MV-1775 seal
QTY	VALVE SEAL	YEARS	PART NO.	SIZE	DESCRIPTION
8	Valve Stem Seal	74-64	ST-2007		Exh.; Positive type; Rubber
8	Valve Stem Seal	74-64	ST-2002		Int.; Installation requires valve guide machining; Polyacrylate
8	Valve Stem Seal	74-64	MV-1233C		Exh.; For valve w/seal groove; O-Ring; Rubber
8	Valve Stem Seal	74-64	MV-1775C		Exh.; W/ or w/o seal groove; RC-141A must be used; Umbrella type; Polyacrylate
8	Valve Stem Seal Bulk	74-64	MV-1233		Exh.; For valve w/seal groove; O-Ring; Carton of 100; Rubber
8	Valve Stem Seal Bulk	74-64	MV-1775		Exh.; W/ or w/o seal groove; RC-141A must be used; Umbrella type; Carton of 100; Polyacrylate
8	Valve Stem Seal Bulk	74-64	ST-2002BC		Int.; Positive type; Installation requires valve guide machining; Carton of 100; Polyacrylate
QTY	ROCKER PARTS	YEARS	PART NO.	SIZE	DESCRIPTION
16	Arm	74-66	R-814		
2	Rocker Shaft	74-66	RS-621		Int.
CAMSHAFT GROUP					
QTY	CAMSHAFT/LIFTER	YEARS	PART NO.	SIZE	DESCRIPTION
1	Camshaft		CS-619		
16	Lifter	74-64	HT-2083	Std Only	Hyd.
16	Lifter, Bulk	74-64	HT-2083B	Std Only	Hyd.; Carton of 122
1	Prelube		55-400		4 oz. bottle; 1.5 oz. packet No. 55-403 also avail.
ENGINE BLOCK & PARTS					
QTY	GASKET SETS	YEARS	PART NO.	SIZE	DESCRIPTION
1	Kit Gasket Set	74-64	260-1039		Heat shield not incl.; Premium valve stem seals incl.
QTY	CAM BEARINGS	YEARS	PART NO.	SIZE	DESCRIPTION
1	Cam Set	65-64	1445M	Std Only	
CRANKSHAFT/OIL PUMP					
QTY	CRANKSHAFT	YEARS	PART NO.	SIZE	DESCRIPTION
1	Harmonic Balancer Sleeve	74-64	88187		
QTY	SEALS - FRONT CRANK	YEARS	PART NO.	SIZE	DESCRIPTION
1	Redi-Sleeve	74-64	99187		
1	Oil Seal	74-64	412038N		
QTY	SEALS - REAR CRANK	YEARS	PART NO.	SIZE	DESCRIPTION
1	Oil Seal Kit	74-64	5095		(Rope Type)
1	Oil Seal Kit	74-64	5108		(Split Seal)
QTY	MAIN BEARINGS	YEARS	PART NO.	SIZE	DESCRIPTION
1	Main Set	65-64	4261M	Std-1-10-20-30-40-50-60	3.824" max. flange OD
QTY	OIL PUMP	YEARS	PART NO.	SIZE	DESCRIPTION
1	Oil Pump	74-64	224-41176		
1	Inter. Shaft	74-64	224-61126		
CYLINDER COMPONENTS					
QTY	PISTONS	YEARS	PART NO.	SIZE	DESCRIPTION
8	Cast Piston	74-64	H995P	Std-20-30-40-60	Hypereutectic; 1-3/32", 1-5/64", 1-3/16" Ring Groove, 1.739" CD, .9751" Pin Dia., Recessed Head .330" deep x 2.960" dia.; For floating pin w/bushing in rod

(continued on next page)

Ford Industrial Engines

Industrial Applications C4PC, C5PC, 391GF Eng. (391 Gas) 44 6.4L 391 OHV V8, 4.05" Bore 1964-74 (cont.)

CYLINDER COMPONENTS (cont.)

QTY	PISTONS (cont.)	YEARS	PART NO.	SIZE	DESCRIPTION
8	Cast Piston	74-64	H706P30 30-40-60		Hypereutectic; 1-3/32", 1-5/64", 1-3/16" Ring Groove, 1.739" CD, 1.0402" Pin Dia., Recessed Head .330" deep x 2.960" dia.; For conversion from full floating pin to press fit in rod w/o rod bushing
8	Cast Piston - Individual	74-64	WH995P Std-20-30-40-60		Hypereutectic; 1-3/32", 1-5/64", 1-3/16" Ring Groove, 1.739" CD, .9751" Pin Dia., Recessed Head .330" deep x 2.960" dia.; For floating pin w/bushing in rod
8	Cast Piston - Individual	74-64	WH706P30 30-40-60		Hypereutectic; 1-3/32", 1-5/64", 1-3/16" Ring Groove, 1.739" CD, 1.0402" Pin Dia., Recessed Head .330" deep x 2.960" dia.; For conversion from full floating pin to press fit in rod w/o rod bushing
8	Pin Bushing	65-64	2304V		Split type bushing
8	Pin Bushing	65-64	2304V20		Split type bushing; w/.020" extra bore stock
QTY	CONNECTING RODS & BRGS.	YEARS	PART NO.	SIZE	DESCRIPTION
1	Rod Set	65-64	8-3230CP Std-10-20-30-40-50		Squirt hole removed from all Ford V Eng.s.; 8-3230CA 60 avail. as unplated & resizeable
1	Rod Set	65-64	8-3230CP10X2 10X2-20X2-30X2		Use in .002" O/S Rod Bore; Squirt hole removed from all Ford V Eng.s.
1	Rod Set	65-64	8-3230CA60 60		Unplated & resizeable; Squirt hole removed from all Ford V Eng.s.
8	Rod Pair	65-64	3230CP Std-1-2-10-20-30-40-50		Squirt hole removed from all Ford V Eng.s.
QTY	PISTON RINGS	YEARS	PART NO.	SIZE	DESCRIPTION
1	Premium Set	74-64	E-339K Std-20-30-40-60		Check piston grooving before supplying ring set; 1-3/32, 1-5/64, 1-3/16
1	Premium Set	74-64	E-353K Std-20-30-40-60		Check piston grooving before supplying ring set; 1-3/32, 1-5/64, 1-3/16
8	Premium Single Cylinder Set	74-64	WE-339K Std-20-30-40-60		Check piston grooving before supplying ring set; 1-3/32, 1-5/64, 1-3/16
8	Premium Single Cylinder Set	74-64	WE-353K Std-30-40-60		Check piston grooving before supplying ring set; 1-3/32, 1-5/64, 1-3/16

Industrial Applications B8PQ, Q Eng. (401 Gas) 45 6.6L 401 OHV V8, 4.125" Bore

CYL. HEAD & PARTS

QTY	VALVE	PART NO.	SIZE	DESCRIPTION
8	Exhaust	V-1358X Std Only		Sodium cooled; Chrome plated stem; 1.6350" Head Dia., .4340" Stem Dia., 5.7020" O.A.L.
32	Keeper	VK-140		
QTY	VALVE SPRING	PART NO.	SIZE	DESCRIPTION
16	Spring	VS-698		2.0200" Free Height
QTY	PUSH RODS	PART NO.	SIZE	DESCRIPTION
16	Push Rod	RP-3143		11.5970" O.A.L.
QTY	VALVE SEAL	PART NO.	SIZE	DESCRIPTION
16	Valve Stem Seal	ST-2007		Positive type; Rubber

CAMSHAFT GROUP

QTY	CAMSHAFT/LIFTER	PART NO.	SIZE	DESCRIPTION
16	Lifter	AT-872 Std Only		Mech.
16	Lifter, Bulk	AT-872B Std Only		Mech.; Carton of 122
1	Prelube	55-400		4 oz. bottle; 1.5 oz. packet No. 55-403 also avail.

ENGINE BLOCK & PARTS

QTY	GASKET SETS	PART NO.	SIZE	DESCRIPTION
1	Kit Gasket Set	260-1116		

CRANKSHAFT/OIL PUMP

QTY	SEALS - FRONT CRANK	PART NO.	SIZE	DESCRIPTION
1	Redi-Sleeve	99237		
1	Oil Seal	483246N		

CYLINDER COMPONENTS

QTY	PISTONS	PART NO.	SIZE	DESCRIPTION
8	Pin Bushing	2319Y20		

(continued on next page)

Ford Industrial Engines

45 Industrial Applications B8PQ, Q Eng. (401 Gas) (cont.) 6.6L 401 OHV V8, 4.125" Bore

CYLINDER COMPONENTS (cont.)				
QTY	CONNECTING RODS & BRGS.	PART NO.	SIZE	DESCRIPTION
8	Rod Pair	2470CP	Std-10-20-30	Use w/crankshaft Frg. Nos. C1TE-6303B, C2TE-B

46 Industrial Applications BSD666, 401DF Eng. (401 Diesel) 6.6L 401 OHV Diesel L6, 4.4" Bore

ENGINE BLOCK & PARTS				
QTY	GASKET SETS	PART NO.	SIZE	DESCRIPTION
1	Kit Gasket Set	FP-2601366		Industrial Eng.; Compl., w/9/16" head bolts
1	Kit Gasket Set	260-1366		Industrial Eng.; Compl., w/9/16" head bolts

QTY	CAM BEARINGS	PART NO.	SIZE	DESCRIPTION
1	Cam Set	FP-1478M	Std Only	

CRANKSHAFT/OIL PUMP				
QTY	SEALS - FRONT CRANK	PART NO.	SIZE	DESCRIPTION
1	Redi-Sleeve	99237		
1	Oil Seal	483246N		

QTY	MAIN BEARINGS	PART NO.	SIZE	DESCRIPTION
1	Main Set	FP-7214M	Std-10-20	

CYLINDER COMPONENTS				
QTY	LINERS	PART NO.	SIZE	DESCRIPTION
6	Dry Sleeve	FP-SL401M	Std Only	Flanged, press fit design; To be bored & honed in place; .053" Wall

QTY	PISTONS	PART NO.	SIZE	DESCRIPTION
6	Cast Piston	FP-2359PN	Std-20-40	Cast; 3-3/32", 1-3/16" Ring Groove, 2.662" CD, 1.5000" Pin Dia., Recessed Head .870" deep x 2.280" dia. - 16.5:1 C.R.; Repl O.E. No. C5NN-6108AD; Casting No. C5NN-6110H

QTY	CONNECTING RODS & BRGS.	PART NO.	SIZE	DESCRIPTION
6	Rod Pair	FP-3105P	Std-10-20-30	

QTY	PISTON RINGS	PART NO.	SIZE	DESCRIPTION
2	Premium Set	FP-E504KC	Std-20-40	3-3/32, 1-3/16 (3 cyl. set)
2	Premium Set	E-504KC +	Std-20-40	3-3/32, 1-3/16 (3 cyl. set); When depleted use FP-E504KC
6	Premium Single Cylinder Set	WE-504KC	Std-20-40	3-3/32, 1-3/16 (3 cyl. set)
6	Premium Single Cylinder Set	FP-WE504KC		3-3/32, 1-3/16 (3 cyl. set)

KITS				
QTY	OVERHAUL KIT	PART NO.	SIZE	DESCRIPTION
1	Piston and Ring Kit	PK1-2359C		
1	Piston and Ring Kit w/Bearing	PK2-2359C		
1	Piston Kit w/Ring Set	FP-PK12359C		
1	Piston Kit w/Rings & Bearings	FP-PK22359C		
1	Tractor Overhaul Kit	FP-KST2359E		Non-sleeved engs.

47 Industrial Applications BSD666T, 401DFT Eng. (401 Turbo-Diesel) 6.6L 401 OHV Turbo-Diesel L6, 4.4" Bore

ENGINE BLOCK & PARTS				
QTY	GASKET SETS	PART NO.	SIZE	DESCRIPTION
1	Kit Gasket Set	FP-2601366		Industrial Eng.; Compl., w/9/16" head bolts
1	Kit Gasket Set	260-1366		Industrial Eng.; Compl., w/9/16" head bolts

QTY	CAM BEARINGS	PART NO.	SIZE	DESCRIPTION
1	Cam Set	FP-1784M	Std Only	

CRANKSHAFT/OIL PUMP				
QTY	SEALS - FRONT CRANK	PART NO.	SIZE	DESCRIPTION
1	Redi-Sleeve	99237		
1	Oil Seal	483246N		

QTY	MAIN BEARINGS	PART NO.	SIZE	DESCRIPTION
1	Main Set	FP-7214M	Std-10-20	

CYLINDER COMPONENTS				
QTY	LINERS	PART NO.	SIZE	DESCRIPTION
6	Dry Sleeve	FP-SL401M	Std Only	Flanged, press fit design; To be bored & honed in place; .053" Wall

(continued on next page)

Ford Industrial Engines

Industrial Applications BSD666T, 401DFT Eng. (401 Turbo-Diesel) 47 6.6L 401 OHV Turbo-Diesel L6, 4.4" Bore (cont.)

CYLINDER COMPONENTS (cont.)

QTY	PISTONS	PART NO.	SIZE	DESCRIPTION
6	Cast Piston	FP-2692PN	Std-20-40	1969-7/76; Cast; 1-1/8", 2-3/32", 1-3/16" Ring Groove, 2.670" CD, 1.6250" Pin Dia., Recessed Head .817" deep x 2.280" dia. - 16.0:1 C.R.; Repl. O.E. No. D5NN-6110G
QTY	CONNECTING RODS & BRGS.	PART NO.	SIZE	DESCRIPTION
6	Rod Pair	FP-3105CPA	Std-10-20-30	w/Oil hole & groove
QTY	PISTON RINGS	PART NO.	SIZE	DESCRIPTION
3	Premium Set	FP-E505KC	Std-20-30-40	1-1/8, 2-3/32, 1-3/16 (2 cyl. set)
6	Premium Single Cylinder Set	FP-WE505KC		1-1/8, 2-3/32, 1-3/16 (2 cyl. set)

Industrial Applications 428GI Irrigation Eng. (428 Gas) 48 7.0L 428 OHV V8, 4.13" Bore

CYL. HEAD & PARTS

QTY	VALVE	PART NO.	SIZE	DESCRIPTION
8	Intake	V-1833X	Std Only	Chrome plated stem; 1.7520" Head Dia., .3714" Stem Dia., 5.3930" O.A.L.
8	Intake	FP-V1769		To 3/14/71; Ident. Code 420B60; 1.7520" Head Dia., .3715" Stem Dia., 5.3930" O.A.L.
8	Intake	V-1769 +	Std Only	To 3/14/71; Ident. Code 420B60; 1.7520" Head Dia., .3715" Stem Dia., 5.3930" O.A.L.; When depleted use FP-V1769
8	Exhaust	V-1954X	Std Only	w/o Seal groove; Chrome plated stem; 1.5070" Head Dia., .3704" Stem Dia., 5.3730" O.A.L.
8	Exhaust	V-1768X	Std Only	W/Seal groove; Sodium cooled; Chrome plated stem; 1.5050" Head Dia., .4343" Stem Dia., 5.3720" O.A.L.
32	Keeper	VK-115		From 3/15/71; Ident. Code 420B61; 1 groove; Square cut key groove
32	Keeper	VK-115R		From 3/15/71; Ident. Code 420B61; 1 groove; Square cut key groove; Hardened
32	Keeper	VK-138R		To 3/14/71; Ident. Code 420B60; 1 groove; Square cut key groove; Hardened
32	Keeper, Bulk	VK-115B		From 3/15/71; Ident. Code 420B61; 1 groove; Square cut key groove; Carton of 1000
QTY	VALVE SEAT	PART NO.	SIZE	DESCRIPTION
8	Exh.	245-1630-1	Std Only	1.6300" OD, 1.3350" ID, .3105" Depth
QTY	VALVE SPRING	PART NO.	SIZE	DESCRIPTION
16	Spring	VS-721		Exh. & Int. to 3/14/71; Ident. Code 420B60; Exh. from 3/15/71; Ident. Code 420B61; 1.9600" Free Height
8	Spring	VS-1428		Int.; From 3/15/71; Ident. Code 420B61; 2.3430" Free Height
16	Spring, Bulk	VS-721B		Exh. & Int. to 3/14/71; Ident. Code 420B60; Exh. from 3/15/71; Ident. Code 420B61; Carton of 250; 1.9600" Free Height
QTY	PUSH RODS	PART NO.	SIZE	DESCRIPTION
16	Push Rod	RP-3227R		Ball & ball type ends; Chrome-Moly; 9.5950" O.A.L.
16	Push Rod	RP-3172B		Ball & ball type ends; 9.5600" O.A.L.
16	Push Rod	RP-3172		Ball & ball type ends; 9.6210" O.A.L.
16	Push Rod	RP-3172A		Ball & ball type ends; 9.6800" O.A.L.
16	Push Rod	RP-3172C		9.5910" O.A.L.
16	Push Rod, Bulk	BRP-3172B		Ball & ball type ends; Carton of 100; 9.5600" O.A.L.
16	Push Rod, Bulk	BRP-3172		Ball & ball type ends; Carton of 100; 9.6210" O.A.L.
QTY	VALVE MISC.	PART NO.	SIZE	DESCRIPTION
8	Rotocap Assy.	RC-141A		Exh.; Must be used w/MV-1775 seal
QTY	VALVE SEAL	PART NO.	SIZE	DESCRIPTION
8	Valve Stem Seal	ST-2002		Installation requires valve guide machining; Polyacrylate
8	Valve Stem Seal	ST-2007		To 3/14/71; Ident. Code 420B60; Positive type; Rubber
8	Valve Stem Seal	MV-1233C		Exh.; For valve w/seal groove; O-Ring; Rubber
8	Valve Stem Seal	MV-1775C		Exh.; W/ or w/o seal groove; RC-141A must be used; Umbrella type; Polyacrylate
8	Valve Stem Seal Bulk	ST-2002BC		Positive type; Installation requires valve guide machining; Carton of 100; Polyacrylate
8	Valve Stem Seal Bulk	MV-1233		Exh.; For valve w/seal groove; O-Ring; Carton of 100; Rubber
8	Valve Stem Seal Bulk	MV-1775		Exh.; W/ or w/o seal groove; RC-141A must be used; Umbrella type; Carton of 100; Polyacrylate
QTY	ROCKER PARTS	PART NO.	SIZE	DESCRIPTION
16	Arm	R-814		
2	Rocker Shaft	RS-621		

(continued on next page)

Ford Industrial Engines

48 Industrial Applications 428GI Irrigation Eng. (428 Gas)

(cont.) 7.0L 428 OHV V8, 4.13" Bore

CAMSHAFT GROUP				
QTY	TIMING	PART NO.	SIZE	DESCRIPTION
1	3 Piece Set	KT3-494SA1		w/1 pc. fuel pump ecc.; Incl. (1) 222-494, (1) 223-321, (1) 223-396
1	Timing Chain	222-494		48 Links
1	Crank Sprocket	223-321		18 Teeth
1	Cam Sprocket	223-396		Installation doesn't require spacer on cam nose. Older type Engs. used spacer to fit on cam nose through the ID of thrust plate. New types have the spacer cast into sprocket hub; 36 Teeth
QTY	CAMSHAFT/LIFTER	PART NO.	SIZE	DESCRIPTION
1	Camshaft	CS-619		
16	Lifter	HT-2083 Std Only		Hyd.
16	Lifter, Bulk	HT-2083B Std Only		Hyd.; Carton of 122
1	Prelube	55-400		4 oz. bottle; 1.5 oz. packet No. 55-403 also avail.
QTY	CAMSHAFT KIT	PART NO.	SIZE	DESCRIPTION
1	Cam/Lifter Kit	KC-619		Incl. (1) CS-619, (16) HT-2083, (1) 55-403B
1	Cam/Lifter/Timing Kit	KCT-619		Incl. (1) CS-619, (16) HT-2083, (1) KT3-169SA1, (1) 55-403B
ENGINE BLOCK & PARTS				
QTY	GASKET SETS	PART NO.	SIZE	DESCRIPTION
1	Kit Gasket Set	260-1035		Heat shield not incl.
QTY	CAM BEARINGS	PART NO.	SIZE	DESCRIPTION
1	Cam Set	1445M Std Only		
CRANKSHAFT/OIL PUMP				
QTY	CRANKSHAFT	PART NO.	SIZE	DESCRIPTION
1	Harmonic Balancer Sleeve	88187		
QTY	SEALS - FRONT CRANK	PART NO.	SIZE	DESCRIPTION
1	Redi-Sleeve	99187		
1	Oil Seal	2942		
QTY	SEALS - REAR CRANK	PART NO.	SIZE	DESCRIPTION
1	Oil Seal Kit	5095		(Rope Type)
1	Oil Seal Kit	5108		(Split Seal)
QTY	MAIN BEARINGS	PART NO.	SIZE	DESCRIPTION
1	Main Set	4261M Std-1-10-20-30-40-50-60		3.824" max. flange OD
QTY	OIL PUMP	PART NO.	SIZE	DESCRIPTION
1	Oil Pump	224-41173		
1	Oil Pump	224-43365A		High Pressure
1	Oil Pump	224-41177		High Volume, check pan for clearance
1	Inter. Shaft	224-61114		
CYLINDER COMPONENTS				
QTY	PISTONS	PART NO.	SIZE	DESCRIPTION
8	Powerforged	L-2303NF Std-30-40-60		From 3/15/71 to 3/15/75; Powerforged; 2-5/64", 1-3/16" Ring Groove, 1.674" CD, .9753" Pin Dia., Recessed Head .085" deep x 2.620" dia. w/4 valve reliefs. DUROSHIELD® skirt coated piston.
8	Cast Piston	354P Std-30-40-60		Cast; 2-5/64", 1-3/16" Ring Groove, 1.665" CD, .9753" Pin Dia., Recessed Head .120" deep - 10.2:1 C.R.
8	Cast Piston - Individual	W354P Std-30-40-60		Cast; 2-5/64", 1-3/16" Ring Groove, 1.665" CD, .9753" Pin Dia., Recessed Head .120" deep - 10.2:1 C.R.
8	Forged Piston - Individual	WL-2303NF Std-30-40-60		From 3/15/71 to 3/15/75; Powerforged; 2-5/64", 1-3/16" Ring Groove, 1.674" CD, .9753" Pin Dia., Recessed Head .085" deep x 2.620" dia. w/4 valve reliefs. DUROSHIELD® skirt coated piston.
8	Pin	P-2217 Std Only		
8	Pin Bushing	2304V		Split type bushing
8	Pin Bushing	2304V20		Split type bushing; w/.020" extra bore stock
QTY	CONNECTING RODS & BRGS.	PART NO.	SIZE	DESCRIPTION
1	Rod Set	8-3230CP Std-10-20-30-40-50		Squirt hole removed from all Ford V Engs.; 8-3230CA 60 avail. as unplated & resizeable
1	Rod Set	8-3230CP10X2 10X2-20X2-30X2		Use in .002" O/S Rod Bore; Squirt hole removed from all Ford V Engs.
1	Rod Set	8-3230CA60 60		Unplated & resizeable; Squirt hole removed from all Ford V Engs.
8	Rod Pair	3230CP Std-1-2-10-20-30-40-50		Squirt hole removed from all Ford V Engs.

(continued on next page)

Ford Industrial Engines

Industrial Applications 428GI Irrigation Eng. (428 Gas) 48 7.0L 428 OHV V8, 4.13" Bore (cont.)

CYLINDER COMPONENTS (cont.)

QTY	PISTON RINGS	PART NO.	SIZE	DESCRIPTION
1	Premium Set	E-261K Std-30-40-60		2-5/64, 1-3/16
1	Standard Set	E-261X Std-30-40		2-5/64, 1-3/16
8	Premium Single Cylinder Set	WE-261K Std-30-40		2-5/64, 1-3/16

Industrial Applications LSG870 Eng. (429 Gas) 49 7.0L 429 OHV V8, 4.36" Bore

INT & EXH MANIFOLDS

QTY	INT. & EXH. MANIFOLDS	PART NO.	SIZE	DESCRIPTION
1	Valley Pan Gasket Set	260-4005		Valley pan gskt.; Exc. FI & LPG Eng.
1	Valley Pan Gasket Set	260-4031		Valley pan gskt.; LPG Eng.

ENGINE BLOCK & PARTS

QTY	GASKET SETS	PART NO.	SIZE	DESCRIPTION
1	Kit Gasket Set	260-1529		w/o FI; Int. manifold gskt. & exh. heat shield not incl.; PermaDry® molded rubber oil pan gskt. incl.; Premium valve stem seals incl.
1	Kit Gasket Set	260-1422		Int. manifold gskt. & exh. heat shield not incl.; Oil pan gskt. after 3/30/89 not incl.; Premium valve stem seals incl.
1	Kit Gasket Set	260-1099		Int. manifold gskt. & exh. heat shield not incl.; Premium valve stem seals incl.
1	Kit Gasket Set	260-1530		W/FI; Int. manifold gskt. & exh. heat shield not incl.; PermaDry® molded rubber valve cover & oil pan gskts. incl.; Premium valve stem seals incl.

Industrial Applications LSG875, 460GM, 460GP, 460L, 460S, 875R Eng. (460 Gas) 50 7.5L 460 OHV V8, 4.36" Bore

CYL. HEAD & PARTS

QTY	VALVE	PART NO.	SIZE	DESCRIPTION
8	Intake	V-3929 Std-15		Chrome plated stem; 2.0830" Head Dia., .3419" Stem Dia., 5.1980" O.A.L.
8	Intake, Bulk	V-3929B15 15		Chrome plated stem; Carton of 25; 2.0830" Head Dia., .3569" Stem Dia., 5.1980" O.A.L.
8	Exhaust	FP-V2072X		Chrome plated stem; 1.5070" Head Dia., .3419" Stem Dia., 4.9830" O.A.L.
8	Exhaust	V-2072X + Std Only		Chrome plated stem; 1.5070" Head Dia., .3419" Stem Dia., 4.9830" O.A.L.; When depleted use FP-V2072X
32	Keeper	VK-115		1 groove; Square cut key groove
32	Keeper	VK-115R		1 groove; Square cut key groove; Hardened
32	Keeper, Bulk	VK-115B		1 groove; Square cut key groove; Carton of 1000

QTY	VALVE SPRING	PART NO.	SIZE	DESCRIPTION
16	Spring	VS-1455		Optional-H/D for Industrial & Irrigation; 2.3000" Free Height
16	Spring	VS-703		2.0560" Free Height
16	Spring, Bulk	VS-703B		Carton of 250; 2.0560" Free Height

QTY	PUSH RODS	PART NO.	SIZE	DESCRIPTION
16	Push Rod	RP-3160		8.5500" O.A.L.
16	Push Rod, Bulk	BRP-3160		Carton of 100; 8.5500" O.A.L.

QTY	VALVE SEAL	PART NO.	SIZE	DESCRIPTION
16	Valve Stem Seal	MV-1796C		Umbrella type; Fits Std. to .015" O/S valve stem; Rubber
16	Valve Stem Seal Bulk	MV-1796		Umbrella type; Fits Std. to .015" O/S valve stem; Carton of 100; Rubber

QTY	ROCKER PARTS	PART NO.	SIZE	DESCRIPTION
16	Arm Assy.	R-855		Incl. arm & pivot
16	Arm Assy., Bulk	R-855B		Incl. arm & pivot; Carton of 64
16	Arm	R-855A		
16	Bolt	MR-1951		5/16" X 18 UNC w/o washer
16	Pivot	MR-1811		

CAMSHAFT GROUP

QTY	TIMING	PART NO.	SIZE	DESCRIPTION
1	3 Piece Set	KT3-491SA		Incl. (1) 222-491, (1) 223-420A, (1) 223-493
1	Timing Chain	222-491		52 Links
1	Crank Sprocket	223-493		If eng. is equipped with an oil shield, the oil shield must be discarded when installing crankshaft sprocket 223-493; 18 Teeth
1	Cam Sprocket	223-420A		36 Teeth

QTY	CAMSHAFT/LIFTER	PART NO.	SIZE	DESCRIPTION
1	Camshaft	CS-648		

(continued on next page)
+ Superseded Part Number

Ford Industrial Engines

50 Industrial Applications LSG875, 460GM, 460GP, 460L, 460S, 875R Engs. (460 Gas)
(cont.) 7.5L 460 OHV V8, 4.36" Bore

CAMSHAFT GROUP (cont.)				
QTY	CAMSHAFT/LIFTER (cont.)	PART NO.	SIZE	DESCRIPTION
16	Lifter	HT-900		Hyd.
16	Lifter	HT-900R	Std Only	Speed-Pro Hi-Revolution Hyd.; Use w/adj. rocker assy.
16	Lifter, Bulk	HT-900B	Std Only	Hyd.; Carton of 122
1	Prelube	55-400		4 oz. bottle; 1.5 oz. packet No. 55-403 also avail.
QTY	CAMSHAFT KIT	PART NO.	SIZE	DESCRIPTION
1	Cam/Lifter Kit	KC-648		Hyd.; Incl. (1) CS-648, (16) HT-900, (1) 55-403B
ENGINE BLOCK & PARTS				
QTY	CAM BEARINGS	PART NO.	SIZE	DESCRIPTION
1	Cam Set	1414M	Std Only	Babbitt material; Full round design
CRANKSHAFT/OIL PUMP				
QTY	CRANKSHAFT	PART NO.	SIZE	DESCRIPTION
1	Harmonic Balancer Sleeve	88187		
QTY	SEALS - FRONT CRANK	PART NO.	SIZE	DESCRIPTION
1	Redi-Sleeve	99187		
1	Oil Seal	2942		
QTY	SEALS - REAR CRANK	PART NO.	SIZE	DESCRIPTION
1	Oil Seal Kit	5095		(Rope Type)
1	Oil Seal Kit	5108		(Split Seal)
QTY	MAIN BEARINGS	PART NO.	SIZE	DESCRIPTION
1	Main Set	4907M	Std-1-10-20-30-40	
QTY	OIL PUMP	PART NO.	SIZE	DESCRIPTION
1	Oil Pump	224-41144		
1	Pump Repair Kit	224-51139		
1	Inter. Shaft	224-61127		
CYLINDER COMPONENTS				
QTY	PISTONS	PART NO.	SIZE	DESCRIPTION
8	Powerforged	L-2404F	Std-30-40-60	From 1976; Powerforged; 2-5/64", 1-3/16" Ring Groove, 1.756" CD, 1.0402" Pin Dia., Recessed Head .180" deep. DUROSHIELD® skirt coated piston.
1	Cast Piston Set w/Prem. Rings	8KH518CP30	30-40-60	Cast; 2-5/64", 1-3/16" Ring Groove, 1.625" CD, .9894" Pin Dia., Recessed Head .080" deep x 2.100" dia. w/2 valve reliefs; DUROSHIELD® skirt coated piston
8	Cast Piston	H418CP	Std-20-30-40-60	Hypereutectic; 2-5/64", 1-3/16" Ring Groove, 1.752" CD, 1.0402" Pin Dia., Oblong Recessed Head .240" deep - 8.0:1 C.R.; DUROSHIELD® skirt coated piston
8	Cast Piston	H418P	Std-20-30-40-60	Hypereutectic; 2-5/64", 1-3/16" Ring Groove, 1.752" CD, 1.0402" Pin Dia., Oblong Recessed Head .240" deep - 8.0:1 C.R.
8	Cast Piston - Individual	WH418CP	Std-20-30-40-60	Hypereutectic; 2-5/64", 1-3/16" Ring Groove, 1.752" CD, 1.0402" Pin Dia., Oblong Recessed Head .240" deep - 8.0:1 C.R.; DUROSHIELD® skirt coated piston
8	Cast Piston - Individual	WH418P	Std-20-30-40-60	Hypereutectic; 2-5/64", 1-3/16" Ring Groove, 1.752" CD, 1.0402" Pin Dia., Oblong Recessed Head .240" deep - 8.0:1 C.R.
8	Forged Piston - Individual	WL-2404F	Std-30-40-60	From 1976; Powerforged; 2-5/64", 1-3/16" Ring Groove, 1.756" CD, 1.0402" Pin Dia., Recessed Head .180" deep. DUROSHIELD® skirt coated piston.
QTY	CONNECTING RODS & BRGS.	PART NO.	SIZE	DESCRIPTION
1	Rod Set	8-3360CPA	Std-1-10-20-30-40	
8	Rod Pair	3360CPA	Std-1-10-20-30-40	
QTY	PISTON RINGS	PART NO.	SIZE	DESCRIPTION
1	Premium Set	E-296K	Std-20-30-40-60	2-5/64, 1-3/16
1	Standard Set	E-296X	Std-20-30-40-60	2-5/64, 1-3/16
8	Premium Single Cylinder Set	WE-296K	Std-20-30-40-60	2-5/64, 1-3/16
8	Standard Single Cylinder Set	WE-296X	Std-20-30-40-60	2-5/64, 1-3/16

Ford Industrial Engines

Industrial Applications BSD678T Eng. (476 Turbo-Diesel) 51 7.8L 476 OHV Turbo-Diesel L6, 4.4" Bore

ENGINE BLOCK & PARTS

QTY	GASKET SETS	PART NO.	SIZE	DESCRIPTION
1	Kit Gasket Set	FP-2601648		Compl.
1	Kit Gasket Set	260-1648 +		Compl.; When depleted use FP-2601648

CYLINDER COMPONENTS

QTY	PISTON RINGS	PART NO.	SIZE	DESCRIPTION
1	Premium Set	FP-E900KC	Std-20-30-40	1-1/8, 1-3/32, 1-3/16
1	Premium Set	E-900KC +	Std-20-30	1-1/8, 1-3/32, 1-3/16; When depleted use FP-E900KC

Industrial Applications B8PM, LSG878, M, 477GF Eng. (477 Gas) 52 7.8L 477 OHV V8, 4.5" Bore

CYL. HEAD & PARTS

QTY	VALVE	PART NO.	SIZE	DESCRIPTION
8	Exhaust	V-1358X	Std Only	Sodium cooled; Chrome plated stem; 1.6350" Head Dia., .4340" Stem Dia., 5.7020" O.A.L.
32	Keeper	VK-140		
QTY	VALVE SPRING	PART NO.	SIZE	DESCRIPTION
16	Spring	VS-698		2.0200" Free Height
QTY	PUSH RODS	PART NO.	SIZE	DESCRIPTION
16	Push Rod	RP-3143		11.5970" O.A.L.
QTY	VALVE SEAL	PART NO.	SIZE	DESCRIPTION
16	Valve Stem Seal	ST-2007		Positive type; Rubber
QTY	ROCKER PARTS	PART NO.	SIZE	DESCRIPTION
16	Arm	R-877		

CAMSHAFT GROUP

QTY	CAMSHAFT/LIFTER	PART NO.	SIZE	DESCRIPTION
16	Lifter	AT-872	Std Only	Mech.
16	Lifter, Bulk	AT-872B	Std Only	Mech.; Carton of 122
1	Prelube	55-400		4 oz. bottle; 1.5 oz. packet No. 55-403 also avail.

ENGINE BLOCK & PARTS

QTY	GASKET SETS	PART NO.	SIZE	DESCRIPTION
1	Kit Gasket Set	260-1116		

CRANKSHAFT/OIL PUMP

QTY	SEALS - FRONT CRANK	PART NO.	SIZE	DESCRIPTION
1	Oil Seal	712511		
QTY	SEALS - REAR CRANK	PART NO.	SIZE	DESCRIPTION
1	Oil Seal	712449		

CYLINDER COMPONENTS

QTY	PISTONS	PART NO.	SIZE	DESCRIPTION
8	Cast Piston - Individual	W218NP30	30	To Ser. No. C85001; Cast; 3-3/32", 1-3/16" Ring Groove, 2.712 plus .266 step" CD, 1.2200" Pin Dia., Step Head w/top ring groove protector - 7.2:1 C.R.
8	Pin Bushing	2319Y20		
QTY	CONNECTING RODS & BRGS.	PART NO.	SIZE	DESCRIPTION
8	Rod Pair	2470CP	Std-10-20-30	Use w/crankshaft Frg. Nos. C1TE-6303B, C2TE-B
QTY	PISTON RINGS	PART NO.	SIZE	DESCRIPTION
1	Premium Set	E-317K30	30-40-60	H/D; 3-3/32, 1-3/16
1	Standard Set	FP-E421X	Std-30-60	L/D Use; Nat. Gas. or L.P.G.; 3-3/32, 1-3/16
1	Standard Set	E-421X +	Std-30-60	L/D Use; Nat. Gas. or L.P.G.; 3-3/32, 1-3/16; When depleted use FP-E421X

Industrial Applications B8PN, LSG888, N, 534GF Eng. (534 Gas) 53 8.8L 534 OHV V8, 4.5" Bore

CYL. HEAD & PARTS

QTY	VALVE	PART NO.	SIZE	DESCRIPTION
8	Exhaust	V-1358X	Std Only	Sodium cooled; Chrome plated stem; 1.6350" Head Dia., .4340" Stem Dia., 5.7020" O.A.L.
32	Keeper	VK-140		

(continued on next page)

Ford Industrial Engines

53 Industrial Applications B8PN, LSG888, N, 534GF Engs. (534 Gas)				
(cont.) 8.8L 534 OHV V8, 4.5" Bore				
CYL. HEAD & PARTS (cont.)				
QTY	VALVE SPRING	PART NO.	SIZE	DESCRIPTION
16	Spring	VS-698		2.0200" Free Height
QTY	PUSH RODS	PART NO.	SIZE	DESCRIPTION
16	Push Rod	RP-3143		11.5970" O.A.L.
QTY	VALVE SEAL	PART NO.	SIZE	DESCRIPTION
16	Valve Stem Seal	ST-2007		Positive type; Rubber
QTY	ROCKER PARTS	PART NO.	SIZE	DESCRIPTION
16	Arm	R-877		
CAMSHAFT GROUP				
QTY	CAMSHAFT/LIFTER	PART NO.	SIZE	DESCRIPTION
16	Lifter	AT-872 Std Only		Mech.
16	Lifter, Bulk	AT-872B Std Only		Mech.; Carton of 122
1	Prelube	55-400		4 oz. bottle; 1.5 oz. packet No. 55-403 also avail.
ENGINE BLOCK & PARTS				
QTY	GASKET SETS	PART NO.	SIZE	DESCRIPTION
1	Kit Gasket Set	260-1116		
CRANKSHAFT/OIL PUMP				
QTY	SEALS - FRONT CRANK	PART NO.	SIZE	DESCRIPTION
1	Oil Seal	483246N		
QTY	SEALS - REAR CRANK	PART NO.	SIZE	DESCRIPTION
1	Oil Seal Kit	5117		(Split Seal)
1	Redi-Sleeve	99240		
CYLINDER COMPONENTS				
QTY	PISTONS	PART NO.	SIZE	DESCRIPTION
8	Pin Bushing	2319Y20		
QTY	CONNECTING RODS & BRGS.	PART NO.	SIZE	DESCRIPTION
8	Rod Pair	2470CP Std-10-20-30		Use w/crankshaft Frg. Nos. C1TE-6303B, C2TE-B
QTY	PISTON RINGS	PART NO.	SIZE	DESCRIPTION
1	Premium Set	E-317K30 30-40-60		H/D; 3-3/32, 1-3/16
1	Standard Set	FP-E421X Std-30-60		L/D Use; Nat. Gas. or L.P.G.; 3-3/32, 1-3/16
1	Standard Set	E-421X + Std-30-60		L/D Use; Nat. Gas. or L.P.G.; 3-3/32, 1-3/16; When depleted use FP-E421X

Ford Tractor

Engine Finding Index					
Engine	Years	Line No.	Engine	Years	Line No.
.9L 53.9 L-HEAD L2 3.25" Bore (Wisconsin Eng.)		1	3.3L 201 OHV Diesel L3 4.4" Bore		24
1.8L 108 L-HEAD V4 3.25" Bore (Wisconsin Eng.)		2	3.3L 201 OHV Turbo-Diesel L3 4.4" Bore		25
2.0L 119.7 L-HEAD L4 3.1875" Bore (Ford Tractor)		3	3.3L 201 OHV Diesel L3 4.4" Bore (Ford Europe Eng.)		26
2.2L 134 OHV L4 3.4375" Bore		4	3.6L 220 (3611cc) OHV L4 100mm Bore (Dagenham) (Ford Europe Eng.)		27
2.4L 144 OHV Diesel L4 3.5625" Bore		5	3.6L 220 (3611cc) OHV Diesel L4 100mm Bore (Dagenham) (Ford Europe Eng.)		28
2.4L 144 OHV L4 3.5625" Bore		6	3.6L 223 OHV L6 3.625" Bore	1961-64	29
2.4L 144 OHV Diesel L3 3.5" Bore (Perkins Eng.)		7	3.8L 233 OHV L4 4.2" Bore		30
2.5L 152.7 OHV Diesel L3 3.6" Bore (Perkins Eng.)		8	3.8L 233 OHV Diesel L4 4.2" Bore		31
2.5L 154 L-HEAD V4 3.5" Bore (Wisconsin Eng.)		9	3.8L 233 OHV L4 4.2" Bore (Ford Europe Eng.)	1965-72	32
2.6L 158 OHV L3 4.2" Bore		10	3.8L 233 OHV Turbo L4 4.2" Bore (Ford Europe Eng.)	1965-72	33
2.6L 158 OHV Diesel L3 4.2" Bore		11	4.0L 242 OHV L6 3.625" Bore (Gas)		34
2.6L 158 OHV LPG L3 4.2" Bore		12	4.0L 242 OHV Diesel L6 3.625" Bore		35
2.6L 158 OHV L3 4.2" Bore (Ford Europe Eng.)	1965-72	13	4.2L 256 OHV L4 4.4" Bore		36
2.6L 158 OHV Diesel L3 4.2" Bore (Ford Europe Eng.)	1965-72	14	4.2L 256 OHV Diesel L4 4.4" Bore		37
2.8L 172 OHV L4 3.9063" Bore		15	4.2L 256 OHV Turbo-Diesel L4 4.4" Bore		38
2.8L 172 OHV Diesel L4 3.9063" Bore		16	4.4L 268 OHV L4 4.4" Bore		39
2.9L 175 OHV Diesel L3 4.2" Bore		17	4.4L 268 OHV Diesel L4 4.4" Bore		40
3.2L 192 OHV Diesel L4 4.125" Bore		18	4.4L 268 OHV Turbo-Diesel L4 4.4" Bore		41
3.2L 192 OHV L4 4.125" Bore		19	4.9L 300 OHV L6 4" Bore		42
3.2L 192 OHV L3 4.4" Bore		20	5.4L 330 OHV V8 3.875" Bore (M/D Eng.)	1964-69	43
3.2L 192 OHV Diesel L3 4.4" Bore (Ford Europe Eng.)		21			
3.3L 199 (3260cc) OHV L4 95mm Bore (Ford Europe Eng.)		22			
3.3L 201 OHV L3 4.4" Bore		23			

Engine Finding Index					
Engine	Years	Line No.	Engine	Years	Line No.
5.4L 330 (5416cc) OHV Diesel L6 100mm Bore (Dagenham) (Ford Europe Eng.)		44	6.6L 401 OHV Turbo-Diesel L6 4.4" Bore		46
6.6L 401 OHV Diesel L6 4.4" Bore		45			
Engine Code Index					
Engine Code	Engine Description	Line No.	Engine Code	Engine Description	Line No.
AD3.152 Diesel ... Wheel Tractor	2.5L 152.7 OHV Diesel L3 3.6" Bore (Perkins Eng.)	8	134 ... Wheel Tractor	2.2L 134 OHV L4 3.4375" Bore	4
A3.152 Diesel ... Wheel Tractor	2.5L 152.7 OHV Diesel L3 3.6" Bore (Perkins Eng.)	8	134 Kerosene ... Wheel Tractor	2.2L 134 OHV L4 3.4375" Bore	4
D3.152 Diesel ... Wheel Tractor	2.5L 152.7 OHV Diesel L3 3.6" Bore (Perkins Eng.)	8	144 Diesel ... Wheel Tractor	2.4L 144 OHV Diesel L4 3.5625" Bore	5
P3.144 Diesel ... Wheel Tractor	2.4L 144 OHV Diesel L3 3.5" Bore (Perkins Eng.)	7	158 ... Wheel Tractor	2.6L 158 OHV L3 4.2" Bore	10
TF ... Hay Baler	.9L 53.9 L-HEAD L2 3.25" Bore (Wisconsin Eng.)	1	158 Diesel ... Wheel Tractor	2.6L 158 OHV Diesel L3 4.2" Bore	11
TFD ... Hay Baler	.9L 53.9 L-HEAD L2 3.25" Bore (Wisconsin Eng.)	1	158 LPG ... Wheel Tractor	2.6L 158 OHV LPG L3 4.2" Bore	12
TH ... Hay Baler	.9L 53.9 L-HEAD L2 3.25" Bore (Wisconsin Eng.)	1	172 ... Harvester	2.8L 172 OHV L4 3.9063" Bore	15
THD ... Hay Baler	.9L 53.9 L-HEAD L2 3.25" Bore (Wisconsin Eng.)	1	172 ... Wheel Tractor	2.8L 172 OHV L4 3.9063" Bore	15
TJD ... Hay Baler	.9L 53.9 L-HEAD L2 3.25" Bore (Wisconsin Eng.)	1	172 Diesel ... Wheel Tractor	2.8L 172 OHV Diesel L4 3.9063" Bore	16
VF4 ... Hay Baler	1.8L 108 L-HEAD V4 3.25" Bore (Wisconsin Eng.)	2	175 Diesel ... Wheel Tractor	2.9L 175 OHV Diesel L3 4.2" Bore	17
VF4 ... Combine	1.8L 108 L-HEAD V4 3.25" Bore (Wisconsin Eng.)	2	192 ... Wheel Tractor	3.2L 192 OHV L3 4.4" Bore	20
VF4D ... Hay Baler	1.8L 108 L-HEAD V4 3.25" Bore (Wisconsin Eng.)	2	192 ... Wheel Tractor	3.2L 192 OHV L4 4.125" Bore	19
VF4D ... Combine	1.8L 108 L-HEAD V4 3.25" Bore (Wisconsin Eng.)	2	192 Diesel ... Wheel Tractor	3.2L 192 OHV Diesel L4 4.125" Bore	18
VF41 ... Hay Baler	1.8L 108 L-HEAD V4 3.25" Bore (Wisconsin Eng.)	2	192 Diesel ... Wheel Tractor	3.2L 192 OHV Diesel L3 4.4" Bore (Ford Europe Eng.)	21
VF41 ... Combine	1.8L 108 L-HEAD V4 3.25" Bore (Wisconsin Eng.)	2	201 ... Wheel Tractor	3.3L 201 OHV L3 4.4" Bore	23
VG4D ... Harvester	2.5L 154 L-HEAD V4 3.5" Bore (Wisconsin Eng.)	9	201 Diesel ... Wheel Tractor	3.3L 201 OHV Diesel L3 4.4" Bore	24
VH4 ... Hay Baler	1.8L 108 L-HEAD V4 3.25" Bore (Wisconsin Eng.)	2	201 Turbo-Diesel ... Wheel Tractor	3.3L 201 OHV Turbo-Diesel L3 4.4" Bore	25
VH4 ... Combine	1.8L 108 L-HEAD V4 3.25" Bore (Wisconsin Eng.)	2	220 Diesel ... Wheel Tractor	3.6L 220 (3611cc) OHV Diesel L4 100mm Bore (Dagenham) (Ford Europe Eng.)	28
VH4D ... Hay Baler	1.8L 108 L-HEAD V4 3.25" Bore (Wisconsin Eng.)	2	223 ... Wheel Tractor	3.6L 223 OHV L6 3.625" Bore	29
VH4D ... Combine	1.8L 108 L-HEAD V4 3.25" Bore (Wisconsin Eng.)	2	233 ... Wheel Tractor	3.8L 233 OHV L4 4.2" Bore	30
VH4DM ... Hay Baler	1.8L 108 L-HEAD V4 3.25" Bore (Wisconsin Eng.)	2	233 Diesel ... Wheel Tractor	3.8L 233 OHV Diesel L4 4.2" Bore	31
VH4DM ... Combine	1.8L 108 L-HEAD V4 3.25" Bore (Wisconsin Eng.)	2	256 ... Wheel Tractor	4.2L 256 OHV L4 4.4" Bore	36
VP4 ... Harvester	2.5L 154 L-HEAD V4 3.5" Bore (Wisconsin Eng.)	9	256 Diesel ... Wheel Tractor	4.2L 256 OHV Diesel L4 4.4" Bore	37
VP4D ... Harvester	2.5L 154 L-HEAD V4 3.5" Bore (Wisconsin Eng.)	9	256 Turbo-Diesel ... Wheel Tractor	4.2L 256 OHV Turbo-Diesel L4 4.4" Bore	38
V460D ... Harvester	2.5L 154 L-HEAD V4 3.5" Bore (Wisconsin Eng.)	9	268 ... Wheel Tractor	4.4L 268 OHV L4 4.4" Bore	39
V461D ... Harvester	2.5L 154 L-HEAD V4 3.5" Bore (Wisconsin Eng.)	9	268 Diesel ... Wheel Tractor	4.4L 268 OHV Diesel L4 4.4" Bore	40
119.7 ... Wheel Tractor	2.0L 119.7 L-HEAD L4 3.1875" Bore (Ford Tractor)	3	268 Turbo-Diesel ... Wheel Tractor	4.4L 268 OHV Turbo-Diesel L4 4.4" Bore	41
			3.152 Diesel ... Wheel Tractor	2.5L 152.7 OHV Diesel L3 3.6" Bore (Perkins Eng.)	8
			300 ... Combine	4.9L 300 OHV L6 4" Bore	42
			401 Diesel ... Wheel Tractor	6.6L 401 OHV Diesel L6 4.4" Bore	45
			401 Turbo-Diesel ... Wheel Tractor	6.6L 401 OHV Turbo-Diesel L6 4.4" Bore	46

Ford Tractor

Model Index

Model	Engine Description	Line No.	Model	Engine Description	Line No.
BN025 ... Wheel Tractor	2.0L 119.7 L-HEAD L4 3.1875" Bore (Ford Tractor)	3	Ford Force 3000 ... Wheel Tractor	2.9L 175 OHV Diesel L3 4.2" Bore	17
County Crawler ... Wheel Tractor	3.6L 220 (3611cc) OHV Diesel L4 100mm Bore (Dagenham) (Ford Europe Eng.)	28	Ford Force 4000 ... Wheel Tractor	3.2L 192 OHV L3 4.4" Bore	20
County Super 4 ... Wheel Tractor	4.2L 256 OHV Diesel L4 4.4" Bore	37	Ford Force 4000 ... Wheel Tractor	3.3L 201 OHV L3 4.4" Bore	23
County Super 4 ... Wheel Tractor	4.2L 256 OHV Turbo-Diesel L4 4.4" Bore	38	Ford Force 4000 ... Wheel Tractor	3.3L 201 OHV Diesel L3 4.4" Bore	24
County Super 6 ... Wheel Tractor	6.6L 401 OHV Diesel L6 4.4" Bore	45	Ford Force 4000 ... Wheel Tractor	3.3L 201 OHV Turbo-Diesel L3 4.4" Bore	25
County Super 6 ... Wheel Tractor	6.6L 401 OHV Turbo-Diesel L6 4.4" Bore	46	Ford Force 4000 ... Wheel Tractor	3.2L 192 OHV Diesel L3 4.4" Bore (Ford Europe Eng.)	21
Dexta Super 3000 ... Wheel Tractor	2.6L 158 OHV L3 4.2" Bore	10	Ford Force 5000 ... Wheel Tractor	3.8L 233 OHV L4 4.2" Bore	30
Dexta Super 3000 ... Wheel Tractor	2.6L 158 OHV Diesel L3 4.2" Bore	11	Ford Force 5000 ... Wheel Tractor	3.8L 233 OHV Diesel L4 4.2" Bore	31
Dexta Super 3000 ... Wheel Tractor	2.6L 158 OHV LPG L3 4.2" Bore	12	Ford Force 5000 ... Wheel Tractor	4.2L 256 OHV L4 4.4" Bore	36
Dexta Super 3000 ... Wheel Tractor	2.9L 175 OHV Diesel L3 4.2" Bore	17	Ford Force 5000 ... Wheel Tractor	4.2L 256 OHV Diesel L4 4.4" Bore	37
Dexta 2000 ... Wheel Tractor	2.6L 158 OHV L3 4.2" Bore	10	Ford Force 5000 ... Wheel Tractor	4.2L 256 OHV Turbo-Diesel L4 4.4" Bore	38
Dexta 2000 ... Wheel Tractor	2.6L 158 OHV Diesel L3 4.2" Bore	11	Fordson Major ... Wheel Tractor	3.6L 220 (3611cc) OHV Diesel L4 100mm Bore (Dagenham) (Ford Europe Eng.)	28
Dexta 2000 ... Wheel Tractor	2.6L 158 OHV LPG L3 4.2" Bore	12	Fordson Power Major ... Wheel Tractor	3.6L 220 (3611cc) OHV Diesel L4 100mm Bore (Dagenham) (Ford Europe Eng.)	28
Dexta 2000 ... Wheel Tractor	2.9L 175 OHV Diesel L3 4.2" Bore	17	Jubilee ... Wheel Tractor	2.2L 134 OHV L4 3.4375" Bore	4
Dexta 44 ... Wheel Tractor	2.4L 144 OHV Diesel L3 3.5" Bore (Perkins Eng.)	7	Major 4000 ... Wheel Tractor	3.2L 192 OHV L3 4.4" Bore	20
Dexta 957E ... Wheel Tractor	2.4L 144 OHV Diesel L4 3.5625" Bore	5	Major 4000 ... Wheel Tractor	3.3L 201 OHV L3 4.4" Bore	23
Dexta 957E ... Wheel Tractor	2.5L 152.7 OHV Diesel L3 3.6" Bore (Perkins Eng.)	8	Major 4000 ... Wheel Tractor	3.3L 201 OHV Diesel L3 4.4" Bore	24
Ford Force ... Wheel Tractor	3.8L 233 OHV L4 4.2" Bore	30	Major 4000 ... Wheel Tractor	3.3L 201 OHV Turbo-Diesel L3 4.4" Bore	25
Ford Force ... Wheel Tractor	3.8L 233 OHV Diesel L4 4.2" Bore	31	Major 4000 ... Wheel Tractor	3.2L 192 OHV Diesel L3 4.4" Bore (Ford Europe Eng.)	21
Ford Force ... Wheel Tractor	4.2L 256 OHV L4 4.4" Bore	36	Major 5000 ... Wheel Tractor	3.8L 233 OHV L4 4.2" Bore	30
Ford Force ... Wheel Tractor	4.2L 256 OHV Diesel L4 4.4" Bore	37	Major 5000 ... Wheel Tractor	3.8L 233 OHV Diesel L4 4.2" Bore	31
Ford Force ... Wheel Tractor	4.2L 256 OHV Turbo-Diesel L4 4.4" Bore	38	Major 5000 ... Wheel Tractor	4.2L 256 OHV L4 4.4" Bore	36
Ford Force 2000 ... Wheel Tractor	2.6L 158 OHV L3 4.2" Bore	10	Major 5000 ... Wheel Tractor	4.2L 256 OHV Diesel L4 4.4" Bore	37
Ford Force 2000 ... Wheel Tractor	2.6L 158 OHV Diesel L3 4.2" Bore	11	Major 5000 ... Wheel Tractor	4.2L 256 OHV Turbo-Diesel L4 4.4" Bore	38
Ford Force 2000 ... Wheel Tractor	2.6L 158 OHV LPG L3 4.2" Bore	12	Major 7000 ... Wheel Tractor	4.2L 256 OHV L4 4.4" Bore	36
Ford Force 2000 ... Wheel Tractor	2.9L 175 OHV Diesel L3 4.2" Bore	17	Major 7000 ... Wheel Tractor	4.2L 256 OHV Diesel L4 4.4" Bore	37
Ford Force 3000 ... Wheel Tractor	2.6L 158 OHV L3 4.2" Bore	10	Major 7000 ... Wheel Tractor	4.2L 256 OHV Turbo-Diesel L4 4.4" Bore	38
Ford Force 3000 ... Wheel Tractor	2.6L 158 OHV Diesel L3 4.2" Bore	11			
Ford Force 3000 ... Wheel Tractor	2.6L 158 OHV LPG L3 4.2" Bore	12			

(continued on next page)

Ford Tractor

Model Index					
Model	Engine Description	Line No.	Model	Engine Description	Line No.
Major 8000 ... Wheel Tractor.....	6.6L 401 OHV Diesel L6 4.4" Bore.....	45	14-213 ... Hay Baler.....	.9L 53.9 L-HEAD L2 3.25" Bore (Wisconsin Eng.)	1
Major 8000 ... Wheel Tractor.....	6.6L 401 OHV Turbo-Diesel L6 4.4" Bore.....	46	14-214 ... Hay Baler.....	.9L 53.9 L-HEAD L2 3.25" Bore (Wisconsin Eng.)	1
Major 8600 ... Wheel Tractor.....	6.6L 401 OHV Diesel L6 4.4" Bore.....	45	14-215 ... Hay Baler.....	.9L 53.9 L-HEAD L2 3.25" Bore (Wisconsin Eng.)	1
Major 8600 ... Wheel Tractor.....	6.6L 401 OHV Turbo-Diesel L6 4.4" Bore.....	46	14-290 ... Hay Baler.....	1.8L 108 L-HEAD V4 3.25" Bore (Wisconsin Eng.)	2
Major 9000 ... Wheel Tractor.....	6.6L 401 OHV Diesel L6 4.4" Bore.....	45	14-290 ... Hay Baler.....	.9L 53.9 L-HEAD L2 3.25" Bore (Wisconsin Eng.)	1
Major 9000 ... Wheel Tractor.....	6.6L 401 OHV Turbo-Diesel L6 4.4" Bore.....	46	14-291 ... Hay Baler.....	1.8L 108 L-HEAD V4 3.25" Bore (Wisconsin Eng.)	2
Major 9600 ... Wheel Tractor.....	6.6L 401 OHV Diesel L6 4.4" Bore.....	45	14-291 ... Hay Baler.....	.9L 53.9 L-HEAD L2 3.25" Bore (Wisconsin Eng.)	1
Major 9600 ... Wheel Tractor.....	6.6L 401 OHV Turbo-Diesel L6 4.4" Bore.....	46	14-292 ... Hay Baler.....	1.8L 108 L-HEAD V4 3.25" Bore (Wisconsin Eng.)	2
Major 9600 ... Wheel Tractor.....	6.6L 401 OHV Diesel L6 4.4" Bore.....	45	14-292 ... Hay Baler.....	.9L 53.9 L-HEAD L2 3.25" Bore (Wisconsin Eng.)	1
Major 9600 ... Wheel Tractor.....	6.6L 401 OHV Turbo-Diesel L6 4.4" Bore.....	46	14-293 ... Hay Baler.....	1.8L 108 L-HEAD V4 3.25" Bore (Wisconsin Eng.)	2
NAA ... Wheel Tractor.....	2.2L 134 OHV L4 3.4375" Bore.....	4	14-293 ... Hay Baler.....	.9L 53.9 L-HEAD L2 3.25" Bore (Wisconsin Eng.)	1
NAB ... Wheel Tractor.....	2.2L 134 OHV L4 3.4375" Bore.....	4	14-294 ... Hay Baler.....	1.8L 108 L-HEAD V4 3.25" Bore (Wisconsin Eng.)	2
NAB ... Wheel Tractor.....	2.8L 172 OHV L4 3.9063" Bore.....	15	14-294 ... Hay Baler.....	.9L 53.9 L-HEAD L2 3.25" Bore (Wisconsin Eng.)	1
Super Dexta 2000 ... Wheel Tractor.....	2.5L 152.7 OHV Diesel L3 3.6" Bore (Perkins Eng.).....	8	14-295 ... Hay Baler.....	1.8L 108 L-HEAD V4 3.25" Bore (Wisconsin Eng.)	2
Super Major 5000 ... Wheel Tractor.....	3.8L 233 OHV L4 4.2" Bore.....	30	14-295 ... Hay Baler.....	.9L 53.9 L-HEAD L2 3.25" Bore (Wisconsin Eng.)	1
Super Major 5000 ... Wheel Tractor.....	3.8L 233 OHV Diesel L4 4.2" Bore.....	31	14-337 ... Hay Baler.....	1.8L 108 L-HEAD V4 3.25" Bore (Wisconsin Eng.)	2
Super Major 5000 ... Wheel Tractor.....	4.2L 256 OHV L4 4.4" Bore.....	36	14-337 ... Hay Baler.....	.9L 53.9 L-HEAD L2 3.25" Bore (Wisconsin Eng.)	1
Super Major 5000 ... Wheel Tractor.....	4.2L 256 OHV Diesel L4 4.4" Bore.....	37	14-338 ... Hay Baler.....	1.8L 108 L-HEAD V4 3.25" Bore (Wisconsin Eng.)	2
Super Major 5000 ... Wheel Tractor.....	4.2L 256 OHV Turbo-Diesel L4 4.4" Bore.....	38	14-338 ... Hay Baler.....	.9L 53.9 L-HEAD L2 3.25" Bore (Wisconsin Eng.)	1
TW10 ... Wheel Tractor	6.6L 401 OHV Diesel L6 4.4" Bore.....	45	14-49 ... Hay Baler.....	1.8L 108 L-HEAD V4 3.25" Bore (Wisconsin Eng.)	2
TW10 ... Wheel Tractor	6.6L 401 OHV Turbo-Diesel L6 4.4" Bore.....	46	14-71 ... Hay Baler.....	.9L 53.9 L-HEAD L2 3.25" Bore (Wisconsin Eng.)	1
TW20 ... Wheel Tractor	6.6L 401 OHV Diesel L6 4.4" Bore.....	45	14-76 ... Hay Baler.....	.9L 53.9 L-HEAD L2 3.25" Bore (Wisconsin Eng.)	1
TW20 ... Wheel Tractor	6.6L 401 OHV Turbo-Diesel L6 4.4" Bore.....	46	14-80 ... Hay Baler.....	.9L 53.9 L-HEAD L2 3.25" Bore (Wisconsin Eng.)	1
TW30 ... Wheel Tractor	6.6L 401 OHV Diesel L6 4.4" Bore.....	45	16-46 ... Combine	1.8L 108 L-HEAD V4 3.25" Bore (Wisconsin Eng.)	2
TW30 ... Wheel Tractor	6.6L 401 OHV Turbo-Diesel L6 4.4" Bore.....	46	16-98 ... Combine	1.8L 108 L-HEAD V4 3.25" Bore (Wisconsin Eng.)	2
1000 ... Wheel Tractor.....	2.8L 172 OHV L4 3.9063" Bore.....	15	17-1 ... Wheel Tractor.....	3.6L 223 OHV L6 3.625" Bore.....	29
1000 ... Wheel Tractor.....	2.8L 172 OHV Diesel L4 3.9063" Bore.....	16	17-34 ... Combine	4.9L 300 OHV L6 4" Bore.....	42
14-137 ... Harvester.....	2.5L 154 L-HEAD V4 3.5" Bore (Wisconsin Eng.)	9	17-35 ... Combine	4.9L 300 OHV L6 4" Bore.....	42
14-137 ... Harvester.....	2.8L 172 OHV L4 3.9063" Bore.....	15	1800 ... Wheel Tractor.....	2.8L 172 OHV L4 3.9063" Bore.....	15
14-169 ... Hay Baler.....	1.8L 108 L-HEAD V4 3.25" Bore (Wisconsin Eng.)	2	1800 ... Wheel Tractor.....	2.8L 172 OHV Diesel L4 3.9063" Bore.....	16
14-170 ... Hay Baler.....	1.8L 108 L-HEAD V4 3.25" Bore (Wisconsin Eng.)	2	1801 ... Wheel Tractor.....	2.8L 172 OHV L4 3.9063" Bore.....	15
14-171 ... Hay Baler.....	1.8L 108 L-HEAD V4 3.25" Bore (Wisconsin Eng.)	2	1801 ... Wheel Tractor.....	2.8L 172 OHV Diesel L4 3.9063" Bore.....	16
14-172 ... Hay Baler.....	1.8L 108 L-HEAD V4 3.25" Bore (Wisconsin Eng.)	2	1811 ... Wheel Tractor.....	2.8L 172 OHV L4 3.9063" Bore.....	15
14-190 ... Harvester.....	2.5L 154 L-HEAD V4 3.5" Bore (Wisconsin Eng.)	9	1811 ... Wheel Tractor.....	2.8L 172 OHV Diesel L4 3.9063" Bore.....	16
			1821 ... Wheel Tractor.....	2.8L 172 OHV L4 3.9063" Bore.....	15
			1821 ... Wheel Tractor.....	2.8L 172 OHV Diesel L4 3.9063" Bore.....	16
			1841 ... Wheel Tractor.....	2.8L 172 OHV L4 3.9063" Bore.....	15
			1841 ... Wheel Tractor.....	2.8L 172 OHV Diesel L4 3.9063" Bore.....	16
			1871 ... Wheel Tractor.....	2.8L 172 OHV L4 3.9063" Bore.....	15
			1871 ... Wheel Tractor.....	2.8L 172 OHV Diesel L4 3.9063" Bore.....	16
			1881 ... Wheel Tractor.....	2.8L 172 OHV L4 3.9063" Bore.....	15

(continued on next page)

Ford Tractor

Model Index

Model	Engine Description	Line No.	Model	Engine Description	Line No.
1881 ... Wheel Tractor	2.8L 172 OHV Diesel L4 3.9063" Bore	16	2130 ... Wheel Tractor	2.6L 158 OHV LPG L3 4.2" Bore	12
2N ... Wheel Tractor	2.0L 119.7 L-HEAD L4 3.1875" Bore (Ford Tractor)	3	2130 ... Wheel Tractor	2.9L 175 OHV Diesel L3 4.2" Bore	17
2NAN ... Wheel Tractor	2.0L 119.7 L-HEAD L4 3.1875" Bore (Ford Tractor)	3	2131 ... Wheel Tractor	2.2L 134 OHV L4 3.4375" Bore	4
2000 ... Wheel Tractor	2.2L 134 OHV L4 3.4375" Bore	4	2131 ... Wheel Tractor	2.4L 144 OHV Diesel L4 3.5625" Bore	5
2000 ... Wheel Tractor	2.4L 144 OHV Diesel L4 3.5625" Bore	5	2131 ... Wheel Tractor	2.6L 158 OHV L3 4.2" Bore	10
2000 ... Wheel Tractor	2.5L 152.7 OHV Diesel L3 3.6" Bore (Perkins Eng.)	8	2131 ... Wheel Tractor	2.6L 158 OHV Diesel L3 4.2" Bore	11
2000 ... Wheel Tractor	2.6L 158 OHV L3 4.2" Bore	10	2131 ... Wheel Tractor	2.6L 158 OHV LPG L3 4.2" Bore	12
2000 ... Wheel Tractor	2.6L 158 OHV Diesel L3 4.2" Bore	11	2131 ... Wheel Tractor	2.9L 175 OHV Diesel L3 4.2" Bore	17
2000 ... Wheel Tractor	2.6L 158 OHV LPG L3 4.2" Bore	12	2150 ... Wheel Tractor	2.6L 158 OHV L3 4.2" Bore	10
2000 ... Wheel Tractor	2.9L 175 OHV Diesel L3 4.2" Bore	17	2150 ... Wheel Tractor	2.6L 158 OHV Diesel L3 4.2" Bore	11
20000 ... Wheel Tractor	2.2L 134 OHV L4 3.4375" Bore	4	2150 ... Wheel Tractor	2.6L 158 OHV LPG L3 4.2" Bore	12
2030 ... Wheel Tractor	2.2L 134 OHV L4 3.4375" Bore	4	2150 ... Wheel Tractor	2.9L 175 OHV Diesel L3 4.2" Bore	17
2030 ... Wheel Tractor	2.4L 144 OHV Diesel L4 3.5625" Bore	5	230 ... Wheel Tractor	2.6L 158 OHV L3 4.2" Bore	10
20301 ... Wheel Tractor	2.2L 134 OHV L4 3.4375" Bore	4	230 ... Wheel Tractor	2.6L 158 OHV Diesel L3 4.2" Bore	11
20302 ... Wheel Tractor	2.4L 144 OHV Diesel L4 3.5625" Bore	5	230 ... Wheel Tractor	2.6L 158 OHV LPG L3 4.2" Bore	12
20303 ... Wheel Tractor	2.2L 134 OHV L4 3.4375" Bore	4	230 ... Wheel Tractor	2.9L 175 OHV Diesel L3 4.2" Bore	17
20304 ... Wheel Tractor	2.4L 144 OHV Diesel L4 3.5625" Bore	5	2300 ... Wheel Tractor	2.6L 158 OHV L3 4.2" Bore	10
20305 ... Wheel Tractor	2.2L 134 OHV L4 3.4375" Bore	4	2300 ... Wheel Tractor	2.6L 158 OHV Diesel L3 4.2" Bore	11
20306 ... Wheel Tractor	2.4L 144 OHV Diesel L4 3.5625" Bore	5	2300 ... Wheel Tractor	2.6L 158 OHV LPG L3 4.2" Bore	12
2031 ... Wheel Tractor	2.2L 134 OHV L4 3.4375" Bore	4	2300 ... Wheel Tractor	2.9L 175 OHV Diesel L3 4.2" Bore	17
2031 ... Wheel Tractor	2.4L 144 OHV Diesel L4 3.5625" Bore	5	231 ... Wheel Tractor	2.6L 158 OHV L3 4.2" Bore	10
2100 ... Wheel Tractor	2.2L 134 OHV L4 3.4375" Bore	4	231 ... Wheel Tractor	2.6L 158 OHV Diesel L3 4.2" Bore	11
2100 ... Wheel Tractor	2.6L 158 OHV L3 4.2" Bore	10	231 ... Wheel Tractor	2.6L 158 OHV LPG L3 4.2" Bore	12
2100 ... Wheel Tractor	2.6L 158 OHV Diesel L3 4.2" Bore	11	231 ... Wheel Tractor	2.9L 175 OHV Diesel L3 4.2" Bore	17
2100 ... Wheel Tractor	2.6L 158 OHV LPG L3 4.2" Bore	12	231LCG ... Wheel Tractor	2.6L 158 OHV L3 4.2" Bore	10
2100 ... Wheel Tractor	2.9L 175 OHV Diesel L3 4.2" Bore	17	231LCG ... Wheel Tractor	2.6L 158 OHV Diesel L3 4.2" Bore	11
2110 ... Wheel Tractor	2.2L 134 OHV L4 3.4375" Bore	4	231LCG ... Wheel Tractor	2.6L 158 OHV LPG L3 4.2" Bore	12
2110 ... Wheel Tractor	2.4L 144 OHV Diesel L4 3.5625" Bore	5	2310 ... Wheel Tractor	2.6L 158 OHV L3 4.2" Bore	10
2110 ... Wheel Tractor	2.6L 158 OHV L3 4.2" Bore	10	2310 ... Wheel Tractor	2.6L 158 OHV Diesel L3 4.2" Bore	11
2110 ... Wheel Tractor	2.6L 158 OHV Diesel L3 4.2" Bore	11	2310 ... Wheel Tractor	2.6L 158 OHV LPG L3 4.2" Bore	12
2110 ... Wheel Tractor	2.6L 158 OHV LPG L3 4.2" Bore	12	2310 ... Wheel Tractor	2.9L 175 OHV Diesel L3 4.2" Bore	17
2110 ... Wheel Tractor	2.9L 175 OHV Diesel L3 4.2" Bore	17	233 ... Wheel Tractor	2.6L 158 OHV L3 4.2" Bore	10
2111 ... Wheel Tractor	2.2L 134 OHV L4 3.4375" Bore	4	233 ... Wheel Tractor	2.6L 158 OHV Diesel L3 4.2" Bore	11
2111 ... Wheel Tractor	2.4L 144 OHV Diesel L4 3.5625" Bore	5	233 ... Wheel Tractor	2.6L 158 OHV LPG L3 4.2" Bore	12
2111 ... Wheel Tractor	2.6L 158 OHV L3 4.2" Bore	10	233 ... Wheel Tractor	2.9L 175 OHV Diesel L3 4.2" Bore	17
2111 ... Wheel Tractor	2.6L 158 OHV Diesel L3 4.2" Bore	11	234 ... Wheel Tractor	2.6L 158 OHV L3 4.2" Bore	10
2111 ... Wheel Tractor	2.6L 158 OHV LPG L3 4.2" Bore	12	234 ... Wheel Tractor	2.6L 158 OHV Diesel L3 4.2" Bore	11
2111 ... Wheel Tractor	2.9L 175 OHV Diesel L3 4.2" Bore	17	234 ... Wheel Tractor	2.6L 158 OHV LPG L3 4.2" Bore	12
2120 ... Wheel Tractor	2.2L 134 OHV L4 3.4375" Bore	4	234 ... Wheel Tractor	2.9L 175 OHV Diesel L3 4.2" Bore	17
2120 ... Wheel Tractor	2.4L 144 OHV Diesel L4 3.5625" Bore	5	250 ... Hay Baler	.9L 53.9 L-HEAD L2 3.25" Bore (Wisconsin Eng.)	1
2120 ... Wheel Tractor	2.6L 158 OHV L3 4.2" Bore	10	2600 ... Wheel Tractor	2.6L 158 OHV L3 4.2" Bore	10
2120 ... Wheel Tractor	2.6L 158 OHV Diesel L3 4.2" Bore	11	2600 ... Wheel Tractor	2.6L 158 OHV Diesel L3 4.2" Bore	11
2120 ... Wheel Tractor	2.6L 158 OHV LPG L3 4.2" Bore	12	2600 ... Wheel Tractor	2.6L 158 OHV LPG L3 4.2" Bore	12
2120 ... Wheel Tractor	2.9L 175 OHV Diesel L3 4.2" Bore	17	2610 ... Wheel Tractor	2.6L 158 OHV L3 4.2" Bore	10
2130 ... Wheel Tractor	2.2L 134 OHV L4 3.4375" Bore	4	2610 ... Wheel Tractor	2.6L 158 OHV Diesel L3 4.2" Bore	11
2130 ... Wheel Tractor	2.4L 144 OHV Diesel L4 3.5625" Bore	5	2610 ... Wheel Tractor	2.6L 158 OHV LPG L3 4.2" Bore	12
2130 ... Wheel Tractor	2.6L 158 OHV L3 4.2" Bore	10	2810 ... Wheel Tractor	2.6L 158 OHV L3 4.2" Bore	10
2130 ... Wheel Tractor	2.6L 158 OHV Diesel L3 4.2" Bore	11	2810 ... Wheel Tractor	2.6L 158 OHV Diesel L3 4.2" Bore	11
			2810 ... Wheel Tractor	2.6L 158 OHV LPG L3 4.2" Bore	12
			2910 ... Wheel Tractor	2.6L 158 OHV L3 4.2" Bore	10

Ford Tractor

Model Index					
Model	Engine Description	Line No.	Model	Engine Description	Line No.
2910 ... Wheel Tractor	2.6L 158 OHV Diesel L3 4.2" Bore	11	335 ... Wheel Tractor	2.6L 158 OHV Diesel L3 4.2" Bore	11
2910 ... Wheel Tractor	2.6L 158 OHV LPG L3 4.2" Bore	12	335 ... Wheel Tractor	2.6L 158 OHV LPG L3 4.2" Bore	12
3000 ... Wheel Tractor	2.6L 158 OHV L3 4.2" Bore	10	335 ... Wheel Tractor	2.9L 175 OHV Diesel L3 4.2" Bore	17
3000 ... Wheel Tractor	2.6L 158 OHV Diesel L3 4.2" Bore	11	340 ... Wheel Tractor	2.6L 158 OHV L3 4.2" Bore	10
3000 ... Wheel Tractor	2.6L 158 OHV LPG L3 4.2" Bore	12	340 ... Wheel Tractor	2.6L 158 OHV Diesel L3 4.2" Bore	11
3000 ... Wheel Tractor	2.8L 172 OHV L4 3.9063" Bore	15	340 ... Wheel Tractor	2.6L 158 OHV LPG L3 4.2" Bore	12
3000 ... Wheel Tractor	2.8L 172 OHV Diesel L4 3.9063" Bore	16	340 ... Wheel Tractor	2.9L 175 OHV Diesel L3 4.2" Bore	17
3000 ... Wheel Tractor	2.9L 175 OHV Diesel L3 4.2" Bore	17	340A ... Wheel Tractor	2.9L 175 OHV Diesel L3 4.2" Bore	17
3055 ... Wheel Tractor	2.6L 158 OHV L3 4.2" Bore	10	3400 ... Wheel Tractor	2.6L 158 OHV L3 4.2" Bore	10
3055 ... Wheel Tractor	2.6L 158 OHV Diesel L3 4.2" Bore	11	3400 ... Wheel Tractor	2.6L 158 OHV Diesel L3 4.2" Bore	11
3055 ... Wheel Tractor	2.6L 158 OHV LPG L3 4.2" Bore	12	3400 ... Wheel Tractor	2.6L 158 OHV LPG L3 4.2" Bore	12
3055 ... Wheel Tractor	2.9L 175 OHV Diesel L3 4.2" Bore	17	3400 ... Wheel Tractor	2.9L 175 OHV Diesel L3 4.2" Bore	17
3100 ... Wheel Tractor	2.6L 158 OHV L3 4.2" Bore	10	350 ... Hay Baler	1.8L 108 L-HEAD V4 3.25" Bore (Wisconsin Eng.)	2
3100 ... Wheel Tractor	2.6L 158 OHV Diesel L3 4.2" Bore	11	3500 ... Wheel Tractor	2.6L 158 OHV L3 4.2" Bore	10
3100 ... Wheel Tractor	2.6L 158 OHV LPG L3 4.2" Bore	12	3500 ... Wheel Tractor	2.6L 158 OHV Diesel L3 4.2" Bore	11
3100 ... Wheel Tractor	2.9L 175 OHV Diesel L3 4.2" Bore	17	3500 ... Wheel Tractor	2.6L 158 OHV LPG L3 4.2" Bore	12
3120 ... Wheel Tractor	2.6L 158 OHV L3 4.2" Bore	10	3500 ... Wheel Tractor	2.9L 175 OHV Diesel L3 4.2" Bore	17
3120 ... Wheel Tractor	2.6L 158 OHV Diesel L3 4.2" Bore	11	3550 ... Wheel Tractor	2.6L 158 OHV L3 4.2" Bore	10
3120 ... Wheel Tractor	2.6L 158 OHV LPG L3 4.2" Bore	12	3550 ... Wheel Tractor	2.6L 158 OHV Diesel L3 4.2" Bore	11
3120 ... Wheel Tractor	2.9L 175 OHV Diesel L3 4.2" Bore	17	3550 ... Wheel Tractor	2.6L 158 OHV LPG L3 4.2" Bore	12
3150 ... Wheel Tractor	2.6L 158 OHV L3 4.2" Bore	10	3550 ... Wheel Tractor	2.9L 175 OHV Diesel L3 4.2" Bore	17
3150 ... Wheel Tractor	2.6L 158 OHV Diesel L3 4.2" Bore	11	3600 ... Wheel Tractor	2.9L 175 OHV Diesel L3 4.2" Bore	17
3150 ... Wheel Tractor	2.6L 158 OHV LPG L3 4.2" Bore	12	3610 ... Wheel Tractor	2.9L 175 OHV Diesel L3 4.2" Bore	17
3150 ... Wheel Tractor	2.9L 175 OHV Diesel L3 4.2" Bore	17	3610 ... Wheel Tractor	3.3L 201 OHV L3 4.4" Bore	23
3190 ... Wheel Tractor	2.6L 158 OHV L3 4.2" Bore	10	3610 ... Wheel Tractor	3.3L 201 OHV Diesel L3 4.4" Bore	24
3190 ... Wheel Tractor	2.6L 158 OHV Diesel L3 4.2" Bore	11	3610 ... Wheel Tractor	3.3L 201 OHV Turbo-Diesel L3 4.4" Bore	25
3190 ... Wheel Tractor	2.6L 158 OHV LPG L3 4.2" Bore	12	3900 ... Wheel Tractor	2.9L 175 OHV Diesel L3 4.2" Bore	17
3190 ... Wheel Tractor	2.9L 175 OHV Diesel L3 4.2" Bore	17	3910 ... Wheel Tractor	3.3L 201 OHV L3 4.4" Bore	23
32 ... Wheel Tractor	2.6L 158 OHV L3 4.2" Bore	10	3910 ... Wheel Tractor	3.3L 201 OHV Diesel L3 4.4" Bore	24
32 ... Wheel Tractor	2.6L 158 OHV Diesel L3 4.2" Bore	11	3910 ... Wheel Tractor	3.3L 201 OHV Turbo-Diesel L3 4.4" Bore	25
32 ... Wheel Tractor	2.6L 158 OHV LPG L3 4.2" Bore	12	4000 ... Wheel Tractor	2.8L 172 OHV L4 3.9063" Bore	15
32 ... Wheel Tractor	2.9L 175 OHV Diesel L3 4.2" Bore	17	4000 ... Wheel Tractor	2.8L 172 OHV Diesel L4 3.9063" Bore	16
3300 ... Wheel Tractor	2.6L 158 OHV L3 4.2" Bore	10	4000 ... Wheel Tractor	3.2L 192 OHV L3 4.4" Bore	20
3300 ... Wheel Tractor	2.6L 158 OHV Diesel L3 4.2" Bore	11	4000 ... Wheel Tractor	3.3L 201 OHV L3 4.4" Bore	23
3300 ... Wheel Tractor	2.6L 158 OHV LPG L3 4.2" Bore	12	4000 ... Wheel Tractor	3.3L 201 OHV Diesel L3 4.4" Bore	24
3300 ... Wheel Tractor	2.9L 175 OHV Diesel L3 4.2" Bore	17	4000 ... Wheel Tractor	3.3L 201 OHV Turbo-Diesel L3 4.4" Bore	25
3310 ... Wheel Tractor	2.6L 158 OHV L3 4.2" Bore	10	4000 ... Wheel Tractor	3.3L 201 OHV Diesel L3 4.4" Bore	25
3310 ... Wheel Tractor	2.6L 158 OHV Diesel L3 4.2" Bore	11	4000 ... Wheel Tractor	3.2L 192 OHV Diesel L3 4.4" Bore (Ford Europe Eng.)	21
3310 ... Wheel Tractor	2.6L 158 OHV LPG L3 4.2" Bore	12	40000 ... Wheel Tractor	2.8L 172 OHV L4 3.9063" Bore	15
3310 ... Wheel Tractor	2.9L 175 OHV Diesel L3 4.2" Bore	17	40000 ... Wheel Tractor	2.8L 172 OHV Diesel L4 3.9063" Bore	16
333 ... Wheel Tractor	2.6L 158 OHV L3 4.2" Bore	10	4030 ... Wheel Tractor	2.8L 172 OHV L4 3.9063" Bore	15
333 ... Wheel Tractor	2.6L 158 OHV Diesel L3 4.2" Bore	11	4030 ... Wheel Tractor	2.8L 172 OHV Diesel L4 3.9063" Bore	16
333 ... Wheel Tractor	2.6L 158 OHV LPG L3 4.2" Bore	12	4031 ... Wheel Tractor	2.8L 172 OHV L4 3.9063" Bore	15
333 ... Wheel Tractor	2.9L 175 OHV Diesel L3 4.2" Bore	17	4031 ... Wheel Tractor	2.8L 172 OHV Diesel L4 3.9063" Bore	16
334 ... Wheel Tractor	2.6L 158 OHV L3 4.2" Bore	10	4040 ... Wheel Tractor	2.8L 172 OHV L4 3.9063" Bore	15
334 ... Wheel Tractor	2.6L 158 OHV Diesel L3 4.2" Bore	11	4040 ... Wheel Tractor	2.8L 172 OHV Diesel L4 3.9063" Bore	16
334 ... Wheel Tractor	2.6L 158 OHV LPG L3 4.2" Bore	12	4050 ... Wheel Tractor	2.8L 172 OHV L4 3.9063" Bore	15
334 ... Wheel Tractor	2.9L 175 OHV Diesel L3 4.2" Bore	17			
335 ... Wheel Tractor	2.6L 158 OHV L3 4.2" Bore	10			

(continued on next page)

Ford Tractor

Model Index

Model	Engine Description	Line No.	Model	Engine Description	Line No.
4050 ... Wheel Tractor	2.8L 172 OHV Diesel L4 3.9063" Bore.....	16	4410 ... Wheel Tractor	3.3L 201 OHV Turbo-Diesel L3 4.4" Bore.....	25
4100 ... Wheel Tractor	3.3L 201 OHV L3 4.4" Bore.....	23	445 ... Wheel Tractor	2.6L 158 OHV L3 4.2" Bore.....	10
4100 ... Wheel Tractor	3.3L 201 OHV Diesel L3 4.4" Bore.....	24	445 ... Wheel Tractor	2.6L 158 OHV Diesel L3 4.2" Bore.....	11
4100 ... Wheel Tractor	3.3L 201 OHV Turbo-Diesel L3 4.4" Bore.....	25	445 ... Wheel Tractor	2.6L 158 OHV LPG L3 4.2" Bore..	12
4110 ... Wheel Tractor	2.8L 172 OHV L4 3.9063" Bore....	15	445 ... Wheel Tractor	2.9L 175 OHV Diesel L3 4.2" Bore.....	17
4110 ... Wheel Tractor	2.8L 172 OHV Diesel L4 3.9063" Bore.....	16	445 ... Wheel Tractor	3.3L 201 OHV L3 4.4" Bore.....	23
4110 ... Wheel Tractor	3.3L 201 OHV L3 4.4" Bore.....	23	445 ... Wheel Tractor	3.3L 201 OHV Diesel L3 4.4" Bore.....	24
4110 ... Wheel Tractor	3.3L 201 OHV Diesel L3 4.4" Bore.....	24	445 ... Wheel Tractor	3.3L 201 OHV Turbo-Diesel L3 4.4" Bore.....	25
4110 ... Wheel Tractor	3.3L 201 OHV Turbo-Diesel L3 4.4" Bore.....	25	4500 ... Wheel Tractor	2.8L 172 OHV L4 3.9063" Bore....	15
4120 ... Wheel Tractor	2.8L 172 OHV L4 3.9063" Bore....	15	4500 ... Wheel Tractor	2.8L 172 OHV Diesel L4 3.9063" Bore.....	16
4120 ... Wheel Tractor	2.8L 172 OHV Diesel L4 3.9063" Bore.....	16	4500 ... Wheel Tractor	3.2L 192 OHV L3 4.4" Bore.....	20
4121 ... Wheel Tractor	2.8L 172 OHV L4 3.9063" Bore....	15	4500 ... Wheel Tractor	3.3L 201 OHV L3 4.4" Bore.....	23
4121 ... Wheel Tractor	2.8L 172 OHV Diesel L4 3.9063" Bore.....	16	4500 ... Wheel Tractor	3.3L 201 OHV Diesel L3 4.4" Bore.....	24
4130 ... Wheel Tractor	2.8L 172 OHV L4 3.9063" Bore....	15	4500 ... Wheel Tractor	3.3L 201 OHV Turbo-Diesel L3 4.4" Bore.....	25
4130 ... Wheel Tractor	2.8L 172 OHV Diesel L4 3.9063" Bore.....	16	4500 ... Wheel Tractor	3.2L 192 OHV Diesel L3 4.4" Bore (Ford Europe Eng.).....	21
4131 ... Wheel Tractor	2.8L 172 OHV L4 3.9063" Bore....	15	4600 ... Wheel Tractor	3.3L 201 OHV L3 4.4" Bore.....	23
4131 ... Wheel Tractor	2.8L 172 OHV Diesel L4 3.9063" Bore.....	16	4600 ... Wheel Tractor	3.3L 201 OHV Diesel L3 4.4" Bore.....	24
4140 ... Wheel Tractor	2.8L 172 OHV L4 3.9063" Bore....	15	4600 ... Wheel Tractor	3.3L 201 OHV Turbo-Diesel L3 4.4" Bore.....	25
4140 ... Wheel Tractor	2.8L 172 OHV Diesel L4 3.9063" Bore.....	16	4600SU ... Wheel Tractor	3.3L 201 OHV L3 4.4" Bore.....	23
4140 ... Wheel Tractor	3.3L 201 OHV L3 4.4" Bore.....	23	4600SU ... Wheel Tractor	3.3L 201 OHV Diesel L3 4.4" Bore.....	24
4140 ... Wheel Tractor	3.3L 201 OHV Diesel L3 4.4" Bore.....	24	4600SU ... Wheel Tractor	3.3L 201 OHV Turbo-Diesel L3 4.4" Bore.....	25
4140 ... Wheel Tractor	3.3L 201 OHV Turbo-Diesel L3 4.4" Bore.....	25	4610 ... Wheel Tractor	3.3L 201 OHV L3 4.4" Bore.....	23
4150 ... Wheel Tractor	2.8L 172 OHV L4 3.9063" Bore....	15	4610 ... Wheel Tractor	3.3L 201 OHV Diesel L3 4.4" Bore.....	24
4150 ... Wheel Tractor	2.8L 172 OHV Diesel L4 3.9063" Bore.....	16	4610 ... Wheel Tractor	3.3L 201 OHV Turbo-Diesel L3 4.4" Bore.....	25
4190 ... Wheel Tractor	3.3L 201 OHV L3 4.4" Bore.....	23	48 ... Wheel Tractor	3.3L 201 OHV L3 4.4" Bore.....	23
4190 ... Wheel Tractor	3.3L 201 OHV Diesel L3 4.4" Bore.....	24	48 ... Wheel Tractor	3.3L 201 OHV Diesel L3 4.4" Bore.....	24
4190 ... Wheel Tractor	3.3L 201 OHV Turbo-Diesel L3 4.4" Bore.....	25	48 ... Wheel Tractor	3.3L 201 OHV Turbo-Diesel L3 4.4" Bore.....	25
420 ... Wheel Tractor	2.6L 158 OHV L3 4.2" Bore.....	10	500 ... Wheel Tractor	2.2L 134 OHV L4 3.4375" Bore.....	4
420 ... Wheel Tractor	2.6L 158 OHV Diesel L3 4.2" Bore.....	11	500 ... Wheel Tractor	3.3L 201 OHV L3 4.4" Bore.....	23
420 ... Wheel Tractor	2.6L 158 OHV LPG L3 4.2" Bore..	12	500 ... Wheel Tractor	3.3L 201 OHV Diesel L3 4.4" Bore.....	24
420 ... Wheel Tractor	2.9L 175 OHV Diesel L3 4.2" Bore.....	17	500 ... Wheel Tractor	3.3L 201 OHV Turbo-Diesel L3 4.4" Bore.....	25
4200 ... Wheel Tractor	3.3L 201 OHV L3 4.4" Bore.....	23	500K ... Wheel Tractor	2.2L 134 OHV L4 3.4375" Bore.....	4
4200 ... Wheel Tractor	3.3L 201 OHV Diesel L3 4.4" Bore.....	24	5000 ... Wheel Tractor	3.8L 233 OHV L4 4.2" Bore.....	30
4200 ... Wheel Tractor	3.3L 201 OHV Turbo-Diesel L3 4.4" Bore.....	25	5000 ... Wheel Tractor	3.8L 233 OHV Diesel L4 4.2" Bore.....	31
431 ... Wheel Tractor	3.3L 201 OHV L3 4.4" Bore.....	23	5000 ... Wheel Tractor	4.2L 256 OHV L4 4.4" Bore.....	36
431 ... Wheel Tractor	3.3L 201 OHV Diesel L3 4.4" Bore.....	24	5000 ... Wheel Tractor	4.2L 256 OHV Diesel L4 4.4" Bore.....	37
431 ... Wheel Tractor	3.3L 201 OHV Turbo-Diesel L3 4.4" Bore.....	25	5000 ... Wheel Tractor	4.2L 256 OHV Turbo-Diesel L4 4.4" Bore.....	38
4400 ... Wheel Tractor	2.8L 172 OHV L4 3.9063" Bore....	15	501 ... Wheel Tractor	2.2L 134 OHV L4 3.4375" Bore.....	4
4400 ... Wheel Tractor	2.8L 172 OHV Diesel L4 3.9063" Bore.....	16	501 ... Wheel Tractor	2.4L 144 OHV Diesel L4 3.5625" Bore.....	5
4400 ... Wheel Tractor	3.3L 201 OHV L3 4.4" Bore.....	23	5100 ... Wheel Tractor	3.8L 233 OHV L4 4.2" Bore.....	30
4400 ... Wheel Tractor	3.3L 201 OHV Diesel L3 4.4" Bore.....	24	5100 ... Wheel Tractor	3.8L 233 OHV Diesel L4 4.2" Bore.....	31
4400 ... Wheel Tractor	3.3L 201 OHV Turbo-Diesel L3 4.4" Bore.....	25	5100 ... Wheel Tractor	4.2L 256 OHV L4 4.4" Bore.....	36
4410 ... Wheel Tractor	2.8L 172 OHV L4 3.9063" Bore....	15	5100 ... Wheel Tractor	4.2L 256 OHV Diesel L4 4.4" Bore.....	37
4410 ... Wheel Tractor	2.8L 172 OHV Diesel L4 3.9063" Bore.....	16	5100 ... Wheel Tractor	4.2L 256 OHV Turbo-Diesel L4 4.4" Bore.....	38
4410 ... Wheel Tractor	3.3L 201 OHV L3 4.4" Bore.....	23	515 ... Wheel Tractor	3.3L 201 OHV L3 4.4" Bore.....	23
4410 ... Wheel Tractor	3.3L 201 OHV Diesel L3 4.4" Bore.....	24	515 ... Wheel Tractor	3.3L 201 OHV Diesel L3 4.4" Bore.....	24

(continued on next page)

Ford Tractor

Model Index					
Model	Engine Description	Line No.	Model	Engine Description	Line No.
515 ... Wheel Tractor	3.3L 201 OHV Turbo-Diesel L3 4.4" Bore	25	555 ... Wheel Tractor	3.3L 201 OHV Diesel L3 4.4" Bore	24
5190 ... Wheel Tractor	3.8L 233 OHV L4 4.2" Bore	30	555 ... Wheel Tractor	3.3L 201 OHV Turbo-Diesel L3 4.4" Bore	25
5190 ... Wheel Tractor	3.8L 233 OHV Diesel L4 4.2" Bore	31	5550 ... Wheel Tractor	3.8L 233 OHV L4 4.2" Bore	30
5190 ... Wheel Tractor	4.2L 256 OHV L4 4.4" Bore	36	5550 ... Wheel Tractor	3.8L 233 OHV Diesel L4 4.2" Bore	31
5190 ... Wheel Tractor	4.2L 256 OHV Diesel L4 4.4" Bore	37	5550 ... Wheel Tractor	4.2L 256 OHV L4 4.4" Bore	36
5190 ... Wheel Tractor	4.2L 256 OHV Turbo-Diesel L4 4.4" Bore	38	5550 ... Wheel Tractor	4.2L 256 OHV Diesel L4 4.4" Bore	37
5200 ... Wheel Tractor	3.8L 233 OHV L4 4.2" Bore	30	5550 ... Wheel Tractor	4.2L 256 OHV Turbo-Diesel L4 4.4" Bore	38
5200 ... Wheel Tractor	3.8L 233 OHV Diesel L4 4.2" Bore	31	56 ... Wheel Tractor	3.8L 233 OHV L4 4.2" Bore	30
5200 ... Wheel Tractor	4.2L 256 OHV L4 4.4" Bore	36	56 ... Wheel Tractor	3.8L 233 OHV Diesel L4 4.2" Bore	31
5200 ... Wheel Tractor	4.2L 256 OHV Diesel L4 4.4" Bore	37	5600 ... Wheel Tractor	3.8L 233 OHV L4 4.2" Bore	30
5200 ... Wheel Tractor	4.2L 256 OHV Turbo-Diesel L4 4.4" Bore	38	5600 ... Wheel Tractor	3.8L 233 OHV Diesel L4 4.2" Bore	31
530 ... Wheel Tractor	3.3L 201 OHV L3 4.4" Bore	23	5600 ... Wheel Tractor	4.2L 256 OHV L4 4.4" Bore	36
530 ... Wheel Tractor	3.3L 201 OHV Diesel L3 4.4" Bore	24	5600 ... Wheel Tractor	4.2L 256 OHV Diesel L4 4.4" Bore	37
530 ... Wheel Tractor	3.3L 201 OHV Turbo-Diesel L3 4.4" Bore	25	5600 ... Wheel Tractor	4.2L 256 OHV Turbo-Diesel L4 4.4" Bore	38
530 ... Hay Baler	.9L 53.9 L-HEAD L2 3.25" Bore (Wisconsin Eng.)	1	5610 ... Wheel Tractor	4.2L 256 OHV L4 4.4" Bore	36
531 ... Wheel Tractor	3.3L 201 OHV L3 4.4" Bore	23	5610 ... Wheel Tractor	4.2L 256 OHV Diesel L4 4.4" Bore	37
531 ... Wheel Tractor	3.3L 201 OHV Diesel L3 4.4" Bore	24	5610 ... Wheel Tractor	4.2L 256 OHV Turbo-Diesel L4 4.4" Bore	38
531 ... Wheel Tractor	3.3L 201 OHV Turbo-Diesel L3 4.4" Bore	25	5700 ... Wheel Tractor	3.8L 233 OHV L4 4.2" Bore	30
532 ... Wheel Tractor	3.3L 201 OHV L3 4.4" Bore	23	5700 ... Wheel Tractor	3.8L 233 OHV Diesel L4 4.2" Bore	31
532 ... Wheel Tractor	3.3L 201 OHV Diesel L3 4.4" Bore	24	5700 ... Wheel Tractor	4.2L 256 OHV L4 4.4" Bore	36
532 ... Wheel Tractor	3.3L 201 OHV Turbo-Diesel L3 4.4" Bore	25	5700 ... Wheel Tractor	4.2L 256 OHV Diesel L4 4.4" Bore	37
535 ... Wheel Tractor	3.3L 201 OHV L3 4.4" Bore	23	5700 ... Wheel Tractor	4.2L 256 OHV Turbo-Diesel L4 4.4" Bore	38
535 ... Wheel Tractor	3.3L 201 OHV Diesel L3 4.4" Bore	24	600 ... Wheel Tractor	2.2L 134 OHV L4 3.4375" Bore	4
535 ... Wheel Tractor	3.3L 201 OHV Turbo-Diesel L3 4.4" Bore	25	600 ... Wheel Tractor	2.4L 144 OHV Diesel L4 3.5625" Bore	5
540 ... Hay Baler	1.8L 108 L-HEAD V4 3.25" Bore (Wisconsin Eng.)	2	600K ... Wheel Tractor	2.2L 134 OHV L4 3.4375" Bore	4
540 ... Wheel Tractor	2.6L 158 OHV L3 4.2" Bore	10	6000 ... Wheel Tractor	3.6L 223 OHV L6 3.625" Bore	29
540 ... Wheel Tractor	2.6L 158 OHV Diesel L3 4.2" Bore	11	6000 ... Wheel Tractor	4.2L 256 OHV L4 4.4" Bore	36
540 ... Wheel Tractor	2.6L 158 OHV LPG L3 4.2" Bore	12	6000 ... Wheel Tractor	4.2L 256 OHV Diesel L4 4.4" Bore	37
540 ... Wheel Tractor	3.3L 201 OHV L3 4.4" Bore	23	6000 ... Wheel Tractor	4.2L 256 OHV Turbo-Diesel L4 4.4" Bore	38
540 ... Wheel Tractor	3.3L 201 OHV Diesel L3 4.4" Bore	24	6000 Commander ... Wheel Tractor	3.6L 223 OHV L6 3.625" Bore	29
540 ... Wheel Tractor	3.3L 201 OHV Turbo-Diesel L3 4.4" Bore	25	6000 Series ... Wheel Tractor	4.0L 242 OHV L6 3.625" Bore (Gas)	34
541 ... Wheel Tractor	2.2L 134 OHV L4 3.4375" Bore	4	60000 ... Wheel Tractor	3.6L 223 OHV L6 3.625" Bore	29
541 ... Wheel Tractor	2.4L 144 OHV Diesel L4 3.5625" Bore	5	601 ... Wheel Tractor	2.2L 134 OHV L4 3.4375" Bore	4
545 ... Wheel Tractor	3.3L 201 OHV L3 4.4" Bore	23	601 ... Wheel Tractor	2.4L 144 OHV Diesel L4 3.5625" Bore	5
545 ... Wheel Tractor	3.3L 201 OHV Diesel L3 4.4" Bore	24	611 ... Wheel Tractor	2.2L 134 OHV L4 3.4375" Bore	4
545 ... Wheel Tractor	3.3L 201 OHV Turbo-Diesel L3 4.4" Bore	25	611 ... Wheel Tractor	2.4L 144 OHV Diesel L4 3.5625" Bore	5
550 ... Wheel Tractor	3.3L 201 OHV L3 4.4" Bore	23	620 ... Wheel Tractor	2.2L 134 OHV L4 3.4375" Bore	4
550 ... Wheel Tractor	3.3L 201 OHV Diesel L3 4.4" Bore	24	621 ... Wheel Tractor	2.2L 134 OHV L4 3.4375" Bore	4
550 ... Wheel Tractor	3.3L 201 OHV Turbo-Diesel L3 4.4" Bore	25	621 ... Wheel Tractor	2.4L 144 OHV Diesel L4 3.5625" Bore	5
5500 ... Wheel Tractor	3.8L 233 OHV L4 4.2" Bore	30	630 ... Wheel Tractor	2.2L 134 OHV L4 3.4375" Bore	4
5500 ... Wheel Tractor	3.8L 233 OHV Diesel L4 4.2" Bore	31	631 ... Wheel Tractor	2.2L 134 OHV L4 3.4375" Bore	4
5500 ... Wheel Tractor	4.2L 256 OHV L4 4.4" Bore	36	631 ... Wheel Tractor	2.4L 144 OHV Diesel L4 3.5625" Bore	5
5500 ... Wheel Tractor	4.2L 256 OHV Diesel L4 4.4" Bore	37	640 ... Wheel Tractor	2.2L 134 OHV L4 3.4375" Bore	4
5500 ... Wheel Tractor	4.2L 256 OHV Turbo-Diesel L4 4.4" Bore	38	641 ... Wheel Tractor	2.2L 134 OHV L4 3.4375" Bore	4
555 ... Wheel Tractor	3.3L 201 OHV L3 4.4" Bore	23	641 ... Wheel Tractor	2.4L 144 OHV Diesel L4 3.5625" Bore	5
			6410 ... Wheel Tractor	4.4L 268 OHV L4 4.4" Bore	39
			6410 ... Wheel Tractor	4.4L 268 OHV Diesel L4 4.4" Bore	40

(continued on next page)

Ford Tractor

Model Index

Model	Engine Description	Line No.	Model	Engine Description	Line No.
650 ... Wheel Tractor	2.2L 134 OHV L4 3.4375" Bore	4	700K ... Wheel Tractor	2.2L 134 OHV L4 3.4375" Bore	4
650 ... Wheel Tractor	3.8L 233 OHV L4 4.2" Bore	30	7000 ... Wheel Tractor	4.2L 256 OHV L4 4.4" Bore	36
650 ... Wheel Tractor	3.8L 233 OHV Diesel L4 4.2" Bore	31	7000 ... Wheel Tractor	4.2L 256 OHV Diesel L4 4.4" Bore	37
650 ... Wheel Tractor	4.2L 256 OHV L4 4.4" Bore	36	7000 ... Wheel Tractor	4.2L 256 OHV Turbo-Diesel L4 4.4" Bore	38
650 ... Wheel Tractor	4.2L 256 OHV Diesel L4 4.4" Bore	37	701 ... Wheel Tractor	2.2L 134 OHV L4 3.4375" Bore	4
650 ... Wheel Tractor	4.2L 256 OHV Turbo-Diesel L4 4.4" Bore	38	701 ... Wheel Tractor	2.4L 144 OHV Diesel L4 3.5625" Bore	5
6500 ... Wheel Tractor	4.2L 256 OHV L4 4.4" Bore	36	7100 ... Wheel Tractor	4.2L 256 OHV L4 4.4" Bore	36
6500 ... Wheel Tractor	4.2L 256 OHV Diesel L4 4.4" Bore	37	7100 ... Wheel Tractor	4.2L 256 OHV Diesel L4 4.4" Bore	37
6500 ... Wheel Tractor	4.2L 256 OHV Turbo-Diesel L4 4.4" Bore	38	7100 ... Wheel Tractor	4.2L 256 OHV Turbo-Diesel L4 4.4" Bore	38
651 ... Wheel Tractor	2.2L 134 OHV L4 3.4375" Bore	4	7200 ... Wheel Tractor	4.2L 256 OHV L4 4.4" Bore	36
651 ... Wheel Tractor	2.4L 144 OHV Diesel L4 3.5625" Bore	5	7200 ... Wheel Tractor	4.2L 256 OHV Diesel L4 4.4" Bore	37
655 ... Wheel Tractor	4.2L 256 OHV L4 4.4" Bore	36	7200 ... Wheel Tractor	4.2L 256 OHV Turbo-Diesel L4 4.4" Bore	38
655 ... Wheel Tractor	4.2L 256 OHV Diesel L4 4.4" Bore	37	740 ... Wheel Tractor	2.2L 134 OHV L4 3.4375" Bore	4
655 ... Wheel Tractor	4.2L 256 OHV Turbo-Diesel L4 4.4" Bore	38	740 Tri ... Wheel Tractor	2.2L 134 OHV L4 3.4375" Bore	4
660 ... Wheel Tractor	2.2L 134 OHV L4 3.4375" Bore	4	741 ... Wheel Tractor	2.2L 134 OHV L4 3.4375" Bore	4
6600 ... Wheel Tractor	4.2L 256 OHV L4 4.4" Bore	36	741 ... Wheel Tractor	2.4L 144 OHV Diesel L4 3.5625" Bore	5
6600 ... Wheel Tractor	4.2L 256 OHV Diesel L4 4.4" Bore	37	7410 ... Wheel Tractor	4.4L 268 OHV Turbo-Diesel L4 4.4" Bore	41
6600 ... Wheel Tractor	4.2L 256 OHV Turbo-Diesel L4 4.4" Bore	38	750 ... Wheel Tractor	3.8L 233 OHV L4 4.2" Bore	30
661 ... Wheel Tractor	2.2L 134 OHV L4 3.4375" Bore	4	750 ... Wheel Tractor	3.8L 233 OHV Diesel L4 4.2" Bore	31
661 ... Wheel Tractor	2.4L 144 OHV Diesel L4 3.5625" Bore	5	750 ... Wheel Tractor	4.2L 256 OHV L4 4.4" Bore	36
6610 ... Wheel Tractor	4.2L 256 OHV L4 4.4" Bore	36	750 ... Wheel Tractor	4.2L 256 OHV Diesel L4 4.4" Bore	37
6610 ... Wheel Tractor	4.2L 256 OHV Diesel L4 4.4" Bore	37	750 ... Wheel Tractor	4.2L 256 OHV Turbo-Diesel L4 4.4" Bore	38
6610 ... Wheel Tractor	4.2L 256 OHV Turbo-Diesel L4 4.4" Bore	38	7500 ... Wheel Tractor	4.2L 256 OHV L4 4.4" Bore	36
6610 ... Wheel Tractor	4.4L 268 OHV L4 4.4" Bore	39	7500 ... Wheel Tractor	4.2L 256 OHV Diesel L4 4.4" Bore	37
6610 ... Wheel Tractor	4.4L 268 OHV Diesel L4 4.4" Bore	40	7500 ... Wheel Tractor	4.2L 256 OHV Turbo-Diesel L4 4.4" Bore	38
6610 ... Wheel Tractor	4.4L 268 OHV Turbo-Diesel L4 4.4" Bore	41	7600 ... Wheel Tractor	4.2L 256 OHV L4 4.4" Bore	36
6700 ... Wheel Tractor	4.2L 256 OHV L4 4.4" Bore	36	7600 ... Wheel Tractor	4.2L 256 OHV Diesel L4 4.4" Bore	37
6700 ... Wheel Tractor	4.2L 256 OHV Diesel L4 4.4" Bore	37	7600 ... Wheel Tractor	4.2L 256 OHV Turbo-Diesel L4 4.4" Bore	38
6700 ... Wheel Tractor	4.2L 256 OHV Turbo-Diesel L4 4.4" Bore	38	7600 ... Wheel Tractor	4.4L 268 OHV Diesel L4 4.4" Bore	40
6700 Row Crop ... Wheel Tractor	4.2L 256 OHV L4 4.4" Bore	36	7610 ... Wheel Tractor	4.2L 256 OHV L4 4.4" Bore	36
6700 Row Crop ... Wheel Tractor	4.2L 256 OHV Diesel L4 4.4" Bore	37	7610 ... Wheel Tractor	4.2L 256 OHV Diesel L4 4.4" Bore	37
6700 Row Crop ... Wheel Tractor	4.2L 256 OHV Turbo-Diesel L4 4.4" Bore	38	7610 ... Wheel Tractor	4.2L 256 OHV Turbo-Diesel L4 4.4" Bore	38
671 ... Wheel Tractor	2.2L 134 OHV L4 3.4375" Bore	4	7610 ... Wheel Tractor	4.4L 268 OHV Turbo-Diesel L4 4.4" Bore	41
671 ... Wheel Tractor	2.4L 144 OHV Diesel L4 3.5625" Bore	5	7700 ... Wheel Tractor	4.2L 256 OHV L4 4.4" Bore	36
6710 ... Wheel Tractor	4.2L 256 OHV L4 4.4" Bore	36	7700 ... Wheel Tractor	4.2L 256 OHV Diesel L4 4.4" Bore	37
6710 ... Wheel Tractor	4.2L 256 OHV Diesel L4 4.4" Bore	37	7700 ... Wheel Tractor	4.2L 256 OHV Turbo-Diesel L4 4.4" Bore	38
6710 ... Wheel Tractor	4.2L 256 OHV Turbo-Diesel L4 4.4" Bore	38	7700 ... Wheel Tractor	4.4L 268 OHV Diesel L4 4.4" Bore	40
6710 ... Wheel Tractor	4.4L 268 OHV L4 4.4" Bore	39	7700 Row Crop ... Wheel Tractor	4.2L 256 OHV L4 4.4" Bore	36
6710 ... Wheel Tractor	4.4L 268 OHV Diesel L4 4.4" Bore	40	7700 Row Crop ... Wheel Tractor	4.2L 256 OHV Diesel L4 4.4" Bore	37
681 ... Wheel Tractor	2.2L 134 OHV L4 3.4375" Bore	4	7700 Row Crop ... Wheel Tractor	4.2L 256 OHV Turbo-Diesel L4 4.4" Bore	38
681 ... Wheel Tractor	2.4L 144 OHV Diesel L4 3.5625" Bore	5	771 ... Wheel Tractor	2.2L 134 OHV L4 3.4375" Bore	4
6810 ... Wheel Tractor	4.4L 268 OHV Turbo-Diesel L4 4.4" Bore	41	771 ... Wheel Tractor	2.4L 144 OHV Diesel L4 3.5625" Bore	5
700 ... Wheel Tractor	2.2L 134 OHV L4 3.4375" Bore	4	7710 ... Wheel Tractor	4.2L 256 OHV L4 4.4" Bore	36
700 ... Wheel Tractor	2.4L 144 OHV Diesel L4 3.5625" Bore	5			

(continued on next page)

Ford Tractor

Model Index					
Model	Engine Description	Line No.	Model	Engine Description	Line No.
7710 ... Wheel Tractor	4.2L 256 OHV Diesel L4 4.4" Bore	37	8700 ... Wheel Tractor	6.6L 401 OHV Turbo-Diesel L6 4.4" Bore	46
7710 ... Wheel Tractor	4.2L 256 OHV Turbo-Diesel L4 4.4" Bore	38	871 ... Wheel Tractor	2.8L 172 OHV L4 3.9063" Bore	15
7710 ... Wheel Tractor	4.4L 268 OHV Turbo-Diesel L4 4.4" Bore	41	871 ... Wheel Tractor	2.8L 172 OHV Diesel L4 3.9063" Bore	16
7710 Row Crop ... Wheel Tractor	4.2L 256 OHV L4 4.4" Bore	36	881 ... Wheel Tractor	2.8L 172 OHV L4 3.9063" Bore	15
7710 Row Crop ... Wheel Tractor	4.2L 256 OHV Diesel L4 4.4" Bore	37	881 ... Wheel Tractor	2.8L 172 OHV Diesel L4 3.9063" Bore	16
7710 Row Crop ... Wheel Tractor	4.2L 256 OHV Turbo-Diesel L4 4.4" Bore	38	9N ... Wheel Tractor	2.0L 119.7 L-HEAD L4 3.1875" Bore (Ford Tractor)	3
8N ... Wheel Tractor	2.0L 119.7 L-HEAD L4 3.1875" Bore (Ford Tractor)	3	9NAN ... Wheel Tractor	2.0L 119.7 L-HEAD L4 3.1875" Bore (Ford Tractor)	3
8NAN ... Wheel Tractor	2.0L 119.7 L-HEAD L4 3.1875" Bore (Ford Tractor)	3	900 ... Wheel Tractor	2.8L 172 OHV L4 3.9063" Bore	15
800 ... Wheel Tractor	2.8L 172 OHV L4 3.9063" Bore	15	900 ... Wheel Tractor	2.8L 172 OHV Diesel L4 3.9063" Bore	16
800 ... Wheel Tractor	2.8L 172 OHV Diesel L4 3.9063" Bore	16	9000 ... Wheel Tractor	6.6L 401 OHV Diesel L6 4.4" Bore	45
8000 ... Wheel Tractor	6.6L 401 OHV Diesel L6 4.4" Bore	45	9000 ... Wheel Tractor	6.6L 401 OHV Turbo-Diesel L6 4.4" Bore	46
8000 ... Wheel Tractor	6.6L 401 OHV Turbo-Diesel L6 4.4" Bore	46	901 ... Wheel Tractor	2.8L 172 OHV L4 3.9063" Bore	15
801 ... Wheel Tractor	2.8L 172 OHV L4 3.9063" Bore	15	901 ... Wheel Tractor	2.8L 172 OHV Diesel L4 3.9063" Bore	16
801 ... Wheel Tractor	2.8L 172 OHV Diesel L4 3.9063" Bore	16	9200 ... Wheel Tractor	4.2L 256 OHV L4 4.4" Bore	36
811 ... Wheel Tractor	2.8L 172 OHV L4 3.9063" Bore	15	9200 ... Wheel Tractor	4.2L 256 OHV Diesel L4 4.4" Bore	37
811 ... Wheel Tractor	2.8L 172 OHV Diesel L4 3.9063" Bore	16	9200 ... Wheel Tractor	4.2L 256 OHV Turbo-Diesel L4 4.4" Bore	38
820 ... Wheel Tractor	2.8L 172 OHV L4 3.9063" Bore	15	9200 ... Wheel Tractor	6.6L 401 OHV Diesel L6 4.4" Bore	45
820 ... Wheel Tractor	2.8L 172 OHV Diesel L4 3.9063" Bore	16	9200 ... Wheel Tractor	6.6L 401 OHV Turbo-Diesel L6 4.4" Bore	46
8200 ... Wheel Tractor	6.6L 401 OHV Diesel L6 4.4" Bore	45	9260 ... Wheel Tractor	6.6L 401 OHV Diesel L6 4.4" Bore	45
8200 ... Wheel Tractor	6.6L 401 OHV Turbo-Diesel L6 4.4" Bore	46	9260 ... Wheel Tractor	6.6L 401 OHV Turbo-Diesel L6 4.4" Bore	46
821 ... Wheel Tractor	2.8L 172 OHV L4 3.9063" Bore	15	9400 ... Wheel Tractor	6.6L 401 OHV Diesel L6 4.4" Bore	45
821 ... Wheel Tractor	2.8L 172 OHV Diesel L4 3.9063" Bore	16	9400 ... Wheel Tractor	6.6L 401 OHV Turbo-Diesel L6 4.4" Bore	46
8260 ... Wheel Tractor	6.6L 401 OHV Diesel L6 4.4" Bore	45	941 ... Wheel Tractor	2.8L 172 OHV L4 3.9063" Bore	15
8260 ... Wheel Tractor	6.6L 401 OHV Turbo-Diesel L6 4.4" Bore	46	941 ... Wheel Tractor	2.8L 172 OHV Diesel L4 3.9063" Bore	16
840 ... Wheel Tractor	2.8L 172 OHV L4 3.9063" Bore	15	950 ... Wheel Tractor	2.8L 172 OHV L4 3.9063" Bore	15
840 ... Wheel Tractor	2.8L 172 OHV Diesel L4 3.9063" Bore	16	950 ... Wheel Tractor	2.8L 172 OHV Diesel L4 3.9063" Bore	16
8400 ... Wheel Tractor	6.6L 401 OHV Diesel L6 4.4" Bore	45	951 ... Wheel Tractor	2.8L 172 OHV L4 3.9063" Bore	15
8400 ... Wheel Tractor	6.6L 401 OHV Turbo-Diesel L6 4.4" Bore	46	951 ... Wheel Tractor	2.8L 172 OHV Diesel L4 3.9063" Bore	16
841 ... Wheel Tractor	2.8L 172 OHV L4 3.9063" Bore	15	960 ... Wheel Tractor	2.8L 172 OHV L4 3.9063" Bore	15
841 ... Wheel Tractor	2.8L 172 OHV Diesel L4 3.9063" Bore	16	960 ... Wheel Tractor	2.8L 172 OHV Diesel L4 3.9063" Bore	16
850 ... Wheel Tractor	2.8L 172 OHV L4 3.9063" Bore	15	9600 ... Wheel Tractor	4.2L 256 OHV L4 4.4" Bore	36
850 ... Wheel Tractor	2.8L 172 OHV Diesel L4 3.9063" Bore	16	9600 ... Wheel Tractor	4.2L 256 OHV Diesel L4 4.4" Bore	37
851 ... Wheel Tractor	2.8L 172 OHV L4 3.9063" Bore	15	9600 ... Wheel Tractor	4.2L 256 OHV Turbo-Diesel L4 4.4" Bore	38
851 ... Wheel Tractor	2.8L 172 OHV Diesel L4 3.9063" Bore	16	9600 ... Wheel Tractor	6.6L 401 OHV Diesel L6 4.4" Bore	45
860 ... Wheel Tractor	2.8L 172 OHV L4 3.9063" Bore	15	9600 ... Wheel Tractor	6.6L 401 OHV Turbo-Diesel L6 4.4" Bore	46
860 ... Wheel Tractor	2.8L 172 OHV Diesel L4 3.9063" Bore	16	961 ... Wheel Tractor	2.8L 172 OHV L4 3.9063" Bore	15
8600 ... Wheel Tractor	6.6L 401 OHV Diesel L6 4.4" Bore	45	961 ... Wheel Tractor	2.8L 172 OHV Diesel L4 3.9063" Bore	16
8600 ... Wheel Tractor	6.6L 401 OHV Turbo-Diesel L6 4.4" Bore	46	9700 ... Wheel Tractor	6.6L 401 OHV Diesel L6 4.4" Bore	45
861 ... Wheel Tractor	2.8L 172 OHV L4 3.9063" Bore	15	9700 ... Wheel Tractor	6.6L 401 OHV Turbo-Diesel L6 4.4" Bore	46
861 ... Wheel Tractor	2.8L 172 OHV Diesel L4 3.9063" Bore	16	971 ... Wheel Tractor	2.8L 172 OHV L4 3.9063" Bore	15
8700 ... Wheel Tractor	6.6L 401 OHV Diesel L6 4.4" Bore	45	971 ... Wheel Tractor	2.8L 172 OHV Diesel L4 3.9063" Bore	16
			981 ... Wheel Tractor	2.8L 172 OHV L4 3.9063" Bore	15
			981 ... Wheel Tractor	2.8L 172 OHV Diesel L4 3.9063" Bore	16

Ford Tractor

1 Hay Baler TF, TFD, TH, THD, TJD Engs. .9L 53.9 L-HEAD L2, 3.25" Bore (Wisconsin Eng.)				
CYLINDER COMPONENTS				
QTY	PISTONS	PART NO.	SIZE	DESCRIPTION
2	Pin Bushing	1394		1.000" max. length
QTY	CONNECTING RODS & BRGS.	PART NO.	SIZE	DESCRIPTION
2	Rod Pair	FP-3520CP	Std-10-20	
2	Rod Pair	FP-3645CP	Std-10-20	TJD Engs.
2	Rod Pair	3645CP + Std-10-20		TJD Engs.; When depleted use FP-3645CP
2	Rod Pair	3520CP + Std-10-20		When depleted use FP-3520CP
2 Hay Baler VF4, VF4D, VF41, VH4, VH4D, VH4DM Engs. Combine VF4, VF4D, VF41, VH4, VH4D, VH4DM Engs. 1.8L 108 L-HEAD V4, 3.25" Bore (Wisconsin Eng.)				
CYLINDER COMPONENTS				
QTY	PISTONS	PART NO.	SIZE	DESCRIPTION
4	Pin Bushing	1394		1.000" max. length
QTY	CONNECTING RODS & BRGS.	PART NO.	SIZE	DESCRIPTION
4	Rod Pair	FP-3520CP	Std-10-20	VF4, VF4D Engs.
4	Rod Pair	3520CP + Std-10-20		VF4, VF4D Engs.; When depleted use FP-3520CP
4	Rod Pair	FP-3645CP	Std-10-20	VH4, VH4D, VH4DM Engs.
4	Rod Pair	3645CP + Std-10-20		VH4, VH4D, VH4DM Engs.; When depleted use FP-3645CP
3 Wheel Tractor 119.7 Eng. (Gas) 2.0L 119.7 L-HEAD L4 (Ford Tractor), 3.1875" Bore				
CYL. HEAD & PARTS				
QTY	VALVE	PART NO.	SIZE	DESCRIPTION
4	Intake	V-967 Std Only		From late 1948, From Ser. No. 42162; 1.5100" Head Dia., .3410" Stem Dia., 4.8190" O.A.L.
4	Exhaust	FP-V999		From late 1948, From Ser. No. 42162; 1.2810" Head Dia., .3410" Stem Dia., 4.8060" O.A.L.
4	Exhaust	V-999 + Std Only		From late 1948, From Ser. No. 42162; 1.2810" Head Dia., .3410" Stem Dia., 4.8060" O.A.L.; When depleted use FP-V999
4	Exhaust	FP-V1095		Rototype; 1.2795" Head Dia., .3409" Stem Dia., 4.6949" O.A.L.
4	Exhaust	V-1095 + Std Only		Rototype; 1.2795" Head Dia., .3409" Stem Dia., 4.6949" O.A.L.; When depleted use FP-V1095
16	Keeper	VK-115		From late 1948; From Ser. No. 42162; 1 groove; Square cut key groove
16	Keeper	VK-115R		From late 1948; From Ser. No. 42162; 1 groove; Square cut key groove; Hardened
8	Keeper	VK-88		Valve guide retainer
8	Keeper	VK-261		W/Rototype
16	Keeper, Bulk	VK-115B		From late 1948; From Ser. No. 42162; 1 groove; Square cut key groove; Carton of 1000
QTY	VALVE SEAT	PART NO.	SIZE	DESCRIPTION
4	Int.	245-1625-1 Std Only		From late 1948, From Ser. No. 42162; 1.6300" OD, 1.3750" ID, .2160" Depth
4	Int.	245-1625-15 Std Only		To early 1948, To Ser. No. 42161; 1.6300" OD, 1.3750" ID, .2656" Depth
QTY	VALVE GUIDE	PART NO.	SIZE	DESCRIPTION
8	Guide	VG-428		To Ser No. 42161 rototype valve only; From Ser. No. 42162 all; .3435" ID, 2.2000" O.A.L.
QTY	VALVE SPRING	PART NO.	SIZE	DESCRIPTION
8	Spring	FP-VS386		For rototype, & From Ser. No. 42162; 2.3120" Free Height
8	Spring	VS-386 +		For rototype, & From Ser. No. 42162; 2.3120" Free Height; When depleted use FP-VS386
8	Spring	FP-VS325		To early 1948, To Ser. No. 42161, exc. rototype; 2.4990" Free Height
8	Spring	VS-325 +		To early 1948, To Ser. No. 42161, exc. rototype; 2.4990" Free Height; When depleted use FP-VS325
QTY	VALVE SEAL	PART NO.	SIZE	DESCRIPTION
8	Valve Stem Seal	MV-1231		O-Ring; Carton of 50; Rubber
CAMSHAFT GROUP				
QTY	TIMING	PART NO.	SIZE	DESCRIPTION
1	Gear Set	FP-2214707S		1939-52; Models, 2N, 8N, 9N; Alum. cam gear
1	Gear Set	221-4707S		1939-52; Models, 2N, 8N, 9N; Alum. cam gear

(continued on next page)

Ford Tractor

Wheel Tractor 119.7 Eng. (Gas) 3
2.0L 119.7 L-HEAD L4 (Ford Tractor), 3.1875" Bore (cont.)

CAMSHAFT GROUP (cont.)				
QTY	TIMING (cont.)	PART NO.	SIZE	DESCRIPTION
1	Cam Gear	221-4706		1939-52; Models, 2N, 8N, 9N; Alum.; 44 Teeth
QTY	CAMSHAFT/LIFTER	PART NO.	SIZE	DESCRIPTION
8	Lifter	AT-770	Std Only	Mech.; Use MT-7034 to adjust lash
ENGINE BLOCK & PARTS				
QTY	GASKET SETS	PART NO.	SIZE	DESCRIPTION
1	Kit Gasket Set	FP-2601356		Incl. front & rear crank shaft seals.
1	Kit Gasket Set	260-1356 +		Incl. front & rear crank shaft seals.; When depleted use FP-2601356
CRANKSHAFT/OIL PUMP				
QTY	CRANKSHAFT	PART NO.	SIZE	DESCRIPTION
1	Crank Gear	221-4704		1939-52; Models, 2N, 8N, 9N; 22 Teeth
QTY	MAIN BEARINGS	PART NO.	SIZE	DESCRIPTION
1	Main Set	FP-567M	Std-10-20-30-40-60	
1	Main Set	567M +	Std-10-20-30-40-60	When depleted use FP-567M
QTY	OIL PUMP	PART NO.	SIZE	DESCRIPTION
1	Pump Repair Kit	FP-22451106		1939-50; To Ser. No. 247570
1	Pump Repair Kit	224-51106 +		1939-50; To Ser. No. 247570; When depleted use FP-22451106
1	Pump Repair Kit	FP-22451107		1950-52; 8N Eng.s.; From Ser. No. 247571
1	Pump Repair Kit	224-51107 +		1950-52; 8N Eng.s.; From Ser. No. 247571; When depleted use FP-22451107
1	Inter. Shaft	FP-224614139		1939-50; To Ser. No. 247570; Shaft and gear, O.A.L. 1.735"
1	Inter. Shaft	224-614139 +		1939-50; To Ser. No. 247570; Shaft and gear, O.A.L. 1.735"; When depleted use FP-224614139
1	Inter. Shaft	FP-224614138		1950-52; 8N Eng.s.; From Ser. No. 247571; Shaft and gear, O.A.L. 1.900"
1	Inter. Shaft	224-614138 +		1950-52; 8N Eng.s.; From Ser. No. 247571; Shaft and gear, O.A.L. 1.900"; When depleted use FP-224614138
CYLINDER COMPONENTS				
QTY	LINERS	PART NO.	SIZE	DESCRIPTION
4	Dry Sleeve	FP-SL151M	Std Only	.040" wall, finished, flanged sleeve. Do not use if sleeve drops below top of block. This indicates worn or oversize counterbores. If this condition exists use SL-147M
4	Dry Sleeve	SL-151M +	Std Only	.040" wall, finished, flanged sleeve. Do not use if sleeve drops below top of block. This indicates worn or oversize counterbores. If this condition exists use SL-147M; When depleted use FP-SL151M
4	Dry Sleeve	FP-SL147M	Std Only	.090" wall, finished, flanged sleeve.
4	Dry Sleeve	SL-147M +	Std Only	.090" wall, finished, flanged sleeve.; When depleted use FP-SL147M
4	Sleeve Assy.	FP-SL2335	Std Only	Contains .040" wall sleeve; 4-ring piston w/pin & piston rings
4	Sleeve Assy.	SL-2335 +	Std Only	Contains .040" wall sleeve; 4-ring piston w/pin & piston rings; When depleted use FP-SL2335
4	Sleeve Assy.	FP-SL1709	Std Only	Contains .090" wall sleeve; 3-ring piston w/pin & piston rings
4	Sleeve Assy.	SL-1709 +	Std Only	Contains .090" wall sleeve; 3-ring piston w/pin & piston rings; When depleted use FP-SL1709
4	Sleeve Assy.	FP-SL1624	Std Only	Contains .090" wall sleeve; 4-ring piston w/pin & piston rings
4	Sleeve Assy.	SL-1624 +	Std Only	Contains .090" wall sleeve; 4-ring piston w/pin & piston rings; When depleted use FP-SL1624
QTY	PISTONS	PART NO.	SIZE	DESCRIPTION
4	Cast Piston	FP-8PS	Std Only	3-ring piston; Cast; 2-3/32", 1-3/16" Ring Groove, 1.519 plus .210 crown" CD, .7500" Pin Dia., Crowned Head; Late 3 ring design; Repl. O.E. No. 8N-6108
4	Cast Piston	1100P	Std Only	4-ring piston; Cast; 2-3/32", 2-3/16" Ring Groove, 1.519 plus .210 crown" CD, .7500" Pin Dia., Crowned Head w/ring below pin - 7.0:1 C.R.; Not factory duplicate; Repl. O.E. No. 8BA-6108A
4	Cast Piston - Individual	FP-W8PS	Std Only	3-ring piston; Cast; 2-3/32", 1-3/16" Ring Groove, 1.519 plus .210 crown" CD, .7500" Pin Dia., Crowned Head; Late 3 ring design; Repl. O.E. No. 8N-6108
4	Cast Piston - Individual	W8PS +	Std Only	3-ring piston; Cast; 2-3/32", 1-3/16" Ring Groove, 1.519 plus .210 crown" CD, .7500" Pin Dia., Crowned Head; Late 3 ring design; Repl. O.E. No. 8N-6108; When depleted use FP-W8PS
4	Pin Bushing	9024XBS		.820" max. housing bore

(continued on next page)

Ford Tractor

3 Wheel Tractor 119.7 Eng. (Gas) (cont.) 2.0L 119.7 L-HEAD L4 (Ford Tractor), 3.1875" Bore

CYLINDER COMPONENTS (cont.)

CONNECTING RODS & BRGS.				
QTY		PART NO.	SIZE	DESCRIPTION
1	Rod Set	FP-41055CP	Std-10-20-30-40-60	
1	Rod Set	4-1055CP +	Std-10-20-30-40-60	When depleted use FP-41055CP
4	Rod Pair	FP-1055CP	Std-1-2-10-20-30-40-60	
4	Rod Pair	1055CP +	Std-1-2-10-20-30-40-60	When depleted use FP-1055CP
PISTON RINGS				
QTY		PART NO.	SIZE	DESCRIPTION
1	Premium Set	997KX	Std Only	1st Type; Check piston grooving before supplying ring set; 2-3/32, 2-5/32
1	Premium Set	FP-5033KX	Std Only	2nd Type; Check piston grooving before supplying ring set; 2-3/32, 1-3/16
1	Premium Set	5033KX +	Std Only	2nd Type; Check piston grooving before supplying ring set; 2-3/32, 1-3/16; When depleted use FP-5033KX
1	Premium Set	FP-5398KX	Std Only	2nd Type; Check piston grooving before supplying ring set; 2-3/32, 2-3/16
1	Premium Set	5398KX +	Std Only	2nd Type; Check piston grooving before supplying ring set; 2-3/32, 2-3/16; When depleted use FP-5398KX
1	Standard Set	FP-598X	Std Only	1st Type; Check piston grooving before supplying ring set; 2-3/32, 1-5/32
1	Standard Set	598X +	Std Only	1st Type; Check piston grooving before supplying ring set; 2-3/32, 1-5/32; When depleted use FP-598X
1	Standard Set	997X	Std Only	1st Type; Check piston grooving before supplying ring set; 2-3/32, 2-5/32
1	Standard Set	FP-5033X	Std Only	2nd Type; Check piston grooving before supplying ring set; 2-3/32, 1-3/16
1	Standard Set	5033X +	Std Only	2nd Type; Check piston grooving before supplying ring set; 2-3/32, 1-3/16; When depleted use FP-5033X
1	Standard Set	FP-5398X	Std-30-80	2nd Type; Check piston grooving before supplying ring set; 2-3/32, 2-3/16
1	Standard Set	5398X +	Std-30-80	2nd Type; Check piston grooving before supplying ring set; 2-3/32, 2-3/16; When depleted use FP-5398X
4	Premium Single Cylinder Set	W-5033KX	Std Only	2nd Type; Check piston grooving before supplying ring set; 2-3/32, 1-3/16
4	Premium Single Cylinder Set	W-5398KX	Std Only	2nd Type; Check piston grooving before supplying ring set; 2-3/32, 2-3/16
4	Standard Single Cylinder Set	W-997X	Std Only	1st Type; Check piston grooving before supplying ring sets; 2-3/32, 2-5/32
4	Standard Single Cylinder Set	W-5033X	Std Only	2nd Type; Check piston grooving before supplying ring set; 2-3/32, 1-3/16
4	Standard Single Cylinder Set	W-5398X	Std Only	2nd Type; Check piston grooving before supplying ring set; 2-3/32, 2-3/16
KITS				
QTY	OVERHAUL KIT	PART NO.	SIZE	DESCRIPTION
1	Tractor Overhaul Kit	FP-KST2335A		Models 2N, 8N & 9N; Contains Cut-To-Length Sleeve w/.040" Wall Thickness & 4-Ring Piston
1	Tractor Overhaul Kit	FP-KST1709A		Models 2N, 8N & 9N; Contains Cut-To-Length Sleeve w/.090" Wall Thickness & 3-Ring Piston
1	Tractor Overhaul Kit	FP-KST1624A		Models 2N, 8N & 9N; Contains Cut-To-Length Sleeve w/.090" Wall Thickness & 4-Ring Piston

4 Wheel Tractor 134 Eng. (Gas or Kerosene) 2.2L 134 OHV L4, 3.4375" Bore

CYL. HEAD & PARTS

QTY	VALVE	PART NO.	SIZE	DESCRIPTION
4	Intake	V-1128	Std Only	1.6470" Head Dia., .3420" Stem Dia., 5.0900" O.A.L.
4	Exhaust	FP-V1178		Free valve; 1.5100" Head Dia., .3409" Stem Dia., 4.9800" O.A.L.
4	Exhaust	V-1178 +	Std Only	Free valve; 1.5100" Head Dia., .3409" Stem Dia., 4.9800" O.A.L.; When depleted use FP-V1178
4	Exhaust	V-1127	Std Only	Rototype; Free valve; 1.5100" Head Dia., .3418" Stem Dia., 5.0900" O.A.L.
16	Keeper	VK-115		Exc. Rototype valve; 1 groove; Square cut key groove
16	Keeper	VK-115R		Exc. Rototype valve; 1 groove; Square cut key groove; Hardened
8	Keeper	VK-261		W/Rototype
16	Keeper, Bulk	VK-115B		Exc. Rototype valve; 1 groove; Square cut key groove; Carton of 1000

(continued on next page)

Ford Tractor

Wheel Tractor 134 Eng. (Gas or Kerosene) 4 2.2L 134 OHV L4, 3.4375" Bore (cont.)

CYL. HEAD & PARTS (cont.)				
QTY	VALVE SEAT	PART NO.	SIZE	DESCRIPTION
4	Exh.	245-1625-15	Std Only	1.6300" OD, 1.3750" ID, .2656" Depth
QTY	VALVE GUIDE	PART NO.	SIZE	DESCRIPTION
8	Guide	FP-VG500		.3440" ID, 2.5470" O.A.L.
8	Guide	VG-500 +		.3440" ID, 2.5470" O.A.L.; When depleted use FP-VG500
QTY	VALVE SPRING	PART NO.	SIZE	DESCRIPTION
8	Spring	VS-1575		2.1250" Free Height
4	Spring Cap	MV-110		Free valve assy.; use w/V-1178
QTY	PUSH RODS	PART NO.	SIZE	DESCRIPTION
8	Push Rod	RP-3021		9.8200" O.A.L.
QTY	VALVE SEAL	PART NO.	SIZE	DESCRIPTION
8	Valve Stem Seal	ST-2001		Positive type; Installation requires valve guide machining; Rubber/PTFE
4	Valve Stem Seal	MV-1796C		Int.; Umbrella type; Fits Std. to .015" O/S valve stem; Rubber
8	Valve Stem Seal Bulk	ST-2001BC		Positive type; Installation requires valve guide machining; Carton of 100; Rubber/PTFE
4	Valve Stem Seal Bulk	MV-1796		Int.; Umbrella type; Fits Std. to .015" O/S valve stem; Carton of 100; Rubber
CAMSHAFT GROUP				
QTY	TIMING	PART NO.	SIZE	DESCRIPTION
1	Gear Set	FP-2214710S		Models; NAA, & NAB
1	Gear Set	221-4710S		Models; NAA, & NAB
1	Cam Gear	FP-2214710		Models; NAA, & NAB; 42 Teeth
1	Cam Gear	221-4710		Models; NAA, & NAB; 42 Teeth
QTY	CAMSHAFT/LIFTER	PART NO.	SIZE	DESCRIPTION
8	Lifter	AT-892	Std Only	Mech.
ENGINE BLOCK & PARTS				
QTY	GASKET SETS	PART NO.	SIZE	DESCRIPTION
1	Kit Gasket Set	FP-2601357		
1	Kit Gasket Set	260-1357 +		When depleted use FP-2601357
CRANKSHAFT/OIL PUMP				
QTY	CRANKSHAFT	PART NO.	SIZE	DESCRIPTION
1	Crank Gear	FP-2214701		Models; NAA, & NAB; 21 Teeth
1	Crank Gear	221-4701 +		Models; NAA, & NAB; 21 Teeth; When depleted use FP-2214701
QTY	SEALS - REAR CRANK	PART NO.	SIZE	DESCRIPTION
1	Oil Seal Kit	5095		(Rope Type)
QTY	MAIN BEARINGS	PART NO.	SIZE	DESCRIPTION
1	Main Set	FP-4001M	Std-10-20-30-40	
1	Main Set	4001M +	Std-10-20-30-40	When depleted use FP-4001M
QTY	OIL PUMP	PART NO.	SIZE	DESCRIPTION
1	Oil Pump	FP-22443374		1953-54; Model NAA; Rotor type
1	Oil Pump	224-43374 +		1953-54; Model NAA; Rotor type; When depleted use FP-22443374
1	Oil Pump	FP-22441130		1955-64; Exc. Model NAA; Gear type, hex drive
1	Oil Pump	224-41130 +		1955-64; Exc. Model NAA; Gear type, hex drive; When depleted use FP-22441130
1	Inter. Shaft	224-61104		1955-64; Gasoline Eng.s.; Exc. Model NAA; For gear type oil pump
CYLINDER COMPONENTS				
QTY	LINERS	PART NO.	SIZE	DESCRIPTION
4	Dry Sleeve	FP-SL167M	Std Only	Finished, flanged sleeve.
4	Dry Sleeve	SL-167M +	Std Only	Finished, flanged sleeve.; When depleted use FP-SL167M
4	Sleeve Assy.	FP-SL1746	Std Only	Models; NAA, 600 & 700 Gasoline
4	Sleeve Assy.	SL-1746 +	Std Only	Models; NAA, 600 & 700 Gasoline; When depleted use FP-SL1746
QTY	PISTONS	PART NO.	SIZE	DESCRIPTION
4	Cast Piston	FP-1027P	Std-20-30-40-60	Models; NAA, 600 & 700 Gasoline; Cast; 2-3/32", 1-3/16" Ring Groove, 2.090" CD, .9122" Pin Dia., Flat Head; Repl. O.E. No. EAE-6108F
4	Cast Piston	1027P +	Std-20-30-40-60	Models; NAA, 600 & 700 Gasoline; Cast; 2-3/32", 1-3/16" Ring Groove, 2.090" CD, .9122" Pin Dia., Flat Head; Repl. O.E. No. EAE-6108F; When depleted use FP-1027P

(continued on next page)

+ Superseded Part Number

Ford Tractor

4 Wheel Tractor 134 Eng. (Gas or Kerosene) (cont.) 2.2L 134 OHV L4, 3.4375" Bore

CYLINDER COMPONENTS (cont.)				
QTY	PISTONS (cont.)	PART NO.	SIZE	DESCRIPTION
4	Cast Piston - Individual	FP-W1027P	Std-20-30-40-60	Models; NAA, 600 & 700 Gasoline; Cast; 2-3/32", 1-3/16" Ring Groove, 2.090" CD, .9122" Pin Dia., Flat Head; Repl. O.E. No. EAE-6108F
4	Cast Piston - Individual	W1027P +	Std-20-30-40-60	Models; NAA, 600 & 700 Gasoline; Cast; 2-3/32", 1-3/16" Ring Groove, 2.090" CD, .9122" Pin Dia., Flat Head; Repl. O.E. No. EAE-6108F; When depleted use FP-W1027P
4	Pin Bushing	1834V20		1.306" length; .020" extra bore stock
4	Pin Bushing	1834V		1.306" max. length
CONNECTING RODS & BRGS.				
QTY		PART NO.	SIZE	DESCRIPTION
1	Rod Set	FP-41830CP	Std-10-20-30	
1	Rod Set	4-1830CP +	Std-10-20-30	When depleted use FP-41830CP
4	Rod Pair	1830CP	Std-1-2-10-20-30-40-50	1 oil hole
PISTON RINGS				
QTY		PART NO.	SIZE	DESCRIPTION
1	Premium Set	FP-5156KX	Std-30	2-3/32, 1-3/16
1	Premium Set	5156KX +	Std-30	2-3/32, 1-3/16; When depleted use FP-5156KX
1	Standard Set	FP-5156X	Std-30-40-60	2-3/32, 1-3/16
1	Standard Set	5156X +	Std-30-40-60	2-3/32, 1-3/16; When depleted use FP-5156X
4	Premium Single Cylinder Set	W-5156KX	Std Only	2-3/32, 1-3/16
4	Standard Single Cylinder Set	W-5156X	Std Only	2-3/32, 1-3/16
KITS				
QTY	OVERHAUL KIT	PART NO.	SIZE	DESCRIPTION
1	Tractor Overhaul Kit	FP-KST1746A		Models 500, 600, 700 & 901 From Tractor Ser. No. 153170; NAA From 1958-65; NAB From 1953-65
5 Wheel Tractor 144 Eng. (Diesel) 2.4L 144 OHV Diesel L4, 3.5625" Bore				
CYL. HEAD & PARTS				
QTY	VALVE	PART NO.	SIZE	DESCRIPTION
8	Keeper	VK-261		Exh.
8	Keeper	VK-115		Int.; 1 groove; Square cut key groove
8	Keeper	VK-115R		Int.; 1 groove; Square cut key groove; Hardened
8	Keeper, Bulk	VK-115B		Int.; 1 groove; Square cut key groove; Carton of 1000
QTY	VALVE GUIDE	PART NO.	SIZE	DESCRIPTION
4	Guide	FP-VG500		Exh.; .3440" ID, 2.5470" O.A.L.
4	Guide	VG-500 +		Exh.; .3440" ID, 2.5470" O.A.L.; When depleted use FP-VG500
QTY	VALVE SPRING	PART NO.	SIZE	DESCRIPTION
8	Spring	VS-1575		2.1250" Free Height
QTY	PUSH RODS	PART NO.	SIZE	DESCRIPTION
8	Push Rod	RP-3021		9.8200" O.A.L.
QTY	VALVE SEAL	PART NO.	SIZE	DESCRIPTION
8	Valve Stem Seal	ST-2001		Positive type; Installation requires valve guide machining; Rubber/PTFE
4	Valve Stem Seal	MV-1796C		Int.; Umbrella type; Fits Std. to .015" O/S valve stem; Rubber
8	Valve Stem Seal Bulk	ST-2001BC		Positive type; Installation requires valve guide machining; Carton of 100; Rubber/PTFE
4	Valve Stem Seal Bulk	MV-1796		Int.; Umbrella type; Fits Std. to .015" O/S valve stem; Carton of 100; Rubber
CAMSHAFT GROUP				
QTY	TIMING	PART NO.	SIZE	DESCRIPTION
1	Gear Set	FP-2214710S		
1	Gear Set	221-4710S		
1	Cam Gear	FP-2214710		42 Teeth
1	Cam Gear	221-4710		42 Teeth
QTY	CAMSHAFT/LIFTER	PART NO.	SIZE	DESCRIPTION
8	Lifter	AT-892	Std Only	Mech.
CRANKSHAFT/OIL PUMP				
QTY	CRANKSHAFT	PART NO.	SIZE	DESCRIPTION
1	Crank Gear	FP-2214701		21 Teeth
1	Crank Gear	221-4701 +		21 Teeth; When depleted use FP-2214701

(continued on next page)

Ford Tractor

Wheel Tractor 144 Eng. (Diesel) 5
2.4L 144 OHV Diesel L4, 3.5625" Bore (cont.)

CRANKSHAFT/OIL PUMP (cont.)

QTY	SEALS - FRONT CRANK	PART NO.	SIZE	DESCRIPTION
1	Redi-Sleeve	99174		
1	Oil Seal	7486S		
QTY	SEALS - REAR CRANK	PART NO.	SIZE	DESCRIPTION
1	Oil Seal Kit	5095		(Rope Type)
QTY	MAIN BEARINGS	PART NO.	SIZE	DESCRIPTION
1	Main Set	FP-4001M	Std-10-20-30-40	
1	Main Set	4001M +	Std-10-20-30-40	When depleted use FP-4001M
QTY	OIL PUMP	PART NO.	SIZE	DESCRIPTION
1	Oil Pump	FP-22441137		
1	Oil Pump	224-41137 +		When depleted use FP-22441137

CYLINDER COMPONENTS

QTY	PISTONS	PART NO.	SIZE	DESCRIPTION
4	Pin Bushing	1834V20		1.306" length; .020" extra bore stock
4	Pin Bushing	1834V		1.306" max. length
QTY	CONNECTING RODS & BRGS.	PART NO.	SIZE	DESCRIPTION
1	Rod Set	FP-41830CP	Std-10-20-30	
1	Rod Set	4-1830CP +	Std-10-20-30	When depleted use FP-41830CP
4	Rod Pair	1830CP	Std-1-2-10-20-30-40-50	1 oil hole

Wheel Tractor 144 Eng. (Gas) 6
2.4L 144 OHV L4, 3.5625" Bore

CYL. HEAD & PARTS

QTY	VALVE	PART NO.	SIZE	DESCRIPTION
8	Keeper	VK-261		Exh.
8	Keeper	VK-115		Int.; 1 groove; Square cut key groove
8	Keeper	VK-115R		Int.; 1 groove; Square cut key groove; Hardened
8	Keeper, Bulk	VK-115B		Int.; 1 groove; Square cut key groove; Carton of 1000
QTY	VALVE GUIDE	PART NO.	SIZE	DESCRIPTION
4	Guide	FP-VG500		Exh.; .3440" ID, 2.5470" O.A.L.
4	Guide	VG-500 +		Exh.; .3440" ID, 2.5470" O.A.L.; When depleted use FP-VG500
QTY	VALVE SPRING	PART NO.	SIZE	DESCRIPTION
8	Spring	VS-1575		2.1250" Free Height
QTY	PUSH RODS	PART NO.	SIZE	DESCRIPTION
8	Push Rod	RP-3021		9.8200" O.A.L.
QTY	VALVE SEAL	PART NO.	SIZE	DESCRIPTION
8	Valve Stem Seal	ST-2001		Positive type; Installation requires valve guide machining; Rubber/PTFE
4	Valve Stem Seal	MV-1796C		Int.; Umbrella type; Fits Std. to .015" O/S valve stem; Rubber
8	Valve Stem Seal Bulk	ST-2001BC		Positive type; Installation requires valve guide machining; Carton of 100; Rubber/PTFE
4	Valve Stem Seal Bulk	MV-1796		Int.; Umbrella type; Fits Std. to .015" O/S valve stem; Carton of 100; Rubber

CAMSHAFT GROUP

QTY	TIMING	PART NO.	SIZE	DESCRIPTION
1	Gear Set	FP-2214710S		
1	Gear Set	221-4710S		
1	Cam Gear	FP-2214710		42 Teeth
1	Cam Gear	221-4710		42 Teeth
QTY	CAMSHAFT/LIFTER	PART NO.	SIZE	DESCRIPTION
8	Lifter	AT-892	Std Only	Mech.

CRANKSHAFT/OIL PUMP

QTY	CRANKSHAFT	PART NO.	SIZE	DESCRIPTION
1	Crank Gear	FP-2214701		21 Teeth
1	Crank Gear	221-4701 +		21 Teeth; When depleted use FP-2214701
QTY	SEALS - FRONT CRANK	PART NO.	SIZE	DESCRIPTION
1	Redi-Sleeve	99174		
1	Oil Seal	7486S		

(continued on next page)

Ford Tractor

6 Wheel Tractor 144 Eng. (Gas) (cont.) 2.4L 144 OHV L4, 3.5625" Bore				
CRANKSHAFT/OIL PUMP (cont.)				
QTY	SEALS - REAR CRANK	PART NO.	SIZE	DESCRIPTION
1	Oil Seal Kit	5095		(Rope Type)
QTY	MAIN BEARINGS	PART NO.	SIZE	DESCRIPTION
1	Main Set	FP-4001M	Std-10-20-30-40	
1	Main Set	4001M +	Std-10-20-30-40	When depleted use FP-4001M
QTY	OIL PUMP	PART NO.	SIZE	DESCRIPTION
1	Oil Pump	FP-22441137		
1	Oil Pump	224-41137 +		When depleted use FP-22441137
CYLINDER COMPONENTS				
QTY	PISTONS	PART NO.	SIZE	DESCRIPTION
4	Pin Bushing	1834V20		1.306" length; .020" extra bore stock
4	Pin Bushing	1834V		1.306" max. length
QTY	CONNECTING RODS & BRGS.	PART NO.	SIZE	DESCRIPTION
1	Rod Set	FP-41830CP	Std-10-20-30	
1	Rod Set	4-1830CP +	Std-10-20-30	When depleted use FP-41830CP
4	Rod Pair	1830CP	Std-1-2-10-20-30-40-50	1 oil hole
7 Wheel Tractor P3.144 Eng. (Diesel) 2.4L 144 OHV Diesel L3, 3.5" Bore (Perkins Eng.)				
CRANKSHAFT/OIL PUMP				
QTY	MAIN BEARINGS	PART NO.	SIZE	DESCRIPTION
1	Main Set	FP-4415M	Std-10-20-30	
1	Main Set	4415M +	Std-10-20-30	When depleted use FP-4415M
1	Thrust Washer Set	FP-2783BF	Std Only	Position 4; To Ser. No. 1400249
1	Thrust Washer Set	2783BF +	Std Only	Position 4; To Ser. No. 1400249; When depleted use FP-2783BF
CYLINDER COMPONENTS				
QTY	PISTONS	PART NO.	SIZE	DESCRIPTION
3	Pin Bushing	FP-2019Y20		
3	Pin Bushing	2019Y20 +		When depleted use FP-2019Y20
QTY	CONNECTING RODS & BRGS.	PART NO.	SIZE	DESCRIPTION
3	Rod Pair	FP-2015CPA	Std-10-20-30	
3	Rod Pair	2015CPA +	Std-10-20-30	When depleted use FP-2015CPA
8 Wheel Tractor A3.152, AD3.152, D3.152, 3.152 Eng. (Diesel) 2.5L 152.7 OHV Diesel L3, 3.6" Bore (Perkins Eng.)				
CYL. HEAD & PARTS				
QTY	VALVE	PART NO.	SIZE	DESCRIPTION
3	Intake	FP-V2150		1.5340" Head Dia., .3115" Stem Dia., 4.4980" O.A.L.
3	Intake	V-2150 +	Std Only	1.5340" Head Dia., .3115" Stem Dia., 4.4980" O.A.L.; When depleted use FP-V2150
3	Exhaust	FP-V2149		1.3130" Head Dia., .3115" Stem Dia., 4.5030" O.A.L.
3	Exhaust	V-2149 +	Std Only	1.3130" Head Dia., .3115" Stem Dia., 4.5030" O.A.L.; When depleted use FP-V2149
12	Keeper	FP-VK222		
12	Keeper	VK-222 +		When depleted use FP-VK222
QTY	VALVE SPRING	PART NO.	SIZE	DESCRIPTION
6	Spring	FP-VS782		Inner; 1.3750" Free Height
6	Spring	VS-782 +		Inner; 1.3750" Free Height; When depleted use FP-VS782
6	Spring	FP-VS783		Outer; 1.7820" Free Height
6	Spring	VS-783 +		Outer; 1.7820" Free Height; When depleted use FP-VS783
QTY	VALVE SEAL	PART NO.	SIZE	DESCRIPTION
6	Valve Stem Seal	FP-ST2032		Positive type; PTFE
6	Valve Stem Seal	ST-2032 +		Positive type; PTFE; When depleted use FP-ST2032
ENGINE BLOCK & PARTS				
QTY	GASKET SETS	PART NO.	SIZE	DESCRIPTION
1	Kit Gasket Set	FP-2601404		Compl.; Direct Inj. Eng. s., w/rectangular head gskt.

(continued on next page)

Wheel Tractor A3.152, AD3.152, D3.152, 3.152 Eng. (Diesel) 8 2.5L 152.7 OHV Diesel L3, 3.6" Bore (Perkins Eng.) (cont.)

ENGINE BLOCK & PARTS (cont.)

QTY	GASKET SETS (cont.)	PART NO.	SIZE	DESCRIPTION
1	Kit Gasket Set	260-1404 +		Compl.; Direct Inj. Engs., w/rectangular head gskt.; When depleted use FP-2601404
1	Kit Gasket Set	FP-2601403		Compl.; Indirect Inj. Engs., w/notched head gskt.
1	Kit Gasket Set	260-1403		Compl.; Indirect Inj. Engs., w/notched head gskt.

CRANKSHAFT/OIL PUMP

QTY	MAIN BEARINGS	PART NO.	SIZE	DESCRIPTION
1	Main Set	FP-4415M	Std-10-20-30	
1	Main Set	4415M +	Std-10-20-30	When depleted use FP-4415M
1	Thrust Washer Set	FP-2783BF	Std Only	Position 4; To Ser. No. 1400249
1	Thrust Washer Set	2783BF +	Std Only	Position 4; To Ser. No. 1400249; When depleted use FP-2783BF

CYLINDER COMPONENTS

QTY	LINERS	PART NO.	SIZE	DESCRIPTION
3	Dry Sleeve	FP-SL375M	Std Only	Flanged sleeve. Early blocks may require machining for flanged sleeve (instructions incl.)
3	Dry Sleeve	SL-375M +	Std Only	Flanged sleeve. Early blocks may require machining for flanged sleeve (instructions incl.); When depleted use FP-SL375M
3	Sleeve Assy.	FP-SL2186	Std Only	3-152 Engs.; w/Indirect Inj.; Flanged sleeve. Early blocks may require machining for flanged sleeve (instructions incl.)
3	Sleeve Assy.	SL-2186 +	Std Only	3-152 Engs.; w/Indirect Inj.; Flanged sleeve. Early blocks may require machining for flanged sleeve (instructions incl.); When depleted use FP-SL2186
3	Sleeve Assy.	FP-SL2439	Std Only	3AD-152 Engs.; w/Direct Inj.; Flanged sleeve. Early blocks may require machining for flanged sleeve (instructions incl.)
3	Sleeve Assy.	SL-2439 +	Std Only	3AD-152 Engs.; w/Direct Inj.; Flanged sleeve. Early blocks may require machining for flanged sleeve (instructions incl.); When depleted use FP-SL2439

QTY	PISTONS	PART NO.	SIZE	DESCRIPTION
3	Pin Bushing	FP-2019Y20		
3	Pin Bushing	2019Y20 +		When depleted use FP-2019Y20

QTY	CONNECTING RODS & BRGS.	PART NO.	SIZE	DESCRIPTION
3	Rod Pair	FP-2015CPA	Std-10-20-30	
3	Rod Pair	2015CPA +	Std-10-20-30	When depleted use FP-2015CPA

QTY	PISTON RINGS	PART NO.	SIZE	DESCRIPTION
3	Premium Set	FP-5944KX	Std Only	Check piston grooving before supplying ring set; 2-3/32, 1-1/8, 2-1/4 (1 cyl. set); Do not use w/Chrome liners
3	Premium Set	5944KX +	Std Only	Check piston grooving before supplying ring set; 2-3/32, 1-1/8, 2-1/4 (1 cyl. set); Do not use w/Chrome liners; When depleted use FP-5944KX
3	Premium Set	9132KX	Std Only	3-152 Engs.; w/Indirect Inj.; Check piston grooving before supplying ring set; 3-3/32, 2-1/4 (1 cyl. set); Do not use w/Chrome liners
3	Premium Set	FP-9132KX	Std Only	3-152 Engs.; 3-152 Engs.; w/Indirect Inj.; Check piston grooving before supplying ring set; 3-3/32, 2-1/4 (1 cyl. set); Do not use w/Chrome liners
3	Premium Set	FP-10222KX	Std Only	3A-152 Engs.; 2-3/32, 1-1/4 (1 cyl. set)
3	Premium Set	10222KX +	Std Only	3A-152 Engs.; 2-3/32, 1-1/4 (1 cyl. set); When depleted use FP-10222KX
3	Standard Set	FP-5944X	Std Only	Check piston grooving before supplying ring set; 2-3/32, 1-1/8, 2-1/4 (1 cyl. set)
3	Standard Set	5944X +	Std Only	Check piston grooving before supplying ring set; 2-3/32, 1-1/8, 2-1/4 (1 cyl. set); When depleted use FP-5944X
3	Standard Set	9132X +	Std Only	3-152 Engs.; w/Indirect Inj.; Check piston grooving before supplying ring set; 3-3/32, 2-1/4 (1 cyl. set); When depleted use FP-9132X
3	Standard Set	FP-9132X	Std Only	3-152 Engs.; 3-152 Engs.; w/Indirect Inj.; Check piston grooving before supplying ring set; 3-3/32, 2-1/4 (1 cyl. set)

Harvester V460D, V461D, VG4D, VP4, VP4D Eng. 9 2.5L 154 L-HEAD V4, 3.5" Bore (Wisconsin Eng.)

CRANKSHAFT/OIL PUMP

QTY	MAIN BEARINGS	PART NO.	SIZE	DESCRIPTION
1	Plain Main Brg.	FP-3224CP	Std-10	Position Center; V-460D, V-461D, V-465D Engs.
1	Plain Main Brg.	3224CP +	Std-10	Position Center; V-460D, V-461D, V-465D Engs.; When depleted use FP-3224CP

(continued on next page)

Ford Tractor

9 Harvester V460D, V461D, VG4D, VP4, VP4D Engs. (cont.) 2.5L 154 L-HEAD V4, 3.5" Bore (Wisconsin Eng.)

CRANKSHAFT/OIL PUMP (cont.)				
QTY	MAIN BEARINGS (cont.)	PART NO.	SIZE	DESCRIPTION
2	Cone Taper Brg.	39590		Position Ends; V-460D, V-461D & V-465D Engs. Tapered roller brg. cone
2	Cone Taper Brg.	455S		Position 1-2; AM-4, AM-41, AP-4, AP-41, VG4D, VM4 & VP4 Engs. Tapered roller brg. cone
2	Cup Taper Brg.	39520		Position Ends; V-460D, V-461D & V-465D Engs. Tapered roller brg. cup
2	Cup Taper Brg.	453A		Position 1-2; AM-4, AM-41, AP-4, AP-41, VG4D, VM4 & VP4 Engs. Tapered roller brg. cup
CYLINDER COMPONENTS				
QTY	PISTONS	PART NO.	SIZE	DESCRIPTION
4	Pin Bushing	1394		VG4D & VP4 Engs.; 1.000" max. length
QTY	CONNECTING RODS & BRGS.	PART NO.	SIZE	DESCRIPTION
4	Rod Pair	FP-3220CP	Std-10-20-30	V-460D, V-461D, V-465D Engs.; w/2.1232-2.1240" std. shaft size
4	Rod Pair	3220CP +	Std-10-20-30	V-460D, V-461D, V-465D Engs.; w/2.1232-2.1240" std. shaft size; When depleted use FP-3220CP
4	Rod Pair	FP-3605SB	Std-10-20	VG4D, VM4, VP4 Engs.
4	Rod Pair	3605SB +	Std-10-20	VG4D, VM4, VP4 Engs.; When depleted use FP-3605SB

10 Wheel Tractor 158 Eng. (Gas) 2.6L 158 OHV L3, 4.2" Bore

CYL. HEAD & PARTS				
QTY	VALVE	PART NO.	SIZE	DESCRIPTION
3	Intake	FP-V3945		1.8050" Head Dia., .3714" Stem Dia., 5.7430" O.A.L.
3	Intake	V-3945 +	Std Only	1.8050" Head Dia., .3714" Stem Dia., 5.7430" O.A.L.; When depleted use FP-V3945
3	Exhaust	FP-V2494		1.5000" Head Dia., .3705" Stem Dia., 5.7440" O.A.L.
3	Exhaust	V-2494 +	Std Only	1.5000" Head Dia., .3705" Stem Dia., 5.7440" O.A.L.; When depleted use FP-V2494
12	Keeper	FP-41339		1 groove; Square cut key groove
QTY	VALVE GUIDE	PART NO.	SIZE	DESCRIPTION
6	Guide	FP-VG5084T		Exh. & Int.; .3750" ID, 3.9690" O.A.L.
ENGINE BLOCK & PARTS				
QTY	GASKET SETS	PART NO.	SIZE	DESCRIPTION
1	Kit Gasket Set	FP-2601361		
1	Kit Gasket Set	260-1361		
QTY	CAM BEARINGS	PART NO.	SIZE	DESCRIPTION
1	Cam Set	FP-1477M	Std Only	
1	Cam Set	1477M +	Std Only	When depleted use FP-1477M
CRANKSHAFT/OIL PUMP				
QTY	MAIN BEARINGS	PART NO.	SIZE	DESCRIPTION
1	Main Set	FP-5187M	Std-10-20	
1	Main Set	5187M +	Std-10-20	When depleted use FP-5187M
QTY	OIL PUMP	PART NO.	SIZE	DESCRIPTION
1	Oil Pump	FP-22441979		Overall pump body length - 3.80", Repl. O.E. Nos. D1NN-6600D & E1NN-6600DC
1	Oil Pump	224-41979 +		Overall pump body length - 3.80", Repl. O.E. Nos. D1NN-6600D & E1NN-6600DC; When depleted use FP-22441979
CYLINDER COMPONENTS				
QTY	LINERS	PART NO.	SIZE	DESCRIPTION
1	Repair Sleeve	FP-SL379M	Std Only	.080" wall, cut to length, press fit sleeve
1	Repair Sleeve	SL-379M +	Std Only	.080" wall, cut to length, press fit sleeve; When depleted use FP-SL379M
QTY	PISTONS	PART NO.	SIZE	DESCRIPTION
3	Cast Piston	FP-2357PN	Std-20-40	Cast; 2-3/32", 1-3/16" Ring Groove, 2.939" CD, 1.5000" Pin Dia., Recessed Head 1.017" deep x 3.180" dia. w/2 valve reliefs; Repl. O.E. No. D8NN-6108AA
3	Cast Piston	2357PN +	Std-20-40	Cast; 2-3/32", 1-3/16" Ring Groove, 2.939" CD, 1.5000" Pin Dia., Recessed Head 1.017" deep x 3.180" dia. w/2 valve reliefs; Repl. O.E. No. D8NN-6108AA; When depleted use FP-2357PN
QTY	CONNECTING RODS & BRGS.	PART NO.	SIZE	DESCRIPTION
3	Rod Pair	FP-3105P	Std-10-20-30	

(continued on next page)

+ Superseded Part Number

Ford Tractor

Wheel Tractor 158 Eng. (Gas) 10 2.6L 158 OHV L3, 4.2" Bore (cont.)

CYLINDER COMPONENTS (cont.)

QTY	CONNECTING RODS & BRGS. (cont.)	PART NO.	SIZE	DESCRIPTION
3	Rod Pair	3105P +	Std-10-20-30	When depleted use FP-3105P
QTY	PISTON RINGS	PART NO.	SIZE	DESCRIPTION
3	Premium Set	FP-E502KC	Std-20-40	2-3/32, 1-3/16 (1 cyl. set)
3	Premium Set	E-502KC +	Std-20-40	2-3/32, 1-3/16 (1 cyl. set); When depleted use FP-E502KC
KITS				
QTY	OVERHAUL KIT	PART NO.	SIZE	DESCRIPTION
1	Piston Kit w/Ring Set	FP-PK12357A		Non-Sleeved Engs.
1	Piston Kit w/Rings & Bearings	FP-PK22357A		Non-Sleeved Engs.
1	Tractor Overhaul Kit	FP-KST2357A		Non-Sleeved Engs.

Wheel Tractor 158 Eng. (Diesel) 11 2.6L 158 OHV Diesel L3, 4.2" Bore

CYL. HEAD & PARTS

QTY	VALVE	PART NO.	SIZE	DESCRIPTION
3	Intake	FP-V3945		1.8050" Head Dia., .3714" Stem Dia., 5.7430" O.A.L.
3	Intake	V-3945 +	Std Only	1.8050" Head Dia., .3714" Stem Dia., 5.7430" O.A.L.; When depleted use FP-V3945
3	Exhaust	FP-V2494		1.5000" Head Dia., .3705" Stem Dia., 5.7440" O.A.L.
3	Exhaust	V-2494 +	Std Only	1.5000" Head Dia., .3705" Stem Dia., 5.7440" O.A.L.; When depleted use FP-V2494
12	Keeper	FP-41339		1 groove; Square cut key groove
QTY	VALVE GUIDE	PART NO.	SIZE	DESCRIPTION
6	Guide	FP-VG5084T		Exh. & Int.; .3750" ID, 3.9690" O.A.L.

ENGINE BLOCK & PARTS

QTY	GASKET SETS	PART NO.	SIZE	DESCRIPTION
1	Kit Gasket Set	FP-2601361		
1	Kit Gasket Set	260-1361		
QTY	CAM BEARINGS	PART NO.	SIZE	DESCRIPTION
1	Cam Set	FP-1477M	Std Only	
1	Cam Set	1477M +	Std Only	When depleted use FP-1477M

CRANKSHAFT/OIL PUMP

QTY	MAIN BEARINGS	PART NO.	SIZE	DESCRIPTION
1	Main Set	FP-5187M	Std-10-20	
1	Main Set	5187M +	Std-10-20	When depleted use FP-5187M

CYLINDER COMPONENTS

QTY	LINERS	PART NO.	SIZE	DESCRIPTION
3	Repair Sleeve	FP-SL379M	Std Only	.080" wall, cut to length, press fit sleeve
3	Repair Sleeve	SL-379M +	Std Only	.080" wall, cut to length, press fit sleeve; When depleted use FP-SL379M
QTY	CONNECTING RODS & BRGS.	PART NO.	SIZE	DESCRIPTION
3	Rod Pair	FP-3105P	Std-10-20-30	
3	Rod Pair	3105P +	Std-10-20-30	When depleted use FP-3105P
QTY	PISTON RINGS	PART NO.	SIZE	DESCRIPTION
3	Premium Set	FP-E503KC	Std-20-30-40	3-3/32, 1-3/16 (1 cyl. set)
3	Premium Set	E-503KC +	Std-20-30-40	3-3/32, 1-3/16 (1 cyl. set); When depleted use FP-E503KC

Wheel Tractor 158 Eng. (LPG) 12 2.6L 158 OHV LPG L3, 4.2" Bore

CYL. HEAD & PARTS

QTY	VALVE	PART NO.	SIZE	DESCRIPTION
3	Intake	FP-V3945		1.8050" Head Dia., .3714" Stem Dia., 5.7430" O.A.L.
3	Intake	V-3945 +	Std Only	1.8050" Head Dia., .3714" Stem Dia., 5.7430" O.A.L.; When depleted use FP-V3945
3	Exhaust	FP-V2494		1.5000" Head Dia., .3705" Stem Dia., 5.7440" O.A.L.
3	Exhaust	V-2494 +	Std Only	1.5000" Head Dia., .3705" Stem Dia., 5.7440" O.A.L.; When depleted use FP-V2494
12	Keeper	FP-41339		1 groove; Square cut key groove

(continued on next page)

Ford Tractor

12 Wheel Tractor 158 Eng. (LPG)

(cont.) 2.6L 158 OHV LPG L3, 4.2" Bore

ENGINE BLOCK & PARTS				
QTY	GASKET SETS	PART NO.	SIZE	DESCRIPTION
1	Kit Gasket Set	FP-2601361		
1	Kit Gasket Set	260-1361		
QTY	CAM BEARINGS	PART NO.	SIZE	DESCRIPTION
1	Cam Set	FP-1477M	Std Only	
1	Cam Set	1477M +	Std Only	When depleted use FP-1477M
CRANKSHAFT/OIL PUMP				
QTY	MAIN BEARINGS	PART NO.	SIZE	DESCRIPTION
1	Main Set	FP-5187M	Std-10-20	
1	Main Set	5187M +	Std-10-20	When depleted use FP-5187M
QTY	OIL PUMP	PART NO.	SIZE	DESCRIPTION
1	Oil Pump	FP-22441979		Overall pump body length - 3.80", Repl. O.E. Nos. D1NN-6600D & E1NN-6600DC
1	Oil Pump	224-41979 +		Overall pump body length - 3.80", Repl. O.E. Nos. D1NN-6600D & E1NN-6600DC; When depleted use FP-22441979
CYLINDER COMPONENTS				
QTY	LINERS	PART NO.	SIZE	DESCRIPTION
1	Repair Sleeve	FP-SL379M	Std Only	.080" wall, cut to length, press fit sleeve
1	Repair Sleeve	SL-379M +	Std Only	.080" wall, cut to length, press fit sleeve; When depleted use FP-SL379M
QTY	PISTONS	PART NO.	SIZE	DESCRIPTION
3	Cast Piston	FP-2357PN	Std-20-40	Cast; 2-3/32", 1-3/16" Ring Groove, 2.939" CD, 1.5000" Pin Dia., Recessed Head 1.017" deep x 3.180" dia. w/2 valve reliefs; Repl. O.E. No. D8NN-6108AA
3	Cast Piston	2357PN +	Std-20-40	Cast; 2-3/32", 1-3/16" Ring Groove, 2.939" CD, 1.5000" Pin Dia., Recessed Head 1.017" deep x 3.180" dia. w/2 valve reliefs; Repl. O.E. No. D8NN-6108AA; When depleted use FP-2357PN
QTY	CONNECTING RODS & BRGS.	PART NO.	SIZE	DESCRIPTION
3	Rod Pair	FP-3105P	Std-10-20-30	
3	Rod Pair	3105P +	Std-10-20-30	When depleted use FP-3105P
QTY	PISTON RINGS	PART NO.	SIZE	DESCRIPTION
3	Premium Set	FP-E502KC	Std-20-40	2-3/32, 1-3/16 (1 cyl. set)
3	Premium Set	E-502KC +	Std-20-40	2-3/32, 1-3/16 (1 cyl. set); When depleted use FP-E502KC
KITS				
QTY	OVERHAUL KIT	PART NO.	SIZE	DESCRIPTION
1	Piston Kit w/Ring Set	FP-PK12357A		Non-Sleeved Eng.
1	Piston Kit w/Rings & Bearings	FP-PK22357A		Non-Sleeved Eng.
1	Tractor Overhaul Kit	FP-KST2357A		Non-Sleeved Eng.

13 Wheel Tractor 158 Eng. (Gas)

2.6L 158 OHV L3, 4.2" Bore (Ford Europe Eng.) 1965-72

CYL. HEAD & PARTS					
QTY	VALVE	YEARS	PART NO.	SIZE	DESCRIPTION
3	Intake	72-65	FP-V3945		1.8050" Head Dia., .3714" Stem Dia., 5.7430" O.A.L.
3	Intake	72-65	V-3945 +	Std Only	1.8050" Head Dia., .3714" Stem Dia., 5.7430" O.A.L.; When depleted use FP-V3945
3	Exhaust	72-65	FP-V2494		1.5000" Head Dia., .3705" Stem Dia., 5.7440" O.A.L.
3	Exhaust	72-65	V-2494 +	Std Only	1.5000" Head Dia., .3705" Stem Dia., 5.7440" O.A.L.; When depleted use FP-V2494
12	Keeper	72-65	FP-41339		1 groove; Square cut key groove
QTY	VALVE GUIDE	YEARS	PART NO.	SIZE	DESCRIPTION
6	Guide	72-65	FP-VG5084T		Exh. & Int.; .3750" ID, 3.9690" O.A.L.
ENGINE BLOCK & PARTS					
QTY	GASKET SETS	YEARS	PART NO.	SIZE	DESCRIPTION
1	Kit Gasket Set	72-65	FP-2601361		
1	Kit Gasket Set	72-65	260-1361		
QTY	CAM BEARINGS	YEARS	PART NO.	SIZE	DESCRIPTION
1	Cam Set	72-65	FP-1477M	Std Only	
1	Cam Set	72-65	1477M +	Std Only	When depleted use FP-1477M

(continued on next page)

Ford Tractor

Wheel Tractor 158 Eng. (Gas) 13
2.6L 158 OHV L3, 4.2" Bore (Ford Europe Eng.) 1965-72 (cont.)

CRANKSHAFT/OIL PUMP

QTY	MAIN BEARINGS	YEARS	PART NO.	SIZE	DESCRIPTION
1	Main Set	72-65	FP-5187M	Std-10-20	
1	Main Set	72-65	5187M +	Std-10-20	When depleted use FP-5187M
QTY	OIL PUMP	YEARS	PART NO.	SIZE	DESCRIPTION
1	Oil Pump	72-65	FP-22441979		Overall pump body length - 3.80", Repl. O.E. Nos. D1NN-6600D & E1NN-6600DC
1	Oil Pump	72-65	224-41979 +		Overall pump body length - 3.80", Repl. O.E. Nos. D1NN-6600D & E1NN-6600DC; When depleted use FP-22441979

CYLINDER COMPONENTS

QTY	LINERS	YEARS	PART NO.	SIZE	DESCRIPTION
1	Repair Sleeve	72-65	FP-SL379M	Std Only	.080" wall, cut to length, press fit sleeve
1	Repair Sleeve	72-65	SL-379M +	Std Only	.080" wall, cut to length, press fit sleeve; When depleted use FP-SL379M
QTY	PISTONS	YEARS	PART NO.	SIZE	DESCRIPTION
3	Cast Piston	72-65	FP-2357PN	Std-20-40	Cast; 2-3/32", 1-3/16" Ring Groove, 2.939" CD, 1.5000" Pin Dia., Recessed Head 1.017" deep x 3.180" dia. w/2 valve reliefs; Repl. O.E. No. D8NN-6108AA
3	Cast Piston	72-65	2357PN +	Std-20-40	Cast; 2-3/32", 1-3/16" Ring Groove, 2.939" CD, 1.5000" Pin Dia., Recessed Head 1.017" deep x 3.180" dia. w/2 valve reliefs; Repl. O.E. No. D8NN-6108AA; When depleted use FP-2357PN
QTY	CONNECTING RODS & BRGS.	YEARS	PART NO.	SIZE	DESCRIPTION
3	Rod Pair	72-65	FP-3105P	Std-10-20-30	
3	Rod Pair	72-65	3105P +	Std-10-20-30	When depleted use FP-3105P
QTY	PISTON RINGS	YEARS	PART NO.	SIZE	DESCRIPTION
3	Premium Set	72-65	FP-E502KC	Std-20-40	2-3/32, 1-3/16 (1 cyl. set)
3	Premium Set	72-65	E-502KC +	Std-20-40	2-3/32, 1-3/16 (1 cyl. set); When depleted use FP-E502KC

KITS

QTY	OVERHAUL KIT	YEARS	PART NO.	SIZE	DESCRIPTION
1	Piston Kit w/Ring Set	72-65	FP-PK12357A		Non-Sleeved Engs.
1	Piston Kit w/Rings & Bearings	72-65	FP-PK22357A		Non-Sleeved Engs.
1	Tractor Overhaul Kit	72-65	FP-KST2357A		Non-Sleeved Engs.

Wheel Tractor 158 Eng. (Diesel) 14
2.6L 158 OHV Diesel L3, 4.2" Bore (Ford Europe Eng.) 1965-72

CYL. HEAD & PARTS

QTY	VALVE	YEARS	PART NO.	SIZE	DESCRIPTION
3	Intake	72-65	FP-V3945		1.8050" Head Dia., .3714" Stem Dia., 5.7430" O.A.L.
3	Intake	72-65	V-3945 +	Std Only	1.8050" Head Dia., .3714" Stem Dia., 5.7430" O.A.L.; When depleted use FP-V3945
3	Exhaust	72-65	FP-V2494		1.5000" Head Dia., .3705" Stem Dia., 5.7440" O.A.L.
3	Exhaust	72-65	V-2494 +	Std Only	1.5000" Head Dia., .3705" Stem Dia., 5.7440" O.A.L.; When depleted use FP-V2494
12	Keeper	72-65	FP-41339		1 groove; Square cut key groove
QTY	VALVE GUIDE	YEARS	PART NO.	SIZE	DESCRIPTION
6	Guide	72-65	FP-VG5084T		Exh. & Int.; .3750" ID, 3.9690" O.A.L.

ENGINE BLOCK & PARTS

QTY	GASKET SETS	YEARS	PART NO.	SIZE	DESCRIPTION
1	Kit Gasket Set	72-65	FP-2601361		
1	Kit Gasket Set	72-65	260-1361		
QTY	CAM BEARINGS	YEARS	PART NO.	SIZE	DESCRIPTION
1	Cam Set	72-65	FP-1477M	Std Only	
1	Cam Set	72-65	1477M +	Std Only	When depleted use FP-1477M

CRANKSHAFT/OIL PUMP

QTY	MAIN BEARINGS	YEARS	PART NO.	SIZE	DESCRIPTION
1	Main Set	72-65	FP-5187M	Std-10-20	
1	Main Set	72-65	5187M +	Std-10-20	When depleted use FP-5187M

CYLINDER COMPONENTS

QTY	LINERS	YEARS	PART NO.	SIZE	DESCRIPTION
1	Repair Sleeve	72-65	FP-SL379M	Std Only	.080" wall, cut to length, press fit sleeve
1	Repair Sleeve	72-65	SL-379M +	Std Only	.080" wall, cut to length, press fit sleeve; When depleted use FP-SL379M

(continued on next page)

+ Superseded Part Number

Ford Tractor

14 Wheel Tractor 158 Eng. (Diesel)

(cont.) 2.6L 158 OHV Diesel L3, 4.2" Bore (Ford Europe Eng.) 1965-72

CYLINDER COMPONENTS (cont.)

QTY	PISTONS	YEARS	PART NO.	SIZE	DESCRIPTION
3	Cast Piston	72-65	FP-2357PN	Std-20-40	Cast; 2-3/32", 1-3/16" Ring Groove, 2.939" CD, 1.5000" Pin Dia., Recessed Head 1.017" deep x 3.180" dia. w/2 valve reliefs; Repl. O.E. No. D8NN-6108AA
3	Cast Piston	72-65	2357PN +	Std-20-40	Cast; 2-3/32", 1-3/16" Ring Groove, 2.939" CD, 1.5000" Pin Dia., Recessed Head 1.017" deep x 3.180" dia. w/2 valve reliefs; Repl. O.E. No. D8NN-6108AA; When depleted use FP-2357PN
QTY	CONNECTING RODS & BRGS.	YEARS	PART NO.	SIZE	DESCRIPTION
3	Rod Pair	72-65	FP-3105P	Std-10-20-30	
3	Rod Pair	72-65	3105P +	Std-10-20-30	When depleted use FP-3105P
QTY	PISTON RINGS	YEARS	PART NO.	SIZE	DESCRIPTION
3	Premium Set	72-65	FP-E502KC	Std-20-40	2-3/32, 1-3/16 (1 cyl. set)
3	Premium Set	72-65	E-502KC +	Std-20-40	2-3/32, 1-3/16 (1 cyl. set); When depleted use FP-E502KC

15 Harvester 172 Eng. (Gas). Wheel Tractor 172 Eng. (Gas).

2.8L 172 OHV L4, 3.9063" Bore

CYL. HEAD & PARTS

QTY	VALVE	PART NO.	SIZE	DESCRIPTION
4	Intake	V-1128	Std Only	1.6470" Head Dia., .3420" Stem Dia., 5.0900" O.A.L.
4	Exhaust	FP-V1178		Rototype; 1.5100" Head Dia., .3409" Stem Dia., 4.9800" O.A.L.
4	Exhaust	V-1178 +	Std Only	Rototype; 1.5100" Head Dia., .3409" Stem Dia., 4.9800" O.A.L.; When depleted use FP-V1178
16	Keeper	VK-115		Exc. Rototype valve; 1 groove; Square cut key groove
16	Keeper	VK-115R		Exc. Rototype valve; 1 groove; Square cut key groove; Hardened
8	Keeper	VK-261		W/Rototype
16	Keeper, Bulk	VK-115B		Exc. Rototype valve; 1 groove; Square cut key groove; Carton of 1000
QTY	VALVE SEAT	PART NO.	SIZE	DESCRIPTION
4	Exh.	245-1625-15	Std Only	1.6300" OD, 1.3750" ID, .2656" Depth
QTY	VALVE GUIDE	PART NO.	SIZE	DESCRIPTION
8	Guide	FP-VG500		.3440" ID, 2.5470" O.A.L.
8	Guide	VG-500 +		.3440" ID, 2.5470" O.A.L.; When depleted use FP-VG500
QTY	VALVE SPRING	PART NO.	SIZE	DESCRIPTION
8	Spring	VS-1575		2.1250" Free Height
4	Spring Cap	MV-110		Free valve assy.; use w/V-1178
QTY	PUSH RODS	PART NO.	SIZE	DESCRIPTION
8	Push Rod	RP-3021		9.8200" O.A.L.
QTY	VALVE SEAL	PART NO.	SIZE	DESCRIPTION
8	Valve Stem Seal	ST-2001		Positive type; Installation requires valve guide machining; Rubber/PTFE
4	Valve Stem Seal	MV-1796C		Int.; Umbrella type; Fits Std. to .015" O/S valve stem; Rubber
8	Valve Stem Seal Bulk	ST-2001BC		Positive type; Installation requires valve guide machining; Carton of 100; Rubber/PTFE
4	Valve Stem Seal Bulk	MV-1796		Int.; Umbrella type; Fits Std. to .015" O/S valve stem; Carton of 100; Rubber

CAMSHAFT GROUP

QTY	TIMING	PART NO.	SIZE	DESCRIPTION
1	Gear Set	FP-2214710S		
1	Gear Set	221-4710S		
1	Cam Gear	FP-2214710		42 Teeth
1	Cam Gear	221-4710		42 Teeth
QTY	CAMSHAFT/LIFTER	PART NO.	SIZE	DESCRIPTION
8	Lifter	AT-892	Std Only	Mech.

ENGINE BLOCK & PARTS

QTY	GASKET SETS	PART NO.	SIZE	DESCRIPTION
1	Kit Gasket Set	FP-2601358		Gas & LPG Engs. From 1958
1	Kit Gasket Set	260-1358		Gas & LPG Engs. From 1958
1	Kit Gasket Set	FP-2601359		Gas & LPG Engs. 1955 To 1957
1	Kit Gasket Set	260-1359		Gas & LPG Engs. 1955 To 1957

CRANKSHAFT/OIL PUMP

QTY	CRANKSHAFT	PART NO.	SIZE	DESCRIPTION
1	Crank Gear	FP-2214701		21 Teeth

(continued on next page)

Ford Tractor

Harvester 172 Eng. (Gas). Wheel Tractor 172 Eng. (Gas). 15
2.8L 172 OHV L4, 3.9063" Bore (cont.)

CRANKSHAFT/OIL PUMP (cont.)

QTY	CRANKSHAFT (cont.)	PART NO.	SIZE	DESCRIPTION
1	Crank Gear	221-4701 +		21 Teeth; When depleted use FP-2214701
QTY	SEALS - REAR CRANK	PART NO.	SIZE	DESCRIPTION
1	Oil Seal Kit	5095		(Rope Type)
QTY	MAIN BEARINGS	PART NO.	SIZE	DESCRIPTION
1	Main Set	FP-4001M	Std-10-20-30-40	
1	Main Set	4001M +	Std-10-20-30-40	When depleted use FP-4001M
QTY	OIL PUMP	PART NO.	SIZE	DESCRIPTION
1	Oil Pump	FP-22441130		Gear type, hex drive
1	Oil Pump	224-41130 +		Gear type, hex drive; When depleted use FP-22441130
1	Oil Pump	FP-22441135		Rotor type
1	Oil Pump	224-41135 +		Rotor type; When depleted use FP-22441135
1	Inter. Shaft	224-61104		For gear type oil pump

CYLINDER COMPONENTS

QTY	LINERS	PART NO.	SIZE	DESCRIPTION
4	Dry Sleeve	FP-SL173M	Std Only	Finished, flanged sleeve w/.100" wall
4	Dry Sleeve	SL-173M +	Std Only	Finished, flanged sleeve w/.100" wall; When depleted use FP-SL173M
4	Sleeve Assy.	FP-SL1853	Std Only	Includes forged piston
QTY	PISTONS	PART NO.	SIZE	DESCRIPTION
4	Powerforged	FP-L2098F	Std-30-60	Powerforged; 2-3/32", 1-3/16" Ring Groove, 2.087" CD, .9122" Pin Dia., Flat Head; Repl. O.E. No. EAF-6108F; Casting No. EAF-6110F
4	Cast Piston	FP-382P	Std-20-30-40-60	Cast; 2-3/32", 1-3/16" Ring Groove, 2.070" CD, .9122" Pin Dia., Flat Head; Repl. O.E. No. EAF-6108F; Casting No. EAF-6110F
4	Cast Piston	382P +	Std-20-30-40-60	Cast; 2-3/32", 1-3/16" Ring Groove, 2.070" CD, .9122" Pin Dia., Flat Head; Repl. O.E. No. EAF-6108F; Casting No. EAF-6110F; When depleted use FP-382P
4	Cast Piston - Individual	FP-W382P	Std-20-30-40-60	Cast; 2-3/32", 1-3/16" Ring Groove, 2.070" CD, .9122" Pin Dia., Flat Head; Repl. O.E. No. EAF-6108F; Casting No. EAF-6110F
4	Cast Piston - Individual	W382P +	Std-20-30-40-60	Cast; 2-3/32", 1-3/16" Ring Groove, 2.070" CD, .9122" Pin Dia., Flat Head; Repl. O.E. No. EAF-6108F; Casting No. EAF-6110F; When depleted use FP-W382P
4	Forged Piston - Individual	FP-WL2098F	Std-30-60	Powerforged; 2-3/32", 1-3/16" Ring Groove, 2.087" CD, .9122" Pin Dia., Flat Head; Repl. O.E. No. EAF-6108F; Casting No. EAF-6110F
4	Forged Piston - Individual	WL-2098F +	Std-30-60	Powerforged; 2-3/32", 1-3/16" Ring Groove, 2.087" CD, .9122" Pin Dia., Flat Head; Repl. O.E. No. EAF-6108F; Casting No. EAF-6110F; When depleted use FP-WL2098F
4	Pin Bushing	1834V20		1.306" length; .020" extra bore stock
4	Pin Bushing	1834V		1.306" max. length

QTY	CONNECTING RODS & BRGS.	PART NO.	SIZE	DESCRIPTION
1	Rod Set	FP-41830CP	Std-10-20-30	
1	Rod Set	4-1830CP +	Std-10-20-30	When depleted use FP-41830CP
4	Rod Pair	1830CP	Std-1-2-10-20-30-40-50	1 oil hole

QTY	PISTON RINGS	PART NO.	SIZE	DESCRIPTION
1	Premium Set	FP-5166KX	Std-20-30-40-60	2-3/32, 1-3/16
1	Premium Set	5166KX +	Std-20-30-40-60	2-3/32, 1-3/16; When depleted use FP-5166KX
1	Standard Set	FP-5166X	Std-20-30-40-60	2-3/32, 1-3/16
1	Standard Set	5166X +	Std-20-30-40-60	2-3/32, 1-3/16; When depleted use FP-5166X
4	Premium Single Cylinder Set	W-5166KX	Std-30	2-3/32, 1-3/16

Wheel Tractor 172 Eng. (Diesel) 16
2.8L 172 OHV Diesel L4, 3.9063" Bore

CYL. HEAD & PARTS

QTY	VALVE	PART NO.	SIZE	DESCRIPTION
4	Intake	FP-V2087		1.6470" Head Dia., .3418" Stem Dia., 5.9330" O.A.L.
4	Intake	V-2087 +	Std Only	1.6470" Head Dia., .3418" Stem Dia., 5.9330" O.A.L.; When depleted use FP-V2087
4	Exhaust	FP-V2086		Rototype; 1.5100" Head Dia., .3410" Stem Dia., 5.8250" O.A.L.

(continued on next page)

Ford Tractor

16 Wheel Tractor 172 Eng. (Diesel)

(cont.) 2.8L 172 OHV Diesel L4, 3.9063" Bore

CYL. HEAD & PARTS (cont.)				
QTY	VALVE (cont.)	PART NO.	SIZE	DESCRIPTION
4	Exhaust	V-2086 +	Std Only	Rototype; 1.5100" Head Dia., .3410" Stem Dia., 5.8250" O.A.L.; When depleted use FP-V2086
16	Keeper	VK-115		Exc. Rototype valve; 1 groove; Square cut key groove
16	Keeper	VK-115R		Exc. Rototype valve; 1 groove; Square cut key groove; Hardened
8	Keeper	VK-261		W/Rototype
16	Keeper, Bulk	VK-115B		Exc. Rototype valve; 1 groove; Square cut key groove; Carton of 1000
QTY	VALVE SEAT	PART NO.	SIZE	DESCRIPTION
4	Exh.	245-1625-15	Std Only	1.6300" OD, 1.3750" ID, .2656" Depth
QTY	VALVE GUIDE	PART NO.	SIZE	DESCRIPTION
4	Guide	FP-VG500		Exh.; .3440" ID, 2.5470" O.A.L.
4	Guide	VG-500 +		Exh.; .3440" ID, 2.5470" O.A.L.; When depleted use FP-VG500
QTY	VALVE SPRING	PART NO.	SIZE	DESCRIPTION
8	Spring	VS-1575		2.1250" Free Height
QTY	PUSH RODS	PART NO.	SIZE	DESCRIPTION
8	Push Rod	RP-3021		9.8200" O.A.L.
QTY	VALVE SEAL	PART NO.	SIZE	DESCRIPTION
8	Valve Stem Seal	ST-2001		Positive type; Installation requires valve guide machining; Rubber/PTFE
4	Valve Stem Seal	MV-1796C		Int.; Umbrella type; Fits Std. to .015" O/S valve stem; Rubber
8	Valve Stem Seal Bulk	ST-2001BC		Positive type; Installation requires valve guide machining; Carton of 100; Rubber/PTFE
4	Valve Stem Seal Bulk	MV-1796		Int.; Umbrella type; Fits Std. to .015" O/S valve stem; Carton of 100; Rubber
CAMSHAFT GROUP				
QTY	TIMING	PART NO.	SIZE	DESCRIPTION
1	Gear Set	FP-2214710S		
1	Gear Set	221-4710S		
1	Cam Gear	FP-2214710		42 Teeth
1	Cam Gear	221-4710		42 Teeth
QTY	CAMSHAFT/LIFTER	PART NO.	SIZE	DESCRIPTION
8	Lifter	AT-892	Std Only	Mech.
ENGINE BLOCK & PARTS				
QTY	GASKET SETS	PART NO.	SIZE	DESCRIPTION
1	Kit Gasket Set	FP-2601360		
1	Kit Gasket Set	260-1360		
CRANKSHAFT/OIL PUMP				
QTY	CRANKSHAFT	PART NO.	SIZE	DESCRIPTION
1	Crank Gear	FP-2214701		21 Teeth
1	Crank Gear	221-4701 +		21 Teeth; When depleted use FP-2214701
QTY	MAIN BEARINGS	PART NO.	SIZE	DESCRIPTION
1	Main Set	FP-4001M	Std-10-20-30-40	
1	Main Set	4001M +	Std-10-20-30-40	When depleted use FP-4001M
QTY	OIL PUMP	PART NO.	SIZE	DESCRIPTION
1	Oil Pump	FP-22441137		1958-60
1	Oil Pump	224-41137 +		1958-60; When depleted use FP-22441137
1	Oil Pump	FP-22441135		1961-64; Rotor type
1	Oil Pump	224-41135 +		1961-64; Rotor type; When depleted use FP-22441135
CYLINDER COMPONENTS				
QTY	LINERS	PART NO.	SIZE	DESCRIPTION
4	Dry Sleeve	FP-SL173M	Std Only	Finished, flanged sleeve w/.100" wall
4	Dry Sleeve	SL-173M +	Std Only	Finished, flanged sleeve w/.100" wall; When depleted use FP-SL173M
4	Sleeve Assy.	FP-SL2170	Std Only	
4	Sleeve Assy.	SL-2170 +	Std Only	When depleted use FP-SL2170
QTY	PISTONS	PART NO.	SIZE	DESCRIPTION
4	Cast Piston	FP-2170P	Std-20-30-40	Cast; 3-3/32", 2-3/16" Ring Groove, 2.125" CD, 1.2493" Pin Dia., Recessed Head w/2 valve reliefs
4	Cast Piston	2170P +	Std-20-30-40	Cast; 3-3/32", 2-3/16" Ring Groove, 2.125" CD, 1.2493" Pin Dia., Recessed Head w/2 valve reliefs; When depleted use FP-2170P
4	Pin Bushing	FP-1839V		

(continued on next page)

Ford Tractor

Wheel Tractor 172 Eng. (Diesel) 16 2.8L 172 OHV Diesel L4, 3.9063" Bore (cont.)

CYLINDER COMPONENTS (cont.)

QTY	PISTONS (cont.)	PART NO.	SIZE	DESCRIPTION
4	Pin Bushing	1839V +		When depleted use FP-1839V
QTY	CONNECTING RODS & BRGS.	PART NO.	SIZE	DESCRIPTION
1	Rod Set	FP-41830CP	Std-10-20-30	
1	Rod Set	4-1830CP +	Std-10-20-30	When depleted use FP-41830CP
4	Rod Pair	1830CP	Std-1-2-10-20-30-40-50	1 oil hole
QTY	PISTON RINGS	PART NO.	SIZE	DESCRIPTION
1	Premium Set	FP-5676KX	Std-20-30-40	3-3/32, 2-3/16
1	Premium Set	5676KX +	Std-20-30-40	3-3/32, 2-3/16; When depleted use FP-5676KX
4	Premium Single Cylinder Set	W-5676KX	Std Only	3-3/32, 2-3/16

KITS

QTY	OVERHAUL KIT	PART NO.	SIZE	DESCRIPTION
1	Tractor Overhaul Kit	FP-KST2170A		Sleeved applications only

Wheel Tractor 175 Eng. (Diesel) 17 2.9L 175 OHV Diesel L3, 4.2" Bore

CYL. HEAD & PARTS

QTY	VALVE	PART NO.	SIZE	DESCRIPTION
3	Intake	FP-V3945		1.8050" Head Dia., .3714" Stem Dia., 5.7430" O.A.L.
3	Intake	V-3945 +	Std Only	1.8050" Head Dia., .3714" Stem Dia., 5.7430" O.A.L.; When depleted use FP-V3945
3	Exhaust	FP-V2494		1.5000" Head Dia., .3705" Stem Dia., 5.7440" O.A.L.
3	Exhaust	V-2494 +	Std Only	1.5000" Head Dia., .3705" Stem Dia., 5.7440" O.A.L.; When depleted use FP-V2494
12	Keeper	VK-138		1 groove; Square cut key groove
12	Keeper	VK-138R		1 groove; Square cut key groove; Hardened
12	Keeper, Bulk	VK-138B		1 groove; Square cut key groove; Carton of 1000
QTY	VALVE GUIDE	PART NO.	SIZE	DESCRIPTION
6	Guide	FP-VG5084T		Exh. & Int.; .3750" ID, 3.9690" O.A.L.

ENGINE BLOCK & PARTS

QTY	GASKET SETS	PART NO.	SIZE	DESCRIPTION
1	Kit Gasket Set	FP-2601361		
1	Kit Gasket Set	260-1361		
QTY	CAM BEARINGS	PART NO.	SIZE	DESCRIPTION
1	Cam Set	FP-1477M	Std Only	
1	Cam Set	1477M +	Std Only	When depleted use FP-1477M

CRANKSHAFT/OIL PUMP

QTY	MAIN BEARINGS	PART NO.	SIZE	DESCRIPTION
1	Main Set	FP-5187M	Std-10-20	
1	Main Set	5187M +	Std-10-20	When depleted use FP-5187M
QTY	OIL PUMP	PART NO.	SIZE	DESCRIPTION
1	Oil Pump	FP-22441979		Overall pump body length - 3.80", Repl. O.E. Nos. D1NN-6600D & E1NN-6600DC
1	Oil Pump	224-41979 +		Overall pump body length - 3.80", Repl. O.E. Nos. D1NN-6600D & E1NN-6600DC; When depleted use FP-22441979

CYLINDER COMPONENTS

QTY	LINERS	PART NO.	SIZE	DESCRIPTION
3	Repair Sleeve	FP-SL379M	Std Only	.080" wall, cut to length, press fit sleeve
3	Repair Sleeve	SL-379M +	Std Only	.080" wall, cut to length, press fit sleeve; When depleted use FP-SL379M
QTY	PISTONS	PART NO.	SIZE	DESCRIPTION
3	Cast Piston	FP-2417PN	Std-20-30-40	Cast; 3-3/32", 1-3/16" Ring Groove, 2.762" CD, 1.5000" Pin Dia., Recessed Head .705" deep x 2.340" dia. - 16.5:1 C.R.; Repl. O.E. No. C7NN-6108AJ; Casting No. C5NN-6110J
3	Cast Piston	2417PN +	Std-20-30-40	Cast; 3-3/32", 1-3/16" Ring Groove, 2.762" CD, 1.5000" Pin Dia., Recessed Head .705" deep x 2.340" dia. - 16.5:1 C.R.; Repl. O.E. No. C7NN-6108AJ; Casting No. C5NN-6110J; When depleted use FP-2417PN

(continued on next page)

Ford Tractor

17 Wheel Tractor 175 Eng. (Diesel)

(cont.) 2.9L 175 OHV Diesel L3, 4.2" Bore

CYLINDER COMPONENTS (cont.)

QTY	CONNECTING RODS & BRGS.	PART NO.	SIZE	DESCRIPTION
3	Rod Pair	FP-3105P	Std-10-20-30	
3	Rod Pair	3105P +	Std-10-20-30	When depleted use FP-3105P
QTY	PISTON RINGS	PART NO.	SIZE	DESCRIPTION
3	Premium Set	FP-E503KC	Std-20-30-40	3-3/32, 1-3/16 (1 cyl. set)
3	Premium Set	E-503KC +	Std-20-30-40	3-3/32, 1-3/16 (1 cyl. set); When depleted use FP-E503KC
KITS				
QTY	OVERHAUL KIT	PART NO.	SIZE	DESCRIPTION
1	Tractor Overhaul Kit	FP-KST2417A		

18 Wheel Tractor 192 Eng. (Diesel)

3.2L 192 OHV Diesel L4, 4.125" Bore

CYL. HEAD & PARTS

QTY	VALVE	PART NO.	SIZE	DESCRIPTION
4	Intake	FP-V2087		1.6470" Head Dia., .3418" Stem Dia., 5.9330" O.A.L.
4	Intake	V-2087 +	Std Only	1.6470" Head Dia., .3418" Stem Dia., 5.9330" O.A.L.; When depleted use FP-V2087
4	Exhaust	FP-V2086		1.5100" Head Dia., .3410" Stem Dia., 5.8250" O.A.L.
4	Exhaust	V-2086 +	Std Only	1.5100" Head Dia., .3410" Stem Dia., 5.8250" O.A.L.; When depleted use FP-V2086
8	Keeper	VK-261		Exh.
QTY	VALVE GUIDE	PART NO.	SIZE	DESCRIPTION
4	Guide	FP-VG500		Exh.; .3440" ID, 2.5470" O.A.L.
4	Guide	VG-500 +		Exh.; .3440" ID, 2.5470" O.A.L.; When depleted use FP-VG500
QTY	PUSH RODS	PART NO.	SIZE	DESCRIPTION
8	Push Rod	RP-3021		9.8200" O.A.L.

CRANKSHAFT/OIL PUMP

QTY	MAIN BEARINGS	PART NO.	SIZE	DESCRIPTION
1	Main Set	FP-4001M	Std-10-20-30-40	
1	Main Set	4001M +	Std-10-20-30-40	When depleted use FP-4001M
QTY	OIL PUMP	PART NO.	SIZE	DESCRIPTION
1	Oil Pump	FP-22441137		
1	Oil Pump	224-41137 +		When depleted use FP-22441137

CYLINDER COMPONENTS

QTY	PISTONS	PART NO.	SIZE	DESCRIPTION
4	Pin Bushing	1834V20		1.306" length; .020" extra bore stock
4	Pin Bushing	1834V		1.306" max. length
QTY	CONNECTING RODS & BRGS.	PART NO.	SIZE	DESCRIPTION
1	Rod Set	FP-41830CP	Std-10-20-30	
1	Rod Set	4-1830CP +	Std-10-20-30	When depleted use FP-41830CP
4	Rod Pair	1830CP	Std-1-2-10-20-30-40-50	1 oil hole
QTY	PISTON RINGS	PART NO.	SIZE	DESCRIPTION
1	Premium Set	FP-9841KX	Std-20-30	2-5/64, 1-3/16
1	Premium Set	9841KX +	Std-20-30	2-5/64, 1-3/16; When depleted use FP-9841KX

19 Wheel Tractor 192 Eng. (Gas)

3.2L 192 OHV L4, 4.125" Bore

CYL. HEAD & PARTS

QTY	VALVE	PART NO.	SIZE	DESCRIPTION
4	Intake	V-1128	Std Only	1.6470" Head Dia., .3420" Stem Dia., 5.0900" O.A.L.
4	Exhaust	FP-V1178		Rototype; 1.5100" Head Dia., .3409" Stem Dia., 4.9800" O.A.L.
4	Exhaust	V-1178 +	Std Only	Rototype; 1.5100" Head Dia., .3409" Stem Dia., 4.9800" O.A.L.; When depleted use FP-V1178
16	Keeper	VK-115		Exc. Rototype valve; 1 groove; Square cut key groove
16	Keeper	VK-115R		Exc. Rototype valve; 1 groove; Square cut key groove; Hardened
16	Keeper	VK-261		W/Rototype

(continued on next page)

Ford Tractor

Wheel Tractor 192 Eng. (Gas) 19 3.2L 192 OHV L4, 4.125" Bore (cont.)

CYL. HEAD & PARTS (cont.)

QTY	VALVE (cont.)	PART NO.	SIZE	DESCRIPTION
16	Keeper, Bulk	VK-115B		Exc. Rototype valve; 1 groove; Square cut key groove; Carton of 1000
4	VALVE SEAT Exh.	245-1625-15	Std Only	1.6300" OD, 1.3750" ID, .2656" Depth
8	VALVE GUIDE Guide	FP-VG500		.3440" ID, 2.5470" O.A.L.
8	Guide	VG-500 +		.3440" ID, 2.5470" O.A.L.; When depleted use FP-VG500
16	VALVE SPRING Spring	VS-718		Exh. & Int.; 2.0280" Free Height
8	PUSH RODS Push Rod	RP-3021		9.8200" O.A.L.
8	VALVE SEAL Valve Stem Seal	ST-2001		Positive type; Installation requires valve guide machining; Rubber/PTFE
4	Valve Stem Seal	MV-1796C		Int.; Umbrella type; Fits Std. to .015" O/S valve stem; Rubber
8	Valve Stem Seal Bulk	ST-2001BC		Positive type; Installation requires valve guide machining; Carton of 100; Rubber/PTFE
4	Valve Stem Seal Bulk	MV-1796		Int.; Umbrella type; Fits Std. to .015" O/S valve stem; Carton of 100; Rubber

CRANKSHAFT/OIL PUMP

QTY	MAIN BEARINGS	PART NO.	SIZE	DESCRIPTION
1	Main Set	FP-4001M	Std-10-20-30-40	
1	Main Set	4001M +	Std-10-20-30-40	When depleted use FP-4001M
1	OIL PUMP Oil Pump	FP-22441137		
1	Oil Pump	224-41137 +		When depleted use FP-22441137

CYLINDER COMPONENTS

QTY	PISTONS	PART NO.	SIZE	DESCRIPTION
4	Pin Bushing	1834V20		1.306" length; .020" extra bore stock
4	Pin Bushing	1834V		1.306" max. length
1	CONNECTING RODS & BRGS. Rod Set	FP-41830CP	Std-10-20-30	
1	Rod Set	4-1830CP +	Std-10-20-30	When depleted use FP-41830CP
4	Rod Pair	1830CP	Std-1-2-10-20-30-40-50	1 oil hole
1	PISTON RINGS Premium Set	FP-9841KX	Std-20-30	2-5/64, 1-3/16
1	Premium Set	9841KX +	Std-20-30	2-5/64, 1-3/16; When depleted use FP-9841KX

Wheel Tractor 192 Eng. (Gas) 20 3.2L 192 OHV L3, 4.4" Bore

CYL. HEAD & PARTS

QTY	VALVE	PART NO.	SIZE	DESCRIPTION
12	Keeper	VK-138		1 groove; Square cut key groove
12	Keeper	VK-138R		1 groove; Square cut key groove; Hardened
12	Keeper, Bulk	VK-138B		1 groove; Square cut key groove; Carton of 1000

ENGINE BLOCK & PARTS

QTY	GASKET SETS	PART NO.	SIZE	DESCRIPTION
1	Kit Gasket Set	FP-2601363		
1	Kit Gasket Set	260-1363		
1	CAM BEARINGS Cam Set	FP-1477M	Std Only	
1	Cam Set	1477M +	Std Only	When depleted use FP-1477M

CRANKSHAFT/OIL PUMP

QTY	MAIN BEARINGS	PART NO.	SIZE	DESCRIPTION
1	Main Set	FP-5187M	Std-10-20	
1	Main Set	5187M +	Std-10-20	When depleted use FP-5187M

(continued on next page)

Ford Tractor

20 Wheel Tractor 192 Eng. (Gas) (cont.) 3.2L 192 OHV L3, 4.4" Bore				
CRANKSHAFT/OIL PUMP (cont.)				
QTY	OIL PUMP	PART NO.	SIZE	DESCRIPTION
1	Oil Pump	FP-22441979		Overall pump body length - 3.80", Repl. O.E. Nos. D1NN-6600D & E1NN-6600DC
1	Oil Pump	224-41979 +		Overall pump body length - 3.80", Repl. O.E. Nos. D1NN-6600D & E1NN-6600DC; When depleted use FP-22441979
CYLINDER COMPONENTS				
QTY	CONNECTING RODS & BRGS.	PART NO.	SIZE	DESCRIPTION
3	Rod Pair	FP-3105P	Std-10-20-30	
3	Rod Pair	3105P +	Std-10-20-30	When depleted use FP-3105P
QTY	PISTON RINGS	PART NO.	SIZE	DESCRIPTION
1	Premium Set	FP-9186KX	Std Only	2-3/32, 1-3/16
1	Premium Set	9186KX +	Std Only	2-3/32, 1-3/16; When depleted use FP-9186KX
21 Wheel Tractor 192 Eng. (Diesel) 3.2L 192 OHV Diesel L3, 4.4" Bore (Ford Europe Eng.)				
CYL. HEAD & PARTS				
QTY	VALVE	PART NO.	SIZE	DESCRIPTION
12	Keeper	VK-138		1 groove; Square cut key groove
12	Keeper	VK-138R		1 groove; Square cut key groove; Hardened
12	Keeper, Bulk	VK-138B		1 groove; Square cut key groove; Carton of 1000
ENGINE BLOCK & PARTS				
QTY	GASKET SETS	PART NO.	SIZE	DESCRIPTION
1	Kit Gasket Set	FP-2601363		
1	Kit Gasket Set	260-1363		
QTY	CAM BEARINGS	PART NO.	SIZE	DESCRIPTION
1	Cam Set	FP-1477M	Std Only	
1	Cam Set	1477M +	Std Only	When depleted use FP-1477M
CRANKSHAFT/OIL PUMP				
QTY	MAIN BEARINGS	PART NO.	SIZE	DESCRIPTION
1	Main Set	FP-5187M	Std-10-20	
1	Main Set	5187M +	Std-10-20	When depleted use FP-5187M
QTY	OIL PUMP	PART NO.	SIZE	DESCRIPTION
1	Oil Pump	FP-22441979		Overall pump body length - 3.80", Repl. O.E. Nos. D1NN-6600D & E1NN-6600DC
1	Oil Pump	224-41979 +		Overall pump body length - 3.80", Repl. O.E. Nos. D1NN-6600D & E1NN-6600DC; When depleted use FP-22441979
CYLINDER COMPONENTS				
QTY	CONNECTING RODS & BRGS.	PART NO.	SIZE	DESCRIPTION
3	Rod Pair	FP-3105P	Std-10-20-30	
3	Rod Pair	3105P +	Std-10-20-30	When depleted use FP-3105P
QTY	PISTON RINGS	PART NO.	SIZE	DESCRIPTION
1	Premium Set	FP-9186KX	Std Only	2-3/32, 1-3/16
1	Premium Set	9186KX +	Std Only	2-3/32, 1-3/16; When depleted use FP-9186KX
22 Wheel Tractor E1ADKN-B Eng. (Dagenham) 3.3L 199 (3260cc) OHV L4, 95mm Bore (Ford Europe Eng.)				
CRANKSHAFT/OIL PUMP				
QTY	MAIN BEARINGS	PART NO.	SIZE	DESCRIPTION
1	Thrust Washer Set	FP-2248BF	STD	Position 3
CYLINDER COMPONENTS				
QTY	CONNECTING RODS & BRGS.	PART NO.	SIZE	DESCRIPTION
1	Rod Set	FP-42245CPA		

Ford Tractor

Wheel Tractor 201 Eng. (Gas) 23
3.3L 201 OHV L3, 4.4" Bore

CYL. HEAD & PARTS

QTY	VALVE	PART NO.	SIZE	DESCRIPTION
3	Intake	FP-V3945		1.8050" Head Dia., .3714" Stem Dia., 5.7430" O.A.L.
3	Intake	V-3945 +	Std Only	1.8050" Head Dia., .3714" Stem Dia., 5.7430" O.A.L.; When depleted use FP-V3945
3	Exhaust	FP-V2494		1.5000" Head Dia., .3705" Stem Dia., 5.7440" O.A.L.
3	Exhaust	V-2494 +	Std Only	1.5000" Head Dia., .3705" Stem Dia., 5.7440" O.A.L.; When depleted use FP-V2494
12	Keeper	VK-138		1 groove; Square cut key groove
12	Keeper	VK-138R		1 groove; Square cut key groove; Hardened
12	Keeper, Bulk	VK-138B		1 groove; Square cut key groove; Carton of 1000
QTY	VALVE SEAT	PART NO.	SIZE	DESCRIPTION
3	Exh.	245-1630-1	Std Only	1.6300" OD, 1.3350" ID, .3105" Depth
3	Int.	FP-1805250		
QTY	VALVE GUIDE	PART NO.	SIZE	DESCRIPTION
6	Guide	FP-VG5084T		Exh. & Int.; .3750" ID, 3.9690" O.A.L.

ENGINE BLOCK & PARTS

QTY	GASKET SETS	PART NO.	SIZE	DESCRIPTION
1	Kit Gasket Set	FP-2601363		
1	Kit Gasket Set	260-1363		
QTY	CAM BEARINGS	PART NO.	SIZE	DESCRIPTION
1	Cam Set	FP-1477M	Std Only	
1	Cam Set	1477M +	Std Only	When depleted use FP-1477M

CRANKSHAFT/OIL PUMP

QTY	MAIN BEARINGS	PART NO.	SIZE	DESCRIPTION
1	Main Set	FP-5187M	Std-10-20	
1	Main Set	5187M +	Std-10-20	When depleted use FP-5187M
QTY	OIL PUMP	PART NO.	SIZE	DESCRIPTION
1	Oil Pump	FP-22441979		Overall pump body length - 3.80", Repl. O.E. Nos. D1NN-6600D & E1NN-6600DC
1	Oil Pump	224-41979 +		Overall pump body length - 3.80", Repl. O.E. Nos. D1NN-6600D & E1NN-6600DC; When depleted use FP-22441979

CYLINDER COMPONENTS

QTY	LINERS	PART NO.	SIZE	DESCRIPTION
1	Dry Sleeve	FP-SL401M	Std Only	Flanged, press fit design; To be bored & honed in place; .053" Wall
1	Dry Sleeve	SL-401M +	Std Only	Flanged, press fit design; To be bored & honed in place; When depleted use FP-SL401M
QTY	CONNECTING RODS & BRGS.	PART NO.	SIZE	DESCRIPTION
3	Rod Pair	FP-3105P	Std-10-20-30	
3	Rod Pair	3105P +	Std-10-20-30	When depleted use FP-3105P
QTY	PISTON RINGS	PART NO.	SIZE	DESCRIPTION
1	Premium Set	FP-9186KX	Std Only	2-3/32, 1-3/16
1	Premium Set	9186KX +	Std Only	2-3/32, 1-3/16; When depleted use FP-9186KX

Wheel Tractor 201 Eng. (Diesel) 24
3.3L 201 OHV Diesel L3, 4.4" Bore

CYL. HEAD & PARTS

QTY	VALVE	PART NO.	SIZE	DESCRIPTION
3	Intake	FP-V3945		1.8050" Head Dia., .3714" Stem Dia., 5.7430" O.A.L.
3	Intake	V-3945 +	Std Only	1.8050" Head Dia., .3714" Stem Dia., 5.7430" O.A.L.; When depleted use FP-V3945
3	Exhaust	FP-V2494		1.5000" Head Dia., .3705" Stem Dia., 5.7440" O.A.L.
3	Exhaust	V-2494 +	Std Only	1.5000" Head Dia., .3705" Stem Dia., 5.7440" O.A.L.; When depleted use FP-V2494
12	Keeper	VK-138		1 groove; Square cut key groove
12	Keeper	VK-138R		1 groove; Square cut key groove; Hardened
12	Keeper, Bulk	VK-138B		1 groove; Square cut key groove; Carton of 1000
QTY	VALVE SEAT	PART NO.	SIZE	DESCRIPTION
3	Exh.	245-1630-1	Std Only	1.6300" OD, 1.3350" ID, .3105" Depth
3	Int.	FP-1805250		
QTY	VALVE GUIDE	PART NO.	SIZE	DESCRIPTION
6	Guide	FP-VG5084T		Exh. & Int.; .3750" ID, 3.9690" O.A.L.

(continued on next page)

Ford Tractor

24 Wheel Tractor 201 Eng. (Diesel) (cont.) 3.3L 201 OHV Diesel L3, 4.4" Bore

ENGINE BLOCK & PARTS				
QTY	GASKET SETS	PART NO.	SIZE	DESCRIPTION
1	Kit Gasket Set	FP-2601364		From 6/1/69
1	Kit Gasket Set	260-1364		From 6/1/69
1	Kit Gasket Set	FP-2601363		To 5/31/69
1	Kit Gasket Set	260-1363		To 5/31/69
QTY	CAM BEARINGS	PART NO.	SIZE	DESCRIPTION
1	Cam Set	FP-1477M	Std Only	
1	Cam Set	1477M +		When depleted use FP-1477M
CRANKSHAFT/OIL PUMP				
QTY	MAIN BEARINGS	PART NO.	SIZE	DESCRIPTION
1	Main Set	FP-5187M	Std-10-20	
1	Main Set	5187M +	Std-10-20	When depleted use FP-5187M
QTY	OIL PUMP	PART NO.	SIZE	DESCRIPTION
1	Oil Pump	FP-22441979		Overall pump body length - 3.80", Repl. O.E. Nos. D1NN-6600D & E1NN-6600DC
1	Oil Pump	224-41979 +		Overall pump body length - 3.80", Repl. O.E. Nos. D1NN-6600D & E1NN-6600DC; When depleted use FP-22441979
CYLINDER COMPONENTS				
QTY	LINERS	PART NO.	SIZE	DESCRIPTION
1	Dry Sleeve	FP-SL401M	Std Only	Flanged, press fit design; To be bored & honed in place; .053" Wall
1	Dry Sleeve	SL-401M +	Std Only	Flanged, press fit design; To be bored & honed in place; When depleted use FP-SL401M
QTY	PISTONS	PART NO.	SIZE	DESCRIPTION
3	Cast Piston	FP-2359PN	Std-20-40	Cast; 3-3/32", 1-3/16" Ring Groove, 2.662" CD, 1.5000" Pin Dia., Recessed Head .870" deep x 2.280" dia. - 16.5:1 C.R.; Repl O.E. No. C5NN-6108AD; Casting No. C5NN-6110H
3	Cast Piston	2359PN +	Std-20-40	Cast; 3-3/32", 1-3/16" Ring Groove, 2.662" CD, 1.5000" Pin Dia., Recessed Head .870" deep x 2.280" dia. - 16.5:1 C.R.; Repl O.E. No. C5NN-6108AD; Casting No. C5NN-6110H; When depleted use FP-2359PN
QTY	CONNECTING RODS & BRGS.	PART NO.	SIZE	DESCRIPTION
3	Rod Pair	FP-3105P	Std-10-20-30	
3	Rod Pair	3105P +	Std-10-20-30	When depleted use FP-3105P
QTY	PISTON RINGS	PART NO.	SIZE	DESCRIPTION
1	Premium Set	FP-E504KC	Std-20-40	Check piston grooving before supplying ring set; 3-3/32, 1-3/16 (3 cyl. set)
1	Premium Set	E-504KC +	Std-20-40	Check piston grooving before supplying ring set; 3-3/32, 1-3/16 (3 cyl. set); When depleted use FP-E504KC
3	Premium Single Cylinder Set	WE-504KC	Std-20-40	Check piston grooving before supplying ring set; 3-3/32, 1-3/16 (3 cyl. set)
KITS				
QTY	OVERHAUL KIT	PART NO.	SIZE	DESCRIPTION
1	Piston and Ring Kit	PK1-2359D		
1	Piston and Ring Kit w/Bearing	PK2-2359D		
1	Piston Kit w/Ring Set	FP-PK12359D		
1	Piston Kit w/Rings & Bearings	FP-PK22359D		
1	Tractor Overhaul Kit	FP-KST2359A		From 1968 to 05/31/69
1	Tractor Overhaul Kit	FP-KST2359D		From 6/1/69

25 Wheel Tractor 201 Eng. (Turbo-Diesel) 3.3L 201 OHV Turbo-Diesel L3, 4.4" Bore

CYL. HEAD & PARTS				
QTY	VALVE	PART NO.	SIZE	DESCRIPTION
3	Intake	FP-V3945		1.8050" Head Dia., .3714" Stem Dia., 5.7430" O.A.L.
3	Intake	V-3945 +	Std Only	1.8050" Head Dia., .3714" Stem Dia., 5.7430" O.A.L.; When depleted use FP-V3945
3	Exhaust	FP-V2494		1.5000" Head Dia., .3705" Stem Dia., 5.7440" O.A.L.
3	Exhaust	V-2494 +	Std Only	1.5000" Head Dia., .3705" Stem Dia., 5.7440" O.A.L.; When depleted use FP-V2494
12	Keeper	VK-138		1 groove; Square cut key groove
12	Keeper	VK-138R		1 groove; Square cut key groove; Hardened
12	Keeper, Bulk	VK-138B		1 groove; Square cut key groove; Carton of 1000

(continued on next page)

Wheel Tractor 201 Eng. (Turbo-Diesel) 25 3.3L 201 OHV Turbo-Diesel L3, 4.4" Bore (cont.)

CYL. HEAD & PARTS (cont.)

QTY	VALVE SEAT	PART NO.	SIZE	DESCRIPTION
3	Exh.	245-1630-1	Std Only	1.6300" OD, 1.3350" ID, .3105" Depth
3	Int.	FP-1805250		
QTY	VALVE GUIDE	PART NO.	SIZE	DESCRIPTION
6	Guide	FP-VG5084T		Exh. & Int.; .3750" ID, 3.9690" O.A.L.

ENGINE BLOCK & PARTS

QTY	GASKET SETS	PART NO.	SIZE	DESCRIPTION
1	Kit Gasket Set	FP-2601364		From 6/1/69
1	Kit Gasket Set	260-1364		From 6/1/69
1	Kit Gasket Set	FP-2601363		To 5/31/69
1	Kit Gasket Set	260-1363		To 5/31/69
QTY	CAM BEARINGS	PART NO.	SIZE	DESCRIPTION
1	Cam Set	FP-1477M	Std Only	
1	Cam Set	1477M +	Std Only	When depleted use FP-1477M

CRANKSHAFT/OIL PUMP

QTY	MAIN BEARINGS	PART NO.	SIZE	DESCRIPTION
1	Main Set	FP-5187M	Std-10-20	
1	Main Set	5187M +	Std-10-20	When depleted use FP-5187M

CYLINDER COMPONENTS

QTY	LINERS	PART NO.	SIZE	DESCRIPTION
3	Dry Sleeve	FP-SL401M	Std Only	Flanged, press fit design; To be bored & honed in place; .053" Wall
3	Dry Sleeve	SL-401M +	Std Only	Flanged, press fit design; To be bored & honed in place; When depleted use FP-SL401M
QTY	PISTONS	PART NO.	SIZE	DESCRIPTION
3	Cast Piston	FP-2692PN	Std-20-40	Cast; 1-1/8", 2-3/32", 1-3/16" Ring Groove, 2.670" CD, 1.6250" Pin Dia., Recessed Head .817" deep x 2.280" dia. - 16.0:1 C.R.; Repl. O.E. No. D5NN-6110G
3	Cast Piston	2692PN +	Std-20-40	Cast; 1-1/8", 2-3/32", 1-3/16" Ring Groove, 2.670" CD, 1.6250" Pin Dia., Recessed Head .817" deep x 2.280" dia. - 16.0:1 C.R.; Repl. O.E. No. D5NN-6110G; When depleted use FP-2692PN
QTY	CONNECTING RODS & BRGS.	PART NO.	SIZE	DESCRIPTION
3	Rod Pair	FP-3105P	Std-10-20-30	
3	Rod Pair	3105P +	Std-10-20-30	When depleted use FP-3105P
QTY	PISTON RINGS	PART NO.	SIZE	DESCRIPTION
2	Premium Set	E-505KC +	Std-20-30	Keystone Comp. ring; Check piston grooving before supplying ring set; 1-1/8, 2-3/32, 1-3/16 (2 cyl. set); When depleted use FP-E505KC
2	Premium Set	FP-E505KC	Std-20-30-40	Keystone Comp. ring; Check piston grooving before supplying ring set; 1-1/8, 2-3/32, 1-3/16 (2 cyl. set)
3	Premium Single Cylinder Set	WE-505KC	Std-20	Keystone Comp. ring; Check piston grooving before supplying ring set; 1-1/8, 2-3/32, 1-3/16 (2 cyl. set)

Wheel Tractor 201 Eng. (Diesel) 26 3.3L 201 OHV Diesel L3, 4.4" Bore (Ford Europe Eng.)

CYL. HEAD & PARTS

QTY	VALVE	PART NO.	SIZE	DESCRIPTION
3	Intake	FP-V3945		1.8050" Head Dia., .3714" Stem Dia., 5.7430" O.A.L.
3	Intake	V-3945 +	Std Only	1.8050" Head Dia., .3714" Stem Dia., 5.7430" O.A.L.; When depleted use FP-V3945
3	Exhaust	FP-V2494		1.5000" Head Dia., .3705" Stem Dia., 5.7440" O.A.L.
3	Exhaust	V-2494 +	Std Only	1.5000" Head Dia., .3705" Stem Dia., 5.7440" O.A.L.; When depleted use FP-V2494
12	Keeper	VK-138		1 groove; Square cut key groove
12	Keeper	VK-138R		1 groove; Square cut key groove; Hardened
12	Keeper, Bulk	VK-138B		1 groove; Square cut key groove; Carton of 1000
QTY	VALVE SEAT	PART NO.	SIZE	DESCRIPTION
3	Exh.	245-1630-1	Std Only	1.6300" OD, 1.3350" ID, .3105" Depth
3	Int.	FP-1805250		
QTY	VALVE GUIDE	PART NO.	SIZE	DESCRIPTION
6	Guide	FP-VG5084T		Exh. & Int.; .3750" ID, 3.9690" O.A.L.

(continued on next page)

Ford Tractor

26 Wheel Tractor 201 Eng. (Diesel) (cont.) 3.3L 201 OHV Diesel L3, 4.4" Bore (Ford Europe Eng.)

ENGINE BLOCK & PARTS				
QTY	GASKET SETS	PART NO.	SIZE	DESCRIPTION
1	Kit Gasket Set	FP-2601364		From 6/1/69
1	Kit Gasket Set	260-1364		From 6/1/69
1	Kit Gasket Set	FP-2601363		To 5/31/69
1	Kit Gasket Set	260-1363		To 5/31/69
QTY	CAM BEARINGS	PART NO.	SIZE	DESCRIPTION
1	Cam Set	FP-1477M	Std Only	
1	Cam Set	1477M +	Std Only	When depleted use FP-1477M
CRANKSHAFT/OIL PUMP				
QTY	MAIN BEARINGS	PART NO.	SIZE	DESCRIPTION
1	Main Set	FP-5187M	Std-10-20	
1	Main Set	5187M +	Std-10-20	When depleted use FP-5187M
QTY	OIL PUMP	PART NO.	SIZE	DESCRIPTION
1	Oil Pump	FP-22441979		Overall pump body length - 3.80", Repl. O.E. Nos. D1NN-6600D & E1NN-6600DC
1	Oil Pump	224-41979 +		Overall pump body length - 3.80", Repl. O.E. Nos. D1NN-6600D & E1NN-6600DC; When depleted use FP-22441979
CYLINDER COMPONENTS				
QTY	LINERS	PART NO.	SIZE	DESCRIPTION
1	Dry Sleeve	FP-SL401M	Std Only	Flanged, press fit design; To be bored & honed in place; .053" Wall
1	Dry Sleeve	SL-401M +	Std Only	Flanged, press fit design; To be bored & honed in place; When depleted use FP-SL401M
QTY	PISTONS	PART NO.	SIZE	DESCRIPTION
3	Cast Piston	FP-2359PN	Std-20-40	Cast; 3-3/32", 1-3/16" Ring Groove, 2.662" CD, 1.5000" Pin Dia., Recessed Head .870" deep x 2.280" dia. - 16.5:1 C.R.; Repl O.E. No. C5NN-6108AD; Casting No. C5NN-6110H
3	Cast Piston	2359PN +	Std-20-40	Cast; 3-3/32", 1-3/16" Ring Groove, 2.662" CD, 1.5000" Pin Dia., Recessed Head .870" deep x 2.280" dia. - 16.5:1 C.R.; Repl O.E. No. C5NN-6108AD; Casting No. C5NN-6110H; When depleted use FP-2359PN
QTY	CONNECTING RODS & BRGS.	PART NO.	SIZE	DESCRIPTION
3	Rod Pair	FP-3105P	Std-10-20-30	
3	Rod Pair	3105P +	Std-10-20-30	When depleted use FP-3105P
QTY	PISTON RINGS	PART NO.	SIZE	DESCRIPTION
1	Premium Set	FP-E504KC	Std-20-40	Check piston grooving before supplying ring set; 3-3/32, 1-3/16 (3 cyl. set)
1	Premium Set	E-504KC +	Std-20-40	Check piston grooving before supplying ring set; 3-3/32, 1-3/16 (3 cyl. set); When depleted use FP-E504KC
3	Premium Single Cylinder Set	WE-504KC	Std-20-40	Check piston grooving before supplying ring set; 3-3/32, 1-3/16 (3 cyl. set)
KITS				
QTY	OVERHAUL KIT	PART NO.	SIZE	DESCRIPTION
1	Piston and Ring Kit	PK1-2359D		
1	Piston and Ring Kit w/Bearing	PK2-2359D		
1	Piston Kit w/Ring Set	FP-PK12359D		
1	Piston Kit w/Rings & Bearings	FP-PK22359D		
1	Tractor Overhaul Kit	FP-KST2359A		From 1968 to 05/31/69
1	Tractor Overhaul Kit	FP-KST2359D		From 6/1/69

27 Wheel Tractor 220 Dagenham Eng. (Gas) 3.6L 220 (3611cc) OHV L4 (Dagenham), 100mm Bore (Ford Europe Eng.)

CRANKSHAFT/OIL PUMP				
QTY	MAIN BEARINGS	PART NO.	SIZE	DESCRIPTION
1	Thrust Washer Set	FP-2248BF	STD	Position 3
CYLINDER COMPONENTS				
QTY	CONNECTING RODS & BRGS.	PART NO.	SIZE	DESCRIPTION
1	Rod Set	FP-42245CPA		
1	Rod Set	FP-42245CPA20		

Wheel Tractor 220 Dagenham Eng. (Diesel) 28 3.6L 220 (3611cc) OHV Diesel L4 (Dagenham), 100mm Bore (Ford Europe Eng.)					
CRANKSHAFT/OIL PUMP					
QTY	MAIN BEARINGS		PART NO.	SIZE	DESCRIPTION
1	Thrust Washer Set		FP-2248BF	STD	Position 3
CYLINDER COMPONENTS					
QTY	CONNECTING RODS & BRGS.		PART NO.	SIZE	DESCRIPTION
1	Rod Set		FP-42245CPA		
1	Rod Set		FP-42245CPA20		
QTY	PISTON RINGS		PART NO.	SIZE	DESCRIPTION
1	Premium Set		FP-5493KX	Std Only	3-3/32, 2-3/16
1	Premium Set		5493KX +	Std Only	3-3/32, 2-3/16; When depleted use FP-5493KX
Wheel Tractor 223 Eng. (Gas) 29 3.6L 223 OHV L6, 3.625" Bore 1961-64					
CYL. HEAD & PARTS					
QTY	VALVE	YEARS	PART NO.	SIZE	DESCRIPTION
6	Intake		V-1115	Std Only	1.7800" Head Dia., .3421" Stem Dia., 5.1100" O.A.L.
6	Exhaust		V-1127	Std Only	Rototype; Free valve; 1.5100" Head Dia., .3418" Stem Dia., 5.0900" O.A.L.
12	Keeper		VK-115		1 groove; Square cut key groove
12	Keeper		VK-115R		1 groove; Square cut key groove; Hardened
12	Keeper, Bulk		VK-115B		1 groove; Square cut key groove; Carton of 1000
QTY	VALVE GUIDE	YEARS	PART NO.	SIZE	DESCRIPTION
12	Guide		VG-5034		Cut to fit; .3430" ID, 2.5000" O.A.L.
QTY	VALVE SPRING	YEARS	PART NO.	SIZE	DESCRIPTION
12	Spring		VS-1575		2.1250" Free Height
QTY	PUSH RODS	YEARS	PART NO.	SIZE	DESCRIPTION
12	Push Rod		RP-3021		9.8200" O.A.L.
QTY	VALVE SEAL	YEARS	PART NO.	SIZE	DESCRIPTION
12	Valve Stem Seal		ST-2001		Positive type; Installation requires valve guide machining; Rubber/PTFE
12	Valve Stem Seal		MV-1599C		Umbrella type; Rubber
12	Valve Stem Seal Bulk		ST-2001BC		Positive type; Installation requires valve guide machining; Carton of 100; Rubber/PTFE
12	Valve Stem Seal Bulk		MV-1599		Umbrella type; Carton of 100; Rubber
CAMSHAFT GROUP					
QTY	CAMSHAFT/LIFTER	YEARS	PART NO.	SIZE	DESCRIPTION
12	Lifter		AT-892	Std Only	Mech.
ENGINE BLOCK & PARTS					
QTY	CAM BEARINGS	YEARS	PART NO.	SIZE	DESCRIPTION
1	Cam Set		1133M	Std Only	w/o cross-drilled cam journals
CRANKSHAFT/OIL PUMP					
QTY	CRANKSHAFT	YEARS	PART NO.	SIZE	DESCRIPTION
1	Harmonic Balancer Sleeve		88187		
QTY	SEALS - FRONT CRANK	YEARS	PART NO.	SIZE	DESCRIPTION
1	Redi-Sleeve		99187		
1	Oil Seal		350936		
QTY	SEALS - REAR CRANK	YEARS	PART NO.	SIZE	DESCRIPTION
1	Oil Seal Kit		5095		(Rope Type)
QTY	MAIN BEARINGS	YEARS	PART NO.	SIZE	DESCRIPTION
1	Main Set		4056M	Std-10-20-30	
CYLINDER COMPONENTS					
QTY	PISTONS	YEARS	PART NO.	SIZE	DESCRIPTION
6	Cast Piston	64-61	1011P	Std-30-40-60-80	Cast; 2-3/32", 1-3/16" Ring Groove, 1.858" CD, .9122" Pin Dia., Flat Head - 8.3:1 C.R.
6	Cast Piston - Individual	64-61	W1011P	Std-30-40-60-80	Cast; 2-3/32", 1-3/16" Ring Groove, 1.858" CD, .9122" Pin Dia., Flat Head - 8.3:1 C.R.
6	Pin Bushing		2469V		1.276" length
6	Pin Bushing		1834V20		1.306" length; .020" extra bore stock
6	Pin Bushing		1834V		1.306" max. length

(continued on next page)

Ford Tractor

29 Wheel Tractor 223 Eng. (Gas) (cont.) 3.6L 223 OHV L6, 3.625" Bore 1961-64

CYLINDER COMPONENTS (cont.)

QTY	CONNECTING RODS & BRGS.	YEARS	PART NO.	SIZE	DESCRIPTION
6	Rod Pair		1830CP	Std-1-2-10-20-30-40-50	1 oil hole
6	Rod Pair		2465CPB	Std-10-20	3 oil holes
QTY	PISTON RINGS	YEARS	PART NO.	SIZE	DESCRIPTION
1	Premium Set		FP-5666KX	Std Only	2-3/32, 1-3/16
1	Premium Set		5666KX +	Std Only	2-3/32, 1-3/16; When depleted use FP-5666KX

30 Wheel Tractor 233 Eng. (Gas) 3.8L 233 OHV L4, 4.2" Bore

CYL. HEAD & PARTS

QTY	VALVE	PART NO.	SIZE	DESCRIPTION
4	Intake	FP-V3945		1.8050" Head Dia., .3714" Stem Dia., 5.7430" O.A.L.
4	Intake	V-3945 +	Std Only	1.8050" Head Dia., .3714" Stem Dia., 5.7430" O.A.L.; When depleted use FP-V3945
4	Exhaust	FP-V2494		1.5000" Head Dia., .3705" Stem Dia., 5.7440" O.A.L.
4	Exhaust	V-2494 +	Std Only	1.5000" Head Dia., .3705" Stem Dia., 5.7440" O.A.L.; When depleted use FP-V2494
12	Keeper	VK-138		1 groove; Square cut key groove
12	Keeper	VK-138R		1 groove; Square cut key groove; Hardened
12	Keeper, Bulk	VK-138B		1 groove; Square cut key groove; Carton of 1000

ENGINE BLOCK & PARTS

QTY	GASKET SETS	PART NO.	SIZE	DESCRIPTION
1	Kit Gasket Set	FP-2601362		
1	Kit Gasket Set	260-1362		
QTY	CAM BEARINGS	PART NO.	SIZE	DESCRIPTION
1	Cam Set	FP-1478M	Std Only	
1	Cam Set	1478M +	Std Only	When depleted use FP-1478M

CRANKSHAFT/OIL PUMP

QTY	MAIN BEARINGS	PART NO.	SIZE	DESCRIPTION
1	Main Set	FP-5122M	Std-10-20	
1	Main Set	5122M +	Std-10	When depleted use FP-5122M
QTY	OIL PUMP	PART NO.	SIZE	DESCRIPTION
1	Oil Pump	FP-22441979		Overall pump body length - 3.80", Repl. O.E. Nos. D1NN-6600D & E1NN-6600DC
1	Oil Pump	224-41979 +		Overall pump body length - 3.80", Repl. O.E. Nos. D1NN-6600D & E1NN-6600DC; When depleted use FP-22441979

CYLINDER COMPONENTS

QTY	LINERS	PART NO.	SIZE	DESCRIPTION
1	Repair Sleeve	FP-SL379M	Std Only	.080" wall, cut to length, press fit sleeve
1	Repair Sleeve	SL-379M +	Std Only	.080" wall, cut to length, press fit sleeve; When depleted use FP-SL379M
QTY	CONNECTING RODS & BRGS.	PART NO.	SIZE	DESCRIPTION
4	Rod Pair	FP-3105P	Std-10-20-30	Non-Turbo Eng.
4	Rod Pair	3105P +	Std-10-20-30	Non-Turbo Eng.; When depleted use FP-3105P
4	Rod Pair	FP-3105CPA	Std-10-20-30	Turbo Eng.
4	Rod Pair	3105CPA +	Std-10-20-30	Turbo Eng.; When depleted use FP-3105CPA
QTY	PISTON RINGS	PART NO.	SIZE	DESCRIPTION
4	Premium Set	FP-E502KC	Std-20-40	2-3/32, 1-3/16 (1 cyl. set)
4	Premium Set	E-502KC +	Std-20-40	2-3/32, 1-3/16 (1 cyl. set); When depleted use FP-E502KC

31 Wheel Tractor 233 Eng. (Diesel) 3.8L 233 OHV Diesel L4, 4.2" Bore

CYL. HEAD & PARTS

QTY	VALVE	PART NO.	SIZE	DESCRIPTION
4	Intake	FP-V3945		1.8050" Head Dia., .3714" Stem Dia., 5.7430" O.A.L.
4	Intake	V-3945 +	Std Only	1.8050" Head Dia., .3714" Stem Dia., 5.7430" O.A.L.; When depleted use FP-V3945
4	Exhaust	FP-V2494		1.5000" Head Dia., .3705" Stem Dia., 5.7440" O.A.L.

(continued on next page)

Ford Tractor

Wheel Tractor 233 Eng. (Diesel) 31 3.8L 233 OHV Diesel L4, 4.2" Bore (cont.)

CYL. HEAD & PARTS (cont.)					
QTY	VALVE (cont.)		PART NO.	SIZE	DESCRIPTION
4	Exhaust		V-2494 +	Std Only	1.5000" Head Dia., .3705" Stem Dia., 5.7440" O.A.L.; When depleted use FP-V2494
12	Keeper		VK-138		1 groove; Square cut key groove
12	Keeper		VK-138R		1 groove; Square cut key groove; Hardened
12	Keeper, Bulk		VK-138B		1 groove; Square cut key groove; Carton of 1000
ENGINE BLOCK & PARTS					
QTY	GASKET SETS		PART NO.	SIZE	DESCRIPTION
1	Kit Gasket Set		FP-2601362		
1	Kit Gasket Set		260-1362		
QTY	CAM BEARINGS		PART NO.	SIZE	DESCRIPTION
1	Cam Set		FP-1478M	Std Only	
1	Cam Set		1478M +	Std Only	When depleted use FP-1478M
CRANKSHAFT/OIL PUMP					
QTY	MAIN BEARINGS		PART NO.	SIZE	DESCRIPTION
1	Main Set		FP-5122M	Std-10-20	
1	Main Set		5122M +	Std-10	When depleted use FP-5122M
QTY	OIL PUMP		PART NO.	SIZE	DESCRIPTION
1	Oil Pump		FP-22441979		Overall pump body length - 3.80", Repl. O.E. Nos. D1NN-6600D & E1NN-6600DC
1	Oil Pump		224-41979 +		Overall pump body length - 3.80", Repl. O.E. Nos. D1NN-6600D & E1NN-6600DC; When depleted use FP-22441979
CYLINDER COMPONENTS					
QTY	LINERS		PART NO.	SIZE	DESCRIPTION
1	Repair Sleeve		FP-SL379M	Std Only	.080" wall, cut to length, press fit sleeve
1	Repair Sleeve		SL-379M +	Std Only	.080" wall, cut to length, press fit sleeve; When depleted use FP-SL379M
QTY	PISTONS		PART NO.	SIZE	DESCRIPTION
4	Cast Piston		FP-2417PN	Std-20-30-40	Cast; 3-3/32", 1-3/16" Ring Groove, 2.762" CD, 1.5000" Pin Dia., Recessed Head .705" deep x 2.340" dia. - 16.5:1 C.R.; Repl. O.E. No. C7NN-6108AJ; Casting No. C5NN-6110J
4	Cast Piston		2417PN +	Std-20-30-40	Cast; 3-3/32", 1-3/16" Ring Groove, 2.762" CD, 1.5000" Pin Dia., Recessed Head .705" deep x 2.340" dia. - 16.5:1 C.R.; Repl. O.E. No. C7NN-6108AJ; Casting No. C5NN-6110J; When depleted use FP-2417PN
QTY	CONNECTING RODS & BRGS.		PART NO.	SIZE	DESCRIPTION
4	Rod Pair		FP-3105P	Std-10-20-30	Non-Turbo Eng.
4	Rod Pair		3105P +	Std-10-20-30	Non-Turbo Eng.; When depleted use FP-3105P
4	Rod Pair		FP-3105CPA	Std-10-20-30	Turbo Eng.
4	Rod Pair		3105CPA +	Std-10-20-30	Turbo Eng.; When depleted use FP-3105CPA
QTY	PISTON RINGS		PART NO.	SIZE	DESCRIPTION
4	Premium Set		FP-E503KC	Std-20-30-40	3-3/32, 1-3/16 (1 cyl. set)
4	Premium Set		E-503KC +	Std-20-30-40	3-3/32, 1-3/16 (1 cyl. set); When depleted use FP-E503KC
KITS					
QTY	OVERHAUL KIT		PART NO.	SIZE	DESCRIPTION
1	Tractor Overhaul Kit		FP-KST2417C		
Wheel Tractor 233 Eng. (Gas) 32 3.8L 233 OHV L4, 4.2" Bore (Ford Europe Eng.) 1965-72					
CYL. HEAD & PARTS					
QTY	VALVE	YEARS	PART NO.	SIZE	DESCRIPTION
4	Intake	72-65	FP-V3945		1.8050" Head Dia., .3714" Stem Dia., 5.7430" O.A.L.
4	Intake	72-65	V-3945 +	Std Only	1.8050" Head Dia., .3714" Stem Dia., 5.7430" O.A.L.; When depleted use FP-V3945
4	Exhaust	72-65	FP-V2494		1.5000" Head Dia., .3705" Stem Dia., 5.7440" O.A.L.
4	Exhaust	72-65	V-2494 +	Std Only	1.5000" Head Dia., .3705" Stem Dia., 5.7440" O.A.L.; When depleted use FP-V2494
12	Keeper	72-65	VK-138		1 groove; Square cut key groove
12	Keeper	72-65	VK-138R		1 groove; Square cut key groove; Hardened
12	Keeper, Bulk	72-65	VK-138B		1 groove; Square cut key groove; Carton of 1000

(continued on next page)

Ford Tractor

32 Wheel Tractor 233 Eng. (Gas) (cont.) 3.8L 233 OHV L4, 4.2" Bore (Ford Europe Eng.) 1965-72					
ENGINE BLOCK & PARTS					
QTY	GASKET SETS	YEARS	PART NO.	SIZE	DESCRIPTION
1	Kit Gasket Set	72-65	FP-2601362		
1	Kit Gasket Set	72-65	260-1362		
QTY	CAM BEARINGS	YEARS	PART NO.	SIZE	DESCRIPTION
1	Cam Set	72-65	FP-1478M	Std Only	
1	Cam Set	72-65	1478M +	Std Only	When depleted use FP-1478M
CRANKSHAFT/OIL PUMP					
QTY	MAIN BEARINGS	YEARS	PART NO.	SIZE	DESCRIPTION
1	Main Set	72-65	FP-5122M	Std-10-20	
1	Main Set	72-65	5122M +	Std-10	When depleted use FP-5122M
QTY	OIL PUMP	YEARS	PART NO.	SIZE	DESCRIPTION
1	Oil Pump	72-65	FP-22441979		Overall pump body length - 3.80", Repl. O.E. Nos. D1NN-6600D & E1NN-6600DC
1	Oil Pump	72-65	224-41979 +		Overall pump body length - 3.80", Repl. O.E. Nos. D1NN-6600D & E1NN-6600DC; When depleted use FP-22441979
CYLINDER COMPONENTS					
QTY	LINERS	YEARS	PART NO.	SIZE	DESCRIPTION
1	Repair Sleeve	72-65	FP-SL379M	Std Only	.080" wall, cut to length, press fit sleeve
1	Repair Sleeve	72-65	SL-379M +	Std Only	.080" wall, cut to length, press fit sleeve; When depleted use FP-SL379M
QTY	CONNECTING RODS & BRGS.	YEARS	PART NO.	SIZE	DESCRIPTION
4	Rod Pair	72-65	FP-3105P	Std-10-20-30	
4	Rod Pair	72-65	3105P +	Std-10-20-30	When depleted use FP-3105P
QTY	PISTON RINGS	YEARS	PART NO.	SIZE	DESCRIPTION
4	Premium Set	72-65	FP-E502KC	Std-20-40	2-3/32, 1-3/16 (1 cyl. set)
4	Premium Set	72-65	E-502KC +	Std-20-40	2-3/32, 1-3/16 (1 cyl. set); When depleted use FP-E502KC
33 Wheel Tractor 233 Eng. (Turbo) 3.8L 233 OHV Turbo L4, 4.2" Bore (Ford Europe Eng.) 1965-72					
ENGINE BLOCK & PARTS					
QTY	GASKET SETS	YEARS	PART NO.	SIZE	DESCRIPTION
1	Kit Gasket Set	72-65	FP-2601362		
1	Kit Gasket Set	72-65	260-1362		
QTY	CAM BEARINGS	YEARS	PART NO.	SIZE	DESCRIPTION
1	Cam Set	72-65	FP-1478M	Std Only	
1	Cam Set	72-65	1478M +	Std Only	When depleted use FP-1478M
CRANKSHAFT/OIL PUMP					
QTY	MAIN BEARINGS	YEARS	PART NO.	SIZE	DESCRIPTION
1	Main Set	72-65	FP-5122M	Std-10-20	
1	Main Set	72-65	5122M +	Std-10	When depleted use FP-5122M
CYLINDER COMPONENTS					
QTY	LINERS	YEARS	PART NO.	SIZE	DESCRIPTION
1	Repair Sleeve	72-65	FP-SL379M	Std Only	.080" wall, cut to length, press fit sleeve
1	Repair Sleeve	72-65	SL-379M +	Std Only	.080" wall, cut to length, press fit sleeve; When depleted use FP-SL379M
QTY	CONNECTING RODS & BRGS.	YEARS	PART NO.	SIZE	DESCRIPTION
4	Rod Pair	72-65	FP-3105CPA	Std-10-20-30	
4	Rod Pair	72-65	3105CPA +	Std-10-20-30	When depleted use FP-3105CPA
34 Wheel Tractor 242 Dorset Eng. (Gas) 4.0L 242 OHV L6 (Gas), 3.625" Bore					
CYL. HEAD & PARTS					
QTY	VALVE		PART NO.	SIZE	DESCRIPTION
6	Intake		V-1115	Std Only	1.7800" Head Dia., .3421" Stem Dia., 5.1100" O.A.L.
12	Keeper		VK-115		1 groove; Square cut key groove
12	Keeper		VK-115R		1 groove; Square cut key groove; Hardened
12	Keeper, Bulk		VK-115B		1 groove; Square cut key groove; Carton of 1000

(continued on next page)

Ford Tractor

Wheel Tractor 242 Dorset Eng. (Gas) 34 4.0L 242 OHV L6 (Gas), 3.625" Bore (cont.)

ENGINE BLOCK & PARTS

QTY	CAM BEARINGS	PART NO.	SIZE	DESCRIPTION
1	Cam Set	1133M	Std Only	w/o cross-drilled cam journals

CRANKSHAFT/OIL PUMP

QTY	MAIN BEARINGS	PART NO.	SIZE	DESCRIPTION
1	Main Set	4056M	Std-10-20-30	

CYLINDER COMPONENTS

QTY	PISTONS	PART NO.	SIZE	DESCRIPTION
6	Pin Bushing	1834V20		1.306" length; .020" extra bore stock
6	Pin Bushing	1834V		1.306" max. length

QTY	CONNECTING RODS & BRGS.	PART NO.	SIZE	DESCRIPTION
6	Rod Pair	1830CP	Std-1-2-10-20-30-40-50	1 oil hole

QTY	PISTON RINGS	PART NO.	SIZE	DESCRIPTION
1	Premium Set	FP-5666KX	Std Only	2-3/32, 1-3/16
1	Premium Set	5666KX +	Std Only	2-3/32, 1-3/16; When depleted use FP-5666KX

Wheel Tractor 242 Dorset Eng. (Diesel) 35 4.0L 242 OHV Diesel L6, 3.625" Bore

CYL. HEAD & PARTS

QTY	VALVE	PART NO.	SIZE	DESCRIPTION
12	Keeper	VK-115		1 groove; Square cut key groove
12	Keeper	VK-115R		1 groove; Square cut key groove; Hardened
12	Keeper, Bulk	VK-115B		1 groove; Square cut key groove; Carton of 1000

CAMSHAFT GROUP

QTY	CAMSHAFT/LIFTER	PART NO.	SIZE	DESCRIPTION
12	Lifter	AT-892	Std Only	Mech.

ENGINE BLOCK & PARTS

QTY	CAM BEARINGS	PART NO.	SIZE	DESCRIPTION
1	Cam Set	1133M	Std Only	w/o cross-drilled cam journals

CRANKSHAFT/OIL PUMP

QTY	MAIN BEARINGS	PART NO.	SIZE	DESCRIPTION
1	Main Set	4056M	Std-10-20-30	

CYLINDER COMPONENTS

QTY	PISTONS	PART NO.	SIZE	DESCRIPTION
6	Pin Bushing	1834V20		1.306" length; .020" extra bore stock
6	Pin Bushing	1834V		1.306" max. length

QTY	CONNECTING RODS & BRGS.	PART NO.	SIZE	DESCRIPTION
6	Rod Pair	1830CP	Std-1-2-10-20-30-40-50	1 oil hole

Wheel Tractor 256 Eng. (Gas) 36 4.2L 256 OHV L4, 4.4" Bore

CYL. HEAD & PARTS

QTY	VALVE	PART NO.	SIZE	DESCRIPTION
4	Intake	FP-V3945		1.8050" Head Dia., .3714" Stem Dia., 5.7430" O.A.L.
4	Intake	V-3945 +	Std Only	1.8050" Head Dia., .3714" Stem Dia., 5.7430" O.A.L.; When depleted use FP-V3945
4	Exhaust	FP-V2494		1.5000" Head Dia., .3705" Stem Dia., 5.7440" O.A.L.
4	Exhaust	V-2494 +	Std Only	1.5000" Head Dia., .3705" Stem Dia., 5.7440" O.A.L.; When depleted use FP-V2494

QTY	VALVE SEAT	PART NO.	SIZE	DESCRIPTION
4	Exh.	245-1630-1	Std Only	1.6300" OD, 1.3350" ID, .3105" Depth
4	Int.	FP-1805250		

ENGINE BLOCK & PARTS

QTY	CAM BEARINGS	PART NO.	SIZE	DESCRIPTION
1	Cam Set	FP-1478M	Std Only	
1	Cam Set	1478M +	Std Only	When depleted use FP-1478M

(continued on next page)

+ Superseded Part Number

Ford Tractor

36 Wheel Tractor 256 Eng. (Gas) (cont.) 4.2L 256 OHV L4, 4.4" Bore

CRANKSHAFT/OIL PUMP				
QTY	MAIN BEARINGS	PART NO.	SIZE	DESCRIPTION
1	Main Set	FP-5122M	Std-10-20	
1	Main Set	5122M +	Std-10	When depleted use FP-5122M
QTY	OIL PUMP	PART NO.	SIZE	DESCRIPTION
1	Oil Pump	FP-22441979		Overall pump body length - 3.80", Repl. O.E. Nos. D1NN-6600D & E1NN-6600DC
1	Oil Pump	224-41979 +		Overall pump body length - 3.80", Repl. O.E. Nos. D1NN-6600D & E1NN-6600DC; When depleted use FP-22441979
1	Oil Pump	FP-22441993		Overall pump body length - 4.60"; Repl. O.E. No. E1NN-6600C
1	Oil Pump	224-41993 +		Overall pump body length - 4.60"; Repl. O.E. No. E1NN-6600C; When depleted use FP-22441993
CYLINDER COMPONENTS				
QTY	CONNECTING RODS & BRGS.	PART NO.	SIZE	DESCRIPTION
4	Rod Pair	FP-3105P	Std-10-20-30	
4	Rod Pair	3105P +	Std-10-20-30	When depleted use FP-3105P
QTY	PISTON RINGS	PART NO.	SIZE	DESCRIPTION
2	Premium Set	FP-E506KC	Std-20-30-40	Check piston grooving before supplying ring set; 3-3/32, 1-3/16 (2 cyl. set)
2	Premium Set	E-506KC +	Std-20-30-40	Check piston grooving before supplying ring set; 3-3/32, 1-3/16 (2 cyl. set); When depleted use FP-E506KC
4	Premium Single Cylinder Set	WE-506KC	Std-20-40	Check piston grooving before supplying ring set; 3-3/32, 1-3/16 (2 cyl. set)

37 Wheel Tractor 256 Eng. (Diesel) 4.2L 256 OHV Diesel L4, 4.4" Bore

CYL. HEAD & PARTS				
QTY	VALVE	PART NO.	SIZE	DESCRIPTION
4	Intake	FP-V3945		Models 5000 & Super Major only; 1.8050" Head Dia., .3714" Stem Dia., 5.7430" O.A.L.
4	Intake	V-3945 +	Std Only	Models 5000 & Super Major only; 1.8050" Head Dia., .3714" Stem Dia., 5.7430" O.A.L.; When depleted use FP-V3945
4	Exhaust	FP-V2494		Models 5000 & Super Major only; 1.5000" Head Dia., .3705" Stem Dia., 5.7440" O.A.L.
4	Exhaust	V-2494 +	Std Only	Models 5000 & Super Major only; 1.5000" Head Dia., .3705" Stem Dia., 5.7440" O.A.L.; When depleted use FP-V2494
QTY	VALVE SEAT	PART NO.	SIZE	DESCRIPTION
4	Exh.	245-1630-1	Std Only	1.6300" OD, 1.3350" ID, .3105" Depth
4	Int.	FP-1805250		
QTY	VALVE GUIDE	PART NO.	SIZE	DESCRIPTION
8	Guide	FP-VG5084T		Exh. & Int.; .3750" ID, 3.9690" O.A.L.
ENGINE BLOCK & PARTS				
QTY	GASKET SETS	PART NO.	SIZE	DESCRIPTION
1	Kit Gasket Set	FP-2601365		
1	Kit Gasket Set	260-1365		
QTY	CAM BEARINGS	PART NO.	SIZE	DESCRIPTION
1	Cam Set	FP-1478M	Std Only	
1	Cam Set	1478M +	Std Only	When depleted use FP-1478M
CRANKSHAFT/OIL PUMP				
QTY	MAIN BEARINGS	PART NO.	SIZE	DESCRIPTION
1	Main Set	FP-5122M	Std-10-20	
1	Main Set	5122M +	Std-10	When depleted use FP-5122M
QTY	OIL PUMP	PART NO.	SIZE	DESCRIPTION
1	Oil Pump	FP-22441979		Overall pump body length - 3.80", Repl. O.E. Nos. D1NN-6600D & E1NN-6600DC
1	Oil Pump	224-41979 +		Overall pump body length - 3.80", Repl. O.E. Nos. D1NN-6600D & E1NN-6600DC; When depleted use FP-22441979
1	Oil Pump	FP-22441993		Overall pump body length - 4.60"; Repl. O.E. No. E1NN-6600C
1	Oil Pump	224-41993 +		Overall pump body length - 4.60"; Repl. O.E. No. E1NN-6600C; When depleted use FP-22441993

(continued on next page)

Ford Tractor

Wheel Tractor 256 Eng. (Diesel) 37 4.2L 256 OHV Diesel L4, 4.4" Bore (cont.)

CYLINDER COMPONENTS				
QTY	LINERS	PART NO.	SIZE	DESCRIPTION
4	Dry Sleeve	FP-SL401M	Std Only	Models 5500 & 5550; From 6/68; Flanged, press fit design; To be bored & honed in place; .053" Wall
4	Dry Sleeve	SL-401M +	Std Only	Models 5500 & 5550; From 6/68; Flanged, press fit design; To be bored & honed in place; When depleted use FP-SL401M
QTY	PISTONS	PART NO.	SIZE	DESCRIPTION
4	Cast Piston	FP-2631PN	Std-20-40	Cast; 3-3/32", 1-3/16" Ring Groove, 2.780" CD, 1.5000" Pin Dia., Recessed Head .730" deep x 2.500" dia. - 16.5:1 C.R.; Repl. O.E. Nos. N-6108N, D4NN-6108AA & EDPN-6102A; Casting No. E4NN-6110E
4	Cast Piston	2631PN +	Std-20-40	Cast; 3-3/32", 1-3/16" Ring Groove, 2.780" CD, 1.5000" Pin Dia., Recessed Head .730" deep x 2.500" dia. - 16.5:1 C.R.; Repl. O.E. Nos. N-6108N, D4NN-6108AA & EDPN-6102A; Casting No. E4NN-6110E; When depleted use FP-2631PN
QTY	CONNECTING RODS & BRGS.	PART NO.	SIZE	DESCRIPTION
4	Rod Pair	FP-3105P	Std-10-20-30	
4	Rod Pair	3105P +	Std-10-20-30	When depleted use FP-3105P
QTY	PISTON RINGS	PART NO.	SIZE	DESCRIPTION
2	Premium Set	FP-E506KC	Std-20-30-40	Check piston grooving before supplying ring set; 3-3/32, 1-3/16 (2 cyl. set)
2	Premium Set	E-506KC +	Std-20-30-40	Check piston grooving before supplying ring set; 3-3/32, 1-3/16 (2 cyl. set); When depleted use FP-E506KC
4	Premium Single Cylinder Set	WE-506KC	Std-20-40	Check piston grooving before supplying ring set; 3-3/32, 1-3/16 (2 cyl. set)
KITS				
QTY	OVERHAUL KIT	PART NO.	SIZE	DESCRIPTION
1	Piston and Ring Kit	PK1-2631A		
1	Piston and Ring Kit w/Bearing	PK2-2631A		
1	Piston Kit w/Ring Set	FP-PK12631A		
1	Piston Kit w/Rings & Bearings	FP-PK22631A		
1	Tractor Overhaul Kit	FP-KST2631A		
Wheel Tractor 256 Eng. (Turbo-Diesel) 38 4.2L 256 OHV Turbo-Diesel L4, 4.4" Bore				
CYL. HEAD & PARTS				
QTY	VALVE SEAT	PART NO.	SIZE	DESCRIPTION
4	Exh.	245-1630-1	Std Only	1.6300" OD, 1.3350" ID, .3105" Depth
4	Int.	FP-1805250		
ENGINE BLOCK & PARTS				
QTY	GASKET SETS	PART NO.	SIZE	DESCRIPTION
1	Kit Gasket Set	FP-2601365		
1	Kit Gasket Set	260-1365		
QTY	CAM BEARINGS	PART NO.	SIZE	DESCRIPTION
1	Cam Set	FP-1478M	Std Only	
1	Cam Set	1478M +	Std Only	When depleted use FP-1478M
CRANKSHAFT/OIL PUMP				
QTY	MAIN BEARINGS	PART NO.	SIZE	DESCRIPTION
1	Main Set	FP-5122M	Std-10-20	
1	Main Set	5122M +	Std-10	When depleted use FP-5122M
CYLINDER COMPONENTS				
QTY	LINERS	PART NO.	SIZE	DESCRIPTION
4	Dry Sleeve	FP-SL401M	Std Only	Models 5500 & 5550; From 6/68; Flanged, press fit design; To be bored & honed in place; .053" Wall
4	Dry Sleeve	SL-401M +	Std Only	Models 5500 & 5550; From 6/68; Flanged, press fit design; To be bored & honed in place; When depleted use FP-SL401M
QTY	CONNECTING RODS & BRGS.	PART NO.	SIZE	DESCRIPTION
4	Rod Pair	FP-3105CPA	Std-10-20-30	
4	Rod Pair	3105CPA +	Std-10-20-30	When depleted use FP-3105CPA
QTY	PISTON RINGS	PART NO.	SIZE	DESCRIPTION
2	Premium Set	FP-E505KC	Std-20-30-40	1-1/8, 2-3/32, 1-3/16 (2 cyl. set)
2	Premium Set	E-505KC +	Std-20-30	1-1/8, 2-3/32, 1-3/16 (2 cyl. set); When depleted use FP-E505KC

(continued on next page)

+ Superseded Part Number

Ford Tractor

38 Wheel Tractor 256 Eng. (Turbo-Diesel) (cont.) 4.2L 256 OHV Turbo-Diesel L4, 4.4" Bore

CYLINDER COMPONENTS (cont.)

QTY	PISTON RINGS (cont.)	PART NO.	SIZE	DESCRIPTION
4	Premium Single Cylinder Set	WE-505KC	Std-20	1-1/8, 2-3/32, 1-3/16 (2 cyl. set)

39 Wheel Tractor 268 Eng. (Gas) 4.4L 268 OHV L4, 4.4" Bore

ENGINE BLOCK & PARTS

QTY	GASKET SETS	PART NO.	SIZE	DESCRIPTION
1	Kit Gasket Set	FP-2601365		
1	Kit Gasket Set	260-1365		
QTY	CAM BEARINGS	PART NO.	SIZE	DESCRIPTION
1	Cam Set	FP-1478M	Std Only	
1	Cam Set	1478M +	Std Only	When depleted use FP-1478M

CRANKSHAFT/OIL PUMP

QTY	MAIN BEARINGS	PART NO.	SIZE	DESCRIPTION
1	Main Set	FP-5122M	Std-10-20	
1	Main Set	5122M +	Std-10	When depleted use FP-5122M

CYLINDER COMPONENTS

QTY	CONNECTING RODS & BRGS.	PART NO.	SIZE	DESCRIPTION
4	Rod Pair	FP-3105P	Std-10-20-30	
4	Rod Pair	3105P +	Std-10-20-30	When depleted use FP-3105P

40 Wheel Tractor 268 Eng. (Diesel) 4.4L 268 OHV Diesel L4, 4.4" Bore

ENGINE BLOCK & PARTS

QTY	GASKET SETS	PART NO.	SIZE	DESCRIPTION
1	Kit Gasket Set	FP-2601365		
1	Kit Gasket Set	260-1365		
QTY	CAM BEARINGS	PART NO.	SIZE	DESCRIPTION
1	Cam Set	FP-1478M	Std Only	
1	Cam Set	1478M +	Std Only	When depleted use FP-1478M

CRANKSHAFT/OIL PUMP

QTY	MAIN BEARINGS	PART NO.	SIZE	DESCRIPTION
1	Main Set	FP-5122M	Std-10-20	
1	Main Set	5122M +	Std-10	When depleted use FP-5122M

CYLINDER COMPONENTS

QTY	CONNECTING RODS & BRGS.	PART NO.	SIZE	DESCRIPTION
4	Rod Pair	FP-3105P	Std-10-20-30	
4	Rod Pair	3105P +	Std-10-20-30	When depleted use FP-3105P

41 Wheel Tractor 268 Eng. (Turbo-Diesel) 4.4L 268 OHV Turbo-Diesel L4, 4.4" Bore

ENGINE BLOCK & PARTS

QTY	CAM BEARINGS	PART NO.	SIZE	DESCRIPTION
1	Cam Set	FP-1478M	Std Only	
1	Cam Set	1478M +	Std Only	When depleted use FP-1478M

CRANKSHAFT/OIL PUMP

QTY	MAIN BEARINGS	PART NO.	SIZE	DESCRIPTION
1	Main Set	FP-5122M	Std-10-20	
1	Main Set	5122M +	Std-10	When depleted use FP-5122M

CYLINDER COMPONENTS

QTY	CONNECTING RODS & BRGS.	PART NO.	SIZE	DESCRIPTION
4	Rod Pair	FP-3105P	Std-10-20-30	
4	Rod Pair	3105P +	Std-10-20-30	When depleted use FP-3105P

Ford Tractor

Combine 300 Eng. (Gas) 42
4.9L 300 OHV L6, 4" Bore

ENGINE BLOCK & PARTS

QTY	CAM BEARINGS	PART NO.	SIZE	DESCRIPTION
1	Cam Set	1450M		Std Only

CRANKSHAFT/OIL PUMP

QTY	MAIN BEARINGS	PART NO.	SIZE	DESCRIPTION
1	Main Set	4916M		Std-1-10-20-30-40 3.602" max. brg. flange OD
1	Main Set	7153M10		10-20-30 3.602" max. brg. flange OD; .020" O/S length flange brg.

CYLINDER COMPONENTS

QTY	CONNECTING RODS & BRGS.	PART NO.	SIZE	DESCRIPTION
1	Rod Set	6-3150CPA10X2		Use in .002" O/S Rod Bore 10X2-20X2
1	Rod Set	6-3150CPA		Std-1-10-20-30-40-50 6-3150CAA 60 avail. as unplated & resizeable
1	Rod Set	FP-63150CAA60		
6	Rod Pair	3150CPA		Std-1-2-10-20-30-40-50

Wheel Tractor 43
5.4L 330 OHV V8 (M/D Eng.), 3.875" Bore 1964-69

CRANKSHAFT/OIL PUMP

QTY	CRANKSHAFT	YEARS	PART NO.	SIZE	DESCRIPTION
1	Harmonic Balancer Sleeve	69-64	88187		
QTY	SEALS - FRONT CRANK	YEARS	PART NO.	SIZE	DESCRIPTION
1	Redi-Sleeve	69-64	99187		
1	Oil Seal	69-64	2942		
QTY	SEALS - REAR CRANK	YEARS	PART NO.	SIZE	DESCRIPTION
1	Oil Seal	69-64	5112S		
1	Oil Seal Kit	69-64	5095		(Rope Type)

Wheel Tractor 44
5.4L 330 (5416cc) OHV Diesel L6 (Dagenham), 100mm Bore (Ford Europe Eng.)

CRANKSHAFT/OIL PUMP

QTY	MAIN BEARINGS	PART NO.	SIZE	DESCRIPTION
1	Thrust Washer Set	FP-2248BF		STD Position 4

CYLINDER COMPONENTS

QTY	CONNECTING RODS & BRGS.	PART NO.	SIZE	DESCRIPTION
6	Rod Pair	FP-2245CPA		
6	Rod Pair	FP-2245CPA20		

Wheel Tractor 401 Eng. (Diesel) 45
6.6L 401 OHV Diesel L6, 4.4" Bore

CYL. HEAD & PARTS

QTY	VALVE	PART NO.	SIZE	DESCRIPTION
6	Intake	FP-V3945		1.8050" Head Dia., .3714" Stem Dia., 5.7430" O.A.L.
6	Intake	V-3945 +		Std Only 1.8050" Head Dia., .3714" Stem Dia., 5.7430" O.A.L.; When depleted use FP-V3945
6	Exhaust	FP-V2494		1.5000" Head Dia., .3705" Stem Dia., 5.7440" O.A.L.
6	Exhaust	V-2494 +		Std Only 1.5000" Head Dia., .3705" Stem Dia., 5.7440" O.A.L.; When depleted use FP-V2494
24	Keeper	FP-41339		Exh. & Int.; 1 groove; Square cut key groove

QTY	VALVE GUIDE	PART NO.	SIZE	DESCRIPTION
12	Guide	FP-VG5084T		Exh. & Int.; .3750" ID, 3.9690" O.A.L.

ENGINE BLOCK & PARTS

QTY	GASKET SETS	PART NO.	SIZE	DESCRIPTION
1	Kit Gasket Set	FP-2601366		Compl., w/9/16" head bolts
1	Kit Gasket Set	260-1366		Compl., w/9/16" head bolts
QTY	CAM BEARINGS	PART NO.	SIZE	DESCRIPTION
1	Cam Set	FP-1478M		Std Only
1	Cam Set	1478M +		Std Only When depleted use FP-1478M

(continued on next page)

Ford Tractor

45 Wheel Tractor 401 Eng. (Diesel)				
(cont.) 6.6L 401 OHV Diesel L6, 4.4" Bore				
CRANKSHAFT/OIL PUMP				
QTY	SEALS - FRONT CRANK	PART NO.	SIZE	DESCRIPTION
1	Oil Seal	712511		
QTY	SEALS - REAR CRANK	PART NO.	SIZE	DESCRIPTION
1	Oil Seal	712449		
QTY	MAIN BEARINGS	PART NO.	SIZE	DESCRIPTION
1	Main Set	FP-7214M	Std-10-20	
1	Main Set	7214M +	Std-10-20	When depleted use FP-7214M
CYLINDER COMPONENTS				
QTY	LINERS	PART NO.	SIZE	DESCRIPTION
6	Dry Sleeve	FP-SL401M	Std Only	Flanged, press fit design; To be bored & honed in place; .053" Wall
6	Dry Sleeve	SL-401M +	Std Only	Flanged, press fit design; To be bored & honed in place; When depleted use FP-SL401M
QTY	PISTONS	PART NO.	SIZE	DESCRIPTION
6	Cast Piston	FP-2359PN	Std-20-40	Cast; 3-3/32", 1-3/16" Ring Groove, 2.662" CD, 1.5000" Pin Dia., Recessed Head .870" deep x 2.280" dia. - 16.5:1 C.R.; Repl O.E. No. C5NN-6108AD; Casting No. C5NN-6110H
6	Cast Piston	2359PN +	Std-20-40	Cast; 3-3/32", 1-3/16" Ring Groove, 2.662" CD, 1.5000" Pin Dia., Recessed Head .870" deep x 2.280" dia. - 16.5:1 C.R.; Repl O.E. No. C5NN-6108AD; Casting No. C5NN-6110H; When depleted use FP-2359PN
QTY	CONNECTING RODS & BRGS.	PART NO.	SIZE	DESCRIPTION
6	Rod Pair	FP-3105P	Std-10-20-30	
6	Rod Pair	3105P +	Std-10-20-30	When depleted use FP-3105P
QTY	PISTON RINGS	PART NO.	SIZE	DESCRIPTION
2	Premium Set	E-504KC +	Std-20-40	Check piston grooving before supplying ring set; Rectangular top groove; 3-3/32, 1-3/16 (3 cyl. set); When depleted use FP-E504KC
2	Premium Set	FP-E504KC	Std-20-40	Check piston grooving before supplying ring set; Rectangular top groove; 3-3/32, 1-3/16 (3 cyl. set)
6	Premium Single Cylinder Set	WE-504KC	Std-20-40	Check piston grooving before supplying ring set; Rectangular top groove; 3-3/32, 1-3/16 (3 cyl. set)
KITS				
QTY	OVERHAUL KIT	PART NO.	SIZE	DESCRIPTION
1	Piston and Ring Kit	PK1-2359C		
1	Piston and Ring Kit w/Bearing	PK2-2359C		
1	Piston Kit w/Ring Set	FP-PK12359C		
1	Piston Kit w/Rings & Bearings	FP-PK22359C		
1	Tractor Overhaul Kit	FP-KST2359E		
46 Wheel Tractor 401 Eng. (Turbo-Diesel)				
6.6L 401 OHV Turbo-Diesel L6, 4.4" Bore				
ENGINE BLOCK & PARTS				
QTY	GASKET SETS	PART NO.	SIZE	DESCRIPTION
1	Kit Gasket Set	FP-2601366		Compl., w/9/16" head bolts
1	Kit Gasket Set	260-1366		Compl., w/9/16" head bolts
QTY	CAM BEARINGS	PART NO.	SIZE	DESCRIPTION
1	Cam Set	FP-1478M	Std Only	
1	Cam Set	1478M +	Std Only	When depleted use FP-1478M
CRANKSHAFT/OIL PUMP				
QTY	SEALS - FRONT CRANK	PART NO.	SIZE	DESCRIPTION
1	Oil Seal	712511		
QTY	SEALS - REAR CRANK	PART NO.	SIZE	DESCRIPTION
1	Oil Seal	712449		
QTY	MAIN BEARINGS	PART NO.	SIZE	DESCRIPTION
1	Main Set	FP-7214M	Std-10-20	
1	Main Set	7214M +	Std-10-20	When depleted use FP-7214M
CYLINDER COMPONENTS				
QTY	LINERS	PART NO.	SIZE	DESCRIPTION
6	Dry Sleeve	FP-SL401M	Std Only	Flanged, press fit design; To be bored & honed in place; .053" Wall

(continued on next page)

Ford Tractor

Wheel Tractor 401 Eng. (Turbo-Diesel) 46 6.6L 401 OHV Turbo-Diesel L6, 4.4" Bore (cont.)

CYLINDER COMPONENTS (cont.)				
QTY	LINERS (cont.)	PART NO.	SIZE	DESCRIPTION
6	Dry Sleeve	SL-401M +	Std Only	Flanged, press fit design; To be bored & honed in place; When depleted use FP-SL401M
QTY	PISTONS	PART NO.	SIZE	DESCRIPTION
6	Cast Piston	FP-2692PN	Std-20-40	1969-7/76; Cast; 1-1/8", 2-3/32", 1-3/16" Ring Groove, 2.670" CD, 1.6250" Pin Dia., Recessed Head .817" deep x 2.280" dia. - 16.0:1 C.R.; Repl. O.E. No. D5NN-6110G
6	Cast Piston	2692PN +	Std-20-40	1969-7/76; Cast; 1-1/8", 2-3/32", 1-3/16" Ring Groove, 2.670" CD, 1.6250" Pin Dia., Recessed Head .817" deep x 2.280" dia. - 16.0:1 C.R.; Repl. O.E. No. D5NN-6110G; When depleted use FP-2692PN
QTY	CONNECTING RODS & BRGS.	PART NO.	SIZE	DESCRIPTION
6	Rod Pair	FP-3105CPA	Std-10-20-30	
6	Rod Pair	3105CPA +	Std-10-20-30	When depleted use FP-3105CPA
QTY	PISTON RINGS	PART NO.	SIZE	DESCRIPTION
1	Premium Set	FP-E900KC	Std-20-30-40	Use w/3-ring piston; 1-1/8, 1-3/32, 1-3/16
1	Premium Set	E-900KC +	Std-20-30	Use w/3-ring piston; 1-1/8, 1-3/32, 1-3/16; When depleted use FP-E900KC
3	Premium Set	FP-E505KC	Std-20-30-40	1-1/8, 2-3/32, 1-3/16 (2 cyl. set)
3	Premium Set	E-505KC +	Std-20-30	1-1/8, 2-3/32, 1-3/16 (2 cyl. set); When depleted use FP-E505KC
6	Premium Single Cylinder Set	WE-505KC	Std-20	1-1/8, 2-3/32, 1-3/16 (2 cyl. set)
KITS				
QTY	OVERHAUL KIT	PART NO.	SIZE	DESCRIPTION
1	Piston and Ring Kit	PK1-2692A		
1	Piston Kit w/Ring Set	FP-PK12692A		
1	Piston Kit w/Rings & Bearings	FP-PK22692A		
1	Tractor Overhaul Kit	FP-KST2692B		

Ford Truck - L/D - Refer to SP1501 & SP1502 Catalogs Ford Truck - M/D & H/D

Engine Finding Index					
Engine	Years	Line No.	Engine	Years	Line No.
2.6L 159 OHV Diesel L3 3.875" Bore (3-53) (Detroit Diesel Eng.) M/D Truck.....	1972-73	1	5.4L 330 OHV V8 3.875" Bore (H/D Eng.) M/D Truck.....	1964-78	21
3.6L 220 (3611cc) OHV Diesel L4 100mm Bore (Dagenham) (Ford Europe Eng.) M/D Truck.....	1964-66	2	5.4L 330 OHV V8 3.875" Bore (H/D Eng.) H/D Truck.....	1964-78	21
3.6L 223 OHV L6 3.625" Bore M/D Truck.....	1954-64	3	5.4L 330 (5416cc) OHV Diesel L6 100mm Bore (Dagenham) (Ford Europe Eng.) M/D Truck.....	1962-66	22
3.9L 239.4 L-HEAD V8 3.1875" Bore (Ford/Mercury) H/D Truck.....	1951-52	4	5.4L 332 OHV V8 3.8125" Bore M/D Truck.....	1956-63	23
3.9L 240 OHV L6 4" Bore M/D Truck.....	1965-72	5	5.4L 332 OHV V8 3.8125" Bore H/D Truck.....	1956-66	23
4.0L 242 OHV Diesel L6 3.625" Bore M/D Truck.....	1967-70	6	5.9L 359 (5882cc) OHV Turbo-Diesel L6 102mm Bore (12 Valve) (Cummins Eng.) M/D Truck.....	1992-97	24
4.2L 254 L-HEAD L6 3.5" Bore M/D Truck.....	1948-53	7	5.9L 359 (5882cc) OHV Turbo-Diesel L6 102mm Bore (12 Valve) (Cummins Eng.) H/D Truck.....	1992-97	24
4.2L 256 OHV V8 3.625" Bore (Mercury) H/D Truck.....	1954-55	8	5.9L 359 OHV V8 4.05" Bore M/D Truck.....	1973-78	25
4.3L 262 OHV L6 3.7188" Bore M/D Truck.....	1961-64	9	5.9L 360 OHV V8 4.05" Bore M/D Truck.....	1968-77	26
4.4L 272 OHV V8 3.625" Bore H/D Truck.....	1956-58	10	5.9L 361 OHV V8 4.05" Bore M/D Truck.....	1964-78	27
4.6L 279 OHV V8 3.5625" Bore M/D Truck.....	1952-55	11	5.9L 361 OHV V8 4.05" Bore H/D Truck.....	1964-78	27
4.6L 279 OHV V8 3.5625" Bore H/D Truck.....	1954-55	12	5.9L 363 (5945cc) OHV Diesel L6 104.8mm Bore (Dorset) (Ford Europe Eng.) M/D Truck.....	1967-69	28
4.8L 292 OHV V8 3.75" Bore M/D Truck.....	1959-64	13	6.1L 370 OHV V8 4.05" Bore M/D Truck.....	1979-91	29
4.8L 292 OHV V8 3.75" Bore H/D Truck.....	1959	14	6.1L 370 OHV V8 4.05" Bore H/D Truck.....	1979-91	29
4.9L 300 OHV L6 4" Bore M/D Truck.....	1965-79	15	6.1L 370 OHV LPG V8 4.05" Bore M/D Truck.....	1979-91	30
4.9L 300 OHV L6 4" Bore (H/D Eng.) M/D Truck.....	1965-79	16	6.1L 389 OHV V8 4.05" Bore M/D Truck.....	1973-78	31
5.0L 302 OHV V8 3.625" Bore M/D Truck.....	1956-63	17	6.4L 389 OHV V8 4.05" Bore H/D Truck.....	1973-78	31
5.2L 317 OHV V8 3.8125" Bore M/D Truck.....	1952-55	18	6.4L 390 OHV V8 4.05" Bore M/D Truck.....	1968-77	32
5.2L 317 OHV V8 3.8125" Bore H/D Truck.....	1952-55	18	6.4L 391 OHV V8 4.05" Bore M/D Truck.....	1964-78	33
5.2L 318 OHV Diesel V6 3.875" Bore (Detroit Diesel Eng.) M/D Truck.....	1970-72	19	6.4L 391 OHV V8 4.05" Bore H/D Truck.....	1964-78	33
5.2L 318 OHV Diesel V6 3.875" Bore (Detroit Diesel Eng.) H/D Truck.....	1968-72	19	6.6L 401 OHV V8 4.125" Bore M/D Truck.....	1972-75	34
5.4L 330 OHV V8 3.875" Bore (M/D Eng.) M/D Truck.....	1964-78	20	6.6L 401 OHV V8 4.125" Bore H/D Truck.....	1958-78	35
5.4L 330 OHV V8 3.875" Bore (M/D Eng.) H/D Truck.....	1964-78	20	6.6L 401 OHV Turbo-Diesel L6 4.4" Bore M/D Truck.....	1987-95	36

(continued on next page)
+ Superseded Part Number

Ford Truck - M/D & H/D

Engine Finding Index					
Engine	Years	Line No.	Engine	Years	Line No.
6.6L 401 OHV Turbo-Diesel L6 4.4" Bore H/D Truck.....	1986-95	36	9.1L 555 OHV Turbo-Diesel V8 4.625" Bore (Cummins Eng.) H/D Truck.....	1975-85	61
7.0L 426 OHV Diesel L6 4.25" Bore (6-71) (Detroit Diesel Eng.) M/D Truck.....	1977-86	37	9.3L 568 OHV Diesel V8 4.25" Bore (Detroit Diesel Eng.) M/D Truck.....	1979	62
7.0L 426 OHV Diesel L6 4.25" Bore (6-71) (Detroit Diesel Eng.) H/D Truck.....	1967-86	37	9.3L 568 OHV Diesel V8 4.25" Bore (Detroit Diesel Eng.) H/D Truck.....	1966-89	63
7.0L 429 OHV V8 4.36" Bore M/D Truck.....	1979-98	38	9.3L 568 OHV Turbo-Diesel V8 4.25" Bore (Detroit Diesel Eng.) M/D Truck.....	1979	64
7.0L 429 OHV V8 4.36" Bore H/D Truck.....	1979-98	38	9.4L 573 OHV Diesel V8 4.5" Bore (Caterpillar Eng.) M/D Truck.....	1968-75	65
7.0L 429 OHV LPG V8 4.36" Bore M/D Truck.....	1979-98	39	9.4L 573 OHV Diesel V8 4.5" Bore (Caterpillar Eng.) H/D Truck.....	1968-75	65
7.5L 460 OHV V8 4.36" Bore M/D Truck.....	1973-78	40	10.0L 611 OHV Turbo-Diesel L6 125mm Bore (Cummins Eng.) H/D Truck.....	1984-97	66
7.5L 460 OHV LPG V8 4.36" Bore M/D Truck.....	1975-87	41	10.4L 636 OHV Diesel V8 4.5" Bore (Caterpillar Eng.) M/D Truck.....	1968-90	67
7.6L 464 OHV Diesel L6 4.4375" Bore (Cummins Eng.) M/D Truck.....	1967-69	42	10.4L 636 OHV Diesel V8 4.5" Bore (Caterpillar Eng.) H/D Truck.....	1968-93	68
7.6L 464 OHV Diesel L6 4.4375" Bore (Cummins Eng.) H/D Truck.....	1967-70	42	10.5L 638 OHV Turbo-Diesel L6 4.75" Bore (Caterpillar Eng.) H/D Truck.....	1988-89	69
7.8L 475 OHV V8 4.5" Bore M/D Truck.....	1972-79	43	11.0L 672 OHV Diesel L6 4.875" Bore (Cummins Eng.) H/D Truck.....	1964-65	70
7.8L 475 OHV V8 4.5" Bore H/D Truck.....	1972-79	43	11.1L 677 SOHC Turbo-Diesel L6 130mm Bore (24 Valve) (Detroit Diesel Eng.) H/D Truck.....	1991-97	71
7.8L 476 OHV Turbo-Diesel L6 4.4" Bore M/D Truck.....	1987-95	44	12.1L 736 OHV Turbo-Diesel V8 4.84" Bore (Detroit Diesel Eng.) H/D Truck.....	1978-88	72
7.8L 476 OHV Turbo-Diesel L6 4.4" Bore H/D Truck.....	1987-95	44	12.2L 743 OHV Diesel L6 5.125" Bore (Cummins Eng.) M/D Truck.....	1964-69	73
7.8L 477 OHV V8 4.5" Bore M/D Truck.....	1972-81	45	12.2L 743 OHV Diesel L6 5.125" Bore (Cummins Eng.) H/D Truck.....	1964-69	73
7.8L 477 OHV V8 4.5" Bore H/D Truck.....	1958-81	46	12.7L 774 SOHC Turbo-Diesel L6 130mm Bore (24 Valve) (Detroit Diesel Eng.) H/D Truck.....	1991-97	74
8.2L 500 OHV Diesel V8 108mm Bore (Fuel Pincher) (Detroit Diesel Eng.) M/D Truck.....	1980-93	47	14.0L 855 OHV Diesel L6 5.5" Bore (Cummins Eng.) H/D Truck.....	1964-72	75
8.2L 500 OHV Diesel V8 108mm Bore (Fuel Pincher) (Detroit Diesel Eng.) H/D Truck.....	1980-93	47	14.0L 855 OHV Turbo-Diesel L6 5.5" Bore (Cummins Eng.) M/D Truck.....	1977-86	76
8.2L 500 OHV Turbo-Diesel V8 108mm Bore (Fuel Pincher) (Detroit Diesel Eng.) M/D Truck.....	1980-88	48	14.0L 855 OHV Turbo-Diesel L6 5.5" Bore (Cummins Eng.) H/D Truck.....	1964-78	77
8.3L 505 OHV Turbo-Diesel L6 114mm Bore (Cummins Eng.) M/D Truck.....	1992-97	49	14.6L 893 OHV Turbo-Diesel L6 5.4" Bore (Caterpillar Eng.) M/D Truck.....	1985	78
8.3L 505 OHV Turbo-Diesel L6 114mm Bore (Cummins Eng.) H/D Truck.....	1993	50	14.6L 893 OHV Turbo-Diesel L6 5.4" Bore (Caterpillar Eng.) H/D Truck.....	1976-85	79
8.5L 522 OHV Diesel V8 4.5" Bore (Caterpillar Eng.) M/D Truck.....	1968-75	51	14.8L 903 OHV Diesel V8 5.5" Bore (Cummins Eng.) H/D Truck.....	1970-79	80
8.5L 522 OHV Diesel V8 4.5" Bore (Caterpillar Eng.) H/D Truck.....	1968-75	52	15.2L 927 OHV Diesel L6 5.5" Bore (Cummins Eng.) H/D Truck.....	1974-83	81
8.6L 525 OHV Turbo-Diesel L6 4.5" Bore (Caterpillar Eng.) H/D Truck.....	1965-69	53	18.8L 1150 OHV Turbo-Diesel L6 6.25" Bore (Cummins Eng.) M/D Truck.....	1980	82
8.8L 534 OHV V8 4.5" Bore M/D Truck.....	1972-81	54	18.8L 1150 OHV Turbo-Diesel L6 6.25" Bore (Cummins Eng.) H/D Truck.....	1978-84	83
8.8L 534 OHV V8 4.5" Bore H/D Truck.....	1958-81	55			
9.0L 552 OHV Diesel V6 4.84" Bore (Detroit Diesel Eng.) M/D Truck.....	1979-80	56			
9.0L 552 OHV Turbo-Diesel V6 4.84" Bore (Detroit Diesel Eng.) M/D Truck.....	1987-88	57			
9.0L 552 OHV Turbo-Diesel V6 4.84" Bore (Detroit Diesel Eng.) H/D Truck.....	1978-86	58			
9.1L 555 OHV Diesel V8 4.625" Bore (Cummins Eng.) M/D Truck.....	1973-79	59			
9.1L 555 OHV Diesel V8 4.625" Bore (Cummins Eng.) H/D Truck.....	1973-79	59			
9.1L 555 OHV Turbo-Diesel V8 4.625" Bore (Cummins Eng.) M/D Truck.....	1975-82	60			

Engine Code Index					
Engine Code	Engine Description	Line No.	Engine Code	Engine Description	Line No.
CF160.....	7.6L 464 OHV Diesel L6 4.4375" Bore (Cummins Eng.) M/D Truck..	42	FD1060.....	5.9L 359 (5882cc) OHV Turbo-Diesel L6 102mm Bore (12 Valve) (Cummins Eng.) M/D Truck.....	24
CF160.....	7.6L 464 OHV Diesel L6 4.4375" Bore (Cummins Eng.) H/D Truck..	42	FD1060.....	5.9L 359 (5882cc) OHV Turbo-Diesel L6 102mm Bore (12 Valve) (Cummins Eng.) H/D Truck.....	24
C160.....	7.6L 464 OHV Diesel L6 4.4375" Bore (Cummins Eng.) M/D Truck..	42	Formula 230.....	14.0L 855 OHV Turbo-Diesel L6 5.5" Bore (Cummins Eng.) M/D Truck.....	76
C160.....	7.6L 464 OHV Diesel L6 4.4375" Bore (Cummins Eng.) H/D Truck..	42	Formula 230.....	14.0L 855 OHV Turbo-Diesel L6 5.5" Bore (Cummins Eng.) H/D Truck.....	77
C180.....	7.6L 464 OHV Diesel L6 4.4375" Bore (Cummins Eng.) M/D Truck..	42			
C180.....	7.6L 464 OHV Diesel L6 4.4375" Bore (Cummins Eng.) H/D Truck..	42			

(continued on next page)

Ford Truck - M/D & H/D

Engine Code Index					
Engine Code	Engine Description	Line No.	Engine Code	Engine Description	Line No.
Formula 290	14.0L 855 OHV Turbo-Diesel L6 5.5" Bore (Cummins Eng.) M/D Truck.....	76	NTC335	14.0L 855 OHV Turbo-Diesel L6 5.5" Bore (Cummins Eng.) M/D Truck.....	76
Formula 290	14.0L 855 OHV Turbo-Diesel L6 5.5" Bore (Cummins Eng.) H/D Truck.....	77	NTC335	14.0L 855 OHV Turbo-Diesel L6 5.5" Bore (Cummins Eng.) H/D Truck.....	77
Formula 300	14.0L 855 OHV Turbo-Diesel L6 5.5" Bore (Cummins Eng.) M/D Truck.....	76	NTC350	14.0L 855 OHV Turbo-Diesel L6 5.5" Bore (Cummins Eng.) M/D Truck.....	76
Formula 300	14.0L 855 OHV Turbo-Diesel L6 5.5" Bore (Cummins Eng.) H/D Truck.....	77	NTC350	14.0L 855 OHV Turbo-Diesel L6 5.5" Bore (Cummins Eng.) H/D Truck.....	77
Formula 350	14.0L 855 OHV Turbo-Diesel L6 5.5" Bore (Cummins Eng.) M/D Truck.....	76	NTC365	14.0L 855 OHV Turbo-Diesel L6 5.5" Bore (Cummins Eng.) M/D Truck.....	76
Formula 350	14.0L 855 OHV Turbo-Diesel L6 5.5" Bore (Cummins Eng.) H/D Truck.....	77	NTC365	14.0L 855 OHV Turbo-Diesel L6 5.5" Bore (Cummins Eng.) H/D Truck.....	77
Formula 365	14.0L 855 OHV Turbo-Diesel L6 5.5" Bore (Cummins Eng.) M/D Truck.....	76	NTC400	14.0L 855 OHV Turbo-Diesel L6 5.5" Bore (Cummins Eng.) M/D Truck.....	76
Formula 365	14.0L 855 OHV Turbo-Diesel L6 5.5" Bore (Cummins Eng.) H/D Truck.....	77	NTC400	14.0L 855 OHV Turbo-Diesel L6 5.5" Bore (Cummins Eng.) H/D Truck.....	77
Formula 400	14.0L 855 OHV Turbo-Diesel L6 5.5" Bore (Cummins Eng.) M/D Truck.....	76	NTC444	14.0L 855 OHV Turbo-Diesel L6 5.5" Bore (Cummins Eng.) M/D Truck.....	76
Formula 400	14.0L 855 OHV Turbo-Diesel L6 5.5" Bore (Cummins Eng.) H/D Truck.....	77	NTC444	14.0L 855 OHV Turbo-Diesel L6 5.5" Bore (Cummins Eng.) H/D Truck.....	77
NHC250.....	14.0L 855 OHV Diesel L6 5.5" Bore (Cummins Eng.) H/D Truck	75	N672.....	11.0L 672 OHV Diesel L6 4.875" Bore (Cummins Eng.) H/D Truck..	70
NHE180.....	12.2L 743 OHV Diesel L6 5.125" Bore (Cummins Eng.) H/D Truck..	73	N927.....	15.2L 927 OHV Diesel L6 5.5" Bore (Cummins Eng.) H/D Truck	81
NHE195.....	12.2L 743 OHV Diesel L6 5.125" Bore (Cummins Eng.) H/D Truck..	73	Super 250.....	15.2L 927 OHV Diesel L6 5.5" Bore (Cummins Eng.) H/D Truck	81
NH220	12.2L 743 OHV Diesel L6 5.125" Bore (Cummins Eng.) M/D Truck .	73	VT555.....	9.1L 555 OHV Turbo-Diesel V8 4.625" Bore (Cummins Eng.) M/D Truck.....	60
NH220	12.2L 743 OHV Diesel L6 5.125" Bore (Cummins Eng.) H/D Truck..	73	VT555.....	9.1L 555 OHV Turbo-Diesel V8 4.625" Bore (Cummins Eng.) H/D Truck.....	61
NH230	14.0L 855 OHV Diesel L6 5.5" Bore (Cummins Eng.) H/D Truck	75	V150	8.5L 522 OHV Diesel V8 4.5" Bore (Caterpillar Eng.) M/D Truck.....	51
NTC230	14.0L 855 OHV Turbo-Diesel L6 5.5" Bore (Cummins Eng.) M/D Truck.....	76	V150	8.5L 522 OHV Diesel V8 4.5" Bore (Caterpillar Eng.) H/D Truck.....	52
NTC230	14.0L 855 OHV Turbo-Diesel L6 5.5" Bore (Cummins Eng.) H/D Truck.....	77	V175	8.5L 522 OHV Diesel V8 4.5" Bore (Caterpillar Eng.) M/D Truck.....	51
NTC270.....	14.0L 855 OHV Turbo-Diesel L6 5.5" Bore (Cummins Eng.) M/D Truck.....	76	V175	8.5L 522 OHV Diesel V8 4.5" Bore (Caterpillar Eng.) H/D Truck.....	52
NTC270.....	14.0L 855 OHV Turbo-Diesel L6 5.5" Bore (Cummins Eng.) H/D Truck.....	77	V190	10.4L 636 OHV Diesel V8 4.5" Bore (Caterpillar Eng.) M/D Truck.....	67
NTC290.....	14.0L 855 OHV Turbo-Diesel L6 5.5" Bore (Cummins Eng.) M/D Truck.....	76	V190	10.4L 636 OHV Diesel V8 4.5" Bore (Caterpillar Eng.) H/D Truck.....	68
NTC290.....	14.0L 855 OHV Turbo-Diesel L6 5.5" Bore (Cummins Eng.) H/D Truck.....	77	V195	10.4L 636 OHV Diesel V8 4.5" Bore (Caterpillar Eng.) M/D Truck.....	67
NTC300.....	14.0L 855 OHV Turbo-Diesel L6 5.5" Bore (Cummins Eng.) M/D Truck.....	76	V195	10.4L 636 OHV Diesel V8 4.5" Bore (Caterpillar Eng.) H/D Truck.....	68
NTC300.....	14.0L 855 OHV Turbo-Diesel L6 5.5" Bore (Cummins Eng.) H/D Truck.....	77	V200	9.4L 573 OHV Diesel V8 4.5" Bore (Caterpillar Eng.) M/D Truck.....	65
NTC315.....	14.0L 855 OHV Turbo-Diesel L6 5.5" Bore (Cummins Eng.) M/D Truck.....	76	V200	9.4L 573 OHV Diesel V8 4.5" Bore (Caterpillar Eng.) H/D Truck.....	65
NTC315.....	14.0L 855 OHV Turbo-Diesel L6 5.5" Bore (Cummins Eng.) H/D Truck.....	77	V225	10.4L 636 OHV Diesel V8 4.5" Bore (Caterpillar Eng.) M/D Truck.....	67
			V225	10.4L 636 OHV Diesel V8 4.5" Bore (Caterpillar Eng.) H/D Truck.....	68
			V555	9.1L 555 OHV Diesel V8 4.625" Bore (Cummins Eng.) M/D Truck .	59
			V555	9.1L 555 OHV Diesel V8 4.625" Bore (Cummins Eng.) H/D Truck..	59
			V903.....	14.8L 903 OHV Diesel V8 5.5" Bore (Cummins Eng.) H/D Truck	80

(continued on next page)

Ford Truck - M/D & H/D

Engine Code Index					
Engine Code	Engine Description	Line No.	Engine Code	Engine Description	Line No.
1140	8.5L 522 OHV Diesel V8 4.5" Bore (Caterpillar Eng.) M/D Truck	51	330 M/D	5.4L 330 OHV V8 3.875" Bore (M/D Eng.) M/D Truck	20
1140	8.5L 522 OHV Diesel V8 4.5" Bore (Caterpillar Eng.) H/D Truck	52	330 M/D	5.4L 330 OHV V8 3.875" Bore (M/D Eng.) H/D Truck	20
1145	8.5L 522 OHV Diesel V8 4.5" Bore (Caterpillar Eng.) M/D Truck	51	332	5.4L 332 OHV V8 3.8125" Bore M/D Truck	23
1145	8.5L 522 OHV Diesel V8 4.5" Bore (Caterpillar Eng.) H/D Truck	52	332	5.4L 332 OHV V8 3.8125" Bore H/D Truck	23
1150	9.4L 573 OHV Diesel V8 4.5" Bore (Caterpillar Eng.) M/D Truck	65	333	5.4L 332 OHV V8 3.8125" Bore M/D Truck	23
1150	9.4L 573 OHV Diesel V8 4.5" Bore (Caterpillar Eng.) H/D Truck	65	333	5.4L 332 OHV V8 3.8125" Bore H/D Truck	23
1160	10.4L 636 OHV Diesel V8 4.5" Bore (Caterpillar Eng.) M/D Truck	67	3406	14.6L 893 OHV Turbo-Diesel L6 5.4" Bore (Caterpillar Eng.) M/D Truck	78
1160	10.4L 636 OHV Diesel V8 4.5" Bore (Caterpillar Eng.) H/D Truck	68	3406	14.6L 893 OHV Turbo-Diesel L6 5.4" Bore (Caterpillar Eng.) H/D Truck	79
220 Diesel	3.6L 220 (3611cc) OHV Diesel L4 100mm Bore (Dagenham) (Ford Europe Eng.) M/D Truck	2	359	5.9L 359 OHV V8 4.05" Bore M/D Truck	25
223	3.6L 223 OHV L6 3.625" Bore M/D Truck	3	360	5.9L 360 OHV V8 4.05" Bore M/D Truck	26
239	3.9L 239.4 L-HEAD V8 3.1875" Bore (Ford/Mercury) H/D Truck	4	361	5.9L 361 OHV V8 4.05" Bore M/D Truck	27
240	3.9L 240 OHV L6 4" Bore M/D Truck	5	361	5.9L 361 OHV V8 4.05" Bore H/D Truck	27
254	4.2L 254 L-HEAD L6 3.5" Bore M/D Truck	7	370	6.1L 370 OHV V8 4.05" Bore M/D Truck	29
256	4.2L 256 OHV V8 3.625" Bore (Mercury) H/D Truck	8	370	6.1L 370 OHV V8 4.05" Bore H/D Truck	29
262	4.3L 262 OHV L6 3.7188" Bore M/D Truck	9	370 LPG	6.1L 370 OHV LPG V8 4.05" Bore M/D Truck	30
272	4.4L 272 OHV V8 3.625" Bore H/D Truck	10	389	6.4L 389 OHV V8 4.05" Bore M/D Truck	31
279	4.6L 279 OHV V8 3.5625" Bore M/D Truck	11	389	6.4L 389 OHV V8 4.05" Bore H/D Truck	31
279	4.6L 279 OHV V8 3.5625" Bore H/D Truck	12	390	6.4L 390 OHV V8 4.05" Bore M/D Truck	32
292	4.8L 292 OHV V8 3.75" Bore M/D Truck	13	391	6.4L 391 OHV V8 4.05" Bore M/D Truck	33
292	4.8L 292 OHV V8 3.75" Bore H/D Truck	14	391	6.4L 391 OHV V8 4.05" Bore H/D Truck	33
3-53	2.6L 159 OHV Diesel L3 3.875" Bore (3-53) (Detroit Diesel Eng.) M/D Truck	1	401	6.6L 401 OHV V8 4.125" Bore M/D Truck	34
3-53N	2.6L 159 OHV Diesel L3 3.875" Bore (3-53) (Detroit Diesel Eng.) M/D Truck	1	401	6.6L 401 OHV V8 4.125" Bore H/D Truck	35
300	4.9L 300 OHV L6 4" Bore M/D Truck	15	403 Turbo-Diesel	6.6L 401 OHV Turbo-Diesel L6 4.4" Bore M/D Truck	36
300 H/D	4.9L 300 OHV L6 4" Bore (H/D Eng.) M/D Truck	16	403 Turbo-Diesel	6.6L 401 OHV Turbo-Diesel L6 4.4" Bore H/D Truck	36
302	5.0L 302 OHV V8 3.625" Bore M/D Truck	17	429	7.0L 429 OHV V8 4.36" Bore M/D Truck	38
317	5.2L 317 OHV V8 3.8125" Bore M/D Truck	18	429	7.0L 429 OHV V8 4.36" Bore H/D Truck	38
317	5.2L 317 OHV V8 3.8125" Bore H/D Truck	18	429 LPG	7.0L 429 OHV LPG V8 4.36" Bore M/D Truck	39
3208	10.4L 636 OHV Diesel V8 4.5" Bore (Caterpillar Eng.) M/D Truck	67	460	7.5L 460 OHV V8 4.36" Bore M/D Truck	40
3208	10.4L 636 OHV Diesel V8 4.5" Bore (Caterpillar Eng.) H/D Truck	68	460 LPG	7.5L 460 OHV LPG V8 4.36" Bore M/D Truck	41
3208N	10.4L 636 OHV Diesel V8 4.5" Bore (Caterpillar Eng.) M/D Truck	67	475	7.8L 475 OHV V8 4.5" Bore M/D Truck	43
3208N	10.4L 636 OHV Diesel V8 4.5" Bore (Caterpillar Eng.) H/D Truck	68	475	7.8L 475 OHV V8 4.5" Bore H/D Truck	43
330 Diesel	5.4L 330 (5416cc) OHV Diesel L6 100mm Bore (Dagenham) (Ford Europe Eng.) M/D Truck	22	476 Turbo-Diesel	7.8L 476 OHV Turbo-Diesel L6 4.4" Bore M/D Truck	44
330 H/D	5.4L 330 OHV V8 3.875" Bore (H/D Eng.) M/D Truck	21	476 Turbo-Diesel	7.8L 476 OHV Turbo-Diesel L6 4.4" Bore H/D Truck	44
330 H/D	5.4L 330 OHV V8 3.875" Bore (H/D Eng.) H/D Truck	21	477	7.8L 477 OHV V8 4.5" Bore M/D Truck	45
			477	7.8L 477 OHV V8 4.5" Bore H/D Truck	46

(continued on next page)

Ford Truck - M/D & H/D

Engine Code Index					
Engine Code	Engine Description	Line No.	Engine Code	Engine Description	Line No.
534	8.8L 534 OHV V8 4.5" Bore M/D Truck	54	6V-92T	9.0L 552 OHV Turbo-Diesel V6 4.84" Bore (Detroit Diesel Eng.) H/D Truck	58
534	8.8L 534 OHV V8 4.5" Bore H/D Truck	55	8.2 (Fuel Pincher)	8.2L 500 OHV Diesel V8 108mm Bore (Fuel Pincher) (Detroit Diesel Eng.) M/D Truck	47
6-71	7.0L 426 OHV Diesel L6 4.25" Bore (6-71) (Detroit Diesel Eng.) M/D Truck	37	8.2 (Fuel Pincher)	8.2L 500 OHV Diesel V8 108mm Bore (Fuel Pincher) (Detroit Diesel Eng.) H/D Truck	47
6-71	7.0L 426 OHV Diesel L6 4.25" Bore (6-71) (Detroit Diesel Eng.) H/D Truck	37	8.2N (Fuel Pincher)	8.2L 500 OHV Diesel V8 108mm Bore (Fuel Pincher) (Detroit Diesel Eng.) M/D Truck	47
6-71E	7.0L 426 OHV Diesel L6 4.25" Bore (6-71) (Detroit Diesel Eng.) M/D Truck	37	8.2N (Fuel Pincher)	8.2L 500 OHV Diesel V8 108mm Bore (Fuel Pincher) (Detroit Diesel Eng.) H/D Truck	47
6-71E	7.0L 426 OHV Diesel L6 4.25" Bore (6-71) (Detroit Diesel Eng.) H/D Truck	37	8.2T (Fuel Pincher)	8.2L 500 OHV Turbo-Diesel V8 108mm Bore (Fuel Pincher) (Detroit Diesel Eng.) M/D Truck	48
6-71N	7.0L 426 OHV Diesel L6 4.25" Bore (6-71) (Detroit Diesel Eng.) M/D Truck	37	8V-71	9.3L 568 OHV Diesel V8 4.25" Bore (Detroit Diesel Eng.) M/D Truck	62
6-71N	7.0L 426 OHV Diesel L6 4.25" Bore (6-71) (Detroit Diesel Eng.) H/D Truck	37	8V-71	9.3L 568 OHV Diesel V8 4.25" Bore (Detroit Diesel Eng.) H/D Truck	63
6V-53	5.2L 318 OHV Diesel V6 3.875" Bore (Detroit Diesel Eng.) M/D Truck	19	8V-71E	9.3L 568 OHV Diesel V8 4.25" Bore (Detroit Diesel Eng.) M/D Truck	62
6V-53	5.2L 318 OHV Diesel V6 3.875" Bore (Detroit Diesel Eng.) H/D Truck	19	8V-71E	9.3L 568 OHV Diesel V8 4.25" Bore (Detroit Diesel Eng.) H/D Truck	63
6V-53N	5.2L 318 OHV Diesel V6 3.875" Bore (Detroit Diesel Eng.) M/D Truck	19	8V-71N	9.3L 568 OHV Diesel V8 4.25" Bore (Detroit Diesel Eng.) M/D Truck	62
6V-53N	5.2L 318 OHV Diesel V6 3.875" Bore (Detroit Diesel Eng.) H/D Truck	19	8V-71N	9.3L 568 OHV Diesel V8 4.25" Bore (Detroit Diesel Eng.) H/D Truck	63
6V-92	9.0L 552 OHV Diesel V6 4.84" Bore (Detroit Diesel Eng.) M/D Truck	56	8V-71T	9.3L 568 OHV Turbo-Diesel V8 4.25" Bore (Detroit Diesel Eng.) M/D Truck	64
6V-92T	9.0L 552 OHV Turbo-Diesel V6 4.84" Bore (Detroit Diesel Eng.) M/D Truck	57	8V-92T	12.1L 736 OHV Turbo-Diesel V8 4.84" Bore (Detroit Diesel Eng.) H/D Truck	72

Model Index

Model	Engine Description	Line No.	Model	Engine Description	Line No.
B500	3.6L 223 OHV L6 3.625" Bore M/D Truck	3	B600	4.8L 292 OHV V8 3.75" Bore M/D Truck	13
B500	3.9L 240 OHV L6 4" Bore M/D Truck	5	B600	4.9L 300 OHV L6 4" Bore M/D Truck	15
B500	4.8L 292 OHV V8 3.75" Bore M/D Truck	13	B600	4.9L 300 OHV L6 4" Bore (H/D Eng.) M/D Truck	16
B500	4.9L 300 OHV L6 4" Bore M/D Truck	15	B600	5.2L 317 OHV V8 3.8125" Bore M/D Truck	18
B500	4.9L 300 OHV L6 4" Bore (H/D Eng.) M/D Truck	16	B600	5.4L 330 OHV V8 3.875" Bore (M/D Eng.) M/D Truck	20
B500	5.4L 330 OHV V8 3.875" Bore (M/D Eng.) M/D Truck	20	B600	5.4L 330 OHV V8 3.875" Bore (H/D Eng.) M/D Truck	21
B500	5.4L 330 OHV V8 3.875" Bore (H/D Eng.) M/D Truck	21	B600	5.9L 359 (5882cc) OHV Turbo-Diesel L6 102mm Bore (12 Valve) (Cummins Eng.) M/D Truck	24
B500	5.9L 361 OHV V8 4.05" Bore M/D Truck	27	B600	5.9L 361 OHV V8 4.05" Bore M/D Truck	27
B500	6.4L 389 OHV V8 4.05" Bore M/D Truck	31	B600	6.1L 370 OHV V8 4.05" Bore M/D Truck	29
B600	3.6L 223 OHV L6 3.625" Bore M/D Truck	3	B600	6.4L 389 OHV V8 4.05" Bore M/D Truck	31
B600	3.9L 240 OHV L6 4" Bore M/D Truck	5	B600	6.4L 391 OHV V8 4.05" Bore M/D Truck	33
B600	4.2L 254 L-HEAD L6 3.5" Bore M/D Truck	7	B600	6.6L 401 OHV Turbo-Diesel L6 4.4" Bore M/D Truck	36
B600	4.3L 262 OHV L6 3.7188" Bore M/D Truck	9	B600	7.0L 429 OHV V8 4.36" Bore M/D Truck	38
B600	4.6L 279 OHV V8 3.5625" Bore M/D Truck	11			

(continued on next page)

Ford Truck - M/D & H/D

Model Index					
Model	Engine Description	Line No.	Model	Engine Description	Line No.
B600	7.8L 476 OHV Turbo-Diesel L6 4.4" Bore M/D Truck	44	B700	7.8L 476 OHV Turbo-Diesel L6 4.4" Bore H/D Truck	44
B600	8.2L 500 OHV Diesel V8 108mm Bore (Fuel Pincher) (Detroit Diesel Eng.) M/D Truck	47	B700	8.2L 500 OHV Diesel V8 108mm Bore (Fuel Pincher) (Detroit Diesel Eng.) M/D Truck	47
B600	8.2L 500 OHV Turbo-Diesel V8 108mm Bore (Fuel Pincher) (Detroit Diesel Eng.) M/D Truck	48	B700	8.2L 500 OHV Turbo-Diesel V8 108mm Bore (Fuel Pincher) (Detroit Diesel Eng.) H/D Truck	47
B600	8.5L 522 OHV Diesel V8 4.5" Bore (Caterpillar Eng.) M/D Truck	51	B700	8.2L 500 OHV Turbo-Diesel V8 108mm Bore (Fuel Pincher) (Detroit Diesel Eng.) M/D Truck	48
B600	10.4L 636 OHV Diesel V8 4.5" Bore (Caterpillar Eng.) M/D Truck	67	B700	9.0L 552 OHV Turbo-Diesel V6 4.84" Bore (Detroit Diesel Eng.) M/D Truck	57
B700	3.9L 239.4 L-HEAD V8 3.1875" Bore (Ford/Mercury) H/D Truck	4	B700	9.0L 552 OHV Turbo-Diesel V6 4.84" Bore (Detroit Diesel Eng.) H/D Truck	58
B700	4.2L 254 L-HEAD L6 3.5" Bore M/D Truck	7	B700	9.4L 573 OHV Diesel V8 4.5" Bore (Caterpillar Eng.) M/D Truck	65
B700	4.2L 256 OHV V8 3.625" Bore (Mercury) H/D Truck	8	B700	9.4L 573 OHV Diesel V8 4.5" Bore (Caterpillar Eng.) H/D Truck	65
B700	4.4L 272 OHV V8 3.625" Bore H/D Truck	10	B700	10.4L 636 OHV Diesel V8 4.5" Bore (Caterpillar Eng.) M/D Truck	67
B700	4.8L 292 OHV V8 3.75" Bore M/D Truck	13	B700	10.4L 636 OHV Diesel V8 4.5" Bore (Caterpillar Eng.) H/D Truck	68
B700	4.8L 292 OHV V8 3.75" Bore H/D Truck	14	B700	12.1L 736 OHV Turbo-Diesel V8 4.84" Bore (Detroit Diesel Eng.) H/D Truck	72
B700	5.0L 302 OHV V8 3.625" Bore M/D Truck	17	B7000	8.5L 522 OHV Diesel V8 4.5" Bore (Caterpillar Eng.) M/D Truck	51
B700	5.4L 330 OHV V8 3.875" Bore (M/D Eng.) M/D Truck	20	B7000	8.5L 522 OHV Diesel V8 4.5" Bore (Caterpillar Eng.) H/D Truck	52
B700	5.4L 330 OHV V8 3.875" Bore (M/D Eng.) H/D Truck	20	B7000	5.4L 330 (5416cc) OHV Diesel L6 100mm Bore (Dagenham) (Ford Europe Eng.) M/D Truck	22
B700	5.4L 330 OHV V8 3.875" Bore (H/D Eng.) M/D Truck	21	B7000	9.4L 573 OHV Diesel V8 4.5" Bore (Caterpillar Eng.) M/D Truck	65
B700	5.4L 330 OHV V8 3.875" Bore (H/D Eng.) H/D Truck	21	B7000	9.4L 573 OHV Diesel V8 4.5" Bore (Caterpillar Eng.) H/D Truck	65
B700	5.4L 332 OHV V8 3.8125" Bore M/D Truck	23	B7000	10.4L 636 OHV Diesel V8 4.5" Bore (Caterpillar Eng.) M/D Truck	67
B700	5.4L 332 OHV V8 3.8125" Bore H/D Truck	23	B7000	10.4L 636 OHV Diesel V8 4.5" Bore (Caterpillar Eng.) H/D Truck	68
B700	5.9L 359 (5882cc) OHV Turbo-Diesel L6 102mm Bore (12 Valve) (Cummins Eng.) M/D Truck	24	B750	4.6L 279 OHV V8 3.5625" Bore M/D Truck	11
B700	5.9L 359 (5882cc) OHV Turbo-Diesel L6 102mm Bore (12 Valve) (Cummins Eng.) H/D Truck	24	B750	4.6L 279 OHV V8 3.5625" Bore H/D Truck	12
B700	5.9L 361 OHV V8 4.05" Bore M/D Truck	27	B750	5.0L 302 OHV V8 3.625" Bore M/D Truck	17
B700	5.9L 361 OHV V8 4.05" Bore H/D Truck	27	B750	5.2L 317 OHV V8 3.8125" Bore M/D Truck	18
B700	6.1L 370 OHV V8 4.05" Bore M/D Truck	29	B750	5.2L 317 OHV V8 3.8125" Bore H/D Truck	18
B700	6.1L 370 OHV V8 4.05" Bore H/D Truck	29	B750	5.4L 330 OHV V8 3.875" Bore (M/D Eng.) M/D Truck	20
B700	6.4L 389 OHV V8 4.05" Bore M/D Truck	31	B750	5.4L 330 OHV V8 3.875" Bore (M/D Eng.) H/D Truck	20
B700	6.4L 389 OHV V8 4.05" Bore H/D Truck	31	B750	5.4L 330 OHV V8 3.875" Bore (H/D Eng.) M/D Truck	21
B700	6.4L 391 OHV V8 4.05" Bore M/D Truck	33	B750	5.4L 330 OHV V8 3.875" Bore (H/D Eng.) H/D Truck	21
B700	6.4L 391 OHV V8 4.05" Bore H/D Truck	33	B750	5.4L 332 OHV V8 3.8125" Bore M/D Truck	23
B700	6.6L 401 OHV Turbo-Diesel L6 4.4" Bore M/D Truck	36	B750	5.4L 332 OHV V8 3.8125" Bore H/D Truck	23
B700	6.6L 401 OHV Turbo-Diesel L6 4.4" Bore H/D Truck	36	B750	5.9L 361 OHV V8 4.05" Bore M/D Truck	27
B700	7.0L 429 OHV V8 4.36" Bore M/D Truck	38	B750	5.9L 361 OHV V8 4.05" Bore H/D Truck	27
B700	7.0L 429 OHV V8 4.36" Bore H/D Truck	38	B750	6.4L 389 OHV V8 4.05" Bore M/D Truck	31
B700	7.8L 476 OHV Turbo-Diesel L6 4.4" Bore M/D Truck	44	B750	6.4L 389 OHV V8 4.05" Bore H/D Truck	31

Ford Truck - M/D & H/D

Model Index					
Model	Engine Description	Line No.	Model	Engine Description	Line No.
B750	6.4L 391 OHV V8 4.05" Bore M/D Truck	33	CLT900	9.0L 552 OHV Turbo-Diesel V6 4.84" Bore (Detroit Diesel Eng.) H/D Truck	58
B750	6.4L 391 OHV V8 4.05" Bore H/D Truck	33	CLT900	9.3L 568 OHV Diesel V8 4.25" Bore (Detroit Diesel Eng.) H/D Truck	63
B800	5.9L 359 (5882cc) OHV Turbo-Diesel L6 102mm Bore (12 Valve) (Cummins Eng.) M/D Truck	24	CLT900	12.1L 736 OHV Turbo-Diesel V8 4.84" Bore (Detroit Diesel Eng.) H/D Truck	72
B800	5.9L 359 (5882cc) OHV Turbo-Diesel L6 102mm Bore (12 Valve) (Cummins Eng.) H/D Truck	24	CLT900	14.0L 855 OHV Turbo-Diesel L6 5.5" Bore (Cummins Eng.) H/D Truck	77
CFT800	7.8L 476 OHV Turbo-Diesel L6 4.4" Bore M/D Truck	44	CLT9000	8.2L 500 OHV Diesel V8 108mm Bore (Fuel Pincher) (Detroit Diesel Eng.) H/D Truck	47
CFT800	7.8L 476 OHV Turbo-Diesel L6 4.4" Bore H/D Truck	44	CL900	8.2L 500 OHV Diesel V8 108mm Bore (Fuel Pincher) (Detroit Diesel Eng.) H/D Truck	47
CFT8000	7.8L 476 OHV Turbo-Diesel L6 4.4" Bore M/D Truck	44	CL900	9.0L 552 OHV Turbo-Diesel V6 4.84" Bore (Detroit Diesel Eng.) H/D Truck	58
CFT8000	7.8L 476 OHV Turbo-Diesel L6 4.4" Bore H/D Truck	44	CL900	9.1L 555 OHV Turbo-Diesel V8 4.625" Bore (Cummins Eng.) H/D Truck	61
CF600	5.9L 359 (5882cc) OHV Turbo-Diesel L6 102mm Bore (12 Valve) (Cummins Eng.) M/D Truck	24	CL900	9.3L 568 OHV Diesel V8 4.25" Bore (Detroit Diesel Eng.) H/D Truck	63
CF600	6.6L 401 OHV Turbo-Diesel L6 4.4" Bore M/D Truck	36	CL900	12.1L 736 OHV Turbo-Diesel V8 4.84" Bore (Detroit Diesel Eng.) H/D Truck	72
CF600	7.8L 476 OHV Turbo-Diesel L6 4.4" Bore M/D Truck	44	CL900	14.0L 855 OHV Turbo-Diesel L6 5.5" Bore (Cummins Eng.) H/D Truck	77
CF6000	6.6L 401 OHV Turbo-Diesel L6 4.4" Bore M/D Truck	36	CL9000	12.2L 743 OHV Diesel L6 5.125" Bore (Cummins Eng.) H/D Truck	73
CF700	4.2L 254 L-HEAD L6 3.5" Bore M/D Truck	7	CL9000	14.0L 855 OHV Diesel L6 5.5" Bore (Cummins Eng.) H/D Truck	75
CF700	6.1L 370 OHV V8 4.05" Bore M/D Truck	29	CL9000	14.0L 855 OHV Turbo-Diesel L6 5.5" Bore (Cummins Eng.) H/D Truck	77
CF700	6.1L 370 OHV V8 4.05" Bore H/D Truck	29	CL9000	14.8L 903 OHV Diesel V8 5.5" Bore (Cummins Eng.) H/D Truck	80
CF700	6.6L 401 OHV Turbo-Diesel L6 4.4" Bore M/D Truck	36	CL950	6.6L 401 OHV V8 4.125" Bore H/D Truck	35
CF700	6.6L 401 OHV Turbo-Diesel L6 4.4" Bore H/D Truck	36	CL950	7.0L 426 OHV Diesel L6 4.25" Bore (6-71) (Detroit Diesel Eng.) H/D Truck	37
CF700	7.0L 429 OHV V8 4.36" Bore M/D Truck	38	CL950	7.8L 475 OHV V8 4.5" Bore H/D Truck	43
CF700	7.0L 429 OHV V8 4.36" Bore H/D Truck	38	CL950	7.8L 477 OHV V8 4.5" Bore H/D Truck	46
CF700	7.8L 476 OHV Turbo-Diesel L6 4.4" Bore M/D Truck	44	CL950	8.8L 534 OHV V8 4.5" Bore H/D Truck	55
CF700	7.8L 476 OHV Turbo-Diesel L6 4.4" Bore H/D Truck	44	CL950	12.2L 743 OHV Diesel L6 5.125" Bore (Cummins Eng.) H/D Truck	73
CF700	8.2L 500 OHV Diesel V8 108mm Bore (Fuel Pincher) (Detroit Diesel Eng.) M/D Truck	47	CL950	14.0L 855 OHV Diesel L6 5.5" Bore (Cummins Eng.) H/D Truck	75
CF700	8.2L 500 OHV Diesel V8 108mm Bore (Fuel Pincher) (Detroit Diesel Eng.) H/D Truck	47	CL950	14.0L 855 OHV Turbo-Diesel L6 5.5" Bore (Cummins Eng.) H/D Truck	77
CF700	8.2L 500 OHV Turbo-Diesel V8 108mm Bore (Fuel Pincher) (Detroit Diesel Eng.) M/D Truck	48	CTL950	6.6L 401 OHV V8 4.125" Bore H/D Truck	35
CF7000	5.9L 359 (5882cc) OHV Turbo-Diesel L6 102mm Bore (12 Valve) (Cummins Eng.) M/D Truck	24	CTL950	7.0L 426 OHV Diesel L6 4.25" Bore (6-71) (Detroit Diesel Eng.) H/D Truck	37
CF7000	5.9L 359 (5882cc) OHV Turbo-Diesel L6 102mm Bore (12 Valve) (Cummins Eng.) H/D Truck	24	CTL950	7.8L 475 OHV V8 4.5" Bore H/D Truck	43
CF800	6.6L 401 OHV Turbo-Diesel L6 4.4" Bore M/D Truck	36	CTL950	7.8L 477 OHV V8 4.5" Bore H/D Truck	46
CF800	6.6L 401 OHV Turbo-Diesel L6 4.4" Bore H/D Truck	36	CTL950	8.8L 534 OHV V8 4.5" Bore H/D Truck	55
CF800	7.8L 476 OHV Turbo-Diesel L6 4.4" Bore M/D Truck	44	CTL950	12.2L 743 OHV Diesel L6 5.125" Bore (Cummins Eng.) H/D Truck	73
CF800	7.8L 476 OHV Turbo-Diesel L6 4.4" Bore H/D Truck	44	CTL950	14.0L 855 OHV Diesel L6 5.5" Bore (Cummins Eng.) H/D Truck	75

(continued on next page)

Ford Truck - M/D & H/D

Model Index					
Model	Engine Description	Line No.	Model	Engine Description	Line No.
CTL950.....	14.0L 855 OHV Turbo-Diesel L6 5.5" Bore (Cummins Eng.) H/D Truck.....	77	CT800.....	7.8L 475 OHV V8 4.5" Bore M/D Truck.....	43
CT700.....	6.1L 370 OHV V8 4.05" Bore M/D Truck.....	29	CT800.....	7.8L 475 OHV V8 4.5" Bore H/D Truck.....	43
CT700.....	6.1L 370 OHV V8 4.05" Bore H/D Truck.....	29	CT800.....	7.8L 477 OHV V8 4.5" Bore M/D Truck.....	45
CT700.....	7.0L 429 OHV V8 4.36" Bore M/D Truck.....	38	CT800.....	7.8L 477 OHV V8 4.5" Bore H/D Truck.....	46
CT700.....	7.0L 429 OHV V8 4.36" Bore H/D Truck.....	38	CT800.....	8.2L 500 OHV Diesel V8 108mm Bore (Fuel Pincher) (Detroit Diesel Eng.) M/D Truck.....	47
CT700.....	8.5L 522 OHV Diesel V8 4.5" Bore (Caterpillar Eng.) M/D Truck.....	51	CT800.....	8.2L 500 OHV Diesel V8 108mm Bore (Fuel Pincher) (Detroit Diesel Eng.) H/D Truck.....	47
CT700.....	8.5L 522 OHV Diesel V8 4.5" Bore (Caterpillar Eng.) H/D Truck.....	52	CT800.....	8.2L 500 OHV Turbo-Diesel V8 108mm Bore (Fuel Pincher) (Detroit Diesel Eng.) M/D Truck.....	48
CT700.....	9.4L 573 OHV Diesel V8 4.5" Bore (Caterpillar Eng.) M/D Truck.....	65	CT800.....	8.5L 522 OHV Diesel V8 4.5" Bore (Caterpillar Eng.) M/D Truck.....	51
CT700.....	9.4L 573 OHV Diesel V8 4.5" Bore (Caterpillar Eng.) H/D Truck.....	65	CT800.....	8.5L 522 OHV Diesel V8 4.5" Bore (Caterpillar Eng.) H/D Truck.....	52
CT700.....	10.4L 636 OHV Diesel V8 4.5" Bore (Caterpillar Eng.) M/D Truck.....	67	CT800.....	8.8L 534 OHV V8 4.5" Bore M/D Truck.....	54
CT700.....	10.4L 636 OHV Diesel V8 4.5" Bore (Caterpillar Eng.) H/D Truck.....	68	CT800.....	8.8L 534 OHV V8 4.5" Bore H/D Truck.....	55
CT750.....	5.9L 361 OHV V8 4.05" Bore M/D Truck.....	27	CT800.....	9.4L 573 OHV Diesel V8 4.5" Bore (Caterpillar Eng.) M/D Truck.....	65
CT750.....	5.9L 361 OHV V8 4.05" Bore H/D Truck.....	27	CT800.....	9.4L 573 OHV Diesel V8 4.5" Bore (Caterpillar Eng.) H/D Truck.....	65
CT750.....	6.4L 391 OHV V8 4.05" Bore M/D Truck.....	33	CT800.....	10.4L 636 OHV Diesel V8 4.5" Bore (Caterpillar Eng.) M/D Truck.....	67
CT750.....	6.4L 391 OHV V8 4.05" Bore H/D Truck.....	33	CT800.....	10.4L 636 OHV Diesel V8 4.5" Bore (Caterpillar Eng.) H/D Truck.....	68
CT800.....	5.0L 302 OHV V8 3.625" Bore M/D Truck.....	17	CT800.....	5.2L 318 OHV Diesel V6 3.875" Bore (Detroit Diesel Eng.) M/D Truck.....	19
CT800.....	5.4L 330 OHV V8 3.875" Bore (M/D Eng.) M/D Truck.....	20	CT8000.....	5.2L 318 OHV Diesel V6 3.875" Bore (Detroit Diesel Eng.) H/D Truck.....	19
CT800.....	5.4L 330 OHV V8 3.875" Bore (M/D Eng.) H/D Truck.....	20	CT8000.....	7.6L 464 OHV Diesel L6 4.4375" Bore (Cummins Eng.) M/D Truck..	42
CT800.....	5.4L 330 OHV V8 3.875" Bore (H/D Eng.) M/D Truck.....	21	CT8000.....	7.6L 464 OHV Diesel L6 4.4375" Bore (Cummins Eng.) H/D Truck..	42
CT800.....	5.4L 330 OHV V8 3.875" Bore (H/D Eng.) H/D Truck.....	21	CT8000.....	8.5L 522 OHV Diesel V8 4.5" Bore (Caterpillar Eng.) M/D Truck.....	51
CT800.....	5.4L 332 OHV V8 3.8125" Bore M/D Truck.....	23	CT8000.....	8.5L 522 OHV Diesel V8 4.5" Bore (Caterpillar Eng.) H/D Truck.....	52
CT800.....	5.4L 332 OHV V8 3.8125" Bore H/D Truck.....	23	CT8000.....	9.4L 573 OHV Diesel V8 4.5" Bore (Caterpillar Eng.) M/D Truck.....	65
CT800.....	5.9L 361 OHV V8 4.05" Bore M/D Truck.....	27	CT8000.....	9.4L 573 OHV Diesel V8 4.5" Bore (Caterpillar Eng.) H/D Truck.....	65
CT800.....	5.9L 361 OHV V8 4.05" Bore H/D Truck.....	27	CT8000.....	10.4L 636 OHV Diesel V8 4.5" Bore (Caterpillar Eng.) M/D Truck.....	67
CT800.....	6.1L 370 OHV V8 4.05" Bore M/D Truck.....	29	CT8000.....	10.4L 636 OHV Diesel V8 4.5" Bore (Caterpillar Eng.) H/D Truck.....	68
CT800.....	6.1L 370 OHV V8 4.05" Bore H/D Truck.....	29	CT850.....	6.6L 401 OHV V8 4.125" Bore H/D Truck.....	35
CT800.....	6.4L 389 OHV V8 4.05" Bore M/D Truck.....	31	CT850.....	7.8L 475 OHV V8 4.5" Bore H/D Truck.....	43
CT800.....	6.4L 389 OHV V8 4.05" Bore H/D Truck.....	31	CT850.....	7.8L 477 OHV V8 4.5" Bore H/D Truck.....	46
CT800.....	6.4L 391 OHV V8 4.05" Bore M/D Truck.....	33	CT850.....	8.8L 534 OHV V8 4.5" Bore H/D Truck.....	55
CT800.....	6.4L 391 OHV V8 4.05" Bore H/D Truck.....	33	CT900.....	6.1L 370 OHV V8 4.05" Bore H/D Truck.....	29
CT800.....	6.6L 401 OHV Turbo-Diesel L6 4.4" Bore M/D Truck.....	36	CT900.....	6.6L 401 OHV V8 4.125" Bore H/D Truck.....	35
CT800.....	6.6L 401 OHV Turbo-Diesel L6 4.4" Bore H/D Truck.....	36	CT900.....	7.0L 429 OHV V8 4.36" Bore H/D Truck.....	38
CT800.....	7.0L 429 OHV V8 4.36" Bore M/D Truck.....	38	CT900.....	7.8L 475 OHV V8 4.5" Bore H/D Truck.....	43
CT800.....	7.0L 429 OHV V8 4.36" Bore H/D Truck.....	38	CT900.....	7.8L 477 OHV V8 4.5" Bore H/D Truck.....	46
CT800.....	7.8L 476 OHV Turbo-Diesel L6 4.4" Bore M/D Truck.....	44			
CT800.....	7.8L 476 OHV Turbo-Diesel L6 4.4" Bore H/D Truck.....	44			

Ford Truck - M/D & H/D

Model Index					
Model	Engine Description	Line No.	Model	Engine Description	Line No.
CT900	8.8L 534 OHV V8 4.5" Bore H/D Truck	55	C550	4.8L 292 OHV V8 3.75" Bore M/D Truck	13
CT9000	7.0L 426 OHV Diesel L6 4.25" Bore (6-71) (Detroit Diesel Eng.) H/D Truck	37	C550	4.9L 300 OHV L6 4" Bore M/D Truck	15
CT9000	9.0L 552 OHV Turbo-Diesel V6 4.84" Bore (Detroit Diesel Eng.) H/D Truck	58	C550	4.9L 300 OHV L6 4" Bore (H/D Eng.) M/D Truck	16
CT9000	9.3L 568 OHV Diesel V8 4.25" Bore (Detroit Diesel Eng.) H/D Truck	63	C550	5.4L 330 OHV V8 3.875" Bore (M/D Eng.) M/D Truck	20
CT9000	12.1L 736 OHV Turbo-Diesel V8 4.84" Bore (Detroit Diesel Eng.) H/D Truck	72	C550	5.4L 330 OHV V8 3.875" Bore (H/D Eng.) M/D Truck	21
CT9000	12.2L 743 OHV Diesel L6 5.125" Bore (Cummins Eng.) H/D Truck	73	C600	4.2L 254 L-HEAD L6 3.5" Bore M/D Truck	7
CT9000	14.0L 855 OHV Diesel L6 5.5" Bore (Cummins Eng.) H/D Truck	75	C600	4.3L 262 OHV L6 3.7188" Bore M/D Truck	9
CT9000	14.0L 855 OHV Turbo-Diesel L6 5.5" Bore (Cummins Eng.) H/D Truck	77	C600	4.8L 292 OHV V8 3.75" Bore M/D Truck	13
CT9000	14.8L 903 OHV Diesel V8 5.5" Bore (Cummins Eng.) H/D Truck	80	C600	4.9L 300 OHV L6 4" Bore M/D Truck	15
CT950	6.6L 401 OHV V8 4.125" Bore H/D Truck	35	C600	4.9L 300 OHV L6 4" Bore (H/D Eng.) M/D Truck	16
CT950	7.0L 426 OHV Diesel L6 4.25" Bore (6-71) (Detroit Diesel Eng.) H/D Truck	37	C600	5.4L 330 OHV V8 3.875" Bore (M/D Eng.) M/D Truck	20
CT950	7.8L 475 OHV V8 4.5" Bore H/D Truck	43	C600	5.4L 330 OHV V8 3.875" Bore (H/D Eng.) M/D Truck	21
CT950	7.8L 477 OHV V8 4.5" Bore H/D Truck	46	C600	5.9L 361 OHV V8 4.05" Bore M/D Truck	27
CT950	8.8L 534 OHV V8 4.5" Bore H/D Truck	55	C600	6.1L 370 OHV V8 4.05" Bore M/D Truck	29
CT950	12.2L 743 OHV Diesel L6 5.125" Bore (Cummins Eng.) H/D Truck	73	C600	6.4L 391 OHV V8 4.05" Bore M/D Truck	33
CT950	14.0L 855 OHV Diesel L6 5.5" Bore (Cummins Eng.) H/D Truck	75	C600	7.0L 426 OHV Diesel L6 4.25" Bore (6-71) (Detroit Diesel Eng.) M/D Truck	37
CT950	14.0L 855 OHV Turbo-Diesel L6 5.5" Bore (Cummins Eng.) H/D Truck	77	C600	7.0L 429 OHV V8 4.36" Bore M/D Truck	38
C1000	6.6L 401 OHV V8 4.125" Bore H/D Truck	35	C600	8.2L 500 OHV Diesel V8 108mm Bore (Fuel Pincher) (Detroit Diesel Eng.) M/D Truck	47
C1000	7.8L 475 OHV V8 4.5" Bore H/D Truck	43	C600	8.2L 500 OHV Turbo-Diesel V8 108mm Bore (Fuel Pincher) (Detroit Diesel Eng.) M/D Truck	48
C1000	7.8L 477 OHV V8 4.5" Bore H/D Truck	46	C600	8.5L 522 OHV Diesel V8 4.5" Bore (Caterpillar Eng.) M/D Truck	51
C1000	8.8L 534 OHV V8 4.5" Bore H/D Truck	55	C600	5.4L 330 (5416cc) OHV Diesel L6 100mm Bore (Dagenham) (Ford Europe Eng.) M/D Truck	22
C1000	12.2L 743 OHV Diesel L6 5.125" Bore (Cummins Eng.) H/D Truck	73	C600	9.4L 573 OHV Diesel V8 4.5" Bore (Caterpillar Eng.) M/D Truck	65
C1000	14.0L 855 OHV Diesel L6 5.5" Bore (Cummins Eng.) H/D Truck	75	C600	10.4L 636 OHV Diesel V8 4.5" Bore (Caterpillar Eng.) M/D Truck	67
C1000	14.0L 855 OHV Turbo-Diesel L6 5.5" Bore (Cummins Eng.) H/D Truck	77	C700	4.4L 272 OHV V8 3.625" Bore H/D Truck	10
C1100	6.6L 401 OHV V8 4.125" Bore H/D Truck	35	C700	4.8L 292 OHV V8 3.75" Bore M/D Truck	13
C1100	7.8L 475 OHV V8 4.5" Bore H/D Truck	43	C700	4.8L 292 OHV V8 3.75" Bore H/D Truck	14
C1100	7.8L 477 OHV V8 4.5" Bore H/D Truck	46	C700	5.0L 302 OHV V8 3.625" Bore M/D Truck	17
C1100	8.8L 534 OHV V8 4.5" Bore H/D Truck	55	C700	5.4L 330 OHV V8 3.875" Bore (M/D Eng.) M/D Truck	20
C500	4.9L 300 OHV L6 4" Bore M/D Truck	15	C700	5.4L 330 OHV V8 3.875" Bore (M/D Eng.) H/D Truck	20
C500	4.9L 300 OHV L6 4" Bore (H/D Eng.) M/D Truck	16	C700	5.4L 330 OHV V8 3.875" Bore (H/D Eng.) M/D Truck	21
C500	5.4L 330 OHV V8 3.875" Bore (M/D Eng.) M/D Truck	20	C700	5.4L 330 OHV V8 3.875" Bore (H/D Eng.) H/D Truck	21
C500	5.4L 330 OHV V8 3.875" Bore (H/D Eng.) M/D Truck	21	C700	5.4L 332 OHV V8 3.8125" Bore M/D Truck	23
C550	4.3L 262 OHV L6 3.7188" Bore M/D Truck	9	C700	5.4L 332 OHV V8 3.8125" Bore H/D Truck	23
			C700	5.9L 361 OHV V8 4.05" Bore M/D Truck	27

(continued on next page)

Ford Truck - M/D & H/D

Model Index					
Model	Engine Description	Line No.	Model	Engine Description	Line No.
C700	5.9L 361 OHV V8 4.05" Bore H/D Truck	27	C750	5.9L 361 OHV V8 4.05" Bore M/D Truck	27
C700	6.1L 370 OHV V8 4.05" Bore M/D Truck	29	C750	5.9L 361 OHV V8 4.05" Bore H/D Truck	27
C700	6.1L 370 OHV V8 4.05" Bore H/D Truck	29	C750	6.4L 389 OHV V8 4.05" Bore M/D Truck	31
C700	6.4L 389 OHV V8 4.05" Bore M/D Truck	31	C750	6.4L 389 OHV V8 4.05" Bore H/D Truck	31
C700	6.4L 389 OHV V8 4.05" Bore H/D Truck	31	C750	6.4L 391 OHV V8 4.05" Bore M/D Truck	33
C700	6.4L 391 OHV V8 4.05" Bore M/D Truck	33	C750	6.4L 391 OHV V8 4.05" Bore H/D Truck	33
C700	6.4L 391 OHV V8 4.05" Bore H/D Truck	33	C800	4.6L 279 OHV V8 3.5625" Bore M/D Truck	11
C700	7.0L 429 OHV V8 4.36" Bore M/D Truck	38	C800	4.6L 279 OHV V8 3.5625" Bore H/D Truck	12
C700	7.0L 429 OHV V8 4.36" Bore H/D Truck	38	C800	5.0L 302 OHV V8 3.625" Bore M/D Truck	17
C700	8.2L 500 OHV Diesel V8 108mm Bore (Fuel Pincher) (Detroit Diesel Eng.) M/D Truck	47	C800	5.2L 317 OHV V8 3.8125" Bore M/D Truck	18
C700	8.2L 500 OHV Diesel V8 108mm Bore (Fuel Pincher) (Detroit Diesel Eng.) H/D Truck	47	C800	5.2L 317 OHV V8 3.8125" Bore H/D Truck	18
C700	8.2L 500 OHV Turbo-Diesel V8 108mm Bore (Fuel Pincher) (Detroit Diesel Eng.) M/D Truck	48	C800	5.4L 330 OHV V8 3.875" Bore (M/D Eng.) M/D Truck	20
C700	8.5L 522 OHV Diesel V8 4.5" Bore (Caterpillar Eng.) M/D Truck	51	C800	5.4L 330 OHV V8 3.875" Bore (M/D Eng.) H/D Truck	20
C700	8.5L 522 OHV Diesel V8 4.5" Bore (Caterpillar Eng.) H/D Truck	52	C800	5.4L 330 OHV V8 3.875" Bore (H/D Eng.) M/D Truck	21
C700	5.4L 330 (5416cc) OHV Diesel L6 100mm Bore (Dagenham) (Ford Europe Eng.) M/D Truck	22	C800	5.4L 330 OHV V8 3.875" Bore (H/D Eng.) H/D Truck	21
C700	9.4L 573 OHV Diesel V8 4.5" Bore (Caterpillar Eng.) M/D Truck	65	C800	5.4L 332 OHV V8 3.8125" Bore M/D Truck	23
C700	9.4L 573 OHV Diesel V8 4.5" Bore (Caterpillar Eng.) H/D Truck	65	C800	5.4L 332 OHV V8 3.8125" Bore H/D Truck	23
C700	10.4L 636 OHV Diesel V8 4.5" Bore (Caterpillar Eng.) M/D Truck	67	C800	5.9L 361 OHV V8 4.05" Bore M/D Truck	27
C700	10.4L 636 OHV Diesel V8 4.5" Bore (Caterpillar Eng.) H/D Truck	68	C800	5.9L 361 OHV V8 4.05" Bore H/D Truck	27
C7000	8.5L 522 OHV Diesel V8 4.5" Bore (Caterpillar Eng.) M/D Truck	51	C800	6.1L 370 OHV V8 4.05" Bore M/D Truck	29
C7000	8.5L 522 OHV Diesel V8 4.5" Bore (Caterpillar Eng.) H/D Truck	52	C800	6.1L 370 OHV V8 4.05" Bore H/D Truck	29
C7000	5.4L 330 (5416cc) OHV Diesel L6 100mm Bore (Dagenham) (Ford Europe Eng.) M/D Truck	22	C800	6.4L 389 OHV V8 4.05" Bore M/D Truck	31
C7000	9.4L 573 OHV Diesel V8 4.5" Bore (Caterpillar Eng.) M/D Truck	65	C800	6.4L 389 OHV V8 4.05" Bore H/D Truck	31
C7000	9.4L 573 OHV Diesel V8 4.5" Bore (Caterpillar Eng.) H/D Truck	65	C800	6.4L 391 OHV V8 4.05" Bore M/D Truck	33
C7000	10.4L 636 OHV Diesel V8 4.5" Bore (Caterpillar Eng.) M/D Truck	67	C800	6.4L 391 OHV V8 4.05" Bore H/D Truck	33
C7000	10.4L 636 OHV Diesel V8 4.5" Bore (Caterpillar Eng.) H/D Truck	68	C800	6.6L 401 OHV V8 4.125" Bore M/D Truck	34
C7000	14.6L 893 OHV Turbo-Diesel L6 5.4" Bore (Caterpillar Eng.) M/D Truck	78	C800	6.6L 401 OHV V8 4.125" Bore H/D Truck	35
C7000	14.6L 893 OHV Turbo-Diesel L6 5.4" Bore (Caterpillar Eng.) H/D Truck	79	C800	6.6L 401 OHV Turbo-Diesel L6 4.4" Bore M/D Truck	36
C750	4.6L 279 OHV V8 3.5625" Bore M/D Truck	11	C800	6.6L 401 OHV Turbo-Diesel L6 4.4" Bore H/D Truck	36
C750	4.6L 279 OHV V8 3.5625" Bore H/D Truck	12	C800	7.0L 429 OHV V8 4.36" Bore M/D Truck	38
C750	5.0L 302 OHV V8 3.625" Bore M/D Truck	17	C800	7.0L 429 OHV V8 4.36" Bore H/D Truck	38
C750	5.4L 332 OHV V8 3.8125" Bore M/D Truck	23	C800	7.6L 464 OHV Diesel L6 4.4375" Bore (Cummins Eng.) M/D Truck	42
C750	5.4L 332 OHV V8 3.8125" Bore H/D Truck	23	C800	7.6L 464 OHV Diesel L6 4.4375" Bore (Cummins Eng.) H/D Truck	42
			C800	7.8L 476 OHV Turbo-Diesel L6 4.4" Bore M/D Truck	44
			C800	7.8L 476 OHV Turbo-Diesel L6 4.4" Bore H/D Truck	44
			C800	7.8L 475 OHV V8 4.5" Bore M/D Truck	43

Ford Truck - M/D & H/D

Model Index					
Model	Engine Description	Line No.	Model	Engine Description	Line No.
C800	7.8L 475 OHV V8 4.5" Bore H/D Truck	43	C8000	14.6L 893 OHV Turbo-Diesel L6 5.4" Bore (Caterpillar Eng.) H/D Truck	79
C800	7.8L 477 OHV V8 4.5" Bore M/D Truck	45	C850	6.6L 401 OHV V8 4.125" Bore H/D Truck	35
C800	7.8L 477 OHV V8 4.5" Bore H/D Truck	46	C850	7.8L 475 OHV V8 4.5" Bore H/D Truck	43
C800	8.2L 500 OHV Diesel V8 108mm Bore (Fuel Pincher) (Detroit Diesel Eng.) M/D Truck	47	C850	7.8L 477 OHV V8 4.5" Bore H/D Truck	46
C800	8.2L 500 OHV Diesel V8 108mm Bore (Fuel Pincher) (Detroit Diesel Eng.) H/D Truck	47	C850	8.8L 534 OHV V8 4.5" Bore H/D Truck	55
C800	8.2L 500 OHV Turbo-Diesel V8 108mm Bore (Fuel Pincher) (Detroit Diesel Eng.) M/D Truck	48	C900	4.6L 279 OHV V8 3.5625" Bore H/D Truck	12
C800	8.5L 522 OHV Diesel V8 4.5" Bore (Caterpillar Eng.) M/D Truck	51	C900	5.2L 317 OHV V8 3.8125" Bore H/D Truck	18
C800	8.5L 522 OHV Diesel V8 4.5" Bore (Caterpillar Eng.) H/D Truck	52	C900	5.4L 330 OHV V8 3.875" Bore (M/D Eng.) H/D Truck	20
C800	8.8L 534 OHV V8 4.5" Bore M/D Truck	54	C900	5.4L 330 OHV V8 3.875" Bore (H/D Eng.) H/D Truck	21
C800	8.8L 534 OHV V8 4.5" Bore H/D Truck	55	C900	5.4L 332 OHV V8 3.8125" Bore H/D Truck	23
C800	9.4L 573 OHV Diesel V8 4.5" Bore (Caterpillar Eng.) M/D Truck	65	C900	5.9L 361 OHV V8 4.05" Bore H/D Truck	27
C800	9.4L 573 OHV Diesel V8 4.5" Bore (Caterpillar Eng.) H/D Truck	65	C900	6.4L 391 OHV V8 4.05" Bore H/D Truck	33
C800	10.4L 636 OHV Diesel V8 4.5" Bore (Caterpillar Eng.) M/D Truck	67	C900	6.6L 401 OHV V8 4.125" Bore H/D Truck	35
C800	10.4L 636 OHV Diesel V8 4.5" Bore (Caterpillar Eng.) H/D Truck	68	C900	7.8L 475 OHV V8 4.5" Bore H/D Truck	43
C800	12.1L 736 OHV Turbo-Diesel V8 4.84" Bore (Detroit Diesel Eng.) H/D Truck	72	C900	7.8L 477 OHV V8 4.5" Bore H/D Truck	46
C8000	5.2L 318 OHV Diesel V6 3.875" Bore (Detroit Diesel Eng.) M/D Truck	19	C900	8.8L 534 OHV V8 4.5" Bore H/D Truck	55
C8000	5.2L 318 OHV Diesel V6 3.875" Bore (Detroit Diesel Eng.) H/D Truck	19	C9000	7.0L 426 OHV Diesel L6 4.25" Bore (6-71) (Detroit Diesel Eng.) H/D Truck	37
C8000	7.0L 429 OHV V8 4.36" Bore M/D Truck	38	C9000	9.0L 552 OHV Turbo-Diesel V6 4.84" Bore (Detroit Diesel Eng.) H/D Truck	58
C8000	7.0L 429 OHV V8 4.36" Bore H/D Truck	38	C9000	9.3L 568 OHV Diesel V8 4.25" Bore (Detroit Diesel Eng.) H/D Truck	63
C8000	7.6L 464 OHV Diesel L6 4.4375" Bore (Cummins Eng.) M/D Truck	42	C9000	12.1L 736 OHV Turbo-Diesel V8 4.84" Bore (Detroit Diesel Eng.) H/D Truck	72
C8000	7.6L 464 OHV Diesel L6 4.4375" Bore (Cummins Eng.) H/D Truck	42	C9000	12.2L 743 OHV Diesel L6 5.125" Bore (Cummins Eng.) H/D Truck	73
C8000	7.8L 476 OHV Turbo-Diesel L6 4.4" Bore M/D Truck	44	C9000	14.0L 855 OHV Diesel L6 5.5" Bore (Cummins Eng.) H/D Truck	75
C8000	7.8L 476 OHV Turbo-Diesel L6 4.4" Bore H/D Truck	44	C9000	14.0L 855 OHV Turbo-Diesel L6 5.5" Bore (Cummins Eng.) H/D Truck	77
C8000	8.2L 500 OHV Diesel V8 108mm Bore (Fuel Pincher) (Detroit Diesel Eng.) M/D Truck	47	C9000	14.8L 903 OHV Diesel V8 5.5" Bore (Cummins Eng.) H/D Truck	80
C8000	8.2L 500 OHV Diesel V8 108mm Bore (Fuel Pincher) (Detroit Diesel Eng.) H/D Truck	47	C950	6.6L 401 OHV V8 4.125" Bore H/D Truck	35
C8000	8.5L 522 OHV Diesel V8 4.5" Bore (Caterpillar Eng.) M/D Truck	51	C950	7.0L 426 OHV Diesel L6 4.25" Bore (6-71) (Detroit Diesel Eng.) H/D Truck	37
C8000	8.5L 522 OHV Diesel V8 4.5" Bore (Caterpillar Eng.) H/D Truck	52	C950	7.8L 475 OHV V8 4.5" Bore H/D Truck	43
C8000	9.4L 573 OHV Diesel V8 4.5" Bore (Caterpillar Eng.) M/D Truck	65	C950	7.8L 477 OHV V8 4.5" Bore H/D Truck	46
C8000	9.4L 573 OHV Diesel V8 4.5" Bore (Caterpillar Eng.) H/D Truck	65	C950	8.8L 534 OHV V8 4.5" Bore H/D Truck	55
C8000	10.4L 636 OHV Diesel V8 4.5" Bore (Caterpillar Eng.) M/D Truck	67	C950	12.2L 743 OHV Diesel L6 5.125" Bore (Cummins Eng.) H/D Truck	73
C8000	10.4L 636 OHV Diesel V8 4.5" Bore (Caterpillar Eng.) H/D Truck	68	C950	14.0L 855 OHV Diesel L6 5.5" Bore (Cummins Eng.) H/D Truck	75
C8000	14.6L 893 OHV Turbo-Diesel L6 5.4" Bore (Caterpillar Eng.) M/D Truck	78	C950	14.0L 855 OHV Turbo-Diesel L6 5.5" Bore (Cummins Eng.) H/D Truck	77
			FT700	3.9L 239.4 L-HEAD V8 3.1875" Bore (Ford/Mercury) H/D Truck	4

(continued on next page)

Ford Truck - M/D & H/D

Model Index					
Model	Engine Description	Line No.	Model	Engine Description	Line No.
FT700	4.2L 256 OHV V8 3.625" Bore (Mercury) H/D Truck	8	FT800	8.5L 522 OHV Diesel V8 4.5" Bore (Caterpillar Eng.) H/D Truck	52
FT700	4.4L 272 OHV V8 3.625" Bore H/D Truck	10	FT800	9.4L 573 OHV Diesel V8 4.5" Bore (Caterpillar Eng.) M/D Truck	65
FT700	4.8L 292 OHV V8 3.75" Bore M/D Truck	13	FT800	9.4L 573 OHV Diesel V8 4.5" Bore (Caterpillar Eng.) H/D Truck	65
FT700	4.8L 292 OHV V8 3.75" Bore H/D Truck	14	FT800	10.4L 636 OHV Diesel V8 4.5" Bore (Caterpillar Eng.) M/D Truck	67
FT700	5.0L 302 OHV V8 3.625" Bore M/D Truck	17	FT800	10.4L 636 OHV Diesel V8 4.5" Bore (Caterpillar Eng.) H/D Truck	68
FT700	5.4L 330 OHV V8 3.875" Bore (M/D Eng.) M/D Truck	20	FT8000	7.0L 429 OHV V8 4.36" Bore M/D Truck	38
FT700	5.4L 330 OHV V8 3.875" Bore (M/D Eng.) H/D Truck	20	FT8000	7.0L 429 OHV V8 4.36" Bore H/D Truck	38
FT700	5.4L 330 OHV V8 3.875" Bore (H/D Eng.) M/D Truck	21	FT8000	7.8L 476 OHV Turbo-Diesel L6 4.4" Bore M/D Truck	44
FT700	5.4L 330 OHV V8 3.875" Bore (H/D Eng.) H/D Truck	21	FT8000	7.8L 476 OHV Turbo-Diesel L6 4.4" Bore H/D Truck	44
FT700	5.4L 332 OHV V8 3.8125" Bore M/D Truck	23	FT8000	8.2L 500 OHV Diesel V8 108mm Bore (Fuel Pincher) (Detroit Diesel Eng.) M/D Truck	47
FT700	5.4L 332 OHV V8 3.8125" Bore H/D Truck	23	FT8000	8.2L 500 OHV Diesel V8 108mm Bore (Fuel Pincher) (Detroit Diesel Eng.) H/D Truck	47
FT700	5.9L 361 OHV V8 4.05" Bore M/D Truck	27	FT880	6.1L 370 OHV V8 4.05" Bore M/D Truck	29
FT700	5.9L 361 OHV V8 4.05" Bore H/D Truck	27	FT880	6.1L 370 OHV V8 4.05" Bore H/D Truck	29
FT700	6.4L 389 OHV V8 4.05" Bore M/D Truck	31	FT880	7.0L 429 OHV V8 4.36" Bore M/D Truck	38
FT700	6.4L 389 OHV V8 4.05" Bore H/D Truck	31	FT880	7.0L 429 OHV V8 4.36" Bore H/D Truck	38
FT700	6.4L 391 OHV V8 4.05" Bore M/D Truck	33	FT900	6.1L 370 OHV V8 4.05" Bore H/D Truck	29
FT700	6.4L 391 OHV V8 4.05" Bore H/D Truck	33	FT900	6.6L 401 OHV Turbo-Diesel L6 4.4" Bore H/D Truck	36
FT700	8.5L 522 OHV Diesel V8 4.5" Bore (Caterpillar Eng.) M/D Truck	51	FT900	7.0L 429 OHV V8 4.36" Bore H/D Truck	38
FT700	8.5L 522 OHV Diesel V8 4.5" Bore (Caterpillar Eng.) H/D Truck	52	FT900	7.8L 476 OHV Turbo-Diesel L6 4.4" Bore H/D Truck	44
FT700	9.4L 573 OHV Diesel V8 4.5" Bore (Caterpillar Eng.) M/D Truck	65	FT900	8.2L 500 OHV Diesel V8 108mm Bore (Fuel Pincher) (Detroit Diesel Eng.) H/D Truck	47
FT700	9.4L 573 OHV Diesel V8 4.5" Bore (Caterpillar Eng.) H/D Truck	65	F1000	6.6L 401 OHV V8 4.125" Bore H/D Truck	35
FT700	10.4L 636 OHV Diesel V8 4.5" Bore (Caterpillar Eng.) M/D Truck	67	F1000	7.8L 475 OHV V8 4.5" Bore H/D Truck	43
FT700	10.4L 636 OHV Diesel V8 4.5" Bore (Caterpillar Eng.) H/D Truck	68	F1000	7.8L 477 OHV V8 4.5" Bore H/D Truck	46
FT800	6.1L 370 OHV V8 4.05" Bore M/D Truck	29	F1000	8.8L 534 OHV V8 4.5" Bore H/D Truck	55
FT800	6.1L 370 OHV V8 4.05" Bore H/D Truck	29	F1000	12.2L 743 OHV Diesel L6 5.125" Bore (Cummins Eng.) H/D Truck	73
FT800	6.6L 401 OHV Turbo-Diesel L6 4.4" Bore M/D Truck	36	F1000	14.0L 855 OHV Diesel L6 5.5" Bore (Cummins Eng.) H/D Truck	75
FT800	6.6L 401 OHV Turbo-Diesel L6 4.4" Bore H/D Truck	36	F1000	14.0L 855 OHV Turbo-Diesel L6 5.5" Bore (Cummins Eng.) H/D Truck	77
FT800	7.0L 429 OHV V8 4.36" Bore M/D Truck	38	F1100	6.6L 401 OHV V8 4.125" Bore H/D Truck	35
FT800	7.0L 429 OHV V8 4.36" Bore H/D Truck	38	F1100	7.8L 475 OHV V8 4.5" Bore H/D Truck	43
FT800	7.8L 476 OHV Turbo-Diesel L6 4.4" Bore M/D Truck	44	F1100	7.8L 477 OHV V8 4.5" Bore H/D Truck	46
FT800	7.8L 476 OHV Turbo-Diesel L6 4.4" Bore H/D Truck	44	F1100	8.8L 534 OHV V8 4.5" Bore H/D Truck	55
FT800	8.2L 500 OHV Diesel V8 108mm Bore (Fuel Pincher) (Detroit Diesel Eng.) M/D Truck	47	F1100	11.0L 672 OHV Diesel L6 4.875" Bore (Cummins Eng.) H/D Truck	70
FT800	8.2L 500 OHV Diesel V8 108mm Bore (Fuel Pincher) (Detroit Diesel Eng.) H/D Truck	47	F500	3.6L 223 OHV L6 3.625" Bore M/D Truck	3
FT800	8.2L 500 OHV Turbo-Diesel V8 108mm Bore (Fuel Pincher) (Detroit Diesel Eng.) M/D Truck	48	F500	3.9L 240 OHV L6 4" Bore M/D Truck	5
FT800	8.5L 522 OHV Diesel V8 4.5" Bore (Caterpillar Eng.) M/D Truck	51			

Ford Truck - M/D & H/D

Model Index					
Model	Engine Description	Line No.	Model	Engine Description	Line No.
F500	4.3L 262 OHV L6 3.7188" Bore M/D Truck	9	F7	5.2L 317 OHV V8 3.8125" Bore M/D Truck	18
F500	4.8L 292 OHV V8 3.75" Bore M/D Truck	13	F7	5.2L 317 OHV V8 3.8125" Bore H/D Truck	18
F500	4.9L 300 OHV L6 4" Bore M/D Truck	15	F700	4.2L 254 L-HEAD L6 3.5" Bore M/D Truck	7
F500	4.9L 300 OHV L6 4" Bore (H/D Eng.) M/D Truck	16	F700	4.2L 256 OHV V8 3.625" Bore (Mercury) H/D Truck	8
F500	5.4L 330 OHV V8 3.875" Bore (M/D Eng.) M/D Truck	20	F700	4.4L 272 OHV V8 3.625" Bore H/D Truck	10
F500	5.4L 330 OHV V8 3.875" Bore (H/D Eng.) M/D Truck	21	F700	4.8L 292 OHV V8 3.75" Bore M/D Truck	13
F53 Stripped Chassis	7.5L 460 OHV V8 4.36" Bore M/D Truck	40	F700	4.8L 292 OHV V8 3.75" Bore H/D Truck	14
F53 Stripped Chassis	7.5L 460 OHV LPG V8 4.36" Bore M/D Truck	41	F700	5.0L 302 OHV V8 3.625" Bore M/D Truck	17
F6	3.9L 239.4 L-HEAD V8 3.1875" Bore (Ford/Mercury) H/D Truck	4	F700	5.4L 330 OHV V8 3.875" Bore (M/D Eng.) M/D Truck	20
F6	4.2L 254 L-HEAD L6 3.5" Bore M/D Truck	7	F700	5.4L 330 OHV V8 3.875" Bore (M/D Eng.) H/D Truck	20
F600	3.6L 223 OHV L6 3.625" Bore M/D Truck	3	F700	5.4L 330 OHV V8 3.875" Bore (H/D Eng.) M/D Truck	21
F600	3.9L 240 OHV L6 4" Bore M/D Truck	5	F700	5.4L 330 OHV V8 3.875" Bore (H/D Eng.) H/D Truck	21
F600	4.2L 254 L-HEAD L6 3.5" Bore M/D Truck	7	F700	5.9L 359 (5882cc) OHV Turbo-Diesel L6 102mm Bore (12 Valve) (Cummins Eng.) M/D Truck	24
F600	4.3L 262 OHV L6 3.7188" Bore M/D Truck	9	F700	5.9L 359 (5882cc) OHV Turbo-Diesel L6 102mm Bore (12 Valve) (Cummins Eng.) H/D Truck	24
F600	4.8L 292 OHV V8 3.75" Bore M/D Truck	13	F700	5.9L 361 OHV V8 4.05" Bore M/D Truck	27
F600	4.9L 300 OHV L6 4" Bore M/D Truck	15	F700	5.9L 361 OHV V8 4.05" Bore H/D Truck	27
F600	4.9L 300 OHV L6 4" Bore (H/D Eng.) M/D Truck	16	F700	6.1L 370 OHV V8 4.05" Bore M/D Truck	29
F600	5.4L 330 OHV V8 3.875" Bore (M/D Eng.) M/D Truck	20	F700	6.1L 370 OHV V8 4.05" Bore H/D Truck	29
F600	5.4L 330 OHV V8 3.875" Bore (H/D Eng.) M/D Truck	21	F700	6.4L 389 OHV V8 4.05" Bore M/D Truck	31
F600	5.9L 359 OHV V8 4.05" Bore M/D Truck	25	F700	6.4L 389 OHV V8 4.05" Bore H/D Truck	31
F600	5.9L 359 (5882cc) OHV Turbo-Diesel L6 102mm Bore (12 Valve) (Cummins Eng.) M/D Truck	24	F700	6.6L 401 OHV Turbo-Diesel L6 4.4" Bore M/D Truck	36
F600	5.9L 361 OHV V8 4.05" Bore M/D Truck	27	F700	6.6L 401 OHV Turbo-Diesel L6 4.4" Bore H/D Truck	36
F600	6.1L 370 OHV V8 4.05" Bore M/D Truck	29	F700	7.0L 429 OHV V8 4.36" Bore M/D Truck	38
F600	6.4L 391 OHV V8 4.05" Bore M/D Truck	33	F700	7.0L 429 OHV V8 4.36" Bore H/D Truck	38
F600	6.6L 401 OHV Turbo-Diesel L6 4.4" Bore M/D Truck	36	F700	7.8L 476 OHV Turbo-Diesel L6 4.4" Bore M/D Truck	44
F600	7.0L 429 OHV V8 4.36" Bore M/D Truck	38	F700	7.8L 476 OHV Turbo-Diesel L6 4.4" Bore H/D Truck	44
F600	7.8L 476 OHV Turbo-Diesel L6 4.4" Bore M/D Truck	44	F700	8.2L 500 OHV Diesel V8 108mm Bore (Fuel Pincher) (Detroit Diesel Eng.) M/D Truck	47
F600	8.2L 500 OHV Diesel V8 108mm Bore (Fuel Pincher) (Detroit Diesel Eng.) M/D Truck	47	F700	8.2L 500 OHV Turbo-Diesel V8 108mm Bore (Fuel Pincher) (Detroit Diesel Eng.) H/D Truck	47
F600	8.2L 500 OHV Turbo-Diesel V8 108mm Bore (Fuel Pincher) (Detroit Diesel Eng.) M/D Truck	48	F700	8.2L 500 OHV Turbo-Diesel V8 108mm Bore (Fuel Pincher) (Detroit Diesel Eng.) M/D Truck	48
F600	8.5L 522 OHV Diesel V8 4.5" Bore (Caterpillar Eng.) M/D Truck	51	F700	9.0L 552 OHV Turbo-Diesel V6 4.84" Bore (Detroit Diesel Eng.) M/D Truck	57
F600	9.4L 573 OHV Diesel V8 4.5" Bore (Caterpillar Eng.) M/D Truck	65	F700	9.0L 552 OHV Turbo-Diesel V6 4.84" Bore (Detroit Diesel Eng.) H/D Truck	58
F600	10.4L 636 OHV Diesel V8 4.5" Bore (Caterpillar Eng.) M/D Truck	67			
F7	4.6L 279 OHV V8 3.5625" Bore M/D Truck	11			
F7	4.6L 279 OHV V8 3.5625" Bore H/D Truck	12			

(continued on next page)

Ford Truck - M/D & H/D

Model Index					
Model	Engine Description	Line No.	Model	Engine Description	Line No.
F700	12.1L 736 OHV Turbo-Diesel V8 4.84" Bore (Detroit Diesel Eng.) H/D Truck.....	72	F800	5.0L 302 OHV V8 3.625" Bore M/D Truck.....	17
F7000	8.2L 500 OHV Diesel V8 108mm Bore (Fuel Pincher) (Detroit Diesel Eng.) M/D Truck.....	47	F800	5.2L 317 OHV V8 3.8125" Bore M/D Truck.....	18
F7000	8.2L 500 OHV Diesel V8 108mm Bore (Fuel Pincher) (Detroit Diesel Eng.) H/D Truck.....	47	F800	5.2L 317 OHV V8 3.8125" Bore H/D Truck.....	18
F7000	8.5L 522 OHV Diesel V8 4.5" Bore (Caterpillar Eng.) M/D Truck.....	51	F800	5.4L 330 OHV V8 3.875" Bore (M/D Eng.) M/D Truck.....	20
F7000	8.5L 522 OHV Diesel V8 4.5" Bore (Caterpillar Eng.) H/D Truck.....	52	F800	5.4L 330 OHV V8 3.875" Bore (M/D Eng.) H/D Truck.....	20
F7000	5.4L 330 (5416cc) OHV Diesel L6 100mm Bore (Dagenham) (Ford Europe Eng.) M/D Truck.....	22	F800	5.4L 330 OHV V8 3.875" Bore (H/D Eng.) M/D Truck.....	21
F7000	9.4L 573 OHV Diesel V8 4.5" Bore (Caterpillar Eng.) M/D Truck.....	65	F800	5.4L 330 OHV V8 3.875" Bore (H/D Eng.) H/D Truck.....	21
F7000	9.4L 573 OHV Diesel V8 4.5" Bore (Caterpillar Eng.) H/D Truck.....	65	F800	5.4L 332 OHV V8 3.8125" Bore M/D Truck.....	23
F7000	10.4L 636 OHV Diesel V8 4.5" Bore (Caterpillar Eng.) M/D Truck.....	67	F800	5.4L 332 OHV V8 3.8125" Bore H/D Truck.....	23
F7000	10.4L 636 OHV Diesel V8 4.5" Bore (Caterpillar Eng.) H/D Truck.....	68	F800	5.9L 359 (5882cc) OHV Turbo-Diesel L6 102mm Bore (12 Valve) (Cummins Eng.) M/D Truck.....	24
F7000	14.6L 893 OHV Turbo-Diesel L6 5.4" Bore (Caterpillar Eng.) M/D Truck.....	78	F800	5.9L 359 (5882cc) OHV Turbo-Diesel L6 102mm Bore (12 Valve) (Cummins Eng.) H/D Truck.....	24
F7000	14.6L 893 OHV Turbo-Diesel L6 5.4" Bore (Caterpillar Eng.) H/D Truck.....	79	F800	5.9L 361 OHV V8 4.05" Bore M/D Truck.....	27
F750	4.6L 279 OHV V8 3.5625" Bore M/D Truck.....	11	F800	5.9L 361 OHV V8 4.05" Bore H/D Truck.....	27
F750	4.6L 279 OHV V8 3.5625" Bore H/D Truck.....	12	F800	6.1L 370 OHV V8 4.05" Bore M/D Truck.....	29
F750	5.0L 302 OHV V8 3.625" Bore M/D Truck.....	17	F800	6.1L 370 OHV V8 4.05" Bore H/D Truck.....	29
F750	5.2L 317 OHV V8 3.8125" Bore M/D Truck.....	18	F800	6.4L 389 OHV V8 4.05" Bore M/D Truck.....	31
F750	5.2L 317 OHV V8 3.8125" Bore H/D Truck.....	18	F800	6.4L 389 OHV V8 4.05" Bore H/D Truck.....	31
F750	5.4L 332 OHV V8 3.8125" Bore M/D Truck.....	23	F800	6.4L 391 OHV V8 4.05" Bore M/D Truck.....	33
F750	5.4L 332 OHV V8 3.8125" Bore H/D Truck.....	23	F800	6.4L 391 OHV V8 4.05" Bore H/D Truck.....	33
F750	5.9L 361 OHV V8 4.05" Bore M/D Truck.....	27	F800	6.6L 401 OHV V8 4.125" Bore M/D Truck.....	34
F750	5.9L 361 OHV V8 4.05" Bore H/D Truck.....	27	F800	6.6L 401 OHV V8 4.125" Bore H/D Truck.....	35
F750	6.4L 389 OHV V8 4.05" Bore M/D Truck.....	31	F800	6.6L 401 OHV Turbo-Diesel L6 4.4" Bore M/D Truck.....	36
F750	6.4L 389 OHV V8 4.05" Bore H/D Truck.....	31	F800	6.6L 401 OHV Turbo-Diesel L6 4.4" Bore H/D Truck.....	36
F750	6.4L 391 OHV V8 4.05" Bore M/D Truck.....	33	F800	7.0L 429 OHV V8 4.36" Bore M/D Truck.....	38
F750	6.4L 391 OHV V8 4.05" Bore H/D Truck.....	33	F800	7.0L 429 OHV V8 4.36" Bore H/D Truck.....	38
F8	3.9L 239.4 L-HEAD V8 3.1875" Bore (Ford/Mercury) H/D Truck.....	4	F800	7.6L 464 OHV Diesel L6 4.4375" Bore (Cummins Eng.) M/D Truck.....	42
F8	4.6L 279 OHV V8 3.5625" Bore M/D Truck.....	11	F800	7.6L 464 OHV Diesel L6 4.4375" Bore (Cummins Eng.) H/D Truck.....	42
F8	4.6L 279 OHV V8 3.5625" Bore H/D Truck.....	12	F800	7.8L 476 OHV Turbo-Diesel L6 4.4" Bore M/D Truck.....	44
F8	5.0L 302 OHV V8 3.625" Bore M/D Truck.....	17	F800	7.8L 476 OHV Turbo-Diesel L6 4.4" Bore H/D Truck.....	44
F8	5.2L 317 OHV V8 3.8125" Bore M/D Truck.....	18	F800	7.8L 475 OHV V8 4.5" Bore M/D Truck.....	43
F8	5.2L 317 OHV V8 3.8125" Bore H/D Truck.....	18	F800	7.8L 475 OHV V8 4.5" Bore H/D Truck.....	43
F800	4.6L 279 OHV V8 3.5625" Bore M/D Truck.....	11	F800	7.8L 477 OHV V8 4.5" Bore M/D Truck.....	45
F800	4.6L 279 OHV V8 3.5625" Bore H/D Truck.....	12	F800	7.8L 477 OHV V8 4.5" Bore H/D Truck.....	46
			F800	8.2L 500 OHV Diesel V8 108mm Bore (Fuel Pincher) (Detroit Diesel Eng.) M/D Truck.....	47

Ford Truck - M/D & H/D

Model Index					
Model	Engine Description	Line No.	Model	Engine Description	Line No.
F800	8.2L 500 OHV Diesel V8 108mm Bore (Fuel Pincher) (Detroit Diesel Eng.) H/D Truck	47	F880	7.0L 429 OHV V8 4.36" Bore H/D Truck	38
F800	8.2L 500 OHV Turbo-Diesel V8 108mm Bore (Fuel Pincher) (Detroit Diesel Eng.) M/D Truck	48	F880	7.8L 475 OHV V8 4.5" Bore H/D Truck	43
F800	8.5L 522 OHV Diesel V8 4.5" Bore (Caterpillar Eng.) M/D Truck	51	F880	7.8L 477 OHV V8 4.5" Bore H/D Truck	46
F800	8.5L 522 OHV Diesel V8 4.5" Bore (Caterpillar Eng.) H/D Truck	52	F900	4.6L 279 OHV V8 3.5625" Bore H/D Truck	12
F800	8.8L 534 OHV V8 4.5" Bore M/D Truck	54	F900	5.2L 317 OHV V8 3.8125" Bore H/D Truck	18
F800	8.8L 534 OHV V8 4.5" Bore H/D Truck	55	F900	5.4L 330 OHV V8 3.875" Bore (M/D Eng.) H/D Truck	20
F800	9.0L 552 OHV Turbo-Diesel V6 4.84" Bore (Detroit Diesel Eng.) M/D Truck	57	F900	5.4L 330 OHV V8 3.875" Bore (H/D Eng.) H/D Truck	21
F800	9.0L 552 OHV Turbo-Diesel V6 4.84" Bore (Detroit Diesel Eng.) H/D Truck	58	F900	5.4L 332 OHV V8 3.8125" Bore H/D Truck	23
F800	9.1L 555 OHV Turbo-Diesel V8 4.625" Bore (Cummins Eng.) M/D Truck	60	F900	5.9L 361 OHV V8 4.05" Bore H/D Truck	27
F800	9.1L 555 OHV Turbo-Diesel V8 4.625" Bore (Cummins Eng.) H/D Truck	61	F900	6.4L 391 OHV V8 4.05" Bore H/D Truck	33
F800	9.4L 573 OHV Diesel V8 4.5" Bore (Caterpillar Eng.) M/D Truck	65	F900	6.6L 401 OHV V8 4.125" Bore H/D Truck	35
F800	9.4L 573 OHV Diesel V8 4.5" Bore (Caterpillar Eng.) H/D Truck	65	F900	7.8L 477 OHV V8 4.5" Bore H/D Truck	46
F800	10.4L 636 OHV Diesel V8 4.5" Bore (Caterpillar Eng.) M/D Truck	67	F900	8.8L 534 OHV V8 4.5" Bore H/D Truck	55
F800	10.4L 636 OHV Diesel V8 4.5" Bore (Caterpillar Eng.) H/D Truck	68	F9000	7.0L 426 OHV Diesel L6 4.25" Bore (6-71) (Detroit Diesel Eng.) H/D Truck	37
F800	12.1L 736 OHV Turbo-Diesel V8 4.84" Bore (Detroit Diesel Eng.) H/D Truck	72	F9000	9.0L 552 OHV Turbo-Diesel V6 4.84" Bore (Detroit Diesel Eng.) H/D Truck	58
F8000	5.2L 318 OHV Diesel V6 3.875" Bore (Detroit Diesel Eng.) M/D Truck	19	F9000	9.3L 568 OHV Diesel V8 4.25" Bore (Detroit Diesel Eng.) H/D Truck	63
F8000	5.2L 318 OHV Diesel V6 3.875" Bore (Detroit Diesel Eng.) H/D Truck	19	F9000	12.1L 736 OHV Turbo-Diesel V8 4.84" Bore (Detroit Diesel Eng.) H/D Truck	72
F8000	7.6L 464 OHV Diesel L6 4.4375" Bore (Cummins Eng.) M/D Truck	42	F9000	12.2L 743 OHV Diesel L6 5.125" Bore (Cummins Eng.) H/D Truck	73
F8000	7.6L 464 OHV Diesel L6 4.4375" Bore (Cummins Eng.) H/D Truck	42	F9000	14.0L 855 OHV Diesel L6 5.5" Bore (Cummins Eng.) H/D Truck	75
F8000	8.5L 522 OHV Diesel V8 4.5" Bore (Caterpillar Eng.) M/D Truck	51	F9000	14.0L 855 OHV Turbo-Diesel L6 5.5" Bore (Cummins Eng.) H/D Truck	77
F8000	8.5L 522 OHV Diesel V8 4.5" Bore (Caterpillar Eng.) H/D Truck	52	F9000	14.8L 903 OHV Diesel V8 5.5" Bore (Cummins Eng.) H/D Truck	80
F8000	9.4L 573 OHV Diesel V8 4.5" Bore (Caterpillar Eng.) M/D Truck	65	F950	6.6L 401 OHV V8 4.125" Bore H/D Truck	35
F8000	9.4L 573 OHV Diesel V8 4.5" Bore (Caterpillar Eng.) H/D Truck	65	F950	7.0L 426 OHV Diesel L6 4.25" Bore (6-71) (Detroit Diesel Eng.) H/D Truck	37
F8000	10.4L 636 OHV Diesel V8 4.5" Bore (Caterpillar Eng.) M/D Truck	67	F950	7.8L 475 OHV V8 4.5" Bore H/D Truck	43
F8000	10.4L 636 OHV Diesel V8 4.5" Bore (Caterpillar Eng.) H/D Truck	68	F950	7.8L 477 OHV V8 4.5" Bore H/D Truck	46
F850	5.4L 332 OHV V8 3.8125" Bore H/D Truck	23	F950	8.8L 534 OHV V8 4.5" Bore H/D Truck	55
F850	6.6L 401 OHV V8 4.125" Bore H/D Truck	35	F950	12.2L 743 OHV Diesel L6 5.125" Bore (Cummins Eng.) H/D Truck	73
F850	7.8L 477 OHV V8 4.5" Bore H/D Truck	46	F950	14.0L 855 OHV Diesel L6 5.5" Bore (Cummins Eng.) H/D Truck	75
F850	8.8L 534 OHV V8 4.5" Bore H/D Truck	55	F950	14.0L 855 OHV Turbo-Diesel L6 5.5" Bore (Cummins Eng.) H/D Truck	77
F880	6.1L 370 OHV V8 4.05" Bore H/D Truck	29	HT850	6.6L 401 OHV V8 4.125" Bore H/D Truck	35
F880	6.4L 389 OHV V8 4.05" Bore H/D Truck	31	HT850	7.8L 475 OHV V8 4.5" Bore H/D Truck	43
F880	6.4L 391 OHV V8 4.05" Bore H/D Truck	33	HT850	7.8L 477 OHV V8 4.5" Bore H/D Truck	46
			HT850	8.8L 534 OHV V8 4.5" Bore H/D Truck	55

(continued on next page)

Ford Truck - M/D & H/D

Model Index					
Model	Engine Description	Line No.	Model	Engine Description	Line No.
HT950	6.6L 401 OHV V8 4.125" Bore H/D Truck	35	LNT700	6.1L 370 OHV V8 4.05" Bore H/D Truck	29
HT950	7.0L 426 OHV Diesel L6 4.25" Bore (6-71) (Detroit Diesel Eng.) H/D Truck	37	LNT700	6.4L 389 OHV V8 4.05" Bore M/D Truck	31
HT950	7.8L 475 OHV V8 4.5" Bore H/D Truck	43	LNT700	6.4L 389 OHV V8 4.05" Bore H/D Truck	31
HT950	7.8L 477 OHV V8 4.5" Bore H/D Truck	46	LNT700	6.4L 391 OHV V8 4.05" Bore M/D Truck	33
HT950	8.8L 534 OHV V8 4.5" Bore H/D Truck	55	LNT700	6.4L 391 OHV V8 4.05" Bore H/D Truck	33
HT950	12.2L 743 OHV Diesel L6 5.125" Bore (Cummins Eng.) H/D Truck	73	LNT700	6.6L 401 OHV Turbo-Diesel L6 4.4" Bore M/D Truck	36
HT950	14.0L 855 OHV Diesel L6 5.5" Bore (Cummins Eng.) H/D Truck	75	LNT700	6.6L 401 OHV Turbo-Diesel L6 4.4" Bore H/D Truck	36
HT950	14.0L 855 OHV Turbo-Diesel L6 5.5" Bore (Cummins Eng.) H/D Truck	77	LNT700	7.0L 429 OHV V8 4.36" Bore M/D Truck	38
H1000	6.6L 401 OHV V8 4.125" Bore H/D Truck	35	LNT700	7.0L 429 OHV V8 4.36" Bore H/D Truck	38
H1000	7.8L 475 OHV V8 4.5" Bore H/D Truck	43	LNT700	7.8L 476 OHV Turbo-Diesel L6 4.4" Bore M/D Truck	44
H1000	7.8L 477 OHV V8 4.5" Bore H/D Truck	46	LNT700	7.8L 476 OHV Turbo-Diesel L6 4.4" Bore H/D Truck	44
H1000	8.8L 534 OHV V8 4.5" Bore H/D Truck	55	LNT700	8.2L 500 OHV Diesel V8 108mm Bore (Fuel Pincher) (Detroit Diesel Eng.) M/D Truck	47
H1000	12.2L 743 OHV Diesel L6 5.125" Bore (Cummins Eng.) H/D Truck	73	LNT700	8.2L 500 OHV Diesel V8 108mm Bore (Fuel Pincher) (Detroit Diesel Eng.) H/D Truck	47
H1000	14.0L 855 OHV Diesel L6 5.5" Bore (Cummins Eng.) H/D Truck	75	LNT700	8.2L 500 OHV Turbo-Diesel V8 108mm Bore (Fuel Pincher) (Detroit Diesel Eng.) M/D Truck	48
H1000	14.0L 855 OHV Turbo-Diesel L6 5.5" Bore (Cummins Eng.) H/D Truck	77	LNT700	8.5L 522 OHV Diesel V8 4.5" Bore (Caterpillar Eng.) M/D Truck	51
H850	6.6L 401 OHV V8 4.125" Bore H/D Truck	35	LNT700	8.5L 522 OHV Diesel V8 4.5" Bore (Caterpillar Eng.) H/D Truck	52
H850	7.8L 475 OHV V8 4.5" Bore H/D Truck	43	LNT700	9.4L 573 OHV Diesel V8 4.5" Bore (Caterpillar Eng.) M/D Truck	65
H850	7.8L 477 OHV V8 4.5" Bore H/D Truck	46	LNT700	9.4L 573 OHV Diesel V8 4.5" Bore (Caterpillar Eng.) H/D Truck	65
H850	8.8L 534 OHV V8 4.5" Bore H/D Truck	55	LNT700	10.4L 636 OHV Diesel V8 4.5" Bore (Caterpillar Eng.) M/D Truck	67
H950	6.6L 401 OHV V8 4.125" Bore H/D Truck	35	LNT700	10.4L 636 OHV Diesel V8 4.5" Bore (Caterpillar Eng.) H/D Truck	68
H950	7.0L 426 OHV Diesel L6 4.25" Bore (6-71) (Detroit Diesel Eng.) H/D Truck	37	LNT800	5.2L 318 OHV Diesel V6 3.875" Bore (Detroit Diesel Eng.) M/D Truck	19
H950	7.8L 475 OHV V8 4.5" Bore H/D Truck	43	LNT800	5.2L 318 OHV Diesel V6 3.875" Bore (Detroit Diesel Eng.) H/D Truck	19
H950	7.8L 477 OHV V8 4.5" Bore H/D Truck	46	LNT800	5.4L 330 OHV V8 3.875" Bore (M/D Eng.) M/D Truck	20
H950	8.8L 534 OHV V8 4.5" Bore H/D Truck	55	LNT800	5.4L 330 OHV V8 3.875" Bore (M/D Eng.) H/D Truck	20
H950	12.2L 743 OHV Diesel L6 5.125" Bore (Cummins Eng.) H/D Truck	73	LNT800	5.4L 330 OHV V8 3.875" Bore (H/D Eng.) M/D Truck	21
H950	14.0L 855 OHV Diesel L6 5.5" Bore (Cummins Eng.) H/D Truck	75	LNT800	5.4L 330 OHV V8 3.875" Bore (H/D Eng.) H/D Truck	21
H950	14.0L 855 OHV Turbo-Diesel L6 5.5" Bore (Cummins Eng.) H/D Truck	77	LNT800	5.9L 361 OHV V8 4.05" Bore M/D Truck	27
LNT700	5.4L 330 OHV V8 3.875" Bore (M/D Eng.) M/D Truck	20	LNT800	5.9L 361 OHV V8 4.05" Bore H/D Truck	27
LNT700	5.4L 330 OHV V8 3.875" Bore (M/D Eng.) H/D Truck	20	LNT800	6.1L 370 OHV V8 4.05" Bore M/D Truck	29
LNT700	5.4L 330 OHV V8 3.875" Bore (H/D Eng.) M/D Truck	21	LNT800	6.1L 370 OHV V8 4.05" Bore H/D Truck	29
LNT700	5.4L 330 OHV V8 3.875" Bore (H/D Eng.) H/D Truck	21	LNT800	6.4L 389 OHV V8 4.05" Bore M/D Truck	31
LNT700	5.9L 361 OHV V8 4.05" Bore M/D Truck	27	LNT800	6.4L 389 OHV V8 4.05" Bore H/D Truck	31
LNT700	5.9L 361 OHV V8 4.05" Bore H/D Truck	27	LNT800	6.4L 391 OHV V8 4.05" Bore M/D Truck	33
LNT700	6.1L 370 OHV V8 4.05" Bore M/D Truck	29	LNT800	6.4L 391 OHV V8 4.05" Bore H/D Truck	33

Ford Truck - M/D & H/D

Model Index					
Model	Engine Description	Line No.	Model	Engine Description	Line No.
LNT800.....	6.6L 401 OHV V8 4.125" Bore M/D Truck.....	34	LNT8000.....	7.8L 476 OHV Turbo-Diesel L6 4.4" Bore M/D Truck	44
LNT800.....	6.6L 401 OHV V8 4.125" Bore H/D Truck.....	35	LNT8000.....	7.8L 476 OHV Turbo-Diesel L6 4.4" Bore H/D Truck.....	44
LNT800.....	6.6L 401 OHV Turbo-Diesel L6 4.4" Bore M/D Truck	36	LNT8000.....	8.5L 522 OHV Diesel V8 4.5" Bore (Caterpillar Eng.) M/D Truck.....	51
LNT800.....	6.6L 401 OHV Turbo-Diesel L6 4.4" Bore H/D Truck.....	36	LNT8000.....	8.5L 522 OHV Diesel V8 4.5" Bore (Caterpillar Eng.) H/D Truck	52
LNT800.....	7.0L 426 OHV Diesel L6 4.25" Bore (6-71) (Detroit Diesel Eng.) M/D Truck.....	37	LNT8000.....	9.4L 573 OHV Diesel V8 4.5" Bore (Caterpillar Eng.) M/D Truck.....	65
LNT800.....	7.0L 426 OHV Diesel L6 4.25" Bore (6-71) (Detroit Diesel Eng.) H/D Truck.....	37	LNT8000.....	9.4L 573 OHV Diesel V8 4.5" Bore (Caterpillar Eng.) H/D Truck	65
LNT800.....	7.0L 429 OHV V8 4.36" Bore M/D Truck.....	38	LNT8000.....	10.4L 636 OHV Diesel V8 4.5" Bore (Caterpillar Eng.) M/D Truck	67
LNT800.....	7.0L 429 OHV V8 4.36" Bore H/D Truck.....	38	LNT8000.....	10.4L 636 OHV Diesel V8 4.5" Bore (Caterpillar Eng.) H/D Truck	68
LNT800.....	7.8L 476 OHV Turbo-Diesel L6 4.4" Bore M/D Truck	44	LNT880.....	7.8L 475 OHV V8 4.5" Bore H/D Truck.....	43
LNT800.....	7.8L 476 OHV Turbo-Diesel L6 4.4" Bore H/D Truck.....	44	LNT880.....	7.8L 477 OHV V8 4.5" Bore H/D Truck.....	46
LNT800.....	7.8L 475 OHV V8 4.5" Bore M/D Truck.....	43	LNT900.....	6.6L 401 OHV V8 4.125" Bore H/D Truck.....	35
LNT800.....	7.8L 475 OHV V8 4.5" Bore H/D Truck.....	43	LNT900.....	7.0L 426 OHV Diesel L6 4.25" Bore (6-71) (Detroit Diesel Eng.) H/D Truck.....	37
LNT800.....	7.8L 477 OHV V8 4.5" Bore M/D Truck.....	45	LNT900.....	7.8L 475 OHV V8 4.5" Bore H/D Truck.....	43
LNT800.....	7.8L 477 OHV V8 4.5" Bore H/D Truck.....	46	LNT900.....	7.8L 477 OHV V8 4.5" Bore H/D Truck.....	46
LNT800.....	8.5L 522 OHV Diesel V8 4.5" Bore (Caterpillar Eng.) M/D Truck.....	51	LNT900.....	8.8L 534 OHV V8 4.5" Bore H/D Truck.....	55
LNT800.....	8.5L 522 OHV Diesel V8 4.5" Bore (Caterpillar Eng.) H/D Truck	52	LNT900.....	9.0L 552 OHV Turbo-Diesel V6 4.84" Bore (Detroit Diesel Eng.) H/D Truck.....	58
LNT800.....	8.8L 534 OHV V8 4.5" Bore M/D Truck.....	54	LNT900.....	9.3L 568 OHV Diesel V8 4.25" Bore (Detroit Diesel Eng.) H/D Truck....	63
LNT800.....	8.8L 534 OHV V8 4.5" Bore H/D Truck.....	55	LNT900.....	10.4L 636 OHV Diesel V8 4.5" Bore (Caterpillar Eng.) H/D Truck	68
LNT800.....	9.1L 555 OHV Diesel V8 4.625" Bore (Cummins Eng.) M/D Truck .	59	LNT900.....	12.1L 736 OHV Turbo-Diesel V8 4.84" Bore (Detroit Diesel Eng.) H/D Truck.....	72
LNT800.....	9.1L 555 OHV Diesel V8 4.625" Bore (Cummins Eng.) H/D Truck..	59	LNT900.....	12.2L 743 OHV Diesel L6 5.125" Bore (Cummins Eng.) H/D Truck..	73
LNT800.....	9.1L 555 OHV Turbo-Diesel V8 4.625" Bore (Cummins Eng.) M/D Truck.....	60	LNT900.....	14.0L 855 OHV Diesel L6 5.5" Bore (Cummins Eng.) H/D Truck	75
LNT800.....	9.1L 555 OHV Turbo-Diesel V8 4.625" Bore (Cummins Eng.) H/D Truck.....	61	LNT900.....	14.0L 855 OHV Turbo-Diesel L6 5.5" Bore (Cummins Eng.) H/D Truck.....	77
LNT800.....	9.4L 573 OHV Diesel V8 4.5" Bore (Caterpillar Eng.) M/D Truck.....	65	LNT900.....	14.8L 903 OHV Diesel V8 5.5" Bore (Cummins Eng.) H/D Truck	80
LNT800.....	9.4L 573 OHV Diesel V8 4.5" Bore (Caterpillar Eng.) H/D Truck	65	LNT900.....	15.2L 927 OHV Diesel L6 5.5" Bore (Cummins Eng.) H/D Truck	81
LNT800.....	10.4L 636 OHV Diesel V8 4.5" Bore (Caterpillar Eng.) M/D Truck.....	67	LNT9000.....	5.2L 318 OHV Diesel V6 3.875" Bore (Detroit Diesel Eng.) M/D Truck.....	19
LNT800.....	10.4L 636 OHV Diesel V8 4.5" Bore (Caterpillar Eng.) H/D Truck	68	LNT9000.....	5.2L 318 OHV Diesel V6 3.875" Bore (Detroit Diesel Eng.) H/D Truck.....	19
LNT8000.....	5.2L 318 OHV Diesel V6 3.875" Bore (Detroit Diesel Eng.) M/D Truck.....	19	LNT9000.....	7.0L 426 OHV Diesel L6 4.25" Bore (6-71) (Detroit Diesel Eng.) H/D Truck.....	37
LNT8000.....	5.2L 318 OHV Diesel V6 3.875" Bore (Detroit Diesel Eng.) H/D Truck.....	19	LNT9000.....	7.8L 476 OHV Turbo-Diesel L6 4.4" Bore H/D Truck.....	44
LNT8000.....	7.0L 426 OHV Diesel L6 4.25" Bore (6-71) (Detroit Diesel Eng.) M/D Truck.....	37	LNT9000.....	8.2L 500 OHV Diesel V8 108mm Bore (Fuel Pincher) (Detroit Diesel Eng.) H/D Truck.....	47
LNT8000.....	7.0L 426 OHV Diesel L6 4.25" Bore (6-71) (Detroit Diesel Eng.) H/D Truck.....	37	LNT9000.....	9.0L 552 OHV Turbo-Diesel V6 4.84" Bore (Detroit Diesel Eng.) H/D Truck.....	58
LNT8000.....	7.6L 464 OHV Diesel L6 4.4375" Bore (Cummins Eng.) M/D Truck .	42	LNT9000.....	9.3L 568 OHV Diesel V8 4.25" Bore (Detroit Diesel Eng.) H/D Truck....	63
LNT8000.....	7.6L 464 OHV Diesel L6 4.4375" Bore (Cummins Eng.) H/D Truck..	42			

(continued on next page)

Ford Truck - M/D & H/D

Model Index					
Model	Engine Description	Line No.	Model	Engine Description	Line No.
LNT9000	12.1L 736 OHV Turbo-Diesel V8 4.84" Bore (Detroit Diesel Eng.) H/D Truck	72	LN700	6.4L 389 OHV V8 4.05" Bore H/D Truck	31
LNT9000	12.2L 743 OHV Diesel L6 5.125" Bore (Cummins Eng.) H/D Truck	73	LN700	6.4L 391 OHV V8 4.05" Bore M/D Truck	33
LNT9000	14.0L 855 OHV Diesel L6 5.5" Bore (Cummins Eng.) H/D Truck	75	LN700	6.4L 391 OHV V8 4.05" Bore H/D Truck	33
LNT9000	14.0L 855 OHV Turbo-Diesel L6 5.5" Bore (Cummins Eng.) H/D Truck	77	LN700	6.6L 401 OHV Turbo-Diesel L6 4.4" Bore M/D Truck	36
LNT9000	14.8L 903 OHV Diesel V8 5.5" Bore (Cummins Eng.) H/D Truck	80	LN700	6.6L 401 OHV Turbo-Diesel L6 4.4" Bore H/D Truck	36
LN500	3.6L 223 OHV L6 3.625" Bore M/D Truck	3	LN700	7.0L 429 OHV V8 4.36" Bore M/D Truck	38
LN500	3.9L 240 OHV L6 4" Bore M/D Truck	5	LN700	7.0L 429 OHV V8 4.36" Bore H/D Truck	38
LN500	4.8L 292 OHV V8 3.75" Bore M/D Truck	13	LN700	7.8L 476 OHV Turbo-Diesel L6 4.4" Bore M/D Truck	44
LN500	4.9L 300 OHV L6 4" Bore M/D Truck	15	LN700	7.8L 476 OHV Turbo-Diesel L6 4.4" Bore H/D Truck	44
LN500	4.9L 300 OHV L6 4" Bore (H/D Eng.) M/D Truck	16	LN700	8.2L 500 OHV Diesel V8 108mm Bore (Fuel Pincher) (Detroit Diesel Eng.) M/D Truck	47
LN500	5.4L 330 OHV V8 3.875" Bore (M/D Eng.) M/D Truck	20	LN700	8.2L 500 OHV Diesel V8 108mm Bore (Fuel Pincher) (Detroit Diesel Eng.) H/D Truck	47
LN500	5.4L 330 OHV V8 3.875" Bore (H/D Eng.) M/D Truck	21	LN700	8.2L 500 OHV Turbo-Diesel V8 108mm Bore (Fuel Pincher) (Detroit Diesel Eng.) M/D Truck	48
LN600	3.9L 240 OHV L6 4" Bore M/D Truck	5	LN700	8.5L 522 OHV Diesel V8 4.5" Bore (Caterpillar Eng.) M/D Truck	51
LN600	4.9L 300 OHV L6 4" Bore M/D Truck	15	LN700	8.5L 522 OHV Diesel V8 4.5" Bore (Caterpillar Eng.) H/D Truck	52
LN600	4.9L 300 OHV L6 4" Bore (H/D Eng.) M/D Truck	16	LN700	9.4L 573 OHV Diesel V8 4.5" Bore (Caterpillar Eng.) M/D Truck	65
LN600	5.4L 330 OHV V8 3.875" Bore (M/D Eng.) M/D Truck	20	LN700	9.4L 573 OHV Diesel V8 4.5" Bore (Caterpillar Eng.) H/D Truck	65
LN600	5.4L 330 OHV V8 3.875" Bore (H/D Eng.) M/D Truck	21	LN700	10.4L 636 OHV Diesel V8 4.5" Bore (Caterpillar Eng.) M/D Truck	67
LN600	5.9L 361 OHV V8 4.05" Bore M/D Truck	27	LN700	10.4L 636 OHV Diesel V8 4.5" Bore (Caterpillar Eng.) H/D Truck	68
LN600	6.1L 370 OHV V8 4.05" Bore M/D Truck	29	LN7000	5.9L 359 (5882cc) OHV Turbo-Diesel L6 102mm Bore (12 Valve) (Cummins Eng.) M/D Truck	24
LN600	6.4L 391 OHV V8 4.05" Bore M/D Truck	33	LN7000	5.9L 359 (5882cc) OHV Turbo-Diesel L6 102mm Bore (12 Valve) (Cummins Eng.) H/D Truck	24
LN600	7.0L 429 OHV V8 4.36" Bore M/D Truck	38	LN7000	6.6L 401 OHV Turbo-Diesel L6 4.4" Bore M/D Truck	36
LN600	8.2L 500 OHV Diesel V8 108mm Bore (Fuel Pincher) (Detroit Diesel Eng.) M/D Truck	47	LN7000	6.6L 401 OHV Turbo-Diesel L6 4.4" Bore H/D Truck	36
LN600	8.2L 500 OHV Turbo-Diesel V8 108mm Bore (Fuel Pincher) (Detroit Diesel Eng.) M/D Truck	48	LN7000	7.0L 426 OHV Diesel L6 4.25" Bore (6-71) (Detroit Diesel Eng.) M/D Truck	37
LN600	9.0L 552 OHV Diesel V6 4.84" Bore (Detroit Diesel Eng.) M/D Truck	56	LN7000	7.0L 426 OHV Diesel L6 4.25" Bore (6-71) (Detroit Diesel Eng.) H/D Truck	37
LN600	9.0L 552 OHV Turbo-Diesel V6 4.84" Bore (Detroit Diesel Eng.) M/D Truck	57	LN7000	7.8L 476 OHV Turbo-Diesel L6 4.4" Bore M/D Truck	44
LN700	5.4L 330 OHV V8 3.875" Bore (M/D Eng.) M/D Truck	20	LN7000	7.8L 476 OHV Turbo-Diesel L6 4.4" Bore H/D Truck	44
LN700	5.4L 330 OHV V8 3.875" Bore (M/D Eng.) H/D Truck	20	LN7000	8.2L 500 OHV Diesel V8 108mm Bore (Fuel Pincher) (Detroit Diesel Eng.) M/D Truck	47
LN700	5.4L 330 OHV V8 3.875" Bore (H/D Eng.) M/D Truck	21	LN7000	8.2L 500 OHV Diesel V8 108mm Bore (Fuel Pincher) (Detroit Diesel Eng.) H/D Truck	47
LN700	5.4L 330 OHV V8 3.875" Bore (H/D Eng.) H/D Truck	21	LN750	5.4L 330 OHV V8 3.875" Bore (M/D Eng.) M/D Truck	20
LN700	5.9L 361 OHV V8 4.05" Bore M/D Truck	27	LN750	5.4L 330 OHV V8 3.875" Bore (M/D Eng.) H/D Truck	20
LN700	5.9L 361 OHV V8 4.05" Bore H/D Truck	27	LN750	5.4L 330 OHV V8 3.875" Bore (H/D Eng.) M/D Truck	21
LN700	6.1L 370 OHV V8 4.05" Bore M/D Truck	29			
LN700	6.1L 370 OHV V8 4.05" Bore H/D Truck	29			
LN700	6.4L 389 OHV V8 4.05" Bore M/D Truck	31			

Ford Truck - M/D & H/D

Model Index					
Model	Engine Description	Line No.	Model	Engine Description	Line No.
LN750	5.4L 330 OHV V8 3.875" Bore (H/D Eng.) H/D Truck	21	LN800	8.5L 522 OHV Diesel V8 4.5" Bore (Caterpillar Eng.) H/D Truck	52
LN750	5.4L 332 OHV V8 3.8125" Bore M/D Truck	23	LN800	8.8L 534 OHV V8 4.5" Bore M/D Truck	54
LN750	5.4L 332 OHV V8 3.8125" Bore H/D Truck	23	LN800	8.8L 534 OHV V8 4.5" Bore H/D Truck	55
LN750	5.9L 361 OHV V8 4.05" Bore M/D Truck	27	LN800	9.1L 555 OHV Diesel V8 4.625" Bore (Cummins Eng.) M/D Truck	59
LN750	5.9L 361 OHV V8 4.05" Bore H/D Truck	27	LN800	9.1L 555 OHV Diesel V8 4.625" Bore (Cummins Eng.) H/D Truck	59
LN750	6.4L 389 OHV V8 4.05" Bore M/D Truck	31	LN800	9.1L 555 OHV Turbo-Diesel V8 4.625" Bore (Cummins Eng.) M/D Truck	60
LN750	6.4L 389 OHV V8 4.05" Bore H/D Truck	31	LN800	9.1L 555 OHV Turbo-Diesel V8 4.625" Bore (Cummins Eng.) H/D Truck	61
LN750	6.4L 391 OHV V8 4.05" Bore M/D Truck	33	LN800	9.4L 573 OHV Diesel V8 4.5" Bore (Caterpillar Eng.) M/D Truck	65
LN750	6.4L 391 OHV V8 4.05" Bore H/D Truck	33	LN800	9.4L 573 OHV Diesel V8 4.5" Bore (Caterpillar Eng.) H/D Truck	65
LN800	5.2L 318 OHV Diesel V6 3.875" Bore (Detroit Diesel Eng.) M/D Truck	19	LN800	10.4L 636 OHV Diesel V8 4.5" Bore (Caterpillar Eng.) M/D Truck	67
LN800	5.2L 318 OHV Diesel V6 3.875" Bore (Detroit Diesel Eng.) H/D Truck	19	LN800	10.4L 636 OHV Diesel V8 4.5" Bore (Caterpillar Eng.) H/D Truck	68
LN800	5.9L 361 OHV V8 4.05" Bore M/D Truck	27	LN8000	5.2L 318 OHV Diesel V6 3.875" Bore (Detroit Diesel Eng.) M/D Truck	19
LN800	5.9L 361 OHV V8 4.05" Bore H/D Truck	27	LN8000	5.2L 318 OHV Diesel V6 3.875" Bore (Detroit Diesel Eng.) H/D Truck	19
LN800	6.1L 370 OHV V8 4.05" Bore M/D Truck	29	LN8000	7.0L 426 OHV Diesel L6 4.25" Bore (6-71) (Detroit Diesel Eng.) M/D Truck	37
LN800	6.1L 370 OHV V8 4.05" Bore H/D Truck	29	LN8000	7.0L 426 OHV Diesel L6 4.25" Bore (6-71) (Detroit Diesel Eng.) H/D Truck	37
LN800	6.4L 389 OHV V8 4.05" Bore M/D Truck	31	LN8000	7.0L 429 OHV V8 4.36" Bore M/D Truck	38
LN800	6.4L 389 OHV V8 4.05" Bore H/D Truck	31	LN8000	7.0L 429 OHV V8 4.36" Bore H/D Truck	38
LN800	6.4L 391 OHV V8 4.05" Bore M/D Truck	33	LN8000	7.6L 464 OHV Diesel L6 4.4375" Bore (Cummins Eng.) M/D Truck	42
LN800	6.4L 391 OHV V8 4.05" Bore H/D Truck	33	LN8000	7.6L 464 OHV Diesel L6 4.4375" Bore (Cummins Eng.) H/D Truck	42
LN800	6.6L 401 OHV V8 4.125" Bore M/D Truck	34	LN8000	7.8L 476 OHV Turbo-Diesel L6 4.4" Bore M/D Truck	44
LN800	6.6L 401 OHV V8 4.125" Bore H/D Truck	35	LN8000	7.8L 476 OHV Turbo-Diesel L6 4.4" Bore H/D Truck	44
LN800	6.6L 401 OHV Turbo-Diesel L6 4.4" Bore M/D Truck	36	LN8000	8.5L 522 OHV Diesel V8 4.5" Bore (Caterpillar Eng.) M/D Truck	51
LN800	6.6L 401 OHV Turbo-Diesel L6 4.4" Bore H/D Truck	36	LN8000	8.5L 522 OHV Diesel V8 4.5" Bore (Caterpillar Eng.) H/D Truck	52
LN800	7.0L 426 OHV Diesel L6 4.25" Bore (6-71) (Detroit Diesel Eng.) M/D Truck	37	LN8000	9.4L 573 OHV Diesel V8 4.5" Bore (Caterpillar Eng.) M/D Truck	65
LN800	7.0L 426 OHV Diesel L6 4.25" Bore (6-71) (Detroit Diesel Eng.) H/D Truck	37	LN8000	9.4L 573 OHV Diesel V8 4.5" Bore (Caterpillar Eng.) H/D Truck	65
LN800	7.0L 429 OHV V8 4.36" Bore M/D Truck	38	LN8000	10.4L 636 OHV Diesel V8 4.5" Bore (Caterpillar Eng.) M/D Truck	67
LN800	7.0L 429 OHV V8 4.36" Bore H/D Truck	38	LN8000	10.4L 636 OHV Diesel V8 4.5" Bore (Caterpillar Eng.) H/D Truck	68
LN800	7.8L 476 OHV Turbo-Diesel L6 4.4" Bore M/D Truck	44	LN900	6.6L 401 OHV V8 4.125" Bore M/D Truck	34
LN800	7.8L 476 OHV Turbo-Diesel L6 4.4" Bore H/D Truck	44	LN900	6.6L 401 OHV V8 4.125" Bore H/D Truck	35
LN800	7.8L 475 OHV V8 4.5" Bore M/D Truck	43	LN900	7.0L 426 OHV Diesel L6 4.25" Bore (6-71) (Detroit Diesel Eng.) H/D Truck	37
LN800	7.8L 475 OHV V8 4.5" Bore H/D Truck	43	LN900	7.8L 475 OHV V8 4.5" Bore H/D Truck	43
LN800	7.8L 477 OHV V8 4.5" Bore M/D Truck	45	LN900	7.8L 477 OHV V8 4.5" Bore M/D Truck	45
LN800	7.8L 477 OHV V8 4.5" Bore H/D Truck	46	LN900	7.8L 477 OHV V8 4.5" Bore H/D Truck	45
LN800	8.5L 522 OHV Diesel V8 4.5" Bore (Caterpillar Eng.) M/D Truck	51	LN900	7.8L 477 OHV V8 4.5" Bore H/D Truck	46

(continued on next page)

Ford Truck - M/D & H/D

Model Index					
Model	Engine Description	Line No.	Model	Engine Description	Line No.
LN900	8.8L 534 OHV V8 4.5" Bore M/D Truck	54	LTL900	10.4L 636 OHV Diesel V8 4.5" Bore (Caterpillar Eng.) H/D Truck	68
LN900	8.8L 534 OHV V8 4.5" Bore H/D Truck	55	LTL900	12.1L 736 OHV Turbo-Diesel V8 4.84" Bore (Detroit Diesel Eng.) H/D Truck	72
LN900	9.0L 552 OHV Turbo-Diesel V6 4.84" Bore (Detroit Diesel Eng.) H/D Truck	58	LTL900	12.2L 743 OHV Diesel L6 5.125" Bore (Cummins Eng.) H/D Truck	73
LN900	9.3L 568 OHV Diesel V8 4.25" Bore (Detroit Diesel Eng.) H/D Truck	63	LTL900	14.0L 855 OHV Diesel L6 5.5" Bore (Cummins Eng.) H/D Truck	75
LN900	10.4L 636 OHV Diesel V8 4.5" Bore (Caterpillar Eng.) H/D Truck	68	LTL900	14.0L 855 OHV Turbo-Diesel L6 5.5" Bore (Cummins Eng.) H/D Truck	77
LN900	12.1L 736 OHV Turbo-Diesel V8 4.84" Bore (Detroit Diesel Eng.) H/D Truck	72	LTL900	14.8L 903 OHV Diesel V8 5.5" Bore (Cummins Eng.) H/D Truck	80
LN900	12.2L 743 OHV Diesel L6 5.125" Bore (Cummins Eng.) H/D Truck	73	LTL900	15.2L 927 OHV Diesel L6 5.5" Bore (Cummins Eng.) H/D Truck	81
LN900	14.0L 855 OHV Diesel L6 5.5" Bore (Cummins Eng.) H/D Truck	75	LTL9000	5.9L 359 (5882cc) OHV Turbo-Diesel L6 102mm Bore (12 Valve) (Cummins Eng.) H/D Truck	24
LN900	14.0L 855 OHV Turbo-Diesel L6 5.5" Bore (Cummins Eng.) H/D Truck	77	LTL9000	7.0L 426 OHV Diesel L6 4.25" Bore (6-71) (Detroit Diesel Eng.) H/D Truck	37
LN900	14.8L 903 OHV Diesel V8 5.5" Bore (Cummins Eng.) H/D Truck	80	LTL9000	8.2L 500 OHV Diesel V8 108mm Bore (Fuel Pincher) (Detroit Diesel Eng.) H/D Truck	47
LN900	15.2L 927 OHV Diesel L6 5.5" Bore (Cummins Eng.) H/D Truck	81	LTS700	5.4L 330 OHV V8 3.875" Bore (M/D Eng.) M/D Truck	20
LN9000	5.2L 318 OHV Diesel V6 3.875" Bore (Detroit Diesel Eng.) M/D Truck	19	LTS700	5.4L 330 OHV V8 3.875" Bore (M/D Eng.) H/D Truck	20
LN9000	5.2L 318 OHV Diesel V6 3.875" Bore (Detroit Diesel Eng.) H/D Truck	19	LTS700	5.4L 330 OHV V8 3.875" Bore (H/D Eng.) M/D Truck	21
LN9000	7.0L 426 OHV Diesel L6 4.25" Bore (6-71) (Detroit Diesel Eng.) H/D Truck	37	LTS700	5.4L 330 OHV V8 3.875" Bore (H/D Eng.) H/D Truck	21
LN9000	9.0L 552 OHV Turbo-Diesel V6 4.84" Bore (Detroit Diesel Eng.) H/D Truck	58	LTS700	5.9L 361 OHV V8 4.05" Bore M/D Truck	27
LN9000	9.3L 568 OHV Diesel V8 4.25" Bore (Detroit Diesel Eng.) H/D Truck	63	LTS700	5.9L 361 OHV V8 4.05" Bore H/D Truck	27
LN9000	12.1L 736 OHV Turbo-Diesel V8 4.84" Bore (Detroit Diesel Eng.) H/D Truck	72	LTS700	6.1L 370 OHV V8 4.05" Bore M/D Truck	29
LN9000	12.2L 743 OHV Diesel L6 5.125" Bore (Cummins Eng.) H/D Truck	73	LTS700	6.1L 370 OHV V8 4.05" Bore H/D Truck	29
LN9000	14.0L 855 OHV Diesel L6 5.5" Bore (Cummins Eng.) H/D Truck	75	LTS700	6.4L 389 OHV V8 4.05" Bore M/D Truck	31
LN9000	14.0L 855 OHV Turbo-Diesel L6 5.5" Bore (Cummins Eng.) H/D Truck	77	LTS700	6.4L 389 OHV V8 4.05" Bore H/D Truck	31
LN9000	14.8L 903 OHV Diesel V8 5.5" Bore (Cummins Eng.) H/D Truck	80	LTS700	6.4L 391 OHV V8 4.05" Bore M/D Truck	33
LS800	7.8L 476 OHV Turbo-Diesel L6 4.4" Bore M/D Truck	44	LTS700	6.4L 391 OHV V8 4.05" Bore H/D Truck	33
LS800	7.8L 476 OHV Turbo-Diesel L6 4.4" Bore H/D Truck	44	LTS700	6.6L 401 OHV Turbo-Diesel L6 4.4" Bore M/D Truck	36
LS8000	7.8L 476 OHV Turbo-Diesel L6 4.4" Bore M/D Truck	44	LTS700	6.6L 401 OHV Turbo-Diesel L6 4.4" Bore H/D Truck	36
LS8000	7.8L 476 OHV Turbo-Diesel L6 4.4" Bore H/D Truck	44	LTS700	7.0L 429 OHV V8 4.36" Bore M/D Truck	38
LTL900	7.0L 426 OHV Diesel L6 4.25" Bore (6-71) (Detroit Diesel Eng.) H/D Truck	37	LTS700	7.0L 429 OHV V8 4.36" Bore H/D Truck	38
LTL900	7.8L 475 OHV V8 4.5" Bore H/D Truck	43	LTS700	7.8L 476 OHV Turbo-Diesel L6 4.4" Bore M/D Truck	44
LTL900	7.8L 477 OHV V8 4.5" Bore H/D Truck	46	LTS700	7.8L 476 OHV Turbo-Diesel L6 4.4" Bore H/D Truck	44
LTL900	8.8L 534 OHV V8 4.5" Bore H/D Truck	55	LTS700	8.2L 500 OHV Diesel V8 108mm Bore (Fuel Pincher) (Detroit Diesel Eng.) M/D Truck	47
LTL900	9.0L 552 OHV Turbo-Diesel V6 4.84" Bore (Detroit Diesel Eng.) H/D Truck	58	LTS700	8.2L 500 OHV Diesel V8 108mm Bore (Fuel Pincher) (Detroit Diesel Eng.) H/D Truck	47
LTL900	9.3L 568 OHV Diesel V8 4.25" Bore (Detroit Diesel Eng.) H/D Truck	63	LTS700	8.2L 500 OHV Turbo-Diesel V8 108mm Bore (Fuel Pincher) (Detroit Diesel Eng.) M/D Truck	48
			LTS700	8.5L 522 OHV Diesel V8 4.5" Bore (Caterpillar Eng.) M/D Truck	51

Ford Truck - M/D & H/D

Model Index					
Model	Engine Description	Line No.	Model	Engine Description	Line No.
LTS700	8.5L 522 OHV Diesel V8 4.5" Bore (Caterpillar Eng.) H/D Truck	52	LTS800	8.5L 522 OHV Diesel V8 4.5" Bore (Caterpillar Eng.) H/D Truck	52
LTS700	9.4L 573 OHV Diesel V8 4.5" Bore (Caterpillar Eng.) M/D Truck	65	LTS800	8.8L 534 OHV V8 4.5" Bore M/D Truck	54
LTS700	9.4L 573 OHV Diesel V8 4.5" Bore (Caterpillar Eng.) H/D Truck	65	LTS800	8.8L 534 OHV V8 4.5" Bore H/D Truck	55
LTS700	10.4L 636 OHV Diesel V8 4.5" Bore (Caterpillar Eng.) M/D Truck	67	LTS800	9.1L 555 OHV Diesel V8 4.625" Bore (Cummins Eng.) M/D Truck	59
LTS700	10.4L 636 OHV Diesel V8 4.5" Bore (Caterpillar Eng.) H/D Truck	68	LTS800	9.1L 555 OHV Diesel V8 4.625" Bore (Cummins Eng.) H/D Truck	59
LTS800	5.2L 318 OHV Diesel V6 3.875" Bore (Detroit Diesel Eng.) M/D Truck	19	LTS800	9.1L 555 OHV Turbo-Diesel V8 4.625" Bore (Cummins Eng.) M/D Truck	60
LTS800	5.2L 318 OHV Diesel V6 3.875" Bore (Detroit Diesel Eng.) H/D Truck	19	LTS800	9.1L 555 OHV Turbo-Diesel V8 4.625" Bore (Cummins Eng.) H/D Truck	61
LTS800	5.4L 330 OHV V8 3.875" Bore (M/D Eng.) M/D Truck	20	LTS800	9.4L 573 OHV Diesel V8 4.5" Bore (Caterpillar Eng.) M/D Truck	65
LTS800	5.4L 330 OHV V8 3.875" Bore (M/D Eng.) H/D Truck	20	LTS800	9.4L 573 OHV Diesel V8 4.5" Bore (Caterpillar Eng.) H/D Truck	65
LTS800	5.4L 330 OHV V8 3.875" Bore (H/D Eng.) M/D Truck	21	LTS800	10.4L 636 OHV Diesel V8 4.5" Bore (Caterpillar Eng.) M/D Truck	67
LTS800	5.4L 330 OHV V8 3.875" Bore (H/D Eng.) H/D Truck	21	LTS800	10.4L 636 OHV Diesel V8 4.5" Bore (Caterpillar Eng.) H/D Truck	68
LTS800	5.9L 361 OHV V8 4.05" Bore M/D Truck	27	LTS8000	5.2L 318 OHV Diesel V6 3.875" Bore (Detroit Diesel Eng.) M/D Truck	19
LTS800	5.9L 361 OHV V8 4.05" Bore H/D Truck	27	LTS8000	5.2L 318 OHV Diesel V6 3.875" Bore (Detroit Diesel Eng.) H/D Truck	19
LTS800	6.1L 370 OHV V8 4.05" Bore M/D Truck	29	LTS8000	7.0L 426 OHV Diesel L6 4.25" Bore (6-71) (Detroit Diesel Eng.) M/D Truck	37
LTS800	6.1L 370 OHV V8 4.05" Bore H/D Truck	29	LTS8000	7.0L 426 OHV Diesel L6 4.25" Bore (6-71) (Detroit Diesel Eng.) H/D Truck	37
LTS800	6.4L 389 OHV V8 4.05" Bore M/D Truck	31	LTS8000	7.6L 464 OHV Diesel L6 4.4375" Bore (Cummins Eng.) M/D Truck	42
LTS800	6.4L 389 OHV V8 4.05" Bore H/D Truck	31	LTS8000	7.6L 464 OHV Diesel L6 4.4375" Bore (Cummins Eng.) H/D Truck	42
LTS800	6.4L 391 OHV V8 4.05" Bore M/D Truck	33	LTS8000	7.8L 476 OHV Turbo-Diesel L6 4.4" Bore M/D Truck	44
LTS800	6.4L 391 OHV V8 4.05" Bore H/D Truck	33	LTS8000	7.8L 476 OHV Turbo-Diesel L6 4.4" Bore H/D Truck	44
LTS800	6.6L 401 OHV V8 4.125" Bore M/D Truck	34	LTS8000	8.5L 522 OHV Diesel V8 4.5" Bore (Caterpillar Eng.) M/D Truck	51
LTS800	6.6L 401 OHV V8 4.125" Bore H/D Truck	35	LTS8000	8.5L 522 OHV Diesel V8 4.5" Bore (Caterpillar Eng.) H/D Truck	52
LTS800	6.6L 401 OHV Turbo-Diesel L6 4.4" Bore M/D Truck	36	LTS8000	9.4L 573 OHV Diesel V8 4.5" Bore (Caterpillar Eng.) M/D Truck	65
LTS800	6.6L 401 OHV Turbo-Diesel L6 4.4" Bore H/D Truck	36	LTS8000	9.4L 573 OHV Diesel V8 4.5" Bore (Caterpillar Eng.) H/D Truck	65
LTS800	7.0L 426 OHV Diesel L6 4.25" Bore (6-71) (Detroit Diesel Eng.) M/D Truck	37	LTS8000	10.4L 636 OHV Diesel V8 4.5" Bore (Caterpillar Eng.) M/D Truck	67
LTS800	7.0L 426 OHV Diesel L6 4.25" Bore (6-71) (Detroit Diesel Eng.) H/D Truck	37	LTS8000	10.4L 636 OHV Diesel V8 4.5" Bore (Caterpillar Eng.) H/D Truck	68
LTS800	7.0L 429 OHV V8 4.36" Bore M/D Truck	38	LTS880	7.8L 475 OHV V8 4.5" Bore H/D Truck	43
LTS800	7.0L 429 OHV V8 4.36" Bore H/D Truck	38	LTS900	6.6L 401 OHV V8 4.125" Bore H/D Truck	35
LTS800	7.8L 476 OHV Turbo-Diesel L6 4.4" Bore M/D Truck	44	LTS900	7.0L 426 OHV Diesel L6 4.25" Bore (6-71) (Detroit Diesel Eng.) H/D Truck	37
LTS800	7.8L 476 OHV Turbo-Diesel L6 4.4" Bore H/D Truck	44	LTS900	7.8L 475 OHV V8 4.5" Bore H/D Truck	43
LTS800	7.8L 475 OHV V8 4.5" Bore M/D Truck	43	LTS900	7.8L 477 OHV V8 4.5" Bore H/D Truck	46
LTS800	7.8L 475 OHV V8 4.5" Bore H/D Truck	43	LTS900	8.8L 534 OHV V8 4.5" Bore H/D Truck	55
LTS800	7.8L 477 OHV V8 4.5" Bore M/D Truck	45	LTS900	9.0L 552 OHV Turbo-Diesel V6 4.84" Bore (Detroit Diesel Eng.) H/D Truck	58
LTS800	7.8L 477 OHV V8 4.5" Bore H/D Truck	46			
LTS800	8.5L 522 OHV Diesel V8 4.5" Bore (Caterpillar Eng.) M/D Truck	51			

(continued on next page)

Ford Truck - M/D & H/D

Model Index					
Model	Engine Description	Line No.	Model	Engine Description	Line No.
LTS900	9.1L 555 OHV Diesel V8 4.625" Bore (Cummins Eng.) H/D Truck..	59	LT700	6.4L 391 OHV V8 4.05" Bore H/D Truck.....	33
LTS900	9.3L 568 OHV Diesel V8 4.25" Bore (Detroit Diesel Eng.) H/D Truck....	63	LT700	6.6L 401 OHV Turbo-Diesel L6 4.4" Bore M/D Truck	36
LTS900	10.4L 636 OHV Diesel V8 4.5" Bore (Caterpillar Eng.) H/D Truck	68	LT700	6.6L 401 OHV Turbo-Diesel L6 4.4" Bore H/D Truck.....	36
LTS900	12.1L 736 OHV Turbo-Diesel V8 4.84" Bore (Detroit Diesel Eng.) H/D Truck.....	72	LT700	7.0L 429 OHV V8 4.36" Bore M/D Truck.....	38
LTS900	12.2L 743 OHV Diesel L6 5.125" Bore (Cummins Eng.) H/D Truck..	73	LT700	7.0L 429 OHV V8 4.36" Bore H/D Truck.....	38
LTS900	14.0L 855 OHV Diesel L6 5.5" Bore (Cummins Eng.) H/D Truck	75	LT700	7.8L 476 OHV Turbo-Diesel L6 4.4" Bore M/D Truck	44
LTS900	14.0L 855 OHV Turbo-Diesel L6 5.5" Bore (Cummins Eng.) H/D Truck.....	77	LT700	7.8L 476 OHV Turbo-Diesel L6 4.4" Bore H/D Truck.....	44
LTS900	14.8L 903 OHV Diesel V8 5.5" Bore (Cummins Eng.) H/D Truck	80	LT700	8.2L 500 OHV Diesel V8 108mm Bore (Fuel Pincher) (Detroit Diesel Eng.) M/D Truck	47
LTS900	15.2L 927 OHV Diesel L6 5.5" Bore (Cummins Eng.) H/D Truck	81	LT700	8.2L 500 OHV Diesel V8 108mm Bore (Fuel Pincher) (Detroit Diesel Eng.) H/D Truck.....	47
LTS9000	5.2L 318 OHV Diesel V6 3.875" Bore (Detroit Diesel Eng.) M/D Truck.....	19	LT700	8.2L 500 OHV Turbo-Diesel V8 108mm Bore (Fuel Pincher) (Detroit Diesel Eng.) M/D Truck	48
LTS9000	5.2L 318 OHV Diesel V6 3.875" Bore (Detroit Diesel Eng.) H/D Truck.....	19	LT700	8.5L 522 OHV Diesel V8 4.5" Bore (Caterpillar Eng.) M/D Truck.....	51
LTS9000	7.0L 426 OHV Diesel L6 4.25" Bore (6-71) (Detroit Diesel Eng.) H/D Truck.....	37	LT700	8.5L 522 OHV Diesel V8 4.5" Bore (Caterpillar Eng.) H/D Truck	52
LTS9000	7.8L 476 OHV Turbo-Diesel L6 4.4" Bore H/D Truck.....	44	LT700	9.4L 573 OHV Diesel V8 4.5" Bore (Caterpillar Eng.) M/D Truck.....	65
LTS9000	8.2L 500 OHV Diesel V8 108mm Bore (Fuel Pincher) (Detroit Diesel Eng.) H/D Truck.....	47	LT700	9.4L 573 OHV Diesel V8 4.5" Bore (Caterpillar Eng.) H/D Truck	65
LTS9000	9.0L 552 OHV Turbo-Diesel V6 4.84" Bore (Detroit Diesel Eng.) H/D Truck.....	58	LT700	10.4L 636 OHV Diesel V8 4.5" Bore (Caterpillar Eng.) M/D Truck.....	67
LTS9000	9.3L 568 OHV Diesel V8 4.25" Bore (Detroit Diesel Eng.) H/D Truck....	63	LT700	10.4L 636 OHV Diesel V8 4.5" Bore (Caterpillar Eng.) H/D Truck	68
LTS9000	12.1L 736 OHV Turbo-Diesel V8 4.84" Bore (Detroit Diesel Eng.) H/D Truck.....	72	LT800	5.2L 318 OHV Diesel V6 3.875" Bore (Detroit Diesel Eng.) M/D Truck.....	19
LTS9000	12.2L 743 OHV Diesel L6 5.125" Bore (Cummins Eng.) H/D Truck..	73	LT800	5.2L 318 OHV Diesel V6 3.875" Bore (Detroit Diesel Eng.) H/D Truck.....	19
LTS9000	14.0L 855 OHV Diesel L6 5.5" Bore (Cummins Eng.) H/D Truck	75	LT800	5.4L 330 OHV V8 3.875" Bore (M/D Eng.) M/D Truck	20
LTS9000	14.0L 855 OHV Turbo-Diesel L6 5.5" Bore (Cummins Eng.) H/D Truck.....	77	LT800	5.4L 330 OHV V8 3.875" Bore (M/D Eng.) H/D Truck	20
LTS9000	14.8L 903 OHV Diesel V8 5.5" Bore (Cummins Eng.) H/D Truck	80	LT800	5.4L 330 OHV V8 3.875" Bore (H/D Eng.) M/D Truck	21
LT700	5.4L 330 OHV V8 3.875" Bore (M/D Eng.) M/D Truck	20	LT800	5.4L 330 OHV V8 3.875" Bore (H/D Eng.) H/D Truck.....	21
LT700	5.4L 330 OHV V8 3.875" Bore (M/D Eng.) H/D Truck.....	20	LT800	5.9L 361 OHV V8 4.05" Bore M/D Truck.....	27
LT700	5.4L 330 OHV V8 3.875" Bore (H/D Eng.) M/D Truck	21	LT800	5.9L 361 OHV V8 4.05" Bore H/D Truck.....	27
LT700	5.4L 330 OHV V8 3.875" Bore (H/D Eng.) H/D Truck.....	21	LT800	6.1L 370 OHV V8 4.05" Bore M/D Truck.....	29
LT700	5.9L 361 OHV V8 4.05" Bore M/D Truck.....	27	LT800	6.1L 370 OHV V8 4.05" Bore H/D Truck.....	29
LT700	5.9L 361 OHV V8 4.05" Bore H/D Truck.....	27	LT800	6.4L 389 OHV V8 4.05" Bore M/D Truck.....	31
LT700	6.1L 370 OHV V8 4.05" Bore M/D Truck.....	29	LT800	6.4L 389 OHV V8 4.05" Bore H/D Truck.....	31
LT700	6.1L 370 OHV V8 4.05" Bore H/D Truck.....	29	LT800	6.4L 391 OHV V8 4.05" Bore M/D Truck.....	33
LT700	6.4L 389 OHV V8 4.05" Bore M/D Truck.....	31	LT800	6.4L 391 OHV V8 4.05" Bore H/D Truck.....	33
LT700	6.4L 389 OHV V8 4.05" Bore H/D Truck.....	31	LT800	6.6L 401 OHV V8 4.125" Bore M/D Truck.....	34
LT700	6.4L 391 OHV V8 4.05" Bore M/D Truck.....	33	LT800	6.6L 401 OHV V8 4.125" Bore H/D Truck.....	35
			LT800	6.6L 401 OHV Turbo-Diesel L6 4.4" Bore M/D Truck	36
			LT800	6.6L 401 OHV Turbo-Diesel L6 4.4" Bore H/D Truck.....	36

Ford Truck - M/D & H/D

Model Index					
Model	Engine Description	Line No.	Model	Engine Description	Line No.
LT800	7.0L 426 OHV Diesel L6 4.25" Bore (6-71) (Detroit Diesel Eng.) M/D Truck	37	LT8000	8.2L 500 OHV Diesel V8 108mm Bore (Fuel Pincher) (Detroit Diesel Eng.) M/D Truck	47
LT800	7.0L 426 OHV Diesel L6 4.25" Bore (6-71) (Detroit Diesel Eng.) H/D Truck	37	LT8000	8.2L 500 OHV Diesel V8 108mm Bore (Fuel Pincher) (Detroit Diesel Eng.) H/D Truck	47
LT800	7.0L 429 OHV V8 4.36" Bore M/D Truck	38	LT8000	8.5L 522 OHV Diesel V8 4.5" Bore (Caterpillar Eng.) M/D Truck	51
LT800	7.0L 429 OHV V8 4.36" Bore H/D Truck	38	LT8000	8.5L 522 OHV Diesel V8 4.5" Bore (Caterpillar Eng.) H/D Truck	52
LT800	7.8L 476 OHV Turbo-Diesel L6 4.4" Bore M/D Truck	44	LT8000	9.4L 573 OHV Diesel V8 4.5" Bore (Caterpillar Eng.) M/D Truck	65
LT800	7.8L 476 OHV Turbo-Diesel L6 4.4" Bore H/D Truck	44	LT8000	9.4L 573 OHV Diesel V8 4.5" Bore (Caterpillar Eng.) H/D Truck	65
LT800	7.8L 475 OHV V8 4.5" Bore M/D Truck	43	LT8000	10.4L 636 OHV Diesel V8 4.5" Bore (Caterpillar Eng.) M/D Truck	67
LT800	7.8L 475 OHV V8 4.5" Bore H/D Truck	43	LT8000	10.4L 636 OHV Diesel V8 4.5" Bore (Caterpillar Eng.) H/D Truck	68
LT800	7.8L 477 OHV V8 4.5" Bore M/D Truck	45	LT880	7.8L 475 OHV V8 4.5" Bore H/D Truck	43
LT800	7.8L 477 OHV V8 4.5" Bore H/D Truck	46	LT880	7.8L 477 OHV V8 4.5" Bore H/D Truck	46
LT800	8.5L 522 OHV Diesel V8 4.5" Bore (Caterpillar Eng.) M/D Truck	51	LT900	6.6L 401 OHV V8 4.125" Bore H/D Truck	35
LT800	8.5L 522 OHV Diesel V8 4.5" Bore (Caterpillar Eng.) H/D Truck	52	LT900	7.0L 426 OHV Diesel L6 4.25" Bore (6-71) (Detroit Diesel Eng.) H/D Truck	37
LT800	8.8L 534 OHV V8 4.5" Bore M/D Truck	54	LT900	7.8L 475 OHV V8 4.5" Bore H/D Truck	43
LT800	8.8L 534 OHV V8 4.5" Bore H/D Truck	55	LT900	7.8L 477 OHV V8 4.5" Bore H/D Truck	46
LT800	9.1L 555 OHV Diesel V8 4.625" Bore (Cummins Eng.) M/D Truck	59	LT900	8.8L 534 OHV V8 4.5" Bore H/D Truck	55
LT800	9.1L 555 OHV Diesel V8 4.625" Bore (Cummins Eng.) H/D Truck	59	LT900	9.0L 552 OHV Turbo-Diesel V6 4.84" Bore (Detroit Diesel Eng.) H/D Truck	58
LT800	9.1L 555 OHV Turbo-Diesel V8 4.625" Bore (Cummins Eng.) M/D Truck	60	LT900	9.3L 568 OHV Diesel V8 4.25" Bore (Detroit Diesel Eng.) H/D Truck	63
LT800	9.1L 555 OHV Turbo-Diesel V8 4.625" Bore (Cummins Eng.) H/D Truck	61	LT900	10.4L 636 OHV Diesel V8 4.5" Bore (Caterpillar Eng.) H/D Truck	68
LT800	9.4L 573 OHV Diesel V8 4.5" Bore (Caterpillar Eng.) M/D Truck	65	LT900	12.1L 736 OHV Turbo-Diesel V8 4.84" Bore (Detroit Diesel Eng.) H/D Truck	72
LT800	9.4L 573 OHV Diesel V8 4.5" Bore (Caterpillar Eng.) H/D Truck	65	LT900	12.2L 743 OHV Diesel L6 5.125" Bore (Cummins Eng.) H/D Truck	73
LT800	10.4L 636 OHV Diesel V8 4.5" Bore (Caterpillar Eng.) M/D Truck	67	LT900	14.0L 855 OHV Diesel L6 5.5" Bore (Cummins Eng.) H/D Truck	75
LT800	10.4L 636 OHV Diesel V8 4.5" Bore (Caterpillar Eng.) H/D Truck	68	LT900	14.0L 855 OHV Turbo-Diesel L6 5.5" Bore (Cummins Eng.) H/D Truck	77
LT8000	5.2L 318 OHV Diesel V6 3.875" Bore (Detroit Diesel Eng.) M/D Truck	19	LT900	14.8L 903 OHV Diesel V8 5.5" Bore (Cummins Eng.) H/D Truck	80
LT8000	5.2L 318 OHV Diesel V6 3.875" Bore (Detroit Diesel Eng.) H/D Truck	19	LT900	15.2L 927 OHV Diesel L6 5.5" Bore (Cummins Eng.) H/D Truck	81
LT8000	6.1L 370 OHV V8 4.05" Bore M/D Truck	29	LT9000	5.2L 318 OHV Diesel V6 3.875" Bore (Detroit Diesel Eng.) M/D Truck	19
LT8000	6.1L 370 OHV V8 4.05" Bore H/D Truck	29	LT9000	5.2L 318 OHV Diesel V6 3.875" Bore (Detroit Diesel Eng.) H/D Truck	19
LT8000	7.0L 426 OHV Diesel L6 4.25" Bore (6-71) (Detroit Diesel Eng.) M/D Truck	37	LT9000	7.0L 426 OHV Diesel L6 4.25" Bore (6-71) (Detroit Diesel Eng.) H/D Truck	37
LT8000	7.0L 426 OHV Diesel L6 4.25" Bore (6-71) (Detroit Diesel Eng.) H/D Truck	37	LT9000	7.8L 476 OHV Turbo-Diesel L6 4.4" Bore H/D Truck	44
LT8000	7.6L 464 OHV Diesel L6 4.4375" Bore (Cummins Eng.) M/D Truck	42	LT9000	8.2L 500 OHV Diesel V8 108mm Bore (Fuel Pincher) (Detroit Diesel Eng.) H/D Truck	47
LT8000	7.6L 464 OHV Diesel L6 4.4375" Bore (Cummins Eng.) H/D Truck	42	LT9000	9.0L 552 OHV Turbo-Diesel V6 4.84" Bore (Detroit Diesel Eng.) H/D Truck	58
LT8000	7.8L 476 OHV Turbo-Diesel L6 4.4" Bore M/D Truck	44	LT9000	9.3L 568 OHV Diesel V8 4.25" Bore (Detroit Diesel Eng.) H/D Truck	63
LT8000	7.8L 476 OHV Turbo-Diesel L6 4.4" Bore H/D Truck	44			

(continued on next page)

Ford Truck - M/D & H/D

Model Index					
Model	Engine Description	Line No.	Model	Engine Description	Line No.
LT9000	12.1L 736 OHV Turbo-Diesel V8 4.84" Bore (Detroit Diesel Eng.) H/D Truck.....	72	L800	5.2L 318 OHV Diesel V6 3.875" Bore (Detroit Diesel Eng.) H/D Truck.....	19
LT9000	12.2L 743 OHV Diesel L6 5.125" Bore (Cummins Eng.) H/D Truck..	73	L800	5.9L 361 OHV V8 4.05" Bore M/D Truck.....	27
LT9000	14.0L 855 OHV Diesel L6 5.5" Bore (Cummins Eng.) H/D Truck	75	L800	5.9L 361 OHV V8 4.05" Bore H/D Truck.....	27
LT9000	14.0L 855 OHV Turbo-Diesel L6 5.5" Bore (Cummins Eng.) H/D Truck.....	77	L800	6.1L 370 OHV V8 4.05" Bore M/D Truck.....	29
LT9000	14.8L 903 OHV Diesel V8 5.5" Bore (Cummins Eng.) H/D Truck	80	L800	6.1L 370 OHV V8 4.05" Bore H/D Truck.....	29
L700	5.4L 330 OHV V8 3.875" Bore (M/D Eng.) M/D Truck	20	L800	6.4L 389 OHV V8 4.05" Bore M/D Truck.....	31
L700	5.4L 330 OHV V8 3.875" Bore (M/D Eng.) H/D Truck.....	20	L800	6.4L 389 OHV V8 4.05" Bore H/D Truck.....	31
L700	5.4L 330 OHV V8 3.875" Bore (H/D Eng.) M/D Truck	21	L800	6.4L 391 OHV V8 4.05" Bore M/D Truck.....	33
L700	5.4L 330 OHV V8 3.875" Bore (H/D Eng.) H/D Truck.....	21	L800	6.4L 391 OHV V8 4.05" Bore H/D Truck.....	33
L700	5.9L 361 OHV V8 4.05" Bore M/D Truck.....	27	L800	6.6L 401 OHV V8 4.125" Bore M/D Truck.....	34
L700	5.9L 361 OHV V8 4.05" Bore H/D Truck.....	27	L800	6.6L 401 OHV V8 4.125" Bore H/D Truck.....	35
L700	6.1L 370 OHV V8 4.05" Bore M/D Truck.....	29	L800	6.6L 401 OHV Turbo-Diesel L6 4.4" Bore M/D Truck	36
L700	6.1L 370 OHV V8 4.05" Bore H/D Truck.....	29	L800	6.6L 401 OHV Turbo-Diesel L6 4.4" Bore H/D Truck.....	36
L700	6.4L 389 OHV V8 4.05" Bore M/D Truck.....	31	L800	7.0L 426 OHV Diesel L6 4.25" Bore (6-71) (Detroit Diesel Eng.) M/D Truck.....	37
L700	6.4L 389 OHV V8 4.05" Bore H/D Truck.....	31	L800	7.0L 426 OHV Diesel L6 4.25" Bore (6-71) (Detroit Diesel Eng.) H/D Truck.....	37
L700	6.4L 391 OHV V8 4.05" Bore M/D Truck.....	33	L800	7.0L 429 OHV V8 4.36" Bore M/D Truck.....	38
L700	6.4L 391 OHV V8 4.05" Bore H/D Truck.....	33	L800	7.0L 429 OHV V8 4.36" Bore H/D Truck.....	38
L700	6.6L 401 OHV Turbo-Diesel L6 4.4" Bore M/D Truck	36	L800	7.8L 476 OHV Turbo-Diesel L6 4.4" Bore M/D Truck	44
L700	6.6L 401 OHV Turbo-Diesel L6 4.4" Bore H/D Truck.....	36	L800	7.8L 476 OHV Turbo-Diesel L6 4.4" Bore H/D Truck.....	44
L700	7.0L 429 OHV V8 4.36" Bore M/D Truck.....	38	L800	7.8L 475 OHV V8 4.5" Bore M/D Truck.....	43
L700	7.0L 429 OHV V8 4.36" Bore H/D Truck.....	38	L800	7.8L 475 OHV V8 4.5" Bore H/D Truck.....	43
L700	7.8L 476 OHV Turbo-Diesel L6 4.4" Bore M/D Truck	44	L800	7.8L 477 OHV V8 4.5" Bore M/D Truck.....	45
L700	7.8L 476 OHV Turbo-Diesel L6 4.4" Bore H/D Truck.....	44	L800	7.8L 477 OHV V8 4.5" Bore H/D Truck.....	46
L700	8.2L 500 OHV Diesel V8 108mm Bore (Fuel Pincher) (Detroit Diesel Eng.) M/D Truck	47	L800	8.5L 522 OHV Diesel V8 4.5" Bore (Caterpillar Eng.) M/D Truck.....	51
L700	8.2L 500 OHV Diesel V8 108mm Bore (Fuel Pincher) (Detroit Diesel Eng.) H/D Truck.....	47	L800	8.5L 522 OHV Diesel V8 4.5" Bore (Caterpillar Eng.) H/D Truck	52
L700	8.2L 500 OHV Turbo-Diesel V8 108mm Bore (Fuel Pincher) (Detroit Diesel Eng.) M/D Truck	48	L800	8.8L 534 OHV V8 4.5" Bore M/D Truck.....	54
L700	8.5L 522 OHV Diesel V8 4.5" Bore (Caterpillar Eng.) M/D Truck.....	51	L800	8.8L 534 OHV V8 4.5" Bore H/D Truck.....	55
L700	8.5L 522 OHV Diesel V8 4.5" Bore (Caterpillar Eng.) H/D Truck.....	52	L800	9.1L 555 OHV Diesel V8 4.625" Bore (Cummins Eng.) M/D Truck ..	59
L700	9.4L 573 OHV Diesel V8 4.5" Bore (Caterpillar Eng.) M/D Truck.....	65	L800	9.1L 555 OHV Diesel V8 4.625" Bore (Cummins Eng.) H/D Truck..	59
L700	9.4L 573 OHV Diesel V8 4.5" Bore (Caterpillar Eng.) H/D Truck	65	L800	9.1L 555 OHV Turbo-Diesel V8 4.625" Bore (Cummins Eng.) M/D Truck.....	60
L700	10.4L 636 OHV Diesel V8 4.5" Bore (Caterpillar Eng.) M/D Truck.....	67	L800	9.1L 555 OHV Turbo-Diesel V8 4.625" Bore (Cummins Eng.) H/D Truck.....	61
L700	10.4L 636 OHV Diesel V8 4.5" Bore (Caterpillar Eng.) H/D Truck.....	68	L800	9.4L 573 OHV Diesel V8 4.5" Bore (Caterpillar Eng.) M/D Truck.....	65
L800	5.2L 318 OHV Diesel V6 3.875" Bore (Detroit Diesel Eng.) M/D Truck.....	19	L800	9.4L 573 OHV Diesel V8 4.5" Bore (Caterpillar Eng.) H/D Truck	65
			L800	10.4L 636 OHV Diesel V8 4.5" Bore (Caterpillar Eng.) M/D Truck.....	67

Ford Truck - M/D & H/D

Model Index					
Model	Engine Description	Line No.	Model	Engine Description	Line No.
L800	10.4L 636 OHV Diesel V8 4.5" Bore (Caterpillar Eng.) H/D Truck	68	L9000	5.2L 318 OHV Diesel V6 3.875" Bore (Detroit Diesel Eng.) M/D Truck	19
L8000	5.2L 318 OHV Diesel V6 3.875" Bore (Detroit Diesel Eng.) M/D Truck	19	L9000	5.2L 318 OHV Diesel V6 3.875" Bore (Detroit Diesel Eng.) H/D Truck	19
L8000	5.2L 318 OHV Diesel V6 3.875" Bore (Detroit Diesel Eng.) H/D Truck	19	L9000	7.0L 426 OHV Diesel L6 4.25" Bore (6-71) (Detroit Diesel Eng.) H/D Truck	37
L8000	7.6L 464 OHV Diesel L6 4.4375" Bore (Cummins Eng.) M/D Truck	42	L9000	9.0L 552 OHV Turbo-Diesel V6 4.84" Bore (Detroit Diesel Eng.) H/D Truck	58
L8000	7.6L 464 OHV Diesel L6 4.4375" Bore (Cummins Eng.) H/D Truck	42	L9000	9.3L 568 OHV Diesel V8 4.25" Bore (Detroit Diesel Eng.) H/D Truck	63
L8000	7.8L 476 OHV Turbo-Diesel L6 4.4" Bore M/D Truck	44	L9000	12.1L 736 OHV Turbo-Diesel V8 4.84" Bore (Detroit Diesel Eng.) H/D Truck	72
L8000	7.8L 476 OHV Turbo-Diesel L6 4.4" Bore H/D Truck	44	L9000	12.2L 743 OHV Diesel L6 5.125" Bore (Cummins Eng.) H/D Truck	73
L8000	8.5L 522 OHV Diesel V8 4.5" Bore (Caterpillar Eng.) M/D Truck	51	L9000	14.0L 855 OHV Diesel L6 5.5" Bore (Cummins Eng.) H/D Truck	75
L8000	8.5L 522 OHV Diesel V8 4.5" Bore (Caterpillar Eng.) H/D Truck	52	L9000	14.0L 855 OHV Turbo-Diesel L6 5.5" Bore (Cummins Eng.) H/D Truck	77
L8000	9.4L 573 OHV Diesel V8 4.5" Bore (Caterpillar Eng.) M/D Truck	65	L9000	14.8L 903 OHV Diesel V8 5.5" Bore (Cummins Eng.) H/D Truck	80
L8000	9.4L 573 OHV Diesel V8 4.5" Bore (Caterpillar Eng.) H/D Truck	65	M450	5.9L 360 OHV V8 4.05" Bore M/D Truck	26
L8000	10.4L 636 OHV Diesel V8 4.5" Bore (Caterpillar Eng.) M/D Truck	67	M450	6.4L 390 OHV V8 4.05" Bore M/D Truck	32
L8000	10.4L 636 OHV Diesel V8 4.5" Bore (Caterpillar Eng.) H/D Truck	68	M500	6.4L 390 OHV V8 4.05" Bore M/D Truck	32
L8000	14.6L 893 OHV Turbo-Diesel L6 5.4" Bore (Caterpillar Eng.) M/D Truck	78	M500	7.5L 460 OHV V8 4.36" Bore M/D Truck	40
L8000	14.6L 893 OHV Turbo-Diesel L6 5.4" Bore (Caterpillar Eng.) H/D Truck	79	M500	7.5L 460 OHV LPG V8 4.36" Bore M/D Truck	41
L900	6.6L 401 OHV V8 4.125" Bore M/D Truck	34	NT8000	5.2L 318 OHV Diesel V6 3.875" Bore (Detroit Diesel Eng.) M/D Truck	19
L900	6.6L 401 OHV V8 4.125" Bore H/D Truck	35	NT8000	5.2L 318 OHV Diesel V6 3.875" Bore (Detroit Diesel Eng.) H/D Truck	19
L900	7.0L 426 OHV Diesel L6 4.25" Bore (6-71) (Detroit Diesel Eng.) H/D Truck	37	NT8000	7.6L 464 OHV Diesel L6 4.4375" Bore (Cummins Eng.) M/D Truck	42
L900	7.8L 475 OHV V8 4.5" Bore H/D Truck	43	NT8000	7.6L 464 OHV Diesel L6 4.4375" Bore (Cummins Eng.) H/D Truck	42
L900	7.8L 477 OHV V8 4.5" Bore M/D Truck	45	NT8000	8.5L 522 OHV Diesel V8 4.5" Bore (Caterpillar Eng.) M/D Truck	51
L900	7.8L 477 OHV V8 4.5" Bore H/D Truck	46	NT8000	8.5L 522 OHV Diesel V8 4.5" Bore (Caterpillar Eng.) H/D Truck	52
L900	8.8L 534 OHV V8 4.5" Bore M/D Truck	54	NT8000	9.4L 573 OHV Diesel V8 4.5" Bore (Caterpillar Eng.) M/D Truck	65
L900	8.8L 534 OHV V8 4.5" Bore H/D Truck	55	NT8000	9.4L 573 OHV Diesel V8 4.5" Bore (Caterpillar Eng.) H/D Truck	65
L900	9.0L 552 OHV Turbo-Diesel V6 4.84" Bore (Detroit Diesel Eng.) H/D Truck	58	NT8000	10.4L 636 OHV Diesel V8 4.5" Bore (Caterpillar Eng.) M/D Truck	67
L900	9.3L 568 OHV Diesel V8 4.25" Bore (Detroit Diesel Eng.) H/D Truck	63	NT8000	10.4L 636 OHV Diesel V8 4.5" Bore (Caterpillar Eng.) H/D Truck	68
L900	10.4L 636 OHV Diesel V8 4.5" Bore (Caterpillar Eng.) H/D Truck	68	NT850	6.6L 401 OHV V8 4.125" Bore H/D Truck	35
L900	12.1L 736 OHV Turbo-Diesel V8 4.84" Bore (Detroit Diesel Eng.) H/D Truck	72	NT850	7.0L 426 OHV Diesel L6 4.25" Bore (6-71) (Detroit Diesel Eng.) H/D Truck	37
L900	12.2L 743 OHV Diesel L6 5.125" Bore (Cummins Eng.) H/D Truck	73	NT850	7.8L 475 OHV V8 4.5" Bore H/D Truck	43
L900	14.0L 855 OHV Diesel L6 5.5" Bore (Cummins Eng.) H/D Truck	75	NT850	7.8L 477 OHV V8 4.5" Bore H/D Truck	46
L900	14.0L 855 OHV Turbo-Diesel L6 5.5" Bore (Cummins Eng.) H/D Truck	77	NT850	8.8L 534 OHV V8 4.5" Bore H/D Truck	55
L900	14.8L 903 OHV Diesel V8 5.5" Bore (Cummins Eng.) H/D Truck	80	NT850	11.0L 672 OHV Diesel L6 4.875" Bore (Cummins Eng.) H/D Truck	70
L900	15.2L 927 OHV Diesel L6 5.5" Bore (Cummins Eng.) H/D Truck	81			

(continued on next page)

Ford Truck - M/D & H/D

Model Index					
Model	Engine Description	Line No.	Model	Engine Description	Line No.
NT9000	7.0L 426 OHV Diesel L6 4.25" Bore (6-71) (Detroit Diesel Eng.) H/D Truck	37	N500	4.9L 300 OHV L6 4" Bore (H/D Eng.) M/D Truck	16
NT9000	9.0L 552 OHV Turbo-Diesel V6 4.84" Bore (Detroit Diesel Eng.) H/D Truck	58	N500	5.4L 330 OHV V8 3.875" Bore (M/D Eng.) M/D Truck	20
NT9000	9.3L 568 OHV Diesel V8 4.25" Bore (Detroit Diesel Eng.) H/D Truck	63	N500	5.4L 330 OHV V8 3.875" Bore (H/D Eng.) M/D Truck	21
NT9000	12.1L 736 OHV Turbo-Diesel V8 4.84" Bore (Detroit Diesel Eng.) H/D Truck	72	N600	3.6L 223 OHV L6 3.625" Bore M/D Truck	3
NT9000	12.2L 743 OHV Diesel L6 5.125" Bore (Cummins Eng.) H/D Truck	73	N600	3.9L 240 OHV L6 4" Bore M/D Truck	5
NT9000	14.0L 855 OHV Diesel L6 5.5" Bore (Cummins Eng.) H/D Truck	75	N600	4.3L 262 OHV L6 3.7188" Bore M/D Truck	9
NT9000	14.0L 855 OHV Turbo-Diesel L6 5.5" Bore (Cummins Eng.) H/D Truck	77	N600	4.8L 292 OHV V8 3.75" Bore M/D Truck	13
NT9000	14.8L 903 OHV Diesel V8 5.5" Bore (Cummins Eng.) H/D Truck	80	N600	4.9L 300 OHV L6 4" Bore M/D Truck	15
NT950	6.6L 401 OHV V8 4.125" Bore H/D Truck	35	N600	4.9L 300 OHV L6 4" Bore (H/D Eng.) M/D Truck	16
NT950	7.0L 426 OHV Diesel L6 4.25" Bore (6-71) (Detroit Diesel Eng.) H/D Truck	37	N600	5.4L 330 OHV V8 3.875" Bore (M/D Eng.) M/D Truck	20
NT950	7.8L 475 OHV V8 4.5" Bore H/D Truck	43	N600	5.4L 330 OHV V8 3.875" Bore (M/D Eng.) H/D Truck	20
NT950	7.8L 477 OHV V8 4.5" Bore H/D Truck	46	N600	5.4L 330 OHV V8 3.875" Bore (H/D Eng.) M/D Truck	21
NT950	8.8L 534 OHV V8 4.5" Bore H/D Truck	55	N600	5.4L 330 OHV V8 3.875" Bore (H/D Eng.) H/D Truck	21
NT950	12.2L 743 OHV Diesel L6 5.125" Bore (Cummins Eng.) H/D Truck	73	N600	5.9L 361 OHV V8 4.05" Bore M/D Truck	27
NT950	14.0L 855 OHV Diesel L6 5.5" Bore (Cummins Eng.) H/D Truck	75	N600	6.4L 391 OHV V8 4.05" Bore M/D Truck	33
NT950	14.0L 855 OHV Turbo-Diesel L6 5.5" Bore (Cummins Eng.) H/D Truck	77	N600	5.4L 330 (5416cc) OHV Diesel L6 100mm Bore (Dagenham) (Ford Europe Eng.) M/D Truck	22
N1000	7.0L 426 OHV Diesel L6 4.25" Bore (6-71) (Detroit Diesel Eng.) H/D Truck	37	N700	4.8L 292 OHV V8 3.75" Bore M/D Truck	13
N1000	7.8L 477 OHV V8 4.5" Bore H/D Truck	46	N700	4.8L 292 OHV V8 3.75" Bore H/D Truck	14
N1000	8.8L 534 OHV V8 4.5" Bore H/D Truck	55	N700	5.0L 302 OHV V8 3.625" Bore M/D Truck	17
N1000	9.3L 568 OHV Diesel V8 4.25" Bore (Detroit Diesel Eng.) H/D Truck	63	N700	5.4L 330 OHV V8 3.875" Bore (M/D Eng.) M/D Truck	20
N1000	12.2L 743 OHV Diesel L6 5.125" Bore (Cummins Eng.) H/D Truck	73	N700	5.4L 330 OHV V8 3.875" Bore (M/D Eng.) H/D Truck	20
N1000	14.0L 855 OHV Diesel L6 5.5" Bore (Cummins Eng.) H/D Truck	75	N700	5.4L 330 OHV V8 3.875" Bore (H/D Eng.) M/D Truck	21
N1000	14.0L 855 OHV Turbo-Diesel L6 5.5" Bore (Cummins Eng.) H/D Truck	77	N700	5.4L 330 OHV V8 3.875" Bore (H/D Eng.) H/D Truck	21
N1100	6.6L 401 OHV V8 4.125" Bore H/D Truck	35	N700	5.4L 332 OHV V8 3.8125" Bore M/D Truck	23
N1100	7.8L 475 OHV V8 4.5" Bore H/D Truck	43	N700	5.4L 332 OHV V8 3.8125" Bore H/D Truck	23
N1100	7.8L 477 OHV V8 4.5" Bore H/D Truck	46	N700	5.9L 361 OHV V8 4.05" Bore M/D Truck	27
N1100	8.8L 534 OHV V8 4.5" Bore H/D Truck	55	N700	5.9L 361 OHV V8 4.05" Bore H/D Truck	27
N1100	11.0L 672 OHV Diesel L6 4.875" Bore (Cummins Eng.) H/D Truck	70	N700	6.4L 391 OHV V8 4.05" Bore M/D Truck	33
N500	3.6L 223 OHV L6 3.625" Bore M/D Truck	3	N700	6.4L 391 OHV V8 4.05" Bore H/D Truck	33
N500	3.9L 240 OHV L6 4" Bore M/D Truck	5	N7000	5.4L 330 (5416cc) OHV Diesel L6 100mm Bore (Dagenham) (Ford Europe Eng.) M/D Truck	22
N500	4.8L 292 OHV V8 3.75" Bore M/D Truck	13	N7000	8.5L 522 OHV Diesel V8 4.5" Bore (Caterpillar Eng.) M/D Truck	51
N500	4.9L 300 OHV L6 4" Bore M/D Truck	15	N7000	8.5L 522 OHV Diesel V8 4.5" Bore (Caterpillar Eng.) H/D Truck	52
			N7000	5.4L 330 (5416cc) OHV Diesel L6 100mm Bore (Dagenham) (Ford Europe Eng.) M/D Truck	22
			N7000	9.4L 573 OHV Diesel V8 4.5" Bore (Caterpillar Eng.) M/D Truck	65
			N7000	9.4L 573 OHV Diesel V8 4.5" Bore (Caterpillar Eng.) H/D Truck	65

Ford Truck - M/D & H/D

Model Index					
Model	Engine Description	Line No.	Model	Engine Description	Line No.
N7000	10.4L 636 OHV Diesel V8 4.5" Bore (Caterpillar Eng.) M/D Truck	67	P450	4.9L 300 OHV L6 4" Bore M/D Truck	15
N7000	10.4L 636 OHV Diesel V8 4.5" Bore (Caterpillar Eng.) H/D Truck	68	P450	4.9L 300 OHV L6 4" Bore (H/D Eng.) M/D Truck	16
N750	5.4L 330 OHV V8 3.875" Bore (M/D Eng.) M/D Truck	20	P450	5.9L 360 OHV V8 4.05" Bore M/D Truck	26
N750	5.4L 330 OHV V8 3.875" Bore (M/D Eng.) H/D Truck	20	P500	2.6L 159 OHV Diesel L3 3.875" Bore (3-53) (Detroit Diesel Eng.) M/D Truck	1
N750	5.4L 330 OHV V8 3.875" Bore (H/D Eng.) M/D Truck	21	P500	3.6L 223 OHV L6 3.625" Bore M/D Truck	3
N750	5.4L 330 OHV V8 3.875" Bore (H/D Eng.) H/D Truck	21	P500	3.9L 240 OHV L6 4" Bore M/D Truck	5
N750	5.4L 332 OHV V8 3.8125" Bore M/D Truck	23	P500	4.8L 292 OHV V8 3.75" Bore M/D Truck	13
N750	5.4L 332 OHV V8 3.8125" Bore H/D Truck	23	P500	4.9L 300 OHV L6 4" Bore M/D Truck	15
N750	5.9L 361 OHV V8 4.05" Bore M/D Truck	27	P500	4.9L 300 OHV L6 4" Bore (H/D Eng.) M/D Truck	16
N750	5.9L 361 OHV V8 4.05" Bore H/D Truck	27	P500	3.6L 220 (3611cc) OHV Diesel L4 100mm Bore (Dagenham) (Ford Europe Eng.) M/D Truck	2
N750	6.4L 389 OHV V8 4.05" Bore M/D Truck	31	P5000	2.6L 159 OHV Diesel L3 3.875" Bore (3-53) (Detroit Diesel Eng.) M/D Truck	1
N750	6.4L 389 OHV V8 4.05" Bore H/D Truck	31	P550	6.4L 390 OHV V8 4.05" Bore M/D Truck	32
N750	6.4L 391 OHV V8 4.05" Bore M/D Truck	33	P600	4.9L 300 OHV L6 4" Bore M/D Truck	15
N750	6.4L 391 OHV V8 4.05" Bore H/D Truck	33	P600	4.9L 300 OHV L6 4" Bore (H/D Eng.) M/D Truck	16
N800	5.2L 318 OHV Diesel V6 3.875" Bore (Detroit Diesel Eng.) M/D Truck	19	T700	3.9L 239.4 L-HEAD V8 3.1875" Bore (Ford/Mercury) H/D Truck	4
N800	5.2L 318 OHV Diesel V6 3.875" Bore (Detroit Diesel Eng.) H/D Truck	19	T700	4.2L 256 OHV V8 3.625" Bore (Mercury) H/D Truck	8
N850	6.6L 401 OHV V8 4.125" Bore H/D Truck	35	T700	4.4L 272 OHV V8 3.625" Bore H/D Truck	10
N850	7.8L 475 OHV V8 4.5" Bore H/D Truck	43	T700	4.6L 279 OHV V8 3.5625" Bore M/D Truck	11
N850	7.8L 477 OHV V8 4.5" Bore H/D Truck	46	T700	4.6L 279 OHV V8 3.5625" Bore H/D Truck	12
N850	8.8L 534 OHV V8 4.5" Bore H/D Truck	55	T700	4.8L 292 OHV V8 3.75" Bore M/D Truck	13
N950	6.6L 401 OHV V8 4.125" Bore H/D Truck	35	T700	4.8L 292 OHV V8 3.75" Bore H/D Truck	14
N950	7.0L 426 OHV Diesel L6 4.25" Bore (6-71) (Detroit Diesel Eng.) H/D Truck	37	T700	5.0L 302 OHV V8 3.625" Bore M/D Truck	17
N950	7.8L 475 OHV V8 4.5" Bore H/D Truck	43	T700	5.4L 330 OHV V8 3.875" Bore (M/D Eng.) M/D Truck	20
N950	7.8L 477 OHV V8 4.5" Bore H/D Truck	46	T700	5.4L 330 OHV V8 3.875" Bore (M/D Eng.) H/D Truck	20
N950	8.8L 534 OHV V8 4.5" Bore H/D Truck	55	T700	5.4L 330 OHV V8 3.875" Bore (H/D Eng.) M/D Truck	21
N950	12.2L 743 OHV Diesel L6 5.125" Bore (Cummins Eng.) H/D Truck	73	T700	5.4L 330 OHV V8 3.875" Bore (H/D Eng.) H/D Truck	21
N950	14.0L 855 OHV Diesel L6 5.5" Bore (Cummins Eng.) H/D Truck	75	T700	5.4L 332 OHV V8 3.8125" Bore M/D Truck	23
N950	14.0L 855 OHV Turbo-Diesel L6 5.5" Bore (Cummins Eng.) H/D Truck	77	T700	5.4L 332 OHV V8 3.8125" Bore H/D Truck	23
P400	3.6L 223 OHV L6 3.625" Bore M/D Truck	3	T750	5.0L 302 OHV V8 3.625" Bore M/D Truck	17
P400	3.9L 240 OHV L6 4" Bore M/D Truck	5	T750	5.4L 332 OHV V8 3.8125" Bore M/D Truck	23
P400	4.8L 292 OHV V8 3.75" Bore M/D Truck	13	T750	5.4L 332 OHV V8 3.8125" Bore H/D Truck	23
P400	4.9L 300 OHV L6 4" Bore M/D Truck	15	T750	5.9L 361 OHV V8 4.05" Bore M/D Truck	27
P400	4.9L 300 OHV L6 4" Bore (H/D Eng.) M/D Truck	16	T750	5.9L 361 OHV V8 4.05" Bore H/D Truck	27
P400	3.6L 220 (3611cc) OHV Diesel L4 100mm Bore (Dagenham) (Ford Europe Eng.) M/D Truck	2	T750	6.4L 391 OHV V8 4.05" Bore M/D Truck	33
			T750	6.4L 391 OHV V8 4.05" Bore H/D Truck	33

(continued on next page)

Ford Truck - M/D & H/D

Model Index					
Model	Engine Description	Line No.	Model	Engine Description	Line No.
T750	6.6L 401 OHV V8 4.125" Bore M/D Truck	34	WT1000	14.0L 855 OHV Diesel L6 5.5" Bore (Cummins Eng.) H/D Truck	75
T750	6.6L 401 OHV V8 4.125" Bore H/D Truck	35	WT1000	14.0L 855 OHV Turbo-Diesel L6 5.5" Bore (Cummins Eng.) H/D Truck	77
T750	7.8L 477 OHV V8 4.5" Bore M/D Truck	45	WT900	7.0L 426 OHV Diesel L6 4.25" Bore (6-71) (Detroit Diesel Eng.) H/D Truck	37
T750	7.8L 477 OHV V8 4.5" Bore H/D Truck	46	WT900	7.8L 475 OHV V8 4.5" Bore H/D Truck	43
T750	8.8L 534 OHV V8 4.5" Bore M/D Truck	54	WT900	7.8L 477 OHV V8 4.5" Bore H/D Truck	46
T750	8.8L 534 OHV V8 4.5" Bore H/D Truck	55	WT900	8.8L 534 OHV V8 4.5" Bore H/D Truck	55
T800	4.6L 279 OHV V8 3.5625" Bore M/D Truck	11	WT900	9.0L 552 OHV Turbo-Diesel V6 4.84" Bore (Detroit Diesel Eng.) H/D Truck	58
T800	4.6L 279 OHV V8 3.5625" Bore H/D Truck	12	WT900	9.3L 568 OHV Diesel V8 4.25" Bore (Detroit Diesel Eng.) H/D Truck	63
T800	5.0L 302 OHV V8 3.625" Bore M/D Truck	17	WT900	10.4L 636 OHV Diesel V8 4.5" Bore (Caterpillar Eng.) H/D Truck	68
T800	5.2L 317 OHV V8 3.8125" Bore M/D Truck	18	WT900	12.1L 736 OHV Turbo-Diesel V8 4.84" Bore (Detroit Diesel Eng.) H/D Truck	72
T800	5.2L 317 OHV V8 3.8125" Bore H/D Truck	18	WT900	12.2L 743 OHV Diesel L6 5.125" Bore (Cummins Eng.) H/D Truck	73
T800	5.2L 318 OHV Diesel V6 3.875" Bore (Detroit Diesel Eng.) M/D Truck	19	WT900	14.0L 855 OHV Diesel L6 5.5" Bore (Cummins Eng.) H/D Truck	75
T800	5.2L 318 OHV Diesel V6 3.875" Bore (Detroit Diesel Eng.) H/D Truck	19	WT900	14.0L 855 OHV Turbo-Diesel L6 5.5" Bore (Cummins Eng.) H/D Truck	77
T800	5.4L 330 OHV V8 3.875" Bore (M/D Eng.) M/D Truck	20	WT900	14.8L 903 OHV Diesel V8 5.5" Bore (Cummins Eng.) H/D Truck	80
T800	5.4L 330 OHV V8 3.875" Bore (M/D Eng.) H/D Truck	20	WT900	15.2L 927 OHV Diesel L6 5.5" Bore (Cummins Eng.) H/D Truck	81
T800	5.4L 330 OHV V8 3.875" Bore (H/D Eng.) M/D Truck	21	WT9000	7.0L 426 OHV Diesel L6 4.25" Bore (6-71) (Detroit Diesel Eng.) H/D Truck	37
T800	5.4L 330 OHV V8 3.875" Bore (H/D Eng.) H/D Truck	21	WT9000	9.3L 568 OHV Diesel V8 4.25" Bore (Detroit Diesel Eng.) H/D Truck	63
T800	5.4L 332 OHV V8 3.8125" Bore M/D Truck	23	WT9000	12.2L 743 OHV Diesel L6 5.125" Bore (Cummins Eng.) H/D Truck	73
T800	5.4L 332 OHV V8 3.8125" Bore H/D Truck	23	WT9000	14.0L 855 OHV Diesel L6 5.5" Bore (Cummins Eng.) H/D Truck	75
T800	5.9L 361 OHV V8 4.05" Bore M/D Truck	27	WT9000	14.0L 855 OHV Turbo-Diesel L6 5.5" Bore (Cummins Eng.) H/D Truck	77
T800	5.9L 361 OHV V8 4.05" Bore H/D Truck	27	WT9000	14.8L 903 OHV Diesel V8 5.5" Bore (Cummins Eng.) H/D Truck	80
T800	6.4L 391 OHV V8 4.05" Bore M/D Truck	33	W1000	7.0L 426 OHV Diesel L6 4.25" Bore (6-71) (Detroit Diesel Eng.) H/D Truck	37
T800	6.4L 391 OHV V8 4.05" Bore H/D Truck	33	W1000	9.3L 568 OHV Diesel V8 4.25" Bore (Detroit Diesel Eng.) H/D Truck	63
T800	7.6L 464 OHV Diesel L6 4.4375" Bore (Cummins Eng.) M/D Truck	42	W1000	12.2L 743 OHV Diesel L6 5.125" Bore (Cummins Eng.) H/D Truck	73
T800	7.6L 464 OHV Diesel L6 4.4375" Bore (Cummins Eng.) H/D Truck	42	W1000	14.0L 855 OHV Diesel L6 5.5" Bore (Cummins Eng.) H/D Truck	75
T850	5.4L 332 OHV V8 3.8125" Bore H/D Truck	23	W1000	14.0L 855 OHV Turbo-Diesel L6 5.5" Bore (Cummins Eng.) H/D Truck	77
T850	6.6L 401 OHV V8 4.125" Bore H/D Truck	35	W900	7.0L 426 OHV Diesel L6 4.25" Bore (6-71) (Detroit Diesel Eng.) H/D Truck	37
T850	7.8L 477 OHV V8 4.5" Bore H/D Truck	46	W900	7.8L 475 OHV V8 4.5" Bore H/D Truck	43
T850	8.8L 534 OHV V8 4.5" Bore H/D Truck	55	W900	7.8L 477 OHV V8 4.5" Bore H/D Truck	46
T950	6.6L 401 OHV V8 4.125" Bore H/D Truck	35	W900	8.8L 534 OHV V8 4.5" Bore H/D Truck	55
T950	7.8L 477 OHV V8 4.5" Bore H/D Truck	46	W900	9.0L 552 OHV Turbo-Diesel V6 4.84" Bore (Detroit Diesel Eng.) H/D Truck	58
T950	8.8L 534 OHV V8 4.5" Bore H/D Truck	55			
WT1000	7.0L 426 OHV Diesel L6 4.25" Bore (6-71) (Detroit Diesel Eng.) H/D Truck	37			
WT1000	9.3L 568 OHV Diesel V8 4.25" Bore (Detroit Diesel Eng.) H/D Truck	63			
WT1000	12.2L 743 OHV Diesel L6 5.125" Bore (Cummins Eng.) H/D Truck	73			

Ford Truck - M/D & H/D

Model Index					
Model	Engine Description	Line No.	Model	Engine Description	Line No.
W900	9.3L 568 OHV Diesel V8 4.25" Bore (Detroit Diesel Eng.) H/D Truck....	63	W9000	7.0L 426 OHV Diesel L6 4.25" Bore (6-71) (Detroit Diesel Eng.) H/D Truck.....	37
W900	10.4L 636 OHV Diesel V8 4.5" Bore (Caterpillar Eng.) H/D Truck	68	W9000	9.3L 568 OHV Diesel V8 4.25" Bore (Detroit Diesel Eng.) H/D Truck....	63
W900	12.1L 736 OHV Turbo-Diesel V8 4.84" Bore (Detroit Diesel Eng.) H/D Truck.....	72	W9000	12.2L 743 OHV Diesel L6 5.125" Bore (Cummins Eng.) H/D Truck..	73
W900	12.2L 743 OHV Diesel L6 5.125" Bore (Cummins Eng.) H/D Truck..	73	W9000	14.0L 855 OHV Diesel L6 5.5" Bore (Cummins Eng.) H/D Truck	75
W900	14.0L 855 OHV Turbo-Diesel L6 5.5" Bore (Cummins Eng.) H/D Truck.....	77	W9000	14.0L 855 OHV Turbo-Diesel L6 5.5" Bore (Cummins Eng.) H/D Truck.....	77
W900	14.8L 903 OHV Diesel V8 5.5" Bore (Cummins Eng.) H/D Truck	80	W9000	14.8L 903 OHV Diesel V8 5.5" Bore (Cummins Eng.) H/D Truck	80
W900	15.2L 927 OHV Diesel L6 5.5" Bore (Cummins Eng.) H/D Truck	81			

M/D Truck 3-53 (2-Valve Cyl. Head), 3-53N (4-Valve Cyl. Head) Eng. 1 2.6L 159 OHV Diesel L3 (3-53), 3.875" Bore (Detroit Diesel Eng.) 1972-73

CYL. HEAD & PARTS

QTY	GASKETS	YEARS	PART NO.	SIZE	DESCRIPTION
1	Valve Cover Gasket	73-72	FP-8925273		w/Cast Alum. valve cover
1	Valve Cover Gasket	73-72	FP-5147994		w/Stamped Steel valve cover
3	Head Gasket	73-72	FP-5121254		
1	Head Set	73-72	FP-5199820		Military spec.; Services One Head
1	Head Set	73-72	FP-5199811		Services One Head
2	O-Ring	73-72	FP-5116122		Oil Hole seal
2	Bolt	73-72	FP-8927580		3/8" - 16 x .875"
2	Bolt	73-72	FP-8927581		3/8" - 16 x 1"
8	Bolt	73-72	FP-5121263		5/8" - 11 x 6.250", 12 Pt. Head
4	Nut	73-72	FP-5150013		Option Type #62; 5/8" - 18
2	Lock Washer	73-72	FP-103321		3/8"
2	Isolator Bushing	73-72	FP-5104515		Rocker cover bolt
QTY	HEAD BOLTS	YEARS	PART NO.	SIZE	DESCRIPTION
2	Washer	73-72	FP-5104514		Rocker cover bolt; .47" x 2.00" x .20"
QTY	MISCELLANEOUS	YEARS	PART NO.	SIZE	DESCRIPTION
6	Pipe Plug	73-72	FP-5121182		1/4" - 18; Hex head
6	Pipe Plug	73-72	FP-8923847		1/4" x 18 NPTF; Square head
2	Pipe Plug	73-72	FP-8924380		1/8" - 27
6	Bolt	73-72	FP-443603		.250" x 20 x .750"
QTY	FREEZE PLUGS	YEARS	PART NO.	SIZE	DESCRIPTION
6	Pipe Plug	73-72	FP-5121182		1/4" - 18; Hex head
6	Pipe Plug	73-72	FP-8923847		1/4" x 18 NPTF; Square head
2	Pipe Plug	73-72	FP-8924380		1/8" - 27
3	Expansion Plug	73-72	FP-5151449		.8125" Dia.
3	Expansion Plug	73-72	FP-5139997		.875" Dia.
4	Expansion Plug	73-72	FP-5154453		Cyl. head; 3/8" - 16 Headless Special
1	Expansion Plug	73-72	FP-8926347		Fuse Cyl. head
QTY	VALVE	YEARS	PART NO.	SIZE	DESCRIPTION
6	Exhaust Valve Kit	73-72	FP-5195948		2 Valve Head; 30 Deg.
12	Exhaust Valve Kit	73-72	FP-5199323		4 Valve Head; 30 Deg.
12	Keeper	73-72	FP-5111337		2 Valve Head; 1 groove; Square cut key groove
24	Keeper	73-72	FP-5116341		4 Valve Head
QTY	VALVE SEAT	YEARS	PART NO.	SIZE	DESCRIPTION
6	Exh. & Int.	73-72	FP-5116196	STD	2 Valve Head
12	Exh. & Int.	73-72	FP-5196752	10	4 Valve Head; 30 Deg. seat; .010" O/S; 1.1710" OD, .0910" ID, .2220" Depth
12	Exh. & Int.	73-72	FP-8921501	STD	4 Valve Head; 30 Deg. seat; 1.1610" OD, .0910" ID, .2220" Depth
QTY	VALVE GUIDE	YEARS	PART NO.	SIZE	DESCRIPTION
12	Guide	73-72	FP-5129919		Exh.; 2 Valve Head; 2 3/8" length; .3130" ID, 2.3800" O.A.L.
6	Guide	73-72	FP-5131961		Exh. & Int.; 4 Valve Head
QTY	VALVE SPRING	YEARS	PART NO.	SIZE	DESCRIPTION
6	Spring	73-72	FP-5116140		Exh.; 2 Valve Head
12	Spring	73-72	FP-5144019		Exh.; 4 Valve Head; .135" Wire Dia.
12	Spring	73-72	FP-5147424		Exh.; 4 Valve Head; Stamped "V7L"; .148" Wire Dia.
12	Spring Insert	73-72	FP-5111467		Exh. & Int.; 4 Valve Head

(continued on next page)

Ford Truck - M/D & H/D

1 M/D Truck 3-53 (2-Valve Cyl. Head), 3-53N (4-Valve Cyl. Head) Eng.
 (cont.) 2.6L 159 OHV Diesel L3 (3-53), 3.875" Bore (Detroit Diesel Eng.) 1972-73

CYL. HEAD & PARTS (cont.)					
QTY	VALVE SPRING (cont.)	YEARS	PART NO.	SIZE	DESCRIPTION
12	Spring Cap	73-72	FP-5123330		Exh.; 4 Valve Head
QTY	PUSH RODS	YEARS	PART NO.	SIZE	DESCRIPTION
9	Push Rod	73-72	FP-5128640		
9	Push Rod Seat	73-72	FP-5123250		Lower
9	Push Rod Seat	73-72	FP-5108919		Upper; Cup type
9	Push Rod Seat	73-72	FP-5150302		Upper; Flange type
9	Push Rod Spring	73-72	FP-5186858		.177" Wire diameter
9	Push Rod Spring	73-72	FP-5108918		.192" Wire diameter
9	Push Rod Retainer	73-72	FP-5150303		
9	Lock Nut	73-72	FP-5151601		5/16" - 24
QTY	VALVE SEAL	YEARS	PART NO.	SIZE	DESCRIPTION
6	Valve Stem Seal	73-72	FP-8921209		Exh.; 2 Valve Head
12	Valve Stem Seal	73-72	FP-8921741		Exh.; 4 Valve Head
QTY	ROCKER PARTS	YEARS	PART NO.	SIZE	DESCRIPTION
3	Arm Assy.	73-72	FP-8923554		Injector Rocker; 4 Valve Head
3	Arm Assy.	73-72	FP-5135267		LH; 4 Valve Head
3	Arm Assy.	73-72	FP-5135268		RH; 4 Valve Head
3	Rocker Shaft	73-72	FP-5116072		
6	Arm Support	73-72	FP-5116128		
3	Rocker Bushing	73-72	FP-8924355		Injector Rocker; Large
3	Rocker Bushing	73-72	FP-8924354		Injector Rocker; Small
15	Rocker Bushing	73-72	FP-5123700		Rocker Arm Clevis; .5625" OD
9	Follower Assy.	73-72	FP-8924439		
3	Follower Guide	73-72	FP-5116125		
9	Cam Follower Roller Set	73-72	FP-8923814		Incl. pin & roller
6	Valve Bridge	73-72	FP-5135262		
9	Rocker Arm Clevis Pin	73-72	FP-5150314		
6	Lock Washer	73-72	FP-103319		.250"
METERS					
QTY	METERS	YEARS	PART NO.	SIZE	DESCRIPTION
1	Tachometer Drive Shaft	73-72	FP-3224992		.061" Key
1	Accessory Drive Gasket	73-72	FP-23515145		Tach. Drive Adaptor
1	Washer	73-72	FP-5150568		Tach. Drive; 7/16" x 3/4" x 1/16"; Copper
2	Lock Washer	73-72	FP-103319		Air Shut-Off Control; .250"
2	Lock Washer	73-72	FP-103320		Air Shut-Off Control; 5/16"
2	Lock Washer	73-72	FP-103320		Tach. Drive Adaptor; 5/16"
2	Lock Washer	73-72	FP-103320		Water Temp. Switch; 5/16"
1	Gasket	73-72	FP-5113412		Water Temp. Switch Adaptor
1	Oil Seal	73-72	FP-5135820		Tach. Drive Adaptor
1	Oil Seal	73-72	FP-3202615		Tach. Drive Cover
1	Pipe Plug	73-72	FP-5121182		Water Temp. Switch; 1/4" - 18; Hex head
INT & EXH MANIFOLDS					
QTY	INT. & EXH. MANIFOLDS	YEARS	PART NO.	SIZE	DESCRIPTION
1	Stud	73-72	FP-8925804		Exh. Manifold; 7/16" - 14/20" x 2 3/32"
5	Lock Washer	73-72	FP-103321		Exh. Manifold; 3/8"
1	Exhaust Manifold Gasket	73-72	FP-5116205		
1	Gasket	73-72	FP-5113412		Exh. Manifold Cover Plate
2	Pipe Plug	73-72	FP-5121182		Exh. Manifold; 1/4" - 18; Hex head
1	Pipe Plug	73-72	FP-8924380		Exh. Manifold; 1/8" - 27
4	Washer	73-72	FP-5104439		Exh. Manifold; 7/16" x 1.250" Dia.; Dished
1	Clamp	73-72	FP-23506306		Exh. Manifold; 4.55" Dia.
QTY	AIR INTAKE	YEARS	PART NO.	SIZE	DESCRIPTION
1	Air Intake Housing Gasket	73-72	FP-5124405		
1	Bolt	73-72	FP-5103534		Air Inlet Housing; 5/16" - 24 x 1/2"
1	Lock Washer	73-72	FP-103319		Air Inlet Housing; .250"
4	Lock Washer	73-72	FP-103321		Air Inlet Housing; 3/8"
1	Retainer	73-72	FP-142583		Air Inlet Spring Retainer; 13/64" Spring
2	O-Ring	73-72	FP-5182977		Air Inlet Housing Shutdown Valve Shaft
CAMSHAFT GROUP					
QTY	TIMING	YEARS	PART NO.	SIZE	DESCRIPTION
1	Idler Gear Hub Assembly	73-72	FP-5124458		
1	Ball Brg.	73-72	FP-5196793		Idler Gear
QTY	CAMSHAFT TIMING	YEARS	PART NO.	SIZE	DESCRIPTION
2	Camshaft Pulley Spacer	73-72	FP-5106360		Front

(continued on next page)

Ford Truck - M/D & H/D

M/D Truck 3-53 (2-Valve Cyl. Head), 3-53N (4-Valve Cyl. Head) Engs. 1
 2.6L 159 OHV Diesel L3 (3-53), 3.875" Bore (Detroit Diesel Eng.) 1972-73 (cont.)

CAMSHAFT GROUP (cont.)

QTY	CAMSHAFT TIMING (cont.)	YEARS	PART NO.	SIZE	DESCRIPTION
2	Camshaft Pulley Spacer	73-72	FP-5121071		Front
QTY	CAMSHAFT/LIFTER	YEARS	PART NO.	SIZE	DESCRIPTION
1	Camshaft	73-72	FP-5149093		Stamped FP-5101272; V7L; Types 150, 152, 252, 267, 280, 281, 387, 415
2	Oil Seal	73-72	FP-23516871		Front
2	Camshaft Plug	73-72	FP-5151277		.500" Drive; 15/32" x 1/2"
1	Oil Seal	73-72	480581		
2	Woodruff Key	73-72	FP-8926248		.1875" x .625"

ACCESSORY DRIVE

QTY	ACCESSORY DRIVE	YEARS	PART NO.	SIZE	DESCRIPTION
1	Accessory Drive Gasket	73-72	FP-23515145		
1	Oil Seal	73-72	FP-5131329		Accessory drive; Accessory drive assy.
1	Ball Brg.	73-72	FP-23504528		Accessory drive; Accessory drive assy.
1	Washer	73-72	FP-5150568		7/16" x 3/4" x 1/16"; Copper
3	Lock Washer	73-72	FP-103320		Gov. Spring Housing; 5/16"
1	Oil Seal	73-72	470059		
1	Redi-Sleeve	73-72	99149		

FUEL SYSTEM & PARTS

QTY	FUEL INJECTION	YEARS	PART NO.	SIZE	DESCRIPTION
3	Fuel Injector Seal Ring	73-72	FP-5234281		
3	Fuel Injector Seal Ring	73-72	FP-5104701		Viton®
3	Injector Hole Tube Kit	73-72	FP-8925981		Viton®
3	Washer	73-72	FP-5150250		
3	Clamp	73-72	FP-5121259		
3	Fuel Injector	73-72	FP-5229345		Injector Assembly C45
3	Fuel Injector Repair Kit	73-72	FP-5229649		
3	Fuel Injection Valve Cage	73-72	FP-5228696		
3	Fuel Injection Spring Seat	73-72	FP-5228766		
3	Fuel Injector Valve Spring	73-72	FP-5228596		
3	Fuel Injector Check Valve	73-72	FP-5228694		
3	Fuel Pump Check Valve	73-72	FP-5226411		
3	Fuel Pump Check Valve	73-72	FP-5228308		Incl. injector valve & 5228106 seat
3	Injector Plunger & Bushing	73-72	FP-5229342		For Inj. Assembly C40
3	Injector Plunger & Bushing	73-72	FP-5229346		For Inj. Assembly C45
3	Injector Plunger & Bushing	73-72	FP-5229354		For Inj. Assembly C50
3	Injector Plunger & Bushing	73-72	FP-5228684		For Inj. Assembly N45, 5N45
3	Injector Plunger & Bushing	73-72	FP-5228749		For Inj. Assembly N50
3	Injector Plunger & Bushing	73-72	FP-5228495		For Inj. Assembly S45
3	Injector Plunger & Bushing	73-72	FP-5228656		For Inj. Assembly 5A60
3	Fuel Injector Tip Kit	73-72	FP-5228491		
3	Fuel Injector Tip Kit	73-72	FP-5229034		For Inj. Assembly N35, N40, N45, N50, C40, C45, C50
3	Fuel Injector Tip Kit	73-72	FP-5229030		For Inj. Assembly 5A50, 5A55, 5A60
3	Fuel Injector Tip Kit	73-72	FP-5229026		For Inj. Assembly 5N45
3	Nut	73-72	FP-5228601		NV
3	Fuel Injector Valve Kit	73-72	FP-5228313		
3	Fuel Injector Valve Kit	73-72	FP-5228769		
3	Fuel Injector Roller Pin	73-72	FP-5228608		

QTY	FUEL FILTERS & PUMP	YEARS	PART NO.	SIZE	DESCRIPTION
1	Mechanical Fuel Pump	73-72	FP-5199735		LH; High Output; High output; w/.375" Gear
1	Mechanical Fuel Pump	73-72	FP-5199560		LH; Standard Output; Std. output; w/.250" Gear
1	Mechanical Fuel Pump	73-72	FP-5199734		RH; High Output; High output
1	Mechanical Fuel Pump	73-72	FP-5199561		RH; Standard Output
1	Fuel Pump Shaft & Gear	73-72	FP-5146705		High Output; Fuel Pump Drive; 3.09" Length; High Output
1	Fuel Pump Shaft & Gear	73-72	FP-5100313		High Output; Fuel Pump Drive; .963" Length; High Output
1	Fuel Pump Shaft & Gear	73-72	FP-5181746		Standard Output; Fuel Pump Drive; 3.09" Length; Std. Output
1	Fuel Pump Shaft & Gear	73-72	FP-5181747		Standard Output; Fuel Pump Drive; .838" Length; Std. Output
1	Fuel Pump Valve	73-72	FP-5174973		
1	Fuel Pump Gear	73-72	FP-5107088		Fuel Pump Drive; LH Helix
1	Fuel Pump Gear	73-72	FP-5118915		High Output; Fuel Pump Drive; .374" Width; High Output
1	Fuel Pump Gear	73-72	FP-5128217		High Output; Fuel Pump Drive; .374" Width; High Output
1	Fuel Pump Gear	73-72	FP-5174975		Standard Output; Fuel Pump Drive; .294" Width; Std. Output
1	Fuel Pump Gear	73-72	FP-5181748		Standard Output; Fuel Pump Drive; .294" Width; Std. Output
1	Fuel Pump Drive Shaft	73-72	FP-5100312		High Output; Fuel Pump Drive; .963" Length; High Output
1	Fuel Pump Drive Shaft	73-72	FP-5178700		Standard & High Output; Fuel Pump Drive; 3.09" Length
1	Fuel Pump Drive Shaft	73-72	FP-5181749		Standard Output; Fuel Pump Drive; .838" Length; Std. Output
1	Fuel Pump Check Valve	73-72	FP-5174924		1/4" Swing type
1	Fuel Pump Check Valve	73-72	FP-5135308		3/8" Swing type

(continued on next page)

Ford Truck - M/D & H/D

1 M/D Truck 3-53 (2-Valve Cyl. Head), 3-53N (4-Valve Cyl. Head) Engs.
 (cont.) 2.6L 159 OHV Diesel L3 (3-53), 3.875" Bore (Detroit Diesel Eng.) 1972-73

FUEL SYSTEM & PARTS (cont.)

QTY	FUEL FILTERS & PUMP (cont.)	YEARS	PART NO.	SIZE	DESCRIPTION
6	Fuel Line Connector	73-72	FP-8926992		Fuel Pipe
1	Fuel Pump Relief Valve Spring	73-72	FP-5184530		
1	O-Ring	73-72	FP-5179232	.424" x .103"	
1	O-Ring	73-72	FP-5179232		Check Valve Seal Ring; .424" x .103"
2	Oil Seal	73-72	FP-23512243		Fuel pump
1	Fuel Pump Valve Plug Gasket	73-72	FP-5161003		Fuel pump
3	Bolt	73-72	FP-8925603		Fuel pump mounting; 5/16" - 18 x 3/4"; Vibra-Tite®
1	Fuel Pump Repair Part	73-72	FP-5174971		Fuel Pump Valve; .500" x 20 plug
1	Fuel Pump Drive Adapter Gskt.	73-72	FP-5150193		Fuel pump mounting; w/Limiting Speed Gov.
1	Fuel Pump Repair Kit	73-72	FP-5149599		High Output; High output; Short Shaft
1	Fuel Pump Repair Kit	73-72	FP-5195078		Standard Output; Std. output
1	Pipe Plug	73-72	FP-5121182		Fuel Pump; 1/4" - 18; Hex head
2	Pipe Plug	73-72	FP-8924380		1/8" - 27
2	Plastic Cap	73-72	FP-5136240		Fuel pump body; .250" Dia.
1	Plastic Cap	73-72	FP-5136241		Fuel pump body; .780" Dia.; 3/8" NPTF
1	Dowel Pin	73-72	FP-103709		5/32" x 1" straight
1	Ball Brg.	73-72	FP-147481		Fuel Pump Shaft; .125" Dia. Steel
1	Bushing	73-72	FP-5198558		3/8" x 1/4"
6	Copper Washer	73-72	FP-5152148		25/64" ID x 9/16" OD x 1/16" Thick; Copper
6	Washer	73-72	FP-8925644		Fuel Pipe Connector
6	Washer	73-72	FP-5150568		7/16" x 3/4" x 1/16"; Copper

QTY	TURBOCHARGER	YEARS	PART NO.	SIZE	DESCRIPTION
1	Pipe Plug	73-72	FP-8924380		1/8" - 27
4	Hose Clamp	73-72	FP-5137620		Exhaust Hose; 3.66" Dia.
2	Hose Clamp	73-72	FP-5186840		Oil Return Hose; 13/16" - 1 1/2" Clamping Range
4	Stud	73-72	FP-8927270		Turbo Mount; 3/8" - 16/24" x 1.6875"
1	Bolt	73-72	FP-8927581		Turbo Hose Bracket; 3/8" - 16 x 1"

BLOWER

QTY	BLOWER	YEARS	PART NO.	SIZE	DESCRIPTION
4	Oil Seal	73-72	FP-5199366		Blower End Plate; Use w/FP5199368 Sleeve
4	Oil Seal	73-72	FP-5142266		Blower End Plate; Use w/New Counterbored End Plates
4	Wear Sleeve	73-72	FP-5199368		Blower Rotor Shaft; Use w/FP5199366 Seal
1	O-Ring	73-72	FP-8923959		Blower By-pass Valve
2	Pipe Plug	73-72	FP-8924380		Blower End Plate; 1/8" - 27
1	Clamp	73-72	FP-5144768		Blower Drive Cover
1	Washer	73-72	FP-5116316		Blower Rotor Gear
2	Washer	73-72	FP-5121403		Blower Rotor Gear
2	Washer	73-72	FP-5121403		Blower Rotor Gear
2	Washer	73-72	FP-5127077		Thrust Blower Shaft
3	Shim	73-72	FP-5116165		Blower Rotor Gear
3	Shim	73-72	FP-5116166		Blower Rotor Gear
3	Shim	73-72	FP-5116167		Blower Rotor Gear
3	Shim	73-72	FP-5116164		Blower Rotor Gear; .002"

GOVERNOR

QTY	GOVERNOR	YEARS	PART NO.	SIZE	DESCRIPTION
1	Governor Spring	73-72	FP-5122270		w/Variable Speed; w/Two Red Stripes
1	Governor Spring	73-72	FP-5122165		Low Speed; w/One Blue Stripe
1	Governor Spring	73-72	FP-5183704		Low Speed; w/Two Yellow Stripes
1	Governor Low Speed Spring Cap	73-72	FP-5103975		w/Limiting Speed Gov.
1	Governor Low Speed Spring Cap	73-72	FP-5103975		Gov. Spring Hsg.
4	Screw	73-72	FP-9417926		Gov. Cover; w/Limiting Speed Gov.; 1/4" -20 x 3/4"
4	Screw	73-72	FP-9417926		Gov. Cover; w/Variable Speed Gov.; 1/4" -20 x 3/4"
1	Hose Clamp	73-72	FP-5186840		Gov. Hose; w/Variable Speed Gov.; 13/16" - 1 1/2" Clamping Range
1	Governor Seal Ring	73-72	FP-5101691		w/Limiting Speed Gov.; .362" x .113"
1	O-Ring	73-72	FP-5176557		Gov. Throttle Shaft Packing Seal; w/Limiting Speed Gov.; .477" ID x .113" Thick
2	O-Ring	73-72	FP-5176557		Gov. Throttle Shaft Packing Seal; w/Variable Speed Gov.; .477" ID x .113" Thick
3	O-Ring	73-72	FP-5179232		Throttle Shaft; w/Limiting Speed Gov.; .424" x .103"
1	O-Ring	73-72	FP-5179232		Throttle Shaft; w/Variable Speed Gov.; .424" x .103"
2	Cylindrical Brg.	73-72	FP-148402		Variable speed spring lever shaft; .500" x .500" Dia.
1	Fuel Injection Link	73-72	FP-5122798		Gov. to Injector; w/Limiting Speed Gov.
1	Fuel Injection Link	73-72	FP-5122798		Gov. to Injector; w/Variable Speed Gov.; B & D Eng.
1	Needle Bearing	73-72	FP-9425166		Needle Brg.; Variable Speed Spring Lever
6	Governor Valve Spring Shim	73-72	FP-5136590		w/Variable Speed Gov.; .010"
3	Governor Valve Spring Shim	73-72	FP-5136591		w/Variable Speed Gov.; .078"

(continued on next page)

Ford Truck - M/D & H/D

M/D Truck 3-53 (2-Valve Cyl. Head), 3-53N (4-Valve Cyl. Head) Engs. 1
 2.6L 159 OHV Diesel L3 (3-53), 3.875" Bore (Detroit Diesel Eng.) 1972-73 (cont.)

GOVERNOR (cont.)

QTY	GOVERNOR (cont.)	YEARS	PART NO.	SIZE	DESCRIPTION
2	Washer	73-72	FP-5151487		Gov. Cover; w/Limiting Speed Gov.; 3/8" x 11/16" x .033"
2	Copper Washer	73-72	FP-5155596		Gov. Spring Housing; 5/16"; Special copper washer
3	Lock Washer	73-72	FP-103320		Gov. Housing; w/Limiting Speed Gov.; 5/16"
2	Governor Retainer	73-72	FP-5178581		w/Limiting Speed Gov.
2	Governor Retainer	73-72	FP-5144178		Gov. Cover Shutdown Shaft; w/Limiting Speed Gov.
1	Ball Brg.	73-72	FP-9431894		Gov. Operating Shaft; w/Limiting Speed Gov.
1	Ball Brg.	73-72	FP-9431894		Gov. Operating Shaft; w/Variable Speed Gov.
1	Ball Brg.	73-72	FP-23506244		Gov. Weight Carrier Shaft
1	Ball Brg.	73-72	FP-9437108		Gov. Weight Riser Thrust Brg.; .354" Width
1	Ball Brg.	73-72	FP-9431887		Lower; Gov. Operating Shaft; w/Limiting Speed Gov.
1	Ball Brg.	73-72	FP-9431887		Lower; Gov. Operating Shaft; w/Variable Speed Gov.
1	Expansion Plug	73-72	FP-9428477		Gov. Housing; w/Limiting Speed Gov.; 15/16" Dia.
1	Expansion Plug	73-72	FP-9428477		Gov. Housing; w/Variable Speed Gov.; 15/16" Dia.
1	Governor Riser	73-72	FP-5109544		Small Flange
1	Governor Spring Cover Gasket	73-72	FP-8922593		Gov. High Speed Spring; w/Limiting Speed Gov.
1	Governor Spring Cover Gasket	73-72	FP-8922593		Gov. High Speed Spring; w/Variable Speed Gov.
1	Nut	73-72	FP-5174286		w/Variable Speed Gov.; 3/8" - 24 UNF
1	Pipe Plug	73-72	FP-8924380		Gov. Cover; w/Limiting Speed Gov.; 1/8" - 27
1	Pipe Plug	73-72	FP-5121182		Spring Housing; 1/4" - 18; Hex head
1	Governor to Cyl. Block Gasket	73-72	FP-5116336		Gov. Cover to Eng.; w/Limiting Speed Gov.
1	Governor to Cyl. Block Gasket	73-72	FP-5116336		Gov. Cover to Eng.; w/Variable Speed Gov.
1	Governor Cover Gasket	73-72	FP-5122742		Gov. Cover; w/Limiting Speed Gov.
1	Governor Cover Gasket	73-72	FP-5122742		Gov. Cover; w/Variable Speed Gov.
1	Lock Nut	73-72	FP-123390		Spring Housing; 1/4" - 20
1	Retainer	73-72	FP-142583		Gov. to Inj. Link Spring; w/Variable Speed Gov.; 13/64" Spring
1	Retainer	73-72	FP-142583		Gov. Differential Lever; w/Limiting Speed Gov.; 13/64" Spring
1	Retainer	73-72	FP-142583		Gov. Housing; w/Limiting Speed Gov.; 13/64" Spring

COOLING SYSTEM

QTY	WATER PUMP	YEARS	PART NO.	SIZE	DESCRIPTION
1	Water Pump - Heavy Duty	73-72	FP-23506003		L.H.
1	Water Pump - Heavy Duty	73-72	FP-23506007		R.H.
1	Water Pump - Heavy Duty	73-72	FP-23506009		R.H.
1	Water Pump Impeller	73-72	FP-5193602		Raw Water Pump; Synthetic
1	Water Pump Impeller	73-72	FP-23505993		L.H.
1	Water Pump Impeller	73-72	FP-23506605		L.H.
1	Water Pump Impeller	73-72	FP-23505994		R.H.
1	Water Pump Impeller	73-72	FP-23506606		R.H.
1	Water Pump Repair/Rebuild Kit	73-72	FP-23506863		L.H.
1	Water Pump Repair/Rebuild Kit	73-72	FP-23506869		L.H.
1	Water Pump Repair/Rebuild Kit	73-72	FP-23506864		R.H.
1	Water Pump Repair/Rebuild Kit	73-72	FP-23506865		R.H.
1	Water Pump Cover	73-72	FP-5119283		
1	Ball Brg.	73-72	FP-907394		Idler Pulley
1	Ball Brg.	73-72	FP-23503535		Outer Fan Shaft
1	Ball Brg.	73-72	FP-9415132		Front; Outer Fan Shaft
1	Ball Brg.	73-72	FP-7450630		Rear; Inner Fan Shaft
1	Oil Pump Intake Gasket	73-72	FP-5126473		Thermostat Housing Cover
1	Fresh Water Pump Gasket	73-72	FP-5133107		L.H. & R.H.
1	Oil Seal	73-72	FP-5103951		Fan Shaft
1	Oil Seal	73-72	FP-5108219		Fan Shaft; Felt
1	Oil Seal	73-72	FP-5100408		Fan Shaft; Rubber Lip
1	Oil Seal	73-72	FP-5108219		Idler Pulley Shaft; Felt
1	Oil Seal	73-72	FP-23506248		L.H. & R.H.; Water Pump Shaft
4	Bolt	73-72	FP-5145092		Raw Water Pump; 3/8" - 24 x 1.20"; Self-Locking
1	Bolt	73-72	FP-9409060		Thermostat Housing; 1/2" - 20 x 1.500"
4	Bolt	73-72	FP-8927581		Thermostat Housing; 3/8" - 16 x 1"
7	Bolt	73-72	FP-8925603		Water Pump Mounting Bolts; 5/16" - 18 x 3/4"; Vibra-Tite®
3	Pipe Plug	73-72	FP-5115214		Thermostat Housing; 1/2" Square Head
2	Pipe Plug	73-72	FP-8923847		Thermostat Housing; 1/4" x 18 NPTF; Square head
1	Pipe Plug	73-72	FP-8924380		Thermostat Housing; 1/8" - 27
2	Pipe Plug	73-72	FP-8924517		Thermostat Housing; 3/8" x 18 square head
1	Pipe Plug	73-72	FP-5115214		Water Pump Body; 1/2" Square Head
1	Pipe Plug	73-72	FP-8924380		Water Pump Body; 1/8" - 27
1	Shaft & Bearing Assembly	73-72	FP-8922500		
1	Shaft & Bearing Assembly	73-72	FP-904827		L.H. & R.H.
1	Gasket	73-72	FP-5196513		Raw Water Pump Housing
1	Gasket	73-72	FP-5116357		Water By-pass Tube
1	Washer	73-72	FP-103325		Raw Water Pump Flange; Lock washer; 5/8"

(continued on next page)

Ford Truck - M/D & H/D

1 M/D Truck 3-53 (2-Valve Cyl. Head), 3-53N (4-Valve Cyl. Head) Engs.
 (cont.) 2.6L 159 OHV Diesel L3 (3-53), 3.875" Bore (Detroit Diesel Eng.) 1972-73

COOLING SYSTEM (cont.)

QTY	WATER PUMP (cont.)	YEARS	PART NO.	SIZE	DESCRIPTION
2	Washer	73-72	FP-5197310		Water Pump; Adhesive, Ceramic Insert
1	Water Pump Lock Ring	73-72	FP-274746		Fan Shaft
QTY	THERMOSTAT	YEARS	PART NO.	SIZE	DESCRIPTION
1	Thermostat	73-72	FP-5143210		170 Deg.
1	Thermostat	73-72	FP-8927465		170 Deg.
1	Thermostat	73-72	FP-8927466		180 Deg.; w/Rapid Start Up
1	Water Outlet Gasket	73-72	FP-2206783		
QTY	MISCELLANEOUS	YEARS	PART NO.	SIZE	DESCRIPTION
1	Fan Drive Pulley	73-72	FP-5144503		
2	Lock Washer	73-72	FP-103321		Raw Water Pump; 3/8"
2	Lock Washer	73-72	FP-103320		Raw Water Pump; 5/16"
2	Lock Washer	73-72	FP-103321		Thermostat Housing; 3/8"
2	Lock Washer	73-72	FP-103320		Thermostat Housing; 5/16"
1	Accessory Drive Gasket	73-72	FP-23515145		Raw Water Pump

ENGINE BLOCK & PARTS

QTY	GASKETS	YEARS	PART NO.	SIZE	DESCRIPTION
1	Front Cover Gasket	73-72	FP-5116386		Lower
1	Front Cover Gasket	73-72	FP-5121082		Upper
1	Governor to Cyl. Block Gasket	73-72	FP-5116336		Front; Governor hole
1	O-Ring	73-72	FP-5109517		Air Heater; 1.750"
1	Oil Pan Gasket	73-72	FP-5196059		w/Cast Iron Pan
1	Oil Pan Gasket	73-72	FP-5116256		w/Stamped Steel Pan
2	Copper Washer	73-72	FP-5155596		Oil Pan; 5/16"; Special copper washer
1	Washer	73-72	FP-840277		Oil Pan; 18MM, Nylon
4	Lock Washer	73-72	FP-103321		Oil Filter Cover; 3/8"
1	Pipe Plug	73-72	FP-5121182		Oil Filter Cover; 1/4" - 18; Hex head
3	Pipe Plug	73-72	FP-5115214		Oil Pan; 1/2" Square Head
2	Pipe Plug	73-72	FP-5121182		Oil Pan; 1/4" - 18; Hex head
1	Pipe Plug	73-72	FP-5142549		Oil Pan; 3/4" - 14 Square Head
1	Cylinder Cover Gasket	73-72	FP-5116354		Front
1	Gasket	73-72	FP-5116357		Water Hole Gasket
6	Copper Washer	73-72	FP-5152148		Fuel stand pipe; 25/64" ID x 9/16" OD x 1/16" Thick; Copper
15	Lock Washer	73-72	FP-103321		3/8"
QTY	GASKET SETS	YEARS	PART NO.	SIZE	DESCRIPTION
1	Complete Overhaul Gasket Set	73-72	FP-23517623		Crankshaft seals not incl.
1	Complete Overhaul Gasket Set	73-72	FP-23517623WS		Incl. Front & Rear Seals
QTY	DOWEL PINS	YEARS	PART NO.	SIZE	DESCRIPTION
4	Dowel Pin	73-72	FP-141346		.1875" x .500"
QTY	CAM BEARINGS	YEARS	PART NO.	SIZE	DESCRIPTION
1	Cam Set	73-72	FP-5198209	STD	
1	Cam Set	73-72	FP-5198470	10	
1	Cam Set	73-72	FP-5198471	20	
1	Cam Set	73-72	1211M + Std Only		When depleted use FP-5198209
QTY	OIL COOLERS & FILTERS	YEARS	PART NO.	SIZE	DESCRIPTION
1	Oil Cooler	73-72	FP-8547194		4 plate
1	Oil Cooler	73-72	FP-8547548		6 plate
1	Oil Cooler	73-72	FP-8547563		8 plate
1	Oil Filter Gasket	73-72	FP-5121205		
4	Lock Washer	73-72	FP-103321		Oil Cooler; 3/8"
7	Lock Washer	73-72	FP-103320		Oil Cooler; 5/16"
2	Pipe Plug	73-72	FP-5121182		Oil Cooler; 1/4" - 18; Hex head
2	Pipe Plug	73-72	FP-5142549		Oil Cooler; 3/4" - 14 Square Head
1	Oil Cooler Gasket Kit	73-72	FP-PG34530C		
1	Oil Cooler Gasket	73-72	FP-8923223		Outlet
1	Gasket	73-72	FP-5116357		Oil Cooler Housing to Block
1	Oil Cooler Core Inner Gasket	73-72	FP-5150155		Inlet
2	Oil Cooler Core Outer Gasket	73-72	FP-5102506		Outlet
1	Oil Cooler Adapter Gasket Set	73-72	FP-5103906		
1	Oil Cooler Adapter Gasket Set	73-72	FP-5116416		
3	Oil Cooler Adapter Cover Gskt	73-72	FP-5175882		
4	Bolt	73-72	FP-8927581		Oil Cooler; 3/8" - 16 x 1"
QTY	FREEZE PLUGS	YEARS	PART NO.	SIZE	DESCRIPTION
2	Pipe Plug	73-72	FP-5121182		1/4" - 18; Hex head
8	Pipe Plug	73-72	FP-8924380		1/8" - 27

(continued on next page)

Ford Truck - M/D & H/D

M/D Truck 3-53 (2-Valve Cyl. Head), 3-53N (4-Valve Cyl. Head) Engs. 1
 2.6L 159 OHV Diesel L3 (3-53), 3.875" Bore (Detroit Diesel Eng.) 1972-73 (cont.)

ENGINE BLOCK & PARTS (cont.)

QTY	DIPSTICK	YEARS	PART NO.	SIZE	DESCRIPTION
1	Dipstick	73-72	FP-5146679		61" Length; Unmarked
1	Dipstick	73-72	FP-5146680		72" Length; Unmarked
1	Dipstick Guide	73-72	FP-5151430		1.50" Length
QTY	MISCELLANEOUS	YEARS	PART NO.	SIZE	DESCRIPTION
2	Pipe Plug	73-72	FP-5121182		1/4" - 18; Hex head
8	Pipe Plug	73-72	FP-8924380		1/8" - 27
3	Fuel Drain Tube	73-72	FP-5135662		.299"
3	Fuel Drain Tube	73-72	FP-5135547		.434"
1	Accessory Drive Gasket	73-72	FP-23515145		Oil Filler Tube
1	Oil Filler Cap	73-72	FP-5140259		w/Chain & Hook
1	Oil Filler Cap	73-72	FP-5108474		Twist Type
1	Oil Filler Cap	73-72	FP-5107106		1.50" Dia.; Thermos Bottle Style
1	Oil Filler Cap	73-72	FP-5120098		1.75" Dia.; Thermos Bottle Style
1	Oil Filler Cap	73-72	FP-5117362		2.00" Dia.; Thermos Bottle Style
CRANKSHAFT/OIL PUMP					
QTY	CRANKSHAFT	YEARS	PART NO.	SIZE	DESCRIPTION
8	Washer	73-72	FP-5133981		.122" Thick
13	Lock Washer	73-72	FP-103321		3/8"
1	Woodruff Key	73-72	FP-8926247		.250" x .750"
4	Dowel Pin	73-72	FP-141346		.1875" x .500"
1	Harmonic Balancer Sleeve	73-72	88187		
QTY	SEALS - FRONT CRANK	YEARS	PART NO.	SIZE	DESCRIPTION
1	Oil Seal	73-72	FP-5148314		
1	Oil Seal	73-72	FP-5198503		Single lip O/S ID
1	Redi-Sleeve	73-72	99187		
1	Wear Sleeve	73-72	FP-5198502		
1	Oil Seal	73-72	482041N		
1	Oil Seal	73-72	452261H		(Oversize)
QTY	SEALS - REAR CRANK	YEARS	PART NO.	SIZE	DESCRIPTION
1	Oil Seal	73-72	FP-5127821		Double Lip, Std.; Shaft Dia. 4.687"
1	Oil Seal	73-72	FP-5128917		Double lip; Wet only; Double Lip
1	Oil Seal	73-72	FP-5116229		Single lip
1	Oil Seal	73-72	FP-5196852		Single lip O/S ID
1	Redi-Sleeve	73-72	99395		
1	Wear Sleeve	73-72	FP-23516636		Use w/O/S Seals only
8	Washer	73-72	FP-5133981		Main bearing cap; .122" Thick
QTY	MAIN BEARINGS	YEARS	PART NO.	SIZE	DESCRIPTION
4	Plain Main Brg.	73-72	FP-5149447		STD
4	Plain Main Brg.	73-72	FP-8924357		STD
4	Plain Main Brg.	73-72	FP-8924358		2
4	Plain Main Brg.	73-72	FP-8924359		10
4	Plain Main Brg.	73-72	FP-8924360		20
4	Plain Main Brg.	73-72	FP-8924361		30
4	Plain Main Brg.	73-72	2611CPA +	Std-10-20-30	When depleted use FP-5149447
1	Thrust Washer Set	73-72	FP-5116197S		STD
1	Thrust Washer Set	73-72	2611AF	Std Only	Position Rear
4	Thrust Washer	73-72	FP-5116197		STD
4	Thrust Washer	73-72	FP-5196755		5
4	Thrust Washer	73-72	FP-5196756		10
QTY	OIL PUMP	YEARS	PART NO.	SIZE	DESCRIPTION
1	Oil Pump	73-72	FP-5116110		Option Type 49, 166, 167, 168, 169
1	Oil Pump	73-72	FP-5121042		Option Type 50, 52, 170, 171, 172, 173
1	Oil Pump Seal Ring	73-72	FP-5127175		Pump Inlet
1	Oil Seal	73-72	FP-5115454		Oil Pump to Block; Single Lip, Std.
1	Oil Pump Cover Gasket	73-72	FP-5142712		Cover Plate
1	Oil Pump Spring	73-72	FP-5155765		Oil Pump Relief
1	Woodruff Key	73-72	FP-8928540		1/8" x 5/8"
1	Bolt	73-72	FP-8927581		3/8" - 16 x 1"
2	Screw	73-72	FP-145067		Oil Pump Cover
2	Washer	73-72	FP-5177773		Oil Pump Relief Valve; 18MM x 1.5MM
6	Lock Washer	73-72	FP-103320		Oil Pump Mount; 5/16"
1	Oil Filter Gasket	73-72	FP-5121205		Filter Cover Adaptor
1	Oil Filter Gasket	73-72	FP-5121205		Oil Filter Adaptor
1	Lock Nut	73-72	FP-114498		Oil Filter Cover; 5/8" - 18, Jam Nut
1	Front Cover Gasket	73-72	FP-5116386		Oil Pump to Block

(continued on next page)

Ford Truck - M/D & H/D

1 M/D Truck 3-53 (2-Valve Cyl. Head), 3-53N (4-Valve Cyl. Head) Engs.
 (cont.) 2.6L 159 OHV Diesel L3 (3-53), 3.875" Bore (Detroit Diesel Eng.) 1972-73

CRANKSHAFT/OIL PUMP (cont.)

QTY	OIL PUMP (cont.)	YEARS	PART NO.	SIZE	DESCRIPTION
1	Oil Filter Adapter Gasket	73-72	FP-8924412		
1	Pipe Plug	73-72	FP-5121182		Oil Filter Cover; 1/4" - 18; Hex head
3	Pipe Plug	73-72	FP-5115214		Oil Pan; 1/2" Square Head
2	Pipe Plug	73-72	FP-5121182		Oil Pan; 1/4" - 18; Hex head
1	Pipe Plug	73-72	FP-5142549		Oil Pan; 3/4" - 14 Square Head

CYLINDER COMPONENTS

QTY	LINERS	YEARS	PART NO.	SIZE	DESCRIPTION
3	Liner w/o Sealing Rings	73-72	FP-8926088	STD	.740" Port Height
3	Liner w/o Sealing Rings	73-72	FP-8926090	20	.740" Port Height
3	Liner w/o Sealing Rings	73-72	FP-5132803	STD	.840" Port Height
3	Liner w/o Sealing Rings	73-72	FP-5101016	10	.840" Port Height
3	Liner w/o Sealing Rings	73-72	FP-5149944	20	.840" Port Height
3	Cylinder Kit Complete	73-72	FP-5198903	STD	Opt. 25,26,27,29,35,60,83; Trunk style piston; 17:1 C.R.
3	Cylinder Kit Complete	73-72	FP-519890310	10	Opt. 25,26,27,29,35,60,83; Trunk style piston; 17:1 C.R.
3	Cylinder Kit Complete	73-72	FP-519890320	20	Opt. 25,26,27,29,35,60,83; Trunk style piston; 17:1 C.R.
3	Cylinder Kit Complete	73-72	FP-5198904	STD	Opt. 53,56,65,66,77,236,249; Trunk style piston; 21:1 C.R.
3	Cylinder Kit Complete	73-72	FP-519890410	10	Opt. 53,56,65,66,77,236,249; Trunk style piston; 21:1 C.R.
3	Cylinder Kit Complete	73-72	FP-519890420	20	Opt. 53,56,65,66,77,236,249; Trunk style piston; 21:1 C.R.
3	Cylinder Kit Complete	73-72	FP-5198899	STD	Opt. 61,62,64,68,96,97,98,118,238,241; Trunk style piston; 21:1 C.R.
3	Cylinder Kit Complete	73-72	FP-519889910	10	Opt. 61,62,64,68,96,97,98,118,238,241; Trunk style piston; 21:1 C.R.
3	Cylinder Kit Complete	73-72	FP-519889920	20	Opt. 61,62,64,68,96,97,98,118,238,241; Trunk style piston; 21:1 C.R.
3	Liner Kit w/o Sleeve	73-72	FP-LCK8899		
3	Liner Kit w/o Sleeve	73-72	FP-LCK8903		
3	Liner Kit w/o Sleeve	73-72	FP-LCK8904		
3	Liner Kit w/o Sleeve	73-72	FP-LCK9116		Military spec.
6	Sealing Ring, Liner	73-72	FP-5121256		.010 O/S
6	Sealing Ring, Liner	73-72	FP-5149945		.020 O/S
3	Flange Shim	73-72	FP-29610	1	.001"
3	Flange Shim	73-72	FP-29611	2	.002"

QTY	PISTONS	YEARS	PART NO.	SIZE	DESCRIPTION
3	Piston With Retainers	73-72	FP-5195931		2 Valve Head; Trunk style piston
3	Piston With Retainers	73-72	FP-5198877		4 Valve Head; Trunk style piston
3	Piston Skirt	73-72	FP-8924002		
3	Pin	73-72	FP-5116189		
6	Piston Pin Retainer	73-72	FP-5108131		1.38" Dia.
6	Piston Pin Bolt Spacer	73-72	FP-8924732		w/Crosshead piston
12	Pin Bushing	73-72	FP-5116181		Trunk Type; 2 req'd. per rod
3	Pin Bushing	73-72	2619Y20 +		2 req'd. per rod; O.E. No. 5116181; When depleted use FP-5116181

QTY	CONNECTING RODS & BRGS.	YEARS	PART NO.	SIZE	DESCRIPTION
6	Con. Rod Bolt	73-72	FP-5197852		
6	Con. Rod Nut	73-72	FP-839103		
3	Rod Pair	73-72	FP-5149452	STD	
3	Rod Pair	73-72	FP-5149454	10	
3	Rod Pair	73-72	FP-5149455	20	
3	Rod Pair	73-72	FP-5149456	30	
3	Rod Pair	73-72	2610CPA +	Std-10-20-30-40	When depleted use FP-5149452

QTY	PISTON RINGS	YEARS	PART NO.	SIZE	DESCRIPTION
3	Ring Set Single Cylinder	73-72	FP-23501520	STD	High Sulfur; Trunk type
3	Ring Set Single Cylinder	73-72	FP-23501521	STD	High Sulfur; Trunk type
3	Ring Set Single Cylinder	73-72	FP-5198902		Trunk type
3	Ring Set Single Cylinder	73-72	FP-5198822	STD	2 Valve Head; 1-.082, 3-3/32, 2-3/16 (1 cyl. set)
3	Ring Set Single Cylinder	73-72	FP-5149942	STD	4 Valve Head
3	Compression Ring	73-72	FP-5103382		Pos. 1; High Sulfur; Trunk type
3	Compression Ring	73-72	FP-8923328		Pos. 1; High Sulfur; Trunk type
3	Compression Ring	73-72	FP-5103382		Pos. 1; Trunk type
3	Compression Ring	73-72	FP-5103382		Pos. 1; 2 Valve Head
3	Compression Ring	73-72	FP-8923328		Pos. 1; 4 Valve Head
3	Compression Ring	73-72	FP-5116184		Pos. 2; Trunk type
9	Compression Ring	73-72	FP-8925779		Pos. 2, 3, 4; High Sulfur; Trunk type
9	Compression Ring	73-72	FP-8925779		Pos. 2, 3, 4; High Sulfur; Trunk type
9	Compression Ring	73-72	FP-5116184		Pos. 2, 3, 4; 2 Valve Head
9	Compression Ring	73-72	FP-5116184		Pos. 2, 3, 4; 4 Valve Head

(continued on next page)

+ Superseded Part Number

Ford Truck - M/D & H/D

M/D Truck 3-53 (2-Valve Cyl. Head), 3-53N (4-Valve Cyl. Head) Engs. 1 2.6L 159 OHV Diesel L3 (3-53), 3.875" Bore (Detroit Diesel Eng.) 1972-73 (cont.)					
CYLINDER COMPONENTS (cont.)					
QTY	PISTON RINGS (cont.)	YEARS	PART NO.	SIZE	DESCRIPTION
6	Compression Ring	73-72	FP-5127147		Pos. 3, 4; Trunk type
6	Ring, Oil Control Set	73-72	FP-5195933		Trunk type
6	Ring, Oil Control Set	73-72	FP-5195933		2 Valve Head
6	Ring, Oil Control Set	73-72	FP-5195933		4 Valve Head
CLUTCH					
QTY	CLUTCH	YEARS	PART NO.	SIZE	DESCRIPTION
1	Ball Brg.	73-72	FP-23503707		Clutch Pilot; Clutch Pilot
1	Ball Brg.	73-72	FP-23504892		Clutch Pilot; Clutch Pilot; Repl. FP-904983
M/D Truck 220 Dagenham Eng. (Diesel) 2 3.6L 220 (3611cc) OHV Diesel L4 (Dagenham), 100mm Bore (Ford Europe Eng.) 1964-66					
CRANKSHAFT/OIL PUMP					
QTY	MAIN BEARINGS	YEARS	PART NO.	SIZE	DESCRIPTION
1	Thrust Washer Set	66-64	FP-2248BF	STD	Position 3
CYLINDER COMPONENTS					
QTY	CONNECTING RODS & BRGS.	YEARS	PART NO.	SIZE	DESCRIPTION
1	Rod Set	66-64	FP-42245CPA		
1	Rod Set	66-64	FP-42245CPA20		
QTY	PISTON RINGS	YEARS	PART NO.	SIZE	DESCRIPTION
1	Premium Set	66-64	FP-5493KX	Std Only	3-3/32, 2-3/16
M/D Truck 223 Eng. 3 3.6L 223 OHV L6, 3.625" Bore 1954-64					
CYL. HEAD & PARTS					
QTY	VALVE	YEARS	PART NO.	SIZE	DESCRIPTION
6	Intake	64-54	V-1115 Std Only		1.7800" Head Dia., .3421" Stem Dia., 5.1100" O.A.L.
6	Exhaust	64-54	V-1127 Std Only		Rototype; Free valve; 1.5100" Head Dia., .3418" Stem Dia., 5.0900" O.A.L.
24	Keeper	64-54	VK-115		1 groove; Square cut key groove
24	Keeper	64-54	VK-115R		1 groove; Square cut key groove; Hardened
24	Keeper, Bulk	64-54	VK-115B		1 groove; Square cut key groove; Carton of 1000
QTY	VALVE GUIDE	YEARS	PART NO.	SIZE	DESCRIPTION
12	Guide	64-54	VG-5034		Cut to fit; .3430" ID, 2.5000" O.A.L.
QTY	VALVE SPRING	YEARS	PART NO.	SIZE	DESCRIPTION
12	Spring	64-54	VS-1575		2.1250" Free Height
QTY	PUSH RODS	YEARS	PART NO.	SIZE	DESCRIPTION
12	Push Rod	60-54	RP-3021		9.8200" O.A.L.
QTY	VALVE SEAL	YEARS	PART NO.	SIZE	DESCRIPTION
12	Valve Stem Seal	64-54	ST-2001		Use w/O.E. guide; Positive type; Installation requires valve guide machining; Rubber/PTFE
12	Valve Stem Seal	64-54	MV-1903		Use w/VG-5034 repair guide; Positive type; Rubber
12	Valve Stem Seal	64-54	MV-1599C		Umbrella type; Rubber
12	Valve Stem Seal Bulk	64-54	MV-1599		Umbrella type; Carton of 100; Rubber
12	Valve Stem Seal Bulk	64-54	ST-2001BC		Use w/O.E. guide; Positive type; Installation requires valve guide machining; Carton of 100; Rubber/PTFE
CAMSHAFT GROUP					
QTY	TIMING	YEARS	PART NO.	SIZE	DESCRIPTION
1	Timing Chain	64-54	222-354		Silent type; 1" wide chain; 56 Links
1	Crank Sprocket	64-54	223-250		Use w/silent type chain; 21 Teeth
1	Cam Sprocket	64-54	223-249		Use w/silent type chain; 42 Teeth
QTY	CAMSHAFT/LIFTER	YEARS	PART NO.	SIZE	DESCRIPTION
12	Lifter	64-54	AT-892 Std Only		Mech.
1	Prelube	64-54	55-400		4 oz. bottle; 1.5 oz. packet No. 55-403 also avail.
ENGINE BLOCK & PARTS					
QTY	CAM BEARINGS	YEARS	PART NO.	SIZE	DESCRIPTION
1	Cam Set	63-54	1133M Std Only		w/o cross-drilled cam journals

(continued on next page)

Ford Truck - M/D & H/D

3 M/D Truck 223 Eng.
(cont.) 3.6L 223 OHV L6, 3.625" Bore 1954-64

CRANKSHAFT/OIL PUMP					
QTY	CRANKSHAFT	YEARS	PART NO.	SIZE	DESCRIPTION
1	Harmonic Balancer Sleeve	64-54	88187		
QTY	SEALS - FRONT CRANK	YEARS	PART NO.	SIZE	DESCRIPTION
1	Redi-Sleeve	64-54	99187		
1	Oil Seal	64-54	350936		
QTY	MAIN BEARINGS	YEARS	PART NO.	SIZE	DESCRIPTION
1	Main Set	64-54	4056M	Std-10-20-30	
QTY	OIL PUMP	YEARS	PART NO.	SIZE	DESCRIPTION
1	Oil Pump	60-55	224-41105		To 11/30/60; 1/4" drive & roll pin shaft retainer
1	Inter. Shaft	60-55	224-61104		W/Roll pin retainer; For gear type oil pump
CYLINDER COMPONENTS					
QTY	PISTONS	YEARS	PART NO.	SIZE	DESCRIPTION
6	Cast Piston	64-54	1011P	Std-30-40-60-80	Cast; 2-3/32", 1-3/16" Ring Groove, 1.858" CD, .9122" Pin Dia., Flat Head - 8.3:1 C.R.
6	Cast Piston - Individual	64-54	W1011P	Std-30-40-60-80	Cast; 2-3/32", 1-3/16" Ring Groove, 1.858" CD, .9122" Pin Dia., Flat Head - 8.3:1 C.R.
6	Pin Bushing	64-61	2469V		1.276" length
6	Pin Bushing	60-54	1834V20		1.306" length; .020" extra bore stock
6	Pin Bushing	60-54	1834V		1.306" max. length
QTY	CONNECTING RODS & BRGS.	YEARS	PART NO.	SIZE	DESCRIPTION
6	Rod Pair	64-61	2465CPB	Std-10-20	3 oil holes
6	Rod Pair	60-54	1830CP	Std-1-2-10-20-30-40-50	1 oil hole
QTY	PISTON RINGS	YEARS	PART NO.	SIZE	DESCRIPTION
1	Premium Set	64-54	FP-5666KX	Std Only	2-3/32, 1-3/16
1	Standard Set	64-54	E-156X	Std-30-40-60	2-3/32, 1-3/16
6	Standard Single Cylinder Set	64-54	WE-156X	Std-60	2-3/32, 1-3/16

4 H/D Truck 239 L-Head Eng. (100 HP, 110 HP Eng.)
3.9L 239.4 L-HEAD V8 (Ford/Mercury), 3.1875" Bore 1951-52

CYL. HEAD & PARTS					
QTY	VALVE	YEARS	PART NO.	SIZE	DESCRIPTION
8	Intake	52-51	V-1041	Std Only	1.5100" Head Dia., .3410" Stem Dia., 4.8170" O.A.L.
16	Keeper	52-51	VK-88		Valve guide retainer
32	Keeper	52-51	VK-115		1 groove; Square cut key groove
32	Keeper	52-51	VK-115R		1 groove; Square cut key groove; Hardened
32	Keeper, Bulk	52-51	VK-115B		1 groove; Square cut key groove; Carton of 1000
QTY	VALVE SEAT	YEARS	PART NO.	SIZE	DESCRIPTION
8	Int.	52-51	245-1625-15	Std Only	1.6300" OD, 1.3750" ID, .2656" Depth
QTY	VALVE GUIDE	YEARS	PART NO.	SIZE	DESCRIPTION
16	Guide	52-51	VG-428		.3435" ID, 2.2000" O.A.L.
QTY	VALVE SPRING	YEARS	PART NO.	SIZE	DESCRIPTION
16	Spring	52-51	VS-392		2.2000" Free Height
CAMSHAFT GROUP					
QTY	TIMING	YEARS	PART NO.	SIZE	DESCRIPTION
1	Gear Set	52-51	221-2727S		221-2702 not sold separately; Incl. (1) 221-2701, (1) 221-2702
QTY	CAMSHAFT/LIFTER	YEARS	PART NO.	SIZE	DESCRIPTION
16	Lifter	52-51	AT-770	Std Only	Mech.; Use MT-7034 to adjust lash
ENGINE BLOCK & PARTS					
QTY	CAM BEARINGS	YEARS	PART NO.	SIZE	DESCRIPTION
1	Cam Set	52-51	1005M	Std Only	
CRANKSHAFT/OIL PUMP					
QTY	CRANKSHAFT	YEARS	PART NO.	SIZE	DESCRIPTION
1	Crank Gear	52-51	221-2701		22 Teeth
QTY	MAIN BEARINGS	YEARS	PART NO.	SIZE	DESCRIPTION
1	Main Set	52-51	646M	Std-10-20-30	
QTY	OIL PUMP	YEARS	PART NO.	SIZE	DESCRIPTION
1	Oil Pump	52-51	224-41108		w/drive gear

(continued on next page)

Ford Truck - M/D & H/D

H/D Truck 239 L-Head Eng. (100 HP, 110 HP Eng.) 4
3.9L 239.4 L-HEAD V8 (Ford/Mercury), 3.1875" Bore 1951-52 (cont.)

CYLINDER COMPONENTS

QTY	LINERS	YEARS	PART NO.	SIZE	DESCRIPTION
8	Dry Sleeve	52-51	SL-140M Std Only		Flanged, finished bore sleeve; NOTE: Use SL-140M w/3.377" OD when block is not milled between valves and bore; Grind valve reliefs if necessary
QTY	PISTONS	YEARS	PART NO.	SIZE	DESCRIPTION
8	Cast Piston	52-51	1003P Std-20-30-40-60-80		95-100 HP; Cast; 2-3/32", 2-3/16" Ring Groove, 1.519 plus .210 crown" CD, .7500" Pin Dia., Crowned Head w/ring below pin - 7.0:1 C.R.; Not factory duplicate; Repl. O.E. No. 8BA-6108A
8	Cast Piston - Individual	52-51	W1003P Std-20-30-40-60-80		95-100 HP; Cast; 2-3/32", 2-3/16" Ring Groove, 1.519 plus .210 crown" CD, .7500" Pin Dia., Crowned Head w/ring below pin - 7.0:1 C.R.; Not factory duplicate; Repl. O.E. No. 8BA-6108A
8	Pin Bushing	52-51	9024XBS		.820" max. housing bore
8	Pin Bushing	52-51	9024VA		Split type bushing; .8125" max. housing bore
QTY	CONNECTING RODS & BRGS.	YEARS	PART NO.	SIZE	DESCRIPTION
1	Rod Set	52-51	8-1505CAA Std-10-20		
8	Rod Pair	52-51	1505CAA Std-10-20-30-40		
QTY	PISTON RINGS	YEARS	PART NO.	SIZE	DESCRIPTION
1	Premium Set	52-51	E-247KC30 30-40-60		2-3/32, 2-3/16
1	Standard Set	52-51	E-247X Std-30-40-60-80		2-3/32, 2-3/16
8	Standard Single Cylinder Set	52-51	WE-247X Std-30-40		2-3/32, 2-3/16

M/D Truck 240 Eng. 5
3.9L 240 OHV L6, 4" Bore 1965-72

CYL. HEAD & PARTS

QTY	VALVE	YEARS	PART NO.	SIZE	DESCRIPTION
6	Intake	72-65	V-2041 Std-15		Chrome plated stem; 1.7800" Head Dia., .3420" Stem Dia., 4.8100" O.A.L.
6	Exhaust	72-65	V-1937X Std Only		Chrome plated stem; Stellite face; 1.5590" Head Dia., .3419" Stem Dia., 4.8100" O.A.L.
6	Exhaust	72-65	V-2040 Std Only		Chrome plated stem; 1.5600" Head Dia., .3419" Stem Dia., 4.8100" O.A.L.
12	Keeper	72-65	VK-115		1 groove; Square cut key groove
12	Keeper	72-65	VK-115R		1 groove; Square cut key groove; Hardened
12	Keeper, Bulk	72-65	VK-115B		1 groove; Square cut key groove; Carton of 1000
QTY	VALVE SEAT	YEARS	PART NO.	SIZE	DESCRIPTION
6	Exh.	72-65	245-1687-1N Std Only		Premium Material; 1.6925" OD, 1.4060" ID, .2480" Depth
6	Exh.	72-65	245-1687-1 Std Only		1.6925" OD, 1.4060" ID, .2480" Depth
6	Int.	72-65	245-1812-3 Std Only		1.8175" OD, 1.5000" ID, .2160" Depth
QTY	VALVE GUIDE	YEARS	PART NO.	SIZE	DESCRIPTION
6	Guide	72-65	VG-5038		Int.; .3430" ID, 2.1200" O.A.L.
6	Guide, Bulk	72-65	VG-5038B		Int.; Carton of 50; .3430" ID, 2.1200" O.A.L.
QTY	VALVE SPRING	YEARS	PART NO.	SIZE	DESCRIPTION
6	Spring	72-65	VS-648		Exh.; w/o Rotators; 1.9900" Free Height
6	Spring	72-65	VS-656		Exh.; Use w/Rotators; 1.8750" Free Height
6	Spring	72-65	VS-648		Int.; 1.9900" Free Height
12	Spring Insert	72-65	259-103C		.015"; ID 1.030"; Carton of 100
12	Spring Insert	72-65	259-103B		.030"; ID 1.030"; Carton of 100
12	Spring Insert	72-65	259-103BRS		.030"; ID 1.030"; Carton of 500
12	Spring Insert	72-65	259-103A		.060"; ID 1.030"; Carton of 100
12	Spring Insert	72-65	259-103ARS		.060"; ID 1.030"; Carton of 500
QTY	PUSH RODS	YEARS	PART NO.	SIZE	DESCRIPTION
12	Push Rod	72-65	RP-3183		Std. length; 10.1400" O.A.L.
12	Push Rod, Bulk	72-65	BRP-3183		Std. length; Carton of 100; 10.1640" O.A.L.
QTY	VALVE MISC.	YEARS	PART NO.	SIZE	DESCRIPTION
6	Rotocap Assy.	72-65	RC-128SA		Incl. VS-656 spring
6	Rotocap	72-65	RC-128S		
QTY	VALVE SEAL	YEARS	PART NO.	SIZE	DESCRIPTION
12	Valve Stem Seal	72-65	ST-2001		Positive type; Installation requires valve guide machining; Rubber/PTFE
12	Valve Stem Seal	72-65	MV-1599C		Umbrella type; Rubber
12	Valve Stem Seal Bulk	72-65	ST-2001BC		Positive type; Installation requires valve guide machining; Carton of 100; Rubber/PTFE
12	Valve Stem Seal Bulk	72-65	MV-1599		Umbrella type; Carton of 100; Rubber

(continued on next page)

Ford Truck - M/D & H/D

5 M/D Truck 240 Eng.
(cont.) 3.9L 240 OHV L6, 4" Bore 1965-72

CYL. HEAD & PARTS (cont.)					
QTY	ROCKER PARTS	YEARS	PART NO.	SIZE	DESCRIPTION
12	Arm Assy.	72-65	R-854		Incl. arm, ball & 2-nuts; Incl. 3/8" nut; Incl. 5/16" nut
12	Arm Assy., Bulk	72-65	R-854B		Incl. arm, ball & 2-nuts; Incl. 3/8" nut; Incl. 5/16" nut; Carton of 64
12	Arm	72-65	R-854A		
12	Pivot Ball	72-65	MR-1809		
12	Nut	72-65	MR-1751		Self-locking, 3/8" x 24 threads
12	Nut	72-65	MR-1823		5/16" x 24
12	Stud	72-65	MR-1902		.006" O/S, .378" X 24 x 2.600"
12	Stud	72-65	MR-1901		3/8" x 24 x 2.600"
CAMSHAFT GROUP					
QTY	TIMING	YEARS	PART NO.	SIZE	DESCRIPTION
1	Gear Set	72-65	221-2750LS		Laminated silent type cam gear; 221-2765 not sold separately; Incl. (1) 221-2750L, (1) 221-2765
1	Gear Set	72-65	221-2764S		58 tooth H/D metal cam gear & 29 tooth crank gear incl.; 221-2763 & 221-2764 not sold separately; Incl. (1) 221-2763, (1) 221-2764
1	Cam Gear	72-65	221-2750A		Alum.; 58 Teeth
1	Cam Gear	72-65	221-2750L		Laminated silent type cam gear; 58 Teeth
QTY	CAMSHAFT/LIFTER	YEARS	PART NO.	SIZE	DESCRIPTION
1	Camshaft	72-65	CS-1230		
12	Lifter	72-65	HT-900 Std Only		Hyd.
12	Lifter	72-65	HT-900R Std Only		Speed-Pro Hi-Revolution Hyd.; Use w/adj. rocker assy.
12	Lifter, Bulk	72-65	HT-900B Std Only		Hyd.; Carton of 122
1	Prelube	72-65	55-400		4 oz. bottle; 1.5 oz. packet No. 55-403 also avail.
1	Prelube	72-65	55-400		4 oz. bottle; 1.5 oz. packet No. 55-403 also avail.
QTY	CAMSHAFT KIT	YEARS	PART NO.	SIZE	DESCRIPTION
1	Cam/Lifter Kit	72-65	KC-1230		Hyd.; Incl. (1) CS-1230, (12) HT-900, (1) 55-403B
1	Cam/Lifter/Timing Kit	72-65	KCT-1230C		Hyd.; 58 tooth H/D metal cam gear & 29 tooth crank gear incl.; Incl. (1) CS-1230, (12) HT-900, (1) 221-2764S, (1) 55-403B
ENGINE BLOCK & PARTS					
QTY	GASKET SETS	YEARS	PART NO.	SIZE	DESCRIPTION
1	Kit Gasket Set	72-68	260-1006		Premium valve stem seals incl.
1	Kit Gasket Set	67-65	260-1006		Valve cover gskt. not incl.; Premium valve stem seals incl.
QTY	CAM BEARINGS	YEARS	PART NO.	SIZE	DESCRIPTION
1	Cam Set	71-65	1450M Std Only		
QTY	FREEZE PLUGS	YEARS	PART NO.	SIZE	DESCRIPTION
1	Brass Block Plug Kit	72-65	381-8014		
1	Steel Block Plug Kit	72-65	381-4013		
CRANKSHAFT/OIL PUMP					
QTY	CRANKSHAFT	YEARS	PART NO.	SIZE	DESCRIPTION
1	Harmonic Balancer Sleeve	72-65	88187		
QTY	SEALS - FRONT CRANK	YEARS	PART NO.	SIZE	DESCRIPTION
1	Redi-Sleeve	72-65	99187		
1	Oil Seal	72-65	2942		
QTY	SEALS - REAR CRANK	YEARS	PART NO.	SIZE	DESCRIPTION
1	Oil Seal	72-65	2377		
1	Redi-Sleeve	72-65	99372		
QTY	MAIN BEARINGS	YEARS	PART NO.	SIZE	DESCRIPTION
1	Main Set	71-67	4916M Std-1-10-20-30-40		3.602" max. brg. flange OD
1	Main Set	71-67	7153M10 10-20-30		3.602" max. brg. flange OD; .020" O/S length flange brg.
QTY	OIL PUMP	YEARS	PART NO.	SIZE	DESCRIPTION
1	Oil Pump	72-65	224-41124		
1	Oil Pump	72-65	224-41124V		High Volume, check pan for clearance
1	Inter. Shaft	72-65	224-61124		
CYLINDER COMPONENTS					
QTY	LINERS	YEARS	PART NO.	SIZE	DESCRIPTION
6	Repair Sleeve	72-65	SL-22Y Std Only		1/8" wall, must be cut to correct length; O.A.L. 10.250"
6	Repair Sleeve	72-65	SL-22M Std Only		3/32" wall, must be cut to correct length; O.A.L. 10.250"
QTY	PISTONS	YEARS	PART NO.	SIZE	DESCRIPTION
6	Cast Piston	72-69	352AP30 30-40-60		From late 1969; Cast; 2-5/64", 1-3/16" Ring Groove, 1.585" CD, .9751" Pin Dia., Recessed Head .080" deep x 2.480" dia. - 7.2:1 C.R.

(continued on next page)

Ford Truck - M/D & H/D

M/D Truck 240 Eng. 5
3.9L 240 OHV L6, 4" Bore 1965-72 (cont.)

CYLINDER COMPONENTS (cont.)

QTY	PISTONS (cont.)	YEARS	PART NO.	SIZE	DESCRIPTION		
6	Cast Piston	69-65	1109P Std-20-30-40-60		To early 1969; Cast; 2-5/64", 1-3/16" Ring Groove, 1.585" CD, .9122" Pin Dia., Recessed Head .110" deep x 2.910" dia. w/4 valve reliefs - 8.9:1 C.R.		
QTY	CONNECTING RODS & BRGS.	YEARS	PART NO.	SIZE	DESCRIPTION		
1	Rod Set	71-65	6-3150CPA10X2 10X2-20X2		Use in .002" O/S Rod Bore		
1	Rod Set	71-65	6-3150CPA Std-1-10-20-30-40-50		6-3150CAA 60 avail. as unplated & resizeable		
1	Rod Set	71-65	FP-63150CAA60				
6	Rod Pair	71-65	3150CPA Std-1-2-10-20-30-40-50				
QTY	PISTON RINGS	YEARS	PART NO.	SIZE	DESCRIPTION		
1	Premium Set	72-65	E-229K Std-20-30-40-60		2-5/64, 1-3/16		
1	Premium Set	72-65	E-464KC Std-20-30-40		2-5/64, 1-3/16		
1	Standard Set	72-65	E-229X Std-20-30-40-60		2-5/64, 1-3/16		
6	Premium Single Cylinder Set	72-65	WE-229K Std-20-30-40-60		2-5/64, 1-3/16		
6	Standard Single Cylinder Set	72-65	WE-229X Std-20-30-40-60		2-5/64, 1-3/16		
KITS							
RE-RING KIT							
YEARS	DESCRIPTION			QTY	PREMIUM KIT NO.	QTY	ECONOMY KIT NO.
72-67	Premium valve stem seals incl.		Re-ring	1	205-612		----
66-65	Valve cover gskt. not incl.; Premium valve stem seals incl.		Re-ring	1	205-612		----
72-67	Premium valve stem seals incl.		Re-ring		----	1	205-112
72-67	Premium valve stem seals incl.; w/3.602" max. brg. flange OD		Re-ring w/Mains	1	205-612M	1	205-112M
66-65	Valve cover gskt. not incl.; Premium valve stem seals incl.		Re-ring		----	1	205-112
OVERHAUL KIT							
YEARS	DESCRIPTION			QTY	PREMIUM KIT NO.	QTY	ECONOMY KIT NO.
72-69	Premium valve stem seals incl.; Incl. laminated silent type cam gear; w/3.602" max. brg. flange OD		Master w/o Pistons	1	MK-612C	1	MK-112C
71-68	Premium valve stem seals incl.; 58 tooth H/D metal cam gear & 29 tooth crank gear incl.; w/3.602" max. brg. flange OD		Master w/o Pistons	1	MK-612E	1	MK-112E
69	To early 1969; Premium valve stem seals incl.; Incl. laminated silent type cam gear		Master w/o Rods & Mains	1	505-612D	1	505-112D
69	To early 1969; Premium valve stem seals incl.; Incl. laminated silent type cam gear; w/3.602" max. brg. flange OD		Master	1	MKP-612D	1	MKP-112D
68-67	Premium valve stem seals incl.; Incl. laminated silent type cam gear; w/3.602" max. brg. flange OD		Master w/o Pistons	1	MK-612C	1	MK-112C
68-67	Premium valve stem seals incl.; Incl. laminated silent type cam gear		Master w/o Rods & Mains	1	505-612D	1	505-112D
68-67	Premium valve stem seals incl.; Incl. laminated silent type cam gear; w/3.602" max. brg. flange OD		Master	1	MKP-612D	1	MKP-112D
67	Valve cover gskt. not incl.; Premium valve stem seals incl.; 58 tooth H/D metal cam gear & 29 tooth crank gear incl.; w/3.602" max. brg. flange OD		Master w/o Pistons	1	MK-612E	1	MK-112E
66-65	Valve cover gskt. not incl.; Premium valve stem seals incl.; Incl. laminated silent type cam gear		Master w/o Rods & Mains	1	505-612D	1	505-112D

Ford Truck - M/D & H/D

6 <i>M/D Truck</i> 4.0L 242 OHV Diesel L6, 3.625" Bore 1967-70					
CYL. HEAD & PARTS					
QTY	VALVE	YEARS	PART NO.	SIZE	DESCRIPTION
12	Keeper	70-67	VK-115		1 groove; Square cut key groove
12	Keeper	70-67	VK-115R		1 groove; Square cut key groove; Hardened
12	Keeper, Bulk	70-67	VK-115B		1 groove; Square cut key groove; Carton of 1000
CAMSHAFT GROUP					
QTY	CAMSHAFT/LIFTER	YEARS	PART NO.	SIZE	DESCRIPTION
12	Lifter	70-67	AT-892 Std Only		Mech.
ENGINE BLOCK & PARTS					
QTY	CAM BEARINGS	YEARS	PART NO.	SIZE	DESCRIPTION
1	Cam Set	70-67	1133M Std Only		w/o cross-drilled cam journals
CRANKSHAFT/OIL PUMP					
QTY	MAIN BEARINGS	YEARS	PART NO.	SIZE	DESCRIPTION
1	Main Set	70-67	4056M Std-10-20-30		
CYLINDER COMPONENTS					
QTY	PISTONS	YEARS	PART NO.	SIZE	DESCRIPTION
6	Pin Bushing	70-67	1834V20		1.306" length; .020" extra bore stock
6	Pin Bushing	70-67	1834V		1.306" max. length
QTY	CONNECTING RODS & BRGS.	YEARS	PART NO.	SIZE	DESCRIPTION
6	Rod Pair	70-67	1830CP Std-1-2-10-20-30-40-50		1 oil hole
7 <i>M/D Truck 254 Eng.</i> 4.2L 254 L-HEAD L6, 3.5" Bore 1948-53					
CYL. HEAD & PARTS					
QTY	VALVE	YEARS	PART NO.	SIZE	DESCRIPTION
12	Keeper	53-48	VK-261		Exh.
12	Keeper	53-48	VK-115		Int.; 1 groove; Square cut key groove
12	Keeper	53-48	VK-115R		Int.; 1 groove; Square cut key groove; Hardened
12	Keeper, Bulk	53-48	VK-115B		Int.; 1 groove; Square cut key groove; Carton of 1000
QTY	VALVE SEAT	YEARS	PART NO.	SIZE	DESCRIPTION
12	Int.	53-48	245-1625-15 Std Only		1.6300" OD, 1.3750" ID, .2656" Depth
QTY	VALVE GUIDE	YEARS	PART NO.	SIZE	DESCRIPTION
6	Guide	53-48	VG-406		.3435" ID, 2.9210" O.A.L.
ENGINE BLOCK & PARTS					
QTY	CAM BEARINGS	YEARS	PART NO.	SIZE	DESCRIPTION
1	Cam Set	53-48	1089M Std Only		
CRANKSHAFT/OIL PUMP					
QTY	MAIN BEARINGS	YEARS	PART NO.	SIZE	DESCRIPTION
1	Main Set	53-48	645M10 10		
CYLINDER COMPONENTS					
QTY	LINERS	YEARS	PART NO.	SIZE	DESCRIPTION
6	Repair Sleeve	53-48	SL-15M Std Only		3/32" wall, Must be cut to correct length
QTY	PISTONS	YEARS	PART NO.	SIZE	DESCRIPTION
6	Pin Bushing	53-48	1229VA		
QTY	CONNECTING RODS & BRGS.	YEARS	PART NO.	SIZE	DESCRIPTION
6	Rod Pair	53-48	1525CA10 10-20		
8 <i>H/D Truck 256 OHV Eng.</i> 4.2L 256 OHV V8 (Mercury), 3.625" Bore 1954-55					
CYL. HEAD & PARTS					
QTY	VALVE	YEARS	PART NO.	SIZE	DESCRIPTION
8	Intake	55-54	V-1115 Std Only		1.7800" Head Dia., .3421" Stem Dia., 5.1100" O.A.L.
8	Exhaust	55-54	V-1127 Std Only		Rototype; Free valve; 1.5100" Head Dia., .3418" Stem Dia., 5.0900" O.A.L.
32	Keeper	55-54	VK-115		1 groove; Square cut key groove
32	Keeper	55-54	VK-115R		1 groove; Square cut key groove; Hardened

(continued on next page)

Ford Truck - M/D & H/D

H/D Truck 256 OHV Eng. 8
4.2L 256 OHV V8 (Mercury), 3.625" Bore 1954-55 (cont.)

CYL. HEAD & PARTS (cont.)

QTY	VALVE (cont.)	YEARS	PART NO.	SIZE	DESCRIPTION
32	Keeper, Bulk	55-54	VK-115B		1 groove; Square cut key groove; Carton of 1000
8	Exh.	55-54	245-1630-1	Std Only	1.6300" OD, 1.3350" ID, .3105" Depth
8	Int.	55-54	245-1812-3	Std Only	1.8175" OD, 1.5000" ID, .2160" Depth
8	VALVE GUIDE	YEARS	PART NO.	SIZE	DESCRIPTION
8	Guide	55-54	VG-5034		Exh.; Cut to fit; .3430" ID, 2.5000" O.A.L.
16	VALVE SPRING	YEARS	PART NO.	SIZE	DESCRIPTION
16	Spring	55-54	VS-1575		2.1250" Free Height
16	Spring Insert	55-54	259-102C		.015"; Carton of 100
16	Spring Insert	55-54	259-102B		.030"; Carton of 100
16	Spring Insert	55-54	259-102A		.060"; Carton of 100
16	Spring Insert	55-54	259-102ARS		.060"; Carton of 500
16	VALVE SEAL	YEARS	PART NO.	SIZE	DESCRIPTION
16	Valve Stem Seal	55-54	ST-2001		Positive type; Installation requires valve guide machining; Rubber/PTFE
8	Valve Stem Seal	55-54	MV-1599C		Int.; Umbrella type; Rubber
16	Valve Stem Seal Bulk	55-54	ST-2001BC		Positive type; Installation requires valve guide machining; Carton of 100; Rubber/PTFE
8	Valve Stem Seal Bulk	55-54	MV-1599		Int.; Umbrella type; Carton of 100; Rubber

CAMSHAFT GROUP

QTY	TIMING	YEARS	PART NO.	SIZE	DESCRIPTION
1	Timing Chain	55-54	222-354		Silent type; 1" wide chain; 56 Links
1	Crank Sprocket	55-54	223-250		Use w/silent type chain; 21 Teeth
1	Cam Sprocket	55-54	223-249		Use w/silent type chain; 42 Teeth
16	CAMSHAFT/LIFTER	YEARS	PART NO.	SIZE	DESCRIPTION
16	Lifter	55-54	AT-892	Std Only	Mech.

ENGINE BLOCK & PARTS

QTY	CAM BEARINGS	YEARS	PART NO.	SIZE	DESCRIPTION
1	Cam Set	55	1160M	Std Only	w/Grooved No. 3 cam journal
1	Cam Set	55-54	1223M	Std Only	w/Cross-drilled No. 3 cam journal

CRANKSHAFT/OIL PUMP

QTY	MAIN BEARINGS	YEARS	PART NO.	SIZE	DESCRIPTION
1	Main Set	55-54	884M	Std-10-20-30-40-50	
1	OIL PUMP	YEARS	PART NO.	SIZE	DESCRIPTION
1	Oil Pump	55	224-41123		
1	Pump Repair Kit	55	224-51297		Rotor type

CYLINDER COMPONENTS

QTY	PISTONS	YEARS	PART NO.	SIZE	DESCRIPTION
8	Pin Bushing	55-54	1834V20		1.306" length; .020" extra bore stock
8	Pin Bushing	55-54	1834V		1.306" max. length
1	CONNECTING RODS & BRGS.	YEARS	PART NO.	SIZE	DESCRIPTION
1	Rod Set	55-54	8-2000CPA	Std-10-20-30-40	8-2000CAA 60 avail. as unplated & resizeable
8	Rod Pair	55-54	2000CPA	Std-1-10-20-30-40	
1	PISTON RINGS	YEARS	PART NO.	SIZE	DESCRIPTION
1	Standard Set	55-54	5155X	Std Only	2-3/32, 1-3/16

M/D Truck 262 Eng. 9
4.3L 262 OHV L6, 3.7188" Bore 1961-64

CYL. HEAD & PARTS

QTY	VALVE	YEARS	PART NO.	SIZE	DESCRIPTION
24	Keeper	64-61	VK-138		1 groove; Square cut key groove
24	Keeper	64-61	VK-138R		1 groove; Square cut key groove; Hardened
24	Keeper, Bulk	64-61	VK-138B		1 groove; Square cut key groove; Carton of 1000
6	VALVE SEAT	YEARS	PART NO.	SIZE	DESCRIPTION
6	Exh.	64-61	245-1630-1	Std Only	1.6300" OD, 1.3350" ID, .3105" Depth
6	Int.	64-61	245-1812-3	Std Only	1.8175" OD, 1.5000" ID, .2160" Depth

(continued on next page)

Ford Truck - M/D & H/D

9 M/D Truck 262 Eng.					
(cont.) 4.3L 262 OHV L6, 3.7188" Bore 1961-64					
CYL. HEAD & PARTS (cont.)					
QTY	VALVE GUIDE	YEARS	PART NO.	SIZE	DESCRIPTION
6	Guide	64-61	VG-5007		Exh.; .3725" ID, 2.3800" O.A.L.
6	Guide	64-61	VG-5033		Int.; .3735" ID, 2.6200" O.A.L.
6	Guide, Bulk	64-61	VG-5007B		Exh.; Carton of 50; .3725" ID, 2.3800" O.A.L.
QTY	VALVE SPRING	YEARS	PART NO.	SIZE	DESCRIPTION
12	Spring	64-61	VS-1575		2.1250" Free Height
12	Spring Insert	64-61	259-102C		.015"; Carton of 100
12	Spring Insert	64-61	259-102B		.030"; Carton of 100
12	Spring Insert	64-61	259-102A		.060"; Carton of 100
12	Spring Insert	64-61	259-102ARS		.060"; Carton of 500
QTY	PUSH RODS	YEARS	PART NO.	SIZE	DESCRIPTION
12	Push Rod	64-61	RP-3021		9.8200" O.A.L.
QTY	VALVE SEAL	YEARS	PART NO.	SIZE	DESCRIPTION
12	Valve Stem Seal	64-61	ST-2004		Positive type; Installation requires valve guide machining; Rubber/PTFE
12	Valve Stem Seal	64-61	MV-1599C		Umbrella type; Rubber
12	Valve Stem Seal Bulk	64-61	ST-2004BC		Positive type; Installation requires valve guide machining; Carton of 100; Rubber/PTFE
12	Valve Stem Seal Bulk	64-61	MV-1599		Umbrella type; Carton of 100; Rubber
CAMSHAFT GROUP					
QTY	CAMSHAFT/LIFTER	YEARS	PART NO.	SIZE	DESCRIPTION
12	Lifter	64-61	AT-892	Std Only	Mech.
ENGINE BLOCK & PARTS					
QTY	CAM BEARINGS	YEARS	PART NO.	SIZE	DESCRIPTION
1	Cam Set	64-61	1133M	Std Only	w/o cross-drilled cam journals
CRANKSHAFT/OIL PUMP					
QTY	MAIN BEARINGS	YEARS	PART NO.	SIZE	DESCRIPTION
1	Main Set	64-61	4056M	Std-10-20-30	
CYLINDER COMPONENTS					
QTY	PISTONS	YEARS	PART NO.	SIZE	DESCRIPTION
6	Pin Bushing	64-61	2469V		1.276" length
QTY	CONNECTING RODS & BRGS.	YEARS	PART NO.	SIZE	DESCRIPTION
6	Rod Pair	64-61	2465CPB	Std-10-20	3 oil holes
10 H/D Truck 272 Eng.					
4.4L 272 OHV V8, 3.625" Bore 1956-58					
CYL. HEAD & PARTS					
QTY	VALVE	YEARS	PART NO.	SIZE	DESCRIPTION
8	Intake	58-57	V-1285	Std Only	1.9250" Head Dia., .3421" Stem Dia., 5.1100" O.A.L.
8	Intake	56	V-1115	Std Only	1.7800" Head Dia., .3421" Stem Dia., 5.1100" O.A.L.
8	Exhaust	58-56	V-1127	Std Only	Exc. H/D Eng.; Rototype; Free valve; 1.5100" Head Dia., .3418" Stem Dia., 5.0900" O.A.L.
QTY	VALVE GUIDE	YEARS	PART NO.	SIZE	DESCRIPTION
8	Guide	58-56	VG-5032		Exh.; .4375" ID, 2.5000" O.A.L.
8	Guide	58-56	VG-5005		Int.; .3430" ID, 2.2500" O.A.L.
8	Guide, Bulk	58-56	VG-5005B		Int.; Carton of 50; .3430" ID, 2.2500" O.A.L.
QTY	VALVE SPRING	YEARS	PART NO.	SIZE	DESCRIPTION
16	Spring	58-56	VS-1575		2.1250" Free Height
16	Spring Insert	58-56	259-102C		.015"; Carton of 100
16	Spring Insert	58-56	259-102B		.030"; Carton of 100
16	Spring Insert	58-56	259-102A		.060"; Carton of 100
16	Spring Insert	58-56	259-102ARS		.060"; Carton of 500
QTY	PUSH RODS	YEARS	PART NO.	SIZE	DESCRIPTION
16	Push Rod	58-57	RP-3022		Exc. Models Z & ZW; 8.3400" O.A.L.
16	Push Rod	56	RP-3022		Exc. H/D Eng.; Exc. Models Z & ZW; 8.3400" O.A.L.
16	Push Rod	56	RP-3017		H/D Eng.; Exc. Models Z & ZW; 8.2580" O.A.L.
QTY	VALVE SEAL	YEARS	PART NO.	SIZE	DESCRIPTION
16	Valve Stem Seal	58-56	ST-2001		Positive type; Installation requires valve guide machining; Rubber/PTFE
8	Valve Stem Seal	58-56	MV-1599C		Int.; Umbrella type; Rubber

(continued on next page)

Ford Truck - M/D & H/D

H/D Truck 272 Eng. 10
4.4L 272 OHV V8, 3.625" Bore 1956-58 (cont.)

CYL. HEAD & PARTS (cont.)

QTY	VALVE SEAL (cont.)	YEARS	PART NO.	SIZE	DESCRIPTION
16	Valve Stem Seal Bulk	58-56	ST-2001BC		Positive type; Installation requires valve guide machining; Carton of 100; Rubber/PTFE
8	Valve Stem Seal Bulk	58-56	MV-1599		Int.; Umbrella type; Carton of 100; Rubber

CAMSHAFT GROUP

QTY	CAMSHAFT/LIFTER	YEARS	PART NO.	SIZE	DESCRIPTION
1	Camshaft	58-56	CS-210		14 teeth on dist. drive gear; Shaft has oil groove in No. 3 journal
16	Lifter	58-56	AT-892 Std Only		Mech.
1	Prelube	58-56	55-400		4 oz. bottle; 1.5 oz. packet No. 55-403 also avail.

ENGINE BLOCK & PARTS

QTY	CAM BEARINGS	YEARS	PART NO.	SIZE	DESCRIPTION
1	Cam Set	58-56	1223M Std Only		w/Cross-drilled No. 3 cam journal
1	Cam Set	58-56	1160M Std Only		w/Grooved No. 3 cam journal

CRANKSHAFT/OIL PUMP

QTY	MAIN BEARINGS	YEARS	PART NO.	SIZE	DESCRIPTION
1	Main Set	58-56	884M Std-10-20-30-40-50		
QTY	OIL PUMP	YEARS	PART NO.	SIZE	DESCRIPTION
1	Oil Pump	58-56	224-41123		
1	Pump Repair Kit	58-56	224-51297		Rotor type
1	Inter. Shaft	58-56	224-61123		

CYLINDER COMPONENTS

QTY	PISTONS	YEARS	PART NO.	SIZE	DESCRIPTION
8	Cast Piston	58-56	1021P30 30-40-60		Cast; 2-3/32", 1-3/16" Ring Groove, 1.760" CD, .9122" Pin Dia., Flat Head - 7.8:1 C.R.
8	Cast Piston - Individual	58-56	W1021P30 30-40-60		Cast; 2-3/32", 1-3/16" Ring Groove, 1.760" CD, .9122" Pin Dia., Flat Head - 7.8:1 C.R.
8	Pin Bushing	58-56	1834V20		1.306" length; .020" extra bore stock
8	Pin Bushing	58-56	1834V		1.306" max. length
QTY	CONNECTING RODS & BRGS.	YEARS	PART NO.	SIZE	DESCRIPTION
1	Rod Set	58-56	8-2000CPA Std-10-20-30-40		8-2000CAA 60 avail. as unplated & resizeable
8	Rod Pair	58-56	2000CPA Std-1-10-20-30-40		
QTY	PISTON RINGS	YEARS	PART NO.	SIZE	DESCRIPTION
1	Standard Set	58-56	5155X Std Only		2-3/32, 1-3/16

M/D Truck 279 Eng. 11
4.6L 279 OHV V8, 3.5625" Bore 1952-55

CYL. HEAD & PARTS

QTY	VALVE	YEARS	PART NO.	SIZE	DESCRIPTION
8	Intake	53-52	V-1115 Std Only		1.7800" Head Dia., .3421" Stem Dia., 5.1100" O.A.L.
16	Keeper	55-52	VK-115		Int.; 1 groove; Square cut key groove
16	Keeper	55-52	VK-115R		Int.; 1 groove; Square cut key groove; Hardened
16	Keeper	54-52	VK-261		Exh.
16	Keeper, Bulk	55-52	VK-115B		Int.; 1 groove; Square cut key groove; Carton of 1000

QTY	PUSH RODS	YEARS	PART NO.	SIZE	DESCRIPTION
16	Push Rod	55-52	RP-3021		9.8200" O.A.L.

QTY	VALVE SEAL	YEARS	PART NO.	SIZE	DESCRIPTION
16	Valve Stem Seal	55-52	ST-2001		Positive type; Installation requires valve guide machining; Rubber/PTFE
8	Valve Stem Seal	55-52	MV-1599C		Int.; Umbrella type; Rubber
16	Valve Stem Seal Bulk	55-52	ST-2001BC		Positive type; Installation requires valve guide machining; Carton of 100; Rubber/PTFE
8	Valve Stem Seal Bulk	55-52	MV-1599		Int.; Umbrella type; Carton of 100; Rubber

CAMSHAFT GROUP

QTY	CAMSHAFT/LIFTER	YEARS	PART NO.	SIZE	DESCRIPTION
16	Lifter	55-52	AT-872 Std Only		Mech.
16	Lifter, Bulk	55-52	AT-872B Std Only		Mech.; Carton of 122

(continued on next page)

Ford Truck - M/D & H/D

11 M/D Truck 279 Eng. (cont.) 4.6L 279 OHV V8, 3.5625" Bore 1952-55					
CRANKSHAFT/OIL PUMP					
QTY	OIL PUMP	YEARS	PART NO.	SIZE	DESCRIPTION
1	Oil Pump	55	224-41123		
1	Pump Repair Kit	54-52	224-51297		Rotor type
CYLINDER COMPONENTS					
QTY	PISTONS	YEARS	PART NO.	SIZE	DESCRIPTION
8	Pin Bushing	55-52	1834V20		1.306" length; .020" extra bore stock
8	Pin Bushing	55-52	1834V		1.306" max. length
QTY	CONNECTING RODS & BRGS.	YEARS	PART NO.	SIZE	DESCRIPTION
8	Rod Pair	55-52	1835CPA Std-10		
12 H/D Truck 279 Eng. 4.6L 279 OHV V8, 3.5625" Bore 1954-55					
CRANKSHAFT/OIL PUMP					
QTY	OIL PUMP	YEARS	PART NO.	SIZE	DESCRIPTION
1	Oil Pump	55	224-41123		
1	Pump Repair Kit	54	224-51297		Rotor type
CYLINDER COMPONENTS					
QTY	PISTONS	YEARS	PART NO.	SIZE	DESCRIPTION
8	Pin Bushing	55	2469V		1.276" length
QTY	CONNECTING RODS & BRGS.	YEARS	PART NO.	SIZE	DESCRIPTION
8	Rod Pair	55-54	1835CPA Std-10		
13 M/D Truck 292 Eng. 4.8L 292 OHV V8, 3.75" Bore 1959-64					
CYL. HEAD & PARTS					
QTY	VALVE	YEARS	PART NO.	SIZE	DESCRIPTION
8	Intake	64-60	V-1285 Std Only		Exc. H/D Eng.s.; 1.9250" Head Dia., .3421" Stem Dia., 5.1100" O.A.L.
8	Intake	64-60	V-1128 Std Only		H/D; 1.6470" Head Dia., .3420" Stem Dia., 5.0900" O.A.L.
8	Intake	59	V-1285 Std Only		1.9250" Head Dia., .3421" Stem Dia., 5.1100" O.A.L.
8	Exhaust	64-59	V-1127 Std Only		Exc. H/D; Rototype; Free valve; 1.5100" Head Dia., .3418" Stem Dia., 5.0900" O.A.L.
32	Keeper	64-59	VK-115		1 groove; Square cut key groove
32	Keeper	64-59	VK-115R		1 groove; Square cut key groove; Hardened
32	Keeper, Bulk	64-59	VK-115B		1 groove; Square cut key groove; Carton of 1000
QTY	VALVE GUIDE	YEARS	PART NO.	SIZE	DESCRIPTION
8	Guide	64-59	VG-5034		Exh.; Exc. H/D Eng.s.; Cut to fit; .3430" ID, 2.5000" O.A.L.
8	Guide	64-59	VG-5032		Exh.; H/D Eng.s.; .4375" ID, 2.5000" O.A.L.
8	Guide	64-59	VG-5006		Int.; Exc. H/D Eng.s.; .3440" ID, 2.3750" O.A.L.
8	Guide	64-59	VG-5005		Int.; H/D Eng.s.; .3430" ID, 2.2500" O.A.L.
8	Guide, Bulk	64-59	VG-5006B		Int.; Exc. H/D Eng.s.; Carton of 50; .3440" ID, 2.3750" O.A.L.
8	Guide, Bulk	64-59	VG-5005B		Int.; H/D Eng.s.; Carton of 50; .3430" ID, 2.2500" O.A.L.
QTY	VALVE SPRING	YEARS	PART NO.	SIZE	DESCRIPTION
16	Spring	64-59	VS-1575		2.1250" Free Height
16	Spring Insert	64-59	259-102C		.015"; Carton of 100
16	Spring Insert	64-59	259-102B		.030"; Carton of 100
16	Spring Insert	64-59	259-102A		.060"; Carton of 100
16	Spring Insert	64-59	259-102ARS		.060"; Carton of 500
QTY	PUSH RODS	YEARS	PART NO.	SIZE	DESCRIPTION
16	Push Rod	64-59	RP-3022		8.3400" O.A.L.
QTY	VALVE SEAL	YEARS	PART NO.	SIZE	DESCRIPTION
16	Valve Stem Seal	64-59	ST-2001		Positive type; Installation requires valve guide machining; Rubber/PTFE
16	Valve Stem Seal	64-59	MV-1599C		Umbrella type; Rubber
16	Valve Stem Seal Bulk	64-59	ST-2001BC		Positive type; Installation requires valve guide machining; Carton of 100; Rubber/PTFE
16	Valve Stem Seal Bulk	64-59	MV-1599		Umbrella type; Carton of 100; Rubber
CAMSHAFT GROUP					
QTY	TIMING	YEARS	PART NO.	SIZE	DESCRIPTION
1	Timing Chain	64-59	222-354		Silent type; 1" wide chain; 56 Links
1	Crank Sprocket	64-59	223-250		Use w/silent type chain; 21 Teeth

(continued on next page)

Ford Truck - M/D & H/D

M/D Truck 292 Eng. 13
4.8L 292 OHV V8, 3.75" Bore 1959-64 (cont.)

CAMSHAFT GROUP (cont.)					
QTY	TIMING (cont.)	YEARS	PART NO.	SIZE	DESCRIPTION
1	Cam Sprocket	64-59	223-249		Use w/silent type chain; 42 Teeth
QTY	CAMSHAFT/LIFTER	YEARS	PART NO.	SIZE	DESCRIPTION
1	Camshaft	64-59	CS-210		14 teeth on dist. drive gear; Shaft has oil groove in No. 3 journal
16	Lifter	64-59	AT-892 Std Only		Mech.
1	Prelube	64-59	55-400		4 oz. bottle; 1.5 oz. packet No. 55-403 also avail.
ENGINE BLOCK & PARTS					
QTY	CAM BEARINGS	YEARS	PART NO.	SIZE	DESCRIPTION
1	Cam Set	64-59	1223M Std Only		w/Cross-drilled No. 3 cam journal
1	Cam Set	63-59	1160M Std Only		w/Grooved No. 3 cam journal
CRANKSHAFT/OIL PUMP					
QTY	CRANKSHAFT	YEARS	PART NO.	SIZE	DESCRIPTION
1	Harmonic Balancer Sleeve	64-59	88187		
QTY	SEALS - FRONT CRANK	YEARS	PART NO.	SIZE	DESCRIPTION
1	Redi-Sleeve	64-59	99187		
1	Oil Seal	64-59	350936		
QTY	MAIN BEARINGS	YEARS	PART NO.	SIZE	DESCRIPTION
1	Main Set	64-59	884M Std-10-20-30-40-50		
QTY	OIL PUMP	YEARS	PART NO.	SIZE	DESCRIPTION
1	Oil Pump	64-59	224-41123		
1	Pump Repair Kit	64-59	224-51297		Rotor type
1	Inter. Shaft	64-61	224-61123		
CYLINDER COMPONENTS					
QTY	PISTONS	YEARS	PART NO.	SIZE	DESCRIPTION
8	Pin Bushing	64-61	2469V		1.276" length
8	Pin Bushing	60-59	1834V20		1.306" length; .020" extra bore stock
8	Pin Bushing	60-59	1834V		1.306" max. length
QTY	CONNECTING RODS & BRGS.	YEARS	PART NO.	SIZE	DESCRIPTION
1	Rod Set	64-59	8-2000CPA Std-10-20-30-40		8-2000CAA 60 avail. as unplated & resizeable
8	Rod Pair	64-59	2000CPA Std-1-10-20-30-40		
QTY	PISTON RINGS	YEARS	PART NO.	SIZE	DESCRIPTION
1	Standard Set	64-59	E-240X Std-30-40-60		2-5/64, 1-3/16
8	Standard Single Cylinder Set	64-59	WE-240X Std-30-40-60		2-5/64, 1-3/16
<i>H/D Truck 292 Eng. 14</i> 4.8L 292 OHV V8, 3.75" Bore 1959					
CYL. HEAD & PARTS					
QTY	VALVE	YEARS	PART NO.	SIZE	DESCRIPTION
8	Intake	59	V-1285 Std Only		Exc. H/D Eng.; 1.9250" Head Dia., .3421" Stem Dia., 5.1100" O.A.L.
8	Intake	59	V-1128 Std Only		H/D Eng.; 1.6470" Head Dia., .3420" Stem Dia., 5.0900" O.A.L.
8	Intake	59	V-1285 Std Only		1.9250" Head Dia., .3421" Stem Dia., 5.1100" O.A.L.
8	Exhaust	59	V-1127 Std Only		Exc. H/D Eng.; Rototype; Free valve; 1.5100" Head Dia., .3418" Stem Dia., 5.0900" O.A.L.
32	Keeper	59	VK-115		1 groove; Square cut key groove
32	Keeper	59	VK-115R		1 groove; Square cut key groove; Hardened
32	Keeper, Bulk	59	VK-115B		1 groove; Square cut key groove; Carton of 1000
QTY	VALVE GUIDE	YEARS	PART NO.	SIZE	DESCRIPTION
8	Guide	59	VG-5034		Exh.; Exc. H/D Eng.; Cut to fit; .3430" ID, 2.5000" O.A.L.
8	Guide	59	VG-5032		Exh.; H/D Eng.; .4375" ID, 2.5000" O.A.L.
8	Guide	59	VG-5006		Int.; Exc. H/D Eng.; .3440" ID, 2.3750" O.A.L.
8	Guide	59	VG-5005		Int.; H/D Eng.; .3430" ID, 2.2500" O.A.L.
8	Guide, Bulk	59	VG-5006B		Int.; Exc. H/D Eng.; Carton of 50; .3440" ID, 2.3750" O.A.L.
8	Guide, Bulk	59	VG-5005B		Int.; H/D Eng.; Carton of 50; .3430" ID, 2.2500" O.A.L.
QTY	VALVE SPRING	YEARS	PART NO.	SIZE	DESCRIPTION
16	Spring	59	VS-1575		2.1250" Free Height
16	Spring Insert	59	259-102C		.015"; Carton of 100
16	Spring Insert	59	259-102B		.030"; Carton of 100
16	Spring Insert	59	259-102A		.060"; Carton of 100

(continued on next page)

Ford Truck - M/D & H/D

14 H/D Truck 292 Eng.

(cont.) 4.8L 292 OHV V8, 3.75" Bore 1959

CYL. HEAD & PARTS (cont.)					
QTY	VALVE SPRING (cont.)	YEARS	PART NO.	SIZE	DESCRIPTION
16	Spring Insert	59	259-102ARS		.060"; Carton of 500
QTY	VALVE SEAL	YEARS	PART NO.	SIZE	DESCRIPTION
16	Valve Stem Seal	59	ST-2001		Positive type; Installation requires valve guide machining; Rubber/PTFE
16	Valve Stem Seal	59	MV-1599C		Umbrella type; Rubber
16	Valve Stem Seal Bulk	59	ST-2001BC		Positive type; Installation requires valve guide machining; Carton of 100; Rubber/PTFE
16	Valve Stem Seal Bulk	59	MV-1599		Umbrella type; Carton of 100; Rubber
CAMSHAFT GROUP					
QTY	TIMING	YEARS	PART NO.	SIZE	DESCRIPTION
1	Timing Chain	59	222-354		Silent type; 1" wide chain; 56 Links
1	Crank Sprocket	59	223-250		Use w/silent type chain; 21 Teeth
1	Cam Sprocket	59	223-249		Use w/silent type chain; 42 Teeth
QTY	CAMSHAFT/LIFTER	YEARS	PART NO.	SIZE	DESCRIPTION
1	Camshaft	59	CS-210		14 teeth on dist. drive gear; Shaft has oil groove in No. 3 journal
16	Lifter	59	AT-892 Std Only		Mech.
1	Prelube	59	55-400		4 oz. bottle; 1.5 oz. packet No. 55-403 also avail.
ENGINE BLOCK & PARTS					
QTY	CAM BEARINGS	YEARS	PART NO.	SIZE	DESCRIPTION
1	Cam Set	59	1223M Std Only		w/Cross-drilled No. 3 cam journal
1	Cam Set	59	1160M Std Only		w/Grooved No. 3 cam journal
CRANKSHAFT/OIL PUMP					
QTY	MAIN BEARINGS	YEARS	PART NO.	SIZE	DESCRIPTION
1	Main Set	59	884M Std-10-20-30-40-50		
QTY	OIL PUMP	YEARS	PART NO.	SIZE	DESCRIPTION
1	Oil Pump	59	224-41123		
1	Pump Repair Kit	59	224-51297		Rotor type
CYLINDER COMPONENTS					
QTY	PISTONS	YEARS	PART NO.	SIZE	DESCRIPTION
8	Pin Bushing	59	1834V20		1.306" length; .020" extra bore stock
8	Pin Bushing	59	1834V		1.306" max. length
QTY	CONNECTING RODS & BRGS.	YEARS	PART NO.	SIZE	DESCRIPTION
1	Rod Set	59	8-2000CPA Std-10-20-30-40		8-2000CAA 60 avail. as unplated & resizeable
8	Rod Pair	59	2000CPA Std-1-10-20-30-40		
QTY	PISTON RINGS	YEARS	PART NO.	SIZE	DESCRIPTION
1	Standard Set	59	E-240X Std-30-40-60		2-5/64, 1-3/16
8	Standard Single Cylinder Set	59	WE-240X Std-30-40-60		2-5/64, 1-3/16
15 M/D Truck 300 Eng.					
4.9L 300 OHV L6, 4" Bore 1965-79					
CYL. HEAD & PARTS					
QTY	VALVE	YEARS	PART NO.	SIZE	DESCRIPTION
6	Exhaust	79-71	V-1937X Std Only		Chrome plated stem; Stellite face; 1.5590" Head Dia., .3419" Stem Dia., 4.8100" O.A.L.
6	Exhaust	70	V-1937X Std Only		From change L-18; Chrome plated stem; Stellite face; 1.5590" Head Dia., .3419" Stem Dia., 4.8100" O.A.L.
24	Keeper	79-65	VK-115		1 groove; Square cut key groove
24	Keeper	79-65	VK-115R		1 groove; Square cut key groove; Hardened
24	Keeper, Bulk	79-65	VK-115B		1 groove; Square cut key groove; Carton of 1000
QTY	VALVE SEAT	YEARS	PART NO.	SIZE	DESCRIPTION
6	Exh.	79-65	245-1687-1N Std Only		Premium Material; 1.6925" OD, 1.4060" ID, .2480" Depth
6	Exh.	79-65	245-1687-1 Std Only		1.6925" OD, 1.4060" ID, .2480" Depth
6	Int.	79-65	245-1812-3 Std Only		1.8175" OD, 1.5000" ID, .2160" Depth
QTY	VALVE GUIDE	YEARS	PART NO.	SIZE	DESCRIPTION
6	Guide	79-65	VG-5038		Int.; .3430" ID, 2.1200" O.A.L.
6	Guide, Bulk	79-65	VG-5038B		Int.; Carton of 50; .3430" ID, 2.1200" O.A.L.

(continued on next page)

Ford Truck - M/D & H/D

M/D Truck 300 Eng. 15
4.9L 300 OHV L6, 4" Bore 1965-79 (cont.)

CYL. HEAD & PARTS (cont.)

QTY	VALVE SPRING	YEARS	PART NO.	SIZE	DESCRIPTION
6	Spring	79-65	VS-656		Exh.; Use w/Rotators; 1.8750" Free Height
6	Spring	79-65	VS-648		Int.; 1.9900" Free Height
6	Spring	76-65	VS-648		Exh.; w/o Rotators; 1.9900" Free Height
12	Spring Insert	79-65	259-103C		.015"; ID 1.030"; Carton of 100
12	Spring Insert	79-65	259-103B		.030"; ID 1.030"; Carton of 100
12	Spring Insert	79-65	259-103BRS		.030"; ID 1.030"; Carton of 500
12	Spring Insert	79-65	259-103A		.060"; ID 1.030"; Carton of 100
12	Spring Insert	79-65	259-103ARS		.060"; ID 1.030"; Carton of 500
QTY	PUSH RODS	YEARS	PART NO.	SIZE	DESCRIPTION
12	Push Rod	79-65	RP-3260		.060" shorter length; 10.0800" O.A.L.
12	Push Rod	79-65	RP-3183		Std. length; 10.1400" O.A.L.
12	Push Rod, Bulk	79-65	BRP-3260		.060" shorter length; Carton of 100; 10.0800" O.A.L.
12	Push Rod, Bulk	79-65	BRP-3183		Std. length; Carton of 100; 10.1640" O.A.L.
QTY	VALVE MISC.	YEARS	PART NO.	SIZE	DESCRIPTION
6	Rotocap Assy.	79-65	RC-128SA		Incl. VS-656 spring
6	Rotocap	79-65	RC-128S		
QTY	VALVE SEAL	YEARS	PART NO.	SIZE	DESCRIPTION
12	Valve Stem Seal	79-65	ST-2001		Positive type; Installation requires valve guide machining; Rubber/PTFE
12	Valve Stem Seal Bulk	79-65	ST-2001BC		Positive type; Installation requires valve guide machining; Carton of 100; Rubber/PTFE
QTY	ROCKER PARTS	YEARS	PART NO.	SIZE	DESCRIPTION
12	Arm Assy.	79-65	R-854		Incl. arm, ball & 2-nuts; Incl. 3/8" nut; Incl. 5/16" nut
12	Arm Assy., Bulk	79-65	R-854B		Incl. arm, ball & 2-nuts; Incl. 3/8" nut; Incl. 5/16" nut; Carton of 64
12	Arm	79-65	R-854A		
12	Pivot Ball	79-65	MR-1809		
12	Nut	79-65	MR-1751		Self-locking, 3/8" x 24 threads
12	Nut	79-65	MR-1823		5/16" x 24
CAMSHAFT GROUP					
QTY	CAMSHAFT/LIFTER	YEARS	PART NO.	SIZE	DESCRIPTION
1	Camshaft	79-65	CS-1230		
12	Lifter	79-65	HT-900	Std Only	Hyd.
12	Lifter	79-65	HT-900R	Std Only	Speed-Pro Hi-Revolution Hyd.; Use w/adj. rocker assy.
12	Lifter, Bulk	79-65	HT-900B	Std Only	Hyd.; Carton of 122
1	Prelube	79-65	55-400		4 oz. bottle; 1.5 oz. packet No. 55-403 also avail.
QTY	CAMSHAFT KIT	YEARS	PART NO.	SIZE	DESCRIPTION
1	Cam/Lifter Kit	79-65	KC-1230		Hyd.; Incl. (1) CS-1230, (12) HT-900, (1) 55-403B
ENGINE BLOCK & PARTS					
QTY	GASKET SETS	YEARS	PART NO.	SIZE	DESCRIPTION
1	Kit Gasket Set	79-68	260-1006		Premium valve stem seals incl.
1	Kit Gasket Set	67-65	260-1006		Valve cover gskt. not incl.; Premium valve stem seals incl.
QTY	CAM BEARINGS	YEARS	PART NO.	SIZE	DESCRIPTION
1	Cam Set	79-65	1450M	Std Only	
QTY	FREEZE PLUGS	YEARS	PART NO.	SIZE	DESCRIPTION
1	Brass Block Plug Kit	79-65	381-8014		
1	Steel Block Plug Kit	79-65	381-4013		
CRANKSHAFT/OIL PUMP					
QTY	CRANKSHAFT	YEARS	PART NO.	SIZE	DESCRIPTION
1	Harmonic Balancer Sleeve	79-65	88187		
QTY	SEALS - FRONT CRANK	YEARS	PART NO.	SIZE	DESCRIPTION
1	Redi-Sleeve	79-65	99187		
1	Oil Seal	79-65	2942		
QTY	SEALS - REAR CRANK	YEARS	PART NO.	SIZE	DESCRIPTION
1	Oil Seal	79-65	2377		
1	Oil Seal Kit	79-65	5278		PTFE
1	Redi-Sleeve	79-65	99372		
QTY	MAIN BEARINGS	YEARS	PART NO.	SIZE	DESCRIPTION
1	Main Set	79-67	4916M	Std-1-10-20-30-	3.602" max. brg. flange OD
			40		
1	Main Set	79-67	7153M10	10-20-30	3.602" max. brg. flange OD; .020" O/S length flange brg.
QTY	OIL PUMP	YEARS	PART NO.	SIZE	DESCRIPTION
1	Oil Pump	79-65	224-41124		

(continued on next page)

Ford Truck - M/D & H/D

15 M/D Truck 300 Eng.

(cont.) 4.9L 300 OHV L6, 4" Bore 1965-79

CRANKSHAFT/OIL PUMP (cont.)

QTY	OIL PUMP (cont.)	YEARS	PART NO.	SIZE	DESCRIPTION
1	Oil Pump	79-65	224-41124V		High Volume, check pan for clearance
1	Inter. Shaft	79-65	224-61124		
1	Screen Assy.	79-68	224-14124		4WD
1	Screen Assy.	79-65	224-12124		Exc. 4WD

CYLINDER COMPONENTS

QTY	LINERS	YEARS	PART NO.	SIZE	DESCRIPTION
1	Repair Sleeve	79-65	SL-22Y Std Only		1/8" wall, must be cut to correct length; O.A.L. 10.250"
1	Repair Sleeve	79-65	SL-22M Std Only		3/32" wall, must be cut to correct length; O.A.L. 10.250"

QTY	CONNECTING RODS & BRGS.	YEARS	PART NO.	SIZE	DESCRIPTION
1	Rod Set	79-65	6-3150CPA10X2		Use in .002" O/S Rod Bore
1	Rod Set	79-65	6-3150CPA Std-1-10-10X2-20X2		6-3150CAA 60 avail. as unplated & resizeable
1	Rod Set	79-65	FP-63150CAA60		
6	Rod Pair	79-65	3150CPA Std-1-2-10-20-30-40-50		

QTY	PISTON RINGS	YEARS	PART NO.	SIZE	DESCRIPTION
1	Premium Set	76-65	E-229K Std-20-30-40-60		2-5/64, 1-3/16
1	Premium Set	76-65	E-464KC Std-20-30-40		2-5/64, 1-3/16
1	Standard Set	76-65	E-229X Std-20-30-40-60		2-5/64, 1-3/16
6	Premium Single Cylinder Set	76-65	WE-229K Std-20-30-40-60		2-5/64, 1-3/16
6	Standard Single Cylinder Set	76-65	WE-229X Std-20-30-40-60		2-5/64, 1-3/16

KITS

RE-RING KIT		QTY	PREMIUM KIT NO.	QTY	ECONOMY KIT NO.
YEARS	DESCRIPTION				
76-67	Premium valve stem seals incl. Re-ring	1	205-612	----	----
66-65	Valve cover gskt. not incl.; Premium valve stem seals incl. Re-ring	1	205-612	----	----
76-67	Premium valve stem seals incl. Re-ring	----	----	1	205-112
76-67	Premium valve stem seals incl.; w/3.602" max. brg. flange OD Re-ring w/Mains	1	205-612M	1	205-112M
66-65	Valve cover gskt. not incl.; Premium valve stem seals incl. Re-ring	----	----	1	205-112

OVERHAUL KIT		QTY	PREMIUM KIT NO.	QTY	ECONOMY KIT NO.
YEARS	DESCRIPTION				
76-69	From Ser. No. D82001; Premium valve stem seals incl.; 58 tooth H/D metal cam gear & 29 tooth crank gear incl.; w/3.602" max. brg. flange OD Master w/o Pistons	1	MK-612E	1	MK-112E
76-69	From Ser. No. D82001; 58 tooth H/D metal cam gear & 29 tooth crank gear incl. Master w/o Rods & Mains	1	505-612J	1	505-112J
76-69	From Ser. No. D82001; 58 tooth H/D metal cam gear & 29 tooth crank gear incl.; w/3.602" max. brg. flange OD Master	1	MKP-612J	1	MKP-112J

16 M/D Truck 300 H/D Eng.

4.9L 300 OHV L6 (H/D Eng.), 4" Bore 1965-79

CYL. HEAD & PARTS

QTY	VALVE	YEARS	PART NO.	SIZE	DESCRIPTION
6	Intake	79-65	V-2041 Std-15		Chrome plated stem; 1.7800" Head Dia., .3420" Stem Dia., 4.8100" O.A.L.
6	Exhaust	79-65	V-1937X Std Only		w/o Seal groove; Chrome plated stem; Stellite face; 1.5590" Head Dia., .3419" Stem Dia., 4.8100" O.A.L.
24	Keeper	79-65	VK-115		1 groove; Square cut key groove
24	Keeper	79-65	VK-115R		1 groove; Square cut key groove; Hardened
24	Keeper, Bulk	79-65	VK-115B		1 groove; Square cut key groove; Carton of 1000

QTY	VALVE SEAT	YEARS	PART NO.	SIZE	DESCRIPTION
6	Exh.	79-65	245-1687-1N Std Only		Premium Material; 1.6925" OD, 1.4060" ID, .2480" Depth
6	Exh.	79-65	245-1687-1 Std Only		1.6925" OD, 1.4060" ID, .2480" Depth

(continued on next page)

Ford Truck - M/D & H/D

M/D Truck 300 H/D Eng. 16
4.9L 300 OHV L6 (H/D Eng.), 4" Bore 1965-79 (cont.)

CYL. HEAD & PARTS (cont.)					
QTY	VALVE SEAT (cont.)	YEARS	PART NO.	SIZE	DESCRIPTION
6	Int.	79-65	245-1812-3	Std Only	1.8175" OD, 1.5000" ID, .2160" Depth
QTY	VALVE SPRING	YEARS	PART NO.	SIZE	DESCRIPTION
6	Spring	79-65	VS-648		Exh.; w/o Rotators; 1.9900" Free Height
6	Spring	79-65	VS-656		Exh.; Use w/Rotators; 1.8750" Free Height
6	Spring	79-65	VS-648		Int.; 1.9900" Free Height
12	Spring Insert	79-65	259-103C		.015"; ID 1.030"; Carton of 100
12	Spring Insert	79-65	259-103B		.030"; ID 1.030"; Carton of 100
12	Spring Insert	79-65	259-103BRS		.030"; ID 1.030"; Carton of 500
12	Spring Insert	79-65	259-103A		.060"; ID 1.030"; Carton of 100
12	Spring Insert	79-65	259-103ARS		.060"; ID 1.030"; Carton of 500
QTY	PUSH RODS	YEARS	PART NO.	SIZE	DESCRIPTION
12	Push Rod	79-65	RP-3260		.060" shorter length; 10.0800" O.A.L.
12	Push Rod	79-65	RP-3183		Std. length; 10.1400" O.A.L.
12	Push Rod, Bulk	79-65	BRP-3260		.060" shorter length; Carton of 100; 10.0800" O.A.L.
12	Push Rod, Bulk	79-65	BRP-3183		Std. length; Carton of 100; 10.1640" O.A.L.
QTY	VALVE MISC.	YEARS	PART NO.	SIZE	DESCRIPTION
6	Rotocap Assy.	79-65	RC-128SA		Incl. VS-656 spring
6	Rotocap	79-65	RC-128S		
QTY	VALVE SEAL	YEARS	PART NO.	SIZE	DESCRIPTION
12	Valve Stem Seal	79-65	ST-2001		Positive type; Installation requires valve guide machining; Rubber/PTFE
12	Valve Stem Seal	79-78	MV-1906		Umbrella type; Nylon
12	Valve Stem Seal	77-65	MV-1599C		Umbrella type; Rubber
12	Valve Stem Seal Bulk	79-65	ST-2001BC		Positive type; Installation requires valve guide machining; Carton of 100; Rubber/PTFE
12	Valve Stem Seal Bulk	77-65	MV-1599		Umbrella type; Carton of 100; Rubber
QTY	ROCKER PARTS	YEARS	PART NO.	SIZE	DESCRIPTION
12	Arm Assy.	79-65	R-854		Incl. arm, ball & 2-nuts; Incl. 3/8" nut; Incl. 5/16" nut
12	Arm Assy., Bulk	79-65	R-854B		Incl. arm, ball & 2-nuts; Incl. 3/8" nut; Incl. 5/16" nut; Carton of 64
12	Arm	79-65	R-854A		
12	Pivot Ball	79-65	MR-1809		
12	Nut	79-65	MR-1751		Self-locking, 3/8" x 24 threads
12	Nut	79-65	MR-1823		5/16" x 24
12	Stud	79-65	MR-1902		.006" O/S, .378" X 24 x 2.600"
12	Stud	79-65	MR-1901		3/8" x 24 x 2.600"
CAMSHAFT GROUP					
QTY	TIMING	YEARS	PART NO.	SIZE	DESCRIPTION
1	Gear Set	79-65	221-2764S		58 tooth H/D metal cam gear & 29 tooth crank gear incl.; 221-2763 & 221-2764 not sold separately; Incl. (1) 221-2763, (1) 221-2764
QTY	CAMSHAFT/LIFTER	YEARS	PART NO.	SIZE	DESCRIPTION
1	Camshaft	79-65	CS-1230		
12	Lifter	79-65	HT-900	Std Only	Hyd.
12	Lifter	79-65	HT-900R	Std Only	Speed-Pro Hi-Revolution Hyd.; Use w/adj. rocker assy.
12	Lifter, Bulk	79-65	HT-900B	Std Only	Hyd.; Carton of 122
1	Prelube	79-65	55-400		4 oz. bottle; 1.5 oz. packet No. 55-403 also avail.
QTY	CAMSHAFT KIT	YEARS	PART NO.	SIZE	DESCRIPTION
1	Cam/Lifter Kit	79-65	KC-1230		Hyd.; Incl. (1) CS-1230, (12) HT-900, (1) 55-403B
1	Cam/Lifter/Timing Kit	79-65	KCT-1230C		Hyd.; 58 tooth H/D metal cam gear & 29 tooth crank gear incl.; Incl. (1) CS-1230, (12) HT-900, (1) 221-2764S, (1) 55-403B
ENGINE BLOCK & PARTS					
QTY	GASKET SETS	YEARS	PART NO.	SIZE	DESCRIPTION
1	Kit Gasket Set	79-68	260-1006		Premium valve stem seals incl.
1	Kit Gasket Set	67-65	260-1006		Valve cover gskt. not incl.; Premium valve stem seals incl.
QTY	CAM BEARINGS	YEARS	PART NO.	SIZE	DESCRIPTION
1	Cam Set	79-65	1450M	Std Only	
QTY	FREEZE PLUGS	YEARS	PART NO.	SIZE	DESCRIPTION
1	Brass Block Plug Kit	79-65	381-8014		
1	Steel Block Plug Kit	79-65	381-4013		
CRANKSHAFT/OIL PUMP					
QTY	MAIN BEARINGS	YEARS	PART NO.	SIZE	DESCRIPTION
1	Main Set	79-67	4916M	Std-1-10-20-30-40	3.602" max. brg. flange OD

(continued on next page)

Ford Truck - M/D & H/D

16 M/D Truck 300 H/D Eng.
(cont.) 4.9L 300 OHV L6 (H/D Eng.), 4" Bore 1965-79

CRANKSHAFT/OIL PUMP (cont.)							
QTY	MAIN BEARINGS (cont.)	YEARS	PART NO.	SIZE	DESCRIPTION		
1	Main Set	79-67	7153M10	10-20-30	3.602" max. brg. flange OD; .020" O/S length flange brg.		
QTY	OIL PUMP	YEARS	PART NO.	SIZE	DESCRIPTION		
1	Oil Pump	79-65	224-41124				
1	Oil Pump	79-65	224-41124V		High Volume, check pan for clearance		
1	Inter. Shaft	79-65	224-61124				
1	Screen Assy.	79-68	224-14124		4WD		
1	Screen Assy.	79-65	224-12124		Exc. 4WD		
CYLINDER COMPONENTS							
QTY	LINERS	YEARS	PART NO.	SIZE	DESCRIPTION		
1	Repair Sleeve	79-65	SL-22Y	Std Only	1/8" wall, must be cut to correct length; O.A.L. 10.250"		
1	Repair Sleeve	79-65	SL-22M	Std Only	3/32" wall, must be cut to correct length; O.A.L. 10.250"		
QTY	PISTONS	YEARS	PART NO.	SIZE	DESCRIPTION		
1	Cast Piston Set w/Prem. Rings	79-78	6KH554CP30	30-40-60	P600; Cast; 2-5/64", 1-3/16" Ring Groove, 1.767" CD, .9751" Pin Dia., Recessed Head .300" deep x 3.210" dia. - 7.8:1 C.R.; DUROSHIELD® skirt coated piston		
1	Cast Piston Set w/Prem. Rings	77-69	6KH554CP30	30-40-60	From change L16; Cast; 2-5/64", 1-3/16" Ring Groove, 1.767" CD, .9751" Pin Dia., Recessed Head .300" deep x 3.210" dia. - 7.8:1 C.R.; DUROSHIELD® skirt coated piston		
6	Cast Piston	79-78	H554CP	Std-20-30-40-60	P600; Hypereutectic; 2-5/64", 1-3/16" Ring Groove, 1.767" CD, .9751" Pin Dia., Recessed Head .300" deep x 3.210" dia. - 7.8:1 C.R.; DUROSHIELD® skirt coated piston		
6	Cast Piston	77-69	H554CP	Std-20-30-40-60	From change L16; Hypereutectic; 2-5/64", 1-3/16" Ring Groove, 1.767" CD, .9751" Pin Dia., Recessed Head .300" deep x 3.210" dia. - 7.8:1 C.R.; DUROSHIELD® skirt coated piston		
6	Cast Piston - Individual	79-78	WH554CP	Std-20-30-40-60	P600; Hypereutectic; 2-5/64", 1-3/16" Ring Groove, 1.767" CD, .9751" Pin Dia., Recessed Head .300" deep x 3.210" dia. - 7.8:1 C.R.; DUROSHIELD® skirt coated piston		
6	Cast Piston - Individual	77-69	WH554CP	Std-20-30-40-60	From change L16; Hypereutectic; 2-5/64", 1-3/16" Ring Groove, 1.767" CD, .9751" Pin Dia., Recessed Head .300" deep x 3.210" dia. - 7.8:1 C.R.; DUROSHIELD® skirt coated piston		
6	Pin	79-69	P-2217	Std Only			
QTY	CONNECTING RODS & BRGS.	YEARS	PART NO.	SIZE	DESCRIPTION		
1	Rod Set	79-65	6-3150CPA10X2		Use in .002" O/S Rod Bore		
1	Rod Set	79-65	6-3150CPA	Std-1-10-20-30-40-50	6-3150CAA 60 avail. as unplated & resizeable		
1	Rod Set	79-65	FP-63150CAA60				
6	Rod Pair	79-65	3150CPA	Std-1-2-10-20-30-40-50			
QTY	PISTON RINGS	YEARS	PART NO.	SIZE	DESCRIPTION		
1	Premium Set	79-65	E-229K	Std-20-30-40-60	2-5/64, 1-3/16		
1	Premium Set	79-65	E-464KC	Std-20-30-40	2-5/64, 1-3/16		
1	Standard Set	79-65	E-229X	Std-20-30-40-60	2-5/64, 1-3/16		
6	Premium Single Cylinder Set	79-65	WE-229K	Std-20-30-40-60	2-5/64, 1-3/16		
6	Standard Single Cylinder Set	79-65	WE-229X	Std-20-30-40-60	2-5/64, 1-3/16		
KITS							
RE-RING KIT				QTY	PREMIUM KIT NO.	QTY	ECONOMY KIT NO.
YEARS	DESCRIPTION						
79-67	Premium valve stem seals incl.		Re-ring	1	205-612		----
66-65	Valve cover gskt. not incl.; Premium valve stem seals incl.		Re-ring	1	205-612		----
79-67	Premium valve stem seals incl.		Re-ring		----	1	205-112
79-67	Premium valve stem seals incl.; w/3.602" max. brg. flange OD		Re-ring w/Mains	1	205-612M	1	205-112M
66-65	Valve cover gskt. not incl.; Premium valve stem seals incl.		Re-ring		----	1	205-112

(continued on next page)

Ford Truck - M/D & H/D

M/D Truck 300 H/D Eng. 16
4.9L 300 OHV L6 (H/D Eng.), 4" Bore 1965-79 (cont.)

KITS (cont.)

OVERHAUL KIT		QTY	PREMIUM KIT NO.	QTY	ECONOMY KIT NO.
YEARS	DESCRIPTION				
79-78	P600; Premium valve stem seals incl.; 58 tooth H/D metal cam gear & 29 tooth crank gear incl.; w/3.602" max. brg. flange OD	1	Master w/o Pistons MK-612E	1	MK-112E
79-78	P600; 58 tooth H/D metal cam gear & 29 tooth crank gear incl.	1	Master w/o Rods & Mains 505-612J	1	505-112J
79-78	P600; 58 tooth H/D metal cam gear & 29 tooth crank gear incl.; w/3.602" max. brg. flange OD	1	Master MKP-612J	1	MKP-112J
77-69	From Ser. No. D82001; Premium valve stem seals incl.; 58 tooth H/D metal cam gear & 29 tooth crank gear incl.; w/3.602" max. brg. flange OD	1	Master w/o Pistons MK-612E	1	MK-112E
77-69	From Ser. No. D82001; 58 tooth H/D metal cam gear & 29 tooth crank gear incl.	1	Master w/o Rods & Mains 505-612J	1	505-112J
77-69	From Ser. No. D82001; 58 tooth H/D metal cam gear & 29 tooth crank gear incl.; w/3.602" max. brg. flange OD	1	Master MKP-612J	1	MKP-112J
68	Premium valve stem seals incl.; 58 tooth H/D metal cam gear & 29 tooth crank gear incl.; w/3.602" max. brg. flange OD	1	Master w/o Pistons MK-612E	1	MK-112E
67	Valve cover gskt. not incl.; Premium valve stem seals incl.; 58 tooth H/D metal cam gear & 29 tooth crank gear incl.; w/3.602" max. brg. flange OD	1	Master w/o Pistons MK-612E	1	MK-112E

M/D Truck 302 Eng. 17
5.0L 302 OHV V8, 3.625" Bore 1956-63

CYL. HEAD & PARTS

QTY	VALVE	YEARS	PART NO.	SIZE	DESCRIPTION
16	Keeper	63-58	VK-138		Int.; 1 groove; Square cut key groove
16	Keeper	63-58	VK-138R		Int.; 1 groove; Square cut key groove; Hardened
16	Keeper	57-56	VK-115		Int.; 1 groove; Square cut key groove
16	Keeper	57-56	VK-115R		Int.; 1 groove; Square cut key groove; Hardened
16	Keeper, Bulk	63-58	VK-138B		Int.; 1 groove; Square cut key groove; Carton of 1000
16	Keeper, Bulk	57-56	VK-115B		Int.; 1 groove; Square cut key groove; Carton of 1000
QTY	VALVE SEAT	YEARS	PART NO.	SIZE	DESCRIPTION
8	Exh.	63-56	245-1630-1	Std Only	1.6300" OD, 1.3350" ID, .3105" Depth
8	Int.	63-56	245-2125-1	Std Only	2.1305" OD, 1.8125" ID, .2480" Depth
QTY	VALVE SPRING	YEARS	PART NO.	SIZE	DESCRIPTION
16	Spring	63-56	VS-1575		2.1250" Free Height
16	Spring Insert	63-56	259-102C		.015"; Carton of 100
16	Spring Insert	63-56	259-102B		.030"; Carton of 100
16	Spring Insert	63-56	259-102A		.060"; Carton of 100
16	Spring Insert	63-56	259-102ARS		.060"; Carton of 500
QTY	PUSH RODS	YEARS	PART NO.	SIZE	DESCRIPTION
16	Push Rod	63-56	RP-3021		9.8200" O.A.L.
QTY	VALVE SEAL	YEARS	PART NO.	SIZE	DESCRIPTION
8	Valve Stem Seal	63-58	ST-2007		Exh.; Positive type; Rubber
8	Valve Stem Seal	63-58	ST-2004		Int.; Positive type; Installation requires valve guide machining; Rubber/PTFE
8	Valve Stem Seal	63-56	MV-1599C		Int.; Umbrella type; Rubber
8	Valve Stem Seal Bulk	63-58	ST-2004BC		Int.; Positive type; Installation requires valve guide machining; Carton of 100; Rubber/PTFE
8	Valve Stem Seal Bulk	63-56	MV-1599		Int.; Umbrella type; Carton of 100; Rubber
CAMSHAFT GROUP					
QTY	CAMSHAFT/LIFTER	YEARS	PART NO.	SIZE	DESCRIPTION
16	Lifter	63-56	AT-872	Std Only	Mech.
16	Lifter, Bulk	63-56	AT-872B	Std Only	Mech.; Carton of 122
CRANKSHAFT/OIL PUMP					
QTY	CRANKSHAFT	YEARS	PART NO.	SIZE	DESCRIPTION
1	Harmonic Balancer Sleeve	63-56	88187		
QTY	SEALS - FRONT CRANK	YEARS	PART NO.	SIZE	DESCRIPTION
1	Redi-Sleeve	63-56	99187		

(continued on next page)

Ford Truck - M/D & H/D

17 M/D Truck 302 Eng.

(cont.) 5.0L 302 OHV V8, 3.625" Bore 1956-63

CRANKSHAFT/OIL PUMP (cont.)

SEALS - FRONT CRANK					
QTY	(cont.)	YEARS	PART NO.	SIZE	DESCRIPTION
1	Oil Seal	63-56	2942		
SEALS - REAR CRANK					
1	Oil Seal Kit	63-56	5095		(Rope Type)
OIL PUMP					
1	Oil Pump	63-56	224-41123		
1	Pump Repair Kit	63-56	224-51297		Rotor type
CYLINDER COMPONENTS					
LINERS					
8	Repair Sleeve	63-56	SL-17M	Std Only	3/32" wall, must be cut to correct length & notched
PISTONS					
8	Pin Bushing	63-56	2469V		1.276" length
8	Pin Bushing	63-56	1834V20		1.306" length; .020" extra bore stock
8	Pin Bushing	63-56	1834V		1.306" max. length
CONNECTING RODS & BRGS.					
8	Rod Pair	63-56	1835CPA	Std-10	

18 M/D Truck 317 Eng. H/D Truck 317 Eng.

5.2L 317 OHV V8, 3.8125" Bore 1952-55

CRANKSHAFT/OIL PUMP

OIL PUMP					
QTY		YEARS	PART NO.	SIZE	DESCRIPTION
1	Oil Pump	55	224-41123		
1	Pump Repair Kit	55	224-51297		Rotor type
CYLINDER COMPONENTS					
PISTONS					
8	Pin Bushing	55	2469V		1.276" length
8	Pin Bushing	55-52	1834V20		1.306" length; .020" extra bore stock
8	Pin Bushing	55-52	1834V		1.306" max. length
CONNECTING RODS & BRGS.					
8	Rod Pair	55-52	1835CPA	Std-10	

19 M/D Truck 6V-53 (2-Valve or 4-Valve Cyl. Head), 6V-53N (4-Valve Cyl. Head) Eng. H/D Truck 6V-53 (2-Valve or 4-Valve Cyl. Head), 6V-53N (4-Valve Cyl. Head) Eng.

5.2L 318 OHV Diesel V6, 3.875" Bore (Detroit Diesel Eng.) 1968-72

CYL. HEAD & PARTS

GASKETS					
QTY		YEARS	PART NO.	SIZE	DESCRIPTION
2	Valve Cover Gasket	72-70	FP-8925273		w/Cast Alum. valve cover
2	Valve Cover Gasket	72-70	FP-5147994		w/Stamped Steel valve cover
6	Head Gasket	72-70	FP-5121254		
2	Head Set	72-70	FP-5199820		Military spec.; Services One Head
2	Head Set	72-70	FP-5199811		Services One Head
4	O-Ring	72-70	FP-5116122		Oil Hole seal
4	Bolt	72-70	FP-8927580		3/8" - 16 x .875"
4	Bolt	72-70	FP-8927581		3/8" - 16 x 1"
4	Bolt	72-70	FP-8927581		3/8" - 16 x 1"
16	Bolt	72-70	FP-5121263		5/8" - 11 x 6.250", 12 Pt. Head
4	Lock Washer	72-70	FP-103321		3/8"
4	Isolator Bushing	72-70	FP-5104515		Rocker cover bolt
HEAD BOLTS					
4	Washer	72-70	FP-5104514		Rocker cover bolt; .47" x 2.00" x .20"
MISCELLANEOUS					
6	Pipe Plug	72-70	FP-5121182		1/4" - 18; Hex head
6	Pipe Plug	72-70	FP-8923847		1/4" x 18 NPTF; Square head
2	Pipe Plug	72-70	FP-8924380		1/8" - 27
12	Bolt	72-70	FP-443603		.250" x 20 x .750"
FREEZE PLUGS					
6	Pipe Plug	72-70	FP-5121182		1/4" - 18; Hex head
6	Pipe Plug	72-70	FP-8923847		1/4" x 18 NPTF; Square head
2	Pipe Plug	72-70	FP-8924380		1/8" - 27
3	Expansion Plug	72-70	FP-5151449		.8125" Dia.

(continued on next page)

Ford Truck - M/D & H/D

M/D Truck 6V-53 (2-Valve or 4-Valve Cyl. Head), 6V-53N (4-Valve Cyl. Head) Engs. H/D 19
Truck 6V-53 (2-Valve or 4-Valve Cyl. Head), 6V-53N (4-Valve Cyl. Head) Engs. (cont.)
 5.2L 318 OHV Diesel V6, 3.875" Bore (Detroit Diesel Eng.) 1968-72

CYL. HEAD & PARTS (cont.)

QTY	FREEZE PLUGS (cont.)	YEARS	PART NO.	SIZE	DESCRIPTION
3	Expansion Plug	72-70	FP-5139997		.875" Dia.
4	Expansion Plug	72-70	FP-5154453		Cyl. head; 3/8" - 16 Headless Special
1	Expansion Plug	72-70	FP-8926347		Fuse Cyl. head
QTY	VALVE	YEARS	PART NO.	SIZE	DESCRIPTION
12	Exhaust Valve Kit	72-70	FP-5195948		Exh.; 2 Valve Head; 30 Deg.
24	Exhaust Valve Kit	72-70	FP-5199323		Exh.; 4 Valve Head; 30 Deg.
48	Keeper	72-70	FP-5116341		Exh.; 4 Valve Head
QTY	VALVE SEAT	YEARS	PART NO.	SIZE	DESCRIPTION
24	Exh.	72-70	FP-5196752	10	4 Valve Head; 30 Deg. seat; .010" O/S; 1.1710" OD, .0910" ID, .2220" Depth
24	Exh.	72-70	FP-8921501	STD	4 Valve Head; 30 Deg. seat; 1.1610" OD, .0910" ID, .2220" Depth
QTY	VALVE GUIDE	YEARS	PART NO.	SIZE	DESCRIPTION
24	Guide	72-70	FP-5129919		Exh.; 2 Valve Head; 2 3/8" length; .3130" ID, 2.3800" O.A.L.
QTY	VALVE SPRING	YEARS	PART NO.	SIZE	DESCRIPTION
24	Spring	72-70	FP-5144019		Exh.; 4 Valve Head; .135" Wire Dia.
24	Spring	72-70	FP-5147424		Exh.; 4 Valve Head; .148" Wire Dia.
24	Spring Insert	72-70	FP-5111467		4 Valve Head
24	Spring Cap	72-70	FP-5123330		Exh.; 4 Valve Head
QTY	PUSH RODS	YEARS	PART NO.	SIZE	DESCRIPTION
18	Push Rod	72-70	FP-5128640		
18	Push Rod Seat	72-70	FP-5123250		Lower
18	Push Rod Seat	72-70	FP-5108919		Upper; Cup type
18	Push Rod Seat	72-70	FP-5150302		Upper; Flange type
18	Push Rod Spring	72-70	FP-5186858		.177" Wire diameter
18	Push Rod Spring	72-70	FP-5108918		.192" Wire diameter
18	Push Rod Retainer	72-70	FP-5150303		
18	Lock Nut	72-70	FP-5151601		5/16" - 24
QTY	VALVE SEAL	YEARS	PART NO.	SIZE	DESCRIPTION
24	Valve Stem Seal	72-70	FP-8921741		Exh.; 4 Valve Head
QTY	ROCKER PARTS	YEARS	PART NO.	SIZE	DESCRIPTION
6	Arm Assy.	72-70	FP-8923554		Injector Rocker; 4 Valve Head
6	Arm Assy.	72-70	FP-5135267		LH; 4 Valve Head
6	Arm Assy.	72-70	FP-5135268		RH; 4 Valve Head
6	Rocker Shaft	72-70	FP-5116072		
12	Arm Support	72-70	FP-5116128		
6	Rocker Bushing	72-70	FP-8924355		Injector Rocker; Large
6	Rocker Bushing	72-70	FP-8924354		Injector Rocker; Small
30	Rocker Bushing	72-70	FP-5123700		Rocker Arm Clevis; .5625" OD
18	Follower Assy.	72-70	FP-8924439		
6	Follower Guide	72-70	FP-5116125		
18	Cam Follower Roller Set	72-70	FP-8923814		Incl. pin & roller
12	Valve Bridge	72-70	FP-5135262		Exh.
18	Rocker Arm Clevis Pin	72-70	FP-5150314		
12	Lock Washer	72-70	FP-103319		.250"
METERS					
QTY	METERS	YEARS	PART NO.	SIZE	DESCRIPTION
1	Tachometer Drive Shaft	72-70	FP-3224992		.061" Key
1	Accessory Drive Gasket	72-70	FP-23515145		Tach. Drive Adaptor
1	Washer	72-70	FP-5150568		Tach. Drive; 7/16" x 3/4" x 1/16"; Copper
2	Lock Washer	72-70	FP-103320		Air Shut-Off Control; 5/16"
2	Lock Washer	72-70	FP-103320		Tach. Drive Adaptor; 5/16"
1	Oil Seal	72-70	FP-5135820		Tach. Drive Adaptor
1	Oil Seal	72-70	FP-3202615		Tach. Drive Cover
1	Pipe Plug	72-70	FP-5121182		Water Temp. Switch; 1/4" - 18; Hex head
INT & EXH MANIFOLDS					
QTY	INT. & EXH. MANIFOLDS	YEARS	PART NO.	SIZE	DESCRIPTION
10	Lock Washer	72-70	FP-103321		Exh. Manifold; 3/8"
2	Exhaust Manifold Gasket	72-70	FP-5116205		
4	Pipe Plug	72-70	FP-5121182		Exh. Manifold; 1/4" - 18; Hex head
8	Washer	72-70	FP-5104439		Exh. Manifold; 7/16" x 1.250" Dia.; Dished
2	Clamp	72-70	FP-23506306		Exh. Manifold; 4.55" Dia.
2	Hose Clamp	72-70	FP-5137620		Exh. Manifold; 3.66" Dia.

(continued on next page)

Ford Truck - M/D & H/D

19 M/D Truck 6V-53 (2-Valve or 4-Valve Cyl. Head), 6V-53N (4-Valve Cyl. Head) Engs. H/D
 (cont.) Truck 6V-53 (2-Valve or 4-Valve Cyl. Head), 6V-53N (4-Valve Cyl. Head) Engs.
 5.2L 318 OHV Diesel V6, 3.875" Bore (Detroit Diesel Eng.) 1968-72

INT & EXH MANIFOLDS (cont.)

QTY	AIR INTAKE	YEARS	PART NO.	SIZE	DESCRIPTION
1	Air Intake Housing Gasket	72-70	FP-5124405		
1	Air Intake Housing Gasket	72-70	FP-8924563		Air Inlet Housing
1	Air Intake Housing Gasket	72-70	FP-5123703		Air Inlet Housing; 5.68" ID, w/Eight 13/32" Holes
2	Air Cleaner Mtg. Adapter Gskt	72-70	FP-5127247		Air Inlet Housing
6	Bolt	72-70	FP-8927581		3/8" - 16 x 1"
6	Lock Washer	72-70	FP-103321		Air Inlet Housing; 3/8"
2	O-Ring	72-70	FP-5182977		Air Inlet Housing Shutdown Valve Shaft

CAMSHAFT GROUP

QTY	TIMING	YEARS	PART NO.	SIZE	DESCRIPTION
1	Idle Gear Hub Assembly	72-70	FP-5124458		
1	Ball Brg.	72-70	FP-5196793		
QTY	CAMSHAFT TIMING	YEARS	PART NO.	SIZE	DESCRIPTION
2	Camshaft Pulley Spacer	72-70	FP-5106360		Front
2	Camshaft Pulley Spacer	72-70	FP-5121071		Front
QTY	CAMSHAFT/LIFTER	YEARS	PART NO.	SIZE	DESCRIPTION
1	Camshaft	72-70	FP-5126934		LH & RH; Stamped FP-5126834; V7; Use w/FP-5144019 Spring; Types 60, 277, 297, 299
2	Oil Seal	72-70	FP-23516871		Front
2	Camshaft Plug	72-70	FP-5151277		.500" Drive; 15/32" x 1/2"
2	Woodruff Key	72-70	FP-8926248		.1875" x .625"

ACCESSORY DRIVE

QTY	ACCESSORY DRIVE	YEARS	PART NO.	SIZE	DESCRIPTION
1	Accessory Drive Gasket	72-70	FP-23515145		
1	Oil Seal	72-70	FP-5131329		Accessory drive assy.
1	Ball Brg.	72-70	FP-23504528		Accessory drive assy.
3	Lock Washer	72-70	FP-103320		Accessory drive assy.; 5/16"

FUEL SYSTEM & PARTS

QTY	FUEL INJECTION	YEARS	PART NO.	SIZE	DESCRIPTION
3	Fuel Injector Seal Ring	72-70	FP-5234281		
3	Fuel Injector Seal Ring	72-70	FP-5104701		Viton®
3	Injector Hole Tube Kit	72-70	FP-8925981		Viton®
6	Washer	72-70	FP-5150250		
6	Clamp	72-70	FP-5121259		
6	Fuel Injector	72-70	FP-5229345		Injector Assembly C45
6	Fuel Injector Repair Kit	72-70	FP-5229649		
6	Fuel Injection Valve Cage	72-70	FP-5228696		
6	Fuel Injection Spring Seat	72-70	FP-5228766		
6	Fuel Injector Valve Spring	72-70	FP-5228596		
6	Fuel Injector Check Valve	72-70	FP-5228694		
6	Fuel Pump Check Valve	72-70	FP-5226411		
6	Fuel Pump Check Valve	72-70	FP-5228308		Incl. injector valve & 5228106 seat
6	Injector Plunger & Bushing	72-70	FP-5229342		For Inj. Assembly C40
6	Injector Plunger & Bushing	72-70	FP-5229346		For Inj. Assembly C45
6	Injector Plunger & Bushing	72-70	FP-5229354		For Inj. Assembly C50
6	Injector Plunger & Bushing	72-70	FP-5228684		For Inj. Assembly N45, 5N45
6	Injector Plunger & Bushing	72-70	FP-5228749		For Inj. Assembly N50
6	Injector Plunger & Bushing	72-70	FP-5228495		For Inj. Assembly S45
6	Injector Plunger & Bushing	72-70	FP-5228656		For Inj. Assembly 5A60
6	Fuel Injector Tip Kit	72-70	FP-5228491		
6	Fuel Injector Tip Kit	72-70	FP-5229034		For Inj. Assembly N35, N40, N45, N50, C40, C45, C50
6	Fuel Injector Tip Kit	72-70	FP-5229030		For Inj. Assembly 5A50, 5A55, 5A60
6	Fuel Injector Tip Kit	72-70	FP-5229026		For Inj. Assembly 5N45
6	Nut	72-70	FP-5228601		NV
6	Fuel Injector Valve Kit	72-70	FP-5228313		
6	Fuel Injector Valve Kit	72-70	FP-5228769		
1	Fuel Line Connector	72-70	FP-8924195		Restrictor; .080" Restrictor
6	Fuel Injector Roller Pin	72-70	FP-5228608		

QTY	FUEL FILTERS & PUMP	YEARS	PART NO.	SIZE	DESCRIPTION
1	Mechanical Fuel Pump	72-70	FP-5199735		LH; High Output; High output; w/.375" Gear
1	Mechanical Fuel Pump	72-70	FP-5199560		LH; Standard Output; Std. output; w/.250" Gear
1	Mechanical Fuel Pump	72-70	FP-5199734		RH; High Output; High output
1	Mechanical Fuel Pump	72-70	FP-5199561		RH; Standard Output
1	Fuel Pump Shaft & Gear	72-70	FP-5146705		High Output; Fuel Pump Drive; 3.09" Length; High Output
1	Fuel Pump Shaft & Gear	72-70	FP-5100313		High Output; Fuel Pump Driven; .963" Length; High Output

(continued on next page)

Ford Truck - M/D & H/D

M/D Truck 6V-53 (2-Valve or 4-Valve Cyl. Head), 6V-53N (4-Valve Cyl. Head) Engs. H/D 19
Truck 6V-53 (2-Valve or 4-Valve Cyl. Head), 6V-53N (4-Valve Cyl. Head) Engs. (cont.)
 5.2L 318 OHV Diesel V6, 3.875" Bore (Detroit Diesel Eng.) 1968-72

FUEL SYSTEM & PARTS (cont.)

QTY	FUEL FILTERS & PUMP (cont.)	YEARS	PART NO.	SIZE	DESCRIPTION
1	Fuel Pump Shaft & Gear	72-70	FP-5181746		Standard Output; Fuel Pump Drive; 3.09" Length; Std. Output
1	Fuel Pump Shaft & Gear	72-70	FP-5181747		Standard Output; Fuel Pump Drive; .838" Length; Std. Output
1	Fuel Pump Valve	72-70	FP-5174973		
1	Fuel Pump Gear	72-70	FP-5107088		Fuel Pump Drive; LH Helix
1	Fuel Pump Gear	72-70	FP-5118915		High Output; Fuel Pump Drive; .374" Width; High Output
1	Fuel Pump Gear	72-70	FP-5128217		High Output; Fuel Pump Drive; .374" Width; High Output
1	Fuel Pump Gear	72-70	FP-5174975		Standard Output; Fuel Pump Drive; .294" Width; Std. Output
1	Fuel Pump Gear	72-70	FP-5181748		Standard Output; Fuel Pump Drive; .294" Width; Std. Output
1	Fuel Pump Drive Shaft	72-70	FP-5100312		High Output; Fuel Pump Drive; .963" Length; High Output
1	Fuel Pump Drive Shaft	72-70	FP-5178700		Standard & High Output; Fuel Pump Drive; 3.09" Length
1	Fuel Pump Drive Shaft	72-70	FP-5181749		Standard Output; Fuel Pump Drive; .838" Length; Std. Output
1	Fuel Pump Check Valve	72-70	FP-5174924		1/4" Swing type
1	Fuel Pump Check Valve	72-70	FP-5135308		3/8" Swing type
6	Fuel Line Connector	72-70	FP-8926992		Fuel Pipe
1	Fuel Pump Relief Valve Spring	72-70	FP-5184530		
1	O-Ring	72-70	FP-5179232		.424" x .103"
1	O-Ring	72-70	FP-5179232		Check Valve Seal Ring; .424" x .103"
2	Oil Seal	72-70	FP-23512243		Fuel pump
1	Fuel Pump Valve Plug Gasket	72-70	FP-5161003		Fuel pump
3	Bolt	72-70	FP-8925603		Fuel pump mounting; 5/16" - 18 x 3/4"; Vibra-Tite®
1	Fuel Pump Repair Part	72-70	FP-5174971		Fuel Pump Valve; .500" x 20 plug
1	Fuel Pump Drive Adapter Gskt.	72-70	FP-5150193		Fuel pump mounting; w/Limiting Speed Gov.
1	Fuel Pump Repair Kit	72-70	FP-5149599		High Output; High output; Short Shaft
1	Fuel Pump Repair Kit	72-70	FP-5195078		Standard Output; Std. output
1	Pipe Plug	72-70	FP-5121182		Fuel Pump; 1/4" - 18; Hex head
2	Pipe Plug	72-70	FP-8924380		1/8" - 27
2	Plastic Cap	72-70	FP-5136240		Fuel pump body; .250" Dia.
1	Plastic Cap	72-70	FP-5136241		Fuel pump body; .780" Dia., 3/8" NPTF
1	Dowel Pin	72-70	FP-103709		5/32" x 1" straight
1	Ball Brg.	72-70	FP-147481		Fuel Pump Shaft; .125" Dia. Steel
1	Bushing	72-70	FP-5198558		3/8" x 1/4"
12	Copper Washer	72-70	FP-5152148		25/64" ID x 9/16" OD x 1/16" Thick; Copper
12	Washer	72-70	FP-8925644		Fuel Pipe Connector
12	Washer	72-70	FP-5150568		7/16" x 3/4" x 1/16"; Copper
QTY	TURBOCHARGER	YEARS	PART NO.	SIZE	DESCRIPTION
1	Pipe Plug	72-70	FP-8924380		1/8" - 27
1	Hose	72-70	FP-5162888		Turbo Air Outlet; 3.50" I.D. x 2.750" Length
4	Hose Clamp	72-70	FP-5137620		Exhaust Hose; 3.66" Dia.
2	Hose Clamp	72-70	FP-5186840		Oil Return Hose; 13/16" - 1 1/2" Clamping Range
4	Hose Clamp	72-70	FP-5147912		Turbo Air Outlet; 3.50" Dia.
1	Turbo Ring	72-70	FP-5104978		
1	Turbocharger Oil Supply Gskt.	72-70	FP-5170466		
1	Turbocharger Oil Return Gskt.	72-70	FP-5170468		
8	Stud	72-70	FP-8927270		Turbo Mount; 3/8" - 16/24" x 1.6875"
8	Lock Nut	72-70	FP-103026		Turbo Mount; 3/8" x 24
8	Lock Washer	72-70	FP-103321		Turbo Mount; 3/8"
1	Bolt	72-70	FP-8927581		Turbo Hose Bracket; 3/8" - 16 x 1"
1	Turbocharger Exhaust Gasket	72-70	FP-8929529		Inlet
BLOWER					
QTY	BLOWER	YEARS	PART NO.	SIZE	DESCRIPTION
4	Oil Seal	72-70	FP-5138710		Blower End Plate
4	Oil Seal	72-70	FP-5199366		Blower End Plate; Use w/FP5199368 Sleeve
4	Oil Seal	72-70	FP-5142266		Blower End Plate; Use w/New Counterbored End Plates
4	Wear Sleeve	72-70	FP-5199368		Blower Rotor Shaft; Use w/FP5199366 Seal
1	Gasket	72-70	FP-124546		Woodruff Key; Woodruff Key; 5/32" x 5/8"
1	O-Ring	72-70	FP-8923959		Blower By-pass Valve
2	Pipe Plug	72-70	FP-8924380		Blower End Plate; 1/8" - 27
1	Clamp	72-70	FP-5144768		Blower Drive Cover
1	Washer	72-70	FP-5116316		Blower Rotor Gear
2	Washer	72-70	FP-5121403		Blower Rotor Gear
2	Washer	72-70	FP-5127077		Thrust Blower Shaft
3	Shim	72-70	FP-5116165		Blower Rotor Gear
3	Shim	72-70	FP-5116166		Blower Rotor Gear
3	Shim	72-70	FP-5116167		Blower Rotor Gear
3	Shim	72-70	FP-5116164		Blower Rotor Gear; .002"

(continued on next page)

Ford Truck - M/D & H/D

19 M/D Truck 6V-53 (2-Valve or 4-Valve Cyl. Head), 6V-53N (4-Valve Cyl. Head) Eng. H/D
 (cont.) Truck 6V-53 (2-Valve or 4-Valve Cyl. Head), 6V-53N (4-Valve Cyl. Head) Eng.
 5.2L 318 OHV Diesel V6, 3.875" Bore (Detroit Diesel Eng.) 1968-72

GOVERNOR

QTY	GOVERNOR	YEARS	PART NO.	SIZE	DESCRIPTION
2	Throttle/Governor Shaft	72-70	FP-5121339		w/Limiting Speed Gov.
1	Governor Spring	72-70	FP-5122270		w/Variable Speed; w/Two Red Stripes
1	Governor Spring	72-70	FP-5122165		Low Speed; w/One Blue Stripe
1	Governor Spring	72-70	FP-5183704		Low Speed; w/Two Yellow Stripes
1	Governor Low Speed Spring Cap	72-70	FP-5103975		w/Limiting Speed Gov.
1	Governor Low Speed Spring Cap	72-70	FP-5103975		Gov. Spring Hsg.
1	Screw	72-70	FP-5172383		Gov. Buffer; w/Variable Speed Gov.
6	Screw	72-70	FP-9417926		Gov. Cover; w/Limiting Speed Gov.; 1/4" -20 x 3/4"
1	Screw	72-70	FP-9417926		Gov. Cover; w/Variable Speed Gov.; 1/4" -20 x 3/4"
1	Screw	72-70	FP-5132962		Gov. Operating Shaft, Gap Adjusting; w/Limiting Speed Gov.
1	Screw	72-70	FP-5132962		Gov. Operating Shaft, Gap Adjusting; w/Variable Speed Gov.
1	Screw	72-70	FP-5102270		Low Speed Spring Adjusting; w/Variable Speed Gov.; .250" - 28 x 1.00"
4	Hose Clamp	72-70	FP-5186840		Gov. Hose; w/Variable Speed Gov.; 13/16" - 1 1/2" Clamping Range
2	Governor Dowel Pin	72-70	FP-5117693		Gov. Control Oper. Link; w/Variable Speed Gov.; 5/16" x 1.00"
3	Governor Dowel Pin	72-70	FP-5150943		Gov. Operating Shaft; w/Limiting Speed Gov.
3	Governor Dowel Pin	72-70	FP-5150943		Gov. Operating Shaft; w/Variable Speed Gov.
1	O-Ring	72-70	FP-5176557		Gov. Throttle Shaft Packing Seal; w/Limiting Speed Gov.; .477" ID x .113" Thick
2	O-Ring	72-70	FP-5176557		Gov. Throttle Shaft Packing Seal; w/Variable Speed Gov.; .477" ID x .113" Thick
2	Cylindrical Brg.	72-70	FP-148402		Variable speed spring lever shaft; .500" x .500" Dia.
2	Fuel Injection Link	72-70	FP-5121472		Lower; Gov. to Injector; w/Variable Speed Gov.
1	Needle Bearing	72-70	FP-9425166		Needle Brg., Variable Speed Spring Lever
9	Governor Valve Spring Shim	72-70	FP-5136590		w/Variable Speed Gov.; .010"
9	Governor Valve Spring Shim	72-70	FP-5136591		w/Variable Speed Gov.; .078"
2	Washer	72-70	FP-5150941		w/Variable Speed Gov.; 21/64"
3	Washer	72-70	FP-5151487		Gov. Control Oper. Link; w/Limiting Speed Gov.; 3/8" x 11/16" x .033"
2	Washer	72-70	FP-5151487		Gov. Control Oper. Link; w/Variable Speed Gov.; 3/8" x 11/16" x .033"
1	Washer	72-70	FP-5151487		Gov. Throttle; w/Limiting Speed Gov.; 3/8" x 11/16" x .033"
2	Copper Washer	72-70	FP-5155596		w/Variable Speed Gov.; 5/16"; Special copper washer
2	Copper Washer	72-70	FP-5155596		Gov. Spring Housing; 5/16"; Special copper washer
1	Lock Washer	72-70	FP-103319		Gov. Shutdown Shaft; w/Limiting Speed Gov.; .250"
2	Lock Washer	72-70	FP-103320		Gov. Spring Housing; 5/16"
1	Governor Retainer	72-70	FP-5144178		Gov. Shutdown; w/Limiting Speed Gov.
1	Governor Retainer	72-70	FP-5178581		Gov. Shutdown; w/Limiting Speed Gov.
2	Bushing	72-70	FP-8921472		Gov. Throttle Shaft; w/Limiting Speed Gov.; Split Type Bushing
4	Ball Brg.	72-70	FP-447196		Gov. Control Oper. Link; w/Limiting Speed Gov.
2	Ball Brg.	72-70	FP-447196		Gov. Control Oper. Link; w/Variable Speed Gov.
2	Ball Brg.	72-70	FP-9431894		Gov. Operating Shaft; w/Limiting Speed Gov.
1	Ball Brg.	72-70	FP-9436682		Gov. Operating Shaft; w/Variable Speed Gov.
1	Ball Brg.	72-70	FP-9424121		Gov. Weight Carrier Shaft; w/Limiting Speed Gov.
1	Ball Brg.	72-70	FP-9424121		Gov. Weight Carrier Shaft; w/Variable Speed Gov.
1	Ball Brg.	72-70	FP-9438907		Gov. Weight Riser; .551" Width
1	Ball Brg.	72-70	FP-9436682		Lower; Gov. Operating Shaft; w/Limiting Speed Gov.
1	Ball Brg.	72-70	FP-9431894		Upper; Gov. Operating Shaft; w/Variable Speed Gov.
1	Expansion Plug	72-70	FP-116337		Gov. Housing; w/Limiting Speed Gov.; 1.0625"
1	Expansion Plug	72-70	FP-116337		Gov. Housing; w/Variable Speed Gov.; 1.0625"
1	Carrier, Governor Weight	72-70	FP-5133707		
1	Governor Riser	72-70	FP-5109544		Small Flange
1	Governor Riser	72-70	FP-5125367		Small Flange
1	Governor Spring Cover Gasket	72-70	FP-8922593		Gov. High Speed Spring; w/Limiting Speed Gov.
1	Governor Spring Cover Gasket	72-70	FP-8922593		Gov. High Speed Spring; w/Variable Speed Gov.
1	Nut	72-70	FP-5174286		w/Variable Speed Gov.; 3/8" - 24 UNF
1	Bolt	72-70	FP-443603		Gov. Shutdown Shaft; w/Limiting Speed Gov.; .250" x 20 x .750"
1	Pipe Plug	72-70	FP-5121182		Spring Housing; 1/4" - 18; Hex head
1	Governor Seal Ring	72-70	FP-5101691		Gov. Throttle Shaft; w/Limiting Speed Gov.; .362" x .113"
1	Governor Cover Gasket	72-70	FP-5121342		w/Limiting Speed Gov.
1	Governor Cover Gasket	72-70	FP-5121342		w/Variable Speed Gov.
1	Lock Nut	72-70	FP-123390		Spring Housing; 1/4" - 20
1	Retainer	72-70	FP-142583		Gov. to Injector Spring; w/Variable Speed Gov.; 13/64" Spring
1	Retainer	72-70	FP-142583		Gov. Differential Lever; w/Limiting Speed Gov.; 13/64" Spring

(continued on next page)

Ford Truck - M/D & H/D

M/D Truck 6V-53 (2-Valve or 4-Valve Cyl. Head), 6V-53N (4-Valve Cyl. Head) Engs. H/D 19
Truck 6V-53 (2-Valve or 4-Valve Cyl. Head), 6V-53N (4-Valve Cyl. Head) Engs. (cont.)
 5.2L 318 OHV Diesel V6, 3.875" Bore (Detroit Diesel Eng.) 1968-72

COOLING SYSTEM

QTY	WATER PUMP	YEARS	PART NO.	SIZE	DESCRIPTION
1	Water Pump - Heavy Duty	72-70	FP-23507971		Raw Water Pump; Opt. 40, 48, 54, 55, 74
1	Water Pump - Heavy Duty	72-70	FP-23506003		L.H.
1	Water Pump - Heavy Duty	72-70	FP-23506011		L.H.; w/Aluminum Housing; Military Spec.
1	Water Pump - Heavy Duty	72-70	FP-23506007		R.H.
1	Water Pump Shaft	72-70	FP-5193552		Raw Water Pump
1	Water Pump Impeller	72-70	FP-8924838		Raw Water Pump
1	Water Pump Impeller	72-70	FP-5193602		Raw Water Pump; Synthetic
1	Water Pump Impeller	72-70	FP-23505993		L.H.
1	Water Pump Impeller	72-70	FP-23506605		L.H.
1	Water Pump Impeller	72-70	FP-23505994		R.H.
1	Water Pump Impeller	72-70	FP-23506606		R.H.
1	Water Pump Repair/Rebuild Kit	72-70	FP-5197224		Raw Water Pump
1	Water Pump Repair/Rebuild Kit	72-70	FP-23506863		L.H.
1	Water Pump Repair/Rebuild Kit	72-70	FP-23506869		L.H.
1	Water Pump Repair/Rebuild Kit	72-70	FP-23506864		R.H.
1	Water Pump Repair/Rebuild Kit	72-70	FP-23506865		R.H.
1	Water Pump Cover	72-70	FP-5119283		
1	Water Pump Cover	72-70	FP-5193555		Raw Water Pump
1	Water Pump Retainer Ring	72-70	FP-9415285		Raw Water Pump; Large; External
1	Water Pump Retainer Ring	72-70	FP-5193569		Raw Water Pump; Small
1	Water Pump Mech. Shaft Seal	72-70	FP-5198419		Raw Water Pump Shaft
3	Water Pump Seal Ring	72-70	FP-5125150		Bypass Tube
1	Ball Brg.	72-70	FP-907394		Idler Pulley
1	Ball Brg.	72-70	FP-23503796		Inner Fan Shaft
1	Ball Brg.	72-70	FP-23503535		Outer Fan Shaft
1	Ball Brg.	72-70	FP-23503727		Outer Fan Shaft
1	Ball Brg.	72-70	FP-23504426		Raw Water Pump
1	Ball Brg.	72-70	FP-9415132		Front; Outer Fan Shaft
1	Ball Brg.	72-70	FP-7450630		Rear; Inner Fan Shaft
1	Oil Pump Intake Gasket	72-70	FP-5126473		Thermostat Housing Cover
1	Fresh Water Pump Gasket	72-70	FP-5133107		L.H. & R.H.
1	Oil Seal	72-70	FP-5103951		Fan Shaft
1	Oil Seal	72-70	FP-5100408		Fan Shaft; Rubber Lip
1	Oil Seal	72-70	FP-5195101		Raw Water Pump Bearing
1	Oil Seal	72-70	FP-23506248		L.H. & R.H.; Water Pump Shaft
5	Bolt	72-70	FP-23504236		Raw Water Pump Housing; .250" - 20 x .500"; Stainless Steel
4	Bolt	72-70	FP-5145092		Raw Water Pump; 3/8" - 24 x 1.20", Self-Locking
1	Bolt	72-70	FP-9409060		Thermostat Housing; 1/2" - 20 x 1.500"
7	Bolt	72-70	FP-8925603		Water Pump Mounting Bolts; 5/16" - 18 x 3/4"; Vibra-Tite®
6	Pipe Plug	72-70	FP-5115214		Thermostat Housing; 1/2" Square Head
4	Pipe Plug	72-70	FP-8923847		Thermostat Housing; 1/4" x 18 NPTF; Square head
1	Pipe Plug	72-70	FP-8924380		Thermostat Housing; 1/8" - 27
2	Pipe Plug	72-70	FP-8924517		Thermostat Housing; 3/8" x 18 square head
1	Pipe Plug	72-70	FP-5115214		Water Pump Body; 1/2" Square Head
1	Shaft & Bearing Assembly	72-70	FP-8922500		
1	Shaft & Bearing Assembly	72-70	FP-904827		L.H. & R.H.
1	Dowel Pin	72-70	FP-5197597		Raw Water Pump; .184" OD x .375" Length
1	Gasket	72-70	FP-5196513		Raw Water Pump Housing
1	Gasket	72-70	FP-5116357		Water By-pass Tube
6	Screw	72-70	FP-114366		Raw Water Pump; .250" - 20 x .500"; Brass
1	Slinger, Water Pump	72-70	FP-5193676		Raw Water Pump
1	Washer	72-70	FP-103325		Raw Water Pump Flange; Lock washer; 5/8"
2	Washer	72-70	FP-5197310		Water Pump; Adhesive, Ceramic Insert
1	Water Pump Lock Ring	72-70	FP-274746		Fan Shaft
QTY	THERMOSTAT	YEARS	PART NO.	SIZE	DESCRIPTION
1	Thermostat	72-70	FP-3041379		170 Deg.
2	Thermostat	72-70	FP-5143210		170 Deg.
2	Thermostat	72-70	FP-5124872		175 Deg.
2	Thermostat	72-70	FP-5104462		180 Deg.
1	Thermostat Cover Gasket	72-70	FP-5125024		Thermostat Housing Cover
1	Thermostat Gasket	72-70	FP-5117786		Outlet Elbow
1	Water Outlet Gasket	72-70	FP-2206783		
QTY	MISCELLANEOUS	YEARS	PART NO.	SIZE	DESCRIPTION
1	Fan Drive Pulley	72-70	FP-5144503		
2	Lock Washer	72-70	FP-103321		Raw Water Pump; 3/8"
2	Lock Washer	72-70	FP-103320		Raw Water Pump; 5/16"
4	Lock Washer	72-70	FP-103321		Thermostat Housing; 3/8"

(continued on next page)

Ford Truck - M/D & H/D

19 M/D Truck 6V-53 (2-Valve or 4-Valve Cyl. Head), 6V-53N (4-Valve Cyl. Head) Engs. H/D
 (cont.) Truck 6V-53 (2-Valve or 4-Valve Cyl. Head), 6V-53N (4-Valve Cyl. Head) Engs.
 5.2L 318 OHV Diesel V6, 3.875" Bore (Detroit Diesel Eng.) 1968-72

COOLING SYSTEM (cont.)

QTY	MISCELLANEOUS (cont.)	YEARS	PART NO.	SIZE	DESCRIPTION
4	Lock Washer	72-70	FP-103320		Thermostat Housing; 5/16"
1	Accessory Drive Gasket	72-70	FP-23515145		Raw Water Pump
ENGINE BLOCK & PARTS					
QTY	GASKETS	YEARS	PART NO.	SIZE	DESCRIPTION
1	Front Cover Gasket	72-70	FP-5119368		Lower
1	Front Cover Gasket	72-70	FP-5124055		Upper
1	O-Ring	72-70	FP-5109517		Air Heater; 1.750"
1	Oil Pan Gasket	72-70	FP-5196061		w/Cast Iron Pan
1	Oil Pan Gasket	72-70	FP-5119266		w/Stamped Steel Pan
2	Copper Washer	72-70	FP-5155596		Oil Pan; 5/16"; Special copper washer
1	Washer	72-70	FP-840277		Oil Pan; 18MM, Nylon
5	Pipe Plug	72-70	FP-5115214		Oil Pan; 1/2" Square Head
2	Pipe Plug	72-70	FP-5121182		Oil Pan; 1/4" - 18; Hex head
1	Pipe Plug	72-70	FP-5142549		Oil Pan; 3/4" - 14 Square Head
1	Cyl. Block Water Hole Cvr Gsk	72-70	FP-5132474		
1	Gasket	72-70	FP-5116357		Water Hole Gasket
4	Gasket	72-70	FP-23505525		3/8" Copper
4	Hand Hole Cover Gasket	72-70	FP-5132117		
4	Hand Hole Cover Gasket	72-70	FP-8923792		
12	Copper Washer	72-70	FP-5152148		Fuel stand pipe; 25/64" ID x 9/16" OD x 1/16" Thick; Copper
10	Lock Washer	72-70	FP-103321		3/8"
QTY	GASKET SETS	YEARS	PART NO.	SIZE	DESCRIPTION
1	Complete Overhaul Gasket Set	72-70	FP-5199816		Aluminum; Crankshaft seals not incl.
1	Complete Overhaul Gasket Set	72-70	FP-23512690		Crankshaft seals not incl.
1	Complete Overhaul Gasket Set	72-70	FP-23512690WS		Incl. Front & Rear Seals
1	Complete Overhaul Gasket Set	72-70	FP-8927743		Military Applications; Crankshaft seals not incl.
QTY	DOWEL PINS	YEARS	PART NO.	SIZE	DESCRIPTION
4	Dowel Pin	72-70	FP-141346		.1875" x .500"
QTY	CAM BEARINGS	YEARS	PART NO.	SIZE	DESCRIPTION
1	Cam Set	72-70	FP-5197944	STD	
1	Cam Set	72-70	FP-5197945	10	
1	Cam Set	72-70	FP-5197946	20	
QTY	OIL COOLERS & FILTERS	YEARS	PART NO.	SIZE	DESCRIPTION
1	Oil Cooler	72-70	FP-8547236		12 plate
1	Oil Cooler	72-70	FP-8547581		13 plate
1	Oil Cooler	72-70	FP-8547547		16 plate
1	Oil Cooler	72-70	FP-8547548		6 plate
1	Oil Cooler	72-70	FP-8547563		8 plate
12	Lock Washer	72-70	FP-103320		Oil Cooler; 5/16"
2	Pipe Plug	72-70	FP-5121182		Oil Cooler; 1/4" - 18; Hex head
2	Pipe Plug	72-70	FP-5142549		Oil Cooler; 3/4" - 14 Square Head
2	Oil Cooler Gasket	72-70	FP-8923223		Outlet
1	Gasket	72-70	FP-5116357		Oil Cooler Housing to Block
1	Oil Cooler Core Inner Gasket	72-70	FP-5150155		Inlet
2	Oil Cooler Core Outer Gasket	72-70	FP-5102506		Outlet
1	Oil Cooler Cover Gasket	72-70	FP-23501591		Inlet
QTY	FREEZE PLUGS	YEARS	PART NO.	SIZE	DESCRIPTION
1	Pipe Plug	72-70	FP-5121182		1/4" - 18; Hex head
10	Pipe Plug	72-70	FP-8924380		1/8" - 27
QTY	DIPSTICK	YEARS	PART NO.	SIZE	DESCRIPTION
1	Dipstick	72-70	FP-5146679		61" Length; Unmarked
1	Dipstick	72-70	FP-5146680		72" Length; Unmarked
1	Dipstick Guide	72-70	FP-5151430		1.50" Length
QTY	MISCELLANEOUS	YEARS	PART NO.	SIZE	DESCRIPTION
1	Pipe Plug	72-70	FP-5121182		1/4" - 18; Hex head
10	Pipe Plug	72-70	FP-8924380		1/8" - 27
6	Fuel Drain Tube	72-70	FP-5135662		.299"
6	Fuel Drain Tube	72-70	FP-5135547		.434"
1	Accessory Drive Gasket	72-70	FP-23515145		Oil Filler Tube
1	Oil Filler Cap	72-70	FP-5140259		w/Chain & Hook
1	Oil Filler Cap	72-70	FP-5108474		Twist Type
1	Oil Filler Cap	72-70	FP-5107106		1.50" Dia.; Thermos Bottle Style
1	Oil Filler Cap	72-70	FP-5117362		2.00" Dia.; Thermos Bottle Style

(continued on next page)

Ford Truck - M/D & H/D

M/D Truck 6V-53 (2-Valve or 4-Valve Cyl. Head), 6V-53N (4-Valve Cyl. Head) Engs. H/D 19
Truck 6V-53 (2-Valve or 4-Valve Cyl. Head), 6V-53N (4-Valve Cyl. Head) Engs. (cont.)
 5.2L 318 OHV Diesel V6, 3.875" Bore (Detroit Diesel Eng.) 1968-72

CRANKSHAFT/OIL PUMP

QTY	CRANKSHAFT	YEARS	PART NO.	SIZE	DESCRIPTION
23	Lock Washer	72-70	FP-103321		3/8"
1	Woodruff Key	72-70	FP-8926247		.250" x .750"
4	Dowel Pin	72-70	FP-141346		.1875" x .500"
1	Harmonic Balancer Sleeve	72-70	88187		
QTY	SEALS - FRONT CRANK	YEARS	PART NO.	SIZE	DESCRIPTION
1	Oil Seal	72-70	FP-5138796		
1	Oil Seal	72-70	FP-5198503		Single lip O/S ID
1	Redi-Sleeve	72-70	99187		
1	Wear Sleeve	72-70	FP-5136097		
1	Wear Sleeve	72-70	FP-5198502		
1	Oil Seal	72-70	482041N		
QTY	SEALS - REAR CRANK	YEARS	PART NO.	SIZE	DESCRIPTION
1	Oil Seal	72-70	FP-5116229		Single lip
1	Oil Seal	72-70	FP-5196852		Single lip O/S ID
1	Oil Seal	72-70	FP-5128917		Wet only; Double Lip
1	Oil Seal Kit	72-70	FP-8926902		RH Rotation only; PTFE
1	Redi-Sleeve	72-70	99395		
1	Wear Sleeve	72-70	FP-23516636		Use w/O/S Seals only
8	Washer	72-70	FP-5133981		Main bearing cap; .122" Thick
QTY	MAIN BEARINGS	YEARS	PART NO.	SIZE	DESCRIPTION
1	Main Set	72-70	FP-5198410S	STD	Brgs. w/7 oil holes
4	Plain Main Brg.	72-70	FP-5195927	STD	Brgs. w/1 oil hole
4	Plain Main Brg.	72-70	FP-5196685	10	Brgs. w/1 oil hole
4	Plain Main Brg.	72-70	FP-5196686	20	Brgs. w/1 oil hole
4	Plain Main Brg.	72-70	FP-5196687	30	Brgs. w/1 oil hole
4	Plain Main Brg.	72-70	FP-5198410	STD	Brgs. w/7 oil holes
4	Plain Main Brg.	72-70	FP-5198411	2	Brgs. w/7 oil holes
4	Plain Main Brg.	72-70	FP-5198412	10	Brgs. w/7 oil holes
4	Plain Main Brg.	72-70	FP-5198413	20	Brgs. w/7 oil holes
4	Plain Main Brg.	72-70	FP-5198414	30	Brgs. w/7 oil holes
1	Thrust Washer Set	72-70	FP-5159353S	STD	Position 4
4	Thrust Washer	72-70	FP-5159353	STD	Position 4
4	Thrust Washer	72-70	FP-5160542	5	Position 4
4	Thrust Washer	72-70	FP-5192111	10	Position 4
QTY	OIL PUMP	YEARS	PART NO.	SIZE	DESCRIPTION
1	Oil Pump	72-70	FP-5116070		Option Type 51, 163, 164, 165, 174
1	Oil Pump Seal Ring	72-70	FP-5126492		Pump Inlet
1	Wear Sleeve	72-70	FP-5136097		Oil Pump Cover Bushing
1	Oil Pump Intake Gasket	72-70	FP-5126473		Elbow to Pump
1	Woodruff Key	72-70	FP-8928540		1/8" x 5/8"
2	Screw	72-70	FP-145067		Oil Pump Cover
4	Washer	72-70	FP-5138619		Oil Pump Assy.; 25/64" x 3/4" x .083"
2	Washer	72-70	FP-5177773		Oil Pump Relief Valve; 18MM x 1.5MM
2	Lock Washer	72-70	FP-103319		Oil Pump Assy.; .250"
6	Lock Washer	72-70	FP-103320		Oil Pump Mount; 5/16"
1	Oil Filter Gasket	72-70	FP-5121205		Filter Cover Adaptor
1	Oil Filter Gasket	72-70	FP-5121205		Oil Filter Adaptor
1	Lock Nut	72-70	FP-114498		Oil Filter Cover; 5/8" - 18, Jam Nut
1	Front Cover Gasket	72-70	FP-5119368		Oil Pump to Block
1	Oil Filter Adapter Gasket	72-70	FP-5128439		
1	Oil Filter Adapter Gasket	72-70	FP-8924412		
5	Pipe Plug	72-70	FP-5115214		Oil Pan; 1/2" Square Head
2	Pipe Plug	72-70	FP-5121182		Oil Pan; 1/4" - 18; Hex head
1	Pipe Plug	72-70	FP-5142549		Oil Pan; 3/4" - 14 Square Head
CYLINDER COMPONENTS					
QTY	LINERS	YEARS	PART NO.	SIZE	DESCRIPTION
6	Liner w/o Sealing Rings	72-70	FP-8926088	STD	.740" Port Height
6	Liner w/o Sealing Rings	72-70	FP-8926090	20	.740" Port Height
6	Liner w/o Sealing Rings	72-70	FP-5132803	STD	.840" Port Height
6	Liner w/o Sealing Rings	72-70	FP-5101016	10	.840" Port Height
6	Liner w/o Sealing Rings	72-70	FP-5149944	20	.840" Port Height
6	Cylinder Kit Complete	72-70	FP-5198903	STD	Opt. 25,26,27,29,35,60,83; Trunk style piston; 17:1 C.R.
6	Cylinder Kit Complete	72-70	FP-519890310	10	Opt. 25,26,27,29,35,60,83; Trunk style piston; 17:1 C.R.
6	Cylinder Kit Complete	72-70	FP-519890320	20	Opt. 25,26,27,29,35,60,83; Trunk style piston; 17:1 C.R.
6	Cylinder Kit Complete	72-70	FP-5198904	STD	Opt. 53,56,65,66,77,236,249; Trunk style piston; 21:1 C.R.
6	Cylinder Kit Complete	72-70	FP-519890410	10	Opt. 53,56,65,66,77,236,249; Trunk style piston; 21:1 C.R.

(continued on next page)

Ford Truck - M/D & H/D

19 M/D Truck 6V-53 (2-Valve or 4-Valve Cyl. Head), 6V-53N (4-Valve Cyl. Head) Engs. H/D
 (cont.) Truck 6V-53 (2-Valve or 4-Valve Cyl. Head), 6V-53N (4-Valve Cyl. Head) Engs.
 5.2L 318 OHV Diesel V6, 3.875" Bore (Detroit Diesel Eng.) 1968-72

CYLINDER COMPONENTS (cont.)

QTY	LINERS (cont.)	YEARS	PART NO.	SIZE	DESCRIPTION
6	Cylinder Kit Complete	72-70	FP-519890420	20	Opt. 53,56,65,66,77,236,249; Trunk style piston; 21:1 C.R.
6	Cylinder Kit Complete	72-70	FP-5198899	STD	Opt. 61,62,64,68,96,97,98,118,238,241; Trunk style piston; 21:1 C.R.
6	Cylinder Kit Complete	72-70	FP-519889910	10	Opt. 61,62,64,68,96,97,98,118,238,241; Trunk style piston; 21:1 C.R.
6	Cylinder Kit Complete	72-70	FP-519889920	20	Opt. 61,62,64,68,96,97,98,118,238,241; Trunk style piston; 21:1 C.R.
6	Cylinder Kit Complete	72-70	FP-5199116		Opt. 63,67; Trunk style piston; 21:1 C.R.; Military Spec.
6	Cylinder Kit Complete	72-70	FP-519911610	10	Opt. 63,67; Trunk style piston; 21:1 C.R.; Military Spec.
6	Cylinder Kit Complete	72-70	FP-519911620	20	Opt. 63,67; Trunk style piston; 21:1 C.R.; Military Spec.
12	Sealing Ring, Liner	72-70	FP-5121256		.010 O/S
12	Sealing Ring, Liner	72-70	FP-5149945		.020 O/S
6	Flange Shim	72-70	FP-29610	1	.001"
6	Flange Shim	72-70	FP-29611	2	.002"
QTY	PISTONS	YEARS	PART NO.	SIZE	DESCRIPTION
6	Piston With Retainers	72-70	FP-5195931		2 Valve Head; Trunk style piston
6	Piston With Retainers	72-70	FP-5198877		4 Valve Head; Military Spec.; Trunk style piston
6	Piston With Retainers	72-70	FP-5198877		4 Valve Head; Trunk style piston
6	Piston Skirt	72-70	FP-8924002		
6	Pin	72-70	FP-5116189		
6	Piston Pin Retainer	72-70	FP-5108131		2 Valve Head; 1.38" Dia.
12	Piston Pin Retainer	72-70	FP-5108131		4 Valve Head; 1.38" Dia.
12	Piston Pin Bolt Spacer	72-70	FP-8924732		w/Crosshead piston
24	Pin Bushing	72-70	FP-5116181		Trunk Type; 2 req'd. per rod
6	Pin Bushing	72-70	2619Y20 +		2 req'd. per rod; O.E. No. 5116181; When depleted use FP-5116181
QTY	CONNECTING RODS & BRGS.	YEARS	PART NO.	SIZE	DESCRIPTION
6	Con. Rod Bolt	72-70	FP-5197852		
6	Con. Rod Nut	72-70	FP-839103		
6	Rod Pair	72-70	FP-5197975	STD	
6	Rod Pair	72-70	FP-5197976	2	
6	Rod Pair	72-70	FP-5197977	10	
6	Rod Pair	72-70	FP-5197978	20	
6	Rod Pair	72-70	FP-5197979	30	
QTY	PISTON RINGS	YEARS	PART NO.	SIZE	DESCRIPTION
6	Ring Set Single Cylinder	72-70	FP-23501520	STD	High Sulfur; Trunk type
6	Ring Set Single Cylinder	72-70	FP-23501521	STD	High Sulfur; Trunk type
6	Ring Set Single Cylinder	72-70	FP-5198901	STD	Military Spec.
6	Ring Set Single Cylinder	72-70	FP-5198902		Trunk type
6	Ring Set Single Cylinder	72-70	FP-5198822	STD	2 Valve Head; 1-.082, 3-3/32, 2-3/16 (1 cyl. set)
6	Ring Set Single Cylinder	72-70	FP-5149942	STD	4 Valve Head
6	Compression Ring	72-70	FP-5103382		Pos. 1; High Sulfur; Trunk type
6	Compression Ring	72-70	FP-8923328		Pos. 1; High Sulfur; Trunk type
6	Compression Ring	72-70	FP-5103382		Pos. 1; Military Spec.
6	Compression Ring	72-70	FP-5103382		Pos. 1; Trunk type
6	Compression Ring	72-70	FP-5103382		Pos. 1; 2 Valve Head
6	Compression Ring	72-70	FP-8923328		Pos. 1; 4 Valve Head
18	Compression Ring	72-70	FP-5116184		Pos. 2; Trunk type
18	Compression Ring	72-70	FP-8925779		Pos. 2, 3, 4; High Sulfur; Trunk type
18	Compression Ring	72-70	FP-8925779		Pos. 2, 3, 4; High Sulfur; Trunk type
18	Compression Ring	72-70	FP-5116184		Pos. 2, 3, 4; Military Spec.
18	Compression Ring	72-70	FP-5116184		Pos. 2, 3, 4; 2 Valve Head
18	Compression Ring	72-70	FP-5116184		Pos. 2, 3, 4; 4 Valve Head
12	Compression Ring	72-70	FP-5127147		Pos. 3, 4; Trunk type
6	Ring, Oil Control Set	72-70	FP-5198092		Military Spec.
12	Ring, Oil Control Set	72-70	FP-5195933		Trunk type
12	Ring, Oil Control Set	72-70	FP-5195933		2 Valve Head
12	Ring, Oil Control Set	72-70	FP-5195933		4 Valve Head
CLUTCH					
QTY	CLUTCH	YEARS	PART NO.	SIZE	DESCRIPTION
1	Ball Brg.	72-70	FP-23503707		Clutch Pilot
1	Ball Brg.	72-70	FP-23504892		Clutch Pilot; Repl. FP-904983

(continued on next page)

Ford Truck - M/D & H/D

M/D Truck 6V-53 (2-Valve or 4-Valve Cyl. Head), 6V-53N (4-Valve Cyl. Head) Engs. H/D 19 Truck 6V-53 (2-Valve or 4-Valve Cyl. Head), 6V-53N (4-Valve Cyl. Head) Engs. (cont.) 5.2L 318 OHV Diesel V6, 3.875" Bore (Detroit Diesel Eng.) 1968-72					
KITS					
QTY	OVERHAUL KIT	YEARS	PART NO.	SIZE	DESCRIPTION
1	In-Frame Overhaul Kit	72-70	FP-IFK6V53		
1	In-Frame Overhaul Kit	72-70	FP-6V53		
1	Complete Overhaul Kit	72-70	FP-OH6V53		
1	Complete Overhaul Kit	72-70	FP-6V53OH		
M/D Truck 330 M/D Eng. H/D Truck 330 M/D Eng. 20 5.4L 330 OHV V8 (M/D Eng.), 3.875" Bore 1964-78					
CYL. HEAD & PARTS					
QTY	VALVE	YEARS	PART NO.	SIZE	DESCRIPTION
8	Exhaust	77-64	V-2039 Std Only		Chrome plated stem; 1.5080" Head Dia., .3704" Stem Dia., 5.3730" O.A.L.
8	Exhaust	77-64	V-1954X Std Only		Optional-Stellite Face; Chrome plated stem; 1.5070" Head Dia., .3704" Stem Dia., 5.3730" O.A.L.
32	Keeper	77-64	VK-138		1 groove; Square cut key groove
32	Keeper	77-64	VK-138R		1 groove; Square cut key groove; Hardened
32	Keeper, Bulk	77-64	VK-138B		1 groove; Square cut key groove; Carton of 1000
QTY	VALVE SEAT	YEARS	PART NO.	SIZE	DESCRIPTION
8	Exh.	77-64	245-1630-1 Std Only		1.6300" OD, 1.3350" ID, .3105" Depth
QTY	VALVE SPRING	YEARS	PART NO.	SIZE	DESCRIPTION
16	Spring	77-64	VS-1428		Incl. damper; 2.3430" Free Height
QTY	PUSH RODS	YEARS	PART NO.	SIZE	DESCRIPTION
16	Push Rod	77-64	RP-3227R		Ball & ball type ends; Chrome-Moly; 9.5950" O.A.L.
16	Push Rod	77-64	RP-3172B		Ball & ball type ends; 9.5600" O.A.L.
16	Push Rod	77-64	RP-3172		Ball & ball type ends; 9.6210" O.A.L.
16	Push Rod	77-64	RP-3172A		Ball & ball type ends; 9.6800" O.A.L.
16	Push Rod	77-64	RP-3172C		9.59" O.A.L.; 9.5910" O.A.L.
16	Push Rod, Bulk	77-64	BRP-3172B		Ball & ball type ends; Carton of 100; 9.5600" O.A.L.
16	Push Rod, Bulk	77-64	BRP-3172		Ball & ball type ends; Carton of 100; 9.6210" O.A.L.
QTY	VALVE SEAL	YEARS	PART NO.	SIZE	DESCRIPTION
16	Valve Stem Seal	77-64	ST-2002		Use w/O.E. guide; Installation requires valve guide machining; Polyacrylate
16	Valve Stem Seal	77-64	ST-2014		Use w/VG-5035 repair guide; Positive type; Installation requires valve guide machining; PTFE
16	Valve Stem Seal	77-64	MV-1775C		Umbrella type; Polyacrylate
16	Valve Stem Seal Bulk	77-64	MV-1775		Umbrella type; Carton of 100; Polyacrylate
16	Valve Stem Seal Bulk	77-64	ST-2002BC		Use w/O.E. guide; Positive type; Installation requires valve guide machining; Carton of 100; Polyacrylate
16	Valve Stem Seal Bulk	77-64	ST-2014BC		Use w/VG-5035 repair guide; Positive type; Installation requires valve guide machining; Carton of 100; PTFE
QTY	ROCKER PARTS	YEARS	PART NO.	SIZE	DESCRIPTION
16	Arm	77-64	R-814		Non-Adj.
2	Rocker Shaft	77-64	RS-621		
CAMSHAFT GROUP					
QTY	TIMING	YEARS	PART NO.	SIZE	DESCRIPTION
1	3 Piece Set	77-64	KT3-169SA1		Incl. (1) 222-169, (1) 223-331, (1) 223-410
1	Timing Chain	77-64	222-169		64 Links
1	Crank Sprocket	77-64	223-331		24 Teeth
1	Cam Sprocket	77-64	223-410		Installation of 223-410 does not require spacer on cam nose. Older type Engs. used a spacer to fit on cam nose through the ID of the thrust plate. New types have the spacer cast into hub of sprocket; 48 Teeth
QTY	CAMSHAFT/LIFTER	YEARS	PART NO.	SIZE	DESCRIPTION
1	Camshaft	77-64	CS-619		
16	Lifter	77-64	HT-2083 Std Only		Hyd.
16	Lifter, Bulk	77-64	HT-2083B Std Only		Hyd.; Carton of 122
1	Prelube	77-64	55-400		4 oz. bottle; 1.5 oz. packet No. 55-403 also avail.
QTY	CAMSHAFT KIT	YEARS	PART NO.	SIZE	DESCRIPTION
1	Cam/Lifter Kit	77-64	KC-619		Incl. (1) CS-619, (16) HT-2083, (1) 55-403B
1	Cam/Lifter/Timing Kit	77-64	KCT-619		Incl. (1) CS-619, (16) HT-2083, (1) KT3-169SA1, (1) 55-403B
ENGINE BLOCK & PARTS					
QTY	GASKET SETS	YEARS	PART NO.	SIZE	DESCRIPTION
1	Kit Gasket Set	78-73	260-1039		Exh. heat shields not incl.; Premium valve stem seals incl.

(continued on next page)

Ford Truck - M/D & H/D

20 M/D Truck 330 M/D Eng. H/D Truck 330 M/D Eng.
 (cont.) 5.4L 330 OHV V8 (M/D Eng.), 3.875" Bore 1964-78

ENGINE BLOCK & PARTS (cont.)							
QTY	GASKET SETS (cont.)	YEARS	PART NO.	SIZE	DESCRIPTION		
1	Kit Gasket Set	72-64	260-1042		Exh. heat shields not incl.; Premium valve stem seals incl.		
QTY	CAM BEARINGS	YEARS	PART NO.	SIZE	DESCRIPTION		
1	Cam Set	78-64	1445M Std Only				
QTY	FREEZE PLUGS	YEARS	PART NO.	SIZE	DESCRIPTION		
1	Brass Block Plug Kit	77-64	381-8017				
1	Steel Block Plug Kit	77-64	381-4015				
CRANKSHAFT/OIL PUMP							
QTY	CRANKSHAFT	YEARS	PART NO.	SIZE	DESCRIPTION		
1	Harmonic Balancer Sleeve	78-64	88187				
QTY	SEALS - FRONT CRANK	YEARS	PART NO.	SIZE	DESCRIPTION		
1	Redi-Sleeve	78-64	99187				
1	Oil Seal	78-73	412038N				
1	Oil Seal	72-64	2942				
QTY	SEALS - REAR CRANK	YEARS	PART NO.	SIZE	DESCRIPTION		
1	Oil Seal	78-64	5112S				
1	Oil Seal Kit	78-64	5095		(Rope Type)		
QTY	MAIN BEARINGS	YEARS	PART NO.	SIZE	DESCRIPTION		
1	Main Set	78-64	4261M Std-1-10-20-30-40-50-60		3.824" max. flange OD		
QTY	OIL PUMP	YEARS	PART NO.	SIZE	DESCRIPTION		
1	Oil Pump	77-64	224-41173				
1	Oil Pump	77-64	224-43365A		High Pressure		
1	Oil Pump	77-64	224-41177		High Volume, check pan for clearance		
1	Inter. Shaft	77-64	224-61114				
CYLINDER COMPONENTS							
QTY	LINERS	YEARS	PART NO.	SIZE	DESCRIPTION		
1	Repair Sleeve	77-64	SL-20Y Std Only		1/8" wall, must be cut to correct length		
QTY	PISTONS	YEARS	PART NO.	SIZE	DESCRIPTION		
8	Cast Piston	78-64	329NP Std-20-30-40-60		Cast; 1-5/64", 1-3/32", 1-3/16" Ring Groove, 1.830" CD, .9751" Pin Dia., Recessed Head .055" deep x 2.780" dia. - 7.2:1 C.R.		
8	Cast Piston - Individual	78-64	W329NP Std-20-30-40-60		Cast; 1-5/64", 1-3/32", 1-3/16" Ring Groove, 1.830" CD, .9751" Pin Dia., Recessed Head .055" deep x 2.780" dia. - 7.2:1 C.R.		
8	Cast Piston - Individual	72-64	FP-W993P Std-30-40-60		Cast; 1-3/32", 2-5/64", 1-3/16" Ring Groove, 1.883" CD, .9751" Pin Dia., Recessed Head .080" deep x 2.900" dia. w/top ring groove protector		
8	Pin	77-64	P-2217 Std Only				
8	Pin Bushing	78-64	2304V		Split type bushing		
8	Pin Bushing	78-64	2304V20		Split type bushing; w/.020" extra bore stock		
QTY	CONNECTING RODS & BRGS.	YEARS	PART NO.	SIZE	DESCRIPTION		
1	Rod Set	78-64	8-3230CP Std-10-20-30-40-50		Squirt hole removed from all Ford V Engs.; 8-3230CA 60 avail. as unplated & resizeable		
1	Rod Set	78-64	8-3230CP10X2 10X2-20X2-30X2		Use in .002" O/S Rod Bore; Squirt hole removed from all Ford V Engs.		
1	Rod Set	78-64	8-3230CA60 60		Unplated & resizeable; Squirt hole removed from all Ford V Engs.		
8	Rod Pair	78-64	3230CP Std-1-2-10-20-30-40-50		Squirt hole removed from all Ford V Engs.		
QTY	PISTON RINGS	YEARS	PART NO.	SIZE	DESCRIPTION		
1	Premium Set	77-64	E-224K Std-20-30-40-60		1-5/64, 1-3/32, 1-3/16		
8	Premium Single Cylinder Set	77-64	WE-224K Std-40-60		1-5/64, 1-3/32, 1-3/16		
KITS							
RE-RING KIT				QTY	PREMIUM KIT NO.	QTY	ECONOMY KIT NO.
YEARS	DESCRIPTION						
77-73	Squirt hole removed from all Ford V Engs.; Premium valve stem seals incl.		Re-ring	1	205-611		----
72-64	Premium valve stem seals incl.; Squirt hole removed from all Ford V Engs.		Re-ring	1	205-654		----
OVERHAUL KIT				QTY	PREMIUM KIT NO.	QTY	ECONOMY KIT NO.
YEARS	DESCRIPTION						
77-73	Premium valve stem seals incl.; w/3.824" max. brg. flange OD; Squirt hole removed from all Ford V Engs.		Master Master w/o Pistons	1 1	MKP-611A MK-611A		----

(continued on next page)

Ford Truck - M/D & H/D

M/D Truck 330 M/D Eng. H/D Truck 330 M/D Eng. **20**
5.4L 330 OHV V8 (M/D Eng.), 3.875" Bore 1964-78 (cont.)

KITS (cont.)

YEARS	DESCRIPTION	QTY	PREMIUM KIT NO.	QTY	ECONOMY KIT NO.
72-68	Premium valve stem seals incl.; w/3.824" max. brg. flange OD; Squirt hole removed from all Ford V Eng.	1	MKP-654A		----
72-66	Premium valve stem seals incl.; w/3.824" max. brg. flange OD; Squirt hole removed from all Ford V Eng.	1	MK-654A		----
65-64	Exh. heat shields not incl.; Premium valve stem seals incl.; w/3.824" max. brg. flange OD; Squirt hole removed from all Ford V Eng.	1	MK-654A		----

M/D Truck 330 H/D Eng. H/D Truck 330 H/D Eng. **21**
5.4L 330 OHV V8 (H/D Eng.), 3.875" Bore 1964-78

CYL. HEAD & PARTS

QTY	VALVE	YEARS	PART NO.	SIZE	DESCRIPTION
8	Intake	77	V-1833X	Std Only	To Ser. No. 025,000, Exc. F600; Chrome plated stem; 1.7520" Head Dia., .3714" Stem Dia., 5.3930" O.A.L.
8	Intake	76-68	V-1833X	Std Only	Exc. F600; Chrome plated stem; 1.7520" Head Dia., .3714" Stem Dia., 5.3930" O.A.L.
8	Intake	67-64	FP-V1769		1.7520" Head Dia., .3715" Stem Dia., 5.3930" O.A.L.
8	Intake	67-64	V-1769 +	Std Only	1.7520" Head Dia., .3715" Stem Dia., 5.3930" O.A.L.; When depleted use FP-V1769
8	Exhaust	77-64	V-1768X	Std Only	Sodium cooled; Chrome plated stem; 1.5050" Head Dia., .4343" Stem Dia., 5.3720" O.A.L.
32	Keeper	77-64	VK-138		1 groove; Square cut key groove
32	Keeper	77-64	VK-138R		1 groove; Square cut key groove; Hardened
32	Keeper, Bulk	77-64	VK-138B		1 groove; Square cut key groove; Carton of 1000
QTY	VALVE SEAT	YEARS	PART NO.	SIZE	DESCRIPTION
8	Exh.	77-64	245-1630-1	Std Only	1.6300" OD, 1.3350" ID, .3105" Depth
QTY	VALVE GUIDE	YEARS	PART NO.	SIZE	DESCRIPTION
8	Guide	77-64	VG-5032		Exh.; .4375" ID, 2.5000" O.A.L.
QTY	VALVE SPRING	YEARS	PART NO.	SIZE	DESCRIPTION
8	Spring	77	VS-721		Exh.; From Ser. No. 025,001; 1.9600" Free Height
16	Spring	77	VS-721		Exh. & Int.; To Ser. No. 025,000; 1.9600" Free Height
8	Spring	77	VS-682		Int.; From Ser. No. 025,001; Incl. damper; 2.1200" Free Height
8	Spring, Bulk	77	VS-721B		Exh.; From Ser. No. 025,001; Carton of 250; 1.9600" Free Height
16	Spring, Bulk	77	VS-721B		Exh. & Int.; To Ser. No. 025,000; Carton of 250; 1.9600" Free Height
8	Spring, Bulk	77	VS-682B		Int.; From Ser. No. 025,001; Incl. damper; Carton of 200; 2.1200" Free Height
16	Spring Insert	77-64	259-103C		.015"; ID 1.030"; Carton of 100
16	Spring Insert	77-64	259-103B		.030"; ID 1.030"; Carton of 100
16	Spring Insert	77-64	259-103BRS		.030"; ID 1.030"; Carton of 500
16	Spring Insert	77-64	259-103A		.060"; ID 1.030"; Carton of 100
16	Spring Insert	77-64	259-103ARS		.060"; ID 1.030"; Carton of 500
QTY	PUSH RODS	YEARS	PART NO.	SIZE	DESCRIPTION
16	Push Rod	77-64	RP-3227R		Ball & ball type ends; Chrome-Moly; 9.5950" O.A.L.
16	Push Rod	77-64	RP-3172B		Ball & ball type ends; 9.5600" O.A.L.
16	Push Rod	77-64	RP-3172		Ball & ball type ends; 9.6210" O.A.L.
16	Push Rod	77-64	RP-3172A		Ball & ball type ends; 9.6800" O.A.L.
16	Push Rod	77-64	RP-3172C		9.59" O.A.L.; 9.5910" O.A.L.
16	Push Rod, Bulk	77-64	BRP-3172B		Ball & ball type ends; Carton of 100; 9.5600" O.A.L.
16	Push Rod, Bulk	77-64	BRP-3172		Ball & ball type ends; Carton of 100; 9.6210" O.A.L.
QTY	VALVE SEAL	YEARS	PART NO.	SIZE	DESCRIPTION
8	Valve Stem Seal	77-67	ST-2007		Exh.; Positive type; Rubber
8	Valve Stem Seal	77-67	ST-2002		Int.; Installation requires valve guide machining; Polyacrylate
8	Valve Stem Seal	77-64	MV-1233C		Exh.; To Ser. No. C10001; O-Ring; Rubber
16	Valve Stem Seal	77-64	MV-1775C		Exh. & Int.; Umbrella type; Polyacrylate
8	Valve Stem Seal Bulk	77-67	ST-2002BC		Int.; Positive type; Installation requires valve guide machining; Carton of 100; Polyacrylate
8	Valve Stem Seal Bulk	77-64	MV-1233		Exh.; To Ser. No. C10001; O-Ring; Carton of 100; Rubber
16	Valve Stem Seal Bulk	77-64	MV-1775		Exh. & Int.; Umbrella type; Carton of 100; Polyacrylate
QTY	ROCKER PARTS	YEARS	PART NO.	SIZE	DESCRIPTION
16	Arm	77-64	R-814		Non-Adj.
2	Rocker Shaft	77-64	RS-621		

(continued on next page)

+ Superseded Part Number

Ford Truck - M/D & H/D

21 M/D Truck 330 H/D Eng. H/D Truck 330 H/D Eng.
(cont.) 5.4L 330 OHV V8 (H/D Eng.), 3.875" Bore 1964-78

CAMSHAFT GROUP					
QTY	TIMING	YEARS	PART NO.	SIZE	DESCRIPTION
1	3 Piece Set	76-73	KT3-169SA1		W/1.376" ID Crank Sprocket; Incl. (1) 222-169, (1) 223-331, (1) 223-410
1	3 Piece Set	72-64	KT3-169SA2		W/1.762" ID Crank Sprocket; Incl. (1) 222-169, (1) 223-353, (1) 223-410
1	Timing Chain	77-64	222-169		64 Links
1	Crank Sprocket	77-64	223-331		1.376" ID; 24 Teeth
1	Crank Sprocket	77-64	223-353		1.762" ID; 24 Teeth
1	Cam Sprocket	77-64	223-410		Installation of 223-410 does not require spacer on cam nose. Older type Eng. used a spacer to fit on cam nose through the ID of the thrust plate. New types have the spacer cast into hub of sprocket; 48 Teeth
QTY	CAMSHAFT/LIFTER	YEARS	PART NO.	SIZE	DESCRIPTION
1	Camshaft	77-64	CS-619		
16	Lifter	77-64	HT-2083	Std Only	Hyd.
16	Lifter, Bulk	77-64	HT-2083B	Std Only	Hyd.; Carton of 122
1	Prelube	77-64	55-400		4 oz. bottle; 1.5 oz. packet No. 55-403 also avail.
QTY	CAMSHAFT KIT	YEARS	PART NO.	SIZE	DESCRIPTION
1	Cam/Lifter Kit	77-64	KC-619		Incl. (1) CS-619, (16) HT-2083, (1) 55-403B
1	Cam/Lifter/Timing Kit	76-73	KCT-619		W/1.376" ID Crank Sprocket; Incl. (1) CS-619, (16) HT-2083, (1) KT3-169SA1, (1) 55-403B
1	Cam/Lifter/Timing Kit	72-64	KCT-619A		W/1.762" ID Crank Sprocket; Incl. (1) CS-619, (16) HT-2083, (1) KT3-169SA2, (1) 55-403B
ENGINE BLOCK & PARTS					
QTY	GASKET SETS	YEARS	PART NO.	SIZE	DESCRIPTION
1	Kit Gasket Set	78-64	260-1039		Exh. heat shields not incl.; Premium valve stem seals incl.
QTY	CAM BEARINGS	YEARS	PART NO.	SIZE	DESCRIPTION
1	Cam Set	77-64	1445M	Std Only	
QTY	FREEZE PLUGS	YEARS	PART NO.	SIZE	DESCRIPTION
1	Brass Block Plug Kit	77-64	381-8017		
1	Steel Block Plug Kit	77-64	381-4015		
CRANKSHAFT/OIL PUMP					
QTY	MAIN BEARINGS	YEARS	PART NO.	SIZE	DESCRIPTION
1	Main Set	77-64	4261M	Std-1-10-20-30-40-50-60	3.824" max. flange OD
QTY	OIL PUMP	YEARS	PART NO.	SIZE	DESCRIPTION
1	Oil Pump	77-64	224-41176		W/Centrivac Governor; 5/16" hex. drive
1	Oil Pump	77-64	224-41177		W/Velocity Governor; High Volume, check pan for clearance
1	Oil Pump	77-64	224-41173		W/Velocity Governor, 1/4" hex. drive
1	Oil Pump	77-64	224-43365A		W/Velocity Governor, 1/4" hex. drive; High Pressure
1	Inter. Shaft	77-64	224-61126		W/Centrivac Governor; 5/16" hex. drive
1	Inter. Shaft	77-64	224-61114		W/Velocity Governor, 1/4" hex. drive
CYLINDER COMPONENTS					
QTY	LINERS	YEARS	PART NO.	SIZE	DESCRIPTION
1	Repair Sleeve	77-64	SL-20Y	Std Only	1/8" wall, must be cut to correct length
QTY	PISTONS	YEARS	PART NO.	SIZE	DESCRIPTION
8	Cast Piston	77-73	329NP	Std-20-30-40-60	Cast; 1-5/64", 1-3/32", 1-3/16" Ring Groove, 1.830" CD, .9751" Pin Dia., Recessed Head .055" deep x 2.780" dia. - 7.2:1 C.R.
8	Cast Piston - Individual	77-73	W329NP	Std-20-30-40-60	Cast; 1-5/64", 1-3/32", 1-3/16" Ring Groove, 1.830" CD, .9751" Pin Dia., Recessed Head .055" deep x 2.780" dia. - 7.2:1 C.R.
8	Cast Piston - Individual	72-64	FP-W993P	Std-30-40-60	Cast; 1-3/32", 2-5/64", 1-3/16" Ring Groove, 1.883" CD, .9751" Pin Dia., Recessed Head .080" deep x 2.900" dia. w/top ring groove protector
8	Pin	77-64	P-2217	Std Only	
8	Pin Bushing	77-68	2304V		Split type bushing
8	Pin Bushing	77-68	2304V20		Split type bushing; w/.020" extra bore stock
QTY	CONNECTING RODS & BRGS.	YEARS	PART NO.	SIZE	DESCRIPTION
1	Rod Set	77-64	8-3230CP	Std-10-20-30-40-50	Squirt hole removed from all Ford V Eng.; 8-3230CA 60 avail. as unplated & resizeable
1	Rod Set	77-64	8-3230CP10X2	10X2-20X2-30X2	Use in .002" O/S Rod Bore; Squirt hole removed from all Ford V Eng.
1	Rod Set	74-64	8-3230CA60	60	Unplated & resizeable; Squirt hole removed from all Ford V Eng.
8	Rod Pair	77-64	3230CP	Std-1-2-10-20-30-40-50	Squirt hole removed from all Ford V Eng.

(continued on next page)

Ford Truck - M/D & H/D

<i>M/D Truck 330 H/D Eng. H/D Truck 330 H/D Eng. 21</i> 5.4L 330 OHV V8 (H/D Eng.), 3.875" Bore 1964-78 (cont.)						
CYLINDER COMPONENTS (cont.)						
QTY	PISTON RINGS	YEARS	PART NO.	SIZE	DESCRIPTION	
1	Premium Set	77-64	E-224K Std-20-30-40-60		Check piston grooves before using; 1-5/64, 1-3/32, 1-3/16	
8	Premium Single Cylinder Set	77-64	WE-224K Std-40-60		Check piston grooves before using; 1-5/64, 1-3/32, 1-3/16	
KITS						
RE-RING KIT						
YEARS	DESCRIPTION				QTY	PREMIUM KIT NO.
77-64	Squirt hole removed from all Ford V Engs.; Premium valve stem seals incl.		Re-ring		1	205-611
						ECONOMY KIT NO.

OVERHAUL KIT						
YEARS	DESCRIPTION				QTY	PREMIUM KIT NO.
77-73	W/1.376" ID crank sprocket; Premium valve stem seals incl.; w/3.824" max. brg. flange OD; Squirt hole removed from all Ford V Engs.		Master		1	MKP-611A
			Master w/o Pistons		1	MK-611A
						ECONOMY KIT NO.

72-64	W/1.762" ID crank sprocket; Premium valve stem seals incl.; w/3.824" max. brg. flange OD; Squirt hole removed from all Ford V Engs.		Master w/o Pistons		1	MK-611C
						ECONOMY KIT NO.

<i>M/D Truck 330 Dagenham Eng. (Diesel) 22</i> 5.4L 330 (5416cc) OHV Diesel L6 (Dagenham), 100mm Bore (Ford Europe Eng.) 1962-66						
CRANKSHAFT/OIL PUMP						
QTY	MAIN BEARINGS	YEARS	PART NO.	SIZE	DESCRIPTION	
1	Thrust Washer Set	66-62	FP-2248BF	STD	Position 4	
CYLINDER COMPONENTS						
CONNECTING RODS & BRGS.						
QTY	ROD PAIR	YEARS	PART NO.	SIZE	DESCRIPTION	
6	Rod Pair	66-62	FP-2245CPA			
PISTON RINGS						
QTY	Premium Set	YEARS	PART NO.	SIZE	DESCRIPTION	
1	Premium Set	66-62	FP-5493KX	Std Only	3-3/32, 2-3/16	
<i>M/D Truck 332 Eng. H/D Truck 332 Eng. 23</i> 5.4L 332 OHV V8, 3.8125" Bore 1956-66						
CYL. HEAD & PARTS						
QTY	VALVE	YEARS	PART NO.	SIZE	DESCRIPTION	
16	Keeper	63-58	VK-138		Int.; 1 groove; Square cut key groove	
16	Keeper	63-58	VK-138R		Int.; 1 groove; Square cut key groove; Hardened	
16	Keeper	57-56	VK-115		Int.; 1 groove; Square cut key groove	
16	Keeper	57-56	VK-115R		Int.; 1 groove; Square cut key groove; Hardened	
16	Keeper, Bulk	63-58	VK-138B		Int.; 1 groove; Square cut key groove; Carton of 1000	
16	Keeper, Bulk	57-56	VK-115B		Int.; 1 groove; Square cut key groove; Carton of 1000	
VALVE SEAT						
QTY	Exh.	YEARS	PART NO.	SIZE	DESCRIPTION	
8	Exh.	63-56	245-1630-1 Std Only		1.6300" OD, 1.3350" ID, .3105" Depth	
8	Int.	63-56	245-2125-1 Std Only		2.1305" OD, 1.8125" ID, .2480" Depth	
VALVE GUIDE						
QTY	Guide	YEARS	PART NO.	SIZE	DESCRIPTION	
8	Guide	63-56	VG-5032		Exh.; .4375" ID, 2.5000" O.A.L.	
VALVE SPRING						
QTY	Spring	YEARS	PART NO.	SIZE	DESCRIPTION	
16	Spring	63-56	VS-1575		2.1250" Free Height	
PUSH RODS						
QTY	Push Rod	YEARS	PART NO.	SIZE	DESCRIPTION	
16	Push Rod	63-56	RP-3021		9.8200" O.A.L.	
VALVE SEAL						
QTY	Valve Stem Seal	YEARS	PART NO.	SIZE	DESCRIPTION	
8	Valve Stem Seal	63-58	ST-2007		Exh.; Positive type; Rubber	
8	Valve Stem Seal	63-58	ST-2004		Int.; Positive type; Installation requires valve guide machining; Rubber/PTFE	
8	Valve Stem Seal Bulk	63-58	ST-2004BC		Int.; Positive type; Installation requires valve guide machining; Carton of 100; Rubber/PTFE	
CAMSHAFT GROUP						
QTY	CAMSHAFT/LIFTER	YEARS	PART NO.	SIZE	DESCRIPTION	
16	Lifter	63-56	AT-872 Std Only		Mech.	
16	Lifter, Bulk	63-56	AT-872B Std Only		Mech.; Carton of 122	

(continued on next page)

Ford Truck - M/D & H/D

23 M/D Truck 332 Eng. H/D Truck 332 Eng.
(cont.) 5.4L 332 OHV V8, 3.8125" Bore 1956-66

CRANKSHAFT/OIL PUMP					
QTY	CRANKSHAFT	YEARS	PART NO.	SIZE	DESCRIPTION
1	Harmonic Balancer Sleeve	63-56	88187		
QTY	SEALS - FRONT CRANK	YEARS	PART NO.	SIZE	DESCRIPTION
1	Redi-Sleeve	63-56	99187		
1	Oil Seal	63-56	2942		
QTY	SEALS - REAR CRANK	YEARS	PART NO.	SIZE	DESCRIPTION
1	Oil Seal Kit	63-56	5095		(Rope Type)
QTY	OIL PUMP	YEARS	PART NO.	SIZE	DESCRIPTION
1	Oil Pump	63-56	224-41123		
1	Pump Repair Kit	63-56	224-51297		Rotor type
CYLINDER COMPONENTS					
QTY	PISTONS	YEARS	PART NO.	SIZE	DESCRIPTION
8	Pin Bushing	63-56	2469V		1.276" length
8	Pin Bushing	63-56	1834V20		1.306" length; .020" extra bore stock
8	Pin Bushing	63-56	1834V		1.306" max. length
QTY	CONNECTING RODS & BRGS.	YEARS	PART NO.	SIZE	DESCRIPTION
8	Rod Pair	63-56	1835CPA Std-10		

24 M/D Truck FD1060, 6BT5.9 Engs. H/D Truck FD1060, 6BT5.9 Engs.
5.9L 359 (5882cc) OHV Turbo-Diesel L6 (12 Valve), 102mm Bore (Cummins Eng.) 1992-97

CYL. HEAD & PARTS					
QTY	GASKETS	YEARS	PART NO.	SIZE	DESCRIPTION
4	Grommet	97-92	FP-3900267		Push Rod Cover
6	Valve Cover Gasket	97-92	FP-3902666 +		When depleted use FP-3930906
1	Head Gasket	97-92	FP-3283337		.25 MM
1	Head Gasket	97-92	FP-3283339		.50 MM
1	Head Gasket	97-92	FP-3283570		Standard
1	Head Set	97-93	FP-4089649		Standard; For engines built after April 2003
1	Head Set	97-92	FP-3802245		.25 MM
1	Head Set	97-92	FP-3802363		.25 MM
1	Head Set	97-92	FP-3802364		Standard
1	Head Set	93-92	FP-3804897		Standard; For engines built before April 2003
1	Head Set w/o Head Gasket	93-92	FP-3804897WOHG		Standard; For engines built before April 2003
6	Grommet	97-92	FP-3900267		Cam Follower Cover
QTY	HEAD BOLTS	YEARS	PART NO.	SIZE	DESCRIPTION
14	Head Bolt	97-92	FP-3920780		M12 X 1.75 X 122MM Length
6	Head Bolt	97-92	FP-3920779		M12 X 1.75 X 71.5MM Length
QTY	MISCELLANEOUS	YEARS	PART NO.	SIZE	DESCRIPTION
1	Fuel Manifold	97-92	FP-3926103		6BT5.9
12	Adjusting Screw Nut	97-92	FP-203131		3/8" - 24 UNF
6	Bolt	97-92	FP-3920781		Rocker Lever Shaft Support; 7.201" Length
QTY	VALVE	YEARS	PART NO.	SIZE	DESCRIPTION
6	Intake	97-92	FP-3920867		Bare
6	Intake	97-92	V-4385 Std Only		Chrome plated stem; 1.7720" Head Dia., .3138" Stem Dia., 5.0840" O.A.L.
6	Exhaust	97-92	FP-3920868		
6	Exhaust	97-92	V-4384 Std Only		Chrome plated stem; 1.6540" Head Dia., .3138" Stem Dia., 5.0810" O.A.L.
6	Exhaust Valve Kit	97-92	FP-3802356		With Locks
6	Intake Valve Kit	97-92	FP-3802355		With Locks
12	Keeper	97-92	FP-3900250		
24	Keeper	97-92	VK-286		
QTY	VALVE SEAT	YEARS	PART NO.	SIZE	DESCRIPTION
6	Exh.	97-92	FP-3904105		
6	Exh.	97-92	245-1722-E1 Std Only		1.7220" OD, 1.3570" ID, .2650" Depth
6	Int.	97-92	FP-3906854		
QTY	VALVE GUIDE	YEARS	PART NO.	SIZE	DESCRIPTION
6	Guide	97-92	VG-1331		Exh.; .3160" ID, 2.0520" O.A.L.
6	Guide	97-92	FP-3904409		Exh.; Thick wall, 51.75MM
12	Guide	97-92	VG-1325		Exh. & Int.; 7/16" OD; .3162" ID, 2.5000" O.A.L.
6	Guide	97-92	VG-1330		Int.; .3160" ID, 2.3970" O.A.L.
6	Guide	97-92	FP-3904408		Int.; Thick wall, 60.50MM; .3160" ID, 2.3970" O.A.L.
6	Guide	97-92	FP-3906206		Int. & Exh.; Thin wall

(continued on next page)

Ford Truck - M/D & H/D

M/D Truck FD1060, 6BT5.9 Engs. H/D Truck FD1060, 6BT5.9 Engs. 24
5.9L 359 (5882cc) OHV Turbo-Diesel L6 (12 Valve), 102mm Bore (Cummins Eng.) 1992-97 (cont.)

CYL. HEAD & PARTS (cont.)

QTY	VALVE SPRING	YEARS	PART NO.	SIZE	DESCRIPTION
12	Spring	97-92	FP-3932453 *		
12	Spring	97-92	FP-4936080		
12	Spring	97-92	FP-3900276		30 PSI
12	Spring	97-92	FP-3926700		36 PSI
12	Retainer	97-92	FP-3900299		
QTY	PUSH RODS	YEARS	PART NO.	SIZE	DESCRIPTION
12	Push Rod	97-92	FP-3284377		10.9100" O.A.L.
1	Push Rod Cover Gasket	97-92	FP-3284623		
QTY	VALVE MISC.	YEARS	PART NO.	SIZE	DESCRIPTION
1	O-Ring	97-92	FP-3910824		Valve Cover Screw
QTY	VALVE SEAL	YEARS	PART NO.	SIZE	DESCRIPTION
12	Valve Stem Seal	97-92	FP-3901097		Int. & Exh.
QTY	ROCKER PARTS	YEARS	PART NO.	SIZE	DESCRIPTION
6	Support, Rocker Lever	97-92	FP-3922488		
6	Rocker Lever Exhaust	97-92	FP-3910810		
6	Rocker Lever Intake	97-92	FP-3910811		
12	Washer	97-92	FP-3900245		Rocker Lever
12	Snap Ring	97-92	FP-3900242		Rocker Lever
INT & EXH MANIFOLDS					
QTY	INT. & EXH. MANIFOLDS	YEARS	PART NO.	SIZE	DESCRIPTION
6	Exhaust Manifold Gasket	97-92	FP-3905443		
1	Int. Manif. Cover Plate Gskt.	97-92	FP-3914029		
QTY	AIR INTAKE	YEARS	PART NO.	SIZE	DESCRIPTION
1	Air Intake Gasket	97-92	FP-3931604 +		When depleted use FP-3938158
CAMSHAFT GROUP					
QTY	CAMSHAFT/LIFTER	YEARS	PART NO.	SIZE	DESCRIPTION
1	Camshaft	97-92	FP-3929041		CPL Numbers 987, 1261, 1422 1527 & 1582
1	Camshaft	97-92	FP-3914639 +		CPL's 596-600, 691, 697-8, 713-4, 716, 728-9, 742, 761, 766, 791-2, 802, 804, 834, 845, 912, 938, 940, 947, 949, 953, 961-2, 970, 983, 994, 998-9, 1160, 1163, 1165, 1168, 1174, 1189, 1207, 1245-7, 1266, 1279, 1288-9, 1313, 1322, 1351, 1403, 1408, 1433, 1440, 1554, 1570, 1578-9, 1581, 1601, 1605, 1613, 1694.; When depleted use FP-3929042
1	Camshaft	97-92	FP-3929042		CPL's 596-600, 691, 697-8, 713-4, 716, 728-9, 742, 761, 766, 791-2, 802, 804, 834, 845, 912, 938, 940, 947, 949, 953, 961-2, 970, 983, 994, 998-9, 1160, 1163, 1165, 1168, 1174, 1189, 1207, 1245-7, 1266, 1279, 1288-9, 1313, 1322, 1351, 1403, 1408, 1433, 1440, 1554, 1570, 1578-9, 1581, 1601, 1605, 1613, 1694.
12	Lifter	97-92	FP-3931623		
FUEL SYSTEM & PARTS					
QTY	FUEL INJECTION	YEARS	PART NO.	SIZE	DESCRIPTION
4	Grommet	97-92	FP-3900267		Fuel Drain Tube
6	Fuel Injector Seal Ring	97-92	FP-3909356		
6	Fuel Injector Seal Ring	97-92	FP-3909356		
6	Fuel Injector Seal	97-92	FP-3930324		
6	Copper Washer	97-92	FP-3906659		
6	Copper Washer	97-92	FP-3906659		For 7mm head
6	Fuel Line Connector	97-92	FP-3903380		Banjo connector; 6mm
6	Fuel Line Connector	97-92	FP-3903380		Fuel Manifold
QTY	FUEL FILTERS & PUMP	YEARS	PART NO.	SIZE	DESCRIPTION
1	Fuel Transfer Pump	97-92	FP-3936321		
1	Fuel Transfer Pump	97-92	FP-3936324		
1	Fuel Transfer Pump	97-92	FP-3970880		
1	Fuel Transfer Pump	97-92	FP-3928143 +		When depleted use FP-3970880
1	Fuel Transfer Pump	97-92	FP-4944714		108.1 - 230.9 LPH; 1/4 x 18 NPTF Fuel Inlet
1	Fuel Transfer Pump	97-92	FP-4944712		117 - 229.9 LPH; 1/4 x 18 NPTF Fuel Inlet
1	Fuel Transfer Pump	97-92	FP-4944713		144.7 - 201.2 LPH; 1/4 x 18 NPTF Fuel Inlet
1	Fuel Transfer Pump	97-92	FP-4944710		183 - 229 LPH; 1/2 x 14 NPTF Fuel Inlet
1	Fuel Transfer Pump	97-92	FP-4944711		187.4 - 304.2 LPH; 1/4 x 18 NPTF Fuel Inlet
1	Cover Plate Gasket	97-92	FP-3931348		Fuel Transfer Pump Mounting
1	Cover Plate Gasket	97-92	FP-3939258		Fuel Transfer Pump Mounting
1	Solenoid Repair Kit	97-92	FP-3903575		Fuel Transfer Pump; 12V
1	Solenoid Repair Kit	97-92	FP-3903576		Fuel Transfer Pump; 24V

(continued on next page)

Ford Truck - M/D & H/D

24 M/D Truck FD1060, 6BT5.9 Engs. H/D Truck FD1060, 6BT5.9 Engs.
 (cont.) 5.9L 359 (5882cc) OHV Turbo-Diesel L6 (12 Valve), 102mm Bore (Cummins Eng.) 1992-97

FUEL SYSTEM & PARTS (cont.)					
QTY	FUEL FILTERS & PUMP (cont.)	YEARS	PART NO.	SIZE	DESCRIPTION
6	Washer	97-92	FP-3900808		Sealing
2	Washer	97-92	FP-3918188		Sealing; Fuel Supply Tube
1	Fuel Filter Gasket	97-92	FP-3906694		Large
1	Fuel Filter Gasket	97-92	FP-3906695		Small
QTY	TURBOCHARGER	YEARS	PART NO.	SIZE	DESCRIPTION
1	Turbocharger Mounting Gasket	97-92	FP-3901356		
COOLING SYSTEM					
QTY	WATER PUMP	YEARS	PART NO.	SIZE	DESCRIPTION
1	Ball Brg.	97-92	FP-3910739		Fan Drive
1	Water Pump Seal Ring	97-92	FP-3906698		
1	O-Ring	97-92	FP-3883284		Air Intake Connection
1	O-Ring	97-92	FP-3923331		Thermostat Housing Cover
1	Shaft & Bearing Assembly	97-92	FP-3923517		
1	V Belt	97-92	FP-3911587		53.5 X 1.125"; Ribbed 8
1	V Belt	97-92	FP-3911557		56 X 1.125"; Ribbed 8
1	V Belt	97-92	FP-3911588		56.5 X 1.125"; Ribbed 8
1	V Belt	97-92	FP-3911568		57 X 1.125"; Ribbed 8
1	V Belt	97-92	FP-3911558		59 X 1.125"; Ribbed 8
1	V Belt	97-92	FP-3911563		60.5 X 1.125"; Ribbed 8
1	V Belt	97-92	FP-3911572		61.5 X 1.125"; Ribbed 8
1	V Belt	97-92	FP-3911559		62 X 1.125"; Ribbed 8
1	V Belt	97-92	FP-3034946		62.5 X 1.125"; Ribbed 8
1	V Belt	97-92	FP-3911575		63 X 1.125"; Ribbed 8
1	V Belt	97-92	FP-3911582		70 X 1.125"; Ribbed 8
QTY	THERMOSTAT	YEARS	PART NO.	SIZE	DESCRIPTION
1	Thermostat	97-92	FP-3917324		180 Deg. F
1	Thermostat Kit	97-92	FP-3802273		180 Deg. F; Includes Thermostat, Template and O-ring
ENGINE BLOCK & PARTS					
QTY	GASKETS	YEARS	PART NO.	SIZE	DESCRIPTION
1	Washer	97-92	FP-3902425		Sealing; Oil Pan Plug
1	Washer	97-92	FP-3920773		Sealing; Oil Pan Plug
1	O-Ring	97-92	FP-3913994		
1	Gear Cover Gasket	97-92	FP-3918673		
1	Rect. or Square Seal	97-92	FP-3903475		Tach Drive Cover
QTY	GASKET SETS	YEARS	PART NO.	SIZE	DESCRIPTION
1	Gasket Conversion Set	97-92	FP-3802376		
1	In-Frame Gasket Set	97-93	FP-4089649S		
1	In-Frame Gasket Set	97-92	FP-3802364S		.25 MM O/S Head Gasket
1	In-Frame Gasket Set	97-92	FP-3802245S		.50 MM O/S Head Gasket
1	In-Frame Gasket Set	97-92	FP-3802363S		Standard Head Gasket
1	In-Frame Gasket Set	93-92	FP-3804897S		Standard Head Gasket; For engines built before April 2003
1	Kit Gasket Set	97-92	260-1527		Incl. std. .061" thickness head gskt.; PermaDry® molded rubber valve cover gskts. incl.; Premium valve stem seals incl.
QTY	CAM BEARINGS	YEARS	PART NO.	SIZE	DESCRIPTION
1	Cam Brg.	97	4207DR		Std Only From 1997 and up
1	Cam Brg.	97-92	FP-3901306	STD	Position Front only
1	Cam Brg.	96-92	4206DR		Std Only To 1996
QTY	OIL COOLERS & FILTERS	YEARS	PART NO.	SIZE	DESCRIPTION
1	Oil Press. Reg. Low Pressure	97-92	FP-3918428		
1	O-Ring	97-92	FP-3909397		Oil Cooler
1	Oil Cooler Core Inner Gasket	97-92	FP-3926760		Core
1	Oil Cooler Core Outer Gasket	97-92	FP-3929792		
CRANKSHAFT/OIL PUMP					
QTY	CRANKSHAFT	YEARS	PART NO.	SIZE	DESCRIPTION
1	Crankshaft	97-92	FP-3929037		With Gear
1	Crank Gear	97-92	FP-3929027		Front; 6BT5.9
QTY	SEALS - FRONT CRANK	YEARS	PART NO.	SIZE	DESCRIPTION
1	Oil Seal	97-92	FP-3904353 +		Front; When depleted use FP-3937111
1	Oil Seal Kit	97-92	FP-3802820		
1	Redi-Sleeve	97-92	FP-3906080		Front
1	Redi-Sleeve	97-92	99248		
1	Oil Seal	97-92	39803		
1	O-Ring	97-92	FP-3913994		
1	Rect. or Square Seal	97-92	FP-3915772		Front

(continued on next page)

Ford Truck - M/D & H/D

M/D Truck FD1060, 6BT5.9 Engs. H/D Truck FD1060, 6BT5.9 Engs. 24
 5.9L 359 (5882cc) OHV Turbo-Diesel L6 (12 Valve), 102mm Bore (Cummins Eng.) 1992-97 (cont.)

CRANKSHAFT/OIL PUMP (cont.)

QTY	SEALS - REAR CRANK	YEARS	PART NO.	SIZE	DESCRIPTION
1	Oil Seal	97-92	FP-3909410		Rear; Dry
1	Oil Seal	97-92	39805		
1	Oil Seal Kit	97-92	FP-3926126		
1	Redi-Sleeve	97-92	FP-3906081		Rear
1	Redi-Sleeve	97-92	99494		
1	Rear Cover Gasket	97-92	FP-3928493		
1	Rect. or Square Seal	97-92	FP-3912473		Rear

QTY	MAIN BEARINGS	YEARS	PART NO.	SIZE	DESCRIPTION
1	Main Set	97-92	7216M Std-.25-.50MM		
1	Main Set	97-92	FP-3802070	STD	
1	Main Set	97-92	FP-3802071	.25MM	
1	Main Set	97-92	FP-3802072	.50MM	
1	Main Set	97-92	FP-3802073	.75MM	
1	Main Set	97-92	FP-3802074	1.00MM	
1	Main Set	97-92	FP-3357480	STD	Brazil engs.

QTY	OIL PUMP	YEARS	PART NO.	SIZE	DESCRIPTION
1	Oil Pump	97-92	FP-4939587		
1	Oil Pump	97-92	FP-3937404 +		When depleted use FP-4939587
1	Pick-Up Tube Gasket	97-92	FP-3914383		

CYLINDER COMPONENTS

QTY	LINERS	YEARS	PART NO.	SIZE	DESCRIPTION
6	Liner w/o Sealing Rings	97-92	FP-3904166		To return block to standard; Fuel Injector sleeve

QTY	PISTONS	YEARS	PART NO.	SIZE	DESCRIPTION
6	Piston Body w/o Pin	97-92	FP-3903579	STD	
6	Piston Body w/o Pin	97-92	FP-3917619	STD	
6	Piston Body w/o Pin	97-92	FP-3919041	STD	
6	Piston Body w/o Pin	97-92	FP-3903656	.50MM	
6	Piston Body w/o Pin	97-92	FP-3919044	.50MM	
6	Piston Body w/o Pin	97-92	FP-3919047	.50MM	
6	Piston Body w/o Pin	97-92	FP-3903655	1.00MM	
6	Piston Body w/o Pin	97-92	FP-3919045	1.00MM	
6	Piston Body w/o Pin	97-92	FP-3919048	1.00MM	
6	Piston Body w/o Pin	97-92	FP-3926631	STD	A Grade; Naturally Aspirated
6	Piston Body w/o Pin	97-92	FP-3926632	STD	B Grade; 10 MM Top Ring Land
6	Piston Body w/o Pin	97-92	FP-3926633	STD	C Grade; 10 MM Top Ring Land
6	Piston Body w/o Pin	97-92	FP-3922571	STD	CPL Numbers 1549, 1550, 1815, 1816, 1863, 1901, 1959, 1968, 2022, 2023, 2174, 2265, 2268, 2292, 2308, 2346 & 2349; A Grade; Naturally Aspirated
6	Piston Body w/o Pin	97-92	FP-3922574	.50MM	CPL Numbers 1549, 1550, 1815, 1816, 1863, 1901, 1959, 1968, 2022, 2023, 2174, 2265, 2268, 2292, 2308, 2346 & 2349; 8 MM Top Ring Land
6	Piston Body w/o Pin	97-92	FP-3922575	1.00MM	CPL Numbers 1549, 1550, 1815, 1816, 1863, 1901, 1959, 1968, 2022, 2023, 2174, 2265, 2268, 2292, 2308, 2346 & 2349; 8 MM Top Ring Land
6	Piston Body w/o Pin	97-92	FP-3907156	STD	Early; 16.5:1 C.R.
6	Piston Body w/o Pin	97-92	FP-3907157	.50MM	Early; 16.5:1 C.R.
6	Piston Body w/o Pin	97-92	FP-3907158	1.00MM	Early; 16.5:1 C.R.
6	Piston Body w/o Pin	97-92	FP-3906223	STD	Early; 17.3:1 C.R.
6	Piston Body w/o Pin	97-92	FP-3906209	.50MM	Early; 17.3:1 C.R.
6	Piston Body w/o Pin	97-92	FP-3906208	1.00MM	Early; 17.3:1 C.R.
6	Piston Body w/o Pin	97-92	FP-3907163	STD	Early; 17.5:1 C.R.
6	Piston Body w/o Pin	97-92	FP-3911400	STD	Early; 17.5:1 C.R.
6	Piston Body w/o Pin	97-92	FP-3908815	.50MM	Early; 17.5:1 C.R.
6	Piston Body w/o Pin	97-92	FP-3912049	.50MM	Early; 17.5:1 C.R.
6	Piston Body w/o Pin	97-92	FP-3908816	1.00MM	Early; 17.5:1 C.R.
6	Piston Body w/o Pin	97-92	FP-3912050	1.00MM	Early; 17.5:1 C.R.
6	Piston Body w/o Pin	97-92	FP-3903579	STD	Late; 17.2:1 C.R.
6	Piston Body w/o Pin	97-92	FP-3903656	.50MM	Late; 17.2:1 C.R.
6	Piston Body w/o Pin	97-92	FP-3903655	1.00MM	Late; 17.2:1 C.R.
6	Piston Body w/o Pin	97-92	FP-3917619	STD	Late; 17.3:1 C.R.
6	Piston Body w/o Pin	97-92	FP-3930187	STD	Late; 17.3:1 C.R.
6	Piston Body w/o Pin	97-92	FP-3919047	.50MM	Late; 17.3:1 C.R.
6	Piston Body w/o Pin	97-92	FP-3930188	.50MM	Late; 17.3:1 C.R.
6	Piston Body w/o Pin	97-92	FP-3919048	1.00MM	Late; 17.3:1 C.R.
6	Piston Body w/o Pin	97-92	FP-3930189	1.00MM	Late; 17.3:1 C.R.
6	Piston Body w/o Pin	97-92	FP-3919041	STD	Late; 17.5:1 C.R.
6	Piston Body w/o Pin	97-92	FP-3919044	.50MM	Late; 17.5:1 C.R.
6	Piston Body w/o Pin	97-92	FP-3919045	1.00MM	Late; 17.5:1 C.R.

(continued on next page)
 + Superseded Part Number

Ford Truck - M/D & H/D

24 M/D Truck FD1060, 6BT5.9 Engs. H/D Truck FD1060, 6BT5.9 Engs.
 (cont.) 5.9L 359 (5882cc) OHV Turbo-Diesel L6 (12 Valve), 102mm Bore (Cummins Eng.) 1992-97

CYLINDER COMPONENTS (cont.)

QTY	PISTONS (cont.)	YEARS	PART NO.	SIZE	DESCRIPTION
6	Piston Body w/o Pin	97-92	FP-3922571	STD	Late; 17.5:1 C.R.; A Grade; Naturally Aspirated
6	Piston Body w/o Pin	97-92	FP-3926631	STD	Late; 17.5:1 C.R.; A Grade; Naturally Aspirated
6	Piston Body w/o Pin	97-92	FP-3926632	STD	Late; 17.5:1 C.R.; B Grade; 10 MM Top Ring Land
6	Piston Body w/o Pin	97-92	FP-3922572	STD	Late; 17.5:1 C.R.; B Grade; 8 MM Top Ring Land
6	Piston Body w/o Pin	97-92	FP-3926633	STD	Late; 17.5:1 C.R.; C Grade; 10 MM Top Ring Land
6	Piston Body w/o Pin	97-92	FP-3922573	STD	Late; 17.5:1 C.R.; C Grade; 8 MM Top Ring Land
6	Piston Body w/o Pin	97-92	FP-3926634	.50MM	Late; 17.5:1 C.R.; 10 MM Top Ring Land
6	Piston Body w/o Pin	97-92	FP-3926635	1.00MM	Late; 17.5:1 C.R.; 10 MM Top Ring Land
6	Piston Body w/o Pin	97-92	FP-3922574	.50MM	Late; 17.5:1 C.R.; 8 MM Top Ring Land
6	Piston Body w/o Pin	97-92	FP-3922575	1.00MM	Late; 17.5:1 C.R.; 8 MM Top Ring Land
6	Piston Body w/o Pin	97-92	FP-3926634	.50MM	10 MM Top Ring Land
6	Piston Body w/o Pin	97-92	FP-3926634	.50MM	10 MM Top Ring Land
6	Piston Body w/o Pin	97-92	FP-3926635	1.00MM	10 MM Top Ring Land
6	Piston Body w/o Pin	97-92	FP-3926635	1.00MM	10 MM Top Ring Land
6	Piston Body w/o Pin	97-92	FP-3903579	STD	17.2:1 C.R.
6	Piston Body w/o Pin	97-92	FP-3917619	STD	17.3:1 C.R.
6	Piston Body w/o Pin	97-92	FP-3919041	STD	17.5:1 C.R.
6	Piston Kit w/Pin & Retainers	97-92	FP-3903579WP	STD	
6	Piston Kit w/Pin & Retainers	97-92	FP-3917619WP	STD	
6	Piston Kit w/Pin & Retainers	97-92	FP-3919041WP	STD	
6	Piston Kit w/Pin & Retainers	97-92	FP-3903656WP	.50MM	
6	Piston Kit w/Pin & Retainers	97-92	FP-3919044WP	.50MM	
6	Piston Kit w/Pin & Retainers	97-92	FP-3919047WP	.50MM	
6	Piston Kit w/Pin & Retainers	97-92	FP-3903655WP	1.00MM	
6	Piston Kit w/Pin & Retainers	97-92	FP-3919045WP	1.00MM	
6	Piston Kit w/Pin & Retainers	97-92	FP-3919048WP	1.00MM	
6	Piston Kit w/Pin & Retainers	97-92	FP-3922571WP	STD	CPL Numbers 1549, 1550, 1815, 1816, 1863, 1901, 1959, 1968, 2022, 2023, 2174, 2265, 2268, 2292, 2308, 2346 & 2349; A Grade; Naturally Aspirated
6	Piston Kit w/Pin & Retainers	97-92	FP-3922574WP	.50MM	CPL Numbers 1549, 1550, 1815, 1816, 1863, 1901, 1959, 1968, 2022, 2023, 2174, 2265, 2268, 2292, 2308, 2346 & 2349; 8 MM Top Ring Land
6	Piston Kit w/Pin & Retainers	97-92	FP-3922575WP	1.00MM	CPL Numbers 1549, 1550, 1815, 1816, 1863, 1901, 1959, 1968, 2022, 2023, 2174, 2265, 2268, 2292, 2308, 2346 & 2349; 8 MM Top Ring Land
6	Piston Kit w/Pin & Retainers	97-92	FP-3907156WP	STD	Early; 16.5:1 C.R.
6	Piston Kit w/Pin & Retainers	97-92	FP-3907157WP	.50MM	Early; 16.5:1 C.R.
6	Piston Kit w/Pin & Retainers	97-92	FP-3907158WP	1.00MM	Early; 16.5:1 C.R.
6	Piston Kit w/Pin & Retainers	97-92	FP-3906223WP	STD	Early; 17.3:1 C.R.
6	Piston Kit w/Pin & Retainers	97-92	FP-3906209WP	.50MM	Early; 17.3:1 C.R.
6	Piston Kit w/Pin & Retainers	97-92	FP-3906208WP	1.00MM	Early; 17.3:1 C.R.
6	Piston Kit w/Pin & Retainers	97-92	FP-3907163WP	STD	Early; 17.5:1 C.R.
6	Piston Kit w/Pin & Retainers	97-92	FP-3911400WP	STD	Early; 17.5:1 C.R.
6	Piston Kit w/Pin & Retainers	97-92	FP-3908815WP	.50MM	Early; 17.5:1 C.R.
6	Piston Kit w/Pin & Retainers	97-92	FP-3912049WP	.50MM	Early; 17.5:1 C.R.
6	Piston Kit w/Pin & Retainers	97-92	FP-3908816WP	1.00MM	Early; 17.5:1 C.R.
6	Piston Kit w/Pin & Retainers	97-92	FP-3912050WP	1.00MM	Early; 17.5:1 C.R.
6	Piston Kit w/Pin & Retainers	97-92	FP-3903579WP	STD	Late; 17.2:1 C.R.
6	Piston Kit w/Pin & Retainers	97-92	FP-3903656WP	.50MM	Late; 17.2:1 C.R.
6	Piston Kit w/Pin & Retainers	97-92	FP-3903655WP	1.00MM	Late; 17.2:1 C.R.
6	Piston Kit w/Pin & Retainers	97-92	FP-3917619WP	STD	Late; 17.3:1 C.R.
6	Piston Kit w/Pin & Retainers	97-92	FP-3919047WP	.50MM	Late; 17.3:1 C.R.
6	Piston Kit w/Pin & Retainers	97-92	FP-3919048WP	1.00MM	Late; 17.3:1 C.R.
6	Piston Kit w/Pin & Retainers	97-92	FP-3919041WP	STD	Late; 17.5:1 C.R.
6	Piston Kit w/Pin & Retainers	97-92	FP-3919044WP	.50MM	Late; 17.5:1 C.R.
6	Piston Kit w/Pin & Retainers	97-92	FP-3919045WP	1.00MM	Late; 17.5:1 C.R.
6	Piston Kit w/Pin & Retainers	97-92	FP-3922571WP	STD	Late; 17.5:1 C.R.; A Grade; Naturally Aspirated
6	Piston Kit w/Pin & Retainers	97-92	FP-3926634WP	.50MM	Late; 17.5:1 C.R.; 10 MM Top Ring Land
6	Piston Kit w/Pin & Retainers	97-92	FP-3926635WP	1.00MM	Late; 17.5:1 C.R.; 10 MM Top Ring Land
6	Piston Kit w/Pin & Retainers	97-92	FP-3922574WP	.50MM	Late; 17.5:1 C.R.; 8 MM Top Ring Land
6	Piston Kit w/Pin & Retainers	97-92	FP-3922575WP	1.00MM	Late; 17.5:1 C.R.; 8 MM Top Ring Land
6	Piston Kit w/Pin & Retainers	97-92	FP-3926634WP	.50MM	10 MM Top Ring Land
6	Piston Kit w/Pin & Retainers	97-92	FP-3926634WP	.50MM	10 MM Top Ring Land
6	Piston Kit w/Pin & Retainers	97-92	FP-3926635WP	1.00MM	10 MM Top Ring Land
6	Piston Kit w/Pin & Retainers	97-92	FP-3926635WP	1.00MM	10 MM Top Ring Land
6	Piston Kit w/Pin & Retainers	97-92	FP-3903579WP	STD	17.2:1 C.R.
6	Piston Kit w/Pin & Retainers	97-92	FP-3917619WP	STD	17.3:1 C.R.
6	Piston Kit w/Pin & Retainers	97-92	FP-3919041WP	STD	17.5:1 C.R.
6	Piston w/Retainer & Rings	97-92	FP-3802030	STD	
6	Piston w/Retainer & Rings	97-92	FP-3802248	STD	

(continued on next page)

Ford Truck - M/D & H/D

M/D Truck FD1060, 6BT5.9 Engs. H/D Truck FD1060, 6BT5.9 Engs. **24**
 5.9L 359 (5882cc) OHV Turbo-Diesel L6 (12 Valve), 102mm Bore (Cummins Eng.) 1992-97 (cont.)

CYLINDER COMPONENTS (cont.)

QTY	PISTONS (cont.)	YEARS	PART NO.	SIZE	DESCRIPTION
6	Piston w/Retainer & Rings	97-92	FP-3802251	STD	
6	Piston w/Retainer & Rings	97-92	FP-3802032	.50MM	
6	Piston w/Retainer & Rings	97-92	FP-3802249	.50MM	
6	Piston w/Retainer & Rings	97-92	FP-3802252	.50MM	
6	Piston w/Retainer & Rings	97-92	FP-3802034	1.00MM	
6	Piston w/Retainer & Rings	97-92	FP-3802250	1.00MM	
6	Piston w/Retainer & Rings	97-92	FP-3802253	1.00MM	
6	Piston w/Retainer & Rings	97-92	FP-3802487	STD	A Grade; Naturally Aspirated
6	Piston w/Retainer & Rings	97-92	FP-3802561	STD	A Grade; Naturally Aspirated
6	Piston w/Retainer & Rings	97-92	FP-3802562	STD	B Grade; 10 MM Top Ring Land
6	Piston w/Retainer & Rings	97-92	FP-3802563	STD	C Grade; 10 MM Top Ring Land
6	Piston w/Retainer & Rings	97-92	FP-3802100	STD	Early; 16.5:1 C.R.
6	Piston w/Retainer & Rings	97-92	FP-3802102	.50MM	Early; 16.5:1 C.R.
6	Piston w/Retainer & Rings	97-92	FP-3802104	1.00MM	Early; 16.5:1 C.R.
6	Piston w/Retainer & Rings	97-92	FP-3802060	STD	Early; 17.3:1 C.R.
6	Piston w/Retainer & Rings	97-92	FP-3802062	.50MM	Early; 17.3:1 C.R.
6	Piston w/Retainer & Rings	97-92	FP-3802064	1.00MM	Early; 17.3:1 C.R.
6	Piston w/Retainer & Rings	97-92	FP-3802160	STD	Early; 17.5:1 C.R.
6	Piston w/Retainer & Rings	97-92	FP-3802170	STD	Early; 17.5:1 C.R.
6	Piston w/Retainer & Rings	97-92	FP-3802132	.50MM	Early; 17.5:1 C.R.
6	Piston w/Retainer & Rings	97-92	FP-3802172	.50MM	Early; 17.5:1 C.R.
6	Piston w/Retainer & Rings	97-92	FP-3802134	1.00MM	Early; 17.5:1 C.R.
6	Piston w/Retainer & Rings	97-92	FP-3802174	1.00MM	Early; 17.5:1 C.R.
6	Piston w/Retainer & Rings	97-92	FP-3802030	STD	Late; 17.2:1 C.R.
6	Piston w/Retainer & Rings	97-92	FP-3802032	.50MM	Late; 17.2:1 C.R.
6	Piston w/Retainer & Rings	97-92	FP-3802034	1.00MM	Late; 17.2:1 C.R.
6	Piston w/Retainer & Rings	97-92	FP-3802251	STD	Late; 17.3:1 C.R.
6	Piston w/Retainer & Rings	97-92	FP-3802757	STD	Late; 17.3:1 C.R.
6	Piston w/Retainer & Rings	97-92	FP-3802252	.50MM	Late; 17.3:1 C.R.
6	Piston w/Retainer & Rings	97-92	FP-3802758	.50MM	Late; 17.3:1 C.R.
6	Piston w/Retainer & Rings	97-92	FP-3802253	1.00MM	Late; 17.3:1 C.R.
6	Piston w/Retainer & Rings	97-92	FP-3802759	1.00MM	Late; 17.3:1 C.R.
6	Piston w/Retainer & Rings	97-92	FP-3802248	STD	Late; 17.5:1 C.R.
6	Piston w/Retainer & Rings	97-92	FP-3802249	.50MM	Late; 17.5:1 C.R.
6	Piston w/Retainer & Rings	97-92	FP-3802250	1.00MM	Late; 17.5:1 C.R.
6	Piston w/Retainer & Rings	97-92	FP-3802487	STD	Late; 17.5:1 C.R.; A Grade; Naturally Aspirated
6	Piston w/Retainer & Rings	97-92	FP-3802561	STD	Late; 17.5:1 C.R.; A Grade; Naturally Aspirated
6	Piston w/Retainer & Rings	97-92	FP-3802562	STD	Late; 17.5:1 C.R.; B Grade; 10 MM Top Ring Land
6	Piston w/Retainer & Rings	97-92	FP-3802489	STD	Late; 17.5:1 C.R.; B Grade; 8 MM Top Ring Land
6	Piston w/Retainer & Rings	97-92	FP-3802563	STD	Late; 17.5:1 C.R.; C Grade; 10 MM Top Ring Land
6	Piston w/Retainer & Rings	97-92	FP-3802490	STD	Late; 17.5:1 C.R.; C Grade; 8 MM Top Ring Land
6	Piston w/Retainer & Rings	97-92	FP-3802564	.50MM	Late; 17.5:1 C.R.; 10 MM Top Ring Land
6	Piston w/Retainer & Rings	97-92	FP-3802565	1.00MM	Late; 17.5:1 C.R.; 10 MM Top Ring Land
6	Piston w/Retainer & Rings	97-92	FP-3802493	.50MM	Late; 17.5:1 C.R.; 8 MM Top Ring Land
6	Piston w/Retainer & Rings	97-92	FP-3802495	1.00MM	Late; 17.5:1 C.R.; 8 MM Top Ring Land
6	Piston w/Retainer & Rings	97-92	FP-3802487	STD	N/A; A Grade; Naturally Aspirated
6	Piston w/Retainer & Rings	97-92	FP-3802564	.50MM	10 MM Top Ring Land
6	Piston w/Retainer & Rings	97-92	FP-3802564	.50MM	10 MM Top Ring Land
6	Piston w/Retainer & Rings	97-92	FP-3802565	1.00MM	10 MM Top Ring Land
6	Piston w/Retainer & Rings	97-92	FP-3802565	1.00MM	10 MM Top Ring Land
6	Piston w/Retainer & Rings	97-92	FP-3802030	STD	17.2:1 C.R.
6	Piston w/Retainer & Rings	97-92	FP-3802251	STD	17.3:1 C.R.
6	Piston w/Retainer & Rings	97-92	FP-3802248	STD	17.5:1 C.R.
6	Piston w/Retainer & Rings	97-92	FP-3802493	.50MM	8 MM Top Ring Land
6	Piston w/Retainer & Rings	97-92	FP-3802493	.50MM	8 MM Top Ring Land
6	Piston w/Retainer & Rings	97-92	FP-3802495	1.00MM	8 MM Top Ring Land
6	Piston w/Retainer & Rings	97-92	FP-3802495	1.00MM	8 MM Top Ring Land
6	Piston w/Pin, Retainer, Rings	97-92	FP-PK3579	STD	
6	Piston w/Pin, Retainer, Rings	97-92	FP-PK7619	STD	
6	Piston w/Pin, Retainer, Rings	97-92	FP-PK9041	STD	
6	Piston w/Pin, Retainer, Rings	97-92	FP-PK3656	.50MM	
6	Piston w/Pin, Retainer, Rings	97-92	FP-PK9044	.50MM	
6	Piston w/Pin, Retainer, Rings	97-92	FP-PK9047	.50MM	
6	Piston w/Pin, Retainer, Rings	97-92	FP-PK3655	1.00MM	
6	Piston w/Pin, Retainer, Rings	97-92	FP-PK9045	1.00MM	
6	Piston w/Pin, Retainer, Rings	97-92	FP-PK9048	1.00MM	
6	Piston w/Pin, Retainer, Rings	97-92	FP-PK6631		A Grade; Naturally Aspirated
6	Piston w/Pin, Retainer, Rings	97-92	FP-PK2571	STD	A Grade; Naturally Aspirated
6	Piston w/Pin, Retainer, Rings	97-92	FP-PK6632	STD	B Grade; 10 MM Top Ring Land

(continued on next page)

Ford Truck - M/D & H/D

24 M/D Truck FD1060, 6BT5.9 Engs. H/D Truck FD1060, 6BT5.9 Engs.
 (cont.) 5.9L 359 (5882cc) OHV Turbo-Diesel L6 (12 Valve), 102mm Bore (Cummins Eng.) 1992-97

CYLINDER COMPONENTS (cont.)

QTY	PISTONS (cont.)	YEARS	PART NO.	SIZE	DESCRIPTION
6	Piston w/Pin, Retainer, Rings	97-92	FP-PK6633	STD	C Grade; 10 MM Top Ring Land
6	Piston w/Pin, Retainer, Rings	97-92	FP-3802711	STD	Early; 16.5:1 C.R.
6	Piston w/Pin, Retainer, Rings	97-92	FP-PK7157	.50MM	Early; 16.5:1 C.R.
6	Piston w/Pin, Retainer, Rings	97-92	FP-PK7158	1.00MM	Early; 16.5:1 C.R.
6	Piston w/Pin, Retainer, Rings	97-92	FP-PK6223	STD	Early; 17.3:1 C.R.
6	Piston w/Pin, Retainer, Rings	97-92	FP-PK6209	.50MM	Early; 17.3:1 C.R.
6	Piston w/Pin, Retainer, Rings	97-92	FP-PK6208	1.00MM	Early; 17.3:1 C.R.
6	Piston w/Pin, Retainer, Rings	97-92	FP-PK1400	STD	Early; 17.5:1 C.R.
6	Piston w/Pin, Retainer, Rings	97-92	FP-3802712	STD	Early; 17.5:1 C.R.
6	Piston w/Pin, Retainer, Rings	97-92	FP-PK2049	.50MM	Early; 17.5:1 C.R.
6	Piston w/Pin, Retainer, Rings	97-92	FP-PK8815	.50MM	Early; 17.5:1 C.R.
6	Piston w/Pin, Retainer, Rings	97-92	FP-PK2050	1.00MM	Early; 17.5:1 C.R.
6	Piston w/Pin, Retainer, Rings	97-92	FP-PK8816	1.00MM	Early; 17.5:1 C.R.
6	Piston w/Pin, Retainer, Rings	97-92	FP-PK3579	STD	Late; 17.2:1 C.R.
6	Piston w/Pin, Retainer, Rings	97-92	FP-PK3656	.50MM	Late; 17.2:1 C.R.
6	Piston w/Pin, Retainer, Rings	97-92	FP-PK3655	1.00MM	Late; 17.2:1 C.R.
6	Piston w/Pin, Retainer, Rings	97-92	FP-PK0187	STD	Late; 17.3:1 C.R.
6	Piston w/Pin, Retainer, Rings	97-92	FP-PK7619	STD	Late; 17.3:1 C.R.
6	Piston w/Pin, Retainer, Rings	97-92	FP-PK0188	.50MM	Late; 17.3:1 C.R.
6	Piston w/Pin, Retainer, Rings	97-92	FP-PK9047	.50MM	Late; 17.3:1 C.R.
6	Piston w/Pin, Retainer, Rings	97-92	FP-PK0189	1.00MM	Late; 17.3:1 C.R.
6	Piston w/Pin, Retainer, Rings	97-92	FP-PK9048	1.00MM	Late; 17.3:1 C.R.
6	Piston w/Pin, Retainer, Rings	97-92	FP-PK9041	STD	Late; 17.5:1 C.R.
6	Piston w/Pin, Retainer, Rings	97-92	FP-PK9044	.50MM	Late; 17.5:1 C.R.
6	Piston w/Pin, Retainer, Rings	97-92	FP-PK9045	1.00MM	Late; 17.5:1 C.R.
6	Piston w/Pin, Retainer, Rings	97-92	FP-PK6631		Late; 17.5:1 C.R.; A Grade; Naturally Aspirated
6	Piston w/Pin, Retainer, Rings	97-92	FP-PK2571	STD	Late; 17.5:1 C.R.; A Grade; Naturally Aspirated
6	Piston w/Pin, Retainer, Rings	97-92	FP-PK6632	STD	Late; 17.5:1 C.R.; B Grade; 10 MM Top Ring Land
6	Piston w/Pin, Retainer, Rings	97-92	FP-PK2572		Late; 17.5:1 C.R.; B Grade; 8 MM Top Ring Land
6	Piston w/Pin, Retainer, Rings	97-92	FP-PK6633	STD	Late; 17.5:1 C.R.; C Grade; 10 MM Top Ring Land
6	Piston w/Pin, Retainer, Rings	97-92	FP-PK2573		Late; 17.5:1 C.R.; C Grade; 8 MM Top Ring Land
6	Piston w/Pin, Retainer, Rings	97-92	FP-PK6634	.50MM	Late; 17.5:1 C.R.; 10 MM Top Ring Land
6	Piston w/Pin, Retainer, Rings	97-92	FP-PK6635	1.00MM	Late; 17.5:1 C.R.; 10 MM Top Ring Land
6	Piston w/Pin, Retainer, Rings	97-92	FP-PK2574	.50MM	Late; 17.5:1 C.R.; 8 MM Top Ring Land
6	Piston w/Pin, Retainer, Rings	97-92	FP-PK2575	1.00MM	Late; 17.5:1 C.R.; 8 MM Top Ring Land
6	Piston w/Pin, Retainer, Rings	97-92	FP-PK2571	STD	N/A; A Grade; Naturally Aspirated
6	Piston w/Pin, Retainer, Rings	97-92	FP-PK6634	.50MM	10 MM Top Ring Land
6	Piston w/Pin, Retainer, Rings	97-92	FP-PK6634	.50MM	10 MM Top Ring Land
6	Piston w/Pin, Retainer, Rings	97-92	FP-PK6635	1.00MM	10 MM Top Ring Land
6	Piston w/Pin, Retainer, Rings	97-92	FP-PK6635	1.00MM	10 MM Top Ring Land
6	Piston w/Pin, Retainer, Rings	97-92	FP-PK3579	STD	17.2:1 C.R.
6	Piston w/Pin, Retainer, Rings	97-92	FP-PK7619	STD	17.3:1 C.R.
6	Piston w/Pin, Retainer, Rings	97-92	FP-PK9041	STD	17.5:1 C.R.
6	Piston w/Pin, Retainer, Rings	97-92	FP-PK2574	.50MM	8 MM Top Ring Land
6	Piston w/Pin, Retainer, Rings	97-92	FP-PK2574	.50MM	8 MM Top Ring Land
6	Piston w/Pin, Retainer, Rings	97-92	FP-PK2575	1.00MM	8 MM Top Ring Land
6	Piston w/Pin, Retainer, Rings	97-92	FP-PK2575	1.00MM	8 MM Top Ring Land
6	Pin	97-92	FP-3934047		
6	Pin	97-92	FP-3934048		
6	Pin	97-92	FP-3934048		Early; Also for late model pistons 3903579, 3903656 and 3903655.
6	Pin	97-92	FP-3934047		Late; Except for pistons 3903579, 3903656 and 3903655.
6	Piston Pin Retainer	97-92	FP-3920691		
6	Piston Pin Retainer	97-92	FP-3920691		
6	Piston Cooling Nozzle	97-92	FP-3937214		1991 to 1996
6	Piston Cooling Nozzle	97-92	FP-3930139 +		1991 to 1996; When depleted use FP-3937214
6	Pin Bushing	97-92	FP-3901085		
CONNECTING RODS & BRGS.					
1	Rod Set	97-92	6-4205CP	Std-.25-.50-.75MM	
6	Rod Pair	97-92	4205CP	Std-.25-.50-.75MM	
12	Rod Bearing Half Upper/Lower	97-92	FP-3939859	STD	
12	Rod Bearing Half Upper/Lower	97-92	FP-3901171	.25MM	
12	Rod Bearing Half Upper/Lower	97-92	FP-3901172	.50MM	
12	Rod Bearing Half Upper/Lower	97-92	FP-3901173	.75MM	
12	Rod Bearing Half Upper/Lower	97-92	FP-3901174	1.00MM	

(continued on next page)

Ford Truck - M/D & H/D

M/D Truck FD1060, 6BT5.9 Engs. H/D Truck FD1060, 6BT5.9 Engs. 24
 5.9L 359 (5882cc) OHV Turbo-Diesel L6 (12 Valve), 102mm Bore (Cummins Eng.) 1992-97 (cont.)

CYLINDER COMPONENTS (cont.)

QTY	PISTON RINGS	YEARS	PART NO.	SIZE	DESCRIPTION
6	Ring Set Single Cylinder	97-92	FP-3802421	STD	
6	Ring Set Single Cylinder	97-92	FP-3802750	STD	
6	Ring Set Single Cylinder	97-92	FP-3802042	.50MM	
6	Ring Set Single Cylinder	97-92	FP-3802232	.50MM	
6	Ring Set Single Cylinder	97-92	FP-3802422	.50MM	
6	Ring Set Single Cylinder	97-92	FP-3802863	.50MM	
6	Ring Set Single Cylinder	97-92	FP-3802864	1.00	
6	Ring Set Single Cylinder	97-92	FP-3802044	1.00MM	
6	Ring Set Single Cylinder	97-92	FP-3802234	1.00MM	
6	Ring Set Single Cylinder	97-92	FP-3802423	1.00MM	
6	Ring Set Single Cylinder	97-92	FP-3802750	STD	CPL Numbers 595, 793, 1522, 1889, 1948, 1963, 2063, 2264, 2359, 2479, 2623, 2881, 8085, 8108, 8205 & 8209
6	Ring Set Single Cylinder	97-92	FP-3802863	.50MM	CPL Numbers 595, 793, 1522, 1889, 1948, 1963, 2063, 2264, 2359, 2479, 2623, 2881, 8085, 8108, 8205 & 8209
6	Ring Set Single Cylinder	97-92	FP-3802864	1.00	CPL Numbers 595, 793, 1522, 1889, 1948, 1963, 2063, 2264, 2359, 2479, 2623, 2881, 8085, 8108, 8205 & 8209
6	Ring Set Single Cylinder	97-92	FP-3802040	STD	1-2.40MM, 1-2.36MM, 1-4.00MM (1 cyl. set)
6	Ring Set Single Cylinder	97-92	FP-3802230	STD	1-3.00MM, 1-2.36MM, 1-4.00MM (1 cyl. set)
6	Premium Set	97-92	E-623KC Std.-50-1.00MM		1-3.00MM, 1-2.36MM, 1-4.00MM (1 cyl. set)

KITS

QTY	OVERHAUL KIT	YEARS	PART NO.	SIZE	DESCRIPTION
1	Complete Overhaul Kit	97-92	FP-OH6B59T		6BT Engs.
1	Complete Overhaul Kit	97-92	FP-OH6B59TA		6BTA Engs.

M/D Truck 359 Eng. 25
 5.9L 359 OHV V8, 4.05" Bore 1973-78

CYL. HEAD & PARTS

QTY	VALVE	YEARS	PART NO.	SIZE	DESCRIPTION
8	Intake	77-73	V-1833X Std Only		To Ser. No. 025,000, Exc. F600; Chrome plated stem; 1.7520" Head Dia., .3714" Stem Dia., 5.3930" O.A.L.
8	Exhaust	78-73	V-1768X Std Only		Sodium cooled; Chrome plated stem; 1.5050" Head Dia., .4343" Stem Dia., 5.3720" O.A.L.
32	Keeper	78-73	VK-138		1 groove; Square cut key groove
32	Keeper	78-73	VK-138R		1 groove; Square cut key groove; Hardened
32	Keeper, Bulk	78-73	VK-138B		1 groove; Square cut key groove; Carton of 1000
QTY	VALVE SEAT	YEARS	PART NO.	SIZE	DESCRIPTION
8	Exh.	78-73	245-1687-4 Std Only		Optional-Oversize OD for Std. cutter sizes; 1.6925" OD, 1.3440" ID, .3100" Depth
8	Exh.	78-73	245-1630-1 Std Only		1.6300" OD, 1.3350" ID, .3105" Depth
8	Int.	78-73	245-1875-2 Std Only		Optional-Oversize OD for Std. cutter sizes; 1.8800" OD, 1.5625" ID, .2480" Depth
QTY	VALVE GUIDE	YEARS	PART NO.	SIZE	DESCRIPTION
8	Guide	78-73	VG-5032		Exh.; .4375" ID, 2.5000" O.A.L.
QTY	VALVE SPRING	YEARS	PART NO.	SIZE	DESCRIPTION
8	Spring	78-77	VS-682		Int.; From Ser. No. 025,001; Incl. damper; 2.1200" Free Height
8	Spring, Bulk	78-77	VS-682B		Int.; From Ser. No. 025,001; Incl. damper; Carton of 200; 2.1200" Free Height
16	Spring Insert	78-73	259-103C		.015"; ID 1.030"; Carton of 100
16	Spring Insert	78-73	259-103B		.030"; ID 1.030"; Carton of 100
16	Spring Insert	78-73	259-103BRS		.030"; ID 1.030"; Carton of 500
16	Spring Insert	78-73	259-103A		.060"; ID 1.030"; Carton of 100
16	Spring Insert	78-73	259-103ARS		.060"; ID 1.030"; Carton of 500
QTY	PUSH RODS	YEARS	PART NO.	SIZE	DESCRIPTION
16	Push Rod	78-73	RP-3227R		Ball & ball type ends; Chrome-Moly; 9.5950" O.A.L.
16	Push Rod	78-73	RP-3172B		Ball & ball type ends; 9.5600" O.A.L.
16	Push Rod	78-73	RP-3172		Ball & ball type ends; 9.6210" O.A.L.
16	Push Rod	78-73	RP-3172A		Ball & ball type ends; 9.6800" O.A.L.
16	Push Rod	78-73	RP-3172C		9.59" O.A.L.; 9.5910" O.A.L.
16	Push Rod, Bulk	78-73	BRP-3172B		Ball & ball type ends; Carton of 100; 9.5600" O.A.L.
16	Push Rod, Bulk	78-73	BRP-3172		Ball & ball type ends; Carton of 100; 9.6210" O.A.L.
QTY	VALVE SEAL	YEARS	PART NO.	SIZE	DESCRIPTION
8	Valve Stem Seal	78-73	ST-2007		Exh.; From Ser. No. C10001; Positive type; Rubber
8	Valve Stem Seal	78-73	ST-2002		Int.; Installation requires valve guide machining; Polyacrylate
16	Valve Stem Seal	78-73	MV-1775C		Exh. & Int.; From Ser. No. C10002; Umbrella type; Polyacrylate
8	Valve Stem Seal	73	MV-1233C		Exh.; To Ser. No. C10001; O-Ring; Rubber

(continued on next page)

Ford Truck - M/D & H/D

25 M/D Truck 359 Eng.

(cont.) 5.9L 359 OHV V8, 4.05" Bore 1973-78

CYL. HEAD & PARTS (cont.)					
QTY	VALVE SEAL (cont.)	YEARS	PART NO.	SIZE	DESCRIPTION
16	Valve Stem Seal Bulk	78-73	MV-1775		Exh. & Int.; From Ser. No. C10002; Umbrella type; Carton of 100; Polyacrylate
8	Valve Stem Seal Bulk	78-73	ST-2002BC		Int.; Positive type; Installation requires valve guide machining; Carton of 100; Polyacrylate
8	Valve Stem Seal Bulk	73	MV-1233		Exh.; To Ser. No. C10001; O-Ring; Carton of 100; Rubber
QTY	ROCKER PARTS	YEARS	PART NO.	SIZE	DESCRIPTION
8	Arm	78-73	R-814		Non-Adj.
2	Rocker Shaft	78-73	RS-621		
CAMSHAFT GROUP					
QTY	TIMING	YEARS	PART NO.	SIZE	DESCRIPTION
1	3 Piece Set	78-73	KT3-169SA2		Incl. (1) 222-169, (1) 223-353, (1) 223-410
1	Timing Chain	78-73	222-169		64 Links
1	Crank Sprocket	78-73	223-353		24 Teeth
1	Cam Sprocket	78-73	223-410		Installation of 223-410 does not require spacer on cam nose. Older type Eng. used a spacer to fit on cam nose through the ID of the thrust plate. New types have the spacer cast into hub of sprocket; 48 Teeth
QTY	CAMSHAFT/LIFTER	YEARS	PART NO.	SIZE	DESCRIPTION
1	Camshaft	78-73	CS-619		
16	Lifter	78-73	HT-2083	Std Only	Hyd.
16	Lifter, Bulk	78-73	HT-2083B	Std Only	Hyd.; Carton of 122
1	Prelube	78-73	55-400		4 oz. bottle; 1.5 oz. packet No. 55-403 also avail.
QTY	CAMSHAFT KIT	YEARS	PART NO.	SIZE	DESCRIPTION
1	Cam/Lifter Kit	78-73	KC-619		Incl. (1) CS-619, (16) HT-2083, (1) 55-403B
1	Cam/Lifter/Timing Kit	78-73	KCT-619A		Incl. (1) CS-619, (16) HT-2083, (1) KT3-169SA2, (1) 55-403B
ENGINE BLOCK & PARTS					
QTY	GASKET SETS	YEARS	PART NO.	SIZE	DESCRIPTION
1	Kit Gasket Set	78-73	260-1039		Exh. heat shields not incl.; Premium valve stem seals incl.
QTY	CAM BEARINGS	YEARS	PART NO.	SIZE	DESCRIPTION
1	Cam Set	78-73	1445M	Std Only	
CRANKSHAFT/OIL PUMP					
QTY	CRANKSHAFT	YEARS	PART NO.	SIZE	DESCRIPTION
1	Harmonic Balancer Sleeve	74-73	88187		
QTY	SEALS - FRONT CRANK	YEARS	PART NO.	SIZE	DESCRIPTION
1	Redi-Sleeve	74-73	99187		
1	Oil Seal	74-73	412038N		
QTY	SEALS - REAR CRANK	YEARS	PART NO.	SIZE	DESCRIPTION
1	Oil Seal	74-73	39805		
1	Redi-Sleeve	74-73	99494		
QTY	MAIN BEARINGS	YEARS	PART NO.	SIZE	DESCRIPTION
1	Main Set	78-73	4261M	Std-1-10-20-30-40-50-60	3.824" max. flange OD
QTY	OIL PUMP	YEARS	PART NO.	SIZE	DESCRIPTION
1	Oil Pump	78-73	224-41176		
1	Inter. Shaft	78-73	224-61126		
CYLINDER COMPONENTS					
QTY	LINERS	YEARS	PART NO.	SIZE	DESCRIPTION
1	Repair Sleeve	78-73	SL-197M	Std Only	3/32" wall, cut to length; Press fit sleeve
QTY	PISTONS	YEARS	PART NO.	SIZE	DESCRIPTION
8	Cast Piston	78-73	H994P	Std-20-30-40-60	Hypereutectic; 1-3/32", 1-5/64", 1-3/16" Ring Groove, 1.882" CD, .9751" Pin Dia., Stepped Recessed Head; First recess .045" deep x 3.320" dia.; Second recess .188" deep x 2.524" dia.; Floating pin w/bushing in rod
8	Cast Piston	78-73	H705P30	30-40-60	Use E339K ring set for L/D pick-up & delivery. Use E353 K ring set for H/D & Highway use.; Hypereutectic; 1-3/32", 1-5/64", 1-3/16" Ring Groove, 1.882" CD, 1.0402" Pin Dia., Stepped Recessed Head; First recess .045" deep x 3.320" dia.; Second recess .188" deep x 2.524" dia.; Conversion from full float pin to press fit in rod w/o bushing
8	Cast Piston - Individual	78-73	WH994P	Std-20-30-40-60	Hypereutectic; 1-3/32", 1-5/64", 1-3/16" Ring Groove, 1.882" CD, .9751" Pin Dia., Stepped Recessed Head; First recess .045" deep x 3.320" dia.; Second recess .188" deep x 2.524" dia.; Floating pin w/bushing in rod

(continued on next page)

Ford Truck - M/D & H/D

M/D Truck 359 Eng. 25
5.9L 359 OHV V8, 4.05" Bore 1973-78 (cont.)

CYLINDER COMPONENTS (cont.)

QTY	PISTONS (cont.)	YEARS	PART NO.	SIZE	DESCRIPTION
8	Pin Bushing	78-73	2304V		Split type bushing
8	Pin Bushing	78-73	2304V20		Split type bushing; w/.020" extra bore stock
QTY	CONNECTING RODS & BRGS.	YEARS	PART NO.	SIZE	DESCRIPTION
1	Rod Set	78-73	8-3230CP	Std-10-20-30-40-50	Squirt hole removed from all Ford V Eng.s.; 8-3230CA 60 avail. as unplated & resizeable
1	Rod Set	78-73	8-3230CP10X2	10X2-20X2-30X2	Use in .002" O/S Rod Bore; Squirt hole removed from all Ford V Eng.s.
1	Rod Set	78-73	8-3230CA60	60	Unplated & resizeable; Squirt hole removed from all Ford V Eng.s.
8	Rod Pair	78-73	3230CP	Std-1-2-10-20-30-40-50	Squirt hole removed from all Ford V Eng.s.
QTY	PISTON RINGS	YEARS	PART NO.	SIZE	DESCRIPTION
1	Premium Set	78-73	E-353K	Std-20-30-40-60	H/D or Highway use; w/Cast iron oil ring; 1-3/32, 1-5/64, 1-3/16
1	Premium Set	78-73	E-339K	Std-20-30-40-60	L/D Use; 1-3/32, 1-5/64, 1-3/16
1	Standard Set	78-73	E-339X	Std-20-30-40-60	L/D Use; 1-3/32, 1-5/64, 1-3/16
8	Premium Single Cylinder Set	78-73	WE-353K	Std-30-40-60	H/D or Highway use; w/Cast iron oil ring; 1-3/32, 1-5/64, 1-3/16
8	Premium Single Cylinder Set	78-73	WE-339K	Std-20-30-40-60	L/D Use; 1-3/32, 1-5/64, 1-3/16

KITS

RE-RING KIT	YEARS	DESCRIPTION	QTY	PREMIUM KIT NO.	QTY	ECONOMY KIT NO.
78-73		Heat shield not incl. Re-ring	1	205-643		----
OVERHAUL KIT	YEARS	DESCRIPTION	QTY	PREMIUM KIT NO.	QTY	ECONOMY KIT NO.
78-73		Heat shield not incl.; Premium valve stem seals incl.; w/3.824" max. brg. flange OD; Squirt hole removed from all Ford V Eng.s.	1	MKP-643C		----
		Master	1	MK-643C		----
78-73		Exh. heat shields not incl.; L/D Use; Heat shield & freeze plugs not incl.	1	MK-643E		----
		Master w/o Pistons				

M/D Truck 360 Eng. 26
5.9L 360 OHV V8, 4.05" Bore 1968-77

CYL. HEAD & PARTS

QTY	VALVE	YEARS	PART NO.	SIZE	DESCRIPTION
8	Intake	76-74	V-1539	Std-15	2.0270" Head Dia., .3716" Stem Dia., 5.4460" O.A.L.
8	Exhaust	76-74	V-1853	Std-15	Chrome plated stem; 1.5580" Head Dia., .3715" Stem Dia., 5.4360" O.A.L.
QTY	VALVE SEAT	YEARS	PART NO.	SIZE	DESCRIPTION
8	Exh.	76-74	245-1687-1N	Std Only	Premium Material; 1.6925" OD, 1.4060" ID, .2480" Depth
8	Exh.	76-74	245-1687-1	Std Only	1.6925" OD, 1.4060" ID, .2480" Depth
8	Int.	76-74	245-2062-1	Std Only	2.0680" OD, 1.8125" ID, .2480" Depth
QTY	VALVE GUIDE	YEARS	PART NO.	SIZE	DESCRIPTION
16	Guide	76-74	VG-5007		.3725" ID, 2.3800" O.A.L.
16	Guide, Bulk	76-74	VG-5007B		Carton of 50; .3725" ID, 2.3800" O.A.L.
QTY	VALVE SPRING	YEARS	PART NO.	SIZE	DESCRIPTION
8	Spring	76-74	VS-682		Int.; Incl. damper; 2.1200" Free Height
8	Spring, Bulk	76-74	VS-682B		Int.; Incl. damper; Carton of 200; 2.1200" Free Height
16	Spring Insert	76-74	259-103C		.015"; ID 1.030"; Carton of 100
16	Spring Insert	76-74	259-103B		.030"; ID 1.030"; Carton of 100
16	Spring Insert	76-74	259-103BRS		.030"; ID 1.030"; Carton of 500
16	Spring Insert	76-74	259-103A		.060"; ID 1.030"; Carton of 100
16	Spring Insert	76-74	259-103ARS		.060"; ID 1.030"; Carton of 500
QTY	PUSH RODS	YEARS	PART NO.	SIZE	DESCRIPTION
16	Push Rod	76-74	RP-3227R		Ball & ball type ends; Chrome-Moly; 9.5950" O.A.L.
16	Push Rod	76-74	RP-3172B		Ball & ball type ends; 9.5600" O.A.L.
16	Push Rod	76-74	RP-3172		Ball & ball type ends; 9.6210" O.A.L.
16	Push Rod	76-74	RP-3172A		Ball & ball type ends; 9.6800" O.A.L.
16	Push Rod	76-74	RP-3172C		9.59" O.A.L.; 9.5910" O.A.L.
16	Push Rod, Bulk	76-74	BRP-3172B		Ball & ball type ends; Carton of 100; 9.5600" O.A.L.
16	Push Rod, Bulk	76-74	BRP-3172		Ball & ball type ends; Carton of 100; 9.6210" O.A.L.

(continued on next page)

Ford Truck - M/D & H/D

26 M/D Truck 360 Eng.
(cont.) 5.9L 360 OHV V8, 4.05" Bore 1968-77

CYL. HEAD & PARTS (cont.)					
QTY	ROCKER PARTS	YEARS	PART NO.	SIZE	DESCRIPTION
16	Arm	76-74	R-814		
2	Rocker Shaft	76-74	RS-621		
CAMSHAFT GROUP					
QTY	TIMING	YEARS	PART NO.	SIZE	DESCRIPTION
1	3 Piece Set	76-74	KT3-494SA3		From Ser. No. 500001; w/2 pc. fuel pump ecc.; Incl. (1) 222-494, (1) 223-321, (1) 223-448
1	Timing Chain	76-74	222-494		48 Links
1	Crank Sprocket	76-74	223-321		18 Teeth
1	Cam Sprocket	76-74	223-448		From Ser. No. 500001; 36 Teeth
QTY	CAMSHAFT/LIFTER	YEARS	PART NO.	SIZE	DESCRIPTION
1	Camshaft	76-74	CS-643		
16	Lifter	76-74	HT-2083	Std Only	Hyd.
16	Lifter, Bulk	76-74	HT-2083B	Std Only	Hyd.; Carton of 122
1	Prelube	76-74	55-400		4 oz. bottle; 1.5 oz. packet No. 55-403 also avail.
QTY	CAMSHAFT KIT	YEARS	PART NO.	SIZE	DESCRIPTION
1	Cam/Lifter Kit	76-74	KC-643		Hyd.; Incl. (1) CS-643, (16) HT-2083, (1) 55-403B
1	Cam/Lifter/Timing Kit	76-74	KCT-643A		From Ser. No. 500001; Hyd.; Incl. (1) CS-643, (16) HT-2083, (1) KT3-494SA3, (1) 55-403B
ENGINE BLOCK & PARTS					
QTY	GASKET SETS	YEARS	PART NO.	SIZE	DESCRIPTION
1	Kit Gasket Set	77-68	260-1035		Exh. pipe flange not incl.; Exh. heat shields not incl.
QTY	CAM BEARINGS	YEARS	PART NO.	SIZE	DESCRIPTION
1	Cam Set	76-74	1445M	Std Only	
QTY	FREEZE PLUGS	YEARS	PART NO.	SIZE	DESCRIPTION
1	Brass Block Plug Kit	76	381-8017		
1	Steel Block Plug Kit	76	381-4015		
CRANKSHAFT/OIL PUMP					
QTY	CRANKSHAFT	YEARS	PART NO.	SIZE	DESCRIPTION
1	Harmonic Balancer Sleeve	76-74	88187		
QTY	SEALS - FRONT CRANK	YEARS	PART NO.	SIZE	DESCRIPTION
1	Redi-Sleeve	76-74	99187		
1	Oil Seal	76-74	2942		
QTY	SEALS - REAR CRANK	YEARS	PART NO.	SIZE	DESCRIPTION
1	Oil Seal Kit	76-74	5095		(Rope Type)
1	Oil Seal Kit	76-74	5117		(Split Seal)
QTY	MAIN BEARINGS	YEARS	PART NO.	SIZE	DESCRIPTION
1	Main Set	76-74	4261M	Std-1-10-20-30-40-50-60	3.824" max. flange OD
QTY	OIL PUMP	YEARS	PART NO.	SIZE	DESCRIPTION
1	Oil Pump	76-74	224-41173		
1	Oil Pump	76-74	224-43365A		High Pressure
1	Oil Pump	76-74	224-41177		High Volume, check pan for clearance
1	Inter. Shaft	76-74	224-61114		
1	Screen Assy.	76-74	224-14159		RWD
CYLINDER COMPONENTS					
QTY	LINERS	YEARS	PART NO.	SIZE	DESCRIPTION
1	Repair Sleeve	76-74	SL-197M	Std Only	3/32" wall, cut to length; Press fit sleeve
QTY	PISTONS	YEARS	PART NO.	SIZE	DESCRIPTION
8	Cast Piston	76-74	H395P	Std-20-30-40-60	Hypereutectic; 1-5/64", 1-3/32", 1-3/16" Ring Groove, 1.759" CD, .9751" Pin Dia., Flat Head w/4 valve reliefs
8	Cast Piston - Individual	76-74	WH395P	Std-20-30-40-60	Hypereutectic; 1-5/64", 1-3/32", 1-3/16" Ring Groove, 1.759" CD, .9751" Pin Dia., Flat Head w/4 valve reliefs
8	Pin Bushing	76-74	2304V		Split type bushing
8	Pin Bushing	76-74	2304V20		Split type bushing; w/.020" extra bore stock
QTY	CONNECTING RODS & BRGS.	YEARS	PART NO.	SIZE	DESCRIPTION
1	Rod Set	76-74	8-3230CP	Std-10-20-30-40-50	Squirt hole removed from all Ford V Engs.; 8-3230CA 60 avail. as unplated & resizeable
1	Rod Set	76-74	8-3230CP10X2	10X2-20X2-30X2	Use in .002" O/S Rod Bore; Squirt hole removed from all Ford V Engs.
1	Rod Set	76-74	8-3230CA60	60	Unplated & resizeable; Squirt hole removed from all Ford V Engs.

(continued on next page)

Ford Truck - M/D & H/D

M/D Truck 360 Eng. 26
5.9L 360 OHV V8, 4.05" Bore 1968-77 (cont.)

CYLINDER COMPONENTS (cont.)

QTY	CONNECTING RODS & BRGS. (cont.)	YEARS	PART NO.	SIZE	DESCRIPTION
8	Rod Pair	76-74	3230CP Std-1-2-10-20-30-40-50		Squirt hole removed from all Ford V Engs.
QTY	PISTON RINGS	YEARS	PART NO.	SIZE	DESCRIPTION
1	Premium Set	76-74	E-180K Std-20-30-40-60		1-5/64, 1-3/32, 1-3/16; Check piston grooving before using
1	Standard Set	76-74	E-180X Std-20-30-40-60		1-5/64, 1-3/32, 1-3/16; Check piston grooving before using
8	Premium Single Cylinder Set	76-74	WE-180K Std-20-30-40-60		1-5/64, 1-3/32, 1-3/16; Check piston grooving before using
8	Standard Single Cylinder Set	76-74	WE-180X Std-20-30-40-60		1-5/64, 1-3/32, 1-3/16; Check piston grooving before using

KITS

RE-RING KIT				QTY	PREMIUM KIT NO.	QTY	ECONOMY KIT NO.
YEARS	DESCRIPTION						
76-74	Squirt hole removed from all Ford V Engs.; Check piston grooving before using ring set	Re-ring		1	205-601		----
76-74	Squirt hole removed from all Ford V Engs.; Check piston grooving before using ring set	Re-ring			----	1	205-101
76-74	Squirt hole removed from all Ford V Engs.; Check piston grooving before using ring set; w/3.824" max. brg. flange OD	Re-ring w/Mains		1	205-601M	1	205-101M
OVERHAUL KIT				QTY	PREMIUM KIT NO.	QTY	ECONOMY KIT NO.
YEARS	DESCRIPTION						
76	Exh. pipe flange not incl.; Exh. heat shields not incl.; Squirt hole removed from all Ford V Engs.; Check piston grooving before using ring set; w/3.824" max. brg. flange OD; w/2 pc. fuel pump ecc.	Master w/o Pistons		1	MK-601M		----
76	From Ser. No. 500001; Exh. pipe flange not incl.; Exh. heat shields not incl.; Squirt hole removed from all Ford V Engs.; Check piston grooving before using ring set; w/3.824" max. brg. flange OD; w/2 pc. fuel pump ecc.	Master w/o Pistons			----	1	MK-101M
76-74	From Ser. No. 500001; w/2 pc. fuel pump ecc.; Squirt hole removed from all Ford V Engs.; w/3.824" max. brg. flange OD	Master		1	MKP-601P	1	MKP-101P

M/D Truck 361 Eng. H/D Truck 361 Eng. 27
5.9L 361 OHV V8, 4.05" Bore 1964-78

CYL. HEAD & PARTS

QTY	VALVE	YEARS	PART NO.	SIZE	DESCRIPTION
8	Intake	77	V-1833X Std Only		To Ser. No. 025,000; Chrome plated stem; 1.7520" Head Dia., .3714" Stem Dia., 5.3930" O.A.L.
8	Intake	76-75	V-1833X Std Only		Chrome plated stem; 1.7520" Head Dia., .3714" Stem Dia., 5.3930" O.A.L.
8	Intake	74-73	V-1833X Std Only		Exc. F600 Rental; Chrome plated stem; 1.7520" Head Dia., .3714" Stem Dia., 5.3930" O.A.L.
8	Intake	72-70	V-1833X Std Only		Chrome plated stem; 1.7520" Head Dia., .3714" Stem Dia., 5.3930" O.A.L.
8	Intake	69-64	V-1833X Std Only		Optional-Stellite; Chrome plated stem; 1.7520" Head Dia., .3714" Stem Dia., 5.3930" O.A.L.
8	Intake	69-64	FP-V1769		1.7520" Head Dia., .3715" Stem Dia., 5.3930" O.A.L.
8	Intake	69-64	V-1769 + Std Only		1.7520" Head Dia., .3715" Stem Dia., 5.3930" O.A.L.; When depleted use FP-V1769
8	Exhaust	78-64	V-1768X Std Only		Sodium cooled; Chrome plated stem; 1.5050" Head Dia., .4343" Stem Dia., 5.3720" O.A.L.
32	Keeper	78-64	VK-138		1 groove; Square cut key groove
32	Keeper	78-64	VK-138R		1 groove; Square cut key groove; Hardened
32	Keeper, Bulk	78-64	VK-138B		1 groove; Square cut key groove; Carton of 1000
QTY	VALVE SEAT	YEARS	PART NO.	SIZE	DESCRIPTION
8	Exh.	78-64	245-1687-4 Std Only		Optional-Oversize OD for Std. cutter sizes; 1.6925" OD, 1.3440" ID, .3100" Depth
8	Exh.	78-64	245-1630-1 Std Only		1.6300" OD, 1.3350" ID, .3105" Depth
8	Int.	78-64	245-1875-2 Std Only		Optional-Oversize OD for Std. cutter sizes; 1.8800" OD, 1.5625" ID, .2480" Depth

(continued on next page)

Ford Truck - M/D & H/D

27 M/D Truck 361 Eng. H/D Truck 361 Eng.
 (cont.) 5.9L 361 OHV V8, 4.05" Bore 1964-78

CYL. HEAD & PARTS (cont.)					
QTY	VALVE GUIDE	YEARS	PART NO.	SIZE	DESCRIPTION
8	Guide	78-64	VG-5032		Exh.; .4375" ID, 2.5000" O.A.L.
QTY	VALVE SPRING	YEARS	PART NO.	SIZE	DESCRIPTION
8	Spring	78	VS-682		Int.; From Ser. No. 025,001; Incl. damper; 2.1200" Free Height
8	Spring	77	VS-682		Int.; Incl. damper; 2.1200" Free Height
8	Spring, Bulk	78	VS-682B		Int.; From Ser. No. 025,001; Incl. damper; Carton of 200; 2.1200" Free Height
8	Spring, Bulk	77	VS-682B		Int.; Incl. damper; Carton of 200; 2.1200" Free Height
16	Spring Insert	78-64	259-103C		.015"; ID 1.030"; Carton of 100
16	Spring Insert	78-64	259-103B		.030"; ID 1.030"; Carton of 100
16	Spring Insert	78-64	259-103BRS		.030"; ID 1.030"; Carton of 500
16	Spring Insert	78-64	259-103A		.060"; ID 1.030"; Carton of 100
16	Spring Insert	78-64	259-103ARS		.060"; ID 1.030"; Carton of 500
QTY	PUSH RODS	YEARS	PART NO.	SIZE	DESCRIPTION
16	Push Rod	78-64	RP-3227R		Ball & ball type ends; Chrome-Moly; 9.5950" O.A.L.
16	Push Rod	78-64	RP-3172B		Ball & ball type ends; 9.5600" O.A.L.
16	Push Rod	78-64	RP-3172		Ball & ball type ends; 9.6210" O.A.L.
16	Push Rod	78-64	RP-3172A		Ball & ball type ends; 9.6800" O.A.L.
16	Push Rod	78-64	RP-3172C		9.59" O.A.L.; 9.5910" O.A.L.
16	Push Rod, Bulk	78-64	BRP-3172B		Ball & ball type ends; Carton of 100; 9.5600" O.A.L.
16	Push Rod, Bulk	78-64	BRP-3172		Ball & ball type ends; Carton of 100; 9.6210" O.A.L.
QTY	VALVE SEAL	YEARS	PART NO.	SIZE	DESCRIPTION
8	Valve Stem Seal	78-67	ST-2007		Exh.; Positive type; Rubber
8	Valve Stem Seal	78-67	ST-2002		Int.; Installation requires valve guide machining; Polyacrylate
16	Valve Stem Seal	78-76	MV-1775C		Exh. & Int.; From Ser. No. C10002; Umbrella type; Polyacrylate
8	Valve Stem Seal	76-64	MV-1233C		Exh.; To Ser. No. C10001; O-Ring; Rubber
16	Valve Stem Seal Bulk	78-76	MV-1775		Exh. & Int.; From Ser. No. C10002; Umbrella type; Carton of 100; Polyacrylate
8	Valve Stem Seal Bulk	78-67	ST-2002BC		Int.; Positive type; Installation requires valve guide machining; Carton of 100; Polyacrylate
8	Valve Stem Seal Bulk	76-64	MV-1233		Exh.; To Ser. No. C10001; O-Ring; Carton of 100; Rubber
QTY	ROCKER PARTS	YEARS	PART NO.	SIZE	DESCRIPTION
16	Arm	78-64	R-814		Non-Adj.
2	Rocker Shaft	78-64	RS-621		
CAMSHAFT GROUP					
QTY	TIMING	YEARS	PART NO.	SIZE	DESCRIPTION
1	3 Piece Set	78-64	KT3-169SA2		Incl. (1) 222-169, (1) 223-353, (1) 223-410
1	Timing Chain	78-64	222-169		64 Links
1	Crank Sprocket	78-64	223-353		24 Teeth
1	Cam Sprocket	78-64	223-410		Installation of 223-410 does not require spacer on cam nose. Older type Engs. used a spacer to fit on cam nose through the ID of the thrust plate. New types have the spacer cast into hub of sprocket; 48 Teeth
QTY	CAMSHAFT/LIFTER	YEARS	PART NO.	SIZE	DESCRIPTION
1	Camshaft	78-64	CS-619		
16	Lifter	78-64	HT-2083	Std Only	Hyd.
16	Lifter, Bulk	78-64	HT-2083B	Std Only	Hyd.; Carton of 122
1	Prelube	78-64	55-400		4 oz. bottle; 1.5 oz. packet No. 55-403 also avail.
QTY	CAMSHAFT KIT	YEARS	PART NO.	SIZE	DESCRIPTION
1	Cam/Lifter Kit	78-64	KC-619		Incl. (1) CS-619, (16) HT-2083, (1) 55-403B
1	Cam/Lifter/Timing Kit	78-64	KCT-619A		Incl. (1) CS-619, (16) HT-2083, (1) KT3-169SA2, (1) 55-403B
ENGINE BLOCK & PARTS					
QTY	GASKET SETS	YEARS	PART NO.	SIZE	DESCRIPTION
1	Kit Gasket Set	78-64	260-1039		Exh. heat shields not incl.; Premium valve stem seals incl.
QTY	CAM BEARINGS	YEARS	PART NO.	SIZE	DESCRIPTION
1	Cam Set	78-64	1445M	Std Only	
QTY	FREEZE PLUGS	YEARS	PART NO.	SIZE	DESCRIPTION
1	Brass Block Plug Kit	78-64	381-8017		
1	Steel Block Plug Kit	78-64	381-4015		
CRANKSHAFT/OIL PUMP					
QTY	CRANKSHAFT	YEARS	PART NO.	SIZE	DESCRIPTION
1	Harmonic Balancer Sleeve	78-64	88187		
QTY	SEALS - FRONT CRANK	YEARS	PART NO.	SIZE	DESCRIPTION
1	Redi-Sleeve	78-64	99187		

(continued on next page)

Ford Truck - M/D & H/D

M/D Truck 361 Eng. H/D Truck 361 Eng. **27**
5.9L 361 OHV V8, 4.05" Bore 1964-78 (cont.)

CRANKSHAFT/OIL PUMP (cont.)					
SEALS - FRONT CRANK					
QTY	SEALS - FRONT CRANK	YEARS	PART NO.	SIZE	DESCRIPTION
(cont.)					
1	Oil Seal	78-64	412038N		
SEALS - REAR CRANK					
QTY	SEALS - REAR CRANK	YEARS	PART NO.	SIZE	DESCRIPTION
1	Oil Seal	78-64	5112S		
1	Oil Seal Kit	78-64	5095		(Rope Type)
MAIN BEARINGS					
QTY	MAIN BEARINGS	YEARS	PART NO.	SIZE	DESCRIPTION
1	Main Set	78-64	4261M	Std-1-10-20-30-40-50-60	3.824" max. flange OD
OIL PUMP					
QTY	OIL PUMP	YEARS	PART NO.	SIZE	DESCRIPTION
1	Oil Pump	78-64	224-41176		
1	Inter. Shaft	78-64	224-61126		5/16" hex. drive
CYLINDER COMPONENTS					
LINERS					
QTY	LINERS	YEARS	PART NO.	SIZE	DESCRIPTION
1	Repair Sleeve	78-64	SL-197M	Std Only	3/32" wall, cut to length; Press fit sleeve
PISTONS					
QTY	PISTONS	YEARS	PART NO.	SIZE	DESCRIPTION
8	Cast Piston	78-64	H994P	Std-20-30-40-60	Hypereutectic; 1-3/32", 1-5/64", 1-3/16" Ring Groove, 1.882" CD, .9751" Pin Dia., Stepped Recessed Head; First recess .045" deep x 3.320" dia.; Second recess .188" deep x 2.524" dia.; Floating pin w/bushing in rod
8	Cast Piston	78-64	H705P30	30-40-60	Use E339K ring set for L/D pick-up & delivery. Use E353 K ring set for H/D & Highway use.; Hypereutectic; 1-3/32", 1-5/64", 1-3/16" Ring Groove, 1.882" CD, 1.0402" Pin Dia., Stepped Recessed Head; First recess .045" deep x 3.320" dia.; Second recess .188" deep x 2.524" dia.; Conversion from full float pin to press fit in rod w/o bushing
8	Cast Piston - Individual	78-64	WH994P	Std-20-30-40-60	Hypereutectic; 1-3/32", 1-5/64", 1-3/16" Ring Groove, 1.882" CD, .9751" Pin Dia., Stepped Recessed Head; First recess .045" deep x 3.320" dia.; Second recess .188" deep x 2.524" dia.; Floating pin w/bushing in rod
8	Pin Bushing	78-64	2304V		Split type bushing
8	Pin Bushing	78-64	2304V20		Split type bushing; w/.020" extra bore stock
CONNECTING RODS & BRGS.					
QTY	CONNECTING RODS & BRGS.	YEARS	PART NO.	SIZE	DESCRIPTION
1	Rod Set	78-64	8-3230CP	Std-10-20-30-40-50	Squirt hole removed from all Ford V Eng.s.; 8-3230CA 60 avail. as unplated & resizeable
1	Rod Set	78-64	8-3230CP10X2	10X2-20X2-30X2	Use in .002" O/S Rod Bore; Squirt hole removed from all Ford V Eng.s.
1	Rod Set	78-64	8-3230CA60	60	Unplated & resizeable; Squirt hole removed from all Ford V Eng.s.
8	Rod Pair	78-64	3230CP	Std-1-2-10-20-30-40-50	Squirt hole removed from all Ford V Eng.s.
PISTON RINGS					
QTY	PISTON RINGS	YEARS	PART NO.	SIZE	DESCRIPTION
1	Premium Set	78-74	E-353K	Std-20-30-40-60	From Ser. No. U40001; H/D or Highway use; w/Cast iron oil ring; 1-3/32, 1-5/64, 1-3/16
1	Premium Set	78-74	E-339K	Std-20-30-40-60	From Ser. No. U40001; L/D Use; 1-3/32, 1-5/64, 1-3/16
1	Premium Set	74-64	9292KX	Std-20-30-40-60	To Ser. No. U40000; L/D Use; Use w/4 groove piston; 1-3/32, 2-5/64, 1-3/16
1	Standard Set	78-74	E-339X	Std-20-30-40-60	From Ser. No. U40001; L/D Use; 1-3/32, 1-5/64, 1-3/16
8	Premium Single Cylinder Set	78-74	WE-353K	Std-30-40-60	From Ser. No. U40001; H/D or Highway use; w/Cast iron oil ring; 1-3/32, 1-5/64, 1-3/16
8	Premium Single Cylinder Set	78-74	WE-339K	Std-20-30-40-60	From Ser. No. U40001; L/D Use; 1-3/32, 1-5/64, 1-3/16
8	Premium Single Cylinder Set	74-64	W-9292KX	Std-20-30-40-60	To Ser. No. U40000; L/D Use; Use w/4 groove piston; 1-3/32, 2-5/64, 1-3/16
KITS					
RE-RING KIT					
YEARS	DESCRIPTION			QTY	PREMIUM KIT NO.
78-64	Heat shield not incl.	Re-ring		1	205-643
					ECONOMY KIT NO.

OVERHAUL KIT					
YEARS	DESCRIPTION			QTY	PREMIUM KIT NO.
78-74	From Ser. No. U40001; L/D Use; Exh. heat shields not incl.; Heat shield & freeze plugs not incl.	Master w/o Pistons		1	MK-643E
					ECONOMY KIT NO.

78-66	Heat shield not incl.; Premium valve stem seals incl.; w/3.824" max. brg. flange OD; Squirt hole removed from all Ford V Eng.s.	Master Master w/o Pistons		1 1	MKP-643C MK-643C
					ECONOMY KIT NO.

(continued on next page)

Ford Truck - M/D & H/D

27 M/D Truck 361 Eng. H/D Truck 361 Eng. (cont.) 5.9L 361 OHV V8, 4.05" Bore 1964-78

KITS (cont.)

OVERHAUL KIT (cont.)		QTY	PREMIUM KIT NO.	QTY	ECONOMY KIT NO.
YEARS	DESCRIPTION				
65-64	Heat shield not incl.; Premium valve stem seals incl.; Master w/3.824" max. brg. flange OD; Squirt hole removed from all Ford V Eng.	1	MKP-643C		----
	Master w/o Pistons	1	MK-643C		----

28 M/D Truck 360 Dorset Eng. (Diesel) 5.9L 363 (5945cc) OHV Diesel L6 (Dorset), 104.8mm Bore (Ford Europe Eng.) 1967-69

CRANKSHAFT/OIL PUMP

QTY	MAIN BEARINGS	YEARS	PART NO.	SIZE	DESCRIPTION
1	Thrust Washer Set	69-67	FP-2248BF	STD	Position 4

CYLINDER COMPONENTS

QTY	PISTON RINGS	YEARS	PART NO.	SIZE	DESCRIPTION
3	Premium Set		FP-9362KX		Dagenham Diesel

29 M/D Truck 370 Eng. H/D Truck 370 Eng. 6.1L 370 OHV V8, 4.05" Bore 1979-91

CYL. HEAD & PARTS

QTY	VALVE	YEARS	PART NO.	SIZE	DESCRIPTION
8	Intake	85-79	V-2134 Std Only		W/2 Bbl. Carb.; Chrome plated stem; 1.7840" Head Dia., .3714" Stem Dia., 5.1470" O.A.L.
8	Exhaust	91-86	V-2135X Std Only		Sodium cooled; Chrome plated stem; 1.5620" Head Dia., .3708" Stem Dia., 4.9540" O.A.L.
8	Exhaust	85-79	V-2133 Std Only		W/2 Bbl. Carb.; Chrome plated stem; 1.5620" Head Dia., .3704" Stem Dia., 4.9540" O.A.L.
8	Exhaust	85-79	V-2135X Std Only		W/4 Bbl. Carb.; Sodium cooled; Chrome plated stem; 1.5620" Head Dia., .3708" Stem Dia., 4.9540" O.A.L.
32	Keeper	91-79	VK-138		1 groove; Square cut key groove
32	Keeper	91-79	VK-138R		1 groove; Square cut key groove; Hardened
32	Keeper, Bulk	91-79	VK-138B		1 groove; Square cut key groove; Carton of 1000

QTY	VALVE SEAT	YEARS	PART NO.	SIZE	DESCRIPTION
8	Exh.	91-79	245-1671-1N Std Only		1.6710" OD, 1.3670" ID, .3110" Depth
8	Int.	91-79	245-1875-1N Std Only		Premium Material; 1.8810" OD, 1.6100" ID, .2485" Depth
8	Int.	91-79	245-1875-1 Std Only		1.8810" OD, 1.6100" ID, .2485" Depth

QTY	VALVE SPRING	YEARS	PART NO.	SIZE	DESCRIPTION
16	Spring	91-86	VS-1436		1.9700" Free Height
16	Spring	85-79	VS-1436		W/4 Bbl. Carb.; 1.9700" Free Height
8	Spring	85-79	VS-803		Exh.; W/2 Bbl. Carb.; 2.0300" Free Height
8	Spring	85-79	VS-1436		Int.; W/2 Bbl. Carb.; 1.9700" Free Height

QTY	PUSH RODS	YEARS	PART NO.	SIZE	DESCRIPTION
16	Push Rod	91-90	RP-3288		8.5920" O.A.L.
16	Push Rod	89-80	RP-3160		8.5500" O.A.L.
16	Push Rod, Bulk	91-90	BRP-3288		Carton of 100; 8.5920" O.A.L.
16	Push Rod, Bulk	89-80	BRP-3160		Carton of 100; 8.5500" O.A.L.

QTY	VALVE SEAL	YEARS	PART NO.	SIZE	DESCRIPTION
16	Valve Stem Seal	86-79	MV-1775C		Exh. & Int.; Umbrella type; Polyacrylate
16	Valve Stem Seal Bulk	86-79	MV-1775		Exh. & Int.; Umbrella type; Carton of 100; Polyacrylate

QTY	ROCKER PARTS	YEARS	PART NO.	SIZE	DESCRIPTION
16	Arm Assy.	91-79	R-855		Incl. arm & pivot
16	Arm Assy., Bulk	91-79	R-855B		Incl. arm & pivot; Carton of 64
16	Arm	91-79	R-855A		
16	Bolt	91-79	MR-1951		5/16" X 18 UNC w/o washer
16	Pivot	91-79	MR-1811		

INT & EXH MANIFOLDS

QTY	INT. & EXH. MANIFOLDS	YEARS	PART NO.	SIZE	DESCRIPTION
1	Valley Pan Gasket Set	91-79	260-4005		

CAMSHAFT GROUP

QTY	TIMING	YEARS	PART NO.	SIZE	DESCRIPTION
1	3 Piece Set	91-79	KT3-168SA1		Incl. (1) 222-168, (1) 223-401, (1) 223-438
1	Timing Chain	91-79	222-168		Double rlr.; 66 Links
1	Crank Sprocket	91-79	223-401		22 Teeth
1	Cam Sprocket	91-79	223-438		44 Teeth

(continued on next page)

Ford Truck - M/D & H/D

M/D Truck 370 Eng. H/D Truck 370 Eng. 29
6.1L 370 OHV V8, 4.05" Bore 1979-91 (cont.)

CAMSHAFT GROUP (cont.)					
QTY	CAMSHAFT/LIFTER	YEARS	PART NO.	SIZE	DESCRIPTION
1	Camshaft	91-79	CS-648		
16	Lifter	91-79	HT-900 Std Only		Hyd.
16	Lifter	91-79	HT-900R Std Only		Speed-Pro Hi-Revolution Hyd.; Use w/adj. rocker assy.
16	Lifter, Bulk	91-79	HT-900B Std Only		Hyd.; Carton of 122
1	Prelube	91-79	55-400		4 oz. bottle; 1.5 oz. packet No. 55-403 also avail.
CAMSHAFT KIT					
1	Cam/Lifter Kit	91-79	KC-648		Hyd.; Incl. (1) CS-648, (16) HT-900, (1) 55-403B
1	Cam/Lifter/Timing Kit	91-79	KCT-648A		Incl. (1) CS-648, (16) HT-900, (1) KT3-168SA1, (1) 55-403B
ENGINE BLOCK & PARTS					
GASKET SETS					
1	Kit Gasket Set	89-88	260-1421		To 3/30/89; Int. manifold gskt. & exh. heat shields not incl.; Premium valve stem seals incl.
1	Kit Gasket Set	87-79	260-1098		Int. manifold gskt. & exh. heat shields not incl.; Premium valve stem seals incl.
CAM BEARINGS					
1	Cam Set	91-79	1414M Std Only		Babbitt material; Full round design
FREEZE PLUGS					
1	Brass Block Plug Kit	91-79	381-8018		
1	Steel Block Plug Kit	91-79	381-4021		
CRANKSHAFT/OIL PUMP					
CRANKSHAFT					
1	Harmonic Balancer Sleeve	87-79	88187		
SEALS - FRONT CRANK					
1	Redi-Sleeve	91-88	99238		
1	Redi-Sleeve	87-79	99187		
1	Oil Seal	91-88	710210		
1	Oil Seal	87-79	470574N		
SEALS - REAR CRANK					
1	Oil Seal Kit	91-79	5095		(Rope Type)
1	Oil Seal Kit	91-79	5118		(Split Seal)
MAIN BEARINGS					
1	Main Set	91-79	4907M Std-1-10-20-30-40		
OIL PUMP					
1	Oil Pump	91-79	224-41144		
1	Oil Pump	91-79	224-41144V		High Volume, check pan for clearance
1	Pump Repair Kit	91-79	224-51139		
1	Inter. Shaft	91-79	224-61127		
1	Screen Assy.	91-79	224-14230		
CYLINDER COMPONENTS					
LINERS					
1	Repair Sleeve	91-79	SL-197M Std Only		3/32" wall, cut to length; Press fit sleeve
PISTONS					
8	Cast Piston	91-79	H707P Std-20-30-40-60		Hypereutectic; 1-3/32", 1-5/64", 1-3/16" Ring Groove, 2.120" CD, 1.0402" Pin Dia., Flat Head w/2 valve reliefs - 8.0:1 C.R.
8	Cast Piston	91-79	HLC702CP Std-30-40-60		Hypereutectic; 1-3/32", 1-5/64", 1-3/16" Ring Groove, 2.120" CD, 1.0402" Pin Dia., Recessed Head "D" shaped .245" deep w/1 valve relief; Low compression; DUROSHIELD® skirt coated piston
8	Cast Piston - Individual	91-79	WH707P Std-20-30-40-60		Hypereutectic; 1-3/32", 1-5/64", 1-3/16" Ring Groove, 2.120" CD, 1.0402" Pin Dia., Flat Head w/2 valve reliefs - 8.0:1 C.R.
8	Cast Piston - Individual	91-79	WHLC702CP Std-20-30-40-60		Hypereutectic; 1-3/32", 1-5/64", 1-3/16" Ring Groove, 2.120" CD, 1.0402" Pin Dia., Recessed Head "D" shaped .245" deep w/1 valve relief; Low compression; DUROSHIELD® skirt coated piston
CONNECTING RODS & BRGS.					
1	Rod Set	91-79	8-3360CPA Std-1-10-20-30-40		
8	Rod Pair	91-79	3360CPA Std-1-10-20-30-40		

(continued on next page)

Ford Truck - M/D & H/D

29 M/D Truck 370 Eng. H/D Truck 370 Eng.
(cont.) 6.1L 370 OHV V8, 4.05" Bore 1979-91

CYLINDER COMPONENTS (cont.)

QTY	PISTON RINGS	YEARS	PART NO.	SIZE	DESCRIPTION
1	Premium Set	91-79	E-353K Std-20-30-40-60		H/D or Highway use; 1-3/32, 1-5/64, 1-3/16
1	Premium Set	91-79	E-339K Std-20-30-40-60		L/D Use; 1-3/32, 1-5/64, 1-3/16
1	Standard Set	91-79	E-339X Std-20-30-40-60		L/D Use; 1-3/32, 1-5/64, 1-3/16
8	Premium Single Cylinder Set	91-79	WE-353K Std-30-40-60		H/D or Highway use; 1-3/32, 1-5/64, 1-3/16
8	Premium Single Cylinder Set	91-79	WE-339K Std-20-30-40-60		L/D Use; 1-3/32, 1-5/64, 1-3/16

KITS

RE-RING KIT		QTY	PREMIUM KIT NO.	QTY	ECONOMY KIT NO.
YEARS	DESCRIPTION				
91-88	L/D Use; Int. manifold gskt. & heat shield not incl.; Oil pan gskt. from 3/31/89 not incl.; Premium valve stem seals incl.	1	205-6088		----
91-88	H/D or Highway use; Int. manifold gskt. & heat shield not incl.; Oil pan gskt. from 3/31/89 not incl.; Premium valve stem seals incl.	1	205-6089		----
87-79	L/D use; Int. manifold gskt. & heat shield not incl.; Premium valve stem seals incl.	1	205-687		----
87-79	H/D or Highway use; Int. manifold gskt. & heat shield not incl.; Premium valve stem seals incl.	1	205-688		----
91-88	L/D Use; Int. manifold gskt. & heat shield not incl.; Oil pan gskt. from 3/31/89 not incl.; Premium valve stem seals incl.		----	1	205-1088
87-79	L/D Use; Int. manifold gskt. & heat shield not incl.; Premium valve stem seals incl.		----	1	205-187
OVERHAUL KIT		QTY	PREMIUM KIT NO.	QTY	ECONOMY KIT NO.
YEARS	DESCRIPTION				
91-88	L/D Use; Int. manifold gskt. & heat shield not incl.; Oil pan gskt. from 3/31/89 not incl.; Premium valve stem seals incl.	1	MKP-6088A		----
		1	MK-6088A	1	MK-1088A
91-88	L/D Use; Int. manifold gskt. & heat shield not incl.; Oil pan gskt. from 3/31/89 not incl.; Premium valve stem seals incl.; Incl. silent type chain		----	1	MKP-1088A
91-88	H/D or Highway use; Int. manifold gskt. & heat shield not incl.; Oil pan gskt. from 3/31/89 not incl.; Premium valve stem seals incl.	1	MKP-6089A		----
		1	MK-6089A		----
87-79	L/D Use; Int. manifold gskt. & heat shield not incl.; Premium valve stem seals incl.	1	MKP-687A	1	MKP-187A
		1	MK-687A	1	MK-187A
87-79	H/D or Highway use; Int. manifold gskt. & heat shield not incl.; Premium valve stem seals incl.	1	MK-688A		----
87-79	H/D use; Int. manifold gskt. & heat shield not incl.; Premium valve stem seals incl.	1	MKP-688A		----

30 M/D Truck 370 LPG Eng.
6.1L 370 OHV LPG V8, 4.05" Bore 1979-91

CYL. HEAD & PARTS

QTY	ROCKER PARTS	YEARS	PART NO.	SIZE	DESCRIPTION
16	Arm Assy.	91-79	R-855		Incl. arm & pivot
16	Arm Assy., Bulk	91-79	R-855B		Incl. arm & pivot; Carton of 64
16	Arm	91-79	R-855A		
16	Bolt	91-79	MR-1951		5/16" X 18 UNC w/o washer
16	Pivot	91-79	MR-1811		

INT & EXH MANIFOLDS

QTY	INT. & EXH. MANIFOLDS	YEARS	PART NO.	SIZE	DESCRIPTION
1	Valley Pan Gasket Set	91-79	260-4031		LPG Engs.

(continued on next page)

Ford Truck - M/D & H/D

M/D Truck 370 LPG Eng. 30
6.1L 370 OHV LPG V8, 4.05" Bore 1979-91 (cont.)

ENGINE BLOCK & PARTS

QTY	GASKET SETS	YEARS	PART NO.	SIZE	DESCRIPTION
1	Kit Gasket Set	89-88	260-1421		To 3/30/89; Int. manifold gskt. & exh. heat shields not incl.; Premium valve stem seals incl.
1	Kit Gasket Set	87-79	260-1098		Int. manifold gskt. & exh. heat shields not incl.; Premium valve stem seals incl.
QTY	CAM BEARINGS	YEARS	PART NO.	SIZE	DESCRIPTION
1	Cam Set	91-79	1414M	Std Only	Babbitt material; Full round design

CRANKSHAFT/OIL PUMP

QTY	MAIN BEARINGS	YEARS	PART NO.	SIZE	DESCRIPTION
1	Main Set	91-79	4907M	Std-1-10-20-30-40	
QTY	OIL PUMP	YEARS	PART NO.	SIZE	DESCRIPTION
1	Oil Pump	91-79	224-41144		High Volume, check pan for clearance
1	Oil Pump	91-79	224-41144V		
1	Pump Repair Kit	91-79	224-51139		
1	Inter. Shaft	91-79	224-61127		
1	Screen Assy.	91-79	224-14230		

CYLINDER COMPONENTS

QTY	LINERS	YEARS	PART NO.	SIZE	DESCRIPTION
1	Repair Sleeve	91-79	SL-197M	Std Only	3/32" wall, cut to length; Press fit sleeve
QTY	CONNECTING RODS & BRGS.	YEARS	PART NO.	SIZE	DESCRIPTION
1	Rod Set	91-79	8-3360CPA	Std-1-10-20-30-40	
8	Rod Pair	91-79	3360CPA	Std-1-10-20-30-40	

M/D Truck 389 Eng. H/D Truck 389 Eng. 31
6.4L 389 OHV V8, 4.05" Bore 1973-78

CYL. HEAD & PARTS

QTY	VALVE	YEARS	PART NO.	SIZE	DESCRIPTION
8	Intake	78-75	V-1833X	Std Only	To Ser. No. 025,000; Chrome plated stem; 1.7520" Head Dia., .3714" Stem Dia., 5.3930" O.A.L.
8	Exhaust	78-75	V-1768X	Std Only	Sodium cooled; Chrome plated stem; 1.5050" Head Dia., .4343" Stem Dia., 5.3720" O.A.L.
32	Keeper	78-75	VK-138		1 groove; Square cut key groove
32	Keeper	78-75	VK-138R		1 groove; Square cut key groove; Hardened
32	Keeper, Bulk	78-75	VK-138B		1 groove; Square cut key groove; Carton of 1000
QTY	VALVE SEAT	YEARS	PART NO.	SIZE	DESCRIPTION
8	Exh.	78-75	245-1687-4	Std Only	Optional-Oversize OD for Std. cutter sizes; 1.6925" OD, 1.3440" ID, .3100" Depth
8	Exh.	78-75	245-1630-1	Std Only	1.6300" OD, 1.3350" ID, .3105" Depth
8	Int.	78-75	245-1875-2	Std Only	Optional-Oversize OD for Std. cutter sizes; 1.8800" OD, 1.5625" ID, .2480" Depth
QTY	VALVE GUIDE	YEARS	PART NO.	SIZE	DESCRIPTION
8	Guide	78-75	VG-5032		Exh.; .4375" ID, 2.5000" O.A.L.
QTY	VALVE SPRING	YEARS	PART NO.	SIZE	DESCRIPTION
8	Spring	78	VS-721		Exh.; 1.9600" Free Height
8	Spring	78	VS-682		Int.; Incl. damper; 2.1200" Free Height
8	Spring	77	VS-721		Exh.; From Ser. No. 025,001; 1.9600" Free Height
16	Spring	77	VS-721		Exh. & Int.; To Ser. No. 025,000; 1.9600" Free Height
8	Spring	77	VS-682		Int.; From Ser. No. 025,001; Incl. damper; 2.1200" Free Height
16	Spring	76-75	VS-721		Exh. & Int.; 1.9600" Free Height
8	Spring, Bulk	78	VS-721B		Exh.; Carton of 250; 1.9600" Free Height
8	Spring, Bulk	78	VS-682B		Int.; Incl. damper; Carton of 200; 2.1200" Free Height
8	Spring, Bulk	77	VS-721B		Exh.; From Ser. No. 025,001; Carton of 250; 1.9600" Free Height
16	Spring, Bulk	77	VS-721B		Exh. & Int.; To Ser. No. 025,000; Carton of 250; 1.9600" Free Height
8	Spring, Bulk	77	VS-682B		Int.; From Ser. No. 025,001; Incl. damper; Carton of 200; 2.1200" Free Height
16	Spring, Bulk	76-75	VS-721B		Exh. & Int.; Carton of 250; 1.9600" Free Height
16	Spring Insert	78-75	259-103C		.015"; ID 1.030"; Carton of 100
16	Spring Insert	78-75	259-103B		.030"; ID 1.030"; Carton of 100
16	Spring Insert	78-75	259-103BRS		.030"; ID 1.030"; Carton of 500
16	Spring Insert	78-75	259-103A		.060"; ID 1.030"; Carton of 100

(continued on next page)

Ford Truck - M/D & H/D

31 M/D Truck 389 Eng. H/D Truck 389 Eng.
(cont.) 6.4L 389 OHV V8, 4.05" Bore 1973-78

CYL. HEAD & PARTS (cont.)					
QTY	VALVE SPRING (cont.)	YEARS	PART NO.	SIZE	DESCRIPTION
16	Spring Insert	78-75	259-103ARS		.060"; ID 1.030"; Carton of 500
QTY	PUSH RODS	YEARS	PART NO.	SIZE	DESCRIPTION
16	Push Rod	78-75	RP-3227R		Ball & ball type ends; Chrome-Moly; 9.5950" O.A.L.
16	Push Rod	78-75	RP-3172B		Ball & ball type ends; 9.5600" O.A.L.
16	Push Rod	78-75	RP-3172		Ball & ball type ends; 9.6210" O.A.L.
16	Push Rod	78-75	RP-3172A		Ball & ball type ends; 9.6800" O.A.L.
16	Push Rod	78-75	RP-3172C		9.59" O.A.L.; 9.5910" O.A.L.
16	Push Rod, Bulk	78-75	BRP-3172B		Ball & ball type ends; Carton of 100; 9.5600" O.A.L.
16	Push Rod, Bulk	78-75	BRP-3172		Ball & ball type ends; Carton of 100; 9.6210" O.A.L.
QTY	VALVE SEAL	YEARS	PART NO.	SIZE	DESCRIPTION
8	Valve Stem Seal	78-75	ST-2007		Exh.; Positive type; Rubber
8	Valve Stem Seal	78-75	ST-2002		Int.; Installation requires valve guide machining; Polyacrylate
16	Valve Stem Seal	78-75	MV-1775C		Exh. & Int.; From Ser. No. C10002; Umbrella type; Polyacrylate
8	Valve Stem Seal	76-75	MV-1233C		Exh.; To Ser. No. C10000; O-Ring; Rubber
16	Valve Stem Seal Bulk	78-75	MV-1775		Exh. & Int.; From Ser. No. C10002; Umbrella type; Carton of 100; Polyacrylate
8	Valve Stem Seal Bulk	78-75	ST-2002BC		Int.; Positive type; Installation requires valve guide machining; Carton of 100; Polyacrylate
8	Valve Stem Seal Bulk	76-75	MV-1233		Exh.; To Ser. No. C10000; O-Ring; Carton of 100; Rubber
QTY	ROCKER PARTS	YEARS	PART NO.	SIZE	DESCRIPTION
16	Arm	78-75	R-814		Non-Adj.
2	Rocker Shaft	78-75	RS-621		
CAMSHAFT GROUP					
QTY	TIMING	YEARS	PART NO.	SIZE	DESCRIPTION
1	3 Piece Set	78-75	KT3-169SA2		Incl. (1) 222-169, (1) 223-353, (1) 223-410
1	Timing Chain	78-75	222-169		64 Links
1	Crank Sprocket	78-75	223-353		24 Teeth
1	Cam Sprocket	78-75	223-410		Installation of 223-410 does not require spacer on cam nose. Older type Eng. used a spacer to fit on cam nose through the ID of the thrust plate. New types have the spacer cast into hub of sprocket; 48 Teeth
QTY	CAMSHAFT/LIFTER	YEARS	PART NO.	SIZE	DESCRIPTION
1	Camshaft	78-75	CS-619		
16	Lifter	78-75	HT-2083	Std Only	Hyd.
16	Lifter, Bulk	78-75	HT-2083B	Std Only	Hyd.; Carton of 122
1	Prelube	78-75	55-400		4 oz. bottle; 1.5 oz. packet No. 55-403 also avail.
QTY	CAMSHAFT KIT	YEARS	PART NO.	SIZE	DESCRIPTION
1	Cam/Lifter Kit	78-75	KC-619		Incl. (1) CS-619, (16) HT-2083, (1) 55-403B
1	Cam/Lifter/Timing Kit	78-75	KCT-619A		Incl. (1) CS-619, (16) HT-2083, (1) KT3-169SA2, (1) 55-403B
ENGINE BLOCK & PARTS					
QTY	GASKET SETS	YEARS	PART NO.	SIZE	DESCRIPTION
1	Kit Gasket Set	78-73	260-1039		Exh. heat shields not incl.; Premium valve stem seals incl.
QTY	CAM BEARINGS	YEARS	PART NO.	SIZE	DESCRIPTION
1	Cam Set	78-75	1445M	Std Only	
QTY	FREEZE PLUGS	YEARS	PART NO.	SIZE	DESCRIPTION
1	Brass Block Plug Kit	78-75	381-8017		
1	Steel Block Plug Kit	78-75	381-4015		
CRANKSHAFT/OIL PUMP					
QTY	CRANKSHAFT	YEARS	PART NO.	SIZE	DESCRIPTION
1	Harmonic Balancer Sleeve	78-75	88187		
QTY	SEALS - FRONT CRANK	YEARS	PART NO.	SIZE	DESCRIPTION
1	Redi-Sleeve	78-75	99187		
1	Oil Seal	78-75	412038N		
QTY	SEALS - REAR CRANK	YEARS	PART NO.	SIZE	DESCRIPTION
1	Oil Seal Kit	78-75	5095		(Rope Type)
QTY	MAIN BEARINGS	YEARS	PART NO.	SIZE	DESCRIPTION
1	Main Set	78-75	4261M	Std-1-10-20-30-40-50-60	3.824" max. flange OD
QTY	OIL PUMP	YEARS	PART NO.	SIZE	DESCRIPTION
1	Oil Pump	78-75	224-41176		
1	Inter. Shaft	78-75	224-61126		5/16" hex. drive

(continued on next page)

Ford Truck - M/D & H/D

M/D Truck 389 Eng. H/D Truck 389 Eng. **31**
6.4L 389 OHV V8, 4.05" Bore 1973-78 (cont.)

CYLINDER COMPONENTS

QTY	LINERS	YEARS	PART NO.	SIZE	DESCRIPTION
1	Repair Sleeve	78-75	SL-197M Std Only		3/32" wall, cut to length; Press fit sleeve
QTY	PISTONS	YEARS	PART NO.	SIZE	DESCRIPTION
8	Cast Piston	78-75	H995P Std-20-30-40-60		Hypereutectic; 1-3/32", 1-5/64", 1-3/16" Ring Groove, 1.739" CD, .9751" Pin Dia., Recessed Head .330" deep x 2.960" dia.; For floating pin w/bushing in rod
8	Cast Piston	78-75	H706P30 30-40-60		Hypereutectic; 1-3/32", 1-5/64", 1-3/16" Ring Groove, 1.739" CD, 1.0402" Pin Dia., Recessed Head .330" deep x 2.960" dia.; For conversion from full floating pin to press fit in rod w/o rod bushing
8	Cast Piston - Individual	78-75	WH995P Std-20-30-40-60		Hypereutectic; 1-3/32", 1-5/64", 1-3/16" Ring Groove, 1.739" CD, .9751" Pin Dia., Recessed Head .330" deep x 2.960" dia.; For floating pin w/bushing in rod
8	Cast Piston - Individual	78-75	WH706P30 30-40-60		Hypereutectic; 1-3/32", 1-5/64", 1-3/16" Ring Groove, 1.739" CD, 1.0402" Pin Dia., Recessed Head .330" deep x 2.960" dia.; For conversion from full floating pin to press fit in rod w/o rod bushing
8	Pin Bushing	78-75	2304V		Split type bushing
8	Pin Bushing	78-75	2304V20		Split type bushing; w/.020" extra bore stock
QTY	CONNECTING RODS & BRGS.	YEARS	PART NO.	SIZE	DESCRIPTION
1	Rod Set	78-75	8-3230CP Std-10-20-30-40-50		Squirt hole removed from all Ford V Eng.s.; 8-3230CA 60 avail. as unplated & resizeable
1	Rod Set	78-75	8-3230CP10X2 10X2-20X2-30X2		Use in .002" O/S Rod Bore; Squirt hole removed from all Ford V Eng.s.
1	Rod Set	78-75	8-3230CA60 60		Unplated & resizeable; Squirt hole removed from all Ford V Eng.s.
8	Rod Pair	78-75	3230CP Std-1-2-10-20-30-40-50		Squirt hole removed from all Ford V Eng.s.
QTY	PISTON RINGS	YEARS	PART NO.	SIZE	DESCRIPTION
1	Premium Set	78-75	E-353K Std-20-30-40-60		H/D or Highway use; w/Cast iron oil ring; 1-3/32, 1-5/64, 1-3/16
1	Premium Set	78-75	9292KX Std-20-30-40-60		L/D Use; Use w/4 groove piston; 1-3/32, 2-5/64, 1-3/16
1	Premium Set	78-75	E-339K Std-20-30-40-60		L/D Use; 1-3/32, 1-5/64, 1-3/16
1	Standard Set	78-75	E-339X Std-20-30-40-60		L/D Use; 1-3/32, 1-5/64, 1-3/16
8	Premium Single Cylinder Set	78-75	WE-353K Std-30-40-60		H/D or Highway use; w/Cast iron oil ring; 1-3/32, 1-5/64, 1-3/16
8	Premium Single Cylinder Set	78-75	W-9292KX Std-20-30-40-60		L/D Use; Use w/4 groove piston; 1-3/32, 2-5/64, 1-3/16
8	Premium Single Cylinder Set	78-75	WE-339K Std-20-30-40-60		L/D Use; 1-3/32, 1-5/64, 1-3/16

KITS

RE-RING KIT	YEARS	DESCRIPTION	QTY	PREMIUM KIT NO.	QTY	ECONOMY KIT NO.
78-75	Heat shield not incl.	Re-ring	1	205-643		----
OVERHAUL KIT	YEARS	DESCRIPTION	QTY	PREMIUM KIT NO.	QTY	ECONOMY KIT NO.
78-75	L/D Use; Exh. heat shields not incl.; Premium valve stem seals incl.; w/3.824" max. brg. flange OD; Squirt hole removed from all Ford V Eng.s.	Master w/o Pistons	1	MK-643C		----
78-75	Heat shield & freeze plugs not incl.	Master	1	MKP-643E		----
		Master w/o Pistons	1	MK-643E		----

M/D Truck 390 Eng. **32**
6.4L 390 OHV V8, 4.05" Bore 1968-77

CYL. HEAD & PARTS

QTY	VALVE	YEARS	PART NO.	SIZE	DESCRIPTION
8	Intake	76-73	V-1809 Std-3		From Ser. No. T40001; Chrome plated stem; 2.0300" Head Dia., .3716" Stem Dia., 5.4440" O.A.L.
8	Intake	73-72	V-1809 Std-3		Optional-H/D; To Ser. No. T40000; Chrome plated stem; 2.0300" Head Dia., .3716" Stem Dia., 5.4440" O.A.L.
8	Intake	73-72	V-1539 Std-15		To Ser. No. T40000; 2.0270" Head Dia., .3716" Stem Dia., 5.4460" O.A.L.
8	Exhaust	76-72	V-1853 Std-15		Chrome plated stem; 1.5580" Head Dia., .3715" Stem Dia., 5.4360" O.A.L.
32	Keeper	76-72	VK-138		1 groove; Square cut key groove

(continued on next page)

Ford Truck - M/D & H/D

32 M/D Truck 390 Eng.
(cont.) 6.4L 390 OHV V8, 4.05" Bore 1968-77

CYL. HEAD & PARTS (cont.)					
QTY	VALVE (cont.)	YEARS	PART NO.	SIZE	DESCRIPTION
32	Keeper	76-72	VK-138R		1 groove; Square cut key groove; Hardened
32	Keeper, Bulk	76-72	VK-138B		1 groove; Square cut key groove; Carton of 1000
QTY	VALVE SEAT	YEARS	PART NO.	SIZE	DESCRIPTION
8	Exh.	76-72	245-1687-1N Std Only		Premium Material; 1.6925" OD, 1.4060" ID, .2480" Depth
8	Exh.	76-72	245-1687-1 Std Only		1.6925" OD, 1.4060" ID, .2480" Depth
8	Int.	76-72	245-2062-1 Std Only		2.0680" OD, 1.8125" ID, .2480" Depth
QTY	VALVE SPRING	YEARS	PART NO.	SIZE	DESCRIPTION
16	Spring	76-72	VS-682		Exh. & Int.; Incl. damper; 2.1200" Free Height
16	Spring, Bulk	76-72	VS-682B		Exh. & Int.; Incl. damper; Carton of 200; 2.1200" Free Height
16	Spring Insert	76-72	259-103C		.015"; ID 1.030"; Carton of 100
16	Spring Insert	76-72	259-103B		.030"; ID 1.030"; Carton of 100
16	Spring Insert	76-72	259-103BRS		.030"; ID 1.030"; Carton of 500
16	Spring Insert	76-72	259-103A		.060"; ID 1.030"; Carton of 100
16	Spring Insert	76-72	259-103ARS		.060"; ID 1.030"; Carton of 500
QTY	PUSH RODS	YEARS	PART NO.	SIZE	DESCRIPTION
16	Push Rod	76-72	RP-3227R		Ball & ball type ends; Chrome-Moly; 9.5950" O.A.L.
16	Push Rod	76-72	RP-3172B		Ball & ball type ends; 9.5600" O.A.L.
16	Push Rod	76-72	RP-3172		Ball & ball type ends; 9.6210" O.A.L.
16	Push Rod	76-72	RP-3172A		Ball & ball type ends; 9.6800" O.A.L.
16	Push Rod	76-72	RP-3172C		9.59" O.A.L.; 9.5910" O.A.L.
16	Push Rod, Bulk	76-72	BRP-3172B		Ball & ball type ends; Carton of 100; 9.5600" O.A.L.
16	Push Rod, Bulk	76-72	BRP-3172		Ball & ball type ends; Carton of 100; 9.6210" O.A.L.
QTY	VALVE MISC.	YEARS	PART NO.	SIZE	DESCRIPTION
8	Rotocap Assy.	72	RC-141A		Exh.
8	Rotocap	76-72	RC-141		Exh.
QTY	VALVE SEAL	YEARS	PART NO.	SIZE	DESCRIPTION
16	Valve Stem Seal	76-72	ST-2014		Use w/repair guide; Positive type; Installation requires valve guide machining; PTFE
16	Valve Stem Seal	76-72	ST-2002		Use w/O.E. guide; Installation requires valve guide machining; Polyacrylate
16	Valve Stem Seal	76-72	MV-1775C		Umbrella type; Polyacrylate
16	Valve Stem Seal Bulk	76-72	MV-1775		Umbrella type; Carton of 100; Polyacrylate
16	Valve Stem Seal Bulk	76-72	ST-2014BC		Use w/repair guide; Positive type; Installation requires valve guide machining; Carton of 100; PTFE
16	Valve Stem Seal Bulk	76-72	ST-2002BC		Use w/O.E. guide; Positive type; Installation requires valve guide machining; Carton of 100; Polyacrylate
QTY	ROCKER PARTS	YEARS	PART NO.	SIZE	DESCRIPTION
16	Arm	76-72	R-814		Non-Adj.
2	Rocker Shaft	76-72	RS-621		
CAMSHAFT GROUP					
QTY	TIMING	YEARS	PART NO.	SIZE	DESCRIPTION
1	3 Piece Set	76-72	KT3-494SA3		w/2 pc. fuel pump ecc.; Incl. (1) 222-494, (1) 223-321, (1) 223-448
1	Timing Chain	76-72	222-494		48 Links
1	Crank Sprocket	76-72	223-321		18 Teeth
1	Cam Sprocket	76-72	223-448		36 Teeth
QTY	CAMSHAFT/LIFTER	YEARS	PART NO.	SIZE	DESCRIPTION
1	Camshaft	76-72	CS-643		
16	Lifter	76-72	HT-2083 Std Only		Hyd.
16	Lifter, Bulk	76-72	HT-2083B Std Only		Hyd.; Carton of 122
1	Prelube	76-72	55-400		4 oz. bottle; 1.5 oz. packet No. 55-403 also avail.
QTY	CAMSHAFT KIT	YEARS	PART NO.	SIZE	DESCRIPTION
1	Cam/Lifter Kit	76-72	KC-643		Hyd.; Incl. (1) CS-643, (16) HT-2083, (1) 55-403B
1	Cam/Lifter/Timing Kit	76-72	KCT-643A		Hyd.; Incl. (1) CS-643, (16) HT-2083, (1) KT3-494SA3, (1) 55-403B
ENGINE BLOCK & PARTS					
QTY	GASKET SETS	YEARS	PART NO.	SIZE	DESCRIPTION
1	Kit Gasket Set	77-68	260-1035		Exh. pipe flange not incl.; Exh. heat shields not incl.
QTY	CAM BEARINGS	YEARS	PART NO.	SIZE	DESCRIPTION
1	Cam Set	76-72	1445M Std Only		
QTY	FREEZE PLUGS	YEARS	PART NO.	SIZE	DESCRIPTION
1	Brass Block Plug Kit	76-72	381-8017		
1	Steel Block Plug Kit	76-72	381-4015		

(continued on next page)

Ford Truck - M/D & H/D

M/D Truck 390 Eng. **32**
6.4L 390 OHV V8, 4.05" Bore 1968-77 (cont.)

CRANKSHAFT/OIL PUMP							
QTY	CRANKSHAFT	YEARS	PART NO.	SIZE	DESCRIPTION		
1	Harmonic Balancer Sleeve	76-72	88187				
QTY	SEALS - FRONT CRANK	YEARS	PART NO.	SIZE	DESCRIPTION		
1	Redi-Sleeve	76-72	99187				
1	Oil Seal	76-72	2942				
QTY	SEALS - REAR CRANK	YEARS	PART NO.	SIZE	DESCRIPTION		
1	Oil Seal	76-72	5112S				
1	Oil Seal Kit	76-72	5095		(Rope Type)		
QTY	MAIN BEARINGS	YEARS	PART NO.	SIZE	DESCRIPTION		
1	Main Set	76-72	4261M	Std-1-10-20-30-40-50-60	3.824" max. flange OD		
QTY	OIL PUMP	YEARS	PART NO.	SIZE	DESCRIPTION		
1	Oil Pump	76-72	224-41173				
1	Oil Pump	76-72	224-43365A		High Pressure		
1	Oil Pump	76-72	224-41177		High Volume, check pan for clearance		
1	Inter. Shaft	76-72	224-61114				
1	Screen Assy.	76-72	224-14159				
CYLINDER COMPONENTS							
QTY	LINERS	YEARS	PART NO.	SIZE	DESCRIPTION		
1	Repair Sleeve	76-72	SL-197M	Std Only	3/32" wall, cut to length; Press fit sleeve		
QTY	PISTONS	YEARS	PART NO.	SIZE	DESCRIPTION		
8	Cast Piston	76-72	381NP	Std-20-30-40-60	Cast; 1-5/64", 1-3/32", 1-3/16" Ring Groove, 1.660" CD, .9753" Pin Dia., Recessed Head .097" deep x 2.620" dia. w/4 valve pockets		
8	Cast Piston - Individual	76-72	W381NP	Std-40-60	Cast; 1-5/64", 1-3/32", 1-3/16" Ring Groove, 1.660" CD, .9753" Pin Dia., Recessed Head .097" deep x 2.620" dia. w/4 valve pockets		
8	Pin Bushing	76-72	2304V		Split type bushing		
8	Pin Bushing	76-72	2304V20		Split type bushing; w/.020" extra bore stock		
QTY	CONNECTING RODS & BRGS.	YEARS	PART NO.	SIZE	DESCRIPTION		
1	Rod Set	76-72	8-3230CP	Std-10-20-30-40-50	Squirt hole removed from all Ford V Eng.s.; 8-3230CA 60 avail. as unplated & resizeable		
1	Rod Set	76-72	8-3230CP10X2	10X2-20X2-30X2	Use in .002" O/S Rod Bore; Squirt hole removed from all Ford V Eng.s.		
1	Rod Set	76-72	8-3230CA60	60	Unplated & resizeable; Squirt hole removed from all Ford V Eng.s.		
8	Rod Pair	76-72	3230CP	Std-1-2-10-20-30-40-50	Squirt hole removed from all Ford V Eng.s.		
QTY	PISTON RINGS	YEARS	PART NO.	SIZE	DESCRIPTION		
1	Premium Set	76-72	E-180K	Std-20-30-40-60	1-5/64, 1-3/32, 1-3/16; Check piston grooving before using		
1	Standard Set	76-72	E-180X	Std-20-30-40-60	1-5/64, 1-3/32, 1-3/16; Check piston grooving before using		
8	Premium Single Cylinder Set	76-72	WE-180K	Std-20-30-40-60	1-5/64, 1-3/32, 1-3/16; Check piston grooving before using		
8	Standard Single Cylinder Set	76-72	WE-180X	Std-20-30-40-60	1-5/64, 1-3/32, 1-3/16; Check piston grooving before using		
KITS							
RE-RING KIT				QTY	PREMIUM KIT NO.	QTY	ECONOMY KIT NO.
YEARS	DESCRIPTION						
76-72	Squirt hole removed from all Ford V Eng.s.; Check piston grooving before using ring set		Re-ring	1	205-601		----
76-72	Squirt hole removed from all Ford V Eng.s.; Check piston grooving before using ring set		Re-ring		----	1	205-101
76-72	Squirt hole removed from all Ford V Eng.s.; Check piston grooving before using ring set; w/3.824" max. brg. flange OD		Re-ring w/Mains	1	205-601M	1	205-101M
OVERHAUL KIT				QTY	PREMIUM KIT NO.	QTY	ECONOMY KIT NO.
YEARS	DESCRIPTION						
76-74	Exh. pipe flange not incl.; Exh. heat shields not incl.; Squirt hole removed from all Ford V Eng.s.; Check piston grooving before using ring set; w/3.824" max. brg. flange OD; w/2 pc. fuel pump ecc.		Master w/o Pistons	1	MK-601M	1	MK-101M

(continued on next page)

Ford Truck - M/D & H/D

32 M/D Truck 390 Eng. (cont.) 6.4L 390 OHV V8, 4.05" Bore 1968-77

KITS (cont.)

OVERHAUL KIT (cont.)		QTY	PREMIUM KIT NO.	QTY	ECONOMY KIT NO.
YEARS	DESCRIPTION				
76-74	From Ser. No. 500001; Squirt hole removed from all Ford V Engs.; w/3.824" max. brg. flange OD; w/2 pc. fuel pump ecc.	1	MKP-601M	1	MKP-101M

33 M/D Truck 391 Eng. H/D Truck 391 Eng. 6.4L 391 OHV V8, 4.05" Bore 1964-78

CYL. HEAD & PARTS

QTY	VALVE	YEARS	PART NO.	SIZE	DESCRIPTION
8	Intake	77-68	V-1833X Std Only		To Ser. No. 025,000, Exc. F600; Chrome plated stem; 1.7520" Head Dia., .3714" Stem Dia., 5.3930" O.A.L.
8	Intake	67-64	FP-V1769		1.7520" Head Dia., .3715" Stem Dia., 5.3930" O.A.L.
8	Intake	67-64	V-1769 + Std Only		1.7520" Head Dia., .3715" Stem Dia., 5.3930" O.A.L.; When depleted use FP-V1769
8	Exhaust	78-64	V-1768X Std Only		Sodium cooled; Chrome plated stem; 1.5050" Head Dia., .4343" Stem Dia., 5.3720" O.A.L.
32	Keeper	78-64	VK-138		1 groove; Square cut key groove
32	Keeper	78-64	VK-138R		1 groove; Square cut key groove; Hardened
32	Keeper, Bulk	78-64	VK-138B		1 groove; Square cut key groove; Carton of 1000
QTY	VALVE SEAT	YEARS	PART NO.	SIZE	DESCRIPTION
8	Exh.	78-64	245-1687-4 Std Only		Optional-Oversize OD for Std. cutter sizes; 1.6925" OD, 1.3440" ID, .3100" Depth
8	Exh.	78-64	245-1630-1 Std Only		1.6300" OD, 1.3350" ID, .3105" Depth
8	Int.	78-64	245-1875-2 Std Only		Optional-Oversize OD for Std. cutter sizes; 1.8800" OD, 1.5625" ID, .2480" Depth
QTY	VALVE GUIDE	YEARS	PART NO.	SIZE	DESCRIPTION
8	Guide	78-64	VG-5032		Exh.; .4375" ID, 2.5000" O.A.L.
8	Guide	78-64	VG-5033		Int.; .3735" ID, 2.6200" O.A.L.
QTY	VALVE SPRING	YEARS	PART NO.	SIZE	DESCRIPTION
8	Spring	78	VS-721		Exh.; 1.9600" Free Height
8	Spring	78	VS-682		Int.; Incl. damper; 2.1200" Free Height
8	Spring	77	VS-721		Exh.; From Ser. No. 025,001; 1.9600" Free Height
16	Spring	77	VS-721		Exh. & Int.; To Ser. No. 025,000; 1.9600" Free Height
8	Spring	77	VS-682		Int.; From Ser. No. 025,001; Incl. damper; 2.1200" Free Height
16	Spring	76-64	VS-721		Exh. & Int.; 1.9600" Free Height
8	Spring, Bulk	78	VS-721B		Exh.; Carton of 250; 1.9600" Free Height
8	Spring, Bulk	78	VS-682B		Int.; Incl. damper; Carton of 200; 2.1200" Free Height
8	Spring, Bulk	77	VS-721B		Exh.; From Ser. No. 025,001; Carton of 250; 1.9600" Free Height
16	Spring, Bulk	77	VS-721B		Exh. & Int.; To Ser. No. 025,000; Carton of 250; 1.9600" Free Height
8	Spring, Bulk	77	VS-682B		Int.; From Ser. No. 025,001; Incl. damper; Carton of 200; 2.1200" Free Height
16	Spring, Bulk	76-64	VS-721B		Exh. & Int.; Carton of 250; 1.9600" Free Height
16	Spring Insert	78-64	259-103C		.015"; ID 1.030"; Carton of 100
16	Spring Insert	78-64	259-103B		.030"; ID 1.030"; Carton of 100
16	Spring Insert	78-64	259-103BRS		.030"; ID 1.030"; Carton of 500
16	Spring Insert	78-64	259-103A		.060"; ID 1.030"; Carton of 100
16	Spring Insert	78-64	259-103ARS		.060"; ID 1.030"; Carton of 500
QTY	PUSH RODS	YEARS	PART NO.	SIZE	DESCRIPTION
16	Push Rod	78-64	RP-3227R		Ball & ball type ends; Chrome-Moly; 9.5950" O.A.L.
16	Push Rod	78-64	RP-3172B		Ball & ball type ends; 9.5600" O.A.L.
16	Push Rod	78-64	RP-3172		Ball & ball type ends; 9.6210" O.A.L.
16	Push Rod	78-64	RP-3172A		Ball & ball type ends; 9.6800" O.A.L.
16	Push Rod	78-64	RP-3172C		9.59" O.A.L.; 9.5910" O.A.L.
16	Push Rod, Bulk	78-64	BRP-3172B		Ball & ball type ends; Carton of 100; 9.5600" O.A.L.
16	Push Rod, Bulk	78-64	BRP-3172		Ball & ball type ends; Carton of 100; 9.6210" O.A.L.
QTY	VALVE SEAL	YEARS	PART NO.	SIZE	DESCRIPTION
8	Valve Stem Seal	78-67	ST-2007		Exh.; Positive type; Rubber
8	Valve Stem Seal	78-67	ST-2002		Int.; Installation requires valve guide machining; Polyacrylate
16	Valve Stem Seal	78-64	MV-1233C		Exh. & Int.; To Ser. No. C10000; O-Ring; Rubber
16	Valve Stem Seal	76-64	MV-1775C		Exh. & Int.; Umbrella type; Polyacrylate
8	Valve Stem Seal Bulk	78-67	ST-2002BC		Int.; Positive type; Installation requires valve guide machining; Carton of 100; Polyacrylate
16	Valve Stem Seal Bulk	78-64	MV-1233		Exh. & Int.; To Ser. No. C10000; O-Ring; Carton of 100; Rubber
16	Valve Stem Seal Bulk	76-64	MV-1775		Exh. & Int.; Umbrella type; Carton of 100; Polyacrylate

(continued on next page)

Ford Truck - M/D & H/D

M/D Truck 391 Eng. H/D Truck 391 Eng. **33**
6.4L 391 OHV V8, 4.05" Bore 1964-78 (cont.)

CYL. HEAD & PARTS (cont.)					
QTY	ROCKER PARTS	YEARS	PART NO.	SIZE	DESCRIPTION
16	Arm	78-64	R-814		Non-Adj.
2	Rocker Shaft	78-64	RS-621		
CAMSHAFT GROUP					
QTY	TIMING	YEARS	PART NO.	SIZE	DESCRIPTION
1	3 Piece Set	78-64	KT3-169SA2		Incl. (1) 222-169, (1) 223-353, (1) 223-410
1	Timing Chain	78-64	222-169		64 Links
1	Crank Sprocket	78-64	223-353		24 Teeth
1	Cam Sprocket	78-64	223-410		Installation of 223-410 does not require spacer on cam nose. Older type Eng's. used a spacer to fit on cam nose through the ID of the thrust plate. New types have the spacer cast into hub of sprocket; 48 Teeth
QTY	CAMSHAFT/LIFTER	YEARS	PART NO.	SIZE	DESCRIPTION
1	Camshaft	78-64	CS-619		
16	Lifter	78-64	HT-2083	Std Only	Hyd.
16	Lifter, Bulk	78-64	HT-2083B	Std Only	Hyd.; Carton of 122
1	Prelube	78-64	55-400		4 oz. bottle; 1.5 oz. packet No. 55-403 also avail.
QTY	CAMSHAFT KIT	YEARS	PART NO.	SIZE	DESCRIPTION
1	Cam/Lifter Kit	78-64	KC-619		Incl. (1) CS-619, (16) HT-2083, (1) 55-403B
1	Cam/Lifter/Timing Kit	78-64	KCT-619A		Incl. (1) CS-619, (16) HT-2083, (1) KT3-169SA2, (1) 55-403B
ENGINE BLOCK & PARTS					
QTY	GASKET SETS	YEARS	PART NO.	SIZE	DESCRIPTION
1	Kit Gasket Set	78-64	260-1039		Exh. heat shields not incl.; Premium valve stem seals incl.
QTY	CAM BEARINGS	YEARS	PART NO.	SIZE	DESCRIPTION
1	Cam Set	78-64	1445M	Std Only	
QTY	FREEZE PLUGS	YEARS	PART NO.	SIZE	DESCRIPTION
1	Brass Block Plug Kit	78-66	381-8017		
1	Steel Block Plug Kit	78-66	381-4015		
CRANKSHAFT/OIL PUMP					
QTY	CRANKSHAFT	YEARS	PART NO.	SIZE	DESCRIPTION
1	Harmonic Balancer Sleeve	74-64	88187		
QTY	SEALS - FRONT CRANK	YEARS	PART NO.	SIZE	DESCRIPTION
1	Redi-Sleeve	74-64	99187		
1	Oil Seal	74-64	412038N		
QTY	SEALS - REAR CRANK	YEARS	PART NO.	SIZE	DESCRIPTION
1	Oil Seal	74-64	5112S		
QTY	MAIN BEARINGS	YEARS	PART NO.	SIZE	DESCRIPTION
1	Main Set	78-64	4261M	Std-1-10-20-30-40-50-60	3.824" max. flange OD
QTY	OIL PUMP	YEARS	PART NO.	SIZE	DESCRIPTION
1	Oil Pump	78-64	224-41176		
1	Inter. Shaft	78-64	224-61126		5/16" hex. drive
CYLINDER COMPONENTS					
QTY	LINERS	YEARS	PART NO.	SIZE	DESCRIPTION
1	Repair Sleeve	78-64	SL-197M	Std Only	3/32" wall, cut to length; Press fit sleeve
QTY	PISTONS	YEARS	PART NO.	SIZE	DESCRIPTION
8	Cast Piston	74-64	H995P	Std-20-30-40-60	Hypereutectic; 1-3/32", 1-5/64", 1-3/16" Ring Groove, 1.739" CD, .9751" Pin Dia., Recessed Head .330" deep x 2.960" dia.; For floating pin w/bushing in rod
8	Cast Piston	74-64	H706P30	30-40-60	Hypereutectic; 1-3/32", 1-5/64", 1-3/16" Ring Groove, 1.739" CD, 1.0402" Pin Dia., Recessed Head .330" deep x 2.960" dia.; For conversion from full floating pin to press fit in rod w/o rod bushing
8	Cast Piston - Individual	74-66	WH706P30	30-40-60	Hypereutectic; 1-3/32", 1-5/64", 1-3/16" Ring Groove, 1.739" CD, 1.0402" Pin Dia., Recessed Head .330" deep x 2.960" dia.; For conversion from full floating pin to press fit in rod w/o rod bushing
8	Cast Piston - Individual	74-64	WH995P	Std-20-30-40-60	Hypereutectic; 1-3/32", 1-5/64", 1-3/16" Ring Groove, 1.739" CD, .9751" Pin Dia., Recessed Head .330" deep x 2.960" dia.; For floating pin w/bushing in rod
8	Pin Bushing	74-66	2304V		Split type bushing
8	Pin Bushing	74-66	2304V20		Split type bushing; w/.020" extra bore stock

(continued on next page)

Ford Truck - M/D & H/D

33 M/D Truck 391 Eng. H/D Truck 391 Eng.
(cont.) 6.4L 391 OHV V8, 4.05" Bore 1964-78

CYLINDER COMPONENTS (cont.)

QTY	CONNECTING RODS & BRGS.	YEARS	PART NO.	SIZE	DESCRIPTION
1	Rod Set	78-64	8-3230CP Std-10-20-30-40-50		Squirt hole removed from all Ford V Engs.; 8-3230CA 60 avail. as unplated & resizeable
1	Rod Set	78-64	8-3230CP10X2 10X2-20X2-30X2		Use in .002" O/S Rod Bore; Squirt hole removed from all Ford V Engs.
1	Rod Set	78-64	8-3230CA60 60		Unplated & resizeable; Squirt hole removed from all Ford V Engs.
8	Rod Pair	78-64	3230CP Std-1-2-10-20-30-40-50		Squirt hole removed from all Ford V Engs.
QTY	PISTON RINGS	YEARS	PART NO.	SIZE	DESCRIPTION
1	Premium Set	78-75	E-353K Std-20-30-40-60		H/D or Highway use; w/Cast iron oil ring; 1-3/32, 1-5/64, 1-3/16
1	Premium Set	78-75	E-339K Std-20-30-40-60		L/D Use; 1-3/32, 1-5/64, 1-3/16
1	Premium Set	74-68	9292KX Std-20-30-40-60		L/D Use; Use w/4 groove piston; 1-3/32, 2-5/64, 1-3/16
1	Standard Set	78-75	E-339X Std-20-30-40-60		L/D Use; 1-3/32, 1-5/64, 1-3/16
8	Premium Single Cylinder Set	78-75	WE-353K Std-30-40-60		H/D or Highway use; w/Cast iron oil ring; 1-3/32, 1-5/64, 1-3/16
8	Premium Single Cylinder Set	78-75	WE-339K Std-20-30-40-60		L/D Use; 1-3/32, 1-5/64, 1-3/16
8	Premium Single Cylinder Set	74-68	W-9292KX Std-20-30-40-60		L/D Use; Use w/4 groove piston; 1-3/32, 2-5/64, 1-3/16

KITS

RE-RING KIT	YEARS	DESCRIPTION	QTY	PREMIUM KIT NO.	QTY	ECONOMY KIT NO.
	78-64	Heat shield not incl.	1	205-643		-----
		Re-ring				
OVERHAUL KIT	YEARS	DESCRIPTION	QTY	PREMIUM KIT NO.	QTY	ECONOMY KIT NO.
	78-75	L/D Use; Exh. heat shields not incl.; Premium valve stem seals incl.; w/3.824" max. brg. flange OD; Squirt hole removed from all Ford V Engs.	1	MK-643C		-----
	78-66	W/Piston pin dia. .9751"; Heat shield & freeze plugs not incl.	1	MKP-643E		-----
		Master w/o Pistons	1	MK-643E		-----
	65-64	W/Piston pin dia. .9751"; Heat shield & freeze plugs not incl.	1	MKP-643E		-----
		Master w/o Pistons	1	MK-643E		-----

34 M/D Truck 401 Eng.
6.6L 401 OHV V8, 4.125" Bore 1972-75

CYL. HEAD & PARTS

QTY	VALVE	YEARS	PART NO.	SIZE	DESCRIPTION
8	Exhaust	75-72	V-1358X Std Only		Sodium cooled; Chrome plated stem; 1.6350" Head Dia., .4340" Stem Dia., 5.7020" O.A.L.
32	Keeper	75-72	VK-140		
QTY	VALVE SPRING	YEARS	PART NO.	SIZE	DESCRIPTION
8	Spring	75-72	VS-698		Use w/rotacap; 2.0200" Free Height
16	Spring Insert	75-72	259-103C		.015"; ID 1.030"; Carton of 100
16	Spring Insert	75-72	259-103B		.030"; ID 1.030"; Carton of 100
16	Spring Insert	75-72	259-103BRS		.030"; ID 1.030"; Carton of 500
16	Spring Insert	75-72	259-103A		.060"; ID 1.030"; Carton of 100
16	Spring Insert	75-72	259-103ARS		.060"; ID 1.030"; Carton of 500
QTY	PUSH RODS	YEARS	PART NO.	SIZE	DESCRIPTION
16	Push Rod	75-72	RP-3143		11.5970" O.A.L.
QTY	VALVE MISC.	YEARS	PART NO.	SIZE	DESCRIPTION
8	Rotacap Assy.	75-72	RC-101A		
QTY	VALVE SEAL	YEARS	PART NO.	SIZE	DESCRIPTION
16	Valve Stem Seal	75-72	ST-2007		Positive type; Rubber
QTY	ROCKER PARTS	YEARS	PART NO.	SIZE	DESCRIPTION
16	Arm	75-72	R-877		

CAMSHAFT GROUP

QTY	CAMSHAFT/LIFTER	YEARS	PART NO.	SIZE	DESCRIPTION
16	Lifter	75-72	AT-872 Std Only		Mech.
16	Lifter, Bulk	75-72	AT-872B Std Only		Mech.; Carton of 122

(continued on next page)

Ford Truck - M/D & H/D

M/D Truck 401 Eng. 34
6.6L 401 OHV V8, 4.125" Bore 1972-75 (cont.)

CAMSHAFT GROUP (cont.)					
QTY	CAMSHAFT/LIFTER (cont.)	YEARS	PART NO.	SIZE	DESCRIPTION
1	Prelube	75-72	55-400		4 oz. bottle; 1.5 oz. packet No. 55-403 also avail.
ENGINE BLOCK & PARTS					
QTY	GASKET SETS	YEARS	PART NO.	SIZE	DESCRIPTION
1	Kit Gasket Set	75-72	260-1116		
CRANKSHAFT/OIL PUMP					
QTY	SEALS - FRONT CRANK	YEARS	PART NO.	SIZE	DESCRIPTION
1	Redi-Sleeve	75-72	99237		
1	Oil Seal	75-72	483246N		
CYLINDER COMPONENTS					
QTY	PISTONS	YEARS	PART NO.	SIZE	DESCRIPTION
8	Pin Bushing	75-72	2319Y20		
QTY	CONNECTING RODS & BRGS.	YEARS	PART NO.	SIZE	DESCRIPTION
8	Rod Pair	75-72	2470CP	Std-10-20-30	Use w/crankshaft Frg. Nos. C1TE-6303B, C2TE-B

H/D Truck 401 Eng. 35
6.6L 401 OHV V8, 4.125" Bore 1958-78

CYL. HEAD & PARTS					
QTY	VALVE	YEARS	PART NO.	SIZE	DESCRIPTION
8	Exhaust	75-59	V-1358X	Std Only	Sodium cooled; Chrome plated stem; 1.6350" Head Dia., .4340" Stem Dia., 5.7020" O.A.L.
32	Keeper	75-59	VK-140		
QTY	VALVE GUIDE	YEARS	PART NO.	SIZE	DESCRIPTION
8	Guide	75-59	VG-5074		Exh.; .4375" ID, 2.7500" O.A.L.
QTY	VALVE SPRING	YEARS	PART NO.	SIZE	DESCRIPTION
8	Spring	75-59	VS-698		Use w/rotocap; 2.0200" Free Height
16	Spring Insert	75-59	259-103C		.015"; ID 1.030"; Carton of 100
16	Spring Insert	75-59	259-103B		.030"; ID 1.030"; Carton of 100
16	Spring Insert	75-59	259-103BRS		.030"; ID 1.030"; Carton of 500
16	Spring Insert	75-59	259-103A		.060"; ID 1.030"; Carton of 100
16	Spring Insert	75-59	259-103ARS		.060"; ID 1.030"; Carton of 500
QTY	VALVE MISC.	YEARS	PART NO.	SIZE	DESCRIPTION
8	Rotocap Assy.	75-59	RC-101A		
QTY	VALVE SEAL	YEARS	PART NO.	SIZE	DESCRIPTION
16	Valve Stem Seal	75-59	ST-2007		Positive type; Rubber
CAMSHAFT GROUP					
QTY	CAMSHAFT/LIFTER	YEARS	PART NO.	SIZE	DESCRIPTION
16	Lifter	75-73	AT-872	Std Only	Mech.
16	Lifter, Bulk	75-73	AT-872B	Std Only	Mech.; Carton of 122
1	Prelube	75-73	55-400		4 oz. bottle; 1.5 oz. packet No. 55-403 also avail.
ENGINE BLOCK & PARTS					
QTY	GASKET SETS	YEARS	PART NO.	SIZE	DESCRIPTION
1	Kit Gasket Set	78-58	260-1116		
CRANKSHAFT/OIL PUMP					
QTY	SEALS - FRONT CRANK	YEARS	PART NO.	SIZE	DESCRIPTION
1	Redi-Sleeve	75-59	99237		
1	Oil Seal	75-59	483246N		
CYLINDER COMPONENTS					
QTY	PISTONS	YEARS	PART NO.	SIZE	DESCRIPTION
8	Pin Bushing	75-59	2319Y20		
QTY	CONNECTING RODS & BRGS.	YEARS	PART NO.	SIZE	DESCRIPTION
8	Rod Pair	75-59	2470CP	Std-10-20-30	Use w/crankshaft Frg. Nos. C1TE-6303B, C2TE-B

Ford Truck - M/D & H/D

36 M/D Truck 403 Turbo-Diesel Eng. H/D Truck 403 Turbo-Diesel Eng.
6.6L 401 OHV Turbo-Diesel L6, 4.4" Bore 1986-95

ENGINE BLOCK & PARTS

QTY	GASKET SETS	YEARS	PART NO.	SIZE	DESCRIPTION
1	Kit Gasket Set	92-90	FP-2601648		From 10/1/90; Compl.
1	Kit Gasket Set	92-90	260-1648 +		From 10/1/90; Compl.; When depleted use FP-2601648
1	Kit Gasket Set	90-87	FP-2601649		To 9/30/90; Compl.
1	Kit Gasket Set	90-87	260-1649		To 9/30/90; Compl.

QTY	CAM BEARINGS	YEARS	PART NO.	SIZE	DESCRIPTION
1	Cam Set	95-87	FP-1784M	Std Only	
1	Cam Set	95-87	1784M +	Std Only	When depleted use FP-1784M

CRANKSHAFT/OIL PUMP

QTY	SEALS - FRONT CRANK	YEARS	PART NO.	SIZE	DESCRIPTION
1	Oil Seal	94-87	712511		

QTY	SEALS - REAR CRANK	YEARS	PART NO.	SIZE	DESCRIPTION
1	Oil Seal	94-87	712449		

QTY	MAIN BEARINGS	YEARS	PART NO.	SIZE	DESCRIPTION
1	Main Set	95-87	FP-7214M	Std-10-20	
1	Main Set	95-87	7214M +	Std-10-20	When depleted use FP-7214M

CYLINDER COMPONENTS

QTY	CONNECTING RODS & BRGS.	YEARS	PART NO.	SIZE	DESCRIPTION
1	Rod Set	95-87	FP-64070CP	Std-10-20	Brg. w/1.250" O.A.L.
1	Rod Set	95-87	6-4070CP +	Std-10-20	Brg. w/1.250" O.A.L.; When depleted use FP-64070CP
6	Rod Pair	95-87	FP-3105CPA	Std-10-20-30	W/Oil hole & groove
6	Rod Pair	95-87	3105CPA +	Std-10-20-30	W/Oil hole & groove; When depleted use FP-3105CPA

QTY	PISTON RINGS	YEARS	PART NO.	SIZE	DESCRIPTION
1	Premium Set	95-87	FP-E900KC	Std-20-30-40	1-1/8, 1-3/32, 1-3/16
1	Premium Set	95-87	E-900KC +	Std-20-30	1-1/8, 1-3/32, 1-3/16; When depleted use FP-E900KC

37 M/D Truck 6-71 In-Line (2-Valve Cyl. Head), 6-71E In-Line (4-Valve Cyl. Head), 6-71N In-Line (4-Valve Cyl. Head) Engs. H/D Truck 6-71 In-Line (2-Valve Cyl. Head), 6-71E In-Line (4-Valve Cyl. Head), 6-71N In-Line (4-Valve Cyl. Head) Engs.
7.0L 426 OHV Diesel L6 (6-71), 4.25" Bore (Detroit Diesel Eng.) 1967-86

CYL. HEAD & PARTS

QTY	GASKETS	YEARS	PART NO.	SIZE	DESCRIPTION
1	Accessory Drive Gasket	86-77	FP-23515145		Breather Body/Separator
1	Governor Hole Gasket	86-77	FP-5123812		Breather Pipe
1	Crankcase Breather	86-77	FP-5130750		Breather Oil Separator Pad
1	Crankcase Breather	86-77	FP-5101760		Oil Separator Filter Unit; 4"
1	Crankcase Breather	86-77	FP-5101760		4"
1	Valve Cover Gasket	86-77	FP-5104019		Engs. w/cast Alum. valve cover; Silicone
1	Valve Cover Gasket	86-77	FP-5143407		Engs. w/steel valve cover; Neoprene
1	Lo Filter Adapter Gasket	86-77	FP-5173482		Breather Pipe/Body/Shell Cover, A/R
1	Lo Filter Adapter Gasket	86-77	FP-5173482		Oil Filler
1	Washer	86-77	FP-5150568		Breather Pipe; 7/16" x 3/4" x 1/16"; Copper
1	Hose Clamp	86-77	FP-5186840		Breather Body; For 1 5/8" Hose Dia.; 13/16" - 1 1/2" Clamping Range
1	Bolt	86-77	FP-8927580		Breather Pipe; 3/8" - 16 x .875"
1	Bolt	86-77	FP-5103635		Throttle Delay; 3/8" - 16 x 2.90"
4	Stud	86-77	FP-5148504		Rocker Cover; 3/8" - 16 x 4.32"
1	Screw	86-77	FP-5103642		Breather Shell Cover; No. 10 - 24 x .375"
3	Screw	86-77	FP-5103642		Oil Filler Tube; No. 10 - 24 x .375"
2	Lock Washer	86-77	FP-103321		Breather Pipe; 3/8"
2	Lock Washer	86-77	FP-103320		Breather Pipe; 5/16"
4	Lock Washer	86-77	FP-103321		Breather Shell Cover; 3/8"
4	Isolator Bushing	86-77	FP-5104515		Rocker Cover Bolt

QTY	MISCELLANEOUS	YEARS	PART NO.	SIZE	DESCRIPTION
2	Wear Sleeve	86-77	FP-5113773		Pilot; .70" Length
1	Pipe Plug	86-77	FP-8926993		Cyl. Head Fuse Plug; 1/4" X 18; Recessed socket head
13	Pipe Plug	86-77	FP-5121182		Cyl. Head Plug; 1/4" - 18; Hex head
5	Pipe Plug	86-77	FP-8923847		Cyl. Head Plug; 1/4" x 18 NPTF; Square head
4	Pipe Plug	86-77	FP-5142549		Cyl. Head Plug; 3/4" - 14 Square Head
3	Pipe Plug	86-77	FP-8924517		Cyl. Head Plug; 3/8" x 18 square head
12	Washer	86-77	FP-5125108		Fuel Stand; 7/16" x 3/4" x 1/16"
12	Lock Washer	86-77	FP-103321		Cyl. Head; 3/8"

(continued on next page)

Ford Truck - M/D & H/D

**M/D Truck 6-71 In-Line (2-Valve Cyl. Head), 6-71E In-Line (4-Valve Cyl. Head), 6-71N 37
In-Line (4-Valve Cyl. Head) Engs. H/D Truck 6-71 In-Line (2-Valve Cyl. Head), 6-71E (cont.)
In-Line (4-Valve Cyl. Head), 6-71N In-Line (4-Valve Cyl. Head) Engs.
7.0L 426 OHV Diesel L6 (6-71), 4.25" Bore (Detroit Diesel Eng.) 1967-86**

CYL. HEAD & PARTS (cont.)

QTY	MISCELLANEOUS (cont.)	YEARS	PART NO.	SIZE	DESCRIPTION
12	Lock Nut	86-77	FP-103026		Cyl. Head; 3/8" x 24
QTY	FREEZE PLUGS	YEARS	PART NO.	SIZE	DESCRIPTION
1	Pipe Plug	86-77	FP-8926993		Cyl. Head Fuse Plug; 1/4" X 18; Recessed socket head
13	Pipe Plug	86-77	FP-5121182		Cyl. Head Plug; 1/4" - 18; Hex head
5	Pipe Plug	86-77	FP-8923847		Cyl. Head Plug; 1/4" x 18 NPTF; Square head
4	Pipe Plug	86-77	FP-5142549		Cyl. Head Plug; 3/4" - 14 Square Head
3	Pipe Plug	86-77	FP-8924517		Cyl. Head Plug; 3/8" x 18 square head
2	Expansion Plug	86-77	FP-5117186		Cyl. Head Plug; 2" Dia. Cup; Stainless Steel
2	Expansion Plug	86-77	FP-5150132		Cyl. Head Plug; 3/4" Dia. Cup
4	Expansion Plug	86-77	FP-5154453		Cyl. Head Plug; 3/8" - 16 Headless Special
4	Expansion Plug	86-77	FP-5178976		Cyl. Head Plug; 7/16" - 14 Special
QTY	VALVE	YEARS	PART NO.	SIZE	DESCRIPTION
12	Exhaust Valve Kit	86-77	FP-5192718		w/Locks; 2 Valve Head; Contains (1) FP-5178472 & (2) FP-23507238; 45 Degree
12	Exhaust Valve Kit	86-77	FP-5193197		w/Locks; 2 Valve Head; Contains (1) FP-5185327 & (2) FP-23507238; 30 Degree
12	Exhaust Valve Kit	86-77	FP-5194829		w/Locks; 2 Valve Head; Jet Blade; Contains (1) FP-5178501 & (2) FP-23507238; 45 Degree
12	Exhaust Valve Kit	86-77	FP-5193666		w/Locks; 2 Valve Head; Jet Blade; Contains (1) FP-5186381 & (2) FP-23507238; 30 Degree
24	Exhaust Valve Kit	86-77	FP-5149386		w/Locks; 4 Valve Head; Hi-Output Engs.; Contains (1) FP-5104280 & (2) FP-5111337
24	Exhaust Valve Kit	86-77	FP-23500501		w/Locks; 4 Valve Head; N & T Engs.; Contains (1) FP-8922516 & (2) FP-5111337
12	Valve Guide Cap	86-77	FP-5199914		Exh.; 2 Valve Head; Seal installer; Clear
24	Keeper	86-77	FP-23507238		2 Valve Head; 1 groove; Square cut key groove
48	Keeper	86-77	FP-5111337		4 Valve Head; 1 groove; Square cut key groove
QTY	VALVE SEAT	YEARS	PART NO.	SIZE	DESCRIPTION
12	Exh.	86-77	FP-5198230	10	2 Valve Head; 30 Deg. seat; .010" O/S; 1.6380" OD, 1.3440" ID, .2485" Depth
12	Exh.	86-77	FP-8927920	STD	2 Valve Head; 30 Deg. seat; 1.6280" OD, 1.3440" ID, .2485" Depth
24	Exh.	86-77	FP-5197167	10	4 Valve Head; 30 Deg. seat; .010" O/S; 1.2720" OD, .9770" ID, .2355" Depth
24	Exh.	86-77	FP-5101101	STD	4 Valve Head; 30 Deg. seat; 1.2620" OD, .9770" ID, .2490" Depth
QTY	VALVE GUIDE	YEARS	PART NO.	SIZE	DESCRIPTION
12	Guide	86-77	FP-5120930		Exh.; 2 Valve Head
12	Guide	86-77	FP-5192717		Exh.; 2 Valve Head; .0162" O/S
24	Guide	86-77	FP-5129919		Exh.; 4 Valve Head; 2 3/8" length; .3130" ID, 2.3800" O.A.L.
QTY	VALVE SPRING	YEARS	PART NO.	SIZE	DESCRIPTION
12	Spring	86-77	FP-5150289		Exh.; 2 Valve Head; .177" Wire dia.
24	Spring	86-77	FP-5111339		Exh.; 4 Valve Head; .135" Wire dia.
24	Spring	86-77	FP-5147347		Exh.; 4 Valve Head; .148" Wire dia.
12	Valve Spring Seat	86-77	FP-5150292		Exh.; 2 Valve Head
24	Valve Spring Seat	86-77	FP-5117562		Exh.; 4 Valve Head
24	Spring Insert	86-77	FP-5111467		Exh.
12	Spring Cap	86-77	FP-5150291		Exh.; 2 Valve Head
24	Spring Cap	86-77	FP-5117563		Exh.; 4 Valve Head
QTY	PUSH RODS	YEARS	PART NO.	SIZE	DESCRIPTION
18	Push Rod	86-77	FP-5128640		
18	Push Rod Seat	86-77	FP-5123250		Lower
18	Push Rod Seat	86-77	FP-5150302		Upper; Flange type
18	Push Rod Spring	86-77	FP-5186858		.177" Wire diameter
18	Push Rod Retainer	86-77	FP-5150303		
18	Lock Nut	86-77	FP-5151601		5/16" - 24
QTY	VALVE MISC.	YEARS	PART NO.	SIZE	DESCRIPTION
12	Bolt	86-77	FP-443603		.250" x 20 x .750"
12	Lock Nut	86-77	FP-5151601		5/16" - 24
12	Lock Washer	86-77	FP-103319		Cam Follower; .250"
12	Lock Washer	86-77	FP-103320		Cam Follower; 5/16"
QTY	VALVE SEAL	YEARS	PART NO.	SIZE	DESCRIPTION
12	Valve Stem Seal	86-77	FP-23500480		Exh.; 2 Valve Head
24	Valve Stem Seal	86-77	FP-8921209		Exh.; 4 Valve Head
24	Tools	86-77	FP-5199913		Exh.; 4 Valve Head; Seal installer; Green Stripe

(continued on next page)

Ford Truck - M/D & H/D

37 M/D Truck 6-71 In-Line (2-Valve Cyl. Head), 6-71E In-Line (4-Valve Cyl. Head), 6-71N (cont.) In-Line (4-Valve Cyl. Head) Engs. H/D Truck 6-71 In-Line (2-Valve Cyl. Head), 6-71E In-Line (4-Valve Cyl. Head), 6-71N In-Line (4-Valve Cyl. Head) Engs.
7.0L 426 OHV Diesel L6 (6-71), 4.25" Bore (Detroit Diesel Eng.) 1967-86

CYL. HEAD & PARTS (cont.)

QTY	ROCKER PARTS	YEARS	PART NO.	SIZE	DESCRIPTION
6	Arm Assy.	86-77	FP-5148472		Exh. Left
6	Arm Assy.	86-77	FP-5148475		Exh. Right
6	Arm Assy.	86-77	FP-8923554		Injector; Unbushed Clevis
6	Rocker Shaft	86-77	FP-23500714		
12	Rocker Shaft Bracket Bolt	86-77	FP-5150325		1/2" - 13 x 4.250"
12	Arm Support	86-77	FP-5103903		
6	Rocker Bushing	86-77	FP-8924355		Large
12	Rocker Bushing	86-77	FP-5123700		Exh.; Exh. Valve Clevis; .5625" OD
12	Rocker Bushing	86-77	FP-23517217		Exh.; Large; .8755" ID, .9475" OD, .840" Length, .0360" Wall thickness
12	Rocker Bushing	86-77	FP-8924354		Exh.; Small
18	Follower Assy.	86-77	FP-8924439		
18	Cam Follower Roller Set	86-77	FP-8923814		Incl. pin & roller
12	Valve Bridge Adj. Screw	86-77	FP-5129101		5/16" - 24 x 1"
12	Valve Bridge	86-77	FP-5117565		Exh.
12	Valve Bridge Guide	86-77	FP-5117564		Exh.; Press fit
12	Valve Bridge Guide	86-77	FP-51175646		Exh.; Press fit w/.006" O/S
12	Valve Bridge Guide	86-77	FP-5196843		Exh.; Threaded
12	Rocker Arm Clevis Pin	86-77	FP-5150314		
12	Bushing	86-77	FP-5122445 +		Exh.; Large; When depleted use FP-23517217

ELECTRICAL

QTY	ELECTRICAL	YEARS	PART NO.	SIZE	DESCRIPTION
1	Starting Motor Gasket	86-77	FP-5130995		Starting Motor Hole Cover

METERS

QTY	METERS	YEARS	PART NO.	SIZE	DESCRIPTION
1	Tachometer Drive Shaft	86-77	FP-5135936		
1	Tachometer Drive Shaft	86-77	FP-3224992		.061" Key
1	Accessory Drive Gasket	86-77	FP-23515145		Tach. Drive Cover
1	Bolt	86-77	FP-443603		.250" x 20 x .750"
2	Bolt	86-77	FP-8927580		Tach. Drive Cover; 3/8" - 16 x .875"
1	Bolt	86-77	FP-179803		1/4" x 20 x 1.750"
1	Washer	86-77	FP-5150568		Tach. Drive Cover; 7/16" x 3/4" x 1/16"; Copper
4	Lock Washer	86-77	FP-103319		.250"
1	Lock Washer	86-77	FP-103319		Tach. Drive Adaptor; .250"
2	Lock Washer	86-77	FP-103320		Tach. Drive Adaptor; 5/16"
2	Lock Washer	86-77	FP-103320		Water Temp. Switch; 5/16"
1	Gasket	86-77	FP-5113412		Water Temp. Switch
1	Oil Seal	86-77	FP-5135820		Tach. Drive Adaptor
2	Oil Seal	86-77	FP-3202615		Tach. Drive Cover
1	Pipe Plug	86-77	FP-8924380		Tach. Drive Adaptor; 1/8" - 27
1	Pipe Plug	86-77	FP-5121182		Water Temp. Switch; 1/4" - 18; Hex head
2	Pipe Plug	86-77	FP-8923847		Water Temp. Switch; 1/4" x 18 NPTF; Square head

INT & EXH MANIFOLDS

QTY	INT. & EXH. MANIFOLDS	YEARS	PART NO.	SIZE	DESCRIPTION
4	Stud	86-77	FP-8927270		Exh. Manifold to Head; 3/8" - 16/24" x 1.6875"
7	Stud	86-77	FP-8925804		Exh. Manifold to Head; 7/16" - 14/20" x 2 3/32"
7	Lock Nut	86-77	FP-23505398		Exh. Manifold; 7/16" - 20
4	Lock Washer	86-77	FP-103320		Exh. Manifold; 5/16"
1	Exhaust Manifold Gasket	86-77	FP-5120223		Diameter
1	Exhaust Manifold Gasket	86-77	FP-5150196		Diameter
2	Exhaust Manifold Gasket	86-77	FP-5150195		Ends; Composition
2	Exhaust Manifold Gasket	86-77	FP-5120224		Ends; Metal Clad
1	Exhaust Manifold Gasket	86-77	FP-5163811		Exh. Outlet; 4.375" I.D.
4	Exhaust Manifold Gasket	86-77	FP-5156319		Manifold Cover Plate
1	Exhaust Manifold Gasket	86-77	FP-5156319		Water Outlet Flange
1	Gasket	86-77	FP-5113412		Exh. Manifold Cover Plate
1	Pipe Plug	86-77	FP-5115214		Exh. Manifold; 1/2" Square Head
4	Lock Washer	86-77	FP-103321		Exh. Flange; 3/8"
7	Washer	86-77	FP-5104439		Exh. Manifold; 7/16" x 1.250" Dia.; Dished
1	Clamp	86-77	FP-5132650		Exh. Flange; 5.250" Dia.
1	Hose Clamp	86-77	FP-5137618		Exh. Manifold
1	Exhaust Manifold	86-77	FP-8921704		Horizontal; Water Cooled

(continued on next page)

Ford Truck - M/D & H/D

**M/D Truck 6-71 In-Line (2-Valve Cyl. Head), 6-71E In-Line (4-Valve Cyl. Head), 6-71N 37
In-Line (4-Valve Cyl. Head) Engs. H/D Truck 6-71 In-Line (2-Valve Cyl. Head), 6-71E (cont.)
In-Line (4-Valve Cyl. Head), 6-71N In-Line (4-Valve Cyl. Head) Engs.
7.0L 426 OHV Diesel L6 (6-71), 4.25" Bore (Detroit Diesel Eng.) 1967-86**

INT & EXH MANIFOLDS (cont.)

QTY	AIR INTAKE	YEARS	PART NO.	SIZE	DESCRIPTION
2	Air Intake Housing Gasket	86-77	FP-5124405		
1	Air Intake Gasket	86-77	FP-3290572		Housing Striker Plate
2	Lock Washer	86-77	FP-103319		Air Inlet Housing Shutdown Valve Shaft; .250"
4	Lock Washer	86-77	FP-103321		Air Silencer; 3/8"
6	Lock Washer	86-77	FP-103320		Air Silencer; 5/16"
2	O-Ring	86-77	FP-5182977		Air Inlet Housing Shutdown Valve Shaft

CAMSHAFT GROUP

QTY	TIMING	YEARS	PART NO.	SIZE	DESCRIPTION
1	Idler Gear Hub Assembly	86-77	FP-5130135		
1	Bolt	86-77	FP-454992		Idler Gear; 1/2" - 13 x 2 1/2
6	Bolt	86-77	FP-5103534		Idler Gear; 5/16" - 24 x 1/2"
1	Washer	86-77	FP-5167714		Idler Gear; 17/32" x 7/8" x 3/32"

QTY	CAMSHAFT/LIFTER	YEARS	PART NO.	SIZE	DESCRIPTION
1	Camshaft	86-77	FP-5149393		Advanced timing; R.H. rotation; Type 17, 27, 93, 166, 193, 399, 463, 532, 552, 558, 565
2	Camshaft Thrust Washer	86-77	FP-5111424		
2	Camshaft Thrust Washer	86-77	FP-5194826		
2	Camshaft Thrust Washer	86-77	FP-5194827		
5	Bolt	86-77	FP-5123383		Balance weight
2	Lock Washer	86-77	FP-5177769		Front balance weight; 1.125"
12	Lock Washer	86-77	FP-103321		Rear balance weight; 3/8"
2	Camshaft Plug	86-77	FP-5151277		.500" Drive; 15/32" x 1/2"
1	Prelube	86-77	55-400		4 oz. bottle; 1.5 oz. packet No. 55-403 also avail.

ACCESSORY DRIVE

QTY	ACCESSORY DRIVE	YEARS	PART NO.	SIZE	DESCRIPTION
1	Accessory Drive Gasket	86-77	FP-23515145		
1	Oil Seal	86-77	FP-5102456		Accessory Drive
1	Oil Seal	86-77	FP-5131329		Accessory Drive
1	Oil Seal	86-77	FP-5138710		Accessory Drive
1	Oil Seal Kit	86-77	FP-5198175		Accessory Drive
1	Ball Brg.	86-77	FP-23503727		Accessory Drive
1	Ball Brg.	86-77	FP-23504528		Accessory Drive
1	Ball Brg.	86-77	FP-23504528		Accessory Drive
1	Drive Coupling	86-77	FP-5141773		Accessory Drive
1	Water Pump Retainer Ring	86-77	FP-9415285		Accessory Drive; Large; External
6	Bolt	86-77	FP-5185793		Accessory Drive
10	Bolt	86-77	FP-8927580		Accessory Drive; w/Seal Patch; 3/8" - 16 x .875"
3	Bolt	86-77	FP-8927581		Accessory Drive; w/Seal Patch; 3/8" - 16 x 1"
4	Bolt	86-77	FP-5145092		Accessory Drive; 3/8" - 24 x 1.20", Self-Locking
1	Stud	86-77	FP-8927270		Accessory Drive; 3/8" - 16/24" x 1.6875"
4	Stud	86-77	FP-8925804		Balance Weight Cover; 7/16" - 14/20" x 2 3/32"
1	Hydraulic Pump Gasket	86-77	FP-5188755		Accessory Drive
1	Pipe Plug	86-77	FP-5121182		Accessory Drive; 1/4" - 18; Hex head
5	Washer	86-77	FP-5150568		Accessory Drive; 7/16" x 3/4" x 1/16"; Copper
13	Copper Washer	86-77	FP-5152148		Accessory Drive; 25/64" ID x 9/16" OD x 1/16" Thick; Copper
13	Lock Washer	86-77	FP-103321		Accessory Drive; 3/8"
4	Lock Washer	86-77	FP-103321		Accessory Drive; 3/8"
4	Lock Washer	86-77	FP-103320		Accessory Drive; 5/16"
2	Lock Washer	86-77	FP-103321		Balance Weight Cover; 3/8"
23	Lock Washer	86-77	FP-103320		Balance Weight Cover; 5/16"
1	Oil Seal	86-77	470625		
1	Redi-Sleeve	86-77	99150		
13	Lock Nut	86-77	FP-103026		Accessory Drive; 3/8" x 24
1	Lock Nut	86-77	FP-103026		Accessory Drive; 3/8" x 24
23	Lock Nut	86-77	FP-103026		Balance Weight Cover; 3/8" x 24

FUEL SYSTEM & PARTS

QTY	FUEL INJECTION	YEARS	PART NO.	SIZE	DESCRIPTION
4	Fuel Injector Nozzle	86-77	FP-5172874		Water Nozzle; Single Outlet; Single Outlet
6	Fuel Injector Seal Ring	86-77	FP-5234281		
6	Fuel Injector Seal Ring	86-77	FP-5104701		Viton®
6	Injector Hole Tube Kit	86-77	FP-8925981		Incl. Seal Ring; Viton®
6	Clamp	86-77	FP-5121259		
6	Fuel Injector	86-77	FP-5229355		Option Type 111; Injector Assembly C55

(continued on next page)

Ford Truck - M/D & H/D

37 M/D Truck 6-71 In-Line (2-Valve Cyl. Head), 6-71E In-Line (4-Valve Cyl. Head), 6-71N
 (cont.) In-Line (4-Valve Cyl. Head) Engs. H/D Truck 6-71 In-Line (2-Valve Cyl. Head), 6-71E
 In-Line (4-Valve Cyl. Head), 6-71N In-Line (4-Valve Cyl. Head) Engs.
 7.0L 426 OHV Diesel L6 (6-71), 4.25" Bore (Detroit Diesel Eng.) 1967-86

FUEL SYSTEM & PARTS (cont.)

QTY	FUEL INJECTION (cont.)	YEARS	PART NO.	SIZE	DESCRIPTION
6	Fuel Injector	86-77	FP-5229360		Option Type 113; Injector Assembly C60
6	Fuel Injector	86-77	FP-5229365		Option Type 115; Injector Assembly C65
6	Fuel Injector	86-77	FP-5228780		Option Type 14, 54, 82; Injector Assembly N80
6	Fuel Injector	86-77	FP-5229695		Option Type 153; Injector Assembly 7C75
6	Fuel Injector	86-77	FP-5229790		Option Type 163; Injector Assembly 7E55
6	Fuel Injector	86-77	FP-5229795		Option Type 164; Injector Assembly 7E60
6	Fuel Injector	86-77	FP-5229800		Option Type 165; Injector Assembly 7E65
6	Fuel Injector	86-77	FP-5229895		Option Type 180; Injector Assembly 7G65
6	Fuel Injector	86-77	FP-5226440		Option Type 242; Injector Assembly 7N65
6	Fuel Injector	86-77	FP-5228760		Option Type 53, 78; Injector Assembly N60
6	Fuel Injector	86-77	FP-5228770		Option Type 57, 80; Injector Assembly N70
6	Fuel Injector	86-77	FP-5228785		Option Type 60, 77; Injector Assembly N55
6	Fuel Injector	86-77	FP-5228777		Option Type 81; Injector Assembly N75
6	Fuel Injector	86-77	FP-5228900		Option Type 97; BT; Injector Assembly N65
12	Fuel Injector Repair Kit	86-77	FP-5229649		
6	Fuel Injection Valve Cage	86-77	FP-5228696		Check Valve
6	Fuel Injection Spring Seat	86-77	FP-5228766		
6	Fuel Injector Valve Spring	86-77	FP-5228596		
6	Fuel Injector Check Valve	86-77	FP-5228694		
6	Fuel Pump Check Valve	86-77	FP-5226411		
6	Fuel Pump Check Valve	86-77	FP-5228308		HV7, HV8, HV9, S70, S80, S90; Incl. injector valve & 5228106 seat
6	Fuel Pump Check Valve	86-77	FP-5228308		S55, S60, S65; Incl. injector valve & 5228106 seat
6	Injector Plunger & Bushing	86-77	FP-5229356		C55
6	Injector Plunger & Bushing	86-77	FP-5229362		C60
6	Injector Plunger & Bushing	86-77	FP-5229366		C65
6	Injector Plunger & Bushing	86-77	FP-5229372		C70
6	Injector Plunger & Bushing	86-77	FP-5228306		HV6
6	Injector Plunger & Bushing	86-77	FP-5228304		HV7
6	Injector Plunger & Bushing	86-77	FP-5228804		M95
6	Injector Plunger & Bushing	86-77	FP-5228668		N55
6	Injector Plunger & Bushing	86-77	FP-5228656		N60; For Inj. Assembly 5A60
6	Injector Plunger & Bushing	86-77	FP-5228928		N65 BT
6	Injector Plunger & Bushing	86-77	FP-5228658		N65 WT, N75, 7C75
6	Injector Plunger & Bushing	86-77	FP-5228682		N70, 7C70
6	Injector Plunger & Bushing	86-77	FP-5228661		N80
6	Injector Plunger & Bushing	86-77	FP-5228878		N90
6	Injector Plunger & Bushing	86-77	FP-5229823		7E55
6	Injector Plunger & Bushing	86-77	FP-5229814		7E60
6	Injector Plunger & Bushing	86-77	FP-5229808		7E75, 7G75
6	Injector Plunger & Bushing	86-77	FP-5229916		7G65
6	Injector Plunger & Bushing	86-77	FP-5229912		7G70
6	Injector Plunger & Bushing	86-77	FP-5229354		71C5; For Inj. Assembly C50
6	Fuel Injector Tip Kit	86-77	FP-5229026		C55, C60, 71C5, 7E55, 7E60; For Inj. Assembly 5N45
6	Fuel Injector Tip Kit	86-77	FP-5229192		C65, C70, N70, N75, 7N65
6	Fuel Injector Tip Kit	86-77	FP-5228312		HV7, HV8, HV9, S70, S80, S90
6	Fuel Injector Tip Kit	86-77	FP-5228554		HV7, HV8, HV9, S70, S80, S90
6	Fuel Injector Tip Kit	86-77	FP-5229256		M95, N80, N90
6	Fuel Injector Tip Kit	86-77	FP-5229026		N55, N60, N65 WT; For Inj. Assembly 5N45
6	Fuel Injector Tip Kit	86-77	FP-5229030		N65 BT; For Inj. Assembly 5A50, 5A55, 5A60
6	Fuel Injector Tip Kit	86-77	FP-5228491		S55, S60, S65
6	Fuel Injector Tip Kit	86-77	FP-5229030		7E65; For Inj. Assembly 5A50, 5A55, 5A60
6	Nut	86-77	FP-5228601		Inj. Valve; NV
6	Fuel Injector Valve Kit	86-77	FP-5228313		
6	Fuel Injector Valve Kit	86-77	FP-5228769		
6	Fuel Injector Roller Pin	86-77	FP-5228608		
QTY	FUEL FILTERS & PUMP	YEARS	PART NO.	SIZE	DESCRIPTION
1	Mechanical Fuel Pump	86-77	FP-5199735		LH; High Output; High output; w/.375" Gear
1	Mechanical Fuel Pump	86-77	FP-5199560		LH; Std. Output; Std. output; w/.250" Gear
1	Mechanical Fuel Pump	86-77	FP-5199734		RH; High Output; High output
1	Mechanical Fuel Pump	86-77	FP-5199561		RH; Std. Output
1	Fuel Pump Shaft & Gear	86-77	FP-5100313		High Output; .963" Length; High Output
1	Fuel Pump Shaft & Gear	86-77	FP-5146705		High Output; 3.09" Length; High Output
1	Fuel Pump Shaft & Gear	86-77	FP-5181747		Std. Output; .838" Length; Std. Output
1	Fuel Pump Shaft & Gear	86-77	FP-5181746		Std. Output; 3.09" Length; Std. Output
1	Fuel Pump Valve	86-77	FP-5174973		
1	Fuel Pump Gear	86-77	FP-5118915		High Output; .374" Width; High Output

(continued on next page)

Ford Truck - M/D & H/D

**M/D Truck 6-71 In-Line (2-Valve Cyl. Head), 6-71E In-Line (4-Valve Cyl. Head), 6-71N 37
In-Line (4-Valve Cyl. Head) Engs. H/D Truck 6-71 In-Line (2-Valve Cyl. Head), 6-71E (cont.)
In-Line (4-Valve Cyl. Head), 6-71N In-Line (4-Valve Cyl. Head) Engs.
7.0L 426 OHV Diesel L6 (6-71), 4.25" Bore (Detroit Diesel Eng.) 1967-86**

FUEL SYSTEM & PARTS (cont.)

QTY	FUEL FILTERS & PUMP (cont.)	YEARS	PART NO.	SIZE	DESCRIPTION
1	Fuel Pump Gear	86-77	FP-5128217		High Output; .374" Width; High Output
1	Fuel Pump Gear	86-77	FP-5174975		Std. Output; .294" Width; Std. Output
1	Fuel Pump Gear	86-77	FP-5181748		Std. Output; .294" Width; Std. Output
1	Fuel Pump Drive Shaft	86-77	FP-5100312		High Output; .963" Length; High Output
1	Fuel Pump Drive Shaft	86-77	FP-5178700		Std. & High Output; 3.09" Length
1	Fuel Pump Drive Shaft	86-77	FP-5181749		Std. Output; .838" Length; Std. Output
1	Fuel Pump Check Valve	86-77	FP-5174924		1/4" Swing type
1	Fuel Pump Check Valve	86-77	FP-5135308		3/8" Swing type
12	Fuel Line Connector	86-77	FP-5117369		
1	Fuel Pump Relief Valve Spring	86-77	FP-5184530		
2	Oil Seal	86-77	FP-23512243		Fuel pump
1	Fuel Pump Valve Plug Gasket	86-77	FP-5161003		Fuel pump
1	Fuel Pump Repair Part	86-77	FP-5174971		Fuel pump valve plug; .500" x 20 plug
1	Fuel Pump Drive Adapter Gskt.	86-77	FP-5150193		
1	Fuel Pump Repair Kit	86-77	FP-5149599		High Output; High output; Short Shaft
1	Fuel Pump Repair Kit	86-77	FP-5195078		Std. Output; Std. output
1	Pipe Plug	86-77	FP-5121182		Fuel pump pipe; 1/4" - 18; Hex head
2	Plastic Cap	86-77	FP-5136240		Fuel pump body; .250" Dia.
1	Plastic Cap	86-77	FP-5136241		Fuel pump body; .780" Dia., 3/8" NPTF
1	Dowel Pin	86-77	FP-103709		5/32" x 1" straight
1	Ball Brg.	86-77	FP-147481		Fuel pump shaft; .125" Dia. Steel
1	Accessory Drive Gasket	86-77	FP-23515145		Fuel pump mounting plate
12	Washer	86-77	FP-5125108		Fuel pump pipe assy.; 7/16" x 3/4" x 1/16"

BLOWER

QTY	BLOWER	YEARS	PART NO.	SIZE	DESCRIPTION
2	Ball Brg.	86-77	FP-23503543		Front; Blower Rotor
2	Ball Brg.	86-77	FP-23504305		Rear; Blower Rotor
1	Oil Seal Kit	86-77	FP-23500533		Blower End Plate
2	Rect. or Square Seal	86-77	FP-23515630		Blower Drive Cover; w/Flanged & Strut Covers
1	Rect. or Square Seal	86-77	FP-5172864		Blower Drive Cover; w/Sand Cast Covers
4	Oil Seal	86-77	FP-5192438		Blower End Plate
4	Oil Seal	86-77	FP-8924453		Blower Rotor
1	Fuel Blower Gasket	86-77	FP-5115656		Blower to Block
1	Pipe Plug	86-77	FP-8924380		Blower Drive Gear Hub; 1/8" - 27
6	Bolt	86-77	FP-443603		Blower Rotor; .250" x 20 x .750"
1	Lock Washer	86-77	FP-8926285		Blower Drive Gear Hub
2	Lock Washer	86-77	FP-103321		Blower Drive Gear Hub; 3/8"
2	Lock Washer	86-77	FP-5154398		Blower Rotor; 1/2" Special, External Tooth
20	Lock Washer	86-77	FP-103320		Blower Rotor; 5/16"
1	Shim	86-77	FP-5150372		Blower Rotor Gear
1	Shim	86-77	FP-5153938		Blower Rotor Gear
1	Shim	86-77	FP-5150855		Blower Rotor Gear
1	Shim	86-77	FP-5150856		Blower Rotor Gear

GOVERNOR

QTY	GOVERNOR	YEARS	PART NO.	SIZE	DESCRIPTION
4	Throttle/Governor Shaft	86-77	FP-5185154		Gov. Weight Shaft; w/Limiting Speed Gov.; Ring Grooves
1	Governor Spring	86-77	FP-5122165		Low Speed; w/One Blue Stripe
1	Governor Spring	86-77	FP-5183704		Low Speed; w/Two Yellow Stripes
1	Governor Low Speed Spring Cap	86-77	FP-5103975		w/Limiting Speed Gov.
1	Governor Low Speed Spring Cap	86-77	FP-5102968		Gov. Spring Hsg.
1	Governor Low Speed Spring Cap	86-77	FP-5103975		Gov. Spring Hsg.
1	Screw	86-77	FP-5102270		Gov. High Speed Spring; w/Limiting Speed Gov.; .250" - 28 x 1.00"
1	Screw	86-77	FP-5102270		Gov. Low Speed Spring; w/Limiting Speed Gov.; .250" - 28 x 1.00"
1	Screw	86-77	FP-5102270		Low speed spring adjusting; .250" - 28 x 1.00"
1	Governor Dowel Pin	86-77	FP-5150894		Gov. Differential; w/Limiting Speed Gov.; 25/32" Length
2	Governor Dowel Pin	86-77	FP-5185153		Gov. Weight Shaft; w/Limiting Speed Gov.; .3750" Dia. x 2.150" Length
1	Governor Dowel Pin	86-77	FP-5150943		Operating Shaft; w/Limiting Speed Gov.
1	Governor Dowel Pin	86-77	FP-5150894		Shutdown Shaft; w/Limiting Speed Gov.; 25/32" Length
1	Governor Seal Ring	86-77	FP-5126623		Gov. Spring Hsg.
1	O-Ring	86-77	FP-5176557		w/Limiting Speed Gov.; .477" ID x .113" Thick
1	O-Ring	86-77	FP-5182977		Gov. Cover Throttle Shaft; w/Limiting Speed Gov.
2	Cylindrical Brg.	86-77	FP-148402		w/Limiting Speed Gov.; .500" x .500" Dia.

(continued on next page)

Ford Truck - M/D & H/D

37 M/D Truck 6-71 In-Line (2-Valve Cyl. Head), 6-71E In-Line (4-Valve Cyl. Head), 6-71N (cont.) In-Line (4-Valve Cyl. Head) Engs. H/D Truck 6-71 In-Line (2-Valve Cyl. Head), 6-71E In-Line (4-Valve Cyl. Head), 6-71N In-Line (4-Valve Cyl. Head) Engs.
7.0L 426 OHV Diesel L6 (6-71), 4.25" Bore (Detroit Diesel Eng.) 1967-86

GOVERNOR (cont.)

QTY	GOVERNOR (cont.)	YEARS	PART NO.	SIZE	DESCRIPTION
1	Cylindrical Brg.	86-77	FP-148402		Lower; Operating Shaft; w/Limiting Speed Gov.; .500" x .500" Dia.
1	Dowel Pin	86-77	FP-141195		w/Limiting Speed Gov.; .250" x .625"
1	Washer	86-77	FP-5167714		Gov. Cover; w/Limiting Speed Gov.; 17/32" x 7/8" x 3/32"
1	Washer	86-77	FP-5151487		Gov. Cover; w/Limiting Speed Gov.; 3/8" x 11/16" x .033"
3	Washer	86-77	FP-5179709		Gov. High Speed Spring; w/Limiting Speed Gov.; .250" Copper
4	Washer	86-77	FP-5150885		Gov. Weight Pin; w/Limiting Speed Gov.
24	Washer	86-77	FP-5151487		Gov. Weight Shaft; w/Limiting Speed Gov.; 3/8" x 11/16" x .033"
2	Copper Washer	86-77	FP-5155596		Gov. High Speed Spring; w/Limiting Speed Gov.; 5/16"; Special copper washer
3	Copper Washer	86-77	FP-5155596		Gov. High Speed Spring; w/Limiting Speed Gov.; 5/16"; Special copper washer
1	Copper Washer	86-77	FP-5155596		Gov. Spring Hsg.; 5/16"; Special copper washer
1	Lock Washer	86-77	FP-103319		Gov. Cover; w/Limiting Speed Gov.; .250"
1	Lock Washer	86-77	FP-103319		Gov. High Speed Spring; w/Limiting Speed Gov.; .250"
2	Lock Washer	86-77	FP-103320		Gov. High Speed Spring; w/Limiting Speed Gov.; 5/16"
1	Lock Washer	86-77	FP-103320		Gov. Spring Hsg.; 5/16"
4	Lock Washer	86-77	FP-103319		Gov. Weight Housing; w/Limiting Speed Gov.; .250"
1	Governor Retainer	86-77	FP-5178581		Gov. Cover; w/Limiting Speed Gov.
16	Governor Retainer	86-77	FP-5178581		Gov. Weight; w/Limiting Speed Gov.
4	Bushing	86-77	FP-5147866		Gov. Weight; w/Limiting Speed Gov.; .520" Length
1	Ball Brg.	86-77	FP-9437108		Gov. Weight Riser; w/Limiting Speed Gov.; .354" Width
1	Ball Brg.	86-77	FP-9424121		Gov. Weight Shaft; w/Limiting Speed Gov.
4	Ball Brg.	86-77	FP-447196		Gov. Weight; w/Limiting Speed Gov.
1	Ball Brg.	86-77	FP-148403		Lower; Operating Shaft; w/Limiting Speed Gov.; .750" Width
1	Ball Brg.	86-77	FP-9431894		Upper; Operating Shaft; w/Limiting Speed Gov.
1	Carrier, Governor Weight	86-77	FP-5150932		Gov. Weight Shaft; w/Limiting Speed Gov.
1	Pipe Plug	86-77	FP-8924380		w/Limiting Speed Gov.; 1/8" - 27
1	Governor Spring Cover Gasket	86-77	FP-8922593		Gov. High Speed Spring Adj. Cover
1	Governor Spring Cover Gasket	86-77	FP-8922593		Gov. High Speed Spring; w/Limiting Speed Gov.
1	Copper Washer	86-77	FP-5155596		w/Limiting Speed Gov.; 5/16"; Special copper washer
2	Washer	86-77	FP-5179709		w/Limiting Speed Gov.; .250" Copper
3	Lock Washer	86-77	FP-103319		Throttle Shaft; w/Limiting Speed Gov.; .250"
3	Screw	86-77	FP-9417926		Gov. cover; w/Limiting Speed Gov.; 1/4" -20 x 3/4"
1	Governor Hole Gasket	86-77	FP-5123812		Gov. to Cyl. Head; w/Limiting Speed Gov.
1	Governor Cover Gasket	86-77	FP-5150889		w/Limiting Speed Gov.
1	Retainer	86-77	FP-142583		Gov. Cover; w/Limiting Speed Gov.; 13/64" Spring
1	Retainer	86-77	FP-142583		Gov. Differential; w/Limiting Speed Gov.; 13/64" Spring

COOLING SYSTEM

QTY	WATER PUMP	YEARS	PART NO.	SIZE	DESCRIPTION
1	Water Pump - Heavy Duty	86-77	FP-23507971		Raw Water; Option Type 1, 2, 3, 28, 31, 62, 69, 70, 71, 72, 73, 75, 76, 77, 78, 80, 83
1	Water Pump - Heavy Duty	86-77	FP-5186250		Raw Water; Option Type 13
1	Water Pump - Heavy Duty	86-77	FP-23506704		L.H.; Fresh Water; High Capacity
1	Water Pump - Heavy Duty	86-77	FP-23506723		L.H.; Fresh Water; Std. Capacity
1	Water Pump - Heavy Duty	86-77	FP-23506711		R.H.; Fresh Water; High Capacity
1	Water Pump - Heavy Duty	86-77	FP-23506735		R.H.; Fresh Water; Std. Capacity
1	Water Pump Shaft	86-77	FP-5196169		Raw Water Pump; For Pump FP-5122599
1	Water Pump Shaft	86-77	FP-5193552		Raw Water; For Pump FP-5186250
1	Water Pump Shaft	86-77	FP-5193552		Raw Water; For Pumps FP-5115800, FP-5187140, FP-23507971
1	Water Pump Impeller	86-77	FP-23505997		Fresh Water
1	Water Pump Impeller	86-77	FP-5126911		Fresh Water
1	Water Pump Impeller	86-77	FP-23505998		Fresh Water; High Capacity
1	Water Pump Impeller	86-77	FP-8924839		Raw Water; For Pump FP-5122599
1	Water Pump Impeller	86-77	FP-8924838		Raw Water; For Pump FP-5186250
1	Water Pump Impeller	86-77	FP-8924838		Raw Water; For Pumps FP-23507971, FP-5186250
1	Water Pump Impeller	86-77	FP-8924838		Raw Water; For Pumps FP-5115800, FP-5187140, FP-23507971
1	Water Pump Impeller	86-77	FP-5193602		Raw Water; Option Type 14; For Obsolete Pump; Synthetic
1	Water Pump Repair/Rebuild Kit	86-77	FP-23506870		Fresh Water Recon. Kit; High Capacity; Incl. Impeller Assy.
1	Water Pump Repair/Rebuild Kit	86-77	FP-23506851		Fresh Water Recon. Kit; Std. Capacity; Ceramic Insert; Incl. Impeller Assy.
1	Water Pump Repair/Rebuild Kit	86-77	FP-5198307		Fresh Water Recon. Kit; Std. Capacity; Incl. Impeller Assy.
1	Water Pump Repair/Rebuild Kit	86-77	FP-5149918		Fresh Water Seals & Bearing Kit; High Capacity; Ceramic Insert
1	Water Pump Repair/Rebuild Kit	86-77	FP-23506858		Fresh Water Seals & Bearing Kit; Std. Capacity
1	Water Pump Repair/Rebuild Kit	86-77	FP-5197222		Recon. Kit; Raw Water; For Pump FP-5122599
1	Water Pump Repair/Rebuild Kit	86-77	FP-5197224		Recon. Kit; Raw Water; For Pump FP-5186250

(continued on next page)

Ford Truck - M/D & H/D

**M/D Truck 6-71 In-Line (2-Valve Cyl. Head), 6-71E In-Line (4-Valve Cyl. Head), 6-71N 37
In-Line (4-Valve Cyl. Head) Engs. H/D Truck 6-71 In-Line (2-Valve Cyl. Head), 6-71E (cont.)
In-Line (4-Valve Cyl. Head), 6-71N In-Line (4-Valve Cyl. Head) Engs.
7.0L 426 OHV Diesel L6 (6-71), 4.25" Bore (Detroit Diesel Eng.) 1967-86**

COOLING SYSTEM (cont.)

QTY	WATER PUMP (cont.)	YEARS	PART NO.	SIZE	DESCRIPTION
1	Water Pump Repair/Rebuild Kit	86-77	FP-5197223		Recon. Kit; Raw Water; For Pumps FP-5115800, FP-5187140, FP-23507971
1	Water Pump Cover	86-77	FP-5193555		Raw Water Pump, End; For Pump FP-5122599
1	Water Pump Cover	86-77	FP-5193555		Raw Water Pump, End; For Pump FP-5186250
1	Water Pump Cover	86-77	FP-5193555		Raw Water Pump, End; For Pumps FP-5115800, FP-5187140, FP-23507971
1	Water Pump Gasket	86-77	FP-5178273		Fresh Water; High Capacity
1	Woodruff Key	86-77	FP-103462		Raw Water Pump Shaft; For Pump FP-5122599
1	Water Pump Retainer Ring	86-77	FP-5196171		Raw Water Pump; For Pump FP-5122599
1	Water Pump Retainer Ring	86-77	FP-9415285		Raw Water; For Pump FP-5186250; Large; External
1	Water Pump Retainer Ring	86-77	FP-5193569		Raw Water; For Pump FP-5186250; Small; Small
1	Water Pump Retainer Ring	86-77	FP-9415285		Raw Water; For Pumps FP-5115800, FP-5187140, FP-23507971; Large; Large; External
1	Water Pump Retainer Ring	86-77	FP-5193569		Raw Water; For Pumps FP-5115800, FP-5187140, FP-23507971; Small; Small
1	Water Pump Mech. Shaft Seal	86-77	FP-8924297		Fresh Water
1	Water Pump Mech. Shaft Seal	86-77	FP-5186571		Fresh Water; Seal & Spring
1	Water Pump Mech. Shaft Seal	86-77	FP-5198419		Raw Water; For Pump FP-5186250
1	Water Pump Mech. Shaft Seal	86-77	FP-5198419		Raw Water; For Pumps FP-23507971, FP-5186250, FP-5122599
1	Water Pump Mech. Shaft Seal	86-77	FP-5198419		Raw Water; For Pumps FP-5115800, FP-5187140, FP-23507971
1	Water Pump Mech. Shaft Seal	86-77	FP-5193684		Raw Water; For Pumps FP-5115800, FP-5187140, FP-23507971; Outboard
1	Ball Brg.	86-77	FP-23505479		Raw Water Pump; For Pump FP-5122599
1	Ball Brg.	86-77	FP-23504426		Raw Water Pump; For Pump FP-5186250
1	Ball Brg.	86-77	FP-23504426		Raw Water Pump; For Pumps FP-5115800, FP-5187140, FP-23507971
1	Ball Brg.	86-77	FP-23503821		Inner; Fan Shaft
1	Ball Brg.	86-77	FP-903205		Inner; Fan Shaft
1	Ball Brg.	86-77	FP-9415132		Inner; Fan Shaft
1	Ball Brg.	86-77	FP-23503535		Outer; Fan Shaft
1	Ball Brg.	86-77	FP-7450630		Outer; Fan Shaft
2	Lock Nut	86-77	FP-103026		Fan Hub Mount; 3/8" x 24
1	Oil Pump Intake Gasket	86-77	FP-5153902		Lower; Water By-Pass Tube; 2 1/4" B.C.
1	Oil Pump Intake Gasket	86-77	FP-5153902		Water Pump Cover; 2 1/4" B.C.
1	Fuel Pump Drive Adapter Gskt.	86-77	FP-5150193		Fresh Water Pump to Eng.
1	Accessory Drive Gasket	86-77	FP-23515145		Raw Water Pump Drive Gasket
1	Oil Seal	86-77	FP-5103951		Fan Shaft
1	Oil Seal	86-77	FP-5108219		Fan Shaft; Felt
1	Oil Seal	86-77	FP-5100408		Fan Shaft; Rubber Lip
1	Oil Seal	86-77	FP-23506248		Fresh Water Pump
1	Oil Seal	86-77	FP-5195101		Raw Water Pump; For Pump FP-5122599
1	Oil Seal	86-77	FP-5195101		Raw Water Pump; For Pump FP-5186250
1	Oil Seal	86-77	FP-5195101		Raw Water Pump; For Pumps FP-5115800, FP-5187140, FP-23507971
2	Oil Seal	86-77	FP-5132155		Thermostat Seal
1	Bolt	86-77	FP-454992		Fan Hub Mount; 1/2" - 13 x 2 1/2
3	Bolt	86-77	FP-8927581		Fan Hub Mount; 3/8" - 16 x 1"
4	Bolt	86-77	FP-8921930		Fresh Water Pump Body; 1/4" - 20 x 3/4"
4	Bolt	86-77	FP-443603		Heat Exchanger; .250" x 20 x .750"
1	Bolt	86-77	FP-454992		Heat Exchanger; 1/2" - 13 x 2 1/2
2	Bolt	86-77	FP-8927580		Heat Exchanger; 3/8" - 16 x .875"
5	Bolt	86-77	FP-23504236		Raw Water Pump Cover; For Pump FP-5122599; .250" - 20 x .500"; Stainless Steel
5	Bolt	86-77	FP-23504236		Raw Water Pump Cover; For Pump FP-5186250; .250" - 20 x .500"; Stainless Steel
5	Bolt	86-77	FP-23504236		Raw Water Pump Cover; For Pumps FP-5115800, FP-5187140, FP-23507971; .250" - 20 x .500"; Stainless Steel
4	Bolt	86-77	FP-5145092		Raw Water Pump Drive; 3/8" - 24 x 1.20"; Self-Locking
4	Bolt	86-77	FP-8927581		Thermostat Housing; 3/8" - 16 x 1"
2	Bolt	86-77	FP-8927581		Inlet; Heat Exchanger; 3/8" - 16 x 1"
2	Bolt	86-77	FP-8927581		Outlet; Heat Exchanger; 3/8" - 16 x 1"
1	Pipe Plug	86-77	FP-8924380		Fan Hub; 1/8" - 27
1	Pipe Plug	86-77	FP-5121182		Heat Exchanger; 1/4" - 18; Hex head
1	Pipe Plug	86-77	FP-8924380		Heat Exchanger; 1/8" - 27
2	Pipe Plug	86-77	FP-5142549		Heat Exchanger; 3/4" - 14 Square Head
2	Pipe Plug	86-77	FP-8924517		Thermostat Housing Cover; 3/8" x 18 square head
1	Pipe Plug	86-77	FP-5115214		Thermostat Housing; 1/2" Square Head

(continued on next page)

Ford Truck - M/D & H/D

37 M/D Truck 6-71 In-Line (2-Valve Cyl. Head), 6-71E In-Line (4-Valve Cyl. Head), 6-71N (cont.) In-Line (4-Valve Cyl. Head) Engs. H/D Truck 6-71 In-Line (2-Valve Cyl. Head), 6-71E In-Line (4-Valve Cyl. Head), 6-71N In-Line (4-Valve Cyl. Head) Engs.
7.0L 426 OHV Diesel L6 (6-71), 4.25" Bore (Detroit Diesel Eng.) 1967-86

COOLING SYSTEM (cont.)

QTY	WATER PUMP (cont.)	YEARS	PART NO.	SIZE	DESCRIPTION
1	Pipe Plug	86-77	FP-5121182		Thermostat Housing; 1/4" - 18; Hex head
1	Pipe Plug	86-77	FP-8924380		Thermostat Housing; 1/8" - 27
1	Pipe Plug	86-77	FP-5142549		Thermostat Housing; 3/4" - 14 Square Head
1	Pipe Plug	86-77	FP-5115214		Water Outlet Manifold Elbow; 1/2" Square Head
1	Pipe Plug	86-77	FP-5121182		Water Outlet Manifold Elbow; 1/4" - 18; Hex head
1	Pipe Plug	86-77	FP-5142549		Water Outlet Manifold Elbow; 3/4" - 14 Square Head
1	Pipe Plug	86-77	FP-5121182		Water Pump; 1/4" - 18; Hex head
1	Pipe Plug	86-77	FP-5142549		Water Pump; 3/4" - 14 Square Head
1	Pipe Plug	86-77	FP-8924517		Water Pump; 3/8" x 18 square head
1	Expansion Plug	86-77	FP-5117186		Heat Exchanger; 2" Dia. Cup; Stainless Steel
1	Shaft & Bearing Assembly	86-77	FP-5136671		Fresh Water
1	Shaft & Bearing Assembly	86-77	FP-908337		Fresh Water
1	Governor Spring Cover Gasket	86-77	FP-8922593		Thermostat Housing Cover
1	Dowel Pin	86-77	FP-5197597		Raw Water Pump; Wear Plate Locating Pin; .184" OD x .375" Length
1	Screw	86-77	FP-114366		Raw Water Pump Cam; For Pump FP-5122599; .250" - 20 x .500"; Brass
1	Screw	86-77	FP-114366		Raw Water Pump Cam; For Pump FP-5186250; .250" - 20 x .500"; Brass
1	Screw	86-77	FP-114366		Raw Water Pump Cam; For Pumps FP-5115800, FP-5187140, FP-23507971; .250" - 20 x .500"; Brass
1	Slinger, Water Pump	86-77	FP-5114011		Fresh Water
1	Slinger, Water Pump	86-77	FP-5193676		Raw Water Pump Shaft; For Pump FP-5122599
1	Slinger, Water Pump	86-77	FP-5193676		Raw Water Pump Shaft; For Pump FP-5186250
1	Slinger, Water Pump	86-77	FP-5193676		Raw Water; For Pumps FP-5115800, FP-5187140, FP-23507971
3	Copper Washer	86-77	FP-5155596		Water Pump Mounting; 5/16"; Special copper washer
2	Washer	86-77	FP-5197310		Adhesive Washer; Fresh Water Pump; Adhesive, Ceramic Insert
1	Washer	86-77	FP-5131978		Fan Mount Support Spacer; .53" ID x 1.00" OD x .170" Thick
2	Washer	86-77	FP-5131978		Heat Exchanger; .53" ID x 1.00" OD x .170" Thick
1	Washer	86-77	FP-103325		Raw Water Pump Drive Gear; Lock washer; 5/8"
QTY	THERMOSTAT	YEARS	PART NO.	SIZE	DESCRIPTION
1	Thermostat	86-77	FP-5104238		Choke & Shield Design; 173 Deg.
2	Thermostat	86-77	FP-23503828		Weir Type; 165 Deg., Weir Type
2	Thermostat	86-77	FP-23503827		160 Deg.
2	Thermostat	86-77	FP-23503826		170 Deg.
2	Thermostat	86-77	FP-5172141		170 Deg.
1	Thermostat	86-77	FP-5184475		173 Deg.
1	Thermostat Gasket	86-77	FP-5167761		Thermostat Housing
1	Thermostat Gasket	86-77	FP-5169478		Thermostat Housing
2	Thermostat Gasket	86-77	FP-5169478		Water By-Pass Tube Elbow
1	Thermostat Gasket	86-77	FP-5169478		Water Outlet Manifold Elbow
2	Thermostat Gasket	86-77	FP-5169478		Upper; Thermostat Housing
1	Thermostat Gasket	86-77	FP-5167761		Heat Exchanger
2	Exhaust Manifold Gasket	86-77	FP-5156319		Water By-Pass Tube to Exh. Manifold
QTY	MISCELLANEOUS	YEARS	PART NO.	SIZE	DESCRIPTION
12	Stud	86-77	FP-8927270		Water Outlet Manifold; 3/8" - 16/24" x 1.6875"
4	Hose Clamp	86-77	FP-5186841		Heat Exchanger; Water Inlet Tube; 1 9/16" - 2.50"
6	Hose Clamp	86-77	FP-9139809		Heat Exchanger; Water Inlet Tube; 2 1/16" - 3"
4	Hose Clamp	86-77	FP-5186841		Raw Water Pump Inlet Tube; 1 9/16" - 2.50"
2	Hose Clamp	86-77	FP-5186840		Thermostat Housing; 13/16" - 1 1/2" Clamping Range
2	Hose Clamp	86-77	FP-5186840		Water By-pass Tube Connecting Hose; 13/16" - 1 1/2" Clamping Range
1	Hose Clamp	86-77	FP-9139809		Water Outlet Manifold; 2 1/16" - 3"
1	Hose Clamp	86-77	FP-5188036		Water Outlet Manifold; 2.750" Dia. Hose
2	Hose Clamp	86-77	FP-5188036		Water Pump Inlet Seal; 2.750" Dia. Hose
3	Lock Washer	86-77	FP-103320		Fan Hub Mount; 5/16"
2	Lock Washer	86-77	FP-103321		Heat Exchanger; 3/8"
4	Lock Washer	86-77	FP-103321		Thermostat Housing; 3/8"
4	Lock Washer	86-77	FP-103320		Thermostat Housing; 5/16"
2	Lock Washer	86-77	FP-103320		Water Outlet Manifold Elbow; 5/16"
12	Lock Washer	86-77	FP-103321		Water Outlet Manifold; 3/8"
2	Lock Washer	86-77	FP-103321		Inlet; Heat Exchanger; 3/8"
2	Lock Washer	86-77	FP-103321		Inlet; Heat Exchanger; 3/8"
20	Lock Washer	86-77	FP-103320		Inlet; Heat Exchanger; 5/16"
2	Lock Washer	86-77	FP-103321		Outlet; Heat Exchanger; 3/8"
1	Sealing Ring	86-77	FP-5153560		Water Pump Inlet; 2.1875" OD

(continued on next page)

Ford Truck - M/D & H/D

**M/D Truck 6-71 In-Line (2-Valve Cyl. Head), 6-71E In-Line (4-Valve Cyl. Head), 6-71N 37
In-Line (4-Valve Cyl. Head) Engs. H/D Truck 6-71 In-Line (2-Valve Cyl. Head), 6-71E (cont.)
In-Line (4-Valve Cyl. Head), 6-71N In-Line (4-Valve Cyl. Head) Engs.
7.0L 426 OHV Diesel L6 (6-71), 4.25" Bore (Detroit Diesel Eng.) 1967-86**

COOLING SYSTEM (cont.)

QTY	MISCELLANEOUS (cont.)	YEARS	PART NO.	SIZE	DESCRIPTION
1	Sealing Ring	86-77	FP-5156770		Water Pump Inlet; 2.750" OD
1	O-Ring	86-77	FP-5150191		Fresh Water Pump Outlet
2	O-Ring	86-77	FP-5167746		Heat Exchanger
1	O-Ring	86-77	FP-23514265		Raw Water Pump; For Pump FP-5122599
1	O-Ring	86-77	FP-23514265		Raw Water Pump; For Pump FP-5186250
1	O-Ring	86-77	FP-23514265		Raw Water Pump; For Pumps FP-5115800, FP-5187140, FP-23507971
2	Exhaust Manifold Gasket	86-77	FP-5156319		Heat Exchanger; Cover Plate
2	Hose Clamp	86-77	FP-5186840		Upper; Hose to Thermostat Housing; 13/16" - 1 1/2" Clamping Range
2	Oil Cooler Gasket	86-77	FP-5112401		Heat Exchanger
1	Oil Cooler Core Outer Gasket	86-77	FP-5102506		Heat Exchanger; Oil Cooler Outlet
1	Oil Cooler Cover Gasket	86-77	FP-23501591		Heat Exchanger
1	Oil Cooler Cover Gasket	86-77	FP-23501591		Heat Exchanger; Expansion Tank Cover

ENGINE BLOCK & PARTS

QTY	GASKETS	YEARS	PART NO.	SIZE	DESCRIPTION
2	Flywheel Housing Gasket	86-77	FP-5150055		
1	Flywheel Housing Gasket	86-77	FP-8928967		
1	Governor Hole Gasket	86-77	FP-5123812		Flywheel Housing Vent Cover
2	Accessory Drive Gasket	86-77	FP-23515145		Flywheel Housing Large Hole Cover
2	Bolt	86-77	FP-8927580		Flywheel Housing; 3/8" - 16 x .875"
2	Washer	86-77	FP-5125108		Flywheel Housing; 7/16" x 3/4" x 1/16"
2	Lock Washer	86-77	FP-103319		Flywheel Housing; .250"
2	Copper Washer	86-77	FP-5152148		Flywheel Housing; 25/64" ID x 9/16" OD x 1/16" Thick; Copper
1	Oil Pan Gasket	86-77	FP-5150117		
4	Bolt	86-77	FP-8927580		Oil Filter; 3/8" - 16 x .875"
4	Bolt	86-77	FP-8927581		Oil Filter; 3/8" - 16 x 1"
1	Washer	86-77	FP-5177773		Filter By-pass Valve Plug; 18MM x 1.5MM
1	Washer	86-77	FP-8402777		Oil Pan Drain Plug; 18MM, Nylon
1	Washer	86-77	FP-5150568		Oil Strainer Center Stud; 7/16" x 3/4" x 1/16"; Copper
4	Lock Washer	86-77	FP-103321		Oil Filter; 3/8"
34	Lock Washer	86-77	FP-103320		Oil Pan; 5/16"
2	Lock Washer	86-77	FP-103320		Oil Pressure Regulator; 5/16"
1	Pipe Plug	86-77	FP-5115214		Oil Cooler Water Inlet; 1/2" Square Head
2	Pipe Plug	86-77	FP-8924517		Oil Cooler Water Inlet; 3/8" x 18 square head
2	Pipe Plug	86-77	FP-5121182		Oil Filter; 1/4" - 18; Hex head
1	Pipe Plug	86-77	FP-5115214		Oil Pan Drain; 1/2" Square Head
1	Pipe Plug	86-77	FP-5121182		Oil Pan Drain; 1/4" - 18; Hex head
1	Pipe Plug	86-77	FP-5142549		Oil Pan Drain; 3/4" - 14 Square Head
1	Pipe Plug	86-77	FP-8924517		Oil Pan Drain; 3/8" x 18 square head
2	Pipe Plug	86-77	FP-5115214		Oil Pan Sump; 1/2" Square Head
1	Pipe Plug	86-77	FP-5115214		Oil Pan; 1/2" Square Head
1	Pipe Plug	86-77	FP-5121182		Oil Pan; 1/4" - 18; Hex head
1	Pipe Plug	86-77	FP-8923313		Oil Pan; 3/4"
1	Pipe Plug	86-77	FP-5142549		Oil Pan; 3/4" - 14 Square Head
2	Cylinder Cover Gasket	86-77	FP-23505518		Front & Rear; Cyl. Block End Plate
1	Gasket	86-77	FP-5116357		Cyl. Block Water Hole Cover
8	Gasket	86-77	FP-23505525		Cyl. Block; 3/8" Copper
4	Hand Hole Cover Gasket	86-77	FP-5132117		
12	Copper Washer	86-77	FP-5152148		Cyl. Block; 25/64" ID x 9/16" OD x 1/16" Thick; Copper
6	Lock Washer	86-77	FP-103321		Cyl. Block; 3/8"

QTY	GASKET SETS	YEARS	PART NO.	SIZE	DESCRIPTION
1	Complete Overhaul Gasket Set	86-77	FP-23512676WS		High Block; w/Seals; Compl., Incl. bi-directional front & rear crank seals; valve cover gskts. not incl.
1	Complete Overhaul Gasket Set	86-77	FP-23512676		High Block; Compl., Bi-directional front & rear crank seals not incl.; Valve cover gskts. not incl.
1	Complete Overhaul Gasket Set	86-77	FP-5192923		Low Block

QTY	CAM BEARINGS	YEARS	PART NO.	SIZE	DESCRIPTION
4	Cam Brg.	86-77	FP-5111422	STD	
4	Cam Brg.	86-77	FP-5194858	10	
8	Cam Brg.	86-77	FP-5194825	20	Cam & Balance shaft brg.; .020" U/S, Unfinished; Grooved
8	Cam Brg.	86-77	FP-5111423	STD	Position Front & Rear; Cam & Balance shaft brg.; From Ser. No. 6A-57745; Grooved
5	Cam Brg.	86-77	FP-5196026	STD	Position Inter.; w/o Steel bushing in ctr. hole; Aluminum Blocks only

(continued on next page)

Ford Truck - M/D & H/D

37 M/D Truck 6-71 In-Line (2-Valve Cyl. Head), 6-71E In-Line (4-Valve Cyl. Head), 6-71N (cont.) In-Line (4-Valve Cyl. Head) Engs. H/D Truck 6-71 In-Line (2-Valve Cyl. Head), 6-71E In-Line (4-Valve Cyl. Head), 6-71N In-Line (4-Valve Cyl. Head) Engs.
7.0L 426 OHV Diesel L6 (6-71), 4.25" Bore (Detroit Diesel Eng.) 1967-86

ENGINE BLOCK & PARTS (cont.)

QTY	CAM BEARINGS (cont.)	YEARS	PART NO.	SIZE	DESCRIPTION
5	Cam Brg.	86-77	FP-5196022	STD	Position Inter.; w/Steel bushing in ctr. hole
5	Cam Brg.	86-77	FP-5196023	10	Position Inter.; w/Steel bushing in ctr. hole; .010" U/S ID
5	Cam Brg.	86-77	FP-5196024	20	Position Inter.; w/Steel bushing in ctr. hole; .020" U/S ID
QTY	OIL COOLERS & FILTERS	YEARS	PART NO.	SIZE	DESCRIPTION
1	Oil Cooler	86-77	FP-8547236		12 plate
1	Oil Cooler	86-77	FP-8547581		13 plate
1	Oil Cooler	86-77	FP-8547563		8 plate
4	Bolt	86-77	FP-8927581		Oil Cooler By-Pass; 3/8" - 16 x 1"
16	Copper Washer	86-77	FP-5155596		Oil Cooler Housing Cover; 5/16"; Special copper washer
4	Lock Washer	86-77	FP-103320		Oil Cooler; 5/16"
1	Lock Washer	86-77	FP-103321		Oil Cooler Adaptor to Block; 3/8"
2	Oil Cooler Gasket	86-77	FP-5112401		Oil Cooler Adaptor to Block
1	Oil Cooler Gasket	86-77	FP-8923223		Outer
1	Oil Cooler Core Gasket	86-77	FP-23501589		Outer
1	Gasket	86-77	FP-5575086		Oil Cooler By-pass Plug
1	Oil Cooler Core Inner Gasket	86-77	FP-5150155		
1	Oil Cooler Core Outer Gasket	86-77	FP-5102506		
2	Oil Cooler Adapter Gasket Set	86-77	FP-5150154		
1	Oil Cooler Adapter Cover Gskt	86-77	FP-5175882		Spacer
1	Oil Pump Intake Gasket	86-77	FP-5153902		Oil Cooler Housing Pad Cover; 2 1/4" B.C.
1	Copper Washer	86-77	FP-5152148		Oil Cooler Adaptor to Block; 25/64" ID x 9/16" OD x 1/16" Thick; Copper
1	Pipe Plug	86-77	FP-5115214		Oil Cooler By-Pass; 1/2" Square Head
1	Pipe Plug	86-77	FP-8923313		Oil Cooler By-Pass; 3/4"
1	Pipe Plug	86-77	FP-5121182		Oil Cooler Housing; 1/4" - 18; Hex head
1	Pipe Plug	86-77	FP-8923847		Oil Cooler; 1/4" x 18 NPTF; Square head
8	Pipe Plug	86-77	FP-8924517		Oil Cooler; 3/8" x 18 square head
QTY	FREEZE PLUGS	YEARS	PART NO.	SIZE	DESCRIPTION
2	Pipe Plug	86-77	FP-5115214		Cyl. Block; 1/2" Square Head
8	Pipe Plug	86-77	FP-5121182		Cyl. Block; 1/4" - 18; Hex head
9	Pipe Plug	86-77	FP-8924380		Cyl. Block; 1/8" - 27
2	Pipe Plug	86-77	FP-5142549		Cyl. Block; 3/4" - 14 Square Head
2	Pipe Plug	86-77	FP-5115214		Flywheel Housing; 1/2" Square Head
1	Pipe Plug	86-77	FP-5142549		Flywheel Housing; 3/4" - 14 Square Head
1	Pipe Plug	86-77	FP-8923847		Oil Filler; 1/4" x 18 NPTF; Square head
QTY	DIPSTICK	YEARS	PART NO.	SIZE	DESCRIPTION
1	Dipstick	86-77	FP-5115162		18.88" Length
1	Dipstick	86-77	FP-5101884		24" x 1.38"
1	Dipstick	86-77	FP-5108895		26.32" x 1.46"
1	Dipstick	86-77	FP-5146679		61" Length; Unmarked
1	Dipstick	86-77	FP-5146680		72" Length; Unmarked
QTY	MISCELLANEOUS	YEARS	PART NO.	SIZE	DESCRIPTION
6	Bolt	86-77	FP-8927581		Cyl. Block; w/Seal patch; 3/8" - 16 x 1"
6	Bolt	86-77	FP-8927581		Flywheel Housing; 3/8" - 16 x 1"
6	Bolt	86-77	FP-9410925		Flywheel Housing; 9/16" - 18 x 2.250"
6	Bolt	86-77	FP-9412015		Flywheel Housing; 9/16" - 18 x 2.500"
1	Bolt	86-77	FP-5103534		Oil Filler; 5/16" - 24 x 1/2"
2	Pipe Plug	86-77	FP-5115214		Cyl. Block; 1/2" Square Head
8	Pipe Plug	86-77	FP-5121182		Cyl. Block; 1/4" - 18; Hex head
9	Pipe Plug	86-77	FP-8924380		Cyl. Block; 1/8" - 27
2	Pipe Plug	86-77	FP-5142549		Cyl. Block; 3/4" - 14 Square Head
2	Pipe Plug	86-77	FP-5115214		Flywheel Housing; 1/2" Square Head
1	Pipe Plug	86-77	FP-5142549		Flywheel Housing; 3/4" - 14 Square Head
1	Pipe Plug	86-77	FP-8923847		Oil Filler; 1/4" x 18 NPTF; Square head
4	Gasket	86-77	FP-5178997		Cyl. Block Core Plug
6	Washer	86-77	FP-5131978		Flywheel Housing; .53" ID x 1.00" OD x .170" Thick
1	Washer	86-77	FP-5131755		Flywheel Housing; 17/32" x .88" x .1345"
6	Washer	86-77	FP-5138619		Flywheel Housing; 25/64" x 3/4" x .083"
1	Copper Washer	86-77	FP-5155596		Oil Filler; 5/16"; Special copper washer
2	Lock Washer	86-77	FP-103320		Cyl. Block; w/Lock Washer; 5/16"
16	Lock Washer	86-77	FP-103321		Flywheel Housing; 3/8"
2	Lock Washer	86-77	FP-103321		Oil Filler; 3/8"
1	Oil Filler Cap	86-77	FP-5117362		2.00" Dia.; Thermos Bottle Style

(continued on next page)

Ford Truck - M/D & H/D

**M/D Truck 6-71 In-Line (2-Valve Cyl. Head), 6-71E In-Line (4-Valve Cyl. Head), 6-71N 37
In-Line (4-Valve Cyl. Head) Engs. H/D Truck 6-71 In-Line (2-Valve Cyl. Head), 6-71E (cont.)
In-Line (4-Valve Cyl. Head), 6-71N In-Line (4-Valve Cyl. Head) Engs.
7.0L 426 OHV Diesel L6 (6-71), 4.25" Bore (Detroit Diesel Eng.) 1967-86**

CRANKSHAFT/OIL PUMP

QTY	CRANKSHAFT	YEARS	PART NO.	SIZE	DESCRIPTION
1	Vibration Damper	86-77	FP-8922491		Heavy Viscous
1	Vibration Damper	86-77	FP-5177763		Light Viscous
1	Bolt	86-77	FP-23501143		Crankshaft pulley; 1" - 14 X 2.750" (1.500" Hex head)
14	Washer	86-77	FP-103325		Lock washer; 5/8"
6	Lock Washer	86-77	FP-103321		3/8"
2	Woodruff Key	86-77	FP-5131724		Position Front; Crankshaft pulley; .375" x 1.250"
4	Dowel Pin	86-77	FP-141346		.1875" x .500"

ENGINE BLOCK & PARTS

QTY	SEALS - FLYWHEEL HOUSING	YEARS	PART NO.	SIZE	DESCRIPTION
1	Oil Seal	86-77	FP-5173384		Flywheel Seal

CRANKSHAFT/OIL PUMP

QTY	SEALS - FRONT CRANK	YEARS	PART NO.	SIZE	DESCRIPTION
1	Oil Seal	86-77	FP-5115454		Single Lip; Single Lip, Std.
1	Oil Seal	86-77	FP-5143108		Submersible
1	Redi-Sleeve	86-77	99287		Shaft dia. 2.876"
1	Oil Seal Spacer	86-77	FP-23507306		2.50" ID x 2.81" Length
1	Oil Seal	86-77	455006N		
1	O-Ring	86-77	FP-23503769		Front Crank Spacer Seal

QTY	SEALS - REAR CRANK	YEARS	PART NO.	SIZE	DESCRIPTION
1	Oil Seal	86-77	FP-5127821		Double Lip; Double Lip, Std.; Shaft Dia. 4.687"
1	Oil Seal	86-77	FP-5196927		Double Lip; O/S Seal; Double Lip; O/S Shaft Dia. 4.812"
1	Oil Seal	86-77	FP-5197860		Single Lip; O/S Seal; Single lip; O/S Shaft dia. 4.812"
1	Oil Seal	86-77	FP-5114335		Single Lip; Single Lip, Std.; Shaft Dia. 4.687"
1	Oil Seal Spacer	86-77	FP-5192496		Rear Crank Spacer; Exc. Double Lip Seal
1	Oil Seal	86-77	455378H		
1	Oil Seal	86-77	6329S		(Double Lip Seal)
1	Oil Seal Kit	86-77	5460		(Oversize)
1	Redi-Sleeve	86-77	FP-23507225		Rear Crank Sleeve; O/S Seal only
1	Redi-Sleeve	86-77	99468		
1	Redi-Sleeve	86-77	99468		(Double Lip Seal)

QTY	MAIN BEARINGS	YEARS	PART NO.	SIZE	DESCRIPTION
7	Plain Main Brg.	86-77	FP-5192874	STD	
7	Plain Main Brg.	86-77	FP-5192875	2	
7	Plain Main Brg.	86-77	FP-5192876	10	
7	Plain Main Brg.	86-77	FP-5192877	20	
7	Plain Main Brg.	86-77	FP-5192878	30	
7	Plain Main Brg.	86-77	FP-5193738	40	
7	Plain Main Brg.	86-77	FP-5193739	50	
1	Thrust Washer Set	86-77	FP-5159353S	STD	Position Rear
4	Thrust Washer	86-77	FP-5159353	STD	Position Rear
4	Thrust Washer	86-77	FP-5160542	5	Position Rear
4	Thrust Washer	86-77	FP-5192111	10	Position Rear

QTY	OIL PUMP	YEARS	PART NO.	SIZE	DESCRIPTION
1	Pump Repair Kit	86-77	FP-5194801		
1	Inter. Shaft	86-77	FP-5153309		Oil Pump Drive; 8 31/32" Length
1	Inter. Shaft	86-77	FP-5153310		Oil Pump Driven Gear; 3 7/32" Length
1	Inter. Shaft	86-77	FP-5153146		Oil Pump Driven Gear; 5 5/32" Length
2	Oil Pump Intake Gasket	86-77	FP-5153902		Inlet Pipe; 2 1/4" B.C.
2	Bushing	86-77	FP-5153147		Oil Pump Body
4	Bushing	86-77	FP-5166840		Oil Pump Driven Gear
1	Bushing	86-77	FP-5153154		Oil Pump Shaft & Gear
1	Oil Pump Spring	86-77	FP-5155765		Oil Pump Relief Valve
1	Woodruff Key	86-77	FP-8928540		Oil Pump Drive Shaft; 1/8" x 5/8"
1	Woodruff Key	86-77	FP-8928540		Oil Pump Shaft; 1/8" x 5/8"
1	Washer	86-77	FP-5175944		Oil Pump Idler; Small
4	Lock Washer	86-77	FP-103321		Oil Pump Body; 3/8"
4	Lock Washer	86-77	FP-103320		Oil Pump Body; 5/16"
1	Gasket	86-77	FP-5156922		Oil Pump Outlet Pipe; 2 5/64" B.C.
2	Gasket	86-77	FP-105456		Oil Pump Relief Valve; 7/8" Copper
1	O-Ring	86-77	FP-5187316		Filter By-pass Valve Plug
2	Governor Hole Gasket	86-77	FP-5123812		Oil Drain Tube; Inclined Engines
1	Oil Filter Gasket	86-77	FP-1595620		Rectangular Section
1	Lo Press. Reg. Body Gasket	86-77	FP-5104381		Type No. 1, 2, 21, 23

(continued on next page)

Ford Truck - M/D & H/D

37 M/D Truck 6-71 In-Line (2-Valve Cyl. Head), 6-71E In-Line (4-Valve Cyl. Head), 6-71N (cont.) In-Line (4-Valve Cyl. Head) Engs. H/D Truck 6-71 In-Line (2-Valve Cyl. Head), 6-71E In-Line (4-Valve Cyl. Head), 6-71N In-Line (4-Valve Cyl. Head) Engs.
7.0L 426 OHV Diesel L6 (6-71), 4.25" Bore (Detroit Diesel Eng.) 1967-86

CRANKSHAFT/OIL PUMP (cont.)

QTY	OIL PUMP (cont.)	YEARS	PART NO.	SIZE	DESCRIPTION
1	Lo Press. Reg. Body Gasket	86-77	FP-5156831		Type No. 3
1	Gasket	86-77	FP-5575086		Filter By-pass Valve Plug
1	Lock Nut	86-77	FP-114498		Oil Filter Cover; 5/8" - 18, Jam Nut
1	Oil Pressure Regulator Valve	86-77	FP-5153247		Oil Pump Relief
1	Oil Filter Adapter Gasket	86-77	FP-5152413		Filter to Oil Cooler
1	Oil Filter Adapter Gasket	86-77	FP-5188028		Filter to Oil Cooler
1	Oil Pump Spring	86-77	FP-5156815		Oil Press. Regulator
1	Pipe Plug	86-77	FP-5115214		Oil Cooler Water Inlet; 1/2" Square Head
2	Pipe Plug	86-77	FP-8924517		Oil Cooler Water Inlet; 3/8" x 18 square head
2	Pipe Plug	86-77	FP-5121182		Oil Filter; 1/4" - 18; Hex head
1	Pipe Plug	86-77	FP-5115214		Oil Pan Drain; 1/2" Square Head
1	Pipe Plug	86-77	FP-5121182		Oil Pan Drain; 1/4" - 18; Hex head
1	Pipe Plug	86-77	FP-5142549		Oil Pan Drain; 3/4" - 14 Square Head
1	Pipe Plug	86-77	FP-8924517		Oil Pan Drain; 3/8" x 18 square head
2	Pipe Plug	86-77	FP-5115214		Oil Pan Sump; 1/2" Square Head
1	Pipe Plug	86-77	FP-5115214		Oil Pan; 1/2" Square Head
1	Pipe Plug	86-77	FP-5121182		Oil Pan; 1/4" - 18; Hex head
1	Pipe Plug	86-77	FP-8923313		Oil Pan; 3/4"
1	Pipe Plug	86-77	FP-5142549		Oil Pan; 3/4" - 14 Square Head

CYLINDER COMPONENTS

QTY	LINERS	YEARS	PART NO.	SIZE	DESCRIPTION
6	Liner w/o Sealing Rings	86-77	FP-5102316	5	Flanged, .810" port length
6	Liner w/o Sealing Rings	86-77	FP-5102317	10	Flanged, .810" port length
6	Liner w/o Sealing Rings	86-77	FP-5102318	20	Flanged, .810" port length
6	Liner w/o Sealing Rings	86-77	FP-5102319	30	Flanged, .810" port length
6	Liner w/o Sealing Rings	86-77	FP-5107448	5	Flanged, .950" port length
6	Liner w/o Sealing Rings	86-77	FP-5107449	10	Flanged, .950" port length
6	Liner w/o Sealing Rings	86-77	FP-5107450	20	Flanged, .950" port length
6	Liner w/o Sealing Rings	86-77	FP-5193732	5	Flanged, 1.050" port length
6	Liner w/o Sealing Rings	86-77	FP-5193733	10	Flanged, 1.050" port length
6	Liner w/o Sealing Rings	86-77	FP-5193734	20	Flanged, 1.050" port length
6	Liner w/o Sealing Rings	86-77	FP-5193735	30	Flanged, 1.050" port length
6	Liner w/o Sealing Rings	86-77	FP-23504931	STD	No. 1 Bore; Flanged, .810" port length
6	Liner w/o Sealing Rings	86-77	FP-23502023	STD	No. 1 Bore; Flanged, .950" port length
6	Liner w/o Sealing Rings	86-77	FP-23502020	STD	No. 1 Bore; Flanged, 1.050" port length
6	Liner w/o Sealing Rings	86-77	FP-23504932	STD	No. 2 Bore; Flanged, .810" port length
6	Liner w/o Sealing Rings	86-77	FP-23502024	STD	No. 2 Bore; Flanged, .950" port length
6	Liner w/o Sealing Rings	86-77	FP-23502021	STD	No. 2 Bore; Flanged, 1.050" port length
6	Liner w/o Sealing Rings	86-77	FP-23504933	STD	No. 3 Bore; Flanged, .810" port length
6	Liner w/o Sealing Rings	86-77	FP-23502025	STD	No. 3 Bore; Flanged, .950" port length
6	Liner w/o Sealing Rings	86-77	FP-23502022	STD	No. 3 Bore; Flanged, 1.050" port length
6	Liner w/o Sealing Rings	86-77	FP-23504934	STD	No. 4 Bore; Flanged, .810" port length
6	Liner w/o Sealing Rings	86-77	FP-23504935	STD	No. 4 Bore; Flanged, .950" port length
6	Liner w/o Sealing Rings	86-77	FP-23504936	STD	No. 4 Bore; Flanged, 1.050" port length
6	Cylinder Kit Complete	86-77	FP-23522951	10	w/Cross Head style piston; 1.050" port length sleeve
6	Cylinder Kit Complete	86-77	FP-23522525	20	w/Cross Head style piston; 1.050" port length sleeve
6	Cylinder Kit Complete	86-77	FP-5149263	10	w/Trunk style piston; 4 Valve Head; 1.05" port length sleeve
6	Cylinder Kit Complete	86-77	FP-5149264	20	w/Trunk style piston; 4 Valve Head; 1.05" port length sleeve
6	Cylinder Kit Complete	86-77	FP-20022	STD	No. 1 Bore; w/Cross Head style piston
6	Cylinder Kit Complete	86-77	FP-20014	STD	No. 1 Bore; w/Trunk style piston; 2 Valve Head
6	Cylinder Kit Complete	86-77	FP-20011	STD	No. 1 Bore; w/Trunk style piston; 4 Valve Head; 1.05" port length sleeve
6	Cylinder Kit Complete	86-77	FP-23522949	STD	No. 2 Bore; w/Cross Head style piston; 1.050" port length sleeve
6	Cylinder Kit Complete	86-77	FP-23505308	STD	No. 2 Bore; w/Trunk style piston; 2 Valve Head; .810" port length sleeve
6	Cylinder Kit Complete	86-77	FP-23505305	STD	No. 2 Bore; w/Trunk style piston; 4 Valve Head; 1.05" port length sleeve
6	Cylinder Kit Complete	86-77	FP-23522947	STD	No. 3 Bore; w/Cross Head style piston; 1.050" port length sleeve
6	Cylinder Kit Complete	86-77	FP-23505309	STD	No. 3 Bore; w/Trunk style piston; 2 Valve Head
6	Cylinder Kit Complete	86-77	FP-23505306	STD	No. 3 Bore; w/Trunk style piston; 4 Valve Head; 1.05" port length sleeve
6	Cylinder Kit Complete	86-77	FP-23522521	STD	No. 4 Bore; w/Cross Head style piston; 1.050" port length sleeve
6	Cylinder Kit Complete	86-77	FP-5149261	STD	No. 4 Bore; w/Trunk style piston; 4 Valve Head; 1.05" port length sleeve
6	Liner Kit w/o Sleeve	86-77	FP-LCK22507		w/Cross Head style piston
6	Liner Kit w/o Sleeve	86-77	FP-LCK22949		w/Cross Head style piston

(continued on next page)

Ford Truck - M/D & H/D

**M/D Truck 6-71 In-Line (2-Valve Cyl. Head), 6-71E In-Line (4-Valve Cyl. Head), 6-71N 37
In-Line (4-Valve Cyl. Head) Engs. H/D Truck 6-71 In-Line (2-Valve Cyl. Head), 6-71E (cont.)
In-Line (4-Valve Cyl. Head), 6-71N In-Line (4-Valve Cyl. Head) Engs.
7.0L 426 OHV Diesel L6 (6-71), 4.25" Bore (Detroit Diesel Eng.) 1967-86**

CYLINDER COMPONENTS (cont.)

QTY	LINERS (cont.)	YEARS	PART NO.	SIZE	DESCRIPTION
6	Liner Kit w/o Sleeve	86-77	FP-LCK5309		w/Trunk style piston; 2 Valve Head
6	Liner Kit w/o Sleeve	86-77	FP-LCK5306		w/Trunk style piston; 4 Valve Head
6	O-Ring	86-77	FP-8922221		w/Cross Head style piston
6	Flange Shim	86-77	FP-5199569	2	High Block; .002" Thick
6	Flange Shim	86-77	FP-2190595	.0015	Low Block; .002" Thick
6	Flange Shim	86-77	FP-5192226	3	Low Block; .003" Thick
6	Cntr. Bore Insert	86-77	FP-5199871		.0015" Thicker than std., for .010-.030 O/S sleeves
6	Cntr. Bore Insert	86-77	FP-5148399		.0015" Thicker than std., for std.-.005 O/S sleeves
6	Cntr. Bore Insert	86-77	FP-5148440		.0015" Thinner than std., for std.-.005 O/S sleeves
6	Cntr. Bore Insert	86-77	FP-5194073		.0035 Thinner than std., for std.-.005 O/S sleeves
6	Cntr. Bore Insert	86-77	FP-5194163		.0040 Thinner than std., for .010-.030 O/S sleeves
6	Cntr. Bore Insert	86-77	FP-5194164		.0080" Thinner than std., for .010-.030 O/S sleeves
6	Cntr. Bore Insert	86-77	FP-5193316		Std. thickness (.1795-.1800), for .010-.030 O/S sleeves
6	Cntr. Bore Insert	86-77	FP-5184484		Std. thickness (.1795-.1800), for std.-.005 O/S sleeves
QTY	PISTONS	YEARS	PART NO.	SIZE	DESCRIPTION
6	Piston With Retainers	86-77	FP-5189054	STD	17.5:1 C.R.; Trunk style piston; 2 Valve Head; Dish Head, Cast Iron; 4-1/8, 2-3/16 Ring Groove
6	Piston With Retainers	86-77	FP-5149234	STD	18.7:1 C.R.; Trunk style piston; 4 Valve Head
6	Piston Dome Kit	86-77	FP-23522475		17.0:1 C.R.; w/Cross Head style piston
6	Piston Dome Kit	86-77	FP-23522535		18.7:1 C.R.; w/Cross Head style piston
6	Crosshead Piston Dome	86-77	FP-23521992	STD	17.0:1 C.R.; Cross Head style piston
6	Crosshead Piston Dome	86-77	FP-23522026	STD	18.7:1 C.R.; w/Cross Head style piston
6	Piston Skirt	86-77	FP-23522070	STD	w/Cross Head style piston
6	Pin	86-77	FP-5101120	STD	w/Cross Head style piston
6	Pin	86-77	FP-5144744	STD	w/Cross Head style piston; Nut plate type
6	Pin	86-77	FP-5188406	STD	w/Trunk style piston
12	Piston Pin Retainer	86-77	FP-5180250		w/Cross Head style piston
12	Piston Pin Retainer	86-77	FP-5188405		w/Trunk style piston
12	Piston Pin Bolt	86-77	FP-5148373		7/16" - 20 x 2.00" Length
12	Piston Pin Bolt Spacer	86-77	FP-5144846		w/Cross Head style piston
6	Piston Pin Slipper Bearing	86-77	FP-23501687		w/Cross Head style piston; Slipper type design - 1 per cyl.
6	Pin Bushing	86-77	FP-5157274		w/Trunk style piston; w/.015" extra ID bore stock
6	Pin Bushing	86-77	FP-2409Y		w/1.5020" I.D., 1.7510" O.D., .7600" O.A.L.
6	Pin Bushing	86-77	2409Y +		w/1.5020" I.D., 1.7510" O.D., .7600" O.A.L.; When depleted use FP-2409Y
QTY	CONNECTING RODS & BRGS.	YEARS	PART NO.	SIZE	DESCRIPTION
12	Con. Rod Bolt	86-77	FP-5132383		.4375" x 20 x 3.52"
12	Con. Rod Nut	86-77	FP-5117629		.4375" x 20
6	Rod Pair	86-77	FP-23511129	STD	Late design-upper brg. w/2 oil slots
6	Rod Pair	86-77	FP-23511131	2	Late design-upper brg. w/2 oil slots
6	Rod Pair	86-77	FP-23511133	10	Late design-upper brg. w/2 oil slots
6	Rod Pair	86-77	FP-23511135	20	Late design-upper brg. w/2 oil slots
6	Rod Pair	86-77	FP-23511137	30	Late design-upper brg. w/2 oil slots
6	Rod Pair	86-77	FP-5193741	40	Late design-upper brg. w/2 oil slots
QTY	PISTON RINGS	YEARS	PART NO.	SIZE	DESCRIPTION
6	Ring Set Single Cylinder	86-77	FP-23522954	STD	w/Cross Head style piston; Wide gap Fire Ring
6	Ring Set Single Cylinder	86-77	FP-23522955	STD	Cross Head style piston; Std. gap Fire Ring
6	Ring Set Single Cylinder	86-77	FP-5193477	STD	Trunk style piston; 2 Valve Head; 4-1/8, 2-3/16 (1 cyl. set w/4 Chrome rings)
6	Ring Set Single Cylinder	86-77	FP-23514970	STD	Trunk style piston; 4 Valve Head; 4-.084, 2-3/16 (1 cyl. Set)
12	Compression Ring	86-77	FP-8926351		w/Cross Head style piston; 2nd & 3rd grooves
6	Compression Ring	86-77	FP-8924084		Cross Head style piston; Std. gap Fire Ring
6	Compression Ring	86-77	FP-8924083		Cross Head style piston; Wide gap Fire Ring
24	Compression Ring	86-77	FP-5185325		Trunk style piston; 2 Valve Head; Top 4 grooves
18	Compression Ring	86-77	FP-5102648		Trunk style piston; 4 Valve Head; First 4 grooves
12	Ring, Oil Control Set	86-77	FP-23522534		Cross Head style piston; For one groove
6	Ring, Oil Control Set	86-77	FP-23514965		Trunk style piston; 4 Valve Head; Set for one piston
CLUTCH					
QTY	CLUTCH	YEARS	PART NO.	SIZE	DESCRIPTION
1	Ball Brg.	86-77	FP-23503707		Clutch Pilot
1	Ball Brg.	86-77	FP-23503709		Clutch Pilot
1	Ball Brg.	86-77	FP-23504892		Clutch Pilot

(continued on next page)

Ford Truck - M/D & H/D

37 M/D Truck 6-71 In-Line (2-Valve Cyl. Head), 6-71E In-Line (4-Valve Cyl. Head), 6-71N (cont.) In-Line (4-Valve Cyl. Head) Engs. H/D Truck 6-71 In-Line (2-Valve Cyl. Head), 6-71E In-Line (4-Valve Cyl. Head), 6-71N In-Line (4-Valve Cyl. Head) Engs.
7.0L 426 OHV Diesel L6 (6-71), 4.25" Bore (Detroit Diesel Eng.) 1967-86

KITS

QTY	OVERHAUL KIT	YEARS	PART NO.	SIZE	DESCRIPTION
1	In-Frame Overhaul Kit	86-77	FP-671XH		w/Cross Head style piston; Valve cover gaskets not incl.
1	In-Frame Overhaul Kit	86-77	FP-671NA		w/Trunk style piston & 1.050" Port Length Sleeve. Valve cover gaskets not Incl.
1	Complete Overhaul Kit	86-77	FP-671XHOH		w/Cross Head style piston; Valve cover gaskets not incl.
1	Complete Overhaul Kit	86-77	FP-6V71NAOH		w/Trunk style piston & 1.050" Port Length Sleeve. Valve cover gaskets Not Incl.

38 M/D Truck 429 Eng. H/D Truck 429 Eng.
7.0L 429 OHV V8, 4.36" Bore 1979-98

CYL. HEAD & PARTS

QTY	VALVE	YEARS	PART NO.	SIZE	DESCRIPTION
8	Intake	91-79	V-2138X Std Only		Chrome plated stem; 2.0640" Head Dia., .3714" Stem Dia., 5.1470" O.A.L.
8	Exhaust	91-79	V-2137X Std Only		Sodium cooled; Chrome plated stem; 1.6720" Head Dia., .3708" Stem Dia., 4.9540" O.A.L.
32	Keeper	91-79	VK-138		1 groove; Square cut key groove
32	Keeper	91-79	VK-138R		1 groove; Square cut key groove; Hardened
32	Keeper, Bulk	91-79	VK-138B		1 groove; Square cut key groove; Carton of 1000
QTY	VALVE SEAT	YEARS	PART NO.	SIZE	DESCRIPTION
8	Exh.	94-79	245-1781-E1N Std Only		1.781" OD; 1.7810" OD, 1.4760" ID, .3110" Depth
8	Exh.	94-79	245-1812-21N Std Only		1.8180" OD, 1.4690" ID, .3100" Depth
8	Int.	94-79	245-2250-1 Std Only		2.2555" OD, 1.9375" ID, .1855" Depth
QTY	VALVE GUIDE	YEARS	PART NO.	SIZE	DESCRIPTION
8	Guide	91-79	VG-5007		Int.; Exc. O.E. knockout type; .3725" ID, 2.3800" O.A.L.
8	Guide, Bulk	91-79	VG-5007B		Int.; Exc. O.E. knockout type; Carton of 50; .3725" ID, 2.3800" O.A.L.
QTY	VALVE SPRING	YEARS	PART NO.	SIZE	DESCRIPTION
8	Spring	94-79	VS-1436		1.9700" Free Height
QTY	PUSH RODS	YEARS	PART NO.	SIZE	DESCRIPTION
16	Push Rod	94-90	RP-3252		Optional; 8.6160" O.A.L.
16	Push Rod	94-90	RP-3288		8.5920" O.A.L.
16	Push Rod	89-79	RP-3160		8.5500" O.A.L.
16	Push Rod, Bulk	94-90	BRP-3288		Carton of 100; 8.5920" O.A.L.
16	Push Rod, Bulk	89-79	BRP-3160		Carton of 100; 8.5500" O.A.L.
QTY	VALVE MISC.	YEARS	PART NO.	SIZE	DESCRIPTION
8	Rotocap	91-79	RC-141		
QTY	VALVE SEAL	YEARS	PART NO.	SIZE	DESCRIPTION
16	Valve Stem Seal	86-79	MV-1775C		Umbrella type; Polyacrylate
16	Valve Stem Seal Bulk	86-79	MV-1775		Umbrella type; Carton of 100; Polyacrylate
QTY	ROCKER PARTS	YEARS	PART NO.	SIZE	DESCRIPTION
16	Arm Assy.	94-79	R-855		Incl. arm & pivot
16	Arm Assy., Bulk	94-79	R-855B		Incl. arm & pivot; Carton of 64
16	Arm	94-79	R-855A		
16	Bolt	94-79	MR-1951		5/16" X 18 UNC w/o washer
16	Pivot	94-79	MR-1811		

INT & EXH MANIFOLDS

QTY	INT. & EXH. MANIFOLDS	YEARS	PART NO.	SIZE	DESCRIPTION
1	Valley Pan Gasket Set	91-79	260-4005		W/4 Bbl. Eng.

CAMSHAFT GROUP

QTY	TIMING	YEARS	PART NO.	SIZE	DESCRIPTION
1	3 Piece Set	94-79	KT3-168SA1		Incl. (1) 222-168, (1) 223-401, (1) 223-438
1	Timing Chain	94-79	222-168		Double rlr.; 66 Links
1	Crank Sprocket	94-79	223-401		22 Teeth
1	Cam Sprocket	94-79	223-438		44 Teeth
QTY	CAMSHAFT/LIFTER	YEARS	PART NO.	SIZE	DESCRIPTION
1	Camshaft	98-91	CS-1524		W/EFI
1	Camshaft	91	CS-648		W/Carb.
1	Camshaft	90-79	CS-648		
16	Lifter	98-79	HT-900 Std Only		Hyd.

(continued on next page)

Ford Truck - M/D & H/D

M/D Truck 429 Eng. H/D Truck 429 Eng. 38
7.0L 429 OHV V8, 4.36" Bore 1979-98 (cont.)

CAMSHAFT GROUP (cont.)

QTY	CAMSHAFT/LIFTER (cont.)	YEARS	PART NO.	SIZE	DESCRIPTION
16	Lifter	98-79	HT-900R Std Only		Speed-Pro Hi-Revolution Hyd.; Use w/adj. rocker assy.
16	Lifter, Bulk	98-79	HT-900B Std Only		Hyd.; Carton of 122
1	Prelube	98-79	55-400		4 oz. bottle; 1.5 oz. packet No. 55-403 also avail.

QTY	CAMSHAFT KIT	YEARS	PART NO.	SIZE	DESCRIPTION
1	Cam/Lifter Kit	98-91	KC-1524		W/EFI; Incl. (1) CS-1524, (16) HT-900, (1) 55-403B
1	Cam/Lifter Kit	91	KC-648		W/Carb.; Hyd.; Incl. (1) CS-648, (16) HT-900, (1) 55-403B
1	Cam/Lifter Kit	90-79	KC-648		Hyd.; Incl. (1) CS-648, (16) HT-900, (1) 55-403B
1	Cam/Lifter/Timing Kit	91	KCT-648A		W/Carb.; Incl. (1) CS-648, (16) HT-900, (1) KT3-168SA1, (1) 55-403B
1	Cam/Lifter/Timing Kit	90-79	KCT-648A		Incl. (1) CS-648, (16) HT-900, (1) KT3-168SA1, (1) 55-403B

ENGINE BLOCK & PARTS

QTY	GASKET SETS	YEARS	PART NO.	SIZE	DESCRIPTION
1	Kit Gasket Set	94-92	260-1651		W/MFI; Exh. heat shields not incl.; PermaDry® molded rubber valve cover & oil pan gskts. incl.; Premium valve stem seals incl.
1	Kit Gasket Set	91	260-1530		W/MFI; Exh. heat shields not incl.; PermaDry® molded rubber valve cover & oil pan gskts. incl.; Premium valve stem seals incl.
1	Kit Gasket Set	91-90	260-1529		W/4 Bbl.; Int. manifold gskt. & exh. heat shields not incl.; PermaDry® molded rubber oil pan gskt. incl.; Premium valve stem seals incl.
1	Kit Gasket Set	89-88	260-1422		To 3/30/89; Int. manifold gskt. & exh. heat shields not incl.; Premium valve stem seals incl.
1	Kit Gasket Set	87-79	260-1099		Int. manifold gskt. & exh. heat shields not incl.; Premium valve stem seals incl.

QTY	CAM BEARINGS	YEARS	PART NO.	SIZE	DESCRIPTION
1	Cam Set	98-79	1414M Std Only		Babbitt material; Full round design

QTY	FREEZE PLUGS	YEARS	PART NO.	SIZE	DESCRIPTION
1	Brass Block Plug Kit	92-79	381-8018		
1	Steel Block Plug Kit	92-79	381-4021		

CRANKSHAFT/OIL PUMP

QTY	CRANKSHAFT	YEARS	PART NO.	SIZE	DESCRIPTION
1	Harmonic Balancer Sleeve	87-79	88187		

QTY	SEALS - FRONT CRANK	YEARS	PART NO.	SIZE	DESCRIPTION
1	Redi-Sleeve	94-88	99238		
1	Redi-Sleeve	87-79	99187		
1	Oil Seal	94-88	710210		
1	Oil Seal	87-79	470574N		

QTY	SEALS - REAR CRANK	YEARS	PART NO.	SIZE	DESCRIPTION
1	Oil Seal Kit	94-79	5095		(Rope Type)
1	Oil Seal Kit	94-79	5118		(Split Seal)

QTY	MAIN BEARINGS	YEARS	PART NO.	SIZE	DESCRIPTION
1	Main Set	98-79	4907M Std-1-10-20-30-40		

QTY	OIL PUMP	YEARS	PART NO.	SIZE	DESCRIPTION
1	Oil Pump	96-79	224-41144		
1	Oil Pump	96-79	224-41144V		High Volume, check pan for clearance
1	Pump Repair Kit	96-79	224-51139		
1	Inter. Shaft	96-79	224-61127		
1	Screen Assy.	96-79	224-14230		

CYLINDER COMPONENTS

QTY	PISTONS	YEARS	PART NO.	SIZE	DESCRIPTION
8	Cast Piston	97-93	H734P Std-30-40-60		Hypereutectic; 2-2.00mm, 1-4.00mm Ring Groove, 2.140" CD, 1.0402" Pin Dia., Flat Head w/2 valve reliefs
8	Cast Piston	92-79	H730CP30 30-40-60		For use w/E296K or E296X ring set; Hypereutectic; 2-5/64", 1-3/16" Ring Groove, 2.140" CD, 1.0402" Pin Dia., Flat Head w/2 valve reliefs; DUROSHIELD® skirt coated piston
8	Cast Piston	92-79	H731CP30 30-40-60		For use w/E296K or E296X ring set; Hypereutectic; 2-5/64", 1-3/16" Ring Groove, 2.140" CD, 1.0402" Pin Dia., Recessed Head .080" deep x 3.250" dia. w/2 valve reliefs - 7.7:1 C.R. w/429 cyl. head - 8.2:1 C.R. w/460 cyl. head; DUROSHIELD® skirt coated piston
8	Cast Piston	92-79	H723CP60 60		Use w/E-373K or E-372K ring set; Hypereutectic; 1-3/32", 1-5/64", 1-3/16" Ring Groove, 2.140" CD, 1.0402" Pin Dia., Flat Head w/2 valve reliefs - 8.1:1 C.R.; DUROSHIELD® skirt coated piston

(continued on next page)

Ford Truck - M/D & H/D

38 M/D Truck 429 Eng. H/D Truck 429 Eng.
(cont.) 7.0L 429 OHV V8, 4.36" Bore 1979-98

CYLINDER COMPONENTS (cont.)

QTY	PISTONS (cont.)	YEARS	PART NO.	SIZE	DESCRIPTION
8	Cast Piston	92-79	H723P Std-20-30-40-60		Use w/E-373K or E-372K ring set; Hypereutectic; 1-3/32", 1-5/64", 1-3/16" Ring Groove, 2.140" CD, 1.0402" Pin Dia., Flat Head w/2 valve reliefs - 8.1:1 C.R.
8	Cast Piston	92-79	H724P Std-30-40-60		Use w/E-373K or E-372K ring set; Hypereutectic; 1-3/32", 1-5/64", 1-3/16" Ring Groove, 2.140" CD, 1.0402" Pin Dia., Recessed Head .080" deep x 3.250" dia. w/2 valve reliefs - 7.7:1 C.R. w/429 cyl. head - 8.2:1 C.R. w/460 cyl. head
8	Cast Piston - Individual	92-79	WH731CP30 30-40-60		For use w/E296K or E296X ring set; Hypereutectic; 2-5/64", 1-3/16" Ring Groove, 2.140" CD, 1.0402" Pin Dia., Recessed Head .080" deep x 3.250" dia. w/2 valve reliefs - 7.7:1 C.R. w/429 cyl. head - 8.2:1 C.R. w/460 cyl. head; DUROSHIELD® skirt coated piston
8	Cast Piston - Individual	92-79	WH723CP60 60		Use w/E-373K or E-372K ring set; Hypereutectic; 1-3/32", 1-5/64", 1-3/16" Ring Groove, 2.140" CD, 1.0402" Pin Dia., Flat Head w/2 valve reliefs - 8.1:1 C.R.; DUROSHIELD® skirt coated piston
8	Cast Piston - Individual	92-79	WH723P Std-20-30-40-60		Use w/E-373K or E-372K ring set; Hypereutectic; 1-3/32", 1-5/64", 1-3/16" Ring Groove, 2.140" CD, 1.0402" Pin Dia., Flat Head w/2 valve reliefs - 8.1:1 C.R.
8	Cast Piston - Individual	92-79	WH724P Std-30-40-60		Use w/WE-373K or WE-372K ring set; Hypereutectic; 1-3/32", 1-5/64", 1-3/16" Ring Groove, 2.140" CD, 1.0402" Pin Dia., Recessed Head .080" deep x 3.250" dia. w/2 valve reliefs - 7.7:1 C.R. w/429 cyl. head - 8.2:1 C.R. w/460 cyl. head

QTY	CONNECTING RODS & BRGS.	YEARS	PART NO.	SIZE	DESCRIPTION
1	Rod Set	98-79	8-3360CPA Std-1-10-20-30-40		
8	Rod Pair	98-79	3360CPA Std-1-10-20-30-40		

QTY	PISTON RINGS	YEARS	PART NO.	SIZE	DESCRIPTION
1	Premium Set	97-93	E-897K Std-20-30-40-60		2-2.00MM, 1-4.00MM; w/Shallow oil ring groove
1	Premium Set	92-79	E-373K Std-30-40-60		H/D or Highway use; Use w/H723P or H724P piston; 1-3/32, 1-5/64, 1-3/16
1	Premium Set	92-79	E-372K Std-30-40-60		L/D Use; Use w/H723P or H724P piston; 1-3/32, 1-5/64, 1-3/16
1	Premium Set	92-79	E-296K Std-20-30-40-60		2-5/64, 1-3/16
8	Standard Set	92-79	E-229X Std-20-30-40-60		2-5/64, 1-3/16
1	Standard Set	92-79	E-296X Std-20-30-40-60		2-5/64, 1-3/16
8	Premium Single Cylinder Set	92-79	WE-373K30 30-40-60		H/D or Highway use; 1-3/32, 1-5/64, 1-3/16
8	Premium Single Cylinder Set	92-79	WE-372K30 30-40-60		L/D Use; 1-3/32, 1-5/64, 1-3/16
8	Premium Single Cylinder Set	92-79	WE-296K Std-20-30-40-60		2-5/64, 1-3/16
8	Standard Single Cylinder Set	92-79	WE-229X Std-20-30-40-60		2-5/64, 1-3/16
8	Standard Single Cylinder Set	92-79	WE-296X Std-20-30-40-60		2-5/64, 1-3/16

KITS

YEARS	RE-RING KIT DESCRIPTION		QTY	PREMIUM KIT NO.	QTY	ECONOMY KIT NO.
91	L/D pickup, delivery & school bus w/FI; PermaDry® molded rubber valve cover & oil pan gskts. incl.; Premium valve stem seals incl.	Re-ring	1	205-6190		----
91	H/D or Highway use; w/FI; PermaDry® molded rubber valve cover & oil pan gskts. incl.; Premium valve stem seals incl.	Re-ring	1	205-6192		----
91-90	L/D pickup, delivery & school bus w/o FI; PermaDry® molded rubber oil pan gskt. incl.; Premium valve stem seals incl.	Re-ring	1	205-6189		----
91-90	H/D or Highway use; w/o FI; PermaDry® molded rubber valve cover & oil pan gskts. incl.; Premium valve stem seals incl.	Re-ring	1	205-6191		----
89-88	L/D pickup, delivery & school bus; Int. manifold gskt. & exh. heat shield not incl.; oil pan gskt. from 3/31/89 not incl.; Premium valve stem seals incl.	Re-ring	1	205-6090		----

(continued on next page)

Ford Truck - M/D & H/D

M/D Truck 429 Eng. H/D Truck 429 Eng. 38
7.0L 429 OHV V8, 4.36" Bore 1979-98 (cont.)

KITS (cont.)

RE-RING KIT (cont.)			QTY	PREMIUM KIT NO.	QTY	ECONOMY KIT NO.
YEARS	DESCRIPTION					
89-88	H/D or Highway use; Int. manifold gskt. & exh. heat shield not incl.; Oil pan gskt. from 3/31/89 not incl.; Premium valve stem seals incl.	Re-ring	1	205-6122		----
87-79	L/D pickup, delivery & school bus; Int. manifold gskt. & exh. heat shield not incl.	Re-ring	1	205-689		----
87-79	H/D or Highway use; Int. manifold gskt. & exh. heat shield not incl.	Re-ring	1	205-690		----
OVERHAUL KIT			QTY	PREMIUM KIT NO.	QTY	ECONOMY KIT NO.
YEARS	DESCRIPTION					
92	L/D pickup, delivery & school bus w/FI; Exh. heat shield not incl.	Master	1	MKP-6190D		----
		Master w/o Pistons	1	MK-6190D		----
92	H/D or Highway use; w/FI; Exh. heat shield not incl.	Master	1	MKP-6192D		----
		Master w/o Pistons	1	MK-6192D		----
91	L/D pickup, delivery & school bus w/FI; Int. manifold gskt. & exh. heat shield not incl.	Master	1	MKP-6190C		----
		Master w/o Pistons	1	MK-6190C		----
91	H/D or Highway use; w/FI; Int. manifold gskt. & exh. heat shield not incl.	Master	1	MKP-6192C		----
		Master w/o Pistons	1	MK-6192C		----
91-90	L/D pickup, delivery & school bus w/o FI; Int. manifold gskt. & exh. heat shield not incl.	Master	1	MKP-6189C		----
		Master w/o Pistons	1	MK-6189C		----
91-90	H/D or Highway use; w/o FI; Int. manifold gskt. & exh. heat shield not incl.	Master	1	MKP-6191C		----
		Master w/o Pistons	1	MK-6191C		----
89-88	L/D pickup, delivery & school bus; Int. manifold gskt. & exh. heat shield not incl., oil pan gskt. from 3/31/89 not incl.; Premium valve stem seals incl.	Master	1	MKP-6090C		----
		Master w/o Pistons	1	MK-6090C		----
89-88	H/D or Highway use; Int. manifold gskt. & exh. heat shield not incl.; Oil pan gskt. from 3/31/89 not incl.; Premium valve stem seals incl.	Master	1	MKP-6122C		----
		Master w/o Pistons	1	MK-6122C		----
87-79	L/D pickup, delivery & school bus; Int. manifold gskt. & exh. heat shield not incl.	Master	1	MKP-689A		----
		Master w/o Pistons	1	MK-689A		----
87-79	H/D or Highway use; Int. manifold gskt. & exh. heat shield not incl.	Master	1	MKP-690A		----
		Master w/o Pistons	1	MK-690A		----

M/D Truck 429 LPG Eng. 39
7.0L 429 OHV LPG V8, 4.36" Bore 1979-98

CYL. HEAD & PARTS

QTY	VALVE	YEARS	PART NO.	SIZE	DESCRIPTION
8	Intake	91-79	V-2138X	Std Only	Chrome plated stem; 2.0640" Head Dia., .3714" Stem Dia., 5.1470" O.A.L.
8	Exhaust	91-79	V-2137X	Std Only	Sodium cooled; Chrome plated stem; 1.6720" Head Dia., .3708" Stem Dia., 4.9540" O.A.L.
32	Keeper	91-79	VK-138		1 groove; Square cut key groove
32	Keeper	91-79	VK-138R		1 groove; Square cut key groove; Hardened
32	Keeper, Bulk	91-79	VK-138B		1 groove; Square cut key groove; Carton of 1000
QTY	VALVE SEAT	YEARS	PART NO.	SIZE	DESCRIPTION
8	Exh.	94-79	245-1781-E1N	Std Only	1.781" OD; 1.7810" OD, 1.4760" ID, .3110" Depth
8	Exh.	94-79	245-1812-21N	Std Only	1.8180" OD, 1.4690" ID, .3100" Depth
8	Int.	94-79	245-2250-1	Std Only	2.2555" OD, 1.9375" ID, .1855" Depth
QTY	VALVE GUIDE	YEARS	PART NO.	SIZE	DESCRIPTION
8	Guide	91-79	VG-5007		Int.; Exc. O.E. knockout type; .3725" ID, 2.3800" O.A.L.
8	Guide, Bulk	91-79	VG-5007B		Int.; Exc. O.E. knockout type; Carton of 50; .3725" ID, 2.3800" O.A.L.
QTY	VALVE SPRING	YEARS	PART NO.	SIZE	DESCRIPTION
8	Spring	94-79	VS-1436		1.9700" Free Height
QTY	PUSH RODS	YEARS	PART NO.	SIZE	DESCRIPTION
16	Push Rod	94-90	RP-3252		Optional; 8.6160" O.A.L.
16	Push Rod	94-90	RP-3288		8.5920" O.A.L.
16	Push Rod	89-79	RP-3160		8.5500" O.A.L.
16	Push Rod, Bulk	94-90	BRP-3288		Carton of 100; 8.5920" O.A.L.

(continued on next page)

Ford Truck - M/D & H/D

39 M/D Truck 429 LPG Eng.
(cont.) 7.0L 429 OHV LPG V8, 4.36" Bore 1979-98

CYL. HEAD & PARTS (cont.)

QTY	PUSH RODS (cont.)	YEARS	PART NO.	SIZE	DESCRIPTION
16	Push Rod, Bulk	89-79	BRP-3160		Carton of 100; 8.5500" O.A.L.
QTY	VALVE MISC.	YEARS	PART NO.	SIZE	DESCRIPTION
8	Rotocap	91-79	RC-141		
QTY	VALVE SEAL	YEARS	PART NO.	SIZE	DESCRIPTION
16	Valve Stem Seal	86-79	MV-1775C		Umbrella type; Polyacrylate
16	Valve Stem Seal Bulk	86-79	MV-1775		Umbrella type; Carton of 100; Polyacrylate
QTY	ROCKER PARTS	YEARS	PART NO.	SIZE	DESCRIPTION
16	Arm Assy.	94-79	R-855		Incl. arm & pivot
16	Arm Assy., Bulk	94-79	R-855B		Incl. arm & pivot; Carton of 64
16	Arm	94-79	R-855A		
16	Bolt	94-79	MR-1951		5/16" X 18 UNC w/o washer
16	Pivot	94-79	MR-1811		

INT & EXH MANIFOLDS

QTY	INT. & EXH. MANIFOLDS	YEARS	PART NO.	SIZE	DESCRIPTION
1	Valley Pan Gasket Set	91-79	260-4031		LPG Eng.

ENGINE BLOCK & PARTS

QTY	GASKET SETS	YEARS	PART NO.	SIZE	DESCRIPTION
1	Kit Gasket Set	94-92	260-1651		W/EFI; Exh. heat shields not incl.; PermaDry® molded rubber valve cover & oil pan gsks. incl.; Premium valve stem seals incl.
1	Kit Gasket Set	91	260-1530		W/EFI; Exh. heat shields not incl.; PermaDry® molded rubber valve cover & oil pan gsks. incl.; Premium valve stem seals incl.
1	Kit Gasket Set	91-90	260-1529		W/4 Bbl.; Int. manifold gskt. & exh. heat shields not incl.; PermaDry® molded rubber oil pan gskt. incl.; Premium valve stem seals incl.
1	Kit Gasket Set	89-88	260-1422		To 3/30/89; Int. manifold gskt. & exh. heat shields not incl.; Premium valve stem seals incl.
1	Kit Gasket Set	87-79	260-1099		Int. manifold gskt. & exh. heat shields not incl.; Premium valve stem seals incl.

QTY	CAM BEARINGS	YEARS	PART NO.	SIZE	DESCRIPTION
1	Cam Set	98-79	1414M Std Only		Babbitt material; Full round design

CRANKSHAFT/OIL PUMP

QTY	MAIN BEARINGS	YEARS	PART NO.	SIZE	DESCRIPTION
1	Main Set	98-79	4907M Std-1-10-20-30-40		
QTY	OIL PUMP	YEARS	PART NO.	SIZE	DESCRIPTION
1	Oil Pump	96-79	224-41144		
1	Oil Pump	96-79	224-41144V		High Volume, check pan for clearance
1	Pump Repair Kit	96-79	224-51139		
1	Inter. Shaft	96-79	224-61127		
1	Screen Assy.	96-79	224-14230		

CYLINDER COMPONENTS

QTY	CONNECTING RODS & BRGS.	YEARS	PART NO.	SIZE	DESCRIPTION
1	Rod Set	98-79	8-3360CPA Std-1-10-20-30-40		
8	Rod Pair	98-79	3360CPA Std-1-10-20-30-40		

40 M/D Truck 460 Eng.
7.5L 460 OHV V8, 4.36" Bore 1973-78

CYL. HEAD & PARTS

QTY	VALVE	YEARS	PART NO.	SIZE	DESCRIPTION
8	Intake	76-75	V-3929 Std-15		Chrome plated stem; 2.0830" Head Dia., .3419" Stem Dia., 5.1980" O.A.L.
8	Intake, Bulk	76-75	V-3929B15 15		Chrome plated stem; Carton of 25; 2.0830" Head Dia., .3569" Stem Dia., 5.1980" O.A.L.
8	Exhaust	76-75	V-1984 Std-15		Chrome plated stem; 1.6530" Head Dia., .3419" Stem Dia., 4.9830" O.A.L.
8	Exhaust	76-75	V-4371X Std-15		Chrome plated stem; 1.6540" Head Dia., .3419" Stem Dia., 4.9830" O.A.L.
32	Keeper	76-75	VK-115		1 groove; Square cut key groove
32	Keeper	76-75	VK-115R		1 groove; Square cut key groove; Hardened

(continued on next page)

Ford Truck - M/D & H/D

M/D Truck 460 Eng. 40
7.5L 460 OHV V8, 4.36" Bore 1973-78 (cont.)

CYL. HEAD & PARTS (cont.)

QTY	VALVE (cont.)	YEARS	PART NO.	SIZE	DESCRIPTION
32	Keeper, Bulk	76-75	VK-115B		1 groove; Square cut key groove; Carton of 1000
8	Exh.	76-75	245-1750-2	Std Only	1.7550" OD, 1.5000" ID, .2160" Depth
8	Int.	76-75	245-2250-1	Std Only	2.2555" OD, 1.9375" ID, .1855" Depth
16	Spring	76-75	VS-1455		Optional-H/D for Industrial & Irrigation; 2.3000" Free Height
16	Spring	76-75	VS-703		2.0560" Free Height
16	Spring	76-75	VS-920		2.1140" Free Height
16	Spring, Bulk	76-75	VS-703B		Carton of 250; 2.0560" Free Height
16	Spring Insert	76-75	259-103C		.015"; ID 1.030"; Carton of 100
16	Spring Insert	76-75	259-103B		.030"; ID 1.030"; Carton of 100
16	Spring Insert	76-75	259-103BRS		.030"; ID 1.030"; Carton of 500
16	Spring Insert	76-75	259-103A		.060"; ID 1.030"; Carton of 100
16	Spring Insert	76-75	259-103ARS		.060"; ID 1.030"; Carton of 500
16	Push Rod	76-75	RP-3160		8.5500" O.A.L.
16	Push Rod	76-75	RP-3288		8.5920" O.A.L.
16	Push Rod	76-75	RP-3252		8.6160" O.A.L.
16	Push Rod, Bulk	76-75	BRP-3160		Carton of 100; 8.5500" O.A.L.
16	Push Rod, Bulk	76-75	BRP-3288		Carton of 100; 8.5920" O.A.L.
16	Valve Stem Seal	76-75	ST-2001		Positive type; Installation requires valve guide machining; Rubber/PTFE
16	Valve Stem Seal	76-75	MV-1796C		Umbrella type; Fits Std. to .015" O/S valve stem; Rubber
16	Valve Stem Seal Bulk	76-75	ST-2001BC		Positive type; Installation requires valve guide machining; Carton of 100; Rubber/PTFE
16	Valve Stem Seal Bulk	76-75	MV-1796		Umbrella type; Fits Std. to .015" O/S valve stem; Carton of 100; Rubber
16	Arm Assy.	76-75	R-855		Incl. arm & pivot
16	Arm Assy., Bulk	76-75	R-855B		Incl. arm & pivot; Carton of 64
16	Arm	76-75	R-855A		
16	Bolt	76-75	MR-1951		5/16" X 18 UNC w/o washer
16	Pivot	76-75	MR-1811		
INT & EXH MANIFOLDS					
1	Valley Pan Gasket Set	76-75	260-4005		
CAMSHAFT GROUP					
1	3 Piece Set	76-75	KT3-491S		Incl. (1) 222-491, (1) 223-420A, (1) 223-421
1	Timing Chain	76-75	222-491		52 Links
1	Crank Sprocket	76-75	223-421		18 Teeth
1	Cam Sprocket	76-75	223-420A		36 Teeth
1	Camshaft	76-75	CS-648		
16	Lifter	76-75	HT-900	Std Only	Hyd.
16	Lifter	76-75	HT-900R	Std Only	Speed-Pro Hi-Revolution Hyd.; Use w/adj. rocker assy.
16	Lifter, Bulk	76-75	HT-900B	Std Only	Hyd.; Carton of 122
1	Prelube	76-75	55-400		4 oz. bottle; 1.5 oz. packet No. 55-403 also avail.
1	Cam/Lifter Kit	76-75	KC-648		Hyd.; Incl. (1) CS-648, (16) HT-900, (1) 55-403B
1	Cam/Lifter/Timing Kit	76-75	KCT-648		Hyd.; Incl. (1) CS-648, (16) HT-900, (1) KT3-491S, (1) 55-403B
ENGINE BLOCK & PARTS					
1	Kit Gasket Set	76-75	260-1013		Int. manifold gskt. not incl.; Exh. heat shields not incl.; Premium valve stem seals incl.
1	Cam Set	76-75	1414M	Std Only	Babbitt material; Full round design
1	Brass Block Plug Kit	76-75	381-8018		Motor home
1	Steel Block Plug Kit	76-75	381-4021		Motor Home

(continued on next page)

Ford Truck - M/D & H/D

40 M/D Truck 460 Eng.

(cont.) 7.5L 460 OHV V8, 4.36" Bore 1973-78

CRANKSHAFT/OIL PUMP							
QTY	CRANKSHAFT	YEARS	PART NO.	SIZE	DESCRIPTION		
1	Harmonic Balancer Sleeve	76-75	88187				
QTY	SEALS - FRONT CRANK	YEARS	PART NO.	SIZE	DESCRIPTION		
1	Redi-Sleeve	76-75	99187				
1	Oil Seal	76-75	2942				
QTY	SEALS - REAR CRANK	YEARS	PART NO.	SIZE	DESCRIPTION		
1	Oil Seal Kit	76-75	5095		(Rope Type)		
1	Oil Seal Kit	76-75	5118		(Split Seal)		
QTY	MAIN BEARINGS	YEARS	PART NO.	SIZE	DESCRIPTION		
1	Main Set	76-75	4907M		Std-1-10-20-30-40		
QTY	OIL PUMP	YEARS	PART NO.	SIZE	DESCRIPTION		
1	Oil Pump	76-75	224-41139V		M450, M500; High Volume, check pan for clearance; Incl. 224-14160 screen		
1	Oil Pump	76-75	224-41139		M450, M500; Use w/224-12139		
1	Pump Repair Kit	76-75	224-51139				
1	Inter. Shaft	76-75	224-61127				
1	Screen Assy.	76-75	224-12139		M450, M500; Press-in type screen		
1	Screen Assy.	76-75	224-14273		M450, M500; Use w/224-41139		
1	Screen Assy.	76-75	224-14160		M450, M500; Use w/224-41139V; Bolt-on type screen		
CYLINDER COMPONENTS							
QTY	PISTONS	YEARS	PART NO.	SIZE	DESCRIPTION		
1	Cast Piston Set w/Econ. Rings	76-75	8XH418P20	20-40-60	Cast; 2-5/64", 1-3/16" Ring Groove, 1.752" CD, 1.0402" Pin Dia., Oblong Recessed Head .240" deep - 8.0:1 C.R.		
1	Cast Piston Set w/Prem. Rings	76-75	8KH418CP30	30-40-60	Cast; 2-5/64", 1-3/16" Ring Groove, 1.752" CD, 1.0402" Pin Dia., Oblong Recessed Head .240" deep - 8.0:1 C.R.;		
1	Cast Piston Set w/Prem. Rings	76-75	8KH418P20	20-30-40-60	DUROSHIELD® skirt coated piston		
8	Cast Piston	76-75	H418CP	Std-20-30-40-60	Cast; 2-5/64", 1-3/16" Ring Groove, 1.752" CD, 1.0402" Pin Dia., Oblong Recessed Head .240" deep - 8.0:1 C.R.		
8	Cast Piston	76-75	H418P	Std-20-30-40-60	Hypereutectic; 2-5/64", 1-3/16" Ring Groove, 1.752" CD, 1.0402" Pin Dia., Oblong Recessed Head .240" deep - 8.0:1 C.R.;		
8	Cast Piston - Individual	76-75	WH418CP	Std-20-30-40-60	DUROSHIELD® skirt coated piston		
8	Cast Piston - Individual	76-75	WH418P	Std-20-30-40-60	Hypereutectic; 2-5/64", 1-3/16" Ring Groove, 1.752" CD, 1.0402" Pin Dia., Oblong Recessed Head .240" deep - 8.0:1 C.R.;		
8	Cast Piston - Individual	76-75	WH418P	Std-20-30-40-60	DUROSHIELD® skirt coated piston		
8	Cast Piston - Individual	76-75	WH418P	Std-20-30-40-60	Hypereutectic; 2-5/64", 1-3/16" Ring Groove, 1.752" CD, 1.0402" Pin Dia., Oblong Recessed Head .240" deep - 8.0:1 C.R.		
QTY	CONNECTING RODS & BRGS.	YEARS	PART NO.	SIZE	DESCRIPTION		
1	Rod Set	76-75	8-3360CPA		Std-1-10-20-30-40		
8	Rod Pair	76-75	3360CPA		Std-1-10-20-30-40		
QTY	PISTON RINGS	YEARS	PART NO.	SIZE	DESCRIPTION		
1	Premium Set	76-75	E-296K		Std-20-30-40-60 2-5/64, 1-3/16		
1	Standard Set	76-75	E-296X		Std-20-30-40-60 2-5/64, 1-3/16		
8	Premium Single Cylinder Set	76-75	WE-296K		Std-20-30-40-60 2-5/64, 1-3/16		
8	Standard Single Cylinder Set	76-75	WE-296X		Std-20-30-40-60 2-5/64, 1-3/16		
KITS							
RE-RING KIT				QTY	PREMIUM KIT NO.	QTY	ECONOMY KIT NO.
YEARS	DESCRIPTION						
76-75	Int. manifold gskt. not incl.; Exh. heat shields not incl.; Premium valve stem seals incl.			1	205-637		----
76-75	Int. manifold gskt. not incl.; Exh. heat shields not incl.; Premium valve stem seals incl.			1	205-637M	1	205-137
			Re-ring w/Mains	1		1	205-137M

(continued on next page)

Ford Truck - M/D & H/D

M/D Truck 460 Eng. 40
7.5L 460 OHV V8, 4.36" Bore 1973-78 (cont.)

KITS (cont.)

YEARS	OVERHAUL KIT DESCRIPTION		QTY	PREMIUM KIT NO.	QTY	ECONOMY KIT NO.
78-77	M450, M500; w/Original type timing cover; Int. manifold gskt. incl.; Exh. heat shields not incl.; Premium valve stem seals incl.; Oil pump screen not incl.	Master w/o Rods & Mains	1	505-637E		----
78-77	M450, M500; w/Original type timing cover; Int. manifold gskt. not incl.; Exh. heat shields not incl.; Premium valve stem seals incl.; Oil pump screen not incl.	Master Master w/o Pistons Master w/o Rods & Mains	1 1 1	MKP-637E MK-637E ----	1 1 1	MKP-137E MK-137E 505-137E
76-75	M450, M500; w/Original type timing cover; Int. manifold gskt. not incl.; Exh. heat shields not incl.; Premium valve stem seals incl.; Oil pump screen not incl.	Master Master w/o Pistons Master w/o Rods & Mains	1 1 1	MKP-637E MK-637E 505-637E	1 1 1	MKP-137E MK-137E 505-137E
74	M400, M450, M500; From Ser. No. T20,001; Int. manifold gskt. not incl.; Exh. heat shields not incl.; Premium valve stem seals incl.; Oil pump screen not incl.	Master	1	MKP-637E		----
74	M450, M500; From Ser. No. T20,001; Int. manifold gskt. not incl.; Exh. heat shields not incl.; Premium valve stem seals incl.; Oil pump screen not incl.	Master Master w/o Pistons Master w/o Rods & Mains		----	1 1 1	MKP-137E MK-137E 505-137E
74	M450, M500; To Ser. No. T20,000; Exh. heat shields not incl.; Premium valve stem seals incl.; Oil pump screen not incl.	Master Master w/o Pistons Master w/o Rods & Mains	1 1 1	MKP-637E MK-637E 505-637E	1 1 1	MKP-137E MK-137E 505-137E
73	M450, M500; Exh. heat shields not incl.; Premium valve stem seals incl.; Oil pump screen not incl.	Master Master w/o Pistons Master w/o Rods & Mains	1 1 1	MKP-637E MK-637E 505-637E	1 1 1	MKP-137E MK-137E 505-137E

M/D Truck 460 LPG Eng. 41
7.5L 460 OHV LPG V8, 4.36" Bore 1975-87

CYL. HEAD & PARTS

QTY	ROCKER PARTS	YEARS	PART NO.	SIZE	DESCRIPTION
16	Arm Assy.	87-75	R-855		Incl. arm & pivot
16	Arm Assy., Bulk	87-75	R-855B		Incl. arm & pivot; Carton of 64
16	Arm	87-75	R-855A		
16	Bolt	87-75	MR-1951		5/16" X 18 UNC w/o washer
16	Pivot	87-75	MR-1811		

INT & EXH MANIFOLDS

QTY	INT. & EXH. MANIFOLDS	YEARS	PART NO.	SIZE	DESCRIPTION
1	Valley Pan Gasket Set	87-75	260-4031		LPG Eng.

ENGINE BLOCK & PARTS

QTY	GASKET SETS	YEARS	PART NO.	SIZE	DESCRIPTION
1	Kit Gasket Set	87-86	260-1223		From 2/21/86; Int. manifold gskt. not incl.; Exh. heat shields not incl.; Premium valve stem seals incl.
1	Kit Gasket Set	86	260-1177		To 2/20/86; Int. manifold gskt. not incl.; Exh. heat shields not incl.; Premium valve stem seals incl.
1	Kit Gasket Set	85	260-1177		From 6/29/85; Int. manifold gskt. not incl.; Exh. heat shields not incl.; Premium valve stem seals incl.
1	Kit Gasket Set	85	260-1013		To 3/11/85; w/Original type timing cover; Int. manifold gskt. not incl.; Exh. heat shields not incl.; From 3/12/85 to 6/28/85; Int. manifold gskt. not incl.; Exh. heat shields not incl.; Premium valve stem seals incl.
1	Kit Gasket Set	84-75	260-1013		W/Original type timing cover; Int. manifold gskt. not incl.; Exh. heat shields not incl.; Premium valve stem seals incl.

QTY	CAM BEARINGS	YEARS	PART NO.	SIZE	DESCRIPTION
1	Cam Set	87-75	1414M	Std Only	Babbitt material; Full round design

CRANKSHAFT/OIL PUMP

QTY	MAIN BEARINGS	YEARS	PART NO.	SIZE	DESCRIPTION
1	Main Set	87-75	4907M	Std-1-10-20-30-40	

(continued on next page)

Ford Truck - M/D & H/D

41 M/D Truck 460 LPG Eng. (cont.) 7.5L 460 OHV LPG V8, 4.36" Bore 1975-87

CYLINDER COMPONENTS					
QTY	CONNECTING RODS & BRGS.	YEARS	PART NO.	SIZE	DESCRIPTION
1	Rod Set	87-75	8-3360CPA	Std-1-10-20-30-40	
8	Rod Pair	87-75	3360CPA	Std-1-10-20-30-40	

42 M/D Truck C160, CF160, C180 Engs. H/D Truck C160, CF160, C180 Engs. 7.6L 464 OHV Diesel L6, 4.4375" Bore (Cummins Eng.) 1967-70

CYL. HEAD & PARTS					
QTY	VALVE	YEARS	PART NO.	SIZE	DESCRIPTION
24	Keeper	69-67	FP-VK123		
24	Keeper	69-67	VK-123 +		When depleted use FP-VK123
QTY	VALVE GUIDE	YEARS	PART NO.	SIZE	DESCRIPTION
12	Guide	69-67	FP-VG529		Not flanged; .4385" ID, 3.2500" O.A.L.
12	Guide	69-67	VG-529 +		Not flanged; .4385" ID, 3.2500" O.A.L.; When depleted use FP-VG529

ACCESSORY DRIVE					
QTY	ACCESSORY DRIVE	YEARS	PART NO.	SIZE	DESCRIPTION
1	Oil Seal	69-67	451147H		
1	Redi-Sleeve	69-67	99174		

ENGINE BLOCK & PARTS					
QTY	CAM BEARINGS	YEARS	PART NO.	SIZE	DESCRIPTION
1	Cam Set	69-67	FP-100673S		No. 1 brg. is cast housing type

CRANKSHAFT/OIL PUMP					
QTY	SEALS - FRONT CRANK	YEARS	PART NO.	SIZE	DESCRIPTION
1	Redi-Sleeve	69-67	FP-3010464		
1	Redi-Sleeve	69-67	99311		
1	Oil Seal	69-67	39809		

CYLINDER COMPONENTS					
QTY	LINERS	YEARS	PART NO.	SIZE	DESCRIPTION
6	Liner w/o Sealing Rings	69-67	FP-112851		
6	Sealing Ring, Liner	69-67	FP-174316		Crevice seal
12	Sealing Ring, Liner	69-67	FP-112847		Two per liner
QTY	CONNECTING RODS & BRGS.	YEARS	PART NO.	SIZE	DESCRIPTION
6	Rod Pair	69-67	FP-127730PR	STD	
6	Rod Pair	69-67	FP-127731PR	10	
6	Rod Pair	69-67	FP-127732PR	20	
QTY	PISTON RINGS	YEARS	PART NO.	SIZE	DESCRIPTION
6	Ring Set Single Cylinder	69-67	FP-AR4920	STD	3 - 1/8", 1 - 3/16"

43 M/D Truck 475 Eng. H/D Truck 475 Eng. 7.8L 475 OHV V8, 4.5" Bore 1972-79

CYL. HEAD & PARTS					
QTY	VALVE	YEARS	PART NO.	SIZE	DESCRIPTION
8	Exhaust	79-72	V-1358X	Std Only	Sodium cooled; Chrome plated stem; 1.6350" Head Dia., .4340" Stem Dia., 5.7020" O.A.L.
32	Keeper	79-72	VK-140		
QTY	VALVE GUIDE	YEARS	PART NO.	SIZE	DESCRIPTION
8	Guide	79-72	VG-5074		Exh.; .4375" ID, 2.7500" O.A.L.
QTY	VALVE SPRING	YEARS	PART NO.	SIZE	DESCRIPTION
8	Spring	79-72	VS-698		Use w/rotocap; 2.0200" Free Height
16	Spring	79-72	VS-698		2.0200" Free Height
QTY	PUSH RODS	YEARS	PART NO.	SIZE	DESCRIPTION
16	Push Rod	79-72	RP-3143		11.5970" O.A.L.
QTY	VALVE MISC.	YEARS	PART NO.	SIZE	DESCRIPTION
8	Rotocap Assy.	79-72	RC-101A		
QTY	VALVE SEAL	YEARS	PART NO.	SIZE	DESCRIPTION
16	Valve Stem Seal	79-72	ST-2007		Positive type; Rubber

(continued on next page)

Ford Truck - M/D & H/D

M/D Truck 475 Eng. H/D Truck 475 Eng. 43
7.8L 475 OHV V8, 4.5" Bore 1972-79 (cont.)

CYL. HEAD & PARTS (cont.)					
QTY	ROCKER PARTS	YEARS	PART NO.	SIZE	DESCRIPTION
16	Arm	79-72	R-877		
CAMSHAFT GROUP					
QTY	CAMSHAFT/LIFTER	YEARS	PART NO.	SIZE	DESCRIPTION
16	Lifter	79-72	AT-872 Std Only		Mech.
16	Lifter, Bulk	79-72	AT-872B Std Only		Mech.; Carton of 122
1	Prelube	79-72	55-400		4 oz. bottle; 1.5 oz. packet No. 55-403 also avail.
ENGINE BLOCK & PARTS					
QTY	GASKET SETS	YEARS	PART NO.	SIZE	DESCRIPTION
1	Kit Gasket Set	79-72	260-1116		
QTY	FREEZE PLUGS	YEARS	PART NO.	SIZE	DESCRIPTION
1	Brass Block Plug Kit	79-72	381-8022		
CRANKSHAFT/OIL PUMP					
QTY	SEALS - FRONT CRANK	YEARS	PART NO.	SIZE	DESCRIPTION
1	Redi-Sleeve	79-72	99237		
1	Oil Seal	79-72	483246N		
CYLINDER COMPONENTS					
QTY	LINERS	YEARS	PART NO.	SIZE	DESCRIPTION
8	Repair Sleeve	79-72	FP-SL26Y	<i>Std Only</i>	1/8" wall, must be cut to correct length
8	Repair Sleeve	79-72	SL-26Y +	Std Only	1/8" wall, must be cut to correct length; When depleted use FP-SL26Y
8	Repair Sleeve	79-72	FP-SL26M	<i>Std Only</i>	3/32" wall, must be cut to correct length
QTY	PISTONS	YEARS	PART NO.	SIZE	DESCRIPTION
8	Cast Piston - Individual	79-72	W218NP30	30	To Ser. No. C85001; Cast; 3-3/32", 1-3/16" Ring Groove, 2.712 plus .266 step" CD, 1.2200" Pin Dia., Step Head w/top ring groove protector - 7.2:1 C.R.
8	Pin Bushing	79-72	2319Y20		
QTY	CONNECTING RODS & BRGS.	YEARS	PART NO.	SIZE	DESCRIPTION
8	Rod Pair	79-72	2470CP	Std-10-20-30	Use w/crankshaft Frg. Nos. C1TE-6303B, C2TE-B
QTY	PISTON RINGS	YEARS	PART NO.	SIZE	DESCRIPTION
1	Premium Set	79-72	E-317K30	30-40-60	To Ser. No. C85001; H/D or Highway Use; 3-3/32, 1-3/16
1	Standard Set	79-72	FP-E421X	<i>Std-30-60</i>	To Ser. No. C85001; L/D Use; 3-3/32, 1-3/16
1	Standard Set	79-72	E-421X +	Std-30-60	To Ser. No. C85001; L/D Use; 3-3/32, 1-3/16; When depleted use FP-E421X
KITS					
RE-RING KIT				QTY	PREMIUM KIT NO.
YEARS	DESCRIPTION				ECONOMY KIT NO.
79-72	W/Crankshaft Forging Nos. C1TE-6303B, C1TE-6303C, C2TE-6303A & C2TE-6303B.		Re-ring	-----	1 205-204
M/D Truck 476 Turbo-Diesel Eng. H/D Truck 476 Turbo-Diesel Eng. 44					
<i>7.8L 476 OHV Turbo-Diesel L6, 4.4" Bore 1987-95</i>					
ENGINE BLOCK & PARTS					
QTY	GASKET SETS	YEARS	PART NO.	SIZE	DESCRIPTION
1	Kit Gasket Set	92-87	FP-2601648		Compl.
1	Kit Gasket Set	92-87	260-1648 +		Compl.; When depleted use FP-2601648
QTY	CAM BEARINGS	YEARS	PART NO.	SIZE	DESCRIPTION
1	Cam Set	95-87	FP-1784M	<i>Std Only</i>	
1	Cam Set	95-87	1784M +	Std Only	When depleted use FP-1784M
CRANKSHAFT/OIL PUMP					
QTY	SEALS - FRONT CRANK	YEARS	PART NO.	SIZE	DESCRIPTION
1	Oil Seal	94-87	712511		
QTY	SEALS - REAR CRANK	YEARS	PART NO.	SIZE	DESCRIPTION
1	Oil Seal	94-87	712449		
QTY	MAIN BEARINGS	YEARS	PART NO.	SIZE	DESCRIPTION
1	Main Set	95-87	FP-7214M	<i>Std-10-20</i>	
1	Main Set	95-87	7214M +	Std-10-20	When depleted use FP-7214M

(continued on next page)

Ford Truck - M/D & H/D

44 M/D Truck 476 Turbo-Diesel Eng. H/D Truck 476 Turbo-Diesel Eng.
(cont.) 7.8L 476 OHV Turbo-Diesel L6, 4.4" Bore 1987-95

CYLINDER COMPONENTS

QTY	CONNECTING RODS & BRGS.	YEARS	PART NO.	SIZE	DESCRIPTION
1	Rod Set	95-87	FP-64070CP	Std-10-20	Brg. w/1.250" O.A.L.
1	Rod Set	95-87	6-4070CP +	Std-10-20	Brg. w/1.250" O.A.L.; When depleted use FP-64070CP
QTY	PISTON RINGS	YEARS	PART NO.	SIZE	DESCRIPTION
1	Premium Set	95-87	FP-E900KC	Std-20-30-40	1-1/8, 1-3/32, 1-3/16
1	Premium Set	95-87	E-900KC +	Std-20-30	1-1/8, 1-3/32, 1-3/16; When depleted use FP-E900KC

45 M/D Truck 477 Eng.
7.8L 477 OHV V8, 4.5" Bore 1972-81

CYL. HEAD & PARTS

QTY	VALVE	YEARS	PART NO.	SIZE	DESCRIPTION
8	Exhaust	81-72	V-1358X	Std Only	Sodium cooled; Chrome plated stem; 1.6350" Head Dia., .4340" Stem Dia., 5.7020" O.A.L.
32	Keeper	81-72	VK-140		
QTY	VALVE GUIDE	YEARS	PART NO.	SIZE	DESCRIPTION
8	Guide	81-72	VG-5074		Exh.; .4375" ID, 2.7500" O.A.L.
QTY	VALVE SPRING	YEARS	PART NO.	SIZE	DESCRIPTION
8	Spring	81-72	VS-698		Use w/rotacap; 2.0200" Free Height
16	Spring	81-72	VS-698		2.0200" Free Height
QTY	PUSH RODS	YEARS	PART NO.	SIZE	DESCRIPTION
16	Push Rod	81-72	RP-3143		11.5970" O.A.L.
QTY	VALVE MISC.	YEARS	PART NO.	SIZE	DESCRIPTION
8	Rotacap Assy.	81-72	RC-101A		
QTY	VALVE SEAL	YEARS	PART NO.	SIZE	DESCRIPTION
16	Valve Stem Seal	81-72	ST-2007		Positive type; Rubber
QTY	ROCKER PARTS	YEARS	PART NO.	SIZE	DESCRIPTION
16	Arm	81-72	R-877		

CAMSHAFT GROUP

QTY	CAMSHAFT/LIFTER	YEARS	PART NO.	SIZE	DESCRIPTION
16	Lifter	81-72	AT-872	Std Only	Mech.
16	Lifter, Bulk	81-72	AT-872B	Std Only	Mech.; Carton of 122
1	Prelube	81-72	55-400		4 oz. bottle; 1.5 oz. packet No. 55-403 also avail.

ENGINE BLOCK & PARTS

QTY	GASKET SETS	YEARS	PART NO.	SIZE	DESCRIPTION
1	Kit Gasket Set	81-72	260-1116		
QTY	FREEZE PLUGS	YEARS	PART NO.	SIZE	DESCRIPTION
1	Brass Block Plug Kit	81-72	381-8022		

CRANKSHAFT/OIL PUMP

QTY	SEALS - FRONT CRANK	YEARS	PART NO.	SIZE	DESCRIPTION
1	Redi-Sleeve	81-72	99240		
1	Oil Seal	81-72	483246N		

CYLINDER COMPONENTS

QTY	LINERS	YEARS	PART NO.	SIZE	DESCRIPTION
8	Repair Sleeve	81-72	FP-SL26Y	Std Only	1/8" wall, must be cut to correct length
8	Repair Sleeve	81-72	SL-26Y +	Std Only	1/8" wall, must be cut to correct length; When depleted use FP-SL26Y
8	Repair Sleeve	81-72	FP-SL26M	Std Only	3/32" wall, must be cut to correct length
QTY	PISTONS	YEARS	PART NO.	SIZE	DESCRIPTION
8	Cast Piston - Individual	79-72	W218NP30	30	To Ser. No. C85001; Cast; 3-3/32", 1-3/16" Ring Groove, 2.712 plus .266 step" CD, 1.2200" Pin Dia., Step Head w/top ring groove protector - 7.2:1 C.R.
8	Pin Bushing	81-72	2319Y20		
QTY	CONNECTING RODS & BRGS.	YEARS	PART NO.	SIZE	DESCRIPTION
8	Rod Pair	81-72	2470CP	Std-10-20-30	Use w/crankshaft Frg. Nos. C1TE-6303B, C2TE-B
QTY	PISTON RINGS	YEARS	PART NO.	SIZE	DESCRIPTION
1	Premium Set	79-72	E-317K30	30-40-60	To Ser. No. C85001; H/D or Highway Use; 3-3/32, 1-3/16
1	Standard Set	79-72	FP-E421X	Std-30-60	To Ser. No. C85001; L/D Use; 3-3/32, 1-3/16
1	Standard Set	79-72	E-421X +	Std-30-60	To Ser. No. C85001; L/D Use; 3-3/32, 1-3/16; When depleted use FP-E421X

(continued on next page)

Ford Truck - M/D & H/D

M/D Truck 477 Eng. 45
7.8L 477 OHV V8, 4.5" Bore 1972-81 (cont.)

KITS

RE-RING KIT	QTY	PREMIUM KIT NO.	QTY	ECONOMY KIT NO.
YEARS DESCRIPTION 81-72 W/Crankshaft Forging Nos. C1TE-6303B, C1TE-6303C, C2TE-6303A & C2TE-6303B. Re-ring		-----	1	205-204

H/D Truck 477 Eng. 46
7.8L 477 OHV V8, 4.5" Bore 1958-81

CYL. HEAD & PARTS

QTY	VALVE	YEARS	PART NO.	SIZE	DESCRIPTION
8	Exhaust	81-58	V-1358X	Std Only	Sodium cooled; Chrome plated stem; 1.6350" Head Dia., .4340" Stem Dia., 5.7020" O.A.L.
32	Keeper	81-58	VK-140		
QTY	VALVE GUIDE	YEARS	PART NO.	SIZE	DESCRIPTION
8	Guide	81-58	VG-5074		Exh.; .4375" ID, 2.7500" O.A.L.
QTY	VALVE SPRING	YEARS	PART NO.	SIZE	DESCRIPTION
16	Spring	81-58	VS-698		2.0200" Free Height
QTY	PUSH RODS	YEARS	PART NO.	SIZE	DESCRIPTION
16	Push Rod	81-58	RP-3143		11.5970" O.A.L.
QTY	VALVE MISC.	YEARS	PART NO.	SIZE	DESCRIPTION
8	Rotocap Assy.	81-58	RC-101A		
QTY	VALVE SEAL	YEARS	PART NO.	SIZE	DESCRIPTION
16	Valve Stem Seal	81-58	ST-2007		Positive type; Rubber
QTY	ROCKER PARTS	YEARS	PART NO.	SIZE	DESCRIPTION
16	Arm	81-58	R-877		

CAMSHAFT GROUP

QTY	CAMSHAFT/LIFTER	YEARS	PART NO.	SIZE	DESCRIPTION
16	Lifter	81-63	AT-872	Std Only	Mech.
16	Lifter, Bulk	81-63	AT-872B	Std Only	Mech.; Carton of 122
1	Prelube	81-63	55-400		4 oz. bottle; 1.5 oz. packet No. 55-403 also avail.

ENGINE BLOCK & PARTS

QTY	GASKET SETS	YEARS	PART NO.	SIZE	DESCRIPTION
1	Kit Gasket Set	81-58	260-1116		
QTY	FREEZE PLUGS	YEARS	PART NO.	SIZE	DESCRIPTION
1	Brass Block Plug Kit	81-63	381-8022		

CRANKSHAFT/OIL PUMP

QTY	SEALS - FRONT CRANK	YEARS	PART NO.	SIZE	DESCRIPTION
1	Redi-Sleeve	81-63	99240		
1	Oil Seal	81-63	483246N		

CYLINDER COMPONENTS

QTY	LINERS	YEARS	PART NO.	SIZE	DESCRIPTION
8	Repair Sleeve	81-63	FP-SL26Y	Std Only	1/8" wall, must be cut to correct length
8	Repair Sleeve	81-63	SL-26Y +	Std Only	1/8" wall, must be cut to correct length; When depleted use FP-SL26Y
8	Repair Sleeve	81-63	FP-SL26M	Std Only	3/32" wall, must be cut to correct length
QTY	PISTONS	YEARS	PART NO.	SIZE	DESCRIPTION
8	Cast Piston - Individual	79-58	W218NP30	30	To Ser. No. C85001; Cast; 3-3/32", 1-3/16" Ring Groove, 2.712 plus .266 step" CD, 1.2200" Pin Dia., Step Head w/top ring groove protector - 7.2:1 C.R.
8	Pin Bushing	81-58	2319Y20		
QTY	CONNECTING RODS & BRGS.	YEARS	PART NO.	SIZE	DESCRIPTION
8	Rod Pair	81-58	2470CP	Std-10-20-30	Use w/crankshaft Frg. Nos. C1TE-6303B, C2TE-B
QTY	PISTON RINGS	YEARS	PART NO.	SIZE	DESCRIPTION
1	Premium Set	81-63	E-317K30	30-40-60	To Ser. No. C85001; H/D or Highway Use; 3-3/32, 1-3/16
1	Standard Set	81-63	FP-E421X	Std-30-60	To Ser. No. C85001; L/D Use; 3-3/32, 1-3/16
1	Standard Set	81-63	E-421X +	Std-30-60	To Ser. No. C85001; L/D Use; 3-3/32, 1-3/16; When depleted use FP-E421X

(continued on next page)

Ford Truck - M/D & H/D

46 H/D Truck 477 Eng.
(cont.) 7.8L 477 OHV V8, 4.5" Bore 1958-81

KITS

RE-RING KIT	QTY	PREMIUM KIT NO.	QTY	ECONOMY KIT NO.
YEARS DESCRIPTION 81-63 W/Crankshaft Forging Nos. C1TE-6303B, C1TE-6303C, C2TE-6303A & C2TE-6303B. Re-ring		----	1	205-204

47 M/D Truck 8.2, 8.2N Eng. (Fuel Pincher). H/D Truck 8.2, 8.2N Eng. (Fuel Pincher).
8.2L 500 OHV Diesel V8 (Fuel Pincher), 108mm Bore (Detroit Diesel Eng.) 1980-93

CYL. HEAD & PARTS

QTY	GASKETS	YEARS	PART NO.	SIZE	DESCRIPTION
2	Valve Cover Gasket	93-80	FP-8920271		w/o Breather
2	Valve Cover Gasket	93-80	FP-8926675		w/Breather
2	Head Gasket	93-80	FP-8923848		
1	Head Set	93-80	FP-8924127		
1	Head Set	93-80	FP-892412710		Incl. .010" oversized cylinder head gskt.; Valve cover gskt. not incl.
1	Head Set	93-80	FP-8924127V		Incl. 11 hole valve cover gsks. for valve covers w/o breather
1	Head Set	93-80	FP-8924127VB		Incl. 9 hole valve cover gsks. for valve covers w/breather
1	Multiple Cyl. Head Gskt. Set	93-80	FP-8924127MV		Incl. 11 hole valve cover gsks. for valve covers w/o breather
1	Multiple Cyl. Head Gskt. Set	93-80	FP-8924127MVB		Incl. 9 hole valve cover gsks. for valve covers w/breather
1	Breather Seal Ring	93-80	FP-8921294		
QTY	HEAD BOLTS	YEARS	PART NO.	SIZE	DESCRIPTION
10	Head Bolt	93-80	FP-23500463		M15 x 2.0 x 128MM; 12 Point head
10	Head Bolt	93-80	FP-23500462		M15 x 2.0 x 158MM; 12 Point head
2	Head Bolt Set	93-80	FP-2602522		Replacement recommended; 15MM bolts only
2	Head Bolt Set	93-80	260-2522 +		Replacement recommended; 15MM bolts only; When depleted use FP-2602522
2	Head Bolt Set	93-80	FP-2602522		Replacement recommended; 15MM bolts only
20	Washer	93-80	FP-8921876		To Ser. No. 8G138422; Exc. Marine applications
QTY	VALVE	YEARS	PART NO.	SIZE	DESCRIPTION
8	Intake	93-80	FP-8920119		
8	Exhaust	93-80	FP-8921347		
8	Exhaust Valve Kit	93-80	FP-23502067		Valve & valve keepers incl.
8	Intake Valve Kit	93-80	FP-23502068		Valve & valve keepers incl.
16	Valve Guide Cap	93-80	FP-5199914		Seal installer; Clear
32	Keeper	93-80	FP-23507238		1 groove; Square cut key groove
32	Keeper	93-80	VK-115		1 groove; Square cut key groove
32	Keeper	93-80	VK-115R		1 groove; Square cut key groove; Hardened
32	Keeper, Bulk	93-80	VK-115B		1 groove; Square cut key groove; Carton of 1000
QTY	VALVE GUIDE	YEARS	PART NO.	SIZE	DESCRIPTION
16	Guide	93-80	FP-VG5079T		Exh. & Int.; .3440" ID, 2.8750" O.A.L.
16	Guide	93-80	VG-5079T		Exh. & Int.; .3440" ID, 2.8750" O.A.L.
QTY	VALVE SPRING	YEARS	PART NO.	SIZE	DESCRIPTION
16	Spring	93-80	FP-8927857		Exh. & Int.
QTY	PUSH RODS	YEARS	PART NO.	SIZE	DESCRIPTION
8	Push Rod Spring	93-80	FP-8921253		
QTY	VALVE MISC.	YEARS	PART NO.	SIZE	DESCRIPTION
16	Rotocap	93-80	FP-8922369		
2	Oil Filler Cap	93-80	FP-5108474		Twist Type
QTY	VALVE SEAL	YEARS	PART NO.	SIZE	DESCRIPTION
16	Valve Stem Seal	93-80	FP-23500480		
QTY	ROCKER PARTS	YEARS	PART NO.	SIZE	DESCRIPTION
8	Expansion Plug	93-80	FP-5151272		Rocker shaft
8	Cam Follower Roller Set	93-80	FP-8923814		Injector; Incl. pin & roller
8	Cam Follower Roller Set	93-80	FP-8923813		Valve; Incl. pin & roller
ELECTRICAL					
QTY	ELECTRICAL	YEARS	PART NO.	SIZE	DESCRIPTION
1	Starting Motor Gasket	93-80	FP-5130995		
INT & EXH MANIFOLDS					
QTY	INT. & EXH. MANIFOLDS	YEARS	PART NO.	SIZE	DESCRIPTION
2	Exhaust Manifold Gasket	93-80	FP-8921817		
1	Cyl. Block Valley Cover Gskt.	93-80	FP-8920220		Front
1	Cyl. Block Valley Cover Gskt.	93-80	FP-8920246		Rear
2	Extruded Seal	93-80	FP-8920219		Side Valley Pan
3	Pipe Plug	93-80	FP-23511574		1/2" pipe thread; w/1" Square head

(continued on next page)

Ford Truck - M/D & H/D

M/D Truck 8.2, 8.2N Engs. (Fuel Pincher). H/D Truck 8.2, 8.2N Engs. (Fuel Pincher). 47
8.2L 500 OHV Diesel V8 (Fuel Pincher), 108mm Bore (Detroit Diesel Eng.) 1980-93 (cont.)

INT & EXH MANIFOLDS (cont.)

QTY	INT. & EXH. MANIFOLDS (cont.)	YEARS	PART NO.	SIZE	DESCRIPTION
2	Pipe Plug	93-80	FP-8923847		1/4" x 18 NPTF; Square head
QTY	AIR INTAKE	YEARS	PART NO.	SIZE	DESCRIPTION
2	Air Intake Housing Gasket	93-80	FP-8920247		
QTY	AIR CLEANER	YEARS	PART NO.	SIZE	DESCRIPTION
1	Air Cleaner Adapter Screen	93-80	FP-8920732		Mounting adapter
1	Air Cleaner Adapter Screen	93-80	FP-8927214		Mounting adapter; Closed breather system
1	Pipe Plug	93-80	FP-5142549		Mounting adapter; 3/4" - 14 Square Head
2	Seal & Plate Assembly	93-80	FP-8921883		Mounting adapter

CAMSHAFT GROUP

QTY	TIMING COVER	YEARS	PART NO.	SIZE	DESCRIPTION
1	Crankshaft Front Cover Gasket	93-80	FP-8920273		
1	Crankshaft Front Cover Gasket	93-80	FP-8923090		Cover to oil pan

FUEL SYSTEM & PARTS

QTY	FUEL INJECTION	YEARS	PART NO.	SIZE	DESCRIPTION
8	Fuel Injector Seal Ring	93-80	FP-8920390		
8	Injector Hole Tube Kit	93-80	FP-8925981A		
8	Injector Hole Tube Kit	93-80	FP-5149724		Injector tube seal ring incl.
8	Injector Hole Tube Kit	93-80	FP-5149724		Injector tube seal ring incl.
8	Fuel Injector	93-80	FP-5229850		4A53
8	Fuel Injector Repair Kit	93-80	FP-5229930		
4	Bracket	93-80	FP-8920350		Control tube
8	Fuel Injection Valve Cage	93-80	FP-5229726		Spring cage
8	Fuel Injection Spring Seat	93-80	FP-5228766		Valve spring seat
8	Fuel Injector Valve Spring	93-80	FP-5228596		
8	Fuel Injector Check Valve	93-80	FP-5228694		
8	Injector Plunger & Bushing	93-80	FP-5229840		4A53 & 4B55; Assembly
8	Fuel Injector Tip Kit	93-80	FP-5229727		4A53
8	Fuel Injector Tip Kit	93-80	FP-5229846		4C65
8	Nut	93-80	FP-5229720		Fuel injector valve
8	Fuel Injector Valve Kit	93-80	FP-5228769		

QTY	FUEL FILTERS & PUMP	YEARS	PART NO.	SIZE	DESCRIPTION
1	Mechanical Fuel Pump	93-80	FP-5199735		Left hand; High output; w/.375" Gear
1	Mechanical Fuel Pump	93-80	FP-5199560		Left hand; Std. output; w/.250" Gear
1	Mechanical Fuel Pump	93-80	FP-5199561		Right hand
1	Mechanical Fuel Pump	93-80	FP-5199734		Right hand; High output
1	Fuel Pump Valve Plug Gasket	93-80	FP-5161003		
1	Fuel Pump Shaft & Gear	93-80	FP-5181747		Driven; .838" Length; Std. Output
1	Fuel Pump Valve	93-80	FP-5174973		
1	Fuel Pump Coupling	93-80	FP-5154216		
1	Fuel Pump Gear	93-80	FP-5174975		.294" Width; Std. Output
1	Fuel Pump Drive Shaft	93-80	FP-5178700		Drive; 3.09" Length
1	Fuel Pump Relief Valve Spring	93-80	FP-5184530		
1	Fuel Pump Repair Part	93-80	FP-5174971		Fuel pump valve; .500" x 20 plug
1	Fuel Pump Drive Adapter Gskt.	93-80	FP-5150193		Fuel pump to block
1	Oil Seal	93-80	FP-23512243		Fuel pump
1	Fuel Pump Repair Kit	93-80	FP-5149599		w/High output fuel pump; High output; Short Shaft
1	Fuel Pump Repair Kit	93-80	FP-5195078		w/Std. fuel pump; Std. output
2	Pipe Plug	93-80	FP-5121182		Fuel filter cover; 1/4" - 18; Hex head
2	Pipe Plug	93-80	FP-8923847		Fuel filter cover; 1/4" x 18 NPTF; Square head
2	Pipe Plug	93-80	FP-8924380		Fuel pump drain; 1/8" - 27
1	Plastic Cap	93-80	FP-5136240		Fuel pump drain; .250" Dia.
2	Plastic Cap	93-80	FP-5136241		Fuel pump drain; .780" Dia., 3/8" NPTF
1	Dowel Pin	93-80	FP-103709		Fuel pump valve spring; 5/32" x 1" straight
2	Dowel Pin	93-80	FP-141195		Fuel pump body; .250" x .625"
1	Ball Brg.	93-80	FP-147481		Drive gear; .125" Dia. Steel
1	Bushing	93-80	FP-5198558		Fuel pump cover; 3/8" x 1/4"
1	Bushing	93-80	FP-5198558		Fuel pump shaft; 3/8" x 1/4"

GOVERNOR

QTY	GOVERNOR	YEARS	PART NO.	SIZE	DESCRIPTION
1	Retaining Ring	93-80	FP-9411502		Governor weight shaft end brg.
1	Governor Spring	93-80	FP-5122165		Low speed; w/One Blue Stripe
1	Governor Spring	93-80	FP-5183704		Low speed; w/Two Yellow Stripes
1	Governor Low Speed Spring Cap	93-80	FP-5103975		
1	Screw	93-80	FP-5102270		Low speed spring adjusting; .250" - 28 x 1.00"

(continued on next page)

Ford Truck - M/D & H/D

47 M/D Truck 8.2, 8.2N Engs. (Fuel Pincher). H/D Truck 8.2, 8.2N Engs. (Fuel Pincher).
 (cont.) 8.2L 500 OHV Diesel V8 (Fuel Pincher), 108mm Bore (Detroit Diesel Eng.) 1980-93

GOVERNOR (cont.)					
QTY	GOVERNOR (cont.)	YEARS	PART NO.	SIZE	DESCRIPTION
1	O-Ring	93-80	FP-5176557		Variable speed spring lever shaft packing; .477" ID x .113" Thick
2	Cylindrical Brg.	93-80	FP-148402		Variable speed spring lever shaft; .500" x .500" Dia.
4	Governor Valve Spring Shim	93-80	FP-5136590		Variable speed; .010"
2	Governor Valve Spring Shim	93-80	FP-5136591		Variable speed; .078"
1	Pin	93-80	FP-457008		Variable speed shaft pin; 3/16" x 1 1/2"
2	Governor Retainer	93-80	FP-5178581		Variable speed throttle shaft; Lower
2	Governor Retainer	93-80	FP-5144178		Variable speed throttle shaft; Upper
1	Ball Brg.	93-80	FP-9437108		Gov. Weight Riser Thrust Brg.; .354" Width
1	Ball Brg.	93-80	FP-23506244		Governor weight shaft end brg.
1	Ball Brg.	93-80	FP-9431894		Upper operating shaft
1	Governor Riser	93-80	FP-5117193		1.062" Length
1	Governor Spring Cover Gasket	93-80	FP-8922593		High speed
1	Nut	93-80	FP-5174286		Governor buffer screw; 3/8" - 24 UNF
1	Governor to Cyl. Block Gasket	93-80	FP-8920308		
1	Governor Gasket	93-80	FP-5180539		Variable speed cover; Copper material
1	Copper Washer	93-80	FP-5152148		Governor cover; 25/64" ID x 9/16" OD x 1/16" Thick; Copper
1	Copper Washer	93-80	FP-5152148		High speed spring adj. screw housing; 25/64" ID x 9/16" OD x 1/16" Thick; Copper
2	Washer	93-80	FP-5151487		Variable speed throttle shaft; 3/8" x 11/16" x .033"
1	Governor Seal Ring	93-80	FP-5101691		Variable speed throttle shaft; .362" x .113"
1	Solenoid Mounting Gasket	93-80	FP-8921033		Air shutoff mounting
1	Solenoid Plunger Assy. Gasket	93-80	FP-8927033		Air shutoff between plunger & solenoid
1	Governor Hole Gasket	93-80	FP-8920399		Control tube to cylinder head
1	Governor Cover Gasket	93-80	FP-8920290		Limiting speed
1	Retainer	93-80	FP-142583		Operating shaft lever spring; 13/64" Spring
COOLING SYSTEM					
QTY	WATER PUMP	YEARS	PART NO.	SIZE	DESCRIPTION
1	Water Pump - Heavy Duty	93-80	FP-8928672		Fresh water pump assy.; Thermostat housing not incl.
1	Water Pump Impeller	93-80	FP-8927727		Use w/Fresh water pump
1	Water Pump Impeller	93-80	FP-5193602		Use w/Raw water pump; Synthetic
1	Water Pump Repair/Rebuild Kit	93-80	FP-8928670		Fresh water pump; Incl. bearing, seal, impeller & hub
1	Water Pump Repair/Rebuild Kit	93-80	FP-8928671		Fresh water pump; Incl. bearing, seal, impeller, cover & seal ring
1	Water Pump Cover	93-80	FP-8923151		Fresh water pump
1	Water Pump Mech. Shaft Seal	93-80	FP-8927408		Fresh water pump
2	Fresh Water Outlet Elbow Gskt	93-80	FP-8920161		Right & left bank
1	Fresh Water Outlet Elbow Gskt	93-80	FP-8920083		Right bank
1	Fresh Water Pump Gasket	93-80	FP-8922132		Pump to front cover
1	Rect. or Square Seal	93-80	FP-8923152		Fresh water pump cover
1	Pipe Plug	93-80	FP-5115214		Water pump housing; 1/2" Square Head
2	Pipe Plug	93-80	FP-5142549		Water pump housing; 3/4" - 14 Square Head
1	Shaft & Bearing Assembly	93-80	FP-8920144		Fresh water pump
1	Water Pump Hub	93-80	FP-8922299		Driven hub
QTY	THERMOSTAT	YEARS	PART NO.	SIZE	DESCRIPTION
2	Thermostat	93-80	FP-3046745		
1	Thermostat Gasket	93-80	FP-8924813		For dual thermostat applications
ENGINE BLOCK & PARTS					
QTY	GASKETS	YEARS	PART NO.	SIZE	DESCRIPTION
1	Flywheel Housing Gasket	93-80	FP-8920091		
1	Oil Pan Gasket Kit	93-80	FP-5149728		
1	Washer	93-80	FP-5177773		Oil filter bypass plug; 18MM x 1.5MM
1	Washer	93-80	FP-8922349		Oil drain plug
QTY	GASKET SETS	YEARS	PART NO.	SIZE	DESCRIPTION
1	In-Frame Gasket Set	93-80	FP-PGE4127IF		In Frm.; Head gskts. will accomodate 15mm head bolts; Incl. four-piece oil pan gskt.; Premium valve stem seals incl.
1	In-Frame Gasket Set	93-80	FP-PGE4127IF		In Frm.; Head gskts. will accomodate 15mm head bolts; Incl. four-piece oil pan gskt.; Premium valve stem seals incl.
1	In-Frame Gasket Set	93-80	FP-PGE4127IF10		In Frm.; Head gskts. will accomodate 15mm head bolts; Incl. four-piece oil pan gskt.; Premium valve stem seals incl.; Incl. .010" oversized cylinder head gskts.
1	In-Frame Gasket Set	93-80	FP-PGE4127IF10		In Frm.; Head gskts. will accomodate 15mm head bolts; Incl. four-piece oil pan gskt.; Premium valve stem seals incl.; Incl. .010" oversized cylinder head gskts.
1	In-Frame Gasket Set	93-80	PGE4127-IF +		In Frm.; Head gskts. will accomodate 15mm head bolts; Incl. four-piece oil pan gskt.; Premium valve stem seals incl.; When depleted use FP-PGE4127IF
1	In-Frame Gasket Set	93-80	PGE4127-IF 10 +		Incl. .010" oversized cylinder head gskts.; When depleted use FP-PGE4127IF10

(continued on next page)

Ford Truck - M/D & H/D

M/D Truck 8.2, 8.2N Engs. (Fuel Pincher). H/D Truck 8.2, 8.2N Engs. (Fuel Pincher). 47
 8.2L 500 OHV Diesel V8 (Fuel Pincher), 108mm Bore (Detroit Diesel Eng.) 1980-93 (cont.)

ENGINE BLOCK & PARTS (cont.)

QTY	GASKET SETS (cont.)	YEARS	PART NO.	SIZE	DESCRIPTION
1	Complete Overhaul Gasket Set	93-80	FP-8924126		Crankshaft seals & valve cover gskts. not incl.
1	Complete Overhaul Gasket Set	93-80	FP-8924126CB		Crankshaft seals not incl.; Incl. front seal & 9 hole valve cover gskt. for valve covers w/breather
1	Complete Overhaul Gasket Set	93-80	FP-PGE4126		Head gskts. not incl.
1	Complete Overhaul Gasket Set	93-80	PGE4126 +		Head gskts. not incl.; When depleted use FP-PGE4126
1	Complete Overhaul Gasket Set	93-80	FP-892412610		Incl. .010" oversized cylinder head gskt.; Crankshaft seals & valve cover gskts. not incl.
1	Complete Overhaul Gasket Set	93-80	FP-8924126C10		Incl. .010" oversized cylinder head gskt.; Rear crankshaft seals not incl.; Incl. front seal & 11 hole valve cover gskts. for valve covers w/o breather
1	Complete Overhaul Gasket Set	93-80	FP-PGE4126C10		Incl. .010" oversized cylinder head gskts., crankshaft seals, & valve cover gskts. for valve covers w/o breathers
1	Complete Overhaul Gasket Set	93-80	PGE4126C 10 +		Incl. .010" oversized cylinder head gskts., crankshaft seals, & valve cover gskts. for valve covers w/o breathers; When depleted use FP-PGE4126C10
1	Complete Overhaul Gasket Set	93-80	FP-8924126WS		Incl. bi-directional crank seals
1	Complete Overhaul Gasket Set	93-80	FP-8924126C		Rear crankshaft seals not incl.; Incl. front seal & 11 hole valve cover gskt. for valve covers w/o breather
QTY	CAM BEARINGS	YEARS	PART NO.	SIZE	DESCRIPTION
1	Cam Set	93-80	FP-8922110	STD	
QTY	OIL COOLERS & FILTERS	YEARS	PART NO.	SIZE	DESCRIPTION
1	Oil Cooler	93-80	FP-8547194		4 plate
1	O-Ring	93-80	FP-8920849		Adapter to block; .487" ID x .6875" OD
1	Rect. or Square Seal	93-80	FP-8920180		Adapter to block; 18.82MM ID x 3.175MM Thick
1	Copper Washer	93-80	FP-5152148		Adapter; 25/64" ID x 9/16" OD x 1/16" Thick; Copper
QTY	FREEZE PLUGS	YEARS	PART NO.	SIZE	DESCRIPTION
2	Pipe Plug	93-80	FP-5115214		1/2" Square Head
1	Pipe Plug	93-80	FP-8924380		1/8" - 27
QTY	DIPSTICK	YEARS	PART NO.	SIZE	DESCRIPTION
1	Dipstick	93-80	FP-8920462		478.0MM to top of cap
QTY	MISCELLANEOUS	YEARS	PART NO.	SIZE	DESCRIPTION
2	Pipe Plug	93-80	FP-5115214		1/2" Square Head
1	Pipe Plug	93-80	FP-8924380		1/8" - 27
CRANKSHAFT/OIL PUMP					
QTY	SEALS - FRONT CRANK	YEARS	PART NO.	SIZE	DESCRIPTION
1	Oil Seal	93-80	FP-8920200		Single lip
1	Redi-Sleeve	93-80	99250		
1	Oil Seal	93-80	473476		
QTY	SEALS - REAR CRANK	YEARS	PART NO.	SIZE	DESCRIPTION
1	Oil Seal	93-80	FP-8926761		Std.; Single lip; R.H. Rotation
1	Oil Seal	93-80	FP-8923654		Use w/FP-8923655; O.S.; Single lip; R.H. Rotation
1	Oil Seal	93-80	455956H		
1	Wear Sleeve	93-80	FP-8923655		Rear; Use w/FP-8923654
QTY	MAIN BEARINGS	YEARS	PART NO.	SIZE	DESCRIPTION
1	Main Set	93-80	FP-5099M	Std-25-50MM	
1	Main Set	93-80	FP-5099M25MM	Std-25-50MM	
1	Main Set	93-80	FP-5099M50MM	Std-25-50MM	
4	Plain Main Brg.	93-80	FP-8921712	STD	Position 1-2-3-5
4	Plain Main Brg.	93-80	FP-8924704	.25MM	Position 1-2-3-5
1	Flanged Main Brg.	93-80	FP-8922948	STD	Position 4
1	Flanged Main Brg.	93-80	FP-8924705	.25MM	Position 4
10	Bolt	93-80	FP-8922200		M12 x 1.75 x 70.0MM
QTY	OIL PUMP	YEARS	PART NO.	SIZE	DESCRIPTION
1	Bushing	93-80	FP-8922093		Oil pump; Unfinished
3	Bolt	93-80	FP-11504822		Oil filter adapter; M8 x 1.25 x 30MM
2	O-Ring	93-80	FP-8920849		Oil filter adapter; .487" ID x .6875" OD
1	Oil Pump Intake Gasket	93-80	FP-5126473		Oil pick up tube
4	Rect. or Square Seal	93-80	FP-8920180		Oil filter adapter; 18.82MM ID x 3.175MM Thick
1	Oil Pump Drive Bushing	93-80	FP-8927784		Oil pump; Finished
1	Gasket	93-80	FP-5575086		Oil pressure regulator plug
4	Pipe Plug	93-80	FP-5115214		1/2" Square Head
1	Oil Pressure Regulator Valve	93-80	FP-8926365		

(continued on next page)

Ford Truck - M/D & H/D

47 M/D Truck 8.2, 8.2N Engs. (Fuel Pincher). H/D Truck 8.2, 8.2N Engs. (Fuel Pincher).
(cont.) 8.2L 500 OHV Diesel V8 (Fuel Pincher), 108mm Bore (Detroit Diesel Eng.) 1980-93

CYLINDER COMPONENTS					
QTY	LINERS	YEARS	PART NO.	SIZE	DESCRIPTION
8	Repair Sleeve	93-80	FP-8924716		
QTY	PISTONS	YEARS	PART NO.	SIZE	DESCRIPTION
8	Piston Body w/o Pin	93-80	FP-8921605	STD	18.8:1 C.R.; Grade A; White dot OE identification
8	Piston Body w/o Pin	93-80	FP-8922234	STD	18.8:1 C.R.; Grade B; Black dot OE identification
8	Piston Body w/o Pin	93-80	FP-8922236	STD	18.8:1 C.R.; Grade C; Yellow dot OE identification
8	Piston Body w/o Pin	93-80	FP-8928520	STD	18.8:1 C.R.; Grade D; No dot OE identification
8	Piston Body w/o Pin	93-80	FP-8922452	10	18.8:1 C.R.; Grade E
8	Piston Body w/o Pin	93-80	FP-8922453	20	18.8:1 C.R.; Grade E
8	Piston Body w/o Pin	93-80	FP-892160530	30	18.8:1 C.R.; Grade E
8	Piston Kit w/Pin & Retainers	93-80	FP-PK8921605	STD	
8	Piston Kit w/Pin & Retainers	93-80	FP-PK8922452	10	
8	Piston Kit w/Pin & Retainers	93-80	FP-PK8922453	20	
8	Piston Kit w/Pin & Retainers	93-80	FP-PK892160530	30	
8	Pin	93-80	FP-8925717		
16	Piston Pin Retainer	93-80	FP-8922977		
8	Pin Bushing	93-80	FP-8920078		
QTY	CONNECTING RODS & BRGS.	YEARS	PART NO.	SIZE	DESCRIPTION
16	Con. Rod Bolt	85-80	FP-8920087		7/16" - 20 x 2.58"
8	Rod Pair	93-80	FP-8921714	STD	
8	Rod Pair	93-80	FP-8924703	.25MM	
8	Rod Pair	93-80	FP-892171420	.50MM	
8	Rod Pair	93-80	FP-892171430	.75MM	
QTY	PISTON RINGS	YEARS	PART NO.	SIZE	DESCRIPTION
8	Ring Set Single Cylinder	93-80	FP-8921721	STD	2-2.50MM, 1-4.50MM
8	Ring Set Single Cylinder	93-80	FP-8923779	5	2-2.50MM, 1-4.50MM
8	Ring Set Single Cylinder	93-80	FP-8923917	10	2-2.50MM, 1-4.50MM
8	Ring Set Single Cylinder	93-80	FP-8923919	20	2-2.50MM, 1-4.50MM
8	Ring Set Single Cylinder	93-80	FP-892172130	30	2-2.50MM, 1-4.50MM
1	Premium Set	93-80	FP-8921721S	STD	2-2.50MM, 1-4.50MM
1	Premium Set	93-80	FP-8921721S30	30	2-2.50MM, 1-4.50MM
8	Premium Single Cylinder Set	93-80	WE-499KC + Std-30		2-2.50MM, 1-4.50MM; When depleted use FP-8921721
KITS					
QTY	OVERHAUL KIT	YEARS	PART NO.	SIZE	DESCRIPTION
1	Piston and Ring Kit	93-80	PK1-2666		
1	Piston and Ring Kit w/Bearing	93-80	PK2-2666		
1	Piston Kit w/Ring Set	93-80	FP-PK12666		
1	Piston Kit w/Rings & Bearings	93-80	FP-PK22666		
1	In-Frame Overhaul Kit	93-80	FP-82NA		Pistons & main brgs. not incl.
1	Complete Overhaul Kit	93-80	FP-82NAOH		Incl. cam brg. set
48 M/D Truck 8.2T Eng. (Fuel Pincher) 8.2L 500 OHV Turbo-Diesel V8 (Fuel Pincher), 108mm Bore (Detroit Diesel Eng.) 1980-88					
CYL. HEAD & PARTS					
QTY	GASKETS	YEARS	PART NO.	SIZE	DESCRIPTION
2	Valve Cover Gasket	88-80	FP-8920271		w/o Breather
2	Valve Cover Gasket	88-80	FP-8926675		w/Breather
2	Head Gasket	88-80	FP-8923848		
1	Head Set	88-80	FP-8924127		
1	Head Set	88-80	FP-892412710		Incl. .010" oversized cylinder head gskt.; Valve cover gskt. not incl.
1	Head Set	88-80	FP-8924127V		Incl. 11 hole valve cover gskts. for valve covers w/o breather
1	Head Set	88-80	FP-8924127VB		Incl. 9 hole valve cover gskts. for valve covers w/breather
1	Multiple Cyl. Head Gskt. Set	88-80	FP-8924127MV		Incl. 11 hole valve cover gskts. for valve covers w/o breather
1	Multiple Cyl. Head Gskt. Set	88-80	FP-8924127MVB		Incl. 9 hole valve cover gskts. for valve covers w/breather
1	Breather Seal Ring	88-80	FP-8921294		
QTY	HEAD BOLTS	YEARS	PART NO.	SIZE	DESCRIPTION
10	Head Bolt	88-80	FP-23500463		M15 x 2.0 x 128MM; 12 Point head
10	Head Bolt	88-80	FP-23500462		M15 x 2.0 x 158MM; 12 Point head
2	Head Bolt Set	88-80	FP-2602522		Replacement recommended; 15MM bolts only
2	Head Bolt Set	88-80	260-2522 +		Replacement recommended; 15MM bolts only; When depleted use FP-2602522
2	Head Bolt Set	88-80	FP-2602522		Replacement recommended; 15MM bolts only
20	Washer	88-80	FP-8921876		To Ser. No. 8G138422; Exc. Marine applications

(continued on next page)

Ford Truck - M/D & H/D

M/D Truck 8.2T Eng. (Fuel Pincher) 48
8.2L 500 OHV Turbo-Diesel V8 (Fuel Pincher), 108mm Bore (Detroit Diesel Eng.) 1980-88 (cont.)

CYL. HEAD & PARTS (cont.)

QTY	MISCELLANEOUS	YEARS	PART NO.	SIZE	DESCRIPTION
2	Hose Clamp	85-80	FP-5186840		Breather pipe; 13/16" - 1 1/2" Clamping Range
QTY	VALVE	YEARS	PART NO.	SIZE	DESCRIPTION
8	Intake	88-80	FP-8920119		
8	Exhaust	88-80	FP-8921347		
8	Exhaust Valve Kit	88-80	FP-23502067		Valve & valve keepers incl.
8	Intake Valve Kit	88-80	FP-23502068		Valve & valve keepers incl.
16	Valve Guide Cap	88-80	FP-5199914		Seal installer; Clear
32	Keeper	88-80	FP-23507238		1 groove; Square cut key groove
32	Keeper	88-80	VK-115		1 groove; Square cut key groove
32	Keeper	88-80	VK-115R		1 groove; Square cut key groove; Hardened
32	Keeper, Bulk	88-80	VK-115B		1 groove; Square cut key groove; Carton of 1000
QTY	VALVE GUIDE	YEARS	PART NO.	SIZE	DESCRIPTION
16	Guide	88-80	FP-VG5079T		Exh. & Int.; .3440" ID, 2.8750" O.A.L.
16	Guide	88-80	VG-5079T		Exh. & Int.; .3440" ID, 2.8750" O.A.L.
QTY	VALVE SPRING	YEARS	PART NO.	SIZE	DESCRIPTION
16	Spring	88-80	FP-8927857		Exh. & Int.
QTY	PUSH RODS	YEARS	PART NO.	SIZE	DESCRIPTION
8	Push Rod Spring	88-80	FP-8921253		
QTY	VALVE MISC.	YEARS	PART NO.	SIZE	DESCRIPTION
16	Rotocap	88-80	FP-8922369		
2	Oil Filler Cap	88-80	FP-5108474		Twist Type
QTY	VALVE SEAL	YEARS	PART NO.	SIZE	DESCRIPTION
16	Valve Stem Seal	88-80	FP-23500480		
QTY	ROCKER PARTS	YEARS	PART NO.	SIZE	DESCRIPTION
8	Expansion Plug	88-80	FP-5151272		Rocker shaft
8	Cam Follower Roller Set	88-80	FP-8923814		Injector; Incl. pin & roller
8	Cam Follower Roller Set	88-80	FP-8923813		Valve; Incl. pin & roller
ELECTRICAL					
QTY	ELECTRICAL	YEARS	PART NO.	SIZE	DESCRIPTION
1	Starting Motor Gasket	88-80	FP-5130995		
INT & EXH MANIFOLDS					
QTY	INT. & EXH. MANIFOLDS	YEARS	PART NO.	SIZE	DESCRIPTION
2	Exhaust Manifold Gasket	88-80	FP-8921817		
1	Cyl. Block Valley Cover Gskt.	88-80	FP-8920220		Front
1	Cyl. Block Valley Cover Gskt.	88-80	FP-8920246		Rear
2	Extruded Seal	88-80	FP-8920219		Side Valley Pan
2	Pipe Plug	88-80	FP-23511574		Exh. outlet adapter; 1/2" pipe thread; w/1" Square head
2	Pipe Plug	88-80	FP-8923847		Exh. outlet adapter; 1/4" x 18 NPTF; Square head
QTY	AIR INTAKE	YEARS	PART NO.	SIZE	DESCRIPTION
2	Air Intake Housing Gasket	88-80	FP-8920247		
QTY	AIR CLEANER	YEARS	PART NO.	SIZE	DESCRIPTION
1	Air Cleaner Adapter Screen	88-80	FP-8920732		Mounting adapter
1	Pipe Plug	88-80	FP-5142549		Mounting adapter; 3/4" - 14 Square Head
2	Air Cleaner Mtg. Adapter Gskt	88-80	FP-5127247		
CAMSHAFT GROUP					
QTY	TIMING COVER	YEARS	PART NO.	SIZE	DESCRIPTION
1	Crankshaft Front Cover Gasket	88-80	FP-8920273		
1	Crankshaft Front Cover Gasket	88-80	FP-8923090		Cover to oil pan
FUEL SYSTEM & PARTS					
QTY	FUEL INJECTION	YEARS	PART NO.	SIZE	DESCRIPTION
8	Fuel Injector Seal Ring	88-80	FP-8920390		
8	Fuel Injector Seal Ring	88-80	FP-8920390		
8	Injector Hole Tube Kit	88-80	FP-8925981A		
8	Injector Hole Tube Kit	88-80	FP-5149724		Injector tube seal ring incl.
8	Injector Hole Tube Kit	88-80	FP-5149724		Injector tube seal ring incl.
8	Fuel Injector	88-80	FP-5229850		4A53
8	Fuel Injector Repair Kit	88-80	FP-5229930		
4	Bracket	88-80	FP-8920350		Control tube
8	Fuel Injection Valve Cage	88-80	FP-5229726		Spring cage
8	Fuel Injection Spring Seat	88-80	FP-5228766		Valve spring seat
8	Fuel Injector Valve Spring	88-80	FP-5228596		
8	Fuel Injector Check Valve	88-80	FP-5228694		

(continued on next page)

Ford Truck - M/D & H/D

48 M/D Truck 8.2T Eng. (Fuel Pincher)

(cont.) 8.2L 500 OHV Turbo-Diesel V8 (Fuel Pincher), 108mm Bore (Detroit Diesel Eng.) 1980-88

FUEL SYSTEM & PARTS (cont.)

QTY	FUEL INJECTION (cont.)	YEARS	PART NO.	SIZE	DESCRIPTION
8	Injector Plunger & Bushing	88-80	FP-5229840		4A53 & 4B55; Assembly
8	Fuel Injector Tip Kit	88-80	FP-5229727		4A53
8	Fuel Injector Tip Kit	88-80	FP-5229846		4C65
8	Nut	88-80	FP-5229720		Fuel injector valve
8	Fuel Injector Valve Kit	88-80	FP-5228769		
QTY	FUEL FILTERS & PUMP	YEARS	PART NO.	SIZE	DESCRIPTION
1	Mechanical Fuel Pump	88-80	FP-5199735		Left hand; High output; w/.375" Gear
1	Mechanical Fuel Pump	88-80	FP-5199560		Left hand; Std. output; w/.250" Gear
1	Mechanical Fuel Pump	88-80	FP-5199561		Right hand
1	Mechanical Fuel Pump	88-80	FP-5199734		Right hand; High output
1	Fuel Pump Valve Plug Gasket	88-80	FP-5161003		
1	Fuel Pump Shaft & Gear	88-80	FP-5181747		Driven; .838" Length; Std. Output
1	Fuel Pump Valve	88-80	FP-5174973		
1	Fuel Pump Coupling	88-80	FP-5154216		
1	Fuel Pump Gear	88-80	FP-5174975		.294" Width; Std. Output
1	Fuel Pump Drive Shaft	88-80	FP-5178700		Drive; 3.09" Length
1	Fuel Pump Relief Valve Spring	88-80	FP-5184530		
1	Fuel Pump Repair Part	88-80	FP-5174971		Fuel pump valve; .500" x 20 plug
1	Fuel Pump Drive Adapter Gskt.	88-80	FP-5150193		Fuel pump to block
1	Oil Seal	88-80	FP-23512243		Fuel pump
1	Fuel Pump Repair Kit	88-80	FP-5149599		w/High output fuel pump; High output; Short Shaft
1	Fuel Pump Repair Kit	88-80	FP-5195078		w/Std. fuel pump; Std. output
2	Pipe Plug	88-80	FP-5121182		Fuel filter cover; 1/4" - 18; Hex head
2	Pipe Plug	88-80	FP-8923847		Fuel filter cover; 1/4" x 18 NPTF; Square head
2	Pipe Plug	88-80	FP-8924380		Fuel pump drain; 1/8" - 27
1	Plastic Cap	88-80	FP-5136240		Fuel pump drain; .250" Dia.
2	Plastic Cap	88-80	FP-5136241		Fuel pump drain; .780" Dia., 3/8" NPTF
1	Dowel Pin	88-80	FP-103709		Fuel pump valve spring; 5/32" x 1" straight
2	Dowel Pin	88-80	FP-141195		Fuel pump body; .250" x .625"
1	Ball Brg.	88-80	FP-147481		Drive gear; .125" Dia. Steel
1	Bushing	88-80	FP-5198558		Fuel pump cover; 3/8" x 1/4"
1	Bushing	88-80	FP-5198558		Fuel pump shaft; 3/8" x 1/4"
QTY	TURBOCHARGER	YEARS	PART NO.	SIZE	DESCRIPTION
1	O-Ring	88-80	FP-8920203		Air inlet elbow
1	Sealing Ring	88-80	FP-8923184		Mounting hole cover
GOVERNOR					
QTY	GOVERNOR	YEARS	PART NO.	SIZE	DESCRIPTION
1	Retaining Ring	88-80	FP-9411502		Governor weight shaft end brg.
1	Governor Spring	88-80	FP-5122165		Low speed; w/One Blue Stripe
1	Governor Spring	88-80	FP-5183704		Low speed; w/Two Yellow Stripes
1	Governor Low Speed Spring Cap	88-80	FP-5103975		
1	Screw	88-80	FP-5102270		Low speed spring adjusting; .250" - 28 x 1.00"
1	O-Ring	88-80	FP-5176557		Variable speed spring lever shaft packing; .477" ID x .113" Thick
2	Cylindrical Brg.	88-80	FP-148402		Variable speed spring lever shaft; .500" x .500" Dia.
4	Governor Valve Spring Shim	88-80	FP-5136590		Variable speed; .010"
2	Governor Valve Spring Shim	88-80	FP-5136591		Variable speed; .078"
1	Pin	88-80	FP-457008		Variable speed shaft pin; 3/16" x 1 1/2"
2	Governor Retainer	88-80	FP-5178581		Variable speed throttle shaft; Lower
2	Governor Retainer	88-80	FP-5144178		Variable speed throttle shaft; Upper
1	Ball Brg.	88-80	FP-9437108		Gov. Weight Riser Thrust Brg.; .354" Width
1	Ball Brg.	88-80	FP-23506244		Governor weight shaft end brg.
1	Ball Brg.	88-80	FP-9431894		Upper operating shaft
1	Governor Riser	88-80	FP-5117193		1.062" Length
1	Governor Spring Cover Gasket	88-80	FP-8922593		High speed
1	Nut	88-80	FP-5174286		Governor buffer screw; 3/8" - 24 UNF
1	Governor to Cyl. Block Gasket	88-80	FP-8920308		
1	Governor Gasket	88-80	FP-5180539		Variable speed cover; Copper material
1	Copper Washer	88-80	FP-5152148		Governor cover; 25/64" ID x 9/16" OD x 1/16" Thick; Copper
1	Copper Washer	88-80	FP-5152148		High speed spring adj. screw housing; 25/64" ID x 9/16" OD x 1/16" Thick; Copper
2	Washer	88-80	FP-5151487		Variable speed throttle shaft; 3/8" x 11/16" x .033"
1	Governor Seal Ring	88-80	FP-5101691		Variable speed throttle shaft; .362" x .113"
1	Solenoid Mounting Gasket	88-80	FP-8921033		Air shutoff mounting
1	Solenoid Plunger Assy. Gasket	88-80	FP-8927033		Air shutoff between plunger & solenoid
1	Governor Hole Gasket	88-80	FP-8920399		Control tube to cylinder head
1	Governor Cover Gasket	88-80	FP-8920290		Limiting speed
1	Retainer	88-80	FP-142583		Operating shaft lever pin; 13/64" Spring

(continued on next page)

Ford Truck - M/D & H/D

M/D Truck 8.2T Eng. (Fuel Pincher) 48
8.2L 500 OHV Turbo-Diesel V8 (Fuel Pincher), 108mm Bore (Detroit Diesel Eng.) 1980-88 (cont.)

COOLING SYSTEM

QTY	WATER PUMP	YEARS	PART NO.	SIZE	DESCRIPTION
1	Water Pump - Heavy Duty	88-80	FP-8928672		Fresh water pump assy.; Thermostat housing not incl.
1	Water Pump Impeller	88-80	FP-8927727		Use w/Fresh water pump
1	Water Pump Impeller	88-80	FP-5193602		Use w/Raw water pump; Synthetic
1	Water Pump Repair/Rebuild Kit	88-80	FP-8928670		Fresh water pump; Incl. bearing, seal, impeller & hub
1	Water Pump Repair/Rebuild Kit	88-80	FP-8928671		Fresh water pump; Incl. bearing, seal, impeller, cover & seal ring
1	Water Pump Cover	88-80	FP-8923151		Fresh water pump
1	Water Pump Mech. Shaft Seal	88-80	FP-8927408		Fresh water pump
2	Fresh Water Outlet Elbow Gskt	88-80	FP-8920161		Right & left bank
1	Fresh Water Outlet Elbow Gskt	88-80	FP-8920083		Right bank
1	Fresh Water Pump Gasket	88-80	FP-8922132		Pump to front cover
1	Rect. or Square Seal	88-80	FP-8923152		Fresh water pump cover
1	Pipe Plug	88-80	FP-5115214		Water pump housing; 1/2" Square Head
2	Pipe Plug	88-80	FP-5142549		Water pump housing; 3/4" - 14 Square Head
1	Shaft & Bearing Assembly	88-80	FP-8920144		Fresh water pump
1	Water Pump Hub	88-80	FP-8922299		Driven hub

QTY	THERMOSTAT	YEARS	PART NO.	SIZE	DESCRIPTION
2	Thermostat	88-80	FP-3046745		
1	Thermostat Gasket	88-80	FP-8924813		For dual thermostat applications

ENGINE BLOCK & PARTS

QTY	GASKETS	YEARS	PART NO.	SIZE	DESCRIPTION
1	Flywheel Housing Gasket	88-80	FP-8920091		
1	Oil Pan Gasket Kit	88-80	FP-5149728		
1	Washer	88-80	FP-5177773		Oil filter bypass plug; 18MM x 1.5MM
1	Washer	88-80	FP-8922349		Oil drain plug

QTY	GASKET SETS	YEARS	PART NO.	SIZE	DESCRIPTION
1	In-Frame Gasket Set	88-80	FP-PGE4127IF		In Frm.; Head gskts. will accommodate 15mm head bolts; Incl. four-piece oil pan gskt.; Premium valve stem seals incl.
1	In-Frame Gasket Set	88-80	FP-PGE4127IF		In Frm.; Head gskts. will accommodate 15mm head bolts; Incl. four-piece oil pan gskt.; Premium valve stem seals incl.
1	In-Frame Gasket Set	88-80	FP-PGE4127IF10		In Frm.; Head gskts. will accommodate 15mm head bolts; Incl. four-piece oil pan gskt.; Premium valve stem seals incl.; Incl. .010" oversized cylinder head gskts.
1	In-Frame Gasket Set	88-80	FP-PGE4127IF10		In Frm.; Head gskts. will accommodate 15mm head bolts; Incl. four-piece oil pan gskt.; Premium valve stem seals incl.; Incl. .010" oversized cylinder head gskts.
1	In-Frame Gasket Set	88-80	PGE4127-IF +		In Frm.; Head gskts. will accommodate 15mm head bolts; Incl. four-piece oil pan gskt.; Premium valve stem seals incl.; When depleted use FP-PGE4127IF
1	In-Frame Gasket Set	88-80	PGE4127-IF 10 +		Incl. .010" oversized cylinder head gskts.; When depleted use FP-PGE4127IF10
1	Complete Overhaul Gasket Set	88-80	FP-8924126		Crankshaft seals & valve cover gskts. not incl.
1	Complete Overhaul Gasket Set	88-80	FP-8924126CB		Crankshaft seals not incl.; Incl. front seal & 9 hole valve cover gskt. for valve covers w/breather
1	Complete Overhaul Gasket Set	88-80	FP-PGE4126		Head gskts. not incl.
1	Complete Overhaul Gasket Set	88-80	PGE4126 +		Head gskts. not incl.; When depleted use FP-PGE4126
1	Complete Overhaul Gasket Set	88-80	FP-892412610		Incl. .010" oversized cylinder head gskt.; Crankshaft seals & valve cover gskts. not incl.
1	Complete Overhaul Gasket Set	88-80	FP-8924126C10		Incl. .010" oversized cylinder head gskt.; Rear crankshaft seals not incl.; Incl. front seal & 11 hole valve cover gskts. for valve covers w/o breather
1	Complete Overhaul Gasket Set	88-80	FP-PGE4126C10		Incl. .010" oversized cylinder head gskts., crankshaft seals, & valve cover gskts. for valve covers w/o breathers
1	Complete Overhaul Gasket Set	88-80	PGE4126C 10 +		Incl. .010" oversized cylinder head gskts., crankshaft seals, & valve cover gskts. for valve covers w/o breathers; When depleted use FP-PGE4126C10
1	Complete Overhaul Gasket Set	88-80	FP-8924126WS		Incl. bi-directional crank seals
1	Complete Overhaul Gasket Set	88-80	FP-8924126C		Rear crankshaft seals not incl.; Incl. front seal & 11 hole valve cover gskt. for valve covers w/o breather

QTY	CAM BEARINGS	YEARS	PART NO.	SIZE	DESCRIPTION
1	Cam Set	88-80	FP-8922110	STD	

QTY	OIL COOLERS & FILTERS	YEARS	PART NO.	SIZE	DESCRIPTION
1	Oil Cooler	88-80	FP-8547194		4 plate
1	O-Ring	88-80	FP-8920849		Adapter to block; .487" ID x .6875" OD
1	Rect. or Square Seal	88-80	FP-8920180		Adapter to block; 18.82MM ID x 3.175MM Thick
1	Copper Washer	88-80	FP-5152148		Adapter; 25/64" ID x 9/16" OD x 1/16" Thick; Copper

QTY	FREEZE PLUGS	YEARS	PART NO.	SIZE	DESCRIPTION
2	Pipe Plug	88-80	FP-5115214		1/2" Square Head

(continued on next page)

+ Superseded Part Number

Ford Truck - M/D & H/D

48 M/D Truck 8.2T Eng. (Fuel Pincher)

(cont.) 8.2L 500 OHV Turbo-Diesel V8 (Fuel Pincher), 108mm Bore (Detroit Diesel Eng.) 1980-88

ENGINE BLOCK & PARTS (cont.)					
QTY		YEARS	PART NO.	SIZE	DESCRIPTION
1	FREEZE PLUGS (cont.) Pipe Plug	88-80	FP-8924380		1/8" - 27
1	DIPSTICK Dipstick	88-80	FP-8920462		478.0MM to top of cap
2	MISCELLANEOUS Pipe Plug	88-80	FP-5115214		1/2" Square Head
1	Pipe Plug	88-80	FP-8924380		1/8" - 27
CRANKSHAFT/OIL PUMP					
1	SEALS - FRONT CRANK Oil Seal	88-80	FP-8920200		Single lip
1	Redi-Sleeve	88-80	99250		
1	Oil Seal	88-80	473476		
1	SEALS - REAR CRANK Oil Seal	88-80	FP-8926761		Std.; Single lip; R.H. Rotation
1	Oil Seal	88-80	FP-8923654		Use w/FP-8923655; O.S.; Single lip; R.H. Rotation
1	Oil Seal	88-80	455956H		
1	Wear Sleeve	88-80	FP-8923655		Rear; Use w/FP-8923654
1	MAIN BEARINGS Main Set	88-80	FP-5099M	Std-25-50MM	
1	Main Set	88-80	FP-5099M25MM	Std-25-50MM	
1	Main Set	88-80	FP-5099M50MM	Std-25-50MM	
4	Plain Main Brg.	88-80	FP-8921712	STD	Position 1-2-3-5
4	Plain Main Brg.	88-80	FP-8924704	.25MM	Position 1-2-3-5
1	Flanged Main Brg.	88-80	FP-8922948	STD	Position 4
1	Flanged Main Brg.	88-80	FP-8924705	.25MM	Position 4
10	Bolt	88-80	FP-8922200		Main bearing cap; M12 x 1.75 x 70.0MM
1	OIL PUMP Bushing	88-80	FP-8922093		Oil pump; Unfinished
3	Bolt	88-80	FP-11504822		Oil filter adapter; M8 x 1.25 x 30MM
2	O-Ring	88-80	FP-8920849		Oil filter adapter; .487" ID x .6875" OD
1	Oil Pump Intake Gasket	88-80	FP-5126473		Oil pick up tube
4	Rect. or Square Seal	88-80	FP-8920180		Oil filter adapter; 18.82MM ID x 3.175MM Thick
1	Oil Pump Drive Bushing	88-80	FP-8927784		Oil pump; Finished
1	Gasket	88-80	FP-5575086		Oil pressure regulator plug
4	Pipe Plug	88-80	FP-5115214		Oil filter adapter; 1/2" Square Head
1	Oil Pressure Regulator Valve	88-80	FP-8926365		
CYLINDER COMPONENTS					
8	LINERS Repair Sleeve	88-80	FP-8924716		
8	PISTONS Piston Body w/o Pin	88-80	FP-8925818	STD	17.4:1 C.R.; Grade A; White dot OE identification
8	Piston Body w/o Pin	88-80	FP-8925819	STD	17.4:1 C.R.; Grade B; Black dot OE identification
8	Piston Body w/o Pin	88-80	FP-8925820	STD	17.4:1 C.R.; Grade C; Yellow dot OE identification
8	Piston Body w/o Pin	88-80	FP-8928521	STD	17.4:1 C.R.; Grade D; No dot OE identification
8	Piston Body w/o Pin	88-80	FP-8925816	10	17.4:1 C.R.; Grade E
8	Piston Body w/o Pin	88-80	FP-8925817	20	17.4:1 C.R.; Grade E
8	Piston Body w/o Pin	88-80	FP-892581830	30	17.4:1 C.R.; Grade E
8	Piston Kit w/Pin & Retainers	88-80	FP-PK8925818	STD	
8	Piston Kit w/Pin & Retainers	88-80	FP-PK8925816	10	
8	Piston Kit w/Pin & Retainers	88-80	FP-PK8925817	20	
8	Piston Kit w/Pin & Retainers	88-80	FP-PK892581830	30	
8	Pin	88-80	FP-8925717		
8	Pin Bushing	88-80	FP-8920078		
16	CONNECTING RODS & BRGS. Con. Rod Bolt	85-80	FP-8920087		7/16" - 20 x 2.58"
8	Rod Pair	88-80	FP-8921714	STD	
8	Rod Pair	88-80	FP-8924703	.25MM	
8	Rod Pair	88-80	FP-892171420	.50MM	
8	Rod Pair	88-80	FP-892171430	.75MM	
8	PISTON RINGS Ring Set Single Cylinder	88-80	FP-8923780	5	
8	Ring Set Single Cylinder	88-80	FP-8923918	10	

(continued on next page)

Ford Truck - M/D & H/D

M/D Truck 8.2T Eng. (Fuel Pincher) 48
8.2L 500 OHV Turbo-Diesel V8 (Fuel Pincher), 108mm Bore (Detroit Diesel Eng.) 1980-88 (cont.)

CYLINDER COMPONENTS (cont.)

QTY	PISTON RINGS (cont.)	YEARS	PART NO.	SIZE	DESCRIPTION
8	Ring Set Single Cylinder	88-80	FP-8923920	20	
8	Ring Set Single Cylinder	88-80	FP-8921722	STD	1-3.00MM, 1-2.50MM, 1-4.50MM
8	Ring Set Single Cylinder	88-80	FP-892172230	30	1-3.00MM, 1-2.50MM, 1-4.50MM
1	Premium Set	88-80	FP-8921722S	STD	1-3.00MM, 1-2.50MM, 1-4.50MM
1	Premium Set	88-80	FP-8921722S30	30	1-3.00MM, 1-2.50MM, 1-4.50MM
8	Premium Single Cylinder Set	88-80	WE-500KC	Std-30	1-3.00MM, 1-2.50MM, 1-4.50MM

KITS

QTY	OVERHAUL KIT	YEARS	PART NO.	SIZE	DESCRIPTION
1	Piston and Ring Kit	88-80	PK1-2667		When depleted use FP-PK12667
1	Piston and Ring Kit w/Bearing	88-80	PK2-2667		When depleted use FP-PK22667
1	Piston Kit w/Ring Set	88-80	FP-PK12667		
1	Piston Kit w/Rings & Bearings	88-80	FP-PK22667		
1	In-Frame Overhaul Kit	88-80	FP-82T		Pistons & main brgs. not incl.
1	Complete Overhaul Kit	88-80	FP-82TOH		Cam brg. set incl.

M/D Truck FD1460, 6CTA8.3 Eng. 49
8.3L 505 OHV Turbo-Diesel L6, 114mm Bore (Cummins Eng.) 1992-97

CYL. HEAD & PARTS

QTY	GASKETS	YEARS	PART NO.	SIZE	DESCRIPTION
1	Valve Cover Gasket	97-92	FP-3905449		
1	Head Set	97-92	FP-4025271		Incl. valve stem seals
QTY	HEAD BOLTS	YEARS	PART NO.	SIZE	DESCRIPTION
14	Head Bolt	97-92	FP-3917728		M14 X 2.00 X 160
12	Head Bolt	97-92	FP-3917729		M14 X 2.00 X 80
QTY	MISCELLANEOUS	YEARS	PART NO.	SIZE	DESCRIPTION
12	Adjusting Screw Nut	97-92	FP-203131		3/8" - 24 UNF
QTY	VALVE	YEARS	PART NO.	SIZE	DESCRIPTION
6	Intake	97-92	FP-3924492		
6	Exhaust	97-92	FP-3921444		
6	Exhaust Valve Kit	97-92	FP-3802085		Exh.; Incl. valve and keepers
6	Intake Valve Kit	97-92	FP-3802463		Int.; Incl. valve and keepers
24	Keeper	97-92	FP-3901177		Exh. & Int.
QTY	VALVE SEAT	YEARS	PART NO.	SIZE	DESCRIPTION
6	Exh.	97-92	FP-3929005		
6	Int.	97-92	FP-3924582		
QTY	VALVE GUIDE	YEARS	PART NO.	SIZE	DESCRIPTION
12	Guide	97-92	FP-3923564		
QTY	VALVE SPRING	YEARS	PART NO.	SIZE	DESCRIPTION
6	Spring	97-92	FP-3916588		Exh.; 3.0500" Free Height
6	Spring	97-92	FP-3906412		Int.; 2.6000" Free Height
QTY	VALVE MISC.	YEARS	PART NO.	SIZE	DESCRIPTION
1	Oil Filler Cap Gasket	97-92	FP-3902466		
QTY	VALVE SEAL	YEARS	PART NO.	SIZE	DESCRIPTION
12	Valve Stem Seal	97-92	FP-3927642		Exh. & Int.
QTY	ROCKER PARTS	YEARS	PART NO.	SIZE	DESCRIPTION
6	Rocker Shaft	97-92	FP-3919435		
2	Expansion Plug	97-92	FP-3907555		Rocker Lever
6	O-Ring	97-92	FP-3910824		Rocker Lever Cover Screw
12	Support, Rocker Lever	97-92	FP-3905870		
12	Rocker Lever Exhaust	97-92	FP-3901717		
6	Clamp	97-92	FP-3901693		Rocker Lever
12	Snap Ring	97-92	FP-3901764		Rocker Lever

INT & EXH MANIFOLDS

QTY	INT. & EXH. MANIFOLDS	YEARS	PART NO.	SIZE	DESCRIPTION
6	Exhaust Manifold Gasket	97-92	FP-3932063		
1	Intake Manifold Gasket	97-92	FP-3936993		

CAMSHAFT GROUP

QTY	TIMING COVER	YEARS	PART NO.	SIZE	DESCRIPTION
1	Oil Filler Cap	97-92	FP-101322		2"
QTY	CAMSHAFT/LIFTER	YEARS	PART NO.	SIZE	DESCRIPTION
1	Camshaft	97-92	FP-3923478		

(continued on next page)

Ford Truck - M/D & H/D

49 M/D Truck FD1460, 6CTA8.3 Engs.

(cont.) 8.3L 505 OHV Turbo-Diesel L6, 114mm Bore (Cummins Eng.) 1992-97

CAMSHAFT GROUP (cont.)					
QTY	CAMSHAFT/LIFTER (cont.)	YEARS	PART NO.	SIZE	DESCRIPTION
12	Lifter	97-92	FP-3931623		
FUEL SYSTEM & PARTS					
QTY	FUEL INJECTION	YEARS	PART NO.	SIZE	DESCRIPTION
1	Injector Tube	97-92	FP-3906783		No. 1 Cylinder
1	Injector Tube	97-92	FP-3906784		No. 2 Cylinder
1	Injector Tube	97-92	FP-3906785		No. 3 Cylinder
1	Injector Tube	97-92	FP-3910521		No. 4 Cylinder
1	Injector Tube	97-92	FP-3906788		No. 5 Cylinder
6	Copper Washer	97-92	FP-3906659		
6	Fuel Line Connector	97-92	FP-3903380		Fuel Manifold
QTY	FUEL FILTERS & PUMP	YEARS	PART NO.	SIZE	DESCRIPTION
1	Fuel Transfer Pump	97-92	FP-4944714		108.1 - 230.9 LPH; 1/4 x 18 NPTF Fuel Inlet
1	Fuel Transfer Pump	97-92	FP-4944712		117 - 229.9 LPH; 1/4 x 18 NPTF Fuel Inlet
1	Fuel Transfer Pump	97-92	FP-4944713		144.7 - 201.2 LPH; 1/4 x 18 NPTF Fuel Inlet
1	Fuel Transfer Pump	97-92	FP-4944710		183 - 229 LPH; 1/2 x 14 NPTF Fuel Inlet
1	Fuel Transfer Pump	97-92	FP-4944711		187.4 - 304.2 LPH; 1/4 x 18 NPTF Fuel Inlet
1	Cover Plate Gasket	97-92	FP-3931348		Fuel Transfer Pump Mounting
1	Cover Plate Gasket	97-92	FP-3939258		Fuel Transfer Pump Mounting
2	Washer	97-92	FP-3918191		Sealing; Fuel Filter
2	Washer	97-92	FP-3918192		Sealing; Fuel Inlet Tube
1	Fuel Shutdown Solenoid	97-92	FP-3921978		12V
QTY	TURBOCHARGER	YEARS	PART NO.	SIZE	DESCRIPTION
1	Turbocharger Mounting Gasket	97-92	FP-3911941		
1	Turbocharger Oil Drain Gasket	97-92	FP-3914388		
COOLING SYSTEM					
QTY	WATER PUMP	YEARS	PART NO.	SIZE	DESCRIPTION
1	Ball Brg.	97-92	FP-3910739		Fan Drive
1	O-Ring	97-92	FP-3902089		Water Pump Mounting
QTY	THERMOSTAT	YEARS	PART NO.	SIZE	DESCRIPTION
2	Thermostat	97-92	FP-3928639		180 Deg. F
1	Thermostat Gasket	97-92	FP-3914310		Thermostat Housing
ENGINE BLOCK & PARTS					
QTY	GASKETS	YEARS	PART NO.	SIZE	DESCRIPTION
1	Oil Pan Gasket	97-92	FP-3914017 +		When depleted use FP-3938160
1	Washer	97-92	FP-3902425		Sealing; Oil Pan Plug
1	Washer	97-92	FP-3920773		Sealing; Oil Pan Plug
1	Cover Plate Gasket	97-92	FP-3908096		Bell Housing
1	Gear Cover Gasket	97-92	FP-3917780		
1	Gear Housing Gasket	97-92	FP-3281721		
QTY	GASKET SETS	YEARS	PART NO.	SIZE	DESCRIPTION
1	Gasket Conversion Set	97-92	FP-3802389		
QTY	CAM BEARINGS	YEARS	PART NO.	SIZE	DESCRIPTION
7	Cam Brg.	97-92	FP-3945329	STD	
QTY	OIL COOLERS & FILTERS	YEARS	PART NO.	SIZE	DESCRIPTION
1	Oil Cooler	97-92	FP-3974815		
1	Oil Cooler	97-92	FP-3974815		
1	Oil Press. Reg. Low Pressure	97-92	FP-3945967		
1	Oil Cooler Gasket	97-92	FP-3914308		Core Mounting
1	Oil Cooler Core Inner Gasket	97-92	FP-3918174		Core
1	Oil Cooler Core Outer Gasket	97-92	FP-3918332		Core Cover
QTY	FREEZE PLUGS	YEARS	PART NO.	SIZE	DESCRIPTION
1	Expansion Plug	97-92	FP-3901969		
CRANKSHAFT/OIL PUMP					
QTY	SEALS - FRONT CRANK	YEARS	PART NO.	SIZE	DESCRIPTION
1	Oil Seal	97-92	FP-3353977		Front
1	Oil Seal Kit	97-92	FP-3925343		Front
1	Redi-Sleeve	94-93	99248		
1	Oil Seal	94-93	39803		
QTY	SEALS - REAR CRANK	YEARS	PART NO.	SIZE	DESCRIPTION
1	Oil Seal	97-92	FP-3909410		Rear; Dry
1	Oil Seal	94-93	39805		
1	Oil Seal Kit	97-92	FP-3926126		

(continued on next page)

Ford Truck - M/D & H/D

M/D Truck FD1460, 6CTA8.3 Engs. 49
8.3L 505 OHV Turbo-Diesel L6, 114mm Bore (Cummins Eng.) 1992-97 (cont.)

CRANKSHAFT/OIL PUMP (cont.)

QTY	SEALS - REAR CRANK (cont.)	YEARS	PART NO.	SIZE	DESCRIPTION
1	Redi-Sleeve	97-92	FP-3906081		Rear
1	Redi-Sleeve	94-93	99494		
1	Rear Cover Gasket	97-92	FP-3914301		Rear
1	Rear Cover Gasket	97-92	FP-3939353		Rear
1	Rect. or Square Seal	97-92	FP-3912473		Rear
QTY	MAIN BEARINGS	YEARS	PART NO.	SIZE	DESCRIPTION
1	Main Set	97-92	FP-3802211	.25MM	
1	Main Set	97-92	FP-3802212	.50MM	
1	Main Set	97-92	FP-3802210	STD	Wide style, 33.85 - 34.10MM
QTY	OIL PUMP	YEARS	PART NO.	SIZE	DESCRIPTION
1	Oil Pump	97-92	FP-3948071		
1	Oil Pump	97-92	FP-3800828		Includes Pressure Regulator
1	Oil Suction Tube Gasket	97-92	FP-3914302		

CYLINDER COMPONENTS

QTY	LINERS	YEARS	PART NO.	SIZE	DESCRIPTION
6	Liner w/o Sealing Rings	97-92	FP-3907792		To be used with early standard cylinder block # FP-3802265 prior to 1991.
6	Liner w/o Sealing Rings	97-92	FP-3948095		To be used with late thick-walled cylinder block # FP-3934899 Effective 1/05/98. This liner is 3mm shorter than previous liners. Refer to Cummins Service Topics 99T1-3.
6	Liner w/o Sealing Rings	97-92	FP-3919937		To be used with late thick-walled cylinder block # FP-3928962 1991 thru 1/04/98.
6	Liner w/Sealing Rings	97-92	FP-3802370		Early; Prior to 1991
6	Liner w/Sealing Rings	97-92	FP-3800328		1/05/98 to Present; Thick-Walled Block; Liner is 3mm shorter than previous liners; Refer to Cummins Service Topics 99T1-3.
6	Liner w/Sealing Rings	97-92	FP-3802407		1991 thru 1/04/98; Thick-Walled Block
6	Cylinder Kit Complete	97-92	FP-LK92477792		To be used with early standard cylinder block # FP-3802265 prior to 1991.
6	Cylinder Kit Complete	97-92	FP-3802388		To be used with early standard cylinder block # FP-3802265 prior to 1991.
6	Cylinder Kit Complete	97-92	FP-3802401		To be used with early standard cylinder block # FP-3802265 prior to 1991.
6	Cylinder Kit Complete	97-92	FP-3934586		To be used with late thick-walled cylinder block # FP-3934899 Effective 1/05/98. This liner is 3mm shorter than previous liners. Refer to Cummins Service Topics 99T1-3.
6	Cylinder Kit Complete	97-92	FP-3934588		To be used with late thick-walled cylinder block # FP-3934899 Effective 1/05/98. This liner is 3mm shorter than previous liners. Refer to Cummins Service Topics 99T1-3.
6	Cylinder Kit Complete	97-92	FP-3802404		To be used with late thick-walled cylinder block # FP-3928962 1991 thru 1/04/98
6	Cylinder Kit Complete	97-92	FP-LK92479937		To be used with late thick-walled cylinder block # FP-3928962 1991 thru 1/04/98.
6	Cylinder Kit Complete	97-92	FP-3802406		To be used with late thick-walled cylinder block # FP-3928962 1991 thru 1/04/98.
6	Cylinder Kit Complete	97-92	FP-3802609		To be used with late thick-walled cylinder block # FP-3928962 1991 thru 1/04/98.
6	Cylinder Kit Complete	97-92	FP-3802811		To be used with late thick-walled cylinder block # FP-3928962 1991 thru 1/04/98.
6	Cylinder Kit Complete	97-92	FP-3802610		To be used with late thick-walled cylinder block # FP-3928962 1991 thru 1/04/98.; B Grade piston; Anodized crown & combustion bowl
6	Sealing Ring, Liner	97-92	FP-3907177		
QTY	PISTONS	YEARS	PART NO.	SIZE	DESCRIPTION
6	Piston Body w/o Pin	97-92	FP-3929161		
6	Piston Body w/o Pin	97-92	FP-3925878		A Grade; Anodized crown & combustion bowl
6	Piston Body w/o Pin	97-92	FP-3925879		B Grade; Anodized crown & combustion bowl
6	Piston Body w/o Pin	97-92	FP-3919247		Charge-Air-Cooled; Europe Appl.
6	Piston Body w/o Pin	97-92	FP-3917707		Charge-Air-Cooled; U.S.A. Appl.
6	Piston Body w/o Pin	97-92	FP-3923164		Engine Coolant Aftercooled; U.S.A. Appl.
6	Piston Kit w/Pin & Retainers	97-92	FP-3917707WP		
6	Piston Kit w/Pin & Retainers	97-92	FP-3919247WP		
6	Piston Kit w/Pin & Retainers	97-92	FP-3923164WP		
6	Piston Kit w/Pin & Retainers	97-92	FP-3925878WP		
6	Piston Kit w/Pin & Retainers	97-92	FP-3925879WP		
6	Piston Kit w/Pin & Retainers	97-92	FP-3929161WP		
6	Piston w/Retainer & Rings	97-92	FP-3802263		
6	Piston w/Retainer & Rings	97-92	FP-3802344		
6	Piston w/Retainer & Rings	97-92	FP-3802398		

(continued on next page)

Ford Truck - M/D & H/D

49 M/D Truck FD1460, 6CTA8.3 Engs.

(cont.) 8.3L 505 OHV Turbo-Diesel L6, 114mm Bore (Cummins Eng.) 1992-97

CYLINDER COMPONENTS (cont.)

QTY	PISTONS (cont.)	YEARS	PART NO.	SIZE	DESCRIPTION
6	Piston w/Retainer & Rings	97-92	FP-3802657		
6	Piston w/Retainer & Rings	97-92	FP-3802601		A Grade; Anodized crown & combustion bowl
6	Piston w/Retainer & Rings	97-92	FP-3802602		B Grade; Anodized crown & combustion bowl
6	Piston w/Pin, Retainer, Rings	97-92	FP-PK3164		
6	Piston w/Pin, Retainer, Rings	97-92	FP-PK7707		
6	Piston w/Pin, Retainer, Rings	97-92	FP-PK9161		
6	Piston w/Pin, Retainer, Rings	97-92	FP-PK9247		
6	Piston w/Pin, Retainer, Rings	97-92	FP-PK5878		A Grade; Anodized crown & combustion bowl
6	Piston w/Pin, Retainer, Rings	97-92	FP-PK5879		B Grade; Anodized crown & combustion bowl
6	Pin	97-92	FP-3934046		
6	Piston Cooling Nozzle	97-92	FP-3905928		Early; < 91C
12	Piston Cooling Nozzle	97-92	FP-3928031		Thick-Walled Block; Late; 91C>
6	Pin Bushing	97-92	FP-3913990		
QTY	CONNECTING RODS & BRGS.	YEARS	PART NO.	SIZE	DESCRIPTION
12	Con. Rod Bolt	97-92	FP-3928870		
12	Con. Rod Nut	97-92	FP-3934864		
6	Rod Bearing Half Upper/Lower	97-92	FP-3901430		STD
6	Rod Bearing Half Upper/Lower	97-92	FP-3901431		.25MM
6	Rod Bearing Half Upper/Lower	97-92	FP-3901432		.50MM
6	Rod Bearing Half Upper/Lower	97-92	FP-3901433		.75MM
6	Rod Bearing Half Upper/Lower	97-92	FP-3901434		1.00MM
QTY	PISTON RINGS	YEARS	PART NO.	SIZE	DESCRIPTION
6	Ring Set Single Cylinder	97-92	FP-3802429		
KITS					
QTY	OVERHAUL KIT	YEARS	PART NO.	SIZE	DESCRIPTION
1	In-Frame Overhaul Kit	97-92	FP-6C83PREM		Premium; With Upper Gasket Set & Pan Gasket
1	Complete Overhaul Kit	97-92	FP-6C83PREMOH		Premium; With Front & Rear Seals and Upper & Lower Gasket Sets

50 H/D Truck FD1460, 6CTA8.3 Engs.

8.3L 505 OHV Turbo-Diesel L6, 114mm Bore (Cummins Eng.) 1993

CYL. HEAD & PARTS

QTY	GASKETS	YEARS	PART NO.	SIZE	DESCRIPTION
1	Valve Cover Gasket	93	FP-3905449		
1	Head Set	93	FP-4025271		Incl. valve stem seals
QTY	HEAD BOLTS	YEARS	PART NO.	SIZE	DESCRIPTION
14	Head Bolt	93	FP-3917728		M14 X 2.00 X 160
12	Head Bolt	93	FP-3917729		M14 X 2.00 X 80
QTY	MISCELLANEOUS	YEARS	PART NO.	SIZE	DESCRIPTION
12	Adjusting Screw Nut	93	FP-203131		3/8" - 24 UNF
QTY	VALVE	YEARS	PART NO.	SIZE	DESCRIPTION
6	Intake	93	FP-3924492		
6	Exhaust	93	FP-3921444		
6	Exhaust Valve Kit	93	FP-3802085		Exh.; Incl. valve and keepers
6	Intake Valve Kit	93	FP-3802463		Int.; Incl. valve and keepers
24	Keeper	93	FP-3901177		Exh. & Int.
QTY	VALVE SEAT	YEARS	PART NO.	SIZE	DESCRIPTION
6	Exh.	93	FP-3929005		
6	Int.	93	FP-3924582		
QTY	VALVE GUIDE	YEARS	PART NO.	SIZE	DESCRIPTION
12	Guide	93	FP-3923564		
QTY	VALVE SPRING	YEARS	PART NO.	SIZE	DESCRIPTION
6	Spring	93	FP-3916588		Exh.; 3.0500" Free Height
6	Spring	93	FP-3906412		Int.; 2.6000" Free Height
QTY	VALVE MISC.	YEARS	PART NO.	SIZE	DESCRIPTION
1	Oil Filler Cap Gasket	93	FP-3902466		
QTY	VALVE SEAL	YEARS	PART NO.	SIZE	DESCRIPTION
12	Valve Stem Seal	93	FP-3927642		Exh. & Int.
QTY	ROCKER PARTS	YEARS	PART NO.	SIZE	DESCRIPTION
6	Rocker Shaft	93	FP-3919435		
2	Expansion Plug	93	FP-3907555		Rocker Lever
6	O-Ring	93	FP-3910824		Rocker Lever Cover Screw

(continued on next page)

Ford Truck - M/D & H/D

H/D Truck FD1460, 6CTA8.3 Engs. 50
8.3L 505 OHV Turbo-Diesel L6, 114mm Bore (Cummins Eng.) 1993 (cont.)

CYL. HEAD & PARTS (cont.)					
QTY	ROCKER PARTS (cont.)	YEARS	PART NO.	SIZE	DESCRIPTION
12	Support, Rocker Lever	93	FP-3905870		
12	Rocker Lever Exhaust	93	FP-3901717		
6	Clamp	93	FP-3901693		Rocker Lever
12	Snap Ring	93	FP-3901764		Rocker Lever
INT & EXH MANIFOLDS					
QTY	INT. & EXH. MANIFOLDS	YEARS	PART NO.	SIZE	DESCRIPTION
6	Exhaust Manifold Gasket	93	FP-3932063		
1	Intake Manifold Gasket	93	FP-3936993		
CAMSHAFT GROUP					
QTY	TIMING COVER	YEARS	PART NO.	SIZE	DESCRIPTION
1	Oil Filler Cap	93	FP-101322		2"
QTY	CAMSHAFT/LIFTER	YEARS	PART NO.	SIZE	DESCRIPTION
1	Camshaft	93	FP-3923478		
12	Lifter	93	FP-3931623		
FUEL SYSTEM & PARTS					
QTY	FUEL INJECTION	YEARS	PART NO.	SIZE	DESCRIPTION
1	Injector Tube	93	FP-3906783		No. 1 Cylinder
1	Injector Tube	93	FP-3906784		No. 2 Cylinder
1	Injector Tube	93	FP-3906785		No. 3 Cylinder
1	Injector Tube	93	FP-3910521		No. 4 Cylinder
1	Injector Tube	93	FP-3906788		No. 5 Cylinder
6	Copper Washer	93	FP-3906659		
6	Fuel Line Connector	93	FP-3903380		Fuel Manifold
QTY	FUEL FILTERS & PUMP	YEARS	PART NO.	SIZE	DESCRIPTION
1	Fuel Transfer Pump	93	FP-4944714		108.1 - 230.9 LPH; 1/4 x 18 NPTF Fuel Inlet
1	Fuel Transfer Pump	93	FP-4944712		117 - 229.9 LPH; 1/4 x 18 NPTF Fuel Inlet
1	Fuel Transfer Pump	93	FP-4944713		144.7 - 201.2 LPH; 1/4 x 18 NPTF Fuel Inlet
1	Fuel Transfer Pump	93	FP-4944710		183 - 229 LPH; 1/2 x 14 NPTF Fuel Inlet
1	Fuel Transfer Pump	93	FP-4944711		187.4 - 304.2 LPH; 1/4 x 18 NPTF Fuel Inlet
1	Cover Plate Gasket	93	FP-3931348		Fuel Transfer Pump Mounting
1	Cover Plate Gasket	93	FP-3939258		Fuel Transfer Pump Mounting
2	Washer	93	FP-3918191		Sealing; Fuel Filter
2	Washer	93	FP-3918192		Sealing; Fuel Inlet Tube
1	Fuel Shutdown Solenoid	93	FP-3921978		12V
QTY	TURBOCHARGER	YEARS	PART NO.	SIZE	DESCRIPTION
1	Turbocharger Mounting Gasket	93	FP-3911941		
1	Turbocharger Oil Drain Gasket	93	FP-3914388		
COOLING SYSTEM					
QTY	WATER PUMP	YEARS	PART NO.	SIZE	DESCRIPTION
1	Ball Brg.	93	FP-3910739		Fan Drive
1	O-Ring	93	FP-3902089		Water Pump Mounting
QTY	THERMOSTAT	YEARS	PART NO.	SIZE	DESCRIPTION
2	Thermostat	93	FP-3928639		180 Deg. F
1	Thermostat Gasket	93	FP-3914310		Thermostat Housing
ENGINE BLOCK & PARTS					
QTY	GASKETS	YEARS	PART NO.	SIZE	DESCRIPTION
1	Oil Pan Gasket	93	FP-3914017 +		When depleted use FP-3938160
1	Washer	93	FP-3902425		Sealing; Oil Pan Plug
1	Washer	93	FP-3920773		Sealing; Oil Pan Plug
1	Cover Plate Gasket	93	FP-3908096		Bell Housing
1	Gear Cover Gasket	93	FP-3917780		
1	Gear Housing Gasket	93	FP-3281721		
QTY	GASKET SETS	YEARS	PART NO.	SIZE	DESCRIPTION
1	Gasket Conversion Set	93	FP-3802389		
QTY	CAM BEARINGS	YEARS	PART NO.	SIZE	DESCRIPTION
7	Cam Brg.	93	FP-3945329		STD
QTY	OIL COOLERS & FILTERS	YEARS	PART NO.	SIZE	DESCRIPTION
1	Oil Cooler	93	FP-3974815		
1	Oil Cooler	93	FP-3974815		
1	Oil Press. Reg. Low Pressure	93	FP-3945967		
1	Oil Cooler Gasket	93	FP-3914308		Core Mounting

(continued on next page)

Ford Truck - M/D & H/D

50 H/D Truck FD1460, 6CTA8.3 Engs.
 (cont.) 8.3L 505 OHV Turbo-Diesel L6, 114mm Bore (Cummins Eng.) 1993

ENGINE BLOCK & PARTS (cont.)					
OIL COOLERS & FILTERS					
QTY		YEARS	PART NO.	SIZE	DESCRIPTION
(cont.)					
1	Oil Cooler Core Inner Gasket	93	FP-3918174		Core
1	Oil Cooler Core Outer Gasket	93	FP-3918332		Core Cover
FREEZE PLUGS					
QTY		YEARS	PART NO.	SIZE	DESCRIPTION
1	Expansion Plug	93	FP-3901969		
CRANKSHAFT/OIL PUMP					
SEALS - FRONT CRANK					
QTY		YEARS	PART NO.	SIZE	DESCRIPTION
1	Oil Seal	93	FP-3353977		Front
1	Oil Seal Kit	93	FP-3925343		Front
1	Redi-Sleeve	93	99248		
1	Oil Seal	93	39803		
SEALS - REAR CRANK					
QTY		YEARS	PART NO.	SIZE	DESCRIPTION
1	Oil Seal	93	FP-3909410		Rear; Dry
1	Oil Seal	93	39805		
1	Oil Seal Kit	93	FP-3926126		
1	Redi-Sleeve	93	FP-3906081		Rear
1	Redi-Sleeve	93	99494		
1	Rear Cover Gasket	93	FP-3914301		Rear
1	Rear Cover Gasket	93	FP-3939353		Rear
1	Rect. or Square Seal	93	FP-3912473		Rear
MAIN BEARINGS					
QTY		YEARS	PART NO.	SIZE	DESCRIPTION
1	Main Set	93	FP-3802211	.25MM	
1	Main Set	93	FP-3802212	.50MM	
1	Main Set	93	FP-3802210	STD	Wide style, 33.85 - 34.10MM
OIL PUMP					
QTY		YEARS	PART NO.	SIZE	DESCRIPTION
1	Oil Pump	93	FP-3948071		
1	Oil Pump	93	FP-3800828		Includes Pressure Regulator
1	Oil Suction Tube Gasket	93	FP-3914302		
CYLINDER COMPONENTS					
LINERS					
QTY		YEARS	PART NO.	SIZE	DESCRIPTION
6	Liner w/o Sealing Rings	93	FP-3907792		To be used with early standard cylinder block # FP-3802265 prior to 1991.
6	Liner w/o Sealing Rings	93	FP-3948095		To be used with late thick-walled cylinder block # FP-3934899 Effective 1/05/98. This liner is 3mm shorter than previous liners. Refer to Cummins Service Topics 99T1-3.
6	Liner w/o Sealing Rings	93	FP-3919937		To be used with late thick-walled cylinder block # FP-3928962 1991 thru 1/04/98.
6	Liner w/Sealing Rings	93	FP-3802370		Early; Prior to 1991
6	Liner w/Sealing Rings	93	FP-3800328		1/05/98 to Present; Thick-Walled Block; Liner is 3mm shorter than previous liners; Refer to Cummins Service Topics 99T1-3.
6	Liner w/Sealing Rings	93	FP-3802407		1991 thru 1/04/98; Thick-Walled Block
6	Cylinder Kit Complete	93	FP-LK92477792		To be used with early standard cylinder block # FP-3802265 prior to 1991.
6	Cylinder Kit Complete	93	FP-3802388		To be used with early standard cylinder block # FP-3802265 prior to 1991.
6	Cylinder Kit Complete	93	FP-3802401		To be used with early standard cylinder block # FP-3802265 prior to 1991.
6	Cylinder Kit Complete	93	FP-3934586		To be used with late thick-walled cylinder block # FP-3934899 Effective 1/05/98. This liner is 3mm shorter than previous liners. Refer to Cummins Service Topics 99T1-3.
6	Cylinder Kit Complete	93	FP-3934588		To be used with late thick-walled cylinder block # FP-3934899 Effective 1/05/98. This liner is 3mm shorter than previous liners. Refer to Cummins Service Topics 99T1-3.
6	Cylinder Kit Complete	93	FP-3802404		To be used with late thick-walled cylinder block # FP-3928962 1991 thru 1/04/98
6	Cylinder Kit Complete	93	FP-LK92479937		To be used with late thick-walled cylinder block # FP-3928962 1991 thru 1/04/98.
6	Cylinder Kit Complete	93	FP-3802406		To be used with late thick-walled cylinder block # FP-3928962 1991 thru 1/04/98.
6	Cylinder Kit Complete	93	FP-3802609		To be used with late thick-walled cylinder block # FP-3928962 1991 thru 1/04/98.
6	Cylinder Kit Complete	93	FP-3802811		To be used with late thick-walled cylinder block # FP-3928962 1991 thru 1/04/98.
6	Cylinder Kit Complete	93	FP-3802610		To be used with late thick-walled cylinder block # FP-3928962 1991 thru 1/04/98.; B Grade piston; Anodized crown & combustion bowl

(continued on next page)

Ford Truck - M/D & H/D

H/D Truck FD1460, 6CTA8.3 Engs. 50
8.3L 505 OHV Turbo-Diesel L6, 114mm Bore (Cummins Eng.) 1993 (cont.)

CYLINDER COMPONENTS (cont.)

QTY	LINERS (cont.)	YEARS	PART NO.	SIZE	DESCRIPTION
6	Sealing Ring, Liner	93	FP-3907177		
QTY	PISTONS	YEARS	PART NO.	SIZE	DESCRIPTION
6	Piston Body w/o Pin	93	FP-3929161		
6	Piston Body w/o Pin	93	FP-3925878		A Grade; Anodized crown & combustion bowl
6	Piston Body w/o Pin	93	FP-3925879		B Grade; Anodized crown & combustion bowl
6	Piston Body w/o Pin	93	FP-3919247		Charge-Air-Cooled; Europe Appl.
6	Piston Body w/o Pin	93	FP-3917707		Charge-Air-Cooled; U.S.A. Appl.
6	Piston Body w/o Pin	93	FP-3923164		Engine Coolant Aftercooled; U.S.A. Appl.
6	Piston Kit w/Pin & Retainers	93	FP-3917707WP		
6	Piston Kit w/Pin & Retainers	93	FP-3919247WP		
6	Piston Kit w/Pin & Retainers	93	FP-3923164WP		
6	Piston Kit w/Pin & Retainers	93	FP-3925878WP		
6	Piston Kit w/Pin & Retainers	93	FP-3925879WP		
6	Piston Kit w/Pin & Retainers	93	FP-3929161WP		
6	Piston w/Retainer & Rings	93	FP-3802263		
6	Piston w/Retainer & Rings	93	FP-3802344		
6	Piston w/Retainer & Rings	93	FP-3802398		
6	Piston w/Retainer & Rings	93	FP-3802657		
6	Piston w/Retainer & Rings	93	FP-3802601		A Grade; Anodized crown & combustion bowl
6	Piston w/Retainer & Rings	93	FP-3802602		B Grade; Anodized crown & combustion bowl
6	Piston w/Pin, Retainer, Rings	93	FP-PK3164		
6	Piston w/Pin, Retainer, Rings	93	FP-PK7707		
6	Piston w/Pin, Retainer, Rings	93	FP-PK9161		
6	Piston w/Pin, Retainer, Rings	93	FP-PK9247		
6	Piston w/Pin, Retainer, Rings	93	FP-PK9566		
6	Piston w/Pin, Retainer, Rings	93	FP-PK5878		A Grade; Anodized crown & combustion bowl
6	Piston w/Pin, Retainer, Rings	93	FP-PK5879		B Grade; Anodized crown & combustion bowl
6	Pin	93	FP-3934046		
6	Piston Cooling Nozzle	93	FP-3905928		Early; < 91C
12	Piston Cooling Nozzle	93	FP-3928031		Thick-Walled Block; Late; 91C>
6	Pin Bushing	93	FP-3913990		
QTY	CONNECTING RODS & BRGS.	YEARS	PART NO.	SIZE	DESCRIPTION
6	Rod Bearing Half Upper/Lower	93	FP-3901430	STD	
6	Rod Bearing Half Upper/Lower	93	FP-3901431	.25MM	
6	Rod Bearing Half Upper/Lower	93	FP-3901432	.50MM	
6	Rod Bearing Half Upper/Lower	93	FP-3901433	.75MM	
6	Rod Bearing Half Upper/Lower	93	FP-3901434	1.00MM	
QTY	PISTON RINGS	YEARS	PART NO.	SIZE	DESCRIPTION
6	Ring Set Single Cylinder	93	FP-3802429		
KITS					
QTY	OVERHAUL KIT	YEARS	PART NO.	SIZE	DESCRIPTION
1	In-Frame Overhaul Kit	93	FP-6C83PREM		Premium; With Upper Gasket Set & Pan Gasket
1	Complete Overhaul Kit	93	FP-6C83PREMOH		Premium; With Front & Rear Seals and Upper & Lower Gasket Sets
<i>M/D Truck V150, V175, 1140, 1145 Engs. 51</i> 8.5L 522 OHV Diesel V8, 4.5" Bore (Caterpillar Eng.) 1968-75					
CYL. HEAD & PARTS					
QTY	GASKETS	YEARS	PART NO.	SIZE	DESCRIPTION
1	Head Gasket	74-70	FP-7W2059		
1	Multiple Cyl. Head Gskt. Set	74-70	FP-5P8539		
QTY	VALVE	YEARS	PART NO.	SIZE	DESCRIPTION
8	Intake	74-70	FP-9L7682		2.0900" Head Dia., 5.7000" O.A.L.
8	Exhaust	74-70	FP-9L7683		1.8000" Head Dia., 5.6800" O.A.L.
32	Keeper	74-70	FP-2A4429		Exh. & Int.
QTY	VALVE SEAT	YEARS	PART NO.	SIZE	DESCRIPTION
8	Exh.	74-70	FP-9N2837		
8	Int.	74-70	FP-2N8943		
QTY	VALVE GUIDE	YEARS	PART NO.	SIZE	DESCRIPTION
16	Guide	74-70	FP-6I2864		Exh. & Int.; .3740" ID, 2.5500" O.A.L.
QTY	VALVE SPRING	YEARS	PART NO.	SIZE	DESCRIPTION
16	Spring	74-70	FP-9N3617		

(continued on next page)

Ford Truck - M/D & H/D

51 M/D Truck V150, V175, 1140, 1145 Eng.
 (cont.) 8.5L 522 OHV Diesel V8, 4.5" Bore (Caterpillar Eng.) 1968-75

CAMSHAFT GROUP					
QTY	CAMSHAFT/LIFTER	YEARS	PART NO.	SIZE	DESCRIPTION
1	Camshaft	74-70	FP-2W4197		Use w/late style gear assy. O.E. No. 2W4197 or 2W6944
16	Lifter	74-70	FP-9N5786		Dumbbell shaped mech.
1	Prelube	74-70	55-400		4 oz. bottle; 1.5 oz. packet No. 55-403 also avail.
COOLING SYSTEM					
QTY	WATER PUMP	YEARS	PART NO.	SIZE	DESCRIPTION
1	Water Pump Impeller	74-70	FP-9Y3778		
1	Water Pump Repair/Rebuild Kit	74-70	FP-9N3139		Incl. gaskets, shaft, bearing & seal assy.
1	Water Pump Mech. Shaft Seal	74-70	FP-2W4390		
1	Shaft & Bearing Assembly	74-70	FP-9L7493		
1	Shaft & Bearing Assembly	74-70	FP-9L7493		
ENGINE BLOCK & PARTS					
QTY	GASKET SETS	YEARS	PART NO.	SIZE	DESCRIPTION
1	Cyl. Block & Oil Pan Gskt Set	74-70	FP-5P9391		
QTY	CAM BEARINGS	YEARS	PART NO.	SIZE	DESCRIPTION
1	Cam Set	72-68	FP-9N5246S		
CRANKSHAFT/OIL PUMP					
QTY	CRANKSHAFT	YEARS	PART NO.	SIZE	DESCRIPTION
1	Crank Gear	72-68	FP-9L7606		1140 Engs.
QTY	SEALS - FRONT CRANK	YEARS	PART NO.	SIZE	DESCRIPTION
1	Redi-Sleeve	75-68	99237		(2.375" Shaft)
1	Redi-Sleeve	75-68	99287		Shaft dia. 2.876"
1	Oil Seal	75-68	39802		
1	Oil Seal	75-68	480988H		(2.375" Shaft)
QTY	SEALS - REAR CRANK	YEARS	PART NO.	SIZE	DESCRIPTION
1	Oil Seal	75-68	39801		
1	Oil Seal	75-68	FP-9L7735		Front
1	Oil Seal	75-68	FP-7W3200		Rear
1	Redi-Sleeve	75-68	99499		
QTY	MAIN BEARINGS	YEARS	PART NO.	SIZE	DESCRIPTION
1	Main Set	72-68	FP-5034M	Std-10-20-30	W/Crankshaft Frg. Nos. 9L-9230, 9L-9231 & 9L-9232 & 1.253" length on No. 4 brg.
1	Main Set	72-68	5034M +	Std-10-20-30	W/Crankshaft Frg. Nos. 9L-9230, 9L-9231 & 9L-9232 & 1.253" length on No. 4 brg.; When depleted use FP-5034M
4	Plain Main Brg.	72-68	FP-4W8092	STD	W/Crankshaft Frg. Nos. 9L-9230, 9L-9231 & 9L-9232 & 1.253" length on No. 4 brg.
4	Plain Main Brg.	72-68	FP-8N9022	10	W/Crankshaft Frg. Nos. 9L-9230, 9L-9231 & 9L-9232 & 1.253" length on No. 4 brg.
4	Plain Main Brg.	72-68	FP-8N9023	20	W/Crankshaft Frg. Nos. 9L-9230, 9L-9231 & 9L-9232 & 1.253" length on No. 4 brg.
4	Plain Main Brg.	72-68	FP-4W809230	30	W/Crankshaft Frg. Nos. 9L-9230, 9L-9231 & 9L-9232 & 1.253" length on No. 4 brg.
CYLINDER COMPONENTS					
QTY	LINERS	YEARS	PART NO.	SIZE	DESCRIPTION
8	Repair Sleeve	74-70	FP-9N6275	STD	3/32" wall, cut to length, press fit sleeve
QTY	PISTONS	YEARS	PART NO.	SIZE	DESCRIPTION
8	Piston Body w/o Pin	74-70	FP-9L9317	STD	Straight Rod only
8	Piston Body w/o Pin	74-70	FP-9L9667	20	Straight Rod only
8	Piston w/Pin, Retainer, Rings	74-70	FP-PK9317	STD	Straight Rod only
8	Piston w/Pin, Retainer, Rings	74-70	FP-PK9667	20	Straight Rod only
8	Pin	74-70	FP-7N9803	STD	
16	Piston Pin Retainer	74-70	FP-8N7294		
8	Pin Bushing	72-68	FP-8N0701		Straight bushing; O.E. No. 8N0701
QTY	CONNECTING RODS & BRGS.	YEARS	PART NO.	SIZE	DESCRIPTION
8	Rod Pair	72-68	FP-9N5923	STD	
8	Rod Pair	72-68	FP-9N5924	10	
8	Rod Pair	72-68	FP-9N5925	20	
8	Rod Pair	72-68	FP-9N592330	30	
QTY	PISTON RINGS	YEARS	PART NO.	SIZE	DESCRIPTION
8	Ring Set Single Cylinder	74-70	FP-2W826530	30	
8	Ring Set Single Cylinder	74-70	FP-2W8265	STD	Use w/FP9L9317 Piston; 1-1/8, 1-7/64
8	Ring Set Single Cylinder	74-70	FP-2W8647	40	Use w/FP9L9320 Piston; 1-1/8, 1-7/64
8	Ring Set Single Cylinder	74-70	FP-2W8646	20	Use w/FP9L9667 Piston; 1-1/8, 1-7/64

(continued on next page)

Ford Truck - M/D & H/D

M/D Truck V150, V175, 1140, 1145 Eng. 51
8.5L 522 OHV Diesel V8, 4.5" Bore (Caterpillar Eng.) 1968-75 (cont.)

CYLINDER COMPONENTS (cont.)

QTY	PISTON RINGS (cont.)	YEARS	PART NO.	SIZE	DESCRIPTION
1	Premium Set	74-70	FP-2W8265S	STD	Use w/FP9L9317 Piston; 1-1/8, 1-7/64
1	Premium Set	74-70	FP-2W8647S	40	Use w/FP9L9320 Piston; 1-1/8, 1-7/64
1	Premium Set	74-70	FP-2W8646S	20	Use w/FP9L9667 Piston; 1-1/8, 1-7/64
1	Premium Set	74-70	FP-2W8265S10	10	1-1/8, 1-7/64
1	Premium Set	74-70	FP-2W8265S30	30	1-1/8, 1-7/64
8	Premium Single Cylinder Set	74-70	WE-479K	Std-20-40	1-1/8, 1-7/64

H/D Truck V150, V175, 1140, 1145 Eng. 52
8.5L 522 OHV Diesel V8, 4.5" Bore (Caterpillar Eng.) 1968-75

CYL. HEAD & PARTS

QTY	GASKETS	YEARS	PART NO.	SIZE	DESCRIPTION
1	Head Gasket	75-68	FP-7W2059		
1	Multiple Cyl. Head Gskt. Set	75-68	FP-5P8539		
QTY	VALVE	YEARS	PART NO.	SIZE	DESCRIPTION
8	Intake	75-68	FP-9L7682		2.0900" Head Dia., 5.7000" O.A.L.
8	Exhaust	75-68	FP-9L7683		1.8000" Head Dia., 5.6800" O.A.L.
32	Keeper	75-68	FP-2A4429		Exh. & Int.
QTY	VALVE SEAT	YEARS	PART NO.	SIZE	DESCRIPTION
8	Exh.	75-68	FP-9N2837		
8	Int.	75-68	FP-2N8943		
QTY	VALVE GUIDE	YEARS	PART NO.	SIZE	DESCRIPTION
16	Guide	75-68	FP-6I2864		Exh. & Int.; .3740" ID, 2.5500" O.A.L.
QTY	VALVE SPRING	YEARS	PART NO.	SIZE	DESCRIPTION
16	Spring	75-68	FP-9N3617		

CAMSHAFT GROUP

QTY	CAMSHAFT/LIFTER	YEARS	PART NO.	SIZE	DESCRIPTION
1	Camshaft	75-68	FP-2W4197		Use w/late style gear assy. O.E. No. 2W4197 or 2W6944
16	Lifter	75-68	FP-9N5786		Dumbbell shaped mech.
1	Prelube	75-68	55-400		4 oz. bottle; 1.5 oz. packet No. 55-403 also avail.

COOLING SYSTEM

QTY	WATER PUMP	YEARS	PART NO.	SIZE	DESCRIPTION
1	Water Pump Impeller	75-68	FP-9Y3778		
1	Water Pump Repair/Rebuild Kit	75-68	FP-9N3139		Incl. gaskets, shaft, bearing & seal assy.
1	Water Pump Mech. Shaft Seal	75-68	FP-2W4390		
1	Shaft & Bearing Assembly	75-68	FP-9L7493		
1	Shaft & Bearing Assembly	75-68	FP-9L7493		

ENGINE BLOCK & PARTS

QTY	GASKET SETS	YEARS	PART NO.	SIZE	DESCRIPTION
1	Cyl. Block & Oil Pan Gskt Set	75-68	FP-5P9391		
QTY	CAM BEARINGS	YEARS	PART NO.	SIZE	DESCRIPTION
1	Cam Set	75-68	FP-9N5246S		

CRANKSHAFT/OIL PUMP

QTY	CRANKSHAFT	YEARS	PART NO.	SIZE	DESCRIPTION
1	Crank Gear	75-68	FP-9L7606		1140 Eng.
QTY	SEALS - FRONT CRANK	YEARS	PART NO.	SIZE	DESCRIPTION
1	Redi-Sleeve	75-68	99237		(2.375" Shaft)
1	Redi-Sleeve	75-68	99287		Shaft dia. 2.876"
1	Oil Seal	75-68	39802		
1	Oil Seal	75-68	480988H		(2.375" Shaft)
QTY	SEALS - REAR CRANK	YEARS	PART NO.	SIZE	DESCRIPTION
1	Oil Seal	75-68	39801		
1	Oil Seal	75-68	FP-9L7735		Front
1	Oil Seal	75-68	FP-7W3200		Rear
1	Redi-Sleeve	75-68	99499		
QTY	MAIN BEARINGS	YEARS	PART NO.	SIZE	DESCRIPTION
1	Main Set	75-68	FP-5034M	Std-10-20-30	W/Crankshaft Frg. Nos. 9L-9230, 9L-9231 & 9L-9232 & 1.253" length on No. 4 brg.
1	Main Set	75-68	5034M +	Std-10-20-30	W/Crankshaft Frg. Nos. 9L-9230, 9L-9231 & 9L-9232 & 1.253" length on No. 4 brg.; When depleted use FP-5034M
4	Plain Main Brg.	75-68	FP-4W8092	STD	W/Crankshaft Frg. Nos. 9L-9230, 9L-9231 & 9L-9232 & 1.253" length on No. 4 brg.

(continued on next page)

+ Superseded Part Number

Ford Truck - M/D & H/D

52 H/D Truck V150, V175, 1140, 1145 Engs.

(cont.) 8.5L 522 OHV Diesel V8, 4.5" Bore (Caterpillar Eng.) 1968-75

CRANKSHAFT/OIL PUMP (cont.)

QTY	MAIN BEARINGS (cont.)	YEARS	PART NO.	SIZE	DESCRIPTION
4	Plain Main Brg.	75-68	FP-8N9022	10	W/Crankshaft Frg. Nos. 9L-9230, 9L-9231 & 9L-9232 & 1.253" length on No. 4 brg.
4	Plain Main Brg.	75-68	FP-8N9023	20	W/Crankshaft Frg. Nos. 9L-9230, 9L-9231 & 9L-9232 & 1.253" length on No. 4 brg.
4	Plain Main Brg.	75-68	FP-4W809230	30	W/Crankshaft Frg. Nos. 9L-9230, 9L-9231 & 9L-9232 & 1.253" length on No. 4 brg.

CYLINDER COMPONENTS

QTY	LINERS	YEARS	PART NO.	SIZE	DESCRIPTION
8	Repair Sleeve	75-68	FP-9N6275	STD	3/32" wall, cut to length, press fit sleeve
QTY	PISTONS	YEARS	PART NO.	SIZE	DESCRIPTION
8	Piston Body w/o Pin	75-68	FP-9L9317	STD	Straight Rod only
8	Piston Body w/o Pin	75-68	FP-9L9667	20	Straight Rod only
8	Piston w/Pin, Retainer, Rings	75-68	FP-PK9317	STD	Straight Rod only
8	Piston w/Pin, Retainer, Rings	75-68	FP-PK9667	20	Straight Rod only
8	Pin	75-68	FP-7N9803	STD	
16	Piston Pin Retainer	75-68	FP-8N7294		
8	Pin Bushing	75-68	FP-8N0701		Straight bushing; O.E. No. 8N0701

QTY	CONNECTING RODS & BRGS.	YEARS	PART NO.	SIZE	DESCRIPTION
8	Rod Pair	75-68	FP-9N5923	STD	
8	Rod Pair	75-68	FP-9N5924	10	
8	Rod Pair	75-68	FP-9N5925	20	
8	Rod Pair	75-68	FP-9N592330	30	

QTY	PISTON RINGS	YEARS	PART NO.	SIZE	DESCRIPTION
8	Ring Set Single Cylinder	75-68	FP-2W826530	30	
8	Ring Set Single Cylinder	75-68	FP-2W8265	STD	Use w/FP9L9317 Piston; 1-1/8, 1-7/64
8	Ring Set Single Cylinder	75-68	FP-2W8647	40	Use w/FP9L9320 Piston; 1-1/8, 1-7/64
8	Ring Set Single Cylinder	75-68	FP-2W8646	20	Use w/FP9L9667 Piston; 1-1/8, 1-7/64
1	Premium Set	75-68	FP-2W8265S	STD	Use w/FP9L9317 Piston; 1-1/8, 1-7/64
1	Premium Set	75-68	FP-2W8647S	40	Use w/FP9L9320 Piston; 1-1/8, 1-7/64
1	Premium Set	75-68	FP-2W8646S	20	Use w/FP9L9667 Piston; 1-1/8, 1-7/64
1	Premium Set	75-68	FP-2W8265S10	10	1-1/8, 1-7/64
1	Premium Set	75-68	FP-2W8265S30	30	1-1/8, 1-7/64
8	Premium Single Cylinder Set	75-68	WE-479K	Std-20-40	1-1/8, 1-7/64

53 H/D Truck D318, D333A Engs.

8.6L 525 OHV Turbo-Diesel L6, 4.5" Bore (Caterpillar Eng.) 1965-69

CYL. HEAD & PARTS

QTY	GASKETS	YEARS	PART NO.	SIZE	DESCRIPTION
1	Head Gasket	69-65	FP-6N7263		
1	Multiple Cyl. Head Gskt. Set	69-65	FP-5P9561		

QTY	VALVE	YEARS	PART NO.	SIZE	DESCRIPTION
6	Intake	69-65	FP-7M7358		
6	Exhaust	69-65	FP-9M4163		
24	Keeper	69-65	FP-2A4429		Exh. & Int.

QTY	VALVE SEAT	YEARS	PART NO.	SIZE	DESCRIPTION
6	Exh.	69-65	FP-9M6495		
6	Int.	69-65	FP-1W5321		

QTY	VALVE GUIDE	YEARS	PART NO.	SIZE	DESCRIPTION
12	Guide	69-65	FP-4N3668		Exh. & Int.

QTY	VALVE SPRING	YEARS	PART NO.	SIZE	DESCRIPTION
12	Spring	69-65	FP-9H9164		Exh. & Int.

QTY	VALVE MISC.	YEARS	PART NO.	SIZE	DESCRIPTION
6	Rotocap	69-65	FP-3S0461		Exh.

IGNITION

QTY	IGNITION	YEARS	PART NO.	SIZE	DESCRIPTION
6	Glow Plug	69-65	FP-3T9561		12 Volt

AIR COMPRESSOR

QTY	AIR COMPRESSOR	YEARS	PART NO.	SIZE	DESCRIPTION
1	Air Compressor Gasket Set	69-65	FP-5P9579		

(continued on next page)

Ford Truck - M/D & H/D

H/D Truck D318, D333A Engs. 53
8.6L 525 OHV Turbo-Diesel L6, 4.5" Bore (Caterpillar Eng.) 1965-69 (cont.)

FUEL SYSTEM & PARTS					
QTY	TURBOCHARGER	YEARS	PART NO.	SIZE	DESCRIPTION
1	Turbo Mtg. Gasket Set	69-65	FP-5P9458		
COOLING SYSTEM					
QTY	WATER PUMP	YEARS	PART NO.	SIZE	DESCRIPTION
1	Water Pump Gasket Kit	69-65	FP-5P9573		
QTY	THERMOSTAT	YEARS	PART NO.	SIZE	DESCRIPTION
1	Thermostat	69-65	FP-6I4954		170 Degree
ENGINE BLOCK & PARTS					
QTY	GASKETS	YEARS	PART NO.	SIZE	DESCRIPTION
1	Oil Pan Gasket	69-65	FP-1694200		
QTY	GASKET SETS	YEARS	PART NO.	SIZE	DESCRIPTION
1	Cyl. Block & Oil Pan Gskt Set	69-65	FP-5P9563		
QTY	CAM BEARINGS	YEARS	PART NO.	SIZE	DESCRIPTION
2	Cam Brg.	69-65	FP-9M5238	30	Position Center; Balance shaft; O.E. No. 9M5238
4	Cam Brg.	69-65	FP-9M5239	30	Position Front & Rear; Balance shaft; O.E. No. 9M5239
1	Cam Brg.	69-65	FP-9M5477	STD	Position 1; O.E. No. 9M5477
4	Cam Brg.	69-65	FP-7M4046	STD	Position 2-3-4-5; O.E. No. 7M4046
QTY	OIL COOLERS & FILTERS	YEARS	PART NO.	SIZE	DESCRIPTION
1	Oil Cooler Gasket Kit	69-65	FP-5P9575		Ser. No. 69D-487 & Up; 76R1-273
1	Oil Cooler Gasket Kit	69-65	FP-5P9574		Ser. No. 69D1-486 Only
CRANKSHAFT/OIL PUMP					
QTY	SEALS - FRONT CRANK	YEARS	PART NO.	SIZE	DESCRIPTION
1	Redi-Sleeve	69-65	99262		
1	Oil Seal	69-65	41163T		
1	Oil Seal	69-65	FP-9Y9895		Front
QTY	SEALS - REAR CRANK	YEARS	PART NO.	SIZE	DESCRIPTION
1	Oil Seal	69-65	39888		
1	Oil Seal	69-65	FP-4W0452		Rear
QTY	MAIN BEARINGS	YEARS	PART NO.	SIZE	DESCRIPTION
7	Plain Main Brg.	69-65	FP-2323233	STD	
7	Plain Main Brg.	69-65	FP-8N8225	10	
7	Plain Main Brg.	69-65	FP-8N8226	20	
7	Plain Main Brg.	69-65	FP-8N8227	30	
7	Plain Main Brg.	69-65	FP-232323340	40	
1	Thrust Washer Set	69-65	FP-6N8940S		Position 7; W/.186" thick thrust washer
1	Thrust Washer Set	69-65	FP-1003652S		Position 7; W/.214" thick thrust washer
1	Thrust Washer Set	69-65	FP-9S3037S		Position 7; W/.234" thick thrust washer; O.E. No. 9S3037
CYLINDER COMPONENTS					
QTY	LINERS	YEARS	PART NO.	SIZE	DESCRIPTION
6	Liner w/o Sealing Rings	69-65	FP-8S2240	STD	
6	Cylinder Kit Complete	69-65	FP-LK5558	STD	Straight Rod, Single Groove
18	Sealing Ring, Liner	69-65	FP-3S3977		3 Per Liner
QTY	PISTONS	YEARS	PART NO.	SIZE	DESCRIPTION
6	Piston Body w/o Pin	69-65	FP-2M5558	STD	Straight Rod, Single Groove
6	Pin	69-65	FP-7N9804	STD	
12	Piston Pin Retainer	69-65	FP-9H4015		
6	Pin Bushing	69-65	FP-8N0702		Cylindrical bushing w/1.6290" OD; O.E. No. 8N0702
QTY	CONNECTING RODS & BRGS.	YEARS	PART NO.	SIZE	DESCRIPTION
6	Rod Pair	69-65	FP-4W5739	STD	
6	Rod Pair	69-65	FP-8N8221	10	
6	Rod Pair	69-65	FP-8N8222	20	
6	Rod Pair	69-65	FP-8N8223	30	
6	Rod Pair	69-65	FP-4W573940	40	
6	Rod Pair	69-65	FP-4W573950	50	
6	Rod Pair	69-65	FP-4W573960	60	
QTY	PISTON RINGS	YEARS	PART NO.	SIZE	DESCRIPTION
6	Ring Set Single Cylinder	69-65	FP-3S4029	STD	

Ford Truck - M/D & H/D

54 M/D Truck 534 Eng.
8.8L 534 OHV V8, 4.5" Bore 1972-81

CYL. HEAD & PARTS

QTY	VALVE	YEARS	PART NO.	SIZE	DESCRIPTION
8	Exhaust	81-72	V-1358X Std Only		Sodium cooled; Chrome plated stem; 1.6350" Head Dia., .4340" Stem Dia., 5.7020" O.A.L.
32	Keeper	81-72	VK-140		
QTY	VALVE GUIDE	YEARS	PART NO.	SIZE	DESCRIPTION
8	Guide	81-72	VG-5074		Exh.; .4375" ID, 2.7500" O.A.L.
QTY	VALVE SPRING	YEARS	PART NO.	SIZE	DESCRIPTION
16	Spring	81-72	VS-698		2.0200" Free Height
QTY	PUSH RODS	YEARS	PART NO.	SIZE	DESCRIPTION
16	Push Rod	81-72	RP-3143		11.5970" O.A.L.
QTY	VALVE MISC.	YEARS	PART NO.	SIZE	DESCRIPTION
8	Rotocap Assy.	81-72	RC-101A		
QTY	VALVE SEAL	YEARS	PART NO.	SIZE	DESCRIPTION
16	Valve Stem Seal	81-72	ST-2007		Positive type; Rubber
QTY	ROCKER PARTS	YEARS	PART NO.	SIZE	DESCRIPTION
16	Arm	81-72	R-877		

CAMSHAFT GROUP

QTY	CAMSHAFT/LIFTER	YEARS	PART NO.	SIZE	DESCRIPTION
16	Lifter	81-72	AT-872 Std Only		Mech.
16	Lifter, Bulk	81-72	AT-872B Std Only		Mech.; Carton of 122
1	Prelube	81-72	55-400		4 oz. bottle; 1.5 oz. packet No. 55-403 also avail.

ENGINE BLOCK & PARTS

QTY	GASKET SETS	YEARS	PART NO.	SIZE	DESCRIPTION
1	Kit Gasket Set	81-72	260-1116		
QTY	FREEZE PLUGS	YEARS	PART NO.	SIZE	DESCRIPTION
1	Brass Block Plug Kit	81-72	381-8022		

CRANKSHAFT/OIL PUMP

QTY	SEALS - FRONT CRANK	YEARS	PART NO.	SIZE	DESCRIPTION
1	Redi-Sleeve	81-72	99240		
1	Oil Seal	81-72	483246N		
QTY	SEALS - REAR CRANK	YEARS	PART NO.	SIZE	DESCRIPTION
1	Oil Seal Kit	81-72	5117		(Split Seal)

CYLINDER COMPONENTS

QTY	LINERS	YEARS	PART NO.	SIZE	DESCRIPTION
8	Repair Sleeve	81-72	FP-SL26Y	Std Only	1/8" wall, must be cut to correct length
8	Repair Sleeve	81-72	SL-26Y +	Std Only	1/8" wall, must be cut to correct length; When depleted use FP-SL26Y
8	Repair Sleeve	81-72	FP-SL26M	Std Only	3/32" wall, must be cut to correct length
QTY	PISTONS	YEARS	PART NO.	SIZE	DESCRIPTION
8	Pin Bushing	81-72	2319Y20		
QTY	CONNECTING RODS & BRGS.	YEARS	PART NO.	SIZE	DESCRIPTION
8	Rod Pair	81-72	2470CP	Std-10-20-30	Use w/crankshaft Frg. Nos. C1TE-6303B, C2TE-B
QTY	PISTON RINGS	YEARS	PART NO.	SIZE	DESCRIPTION
1	Premium Set	81-72	E-317K30	30-40-60	To Ser. No. C85001; H/D or Highway Use; 3-3/32, 1-3/16
1	Standard Set	81-72	FP-E421X	Std-30-60	To Ser. No. C85001; L/D Use; 3-3/32, 1-3/16
1	Standard Set	81-72	E-421X +	Std-30-60	To Ser. No. C85001; L/D Use; 3-3/32, 1-3/16; When depleted use FP-E421X

KITS

RE-RING KIT	YEARS	DESCRIPTION	QTY	PREMIUM KIT NO.	QTY	ECONOMY KIT NO.
81-72		W/Crankshaft Forging Nos. C1TE-6303B, C1TE-6303C, C2TE-6303A & C2TE-6303B.		-----	1	205-204
		Re-ring				

55 H/D Truck 534 Eng.
8.8L 534 OHV V8, 4.5" Bore 1958-81

CYL. HEAD & PARTS

QTY	VALVE	YEARS	PART NO.	SIZE	DESCRIPTION
8	Exhaust	81-58	V-1358X Std Only		Sodium cooled; Chrome plated stem; 1.6350" Head Dia., .4340" Stem Dia., 5.7020" O.A.L.

(continued on next page)

Ford Truck - M/D & H/D

H/D Truck 534 Eng. 55
8.8L 534 OHV V8, 4.5" Bore 1958-81 (cont.)

CYL. HEAD & PARTS (cont.)					
QTY	VALVE (cont.)	YEARS	PART NO.	SIZE	DESCRIPTION
32	Keeper	81-58	VK-140		
CYL. HEAD & PARTS (cont.)					
QTY	VALVE GUIDE	YEARS	PART NO.	SIZE	DESCRIPTION
8	Guide	81-58	VG-5074		Exh.; .4375" ID, 2.7500" O.A.L.
QTY	VALVE SPRING	YEARS	PART NO.	SIZE	DESCRIPTION
16	Spring	81-58	VS-698		2.0200" Free Height
QTY	PUSH RODS	YEARS	PART NO.	SIZE	DESCRIPTION
16	Push Rod	81-58	RP-3143		11.5970" O.A.L.
QTY	VALVE MISC.	YEARS	PART NO.	SIZE	DESCRIPTION
8	Rotocap Assy.	81-58	RC-101A		
QTY	VALVE SEAL	YEARS	PART NO.	SIZE	DESCRIPTION
16	Valve Stem Seal	81-58	ST-2007		Positive type; Rubber
QTY	ROCKER PARTS	YEARS	PART NO.	SIZE	DESCRIPTION
16	Arm	81-58	R-877		
CAMSHAFT GROUP					
QTY	CAMSHAFT/LIFTER	YEARS	PART NO.	SIZE	DESCRIPTION
16	Lifter	81-58	AT-872 Std Only		Mech.
16	Lifter, Bulk	81-58	AT-872B Std Only		Mech.; Carton of 122
1	Prelube	81-58	55-400		4 oz. bottle; 1.5 oz. packet No. 55-403 also avail.
ENGINE BLOCK & PARTS					
QTY	GASKET SETS	YEARS	PART NO.	SIZE	DESCRIPTION
1	Kit Gasket Set	81-58	260-1116		
QTY	FREEZE PLUGS	YEARS	PART NO.	SIZE	DESCRIPTION
1	Brass Block Plug Kit	81-58	381-8022		
CRANKSHAFT/OIL PUMP					
QTY	SEALS - FRONT CRANK	YEARS	PART NO.	SIZE	DESCRIPTION
1	Redi-Sleeve	81-58	99240		
1	Oil Seal	81-58	483246N		
QTY	SEALS - REAR CRANK	YEARS	PART NO.	SIZE	DESCRIPTION
1	Oil Seal Kit	81-58	5117		(Split Seal)
CYLINDER COMPONENTS					
QTY	LINERS	YEARS	PART NO.	SIZE	DESCRIPTION
8	Repair Sleeve	81-58	FP-SL26Y	<i>Std Only</i>	1/8" wall, must be cut to correct length
8	Repair Sleeve	81-58	SL-26Y +	<i>Std Only</i>	1/8" wall, must be cut to correct length; When depleted use FP-SL26Y
8	Repair Sleeve	81-58	FP-SL26M	<i>Std Only</i>	3/32" wall, must be cut to correct length
QTY	PISTONS	YEARS	PART NO.	SIZE	DESCRIPTION
8	Pin Bushing	81-58	2319Y20		
QTY	CONNECTING RODS & BRGS.	YEARS	PART NO.	SIZE	DESCRIPTION
8	Rod Pair	81-58	2470CP	<i>Std-10-20-30</i>	Use w/crankshaft Frg. Nos. C1TE-6303B, C2TE-B
QTY	PISTON RINGS	YEARS	PART NO.	SIZE	DESCRIPTION
1	Premium Set	81-58	E-317K30	<i>30-40-60</i>	To Ser. No. C85001; H/D or Highway Use; 3-3/32, 1-3/16
1	Standard Set	81-58	FP-E421X	<i>Std-30-60</i>	To Ser. No. C85001; L/D Use; 3-3/32, 1-3/16
1	Standard Set	81-58	E-421X +	<i>Std-30-60</i>	To Ser. No. C85001; L/D Use; 3-3/32, 1-3/16; When depleted use FP-E421X
M/D Truck 6V-92 (4-Valve Cyl. Head) Eng. 56					
9.0L 552 OHV Diesel V6, 4.84" Bore (Detroit Diesel Eng.) 1979-80					
CYL. HEAD & PARTS					
QTY	GASKETS	YEARS	PART NO.	SIZE	DESCRIPTION
1	Valve Cover Gasket	80-79	FP-5143405		Neoprene
1	Valve Cover Gasket	80-79	FP-5104018		Silicone
1	Valve Cover Gasket	80-79	260-1314V		Engs. w/cast Alum. valve cover; 4 req'd. for Engs. w/Jake Brake
QTY	VALVE	YEARS	PART NO.	SIZE	DESCRIPTION
24	Exhaust	80-79	FP-5106136		
48	Keeper	80-79	VK-144		1 groove; Square cut key groove
48	Keeper	80-79	VK-144R		1 groove; Square cut key groove; Hardened

(continued on next page)

Ford Truck - M/D & H/D

56 M/D Truck 6V-92 (4-Valve Cyl. Head) Eng.
 (cont.) 9.0L 552 OHV Diesel V6, 4.84" Bore (Detroit Diesel Eng.) 1979-80

CYL. HEAD & PARTS (cont.)					
QTY	VALVE SEAT	YEARS	PART NO.	SIZE	DESCRIPTION
24	Exh.	80-79	FP-5148490	STD	Repl. O.E. No. 5148490, non-magnetic.; 30 Deg. seat; 1.4420" OD, 1.1400" ID, .2510" Depth
24	Exh.	80-79	FP-5101315	10	Repl. O.E. No. 5148490, non-magnetic; 30 Deg. seat; .010" O/S; 1.4520" OD, 1.1400" ID, .2510" Depth
QTY	VALVE GUIDE	YEARS	PART NO.	SIZE	DESCRIPTION
24	Guide	80-79	FP-5129919		2 3/8" length; .3130" ID, 2.3800" O.A.L.
QTY	VALVE SPRING	YEARS	PART NO.	SIZE	DESCRIPTION
24	Spring	80-79	FP-5147347		.148" Wire dia.
QTY	PUSH RODS	YEARS	PART NO.	SIZE	DESCRIPTION
24	Push Rod	80-79	FP-5128640		O.E. No. 5128640
QTY	ROCKER PARTS	YEARS	PART NO.	SIZE	DESCRIPTION
6	Arm Assy.	80-79	FP-5148472		Exh. Left
6	Arm Assy.	80-79	FP-5148475		Exh. Right
6	Arm Assy.	80-79	FP-8923554		Injector
2	Rocker Shaft	80-79	FP-23500714		
24	Arm Support	80-79	FP-5103903		
12	Rocker Bushing	80-79	FP-23517217		.8755" ID, .9475" OD, .840" Length, .0360" Wall thickness
12	Follower Assy.	80-79	FP-8924439		
24	Cam Follower Roller Set	80-79	FP-8923814		Incl. pin & roller
12	Valve Bridge Guide	80-79	FP-5117564		O.E. No. 5117564; Press fit
ACCESSORY DRIVE					
QTY	ACCESSORY DRIVE	YEARS	PART NO.	SIZE	DESCRIPTION
1	Oil Seal	80-79	470625		
1	Redi-Sleeve	80-79	99150		
COOLING SYSTEM					
QTY	WATER PUMP	YEARS	PART NO.	SIZE	DESCRIPTION
1	Water Pump - Heavy Duty	80-79	FP-23507971		Raw water pump
ENGINE BLOCK & PARTS					
QTY	GASKET SETS	YEARS	PART NO.	SIZE	DESCRIPTION
1	Complete Overhaul Gasket Set	80-79	FP-23512684WS		
1	Kit Gasket Set	80-79	260-1263		Compl., w/bi-directional seals; valve cover gskts. & turbo mounting gskt. not incl.
1	Kit Gasket Set	80-79	260-1264		In Frm.; Valve cover gskts. not incl.
QTY	CAM BEARINGS	YEARS	PART NO.	SIZE	DESCRIPTION
4	Cam Brg.	80-79	FP-5111423	STD	Position Front & Rear; Grooved
4	Cam Brg.	80-79	FP-5196026	STD	Position Inter.; w/o Steel bushing in ctr. hole; Aluminum Blocks only
4	Cam Brg.	80-79	FP-5196022	STD	Position Inter.; W/Steel bushing in ctr. hole
QTY	OIL COOLERS & FILTERS	YEARS	PART NO.	SIZE	DESCRIPTION
1	Oil Cooler	80-79	FP-8547195		18 plate
CRANKSHAFT/OIL PUMP					
QTY	SEALS - FRONT CRANK	YEARS	PART NO.	SIZE	DESCRIPTION
1	Redi-Sleeve	80-79	99287		Shaft dia. 2.876"
1	Oil Seal	80-79	455006N		
1	Oil Seal	80-79	FP-5115454		Single Lip, Std.
QTY	SEALS - REAR CRANK	YEARS	PART NO.	SIZE	DESCRIPTION
1	Oil Seal	80-79	455378H		
1	Oil Seal	80-79	6329S		(Double Lip Seal)
1	Oil Seal	80-79	FP-5114335		Single Lip, Std.; Shaft Dia. 4.687"
1	Oil Seal Kit	80-79	5460		(Oversize)
1	Redi-Sleeve	80-79	99468		
1	Redi-Sleeve	80-79	99468		(Double Lip Seal)
QTY	MAIN BEARINGS	YEARS	PART NO.	SIZE	DESCRIPTION
4	Plain Main Brg.	80-79	FP-5149565	STD	Upper brg. w/elongated oil slot. May be used as replacement for brg. w/11/32" oil hole.
4	Plain Main Brg.	80-79	FP-5149566	2	Upper brg. w/elongated oil slot. May be used as replacement for brg. w/11/32" oil hole.
4	Plain Main Brg.	80-79	FP-5149567	10	Upper brg. w/elongated oil slot. May be used as replacement for brg. w/11/32" oil hole.
4	Plain Main Brg.	80-79	FP-5149568	20	Upper brg. w/elongated oil slot. May be used as replacement for brg. w/11/32" oil hole.

(continued on next page)

Ford Truck - M/D & H/D

M/D Truck 6V-92 (4-Valve Cyl. Head) Eng. 56
9.0L 552 OHV Diesel V6, 4.84" Bore (Detroit Diesel Eng.) 1979-80 (cont.)

CRANKSHAFT/OIL PUMP (cont.)

QTY	MAIN BEARINGS (cont.)	YEARS	PART NO.	SIZE	DESCRIPTION
4	Plain Main Brg.	80-79	FP-8922118	30	Upper brg. w/elongated oil slot. May be used as replacement for brg. w/11/32" oil hole.

CYLINDER COMPONENTS

QTY	LINERS	YEARS	PART NO.	SIZE	DESCRIPTION
6	Liner w/o Sealing Rings	80-79	FP-23508383	STD	.85"; 20 Deg. Port
6	Liner w/o Sealing Rings	80-79	FP-23507231	STD	.95"; Brushed
6	Liner w/o Sealing Rings	80-79	FP-235072311	1	.95"; Brushed; O/S .001 in Lower Receiver Bore Area
6	Liner w/o Sealing Rings	80-79	FP-5148505	STD	1.05"; 30 Deg. Port
6	Liner w/o Sealing Rings	80-79	FP-51485051	1	1.05"; 30 Deg. Port; O/S .001 in Lower Receiver Bore Area
6	Liner w/o Sealing Rings	80-79	FP-514850510	10	1.05"; 30 Deg. Port; O/S .010 in Lower Receiver Bore Area
6	Liner w/o Sealing Rings	80-79	FP-514850520	20	1.05"; 30 Deg. Port; O/S .020 in Lower Receiver Bore Area
6	Cylinder Kit Complete	80-79	FP-23524337	STD	15.0:1 C.R.; Option Type 411
6	Cylinder Kit Complete	80-79	FP-235243371	1	15.0:1 C.R.; Option Type 411
6	Cylinder Kit Complete	80-79	FP-23523101	STD	17.0:1 C.R.
6	Cylinder Kit Complete	80-79	FP-23524494	STD	17.0:1 C.R.
6	Cylinder Kit Complete	80-79	FP-23524339	STD	17.0:1 C.R.; Option Type 149, 150, 202, 221, 228, 250, 255, 262, 275, 277, 278, 279, 299, 409
6	Cylinder Kit Complete	80-79	FP-235243391	1	17.0:1 C.R.; Option Type 149, 150, 202, 221, 228, 250, 255, 262, 275, 277, 278, 279, 299, 409
6	Cylinder Kit Complete	80-79	FP-2352433910	10	17.0:1 C.R.; Option Type 149, 150, 202, 221, 228, 250, 255, 262, 275, 277, 278, 279, 299, 409
6	Cylinder Kit Complete	80-79	FP-2352433920	20	17.0:1 C.R.; Option Type 149, 150, 202, 221, 228, 250, 255, 262, 275, 277, 278, 279, 299, 409
6	Cylinder Kit Complete	80-79	FP-23524342	STD	17.0:1 C.R.; Option Type 410
6	Cylinder Kit Complete	80-79	FP-235243421	1	17.0:1 C.R.; Option Type 410
12	Sealing Ring, Liner	80-79	FP-8927189		
6	Cntr. Bore Insert	80-79	FP-5101723		.015" I.D., .1338"-.1343"
6	Cntr. Bore Insert	80-79	FP-5101723		.015" I.D., .1338"-.1343"
6	Cntr. Bore Insert	80-79	FP-5101727		.015" I.D., .1362"-.1367"

QTY	PISTONS	YEARS	PART NO.	SIZE	DESCRIPTION
6	Piston Kit w/Pin & Retainers	80-79	FP-23505052		15.0:1 C.R.; w/Cross Head style piston
6	Piston Kit w/Pin & Retainers	80-79	FP-5149963		17.0:1 C.R.; w/Cross Head style piston
6	Crosshead Piston Dome	80-79	FP-23504353		15.0:1 C.R.; w/Cross Head style piston
6	Crosshead Piston Dome	80-79	FP-5144872		17.0:1 C.R.; w/Cross Head style piston
6	Piston Skirt	80-79	FP-23508986		w/Cross Head style piston
6	Pin	80-79	FP-5101120	STD	w/Cross Head style piston
6	Pin	80-79	FP-5144744	STD	w/Cross Head style piston; Nut plate type
12	Piston Pin Retainer	80-79	FP-5180250		
12	Piston Pin Bolt	80-79	FP-5148373		7/16" - 20 x 2.00" Length
12	Piston Pin Bolt Spacer	80-79	FP-5144846		
6	Pin Bushing	80-79	FP-5157274		w/.015" extra ID bore stock
6	Pin Bushing	80-79	FP-2409Y		w/1.5020" I.D., 1.7510" O.D., .7600" O.A.L.
6	Pin Bushing	80-79	2409Y +		w/1.5020" I.D., 1.7510" O.D., .7600" O.A.L.; When depleted use FP-2409Y
6	Piston Pin Slipper Bearing	80-79	FP-23501687		w/Cross Head style piston; Slipper type design - 1 per cyl.
6	O-Ring	80-79	FP-8923729		w/Cross Head style piston

QTY	CONNECTING RODS & BRGS.	YEARS	PART NO.	SIZE	DESCRIPTION
6	Rod Pair	80-79	FP-5149572	STD	
6	Rod Pair	80-79	FP-5149575	10	
6	Rod Pair	80-79	FP-5149577	20	
6	Rod Pair	80-79	FP-5149579	30	

KITS

QTY	OVERHAUL KIT	YEARS	PART NO.	SIZE	DESCRIPTION
1	In-Frame Overhaul Kit	80-79	FP-6V92		w/Cross Head style piston & .950" Port Length Sleeve; Valve cover gskts. not incl.
1	In-Frame Overhaul Kit	80-79	FP-6V92		w/Cross Head style piston & 1.050" Port Length Sleeve; Valve cover gskts. not incl.
1	Complete Overhaul Kit	80-79	FP-6V92OH		w/Cross Head style piston & .950" Port Length Sleeve; Valve cover gskts. not incl.
1	Complete Overhaul Kit	80-79	FP-6V92OH		w/Cross Head style piston & 1.050" Port Length Sleeve; Valve cover gskts. not incl.

Ford Truck - M/D & H/D

57 M/D Truck 6V-92T (4-Valve Cyl. Head) Eng.
 9.0L 552 OHV Turbo-Diesel V6, 4.84" Bore (Detroit Diesel Eng.) 1987-88

CYL. HEAD & PARTS

QTY	GASKETS	YEARS	PART NO.	SIZE	DESCRIPTION
2	Valve Cover Gasket	88-87	FP-5104018		w/Alum. Rocker Cover; Silicone
2	Valve Cover Gasket	88-87	FP-5143405		w/Stamped Rocker Cover; Neoprene
6	Head Gasket	88-87	FP-5100404		Cyl. Head Compression
2	Head Set	88-87	FP-5199673		Services One Head
1	Oil Filler Tube Gasket	88-87	FP-5120540		
1	Oil Cooler Adapter Cover Gskt	88-87	FP-5175882		Eng. Lifting Bracket spacer
26	O-Ring	88-87	FP-5148502		Cyl. Head Oil Seal
16	Bolt	88-87	FP-5148324		Cyl. Head; 11/16" - 11 x 5.500"
1	Bolt	88-87	FP-5103635		Throttle Delay; 3/8" - 16 x 2.90"
1	Bolt	88-87	FP-8927581		Oil Filler Tube; 3/8" - 16 x 1"
3	Screw	88-87	FP-5103642		Oil Filler Tube; No. 10 - 24 x .375"
2	Lock Washer	88-87	FP-103321		Oil Filler Tube; 3/8"
1	Pipe Plug	88-87	FP-8923847		Oil Filler Tube; 1/4" x 18 NPTF; Square head
4	Isolator Bushing	88-87	FP-5104515		Rocker Cover
QTY	HEAD BOLTS	YEARS	PART NO.	SIZE	DESCRIPTION
16	Washer	88-87	FP-5148310		Cyl. Head; 11/16" Dia.
4	Washer	88-87	FP-5104514		Rocker Cover; .47" x 2.00" x .20"
QTY	MISCELLANEOUS	YEARS	PART NO.	SIZE	DESCRIPTION
4	Wear Sleeve	88-87	FP-5148615		Cyl. Head; Pilot; .700" Length
2	Pipe Plug	88-87	FP-8926993		Cyl. Head Fuse; 1/4" X 18; Recessed socket head
7	Pipe Plug	88-87	FP-5121182		Cyl. Head; 1/4" - 18; Hex head
15	Pipe Plug	88-87	FP-8923847		Cyl. Head; 1/4" x 18 NPTF; Square head
4	Pipe Plug	88-87	FP-5142549		Cyl. Head; 3/4" - 14 Square Head
3	Pipe Plug	88-87	FP-8924517		Cyl. Head; 3/8" x 18 square head
6	Bolt	88-87	FP-8927580		Cyl. Head; 3/8" - 16 x .875"
6	Washer	88-87	FP-5125108		Fuel Stand; 7/16" x 3/4" x 1/16"
2	Lock Washer	88-87	FP-103321		Cyl. Head; 3/8"
2	Lock Nut	88-87	FP-103026		Cyl. Head; 3/8" x 24
12	Bolt	88-87	FP-443603		Cam Follower Guide; .250" x 20 x .750"
QTY	FREEZE PLUGS	YEARS	PART NO.	SIZE	DESCRIPTION
2	Pipe Plug	88-87	FP-8926993		Cyl. Head Fuse; 1/4" X 18; Recessed socket head
7	Pipe Plug	88-87	FP-5121182		Cyl. Head; 1/4" - 18; Hex head
15	Pipe Plug	88-87	FP-8923847		Cyl. Head; 1/4" x 18 NPTF; Square head
4	Pipe Plug	88-87	FP-5142549		Cyl. Head; 3/4" - 14 Square Head
3	Pipe Plug	88-87	FP-8924517		Cyl. Head; 3/8" x 18 square head
1	Expansion Plug	88-87	FP-5117186		Cyl. Head; 2" Dia. Cup; Stainless Steel
2	Expansion Plug	88-87	FP-5150132		Cyl. Head; 3/4" Dia. Cup
6	Expansion Plug	88-87	FP-5154453		Cyl. Head; 3/8" - 16 Headless Special
4	Expansion Plug	88-87	FP-5178976		Cyl. Head; 7/16" - 14 Special
2	Expansion Plug	88-87	FP-5132410		1 5/8" Dia. Cup; Stainless Steel
QTY	VALVE	YEARS	PART NO.	SIZE	DESCRIPTION
24	Exhaust Valve Kit	88-87	FP-5149771		Incl. Locks
48	Keeper	88-87	FP-5111337		Exh.; 1 groove; Square cut key groove
QTY	VALVE SEAT	YEARS	PART NO.	SIZE	DESCRIPTION
24	Exh.	88-87	FP-5101315	10	30 Deg. seat; .010" O/S; 1.4520" OD, 1.1400" ID, .2510" Depth
24	Exh.	88-87	FP-5148490	STD	30 Deg. seat; 1.4420" OD, 1.1400" ID, .2510" Depth
QTY	VALVE GUIDE	YEARS	PART NO.	SIZE	DESCRIPTION
24	Guide	88-87	FP-5129919		Exh.; 2 3/8" length; .3130" ID, 2.3800" O.A.L.
QTY	VALVE SPRING	YEARS	PART NO.	SIZE	DESCRIPTION
24	Spring	88-87	FP-5147347		Exh.; .148" Wire dia.
24	Spring	88-87	FP-8927794		Exh.; DDEC Coach; Type 281, 283
24	Spring Cap	88-87	FP-5117563		Exh.
QTY	PUSH RODS	YEARS	PART NO.	SIZE	DESCRIPTION
18	Push Rod	88-87	FP-5128640		
18	Push Rod Seat	88-87	FP-5123250		Lower
18	Push Rod Seat	88-87	FP-5108919		Upper; Cup type
18	Push Rod Spring	88-87	FP-5108918		.192" Wire diameter
18	Push Rod Retainer	88-87	FP-5150303		
18	Lock Nut	88-87	FP-5151601		Push rod; 5/16" - 24
QTY	VALVE MISC.	YEARS	PART NO.	SIZE	DESCRIPTION
1	Breather Seal Ring	88-87	FP-5103646		Breather Hole Plug
2	Governor Hole Gasket	88-87	FP-5123812		Breather Elbow
2	Bolt	88-87	FP-8927581		Breather Elbow; 3/8" - 16 x 1"
2	Bolt	88-87	FP-443603		Breather; .250" x 20 x .750"
2	Bolt	88-87	FP-8921930		Breather; 1/4" - 20 x 3/4"
1	Bolt	88-87	FP-8927580		Breather; 3/8" - 16 x .875"

(continued on next page)

Ford Truck - M/D & H/D

M/D Truck 6V-92T (4-Valve Cyl. Head) Eng. 57
9.0L 552 OHV Turbo-Diesel V6, 4.84" Bore (Detroit Diesel Eng.) 1987-88 (cont.)

CYL. HEAD & PARTS (cont.)

QTY	VALVE MISC. (cont.)	YEARS	PART NO.	SIZE	DESCRIPTION
2	Bolt	88-87	FP-8927581		Breather; 3/8" - 16 x 1"
1	Screw	88-87	FP-5103642		Breather Pipe; No. 10 - 24 x .375"
12	Lock Nut	88-87	FP-5151601		Exh.; Valve Bridge; 5/16" - 24
1	Washer	88-87	FP-5131433		Breather; .410" x .810" x .1345"
1	Washer	88-87	FP-106261		Breather; 5/16" x 3/4"
2	Lock Washer	88-87	FP-103319		Breather Elbow; .250"
2	Lock Washer	88-87	FP-103321		Breather Elbow; 3/8"
1	Lock Washer	88-87	FP-103319		Breather; .250"
1	Lock Washer	88-87	FP-103321		Breather; 3/8"
1	Lock Washer	88-87	FP-103320		Breather; 5/16"
2	Hose Clamp	88-87	FP-5186840		Breather Pipe; 13/16" - 1 1/2" Clamping Range
2	Hose Clamp	88-87	FP-5104592		Breather Pipe; 2.50" Dia.
1	Crankcase Breather	88-87	FP-5101760		Breather Oil Separator Filter; 4"
24	Valve Spring Seat	88-87	FP-5117562		Exh.
QTY	VALVE SEAL	YEARS	PART NO.	SIZE	DESCRIPTION
24	Valve Stem Seal	88-87	FP-8921209		Exh.
QTY	ROCKER PARTS	YEARS	PART NO.	SIZE	DESCRIPTION
6	Arm Assy.	88-87	FP-5148472		Exh. L.H.
6	Arm Assy.	88-87	FP-5148475		Exh. R.H.
6	Arm Assy.	88-87	FP-23502616		Injector; DDEC Coach; Blue Paint I.D.
6	Arm Assy.	88-87	FP-8923554		Injector; Orange paint I.D.
6	Rocker Shaft	88-87	FP-23500714		Repl. FP-5150322
12	Rocker Shaft Bracket Bolt	88-87	FP-5150325		1/2" - 13 x 4.250"
12	Arm Support	88-87	FP-5103903		Rocker Shaft Bracket
12	Rocker Bushing	88-87	FP-5123700		Exh.; Rocker Arm Clevis; .5625" OD
12	Rocker Bushing	88-87	FP-23517217		Exh.; Rocker Arm; Large; .8755" ID, .9475" OD, .840" Length, .0360" Wall thickness
12	Rocker Bushing	88-87	FP-8924354		Exh.; Rocker Arm; Small
6	Rocker Bushing	88-87	FP-8924355		Injector; Large
6	Rocker Bushing	88-87	FP-5123700		Injector; Rocker Arm Clevis; .5625" OD
6	Rocker Bushing	88-87	FP-8924354		Injector; Small
18	Follower Assy.	88-87	FP-8924439		
18	Cam Follower Roller Set	88-87	FP-8923814		Incl. pin & roller
12	Valve Bridge Adj. Screw	88-87	FP-5129101		Exh.; 5/16" - 24 x 1"
12	Valve Bridge	88-87	FP-5148491		Exh.
12	Valve Bridge Guide	88-87	FP-5117564		Exh.; Press fit
12	Valve Bridge Guide	88-87	FP-51175646		Exh.; Press fit w/.006" O/S
12	Valve Bridge Guide	88-87	FP-5196843		Exh.; Threaded
12	Rocker Arm Clevis Pin	88-87	FP-5150314		Exh.
6	Rocker Arm Clevis Pin	88-87	FP-5150314		Injector
12	Bushing	88-87	FP-5122445 +		Exh.; Rocker Arm; Large; When depleted use FP-23517217
6	Bushing	88-87	FP-23502615		Injector; Rocker Arm Clevis; .6295" OD
12	Lock Washer	88-87	FP-103319		Cam Follower Guide; .250"
INT & EXH MANIFOLDS					
QTY	INT. & EXH. MANIFOLDS	YEARS	PART NO.	SIZE	DESCRIPTION
4	Exhaust Manifold Gasket	88-87	FP-5156319		Exh. Manifold Cover Plate
2	Exhaust Manifold Gasket	88-87	FP-5156319		Exh. Manifold Water Outlet Flange
2	Exhaust Manifold Gasket	88-87	FP-5150194		3 Ports, Composition
1	Gasket	88-87	FP-5113412		Exh. Manifold Cover Plate
2	Exhaust Pipe Gasket	88-87	FP-5145238		Exh. Manifold
2	Exhaust Pipe Gasket	88-87	FP-5145238		Exh. Manifold Adaptor
6	Pipe Plug	88-87	FP-23511574		Exh. Manifold; 1/2" pipe thread; w/1" Square head
2	Pipe Plug	88-87	FP-5115214		Exh. Manifold; 1/2" Square Head
2	Clamp	88-87	FP-5132650		Exh. Flange; 5.250" Dia.
2	Clamp	88-87	FP-5146165		Exh. Manifold; 3.88" Dia.; Marmon
12	Bolt	88-87	FP-8925603		Exh. Manifold Cover Plate; 5/16" - 18 x 3/4"; Vibra-Tite®
12	Stud	88-87	FP-8925804		Exh. Manifold to Head; 7/16" - 14/20" x 2 3/32"
12	Lock Nut	88-87	FP-23505398		Exh. Manifold; 7/16" - 20
12	Nut	88-87	FP-9411981		Exh. Manifold; 3/8" - 24 Lock Nut
8	Washer	88-87	FP-5104439		Exh. Manifold; 7/16" x 1.250" Dia.; Dished
12	Lock Washer	88-87	FP-103320		Exh. Manifold; 5/16"
QTY	AIR INTAKE	YEARS	PART NO.	SIZE	DESCRIPTION
2	Air Intake Housing Gasket	88-87	FP-5145086		Air Inlet Housing
2	Air Intake Housing Gasket	88-87	FP-5101412		Air Inlet Housing; 11.60" ID, w/Eight 15/32" Holes
2	Air Intake Housing Gasket	88-87	FP-5101408		Air Inlet Housing; 15.48" I.D., w/Ten 15/32" Holes
2	Air Intake Housing Gasket	88-87	FP-5123703		Air Inlet Housing; 5.68" ID, w/Eight 13/32" Holes
2	Air Intake Housing Gasket	88-87	FP-5134838		Air Inlet Housing; 8.00" Long, w/Four 13/32" Holes

(continued on next page)

+ Superseded Part Number

Ford Truck - M/D & H/D

57 M/D Truck 6V-92T (4-Valve Cyl. Head) Eng.
 (cont.) 9.0L 552 OHV Turbo-Diesel V6, 4.84" Bore (Detroit Diesel Eng.) 1987-88

INT & EXH MANIFOLDS (cont.)					
QTY	AIR INTAKE (cont.)	YEARS	PART NO.	SIZE	DESCRIPTION
1	Gasket	88-87	FP-5145235		Air Inlet Housing Striker Plate
1	Bolt	88-87	FP-8927580		Air Inlet Housing Shutdown Reset; 3/8" - 16 x .875"
2	Bolt	88-87	FP-179803		Air Inlet Housing Shutdown Valve; 1/4" x 20 x 1.750"
1	Bolt	88-87	FP-179803		Air Inlet Housing Striker Plate; 1/4" x 20 x 1.750"
8	Bolt	88-87	FP-8927580		Air Inlet Housing; 3/8" - 16 x .875"
1	Washer	88-87	FP-5159714		Air Inlet Housing Shutdown Valve; 11/16" x 1/8"
1	Washer	88-87	FP-5159714		Air Inlet Housing Striker Plate; 11/16" x 1/8"
1	Lock Washer	88-87	FP-103321		Air Inlet Housing Shutdown Reset; 3/8"
8	Lock Washer	88-87	FP-103321		Air Inlet Housing; 3/8"
8	Lock Washer	88-87	FP-103320		Air Inlet Housing; 5/16"
2	O-Ring	88-87	FP-5179232		Air Inlet Housing Shutdown Valve; .424" x .103"
1	Pipe Plug	88-87	FP-5142549		Air Inlet Housing; 3/4" - 14 Square Head
CAMSHAFT GROUP					
QTY	TIMING	YEARS	PART NO.	SIZE	DESCRIPTION
1	Cam Gear	88-87	FP-8926631		R.H.; R.H. Helix
2	Idler Gear Hub Assembly	88-87	FP-5130135		L.H. & R.H.
2	Bolt	88-87	FP-454992		Idler Gear Assembly; 1/2" - 13 x 2 1/2
12	Bolt	88-87	FP-5103534		L.H. & R.H.; Idler Gear Assembly; 5/16" - 24 x 1/2"
2	Washer	88-87	FP-5167714		Idler Gear Assembly; 17/32" x 7/8" x 3/32"
QTY	CAMSHAFT TIMING	YEARS	PART NO.	SIZE	DESCRIPTION
2	Camshaft Pulley Spacer	88-87	FP-5116485		L.H. & R.H.; .640" Length
QTY	CAMSHAFT/LIFTER	YEARS	PART NO.	SIZE	DESCRIPTION
4	Camshaft Thrust Washer	88-87	FP-5111424		
4	Camshaft Thrust Washer	88-87	FP-5194826		
4	Camshaft Thrust Washer	88-87	FP-5194827		
2	Lock Washer	88-87	FP-5177769		Front; Camshaft L.H. & R.H.; 1.125"
8	Lock Washer	88-87	FP-103321		Rear; Camshaft Rear Lock Washer; 3/8"
1	Oil Seal	88-87	FP-23516871		Front; Camshaft L.H. Bank
4	Woodruff Key	88-87	FP-8926247		Front & Rear; .250" x .750"
ACCESSORY DRIVE					
QTY	ACCESSORY DRIVE	YEARS	PART NO.	SIZE	DESCRIPTION
1	Oil Seal	88-87	FP-5131329		Acc. Drive
1	Oil Seal	88-87	FP-5138710		Acc. Drive
1	Oil Seal Kit	88-87	FP-5198175		Acc. Drive Seal & Brg. Kit
1	Ball Brg.	88-87	FP-23503727		Acc. Drive
1	Ball Brg.	88-87	FP-23504528		Acc. Drive
1	Water Pump Retainer Ring	88-87	FP-9415285		Acc. Drive; Large; External
2	Bolt	88-87	FP-8927580		Acc. Drive; 3/8" - 16 x .875"
6	Bolt	88-87	FP-8927581		Acc. Drive; 3/8" - 16 x 1"
4	Bolt	88-87	FP-5145092		Acc. Drive; 3/8" - 24 x 1.20", Self-Locking
6	Bolt	88-87	FP-5185793		Acc. Drive, Internal Gear mount
2	Stud	88-87	FP-8927270		Acc. Drive; 3/8" - 16/24" x 1.6875"
1	Expansion Plug	88-87	FP-9428477		Acc. Drive; 15/16" Dia.
2	Bushing	88-87	FP-5120501		Acc. Drive Gear
1	Pipe Plug	88-87	FP-5115214		Acc. Drive; 1/2" Square Head
1	Pipe Plug	88-87	FP-5121182		Acc. Drive; 1/4" - 18; Hex head
1	Pipe Plug	88-87	FP-8924380		Acc. Drive; 1/8" - 27
2	Copper Washer	88-87	FP-5152148		Acc. Drive; 25/64" ID x 9/16" OD x 1/16" Thick; Copper
1	Lock Washer	88-87	FP-8926285		Acc. & Blower Drive Gear
1	Lock Washer	88-87	FP-103321		Balance Weight Cover; 3/8"
1	Oil Seal	88-87	470625		
1	Redi-Sleeve	88-87	99150		
6	Lock Nut	88-87	FP-103026		Acc. Drive; 3/8" x 24
10	Lock Nut	88-87	FP-103026		Balance Weight Cover; 3/8" x 24
FUEL SYSTEM & PARTS					
QTY	FUEL INJECTION	YEARS	PART NO.	SIZE	DESCRIPTION
2	Fuel Injector Nozzle	88-87	FP-5172874		Single Outlet; Single Outlet
6	Fuel Injector Seal Ring	88-87	FP-5234281		
6	Fuel Injector Seal Ring	88-87	FP-5104701		Inj. Hole Tube; Viton®
6	Injector Hole Tube Kit	88-87	FP-8925981		Incl. Seal Ring; Viton®
6	Washer	88-87	FP-5150250		Inj. Hold-Down Clamp
6	Clamp	88-87	FP-5121259		Inj. Hold-Down
6	Fuel Injector Repair Kit	88-87	FP-5229649		
6	Fuel Injection Spring Seat	88-87	FP-5228766		
6	Fuel Injector Valve Spring	88-87	FP-5228596		

(continued on next page)

Ford Truck - M/D & H/D

M/D Truck 6V-92T (4-Valve Cyl. Head) Eng. 57
9.0L 552 OHV Turbo-Diesel V6, 4.84" Bore (Detroit Diesel Eng.) 1987-88 (cont.)

FUEL SYSTEM & PARTS (cont.)

QTY	FUEL INJECTION (cont.)	YEARS	PART NO.	SIZE	DESCRIPTION
6	Fuel Injector Valve Kit	88-87	FP-5228769		

BLOWER

QTY	BLOWER	YEARS	PART NO.	SIZE	DESCRIPTION
2	Ball Brg.	88-87	FP-23504304		Rear; Blower Rotor
2	Cylindrical Brg.	88-87	FP-23503542		Front; Blower Rotor
1	Oil Seal Kit	88-87	FP-23500533		Front & Rear; Blower End Plate
4	Oil Seal	88-87	FP-8924453		Blower Rotor
4	Oil Seal	88-87	FP-5138710		Front & Rear; Blower End Plate, Std.
1	Fuel Blower Gasket	88-87	FP-23520019		Blower to Block
1	Gasket	88-87	FP-5145235		Blower to Block, w/o Screen
1	Sealing Ring	88-87	FP-8922140		Blower Drive Cover Seal; 4.32" x 4.88" x .770"
3	Bolt	88-87	FP-5103364		Blower Drive Coupling; 1/2" - 20 x 1.10", 12 Pt. Head
3	Bolt	88-87	FP-9409077		Blower Drive Coupling; 5/16" - 24 x 1.625"
1	Bolt	88-87	FP-9409060		Blower Rotor Gear; 1/2" - 20 x 1.500"
12	Screw	88-87	FP-5148794		Blower Rotor End Plate; 1/4" - 20 x 5/8"
1	Hose Clamp	88-87	FP-5106219		Blower Drive Cover Seal
28	Washer	88-87	FP-5159714		Blower Assy.; 11/16" x 1/8"
2	Washer	88-87	FP-5121905		Blower End Plate; 15/32" ID x 7/8" OD x 5/32" Long
3	Lock Washer	88-87	FP-103320		Blower Drive Coupling; 5/16"
2	Lock Washer	88-87	FP-5154398		Front; Blower End Plate; 1/2" Special, External Tooth
1	Shim	88-87	FP-5150372		Blower Rotor Gear
1	Shim	88-87	FP-5153938		Blower Rotor Gear
1	Shim	88-87	FP-5150855		Blower Rotor Gear
1	Shim	88-87	FP-5150856		Blower Rotor Gear

GOVERNOR

QTY	GOVERNOR	YEARS	PART NO.	SIZE	DESCRIPTION
8	Governor Hole Gasket	88-87	FP-5123812		Cyl. Head Gov. Hole Cover

COOLING SYSTEM

QTY	WATER PUMP	YEARS	PART NO.	SIZE	DESCRIPTION
1	Water Pump - Heavy Duty	88-87	FP-23506602		Fresh Water; "Walking" Design
1	Water Pump - Heavy Duty	88-87	FP-23507971		Raw Water Pump; Opt. Type 62
1	Water Pump Shaft	88-87	FP-23506053		Fresh Water Pump
1	Water Pump Shaft	88-87	FP-5193552		Raw Water Pump
1	Water Pump Impeller	88-87	FP-23505995		Fresh Water Pump
1	Water Pump Impeller	88-87	FP-23505999		Fresh Water Pump; Hi-Capacity
1	Water Pump Impeller	88-87	FP-23505999		Fresh Water Pump; Hi-Capacity
1	Water Pump Impeller	88-87	FP-8924838		Raw Water Pump
1	Water Pump Impeller	88-87	FP-8924838		Raw Water Pump
1	Water Pump Repair/Rebuild Kit	88-87	FP-23506852		Fresh Water Pump
1	Water Pump Repair/Rebuild Kit	88-87	FP-23500517		Fresh Water Pump Seal Kit
1	Water Pump Repair/Rebuild Kit	88-87	FP-5149711		Fresh Water Pump; Repair Kit
1	Water Pump Repair/Rebuild Kit	88-87	FP-5197224		Recon. Kit; Raw Water; For Pump FP-23507971
1	Water Pump Cover	88-87	FP-5117950		Fresh Water Pump Body
1	Water Pump Cover	88-87	FP-8922383		Fresh Water Pump Body; Non-Metallic
1	Water Pump Cover	88-87	FP-5193555		Raw Water Pump
1	Water Pump Retainer Ring	88-87	FP-9415285		Raw Water Pump; Large; External
1	Water Pump Retainer Ring	88-87	FP-5193569		Raw Water Pump; Small
1	Water Pump Mech. Shaft Seal	88-87	FP-5198419		
1	Water Pump Mech. Shaft Seal	88-87	FP-8924297		Fresh Water Pump
1	Water Pump Mech. Shaft Seal	88-87	FP-5198419		Raw Water Pump
1	Water Pump Seal Ring	88-87	FP-5101160		Fresh Water Pump Body Cover
1	Water Pump Seal Ring	88-87	FP-5103544		Fresh Water Pump; .139" x 5.109" I.D.
1	Ball Brg.	88-87	FP-23504426		Raw Water Pump Shaft
1	Ball Brg.	88-87	FP-23503550		Inner; Fan Shaft
1	Ball Brg.	88-87	FP-23503704		Inner; Fan Shaft
1	Ball Brg.	88-87	FP-23503796		Inner; Fan Shaft
1	Ball Brg.	88-87	FP-7450630		Inner; Fan Shaft
1	Ball Brg.	88-87	FP-23503687		Inner; Fresh Water Pump
1	Ball Brg.	88-87	FP-23503535		Outer; Fan Shaft
1	Ball Brg.	88-87	FP-23503537		Outer; Fan Shaft
1	Ball Brg.	88-87	FP-23503727		Outer; Fan Shaft
1	Ball Brg.	88-87	FP-9415132		Outer; Fan Shaft
1	Ball Brg.	88-87	FP-23503649		Outer; Fresh Water Pump
5	Lock Nut	88-87	FP-103026		Fresh Water Pump; 3/8" x 24
1	Lock Nut	88-87	FP-5117972		Fresh Water Pump; 7/16" - 20
2	Lock Nut	88-87	FP-103026		Heat Exchanger; 3/8" x 24

(continued on next page)

Ford Truck - M/D & H/D

57 M/D Truck 6V-92T (4-Valve Cyl. Head) Eng.
 (cont.) 9.0L 552 OHV Turbo-Diesel V6, 4.84" Bore (Detroit Diesel Eng.) 1987-88

COOLING SYSTEM (cont.)

QTY	WATER PUMP (cont.)	YEARS	PART NO.	SIZE	DESCRIPTION
1	Accessory Drive Gasket	88-87	FP-23515145		Raw Water Pump
1	Gasket	88-87	FP-5196513		Raw Water Pump Adaptor
1	Oil Seal	88-87	FP-5103623		Fan Shaft
1	Oil Seal	88-87	FP-5103951		Fan Shaft
1	Oil Seal	88-87	FP-5108219		Fan Shaft; Felt
1	Oil Seal	88-87	FP-5100408		Fan Shaft; Rubber Lip
1	Oil Seal	88-87	FP-23506248		Fresh Water Pump
1	Oil Seal	88-87	FP-5117983		Fresh Water Pump Shaft Bearing
1	Oil Seal	88-87	FP-5195101		Raw Water Pump Shaft
2	Oil Seal	88-87	FP-5132155		Thermostat Seal
2	Bolt	88-87	FP-454992		Fan Hub Support Bracket; 1/2" - 13 x 2 1/2
1	Bolt	88-87	FP-9409060		Fan Hub; 1/2" - 20 x 1.500"
5	Bolt	88-87	FP-8925603		Fresh Water Pump Body; 5/16" - 18 x 3/4"; Vibra-Tite®
4	Bolt	88-87	FP-8927580		Heat Exchanger Water Outlet Tube; 3/8" - 16 x .875"
4	Bolt	88-87	FP-8927581		Heat Exchanger Water Outlet Tube; 3/8" - 16 x 1"
2	Bolt	88-87	FP-454992		Heat Exchanger; 1/2" - 13 x 2 1/2
4	Bolt	88-87	FP-454992		Heat Exchanger; 1/2" - 13 x 2 1/2
4	Bolt	88-87	FP-8927581		Heat Exchanger; 3/8" - 16 x 1"
6	Bolt	88-87	FP-23504236		Raw Water Pump Cover; .250" - 20 x .500"; Stainless Steel
5	Bolt	88-87	FP-23504236		Raw Water Pump Cover; .250" - 20 x .500"; Stainless Steel
4	Bolt	88-87	FP-5145092		Raw Water Pump; 3/8" - 24 x 1.20"; Self-Locking
6	Bolt	88-87	FP-23501660		Raw Water Pump, Adaptor to Body; 3/8" - 16 x 1.00"
2	Bolt	88-87	FP-8927581		Thermostat Housing; 3/8" - 16 x 1"
1	Pipe Plug	88-87	FP-8924380		Fan Hub; 1/8" - 27
1	Pipe Plug	88-87	FP-5115214		Fresh Water Pump Body; 1/2" Square Head
1	Pipe Plug	88-87	FP-8923313		Fresh Water Pump Body; 3/4"
1	Pipe Plug	88-87	FP-5142549		Fresh Water Pump Body; 3/4" - 14 Square Head
1	Pipe Plug	88-87	FP-5142549		Fresh Water Pump Body; 3/4" - 14 Square Head
1	Pipe Plug	88-87	FP-5121182		Heat Exchanger; 1/4" - 18; Hex head
1	Pipe Plug	88-87	FP-8924380		Heat Exchanger; 1/8" - 27
1	Pipe Plug	88-87	FP-5142549		Heat Exchanger; 3/4" - 14 Square Head
1	Pipe Plug	88-87	FP-5115214		Thermostat Housing; 1/2" Square Head
2	Pipe Plug	88-87	FP-5121182		Thermostat Housing; 1/4" - 18; Hex head
2	Pipe Plug	88-87	FP-8924380		Thermostat Housing; 1/8" - 27
2	Pipe Plug	88-87	FP-5142549		Thermostat Housing; 3/4" - 14 Square Head
1	Expansion Plug	88-87	FP-5154453		Fresh Water Pump Body; 3/8" - 16 Headless Special
2	Expansion Plug	88-87	FP-5117186		Heat Exchanger; 2" Dia. Cup; Stainless Steel
1	Dowel Pin	88-87	FP-5197597		Raw Water Pump Wear Plate; .184" OD x .375" Length
1	Screw	88-87	FP-114366		Raw Water Pump Cam; .250" - 20 x .500"; Brass
1	Slinger, Water Pump	88-87	FP-5193676		Raw Water Pump Shaft
2	Copper Washer	88-87	FP-5152148		Thermostat Housing; 25/64" ID x 9/16" OD x 1/16" Thick; Copper
4	Washer	88-87	FP-5133981		Fan Hub Support Bracket; .122" Thick
4	Washer	88-87	FP-103325		Fan Hub Support Bracket; Lock washer; 5/8"
1	Washer	88-87	FP-5103624		Fan Shaft Bearing Retainer; .500" Thick
4	Washer	88-87	FP-5131978		Fan Shaft; .53" ID x 1.00" OD x .170" Thick
2	Washer	88-87	FP-5197310		Fresh Water Pump; Adhesive, Ceramic Insert
1	Washer	88-87	FP-221436		Fresh Water Pump; Flat
4	Washer	88-87	FP-5131978		Heat Exchanger Cover Spacer; .53" ID x 1.00" OD x .170" Thick
8	Washer	88-87	FP-103325		Heat Exchanger; Lock washer; 5/8"
4	Washer	88-87	FP-5125108		Heat Exchanger; 7/16" x 3/4" x 1/16"
1	Washer	88-87	FP-103325		Raw Water Pump; Lock washer; 5/8"
1	Washer	88-87	FP-5125108		Thermostat Housing; 7/16" x 3/4" x 1/16"
1	Water Pump Lock Ring	88-87	FP-274746		Fresh Water Pump
QTY	THERMOSTAT	YEARS	PART NO.	SIZE	DESCRIPTION
2	Thermostat	88-87	FP-5102112		160 Deg.
2	Thermostat	88-87	FP-23503826		170 Deg.
2	Thermostat	88-87	FP-23503825		180 Deg.
2	Thermostat	88-87	FP-5104096		180 Deg.
2	Thermostat	88-87	FP-5106232		180 Deg.
2	Thermostat Gasket	88-87	FP-5117786		Thermostat Housing Cover
2	Thermostat Gasket	88-87	FP-5117993		Thermostat Housing Cover
1	Thermostat Gasket	88-87	FP-8924018		Thermostat Housing Cover
2	Thermostat Cover Gasket	88-87	FP-5100860		Thermostat Housing Cover
1	Thermostat Cover Gasket	88-87	FP-5123575		Thermostat Housing Cover
2	Thermostat Gasket	88-87	FP-5117786		Left & Right Bank; Thermostat Housing
2	Thermostat Gasket	88-87	FP-5117993		Left & Right Bank; Thermostat Housing
2	Thermostat Gasket	88-87	FP-5144277		Left & Right Bank; Thermostat Housing
1	Thermostat Gasket	88-87	FP-5123716		Left Bank; Thermostat Housing
1	Thermostat Gasket	88-87	FP-5133254		Left Bank; Thermostat Housing

(continued on next page)

Ford Truck - M/D & H/D

M/D Truck 6V-92T (4-Valve Cyl. Head) Eng. 57
9.0L 552 OHV Turbo-Diesel V6, 4.84" Bore (Detroit Diesel Eng.) 1987-88 (cont.)

COOLING SYSTEM (cont.)

QTY	THERMOSTAT (cont.)	YEARS	PART NO.	SIZE	DESCRIPTION
1	Thermostat Gasket	88-87	FP-5123570		Right Bank; Thermostat Housing
1	Thermostat Gasket	88-87	FP-5123715		Right Bank; Thermostat Housing
QTY	MISCELLANEOUS	YEARS	PART NO.	SIZE	DESCRIPTION
3	Stud	88-87	FP-8927270		Fresh Water Pump Body; 3/8" - 16/24" x 1.6875"
4	Hose Clamp	88-87	FP-5186841		Heat Exchanger Raw Water Inlet Tube; 1 9/16" - 2.50"
4	Hose Clamp	88-87	FP-5188036		Heat Exchanger Raw Water Inlet; 2.750" Dia. Hose
4	Hose Clamp	88-87	FP-9139809		Heat Exchanger Raw Water Outlet Tube; 2 1/16" - 3"
4	Hose Clamp	88-87	FP-9139809		Heat Exchanger Raw Water Tube; 2 1/16" - 3"
1	Hose Clamp	88-87	FP-5186841		Heat Exchanger Water Outlet Tube; 1 9/16" - 2.50"
1	Hose Clamp	88-87	FP-9139809		Water Outlet Manifold; 2 1/16" - 3"
2	Hose Clamp	88-87	FP-5188036		Water Outlet Manifold; 2.750" Dia. Hose
1	Lock Washer	88-87	FP-103320		Fan Hub; 5/16"
5	Lock Washer	88-87	FP-103321		Fresh Water Pump Body; 3/8"
5	Lock Washer	88-87	FP-103321		Fresh Water Pump; 3/8"
10	Lock Washer	88-87	FP-103320		Heat Exchanger Cover; 5/16"
4	Lock Washer	88-87	FP-103320		Heat Exchanger Expansion Tank Cover; 5/16"
4	Lock Washer	88-87	FP-103320		Heat Exchanger Water Outlet; 5/16"
4	Lock Washer	88-87	FP-103321		Heat Exchanger; 3/8"
2	Lock Washer	88-87	FP-103321		Thermostat Housing; 3/8"
2	O-Ring	88-87	FP-5167746		Heat Exchanger Seal Ring
1	O-Ring	88-87	FP-23514265		Raw Water Pump
1	Water Manifold Gasket	88-87	FP-5124029		Heat Exchanger Water Manifold
3	Water Manifold Gasket	88-87	FP-23506469		Water Outlet Cover Plate
2	Hose Clamp	88-87	FP-5186841		Thermostat Housing Cover; 1 9/16" - 2.50"
2	Hose Clamp	88-87	FP-9139809		Thermostat Housing Cover; 2 1/16" - 3"
1	Oil Filler Tube Gasket	88-87	FP-5120540		Thermostat Housing Elbow Gasket
1	Oil Cooler Core Inner Gasket	88-87	FP-5150155		Heat Exchanger Expansion Tank Cover

ENGINE BLOCK & PARTS

QTY	GASKETS	YEARS	PART NO.	SIZE	DESCRIPTION
1	Front Crankcase Cover Gasket	88-87	FP-5121714		
2	Pipe Plug	88-87	FP-5121182		Cyl. Block; 1/4" - 18; Hex head
2	Pipe Plug	88-87	FP-8924380		Cyl. Block; 1/8" - 27
2	Accessory Drive Gasket	88-87	FP-23515145		Flywheel Housing Large Hole Cover
6	Bolt	88-87	FP-8927580		Flywheel Housing; 3/8" - 16 x .875"
1	Lock Nut	88-87	FP-103026		Flywheel Housing; 3/8" x 24
1	Washer	88-87	FP-5138619		Flywheel Housing; 25/64" x 3/4" x .083"
2	Washer	88-87	FP-5125108		Flywheel Housing; 7/16" x 3/4" x 1/16"
6	Lock Washer	88-87	FP-103321		Flywheel Housing; 3/8"
12	Copper Washer	88-87	FP-5152148		Flywheel Housing; 25/64" ID x 9/16" OD x 1/16" Thick; Copper
1	Oil Pan Gasket	88-87	FP-5150115		Lower Oil Pan
1	Oil Pan Gasket	88-87	FP-5150116		Lower Oil Pan
1	Oil Pan Gasket	88-87	FP-8920557		Lower Oil Pan
1	Oil Pan Gasket	88-87	FP-23503588		Pan to Block; w/Stamped Pan; w/Stamped Steel Pan
24	Bolt	88-87	FP-8927581		Oil Pan; 3/8" - 16 x 1"
4	Bolt	88-87	FP-8927581		Oil Pan; 3/8" - 16 x 1"
1	Washer	88-87	FP-840277		Oil Pan Drain Plug; 18MM, Nylon
1	Pipe Plug	88-87	FP-5115214		Oil Pan Drain Plug; 1/2" Square Head
1	Pipe Plug	88-87	FP-5121182		Oil Pan Drain Plug; 1/4" - 18; Hex head
1	Pipe Plug	88-87	FP-8923847		Oil Pan Drain Plug; 1/4" x 18 NPTF; Square head
1	Pipe Plug	88-87	FP-8923313		Oil Pan Drain Plug; 3/4"
1	Pipe Plug	88-87	FP-8924517		Oil Pan Drain Plug; 3/8" x 18 square head
1	Pipe Plug	88-87	FP-5115214		Oil Pan Sump; 1/2" Square Head
1	Cyl. Block Water Hole Cvr Gsk	88-87	FP-5117734		Rear
2	Hand Hole Cover Gasket	88-87	FP-8923791		Large
2	Hand Hole Cover Gasket	88-87	FP-8923792		Small
2	Copper Washer	88-87	FP-5152148		Cyl. Block; 25/64" ID x 9/16" OD x 1/16" Thick; Copper
12	Copper Washer	88-87	FP-5152148		Cyl. Head; 25/64" ID x 9/16" OD x 1/16" Thick; Copper
4	Bolt	88-87	FP-8927580		Cyl. Block; 3/8" - 16 x .875"
10	Stud	88-87	FP-5152121		Cyl. Block; 5/16" - 18 x 1 1/2"

QTY	GASKET SETS	YEARS	PART NO.	SIZE	DESCRIPTION
1	Complete Overhaul Gasket Set	88-87	FP-23512684WS		6V92; Exc. Tilt Coach
1	Complete Overhaul Gasket Set	88-87	FP-23512684		6V92; Exc. Tilt Coach; Crankshaft seals not incl.
1	Complete Overhaul Gasket Set	88-87	FP-23512683		6V92; Tilt Coach only; Crankshaft seals not incl.

QTY	CAM BEARINGS	YEARS	PART NO.	SIZE	DESCRIPTION
8	Cam Brg.	88-87	FP-5194825	20	Camshaft End Bushing; .020" U/S, Unfinished; Grooved
8	Cam Brg.	88-87	FP-5111423	STD	Camshaft End Bushing; Grooved
2	Cam Brg.	88-87	FP-5117984	STD	Position Front

(continued on next page)

Ford Truck - M/D & H/D

57 M/D Truck 6V-92T (4-Valve Cyl. Head) Eng.
 (cont.) 9.0L 552 OHV Turbo-Diesel V6, 4.84" Bore (Detroit Diesel Eng.) 1987-88

ENGINE BLOCK & PARTS (cont.)

QTY	CAM BEARINGS (cont.)	YEARS	PART NO.	SIZE	DESCRIPTION
2	Cam Brg.	88-87	FP-5197569	10	Position Front
4	Cam Brg.	88-87	FP-5196026	STD	Position Inter.; w/o Steel bushing in ctr. hole; Aluminum Blocks only
4	Cam Brg.	88-87	FP-5196022	STD	Position Inter.; w/steel bushing in ctr. hole; 4 req'd
2	Cam Brg.	88-87	FP-5111422	STD	Position Rear
2	Cam Brg.	88-87	FP-5194858	10	Position Rear
QTY	OIL COOLERS & FILTERS	YEARS	PART NO.	SIZE	DESCRIPTION
1	Oil Cooler	88-87	FP-8547547		Core Assy.; 16 plate
1	Oil Cooler	88-87	FP-8547195		Core Assy.; 18 plate
1	Oil Cooler	88-87	FP-8547551		Core Assy.; 8 plate
1	Oil Cooler	88-87	FP-8547581		Twin Plate; 13 plate
1	Oil Cooler	88-87	FP-8547553		Twin Plate; 16 Plate
1	Oil Cooler	88-87	FP-8547237		Twin Plate; 24 Plate
1	Oil Cooler	88-87	FP-8547552		Twin Plate; 32 Plate
2	Oil Cooler	88-87	FP-8547237		Twin Plate-Dual; 24 Plate
1	Oil Filter Adapter Gasket	88-87	FP-8924412		
1	Lock Washer	88-87	FP-103320		Aftercooler; 5/16"
2	Lock Nut	88-87	FP-103026		Oil Cooler Water Outlet Flange; 3/8" x 24
2	Lock Nut	88-87	FP-103026		Twin Plate; Oil Cooler Water Elbow; 3/8" x 24
2	Lock Nut	88-87	FP-103026		Twin Plate-Dual; Oil Cooler Water Elbow; 3/8" x 24
2	Washer	88-87	FP-5131433		Oil Cooler Adaptor; .410" x .810" x .1345"
1	Washer	88-87	FP-5177773		Oil Cooler Bypass Plug; 18MM x 1.5MM
1	Washer	88-87	FP-5131433		Oil Cooler Housing Cover; .410" x .810" x .1345"
1	Washer	88-87	FP-5177773		Twin Plate; Oil Cooler By-pass; 18MM x 1.5MM
8	Washer	88-87	FP-5131433		Twin Plate; Oil Cooler Housing Cover; .410" x .810" x .1345"
1	Washer	88-87	FP-5177773		Twin Plate-Dual; Oil Cooler By-pass Plug; 18MM x 1.5MM
2	Lock Washer	88-87	FP-103320		Oil Cooler Adaptor Cover; 5/16"
1	Lock Washer	88-87	FP-103320		Oil Cooler Housing Cover; 5/16"
8	Lock Washer	88-87	FP-103320		Oil Cooler Housing; 5/16"
2	Lock Washer	88-87	FP-103321		Oil Cooler Water Outlet Flange; 3/8"
1	Lock Washer	88-87	FP-103320		Oil Cooler Water Outlet Flange; 5/16"
8	Lock Washer	88-87	FP-103320		Twin Plate; Oil Cooler Core; 5/16"
2	Lock Washer	88-87	FP-103321		Twin Plate; Oil Cooler Water Inlet; 3/8"
22	Lock Washer	88-87	FP-103320		Twin Plate-Dual; Oil Cooler Core; 5/16"
2	Lock Washer	88-87	FP-103321		Twin Plate-Dual; Oil Cooler Water Inlet; 3/8"
1	Spacer	88-87	FP-5102793		Oil Cooler Adaptor to Block; 5.70" x 1.00" x .012"
1	Spacer	88-87	FP-5102793		Twin Plate; Oil Cooler Adaptor to Block; 5.70" x 1.00" x .012"
1	Pipe Plug	88-87	FP-8923847		Oil Cooler Core; 1/4" x 18 NPTF; Square head
1	Pipe Plug	88-87	FP-8923313		Oil Cooler Core; 3/4"
2	Pipe Plug	88-87	FP-5142549		Oil Cooler Core; 3/4" - 14 Square Head
1	Pipe Plug	88-87	FP-5121182		Oil Cooler Housing; 1/4" - 18; Hex head
2	Pipe Plug	88-87	FP-8923847		Oil Cooler Housing; 1/4" x 18 NPTF; Square head
1	Pipe Plug	88-87	FP-8924517		Oil Cooler Housing; 3/8" x 18 square head
1	Pipe Plug	88-87	FP-5115214		Oil Cooler Water Inlet; 1/2" Square Head
2	Pipe Plug	88-87	FP-8923847		Oil Cooler Water Inlet; 1/4" x 18 NPTF; Square head
1	Pipe Plug	88-87	FP-8923313		Oil Cooler Water Inlet; 3/4"
1	Pipe Plug	88-87	FP-5142549		Oil Cooler Water Inlet; 3/4" - 14 Square Head
2	Pipe Plug	88-87	FP-8923847		Twin Plate; Oil Cooler Core; 1/4" x 18 NPTF; Square head
1	Pipe Plug	88-87	FP-8923313		Twin Plate; Oil Cooler Water Elbow; 3/4"
1	Pipe Plug	88-87	FP-5142549		Twin Plate; Oil Cooler Water Elbow; 3/4" - 14 Square Head
2	Pipe Plug	88-87	FP-5115214		Twin Plate; Oil Cooler Water Inlet; 1/2" Square Head
1	Pipe Plug	88-87	FP-5115214		Twin Plate-Dual; Oil Cooler By-pass; 1/2" Square Head
1	Pipe Plug	88-87	FP-8923847		Twin Plate-Dual; Oil Cooler Core; 1/4" x 18 NPTF; Square head
1	Pipe Plug	88-87	FP-8923847		Twin Plate-Dual; Oil Cooler Core; 1/4" x 18 NPTF; Square head
1	Pipe Plug	88-87	FP-5142549		Twin Plate-Dual; Oil Cooler Core; 3/4" - 14 Square Head
1	Pipe Plug	88-87	FP-5115214		Twin Plate-Dual; Oil Cooler Water Elbow; 1/2" Square Head
1	Pipe Plug	88-87	FP-8923313		Twin Plate-Dual; Oil Cooler Water Elbow; 3/4"
2	Pipe Plug	88-87	FP-5142549		Twin Plate-Dual; Oil Cooler Water Elbow; 3/4" - 14 Square Head
4	Hose Clamp	88-87	FP-5186840		Aftercooler; 13/16" - 1 1/2" Clamping Range
4	Air Compressor Seal Ring	88-87	FP-5101138		Aftercooler; .984" x .139"
1	Oil Cooler Gasket Kit	88-87	FP-5149946		Oil Cooler Adaptor Cover
1	Oil Cooler Gasket	88-87	FP-8923512		Adaptor to Block
1	Oil Cooler Gasket	88-87	FP-8923512		Oil Cooler Adaptor Cover
1	Oil Cooler Gasket	88-87	FP-8923223		Oil Cooler Core
1	Oil Cooler Gasket	88-87	FP-8923512		Twin Plate; Oil Cooler Adaptor Cover
1	Oil Cooler Gasket	88-87	FP-8923223		Outer
1	Oil Cooler Gasket	88-87	FP-23501587		Outer; Twin Plate; Oil Cooler Core, Element to Plate
1	Cyl. Block Water Hole Cvr Gsk	88-87	FP-5117734		Oil Cooler Housing Cover
1	Cyl. Block Water Hole Cvr Gsk	88-87	FP-5117734		Twin Plate-Dual; Oil Cooler Housing Cover

(continued on next page)

Ford Truck - M/D & H/D

M/D Truck 6V-92T (4-Valve Cyl. Head) Eng. 57
9.0L 552 OHV Turbo-Diesel V6, 4.84" Bore (Detroit Diesel Eng.) 1987-88 (cont.)

ENGINE BLOCK & PARTS (cont.)

QTY	(cont.)	YEARS	PART NO.	SIZE	DESCRIPTION
1	Cyl. Block Water Hole Cvr Gsk	88-87	FP-5117734		Front; Twin Plate; Oil Cooler Water Elbow
1	Cyl. Block Water Hole Cvr Gsk	88-87	FP-5117734		Front; Twin Plate-Dual; Oil Cooler Water Elbow
1	Sealing Ring	88-87	FP-5102098		Twin Plate; Oil Cooler Water Outlet Hose; 3.60" OD x .620" Wide
1	Sealing Ring	88-87	FP-5102098		Twin Plate-Dual; Oil Cooler Water Outlet Hose; 3.60" OD x .620" Wide
1	Oil Cooler Core Gasket	88-87	FP-23501589		Twin Plate; Oil Cooler Housing Cover
1	Oil Cooler Seal Ring	88-87	FP-23501837		Oil Cooler Water Outlet Flange
1	Gasket	88-87	FP-5575086		Oil Cooler Bypass Plug
1	Gasket	88-87	FP-5575086		Oil Cooler Housing
1	Oil Cooler Core Inner Gasket	88-87	FP-5150155		
1	Oil Cooler Core Inner Gasket	88-87	FP-5150155		
1	Oil Cooler Core Inner Gasket	88-87	FP-5150155		Housing Cover
1	Oil Cooler Core Inner Gasket	88-87	FP-23511304		Twin Plate; Oil Cooler Housing Cover
1	Oil Cooler Core Inner Gasket	88-87	FP-5150155		Inner; Twin Plate
1	Oil Cooler Core Inner Gasket	88-87	FP-23511304		Inner; Twin Plate-Dual; Oil Cooler Core
1	Oil Cooler Core Outer Gasket	88-87	FP-5102506		
1	Oil Cooler Housing Cover Gskt	88-87	FP-8924623		
2	Oil Cooler Adapter Cover Gskt	88-87	FP-5117535		
1	Oil Cooler Adapter Cover Gskt	88-87	FP-5117535		
2	Oil Cooler Adapter Cover Gskt	88-87	FP-5117535		Twin Plate; Oil Cooler Adaptor to Block
2	Oil Cooler Adapter Cover Gskt	88-87	FP-5117535		Twin Plate-Dual; Oil Cooler Adaptor to Block
1	Copper Washer	88-87	FP-5152148		Oil Cooler Housing Cover; 25/64" ID x 9/16" OD x 1/16" Thick; Copper
1	Copper Washer	88-87	FP-5155596		Oil Cooler Housing; 5/16"; Special copper washer
1	Copper Washer	88-87	FP-5155596		Oil Cooler Housing; 5/16"; Special copper washer
1	Copper Washer	88-87	FP-5155596		Oil Cooler Water Inlet; 5/16"; Special copper washer
2	Copper Washer	88-87	FP-5152148		Oil Cooler Water Outlet Flange; 25/64" ID x 9/16" OD x 1/16" Thick; Copper
8	Copper Washer	88-87	FP-5155596		Twin Plate; Oil Cooler Core; 5/16"; Special copper washer
2	Copper Washer	88-87	FP-5152148		Twin Plate; Oil Cooler Water Elbow; 25/64" ID x 9/16" OD x 1/16" Thick; Copper
1	Copper Washer	88-87	FP-5155596		Twin Plate-Dual; Oil Cooler Core; 5/16"; Special copper washer
1	Copper Washer	88-87	FP-5152148		Twin Plate-Dual; Oil Cooler Housing Cover; 25/64" ID x 9/16" OD x 1/16" Thick; Copper
1	Copper Washer	88-87	FP-5152148		Twin Plate-Dual; Oil Cooler Water Elbow; 25/64" ID x 9/16" OD x 1/16" Thick; Copper
1	Clamp	88-87	FP-5143999		Twin Plate; Oil Cooler Water Outlet Hose; 3.50" T-Bolt
2	Clamp	88-87	FP-5143999		Twin Plate-Dual; Oil Cooler Water Outlet Hose; 3.50" T-Bolt
2	Hose Clamp	88-87	FP-9139809		Oil Cooler Water Inlet Hose; 2 1/16" - 3"
2	Hose Clamp	88-87	FP-5188036		Oil Cooler Water Inlet Hose; 2.750" Dia. Hose
2	Hose Clamp	88-87	FP-9139809		Twin Plate; Oil Cooler Water Inlet Hose; 2 1/16" - 3"
2	Hose Clamp	88-87	FP-5188036		Twin Plate; Oil Cooler Water Inlet Hose; 2.750" Dia. Hose
2	Hose Clamp	88-87	FP-9139809		Twin Plate-Dual; Oil Cooler Water Inlet Hose; 2 1/16" - 3"
2	Hose Clamp	88-87	FP-5188036		Twin Plate-Dual; Oil Cooler Water Inlet Hose; 2.750" Dia. Hose
2	Bolt	88-87	FP-8923391		Oil Cooler Adaptor; 3/8" - 16 x 1.880"
1	Bolt	88-87	FP-8923391		Oil Cooler Housing Cover; 3/8" - 16 x 1.880"
3	Bolt	88-87	FP-8927581		Oil Cooler Housing Cover; 3/8" - 16 x 1"
1	Bolt	88-87	FP-8927580		Oil Cooler Housing; 3/8" - 16 x .875"
1	Bolt	88-87	FP-8927580		Oil Cooler Water Inlet; 3/8" - 16 x .875"
2	Bolt	88-87	FP-8927581		Oil Cooler Water Outlet Flange; 3/8" - 16 x 1"
2	Bolt	88-87	FP-8927581		Twin Plate; Oil Cooler Housing Cover; 3/8" - 16 x 1"
2	Bolt	88-87	FP-8927581		Twin Plate; Oil Cooler Water Elbow; 3/8" - 16 x 1"
2	Bolt	88-87	FP-8927580		Twin Plate; Oil Cooler Water Inlet; 3/8" - 16 x .875"
2	Bolt	88-87	FP-8927581		Twin Plate; Oil Cooler Water Inlet; 3/8" - 16 x 1"
1	Bolt	88-87	FP-8927581		Twin Plate-Dual; Oil Cooler Water Elbow; 3/8" - 16 x 1"
6	Bolt	88-87	FP-8927580		Twin Plate-Dual; Oil Cooler Water Inlet; 3/8" - 16 x .875"
2	Bolt	88-87	FP-8927581		Twin Plate-Dual; Oil Cooler Water Inlet; 3/8" - 16 x 1"
QTY	FREEZE PLUGS	YEARS	PART NO.	SIZE	DESCRIPTION
6	Pipe Plug	88-87	FP-5115214		Cyl. Block; 1/2" Square Head
3	Pipe Plug	88-87	FP-8923847		Cyl. Block; 1/4" x 18 NPTF; Square head
1	Pipe Plug	88-87	FP-8924380		Cyl. Block; 1/8" - 27
6	Pipe Plug	88-87	FP-5142549		Cyl. Block; 3/4" - 14 Square Head
1	Pipe Plug	88-87	FP-5142549		Flywheel Housing; 3/4" - 14 Square Head
1	Pipe Plug	88-87	FP-5121182		Oil Level Dipstick; 1/4" - 18; Hex head
QTY	DIPSTICK	YEARS	PART NO.	SIZE	DESCRIPTION
1	Dipstick	88-87	FP-5102092		21" Length; Marked
1	Dipstick	88-87	FP-5101885		25" Length; Marked
1	Dipstick	88-87	FP-5146680		72" Length; Unmarked

(continued on next page)

Ford Truck - M/D & H/D

57 M/D Truck 6V-92T (4-Valve Cyl. Head) Eng.

(cont.) 9.0L 552 OHV Turbo-Diesel V6, 4.84" Bore (Detroit Diesel Eng.) 1987-88

ENGINE BLOCK & PARTS (cont.)					
QTY	DIPSTICK (cont.)	YEARS	PART NO.	SIZE	DESCRIPTION
1	Dipstick Guide	88-87	FP-5151430		1.50" Length
QTY	MISCELLANEOUS	YEARS	PART NO.	SIZE	DESCRIPTION
12	Bolt	88-87	FP-5103280		Flywheel Housing; 9/16" - 18 x 2.250"
12	Bolt	88-87	FP-9410925		Flywheel Housing; 9/16" - 18 x 2.250"
12	Bolt	88-87	FP-9412015		Flywheel Housing; 9/16" - 18 x 2.500"
1	Bolt	88-87	FP-8927581		Oil Level Dipstick; 3/8" - 16 x 1"
2	Screw	88-87	FP-5103642		Oil Filler Tube; No. 10 - 24 x .375"
6	Pipe Plug	88-87	FP-5115214		Cyl. Block; 1/2" Square Head
3	Pipe Plug	88-87	FP-8923847		Cyl. Block; 1/4" x 18 NPTF; Square head
1	Pipe Plug	88-87	FP-8924380		Cyl. Block; 1/8" - 27
6	Pipe Plug	88-87	FP-5142549		Cyl. Block; 3/4" - 14 Square Head
1	Pipe Plug	88-87	FP-5142549		Flywheel Housing; 3/4" - 14 Square Head
1	Pipe Plug	88-87	FP-5121182		Oil Level Dipstick; 1/4" - 18; Hex head
2	Washer	88-87	FP-5131755		Flywheel Housing; 17/32" x .88" x .1345"
3	Washer	88-87	FP-5138619		Flywheel Housing; 25/64" x 3/4" x .083"
1	Washer	88-87	FP-106261		Oil Level Dipstick; 5/16" x 3/4"
1	Copper Washer	88-87	FP-5152148		Oil Level Dipstick; 25/64" ID x 9/16" OD x 1/16" Thick; Copper
2	Lock Nut	88-87	FP-103026		Flywheel Housing; 3/8" x 24
1	Lock Nut	88-87	FP-103026		Oil Level Dipstick; 3/8" x 24
2	Oil Filler Cap	88-87	FP-5107106		1.50" Dia.; Thermos Bottle Style
2	Oil Filler Cap	88-87	FP-5117362		2.00" Dia.; Thermos Bottle Style
CRANKSHAFT/OIL PUMP					
QTY	CRANKSHAFT	YEARS	PART NO.	SIZE	DESCRIPTION
1	Crankshaft	88-87	FP-8926921		RH Rotation
1	Bolt	88-87	FP-23501143		Crankshaft pulley; 1" - 14 X 2.750" (1.500" Hex head)
4	Dowel Pin	88-87	FP-141346		.1875" x .500"
QTY	SEALS - FRONT CRANK	YEARS	PART NO.	SIZE	DESCRIPTION
1	Oil Seal	88-87	FP-8922045		Front; Crankshaft; RH Rotation
1	Oil Seal	88-87	FP-23514608		Front; Crankshaft; RH Rotation; Red
1	Oil Seal	88-87	FP-5115454		Front; Crankshaft; Single Lip, Std.
1	Oil Seal	88-87	FP-8923654		Rear; Crankshaft; O.S.; Single lip; R.H. Rotation
1	Oil Seal	88-87	FP-5198159		Rear; Crankshaft; O/S; Double lip
1	Oil Seal	88-87	FP-5106329		Rear; Crankshaft; Std.; Double lip
1	Oil Seal	88-87	FP-8926761		Rear; Crankshaft; Std.; Single lip; R.H. Rotation
1	Redi-Sleeve	88-87	99287		Shaft dia. 2.876"
1	Wear Sleeve	88-87	FP-23507226		Rear; Crankshaft; Use w/O.S. Seal
1	Oil Seal Spacer	88-87	FP-23507306		Front; Crankshaft; 2.50" ID x 2.81" Length
1	Oil Seal	88-87	455006N		
1	Oil Seal	88-87	FP-5115454		Single Lip, Std.
1	O-Ring	88-87	FP-23503769		Front; Crankshaft
QTY	SEALS - REAR CRANK	YEARS	PART NO.	SIZE	DESCRIPTION
1	Oil Seal	88-87	455378H		
1	Oil Seal	88-87	6329S		(Double Lip Seal)
1	Oil Seal	88-87	FP-5114335		Single Lip, Std.; Shaft Dia. 4.687"
1	Oil Seal Kit	88-87	5460		(Oversize)
1	Redi-Sleeve	88-87	99468		
1	Redi-Sleeve	88-87	99468		(Double Lip Seal)
QTY	MAIN BEARINGS	YEARS	PART NO.	SIZE	DESCRIPTION
4	Plain Main Brg.	88-87	FP-5149565	STD	Upper brg. w/elongated oil slot (acceptable as replacement for brg. w/11/32" oil hole)
4	Plain Main Brg.	88-87	FP-5149566	2	Upper brg. w/elongated oil slot (acceptable as replacement for brg. w/11/32" oil hole)
4	Plain Main Brg.	88-87	FP-5149567	10	Upper brg. w/elongated oil slot (acceptable as replacement for brg. w/11/32" oil hole)
4	Plain Main Brg.	88-87	FP-5149568	20	Upper brg. w/elongated oil slot (acceptable as replacement for brg. w/11/32" oil hole)
4	Plain Main Brg.	88-87	FP-8922118	30	Upper brg. w/elongated oil slot (acceptable as replacement for brg. w/11/32" oil hole)
4	Thrust Washer	88-87	FP-5117005	STD	
4	Thrust Washer	88-87	FP-5196753	5	
4	Thrust Washer	88-87	FP-5196754	10	
QTY	OIL PUMP	YEARS	PART NO.	SIZE	DESCRIPTION
2	Oil Pump Cover Gasket	88-87	FP-29503153		2.40" B.C.
1	Bushing	88-87	FP-5123303		Oil Pump Driven Gear
1	Oil Pump Spring	88-87	FP-5126326		Pressure Relief Valve; .520" Dia., 2.570" Length
1	Oil Pump Spring	88-87	FP-5126327		Pressure Relief Valve; .790" Dia., 2.96" Length
1	Woodruff Key	88-87	FP-8928545		Oil Pump Drive Gear; 3/16" x 7/8" Woodruff

(continued on next page)

Ford Truck - M/D & H/D

M/D Truck 6V-92T (4-Valve Cyl. Head) Eng. 57
 9.0L 552 OHV Turbo-Diesel V6, 4.84" Bore (Detroit Diesel Eng.) 1987-88 (cont.)

CRANKSHAFT/OIL PUMP (cont.)

QTY	OIL PUMP (cont.)	YEARS	PART NO.	SIZE	DESCRIPTION
1	Bolt	88-87	FP-8927580		Oil Pump Inlet Pipe; 3/8" - 16 x .875"
2	Bolt	88-87	FP-8927581		Oil Pump Inlet Pipe; 3/8" - 16 x 1"
2	Bolt	88-87	FP-8927580		Oil Pump; 3/8" - 16 x .875"
1	Washer	88-87	FP-5104439		Oil Pump; 7/16" x 1.250" Dia.; Dished
2	Lock Washer	88-87	FP-103321		Front Cover; 3/8"
2	Lock Washer	88-87	FP-103321		Oil Pump Inlet Pipe; 3/8"
2	Lock Washer	88-87	FP-103320		Oil Pump Inlet Pipe; 5/16"
2	Lock Washer	88-87	FP-103321		Oil Pump; 3/8"
1	Plastic Cap	88-87	FP-5136240		Front Cover; .250" Dia.
1	Pipe Plug	88-87	FP-5142549		Oil Pump; 3/4" - 14 Square Head
1	Pipe Plug	88-87	FP-8924517		Oil Pump; 3/8" x 18 square head
1	Gasket	88-87	FP-5126160		At Pump; 1.80" B.C.
1	Pipe Plug	88-87	FP-5115214		Oil Pan Drain Plug; 1/2" Square Head
1	Pipe Plug	88-87	FP-5121182		Oil Pan Drain Plug; 1/4" - 18; Hex head
1	Pipe Plug	88-87	FP-8923847		Oil Pan Drain Plug; 1/4" x 18 NPTF; Square head
1	Pipe Plug	88-87	FP-8923313		Oil Pan Drain Plug; 3/4"
1	Pipe Plug	88-87	FP-8924517		Oil Pan Drain Plug; 3/8" x 18 square head
1	Pipe Plug	88-87	FP-5115214		Oil Pan Sump; 1/2" Square Head

CYLINDER COMPONENTS

QTY	LINERS	YEARS	PART NO.	SIZE	DESCRIPTION
6	Liner w/o Sealing Rings	88-87	FP-23508383	STD	.85"; 20 Deg. Port
6	Liner w/o Sealing Rings	88-87	FP-23507231	STD	.95"; Brushed
6	Liner w/o Sealing Rings	88-87	FP-235072311	1	.95"; Brushed; O/S .001 in Lower Receiver Bore Area
6	Liner w/o Sealing Rings	88-87	FP-5148505	STD	1.05"; 30 Deg. Port
6	Liner w/o Sealing Rings	88-87	FP-51485051	1	1.05"; 30 Deg. Port; O/S .001 in Lower Receiver Bore Area
6	Liner w/o Sealing Rings	88-87	FP-514850510	10	1.05"; 30 Deg. Port; O/S .010 in Lower Receiver Bore Area
6	Liner w/o Sealing Rings	88-87	FP-514850520	20	1.05"; 30 Deg. Port; O/S .020 in Lower Receiver Bore Area
6	Cylinder Kit Complete	88-87	FP-23524337	STD	15.0:1 C.R.; Option Type 411
6	Cylinder Kit Complete	88-87	FP-235243371	1	15.0:1 C.R.; Option Type 411
6	Cylinder Kit Complete	88-87	FP-23523101	STD	17.0:1 C.R.
6	Cylinder Kit Complete	88-87	FP-23524494	STD	17.0:1 C.R.
6	Cylinder Kit Complete	88-87	FP-23524339	STD	17.0:1 C.R.; Option Type 149, 150, 202, 221, 228, 250, 255, 262, 275, 277, 278, 279, 299, 409
6	Cylinder Kit Complete	88-87	FP-235243391	1	17.0:1 C.R.; Option Type 149, 150, 202, 221, 228, 250, 255, 262, 275, 277, 278, 279, 299, 409
6	Cylinder Kit Complete	88-87	FP-2352433910	10	17.0:1 C.R.; Option Type 149, 150, 202, 221, 228, 250, 255, 262, 275, 277, 278, 279, 299, 409
6	Cylinder Kit Complete	88-87	FP-2352433920	20	17.0:1 C.R.; Option Type 149, 150, 202, 221, 228, 250, 255, 262, 275, 277, 278, 279, 299, 409
6	Cylinder Kit Complete	88-87	FP-23524342	STD	17.0:1 C.R.; Option Type 410
6	Cylinder Kit Complete	88-87	FP-235243421	1	17.0:1 C.R.; Option Type 410
12	Sealing Ring, Liner	88-87	FP-8927189		
6	Cntr. Bore Insert	88-87	FP-5101723		.015" I.D., .1338"-.1343"
6	Cntr. Bore Insert	88-87	FP-5101723		.015" I.D., .1338"-.1343"
6	Cntr. Bore Insert	88-87	FP-5101727		.015" I.D., .1362"-.1367"

QTY	PISTONS	YEARS	PART NO.	SIZE	DESCRIPTION
6	Piston Kit w/Pin & Retainers	88-87	FP-23505052		15.0:1 C.R.; w/Cross Head style piston
6	Piston Kit w/Pin & Retainers	88-87	FP-5149963		17.0:1 C.R.; w/Cross Head style piston
6	Crosshead Piston Dome	88-87	FP-23504353		15.0:1 C.R.; w/Cross Head style piston
6	Crosshead Piston Dome	88-87	FP-5144872		17.0:1 C.R.; w/Cross Head style piston
6	Piston Skirt	88-87	FP-23508986		w/Cross Head style piston
6	Pin	88-87	FP-5101120	STD	w/Cross Head style piston
12	Piston Pin Retainer	88-87	FP-5180250		
12	Piston Pin Bolt	88-87	FP-5148373		7/16" - 20 x 2.00" Length
12	Piston Pin Bolt Spacer	88-87	FP-5144846		
6	Pin Bushing	88-87	FP-5157274		w/.015" extra ID bore stock
6	Pin Bushing	88-87	FP-2409Y		w/1.5020" I.D., 1.7510" O.D., .7600" O.A.L.
6	Pin Bushing	88-87	2409Y +		w/1.5020" I.D., 1.7510" O.D., .7600" O.A.L.; When depleted use FP-2409Y
6	Piston Pin Slipper Bearing	88-87	FP-23501687		w/Cross Head style piston; Slipper type design - 1 per cyl.
6	O-Ring	88-87	FP-8923729		w/Cross Head style piston

QTY	CONNECTING RODS & BRGS.	YEARS	PART NO.	SIZE	DESCRIPTION
6	Rod Pair	88-87	FP-5149572	STD	
6	Rod Pair	88-87	FP-5149573	2	
6	Rod Pair	88-87	FP-5149575	10	
6	Rod Pair	88-87	FP-5149577	20	
6	Rod Pair	88-87	FP-5149579	30	

(continued on next page)

+ Superseded Part Number

Ford Truck - M/D & H/D

57 M/D Truck 6V-92T (4-Valve Cyl. Head) Eng.
 (cont.) 9.0L 552 OHV Turbo-Diesel V6, 4.84" Bore (Detroit Diesel Eng.) 1987-88

CYLINDER COMPONENTS (cont.)

CONNECTING RODS & BRGS. (cont.)					
QTY		YEARS	PART NO.	SIZE	DESCRIPTION
6	Rod Pair	88-87	FP-23501026	2	Air/Air & ALCC
6	Rod Pair	88-87	FP-23501029	30	Air/Air & ALCC
PISTON RINGS					
QTY		YEARS	PART NO.	SIZE	DESCRIPTION
6	Ring Set Single Cylinder	88-87	FP-23524542		w/Cross Head style piston; Std. gap Fire Ring
6	Ring Set Single Cylinder	88-87	FP-23524349		w/Cross Head style piston; Wide gap Fire Ring
6	Compression Ring	88-87	FP-23524191		w/Cross Head style piston; Std. gap Fire Ring
6	Compression Ring	88-87	FP-23524192		w/Cross Head style piston; Wide gap Fire Ring; Top Fire ring
12	Compression Ring	88-87	FP-8923113		w/Cross Head style piston; 2nd & 3rd grooves
6	Ring, Oil Control Set	88-87	FP-23524350		w/Cross Head style piston; For one groove
CLUTCH					
QTY	CLUTCH	YEARS	PART NO.	SIZE	DESCRIPTION
1	Ball Brg.	88-87	FP-23503706		Clutch Pilot
1	Ball Brg.	88-87	FP-23503709		Clutch Pilot
KITS					
QTY	OVERHAUL KIT	YEARS	PART NO.	SIZE	DESCRIPTION
1	In-Frame Overhaul Kit	88-87	FP-6V92		w/Cross Head style piston & .950" Port Length Sleeve; Valve cover gskts. not incl.
1	In-Frame Overhaul Kit	88-87	FP-6V92		w/Cross Head style piston & 1.050" Port Length Sleeve; Valve cover gskts. not incl.
1	Complete Overhaul Kit	88-87	FP-6V92OH		w/Cross Head style piston & .950" Port Length Sleeve; Valve cover gskts. not incl.
1	Complete Overhaul Kit	88-87	FP-6V92OH		w/Cross Head style piston & 1.050" Port Length Sleeve; Valve cover gskts. not incl.

58 H/D Truck 6V-92T (4-Valve Cyl. Head) Eng.
 9.0L 552 OHV Turbo-Diesel V6, 4.84" Bore (Detroit Diesel Eng.) 1978-86

CYL. HEAD & PARTS

GASKETS					
QTY		YEARS	PART NO.	SIZE	DESCRIPTION
2	Valve Cover Gasket	86-78	FP-5104018		w/Alum. Rocker Cover; Silicone
2	Valve Cover Gasket	86-78	FP-5143405		w/Stamped Rocker Cover; Neoprene
6	Head Gasket	86-78	FP-5100404		Cyl. Head Compression
2	Head Set	86-78	FP-5199673		Services One Head
1	Oil Filler Tube Gasket	86-78	FP-5120540		
1	Oil Cooler Adapter Cover Gskt	86-78	FP-5175882		Eng. Lifting Bracket spacer
26	O-Ring	86-78	FP-5148502		Cyl. Head Oil Seal
16	Bolt	86-78	FP-5148324		Cyl. Head; 11/16" - 11 x 5.500"
1	Bolt	86-78	FP-5103635		Throttle Delay; 3/8" - 16 x 2.90"
1	Bolt	86-78	FP-8927581		Oil Filler Tube; 3/8" - 16 x 1"
3	Screw	86-78	FP-5103642		Oil Filler Tube; No. 10 - 24 x .375"
2	Lock Washer	86-78	FP-103321		Oil Filler Tube; 3/8"
1	Pipe Plug	86-78	FP-8923847		Oil Filler Tube; 1/4" x 18 NPTF; Square head
4	Isolator Bushing	86-78	FP-5104515		Rocker Cover
HEAD BOLTS					
QTY		YEARS	PART NO.	SIZE	DESCRIPTION
16	Washer	86-78	FP-5148310		Cyl. Head; 11/16" Dia.
4	Washer	86-78	FP-5104514		Rocker Cover; .47" x 2.00" x .20"
MISCELLANEOUS					
QTY		YEARS	PART NO.	SIZE	DESCRIPTION
4	Wear Sleeve	86-78	FP-5148615		Cyl. Head; Pilot; .700" Length
2	Pipe Plug	86-78	FP-8926993		Cyl. Head Fuse; 1/4" X 18; Recessed socket head
7	Pipe Plug	86-78	FP-5121182		Cyl. Head; 1/4" - 18; Hex head
15	Pipe Plug	86-78	FP-8923847		Cyl. Head; 1/4" x 18 NPTF; Square head
4	Pipe Plug	86-78	FP-5142549		Cyl. Head; 3/4" - 14 Square Head
3	Pipe Plug	86-78	FP-8924517		Cyl. Head; 3/8" x 18 square head
6	Bolt	86-78	FP-8927580		Cyl. Head; 3/8" - 16 x .875"
6	Washer	86-78	FP-5125108		Fuel Stand; 7/16" x 3/4" x 1/16"
2	Lock Washer	86-78	FP-103321		Cyl. Head; 3/8"
2	Lock Nut	86-78	FP-103026		Cyl. Head; 3/8" x 24
12	Bolt	86-78	FP-443603		Cam Follower Guide; .250" x 20 x .750"
FREEZE PLUGS					
QTY		YEARS	PART NO.	SIZE	DESCRIPTION
2	Pipe Plug	86-78	FP-8926993		Cyl. Head Fuse; 1/4" X 18; Recessed socket head
7	Pipe Plug	86-78	FP-5121182		Cyl. Head; 1/4" - 18; Hex head
15	Pipe Plug	86-78	FP-8923847		Cyl. Head; 1/4" x 18 NPTF; Square head
4	Pipe Plug	86-78	FP-5142549		Cyl. Head; 3/4" - 14 Square Head
3	Pipe Plug	86-78	FP-8924517		Cyl. Head; 3/8" x 18 square head
1	Expansion Plug	86-78	FP-5117186		Cyl. Head; 2" Dia. Cup; Stainless Steel

(continued on next page)

Ford Truck - M/D & H/D

H/D Truck 6V-92T (4-Valve Cyl. Head) Eng. 58
9.0L 552 OHV Turbo-Diesel V6, 4.84" Bore (Detroit Diesel Eng.) 1978-86 (cont.)

CYL. HEAD & PARTS (cont.)

QTY	FREEZE PLUGS (cont.)	YEARS	PART NO.	SIZE	DESCRIPTION
2	Expansion Plug	86-78	FP-5150132		Cyl. Head; 3/4" Dia. Cup
6	Expansion Plug	86-78	FP-5154453		Cyl. Head; 3/8" - 16 Headless Special
4	Expansion Plug	86-78	FP-5178976		Cyl. Head; 7/16" - 14 Special
2	Expansion Plug	86-78	FP-5132410		1 5/8" Dia. Cup; Stainless Steel
QTY	VALVE	YEARS	PART NO.	SIZE	DESCRIPTION
24	Exhaust Valve Kit	86-78	FP-5149771		Incl. Locks
48	Keeper	86-78	FP-5111337		Exh.; 1 groove; Square cut key groove
QTY	VALVE SEAT	YEARS	PART NO.	SIZE	DESCRIPTION
24	Exh.	86-78	FP-5101315	10	30 Deg. seat; .010" O/S; 1.4520" OD, 1.1400" ID, .2510" Depth
24	Exh.	86-78	FP-5148490	STD	30 Deg. seat; 1.4420" OD, 1.1400" ID, .2510" Depth
QTY	VALVE GUIDE	YEARS	PART NO.	SIZE	DESCRIPTION
24	Guide	86-78	FP-5129919		Exh.; 2 3/8" length; .3130" ID, 2.3800" O.A.L.
QTY	VALVE SPRING	YEARS	PART NO.	SIZE	DESCRIPTION
24	Spring	86-78	FP-5147347		Exh.; .148" Wire dia.
24	Spring	86-78	FP-8927794		Exh.; DDEC Coach; Type 281, 283
24	Spring Cap	86-78	FP-5117563		Exh.
QTY	PUSH RODS	YEARS	PART NO.	SIZE	DESCRIPTION
18	Push Rod	86-78	FP-5128640		
18	Push Rod Seat	86-78	FP-5123250		Lower
18	Push Rod Seat	86-78	FP-5108919		Upper; Cup type
18	Push Rod Spring	86-78	FP-5108918		.192" Wire diameter
18	Push Rod Retainer	86-78	FP-5150303		
18	Lock Nut	86-78	FP-5151601		Push rod; 5/16" - 24
QTY	VALVE MISC.	YEARS	PART NO.	SIZE	DESCRIPTION
1	Breather Seal Ring	86-78	FP-5103646		Breather Hole Plug
2	Governor Hole Gasket	86-78	FP-5123812		Breather Elbow
2	Bolt	86-78	FP-8927581		Breather Elbow; 3/8" - 16 x 1"
2	Bolt	86-78	FP-443603		Breather; .250" x 20 x .750"
2	Bolt	86-78	FP-8921930		Breather; 1/4" - 20 x 3/4"
1	Bolt	86-78	FP-8927580		Breather; 3/8" - 16 x .875"
2	Bolt	86-78	FP-8927581		Breather; 3/8" - 16 x 1"
1	Screw	86-78	FP-5103642		Breather Pipe; No. 10 - 24 x .375"
12	Lock Nut	86-78	FP-5151601		Exh.; Valve Bridge; 5/16" - 24
1	Washer	86-78	FP-5131433		Breather; .410" x .810" x .1345"
1	Washer	86-78	FP-106261		Breather; 5/16" x 3/4"
2	Lock Washer	86-78	FP-103319		Breather Elbow; .250"
2	Lock Washer	86-78	FP-103321		Breather Elbow; 3/8"
1	Lock Washer	86-78	FP-103319		Breather; .250"
1	Lock Washer	86-78	FP-103321		Breather; 3/8"
1	Lock Washer	86-78	FP-103320		Breather; 5/16"
2	Hose Clamp	86-78	FP-5186840		Breather Pipe; 13/16" - 1 1/2" Clamping Range
2	Hose Clamp	86-78	FP-5104592		Breather Pipe; 2.50" Dia.
1	Crankcase Breather	86-78	FP-5101760		Breather Oil Separator Filter; 4"
24	Valve Spring Seat	86-78	FP-5117562		Exh.
QTY	VALVE SEAL	YEARS	PART NO.	SIZE	DESCRIPTION
24	Valve Stem Seal	86-78	FP-8921209		Exh.
QTY	ROCKER PARTS	YEARS	PART NO.	SIZE	DESCRIPTION
6	Arm Assy.	86-78	FP-5148472		Exh. L.H.
6	Arm Assy.	86-78	FP-5148475		Exh. R.H.
6	Arm Assy.	86-78	FP-23502616		Injector; DDEC Coach; Blue Paint I.D.
6	Arm Assy.	86-78	FP-8923554		Injector; Orange paint I.D.
6	Rocker Shaft	86-78	FP-23500714		Repl. FP-5150322
12	Rocker Shaft Bracket Bolt	86-78	FP-5150325		1/2" - 13 x 4.250"
12	Arm Support	86-78	FP-5103903		Rocker Shaft Bracket
12	Rocker Bushing	86-78	FP-5123700		Exh.; Rocker Arm Clevis; .5625" OD
12	Rocker Bushing	86-78	FP-23517217		Exh.; Rocker Arm; Large; .8755" ID, .9475" OD, .840" Length, .0360" Wall thickness
12	Rocker Bushing	86-78	FP-8924354		Exh.; Rocker Arm; Small
6	Rocker Bushing	86-78	FP-8924355		Injector; Large
6	Rocker Bushing	86-78	FP-5123700		Injector; Rocker Arm Clevis; .5625" OD
6	Rocker Bushing	86-78	FP-8924354		Injector; Small
18	Follower Assy.	86-78	FP-8924439		
18	Cam Follower Roller Set	86-78	FP-8923814		Incl. pin & roller
12	Valve Bridge Adj. Screw	86-78	FP-5129101		Exh.; 5/16" - 24 x 1"
12	Valve Bridge	86-78	FP-5148491		Exh.
12	Valve Bridge Guide	86-78	FP-5117564		Exh.; Press fit

(continued on next page)

Ford Truck - M/D & H/D

58 H/D Truck 6V-92T (4-Valve Cyl. Head) Eng.

(cont.) 9.0L 552 OHV Turbo-Diesel V6, 4.84" Bore (Detroit Diesel Eng.) 1978-86

CYL. HEAD & PARTS (cont.)					
QTY	ROCKER PARTS (cont.)	YEARS	PART NO.	SIZE	DESCRIPTION
12	Valve Bridge Guide	86-78	FP-51175646		Exh.; Press fit w/.006" O/S
12	Valve Bridge Guide	86-78	FP-5196843		Exh.; Threaded
12	Rocker Arm Clevis Pin	86-78	FP-5150314		Exh.
6	Rocker Arm Clevis Pin	86-78	FP-5150314		Injector
12	Bushing	86-78	FP-5122445 +		Exh.; Rocker Arm; Large; When depleted use FP-23517217
6	Bushing	86-78	FP-23502615		Injector; Rocker Arm Clevis; .6295" OD
12	Lock Washer	86-78	FP-103319		Cam Follower Guide; .250"
INT & EXH MANIFOLDS					
QTY	INT. & EXH. MANIFOLDS	YEARS	PART NO.	SIZE	DESCRIPTION
4	Exhaust Manifold Gasket	86-78	FP-5156319		Exh. Manifold Cover Plate
2	Exhaust Manifold Gasket	86-78	FP-5156319		Exh. Manifold Water Outlet Flange
2	Exhaust Manifold Gasket	86-78	FP-5150194		3 Ports, Composition
1	Gasket	86-78	FP-5113412		Exh. Manifold Cover Plate
2	Exhaust Pipe Gasket	86-78	FP-5145238		Exh. Manifold
2	Exhaust Pipe Gasket	86-78	FP-5145238		Exh. Manifold Adaptor
6	Pipe Plug	86-78	FP-23511574		Exh. Manifold; 1/2" pipe thread; w/1" Square head
2	Pipe Plug	86-78	FP-5115214		Exh. Manifold; 1/2" Square Head
2	Clamp	86-78	FP-5132650		Exh. Flange; 5.250" Dia.
2	Clamp	86-78	FP-5146165		Exh. Manifold; 3.88" Dia.; Marmon
12	Bolt	86-78	FP-8925603		Exh. Manifold Cover Plate; 5/16" - 18 x 3/4"; Vibra-Tite®
12	Stud	86-78	FP-8925804		Exh. Manifold to Head; 7/16" - 14/20" x 2 3/32"
12	Lock Nut	86-78	FP-23505398		Exh. Manifold; 7/16" - 20
12	Nut	86-78	FP-9411981		Exh. Manifold; 3/8" - 24 Lock Nut
8	Washer	86-78	FP-5104439		Exh. Manifold; 7/16" x 1.250" Dia.; Dished
12	Lock Washer	86-78	FP-103320		Exh. Manifold; 5/16"
QTY	AIR INTAKE	YEARS	PART NO.	SIZE	DESCRIPTION
2	Air Intake Housing Gasket	86-78	FP-5145086		Air Inlet Housing
2	Air Intake Housing Gasket	86-78	FP-5101412		Air Inlet Housing; 11.60" ID, w/Eight 15/32" Holes
2	Air Intake Housing Gasket	86-78	FP-5101408		Air Inlet Housing; 15.48" I.D., w/Ten 15/32" Holes
2	Air Intake Housing Gasket	86-78	FP-5123703		Air Inlet Housing; 5.68" ID, w/Eight 13/32" Holes
2	Air Intake Housing Gasket	86-78	FP-5134838		Air Inlet Housing; 8.00" Long, w/Four 13/32" Holes
1	Gasket	86-78	FP-5145235		Air Inlet Housing Striker Plate
1	Bolt	86-78	FP-8927580		Air Inlet Housing Shutdown Reset; 3/8" - 16 x .875"
2	Bolt	86-78	FP-179803		Air Inlet Housing Shutdown Valve; 1/4" x 20 x 1.750"
1	Bolt	86-78	FP-179803		Air Inlet Housing Striker Plate; 1/4" x 20 x 1.750"
8	Bolt	86-78	FP-8927580		Air Inlet Housing; 3/8" - 16 x .875"
1	Washer	86-78	FP-5159714		Air Inlet Housing Shutdown Valve; 11/16" x 1/8"
1	Washer	86-78	FP-5159714		Air Inlet Housing Striker Plate; 11/16" x 1/8"
1	Lock Washer	86-78	FP-103321		Air Inlet Housing Shutdown Reset; 3/8"
8	Lock Washer	86-78	FP-103321		Air Inlet Housing; 3/8"
8	Lock Washer	86-78	FP-103320		Air Inlet Housing; 5/16"
2	O-Ring	86-78	FP-5179232		Air Inlet Housing Shutdown Valve; .424" x .103"
1	Pipe Plug	86-78	FP-5142549		Air Inlet Housing; 3/4" - 14 Square Head
CAMSHAFT GROUP					
QTY	TIMING	YEARS	PART NO.	SIZE	DESCRIPTION
1	Cam Gear	86-78	FP-8926631		R.H.; R.H. Helix
2	Idle Gear Hub Assembly	86-78	FP-5130135		L.H. & R.H.
2	Bolt	86-78	FP-454992		Idle Gear Assembly; 1/2" - 13 x 2 1/2
12	Bolt	86-78	FP-5103534		L.H. & R.H.; Idle Gear Assembly; 5/16" - 24 x 1/2"
2	Washer	86-78	FP-5167714		Idle Gear Assembly; 17/32" x 7/8" x 3/32"
QTY	CAMSHAFT TIMING	YEARS	PART NO.	SIZE	DESCRIPTION
2	Camshaft Pulley Spacer	86-78	FP-5116485		L.H. & R.H.; .640" Length
QTY	CAMSHAFT/LIFTER	YEARS	PART NO.	SIZE	DESCRIPTION
4	Camshaft Thrust Washer	86-78	FP-5111424		
4	Camshaft Thrust Washer	86-78	FP-5194826		
4	Camshaft Thrust Washer	86-78	FP-5194827		
2	Lock Washer	86-78	FP-5177769		Front; Camshaft L.H. & R.H.; 1.125"
8	Lock Washer	86-78	FP-103321		Rear; Camshaft Rear Lock Washer; 3/8"
1	Oil Seal	86-78	FP-23516871		Front; Camshaft L.H. Bank
4	Woodruff Key	86-78	FP-8926247		Front & Rear; .250" x .750"
ACCESSORY DRIVE					
QTY	ACCESSORY DRIVE	YEARS	PART NO.	SIZE	DESCRIPTION
1	Oil Seal	86-78	FP-5131329		Acc. Drive
1	Oil Seal	86-78	FP-5138710		Acc. Drive
1	Oil Seal Kit	86-78	FP-5198175		Acc. Drive Seal & Brg. Kit

(continued on next page)

Ford Truck - M/D & H/D

H/D Truck 6V-92T (4-Valve Cyl. Head) Eng. 58
9.0L 552 OHV Turbo-Diesel V6, 4.84" Bore (Detroit Diesel Eng.) 1978-86 (cont.)

ACCESSORY DRIVE (cont.)

QTY	ACCESSORY DRIVE (cont.)	YEARS	PART NO.	SIZE	DESCRIPTION
1	Ball Brg.	86-78	FP-23503727		Acc. Drive
1	Ball Brg.	86-78	FP-23504528		Acc. Drive
1	Water Pump Retainer Ring	86-78	FP-9415285		Acc. Drive; Large; External
2	Bolt	86-78	FP-8927580		Acc. Drive; 3/8" - 16 x .875"
6	Bolt	86-78	FP-8927581		Acc. Drive; 3/8" - 16 x 1"
4	Bolt	86-78	FP-5145092		Acc. Drive; 3/8" - 24 x 1.20", Self-Locking
6	Bolt	86-78	FP-5185793		Acc. Drive, Internal Gear mount
2	Stud	86-78	FP-8927270		Acc. Drive; 3/8" - 16/24" x 1.6875"
1	Expansion Plug	86-78	FP-9428477		Acc. Drive; 15/16" Dia.
2	Bushing	86-78	FP-5120501		Acc. Drive Gear
1	Pipe Plug	86-78	FP-5115214		Acc. Drive; 1/2" Square Head
1	Pipe Plug	86-78	FP-5121182		Acc. Drive; 1/4" - 18; Hex head
1	Pipe Plug	86-78	FP-8924380		Acc. Drive; 1/8" - 27
2	Copper Washer	86-78	FP-5152148		Acc. Drive; 25/64" ID x 9/16" OD x 1/16" Thick; Copper
1	Lock Washer	86-78	FP-8926285		Acc. & Blower Drive Gear
1	Lock Washer	86-78	FP-103321		Balance Weight Cover; 3/8"
1	Oil Seal	86-78	470625		
1	Redi-Sleeve	86-78	99150		
6	Lock Nut	86-78	FP-103026		Acc. Drive; 3/8" x 24
10	Lock Nut	86-78	FP-103026		Balance Weight Cover; 3/8" x 24

FUEL SYSTEM & PARTS

QTY	FUEL INJECTION	YEARS	PART NO.	SIZE	DESCRIPTION
2	Fuel Injector Nozzle	86-78	FP-5172874		Single Outlet; Single Outlet
6	Fuel Injector Seal Ring	86-78	FP-5234281		
6	Fuel Injector Seal Ring	86-78	FP-5104701		Inj. Hole Tube; Viton®
6	Injector Hole Tube Kit	86-78	FP-8925981		Incl. Seal Ring; Viton®
6	Washer	86-78	FP-5150250		Inj. Hold-Down Clamp
6	Clamp	86-78	FP-5121259		Inj. Hold-Down
6	Fuel Injector Repair Kit	86-78	FP-5229649		
6	Fuel Injection Spring Seat	86-78	FP-5228766		
6	Fuel Injector Valve Spring	86-78	FP-5228596		
6	Fuel Injector Valve Kit	86-78	FP-5228769		

BLOWER

QTY	BLOWER	YEARS	PART NO.	SIZE	DESCRIPTION
2	Ball Brg.	86-78	FP-23504304		Rear; Blower Rotor
2	Cylindrical Brg.	86-78	FP-23503542		Front; Blower Rotor
1	Oil Seal Kit	86-78	FP-23500533		Front & Rear; Blower End Plate
4	Oil Seal	86-78	FP-8924453		Blower Rotor
4	Oil Seal	86-78	FP-5138710		Front & Rear; Blower End Plate, Std.
1	Fuel Blower Gasket	86-78	FP-23520019		Blower to Block
1	Gasket	86-78	FP-5145235		Blower to Block, w/o Screen
1	Sealing Ring	86-78	FP-8922140		Blower Drive Cover Seal; 4.32" x 4.88" x .770"
3	Bolt	86-78	FP-5103364		Blower Drive Coupling; 1/2" - 20 x 1.10", 12 Pt. Head
3	Bolt	86-78	FP-9409077		Blower Drive Coupling; 5/16" - 24 x 1.625"
1	Bolt	86-78	FP-9409060		Blower Rotor Gear; 1/2" - 20 x 1.500"
12	Screw	86-78	FP-5148794		Blower Rotor End Plate; 1/4" - 20 x 5/8"
1	Hose Clamp	86-78	FP-5106219		Blower Drive Cover Seal
28	Washer	86-78	FP-5159714		Blower Assy.; 11/16" x 1/8"
2	Washer	86-78	FP-5121905		Blower End Plate; 15/32" ID x 7/8" OD x 5/32" Long
3	Lock Washer	86-78	FP-103320		Blower Drive Coupling; 5/16"
2	Lock Washer	86-78	FP-5154398		Front; Blower End Plate; 1/2" Special, External Tooth
1	Shim	86-78	FP-5150372		Blower Rotor Gear
1	Shim	86-78	FP-5153938		Blower Rotor Gear
1	Shim	86-78	FP-5150855		Blower Rotor Gear
1	Shim	86-78	FP-5150856		Blower Rotor Gear

GOVERNOR

QTY	GOVERNOR	YEARS	PART NO.	SIZE	DESCRIPTION
8	Governor Hole Gasket	86-78	FP-5123812		Cyl. Head Gov. Hole Cover

COOLING SYSTEM

QTY	WATER PUMP	YEARS	PART NO.	SIZE	DESCRIPTION
1	Water Pump - Heavy Duty	86-78	FP-23506602		Fresh Water; "Walking" Design
1	Water Pump - Heavy Duty	86-78	FP-23507971		Raw Water Pump; Opt. Type 62
1	Water Pump Shaft	86-78	FP-23506053		Fresh Water Pump
1	Water Pump Shaft	86-78	FP-5193552		Raw Water Pump
1	Water Pump Impeller	86-78	FP-23505995		Fresh Water Pump

(continued on next page)

Ford Truck - M/D & H/D

58 H/D Truck 6V-92T (4-Valve Cyl. Head) Eng.

(cont.) 9.0L 552 OHV Turbo-Diesel V6, 4.84" Bore (Detroit Diesel Eng.) 1978-86

COOLING SYSTEM (cont.)

QTY	WATER PUMP (cont.)	YEARS	PART NO.	SIZE	DESCRIPTION
1	Water Pump Impeller	86-78	FP-23505999		Fresh Water Pump; Hi-Capacity
1	Water Pump Impeller	86-78	FP-23505999		Fresh Water Pump; Hi-Capacity
1	Water Pump Impeller	86-78	FP-8924838		Raw Water Pump
1	Water Pump Impeller	86-78	FP-8924838		Raw Water Pump
1	Water Pump Repair/Rebuild Kit	86-78	FP-23506852		Fresh Water Pump
1	Water Pump Repair/Rebuild Kit	86-78	FP-23500517		Fresh Water Pump Seal Kit
1	Water Pump Repair/Rebuild Kit	86-78	FP-5149711		Fresh Water Pump; Repair Kit
1	Water Pump Repair/Rebuild Kit	86-78	FP-5197224		Recon. Kit; Raw Water; For Pump FP-23507971
1	Water Pump Cover	86-78	FP-5117950		Fresh Water Pump Body
1	Water Pump Cover	86-78	FP-8922383		Fresh Water Pump Body; Non-Metallic
1	Water Pump Cover	86-78	FP-5193555		Raw Water Pump
1	Water Pump Retainer Ring	86-78	FP-9415285		Raw Water Pump; Large; External
1	Water Pump Retainer Ring	86-78	FP-5193569		Raw Water Pump; Small
1	Water Pump Mech. Shaft Seal	86-78	FP-5198419		
1	Water Pump Mech. Shaft Seal	86-78	FP-8924297		Fresh Water Pump
1	Water Pump Mech. Shaft Seal	86-78	FP-5198419		Raw Water Pump
1	Water Pump Seal Ring	86-78	FP-5101160		Fresh Water Pump Body Cover
1	Water Pump Seal Ring	86-78	FP-5103544		Fresh Water Pump; .139" x 5.109" I.D.
1	Ball Brg.	86-78	FP-23504426		Raw Water Pump Shaft
1	Ball Brg.	86-78	FP-23503550		Inner; Fan Shaft
1	Ball Brg.	86-78	FP-23503704		Inner; Fan Shaft
1	Ball Brg.	86-78	FP-23503796		Inner; Fan Shaft
1	Ball Brg.	86-78	FP-7450630		Inner; Fan Shaft
1	Ball Brg.	86-78	FP-23503687		Inner; Fresh Water Pump
1	Ball Brg.	86-78	FP-23503535		Outer; Fan Shaft
1	Ball Brg.	86-78	FP-23503537		Outer; Fan Shaft
1	Ball Brg.	86-78	FP-23503727		Outer; Fan Shaft
1	Ball Brg.	86-78	FP-9415132		Outer; Fan Shaft
1	Ball Brg.	86-78	FP-23503649		Outer; Fresh Water Pump
5	Lock Nut	86-78	FP-103026		Fresh Water Pump; 3/8" x 24
1	Lock Nut	86-78	FP-5117972		Fresh Water Pump; 7/16" - 20
2	Lock Nut	86-78	FP-103026		Heat Exchanger; 3/8" x 24
1	Accessory Drive Gasket	86-78	FP-23515145		Raw Water Pump
1	Gasket	86-78	FP-5196513		Raw Water Pump Adaptor
1	Oil Seal	86-78	FP-5103623		Fan Shaft
1	Oil Seal	86-78	FP-5103951		Fan Shaft
1	Oil Seal	86-78	FP-5108219		Fan Shaft; Felt
1	Oil Seal	86-78	FP-5100408		Fan Shaft; Rubber Lip
1	Oil Seal	86-78	FP-23506248		Fresh Water Pump
1	Oil Seal	86-78	FP-5117983		Fresh Water Pump Shaft Bearing
1	Oil Seal	86-78	FP-5195101		Raw Water Pump Shaft
2	Oil Seal	86-78	FP-5132155		Thermostat Seal
2	Bolt	86-78	FP-454992		Fan Hub Support Bracket; 1/2" - 13 x 2 1/2
1	Bolt	86-78	FP-9409060		Fan Hub; 1/2" - 20 x 1.500"
5	Bolt	86-78	FP-8925603		Fresh Water Pump Body; 5/16" - 18 x 3/4"; Vibra-Tite®
4	Bolt	86-78	FP-8927580		Heat Exchanger Water Outlet Tube; 3/8" - 16 x .875"
4	Bolt	86-78	FP-8927581		Heat Exchanger Water Outlet Tube; 3/8" - 16 x 1"
2	Bolt	86-78	FP-454992		Heat Exchanger; 1/2" - 13 x 2 1/2
4	Bolt	86-78	FP-454992		Heat Exchanger; 1/2" - 13 x 2 1/2
4	Bolt	86-78	FP-8927581		Heat Exchanger; 3/8" - 16 x 1"
6	Bolt	86-78	FP-23504236		Raw Water Pump Cover; .250" - 20 x .500"; Stainless Steel
5	Bolt	86-78	FP-23504236		Raw Water Pump Cover; .250" - 20 x .500"; Stainless Steel
4	Bolt	86-78	FP-5145092		Raw Water Pump; 3/8" - 24 x 1.20", Self-Locking
6	Bolt	86-78	FP-23501660		Raw Water Pump, Adaptor to Body; 3/8" - 16 x 1.00"
2	Bolt	86-78	FP-8927581		Thermostat Housing; 3/8" - 16 x 1"
1	Pipe Plug	86-78	FP-8924380		Fan Hub; 1/8" - 27
1	Pipe Plug	86-78	FP-5115214		Fresh Water Pump Body; 1/2" Square Head
1	Pipe Plug	86-78	FP-8923313		Fresh Water Pump Body; 3/4"
1	Pipe Plug	86-78	FP-5142549		Fresh Water Pump Body; 3/4" - 14 Square Head
1	Pipe Plug	86-78	FP-5142549		Fresh Water Pump Body; 3/4" - 14 Square Head
1	Pipe Plug	86-78	FP-5121182		Heat Exchanger; 1/4" - 18; Hex head
1	Pipe Plug	86-78	FP-8924380		Heat Exchanger; 1/8" - 27
1	Pipe Plug	86-78	FP-5142549		Heat Exchanger; 3/4" - 14 Square Head
1	Pipe Plug	86-78	FP-5115214		Thermostat Housing; 1/2" Square Head
2	Pipe Plug	86-78	FP-5121182		Thermostat Housing; 1/4" - 18; Hex head
2	Pipe Plug	86-78	FP-8924380		Thermostat Housing; 1/8" - 27
2	Pipe Plug	86-78	FP-5142549		Thermostat Housing; 3/4" - 14 Square Head
1	Expansion Plug	86-78	FP-5154453		Fresh Water Pump Body; 3/8" - 16 Headless Special
2	Expansion Plug	86-78	FP-5117186		Heat Exchanger; 2" Dia. Cup; Stainless Steel

(continued on next page)

Ford Truck - M/D & H/D

H/D Truck 6V-92T (4-Valve Cyl. Head) Eng. 58
9.0L 552 OHV Turbo-Diesel V6, 4.84" Bore (Detroit Diesel Eng.) 1978-86 (cont.)

COOLING SYSTEM (cont.)

QTY	WATER PUMP (cont.)	YEARS	PART NO.	SIZE	DESCRIPTION
1	Dowel Pin	86-78	FP-5197597		Raw Water Pump Wear Plate; .184" OD x .375" Length
1	Screw	86-78	FP-114366		Raw Water Pump Cam; .250" - 20 x .500"; Brass
1	Slinger, Water Pump	86-78	FP-5193676		Raw Water Pump Shaft
2	Copper Washer	86-78	FP-5152148		Thermostat Housing; 25/64" ID x 9/16" OD x 1/16" Thick; Copper
4	Washer	86-78	FP-5133981		Fan Hub Support Bracket; .122" Thick
4	Washer	86-78	FP-103325		Fan Hub Support Bracket; Lock washer; 5/8"
1	Washer	86-78	FP-5103624		Fan Shaft Bearing Retainer; .500" Thick
4	Washer	86-78	FP-5131978		Fan Shaft; .53" ID x 1.00" OD x .170" Thick
2	Washer	86-78	FP-5197310		Fresh Water Pump; Adhesive, Ceramic Insert
1	Washer	86-78	FP-221436		Fresh Water Pump; Flat
4	Washer	86-78	FP-5131978		Heat Exchanger Cover Spacer; .53" ID x 1.00" OD x .170" Thick
8	Washer	86-78	FP-103325		Heat Exchanger; Lock washer; 5/8"
4	Washer	86-78	FP-5125108		Heat Exchanger; 7/16" x 3/4" x 1/16"
1	Washer	86-78	FP-103325		Raw Water Pump; Lock washer; 5/8"
1	Washer	86-78	FP-5125108		Thermostat Housing; 7/16" x 3/4" x 1/16"
1	Water Pump Lock Ring	86-78	FP-274746		Fresh Water Pump

QTY	THERMOSTAT	YEARS	PART NO.	SIZE	DESCRIPTION
2	Thermostat	86-78	FP-5102112		160 Deg.
2	Thermostat	86-78	FP-23503826		170 Deg.
2	Thermostat	86-78	FP-23503825		180 Deg.
2	Thermostat	86-78	FP-5104096		180 Deg.
2	Thermostat	86-78	FP-5106232		180 Deg.
2	Thermostat Gasket	86-78	FP-5117786		Thermostat Housing Cover
2	Thermostat Gasket	86-78	FP-5117993		Thermostat Housing Cover
1	Thermostat Gasket	86-78	FP-8924018		Thermostat Housing Cover
2	Thermostat Cover Gasket	86-78	FP-5100860		Thermostat Housing Cover
1	Thermostat Cover Gasket	86-78	FP-5123575		Thermostat Housing Cover
2	Thermostat Gasket	86-78	FP-5117786		Left & Right Bank; Thermostat Housing
2	Thermostat Gasket	86-78	FP-5117993		Left & Right Bank; Thermostat Housing
2	Thermostat Gasket	86-78	FP-5144277		Left & Right Bank; Thermostat Housing
1	Thermostat Gasket	86-78	FP-5123716		Left Bank; Thermostat Housing
1	Thermostat Gasket	86-78	FP-5133254		Left Bank; Thermostat Housing
1	Thermostat Gasket	86-78	FP-5123570		Right Bank; Thermostat Housing
1	Thermostat Gasket	86-78	FP-5123715		Right Bank; Thermostat Housing

QTY	MISCELLANEOUS	YEARS	PART NO.	SIZE	DESCRIPTION
3	Stud	86-78	FP-8927270		Fresh Water Pump Body; 3/8" - 16/24" x 1.6875"
4	Hose Clamp	86-78	FP-5186841		Heat Exchanger Raw Water Inlet Tube; 1 9/16" - 2.50"
4	Hose Clamp	86-78	FP-5188036		Heat Exchanger Raw Water Inlet; 2.750" Dia. Hose
4	Hose Clamp	86-78	FP-9139809		Heat Exchanger Raw Water Outlet Tube; 2 1/16" - 3"
4	Hose Clamp	86-78	FP-9139809		Heat Exchanger Raw Water Tube; 2 1/16" - 3"
1	Hose Clamp	86-78	FP-5186841		Heat Exchanger Water Outlet Tube; 1 9/16" - 2.50"
1	Hose Clamp	86-78	FP-9139809		Water Outlet Manifold; 2 1/16" - 3"
2	Hose Clamp	86-78	FP-5188036		Water Outlet Manifold; 2.750" Dia. Hose
1	Lock Washer	86-78	FP-103320		Fan Hub; 5/16"
5	Lock Washer	86-78	FP-103321		Fresh Water Pump Body; 3/8"
5	Lock Washer	86-78	FP-103321		Fresh Water Pump; 3/8"
10	Lock Washer	86-78	FP-103320		Heat Exchanger Cover; 5/16"
4	Lock Washer	86-78	FP-103320		Heat Exchanger Expansion Tank Cover; 5/16"
4	Lock Washer	86-78	FP-103320		Heat Exchanger Water Outlet; 5/16"
4	Lock Washer	86-78	FP-103321		Heat Exchanger; 3/8"
2	Lock Washer	86-78	FP-103321		Thermostat Housing; 3/8"
2	O-Ring	86-78	FP-5167746		Heat Exchanger Seal Ring
1	O-Ring	86-78	FP-23514265		Raw Water Pump
1	Water Manifold Gasket	86-78	FP-5124029		Heat Exchanger Water Manifold
3	Water Manifold Gasket	86-78	FP-23506469		Water Outlet Cover Plate
2	Hose Clamp	86-78	FP-5186841		Thermostat Housing Cover; 1 9/16" - 2.50"
2	Hose Clamp	86-78	FP-9139809		Thermostat Housing Cover; 2 1/16" - 3"
1	Oil Filler Tube Gasket	86-78	FP-5120540		Thermostat Housing Elbow Gasket
1	Oil Cooler Core Inner Gasket	86-78	FP-5150155		Heat Exchanger Expansion Tank Cover

ENGINE BLOCK & PARTS

QTY	GASKETS	YEARS	PART NO.	SIZE	DESCRIPTION
1	Front Crankcase Cover Gasket	86-78	FP-5121714		
2	Pipe Plug	86-78	FP-5121182		Cyl. Block; 1/4" - 18; Hex head
2	Pipe Plug	86-78	FP-8924380		Cyl. Block; 1/8" - 27
2	Accessory Drive Gasket	86-78	FP-23515145		Flywheel Housing Large Hole Cover
6	Bolt	86-78	FP-8927580		Flywheel Housing; 3/8" - 16 x .875"
1	Lock Nut	86-78	FP-103026		Flywheel Housing; 3/8" x 24
1	Washer	86-78	FP-5138619		Flywheel Housing; 25/64" x 3/4" x .083"

(continued on next page)

Ford Truck - M/D & H/D

58 H/D Truck 6V-92T (4-Valve Cyl. Head) Eng.
 (cont.) 9.0L 552 OHV Turbo-Diesel V6, 4.84" Bore (Detroit Diesel Eng.) 1978-86

ENGINE BLOCK & PARTS (cont.)

QTY	GASKETS (cont.)	YEARS	PART NO.	SIZE	DESCRIPTION
2	Washer	86-78	FP-5125108		Flywheel Housing; 7/16" x 3/4" x 1/16"
6	Lock Washer	86-78	FP-103321		Flywheel Housing; 3/8"
12	Copper Washer	86-78	FP-5152148		Flywheel Housing; 25/64" ID x 9/16" OD x 1/16" Thick; Copper
1	Oil Pan Gasket	86-78	FP-5150115		Lower Oil Pan
1	Oil Pan Gasket	86-78	FP-5150116		Lower Oil Pan
1	Oil Pan Gasket	86-78	FP-8920557		Lower Oil Pan
1	Oil Pan Gasket	86-78	FP-23503588		Pan to Block; w/Stamped Pan; w/Stamped Steel Pan
24	Bolt	86-78	FP-8927581		Oil Pan; 3/8" - 16 x 1"
4	Bolt	86-78	FP-8927581		Oil Pan; 3/8" - 16 x 1"
1	Washer	86-78	FP-8402777		Oil Pan Drain Plug; 18MM, Nylon
1	Pipe Plug	86-78	FP-5115214		Oil Pan Drain Plug; 1/2" Square Head
1	Pipe Plug	86-78	FP-5121182		Oil Pan Drain Plug; 1/4" - 18; Hex head
1	Pipe Plug	86-78	FP-8923847		Oil Pan Drain Plug; 1/4" x 18 NPTF; Square head
1	Pipe Plug	86-78	FP-8923313		Oil Pan Drain Plug; 3/4"
1	Pipe Plug	86-78	FP-8924517		Oil Pan Drain Plug; 3/8" x 18 square head
1	Pipe Plug	86-78	FP-5115214		Oil Pan Sump; 1/2" Square Head
1	Cyl. Block Water Hole Cvr Gsk	86-78	FP-5117734		Rear
2	Hand Hole Cover Gasket	86-78	FP-8923791		Large
2	Hand Hole Cover Gasket	86-78	FP-8923792		Small
2	Copper Washer	86-78	FP-5152148		Cyl. Block; 25/64" ID x 9/16" OD x 1/16" Thick; Copper
12	Copper Washer	86-78	FP-5152148		Cyl. Head; 25/64" ID x 9/16" OD x 1/16" Thick; Copper
4	Bolt	86-78	FP-8927580		Cyl. Block; 3/8" - 16 x .875"
10	Stud	86-78	FP-5152121		Cyl. Block; 5/16" - 18 x 1 1/2"
QTY	GASKET SETS	YEARS	PART NO.	SIZE	DESCRIPTION
1	Complete Overhaul Gasket Set	86-78	FP-23512684WS		6V92; Exc. Tilt Coach
1	Complete Overhaul Gasket Set	86-78	FP-23512684		6V92; Exc. Tilt Coach; Crankshaft seals not incl.
1	Complete Overhaul Gasket Set	86-78	FP-23512683		6V92; Tilt Coach only; Crankshaft seals not incl.
QTY	CAM BEARINGS	YEARS	PART NO.	SIZE	DESCRIPTION
8	Cam Brg.	86-78	FP-5194825	20	Camshaft End Bushing; .020" U/S, Unfinished; Grooved
8	Cam Brg.	86-78	FP-5111423	STD	Camshaft End Bushing; Grooved
2	Cam Brg.	86-78	FP-5117984	STD	Position Front
2	Cam Brg.	86-78	FP-5197569	10	Position Front
4	Cam Brg.	86-78	FP-5196026	STD	Position Inter.; w/o Steel bushing in ctr. hole; Aluminum Blocks only
4	Cam Brg.	86-78	FP-5196022	STD	Position Inter.; w/steel bushing in ctr. hole; 4 req'd
2	Cam Brg.	86-78	FP-5111422	STD	Position Rear
2	Cam Brg.	86-78	FP-5194858	10	Position Rear
QTY	OIL COOLERS & FILTERS	YEARS	PART NO.	SIZE	DESCRIPTION
1	Oil Cooler	86-78	FP-8547547		Core Assy.; 16 plate
1	Oil Cooler	86-78	FP-8547195		Core Assy.; 18 plate
1	Oil Cooler	86-78	FP-8547551		Core Assy.; 8 plate
1	Oil Cooler	86-78	FP-8547581		Twin Plate; 13 plate
1	Oil Cooler	86-78	FP-8547553		Twin Plate; 16 Plate
1	Oil Cooler	86-78	FP-8547237		Twin Plate; 24 Plate
1	Oil Cooler	86-78	FP-8547552		Twin Plate; 32 Plate
2	Oil Cooler	86-78	FP-8547237		Twin Plate-Dual; 24 Plate
1	Oil Filter Adapter Gasket	86-78	FP-8924412		
1	Lock Washer	86-78	FP-103320		Aftercooler; 5/16"
2	Lock Nut	86-78	FP-103026		Oil Cooler Water Outlet Flange; 3/8" x 24
2	Lock Nut	86-78	FP-103026		Twin Plate; Oil Cooler Water Elbow; 3/8" x 24
2	Lock Nut	86-78	FP-103026		Twin Plate-Dual; Oil Cooler Water Elbow; 3/8" x 24
2	Washer	86-78	FP-5131433		Oil Cooler Adaptor; .410" x .810" x .1345"
1	Washer	86-78	FP-5177773		Oil Cooler Bypass Plug; 18MM x 1.5MM
1	Washer	86-78	FP-5131433		Oil Cooler Housing Cover; .410" x .810" x .1345"
1	Washer	86-78	FP-5177773		Twin Plate; Oil Cooler By-pass; 18MM x 1.5MM
8	Washer	86-78	FP-5131433		Twin Plate; Oil Cooler Housing Cover; .410" x .810" x .1345"
1	Washer	86-78	FP-5177773		Twin Plate-Dual; Oil Cooler By-pass Plug; 18MM x 1.5MM
2	Lock Washer	86-78	FP-103320		Oil Cooler Adaptor Cover; 5/16"
1	Lock Washer	86-78	FP-103320		Oil Cooler Housing Cover; 5/16"
8	Lock Washer	86-78	FP-103320		Oil Cooler Housing; 5/16"
2	Lock Washer	86-78	FP-103321		Oil Cooler Water Outlet Flange; 3/8"
1	Lock Washer	86-78	FP-103320		Oil Cooler Water Outlet Flange; 5/16"
8	Lock Washer	86-78	FP-103320		Twin Plate; Oil Cooler Core; 5/16"
2	Lock Washer	86-78	FP-103321		Twin Plate; Oil Cooler Water Inlet; 3/8"
22	Lock Washer	86-78	FP-103320		Twin Plate-Dual; Oil Cooler Core; 5/16"
2	Lock Washer	86-78	FP-103321		Twin Plate-Dual; Oil Cooler Water Inlet; 3/8"
1	Spacer	86-78	FP-5102793		Oil Cooler Adaptor to Block; 5.70" x 1.00" x .012"
1	Spacer	86-78	FP-5102793		Twin Plate; Oil Cooler Adaptor to Block; 5.70" x 1.00" x .012"

(continued on next page)

Ford Truck - M/D & H/D

H/D Truck 6V-92T (4-Valve Cyl. Head) Eng. 58
9.0L 552 OHV Turbo-Diesel V6, 4.84" Bore (Detroit Diesel Eng.) 1978-86 (cont.)

ENGINE BLOCK & PARTS (cont.)

QTY	(cont.)	YEARS	PART NO.	SIZE	DESCRIPTION
1	Pipe Plug	86-78	FP-8923847		Oil Cooler Core; 1/4" x 18 NPTF; Square head
1	Pipe Plug	86-78	FP-8923313		Oil Cooler Core; 3/4"
2	Pipe Plug	86-78	FP-5142549		Oil Cooler Core; 3/4" - 14 Square Head
1	Pipe Plug	86-78	FP-5121182		Oil Cooler Housing; 1/4" - 18; Hex head
2	Pipe Plug	86-78	FP-8923847		Oil Cooler Housing; 1/4" x 18 NPTF; Square head
1	Pipe Plug	86-78	FP-8924517		Oil Cooler Housing; 3/8" x 18 square head
1	Pipe Plug	86-78	FP-5115214		Oil Cooler Water Inlet; 1/2" Square Head
2	Pipe Plug	86-78	FP-8923847		Oil Cooler Water Inlet; 1/4" x 18 NPTF; Square head
1	Pipe Plug	86-78	FP-8923313		Oil Cooler Water Inlet; 3/4"
1	Pipe Plug	86-78	FP-5142549		Oil Cooler Water Inlet; 3/4" - 14 Square Head
2	Pipe Plug	86-78	FP-8923847		Twin Plate; Oil Cooler Core; 1/4" x 18 NPTF; Square head
1	Pipe Plug	86-78	FP-8923313		Twin Plate; Oil Cooler Water Elbow; 3/4"
1	Pipe Plug	86-78	FP-5142549		Twin Plate; Oil Cooler Water Elbow; 3/4" - 14 Square Head
2	Pipe Plug	86-78	FP-5115214		Twin Plate; Oil Cooler Water Inlet; 1/2" Square Head
1	Pipe Plug	86-78	FP-5115214		Twin Plate-Dual; Oil Cooler By-pass; 1/2" Square Head
1	Pipe Plug	86-78	FP-8923847		Twin Plate-Dual; Oil Cooler Core; 1/4" x 18 NPTF; Square head
1	Pipe Plug	86-78	FP-8923847		Twin Plate-Dual; Oil Cooler Core; 1/4" x 18 NPTF; Square head
1	Pipe Plug	86-78	FP-5142549		Twin Plate-Dual; Oil Cooler Core; 3/4" - 14 Square Head
1	Pipe Plug	86-78	FP-5115214		Twin Plate-Dual; Oil Cooler Water Elbow; 1/2" Square Head
1	Pipe Plug	86-78	FP-8923313		Twin Plate-Dual; Oil Cooler Water Elbow; 3/4"
2	Pipe Plug	86-78	FP-5142549		Twin Plate-Dual; Oil Cooler Water Elbow; 3/4" - 14 Square Head
4	Hose Clamp	86-78	FP-5186840		Aftercooler; 13/16" - 1 1/2" Clamping Range
4	Air Compressor Seal Ring	86-78	FP-5101138		Aftercooler; .984" x .139"
1	Oil Cooler Gasket Kit	86-78	FP-5149946		Oil Cooler Adaptor Cover
1	Oil Cooler Gasket	86-78	FP-8923512		Adaptor to Block
1	Oil Cooler Gasket	86-78	FP-8923512		Oil Cooler Adaptor Cover
1	Oil Cooler Gasket	86-78	FP-8923223		Oil Cooler Core
1	Oil Cooler Gasket	86-78	FP-8923512		Twin Plate; Oil Cooler Adaptor Cover
1	Oil Cooler Gasket	86-78	FP-8923223		Outer
1	Oil Cooler Gasket	86-78	FP-23501587		Outer; Twin Plate; Oil Cooler Core, Element to Plate
1	Cyl. Block Water Hole Cvr Gsk	86-78	FP-5117734		Oil Cooler Housing Cover
1	Cyl. Block Water Hole Cvr Gsk	86-78	FP-5117734		Twin Plate-Dual; Oil Cooler Housing Cover
1	Cyl. Block Water Hole Cvr Gsk	86-78	FP-5117734		Front; Twin Plate; Oil Cooler Water Elbow
1	Cyl. Block Water Hole Cvr Gsk	86-78	FP-5117734		Front; Twin Plate-Dual; Oil Cooler Water Elbow
1	Sealing Ring	86-78	FP-5102098		Twin Plate; Oil Cooler Water Outlet Hose; 3.60" OD x .620" Wide
1	Sealing Ring	86-78	FP-5102098		Twin Plate-Dual; Oil Cooler Water Outlet Hose; 3.60" OD x .620" Wide
1	Oil Cooler Core Gasket	86-78	FP-23501589		Twin Plate; Oil Cooler Housing Cover
1	Oil Cooler Seal Ring	86-78	FP-23501837		Oil Cooler Water Outlet Flange
1	Gasket	86-78	FP-5575086		Oil Cooler Bypass Plug
1	Gasket	86-78	FP-5575086		Oil Cooler Housing
1	Oil Cooler Core Inner Gasket	86-78	FP-5150155		
1	Oil Cooler Core Inner Gasket	86-78	FP-5150155		
1	Oil Cooler Core Inner Gasket	86-78	FP-5150155		Housing Cover
1	Oil Cooler Core Inner Gasket	86-78	FP-23511304		Twin Plate; Oil Cooler Housing Cover
1	Oil Cooler Core Inner Gasket	86-78	FP-5150155		Inner; Twin Plate
1	Oil Cooler Core Inner Gasket	86-78	FP-23511304		Inner; Twin Plate-Dual; Oil Cooler Core
1	Oil Cooler Core Outer Gasket	86-78	FP-5102506		
1	Oil Cooler Housing Cover Gskt	86-78	FP-8924623		
2	Oil Cooler Adapter Cover Gskt	86-78	FP-5117535		
1	Oil Cooler Adapter Cover Gskt	86-78	FP-5117535		
2	Oil Cooler Adapter Cover Gskt	86-78	FP-5117535		Twin Plate; Oil Cooler Adaptor to Block
2	Oil Cooler Adapter Cover Gskt	86-78	FP-5117535		Twin Plate-Dual; Oil Cooler Adaptor to Block
1	Copper Washer	86-78	FP-5152148		Oil Cooler Housing Cover; 25/64" ID x 9/16" OD x 1/16" Thick; Copper
1	Copper Washer	86-78	FP-5155596		Oil Cooler Housing; 5/16"; Special copper washer
1	Copper Washer	86-78	FP-5155596		Oil Cooler Housing; 5/16"; Special copper washer
1	Copper Washer	86-78	FP-5155596		Oil Cooler Water Inlet; 5/16"; Special copper washer
2	Copper Washer	86-78	FP-5152148		Oil Cooler Water Outlet Flange; 25/64" ID x 9/16" OD x 1/16" Thick; Copper
8	Copper Washer	86-78	FP-5155596		Twin Plate; Oil Cooler Core; 5/16"; Special copper washer
2	Copper Washer	86-78	FP-5152148		Twin Plate; Oil Cooler Water Elbow; 25/64" ID x 9/16" OD x 1/16" Thick; Copper
1	Copper Washer	86-78	FP-5155596		Twin Plate-Dual; Oil Cooler Core; 5/16"; Special copper washer
1	Copper Washer	86-78	FP-5152148		Twin Plate-Dual; Oil Cooler Housing Cover; 25/64" ID x 9/16" OD x 1/16" Thick; Copper
1	Copper Washer	86-78	FP-5152148		Twin Plate-Dual; Oil Cooler Water Elbow; 25/64" ID x 9/16" OD x 1/16" Thick; Copper
1	Clamp	86-78	FP-5143999		Twin Plate; Oil Cooler Water Outlet Hose; 3.50" T-Bolt

(continued on next page)

Ford Truck - M/D & H/D

58 H/D Truck 6V-92T (4-Valve Cyl. Head) Eng.

(cont.) 9.0L 552 OHV Turbo-Diesel V6, 4.84" Bore (Detroit Diesel Eng.) 1978-86

ENGINE BLOCK & PARTS (cont.)

OIL COOLERS & FILTERS					
QTY	(cont.)	YEARS	PART NO.	SIZE	DESCRIPTION
2	Clamp	86-78	FP-5143999		Twin Plate-Dual; Oil Cooler Water Outlet Hose; 3.50" T-Bolt
2	Hose Clamp	86-78	FP-9139809		Oil Cooler Water Inlet Hose; 2 1/16" - 3"
2	Hose Clamp	86-78	FP-5188036		Oil Cooler Water Inlet Hose; 2.750" Dia. Hose
2	Hose Clamp	86-78	FP-9139809		Twin Plate; Oil Cooler Water Inlet Hose; 2 1/16" - 3"
2	Hose Clamp	86-78	FP-5188036		Twin Plate; Oil Cooler Water Inlet Hose; 2.750" Dia. Hose
2	Hose Clamp	86-78	FP-9139809		Twin Plate-Dual; Oil Cooler Water Inlet Hose; 2 1/16" - 3"
2	Hose Clamp	86-78	FP-5188036		Twin Plate-Dual; Oil Cooler Water Inlet Hose; 2.750" Dia. Hose
2	Bolt	86-78	FP-8923391		Oil Cooler Adaptor; 3/8" - 16 x 1.880"
1	Bolt	86-78	FP-8923391		Oil Cooler Housing Cover; 3/8" - 16 x 1.880"
3	Bolt	86-78	FP-8927581		Oil Cooler Housing Cover; 3/8" - 16 x 1"
1	Bolt	86-78	FP-8927580		Oil Cooler Housing; 3/8" - 16 x .875"
1	Bolt	86-78	FP-8927580		Oil Cooler Water Inlet; 3/8" - 16 x .875"
2	Bolt	86-78	FP-8927581		Oil Cooler Water Outlet Flange; 3/8" - 16 x 1"
2	Bolt	86-78	FP-8927581		Twin Plate; Oil Cooler Housing Cover; 3/8" - 16 x 1"
2	Bolt	86-78	FP-8927581		Twin Plate; Oil Cooler Water Elbow; 3/8" - 16 x 1"
2	Bolt	86-78	FP-8927580		Twin Plate; Oil Cooler Water Inlet; 3/8" - 16 x .875"
2	Bolt	86-78	FP-8927581		Twin Plate; Oil Cooler Water Inlet; 3/8" - 16 x 1"
1	Bolt	86-78	FP-8927581		Twin Plate-Dual; Oil Cooler Water Elbow; 3/8" - 16 x 1"
6	Bolt	86-78	FP-8927580		Twin Plate-Dual; Oil Cooler Water Inlet; 3/8" - 16 x .875"
2	Bolt	86-78	FP-8927581		Twin Plate-Dual; Oil Cooler Water Inlet; 3/8" - 16 x 1"
FREEZE PLUGS					
QTY		YEARS	PART NO.	SIZE	DESCRIPTION
6	Pipe Plug	86-78	FP-5115214		Cyl. Block; 1/2" Square Head
3	Pipe Plug	86-78	FP-8923847		Cyl. Block; 1/4" x 18 NPTF; Square head
1	Pipe Plug	86-78	FP-8924380		Cyl. Block; 1/8" - 27
6	Pipe Plug	86-78	FP-5142549		Cyl. Block; 3/4" - 14 Square Head
1	Pipe Plug	86-78	FP-5142549		Flywheel Housing; 3/4" - 14 Square Head
1	Pipe Plug	86-78	FP-5121182		Oil Level Dipstick; 1/4" - 18; Hex head
DIPSTICK					
QTY		YEARS	PART NO.	SIZE	DESCRIPTION
1	Dipstick	86-78	FP-5102092		21" Length; Marked
1	Dipstick	86-78	FP-5101885		25" Length; Marked
1	Dipstick	86-78	FP-5146680		72" Length; Unmarked
1	Dipstick Guide	86-78	FP-5151430		1.50" Length
MISCELLANEOUS					
QTY		YEARS	PART NO.	SIZE	DESCRIPTION
12	Bolt	86-78	FP-5103280		Flywheel Housing; 9/16" - 18 x 2.250"
12	Bolt	86-78	FP-9410925		Flywheel Housing; 9/16" - 18 x 2.250"
12	Bolt	86-78	FP-9412015		Flywheel Housing; 9/16" - 18 x 2.500"
1	Bolt	86-78	FP-8927581		Oil Level Dipstick; 3/8" - 16 x 1"
2	Screw	86-78	FP-5103642		Oil Filler Tube; No. 10 - 24 x .375"
6	Pipe Plug	86-78	FP-5115214		Cyl. Block; 1/2" Square Head
3	Pipe Plug	86-78	FP-8923847		Cyl. Block; 1/4" x 18 NPTF; Square head
1	Pipe Plug	86-78	FP-8924380		Cyl. Block; 1/8" - 27
6	Pipe Plug	86-78	FP-5142549		Cyl. Block; 3/4" - 14 Square Head
1	Pipe Plug	86-78	FP-5142549		Flywheel Housing; 3/4" - 14 Square Head
1	Pipe Plug	86-78	FP-5121182		Oil Level Dipstick; 1/4" - 18; Hex head
2	Washer	86-78	FP-5131755		Flywheel Housing; 17/32" x .88" x .1345"
3	Washer	86-78	FP-5138619		Flywheel Housing; 25/64" x 3/4" x .083"
1	Washer	86-78	FP-106261		Oil Level Dipstick; 5/16" x 3/4"
1	Copper Washer	86-78	FP-5152148		Oil Level Dipstick; 25/64" ID x 9/16" OD x 1/16" Thick; Copper
2	Lock Nut	86-78	FP-103026		Flywheel Housing; 3/8" x 24
1	Lock Nut	86-78	FP-103026		Oil Level Dipstick; 3/8" x 24
2	Oil Filler Cap	86-78	FP-5107106		1.50" Dia.; Thermos Bottle Style
2	Oil Filler Cap	86-78	FP-5117362		2.00" Dia.; Thermos Bottle Style
CRANKSHAFT/OIL PUMP					
QTY	CRANKSHAFT	YEARS	PART NO.	SIZE	DESCRIPTION
1	Crankshaft	86-78	FP-8926921		RH Rotation
1	Bolt	86-78	FP-23501143		Crankshaft pulley; 1" - 14 X 2.750" (1.500" Hex head)
4	Dowel Pin	86-78	FP-141346		.1875" x .500"
QTY	SEALS - FRONT CRANK	YEARS	PART NO.	SIZE	DESCRIPTION
1	Oil Seal	86-78	FP-8922045		Front; Crankshaft; RH Rotation
1	Oil Seal	86-78	FP-23514608		Front; Crankshaft; RH Rotation; Red
1	Oil Seal	86-78	FP-5115454		Front; Crankshaft; Single Lip, Std.
1	Oil Seal	86-78	FP-8923654		Rear; Crankshaft; O.S.; Single lip; R.H. Rotation
1	Oil Seal	86-78	FP-5198159		Rear; Crankshaft; O/S; Double lip
1	Oil Seal	86-78	FP-5106329		Rear; Crankshaft; Std.; Double lip
1	Oil Seal	86-78	FP-8926761		Rear; Crankshaft; Std.; Single lip; R.H. Rotation
1	Redi-Sleeve	86-78	99287		Shaft dia. 2.876"

(continued on next page)

Ford Truck - M/D & H/D

H/D Truck 6V-92T (4-Valve Cyl. Head) Eng. 58
9.0L 552 OHV Turbo-Diesel V6, 4.84" Bore (Detroit Diesel Eng.) 1978-86 (cont.)

CRANKSHAFT/OIL PUMP (cont.)

SEALS - FRONT CRANK					
QTY	(cont.)	YEARS	PART NO.	SIZE	DESCRIPTION
1	Wear Sleeve	86-78	FP-23507226		Rear; Crankshaft; Use w/O.S. Seal
1	Oil Seal Spacer	86-78	FP-23507306		Front; Crankshaft; 2.50" ID x 2.81" Length
1	Oil Seal	86-78	455006N		
1	Oil Seal	86-78	FP-5115454		Single Lip, Std.
1	O-Ring	86-78	FP-23503769		Front; Crankshaft
SEALS - REAR CRANK					
QTY		YEARS	PART NO.	SIZE	DESCRIPTION
1	Oil Seal	86-78	455378H		
1	Oil Seal	86-78	6329S		(Double Lip Seal)
1	Oil Seal	86-78	FP-5114335		Single Lip, Std.; Shaft Dia. 4.687"
1	Oil Seal Kit	86-78	5460		(Oversize)
1	Redi-Sleeve	86-78	99468		
1	Redi-Sleeve	86-78	99468		(Double Lip Seal)
MAIN BEARINGS					
QTY		YEARS	PART NO.	SIZE	DESCRIPTION
4	Plain Main Brg.	86-78	FP-5149565	STD	Upper brg. w/elongated oil slot (acceptable as replacement for brg. w/11/32" oil hole)
4	Plain Main Brg.	86-78	FP-5149566	2	Upper brg. w/elongated oil slot (acceptable as replacement for brg. w/11/32" oil hole)
4	Plain Main Brg.	86-78	FP-5149567	10	Upper brg. w/elongated oil slot (acceptable as replacement for brg. w/11/32" oil hole)
4	Plain Main Brg.	86-78	FP-5149568	20	Upper brg. w/elongated oil slot (acceptable as replacement for brg. w/11/32" oil hole)
4	Plain Main Brg.	86-78	FP-8922118	30	Upper brg. w/elongated oil slot (acceptable as replacement for brg. w/11/32" oil hole)
4	Thrust Washer	86-78	FP-5117005	STD	
4	Thrust Washer	86-78	FP-5196753	5	
4	Thrust Washer	86-78	FP-5196754	10	
OIL PUMP					
QTY		YEARS	PART NO.	SIZE	DESCRIPTION
2	Oil Pump Cover Gasket	86-78	FP-29503153		2.40" B.C.
1	Bushing	86-78	FP-5123303		Oil Pump Driven Gear
1	Oil Pump Spring	86-78	FP-5126326		Pressure Relief Valve; .520" Dia., 2.570" Length
1	Oil Pump Spring	86-78	FP-5126327		Pressure Relief Valve; .790" Dia., 2.96" Length
1	Woodruff Key	86-78	FP-8928545		Oil Pump Drive Gear; 3/16" x 7/8" Woodruff
1	Bolt	86-78	FP-8927580		Oil Pump Inlet Pipe; 3/8" - 16 x .875"
2	Bolt	86-78	FP-8927581		Oil Pump Inlet Pipe; 3/8" - 16 x 1"
2	Bolt	86-78	FP-8927580		Oil Pump; 3/8" - 16 x .875"
1	Washer	86-78	FP-5104439		Oil Pump; 7/16" x 1.250" Dia.; Dished
2	Lock Washer	86-78	FP-103321		Front Cover; 3/8"
2	Lock Washer	86-78	FP-103321		Oil Pump Inlet Pipe; 3/8"
2	Lock Washer	86-78	FP-103320		Oil Pump Inlet Pipe; 5/16"
2	Lock Washer	86-78	FP-103321		Oil Pump; 3/8"
1	Plastic Cap	86-78	FP-5136240		Front Cover; .250" Dia.
1	Pipe Plug	86-78	FP-5142549		Oil Pump; 3/4" - 14 Square Head
1	Pipe Plug	86-78	FP-8924517		Oil Pump; 3/8" x 18 square head
1	Gasket	86-78	FP-5126160		At Pump; 1.80" B.C.
1	Pipe Plug	86-78	FP-5115214		Oil Pan Drain Plug; 1/2" Square Head
1	Pipe Plug	86-78	FP-5121182		Oil Pan Drain Plug; 1/4" - 18; Hex head
1	Pipe Plug	86-78	FP-8923847		Oil Pan Drain Plug; 1/4" x 18 NPTF; Square head
1	Pipe Plug	86-78	FP-8923313		Oil Pan Drain Plug; 3/4"
1	Pipe Plug	86-78	FP-8924517		Oil Pan Drain Plug; 3/8" x 18 square head
1	Pipe Plug	86-78	FP-5115214		Oil Pan Sump; 1/2" Square Head
CYLINDER COMPONENTS					
QTY	LINERS	YEARS	PART NO.	SIZE	DESCRIPTION
6	Liner w/o Sealing Rings	86-78	FP-23508383	STD	.85"; 20 Deg. Port
6	Liner w/o Sealing Rings	86-78	FP-23507231	STD	.95"; Brushed
6	Liner w/o Sealing Rings	86-78	FP-235072311	1	.95"; Brushed; O/S .001 in Lower Receiver Bore Area
6	Liner w/o Sealing Rings	86-78	FP-5148505	STD	1.05"; 30 Deg. Port
6	Liner w/o Sealing Rings	86-78	FP-51485051	1	1.05"; 30 Deg. Port; O/S .001 in Lower Receiver Bore Area
6	Liner w/o Sealing Rings	86-78	FP-514850510	10	1.05"; 30 Deg. Port; O/S .010 in Lower Receiver Bore Area
6	Liner w/o Sealing Rings	86-78	FP-514850520	20	1.05"; 30 Deg. Port; O/S .020 in Lower Receiver Bore Area
6	Cylinder Kit Complete	86-78	FP-23524337	STD	15.0:1 C.R.; Option Type 411
6	Cylinder Kit Complete	86-78	FP-235243371	1	15.0:1 C.R.; Option Type 411
6	Cylinder Kit Complete	86-78	FP-23523101	STD	17.0:1 C.R.
6	Cylinder Kit Complete	86-78	FP-23524494	STD	17.0:1 C.R.
6	Cylinder Kit Complete	86-78	FP-23524339	STD	17.0:1 C.R.; Option Type 149, 150, 202, 221, 228, 250, 255, 262, 275, 277, 278, 279, 299, 409
6	Cylinder Kit Complete	86-78	FP-235243391	1	17.0:1 C.R.; Option Type 149, 150, 202, 221, 228, 250, 255, 262, 275, 277, 278, 279, 299, 409

(continued on next page)

Ford Truck - M/D & H/D

58 H/D Truck 6V-92T (4-Valve Cyl. Head) Eng.
 (cont.) 9.0L 552 OHV Turbo-Diesel V6, 4.84" Bore (Detroit Diesel Eng.) 1978-86

CYLINDER COMPONENTS (cont.)

QTY	LINERS (cont.)	YEARS	PART NO.	SIZE	DESCRIPTION
6	Cylinder Kit Complete	86-78	FP-2352433910	10	17.0:1 C.R.; Option Type 149, 150, 202, 221, 228, 250, 255, 262, 275, 277, 278, 279, 299, 409
6	Cylinder Kit Complete	86-78	FP-2352433920	20	17.0:1 C.R.; Option Type 149, 150, 202, 221, 228, 250, 255, 262, 275, 277, 278, 279, 299, 409
6	Cylinder Kit Complete	86-78	FP-23524342	STD	17.0:1 C.R.; Option Type 410
6	Cylinder Kit Complete	86-78	FP-235243421	1	17.0:1 C.R.; Option Type 410
12	Sealing Ring, Liner	86-78	FP-8927189		
6	Cntr. Bore Insert	86-78	FP-5101723		.015" I.D., .1338"-.1343"
6	Cntr. Bore Insert	86-78	FP-5101723		.015" I.D., .1338"-.1343"
6	Cntr. Bore Insert	86-78	FP-5101727		.015" I.D., .1362"-.1367"

QTY	PISTONS	YEARS	PART NO.	SIZE	DESCRIPTION
6	Piston Kit w/Pin & Retainers	86-78	FP-23505052		15.0:1 C.R.; w/Cross Head style piston
6	Piston Kit w/Pin & Retainers	86-78	FP-5149963		17.0:1 C.R.; w/Cross Head style piston
6	Crosshead Piston Dome	86-78	FP-23504353		15.0:1 C.R.; w/Cross Head style piston
6	Crosshead Piston Dome	86-78	FP-5144872		17.0:1 C.R.; w/Cross Head style piston
6	Piston Skirt	86-78	FP-23508986		w/Cross Head style piston
6	Pin	86-78	FP-5101120	STD	w/Cross Head style piston
12	Piston Pin Retainer	86-78	FP-5180250		
12	Piston Pin Bolt	86-78	FP-5148373		7/16" - 20 x 2.00" Length
12	Piston Pin Bolt Spacer	86-78	FP-5144846		
6	Pin Bushing	86-78	FP-5157274		w/.015" extra ID bore stock
6	Pin Bushing	86-78	FP-2409Y		w/1.5020" I.D., 1.7510" O.D., .7600" O.A.L.
6	Pin Bushing	86-78	2409Y +		w/1.5020" I.D., 1.7510" O.D., .7600" O.A.L.; When depleted use FP-2409Y
6	Piston Pin Slipper Bearing	86-78	FP-23501687		w/Cross Head style piston; Slipper type design - 1 per cyl.
6	O-Ring	86-78	FP-8923729		w/Cross Head style piston

QTY	CONNECTING RODS & BRGS.	YEARS	PART NO.	SIZE	DESCRIPTION
12	Con. Rod Bolt	86-78	FP-5132383		.4375" x 20 x 3.52"
12	Con. Rod Nut	86-78	FP-5117629		.4375" x 20
6	Rod Pair	86-78	FP-5149572	STD	
6	Rod Pair	86-78	FP-5149573	2	
6	Rod Pair	86-78	FP-5149575	10	
6	Rod Pair	86-78	FP-5149577	20	
6	Rod Pair	86-78	FP-5149579	30	
6	Rod Pair	86-78	FP-23501026	2	Air/Air & ALCC
6	Rod Pair	86-78	FP-23501029	30	Air/Air & ALCC

QTY	PISTON RINGS	YEARS	PART NO.	SIZE	DESCRIPTION
6	Ring Set Single Cylinder	86-78	FP-23524542		w/Cross Head style piston; Std. gap Fire Ring
6	Ring Set Single Cylinder	86-78	FP-23524349		w/Cross Head style piston; Wide gap Fire Ring
6	Compression Ring	86-78	FP-23524191		w/Cross Head style piston; Std. gap Fire Ring
6	Compression Ring	86-78	FP-23524192		w/Cross Head style piston; Wide gap Fire Ring; Top Fire ring
12	Compression Ring	86-78	FP-8923113		w/Cross Head style piston; 2nd & 3rd grooves
6	Ring, Oil Control Set	86-78	FP-23524350		w/Cross Head style piston; For one groove

CLUTCH

QTY	CLUTCH	YEARS	PART NO.	SIZE	DESCRIPTION
1	Ball Brg.	86-78	FP-23503706		Clutch Pilot
1	Ball Brg.	86-78	FP-23503709		Clutch Pilot

KITS

QTY	OVERHAUL KIT	YEARS	PART NO.	SIZE	DESCRIPTION
1	In-Frame Overhaul Kit	86-78	FP-6V92		w/Cross Head style piston & .950" Port Length Sleeve; Valve cover gskts. not incl.
1	In-Frame Overhaul Kit	86-78	FP-6V92		w/Cross Head style piston & 1.050" Port Length Sleeve; Valve cover gskts. not incl.
1	Complete Overhaul Kit	86-78	FP-6V92OH		w/Cross Head style piston & .950" Port Length Sleeve; Valve cover gskts. not incl.
1	Complete Overhaul Kit	86-78	FP-6V92OH		w/Cross Head style piston & 1.050" Port Length Sleeve; Valve cover gskts. not incl.

59 M/D Truck V555 Eng. H/D Truck V555 Eng.
 9.1L 555 OHV Diesel V8, 4.625" Bore (Cummins Eng.) 1973-79

CYL. HEAD & PARTS

QTY	GASKETS	YEARS	PART NO.	SIZE	DESCRIPTION
1	Valve Cover Gasket	78-73	FP-3277099		
2	Head Gasket	78-73	FP-3017062		

(continued on next page)

Ford Truck - M/D & H/D

M/D Truck V555 Eng. H/D Truck V555 Eng. 59
9.1L 555 OHV Diesel V8, 4.625" Bore (Cummins Eng.) 1973-79 (cont.)

CYL. HEAD & PARTS (cont.)					
QTY	GASKETS (cont.)	YEARS	PART NO.	SIZE	DESCRIPTION
1	Head Set	78-73	FP-AR63520		Incl. Big Cam & Small Cam Eng.
QTY	MISCELLANEOUS	YEARS	PART NO.	SIZE	DESCRIPTION
16	Adjusting Screw Nut	78-73	FP-S212		1/2" - 20 UNF; Use w/FP-168306
QTY	VALVE	YEARS	PART NO.	SIZE	DESCRIPTION
16	Exhaust	78-73	FP-3275356		Exh. & Int.; 1.6050" Head Dia., .3788" Stem Dia., 5.5650" O.A.L.
16	Valve Kit, Intake & Exhaust	78-73	FP-3275779		Exh. & Int.; Contains (1) FP-3275356 Valve & (2) FP-3275354 Keepers; 1.610" Head Dia., 5.570" O.A.L.
32	Keeper	78-73	FP-3275354		Exh. & Int.; Use w/FP3275356 valve
QTY	VALVE SEAT	YEARS	PART NO.	SIZE	DESCRIPTION
8	Exh.	78-73	FP-154390	STD	
8	Int.	78-73	FP-195000	STD	
QTY	VALVE GUIDE	YEARS	PART NO.	SIZE	DESCRIPTION
16	Guide	78-73	FP-3278173		Exh. & Int.; .3820" ID, 2.5000" O.A.L.
QTY	VALVE SPRING	YEARS	PART NO.	SIZE	DESCRIPTION
16	Spring	78-73	FP-163037		Exh. & Int.
QTY	VALVE SEAL	YEARS	PART NO.	SIZE	DESCRIPTION
16	Valve Stem Seal	78-73	FP-156541		Exh. & Int.; Installation requires valve guide machining; Polyacrylate
QTY	ROCKER PARTS	YEARS	PART NO.	SIZE	DESCRIPTION
8	Cam Follower Roller	78-73	FP-153679		
8	Injector Cam Roller	78-73	FP-154571		
8	Valve Roller Pin	78-73	FP-169154		Cam Follower
16	Rocker Lever Adjusting Screw	78-73	FP-168306		1/2" - 20 UNF x 2.045" Length; Use w/FP-S212
8	Rocker Arm Socket	78-73	FP-194037		Injector Lever
8	Bushing	78-73	FP-152936		Injector Lever bushing
16	Bushing	78-73	FP-152937		Exh. & Int.; Rocker Lever bushing
8	Fuel Injector Roller Pin	78-73	FP-114223		
8	Cam Follower Socket	78-73	FP-107738		Injector Socket
8	Valve Lock Pin	78-73	FP-108186		Cam Follower
8	Valve Lock Pin	78-73	FP-111272		Injector
INT & EXH MANIFOLDS					
QTY	INT. & EXH. MANIFOLDS	YEARS	PART NO.	SIZE	DESCRIPTION
2	Exhaust Manifold Gasket	78-73	FP-556355		
CAMSHAFT GROUP					
QTY	CAMSHAFT/LIFTER	YEARS	PART NO.	SIZE	DESCRIPTION
1	Camshaft	78-73	FP-3277462		CPL No. 5005, 5011, 5025, 5027; Cam is cross drilled and will work with either cross-drilled or non-grooved bushing. Replaces O.E. Nos. 201050 & 3277462.
FUEL SYSTEM & PARTS					
QTY	FUEL INJECTION	YEARS	PART NO.	SIZE	DESCRIPTION
8	Fuel Injector Sleeve	78-73	FP-169630		Injector Tube
24	O-Ring	78-73	FP-193736		Fuel Injector Mounting
8	Fuel Injector	78-73	FP-3275989		
8	Fuel Injector Valve Spring	78-73	FP-166009		
8	Fuel Injector Cup	78-73	FP-3275266		orifice number 7; orifice size 0.006; 4 Deg. spray angle
8	Fuel Injector Screen	78-73	FP-3008706		
QTY	FUEL FILTERS & PUMP	YEARS	PART NO.	SIZE	DESCRIPTION
2	Fuel Pump Gear	78-73	FP-119363		3/4"
1	Fuel Pump Drive Shaft	78-73	FP-100215		Drive Shaft; 3/4"; Drive, Splined
8	O-Ring	78-73	FP-3007759		Injector Tube Seal
1	Fuel Pump Gasket	78-73	FP-110855		Pump Body Gasket
1	Fuel Pump Mounting Gasket	78-73	FP-3069017		
COOLING SYSTEM					
QTY	SEALS - FAN HUB	YEARS	PART NO.	SIZE	DESCRIPTION
1	Oil Seal	79-73	39835		
1	Redi-Sleeve	79-73	99181		
QTY	THERMOSTAT	YEARS	PART NO.	SIZE	DESCRIPTION
1	Oil Seal	79-73	39821		

(continued on next page)

Ford Truck - M/D & H/D

59 M/D Truck V555 Eng. H/D Truck V555 Eng.
 (cont.) 9.1L 555 OHV Diesel V8, 4.625" Bore (Cummins Eng.) 1973-79

ENGINE BLOCK & PARTS					
QTY	GASKETS	YEARS	PART NO.	SIZE	DESCRIPTION
1	Oil Pan Gasket	78-73	FP-175727		
QTY	GASKET SETS	YEARS	PART NO.	SIZE	DESCRIPTION
1	Gasket Conversion Set	78-73	FP-3801659		Incl. Big Cam & Small Cam Eng.
QTY	CAM BEARINGS	YEARS	PART NO.	SIZE	DESCRIPTION
1	Cam Set	78-73	FP-1753M	Std Only	
1	Cam Set	78-73	1753M +	Std Only	When depleted use FP-1753M
2	Cam Brg.	78-73	FP-3278345	STD	Position 1-5
3	Cam Brg.	78-73	FP-3031037	STD	Position 2-3-4
QTY	OIL COOLERS & FILTERS	YEARS	PART NO.	SIZE	DESCRIPTION
1	Oil Cooler	78-73	FP-173287		8.000" X 5.000" tube bundle
1	Snap Ring	78-73	FP-3006745		Oil Cooler Retainer
1	Oil Cooler Gasket	78-73	FP-554320		Cooler to Adaptor
1	Oil Cooler Gasket	78-73	FP-554321		Cover Gasket
CRANKSHAFT/OIL PUMP					
QTY	CRANKSHAFT	YEARS	PART NO.	SIZE	DESCRIPTION
1	Crankshaft	78-73	FP-201950		
QTY	SEALS - FRONT CRANK	YEARS	PART NO.	SIZE	DESCRIPTION
1	Oil Seal	78-73	FP-3010461		
1	Redi-Sleeve	78-73	FP-3010465		
1	Redi-Sleeve	79-73	99311		
1	Oil Seal	79-73	39809		
QTY	SEALS - REAR CRANK	YEARS	PART NO.	SIZE	DESCRIPTION
1	Oil Seal	78-73	FP-3010459		
1	Oil Seal	79-73	39837		
1	Redi-Sleeve	78-73	FP-3010465		
1	Redi-Sleeve	79-73	99372		
QTY	MAIN BEARINGS	YEARS	PART NO.	SIZE	DESCRIPTION
1	Main Set	78-73	FP-BM99820	STD	
1	Main Set	78-73	FP-BM99821	10	
1	Main Set	78-73	FP-BM99822	20	
1	Main Set	78-73	FP-BM99823	30	
1	Main Set	78-73	FP-BM99824	40	
QTY	OIL PUMP	YEARS	PART NO.	SIZE	DESCRIPTION
1	Gasket	78-73	FP-3201388		Tube to Oil Pump
1	Oil Pressure Regulator Valve	78-73	FP-183014		
CYLINDER COMPONENTS					
QTY	LINERS	YEARS	PART NO.	SIZE	DESCRIPTION
8	Liner w/o Sealing Rings	78-73	FP-3022529		
8	Liner w/Sealing Rings	78-73	FP-3277608	STD	Incl. (1) FP-216283 Crevice seal, (1) FP-216284 Lower seal; Replaces O.E. No. 3277608
8	Cylinder Kit Complete	78-73	FP-3277634		16.2:1 C.R.
8	Cylinder Kit Complete	78-73	FP-3277626	STD	17.0:1 C.R.
16	Sealing Ring, Liner	78-73	FP-216284		
8	Sealing Ring, Liner	78-73	FP-216283		Crevice Seal
QTY	PISTONS	YEARS	PART NO.	SIZE	DESCRIPTION
8	Piston Body w/o Pin	78-73	FP-3019369		16.2:1 C.R.
8	Piston Body w/o Pin	78-73	FP-3275431		17.0:1 C.R.
8	Piston Kit w/Pin & Retainers	78-73	FP-3019634		16.2:1 C.R.
8	Piston Kit w/Pin & Retainers	78-73	FP-3275949	STD	17.0:1 C.R.; Cast
8	Pin	78-73	FP-554785		
16	Piston Pin Retainer	78-73	FP-S16256		
8	Pin Bushing	78-73	FP-555421		
QTY	CONNECTING RODS & BRGS.	YEARS	PART NO.	SIZE	DESCRIPTION
8	Rod Pair	78-73	FP-556350PR	STD	
8	Rod Pair	78-73	FP-556351PR	10	
8	Rod Pair	78-73	FP-556352PR	20	
8	Rod Pair	78-73	FP-556353PR	30	
QTY	PISTON RINGS	YEARS	PART NO.	SIZE	DESCRIPTION
8	Ring Set Single Cylinder	78-73	FP-3278723	STD	1-1/8, 1-3/32, 1-7/64 (1 cyl. set)

Ford Truck - M/D & H/D

M/D Truck VT555 Eng. 60					
9.1L 555 OHV Turbo-Diesel V8, 4.625" Bore (Cummins Eng.) 1975-82					
CYL. HEAD & PARTS					
QTY	GASKETS	YEARS	PART NO.	SIZE	DESCRIPTION
1	Head Set	82-75	FP-AR63520		Incl. Big Cam & Small Cam Eng.
1	Head Set	82-75	FP-AR63520		Upper; Incl. Big Cam & Small Cam Eng.
QTY	VALVE	YEARS	PART NO.	SIZE	DESCRIPTION
8	Intake	82-75	FP-V1957		Use w/VK-138 old style keeper; O.E. No. 166774; 1.6050" Head Dia., .3788" Stem Dia., 5.5650" O.A.L.
8	Intake	82-75	V-1957 +	Std Only	Use w/VK-138 old style keeper; O.E. No. 166774; 1.6050" Head Dia., .3788" Stem Dia., 5.5650" O.A.L.; When depleted use FP-V1957
8	Exhaust	82-75	FP-3275356		1.6050" Head Dia., .3788" Stem Dia., 5.5650" O.A.L.
16	Valve Kit, Intake & Exhaust	82-75	FP-3275779		Exh. & Int.; Contains (1) FP-3275356 Valve & (2) FP-3275354 Keepers; 1.610" Head Dia., 5.570" O.A.L.
32	Keeper	82-75	FP-3275354		Exh. & Int.; Use w/FP-3275356 valve only
32	Keeper	82-75	FP-166772		Exh. & Int.; Use w/V-1957 valve only; Early Lock For Valve 166774; Do not use with Current Valve FP-3275356.
QTY	VALVE GUIDE	YEARS	PART NO.	SIZE	DESCRIPTION
32	Guide	82-75	FP-3278173		Exh. & Int.; .3820" ID, 2.5000" O.A.L.
QTY	VALVE SPRING	YEARS	PART NO.	SIZE	DESCRIPTION
32	Spring	82-75	FP-163037		Exh. & Int.
QTY	VALVE SEAL	YEARS	PART NO.	SIZE	DESCRIPTION
32	Valve Stem Seal	82-75	FP-156541		Exh. & Int.; Installation requires valve guide machining; Polyacrylate
ACCESSORY DRIVE					
QTY	ACCESSORY DRIVE	YEARS	PART NO.	SIZE	DESCRIPTION
1	Oil Seal	82-75	FP-200307		
COOLING SYSTEM					
QTY	SEALS - FAN HUB	YEARS	PART NO.	SIZE	DESCRIPTION
1	Oil Seal	82-75	39835		
1	Redi-Sleeve	82-75	99181		
QTY	THERMOSTAT	YEARS	PART NO.	SIZE	DESCRIPTION
1	Rect. or Square Seal	82-75	FP-186780		
1	Oil Seal	82-75	39821		
ENGINE BLOCK & PARTS					
QTY	GASKET SETS	YEARS	PART NO.	SIZE	DESCRIPTION
1	Gasket Conversion Set	82-75	FP-3801659		Lower; Incl. Big Cam & Small Cam Eng.
1	Gasket Conversion Set	82-75	FP-3801659		Incl. Big Cam & Small Cam Eng.
1	Kit Gasket Set	82-75	FP-2601625		Compl., Incl. Big Cam & Small Cam Eng.
1	Kit Gasket Set	82-75	260-1625		Compl., Incl. Big Cam & Small Cam Eng.
QTY	CAM BEARINGS	YEARS	PART NO.	SIZE	DESCRIPTION
1	Cam Set	82-75	FP-1753M	Std Only	
1	Cam Set	82-75	1753M +	Std Only	When depleted use FP-1753M
QTY	OIL COOLERS & FILTERS	YEARS	PART NO.	SIZE	DESCRIPTION
1	Oil Cooler	82-75	FP-173287		8.000" X 5.000" tube bundle
2	Snap Ring	82-75	FP-3006745		
CRANKSHAFT/OIL PUMP					
QTY	SEALS - FRONT CRANK	YEARS	PART NO.	SIZE	DESCRIPTION
1	Oil Seal	82-75	FP-3010457		Front
1	Redi-Sleeve	82-75	FP-3010464		
1	Redi-Sleeve	82-75	99311		
1	Oil Seal	82-75	39809		
QTY	SEALS - REAR CRANK	YEARS	PART NO.	SIZE	DESCRIPTION
1	Oil Seal	82-75	FP-3010459		Rear
1	Oil Seal	82-75	39837		
1	Redi-Sleeve	82-75	FP-3006744		
1	Redi-Sleeve	82-75	99372		
QTY	MAIN BEARINGS	YEARS	PART NO.	SIZE	DESCRIPTION
1	Main Set	82-75	FP-BM99820	STD	
1	Main Set	82-75	FP-BM99821	10	
1	Main Set	82-75	FP-BM99822	20	
1	Main Set	82-75	FP-BM99823	30	
1	Thrust Washer Set	82-75	FP-173640S		Position 5

(continued on next page)

Ford Truck - M/D & H/D

60 M/D Truck VT555 Eng.

(cont.) 9.1L 555 OHV Turbo-Diesel V8, 4.625" Bore (Cummins Eng.) 1975-82

CYLINDER COMPONENTS

QTY	LINERS	YEARS	PART NO.	SIZE	DESCRIPTION
8	Liner w/o Sealing Rings	82-75	FP-3022529		
8	Liner w/Sealing Rings	82-75	FP-3277608	STD	Incl. (1) FP-216283 Crevice seal, (1) FP-216284 Lower seal; Replaces O.E. No. 3277608
8	Cylinder Kit Complete	82-75	FP-3277626	STD	
8	Sealing Ring, Liner	82-75	FP-216283		Crevice seal
8	Sealing Ring, Liner	82-75	FP-216284		Lower seal
QTY	PISTONS	YEARS	PART NO.	SIZE	DESCRIPTION
8	Piston Body w/o Pin	82-75	FP-3275431		
8	Piston Kit w/Pin & Retainers	82-75	FP-3275949	STD	Cast
8	Pin	82-75	FP-554785		
16	Piston Pin Retainer	82-75	FP-S16256		
8	Pin Bushing	82-75	FP-555420		
QTY	CONNECTING RODS & BRGS.	YEARS	PART NO.	SIZE	DESCRIPTION
8	Rod Pair	82-75	FP-556350PR	STD	
8	Rod Pair	82-75	FP-556351PR	10	
8	Rod Pair	82-75	FP-556352PR	20	
8	Rod Pair	82-75	FP-556353PR	30	
QTY	PISTON RINGS	YEARS	PART NO.	SIZE	DESCRIPTION
8	Ring Set Single Cylinder	82-75	FP-3278723	STD	1-1/8, 1-3/32, 1-7/64 (1 cyl. set)
KITS					
QTY	OVERHAUL KIT	YEARS	PART NO.	SIZE	DESCRIPTION
1	Complete Overhaul Kit	82-75	KS2-2506A		
1	Complete Overhaul Kit	82-75	FP-555PREM		Premium; With Front & Rear Seals and Upper & Lower Gasket Sets

61 H/D Truck VT555 Eng.

9.1L 555 OHV Turbo-Diesel V8, 4.625" Bore (Cummins Eng.) 1975-85

CYL. HEAD & PARTS

QTY	GASKETS	YEARS	PART NO.	SIZE	DESCRIPTION
1	Head Set	85-75	FP-AR63520		Incl. Big Cam & Small Cam Eng.
1	Head Set	85-75	FP-AR63520		Upper; Incl. Big Cam & Small Cam Eng.
QTY	VALVE	YEARS	PART NO.	SIZE	DESCRIPTION
8	Intake	85-75	FP-V1957		Use w/VK-138 old style keeper; O.E. No. 166774; 1.6050" Head Dia., .3788" Stem Dia., 5.5650" O.A.L.
8	Intake	85-75	V-1957 + Std Only		Use w/VK-138 old style keeper; O.E. No. 166774; 1.6050" Head Dia., .3788" Stem Dia., 5.5650" O.A.L.; When depleted use FP-V1957
8	Exhaust	85-75	FP-3275356		1.6050" Head Dia., .3788" Stem Dia., 5.5650" O.A.L.
16	Valve Kit, Intake & Exhaust	85-75	FP-3275779		Exh. & Int.; Contains (1) FP-3275356 Valve & (2) FP-3275354 Keepers; 1.610" Head Dia., 5.570" O.A.L.
32	Keeper	85-75	FP-3275354		Exh. & Int.; Use w/FP-3275356 valve only
32	Keeper	85-75	FP-166772		Exh. & Int.; Use w/V-1957 valve only; Early Lock For Valve 166774; Do not use with Current Valve FP-3275356.
QTY	VALVE GUIDE	YEARS	PART NO.	SIZE	DESCRIPTION
32	Guide	85-75	FP-3278173		Exh. & Int.; .3820" ID, 2.5000" O.A.L.
QTY	VALVE SPRING	YEARS	PART NO.	SIZE	DESCRIPTION
32	Spring	85-75	FP-163037		Exh. & Int.
QTY	VALVE SEAL	YEARS	PART NO.	SIZE	DESCRIPTION
32	Valve Stem Seal	85-75	FP-156541		Exh. & Int.; Installation requires valve guide machining; Polyacrylate
ACCESSORY DRIVE					
QTY	ACCESSORY DRIVE	YEARS	PART NO.	SIZE	DESCRIPTION
1	Oil Seal	85-75	FP-200307		
COOLING SYSTEM					
QTY	SEALS - FAN HUB	YEARS	PART NO.	SIZE	DESCRIPTION
1	Oil Seal	85-75	39835		
1	Redi-Sleeve	85-75	99181		
QTY	THERMOSTAT	YEARS	PART NO.	SIZE	DESCRIPTION
1	Rect. or Square Seal	85-75	FP-186780		
1	Oil Seal	85-75	39821		

(continued on next page)

Ford Truck - M/D & H/D

H/D Truck VT555 Eng. 61
9.1L 555 OHV Turbo-Diesel V8, 4.625" Bore (Cummins Eng.) 1975-85 (cont.)

ENGINE BLOCK & PARTS					
QTY	GASKET SETS	YEARS	PART NO.	SIZE	DESCRIPTION
1	Gasket Conversion Set	85-75	FP-3801659		Lower; Incl. Big Cam & Small Cam Eng.
1	Gasket Conversion Set	85-75	FP-3801659		Incl. Big Cam & Small Cam Eng.
1	Kit Gasket Set	85-75	FP-2601625		Compl., Incl. Big Cam & Small Cam Eng.
1	Kit Gasket Set	85-75	260-1625		Compl., Incl. Big Cam & Small Cam Eng.
QTY	CAM BEARINGS	YEARS	PART NO.	SIZE	DESCRIPTION
1	Cam Set	85-75	FP-1753M	<i>Std Only</i>	
1	Cam Set	85-75	1753M +	Std Only	When depleted use FP-1753M
QTY	OIL COOLERS & FILTERS	YEARS	PART NO.	SIZE	DESCRIPTION
1	Oil Cooler	85-75	FP-173287		8.000" X 5.000" tube bundle
2	Snap Ring	85-75	FP-3006745		
CRANKSHAFT/OIL PUMP					
QTY	SEALS - FRONT CRANK	YEARS	PART NO.	SIZE	DESCRIPTION
1	Oil Seal	85-75	FP-3010457		Front
1	Redi-Sleeve	85-75	FP-3010464		
1	Redi-Sleeve	85-75	99311		
1	Oil Seal	85-75	39809		
QTY	SEALS - REAR CRANK	YEARS	PART NO.	SIZE	DESCRIPTION
1	Oil Seal	85-75	FP-3010459		Rear
1	Oil Seal	85-75	39837		
1	Redi-Sleeve	85-75	FP-3006744		
1	Redi-Sleeve	85-75	99372		
QTY	MAIN BEARINGS	YEARS	PART NO.	SIZE	DESCRIPTION
1	Main Set	85-75	FP-BM99820	<i>STD</i>	
1	Main Set	85-75	FP-BM99821	10	
1	Main Set	85-75	FP-BM99822	20	
1	Main Set	85-75	FP-BM99823	30	
1	Thrust Washer Set	85-75	FP-173640S		Position 5
CYLINDER COMPONENTS					
QTY	LINERS	YEARS	PART NO.	SIZE	DESCRIPTION
8	Liner w/o Sealing Rings	85-75	FP-3022529		
8	Liner w/Sealing Rings	85-75	FP-3277608	<i>STD</i>	Incl. (1) FP-216283 Crevice seal, (1) FP-216284 Lower seal; Replaces O.E. No. 3277608
8	Cylinder Kit Complete	85-75	FP-3277626	<i>STD</i>	
8	Sealing Ring, Liner	85-75	FP-216283		Crevice seal
8	Sealing Ring, Liner	85-75	FP-216284		Lower seal
QTY	PISTONS	YEARS	PART NO.	SIZE	DESCRIPTION
8	Piston Body w/o Pin	85-75	FP-3275431		
8	Piston Kit w/Pin & Retainers	85-75	FP-3275949	<i>STD</i>	Cast
8	Pin	85-75	FP-554785		
16	Piston Pin Retainer	85-75	FP-S16256		
8	Pin Bushing	85-75	FP-555420		
QTY	CONNECTING RODS & BRGS.	YEARS	PART NO.	SIZE	DESCRIPTION
8	Rod Pair	85-75	FP-556350PR	<i>STD</i>	
8	Rod Pair	85-75	FP-556351PR	10	
8	Rod Pair	85-75	FP-556352PR	20	
8	Rod Pair	85-75	FP-556353PR	30	
QTY	PISTON RINGS	YEARS	PART NO.	SIZE	DESCRIPTION
8	Ring Set Single Cylinder	85-75	FP-3278723	<i>STD</i>	1-1/8, 1-3/32, 1-7/64 (1 cyl. set)
KITS					
QTY	OVERHAUL KIT	YEARS	PART NO.	SIZE	DESCRIPTION
1	Complete Overhaul Kit	85-75	KS2-2506A		
1	Complete Overhaul Kit	85-75	FP-555PREM		Premium; With Front & Rear Seals and Upper & Lower Gasket Sets
M/D Truck 8V-71 (2-Valve Cyl. Head), 8V-71E (4-Valve Cyl. Head), 8V-71N (4-Valve Cyl. Head) Eng. 62					
9.3L 568 OHV Diesel V8, 4.25" Bore (Detroit Diesel Eng.) 1979					
CYL. HEAD & PARTS					
QTY	GASKETS	YEARS	PART NO.	SIZE	DESCRIPTION
2	Valve Cover Gasket	79	FP-5104081		Eng. w/cast Alum. valve cover; Silicone
2	Valve Cover Gasket	79	FP-5143406		Eng. w/Steel valve cover; Neoprene

(continued on next page)

+ Superseded Part Number

Ford Truck - M/D & H/D

62 M/D Truck 8V-71 (2-Valve Cyl. Head), 8V-71E (4-Valve Cyl. Head), 8V-71N (4-Valve Cyl. Head) Engs.
 (cont.) 9.3L 568 OHV Diesel V8, 4.25" Bore (Detroit Diesel Eng.) 1979

CYL. HEAD & PARTS (cont.)

QTY	GASKETS (cont.)	YEARS	PART NO.	SIZE	DESCRIPTION
8	Head Gasket	79	FP-5103659		Compression Gasket
2	Head Set	79	FP-5196381		Accommodates One Head
1	Breather Seal Ring	79	FP-5103646		Breather Hole Plug
1	Breather Seal Ring	79	FP-5103646		Breather Shell Cover
1	Accessory Drive Gasket	79	FP-23515145		Oil Filler Tube Adaptor
2	Governor Hole Gasket	79	FP-5123812		Breather Elbow Gasket
1	Crankcase Breather	79	FP-5101760		Breather Element; 4"
1	Oil Filler Tube Gasket	79	FP-5120540		Tube Adaptor
6	Governor Hole Gasket	79	FP-5123812		Cyl. Head
12	O-Ring	79	FP-5186579		Cyl. Head Water Seal
14	Bolt	79	FP-5117003		Cyl. Head; 5/8" x 5.375"
1	Bolt	79	FP-5103635		Throttle Delay; 3/8" - 16 x 2.90"
4	Stud	79	FP-5148504		Rocker Cover; 3/8" - 16 x 4.32"
8	Lock Nut	79	FP-103026		Cyl. Head; 3/8" x 24
6	Nut	79	FP-5150013		Cyl. Head; 5/8" - 18
8	Lock Washer	79	FP-103321		Cyl. Head; 3/8"
1	Washer	79	FP-5131433		Breather Pipe; .410" x .810" x .1345"
1	Washer	79	FP-106261		Breather Pipe; 5/16" x 3/4"
2	Hose Clamp	79	FP-5186840		Breather Hose; 13/16" - 1 1/2" Clamping Range
2	Hose Clamp	79	FP-5104592		Breather Hose; 2.50" Dia.
2	Bolt	79	FP-443603		Breather Elbow; .250" x 20 x .750"
2	Bolt	79	FP-8921930		Breather Elbow; 1/4" - 20 x 3/4"
2	Bolt	79	FP-8927581		Breather Elbow; 3/8" - 16 x 1"
2	Bolt	79	FP-8927581		Breather Pipe; 3/8" - 16 x 1"
1	Bolt	79	FP-8927580		Breather; 3/8" - 16 x .875"
1	Screw	79	FP-5103642		Breather Pipe; No. 10 - 24 x .375"
1	Lock Washer	79	FP-103320		Breather Body; 5/16"
2	Lock Washer	79	FP-103319		Breather Elbow; .250"
2	Lock Washer	79	FP-103321		Breather Elbow; 3/8"
4	Isolator Bushing	79	FP-5104515		Rocker Cover
QTY	HEAD BOLTS	YEARS	PART NO.	SIZE	DESCRIPTION
8	Washer	79	FP-5125108		Fuel Stand Pipe; 7/16" x 3/4" x 1/16"
4	Washer	79	FP-5104514		Rocker Cover Isolator; .47" x 2.00" x .20"
QTY	MISCELLANEOUS	YEARS	PART NO.	SIZE	DESCRIPTION
9	Pipe Plug	79	FP-5121182		Cyl. Head; 1/4" - 18; Hex head
17	Pipe Plug	79	FP-8923847		Cyl. Head; 1/4" x 18 NPTF; Square head
2	Pipe Plug	79	FP-5142549		Cyl. Head; 3/4" - 14 Square Head
3	Pipe Plug	79	FP-8924517		Cyl. Head; 3/8" x 18 square head
5	Stud	79	FP-8925804		Exh. Manifold; 7/16" - 14/20" x 2 3/32"
8	Stud	79	FP-8927270		Water Manifold; 3/8" - 16/24" x 1.6875"
16	Bolt	79	FP-443603		Cam Follower; .250" x 20 x .750"
QTY	FREEZE PLUGS	YEARS	PART NO.	SIZE	DESCRIPTION
9	Pipe Plug	79	FP-5121182		Cyl. Head; 1/4" - 18; Hex head
17	Pipe Plug	79	FP-8923847		Cyl. Head; 1/4" x 18 NPTF; Square head
2	Pipe Plug	79	FP-5142549		Cyl. Head; 3/4" - 14 Square Head
3	Pipe Plug	79	FP-8924517		Cyl. Head; 3/8" x 18 square head
1	Expansion Plug	79	FP-5117186		Cyl. Head; 2" Dia. Cup; Stainless Steel
4	Expansion Plug	79	FP-5150132		Cyl. Head; 3/4" Dia. Cup
6	Expansion Plug	79	FP-5154453		Cyl. Head; 3/8" - 16 Headless Special
4	Expansion Plug	79	FP-5178976		Cyl. Head; 7/16" - 14 Special
QTY	VALVE	YEARS	PART NO.	SIZE	DESCRIPTION
16	Exhaust Valve Kit	79	FP-5193666		w/2 Valve Head; Jet Blade; Contains (1) FP-5186381 & (2) FP-23507238; 30 Degree
32	Exhaust Valve Kit	79	FP-23500501		w/4 Valve Head; N & T; Contains (1) FP-8922516 & (2) FP-5111337
16	Valve Guide Cap	79	FP-5199914		Exh.; w/2 Valve Head; Seal installer; Clear
32	Keeper	79	FP-23507238		w/2 Valve Head; 1 groove; Square cut key groove
64	Keeper	79	FP-5111337		w/4 Valve Head; 1 groove; Square cut key groove
QTY	VALVE SEAT	YEARS	PART NO.	SIZE	DESCRIPTION
16	Exh.	79	FP-5198230	10	w/2 Valve Head; 30 Deg. seat; .010" O/S; 1.6380" OD, 1.3440" ID, .2485" Depth
16	Exh.	79	FP-8927920	STD	w/2 Valve Head; 30 Deg. seat; 1.6280" OD, 1.3440" ID, .2485" Depth
32	Exh.	79	FP-5197167	10	w/4 Valve Head; 30 Deg. seat; .010" O/S; 1.2720" OD, .9770" ID, .2355" Depth

(continued on next page)

Ford Truck - M/D & H/D

M/D Truck 8V-71 (2-Valve Cyl. Head), 8V-71E (4-Valve Cyl. Head), 8V-71N (4-Valve Cyl. Head) Engs. (cont.)
 9.3L 568 OHV Diesel V8, 4.25" Bore (Detroit Diesel Eng.) 1979

CYL. HEAD & PARTS (cont.)

QTY	VALVE SEAT (cont.)	YEARS	PART NO.	SIZE	DESCRIPTION
32	Exh.	79	FP-5101101	STD	w/4 Valve Head; 30 Deg. seat; 1.2620" OD, .9770" ID, .2490" Depth
QTY	VALVE GUIDE	YEARS	PART NO.	SIZE	DESCRIPTION
16	Guide	79	FP-5120930		Exh.; w/2 Valve Head
16	Guide	79	FP-5192717		Exh.; w/2 Valve Head; .0162" O/S
32	Guide	79	FP-5129919		Exh.; w/4 Valve Head; 2 3/8" length; .3130" ID, 2.3800" O.A.L.
QTY	VALVE SPRING	YEARS	PART NO.	SIZE	DESCRIPTION
16	Spring	79	FP-5150289		Exh.; w/2 Valve Head; .177" Wire dia.
32	Spring	79	FP-5111339		Exh.; w/4 Valve Head; .135" Wire dia.
32	Spring	79	FP-5147347		Exh.; w/4 Valve Head; .148" Wire dia.
32	Spring Insert	79	FP-5111467		Exh.; Exh. Valve Spring Washer
16	Spring Cap	79	FP-5150291		Exh.; w/2 Valve Head
32	Spring Cap	79	FP-5117563		Exh.; w/4 Valve Head
QTY	PUSH RODS	YEARS	PART NO.	SIZE	DESCRIPTION
24	Push Rod	79	FP-5128640		
24	Push Rod Seat	79	FP-5123250		Lower
24	Push Rod Seat	79	FP-5150302		Upper; Flange type
24	Push Rod Spring	79	FP-5186858		.177" Wire diameter
24	Push Rod Retainer	79	FP-5150303		
24	Lock Nut	79	FP-5151601		Push Rod Nut; 5/16" - 24
QTY	VALVE MISC.	YEARS	PART NO.	SIZE	DESCRIPTION
16	Lock Nut	79	FP-5151601		Exh.; Valve Bridge; 5/16" - 24
16	Valve Spring Seat	79	FP-5150292		Exh.; w/2 Valve Head
32	Valve Spring Seat	79	FP-5117562		Exh.; w/4 Valve Head
QTY	VALVE SEAL	YEARS	PART NO.	SIZE	DESCRIPTION
16	Valve Stem Seal	79	FP-23500480		Exh.; w/2 Valve Head
32	Valve Stem Seal	79	FP-8921209		Exh.; w/4 Valve Head
32	Tools	79	FP-5199913		Exh.; w/4 Valve Head; Seal installer; Green Stripe
QTY	ROCKER PARTS	YEARS	PART NO.	SIZE	DESCRIPTION
8	Arm Assy.	79	FP-5148472		Exh. L.H.
8	Arm Assy.	79	FP-5148475		Exh. R.H.
8	Arm Assy.	79	FP-23502616		Injector; DDEC Coach; Blue Paint I.D.
8	Arm Assy.	79	FP-8923554		Injector; Unbushed Clevis, Orange paint I.D.
8	Rocker Shaft	79	FP-23500714		
16	Rocker Shaft Bracket Bolt	79	FP-5150325		1/2" - 13 x 4.250"
16	Arm Support	79	FP-5103903		Rocker Shaft Bracket
16	Rocker Bushing	79	FP-5123700		Exh.; Clevis Bushing; .5625" OD
16	Rocker Bushing	79	FP-23517217		Exh.; Large; .8755" ID, .9475" OD, .840" Length, .0360" Wall thickness
16	Rocker Bushing	79	FP-8924354		Exh.; Rocker Arm Bushing; Small
8	Rocker Bushing	79	FP-5123700		Injector; Clevis Bushing; .5625" OD
8	Rocker Bushing	79	FP-8924355		Injector; Large
8	Rocker Bushing	79	FP-8924354		Injector; Small
24	Follower Assy.	79	FP-8924439		
24	Cam Follower Roller Set	79	FP-8923814		Pin & Roller Assy.; Incl. pin & roller
16	Valve Bridge Adj. Screw	79	FP-5129101		Exh.; 5/16" - 24 x 1"
16	Valve Bridge	79	FP-5117565		Exh.
16	Valve Bridge Guide	79	FP-5117564		Exh.; Press fit
16	Valve Bridge Guide	79	FP-51175646		Exh.; Press fit w/.006" O/S
16	Valve Bridge Guide	79	FP-5196843		Exh.; Threaded
16	Rocker Arm Clevis Pin	79	FP-5150314		Exh.
8	Rocker Arm Clevis Pin	79	FP-5150314		Injector
16	Bushing	79	FP-5122445 +		Exh.; Rocker Arm Bushing; Large; When depleted use FP-23517217
8	Bushing	79	FP-23502615		Injector; Clevis Bushing; .6295" OD
16	Lock Washer	79	FP-103319		Cam Follower; .250"
INT & EXH MANIFOLDS					
QTY	INT. & EXH. MANIFOLDS	YEARS	PART NO.	SIZE	DESCRIPTION
4	Exhaust Manifold Gasket	79	FP-5156319		Exh. Manifold Cover Plate
2	Exhaust Manifold Gasket	79	FP-5156319		Exh. Manifold Water Outlet Flange
4	Exhaust Manifold Gasket	79	FP-5150195		Exh. Manifold; Ends; Composition
4	Exhaust Manifold Gasket	79	FP-5120224		Exh. Manifold; Ends; Metal Clad
2	Exhaust Manifold Gasket	79	FP-5163811		Exh. Outlet; 4.375" I.D.
1	Gasket	79	FP-5113412		Exh. Manifold Cover Plate
2	Exhaust Pipe Gasket	79	FP-5145238		Exh. Manifold Adaptor

(continued on next page)

+ Superseded Part Number

Ford Truck - M/D & H/D

62 M/D Truck 8V-71 (2-Valve Cyl. Head), 8V-71E (4-Valve Cyl. Head), 8V-71N (4-Valve Cyl. Head) Engs.
 (cont.) 9.3L 568 OHV Diesel V8, 4.25" Bore (Detroit Diesel Eng.) 1979

INT & EXH MANIFOLDS (cont.)

QTY	INT. & EXH. MANIFOLDS	YEARS	PART NO.	SIZE	DESCRIPTION
4	Pipe Plug	79	FP-5142549		Exh. Manifold; 3/4" - 14 Square Head
2	Clamp	79	FP-5132650		Exh. Flange; 5.250" Dia.
2	Clamp	79	FP-5146165		Exh. Manifold; 3.88" Dia.; Marmon
12	Bolt	79	FP-8925603		Exh. Manifold Cover Plate; 5/16" - 18 x 3/4"; Vibra-Tite®
16	Stud	79	FP-8925804		Exh. Manifold to Head; 7/16" - 14/20" x 2 3/32"
14	Nut	79	FP-9411981		Exh. Manifold; 3/8" - 24 Lock Nut
10	Washer	79	FP-5104439		Exh. Manifold; 7/16" x 1.250" Dia.; Dished
12	Lock Washer	79	FP-103320		Exh. Manifold; 5/16"

QTY	AIR INTAKE	YEARS	PART NO.	SIZE	DESCRIPTION
2	Air Intake Housing Gasket	79	FP-5145086		
2	Air Intake Housing Gasket	79	FP-5101412		11.60" ID, w/Eight 15/32" Holes
2	Air Intake Housing Gasket	79	FP-5101408		15.48" I.D., w/Ten 15/32" Holes
2	Air Intake Housing Gasket	79	FP-5123703		5.68" ID, w/Eight 13/32" Holes
2	Air Intake Housing Gasket	79	FP-5122692		7.88" ID, w/Eight 13/32" Holes
2	Air Intake Housing Gasket	79	FP-5134838		8.00" Long, w/Four 13/32" Holes
2	Gasket	79	FP-5145235		Air Inlet Housing Striker Plate
4	Bolt	79	FP-179803		Air Inlet Housing; 1/4" x 20 x 1.750"
8	Bolt	79	FP-8927580		Air Silencer; 3/8" - 16 x .875"
1	Lock Nut	79	FP-103026		Air Inlet Housing; 3/8" x 24
2	Washer	79	FP-5159714		Air Inlet Housing; 11/16" x 1/8"
1	Lock Washer	79	FP-103320		Air Inlet Housing; 5/16"
8	Lock Washer	79	FP-103321		Air Silencer; 3/8"
8	Lock Washer	79	FP-103320		Air Silencer; 5/16"
2	O-Ring	79	FP-5179232		Air Inlet Housing Shutdown Valve; .424" x .103"
1	Pipe Plug	79	FP-5115214		Air Inlet Housing; 1/2" Square Head
1	Pipe Plug	79	FP-5121182		Air Inlet Housing; 1/4" - 18; Hex head
1	Pipe Plug	79	FP-8923847		Air Inlet Housing; 1/4" x 18 NPTF; Square head
1	Pipe Plug	79	FP-5142549		Air Inlet Housing; 3/4" - 14 Square Head
1	Pipe Plug	79	FP-5142549		Air Silencer; 3/4" - 14 Square Head

CAMSHAFT GROUP

QTY	TIMING	YEARS	PART NO.	SIZE	DESCRIPTION
1	Cam Gear	79	FP-8926631		RH Helix, RH Engine; R.H. Helix
2	Bolt	79	FP-454992		Idler Gear Assembly; 1/2" - 13 x 2 1/2
1	Washer	79	FP-5167714		Idler Gear Assembly; 17/32" x 7/8" x 3/32"

QTY	CAMSHAFT TIMING	YEARS	PART NO.	SIZE	DESCRIPTION
2	Camshaft Pulley Spacer	79	FP-5116485		Front; Camshaft Gear; .640" Length

QTY	CAMSHAFT/LIFTER	YEARS	PART NO.	SIZE	DESCRIPTION
4	Camshaft Thrust Washer	79	FP-5111424		
4	Camshaft Thrust Washer	79	FP-5194826		
4	Camshaft Thrust Washer	79	FP-5194827		
1	Bolt	79	FP-5145092		Camshaft; 3/8" - 24 x 1.20", Self-Locking
1	Bolt	79	FP-9412015		For OEM Camshafts 5146074 & 5146163; 9/16" - 18 x 2.500"
1	Lock Washer	79	FP-5177769		Camshaft; 1.125"
1	Lock Washer	79	FP-5177769		Camshaft; 1.125"
8	Lock Washer	79	FP-103321		Camshaft; 3/8"
1	Oil Seal	79	FP-23516871		Left Bank; Front
4	Camshaft Plug	79	FP-5151277		.500" Drive; 15/32" x 1/2"
1	Woodruff Key	79	FP-8926247		.250" x .750"

ACCESSORY DRIVE

QTY	ACCESSORY DRIVE	YEARS	PART NO.	SIZE	DESCRIPTION
1	Oil Seal	79	FP-5131329		Accessory Drive
1	Oil Seal	79	FP-5138710		Accessory Drive
1	Oil Seal	79	FP-5102456		Accessory Drive Pulley
1	Oil Seal Kit	79	FP-5198175		Accessory Drive Seal & Brg.
1	Ball Brg.	79	FP-23503727		Accessory Drive
1	Water Pump Retainer Ring	79	FP-9415285		Accessory Drive Lock Ring; Large; External
1	Water Pump Retainer Ring	79	FP-9415285		Accessory Drive Retainer Bearing; Large; External
6	Bolt	79	FP-8927580		Accessory Drive Gear; 3/8" - 16 x .875"
14	Bolt	79	FP-8927581		Accessory Drive Gear; 3/8" - 16 x 1"
4	Bolt	79	FP-5145092		Accessory Drive; 3/8" - 24 x 1.20", Self-Locking
6	Bolt	79	FP-5185793		Accessory Drive, Internal Gear Mount
2	Stud	79	FP-8927270		Accessory Drive; 3/8" - 16/24" x 1.6875"
1	Expansion Plug	79	FP-9428477		Accessory Drive; 15/16" Dia.
2	Bushing	79	FP-5120501		Accessory Drive Gear

(continued on next page)

Ford Truck - M/D & H/D

M/D Truck 8V-71 (2-Valve Cyl. Head), 8V-71E (4-Valve Cyl. Head), 8V-71N (4-Valve Cyl. Head) Engs. (cont.)
 9.3L 568 OHV Diesel V8, 4.25" Bore (Detroit Diesel Eng.) 1979

ACCESSORY DRIVE (cont.)

QTY	ACCESSORY DRIVE (cont.)	YEARS	PART NO.	SIZE	DESCRIPTION
2	Bushing	79	FP-5120501		Accessory Drive Gear
1	Pipe Plug	79	FP-5121182		Accessory Drive; 1/4" - 18; Hex head
1	Pipe Plug	79	FP-8924380		Accessory Drive; 1/8" - 27
1	Copper Washer	79	FP-5152148		Accessory Drive; 25/64" ID x 9/16" OD x 1/16" Thick; Copper
1	Lock Washer	79	FP-8926285		Accessory Drive Gear
2	Lock Nut	79	FP-103026		Accessory Drive Adaptor; 3/8" x 24
4	Lock Nut	79	FP-103026		Accessory Drive Gear; 3/8" x 24

FUEL SYSTEM & PARTS

QTY	FUEL INJECTION	YEARS	PART NO.	SIZE	DESCRIPTION
2	Fuel Injector Nozzle	79	FP-5172874		Water Nozzle; Single Outlet
2	Wear Sleeve	79	FP-5113773		Pilot Sleeve; .70" Length
8	Fuel Injector Seal Ring	79	FP-5104701		Inj. Hole Tube; Viton®
8	Injector Hole Tube Kit	79	FP-8925981		Incl. Seal Ring; Viton®
2	Retainer	79	FP-142583		F.I. Control Tube, Plain Spring; 13/64" Spring
4	Bolt	79	FP-9422203		F.I. Control Tube; 1/4" - 20 x 5/8"
1	Bolt	79	FP-8927580		F.I. Control Tube; 3/8" - 16 x .875"
2	Bolt	79	FP-5103635		F.I. Control Tube; 3/8" - 16 x 2.90"
1	Washer	79	FP-5131433		F.I. Control Tube; .410" x .810" x .1345"
4	Lock Washer	79	FP-103319		F.I. Control Tube; .250"
4	Bracket	79	FP-5130509		F.I. Control Tube
1	Rocker Shaft Bracket Bolt	79	FP-5150325		F.I. Control Tube; 1/2" - 13 x 4.250"
2	Fuel Injector Valve Spring	79	FP-5124142		F.I. Control Tube Return; Green I.D. Marking

QTY	FUEL FILTERS & PUMP	YEARS	PART NO.	SIZE	DESCRIPTION
1	Mechanical Fuel Pump	79	FP-5199561		R.H.; Standard Output
1	Fuel Pump Shaft & Gear	79	FP-5181746		Drive Gear; Standard Output; 3.09" Length; Std. Output
1	Fuel Pump Shaft & Gear	79	FP-5181746		Drive Gear; Standard Output; 3.09" Length; Std. Output
1	Fuel Pump Shaft & Gear	79	FP-5181747		Driven Gear; Standard Output; .838" Length; Std. Output
1	Fuel Pump Shaft & Gear	79	FP-5181747		Driven Gear; Standard Output; .838" Length; Std. Output
1	Fuel Pump Valve	79	FP-5174973		
1	Fuel Pump Gear	79	FP-5174975		Drive Gear; Standard Output; .294" Width; Std. Output
1	Fuel Pump Gear	79	FP-5181748		Driven Gear; Standard Output; .294" Width; Std. Output
1	Fuel Pump Drive Shaft	79	FP-5178700		Drive Gear; Standard Output; 3.09" Length
1	Fuel Pump Drive Shaft	79	FP-5181749		Driven Gear; Standard Output; .838" Length; Std. Output
1	Fuel Pump Check Valve	79	FP-5174924		1/4" Swing type
1	Fuel Pump Check Valve	79	FP-5135308		3/8" Swing type
6	Fuel Line Connector	79	FP-5117369		
1	Fuel Pump Relief Valve Spring	79	FP-5184530		
2	Oil Seal	79	FP-23512243		Fuel Pump Shaft Seal
1	Fuel Pump Valve Plug Gasket	79	FP-5161003		
1	Fuel Pump Repair Part	79	FP-5174971		Fuel Pump Valve; .500" x 20 plug
1	Fuel Pump Drive Adapter Gskt.	79	FP-5150193		
1	Fuel Pump Repair Kit	79	FP-5195078		Standard Output; Std. output
1	Pipe Plug	79	FP-5121182		Fuel Pump; 1/4" - 18; Hex head
1	Plastic Cap	79	FP-5136240		Outlet; .250" Dia.
1	Plastic Cap	79	FP-5136241		Outlet; .780" Dia., 3/8" NPTF
1	Dowel Pin	79	FP-103709		Fuel Pump Shaft; 5/32" x 1" straight
1	Ball Brg.	79	FP-147481		Fuel Pump Shaft; .125" Dia. Steel
6	Washer	79	FP-5125108		Fuel Pipe; 7/16" x 3/4" x 1/16"

BLOWER

QTY	BLOWER	YEARS	PART NO.	SIZE	DESCRIPTION
2	Ball Brg.	79	FP-23503543		Front; Blower Rotor
2	Ball Brg.	79	FP-23504305		Rear; Blower Rotor
1	Oil Seal Kit	79	FP-23500533		Blower End Plate Seal Kit
1	Rect. or Square Seal	79	FP-5146040		Blower Drive Cover Seal; 4.32" x 5.091" x .770"
4	Oil Seal	79	FP-5192438		Blower End Plate
4	Oil Seal	79	FP-5138710		Blower End Plate Seal
4	Oil Seal	79	FP-8924453		Blower End Plate Seal
1	Bushing	79	FP-5120501		Blower Drive Gear
2	Bushing	79	FP-5120501		Blower Drive Gear
1	Air Intake Housing Gasket	79	FP-5145086		Blower to Block; w/o Screen
1	Fuel Blower Gasket	79	FP-23520012		Blower to Block
1	Sealing Ring	79	FP-8922140		Blower Drive Cover Seal; 4.32" x 4.88" x .770"
3	Bolt	79	FP-5103364		Blower Drive Coupling; 1/2" - 20 x 1.10", 12 Pt. Head
3	Bolt	79	FP-9409077		Blower Drive Coupling; 5/16" - 24 x 1.625"
1	Bolt	79	FP-9409060		Blower Rotor Gear Hub; 1/2" - 20 x 1.500"
12	Screw	79	FP-5148794		Blower Rotor End Plate; 1/4" - 20 x 5/8"

(continued on next page)

Ford Truck - M/D & H/D

62 M/D Truck 8V-71 (2-Valve Cyl. Head), 8V-71E (4-Valve Cyl. Head), 8V-71N (4-Valve Cyl. Head) Engs.
 (cont.) 9.3L 568 OHV Diesel V8, 4.25" Bore (Detroit Diesel Eng.) 1979

BLOWER (cont.)

QTY	BLOWER (cont.)	YEARS	PART NO.	SIZE	DESCRIPTION
1	Hose Clamp	79	FP-5106219		Blower Drive Cover Seal
28	Washer	79	FP-5159714		Blower End Plate; 11/16" x 1/8"
2	Washer	79	FP-5121905		Blower End Plate; 15/32" ID x 7/8" OD x 5/32" Long
2	Copper Washer	79	FP-5152148		Blower Drive Gear; 25/64" ID x 9/16" OD x 1/16" Thick; Copper
3	Lock Washer	79	FP-103320		Blower Drive Coupling; 5/16"
2	Lock Washer	79	FP-5154398		Blower End Plate; 1/2" Special, External Tooth
28	Lock Washer	79	FP-103320		Blower End Plate; 5/16"
6	Lock Washer	79	FP-103319		Blower Rotor End Plate; .250"
1	Lock Washer	79	FP-5154398		Blower Rotor End Plate; 1/2" Special, External Tooth
1	Shim	79	FP-5150372		Blower Rotor Gear
1	Shim	79	FP-5153938		Blower Rotor Gear
1	Shim	79	FP-5150855		Blower Rotor Gear
1	Shim	79	FP-5150856		Blower Rotor Gear

GOVERNOR

QTY	GOVERNOR	YEARS	PART NO.	SIZE	DESCRIPTION
1	Governor Shaft & Carrier	79	FP-5183624		Limiting Speed Gov.
1	Throttle/Governor Shaft	79	FP-5117928		
1	Throttle/Governor Shaft	79	FP-5133680		Gov. Operating Shaft
1	Throttle/Governor Shaft	79	FP-5133795		Gov. Operating Shaft
2	Throttle/Governor Shaft	79	FP-5185154		Gov. Weight Pin; Ring Grooves
1	Throttle/Governor Shaft	79	FP-5150923		Limiting Speed Gov.
1	Governor Spring	79	FP-5131368		
1	Governor Spring	79	FP-5152929		Fast Idle Air Cyl. Plunger
1	Governor Spring	79	FP-5152929		Gov. Buffer
1	Governor Spring	79	FP-5108775		Gov. Lever Retracting Spring
1	Governor Spring	79	FP-5122270		Gov. Variable Speed Spring; w/Two Red Stripes
1	Governor Spring	79	FP-5136160		High Speed; Two Pink Stripes
1	Governor Spring	79	FP-5122165		Low Speed; One Blue Stripe; w/One Blue Stripe
1	Governor Spring	79	FP-5127213		Shutdown Shaft
1	Governor Low Speed Spring Cap	79	FP-5102968		
1	Screw	79	FP-5117952		Gov. Buffer Screw Assy.
8	Screw	79	FP-9417926		Gov. Cover Assy.; 1/4" -20 x 3/4"
1	Screw	79	FP-9417926		Gov. Link Housing Cover Bolt Assy.; 1/4" -20 x 3/4"
1	Screw	79	FP-5132962		Gov. Operating Shaft Lever Screw; Gap Adjust.
1	Screw	79	FP-9417926		Gov. Spring Housing; 1/4" -20 x 3/4"
1	Screw	79	FP-5102270		Low speed spring adjusting; .250" - 28 x 1.00"
1	Clamp	79	FP-23507896		Gov. Hose; 1.00" Dia.
4	Hose Clamp	79	FP-5104592		Fuel Rod to Cyl. Head Hose; 2.50" Dia.
1	Governor Dowel Pin	79	FP-5117693		Gov. Control Link Lever; 5/16" x 1.00"
1	Governor Dowel Pin	79	FP-5150894		Gov. Differential; 25/32" Length
1	Governor Dowel Pin	79	FP-5150943		Gov. Operating Shaft Lever Pin
2	Governor Dowel Pin	79	FP-5185153		Gov. Weight Pin; .3750" Dia. x 2.150" Length
2	Governor Dowel Pin	79	FP-5183632		Gov. Weight Pin; Drilled for Set Screw
1	Governor Dowel Pin	79	FP-5127375		Left Control Link Lever; .309" Dia. x 3.120" Length
1	Governor Dowel Pin	79	FP-5143866		Left Control Link Lever; .3750" Dia. x 2.00" Length
1	Governor Seal Ring	79	FP-5126623		Gov. Spring Hsg.
1	Governor Seal Ring	79	FP-5101691		Shutdown Shaft; .362" x .113"
1	O-Ring	79	FP-5182977		Gov. Shaft Seal
1	O-Ring	79	FP-5101710		Gov. Spring Housing; .070" x .114" I.D.
1	O-Ring	79	FP-5101710		Gov. Variable Speed Spring; .070" x .114" I.D.
1	O-Ring	79	FP-5101711		Gov. Variable Speed Spring; .139" x .859"
1	O-Ring	79	FP-5176557		Gov. Variable Speed Spring; .477" ID x .113" Thick
1	O-Ring	79	FP-5176557		Throttle Shaft Seal Ring; .477" ID x .113" Thick
2	Cylindrical Brg.	79	FP-148402		Gov. Variable Speed Spring Lever; .500" x .500" Dia.
2	Cylindrical Brg.	79	FP-148402		Throttle Shaft Cover; .500" x .500" Dia.
6	Governor Valve Spring Shim	79	FP-5136590		Gov. Variable Speed Spring; .010"
3	Governor Valve Spring Shim	79	FP-5136591		Gov. Variable Speed Spring; .078"
1	Washer	79	FP-5179709		Control Link Lever Pin; .250" Copper
2	Washer	79	FP-5150885		Gov. Control Link Lever Pin
1	Washer	79	FP-5159714		Gov. Fork; 11/16" x 1/8"
2	Washer	79	FP-5150885		Gov. Weight Pin Washer
3	Washer	79	FP-5151487		Shutdown Shaft & Weight Pin Retainer Washer; 3/8" x 11/16" x .033"
1	Copper Washer	79	FP-5155596		Control Link Lever Pin; 5/16"; Special copper washer
2	Copper Washer	79	FP-5155596		Gov. Spring Hsg.; 5/16"; Special copper washer
8	Lock Washer	79	FP-103319		Gov. Cover Assy.; .250"
5	Governor Retainer	79	FP-5178581		Shutdown Shaft & Weight Pin Retainer

(continued on next page)

Ford Truck - M/D & H/D

M/D Truck 8V-71 (2-Valve Cyl. Head), 8V-71E (4-Valve Cyl. Head), 8V-71N (4-Valve Cyl. Head) Engs. (cont.)
 9.3L 568 OHV Diesel V8, 4.25" Bore (Detroit Diesel Eng.) 1979

GOVERNOR (cont.)

QTY	GOVERNOR (cont.)	YEARS	PART NO.	SIZE	DESCRIPTION
1	Governor Retainer	79	FP-5144178		Shutdown Shaft Seal
1	Bushing	79	FP-5127267		Gov. Cover Shutdown Shaft
2	Bushing	79	FP-5147866		High Speed Weight Bushing; .520" Length
2	Bushing	79	FP-5147866		Limiting Speed Gov. Weight Bushing; .520" Length
2	Bushing	79	FP-8921472		Throttle Shaft Bushing; Split Type Bushing
4	Ball Brg.	79	FP-447196		Gov. Weight Bearing
1	Ball Brg.	79	FP-9437108		Gov. Weight Riser Thrust Bearing; .354" Width
1	Ball Brg.	79	FP-9437108		Gov. Weight Riser Thrust Bearing; .354" Width
1	Ball Brg.	79	FP-9438907		Gov. Weight Riser Thrust Bearing; .551" Width
1	Ball Brg.	79	FP-9424121		Gov. Weight Shaft End Bearing
1	Ball Brg.	79	FP-9424121		Gov. Weight Shaft End Bearing
4	Ball Brg.	79	FP-447196		Shutdown & Control Lever Shafts
1	Ball Brg.	79	FP-9436682		Lower; Operating Shaft
1	Ball Brg.	79	FP-9431894		Upper; Gov. Operating Shaft
1	Ball Brg.	79	FP-9431896		Upper; Operating Shaft
1	Expansion Plug	79	FP-116337		Lower; Gov. Operating Shaft; 1.0625"
1	Governor Riser	79	FP-5117193		1.062" Length
1	Governor Riser	79	FP-5147910		1.865" Length
1	Nut	79	FP-5174286		Buffer Screw Seal Nut; 3/8" - 24 UNF
1	Nut	79	FP-5174286		Gov. Cylinder Assy.; 3/8" - 24 UNF
4	Bolt	79	FP-443603		Gov. Control Link; .250" x 20 x .750"
1	Bolt	79	FP-443603		Gov. Cylinder Head; .250" x 20 x .750"
8	Bolt	79	FP-8921930		Gov. Fuel Rod Cover; 1/4" - 20 x 3/4"
1	Pipe Plug	79	FP-8924380		Gov. Cover; 1/8" - 27
1	Pipe Plug	79	FP-5121182		Gov. Spring Housing; 1/4" - 18; Hex head
1	Governor Spring Cover Gasket	79	FP-8922593		Gov. Variable Speed Spring Housing
1	Governor Spring Cover Gasket	79	FP-8922593		High Speed Spring
1	Governor Cover Gasket	79	FP-8924869		
2	Governor Hole Gasket	79	FP-5123812		Fuel Rod Cover Gasket
1	Governor Hole Gasket	79	FP-5123812		Gov. Housing Control Link
1	Retainer	79	FP-142583		Gov. Differential Lever; 13/64" Spring
1	Retainer	79	FP-142583		Gov. Shutdown Shaft; 13/64" Spring

COOLING SYSTEM

QTY	WATER PUMP	YEARS	PART NO.	SIZE	DESCRIPTION
1	Water Pump Shaft	79	FP-23506053		Fresh Water Pump
1	Water Pump Shaft	79	FP-5123150		Fresh Water Pump
1	Water Pump Shaft	79	FP-5196169		Raw Water Pump
1	Water Pump Impeller	79	FP-23505995		Fresh Water Pump
1	Water Pump Impeller	79	FP-23505999		Fresh Water Pump; Hi-Capacity
1	Water Pump Impeller	79	FP-8924839		Raw Water Pump
1	Water Pump Impeller	79	FP-5193602		Raw Water Pump; Option Type 14; Synthetic
1	Water Pump Repair/Rebuild Kit	79	FP-23506852		Fresh Water Pump
1	Water Pump Repair/Rebuild Kit	79	FP-23506366		Fresh Water Pump Reconditioning Kit
1	Water Pump Repair/Rebuild Kit	79	FP-5149711		Fresh Water Pump Repair Kit; Repair Kit
1	Water Pump Repair/Rebuild Kit	79	FP-23500517		Fresh Water Pump Seal Kit
1	Water Pump Repair/Rebuild Kit	79	FP-5197222		Raw Water Pump
1	Water Pump Cover	79	FP-5117950		Fresh Water Pump Body
1	Water Pump Cover	79	FP-5117961		Fresh Water Pump Body
1	Water Pump Cover	79	FP-8922383		Fresh Water Pump Body; Non-Metallic
1	Water Pump Cover	79	FP-5193555		End; Raw Water Pump
1	Woodruff Key	79	FP-103462		Raw Water Pump Shaft
1	Water Pump Retainer Ring	79	FP-5196171		Raw Water Pump
2	Water Pump Retainer Ring	79	FP-9415285		Raw Water Pump; Large; External
1	Water Pump Mech. Shaft Seal	79	FP-8924297		Fresh Water Pump
1	Water Pump Mech. Shaft Seal	79	FP-5198419		Raw Water Pump
1	Water Pump Seal Ring	79	FP-5103544		.139" x 5.109" I.D.
1	Water Pump Seal Ring	79	FP-5101160		Fresh Water Pump Body Cover
1	Ball Brg.	79	FP-23505479		Raw Water Pump
1	Ball Brg.	79	FP-23503687		Inner; Fresh Water Pump
1	Ball Brg.	79	FP-23503649		Outer; Fresh Water Pump
1	Lock Nut	79	FP-5117972		Fresh Water Pump Shaft; 7/16" - 20
5	Lock Nut	79	FP-103026		Fresh Water Pump; 3/8" x 24
2	Lock Nut	79	FP-103026		Heat Exchanger; 3/8" x 24
1	Water Pump Cover Gasket	79	FP-5117976		Fresh Water Pump Body
1	Accessory Drive Gasket	79	FP-23515145		Raw Water Pump Adaptor
1	Gasket	79	FP-5196513		Raw Water Pump Adaptor
1	Oil Seal	79	FP-23506248		Fresh Water Pump

(continued on next page)

Ford Truck - M/D & H/D

62 M/D Truck 8V-71 (2-Valve Cyl. Head), 8V-71E (4-Valve Cyl. Head), 8V-71N (4-Valve Cyl. Head) Engs.
 (cont.) 9.3L 568 OHV Diesel V8, 4.25" Bore (Detroit Diesel Eng.) 1979

COOLING SYSTEM (cont.)

QTY	WATER PUMP (cont.)	YEARS	PART NO.	SIZE	DESCRIPTION
1	Oil Seal	79	FP-5117983		Fresh Water Pump Shaft Bearing
1	Oil Seal	79	FP-5195101		Raw Water Pump
2	Oil Seal	79	FP-5132155		Thermostat Seal
6	Bolt	79	FP-23501660		Adaptor To Pump Body; 3/8" - 16 x 1.00"
5	Bolt	79	FP-8925603		Fresh Water Pump Cover; 5/16" - 18 x 3/4"; Vibra-Tite®
4	Bolt	79	FP-8927580		Heat Exchanger; 3/8" - 16 x .875"
4	Bolt	79	FP-8927581		Heat Exchanger; 3/8" - 16 x 1"
2	Bolt	79	FP-454992		Heat Exchanger Cover; 1/2" - 13 x 2 1/2
4	Bolt	79	FP-454992		Heat Exchanger; 1/2" - 13 x 2 1/2
4	Bolt	79	FP-8927581		Heat Exchanger; 3/8" - 16 x 1"
5	Bolt	79	FP-23504236		Raw Water Pump Cover; .250" - 20 x .500"; Stainless Steel
4	Bolt	79	FP-5145092		Raw Water Pump Drive; 3/8" - 24 x 1.20", Self-Locking
2	Bolt	79	FP-8927581		Thermostat Housing; 3/8" - 16 x 1"
2	Bolt	79	FP-8927581		Thermostat Housing; 3/8" - 16 x 1"
1	Pipe Plug	79	FP-5115214		Fresh Water Pump; 1/2" Square Head
1	Pipe Plug	79	FP-8923313		Fresh Water Pump; 3/4"
1	Pipe Plug	79	FP-5142549		Fresh Water Pump; 3/4" - 14 Square Head
1	Pipe Plug	79	FP-51121182		Heat Exchanger Cover; 1/4" - 18; Hex head
1	Pipe Plug	79	FP-8924380		Heat Exchanger Cover; 1/8" - 27
1	Pipe Plug	79	FP-5142549		Heat Exchanger Cover; 3/4" - 14 Square Head
1	Pipe Plug	79	FP-23511574		Thermostat Housing; 1/2" pipe thread; w/1" Square head
1	Pipe Plug	79	FP-5115214		Thermostat Housing; 1/2" Square Head
1	Pipe Plug	79	FP-5121182		Thermostat Housing; 1/4" - 18; Hex head
1	Pipe Plug	79	FP-8924380		Thermostat Housing; 1/8" - 27
1	Pipe Plug	79	FP-5142549		Thermostat Housing; 3/4" - 14 Square Head
1	Pipe Plug	79	FP-5115214		Water Outlet Manifold; 1/2" Square Head
2	Pipe Plug	79	FP-5142549		Water Outlet Manifold; 3/4" - 14 Square Head
1	Expansion Plug	79	FP-5154453		Fresh Water Pump Body; 3/8" - 16 Headless Special
2	Expansion Plug	79	FP-5117186		Heat Exchanger Cover; 2" Dia. Cup; Stainless Steel
1	Dowel Pin	79	FP-5197597		Raw Water Pump; .184" OD x .375" Length
1	Screw	79	FP-114366		Raw Water Pump Cam; .250" - 20 x .500"; Brass
1	Slinger, Water Pump	79	FP-5193676		Raw Water Pump
1	Slinger, Water Pump	79	FP-5193676		Raw Water Pump Shaft
2	Copper Washer	79	FP-5152148		Thermostat Housing; 25/64" ID x 9/16" OD x 1/16" Thick; Copper
2	Washer	79	FP-5197310		Fresh Water Pump; Adhesive, Ceramic Insert
1	Washer	79	FP-221436		Fresh Water Pump; Flat
4	Washer	79	FP-5131978		Heat Exchanger; .53" ID x 1.00" OD x .170" Thick
8	Washer	79	FP-103325		Heat Exchanger; Lock washer; 5/8"
4	Washer	79	FP-5125108		Heat Exchanger; 7/16" x 3/4" x 1/16"
1	Washer	79	FP-103325		Raw Water Pump Drive; Lock washer; 5/8"
1	Washer	79	FP-5125108		Thermostat Housing; 7/16" x 3/4" x 1/16"
1	Water Pump Lock Ring	79	FP-274746		Fresh Water Pump
QTY	THERMOSTAT	YEARS	PART NO.	SIZE	DESCRIPTION
2	Thermostat	79	FP-5102112		160 Deg.
2	Thermostat	79	FP-23503828		165 Deg., Weir Type
2	Thermostat	79	FP-23503826		170 Deg.
2	Thermostat	79	FP-5104238		173 Deg.
2	Thermostat	79	FP-23503825		180 Deg.
2	Thermostat	79	FP-5104096		180 Deg.
2	Thermostat Gasket	79	FP-5117786		Thermostat Housing Cover
2	Thermostat Gasket	79	FP-5117993		Thermostat Housing Cover
1	Thermostat Gasket	79	FP-5169478		Water By-Pass Tube Elbow
2	Thermostat Gasket	79	FP-5169478		Water Outlet Manifold Elbow
2	Thermostat Cover Gasket	79	FP-5100860		Thermostat Housing Cover
1	Thermostat Cover Gasket	79	FP-5123575		Thermostat Housing Cover
1	Thermostat Cover Gasket	79	FP-5133450		Thermostat Housing Cover
2	Thermostat Gasket	79	FP-5117993		Left & Right Bank; Thermostat Housing
2	Thermostat Gasket	79	FP-5144277		Left & Right Bank; Thermostat Housing
1	Thermostat Gasket	79	FP-5123716		Left Bank; Thermostat Housing
1	Thermostat Gasket	79	FP-5123570		Right Bank; Thermostat Housing
1	Thermostat Gasket	79	FP-5123715		Right Bank; Thermostat Housing
QTY	MISCELLANEOUS	YEARS	PART NO.	SIZE	DESCRIPTION
3	Stud	79	FP-8927270		Fresh Water Pump Body; 3/8" - 16/24" x 1.6875"
16	Stud	79	FP-8927270		Water Outlet Manifold; 3/8" - 16/24" x 1.6875"
2	Hose Clamp	79	FP-5186841		Heat Exchanger Raw Water Inlet & Outlet; 1 9/16" - 2.50"
4	Hose Clamp	79	FP-9139809		Heat Exchanger Raw Water Inlet Tube; 2 1/16" - 3"
4	Hose Clamp	79	FP-5188036		Heat Exchanger Raw Water Inlet; 2.750" Dia. Hose

(continued on next page)

Ford Truck - M/D & H/D

M/D Truck 8V-71 (2-Valve Cyl. Head), 8V-71E (4-Valve Cyl. Head), 8V-71N (4-Valve Cyl. Head) Engs. (cont.)
 9.3L 568 OHV Diesel V8, 4.25" Bore (Detroit Diesel Eng.) 1979

COOLING SYSTEM (cont.)

QTY	MISCELLANEOUS (cont.)	YEARS	PART NO.	SIZE	DESCRIPTION
1	Hose Clamp	79	FP-5186841		Interceder By-pass Tube; 1 9/16" - 2.50"
8	Hose Clamp	79	FP-9139809		Interceder Inlet & Outlet Hose; 2 1/16" - 3"
8	Hose Clamp	79	FP-5188036		Interceder Inlet & Outlet Hose; 2.750" Dia. Hose
4	Hose Clamp	79	FP-5186841		Interceder Inlet Hose; 1 9/16" - 2.50"
4	Hose Clamp	79	FP-5186841		Raw Water Pump Inlet Tube; 1 9/16" - 2.50"
4	Hose Clamp	79	FP-9139809		Raw Water Pump Outlet Tube; 2 1/16" - 3"
2	Hose Clamp	79	FP-5186841		Water By-Pass Tube; 1 9/16" - 2.50"
2	Hose Clamp	79	FP-9139809		Water By-Pass Tube; 2 1/16" - 3"
1	Hose Clamp	79	FP-9139809		Water Outlet Manifold; 2 1/16" - 3"
2	Hose Clamp	79	FP-5188036		Water Outlet Manifold; 2.750" Dia. Hose
2	Hose Clamp	79	FP-5188036		Water Outlet Manifold; 2.750" Dia. Hose
5	Lock Washer	79	FP-103321		Fresh Water Pump Cover; 3/8"
5	Lock Washer	79	FP-103321		Fresh Water Pump; 3/8"
4	Lock Washer	79	FP-103320		Heat Exchanger Inlet Flange; 5/16"
10	Lock Washer	79	FP-103321		Heat Exchanger Cover; 3/8"
10	Lock Washer	79	FP-103320		Heat Exchanger; 5/16"
2	Lock Washer	79	FP-103321		Thermostat Housing; 3/8"
16	Lock Washer	79	FP-103321		Water Outlet Manifold; 3/8"
2	O-Ring	79	FP-5167746		Heat Exchanger Seal Ring
1	O-Ring	79	FP-23514265		Raw Water Pump
1	Water Manifold Gasket	79	FP-5124029		Heat Exchanger Water Manifold
4	Water Manifold Gasket	79	FP-23506469		Water Outlet Cover Plate
1	Oil Filler Tube Gasket	79	FP-5120540		Thermostat Housing Elbow Gasket
1	Oil Cooler Core Inner Gasket	79	FP-5150155		Heat Exchanger Expansion Tank Cover

ENGINE BLOCK & PARTS

QTY	GASKETS	YEARS	PART NO.	SIZE	DESCRIPTION
1	Front Crankcase Cover Gasket	79	FP-5121714		Oil Pump to Cyl. Block
2	Expansion Plug	79	FP-5132410		Cyl. Block; 1 5/8" Dia. Cup; Stainless Steel
2	Pipe Plug	79	FP-5101033		Cyl. Block; Aftercooler Plug; 2 1/2" Dia. Cup; Special
3	Pipe Plug	79	FP-8924380		Cyl. Block; W.B.P.; 1/8" - 27
6	Pipe Plug	79	FP-5115214		Cyl. Block; 1/2" Square Head
1	Pipe Plug	79	FP-5121182		Cyl. Block; 1/4" - 18; Hex head
2	Pipe Plug	79	FP-8923847		Cyl. Block; 1/4" x 18 NPTF; Square head
2	Pipe Plug	79	FP-8924380		Cyl. Block; 1/8" - 27
4	Pipe Plug	79	FP-5142549		Cyl. Block; 3/4" - 14 Square Head
1	Flywheel Housing Gasket	79	FP-5147246		Flywheel Housing Gasket
2	Accessory Drive Gasket	79	FP-23515145		Flywheel Housing Large Hole Cover
1	Starting Motor Gasket	79	FP-5130995		Starting Motor Hole Cover
1	Oil Pan Gasket	79	FP-5150115		Lower Oil Pan
1	Oil Pan Gasket	79	FP-5150116		Lower Oil Pan
1	Oil Pan Gasket	79	FP-5117231		Oil Pan to Block; w/Stamped Steel Pan
4	Bolt	79	FP-8923391		Oil Filter Mounting; 3/8" - 16 x 1.880"
28	Bolt	79	FP-8927581		Oil Pan; 3/8" - 16 x 1"
2	Bolt	79	FP-8927580		Oil Pressure Regulator; 3/8" - 16 x .875"
2	Bolt	79	FP-8927581		Oil Pressure Regulator; 3/8" - 16 x 1"
1	Pin	79	FP-457008		Oil Pressure Regulator; 3/16" x 1 1/2"
4	Copper Washer	79	FP-5155596		Oil Filter Mounting; 5/16"; Special copper washer
1	Washer	79	FP-840277		Oil Pan Drain Plug Gasket; 18MM, Nylon
2	Washer	79	FP-5131433		Oil Pressure Regulator; .410" x .810" x .1345"
4	Lock Washer	79	FP-103321		Oil Filter Mounting; 3/8"
4	Lock Washer	79	FP-103320		Oil Filter Mounting; 5/16"
1	Pipe Plug	79	FP-8923847		Oil Filter Adaptor; 1/4" x 18 NPTF; Square head
1	Pipe Plug	79	FP-5142549		Oil Filter Drain Plug; 3/4" - 14 Square Head
1	Pipe Plug	79	FP-5121182		Oil Filter Housing; 1/4" - 18; Hex head
1	Pipe Plug	79	FP-5115214		Oil Pan Drain Plug; 1/2" Square Head
1	Pipe Plug	79	FP-5121182		Oil Pan Drain Plug; 1/4" - 18; Hex head
1	Pipe Plug	79	FP-8923847		Oil Pan Drain Plug; 1/4" x 18 NPTF; Square head
1	Pipe Plug	79	FP-8924517		Oil Pan Drain Plug; 3/8" x 18 square head
1	Pipe Plug	79	FP-5115214		Oil Pan Sump; 1/2" Square Head
1	Pipe Plug	79	FP-5115214		Oil Pan; 1/2" Square Head
1	Pipe Plug	79	FP-5142549		Oil Pan; 3/4" - 14 Square Head
2	Crankcase Breather	79	FP-5130750		Cyl. Block
1	Cyl. Block Water Hole Cvr Gsk	79	FP-5117734		
2	Hand Hole Cover Gasket	79	FP-8923791		Cyl. Block; Large
4	Hand Hole Cover Gasket	79	FP-5117016		Cyl. Block; Non-Turbo
4	Hand Hole Cover Gasket	79	FP-8923792		Cyl. Block; Small
10	Washer	79	FP-5133981		Cyl. Block, Main Brg. Bolt; .122" Thick

(continued on next page)

Ford Truck - M/D & H/D

62 M/D Truck 8V-71 (2-Valve Cyl. Head), 8V-71E (4-Valve Cyl. Head), 8V-71N (4-Valve Cyl. Head) Engs.
 (cont.) 9.3L 568 OHV Diesel V8, 4.25" Bore (Detroit Diesel Eng.) 1979

ENGINE BLOCK & PARTS (cont.)

QTY	GASKETS (cont.)	YEARS	PART NO.	SIZE	DESCRIPTION
8	Copper Washer	79	FP-5155596		Cyl. Block; Dry Block Only; 5/16"; Special copper washer
2	Copper Washer	79	FP-5152148		Cyl. Block; 25/64" ID x 9/16" OD x 1/16" Thick; Copper
5	Lock Washer	79	FP-103320		Cyl. Block; 5/16"
4	Bolt	79	FP-8927580		Cyl. Block; 3/8" - 16 x .875"
5	Bolt	79	FP-8927581		Cyl. Block; 3/8" - 16 x 1"
14	Stud	79	FP-5152121		Cyl. Block; 5/16" - 18 x 1 1/2"
QTY	GASKET SETS	YEARS	PART NO.	SIZE	DESCRIPTION
1	Complete Overhaul Gasket Set	79	FP-23512680		Crankshaft seals not incl.
1	Complete Overhaul Gasket Set	79	FP-23512680WS		Includes Seals
QTY	DOWEL PINS	YEARS	PART NO.	SIZE	DESCRIPTION
4	Dowel Pin	79	FP-141346		Cyl. Block; .1875" x .500"
QTY	CAM BEARINGS	YEARS	PART NO.	SIZE	DESCRIPTION
2	Cam Brg.	79	FP-5117984	STD	Position Front
2	Cam Brg.	79	FP-5197569	10	Position Front
8	Cam Brg.	79	FP-5194825	20	Position Front & Rear; .020" U/S, Unfinished; Grooved
8	Cam Brg.	79	FP-5111423	STD	Position Front & Rear; Grooved
6	Cam Brg.	79	FP-5196026	STD	Position Inter.; w/o Steel bushing in ctr. hole; Aluminum Blocks only
6	Cam Brg.	79	FP-5196022	STD	Position Inter.; w/Steel bushing in ctr. hole
2	Cam Brg.	79	FP-5111422	STD	Position Rear
2	Cam Brg.	79	FP-5194858	10	Position Rear
QTY	OIL COOLERS & FILTERS	YEARS	PART NO.	SIZE	DESCRIPTION
1	Oil Cooler	79	FP-8547553		Twin Plate; 16 Plate
1	Oil Cooler	79	FP-8547237		Twin Plate; 24 Plate
2	Oil Cooler	79	FP-8547237		Twin Plate-Dual; 24 Plate
1	Oil Cooler	79	FP-8547236		12 plate
1	Oil Cooler	79	FP-8547547		16 plate
1	Oil Cooler	79	FP-8547195		18 plate
1	Oil Cooler	79	FP-8547551		8 plate
1	Oil Filter Adapter Gasket	79	FP-8924412		
3	Oil Filter Adapter Gasket	79	FP-23501590		Inner; Twin Plate-Dual; Oil Cooler Core
1	Oil Filter Adapter Gasket	79	FP-5136701		Outer; Tube-Type; Oil Cooler Core
1	Starting Motor Gasket	79	FP-5130995		Tube-Type; Oil Cooler Cover Bracket to Flywheel Hsg.
4	Lock Nut	79	FP-103026		Oil Cooler Water Outlet; 3/8" x 24
28	Lock Nut	79	FP-103026		Tube-Type; Oil Cooler Core; 3/8" x 24
1	Lock Nut	79	FP-103026		Twin Plate; Oil Cooler Water Elbow; 3/8" x 24
2	Washer	79	FP-5131433		Oil Cooler Adaptor; .410" x .810" x .1345"
1	Washer	79	FP-5177773		Oil Cooler By-pass Plug; 18MM x 1.5MM
1	Washer	79	FP-5131433		Oil Cooler Housing Cover; .410" x .810" x .1345"
2	Washer	79	FP-5177773		Twin Plate; Oil Cooler By-pass Plug; 18MM x 1.5MM
1	Washer	79	FP-5131433		Twin Plate; Oil Cooler Housing; .410" x .810" x .1345"
1	Washer	79	FP-5177773		Twin Plate-Dual; Oil Cooler By-pass Plug; 18MM x 1.5MM
6	Lock Washer	79	FP-103320		Oil Cooler Core; 5/16"
10	Lock Washer	79	FP-103320		Oil Cooler Housing Cover; 5/16"
10	Lock Washer	79	FP-103321		Oil Cooler Water Inlet; 3/8"
1	Lock Washer	79	FP-103320		Oil Cooler Water Inlet; 5/16"
4	Lock Washer	79	FP-103321		Oil Cooler Water Outlet; 3/8"
28	Lock Washer	79	FP-103321		Tube-Type; Oil Cooler Core; 3/8"
4	Lock Washer	79	FP-103321		Twin Plate; Oil Cooler Housing; 3/8"
6	Lock Washer	79	FP-103320		Twin Plate; Oil Cooler Housing; 5/16"
2	Lock Washer	79	FP-103321		Twin Plate; Oil Cooler Water Inlet; 3/8"
8	Lock Washer	79	FP-103320		Twin Plate-Dual; Oil Cooler Adaptor; 5/16"
8	Lock Washer	79	FP-103320		Twin Plate-Dual; Oil Cooler Core; 5/16"
8	Lock Washer	79	FP-103320		Twin Plate-Dual; Oil Cooler Housing Cover; 5/16"
4	Lock Washer	79	FP-103321		Twin Plate-Dual; Oil Cooler Water Inlet; 3/8"
2	Spacer	79	FP-5102793		Oil Cooler Adaptor To Block; 5.70" x 1.00" x .012"
2	Spacer	79	FP-5102793		Twin Plate; Oil Cooler Adaptor to Block; 5.70" x 1.00" x .012"
1	Pipe Plug	79	FP-8923847		Oil Cooler Core; 1/4" x 18 NPTF; Square head
1	Pipe Plug	79	FP-8923313		Oil Cooler Core; 3/4"
1	Pipe Plug	79	FP-5142549		Oil Cooler Core; 3/4" - 14 Square Head
1	Pipe Plug	79	FP-5121182		Oil Cooler Housing; 1/4" - 18; Hex head
1	Pipe Plug	79	FP-8923847		Oil Cooler Housing; 1/4" x 18 NPTF; Square head
1	Pipe Plug	79	FP-8924517		Oil Cooler Housing; 3/8" x 18 square head
1	Pipe Plug	79	FP-5115214		Oil Cooler Water Inlet Elbow; 1/2" Square Head
1	Pipe Plug	79	FP-8923847		Oil Cooler Water Inlet Elbow; 1/4" x 18 NPTF; Square head
1	Pipe Plug	79	FP-8923313		Oil Cooler Water Inlet Elbow; 3/4"
1	Pipe Plug	79	FP-5142549		Oil Cooler Water Inlet Elbow; 3/4" - 14 Square Head

(continued on next page)

Ford Truck - M/D & H/D

M/D Truck 8V-71 (2-Valve Cyl. Head), 8V-71E (4-Valve Cyl. Head), 8V-71N (4-Valve Cyl. Head) Engs. (cont.)
 9.3L 568 OHV Diesel V8, 4.25" Bore (Detroit Diesel Eng.) 1979

ENGINE BLOCK & PARTS (cont.)

QTY (cont.)	OIL COOLERS & FILTERS	YEARS	PART NO.	SIZE	DESCRIPTION
2	Pipe Plug	79	FP-8923847		Twin Plate; Oil Cooler Housing; 1/4" x 18 NPTF; Square head
1	Pipe Plug	79	FP-8923313		Twin Plate; Oil Cooler Water Elbow; 3/4"
1	Pipe Plug	79	FP-5142549		Twin Plate; Oil Cooler Water Elbow; 3/4" - 14 Square Head
1	Pipe Plug	79	FP-5115214		Twin Plate; Oil Cooler Water Inlet; 1/2" Square Head
2	Pipe Plug	79	FP-8923847		Twin Plate; Oil Cooler Water Inlet; 1/4" x 18 NPTF; Square head
1	Pipe Plug	79	FP-5115214		Twin Plate-Dual; Oil Cooler By-pass; 1/2" Square Head
2	Pipe Plug	79	FP-8923847		Twin Plate-Dual; Oil Cooler Housing Cover; 1/4" x 18 NPTF; Square head
2	Pipe Plug	79	FP-5142549		Twin Plate-Dual; Oil Cooler Housing Cover; 3/4" - 14 Square Head
1	Pipe Plug	79	FP-5142549		Twin Plate-Dual; Oil Cooler Water Elbow; 3/4" - 14 Square Head
1	Pipe Plug	79	FP-5115214		Twin Plate-Dual; Oil Cooler Water Inlet; 1/2" Square Head
4	Pipe Plug	79	FP-8923847		Twin Plate-Dual; Oil Cooler Water Inlet; 1/4" x 18 NPTF; Square head
1	Pipe Plug	79	FP-5142549		Twin Plate-Dual; Oil Cooler Water Inlet; 3/4" - 14 Square Head
1	Oil Cooler Gasket Kit	79	FP-5149946		Oil Cooler Adaptor Cover
1	Oil Cooler Gasket	79	FP-8923512		Oil Cooler Adaptor Cover
2	Oil Cooler Gasket	79	FP-8923512		Oil Cooler Adaptor To Block
1	Oil Cooler Gasket	79	FP-8923512		Twin Plate; Oil Cooler Adaptor Cover
1	Oil Cooler Gasket	79	FP-23501587		Twin Plate; Oil Cooler Core, Element to Block
1	Oil Cooler Gasket	79	FP-23506522		Twin Plate-Dual; Oil Cooler Core Cover
1	Oil Cooler Gasket	79	FP-8923223		Outer
1	Oil Cooler Gasket	79	FP-8923223		Outer; Oil Cooler Core
1	Oil Cooler Gasket	79	FP-23501587		Outer; Twin Plate-Dual; Oil Cooler Core
1	Cyl. Block Water Hole Cvr Gsk	79	FP-5117734		Oil Cooler Housing Cover
1	Cyl. Block Water Hole Cvr Gsk	79	FP-5117734		Front; Twin Plate; Oil Cooler Water Elbow
2	O-Ring	79	FP-5193598		Tube-Type; Oil Cooler By-pass Tube Flange
2	Sealing Ring	79	FP-5102098		Twin Plate; Oil Cooler Water Outlet Hose; 3.60" OD x .620" Wide
1	Sealing Ring	79	FP-5102098		Twin Plate-Dual; Oil Cooler Water Outlet Hose; 3.60" OD x .620" Wide
1	Oil Cooler Core Gasket	79	FP-23501589		Outer; Twin Plate; Oil Cooler Housing Cover
1	Oil Cooler Core Gasket	79	FP-23501589		Outer; Twin Plate-Dual; Oil Cooler Core
1	Oil Cooler Seal Ring	79	FP-23501837		Oil Cooler Water Outlet Flange
1	Gasket	79	FP-5575086		Oil Cooler By-pass Plug
1	Gasket	79	FP-5575086		Oil Cooler Housing
1	Gasket	79	FP-5575086		Twin Plate-Dual; Oil Cooler By-pass Plug
1	Oil Cooler Core Inner Gasket	79	FP-5150155		
1	Oil Cooler Core Inner Gasket	79	FP-5150155		
1	Oil Cooler Core Inner Gasket	79	FP-5150155		Oil Cooler Housing Cover
1	Oil Cooler Core Inner Gasket	79	FP-23511304		Twin Plate-Dual; Oil Cooler Housing
1	Oil Cooler Core Inner Gasket	79	FP-5150155		Inner; Tube-Type; Oil Cooler Core
1	Oil Cooler Core Outer Gasket	79	FP-5102506		
1	Oil Cooler Core Outer Gasket	79	FP-5102506		Outer; Tube-Type; Oil Cooler Core
3	Oil Cooler Bypass Gasket	79	FP-5124798		Tube-Type; Oil Cooler By-pass Tube Flange
2	Oil Cooler Cover Gasket	79	FP-23501584		Twin Plate-Dual; Oil Cooler Housing Cover
1	Oil Cooler Cover Gasket	79	FP-23501584		Outer; Twin Plate; Oil Cooler Core
1	Oil Cooler Cover Gasket	79	FP-23501584		Outer; Twin Plate-Dual; Oil Cooler Core
1	Oil Cooler Housing Cover Gskt	79	FP-5124806		Tube-Type
2	Oil Cooler Housing Cover Gskt	79	FP-8924623		Twin Plate-Dual; Oil Cooler Housing Cover
1	Oil Cooler Housing Cover Gskt	79	FP-5124806		Inner; Tube-Type; Oil Cooler Core
1	Oil Cooler Housing Cover Gskt	79	FP-5124806		Outer; Tube-Type; Oil Cooler Core
1	Oil Cooler Housing Cover Gskt	79	FP-5126618		Outer; Tube-Type; Oil Cooler Core
2	Oil Cooler Adapter Cover Gskt	79	FP-5117535		
2	Oil Cooler Adapter Cover Gskt	79	FP-5117535		Tube-Type; Oil Cooler Inlet & Outlet Tube
1	Oil Cooler Adapter Cover Gskt	79	FP-23501596		Twin Plate
2	Oil Cooler Adapter Cover Gskt	79	FP-5117535		Twin Plate
2	Oil Cooler Adapter Cover Gskt	79	FP-5175882		Twin Plate
2	Oil Cooler Adapter Cover Gskt	79	FP-5117535		Twin Plate-Dual; Oil Cooler Adaptor-to-Block
1	Oil Cooler Adapter Cover Gskt	79	FP-5117535		Inner; Tube-Type; Oil Cooler Core
6	Copper Washer	79	FP-5155596		Oil Cooler Core; 5/16"; Special copper washer
12	Copper Washer	79	FP-5152148		Oil Cooler Housing Cover; 25/64" ID x 9/16" OD x 1/16" Thick; Copper
10	Copper Washer	79	FP-5155596		Oil Cooler Housing; 5/16"; Special copper washer
1	Copper Washer	79	FP-5152148		Oil Cooler Water Inlet; 25/64" ID x 9/16" OD x 1/16" Thick; Copper
6	Copper Washer	79	FP-5155596		Oil Cooler Water Inlet; 5/16"; Special copper washer
28	Copper Washer	79	FP-5152148		Tube-Type; Oil Cooler Cover; 25/64" ID x 9/16" OD x 1/16" Thick; Copper

(continued on next page)

Ford Truck - M/D & H/D

62 M/D Truck 8V-71 (2-Valve Cyl. Head), 8V-71E (4-Valve Cyl. Head), 8V-71N (4-Valve Cyl. Head) Engs.
 (cont.) 9.3L 568 OHV Diesel V8, 4.25" Bore (Detroit Diesel Eng.) 1979

ENGINE BLOCK & PARTS (cont.)

OIL COOLERS & FILTERS					
QTY		YEARS	PART NO.	SIZE	DESCRIPTION
6	Copper Washer	79	FP-5155596		Twin Plate; Oil Cooler Housing; 5/16"; Special copper washer
1	Copper Washer	79	FP-5152148		Twin Plate; Oil Cooler Water Elbow; 25/64" ID x 9/16" OD x 1/16" Thick; Copper
8	Copper Washer	79	FP-5155596		Twin Plate-Dual; Oil Cooler Housing Cover; 5/16"; Special copper washer
4	Copper Washer	79	FP-5152148		Twin Plate-Dual; Oil Cooler Water Elbow; 25/64" ID x 9/16" OD x 1/16" Thick; Copper
1	Clamp	79	FP-5143999		Oil Cooler Water Outlet; 3.50" T-Bolt
2	Clamp	79	FP-5143999		Twin Plate; Oil Cooler Water Outlet; 3.50" T-Bolt
1	Clamp	79	FP-5143999		Twin Plate-Dual; Oil Cooler Water Outlet Hose; 3.50" T-Bolt
2	Hose Clamp	79	FP-9139809		Oil Cooler Water Inlet Hose; 2 1/16" - 3"
2	Hose Clamp	79	FP-5188036		Oil Cooler Water Inlet Hose; 2.750" Dia. Hose
2	Hose Clamp	79	FP-9139809		Twin Plate; Oil Cooler Water Inlet; 2 1/16" - 3"
2	Hose Clamp	79	FP-5188036		Twin Plate; Oil Cooler Water Inlet; 2.750" Dia. Hose
2	Hose Clamp	79	FP-9139809		Twin Plate-Dual; Oil Cooler Water Inlet; 2 1/16" - 3"
1	Hose Clamp	79	FP-5188036		Twin Plate-Dual; Oil Cooler Water Inlet; 2.750" Dia. Hose
2	Bolt	79	FP-8923391		Oil Cooler Core; 3/8" - 16 x 1.880"
6	Bolt	79	FP-8923391		Oil Cooler Housing Cover; 3/8" - 16 x 1.880"
6	Bolt	79	FP-8927581		Oil Cooler Housing Cover; 3/8" - 16 x 1"
12	Bolt	79	FP-8927580		Oil Cooler Housing; 3/8" - 16 x .875"
8	Bolt	79	FP-8927580		Oil Cooler Water Inlet; 3/8" - 16 x .875"
4	Bolt	79	FP-8927581		Oil Cooler Water Outlet; 3/8" - 16 x 1"
6	Bolt	79	FP-8927581		Twin Plate; Oil Cooler Housing; 3/8" - 16 x 1"
1	Bolt	79	FP-8927581		Twin Plate; Oil Cooler Water Elbow; 3/8" - 16 x 1"
6	Bolt	79	FP-8927580		Twin Plate; Oil Cooler Water Inlet; 3/8" - 16 x .875"
2	Bolt	79	FP-8927581		Twin Plate; Oil Cooler Water Inlet; 3/8" - 16 x 1"
4	Bolt	79	FP-8927581		Twin Plate-Dual; Oil Cooler Water Elbow; 3/8" - 16 x 1"
QTY	FREEZE PLUGS	YEARS	PART NO.	SIZE	DESCRIPTION
1	Pipe Plug	79	FP-5121182		Oil Dipstick Adaptor; 1/4" - 18; Hex head
1	Pipe Plug	79	FP-8923847		Oil Filler Tube; 1/4" x 18 NPTF; Square head
QTY	DIPSTICK	YEARS	PART NO.	SIZE	DESCRIPTION
1	Dipstick	79	FP-5147185		Marked
1	Dipstick	79	FP-5102092		21" Length; Marked
1	Dipstick	79	FP-5101885		25" Length; Marked
1	Dipstick	79	FP-5162667		26" Length; Marked
1	Dipstick	79	FP-5146679		61" Length; Unmarked
1	Dipstick	79	FP-5146680		72" Length; Unmarked
1	Dipstick Guide	79	FP-5151430		1.50" Length
QTY	MISCELLANEOUS	YEARS	PART NO.	SIZE	DESCRIPTION
2	Bolt	79	FP-8927581		Oil Dipstick Adaptor; 3/8" - 16 x 1"
1	Bolt	79	FP-8927581		Oil Filler Tube; 3/8" - 16 x 1"
2	Screw	79	FP-5103642		Oil Filler Tube; No. 10 - 24 x .375"
1	Pipe Plug	79	FP-5121182		Oil Dipstick Adaptor; 1/4" - 18; Hex head
1	Pipe Plug	79	FP-8923847		Oil Filler Tube; 1/4" x 18 NPTF; Square head
2	Copper Washer	79	FP-5152148		Oil Dipstick Adaptor; 25/64" ID x 9/16" OD x 1/16" Thick; Copper
2	Lock Washer	79	FP-103319		Oil Dipstick Adaptor; .250"
1	Lock Washer	79	FP-103320		Oil Dipstick Adaptor; 5/16"
2	Lock Washer	79	FP-103321		Oil Filler Tube; 3/8"
1	Lock Nut	79	FP-103026		Oil Dipstick Adaptor; 3/8" x 24
1	Oil Filler Cap	79	FP-5107106		1.50" Dia.; Thermos Bottle Style
1	Oil Filler Cap	79	FP-5117362		2.00" Dia.; Thermos Bottle Style
CRANKSHAFT/OIL PUMP					
QTY	CRANKSHAFT	YEARS	PART NO.	SIZE	DESCRIPTION
1	Crankshaft	79	FP-5103264		
10	Bolt	79	FP-5116353		5/8" - 11 x 6.00"
10	Bolt	79	FP-5102374		5/8" - 11 x 6.60"
10	Washer	79	FP-5102373		.694" ID x 1.125" OD x .180" Thick
1	O-Ring	79	FP-23503769		Vibration Damper Rear Cone
1	Oil Seal	79	FP-23512418		Vibration Damper Pulley Drive Shaft
2	Woodruff Key	79	FP-8928545		Crankshaft Key; 3/16" x 7/8" Woodruff
4	Dowel Pin	79	FP-141346		.1875" x .500"
QTY	SEALS - FRONT CRANK	YEARS	PART NO.	SIZE	DESCRIPTION
1	Oil Seal	79	FP-8927746		Front; RH Engine; Double Lip; PTFE Material
1	Oil Seal	79	FP-8927748		Front; RH Engine; Double Lip, Oversized; PTFE Material
1	Oil Seal	79	FP-5115454		Front; Single Lip, Std.

(continued on next page)

Ford Truck - M/D & H/D

M/D Truck 8V-71 (2-Valve Cyl. Head), 8V-71E (4-Valve Cyl. Head), 8V-71N (4-Valve Cyl. Head) Engs. (cont.)
 9.3L 568 OHV Diesel V8, 4.25" Bore (Detroit Diesel Eng.) 1979

CRANKSHAFT/OIL PUMP (cont.)

QTY	SEALS - FRONT CRANK (cont.)	YEARS	PART NO.	SIZE	DESCRIPTION
1	Oil Seal Spacer	79	FP-23507306		Front; 2.50" ID x 2.81" Length
1	O-Ring	79	FP-23503769		Front; Use w/Spacers
QTY	SEALS - REAR CRANK	YEARS	PART NO.	SIZE	DESCRIPTION
1	Oil Seal	79	FP-5196927		Rear; Non-Directional; Double Lip; O/S Shaft Dia. 4.812"
1	Oil Seal	79	FP-5127821		Rear; Non-Directional; Double Lip, Std.; Shaft Dia. 4.687"
1	Oil Seal	79	FP-5197860		Rear; Non-Directional; Single lip; O/S Shaft dia. 4.812"
1	Oil Seal	79	FP-5114335		Rear; Non-Directional; Single Lip, Std.; Shaft Dia. 4.687"
1	Oil Seal	79	FP-8927746		Rear; RH Engine; Double Lip; PTFE Material
1	Oil Seal	79	FP-8927748		Rear; RH Engine; Double Lip, Oversized; PTFE Material
1	Oil Seal	79	FP-8926761		Rear; RH Engine; Std.; Single lip; R.H. Rotation
1	Oil Seal Spacer	79	FP-5192496		Rear; For Single Lip Seals Only
1	Redi-Sleeve	79	FP-23507225		Rear; For O/S Seals
QTY	MAIN BEARINGS	YEARS	PART NO.	SIZE	DESCRIPTION
5	Plain Main Brg.	79	FP-5149565	STD	Upper brg. w/elongated oil slot (acceptable as replacement for brg. w/11/32" oil hole)
5	Plain Main Brg.	79	FP-5149566	2	Upper brg. w/elongated oil slot (acceptable as replacement for brg. w/11/32" oil hole)
5	Plain Main Brg.	79	FP-5149567	10	Upper brg. w/elongated oil slot (acceptable as replacement for brg. w/11/32" oil hole)
5	Plain Main Brg.	79	FP-5149568	20	Upper brg. w/elongated oil slot (acceptable as replacement for brg. w/11/32" oil hole)
5	Plain Main Brg.	79	FP-8922118	30	Upper brg. w/elongated oil slot (acceptable as replacement for brg. w/11/32" oil hole)
5	Plain Main Brg.	79	FP-5149556	STD	Upper brg. w/o elongated oil slot
5	Plain Main Brg.	79	FP-5149557	2	Upper brg. w/o elongated oil slot
5	Plain Main Brg.	79	FP-5149559	10	Upper brg. w/o elongated oil slot
5	Plain Main Brg.	79	FP-5149561	20	Upper brg. w/o elongated oil slot
5	Plain Main Brg.	79	FP-5149563	30	Upper brg. w/o elongated oil slot
4	Thrust Washer	79	FP-5117005	STD	
4	Thrust Washer	79	FP-5196753	5	
4	Thrust Washer	79	FP-5196754	10	
QTY	OIL PUMP	YEARS	PART NO.	SIZE	DESCRIPTION
1	Inter. Shaft	79	FP-5126350		Driven Gear
1	Oil Pump Cover Gasket	79	FP-29503153		Cover Flange; 2.40" B.C.
1	Oil Pump Cover Gasket	79	FP-5123235		Cover Flange; 2.44" B.C.
1	Bushing	79	FP-5123303		Oil Pump Driven Gear
1	Woodruff Key	79	FP-8928545		Oil Pump Drive Gear; 3/16" x 7/8" Woodruff
2	Bolt	79	FP-8927580		Oil Pump Cover Flange; 3/8" - 16 x .875"
2	Bolt	79	FP-8927580		Oil Pump Cover; 3/8" - 16 x .875"
1	Bolt	79	FP-8927580		Oil Pump Inlet; 3/8" - 16 x .875"
2	Bolt	79	FP-8927581		Oil Pump Inlet; 3/8" - 16 x 1"
1	Washer	79	FP-5104439		Oil Pump Cover; 7/16" x 1.250" Dia.; Dished
2	Lock Washer	79	FP-103321		Oil Pump Cover Flange; 3/8"
2	Lock Washer	79	FP-103321		Oil Pump Cover; 3/8"
2	Lock Washer	79	FP-103321		Oil Pump Front Cover; 3/8"
2	Lock Washer	79	FP-103321		Oil Pump Inlet Pipe Bracket; 3/8"
6	Lock Washer	79	FP-103321		Oil Pump Inlet Pipe; 3/8"
2	Lock Washer	79	FP-103320		Oil Pump Inlet Pipe; 5/16"
1	Plastic Cap	79	FP-5136240		Oil Pump Front Cover; .250" Dia.
1	Pipe Plug	79	FP-8924517		Oil Pump Body; 3/8" x 18 square head
1	Gasket	79	FP-5126160		Oil Pump Inlet Pipe; 1.80" B.C.
1	O-Ring	79	FP-5187316		By-Pass Valve Plug Seal
1	Oil Filter Gasket	79	FP-5121205		Oil Filter Adaptor
1	Oil Filter Gasket	79	FP-1595620		Rectangular Section
2	Lo Press. Reg. Body Gasket	79	FP-5117269		
1	Lo Pressure Regulator Valve	79	FP-8922740		
1	Gasket	79	FP-5575086		By-Pass Valve Plug Seal
1	Lock Nut	79	FP-114498		Oil Filter Mounting; 5/8" - 18, Jam Nut
1	Oil Filter Adapter Gasket	79	FP-23501590		
1	Oil Filter Adapter Gasket	79	FP-5122533		
1	Oil Filter Adapter Gasket	79	FP-5136701		
1	Oil Filter Adapter Gasket	79	FP-8924412		By-Pass
1	Oil Filter Adapter Gasket	79	FP-8924413		By-Pass
1	Oil Pump Spring	79	FP-5126326		Oil Pressure Regulator; .520" Dia., 2.570" Length
2	Oil Pump Spring	79	FP-5126327		Oil Pressure Regulator; .790" Dia., 2.96" Length
1	Pipe Plug	79	FP-8923847		Oil Filter Adaptor; 1/4" x 18 NPTF; Square head

(continued on next page)

Ford Truck - M/D & H/D

62 M/D Truck 8V-71 (2-Valve Cyl. Head), 8V-71E (4-Valve Cyl. Head), 8V-71N (4-Valve Cyl. Head) Engs.
 (cont.) 9.3L 568 OHV Diesel V8, 4.25" Bore (Detroit Diesel Eng.) 1979

CRANKSHAFT/OIL PUMP (cont.)

QTY	OIL PUMP (cont.)	YEARS	PART NO.	SIZE	DESCRIPTION
1	Pipe Plug	79	FP-5142549		Oil Filter Drain Plug; 3/4" - 14 Square Head
1	Pipe Plug	79	FP-5121182		Oil Filter Housing; 1/4" - 18; Hex head
1	Pipe Plug	79	FP-5115214		Oil Pan Drain Plug; 1/2" Square Head
1	Pipe Plug	79	FP-5121182		Oil Pan Drain Plug; 1/4" - 18; Hex head
1	Pipe Plug	79	FP-8923847		Oil Pan Drain Plug; 1/4" x 18 NPTF; Square head
1	Pipe Plug	79	FP-8924517		Oil Pan Drain Plug; 3/8" x 18 square head
1	Pipe Plug	79	FP-5115214		Oil Pan Sump; 1/2" Square Head
1	Pipe Plug	79	FP-5115214		Oil Pan; 1/2" Square Head
1	Pipe Plug	79	FP-5142549		Oil Pan; 3/4" - 14 Square Head

CYLINDER COMPONENTS

QTY	LINERS	YEARS	PART NO.	SIZE	DESCRIPTION
8	Liner w/o Sealing Rings	79	FP-5193732	5	Flanged, 1.050" port length
8	Liner w/o Sealing Rings	79	FP-5193733	10	Flanged, 1.050" port length
8	Liner w/o Sealing Rings	79	FP-5193734	20	Flanged, 1.050" port length
8	Liner w/o Sealing Rings	79	FP-5193735	30	Flanged, 1.050" port length
8	Liner w/o Sealing Rings	79	FP-23502020	STD	No. 1 Bore; Flanged, 1.050" port length
8	Liner w/o Sealing Rings	79	FP-23502021	STD	No. 2 Bore; Flanged, 1.050" port length
8	Liner w/o Sealing Rings	79	FP-23502022	STD	No. 3 Bore; Flanged, 1.050" port length
8	Liner w/o Sealing Rings	79	FP-23504936	STD	No. 4 Bore; Flanged, 1.050" port length
6	Cylinder Kit Complete	79	FP-23522951	10	w/Cross Head style piston; 1.050" port length sleeve
6	Cylinder Kit Complete	79	FP-23522525	20	w/Cross Head style piston; 1.050" port length sleeve
6	Cylinder Kit Complete	79	FP-5149263	10	w/Trunk style piston; 4 Valve Head; 1.05" port length sleeve
6	Cylinder Kit Complete	79	FP-5149264	20	w/Trunk style piston; 4 Valve Head; 1.05" port length sleeve
6	Cylinder Kit Complete	79	FP-20022	STD	No. 1 Bore; w/Cross Head style piston
6	Cylinder Kit Complete	79	FP-20011	STD	No. 1 Bore; w/Trunk style piston; 4 Valve Head; 1.05" port length sleeve
6	Cylinder Kit Complete	79	FP-23522949	STD	No. 2 Bore; w/Cross Head style piston; 1.050" port length sleeve
6	Cylinder Kit Complete	79	FP-23505305	STD	No. 2 Bore; w/Trunk style piston; 4 Valve Head; 1.05" port length sleeve
6	Cylinder Kit Complete	79	FP-23522947	STD	No. 3 Bore; w/Cross Head style piston; 1.050" port length sleeve
6	Cylinder Kit Complete	79	FP-23505306	STD	No. 3 Bore; w/Trunk style piston; 4 Valve Head; 1.05" port length sleeve
6	Cylinder Kit Complete	79	FP-23522521	STD	No. 4 Bore; w/Cross Head style piston; 1.050" port length sleeve
6	Cylinder Kit Complete	79	FP-5149261	STD	No. 4 Bore; w/Trunk style piston; 4 Valve Head; 1.05" port length sleeve
8	O-Ring	79	FP-8922221		w/Cross Head style piston
8	Flange Shim	79	FP-5199569	2	.002" Thick
8	Cntr. Bore Insert	79	FP-5199871		.0015" Thicker than std., for .010-.030 O/S sleeves
8	Cntr. Bore Insert	79	FP-5148399		.0015" Thicker than std., for std.-.005 O/S sleeves
8	Cntr. Bore Insert	79	FP-5148440		.0015" Thinner than std., for std.-.005 O/S sleeves
8	Cntr. Bore Insert	79	FP-5194073		.0035 Thinner than std., for std.-.005 O/S sleeves
8	Cntr. Bore Insert	79	FP-5194163		.0040 Thinner than std., for .010-.030 O/S sleeves
8	Cntr. Bore Insert	79	FP-5194164		.0080" Thinner than std., for .010-.030 O/S sleeves
8	Cntr. Bore Insert	79	FP-5193316		Std. thickness (.1795-.1800), for .010-.030 O/S sleeves
8	Cntr. Bore Insert	79	FP-5184484		Std. thickness (.1795-.1800), for std.-.005 O/S sleeves

QTY	PISTONS	YEARS	PART NO.	SIZE	DESCRIPTION
8	Piston With Retainers	79	FP-5149234	STD	18.7:1 C.R.; Trunk style piston; 4 Valve Head
8	Piston Dome Kit	79	FP-23522535		18.7:1 C.R.; w/Cross Head style piston
8	Crosshead Piston Dome	79	FP-23522026	STD	18.7:1 C.R.; w/Cross Head style piston
8	Piston Skirt	79	FP-23522070	STD	
8	Pin	79	FP-5101120	STD	w/Cross Head style piston
8	Pin	79	FP-5144744	STD	w/Cross Head style piston; Nut plate type
8	Pin	79	FP-5188406	STD	w/Trunk style piston
16	Piston Pin Retainer	79	FP-5180250		w/Cross Head style piston
16	Piston Pin Retainer	79	FP-5188405		w/Trunk style piston
16	Piston Pin Bolt	79	FP-5148373		7/16" - 20 x 2.00" Length
16	Piston Pin Bolt Spacer	79	FP-5144846		w/Cross Head style piston
8	Piston Pin Slipper Bearing	79	FP-23501687		w/Cross Head style piston; Slipper type design - 1 per cyl.
8	Pin Bushing	79	FP-5157274		w/.015" extra ID bore stock
16	Pin Bushing	79	FP-5155839		w/Trunk style piston
8	Pin Bushing	79	FP-2409Y		w/1.5020" I.D., 1.7510" O.D., .7600" O.A.L.
8	Pin Bushing	79	2409Y +		w/1.5020" I.D., 1.7510" O.D., .7600" O.A.L.; When depleted use FP-2409Y

QTY	CONNECTING RODS & BRGS.	YEARS	PART NO.	SIZE	DESCRIPTION
8	Rod Pair	79	FP-5149572	STD	
8	Rod Pair	79	FP-5149573	2	

(continued on next page)

+ Superseded Part Number

Ford Truck - M/D & H/D

M/D Truck 8V-71 (2-Valve Cyl. Head), 8V-71E (4-Valve Cyl. Head), 8V-71N (4-Valve Cyl. Head) Eng. (cont.) **62**
 9.3L 568 OHV Diesel V8, 4.25" Bore (Detroit Diesel Eng.) 1979

CYLINDER COMPONENTS (cont.)

CONNECTING RODS & BRGS. (cont.)					
QTY		YEARS	PART NO.	SIZE	DESCRIPTION
8	Rod Pair	79	FP-5149575	10	
8	Rod Pair	79	FP-5149577	20	
8	Rod Pair	79	FP-5149579	30	
PISTON RINGS					
QTY		YEARS	PART NO.	SIZE	DESCRIPTION
8	Ring Set Single Cylinder	79	FP-23522955	STD	Cross Head style piston; Std. gap Fire Ring
8	Ring Set Single Cylinder	79	FP-23514970	STD	Trunk style piston; 4 Valve Head; 4-.084, 2-3/16 (1 cyl. Set)
8	Compression Ring	79	FP-8924084		Cross Head style piston; Std. gap Fire Ring
16	Compression Ring	79	FP-8926351		Cross Head style piston; 2nd & 3rd grooves
32	Compression Ring	79	FP-5102648		Trunk style piston; 4 Valve Head
16	Ring, Oil Control Set	79	FP-23522534		Cross Head style piston; For one groove
8	Ring, Oil Control Set	79	FP-23514965		Trunk style piston; 4 Valve Head; Set for one piston
CLUTCH					
QTY	CLUTCH	YEARS	PART NO.	SIZE	DESCRIPTION
1	Ball Brg.	79	FP-23503706		Clutch Pilot
1	Ball Brg.	79	FP-23503707		Clutch Pilot
1	Ball Brg.	79	FP-23503709		Clutch Pilot
KITS					
QTY	OVERHAUL KIT	YEARS	PART NO.	SIZE	DESCRIPTION
1	In-Frame Overhaul Kit	79	FP-8V71XH		w/Cross Head style piston; Valve cover gsks. not incl.
1	In-Frame Overhaul Kit	79	FP-8V71NA		w/Trunk style piston & 1.050" Port Length Sleeve. Valve cover gskt. not incl.
1	Complete Overhaul Kit	79	FP-8V71XHOH		w/Cross Head style piston; Valve cover gsks. not incl.
1	Complete Overhaul Kit	79	FP-8V71NAOH		w/Trunk style piston & 1.050" Port Length Sleeve. Valve cover gskt. not incl.

H/D Truck 8V-71 (2-Valve Cyl. Head), 8V-71E (4-Valve Cyl. Head), 8V-71N (4-Valve Cyl. Head) Eng. **63**
 9.3L 568 OHV Diesel V8, 4.25" Bore (Detroit Diesel Eng.) 1966-89

CYL. HEAD & PARTS

QTY	GASKETS	YEARS	PART NO.	SIZE	DESCRIPTION
2	Valve Cover Gasket	89-66	FP-5104081		Engs. w/cast Alum. valve cover; Silicone
2	Valve Cover Gasket	89-66	FP-5143406		Engs. w/Steel valve cover; Neoprene
8	Head Gasket	89-66	FP-5103659		Compression Gasket
2	Head Set	89-66	FP-5196381		Accommodates One Head
1	Breather Seal Ring	89-66	FP-5103646		Breather Hole Plug
1	Breather Seal Ring	89-66	FP-5103646		Breather Shell Cover
1	Accessory Drive Gasket	89-66	FP-23515145		Oil Filler Tube Adaptor
2	Governor Hole Gasket	89-66	FP-5123812		Breather Elbow Gasket
1	Crankcase Breather	89-66	FP-5101760		Breather Element; 4"
1	Oil Filler Tube Gasket	89-66	FP-5120540		Tube Adaptor
6	Governor Hole Gasket	89-66	FP-5123812		Cyl. Head
12	O-Ring	89-66	FP-5186579		Cyl. Head Water Seal
14	Bolt	89-66	FP-5117003		Cyl. Head; 5/8" x 5.375"
1	Bolt	89-66	FP-5103635		Throttle Delay; 3/8" - 16 x 2.90"
4	Stud	89-66	FP-5148504		Rocker Cover; 3/8" - 16 x 4.32"
8	Lock Nut	89-66	FP-103026		Cyl. Head; 3/8" x 24
6	Nut	89-66	FP-5150013		Cyl. Head; 5/8" - 18
8	Lock Washer	89-66	FP-103321		Cyl. Head; 3/8"
1	Washer	89-66	FP-5131433		Breather Pipe; .410" x .810" x .1345"
1	Washer	89-66	FP-106261		Breather Pipe; 5/16" x 3/4"
2	Hose Clamp	89-66	FP-5186840		Breather Hose; 13/16" - 1 1/2" Clamping Range
2	Hose Clamp	89-66	FP-5104592		Breather Hose; 2.50" Dia.
2	Bolt	89-66	FP-443603		Breather Elbow; .250" x 20 x .750"
2	Bolt	89-66	FP-8921930		Breather Elbow; 1/4" - 20 x 3/4"
2	Bolt	89-66	FP-8927581		Breather Elbow; 3/8" - 16 x 1"
2	Bolt	89-66	FP-8927581		Breather Pipe; 3/8" - 16 x 1"
1	Bolt	89-66	FP-8927580		Breather; 3/8" - 16 x .875"
1	Screw	89-66	FP-5103642		Breather Pipe; No. 10 - 24 x .375"
1	Lock Washer	89-66	FP-103320		Breather Body; 5/16"
2	Lock Washer	89-66	FP-103319		Breather Elbow; .250"
2	Lock Washer	89-66	FP-103321		Breather Elbow; 3/8"
4	Isolator Bushing	89-66	FP-5104515		Rocker Cover

(continued on next page)

Ford Truck - M/D & H/D

63 H/D Truck 8V-71 (2-Valve Cyl. Head), 8V-71E (4-Valve Cyl. Head), 8V-71N (4-Valve Cyl. Head) Engs.
 (cont.) 9.3L 568 OHV Diesel V8, 4.25" Bore (Detroit Diesel Eng.) 1966-89

CYL. HEAD & PARTS (cont.)

QTY	HEAD BOLTS	YEARS	PART NO.	SIZE	DESCRIPTION
8	Washer	89-66	FP-5125108		Fuel Stand Pipe; 7/16" x 3/4" x 1/16"
4	Washer	89-66	FP-5104514		Rocker Cover Isolator; .47" x 2.00" x .20"
QTY	MISCELLANEOUS	YEARS	PART NO.	SIZE	DESCRIPTION
9	Pipe Plug	89-66	FP-5121182		Cyl. Head; 1/4" - 18; Hex head
17	Pipe Plug	89-66	FP-8923847		Cyl. Head; 1/4" x 18 NPTF; Square head
2	Pipe Plug	89-66	FP-5142549		Cyl. Head; 3/4" - 14 Square Head
3	Pipe Plug	89-66	FP-8924517		Cyl. Head; 3/8" x 18 square head
5	Stud	89-66	FP-8925804		Exh. Manifold; 7/16" - 14/20" x 2 3/32"
8	Stud	89-66	FP-8927270		Water Manifold; 3/8" - 16/24" x 1.6875"
16	Bolt	89-66	FP-443603		Cam Follower; .250" x 20 x .750"
QTY	FREEZE PLUGS	YEARS	PART NO.	SIZE	DESCRIPTION
9	Pipe Plug	89-66	FP-5121182		Cyl. Head; 1/4" - 18; Hex head
17	Pipe Plug	89-66	FP-8923847		Cyl. Head; 1/4" x 18 NPTF; Square head
2	Pipe Plug	89-66	FP-5142549		Cyl. Head; 3/4" - 14 Square Head
3	Pipe Plug	89-66	FP-8924517		Cyl. Head; 3/8" x 18 square head
1	Expansion Plug	89-66	FP-5117186		Cyl. Head; 2" Dia. Cup; Stainless Steel
4	Expansion Plug	89-66	FP-5150132		Cyl. Head; 3/4" Dia. Cup
6	Expansion Plug	89-66	FP-5154453		Cyl. Head; 3/8" - 16 Headless Special
4	Expansion Plug	89-66	FP-5178976		Cyl. Head; 7/16" - 14 Special
QTY	VALVE	YEARS	PART NO.	SIZE	DESCRIPTION
16	Exhaust Valve Kit	89-66	FP-5193666		w/2 Valve Head; Jet Blade; Contains (1) FP-5186381 & (2) FP-23507238; 30 Degree
32	Exhaust Valve Kit	89-66	FP-23500501		w/4 Valve Head; N & T; Contains (1) FP-8922516 & (2) FP-5111337
16	Valve Guide Cap	89-66	FP-5199914		Exh.; w/2 Valve Head; Seal installer; Clear
32	Keeper	89-66	FP-23507238		w/2 Valve Head; 1 groove; Square cut key groove
64	Keeper	89-66	FP-5111337		w/4 Valve Head; 1 groove; Square cut key groove
QTY	VALVE SEAT	YEARS	PART NO.	SIZE	DESCRIPTION
16	Exh.	89-66	FP-5198230	10	w/2 Valve Head; 30 Deg. seat; .010" O/S; 1.6380" OD, 1.3440" ID, .2485" Depth
16	Exh.	89-66	FP-8927920	STD	w/2 Valve Head; 30 Deg. seat; 1.6280" OD, 1.3440" ID, .2485" Depth
32	Exh.	89-66	FP-5197167	10	w/4 Valve Head; 30 Deg. seat; .010" O/S; 1.2720" OD, .9770" ID, .2355" Depth
32	Exh.	89-66	FP-5101101	STD	w/4 Valve Head; 30 Deg. seat; 1.2620" OD, .9770" ID, .2490" Depth
QTY	VALVE GUIDE	YEARS	PART NO.	SIZE	DESCRIPTION
16	Guide	89-66	FP-5120930		Exh.; w/2 Valve Head
16	Guide	89-66	FP-5192717		Exh.; w/2 Valve Head; .0162" O/S
32	Guide	89-66	FP-5129919		Exh.; w/4 Valve Head; 2 3/8" length; .3130" ID, 2.3800" O.A.L.
QTY	VALVE SPRING	YEARS	PART NO.	SIZE	DESCRIPTION
16	Spring	89-66	FP-5150289		Exh.; w/2 Valve Head; .177" Wire dia.
32	Spring	89-66	FP-5111339		Exh.; w/4 Valve Head; .135" Wire dia.
32	Spring	89-66	FP-5147347		Exh.; w/4 Valve Head; .148" Wire dia.
32	Spring Insert	89-66	FP-5111467		Exh.; Exh. Valve Spring Washer
16	Spring Cap	89-66	FP-5150291		Exh.; w/2 Valve Head
32	Spring Cap	89-66	FP-5117563		Exh.; w/4 Valve Head
QTY	PUSH RODS	YEARS	PART NO.	SIZE	DESCRIPTION
24	Push Rod	89-66	FP-5128640		
24	Push Rod Seat	89-66	FP-5123250		Lower
24	Push Rod Seat	89-66	FP-5150302		Upper; Flange type
24	Push Rod Spring	89-66	FP-5186858		.177" Wire diameter
24	Push Rod Retainer	89-66	FP-5150303		
24	Lock Nut	89-66	FP-5151601		Push Rod Nut; 5/16" - 24
QTY	VALVE MISC.	YEARS	PART NO.	SIZE	DESCRIPTION
16	Lock Nut	89-66	FP-5151601		Exh.; Valve Bridge; 5/16" - 24
16	Valve Spring Seat	89-66	FP-5150292		Exh.; w/2 Valve Head
32	Valve Spring Seat	89-66	FP-5117562		Exh.; w/4 Valve Head
QTY	VALVE SEAL	YEARS	PART NO.	SIZE	DESCRIPTION
16	Valve Stem Seal	89-66	FP-23500480		Exh.; w/2 Valve Head
32	Valve Stem Seal	89-66	FP-8921209		Exh.; w/4 Valve Head
32	Tools	89-66	FP-5199913		Exh.; w/4 Valve Head; Seal installer; Green Stripe
QTY	ROCKER PARTS	YEARS	PART NO.	SIZE	DESCRIPTION
8	Arm Assy.	89-66	FP-5148472		Exh. L.H.
8	Arm Assy.	89-66	FP-5148475		Exh. R.H.

(continued on next page)

Ford Truck - M/D & H/D

H/D Truck 8V-71 (2-Valve Cyl. Head), 8V-71E (4-Valve Cyl. Head), 8V-71N (4-Valve Cyl. Head) Engs. (cont.)
 9.3L 568 OHV Diesel V8, 4.25" Bore (Detroit Diesel Eng.) 1966-89

CYL. HEAD & PARTS (cont.)

QTY	ROCKER PARTS (cont.)	YEARS	PART NO.	SIZE	DESCRIPTION
8	Arm Assy.	89-66	FP-23502616		Injector; DDEC Coach; Blue Paint I.D.
8	Arm Assy.	89-66	FP-8923554		Injector; Unbushed Clevis, Orange paint I.D.
8	Rocker Shaft	89-66	FP-23500714		
16	Rocker Shaft Bracket Bolt	89-66	FP-5150325		1/2" - 13 x 4.250"
16	Arm Support	89-66	FP-5103903		Rocker Shaft Bracket
16	Rocker Bushing	89-66	FP-5123700		Exh.; Clevis Bushing; .5625" OD
16	Rocker Bushing	89-66	FP-23517217		Exh.; Large; .8755" ID, .9475" OD, .840" Length, .0360" Wall thickness
16	Rocker Bushing	89-66	FP-8924354		Exh.; Rocker Arm Bushing; Small
8	Rocker Bushing	89-66	FP-5123700		Injector; Clevis Bushing; .5625" OD
8	Rocker Bushing	89-66	FP-8924355		Injector; Large
8	Rocker Bushing	89-66	FP-8924354		Injector; Small
24	Follower Assy.	89-66	FP-8924439		
24	Cam Follower Roller Set	89-66	FP-8923814		Pin & Roller Assy.; Incl. pin & roller
16	Valve Bridge Adj. Screw	89-66	FP-5129101		Exh.; 5/16" - 24 x 1"
16	Valve Bridge	89-66	FP-5117565		Exh.
16	Valve Bridge Guide	89-66	FP-5117564		Exh.; Press fit
16	Valve Bridge Guide	89-66	FP-51175646		Exh.; Press fit w/.006" O/S
16	Valve Bridge Guide	89-66	FP-5196843		Exh.; Threaded
16	Rocker Arm Clevis Pin	89-66	FP-5150314		Exh.
8	Rocker Arm Clevis Pin	89-66	FP-5150314		Injector
16	Bushing	89-66	FP-5122445 +		Exh.; Rocker Arm Bushing; Large; When depleted use FP-23517217
8	Bushing	89-66	FP-23502615		Injector; Clevis Bushing; .6295" OD
16	Lock Washer	89-66	FP-103319		Cam Follower; .250"

INT & EXH MANIFOLDS

QTY	INT. & EXH. MANIFOLDS	YEARS	PART NO.	SIZE	DESCRIPTION
4	Exhaust Manifold Gasket	89-66	FP-5156319		Exh. Manifold Cover Plate
2	Exhaust Manifold Gasket	89-66	FP-5156319		Exh. Manifold Water Outlet Flange
4	Exhaust Manifold Gasket	89-66	FP-5150195		Exh. Manifold; Ends; Composition
4	Exhaust Manifold Gasket	89-66	FP-5120224		Exh. Manifold; Ends; Metal Clad
2	Exhaust Manifold Gasket	89-66	FP-5163811		Exh. Outlet; 4.375" I.D.
1	Gasket	89-66	FP-5113412		Exh. Manifold Cover Plate
2	Exhaust Pipe Gasket	89-66	FP-5145238		Exh. Manifold Adaptor
4	Pipe Plug	89-66	FP-5142549		Exh. Manifold; 3/4" - 14 Square Head
2	Clamp	89-66	FP-5132650		Exh. Flange; 5.250" Dia.
2	Clamp	89-66	FP-5146165		Exh. Manifold; 3.88" Dia.; Marmon
12	Bolt	89-66	FP-8925603		Exh. Manifold Cover Plate; 5/16" - 18 x 3/4"; Vibra-Tite®
16	Stud	89-66	FP-8925804		Exh. Manifold to Head; 7/16" - 14/20" x 2 3/32"
14	Nut	89-66	FP-9411981		Exh. Manifold; 3/8" - 24 Lock Nut
10	Washer	89-66	FP-5104439		Exh. Manifold; 7/16" x 1.250" Dia.; Dished
12	Lock Washer	89-66	FP-103320		Exh. Manifold; 5/16"

QTY	AIR INTAKE	YEARS	PART NO.	SIZE	DESCRIPTION
2	Air Intake Housing Gasket	89-66	FP-5145086		
2	Air Intake Housing Gasket	89-66	FP-5101412		11.60" ID, w/Eight 15/32" Holes
2	Air Intake Housing Gasket	89-66	FP-5101408		15.48" I.D., w/Ten 15/32" Holes
2	Air Intake Housing Gasket	89-66	FP-5123703		5.68" ID, w/Eight 13/32" Holes
2	Air Intake Housing Gasket	89-66	FP-5122692		7.88" ID, w/Eight 13/32" Holes
2	Air Intake Housing Gasket	89-66	FP-5134838		8.00" Long, w/Four 13/32" Holes
2	Gasket	89-66	FP-5145235		Air Inlet Housing Striker Plate
4	Bolt	89-66	FP-179803		Air Inlet Housing; 1/4" x 20 x 1.750"
8	Bolt	89-66	FP-8927580		Air Silencer; 3/8" - 16 x .875"
1	Lock Nut	89-66	FP-103026		Air Inlet Housing; 3/8" x 24
2	Washer	89-66	FP-5159714		Air Inlet Housing; 11/16" x 1/8"
1	Lock Washer	89-66	FP-103320		Air Inlet Housing; 5/16"
8	Lock Washer	89-66	FP-103321		Air Silencer; 3/8"
8	Lock Washer	89-66	FP-103320		Air Silencer; 5/16"
2	O-Ring	89-66	FP-5179232		Air Inlet Housing Shutdown Valve; .424" x .103"
1	Pipe Plug	89-66	FP-5115214		Air Inlet Housing; 1/2" Square Head
1	Pipe Plug	89-66	FP-5121182		Air Inlet Housing; 1/4" - 18; Hex head
1	Pipe Plug	89-66	FP-8923847		Air Inlet Housing; 1/4" x 18 NPTF; Square head
1	Pipe Plug	89-66	FP-5142549		Air Inlet Housing; 3/4" - 14 Square Head
1	Pipe Plug	89-66	FP-5142549		Air Silencer; 3/4" - 14 Square Head

CAMSHAFT GROUP

QTY	TIMING	YEARS	PART NO.	SIZE	DESCRIPTION
1	Cam Gear	89-66	FP-8926631		RH Helix, RH Engine; R.H. Helix

(continued on next page)

+ Superseded Part Number

Ford Truck - M/D & H/D

63 H/D Truck 8V-71 (2-Valve Cyl. Head), 8V-71E (4-Valve Cyl. Head), 8V-71N (4-Valve Cyl. Head) Engs.
 (cont.) 9.3L 568 OHV Diesel V8, 4.25" Bore (Detroit Diesel Eng.) 1966-89

CAMSHAFT GROUP (cont.)

QTY	TIMING (cont.)	YEARS	PART NO.	SIZE	DESCRIPTION
2	Bolt	89-66	FP-454992		Idler Gear Assembly; 1/2" - 13 x 2 1/2
1	Washer	89-66	FP-5167714		Idler Gear Assembly; 17/32" x 7/8" x 3/32"
QTY	CAMSHAFT TIMING	YEARS	PART NO.	SIZE	DESCRIPTION
2	Camshaft Pulley Spacer	89-66	FP-5116485		Front; Camshaft Gear; .640" Length
QTY	CAMSHAFT/LIFTER	YEARS	PART NO.	SIZE	DESCRIPTION
4	Camshaft Thrust Washer	89-66	FP-5111424		
4	Camshaft Thrust Washer	89-66	FP-5194826		
4	Camshaft Thrust Washer	89-66	FP-5194827		
1	Bolt	89-66	FP-5145092		Camshaft; 3/8" - 24 x 1.20", Self-Locking
1	Bolt	89-66	FP-9412015		For OEM Camshafts 5146074 & 5146163; 9/16" - 18 x 2.500"
1	Lock Washer	89-66	FP-5177769		Camshaft; 1.125"
1	Lock Washer	89-66	FP-5177769		Camshaft; 1.125"
8	Lock Washer	89-66	FP-103321		Camshaft; 3/8"
1	Oil Seal	89-66	FP-23516871		Left Bank; Front
4	Camshaft Plug	89-66	FP-5151277		.500" Drive; 15/32" x 1/2"
1	Woodruff Key	89-66	FP-8926247		.250" x .750"

ACCESSORY DRIVE

QTY	ACCESSORY DRIVE	YEARS	PART NO.	SIZE	DESCRIPTION
1	Oil Seal	89-66	FP-5131329		Accessory Drive
1	Oil Seal	89-66	FP-5138710		Accessory Drive
1	Oil Seal	89-66	FP-5102456		Accessory Drive Pulley
1	Oil Seal Kit	89-66	FP-5198175		Accessory Drive Seal & Brg.
1	Ball Brg.	89-66	FP-23503727		Accessory Drive
1	Water Pump Retainer Ring	89-66	FP-9415285		Accessory Drive Lock Ring; Large; External
1	Water Pump Retainer Ring	89-66	FP-9415285		Accessory Drive Retainer Bearing; Large; External
6	Bolt	89-66	FP-8927580		Accessory Drive Gear; 3/8" - 16 x .875"
14	Bolt	89-66	FP-8927581		Accessory Drive Gear; 3/8" - 16 x 1"
4	Bolt	89-66	FP-5145092		Accessory Drive; 3/8" - 24 x 1.20", Self-Locking
6	Bolt	89-66	FP-5185793		Accessory Drive, Internal Gear Mount
2	Stud	89-66	FP-8927270		Accessory Drive; 3/8" - 16/24" x 1.6875"
1	Expansion Plug	89-66	FP-9428477		Accessory Drive; 15/16" Dia.
2	Bushing	89-66	FP-5120501		Accessory Drive Gear
2	Bushing	89-66	FP-5120501		Accessory Drive Gear
1	Pipe Plug	89-66	FP-5121182		Accessory Drive; 1/4" - 18; Hex head
1	Pipe Plug	89-66	FP-8924380		Accessory Drive; 1/8" - 27
1	Copper Washer	89-66	FP-5152148		Accessory Drive; 25/64" ID x 9/16" OD x 1/16" Thick; Copper
1	Lock Washer	89-66	FP-8926285		Accessory Drive Gear
2	Lock Nut	89-66	FP-103026		Accessory Drive Adaptor; 3/8" x 24
4	Lock Nut	89-66	FP-103026		Accessory Drive Gear; 3/8" x 24

FUEL SYSTEM & PARTS

QTY	FUEL INJECTION	YEARS	PART NO.	SIZE	DESCRIPTION
2	Fuel Injector Nozzle	89-66	FP-5172874		Water Nozzle; Single Outlet
2	Wear Sleeve	89-66	FP-5113773		Pilot Sleeve; .70" Length
8	Fuel Injector Seal Ring	89-66	FP-5104701		Inj. Hole Tube; Viton®
8	Injector Hole Tube Kit	89-66	FP-8925981		Incl. Seal Ring; Viton®
2	Retainer	89-66	FP-142583		F.I. Control Tube, Plain Spring; 13/64" Spring
4	Bolt	89-66	FP-9422203		F.I. Control Tube; 1/4" - 20 x 5/8"
1	Bolt	89-66	FP-8927580		F.I. Control Tube; 3/8" - 16 x .875"
2	Bolt	89-66	FP-5103635		F.I. Control Tube; 3/8" - 16 x 2.90"
1	Washer	89-66	FP-5131433		F.I. Control Tube; .410" x .810" x .1345"
4	Lock Washer	89-66	FP-103319		F.I. Control Tube; .250"
4	Bracket	89-66	FP-5130509		F.I. Control Tube
1	Rocker Shaft Bracket Bolt	89-66	FP-5150325		F.I. Control Tube; 1/2" - 13 x 4.250"
2	Fuel Injector Valve Spring	89-66	FP-5124142		F.I. Control Tube Return; Green I.D. Marking

QTY	FUEL FILTERS & PUMP	YEARS	PART NO.	SIZE	DESCRIPTION
1	Mechanical Fuel Pump	89-66	FP-5199561		R.H.; Standard Output
1	Fuel Pump Shaft & Gear	89-66	FP-5181746		Drive Gear; Standard Output; 3.09" Length; Std. Output
1	Fuel Pump Shaft & Gear	89-66	FP-5181746		Drive Gear; Standard Output; 3.09" Length; Std. Output
1	Fuel Pump Shaft & Gear	89-66	FP-5181747		Driven Gear; Standard Output; .838" Length; Std. Output
1	Fuel Pump Shaft & Gear	89-66	FP-5181747		Driven Gear; Standard Output; .838" Length; Std. Output
1	Fuel Pump Valve	89-66	FP-5174973		
1	Fuel Pump Gear	89-66	FP-5174975		Drive Gear; Standard Output; .294" Width; Std. Output
1	Fuel Pump Gear	89-66	FP-5181748		Driven Gear; Standard Output; .294" Width; Std. Output
1	Fuel Pump Drive Shaft	89-66	FP-5178700		Drive Gear; Standard Output; 3.09" Length
1	Fuel Pump Drive Shaft	89-66	FP-5181749		Driven Gear; Standard Output; .838" Length; Std. Output

(continued on next page)

Ford Truck - M/D & H/D

H/D Truck 8V-71 (2-Valve Cyl. Head), 8V-71E (4-Valve Cyl. Head), 8V-71N (4-Valve Cyl. Head) Engs. (cont.) 63
 9.3L 568 OHV Diesel V8, 4.25" Bore (Detroit Diesel Eng.) 1966-89

FUEL SYSTEM & PARTS (cont.)

QTY	FUEL FILTERS & PUMP (cont.)	YEARS	PART NO.	SIZE	DESCRIPTION
1	Fuel Pump Check Valve	89-66	FP-5174924		1/4" Swing type
1	Fuel Pump Check Valve	89-66	FP-5135308		3/8" Swing type
6	Fuel Line Connector	89-66	FP-5117369		
1	Fuel Pump Relief Valve Spring	89-66	FP-5184530		
2	Oil Seal	89-66	FP-23512243		Fuel Pump Shaft Seal
1	Fuel Pump Valve Plug Gasket	89-66	FP-5161003		
1	Fuel Pump Repair Part	89-66	FP-5174971		Fuel Pump Valve; .500" x 20 plug
1	Fuel Pump Drive Adapter Gskt.	89-66	FP-5150193		
1	Fuel Pump Repair Kit	89-66	FP-5195078		Standard Output; Std. output
1	Pipe Plug	89-66	FP-5121182		Fuel Pump; 1/4" - 18; Hex head
1	Plastic Cap	89-66	FP-5136240		Outlet; .250" Dia.
1	Plastic Cap	89-66	FP-5136241		Outlet; .780" Dia., 3/8" NPTF
1	Dowel Pin	89-66	FP-103709		Fuel Pump Shaft; 5/32" x 1" straight
1	Ball Brg.	89-66	FP-147481		Fuel Pump Shaft; .125" Dia. Steel
6	Washer	89-66	FP-5125108		Fuel Pipe; 7/16" x 3/4" x 1/16"

BLOWER

QTY	BLOWER	YEARS	PART NO.	SIZE	DESCRIPTION
2	Ball Brg.	89-66	FP-23503543		Front; Blower Rotor
2	Ball Brg.	89-66	FP-23504305		Rear; Blower Rotor
1	Oil Seal Kit	89-66	FP-23500533		Blower End Plate Seal Kit
1	Rect. or Square Seal	89-66	FP-5146040		Blower Drive Cover Seal; 4.32" x 5.091" x .770"
4	Oil Seal	89-66	FP-5192438		Blower End Plate
4	Oil Seal	89-66	FP-5138710		Blower End Plate Seal
4	Oil Seal	89-66	FP-8924453		Blower End Plate Seal
1	Bushing	89-66	FP-5120501		Blower Drive Gear
2	Bushing	89-66	FP-5120501		Blower Drive Gear
1	Air Intake Housing Gasket	89-66	FP-5145086		Blower to Block; w/o Screen
1	Fuel Blower Gasket	89-66	FP-23520012		Blower to Block
1	Sealing Ring	89-66	FP-8922140		Blower Drive Cover Seal; 4.32" x 4.88" x .770"
3	Bolt	89-66	FP-5103364		Blower Drive Coupling; 1/2" - 20 x 1.10", 12 Pt. Head
3	Bolt	89-66	FP-9409077		Blower Drive Coupling; 5/16" - 24 x 1.625"
1	Bolt	89-66	FP-9409060		Blower Rotor Gear Hub; 1/2" - 20 x 1.500"
12	Screw	89-66	FP-5148794		Blower Rotor End Plate; 1/4" - 20 x 5/8"
1	Hose Clamp	89-66	FP-5106219		Blower Drive Cover Seal
28	Washer	89-66	FP-5159714		Blower End Plate; 11/16" x 1/8"
2	Washer	89-66	FP-5121905		Blower End Plate; 15/32" ID x 7/8" OD x 5/32" Long
2	Copper Washer	89-66	FP-5152148		Blower Drive Gear; 25/64" ID x 9/16" OD x 1/16" Thick; Copper
3	Lock Washer	89-66	FP-103320		Blower Drive Coupling; 5/16"
2	Lock Washer	89-66	FP-5154398		Blower End Plate; 1/2" Special, External Tooth
28	Lock Washer	89-66	FP-103320		Blower End Plate; 5/16"
6	Lock Washer	89-66	FP-103319		Blower Rotor End Plate; .250"
1	Lock Washer	89-66	FP-5154398		Blower Rotor End Plate; 1/2" Special, External Tooth
1	Shim	89-66	FP-5150372		Blower Rotor Gear
1	Shim	89-66	FP-5153938		Blower Rotor Gear
1	Shim	89-66	FP-5150855		Blower Rotor Gear
1	Shim	89-66	FP-5150856		Blower Rotor Gear

GOVERNOR

QTY	GOVERNOR	YEARS	PART NO.	SIZE	DESCRIPTION
1	Governor Shaft & Carrier	89-66	FP-5183624		Limiting Speed Gov.
1	Throttle/Governor Shaft	89-66	FP-5117928		
1	Throttle/Governor Shaft	89-66	FP-5133680		Gov. Operating Shaft
1	Throttle/Governor Shaft	89-66	FP-5133795		Gov. Operating Shaft
2	Throttle/Governor Shaft	89-66	FP-5185154		Gov. Weight Pin; Ring Grooves
1	Throttle/Governor Shaft	89-66	FP-5150923		Limiting Speed Gov.
1	Governor Spring	89-66	FP-5131368		
1	Governor Spring	89-66	FP-5152929		Fast Idle Air Cyl. Plunger
1	Governor Spring	89-66	FP-5152929		Gov. Buffer
1	Governor Spring	89-66	FP-5108775		Gov. Lever Retracting Spring
1	Governor Spring	89-66	FP-5122270		Gov. Variable Speed Spring; w/Two Red Stripes
1	Governor Spring	89-66	FP-5136160		High Speed; Two Pink Stripes
1	Governor Spring	89-66	FP-5122165		Low Speed; One Blue Stripe; w/One Blue Stripe
1	Governor Spring	89-66	FP-5127213		Shutdown Shaft
1	Governor Low Speed Spring Cap	89-66	FP-5102968		
1	Screw	89-66	FP-5117952		Gov. Buffer Screw Assy.
8	Screw	89-66	FP-9417926		Gov. Cover Assy.; 1/4" -20 x 3/4"
1	Screw	89-66	FP-9417926		Gov. Link Housing Cover Bolt Assy.; 1/4" -20 x 3/4"

(continued on next page)

Ford Truck - M/D & H/D

63 H/D Truck 8V-71 (2-Valve Cyl. Head), 8V-71E (4-Valve Cyl. Head), 8V-71N (4-Valve Cyl. Head) Engs.
 (cont.) 9.3L 568 OHV Diesel V8, 4.25" Bore (Detroit Diesel Eng.) 1966-89

GOVERNOR (cont.)

QTY	GOVERNOR (cont.)	YEARS	PART NO.	SIZE	DESCRIPTION
1	Screw	89-66	FP-5132962		Gov. Operating Shaft Lever Screw; Gap Adjust.
1	Screw	89-66	FP-9417926		Gov. Spring Housing; 1/4" -20 x 3/4"
1	Screw	89-66	FP-5102270		Low speed spring adjusting; .250" - 28 x 1.00"
1	Clamp	89-66	FP-23507896		Gov. Hose; 1.00" Dia.
4	Hose Clamp	89-66	FP-5104592		Fuel Rod to Cyl. Head Hose; 2.50" Dia.
1	Governor Dowel Pin	89-66	FP-5117693		Gov. Control Link Lever; 5/16" x 1.00"
1	Governor Dowel Pin	89-66	FP-5150894		Gov. Differential; 25/32" Length
1	Governor Dowel Pin	89-66	FP-5150943		Gov. Operating Shaft Lever Pin
2	Governor Dowel Pin	89-66	FP-5185153		Gov. Weight Pin; .3750" Dia. x 2.150" Length
2	Governor Dowel Pin	89-66	FP-5183632		Gov. Weight Pin; Drilled for Set Screw
1	Governor Dowel Pin	89-66	FP-5127375		Left Control Link Lever; .309" Dia. x 3.120" Length
1	Governor Dowel Pin	89-66	FP-5143866		Left Control Link Lever; .3750" Dia. x 2.00" Length
1	Governor Seal Ring	89-66	FP-5126623		Gov. Spring Hsg.
1	Governor Seal Ring	89-66	FP-5101691		Shutdown Shaft; .362" x .113"
1	O-Ring	89-66	FP-5182977		Gov. Shaft Seal
1	O-Ring	89-66	FP-5101710		Gov. Spring Housing; .070" x .114" I.D.
1	O-Ring	89-66	FP-5101710		Gov. Variable Speed Spring; .070" x .114" I.D.
1	O-Ring	89-66	FP-5101711		Gov. Variable Speed Spring; .139" x .859"
1	O-Ring	89-66	FP-5176557		Gov. Variable Speed Spring; .477" ID x .113" Thick
1	O-Ring	89-66	FP-5176557		Throttle Shaft Seal Ring; .477" ID x .113" Thick
2	Cylindrical Brg.	89-66	FP-148402		Gov. Variable Speed Spring Lever; .500" x .500" Dia.
2	Cylindrical Brg.	89-66	FP-148402		Throttle Shaft Cover; .500" x .500" Dia.
6	Governor Valve Spring Shim	89-66	FP-5136590		Gov. Variable Speed Spring; .010"
3	Governor Valve Spring Shim	89-66	FP-5136591		Gov. Variable Speed Spring; .078"
1	Washer	89-66	FP-5179709		Control Link Lever Pin; .250" Copper
2	Washer	89-66	FP-5150885		Gov. Control Link Lever Pin
1	Washer	89-66	FP-5159714		Gov. Fork; 11/16" x 1/8"
2	Washer	89-66	FP-5150885		Gov. Weight Pin Washer
3	Washer	89-66	FP-5151487		Shutdown Shaft & Weight Pin Retainer Washer; 3/8" x 11/16" x .033"
1	Copper Washer	89-66	FP-5155596		Control Link Lever Pin; 5/16"; Special copper washer
2	Copper Washer	89-66	FP-5155596		Gov. Spring Hsg.; 5/16"; Special copper washer
8	Lock Washer	89-66	FP-103319		Gov. Cover Assy.; .250"
5	Governor Retainer	89-66	FP-5178581		Shutdown Shaft & Weight Pin Retainer
1	Governor Retainer	89-66	FP-5144178		Shutdown Shaft Seal
1	Bushing	89-66	FP-5127267		Gov. Cover Shutdown Shaft
2	Bushing	89-66	FP-5147866		High Speed Weight Bushing; .520" Length
2	Bushing	89-66	FP-5147866		Limiting Speed Gov. Weight Bushing; .520" Length
2	Bushing	89-66	FP-8921472		Throttle Shaft Bushing; Split Type Bushing
4	Ball Brg.	89-66	FP-447196		Gov. Weight Bearing
1	Ball Brg.	89-66	FP-9437108		Gov. Weight Riser Thrust Bearing; .354" Width
1	Ball Brg.	89-66	FP-9437108		Gov. Weight Riser Thrust Bearing; .354" Width
1	Ball Brg.	89-66	FP-9438907		Gov. Weight Riser Thrust Bearing; .551" Width
1	Ball Brg.	89-66	FP-9424121		Gov. Weight Shaft End Bearing
1	Ball Brg.	89-66	FP-9424121		Gov. Weight Shaft End Bearing
4	Ball Brg.	89-66	FP-447196		Shutdown & Control Lever Shafts
1	Ball Brg.	89-66	FP-9436682		Lower; Operating Shaft
1	Ball Brg.	89-66	FP-9431894		Upper; Gov. Operating Shaft
1	Ball Brg.	89-66	FP-9431896		Upper; Operating Shaft
1	Expansion Plug	89-66	FP-116337		Lower; Gov. Operating Shaft; 1.0625"
1	Governor Riser	89-66	FP-5117193		1.062" Length
1	Governor Riser	89-66	FP-5147910		1.865" Length
1	Nut	89-66	FP-5174286		Buffer Screw Seal Nut; 3/8" - 24 UNF
1	Nut	89-66	FP-5174286		Gov. Cylinder Assy.; 3/8" - 24 UNF
4	Bolt	89-66	FP-443603		Gov. Control Link; .250" x 20 x .750"
1	Bolt	89-66	FP-443603		Gov. Cylinder Head; .250" x 20 x .750"
8	Bolt	89-66	FP-8921930		Gov. Fuel Rod Cover; 1/4" - 20 x 3/4"
1	Pipe Plug	89-66	FP-8924380		Gov. Cover; 1/8" - 27
1	Pipe Plug	89-66	FP-5121182		Gov. Spring Housing; 1/4" - 18; Hex head
1	Governor Spring Cover Gasket	89-66	FP-8922593		Gov. Variable Speed Spring Housing
1	Governor Spring Cover Gasket	89-66	FP-8922593		High Speed Spring
1	Governor Cover Gasket	89-66	FP-8924869		
2	Governor Hole Gasket	89-66	FP-5123812		Fuel Rod Cover Gasket
1	Governor Hole Gasket	89-66	FP-5123812		Gov. Housing Control Link
1	Retainer	89-66	FP-142583		Gov. Differential Lever; 13/64" Spring
1	Retainer	89-66	FP-142583		Gov. Shutdown Shaft; 13/64" Spring

(continued on next page)

Ford Truck - M/D & H/D

H/D Truck 8V-71 (2-Valve Cyl. Head), 8V-71E (4-Valve Cyl. Head), 8V-71N (4-Valve Cyl. Head) Engs. (cont.) 63
 9.3L 568 OHV Diesel V8, 4.25" Bore (Detroit Diesel Eng.) 1966-89

COOLING SYSTEM

QTY	WATER PUMP	YEARS	PART NO.	SIZE	DESCRIPTION
1	Water Pump Shaft	89-66	FP-23506053		Fresh Water Pump
1	Water Pump Shaft	89-66	FP-5123150		Fresh Water Pump
1	Water Pump Shaft	89-66	FP-5196169		Raw Water Pump
1	Water Pump Impeller	89-66	FP-23505995		Fresh Water Pump
1	Water Pump Impeller	89-66	FP-23505999		Fresh Water Pump; Hi-Capacity
1	Water Pump Impeller	89-66	FP-8924839		Raw Water Pump
1	Water Pump Impeller	89-66	FP-5193602		Raw Water Pump; Option Type 14; Synthetic
1	Water Pump Repair/Rebuild Kit	89-66	FP-23506852		Fresh Water Pump
1	Water Pump Repair/Rebuild Kit	89-66	FP-23506366		Fresh Water Pump Reconditioning Kit
1	Water Pump Repair/Rebuild Kit	89-66	FP-5149711		Fresh Water Pump Repair Kit; Repair Kit
1	Water Pump Repair/Rebuild Kit	89-66	FP-23500517		Fresh Water Pump Seal Kit
1	Water Pump Repair/Rebuild Kit	89-66	FP-5197222		Raw Water Pump
1	Water Pump Cover	89-66	FP-5117950		Fresh Water Pump Body
1	Water Pump Cover	89-66	FP-5117961		Fresh Water Pump Body
1	Water Pump Cover	89-66	FP-8922383		Fresh Water Pump Body; Non-Metallic
1	Water Pump Cover	89-66	FP-5193555		End; Raw Water Pump
1	Woodruff Key	89-66	FP-103462		Raw Water Pump Shaft
1	Water Pump Retainer Ring	89-66	FP-5196171		Raw Water Pump
2	Water Pump Retainer Ring	89-66	FP-9415285		Raw Water Pump; Large; External
1	Water Pump Mech. Shaft Seal	89-66	FP-8924297		Fresh Water Pump
1	Water Pump Mech. Shaft Seal	89-66	FP-5198419		Raw Water Pump
1	Water Pump Seal Ring	89-66	FP-5103544		.139" x 5.109" I.D.
1	Water Pump Seal Ring	89-66	FP-5101160		Fresh Water Pump Body Cover
1	Ball Brg.	89-66	FP-23505479		Raw Water Pump
1	Ball Brg.	89-66	FP-23503687		Inner; Fresh Water Pump
1	Ball Brg.	89-66	FP-23503649		Outer; Fresh Water Pump
1	Lock Nut	89-66	FP-5117972		Fresh Water Pump Shaft; 7/16" - 20
5	Lock Nut	89-66	FP-103026		Fresh Water Pump; 3/8" x 24
2	Lock Nut	89-66	FP-103026		Heat Exchanger; 3/8" x 24
1	Water Pump Cover Gasket	89-66	FP-5117976		Fresh Water Pump Body
1	Accessory Drive Gasket	89-66	FP-23515145		Raw Water Pump Adaptor
1	Gasket	89-66	FP-5196513		Raw Water Pump Adaptor
1	Oil Seal	89-66	FP-23506248		Fresh Water Pump
1	Oil Seal	89-66	FP-5117983		Fresh Water Pump Shaft Bearing
1	Oil Seal	89-66	FP-5195101		Raw Water Pump
2	Oil Seal	89-66	FP-5132155		Thermostat Seal
6	Bolt	89-66	FP-23501660		Adaptor To Pump Body; 3/8" - 16 x 1.00"
5	Bolt	89-66	FP-8925603		Fresh Water Pump Cover; 5/16" - 18 x 3/4"; Vibra-Tite®
4	Bolt	89-66	FP-8927580		Heat Exchanger; 3/8" - 16 x .875"
4	Bolt	89-66	FP-8927581		Heat Exchanger; 3/8" - 16 x 1"
2	Bolt	89-66	FP-454992		Heat Exchanger Cover; 1/2" - 13 x 2 1/2
4	Bolt	89-66	FP-454992		Heat Exchanger; 1/2" - 13 x 2 1/2
4	Bolt	89-66	FP-8927581		Heat Exchanger; 3/8" - 16 x 1"
5	Bolt	89-66	FP-23504236		Raw Water Pump Cover; .250" - 20 x .500"; Stainless Steel
4	Bolt	89-66	FP-5145092		Raw Water Pump Drive; 3/8" - 24 x 1.20"; Self-Locking
2	Bolt	89-66	FP-8927581		Thermostat Housing; 3/8" - 16 x 1"
2	Bolt	89-66	FP-8927581		Thermostat Housing; 3/8" - 16 x 1"
1	Pipe Plug	89-66	FP-5115214		Fresh Water Pump; 1/2" Square Head
1	Pipe Plug	89-66	FP-8923313		Fresh Water Pump; 3/4"
1	Pipe Plug	89-66	FP-5142549		Fresh Water Pump; 3/4" - 14 Square Head
1	Pipe Plug	89-66	FP-5121182		Heat Exchanger Cover; 1/4" - 18; Hex head
1	Pipe Plug	89-66	FP-8924380		Heat Exchanger Cover; 1/8" - 27
1	Pipe Plug	89-66	FP-5142549		Heat Exchanger Cover; 3/4" - 14 Square Head
1	Pipe Plug	89-66	FP-23511574		Thermostat Housing; 1/2" pipe thread; w/1" Square head
1	Pipe Plug	89-66	FP-5115214		Thermostat Housing; 1/2" Square Head
1	Pipe Plug	89-66	FP-5121182		Thermostat Housing; 1/4" - 18; Hex head
1	Pipe Plug	89-66	FP-8924380		Thermostat Housing; 1/8" - 27
1	Pipe Plug	89-66	FP-5142549		Thermostat Housing; 3/4" - 14 Square Head
1	Pipe Plug	89-66	FP-5115214		Water Outlet Manifold; 1/2" Square Head
2	Pipe Plug	89-66	FP-5142549		Water Outlet Manifold; 3/4" - 14 Square Head
1	Expansion Plug	89-66	FP-5154453		Fresh Water Pump Body; 3/8" - 16 Headless Special
2	Expansion Plug	89-66	FP-5117186		Heat Exchanger Cover; 2" Dia. Cup; Stainless Steel
1	Dowel Pin	89-66	FP-5197597		Raw Water Pump; .184" OD x .375" Length
1	Screw	89-66	FP-114366		Raw Water Pump Cam; .250" - 20 x .500"; Brass
1	Slinger, Water Pump	89-66	FP-5193676		Raw Water Pump
1	Slinger, Water Pump	89-66	FP-5193676		Raw Water Pump Shaft
2	Copper Washer	89-66	FP-5152148		Thermostat Housing; 25/64" ID x 9/16" OD x 1/16" Thick; Copper
2	Washer	89-66	FP-5197310		Fresh Water Pump; Adhesive, Ceramic Insert

(continued on next page)

Ford Truck - M/D & H/D

63 H/D Truck 8V-71 (2-Valve Cyl. Head), 8V-71E (4-Valve Cyl. Head), 8V-71N (4-Valve Cyl. Head) Engs.
 (cont.) 9.3L 568 OHV Diesel V8, 4.25" Bore (Detroit Diesel Eng.) 1966-89

COOLING SYSTEM (cont.)

QTY	WATER PUMP (cont.)	YEARS	PART NO.	SIZE	DESCRIPTION
1	Washer	89-66	FP-221436		Fresh Water Pump; Flat
4	Washer	89-66	FP-5131978		Heat Exchanger; .53" ID x 1.00" OD x .170" Thick
8	Washer	89-66	FP-103325		Heat Exchanger; Lock washer; 5/8"
4	Washer	89-66	FP-5125108		Heat Exchanger; 7/16" x 3/4" x 1/16"
1	Washer	89-66	FP-103325		Raw Water Pump Drive; Lock washer; 5/8"
1	Washer	89-66	FP-5125108		Thermostat Housing; 7/16" x 3/4" x 1/16"
1	Water Pump Lock Ring	89-66	FP-274746		Fresh Water Pump

QTY	THERMOSTAT	YEARS	PART NO.	SIZE	DESCRIPTION
2	Thermostat	89-66	FP-5102112		160 Deg.
2	Thermostat	89-66	FP-23503828		165 Deg., Weir Type
2	Thermostat	89-66	FP-23503826		170 Deg.
2	Thermostat	89-66	FP-5104238		173 Deg.
2	Thermostat	89-66	FP-23503825		180 Deg.
2	Thermostat	89-66	FP-5104096		180 Deg.
2	Thermostat Gasket	89-66	FP-5117786		Thermostat Housing Cover
2	Thermostat Gasket	89-66	FP-5117993		Thermostat Housing Cover
1	Thermostat Gasket	89-66	FP-5169478		Water By-Pass Tube Elbow
2	Thermostat Gasket	89-66	FP-5169478		Water Outlet Manifold Elbow
2	Thermostat Cover Gasket	89-66	FP-5100860		Thermostat Housing Cover
1	Thermostat Cover Gasket	89-66	FP-5123575		Thermostat Housing Cover
1	Thermostat Cover Gasket	89-66	FP-5133450		Thermostat Housing Cover
2	Thermostat Gasket	89-66	FP-5117993		Left & Right Bank; Thermostat Housing
2	Thermostat Gasket	89-66	FP-5144277		Left & Right Bank; Thermostat Housing
1	Thermostat Gasket	89-66	FP-5123716		Left Bank; Thermostat Housing
1	Thermostat Gasket	89-66	FP-5123570		Right Bank; Thermostat Housing
1	Thermostat Gasket	89-66	FP-5123715		Right Bank; Thermostat Housing

QTY	MISCELLANEOUS	YEARS	PART NO.	SIZE	DESCRIPTION
3	Stud	89-66	FP-8927270		Fresh Water Pump Body; 3/8" - 16/24" x 1.6875"
16	Stud	89-66	FP-8927270		Water Outlet Manifold; 3/8" - 16/24" x 1.6875"
2	Hose Clamp	89-66	FP-5186841		Heat Exchanger Raw Water Inlet & Outlet; 1 9/16" - 2.50"
4	Hose Clamp	89-66	FP-9139809		Heat Exchanger Raw Water Inlet Tube; 2 1/16" - 3"
4	Hose Clamp	89-66	FP-5188036		Heat Exchanger Raw Water Inlet; 2.750" Dia. Hose
1	Hose Clamp	89-66	FP-5186841		Interceder By-pass Tube; 1 9/16" - 2.50"
8	Hose Clamp	89-66	FP-9139809		Interceder Inlet & Outlet Hose; 2 1/16" - 3"
8	Hose Clamp	89-66	FP-5188036		Interceder Inlet & Outlet Hose; 2.750" Dia. Hose
4	Hose Clamp	89-66	FP-5186841		Interceder Inlet Hose; 1 9/16" - 2.50"
4	Hose Clamp	89-66	FP-5186841		Raw Water Pump Inlet Tube; 1 9/16" - 2.50"
4	Hose Clamp	89-66	FP-9139809		Raw Water Pump Outlet Tube; 2 1/16" - 3"
2	Hose Clamp	89-66	FP-5186841		Water By-Pass Tube; 1 9/16" - 2.50"
2	Hose Clamp	89-66	FP-9139809		Water By-Pass Tube; 2 1/16" - 3"
1	Hose Clamp	89-66	FP-9139809		Water Outlet Manifold; 2 1/16" - 3"
2	Hose Clamp	89-66	FP-5188036		Water Outlet Manifold; 2.750" Dia. Hose
2	Hose Clamp	89-66	FP-5188036		Water Outlet Manifold; 2.750" Dia. Hose
5	Lock Washer	89-66	FP-103321		Fresh Water Pump Cover; 3/8"
5	Lock Washer	89-66	FP-103321		Fresh Water Pump; 3/8"
4	Lock Washer	89-66	FP-103320		Heat Exchanger Inlet Flange; 5/16"
10	Lock Washer	89-66	FP-103321		Heat Exchanger Cover; 3/8"
10	Lock Washer	89-66	FP-103320		Heat Exchanger; 5/16"
2	Lock Washer	89-66	FP-103321		Thermostat Housing; 3/8"
16	Lock Washer	89-66	FP-103321		Water Outlet Manifold; 3/8"
2	O-Ring	89-66	FP-5167746		Heat Exchanger Seal Ring
1	O-Ring	89-66	FP-23514265		Raw Water Pump
1	Water Manifold Gasket	89-66	FP-5124029		Heat Exchanger Water Manifold
4	Water Manifold Gasket	89-66	FP-23506469		Water Outlet Cover Plate
1	Oil Filler Tube Gasket	89-66	FP-5120540		Thermostat Housing Elbow Gasket
1	Oil Cooler Core Inner Gasket	89-66	FP-5150155		Heat Exchanger Expansion Tank Cover

ENGINE BLOCK & PARTS

QTY	GASKETS	YEARS	PART NO.	SIZE	DESCRIPTION
1	Front Crankcase Cover Gasket	89-66	FP-5121714		Oil Pump to Cyl. Block
2	Expansion Plug	89-66	FP-5132410		Cyl. Block; 1 5/8" Dia. Cup; Stainless Steel
2	Pipe Plug	89-66	FP-5101033		Cyl. Block; Aftercooler Plug; 2 1/2" Dia. Cup; Special
3	Pipe Plug	89-66	FP-8924380		Cyl. Block; W.B.P.; 1/8" - 27
6	Pipe Plug	89-66	FP-5115214		Cyl. Block; 1/2" Square Head
1	Pipe Plug	89-66	FP-5121182		Cyl. Block; 1/4" - 18; Hex head
2	Pipe Plug	89-66	FP-8923847		Cyl. Block; 1/4" x 18 NPTF; Square head
2	Pipe Plug	89-66	FP-8924380		Cyl. Block; 1/8" - 27

(continued on next page)

Ford Truck - M/D & H/D

H/D Truck 8V-71 (2-Valve Cyl. Head), 8V-71E (4-Valve Cyl. Head), 8V-71N (4-Valve Cyl. Head) Engs. (cont.) **63**

9.3L 568 OHV Diesel V8, 4.25" Bore (Detroit Diesel Eng.) 1966-89

ENGINE BLOCK & PARTS (cont.)

QTY	GASKETS (cont.)	YEARS	PART NO.	SIZE	DESCRIPTION
4	Pipe Plug	89-66	FP-5142549		Cyl. Block; 3/4" - 14 Square Head
1	Flywheel Housing Gasket	89-66	FP-5147246		Flywheel Housing Gasket
2	Accessory Drive Gasket	89-66	FP-23515145		Flywheel Housing Large Hole Cover
1	Starting Motor Gasket	89-66	FP-5130995		Starting Motor Hole Cover
1	Oil Pan Gasket	89-66	FP-5150115		Lower Oil Pan
1	Oil Pan Gasket	89-66	FP-5150116		Lower Oil Pan
1	Oil Pan Gasket	89-66	FP-5117231		Oil Pan to Block; w/Stamped Steel Pan
4	Bolt	89-66	FP-8923391		Oil Filter Mounting; 3/8" - 16 x 1.880"
28	Bolt	89-66	FP-8927581		Oil Pan; 3/8" - 16 x 1"
2	Bolt	89-66	FP-8927580		Oil Pressure Regulator; 3/8" - 16 x .875"
2	Bolt	89-66	FP-8927581		Oil Pressure Regulator; 3/8" - 16 x 1"
1	Pin	89-66	FP-457008		Oil Pressure Regulator; 3/16" x 1 1/2"
4	Copper Washer	89-66	FP-5155596		Oil Filter Mounting; 5/16"; Special copper washer
1	Washer	89-66	FP-840277		Oil Pan Drain Plug Gasket; 18MM, Nylon
2	Washer	89-66	FP-5131433		Oil Pressure Regulator; .410" x .810" x .1345"
4	Lock Washer	89-66	FP-103321		Oil Filter Mounting; 3/8"
4	Lock Washer	89-66	FP-103320		Oil Filter Mounting; 5/16"
1	Pipe Plug	89-66	FP-8923847		Oil Filter Adaptor; 1/4" x 18 NPTF; Square head
1	Pipe Plug	89-66	FP-5142549		Oil Filter Drain Plug; 3/4" - 14 Square Head
1	Pipe Plug	89-66	FP-5121182		Oil Filter Housing; 1/4" - 18; Hex head
1	Pipe Plug	89-66	FP-5115214		Oil Pan Drain Plug; 1/2" Square Head
1	Pipe Plug	89-66	FP-5121182		Oil Pan Drain Plug; 1/4" - 18; Hex head
1	Pipe Plug	89-66	FP-8923847		Oil Pan Drain Plug; 1/4" x 18 NPTF; Square head
1	Pipe Plug	89-66	FP-8924517		Oil Pan Drain Plug; 3/8" x 18 square head
1	Pipe Plug	89-66	FP-5115214		Oil Pan Sump; 1/2" Square Head
1	Pipe Plug	89-66	FP-5115214		Oil Pan; 1/2" Square Head
1	Pipe Plug	89-66	FP-5142549		Oil Pan; 3/4" - 14 Square Head
2	Crankcase Breather	89-66	FP-5130750		Cyl. Block
1	Cyl. Block Water Hole Cvr Gsk	89-66	FP-5117734		
2	Hand Hole Cover Gasket	89-66	FP-8923791		Cyl. Block; Large
4	Hand Hole Cover Gasket	89-66	FP-5117016		Cyl. Block; Non-Turbo
4	Hand Hole Cover Gasket	89-66	FP-8923792		Cyl. Block; Small
10	Washer	89-66	FP-5133981		Cyl. Block, Main Brg. Bolt; .122" Thick
8	Copper Washer	89-66	FP-5155596		Cyl. Block; Dry Block Only; 5/16"; Special copper washer
2	Copper Washer	89-66	FP-5152148		Cyl. Block; 25/64" ID x 9/16" OD x 1/16" Thick; Copper
5	Lock Washer	89-66	FP-103320		Cyl. Block; 5/16"
4	Bolt	89-66	FP-8927580		Cyl. Block; 3/8" - 16 x .875"
5	Bolt	89-66	FP-8927581		Cyl. Block; 3/8" - 16 x 1"
14	Stud	89-66	FP-5152121		Cyl. Block; 5/16" - 18 x 1 1/2"
QTY	GASKET SETS	YEARS	PART NO.	SIZE	DESCRIPTION
1	Complete Overhaul Gasket Set	89-66	FP-23512680		Crankshaft seals not incl.
1	Complete Overhaul Gasket Set	89-66	FP-23512680WS		Includes Seals
QTY	DOWEL PINS	YEARS	PART NO.	SIZE	DESCRIPTION
4	Dowel Pin	89-66	FP-141346		Cyl. Block; .1875" x .500"
QTY	CAM BEARINGS	YEARS	PART NO.	SIZE	DESCRIPTION
2	Cam Brg.	89-66	FP-5117984	STD	Position Front
2	Cam Brg.	89-66	FP-5197569	10	Position Front
8	Cam Brg.	89-66	FP-5194825	20	Position Front & Rear; .020" U/S, Unfinished; Grooved
8	Cam Brg.	89-66	FP-5111423	STD	Position Front & Rear; Grooved
6	Cam Brg.	89-66	FP-5196026	STD	Position Inter.; w/o Steel bushing in ctr. hole; Aluminum Blocks only
6	Cam Brg.	89-66	FP-5196022	STD	Position Inter.; w/Steel bushing in ctr. hole
2	Cam Brg.	89-66	FP-5111422	STD	Position Rear
2	Cam Brg.	89-66	FP-5194858	10	Position Rear
QTY	OIL COOLERS & FILTERS	YEARS	PART NO.	SIZE	DESCRIPTION
1	Oil Cooler	89-66	FP-8547553		Twin Plate; 16 Plate
1	Oil Cooler	89-66	FP-8547237		Twin Plate; 24 Plate
2	Oil Cooler	89-66	FP-8547237		Twin Plate-Dual; 24 Plate
1	Oil Cooler	89-66	FP-8547236		12 plate
1	Oil Cooler	89-66	FP-8547547		16 plate
1	Oil Cooler	89-66	FP-8547195		18 plate
1	Oil Cooler	89-66	FP-8547551		8 plate
1	Oil Filter Adapter Gasket	89-66	FP-8924412		
3	Oil Filter Adapter Gasket	89-66	FP-23501590		Inner; Twin Plate-Dual; Oil Cooler Core
1	Oil Filter Adapter Gasket	89-66	FP-5136701		Outer; Tube-Type; Oil Cooler Core
1	Starting Motor Gasket	89-66	FP-5130995		Tube-Type; Oil Cooler Cover Bracket to Flywheel Hsg.
4	Lock Nut	89-66	FP-103026		Oil Cooler Water Outlet; 3/8" x 24

(continued on next page)

Ford Truck - M/D & H/D

63 H/D Truck 8V-71 (2-Valve Cyl. Head), 8V-71E (4-Valve Cyl. Head), 8V-71N (4-Valve Cyl. Head) Engs.
 (cont.) 9.3L 568 OHV Diesel V8, 4.25" Bore (Detroit Diesel Eng.) 1966-89

ENGINE BLOCK & PARTS (cont.)

QTY	OIL COOLERS & FILTERS (cont.)	YEARS	PART NO.	SIZE	DESCRIPTION
28	Lock Nut	89-66	FP-103026		Tube-Type; Oil Cooler Core; 3/8" x 24
1	Lock Nut	89-66	FP-103026		Twin Plate; Oil Cooler Water Elbow; 3/8" x 24
2	Washer	89-66	FP-5131433		Oil Cooler Adaptor; .410" x .810" x .1345"
1	Washer	89-66	FP-5177773		Oil Cooler By-pass Plug; 18MM x 1.5MM
1	Washer	89-66	FP-5131433		Oil Cooler Housing Cover; .410" x .810" x .1345"
2	Washer	89-66	FP-5177773		Twin Plate; Oil Cooler By-pass Plug; 18MM x 1.5MM
1	Washer	89-66	FP-5131433		Twin Plate; Oil Cooler Housing; .410" x .810" x .1345"
1	Washer	89-66	FP-5177773		Twin Plate-Dual; Oil Cooler By-pass Plug; 18MM x 1.5MM
6	Lock Washer	89-66	FP-103320		Oil Cooler Core; 5/16"
10	Lock Washer	89-66	FP-103320		Oil Cooler Housing Cover; 5/16"
10	Lock Washer	89-66	FP-103321		Oil Cooler Water Inlet; 3/8"
1	Lock Washer	89-66	FP-103320		Oil Cooler Water Inlet; 5/16"
4	Lock Washer	89-66	FP-103321		Oil Cooler Water Outlet; 3/8"
28	Lock Washer	89-66	FP-103321		Tube-Type; Oil Cooler Core; 3/8"
4	Lock Washer	89-66	FP-103321		Twin Plate; Oil Cooler Housing; 3/8"
6	Lock Washer	89-66	FP-103320		Twin Plate; Oil Cooler Housing; 5/16"
2	Lock Washer	89-66	FP-103321		Twin Plate; Oil Cooler Water Inlet; 3/8"
8	Lock Washer	89-66	FP-103320		Twin Plate-Dual; Oil Cooler Adaptor; 5/16"
8	Lock Washer	89-66	FP-103320		Twin Plate-Dual; Oil Cooler Core; 5/16"
4	Lock Washer	89-66	FP-103320		Twin Plate-Dual; Oil Cooler Housing Cover; 5/16"
8	Lock Washer	89-66	FP-103321		Twin Plate-Dual; Oil Cooler Water Inlet; 3/8"
2	Spacer	89-66	FP-5102793		Oil Cooler Adaptor To Block; 5.70" x 1.00" x .012"
2	Spacer	89-66	FP-5102793		Twin Plate; Oil Cooler Adaptor to Block; 5.70" x 1.00" x .012"
1	Pipe Plug	89-66	FP-8923847		Oil Cooler Core; 1/4" x 18 NPTF; Square head
1	Pipe Plug	89-66	FP-8923313		Oil Cooler Core; 3/4"
1	Pipe Plug	89-66	FP-5142549		Oil Cooler Core; 3/4" - 14 Square Head
1	Pipe Plug	89-66	FP-5121182		Oil Cooler Housing; 1/4" - 18; Hex head
1	Pipe Plug	89-66	FP-8923847		Oil Cooler Housing; 1/4" x 18 NPTF; Square head
1	Pipe Plug	89-66	FP-8924517		Oil Cooler Housing; 3/8" x 18 square head
1	Pipe Plug	89-66	FP-5115214		Oil Cooler Water Inlet Elbow; 1/2" Square Head
1	Pipe Plug	89-66	FP-8923847		Oil Cooler Water Inlet Elbow; 1/4" x 18 NPTF; Square head
1	Pipe Plug	89-66	FP-8923313		Oil Cooler Water Inlet Elbow; 3/4"
1	Pipe Plug	89-66	FP-5142549		Oil Cooler Water Inlet Elbow; 3/4" - 14 Square Head
2	Pipe Plug	89-66	FP-8923847		Twin Plate; Oil Cooler Housing; 1/4" x 18 NPTF; Square head
1	Pipe Plug	89-66	FP-8923313		Twin Plate; Oil Cooler Water Elbow; 3/4"
1	Pipe Plug	89-66	FP-5142549		Twin Plate; Oil Cooler Water Elbow; 3/4" - 14 Square Head
1	Pipe Plug	89-66	FP-5115214		Twin Plate; Oil Cooler Water Inlet; 1/2" Square Head
2	Pipe Plug	89-66	FP-8923847		Twin Plate; Oil Cooler Water Inlet; 1/4" x 18 NPTF; Square head
1	Pipe Plug	89-66	FP-5115214		Twin Plate-Dual; Oil Cooler By-pass; 1/2" Square Head
2	Pipe Plug	89-66	FP-8923847		Twin Plate-Dual; Oil Cooler Housing Cover; 1/4" x 18 NPTF; Square head
2	Pipe Plug	89-66	FP-5142549		Twin Plate-Dual; Oil Cooler Housing Cover; 3/4" - 14 Square Head
1	Pipe Plug	89-66	FP-5142549		Twin Plate-Dual; Oil Cooler Water Elbow; 3/4" - 14 Square Head
1	Pipe Plug	89-66	FP-5115214		Twin Plate-Dual; Oil Cooler Water Inlet; 1/2" Square Head
4	Pipe Plug	89-66	FP-8923847		Twin Plate-Dual; Oil Cooler Water Inlet; 1/4" x 18 NPTF; Square head
1	Pipe Plug	89-66	FP-5142549		Twin Plate-Dual; Oil Cooler Water Inlet; 3/4" - 14 Square Head
1	Oil Cooler Gasket Kit	89-66	FP-5149946		Oil Cooler Adaptor Cover
1	Oil Cooler Gasket	89-66	FP-8923512		Oil Cooler Adaptor Cover
2	Oil Cooler Gasket	89-66	FP-8923512		Oil Cooler Adaptor To Block
1	Oil Cooler Gasket	89-66	FP-8923512		Twin Plate; Oil Cooler Adaptor Cover
1	Oil Cooler Gasket	89-66	FP-23501587		Twin Plate; Oil Cooler Core, Element to Block
1	Oil Cooler Gasket	89-66	FP-23506522		Twin Plate-Dual; Oil Cooler Core Cover
1	Oil Cooler Gasket	89-66	FP-8923223		Outer
1	Oil Cooler Gasket	89-66	FP-8923223		Outer; Oil Cooler Core
1	Oil Cooler Gasket	89-66	FP-23501587		Outer; Twin Plate-Dual; Oil Cooler Core
1	Cyl. Block Water Hole Cvr Gsk	89-66	FP-5117734		Oil Cooler Housing Cover
1	Cyl. Block Water Hole Cvr Gsk	89-66	FP-5117734		Front; Twin Plate; Oil Cooler Water Elbow
2	O-Ring	89-66	FP-5193598		Tube-Type; Oil Cooler By-pass Tube Flange
2	Sealing Ring	89-66	FP-5102098		Twin Plate; Oil Cooler Water Outlet Hose; 3.60" OD x .620" Wide
1	Sealing Ring	89-66	FP-5102098		Twin Plate-Dual; Oil Cooler Water Outlet Hose; 3.60" OD x .620" Wide
1	Oil Cooler Core Gasket	89-66	FP-23501589		Outer; Twin Plate; Oil Cooler Housing Cover
1	Oil Cooler Core Gasket	89-66	FP-23501589		Outer; Twin Plate-Dual; Oil Cooler Core
1	Oil Cooler Seal Ring	89-66	FP-23501837		Oil Cooler Water Outlet Flange
1	Gasket	89-66	FP-5575086		Oil Cooler By-pass Plug

(continued on next page)

Ford Truck - M/D & H/D

H/D Truck 8V-71 (2-Valve Cyl. Head), 8V-71E (4-Valve Cyl. Head), 8V-71N (4-Valve Cyl. Head) Engs. (cont.)
 9.3L 568 OHV Diesel V8, 4.25" Bore (Detroit Diesel Eng.) 1966-89

ENGINE BLOCK & PARTS (cont.)

QTY	OIL COOLERS & FILTERS (cont.)	YEARS	PART NO.	SIZE	DESCRIPTION
1	Gasket	89-66	FP-5575086		Oil Cooler Housing
1	Gasket	89-66	FP-5575086		Twin Plate-Dual; Oil Cooler By-pass Plug
1	Oil Cooler Core Inner Gasket	89-66	FP-5150155		
1	Oil Cooler Core Inner Gasket	89-66	FP-5150155		
1	Oil Cooler Core Inner Gasket	89-66	FP-5150155		Oil Cooler Housing Cover
1	Oil Cooler Core Inner Gasket	89-66	FP-23511304		Twin Plate-Dual; Oil Cooler Housing
1	Oil Cooler Core Inner Gasket	89-66	FP-5150155		Inner; Tube-Type; Oil Cooler Core
1	Oil Cooler Core Outer Gasket	89-66	FP-5102506		
1	Oil Cooler Core Outer Gasket	89-66	FP-5102506		Outer; Tube-Type; Oil Cooler Core
3	Oil Cooler Bypass Gasket	89-66	FP-5124798		Tube-Type; Oil Cooler By-pass Tube Flange
2	Oil Cooler Cover Gasket	89-66	FP-23501584		Twin Plate-Dual; Oil Cooler Housing Cover
1	Oil Cooler Cover Gasket	89-66	FP-23501584		Outer; Twin Plate; Oil Cooler Core
1	Oil Cooler Cover Gasket	89-66	FP-23501584		Outer; Twin Plate-Dual; Oil Cooler Core
1	Oil Cooler Housing Cover Gskt	89-66	FP-5124806		Tube-Type
2	Oil Cooler Housing Cover Gskt	89-66	FP-8924623		Twin Plate-Dual; Oil Cooler Housing Cover
1	Oil Cooler Housing Cover Gskt	89-66	FP-5124806		Inner; Tube-Type; Oil Cooler Core
1	Oil Cooler Housing Cover Gskt	89-66	FP-5124806		Outer; Tube-Type; Oil Cooler Core
1	Oil Cooler Housing Cover Gskt	89-66	FP-5126618		Outer; Tube-Type; Oil Cooler Core
2	Oil Cooler Adapter Cover Gskt	89-66	FP-5117535		
2	Oil Cooler Adapter Cover Gskt	89-66	FP-5117535		Tube-Type; Oil Cooler Inlet & Outlet Tube
1	Oil Cooler Adapter Cover Gskt	89-66	FP-23501596		Twin Plate
2	Oil Cooler Adapter Cover Gskt	89-66	FP-5117535		Twin Plate
2	Oil Cooler Adapter Cover Gskt	89-66	FP-5175882		Twin Plate
2	Oil Cooler Adapter Cover Gskt	89-66	FP-5117535		Twin Plate-Dual; Oil Cooler Adaptor-to-Block
1	Oil Cooler Adapter Cover Gskt	89-66	FP-5117535		Inner; Tube-Type; Oil Cooler Core
6	Copper Washer	89-66	FP-5155596		Oil Cooler Core; 5/16"; Special copper washer
12	Copper Washer	89-66	FP-5152148		Oil Cooler Housing Cover; 25/64" ID x 9/16" OD x 1/16" Thick; Copper
10	Copper Washer	89-66	FP-5155596		Oil Cooler Housing; 5/16"; Special copper washer
1	Copper Washer	89-66	FP-5152148		Oil Cooler Water Inlet; 25/64" ID x 9/16" OD x 1/16" Thick; Copper
6	Copper Washer	89-66	FP-5155596		Oil Cooler Water Inlet; 5/16"; Special copper washer
28	Copper Washer	89-66	FP-5152148		Tube-Type; Oil Cooler Cover; 25/64" ID x 9/16" OD x 1/16" Thick; Copper
6	Copper Washer	89-66	FP-5155596		Twin Plate; Oil Cooler Housing; 5/16"; Special copper washer
1	Copper Washer	89-66	FP-5152148		Twin Plate; Oil Cooler Water Elbow; 25/64" ID x 9/16" OD x 1/16" Thick; Copper
8	Copper Washer	89-66	FP-5155596		Twin Plate-Dual; Oil Cooler Housing Cover; 5/16"; Special copper washer
4	Copper Washer	89-66	FP-5152148		Twin Plate-Dual; Oil Cooler Water Elbow; 25/64" ID x 9/16" OD x 1/16" Thick; Copper
1	Clamp	89-66	FP-5143999		Oil Cooler Water Outlet; 3.50" T-Bolt
2	Clamp	89-66	FP-5143999		Twin Plate; Oil Cooler Water Outlet; 3.50" T-Bolt
1	Clamp	89-66	FP-5143999		Twin Plate-Dual; Oil Cooler Water Outlet Hose; 3.50" T-Bolt
2	Hose Clamp	89-66	FP-9139809		Oil Cooler Water Inlet Hose; 2 1/16" - 3"
2	Hose Clamp	89-66	FP-5188036		Oil Cooler Water Inlet Hose; 2.750" Dia. Hose
2	Hose Clamp	89-66	FP-9139809		Twin Plate; Oil Cooler Water Inlet; 2 1/16" - 3"
2	Hose Clamp	89-66	FP-5188036		Twin Plate; Oil Cooler Water Inlet; 2.750" Dia. Hose
2	Hose Clamp	89-66	FP-9139809		Twin Plate-Dual; Oil Cooler Water Inlet; 2 1/16" - 3"
1	Hose Clamp	89-66	FP-5188036		Twin Plate-Dual; Oil Cooler Water Inlet; 2.750" Dia. Hose
2	Bolt	89-66	FP-8923391		Oil Cooler Core; 3/8" - 16 x 1.880"
6	Bolt	89-66	FP-8923391		Oil Cooler Housing Cover; 3/8" - 16 x 1.880"
6	Bolt	89-66	FP-8927581		Oil Cooler Housing Cover; 3/8" - 16 x 1"
12	Bolt	89-66	FP-8927580		Oil Cooler Housing; 3/8" - 16 x .875"
8	Bolt	89-66	FP-8927580		Oil Cooler Water Inlet; 3/8" - 16 x .875"
4	Bolt	89-66	FP-8927581		Oil Cooler Water Outlet; 3/8" - 16 x 1"
6	Bolt	89-66	FP-8927581		Twin Plate; Oil Cooler Housing; 3/8" - 16 x 1"
1	Bolt	89-66	FP-8927581		Twin Plate; Oil Cooler Water Elbow; 3/8" - 16 x 1"
6	Bolt	89-66	FP-8927580		Twin Plate; Oil Cooler Water Inlet; 3/8" - 16 x .875"
2	Bolt	89-66	FP-8927581		Twin Plate; Oil Cooler Water Inlet; 3/8" - 16 x 1"
4	Bolt	89-66	FP-8927581		Twin Plate-Dual; Oil Cooler Water Elbow; 3/8" - 16 x 1"
QTY	FREEZE PLUGS	YEARS	PART NO.	SIZE	DESCRIPTION
1	Pipe Plug	89-66	FP-5121182		Oil Dipstick Adaptor; 1/4" - 18; Hex head
1	Pipe Plug	89-66	FP-8923847		Oil Filler Tube; 1/4" x 18 NPTF; Square head
QTY	DIPSTICK	YEARS	PART NO.	SIZE	DESCRIPTION
1	Dipstick	89-66	FP-5147185		Marked
1	Dipstick	89-66	FP-5102092		21" Length; Marked

(continued on next page)

Ford Truck - M/D & H/D

63 H/D Truck 8V-71 (2-Valve Cyl. Head), 8V-71E (4-Valve Cyl. Head), 8V-71N (4-Valve Cyl. Head) Engs.
 (cont.) 9.3L 568 OHV Diesel V8, 4.25" Bore (Detroit Diesel Eng.) 1966-89

ENGINE BLOCK & PARTS (cont.)

QTY	DIPSTICK (cont.)	YEARS	PART NO.	SIZE	DESCRIPTION
1	Dipstick	89-66	FP-5101885		25" Length; Marked
1	Dipstick	89-66	FP-5162667		26" Length; Marked
1	Dipstick	89-66	FP-5146679		61" Length; Unmarked
1	Dipstick	89-66	FP-5146680		72" Length; Unmarked
1	Dipstick Guide	89-66	FP-5151430		1.50" Length
QTY	MISCELLANEOUS	YEARS	PART NO.	SIZE	DESCRIPTION
2	Bolt	89-66	FP-8927581		Oil Dipstick Adaptor; 3/8" - 16 x 1"
1	Bolt	89-66	FP-8927581		Oil Filler Tube; 3/8" - 16 x 1"
2	Screw	89-66	FP-5103642		Oil Filler Tube; No. 10 - 24 x .375"
1	Pipe Plug	89-66	FP-5121182		Oil Dipstick Adaptor; 1/4" - 18; Hex head
1	Pipe Plug	89-66	FP-8923847		Oil Filler Tube; 1/4" x 18 NPTF; Square head
2	Copper Washer	89-66	FP-5152148		Oil Dipstick Adaptor; 25/64" ID x 9/16" OD x 1/16" Thick; Copper
2	Lock Washer	89-66	FP-103319		Oil Dipstick Adaptor; .250"
1	Lock Washer	89-66	FP-103320		Oil Dipstick Adaptor; 5/16"
2	Lock Washer	89-66	FP-103321		Oil Filler Tube; 3/8"
1	Lock Nut	89-66	FP-103026		Oil Dipstick Adaptor; 3/8" x 24
1	Oil Filler Cap	89-66	FP-5107106		1.50" Dia.; Thermos Bottle Style
1	Oil Filler Cap	89-66	FP-5117362		2.00" Dia.; Thermos Bottle Style
CRANKSHAFT/OIL PUMP					
QTY	CRANKSHAFT	YEARS	PART NO.	SIZE	DESCRIPTION
1	Crankshaft	89-66	FP-5103264		
10	Bolt	89-66	FP-5116353		5/8" - 11 x 6.00"
10	Bolt	89-66	FP-5102374		5/8" - 11 x 6.60"
10	Washer	89-66	FP-5102373		.694" ID x 1.125" OD x .180" Thick
1	O-Ring	89-66	FP-23503769		Vibration Damper Rear Cone
1	Oil Seal	89-66	FP-23512418		Vibration Damper Pulley Drive Shaft
2	Woodruff Key	89-66	FP-8928545		Crankshaft Key; 3/16" x 7/8" Woodruff
4	Dowel Pin	89-66	FP-141346		.1875" x .500"
QTY	SEALS - FRONT CRANK	YEARS	PART NO.	SIZE	DESCRIPTION
1	Oil Seal	89-66	FP-8927746		Front; RH Engine; Double Lip; PTFE Material
1	Oil Seal	89-66	FP-8927748		Front; RH Engine; Double Lip, Oversized; PTFE Material
1	Oil Seal	89-66	FP-5115454		Front; Single Lip, Std.
1	Oil Seal Spacer	89-66	FP-23507306		Front; 2.50" ID x 2.81" Length
1	O-Ring	89-66	FP-23503769		Front; Use w/Spacers
QTY	SEALS - REAR CRANK	YEARS	PART NO.	SIZE	DESCRIPTION
1	Oil Seal	89-66	FP-5196927		Rear; Non-Directional; Double Lip; O/S Shaft Dia. 4.812"
1	Oil Seal	89-66	FP-5127821		Rear; Non-Directional; Double Lip, Std.; Shaft Dia. 4.687"
1	Oil Seal	89-66	FP-5197860		Rear; Non-Directional; Single lip; O/S Shaft dia. 4.812"
1	Oil Seal	89-66	FP-5114335		Rear; Non-Directional; Single Lip, Std.; Shaft Dia. 4.687"
1	Oil Seal	89-66	FP-8927746		Rear; RH Engine; Double Lip; PTFE Material
1	Oil Seal	89-66	FP-8927748		Rear; RH Engine; Double Lip, Oversized; PTFE Material
1	Oil Seal	89-66	FP-8926761		Rear; RH Engine; Std.; Single lip; R.H. Rotation
1	Oil Seal Spacer	89-66	FP-5192496		Rear; For Single Lip Seals Only
1	Redi-Sleeve	89-66	FP-23507225		Rear; For O/S Seals
QTY	MAIN BEARINGS	YEARS	PART NO.	SIZE	DESCRIPTION
5	Plain Main Brg.	89-66	FP-5149565	STD	Upper brg. w/elongated oil slot (acceptable as replacement for brg. w/11/32" oil hole)
5	Plain Main Brg.	89-66	FP-5149566	2	Upper brg. w/elongated oil slot (acceptable as replacement for brg. w/11/32" oil hole)
5	Plain Main Brg.	89-66	FP-5149567	10	Upper brg. w/elongated oil slot (acceptable as replacement for brg. w/11/32" oil hole)
5	Plain Main Brg.	89-66	FP-5149568	20	Upper brg. w/elongated oil slot (acceptable as replacement for brg. w/11/32" oil hole)
5	Plain Main Brg.	89-66	FP-8922118	30	Upper brg. w/elongated oil slot (acceptable as replacement for brg. w/11/32" oil hole)
5	Plain Main Brg.	89-66	FP-5149556	STD	Upper brg. w/o elongated oil slot
5	Plain Main Brg.	89-66	FP-5149557	2	Upper brg. w/o elongated oil slot
5	Plain Main Brg.	89-66	FP-5149559	10	Upper brg. w/o elongated oil slot
5	Plain Main Brg.	89-66	FP-5149561	20	Upper brg. w/o elongated oil slot
5	Plain Main Brg.	89-66	FP-5149563	30	Upper brg. w/o elongated oil slot
4	Thrust Washer	89-66	FP-5117005	STD	
4	Thrust Washer	89-66	FP-5196753	5	
4	Thrust Washer	89-66	FP-5196754	10	
QTY	OIL PUMP	YEARS	PART NO.	SIZE	DESCRIPTION
1	Inter. Shaft	89-66	FP-5126350		Driven Gear

(continued on next page)

Ford Truck - M/D & H/D

H/D Truck 8V-71 (2-Valve Cyl. Head), 8V-71E (4-Valve Cyl. Head), 8V-71N (4-Valve Cyl. Head) Engs. (cont.) 63
 9.3L 568 OHV Diesel V8, 4.25" Bore (Detroit Diesel Eng.) 1966-89

CRANKSHAFT/OIL PUMP (cont.)

QTY	OIL PUMP (cont.)	YEARS	PART NO.	SIZE	DESCRIPTION
1	Oil Pump Cover Gasket	89-66	FP-29503153		Cover Flange; 2.40" B.C.
1	Oil Pump Cover Gasket	89-66	FP-5123235		Cover Flange; 2.44" B.C.
1	Bushing	89-66	FP-5123303		Oil Pump Driven Gear
1	Woodruff Key	89-66	FP-8928545		Oil Pump Drive Gear; 3/16" x 7/8" Woodruff
2	Bolt	89-66	FP-8927580		Oil Pump Cover Flange; 3/8" - 16 x .875"
2	Bolt	89-66	FP-8927580		Oil Pump Cover; 3/8" - 16 x .875"
1	Bolt	89-66	FP-8927580		Oil Pump Inlet; 3/8" - 16 x .875"
2	Bolt	89-66	FP-8927581		Oil Pump Inlet; 3/8" - 16 x 1"
1	Washer	89-66	FP-5104439		Oil Pump Cover; 7/16" x 1.250" Dia.; Dished
2	Lock Washer	89-66	FP-103321		Oil Pump Cover Flange; 3/8"
2	Lock Washer	89-66	FP-103321		Oil Pump Cover; 3/8"
2	Lock Washer	89-66	FP-103321		Oil Pump Front Cover; 3/8"
2	Lock Washer	89-66	FP-103321		Oil Pump Inlet Pipe Bracket; 3/8"
6	Lock Washer	89-66	FP-103321		Oil Pump Inlet Pipe; 3/8"
2	Lock Washer	89-66	FP-103320		Oil Pump Inlet Pipe; 5/16"
1	Plastic Cap	89-66	FP-5136240		Oil Pump Front Cover; .250" Dia.
1	Pipe Plug	89-66	FP-8924517		Oil Pump Body; 3/8" x 18 square head
1	Gasket	89-66	FP-5126160		Oil Pump Inlet Pipe; 1.80" B.C.
1	O-Ring	89-66	FP-5187316		By-Pass Valve Plug Seal
1	Oil Filter Gasket	89-66	FP-5121205		Oil Filter Adaptor
1	Oil Filter Gasket	89-66	FP-1595620		Rectangular Section
2	Lo Press. Reg. Body Gasket	89-66	FP-5117269		
1	Lo Pressure Regulator Valve	89-66	FP-8922740		
1	Gasket	89-66	FP-5575086		By-Pass Valve Plug Seal
1	Lock Nut	89-66	FP-114498		Oil Filter Mounting; 5/8" - 18, Jam Nut
1	Oil Filter Adapter Gasket	89-66	FP-23501590		
1	Oil Filter Adapter Gasket	89-66	FP-5122533		
1	Oil Filter Adapter Gasket	89-66	FP-5136701		
1	Oil Filter Adapter Gasket	89-66	FP-8924412		By-Pass
1	Oil Filter Adapter Gasket	89-66	FP-8924413		By-Pass
1	Oil Pump Spring	89-66	FP-5126326		Oil Pressure Regulator; .520" Dia., 2.570" Length
2	Oil Pump Spring	89-66	FP-5126327		Oil Pressure Regulator; .790" Dia., 2.96" Length
1	Pipe Plug	89-66	FP-8923847		Oil Filter Adaptor; 1/4" x 18 NPTF; Square head
1	Pipe Plug	89-66	FP-5142549		Oil Filter Drain Plug; 3/4" - 14 Square Head
1	Pipe Plug	89-66	FP-5121182		Oil Filter Housing; 1/4" - 18; Hex head
1	Pipe Plug	89-66	FP-5115214		Oil Pan Drain Plug; 1/2" Square Head
1	Pipe Plug	89-66	FP-5121182		Oil Pan Drain Plug; 1/4" - 18; Hex head
1	Pipe Plug	89-66	FP-8923847		Oil Pan Drain Plug; 1/4" x 18 NPTF; Square head
1	Pipe Plug	89-66	FP-8924517		Oil Pan Drain Plug; 3/8" x 18 square head
1	Pipe Plug	89-66	FP-5115214		Oil Pan Sump; 1/2" Square Head
1	Pipe Plug	89-66	FP-5115214		Oil Pan; 1/2" Square Head
1	Pipe Plug	89-66	FP-5142549		Oil Pan; 3/4" - 14 Square Head

CYLINDER COMPONENTS

QTY	LINERS	YEARS	PART NO.	SIZE	DESCRIPTION
8	Liner w/o Sealing Rings	89-66	FP-5193732	5	Flanged, 1.050" port length
8	Liner w/o Sealing Rings	89-66	FP-5193733	10	Flanged, 1.050" port length
8	Liner w/o Sealing Rings	89-66	FP-5193734	20	Flanged, 1.050" port length
8	Liner w/o Sealing Rings	89-66	FP-5193735	30	Flanged, 1.050" port length
8	Liner w/o Sealing Rings	89-66	FP-23502020	STD	No. 1 Bore; Flanged, 1.050" port length
8	Liner w/o Sealing Rings	89-66	FP-23502021	STD	No. 2 Bore; Flanged, 1.050" port length
8	Liner w/o Sealing Rings	89-66	FP-23502022	STD	No. 3 Bore; Flanged, 1.050" port length
8	Liner w/o Sealing Rings	89-66	FP-23504936	STD	No. 4 Bore; Flanged, 1.050" port length
6	Cylinder Kit Complete	89-66	FP-23522951	10	w/Cross Head style piston; 1.050" port length sleeve
6	Cylinder Kit Complete	89-66	FP-23522525	20	w/Cross Head style piston; 1.050" port length sleeve
6	Cylinder Kit Complete	89-66	FP-5149263	10	w/Trunk style piston; 4 Valve Head; 1.05" port length sleeve
6	Cylinder Kit Complete	89-66	FP-5149264	20	w/Trunk style piston; 4 Valve Head; 1.05" port length sleeve
6	Cylinder Kit Complete	89-66	FP-20022	STD	No. 1 Bore; w/Cross Head style piston
6	Cylinder Kit Complete	89-66	FP-20011	STD	No. 1 Bore; w/Trunk style piston; 4 Valve Head; 1.05" port length sleeve
6	Cylinder Kit Complete	89-66	FP-23522949	STD	No. 2 Bore; w/Cross Head style piston; 1.050" port length sleeve
6	Cylinder Kit Complete	89-66	FP-23505305	STD	No. 2 Bore; w/Trunk style piston; 4 Valve Head; 1.05" port length sleeve
6	Cylinder Kit Complete	89-66	FP-23522947	STD	No. 3 Bore; w/Cross Head style piston; 1.050" port length sleeve
6	Cylinder Kit Complete	89-66	FP-23505306	STD	No. 3 Bore; w/Trunk style piston; 4 Valve Head; 1.05" port length sleeve
6	Cylinder Kit Complete	89-66	FP-23522521	STD	No. 4 Bore; w/Cross Head style piston; 1.050" port length sleeve

(continued on next page)

Ford Truck - M/D & H/D

63 H/D Truck 8V-71 (2-Valve Cyl. Head), 8V-71E (4-Valve Cyl. Head), 8V-71N (4-Valve Cyl. Head) Engs.
 (cont.) 9.3L 568 OHV Diesel V8, 4.25" Bore (Detroit Diesel Eng.) 1966-89

CYLINDER COMPONENTS (cont.)

QTY	LINERS (cont.)	YEARS	PART NO.	SIZE	DESCRIPTION
6	Cylinder Kit Complete	89-66	FP-5149261	STD	No. 4 Bore; w/Trunk style piston; 4 Valve Head; 1.05" port length sleeve
8	O-Ring	89-66	FP-8922221		w/Cross Head style piston
8	Flange Shim	89-66	FP-5199569	2	.002" Thick
8	Cntr. Bore Insert	89-66	FP-5199871		.0015" Thicker than std., for .010-.030 O/S sleeves
8	Cntr. Bore Insert	89-66	FP-5148399		.0015" Thicker than std., for std.-.005 O/S sleeves
8	Cntr. Bore Insert	89-66	FP-5148440		.0015" Thinner than std., for std.-.005 O/S sleeves
8	Cntr. Bore Insert	89-66	FP-5194073		.0035 Thinner than std., for std.-.005 O/S sleeves
8	Cntr. Bore Insert	89-66	FP-5194163		.0040 Thinner than std., for .010-.030 O/S sleeves
8	Cntr. Bore Insert	89-66	FP-5194164		.0080" Thinner than std., for .010-.030 O/S sleeves
8	Cntr. Bore Insert	89-66	FP-5193316		Std. thickness (.1795-.1800), for .010-.030 O/S sleeves
8	Cntr. Bore Insert	89-66	FP-5184484		Std. thickness (.1795-.1800), for std.-.005 O/S sleeves
QTY	PISTONS	YEARS	PART NO.	SIZE	DESCRIPTION
8	Piston With Retainers	89-66	FP-5149234	STD	18.7:1 C.R.; Trunk style piston; 4 Valve Head
8	Piston Dome Kit	89-66	FP-23522535		18.7:1 C.R.; w/Cross Head style piston
8	Crosshead Piston Dome	89-66	FP-23522026	STD	18.7:1 C.R.; w/Cross Head style piston
8	Piston Skirt	89-66	FP-23522070	STD	
8	Pin	89-66	FP-5101120	STD	w/Cross Head style piston
8	Pin	89-66	FP-5144744	STD	w/Cross Head style piston; Nut plate type
8	Pin	89-66	FP-5188406	STD	w/Trunk style piston
16	Piston Pin Retainer	89-66	FP-5180250		w/Cross Head style piston
16	Piston Pin Retainer	89-66	FP-5188405		w/Trunk style piston
16	Piston Pin Bolt	89-66	FP-5148373		7/16" - 20 x 2.00" Length
16	Piston Pin Bolt Spacer	89-66	FP-5144846		w/Cross Head style piston
8	Piston Pin Slipper Bearing	89-66	FP-23501687		w/Cross Head style piston; Slipper type design - 1 per cyl.
8	Pin Bushing	89-66	FP-5157274		w/.015" extra ID bore stock
16	Pin Bushing	89-66	FP-5155839		w/Trunk style piston
8	Pin Bushing	89-66	FP-2409Y		w/1.5020" I.D., 1.7510" O.D., .7600" O.A.L.
8	Pin Bushing	89-66	2409Y +		w/1.5020" I.D., 1.7510" O.D., .7600" O.A.L.; When depleted use FP-2409Y
QTY	CONNECTING RODS & BRGS.	YEARS	PART NO.	SIZE	DESCRIPTION
16	Con. Rod Bolt	89-66	FP-5132383		.4375" x 20 x 3.52"
16	Con. Rod Nut	89-66	FP-5117629		.4375" x 20
8	Rod Pair	89-66	FP-5149572	STD	
8	Rod Pair	89-66	FP-5149573	2	
8	Rod Pair	89-66	FP-5149575	10	
8	Rod Pair	89-66	FP-5149577	20	
8	Rod Pair	89-66	FP-5149579	30	
QTY	PISTON RINGS	YEARS	PART NO.	SIZE	DESCRIPTION
8	Ring Set Single Cylinder	89-66	FP-23522955	STD	Cross Head style piston; Std. gap Fire Ring
8	Ring Set Single Cylinder	89-66	FP-23514970	STD	Trunk style piston; 4 Valve Head; 4-.084, 2-3/16 (1 cyl. Set)
8	Compression Ring	89-66	FP-8924084		Cross Head style piston; Std. gap Fire Ring
16	Compression Ring	89-66	FP-8926351		Cross Head style piston; 2nd & 3rd grooves
32	Compression Ring	89-66	FP-5102648		Trunk style piston; 4 Valve Head
16	Ring, Oil Control Set	89-66	FP-23522534		Cross Head style piston; For one groove
8	Ring, Oil Control Set	89-66	FP-23514965		Trunk style piston; 4 Valve Head; Set for one piston
CLUTCH					
QTY	CLUTCH	YEARS	PART NO.	SIZE	DESCRIPTION
1	Ball Brg.	89-66	FP-23503706		Clutch Pilot
1	Ball Brg.	89-66	FP-23503707		Clutch Pilot
1	Ball Brg.	89-66	FP-23503709		Clutch Pilot
KITS					
QTY	OVERHAUL KIT	YEARS	PART NO.	SIZE	DESCRIPTION
1	In-Frame Overhaul Kit	89-66	FP-8V71XH		w/Cross Head style piston; Valve cover gsks. not incl.
1	In-Frame Overhaul Kit	89-66	FP-8V71NA		w/Trunk style piston & 1.050" Port Length Sleeve. Valve cover gskt. not incl.
1	Complete Overhaul Kit	89-66	FP-8V71XHOH		w/Cross Head style piston; Valve cover gsks. not incl.
1	Complete Overhaul Kit	89-66	FP-8V71NAOH		w/Trunk style piston & 1.050" Port Length Sleeve. Valve cover gskt. not incl.

Ford Truck - M/D & H/D

M/D Truck 8V-71T (4-Valve Cyl. Head) Eng. 64
9.3L 568 OHV Turbo-Diesel V8, 4.25" Bore (Detroit Diesel Eng.) 1979

CYL. HEAD & PARTS					
QTY	GASKETS	YEARS	PART NO.	SIZE	DESCRIPTION
2	Valve Cover Gasket	79	FP-5104081		Engs. w/cast Alum. valve cover; Silicone
2	Valve Cover Gasket	79	FP-5143406		Engs. w/Steel valve cover; Neoprene
QTY	VALVE	YEARS	PART NO.	SIZE	DESCRIPTION
32	Exhaust	79	FP-5104280		30 deg. seat
32	Exhaust	79	FP-8922516		30 deg. seat; 30 deg. seat; 1.1800" Head Dia., .3103" Stem Dia., 5.5280" O.A.L.
64	Keeper	79	VK-144		1 groove; Square cut key groove
64	Keeper	79	VK-144R		1 groove; Square cut key groove; Hardened
QTY	VALVE SEAT	YEARS	PART NO.	SIZE	DESCRIPTION
32	Exh.	79	FP-5197170	30	.030" O/S; 1.2920" OD, .9770" ID, .2490" Depth
32	Exh.	79	FP-5101101	STD	30 Deg. seat; 1.2620" OD, .9770" ID, .2490" Depth
QTY	VALVE GUIDE	YEARS	PART NO.	SIZE	DESCRIPTION
32	Guide	79	FP-5129919		2 3/8" length; .3130" ID, 2.3800" O.A.L.
QTY	VALVE SPRING	YEARS	PART NO.	SIZE	DESCRIPTION
32	Spring	79	FP-5147347		To Ser. No. 6V-8191; .148" Wire dia.
QTY	VALVE SEAL	YEARS	PART NO.	SIZE	DESCRIPTION
32	Valve Stem Seal	79	FP-8921209		Use w/VG-647 guide
QTY	ROCKER PARTS	YEARS	PART NO.	SIZE	DESCRIPTION
8	Arm Assy.	79	FP-5148472		Exh. Left
8	Arm Assy.	79	FP-5148475		Exh. Right
8	Arm Assy.	79	FP-8923554		Injector
2	Rocker Shaft	79	FP-23500714		
24	Arm Support	79	FP-5103903		
16	Rocker Bushing	79	FP-23517217		.8755" ID, .9475" OD, .840" Length, .0360" Wall thickness
12	Follower Assy.	79	FP-8924439		
24	Cam Follower Roller Set	79	FP-8923814		Incl. pin & roller
16	Valve Bridge	79	FP-5117565		
16	Valve Bridge Guide	79	FP-5117564		Press fit
CAMSHAFT GROUP					
QTY	CAMSHAFT/LIFTER	YEARS	PART NO.	SIZE	DESCRIPTION
1	Prelube	79	55-400		4 oz. bottle; 1.5 oz. packet No. 55-403 also avail.
ACCESSORY DRIVE					
QTY	ACCESSORY DRIVE	YEARS	PART NO.	SIZE	DESCRIPTION
1	Oil Seal	79	470625		
1	Redi-Sleeve	79	99150		
FUEL SYSTEM & PARTS					
QTY	FUEL INJECTION	YEARS	PART NO.	SIZE	DESCRIPTION
16	Injector Hole Tube Kit	79	FP-8925981		Viton®
COOLING SYSTEM					
QTY	WATER PUMP	YEARS	PART NO.	SIZE	DESCRIPTION
1	Water Pump - Heavy Duty	79	FP-23507971		Raw water pump
ENGINE BLOCK & PARTS					
QTY	GASKET SETS	YEARS	PART NO.	SIZE	DESCRIPTION
1	Complete Overhaul Gasket Set	79	FP-23512680WS		Includes Seals
QTY	CAM BEARINGS	YEARS	PART NO.	SIZE	DESCRIPTION
4	Cam Brg.	79	FP-5111423	STD	Position Front & Rear; Grooved
6	Cam Brg.	79	FP-5196026	STD	Position Inter.; w/o Steel bushing in ctr. hole; Aluminum Blocks only
6	Cam Brg.	79	FP-5196022	STD	Position Inter.; W/Steel bushing in ctr. hole
CRANKSHAFT/OIL PUMP					
QTY	SEALS - FRONT CRANK	YEARS	PART NO.	SIZE	DESCRIPTION
1	Redi-Sleeve	79	99287		Shaft dia. 2.876"
1	Oil Seal	79	455006N		
1	Oil Seal	79	FP-5115454		Single Lip, Std.
QTY	SEALS - REAR CRANK	YEARS	PART NO.	SIZE	DESCRIPTION
1	Oil Seal	79	455378H		
1	Oil Seal	79	6329S		(Double Lip Seal)
1	Oil Seal	79	FP-5114335		Single Lip, Std.; Shaft Dia. 4.687"
1	Oil Seal Kit	79	5460		(Oversize)
1	Redi-Sleeve	79	99468		

(continued on next page)

Ford Truck - M/D & H/D

64 M/D Truck 8V-71T (4-Valve Cyl. Head) Eng.

(cont.) 9.3L 568 OHV Turbo-Diesel V8, 4.25" Bore (Detroit Diesel Eng.) 1979

CRANKSHAFT/OIL PUMP (cont.)					
QTY	SEALS - REAR CRANK (cont.)	YEARS	PART NO.	SIZE	DESCRIPTION
1	Redi-Sleeve	79	99468		(Double Lip Seal)
QTY	MAIN BEARINGS	YEARS	PART NO.	SIZE	DESCRIPTION
5	Plain Main Brg.	79	FP-5149565	STD	Upper brg. w/elongated oil slot. May also be used as replacement for brg. w/11/32" oil hole.
5	Plain Main Brg.	79	FP-5149566	2	Upper brg. w/elongated oil slot. May also be used as replacement for brg. w/11/32" oil hole.
5	Plain Main Brg.	79	FP-5149567	10	Upper brg. w/elongated oil slot. May also be used as replacement for brg. w/11/32" oil hole.
5	Plain Main Brg.	79	FP-5149568	20	Upper brg. w/elongated oil slot. May also be used as replacement for brg. w/11/32" oil hole.
5	Plain Main Brg.	79	FP-8922118	30	Upper brg. w/elongated oil slot. May also be used as replacement for brg. w/11/32" oil hole.
CYLINDER COMPONENTS					
QTY	LINERS	YEARS	PART NO.	SIZE	DESCRIPTION
8	Liner w/o Sealing Rings	79	FP-23502024	STD	Flanged, .950" port length
8	Liner w/o Sealing Rings	79	FP-23502021	STD	Flanged, 1.050" port length
8	Liner w/o Sealing Rings	79	FP-23504936	STD	Flanged, 1.050" port length
8	Liner w/o Sealing Rings	79	FP-5193733	10	Flanged, 1.050" port length
8	Liner w/o Sealing Rings	79	FP-5193734	20	Flanged, 1.050" port length
8	Liner w/o Sealing Rings	79	FP-5193735	30	Flanged, 1.050" port length
8	Cylinder Kit Complete	79	FP-235053005	STD	1.05" port length sleeve
8	Cylinder Kit Complete	79	FP-5149261	STD	1.05" port length sleeve
8	Cylinder Kit Complete	79	FP-5149263	10	1.05" port length sleeve
8	Cylinder Kit Complete	79	FP-5149264	20	1.05" port length sleeve
8	Cylinder Kit Complete	79	FP-2350530630	30	1.05" port length sleeve
8	Cylinder Kit Complete	79	FP-23522521	STD	1.050" port length sleeve
8	Cylinder Kit Complete	79	FP-23522947	STD	1.050" port length sleeve
8	Cylinder Kit Complete	79	FP-23522951	10	1.050" port length sleeve
8	Cylinder Kit Complete	79	FP-23522525	20	1.050" port length sleeve
8	Cylinder Kit Complete	79	FP-2352294930	30	1.050" port length sleeve
8	O-Ring	79	FP-8922221		
8	Cntr. Bore Insert	79	FP-5199871		.0015" Thicker than std., for .010-.030 O/S sleeves
8	Cntr. Bore Insert	79	FP-5148399		.0015" Thicker than std., for std.-.005 O/S sleeves
8	Cntr. Bore Insert	79	FP-CLR81008		.0030" Thicker than std., for .010-.030 O/S sleeves
8	Cntr. Bore Insert	79	CLR-81-008 +		.0030" Thicker than std., for .010-.030 O/S sleeves; When depleted use FP-CLR81008
8	Cntr. Bore Insert	79	FP-5193316		Std. thickness (.1795-.1800), for .010-.030 O/S sleeves
8	Cntr. Bore Insert	79	FP-5184484		Std. thickness (.1795-.1800), for std.-.005 O/S sleeves
QTY	PISTONS	YEARS	PART NO.	SIZE	DESCRIPTION
16	Piston Pin Retainer	79	FP-5188405		w/Trunk style pistons
16	Piston Pin Retainer	79	FP-5180250		Cross Head pistons
8	Pin Bushing	79	FP-5157274		w/.015" extra ID bore stock
8	Pin Bushing	79	FP-2409Y		w/1.5020" I.D., 1.7510" O.D., .7600" O.A.L.
8	Pin Bushing	79	2409Y +		w/1.5020" I.D., 1.7510" O.D., .7600" O.A.L.; When depleted use FP-2409Y
QTY	CONNECTING RODS & BRGS.	YEARS	PART NO.	SIZE	DESCRIPTION
8	Rod Pair	79	FP-5149572	STD	
8	Rod Pair	79	FP-5149575	10	
8	Rod Pair	79	FP-5149577	20	
8	Rod Pair	79	FP-5149579	30	
QTY	PISTON RINGS	YEARS	PART NO.	SIZE	DESCRIPTION
8	Ring Set Single Cylinder	79	FP-23514970	STD	w/Trunk style piston; 4-.084, 2-3/16 (1 cyl. Set)
8	Premium Set	79	FP-9518KX	Std Only	w/Cross Head style piston; 1-.110, 2-.084, 2-3/16 (1 cyl. set)
8	Premium Set	79	9518KX +	Std Only	w/Cross Head style piston; 1-.110, 2-.084, 2-3/16 (1 cyl. set); When depleted use FP-9518KX
KITS					
QTY	OVERHAUL KIT	YEARS	PART NO.	SIZE	DESCRIPTION
1	In-Frame Overhaul Kit	79	FP-8V71XH		w/Cross Head style piston; Valve cover gsks. not incl.
1	In-Frame Overhaul Kit	79	FP-8V71NA		w/Trunk style piston & 1.050" Port Length Sleeve. Valve cover gskt. not incl.
1	Complete Overhaul Kit	79	FP-8V71XHOH		w/Cross Head style piston; Valve cover gsks. not incl.
1	Complete Overhaul Kit	79	FP-8V71NAOH		w/Trunk style piston & 1.050" Port Length Sleeve. Valve cover gskt. not incl.

Ford Truck - M/D & H/D

M/D Truck V200, 1150 Engs. H/D Truck V200, 1150 Engs. 65
9.4L 573 OHV Diesel V8, 4.5" Bore (Caterpillar Eng.) 1968-75

CYL. HEAD & PARTS					
QTY	GASKETS	YEARS	PART NO.	SIZE	DESCRIPTION
1	Multiple Cyl. Head Gskt. Set	75-68	FP-5P8539		
QTY	VALVE	YEARS	PART NO.	SIZE	DESCRIPTION
8	Intake	75-68	FP-9L7682		2.0900" Head Dia., 5.7000" O.A.L.
8	Exhaust	75-68	FP-9L7683		1.8000" Head Dia., 5.6800" O.A.L.
32	Keeper	75-68	FP-2A4429		Exh. & Int.
QTY	VALVE SEAT	YEARS	PART NO.	SIZE	DESCRIPTION
8	Exh.	75-68	FP-9N2837		
8	Int.	75-68	FP-2N8943		
QTY	VALVE GUIDE	YEARS	PART NO.	SIZE	DESCRIPTION
16	Guide	75-68	FP-6I2864		Exh. & Int.; .3740" ID, 2.5500" O.A.L.
QTY	VALVE SPRING	YEARS	PART NO.	SIZE	DESCRIPTION
16	Spring	75-68	FP-9N3617		Exh. & Int.
CAMSHAFT GROUP					
QTY	CAMSHAFT/LIFTER	YEARS	PART NO.	SIZE	DESCRIPTION
1	Camshaft	75-68	FP-2W4197		Use w/late style gear assy. O.E. No. 2W4197 or 2W6944
16	Lifter	75-68	FP-9N5786		Exh. & Int.; Dumbbell shaped mech.
1	Prelube	75-68	55-400		4 oz. bottle; 1.5 oz. packet No. 55-403 also avail.
COOLING SYSTEM					
QTY	WATER PUMP	YEARS	PART NO.	SIZE	DESCRIPTION
1	Water Pump Repair/Rebuild Kit	75-68	FP-9N3139		Incl. gaskets, shaft, bearing & seal assy.
ENGINE BLOCK & PARTS					
QTY	GASKET SETS	YEARS	PART NO.	SIZE	DESCRIPTION
1	Cyl. Block & Oil Pan Gskt Set	75-68	FP-5P9391		
QTY	CAM BEARINGS	YEARS	PART NO.	SIZE	DESCRIPTION
1	Cam Set	75-68	FP-9N5246S		
CRANKSHAFT/OIL PUMP					
QTY	SEALS - FRONT CRANK	YEARS	PART NO.	SIZE	DESCRIPTION
1	Redi-Sleeve	75-68	99237		(2.375" Shaft)
1	Redi-Sleeve	75-68	99287		Shaft dia. 2.876"
1	Oil Seal	75-68	39802		
1	Oil Seal	75-68	480988H		(2.375" Shaft)
1	Oil Seal	75-68	FP-9L7735		Front
QTY	SEALS - REAR CRANK	YEARS	PART NO.	SIZE	DESCRIPTION
1	Oil Seal	75-68	39801		
1	Oil Seal	75-68	FP-7W3200		Rear
1	Redi-Sleeve	75-68	99499		
QTY	MAIN BEARINGS	YEARS	PART NO.	SIZE	DESCRIPTION
1	Main Set	75-68	FP-5034M	<i>Std-10-20-30</i>	W/Crankshaft Frg. Nos. 9L-9230, 9L-9231 & 9L-9232; 1.253" length on No. 4 brg.
1	Main Set	75-68	5034M +	<i>Std-10-20-30</i>	W/Crankshaft Frg. Nos. 9L-9230, 9L-9231 & 9L-9232; 1.253" length on No. 4 brg.; When depleted use FP-5034M
CYLINDER COMPONENTS					
QTY	LINERS	YEARS	PART NO.	SIZE	DESCRIPTION
8	Repair Sleeve	75-68	FP-9N6275	<i>STD</i>	Press-in Dry Wall Liner; 3/32" wall, cut to length, press fit sleeve
QTY	PISTONS	YEARS	PART NO.	SIZE	DESCRIPTION
8	Piston Body w/o Pin	75-68	FP-9L9318	<i>STD</i>	w/Straight Rod Eng.
8	Piston Body w/o Pin	75-68	FP-9L9668	<i>20</i>	w/Straight Rod Eng.
8	Piston Body w/o Pin	75-68	FP-9L9321	<i>40</i>	w/Straight Rod Eng.
8	Piston w/Pin, Retainer, Rings	75-68	FP-PK9318	<i>STD</i>	w/Straight Rod Eng.
8	Piston w/Pin, Retainer, Rings	75-68	FP-PK9321	<i>40</i>	w/Straight Rod Eng.
8	Pin	75-68	FP-7N9803	<i>STD</i>	
16	Piston Pin Retainer	75-68	FP-8N7294		
8	Pin Bushing	75-68	FP-8N0701		
QTY	CONNECTING RODS & BRGS.	YEARS	PART NO.	SIZE	DESCRIPTION
8	Rod Pair	75-68	FP-9N5923	<i>STD</i>	
8	Rod Pair	75-68	FP-9N5924	<i>10</i>	
8	Rod Pair	75-68	FP-9N5925	<i>20</i>	
8	Rod Pair	75-68	FP-9N592330	<i>30</i>	
8	Rod Pair	75-68	FP-9N5926	<i>50</i>	

(continued on next page)

+ Superseded Part Number

Ford Truck - M/D & H/D

65 M/D Truck V200, 1150 Engs. H/D Truck V200, 1150 Engs.
(cont.) 9.4L 573 OHV Diesel V8, 4.5" Bore (Caterpillar Eng.) 1968-75

CYLINDER COMPONENTS (cont.)

QTY	PISTON RINGS	YEARS	PART NO.	SIZE	DESCRIPTION
1	Ring Set Single Cylinder	75-68	FP-2W8265	STD	Use w/FP-9L9318 Piston; 1-1/8, 1-7/64
8	Ring Set Single Cylinder	75-68	FP-2W8647	40	Use w/FP-9L9321 Piston; 1-1/8, 1-7/64
8	Ring Set Single Cylinder	75-68	FP-2W8646	20	Use w/FP-9L9668 Piston; 1-1/8, 1-7/64
8	Premium Set	75-68	FP-2W8265S	STD	Use w/FP-9L9318 Piston; 1-1/8, 1-7/64
1	Premium Set	75-68	FP-2W8647S	40	Use w/FP-9L9321 Piston; 1-1/8, 1-7/64
1	Premium Set	75-68	FP-2W8646S	20	Use w/FP-9L9668 Piston; 1-1/8, 1-7/64

66 H/D Truck L10 (4-Valve Cyl. Head)
10.0L 611 OHV Turbo-Diesel L6, 125mm Bore (Cummins Eng.) 1984-97

CYL. HEAD & PARTS

QTY	GASKETS	YEARS	PART NO.	SIZE	DESCRIPTION
1	Valve Cover Gasket	90-85	FP-3883220		
1	Head Gasket	90-85	FP-4022500		
1	Head Set	90-85	FP-4025155		Upper
QTY	MISCELLANEOUS	YEARS	PART NO.	SIZE	DESCRIPTION
3	Bolt	90-85	FP-4022907		L10; 14MM X 1.50MM X 70MM
QTY	VALVE	YEARS	PART NO.	SIZE	DESCRIPTION
12	Exhaust Valve Kit	90-85	FP-3803996		Incl. FP-3417713 valve & (2) FP-3275354 keepers; 1.6730" Head Dia., .3789" Stem Dia., 6.940" O.A.L.
12	Exhaust Valve Kit	90-85	FP-3800639		Incl. FP-3418021 valve & (2) FP-3275354 keepers
12	Exhaust Valve Kit	90-85	FP-3803995		Incl. FP-3895477 valve & (2) FP-3275354 keepers
12	Intake Valve Kit	90-85	FP-3801356		Incl. FP-3033234 valve & (2) FP-3275354 keepers
12	Intake Valve Kit	90-85	FP-3800638		Incl. FP-3418020 valve & (2) FP-3275354 keepers;
QTY	VALVE SEAT	YEARS	PART NO.	SIZE	DESCRIPTION
24	Exh. & Int.	90-85	FP-3418040	STD	1.8120" OD, 1.4500" ID, .1970" Depth
24	Exh. & Int.	90-85	FP-3418044	.25MM	1.8220" OD, 1.4500" ID, .1970" Depth
24	Exh. & Int.	90-85	FP-3418045	.50MM	1.8320" OD, 1.4500" ID, .1970" Depth
24	Exh. & Int.	90-85	FP-3418046	.75MM	1.8420" OD, 1.4500" ID, .1970" Depth
24	Exh. & Int.	90-85	FP-3418047	1.00MM	1.8520" OD, 1.4500" ID, .1970" Depth
QTY	VALVE GUIDE	YEARS	PART NO.	SIZE	DESCRIPTION
24	Guide	90-85	FP-3033314		Exh. & Int.
24	Guide	90-85	FP-3328785		Exh. & Int.; w/Short Guide; .3819" ID, 2.6330" O.A.L.
24	Guide	90-85	FP-3033230		Exh. & Int.; Valve Spring Guide
QTY	VALVE SPRING	YEARS	PART NO.	SIZE	DESCRIPTION
24	Spring	90-85	FP-3895860		Valve Spring Assy.; 4.0670" Free Height
24	Spring	90-85	FP-3033233		Inner
24	Spring	90-85	FP-3033232		Outer
24	Retainer	90-85	FP-3883512		Exh. & Int.
QTY	VALVE SEAL	YEARS	PART NO.	SIZE	DESCRIPTION
24	Valve Stem Seal	90-85	FP-3328781		Exh. & Int.
QTY	ROCKER PARTS	YEARS	PART NO.	SIZE	DESCRIPTION
12	Cam Follower Roller	90-85	FP-3895488		
6	Injector Cam Roller	90-85	FP-3895487		
12	Valve Roller Pin	90-85	FP-3335342		
6	Fuel Injector Roller Pin	90-85	FP-3335341		

INT & EXH MANIFOLDS

QTY	INT. & EXH. MANIFOLDS	YEARS	PART NO.	SIZE	DESCRIPTION
6	Exhaust Manifold Gasket	90-85	FP-3328948		

CAMSHAFT GROUP

QTY	TIMING COVER	YEARS	PART NO.	SIZE	DESCRIPTION
1	Oil Filler Cap	97-84	FP-101322		L10; 2"
QTY	CAMSHAFT/LIFTER	YEARS	PART NO.	SIZE	DESCRIPTION
1	Camshaft	90-85	FP-3036117		L10; CPL's 528, 638, 703, 704, 717, 770, 773, 774, 775, 776, 777, 784, 785, 786, 881, 882, 894, 919, 921, 958, 1198, 1234, 1198, 1359, 1414, 1454, 1459, 1660, 1674, 1687, 1695, 1696, 1699, 1849.; Bare
1	Camshaft	90-85	FP-3037523		L10; CPL's 652, 655, 671, 735, 748, 751, 764, 765, 780, 781, 783, 787, 788, 789, 790, 835, 836, 894, 978, 995, 1208, 1429, 1443.; Bare

ACCESSORY DRIVE

QTY	ACCESSORY DRIVE	YEARS	PART NO.	SIZE	DESCRIPTION
1	Oil Seal	90-85	39875		

(continued on next page)

Ford Truck - M/D & H/D

H/D Truck L10 (4-Valve Cyl. Head) 66
10.0L 611 OHV Turbo-Diesel L6, 125mm Bore (Cummins Eng.) 1984-97 (cont.)

ACCESSORY DRIVE (cont.)

QTY	ACCESSORY DRIVE (cont.)	YEARS	PART NO.	SIZE	DESCRIPTION
1	Redi-Sleeve	90-85	99147		

FUEL SYSTEM & PARTS

QTY	FUEL INJECTION	YEARS	PART NO.	SIZE	DESCRIPTION
6	Fuel Injector Sleeve	90-85	FP-3070486		L10; Thin
12	Fuel Injector Sleeve	90-85	FP-3070486		Thin
6	Screw	90-85	FP-3018772		L10; PTD Top Stop
6	Screw	90-85	FP-3055742		L10; PTD Top Stop
6	Fuel Injector	90-85	FP-3045102		L10; PTD
6	Fuel Injector Repair Parts	90-85	FP-167157		L10; Check Ball
6	Fuel Injector Valve Spring	90-85	FP-166009		L10
6	Retainer, Fuel Inj. Spring	90-85	FP-3049995		L10; PTD Top Stop
6	Fuel Inj. Plunger & Barrel	90-85	FP-3049996		L10; PTD Top Stop
6	Fuel Inj. Plunger & Barrel	90-85	FP-3069718		L10; STC
1	Fuel Injector Adapter	90-85	FP-3028066		L10; PTD Top Stop
1	Fuel Injector Cup	90-85	FP-3069717		L10; orifice number 8; orifice size 0.007; 14 Deg. spray angle
1	Fuel Injector Cup	90-85	FP-3071564		L10; orifice number 8; orifice size 0.067; 14 Deg. spray angle
1	Fuel Injector Cup	90-85	FP-3028068		L10; orifice number 9; orifice size 0.007; 10 Deg. spray angle
6	Lock Nut	90-85	FP-3009362		L10; PTD Top Stop
6	Fuel Injector Screen	90-85	FP-3008706		L10
6	Fuel Injector Roller Pin	90-85	FP-203426		L10
6	Fuel Injector Retainer	90-85	FP-185138		L10; PTD Top Stop Injector

QTY	FUEL FILTERS & PUMP	YEARS	PART NO.	SIZE	DESCRIPTION
1	Fuel Pump Valve	90-85	FP-3050624		L10
1	Fuel Pump Valve	90-85	FP-3035342		L10; Shutdown; 12V
1	Fuel Pump Valve	90-85	FP-3035344		L10; Shutdown; 24V
2	Fuel Pump Gear	90-85	FP-119364		L10; 1 1/4"
2	Fuel Pump Gear	90-85	FP-119363		L10; 3/4"
1	Fuel Pump Drive Shaft	90-85	FP-3000266		L10; Fuel Shutoff Valve
1	Fuel Pump Drive Shaft	90-85	FP-212601		L10; Main Shaft; AFC
1	Fuel Pump Drive Shaft	90-85	FP-100215		L10; 3/4"; Drive, Splined
1	Fuel Pump Check Valve	90-85	FP-3030970		L10; Fuel Shutoff Valve
1	Ball Brg.	90-85	FP-S16052		L10; Fuel Pump Front Cover
1	Bushing	90-85	FP-163944		L10; Fuel Pump
1	Fuel Pump Spider Jaw Coupling	90-85	FP-3046200		L10
1	Fuel Pump Check Valve	90-85	FP-3033740		L10
1	Air Fuel Control Check Valve	90-85	FP-3015522		L10

COOLING SYSTEM

QTY	WATER PUMP	YEARS	PART NO.	SIZE	DESCRIPTION
1	Water Pump - Heavy Duty	90-85	FP-3803403		L10; 3 Hole Mount
1	Water Pump - Heavy Duty	90-85	FP-3803402		L10; 4 Hole Mount
1	Water Pump Shaft	90-85	FP-3040964		L10; For FP-3803402 Pump
1	Water Pump Shaft	90-85	FP-3819632		L10; For FP-3803403 Pump; 4.216" Long
1	Water Pump Impeller	90-85	FP-3035679		L10
1	Water Pump Repair/Rebuild Kit	90-85	FP-4024817		L10; 3 Hole Mount
1	Water Pump Repair/Rebuild Kit	90-85	FP-3801179		L10; 4 Hole Mount
1	Water Pump Retainer Ring	90-85	FP-3064634		L10
1	Water Pump Mech. Shaft Seal	90-85	FP-3029099		L10
1	Ball Brg.	90-85	FP-S16002		L10
1	Ball Brg.	90-85	FP-S16054		L10
1	Oil Seal	90-85	39867		
1	Oil Seal	90-85	39869		Pump Side
1	Redi-Sleeve	90-85	99098		
1	Redi-Sleeve	90-85	99111		Pump Side
1	Snap Ring	90-85	FP-112302		L10
1	Water Pump Idler Assembly	90-85	FP-3062602		L10
1	Water Pump Lock Ring	90-85	FP-160586		L10

QTY	SEALS - FAN HUB	YEARS	PART NO.	SIZE	DESCRIPTION
1	Oil Seal	90-85	39835		Inner
1	Oil Seal	90-85	39877		Outer
1	Redi-Sleeve	90-85	99181		Inner

QTY	THERMOSTAT	YEARS	PART NO.	SIZE	DESCRIPTION
1	Oil Seal	90-85	39821		

ENGINE BLOCK & PARTS

QTY	GASKETS	YEARS	PART NO.	SIZE	DESCRIPTION
1	Oil Pan Gasket Set	90-85	FP-3882433PS		Incl. narrow flange pan gasket, with washers and seal rings.

(continued on next page)

Ford Truck - M/D & H/D

66 H/D Truck L10 (4-Valve Cyl. Head)

(cont.) 10.0L 611 OHV Turbo-Diesel L6, 125mm Bore (Cummins Eng.) 1984-97

ENGINE BLOCK & PARTS (cont.)					
QTY	GASKETS (cont.)	YEARS	PART NO.	SIZE	DESCRIPTION
3	Hand Hole Gasket	90-85	FP-3883472		
1	Seal Strip	90-85	FP-4920751		Front Gear Cover
QTY	GASKET SETS	YEARS	PART NO.	SIZE	DESCRIPTION
1	Gasket Conversion Set	90-85	FP-3803404		Lower
QTY	CAM BEARINGS	YEARS	PART NO.	SIZE	DESCRIPTION
1	Cam Set	90-85	FP-3820566S		
QTY	FREEZE PLUGS	YEARS	PART NO.	SIZE	DESCRIPTION
2	Pipe Plug	90-85	FP-3002158		L10
QTY	DIPSTICK	YEARS	PART NO.	SIZE	DESCRIPTION
1	Dipstick	90-85	FP-216484		L10; 90" Long; Blank Universal
QTY	MISCELLANEOUS	YEARS	PART NO.	SIZE	DESCRIPTION
38	Bolt	90-85	FP-4070463		L10; Short, Gear Cover; 8MM X 1.25MM x 12MM
2	Pipe Plug	90-85	FP-3002158		L10
CRANKSHAFT/OIL PUMP					
QTY	CRANKSHAFT	YEARS	PART NO.	SIZE	DESCRIPTION
1	Crankshaft	90-85	FP-3819989		5 Hole, Internal Dampner Only
QTY	SEALS - FRONT CRANK	YEARS	PART NO.	SIZE	DESCRIPTION
1	Oil Seal	90-85	FP-3803896		Front
1	Oil Seal Kit	90-85	FP-4089995		Front Gear Cover Seal Kit; Incl. Seal Strip, Cover Bolts
1	Oil Seal Kit	90-85	FP-4025151 +		Front Gear Cover Seal Kit; Incl. Seal Strip, Cover Bolts; When depleted use FP-4089995
1	Redi-Sleeve	90-85	FP-3820917		Front
QTY	SEALS - REAR CRANK	YEARS	PART NO.	SIZE	DESCRIPTION
1	Oil Seal Kit	90-85	FP-3800643		Rear; Dry
1	Redi-Sleeve	90-85	FP-3819774		Rear
QTY	MAIN BEARINGS	YEARS	PART NO.	SIZE	DESCRIPTION
1	Main Set	90-85	FP-4025125	STD	For engines w/roll pin design thrust washers
1	Main Set	90-85	FP-4025126	10	For engines w/roll pin design thrust washers
1	Main Set	90-85	FP-4025127	20	For engines w/roll pin design thrust washers
1	Main Set	90-85	FP-4025128	30	For engines w/roll pin design thrust washers
1	Thrust Washer Set	90-85	FP-3161653S		
QTY	OIL PUMP	YEARS	PART NO.	SIZE	DESCRIPTION
2	Oil Drain Plug	90-85	FP-3055069		1" - 18 UNS
2	Washer	90-85	FP-67946		Oil Drain Plug Gasket; 1.03125" ID
CYLINDER COMPONENTS					
QTY	LINERS	YEARS	PART NO.	SIZE	DESCRIPTION
6	Liner w/o Sealing Rings	90-85	FP-3080760		
6	Liner w/Sealing Rings	90-85	FP-3803703		
6	Cylinder Kit Complete	90-85	FP-3800800	STD	17.0:1 C.R.
6	Cylinder Kit Complete	90-85	FP-3803974	STD	18.1:1 C.R.
6	Sealing Ring, Liner	90-85	FP-3047188		
QTY	PISTONS	YEARS	PART NO.	SIZE	DESCRIPTION
6	Piston Body w/o Pin	90-85	FP-3055622		17.0:1 C.R.
6	Piston Body w/o Pin	90-85	FP-3045907		18.1:1 C.R.
6	Pin	90-85	FP-4083243		
12	Piston Pin Retainer	90-85	FP-3016652		
6	Piston Cooling Nozzle	90-85	FP-3803495		
6	Pin Bushing	90-85	FP-3027105		
QTY	CONNECTING RODS & BRGS.	YEARS	PART NO.	SIZE	DESCRIPTION
12	Con. Rod Bolt	90-85	FP-3027108		
1	Rod Set	90-85	FP-63016760PR	STD	
1	Rod Set	90-85	FP-63016761PR	.25MM	
6	Rod Pair	90-85	FP-3016760PR	STD	
6	Rod Pair	90-85	FP-3016761PR	.25MM	
12	Rod Bearing Half Upper/Lower	90-85	FP-3016760	STD	
12	Rod Bearing Half Upper/Lower	90-85	FP-3016761	10	
12	Rod Bearing Half Upper/Lower	90-85	FP-3016762	20	
12	Rod Bearing Half Upper/Lower	90-85	FP-3016763	30	
QTY	PISTON RINGS	YEARS	PART NO.	SIZE	DESCRIPTION
6	Ring Set Single Cylinder	90-85	FP-3803961	STD	Includes Top Ring, Comp Ring, Oil Ring

(continued on next page)

Ford Truck - M/D & H/D

<i>H/D Truck L10 (4-Valve Cyl. Head) 66</i> 10.0L 611 OHV Turbo-Diesel L6, 125mm Bore (Cummins Eng.) 1984-97 (cont.)					
KITS					
QTY	OVERHAUL KIT	YEARS	PART NO.	SIZE	DESCRIPTION
1	In-Frame Overhaul Kit	90-85	FP-L10PREM		LTA10; For engines w/outer dia. tab thrust washers; Premium; With Upper Gasket Set & Pan Gasket
1	In-Frame Overhaul Kit	90-85	FP-L10PREM		LT10; For engines w/outer dia. tab thrust washers; Premium; With Upper Gasket Set & Pan Gasket
1	In-Frame Overhaul Kit	90-85	FP-L10PREM		L10; For engines w/outer dia. tab thrust washers; Premium; With Upper Gasket Set & Pan Gasket
1	Complete Overhaul Kit	90-85	FP-L10PREMOH		L10; For engines w/outer dia. tab thrust washers; Premium; With Front & Rear Seals and Upper & Lower Gasket Sets
<i>M/D Truck V190, V195, V225, 1160, 3208, 3208N Eng. 67</i> 10.4L 636 OHV Diesel V8, 4.5" Bore (Caterpillar Eng.) 1968-90					
CYL. HEAD & PARTS					
QTY	GASKETS	YEARS	PART NO.	SIZE	DESCRIPTION
1	Multiple Cyl. Head Gskt. Set	90-68	FP-PGE0053		3208, 3208N Eng.
QTY	VALVE	YEARS	PART NO.	SIZE	DESCRIPTION
8	Intake	90-68	FP-9L7682		2.0900" Head Dia., 5.7000" O.A.L.
8	Exhaust	90-68	FP-9L7683		1.8000" Head Dia., 5.6800" O.A.L.
32	Keeper	90-68	FP-2A4429		Exh. & Int.
QTY	VALVE SEAT	YEARS	PART NO.	SIZE	DESCRIPTION
8	Exh.	90-68	FP-9N2837		
8	Int.	90-68	FP-2N8943		
QTY	VALVE GUIDE	YEARS	PART NO.	SIZE	DESCRIPTION
16	Guide	90-68	FP-6I2864		Exh. & Int.; .3740" ID, 2.5500" O.A.L.
QTY	VALVE SPRING	YEARS	PART NO.	SIZE	DESCRIPTION
16	Spring	90-68	FP-9N3617		Exh. & Int.
CAMSHAFT GROUP					
QTY	CAMSHAFT/LIFTER	YEARS	PART NO.	SIZE	DESCRIPTION
1	Camshaft	90-68	FP-2W4197		Prev. Part No. FP-7C6950
16	Lifter	90-68	FP-9N5786		Dumbbell shaped mech.
FUEL SYSTEM & PARTS					
QTY	FUEL INJECTION	YEARS	PART NO.	SIZE	DESCRIPTION
8	Fuel Injector Nozzle	90-68	FP-9N2366		V190, V195, V225, 1160 Eng.
8	Fuel Injector Nozzle	90-68	FP-9N3299		3208, 3208N Eng. From Ser. No. 40S1 & up
16	Fuel Inj. Plunger & Barrel	90-68	FP-1W3010		3208, 3208N Eng.
COOLING SYSTEM					
QTY	WATER PUMP	YEARS	PART NO.	SIZE	DESCRIPTION
1	Water Pump - Heavy Duty	90-68	FP-2W1225		3208, 3208N Eng.
1	Water Pump Impeller	90-68	FP-9Y3778		V190, V195, V225, 1160 Eng.
1	Water Pump Impeller	90-68	FP-2W3535		3208, 3208N Eng.
1	Water Pump Repair/Rebuild Kit	90-68	FP-9N3139		V190, V195, V225, 1160 Eng.; Incl. gaskets, shaft, bearing & seal assy.
1	Water Pump Repair/Rebuild Kit	90-68	FP-6V6894		3208, 3208N Eng.; Incl. gaskets, shaft, bearing & seal assy.
1	Water Pump Mech. Shaft Seal	90-68	FP-2W4390		V190, V195, V225, 1160 Eng.
1	Water Pump Mech. Shaft Seal	90-68	FP-2W0712		3208, 3208N Eng.
2	Ball Brg.	90-68	FP-5P7807		Water pump shaft bearing; 3208, 3208N Eng.
1	Shaft & Bearing Assembly	90-68	FP-9L7493		V190, V195, V225, 1160 Eng.
QTY	THERMOSTAT	YEARS	PART NO.	SIZE	DESCRIPTION
1	Thermostat	90-68	FP-2485513		3208, 3208N Eng.; w/1 Thermostat; 180 Degree
2	Thermostat	90-68	FP-9N5121		3208, 3208N Eng.; w/2 Thermostats; 180 Degree
ENGINE BLOCK & PARTS					
QTY	GASKETS	YEARS	PART NO.	SIZE	DESCRIPTION
1	Oil Pan Gasket Set	90-68	FP-3208PS		3208, 3208N Eng.
QTY	GASKET SETS	YEARS	PART NO.	SIZE	DESCRIPTION
1	In-Frame Gasket Set	90-68	FP-PGE0054		3208, 3208N Eng.
1	Complete Overhaul Gasket Set	90-68	FP-PGE0050		1160 Eng.
1	Complete Overhaul Gasket Set	90-68	FP-PGE0051		3208, 3208N Eng.
QTY	CAM BEARINGS	YEARS	PART NO.	SIZE	DESCRIPTION
1	Cam Set	90-68	FP-9N5246S		
QTY	OIL COOLERS & FILTERS	YEARS	PART NO.	SIZE	DESCRIPTION
1	Oil Cooler	90-68	FP-1328593		3208, 3208N Eng.

(continued on next page)

Ford Truck - M/D & H/D

67 M/D Truck V190, V195, V225, 1160, 3208, 3208N Engs.
 (cont.) 10.4L 636 OHV Diesel V8, 4.5" Bore (Caterpillar Eng.) 1968-90

CRANKSHAFT/OIL PUMP					
QTY	CRANKSHAFT	YEARS	PART NO.	SIZE	DESCRIPTION
1	Crankshaft	90-68	FP-9L6266		1160 Eng.
1	Crankshaft	90-68	FP-9N6221		3208, 3208N Engs.; w/o Gear
1	Vibration Damper	90-68	FP-1W6760		3208, 3208N Engs.
1	Crank Gear	90-68	FP-9L7606		V190, 1160 Engs.
QTY	SEALS - FRONT CRANK	YEARS	PART NO.	SIZE	DESCRIPTION
1	Redi-Sleeve	90-68	99237		(2.375" Shaft)
1	Redi-Sleeve	90-68	99287		Shaft dia. 2.876"
1	Wear Sleeve	90-68	FP-9L8336		
1	Oil Seal	90-68	480988H		(2.375" Shaft)
QTY	SEALS - REAR CRANK	YEARS	PART NO.	SIZE	DESCRIPTION
1	Oil Seal	90-68	39801		
1	Oil Seal	90-68	FP-9L7735		Front; V190, V195, V225, 1160 Engs.
1	Oil Seal	90-68	FP-7C6660		Front; 3208, 3208N Engs.
1	Oil Seal	90-68	FP-7W3200		Rear; 3208, 3208N Engs.
1	Redi-Sleeve	90-68	99499		
QTY	MAIN BEARINGS	YEARS	PART NO.	SIZE	DESCRIPTION
1	Main Set	90-68	FP-9Y6202	STD	Engs. From Ser. No. 40S1 & up, w/grooved No. 1 housing & non-grooved front brg.
1	Main Set	90-68	FP-4W8001DM	10	Engs. From Ser. No. 40S1 & up, w/grooved No. 1 housing & non-grooved front brg.
1	Main Set	90-68	FP-4W8020DM	20	Engs. From Ser. No. 40S1 & up, w/grooved No. 1 housing & non-grooved front brg.
1	Main Set	90-68	FP-4W8030DM	30	Engs. From Ser. No. 40S1 & up, w/grooved No. 1 housing & non-grooved front brg.
1	Main Set	90-68	5089M + Std-10-20-30		Engs. From Ser. No. 40S1 & up, w/grooved No. 1 housing & non-grooved front brg.; When depleted use FP-9Y6202
1	Main Set	90-68	FP-5034M Std-10-20-30		W/Crankshaft Frg. Nos. 9L-9230, 9L-9231 & 9L-9232; 1.253" length on No. 4 brg.
1	Main Set	90-68	5034M + Std-10-20-30		W/Crankshaft Frg. Nos. 9L-9230, 9L-9231 & 9L-9232; 1.253" length on No. 4 brg.; When depleted use FP-5034M
1	Main Set	90-68	FP-5101M Std-10		W/Grooved front brg.; Engs. From Ser. No. 40S1 & up
1	Main Set	90-68	5101M + Std-10		W/Grooved front brg.; Engs. From Ser. No. 40S1 & up; When depleted use FP-5101M
1	Plain Main Brg.	90-68	FP-8N8929	STD	Position 1; 2nd Design; V190 Eng. From Ser. No. 36B2013 & up, Cyl. Block 9N1255; V195 Eng. From Ser. No. 97B6576 & up, Cyl. Block 9N1255; V225 Eng. From Ser. No. 97B6576 & up, Cyl. Block 9N1255; 1160 Eng. From Ser. No. 95B14668 & up, Cyl. Block 9N1255; 3208 Eng. From Ser. No. 40S1 to 40S15611, Cyl. Block 9N1255; 3208 Eng. From Ser. No. 40S15612 & up, Cyl. Block 9N3120; w/Grooved Front Brg.
1	Plain Main Brg.	90-68	FP-8N8926	10	Position 1; 2nd Design; V190 Eng. From Ser. No. 36B2013 & up, Cyl. Block 9N1255; V195 Eng. From Ser. No. 97B6576 & up, Cyl. Block 9N1255; V225 Eng. From Ser. No. 97B6576 & up, Cyl. Block 9N1255; 1160 Eng. From Ser. No. 95B14668 & up, Cyl. Block 9N1255; 3208 Eng. From Ser. No. 40S1 to 40S15611, Cyl. Block 9N1255; 3208 Eng. From Ser. No. 40S15612 & up, Cyl. Block 9N3120; w/Grooved Front Brg.
1	Plain Main Brg.	90-68	FP-8N8931	20	Position 1; 2nd Design; V190 Eng. From Ser. No. 36B2013 & up, Cyl. Block 9N1255; V195 Eng. From Ser. No. 97B6576 & up, Cyl. Block 9N1255; V225 Eng. From Ser. No. 97B6576 & up, Cyl. Block 9N1255; 1160 Eng. From Ser. No. 95B14668 & up, Cyl. Block 9N1255; 3208 Eng. From Ser. No. 40S1 to 40S15611, Cyl. Block 9N1255; 3208 Eng. From Ser. No. 40S15612 & up, Cyl. Block 9N3120; w/Grooved Front Brg.
1	Plain Main Brg.	90-68	FP-4W8093	STD	Position 1; 3rd Design; V190 Eng. From Ser. No. 36B2013 & up, Cyl. Block 9N3120; V195 Eng. From Ser. No. 97B6576 & up, Cyl. Block 9N3120; V225 Eng. From Ser. No. 97B6576 & up, Cyl. Block 9N3120; 1160 Eng. From Ser. No. 95B14668 & up, Cyl. Block 9N3120; 3208 Eng. From Ser. No. 40S15612, Cyl. Blocks 9N3120, 9N3763, 9N5190; 3241 Eng. & up, Exc. Arrangement No. 9N6348, 9N6349, 9N6350, 9N6351, 9N6637, 9N5185, 9N5140, 9N5146; w/Non-Grooved Front Brg.
1	Plain Main Brg.	90-68	FP-8N8976	10	Position 1; 3rd Design; V190 Eng. From Ser. No. 36B2013 & up, Cyl. Block 9N3120; V195 Eng. From Ser. No. 97B6576 & up, Cyl. Block 9N3120; V225 Eng. From Ser. No. 97B6576 & up, Cyl. Block 9N3120; 1160 Eng. From Ser. No. 95B14668 & up, Cyl. Block 9N3120; 3208 Eng. From Ser. No. 40S15612, Cyl. Blocks 9N3120, 9N3763, 9N5190; 3241 Eng. & up, Exc. Arrangement No. 9N6348, 9N6349, 9N6350, 9N6351, 9N6637, 9N5185, 9N5140, 9N5146; w/Non-Grooved Front Brg.

(continued on next page)

Ford Truck - M/D & H/D

M/D Truck V190, V195, V225, 1160, 3208, 3208N Engs. 67
10.4L 636 OHV Diesel V8, 4.5" Bore (Caterpillar Eng.) 1968-90 (cont.)

CRANKSHAFT/OIL PUMP (cont.)

QTY	MAIN BEARINGS (cont.)	YEARS	PART NO.	SIZE	DESCRIPTION
1	Plain Main Brg.	90-68	FP-8N8972	20	Position 1; 3rd Design; V190 Eng. From Ser. No. 36B2013 & up, Cyl. Block 9N3120; V195 Eng. From Ser. No. 97B6576 & up, Cyl. Block 9N3120; V225 Eng. From Ser. No. 97B6576 & up, Cyl. Block 9N3120; 1160 Eng. From Ser. No. 95B14668 & up, Cyl. Block 9N3120; 3208 Eng. From Ser. No. 40S15612, Cyl. Blocks 9N3120, 9N3763, 9N5190; 3241 Eng. & up, Exc. Arrangement No. 9N6348, 9N6349, 9N6350, 9N6351, 9N6637, 9N5185, 9N5140, 9N5146; w/Non-Grooved Front Brg.
1	Plain Main Brg.	90-68	FP-4W809330	30	Position 1; 3rd Design; V190 Eng. From Ser. No. 36B2013 & up, Cyl. Block 9N3120; V195 Eng. From Ser. No. 97B6576 & up, Cyl. Block 9N3120; V225 Eng. From Ser. No. 97B6576 & up, Cyl. Block 9N3120; 1160 Eng. From Ser. No. 95B14668 & up, Cyl. Block 9N3120; 3208 Eng. From Ser. No. 40S15612, Cyl. Blocks 9N3120, 9N3763, 9N5190; 3241 Eng. & up, Exc. Arrangement No. 9N6348, 9N6349, 9N6350, 9N6351, 9N6637, 9N5185, 9N5140, 9N5146; w/Non-Grooved Front Brg.
1	Plain Main Brg.	90-68	FP-4W809340	40	Position 1; 3rd Design; V190 Eng. From Ser. No. 36B2013 & up, Cyl. Block 9N3120; V195 Eng. From Ser. No. 97B6576 & up, Cyl. Block 9N3120; V225 Eng. From Ser. No. 97B6576 & up, Cyl. Block 9N3120; 1160 Eng. From Ser. No. 95B14668 & up, Cyl. Block 9N3120; 3208 Eng. From Ser. No. 40S15612, Cyl. Blocks 9N3120, 9N3763, 9N5190; 3241 Eng. & up, Exc. Arrangement No. 9N6348, 9N6349, 9N6350, 9N6351, 9N6637, 9N5185, 9N5140, 9N5146; w/Non-Grooved Front Brg.
4	Plain Main Brg.	90-68	FP-4W8092	STD	Position 1-2-3-5; 1st Design; V190 Eng. From Ser. No. 36B2013 & up, Cyl. Blocks 9L9446, 9L6553, 9L0130; V195 Eng. From Ser. No. 97B6576 & up, Cyl. Blocks 9L9446, 9L6553, 9L0130; V225 Eng. From Ser. No. 96B7590 & up, Cyl. Blocks 9L9446, 9L6553, 9L0130; 1160 Eng. From Ser. No. 95B14688 & up, Cyl. Blocks 9L9446, 9L6553, 9L0130; 3208 Eng. From Ser. No. 40S1 to 40S15611, Cyl. Blocks 9L0130, 9N1250, 9N2139
4	Plain Main Brg.	90-68	FP-8N9022	10	Position 1-2-3-5; 1st Design; V190 Eng. From Ser. No. 36B2013 & up, Cyl. Blocks 9L9446, 9L6553, 9L0130; V195 Eng. From Ser. No. 97B6576 & up, Cyl. Blocks 9L9446, 9L6553, 9L0130; V225 Eng. From Ser. No. 96B7590 & up, Cyl. Blocks 9L9446, 9L6553, 9L0130; 1160 Eng. From Ser. No. 95B14688 & up, Cyl. Blocks 9L9446, 9L6553, 9L0130; 3208 Eng. From Ser. No. 40S1 to 40S15611, Cyl. Blocks 9L0130, 9N1250, 9N2139
4	Plain Main Brg.	90-68	FP-8N9023	20	Position 1-2-3-5; 1st Design; V190 Eng. From Ser. No. 36B2013 & up, Cyl. Blocks 9L9446, 9L6553, 9L0130; V195 Eng. From Ser. No. 97B6576 & up, Cyl. Blocks 9L9446, 9L6553, 9L0130; V225 Eng. From Ser. No. 96B7590 & up, Cyl. Blocks 9L9446, 9L6553, 9L0130; 1160 Eng. From Ser. No. 95B14688 & up, Cyl. Blocks 9L9446, 9L6553, 9L0130; 3208 Eng. From Ser. No. 40S1 to 40S15611, Cyl. Blocks 9L0130, 9N1250, 9N2139
4	Plain Main Brg.	90-68	FP-4W809230	30	Position 1-2-3-5; 1st Design; V190 Eng. From Ser. No. 36B2013 & up, Cyl. Blocks 9L9446, 9L6553, 9L0130; V195 Eng. From Ser. No. 97B6576 & up, Cyl. Blocks 9L9446, 9L6553, 9L0130; V225 Eng. From Ser. No. 96B7590 & up, Cyl. Blocks 9L9446, 9L6553, 9L0130; 1160 Eng. From Ser. No. 95B14688 & up, Cyl. Blocks 9L9446, 9L6553, 9L0130; 3208 Eng. From Ser. No. 40S1 to 40S15611, Cyl. Blocks 9L0130, 9N1250, 9N2139
4	Plain Main Brg.	90-68	FP-4W809240	40	Position 1-2-3-5; 1st Design; V190 Eng. From Ser. No. 36B2013 & up, Cyl. Blocks 9L9446, 9L6553, 9L0130; V195 Eng. From Ser. No. 97B6576 & up, Cyl. Blocks 9L9446, 9L6553, 9L0130; V225 Eng. From Ser. No. 96B7590 & up, Cyl. Blocks 9L9446, 9L6553, 9L0130; 1160 Eng. From Ser. No. 95B14688 & up, Cyl. Blocks 9L9446, 9L6553, 9L0130; 3208 Eng. From Ser. No. 40S1 to 40S15611, Cyl. Blocks 9L0130, 9N1250, 9N2139
4	Plain Main Brg.	90-68	FP-8N9020	50	Position 1-2-3-5; 1st Design; V190 Eng. From Ser. No. 36B2013 & up, Cyl. Blocks 9L9446, 9L6553, 9L0130; V195 Eng. From Ser. No. 97B6576 & up, Cyl. Blocks 9L9446, 9L6553, 9L0130; V225 Eng. From Ser. No. 96B7590 & up, Cyl. Blocks 9L9446, 9L6553, 9L0130; 1160 Eng. From Ser. No. 95B14688 & up, Cyl. Blocks 9L9446, 9L6553, 9L0130; 3208 Eng. From Ser. No. 40S1 to 40S15611, Cyl. Blocks 9L0130, 9N1250, 9N2139
3	Plain Main Brg.	90-68	FP-4W8092	STD	Position 2-3-5; 2nd Design; V190 Eng. From Ser. No. 36B2013 & up, Cyl. Block 9N1255; V195 Eng. From Ser. No. 97B6576 & up, Cyl. Block 9N1255; V225 Eng. From Ser. No. 97B6576 & up, Cyl. Block 9N1255; 1160 Eng. From Ser. No. 95B14668 & up, Cyl. Block 9N1255; 3208 Eng. From Ser. No. 40S1 to 40S15612 & up, Cyl. Block 9N1255; 3208 Eng. From Ser. No. 40S15612 & up, Cyl. Block 9N3120; w/Grooved Front Brg.

(continued on next page)

Ford Truck - M/D & H/D

67 M/D Truck V190, V195, V225, 1160, 3208, 3208N Engs.
 (cont.) 10.4L 636 OHV Diesel V8, 4.5" Bore (Caterpillar Eng.) 1968-90

CRANKSHAFT/OIL PUMP (cont.)

QTY	MAIN BEARINGS (cont.)	YEARS	PART NO.	SIZE	DESCRIPTION
3	Plain Main Brg.	90-68	FP-8N9022	10	Position 2-3-5; 2nd Design; V190 Eng. From Ser. No. 36B2013 & up, Cyl. Block 9N1255; V195 Eng. From Ser. No. 97B6576 & up, Cyl. Block 9N1255; V225 Eng. From Ser. No. 97B6576 & up, Cyl. Block 9N1255; 1160 Eng. From Ser. No. 95B14668 & up, Cyl. Block 9N1255; 3208 Eng. From Ser. No. 40S1 to 40S15611, Cyl. Block 9N1255; 3208 Eng. From Ser. No. 40S15612 & up, Cyl. Block 9N3120; w/Grooved Front Brg.
3	Plain Main Brg.	90-68	FP-8N9023	20	Position 2-3-5; 2nd Design; V190 Eng. From Ser. No. 36B2013 & up, Cyl. Block 9N1255; V195 Eng. From Ser. No. 97B6576 & up, Cyl. Block 9N1255; V225 Eng. From Ser. No. 97B6576 & up, Cyl. Block 9N1255; 1160 Eng. From Ser. No. 95B14668 & up, Cyl. Block 9N1255; 3208 Eng. From Ser. No. 40S1 to 40S15611, Cyl. Block 9N1255; 3208 Eng. From Ser. No. 40S15612 & up, Cyl. Block 9N3120; w/Grooved Front Brg.
3	Plain Main Brg.	90-68	FP-4W8092	STD	Position 2-3-5; 3rd Design; V190 Eng. From Ser. No. 36B2013 & up, Cyl. Block 9N3120; V195 Eng. From Ser. No. 97B6576 & up, Cyl. Block 9N3120; V225 Eng. From Ser. No. 97B6576 & up, Cyl. Block 9N3120; 1160 Eng. From Ser. No. 95B14668 & up, Cyl. Block 9N3120; 3208 Eng. From Ser. No. 40S15612, Cyl. Blocks 9N3120, 9N3763, 9N5190; 3241 Eng. & up, Exc. Arrangement No. 9N6348, 9N6349, 9N6350, 9N6351, 9N6637, 9N5185, 9N5140, 9N5146; w/Non-Grooved Front Brg.
3	Plain Main Brg.	90-68	FP-8N9022	10	Position 2-3-5; 3rd Design; V190 Eng. From Ser. No. 36B2013 & up, Cyl. Block 9N3120; V195 Eng. From Ser. No. 97B6576 & up, Cyl. Block 9N3120; V225 Eng. From Ser. No. 97B6576 & up, Cyl. Block 9N3120; 1160 Eng. From Ser. No. 95B14668 & up, Cyl. Block 9N3120; 3208 Eng. From Ser. No. 40S15612, Cyl. Blocks 9N3120, 9N3763, 9N5190; 3241 Eng. & up, Exc. Arrangement No. 9N6348, 9N6349, 9N6350, 9N6351, 9N6637, 9N5185, 9N5140, 9N5146; w/Non-Grooved Front Brg.
3	Plain Main Brg.	90-68	FP-8N9023	20	Position 2-3-5; 3rd Design; V190 Eng. From Ser. No. 36B2013 & up, Cyl. Block 9N3120; V195 Eng. From Ser. No. 97B6576 & up, Cyl. Block 9N3120; V225 Eng. From Ser. No. 97B6576 & up, Cyl. Block 9N3120; 1160 Eng. From Ser. No. 95B14668 & up, Cyl. Block 9N3120; 3208 Eng. From Ser. No. 40S15612, Cyl. Blocks 9N3120, 9N3763, 9N5190; 3241 Eng. & up, Exc. Arrangement No. 9N6348, 9N6349, 9N6350, 9N6351, 9N6637, 9N5185, 9N5140, 9N5146; w/Non-Grooved Front Brg.
3	Plain Main Brg.	90-68	FP-4W809230	30	Position 2-3-5; 3rd Design; V190 Eng. From Ser. No. 36B2013 & up, Cyl. Block 9N3120; V195 Eng. From Ser. No. 97B6576 & up, Cyl. Block 9N3120; V225 Eng. From Ser. No. 97B6576 & up, Cyl. Block 9N3120; 1160 Eng. From Ser. No. 95B14668 & up, Cyl. Block 9N3120; 3208 Eng. From Ser. No. 40S15612, Cyl. Blocks 9N3120, 9N3763, 9N5190; 3241 Eng. & up, Exc. Arrangement No. 9N6348, 9N6349, 9N6350, 9N6351, 9N6637, 9N5185, 9N5140, 9N5146; w/Non-Grooved Front Brg.
3	Plain Main Brg.	90-68	FP-4W809240	40	Position 2-3-5; 3rd Design; V190 Eng. From Ser. No. 36B2013 & up, Cyl. Block 9N3120; V195 Eng. From Ser. No. 97B6576 & up, Cyl. Block 9N3120; V225 Eng. From Ser. No. 97B6576 & up, Cyl. Block 9N3120; 1160 Eng. From Ser. No. 95B14668 & up, Cyl. Block 9N3120; 3208 Eng. From Ser. No. 40S15612, Cyl. Blocks 9N3120, 9N3763, 9N5190; 3241 Eng. & up, Exc. Arrangement No. 9N6348, 9N6349, 9N6350, 9N6351, 9N6637, 9N5185, 9N5140, 9N5146; w/Non-Grooved Front Brg.
1	Plain Main Brg.	90-68	FP-4W809240	40	Position 4; 1st Design; V190 Eng. From Ser. No. 36B2013 & up, Cyl. Blocks 9L9446, 9L6553, 9L0130; V195 Eng. From Ser. No. 97B6576 & up, Cyl. Blocks 9L9446, 9L6553, 9L0130; V225 Eng. From Ser. No. 96B7590 & up, Cyl. Blocks 9L9446, 9L6553, 9L0130; 1160 Eng. From Ser. No. 95B14688 & up, Cyl. Blocks 9L9446, 9L6553, 9L0130; 3208 Eng. From Ser. No. 40S1 to 40S15611, Cyl. Blocks 9L0130, 9N1250, 9N2139
1	Flanged Main Brg.	90-68	FP-4W8091	STD	Position 4; 1st Design; V190 Eng. From Ser. No. 36B2013 & up, Cyl. Blocks 9L9446, 9L6553, 9L0130; V195 Eng. From Ser. No. 97B6576 & up, Cyl. Blocks 9L9446, 9L6553, 9L0130; V225 Eng. From Ser. No. 96B7590 & up, Cyl. Blocks 9L9446, 9L6553, 9L0130; 1160 Eng. From Ser. No. 95B14688 & up, Cyl. Blocks 9L9446, 9L6553, 9L0130; 3208 Eng. From Ser. No. 40S1 to 40S15611, Cyl. Blocks 9L0130, 9N1250, 9N2139

(continued on next page)

Ford Truck - M/D & H/D

M/D Truck V190, V195, V225, 1160, 3208, 3208N Engs. 67
10.4L 636 OHV Diesel V8, 4.5" Bore (Caterpillar Eng.) 1968-90 (cont.)

CRANKSHAFT/OIL PUMP (cont.)

QTY	MAIN BEARINGS (cont.)	YEARS	PART NO.	SIZE	DESCRIPTION
1	Flanged Main Brg.	90-68	FP-8N9065	10	Position 4; 1st Design; V190 Eng. From Ser. No. 36B2013 & up, Cyl. Blocks 9L9446, 9L6553, 9L0130; V195 Eng. From Ser. No. 97B6576 & up, Cyl. Blocks 9L9446, 9L6553, 9L0130; V225 Eng. From Ser. No. 96B7590 & up, Cyl. Blocks 9L9446, 9L6553, 9L0130; 1160 Eng. From Ser. No. 95B14688 & up, Cyl. Blocks 9L9446, 9L6553, 9L0130; 3208 Eng. From Ser. No. 40S1 to 40S15611, Cyl. Blocks 9L0130, 9N1250, 9N2139
1	Flanged Main Brg.	90-68	FP-8N9064	20	Position 4; 1st Design; V190 Eng. From Ser. No. 36B2013 & up, Cyl. Blocks 9L9446, 9L6553, 9L0130; V195 Eng. From Ser. No. 97B6576 & up, Cyl. Blocks 9L9446, 9L6553, 9L0130; V225 Eng. From Ser. No. 96B7590 & up, Cyl. Blocks 9L9446, 9L6553, 9L0130; 1160 Eng. From Ser. No. 95B14688 & up, Cyl. Blocks 9L9446, 9L6553, 9L0130; 3208 Eng. From Ser. No. 40S1 to 40S15611, Cyl. Blocks 9L0130, 9N1250, 9N2139
1	Flanged Main Brg.	90-68	FP-4W809130	30	Position 4; 1st Design; V190 Eng. From Ser. No. 36B2013 & up, Cyl. Blocks 9L9446, 9L6553, 9L0130; V195 Eng. From Ser. No. 97B6576 & up, Cyl. Blocks 9L9446, 9L6553, 9L0130; V225 Eng. From Ser. No. 96B7590 & up, Cyl. Blocks 9L9446, 9L6553, 9L0130; 1160 Eng. From Ser. No. 95B14688 & up, Cyl. Blocks 9L9446, 9L6553, 9L0130; 3208 Eng. From Ser. No. 40S1 to 40S15611, Cyl. Blocks 9L0130, 9N1250, 9N2139
1	Flanged Main Brg.	90-68	FP-8N9066	50	Position 4; 1st Design; V190 Eng. From Ser. No. 36B2013 & up, Cyl. Blocks 9L9446, 9L6553, 9L0130; V195 Eng. From Ser. No. 97B6576 & up, Cyl. Blocks 9L9446, 9L6553, 9L0130; V225 Eng. From Ser. No. 96B7590 & up, Cyl. Blocks 9L9446, 9L6553, 9L0130; 1160 Eng. From Ser. No. 95B14688 & up, Cyl. Blocks 9L9446, 9L6553, 9L0130; 3208 Eng. From Ser. No. 40S1 to 40S15611, Cyl. Blocks 9L0130, 9N1250, 9N2139
1	Flanged Main Brg.	90-68	FP-4W8091	STD	Position 4; 2nd Design; V190 Eng. From Ser. No. 36B2013 & up, Cyl. Block 9N1255; V195 Eng. From Ser. No. 97B6576 & up, Cyl. Block 9N1255; V225 Eng. From Ser. No. 97B6576 & up, Cyl. Block 9N1255; 1160 Eng. From Ser. No. 95B14668 & up, Cyl. Block 9N1255; 3208 Eng. From Ser. No. 40S1 to 40S15611, Cyl. Block 9N1255; 3208 Eng. From Ser. No. 40S15612 & up, Cyl. Block 9N3120; w/Grooved Front Brg.
1	Flanged Main Brg.	90-68	FP-8N9065	10	Position 4; 2nd Design; V190 Eng. From Ser. No. 36B2013 & up, Cyl. Block 9N1255; V195 Eng. From Ser. No. 97B6576 & up, Cyl. Block 9N1255; V225 Eng. From Ser. No. 97B6576 & up, Cyl. Block 9N1255; 1160 Eng. From Ser. No. 95B14668 & up, Cyl. Block 9N1255; 3208 Eng. From Ser. No. 40S1 to 40S15611, Cyl. Block 9N1255; 3208 Eng. From Ser. No. 40S15612 & up, Cyl. Block 9N3120; w/Grooved Front Brg.
1	Flanged Main Brg.	90-68	FP-8N9064	20	Position 4; 2nd Design; V190 Eng. From Ser. No. 36B2013 & up, Cyl. Block 9N1255; V195 Eng. From Ser. No. 97B6576 & up, Cyl. Block 9N1255; V225 Eng. From Ser. No. 97B6576 & up, Cyl. Block 9N1255; 1160 Eng. From Ser. No. 95B14668 & up, Cyl. Block 9N1255; 3208 Eng. From Ser. No. 40S1 to 40S15611, Cyl. Block 9N1255; 3208 Eng. From Ser. No. 40S15612 & up, Cyl. Block 9N3120; w/Grooved Front Brg.
1	Flanged Main Brg.	90-68	FP-4W8091	STD	Position 4; 3rd Design; V190 Eng. From Ser. No. 36B2013 & up, Cyl. Block 9N3120; V195 Eng. From Ser. No. 97B6576 & up, Cyl. Block 9N3120; V225 Eng. From Ser. No. 97B6576 & up, Cyl. Block 9N3120; 1160 Eng. From Ser. No. 95B14668 & up, Cyl. Block 9N3120; 3208 Eng. From Ser. No. 40S15612, Cyl. Blocks 9N3120, 9N3763, 9N5190; 3241 Eng. & up, Exc. Arrangement No. 9N6348, 9N6349, 9N6350, 9N6351, 9N6637, 9N5185, 9N5140, 9N5146; w/Non-Grooved Front Brg.
1	Flanged Main Brg.	90-68	FP-8N9065	10	Position 4; 3rd Design; V190 Eng. From Ser. No. 36B2013 & up, Cyl. Block 9N3120; V195 Eng. From Ser. No. 97B6576 & up, Cyl. Block 9N3120; V225 Eng. From Ser. No. 97B6576 & up, Cyl. Block 9N3120; 1160 Eng. From Ser. No. 95B14668 & up, Cyl. Block 9N3120; 3208 Eng. From Ser. No. 40S15612, Cyl. Blocks 9N3120, 9N3763, 9N5190; 3241 Eng. & up, Exc. Arrangement No. 9N6348, 9N6349, 9N6350, 9N6351, 9N6637, 9N5185, 9N5140, 9N5146; w/Non-Grooved Front Brg.
1	Flanged Main Brg.	90-68	FP-8N9064	20	Position 4; 3rd Design; V190 Eng. From Ser. No. 36B2013 & up, Cyl. Block 9N3120; V195 Eng. From Ser. No. 97B6576 & up, Cyl. Block 9N3120; V225 Eng. From Ser. No. 97B6576 & up, Cyl. Block 9N3120; 1160 Eng. From Ser. No. 95B14668 & up, Cyl. Block 9N3120; 3208 Eng. From Ser. No. 40S15612, Cyl. Blocks 9N3120, 9N3763, 9N5190; 3241 Eng. & up, Exc. Arrangement No. 9N6348, 9N6349, 9N6350, 9N6351, 9N6637, 9N5185, 9N5140, 9N5146; w/Non-Grooved Front Brg.

(continued on next page)

Ford Truck - M/D & H/D

67 M/D Truck V190, V195, V225, 1160, 3208, 3208N Engs.
 (cont.) 10.4L 636 OHV Diesel V8, 4.5" Bore (Caterpillar Eng.) 1968-90

CRANKSHAFT/OIL PUMP (cont.)

QTY	MAIN BEARINGS (cont.)	YEARS	PART NO.	SIZE	DESCRIPTION
1	Flanged Main Brg.	90-68	FP-4W809130	30	Position 4; 3rd Design; V190 Eng. From Ser. No. 36B2013 & up, Cyl. Block 9N3120; V195 Eng. From Ser. No. 97B6576 & up, Cyl. Block 9N3120; V225 Eng. From Ser. No. 97B6576 & up, Cyl. Block 9N3120; 1160 Eng. From Ser. No. 95B14668 & up, Cyl. Block 9N3120; 3208 Eng. From Ser. No. 40S15612, Cyl. Blocks 9N3120, 9N3763, 9N5190; 3241 Eng. & up, Exc. Arrangement No. 9N6348, 9N6349, 9N6350, 9N6351, 9N6637, 9N5185, 9N5140, 9N5146; w/Non-Grooved Front Brg.
1	Flanged Main Brg.	90-68	FP-4W809140	40	Position 4; 3rd Design; V190 Eng. From Ser. No. 36B2013 & up, Cyl. Block 9N3120; V195 Eng. From Ser. No. 97B6576 & up, Cyl. Block 9N3120; V225 Eng. From Ser. No. 97B6576 & up, Cyl. Block 9N3120; 1160 Eng. From Ser. No. 95B14668 & up, Cyl. Block 9N3120; 3208 Eng. From Ser. No. 40S15612, Cyl. Blocks 9N3120, 9N3763, 9N5190; 3241 Eng. & up, Exc. Arrangement No. 9N6348, 9N6349, 9N6350, 9N6351, 9N6637, 9N5185, 9N5140, 9N5146; w/Non-Grooved Front Brg.

CYLINDER COMPONENTS

QTY	LINERS	YEARS	PART NO.	SIZE	DESCRIPTION
8	Repair Sleeve	90-68	FP-9N6275	STD	Press-in Drywall Liner; 3/32" wall, cut to length, press fit sleeve
QTY	PISTONS	YEARS	PART NO.	SIZE	DESCRIPTION
8	Piston Body w/o Pin	90-68	FP-9L77373R	STD	For all rods; 1160, 3208, 3208N Engs.; w/3-Ring pistons
8	Piston Body w/o Pin	90-68	FP-9L78273R	20	For all rods; 1160, 3208, 3208N Engs.; w/3-Ring pistons
8	Piston Body w/o Pin	90-68	FP-9L78283R	40	For all rods; 1160, 3208, 3208N Engs.; w/3-Ring pistons
8	Piston Body w/o Pin	90-68	FP-9L9317	STD	Straight Rod only; V190, V195 Engs.
8	Piston Body w/o Pin	90-68	FP-9L9667	20	Straight Rod only; V190, V195 Engs.
8	Piston Body w/o Pin	90-68	FP-9L9318	STD	Straight Rod only; V225 Eng.
8	Piston Body w/o Pin	90-68	FP-9L9668	20	Straight Rod only; V225 Eng.
8	Piston Body w/o Pin	90-68	FP-9L9321	40	Straight Rod only; V225 Eng.
8	Piston Body w/o Pin	90-68	FP-9L7737	STD	Straight Rod only; 1160, 3208, 3208N Engs.; 16.5:1 C.R.
8	Piston Body w/o Pin	90-68	FP-9L7827	20	Straight Rod only; 1160, 3208, 3208N Engs.; 16.5:1 C.R.
8	Piston Body w/o Pin	90-68	FP-9L7828	40	Straight Rod only; 1160, 3208, 3208N Engs.; 16.5:1 C.R.
8	Piston Body w/o Pin	90-68	FP-2W84123R	STD	Tapered Rod only; 3208 Eng.; From Ser. No. 40S1 & up, 3241 & up, 51Z1 & up; w/3-Ring pistons; 18.2:1 C.R.
8	Piston Body w/o Pin	90-68	FP-2W84143R	20	Tapered Rod only; 3208 Eng.; From Ser. No. 40S1 & up, 3241 & up, 51Z1 & up; w/3-Ring pistons; 18.2:1 C.R.
8	Piston Body w/o Pin	90-68	FP-2W84153R	40	Tapered Rod only; 3208 Eng.; From Ser. No. 40S1 & up, 3241 & up, 51Z1 & up; w/3-Ring pistons; 18.2:1 C.R.
8	Piston Body w/o Pin	90-68	FP-2W4831	STD	Tapered Rod only; 3208 Eng.; From Ser. No. 40S1 & up, 3241 & up, 51Z1 & up; 16.5:1 C.R.
8	Piston Body w/o Pin	90-68	FP-2W8410	20	Tapered Rod only; 3208 Eng.; From Ser. No. 40S1 & up, 3241 & up, 51Z1 & up; 16.5:1 C.R.
8	Piston Body w/o Pin	90-68	FP-2W483130	30	Tapered Rod only; 3208 Eng.; From Ser. No. 40S1 & up, 3241 & up, 51Z1 & up; 16.5:1 C.R.
8	Piston Body w/o Pin	90-68	FP-2W8411	40	Tapered Rod only; 3208 Eng.; From Ser. No. 40S1 & up, 3241 & up, 51Z1 & up; 16.5:1 C.R.
8	Piston Body w/o Pin	90-68	FP-2W8412	STD	Tapered Rod only; 3208 Eng.; From Ser. No. 40S1 & up, 3241 & up, 51Z1 & up; 18.2:1 C.R.
8	Piston Body w/o Pin	90-68	FP-2W8414	20	Tapered Rod only; 3208 Eng.; From Ser. No. 40S1 & up, 3241 & up, 51Z1 & up; 18.2:1 C.R.
8	Piston Body w/o Pin	90-68	FP-2W8415	40	Tapered Rod only; 3208 Eng.; From Ser. No. 40S1 & up, 3241 & up, 51Z1 & up; 18.2:1 C.R.
8	Piston w/Pin, Retainer, Rings	90-68	FP-PK77373R	STD	For all rods; 1160, 3208, 3208N Engs.; w/3-Ring pistons
8	Piston w/Pin, Retainer, Rings	90-68	FP-PK78273R	20	For all rods; 1160, 3208, 3208N Engs.; w/3-Ring pistons
8	Piston w/Pin, Retainer, Rings	90-68	FP-PK78283R	40	For all rods; 1160, 3208, 3208N Engs.; w/3-Ring pistons
8	Piston w/Pin, Retainer, Rings	90-68	FP-PK9317	STD	Straight Rod only; V190, V195 Engs.
8	Piston w/Pin, Retainer, Rings	90-68	FP-PK9667	20	Straight Rod only; V190, V195 Engs.
8	Piston w/Pin, Retainer, Rings	90-68	FP-PK9318	STD	Straight Rod only; V225 Eng.
8	Piston w/Pin, Retainer, Rings	90-68	FP-PK9321	40	Straight Rod only; V225 Eng.
8	Piston w/Pin, Retainer, Rings	90-68	FP-PK7737	STD	Straight Rod only; 1160, 3208, 3208N Engs.; 16.5:1 C.R.
8	Piston w/Pin, Retainer, Rings	90-68	FP-PK7827	20	Straight Rod only; 1160, 3208, 3208N Engs.; 16.5:1 C.R.
8	Piston w/Pin, Retainer, Rings	90-68	FP-PK7828	40	Straight Rod only; 1160, 3208, 3208N Engs.; 16.5:1 C.R.
8	Piston w/Pin, Retainer, Rings	90-68	FP-PK84123R	STD	Tapered Rod only; 3208 Eng.; From Ser. No. 40S1 & up, 3241 & up, 51Z1 & up; w/3-Ring pistons; 18.2:1 C.R.
8	Piston w/Pin, Retainer, Rings	90-68	FP-PK84143R	20	Tapered Rod only; 3208 Eng.; From Ser. No. 40S1 & up, 3241 & up, 51Z1 & up; w/3-Ring pistons; 18.2:1 C.R.
8	Piston w/Pin, Retainer, Rings	90-68	FP-PK84153R	40	Tapered Rod only; 3208 Eng.; From Ser. No. 40S1 & up, 3241 & up, 51Z1 & up; w/3-Ring pistons; 18.2:1 C.R.
8	Piston w/Pin, Retainer, Rings	90-68	FP-PK4831	STD	Tapered Rod only; 3208 Eng.; From Ser. No. 40S1 & up, 3241 & up, 51Z1 & up; 16.5:1 C.R.

(continued on next page)

Ford Truck - M/D & H/D

M/D Truck V190, V195, V225, 1160, 3208, 3208N Engs. 67
10.4L 636 OHV Diesel V8, 4.5" Bore (Caterpillar Eng.) 1968-90 (cont.)

CYLINDER COMPONENTS (cont.)

QTY	PISTONS (cont.)	YEARS	PART NO.	SIZE	DESCRIPTION
8	Piston w/Pin, Retainer, Rings	90-68	FP-PK8410	20	Tapered Rod only; 3208 Eng.; From Ser. No. 40S1 & up, 3241 & up, 51Z1 & up; 16.5:1 C.R.
8	Piston w/Pin, Retainer, Rings	90-68	FP-PK8411	40	Tapered Rod only; 3208 Eng.; From Ser. No. 40S1 & up, 3241 & up, 51Z1 & up; 16.5:1 C.R.
8	Piston w/Pin, Retainer, Rings	90-68	FP-PK8412	STD	Tapered Rod only; 3208 Eng.; From Ser. No. 40S1 & up, 3241 & up, 51Z1 & up; 18.2:1 C.R.
8	Piston w/Pin, Retainer, Rings	90-68	FP-PK8414	20	Tapered Rod only; 3208 Eng.; From Ser. No. 40S1 & up, 3241 & up, 51Z1 & up; 18.2:1 C.R.
8	Piston w/Pin, Retainer, Rings	90-68	FP-PK8415	40	Tapered Rod only; 3208 Eng.; From Ser. No. 40S1 & up, 3241 & up, 51Z1 & up; 18.2:1 C.R.
8	Pin	90-68	FP-7N9803	STD	
16	Piston Pin Retainer	90-68	FP-8N7294		
8	Pin Bushing	90-68	FP-8N0701		Straight bushing; 3208, 3208N Engs.; O.E. No. 8N0701
8	Pin Bushing	90-68	FP-9N5082		Tapered bushing; 3208, 3208N Engs.; O.E. Nos. 9N-5082 & 9N-5082X

QTY	CONNECTING RODS & BRGS.	YEARS	PART NO.	SIZE	DESCRIPTION
16	Con. Rod Bolt	90-68	FP-9N3832		3208, 3208N Engs.
16	Con. Rod Nut	90-68	FP-9L7669		3208, 3208N Engs.
8	Rod Pair	90-68	FP-7E7894	STD	Engs. From Ser. No. 40SI & up, 32Y1 & up
8	Rod Pair	90-68	FP-9N5920	10	Engs. From Ser. No. 40SI & up, 32Y1 & up
8	Rod Pair	90-68	FP-9N5921	20	Engs. From Ser. No. 40SI & up, 32Y1 & up
8	Rod Pair	90-68	FP-7E789430	30	Engs. From Ser. No. 40SI & up, 32Y1 & up
8	Rod Pair	90-68	FP-9N5923	STD	V190, V195, V225, 1160 Engs.
8	Rod Pair	90-68	FP-9N5924	10	V190, V195, V225, 1160 Engs.
8	Rod Pair	90-68	FP-9N5925	20	V190, V195, V225, 1160 Engs.
8	Rod Pair	90-68	FP-9N592330	30	V190, V195, V225, 1160 Engs.
8	Rod Pair	90-68	FP-9N5926	50	V190, V195, V225, 1160 Engs.
8	Connecting Rod, New	90-68	FP-9N0407		Straight Rod; 3208, 3208N Engs.; Casting No. 9N0406
8	Connecting Rod, New	90-68	FP-7E4728		Tapered Rod; 3208, 3208N Engs.; Casting No. 1W2258

QTY	PISTON RINGS	YEARS	PART NO.	SIZE	DESCRIPTION
8	Ring Set Single Cylinder	90-68	FP-2W826510	10	Exc. 3-Ring pistons; Check piston grooving before supplying ring set
8	Ring Set Single Cylinder	90-68	FP-2W826530	30	Exc. 3-Ring pistons; Check piston grooving before supplying ring set
8	Ring Set Single Cylinder	90-68	FP-2W8265	STD	Exc. 3-Ring pistons; Check piston grooving before supplying ring set; 1-1/8, 1-7/64
8	Ring Set Single Cylinder	90-68	FP-2W8646	20	Exc. 3-Ring pistons; Check piston grooving before supplying ring set; 1-1/8, 1-7/64
8	Ring Set Single Cylinder	90-68	FP-2W8647	40	Exc. 3-Ring pistons; Check piston grooving before supplying ring set; 1-1/8, 1-7/64
8	Ring Set Single Cylinder	90-68	FP-2W82653R	STD	For 3-Ring pistons; Check piston grooving before supplying ring set
8	Ring Set Single Cylinder	90-68	FP-2W86463R	20	For 3-Ring pistons; Check piston grooving before supplying ring set
8	Ring Set Single Cylinder	90-68	FP-2W86473R	40	For 3-Ring pistons; Check piston grooving before supplying ring set
1	Premium Set	90-68	FP-2W8265S	STD	Exc. 3-Ring pistons; Check piston grooving before supplying ring set; 1-1/8, 1-7/64
1	Premium Set	90-68	FP-2W8265S10	10	Exc. 3-Ring pistons; Check piston grooving before supplying ring set; 1-1/8, 1-7/64
1	Premium Set	90-68	FP-2W8646S	20	Exc. 3-Ring pistons; Check piston grooving before supplying ring set; 1-1/8, 1-7/64
1	Premium Set	90-68	FP-2W8265S30	30	Exc. 3-Ring pistons; Check piston grooving before supplying ring set; 1-1/8, 1-7/64
1	Premium Set	90-68	FP-2W8647S	40	Exc. 3-Ring pistons; Check piston grooving before supplying ring set; 1-1/8, 1-7/64
1	Premium Set	90-68	FP-2W82653RS	STD	For 3-Ring pistons; Check piston grooving before supplying ring set; 2-3/32, 1-3/16 (Rectangular Comp. Rings)
1	Premium Set	90-68	FP-2W86463RS	20	For 3-Ring pistons; Check piston grooving before supplying ring set; 2-3/32, 1-3/16; Check piston grooving before using

KITS

QTY	OVERHAUL KIT	YEARS	PART NO.	SIZE	DESCRIPTION
1	In-Frame Overhaul Kit	90-68	FP-IFK1160		1160 Eng.
1	In-Frame Overhaul Kit	90-68	FP-IFK3208		3208, 3208N Engs.
1	Complete Overhaul Kit	90-68	FP-OH1160		1160 Eng.
1	Complete Overhaul Kit	90-68	FP-OH3208		3208, 3208N Engs.

Ford Truck - M/D & H/D

68 H/D Truck V190, V195, V225, 1160, 3208, 3208N Engs.
10.4L 636 OHV Diesel V8, 4.5" Bore (Caterpillar Eng.) 1968-93

CYL. HEAD & PARTS					
QTY	GASKETS	YEARS	PART NO.	SIZE	DESCRIPTION
1	Multiple Cyl. Head Gskt. Set	93-68	FP-PGE0053		3208, 3208N Engs.
QTY	VALVE	YEARS	PART NO.	SIZE	DESCRIPTION
8	Intake	93-68	FP-9L7682		2.0900" Head Dia., 5.7000" O.A.L.
8	Exhaust	93-68	FP-9L7683		1.8000" Head Dia., 5.6800" O.A.L.
32	Keeper	93-68	FP-2A4429		Exh. & Int.
QTY	VALVE SEAT	YEARS	PART NO.	SIZE	DESCRIPTION
8	Exh.	93-68	FP-9N2837		
8	Int.	93-68	FP-2N8943		
QTY	VALVE GUIDE	YEARS	PART NO.	SIZE	DESCRIPTION
16	Guide	93-68	FP-6I2864		Exh. & Int.; .3740" ID, 2.5500" O.A.L.
QTY	VALVE SPRING	YEARS	PART NO.	SIZE	DESCRIPTION
16	Spring	93-68	FP-9N3617		Exh. & Int.
CAMSHAFT GROUP					
QTY	CAMSHAFT/LIFTER	YEARS	PART NO.	SIZE	DESCRIPTION
1	Camshaft	93-68	FP-2W4197		Prev. Part No. FP-7C6950
16	Lifter	93-68	FP-9N5786		Dumbbell shaped mech.
FUEL SYSTEM & PARTS					
QTY	FUEL INJECTION	YEARS	PART NO.	SIZE	DESCRIPTION
8	Fuel Injector Nozzle	93-68	FP-9N2366		V190, V195, V225, 1160 Engs.
8	Fuel Injector Nozzle	93-68	FP-9N3299		3208, 3208N Engs. From Ser. No. 40S1 & up
16	Fuel Inj. Plunger & Barrel	93-68	FP-1W3010		3208, 3208N Engs.
COOLING SYSTEM					
QTY	WATER PUMP	YEARS	PART NO.	SIZE	DESCRIPTION
1	Water Pump - Heavy Duty	93-68	FP-2W1225		3208, 3208N Engs.
1	Water Pump Impeller	93-68	FP-9Y3778		V190, V195, V225, 1160 Engs.
1	Water Pump Impeller	93-68	FP-2W3535		3208, 3208N Engs.
1	Water Pump Repair/Rebuild Kit	93-68	FP-9N3139		V190, V195, V225, 1160 Engs.; Incl. gaskets, shaft, bearing & seal assy.
1	Water Pump Repair/Rebuild Kit	93-68	FP-6V6894		3208, 3208N Engs.; Incl. gaskets, shaft, bearing & seal assy.
1	Water Pump Mech. Shaft Seal	93-68	FP-2W4390		V190, V195, V225, 1160 Engs.
1	Water Pump Mech. Shaft Seal	93-68	FP-2W0712		3208, 3208N Engs.
2	Ball Brg.	93-68	FP-5P7807		Water pump shaft bearing; 3208, 3208N Engs.
1	Shaft & Bearing Assembly	93-68	FP-9L7493		V190, V195, V225, 1160 Engs.
QTY	THERMOSTAT	YEARS	PART NO.	SIZE	DESCRIPTION
1	Thermostat	93-68	FP-2485513		3208, 3208N Engs.; w/1 Thermostat; 180 Degree
2	Thermostat	93-68	FP-9N5121		3208, 3208N Engs.; w/2 Thermostats; 180 Degree
ENGINE BLOCK & PARTS					
QTY	GASKETS	YEARS	PART NO.	SIZE	DESCRIPTION
1	Oil Pan Gasket Set	93-68	FP-3208PS		3208, 3208N Engs.
QTY	GASKET SETS	YEARS	PART NO.	SIZE	DESCRIPTION
1	In-Frame Gasket Set	93-68	FP-PGE0054		3208, 3208N Engs.
1	Complete Overhaul Gasket Set	93-68	FP-PGE0050		1160 Eng.
1	Complete Overhaul Gasket Set	93-68	FP-PGE0051		3208, 3208N Engs.
QTY	CAM BEARINGS	YEARS	PART NO.	SIZE	DESCRIPTION
1	Cam Set	93-68	FP-9N5246S		
CRANKSHAFT/OIL PUMP					
QTY	CRANKSHAFT	YEARS	PART NO.	SIZE	DESCRIPTION
1	Crankshaft	93-68	FP-9L6266		1160 Eng.
1	Crankshaft	93-68	FP-9N6221		3208, 3208N Engs.; w/o Gear
1	Vibration Damper	93-68	FP-1W6760		3208, 3208N Engs.
1	Crank Gear	93-68	FP-9L7606		V190, 1160 Engs.
QTY	SEALS - FRONT CRANK	YEARS	PART NO.	SIZE	DESCRIPTION
1	Redi-Sleeve	93-68	99287		Shaft dia. 2.876"
1	Redi-Sleeve	90-68	99237		(2.375" Shaft)
1	Wear Sleeve	93-68	FP-9L8336		
1	Oil Seal	90-68	480988H		(2.375" Shaft)
QTY	SEALS - REAR CRANK	YEARS	PART NO.	SIZE	DESCRIPTION
1	Oil Seal	93-68	39801		
1	Oil Seal	93-68	FP-9L7735		Front; V190, V195, V225, 1160 Engs.
1	Oil Seal	93-68	FP-7C6660		Front; 3208, 3208N Engs.
1	Oil Seal	93-68	FP-7W3200		Rear; 3208, 3208N Engs.

(continued on next page)

Ford Truck - M/D & H/D

H/D Truck V190, V195, V225, 1160, 3208, 3208N Engs. 68
10.4L 636 OHV Diesel V8, 4.5" Bore (Caterpillar Eng.) 1968-93 (cont.)

CRANKSHAFT/OIL PUMP (cont.)

QTY	SEALS - REAR CRANK (cont.)	YEARS	PART NO.	SIZE	DESCRIPTION
1	Redi-Sleeve	93-68	99499		
QTY	MAIN BEARINGS	YEARS	PART NO.	SIZE	DESCRIPTION
1	Main Set	93-68	FP-9Y6202	STD	Engs. From Ser. No. 40S1 & up, w/grooved No. 1 housing & non-grooved front brg.
1	Main Set	93-68	FP-4W8001DM	10	Engs. From Ser. No. 40S1 & up, w/grooved No. 1 housing & non-grooved front brg.
1	Main Set	93-68	FP-4W8020DM	20	Engs. From Ser. No. 40S1 & up, w/grooved No. 1 housing & non-grooved front brg.
1	Main Set	93-68	FP-4W8030DM	30	Engs. From Ser. No. 40S1 & up, w/grooved No. 1 housing & non-grooved front brg.
1	Main Set	93-68	5089M +	Std-10-20-30	Engs. From Ser. No. 40S1 & up, w/grooved No. 1 housing & non-grooved front brg.; When depleted use FP-9Y6202
1	Main Set	93-68	FP-5034M	Std-10-20-30	W/Crankshaft Frg. Nos. 9L-9230, 9L-9231 & 9L-9232; 1.253" length on No. 4 brg.
1	Main Set	93-68	5034M +	Std-10-20-30	W/Crankshaft Frg. Nos. 9L-9230, 9L-9231 & 9L-9232; 1.253" length on No. 4 brg.; When depleted use FP-5034M
1	Main Set	93-68	FP-5101M	Std-10	W/Grooved front brg.; Engs. From Ser. No. 40S1 & up
1	Main Set	93-68	5101M +	Std-10	W/Grooved front brg.; Engs. From Ser. No. 40S1 & up; When depleted use FP-5101M
1	Plain Main Brg.	93-68	FP-8N8929	STD	Position 1; 2nd Design; V190 Eng. From Ser. No. 36B2013 & up, Cyl. Block 9N1255; V195 Eng. From Ser. No. 97B6576 & up, Cyl. Block 9N1255; V225 Eng. From Ser. No. 97B6576 & up, Cyl. Block 9N1255; 1160 Eng. From Ser. No. 95B14668 & up, Cyl. Block 9N1255; 3208 Eng. From Ser. No. 40S1 to 40S15611, Cyl. Block 9N1255; 3208 Eng. From Ser. No. 40S15612 & up, Cyl. Block 9N3120; w/Grooved Front Brg.
1	Plain Main Brg.	93-68	FP-8N8926	10	Position 1; 2nd Design; V190 Eng. From Ser. No. 36B2013 & up, Cyl. Block 9N1255; V195 Eng. From Ser. No. 97B6576 & up, Cyl. Block 9N1255; V225 Eng. From Ser. No. 97B6576 & up, Cyl. Block 9N1255; 1160 Eng. From Ser. No. 95B14668 & up, Cyl. Block 9N1255; 3208 Eng. From Ser. No. 40S1 to 40S15611, Cyl. Block 9N1255; 3208 Eng. From Ser. No. 40S15612 & up, Cyl. Block 9N3120; w/Grooved Front Brg.
1	Plain Main Brg.	93-68	FP-8N8931	20	Position 1; 2nd Design; V190 Eng. From Ser. No. 36B2013 & up, Cyl. Block 9N1255; V195 Eng. From Ser. No. 97B6576 & up, Cyl. Block 9N1255; V225 Eng. From Ser. No. 97B6576 & up, Cyl. Block 9N1255; 1160 Eng. From Ser. No. 95B14668 & up, Cyl. Block 9N1255; 3208 Eng. From Ser. No. 40S1 to 40S15611, Cyl. Block 9N1255; 3208 Eng. From Ser. No. 40S15612 & up, Cyl. Block 9N3120; w/Grooved Front Brg.
1	Plain Main Brg.	93-68	FP-4W8093	STD	Position 1; 3rd Design; V190 Eng. From Ser. No. 36B2013 & up, Cyl. Block 9N3120; V195 Eng. From Ser. No. 97B6576 & up, Cyl. Block 9N3120; V225 Eng. From Ser. No. 97B6576 & up, Cyl. Block 9N3120; 1160 Eng. From Ser. No. 95B14668 & up, Cyl. Block 9N3120; 3208 Eng. From Ser. No. 40S15612, Cyl. Blocks 9N3120, 9N3763, 9N5190; 3241 Eng. & up, Exc. Arrangement No. 9N6348, 9N6349, 9N6350, 9N6351, 9N6637, 9N5185, 9N5140, 9N5146; w/Non-Grooved Front Brg.
1	Plain Main Brg.	93-68	FP-8N8976	10	Position 1; 3rd Design; V190 Eng. From Ser. No. 36B2013 & up, Cyl. Block 9N3120; V195 Eng. From Ser. No. 97B6576 & up, Cyl. Block 9N3120; V225 Eng. From Ser. No. 97B6576 & up, Cyl. Block 9N3120; 1160 Eng. From Ser. No. 95B14668 & up, Cyl. Block 9N3120; 3208 Eng. From Ser. No. 40S15612, Cyl. Blocks 9N3120, 9N3763, 9N5190; 3241 Eng. & up, Exc. Arrangement No. 9N6348, 9N6349, 9N6350, 9N6351, 9N6637, 9N5185, 9N5140, 9N5146; w/Non-Grooved Front Brg.
1	Plain Main Brg.	93-68	FP-8N8972	20	Position 1; 3rd Design; V190 Eng. From Ser. No. 36B2013 & up, Cyl. Block 9N3120; V195 Eng. From Ser. No. 97B6576 & up, Cyl. Block 9N3120; V225 Eng. From Ser. No. 97B6576 & up, Cyl. Block 9N3120; 1160 Eng. From Ser. No. 95B14668 & up, Cyl. Block 9N3120; 3208 Eng. From Ser. No. 40S15612, Cyl. Blocks 9N3120, 9N3763, 9N5190; 3241 Eng. & up, Exc. Arrangement No. 9N6348, 9N6349, 9N6350, 9N6351, 9N6637, 9N5185, 9N5140, 9N5146; w/Non-Grooved Front Brg.
1	Plain Main Brg.	93-68	FP-4W809330	30	Position 1; 3rd Design; V190 Eng. From Ser. No. 36B2013 & up, Cyl. Block 9N3120; V195 Eng. From Ser. No. 97B6576 & up, Cyl. Block 9N3120; V225 Eng. From Ser. No. 97B6576 & up, Cyl. Block 9N3120; 1160 Eng. From Ser. No. 95B14668 & up, Cyl. Block 9N3120; 3208 Eng. From Ser. No. 40S15612, Cyl. Blocks 9N3120, 9N3763, 9N5190; 3241 Eng. & up, Exc. Arrangement No. 9N6348, 9N6349, 9N6350, 9N6351, 9N6637, 9N5185, 9N5140, 9N5146; w/Non-Grooved Front Brg.

(continued on next page)

+ Superseded Part Number

Ford Truck - M/D & H/D

68 *H/D Truck V190, V195, V225, 1160, 3208, 3208N Engs.*
 (cont.) 10.4L 636 OHV Diesel V8, 4.5" Bore (Caterpillar Eng.) 1968-93

CRANKSHAFT/OIL PUMP (cont.)

QTY	MAIN BEARINGS (cont.)	YEARS	PART NO.	SIZE	DESCRIPTION
1	Plain Main Brg.	93-68	FP-4W809340	40	Position 1; 3rd Design; V190 Eng. From Ser. No. 36B2013 & up, Cyl. Block 9N3120; V195 Eng. From Ser. No. 97B6576 & up, Cyl. Block 9N3120; V225 Eng. From Ser. No. 97B6576 & up, Cyl. Block 9N3120; 1160 Eng. From Ser. No. 95B14668 & up, Cyl. Block 9N3120; 3208 Eng. From Ser. No. 40S15612, Cyl. Blocks 9N3120, 9N3763, 9N5190; 3241 Eng. & up, Exc. Arrangement No. 9N6348, 9N6349, 9N6350, 9N6351, 9N6637, 9N5185, 9N5140, 9N5146; w/Non-Grooved Front Brg.
4	Plain Main Brg.	93-68	FP-4W8092	STD	Position 1-2-3-5; 1st Design; V190 Eng. From Ser. No. 36B2013 & up, Cyl. Blocks 9L9446, 9L6553, 9L0130; V195 Eng. From Ser. No. 97B6576 & up, Cyl. Blocks 9L9446, 9L6553, 9L0130; V225 Eng. From Ser. No. 96B7590 & up, Cyl. Blocks 9L9446, 9L6553, 9L0130; 1160 Eng. From Ser. No. 95B14688 & up, Cyl. Blocks 9L9446, 9L6553, 9L0130; 3208 Eng. From Ser. No. 40S1 to 40S15611, Cyl. Blocks 9L0130, 9N1250, 9N2139
4	Plain Main Brg.	93-68	FP-8N9022	10	Position 1-2-3-5; 1st Design; V190 Eng. From Ser. No. 36B2013 & up, Cyl. Blocks 9L9446, 9L6553, 9L0130; V195 Eng. From Ser. No. 97B6576 & up, Cyl. Blocks 9L9446, 9L6553, 9L0130; V225 Eng. From Ser. No. 96B7590 & up, Cyl. Blocks 9L9446, 9L6553, 9L0130; 1160 Eng. From Ser. No. 95B14688 & up, Cyl. Blocks 9L9446, 9L6553, 9L0130; 3208 Eng. From Ser. No. 40S1 to 40S15611, Cyl. Blocks 9L0130, 9N1250, 9N2139
4	Plain Main Brg.	93-68	FP-8N9023	20	Position 1-2-3-5; 1st Design; V190 Eng. From Ser. No. 36B2013 & up, Cyl. Blocks 9L9446, 9L6553, 9L0130; V195 Eng. From Ser. No. 97B6576 & up, Cyl. Blocks 9L9446, 9L6553, 9L0130; V225 Eng. From Ser. No. 96B7590 & up, Cyl. Blocks 9L9446, 9L6553, 9L0130; 1160 Eng. From Ser. No. 95B14688 & up, Cyl. Blocks 9L9446, 9L6553, 9L0130; 3208 Eng. From Ser. No. 40S1 to 40S15611, Cyl. Blocks 9L0130, 9N1250, 9N2139
4	Plain Main Brg.	93-68	FP-4W809230	30	Position 1-2-3-5; 1st Design; V190 Eng. From Ser. No. 36B2013 & up, Cyl. Blocks 9L9446, 9L6553, 9L0130; V195 Eng. From Ser. No. 97B6576 & up, Cyl. Blocks 9L9446, 9L6553, 9L0130; V225 Eng. From Ser. No. 96B7590 & up, Cyl. Blocks 9L9446, 9L6553, 9L0130; 1160 Eng. From Ser. No. 95B14688 & up, Cyl. Blocks 9L9446, 9L6553, 9L0130; 3208 Eng. From Ser. No. 40S1 to 40S15611, Cyl. Blocks 9L0130, 9N1250, 9N2139
4	Plain Main Brg.	93-68	FP-4W809240	40	Position 1-2-3-5; 1st Design; V190 Eng. From Ser. No. 36B2013 & up, Cyl. Blocks 9L9446, 9L6553, 9L0130; V195 Eng. From Ser. No. 97B6576 & up, Cyl. Blocks 9L9446, 9L6553, 9L0130; V225 Eng. From Ser. No. 96B7590 & up, Cyl. Blocks 9L9446, 9L6553, 9L0130; 1160 Eng. From Ser. No. 95B14688 & up, Cyl. Blocks 9L9446, 9L6553, 9L0130; 3208 Eng. From Ser. No. 40S1 to 40S15611, Cyl. Blocks 9L0130, 9N1250, 9N2139
4	Plain Main Brg.	93-68	FP-8N9020	50	Position 1-2-3-5; 1st Design; V190 Eng. From Ser. No. 36B2013 & up, Cyl. Blocks 9L9446, 9L6553, 9L0130; V195 Eng. From Ser. No. 97B6576 & up, Cyl. Blocks 9L9446, 9L6553, 9L0130; V225 Eng. From Ser. No. 96B7590 & up, Cyl. Blocks 9L9446, 9L6553, 9L0130; 1160 Eng. From Ser. No. 95B14688 & up, Cyl. Blocks 9L9446, 9L6553, 9L0130; 3208 Eng. From Ser. No. 40S1 to 40S15611, Cyl. Blocks 9L0130, 9N1250, 9N2139
3	Plain Main Brg.	93-68	FP-4W8092	STD	Position 2-3-5; 2nd Design; V190 Eng. From Ser. No. 36B2013 & up, Cyl. Block 9N1255; V195 Eng. From Ser. No. 97B6576 & up, Cyl. Block 9N1255; V225 Eng. From Ser. No. 97B6576 & up, Cyl. Block 9N1255; 1160 Eng. From Ser. No. 95B14668 & up, Cyl. Block 9N1255; 3208 Eng. From Ser. No. 40S1 to 40S15611, Cyl. Block 9N1255; 3208 Eng. From Ser. No. 40S15612 & up, Cyl. Block 9N3120; w/Grooved Front Brg.
3	Plain Main Brg.	93-68	FP-8N9022	10	Position 2-3-5; 2nd Design; V190 Eng. From Ser. No. 36B2013 & up, Cyl. Block 9N1255; V195 Eng. From Ser. No. 97B6576 & up, Cyl. Block 9N1255; V225 Eng. From Ser. No. 97B6576 & up, Cyl. Block 9N1255; 1160 Eng. From Ser. No. 95B14668 & up, Cyl. Block 9N1255; 3208 Eng. From Ser. No. 40S1 to 40S15611, Cyl. Block 9N1255; 3208 Eng. From Ser. No. 40S15612 & up, Cyl. Block 9N3120; w/Grooved Front Brg.
3	Plain Main Brg.	93-68	FP-8N9023	20	Position 2-3-5; 2nd Design; V190 Eng. From Ser. No. 36B2013 & up, Cyl. Block 9N1255; V195 Eng. From Ser. No. 97B6576 & up, Cyl. Block 9N1255; V225 Eng. From Ser. No. 97B6576 & up, Cyl. Block 9N1255; 1160 Eng. From Ser. No. 95B14668 & up, Cyl. Block 9N1255; 3208 Eng. From Ser. No. 40S1 to 40S15611, Cyl. Block 9N1255; 3208 Eng. From Ser. No. 40S15612 & up, Cyl. Block 9N3120; w/Grooved Front Brg.

(continued on next page)

Ford Truck - M/D & H/D

H/D Truck V190, V195, V225, 1160, 3208, 3208N Engs. 68
10.4L 636 OHV Diesel V8, 4.5" Bore (Caterpillar Eng.) 1968-93 (cont.)

CRANKSHAFT/OIL PUMP (cont.)

QTY	MAIN BEARINGS (cont.)	YEARS	PART NO.	SIZE	DESCRIPTION
3	Plain Main Brg.	93-68	FP-4W8092	<i>STD</i>	Position 2-3-5; 3rd Design; V190 Eng. From Ser. No. 36B2013 & up, Cyl. Block 9N3120; V195 Eng. From Ser. No. 97B6576 & up, Cyl. Block 9N3120; V225 Eng. From Ser. No. 97B6576 & up, Cyl. Block 9N3120; 1160 Eng. From Ser. No. 95B14668 & up, Cyl. Block 9N3120; 3208 Eng. From Ser. No. 40S15612, Cyl. Blocks 9N3120, 9N3763, 9N5190; 3241 Eng. & up, Exc. Arrangement No. 9N6348, 9N6349, 9N6350, 9N6351, 9N6637, 9N5185, 9N5140, 9N5146; w/Non-Grooved Front Brg.
3	Plain Main Brg.	93-68	FP-8N9022	10	Position 2-3-5; 3rd Design; V190 Eng. From Ser. No. 36B2013 & up, Cyl. Block 9N3120; V195 Eng. From Ser. No. 97B6576 & up, Cyl. Block 9N3120; V225 Eng. From Ser. No. 97B6576 & up, Cyl. Block 9N3120; 1160 Eng. From Ser. No. 95B14668 & up, Cyl. Block 9N3120; 3208 Eng. From Ser. No. 40S15612, Cyl. Blocks 9N3120, 9N3763, 9N5190; 3241 Eng. & up, Exc. Arrangement No. 9N6348, 9N6349, 9N6350, 9N6351, 9N6637, 9N5185, 9N5140, 9N5146; w/Non-Grooved Front Brg.
3	Plain Main Brg.	93-68	FP-8N9023	20	Position 2-3-5; 3rd Design; V190 Eng. From Ser. No. 36B2013 & up, Cyl. Block 9N3120; V195 Eng. From Ser. No. 97B6576 & up, Cyl. Block 9N3120; V225 Eng. From Ser. No. 97B6576 & up, Cyl. Block 9N3120; 1160 Eng. From Ser. No. 95B14668 & up, Cyl. Block 9N3120; 3208 Eng. From Ser. No. 40S15612, Cyl. Blocks 9N3120, 9N3763, 9N5190; 3241 Eng. & up, Exc. Arrangement No. 9N6348, 9N6349, 9N6350, 9N6351, 9N6637, 9N5185, 9N5140, 9N5146; w/Non-Grooved Front Brg.
3	Plain Main Brg.	93-68	FP-4W809230	30	Position 2-3-5; 3rd Design; V190 Eng. From Ser. No. 36B2013 & up, Cyl. Block 9N3120; V195 Eng. From Ser. No. 97B6576 & up, Cyl. Block 9N3120; V225 Eng. From Ser. No. 97B6576 & up, Cyl. Block 9N3120; 1160 Eng. From Ser. No. 95B14668 & up, Cyl. Block 9N3120; 3208 Eng. From Ser. No. 40S15612, Cyl. Blocks 9N3120, 9N3763, 9N5190; 3241 Eng. & up, Exc. Arrangement No. 9N6348, 9N6349, 9N6350, 9N6351, 9N6637, 9N5185, 9N5140, 9N5146; w/Non-Grooved Front Brg.
3	Plain Main Brg.	93-68	FP-4W809240	40	Position 2-3-5; 3rd Design; V190 Eng. From Ser. No. 36B2013 & up, Cyl. Block 9N3120; V195 Eng. From Ser. No. 97B6576 & up, Cyl. Block 9N3120; V225 Eng. From Ser. No. 97B6576 & up, Cyl. Block 9N3120; 1160 Eng. From Ser. No. 95B14668 & up, Cyl. Block 9N3120; 3208 Eng. From Ser. No. 40S15612, Cyl. Blocks 9N3120, 9N3763, 9N5190; 3241 Eng. & up, Exc. Arrangement No. 9N6348, 9N6349, 9N6350, 9N6351, 9N6637, 9N5185, 9N5140, 9N5146; w/Non-Grooved Front Brg.
1	Plain Main Brg.	93-68	FP-4W809240	40	Position 2-3-5; 3rd Design; V190 Eng. From Ser. No. 36B2013 & up, Cyl. Block 9N3120; V195 Eng. From Ser. No. 97B6576 & up, Cyl. Block 9N3120; V225 Eng. From Ser. No. 97B6576 & up, Cyl. Block 9N3120; 1160 Eng. From Ser. No. 95B14668 & up, Cyl. Block 9N3120; 3208 Eng. From Ser. No. 40S15612, Cyl. Blocks 9N3120, 9N3763, 9N5190; 3241 Eng. & up, Exc. Arrangement No. 9N6348, 9N6349, 9N6350, 9N6351, 9N6637, 9N5185, 9N5140, 9N5146; w/Non-Grooved Front Brg.
1	Plain Main Brg.	93-68	FP-4W809240	40	Position 4; 1st Design; V190 Eng. From Ser. No. 36B2013 & up, Cyl. Blocks 9L9446, 9L6553, 9L0130; V195 Eng. From Ser. No. 97B6576 & up, Cyl. Blocks 9L9446, 9L6553, 9L0130; V225 Eng. From Ser. No. 96B7590 & up, Cyl. Blocks 9L9446, 9L6553, 9L0130; 1160 Eng. From Ser. No. 95B14688 & up, Cyl. Blocks 9L9446, 9L6553, 9L0130; 3208 Eng. From Ser. No. 40S1 to 40S15611, Cyl. Blocks 9L0130, 9N1250, 9N2139
1	Flanged Main Brg.	93-68	FP-4W8091	<i>STD</i>	Position 4; 1st Design; V190 Eng. From Ser. No. 36B2013 & up, Cyl. Blocks 9L9446, 9L6553, 9L0130; V195 Eng. From Ser. No. 97B6576 & up, Cyl. Blocks 9L9446, 9L6553, 9L0130; V225 Eng. From Ser. No. 96B7590 & up, Cyl. Blocks 9L9446, 9L6553, 9L0130; 1160 Eng. From Ser. No. 95B14688 & up, Cyl. Blocks 9L9446, 9L6553, 9L0130; 3208 Eng. From Ser. No. 40S1 to 40S15611, Cyl. Blocks 9L0130, 9N1250, 9N2139
1	Flanged Main Brg.	93-68	FP-8N9065	10	Position 4; 1st Design; V190 Eng. From Ser. No. 36B2013 & up, Cyl. Blocks 9L9446, 9L6553, 9L0130; V195 Eng. From Ser. No. 97B6576 & up, Cyl. Blocks 9L9446, 9L6553, 9L0130; V225 Eng. From Ser. No. 96B7590 & up, Cyl. Blocks 9L9446, 9L6553, 9L0130; 1160 Eng. From Ser. No. 95B14688 & up, Cyl. Blocks 9L9446, 9L6553, 9L0130; 3208 Eng. From Ser. No. 40S1 to 40S15611, Cyl. Blocks 9L0130, 9N1250, 9N2139
1	Flanged Main Brg.	93-68	FP-8N9064	20	Position 4; 1st Design; V190 Eng. From Ser. No. 36B2013 & up, Cyl. Blocks 9L9446, 9L6553, 9L0130; V195 Eng. From Ser. No. 97B6576 & up, Cyl. Blocks 9L9446, 9L6553, 9L0130; V225 Eng. From Ser. No. 96B7590 & up, Cyl. Blocks 9L9446, 9L6553, 9L0130; 1160 Eng. From Ser. No. 95B14688 & up, Cyl. Blocks 9L9446, 9L6553, 9L0130; 3208 Eng. From Ser. No. 40S1 to 40S15611, Cyl. Blocks 9L0130, 9N1250, 9N2139

(continued on next page)

Ford Truck - M/D & H/D

68 H/D Truck V190, V195, V225, 1160, 3208, 3208N Engs.
 (cont.) 10.4L 636 OHV Diesel V8, 4.5" Bore (Caterpillar Eng.) 1968-93

CRANKSHAFT/OIL PUMP (cont.)

QTY	MAIN BEARINGS (cont.)	YEARS	PART NO.	SIZE	DESCRIPTION
1	Flanged Main Brg.	93-68	FP-4W809130	30	Position 4; 1st Design; V190 Eng. From Ser. No. 36B2013 & up, Cyl. Blocks 9L9446, 9L6553, 9L0130; V195 Eng. From Ser. No. 97B6576 & up, Cyl. Blocks 9L9446, 9L6553, 9L0130; V225 Eng. From Ser. No. 96B7590 & up, Cyl. Blocks 9L9446, 9L6553, 9L0130; 1160 Eng. From Ser. No. 95B14688 & up, Cyl. Blocks 9L9446, 9L6553, 9L0130; 3208 Eng. From Ser. No. 40S1 to 40S15611, Cyl. Blocks 9L0130, 9N1250, 9N2139
1	Flanged Main Brg.	93-68	FP-8N9066	50	Position 4; 1st Design; V190 Eng. From Ser. No. 36B2013 & up, Cyl. Blocks 9L9446, 9L6553, 9L0130; V195 Eng. From Ser. No. 97B6576 & up, Cyl. Blocks 9L9446, 9L6553, 9L0130; V225 Eng. From Ser. No. 96B7590 & up, Cyl. Blocks 9L9446, 9L6553, 9L0130; 1160 Eng. From Ser. No. 95B14688 & up, Cyl. Blocks 9L9446, 9L6553, 9L0130; 3208 Eng. From Ser. No. 40S1 to 40S15611, Cyl. Blocks 9L0130, 9N1250, 9N2139
1	Flanged Main Brg.	93-68	FP-4W8091	STD	Position 4; 2nd Design; V190 Eng. From Ser. No. 36B2013 & up, Cyl. Block 9N1255; V195 Eng. From Ser. No. 97B6576 & up, Cyl. Block 9N1255; V225 Eng. From Ser. No. 97B6576 & up, Cyl. Block 9N1255; 1160 Eng. From Ser. No. 95B14668 & up, Cyl. Block 9N1255; 3208 Eng. From Ser. No. 40S1 to 40S15611, Cyl. Block 9N1255; 3208 Eng. From Ser. No. 40S15612 & up, Cyl. Block 9N3120; w/Grooved Front Brg.
1	Flanged Main Brg.	93-68	FP-8N9065	10	Position 4; 2nd Design; V190 Eng. From Ser. No. 36B2013 & up, Cyl. Block 9N1255; V195 Eng. From Ser. No. 97B6576 & up, Cyl. Block 9N1255; V225 Eng. From Ser. No. 97B6576 & up, Cyl. Block 9N1255; 1160 Eng. From Ser. No. 95B14668 & up, Cyl. Block 9N1255; 3208 Eng. From Ser. No. 40S1 to 40S15611, Cyl. Block 9N1255; 3208 Eng. From Ser. No. 40S15612 & up, Cyl. Block 9N3120; w/Grooved Front Brg.
1	Flanged Main Brg.	93-68	FP-8N9064	20	Position 4; 2nd Design; V190 Eng. From Ser. No. 36B2013 & up, Cyl. Block 9N1255; V195 Eng. From Ser. No. 97B6576 & up, Cyl. Block 9N1255; V225 Eng. From Ser. No. 97B6576 & up, Cyl. Block 9N1255; 1160 Eng. From Ser. No. 95B14668 & up, Cyl. Block 9N1255; 3208 Eng. From Ser. No. 40S1 to 40S15611, Cyl. Block 9N1255; 3208 Eng. From Ser. No. 40S15612 & up, Cyl. Block 9N3120; w/Grooved Front Brg.
1	Flanged Main Brg.	93-68	FP-4W8091	STD	Position 4; 3rd Design; V190 Eng. From Ser. No. 36B2013 & up, Cyl. Block 9N3120; V195 Eng. From Ser. No. 97B6576 & up, Cyl. Block 9N3120; V225 Eng. From Ser. No. 97B6576 & up, Cyl. Block 9N3120; 1160 Eng. From Ser. No. 95B14668 & up, Cyl. Block 9N3120; 3208 Eng. From Ser. No. 40S15612, Cyl. Blocks 9N3120, 9N3763, 9N5190; 3241 Eng. & up, Exc. Arrangement No. 9N6348, 9N6349, 9N6350, 9N6351, 9N6637, 9N5185, 9N5140, 9N5146; w/Non-Grooved Front Brg.
1	Flanged Main Brg.	93-68	FP-8N9065	10	Position 4; 3rd Design; V190 Eng. From Ser. No. 36B2013 & up, Cyl. Block 9N3120; V195 Eng. From Ser. No. 97B6576 & up, Cyl. Block 9N3120; V225 Eng. From Ser. No. 97B6576 & up, Cyl. Block 9N3120; 1160 Eng. From Ser. No. 95B14668 & up, Cyl. Block 9N3120; 3208 Eng. From Ser. No. 40S15612, Cyl. Blocks 9N3120, 9N3763, 9N5190; 3241 Eng. & up, Exc. Arrangement No. 9N6348, 9N6349, 9N6350, 9N6351, 9N6637, 9N5185, 9N5140, 9N5146; w/Non-Grooved Front Brg.
1	Flanged Main Brg.	93-68	FP-8N9064	20	Position 4; 3rd Design; V190 Eng. From Ser. No. 36B2013 & up, Cyl. Block 9N3120; V195 Eng. From Ser. No. 97B6576 & up, Cyl. Block 9N3120; V225 Eng. From Ser. No. 97B6576 & up, Cyl. Block 9N3120; 1160 Eng. From Ser. No. 95B14668 & up, Cyl. Block 9N3120; 3208 Eng. From Ser. No. 40S15612, Cyl. Blocks 9N3120, 9N3763, 9N5190; 3241 Eng. & up, Exc. Arrangement No. 9N6348, 9N6349, 9N6350, 9N6351, 9N6637, 9N5185, 9N5140, 9N5146; w/Non-Grooved Front Brg.
1	Flanged Main Brg.	93-68	FP-4W809130	30	Position 4; 3rd Design; V190 Eng. From Ser. No. 36B2013 & up, Cyl. Block 9N3120; V195 Eng. From Ser. No. 97B6576 & up, Cyl. Block 9N3120; V225 Eng. From Ser. No. 97B6576 & up, Cyl. Block 9N3120; 1160 Eng. From Ser. No. 95B14668 & up, Cyl. Block 9N3120; 3208 Eng. From Ser. No. 40S15612, Cyl. Blocks 9N3120, 9N3763, 9N5190; 3241 Eng. & up, Exc. Arrangement No. 9N6348, 9N6349, 9N6350, 9N6351, 9N6637, 9N5185, 9N5140, 9N5146; w/Non-Grooved Front Brg.

(continued on next page)

Ford Truck - M/D & H/D

H/D Truck V190, V195, V225, 1160, 3208, 3208N Eng. 68
10.4L 636 OHV Diesel V8, 4.5" Bore (Caterpillar Eng.) 1968-93 (cont.)

CRANKSHAFT/OIL PUMP (cont.)

QTY	MAIN BEARINGS (cont.)	YEARS	PART NO.	SIZE	DESCRIPTION
1	Flanged Main Brg.	93-68	FP-4W809140	40	Position 4; 3rd Design; V190 Eng. From Ser. No. 36B2013 & up, Cyl. Block 9N3120; V195 Eng. From Ser. No. 97B6576 & up, Cyl. Block 9N3120; V225 Eng. From Ser. No. 97B6576 & up, Cyl. Block 9N3120; 1160 Eng. From Ser. No. 95B14668 & up, Cyl. Block 9N3120; 3208 Eng. From Ser. No. 40S15612, Cyl. Blocks 9N3120, 9N3763, 9N5190; 3241 Eng. & up, Exc. Arrangement No. 9N6348, 9N6349, 9N6350, 9N6351, 9N6637, 9N5185, 9N5140, 9N5146; w/Non-Grooved Front Brg.

CYLINDER COMPONENTS

QTY	LINERS	YEARS	PART NO.	SIZE	DESCRIPTION
8	Repair Sleeve	93-68	FP-9N6275	STD	Press-in Drywall Liner; 3/32" wall, cut to length, press fit sleeve
QTY	PISTONS	YEARS	PART NO.	SIZE	DESCRIPTION
8	Piston Body w/o Pin	93-68	FP-9L77373R	STD	For all rods; 1160, 3208, 3208N Eng.s.; w/3-Ring pistons
8	Piston Body w/o Pin	93-68	FP-9L78273R	20	For all rods; 1160, 3208, 3208N Eng.s.; w/3-Ring pistons
8	Piston Body w/o Pin	93-68	FP-9L78283R	40	For all rods; 1160, 3208, 3208N Eng.s.; w/3-Ring pistons
8	Piston Body w/o Pin	93-68	FP-9L9317	STD	Straight Rod only; V190, V195 Eng.s.
8	Piston Body w/o Pin	93-68	FP-9L9667	20	Straight Rod only; V190, V195 Eng.s.
8	Piston Body w/o Pin	93-68	FP-9L9318	STD	Straight Rod only; V225 Eng.
8	Piston Body w/o Pin	93-68	FP-9L9668	20	Straight Rod only; V225 Eng.
8	Piston Body w/o Pin	93-68	FP-9L9321	40	Straight Rod only; V225 Eng.
8	Piston Body w/o Pin	93-68	FP-9L7737	STD	Straight Rod only; 1160, 3208, 3208N Eng.s.; 16.5:1 C.R.
8	Piston Body w/o Pin	93-68	FP-9L7827	20	Straight Rod only; 1160, 3208, 3208N Eng.s.; 16.5:1 C.R.
8	Piston Body w/o Pin	93-68	FP-9L7828	40	Straight Rod only; 1160, 3208, 3208N Eng.s.; 16.5:1 C.R.
8	Piston Body w/o Pin	93-68	FP-2W84123R	STD	Tapered Rod only; 3208 Eng.; From Ser. No. 40S1 & up, 3241 & up, 51Z1 & up; w/3-Ring pistons; 18.2:1 C.R.
8	Piston Body w/o Pin	93-68	FP-2W84143R	20	Tapered Rod only; 3208 Eng.; From Ser. No. 40S1 & up, 3241 & up, 51Z1 & up; w/3-Ring pistons; 18.2:1 C.R.
8	Piston Body w/o Pin	93-68	FP-2W84153R	40	Tapered Rod only; 3208 Eng.; From Ser. No. 40S1 & up, 3241 & up, 51Z1 & up; w/3-Ring pistons; 18.2:1 C.R.
8	Piston Body w/o Pin	93-68	FP-2W4831	STD	Tapered Rod only; 3208 Eng.; From Ser. No. 40S1 & up, 3241 & up, 51Z1 & up; 16.5:1 C.R.
8	Piston Body w/o Pin	93-68	FP-2W8410	20	Tapered Rod only; 3208 Eng.; From Ser. No. 40S1 & up, 3241 & up, 51Z1 & up; 16.5:1 C.R.
8	Piston Body w/o Pin	93-68	FP-2W483130	30	Tapered Rod only; 3208 Eng.; From Ser. No. 40S1 & up, 3241 & up, 51Z1 & up; 16.5:1 C.R.
8	Piston Body w/o Pin	93-68	FP-2W8411	40	Tapered Rod only; 3208 Eng.; From Ser. No. 40S1 & up, 3241 & up, 51Z1 & up; 16.5:1 C.R.
8	Piston Body w/o Pin	93-68	FP-2W8412	STD	Tapered Rod only; 3208 Eng.; From Ser. No. 40S1 & up, 3241 & up, 51Z1 & up; 18.2:1 C.R.
8	Piston Body w/o Pin	93-68	FP-2W8414	20	Tapered Rod only; 3208 Eng.; From Ser. No. 40S1 & up, 3241 & up, 51Z1 & up; 18.2:1 C.R.
8	Piston Body w/o Pin	93-68	FP-2W8415	40	Tapered Rod only; 3208 Eng.; From Ser. No. 40S1 & up, 3241 & up, 51Z1 & up; 18.2:1 C.R.
8	Piston w/Pin, Retainer, Rings	93-68	FP-PK77373R	STD	For all rods; 1160, 3208, 3208N Eng.s.; w/3-Ring pistons
8	Piston w/Pin, Retainer, Rings	93-68	FP-PK78273R	20	For all rods; 1160, 3208, 3208N Eng.s.; w/3-Ring pistons
8	Piston w/Pin, Retainer, Rings	93-68	FP-PK78283R	40	For all rods; 1160, 3208, 3208N Eng.s.; w/3-Ring pistons
8	Piston w/Pin, Retainer, Rings	93-68	FP-PK9317	STD	Straight Rod only; V190, V195 Eng.s.
8	Piston w/Pin, Retainer, Rings	93-68	FP-PK9667	20	Straight Rod only; V190, V195 Eng.s.
8	Piston w/Pin, Retainer, Rings	93-68	FP-PK9318	STD	Straight Rod only; V225 Eng.
8	Piston w/Pin, Retainer, Rings	93-68	FP-PK9321	40	Straight Rod only; V225 Eng.
8	Piston w/Pin, Retainer, Rings	93-68	FP-PK7737	STD	Straight Rod only; 1160, 3208, 3208N Eng.s.; 16.5:1 C.R.
8	Piston w/Pin, Retainer, Rings	93-68	FP-PK7827	20	Straight Rod only; 1160, 3208, 3208N Eng.s.; 16.5:1 C.R.
8	Piston w/Pin, Retainer, Rings	93-68	FP-PK7828	40	Straight Rod only; 1160, 3208, 3208N Eng.s.; 16.5:1 C.R.
8	Piston w/Pin, Retainer, Rings	93-68	FP-PK84123R	STD	Tapered Rod only; 3208 Eng.; From Ser. No. 40S1 & up, 3241 & up, 51Z1 & up; w/3-Ring pistons; 18.2:1 C.R.
8	Piston w/Pin, Retainer, Rings	93-68	FP-PK84143R	20	Tapered Rod only; 3208 Eng.; From Ser. No. 40S1 & up, 3241 & up, 51Z1 & up; w/3-Ring pistons; 18.2:1 C.R.
8	Piston w/Pin, Retainer, Rings	93-68	FP-PK84153R	40	Tapered Rod only; 3208 Eng.; From Ser. No. 40S1 & up, 3241 & up, 51Z1 & up; w/3-Ring pistons; 18.2:1 C.R.
8	Piston w/Pin, Retainer, Rings	93-68	FP-PK4831	STD	Tapered Rod only; 3208 Eng.; From Ser. No. 40S1 & up, 3241 & up, 51Z1 & up; 16.5:1 C.R.
8	Piston w/Pin, Retainer, Rings	93-68	FP-PK8410	20	Tapered Rod only; 3208 Eng.; From Ser. No. 40S1 & up, 3241 & up, 51Z1 & up; 16.5:1 C.R.
8	Piston w/Pin, Retainer, Rings	93-68	FP-PK8411	40	Tapered Rod only; 3208 Eng.; From Ser. No. 40S1 & up, 3241 & up, 51Z1 & up; 16.5:1 C.R.
8	Piston w/Pin, Retainer, Rings	93-68	FP-PK8412	STD	Tapered Rod only; 3208 Eng.; From Ser. No. 40S1 & up, 3241 & up, 51Z1 & up; 18.2:1 C.R.
8	Piston w/Pin, Retainer, Rings	93-68	FP-PK8414	20	Tapered Rod only; 3208 Eng.; From Ser. No. 40S1 & up, 3241 & up, 51Z1 & up; 18.2:1 C.R.

(continued on next page)

Ford Truck - M/D & H/D

68 H/D Truck V190, V195, V225, 1160, 3208, 3208N Engs. (cont.) 10.4L 636 OHV Diesel V8, 4.5" Bore (Caterpillar Eng.) 1968-93

CYLINDER COMPONENTS (cont.)

QTY	PISTONS (cont.)	YEARS	PART NO.	SIZE	DESCRIPTION
8	Piston w/Pin, Retainer, Rings	93-68	FP-PK8415	40	Tapered Rod only; 3208 Eng.; From Ser. No. 40S1 & up, 3241 & up, 51Z1 & up; 18.2:1 C.R.
8	Pin	93-68	FP-7N9803	STD	
16	Piston Pin Retainer	93-68	FP-8N7294		
8	Pin Bushing	93-68	FP-8N0701		Straight bushing; 3208, 3208N Engs.; O.E. No. 8N0701
8	Pin Bushing	93-68	FP-9N5082		Tapered bushing; 3208, 3208N Engs.; O.E. Nos. 9N-5082 & 9N-5082X

QTY	CONNECTING RODS & BRGS.	YEARS	PART NO.	SIZE	DESCRIPTION
16	Con. Rod Bolt	93-68	FP-9N3832		3208, 3208N Engs.
16	Con. Rod Nut	93-68	FP-9L7669		3208, 3208N Engs.
8	Rod Pair	93-68	FP-7E7894	STD	Engs. From Ser. No. 40SI & up, 32Y1 & up
8	Rod Pair	93-68	FP-9N5920	10	Engs. From Ser. No. 40SI & up, 32Y1 & up
8	Rod Pair	93-68	FP-9N5921	20	Engs. From Ser. No. 40SI & up, 32Y1 & up
8	Rod Pair	93-68	FP-7E789430	30	Engs. From Ser. No. 40SI & up, 32Y1 & up
8	Rod Pair	93-68	FP-9N5923	STD	V190, V195, V225, 1160 Engs.
8	Rod Pair	93-68	FP-9N5924	10	V190, V195, V225, 1160 Engs.
8	Rod Pair	93-68	FP-9N5925	20	V190, V195, V225, 1160 Engs.
8	Rod Pair	93-68	FP-9N592330	30	V190, V195, V225, 1160 Engs.
8	Rod Pair	93-68	FP-9N5926	50	V190, V195, V225, 1160 Engs.
8	Connecting Rod, New	93-68	FP-9N0407		Straight Rod; 3208, 3208N Engs.; Casting No. 9N0406
8	Connecting Rod, New	93-68	FP-7E4728		Tapered Rod; 3208, 3208N Engs.; Casting No. W2258

QTY	PISTON RINGS	YEARS	PART NO.	SIZE	DESCRIPTION
8	Ring Set Single Cylinder	93-68	FP-2W826510	10	Exc. 3-Ring pistons; Check piston grooving before supplying ring set
8	Ring Set Single Cylinder	93-68	FP-2W826530	30	Exc. 3-Ring pistons; Check piston grooving before supplying ring set
8	Ring Set Single Cylinder	93-68	FP-2W8265	STD	Exc. 3-Ring pistons; Check piston grooving before supplying ring set; 1-1/8, 1-7/64
8	Ring Set Single Cylinder	93-68	FP-2W8646	20	Exc. 3-Ring pistons; Check piston grooving before supplying ring set; 1-1/8, 1-7/64
8	Ring Set Single Cylinder	93-68	FP-2W8647	40	Exc. 3-Ring pistons; Check piston grooving before supplying ring set; 1-1/8, 1-7/64
8	Ring Set Single Cylinder	93-68	FP-2W82653R	STD	For 3-Ring pistons; Check piston grooving before supplying ring set
8	Ring Set Single Cylinder	93-68	FP-2W86463R	20	For 3-Ring pistons; Check piston grooving before supplying ring set
8	Ring Set Single Cylinder	93-68	FP-2W86473R	40	For 3-Ring pistons; Check piston grooving before supplying ring set
1	Premium Set	93-68	FP-2W8265S	STD	Exc. 3-Ring pistons; Check piston grooving before supplying ring set; 1-1/8, 1-7/64
1	Premium Set	93-68	FP-2W8265S10	10	Exc. 3-Ring pistons; Check piston grooving before supplying ring set; 1-1/8, 1-7/64
1	Premium Set	93-68	FP-2W8646S	20	Exc. 3-Ring pistons; Check piston grooving before supplying ring set; 1-1/8, 1-7/64
1	Premium Set	93-68	FP-2W8265S30	30	Exc. 3-Ring pistons; Check piston grooving before supplying ring set; 1-1/8, 1-7/64
1	Premium Set	93-68	FP-2W8647S	40	Exc. 3-Ring pistons; Check piston grooving before supplying ring set; 1-1/8, 1-7/64
1	Premium Set	93-68	FP-2W82653RS	STD	For 3-Ring pistons; Check piston grooving before supplying ring set; 2-3/32, 1-3/16 (Rectangular Comp. Rings)
1	Premium Set	93-68	FP-2W86463RS	20	For 3-Ring pistons; Check piston grooving before supplying ring set; 2-3/32, 1-3/16; Check piston grooving before using

KITS

QTY	OVERHAUL KIT	YEARS	PART NO.	SIZE	DESCRIPTION
1	In-Frame Overhaul Kit	93-68	FP-IFK1160		1160 Eng.
1	In-Frame Overhaul Kit	93-68	FP-IFK3208		3208, 3208N Engs.
1	Complete Overhaul Kit	93-68	FP-OH1160		1160 Eng.
1	Complete Overhaul Kit	93-68	FP-OH3208		3208, 3208N Engs.

69 H/D Truck 3306 Eng. 10.5L 638 OHV Turbo-Diesel L6, 4.75" Bore (Caterpillar Eng.) 1988-89

CYL. HEAD & PARTS

QTY	VALVE	YEARS	PART NO.	SIZE	DESCRIPTION
6	Intake	89-88	FP-1007860		
6	Exhaust	89-88	FP-1487455		
24	Keeper	89-88	FP-2A4429		Exh. & Int.

(continued on next page)

Ford Truck - M/D & H/D

H/D Truck 3306 Eng. 69
10.5L 638 OHV Turbo-Diesel L6, 4.75" Bore (Caterpillar Eng.) 1988-89 (cont.)

CYL. HEAD & PARTS (cont.)					
QTY	VALVE SEAT	YEARS	PART NO.	SIZE	DESCRIPTION
6	Exh.	89-88	FP-1070265		2.0485" OD, 1.7710" ID, .3385" Depth
6	Int.	89-88	FP-1070268		
QTY	VALVE GUIDE	YEARS	PART NO.	SIZE	DESCRIPTION
12	Guide	89-88	FP-1487425		Exh. & Int.; Ser. No. 63Z1- Up, 7RJ1- Up
12	Guide	89-88	FP-1621589		Exh. & Int.; Ser. No. 9TL1- Up; .3746" ID, 2.7854" O.A.L.
QTY	VALVE SPRING	YEARS	PART NO.	SIZE	DESCRIPTION
12	Spring	89-88	FP-7S7144		Exh. & Int.; Ser. No. 63Z1- Up, 7RJ1- Up
QTY	VALVE MISC.	YEARS	PART NO.	SIZE	DESCRIPTION
12	Rotocap	89-88	FP-1W5300		
QTY	VALVE SEAL	YEARS	PART NO.	SIZE	DESCRIPTION
12	Valve Shield	89-88	FP-8N7780		Exh. & Int.
ENGINE BLOCK & PARTS					
QTY	CAM BEARINGS	YEARS	PART NO.	SIZE	DESCRIPTION
2	Cam Brg.	89-88	FP-9Y2992		Position Center; Balance shaft; O.E. Nos. 5S6420 & 9Y2992
4	Cam Brg.	89-88	FP-9Y2991		Position Front & Rear; Balance shaft; O.E. Nos. 5S6419 & 9Y2991
1	Cam Brg.	89-88	FP-9M5477	STD	Position 1; O.E. No. 9M5477
4	Cam Brg.	89-88	FP-7M4046	STD	Position 2-3-4-5; O.E. No. 7M4046
CRANKSHAFT/OIL PUMP					
QTY	MAIN BEARINGS	YEARS	PART NO.	SIZE	DESCRIPTION
1	Main Set	89-88	FP-4952M	Std-10-20-30	Engs. w/flanged rear brg.
7	Plain Main Brg.	89-88	FP-2323233	STD	
7	Plain Main Brg.	89-88	FP-8N8225	10	
7	Plain Main Brg.	89-88	FP-8N8226	20	
7	Plain Main Brg.	89-88	FP-8N8227	30	
7	Plain Main Brg.	89-88	FP-232323340	40	
1	Thrust Washer Set	89-88	FP-6N8940S		Position 7; W/.186" thick thrust washer
1	Thrust Washer Set	89-88	FP-1003652S		Position 7; W/.217" thick thrust washer with tab; O.E. Nos. 7N9342 & 1003652
CYLINDER COMPONENTS					
QTY	LINERS	YEARS	PART NO.	SIZE	DESCRIPTION
6	Liner w/o Sealing Rings	89-88	FP-1105800		
6	Cylinder Kit Complete	89-88	FP-LK1684531		Tapered Rod; w/1.7" Pin; Ser. No. 63Z1- Up; 16.0:1 C.R.
6	Cylinder Kit Complete	89-88	FP-LK1548087		Tapered Rod; w/1.7" Pin; Ser. No. 7RJ1- Up
6	Cylinder Kit Complete	89-88	FP-LK1073565		Tapered Rod; w/1.7" Pin; Ser. No. 9TL1- Up
6	Cyl. Liner Sealing Ring Kit	89-88	FP-5P8768		Incl. (1) FP-2W6134 & (3) FP-5S6670
18	Sealing Ring, Liner	89-88	FP-5S6670		Lower
6	Sealing Ring, Liner	89-88	FP-2W6134		Upper
QTY	PISTONS	YEARS	PART NO.	SIZE	DESCRIPTION
6	Piston Body w/o Pin	89-88	FP-1684531		Tapered Rod; w/1.7" Pin; Ser. No. 63Z1- Up; 16.0:1 C.R.
6	Piston Body w/o Pin	89-88	FP-1548087		Tapered Rod; w/1.7" Pin; Ser. No. 7RJ1- Up
6	Piston Body w/o Pin	89-88	FP-1073565		Tapered Rod; w/1.7" Pin; Ser. No. 9TL1- Up
6	Piston Kit w/Pin & Retainers	89-88	FP-1684531WP		Tapered Rod; w/1.7" Pin; Ser. No. 63Z1- Up; 16.0:1 C.R.
6	Piston Kit w/Pin & Retainers	89-88	FP-1548087WP		Tapered Rod; w/1.7" Pin; Ser. No. 7RJ1- Up
6	Piston Kit w/Pin & Retainers	89-88	FP-1073565WP		Tapered Rod; w/1.7" Pin; Ser. No. 9TL1- Up
6	Pin	89-88	FP-7N9805		w/1.7" Pin
12	Piston Pin Retainer	89-88	FP-1S9543		
6	Pin Bushing	89-88	FP-8N0703		Cylindrical bushing w/1.8285" OD; O.E. No. 8N0703
6	Pin Bushing	89-88	FP-8N1849		Tapered bushing w/1.8285" OD; O.E. No. 8N1849
QTY	CONNECTING RODS & BRGS.	YEARS	PART NO.	SIZE	DESCRIPTION
6	Rod Pair	89-88	FP-4W5739	STD	
6	Rod Pair	89-88	FP-8N8221	10	
6	Rod Pair	89-88	FP-8N8222	20	
6	Rod Pair	89-88	FP-8N8223	30	
6	Rod Pair	89-88	FP-4W573940	40	
6	Rod Pair	89-88	FP-4W573950	50	
6	Rod Pair	89-88	FP-4W573960	60	
QTY	PISTON RINGS	YEARS	PART NO.	SIZE	DESCRIPTION
6	Ring Set Single Cylinder	89-88	FP-2W1709	STD	
KITS					
QTY	OVERHAUL KIT	YEARS	PART NO.	SIZE	DESCRIPTION
1	In-Frame Overhaul Kit	89-88	FP-IFK3306		

(continued on next page)

Ford Truck - M/D & H/D

69 H/D Truck 3306 Eng.					
(cont.) 10.5L 638 OHV Turbo-Diesel L6, 4.75" Bore (Caterpillar Eng.) 1988-89					
KITS (cont.)					
QTY	OVERHAUL KIT (cont.)	YEARS	PART NO.	SIZE	DESCRIPTION
1	Complete Overhaul Kit	89-88	FP-IFK3306OH		
70 H/D Truck N672 Eng.					
11.0L 672 OHV Diesel L6, 4.875" Bore (Cummins Eng.) 1964-65					
CYL. HEAD & PARTS					
QTY	GASKETS	YEARS	PART NO.	SIZE	DESCRIPTION
2	Head Gasket	65-64	FP-AR2883		2 req'd.; With grommets
QTY	VALVE GUIDE	YEARS	PART NO.	SIZE	DESCRIPTION
12	Guide	65-64	FP-105984		Exh. & Int.; Plain ID; .500" ID, 3.66" OAL
CAMSHAFT GROUP					
QTY	CAMSHAFT/LIFTER	YEARS	PART NO.	SIZE	DESCRIPTION
1	Camshaft	65-64	FP-3801030		w/.750" Keyway, replaces O.E. 129860 & 3801030; If camshaft being replaced has 1" keyway, contact Cummins dealer for replacement key
ACCESSORY DRIVE					
QTY	ACCESSORY DRIVE	YEARS	PART NO.	SIZE	DESCRIPTION
1	Oil Seal	65-64	39302		
COOLING SYSTEM					
QTY	WATER PUMP	YEARS	PART NO.	SIZE	DESCRIPTION
1	Oil Seal	65-64	473010N		
QTY	SEALS - FAN HUB	YEARS	PART NO.	SIZE	DESCRIPTION
1	Oil Seal	65-64	39835		
1	Oil Seal	65-64	39877		
1	Redi-Sleeve	65-64	99181		
QTY	THERMOSTAT	YEARS	PART NO.	SIZE	DESCRIPTION
1	Oil Seal	65-64	39821		
ENGINE BLOCK & PARTS					
QTY	GASKETS	YEARS	PART NO.	SIZE	DESCRIPTION
1	Oil Pan Gasket	65-64	FP-3049408		
QTY	CAM BEARINGS	YEARS	PART NO.	SIZE	DESCRIPTION
1	Cam Set	65-64	FP-BM27253	STD	Late series "H" Engs.; w/5/32" oil holes
CRANKSHAFT/OIL PUMP					
QTY	SEALS - FRONT CRANK	YEARS	PART NO.	SIZE	DESCRIPTION
1	Oil Seal	65-64	FP-3010457		
1	Redi-Sleeve	65-64	99363		
QTY	SEALS - REAR CRANK	YEARS	PART NO.	SIZE	DESCRIPTION
1	Oil Seal	65-64	FP-3006737		6.00" Shaft
1	Redi-Sleeve	65-64	FP-3006743		Wet Clutch; 6.00" Shaft
QTY	MAIN BEARINGS	YEARS	PART NO.	SIZE	DESCRIPTION
1	Main Set	65-64	FP-3801260	STD	Later series "H" Engs.; w/partial groove brgs.; Incl. thrust washers
1	Main Set	65-64	FP-3801261	10	Later series "H" Engs.; w/partial groove brgs.; Incl. thrust washers
1	Main Set	65-64	FP-3801262	20	Later series "H" Engs.; w/partial groove brgs.; Incl. thrust washers
1	Main Set	65-64	FP-3801263	30	Later series "H" Engs.; w/partial groove brgs.; Incl. thrust washers
1	Thrust Washer Set	65-64	FP-1334AFA +	Std Only	Position 7; When depleted use FP-3067568
4	Thrust Washer	65-64	FP-3067568	STD	Position 7
CYLINDER COMPONENTS					
QTY	LINERS	YEARS	PART NO.	SIZE	DESCRIPTION
6	Liner w/o Sealing Rings	65-64	FP-184420		
6	Cylinder Kit Complete	65-64	FP-AR7375	STD	15.5:1 C.R.
6	Sealing Ring, Liner	65-64	FP-181449		
6	Sealing Ring, Liner	65-64	FP-215983		
6	Sealing Ring, Liner	65-64	FP-216879		
QTY	PISTONS	YEARS	PART NO.	SIZE	DESCRIPTION
6	Piston Body w/o Pin	65-64	FP-200680		w/Keystone rings; 15.5:1 C.R.
6	Piston Kit w/Pin & Retainers	65-64	FP-AR7420		15.5:1 C.R.
6	Pin	65-64	FP-203070		1.9989" Dia.
12	Piston Pin Retainer	65-64	FP-175755		
12	Pin Bushing	65-64	FP-43067		Straight rod bushing; 1.03" Width; 2 req'd. per rod

(continued on next page)

Ford Truck - M/D & H/D

H/D Truck N672 Eng. 70
11.0L 672 OHV Diesel L6, 4.875" Bore (Cummins Eng.) 1964-65 (cont.)

CYLINDER COMPONENTS (cont.)

QTY	CONNECTING RODS & BRGS.	YEARS	PART NO.	SIZE	DESCRIPTION
6	Rod Pair	65-64	FP-203670PR	STD	All Series "H" Engs.; w/insert type brgs.
6	Rod Pair	65-64	FP-203671PR	10	All Series "H" Engs.; w/insert type brgs.
6	Rod Pair	65-64	FP-203672PR	20	All Series "H" Engs.; w/insert type brgs.
6	Rod Pair	65-64	FP-203673PR	30	All Series "H" Engs.; w/insert type brgs.
QTY	PISTON RINGS	YEARS	PART NO.	SIZE	DESCRIPTION
6	Ring Set Single Cylinder	65-64	FP-AR12098	STD	Keystone rings; 5/8" Bore

H/D Truck Series 60 Eng. (11.1L) 71
11.1L 677 SOHC Turbo-Diesel L6 (24 Valve), 130mm Bore (Detroit Diesel Eng.) 1991-97

CYL. HEAD & PARTS

QTY	GASKETS	YEARS	PART NO.	SIZE	DESCRIPTION
1	Valve Cover Gasket	97-91	FP-23506153		Intermediate to upper rocker cover gskt.; 98.38" circumference; Diamond shaped 0.146" thick; For 3 piece cover; Use w/O.E. No. 23505973 rocker cover
1	Valve Cover Gasket	97-91	FP-23511992		Intermediate to upper rocker cover gskt.; 98.38" circumference; Diamond shaped 0.186" thick; For all 3 piece rocker covers Exc. O.E. No. 23505973
1	Valve Cover Gasket	97-91	FP-8929803		Lower to upper rocker cover gskt.; 106.68" circumference; Diamond shaped 0.146" thick; for 2 piece cover; Use w/O.E. No. 8929653 rocker cover
1	Valve Cover Gasket	97-91	FP-23511991		Lower to upper rocker cover gskt.; 106.68" circumference; Diamond shaped 0.186" thick; For 2 piece cover
1	Valve Cover Gasket	97-91	FP-23522269		New design rocker cover; Black polyacrylate
1	Valve Cover Gasket	97-91	FP-23516322		Standard rocker cover; Gray silicone
1	Head Gasket	97-91	FP-23530421		Blue Seal® Gasket Design
1	Head Set	97-91	FP-23532333		Incl. Blue Seal® Gasket Design head gasket
1	Breather Seal Ring	97-91	FP-5103646		
QTY	HEAD BOLTS	YEARS	PART NO.	SIZE	DESCRIPTION
38	Head Bolt	97-91	FP-23530768		
1	Head Bolt Set	97-91	FP-HBS002		Incl. (38) FP-23530768, (38) FP-8929328
38	Washer	97-91	FP-8929328		Cylinder head bolt
QTY	MISCELLANEOUS	YEARS	PART NO.	SIZE	DESCRIPTION
2	Pipe Plug	97-91	FP-8923313		Cylinder head; 3/4"
8	Bolt	97-91	FP-11504822		Rocker cover mntg.; M8 x 1.25 x 30MM
QTY	MANIFOLD STUDS	YEARS	PART NO.	SIZE	DESCRIPTION
4	Exhaust Manifold Stud	97-91	FP-23507438		Manifold to Turbo; M10 x 1.5 x 44.0
4	Exhaust Manifold Stud	97-91	FP-8929425		Manifold to Turbo; M10 x 1.5 x 50.0
QTY	FREEZE PLUGS	YEARS	PART NO.	SIZE	DESCRIPTION
2	Pipe Plug	97-91	FP-8923313		Cylinder head; 3/4"
QTY	VALVE	YEARS	PART NO.	SIZE	DESCRIPTION
12	Intake	97-91	FP-8929589 +		30 deg. seat; 1.7320" Head Dia., .3421" Stem Dia., 8.4980" O.A.L.; When depleted use FP-23529629
12	Intake	97-91	FP-23529629		30 Deg. seat; 1.7320" Head Dia., .3421" Stem Dia., 8.4980" O.A.L.
12	Exhaust	97-91	FP-23524521		Identification H; EMS-247 Material; Chrome plated stem
12	Exhaust	97-91	FP-23506350 +		Identification H; When depleted use FP-23524521
12	Exhaust	97-91	FP-8929590		30 deg. seat; Identification U; 1.5760" Head Dia., .3421" Stem Dia., 8.4980" O.A.L.
12	Exhaust Valve Kit	97-91	FP-23507504		Identification H; Incl. FP-23524521 valve, valve seal, keeper & rotocap
12	Exhaust Valve Kit	97-91	FP-23501577		Identification U; Incl. valve, valve seal, keeper & rotocap
12	Intake Valve Kit	97-91	FP-23501576		Incl. FP-23529629 valve, valve seal, keeper & rotocap
48	Keeper	97-91	FP-8929573		
QTY	VALVE SEAT	YEARS	PART NO.	SIZE	DESCRIPTION
12	Exh.	97-91	FP-8929126		Std. Depth; 6.261MM - 6.363MM thick; 1.6285" OD, 1.3591" ID, .2485" Depth
12	Exh.	97-91	FP-8929630		U/S Depth; 5.499MM - 5.601MM thick; 1.6285" OD, 1.3591" ID, .2185" Depth
12	Exh.	97-91	FP-8929629		U/S Depth; 5.753MM - 5.855MM thick; 1.6285" OD, 1.3591" ID, .2285" Depth
12	Exh.	97-91	FP-8929628		U/S Depth; 6.007MM - 6.109MM thick; 1.6285" OD, 1.3591" ID, .2385" Depth
12	Int.	97-91	FP-8929127		Std. Depth; 7.155MM - 7.251MM thick; 1.8195" OD, 1.5710" ID, .2837" Depth

(continued on next page)

Ford Truck - M/D & H/D

71 H/D Truck Series 60 Eng. (11.1L)

(cont.) 11.1L 677 SOHC Turbo-Diesel L6 (24 Valve), 130mm Bore (Detroit Diesel Eng.) 1991-97

CYL. HEAD & PARTS (cont.)					
QTY	VALVE SEAT (cont.)	YEARS	PART NO.	SIZE	DESCRIPTION
12	Int.	97-91	FP-8929627		U/S Depth; 6.393MM - 6.495MM thick; 1.8195" OD, 1.5710" ID, .2537" Depth
12	Int.	97-91	FP-8929626		U/S Depth; 6.647MM - 6.749MM thick; 1.8195" OD, 1.5710" ID, .2637" Depth
12	Int.	97-91	FP-8929625		U/S Depth; 6.901MM - 7.003MM thick; 1.8195" OD, 1.5710" ID, .2737" Depth
QTY	VALVE GUIDE	YEARS	PART NO.	SIZE	DESCRIPTION
24	Guide	97-91	FP-23518571		Exh.; 14.30MM - 14.32MM Dia.
24	Guide	97-91	FP-23518572		Exh.; 14.43MM - 14.45MM Dia.
QTY	VALVE SPRING	YEARS	PART NO.	SIZE	DESCRIPTION
24	Spring	97-91	FP-23530359		Exh.; 3.1500" Free Height
24	Spring	97-91	FP-8929415		Exh. & Int.; Yellow stripe
QTY	VALVE MISC.	YEARS	PART NO.	SIZE	DESCRIPTION
24	Rotacap	97-91	FP-8929105		
10	Isolator, Rocker Cover Bolt	97-91	FP-23517911		Use w/Two piece rocker cover
4	Isolator, Rocker Cover Bolt	97-91	FP-8929255		1.735" OD; One-piece rubber
4	Isolator, Rocker Cover Bolt	97-91	FP-23517912		1.756" OD; One-piece rubber with metal washer
12	Adj. Screw	97-91	FP-23520818		Int. valve adjusting
1	Crankcase Breather	97-91	FP-5101760		4"
QTY	VALVE SEAL	YEARS	PART NO.	SIZE	DESCRIPTION
24	Valve Stem Seal	97-91	FP-23523930		
QTY	ROCKER PARTS	YEARS	PART NO.	SIZE	DESCRIPTION
30	Nut	97-91	FP-23514371		Arm adj. screw; 3/8" - 24 UNF
12	Rocker Bushing	97-91	FP-8929059		Length 15MM
12	Rocker Bushing	97-91	FP-8929536		Length 20MM
30	Valve Button	97-91	FP-5138643		Arm adj. screw
IGNITION					
QTY	IGNITION	YEARS	PART NO.	SIZE	DESCRIPTION
4	Bolt	97-91	FP-11504822		ECM mounting plate; M8 x 1.25 x 30MM
8	Isolator Bushing	97-91	FP-23502879		ECM mounting; DDECII
8	Isolator Bushing	97-91	FP-23512307		ECM mounting; DDECIII
ELECTRICAL					
QTY	ELECTRICAL	YEARS	PART NO.	SIZE	DESCRIPTION
5	Bolt	97-91	FP-11504822		Tach drive cover; M8 x 1.25 x 30MM
1	Gasket	97-91	FP-8929130		Tach drive cover
INT & EXH MANIFOLDS					
QTY	INT. & EXH. MANIFOLDS	YEARS	PART NO.	SIZE	DESCRIPTION
12	Bolt	97-91	FP-8929357		Manifold to head; M10 x 1.5 x 1.20
3	Exhaust Manifold Gasket	97-91	FP-23511666		
3	Exhaust Manifold Gasket	97-91	FP-23533983		
3	Air Intake Gasket	97-91	FP-23517875		
CAMSHAFT GROUP					
QTY	TIMING	YEARS	PART NO.	SIZE	DESCRIPTION
2	Dowel Pin	97-91	FP-8929015		Gear case housing; 16MM; Circular shaped
1	Bushing	97-91	FP-8929108		Cam gear
1	Pipe Plug	97-91	FP-8924517		Gear case cover; 3/8" x 18 square head
QTY	CAMSHAFT/LIFTER	YEARS	PART NO.	SIZE	DESCRIPTION
2	Bolt	97-91	FP-11504822		Balance shaft thrust plate; M8 x 1.25 x 30MM
1	Sealing Ring	97-91	FP-23521935		Thrust plate; Cylinder head
1	O-Ring	97-91	FP-23528491		Thrust plate; Gear housing
1	Oil Seal	97-91	FP-8929740		Cap bearing seal; .134" x .074" x .480"
2	Oil Seal	97-91	FP-23522975		Front cap seal
1	Oil Seal	97-91	FP-23521894		Thrust plate; Cylinder head
ACCESSORY DRIVE					
QTY	ACCESSORY DRIVE	YEARS	PART NO.	SIZE	DESCRIPTION
1	Lock Ring	97-91	FP-23509204		Accessory drive
1	Lock Ring	97-91	FP-23511746		Accessory gear
1	Lock Ring	97-91	FP-8929062		Air compressor
1	Lock Ring	97-91	FP-23505643		Power steering pump
1	Ball Brg.	97-91	FP-23518178		Accessory drive
1	Ball Brg.	97-91	FP-23509203		Accessory gear shaft
1	Ball Brg.	97-91	FP-23503704		Fan shaft inner

(continued on next page)

Ford Truck - M/D & H/D

H/D Truck Series 60 Eng. (11.1L) 71

11.1L 677 SOHC Turbo-Diesel L6 (24 Valve), 130mm Bore (Detroit Diesel Eng.) 1991-97 (cont.)

ACCESSORY DRIVE (cont.)

QTY	ACCESSORY DRIVE (cont.)	YEARS	PART NO.	SIZE	DESCRIPTION
1	Ball Brg.	97-91	FP-23503535		Fan shaft outer
1	Cylindrical Brg.	97-91	FP-23511745		Accessory drive
2	Snap Ring	97-91	FP-8929064		Accessory drive; 3.121" OD
1	Retaining Ring	97-91	FP-8929216		Accessory drive; 1.618" OD
1	Retaining Ring	97-91	FP-8929063		Accessory drive; 3.734" OD
1	O-Ring	97-91	FP-8929253		Acc. drive cover; .139" x 4.609" ID
1	Gasket	97-91	FP-8929130		Upper right rear & cam access cover
1	Gasket	97-91	FP-8929299		Acc. drive front
1	Redi-Sleeve	97-91	99133		Use w/FP-8929154 seal
1	Oil Seal	97-91	FP-23511747		Accessory drive
1	Oil Seal	97-91	FP-8929154		Oil accessory drive

AIR COMPRESSOR

QTY	AIR COMPRESSOR	YEARS	PART NO.	SIZE	DESCRIPTION
1	Ball Brg.	97-91	FP-8929820		
1	Drive Coupling	97-91	FP-5141773		Air compressor drive
1	Gasket	97-91	FP-8929299		Drive housing
1	Accessory Drive Gasket	97-91	FP-23515145		

FUEL SYSTEM & PARTS

QTY	FUEL INJECTION	YEARS	PART NO.	SIZE	DESCRIPTION
6	Fuel Injector Seal Ring	97-91	FP-23515470		Injector hole tube
2	Fuel Injector Seal Ring	97-91	FP-5234699		Lower
1	Fuel Injector Seal Ring	97-91	FP-5234702		Upper
6	Injector Hole Tube Kit	97-91	FP-23501580		
6	Adj. Screw	97-91	FP-23520820		Injector adjusting
6	Bolt	97-91	FP-8929393		Injector clamp

QTY	FUEL FILTERS & PUMP	YEARS	PART NO.	SIZE	DESCRIPTION
1	Fuel Pump Coupling	97-91	FP-23505249		For high capacity fuel pump
1	Fuel Pump Coupling	97-91	FP-8929479		For std. capacity fuel pump
1	Fuel Pump Coupling	97-91	FP-8929787		15.875MM ID
1	Fuel Pump Drive	97-91	FP-23511964		For std. capacity fuel pump
1	Fuel Pump Hub	97-91	FP-8929480		12.70MM ID
1	Fuel Pump Gear	97-91	FP-23506546		Drive gear; .375
1	Fuel Pump Gear	97-91	FP-23511959		Driven gear; .275
1	Fuel Pump Drive Shaft	97-91	FP-23506545		Drive shaft
1	Fuel Pump Drive Shaft	97-91	FP-23506549		Driven shaft
1	Fuel Pump Check Valve	97-91	FP-8923528		Injector check valve
1	Fuel Pump Spacer	97-91	FP-23506560		Relief Valve
1	Sealing Ring	97-91	FP-23506556		Relief valve
1	Cylindrical Brg.	97-91	FP-8923526		Fuel pump shaft
5	Bolt	97-91	FP-11504822		Fuel pump drive assy.; M8 x 1.25 x 30MM
1	Fuel Pump Repair Part	97-91	FP-23506564		Relief valve shear pin
1	Fuel Pump Body Plug	97-91	FP-23506553		
1	O-Ring	97-91	FP-8929253		Fuel cover; .139" x 4.609" ID
1	O-Ring	97-91	FP-23524657		Fuel/water separator
1	Fuel Pump Drive Adapter Gskt.	97-91	FP-5150193		
1	Fuel Pump Gasket	97-91	FP-23505248		Fuel pump mounting

QTY	TURBOCHARGER	YEARS	PART NO.	SIZE	DESCRIPTION
1	Turbocharger Exhaust Gasket	97-91	FP-8929529		Inlet connection
1	Turbocharger Oil Return Gskt.	97-91	FP-8929285		

GOVERNOR

QTY	GOVERNOR	YEARS	PART NO.	SIZE	DESCRIPTION
1	Retaining Ring	97-91	FP-9411502		Mechanical governor weight

COOLING SYSTEM

QTY	WATER PUMP	YEARS	PART NO.	SIZE	DESCRIPTION
1	Water Pump Shaft	97-91	FP-8929157		Front mounted pumps
1	Water Pump Shaft	97-91	FP-23505896		Gear case mounted pumps
1	Water Pump Impeller	97-91	FP-8929512		Use w/Front mounted pumps
1	Water Pump Impeller	97-91	FP-23517973		Use w/Gear case mounted pumps
1	Water Pump Repair/Rebuild Kit	97-91	FP-23509105		Incl. FP23505024 and FP23512048 plate seals.
1	Water Pump Cover	97-91	FP-8922383		Non-metallic; Non-Metallic
1	Woodruff Key	97-91	FP-8929334		FWP shaft
1	Water Pump Retainer Ring	97-91	FP-8929427		Bearing & seal
1	Water Pump Retainer Ring	97-91	FP-8922407		FWP cover
1	Water Pump Mech. Shaft Seal	97-91	FP-23522433		Unitized seal

(continued on next page)

Ford Truck - M/D & H/D

71 H/D Truck Series 60 Eng. (11.1L)

(cont.) 11.1L 677 SOHC Turbo-Diesel L6 (24 Valve), 130mm Bore (Detroit Diesel Eng.) 1991-97

COOLING SYSTEM (cont.)					
QTY	WATER PUMP (cont.)	YEARS	PART NO.	SIZE	DESCRIPTION
1	Ball Brg.	97-91	FP-8929422		Water pump shaft
1	Lock Nut	97-91	FP-11509584		Water pump
1	Water Pump Gasket	97-91	FP-23507073		
1	Water Pump Seal Ring	97-91	FP-8929158		Water pump; Front mounted pumps
1	Water Pump Seal Ring	97-91	FP-23520377		Water pump; Gear case mounted pumps
1	Water Pump Seal Ring	97-91	FP-8929510		Water pump cover; Front mounted pumps
1	Oil Seal	97-91	FP-5103951		Fan shaft
1	Oil Seal	97-91	FP-8929213		Fan spindle
1	Oil Seal	97-91	FP-8929134		Water pump; Lip type
1	O-Ring	97-91	FP-23512048		Water pump cover; Gear case mounted pumps; 4.77" OD
1	O-Ring	97-91	FP-23505024		Water pump cover; 4.218" OD
5	Bolt	97-91	FP-11504822		Fan mount support; M8 x 1.25 x 30MM
2	Bolt	97-91	FP-11504822		Water pump cover; M8 x 1.25 x 30MM
1	Retaining Ring	97-91	FP-8929216		Fan drive; 1.618" OD
1	Retaining Ring	97-91	FP-8929063		Fan drive; 3.734" OD
QTY	HOSES	YEARS	PART NO.	SIZE	DESCRIPTION
2	Silicone Hose	97-91	FP-8929875		Water bypass tube; 1.750" ID x 3.250" Length
2	Silicone Hose	97-91	FP-23506325		Water pump to cooler
QTY	THERMOSTAT	YEARS	PART NO.	SIZE	DESCRIPTION
1	Thermostat	97-91	FP-23503827		Type 481; 160 Deg.
1	Thermostat	97-91	FP-8929878		Types 358, 439, 448, 488, 507, 511, 518, 520; 190 Deg.
1	Thermostat	97-91	FP-23503825		Types 497, 516; 180 Deg.
1	Thermostat Kit	97-91	FP-23532436		Thermostat & seal incl.
2	Oil Seal	97-91	FP-5132155		
ENGINE BLOCK & PARTS					
QTY	GASKETS	YEARS	PART NO.	SIZE	DESCRIPTION
1	Oil Pan Gasket	97-91	FP-8929102		Standard oil pan; Gray silicone
1	Oil Pan Gasket	97-91	FP-23522279		Use for oil pan w/o cord modified seal system
10	Oil Pan Isolator Bushing	97-91	FP-23517242		
10	Bolt	97-91	FP-11504571		Oil pan
1	Copper Washer	97-91	FP-23513842		Oil gauge adapter
1	Oil Seal	97-91	FP-8929740		Block to gear case; .134" x .074" x .480"
QTY	DOWEL PINS	YEARS	PART NO.	SIZE	DESCRIPTION
1	Dowel Pin	97-91	FP-8929015		16MM; Circular shaped
2	Dowel Pin	97-91	FP-8929022		16MM; Diamond shape
1	Dowel Pin	97-91	FP-8929152		20MM; Circular shape
QTY	CAM BEARINGS	YEARS	PART NO.	SIZE	DESCRIPTION
7	Cam Brg.	97-91	FP-8929690	STD	Cam Bearing Half Upper/Lower
7	Cam Brg.	97-91	FP-8929691	.254MM	Cam Bearing Half Upper/Lower
7	Cam Brg.	97-91	FP-8929692	.508MM	Cam Bearing Half Upper/Lower
7	Cam Brg.	97-91	FP-8929693	.762MM	Cam Bearing Half Upper/Lower
QTY	OIL COOLERS & FILTERS	YEARS	PART NO.	SIZE	DESCRIPTION
1	Oil Cooler	97-91	FP-8547625		4 plate
1	Oil Cooler	97-91	FP-8547626		8 plate
6	Bolt	97-91	FP-11504822		Transfer cooler adapter housing; M8 x 1.25 x 30MM
2	O-Ring	97-91	FP-8929289		Oil cooler housing
1	Oil Cooler Core Gasket	97-91	FP-8929348		
2	Rect. or Square Seal	97-91	FP-8929280		Oil cooler
2	Oil Cooler Seal Ring	97-91	FP-23508392		Filter adapter housing
1	Gasket	97-91	FP-23506247		Core housing
QTY	FREEZE PLUGS	YEARS	PART NO.	SIZE	DESCRIPTION
1	Pipe Plug	97-91	FP-8926993		1/4" X 18; Recessed socket head
1	Pipe Plug	97-91	FP-8923313		Block; 3/4"
QTY	MISCELLANEOUS	YEARS	PART NO.	SIZE	DESCRIPTION
1	Pipe Plug	97-91	FP-8926993		1/4" X 18; Recessed socket head
1	Pipe Plug	97-91	FP-8923313		Block; 3/4"
1	Chain, Oil Filler Cap	97-91	FP-5121989		6.5" Length
1	Oil Filler Cap	97-91	FP-5117362		2.00" Dia.; Thermos Bottle Style
CRANKSHAFT/OIL PUMP					
QTY	CRANKSHAFT	YEARS	PART NO.	SIZE	DESCRIPTION
1	Crankshaft	97-91	FP-23515597		12 hole
QTY	SEALS - FRONT CRANK	YEARS	PART NO.	SIZE	DESCRIPTION
1	Oil Seal Kit	97-91	FP-23518355		

(continued on next page)

Ford Truck - M/D & H/D

H/D Truck Series 60 Eng. (11.1L) 71

11.1L 677 SOHC Turbo-Diesel L6 (24 Valve), 130mm Bore (Detroit Diesel Eng.) 1991-97 (cont.)

CRANKSHAFT/OIL PUMP (cont.)

QTY	SEALS - REAR CRANK	YEARS	PART NO.	SIZE	DESCRIPTION
1	Oil Seal Kit	97-91	FP-23513578		Double lip wrap around
1	Oil Seal Kit	97-91	FP-23516969		PTFE Double Lip
6	Washer	97-91	FP-5133981		Vibration damper; .122" Thick
QTY	MAIN BEARINGS	YEARS	PART NO.	SIZE	DESCRIPTION
1	Main Set	97-91	FP-7363M	Std-254-508-762MM	
1	Main Set	97-91	FP-7363M254MM	Std-254-508-762MM	
1	Main Set	97-91	FP-7363M508MM	Std-254-508-762MM	
1	Main Set	97-91	FP-7363M762MM	Std-254-508-762MM	
1	Main Set	97-91	7363M + Std-10		When depleted use FP-7363M
6	Plain Main Brg.	97-91	FP-8929670A	STD	
6	Plain Main Brg.	97-91	FP-8929671A	.254MM	
6	Plain Main Brg.	97-91	FP-8929672A	.508MM	
6	Plain Main Brg.	97-91	FP-8929673A	.762MM	
1	Flanged Main Brg.	97-91	FP-8929680	STD	
1	Flanged Main Brg.	97-91	FP-8929681	.254MM	
1	Flanged Main Brg.	97-91	FP-8929682	.508MM	
1	Flanged Main Brg.	97-91	FP-8929683	.762MM	
1	Main Brg. Half Flanged Up/Low	97-91	FP-23532926	STD	Position Lower
1	Main Brg. Half Flanged Up/Low	97-91	FP-23533263	STD	Position Upper
7	Main Brg. Half Plain Up/Lower	97-91	FP-23533252	STD	Position Lower
7	Main Brg. Half Plain Up/Lower	97-91	FP-23533259	STD	Position Upper
1	Lower End Bearing Kit	97-91	FP-23531604		Incl. 1.7100" or 43.430MM O.A.L. rod bearings; Incl. Rod & Main bearings, Thrust Washers, Lower Gaskets, Exc. Oil Pan
1	Lower End Bearing Kit	97-91	FP-23531605		Incl. 1.8670" or 47.430MM O.A.L. rod bearings
1	Thrust Washer Set	97-91	FP-8929085S	STD	Position Upper
2	Thrust Washer	97-91	FP-23530554	STD	Position Front
2	Thrust Washer	97-91	FP-23530555	STD	Position Rear
2	Thrust Washer	97-91	FP-8929085	STD	Position Upper
2	Thrust Washer	97-91	FP-8929697	.127MM	Position Upper; .127MM oversize
2	Thrust Washer	97-91	FP-8929698	.254MM	Position Upper; .254MM oversize
QTY	OIL PUMP	YEARS	PART NO.	SIZE	DESCRIPTION
1	Lo Pressure Regulator Valve	97-91	FP-8922740		
1	Bushing	97-91	FP-5127978		Oil pump
1	Bushing	97-91	FP-23505879		Oil pump; 25MM Bore, 22.27MM Shaft, 11.5MM Length
1	Oil Pump Spring	97-91	FP-5126327		Outlet bypass valve; .790" Dia., 2.96" Length
1	Bolt	97-91	FP-11504822		Inlet tube; M8 x 1.25 x 30MM
4	Bolt	97-91	FP-11504822		Outlet pipe; M8 x 1.25 x 30MM
2	Bolt	97-91	FP-11504822		Pressure regulator; M8 x 1.25 x 30MM
2	Bolt	97-91	FP-11504822		Pressure relief vlv.; M8 x 1.25 x 30MM
1	Bolt	97-91	FP-11504822		Screen bracket; M8 x 1.25 x 30MM
1	Oil Pump Intake Gasket	97-91	FP-8929344		Pump to block
1	Oil Pump Outlet Gasket	97-91	FP-8929347		
1	Rect. or Square Seal	97-91	FP-8929341		Oil filter
1	Rect. or Square Seal	97-91	FP-8929340		Oil filter bypass
1	Oil Inlet Elbow Gasket	97-91	FP-23505992		Inlet tube to pump
1	Lo Press. Reg. Body Gasket	97-91	FP-5117269		
1	Gasket	97-91	FP-8929302		Fill tube adapter
1	Gasket	97-91	FP-8929302		Oil filter cover
1	Oil Filter Seal Ring	97-91	FP-8929342		Oil filter adapter
1	Pipe Plug	97-91	FP-23511574		Oil drain; 1/2" pipe thread; w/1" Square head

CYLINDER COMPONENTS

QTY	LINERS	YEARS	PART NO.	SIZE	DESCRIPTION
6	Liner w/o Sealing Rings	97-91	FP-23532361		Engs. w/Standard liner
6	Liner w/Sealing Rings	97-91	FP-23532468		FP-23532361 liner incl.
6	Liner w/Sealing Rings	97-91	FP-23531249		FP-23534264 liner incl.
6	Cylinder Kit Complete	97-91	FP-23532590	STD	Engs. w/Standard liner; 2.50MM top ring; Round piston design
6	Cylinder Kit Complete	97-91	FP-23519637	STD	Engs. w/Standard liner; 3.50MM top ring
6	Cylinder Kit Complete	97-91	FP-23532591	STD	Engs. w/Standard liner; 3.50MM top ring
6	Cylinder Kit Complete	97-91	FP-23532558	STD	Engs. w/Top Liner Cooling (TLC); 2.50MM top ring; Domed piston design
6	Cylinder Kit Complete	97-91	FP-23532557	STD	Engs. w/Top Liner Cooling (TLC); 2.50MM top ring; Oval piston design
6	Cylinder Kit Complete	97-91	FP-23532555	STD	Engs. w/Top Liner Cooling (TLC); 2.50MM top ring; Round piston design

(continued on next page)

+ Superseded Part Number

Ford Truck - M/D & H/D

71 H/D Truck Series 60 Eng. (11.1L) (cont.) 11.1L 677 SOHC Turbo-Diesel L6 (24 Valve), 130mm Bore (Detroit Diesel Eng.) 1991-97

CYLINDER COMPONENTS (cont.)

QTY	LINERS (cont.)	YEARS	PART NO.	SIZE	DESCRIPTION
6	Cylinder Kit Complete	97-91	FP-23532556	STD	Engs. w/Top Liner Cooling (TLC); 3.50MM top ring
6	Sealing Ring, Liner	97-91	FP-8929013		Crevice seal
12	Sealing Ring, Liner	97-91	FP-8929176		D-ring seal
6	Flange Shim	97-91	FP-20044	31	.031" Thick
6	Flange Shim	97-91	FP-20045	62	.062" Thick
6	Cntr. Bore Insert	97-91	FP-23525500		
6	Lower Block Bore Sleeve	97-91	FP-20042		

QTY	PISTONS	YEARS	PART NO.	SIZE	DESCRIPTION
6	Piston Kit w/Pin & Retainers	97-91	FP-23524601	STD	Engs. w/Domed piston & 2.50MM top ring
6	Piston Kit w/Pin & Retainers	97-91	FP-23519646	STD	Engs. w/Top Liner Cooling (TLC) & 2.50MM top ring; Oval piston design
6	Piston Kit w/Pin & Retainers	97-91	FP-23519624	STD	Engs. w/Top Liner Cooling (TLC) & 2.50MM top ring; Round piston design
6	Piston Kit w/Pin & Retainers	97-91	FP-23519635	STD	Engs. w/3.50MM top ring
6	Piston Skirt	97-91	FP-23516681		Ductile iron for standard cross head piston
6	Pin	97-91	FP-8929087		
6	Pin	97-91	FP-23521649		Hollow pin w/1.020" (26MM) I.D.; Articulated piston
12	Piston Pin Bolt	97-91	FP-8929337		
12	Piston Pin Bolt Spacer	97-91	FP-8929504		
6	Piston Cooling Nozzle	97-91	FP-23528493		

QTY	CONNECTING RODS & BRGS.	YEARS	PART NO.	SIZE	DESCRIPTION
12	Con. Rod Bolt	97-91	FP-8929355		M14 x 1.5" x 108
12	Con. Rod Nut	97-91	FP-8929019		M14 x 1.5
6	Rod Pair	97-91	FP-4770P	Std-.25MM	O.A.L. 1.710" or 43.430MM
6	Rod Pair	97-91	4770P +	Std-.25MM	O.A.L. 1.710" or 43.430MM; When depleted use FP-4770P
6	Rod Pair	97-91	FP-8929710	STD	O.A.L. 1.7100" or 43.430MM
6	Rod Pair	97-91	FP-8929711	.254MM	O.A.L. 1.7100" or 43.430MM
6	Rod Pair	97-91	FP-8929712	.508MM	O.A.L. 1.7100" or 43.430MM
6	Rod Pair	97-91	FP-8929713	.762MM	O.A.L. 1.7100" or 43.430MM
6	Rod Pair	97-91	FP-23515581	STD	O.A.L. 1.8670" or 47.430MM
6	Rod Pair	97-91	FP-23515582	.254MM	O.A.L. 1.8670" or 47.430MM
6	Rod Pair	97-91	FP-23515583	.508MM	O.A.L. 1.8670" or 47.430MM
6	Rod Pair	97-91	FP-23515584	.762MM	O.A.L. 1.8670" or 47.430MM

QTY	PISTON RINGS	YEARS	PART NO.	SIZE	DESCRIPTION
6	Ring Set Single Cylinder	97-91	FP-23503747		2.50MM top ring
6	Ring Set Single Cylinder	97-91	FP-23531251 *	STD	3.00MM top ring
6	Ring Set Single Cylinder	97-91	FP-23505729		3.50MM top ring
6	Compression Ring	97-91	FP-8929845		Bottom
6	Compression Ring	97-91	FP-8929844		Top; 2.50MM
6	Compression Ring	97-91	FP-23504941		Top; 3.50MM
6	Oil Ring	97-91	FP-23515500		
6	Oil Ring Expander	97-91	FP-23529379		

CLUTCH

QTY	CLUTCH	YEARS	PART NO.	SIZE	DESCRIPTION
1	Ball Brg.	97-91	FP-23503707		Clutch Pilot

KITS

RE-RING KIT	YEARS	DESCRIPTION	QTY	PREMIUM KIT NO.	QTY	ECONOMY KIT NO.
97-91	In-Frame Kit	Re-ring w/Mains	1	FP-S60IFKRR		----
97-91	Overhaul Kit	Re-ring w/Mains	1	FP-S60OHRR		----

QTY	OVERHAUL KIT	YEARS	PART NO.	SIZE	DESCRIPTION
1	In-Frame Overhaul Kit	97-91	FP-S60		
1	In-Frame Overhaul Kit	97-91	FP-S60TLC		
1	Complete Overhaul Kit	97-91	FP-S60OH		
1	Complete Overhaul Kit	97-91	FP-S60TLCOH		

72 H/D Truck 8V-92T (4-Valve Cyl. Head) Eng. 12.1L 736 OHV Turbo-Diesel V8, 4.84" Bore (Detroit Diesel Eng.) 1978-88

CYL. HEAD & PARTS

QTY	GASKETS	YEARS	PART NO.	SIZE	DESCRIPTION
2	Valve Cover Gasket	88-78	FP-5104081		Engs. w/cast Alum. valve cover; Silicone
2	Valve Cover Gasket	88-78	FP-5143406		Engs. w/Steel valve cover; Neoprene

(continued on next page)

Ford Truck - M/D & H/D

H/D Truck 8V-92T (4-Valve Cyl. Head) Eng. 72
12.1L 736 OHV Turbo-Diesel V8, 4.84" Bore (Detroit Diesel Eng.) 1978-88 (cont.)

CYL. HEAD & PARTS (cont.)

QTY	VALVE	YEARS	PART NO.	SIZE	DESCRIPTION
32	Exhaust	88-78	FP-5106136		
64	Keeper	88-78	VK-144		1 groove; Square cut key groove
64	Keeper	88-78	VK-144R		1 groove; Square cut key groove; Hardened
QTY	VALVE SEAT	YEARS	PART NO.	SIZE	DESCRIPTION
32	Exh.	88-78	FP-5148490	STD	Repl. O.E. No. 5148490, non-magnetic.; 30 Deg. seat; 1.4420" OD, 1.1400" ID, .2510" Depth
32	Exh.	88-78	FP-5101315	10	Repl. O.E. No. 5148490, non-magnetic; 30 Deg. seat; .010" O/S; 1.4520" OD, 1.1400" ID, .2510" Depth
QTY	VALVE GUIDE	YEARS	PART NO.	SIZE	DESCRIPTION
32	Guide	88-78	FP-5129919		2 3/8" length; .3130" ID, 2.3800" O.A.L.
QTY	VALVE SPRING	YEARS	PART NO.	SIZE	DESCRIPTION
32	Spring	88-78	FP-5147347		.148" Wire dia.
QTY	PUSH RODS	YEARS	PART NO.	SIZE	DESCRIPTION
32	Push Rod	88-78	FP-5128640		O.E. No. 5128640
QTY	ROCKER PARTS	YEARS	PART NO.	SIZE	DESCRIPTION
8	Arm Assy.	88-78	FP-5148472		Exh. Left
8	Arm Assy.	88-78	FP-5148475		Exh. Right
8	Arm Assy.	88-78	FP-8923554		Injector
2	Rocker Shaft	88-78	FP-23500714		
32	Arm Support	88-78	FP-5103903		
16	Rocker Bushing	88-78	FP-23517217		.8755" ID, .9475" OD, .840" Length, .0360" Wall thickness
16	Follower Assy.	88-78	FP-8924439		
32	Cam Follower Roller Set	88-78	FP-8923814		Incl. pin & roller
16	Valve Bridge Guide	88-78	FP-5117564		O.E. No. 5117564; Press fit

FUEL SYSTEM & PARTS

QTY	FUEL INJECTION	YEARS	PART NO.	SIZE	DESCRIPTION
8	Injector Hole Tube Kit	88-78	FP-8925981		O.E. No. 8925981; Viton®

COOLING SYSTEM

QTY	WATER PUMP	YEARS	PART NO.	SIZE	DESCRIPTION
1	Water Pump - Heavy Duty	88-78	FP-23507971		Raw water pump

ENGINE BLOCK & PARTS

QTY	GASKET SETS	YEARS	PART NO.	SIZE	DESCRIPTION
1	Complete Overhaul Gasket Set	88-78	FP-23512685WS		
QTY	CAM BEARINGS	YEARS	PART NO.	SIZE	DESCRIPTION
4	Cam Brg.	88-78	FP-5111423	STD	Position Front & Rear; Grooved
6	Cam Brg.	88-78	FP-5196026	STD	Position Inter.; w/o Steel bushing in ctr. hole; Aluminum Blocks only
6	Cam Brg.	88-78	FP-5196022	STD	Position Inter.; W/Steel bushing in ctr. hole

CRANKSHAFT/OIL PUMP

QTY	SEALS - FRONT CRANK	YEARS	PART NO.	SIZE	DESCRIPTION
1	Redi-Sleeve	88-78	99287		Shaft dia. 2.876"
1	Oil Seal	88-78	FP-5115454		Single Lip, Std.
QTY	SEALS - REAR CRANK	YEARS	PART NO.	SIZE	DESCRIPTION
1	Oil Seal	88-78	FP-5114335		Single Lip, Std.; Shaft Dia. 4.687"
1	Redi-Sleeve	88-78	99468		
QTY	MAIN BEARINGS	YEARS	PART NO.	SIZE	DESCRIPTION
5	Plain Main Brg.	88-78	FP-5149565	STD	Upper brg. w/elongated oil slot (acceptable as replacement for brg. w/11/32" oil hole)
5	Plain Main Brg.	88-78	FP-5149566	2	Upper brg. w/elongated oil slot (acceptable as replacement for brg. w/11/32" oil hole)
5	Plain Main Brg.	88-78	FP-5149567	10	Upper brg. w/elongated oil slot (acceptable as replacement for brg. w/11/32" oil hole)
5	Plain Main Brg.	88-78	FP-5149568	20	Upper brg. w/elongated oil slot (acceptable as replacement for brg. w/11/32" oil hole)
5	Plain Main Brg.	88-78	FP-8922118	30	Upper brg. w/elongated oil slot (acceptable as replacement for brg. w/11/32" oil hole)

CYLINDER COMPONENTS

QTY	LINERS	YEARS	PART NO.	SIZE	DESCRIPTION
8	Liner w/Sealing Rings	88-78	FP-5107176WS	STD	
8	Liner w/Sealing Rings	88-78	FP-5148505WS	STD	
8	Cylinder Kit Complete	88-78	FP-23524341	STD	Contains .950" port length sleeve

(continued on next page)

Ford Truck - M/D & H/D

72 H/D Truck 8V-92T (4-Valve Cyl. Head) Eng.
(cont.) 12.1L 736 OHV Turbo-Diesel V8, 4.84" Bore (Detroit Diesel Eng.) 1978-88

CYLINDER COMPONENTS (cont.)

QTY	LINERS (cont.)	YEARS	PART NO.	SIZE	DESCRIPTION
8	Cylinder Kit Complete	88-78	FP-23524339	STD	Contains 1.050" port length sleeve
8	O-Ring	88-78	FP-8923729		
QTY	PISTONS	YEARS	PART NO.	SIZE	DESCRIPTION
16	Piston Pin Retainer	88-78	FP-5180250		Slipper type design - 1 per cyl. w/.015" extra ID bore stock w/1.5020" I.D., 1.7510" O.D., .7600" O.A.L.
8	Piston Pin Slipper Bearing	88-78	FP-23501687		
8	Pin Bushing	88-78	FP-5157274		
8	Pin Bushing	88-78	FP-2409Y		
QTY	CONNECTING RODS & BRGS.	YEARS	PART NO.	SIZE	DESCRIPTION
8	Rod Pair	88-78	FP-5149572	STD	
8	Rod Pair	88-78	FP-5149575	10	
8	Rod Pair	88-78	FP-5149577	20	
8	Rod Pair	88-78	FP-5149579	30	
QTY	PISTON RINGS	YEARS	PART NO.	SIZE	DESCRIPTION
8	Ring Set Single Cylinder	88-78	FP-23524349		w/Cross Head style piston
KITS					
QTY	OVERHAUL KIT	YEARS	PART NO.	SIZE	DESCRIPTION
1	In-Frame Overhaul Kit	88-78	FP-8V92		w/Cross Head style piston & .950" Port Length Sleeve; Valve cover gskts. not incl.
1	In-Frame Overhaul Kit	88-78	FP-8V92		w/Cross Head style piston & 1.050" Port Length Sleeve; Valve cover gskts. not incl.
1	Complete Overhaul Kit	88-78	FP-8V92OH		w/Cross Head style piston & .950" Port Length Sleeve; Valve cover gskts. not incl.
1	Complete Overhaul Kit	88-78	FP-8V92OH		w/Cross Head style piston & 1.050" Port Length Sleeve; Valve cover gskts. not incl.

73 M/D Truck NH220 Eng. H/D Truck NH220, NHE180, NHE195 Engs.
12.2L 743 OHV Diesel L6, 5.125" Bore (Cummins Eng.) 1964-69

CYL. HEAD & PARTS

QTY	GASKETS	YEARS	PART NO.	SIZE	DESCRIPTION
1	Head Set	69-64	FP-3802077		.50 MM
QTY	VALVE	YEARS	PART NO.	SIZE	DESCRIPTION
12	Exhaust	69-64	FP-144911		4 Valve Head; 1.7400" Head Dia., 7.0600" O.A.L. Exh. & Int.
48	Keeper	69-64	FP-S2037		
QTY	VALVE SEAT	YEARS	PART NO.	SIZE	DESCRIPTION
24	Exh. & Int.	69-64	FP-69965	STD	
QTY	VALVE GUIDE	YEARS	PART NO.	SIZE	DESCRIPTION
24	Guide	69-64	FP-66890		Exh. & Int.; Threaded ID; .405" ID, 3.44" OAL
QTY	VALVE SPRING	YEARS	PART NO.	SIZE	DESCRIPTION
24	Spring	69-64	FP-111446		Exh. & Int.
QTY	ROCKER PARTS	YEARS	PART NO.	SIZE	DESCRIPTION
24	Cam Follower Roller	69-64	FP-92601		Exh. & Int. 4 Valve Head Exh. & Int.; .500" OD x 1.280" Length
1	Injector Cam Roller	69-64	FP-3062096		
1	Valve Bridge Guide	69-64	FP-123558		
24	Valve Roller Pin	69-64	FP-68513		

CAMSHAFT GROUP

QTY	CAMSHAFT/LIFTER	YEARS	PART NO.	SIZE	DESCRIPTION
1	Camshaft	69-64	FP-3801030		w/.750" Keyway, replaces O.E. 129860 & 3801030; If camshaft being replaced has 1" keyway, contact Cummins dealer for replacement key
1	Cam Follower Shaft	69-64	FP-3065125		

ACCESSORY DRIVE

QTY	ACCESSORY DRIVE	YEARS	PART NO.	SIZE	DESCRIPTION
1	Oil Seal	69-64	39302		

COOLING SYSTEM

QTY	WATER PUMP	YEARS	PART NO.	SIZE	DESCRIPTION
1	Oil Seal	69-64	473010N		
QTY	SEALS - FAN HUB	YEARS	PART NO.	SIZE	DESCRIPTION
1	Oil Seal	69-64	39835		INNER
1	Oil Seal	69-64	39877		OUTER

(continued on next page)

Ford Truck - M/D & H/D

<i>M/D Truck NH220 Eng. H/D Truck NH220, NHE180, NHE195 Eng.</i> 73 12.2L 743 OHV Diesel L6, 5.125" Bore (Cummins Eng.) 1964-69 (cont.)					
COOLING SYSTEM (cont.)					
QTY	SEALS - FAN HUB (cont.)	YEARS	PART NO.	SIZE	DESCRIPTION
1	Redi-Sleeve	69-64	99181		INNER
QTY	THERMOSTAT	YEARS	PART NO.	SIZE	DESCRIPTION
1	Oil Seal	69-64	39821		
ENGINE BLOCK & PARTS					
QTY	GASKETS	YEARS	PART NO.	SIZE	DESCRIPTION
1	Oil Pan Gasket	69-64	FP-3049408		
QTY	CAM BEARINGS	YEARS	PART NO.	SIZE	DESCRIPTION
1	Cam Set	69-64	FP-BM27253	STD	
QTY	OIL COOLERS & FILTERS	YEARS	PART NO.	SIZE	DESCRIPTION
1	Oil Cooler	69-64	FP-110848		6.500" X 4.000" tube bundle
CRANKSHAFT/OIL PUMP					
QTY	CRANKSHAFT	YEARS	PART NO.	SIZE	DESCRIPTION
1	Crankshaft	69-64	FP-3029341		
QTY	SEALS - FRONT CRANK	YEARS	PART NO.	SIZE	DESCRIPTION
1	Redi-Sleeve	69-64	99363		
1	Redi-Sleeve	69-64	99311		w/Damper
1	Oil Seal	69-64	39813		
1	Oil Seal	69-64	416011		w/Damper
QTY	SEALS - REAR CRANK	YEARS	PART NO.	SIZE	DESCRIPTION
1	Oil Seal	69-64	39703		
1	Oil Seal Kit	69-64	5026		
1	Redi-Sleeve	69-64	99363		
QTY	MAIN BEARINGS	YEARS	PART NO.	SIZE	DESCRIPTION
1	Main Set	69-64	FP-3801260	STD	W/Partial groove brgs.; Incl. thrust washers
1	Main Set	69-64	FP-3801261	10	W/Partial groove brgs.; Incl. thrust washers
1	Main Set	69-64	FP-3801262	20	W/Partial groove brgs.; Incl. thrust washers
1	Main Set	69-64	FP-3801263	30	W/Partial groove brgs.; Incl. thrust washers
1	Thrust Washer Set	69-64	FP-1334AFA +	Std Only	Position 7; When depleted use FP-3067568
4	Thrust Washer	69-64	FP-3067568	STD	Position 7
CYLINDER COMPONENTS					
QTY	LINERS	YEARS	PART NO.	SIZE	DESCRIPTION
6	Liner w/o Sealing Rings	69-64	FP-184400		
6	Liner w/Sealing Rings	69-64	FP-BM98224	STD	
6	Cylinder Kit Complete	69-64	FP-AR7383	STD	w/Keystone Rings; 14.5:1 C.R.
6	Sealing Ring, Liner	69-64	FP-181449		
6	Sealing Ring, Liner	69-64	FP-215983		
6	Sealing Ring, Liner	69-64	FP-216879		
QTY	PISTONS	YEARS	PART NO.	SIZE	DESCRIPTION
6	Piston Body w/o Pin	69-64	FP-199821		w/Keystone Rings; 15.0:1 C.R.
6	Piston Kit w/Pin & Retainers	69-64	FP-AR7510	STD	w/Keystone Rings; 14.5:1 C.R. Dish Head .240" deep x 3.880" dia., straight pin boss piston.
6	Pin	69-64	FP-203070		1.9989" Dia.
12	Piston Pin Retainer	69-64	FP-175755		
12	Pin Bushing	69-64	FP-43067		Straight rod bushing; 1.03" Width; 2 req'd. per rod
QTY	CONNECTING RODS & BRGS.	YEARS	PART NO.	SIZE	DESCRIPTION
6	Rod Pair	69-64	FP-203670PR	STD	
6	Rod Pair	69-64	FP-203671PR	10	
6	Rod Pair	69-64	FP-203672PR	20	
6	Rod Pair	69-64	FP-203673PR	30	
QTY	PISTON RINGS	YEARS	PART NO.	SIZE	DESCRIPTION
6	Ring Set Single Cylinder	69-64	FP-AR12098	STD	
<i>H/D Truck Series 60 Eng. (12.7L)</i> 74 12.7L 774 SOHC Turbo-Diesel L6 (24 Valve), 130mm Bore (Detroit Diesel Eng.) 1991-97					
CYL. HEAD & PARTS					
QTY	GASKETS	YEARS	PART NO.	SIZE	DESCRIPTION
1	Valve Cover Gasket	97-91	FP-23506153		Intermediate to upper rocker cover gskt.; 98.38" circumference; Diamond shaped 0.146" thick; For 3 piece cover; Use w/O.E. No. 23505973 rocker cover

(continued on next page)

Ford Truck - M/D & H/D

74 H/D Truck Series 60 Eng. (12.7L)

(cont.) 12.7L 774 SOHC Turbo-Diesel L6 (24 Valve), 130mm Bore (Detroit Diesel Eng.) 1991-97

CYL. HEAD & PARTS (cont.)

QTY	GASKETS (cont.)	YEARS	PART NO.	SIZE	DESCRIPTION
1	Valve Cover Gasket	97-91	FP-23511992		Intermediate to upper rocker cover gskt.; 98.38" circumference; Diamond shaped 0.186" thick; For all 3 piece rocker covers Exc. O.E. No. 23505973
1	Valve Cover Gasket	97-91	FP-8929803		Lower to upper rocker cover gskt.; 106.68" circumference; Diamond shaped 0.146" thick; for 2 piece cover; Use w/O.E. No. 8929653 rocker cover
1	Valve Cover Gasket	97-91	FP-23511991		Lower to upper rocker cover gskt.; 106.68" circumference; Diamond shaped 0.186" thick; For 2 piece cover
1	Valve Cover Gasket	97-91	FP-23522269		New design rocker cover; Black polyacrylate
1	Valve Cover Gasket	97-91	FP-23516322		Standard rocker cover; Gray silicone
1	Head Gasket	97-91	FP-23530421		Blue Seal® Gasket Design
1	Head Set	97-91	FP-23532333		Incl. Blue Seal® Gasket Design head gasket
1	Breather Seal Ring	97-91	FP-5103646		
QTY	HEAD BOLTS	YEARS	PART NO.	SIZE	DESCRIPTION
38	Head Bolt	97-91	FP-23530768		
1	Head Bolt Set	97-91	FP-HBS002		Incl. (38) FP-23530768, (38) FP-8929328
38	Washer	97-91	FP-8929328		Cylinder head bolt
QTY	MISCELLANEOUS	YEARS	PART NO.	SIZE	DESCRIPTION
2	Pipe Plug	97-91	FP-8923313		Cylinder head; 3/4"
8	Bolt	97-91	FP-11504822		Rocker cover mntg.; M8 x 1.25 x 30MM
QTY	MANIFOLD STUDS	YEARS	PART NO.	SIZE	DESCRIPTION
4	Exhaust Manifold Stud	97-91	FP-23507438		Manifold to Turbo; M10 x 1.5 x 44.0
4	Exhaust Manifold Stud	97-91	FP-8929425		Manifold to Turbo; M10 x 1.5 x 50.0
QTY	FREEZE PLUGS	YEARS	PART NO.	SIZE	DESCRIPTION
2	Pipe Plug	97-91	FP-8923313		Cylinder head; 3/4"
QTY	VALVE	YEARS	PART NO.	SIZE	DESCRIPTION
12	Intake	97-91	FP-8929589 +		30 deg. seat; 1.7320" Head Dia., .3421" Stem Dia., 8.4980" O.A.L.; When depleted use FP-23529629
12	Intake	97-91	FP-23529629		30 Deg. seat; 1.7320" Head Dia., .3421" Stem Dia., 8.4980" O.A.L.
12	Exhaust	97-91	FP-23506350 +		Identification H; When depleted use FP-23524521
12	Exhaust	97-91	FP-23524521		Identification H; EMS-247 Material; Chrome plated stem
12	Exhaust	97-91	FP-8929590		30 deg. seat; Identification U; 1.5760" Head Dia., .3421" Stem Dia., 8.4980" O.A.L.
12	Exhaust Valve Kit	97-91	FP-23507504		Identification H; Incl. FP-23524521 valve, valve seal, keeper & rotocap
12	Exhaust Valve Kit	97-91	FP-23501577		Identification U; Incl. valve, valve seal, keeper & rotocap
12	Intake Valve Kit	97-91	FP-23501576		Incl. FP-23529629 valve, valve seal, keeper & rotocap
48	Keeper	97-91	FP-8929573		
QTY	VALVE SEAT	YEARS	PART NO.	SIZE	DESCRIPTION
12	Exh.	97-91	FP-8929126		Std. Depth; 6.261MM - 6.363MM thick; 1.6285" OD, 1.3591" ID, .2485" Depth
12	Exh.	97-91	FP-8929630		U/S Depth; 5.499MM - 5.601MM thick; 1.6285" OD, 1.3591" ID, .2185" Depth
12	Exh.	97-91	FP-8929629		U/S Depth; 5.753MM - 5.855MM thick; 1.6285" OD, 1.3591" ID, .2285" Depth
12	Exh.	97-91	FP-8929628		U/S Depth; 6.007MM - 6.109MM thick; 1.6285" OD, 1.3591" ID, .2385" Depth
12	Int.	97-91	FP-8929127		Std. Depth; 7.155MM - 7.251MM thick; 1.8195" OD, 1.5710" ID, .2837" Depth
12	Int.	97-91	FP-8929627		U/S Depth; 6.393MM - 6.495MM thick; 1.8195" OD, 1.5710" ID, .2537" Depth
12	Int.	97-91	FP-8929626		U/S Depth; 6.647MM - 6.749MM thick; 1.8195" OD, 1.5710" ID, .2637" Depth
12	Int.	97-91	FP-8929625		U/S Depth; 6.901MM - 7.003MM thick; 1.8195" OD, 1.5710" ID, .2737" Depth
QTY	VALVE GUIDE	YEARS	PART NO.	SIZE	DESCRIPTION
24	Guide	97-91	FP-23518571		Exh.; 14.30MM - 14.32MM Dia.
24	Guide	97-91	FP-23518572		Exh.; 14.43MM - 14.45MM Dia.
QTY	VALVE SPRING	YEARS	PART NO.	SIZE	DESCRIPTION
24	Spring	97-91	FP-23530359		Exh.; 3.1500" Free Height
24	Spring	97-91	FP-8929415		Exh. & Int.; Yellow stripe
QTY	VALVE MISC.	YEARS	PART NO.	SIZE	DESCRIPTION
24	Rotocap	97-91	FP-8929105		
10	Isolator, Rocker Cover Bolt	97-91	FP-23517911		Use w/Two piece rocker cover
4	Isolator, Rocker Cover Bolt	97-91	FP-8929255		1.735" OD; One-piece rubber
4	Isolator, Rocker Cover Bolt	97-91	FP-23517912		1.756" OD; One-piece rubber with metal washer

(continued on next page)

Ford Truck - M/D & H/D

H/D Truck Series 60 Eng. (12.7L) 74

12.7L 774 SOHC Turbo-Diesel L6 (24 Valve), 130mm Bore (Detroit Diesel Eng.) 1991-97 (cont.)

CYL. HEAD & PARTS (cont.)

QTY	VALVE MISC. (cont.)	YEARS	PART NO.	SIZE	DESCRIPTION
12	Adj. Screw	97-91	FP-23520818		Int. valve adjusting
1	Crankcase Breather	97-91	FP-5101760		4"
QTY	VALVE SEAL	YEARS	PART NO.	SIZE	DESCRIPTION
24	Valve Stem Seal	97-91	FP-23523930		
QTY	ROCKER PARTS	YEARS	PART NO.	SIZE	DESCRIPTION
30	Nut	97-91	FP-23514371		Arm adj. screw; 3/8" - 24 UNF
30	Valve Button	97-91	FP-5138643		Arm adj. screw
IGNITION					
QTY	IGNITION	YEARS	PART NO.	SIZE	DESCRIPTION
4	Bolt	97-91	FP-11504822		ECM mounting plate; M8 x 1.25 x 30MM
8	Isolator Bushing	97-91	FP-23502879		ECM mounting; DDECII
8	Isolator Bushing	97-91	FP-23512307		ECM mounting; DDECIII
ELECTRICAL					
QTY	ELECTRICAL	YEARS	PART NO.	SIZE	DESCRIPTION
5	Bolt	97-91	FP-11504822		Tach drive cover; M8 x 1.25 x 30MM
1	Gasket	97-91	FP-8929130		Tach drive cover
INT & EXH MANIFOLDS					
QTY	INT. & EXH. MANIFOLDS	YEARS	PART NO.	SIZE	DESCRIPTION
12	Bolt	97-91	FP-8929357		Manifold to head; M10 x 1.5 x 1.20
3	Exhaust Manifold Gasket	97-91	FP-23511666		
3	Exhaust Manifold Gasket	97-91	FP-23533983		
3	Air Intake Gasket	97-91	FP-23517875		
CAMSHAFT GROUP					
QTY	TIMING	YEARS	PART NO.	SIZE	DESCRIPTION
2	Dowel Pin	97-91	FP-8929015		Gear case housing; 16MM; Circular shaped
1	Bushing	97-91	FP-8929108		Cam gear
1	Pipe Plug	97-91	FP-8924517		Gear case cover; 3/8" x 18 square head
QTY	CAMSHAFT/LIFTER	YEARS	PART NO.	SIZE	DESCRIPTION
2	Bolt	97-91	FP-11504822		Balance shaft thrust plate; M8 x 1.25 x 30MM
1	Sealing Ring	97-91	FP-23521935		Thrust plate; Cylinder head
1	O-Ring	97-91	FP-23528491		Thrust plate; Gear housing
1	Oil Seal	97-91	FP-8929740		Cap bearing seal; .134" x .074" x .480"
2	Oil Seal	97-91	FP-23522975		Front cap seal
1	Oil Seal	97-91	FP-23521894		Thrust plate; Cylinder head
ACCESSORY DRIVE					
QTY	ACCESSORY DRIVE	YEARS	PART NO.	SIZE	DESCRIPTION
1	Lock Ring	97-91	FP-23509204		Accessory drive
1	Lock Ring	97-91	FP-23511746		Accessory gear
1	Lock Ring	97-91	FP-8929062		Air compressor
1	Lock Ring	97-91	FP-23505643		Power steering pump
1	Ball Brg.	97-91	FP-23518178		Accessory drive
1	Ball Brg.	97-91	FP-23509203		Accessory gear shaft
1	Ball Brg.	97-91	FP-23503704		Fan shaft inner
1	Ball Brg.	97-91	FP-23503535		Fan shaft outer
1	Cylindrical Brg.	97-91	FP-23511745		Accessory drive
2	Snap Ring	97-91	FP-8929064		Accessory drive; 3.121" OD
1	Retaining Ring	97-91	FP-8929216		Accessory drive; 1.618" OD
1	Retaining Ring	97-91	FP-8929063		Accessory drive; 3.734" OD
1	O-Ring	97-91	FP-8929253		Acc. drive cover; .139" x 4.609" ID
1	Gasket	97-91	FP-8929130		Upper right rear & cam access cover
1	Gasket	97-91	FP-8929299		Acc. drive front
1	Redi-Sleeve	97-91	99133		Use w/FP-8929154 seal
1	Oil Seal	97-91	FP-23511747		Accessory drive
1	Oil Seal	97-91	FP-8929154		Oil accessory drive
AIR COMPRESSOR					
QTY	AIR COMPRESSOR	YEARS	PART NO.	SIZE	DESCRIPTION
1	Ball Brg.	97-91	FP-8929820		
1	Drive Coupling	97-91	FP-5141773		Air compressor drive
1	Gasket	97-91	FP-8929299		Drive housing
1	Accessory Drive Gasket	97-91	FP-23515145		Air Compressor Mntg.

(continued on next page)

Ford Truck - M/D & H/D

74 H/D Truck Series 60 Eng. (12.7L)

(cont.) 12.7L 774 SOHC Turbo-Diesel L6 (24 Valve), 130mm Bore (Detroit Diesel Eng.) 1991-97

FUEL SYSTEM & PARTS					
QTY	FUEL INJECTION	YEARS	PART NO.	SIZE	DESCRIPTION
6	Fuel Injector Seal Ring	97-91	FP-23515470		Injector hole tube
2	Fuel Injector Seal Ring	97-91	FP-5234699		Lower
1	Fuel Injector Seal Ring	97-91	FP-5234702		Upper
6	Injector Hole Tube Kit	97-91	FP-23501580		
6	Adj. Screw	97-91	FP-23520820		Injector adjusting
6	Bolt	97-91	FP-8929393		Injector clamp
QTY	FUEL FILTERS & PUMP	YEARS	PART NO.	SIZE	DESCRIPTION
1	Fuel Pump Coupling	97-91	FP-23505249		For high capacity fuel pump
1	Fuel Pump Coupling	97-91	FP-8929479		For std. capacity fuel pump
1	Fuel Pump Coupling	97-91	FP-8929787		15.875MM ID
1	Fuel Pump Drive	97-91	FP-23511964		For std. capacity fuel pump
1	Fuel Pump Hub	97-91	FP-8929480		12.70MM ID
1	Fuel Pump Gear	97-91	FP-23506546		Drive gear; .375
1	Fuel Pump Gear	97-91	FP-23511959		Driven gear; .275
1	Fuel Pump Drive Shaft	97-91	FP-23506545		Drive shaft
1	Fuel Pump Drive Shaft	97-91	FP-23506549		Driven shaft
1	Fuel Pump Check Valve	97-91	FP-8923528		Injector check valve
1	Fuel Pump Spacer	97-91	FP-23506560		Relief Valve
1	Sealing Ring	97-91	FP-23506556		Relief valve
1	Cylindrical Brg.	97-91	FP-8923526		Fuel pump shaft
5	Bolt	97-91	FP-11504822		Fuel pump drive assy.; M8 x 1.25 x 30MM
1	Fuel Pump Repair Part	97-91	FP-23506564		Relief valve shear pin
1	Fuel Pump Body Plug	97-91	FP-23506553		
1	O-Ring	97-91	FP-8929253		Fuel cover; .139" x 4.609" ID
1	O-Ring	97-91	FP-23524657		Fuel/water separator
1	Fuel Pump Drive Adapter Gskt.	97-91	FP-5150193		
1	Fuel Pump Gasket	97-91	FP-23505248		Fuel pump mounting
QTY	TURBOCHARGER	YEARS	PART NO.	SIZE	DESCRIPTION
1	Turbocharger Exhaust Gasket	97-91	FP-8929529		Inlet connection
1	Turbocharger Oil Return Gskt.	97-91	FP-8929285		
GOVERNOR					
QTY	GOVERNOR	YEARS	PART NO.	SIZE	DESCRIPTION
1	Retaining Ring	97-91	FP-9411502		Mechanical governor weight
COOLING SYSTEM					
QTY	WATER PUMP	YEARS	PART NO.	SIZE	DESCRIPTION
1	Water Pump Shaft	97-91	FP-8929157		Front mounted pumps
1	Water Pump Shaft	97-91	FP-23505896		Gear case mounted pumps
1	Water Pump Impeller	97-91	FP-8929512		Use w/Front mounted pumps
1	Water Pump Impeller	97-91	FP-23517973		Use w/Gear case mounted pumps
1	Water Pump Repair/Rebuild Kit	97-91	FP-23509105		Incl. FP23505024 and FP23512048 plate seals.
1	Water Pump Cover	97-91	FP-8922383		Non-metallic; Non-Metallic
1	Woodruff Key	97-91	FP-8929334		FWP shaft
1	Water Pump Retainer Ring	97-91	FP-8929427		Bearing & seal
1	Water Pump Retainer Ring	97-91	FP-8922407		FWP cover
1	Water Pump Mech. Shaft Seal	97-91	FP-23522433		Unitized seal
1	Ball Brg.	97-91	FP-8929422		Water pump shaft
1	Lock Nut	97-91	FP-11509584		Water pump
1	Water Pump Gasket	97-91	FP-23507073		
1	Water Pump Seal Ring	97-91	FP-8929158		Water pump; Front mounted pumps
1	Water Pump Seal Ring	97-91	FP-23520377		Water pump; Gear case mounted pumps
1	Water Pump Seal Ring	97-91	FP-8929510		Water pump cover; Front mounted pumps
1	Oil Seal	97-91	FP-5103951		Fan shaft
1	Oil Seal	97-91	FP-8929213		Fan spindle
1	Oil Seal	97-91	FP-8929134		Water pump; Lip type
1	O-Ring	97-91	FP-23512048		Water pump cover; Gear case mounted pumps; 4.77" OD
1	O-Ring	97-91	FP-23505024		Water pump cover; 4.218" OD
5	Bolt	97-91	FP-11504822		Fan mount support; M8 x 1.25 x 30MM
2	Bolt	97-91	FP-11504822		Water pump cover; M8 x 1.25 x 30MM
1	Retaining Ring	97-91	FP-8929216		Fan drive; 1.618" OD
1	Retaining Ring	97-91	FP-8929063		Fan drive; 3.734" OD
QTY	HOSES	YEARS	PART NO.	SIZE	DESCRIPTION
2	Silicone Hose	97-91	FP-8929875		Water bypass tube; 1.750" ID x 3.250" Length
2	Silicone Hose	97-91	FP-23506325		Water pump to cooler
QTY	THERMOSTAT	YEARS	PART NO.	SIZE	DESCRIPTION
1	Thermostat	97-91	FP-23503827		Type 481; 160 Deg.
1	Thermostat	97-91	FP-8929878		Types 358, 439, 448, 488, 507, 511, 518, 520; 190 Deg.

(continued on next page)

Ford Truck - M/D & H/D

H/D Truck Series 60 Eng. (12.7L) 74
12.7L 774 SOHC Turbo-Diesel L6 (24 Valve), 130mm Bore (Detroit Diesel Eng.) 1991-97 (cont.)

COOLING SYSTEM (cont.)					
QTY	THERMOSTAT (cont.)	YEARS	PART NO.	SIZE	DESCRIPTION
1	Thermostat	97-91	FP-23503825		Types 497, 516; 180 Deg. Thermostat & seal incl.
1	Thermostat Kit	97-91	FP-23532436		
2	Oil Seal	97-91	FP-5132155		
ENGINE BLOCK & PARTS					
QTY	GASKETS	YEARS	PART NO.	SIZE	DESCRIPTION
1	Oil Pan Gasket	97-91	FP-8929102		Standard oil pan; Gray silicone
1	Oil Pan Gasket	97-91	FP-23522279		Use for oil pan w/o cord modified seal system
10	Oil Pan Isolator Bushing	97-91	FP-23517242		
10	Bolt	97-91	FP-11504571		Oil pan
1	Copper Washer	97-91	FP-23513842		Oil gauge adapter
1	Oil Seal	97-91	FP-8929740		Block to gear case; .134" x .074" x .480"
QTY	DOWEL PINS	YEARS	PART NO.	SIZE	DESCRIPTION
1	Dowel Pin	97-91	FP-8929015		16MM; Circular shaped
2	Dowel Pin	97-91	FP-8929022		16MM; Diamond shape
1	Dowel Pin	97-91	FP-8929152		20MM; Circular shape
QTY	CAM BEARINGS	YEARS	PART NO.	SIZE	DESCRIPTION
7	Cam Brg.	97-91	FP-8929690	STD	Cam Bearing Half Upper/Lower
7	Cam Brg.	97-91	FP-8929691	.254MM	Cam Bearing Half Upper/Lower
7	Cam Brg.	97-91	FP-8929692	.508MM	Cam Bearing Half Upper/Lower
7	Cam Brg.	97-91	FP-8929693	.762MM	Cam Bearing Half Upper/Lower
QTY	OIL COOLERS & FILTERS	YEARS	PART NO.	SIZE	DESCRIPTION
1	Oil Cooler	97-91	FP-8547625		4 plate
1	Oil Cooler	97-91	FP-8547626		8 plate
6	Bolt	97-91	FP-11504822		Transfer cooler adapter housing; M8 x 1.25 x 30MM
2	O-Ring	97-91	FP-8929289		Oil cooler housing
1	Oil Cooler Core Gasket	97-91	FP-8929348		
2	Rect. or Square Seal	97-91	FP-8929280		Oil cooler
2	Oil Cooler Seal Ring	97-91	FP-23508392		Filter adapter housing
1	Gasket	97-91	FP-23506247		Core housing
QTY	FREEZE PLUGS	YEARS	PART NO.	SIZE	DESCRIPTION
1	Pipe Plug	97-91	FP-8926993		1/4" X 18; Recessed socket head
1	Pipe Plug	97-91	FP-8923313		Block; 3/4"
QTY	MISCELLANEOUS	YEARS	PART NO.	SIZE	DESCRIPTION
1	Pipe Plug	97-91	FP-8926993		1/4" X 18; Recessed socket head
1	Pipe Plug	97-91	FP-8923313		Block; 3/4"
1	Chain, Oil Filler Cap	97-91	FP-5121989		6.5" Length
1	Oil Filler Cap	97-91	FP-5117362		2.00" Dia.; Thermos Bottle Style
CRANKSHAFT/OIL PUMP					
QTY	CRANKSHAFT	YEARS	PART NO.	SIZE	DESCRIPTION
1	Crankshaft	97-91	FP-23515599		12 Hole
1	Vibration Damper	97-91	FP-23525990		13.5" Dia., One-piece
QTY	SEALS - FRONT CRANK	YEARS	PART NO.	SIZE	DESCRIPTION
1	Oil Seal Kit	97-91	FP-23518355		
QTY	SEALS - REAR CRANK	YEARS	PART NO.	SIZE	DESCRIPTION
1	Oil Seal Kit	97-91	FP-23513578		Double lip wrap around
1	Oil Seal Kit	97-91	FP-23516969		PTFE Double Lip
6	Washer	97-91	FP-5133981		Vibration damper; .122" Thick
QTY	MAIN BEARINGS	YEARS	PART NO.	SIZE	DESCRIPTION
1	Main Set	97-91	FP-7363M	Std-254-508-762MM	
1	Main Set	97-91	FP-7363M254MM	Std-254-508-762MM	
1	Main Set	97-91	FP-7363M508MM	Std-254-508-762MM	
1	Main Set	97-91	FP-7363M762MM	Std-254-508-762MM	
1	Main Set	97-91	7363M + Std-10		When depleted use FP-7363M
6	Plain Main Brg.	97-91	FP-8929670A	STD	
6	Plain Main Brg.	97-91	FP-8929671A	.254MM	
6	Plain Main Brg.	97-91	FP-8929672A	.508MM	
6	Plain Main Brg.	97-91	FP-8929673A	.762MM	
1	Flanged Main Brg.	97-91	FP-8929680	STD	
1	Flanged Main Brg.	97-91	FP-8929681	.254MM	
1	Flanged Main Brg.	97-91	FP-8929682	.508MM	

(continued on next page)

+ Superseded Part Number

Ford Truck - M/D & H/D

74 H/D Truck Series 60 Eng. (12.7L)

(cont.) 12.7L 774 SOHC Turbo-Diesel L6 (24 Valve), 130mm Bore (Detroit Diesel Eng.) 1991-97

CRANKSHAFT/OIL PUMP (cont.)

QTY	MAIN BEARINGS (cont.)	YEARS	PART NO.	SIZE	DESCRIPTION
1	Flanged Main Brg.	97-91	FP-8929683	.762MM	
1	Main Brg. Half Flanged Up/Low	97-91	FP-23532926	STD	Position Lower
1	Main Brg. Half Flanged Up/Low	97-91	FP-23533263	STD	Position Upper
7	Main Brg. Half Plain Up/Lower	97-91	FP-23533252	STD	Position Lower
7	Main Brg. Half Plain Up/Lower	97-91	FP-23533259	STD	Position Upper
1	Lower End Bearing Kit	97-91	FP-23531604		Incl. 1.7100" or 43.430MM O.A.L. rod bearings; Incl. Rod & Main bearings, Thrust Washers, Lower Gaskets, Exc. Oil Pan
1	Lower End Bearing Kit	97-91	FP-23531605		Incl. 1.8670" or 47.430MM O.A.L. rod bearings
1	Thrust Washer Set	97-91	FP-8929085S	STD	
2	Thrust Washer	97-91	FP-23530554	STD	Position Front
2	Thrust Washer	97-91	FP-23530555	STD	Position Rear
2	Thrust Washer	97-91	FP-8929085	STD	Position Upper
2	Thrust Washer	97-91	FP-8929697	.127MM	Position Upper; .127MM oversize
2	Thrust Washer	97-91	FP-8929698	.254MM	Position Upper; .254MM oversize
QTY	OIL PUMP	YEARS	PART NO.	SIZE	DESCRIPTION
1	Lo Pressure Regulator Valve	97-91	FP-8922740		
1	Bushing	97-91	FP-5127978		Oil pump
1	Bushing	97-91	FP-23505879		Oil pump; 25MM Bore, 22.27MM Shaft, 11.5MM Length
1	Oil Pump Spring	97-91	FP-5126327		Outlet bypass valve; .790" Dia., 2.96" Length
1	Bolt	97-91	FP-11504822		Inlet tube; M8 x 1.25 x 30MM
4	Bolt	97-91	FP-11504822		Outlet pipe; M8 x 1.25 x 30MM
2	Bolt	97-91	FP-11504822		Pressure regulator; M8 x 1.25 x 30MM
2	Bolt	97-91	FP-11504822		Pressure relief vlv.; M8 x 1.25 x 30MM
1	Bolt	97-91	FP-11504822		Screen bracket; M8 x 1.25 x 30MM
1	Oil Pump Intake Gasket	97-91	FP-8929344		Pump to block
1	Oil Pump Outlet Gasket	97-91	FP-8929347		
1	Rect. or Square Seal	97-91	FP-8929341		Oil filter
1	Rect. or Square Seal	97-91	FP-8929340		Oil filter bypass
1	Oil Inlet Elbow Gasket	97-91	FP-23505992		Inlet tube to pump
1	Lo Press. Reg. Body Gasket	97-91	FP-5117269		
1	Gasket	97-91	FP-8929302		Fill tube adapter
1	Gasket	97-91	FP-8929302		Oil filter cover
1	Oil Filter Seal Ring	97-91	FP-8929342		Oil filter adapter
1	Pipe Plug	97-91	FP-23511574		Oil drain; 1/2" pipe thread; w/1" Square head
CYLINDER COMPONENTS					
QTY	LINERS	YEARS	PART NO.	SIZE	DESCRIPTION
6	Liner w/o Sealing Rings	97-91	FP-23532361		Engs. w/Standard liner
6	Liner w/Sealing Rings	97-91	FP-23532468		FP-23532361 liner incl.
6	Liner w/Sealing Rings	97-91	FP-23531249		FP-23534264 liner incl.
6	Cylinder Kit Complete	97-91	FP-23532590	STD	Engs. w/Standard liner; 2.50MM top ring; Round piston design
6	Cylinder Kit Complete	97-91	FP-23519637	STD	Engs. w/Standard liner; 3.50MM top ring
6	Cylinder Kit Complete	97-91	FP-23532591	STD	Engs. w/Standard liner; 3.50MM top ring
6	Cylinder Kit Complete	97-91	FP-23532558	STD	Engs. w/Top Liner Cooling (TLC); 2.50MM top ring; Domed piston design
6	Cylinder Kit Complete	97-91	FP-23532557	STD	Engs. w/Top Liner Cooling (TLC); 2.50MM top ring; Oval piston design
6	Cylinder Kit Complete	97-91	FP-23532555	STD	Engs. w/Top Liner Cooling (TLC); 2.50MM top ring; Round piston design
6	Cylinder Kit Complete	97-91	FP-23532556	STD	Engs. w/Top Liner Cooling (TLC); 3.50MM top ring
6	Sealing Ring, Liner	97-91	FP-8929013		Crevice seal
12	Sealing Ring, Liner	97-91	FP-8929176		D-ring seal
6	Cntr. Bore Insert	97-91	FP-23525500		
6	Lower Block Bore Sleeve	97-91	FP-20042		
QTY	PISTONS	YEARS	PART NO.	SIZE	DESCRIPTION
6	Piston Kit w/Pin & Retainers	97-91	FP-23524601	STD	Engs. w/Domed piston & 2.50MM top ring
6	Piston Kit w/Pin & Retainers	97-91	FP-23519646	STD	Engs. w/Top Liner Cooling (TLC) & 2.50MM top ring; Oval piston design
6	Piston Kit w/Pin & Retainers	97-91	FP-23519624	STD	Engs. w/Top Liner Cooling (TLC) & 2.50MM top ring; Round piston design
6	Piston Kit w/Pin & Retainers	97-91	FP-23519635	STD	Engs. w/3.50MM top ring
6	Piston Skirt	97-91	FP-23521802		Aluminum skirt for forged steel crown articulated piston
6	Piston Skirt	97-91	FP-23516681		Ductile iron for standard cross head piston
6	Pin	97-91	FP-8929087		
6	Pin	97-91	FP-23521649		Hollow pin w/1.020" (26MM) I.D.; Articulated piston
12	Piston Pin Bolt	97-91	FP-8929337		
12	Piston Pin Bolt Spacer	97-91	FP-8929504		
6	Piston Cooling Nozzle	97-91	FP-23528493		

(continued on next page)

Ford Truck - M/D & H/D

H/D Truck Series 60 Eng. (12.7L) 74
12.7L 774 SOHC Turbo-Diesel L6 (24 Valve), 130mm Bore (Detroit Diesel Eng.) 1991-97 (cont.)

CYLINDER COMPONENTS (cont.)

CONNECTING RODS & BRGS.							
QTY	DESCRIPTION	YEARS	PART NO.	SIZE	DESCRIPTION		
12	Con. Rod Bolt	97-91	FP-8929355		M14 x 1.5" x 108		
12	Con. Rod Nut	97-91	FP-8929019		M14 x 1.5		
6	Rod Pair	97-91	FP-4770P	Std-.25MM	O.A.L. 1.710" or 43.430MM		
6	Rod Pair	97-91	4770P +	Std-.25MM	O.A.L. 1.710" or 43.430MM; When depleted use FP-4770P		
6	Rod Pair	97-91	FP-8929710	STD	O.A.L. 1.7100" or 43.430MM		
6	Rod Pair	97-91	FP-8929711	.254MM	O.A.L. 1.7100" or 43.430MM		
6	Rod Pair	97-91	FP-8929712	.508MM	O.A.L. 1.7100" or 43.430MM		
6	Rod Pair	97-91	FP-8929713	.762MM	O.A.L. 1.7100" or 43.430MM		
6	Rod Pair	97-91	FP-23515581	STD	O.A.L. 1.8670" or 47.430MM		
6	Rod Pair	97-91	FP-23515582	.254MM	O.A.L. 1.8670" or 47.430MM		
6	Rod Pair	97-91	FP-23515583	.508MM	O.A.L. 1.8670" or 47.430MM		
6	Rod Pair	97-91	FP-23515584	.762MM	O.A.L. 1.8670" or 47.430MM		
PISTON RINGS							
QTY	DESCRIPTION	YEARS	PART NO.	SIZE	DESCRIPTION		
6	Ring Set Single Cylinder	97-91	FP-23503747		2.50MM top ring		
6	Ring Set Single Cylinder	97-91	FP-23531251 *	STD	3.00MM top ring		
6	Ring Set Single Cylinder	97-91	FP-23505729		3.50MM top ring		
6	Compression Ring	97-91	FP-8929845		Bottom		
6	Compression Ring	97-91	FP-8929844		Top; 2.50MM		
6	Compression Ring	97-91	FP-23504941		Top; 3.50MM		
6	Oil Ring	97-91	FP-23515500				
6	Oil Ring Expander	97-91	FP-23529379				
CLUTCH							
QTY	DESCRIPTION	YEARS	PART NO.	SIZE	DESCRIPTION		
1	Ball Brg.	97-91	FP-23503707		Clutch Pilot		
KITS							
RE-RING KIT						QTY	PREMIUM KIT NO.
YEARS	DESCRIPTION						ECONOMY KIT NO.
97-91	In-Frame Kit			Re-ring w/Mains	1	FP-S60IFKRR	----
97-91	Overhaul Kit			Re-ring w/Mains	1	FP-S60OHR	----
OVERHAUL KIT							
QTY	DESCRIPTION	YEARS	PART NO.	SIZE	DESCRIPTION		
1	In-Frame Overhaul Kit	97-91	FP-S60				
1	Complete Overhaul Kit	97-91	FP-S60OH				

H/D Truck NH230, NHC250 Engs. 75
14.0L 855 OHV Diesel L6, 5.5" Bore (Cummins Eng.) 1964-72

CYL. HEAD & PARTS

GASKETS							
QTY	DESCRIPTION	YEARS	PART NO.	SIZE	DESCRIPTION		
1	Cam Follower Gasket	72-64	FP-3074401		855 Big Cam; .006-.008		
1	Cam Follower Gasket	72-64	FP-3074402		855 Big Cam; .014-.020		
1	Cam Follower Gasket	72-64	FP-3074403		855 Big Cam; .018-.025		
1	Cam Follower Gasket	72-64	FP-3074404		855 Big Cam; .026-.036		
1	Cam Follower Gasket	72-64	FP-9266A		855 Small Cam; .006-.008		
1	Cam Follower Gasket	72-64	FP-9266		855 Small Cam; .014-.020		
1	Cam Follower Gasket	72-64	FP-3011272		855 Small Cam; .020-.024		
1	Cam Follower Gasket	72-64	FP-120819		855 Small Cam; .027-.033		
1	Cam Follower Gasket	72-64	FP-3011273		855 Small Cam; .037-.041		
1	Cam Follower Housing Gasket	72-64	FP-3074400		855 Big Cam; .014-.021		
HEAD BOLTS							
QTY	DESCRIPTION	YEARS	PART NO.	SIZE	DESCRIPTION		
36	Head Bolt	72-64	FP-209700		6 1/4"		
36	Head Bolt	72-64	FP-3013623		7 1/4"		
MISCELLANEOUS							
QTY	DESCRIPTION	YEARS	PART NO.	SIZE	DESCRIPTION		
18	Adjusting Screw Nut	72-64	FP-S212		1/2" - 20 UNF; Use w/FP-168306		
1	Brass Water Tube	72-64	FP-CWB008		Brass		
1	Insert, Water	72-64	FP-3823681		Threaded		
FREEZE PLUGS							
QTY	DESCRIPTION	YEARS	PART NO.	SIZE	DESCRIPTION		
6	Expansion Plug	72-64	FP-216524		1 1/4" Dia. Cup		
18	Expansion Plug	72-64	FP-213395		1" Dia. Cup		
3	Expansion Plug	72-64	FP-213394		3/4" Dia. Cup		
VALVE							
QTY	DESCRIPTION	YEARS	PART NO.	SIZE	DESCRIPTION		
24	Keeper	72-64	FP-127554		Exh. & Int.		
VALVE GUIDE							
QTY	DESCRIPTION	YEARS	PART NO.	SIZE	DESCRIPTION		
12	Guide	72-64	FP-3006457		Exh. & Int.; Check Cummins Service Topics 93T2-2		

(continued on next page)

* New Item — Check For Availability + Superseded Part Number

Ford Truck - M/D & H/D

75 H/D Truck NH230, NHC250 Engs.
 (cont.) 14.0L 855 OHV Diesel L6, 5.5" Bore (Cummins Eng.) 1964-72

CYL. HEAD & PARTS (cont.)					
QTY	VALVE GUIDE (cont.)	YEARS	PART NO.	SIZE	DESCRIPTION
12	Guide	72-64	FP-3006458		Exh. & Int.; Check Cummins Service Topics 93T2-2
12	Guide	72-64	FP-3006456		Exh. & Int.; Check Cummins Service Topics 93T2-2; .4530" ID, 3.3900" O.A.L.
QTY	VALVE SPRING	YEARS	PART NO.	SIZE	DESCRIPTION
12	Spring	72-64	FP-211999		Exh. & Int.; Check Cummins Service Topics 93T2-2; 2.6850" Free Height
12	Retainer	72-64	FP-170296		Exh. & Int.
12	Valve Spring Seat	72-64	FP-3042745		Exh. & Int.
QTY	PUSH RODS	YEARS	PART NO.	SIZE	DESCRIPTION
6	Push Rod	72-64	FP-3046430		855 Big Cam; Injector
6	Push Rod	72-64	FP-3046431		855 Small Cam; Injector
6	Push Rod	72-64	FP-3046418		Exh.; 855 Small Cam
12	Push Rod	72-64	FP-3046420		Exh. & Int.; 855 Big Cam; 17.7220" O.A.L.
6	Push Rod	72-64	FP-3053377		Int.; 855 Small Cam
QTY	VALVE MISC.	YEARS	PART NO.	SIZE	DESCRIPTION
12	Crosshead Valve Assembly	72-64	FP-3030038		Exh. & Int.; 855 Big Cam
12	Crosshead Valve	72-64	FP-3028293 +		Exh. & Int.; 855 Big Cam; When depleted use FP-3030038
QTY	VALVE SEAL	YEARS	PART NO.	SIZE	DESCRIPTION
12	Valve Stem Seal	72-64	FP-156541		Exh. & Int.; Installation requires valve guide machining; Polyacrylate
QTY	ROCKER PARTS	YEARS	PART NO.	SIZE	DESCRIPTION
3	Rocker Shaft	72-64	FP-3038904		
12	Cam Follower Roller	72-64	FP-3036933		855 Big Cam
12	Cam Follower Roller	72-64	FP-92601		855 Small Cam
6	Injector Cam Roller	72-64	FP-3036934		855 Big Cam
6	Injector Cam Roller	72-64	FP-3062096		855 Small Cam
12	Valve Bridge Guide	72-64	FP-123558		Exh. & Int.
12	Valve Roller Pin	72-64	FP-3013331		Exh. & Int.; 855 Big Cam
12	Valve Roller Pin	72-64	FP-68513		Exh. & Int.; 855 Small Cam; .500" OD x 1.280" Length
18	Rocker Lever Adjusting Screw	72-64	FP-168306		1/2" - 20 UNF x 2.045" Length; Use w/FP-S212
6	Rocker Shaft Plug	72-64	FP-3038903		
6	Rocker Arm Socket	72-64	FP-194037		
6	Bushing	72-64	FP-218153		Injector
6	Bushing	72-64	FP-118377		Injector; Cam Follower
12	Bushing	72-64	FP-118378		Exh. & Int.; Valve; Cam Follower
12	Bushing	72-64	FP-140330		Exh. & Int.; Valve; Rocker Lever
6	Fuel Injector Roller Pin	72-64	FP-3013330		855 Big Cam
6	Fuel Injector Roller Pin	72-64	FP-3017544		855 Small Cam
18	Valve Lock Pin	72-64	FP-118939		Injector and Valve; Cam Follower
CAMSHAFT GROUP					
QTY	CAMSHAFT/LIFTER	YEARS	PART NO.	SIZE	DESCRIPTION
3	Cam Follower Shaft	72-64	FP-3065125		
ACCESSORY DRIVE					
QTY	ACCESSORY DRIVE	YEARS	PART NO.	SIZE	DESCRIPTION
1	Oil Seal	72-64	39302		
1	Wear Sleeve	72-64	J1396		Wear Sleeve
FUEL SYSTEM & PARTS					
QTY	FUEL INJECTION	YEARS	PART NO.	SIZE	DESCRIPTION
6	Fuel Injector Sleeve	72-64	FP-3070486		Thin
6	Bolt	72-64	FP-70772		Fuel Crossover; Qty 2 Per Head; 1/4" - 20 X 1/2" Fillister machine screw
6	O-Ring	72-64	FP-131026		Fuel Crossover; Qty 2 Per Head
1	Fitting	72-64	FP-181213		Fuel Crossover; Qty A/R; 90 Deg.
6	Fuel Crossover Connection	72-64	FP-147100		Qty 2 Per Head
QTY	FUEL FILTERS & PUMP	YEARS	PART NO.	SIZE	DESCRIPTION
6	O-Ring	72-64	FP-3007759		Injector Tube Seal
COOLING SYSTEM					
QTY	WATER PUMP	YEARS	PART NO.	SIZE	DESCRIPTION
1	Rect. or Square Seal	72-64	FP-186780		Thermostat Hsg. Seal
1	Oil Seal	72-64	473010N		
1	O-Ring	72-64	FP-43643A		Front Water By-pass
4	O-Ring	72-64	FP-70624		Water Manifold Coupling
2	O-Ring	72-64	FP-212161		Water Transfer Tube

(continued on next page)

Ford Truck - M/D & H/D

H/D Truck NH230, NHC250 Engs. 75
14.0L 855 OHV Diesel L6, 5.5" Bore (Cummins Eng.) 1964-72 (cont.)

COOLING SYSTEM (cont.)

QTY	SEALS - FAN HUB	YEARS	PART NO.	SIZE	DESCRIPTION
1	Oil Seal	72-64	39835		Inner
1	Oil Seal	72-64	39877		Outer
1	Redi-Sleeve	72-64	99181		Inner
QTY	THERMOSTAT	YEARS	PART NO.	SIZE	DESCRIPTION
1	Thermostat	72-64	FP-146076		160 Deg. F
1	Thermostat	72-64	FP-204586		175 Deg. F
1	Thermostat	72-64	FP-135675		180 degree F, Vented
1	Thermostat	72-64	FP-3076489		180 Deg. F, Non-Vented
1	Thermostat Gasket	72-64	FP-208128		
1	Water Outlet Gasket	72-64	FP-3019158		
1	Oil Seal	72-64	39821		
QTY	MISCELLANEOUS	YEARS	PART NO.	SIZE	DESCRIPTION
1	Water Filter Valve	72-64	FP-179901		For 3/8" Pipe, 3/8" Heater Hose; 3/8 Pipe-3/8 Heater Hose
1	Water Heater Valve	72-64	FP-157098		For 3/8" Pipe, 5/8" Heater Hose; 3/8 Pipe-5/8 Heater Hose
1	Hose	72-64	FP-102522		Water By-pass Hose
2	Hose Clamp	72-64	FP-43828B		Water By-pass Hose
6	Ring - Seal	72-64	FP-3024709		Water Manifold
1	Bypass Tube	72-64	FP-213485		Water By-pass Pipe
ENGINE BLOCK & PARTS					
QTY	CAM BEARINGS	YEARS	PART NO.	SIZE	DESCRIPTION
1	Cam Set	72-64	FP-3007689S	STD	Big Cam 2.500" dia.; Engs. w/2.625" cam housing
1	Cam Set	72-64	FP-3801106	STD	Big Cam 2.500" dia.; Engs. w/2.687" cam housing
1	Cam Set	72-64	FP-BM27253	STD	Small Cam 2.000" dia.; Engs. w/2.1295" cam. housing
QTY	MISCELLANEOUS	YEARS	PART NO.	SIZE	DESCRIPTION
6	Washer	72-64	FP-200861		Flywheel
CRANKSHAFT/OIL PUMP					
QTY	CRANKSHAFT	YEARS	PART NO.	SIZE	DESCRIPTION
1	Crankshaft	72-64	FP-3608833		Snub Nose
1	Crankshaft	72-64	FP-3029340		Tapered Nose
1	Vibration Damper	72-64	FP-211915		12.30" Dia.; Snub Nose
1	Vibration Damper	72-64	FP-217323		13.55" Dia.; Snub Nose
1	Vibration Damper	72-64	FP-217321		13.55" Dia.; Tapered Nose
1	Crank Gear	72-64	FP-3014614		Front; w/Snub Nose Crankshaft; 36 Teeth; 36 Teeth
QTY	SEALS - FRONT CRANK	YEARS	PART NO.	SIZE	DESCRIPTION
1	Oil Seal	72-64	FP-3006736		Front; w/Snub Nose Crankshaft
1	Oil Seal	72-64	FP-3010457		Front; w/Tapered Nose Crankshaft
1	Redi-Sleeve	72-64	FP-3006742		Front; w/Snub Nose Crankshaft
1	Redi-Sleeve	72-64	99363		
1	Oil Seal	72-64	39813		
QTY	SEALS - REAR CRANK	YEARS	PART NO.	SIZE	DESCRIPTION
1	Oil Seal	72-64	FP-3006737		Rear; Dry Applications; 6.00" Shaft
1	Oil Seal	72-64	FP-3006738		Rear; Wet Applications; Wet Clutch
1	Oil Seal	72-64	39703		
1	Redi-Sleeve	72-64	FP-3006743		Rear; Wet Clutch; 6.00" Shaft
1	Redi-Sleeve	72-64	99363		
QTY	MAIN BEARINGS	YEARS	PART NO.	SIZE	DESCRIPTION
1	Main Set	72-64	FP-3801260	STD	W/Partial groove brgs.; Incl. thrust washers
1	Main Set	72-64	FP-3801261	10	W/Partial groove brgs.; Incl. thrust washers
1	Main Set	72-64	FP-3801262	20	W/Partial groove brgs.; Incl. thrust washers
1	Main Set	72-64	FP-3801263	30	W/Partial groove brgs.; Incl. thrust washers
4	Thrust Washer	72-64	FP-3067568	STD	Position 7
6	Bolt	72-64	FP-204165		Vibration damper to crankshaft; 5/8" - 18 X 1 5/8"
QTY	OIL PUMP	YEARS	PART NO.	SIZE	DESCRIPTION
1	Oil Pump	72-64	FP-3821572		855 Big Cam, Exc. Big Cam I; For Big Cam (2.500"dia.) Engs.
1	Oil Pump	72-64	FP-AR10172		855 Small Cam & Big Cam I; New
CYLINDER COMPONENTS					
QTY	LINERS	YEARS	PART NO.	SIZE	DESCRIPTION
6	Liner w/o Sealing Rings	72-64	FP-3055099	STD	Std. Liners
6	Liner w/o Sealing Rings	72-64	FP-3065405	20	20/40 Oversize lower press-fit liner; Flange Dia. is .020" Larger than Std.; Flange thickness is .020" greater than Std.; Pilot Dia. is .040" larger than Std.
6	Cylinder Kit Complete	72-64	FP-3804456	STD	14.0:1 C.R.; Premium Plus TriTech; 3 Rings, Dual NI-Anodized; Std. Liners

(continued on next page)

Ford Truck - M/D & H/D

75 H/D Truck NH230, NHC250 Engs.
 (cont.) 14.0L 855 OHV Diesel L6, 5.5" Bore (Cummins Eng.) 1964-72

CYLINDER COMPONENTS (cont.)

QTY	LINERS (cont.)	YEARS	PART NO.	SIZE	DESCRIPTION
6	Cylinder Kit Complete	72-64	FP-3804486		14.0:1 C.R.; Premium Plus TriTech; 3 Rings, Dual NI-Anodized; 20/40 Liners
6	Cylinder Kit Complete	72-64	FP-3804444	STD	14.5:1 C.R.; Premium Plus TriTech; 3 Rings, Single NI-Resist; Std. Liners
6	Cylinder Kit Complete	72-64	FP-3804474		14.5:1 C.R.; Premium Plus TriTech; 3 Rings, Single NI-Resist; 20/40 Liners
6	Cylinder Kit Complete	72-64	FP-3801232	STD	14.5:1 C.R.; Premium Plus TriTech; 4 Rings, Dual NI-Resist; Std. Liners
6	Cylinder Kit Complete	72-64	FP-3804354	STD	14.5:1 C.R.; Premium TriTech; 3 Rings, Single NI-Resist; Std. Liners
6	Cylinder Kit Complete	72-64	FP-3804384		14.5:1 C.R.; Premium TriTech; 3 Rings, Single NI-Resist; 20/40 Liners
6	Sealing Ring, Liner	72-64	FP-215090		
2	Sealing Ring, Liner	72-64	FP-3032874		

QTY	PISTONS	YEARS	PART NO.	SIZE	DESCRIPTION
6	Pin	72-64	FP-191970		
6	Piston Cooling Nozzle	72-64	FP-3013591		
6	Pin Bushing	72-64	FP-187420		1 piece bushing; 1 piece bushing; 2.20" Width
6	Bushing	72-64	FP-116391		Accessory drive bushing; O.E. No. 116391
6	Bushing	72-64	FP-132770		Front cover bushing; O.E. No. 132770; w/1.567" ID, 1.697" OD, 1.500" O.A.L.

QTY	CONNECTING RODS & BRGS.	YEARS	PART NO.	SIZE	DESCRIPTION
6	Rod Pair	72-64	FP-214950PR	STD	Big Cam 2.500" dia.; Engs. w/1.741" length. brgs.; Used w/con. rod No. 218808; w/3.1240-3.1250" std. shaft size
6	Rod Pair	72-64	FP-214951PR	10	Big Cam 2.500" dia.; Engs. w/1.741" length. brgs.; Used w/con. rod No. 218808; w/3.1240-3.1250" std. shaft size
6	Rod Pair	72-64	FP-214952PR	20	Big Cam 2.500" dia.; Engs. w/1.741" length. brgs.; Used w/con. rod No. 218808; w/3.1240-3.1250" std. shaft size
6	Rod Pair	72-64	FP-203660PR	STD	Small Cam 2.000" dia.; Engs. w/1.730" length. brgs.; w/3.2725-3.2730" std. shaft size
6	Rod Pair	72-64	FP-203661PR	10	Small Cam 2.000" dia.; Engs. w/1.730" length. brgs.; w/3.2725-3.2730" std. shaft size
6	Rod Pair	72-64	FP-203662PR	20	Small Cam 2.000" dia.; Engs. w/1.730" length. brgs.; w/3.2725-3.2730" std. shaft size

76 M/D Truck Formula 230, Formula 290, Formula 300, Formula 350, Formula 365, Formula 400, NTC230, NTC270, NTC290, NTC300, NTC315, NTC335, NTC350, NTC365, NTC400, NTC444 Engs.
 14.0L 855 OHV Turbo-Diesel L6, 5.5" Bore (Cummins Eng.) 1977-86

CYL. HEAD & PARTS

QTY	GASKETS	YEARS	PART NO.	SIZE	DESCRIPTION
1	Valve Cover Gasket	86-77	FP-3054841		Single valve cover gskt., 5-bolt Engs.; 3 req'd.
1	Rocker Housing Gasket	86-77	FP-3017750		Single rocker box gskt., 5-bolt Engs.; 3 req'd.
1	Head Gasket	86-77	FP-4058790		855 Big Cam; Std. Head Gasket
1	Head Set	86-77	FP-3801348		.010 O/S Water Grommets; Upper set, SC & BC I, II, III, 5 bolt Engs.; w/ & w/o FFC
1	Head Set	86-77	FP-3804276		Contains standard size water grommets
1	Head Set	86-77	FP-3801332		855 Big Cam

QTY	VALVE	YEARS	PART NO.	SIZE	DESCRIPTION
12	Intake	86-77	FP-135957		1.8700" Head Dia., .4505" Stem Dia., 7.0660" O.A.L.
12	Exhaust	86-77	FP-145701		Stellite; 1.8700" Head Dia., .4505" Stem Dia., 7.0660" O.A.L.
24	Keeper	86-77	FP-127554		Exh. & Int.

QTY	VALVE SEAT	YEARS	PART NO.	SIZE	DESCRIPTION
12	Exh. & Int.	86-77	FP-3017759		Check Cummins Service Topics 93T2-2; 2.0030" OD, 1.6900" ID, .2795" Depth

QTY	VALVE GUIDE	YEARS	PART NO.	SIZE	DESCRIPTION
12	Guide	86-77	FP-3006457		Exh. & Int.; Check Cummins Service Topics 93T2-2
12	Guide	86-77	FP-3006458		Exh. & Int.; Check Cummins Service Topics 93T2-2
12	Guide	86-77	FP-3006456		Exh. & Int.; Check Cummins Service Topics 93T2-2; .4530" ID, 3.3900" O.A.L.

QTY	VALVE SPRING	YEARS	PART NO.	SIZE	DESCRIPTION
12	Spring	86-77	FP-3081212		Exh. & Int.; Check Cummins Service Topics 93T2-2; w/One Green Stripe
12	Spring	86-77	FP-211999		Exh. & Int.; Check Cummins Service Topics 93T2-2; 2.6850" Free Height

(continued on next page)

Ford Truck - M/D & H/D

**M/D Truck Formula 230, Formula 290, Formula 300, Formula 350, Formula 365, Formula 76
400, NTC230, NTC270, NTC290, NTC300, NTC315, NTC335, NTC350, NTC365, NTC400, (cont.)
NTC444 Engs.
14.0L 855 OHV Turbo-Diesel L6, 5.5" Bore (Cummins Eng.) 1977-86**

CYL. HEAD & PARTS (cont.)

QTY	VALVE SPRING (cont.)	YEARS	PART NO.	SIZE	DESCRIPTION
12	Spring	86-77	FP-3035996 +		Exh. & Int.; 2.6350" Free Height; When depleted use FP-3081212
12	Retainer	86-77	FP-170296		Exh. & Int.
12	Valve Spring Seat	86-77	FP-3042745		Exh. & Int.
QTY	PUSH RODS	YEARS	PART NO.	SIZE	DESCRIPTION
12	Push Rod	86-77	FP-3046420		Exh. & Int.; 855 Big Cam; 17.7220" O.A.L.
QTY	VALVE MISC.	YEARS	PART NO.	SIZE	DESCRIPTION
12	Crosshead Valve Assembly	86-77	FP-3030038		Exh. & Int.; 855 Big Cam
12	Crosshead Valve	86-77	FP-3028293 +		Exh. & Int.; 855 Big Cam; When depleted use FP-3030038
QTY	VALVE SEAL	YEARS	PART NO.	SIZE	DESCRIPTION
12	Valve Stem Seal	86-77	FP-156541		Exh. & Int.; Installation requires valve guide machining; Polyacrylate
QTY	ROCKER PARTS	YEARS	PART NO.	SIZE	DESCRIPTION
12	Valve Bridge Guide	86-77	FP-123558		Exh. & Int.
ENGINE BRAKE					
QTY	ENGINE BRAKE	YEARS	PART NO.	SIZE	DESCRIPTION
1	Jake Brake Gasket Set	86-77	FP-PGJ10		Jake Brake gskt. set, 5-bolt Engs. 1 req'd.
CAMSHAFT GROUP					
QTY	TIMING	YEARS	PART NO.	SIZE	DESCRIPTION
1	Cam Gear	86-77	FP-215966		Hardened; Replaces O.E. No. 215966; 72 Teeth; 72 Teeth
ACCESSORY DRIVE					
QTY	ACCESSORY DRIVE	YEARS	PART NO.	SIZE	DESCRIPTION
1	Oil Seal	86-77	39302		
1	Wear Sleeve	86-77	J1396		Wear Sleeve
FUEL SYSTEM & PARTS					
QTY	FUEL FILTERS & PUMP	YEARS	PART NO.	SIZE	DESCRIPTION
6	O-Ring	86-77	FP-3007759		Injector Tube Seal
COOLING SYSTEM					
QTY	WATER PUMP	YEARS	PART NO.	SIZE	DESCRIPTION
1	Oil Seal	86-77	473010N		
QTY	SEALS - FAN HUB	YEARS	PART NO.	SIZE	DESCRIPTION
1	Oil Seal	86-77	39835		INNER
1	Oil Seal	86-77	39877		OUTER
1	Redi-Sleeve	86-77	99181		INNER
QTY	THERMOSTAT	YEARS	PART NO.	SIZE	DESCRIPTION
1	Oil Seal	86-77	39821		
ENGINE BLOCK & PARTS					
QTY	GASKETS	YEARS	PART NO.	SIZE	DESCRIPTION
1	Oil Pan Gasket	86-77	FP-3349820		0.79mm / 0.031" Thick; One piece gskt.
QTY	GASKET SETS	YEARS	PART NO.	SIZE	DESCRIPTION
1	In-Frame Gasket Set	86-77	FP-3804276IF		Contains standard size water grommets
1	In-Frame Gasket Set	86-77	FP-3801348S		In Frm.; Small Cam & Big Cam I, II, III, 5-bolt Engs.; O/S Grommets
1	In-Frame Gasket Set	86-77	FP-3801332S		855 Big Cam III; NTC475
1	Complete Overhaul Gasket Set	86-77	FP-3801348C		Compl., S/C 5-bolt Engs., w/FFC. Incl. bull nose crank seal & 2 pc. oil pan gskt.
QTY	CAM BEARINGS	YEARS	PART NO.	SIZE	DESCRIPTION
1	Cam Set	86-77	FP-3007689S	STD	Big Cam 2.500" dia.; Engs. w/2.625" cam housing
1	Cam Set	86-77	FP-3801106	STD	Big Cam 2.500" dia.; Engs. w/2.687" cam housing
1	Cam Set	86-77	FP-BM27253	STD	Small Cam 2.000" dia.; Engs. w/2.1295" cam. housing
QTY	OIL COOLERS & FILTERS	YEARS	PART NO.	SIZE	DESCRIPTION
1	Aftercooler Core Assembly	86-77	FP-3411460		For Big Cam III and Engs. up-dated to cross bolt mount, O.E. Nos. 3028997 & 3068724.
1	Aftercooler Core Assembly	86-77	FP-214836		Through Big Cam II; Single Pass; Flange mount; O.E. No. 214836; Through Big Cam II - Flange Mount, O.E. No. 214836.
1	Oil Cooler	86-77	FP-110848		NH-855; 6.500" X 4.000" tube bundle
1	Oil Cooler	86-77	FP-142608		15.312" x 5.000" tube bundle. Industrial w/FFC, Non-FFC NT Engs.

(continued on next page)

+ Superseded Part Number

Ford Truck - M/D & H/D

76 M/D Truck Formula 230, Formula 290, Formula 300, Formula 350, Formula 365, Formula 400, NTC230, NTC270, NTC290, NTC300, NTC315, NTC335, NTC350, NTC365, NTC400, NTC444 Engs.
14.0L 855 OHV Turbo-Diesel L6, 5.5" Bore (Cummins Eng.) 1977-86

ENGINE BLOCK & PARTS (cont.)

QTY	OIL COOLERS & FILTERS	YEARS	PART NO.	SIZE	DESCRIPTION
1	Oil Cooler	86-77	213-142608 +		15.312" x 5.000" tube bundle. Industrial w/FFC, Non-FFC NT Engs.; When depleted use FP-142608
1	Oil Cooler Element	86-77	FP-3021581		12.625" x 5.000" tube bundle. O.E. Nos. 3021581 & 208149. Automotive w/FFC
1	Oil Cooler Element	86-77	213-3021581		12.625" x 5.000" tube bundle. O.E. Nos. 3021581 & 208149. Automotive w/FFC
1	Oil Cooler Element	86-77	FP-3052514		13.125" x 3.125" tube bundle w/1.250" nipple. For Engs. w/single oil filter, Big Cam III & Big Cam IV (from 10/15/86)
1	Oil Cooler Element	86-77	213-3052514 +		13.125" x 3.125" tube bundle w/1.250" nipple. For Engs. w/single oil filter, Big Cam III & Big Cam IV (from 10/15/86); When depleted use FP-3052514
1	Snap Ring	86-77	FP-110827		NH-855; Oil Cooler

CRANKSHAFT/OIL PUMP

QTY	CRANKSHAFT	YEARS	PART NO.	SIZE	DESCRIPTION
1	Crank Gear	86-77	FP-3014614		Front; w/Stub Nose Crankshaft; 36 Teeth; 36 Teeth
1	Oil Press. Reg. Low Pressure	86-77	FP-109333		NH-855 Small Cam; NTC270-NTC400

QTY	SEALS - FRONT CRANK	YEARS	PART NO.	SIZE	DESCRIPTION
1	Redi-Sleeve	86-77	99363		
1	Oil Seal	86-77	39813		

QTY	SEALS - REAR CRANK	YEARS	PART NO.	SIZE	DESCRIPTION
1	Oil Seal	86-77	39703		
1	Redi-Sleeve	86-77	99363		

QTY	MAIN BEARINGS	YEARS	PART NO.	SIZE	DESCRIPTION
1	Main Set	86-77	FP-3801260	STD	W/Partial groove brgs.; Incl. thrust washers
1	Main Set	86-77	FP-3801261	10	W/Partial groove brgs.; Incl. thrust washers
1	Main Set	86-77	FP-3801262	20	W/Partial groove brgs.; Incl. thrust washers
1	Main Set	86-77	FP-3801263	30	W/Partial groove brgs.; Incl. thrust washers
1	Thrust Washer Set	86-77	FP-1334AFA +	Std Only	Position 7; When depleted use FP-3067568
4	Thrust Washer	86-77	FP-3067568	STD	Position 7

QTY	OIL PUMP	YEARS	PART NO.	SIZE	DESCRIPTION
1	Oil Pump	86-77	FP-3821572		For Big Cam (2.500" dia.) Engs.
1	Oil Pump	86-77	FP-AR10172		NH-855 Small Cam; NTC270-NTC400; New

CYLINDER COMPONENTS

QTY	LINERS	YEARS	PART NO.	SIZE	DESCRIPTION
6	Liner w/Sealing Rings	86-77	FP-3801387	20	.020 UPF; Incl. (1) FP215090 crevice seal, (2) FP3032874 (Blk., middle & lower) sealing rings. Oversize, flange Press Fit dia. .020" larger & flange thickness .010" greater than Std. Replaces O.E. Nos. 3046325 & 3801387 w/seals (referred to as '10/20 Size').
6	Liner w/Sealing Rings	86-77	FP-3803219	20	.020/.040 LPF; Incl. (1) FP215090 crevice seal, (2) FP3032874 (Blk., middle & lower) sealing rings. Oversize, flange Press Fit dia. .020" larger than Std. & lower Press Fit is increased by .040". Replaces O.E. Nos. 3056405 & 3803219 (referred to as '20/40 Size').
6	Liner w/Sealing Rings	86-77	FP-3801826	STD	Standard LPF; Incl. (1) FP215090 crevice seal, (2) FP3032874 (Blk., middle & lower) sealing rings. Std. size, Lower Press Fit design. Replaces O.E. Nos. 3055099 & 3801826 w/seals.
6	Cylinder Kit Complete	86-77	FP-3801873	STD	14.5:1 C.R.; Barrel Profile Skirt; Premium Plus; 4 Rings
6	Cylinder Kit Complete	86-77	FP-3803226	20	14.5:1 C.R.; Barrel Profile Skirt; Premium Plus; 4 Rings; Refer to CPL chart for CPL application data
6	Cylinder Kit Complete	86-77	FP-3803226	20	14.5:1 C.R.; Barrel Profile Skirt; Premium Plus; 4 Rings; Refer to CPL chart for CPL application data
6	Cylinder Kit Complete	86-77	FP-3801872	STD	14.5:1 C.R.; Barrel Profile Skirt; Premium; 4 Rings; Refer to CPL chart for CPL application data
6	Cylinder Kit Complete	86-77	FP-3801769	20	14.5:1 C.R.; Sled Runner Skirt; Premium Plus; 4 Rings
6	Cylinder Kit Complete	86-77	FP-3801768	STD	14.5:1 C.R.; Sled Runner Skirt; Premium Plus; 4 Rings; Refer to CPL chart for CPL application data
6	Cylinder Kit Complete	86-77	FP-3803213	20	14.5:1 C.R.; Sled Runner Skirt; Premium Plus; 4 Rings; Refer to CPL chart for CPL application data
6	Cylinder Kit Complete	86-77	FP-3803213	20	14.5:1 C.R.; Sled Runner Skirt; Premium Plus; 4 Rings; Refer to CPL chart for CPL application data
6	Cylinder Kit Complete	86-77	FP-3801779	STD	14.5:1 C.R.; Sled Runner Skirt; Premium; 4 Rings
6	Cylinder Kit Complete	86-77	FP-3801778	20	15.0:1 C.R.; Sled Runner Skirt; Premium Plus; 4 Rings

(continued on next page)

Ford Truck - M/D & H/D

**M/D Truck Formula 230, Formula 290, Formula 300, Formula 350, Formula 365, Formula 76
400, NTC230, NTC270, NTC290, NTC300, NTC315, NTC335, NTC350, NTC365, NTC400, (cont.)
NTC444 Engs.**

14.0L 855 OHV Turbo-Diesel L6, 5.5" Bore (Cummins Eng.) 1977-86

CYLINDER COMPONENTS (cont.)

QTY	LINERS (cont.)	YEARS	PART NO.	SIZE	DESCRIPTION
6	Cylinder Kit Complete	86-77	FP-3801777	STD	15.0:1 C.R.; Sled Runner Skirt; Premium Plus; 4 Rings; Refer to CPL chart for CPL application data
6	Cylinder Kit Complete	86-77	FP-3803212	20	15.0:1 C.R.; Sled Runner Skirt; Premium Plus; 4 Rings; Refer to CPL chart for CPL application data
6	Cylinder Kit Complete	86-77	FP-3801776	STD	15.0:1 C.R.; Sled Runner Skirt; Premium; 4 Rings
6	Cylinder Kit Complete	86-77	FP-3803211	STD	16.0:1 C.R.; Barrel Profile Skirt; Premium Plus; 4 Rings
6	Cylinder Kit Complete	86-77	FP-3801765	STD	16.0:1 C.R.; Barrel Profile Skirt; Premium Plus; 4 Rings
6	Cylinder Kit Complete	86-77	FP-3801920	20	16.0:1 C.R.; Barrel Profile Skirt; Premium Plus; 4 Rings
6	Cylinder Kit Complete	86-77	FP-3801764	STD	16.0:1 C.R.; Barrel Profile Skirt; Premium; 4 Rings; Refer to CPL chart for CPL application data
6	Cylinder Kit Complete	86-77	FP-CK15535405	20	16.0:1 C.R.; Barrel Profile Skirt; Premium; 4 Rings; Refer to CPL chart for CPL application data
1	Flange Shim	86-77	FP-SLG23773	3-5-10	.003" Thick, fits Std. & 10/20 sleeves
1	Flange Shim	86-77	FP-SLG23775	3-5-10	.005" Thick, fits Std. & 10/20 sleeves
1	Flange Shim	86-77	FP-3019956	8	.008" Thick, fits Std. & 10/20 sleeves
1	Flange Shim	86-77	FP-SLG237710	3-5-10	.010" Thick, fits Std. & 10/20 sleeves
1	Flange Shim	86-77	FP-3054948	20	.020" Thick, fits Std. & 10/20 sleeves
1	Repair Block Bushing	86-77	FP-RBL002		Lower Eng. block repair bushing
1	Repair Block Bushing	86-77	FP-RBU001		Upper Eng. block repair bushing, non-bored.
QTY	PISTONS	YEARS	PART NO.	SIZE	DESCRIPTION
6	Piston Body w/o Pin	86-77	FP-3048650		Barrel Profile Skirt; Single NI-Resist; 4 Rings; Tin Plating; 15.5:1 C.R.
6	Piston Body w/o Pin	86-77	FP-3052794		Sled Runner Skirt; Dual NI-Resist; 4 Rings; 15.5:1 C.R.
6	Piston Kit w/Pin & Retainers	86-77	FP-3801058WP	STD	Barrel Profile Skirt; Single NI-Resist; 4 Rings; 14.5:1 C.R.
6	Piston Kit w/Pin & Retainers	86-77	FP-3801057WP	STD	Barrel Profile Skirt; Single NI-Resist; 4 Rings; 15.0:1 C.R.
6	Piston Kit w/Pin & Retainers	86-77	FP-3801534WP	STD	Dual NI-Resist; 4 Rings; 14.5:1 C.R.
6	Piston Kit w/Pin & Retainers	86-77	FP-3801233WP	STD	Single NI-Resist; 4 Rings; .34" Valve Relief for Hi Lift Cams; 14.0:1 C.R.
6	Piston Kit w/Pin & Retainers	86-77	FP-3801231WP	STD	Single NI-Resist; 4 Rings; .34" Valve Relief for Hi Lift Cams; 14.5:1 C.R.
6	Piston Kit w/Pin & Retainers	86-77	FP-3801229WP	STD	Single NI-Resist; 4 Rings; .34" Valve Relief for Hi Lift Cams; 15.3:1 C.R.
6	Piston Kit w/Pin & Retainers	86-77	FP-3801773WP	STD	Single NI-Resist; 4 Rings; 14.0:1 C.R.
6	Piston Kit w/Pin & Retainers	86-77	FP-3801770WP	STD	Single NI-Resist; 4 Rings; 14.5:1 C.R.
6	Piston Kit w/Pin & Retainers	86-77	FP-3801876WP	STD	Single NI-Resist; 4 Rings; 15.0:1 C.R.
6	Piston Kit w/Pin & Retainers	86-77	FP-3801535WP	STD	Single NI-Resist; 4 Rings; 15.5:1 C.R.
6	Piston With Retainers	86-77	FP-3801058		Barrel Profile Skirt; Single NI-Resist; 4 Rings; 14.5:1 C.R.
6	Piston With Retainers	86-77	FP-3801057		Barrel Profile Skirt; Single NI-Resist; 4 Rings; 15.0:1 C.R.
6	Piston With Retainers	86-77	FP-3801233		Single NI-Resist; 4 Rings; .34" Valve Relief for Hi Lift Cams; 14.0:1 C.R.
6	Piston With Retainers	86-77	FP-3801231		Single NI-Resist; 4 Rings; .34" Valve Relief for Hi Lift Cams; 14.5:1 C.R.
6	Piston With Retainers	86-77	FP-3801535		Sled Runner Skirt; Single NI-Resist; 4 Rings; 15.5:1 C.R.
6	Piston With Retainers	86-77	FP-3801534		Sled Runner Skirt; Dual NI-Resist; 4 Rings; 14.5:1 C.R.
6	Piston With Retainers	86-77	FP-3801229		Sled Runner Skirt; Single NI-Resist; 4 Rings; .34" Valve Relief for Hi Lift Cams; 15.3:1 C.R.
6	Piston With Retainers	86-77	FP-3801773		Sled Runner Skirt; Single NI-Resist; 4 Rings; 14.0:1 C.R.
6	Piston With Retainers	86-77	FP-3801770		Sled Runner Skirt; Single NI-Resist; 4 Rings; 14.5:1 C.R.
6	Piston With Retainers	86-77	FP-3801876		Sled Runner Skirt; Single NI-Resist; 4 Rings; 15.0:1 C.R.
6	Piston Cooling Nozzle	86-77	FP-3013591		
6	Pin Bushing	86-77	FP-187420		1 piece bushing; 1 piece bushing; 2.20" Width
6	Bushing	86-77	FP-116391		Accessory drive bushing; O.E. No. 116391
6	Bushing	86-77	FP-132770		Front cover bushing; O.E. No. 132770; w/1.567" ID, 1.697" OD, 1.500" O.A.L.
QTY	CONNECTING RODS & BRGS.	YEARS	PART NO.	SIZE	DESCRIPTION
12	Con. Rod Bolt	86-77	FP-219153		Big Cam Engs.
12	Con. Rod Nut	86-77	FP-69936		Big Cam Engs.
6	Rod Pair	86-77	FP-214950PR	STD	Big Cam 2.500" dia.; Engs. w/1.741" length. brgs.; Used w/con. rod No. 218808; w/3.1240-3.1250" std. shaft size
6	Rod Pair	86-77	FP-214951PR	10	Big Cam 2.500" dia.; Engs. w/1.741" length. brgs.; Used w/con. rod No. 218808; w/3.1240-3.1250" std. shaft size
6	Rod Pair	86-77	FP-214952PR	20	Big Cam 2.500" dia.; Engs. w/1.741" length. brgs.; Used w/con. rod No. 218808; w/3.1240-3.1250" std. shaft size
6	Rod Pair	86-77	FP-203660PR	STD	Small Cam 2.000" dia.; Engs. w/1.730" length. brgs.; w/3.2725-3.2730" std. shaft size

(continued on next page)

Ford Truck - M/D & H/D

76 M/D Truck Formula 230, Formula 290, Formula 300, Formula 350, Formula 365, Formula 400, NTC230, NTC270, NTC290, NTC300, NTC315, NTC335, NTC350, NTC365, NTC400, NTC444 Engs.
14.0L 855 OHV Turbo-Diesel L6, 5.5" Bore (Cummins Eng.) 1977-86

CYLINDER COMPONENTS (cont.)

QTY	CONNECTING RODS & BRGS. (cont.)	YEARS	PART NO.	SIZE	DESCRIPTION
6	Rod Pair	86-77	FP-203661PR	10	Small Cam 2.000" dia.; Engs. w/1.730" length. brgs.; w/3.2725-3.2730" std. shaft size
6	Rod Pair	86-77	FP-203662PR	20	Small Cam 2.000" dia.; Engs. w/1.730" length. brgs.; w/3.2725-3.2730" std. shaft size
QTY	PISTON RINGS	YEARS	PART NO.	SIZE	DESCRIPTION
6	Ring Set Single Cylinder	86-77	FP-4089489	STD	
6	Ring Set Single Cylinder	86-77	FP-4089811	STD	
6	Ring Set Single Cylinder	86-77	FP-4089810	STD	1-5/32, 2-1/8, 1-3/16 (1 cyl. set)
KITS					
QTY	OVERHAUL KIT	YEARS	PART NO.	SIZE	DESCRIPTION
1	In-Frame Overhaul Kit	86-77	FP-855PREMP		Premium Plus; 4 Rings
1	In-Frame Overhaul Kit	86-77	FP-855PREM		Premium; 4 Rings
1	Complete Overhaul Kit	86-77	FP-855PREMPOH		Premium Plus; 4 Rings; With Front & Rear Seals and Upper & Lower Gasket Sets
1	Complete Overhaul Kit	86-77	FP-855PREMOH		Premium; 4 Rings; With Front & Rear Seals and Upper & Lower Gasket Sets

77 H/D Truck Formula 230, Formula 290, Formula 300, Formula 350, Formula 365, Formula 400, NTC230, NTC270, NTC290, NTC300, NTC315, NTC335, NTC350, NTC365, NTC400, NTC444 Engs.
14.0L 855 OHV Turbo-Diesel L6, 5.5" Bore (Cummins Eng.) 1964-78

CYL. HEAD & PARTS

QTY	GASKETS	YEARS	PART NO.	SIZE	DESCRIPTION
1	Valve Cover Gasket	78-64	FP-3054841		Single valve cover gskt., 5-bolt Engs.; 3 req'd.
1	Rocker Housing Gasket	78-64	FP-3017750		Single rocker box gskt., 5-bolt Engs.; 3 req'd.
1	Head Gasket	78-64	FP-4058790		855 Big Cam; Std. Head Gasket
1	Head Set	78-64	FP-3801348		.010 O/S Water Grommets; Upper set, SC & BC I, II, III, 5 bolt Engs.; w/ & w/o FFC
1	Head Set	78-64	FP-3804276		Contains standard size water grommets
1	Head Set	78-64	FP-3801332		855 Big Cam
QTY	VALVE	YEARS	PART NO.	SIZE	DESCRIPTION
12	Intake	78-64	FP-135957		1.8700" Head Dia., .4505" Stem Dia., 7.0660" O.A.L.
12	Exhaust	78-64	FP-145701		Stellite; 1.8700" Head Dia., .4505" Stem Dia., 7.0660" O.A.L.
24	Keeper	78-64	FP-127554		Exh. & Int.
QTY	VALVE SEAT	YEARS	PART NO.	SIZE	DESCRIPTION
12	Exh. & Int.	78-64	FP-3017759		Check Cummins Service Topics 93T2-2; 2.0030" OD, 1.6900" ID, .2795" Depth
QTY	VALVE GUIDE	YEARS	PART NO.	SIZE	DESCRIPTION
12	Guide	78-64	FP-3006457		Exh. & Int.; Check Cummins Service Topics 93T2-2
12	Guide	78-64	FP-3006458		Exh. & Int.; Check Cummins Service Topics 93T2-2
12	Guide	78-64	FP-3006456		Exh. & Int.; Check Cummins Service Topics 93T2-2; .4530" ID, 3.3900" O.A.L.
QTY	VALVE SPRING	YEARS	PART NO.	SIZE	DESCRIPTION
12	Spring	78-64	FP-3081212		Exh. & Int.; Check Cummins Service Topics 93T2-2; w/One Green Stripe
12	Spring	78-64	FP-211999		Exh. & Int.; Check Cummins Service Topics 93T2-2; 2.6850" Free Height
12	Spring	78-64	FP-3035996 +		Exh. & Int.; 2.6350" Free Height; When depleted use FP-3081212
12	Retainer	78-64	FP-170296		Exh. & Int.
12	Valve Spring Seat	78-64	FP-3042745		Exh. & Int.
QTY	PUSH RODS	YEARS	PART NO.	SIZE	DESCRIPTION
12	Push Rod	78-64	FP-3046420		Exh. & Int.; 855 Big Cam; 17.7220" O.A.L.
QTY	VALVE MISC.	YEARS	PART NO.	SIZE	DESCRIPTION
12	Crosshead Valve Assembly	78-64	FP-3030038		Exh. & Int.; 855 Big Cam
12	Crosshead Valve	78-64	FP-3028293 +		Exh. & Int.; 855 Big Cam; When depleted use FP-3030038
QTY	VALVE SEAL	YEARS	PART NO.	SIZE	DESCRIPTION
12	Valve Stem Seal	78-64	FP-156541		Exh. & Int.; Installation requires valve guide machining; Polyacrylate
QTY	ROCKER PARTS	YEARS	PART NO.	SIZE	DESCRIPTION
12	Valve Bridge Guide	78-64	FP-123558		Exh. & Int.

(continued on next page)

Ford Truck - M/D & H/D

**H/D Truck Formula 230, Formula 290, Formula 300, Formula 350, Formula 365, Formula 77
400, NTC230, NTC270, NTC290, NTC300, NTC315, NTC335, NTC350, NTC365, NTC400, (cont.)
NTC444 Engs.
14.0L 855 OHV Turbo-Diesel L6, 5.5" Bore (Cummins Eng.) 1964-78**

ENGINE BRAKE					
QTY	ENGINE BRAKE	YEARS	PART NO.	SIZE	DESCRIPTION
1	Jake Brake Gasket Set	78-64	FP-PGJ10		Jake Brake gskt. set, 5-bolt Engs. 1 req'd.
CAMSHAFT GROUP					
QTY	TIMING	YEARS	PART NO.	SIZE	DESCRIPTION
1	Cam Gear	78-64	FP-215966		Hardened; Replaces O.E. No. 215966; 72 Teeth; 72 Teeth
ACCESSORY DRIVE					
QTY	ACCESSORY DRIVE	YEARS	PART NO.	SIZE	DESCRIPTION
1	Oil Seal	78-64	39302		
1	Wear Sleeve	78-64	J1396		Wear Sleeve
FUEL SYSTEM & PARTS					
QTY	FUEL FILTERS & PUMP	YEARS	PART NO.	SIZE	DESCRIPTION
6	O-Ring	78-64	FP-3007759		Injector Tube Seal
COOLING SYSTEM					
QTY	WATER PUMP	YEARS	PART NO.	SIZE	DESCRIPTION
1	Oil Seal	78-64	473010N		
QTY	SEALS - FAN HUB	YEARS	PART NO.	SIZE	DESCRIPTION
1	Oil Seal	78-64	39835		INNER
1	Oil Seal	78-64	39877		Outer
1	Redi-Sleeve	78-64	99181		INNER
QTY	THERMOSTAT	YEARS	PART NO.	SIZE	DESCRIPTION
1	Thermostat	78-64	FP-146076		160 Deg. F
1	Thermostat	78-64	FP-204586		175 Deg. F
1	Thermostat	78-64	FP-135675		180 degree F, Vented
1	Thermostat	78-64	FP-3076489		180 Deg. F, Non-Vented
1	Oil Seal	78-64	39821		
QTY	MISCELLANEOUS	YEARS	PART NO.	SIZE	DESCRIPTION
1	Water Filter Valve	78-64	FP-179901		For 3/8" Pipe, 3/8" Heater Hose; 3/8 Pipe-3/8 Heater Hose
1	Water Heater Valve	78-64	FP-157098		For 3/8" Pipe, 5/8" Heater Hose; 3/8 Pipe-5/8 Heater Hose
1	Hose	78-64	FP-102522		Water By-pass Hose
2	Hose Clamp	78-64	FP-43828B		Water By-pass Hose
6	Ring - Seal	78-64	FP-3024709		Water Manifold
1	Bypass Tube	78-64	FP-213485		Water By-pass Pipe
ENGINE BLOCK & PARTS					
QTY	GASKETS	YEARS	PART NO.	SIZE	DESCRIPTION
1	Oil Pan Gasket	78-64	FP-3349820		0.79mm / 0.031" Thick; One piece gskt.
QTY	GASKET SETS	YEARS	PART NO.	SIZE	DESCRIPTION
1	In-Frame Gasket Set	78-64	FP-3804276IF		Contains standard size water grommets
1	In-Frame Gasket Set	78-64	FP-3801348S		In Frm.; Small Cam & Big Cam I, II, III, 5-bolt Engs.; O/S Grommets
1	In-Frame Gasket Set	78-64	FP-3801332S		855 Big Cam III; NTC475
1	Complete Overhaul Gasket Set	78-64	FP-3801348C		Compl., S/C 5-bolt Engs., w/FFC. Incl. bull nose crank seal & 2 pc. oil pan gskt.
QTY	CAM BEARINGS	YEARS	PART NO.	SIZE	DESCRIPTION
1	Cam Set	78-64	FP-3007689S	STD	Big Cam 2.500" dia.; Engs. w/2.625" cam housing
1	Cam Set	78-64	FP-3801106	STD	Big Cam 2.500" dia.; Engs. w/2.687" cam housing
1	Cam Set	78-64	FP-BM27253	STD	Small Cam 2.000" dia.; Engs. w/2.1295" cam. housing
QTY	OIL COOLERS & FILTERS	YEARS	PART NO.	SIZE	DESCRIPTION
1	Aftercooler Core Assembly	78-64	FP-3411460		For Big Cam III and Engs. up-dated to cross bolt mount, O.E. Nos. 3028997 & 3068724.
1	Aftercooler Core Assembly	78-64	FP-214836		Through Big Cam II; Single Pass; Flange mount; O.E. No. 214836; Through Big Cam II - Flange Mount, O.E. No. 214836.
1	Oil Cooler	78-64	FP-110848		NH-855; 6.500" X 4.000" tube bundle
1	Oil Cooler	78-64	FP-142608		15.312" x 5.000" tube bundle. Industrial w/FFC, Non-FFC NT Engs.
1	Oil Cooler	78-64	213-142608 +		15.312" x 5.000" tube bundle. Industrial w/FFC, Non-FFC NT Engs.; When depleted use FP-142608
1	Oil Cooler Element	78-64	FP-3021581		12.625" x 5.000" tube bundle. O.E. Nos. 3021581 & 208149. Automotive w/FFC
1	Oil Cooler Element	78-64	213-3021581		12.625" x 5.000" tube bundle. O.E. Nos. 3021581 & 208149. Automotive w/FFC

(continued on next page)

Ford Truck - M/D & H/D

77 H/D Truck Formula 230, Formula 290, Formula 300, Formula 350, Formula 365, Formula
(cont.) 400, NTC230, NTC270, NTC290, NTC300, NTC315, NTC335, NTC350, NTC365, NTC400,
NTC444 Engs.
14.0L 855 OHV Turbo-Diesel L6, 5.5" Bore (Cummins Eng.) 1964-78

ENGINE BLOCK & PARTS (cont.)

QTY	OIL COOLERS & FILTERS	YEARS	PART NO.	SIZE	DESCRIPTION
1	Oil Cooler Element	78-64	FP-3052514		13.125" x 3.125" tube bundle w/1.250" nipple. For Engs. w/single oil filter, Big Cam III & Big Cam IV (from 10/15/86)
1	Oil Cooler Element	78-64	213-3052514 +		13.125" x 3.125" tube bundle w/1.250" nipple. For Engs. w/single oil filter, Big Cam III & Big Cam IV (from 10/15/86); When depleted use FP-3052514
1	Snap Ring	78-64	FP-110827		NH-855; Oil Cooler

CRANKSHAFT/OIL PUMP

QTY	CRANKSHAFT	YEARS	PART NO.	SIZE	DESCRIPTION
1	Crank Gear	78-64	FP-3014614		Front; w/Stub Nose Crankshaft; 36 Teeth; 36 Teeth
1	Oil Press. Reg. Low Pressure	78-64	FP-109333		NH-855 Small Cam; NTC270-NTC400
QTY	SEALS - FRONT CRANK	YEARS	PART NO.	SIZE	DESCRIPTION
1	Redi-Sleeve	78-64	99363		
1	Oil Seal	78-64	39813		
QTY	SEALS - REAR CRANK	YEARS	PART NO.	SIZE	DESCRIPTION
1	Oil Seal	78-64	39703		
1	Redi-Sleeve	78-64	99363		
QTY	MAIN BEARINGS	YEARS	PART NO.	SIZE	DESCRIPTION
1	Main Set	78-64	FP-3801260	STD	W/Partial groove brgs.; Incl. thrust washers
1	Main Set	78-64	FP-3801261	10	W/Partial groove brgs.; Incl. thrust washers
1	Main Set	78-64	FP-3801262	20	W/Partial groove brgs.; Incl. thrust washers
1	Main Set	78-64	FP-3801263	30	W/Partial groove brgs.; Incl. thrust washers
1	Thrust Washer Set	78-64	FP-1334AFA +	Std Only	Position 7; When depleted use FP-3067568
4	Thrust Washer	78-64	FP-3067568	STD	Position 7
QTY	OIL PUMP	YEARS	PART NO.	SIZE	DESCRIPTION
1	Oil Pump	78-64	FP-3821572		For Big Cam (2.500"dia.) Engs.
1	Oil Pump	78-64	FP-AR10172		NH-855 Small Cam; NTC270-NTC400; New

CYLINDER COMPONENTS

QTY	LINERS	YEARS	PART NO.	SIZE	DESCRIPTION
6	Liner w/Sealing Rings	78-64	FP-3801387	20	.020 UPF; Incl. (1) FP215090 crevice seal, (2) FP3032874 (Blk., middle & lower) sealing rings. Oversize, flange Press Fit dia. .020" larger & flange thickness .010" greater than Std. Replaces O.E. Nos. 3046325 & 3801387 w/seals (referred to as '10/20 Size').
6	Liner w/Sealing Rings	78-64	FP-3803219	20	.020/.040 LPF; Incl. (1) FP215090 crevice seal, (2) FP3032874 (Blk., middle & lower) sealing rings. Oversize, flange Press Fit dia. .020" larger than Std. & lower Press Fit is increased by .040". Replaces O.E. Nos. 3056405 & 3803219 (referred to as '20/40 Size').
6	Liner w/Sealing Rings	78-64	FP-3801826	STD	Standard LPF; Incl. (1) FP215090 crevice seal, (2) FP3032874 (Blk., middle & lower) sealing rings. Std. size, Lower Press Fit design. Replaces O.E. Nos. 3055099 & 3801826 w/seals.
6	Cylinder Kit Complete	78-64	FP-3801873	STD	14.5:1 C.R.; Barrel Profile Skirt; Premium Plus; 4 Rings
6	Cylinder Kit Complete	78-64	FP-3803226	20	14.5:1 C.R.; Barrel Profile Skirt; Premium Plus; 4 Rings; Refer to CPL chart for CPL application data
6	Cylinder Kit Complete	78-64	FP-3803226	20	14.5:1 C.R.; Barrel Profile Skirt; Premium Plus; 4 Rings; Refer to CPL chart for CPL application data
6	Cylinder Kit Complete	78-64	FP-3801872	STD	14.5:1 C.R.; Barrel Profile Skirt; Premium; 4 Rings; Refer to CPL chart for CPL application data
6	Cylinder Kit Complete	78-64	FP-3801769	20	14.5:1 C.R.; Sled Runner Skirt; Premium Plus; 4 Rings
6	Cylinder Kit Complete	78-64	FP-3801768	STD	14.5:1 C.R.; Sled Runner Skirt; Premium Plus; 4 Rings; Refer to CPL chart for CPL application data
6	Cylinder Kit Complete	78-64	FP-3803213	20	14.5:1 C.R.; Sled Runner Skirt; Premium Plus; 4 Rings; Refer to CPL chart for CPL application data
6	Cylinder Kit Complete	78-64	FP-3803213	20	14.5:1 C.R.; Sled Runner Skirt; Premium Plus; 4 Rings; Refer to CPL chart for CPL application data
6	Cylinder Kit Complete	78-64	FP-3801779	STD	14.5:1 C.R.; Sled Runner Skirt; Premium; 4 Rings
6	Cylinder Kit Complete	78-64	FP-3801778	20	15.0:1 C.R.; Sled Runner Skirt; Premium Plus; 4 Rings
6	Cylinder Kit Complete	78-64	FP-3801777	STD	15.0:1 C.R.; Sled Runner Skirt; Premium Plus; 4 Rings; Refer to CPL chart for CPL application data
6	Cylinder Kit Complete	78-64	FP-3803212	20	15.0:1 C.R.; Sled Runner Skirt; Premium Plus; 4 Rings; Refer to CPL chart for CPL application data
6	Cylinder Kit Complete	78-64	FP-3801776	STD	15.0:1 C.R.; Sled Runner Skirt; Premium; 4 Rings
6	Cylinder Kit Complete	78-64	FP-3803211		16.0:1 C.R.; Barrel Profile Skirt; Premium Plus; 4 Rings

(continued on next page)

Ford Truck - M/D & H/D

**H/D Truck Formula 230, Formula 290, Formula 300, Formula 350, Formula 365, Formula 77
400, NTC230, NTC270, NTC290, NTC300, NTC315, NTC335, NTC350, NTC365, NTC400, (cont.)
NTC444 Engs.**

14.0L 855 OHV Turbo-Diesel L6, 5.5" Bore (Cummins Eng.) 1964-78

CYLINDER COMPONENTS (cont.)

QTY	LINERS (cont.)	YEARS	PART NO.	SIZE	DESCRIPTION
6	Cylinder Kit Complete	78-64	FP-3801765	STD	16.0:1 C.R.; Barrel Profile Skirt; Premium Plus; 4 Rings
6	Cylinder Kit Complete	78-64	FP-3801920	20	16.0:1 C.R.; Barrel Profile Skirt; Premium Plus; 4 Rings
6	Cylinder Kit Complete	78-64	FP-3801764	STD	16.0:1 C.R.; Barrel Profile Skirt; Premium; 4 Rings; Refer to CPL chart for CPL application data
6	Cylinder Kit Complete	78-64	FP-CK15535405	20	16.0:1 C.R.; Barrel Profile Skirt; Premium; 4 Rings; Refer to CPL chart for CPL application data
1	Flange Shim	78-64	FP-SLG23773	3-5-10	.003" Thick, fits Std. & 10/20 sleeves
1	Flange Shim	78-64	FP-SLG23775	3-5-10	.005" Thick, fits Std. & 10/20 sleeves
1	Flange Shim	78-64	FP-3019956	8	.008" Thick, fits Std. & 10/20 sleeves
1	Flange Shim	78-64	FP-SLG237710	3-5-10	.010" Thick, fits Std. & 10/20 sleeves
1	Flange Shim	78-64	FP-3054948	20	.020" Thick, fits Std. & 10/20 sleeves
1	Repair Block Bushing	78-64	FP-RBL002		Lower Eng. block repair bushing
1	Repair Block Bushing	78-64	FP-RBU001		Upper Eng. block repair bushing, non-bored.
QTY	PISTONS	YEARS	PART NO.	SIZE	DESCRIPTION
6	Piston Body w/o Pin	78-64	FP-3048650		Barrel Profile Skirt; Single NI-Resist; 4 Rings; Tin Plating; 15.5:1 C.R.
6	Piston Body w/o Pin	78-64	FP-3052794		Sled Runner Skirt; Dual NI-Resist; 4 Rings; 15.5:1 C.R.
6	Piston Kit w/Pin & Retainers	78-64	FP-3801058WP	STD	Barrel Profile Skirt; Single NI-Resist; 4 Rings; 14.5:1 C.R.
6	Piston Kit w/Pin & Retainers	78-64	FP-3801057WP	STD	Barrel Profile Skirt; Single NI-Resist; 4 Rings; 15.0:1 C.R.
6	Piston Kit w/Pin & Retainers	78-64	FP-3801534WP	STD	Dual NI-Resist; 4 Rings; 14.5:1 C.R.
6	Piston Kit w/Pin & Retainers	78-64	FP-3801233WP	STD	Single NI-Resist; 4 Rings; .34" Valve Relief for Hi Lift Cams; 14.0:1 C.R.
6	Piston Kit w/Pin & Retainers	78-64	FP-3801231WP	STD	Single NI-Resist; 4 Rings; .34" Valve Relief for Hi Lift Cams; 14.5:1 C.R.
6	Piston Kit w/Pin & Retainers	78-64	FP-3801229WP	STD	Single NI-Resist; 4 Rings; .34" Valve Relief for Hi Lift Cams; 15.3:1 C.R.
6	Piston Kit w/Pin & Retainers	78-64	FP-3801773WP	STD	Single NI-Resist; 4 Rings; 14.0:1 C.R.
6	Piston Kit w/Pin & Retainers	78-64	FP-3801770WP	STD	Single NI-Resist; 4 Rings; 14.5:1 C.R.
6	Piston Kit w/Pin & Retainers	78-64	FP-3801876WP	STD	Single NI-Resist; 4 Rings; 15.0:1 C.R.
6	Piston Kit w/Pin & Retainers	78-64	FP-3801535WP	STD	Single NI-Resist; 4 Rings; 15.5:1 C.R.
6	Piston With Retainers	78-64	FP-3801058		Barrel Profile Skirt; Single NI-Resist; 4 Rings; 14.5:1 C.R.
6	Piston With Retainers	78-64	FP-3801057		Barrel Profile Skirt; Single NI-Resist; 4 Rings; 15.0:1 C.R.
6	Piston With Retainers	78-64	FP-3801233		Single NI-Resist; 4 Rings; .34" Valve Relief for Hi Lift Cams; 14.0:1 C.R.
6	Piston With Retainers	78-64	FP-3801231		Single NI-Resist; 4 Rings; .34" Valve Relief for Hi Lift Cams; 14.5:1 C.R.
6	Piston With Retainers	78-64	FP-3801535		Sled Runner Skirt; Single NI-Resist; 4 Rings; 15.5:1 C.R.
6	Piston With Retainers	78-64	FP-3801534		Sled Runner Skirt; Dual NI-Resist; 4 Rings; 14.5:1 C.R.
6	Piston With Retainers	78-64	FP-3801229		Sled Runner Skirt; Single NI-Resist; 4 Rings; .34" Valve Relief for Hi Lift Cams; 15.3:1 C.R.
6	Piston With Retainers	78-64	FP-3801773		Sled Runner Skirt; Single NI-Resist; 4 Rings; 14.0:1 C.R.
6	Piston With Retainers	78-64	FP-3801770		Sled Runner Skirt; Single NI-Resist; 4 Rings; 14.5:1 C.R.
6	Piston With Retainers	78-64	FP-3801876		Sled Runner Skirt; Single NI-Resist; 4 Rings; 15.0:1 C.R.
6	Piston Cooling Nozzle	78-64	FP-3013591		
6	Pin Bushing	78-64	FP-187420		1 piece bushing; 1 piece bushing; 2.20" Width
6	Bushing	78-64	FP-116391		Accessory drive bushing; O.E. No. 116391
6	Bushing	78-64	FP-132770		Front cover bushing; O.E. No. 132770; w/1.567" ID, 1.697" OD, 1.500" O.A.L.
QTY	CONNECTING RODS & BRGS.	YEARS	PART NO.	SIZE	DESCRIPTION
12	Con. Rod Bolt	78-64	FP-219153		Big Cam Engs.
12	Con. Rod Nut	78-64	FP-69936		Big Cam Engs.
6	Rod Pair	78-64	FP-214950PR	STD	Big Cam 2.500" dia.; Engs. w/1.741" length. brgs.; Used w/con. rod No. 218808; w/3.1240-3.1250" std. shaft size
6	Rod Pair	78-64	FP-214951PR	10	Big Cam 2.500" dia.; Engs. w/1.741" length. brgs.; Used w/con. rod No. 218808; w/3.1240-3.1250" std. shaft size
6	Rod Pair	78-64	FP-214952PR	20	Big Cam 2.500" dia.; Engs. w/1.741" length. brgs.; Used w/con. rod No. 218808; w/3.1240-3.1250" std. shaft size
6	Rod Pair	78-64	FP-203660PR	STD	Small Cam 2.000" dia.; Engs. w/1.730" length. brgs.; w/3.2725-3.2730" std. shaft size
6	Rod Pair	78-64	FP-203661PR	10	Small Cam 2.000" dia.; Engs. w/1.730" length. brgs.; w/3.2725-3.2730" std. shaft size
6	Rod Pair	78-64	FP-203662PR	20	Small Cam 2.000" dia.; Engs. w/1.730" length. brgs.; w/3.2725-3.2730" std. shaft size
QTY	PISTON RINGS	YEARS	PART NO.	SIZE	DESCRIPTION
6	Ring Set Single Cylinder	78-64	FP-4089811	STD	
6	Ring Set Single Cylinder	78-64	FP-4089810	STD	1-5/32, 2-1/8, 1-3/16 (1 cyl. set)

(continued on next page)

Ford Truck - M/D & H/D

77 *H/D Truck* Formula 230, Formula 290, Formula 300, Formula 350, Formula 365, Formula (cont.) 400, NTC230, NTC270, NTC290, NTC300, NTC315, NTC335, NTC350, NTC365, NTC400, NTC444 Engs.
14.0L 855 OHV Turbo-Diesel L6, 5.5" Bore (Cummins Eng.) 1964-78

CYLINDER COMPONENTS (cont.)

QTY	PISTON RINGS (cont.)	YEARS	PART NO.	SIZE	DESCRIPTION
6	Ring Set Single Cylinder	75	FP-4089489	STD	
KITS					
QTY	OVERHAUL KIT	YEARS	PART NO.	SIZE	DESCRIPTION
1	In-Frame Overhaul Kit	78-64	FP-855PREMP		Premium Plus; 4 Rings
1	In-Frame Overhaul Kit	78-64	FP-855PREM		Premium; 4 Rings
1	Complete Overhaul Kit	78-64	FP-855PREMPOH		Premium Plus; 4 Rings; With Front & Rear Seals and Upper & Lower Gasket Sets
1	Complete Overhaul Kit	78-64	FP-855PREMOH		Premium; 4 Rings; With Front & Rear Seals and Upper & Lower Gasket Sets

78 *M/D Truck* 3406 Eng. From Ser. No. 90U1
14.6L 893 OHV Turbo-Diesel L6, 5.4" Bore (Caterpillar Eng.) 1985

CYL. HEAD & PARTS

QTY	GASKETS	YEARS	PART NO.	SIZE	DESCRIPTION
6	O-Ring	85	FP-2S2251		Pre-Combustion Chamber seal
QTY	VALVE	YEARS	PART NO.	SIZE	DESCRIPTION
6	Intake	85	FP-1152368		
6	Exhaust	85	FP-1152367		
24	Keeper	85	FP-2A4429		Exh. & Int.
QTY	VALVE SEAT	YEARS	PART NO.	SIZE	DESCRIPTION
6	Exh.	85	FP-4N5893		1.8125" OD, 1.4375" ID, .3750" Depth
6	Int.	85	FP-1W5283		1.6870" OD, 1.4370" ID, .3650" Depth
QTY	VALVE GUIDE	YEARS	PART NO.	SIZE	DESCRIPTION
12	Guide	85	FP-1737188		Exh. & Int.
QTY	VALVE SPRING	YEARS	PART NO.	SIZE	DESCRIPTION
12	Spring	85	FP-4N5906		Exh. & Int.; Engs. w/Single Valve Springs
12	Spring	85	FP-4W2471		Inner; Engs. w/Dual Valve Springs
12	Spring	85	FP-4W2472		Outer; Engs. w/Dual Valve Springs
QTY	VALVE MISC.	YEARS	PART NO.	SIZE	DESCRIPTION
12	Rotocap	85	FP-4W2474		Exh. & Int.; Engs. w/Dual Valve Springs
12	Rotocap	85	FP-6N7175		Exh. & Int.; Engs. w/Single Valve Springs
QTY	VALVE SEAL	YEARS	PART NO.	SIZE	DESCRIPTION
12	Valve Shield	85	FP-6N7174		Exh. & Int.

IGNITION

QTY	IGNITION	YEARS	PART NO.	SIZE	DESCRIPTION
6	Glow Plug	85	FP-3T8706		24 Volt

CAMSHAFT GROUP

QTY	CAMSHAFT/LIFTER	YEARS	PART NO.	SIZE	DESCRIPTION
1	Camshaft	85	FP-4W2430		

COOLING SYSTEM

QTY	THERMOSTAT	YEARS	PART NO.	SIZE	DESCRIPTION
1	Thermostat	85	FP-2485513		180 Degree
1	Thermostat	85	FP-1223821		190 Degree

ENGINE BLOCK & PARTS

QTY	GASKET SETS	YEARS	PART NO.	SIZE	DESCRIPTION
1	In-Frame Gasket Set	85	FP-PGE0085		92U1-5943
1	In-Frame Gasket Set	85	FP-PGE0082		92U1-5944 to 92U9-99999
1	Complete Overhaul Gasket Set	85	FP-PGE0084		92U1-5943
1	Complete Overhaul Gasket Set	85	FP-PGE0081		92U1-5944 to 92U9-99999
QTY	CAM BEARINGS	YEARS	PART NO.	SIZE	DESCRIPTION
6	Cam Brg.	85	FP-4N0685	STD	O.E. No. 4N0685
1	Cam Brg.	85	FP-4N6658	STD	O.E. No. 4N6658
QTY	OIL COOLERS & FILTERS	YEARS	PART NO.	SIZE	DESCRIPTION
1	Oil Cooler	85	FP-7W0205		

(continued on next page)

Ford Truck - M/D & H/D

M/D Truck 3406 Eng. From Ser. No. 90U1 78
14.6L 893 OHV Turbo-Diesel L6, 5.4" Bore (Caterpillar Eng.) 1985 (cont.)

CRANKSHAFT/OIL PUMP					
QTY	CRANKSHAFT	YEARS	PART NO.	SIZE	DESCRIPTION
1	Crankshaft	85	FP-7C4859		w/o Crank Gear
1	Vibration Damper	85	FP-7E9520		
QTY	SEALS - FRONT CRANK	YEARS	PART NO.	SIZE	DESCRIPTION
1	Oil Seal	85	FP-1425867		
1	Oil Seal	85	39890		
QTY	SEALS - REAR CRANK	YEARS	PART NO.	SIZE	DESCRIPTION
1	Oil Seal	85	FP-1425868		
1	Oil Seal	85	39889		
QTY	MAIN BEARINGS	YEARS	PART NO.	SIZE	DESCRIPTION
7	Plain Main Brg.	85	FP-2110592	STD	w/1.645" length brg.
7	Plain Main Brg.	85	FP-3178766 *	STD	w/1.645" length brg.
7	Plain Main Brg.	85	FP-211059210	10	w/1.645" length brg.
7	Plain Main Brg.	85	FP-317876610 *	10	w/1.645" length brg.
7	Plain Main Brg.	85	FP-4W549240	40	w/1.645" length brg.
7	Plain Main Brg.	85	FP-4W5698	.63MM	w/1.645" length brg.
7	Plain Main Brg.	85	FP-4W5699	1.27MM	w/1.645" length brg.
1	Thrust Washer Set	85	FP-7E9262S		Position 4
QTY	OIL PUMP	YEARS	PART NO.	SIZE	DESCRIPTION
1	Oil Pump	85	FP-1614112		
CYLINDER COMPONENTS					
QTY	LINERS	YEARS	PART NO.	SIZE	DESCRIPTION
6	Liner w/o Sealing Rings	85	FP-1979322		
6	Liner w/Sealing Rings	85	FP-1979322WS		
6	Cyl. Liner Sealing Ring Kit	85	FP-1609874		
6	Sealing Ring, Liner	85	FP-1426217		
6	Sealing Ring, Liner	85	FP-1427072		
6	Sealing Ring, Liner	85	FP-1102220		Lower
6	Sealing Ring, Liner	85	FP-9L5854		Upper
QTY	PISTONS	YEARS	PART NO.	SIZE	DESCRIPTION
6	Piston Body w/o Pin	85	FP-6N4080		Straight Rod; Dual NI insert; 1/8" Narrow Keystone Ring
6	Piston Body w/o Pin	85	FP-7N3633		6 Deg. Tapered Rod; Dual NI insert w/plug; 1/8" Narrow Keystone Ring; 15.0:1 C.R.
6	Piston Body w/o Pin	85	FP-7N3509		6 Deg. Tapered Rod; Dual NI insert; 1/8" Narrow Keystone Ring
6	Piston Body w/o Pin	85	FP-4N3724		6 Deg. Tapered Rod; 4 Valve Reliefs; Single NI insert; 1/8" Ring grooves
6	Piston Body w/o Pin	85	FP-2900017	STD	9 Deg. Tapered Rod; 280/300 HP (JWAC)
6	Piston Body w/o Pin	85	FP-9Y4004 +		9 Deg. Tapered Rod; 280/300 HP (JWAC); 5/32" Wide Keystone Ring; 14.5:1 C.R.; When depleted use FP-2900017
6	Piston Body w/o Pin	85	FP-6N4126		9 Deg. Tapered Rod; 4 Valve Reliefs; 1/8" Narrow Keystone Ring
6	Pin	85	FP-8N1608		Use w/Piston FP-9Y4004
6	Pin	85	FP-7N9806		Use w/Pistons FP-4N3724, FP-6N4080, FP-7N3509
6	Pin	85	FP-7N9807		Use w/Pistons FP-6N4126, FP-7N3633
12	Piston Pin Retainer	85	FP-8N7295		
6	Pin Bushing	85	FP-8N0705		Straight Rod w/1.550" length
6	Pin Bushing	85	FP-4P8495		6 Deg. Tapered Rod w/1.855" length
6	Pin Bushing	85	FP-8N0706		9 Deg. Tapered Rod w/1.550" length
QTY	CONNECTING RODS & BRGS.	YEARS	PART NO.	SIZE	DESCRIPTION
6	Rod Pair	85	FP-9Y9497	STD	w/1.535" length brg.
6	Rod Pair	85	FP-9Y949710	10	w/1.535" length brg.
6	Rod Pair	85	FP-4W5702	25	w/1.535" length brg.
6	Rod Pair	85	FP-4W5703	50	w/1.535" length brg.
QTY	PISTON RINGS	YEARS	PART NO.	SIZE	DESCRIPTION
6	Ring Set Single Cylinder	85	FP-1W8922	STD	Use w/Piston FP-9Y4004; 1-5/32, 1-1/8, 1-1/8 (1 cyl. set)
6	Ring Set Single Cylinder	85	FP-8N0822	STD	Use w/Pistons FP-4N3724, FP-6N4080, FP-6N4126, FP-7N3509, FP-7N3633
KITS					
QTY	OVERHAUL KIT	YEARS	PART NO.	SIZE	DESCRIPTION
1	In-Frame Overhaul Kit	85	FP-IFK3406		
1	Complete Overhaul Kit	85	FP-IFK3406OH		

Ford Truck - M/D & H/D

79 H/D Truck 3406 Eng. From Ser. No. 92U1
 14.6L 893 OHV Turbo-Diesel L6, 5.4" Bore (Caterpillar Eng.) 1976-85

CYL. HEAD & PARTS					
QTY	GASKETS	YEARS	PART NO.	SIZE	DESCRIPTION
6	O-Ring	81-76	FP-2S2251		Pre-Combustion Chamber seal
QTY	VALVE	YEARS	PART NO.	SIZE	DESCRIPTION
6	Intake	81-76	FP-1152368		
6	Exhaust	81-76	FP-1152367		
24	Keeper	81-76	FP-2A4429		Exh. & Int.
QTY	VALVE SEAT	YEARS	PART NO.	SIZE	DESCRIPTION
6	Exh.	81-76	FP-4N5893		1.8125" OD, 1.4375" ID, .3750" Depth
6	Int.	81-76	FP-1W5283		1.6870" OD, 1.4370" ID, .3650" Depth
QTY	VALVE GUIDE	YEARS	PART NO.	SIZE	DESCRIPTION
12	Guide	81-76	FP-1737188		Exh. & Int.
QTY	VALVE SPRING	YEARS	PART NO.	SIZE	DESCRIPTION
12	Spring	81-76	FP-4N5906		Exh. & Int.; Engs. w/Single Valve Springs
12	Spring	81-76	FP-4W2471		Inner; Engs. w/Dual Valve Springs
12	Spring	81-76	FP-4W2472		Outer; Engs. w/Dual Valve Springs
QTY	VALVE MISC.	YEARS	PART NO.	SIZE	DESCRIPTION
12	Rotocap	81-76	FP-4W2474		Exh. & Int.; Engs. w/Dual Valve Springs
12	Rotocap	81-76	FP-6N7175		Exh. & Int.; Engs. w/Single Valve Springs
QTY	VALVE SEAL	YEARS	PART NO.	SIZE	DESCRIPTION
12	Valve Shield	81-76	FP-6N7174		Exh. & Int.
IGNITION					
QTY	IGNITION	YEARS	PART NO.	SIZE	DESCRIPTION
6	Glow Plug	81-76	FP-3T8706		24 Volt
CAMSHAFT GROUP					
QTY	CAMSHAFT/LIFTER	YEARS	PART NO.	SIZE	DESCRIPTION
1	Camshaft	81-76	FP-4W2430		
COOLING SYSTEM					
QTY	THERMOSTAT	YEARS	PART NO.	SIZE	DESCRIPTION
1	Thermostat	81-76	FP-2485513		180 Degree
1	Thermostat	81-76	FP-1223821		190 Degree
ENGINE BLOCK & PARTS					
QTY	GASKET SETS	YEARS	PART NO.	SIZE	DESCRIPTION
1	In-Frame Gasket Set	81-76	FP-PGE0085		92U1-5943
1	In-Frame Gasket Set	81-76	FP-PGE0082		92U1-5944 to 92U9-99999
1	Complete Overhaul Gasket Set	81-76	FP-PGE0084		92U1-5943
1	Complete Overhaul Gasket Set	81-76	FP-PGE0081		92U1-5944 to 92U9-99999
QTY	CAM BEARINGS	YEARS	PART NO.	SIZE	DESCRIPTION
6	Cam Brg.	81-76	FP-4N0685	STD	O.E. No. 4N0685
1	Cam Brg.	81-76	FP-4N6658	STD	O.E. No. 4N6658
QTY	OIL COOLERS & FILTERS	YEARS	PART NO.	SIZE	DESCRIPTION
1	Oil Cooler	81-76	FP-7W0205		
CRANKSHAFT/OIL PUMP					
QTY	CRANKSHAFT	YEARS	PART NO.	SIZE	DESCRIPTION
1	Crankshaft	81-76	FP-7C4859		w/o Crank Gear
1	Vibration Damper	81-76	FP-7E9520		
QTY	SEALS - FRONT CRANK	YEARS	PART NO.	SIZE	DESCRIPTION
1	Oil Seal	81-76	FP-1425867		
1	Oil Seal	85	39890		
QTY	SEALS - REAR CRANK	YEARS	PART NO.	SIZE	DESCRIPTION
1	Oil Seal	81-76	FP-1425868		
1	Oil Seal	85	39889		
QTY	MAIN BEARINGS	YEARS	PART NO.	SIZE	DESCRIPTION
7	Plain Main Brg.	81-76	FP-2110592	STD	w/1.645" length brg.
7	Plain Main Brg.	81-76	FP-3178766 *	STD	w/1.645" length brg.
7	Plain Main Brg.	81-76	FP-211059210	10	w/1.645" length brg.
7	Plain Main Brg.	81-76	FP-317876610 *	10	w/1.645" length brg.
7	Plain Main Brg.	81-76	FP-4W549240	40	w/1.645" length brg.
7	Plain Main Brg.	81-76	FP-4W5698	.63MM	w/1.645" length brg.
7	Plain Main Brg.	81-76	FP-4W5699	1.27MM	w/1.645" length brg.
1	Thrust Washer Set	81-76	FP-7E9262S		Position 4

(continued on next page)

Ford Truck - M/D & H/D

H/D Truck 3406 Eng. From Ser. No. 92U1 79
14.6L 893 OHV Turbo-Diesel L6, 5.4" Bore (Caterpillar Eng.) 1976-85 (cont.)

CRANKSHAFT/OIL PUMP (cont.)

QTY	OIL PUMP	YEARS	PART NO.	SIZE	DESCRIPTION
1	Oil Pump	81-76	FP-1614112		

CYLINDER COMPONENTS

QTY	LINERS	YEARS	PART NO.	SIZE	DESCRIPTION
6	Liner w/o Sealing Rings	81-76	FP-1979322		
6	Liner w/Sealing Rings	81-76	FP-1979322WS		
6	Cyl. Liner Sealing Ring Kit	81-76	FP-1609874		
6	Sealing Ring, Liner	81-76	FP-1426217		
6	Sealing Ring, Liner	81-76	FP-1427072		
6	Sealing Ring, Liner	81-76	FP-1102220		Lower
6	Sealing Ring, Liner	81-76	FP-9L5854		Upper

QTY	PISTONS	YEARS	PART NO.	SIZE	DESCRIPTION
6	Piston Body w/o Pin	81-76	FP-6N4080		Straight Rod; Dual NI insert; 1/8" Narrow Keystone Ring
6	Piston Body w/o Pin	81-76	FP-7N3633		6 Deg. Tapered Rod; Dual NI insert w/plug; 1/8" Narrow Keystone Ring; 15.0:1 C.R.
6	Piston Body w/o Pin	81-76	FP-7N3509		6 Deg. Tapered Rod; Dual NI insert; 1/8" Narrow Keystone Ring
6	Piston Body w/o Pin	81-76	FP-4N3724		6 Deg. Tapered Rod; 4 Valve Reliefs; Single NI insert; 1/8" Ring grooves
6	Piston Body w/o Pin	81-76	FP-2900017	STD	9 Deg. Tapered Rod; 280/300 HP (JWAC)
6	Piston Body w/o Pin	81-76	FP-9Y4004 +		9 Deg. Tapered Rod; 280/300 HP (JWAC); 5/32" Wide Keystone Ring; 14.5:1 C.R.; When depleted use FP-2900017
6	Piston Body w/o Pin	81-76	FP-6N4126		9 Deg. Tapered Rod; 4 Valve Reliefs; 1/8" Narrow Keystone Ring
6	Pin	81-76	FP-8N1608		Use w/Piston FP-9Y4004
6	Pin	81-76	FP-7N9806		Use w/Pistons FP-4N3724, FP-6N4080, FP-7N3509
6	Pin	81-76	FP-7N9807		Use w/Pistons FP-6N4126, FP-7N3633
12	Piston Pin Retainer	81-76	FP-8N7295		
6	Pin Bushing	81-76	FP-8N0705		Straight Rod w/1.550" length
6	Pin Bushing	81-76	FP-4P8495		6 Deg. Tapered Rod w/1.855" length
6	Pin Bushing	81-76	FP-8N0706		9 Deg. Tapered Rod w/1.550" length

QTY	CONNECTING RODS & BRGS.	YEARS	PART NO.	SIZE	DESCRIPTION
6	Rod Pair	81-76	FP-9Y9497	STD	w/1.535" length brg.
6	Rod Pair	81-76	FP-9Y949710	10	w/1.535" length brg.
6	Rod Pair	81-76	FP-4W5702	25	w/1.535" length brg.
6	Rod Pair	81-76	FP-4W5703	50	w/1.535" length brg.

QTY	PISTON RINGS	YEARS	PART NO.	SIZE	DESCRIPTION
6	Ring Set Single Cylinder	81-76	FP-1W8922	STD	Use w/Piston FP-9Y4004; 1-5/32, 1-1/8, 1-1/8 (1 cyl. set)
6	Ring Set Single Cylinder	81-76	FP-8N0822	STD	Use w/Pistons FP-4N3724, FP-6N4080, FP-6N4126, FP-7N3509, FP-7N3633

KITS

QTY	OVERHAUL KIT	YEARS	PART NO.	SIZE	DESCRIPTION
1	In-Frame Overhaul Kit	81-76	FP-IFK3406		
1	Complete Overhaul Kit	81-76	FP-IFK3406OH		

H/D Truck V903 Eng. 80
14.8L 903 OHV Diesel V8, 5.5" Bore (Cummins Eng.) 1970-79

CYL. HEAD & PARTS

QTY	GASKETS	YEARS	PART NO.	SIZE	DESCRIPTION
2	Valve Cover Gasket	79-70	FP-3026315		
2	Valve Cover Gasket	73-70	FP-3028673		
2	Head Gasket	79-70	FP-212224		
1	Head Set	79-70	FP-3013497		
2	Gasket	79-74	FP-171028		

QTY	VALVE	YEARS	PART NO.	SIZE	DESCRIPTION
16	Exhaust	79-70	FP-138887		Exh. & Int.

QTY	VALVE SEAT	YEARS	PART NO.	SIZE	DESCRIPTION
16	Exh. & Int.	79-70	FP-3017759		Check Cummins Service Topics 93T2-2; 2.0030" OD, 1.6900" ID, .2795" Depth

QTY	VALVE GUIDE	YEARS	PART NO.	SIZE	DESCRIPTION
16	Guide	79-70	FP-138937		Exh. & Int.

QTY	VALVE SPRING	YEARS	PART NO.	SIZE	DESCRIPTION
16	Spring	79-70	FP-146732		Exh. & Int.; Inner
16	Spring	79-70	FP-146731		Exh. & Int.; Outer

(continued on next page)

Ford Truck - M/D & H/D

80 H/D Truck V903 Eng.

(cont.) 14.8L 903 OHV Diesel V8, 5.5" Bore (Cummins Eng.) 1970-79

FUEL SYSTEM & PARTS					
QTY	FUEL INJECTION	YEARS	PART NO.	SIZE	DESCRIPTION
16	Fuel Injector Sleeve	79-70	FP-3070486		Thin
16	O-Ring	79-70	FP-3007759		Inj. Sleeve
ENGINE BLOCK & PARTS					
QTY	GASKET SETS	YEARS	PART NO.	SIZE	DESCRIPTION
1	Gasket Conversion Set	79-70	FP-3014458		Incl. crank seals
QTY	CAM BEARINGS	YEARS	PART NO.	SIZE	DESCRIPTION
1	Cam Set	79-70	FP-1449M	Std Only	Late Eng.s.; w/2.6875" housing bore
1	Cam Set	79-70	1449M +	Std Only	Late Eng.s.; w/2.6875" housing bore; When depleted use FP-1449M
2	Cam Brg.	79-70	FP-200780	STD	Position 1, 5
3	Cam Brg.	79-70	FP-200790	STD	Position 2, 3, 4
CRANKSHAFT/OIL PUMP					
QTY	SEALS - FRONT CRANK	YEARS	PART NO.	SIZE	DESCRIPTION
1	Oil Seal	79-70	FP-3020184		
QTY	SEALS - REAR CRANK	YEARS	PART NO.	SIZE	DESCRIPTION
1	Oil Seal	79-70	FP-3023867		
QTY	MAIN BEARINGS	YEARS	PART NO.	SIZE	DESCRIPTION
1	Main Set	79-70	FP-AR3640	STD	Incl. Thrust Washers
1	Main Set	79-70	FP-AR3641	10	Incl. Thrust Washers
1	Main Set	79-70	FP-AR3642	20	Incl. Thrust Washers
1	Main Set	79-70	FP-AR3643	30	Incl. Thrust Washers
CYLINDER COMPONENTS					
QTY	LINERS	YEARS	PART NO.	SIZE	DESCRIPTION
8	Liner w/o Sealing Rings	79-70	FP-203170		
8	Liner w/Sealing Rings	79-70	FP-AR8069	STD	
8	Cylinder Kit Complete	79-70	FP-AR11909	STD	w/Keystone Top Ring; 15.5:1 C.R.
8	Sealing Ring, Liner	79-70	FP-3044795		1 per liner req'd.
16	Sealing Ring, Liner	79-70	FP-3032874		2 per liner req'd.
QTY	PISTONS	YEARS	PART NO.	SIZE	DESCRIPTION
8	Piston Body w/o Pin	79-70	FP-3037413	STD	w/Keystone Top Ring; 15.5:1 C.R.
8	Piston Kit w/Pin & Retainers	79-70	FP-3019287		w/Keystone Top Ring; 15.5:1 C.R.
8	Pin	79-70	FP-215390	STD	
16	Piston Pin Retainer	79-70	FP-155267		
8	Pin Bushing	79-70	FP-189763		
QTY	CONNECTING RODS & BRGS.	YEARS	PART NO.	SIZE	DESCRIPTION
8	Rod Pair	79-70	FP-189770PR	STD	
8	Rod Pair	79-70	FP-189771PR	10	
8	Rod Pair	79-70	FP-189772PR	20	
81 H/D Truck N927, Super 250 Engs.					
15.2L 927 OHV Diesel L6, 5.5" Bore (Cummins Eng.) 1974-83					
CYL. HEAD & PARTS					
QTY	GASKETS	YEARS	PART NO.	SIZE	DESCRIPTION
1	Head Set	83-74	FP-3801348		.010 O/S Water Grommets; Upper set, SC & BC I, II, III, 5 bolt Eng.s.; w/ & w/o FFC
1	Head Set	83-74	FP-4024946		Standard Water Grommets
QTY	VALVE	YEARS	PART NO.	SIZE	DESCRIPTION
6	Intake	83-74	FP-135957		1.8700" Head Dia., .4505" Stem Dia., 7.0660" O.A.L.
6	Exhaust	83-74	FP-145701		Stellite; 1.8700" Head Dia., .4505" Stem Dia., 7.0660" O.A.L.
24	Keeper	83-74	FP-127554		Exh. & Int.
QTY	VALVE SEAT	YEARS	PART NO.	SIZE	DESCRIPTION
12	Exh. & Int.	83-74	FP-3017759		Check Cummins Service Topics 93T2-2; 2.0030" OD, 1.6900" ID, .2795" Depth
QTY	VALVE GUIDE	YEARS	PART NO.	SIZE	DESCRIPTION
12	Guide	83-74	FP-3006456		Exh. & Int.; Check Cummins Service Topics 93T2-2; .4530" ID, 3.3900" O.A.L.
QTY	VALVE SPRING	YEARS	PART NO.	SIZE	DESCRIPTION
12	Spring	83-74	FP-211999		Exh. & Int.; Check Cummins Service Topics 93T2-2; 2.6850" Free Height

(continued on next page)

Ford Truck - M/D & H/D

H/D Truck N927, Super 250 Eng. 81
15.2L 927 OHV Diesel L6, 5.5" Bore (Cummins Eng.) 1974-83 (cont.)

CAMSHAFT GROUP

QTY	CAMSHAFT/LIFTER	YEARS	PART NO.	SIZE	DESCRIPTION
1	Camshaft	83-74	FP-3801030		w/.750" Keyway, replaces O.E. 129860 & 3801030; If camshaft being replaced has 1" keyway, contact Cummins dealer for replacement key

ENGINE BLOCK & PARTS

QTY	GASKET SETS	YEARS	PART NO.	SIZE	DESCRIPTION
1	Gasket Conversion Set	83-74	FP-3014459		Lower set
QTY	CAM BEARINGS	YEARS	PART NO.	SIZE	DESCRIPTION
1	Cam Set	83-74	FP-BM27253	STD	

CRANKSHAFT/OIL PUMP

QTY	MAIN BEARINGS	YEARS	PART NO.	SIZE	DESCRIPTION
1	Main Set	83-74	FP-3801260	STD	W/Partial groove brgs.; Incl. thrust washers
1	Main Set	83-74	FP-3801261	10	W/Partial groove brgs.; Incl. thrust washers
1	Main Set	83-74	FP-3801262	20	W/Partial groove brgs.; Incl. thrust washers
1	Main Set	83-74	FP-3801263	30	W/Partial groove brgs.; Incl. thrust washers
1	Thrust Washer Set	83-74	FP-1334AFA +	Std Only	Position 7; When depleted use FP-3067568
4	Thrust Washer	83-74	FP-3067568	STD	Position 7

CYLINDER COMPONENTS

QTY	PISTONS	YEARS	PART NO.	SIZE	DESCRIPTION
6	Pin	83-74	FP-191970		
12	Piston Pin Retainer	83-74	FP-175755		
6	Pin Bushing	83-74	FP-187420		w/Tapered Rod; 1 piece bushing; 2.20" Width
QTY	PISTON RINGS	YEARS	PART NO.	SIZE	DESCRIPTION
6	Ring Set Single Cylinder	83-74	FP-4089810	STD	1-5/32, 2-1/8, 1-3/16 (1 cyl. set)

M/D Truck KT-19 Eng. 82
18.8L 1150 OHV Turbo-Diesel L6, 6.25" Bore (Cummins Eng.) 1980

CYL. HEAD & PARTS

QTY	GASKETS	YEARS	PART NO.	SIZE	DESCRIPTION
24	Grommet	80	FP-207448		KT-19; Water
6	Rocker Housing Gasket	80	FP-3201517		KT-19
6	Rocker Lever Gasket	80	FP-4922219		KT-19
6	Rocker Lever Gasket	80	FP-3629140 +		KT-19; When depleted use FP-4922219
1	Head Set	80	FP-3803597		KT-19
1	Head Set	80	FP-3803596		KT-19; Single Cylinder Head
6	Cam Follower Gasket	80	FP-3040721		KT-19; Cover
1	Camshaft Hole Cover Gasket	80	FP-3040722		KT-19
QTY	MISCELLANEOUS	YEARS	PART NO.	SIZE	DESCRIPTION
6	Pipe Plug	80	FP-S915A		KT-19
1	Pipe Plug	80	FP-3002158		KT-19
6	Pipe Plug	80	FP-67622		KT-19
18	Adjusting Screw Nut	80	FP-S212		KT-19; 1/2" - 20 UNF; Use w/FP-168306
12	Adjusting Screw Nut	80	FP-203131		KT-19; 3/8" - 24 UNF
12	Screw	80	FP-147389		KT-19; Crosshead; 3/8" - 24 UNF x 3/4"
QTY	FREEZE PLUGS	YEARS	PART NO.	SIZE	DESCRIPTION
6	Pipe Plug	80	FP-S915A		KT-19
1	Pipe Plug	80	FP-3002158		KT-19
6	Pipe Plug	80	FP-67622		KT-19
QTY	VALVE	YEARS	PART NO.	SIZE	DESCRIPTION
12	Intake	80	FP-3052820		KT-19; Premium; Tribaloy; Must use with Tribaloy Valve Insert FP-3052819
12	Intake	80	FP-3088393		KT-19; Standard; Silichrome 1
12	Exhaust	80	FP-3088389		KT-19; Premium; Inconel
12	Exhaust	80	FP-3088391		KT-19; Standard; Stellite 6
12	Exhaust Valve Kit	80	FP-3803528		KT-19; Premium; Inconel; With locks
12	Exhaust Valve Kit	80	FP-3803529		KT-19; Standard; Stellite 6; With locks
12	Intake Valve Kit	80	FP-3803518		KT-19; Premium; Tribaloy; with locks; Must use with Tribaloy Valve Insert FP-3052819
12	Intake Valve Kit	80	FP-3803515		KT-19; Standard; Silichrome 1; With locks
48	Keeper	80	FP-205091		KT-19
QTY	VALVE SEAT	YEARS	PART NO.	SIZE	DESCRIPTION
12	Exh.	80	FP-205093	STD	KT-19
12	Int.	80	FP-3052819		KT-19; Tribaloy
12	Int.	80	FP-3026296	STD	KT-19; 2.381"

(continued on next page)

+ Superseded Part Number

Ford Truck - M/D & H/D

82 M/D Truck KT-19 Eng.

(cont.) 18.8L 1150 OHV Turbo-Diesel L6, 6.25" Bore (Cummins Eng.) 1980

CYL. HEAD & PARTS (cont.)

QTY	VALVE SEAT (cont.)	YEARS	PART NO.	SIZE	DESCRIPTION
12	Int.	80	FP-3031098	10	KT-19; 2.391"
12	Int.	80	FP-3031099	20	KT-19; 2.401"
QTY	VALVE GUIDE	YEARS	PART NO.	SIZE	DESCRIPTION
12	Guide	80	FP-3018818		KT-19; Flat Top; 3.800" Std. Length
12	Guide	80	FP-3202210		KT-19; 45 Deg. Taper Top; 3.580" Std. Length
QTY	VALVE SPRING	YEARS	PART NO.	SIZE	DESCRIPTION
12	Spring	80	FP-3629006		KT-19; Carbon Steel; Long
24	Spring	80	FP-3633840		KT-19; Nitrided; Short
QTY	PUSH RODS	YEARS	PART NO.	SIZE	DESCRIPTION
6	Push Rod	80	FP-3017961		KT-19; Injector
12	Push Rod	80	FP-205492		Int. & Exh.; KT-19; Intake & Exhaust Valve
QTY	VALVE MISC.	YEARS	PART NO.	SIZE	DESCRIPTION
12	Rotocap	80	FP-3081081		KT-19
12	Swirl Plate, Cylinder Head	80	FP-3009109		KT-19
QTY	ROCKER PARTS	YEARS	PART NO.	SIZE	DESCRIPTION
48	Expansion Plug	80	FP-205401		KT-19
12	Expansion Plug	80	FP-206224		KT-19
6	Expansion Plug	80	FP-203933		KT-19; Rocker Lever Shaft
12	Cam Follower Roller	80	FP-3016826		Int. & Exh.; KT-19; Valve
6	Injector Cam Roller	80	FP-3016825		KT-19
12	Valve Bridge Guide	80	FP-205169		KT-19
12	Valve Roller Pin	80	FP-205071		KT-19; Cam Follower
6	Rocker Arm Rivet	80	FP-208084		KT-19
18	Rocker Lever Adjusting Screw	80	FP-168306		KT-19; 1/2" - 20 UNF x 2.045" Length; Use w/FP-S212
6	Rocker Arm Socket	80	FP-194037		KT-19
6	Rocker Lever Intake	80	FP-3013300		KT-19; Injector; Early
6	Fuel Injector Roller Pin	80	FP-205068		KT-19; Cam Follower
18	Cam Follower Socket	80	FP-107738		KT-19

INT & EXH MANIFOLDS

QTY	INT. & EXH. MANIFOLDS	YEARS	PART NO.	SIZE	DESCRIPTION
6	Exhaust Manifold Gasket	80	FP-3043097		KT-19

CAMSHAFT GROUP

QTY	TIMING COVER	YEARS	PART NO.	SIZE	DESCRIPTION
1	Oil Filler Cap	80	FP-107981		KT-19
QTY	CAMSHAFT/LIFTER	YEARS	PART NO.	SIZE	DESCRIPTION
1	Camshaft	80	FP-3066877		KT-19; CPL's 127, 153, 159, 171, 183-5, 213, 219, 232, 245, 251, 274, 290, 291-3, 297, 302, 334, 379, 385-6, 398, 415, 428, 438-42, 444-5, 447, 474-5, 520, 584, 640, 672, 724, 884-6, 888, 952, 969, 1190, 1531

ACCESSORY DRIVE

QTY	ACCESSORY DRIVE	YEARS	PART NO.	SIZE	DESCRIPTION
1	Coupling, Accessory Drive	80	FP-3000174		KT-19
1	Accessory Drive Thrust Washer	80	FP-3026557		KT-19
1	Bolt	80	FP-3000173		KT-19; 3/8" - 16 X 1" length
1	Accessory Drive Gasket	80	FP-3410171		KT-19
1	Accessory Drive Gasket	80	FP-3201693 +		KT-19; When depleted use FP-3410171
1	Sealing Ring	80	FP-3200287		KT-19
1	Bushing	80	FP-116391		KT-19
2	Pipe Plug	80	FP-3002158		KT-19
1	Washer	80	FP-3014103		KT-19; Clamping
1	Washer	80	FP-170664		KT-19; 3/8" ID
1	Wear Sleeve	80	FP-190397		KT-19; Pulley
1	Thrust Washer	80	FP-3026556		KT-19

AIR COMPRESSOR

QTY	AIR COMPRESSOR	YEARS	PART NO.	SIZE	DESCRIPTION
1	Air Compressor Gasket Set	80	FP-AR73308		KT-19; 13.2 CFM
1	Air Compressor Gasket	80	FP-176027		KT-19; Support to Compressor Housing; 13.2 CFM
1	Air Compressor Gasket	80	FP-154018		KT-19; 13.2 CFM
1	Air Compressor Gasket	80	FP-3047159		KT-19; 13.2 CFM
1	Air Compressor Gasket	80	FP-185848		KT-19; 30 CFM
1	Air Compressor Gasket	80	FP-199347		KT-19; 30 CFM
1	Air Compressor Gasket	80	FP-207117		KT-19; 30 CFM
1	Air Compressor Gasket	80	FP-3069102		KT-19; 30 CFM

(continued on next page)

Ford Truck - M/D & H/D

M/D Truck **KT-19 Eng. 82**
18.8L 1150 OHV Turbo-Diesel L6, 6.25" Bore (Cummins Eng.) 1980 (cont.)

AIR COMPRESSOR (cont.)

QTY	AIR COMPRESSOR (cont.)	YEARS	PART NO.	SIZE	DESCRIPTION
1	Air Connection Gasket	80	FP-3201386		KT-19; 13.2 CFM
1	O-Ring	80	FP-128085		KT-19; 13.2 CFM
1	O-Ring	80	FP-128086		KT-19; 13.2 CFM
1	O-Ring	80	FP-3042542		KT-19; 13.2 CFM
1	O-Ring	80	FP-3043995		KT-19; 13.2 CFM
1	O-Ring	80	FP-128086		KT-19; 30 CFM
2	O-Ring	80	FP-211315		KT-19; 30 CFM
2	O-Ring	80	FP-3042542		KT-19; 30 CFM
1	O-Ring	80	FP-3046201		KT-19; 30 CFM; O-Ring for 3/4" plug
1	Gasket	80	FP-3820922		KT-19; Air Compressor Support; 13.2 CFM
1	Gasket	80	FP-127950		KT-19; Connection Gasket; 30 CFM
1	Air Compressor Seal Ring	80	FP-127936		KT-19; 13.2 CFM
1	Air Compressor Seal Ring	80	FP-127936		KT-19; 30 CFM
1	Air Compressor Seal Ring	80	FP-3009738		KT-19; 30 CFM
1	Air Compressor Seal Ring	80	FP-3009739		KT-19; 30 CFM
2	Air Compressor Seal Ring	80	FP-3015068		KT-19; 30 CFM

FUEL SYSTEM & PARTS

QTY	FUEL INJECTION	YEARS	PART NO.	SIZE	DESCRIPTION
1	Sealing Ring	80	FP-207244		KT-19
6	Fuel Injector	80	FP-3016675		KT-19; PTK
6	Fuel Injector	80	FP-3016676		KT-19; PTK
6	Fuel Injector	80	FP-3022197		KT-19; PTK
6	Fuel Injector Repair Parts	80	FP-167157		KT-19; Check Ball
6	Fuel Inj. Plunger & Barrel	80	FP-3037292		KT-19
1	Fuel Injection Driver Tang	80	FP-70690		KT-19
1	FI Auto Fuel Control Barrel	80	FP-3021068		KT-19; AFC Assembly
1	Fuel Injection Link	80	FP-205462		KT-19
1	Fuel Injector Adapter	80	FP-205463		KT-19; PTK
1	Fuel Injector Cup	80	FP-3001314		KT-19; orifice number 10; orifice size .0085; 10 Deg. spray angle
1	Fuel Injector Cup	80	FP-3005963		KT-19; orifice number 10; orifice size 0.0075; 10 Deg. spray angle
1	Fuel Injector Cup	80	FP-3003933		KT-19; orifice number 9; orifice size 0.0085; 10 Deg. spray angle
1	Fuel Injector Cup	80	FP-3003932		KT-19; orifice number 9; orifice size 0.0085; 7 Deg. spray angle
6	Fuel Injector Screen	80	FP-3008706		KT-19
1	Fuel Injector Roller Pin	80	FP-203426		KT-19
1	Fuel Injector Retainer	80	FP-207245		KT-19

QTY	FUEL FILTERS & PUMP	YEARS	PART NO.	SIZE	DESCRIPTION
1	Mechanical Fuel Pump	80	FP-3034245		KT-19; 1" R.H. Pressurized
1	Fuel Pump Filter	80	FP-146483		KT-19
1	Fuel Pump Valve	80	FP-3050624		KT-19
2	Fuel Pump Gear	80	FP-119363		KT-1150; 3/4"
2	Fuel Pump Gear	80	FP-170942		KT-19; 1"
2	Fuel Pump Gear	80	FP-119363		KT-19; 3/4"
1	Fuel Pump Drive Shaft	80	FP-100215		KT-1150; 3/4"; Drive, Splined
1	Fuel Pump Drive Shaft	80	FP-3013036		KT-19; Fuel Shutoff Valve
1	Fuel Pump Drive Shaft	80	FP-212601		KT-19; Main Shaft; AFC
1	Fuel Pump Drive Shaft	80	FP-100216		KT-19; 1"; Drive
1	Fuel Pump Drive Shaft	80	FP-100215		KT-19; 3/4"; Drive, Splined
1	Fuel Pump Check Valve	80	FP-3030970		KT-19; Fuel Shutoff Valve
2	Bolt	80	FP-S2286		KT-19; Name Plate; Fuel Pump Housing
1	O-Ring	80	FP-193736		KT-19; Fuel Injector
1	O-Ring	80	FP-205216		KT-19; Fuel Injector
1	O-Ring	80	FP-3010510		KT-19; Fuel Injector
1	O-Ring	80	FP-145504		KT-19; AFC Assembly
1	O-Ring	80	FP-145505		KT-19; AFC Assembly
1	O-Ring	80	FP-3045986		KT-19; AFC Assembly
1	O-Ring	80	FP-3066914		KT-19; AFC Assembly
2	O-Ring	80	FP-68061A		KT-19; AFC Assembly
1	O-Ring	80	FP-151900		KT-19; Fuel Pump Damper; 0.621" OD, 0.494" ID
1	O-Ring	80	FP-100099		KT-19; Fuel Pump Damper; 1.627" OD, 1.364" ID
1	O-Ring	80	FP-139988		KT-19; Fuel Pump Damper; 1.752" OD, 1.489" ID
1	O-Ring	80	FP-145504		KT-19; Fuel Pump Housing
1	O-Ring	80	FP-213768		KT-19; Fuel Pump Housing
1	O-Ring	80	FP-129888		KT-19; Fuel Shutoff Valve
1	O-Ring	80	FP-190876		KT-19; Fuel Shutoff Valve
1	O-Ring	80	FP-100478		KT-19; Throttle Shaft
1	Fuel Pump Gasket	80	FP-4026171		KT-19; Front Cover to Drive
1	Fuel Pump Gasket	80	FP-110855		KT-19; Fuel Pump Body
1	Gasket	80	FP-70705		KT-19; Spring Pack Flange; Automotive

(continued on next page)

Ford Truck - M/D & H/D

82 M/D Truck KT-19 Eng.

(cont.) 18.8L 1150 OHV Turbo-Diesel L6, 6.25" Bore (Cummins Eng.) 1980

FUEL SYSTEM & PARTS (cont.)

QTY	FUEL FILTERS & PUMP (cont.)	YEARS	PART NO.	SIZE	DESCRIPTION
1	Oil Seal	80	FP-212603		KT-19
2	Oil Seal	80	FP-3062676		KT-19; Front Cover
1	Ball Brg.	80	FP-S16052		KT-19; Fuel Pump Front Cover
1	Bushing	80	FP-163944		KT-19; Fuel Pump
1	Fuel Pump Spider Jaw Coupling	80	FP-3046200		KT-19
1	Fuel Pump Check Valve	80	FP-3033740		KT-19
1	Fuel Pump Drive Coupling Hub	80	FP-3000175		KT-19
1	Air Fuel Control Check Valve	80	FP-3015522		KT-19
1	AFC Plunger	80	FP-144178		KT-19
1	AFC Plunger	80	FP-3021676		KT-19
1	Fuel Ratio Control Diaphragm	80	FP-3013811		KT-19; AFC Assembly
1	Filter Cap, Fuel Pump	80	FP-157088		KT-19
1	Fuel Pump Thrust Bearing	80	FP-3027633		KT-19
1	Needle Valve	80	FP-214144		KT-19; AFC; No. 162
1	Spring Pack Housing	80	FP-3036970		KT-19; Fuel Pump Housing
1	Transfer Pump Gasket Kit	80	FP-3010242		KT-19; AFC-VS
1	Thrust Washer	80	FP-201745		KT-19; Fuel Pump Front Cover
1	Thrust Washer	80	FP-3035230		KT-19; Fuel Pump Housing
1	Washer	80	FP-S631		KT-19; AFC Assembly; .250" ID
1	Fuel Pump Mounting Gasket	80	FP-3069017		KT-19
1	Fuel Pump Housing Cover	80	FP-3063052		KT-19; Automotive
1	Fuel Pump Housing Cover	80	FP-200998		KT-19; Industrial
1	Fuel Pump Regulator Gasket	80	FP-3010240		KT-19; PT Type G
1	Rect. or Square Seal	80	FP-154087		KT-19; Fuel Shutoff Valve
QTY	TURBOCHARGER	YEARS	PART NO.	SIZE	DESCRIPTION
1	Turbocharger Oil Drain Gasket	80	FP-3202117		KT-19
1	Turbocharger Mounting Gasket	80	FP-206576		KT-19
GOVERNOR					
QTY	GOVERNOR	YEARS	PART NO.	SIZE	DESCRIPTION
1	Fuel Governor Plunger	80	FP-3009380		KT-19; AFC With Tapered Seat; Red
1	Fuel Governor Plunger	80	FP-3040750		KT-19; AFC; Red
2	Governor Dowel Pin	80	FP-211635		KT-19
1	Carrier, Governor Weight	80	FP-3024991		KT-19
COOLING SYSTEM					
QTY	WATER PUMP	YEARS	PART NO.	SIZE	DESCRIPTION
1	Water Pump Shaft	80	FP-3042827		KT-19
1	Water Pump Repair/Rebuild Kit	80	FP-3803153		KT-19
1	Water Pump Retainer Ring	80	FP-205258		KT-19
1	Water Pump Retainer Ring	80	FP-70183		KT-19
1	Water Pump Mech. Shaft Seal	80	FP-3029099		KT-19
1	Ball Brg.	80	FP-S16002		Inner; KT-19; Shaft
1	Ball Brg.	80	FP-3077646		Inner; KT-450; Shaft; Early
1	Ball Brg.	80	FP-S16069		Outer; KT-19; Shaft
1	Water Pump Gasket	80	FP-3202283		KT-19
1	Water Intake Gasket	80	FP-205288		KT-19
1	Oil Seal	80	FP-206948		KT-19
1	Oil Seal	80	FP-3016794		KT-19; Drive
1	O-Ring	80	FP-145623		KT-19
2	O-Ring	80	FP-3028291		KT-19
1	O-Ring	80	FP-3818885		KT-19
1	Pipe Plug	80	FP-S965E		KT-19; 1/16" NPT
1	Gasket	80	FP-3042612		KT-19; Fan Hub
1	Screw	80	FP-3012472		KT-19; .375" - 16 X 1.500"
1	Washer	80	FP-S631		KT-19; .250" ID
2	Thrust Washer	80	FP-3026556		KT-19
QTY	SEALS - FAN HUB	YEARS	PART NO.	SIZE	DESCRIPTION
1	Oil Seal	80	39851		
1	Redi-Sleeve	80	99210		
QTY	THERMOSTAT	YEARS	PART NO.	SIZE	DESCRIPTION
1	Thermostat	80	FP-204586		KT-19; 175 Deg. F
2	Thermostat	80	FP-3076489		KT-19; 180 Deg. F, Non-Vented
2	Thermostat	80	FP-3017360		KT-19; 185 Deg. F
1	Thermostat Gasket	80	FP-3010918		KT-19; Thermostat Housing
1	Water Outlet Gasket	80	FP-205289		KT-19
1	Rect. or Square Seal	80	FP-186780		KT-19
1	Drain Cock	80	FP-S962E		KT-19

(continued on next page)

Ford Truck - M/D & H/D

M/D Truck **KT-19 Eng. 82**
18.8L 1150 OHV Turbo-Diesel L6, 6.25" Bore (Cummins Eng.) 1980 (cont.)

ENGINE BLOCK & PARTS

QTY	GASKETS	YEARS	PART NO.	SIZE	DESCRIPTION
1	Oil Pan Gasket	80	FP-3042590		KT-19
1	Oil Pan Adapter Gasket	80	FP-3042588		KT-19; Early
1	Oil Pan Adapter Gasket	80	FP-3042587		KT-19; Late
1	Oil Pan Adapter Gasket	80	FP-3073213		KT-19; Late
1	O-Ring	80	FP-205247		KT-19
6	O-Ring	80	FP-3015067		KT-19
1	O-Ring	80	FP-3201125		KT-19; Barring Shaft
1	O-Ring	80	FP-3046201		KT-19; O-Ring for 3/4" plug
1	Gear Cover Gasket	80	FP-3001318		KT-19
1	Gear Cover Gasket	80	FP-3074690		KT-19
1	Gear Housing Gasket	80	FP-3037282		KT-19
3	Hand Hole Cover Gasket	80	FP-3042586		KT-19
1	Hydraulic Gasket	80	FP-3007380		KT-19; Cover
1	Hydraulic Pump Gasket	80	FP-3008400		KT-19; Cover
4	Rect. or Square Seal	80	FP-153518		KT-19
2	Seal Strip	80	FP-205241		KT-19; Oil Pan
QTY	GASKET SETS	YEARS	PART NO.	SIZE	DESCRIPTION
1	Gasket Conversion Set	80	FP-3801006		KT-19
QTY	DOWEL PINS	YEARS	PART NO.	SIZE	DESCRIPTION
12	Dowel Pin	80	FP-68445		KT-19
QTY	CAM BEARINGS	YEARS	PART NO.	SIZE	DESCRIPTION
7	Cam Brg.	80	FP-3002834		KT-19
QTY	OIL COOLERS & FILTERS	YEARS	PART NO.	SIZE	DESCRIPTION
1	Aftercooler Core Assembly	80	FP-3001299		KT-19
3	Connection Gasket	80	FP-3032161		KT-19; Aftercooler
1	Aftercooler Gasket	80	FP-3001305		KT-19
2	Oil Cooler	80	FP-4095097		KT-19; 10 plate
4	Washer	80	FP-109557		KT-19; Aftercooler; .250" ID
4	Oil Cooler Gasket	80	FP-206973		KT-19
2	O-Ring	80	FP-3023066		KT-19; Aftercooler
12	O-Ring	80	FP-212161		KT-19; Oil Cooler
1	O-Ring	80	FP-70624		KT-19; Oil Cooler
2	Rect. or Square Seal	80	FP-206808		KT-19
24	Misc. Rubber or Plas. Sleeve	80	FP-3014304		KT-19; Aftercooler
1	Oil Cooler Core Inner Gasket	80	FP-3200550		KT-19
1	Oil Cooler Core Outer Gasket	80	FP-3065791		KT-19
6	Oil Cooler Cover Gasket	80	FP-206021		KT-19
2	Aftercooler Cover Gasket	80	FP-3001304		KT-19
1	Pipe Plug	80	FP-3002158		KT-19; Aftercooler
QTY	FREEZE PLUGS	YEARS	PART NO.	SIZE	DESCRIPTION
2	Expansion Plug	80	FP-175830		KT-19
1	Expansion Plug	80	FP-175831		KT-19; Barring
6	Pipe Plug	80	FP-3002158		KT-19; Gear Cover
1	Pipe Plug	80	FP-S965E		KT-19; Gear Cover; 1/16" NPT
2	Pipe Plug	80	FP-3013786		KT-19; Gear Cover; 3/8" N.P.T.
1	Pipe Plug	80	FP-3013786		KT-19; 3/8" N.P.T.
QTY	MISCELLANEOUS	YEARS	PART NO.	SIZE	DESCRIPTION
6	Pipe Plug	80	FP-3002158		KT-19; Gear Cover
1	Pipe Plug	80	FP-S965E		KT-19; Gear Cover; 1/16" NPT
2	Pipe Plug	80	FP-3013786		KT-19; Gear Cover; 3/8" N.P.T.
1	Pipe Plug	80	FP-3013786		KT-19; 3/8" N.P.T.
2	Bushing	80	FP-132770		KT-19; Gear Cover; w/1.567" ID, 1.697" OD, 1.500" O.A.L.
8	Washer	80	FP-S631		KT-19; .250" ID
9	Washer	80	FP-200861		KT-19; Flywheel
CRANKSHAFT/OIL PUMP					
QTY	CRANKSHAFT	YEARS	PART NO.	SIZE	DESCRIPTION
1	Crankshaft	80	FP-3096362		KT-19; Without Gear
1	Vibration Damper	80	FP-217322		KT-19; 13.55"
QTY	SEALS - FRONT CRANK	YEARS	PART NO.	SIZE	DESCRIPTION
1	Oil Seal	80	FP-3016792		Front; KT-19
1	Redi-Sleeve	80	FP-3006236		Front; KT-19
1	Redi-Sleeve	80	99376		(3.750" Shaft)
1	Redi-Sleeve	80	99437		(4.375" Shaft)
1	Oil Seal	80	39705		(3.750" Shaft)
1	Oil Seal	80	39849		(4.375" Shaft)

(continued on next page)

Ford Truck - M/D & H/D

82 M/D Truck KT-19 Eng.

(cont.) 18.8L 1150 OHV Turbo-Diesel L6, 6.25" Bore (Cummins Eng.) 1980

CRANKSHAFT/OIL PUMP (cont.)

QTY	SEALS - REAR CRANK	YEARS	PART NO.	SIZE	DESCRIPTION
1	Oil Seal	80	FP-3005885		Rear; KT-19; Dry
1	Oil Seal	80	FP-3005886		Rear; KT-19; Wet
1	Oil Seal	80	39701		
1	Oil Seal	80	39715		(6.000" Shaft)
1	Redi-Sleeve	80	FP-3006237		Rear; KT-19
1	Redi-Sleeve	80	99599		(6.000" Shaft)
8	Washer	80	FP-S631		KT-19; .250" ID
12	Rect. or Square Seal	80	FP-172648		KT-19

QTY	MAIN BEARINGS	YEARS	PART NO.	SIZE	DESCRIPTION
1	Main Set	80	FP-AR12270	STD	KT-19
1	Main Set	80	FP-AR12271	10	KT-19
1	Main Set	80	FP-AR12272	20	KT-19
1	Main Set	80	FP-AR12273	30	KT-19
1	Thrust Washer Set	80	FP-205112S		Position 6
4	Thrust Washer	80	FP-205112	STD	KT-19
4	Thrust Washer	80	FP-3001197	20	KT-19

QTY	OIL PUMP	YEARS	PART NO.	SIZE	DESCRIPTION
1	Pipe Plug	80	FP-3002158		KT-19; Oil Pan
1	Pipe Plug	80	FP-3013786		KT-19; Oil Pan; 3/8" N.P.T.
1	Oil Suction Tube Gasket	80	FP-3008403		KT-19

CYLINDER COMPONENTS

QTY	LINERS	YEARS	PART NO.	SIZE	DESCRIPTION
6	Liner w/o Sealing Rings	80	FP-4009220		KT-19; LPF; For Late Blocks FP-3028130 & FP-3060545; Thick Flange .526"
6	Liner w/o Sealing Rings	80	FP-4009230		KT-19; LPF; For Late Blocks FP-3028130 & FP-3060545; Thick Flange .526"
6	Liner w/o Sealing Rings	80	FP-4009221	20	KT-19; LPF; For Late Blocks FP-3028130 & FP-3060545; Thick Flange .526"
6	Liner w/o Sealing Rings	80	FP-4009222	40	KT-19; LPF; For Late Blocks FP-3028130 & FP-3060545; Thick Flange .526"
6	Liner w/o Sealing Rings	80	FP-4009233	60	KT-19; LPF; For Late Blocks FP-3028130 & FP-3060545; Thick Flange .526"
6	Liner w/o Sealing Rings	80	FP-4009228	83	KT-19; LPF; For Late Blocks FP-3028130 & FP-3060545; Thick Flange .526"
6	Liner w/o Sealing Rings	80	FP-4009231		KT-19; 20/20 LPF; For Late Blocks FP-3028130 & FP-3060545; Thick Flange .526"
6	Liner w/o Sealing Rings	80	FP-4009232		KT-19; 60/20 LPF; For Late Blocks FP-3028130 & FP-3060545
6	Liner w/o Sealing Rings	80	FP-4009227		UPF; Thin Flange .306"
6	Liner w/Sealing Rings	80	FP-4024773		.020/.020; LPF; Thick Flange .526"
6	Liner w/Sealing Rings	80	FP-4024774		.060/.020; LPF
6	Liner w/Sealing Rings	80	FP-4024772		.095; LPF; Thick Flange .526"
6	Liner w/Sealing Rings	80	FP-4024767		LPF; Thick Flange .526"
6	Liner w/Sealing Rings	80	FP-4024768	20	LPF; Thick Flange .526"
6	Liner w/Sealing Rings	80	FP-4024769	40	LPF; Thick Flange .526"
6	Liner w/Sealing Rings	80	FP-4024775	60	LPF; Thick Flange .526"
6	Liner w/Sealing Rings	80	FP-4024771	83	LPF; Thick Flange .526"
6	Liner w/Sealing Rings	80	FP-4024770		UPF; Thin Flange .306"
6	Sealing Ring, Liner	80	FP-3011076		KT-19
6	Sealing Ring, Liner	80	FP-3014668		KT-19
6	Sealing Ring, Liner	80	FP-3081489		KT-19
6	Sealing Ring, Liner	80	FP-4000504		KT-19; Filler Band
6	Flange Shim	80	FP-3014226	7	KT-19; .007"
6	Flange Shim	80	FP-3014228	9	KT-19; .009"

QTY	PISTONS	YEARS	PART NO.	SIZE	DESCRIPTION
6	Piston Body w/o Pin	80	FP-3096683		KT-19; 13.5:1 C.R.
6	Piston Body w/o Pin	80	FP-3096680		KT-19; 13.8:1 C.R.
6	Piston Body w/o Pin	80	FP-3096685		KT-19; 13.9:1 C.R.
6	Piston Body w/o Pin	80	FP-3096682		KT-19; 14.5:1 C.R.
6	Piston Body w/o Pin	80	FP-3096681		KT-19; 15.5:1 C.R.
6	Piston Body w/o Pin	80	FP-3096684		KT-19; 15.7:1 C.R.
6	Piston Kit w/Pin & Retainers	80	FP-3631242		KT-19; 13.5:1 C.R.; New Offset Piston Pin Design
6	Piston Kit w/Pin & Retainers	80	FP-3631246		KT-19; 13.8:1 C.R.; New Offset Piston Pin Design
6	Piston Kit w/Pin & Retainers	80	FP-3631241		KT-19; 13.9:1 C.R.; New Offset Piston Pin Design
6	Piston Kit w/Pin & Retainers	80	FP-3631244		KT-19; 14.5:1 C.R.; New Offset Piston Pin Design
6	Piston Kit w/Pin & Retainers	80	FP-3631245		KT-19; 15.5:1 C.R.; New Offset Piston Pin Design
6	Piston Kit w/Pin & Retainers	80	FP-3631243		KT-19; 15.7:1 C.R.; New Offset Piston Pin Design
12	Piston Pin Retainer	80	FP-205269		KT-19

(continued on next page)

Ford Truck - M/D & H/D

M/D Truck **KT-19 Eng. 82**
18.8L 1150 OHV Turbo-Diesel L6, 6.25" Bore (Cummins Eng.) 1980 (cont.)

CYLINDER COMPONENTS (cont.)

QTY	PISTONS (cont.)	YEARS	PART NO.	SIZE	DESCRIPTION
6	Pin Bushing	80	FP-3043909		KT-19
QTY	CONNECTING RODS & BRGS.	YEARS	PART NO.	SIZE	DESCRIPTION
12	Rod Bearing Half Upper/Lower	80	FP-205840	STD	KT-19
12	Rod Bearing Half Upper/Lower	80	FP-205841	10	KT-19
12	Rod Bearing Half Upper/Lower	80	FP-205842	20	KT-19
12	Rod Bearing Half Upper/Lower	80	FP-205843	30	KT-19
QTY	PISTON RINGS	YEARS	PART NO.	SIZE	DESCRIPTION
6	Ring Set Single Cylinder	80	FP-4089500		KT-19; Exc. Piston 3628731
6	Ring Set Single Cylinder	80	FP-4089501		KT-19; Use w/Piston 3628731 Only
6	Compression Ring	80	FP-3068813		KT-19; Second

H/D Truck **KT-19 Eng. 83**
18.8L 1150 OHV Turbo-Diesel L6, 6.25" Bore (Cummins Eng.) 1978-84

CYL. HEAD & PARTS

QTY	GASKETS	YEARS	PART NO.	SIZE	DESCRIPTION
24	Grommet	84-78	FP-207448		KT-19; Water
6	Rocker Housing Gasket	84-78	FP-3201517		KT-19
6	Rocker Lever Gasket	84-78	FP-4922219		KT-19
6	Rocker Lever Gasket	84-78	FP-3629140 +		KT-19; When depleted use FP-4922219
1	Head Set	84-78	FP-3803597		KT-19
1	Head Set	84-78	FP-3803596		KT-19; Single Cylinder Head
6	Cam Follower Gasket	84-78	FP-3040721		KT-19; Cover
1	Camshaft Hole Cover Gasket	84-78	FP-3040722		KT-19
QTY	MISCELLANEOUS	YEARS	PART NO.	SIZE	DESCRIPTION
6	Pipe Plug	84-78	FP-S915A		KT-19
1	Pipe Plug	84-78	FP-3002158		KT-19
6	Pipe Plug	84-78	FP-67622		KT-19
18	Adjusting Screw Nut	84-78	FP-S212		KT-19; 1/2" - 20 UNF; Use w/FP-168306
12	Adjusting Screw Nut	84-78	FP-203131		KT-19; 3/8" - 24 UNF
12	Screw	84-78	FP-147389		KT-19; Crosshead; 3/8" - 24 UNF x 3/4"
QTY	FREEZE PLUGS	YEARS	PART NO.	SIZE	DESCRIPTION
6	Pipe Plug	84-78	FP-S915A		KT-19
1	Pipe Plug	84-78	FP-3002158		KT-19
6	Pipe Plug	84-78	FP-67622		KT-19
QTY	VALVE	YEARS	PART NO.	SIZE	DESCRIPTION
12	Intake	84-78	FP-3052820		KT-19; Premium; Tribaloy; Must use with Tribaloy Valve Insert FP-3052819
12	Intake	84-78	FP-3088393		KT-19; Standard; Silichrome 1
12	Exhaust	84-78	FP-3088389		KT-19; Premium; Inconel
12	Exhaust	84-78	FP-3088391		KT-19; Standard; Stellite 6
12	Exhaust Valve Kit	84-78	FP-3803528		KT-19; Premium; Inconel; With locks
12	Exhaust Valve Kit	84-78	FP-3803529		KT-19; Standard; Stellite 6; With locks
12	Intake Valve Kit	84-78	FP-3803518		KT-19; Premium; Tribaloy; with locks; Must use with Tribaloy Valve Insert FP-3052819
12	Intake Valve Kit	84-78	FP-3803515		KT-19; Standard; Silichrome 1; With locks
48	Keeper	84-78	FP-205091		KT-19
QTY	VALVE SEAT	YEARS	PART NO.	SIZE	DESCRIPTION
12	Exh.	84-78	FP-205093	STD	KT-19
12	Int.	84-78	FP-3052819		KT-19; Tribaloy
12	Int.	84-78	FP-3026296	STD	KT-19; 2.381"
12	Int.	84-78	FP-3031098	10	KT-19; 2.391"
12	Int.	84-78	FP-3031099	20	KT-19; 2.401"
QTY	VALVE GUIDE	YEARS	PART NO.	SIZE	DESCRIPTION
12	Guide	84-78	FP-3018818		KT-19; Flat Top; 3.800" Std. Length
12	Guide	84-78	FP-3202210		KT-19; 45 Deg. Taper Top; 3.580" Std. Length
QTY	VALVE SPRING	YEARS	PART NO.	SIZE	DESCRIPTION
12	Spring	84-78	FP-3629006		KT-19; Carbon Steel; Long
24	Spring	84-78	FP-3633840		KT-19; Nitrided; Short
QTY	PUSH RODS	YEARS	PART NO.	SIZE	DESCRIPTION
6	Push Rod	84-78	FP-3017961		KT-19; Injector
12	Push Rod	84-78	FP-205492		Int. & Exh.; KT-19; Intake & Exhaust Valve
QTY	VALVE MISC.	YEARS	PART NO.	SIZE	DESCRIPTION
12	Rotocap	84-78	FP-3081081		KT-19

(continued on next page)

+ Superseded Part Number

Ford Truck - M/D & H/D

83 H/D Truck KT-19 Eng.

(cont.) 18.8L 1150 OHV Turbo-Diesel L6, 6.25" Bore (Cummins Eng.) 1978-84

CYL. HEAD & PARTS (cont.)

QTY	VALVE MISC. (cont.)	YEARS	PART NO.	SIZE	DESCRIPTION
12	Swirl Plate, Cylinder Head	84-78	FP-3009109		KT-19
QTY	ROCKER PARTS	YEARS	PART NO.	SIZE	DESCRIPTION
48	Expansion Plug	84-78	FP-205401		KT-19
12	Expansion Plug	84-78	FP-206224		KT-19
6	Expansion Plug	84-78	FP-203933		KT-19; Rocker Lever Shaft
12	Cam Follower Roller	84-78	FP-3016826		Int. & Exh.; KT-19; Valve
6	Injector Cam Roller	84-78	FP-3016825		KT-19
12	Valve Bridge Guide	84-78	FP-205169		KT-19
12	Valve Roller Pin	84-78	FP-205071		KT-19; Cam Follower
6	Rocker Arm Rivet	84-78	FP-208084		KT-19
18	Rocker Lever Adjusting Screw	84-78	FP-168306		KT-19; 1/2" - 20 UNF x 2.045" Length; Use w/FP-S212
6	Rocker Arm Socket	84-78	FP-194037		KT-19
6	Rocker Lever Intake	84-78	FP-3013300		KT-19; Injector; Early
6	Fuel Injector Roller Pin	84-78	FP-205068		KT-19; Cam Follower
18	Cam Follower Socket	84-78	FP-107738		KT-19

INT & EXH MANIFOLDS

QTY	INT. & EXH. MANIFOLDS	YEARS	PART NO.	SIZE	DESCRIPTION
6	Exhaust Manifold Gasket	84-78	FP-3043097		KT-19

CAMSHAFT GROUP

QTY	TIMING COVER	YEARS	PART NO.	SIZE	DESCRIPTION
1	Oil Filler Cap	84-78	FP-107981		KT-19
QTY	CAMSHAFT/LIFTER	YEARS	PART NO.	SIZE	DESCRIPTION
1	Camshaft	84-78	FP-3066877		KT-19; CPL's 127, 153, 159, 171, 183-5, 213, 219, 232, 245, 251, 274, 290, 291-3, 297, 302, 334, 379, 385-6, 398, 415, 428, 438-42, 444-5, 447, 474-5, 520, 584, 640, 672, 724, 884-6, 888, 952, 969, 1190, 1531

ACCESSORY DRIVE

QTY	ACCESSORY DRIVE	YEARS	PART NO.	SIZE	DESCRIPTION
1	Coupling, Accessory Drive	84-78	FP-3000174		KT-19
1	Accessory Drive Thrust Washer	84-78	FP-3026557		KT-19
1	Bolt	84-78	FP-3000173		KT-19; 3/8" - 16 X 1" length
1	Accessory Drive Gasket	84-78	FP-3410171		KT-19
1	Accessory Drive Gasket	84-78	FP-3201693 +		KT-19; When depleted use FP-3410171
1	Sealing Ring	84-78	FP-3200287		KT-19
1	Bushing	84-78	FP-116391		KT-19
2	Pipe Plug	84-78	FP-3002158		KT-19
1	Washer	84-78	FP-3014103		KT-19; Clamping
1	Washer	84-78	FP-170664		KT-19; 3/8" ID
1	Wear Sleeve	84-78	FP-190397		KT-19; Pulley
1	Thrust Washer	84-78	FP-3026556		KT-19

AIR COMPRESSOR

QTY	AIR COMPRESSOR	YEARS	PART NO.	SIZE	DESCRIPTION
1	Air Compressor Gasket Set	84-78	FP-AR73308		KT-19; 13.2 CFM
1	Air Compressor Gasket	84-78	FP-176027		KT-19; Support to Compressor Housing; 13.2 CFM
1	Air Compressor Gasket	84-78	FP-154018		KT-19; 13.2 CFM
1	Air Compressor Gasket	84-78	FP-3047159		KT-19; 13.2 CFM
1	Air Compressor Gasket	84-78	FP-185848		KT-19; 30 CFM
1	Air Compressor Gasket	84-78	FP-199347		KT-19; 30 CFM
1	Air Compressor Gasket	84-78	FP-207117		KT-19; 30 CFM
1	Air Compressor Gasket	84-78	FP-3069102		KT-19; 30 CFM
1	Air Connection Gasket	84-78	FP-3201386		KT-19; 13.2 CFM
1	O-Ring	84-78	FP-128085		KT-19; 13.2 CFM
1	O-Ring	84-78	FP-128086		KT-19; 13.2 CFM
1	O-Ring	84-78	FP-3042542		KT-19; 13.2 CFM
1	O-Ring	84-78	FP-3043995		KT-19; 13.2 CFM
1	O-Ring	84-78	FP-128086		KT-19; 30 CFM
2	O-Ring	84-78	FP-211315		KT-19; 30 CFM
2	O-Ring	84-78	FP-3042542		KT-19; 30 CFM
1	O-Ring	84-78	FP-3046201		KT-19; 30 CFM; O-Ring for 3/4" plug
1	Gasket	84-78	FP-3820922		KT-19; Air Compressor Support; 13.2 CFM
1	Gasket	84-78	FP-127950		KT-19; Connection Gasket; 30 CFM
1	Air Compressor Seal Ring	84-78	FP-127936		KT-19; 13.2 CFM
1	Air Compressor Seal Ring	84-78	FP-127936		KT-19; 30 CFM
1	Air Compressor Seal Ring	84-78	FP-3009738		KT-19; 30 CFM
1	Air Compressor Seal Ring	84-78	FP-3009739		KT-19; 30 CFM

(continued on next page)

+ Superseded Part Number

Ford Truck - M/D & H/D

H/D Truck **KT-19 Eng. 83**
18.8L 1150 OHV Turbo-Diesel L6, 6.25" Bore (Cummins Eng.) 1978-84 (cont.)

AIR COMPRESSOR (cont.)

QTY	AIR COMPRESSOR (cont.)	YEARS	PART NO.	SIZE	DESCRIPTION
2	Air Compressor Seal Ring	84-78	FP-3015068		KT-19; 30 CFM

FUEL SYSTEM & PARTS

QTY	FUEL INJECTION	YEARS	PART NO.	SIZE	DESCRIPTION
1	Sealing Ring	84-78	FP-207244		KT-19
6	Fuel Injector	84-78	FP-3016675		KT-19; PTK
6	Fuel Injector	84-78	FP-3016676		KT-19; PTK
6	Fuel Injector	84-78	FP-3022197		KT-19; PTK
6	Fuel Injector Repair Parts	84-78	FP-167157		KT-19; Check Ball
6	Fuel Inj. Plunger & Barrel	84-78	FP-3037292		KT-19
1	Fuel Injection Driver Tang	84-78	FP-70690		KT-19
1	FI Auto Fuel Control Barrel	84-78	FP-3021068		KT-19; AFC Assembly
1	Fuel Injection Link	84-78	FP-205462		KT-19
1	Fuel Injector Adapter	84-78	FP-205463		KT-19; PTK
1	Fuel Injector Cup	84-78	FP-3001314		KT-19; orifice number 10; orifice size .0085; 10 Deg. spray angle
1	Fuel Injector Cup	84-78	FP-3005963		KT-19; orifice number 10; orifice size 0.0075; 10 Deg. spray angle
1	Fuel Injector Cup	84-78	FP-3003933		KT-19; orifice number 9; orifice size 0.0085; 10 Deg. spray angle
1	Fuel Injector Cup	84-78	FP-3003932		KT-19; orifice number 9; orifice size 0.0085; 7 Deg. spray angle
6	Fuel Injector Screen	84-78	FP-3008706		KT-19
1	Fuel Injector Roller Pin	84-78	FP-203426		KT-19
1	Fuel Injector Retainer	84-78	FP-207245		KT-19

QTY	FUEL FILTERS & PUMP	YEARS	PART NO.	SIZE	DESCRIPTION
1	Mechanical Fuel Pump	84-78	FP-3034245		KT-19; 1" R.H. Pressurized
1	Fuel Pump Filter	84-78	FP-146483		KT-19
1	Fuel Pump Valve	84-78	FP-3050624		KT-19
2	Fuel Pump Gear	84-78	FP-170942		KT-19; 1"
2	Fuel Pump Gear	84-78	FP-119363		KT-19; 3/4"
1	Fuel Pump Drive Shaft	84-78	FP-3013036		KT-19; Fuel Shutoff Valve
1	Fuel Pump Drive Shaft	84-78	FP-212601		KT-19; Main Shaft; AFC
1	Fuel Pump Drive Shaft	84-78	FP-100216		KT-19; 1"; Drive
1	Fuel Pump Drive Shaft	84-78	FP-100215		KT-19; 3/4"; Drive, Splined
1	Fuel Pump Check Valve	84-78	FP-3030970		KT-19; Fuel Shutoff Valve
2	Bolt	84-78	FP-S2286		KT-19; Name Plate; Fuel Pump Housing
1	O-Ring	84-78	FP-193736		KT-19; Fuel Injector
1	O-Ring	84-78	FP-205216		KT-19; Fuel Injector
1	O-Ring	84-78	FP-3010510		KT-19; Fuel Injector
1	O-Ring	84-78	FP-145504		KT-19; AFC Assembly
1	O-Ring	84-78	FP-145505		KT-19; AFC Assembly
1	O-Ring	84-78	FP-3045986		KT-19; AFC Assembly
1	O-Ring	84-78	FP-3066914		KT-19; AFC Assembly
2	O-Ring	84-78	FP-68061A		KT-19; AFC Assembly
1	O-Ring	84-78	FP-151900		KT-19; Fuel Pump Damper; 0.621" OD, 0.494" ID
1	O-Ring	84-78	FP-100099		KT-19; Fuel Pump Damper; 1.627" OD, 1.364" ID
1	O-Ring	84-78	FP-139988		KT-19; Fuel Pump Damper; 1.752" OD, 1.489" ID
1	O-Ring	84-78	FP-145504		KT-19; Fuel Pump Housing
1	O-Ring	84-78	FP-213768		KT-19; Fuel Pump Housing
1	O-Ring	84-78	FP-129888		KT-19; Fuel Shutoff Valve
1	O-Ring	84-78	FP-190876		KT-19; Fuel Shutoff Valve
1	O-Ring	84-78	FP-100478		KT-19; Throttle Shaft
1	Fuel Pump Gasket	84-78	FP-4026171		KT-19; Front Cover to Drive
1	Fuel Pump Gasket	84-78	FP-110855		KT-19; Fuel Pump Body
1	Gasket	84-78	FP-70705		KT-19; Spring Pack Flange; Automotive
1	Oil Seal	84-78	FP-212603		KT-19
2	Oil Seal	84-78	FP-3062676		KT-19; Front Cover
1	Ball Brg.	84-78	FP-S16052		KT-19; Fuel Pump Front Cover
1	Bushing	84-78	FP-163944		KT-19; Fuel Pump
1	Fuel Pump Spider Jaw Coupling	84-78	FP-3046200		KT-19
1	Fuel Pump Check Valve	84-78	FP-3033740		KT-19
1	Fuel Pump Drive Coupling Hub	84-78	FP-3000175		KT-19
1	Air Fuel Control Check Valve	84-78	FP-3015522		KT-19
1	AFC Plunger	84-78	FP-144178		KT-19
1	AFC Plunger	84-78	FP-3021676		KT-19
1	Fuel Ratio Control Diaphragm	84-78	FP-3013811		KT-19; AFC Assembly
1	Filter Cap, Fuel Pump	84-78	FP-157088		KT-19
1	Fuel Pump Thrust Bearing	84-78	FP-3027633		KT-19
1	Needle Valve	84-78	FP-214144		KT-19; AFC; No. 162
1	Spring Pack Housing	84-78	FP-3036970		KT-19; Fuel Pump Housing
1	Transfer Pump Gasket Kit	84-78	FP-3010242		KT-19; AFC-VS
1	Thrust Washer	84-78	FP-201745		KT-19; Fuel Pump Front Cover

(continued on next page)

Ford Truck - M/D & H/D

83 H/D Truck KT-19 Eng.

(cont.) 18.8L 1150 OHV Turbo-Diesel L6, 6.25" Bore (Cummins Eng.) 1978-84

FUEL SYSTEM & PARTS (cont.)					
QTY	FUEL FILTERS & PUMP (cont.)	YEARS	PART NO.	SIZE	DESCRIPTION
1	Thrust Washer	84-78	FP-3035230		KT-19; Fuel Pump Housing
1	Washer	84-78	FP-S631		KT-19; AFC Assembly; .250" ID
1	Fuel Pump Mounting Gasket	84-78	FP-3069017		KT-19
1	Fuel Pump Housing Cover	84-78	FP-3063052		KT-19; Automotive
1	Fuel Pump Housing Cover	84-78	FP-200998		KT-19; Industrial
1	Fuel Pump Regulator Gasket	84-78	FP-3010240		KT-19; PT Type G
1	Rect. or Square Seal	84-78	FP-154087		KT-19; Fuel Shutoff Valve
QTY	TURBOCHARGER	YEARS	PART NO.	SIZE	DESCRIPTION
1	Turbocharger Oil Drain Gasket	84-78	FP-3202117		KT-19
1	Turbocharger Mounting Gasket	84-78	FP-206576		KT-19
GOVERNOR					
QTY	GOVERNOR	YEARS	PART NO.	SIZE	DESCRIPTION
1	Fuel Governor Plunger	84-78	FP-3009380		KT-19; AFC With Tapered Seat; Red
1	Fuel Governor Plunger	84-78	FP-3040750		KT-19; AFC; Red
2	Governor Dowel Pin	84-78	FP-211635		KT-19
1	Carrier, Governor Weight	84-78	FP-3024991		KT-19
COOLING SYSTEM					
QTY	WATER PUMP	YEARS	PART NO.	SIZE	DESCRIPTION
1	Water Pump Shaft	84-78	FP-3042827		KT-19
1	Water Pump Repair/Rebuild Kit	84-78	FP-3803153		KT-19
1	Water Pump Retainer Ring	84-78	FP-205258		KT-19
1	Water Pump Retainer Ring	84-78	FP-70183		KT-19
1	Water Pump Mech. Shaft Seal	84-78	FP-3029099		KT-19
1	Ball Brg.	84-78	FP-S16002		Inner; KT-19; Shaft
1	Ball Brg.	84-78	FP-S16069		Outer; KT-19; Shaft
1	Water Pump Gasket	84-78	FP-3202283		KT-19
1	Water Intake Gasket	84-78	FP-205288		KT-19
1	Oil Seal	84-78	FP-206948		KT-19
1	Oil Seal	84-78	FP-3016794		KT-19; Drive
1	O-Ring	84-78	FP-145623		KT-19
2	O-Ring	84-78	FP-3028291		KT-19
1	O-Ring	84-78	FP-3818885		KT-19
1	Pipe Plug	84-78	FP-S965E		KT-19; 1/16" NPT
1	Gasket	84-78	FP-3042612		KT-19; Fan Hub
1	Screw	84-78	FP-3012472		KT-19; .375" - 16 X 1.500"
1	Washer	84-78	FP-S631		KT-19; .250" ID
2	Thrust Washer	84-78	FP-3026556		KT-19
QTY	SEALS - FAN HUB	YEARS	PART NO.	SIZE	DESCRIPTION
1	Oil Seal	84-78	39851		
1	Redi-Sleeve	84-78	99210		
QTY	THERMOSTAT	YEARS	PART NO.	SIZE	DESCRIPTION
1	Thermostat	84-78	FP-204586		KT-19; 175 Deg. F
2	Thermostat	84-78	FP-3076489		KT-19; 180 Deg. F, Non-Vented
2	Thermostat	84-78	FP-3017360		KT-19; 185 Deg. F
1	Thermostat Gasket	84-78	FP-3010918		KT-19; Thermostat Housing
1	Water Outlet Gasket	84-78	FP-205289		KT-19
1	Rect. or Square Seal	84-78	FP-186780		KT-19
1	Drain Cock	84-78	FP-S962E		KT-19
ENGINE BLOCK & PARTS					
QTY	GASKETS	YEARS	PART NO.	SIZE	DESCRIPTION
1	Oil Pan Gasket	84-78	FP-3042590		KT-19
1	Oil Pan Adapter Gasket	84-78	FP-3042588		KT-19; Early
1	Oil Pan Adapter Gasket	84-78	FP-3042587		KT-19; Late
1	Oil Pan Adapter Gasket	84-78	FP-3073213		KT-19; Late
1	O-Ring	84-78	FP-205247		KT-19
6	O-Ring	84-78	FP-3015067		KT-19
1	O-Ring	84-78	FP-3201125		KT-19; Barring Shaft
1	O-Ring	84-78	FP-3046201		KT-19; O-Ring for 3/4" plug
1	Gear Cover Gasket	84-78	FP-3001318		KT-19
1	Gear Cover Gasket	84-78	FP-3074690		KT-19
1	Gear Housing Gasket	84-78	FP-3037282		KT-19
3	Hand Hole Cover Gasket	84-78	FP-3042586		KT-19
1	Hydraulic Gasket	84-78	FP-3007380		KT-19; Cover
1	Hydraulic Pump Gasket	84-78	FP-3008400		KT-19; Cover
4	Rect. or Square Seal	84-78	FP-153518		KT-19

(continued on next page)

Ford Truck - M/D & H/D

H/D Truck **KT-19 Eng. 83**
18.8L 1150 OHV Turbo-Diesel L6, 6.25" Bore (Cummins Eng.) 1978-84 (cont.)

ENGINE BLOCK & PARTS (cont.)					
QTY	GASKETS (cont.)	YEARS	PART NO.	SIZE	DESCRIPTION
2	Seal Strip	84-78	FP-205241		KT-19; Oil Pan
1	Gasket Conversion Set	84-78	FP-3801006		KT-19
12	Dowel Pin	84-78	FP-68445		KT-19
7	Cam Brg.	84-78	FP-3002834		KT-19
1	Aftercooler Core Assembly	84-78	FP-3001299		KT-19
3	Connection Gasket	84-78	FP-3032161		KT-19; Aftercooler
1	Aftercooler Gasket	84-78	FP-3001305		KT-19
2	Oil Cooler	84-78	FP-4095097		KT-19; 10 plate
4	Washer	84-78	FP-109557		KT-19; Aftercooler; .250" ID
4	Oil Cooler Gasket	84-78	FP-206973		KT-19
2	O-Ring	84-78	FP-3023066		KT-19; Aftercooler
12	O-Ring	84-78	FP-212161		KT-19; Oil Cooler
1	O-Ring	84-78	FP-70624		KT-19; Oil Cooler
2	Rect. or Square Seal	84-78	FP-206808		KT-19
24	Misc. Rubber or Plas. Sleeve	84-78	FP-3014304		KT-19; Aftercooler
1	Oil Cooler Core Inner Gasket	84-78	FP-3200550		KT-19
1	Oil Cooler Core Outer Gasket	84-78	FP-3065791		KT-19
6	Oil Cooler Cover Gasket	84-78	FP-206021		KT-19
2	Aftercooler Cover Gasket	84-78	FP-3001304		KT-19
1	Pipe Plug	84-78	FP-3002158		KT-19; Aftercooler
2	Expansion Plug	84-78	FP-175830		KT-19
1	Expansion Plug	84-78	FP-175831		KT-19; Barring
6	Pipe Plug	84-78	FP-3002158		KT-19; Gear Cover
1	Pipe Plug	84-78	FP-S965E		KT-19; Gear Cover; 1/16" NPT
2	Pipe Plug	84-78	FP-3013786		KT-19; Gear Cover; 3/8" N.P.T.
1	Pipe Plug	84-78	FP-3013786		KT-19; 3/8" N.P.T.
6	Pipe Plug	84-78	FP-3002158		KT-19; Gear Cover
1	Pipe Plug	84-78	FP-S965E		KT-19; Gear Cover; 1/16" NPT
2	Pipe Plug	84-78	FP-3013786		KT-19; Gear Cover; 3/8" N.P.T.
1	Pipe Plug	84-78	FP-3013786		KT-19; 3/8" N.P.T.
2	Bushing	84-78	FP-132770		KT-19; Gear Cover; w/1.567" ID, 1.697" OD, 1.500" O.A.L.
8	Washer	84-78	FP-S631		KT-19; .250" ID
9	Washer	84-78	FP-200861		KT-19; Flywheel
CRANKSHAFT/OIL PUMP					
1	Crankshaft	84-78	FP-3096362		KT-19; Without Gear
1	Vibration Damper	84-78	FP-217322		KT-19; 13.55"
1	Oil Seal	84-78	FP-3016792		Front; KT-19
1	Redi-Sleeve	84-78	FP-3006236		Front; KT-19
1	Redi-Sleeve	84-78	99376		(3.750" Shaft)
1	Redi-Sleeve	84-78	99437		(4.375" Shaft)
1	Oil Seal	84-78	39705		(3.750" Shaft)
1	Oil Seal	84-78	39849		(4.375" Shaft)
1	Oil Seal	84-78	FP-3005885		Rear; KT-19; Dry
1	Oil Seal	84-78	FP-3005886		Rear; KT-19; Wet
1	Oil Seal	84-78	39701		
1	Oil Seal	84-78	39715		(6.000" Shaft)
1	Redi-Sleeve	84-78	FP-3006237		Rear; KT-19
1	Redi-Sleeve	84-78	99725		
1	Redi-Sleeve	84-78	99725		(Wet Clutch)
1	Redi-Sleeve	84-78	99599		(6.000" Shaft)
8	Washer	84-78	FP-S631		KT-19; .250" ID
12	Rect. or Square Seal	84-78	FP-172648		KT-19
1	Main Set	84-78	FP-AR12270	STD	KT-19
1	Main Set	84-78	FP-AR12271	10	KT-19
1	Main Set	84-78	FP-AR12272	20	KT-19

(continued on next page)

Ford Truck - M/D & H/D

83 H/D Truck KT-19 Eng.

(cont.) 18.8L 1150 OHV Turbo-Diesel L6, 6.25" Bore (Cummins Eng.) 1978-84

CRANKSHAFT/OIL PUMP (cont.)					
QTY	MAIN BEARINGS (cont.)	YEARS	PART NO.	SIZE	DESCRIPTION
1	Main Set	84-78	FP-AR12273	30	KT-19
1	Thrust Washer Set	84-78	FP-205112S		Position 6
4	Thrust Washer	84-78	FP-205112	STD	KT-19
4	Thrust Washer	84-78	FP-3001197	20	KT-19
QTY	OIL PUMP	YEARS	PART NO.	SIZE	DESCRIPTION
1	Pipe Plug	84-78	FP-3002158		KT-19; Oil Pan
1	Pipe Plug	84-78	FP-3013786		KT-19; Oil Pan; 3/8" N.P.T.
1	Oil Suction Tube Gasket	84-78	FP-3008403		KT-19
CYLINDER COMPONENTS					
QTY	LINERS	YEARS	PART NO.	SIZE	DESCRIPTION
6	Liner w/o Sealing Rings	84-78	FP-4009220		KT-19; LPF; For Late Blocks FP-3028130 & FP-3060545; Thick Flange .526"
6	Liner w/o Sealing Rings	84-78	FP-4009230		KT-19; LPF; For Late Blocks FP-3028130 & FP-3060545; Thick Flange .526"
6	Liner w/o Sealing Rings	84-78	FP-4009221	20	KT-19; LPF; For Late Blocks FP-3028130 & FP-3060545; Thick Flange .526"
6	Liner w/o Sealing Rings	84-78	FP-4009222	40	KT-19; LPF; For Late Blocks FP-3028130 & FP-3060545; Thick Flange .526"
6	Liner w/o Sealing Rings	84-78	FP-4009233	60	KT-19; LPF; For Late Blocks FP-3028130 & FP-3060545; Thick Flange .526"
6	Liner w/o Sealing Rings	84-78	FP-4009228	83	KT-19; LPF; For Late Blocks FP-3028130 & FP-3060545; Thick Flange .526"
6	Liner w/o Sealing Rings	84-78	FP-4009231		KT-19; 20/20 LPF; For Late Blocks FP-3028130 & FP-3060545; Thick Flange .526"
6	Liner w/o Sealing Rings	84-78	FP-4009232		KT-19; 60/20 LPF; For Late Blocks FP-3028130 & FP-3060545
6	Liner w/o Sealing Rings	84-78	FP-4009227		UPF; Thin Flange .306"
6	Liner w/Sealing Rings	84-78	FP-4024773		.020/.020; LPF; Thick Flange .526"
6	Liner w/Sealing Rings	84-78	FP-4024774		.060/.020; LPF
6	Liner w/Sealing Rings	84-78	FP-4024772		.095; LPF; Thick Flange .526"
6	Liner w/Sealing Rings	84-78	FP-4024767		LPF; Thick Flange .526"
6	Liner w/Sealing Rings	84-78	FP-4024768	20	LPF; Thick Flange .526"
6	Liner w/Sealing Rings	84-78	FP-4024769	40	LPF; Thick Flange .526"
6	Liner w/Sealing Rings	84-78	FP-4024775	60	LPF; Thick Flange .526"
6	Liner w/Sealing Rings	84-78	FP-4024771	83	LPF; Thick Flange .526"
6	Liner w/Sealing Rings	84-78	FP-4024770		UPF; Thin Flange .306"
6	Sealing Ring, Liner	84-78	FP-3011076		KT-19
6	Sealing Ring, Liner	84-78	FP-3014668		KT-19
6	Sealing Ring, Liner	84-78	FP-3081489		KT-19
6	Sealing Ring, Liner	84-78	FP-4000504		KT-19; Filler Band
6	Flange Shim	84-78	FP-3014226	7	KT-19; .007"
6	Flange Shim	84-78	FP-3014228	9	KT-19; .009"
QTY	PISTONS	YEARS	PART NO.	SIZE	DESCRIPTION
6	Piston Body w/o Pin	84-78	FP-3096683		KT-19; 13.5:1 C.R.
6	Piston Body w/o Pin	84-78	FP-3096680		KT-19; 13.8:1 C.R.
6	Piston Body w/o Pin	84-78	FP-3096685		KT-19; 13.9:1 C.R.
6	Piston Body w/o Pin	84-78	FP-3096682		KT-19; 14.5:1 C.R.
6	Piston Body w/o Pin	84-78	FP-3096681		KT-19; 15.5:1 C.R.
6	Piston Body w/o Pin	84-78	FP-3096684		KT-19; 15.7:1 C.R.
6	Piston Kit w/Pin & Retainers	84-78	FP-3631242		KT-19; 13.5:1 C.R.; New Offset Piston Pin Design
6	Piston Kit w/Pin & Retainers	84-78	FP-3631246		KT-19; 13.8:1 C.R.; New Offset Piston Pin Design
6	Piston Kit w/Pin & Retainers	84-78	FP-3631241		KT-19; 13.9:1 C.R.; New Offset Piston Pin Design
6	Piston Kit w/Pin & Retainers	84-78	FP-3631244		KT-19; 14.5:1 C.R.; New Offset Piston Pin Design
6	Piston Kit w/Pin & Retainers	84-78	FP-3631245		KT-19; 15.5:1 C.R.; New Offset Piston Pin Design
6	Piston Kit w/Pin & Retainers	84-78	FP-3631243		KT-19; 15.7:1 C.R.; New Offset Piston Pin Design
12	Piston Pin Retainer	84-78	FP-205269		KT-19
6	Pin Bushing	84-78	FP-3043909		KT-19
QTY	CONNECTING RODS & BRGS.	YEARS	PART NO.	SIZE	DESCRIPTION
12	Rod Bearing Half Upper/Lower	84-78	FP-205840	STD	KT-19
12	Rod Bearing Half Upper/Lower	84-78	FP-205841	10	KT-19
12	Rod Bearing Half Upper/Lower	84-78	FP-205842	20	KT-19
12	Rod Bearing Half Upper/Lower	84-78	FP-205843	30	KT-19
QTY	PISTON RINGS	YEARS	PART NO.	SIZE	DESCRIPTION
6	Ring Set Single Cylinder	84-78	FP-4089500		KT-19; Exc. Piston 3628731
6	Ring Set Single Cylinder	84-78	FP-4089501		KT-19; Use w/Piston 3628731 Only
6	Compression Ring	84-78	FP-3068813		KT-19; Second

Engine Finding Index

Engine	Years	Line No.	Engine	Years	Line No.
2.6L 2590cc (158) OHV L3 4.2" Bore.....	1965-72	1	3.8L 3819cc (233) OHV L4 4.2" Bore.....	1965-72	8
2.6L 2590cc (158) OHV Diesel L3 4.2" Bore.....	1965-72	2	3.8L 3819cc (233) OHV Turbo L4 4.2" Bore.....	1965-72	9
3.2L 3146cc (192) OHV Diesel L3 4.4" Bore.....	1965-72	3	4.2L 4195cc (256) OHV Diesel L4 4.4" Bore.....	1968-81	10
3.3L 3260cc OHV L4 95mm Bore.....		4	6.2L 6227cc OHV Diesel L6 107.2mm Bore (Dorset).....	1968-81	11
3.3L 3294cc (201) OHV Diesel L3 4.4" Bore.....		5			
3.6L 3611cc OHV L4 100mm Bore (Dagenham).....		6			
3.6L 3611cc OHV Diesel L4 100mm Bore (Dagenham).....		7			

Engine Code Index

Engine Code	Engine Description	Line No.	Engine Code	Engine Description	Line No.
BSD332 ... Wheel Tractor.....	3.2L 3146cc (192) OHV Diesel L3 4.4" Bore.....	3	2715E ... Wheel Tractor.....	6.2L 6227cc OHV Diesel L6 107.2mm Bore (Dorset).....	11
BSD333 ... Wheel Tractor.....	3.3L 3294cc (201) OHV Diesel L3 4.4" Bore.....	5	32D ... Wheel Tractor.....	2.6L 2590cc (158) OHV Diesel L3 4.2" Bore.....	2
BSD333H ... Wheel Tractor... ..	3.3L 3294cc (201) OHV Diesel L3 4.4" Bore.....	5	32G ... Wheel Tractor.....	2.6L 2590cc (158) OHV L3 4.2" Bore.....	1
E1ADKN-B ... Wheel Tractor.....	3.3L 3260cc OHV L4 95mm Bore... ..	4	56G ... Wheel Tractor.....	3.8L 3819cc (233) OHV L4 4.2" Bore.....	8
256DF ... Wheel Tractor.....	4.2L 4195cc (256) OHV Diesel L4 4.4" Bore.....	10	56G ... Wheel Tractor.....	3.8L 3819cc (233) OHV Turbo L4 4.2" Bore.....	9

Wheel Tractor 32G Eng. 1
2.6L 2590cc (158) OHV L3, 4.2" Bore 1965-72
Non North American Vehicles

ENGINE BLOCK & PARTS

QTY	CAM BEARINGS	YEARS	PART NO.	SIZE	DESCRIPTION
1	Cam Set	72-65	FP-1477M	Std Only	
1	Cam Set	72-65	1477M +	Std Only	When depleted use FP-1477M

CRANKSHAFT/OIL PUMP

QTY	MAIN BEARINGS	YEARS	PART NO.	SIZE	DESCRIPTION
1	Main Set	72-65	FP-5187M	Std-10-20	
1	Main Set	72-65	5187M +	Std-10-20	When depleted use FP-5187M

CYLINDER COMPONENTS

QTY	CONNECTING RODS & BRGS.	YEARS	PART NO.	SIZE	DESCRIPTION
3	Rod Pair	72-65	FP-3105P	Std-10-20-30	
3	Rod Pair	72-65	3105P +	Std-10-20-30	When depleted use FP-3105P

Wheel Tractor 32D Eng. 2
2.6L 2590cc (158) OHV Diesel L3, 4.2" Bore 1965-72
Non North American Vehicles

ENGINE BLOCK & PARTS

QTY	CAM BEARINGS	YEARS	PART NO.	SIZE	DESCRIPTION
1	Cam Set	72-65	FP-1477M	Std Only	
1	Cam Set	72-65	1477M +	Std Only	When depleted use FP-1477M

CRANKSHAFT/OIL PUMP

QTY	MAIN BEARINGS	YEARS	PART NO.	SIZE	DESCRIPTION
1	Main Set	72-65	FP-5187M	Std-10-20	
1	Main Set	72-65	5187M +	Std-10-20	When depleted use FP-5187M

CYLINDER COMPONENTS

QTY	CONNECTING RODS & BRGS.	YEARS	PART NO.	SIZE	DESCRIPTION
3	Rod Pair	72-65	FP-3105P	Std-10-20-30	
3	Rod Pair	72-65	3105P +	Std-10-20-30	When depleted use FP-3105P

Fordson Tractor

3 Wheel Tractor BSD332 Eng. 3.2L 3146cc (192) OHV Diesel L3, 4.4" Bore 1965-72 Non North American Vehicles					
ENGINE BLOCK & PARTS					
QTY	CAM BEARINGS	YEARS	PART NO.	SIZE	DESCRIPTION
1	Cam Set	72-65	FP-1477M	Std Only	
1	Cam Set	72-65	1477M +	Std Only	When depleted use FP-1477M
CRANKSHAFT/OIL PUMP					
QTY	MAIN BEARINGS	YEARS	PART NO.	SIZE	DESCRIPTION
1	Main Set	72-65	FP-5187M	Std-10-20	
1	Main Set	72-65	5187M +	Std-10-20	When depleted use FP-5187M
CYLINDER COMPONENTS					
QTY	CONNECTING RODS & BRGS.	YEARS	PART NO.	SIZE	DESCRIPTION
3	Rod Pair	72-65	FP-3105P	Std-10-20-30	
3	Rod Pair	72-65	3105P +	Std-10-20-30	When depleted use FP-3105P
4 Wheel Tractor E1ADKN-B Eng. 3.3L 3260cc OHV L4, 95mm Bore Non North American Vehicles					
CRANKSHAFT/OIL PUMP					
QTY	MAIN BEARINGS		PART NO.	SIZE	DESCRIPTION
1	Thrust Washer Set		FP-2248BF	STD	Position 3
5 Wheel Tractor BSD333, BSD333H Eng. 3.3L 3294cc (201) OHV Diesel L3, 4.4" Bore Non North American Vehicles					
ENGINE BLOCK & PARTS					
QTY	CAM BEARINGS		PART NO.	SIZE	DESCRIPTION
1	Cam Set		FP-1477M	Std Only	
1	Cam Set		1477M +	Std Only	When depleted use FP-1477M
CRANKSHAFT/OIL PUMP					
QTY	MAIN BEARINGS		PART NO.	SIZE	DESCRIPTION
1	Main Set		FP-5187M	Std-10-20	
1	Main Set		5187M +	Std-10-20	When depleted use FP-5187M
CYLINDER COMPONENTS					
QTY	CONNECTING RODS & BRGS.		PART NO.	SIZE	DESCRIPTION
3	Rod Pair		FP-3105P	Std-10-20-30	
3	Rod Pair		3105P +	Std-10-20-30	When depleted use FP-3105P
6 Wheel Tractor 3.6L 3611cc OHV L4 (Dagenham), 100mm Bore Non North American Vehicles					
CRANKSHAFT/OIL PUMP					
QTY	MAIN BEARINGS		PART NO.	SIZE	DESCRIPTION
1	Thrust Washer Set		FP-2248BF	STD	Position 3
7 Wheel Tractor 3.6L 3611cc OHV Diesel L4 (Dagenham), 100mm Bore Non North American Vehicles					
CRANKSHAFT/OIL PUMP					
QTY	MAIN BEARINGS		PART NO.	SIZE	DESCRIPTION
1	Thrust Washer Set		FP-2248BF	STD	Position 3
CYLINDER COMPONENTS					
QTY	PISTON RINGS		PART NO.	SIZE	DESCRIPTION
1	Premium Set		FP-5493KX	Std Only	66-60 Super Major; 63-52 Major; 3-3/32, 2-3/16
1	Premium Set		5493KX +	Std Only	66-60 Super Major; 63-52 Major; 3-3/32, 2-3/16; When depleted use FP-5493KX
4	Premium Single Cylinder Set		W-5493KX	Std Only	66-60 Super Major; 63-52 Major; 3-3/32, 2-3/16

Fordson Tractor

Wheel Tractor 56G Eng. 8 3.8L 3819cc (233) OHV L4, 4.2" Bore 1965-72 Non North American Vehicles					
ENGINE BLOCK & PARTS					
QTY	CAM BEARINGS	YEARS	PART NO.	SIZE	DESCRIPTION
1	Cam Set	72-65	FP-1478M	Std Only	
1	Cam Set	72-65	1478M +	Std Only	When depleted use FP-1478M
CRANKSHAFT/OIL PUMP					
QTY	MAIN BEARINGS	YEARS	PART NO.	SIZE	DESCRIPTION
1	Main Set	72-65	FP-5122M	Std-10-20	
1	Main Set	72-65	5122M +	Std-10	When depleted use FP-5122M
CYLINDER COMPONENTS					
QTY	CONNECTING RODS & BRGS.	YEARS	PART NO.	SIZE	DESCRIPTION
4	Rod Pair	72-65	FP-3105P	Std-10-20-30	
4	Rod Pair	72-65	3105P +	Std-10-20-30	When depleted use FP-3105P
Wheel Tractor 56G Eng. 9 3.8L 3819cc (233) OHV Turbo L4, 4.2" Bore 1965-72 Non North American Vehicles					
ENGINE BLOCK & PARTS					
QTY	CAM BEARINGS	YEARS	PART NO.	SIZE	DESCRIPTION
1	Cam Set	72-65	FP-1478M	Std Only	
1	Cam Set	72-65	1478M +	Std Only	When depleted use FP-1478M
CRANKSHAFT/OIL PUMP					
QTY	MAIN BEARINGS	YEARS	PART NO.	SIZE	DESCRIPTION
1	Main Set	72-65	FP-5122M	Std-10-20	
1	Main Set	72-65	5122M +	Std-10	When depleted use FP-5122M
CYLINDER COMPONENTS					
QTY	CONNECTING RODS & BRGS.	YEARS	PART NO.	SIZE	DESCRIPTION
4	Rod Pair	72-65	FP-3105CPA	Std-10-20-30	
4	Rod Pair	72-65	3105CPA +	Std-10-20-30	When depleted use FP-3105CPA
Wheel Tractor 256DF Eng. 10 4.2L 4195cc (256) OHV Diesel L4, 4.4" Bore 1968-81 Non North American Vehicles					
ENGINE BLOCK & PARTS					
QTY	CAM BEARINGS	YEARS	PART NO.	SIZE	DESCRIPTION
1	Cam Set	81-68	FP-1478M	Std Only	
1	Cam Set	81-68	1478M +	Std Only	When depleted use FP-1478M
CRANKSHAFT/OIL PUMP					
QTY	MAIN BEARINGS	YEARS	PART NO.	SIZE	DESCRIPTION
1	Main Set	81-68	FP-5122M	Std-10-20	
1	Main Set	81-68	5122M +	Std-10	When depleted use FP-5122M
CYLINDER COMPONENTS					
QTY	CONNECTING RODS & BRGS.	YEARS	PART NO.	SIZE	DESCRIPTION
4	Rod Pair	81-68	FP-3105P	Std-10-20-30	
4	Rod Pair	81-68	3105P +	Std-10-20-30	When depleted use FP-3105P
QTY	PISTON RINGS	YEARS	PART NO.	SIZE	DESCRIPTION
2	Premium Set	81-68	FP-E506KC	Std-20-30-40	3-3/32, 1-3/16 (2 cyl. set)
2	Premium Set	81-68	E-506KC +	Std-20-30-40	3-3/32, 1-3/16 (2 cyl. set); When depleted use FP-E506KC

Fordson Tractor

11 Wheel Tractor 2715E Engs.
 6.2L 6227cc OHV Diesel L6 (Dorset), 107.2mm Bore 1968-81
 Non North American Vehicles

CYLINDER COMPONENTS

QTY	PISTONS	YEARS	PART NO.	SIZE	DESCRIPTION
6	Cast Piston	81-68	12197P	Std-.50MM	Cast; 3-2.38mm, 1-4.76mm Ring Groove, 71.3mm CD, 36.5mm Pin Dia., Recessed Head 26.85mm deep x 51.30mm dia. - 16.5:1 C.R.
QTY	PISTON RINGS	YEARS	PART NO.	SIZE	DESCRIPTION
3	Premium Set	81-68	9610KX	Std Only	3-3/32, 1-3/16 (2 cyl. set)

Freightliner Truck - See Engine Manufacturer GM Industrial Engines

Engine Finding Index

Engine	Years	Line No.	Engine	Years	Line No.
3.0L 181 OHV L4 4" Bore (Chevrolet)		1	7.5L 455 OHV V8 4.125" Bore (Oldsmobile)	1972-75	3
7.4L 454 OHV V8 4.25" Bore (Chevrolet)	1970-90	2			

Engine Code Index

Engine Code	Engine Description	Line No.	Engine Code	Engine Description	Line No.
181 Industrial ... Industrial Applications.....	3.0L 181 OHV L4 4" Bore (Chevrolet).....	1	455 Irrigation ... Industrial Applications.....	7.5L 455 OHV V8 4.125" Bore (Oldsmobile)	3
454 Irrigation ... Industrial Applications.....	7.4L 454 OHV V8 4.25" Bore (Chevrolet).....	2			

1 Industrial Applications 181 Eng.
 3.0L 181 OHV L4 (Chevrolet), 4" Bore

CYL. HEAD & PARTS

QTY	VALVE	PART NO.	SIZE	DESCRIPTION
4	Intake	V-1200	Std-3-15-30	1.7200" Head Dia., .3413" Stem Dia., 4.9170" O.A.L.
4	Intake	V-1612	Std-3	1.9400" Head Dia., .3410" Stem Dia., 4.8800" O.A.L.
4	Intake, Bulk	V-1200B	Std Only	Carton of 25; 1.7200" Head Dia., .3413" Stem Dia., 4.9170" O.A.L.
4	Intake, Bulk	V-1612B	Std Only	Carton of 25; 1.9400" Head Dia., .3410" Stem Dia., 4.8800" O.A.L.
4	Exhaust	V-1888X	Std-15	Chrome plated stem; Stellite face; 1.5000" Head Dia., .3412" Stem Dia., 4.9230" O.A.L.
4	Exhaust	V-1755	Std-15	Chrome plated stem; 1.6000" Head Dia., .3415" Stem Dia., 4.9030" O.A.L.
16	Keeper	VK-115		1 groove; Square cut key groove
16	Keeper	VK-115R		1 groove; Square cut key groove; Hardened
16	Keeper, Bulk	VK-115B		1 groove; Square cut key groove; Carton of 1000
QTY	VALVE GUIDE	PART NO.	SIZE	DESCRIPTION
4	Guide	VG-5005		Exh.; Plain; .3430" ID, 2.2500" O.A.L.
4	Guide	VG-5005T		Exh.; Threaded; .3425" ID, 2.2500" O.A.L.
4	Guide	VG-5006		Int.; Plain; .3440" ID, 2.3750" O.A.L.
4	Guide	VG-5055T		Int.; Threaded; Threaded; .3430" ID, 2.3750" O.A.L.
4	Guide, Bulk	VG-5005B		Exh.; Plain; Carton of 50; .3430" ID, 2.2500" O.A.L.
4	Guide, Bulk	VG-5005TB		Exh.; Threaded; Carton of 50; .3425" ID, 2.2500" O.A.L.
4	Guide, Bulk	VG-5006B		Int.; Plain; Carton of 50; .3440" ID, 2.3750" O.A.L.
QTY	VALVE SPRING	PART NO.	SIZE	DESCRIPTION
8	Spring	VS-521		Incl. damper; 2.1090" Free Height
QTY	PUSH RODS	PART NO.	SIZE	DESCRIPTION
8	Push Rod	RP-3180		9.6800" O.A.L.
8	Push Rod, Bulk	BRP-3180		Carton of 100; 9.6800" O.A.L.
QTY	ROCKER PARTS	PART NO.	SIZE	DESCRIPTION
8	Arm Assy.	R-832		Incl. arm, ball & nut
8	Arm Assy., Bulk	R-832B		Incl. arm, ball & nut; Carton of 64
8	Arm	R-832A		
8	Pivot Ball	MR-1780		

(continued on next page)

GM Industrial Engines

Industrial Applications 181 Eng. 1
3.0L 181 OHV L4 (Chevrolet), 4" Bore (cont.)

Industrial Applications 181 Eng. 1 3.0L 181 OHV L4 (Chevrolet), 4" Bore (cont.)						
CYL. HEAD & PARTS (cont.)						
QTY	ROCKER PARTS (cont.)	PART NO.	SIZE	DESCRIPTION		
8	Nut	MR-1751		Self-locking, 3/8" x 24 threads		
CAMSHAFT GROUP						
QTY	CAMSHAFT/LIFTER	PART NO.	SIZE	DESCRIPTION		
8	Lifter	HT-817		Hyd.		
8	Lifter, Bulk	HT-817B		Hyd.; Carton of 128		
1	Prelube	55-400		4 oz. bottle; 1.5 oz. packet No. 55-403 also avail.		
ENGINE BLOCK & PARTS						
QTY	CAM BEARINGS	PART NO.	SIZE	DESCRIPTION		
1	Cam Set	1461M		Std Only		
CRANKSHAFT/OIL PUMP						
QTY	CRANKSHAFT	PART NO.	SIZE	DESCRIPTION		
1	Crank Gear	221-2527		27 Teeth		
QTY	MAIN BEARINGS	PART NO.	SIZE	DESCRIPTION		
1	Main Set	4123MA		Std-1-10-20-30 A-Series aluminum bearings		
QTY	OIL PUMP	PART NO.	SIZE	DESCRIPTION		
1	Oil Pump	224-4147				
CYLINDER COMPONENTS						
QTY	PISTONS	PART NO.	SIZE	DESCRIPTION		
4	Cast Piston	H897CP		Std-20-30-40-60 Hypereutectic; 2-5/64", 1-3/16" Ring Groove, 1.610" CD, .9275" Pin Dia., Flat Head		
4	Cast Piston	H896CP		Std-20-30-40-60 Hypereutectic; 2-5/64", 1-3/16" Ring Groove, 1.625" CD, .9279" Pin Dia., Recessed Head .140" deep x 1.610 Radius		
4	Cast Piston - Individual	WH897CP		Std-20-30-40-60 Hypereutectic; 2-5/64", 1-3/16" Ring Groove, 1.610" CD, .9275" Pin Dia., Flat Head		
4	Cast Piston - Individual	WH896CP		Std-20-30-40-60 Hypereutectic; 2-5/64", 1-3/16" Ring Groove, 1.625" CD, .9279" Pin Dia., Recessed Head .140" deep x 1.610 Radius		
QTY	CONNECTING RODS & BRGS.	PART NO.	SIZE	DESCRIPTION		
4	Rod Pair	2555A		Std-1-2-10-20-30-40-50-60 A-Series aluminum bearings		
4	Rod Pair	2555CP		Std-1-2-10-20-30-40-50 Overplated copper-lead alloy		
4	Rod Pair	3750P		Std-1-10-20-30-40 Overplated copper-lead alloy; .713" O.A.L.		
4	Rod Pair	2555CA60		60 Unplated & resizeable		
QTY	PISTON RINGS	PART NO.	SIZE	DESCRIPTION		
1	Premium Set	E-381K		Std-20-30-40 2-5/64, 1-3/16		
1	Standard Set	E-381X		Std-20-30-40-60 2-5/64, 1-3/16		
4	Premium Single Cylinder Set	WE-381K		Std-20-30 2-5/64, 1-3/16		
4	Standard Single Cylinder Set	WE-381X		Std-20-30-40 2-5/64, 1-3/16		
Industrial Applications 454 Irrigation Eng. 2 7.4L 454 OHV V8 (Chevrolet), 4.25" Bore 1970-90						
CYL. HEAD & PARTS						
QTY	ROCKER PARTS	YEARS	PART NO.	SIZE DESCRIPTION		
16	Pivot	90-70	MR-1945			
CAMSHAFT GROUP						
QTY	CAMSHAFT KIT	YEARS	PART NO.	SIZE DESCRIPTION		
1	Cam/Lifter Kit		KC-636A	GEN V, irrigation application, CNG or LPG only; LPG/CNG gskts. not incl.; Incl. (1) CS-636, (16) HT-969, (1) 55-403B		
KITS						
OVERHAUL KIT	YEARS	DESCRIPTION	QTY	PREMIUM KIT NO.	QTY	ECONOMY KIT NO.
		GEN V, irrigation application; CNG or LPG only	Master	1	MKP-6396A	----

GM Industrial Engines

3 Industrial Applications 455 Irrigation Eng. 7.5L 455 OHV V8 (Oldsmobile), 4.125" Bore 1972-75

CYLINDER COMPONENTS

QTY	PISTONS	YEARS	PART NO.	SIZE	DESCRIPTION
8	Powerforged	75-72	L-2390F30 30		For use w/91 & lower octane pump fuels; When used in marine appl., additional skirt clearance is necessary. Consult the marine listings in the O.E. service manual for proper clearances.; Powerforged; 2-5/64", 1-3/16" Ring Groove, 1.735" CD, .9805" Pin Dia., Recessed Head .306" deep x 3.500" dia. DUROSHIELD® skirt coated piston.
8	Powerforged	75-72	L-2323F Std-30-40-60		Must be used w/fuel of 96 octane or higher; Powerforged; 2-5/64", 1-3/16" Ring Groove, 1.735" CD, .9805" Pin Dia., Recessed Head .142" deep x 2.950" dia. DUROSHIELD® skirt coated piston.
8	Forged Piston - Individual	75-72	WL-2390F30 30		For use w/91 & lower octane pump fuels; When used in marine appl., additional skirt clearance is necessary. Consult the marine listings in the O.E. service manual for proper clearances.; Powerforged; 2-5/64", 1-3/16" Ring Groove, 1.735" CD, .9805" Pin Dia., Recessed Head .306" deep x 3.500" dia. DUROSHIELD® skirt coated piston.
8	Forged Piston - Individual	75-72	WL-2323F Std-30-40-60		Must be used w/fuel of 96 octane or higher; Powerforged; 2-5/64", 1-3/16" Ring Groove, 1.735" CD, .9805" Pin Dia., Recessed Head .142" deep x 2.950" dia. DUROSHIELD® skirt coated piston.

GMC Truck - L/D - Refer to SP1501 & SP1502 Catalogs GMC Truck - M/D & H/D

Engine Finding Index

Engine	Years	Line No.	Engine	Years	Line No.
1.7L 106 OHV Diesel L2 3.875" Bore (Detroit Diesel Eng.) H/D Truck.....	1971-78	1	5.7L 348 OHV V8 4.125" Bore (Chevrolet) H/D Truck.....	1958-65	22
2.6L 159 OHV Diesel L3 3.875" Bore (3-53) (Detroit Diesel Eng.) M/D Truck.....	1963-79	2	5.7L 350 OHV V8 4" Bore (Chevrolet) M/D Truck....	1969-91	23
3.5L 212 OHV Diesel L4 3.875" Bore (Detroit Diesel Eng.) M/D Truck.....	1962-80	3	5.7L 350 OHV LPG V8 4" Bore (Chevrolet) M/D Truck.....	1969-86	24
3.5L 212 OHV Turbo-Diesel L4 3.875" Bore (Detroit Diesel Eng.) M/D Truck.....	1979-80	4	5.7L 351 OHV V6 4.5625" Bore (GMC) M/D Truck..	1960-72	25
3.5L 216.5 OHV L6 3.5" Bore (Chevrolet) M/D Truck.....	1951-53	5	5.7L 351 OHV V6 4.5625" Bore (GMC) H/D Truck ..	1960-72	25
3.8L 230 OHV L6 3.875" Bore (Chevrolet) M/D Truck.....	1963-65	6	5.7L 351 OHV Diesel V6 4.5625" Bore (GMC) M/D Truck.....	1964-69	26
3.8L 235 OHV L6 3.5625" Bore (Chevrolet) M/D Truck.....	1940-62	7	5.8L 353 (5785cc) OHV Turbo-Diesel L6 102mm Bore (12 Valve) (Isuzu Eng.) M/D Truck.....	1987-95	27
3.9L 236 OHV L6 3.625" Bore (GMC) M/D Truck....	1941-49	8	6.0L 366 OHV V8 3.9375" Bore (Chevrolet) M/D Truck.....	1966-98	28
4.1L 248 OHV L6 3.7188" Bore (GMC) M/D Truck ..	1950-55	9	6.0L 366 OHV LPG V8 3.9375" Bore (Chevrolet) M/D Truck.....	1985-90	29
4.1L 250 OHV L6 3.875" Bore (Chevrolet) M/D Truck.....	1965-74	10	6.1L 370 OHV V8 4" Bore (Oldsmobile) M/D Truck ..	1957-59	30
4.2L 256 OHV L6 3.7813" Bore (GMC) H/D Truck...	1940-41	11	6.2L 379 OHV V6 4.5625" Bore (GMC) M/D Truck..	1973-74	31
4.3L 261 OHV L6 3.75" Bore (Chevrolet) M/D Truck.....	1954-62	12	6.2L 379 OHV V6 4.5625" Bore (GMC) H/D Truck ..	1973-74	31
4.3L 265 OHV V8 3.75" Bore (Chevrolet) M/D Truck.....	1955-57	13	6.5L 395 (6468cc) OHV Diesel V8 103mm Bore (Chevrolet) M/D Truck.....	1994-99	32
4.4L 270 OHV L6 3.7813" Bore (GMC) M/D Truck ..	1940-59	14	6.5L 395 (6468cc) OHV Turbo-Diesel V8 103mm Bore (Chevrolet) M/D Truck.....	1992-99	33
4.6L 283 OHV V8 3.875" Bore (Chevrolet) M/D Truck.....	1957-67	15	6.5L 396.3 (6494cc) OHV Diesel L6 105mm Bore (12 Valve) (Isuzu Eng.) M/D Truck.....	1988-90	34
4.8L 292 OHV L6 3.875" Bore (Chevrolet) M/D Truck.....	1963-88	16	6.5L 396.3 (6494cc) OHV Turbo-Diesel L6 105mm Bore (12 Valve) (Isuzu Eng.) M/D Truck.....	1987-94	35
4.9L 302 OHV L6 4" Bore (GMC) M/D Truck.....	1952-58	17	6.6L 401 OHV V6 4.875" Bore (GMC) M/D Truck....	1960-72	36
4.9L 302 OHV L6 4" Bore (GMC) H/D Truck.....	1952-58	17	6.6L 401 OHV V6 4.875" Bore (GMC) H/D Truck....	1960-72	36
5.0L 305 OHV V6 4.25" Bore (GMC) M/D Truck.....	1960-74	18	6.7L 409 OHV V8 4.3125" Bore (Chevrolet) M/D Truck.....	1962-65	37
5.0L 307 OHV V8 3.875" Bore (Chevrolet) M/D Truck.....	1968-70	19	6.7L 409 OHV V8 4.3125" Bore (Chevrolet) H/D Truck.....	1962-65	37
5.2L 318 OHV Diesel V6 3.875" Bore (Detroit Diesel Eng.) M/D Truck.....	1962-73	20	7.0L 426 OHV Diesel L6 4.25" Bore (6-71) (Detroit Diesel Eng.) M/D Truck.....	1961-65	38
5.2L 318 OHV Diesel V6 3.875" Bore (Detroit Diesel Eng.) H/D Truck.....	1962-73	20	7.0L 426 OHV Diesel L6 4.25" Bore (6-71) (Detroit Diesel Eng.) H/D Truck.....	1960-87	39
5.3L 327 OHV V8 4" Bore (Chevrolet) M/D Truck....	1962-69	21	7.0L 426 OHV Turbo-Diesel L6 4.25" Bore (Detroit Diesel Eng.) H/D Truck.....	1979-87	40
5.7L 348 OHV V8 4.125" Bore (Chevrolet) M/D Truck.....	1958-65	22	7.0L 427 OHV V8 4.25" Bore (Chevrolet) M/D Truck.....	1966-98	41

(continued on next page)

GMC Truck - M/D & H/D

Engine Finding Index					
Engine	Years	Line No.	Engine	Years	Line No.
7.0L 427 OHV V8 4.25" Bore (Chevrolet) H/D Truck.....	1966-98	41	10.4L 637 OHV V8 5.125" Bore (GMC) H/D Truck ..	1966-72	54
7.1L 432 OHV V6 4.875" Bore (GMC) M/D Truck	1973-74	42	10.4L 637 OHV Diesel V8 5.125" Bore (GMC) M/D Truck	1966-71	55
7.1L 432 OHV V6 4.875" Bore (GMC) H/D Truck	1973-74	42	10.4L 637 OHV Diesel V8 5.125" Bore (GMC) H/D Truck	1966-73	55
7.4L 454 OHV V8 4.25" Bore (Chevrolet) M/D Truck.....	1979-81	43	11.5L 702 OHV V12 4.5625" Bore (GMC) H/D Truck	1960-65	56
7.8L 478 OHV V6 5.125" Bore (GMC) M/D Truck	1962-73	44	12.1L 736 OHV Diesel V8 4.84" Bore (Detroit Diesel Eng.) H/D Truck	1975-80	57
7.8L 478 OHV V6 5.125" Bore (GMC) H/D Truck	1962-74	44	12.1L 736 OHV Turbo-Diesel V8 4.84" Bore (Detroit Diesel Eng.) H/D Truck	1979-88	58
7.8L 478 OHV Diesel V6 5.125" Bore (GMC) M/D Truck.....	1964-75	45	14.0L 852 OHV Diesel V12 4.25" Bore (Detroit Diesel Eng.) H/D Truck	1961-78	59
7.8L 478 OHV Diesel V6 5.125" Bore (GMC) H/D Truck	1964-75	45	14.0L 855 OHV Diesel L6 5.5" Bore (Cummins Eng.) H/D Truck	1970-78	60
8.2L 500 OHV Diesel V8 108mm Bore (Fuel Pincher) (Detroit Diesel Eng.) M/D Truck.....	1979-91	46	14.0L 855 OHV Turbo-Diesel L6 5.5" Bore (Cummins Eng.) H/D Truck	1970-88	61
8.2L 500 OHV Turbo-Diesel V8 108mm Bore (Fuel Pincher) (Detroit Diesel Eng.) M/D Truck.....	1979-91	47	14.6L 893 OHV Turbo-Diesel L6 5.4" Bore (Caterpillar Eng.) H/D Truck.....	1972-88	62
9.0L 552 OHV Diesel V6 4.84" Bore (Detroit Diesel Eng.) H/D Truck	1975-80	48	14.8L 903 OHV Diesel V8 5.5" Bore (Cummins Eng.) H/D Truck	1970-79	63
9.0L 552 OHV Turbo-Diesel V6 4.84" Bore (Detroit Diesel Eng.) H/D Truck	1977-88	49	18.6L 1136 OHV Diesel V16 4.25" Bore (Detroit Diesel Eng.) H/D Truck	1961-78	64
9.3L 568 OHV Diesel V8 4.25" Bore (Detroit Diesel Eng.) H/D Truck	1966-81	50	24.1L 1472 OHV Diesel V16 4.84" Bore (Detroit Diesel Eng.) H/D Truck	1975-80	65
9.3L 568 OHV Turbo-Diesel V8 4.25" Bore (Detroit Diesel Eng.) H/D Truck	1979-83	51			
10.0L 611 OHV Turbo-Diesel L6 125mm Bore (Cummins Eng.) H/D Truck.....	1983-88	52			
10.4L 636 OHV Diesel V8 4.5" Bore (Caterpillar Eng.) H/D Truck	1975-89	53			

Engine Code Index

Engine Code	Engine Description	Line No.	Engine Code	Engine Description	Line No.
DH478 Diesel	7.8L 478 OHV Diesel V6 5.125" Bore (GMC) M/D Truck.....	45	NTC350	14.0L 855 OHV Turbo-Diesel L6 5.5" Bore (Cummins Eng.) H/D Truck.....	61
DH478 Diesel	7.8L 478 OHV Diesel V6 5.125" Bore (GMC) H/D Truck	45	NTC400	14.0L 855 OHV Turbo-Diesel L6 5.5" Bore (Cummins Eng.) H/D Truck.....	61
D351 Diesel.....	5.7L 351 OHV Diesel V6 4.5625" Bore (GMC) M/D Truck.....	26	V903	14.8L 903 OHV Diesel V8 5.5" Bore (Cummins Eng.) H/D Truck	63
D478 Diesel.....	7.8L 478 OHV Diesel V6 5.125" Bore (GMC) M/D Truck	45	1160	10.4L 636 OHV Diesel V8 4.5" Bore (Caterpillar Eng.) H/D Truck.....	53
D478 Diesel.....	7.8L 478 OHV Diesel V6 5.125" Bore (GMC) H/D Truck.....	45	12V-71	14.0L 852 OHV Diesel V12 4.25" Bore (Detroit Diesel Eng.) H/D Truck.....	59
NHCT270.....	14.0L 855 OHV Turbo-Diesel L6 5.5" Bore (Cummins Eng.) H/D Truck.....	61	12V-71N	14.0L 852 OHV Diesel V12 4.25" Bore (Detroit Diesel Eng.) H/D Truck.....	59
NHC250.....	14.0L 855 OHV Diesel L6 5.5" Bore (Cummins Eng.) H/D Truck	60	16V-71	18.6L 1136 OHV Diesel V16 4.25" Bore (Detroit Diesel Eng.) H/D Truck.....	64
NH230	14.0L 855 OHV Diesel L6 5.5" Bore (Cummins Eng.) H/D Truck	60	16V-71N	18.6L 1136 OHV Diesel V16 4.25" Bore (Detroit Diesel Eng.) H/D Truck.....	64
NH250	14.0L 855 OHV Diesel L6 5.5" Bore (Cummins Eng.) H/D Truck	60	16V-92	24.1L 1472 OHV Diesel V16 4.84" Bore (Detroit Diesel Eng.) H/D Truck.....	65
NTC230	14.0L 855 OHV Turbo-Diesel L6 5.5" Bore (Cummins Eng.) H/D Truck.....	61	2-53	1.7L 106 OHV Diesel L2 3.875" Bore (Detroit Diesel Eng.) H/D Truck.....	1
NTC250	14.0L 855 OHV Turbo-Diesel L6 5.5" Bore (Cummins Eng.) H/D Truck.....	61	2-53N.....	1.7L 106 OHV Diesel L2 3.875" Bore (Detroit Diesel Eng.) H/D Truck.....	1
NTC270	14.0L 855 OHV Turbo-Diesel L6 5.5" Bore (Cummins Eng.) H/D Truck.....	61	216	3.5L 216.5 OHV L6 3.5" Bore (Chevrolet) M/D Truck	5
NTC290	14.0L 855 OHV Turbo-Diesel L6 5.5" Bore (Cummins Eng.) H/D Truck.....	61	230	3.8L 230 OHV L6 3.875" Bore (Chevrolet) M/D Truck	6
NTC300	14.0L 855 OHV Turbo-Diesel L6 5.5" Bore (Cummins Eng.) H/D Truck.....	61	235	3.8L 235 OHV L6 3.5625" Bore (Chevrolet) M/D Truck	7
NTC335	14.0L 855 OHV Turbo-Diesel L6 5.5" Bore (Cummins Eng.) H/D Truck.....	61	236	3.9L 236 OHV L6 3.625" Bore (GMC) M/D Truck	8

(continued on next page)

GMC Truck - M/D & H/D

Engine Code Index					
Engine Code	Engine Description	Line No.	Engine Code	Engine Description	Line No.
248	4.1L 248 OHV L6 3.7188" Bore (GMC) M/D Truck	9	395 Diesel	6.5L 395 (6468cc) OHV Diesel V8 103mm Bore (Chevrolet) M/D Truck	32
250	4.1L 250 OHV L6 3.875" Bore (Chevrolet) M/D Truck	10	395 Turbo-Diesel	6.5L 395 (6468cc) OHV Turbo-Diesel V8 103mm Bore (Chevrolet) M/D Truck	33
261	4.3L 261 OHV L6 3.75" Bore (Chevrolet) M/D Truck	12	4-53	3.5L 212 OHV Diesel L4 3.875" Bore (Detroit Diesel Eng.) M/D Truck	3
265	4.3L 265 OHV V8 3.75" Bore (Chevrolet) M/D Truck	13	4-53N	3.5L 212 OHV Diesel L4 3.875" Bore (Detroit Diesel Eng.) M/D Truck	3
270	4.4L 270 OHV L6 3.7813" Bore (GMC) M/D Truck	14	4-53T	3.5L 212 OHV Turbo-Diesel L4 3.875" Bore (Detroit Diesel Eng.) M/D Truck	4
283	4.6L 283 OHV V8 3.875" Bore (Chevrolet) M/D Truck	15	401	6.6L 401 OHV V6 4.875" Bore (GMC) M/D Truck	36
292	4.8L 292 OHV L6 3.875" Bore (Chevrolet) M/D Truck	16	401	6.6L 401 OHV V6 4.875" Bore (GMC) H/D Truck	36
3-53	2.6L 159 OHV Diesel L3 3.875" Bore (3-53) (Detroit Diesel Eng.) M/D Truck	2	401M	6.6L 401 OHV V6 4.875" Bore (GMC) M/D Truck	36
3-53N	2.6L 159 OHV Diesel L3 3.875" Bore (3-53) (Detroit Diesel Eng.) M/D Truck	2	401M	6.6L 401 OHV V6 4.875" Bore (GMC) H/D Truck	36
302	4.9L 302 OHV L6 4" Bore (GMC) M/D Truck	17	409	6.7L 409 OHV V8 4.3125" Bore (Chevrolet) M/D Truck	37
302	4.9L 302 OHV L6 4" Bore (GMC) H/D Truck	17	409	6.7L 409 OHV V8 4.3125" Bore (Chevrolet) H/D Truck	37
305	5.0L 305 OHV V6 4.25" Bore (GMC) M/D Truck	18	427	7.0L 427 OHV V8 4.25" Bore (Chevrolet) M/D Truck	41
305C	5.0L 305 OHV V6 4.25" Bore (GMC) M/D Truck	18	427	7.0L 427 OHV V8 4.25" Bore (Chevrolet) H/D Truck	41
307	5.0L 307 OHV V8 3.875" Bore (Chevrolet) M/D Truck	19	432	7.1L 432 OHV V6 4.875" Bore (GMC) M/D Truck	42
3208	10.4L 636 OHV Diesel V8 4.5" Bore (Caterpillar Eng.) H/D Truck	53	432	7.1L 432 OHV V6 4.875" Bore (GMC) H/D Truck	42
3208N	10.4L 636 OHV Diesel V8 4.5" Bore (Caterpillar Eng.) H/D Truck	53	432M	7.1L 432 OHV V6 4.875" Bore (GMC) M/D Truck	42
327	5.3L 327 OHV V8 4" Bore (Chevrolet) M/D Truck	21	432M	7.1L 432 OHV V6 4.875" Bore (GMC) H/D Truck	42
3406	14.6L 893 OHV Turbo-Diesel L6 5.4" Bore (Caterpillar Eng.) H/D Truck	62	454	7.4L 454 OHV V8 4.25" Bore (Chevrolet) M/D Truck	43
348	5.7L 348 OHV V8 4.125" Bore (Chevrolet) M/D Truck	22	478	7.8L 478 OHV V6 5.125" Bore (GMC) M/D Truck	44
348	5.7L 348 OHV V8 4.125" Bore (Chevrolet) H/D Truck	22	478	7.8L 478 OHV V6 5.125" Bore (GMC) H/D Truck	44
350	5.7L 350 OHV V8 4" Bore (Chevrolet) M/D Truck	23	478M	7.8L 478 OHV V6 5.125" Bore (GMC) M/D Truck	44
350 LPG	5.7L 350 OHV LPG V8 4" Bore (Chevrolet) M/D Truck	24	478M	7.8L 478 OHV V6 5.125" Bore (GMC) H/D Truck	44
351	5.7L 351 OHV V6 4.5625" Bore (GMC) M/D Truck	25	6.5L Diesel	6.5L 395 (6468cc) OHV Diesel V8 103mm Bore (Chevrolet) M/D Truck	32
351	5.7L 351 OHV V6 4.5625" Bore (GMC) H/D Truck	25	6.5L Turbo-Diesel	6.5L 395 (6468cc) OHV Turbo-Diesel V8 103mm Bore (Chevrolet) M/D Truck	33
351C	5.7L 351 OHV V6 4.5625" Bore (GMC) M/D Truck	25	6-71	7.0L 426 OHV Diesel L6 4.25" Bore (6-71) (Detroit Diesel Eng.) M/D Truck	38
351C	5.7L 351 OHV V6 4.5625" Bore (GMC) H/D Truck	25	6-71	7.0L 426 OHV Diesel L6 4.25" Bore (6-71) (Detroit Diesel Eng.) H/D Truck	39
351E	5.7L 351 OHV V6 4.5625" Bore (GMC) M/D Truck	25	6-71E	7.0L 426 OHV Diesel L6 4.25" Bore (6-71) (Detroit Diesel Eng.) M/D Truck	38
351E	5.7L 351 OHV V6 4.5625" Bore (GMC) H/D Truck	25	6-71E	7.0L 426 OHV Diesel L6 4.25" Bore (6-71) (Detroit Diesel Eng.) H/D Truck	39
351M	5.7L 351 OHV V6 4.5625" Bore (GMC) M/D Truck	25	6-71N	7.0L 426 OHV Diesel L6 4.25" Bore (6-71) (Detroit Diesel Eng.) M/D Truck	38
351M	5.7L 351 OHV V6 4.5625" Bore (GMC) H/D Truck	25	6-71N	7.0L 426 OHV Diesel L6 4.25" Bore (6-71) (Detroit Diesel Eng.) H/D Truck	39
366	6.0L 366 OHV V8 3.9375" Bore (Chevrolet) M/D Truck	28			
366 LPG	6.0L 366 OHV LPG V8 3.9375" Bore (Chevrolet) M/D Truck	29			
370	6.1L 370 OHV V8 4" Bore (Oldsmobile) M/D Truck	30			
379	6.2L 379 OHV V6 4.5625" Bore (GMC) M/D Truck	31			
379	6.2L 379 OHV V6 4.5625" Bore (GMC) H/D Truck	31			

GMC Truck - M/D & H/D

Engine Code Index					
Engine Code	Engine Description	Line No.	Engine Code	Engine Description	Line No.
6-71T	7.0L 426 OHV Turbo-Diesel L6 4.25" Bore (Detroit Diesel Eng.) H/D Truck	40	8.2 (Fuel Pincher)	8.2L 500 OHV Diesel V8 108mm Bore (Fuel Pincher) (Detroit Diesel Eng.) M/D Truck	46
6BD1-T	5.8L 353 (5785cc) OHV Turbo-Diesel L6 102mm Bore (12 Valve) (Isuzu Eng.) M/D Truck	27	8.2N (Fuel Pincher)	8.2L 500 OHV Diesel V8 108mm Bore (Fuel Pincher) (Detroit Diesel Eng.) M/D Truck	46
6V-53	5.2L 318 OHV Diesel V6 3.875" Bore (Detroit Diesel Eng.) M/D Truck	20	8.2T (Fuel Pincher)	8.2L 500 OHV Turbo-Diesel V8 108mm Bore (Fuel Pincher) (Detroit Diesel Eng.) M/D Truck	47
6V-53	5.2L 318 OHV Diesel V6 3.875" Bore (Detroit Diesel Eng.) H/D Truck	20	8V-71	9.3L 568 OHV Diesel V8 4.25" Bore (Detroit Diesel Eng.) H/D Truck	50
6V-53N	5.2L 318 OHV Diesel V6 3.875" Bore (Detroit Diesel Eng.) M/D Truck	20	8V-71E	9.3L 568 OHV Diesel V8 4.25" Bore (Detroit Diesel Eng.) H/D Truck	50
6V-53N	5.2L 318 OHV Diesel V6 3.875" Bore (Detroit Diesel Eng.) H/D Truck	20	8V-71N	9.3L 568 OHV Diesel V8 4.25" Bore (Detroit Diesel Eng.) H/D Truck	50
6V-92	9.0L 552 OHV Diesel V6 4.84" Bore (Detroit Diesel Eng.) H/D Truck	48	8V-71T	9.3L 568 OHV Turbo-Diesel V8 4.25" Bore (Detroit Diesel Eng.) H/D Truck	51
6V-92T	9.0L 552 OHV Turbo-Diesel V6 4.84" Bore (Detroit Diesel Eng.) H/D Truck	49	8V-92	12.1L 736 OHV Diesel V8 4.84" Bore (Detroit Diesel Eng.) H/D Truck	57
702	11.5L 702 OHV V12 4.5625" Bore (GMC) H/D Truck	56	8V-92T	12.1L 736 OHV Turbo-Diesel V8 4.84" Bore (Detroit Diesel Eng.) H/D Truck	58

Model Index

Model	Engine Description	Line No.	Model	Engine Description	Line No.
B6P	4.8L 292 OHV L6 3.875" Bore (Chevrolet) M/D Truck	16	C6D	8.2L 500 OHV Diesel V8 108mm Bore (Fuel Pincher) (Detroit Diesel Eng.) M/D Truck	46
B6P	5.7L 350 OHV V8 4" Bore (Chevrolet) M/D Truck	23	C6D	8.2L 500 OHV Turbo-Diesel V8 108mm Bore (Fuel Pincher) (Detroit Diesel Eng.) M/D Truck	47
B6P	6.0L 366 OHV V8 3.9375" Bore (Chevrolet) M/D Truck	28	C6H	4.8L 292 OHV L6 3.875" Bore (Chevrolet) M/D Truck	16
B6P	6.5L 395 (6468cc) OHV Diesel V8 103mm Bore (Chevrolet) M/D Truck	32	C6H	5.7L 350 OHV V8 4" Bore (Chevrolet) M/D Truck	23
B6P	6.5L 395 (6468cc) OHV Turbo-Diesel V8 103mm Bore (Chevrolet) M/D Truck	33	C6H	6.0L 366 OHV V8 3.9375" Bore (Chevrolet) M/D Truck	28
B6P	7.0L 427 OHV V8 4.25" Bore (Chevrolet) M/D Truck	41	C6H	7.0L 427 OHV V8 4.25" Bore (Chevrolet) M/D Truck	41
B6P	8.2L 500 OHV Diesel V8 108mm Bore (Fuel Pincher) (Detroit Diesel Eng.) M/D Truck	46	C6H	8.2L 500 OHV Diesel V8 108mm Bore (Fuel Pincher) (Detroit Diesel Eng.) M/D Truck	46
B6P	8.2L 500 OHV Turbo-Diesel V8 108mm Bore (Fuel Pincher) (Detroit Diesel Eng.) M/D Truck	47	C6H	8.2L 500 OHV Turbo-Diesel V8 108mm Bore (Fuel Pincher) (Detroit Diesel Eng.) M/D Truck	47
C5D	4.8L 292 OHV L6 3.875" Bore (Chevrolet) M/D Truck	16	C7D	4.8L 292 OHV L6 3.875" Bore (Chevrolet) M/D Truck	16
C5D	5.7L 350 OHV V8 4" Bore (Chevrolet) M/D Truck	23	C7D	5.7L 350 OHV V8 4" Bore (Chevrolet) M/D Truck	23
C5D	6.0L 366 OHV V8 3.9375" Bore (Chevrolet) M/D Truck	28	C7D	6.0L 366 OHV V8 3.9375" Bore (Chevrolet) M/D Truck	28
C5D	7.0L 427 OHV V8 4.25" Bore (Chevrolet) M/D Truck	41	C7D	7.0L 427 OHV V8 4.25" Bore (Chevrolet) M/D Truck	41
C5D	8.2L 500 OHV Diesel V8 108mm Bore (Fuel Pincher) (Detroit Diesel Eng.) M/D Truck	46	C7D	7.4L 454 OHV V8 4.25" Bore (Chevrolet) M/D Truck	43
C5D	8.2L 500 OHV Turbo-Diesel V8 108mm Bore (Fuel Pincher) (Detroit Diesel Eng.) M/D Truck	47	C7D	8.2L 500 OHV Diesel V8 108mm Bore (Fuel Pincher) (Detroit Diesel Eng.) M/D Truck	46
C6D	4.8L 292 OHV L6 3.875" Bore (Chevrolet) M/D Truck	16	C7D	8.2L 500 OHV Turbo-Diesel V8 108mm Bore (Fuel Pincher) (Detroit Diesel Eng.) M/D Truck	47
C6D	5.7L 350 OHV V8 4" Bore (Chevrolet) M/D Truck	23	C7H	4.8L 292 OHV L6 3.875" Bore (Chevrolet) M/D Truck	16
C6D	6.0L 366 OHV V8 3.9375" Bore (Chevrolet) M/D Truck	28	C7H	5.7L 350 OHV V8 4" Bore (Chevrolet) M/D Truck	23
C6D	7.0L 427 OHV V8 4.25" Bore (Chevrolet) M/D Truck	41	C7H	6.0L 366 OHV V8 3.9375" Bore (Chevrolet) M/D Truck	28

(continued on next page)

GMC Truck - M/D & H/D

Model Index					
Model	Engine Description	Line No.	Model	Engine Description	Line No.
C7H	7.0L 427 OHV V8 4.25" Bore (Chevrolet) M/D Truck	41	J8C	7.0L 426 OHV Turbo-Diesel L6 4.25" Bore (Detroit Diesel Eng.) H/D Truck	40
C7H	8.2L 500 OHV Diesel V8 108mm Bore (Fuel Pincher) (Detroit Diesel Eng.) M/D Truck	46	J8C	9.0L 552 OHV Diesel V6 4.84" Bore (Detroit Diesel Eng.) H/D Truck	48
C7H	8.2L 500 OHV Turbo-Diesel V8 108mm Bore (Fuel Pincher) (Detroit Diesel Eng.) M/D Truck	47	J8C	9.0L 552 OHV Turbo-Diesel V6 4.84" Bore (Detroit Diesel Eng.) H/D Truck	49
D9K	7.0L 426 OHV Diesel L6 4.25" Bore (6-71) (Detroit Diesel Eng.) H/D Truck	39	J8C	9.3L 568 OHV Diesel V8 4.25" Bore (Detroit Diesel Eng.) H/D Truck	50
D9K	7.0L 426 OHV Turbo-Diesel L6 4.25" Bore (Detroit Diesel Eng.) H/D Truck	40	J8C	9.3L 568 OHV Turbo-Diesel V8 4.25" Bore (Detroit Diesel Eng.) H/D Truck	51
D9K	9.0L 552 OHV Diesel V6 4.84" Bore (Detroit Diesel Eng.) H/D Truck	48	J8C	10.4L 636 OHV Diesel V8 4.5" Bore (Caterpillar Eng.) H/D Truck	53
D9K	9.0L 552 OHV Turbo-Diesel V6 4.84" Bore (Detroit Diesel Eng.) H/D Truck	49	J8C	14.0L 855 OHV Diesel L6 5.5" Bore (Cummins Eng.) H/D Truck	60
D9K	9.3L 568 OHV Diesel V8 4.25" Bore (Detroit Diesel Eng.) H/D Truck	50	J8C	14.0L 855 OHV Turbo-Diesel L6 5.5" Bore (Cummins Eng.) H/D Truck	61
D9K	9.3L 568 OHV Turbo-Diesel V8 4.25" Bore (Detroit Diesel Eng.) H/D Truck	51	J8C	14.6L 893 OHV Turbo-Diesel L6 5.4" Bore (Caterpillar Eng.) H/D Truck	62
D9K	12.1L 736 OHV Diesel V8 4.84" Bore (Detroit Diesel Eng.) H/D Truck	57	J9C	7.0L 426 OHV Diesel L6 4.25" Bore (6-71) (Detroit Diesel Eng.) H/D Truck	39
D9K	12.1L 736 OHV Turbo-Diesel V8 4.84" Bore (Detroit Diesel Eng.) H/D Truck	58	J9C	7.0L 426 OHV Turbo-Diesel L6 4.25" Bore (Detroit Diesel Eng.) H/D Truck	40
D9K	14.0L 855 OHV Diesel L6 5.5" Bore (Cummins Eng.) H/D Truck	60	J9C	9.0L 552 OHV Diesel V6 4.84" Bore (Detroit Diesel Eng.) H/D Truck	48
D9K	14.0L 855 OHV Turbo-Diesel L6 5.5" Bore (Cummins Eng.) H/D Truck	61	J9C	9.0L 552 OHV Turbo-Diesel V6 4.84" Bore (Detroit Diesel Eng.) H/D Truck	49
D9K	14.6L 893 OHV Turbo-Diesel L6 5.4" Bore (Caterpillar Eng.) H/D Truck	62	J9C	9.3L 568 OHV Diesel V8 4.25" Bore (Detroit Diesel Eng.) H/D Truck	50
D9L	7.0L 426 OHV Diesel L6 4.25" Bore (6-71) (Detroit Diesel Eng.) H/D Truck	39	J9C	9.3L 568 OHV Turbo-Diesel V8 4.25" Bore (Detroit Diesel Eng.) H/D Truck	51
D9L	7.0L 426 OHV Turbo-Diesel L6 4.25" Bore (Detroit Diesel Eng.) H/D Truck	40	J9C	10.4L 636 OHV Diesel V8 4.5" Bore (Caterpillar Eng.) H/D Truck	53
D9L	9.0L 552 OHV Diesel V6 4.84" Bore (Detroit Diesel Eng.) H/D Truck	48	J9C	14.0L 855 OHV Diesel L6 5.5" Bore (Cummins Eng.) H/D Truck	60
D9L	9.0L 552 OHV Turbo-Diesel V6 4.84" Bore (Detroit Diesel Eng.) H/D Truck	49	J9C	14.0L 855 OHV Turbo-Diesel L6 5.5" Bore (Cummins Eng.) H/D Truck	61
D9L	9.3L 568 OHV Diesel V8 4.25" Bore (Detroit Diesel Eng.) H/D Truck	50	J9C	14.6L 893 OHV Turbo-Diesel L6 5.4" Bore (Caterpillar Eng.) H/D Truck	62
D9L	9.3L 568 OHV Turbo-Diesel V8 4.25" Bore (Detroit Diesel Eng.) H/D Truck	51	N9E	7.0L 426 OHV Diesel L6 4.25" Bore (6-71) (Detroit Diesel Eng.) H/D Truck	39
D9L	12.1L 736 OHV Diesel V8 4.84" Bore (Detroit Diesel Eng.) H/D Truck	57	N9E	7.0L 426 OHV Turbo-Diesel L6 4.25" Bore (Detroit Diesel Eng.) H/D Truck	40
D9L	12.1L 736 OHV Turbo-Diesel V8 4.84" Bore (Detroit Diesel Eng.) H/D Truck	58	N9E	9.0L 552 OHV Diesel V6 4.84" Bore (Detroit Diesel Eng.) H/D Truck	48
D9L	14.0L 855 OHV Diesel L6 5.5" Bore (Cummins Eng.) H/D Truck	60	N9E	9.0L 552 OHV Turbo-Diesel V6 4.84" Bore (Detroit Diesel Eng.) H/D Truck	49
D9L	14.0L 855 OHV Turbo-Diesel L6 5.5" Bore (Cummins Eng.) H/D Truck	61	N9E	9.3L 568 OHV Diesel V8 4.25" Bore (Detroit Diesel Eng.) H/D Truck	50
D9L	14.6L 893 OHV Turbo-Diesel L6 5.4" Bore (Caterpillar Eng.) H/D Truck	62	N9E	9.3L 568 OHV Turbo-Diesel V8 4.25" Bore (Detroit Diesel Eng.) H/D Truck	51
J8C	7.0L 426 OHV Diesel L6 4.25" Bore (6-71) (Detroit Diesel Eng.) H/D Truck	39	N9E	14.0L 855 OHV Diesel L6 5.5" Bore (Cummins Eng.) H/D Truck	60
			N9E	14.0L 855 OHV Turbo-Diesel L6 5.5" Bore (Cummins Eng.) H/D Truck	61
			N9E	14.6L 893 OHV Turbo-Diesel L6 5.4" Bore (Caterpillar Eng.) H/D Truck	62

GMC Truck - M/D & H/D

Model Index					
Model	Engine Description	Line No.	Model	Engine Description	Line No.
N9F.....	7.0L 426 OHV Diesel L6 4.25" Bore (6-71) (Detroit Diesel Eng.) H/D Truck.....	39	SE6000.....	5.7L 350 OHV V8 4" Bore (Chevrolet) M/D Truck.....	23
N9F.....	7.0L 426 OHV Turbo-Diesel L6 4.25" Bore (Detroit Diesel Eng.) H/D Truck.....	40	SE6500.....	4.8L 292 OHV L6 3.875" Bore (Chevrolet) M/D Truck.....	16
N9F.....	9.0L 552 OHV Diesel V6 4.84" Bore (Detroit Diesel Eng.) H/D Truck....	48	SG5500.....	7.8L 478 OHV Diesel V6 5.125" Bore (GMC) M/D Truck.....	45
N9F.....	9.0L 552 OHV Turbo-Diesel V6 4.84" Bore (Detroit Diesel Eng.) H/D Truck.....	49	SM5500.....	5.0L 305 OHV V6 4.25" Bore (GMC) M/D Truck.....	18
N9F.....	9.3L 568 OHV Diesel V8 4.25" Bore (Detroit Diesel Eng.) H/D Truck....	50	SM5500.....	5.7L 351 OHV V6 4.5625" Bore (GMC) M/D Truck.....	25
N9F.....	9.3L 568 OHV Turbo-Diesel V8 4.25" Bore (Detroit Diesel Eng.) H/D Truck.....	51	SM5500.....	6.6L 401 OHV V6 4.875" Bore (GMC) M/D Truck.....	36
N9F.....	14.0L 855 OHV Diesel L6 5.5" Bore (Cummins Eng.) H/D Truck.....	60	SM6000.....	5.0L 305 OHV V6 4.25" Bore (GMC) M/D Truck.....	18
N9F.....	14.0L 855 OHV Turbo-Diesel L6 5.5" Bore (Cummins Eng.) H/D Truck.....	61	SM6500.....	5.7L 351 OHV V6 4.5625" Bore (GMC) M/D Truck.....	25
N9F.....	14.6L 893 OHV Turbo-Diesel L6 5.4" Bore (Caterpillar Eng.) H/D Truck.....	62	SM6500.....	6.6L 401 OHV V6 4.875" Bore (GMC) M/D Truck.....	36
PDA4101.....	7.0L 426 OHV Diesel L6 4.25" Bore (6-71) (Detroit Diesel Eng.) M/D Truck.....	38	SS5500.....	4.8L 292 OHV L6 3.875" Bore (Chevrolet) M/D Truck.....	16
PDG3701.....	7.0L 426 OHV Diesel L6 4.25" Bore (6-71) (Detroit Diesel Eng.) M/D Truck.....	38	SS6000.....	4.8L 292 OHV L6 3.875" Bore (Chevrolet) M/D Truck.....	16
PDG4101.....	7.0L 426 OHV Diesel L6 4.25" Bore (6-71) (Detroit Diesel Eng.) M/D Truck.....	38	S7T.....	4.8L 292 OHV L6 3.875" Bore (Chevrolet) M/D Truck.....	16
PD37.....	7.0L 426 OHV Diesel L6 4.25" Bore (6-71) (Detroit Diesel Eng.) M/D Truck.....	38	S7T.....	5.7L 350 OHV V8 4" Bore (Chevrolet) M/D Truck.....	23
PD3701.....	7.0L 426 OHV Diesel L6 4.25" Bore (6-71) (Detroit Diesel Eng.) M/D Truck.....	38	S7T.....	6.0L 366 OHV V8 3.9375" Bore (Chevrolet) M/D Truck.....	28
PD3751.....	7.0L 426 OHV Diesel L6 4.25" Bore (6-71) (Detroit Diesel Eng.) M/D Truck.....	38	S7T.....	6.5L 395 (6468cc) OHV Diesel V8 103mm Bore (Chevrolet) M/D Truck.....	32
PD4102.....	7.0L 426 OHV Diesel L6 4.25" Bore (6-71) (Detroit Diesel Eng.) M/D Truck.....	38	S7T.....	6.5L 395 (6468cc) OHV Turbo-Diesel V8 103mm Bore (Chevrolet) M/D Truck.....	33
PD4103.....	7.0L 426 OHV Diesel L6 4.25" Bore (6-71) (Detroit Diesel Eng.) M/D Truck.....	38	S7T.....	7.0L 427 OHV V8 4.25" Bore (Chevrolet) M/D Truck.....	41
PD4104.....	7.0L 426 OHV Diesel L6 4.25" Bore (6-71) (Detroit Diesel Eng.) M/D Truck.....	38	S7T.....	8.2L 500 OHV Diesel V8 108mm Bore (Fuel Pincher) (Detroit Diesel Eng.) M/D Truck.....	46
PD4106.....	9.3L 568 OHV Diesel V8 4.25" Bore (Detroit Diesel Eng.) H/D Truck....	50	S7T.....	8.2L 500 OHV Turbo-Diesel V8 108mm Bore (Fuel Pincher) (Detroit Diesel Eng.) M/D Truck.....	47
PD4151.....	7.0L 426 OHV Diesel L6 4.25" Bore (6-71) (Detroit Diesel Eng.) M/D Truck.....	38	TDE4001.....	7.0L 426 OHV Diesel L6 4.25" Bore (6-71) (Detroit Diesel Eng.) M/D Truck.....	38
PG2903.....	4.1L 248 OHV L6 3.7188" Bore (GMC) M/D Truck.....	9	TDE4002.....	7.0L 426 OHV Diesel L6 4.25" Bore (6-71) (Detroit Diesel Eng.) M/D Truck.....	38
RG7500.....	7.8L 478 OHV Diesel V6 5.125" Bore (GMC) M/D Truck.....	45	TDE4003.....	7.0L 426 OHV Diesel L6 4.25" Bore (6-71) (Detroit Diesel Eng.) M/D Truck.....	38
RM7500.....	5.7L 351 OHV V6 4.5625" Bore (GMC) M/D Truck.....	25	TDE4505.....	7.0L 426 OHV Diesel L6 4.25" Bore (6-71) (Detroit Diesel Eng.) M/D Truck.....	38
RM7500.....	6.6L 401 OHV V6 4.875" Bore (GMC) M/D Truck.....	36	TDH3501.....	7.8L 478 OHV Diesel V6 5.125" Bore (GMC) M/D Truck.....	45
RM7500.....	7.1L 432 OHV V6 4.875" Bore (GMC) M/D Truck.....	42	TDH3714.....	7.0L 426 OHV Diesel L6 4.25" Bore (6-71) (Detroit Diesel Eng.) M/D Truck.....	38
RM7500.....	7.8L 478 OHV V6 5.125" Bore (GMC) M/D Truck.....	44	TDH4010.....	7.0L 426 OHV Diesel L6 4.25" Bore (6-71) (Detroit Diesel Eng.) M/D Truck.....	38
SE5500.....	5.7L 350 OHV V8 4" Bore (Chevrolet) M/D Truck.....	23	TDH4509.....	7.0L 426 OHV Diesel L6 4.25" Bore (6-71) (Detroit Diesel Eng.) M/D Truck.....	38
SE5500.....	6.0L 366 OHV V8 3.9375" Bore (Chevrolet) M/D Truck.....	28	TDH4510.....	7.0L 426 OHV Diesel L6 4.25" Bore (6-71) (Detroit Diesel Eng.) M/D Truck.....	38
			TDH4512.....	7.0L 426 OHV Diesel L6 4.25" Bore (6-71) (Detroit Diesel Eng.) M/D Truck.....	38

(continued on next page)

GMC Truck - M/D & H/D

Model Index

Model	Engine Description	Line No.	Model	Engine Description	Line No.
TDH4515	7.0L 426 OHV Diesel L6 4.25" Bore (6-71) (Detroit Diesel Eng.) M/D Truck	38	TGH3102	4.1L 248 OHV L6 3.7188" Bore (GMC) M/D Truck	9
TDH5304	9.3L 568 OHV Diesel V8 4.25" Bore (Detroit Diesel Eng.) H/D Truck	50	TGH3501	5.7L 351 OHV V6 4.5625" Bore (GMC) M/D Truck	25
TDM4010	7.0L 426 OHV Diesel L6 4.25" Bore (6-71) (Detroit Diesel Eng.) M/D Truck	38	TG21	3.5L 216.5 OHV L6 3.5" Bore (Chevrolet) M/D Truck	5
TDM4509	7.0L 426 OHV Diesel L6 4.25" Bore (6-71) (Detroit Diesel Eng.) M/D Truck	38	TG2101	3.5L 216.5 OHV L6 3.5" Bore (Chevrolet) M/D Truck	5
TDM5304	9.3L 568 OHV Diesel V8 4.25" Bore (Detroit Diesel Eng.) H/D Truck	50	TG2102	3.5L 216.5 OHV L6 3.5" Bore (Chevrolet) M/D Truck	5
TD32	7.0L 426 OHV Diesel L6 4.25" Bore (6-71) (Detroit Diesel Eng.) M/D Truck	38	TG24	3.5L 216.5 OHV L6 3.5" Bore (Chevrolet) M/D Truck	5
TD36	7.0L 426 OHV Diesel L6 4.25" Bore (6-71) (Detroit Diesel Eng.) M/D Truck	38	TG2401	3.5L 216.5 OHV L6 3.5" Bore (Chevrolet) M/D Truck	5
TD3601	7.0L 426 OHV Diesel L6 4.25" Bore (6-71) (Detroit Diesel Eng.) M/D Truck	38	TG2402	4.1L 248 OHV L6 3.7188" Bore (GMC) M/D Truck	9
TD3605	7.0L 426 OHV Diesel L6 4.25" Bore (6-71) (Detroit Diesel Eng.) M/D Truck	38	TG2402	4.4L 270 OHV L6 3.7813" Bore (GMC) M/D Truck	14
TD40	7.0L 426 OHV Diesel L6 4.25" Bore (6-71) (Detroit Diesel Eng.) M/D Truck	38	TG2405	4.1L 248 OHV L6 3.7188" Bore (GMC) M/D Truck	9
TD4001	7.0L 426 OHV Diesel L6 4.25" Bore (6-71) (Detroit Diesel Eng.) M/D Truck	38	TG2405	4.4L 270 OHV L6 3.7813" Bore (GMC) M/D Truck	14
TD4002	7.0L 426 OHV Diesel L6 4.25" Bore (6-71) (Detroit Diesel Eng.) M/D Truck	38	TG2701	4.1L 248 OHV L6 3.7188" Bore (GMC) M/D Truck	9
TD4005	7.0L 426 OHV Diesel L6 4.25" Bore (6-71) (Detroit Diesel Eng.) M/D Truck	38	TG2701	4.4L 270 OHV L6 3.7813" Bore (GMC) M/D Truck	14
TD4006	7.0L 426 OHV Diesel L6 4.25" Bore (6-71) (Detroit Diesel Eng.) M/D Truck	38	TG2705	4.1L 248 OHV L6 3.7188" Bore (GMC) M/D Truck	9
TD4007	7.0L 426 OHV Diesel L6 4.25" Bore (6-71) (Detroit Diesel Eng.) M/D Truck	38	TG2705	4.4L 270 OHV L6 3.7813" Bore (GMC) M/D Truck	14
TD4008	7.0L 426 OHV Diesel L6 4.25" Bore (6-71) (Detroit Diesel Eng.) M/D Truck	38	TG2706	4.1L 248 OHV L6 3.7188" Bore (GMC) M/D Truck	9
TD4010	7.0L 426 OHV Diesel L6 4.25" Bore (6-71) (Detroit Diesel Eng.) M/D Truck	38	TG2706	4.4L 270 OHV L6 3.7813" Bore (GMC) M/D Truck	14
TD45	7.0L 426 OHV Diesel L6 4.25" Bore (6-71) (Detroit Diesel Eng.) M/D Truck	38	W Series Tiltmaster	5.7L 350 OHV V8 4" Bore (Chevrolet) M/D Truck	23
TD4501	7.0L 426 OHV Diesel L6 4.25" Bore (6-71) (Detroit Diesel Eng.) M/D Truck	38	W Series Tiltmaster	5.8L 353 (5785cc) OHV Turbo-Diesel L6 102mm Bore (12 Valve) (Isuzu Eng.) M/D Truck	27
TD4502	7.0L 426 OHV Diesel L6 4.25" Bore (6-71) (Detroit Diesel Eng.) M/D Truck	38	W6R042	5.8L 353 (5785cc) OHV Turbo-Diesel L6 102mm Bore (12 Valve) (Isuzu Eng.) M/D Truck	27
TD4503	7.0L 426 OHV Diesel L6 4.25" Bore (6-71) (Detroit Diesel Eng.) M/D Truck	38	W7R042	5.8L 353 (5785cc) OHV Turbo-Diesel L6 102mm Bore (12 Valve) (Isuzu Eng.) M/D Truck	27
TD4505	7.0L 426 OHV Diesel L6 4.25" Bore (6-71) (Detroit Diesel Eng.) M/D Truck	38	0-17-901	3.5L 216.5 OHV L6 3.5" Bore (Chevrolet) M/D Truck	5
TD4506	7.0L 426 OHV Diesel L6 4.25" Bore (6-71) (Detroit Diesel Eng.) M/D Truck	38	0-18-976	3.5L 216.5 OHV L6 3.5" Bore (Chevrolet) M/D Truck	5
TD4507	7.0L 426 OHV Diesel L6 4.25" Bore (6-71) (Detroit Diesel Eng.) M/D Truck	38	10A	5.7L 348 OHV V8 4.125" Bore (Chevrolet) M/D Truck	22
TGH3101	4.1L 248 OHV L6 3.7188" Bore (GMC) M/D Truck	9	10B	5.7L 348 OHV V8 4.125" Bore (Chevrolet) M/D Truck	22
			10C	5.7L 348 OHV V8 4.125" Bore (Chevrolet) M/D Truck	22
			10D	5.7L 348 OHV V8 4.125" Bore (Chevrolet) M/D Truck	22
			10E	5.7L 348 OHV V8 4.125" Bore (Chevrolet) M/D Truck	22
			10F	5.7L 348 OHV V8 4.125" Bore (Chevrolet) M/D Truck	22
			1204	3.5L 216.5 OHV L6 3.5" Bore (Chevrolet) M/D Truck	5
			1210	7.0L 426 OHV Diesel L6 4.25" Bore (6-71) (Detroit Diesel Eng.) M/D Truck	38
			220	4.6L 283 OHV V8 3.875" Bore (Chevrolet) M/D Truck	15
			300	4.1L 248 OHV L6 3.7188" Bore (GMC) M/D Truck	9
			300	4.4L 270 OHV L6 3.7813" Bore (GMC) M/D Truck	14

(continued on next page)

GMC Truck - M/D & H/D

Model Index					
Model	Engine Description	Line No.	Model	Engine Description	Line No.
3500	3.9L 236 OHV L6 3.625" Bore (GMC) M/D Truck	8	4500	5.7L 350 OHV V8 4" Bore (Chevrolet) M/D Truck	23
3500	4.1L 250 OHV L6 3.875" Bore (Chevrolet) M/D Truck	10	460	4.1L 248 OHV L6 3.7188" Bore (GMC) M/D Truck	9
3500	4.8L 292 OHV L6 3.875" Bore (Chevrolet) M/D Truck	16	460	4.9L 302 OHV L6 4" Bore (GMC) M/D Truck	17
3500	5.0L 305 OHV V6 4.25" Bore (GMC) M/D Truck	18	470	4.1L 248 OHV L6 3.7188" Bore (GMC) M/D Truck	9
3500	5.3L 327 OHV V8 4" Bore (Chevrolet) M/D Truck	21	470	4.4L 270 OHV L6 3.7813" Bore (GMC) M/D Truck	14
3500	5.7L 350 OHV V8 4" Bore (Chevrolet) M/D Truck	23	470	4.9L 302 OHV L6 4" Bore (GMC) M/D Truck	17
3500	5.7L 351 OHV V6 4.5625" Bore (GMC) M/D Truck	25	50 Series	2.6L 159 OHV Diesel L3 3.875" Bore (3-53) (Detroit Diesel Eng.) M/D Truck	2
3500	5.7L 351 OHV Diesel V6 4.5625" Bore (GMC) M/D Truck	26	50 Series	3.5L 212 OHV Diesel L4 3.875" Bore (Detroit Diesel Eng.) M/D Truck	3
40 Series	2.6L 159 OHV Diesel L3 3.875" Bore (3-53) (Detroit Diesel Eng.) M/D Truck	2	50 Series	3.5L 212 OHV Turbo-Diesel L4 3.875" Bore (Detroit Diesel Eng.) M/D Truck	4
40 Series	3.5L 216.5 OHV L6 3.5" Bore (Chevrolet) M/D Truck	5	50 Series	3.5L 216.5 OHV L6 3.5" Bore (Chevrolet) M/D Truck	5
40 Series	3.8L 235 OHV L6 3.5625" Bore (Chevrolet) M/D Truck	7	50 Series	3.8L 230 OHV L6 3.875" Bore (Chevrolet) M/D Truck	6
40 Series	4.1L 250 OHV L6 3.875" Bore (Chevrolet) M/D Truck	10	50 Series	3.8L 235 OHV L6 3.5625" Bore (Chevrolet) M/D Truck	7
40 Series	4.3L 261 OHV L6 3.75" Bore (Chevrolet) M/D Truck	12	50 Series	4.1L 250 OHV L6 3.875" Bore (Chevrolet) M/D Truck	10
40 Series	4.6L 283 OHV V8 3.875" Bore (Chevrolet) M/D Truck	15	50 Series	4.3L 261 OHV L6 3.75" Bore (Chevrolet) M/D Truck	12
40 Series	4.8L 292 OHV L6 3.875" Bore (Chevrolet) M/D Truck	16	50 Series	4.3L 265 OHV V8 3.75" Bore (Chevrolet) M/D Truck	13
40 Series	5.0L 307 OHV V8 3.875" Bore (Chevrolet) M/D Truck	19	50 Series	4.6L 283 OHV V8 3.875" Bore (Chevrolet) M/D Truck	15
40 Series	5.7L 350 OHV V8 4" Bore (Chevrolet) M/D Truck	23	50 Series	4.8L 292 OHV L6 3.875" Bore (Chevrolet) M/D Truck	16
400	4.1L 248 OHV L6 3.7188" Bore (GMC) M/D Truck	9	50 Series	5.3L 327 OHV V8 4" Bore (Chevrolet) M/D Truck	21
400	4.4L 270 OHV L6 3.7813" Bore (GMC) M/D Truck	14	50 Series	5.7L 350 OHV V8 4" Bore (Chevrolet) M/D Truck	23
400	4.9L 302 OHV L6 4" Bore (GMC) M/D Truck	17	50 Series	5.7L 351 OHV Diesel V6 4.5625" Bore (GMC) M/D Truck	26
4000	4.8L 292 OHV L6 3.875" Bore (Chevrolet) M/D Truck	16	50 Series	6.0L 366 OHV V8 3.9375" Bore (Chevrolet) M/D Truck	28
4000	5.0L 305 OHV V6 4.25" Bore (GMC) M/D Truck	18	50 Series	7.0L 427 OHV V8 4.25" Bore (Chevrolet) M/D Truck	41
4000	5.7L 350 OHV V8 4" Bore (Chevrolet) M/D Truck	23	50 Series	7.8L 478 OHV Diesel V6 5.125" Bore (GMC) M/D Truck	45
4000	5.7L 351 OHV V6 4.5625" Bore (GMC) M/D Truck	25	500	4.9L 302 OHV L6 4" Bore (GMC) M/D Truck	17
4000	7.8L 478 OHV V6 5.125" Bore (GMC) M/D Truck	44	500	4.9L 302 OHV L6 4" Bore (GMC) H/D Truck	17
4000	7.8L 478 OHV Diesel V6 5.125" Bore (GMC) M/D Truck	45	500	6.1L 370 OHV V8 4" Bore (Oldsmobile) M/D Truck	30
410	4.1L 248 OHV L6 3.7188" Bore (GMC) M/D Truck	9	5000	4.1L 250 OHV L6 3.875" Bore (Chevrolet) M/D Truck	10
410	4.4L 270 OHV L6 3.7813" Bore (GMC) M/D Truck	14	5000	4.8L 292 OHV L6 3.875" Bore (Chevrolet) M/D Truck	16
4100	3.5L 212 OHV Diesel L4 3.875" Bore (Detroit Diesel Eng.) M/D Truck	3	5000	5.7L 350 OHV V8 4" Bore (Chevrolet) M/D Truck	23
450	4.1L 248 OHV L6 3.7188" Bore (GMC) M/D Truck	9	5000	5.7L 350 OHV LPG V8 4" Bore (Chevrolet) M/D Truck	24
450	4.4L 270 OHV L6 3.7813" Bore (GMC) M/D Truck	14	5000	5.7L 351 OHV V6 4.5625" Bore (GMC) M/D Truck	25
450	4.9L 302 OHV L6 4" Bore (GMC) M/D Truck	17	5000	6.6L 401 OHV V6 4.875" Bore (GMC) M/D Truck	36
4500	4.1L 250 OHV L6 3.875" Bore (Chevrolet) M/D Truck	10	5000	7.8L 478 OHV V6 5.125" Bore (GMC) M/D Truck	44
4500	4.8L 292 OHV L6 3.875" Bore (Chevrolet) M/D Truck	16	5000	7.8L 478 OHV Diesel V6 5.125" Bore (GMC) M/D Truck	45
4500	5.0L 305 OHV V6 4.25" Bore (GMC) M/D Truck	18	550	6.1L 370 OHV V8 4" Bore (Oldsmobile) M/D Truck	30

(continued on next page)

GMC Truck - M/D & H/D

Model Index					
Model	Engine Description	Line No.	Model	Engine Description	Line No.
5500	4.1L 250 OHV L6 3.875" Bore (Chevrolet) M/D Truck	10	6000	5.0L 305 OHV V6 4.25" Bore (GMC) M/D Truck	18
5500	4.8L 292 OHV L6 3.875" Bore (Chevrolet) M/D Truck	16	6000	5.7L 350 OHV V8 4" Bore (Chevrolet) M/D Truck	23
5500	5.0L 305 OHV V6 4.25" Bore (GMC) M/D Truck	18	6000	5.7L 351 OHV V6 4.5625" Bore (GMC) M/D Truck	25
5500	5.7L 350 OHV V8 4" Bore (Chevrolet) M/D Truck	23	6000	6.0L 366 OHV V8 3.9375" Bore (Chevrolet) M/D Truck	28
5500	5.7L 351 OHV V6 4.5625" Bore (GMC) M/D Truck	25	6000	6.2L 379 OHV V6 4.5625" Bore (GMC) M/D Truck	31
5500	6.0L 366 OHV V8 3.9375" Bore (Chevrolet) M/D Truck	28	6000	6.6L 401 OHV V6 4.875" Bore (GMC) M/D Truck	36
5500	6.6L 401 OHV V6 4.875" Bore (GMC) M/D Truck	36	6000	7.8L 478 OHV V6 5.125" Bore (GMC) M/D Truck	44
5500	7.0L 427 OHV V8 4.25" Bore (Chevrolet) M/D Truck	41	6000	7.8L 478 OHV Diesel V6 5.125" Bore (GMC) M/D Truck	45
5500	7.8L 478 OHV V6 5.125" Bore (GMC) M/D Truck	44	6500	3.5L 212 OHV Diesel L4 3.875" Bore (Detroit Diesel Eng.) M/D Truck	3
5500	7.8L 478 OHV Diesel V6 5.125" Bore (GMC) M/D Truck	45	6500	4.8L 292 OHV L6 3.875" Bore (Chevrolet) M/D Truck	16
5900	5.2L 318 OHV Diesel V6 3.875" Bore (Detroit Diesel Eng.) M/D Truck	20	6500	5.0L 305 OHV V6 4.25" Bore (GMC) M/D Truck	18
60 Series	3.5L 212 OHV Diesel L4 3.875" Bore (Detroit Diesel Eng.) M/D Truck	3	6500	5.7L 350 OHV V8 4" Bore (Chevrolet) M/D Truck	23
60 Series	3.5L 212 OHV Turbo-Diesel L4 3.875" Bore (Detroit Diesel Eng.) M/D Truck	4	6500	5.7L 351 OHV V6 4.5625" Bore (GMC) M/D Truck	25
60 Series	3.5L 216.5 OHV L6 3.5" Bore (Chevrolet) M/D Truck	5	6500	6.0L 366 OHV V8 3.9375" Bore (Chevrolet) M/D Truck	28
60 Series	3.8L 235 OHV L6 3.5625" Bore (Chevrolet) M/D Truck	7	6500	6.2L 379 OHV V6 4.5625" Bore (GMC) M/D Truck	31
60 Series	4.3L 261 OHV L6 3.75" Bore (Chevrolet) M/D Truck	12	6500	7.0L 427 OHV V8 4.25" Bore (Chevrolet) M/D Truck	41
60 Series	4.3L 265 OHV V8 3.75" Bore (Chevrolet) M/D Truck	13	6500	7.1L 432 OHV V6 4.875" Bore (GMC) M/D Truck	42
60 Series	4.6L 283 OHV V8 3.875" Bore (Chevrolet) M/D Truck	15	6500	7.8L 478 OHV V6 5.125" Bore (GMC) M/D Truck	44
60 Series	4.8L 292 OHV L6 3.875" Bore (Chevrolet) M/D Truck	16	6500	7.8L 478 OHV Diesel V6 5.125" Bore (GMC) M/D Truck	45
60 Series	5.0L 305 OHV V6 4.25" Bore (GMC) M/D Truck	18	6500	8.2L 500 OHV Diesel V8 108mm Bore (Fuel Pincher) (Detroit Diesel Eng.) M/D Truck	46
60 Series	5.3L 327 OHV V8 4" Bore (Chevrolet) M/D Truck	21	6500	8.2L 500 OHV Turbo-Diesel V8 108mm Bore (Fuel Pincher) (Detroit Diesel Eng.) M/D Truck	47
60 Series	5.7L 348 OHV V8 4.125" Bore (Chevrolet) M/D Truck	22	70 Series	3.5L 212 OHV Diesel L4 3.875" Bore (Detroit Diesel Eng.) M/D Truck	3
60 Series	5.7L 350 OHV V8 4" Bore (Chevrolet) M/D Truck	23	70 Series	3.5L 212 OHV Turbo-Diesel L4 3.875" Bore (Detroit Diesel Eng.) M/D Truck	4
60 Series	6.0L 366 OHV V8 3.9375" Bore (Chevrolet) M/D Truck	28	70 Series	4.3L 265 OHV V8 3.75" Bore (Chevrolet) M/D Truck	13
60 Series	6.0L 366 OHV LPG V8 3.9375" Bore (Chevrolet) M/D Truck	29	70 Series	4.6L 283 OHV V8 3.875" Bore (Chevrolet) M/D Truck	15
60 Series	6.2L 379 OHV V6 4.5625" Bore (GMC) M/D Truck	31	70 Series	5.2L 318 OHV Diesel V6 3.875" Bore (Detroit Diesel Eng.) M/D Truck	20
60 Series	7.0L 427 OHV V8 4.25" Bore (Chevrolet) M/D Truck	41	70 Series	5.2L 318 OHV Diesel V6 3.875" Bore (Detroit Diesel Eng.) H/D Truck	20
60 Series	7.1L 432 OHV V6 4.875" Bore (GMC) M/D Truck	42	70 Series	5.7L 348 OHV V8 4.125" Bore (Chevrolet) M/D Truck	22
60 Series	7.8L 478 OHV V6 5.125" Bore (GMC) M/D Truck	44	70 Series	5.7L 348 OHV V8 4.125" Bore (Chevrolet) H/D Truck	22
60 Series	7.8L 478 OHV Diesel V6 5.125" Bore (GMC) M/D Truck	45	70 Series	6.0L 366 OHV V8 3.9375" Bore (Chevrolet) M/D Truck	28
60 Series	8.2L 500 OHV Diesel V8 108mm Bore (Fuel Pincher) (Detroit Diesel Eng.) M/D Truck	46	70 Series	6.0L 366 OHV LPG V8 3.9375" Bore (Chevrolet) M/D Truck	29
60 Series	8.2L 500 OHV Turbo-Diesel V8 108mm Bore (Fuel Pincher) (Detroit Diesel Eng.) M/D Truck	47	70 Series	6.6L 401 OHV V6 4.875" Bore (GMC) M/D Truck	36
600	6.1L 370 OHV V8 4" Bore (Oldsmobile) M/D Truck	30	70 Series	6.6L 401 OHV V6 4.875" Bore (GMC) H/D Truck	36
6000	4.8L 292 OHV L6 3.875" Bore (Chevrolet) M/D Truck	16			

GMC Truck - M/D & H/D

Model Index					
Model	Engine Description	Line No.	Model	Engine Description	Line No.
70 Series	7.0L 427 OHV V8 4.25" Bore (Chevrolet) M/D Truck	41	7500	7.4L 454 OHV V8 4.25" Bore (Chevrolet) M/D Truck	43
70 Series	7.0L 427 OHV V8 4.25" Bore (Chevrolet) H/D Truck	41	7500	7.8L 478 OHV V6 5.125" Bore (GMC) M/D Truck	44
70 Series	7.1L 432 OHV V6 4.875" Bore (GMC) M/D Truck	42	7500	7.8L 478 OHV Diesel V6 5.125" Bore (GMC) M/D Truck	45
70 Series	7.1L 432 OHV V6 4.875" Bore (GMC) H/D Truck	42	7500	8.2L 500 OHV Diesel V8 108mm Bore (Fuel Pincher) (Detroit Diesel Eng.) M/D Truck	46
70 Series	7.4L 454 OHV V8 4.25" Bore (Chevrolet) M/D Truck	43	7500	8.2L 500 OHV Turbo-Diesel V8 108mm Bore (Fuel Pincher) (Detroit Diesel Eng.) M/D Truck	47
70 Series	7.8L 478 OHV V6 5.125" Bore (GMC) M/D Truck	44	7900	7.0L 426 OHV Diesel L6 4.25" Bore (Detroit Diesel Eng.) H/D Truck	39
70 Series	7.8L 478 OHV V6 5.125" Bore (GMC) H/D Truck	44	7900	7.0L 426 OHV Turbo-Diesel L6 4.25" Bore (Detroit Diesel Eng.) H/D Truck	40
70 Series	7.8L 478 OHV Diesel V6 5.125" Bore (GMC) M/D Truck	45	80 Series	4.3L 265 OHV V8 3.75" Bore (Chevrolet) M/D Truck	13
70 Series	7.8L 478 OHV Diesel V6 5.125" Bore (GMC) H/D Truck	45	80 Series	4.6L 283 OHV V8 3.875" Bore (Chevrolet) M/D Truck	15
70 Series	8.2L 500 OHV Diesel V8 108mm Bore (Fuel Pincher) (Detroit Diesel Eng.) M/D Truck	46	80 Series	5.2L 318 OHV Diesel V6 3.875" Bore (Detroit Diesel Eng.) M/D Truck	20
70 Series	8.2L 500 OHV Turbo-Diesel V8 108mm Bore (Fuel Pincher) (Detroit Diesel Eng.) M/D Truck	47	80 Series	5.2L 318 OHV Diesel V6 3.875" Bore (Detroit Diesel Eng.) H/D Truck	20
70 Series	10.4L 636 OHV Diesel V8 4.5" Bore (Caterpillar Eng.) H/D Truck	53	80 Series	5.7L 348 OHV V8 4.125" Bore (Chevrolet) M/D Truck	22
7000	5.2L 318 OHV Diesel V6 3.875" Bore (Detroit Diesel Eng.) M/D Truck	20	80 Series	5.7L 348 OHV V8 4.125" Bore (Chevrolet) H/D Truck	22
7000	5.7L 351 OHV Diesel V6 4.5625" Bore (GMC) M/D Truck	26	80 Series	6.0L 366 OHV V8 3.9375" Bore (Chevrolet) M/D Truck	28
7000	6.6L 401 OHV V6 4.875" Bore (GMC) M/D Truck	36	80 Series	6.6L 401 OHV V6 4.875" Bore (GMC) M/D Truck	36
7000	7.0L 426 OHV Diesel L6 4.25" Bore (6-71) (Detroit Diesel Eng.) M/D Truck	38	80 Series	6.6L 401 OHV V6 4.875" Bore (GMC) H/D Truck	36
7000	7.0L 426 OHV Turbo-Diesel L6 4.25" Bore (Detroit Diesel Eng.) H/D Truck	40	80 Series	6.7L 409 OHV V8 4.3125" Bore (Chevrolet) M/D Truck	37
7000	7.8L 478 OHV Diesel V6 5.125" Bore (GMC) M/D Truck	45	80 Series	6.7L 409 OHV V8 4.3125" Bore (Chevrolet) H/D Truck	37
7000	11.5L 702 OHV V12 4.5625" Bore (GMC) H/D Truck	56	80 Series	7.0L 427 OHV V8 4.25" Bore (Chevrolet) M/D Truck	41
7100	9.3L 568 OHV Diesel V8 4.25" Bore (Detroit Diesel Eng.) H/D Truck	50	80 Series	7.0L 427 OHV V8 4.25" Bore (Chevrolet) H/D Truck	41
7100	9.3L 568 OHV Turbo-Diesel V8 4.25" Bore (Detroit Diesel Eng.) H/D Truck	51	80 Series	7.1L 432 OHV V6 4.875" Bore (GMC) M/D Truck	42
733	3.5L 216.5 OHV L6 3.5" Bore (Chevrolet) M/D Truck	5	80 Series	7.1L 432 OHV V6 4.875" Bore (GMC) H/D Truck	42
736	7.0L 426 OHV Diesel L6 4.25" Bore (6-71) (Detroit Diesel Eng.) M/D Truck	38	80 Series	7.8L 478 OHV V6 5.125" Bore (GMC) M/D Truck	44
740	7.0L 426 OHV Diesel L6 4.25" Bore (6-71) (Detroit Diesel Eng.) M/D Truck	38	80 Series	7.8L 478 OHV V6 5.125" Bore (GMC) H/D Truck	44
7500	3.5L 212 OHV Diesel L4 3.875" Bore (Detroit Diesel Eng.) M/D Truck	3	80 Series	7.8L 478 OHV Diesel V6 5.125" Bore (GMC) M/D Truck	45
7500	5.2L 318 OHV Diesel V6 3.875" Bore (Detroit Diesel Eng.) M/D Truck	20	80 Series	7.8L 478 OHV Diesel V6 5.125" Bore (GMC) H/D Truck	45
7500	5.7L 351 OHV V6 4.5625" Bore (GMC) M/D Truck	25	800	7.0L 426 OHV Turbo-Diesel L6 4.25" Bore (Detroit Diesel Eng.) H/D Truck	40
7500	6.0L 366 OHV V8 3.9375" Bore (Chevrolet) M/D Truck	28	8000	5.7L 351 OHV V6 4.5625" Bore (GMC) M/D Truck	25
7500	6.6L 401 OHV V6 4.875" Bore (GMC) M/D Truck	36	8000	6.6L 401 OHV V6 4.875" Bore (GMC) M/D Truck	36
7500	7.0L 427 OHV V8 4.25" Bore (Chevrolet) M/D Truck	41	8000	7.0L 426 OHV Diesel L6 4.25" Bore (6-71) (Detroit Diesel Eng.) H/D Truck	39
7500	7.1L 432 OHV V6 4.875" Bore (GMC) M/D Truck	42			

(continued on next page)

GMC Truck - M/D & H/D

Model Index					
Model	Engine Description	Line No.	Model	Engine Description	Line No.
8000	7.0L 426 OHV Turbo-Diesel L6 4.25" Bore (Detroit Diesel Eng.) H/D Truck	40	90 Series	14.0L 855 OHV Turbo-Diesel L6 5.5" Bore (Cummins Eng.) H/D Truck	61
8000	7.8L 478 OHV V6 5.125" Bore (GMC) M/D Truck	44	90 Series	14.8L 903 OHV Diesel V8 5.5" Bore (Cummins Eng.) H/D Truck	63
8000	9.3L 568 OHV Diesel V8 4.25" Bore (Detroit Diesel Eng.) H/D Truck	50	900	7.0L 426 OHV Diesel L6 4.25" Bore (6-71) (Detroit Diesel Eng.) H/D Truck	39
8000	9.3L 568 OHV Turbo-Diesel V8 4.25" Bore (Detroit Diesel Eng.) H/D Truck	51	900	7.0L 426 OHV Turbo-Diesel L6 4.25" Bore (Detroit Diesel Eng.) H/D Truck	40
820	7.0L 426 OHV Diesel L6 4.25" Bore (6-71) (Detroit Diesel Eng.) H/D Truck	39	9000	11.5L 702 OHV V12 4.5625" Bore (GMC) H/D Truck	56
820	7.0L 426 OHV Turbo-Diesel L6 4.25" Bore (Detroit Diesel Eng.) H/D Truck	40	91	3.8L 235 OHV L6 3.5625" Bore (Chevrolet) M/D Truck	7
8500	5.2L 318 OHV Diesel V6 3.875" Bore (Detroit Diesel Eng.) H/D Truck	20	910	7.0L 426 OHV Diesel L6 4.25" Bore (6-71) (Detroit Diesel Eng.) H/D Truck	39
8500	5.7L 351 OHV V6 4.5625" Bore (GMC) H/D Truck	25	910	7.0L 426 OHV Turbo-Diesel L6 4.25" Bore (Detroit Diesel Eng.) H/D Truck	40
8500	6.6L 401 OHV V6 4.875" Bore (GMC) H/D Truck	36	9100	3.8L 230 OHV L6 3.875" Bore (Chevrolet) M/D Truck	6
8500	7.0L 427 OHV V8 4.25" Bore (Chevrolet) H/D Truck	41	9100	3.8L 235 OHV L6 3.5625" Bore (Chevrolet) M/D Truck	7
8500	7.1L 432 OHV V6 4.875" Bore (GMC) H/D Truck	42	9100	4.1L 250 OHV L6 3.875" Bore (Chevrolet) M/D Truck	10
8500	7.8L 478 OHV V6 5.125" Bore (GMC) H/D Truck	44	9100	4.3L 261 OHV L6 3.75" Bore (Chevrolet) M/D Truck	12
8500	10.4L 636 OHV Diesel V8 4.5" Bore (Caterpillar Eng.) H/D Truck	53	9100	4.6L 283 OHV V8 3.875" Bore (Chevrolet) M/D Truck	15
860	7.0L 426 OHV Diesel L6 4.25" Bore (6-71) (Detroit Diesel Eng.) H/D Truck	39	9100	4.8L 292 OHV L6 3.875" Bore (Chevrolet) M/D Truck	16
860	7.0L 426 OHV Turbo-Diesel L6 4.25" Bore (Detroit Diesel Eng.) H/D Truck	40	9100	4.9L 302 OHV L6 4" Bore (GMC) M/D Truck	17
9A	5.7L 348 OHV V8 4.125" Bore (Chevrolet) H/D Truck	22	9100	5.3L 327 OHV V8 4" Bore (Chevrolet) M/D Truck	21
9B	5.7L 348 OHV V8 4.125" Bore (Chevrolet) H/D Truck	22	9100	5.7L 348 OHV V8 4.125" Bore (Chevrolet) M/D Truck	22
9C	5.7L 348 OHV V8 4.125" Bore (Chevrolet) H/D Truck	22	920	7.0L 426 OHV Diesel L6 4.25" Bore (6-71) (Detroit Diesel Eng.) H/D Truck	39
90 Series	7.0L 426 OHV Diesel L6 4.25" Bore (6-71) (Detroit Diesel Eng.) H/D Truck	39	920	7.0L 426 OHV Turbo-Diesel L6 4.25" Bore (Detroit Diesel Eng.) H/D Truck	40
90 Series	7.0L 426 OHV Turbo-Diesel L6 4.25" Bore (Detroit Diesel Eng.) H/D Truck	40	9200	3.8L 230 OHV L6 3.875" Bore (Chevrolet) M/D Truck	6
90 Series	9.0L 552 OHV Diesel V6 4.84" Bore (Detroit Diesel Eng.) H/D Truck	48	9200	3.8L 235 OHV L6 3.5625" Bore (Chevrolet) M/D Truck	7
90 Series	9.0L 552 OHV Turbo-Diesel V6 4.84" Bore (Detroit Diesel Eng.) H/D Truck	49	9200	4.1L 250 OHV L6 3.875" Bore (Chevrolet) M/D Truck	10
90 Series	9.3L 568 OHV Diesel V8 4.25" Bore (Detroit Diesel Eng.) H/D Truck	50	9200	4.3L 261 OHV L6 3.75" Bore (Chevrolet) M/D Truck	12
90 Series	9.3L 568 OHV Turbo-Diesel V8 4.25" Bore (Detroit Diesel Eng.) H/D Truck	51	9200	4.6L 283 OHV V8 3.875" Bore (Chevrolet) M/D Truck	15
90 Series	10.4L 636 OHV Diesel V8 4.5" Bore (Caterpillar Eng.) H/D Truck	53	9200	4.8L 292 OHV L6 3.875" Bore (Chevrolet) M/D Truck	16
90 Series	12.1L 736 OHV Diesel V8 4.84" Bore (Detroit Diesel Eng.) H/D Truck	57	9200	5.3L 327 OHV V8 4" Bore (Chevrolet) M/D Truck	21
90 Series	12.1L 736 OHV Turbo-Diesel V8 4.84" Bore (Detroit Diesel Eng.) H/D Truck	58	9200	5.7L 348 OHV V8 4.125" Bore (Chevrolet) M/D Truck	22
90 Series	14.0L 852 OHV Diesel V12 4.25" Bore (Detroit Diesel Eng.) H/D Truck	59	93	3.5L 216.5 OHV L6 3.5" Bore (Chevrolet) M/D Truck	5
90 Series	14.0L 855 OHV Diesel L6 5.5" Bore (Cummins Eng.) H/D Truck	60	93	3.8L 235 OHV L6 3.5625" Bore (Chevrolet) M/D Truck	7
			93	4.3L 261 OHV L6 3.75" Bore (Chevrolet) M/D Truck	12
			93	4.3L 265 OHV V8 3.75" Bore (Chevrolet) M/D Truck	13
			93	4.6L 283 OHV V8 3.875" Bore (Chevrolet) M/D Truck	15
			930	3.8L 235 OHV L6 3.5625" Bore (Chevrolet) M/D Truck	7

(continued on next page)

GMC Truck - M/D & H/D

Model Index					
Model	Engine Description	Line No.	Model	Engine Description	Line No.
930	4.6L 283 OHV V8 3.875" Bore (Chevrolet) M/D Truck	15	9500	7.0L 426 OHV Turbo-Diesel L6 4.25" Bore (Detroit Diesel Eng.) H/D Truck	40
930	7.0L 426 OHV Diesel L6 4.25" Bore (6-71) (Detroit Diesel Eng.) H/D Truck	39	9500	9.0L 552 OHV Diesel V6 4.84" Bore (Detroit Diesel Eng.) H/D Truck	48
930	7.0L 426 OHV Turbo-Diesel L6 4.25" Bore (Detroit Diesel Eng.) H/D Truck	40	9500	9.0L 552 OHV Turbo-Diesel V6 4.84" Bore (Detroit Diesel Eng.) H/D Truck	49
9300	3.8L 230 OHV L6 3.875" Bore (Chevrolet) M/D Truck	6	9500	9.3L 568 OHV Diesel V8 4.25" Bore (Detroit Diesel Eng.) H/D Truck	50
9300	3.8L 235 OHV L6 3.5625" Bore (Chevrolet) M/D Truck	7	9500	9.3L 568 OHV Turbo-Diesel V8 4.25" Bore (Detroit Diesel Eng.) H/D Truck	51
9300	4.1L 250 OHV L6 3.875" Bore (Chevrolet) M/D Truck	10	9500	10.4L 636 OHV Diesel V8 4.5" Bore (Caterpillar Eng.) H/D Truck	53
9300	4.3L 261 OHV L6 3.75" Bore (Chevrolet) M/D Truck	12	9500	12.1L 736 OHV Diesel V8 4.84" Bore (Detroit Diesel Eng.) H/D Truck	57
9300	4.6L 283 OHV V8 3.875" Bore (Chevrolet) M/D Truck	15	9500	12.1L 736 OHV Turbo-Diesel V8 4.84" Bore (Detroit Diesel Eng.) H/D Truck	58
9300	4.8L 292 OHV L6 3.875" Bore (Chevrolet) M/D Truck	16	9500	14.0L 855 OHV Diesel L6 5.5" Bore (Cummins Eng.) H/D Truck	60
9300	5.3L 327 OHV V8 4" Bore (Chevrolet) M/D Truck	21	9500	14.0L 855 OHV Turbo-Diesel L6 5.5" Bore (Cummins Eng.) H/D Truck	61
94	3.5L 216.5 OHV L6 3.5" Bore (Chevrolet) M/D Truck	5	9500	14.8L 903 OHV Diesel V8 5.5" Bore (Cummins Eng.) H/D Truck	63
94	3.8L 235 OHV L6 3.5625" Bore (Chevrolet) M/D Truck	7	9501	7.0L 426 OHV Diesel L6 4.25" Bore (6-71) (Detroit Diesel Eng.) H/D Truck	39
94	4.3L 261 OHV L6 3.75" Bore (Chevrolet) M/D Truck	12	9501	7.0L 426 OHV Turbo-Diesel L6 4.25" Bore (Detroit Diesel Eng.) H/D Truck	40
94	4.3L 265 OHV V8 3.75" Bore (Chevrolet) M/D Truck	13	9501	9.3L 568 OHV Diesel V8 4.25" Bore (Detroit Diesel Eng.) H/D Truck	50
94	4.6L 283 OHV V8 3.875" Bore (Chevrolet) M/D Truck	15	9501	9.3L 568 OHV Turbo-Diesel V8 4.25" Bore (Detroit Diesel Eng.) H/D Truck	51
940	3.8L 235 OHV L6 3.5625" Bore (Chevrolet) M/D Truck	7	9502	7.0L 426 OHV Diesel L6 4.25" Bore (6-71) (Detroit Diesel Eng.) H/D Truck	39
940	4.6L 283 OHV V8 3.875" Bore (Chevrolet) M/D Truck	15	9502	7.0L 426 OHV Turbo-Diesel L6 4.25" Bore (Detroit Diesel Eng.) H/D Truck	40
95	3.5L 216.5 OHV L6 3.5" Bore (Chevrolet) M/D Truck	5	9502	9.0L 552 OHV Diesel V6 4.84" Bore (Detroit Diesel Eng.) H/D Truck	48
95	3.8L 235 OHV L6 3.5625" Bore (Chevrolet) M/D Truck	7	9502	9.0L 552 OHV Turbo-Diesel V6 4.84" Bore (Detroit Diesel Eng.) H/D Truck	49
95	4.3L 261 OHV L6 3.75" Bore (Chevrolet) M/D Truck	12	9502	9.3L 568 OHV Diesel V8 4.25" Bore (Detroit Diesel Eng.) H/D Truck	50
95	4.3L 265 OHV V8 3.75" Bore (Chevrolet) M/D Truck	13	9502	9.3L 568 OHV Turbo-Diesel V8 4.25" Bore (Detroit Diesel Eng.) H/D Truck	51
95	4.6L 283 OHV V8 3.875" Bore (Chevrolet) M/D Truck	15	9502	12.1L 736 OHV Diesel V8 4.84" Bore (Detroit Diesel Eng.) H/D Truck	57
950	7.0L 426 OHV Diesel L6 4.25" Bore (6-71) (Detroit Diesel Eng.) H/D Truck	39	9502	12.1L 736 OHV Turbo-Diesel V8 4.84" Bore (Detroit Diesel Eng.) H/D Truck	58
950	7.0L 426 OHV Turbo-Diesel L6 4.25" Bore (Detroit Diesel Eng.) H/D Truck	40	9502	14.0L 852 OHV Diesel V12 4.25" Bore (Detroit Diesel Eng.) H/D Truck	59
9500	3.8L 230 OHV L6 3.875" Bore (Chevrolet) M/D Truck	6	9502	14.0L 855 OHV Diesel L6 5.5" Bore (Cummins Eng.) H/D Truck	60
9500	3.8L 235 OHV L6 3.5625" Bore (Chevrolet) M/D Truck	7	9502	14.0L 855 OHV Turbo-Diesel L6 5.5" Bore (Cummins Eng.) H/D Truck	61
9500	4.1L 250 OHV L6 3.875" Bore (Chevrolet) M/D Truck	10	9502	14.8L 903 OHV Diesel V8 5.5" Bore (Cummins Eng.) H/D Truck	63
9500	4.3L 261 OHV L6 3.75" Bore (Chevrolet) M/D Truck	12	96	3.5L 216.5 OHV L6 3.5" Bore (Chevrolet) M/D Truck	5
9500	4.6L 283 OHV V8 3.875" Bore (Chevrolet) M/D Truck	15			
9500	4.8L 292 OHV L6 3.875" Bore (Chevrolet) M/D Truck	16			
9500	5.3L 327 OHV V8 4" Bore (Chevrolet) M/D Truck	21			
9500	5.7L 351 OHV Diesel V6 4.5625" Bore (GMC) M/D Truck	26			
9500	6.0L 366 OHV V8 3.9375" Bore (Chevrolet) M/D Truck	28			
9500	7.0L 426 OHV Diesel L6 4.25" Bore (6-71) (Detroit Diesel Eng.) H/D Truck	39			

(continued on next page)

GMC Truck - M/D & H/D

Model Index					
Model	Engine Description	Line No.	Model	Engine Description	Line No.
96	3.8L 235 OHV L6 3.5625" Bore (Chevrolet) M/D Truck	7	970	7.0L 426 OHV Diesel L6 4.25" Bore (6-71) (Detroit Diesel Eng.) H/D Truck	39
96	4.3L 261 OHV L6 3.75" Bore (Chevrolet) M/D Truck	12	970	7.0L 426 OHV Turbo-Diesel L6 4.25" Bore (Detroit Diesel Eng.) H/D Truck	40
96	4.3L 265 OHV V8 3.75" Bore (Chevrolet) M/D Truck	13	9700	4.9L 302 OHV L6 4" Bore (GMC) M/D Truck	17
96	4.6L 283 OHV V8 3.875" Bore (Chevrolet) M/D Truck	15	9700	5.7L 348 OHV V8 4.125" Bore (Chevrolet) M/D Truck	22
96H	4.1L 248 OHV L6 3.7188" Bore (GMC) M/D Truck	9	98	3.5L 216.5 OHV L6 3.5" Bore (Chevrolet) M/D Truck	5
960	4.3L 261 OHV L6 3.75" Bore (Chevrolet) M/D Truck	12	98	3.8L 235 OHV L6 3.5625" Bore (Chevrolet) M/D Truck	7
960	4.6L 283 OHV V8 3.875" Bore (Chevrolet) M/D Truck	15	98	4.6L 283 OHV V8 3.875" Bore (Chevrolet) M/D Truck	15
9600	4.3L 261 OHV L6 3.75" Bore (Chevrolet) M/D Truck	12	980	4.3L 261 OHV L6 3.75" Bore (Chevrolet) M/D Truck	12
9600	4.6L 283 OHV V8 3.875" Bore (Chevrolet) M/D Truck	15	980	4.6L 283 OHV V8 3.875" Bore (Chevrolet) M/D Truck	15
9600	4.8L 292 OHV L6 3.875" Bore (Chevrolet) M/D Truck	16	980	7.0L 426 OHV Diesel L6 4.25" Bore (6-71) (Detroit Diesel Eng.) H/D Truck	39
9600	5.3L 327 OHV V8 4" Bore (Chevrolet) M/D Truck	21	980	7.0L 426 OHV Turbo-Diesel L6 4.25" Bore (Detroit Diesel Eng.) H/D Truck	40
9600	5.7L 348 OHV V8 4.125" Bore (Chevrolet) M/D Truck	22	9800	4.9L 302 OHV L6 4" Bore (GMC) M/D Truck	17
9600	6.0L 366 OHV V8 3.9375" Bore (Chevrolet) M/D Truck	28	9800	5.2L 318 OHV Diesel V6 3.875" Bore (Detroit Diesel Eng.) M/D Truck	20
9600	7.8L 478 OHV Diesel V6 5.125" Bore (GMC) M/D Truck	45	9800	5.7L 348 OHV V8 4.125" Bore (Chevrolet) M/D Truck	22
97	3.8L 235 OHV L6 3.5625" Bore (Chevrolet) M/D Truck	7	9800	6.0L 366 OHV V8 3.9375" Bore (Chevrolet) M/D Truck	28
97	4.1L 248 OHV L6 3.7188" Bore (GMC) M/D Truck	9	9800	6.7L 409 OHV V8 4.3125" Bore (Chevrolet) M/D Truck	37
97	4.3L 261 OHV L6 3.75" Bore (Chevrolet) M/D Truck	12			
97	4.3L 265 OHV V8 3.75" Bore (Chevrolet) M/D Truck	13			
97	4.4L 270 OHV L6 3.7813" Bore (GMC) M/D Truck	14			
97	4.6L 283 OHV V8 3.875" Bore (Chevrolet) M/D Truck	15			

1 H/D Truck 2-53 (2-Valve Cyl. Head), 2-53N (4-Valve Cyl. Head) Engs. 1.7L 106 OHV Diesel L2, 3.875" Bore (Detroit Diesel Eng.) 1971-78					
CYL. HEAD & PARTS					
QTY	GASKETS	YEARS	PART NO.	SIZE	DESCRIPTION
1	Valve Cover Gasket	78-71	FP-5147993		w/Stamped Steel valve cover
2	Head Gasket	78-71	FP-5121254		
1	Head Set	78-71	FP-5199809		
1	O-Ring	78-71	FP-5116122		Oil Hole seal
2	Bolt	78-71	FP-8927580		3/8" - 16 x .875"
2	Bolt	78-71	FP-8927581		3/8" - 16 x 1"
6	Bolt	78-71	FP-5121263		5/8" - 11 x 6.250", 12 Pt. Head
2	Lock Washer	78-71	FP-103321		3/8"
QTY	MISCELLANEOUS	YEARS	PART NO.	SIZE	DESCRIPTION
5	Pipe Plug	78-71	FP-5121182		1/4" - 18; Hex head
5	Pipe Plug	78-71	FP-8923847		1/4" x 18 NPTF; Square head
1	Pipe Plug	78-71	FP-8924380		1/8" - 27
4	Bolt	78-71	FP-443603		.250" x 20 x .750"
QTY	FREEZE PLUGS	YEARS	PART NO.	SIZE	DESCRIPTION
5	Pipe Plug	78-71	FP-5121182		1/4" - 18; Hex head
5	Pipe Plug	78-71	FP-8923847		1/4" x 18 NPTF; Square head
1	Pipe Plug	78-71	FP-8924380		1/8" - 27
3	Expansion Plug	78-71	FP-5151449		.8125" Dia.
3	Expansion Plug	78-71	FP-5154453		Cyl. head; 3/8" - 16 Headless Special
QTY	VALVE	YEARS	PART NO.	SIZE	DESCRIPTION
4	Exhaust Valve Kit	78-71	FP-5195948		2 Valve Head; 30 Deg.
8	Keeper	78-71	FP-5111337		2 Valve Head; 1 groove; Square cut key groove

(continued on next page)

GMC Truck - M/D & H/D

H/D Truck 2-53 (2-Valve Cyl. Head), 2-53N (4-Valve Cyl. Head) Eng. 1
1.7L 106 OHV Diesel L2, 3.875" Bore (Detroit Diesel Eng.) 1971-78 (cont.)

CYL. HEAD & PARTS (cont.)					
QTY	VALVE SEAT	YEARS	PART NO.	SIZE	DESCRIPTION
4	Exh. & Int.	78-71	FP-5116196	STD	2 Valve Head
QTY	VALVE GUIDE	YEARS	PART NO.	SIZE	DESCRIPTION
4	Guide	78-71	FP-5129919		Exh.; 2 Valve Head; 2 3/8" length; .3130" ID, 2.3800" O.A.L.
QTY	VALVE SPRING	YEARS	PART NO.	SIZE	DESCRIPTION
4	Spring	78-71	FP-5116140		Exh.; 2 Valve Head
QTY	PUSH RODS	YEARS	PART NO.	SIZE	DESCRIPTION
6	Push Rod	78-71	FP-5128640		
6	Push Rod Seat	78-71	FP-5108919		Upper; Cup type
6	Push Rod Seat	78-71	FP-5150302		Upper; Flange type
6	Push Rod Seat	73-72	FP-5123250		Lower
6	Push Rod Spring	78-71	FP-5186858		.177" Wire diameter
6	Push Rod Spring	78-71	FP-5108918		.192" Wire diameter
6	Push Rod Retainer	73-72	FP-5150303		
6	Lock Nut	78-71	FP-5151601		5/16" - 24
QTY	VALVE SEAL	YEARS	PART NO.	SIZE	DESCRIPTION
4	Valve Stem Seal	78-71	FP-8921209		Exh.; 2 Valve Head
QTY	ROCKER PARTS	YEARS	PART NO.	SIZE	DESCRIPTION
2	Arm Assy.	78-71	FP-8923554		Injector Rocker; 4 Valve Head
2	Rocker Shaft	78-71	FP-5116072		
4	Arm Support	78-71	FP-5116128		
2	Rocker Bushing	78-71	FP-8924355		Injector Rocker; Large
2	Rocker Bushing	78-71	FP-8924354		Injector Rocker; Small
6	Follower Assy.	78-71	FP-8924439		
2	Follower Guide	78-71	FP-5116125		
6	Cam Follower Roller Set	78-71	FP-8923814		Incl. pin & roller
6	Rocker Arm Clevis Pin	78-71	FP-5150314		
4	Lock Washer	78-71	FP-103319		.250"
INT & EXH MANIFOLDS					
QTY	INT. & EXH. MANIFOLDS	YEARS	PART NO.	SIZE	DESCRIPTION
1	Stud	78-71	FP-8925804		Exh. Manifold; 7/16" - 14/20" x 2 3/32"
1	Exhaust Manifold Gasket	78-71	FP-5116306		
1	Gasket	78-71	FP-5113412		Exh. Manifold Cover Plate
2	Pipe Plug	78-71	FP-5121182		Exh. Manifold; 1/4" - 18; Hex head
1	Pipe Plug	78-71	FP-8924380		Exh. Manifold; 1/8" - 27
3	Washer	78-71	FP-5104439		Exh. Manifold; 7/16" x 1.250" Dia.; Dished
QTY	AIR INTAKE	YEARS	PART NO.	SIZE	DESCRIPTION
4	Lock Washer	78-71	FP-103321		Air Inlet Housing; 3/8"
1	Lock Washer	73-72	FP-103319		Air Inlet Housing; .250"
1	Retainer	78-71	FP-142583		Air Inlet Spring Retainer; 13/64" Spring
2	O-Ring	78-71	FP-5182977		Air Inlet Housing Shutdown Valve Shaft
CAMSHAFT GROUP					
QTY	TIMING	YEARS	PART NO.	SIZE	DESCRIPTION
1	Idler Gear Hub Assembly	78-71	FP-5124458		
1	Ball Brg.	78-71	FP-5196793		Idler Gear
QTY	CAMSHAFT TIMING	YEARS	PART NO.	SIZE	DESCRIPTION
2	Camshaft Pulley Spacer	78-71	FP-5106360		Front
2	Camshaft Pulley Spacer	78-71	FP-5121071		Front
QTY	CAMSHAFT/LIFTER	YEARS	PART NO.	SIZE	DESCRIPTION
4	Bolt	78-71	FP-443603		Cam guide; .250" x 20 x .750"
4	Lock Washer	78-71	FP-103319		Cam guide; .250"
2	Oil Seal	78-71	FP-23516871		Front
2	Camshaft Plug	78-71	FP-5151277		.500" Drive; 15/32" x 1/2"
2	Woodruff Key	78-71	FP-8926248		.1875" x .625"
ACCESSORY DRIVE					
QTY	ACCESSORY DRIVE	YEARS	PART NO.	SIZE	DESCRIPTION
1	Accessory Drive Gasket	78-71	FP-23515145		
1	Oil Seal	78-71	FP-5131329		Accessory drive; Accessory drive assy.
1	Ball Brg.	78-71	FP-23504528		Accessory drive; Accessory drive assy.
FUEL SYSTEM & PARTS					
QTY	FUEL INJECTION	YEARS	PART NO.	SIZE	DESCRIPTION
2	Fuel Injector Seal Ring	78-71	FP-5234281		
2	Fuel Injector Seal Ring	78-71	FP-5104701		Viton®

(continued on next page)

GMC Truck - M/D & H/D

1 H/D Truck 2-53 (2-Valve Cyl. Head), 2-53N (4-Valve Cyl. Head) Engs.
 (cont.) 1.7L 106 OHV Diesel L2, 3.875" Bore (Detroit Diesel Eng.) 1971-78

FUEL SYSTEM & PARTS (cont.)

QTY	FUEL INJECTION (cont.)	YEARS	PART NO.	SIZE	DESCRIPTION
2	Injector Hole Tube Kit	78-71	FP-8925981		Viton®
2	Washer	78-71	FP-5150250		
2	Clamp	78-71	FP-5121259		
2	Fuel Injector	78-71	FP-5229345		Injector Assembly C45
2	Fuel Injector Repair Kit	78-71	FP-5229649		
2	Fuel Injection Valve Cage	78-71	FP-5228696		
2	Fuel Injection Spring Seat	78-71	FP-5228766		
2	Fuel Injector Valve Spring	78-71	FP-5228596		
2	Fuel Injector Check Valve	78-71	FP-5228694		
2	Fuel Pump Check Valve	78-71	FP-5226411		
2	Fuel Pump Check Valve	78-71	FP-5228308		Incl. injector valve & 5228106 seat
2	Injector Plunger & Bushing	78-71	FP-5229342		For Inj. Assembly C40
2	Injector Plunger & Bushing	78-71	FP-5229346		For Inj. Assembly C45
2	Injector Plunger & Bushing	78-71	FP-5229354		For Inj. Assembly C50
2	Injector Plunger & Bushing	78-71	FP-5228684		For Inj. Assembly N45, 5N45
2	Injector Plunger & Bushing	78-71	FP-5228749		For Inj. Assembly N50
2	Injector Plunger & Bushing	78-71	FP-5228495		For Inj. Assembly S45
2	Injector Plunger & Bushing	78-71	FP-5228656		For Inj. Assembly 5A60
2	Fuel Injector Tip Kit	78-71	FP-5228491		
2	Fuel Injector Tip Kit	78-71	FP-5229034		For Inj. Assembly N35, N40, N45, N50, C40, C45, C50
2	Fuel Injector Tip Kit	78-71	FP-5229030		For Inj. Assembly 5A50, 5A55, 5A60
2	Fuel Injector Tip Kit	78-71	FP-5229026		For Inj. Assembly 5N45
2	Nut	78-71	FP-5228601		NV
2	Fuel Injector Valve Kit	78-71	FP-5228313		
2	Fuel Injector Valve Kit	78-71	FP-5228769		
2	Fuel Injector Roller Pin	78-71	FP-5228608		
QTY	FUEL FILTERS & PUMP	YEARS	PART NO.	SIZE	DESCRIPTION
1	Mechanical Fuel Pump	78-71	FP-5199735		LH; High Output; High output; w/.375" Gear
1	Mechanical Fuel Pump	78-71	FP-5199560		LH; Standard Output; Std. output; w/.250" Gear
1	Mechanical Fuel Pump	78-71	FP-5199734		RH; High Output; High output
1	Mechanical Fuel Pump	78-71	FP-5199561		RH; Standard Output
1	Fuel Pump Shaft & Gear	78-71	FP-5146705		High Output; Fuel Pump Drive; 3.09" Length; High Output
1	Fuel Pump Shaft & Gear	78-71	FP-5100313		High Output; Fuel Pump Drive; .963" Length; High Output
1	Fuel Pump Shaft & Gear	78-71	FP-5181746		Standard Output; Fuel Pump Drive; 3.09" Length; Std. Output
1	Fuel Pump Shaft & Gear	78-71	FP-5181747		Standard Output; Fuel Pump Drive; .838" Length; Std. Output
1	Fuel Pump Valve	78-71	FP-5174973		
1	Fuel Pump Gear	78-71	FP-5107088		Fuel Pump Drive; LH Helix
1	Fuel Pump Gear	78-71	FP-5118915		High Output; Fuel Pump Drive; .374" Width; High Output
1	Fuel Pump Gear	78-71	FP-5128217		High Output; Fuel Pump Drive; .374" Width; High Output
1	Fuel Pump Gear	78-71	FP-5174975		Standard Output; Fuel Pump Drive; .294" Width; Std. Output
1	Fuel Pump Gear	78-71	FP-5181748		Standard Output; Fuel Pump Drive; .294" Width; Std. Output
1	Fuel Pump Drive Shaft	78-71	FP-5100312		High Output; Fuel Pump Drive; .963" Length; High Output
1	Fuel Pump Drive Shaft	78-71	FP-5178700		Standard & High Output; Fuel Pump Drive; 3.09" Length
1	Fuel Pump Drive Shaft	78-71	FP-5181749		Standard Output; Fuel Pump Drive; .838" Length; Std. Output
1	Fuel Pump Check Valve	78-71	FP-5174924		1/4" Swing type
1	Fuel Pump Check Valve	78-71	FP-5135308		3/8" Swing type
4	Fuel Line Connector	78-71	FP-8926992		Fuel Pipe
1	Fuel Pump Relief Valve Spring	78-71	FP-5184530		
1	O-Ring	78-71	FP-5179232		.424" x .103"
1	O-Ring	78-71	FP-5179232		Check Valve Seal Ring; .424" x .103"
2	Oil Seal	78-71	FP-23512243		Fuel pump
1	Fuel Pump Valve Plug Gasket	78-71	FP-5161003		Fuel pump
3	Bolt	78-71	FP-8925603		Fuel pump mounting; 5/16" - 18 x 3/4"; Vibra-Tite®
1	Fuel Pump Repair Part	78-71	FP-5174971		Fuel Pump Valve; .500" x 20 plug
1	Fuel Pump Drive Adapter Gskt.	78-71	FP-5150193		Fuel pump mounting; w/Limiting Speed Gov.
1	Fuel Pump Repair Kit	78-71	FP-5149599		High Output; High output; Short Shaft
1	Fuel Pump Repair Kit	78-71	FP-5195078		Standard Output; Std. output
1	Pipe Plug	78-71	FP-5121182		Fuel Pump; 1/4" - 18; Hex head
2	Pipe Plug	78-71	FP-8924380		1/8" - 27
2	Plastic Cap	78-71	FP-5136240		Fuel pump body; .250" Dia.
1	Plastic Cap	78-71	FP-5136241		Fuel pump body; .780" Dia.; 3/8" NPTF
1	Dowel Pin	78-71	FP-103709		5/32" x 1" straight
1	Ball Brg.	78-71	FP-147481		Fuel Pump Shaft; .125" Dia. Steel
1	Bushing	78-71	FP-5198558		3/8" x 1/4"
4	Copper Washer	78-71	FP-5152148		25/64" ID x 9/16" OD x 1/16" Thick; Copper
4	Washer	78-71	FP-8925644		Fuel Pipe Connector
4	Washer	78-71	FP-5150568		7/16" x 3/4" x 1/16"; Copper

(continued on next page)

GMC Truck - M/D & H/D

H/D Truck 2-53 (2-Valve Cyl. Head), 2-53N (4-Valve Cyl. Head) Engs. 1
1.7L 106 OHV Diesel L2, 3.875" Bore (Detroit Diesel Eng.) 1971-78 (cont.)

BLOWER					
QTY	BLOWER	YEARS	PART NO.	SIZE	DESCRIPTION
4	Oil Seal	78-71	FP-5199366		Blower End Plate; Use w/FP5199366 Sleeve
4	Oil Seal	78-71	FP-5142266		Blower End Plate; Use w/New Counterbored End Plates
4	Wear Sleeve	78-71	FP-5199368		Blower Rotor Shaft; Use w/FP5199366 Seal
1	O-Ring	78-71	FP-8923959		Blower By-pass Valve
2	Pipe Plug	78-71	FP-8924380		Blower End Plate; 1/8" - 27
1	Clamp	78-71	FP-5144768		Blower Drive Cover
1	Washer	78-71	FP-5116316		Blower Rotor Gear
2	Washer	78-71	FP-5121403		Blower Rotor Gear
2	Washer	78-71	FP-5121403		Blower Rotor Gear
2	Washer	78-71	FP-5127077		Thrust Blower Shaft
3	Shim	78-71	FP-5116165		Blower Rotor Gear
3	Shim	78-71	FP-5116166		Blower Rotor Gear
3	Shim	78-71	FP-5116167		Blower Rotor Gear
3	Shim	78-71	FP-5116164		Blower Rotor Gear; .002"
COOLING SYSTEM					
QTY	WATER PUMP	YEARS	PART NO.	SIZE	DESCRIPTION
1	Ball Brg.	78-71	FP-7450630		Rear; Inner Fan Shaft
1	Oil Pump Intake Gasket	78-71	FP-5126473		Thermostat Housing Cover
1	Oil Seal	78-71	FP-5103951		Fan Shaft
1	Oil Seal	78-71	FP-5108219		Fan Shaft; Felt
1	Oil Seal	78-71	FP-5100408		Fan Shaft; Rubber Lip
1	Bolt	78-71	FP-9409060		Thermostat Housing; 1/2" - 20 x 1.500"
4	Bolt	78-71	FP-8927581		Thermostat Housing; 3/8" - 16 x 1"
2	Pipe Plug	78-71	FP-5115214		Thermostat Housing; 1/2" Square Head
2	Pipe Plug	78-71	FP-8923847		Thermostat Housing; 1/4" x 18 NPTF; Square head
2	Pipe Plug	78-71	FP-8924517		Thermostat Housing; 3/8" x 18 square head
1	Shaft & Bearing Assembly	78-71	FP-8922500		
1	Gasket	78-71	FP-5196513		Raw Water Pump Housing
1	Water Pump Lock Ring	78-71	FP-274746		Fan Shaft
QTY	THERMOSTAT	YEARS	PART NO.	SIZE	DESCRIPTION
1	Thermostat	78-71	FP-8927465		170 Deg.
1	Thermostat	78-71	FP-8927466		180 Deg.; w/Rapid Start Up
QTY	MISCELLANEOUS	YEARS	PART NO.	SIZE	DESCRIPTION
2	Lock Washer	78-71	FP-103321		Thermostat Housing; 3/8"
2	Lock Washer	78-71	FP-103320		Thermostat Housing; 5/16"
ENGINE BLOCK & PARTS					
QTY	GASKETS	YEARS	PART NO.	SIZE	DESCRIPTION
1	Front Cover Gasket	78-71	FP-5116386		Lower
1	Front Cover Gasket	73-72	FP-5121082		Upper
1	Governor to Cyl. Block Gasket	78-71	FP-5116336		Front; Governor hole
1	Oil Pan Gasket	78-71	FP-5196058		w/Cast Iron Pan
1	Oil Pan Gasket	78-71	FP-5116255		w/Stamped Steel Pan
3	Pipe Plug	78-71	FP-5115214		Oil Pan; 1/2" Square Head
2	Pipe Plug	78-71	FP-5121182		Oil Pan; 1/4" - 18; Hex head
1	Pipe Plug	78-71	FP-5142549		Oil Pan; 3/4" - 14 Square Head
1	Cylinder Cover Gasket	78-71	FP-5116354		Front
1	Gasket	78-71	FP-5116357		Water Hole Gasket
13	Lock Washer	78-71	FP-103321		3/8"
QTY	GASKET SETS	YEARS	PART NO.	SIZE	DESCRIPTION
1	Complete Overhaul Gasket Set	78-71	FP-23517625		Crankshaft seals not incl.
1	Complete Overhaul Gasket Set	78-71	FP-23517625WS		Incl. front & rear seals; Incl. Front & Rear Seals
QTY	CAM BEARINGS	YEARS	PART NO.	SIZE	DESCRIPTION
1	Cam Set	78-71	FP-5198431	STD	
1	Cam Set	78-71	FP-5198468	10	
1	Cam Set	78-71	FP-5198469	20	
QTY	OIL COOLERS & FILTERS	YEARS	PART NO.	SIZE	DESCRIPTION
1	Oil Cooler	78-71	FP-8547194		4 plate
1	Oil Filter Gasket	78-71	FP-5121205		
4	Lock Washer	78-71	FP-103321		Oil Cooler; 3/8"
7	Lock Washer	78-71	FP-103320		Oil Cooler; 5/16"
2	Pipe Plug	78-71	FP-5121182		Oil Cooler; 1/4" - 18; Hex head
2	Pipe Plug	78-71	FP-5142549		Oil Cooler; 3/4" - 14 Square Head
1	Gasket	78-71	FP-5116357		Oil Cooler Housing to Block
1	Oil Cooler Core Inner Gasket	78-71	FP-5150155		Inlet
2	Oil Cooler Core Outer Gasket	78-71	FP-5102506		Outlet

(continued on next page)

GMC Truck - M/D & H/D

1 H/D Truck 2-53 (2-Valve Cyl. Head), 2-53N (4-Valve Cyl. Head) Engs.
 (cont.) 1.7L 106 OHV Diesel L2, 3.875" Bore (Detroit Diesel Eng.) 1971-78

ENGINE BLOCK & PARTS (cont.)

QTY	OIL COOLERS & FILTERS (cont.)	YEARS	PART NO.	SIZE	DESCRIPTION
1	Oil Cooler Adapter Gasket Set	78-71	FP-5103906		
1	Oil Cooler Adapter Gasket Set	78-71	FP-5116416		
2	Oil Cooler Adapter Cover Gskt	78-71	FP-5175882		
4	Bolt	78-71	FP-8927581		Oil Cooler; 3/8" - 16 x 1"
QTY	FREEZE PLUGS	YEARS	PART NO.	SIZE	DESCRIPTION
1	Pipe Plug	78-71	FP-5121182		1/4" - 18; Hex head
4	Pipe Plug	78-71	FP-8924380		1/8" - 27
QTY	DIPSTICK	YEARS	PART NO.	SIZE	DESCRIPTION
1	Dipstick	78-71	FP-5146679		61" Length; Unmarked
1	Dipstick	78-71	FP-5146680		72" Length; Unmarked
1	Dipstick Guide	78-71	FP-5151430		1.50" Length
QTY	MISCELLANEOUS	YEARS	PART NO.	SIZE	DESCRIPTION
1	Pipe Plug	78-71	FP-5121182		1/4" - 18; Hex head
4	Pipe Plug	78-71	FP-8924380		1/8" - 27
2	Fuel Drain Tube	78-71	FP-5135662		.299"
2	Fuel Drain Tube	78-71	FP-5135547		.434"
1	Accessory Drive Gasket	78-71	FP-23515145		Oil Filler Tube
1	Oil Filler Cap	78-71	FP-5108474		Twist Type
1	Oil Filler Cap	78-71	FP-5107106		1.50" Dia.; Thermos Bottle Style
1	Oil Filler Cap	78-71	FP-5120098		1.75" Dia.; Thermos Bottle Style
CRANKSHAFT/OIL PUMP					
QTY	CRANKSHAFT	YEARS	PART NO.	SIZE	DESCRIPTION
13	Lock Washer	78-71	FP-103321		3/8"
1	Woodruff Key	78-71	FP-8926247		.250" x .750"
4	Dowel Pin	78-71	FP-141346		.1875" x .500"
1	Harmonic Balancer Sleeve	78-71	88187		
QTY	SEALS - FRONT CRANK	YEARS	PART NO.	SIZE	DESCRIPTION
1	Oil Seal	78-71	FP-5198503		Single lip O/S ID
1	Wear Sleeve	78-71	FP-5198502		
1	Oil Seal	78-71	482041N		
1	Oil Seal	78-71	452261H		(Oversize)
QTY	SEALS - REAR CRANK	YEARS	PART NO.	SIZE	DESCRIPTION
1	Oil Seal	78-71	FP-5127821		Double Lip, Std.; Shaft Dia. 4.687"
1	Oil Seal	78-71	FP-5128917		Double lip; Wet only; Double Lip
1	Oil Seal	78-71	FP-5116229		Single lip
1	Oil Seal	78-71	FP-5196852		Single lip O/S ID
1	Wear Sleeve	78-71	FP-23516636		Use w/O/S Seals only
QTY	MAIN BEARINGS	YEARS	PART NO.	SIZE	DESCRIPTION
3	Plain Main Brg.	78-71	FP-8924357	STD	
3	Plain Main Brg.	78-71	FP-8924358	2	
3	Plain Main Brg.	78-71	FP-8924359	10	
3	Plain Main Brg.	78-71	FP-8924360	20	
3	Plain Main Brg.	78-71	FP-8924361	30	
3	Plain Main Brg.	78-71	2611CPA +	Std-10-20-30	When depleted use FP-5149447
1	Thrust Washer Set	78-71	FP-5116197S	STD	
1	Thrust Washer Set	78-71	2611AF	Std Only	Position Rear
4	Thrust Washer	78-71	FP-5116197	STD	
4	Thrust Washer	78-71	FP-5196755	5	
4	Thrust Washer	78-71	FP-5196756	10	
QTY	OIL PUMP	YEARS	PART NO.	SIZE	DESCRIPTION
1	Oil Pump Seal Ring	78-71	FP-5127175		Pump Inlet
1	Woodruff Key	78-71	FP-8928540		1/8" x 5/8"
2	Screw	78-71	FP-145067		Oil Pump Cover
2	Washer	78-71	FP-5177773		Oil Pump Relief Valve; 18MM x 1.5MM
6	Lock Washer	78-71	FP-103320		Oil Pump Mount; 5/16"
1	Oil Filter Gasket	78-71	FP-5121205		Filter Cover Adaptor
1	Oil Filter Gasket	78-71	FP-5121205		Oil Filter Adaptor
1	Front Cover Gasket	78-71	FP-5116386		Oil Pump to Block
1	Oil Filter Adapter Gasket	78-71	FP-5128439		
3	Pipe Plug	78-71	FP-5115214		Oil Pan; 1/2" Square Head
2	Pipe Plug	78-71	FP-5121182		Oil Pan; 1/4" - 18; Hex head
1	Pipe Plug	78-71	FP-5142549		Oil Pan; 3/4" - 14 Square Head

(continued on next page)

GMC Truck - M/D & H/D

H/D Truck 2-53 (2-Valve Cyl. Head), 2-53N (4-Valve Cyl. Head) Eng. 1
1.7L 106 OHV Diesel L2, 3.875" Bore (Detroit Diesel Eng.) 1971-78 (cont.)

CYLINDER COMPONENTS

QTY	LINERS	YEARS	PART NO.	SIZE	DESCRIPTION
2	Liner w/o Sealing Rings	78-71	FP-5132803	STD	.840" Port Height
2	Liner w/o Sealing Rings	78-71	FP-5101016	10	.840" Port Height
2	Liner w/o Sealing Rings	78-71	FP-5149944	20	.840" Port Height
2	Cylinder Kit Complete	78-71	FP-5198903	STD	Opt. 25,26,27,29,35,60,83; Trunk style piston; 17:1 C.R.
2	Cylinder Kit Complete	78-71	FP-519890310	10	Opt. 25,26,27,29,35,60,83; Trunk style piston; 17:1 C.R.
2	Cylinder Kit Complete	78-71	FP-519890320	20	Opt. 25,26,27,29,35,60,83; Trunk style piston; 17:1 C.R.
2	Cylinder Kit Complete	78-71	FP-5198904	STD	Opt. 53,56,65,66,77,236,249; Trunk style piston; 21:1 C.R.
2	Cylinder Kit Complete	78-71	FP-519890410	10	Opt. 53,56,65,66,77,236,249; Trunk style piston; 21:1 C.R.
2	Cylinder Kit Complete	78-71	FP-519890420	20	Opt. 53,56,65,66,77,236,249; Trunk style piston; 21:1 C.R.
2	Cylinder Kit Complete	78-71	FP-5198899	STD	Opt. 61,62,64,68,96,97,98,118,238,241; Trunk style piston; 21:1 C.R.
2	Cylinder Kit Complete	78-71	FP-519889910	10	Opt. 61,62,64,68,96,97,98,118,238,241; Trunk style piston; 21:1 C.R.
2	Cylinder Kit Complete	78-71	FP-519889920	20	Opt. 61,62,64,68,96,97,98,118,238,241; Trunk style piston; 21:1 C.R.
2	Liner Kit w/o Sleeve	78-71	FP-LCK8899		
2	Liner Kit w/o Sleeve	78-71	FP-LCK8903		
2	Liner Kit w/o Sleeve	78-71	FP-LCK8904		
4	Sealing Ring, Liner	78-71	FP-5121256		.010 O/S
4	Sealing Ring, Liner	78-71	FP-5149945		.020 O/S
2	Flange Shim	78-71	FP-29610	1	.001"
2	Flange Shim	78-71	FP-29611	2	.002"

QTY	PISTONS	YEARS	PART NO.	SIZE	DESCRIPTION
2	Piston With Retainers	78-71	FP-5195931		2 Valve Head; Trunk style piston
2	Piston With Retainers	78-71	FP-5198877		4 Valve Head; Trunk style piston
4	Pin Bushing	78-71	FP-5116181		2 req'd. per rod
2	Pin Bushing	78-71	2619Y20 +		2 req'd. per rod; O.E. No. 5116181; When depleted use FP-5116181

QTY	CONNECTING RODS & BRGS.	YEARS	PART NO.	SIZE	DESCRIPTION
4	Con. Rod Bolt	78-71	FP-5197852		
4	Con. Rod Nut	78-71	FP-839103		
2	Rod Pair	78-71	FP-5149452	STD	
2	Rod Pair	78-71	FP-5149454	10	
2	Rod Pair	78-71	FP-5149455	20	
2	Rod Pair	78-71	FP-5149456	30	

QTY	PISTON RINGS	YEARS	PART NO.	SIZE	DESCRIPTION
2	Ring Set Single Cylinder	78-71	FP-23501520	STD	High Sulfur; Trunk type
2	Ring Set Single Cylinder	78-71	FP-23501521	STD	High Sulfur; Trunk type
2	Ring Set Single Cylinder	78-71	FP-5198902		Trunk type
2	Ring Set Single Cylinder	78-71	FP-5198822	STD	2 Valve Head; 1-.082, 3-3/32, 2-3/16 (1 cyl. set)
2	Ring Set Single Cylinder	78-71	FP-5149942	STD	4 Valve Head
2	Compression Ring	78-71	FP-5103382		Pos. 1; High Sulfur; Trunk type
2	Compression Ring	78-71	FP-8923328		Pos. 1; High Sulfur; Trunk type
2	Compression Ring	78-71	FP-5103382		Pos. 1; Trunk type
2	Compression Ring	78-71	FP-5103382		Pos. 1; 2 Valve Head
2	Compression Ring	78-71	FP-8923328		Pos. 1; 4 Valve Head
2	Compression Ring	78-71	FP-5116184		Pos. 2; Trunk type
6	Compression Ring	78-71	FP-8925779		Pos. 2, 3, 4; High Sulfur; Trunk type
6	Compression Ring	78-71	FP-8925779		Pos. 2, 3, 4; High Sulfur; Trunk type
6	Compression Ring	78-71	FP-5116184		Pos. 2, 3, 4; 2 Valve Head
6	Compression Ring	78-71	FP-5116184		Pos. 2, 3, 4; 4 Valve Head
4	Compression Ring	78-71	FP-5127147		Pos. 3, 4; Trunk type
4	Ring, Oil Control Set	78-71	FP-5195933		Trunk type
4	Ring, Oil Control Set	78-71	FP-5195933		2 Valve Head
4	Ring, Oil Control Set	78-71	FP-5195933		4 Valve Head

KITS

QTY	OVERHAUL KIT	YEARS	PART NO.	SIZE	DESCRIPTION
1	In-Frame Overhaul Kit	78-71	FP-253		2-53 Eng.; w/Trunk style piston
1	Complete Overhaul Kit	78-71	FP-253OH		2-53 Eng.; w/Trunk style piston

M/D Truck 3-53 (2-Valve Cyl. Head), 3-53N (4-Valve Cyl. Head) Eng. 2
2.6L 159 OHV Diesel L3 (3-53), 3.875" Bore (Detroit Diesel Eng.) 1963-79

CYL. HEAD & PARTS

QTY	GASKETS	YEARS	PART NO.	SIZE	DESCRIPTION
1	Valve Cover Gasket	79-63	FP-8925273		w/Cast Alum. valve cover

(continued on next page)

+ Superseded Part Number

GMC Truck - M/D & H/D

2 M/D Truck 3-53 (2-Valve Cyl. Head), 3-53N (4-Valve Cyl. Head) Eng.
 (cont.) 2.6L 159 OHV Diesel L3 (3-53), 3.875" Bore (Detroit Diesel Eng.) 1963-79

CYL. HEAD & PARTS (cont.)

QTY	GASKETS (cont.)	YEARS	PART NO.	SIZE	DESCRIPTION
1	Valve Cover Gasket	79-63	FP-5147994		w/Stamped Steel valve cover
3	Head Gasket	79-63	FP-5121254		
1	Head Set	79-63	FP-5199820		Military spec.; Services One Head
1	Head Set	79-63	FP-5199811		Services One Head
2	O-Ring	79-63	FP-5116122		Oil Hole seal
2	Bolt	79-63	FP-8927580		3/8" - 16 x .875"
2	Bolt	79-63	FP-8927581		3/8" - 16 x 1"
8	Bolt	79-63	FP-5121263		5/8" - 11 x 6.250", 12 Pt. Head
4	Nut	79-63	FP-5150013		Option Type #62; 5/8" - 18
2	Lock Washer	79-63	FP-103321		3/8"
2	Isolator Bushing	79-63	FP-5104515		Rocker cover bolt
QTY	HEAD BOLTS	YEARS	PART NO.	SIZE	DESCRIPTION
2	Washer	79-63	FP-5104514		Rocker cover bolt; .47" x 2.00" x .20"
QTY	MISCELLANEOUS	YEARS	PART NO.	SIZE	DESCRIPTION
6	Pipe Plug	79-63	FP-5121182		1/4" - 18; Hex head
6	Pipe Plug	79-63	FP-8923847		1/4" x 18 NPTF; Square head
2	Pipe Plug	79-63	FP-8924380		1/8" - 27
6	Bolt	79-63	FP-443603		.250" x 20 x .750"
QTY	FREEZE PLUGS	YEARS	PART NO.	SIZE	DESCRIPTION
6	Pipe Plug	79-63	FP-5121182		1/4" - 18; Hex head
6	Pipe Plug	79-63	FP-8923847		1/4" x 18 NPTF; Square head
2	Pipe Plug	79-63	FP-8924380		1/8" - 27
3	Expansion Plug	79-63	FP-5151449		.8125" Dia.
3	Expansion Plug	79-63	FP-5139997		.875" Dia.
4	Expansion Plug	79-63	FP-5154453		Cyl. head; 3/8" - 16 Headless Special
1	Expansion Plug	79-63	FP-8926347		Fuse Cyl. head
QTY	VALVE	YEARS	PART NO.	SIZE	DESCRIPTION
6	Exhaust Valve Kit	79-63	FP-5195948		2 Valve Head; 30 Deg.
12	Exhaust Valve Kit	79-63	FP-5199323		4 Valve Head; 30 Deg.
12	Keeper	79-63	FP-5111337		2 Valve Head; 1 groove; Square cut key groove
24	Keeper	79-63	FP-5116341		4 Valve Head
QTY	VALVE SEAT	YEARS	PART NO.	SIZE	DESCRIPTION
6	Exh. & Int.	79-63	FP-5116196	STD	2 Valve Head
12	Exh. & Int.	79-63	FP-5196752	10	4 Valve Head; 30 Deg. seat; .010" O/S; 1.1710" OD, .0910" ID, .2220" Depth
12	Exh. & Int.	79-63	FP-8921501	STD	4 Valve Head; 30 Deg. seat; 1.1610" OD, .0910" ID, .2220" Depth
QTY	VALVE GUIDE	YEARS	PART NO.	SIZE	DESCRIPTION
12	Guide	79-63	FP-5129919		Exh.; 2 Valve Head; 2 3/8" length; .3130" ID, 2.3800" O.A.L.
6	Guide	79-63	FP-5131961		Exh. & Int.; 4 Valve Head
QTY	VALVE SPRING	YEARS	PART NO.	SIZE	DESCRIPTION
6	Spring	79-63	FP-5116140		Exh.; 2 Valve Head
12	Spring	79-63	FP-5144019		Exh.; 4 Valve Head; .135" Wire Dia.
12	Spring	79-63	FP-5147424		Exh.; 4 Valve Head; Stamped "V7L"; .148" Wire Dia.
12	Spring Insert	79-63	FP-5111467		Exh. & Int.; 4 Valve Head
12	Spring Cap	79-63	FP-5123330		Exh.; 4 Valve Head
QTY	PUSH RODS	YEARS	PART NO.	SIZE	DESCRIPTION
9	Push Rod	79-63	FP-5128640		
9	Push Rod Seat	79-63	FP-5123250		Lower
9	Push Rod Seat	79-63	FP-5108919		Upper; Cup type
9	Push Rod Seat	79-63	FP-5150302		Upper; Flange type
9	Push Rod Spring	79-63	FP-5186858		.177" Wire diameter
9	Push Rod Spring	79-63	FP-5108918		.192" Wire diameter
9	Push Rod Retainer	79-63	FP-5150303		
9	Lock Nut	79-63	FP-5151601		5/16" - 24
QTY	VALVE SEAL	YEARS	PART NO.	SIZE	DESCRIPTION
6	Valve Stem Seal	79-63	FP-8921209		Exh.; 2 Valve Head
12	Valve Stem Seal	79-63	FP-8921741		Exh.; 4 Valve Head
QTY	ROCKER PARTS	YEARS	PART NO.	SIZE	DESCRIPTION
3	Arm Assy.	79-63	FP-8923554		Injector Rocker; 4 Valve Head
3	Arm Assy.	79-63	FP-5135267		LH; 4 Valve Head
3	Arm Assy.	79-63	FP-5135268		RH; 4 Valve Head
3	Rocker Shaft	79-63	FP-5116072		
6	Arm Support	79-63	FP-5116128		
3	Rocker Bushing	79-63	FP-8924355		Injector Rocker; Large
3	Rocker Bushing	79-63	FP-8924354		Injector Rocker; Small
15	Rocker Bushing	79-63	FP-5123700		Rocker Arm Clevis; .5625" OD

(continued on next page)

GMC Truck - M/D & H/D

M/D Truck 3-53 (2-Valve Cyl. Head), 3-53N (4-Valve Cyl. Head) Eng. 2
2.6L 159 OHV Diesel L3 (3-53), 3.875" Bore (Detroit Diesel Eng.) 1963-79 (cont.)

CYL. HEAD & PARTS (cont.)

QTY	ROCKER PARTS (cont.)	YEARS	PART NO.	SIZE	DESCRIPTION
9	Follower Assy.	79-63	FP-8924439		
3	Follower Guide	79-63	FP-5116125		
9	Cam Follower Roller Set	79-63	FP-8923814		Incl. pin & roller
6	Valve Bridge	79-63	FP-5135262		
9	Rocker Arm Clevis Pin	79-63	FP-5150314		
6	Lock Washer	79-63	FP-103319		.250"

METERS

QTY	METERS	YEARS	PART NO.	SIZE	DESCRIPTION
1	Tachometer Drive Shaft	79-63	FP-3224992		.061" Key
1	Accessory Drive Gasket	79-63	FP-23515145		Tach. Drive Adaptor
1	Washer	79-63	FP-5150568		Tach. Drive; 7/16" x 3/4" x 1/16"; Copper
2	Lock Washer	79-63	FP-103319		Air Shut-Off Control; .250"
2	Lock Washer	79-63	FP-103320		Air Shut-Off Control; 5/16"
2	Lock Washer	79-63	FP-103320		Tach. Drive Adaptor; 5/16"
2	Lock Washer	79-63	FP-103320		Water Temp. Switch; 5/16"
1	Gasket	79-63	FP-5113412		Water Temp. Switch Adaptor
1	Oil Seal	79-63	FP-5135820		Tach. Drive Adaptor
1	Oil Seal	79-63	FP-3202615		Tach. Drive Cover
1	Pipe Plug	79-63	FP-5121182		Water Temp. Switch; 1/4" - 18; Hex head

INT & EXH MANIFOLDS

QTY	INT. & EXH. MANIFOLDS	YEARS	PART NO.	SIZE	DESCRIPTION
1	Stud	79-63	FP-8925804		Exh. Manifold; 7/16" - 14/20" x 2 3/32"
5	Lock Washer	79-63	FP-103321		Exh. Manifold; 3/8"
1	Exhaust Manifold Gasket	79-63	FP-5116205		
1	Gasket	79-63	FP-5113412		Exh. Manifold Cover Plate
2	Pipe Plug	79-63	FP-5121182		Exh. Manifold; 1/4" - 18; Hex head
1	Pipe Plug	79-63	FP-8924380		Exh. Manifold; 1/8" - 27
4	Washer	79-63	FP-5104439		Exh. Manifold; 7/16" x 1.250" Dia.; Dished
1	Clamp	79-63	FP-23506306		Exh. Manifold; 4.55" Dia.

QTY	AIR INTAKE	YEARS	PART NO.	SIZE	DESCRIPTION
1	Air Intake Housing Gasket	79-63	FP-5124405		
1	Bolt	79-63	FP-5103534		Air Inlet Housing; 5/16" - 24 x 1/2"
1	Lock Washer	79-63	FP-103319		Air Inlet Housing; .250"
4	Lock Washer	79-63	FP-103321		Air Inlet Housing; 3/8"
1	Retainer	79-63	FP-142583		Air Inlet Spring Retainer; 13/64" Spring
2	O-Ring	79-63	FP-5182977		Air Inlet Housing Shutdown Valve Shaft

CAMSHAFT GROUP

QTY	TIMING	YEARS	PART NO.	SIZE	DESCRIPTION
1	Idler Gear Hub Assembly	79-63	FP-5124458		
1	Ball Brg.	79-63	FP-5196793		Idler Gear
QTY	CAMSHAFT TIMING	YEARS	PART NO.	SIZE	DESCRIPTION
2	Camshaft Pulley Spacer	79-63	FP-5106360		Front
2	Camshaft Pulley Spacer	79-63	FP-5121071		Front
QTY	CAMSHAFT/LIFTER	YEARS	PART NO.	SIZE	DESCRIPTION
1	Camshaft	79-63	FP-5149093		Stamped FP-5101272; V7L; Types 150, 152, 252, 267, 280, 281, 387, 415
2	Oil Seal	79-63	FP-23516871		Front
2	Camshaft Plug	79-63	FP-5151277		.500" Drive; 15/32" x 1/2"
2	Woodruff Key	79-63	FP-8926248		.1875" x .625"

ACCESSORY DRIVE

QTY	ACCESSORY DRIVE	YEARS	PART NO.	SIZE	DESCRIPTION
1	Accessory Drive Gasket	79-63	FP-23515145		
1	Oil Seal	79-63	FP-5131329		Accessory drive; Accessory drive assy.
1	Ball Brg.	79-63	FP-23504528		Accessory drive; Accessory drive assy.
1	Washer	79-63	FP-5150568		7/16" x 3/4" x 1/16"; Copper
3	Lock Washer	79-63	FP-103320		Gov. Spring Housing; 5/16"
1	Redi-Sleeve	79-63	99149		

FUEL SYSTEM & PARTS

QTY	FUEL INJECTION	YEARS	PART NO.	SIZE	DESCRIPTION
3	Fuel Injector Seal Ring	79-63	FP-5234281		
3	Fuel Injector Seal Ring	79-63	FP-5104701		Viton®
3	Injector Hole Tube Kit	79-63	FP-8925981		Viton®
3	Washer	79-63	FP-5150250		

(continued on next page)

GMC Truck - M/D & H/D

2 M/D Truck 3-53 (2-Valve Cyl. Head), 3-53N (4-Valve Cyl. Head) Engs.
 (cont.) 2.6L 159 OHV Diesel L3 (3-53), 3.875" Bore (Detroit Diesel Eng.) 1963-79

FUEL SYSTEM & PARTS (cont.)					
QTY	FUEL INJECTION (cont.)	YEARS	PART NO.	SIZE	DESCRIPTION
3	Clamp	79-63	FP-5121259		
3	Fuel Injector	79-63	FP-5229345		Injector Assembly C45
3	Fuel Injector Repair Kit	79-63	FP-5229649		
3	Fuel Injection Valve Cage	79-63	FP-5228696		
3	Fuel Injection Spring Seat	79-63	FP-5228766		
3	Fuel Injector Valve Spring	79-63	FP-5228596		
3	Fuel Injector Check Valve	79-63	FP-5228694		
3	Fuel Pump Check Valve	79-63	FP-5226411		
3	Fuel Pump Check Valve	79-63	FP-5228308		Incl. injector valve & 5228106 seat
3	Injector Plunger & Bushing	79-63	FP-5229342		For Inj. Assembly C40
3	Injector Plunger & Bushing	79-63	FP-5229346		For Inj. Assembly C45
3	Injector Plunger & Bushing	79-63	FP-5229354		For Inj. Assembly C50
3	Injector Plunger & Bushing	79-63	FP-5228684		For Inj. Assembly N45, 5N45
3	Injector Plunger & Bushing	79-63	FP-5228749		For Inj. Assembly N50
3	Injector Plunger & Bushing	79-63	FP-5228495		For Inj. Assembly S45
3	Injector Plunger & Bushing	79-63	FP-5228656		For Inj. Assembly 5A60
3	Fuel Injector Tip Kit	79-63	FP-5228491		
3	Fuel Injector Tip Kit	79-63	FP-5229034		For Inj. Assembly N35, N40, N45, N50, C40, C45, C50
3	Fuel Injector Tip Kit	79-63	FP-5229030		For Inj. Assembly 5A50, 5A55, 5A60
3	Fuel Injector Tip Kit	79-63	FP-5229026		For Inj. Assembly 5N45
3	Nut	79-63	FP-5228601		NV
3	Fuel Injector Valve Kit	79-63	FP-5228313		
3	Fuel Injector Valve Kit	79-63	FP-5228769		
3	Fuel Injector Roller Pin	79-63	FP-5228608		
QTY	FUEL FILTERS & PUMP	YEARS	PART NO.	SIZE	DESCRIPTION
1	Mechanical Fuel Pump	79-63	FP-5199735		LH; High Output; High output; w/.375" Gear
1	Mechanical Fuel Pump	79-63	FP-5199560		LH; Standard Output; Std. output; w/.250" Gear
1	Mechanical Fuel Pump	79-63	FP-5199734		RH; High Output; High output
1	Mechanical Fuel Pump	79-63	FP-5199561		RH; Standard Output
1	Fuel Pump Shaft & Gear	79-63	FP-5146705		High Output; Fuel Pump Drive; 3.09" Length; High Output
1	Fuel Pump Shaft & Gear	79-63	FP-5100313		High Output; Fuel Pump Drive; .963" Length; High Output
1	Fuel Pump Shaft & Gear	79-63	FP-5181746		Standard Output; Fuel Pump Drive; 3.09" Length; Std. Output
1	Fuel Pump Shaft & Gear	79-63	FP-5181747		Standard Output; Fuel Pump Drive; .838" Length; Std. Output
1	Fuel Pump Valve	79-63	FP-5174973		
1	Fuel Pump Gear	79-63	FP-5107088		Fuel Pump Drive; LH Helix
1	Fuel Pump Gear	79-63	FP-5118915		High Output; Fuel Pump Drive; .374" Width; High Output
1	Fuel Pump Gear	79-63	FP-5128217		High Output; Fuel Pump Drive; .374" Width; High Output
1	Fuel Pump Gear	79-63	FP-5174975		Standard Output; Fuel Pump Drive; .294" Width; Std. Output
1	Fuel Pump Gear	79-63	FP-5181748		Standard Output; Fuel Pump Drive; .294" Width; Std. Output
1	Fuel Pump Drive Shaft	79-63	FP-5100312		High Output; Fuel Pump Drive; .963" Length; High Output
1	Fuel Pump Drive Shaft	79-63	FP-5178700		Standard & High Output; Fuel Pump Drive; 3.09" Length
1	Fuel Pump Drive Shaft	79-63	FP-5181749		Standard Output; Fuel Pump Drive; .838" Length; Std. Output
1	Fuel Pump Check Valve	79-63	FP-5174924		1/4" Swing type
1	Fuel Pump Check Valve	79-63	FP-5135308		3/8" Swing type
6	Fuel Line Connector	79-63	FP-8926992		Fuel Pipe
1	Fuel Pump Relief Valve Spring	79-63	FP-5184530		
1	O-Ring	79-63	FP-5179232		.424" x .103"
1	O-Ring	79-63	FP-5179232		Check Valve Seal Ring; .424" x .103"
2	Oil Seal	79-63	FP-23512243		Fuel pump
1	Fuel Pump Valve Plug Gasket	79-63	FP-5161003		Fuel pump
3	Bolt	79-63	FP-8925603		Fuel pump mounting; 5/16" - 18 x 3/4"; Vibra-Tite®
1	Fuel Pump Repair Part	79-63	FP-5174971		Fuel Pump Valve; .500" x 20 plug
1	Fuel Pump Drive Adapter Gskt.	79-63	FP-5150193		Fuel pump mounting; w/Limiting Speed Gov.
1	Fuel Pump Repair Kit	79-63	FP-5149599		High Output; High output; Short Shaft
1	Fuel Pump Repair Kit	79-63	FP-5195078		Standard Output; Std. output
1	Pipe Plug	79-63	FP-5121182		Fuel Pump; 1/4" - 18; Hex head
2	Pipe Plug	79-63	FP-8924380		1/8" - 27
2	Plastic Cap	79-63	FP-5136240		Fuel pump body; .250" Dia.
1	Plastic Cap	79-63	FP-5136241		Fuel pump body; .780" Dia.; 3/8" NPTF
1	Dowel Pin	79-63	FP-103709		5/32" x 1" straight
1	Ball Brg.	79-63	FP-147481		Fuel Pump Shaft; .125" Dia. Steel
1	Bushing	79-63	FP-5198558		3/8" x 1/4"
1	Accessory Drive Gasket	79-63	FP-23515145		Fuel Pump Mounting Plate
6	Copper Washer	79-63	FP-5152148		25/64" ID x 9/16" OD x 1/16" Thick; Copper
6	Washer	79-63	FP-8925644		Fuel Pipe Connector
6	Washer	79-63	FP-5150568		7/16" x 3/4" x 1/16"; Copper
QTY	TURBOCHARGER	YEARS	PART NO.	SIZE	DESCRIPTION
1	Pipe Plug	79-63	FP-8924380		1/8" - 27
4	Hose Clamp	79-63	FP-5137620		Exhaust Hose; 3.66" Dia.

(continued on next page)

GMC Truck - M/D & H/D

M/D Truck 3-53 (2-Valve Cyl. Head), 3-53N (4-Valve Cyl. Head) Engs. 2
 2.6L 159 OHV Diesel L3 (3-53), 3.875" Bore (Detroit Diesel Eng.) 1963-79 (cont.)

FUEL SYSTEM & PARTS (cont.)

QTY	TURBOCHARGER (cont.)	YEARS	PART NO.	SIZE	DESCRIPTION
2	Hose Clamp	79-63	FP-5186840		Oil Return Hose; 13/16" - 1 1/2" Clamping Range
4	Stud	79-63	FP-8927270		Turbo Mount; 3/8" - 16/24" x 1.6875"
1	Bolt	79-63	FP-8927581		Turbo Hose Bracket; 3/8" - 16 x 1"

BLOWER

QTY	BLOWER	YEARS	PART NO.	SIZE	DESCRIPTION
4	Oil Seal	79-63	FP-5199366		Blower End Plate; Use w/FP5199368 Sleeve
4	Oil Seal	79-63	FP-5142266		Blower End Plate; Use w/New Counterbored End Plates
4	Wear Sleeve	79-63	FP-5199368		Blower Rotor Shaft; Use w/FP5199366 Seal
1	O-Ring	79-63	FP-8923959		Blower By-pass Valve
2	Pipe Plug	79-63	FP-8924380		Blower End Plate; 1/8" - 27
1	Clamp	79-63	FP-5144768		Blower Drive Cover
1	Washer	79-63	FP-5116316		Blower Rotor Gear
2	Washer	79-63	FP-5121403		Blower Rotor Gear
2	Washer	79-63	FP-5121403		Blower Rotor Gear
2	Washer	79-63	FP-5127077		Thrust Blower Shaft
3	Shim	79-63	FP-5116165		Blower Rotor Gear
3	Shim	79-63	FP-5116166		Blower Rotor Gear
3	Shim	79-63	FP-5116167		Blower Rotor Gear
3	Shim	79-63	FP-5116164		Blower Rotor Gear; .002"

GOVERNOR

QTY	GOVERNOR	YEARS	PART NO.	SIZE	DESCRIPTION
1	Governor Spring	79-63	FP-5122270		w/Variable Speed; w/Two Red Stripes
1	Governor Spring	79-63	FP-5122165		Low Speed; w/One Blue Stripe
1	Governor Spring	79-63	FP-5183704		Low Speed; w/Two Yellow Stripes
1	Governor Low Speed Spring Cap	79-63	FP-5103975		w/Limiting Speed Gov.
1	Governor Low Speed Spring Cap	79-63	FP-5103975		Gov. Spring Hsg.
4	Screw	79-63	FP-9417926		Gov. Cover; w/Limiting Speed Gov.; 1/4" -20 x 3/4"
4	Screw	79-63	FP-9417926		Gov. Cover; w/Variable Speed Gov.; 1/4" -20 x 3/4"
1	Hose Clamp	79-63	FP-5186840		Gov. Hose; w/Variable Speed Gov.; 13/16" - 1 1/2" Clamping Range
1	Governor Seal Ring	79-63	FP-5101691		w/Limiting Speed Gov.; .362" x .113"
1	O-Ring	79-63	FP-5176557		Gov. Throttle Shaft Packing Seal; w/Limiting Speed Gov.; .477" ID x .113" Thick
2	O-Ring	79-63	FP-5176557		Gov. Throttle Shaft Packing Seal; w/Variable Speed Gov.; .477" ID x .113" Thick
3	O-Ring	79-63	FP-5179232		Throttle Shaft; w/Limiting Speed Gov.; .424" x .103"
1	O-Ring	79-63	FP-5179232		Throttle Shaft; w/Variable Speed Gov.; .424" x .103"
2	Cylindrical Brg.	79-63	FP-148402		Variable speed spring lever shaft; .500" x .500" Dia.
1	Fuel Injection Link	79-63	FP-5122798		Gov. to Injector; w/Limiting Speed Gov.
1	Fuel Injection Link	79-63	FP-5122798		Gov. to Injector; w/Variable Speed Gov.; B & D Engs.
1	Needle Bearing	79-63	FP-9425166		Needle Brg., Variable Speed Spring Lever
6	Governor Valve Spring Shim	79-63	FP-5136590		w/Variable Speed Gov.; .010"
3	Governor Valve Spring Shim	79-63	FP-5136591		w/Variable Speed Gov.; .078"
2	Washer	79-63	FP-5151487		Gov. Cover; w/Limiting Speed Gov.; 3/8" x 11/16" x .033"
2	Copper Washer	79-63	FP-5155596		Gov. Spring Housing; 5/16"; Special copper washer
3	Lock Washer	79-63	FP-103320		Gov. Housing; w/Limiting Speed Gov.; 5/16"
2	Governor Retainer	79-63	FP-5178581		w/Limiting Speed Gov.
2	Governor Retainer	79-63	FP-5144178		Gov. Cover Shutdown Shaft; w/Limiting Speed Gov.
1	Ball Brg.	79-63	FP-9431894		Gov. Operating Shaft; w/Limiting Speed Gov.
1	Ball Brg.	79-63	FP-9431894		Gov. Operating Shaft; w/Variable Speed Gov.
1	Ball Brg.	79-63	FP-23506244		Gov. Weight Carrier Shaft
1	Ball Brg.	79-63	FP-9437108		Gov. Weight Riser Thrust Brg.; .354" Width
1	Ball Brg.	79-63	FP-9431887		Lower; Gov. Operating Shaft; w/Limiting Speed Gov.
1	Ball Brg.	79-63	FP-9431887		Lower; Gov. Operating Shaft; w/Variable Speed Gov.
1	Expansion Plug	79-63	FP-9428477		Gov. Housing; w/Limiting Speed Gov.; 15/16" Dia.
1	Expansion Plug	79-63	FP-9428477		Gov. Housing; w/Variable Speed Gov.; 15/16" Dia.
1	Governor Riser	79-63	FP-5109544		Small Flange
1	Governor Spring Cover Gasket	79-63	FP-8922593		Gov. High Speed Spring; w/Limiting Speed Gov.
1	Governor Spring Cover Gasket	79-63	FP-8922593		Gov. High Speed Spring; w/Variable Speed Gov.
1	Nut	79-63	FP-5174286		w/Variable Speed Gov.; 3/8" - 24 UNF
1	Pipe Plug	79-63	FP-8924380		Gov. Cover; w/Limiting Speed Gov.; 1/8" - 27
1	Pipe Plug	79-63	FP-5121182		Spring Housing; 1/4" - 18; Hex head
1	Governor to Cyl. Block Gasket	79-63	FP-5116336		Gov. Cover to Eng.; w/Limiting Speed Gov.
1	Governor to Cyl. Block Gasket	79-63	FP-5116336		Gov. Cover to Eng.; w/Variable Speed Gov.
1	Governor Cover Gasket	79-63	FP-5122742		Gov. Cover; w/Limiting Speed Gov.
1	Governor Cover Gasket	79-63	FP-5122742		Gov. Cover; w/Variable Speed Gov.
1	Lock Nut	79-63	FP-123390		Spring Housing; 1/4" - 20

(continued on next page)

GMC Truck - M/D & H/D

2 M/D Truck 3-53 (2-Valve Cyl. Head), 3-53N (4-Valve Cyl. Head) Eng.
 (cont.) 2.6L 159 OHV Diesel L3 (3-53), 3.875" Bore (Detroit Diesel Eng.) 1963-79

GOVERNOR (cont.)					
QTY	GOVERNOR (cont.)	YEARS	PART NO.	SIZE	DESCRIPTION
1	Retainer	79-63	FP-142583		Gov. to Inj. Link Spring; w/Variable Speed Gov.; 13/64" Spring
1	Retainer	79-63	FP-142583		Gov. Differential Lever; w/Limiting Speed Gov.; 13/64" Spring
1	Retainer	79-63	FP-142583		Gov. Housing; w/Limiting Speed Gov.; 13/64" Spring
COOLING SYSTEM					
QTY	WATER PUMP	YEARS	PART NO.	SIZE	DESCRIPTION
1	Water Pump - Heavy Duty	79-63	FP-23506003		L.H.
1	Water Pump - Heavy Duty	79-63	FP-23506007		R.H.
1	Water Pump - Heavy Duty	79-63	FP-23506009		R.H.
1	Water Pump Impeller	79-63	FP-5193602		Raw Water Pump; Synthetic
1	Water Pump Impeller	79-63	FP-23505993		L.H.
1	Water Pump Impeller	79-63	FP-23506605		L.H.
1	Water Pump Impeller	79-63	FP-23505994		R.H.
1	Water Pump Impeller	79-63	FP-23506606		R.H.
1	Water Pump Repair/Rebuild Kit	79-63	FP-23506863		L.H.
1	Water Pump Repair/Rebuild Kit	79-63	FP-23506869		L.H.
1	Water Pump Repair/Rebuild Kit	79-63	FP-23506864		R.H.
1	Water Pump Repair/Rebuild Kit	79-63	FP-23506865		R.H.
1	Water Pump Cover	79-63	FP-5119283		
1	Ball Brg.	79-63	FP-907394		Idler Pulley
1	Ball Brg.	79-63	FP-23503535		Outer Fan Shaft
1	Ball Brg.	79-63	FP-9415132		Front; Outer Fan Shaft
1	Ball Brg.	79-63	FP-7450630		Rear; Inner Fan Shaft
1	Oil Pump Intake Gasket	79-63	FP-5126473		Thermostat Housing Cover
1	Fresh Water Pump Gasket	79-63	FP-5133107		L.H. & R.H.
1	Oil Seal	79-63	FP-5103951		Fan Shaft
1	Oil Seal	79-63	FP-5108219		Fan Shaft; Felt
1	Oil Seal	79-63	FP-5100408		Fan Shaft; Rubber Lip
1	Oil Seal	79-63	FP-5108219		Idler Pulley Shaft; Felt
1	Oil Seal	79-63	FP-23506248		L.H. & R.H.; Water Pump Shaft
4	Bolt	79-63	FP-5145092		Raw Water Pump; 3/8" - 24 x 1.20", Self-Locking
1	Bolt	79-63	FP-9409060		Thermostat Housing; 1/2" - 20 x 1.500"
4	Bolt	79-63	FP-8927581		Thermostat Housing; 3/8" - 16 x 1"
7	Bolt	79-63	FP-8925603		Water Pump Mounting Bolts; 5/16" - 18 x 3/4"; Vibra-Tite®
3	Pipe Plug	79-63	FP-5115214		Thermostat Housing; 1/2" Square Head
2	Pipe Plug	79-63	FP-8923847		Thermostat Housing; 1/4" x 18 NPTF; Square head
1	Pipe Plug	79-63	FP-8924380		Thermostat Housing; 1/8" - 27
2	Pipe Plug	79-63	FP-8924517		Thermostat Housing; 3/8" x 18 square head
1	Pipe Plug	79-63	FP-5115214		Water Pump Body; 1/2" Square Head
1	Pipe Plug	79-63	FP-8924380		Water Pump Body; 1/8" - 27
1	Shaft & Bearing Assembly	79-63	FP-8922500		
1	Shaft & Bearing Assembly	79-63	FP-904827		L.H. & R.H.
1	Gasket	79-63	FP-5196513		Raw Water Pump Housing
1	Gasket	79-63	FP-5116357		Water By-pass Tube
1	Washer	79-63	FP-103325		Raw Water Pump Flange; Lock washer; 5/8"
2	Washer	79-63	FP-5197310		Water Pump; Adhesive, Ceramic Insert
1	Water Pump Lock Ring	79-63	FP-274746		Fan Shaft
QTY	THERMOSTAT	YEARS	PART NO.	SIZE	DESCRIPTION
1	Thermostat	79-63	FP-5143210		170 Deg.
1	Thermostat	79-63	FP-8927465		170 Deg.
1	Thermostat	79-63	FP-8927466		180 Deg.; w/Rapid Start Up
1	Water Outlet Gasket	79-63	FP-2206783		
QTY	MISCELLANEOUS	YEARS	PART NO.	SIZE	DESCRIPTION
1	Fan Drive Pulley	79-63	FP-5144503		
2	Lock Washer	79-63	FP-103321		Raw Water Pump; 3/8"
2	Lock Washer	79-63	FP-103320		Raw Water Pump; 5/16"
2	Lock Washer	79-63	FP-103321		Thermostat Housing; 3/8"
2	Lock Washer	79-63	FP-103320		Thermostat Housing; 5/16"
1	Accessory Drive Gasket	79-63	FP-23515145		Raw Water Pump
ENGINE BLOCK & PARTS					
QTY	GASKETS	YEARS	PART NO.	SIZE	DESCRIPTION
1	Front Cover Gasket	79-63	FP-5116386		Lower
1	Front Cover Gasket	79-63	FP-5121082		Upper
1	Governor to Cyl. Block Gasket	79-63	FP-5116336		Front; Governor hole
1	O-Ring	79-63	FP-5109517		Air Heater; 1.750"
1	Oil Pan Gasket	79-63	FP-5196059		w/Cast Iron Pan
1	Oil Pan Gasket	79-63	FP-5116256		w/Stamped Steel Pan
2	Copper Washer	79-63	FP-5155596		Oil Pan; 5/16"; Special copper washer

(continued on next page)

GMC Truck - M/D & H/D

M/D Truck 3-53 (2-Valve Cyl. Head), 3-53N (4-Valve Cyl. Head) Engs. 2
 2.6L 159 OHV Diesel L3 (3-53), 3.875" Bore (Detroit Diesel Eng.) 1963-79 (cont.)

ENGINE BLOCK & PARTS (cont.)

QTY	GASKETS (cont.)	YEARS	PART NO.	SIZE	DESCRIPTION
1	Washer	79-63	FP-840277		Oil Pan; 18MM, Nylon
4	Lock Washer	79-63	FP-103321		Oil Filter Cover; 3/8"
1	Pipe Plug	79-63	FP-5121182		Oil Filter Cover; 1/4" - 18; Hex head
3	Pipe Plug	79-63	FP-5115214		Oil Pan; 1/2" Square Head
2	Pipe Plug	79-63	FP-5121182		Oil Pan; 1/4" - 18; Hex head
1	Pipe Plug	79-63	FP-5142549		Oil Pan; 3/4" - 14 Square Head
1	Cylinder Cover Gasket	79-63	FP-5116354		Front
1	Gasket	79-63	FP-5116357		Water Hole Gasket
6	Copper Washer	79-63	FP-5152148		Fuel stand pipe; 25/64" ID x 9/16" OD x 1/16" Thick; Copper
15	Lock Washer	79-63	FP-103321		3/8"
QTY	GASKET SETS	YEARS	PART NO.	SIZE	DESCRIPTION
1	Complete Overhaul Gasket Set	79-63	FP-23517623		Crankshaft seals not incl.
1	Complete Overhaul Gasket Set	79-63	FP-23517623WS		Incl. Front & Rear Seals
QTY	DOWEL PINS	YEARS	PART NO.	SIZE	DESCRIPTION
4	Dowel Pin	79-63	FP-141346		.1875" x .500"
QTY	CAM BEARINGS	YEARS	PART NO.	SIZE	DESCRIPTION
1	Cam Set	79-63	FP-5198209	STD	
1	Cam Set	79-63	FP-5198470	10	
1	Cam Set	79-63	FP-5198471	20	
1	Cam Set	79-63	1211M + Std Only		When depleted use FP-5198209
QTY	OIL COOLERS & FILTERS	YEARS	PART NO.	SIZE	DESCRIPTION
1	Oil Cooler	79-63	FP-8547194		4 plate
1	Oil Cooler	79-63	FP-8547548		6 plate
1	Oil Cooler	79-63	FP-8547563		8 plate
1	Oil Filter Gasket	79-63	FP-5121205		
4	Lock Washer	79-63	FP-103321		Oil Cooler; 3/8"
7	Lock Washer	79-63	FP-103320		Oil Cooler; 5/16"
2	Pipe Plug	79-63	FP-5121182		Oil Cooler; 1/4" - 18; Hex head
2	Pipe Plug	79-63	FP-5142549		Oil Cooler; 3/4" - 14 Square Head
1	Oil Cooler Gasket Kit	79-63	FP-PG3453OC		
1	Oil Cooler Gasket	79-63	FP-8923223		Outlet
1	Gasket	79-63	FP-5116357		Oil Cooler Housing to Block
1	Oil Cooler Core Inner Gasket	79-63	FP-5150155		Inlet
2	Oil Cooler Core Outer Gasket	79-63	FP-5102506		Outlet
1	Oil Cooler Adapter Gasket Set	79-63	FP-5103906		
1	Oil Cooler Adapter Gasket Set	79-63	FP-5116416		
3	Oil Cooler Adapter Cover Gskt	79-63	FP-5175882		
4	Bolt	79-63	FP-8927581		Oil Cooler; 3/8" - 16 x 1"
QTY	FREEZE PLUGS	YEARS	PART NO.	SIZE	DESCRIPTION
2	Pipe Plug	79-63	FP-5121182		1/4" - 18; Hex head
8	Pipe Plug	79-63	FP-8924380		1/8" - 27
QTY	DIPSTICK	YEARS	PART NO.	SIZE	DESCRIPTION
1	Dipstick	79-63	FP-5146679		61" Length; Unmarked
1	Dipstick	79-63	FP-5146680		72" Length; Unmarked
1	Dipstick Guide	79-63	FP-5151430		1.50" Length
QTY	MISCELLANEOUS	YEARS	PART NO.	SIZE	DESCRIPTION
2	Pipe Plug	79-63	FP-5121182		1/4" - 18; Hex head
8	Pipe Plug	79-63	FP-8924380		1/8" - 27
3	Fuel Drain Tube	79-63	FP-5135662		.299"
3	Fuel Drain Tube	79-63	FP-5135547		.434"
1	Accessory Drive Gasket	79-63	FP-23515145		Oil Filler Tube
1	Oil Filler Cap	79-63	FP-5140259		w/Chain & Hook
1	Oil Filler Cap	79-63	FP-5108474		Twist Type
1	Oil Filler Cap	79-63	FP-5107106		1.50" Dia.; Thermos Bottle Style
1	Oil Filler Cap	79-63	FP-5120098		1.75" Dia.; Thermos Bottle Style
1	Oil Filler Cap	79-63	FP-5117362		2.00" Dia.; Thermos Bottle Style
CRANKSHAFT/OIL PUMP					
QTY	CRANKSHAFT	YEARS	PART NO.	SIZE	DESCRIPTION
8	Washer	79-63	FP-5133981		.122" Thick
13	Lock Washer	79-63	FP-103321		3/8"
1	Woodruff Key	79-63	FP-8926247		.250" x .750"
4	Dowel Pin	79-63	FP-141346		.1875" x .500"
1	Harmonic Balancer Sleeve	79-63	88187		
QTY	SEALS - FRONT CRANK	YEARS	PART NO.	SIZE	DESCRIPTION
1	Oil Seal	79-63	FP-5148314		

(continued on next page)

+ Superseded Part Number

GMC Truck - M/D & H/D

2 M/D Truck 3-53 (2-Valve Cyl. Head), 3-53N (4-Valve Cyl. Head) Engs.
 (cont.) 2.6L 159 OHV Diesel L3 (3-53), 3.875" Bore (Detroit Diesel Eng.) 1963-79

CRANKSHAFT/OIL PUMP (cont.)

SEALS - FRONT CRANK					
QTY	(cont.)	YEARS	PART NO.	SIZE	DESCRIPTION
1	Oil Seal	79-63	FP-5198503		Single lip O/S ID
1	Wear Sleeve	79-63	FP-5198502		
1	Oil Seal	79-63	482041N		
SEALS - REAR CRANK					
QTY		YEARS	PART NO.	SIZE	DESCRIPTION
1	Oil Seal	79-63	FP-5127821		Double Lip, Std.; Shaft Dia. 4.687"
1	Oil Seal	79-63	FP-5128917		Double lip; Wet only; Double Lip
1	Oil Seal	79-63	FP-5116229		Single lip
1	Oil Seal	79-63	FP-5196852		Single lip O/S ID
1	Wear Sleeve	79-63	FP-23516636		Use w/O/S Seals only
8	Washer	79-63	FP-5133981		Main bearing cap; .122" Thick
MAIN BEARINGS					
QTY		YEARS	PART NO.	SIZE	DESCRIPTION
4	Plain Main Brg.	79-63	FP-5149447	STD	
4	Plain Main Brg.	79-63	FP-8924357	STD	
4	Plain Main Brg.	79-63	FP-8924358	2	
4	Plain Main Brg.	79-63	FP-8924359	10	
4	Plain Main Brg.	79-63	FP-8924360	20	
4	Plain Main Brg.	79-63	FP-8924361	30	
4	Plain Main Brg.	79-63	2611CPA + Std-10-20-30		When depleted use FP-5149447
1	Thrust Washer Set	79-63	FP-5116197S	STD	
1	Thrust Washer Set	79-63	2611AF Std Only		Position Rear
4	Thrust Washer	79-63	FP-5116197	STD	
4	Thrust Washer	79-63	FP-5196755	5	
4	Thrust Washer	79-63	FP-5196756	10	
OIL PUMP					
QTY		YEARS	PART NO.	SIZE	DESCRIPTION
1	Oil Pump	79-63	FP-5116110		Option Type 49, 166, 167, 168, 169
1	Oil Pump	79-63	FP-5121042		Option Type 50, 52, 170, 171, 172, 173
1	Oil Pump Seal Ring	79-63	FP-5127175		Pump Inlet
1	Oil Seal	79-63	FP-5115454		Oil Pump to Block; Single Lip, Std.
1	Oil Pump Cover Gasket	79-63	FP-5142712		Cover Plate
1	Oil Pump Spring	79-63	FP-5155765		Oil Pump Relief
1	Woodruff Key	79-63	FP-8928540		1/8" x 5/8"
1	Bolt	79-63	FP-8927581		3/8" - 16 x 1"
2	Screw	79-63	FP-145067		Oil Pump Cover
2	Washer	79-63	FP-5177773		Oil Pump Relief Valve; 18MM x 1.5MM
6	Lock Washer	79-63	FP-103320		Oil Pump Mount; 5/16"
1	Oil Filter Gasket	79-63	FP-5121205		Filter Cover Adaptor
1	Oil Filter Gasket	79-63	FP-5121205		Oil Filter Adaptor
1	Lock Nut	79-63	FP-114498		Oil Filter Cover; 5/8" - 18, Jam Nut
1	Front Cover Gasket	79-63	FP-5116386		Oil Pump to Block
1	Oil Filter Adapter Gasket	79-63	FP-8924412		
1	Pipe Plug	79-63	FP-5121182		Oil Filter Cover; 1/4" - 18; Hex head
3	Pipe Plug	79-63	FP-5115214		Oil Pan; 1/2" Square Head
2	Pipe Plug	79-63	FP-5121182		Oil Pan; 1/4" - 18; Hex head
1	Pipe Plug	79-63	FP-5142549		Oil Pan; 3/4" - 14 Square Head
CYLINDER COMPONENTS					
QTY	LINERS	YEARS	PART NO.	SIZE	DESCRIPTION
3	Liner w/o Sealing Rings	79-63	FP-8926088	STD	.740" Port Height
3	Liner w/o Sealing Rings	79-63	FP-8926090	20	.740" Port Height
3	Liner w/o Sealing Rings	79-63	FP-5132803	STD	.840" Port Height
3	Liner w/o Sealing Rings	79-63	FP-5101016	10	.840" Port Height
3	Liner w/o Sealing Rings	79-63	FP-5149944	20	.840" Port Height
3	Cylinder Kit Complete	79-63	FP-5198903	STD	Opt. 25,26,27,29,35,60,83; Trunk style piston; 17:1 C.R.
3	Cylinder Kit Complete	79-63	FP-519890310	10	Opt. 25,26,27,29,35,60,83; Trunk style piston; 17:1 C.R.
3	Cylinder Kit Complete	79-63	FP-519890320	20	Opt. 25,26,27,29,35,60,83; Trunk style piston; 17:1 C.R.
3	Cylinder Kit Complete	79-63	FP-5198904	STD	Opt. 53,56,65,66,77,236,249; Trunk style piston; 21:1 C.R.
3	Cylinder Kit Complete	79-63	FP-519890410	10	Opt. 53,56,65,66,77,236,249; Trunk style piston; 21:1 C.R.
3	Cylinder Kit Complete	79-63	FP-519890420	20	Opt. 53,56,65,66,77,236,249; Trunk style piston; 21:1 C.R.
3	Cylinder Kit Complete	79-63	FP-5198899	STD	Opt. 61,62,64,68,96,97,98,118,238,241; Trunk style piston; 21:1 C.R.
3	Cylinder Kit Complete	79-63	FP-519889910	10	Opt. 61,62,64,68,96,97,98,118,238,241; Trunk style piston; 21:1 C.R.
3	Cylinder Kit Complete	79-63	FP-519889920	20	Opt. 61,62,64,68,96,97,98,118,238,241; Trunk style piston; 21:1 C.R.
3	Liner Kit w/o Sleeve	79-63	FP-LCK8899		
3	Liner Kit w/o Sleeve	79-63	FP-LCK8903		

(continued on next page)

GMC Truck - M/D & H/D

M/D Truck 3-53 (2-Valve Cyl. Head), 3-53N (4-Valve Cyl. Head) Eng. 2
2.6L 159 OHV Diesel L3 (3-53), 3.875" Bore (Detroit Diesel Eng.) 1963-79 (cont.)

CYLINDER COMPONENTS (cont.)

QTY	LINERS (cont.)	YEARS	PART NO.	SIZE	DESCRIPTION
3	Liner Kit w/o Sleeve	79-63	FP-LCK8904		
3	Liner Kit w/o Sleeve	79-63	FP-LCK9116		Military spec.
6	Sealing Ring, Liner	79-63	FP-5121256		.010 O/S
6	Sealing Ring, Liner	79-63	FP-5149945		.020 O/S
3	Flange Shim	79-63	FP-29610	1	.001"
3	Flange Shim	79-63	FP-29611	2	.002"
QTY	PISTONS	YEARS	PART NO.	SIZE	DESCRIPTION
3	Piston With Retainers	79-63	FP-5195931		2 Valve Head; Trunk style piston
3	Piston With Retainers	79-63	FP-5198877		4 Valve Head; Trunk style piston
3	Piston Skirt	79-63	FP-8924002		
3	Pin	79-63	FP-5116189		
6	Piston Pin Retainer	79-63	FP-5108131		1.38" Dia.
6	Piston Pin Bolt Spacer	79-63	FP-8924732		w/Crosshead piston
12	Pin Bushing	79-63	FP-5116181		Trunk Type; 2 req'd. per rod
3	Pin Bushing	79-63	2619Y20 +		2 req'd. per rod; O.E. No. 5116181; When depleted use FP-5116181
QTY	CONNECTING RODS & BRGS.	YEARS	PART NO.	SIZE	DESCRIPTION
6	Con. Rod Bolt	79-63	FP-5197852		
6	Con. Rod Nut	79-63	FP-839103		
3	Rod Pair	79-63	FP-5149452	STD	
3	Rod Pair	79-63	FP-5149454	10	
3	Rod Pair	79-63	FP-5149455	20	
3	Rod Pair	79-63	FP-5149456	30	
3	Rod Pair	79-63	2610CPA +	Std-10-20-30-40	When depleted use FP-5149452
QTY	PISTON RINGS	YEARS	PART NO.	SIZE	DESCRIPTION
3	Ring Set Single Cylinder	79-63	FP-23501520	STD	High Sulfur; Trunk type
3	Ring Set Single Cylinder	79-63	FP-23501521	STD	High Sulfur; Trunk type
3	Ring Set Single Cylinder	79-63	FP-5198902		Trunk type
3	Ring Set Single Cylinder	79-63	FP-5198822	STD	2 Valve Head; 1-.082, 3-3/32, 2-3/16 (1 cyl. set)
3	Ring Set Single Cylinder	79-63	FP-5149942	STD	4 Valve Head
3	Compression Ring	79-63	FP-5103382		Pos. 1; High Sulfur; Trunk type
3	Compression Ring	79-63	FP-8923328		Pos. 1; High Sulfur; Trunk type
3	Compression Ring	79-63	FP-5103382		Pos. 1; Trunk type
3	Compression Ring	79-63	FP-5103382		Pos. 1; 2 Valve Head
3	Compression Ring	79-63	FP-8923328		Pos. 1; 4 Valve Head
3	Compression Ring	79-63	FP-5116184		Pos. 2; Trunk type
9	Compression Ring	79-63	FP-8925779		Pos. 2, 3, 4; High Sulfur; Trunk type
9	Compression Ring	79-63	FP-8925779		Pos. 2, 3, 4; High Sulfur; Trunk type
9	Compression Ring	79-63	FP-5116184		Pos. 2, 3, 4; 2 Valve Head
9	Compression Ring	79-63	FP-5116184		Pos. 2, 3, 4; 4 Valve Head
6	Compression Ring	79-63	FP-5127147		Pos. 3, 4; Trunk type
6	Ring, Oil Control Set	79-63	FP-5195933		Trunk type
6	Ring, Oil Control Set	79-63	FP-5195933		2 Valve Head
6	Ring, Oil Control Set	79-63	FP-5195933		4 Valve Head
CLUTCH					
QTY	CLUTCH	YEARS	PART NO.	SIZE	DESCRIPTION
1	Ball Brg.	79-63	FP-23503707		Clutch Pilot; Clutch Pilot
1	Ball Brg.	79-63	FP-23504892		Clutch Pilot; Clutch Pilot; Repl. FP-904983
KITS					
QTY	OVERHAUL KIT	YEARS	PART NO.	SIZE	DESCRIPTION
1	In-Frame Overhaul Kit	79-63	FP-353		3-53 Eng.; w/Trunk style piston
1	Complete Overhaul Kit	79-63	FP-353OH		3-53 Eng.; w/Trunk style piston
M/D Truck 4-53 (2-Valve Cyl. Head), 4-53N (4-Valve Cyl. Head) Eng. 3					
3.5L 212 OHV Diesel L4, 3.875" Bore (Detroit Diesel Eng.) 1962-80					
CYL. HEAD & PARTS					
QTY	GASKETS	YEARS	PART NO.	SIZE	DESCRIPTION
1	Valve Cover Gasket	79-62	FP-8925274		w/Cast Alum. valve cover
1	Valve Cover Gasket	79-62	FP-5147506		w/Stamped Steel valve cover
4	Head Gasket	79-62	FP-5121254		
1	Head Set	79-62	FP-5199812		
2	O-Ring	79-62	FP-5116122		Oil Hole seal
8	Bolt	79-62	FP-8927580		3/8" - 16 x .875"

(continued on next page)

+ Superseded Part Number

GMC Truck - M/D & H/D

3 M/D Truck 4-53 (2-Valve Cyl. Head), 4-53N (4-Valve Cyl. Head) Engs.
 (cont.) 3.5L 212 OHV Diesel L4, 3.875" Bore (Detroit Diesel Eng.) 1962-80

CYL. HEAD & PARTS (cont.)					
QTY	GASKETS (cont.)	YEARS	PART NO.	SIZE	DESCRIPTION
2	Bolt	79-62	FP-8927581		3/8" - 16 x 1"
10	Bolt	79-62	FP-5121263		5/8" - 11 x 6.250", 12 Pt. Head
2	Lock Washer	79-62	FP-103321		3/8"
2	Isolator Bushing	79-62	FP-5104515		Rocker cover bolt
QTY	HEAD BOLTS	YEARS	PART NO.	SIZE	DESCRIPTION
2	Washer	79-62	FP-5104514		Rocker cover bolt; .47" x 2.00" x .20"
QTY	MISCELLANEOUS	YEARS	PART NO.	SIZE	DESCRIPTION
6	Pipe Plug	79-62	FP-5121182		1/4" - 18; Hex head
6	Pipe Plug	79-62	FP-8923847		1/4" x 18 NPTF; Square head
2	Pipe Plug	79-62	FP-8924380		1/8" - 27
8	Bolt	79-62	FP-443603		.250" x 20 x .750"
QTY	FREEZE PLUGS	YEARS	PART NO.	SIZE	DESCRIPTION
6	Pipe Plug	79-62	FP-5121182		1/4" - 18; Hex head
6	Pipe Plug	79-62	FP-8923847		1/4" x 18 NPTF; Square head
2	Pipe Plug	79-62	FP-8924380		1/8" - 27
3	Expansion Plug	79-62	FP-5151449		.8125" Dia.
5	Expansion Plug	79-62	FP-5139997		.875" Dia.
4	Expansion Plug	79-62	FP-5154453		Cyl. head; 3/8" - 16 Headless Special
1	Expansion Plug	79-62	FP-8926347		Fuse Cyl. head
QTY	VALVE	YEARS	PART NO.	SIZE	DESCRIPTION
8	Exhaust Valve Kit	79-62	FP-5195948		2 Valve Head; 30 Deg.
16	Exhaust Valve Kit	79-62	FP-5199323		4 Valve Head; 30 Deg.
16	Keeper	79-62	FP-5111337		2 Valve Head; 1 groove; Square cut key groove
32	Keeper	79-62	FP-5116341		4 Valve Head
QTY	VALVE SEAT	YEARS	PART NO.	SIZE	DESCRIPTION
8	Exh. & Int.	79-62	FP-5116196	STD	2 Valve Head
16	Exh. & Int.	79-62	FP-5196752	10	4 Valve Head; 30 Deg. seat; .010" O/S; 1.1710" OD, .0910" ID, .2220" Depth
16	Exh. & Int.	79-62	FP-8921501	STD	4 Valve Head; 30 Deg. seat; 1.1610" OD, .0910" ID, .2220" Depth
QTY	VALVE GUIDE	YEARS	PART NO.	SIZE	DESCRIPTION
16	Guide	79-62	FP-5129919		Exh.; 2 Valve Head; 2 3/8" length; .3130" ID, 2.3800" O.A.L.
12	Guide	79-62	FP-5131961		Exh. & Int.; 4 Valve Head
QTY	VALVE SPRING	YEARS	PART NO.	SIZE	DESCRIPTION
8	Spring	79-62	FP-5116140		Exh.; 2 Valve Head
16	Spring	79-62	FP-5144019		Exh.; 4 Valve Head; .135" Wire Dia.
16	Spring	79-62	FP-5147424		Exh.; 4 Valve Head; Stamped "V7L"; .148" Wire Dia.
16	Spring Insert	79-62	FP-5111467		Exh. & Int.; 4 Valve Head
16	Spring Cap	79-62	FP-5123330		Exh.; 4 Valve Head
QTY	PUSH RODS	YEARS	PART NO.	SIZE	DESCRIPTION
12	Push Rod	79-62	FP-5128640		
12	Push Rod Seat	79-62	FP-5123250		Lower
12	Push Rod Seat	79-62	FP-5108919		Upper; Cup type
12	Push Rod Seat	79-62	FP-5150302		Upper; Flange type
12	Push Rod Spring	79-62	FP-5186858		.177" Wire diameter
12	Push Rod Spring	79-62	FP-5108918		.192" Wire diameter
12	Push Rod Retainer	79-62	FP-5150303		
12	Lock Nut	79-62	FP-5151601		5/16" - 24
QTY	VALVE SEAL	YEARS	PART NO.	SIZE	DESCRIPTION
8	Valve Stem Seal	79-62	FP-8921209		Exh.; 2 Valve Head
16	Valve Stem Seal	79-62	FP-8921741		Exh.; 4 Valve Head
QTY	ROCKER PARTS	YEARS	PART NO.	SIZE	DESCRIPTION
4	Arm Assy.	79-62	FP-8923554		Injector Rocker; 4 Valve Head
4	Arm Assy.	79-62	FP-5135267		LH; 4 Valve Head
4	Arm Assy.	79-62	FP-5135268		RH; 4 Valve Head
4	Rocker Shaft	79-62	FP-5116072		
8	Arm Support	79-62	FP-5116128		
4	Rocker Bushing	79-62	FP-8924355		Injector Rocker; Large
4	Rocker Bushing	79-62	FP-8924354		Injector Rocker; Small
20	Rocker Bushing	79-62	FP-5123700		Rocker Arm Clevis; .5625" OD
12	Follower Assy.	79-62	FP-8924439		
4	Follower Guide	79-62	FP-5116125		
12	Cam Follower Roller Set	79-62	FP-8923814		Incl. pin & roller
8	Valve Bridge	79-62	FP-5135262		
12	Rocker Arm Clevis Pin	79-62	FP-5150314		
8	Lock Washer	79-62	FP-103319		.250"

(continued on next page)

GMC Truck - M/D & H/D

M/D Truck 4-53 (2-Valve Cyl. Head), 4-53N (4-Valve Cyl. Head) Eng. 3
 3.5L 212 OHV Diesel L4, 3.875" Bore (Detroit Diesel Eng.) 1962-80 (cont.)

INT & EXH MANIFOLDS

QTY	INT. & EXH. MANIFOLDS	YEARS	PART NO.	SIZE	DESCRIPTION
1	Stud	79-62	FP-8925804		Exh. Manifold; 7/16" - 14/20" x 2 3/32"
5	Lock Washer	79-62	FP-103321		Exh. Manifold; 3/8"
1	Exhaust Manifold Gasket	79-62	FP-5119006		
1	Gasket	79-62	FP-5113412		Exh. Manifold Cover Plate
2	Pipe Plug	79-62	FP-5121182		Exh. Manifold; 1/4" - 18; Hex head
1	Pipe Plug	79-62	FP-8924380		Exh. Manifold; 1/8" - 27
5	Washer	79-62	FP-5104439		Exh. Manifold; 7/16" x 1.250" Dia.; Dished
1	Clamp	79-62	FP-23506306		Exh. Manifold; 4.55" Dia.

QTY	AIR INTAKE	YEARS	PART NO.	SIZE	DESCRIPTION
1	Air Intake Housing Gasket	79-62	FP-5124405		
1	Bolt	79-62	FP-5103534		Air Inlet Housing; 5/16" - 24 x 1/2"
2	Washer	79-62	FP-5159714		Air Silencer; 11/16" x 1/8"
2	Lock Washer	79-62	FP-103319		Air Inlet Housing; .250"
4	Lock Washer	79-62	FP-103321		Air Inlet Housing; 3/8"
2	Lock Washer	79-62	FP-103320		Air Silencer; 5/16"
1	Retainer	79-62	FP-142583		Air Inlet Spring Retainer; 13/64" Spring
2	O-Ring	79-62	FP-5182977		Air Inlet Housing Shutdown Valve Shaft

CAMSHAFT GROUP

QTY	TIMING	YEARS	PART NO.	SIZE	DESCRIPTION
1	Idler Gear Hub Assembly	79-62	FP-5124458		
1	Ball Brg.	79-62	FP-5196793		Idler Gear

QTY	CAMSHAFT TIMING	YEARS	PART NO.	SIZE	DESCRIPTION
2	Camshaft Pulley Spacer	79-62	FP-5106360		Front
2	Camshaft Pulley Spacer	79-62	FP-5121071		Front

QTY	CAMSHAFT/LIFTER	YEARS	PART NO.	SIZE	DESCRIPTION
1	Camshaft	79-62	FP-5149095		Stamped FP-5101273; V7L; Use w/FP-5147424 Spring on 4 Valve Head; Types 137, 138, 139, 140, 141, 153, 182, 219, 269, 270, 271, 274, 275, 308, 309, 311, 427, 556
1	Camshaft	79-62	FP-5126932		Stamped FP-5126748; V7; Use w/FP-5144019 Spring on 4 Valve Head; Types 34, 51, 55, 77, 78, 85, 272
2	Oil Seal	79-62	FP-23516871		Front
2	Camshaft Plug	79-62	FP-5151277		.500" Drive; 15/32" x 1/2"
2	Woodruff Key	79-62	FP-8926248		.1875" x .625"

ACCESSORY DRIVE

QTY	ACCESSORY DRIVE	YEARS	PART NO.	SIZE	DESCRIPTION
1	Accessory Drive Gasket	79-62	FP-23515145		
1	Oil Seal	79-62	FP-5131329		Accessory drive; Accessory drive assy.
1	Ball Brg.	79-62	FP-23504528		Accessory drive; Accessory drive assy.
1	Hydraulic Pump Gasket	79-62	FP-5188755		Accessory Drive
1	Washer	79-62	FP-5150568		7/16" x 3/4" x 1/16"; Copper
3	Lock Washer	79-62	FP-103320		Gov. Spring Housing; 5/16"
1	Redi-Sleeve	80-62	99149		

FUEL SYSTEM & PARTS

QTY	FUEL INJECTION	YEARS	PART NO.	SIZE	DESCRIPTION
4	Fuel Injector Seal Ring	79-62	FP-5234281		
4	Fuel Injector Seal Ring	79-62	FP-5104701		Viton®
4	Injector Hole Tube Kit	79-62	FP-8925981		Viton®
4	Washer	79-62	FP-5150250		
4	Clamp	79-62	FP-5121259		
4	Fuel Injector	79-62	FP-5229345		Injector Assembly C45
4	Fuel Injector Repair Kit	79-62	FP-5229649		
4	Fuel Injection Valve Cage	79-62	FP-5228696		
4	Fuel Injection Spring Seat	79-62	FP-5228766		
4	Fuel Injector Valve Spring	79-62	FP-5228596		
4	Fuel Injector Check Valve	79-62	FP-5228694		
4	Fuel Pump Check Valve	79-62	FP-5226411		
4	Fuel Pump Check Valve	79-62	FP-5228308		Incl. injector valve & 5228106 seat
4	Injector Plunger & Bushing	79-62	FP-5229342		For Inj. Assembly C40
4	Injector Plunger & Bushing	79-62	FP-5229346		For Inj. Assembly C45
4	Injector Plunger & Bushing	79-62	FP-5229354		For Inj. Assembly C50
4	Injector Plunger & Bushing	79-62	FP-5228684		For Inj. Assembly N45, 5N45
4	Injector Plunger & Bushing	79-62	FP-5228749		For Inj. Assembly N50
4	Injector Plunger & Bushing	79-62	FP-5228495		For Inj. Assembly S45
4	Injector Plunger & Bushing	79-62	FP-5228656		For Inj. Assembly 5A60
4	Fuel Injector Tip Kit	79-62	FP-5228491		

(continued on next page)

GMC Truck - M/D & H/D

3 M/D Truck 4-53 (2-Valve Cyl. Head), 4-53N (4-Valve Cyl. Head) Eng.
 (cont.) 3.5L 212 OHV Diesel L4, 3.875" Bore (Detroit Diesel Eng.) 1962-80

FUEL SYSTEM & PARTS (cont.)

QTY	FUEL INJECTION (cont.)	YEARS	PART NO.	SIZE	DESCRIPTION
4	Fuel Injector Tip Kit	79-62	FP-5229034		For Inj. Assembly N35, N40, N45, N50, C40, C45, C50
4	Fuel Injector Tip Kit	79-62	FP-5229030		For Inj. Assembly 5A50, 5A55, 5A60
4	Fuel Injector Tip Kit	79-62	FP-5229026		For Inj. Assembly 5N45
4	Nut	79-62	FP-5228601		NV
4	Fuel Injector Valve Kit	79-62	FP-5228313		
4	Fuel Injector Valve Kit	79-62	FP-5228769		
4	Fuel Injector Roller Pin	79-62	FP-5228608		
QTY	FUEL FILTERS & PUMP	YEARS	PART NO.	SIZE	DESCRIPTION
1	Mechanical Fuel Pump	79-62	FP-5199735		LH; High Output; High output; w/.375" Gear
1	Mechanical Fuel Pump	79-62	FP-5199560		LH; Standard Output; Std. output; w/.250" Gear
1	Mechanical Fuel Pump	79-62	FP-5199734		RH; High Output; High output
1	Mechanical Fuel Pump	79-62	FP-5199561		RH; Standard Output
1	Fuel Pump Shaft & Gear	79-63	FP-5146705		High Output; Fuel Pump Drive; 3.09" Length; High Output
1	Fuel Pump Shaft & Gear	79-63	FP-5100313		High Output; Fuel Pump Drive; .963" Length; High Output
1	Fuel Pump Shaft & Gear	79-63	FP-5181746		Standard Output; Fuel Pump Drive; 3.09" Length; Std. Output
1	Fuel Pump Shaft & Gear	79-63	FP-5181747		Standard Output; Fuel Pump Drive; .838" Length; Std. Output
1	Fuel Pump Valve	79-63	FP-5174973		
1	Fuel Pump Gear	79-63	FP-5107088		Fuel Pump Drive; LH Helix
1	Fuel Pump Gear	79-63	FP-5118915		High Output; Fuel Pump Drive; .374" Width; High Output
1	Fuel Pump Gear	79-63	FP-5128217		High Output; Fuel Pump Drive; .374" Width; High Output
1	Fuel Pump Gear	79-63	FP-5174975		Standard Output; Fuel Pump Drive; .294" Width; Std. Output
1	Fuel Pump Gear	79-63	FP-5181748		Standard Output; Fuel Pump Drive; .294" Width; Std. Output
1	Fuel Pump Drive Shaft	79-63	FP-5100312		High Output; Fuel Pump Drive; .963" Length; High Output
1	Fuel Pump Drive Shaft	79-63	FP-5178700		Standard & High Output; Fuel Pump Drive; 3.09" Length
1	Fuel Pump Drive Shaft	79-63	FP-5181749		Standard Output; Fuel Pump Drive; .838" Length; Std. Output
1	Fuel Pump Check Valve	79-63	FP-5174924		1/4" Swing type
1	Fuel Pump Check Valve	79-63	FP-5135308		3/8" Swing type
6	Fuel Line Connector	79-63	FP-8926992		Fuel Pipe
1	Fuel Pump Relief Valve Spring	79-63	FP-5184530		
1	O-Ring	79-63	FP-5179232		.424" x .103"
1	O-Ring	79-63	FP-5179232		Check Valve Seal Ring; .424" x .103"
2	Oil Seal	79-63	FP-23512243		Fuel pump
1	Fuel Pump Valve Plug Gasket	79-63	FP-5161003		Fuel pump
3	Bolt	79-62	FP-8925603		Fuel pump mounting; 5/16" - 18 x 3/4"; Vibra-Tite®
1	Fuel Pump Repair Part	79-63	FP-5174971		Fuel Pump Valve; .500" x 20 plug
1	Fuel Pump Drive Adapter Gskt.	79-62	FP-5105193		Fuel pump mounting; w/Limiting Speed Gov.
1	Fuel Pump Repair Kit	79-62	FP-5149599		High Output; High output; Short Shaft
1	Fuel Pump Repair Kit	79-62	FP-5195078		Standard Output; Std. output
1	Pipe Plug	79-63	FP-5121182		Fuel Pump; 1/4" - 18; Hex head
2	Pipe Plug	79-62	FP-8924380		1/8" - 27
2	Plastic Cap	79-63	FP-5136240		Fuel pump body; .250" Dia.
1	Plastic Cap	79-63	FP-5136241		Fuel pump body; .780" Dia., 3/8" NPTF
1	Dowel Pin	79-62	FP-103709		5/32" x 1" straight
1	Ball Brg.	79-63	FP-147481		Fuel Pump Shaft; .125" Dia. Steel
1	Bushing	79-62	FP-5198558		3/8" x 1/4"
1	Accessory Drive Gasket	79-62	FP-23515145		Fuel Pump Mounting Plate
6	Copper Washer	79-63	FP-5152148		25/64" ID x 9/16" OD x 1/16" Thick; Copper
6	Washer	79-63	FP-8925644		Fuel Pipe Connector
6	Washer	79-63	FP-5150568		7/16" x 3/4" x 1/16"; Copper

BLOWER

QTY	BLOWER	YEARS	PART NO.	SIZE	DESCRIPTION
1	Governor to Cyl. Block Gasket	79-62	FP-5116336		
4	Oil Seal	79-62	FP-5199366		Blower End Plate; Use w/FP5199368 Sleeve
4	Oil Seal	79-62	FP-5142266		Blower End Plate; Use w/New Counterbored End Plates
4	Wear Sleeve	79-62	FP-5199368		Blower Rotor Shaft; Use w/FP5199366 Seal
1	Gasket	79-62	FP-124546		Woodruff Key; Woodruff Key; 5/32" x 5/8"
1	O-Ring	79-62	FP-8923959		Blower By-pass Valve
2	Pipe Plug	79-62	FP-8924380		Blower End Plate; 1/8" - 27
1	Clamp	79-62	FP-5144768		Blower Drive Cover
1	Washer	79-62	FP-5116316		Blower Rotor Gear
1	Washer	79-62	FP-5116316		Blower Rotor Gear
2	Washer	79-62	FP-5121403		Blower Rotor Gear
2	Washer	79-62	FP-5127077		Thrust Blower Shaft
2	Copper Washer	79-62	FP-5152148		Blower Drive Coupling; 25/64" ID x 9/16" OD x 1/16" Thick; Copper
2	Lock Washer	79-62	FP-103321		Blower Drive Coupling; 3/8"
3	Shim	79-62	FP-5116165		Blower Rotor Gear
3	Shim	79-62	FP-5116166		Blower Rotor Gear

(continued on next page)

GMC Truck - M/D & H/D

M/D Truck 4-53 (2-Valve Cyl. Head), 4-53N (4-Valve Cyl. Head) Engs. 3
 3.5L 212 OHV Diesel L4, 3.875" Bore (Detroit Diesel Eng.) 1962-80 (cont.)

BLOWER (cont.)					
QTY	BLOWER (cont.)	YEARS	PART NO.	SIZE	DESCRIPTION
3	Shim	79-62	FP-5116167		Blower Rotor Gear
3	Shim	79-62	FP-5116164		Blower Rotor Gear; .002"
COOLING SYSTEM					
QTY	WATER PUMP	YEARS	PART NO.	SIZE	DESCRIPTION
1	Ball Brg.	79-62	FP-23503796		Inner Fan Shaft
1	Ball Brg.	79-62	FP-23503535		Outer Fan Shaft
1	Ball Brg.	79-62	FP-9415132		Front; Outer Fan Shaft
1	Ball Brg.	79-62	FP-7450630		Rear; Inner Fan Shaft
1	Oil Pump Intake Gasket	79-62	FP-9426473		Thermostat Housing Cover
1	Oil Seal	79-62	FP-5103951		Fan Shaft
1	Oil Seal	79-62	FP-5108219		Fan Shaft; Felt
1	Oil Seal	79-62	FP-5100408		Fan Shaft; Rubber Lip
1	Bolt	79-62	FP-9409060		Thermostat Housing; 1/2" - 20 x 1.500"
4	Bolt	79-62	FP-8927581		Thermostat Housing; 3/8" - 16 x 1"
3	Pipe Plug	79-62	FP-5115214		Thermostat Housing; 1/2" Square Head
2	Pipe Plug	79-62	FP-8923847		Thermostat Housing; 1/4" x 18 NPTF; Square head
2	Pipe Plug	79-62	FP-8924517		Thermostat Housing; 3/8" x 18 square head
1	Shaft & Bearing Assembly	79-62	FP-8922500		
1	Gasket	79-62	FP-5196513		Raw Water Pump Housing
1	Gasket	79-62	FP-5116357		Water By-pass Tube
1	Water Pump Lock Ring	79-62	FP-274746		Fan Shaft
QTY	THERMOSTAT	YEARS	PART NO.	SIZE	DESCRIPTION
1	Thermostat	79-62	FP-5143210		170 Deg.
1	Thermostat	79-62	FP-8927465		170 Deg.
1	Thermostat	79-62	FP-8927466		180 Deg.; w/Rapid Start Up
QTY	MISCELLANEOUS	YEARS	PART NO.	SIZE	DESCRIPTION
2	Lock Washer	79-62	FP-103321		Thermostat Housing; 3/8"
2	Lock Washer	79-62	FP-103320		Thermostat Housing; 5/16"
1	Accessory Drive Gasket	79-62	FP-23515145		Raw Water Pump
ENGINE BLOCK & PARTS					
QTY	GASKETS	YEARS	PART NO.	SIZE	DESCRIPTION
1	Front Cover Gasket	79-62	FP-5116386		Lower
1	Front Cover Gasket	79-62	FP-5121082		Upper
1	Governor to Cyl. Block Gasket	79-62	FP-5116336		Front; Governor hole
1	Oil Pan Gasket	79-62	FP-5196060		w/Cast Iron Pan
1	Oil Pan Gasket	79-62	FP-5116257		w/Stamped Steel Pan
2	Copper Washer	79-62	FP-5155596		Oil Pan; 5/16"; Special copper washer
1	Washer	79-62	FP-840277		Oil Pan; 18MM, Nylon
5	Pipe Plug	79-62	FP-5115214		Oil Pan; 1/2" Square Head
2	Pipe Plug	79-62	FP-5121182		Oil Pan; 1/4" - 18; Hex head
1	Pipe Plug	79-62	FP-5142549		Oil Pan; 3/4" - 14 Square Head
1	Cylinder Cover Gasket	79-62	FP-5116354		Front
1	Gasket	79-62	FP-5116357		Water Hole Gasket
8	Copper Washer	79-62	FP-5152148		Fuel stand pipe; 25/64" ID x 9/16" OD x 1/16" Thick; Copper
15	Lock Washer	79-62	FP-103321		3/8"
QTY	GASKET SETS	YEARS	PART NO.	SIZE	DESCRIPTION
1	Complete Overhaul Gasket Set	79-62	FP-23517624		Crankshaft seals not incl.
1	Complete Overhaul Gasket Set	79-62	FP-23517624WS		Incl. Front & Rear Seals
QTY	DOWEL PINS	YEARS	PART NO.	SIZE	DESCRIPTION
4	Dowel Pin	79-62	FP-141346		.1875" x .500"
QTY	CAM BEARINGS	YEARS	PART NO.	SIZE	DESCRIPTION
1	Cam Set	79-62	FP-5198984	STD	
1	Cam Set	79-62	FP-5198978	10	
1	Cam Set	79-62	FP-5198981	20	
QTY	OIL COOLERS & FILTERS	YEARS	PART NO.	SIZE	DESCRIPTION
1	Oil Cooler	79-62	FP-8547236		12 plate
1	Oil Cooler	79-62	FP-8547581		13 plate
1	Oil Cooler	79-62	FP-8547194		4 plate
1	Oil Cooler	79-62	FP-8547563		8 plate
1	Oil Filter Gasket	79-62	FP-5121205		
4	Lock Washer	79-62	FP-103321		Oil Cooler; 3/8"
8	Lock Washer	79-62	FP-103320		Oil Cooler; 5/16"
2	Pipe Plug	79-62	FP-5121182		Oil Cooler; 1/4" - 18; Hex head
2	Pipe Plug	79-62	FP-5142549		Oil Cooler; 3/4" - 14 Square Head
1	Oil Cooler Gasket Kit	79-62	FP-PG3453OC		

(continued on next page)

GMC Truck - M/D & H/D

3 M/D Truck 4-53 (2-Valve Cyl. Head), 4-53N (4-Valve Cyl. Head) Engs.
 (cont.) 3.5L 212 OHV Diesel L4, 3.875" Bore (Detroit Diesel Eng.) 1962-80

ENGINE BLOCK & PARTS (cont.)					
QTY	OIL COOLERS & FILTERS	YEARS	PART NO.	SIZE	DESCRIPTION
(cont.)					
1	Oil Cooler Gasket	79-62	FP-8923223		Outlet
1	Gasket	79-62	FP-5116357		Oil Cooler Housing to Block
1	Oil Cooler Core Inner Gasket	79-62	FP-5150155		Inlet
2	Oil Cooler Core Outer Gasket	79-62	FP-5102506		Outlet
1	Oil Cooler Adapter Gasket Set	79-62	FP-5103906		
4	Oil Cooler Adapter Cover Gskt	79-62	FP-5175882		
4	Bolt	79-62	FP-8927581		Oil Cooler; 3/8" - 16 x 1"
QTY	FREEZE PLUGS	YEARS	PART NO.	SIZE	DESCRIPTION
2	Pipe Plug	79-62	FP-5121182		1/4" - 18; Hex head
8	Pipe Plug	79-62	FP-8924380		1/8" - 27
QTY	DIPSTICK	YEARS	PART NO.	SIZE	DESCRIPTION
1	Dipstick	79-62	FP-5146679		61" Length; Unmarked
1	Dipstick	79-62	FP-5146680		72" Length; Unmarked
1	Dipstick Guide	79-62	FP-5151430		1.50" Length
QTY	MISCELLANEOUS	YEARS	PART NO.	SIZE	DESCRIPTION
2	Pipe Plug	79-62	FP-5121182		1/4" - 18; Hex head
8	Pipe Plug	79-62	FP-8924380		1/8" - 27
4	Fuel Drain Tube	79-62	FP-5135662		.299"
4	Fuel Drain Tube	79-62	FP-5135547		.434"
1	Accessory Drive Gasket	79-62	FP-23515145		Oil Filler Tube
1	Oil Filler Cap	79-62	FP-5108474		Twist Type
1	Oil Filler Cap	79-62	FP-5107106		1.50" Dia.; Thermos Bottle Style
1	Oil Filler Cap	79-62	FP-5120098		1.75" Dia.; Thermos Bottle Style
CRANKSHAFT/OIL PUMP					
QTY	CRANKSHAFT	YEARS	PART NO.	SIZE	DESCRIPTION
13	Lock Washer	79-62	FP-103321		3/8"
1	Woodruff Key	79-62	FP-8926247		.250" x .750"
4	Dowel Pin	79-62	FP-141346		.1875" x .500"
1	Harmonic Balancer Sleeve	80-62	88187		
QTY	SEALS - FRONT CRANK	YEARS	PART NO.	SIZE	DESCRIPTION
1	Oil Seal	79-62	FP-5148314		
1	Oil Seal	79-62	FP-5198503		Single lip O/S ID
1	Wear Sleeve	79-62	FP-5198502		
QTY	SEALS - REAR CRANK	YEARS	PART NO.	SIZE	DESCRIPTION
1	Oil Seal	79-62	FP-5128917		Double lip; Wet only; Double Lip
1	Oil Seal	79-62	FP-5116229		Single lip
1	Oil Seal	79-62	FP-5196852		Single lip O/S ID
1	Wear Sleeve	79-62	FP-23516636		Use w/O/S Seals only
10	Washer	79-62	FP-5133981		Main bearing cap; .122" Thick
QTY	MAIN BEARINGS	YEARS	PART NO.	SIZE	DESCRIPTION
5	Plain Main Brg.	79-62	FP-8924357	STD	
5	Plain Main Brg.	79-62	FP-8924358	2	
5	Plain Main Brg.	79-62	FP-8924359	10	
5	Plain Main Brg.	79-62	FP-8924360	20	
5	Plain Main Brg.	79-62	FP-8924361	30	
1	Thrust Washer Set	79-62	FP-5116197S	STD	
1	Thrust Washer Set	79-62	2611AF	Std Only	Position Rear
4	Thrust Washer	79-62	FP-5116197	STD	
4	Thrust Washer	79-62	FP-5196755	5	
4	Thrust Washer	79-62	FP-5196756	10	
QTY	OIL PUMP	YEARS	PART NO.	SIZE	DESCRIPTION
1	Oil Pump	79-62	FP-5121042		Option Type 50, 52, 170, 171, 172, 173
1	Oil Pump Seal Ring	79-62	FP-5127175		Pump Inlet
1	Woodruff Key	79-62	FP-8928540		1/8" x 5/8"
2	Screw	79-62	FP-145067		Oil Pump Cover
2	Washer	79-62	FP-5177773		Oil Pump Relief Valve; 18MM x 1.5MM
2	Lock Washer	79-62	FP-103321		Oil Pump Inlet; 3/8"
2	Lock Washer	79-62	FP-103320		Oil Pump Inlet; 5/16"
6	Lock Washer	79-62	FP-103320		Oil Pump Mount; 5/16"
1	Oil Filter Gasket	79-62	FP-5121205		Filter Cover Adaptor
1	Oil Filter Gasket	79-62	FP-5121205		Oil Filter Adaptor
1	Lock Nut	79-62	FP-114498		Oil Filter Cover; 5/8" - 18, Jam Nut
1	Front Cover Gasket	79-62	FP-5116386		Oil Pump to Block
1	Oil Filter Adapter Gasket	79-62	FP-8924412		
5	Pipe Plug	79-62	FP-5115214		Oil Pan; 1/2" Square Head

(continued on next page)

GMC Truck - M/D & H/D

M/D Truck 4-53 (2-Valve Cyl. Head), 4-53N (4-Valve Cyl. Head) Engs. 3
3.5L 212 OHV Diesel L4, 3.875" Bore (Detroit Diesel Eng.) 1962-80 (cont.)

CRANKSHAFT/OIL PUMP (cont.)

QTY	OIL PUMP (cont.)	YEARS	PART NO.	SIZE	DESCRIPTION
2	Pipe Plug	79-62	FP-5121182		Oil Pan; 1/4" - 18; Hex head
1	Pipe Plug	79-62	FP-5142549		Oil Pan; 3/4" - 14 Square Head

CYLINDER COMPONENTS

QTY	LINERS	YEARS	PART NO.	SIZE	DESCRIPTION
4	Liner w/o Sealing Rings	79-62	FP-5132803	STD	.840" Port Height
4	Liner w/o Sealing Rings	79-62	FP-5101016	10	.840" Port Height
4	Liner w/o Sealing Rings	79-62	FP-5149944	20	.840" Port Height
4	Cylinder Kit Complete	79-62	FP-5198903	STD	Opt. 25,26,27,29,35,60,83; Trunk style piston; 17:1 C.R.
4	Cylinder Kit Complete	79-62	FP-519890310	10	Opt. 25,26,27,29,35,60,83; Trunk style piston; 17:1 C.R.
4	Cylinder Kit Complete	79-62	FP-519890320	20	Opt. 25,26,27,29,35,60,83; Trunk style piston; 17:1 C.R.
4	Cylinder Kit Complete	79-62	FP-5198904	STD	Opt. 53,56,65,66,77,236,249; Trunk style piston; 21:1 C.R.
4	Cylinder Kit Complete	79-62	FP-519890410	10	Opt. 53,56,65,66,77,236,249; Trunk style piston; 21:1 C.R.
4	Cylinder Kit Complete	79-62	FP-519890420	20	Opt. 53,56,65,66,77,236,249; Trunk style piston; 21:1 C.R.
4	Cylinder Kit Complete	79-62	FP-5198899	STD	Opt. 61,62,64,68,96,97,98,118,238,241; Trunk style piston; 21:1 C.R.
4	Cylinder Kit Complete	79-62	FP-519889910	10	Opt. 61,62,64,68,96,97,98,118,238,241; Trunk style piston; 21:1 C.R.
4	Cylinder Kit Complete	79-62	FP-519889920	20	Opt. 61,62,64,68,96,97,98,118,238,241; Trunk style piston; 21:1 C.R.
4	Liner Kit w/o Sleeve	79-62	FP-LCK8899		
4	Liner Kit w/o Sleeve	79-62	FP-LCK8903		
4	Liner Kit w/o Sleeve	79-62	FP-LCK8904		
8	Sealing Ring, Liner	79-62	FP-5121256		.010 O/S
8	Sealing Ring, Liner	79-62	FP-5149945		.020 O/S
4	Flange Shim	79-62	FP-29610	1	.001"
4	Flange Shim	79-62	FP-29611	2	.002"

QTY	PISTONS	YEARS	PART NO.	SIZE	DESCRIPTION
4	Piston With Retainers	79-62	FP-5195931		2 Valve Head; Trunk style piston
4	Piston With Retainers	79-62	FP-5198877		4 Valve Head; Trunk style piston
4	Piston Skirt	79-62	FP-8924002		
4	Pin	79-62	FP-5116189		w/Trunk style piston
8	Piston Pin Retainer	79-62	FP-5108131		w/Trunk style piston; 1.38" Dia.
8	Piston Pin Bolt Spacer	79-62	FP-8924732		w/Crosshead piston
16	Pin Bushing	79-62	FP-5116181		w/Trunk style piston; 2 req'd. per rod
4	Pin Bushing	79-62	2619Y20 +		2 req'd. per rod; O.E. No. 5116181; When depleted use FP-5116181

QTY	CONNECTING RODS & BRGS.	YEARS	PART NO.	SIZE	DESCRIPTION
8	Con. Rod Bolt	79-62	FP-5197852		
8	Con. Rod Nut	79-62	FP-839103		
4	Rod Pair	79-62	FP-5149452	STD	
4	Rod Pair	79-62	FP-5149454	10	
4	Rod Pair	79-62	FP-5149455	20	
4	Rod Pair	79-62	FP-5149456	30	
4	Rod Pair	79-62	2610CPA +	Std-10-20-30-40	When depleted use FP-5149452

QTY	PISTON RINGS	YEARS	PART NO.	SIZE	DESCRIPTION
4	Ring Set Single Cylinder	79-62	FP-23501520	STD	High Sulfur; Trunk type
4	Ring Set Single Cylinder	79-62	FP-23501521	STD	High Sulfur; Trunk type
4	Ring Set Single Cylinder	79-62	FP-5198902		Trunk type
4	Ring Set Single Cylinder	79-62	FP-5198822	STD	2 Valve Head; 1-.082, 3-3/32, 2-3/16 (1 cyl. set)
4	Ring Set Single Cylinder	79-62	FP-5149942	STD	4 Valve Head
4	Compression Ring	79-62	FP-5103382		Pos. 1; High Sulfur; Trunk type
4	Compression Ring	79-62	FP-8923328		Pos. 1; High Sulfur; Trunk type
4	Compression Ring	79-62	FP-5103382		Pos. 1; Trunk type
4	Compression Ring	79-62	FP-5103382		Pos. 1; 2 Valve Head
4	Compression Ring	79-62	FP-8923328		Pos. 1; 4 Valve Head
12	Compression Ring	79-62	FP-5116184		Pos. 2; Trunk type
12	Compression Ring	79-62	FP-8925779		Pos. 2, 3, 4; High Sulfur; Trunk type
12	Compression Ring	79-62	FP-8925779		Pos. 2, 3, 4; High Sulfur; Trunk type
12	Compression Ring	79-62	FP-5116184		Pos. 2, 3, 4; 2 Valve Head
12	Compression Ring	79-62	FP-5116184		Pos. 2, 3, 4; 4 Valve Head
8	Compression Ring	79-62	FP-5127147		Pos. 3, 4; Trunk type
8	Ring, Oil Control Set	79-62	FP-5195933		Trunk type
8	Ring, Oil Control Set	79-62	FP-5195933		2 Valve Head
8	Ring, Oil Control Set	79-62	FP-5195933		4 Valve Head

(continued on next page)

GMC Truck - M/D & H/D

3 M/D Truck 4-53 (2-Valve Cyl. Head), 4-53N (4-Valve Cyl. Head) Engs. (cont.) 3.5L 212 OHV Diesel L4, 3.875" Bore (Detroit Diesel Eng.) 1962-80

CLUTCH

QTY	CLUTCH	YEARS	PART NO.	SIZE	DESCRIPTION
1	Ball Brg.	79-62	FP-23503707		Clutch Pilot; Clutch Pilot
1	Ball Brg.	79-62	FP-23504892		Clutch Pilot; Clutch Pilot; Repl. FP-904983

KITS

QTY	OVERHAUL KIT	YEARS	PART NO.	SIZE	DESCRIPTION
1	In-Frame Overhaul Kit	79-62	FP-453		4-53 & 4-53N Engs.
1	Complete Overhaul Kit	79-62	FP-453OH		4-53 & 4-53N Engs.

4 M/D Truck 4-53T (4-Valve Cyl. Head) Eng. 3.5L 212 OHV Turbo-Diesel L4, 3.875" Bore (Detroit Diesel Eng.) 1979-80

CYL. HEAD & PARTS

QTY	GASKETS	YEARS	PART NO.	SIZE	DESCRIPTION
1	Valve Cover Gasket	80-79	FP-8925274		w/Cast Alum. valve cover
1	Valve Cover Gasket	80-79	FP-5147506		w/Stamped Steel valve cover
4	Head Gasket	80-79	FP-5121254		
1	Head Set	80-79	FP-5199812		
2	O-Ring	80-79	FP-5116122		Oil Hole seal
8	Bolt	80-79	FP-8927580		3/8" - 16 x .875"
2	Bolt	80-79	FP-8927581		3/8" - 16 x 1"
10	Bolt	80-79	FP-5121263		5/8" - 11 x 6.250", 12 Pt. Head
2	Lock Washer	80-79	FP-103321		3/8"
2	Isolator Bushing	80-79	FP-5104515		Rocker cover bolt
QTY	HEAD BOLTS	YEARS	PART NO.	SIZE	DESCRIPTION
2	Washer	80-79	FP-5104514		Rocker cover bolt; .47" x 2.00" x .20"
QTY	MISCELLANEOUS	YEARS	PART NO.	SIZE	DESCRIPTION
6	Pipe Plug	80-79	FP-5121182		1/4" - 18; Hex head
6	Pipe Plug	80-79	FP-8923847		1/4" x 18 NPTF; Square head
2	Pipe Plug	80-79	FP-8924380		1/8" - 27
8	Bolt	80-79	FP-443603		.250" x 20 x .750"
QTY	FREEZE PLUGS	YEARS	PART NO.	SIZE	DESCRIPTION
6	Pipe Plug	80-79	FP-5121182		1/4" - 18; Hex head
6	Pipe Plug	80-79	FP-8923847		1/4" x 18 NPTF; Square head
2	Pipe Plug	80-79	FP-8924380		1/8" - 27
3	Expansion Plug	80-79	FP-5151449		.8125" Dia.
5	Expansion Plug	80-79	FP-5139997		.875" Dia.
4	Expansion Plug	80-79	FP-5154453		Cyl. head; 3/8" - 16 Headless Special
1	Expansion Plug	80-79	FP-8926347		Fuse Cyl. head
QTY	VALVE	YEARS	PART NO.	SIZE	DESCRIPTION
16	Exhaust Valve Kit	80-79	FP-5197176		4 Valve Head
32	Keeper	80-79	FP-5116341		4 Valve Head
QTY	VALVE SEAT	YEARS	PART NO.	SIZE	DESCRIPTION
16	Exh. & Int.	80-79	FP-8921502	STD	4 Valve Head; 1.1710" OD, .0910" ID, .2220" Depth
QTY	VALVE GUIDE	YEARS	PART NO.	SIZE	DESCRIPTION
12	Guide	80-79	FP-5131961		Exh. & Int.; 4 Valve Head
QTY	VALVE SPRING	YEARS	PART NO.	SIZE	DESCRIPTION
16	Spring	80-79	FP-5144019		Exh.; 4 Valve Head; .135" Wire Dia.
16	Spring	80-79	FP-5147424		Exh.; 4 Valve Head; Stamped "V7L"; .148" Wire Dia.
16	Spring Insert	80-79	FP-5111467		Exh. & Int.; 4 Valve Head
16	Spring Cap	80-79	FP-5123330		Exh.; 4 Valve Head
QTY	PUSH RODS	YEARS	PART NO.	SIZE	DESCRIPTION
12	Push Rod	80-79	FP-5128640		
12	Push Rod Seat	80-79	FP-5123250		Lower
12	Push Rod Seat	80-79	FP-5108919		Upper; Cup type
12	Push Rod Seat	80-79	FP-5150302		Upper; Flange type
12	Push Rod Spring	80-79	FP-5186858		.177" Wire diameter
12	Push Rod Spring	80-79	FP-5108918		.192" Wire diameter
12	Lock Nut	80-79	FP-5151601		5/16" - 24
QTY	VALVE SEAL	YEARS	PART NO.	SIZE	DESCRIPTION
16	Valve Stem Seal	80-79	FP-8921741		Exh.; 4 Valve Head
QTY	ROCKER PARTS	YEARS	PART NO.	SIZE	DESCRIPTION
4	Arm Assy.	80-79	FP-8923554		Injector Rocker; 4 Valve Head
4	Arm Assy.	80-79	FP-5135267		LH; 4 Valve Head
4	Arm Assy.	80-79	FP-5135268		RH; 4 Valve Head
4	Rocker Shaft	80-79	FP-5116072		

(continued on next page)

GMC Truck - M/D & H/D

M/D Truck 4-53T (4-Valve Cyl. Head) Eng. 4
3.5L 212 OHV Turbo-Diesel L4, 3.875" Bore (Detroit Diesel Eng.) 1979-80 (cont.)

CYL. HEAD & PARTS (cont.)

QTY	ROCKER PARTS (cont.)	YEARS	PART NO.	SIZE	DESCRIPTION
8	Arm Support	80-79	FP-5116128		
4	Rocker Bushing	80-79	FP-8924355		Injector Rocker; Large
4	Rocker Bushing	80-79	FP-8924354		Injector Rocker; Small
20	Rocker Bushing	80-79	FP-5123700		Rocker Arm Clevis; .5625" OD
12	Follower Assy.	80-79	FP-8924439		
4	Follower Guide	80-79	FP-5116125		
12	Cam Follower Roller Set	80-79	FP-8923814		Incl. pin & roller
8	Valve Bridge	80-79	FP-5135262		
12	Rocker Arm Clevis Pin	80-79	FP-5150314		
8	Lock Washer	80-79	FP-103319		.250"

INT & EXH MANIFOLDS

QTY	INT. & EXH. MANIFOLDS	YEARS	PART NO.	SIZE	DESCRIPTION
1	Stud	80-79	FP-8925804		Exh. Manifold; 7/16" - 14/20" x 2 3/32"
5	Lock Washer	80-79	FP-103321		Exh. Manifold; 3/8"
1	Exhaust Manifold Gasket	80-79	FP-5119006		
1	Gasket	80-79	FP-5113412		Exh. Manifold Cover Plate
2	Pipe Plug	80-79	FP-5121182		Exh. Manifold; 1/4" - 18; Hex head
1	Pipe Plug	80-79	FP-8924380		Exh. Manifold; 1/8" - 27
5	Washer	80-79	FP-5104439		Exh. Manifold; 7/16" x 1.250" Dia.; Dished
1	Clamp	80-79	FP-23506306		Exh. Manifold; 4.55" Dia.

QTY	AIR INTAKE	YEARS	PART NO.	SIZE	DESCRIPTION
1	Air Intake Housing Gasket	80-79	FP-5124405		
1	Bolt	80-79	FP-5103534		Air Inlet Housing; 5/16" - 24 x 1/2"
2	Washer	80-79	FP-5159714		Air Silencer; 11/16" x 1/8"
2	Lock Washer	80-79	FP-103319		Air Inlet Housing; .250"
4	Lock Washer	80-79	FP-103321		Air Inlet Housing; 3/8"
2	Lock Washer	80-79	FP-103320		Air Silencer; 5/16"
1	Retainer	80-79	FP-142583		Air Inlet Spring Retainer; 13/64" Spring
2	O-Ring	80-79	FP-5182977		Air Inlet Housing Shutdown Valve Shaft

CAMSHAFT GROUP

QTY	TIMING	YEARS	PART NO.	SIZE	DESCRIPTION
1	Idler Gear Hub Assembly	80-79	FP-5124458		
1	Ball Brg.	80-79	FP-5196793		Idler Gear

QTY	CAMSHAFT TIMING	YEARS	PART NO.	SIZE	DESCRIPTION
2	Camshaft Pulley Spacer	80-79	FP-5106360		Front
2	Camshaft Pulley Spacer	80-79	FP-5121071		Front

QTY	CAMSHAFT/LIFTER	YEARS	PART NO.	SIZE	DESCRIPTION
1	Camshaft	80-79	FP-5149095		Stamped FP-5101273; V7L; Use w/FP-5147424 Spring on 4 Valve Head; Types 137, 138, 139, 140, 141, 153, 182, 219, 269, 270, 271, 274, 275, 308, 309, 311, 427, 556
1	Camshaft	80-79	FP-5126932		Stamped FP-5126748; V7; Use w/FP-5144019 Spring on 4 Valve Head; Types 34, 51, 55, 77, 78, 85, 272
2	Oil Seal	80-79	FP-23516871		Front
2	Camshaft Plug	80-79	FP-5151277		.500" Drive; 15/32" x 1/2"
2	Woodruff Key	80-79	FP-8926248		.1875" x .625"

ACCESSORY DRIVE

QTY	ACCESSORY DRIVE	YEARS	PART NO.	SIZE	DESCRIPTION
1	Accessory Drive Gasket	80-79	FP-23515145		
1	Oil Seal	80-79	FP-5131329		Accessory drive; Accessory drive assy.
1	Ball Brg.	80-79	FP-23504528		Accessory drive; Accessory drive assy.
1	Hydraulic Pump Gasket	80-79	FP-5188755		Accessory Drive
1	Washer	80-79	FP-5150568		7/16" x 3/4" x 1/16"; Copper
3	Lock Washer	80-79	FP-103320		Gov. Spring Housing; 5/16"
1	Redi-Sleeve	80-79	99149		

FUEL SYSTEM & PARTS

QTY	FUEL INJECTION	YEARS	PART NO.	SIZE	DESCRIPTION
4	Fuel Injector Seal Ring	80-79	FP-5234281		
4	Fuel Injector Seal Ring	80-79	FP-5104701		Viton®
4	Injector Hole Tube Kit	80-79	FP-8925981		Viton®
4	Washer	80-79	FP-5150250		
4	Clamp	80-79	FP-5121259		
4	Fuel Injector	80-79	FP-5229345		Injector Assembly C45
4	Fuel Injector Repair Kit	80-79	FP-5229649		
4	Fuel Injection Valve Cage	80-79	FP-5228696		

(continued on next page)

GMC Truck - M/D & H/D

4 M/D Truck 4-53T (4-Valve Cyl. Head) Eng. (cont.) 3.5L 212 OHV Turbo-Diesel L4, 3.875" Bore (Detroit Diesel Eng.) 1979-80

FUEL SYSTEM & PARTS (cont.)

QTY	FUEL INJECTION (cont.)	YEARS	PART NO.	SIZE	DESCRIPTION
4	Fuel Injection Spring Seat	80-79	FP-5228766		
4	Fuel Injector Valve Spring	80-79	FP-5228596		
4	Fuel Injector Check Valve	80-79	FP-5228694		
4	Fuel Pump Check Valve	80-79	FP-5226411		
4	Fuel Pump Check Valve	80-79	FP-5228308		Incl. injector valve & 5228106 seat
4	Injector Plunger & Bushing	80-79	FP-5229342		For Inj. Assembly C40
4	Injector Plunger & Bushing	80-79	FP-5229346		For Inj. Assembly C45
4	Injector Plunger & Bushing	80-79	FP-5229354		For Inj. Assembly C50
4	Injector Plunger & Bushing	80-79	FP-5228684		For Inj. Assembly N45, 5N45
4	Injector Plunger & Bushing	80-79	FP-5228749		For Inj. Assembly N50
4	Injector Plunger & Bushing	80-79	FP-5228495		For Inj. Assembly S45
4	Injector Plunger & Bushing	80-79	FP-5228656		For Inj. Assembly 5A60
4	Fuel Injector Tip Kit	80-79	FP-5228491		
4	Fuel Injector Tip Kit	80-79	FP-5229034		For Inj. Assembly N35, N40, N45, N50, C40, C45, C50
4	Fuel Injector Tip Kit	80-79	FP-5229030		For Inj. Assembly 5A50, 5A55, 5A60
4	Fuel Injector Tip Kit	80-79	FP-5229026		For Inj. Assembly 5N45
4	Nut	80-79	FP-5228601		NV
4	Fuel Injector Valve Kit	80-79	FP-5228313		
4	Fuel Injector Valve Kit	80-79	FP-5228769		
4	Fuel Injector Roller Pin	80-79	FP-5228608		
QTY	FUEL FILTERS & PUMP	YEARS	PART NO.	SIZE	DESCRIPTION
1	Mechanical Fuel Pump	80-79	FP-5199735		LH; High Output; High output; w/.375" Gear
1	Mechanical Fuel Pump	80-79	FP-5199560		LH; Standard Output; Std. output; w/.250" Gear
1	Mechanical Fuel Pump	80-79	FP-5199734		RH; High Output; High output
1	Mechanical Fuel Pump	80-79	FP-5199561		RH; Standard Output
1	Fuel Pump Shaft & Gear	80-79	FP-5146705		High Output; Fuel Pump Drive; 3.09" Length; High Output
1	Fuel Pump Shaft & Gear	80-79	FP-5100313		High Output; Fuel Pump Drive; .963" Length; High Output
1	Fuel Pump Shaft & Gear	80-79	FP-5181746		Standard Output; Fuel Pump Drive; 3.09" Length; Std. Output
1	Fuel Pump Shaft & Gear	80-79	FP-5181747		Standard Output; Fuel Pump Drive; .838" Length; Std. Output
1	Fuel Pump Valve	80-79	FP-5174973		
1	Fuel Pump Gear	80-79	FP-5107088		Fuel Pump Drive; LH Helix
1	Fuel Pump Gear	80-79	FP-5118915		High Output; Fuel Pump Drive; .374" Width; High Output
1	Fuel Pump Gear	80-79	FP-5128217		High Output; Fuel Pump Drive; .374" Width; High Output
1	Fuel Pump Gear	80-79	FP-5174975		Standard Output; Fuel Pump Drive; .294" Width; Std. Output
1	Fuel Pump Gear	80-79	FP-5181748		Standard Output; Fuel Pump Drive; .294" Width; Std. Output
1	Fuel Pump Drive Shaft	80-79	FP-5100312		High Output; Fuel Pump Drive; .963" Length; High Output
1	Fuel Pump Drive Shaft	80-79	FP-5178700		Standard & High Output; Fuel Pump Drive; 3.09" Length
1	Fuel Pump Drive Shaft	80-79	FP-5181749		Standard Output; Fuel Pump Drive; .838" Length; Std. Output
1	Fuel Pump Check Valve	80-79	FP-5174924		1/4" Swing type
1	Fuel Pump Check Valve	80-79	FP-5135308		3/8" Swing type
6	Fuel Line Connector	80-79	FP-8926992		Fuel Pipe
1	Fuel Pump Relief Valve Spring	80-79	FP-5184530		
1	O-Ring	80-79	FP-5179232		.424" x .103"
1	O-Ring	80-79	FP-5179232		Check Valve Seal Ring; .424" x .103"
2	Oil Seal	80-79	FP-23512243		Fuel pump
1	Fuel Pump Valve Plug Gasket	80-79	FP-5161003		Fuel pump
3	Bolt	80-79	FP-8925603		Fuel pump mounting; 5/16" - 18 x 3/4"; Vibra-Tite®
1	Fuel Pump Repair Part	80-79	FP-5174971		Fuel Pump Valve; .500" x 20 plug
1	Fuel Pump Drive Adapter Gskt.	80-79	FP-5150193		Fuel pump mounting; w/Limiting Speed Gov.
1	Fuel Pump Repair Kit	80-79	FP-5149599		High Output; High output; Short Shaft
1	Fuel Pump Repair Kit	80-79	FP-5195078		Standard Output; Std. output
1	Pipe Plug	80-79	FP-5121182		Fuel Pump; 1/4" - 18; Hex head
2	Pipe Plug	80-79	FP-8924380		1/8" - 27
2	Plastic Cap	80-79	FP-5136240		Fuel pump body; .250" Dia.
1	Plastic Cap	80-79	FP-5136241		Fuel pump body; .780" Dia., 3/8" NPTF
1	Dowel Pin	80-79	FP-103709		5/32" x 1" straight
1	Ball Brg.	80-79	FP-147481		Fuel Pump Shaft; .125" Dia. Steel
1	Bushing	80-79	FP-5198558		3/8" x 1/4"
1	Accessory Drive Gasket	80-79	FP-23515145		Fuel Pump Mounting Plate
6	Copper Washer	80-79	FP-5152148		25/64" ID x 9/16" OD x 1/16" Thick; Copper
6	Washer	80-79	FP-8925644		Fuel Pipe Connector
6	Washer	80-79	FP-5150568		7/16" x 3/4" x 1/16"; Copper
QTY	TURBOCHARGER	YEARS	PART NO.	SIZE	DESCRIPTION
1	Pipe Plug	80-79	FP-8924380		1/8" - 27
1	Hose	80-79	FP-5162888		Turbo Air Outlet; 3.50" I.D. x 2.750" Length
4	Hose Clamp	80-79	FP-5137620		Exhaust Hose; 3.66" Dia.
2	Hose Clamp	80-79	FP-5186840		Oil Return Hose; 13/16" - 1 1/2" Clamping Range
4	Hose Clamp	80-79	FP-5147912		Turbo Air Outlet; 3.50" Dia.
4	Stud	80-79	FP-8927270		Turbo Mount; 3/8" - 16/24" x 1.6875"

(continued on next page)

GMC Truck - M/D & H/D

M/D Truck 4-53T (4-Valve Cyl. Head) Eng. 4
3.5L 212 OHV Turbo-Diesel L4, 3.875" Bore (Detroit Diesel Eng.) 1979-80 (cont.)

FUEL SYSTEM & PARTS (cont.)					
QTY	TURBOCHARGER (cont.)	YEARS	PART NO.	SIZE	DESCRIPTION
4	Lock Nut	80-79	FP-103026		Turbo Exh. Inlet; 3/8" x 24
4	Lock Washer	80-79	FP-103320		Turbo Air Outlet; 5/16"
4	Lock Washer	80-79	FP-103321		Turbo Exh. Inlet; 3/8"
2	Bolt	80-79	FP-8927580		Turbo Air Outlet; 3/8" - 16 x .875"
1	Bolt	80-79	FP-8927581		Turbo Hose Bracket; 3/8" - 16 x 1"
1	Air Intake Housing Gasket	80-79	FP-5124405		Turbo Air Outlet
1	Turbocharger Oil Supply Gskt.	80-79	FP-5170466		
BLOWER					
QTY	BLOWER	YEARS	PART NO.	SIZE	DESCRIPTION
1	Governor to Cyl. Block Gasket	80-79	FP-5116336		
4	Oil Seal	80-79	FP-5199366		Blower End Plate; Use w/FP5199368 Sleeve
4	Oil Seal	80-79	FP-5142266		Blower End Plate; Use w/New Counterbored End Plates
4	Wear Sleeve	80-79	FP-5199368		Blower Rotor Shaft; Use w/FP5199366 Seal
1	Gasket	80-79	FP-124546		Woodruff Key; Woodruff Key; 5/32" x 5/8"
1	O-Ring	80-79	FP-8923959		Blower By-pass Valve
2	Pipe Plug	80-79	FP-8924380		Blower End Plate; 1/8" - 27
1	Clamp	80-79	FP-5144768		Blower Drive Cover
1	Washer	80-79	FP-5116316		Blower Rotor Gear
1	Washer	80-79	FP-5116316		Blower Rotor Gear
2	Washer	80-79	FP-5121403		Blower Rotor Gear
2	Washer	80-79	FP-5127077		Thrust Blower Shaft
2	Copper Washer	80-79	FP-5152148		Blower Drive Coupling; 25/64" ID x 9/16" OD x 1/16" Thick; Copper
2	Lock Washer	80-79	FP-103321		Blower Drive Coupling; 3/8"
3	Shim	80-79	FP-5116165		Blower Rotor Gear
3	Shim	80-79	FP-5116166		Blower Rotor Gear
3	Shim	80-79	FP-5116167		Blower Rotor Gear
3	Shim	80-79	FP-5116164		Blower Rotor Gear; .002"
COOLING SYSTEM					
QTY	WATER PUMP	YEARS	PART NO.	SIZE	DESCRIPTION
1	Ball Brg.	80-79	FP-23503796		Inner Fan Shaft
1	Ball Brg.	80-79	FP-23503535		Outer Fan Shaft
1	Ball Brg.	80-79	FP-9415132		Front; Outer Fan Shaft
1	Ball Brg.	80-79	FP-7450630		Rear; Inner Fan Shaft
1	Oil Pump Intake Gasket	80-79	FP-5126473		Thermostat Housing Cover
1	Oil Seal	80-79	FP-5103951		Fan Shaft
1	Oil Seal	80-79	FP-5108219		Fan Shaft; Felt
1	Oil Seal	80-79	FP-5100408		Fan Shaft; Rubber Lip
1	Bolt	80-79	FP-9409060		Thermostat Housing; 1/2" - 20 x 1.500"
4	Bolt	80-79	FP-8927581		Thermostat Housing; 3/8" - 16 x 1"
3	Pipe Plug	80-79	FP-5115214		Thermostat Housing; 1/2" Square Head
2	Pipe Plug	80-79	FP-8923847		Thermostat Housing; 1/4" x 18 NPTF; Square head
2	Pipe Plug	80-79	FP-8924517		Thermostat Housing; 3/8" x 18 square head
1	Shaft & Bearing Assembly	80-79	FP-8922500		
1	Gasket	80-79	FP-5196513		Raw Water Pump Housing
1	Gasket	80-79	FP-5116357		Water By-pass Tube
1	Water Pump Lock Ring	80-79	FP-274746		Fan Shaft
QTY	THERMOSTAT	YEARS	PART NO.	SIZE	DESCRIPTION
1	Thermostat	80-79	FP-5143210		170 Deg.
1	Thermostat	80-79	FP-8927465		170 Deg.
1	Thermostat	80-79	FP-8927466		180 Deg.; w/Rapid Start Up
QTY	MISCELLANEOUS	YEARS	PART NO.	SIZE	DESCRIPTION
2	Lock Washer	80-79	FP-103321		Thermostat Housing; 3/8"
2	Lock Washer	80-79	FP-103320		Thermostat Housing; 5/16"
1	Accessory Drive Gasket	80-79	FP-23515145		Raw Water Pump
ENGINE BLOCK & PARTS					
QTY	GASKETS	YEARS	PART NO.	SIZE	DESCRIPTION
1	Front Cover Gasket	80-79	FP-5116386		Lower
1	Front Cover Gasket	80-79	FP-5121082		Upper
1	Governor to Cyl. Block Gasket	80-79	FP-5116336		Front; Governor hole
1	Oil Pan Gasket	80-79	FP-5196060		w/Cast Iron Pan
1	Oil Pan Gasket	80-79	FP-5116257		w/Stamped Steel Pan
2	Copper Washer	80-79	FP-5155596		Oil Pan; 5/16"; Special copper washer
1	Washer	80-79	FP-840277		Oil Pan; 18MM, Nylon
5	Pipe Plug	80-79	FP-5115214		Oil Pan; 1/2" Square Head
2	Pipe Plug	80-79	FP-5121182		Oil Pan; 1/4" - 18; Hex head

(continued on next page)

GMC Truck - M/D & H/D

4 M/D Truck 4-53T (4-Valve Cyl. Head) Eng.					
(cont.) 3.5L 212 OHV Turbo-Diesel L4, 3.875" Bore (Detroit Diesel Eng.) 1979-80					
ENGINE BLOCK & PARTS (cont.)					
QTY	GASKETS (cont.)	YEARS	PART NO.	SIZE	DESCRIPTION
1	Pipe Plug	80-79	FP-5142549		Oil Pan; 3/4" - 14 Square Head
1	Cylinder Cover Gasket	80-79	FP-5116354		Front
1	Gasket	80-79	FP-5116357		Water Hole Gasket
8	Copper Washer	80-79	FP-5152148		Fuel stand pipe; 25/64" ID x 9/16" OD x 1/16" Thick; Copper
15	Lock Washer	80-79	FP-103321		3/8"
QTY	GASKET SETS	YEARS	PART NO.	SIZE	DESCRIPTION
1	Complete Overhaul Gasket Set	80-79	FP-23517624		Crankshaft seals not incl.
1	Complete Overhaul Gasket Set	80-79	FP-23517624WS		Incl. Front & Rear Seals
QTY	DOWEL PINS	YEARS	PART NO.	SIZE	DESCRIPTION
4	Dowel Pin	80-79	FP-141346		.1875" x .500"
QTY	CAM BEARINGS	YEARS	PART NO.	SIZE	DESCRIPTION
1	Cam Set	80-79	FP-5198984	STD	
1	Cam Set	80-79	FP-5198978	10	
1	Cam Set	80-79	FP-5198981	20	
QTY	OIL COOLERS & FILTERS	YEARS	PART NO.	SIZE	DESCRIPTION
1	Oil Cooler	80-79	FP-8547236		12 plate
1	Oil Cooler	80-79	FP-8547581		13 plate
1	Oil Cooler	80-79	FP-8547194		4 plate
1	Oil Cooler	80-79	FP-8547563		8 plate
1	Oil Filter Gasket	80-79	FP-5121205		
4	Lock Washer	80-79	FP-103321		Oil Cooler; 3/8"
8	Lock Washer	80-79	FP-103320		Oil Cooler; 5/16"
2	Pipe Plug	80-79	FP-5121182		Oil Cooler; 1/4" - 18; Hex head
2	Pipe Plug	80-79	FP-5142549		Oil Cooler; 3/4" - 14 Square Head
1	Oil Cooler Gasket Kit	80-79	FP-PG3453OC		
1	Oil Cooler Gasket	80-79	FP-8923223		Outlet
1	Gasket	80-79	FP-5116357		Oil Cooler Housing to Block
1	Oil Cooler Core Inner Gasket	80-79	FP-5150155		Inlet
2	Oil Cooler Core Outer Gasket	80-79	FP-5102506		Outlet
1	Oil Cooler Adapter Gasket Set	80-79	FP-5103906		
4	Oil Cooler Adapter Cover Gskt	80-79	FP-5175882		
4	Bolt	80-79	FP-8927581		Oil Cooler; 3/8" - 16 x 1"
QTY	FREEZE PLUGS	YEARS	PART NO.	SIZE	DESCRIPTION
2	Pipe Plug	80-79	FP-5121182		1/4" - 18; Hex head
8	Pipe Plug	80-79	FP-8924380		1/8" - 27
QTY	DIPSTICK	YEARS	PART NO.	SIZE	DESCRIPTION
1	Dipstick	80-79	FP-5146679		61" Length; Unmarked
1	Dipstick	80-79	FP-5146680		72" Length; Unmarked
1	Dipstick Guide	80-79	FP-5151430		1.50" Length
QTY	MISCELLANEOUS	YEARS	PART NO.	SIZE	DESCRIPTION
2	Pipe Plug	80-79	FP-5121182		1/4" - 18; Hex head
8	Pipe Plug	80-79	FP-8924380		1/8" - 27
4	Fuel Drain Tube	80-79	FP-5135662		.299"
4	Fuel Drain Tube	80-79	FP-5135547		.434"
1	Accessory Drive Gasket	80-79	FP-23515145		Oil Filler Tube
1	Oil Filler Cap	80-79	FP-5108474		Twist Type
1	Oil Filler Cap	80-79	FP-5107106		1.50" Dia.; Thermos Bottle Style
1	Oil Filler Cap	80-79	FP-5120098		1.75" Dia.; Thermos Bottle Style
CRANKSHAFT/OIL PUMP					
QTY	CRANKSHAFT	YEARS	PART NO.	SIZE	DESCRIPTION
13	Lock Washer	80-79	FP-103321		3/8"
1	Woodruff Key	80-79	FP-8926247		.250" x .750"
4	Dowel Pin	80-79	FP-141346		.1875" x .500"
1	Harmonic Balancer Sleeve	80-79	88187		
QTY	SEALS - FRONT CRANK	YEARS	PART NO.	SIZE	DESCRIPTION
1	Oil Seal	80-79	FP-5148314		
1	Oil Seal	80-79	FP-5198503		Single lip O/S ID
1	Wear Sleeve	80-79	FP-5198502		
QTY	SEALS - REAR CRANK	YEARS	PART NO.	SIZE	DESCRIPTION
1	Oil Seal	80-79	FP-5128917		Double lip; Wet only; Double Lip
1	Oil Seal	80-79	FP-5116229		Single lip
1	Oil Seal	80-79	FP-5196852		Single lip O/S ID
1	Redi-Sleeve	80-79	99395		
1	Wear Sleeve	80-79	FP-23516636		Use w/O/S Seals only

(continued on next page)

GMC Truck - M/D & H/D

M/D Truck 4-53T (4-Valve Cyl. Head) Eng. 4
3.5L 212 OHV Turbo-Diesel L4, 3.875" Bore (Detroit Diesel Eng.) 1979-80 (cont.)

CRANKSHAFT/OIL PUMP (cont.)

QTY	SEALS - REAR CRANK (cont.)	YEARS	PART NO.	SIZE	DESCRIPTION
10	Washer	80-79	FP-5133981		Main bearing cap; .122" Thick
QTY	MAIN BEARINGS	YEARS	PART NO.	SIZE	DESCRIPTION
5	Plain Main Brg.	80-79	FP-5149447	STD	
5	Plain Main Brg.	80-79	FP-5149449	10	
5	Plain Main Brg.	80-79	FP-5149450	20	
5	Plain Main Brg.	80-79	FP-5149451	30	
5	Plain Main Brg.	80-79	2611CPA + Std-10-20-30		When depleted use FP-5149447
1	Thrust Washer Set	80-79	FP-5116197S	STD	
1	Thrust Washer Set	80-79	2611AF Std Only		Position Rear
4	Thrust Washer	80-79	FP-5116197	STD	
4	Thrust Washer	80-79	FP-5196755	5	
4	Thrust Washer	80-79	FP-5196756	10	
QTY	OIL PUMP	YEARS	PART NO.	SIZE	DESCRIPTION
1	Oil Pump	80-79	FP-5121042		Option Type 50, 52, 170, 171, 172, 173
1	Oil Pump Seal Ring	80-79	FP-5127175		Pump Inlet
1	Woodruff Key	80-79	FP-8928540		1/8" x 5/8"
2	Screw	80-79	FP-145067		Oil Pump Cover
2	Washer	80-79	FP-5177773		Oil Pump Relief Valve; 18MM x 1.5MM
2	Lock Washer	80-79	FP-103321		Oil Pump Inlet; 3/8"
2	Lock Washer	80-79	FP-103320		Oil Pump Inlet; 5/16"
6	Lock Washer	80-79	FP-103320		Oil Pump Mount; 5/16"
1	Oil Filter Gasket	80-79	FP-5121205		Filter Cover Adaptor
1	Oil Filter Gasket	80-79	FP-5121205		Oil Filter Adaptor
1	Lock Nut	80-79	FP-114498		Oil Filter Cover; 5/8" - 18, Jam Nut
1	Front Cover Gasket	80-79	FP-5116386		Oil Pump to Block
1	Oil Filter Adapter Gasket	80-79	FP-8924412		
5	Pipe Plug	80-79	FP-5115214		Oil Pan; 1/2" Square Head
2	Pipe Plug	80-79	FP-5121182		Oil Pan; 1/4" - 18; Hex head
1	Pipe Plug	80-79	FP-5142549		Oil Pan; 3/4" - 14 Square Head
CYLINDER COMPONENTS					
QTY	LINERS	YEARS	PART NO.	SIZE	DESCRIPTION
4	Liner w/o Sealing Rings	80-79	FP-8926088	STD	.740" Port Height
4	Liner w/o Sealing Rings	80-79	FP-8926090	20	.740" Port Height
4	Liner w/o Sealing Rings	80-79	FP-5132803	STD	.840" Port Height
4	Liner w/o Sealing Rings	80-79	FP-5101016	10	.840" Port Height
4	Liner w/o Sealing Rings	80-79	FP-5149944	20	.840" Port Height
4	Cylinder Kit Complete	80-79	FP-5149315	STD	Opt. 110, 181, 205; Trunk style piston; 17.5:1 C.R.
4	Cylinder Kit Complete	80-79	FP-514931510	10	Opt. 110, 181, 205; Trunk style piston; 17.5:1 C.R.
4	Cylinder Kit Complete	80-79	FP-514931520	20	Opt. 110, 181, 205; Trunk style piston; 17.5:1 C.R.
4	Cylinder Kit Complete	80-79	FP-5149734	STD	Opt. 204, 206, 207; Trunk style piston; 18.7:1 C.R.
4	Cylinder Kit Complete	80-79	FP-514973410	10	Opt. 204, 206, 207; Trunk style piston; 18.7:1 C.R.
4	Cylinder Kit Complete	80-79	FP-514973420	20	Opt. 204, 206, 207; Trunk style piston; 18.7:1 C.R.
4	Cylinder Kit Complete	80-79	FP-23503810	STD	Opt. 268; Cross Head piston; 18.0:1 C.R.
4	Cylinder Kit Complete	80-79	FP-2350381020	20	Opt. 268; Cross Head piston; 18.0:1 C.R.
4	Liner Kit w/o Sleeve	80-79	FP-LCK9315		Trunk style piston; 18.7:1 C.R.
4	Liner Kit w/o Sleeve	80-79	FP-LCK9734		Trunk style piston; 18.7:1 C.R.
8	Sealing Ring, Liner	80-79	FP-5121256		.010 O/S
8	Sealing Ring, Liner	80-79	FP-5149945		.020 O/S
4	Flange Shim	80-79	FP-29610	1	.001"
4	Flange Shim	80-79	FP-29611	2	.002"
QTY	PISTONS	YEARS	PART NO.	SIZE	DESCRIPTION
4	Piston With Retainers	80-79	FP-5198572		17.5:1 C.R.; Trunk style piston
4	Piston With Retainers	80-79	FP-8920717		18.7:1 C.R.; Trunk style piston
4	Piston Dome Kit	80-79	FP-23503779		w/Crosshead piston; 18.0:1 C.R.
4	Crosshead Piston Dome	80-79	FP-23503948		w/Crosshead piston; 18.0:1 C.R.
4	Piston Skirt	80-79	FP-8924002		
4	Pin	80-79	FP-8924735		w/Crosshead piston
4	Pin	80-79	FP-5104651		w/Trunk style piston
4	Pin	80-79	FP-5106902		w/Trunk style piston
8	Piston Pin Retainer	80-79	FP-8924731		w/Crosshead piston; 18.0:1 C.R.
8	Piston Pin Retainer	80-79	FP-5108131		w/Trunk style piston; 17.5:1 C.R.; 1.38" Dia.
8	Piston Pin Retainer	80-79	FP-5108175		w/Trunk style piston; 18.7:1 C.R.
8	Piston Pin Bolt Spacer	80-79	FP-8924732		
4	Piston Pin Slipper Bearing	80-79	FP-23504946		Slipper Type
16	Pin Bushing	80-79	FP-5116181		w/Trunk style piston; 2 req'd. per rod

(continued on next page)

GMC Truck - M/D & H/D

4 M/D Truck 4-53T (4-Valve Cyl. Head) Eng. (cont.) 3.5L 212 OHV Turbo-Diesel L4, 3.875" Bore (Detroit Diesel Eng.) 1979-80

CYLINDER COMPONENTS (cont.)					
QTY	PISTONS (cont.)	YEARS	PART NO.	SIZE	DESCRIPTION
4	Pin Bushing	80-79	2619Y20 +		2 req'd. per rod; O.E. No. 5116181; When depleted use FP-5116181
4	O-Ring	80-79	FP-8924733		Seal Ring, Piston Crown & Skirt
QTY	CONNECTING RODS & BRGS.	YEARS	PART NO.	SIZE	DESCRIPTION
8	Con. Rod Bolt	80-79	FP-5197852		
8	Con. Rod Nut	80-79	FP-839103		
4	Rod Pair	80-79	FP-5149452	STD	
4	Rod Pair	80-79	FP-5149454	10	
4	Rod Pair	80-79	FP-5149455	20	
4	Rod Pair	80-79	FP-5149456	30	
4	Rod Pair	80-79	2610CPA +	Std-10-20-30-40	When depleted use FP-5149452
QTY	PISTON RINGS	YEARS	PART NO.	SIZE	DESCRIPTION
4	Ring Set Single Cylinder	80-79	FP-8927223		w/Cross Head piston
4	Ring Set Single Cylinder	80-79	FP-23501521	STD	High Sulfur; Trunk type
4	Ring Set Single Cylinder	80-79	FP-5149359		Trunk type
4	Ring Set Single Cylinder	80-79	FP-5149314	STD	2 Valve Head
4	Compression Ring	80-79	FP-8925780		Pos. 1; w/Cross Head piston
4	Compression Ring	80-79	FP-5103382		Pos. 1; High Sulfur; Trunk type
4	Compression Ring	80-79	FP-5103382		Pos. 1; Trunk type
4	Compression Ring	80-79	FP-5103382		Pos. 1; 2 Valve Head
8	Compression Ring	80-79	FP-8925779		Pos. 2, 3,; w/Cross Head piston
12	Compression Ring	80-79	FP-8925779		Pos. 2, 3, 4; High Sulfur; Trunk type
12	Compression Ring	80-79	FP-5116184		Pos. 2, 3, 4; Trunk type
12	Compression Ring	80-79	FP-5116184		Pos. 2, 3, 4; 2 Valve Head
4	Ring, Oil Control Set	80-79	FP-8927224		w/Cross Head piston
4	Ring, Oil Control Set	80-79	FP-5149378		Trunk type
4	Ring, Oil Control Set	80-79	FP-5149313		2 Valve Head
CLUTCH					
QTY	CLUTCH	YEARS	PART NO.	SIZE	DESCRIPTION
1	Ball Brg.	80-79	FP-23503707		Clutch Pilot; Clutch Pilot
1	Ball Brg.	80-79	FP-23504892		Clutch Pilot; Clutch Pilot; Repl. FP-904983
KITS					
QTY	OVERHAUL KIT	YEARS	PART NO.	SIZE	DESCRIPTION
1	In-Frame Overhaul Kit	80-79	FP-453T		3-53T Engs.
1	Complete Overhaul Kit	80-79	FP-453TOH		3-53T Engs.
5 M/D Truck 216 Eng. 3.5L 216.5 OHV L6 (Chevrolet), 3.5" Bore 1951-53					
CYL. HEAD & PARTS					
QTY	VALVE	YEARS	PART NO.	SIZE	DESCRIPTION
6	Intake	53-51	V-958 Std Only		1.6410" Head Dia., .3412" Stem Dia., 6.2830" O.A.L.
6	Exhaust	53-51	V-1888X Std-15		Chrome plated stem; Stellite face; 1.5000" Head Dia., .3412" Stem Dia., 4.9230" O.A.L.
6	Exhaust	53-51	V-1199 Std-3-5-15-30		1.5000" Head Dia., .3415" Stem Dia., 4.9280" O.A.L.
6	Exhaust, Bulk	53-51	V-1199B Std Only		Carton of 25; 1.5000" Head Dia., .3415" Stem Dia., 4.9280" O.A.L.
24	Keeper	53-51	VK-115		1 groove; Square cut key groove
24	Keeper	53-51	VK-115R		1 groove; Square cut key groove; Hardened
24	Keeper, Bulk	53-51	VK-115B		1 groove; Square cut key groove; Carton of 1000
QTY	VALVE GUIDE	YEARS	PART NO.	SIZE	DESCRIPTION
6	Guide	53-51	VG-350		Exh.; .3435" ID, 2.4400" O.A.L.
6	Guide	53-51	VG-473		Int.; .3435" ID, 3.3400" O.A.L.
QTY	VALVE SPRING	YEARS	PART NO.	SIZE	DESCRIPTION
12	Spring	53-51	VS-424		2.2500" Free Height
6	Spring Insert	53-51	259-200B		.030"; Carton of 100
12	Spring Insert	53-51	259-200A		.060"; Carton of 100
QTY	PUSH RODS	YEARS	PART NO.	SIZE	DESCRIPTION
12	Push Rod	53-51	RP-3019		10.4650" O.A.L.
QTY	VALVE SEAL	YEARS	PART NO.	SIZE	DESCRIPTION
12	Valve Stem Seal	53-51	ST-2001		Positive type; Installation requires valve guide machining; Rubber/PTFE
12	Valve Stem Seal	53-51	MV-1233C		O-Ring; Rubber

(continued on next page)

GMC Truck - M/D & H/D

<i>M/D Truck 216 Eng. 5</i> 3.5L 216.5 OHV L6 (Chevrolet), 3.5" Bore 1951-53 (cont.)					
CYL. HEAD & PARTS (cont.)					
QTY	VALVE SEAL (cont.)	YEARS	PART NO.	SIZE	DESCRIPTION
12	Valve Stem Seal Bulk	53-51	MV-1233		O-Ring; Carton of 100; Rubber
12	Valve Stem Seal Bulk	53-51	ST-2001BC		Positive type; Installation requires valve guide machining; Carton of 100; Rubber/PTFE
CAMSHAFT GROUP					
QTY	TIMING	YEARS	PART NO.	SIZE	DESCRIPTION
1	Cam Gear	53-51	221-2500		Silent type; 54 Teeth
QTY	CAMSHAFT/LIFTER	YEARS	PART NO.	SIZE	DESCRIPTION
1	Camshaft	53-51	CS-338		
12	Lifter	53-51	AT-887 Std Only		Mech.
1	Prelube	53-51	55-400		4 oz. bottle; 1.5 oz. packet No. 55-403 also avail.
ENGINE BLOCK & PARTS					
QTY	CAM BEARINGS	YEARS	PART NO.	SIZE	DESCRIPTION
1	Cam Set	53-51	1094M Std Only		
CRANKSHAFT/OIL PUMP					
QTY	CRANKSHAFT	YEARS	PART NO.	SIZE	DESCRIPTION
1	Harmonic Balancer Kit	53-51	5000		
1	Harmonic Balancer Sleeve	53-51	88176		
QTY	SEALS - FRONT CRANK	YEARS	PART NO.	SIZE	DESCRIPTION
1	Redi-Sleeve	53-51	99176		
1	Oil Seal	53-51	9845		
QTY	MAIN BEARINGS	YEARS	PART NO.	SIZE	DESCRIPTION
1	Main Set	53-51	648M Std-10-20-30		Use w/FSM-105S shim set
1	Shim Set	53-51	FSM-104S		Use w/1415SB Rod Brg.
1	Shim Set	53-51	FSM-105S		Use w/648M Main Set
QTY	OIL PUMP	YEARS	PART NO.	SIZE	DESCRIPTION
1	Oil Pump	53-51	224-4140		
CYLINDER COMPONENTS					
QTY	PISTONS	YEARS	PART NO.	SIZE	DESCRIPTION
12	Pin Bushing	53-51	9559X		2 req'd. per rod
QTY	CONNECTING RODS & BRGS.	YEARS	PART NO.	SIZE	DESCRIPTION
6	Rod Pair	53-51	1415SB10 10-20		Insert type rod brg. for 18R rod forgings that have been converted from babbitted to insert type; Use w/FSM-104S shim set
QTY	PISTON RINGS	YEARS	PART NO.	SIZE	DESCRIPTION
1	Standard Set	53-51	E-103X Std-30		2-1/8, 1-3/16
6	Standard Single Cylinder Set	53-51	WE-103X Std Only		2-1/8, 1-3/16
<i>M/D Truck 230 Eng. 6</i> 3.8L 230 OHV L6 (Chevrolet), 3.875" Bore 1963-65					
CYL. HEAD & PARTS					
QTY	VALVE	YEARS	PART NO.	SIZE	DESCRIPTION
6	Intake	65-63	V-1200 Std-3-15-30		1.7200" Head Dia., .3413" Stem Dia., 4.9170" O.A.L.
6	Intake, Bulk	65-63	V-1200B Std Only		Carton of 25; 1.7200" Head Dia., .3413" Stem Dia., 4.9170" O.A.L.
6	Exhaust	65-63	V-1888X Std-15		Chrome plated stem; Stellite face; 1.5000" Head Dia., .3412" Stem Dia., 4.9230" O.A.L.
6	Exhaust	65-63	V-1199 Std-3-5-15-30		1.5000" Head Dia., .3415" Stem Dia., 4.9280" O.A.L.
6	Exhaust, Bulk	65-63	V-1199B Std Only		Carton of 25; 1.5000" Head Dia., .3415" Stem Dia., 4.9280" O.A.L.
24	Keeper	65-63	VK-115		1 groove; Square cut key groove
24	Keeper	65-63	VK-115R		1 groove; Square cut key groove; Hardened
24	Keeper, Bulk	65-63	VK-115B		1 groove; Square cut key groove; Carton of 1000
QTY	VALVE SEAT	YEARS	PART NO.	SIZE	DESCRIPTION
6	Exh.	65-63	245-1562-2N Std Only		Premium Material; 1.5675" OD, 1.3125" ID, .2480" Depth
6	Exh.	65-63	245-1562-2 Std Only		1.5675" OD, 1.3125" ID, .2480" Depth
6	Int.	65-63	245-1812-3 Std Only		1.8175" OD, 1.5000" ID, .2160" Depth
QTY	VALVE GUIDE	YEARS	PART NO.	SIZE	DESCRIPTION
6	Guide	65-63	VG-5038		Int.; .3430" ID, 2.1200" O.A.L.
6	Guide, Bulk	65-63	VG-5038B		Int.; Carton of 50; .3430" ID, 2.1200" O.A.L.

(continued on next page)

GMC Truck - M/D & H/D

6 M/D Truck 230 Eng.

(cont.) 3.8L 230 OHV L6 (Chevrolet), 3.875" Bore 1963-65

CYL. HEAD & PARTS (cont.)					
QTY	VALVE SPRING	YEARS	PART NO.	SIZE	DESCRIPTION
12	Spring	65	VS-653		w/o Rotocaps; 1.9000" Free Height
12	Spring	65	VS-521		W/Rotocaps; Incl. damper; 2.1090" Free Height
12	Spring	64-63	VS-521		Incl. damper; 2.1090" Free Height
12	Spring Insert	65-63	259-203C		.015"; Carton of 100
12	Spring Insert	65-63	259-203B		.030"; Carton of 100
12	Spring Insert	65-63	259-203BRS		.030"; Carton of 500
12	Spring Insert	65-63	259-203A		.060"; Carton of 100
12	Spring Insert	65-63	259-203ARS		.060"; Carton of 500
QTY	PUSH RODS	YEARS	PART NO.	SIZE	DESCRIPTION
12	Push Rod	65-63	RP-3214R		Chrome-Moly; 9.6800" O.A.L.
12	Push Rod	65-63	RP-3180		9.6800" O.A.L.
12	Push Rod, Bulk	65-63	BRP-3180		Carton of 100; 9.6800" O.A.L.
QTY	VALVE MISC.	YEARS	PART NO.	SIZE	DESCRIPTION
6	Rotocap	65-63	RC-157S		Use w/VS-521
QTY	VALVE SEAL	YEARS	PART NO.	SIZE	DESCRIPTION
12	Valve Stem Seal	65-63	ST-2001		Positive type; Installation requires valve guide machining; Rubber/PTFE
12	Valve Stem Seal	65-63	MV-1233C		O-Ring; Rubber
12	Valve Stem Seal Bulk	65-63	MV-1233		O-Ring; Carton of 100; Rubber
12	Valve Stem Seal Bulk	65-63	ST-2001BC		Positive type; Installation requires valve guide machining; Carton of 100; Rubber/PTFE
QTY	ROCKER PARTS	YEARS	PART NO.	SIZE	DESCRIPTION
12	Arm Assy.	65-63	R-832		Incl. arm, ball & nut
12	Arm Assy., Bulk	65-63	R-832B		Incl. arm, ball & nut; Carton of 64
12	Arm	65-63	R-832A		
12	Pivot Ball	65-63	MR-1780		
12	Nut	65-63	MR-1751		Self-locking, 3/8" x 24 threads
12	Stud	65-63	MR-1752		.003" O/S, 3/8" x 24 x 2.495"
12	Stud	65-63	MR-1949		.372" x 24 x 2.495"
CAMSHAFT GROUP					
QTY	TIMING	YEARS	PART NO.	SIZE	DESCRIPTION
1	Gear Set	65-63	221-2525S		Incl. (1) 221-2524, (1) 221-2537
1	Cam Gear	65-63	221-2524		Alum.; 54 Teeth
QTY	CAMSHAFT/LIFTER	YEARS	PART NO.	SIZE	DESCRIPTION
1	Camshaft	65-63	CS-633		
12	Lifter	65-63	HT-817	Std Only	Hyd.
12	Lifter, Bulk	65-63	HT-817B	Std Only	Hyd.; Carton of 128
1	Prelube	65-63	55-400		4 oz. bottle; 1.5 oz. packet No. 55-403 also avail.
QTY	CAMSHAFT KIT	YEARS	PART NO.	SIZE	DESCRIPTION
1	Cam/Lifter Kit	65-63	KC-633		Hyd.; Incl. (1) CS-633, (12) HT-817, (1) 55-403B
1	Cam/Lifter/Timing Kit	65-63	KCT-633A		Hyd.; Incl. (1) CS-633, (12) HT-817, (1) 221-2525S, (1) 55-403B
ENGINE BLOCK & PARTS					
QTY	GASKET SETS	YEARS	PART NO.	SIZE	DESCRIPTION
1	Kit Gasket Set	65-63	260-1005		
QTY	CAM BEARINGS	YEARS	PART NO.	SIZE	DESCRIPTION
1	Cam Set	65-64	1203M	Std Only	
CRANKSHAFT/OIL PUMP					
QTY	CRANKSHAFT	YEARS	PART NO.	SIZE	DESCRIPTION
1	Harmonic Balancer Kit	65-63	5000		
1	Harmonic Balancer Sleeve	65-63	88176		
QTY	SEALS - FRONT CRANK	YEARS	PART NO.	SIZE	DESCRIPTION
1	Redi-Sleeve	65-63	99176		
1	Oil Seal	65-63	9845		
QTY	MAIN BEARINGS	YEARS	PART NO.	SIZE	DESCRIPTION
1	Main Set	65-63	4124MA	Std-1-10-20-30-40-50-60	A-Series aluminum bearings
QTY	OIL PUMP	YEARS	PART NO.	SIZE	DESCRIPTION
1	Oil Pump	65-63	224-4147		
1	Oil Pump	65-63	224-4157		High Volume, check pan for clearance
1	Screen Assy.	65	224-1347		

(continued on next page)

GMC Truck - M/D & H/D

M/D Truck 230 Eng. 6
3.8L 230 OHV L6 (Chevrolet), 3.875" Bore 1963-65 (cont.)

CYLINDER COMPONENTS

QTY	PISTONS	YEARS	PART NO.	SIZE	DESCRIPTION
6	Pin Bushing	65-63	9849		Full round design
6	Pin Bushing	65-63	9849V		Split type bushing
QTY	CONNECTING RODS & BRGS.	YEARS	PART NO.	SIZE	DESCRIPTION
1	Rod Set	65-63	6-2020CP Std-10-20-30-40		6-2020CA 60 avail. as unplated & resizeable
1	Rod Set	65-63	6-2020CA60 60		Unplated & resizeable
6	Rod Pair	65-63	2020CP Std-1-2-10-20-30-40-50		
QTY	PISTON RINGS	YEARS	PART NO.	SIZE	DESCRIPTION
1	Premium Set	65-63	E-234K Std-20-30-40-60		2-5/64, 1-3/16
1	Standard Set	65-63	E-234X Std-20-30-40-60		2-5/64, 1-3/16
6	Premium Single Cylinder Set	65-63	WE-234K Std-20-30-40-60		2-5/64, 1-3/16
6	Standard Single Cylinder Set	65-63	WE-234X Std-20-30-40-60		2-5/64, 1-3/16

KITS

RE-RING KIT	YEARS	DESCRIPTION	QTY	PREMIUM KIT NO.	QTY	ECONOMY KIT NO.
65-63		Re-ring	1	205-614		----
65-63		Re-ring		----	1	205-114
65-63	Incl. A-Series aluminum bearings	Re-ring w/Mains	1	205-614M	1	205-114M
OVERHAUL KIT	YEARS	DESCRIPTION	QTY	PREMIUM KIT NO.	QTY	ECONOMY KIT NO.
65-63		Master w/o Rods & Mains	1	505-614D	1	505-114D
65-63	Incl. A-Series aluminum bearings	Master	1	MKP-614D	1	MKP-114D
		Master w/o Pistons	1	MK-614D	1	MK-114D

M/D Truck 235 Eng. 7
3.8L 235 OHV L6 (Chevrolet), 3.5625" Bore 1940-62

CYL. HEAD & PARTS

QTY	VALVE	YEARS	PART NO.	SIZE	DESCRIPTION
6	Intake	62-53	V-1076 Std Only		1.8750" Head Dia., .3415" Stem Dia., 6.3910" O.A.L.
6	Intake	49-41	V-958 Std Only		1.6410" Head Dia., .3412" Stem Dia., 6.2830" O.A.L.
6	Exhaust	62-50	V-1888X Std-15		Chrome plated stem; Stellite face; 1.5000" Head Dia., .3412" Stem Dia., 4.9230" O.A.L.
6	Exhaust	62-50	V-1199 Std-3-5-15-30		1.5000" Head Dia., .3415" Stem Dia., 4.9280" O.A.L.
6	Exhaust	49-41	V-957 Std Only		1.4665" Head Dia., .3402" Stem Dia., 4.8760" O.A.L.
6	Exhaust, Bulk	62-50	V-1199B Std Only		Carton of 25; 1.5000" Head Dia., .3415" Stem Dia., 4.9280" O.A.L.
24	Keeper	62-41	VK-115		1 groove; Square cut key groove
24	Keeper	62-41	VK-115R		1 groove; Square cut key groove; Hardened
24	Keeper, Bulk	62-41	VK-115B		1 groove; Square cut key groove; Carton of 1000
QTY	VALVE GUIDE	YEARS	PART NO.	SIZE	DESCRIPTION
6	Guide	62-41	VG-350		Exh.; .3435" ID, 2.4400" O.A.L.
6	Guide	62-41	VG-473		Int.; .3435" ID, 3.3400" O.A.L.
QTY	VALVE SPRING	YEARS	PART NO.	SIZE	DESCRIPTION
12	Spring	62-52	VS-534		Exc. 1958; 2.1600" Free Height
12	Spring	58	VS-424		2.2500" Free Height
12	Spring Insert	62-41	259-200B		.030"; Carton of 100
12	Spring Insert	62-41	259-200A		.060"; Carton of 100
QTY	PUSH RODS	YEARS	PART NO.	SIZE	DESCRIPTION
12	Push Rod	62-55	RP-3020		11.4740" O.A.L.
12	Push Rod	54-41	RP-3018		10.8190" O.A.L.
QTY	VALVE SEAL	YEARS	PART NO.	SIZE	DESCRIPTION
12	Valve Stem Seal	62-41	ST-2001		Positive type; Installation requires valve guide machining; Rubber/PTFE
12	Valve Stem Seal	62-41	MV-1233C		O-Ring; Rubber
12	Valve Stem Seal Bulk	62-41	MV-1233		O-Ring; Carton of 100; Rubber
12	Valve Stem Seal Bulk	62-41	ST-2001BC		Positive type; Installation requires valve guide machining; Carton of 100; Rubber/PTFE

(continued on next page)

GMC Truck - M/D & H/D

7 M/D Truck 235 Eng.

(cont.) 3.8L 235 OHV L6 (Chevrolet), 3.5625" Bore 1940-62

CAMSHAFT GROUP					
QTY	TIMING	YEARS	PART NO.	SIZE	DESCRIPTION
1	Cam Gear	62-41	221-2500		Silent type; 54 Teeth
QTY	CAMSHAFT/LIFTER	YEARS	PART NO.	SIZE	DESCRIPTION
1	Camshaft	62-59	CS-251		
1	Camshaft	58-56	CS-293		
1	Camshaft	55-54	CS-251		
1	Camshaft	53-41	CS-338		
12	Lifter	62-56	AT-874	Std Only	Mech.
12	Lifter	55-41	AT-887	Std Only	Mech.
1	Prelube	62-41	55-400		4 oz. bottle; 1.5 oz. packet No. 55-403 also avail.
ENGINE BLOCK & PARTS					
QTY	GASKET SETS	YEARS	PART NO.	SIZE	DESCRIPTION
1	Kit Gasket Set	62-53	260-1569		
QTY	CAM BEARINGS	YEARS	PART NO.	SIZE	DESCRIPTION
1	Cam Set	55-53	1170M	Std Only	To late 1955; w/Large dia. brgs.
1	Cam Set	54	1094M	Std Only	To early 1954 w/small dia. brgs.
1	Cam Set	52-40	1094M	Std Only	
CRANKSHAFT/OIL PUMP					
QTY	CRANKSHAFT	YEARS	PART NO.	SIZE	DESCRIPTION
1	Harmonic Balancer Kit	62-40	5000		
1	Harmonic Balancer Sleeve	62-40	88176		
QTY	SEALS - FRONT CRANK	YEARS	PART NO.	SIZE	DESCRIPTION
1	Redi-Sleeve	62-40	99176		
1	Oil Seal	62-40	9845		
QTY	MAIN BEARINGS	YEARS	PART NO.	SIZE	DESCRIPTION
1	Main Set	62-56	960M	Std-10-20-30-40-50-60	Use w/FSM-124S shim set
1	Main Set	55-53	853M	Std-10-20-30-40	W/Full grooved, dowel type main brgs.; Use w/FSM-124S shim set
1	Main Set	52-48	648M	Std-10-20-30	Use w/FSM-105S shim set
1	Shim Set	52-40	FSM-104S		Use w/1415SB Rod Brg.
QTY	OIL PUMP	YEARS	PART NO.	SIZE	DESCRIPTION
1	Oil Pump	62-55	224-4141		
1	Oil Pump	54	224-4142		
1	Oil Pump	53	224-4140		w/o Powerglide trans.
1	Oil Pump	53	224-4142		W/Powerglide trans.
1	Oil Pump	52-50	224-4140		w/o Powerglide trans.
CYLINDER COMPONENTS					
QTY	PISTONS	YEARS	PART NO.	SIZE	DESCRIPTION
12	Pin Bushing	52-48	9559X		2 req'd. per rod
12	Pin Bushing	47-40	9559X		2 req'd. per rod
QTY	CONNECTING RODS & BRGS.	YEARS	PART NO.	SIZE	DESCRIPTION
1	Rod Set	62-54	6-1950CP	Std-10-20-30-40-50	6-1950CA 60 avail. as unplated & resizeable
1	Rod Set	53	6-1950CP	Std-10-20-30-40-50	W/Powerglide trans.; 6-1950CA 60 avail. as unplated & resizeable
1	Rod Set	62-54	6-1950CA60	60	Unplated & resizeable
1	Rod Set	53	6-1950CA60	60	W/Powerglide trans.; Unplated & resizeable
6	Rod Pair	62-54	1950CP	Std-10-20-30-40-50	
6	Rod Pair	53	1950CP	Std-10-20-30-40-50	W/Powerglide trans.
6	Rod Pair	52-40	1415SB10	10-20	Insert type rod brg. for 18R rod forgings that have been converted from babbitted to insert type; Use w/FSM-104S shim set
QTY	PISTON RINGS	YEARS	PART NO.	SIZE	DESCRIPTION
1	Premium Set	62-54	E-237KC	Std-20-30-40-60	2-3/32, 1-3/16
1	Standard Set	62-54	E-237X	Std-20-30-40-60-80	2-3/32, 1-3/16
1	Standard Set	53-41	E-135X	Std-30	1-3/32, 1-1/8, 1-3/16
6	Premium Single Cylinder Set	62-54	WE-237KC	Std-20-30-40-60	2-3/32, 1-3/16

(continued on next page)

GMC Truck - M/D & H/D

<i>M/D Truck 235 Eng. 7</i> 3.8L 235 OHV L6 (Chevrolet), 3.5625" Bore 1940-62 (cont.)					
CYLINDER COMPONENTS (cont.)					
QTY	PISTON RINGS (cont.)	YEARS	PART NO.	SIZE	DESCRIPTION
6	Standard Single Cylinder Set	62-54	WE-237X Std-30-40-60-80		2-3/32, 1-3/16
<i>M/D Truck 236 Eng. 8</i> 3.9L 236 OHV L6 (GMC), 3.625" Bore 1941-49					
ENGINE BLOCK & PARTS					
QTY	CAM BEARINGS	YEARS	PART NO.	SIZE	DESCRIPTION
1	Cam Set	49-41	1094M Std Only		
CRANKSHAFT/OIL PUMP					
QTY	CRANKSHAFT	YEARS	PART NO.	SIZE	DESCRIPTION
1	Harmonic Balancer Kit	49-41	5000		
1	Harmonic Balancer Sleeve	49-41	88176		
QTY	SEALS - FRONT CRANK	YEARS	PART NO.	SIZE	DESCRIPTION
1	Redi-Sleeve	49-41	99176		
1	Oil Seal	49-41	9845		
QTY	MAIN BEARINGS	YEARS	PART NO.	SIZE	DESCRIPTION
1	Main Set	49-41	697M Std-10-20		
CYLINDER COMPONENTS					
QTY	PISTONS	YEARS	PART NO.	SIZE	DESCRIPTION
6	Pin Bushing	49-41	9849		Full round design
6	Pin Bushing	49-41	9849V		Split type bushing
QTY	CONNECTING RODS & BRGS.	YEARS	PART NO.	SIZE	DESCRIPTION
6	Rod Pair	49-41	9845CP Std-10-20-30		
<i>M/D Truck 248 Eng. 9</i> 4.1L 248 OHV L6 (GMC), 3.7188" Bore 1950-55					
CAMSHAFT GROUP					
QTY	TIMING	YEARS	PART NO.	SIZE	DESCRIPTION
1	Cam Gear	55-50	221-2500		Silent type; 54 Teeth
QTY	CAMSHAFT/LIFTER	YEARS	PART NO.	SIZE	DESCRIPTION
12	Lifter	55-50	AT-887 Std Only		Mech.
ENGINE BLOCK & PARTS					
QTY	CAM BEARINGS	YEARS	PART NO.	SIZE	DESCRIPTION
1	Cam Set	55-50	1094M Std Only		
CRANKSHAFT/OIL PUMP					
QTY	CRANKSHAFT	YEARS	PART NO.	SIZE	DESCRIPTION
1	Harmonic Balancer Kit	55-50	5000		
1	Harmonic Balancer Sleeve	55-50	88176		
QTY	SEALS - FRONT CRANK	YEARS	PART NO.	SIZE	DESCRIPTION
1	Redi-Sleeve	55-50	99176		
1	Oil Seal	55-50	9845		
QTY	MAIN BEARINGS	YEARS	PART NO.	SIZE	DESCRIPTION
1	Main Set	55-50	697M Std-10-20		
CYLINDER COMPONENTS					
QTY	PISTONS	YEARS	PART NO.	SIZE	DESCRIPTION
6	Pin Bushing	55-50	9849V		Split type bushing
6	Pin Bushing	53-50	9849		Full round design
QTY	CONNECTING RODS & BRGS.	YEARS	PART NO.	SIZE	DESCRIPTION
6	Rod Pair	55-54	1905CP Std-10-20		
6	Rod Pair	53-50	9845CP Std-10-20-30		

GMC Truck - M/D & H/D

10 M/D Truck 250 Eng.
4.1L 250 OHV L6 (Chevrolet), 3.875" Bore 1965-74

CYL. HEAD & PARTS

QTY	VALVE	YEARS	PART NO.	SIZE	DESCRIPTION
6	Intake	74-73	V-1927 Std-15		Exc. LPG Eng.s.; Chrome plated stem; 1.7200" Head Dia., .3413" Stem Dia., 4.9170" O.A.L.
6	Intake	74-73	V-1928 Std Only		LPG Eng.s.; Chrome plated stem; 1.7200" Head Dia., .3420" Stem Dia., 4.9170" O.A.L.
6	Intake	72-66	V-1927 Std-15		Chrome plated stem; 1.7200" Head Dia., .3413" Stem Dia., 4.9170" O.A.L.
6	Intake, Bulk	74-73	V-1927B Std Only		Exc. LPG Eng.s.; Chrome plated stem; Carton of 25; 1.7200" Head Dia., .3413" Stem Dia., 4.9170" O.A.L.
6	Intake, Bulk	72-66	V-1927B Std Only		Chrome plated stem; Carton of 25; 1.7200" Head Dia., .3413" Stem Dia., 4.9170" O.A.L.
6	Exhaust	74-73	V-1904 Std-3-15-30		Exc. LPG Eng.s.; Chrome plated stem; 1.5000" Head Dia., .3414" Stem Dia., 4.9280" O.A.L.
6	Exhaust	74-73	V-1888X Std-15		LPG Eng.s.; Chrome plated stem; Stellite face; 1.5000" Head Dia., .3412" Stem Dia., 4.9230" O.A.L.
6	Exhaust	72-66	V-1904 Std-3-15-30		Chrome plated stem; 1.5000" Head Dia., .3414" Stem Dia., 4.9280" O.A.L.
6	Exhaust, Bulk	74-73	V-1904B Std-15		Exc. LPG Eng.s.; Chrome plated stem; Carton of 25; 1.5000" Head Dia., .3414" Stem Dia., 4.9280" O.A.L.
6	Exhaust, Bulk	72-66	V-1904B Std-15		Chrome plated stem; Carton of 25; 1.5000" Head Dia., .3414" Stem Dia., 4.9280" O.A.L.
24	Keeper	74-66	VK-115		1 groove; Square cut key groove
24	Keeper	74-66	VK-115R		1 groove; Square cut key groove; Hardened
24	Keeper, Bulk	74-66	VK-115B		1 groove; Square cut key groove; Carton of 1000
QTY	VALVE SEAT	YEARS	PART NO.	SIZE	DESCRIPTION
6	Exh.	74-66	245-1562-2N Std Only		Premium Material; 1.5675" OD, 1.3125" ID, .2480" Depth
6	Exh.	74-66	245-1562-2 Std Only		1.5675" OD, 1.3125" ID, .2480" Depth
6	Int.	74-66	245-1812-3 Std Only		1.8175" OD, 1.5000" ID, .2160" Depth
QTY	VALVE GUIDE	YEARS	PART NO.	SIZE	DESCRIPTION
6	Guide	74-66	VG-5038		Int.; .3430" ID, 2.1200" O.A.L.
6	Guide, Bulk	74-66	VG-5038B		Int.; Carton of 50; .3430" ID, 2.1200" O.A.L.
QTY	VALVE SPRING	YEARS	PART NO.	SIZE	DESCRIPTION
12	Spring	74-66	VS-653		1.9000" Free Height
12	Spring Insert	74-66	259-203C		.015"; Carton of 100
12	Spring Insert	74-66	259-203B		.030"; Carton of 100
12	Spring Insert	74-66	259-203BRS		.030"; Carton of 500
12	Spring Insert	74-66	259-203A		.060"; Carton of 100
12	Spring Insert	74-66	259-203ARS		.060"; Carton of 500
QTY	PUSH RODS	YEARS	PART NO.	SIZE	DESCRIPTION
12	Push Rod	74-66	RP-3214R		Chrome-Moly; 9.6800" O.A.L.
12	Push Rod	74-66	RP-3180		9.6800" O.A.L.
12	Push Rod, Bulk	74-66	BRP-3180		Carton of 100; 9.6800" O.A.L.
QTY	VALVE SEAL	YEARS	PART NO.	SIZE	DESCRIPTION
12	Valve Stem Seal	74-66	ST-2001		Positive type; Installation requires valve guide machining; Rubber/PTFE
12	Valve Stem Seal	74-66	MV-1233C		O-Ring; Rubber
12	Valve Stem Seal Bulk	74-66	MV-1233		O-Ring; Carton of 100; Rubber
12	Valve Stem Seal Bulk	74-66	ST-2001BC		Positive type; Installation requires valve guide machining; Carton of 100; Rubber/PTFE
QTY	ROCKER PARTS	YEARS	PART NO.	SIZE	DESCRIPTION
12	Arm Assy.	74-66	R-832		Incl. arm, ball & nut
12	Arm Assy., Bulk	74-66	R-832B		Incl. arm, ball & nut; Carton of 64
12	Arm	74-66	R-832A		
12	Pivot Ball	74-66	MR-1780		
12	Nut	74-66	MR-1751		Self-locking, 3/8" x 24 threads
12	Stud	74-66	MR-1752		.003" O/S, 3/8" x 24 x 2.495"
12	Stud	74-66	MR-1949		.372" x 24 x 2.495"
CAMSHAFT GROUP					
QTY	TIMING	YEARS	PART NO.	SIZE	DESCRIPTION
1	Gear Set	74-66	221-2528S		Incl. (1) 221-2526, (1) 221-2527
1	Cam Gear	74-66	221-2526		Alum.; 54 Teeth
QTY	CAMSHAFT/LIFTER	YEARS	PART NO.	SIZE	DESCRIPTION
1	Camshaft	74-73	CS-633		Hyd.
12	Lifter	74-73	HT-817 Std Only		Hyd.
12	Lifter, Bulk	74-73	HT-817B Std Only		Hyd.; Carton of 128
1	Prelube	74-73	55-400		4 oz. bottle; 1.5 oz. packet No. 55-403 also avail.

(continued on next page)

GMC Truck - M/D & H/D

M/D Truck 250 Eng. 10
4.1L 250 OHV L6 (Chevrolet), 3.875" Bore 1965-74 (cont.)

CAMSHAFT GROUP (cont.)							
QTY	CAMSHAFT KIT	YEARS	PART NO.	SIZE	DESCRIPTION		
1	Cam/Lifter Kit	74-73	KC-633		Hyd.; Incl. (1) CS-633, (12) HT-817, (1) 55-403B		
ENGINE BLOCK & PARTS							
QTY	GASKET SETS	YEARS	PART NO.	SIZE	DESCRIPTION		
1	Kit Gasket Set	74-65	260-1005				
QTY	CAM BEARINGS	YEARS	PART NO.	SIZE	DESCRIPTION		
1	Cam Set	74-71	1557M		Std Only		
1	Cam Set	70-66	1203M		Std Only		
QTY	FREEZE PLUGS	YEARS	PART NO.	SIZE	DESCRIPTION		
1	Brass Block Plug Kit	74-65	381-8006				
CRANKSHAFT/OIL PUMP							
QTY	CRANKSHAFT	YEARS	PART NO.	SIZE	DESCRIPTION		
1	Harmonic Balancer Kit	74-65	5000				
1	Crank Gear	74-66	221-2527		27 Teeth		
1	Harmonic Balancer Sleeve	74-65	88176				
QTY	SEALS - FRONT CRANK	YEARS	PART NO.	SIZE	DESCRIPTION		
1	Redi-Sleeve	74-65	99176				
1	Oil Seal	74-65	9845				
QTY	SEALS - REAR CRANK	YEARS	PART NO.	SIZE	DESCRIPTION		
1	Oil Seal Kit	74-65	5092		(Split Seal)		
QTY	MAIN BEARINGS	YEARS	PART NO.	SIZE	DESCRIPTION		
1	Main Set	74-66	4124MA		Std-1-10-20-30-40-50-60 A-Series aluminum bearings		
QTY	OIL PUMP	YEARS	PART NO.	SIZE	DESCRIPTION		
1	Oil Pump	74-65	224-4147				
1	Oil Pump	74-65	224-4157		High Volume, check pan for clearance		
1	Screen Assy.	74-65	224-1347				
CYLINDER COMPONENTS							
QTY	LINERS	YEARS	PART NO.	SIZE	DESCRIPTION		
1	Repair Sleeve	74-66	SL-20Y		Std Only 1/8" wall, must be cut to correct length		
QTY	PISTONS	YEARS	PART NO.	SIZE	DESCRIPTION		
6	Cast Piston	72-66	403P		Std-30-40-60 Cast; 2-5/64", 1-3/16" Ring Groove, 1.640" CD, .9275" Pin Dia., Recessed Head .085" deep		
6	Cast Piston	72-66	403CP30		30-40-60 Cast; 2-5/64", 1-3/16" Ring Groove, 1.640" CD, .9275" Pin Dia., Recessed Head .085" deep; DUROSHIELD® skirt coated piston		
6	Cast Piston	72-66	599P40		40-60 Cast; 2-5/64", 1-3/16" Ring Groove, 1.640" CD, .9275" Pin Dia., Recessed Head .115" deep		
6	Cast Piston - Individual	72-66	W403P		Std-20-30-40-60-80 Cast; 2-5/64", 1-3/16" Ring Groove, 1.640" CD, .9275" Pin Dia., Recessed Head .085" deep		
6	Cast Piston - Individual	72-66	W403CP30		30-60 Cast; 2-5/64", 1-3/16" Ring Groove, 1.640" CD, .9275" Pin Dia., Recessed Head .085" deep; DUROSHIELD® skirt coated piston		
6	Cast Piston - Individual	72-66	W599P40 *		40-60 Exc. LPG Eng's.; Cast; 2-5/64", 1-3/16" Ring Groove, 1.640" CD, .9275" Pin Dia., Recessed Head .115" deep		
6	Pin	74-66	P-2208		Std-3-5-0015		
QTY	CONNECTING RODS & BRGS.	YEARS	PART NO.	SIZE	DESCRIPTION		
1	Rod Set	74-66	6-2020CP		Std-10-20-30-40 6-2020CA 60 avail. as unplated & resizeable		
1	Rod Set	74-66	6-2020CA60		60 Unplated & resizeable		
6	Rod Pair	74-66	2020CP		Std-1-2-10-20-30-40-50		
QTY	PISTON RINGS	YEARS	PART NO.	SIZE	DESCRIPTION		
1	Premium Set	74-66	E-234K		Std-20-30-40-60 2-5/64, 1-3/16		
1	Standard Set	74-66	E-234X		Std-20-30-40-60 2-5/64, 1-3/16		
6	Premium Single Cylinder Set	74-66	WE-234K		Std-20-30-40-60 2-5/64, 1-3/16		
6	Standard Single Cylinder Set	74-66	WE-234X		Std-20-30-40-60 2-5/64, 1-3/16		
KITS							
RE-RING KIT				QTY	PREMIUM KIT NO.	QTY	ECONOMY KIT NO.
74-66	RE-RING KIT	YEARS	DESCRIPTION	1	205-614	-----	-----
			Re-ring				

(continued on next page)

* New Item — Check For Availability

GMC Truck - M/D & H/D

10 M/D Truck 250 Eng.							
(cont.)							
KITS (cont.)							
RE-RING KIT (cont.)				QTY	PREMIUM KIT NO.	QTY	ECONOMY KIT NO.
YEARS	DESCRIPTION						
74-66	Re-ring				----	1	205-114
74-66	Incl. A-Series aluminum bearings		Re-ring w/Mains	1	205-614M	1	205-114M
OVERHAUL KIT				QTY	PREMIUM KIT NO.	QTY	ECONOMY KIT NO.
YEARS	DESCRIPTION						
74-73	Incl. A-Series aluminum bearings		Master w/o Pistons	1	MK-614C	1	MK-114C
11 H/D Truck							
4.2L 256 OHV L6 (GMC), 3.7813" Bore 1940-41							
ENGINE BLOCK & PARTS							
QTY	CAM BEARINGS		YEARS	PART NO.	SIZE	DESCRIPTION	
1	Cam Set		41-40	1094M		Std Only	
CRANKSHAFT/OIL PUMP							
QTY	MAIN BEARINGS		YEARS	PART NO.	SIZE	DESCRIPTION	
1	Main Set		41-40	697M		Std-10-20	
CYLINDER COMPONENTS							
QTY	PISTONS		YEARS	PART NO.	SIZE	DESCRIPTION	
6	Pin Bushing		41-40	9849		Full round design	
6	Pin Bushing		41-40	9849V		Split type bushing	
QTY	CONNECTING RODS & BRGS.		YEARS	PART NO.	SIZE	DESCRIPTION	
6	Rod Pair		41-40	9845CP		Std-10-20-30	
12 M/D Truck 261 Eng.							
4.3L 261 OHV L6 (Chevrolet), 3.75" Bore 1954-62							
CYL. HEAD & PARTS							
QTY	VALVE		YEARS	PART NO.	SIZE	DESCRIPTION	
6	Intake		62-54	V-1076		Std Only 1.8750" Head Dia., .3415" Stem Dia., 6.3910" O.A.L.	
6	Exhaust		62-54	V-1888X		Std-15 Chrome plated stem; Stellite face; 1.5000" Head Dia., .3412" Stem Dia., 4.9230" O.A.L.	
6	Exhaust		62-54	V-1199		Std-3-5-15-30 1.5000" Head Dia., .3415" Stem Dia., 4.9280" O.A.L.	
6	Exhaust, Bulk		62-54	V-1199B		Std Only Carton of 25; 1.5000" Head Dia., .3415" Stem Dia., 4.9280" O.A.L.	
24	Keeper		62-54	VK-115		1 groove; Square cut key groove	
24	Keeper		62-54	VK-115R		1 groove; Square cut key groove; Hardened	
24	Keeper, Bulk		62-54	VK-115B		1 groove; Square cut key groove; Carton of 1000	
QTY	VALVE SEAT		YEARS	PART NO.	SIZE	DESCRIPTION	
6	Exh.		62-54	245-1562-2N		Std Only Premium Material; 1.5675" OD, 1.3125" ID, .2480" Depth	
6	Exh.		62-54	245-1562-2		Std Only 1.5675" OD, 1.3125" ID, .2480" Depth	
QTY	VALVE GUIDE		YEARS	PART NO.	SIZE	DESCRIPTION	
6	Guide		62-54	VG-350		Exh.; .3435" ID, 2.4400" O.A.L.	
6	Guide		62-54	VG-473		Int.; .3435" ID, 3.3400" O.A.L.	
QTY	VALVE SPRING		YEARS	PART NO.	SIZE	DESCRIPTION	
12	Spring		62-54	VS-424		2.2500" Free Height	
12	Spring Insert		62-54	259-100B		.030"; Carton of 100	
12	Spring Insert		62-54	259-100A		.060"; Carton of 100	
QTY	PUSH RODS		YEARS	PART NO.	SIZE	DESCRIPTION	
12	Push Rod		62-56	RP-3020		11.4740" O.A.L.	
12	Push Rod		55-54	RP-3018		10.8190" O.A.L.	
QTY	VALVE SEAL		YEARS	PART NO.	SIZE	DESCRIPTION	
12	Valve Stem Seal		62-54	ST-2001		Positive type; Installation requires valve guide machining; Rubber/PTFE	
12	Valve Stem Seal		62-54	MV-1233C		O-Ring; Rubber	
12	Valve Stem Seal Bulk		62-54	MV-1233		O-Ring; Carton of 100; Rubber	
12	Valve Stem Seal Bulk		62-54	ST-2001BC		Positive type; Installation requires valve guide machining; Carton of 100; Rubber/PTFE	
CAMSHAFT GROUP							
QTY	TIMING		YEARS	PART NO.	SIZE	DESCRIPTION	
1	Cam Gear		62-54	221-2500		Silent type; 54 Teeth	
QTY	CAMSHAFT/LIFTER		YEARS	PART NO.	SIZE	DESCRIPTION	
1	Camshaft		62-54	CS-293			

(continued on next page)

GMC Truck - M/D & H/D

<i>M/D Truck 261 Eng. 12</i> 4.3L 261 OHV L6 (Chevrolet), 3.75" Bore 1954-62 (cont.)					
CAMSHAFT GROUP (cont.)					
QTY	CAMSHAFT/LIFTER (cont.)	YEARS	PART NO.	SIZE	DESCRIPTION
12	Lifter	62-56	AT-874 Std Only		Mech.
12	Lifter	55-54	AT-887 Std Only		Mech.
1	Prelube	62-54	55-400		4 oz. bottle; 1.5 oz. packet No. 55-403 also avail.
ENGINE BLOCK & PARTS					
QTY	CAM BEARINGS	YEARS	PART NO.	SIZE	DESCRIPTION
1	Cam Set	62-54	1170M Std Only		From late 1954; w/Large dia. brgs.
1	Cam Set	54	1094M Std Only		To early 1954 w/small dia. brgs.
CRANKSHAFT/OIL PUMP					
QTY	CRANKSHAFT	YEARS	PART NO.	SIZE	DESCRIPTION
1	Harmonic Balancer Kit	62-54	5000		
1	Harmonic Balancer Sleeve	62-54	88176		
QTY	SEALS - FRONT CRANK	YEARS	PART NO.	SIZE	DESCRIPTION
1	Redi-Sleeve	62-54	99176		
1	Oil Seal	62-54	9845		
QTY	MAIN BEARINGS	YEARS	PART NO.	SIZE	DESCRIPTION
1	Main Set	62-54	960M Std-10-20-30-40-50-60		Use w/FSM-124S shim set
QTY	OIL PUMP	YEARS	PART NO.	SIZE	DESCRIPTION
1	Oil Pump	62-55	224-4141		
1	Oil Pump	54	224-4142		
CYLINDER COMPONENTS					
QTY	PISTONS	YEARS	PART NO.	SIZE	DESCRIPTION
6	Cast Piston	62-54	92P Std-30-40-60		Cast; 2-3/32", 1-3/16" Ring Groove, 2.030" CD, .9272" Pin Dia., Flat Head - 7.8:1 C.R.
6	Cast Piston - Individual	62-54	W92P Std-30-40-60		Cast; 2-3/32", 1-3/16" Ring Groove, 2.030" CD, .9272" Pin Dia., Flat Head - 7.8:1 C.R.
QTY	CONNECTING RODS & BRGS.	YEARS	PART NO.	SIZE	DESCRIPTION
1	Rod Set	62-54	6-1950CP Std-10-20-30-40-50		6-1950CA 60 avail. as unplated & resizeable
1	Rod Set	62-54	6-1950CA60 60		Unplated & resizeable
6	Rod Pair	62-54	1950CP Std-10-20-30-40-50		
QTY	PISTON RINGS	YEARS	PART NO.	SIZE	DESCRIPTION
1	Standard Set	62-54	5412X Std-30		2-3/32, 1-3/16
<i>M/D Truck 265 Eng. 13</i> 4.3L 265 OHV V8 (Chevrolet), 3.75" Bore 1955-57					
CYL. HEAD & PARTS					
QTY	HEAD BOLTS	YEARS	PART NO.	SIZE	DESCRIPTION
1	Head Bolt Set	57-55	260-2500		Replacement recommended
QTY	VALVE	YEARS	PART NO.	SIZE	DESCRIPTION
8	Intake	57-55	V-1200 Std-3-15-30		1.7200" Head Dia., .3413" Stem Dia., 4.9170" O.A.L.
8	Intake, Bulk	57-55	V-1200B Std Only		Carton of 25; 1.7200" Head Dia., .3413" Stem Dia., 4.9170" O.A.L.
8	Exhaust	57-55	V-1888X Std-15		Chrome plated stem; Stellite face; 1.5000" Head Dia., .3412" Stem Dia., 4.9230" O.A.L.
8	Exhaust	57-55	V-1199 Std-3-5-15-30		1.5000" Head Dia., .3415" Stem Dia., 4.9280" O.A.L.
8	Exhaust, Bulk	57-55	V-1199B Std Only		Carton of 25; 1.5000" Head Dia., .3415" Stem Dia., 4.9280" O.A.L.
32	Keeper	57-55	VK-115		1 groove; Square cut key groove
32	Keeper	57-55	VK-115R		1 groove; Square cut key groove; Hardened
32	Keeper, Bulk	57-55	VK-115B		1 groove; Square cut key groove; Carton of 1000
QTY	VALVE SPRING	YEARS	PART NO.	SIZE	DESCRIPTION
16	Spring	57-55	VS-521		Incl. damper; 2.1090" Free Height
16	Spring Insert	57-55	259-201B		.030"; Carton of 100
16	Spring Insert	57-55	259-201A		.060"; Carton of 100
16	Spring Insert	57-55	259-201ARS		.060"; Carton of 500
QTY	PUSH RODS	YEARS	PART NO.	SIZE	DESCRIPTION
16	Push Rod	57-55	RP-3212R		Chrome-Moly; 7.7900" O.A.L.
16	Push Rod	57-55	RP-3212R100		Chrome-Moly; 7.8900" O.A.L.
16	Push Rod	57-55	RP-3212R150		Chrome-Moly; 7.9400" O.A.L.

(continued on next page)

GMC Truck - M/D & H/D

13 M/D Truck 265 Eng.

(cont.) 4.3L 265 OHV V8 (Chevrolet), 3.75" Bore 1955-57

CYL. HEAD & PARTS (cont.)					
QTY	PUSH RODS (cont.)	YEARS	PART NO.	SIZE	DESCRIPTION
16	Push Rod	57-55	RP-3212R200		Chrome-Moly; 7.9900" O.A.L.
16	Push Rod	57-55	RP-3093		7.7940" O.A.L.
16	Push Rod, Bulk	57-55	BRP-3093		Carton of 100; 7.7940" O.A.L.
16	Push Rod, Bulk	57-55	BRP-3212R		Chrome-Moly; Carton of 100; 7.7900" O.A.L.
16	Push Rod, Bulk	57-55	BRP-3212R100		Chrome-Moly; Carton of 100; 7.8900" O.A.L.
QTY	VALVE MISC.	YEARS	PART NO.	SIZE	DESCRIPTION
8	Rotocap	57-55	RC-157S		
QTY	VALVE SEAL	YEARS	PART NO.	SIZE	DESCRIPTION
16	Valve Stem Seal	57-55	ST-2001		Positive type; Installation requires valve guide machining; Rubber/PTFE
16	Valve Stem Seal	57-55	MV-1233C		O-Ring; Rubber
16	Valve Stem Seal Bulk	57-55	MV-1233		O-Ring; Carton of 100; Rubber
16	Valve Stem Seal Bulk	57-55	ST-2001BC		Positive type; Installation requires valve guide machining; Carton of 100; Rubber/PTFE
QTY	ROCKER PARTS	YEARS	PART NO.	SIZE	DESCRIPTION
16	Arm Assy.	57-55	R-826		Incl. arm, ball & nut
16	Arm Assy., Bulk	57-55	R-826B		Incl. arm, ball & nut; Carton of 64
16	Arm	57-55	R-826A		
16	Nut	57-55	MR-1751		Self-locking, 3/8" x 24 threads
16	Stud	57-55	MR-1752		.003" O/S, 3/8" x 24 x 2.495"
16	Stud	57-55	MR-1949		.372" x 24 x 2.495"
CAMSHAFT GROUP					
QTY	TIMING	YEARS	PART NO.	SIZE	DESCRIPTION
1	3 Piece Set	57-55	KT3-489S		Incl. (1) 222-489, (1) 223-261, (1) 223-262
1	Timing Chain	57-55	222-489		46 Links
1	Crank Sprocket	57-55	223-262		18 Teeth
1	Cam Sprocket	57-55	223-261		36 Teeth
QTY	CAMSHAFT/LIFTER	YEARS	PART NO.	SIZE	DESCRIPTION
1	Camshaft	57-55	CS-273		Use w/Hyd. lifters
16	Lifter	57-55	HT-817 Std Only		Hyd.
16	Lifter, Bulk	57-55	HT-817B Std Only		Hyd.; Carton of 128
1	Prelube	57-55	55-400		4 oz. bottle; 1.5 oz. packet No. 55-403 also avail.
QTY	CAMSHAFT KIT	YEARS	PART NO.	SIZE	DESCRIPTION
1	Cam/Lifter Kit	57-55	KC-273		Hyd.; Incl. (1) CS-273, (16) HT-817, (1) 55-403B
ENGINE BLOCK & PARTS					
QTY	GASKET SETS	YEARS	PART NO.	SIZE	DESCRIPTION
1	Kit Gasket Set	57-55	260-1000		From 9/2/55; Rear main brg. seal not incl.; Head bolts not incl.
QTY	CAM BEARINGS	YEARS	PART NO.	SIZE	DESCRIPTION
1	Cam Set	57-55	1145M Std Only		Babbitt material; Full round design
CRANKSHAFT/OIL PUMP					
QTY	CRANKSHAFT	YEARS	PART NO.	SIZE	DESCRIPTION
1	Harmonic Balancer Kit	57-55	5000		
1	Harmonic Balancer Sleeve	57-55	88176		
QTY	SEALS - FRONT CRANK	YEARS	PART NO.	SIZE	DESCRIPTION
1	Redi-Sleeve	57-55	99176		
1	Oil Seal	57-55	9845		
QTY	MAIN BEARINGS	YEARS	PART NO.	SIZE	DESCRIPTION
1	Main Set	57-55	994M Std-1-10-20-30-40		
QTY	OIL PUMP	YEARS	PART NO.	SIZE	DESCRIPTION
1	Oil Pump	57-55	224-43363		
CYLINDER COMPONENTS					
QTY	CONNECTING RODS & BRGS.	YEARS	PART NO.	SIZE	DESCRIPTION
1	Rod Set	57-55	8-2020CP Std-10-20-30-40		
8	Rod Pair	57-55	2020CP Std-1-2-10-20-30-40-50		
QTY	PISTON RINGS	YEARS	PART NO.	SIZE	DESCRIPTION
1	Standard Set	57-55	E-240X Std-30-40-60		2-5/64, 1-3/16
8	Standard Single Cylinder Set	57-55	WE-240X Std-30-40-60		2-5/64, 1-3/16

GMC Truck - M/D & H/D

M/D Truck 270 Eng. 14
4.4L 270 OHV L6 (GMC), 3.7813" Bore 1940-59

CYL. HEAD & PARTS

QTY	VALVE	YEARS	PART NO.	SIZE	DESCRIPTION
6	Keeper	59-54	VK-261		W/Rototype
24	Keeper	59-41	VK-115		1 groove; Square cut key groove
24	Keeper	59-41	VK-115R		1 groove; Square cut key groove; Hardened
24	Keeper, Bulk	59-41	VK-115B		1 groove; Square cut key groove; Carton of 1000
QTY	VALVE GUIDE	YEARS	PART NO.	SIZE	DESCRIPTION
12	Guide	59-53	VG-509		.3435" ID, 2.1880" O.A.L.
QTY	VALVE SPRING	YEARS	PART NO.	SIZE	DESCRIPTION
12	Spring	59-41	VS-424		2.2500" Free Height
12	Spring Insert	59-41	259-203C		.015"; Carton of 100
12	Spring Insert	59-41	259-203B		.030"; Carton of 100
12	Spring Insert	59-41	259-203BRS		.030"; Carton of 500
12	Spring Insert	59-41	259-203A		.060"; Carton of 100
12	Spring Insert	59-41	259-203ARS		.060"; Carton of 500
QTY	VALVE SEAL	YEARS	PART NO.	SIZE	DESCRIPTION
12	Valve Stem Seal	59-41	ST-2001		Positive type; Installation requires valve guide machining; Rubber/PTFE
12	Valve Stem Seal Bulk	59-41	ST-2001BC		Positive type; Installation requires valve guide machining; Carton of 100; Rubber/PTFE

CAMSHAFT GROUP

QTY	TIMING	YEARS	PART NO.	SIZE	DESCRIPTION
1	Cam Gear	59-41	221-2500		Silent type; 54 Teeth
QTY	CAMSHAFT/LIFTER	YEARS	PART NO.	SIZE	DESCRIPTION
12	Lifter	59-41	AT-887 Std Only		From Ser. No. 771209; Mech.

ENGINE BLOCK & PARTS

QTY	CAM BEARINGS	YEARS	PART NO.	SIZE	DESCRIPTION
1	Cam Set	59-40	1094M Std Only		

CRANKSHAFT/OIL PUMP

QTY	CRANKSHAFT	YEARS	PART NO.	SIZE	DESCRIPTION
1	Harmonic Balancer Kit	59-40	5000		
1	Harmonic Balancer Sleeve	59-40	88176		
QTY	SEALS - FRONT CRANK	YEARS	PART NO.	SIZE	DESCRIPTION
1	Redi-Sleeve	59-40	99176		
1	Oil Seal	59-40	9845		
QTY	MAIN BEARINGS	YEARS	PART NO.	SIZE	DESCRIPTION
1	Main Set	55-40	697M Std-10-20		

CYLINDER COMPONENTS

QTY	PISTONS	YEARS	PART NO.	SIZE	DESCRIPTION
6	Pin Bushing	55-40	9849		Full round design
6	Pin Bushing	55-40	9849V		Split type bushing
QTY	CONNECTING RODS & BRGS.	YEARS	PART NO.	SIZE	DESCRIPTION
6	Rod Pair	59-52	1905CP Std-10-20		
6	Rod Pair	51-40	9845CP Std-10-20-30		

M/D Truck 283 Eng. 15
4.6L 283 OHV V8 (Chevrolet), 3.875" Bore 1957-67

CYL. HEAD & PARTS

QTY	HEAD BOLTS	YEARS	PART NO.	SIZE	DESCRIPTION
2	Head Bolt Set	67-57	260-2500		Replacement recommended
QTY	VALVE	YEARS	PART NO.	SIZE	DESCRIPTION
8	Intake	67-57	V-1200 Std-3-15-30		1.7200" Head Dia., .3413" Stem Dia., 4.9170" O.A.L.
8	Intake, Bulk	67-57	V-1200B Std Only		Carton of 25; 1.7200" Head Dia., .3413" Stem Dia., 4.9170" O.A.L.
8	Exhaust	67-57	V-1888X Std-15		Chrome plated stem; Stellite face; 1.5000" Head Dia., .3412" Stem Dia., 4.9230" O.A.L.
8	Exhaust	67-57	V-1199 Std-3-5-15-30		1.5000" Head Dia., .3415" Stem Dia., 4.9280" O.A.L.
8	Exhaust, Bulk	67-57	V-1199B Std Only		Carton of 25; 1.5000" Head Dia., .3415" Stem Dia., 4.9280" O.A.L.
32	Keeper	67-57	VK-115		1 groove; Square cut key groove
32	Keeper	67-57	VK-115R		1 groove; Square cut key groove; Hardened
32	Keeper, Bulk	67-57	VK-115B		1 groove; Square cut key groove; Carton of 1000

(continued on next page)

GMC Truck - M/D & H/D

15 M/D Truck 283 Eng.

(cont.) 4.6L 283 OHV V8 (Chevrolet), 3.875" Bore 1957-67

CYL. HEAD & PARTS (cont.)					
QTY	VALVE SEAT	YEARS	PART NO.	SIZE	DESCRIPTION
8	Exh.	67-57	245-1562-2N Std Only		Premium Material; 1.5675" OD, 1.3125" ID, .2480" Depth
8	Exh.	67-57	245-1562-2 Std Only		1.5675" OD, 1.3125" ID, .2480" Depth
8	Int.	67-57	245-1812-3 Std Only		1.8175" OD, 1.5000" ID, .2160" Depth
QTY	VALVE SPRING	YEARS	PART NO.	SIZE	DESCRIPTION
16	Spring	67	VS-677		Incl. damper; 2.0300" Free Height
16	Spring	67	VS-739R		Optional-H/D; 2.0000" Free Height
16	Spring	66-57	VS-521		Incl. damper; 2.1090" Free Height
16	Spring, Bulk	67	VS-677B		Incl. damper; Carton of 250; 2.0300" Free Height
16	Spring, Bulk	67	VS-739RB		Optional-H/D; Carton of 300; 2.0000" Free Height
16	Spring Insert	67-57	259-203C		.015"; Carton of 100
16	Spring Insert	67-57	259-203B		.030"; Carton of 100
16	Spring Insert	67-57	259-203BRS		.030"; Carton of 500
16	Spring Insert	67-57	259-203A		.060"; Carton of 100
16	Spring Insert	67-57	259-203ARS		.060"; Carton of 500
QTY	PUSH RODS	YEARS	PART NO.	SIZE	DESCRIPTION
16	Push Rod	67-57	RP-3212R		Chrome-Moly; 7.7900" O.A.L.
16	Push Rod	67-57	RP-3212R100		Chrome-Moly; 7.8900" O.A.L.
16	Push Rod	67-57	RP-3212R150		Chrome-Moly; 7.9400" O.A.L.
16	Push Rod	67-57	RP-3212R200		Chrome-Moly; 7.9900" O.A.L.
16	Push Rod	67-57	RP-3093		7.7940" O.A.L.
16	Push Rod, Bulk	67-57	BRP-3093		Carton of 100; 7.7940" O.A.L.
16	Push Rod, Bulk	67-57	BRP-3212R		Chrome-Moly; Carton of 100; 7.7900" O.A.L.
16	Push Rod, Bulk	67-57	BRP-3212R100		Chrome-Moly; Carton of 100; 7.8900" O.A.L.
QTY	VALVE MISC.	YEARS	PART NO.	SIZE	DESCRIPTION
8	Rotocap	66-57	RC-157S		
QTY	VALVE SEAL	YEARS	PART NO.	SIZE	DESCRIPTION
16	Valve Stem Seal	67-57	MV-1903		Exh. & Int.; Use w/repair guide; Positive type; Rubber
16	Valve Stem Seal	67-57	ST-2001		Exh. & Int.; Use w/O.E. guide; Positive type; Installation requires valve guide machining; Rubber/PTFE
16	Valve Stem Seal	67-59	MV-1233C		Exh. & Int.; O-Ring; Rubber
8	Valve Stem Seal	58-57	MV-1233C		Exh.; O-Ring; Rubber
16	Valve Stem Seal Bulk	67-59	MV-1233		Exh. & Int.; O-Ring; Carton of 100; Rubber
16	Valve Stem Seal Bulk	67-57	ST-2001BC		Exh. & Int.; Use w/O.E. guide; Positive type; Installation requires valve guide machining; Carton of 100; Rubber/PTFE
8	Valve Stem Seal Bulk	58-57	MV-1233		Exh.; O-Ring; Carton of 100; Rubber
QTY	ROCKER PARTS	YEARS	PART NO.	SIZE	DESCRIPTION
16	Arm Assy.	67-57	R-826		Incl. arm, ball & nut
16	Arm Assy., Bulk	67-57	R-826B		Incl. arm, ball & nut; Carton of 64
16	Arm	67-57	R-826A		
16	Pivot Ball	67-57	MR-1783		
16	Pivot Ball	67-57	MR-1822		H/D 4 groove ball
16	Nut	67-57	MR-1751		Self-locking, 3/8" x 24 threads
16	Stud	67-57	MR-1752		.003" O/S, 3/8" x 24 x 2.495"
16	Stud	67-57	MR-1949		.372" x 24 x 2.495"
CAMSHAFT GROUP					
QTY	TIMING	YEARS	PART NO.	SIZE	DESCRIPTION
1	3 Piece Set	66-57	KT3-163S		Incl. double rlr. type chain; Incl. (1) 222-163, (1) 223-288, (1) 223-289
1	Timing Chain	66-57	222-163		Double rlr.; 58 Links
1	Crank Sprocket	67-57	223-289		Double row; 22 Teeth
1	Cam Sprocket	66-57	223-288		Double row; 44 Teeth
QTY	CAMSHAFT/LIFTER	YEARS	PART NO.	SIZE	DESCRIPTION
1	Camshaft	67-63	CS-274		
1	Camshaft	62-57	CS-273		Use w/Hyd. lifters
16	Lifter	67-57	HT-817 Std Only		Hyd.
16	Lifter, Bulk	67-57	HT-817B Std Only		Hyd.; Carton of 128
1	Prelube	67-57	55-400		4 oz. bottle; 1.5 oz. packet No. 55-403 also avail.
QTY	CAMSHAFT KIT	YEARS	PART NO.	SIZE	DESCRIPTION
1	Cam/Lifter Kit	67-63	KC-274		Hyd.; Incl. (1) CS-274, (16) HT-817, (1) 55-403B
1	Cam/Lifter Kit	62-57	KC-273		Incl. Hyd. lifters; Hyd.; Incl. (1) CS-273, (16) HT-817, (1) 55-403B
1	Cam/Lifter/Timing Kit	66-63	KCT-274C		Hyd.; Incl. double rlr. type chain; Incl. (1) CS-274, (16) HT-817, (1) KT3-163S, (1) 55-403B

(continued on next page)

GMC Truck - M/D & H/D

M/D Truck 283 Eng. 15
4.6L 283 OHV V8 (Chevrolet), 3.875" Bore 1957-67 (cont.)

ENGINE BLOCK & PARTS					
QTY	GASKET SETS	YEARS	PART NO.	SIZE	DESCRIPTION
1	Kit Gasket Set	67-59	260-1000AT		w/o Exh. pipe packing; PermaDryPlus® valve cover & oil pan gskts. incl.; PermaDryPlus® water outlet gskt. incl.
1	Kit Gasket Set	67-59	260-1000		Head bolts not incl.
1	Kit Gasket Set	58-57	260-1000		Rear main brg. seal not incl.; Head bolts not incl.
CAM BEARINGS					
1	Cam Set	67-64	1749M Std Only		Bi-Metal Aluminum
1	Cam Set	67-63	1235M Std-1-10		Babbitt material; Full round design
1	Cam Set	67-63	1750M Std Only		2.030" housing bore
1	Cam Set	63-57	1145M Std Only		Babbitt material; Full round design
FREEZE PLUGS					
1	Brass Block Plug Kit	67-57	381-8007		
1	Steel Block Plug Kit	67-57	381-4011		
CRANKSHAFT/OIL PUMP					
CRANKSHAFT					
1	Harmonic Balancer Kit	67-57	5000		
1	Harmonic Balancer Sleeve	67-57	88176		
SEALS - FRONT CRANK					
1	Redi-Sleeve	67-57	99176		
1	Oil Seal	67-57	9845		
SEALS - REAR CRANK					
1	Oil Seal Kit	67-57	5092		(Split Seal)
MAIN BEARINGS					
1	Main Set	67-57	994M Std-1-10-20-30-40		
OIL PUMP					
1	Oil Pump	67-57	224-4146A		High Pressure; 5/8" inlet
1	Oil Pump	67-57	224-4143		High Volume, check pan for clearance; 5/8" inlet; Use shaft w/steel guide
1	Oil Pump	67-57	224-4146		5/8" inlet
1	Inter. Shaft	67-57	224-6146E		Has steel shaft guide; Eliminates nylon shaft guide
1	Inter. Shaft	67-57	224-6146		Use w/nylon shaft guide
1	Screen Assy.	67-65	224-1246		5/8" inlet tube
1	Screen Assy.	64-57	224-1146		5/8" inlet
1	Oil Pump Shaft Guide	67-57	224-43343		Nylon
CYLINDER COMPONENTS					
PISTONS					
8	Powerforged	67-62	L-2163F30 30-40-60		Powerforged; 2-5/64", 1-3/16" Ring Groove, 1.795" CD, .9272" Pin Dia., Flat Head w/4 valve reliefs. DUROSHIELD® skirt coated piston.
8	Powerforged	61-57	L-2163F30 30-40-60		Use in sets only; Powerforged; 2-5/64", 1-3/16" Ring Groove, 1.795" CD, .9272" Pin Dia., Flat Head w/4 valve reliefs. DUROSHIELD® skirt coated piston.
8	Cast Piston	67-57	235NP Std-20-30-40-60		Cast; 2-5/64", 1-3/16" Ring Groove, 1.780" CD, .9278" Pin Dia., Flat Head w/4 valve reliefs
8	Cast Piston - Individual	67-57	W235NP Std-20-30-40-60		Cast; 2-5/64", 1-3/16" Ring Groove, 1.780" CD, .9278" Pin Dia., Flat Head w/4 valve reliefs
8	Forged Piston - Individual	67-62	WL-2163F30 30-40-60		Powerforged; 2-5/64", 1-3/16" Ring Groove, 1.795" CD, .9272" Pin Dia., Flat Head w/4 valve reliefs. DUROSHIELD® skirt coated piston.
8	Forged Piston - Individual	61-57	WL-2163F30 30-40-60		Use in sets only; Powerforged; 2-5/64", 1-3/16" Ring Groove, 1.795" CD, .9272" Pin Dia., Flat Head w/4 valve reliefs. DUROSHIELD® skirt coated piston.
CONNECTING RODS & BRGS.					
1	Rod Set	67-57	8-2020CP Std-10-20-30-40		
8	Rod Pair	67-57	2020CP Std-1-2-10-20-30-40-50		
PISTON RINGS					
1	Premium Set	67-57	E-245K Std-20-30-40-60		2-5/64, 1-3/16
1	Standard Set	67-57	E-245X Std-20-30-40-60-80		2-5/64, 1-3/16
8	Premium Single Cylinder Set	67-57	WE-245K Std-30-40-60		2-5/64, 1-3/16

(continued on next page)

GMC Truck - M/D & H/D

15 M/D Truck 283 Eng.

(cont.) 4.6L 283 OHV V8 (Chevrolet), 3.875" Bore 1957-67

CYLINDER COMPONENTS (cont.)

QTY	PISTON RINGS (cont.)	YEARS	PART NO.	SIZE	DESCRIPTION
8	Standard Single Cylinder Set	67-57	WE-245X Std-20-30-40-60-80		2-5/64, 1-3/16

KITS

RE-RING KIT		QTY	PREMIUM KIT NO.	QTY	ECONOMY KIT NO.
YEARS	DESCRIPTION				
67-57	Re-ring	1	205-619		----
67-57	Re-ring		----	1	205-119
	Re-ring w/Mains	1	205-619M	1	205-119M

OVERHAUL KIT		QTY	PREMIUM KIT NO.	QTY	ECONOMY KIT NO.
YEARS	DESCRIPTION				
67	Incl. 5/8" inlet oil pump; w/.405" tooth width sprocket	1	MKP-619F	1	MKP-119F
	Master w/o Pistons	1	MK-619F	1	MK-119F
	Master w/o Rods & Mains	1	505-619F	1	505-119F
66-64	Incl. 5/8" inlet oil pump	1	MKP-619D	1	MKP-119D
	Master w/o Pistons	1	MK-619D	1	MK-119D
	Master w/o Rods & Mains	1	505-619D	1	505-119D
63	Incl. 5/8" inlet oil pump	1	MKP-619A	1	MKP-119A
	Master w/o Pistons	1	MK-619A	1	MK-119A
	Master w/o Rods & Mains	1	505-619A	1	505-119A
62-57	Incl. 5/8" inlet oil pump	1	MKP-619C	1	MKP-119C
	Master w/o Pistons	1	MK-619C	1	MK-119C
	Master w/o Rods & Mains	1	505-619C	1	505-119C

16 M/D Truck 292 Eng.

4.8L 292 OHV L6 (Chevrolet), 3.875" Bore 1963-88

CYL. HEAD & PARTS

QTY	VALVE	YEARS	PART NO.	SIZE	DESCRIPTION
6	Intake	88-71	V-1927 Std-15		Exc. LPG Eng's.; Chrome plated stem; 1.7200" Head Dia., .3413" Stem Dia., 4.9170" O.A.L.
6	Intake	88-71	V-1928 Std Only		LPG Eng's.; Chrome plated stem; 1.7200" Head Dia., .3420" Stem Dia., 4.9170" O.A.L.
6	Intake	70-63	V-1200 Std-3-15-30		1.7200" Head Dia., .3413" Stem Dia., 4.9170" O.A.L.
6	Intake, Bulk	88-71	V-1927B Std Only		Exc. LPG Eng's.; Chrome plated stem; Carton of 25; 1.7200" Head Dia., .3413" Stem Dia., 4.9170" O.A.L.
6	Intake, Bulk	70-63	V-1200B Std Only		Carton of 25; 1.7200" Head Dia., .3413" Stem Dia., 4.9170" O.A.L.
6	Exhaust	88-87	V-2449X Std Only		Inconel X-751; Chrome plated stem; Premium Material; 1.5000" Head Dia., .3718" Stem Dia., 4.9230" O.A.L.
6	Exhaust	86-85	V-1888X Std-15		Exc. Series P40 & H5D Vacuum Operated Early Fuel Evaporation Emis. Control; Chrome plated stem; Stellite face; 1.5000" Head Dia., .3412" Stem Dia., 4.9230" O.A.L.
6	Exhaust	86-85	V-2449X Std Only		Series P40 & H5D; w/Vacuum Operated Early Fuel Evaporation Emis. Control; Inconel X-751; Chrome plated stem; Premium Material; 1.5000" Head Dia., .3718" Stem Dia., 4.9230" O.A.L.
6	Exhaust	84-63	V-1888X Std-15		Chrome plated stem; Stellite face; 1.5000" Head Dia., .3412" Stem Dia., 4.9230" O.A.L.
24	Keeper	88-63	VK-115		1 groove; Square cut key groove
24	Keeper	88-63	VK-115R		1 groove; Square cut key groove; Hardened
24	Keeper, Bulk	88-63	VK-115B		1 groove; Square cut key groove; Carton of 1000

QTY	VALVE SEAT	YEARS	PART NO.	SIZE	DESCRIPTION
6	Exh.	88-63	245-1562-1N Std Only		Premium Material; 1.5675" OD, 1.3125" ID, .2160" Depth
6	Exh.	88-63	245-1562-1 Std Only		1.5675" OD, 1.3125" ID, .2160" Depth
6	Int.	88-63	245-1812-3 Std Only		1.8175" OD, 1.5000" ID, .2160" Depth

QTY	VALVE GUIDE	YEARS	PART NO.	SIZE	DESCRIPTION
6	Guide	88-63	VG-5038		Int.; .3430" ID, 2.1200" O.A.L.
6	Guide, Bulk	88-63	VG-5038B		Int.; Carton of 50; .3430" ID, 2.1200" O.A.L.

QTY	VALVE SPRING	YEARS	PART NO.	SIZE	DESCRIPTION
12	Spring	88-63	VS-521		Incl. damper; 2.1090" Free Height
12	Spring Insert	88-63	259-203C		.015"; Carton of 100
12	Spring Insert	88-63	259-203B		.030"; Carton of 100
12	Spring Insert	88-63	259-203BRS		.030"; Carton of 500
12	Spring Insert	88-63	259-203A		.060"; Carton of 100
12	Spring Insert	88-63	259-203ARS		.060"; Carton of 500

(continued on next page)

GMC Truck - M/D & H/D

M/D Truck 292 Eng. 16
4.8L 292 OHV L6 (Chevrolet), 3.875" Bore 1963-88 (cont.)

CYL. HEAD & PARTS (cont.)					
QTY	PUSH RODS	YEARS	PART NO.	SIZE	DESCRIPTION
12	Push Rod	88-63	RP-3188		11.3820" O.A.L.
12	Push Rod, Bulk	88-63	BRP-3188		Carton of 100; 11.3820" O.A.L.
QTY	VALVE MISC.	YEARS	PART NO.	SIZE	DESCRIPTION
6	Rotocap	88-63	RC-157S		
QTY	VALVE SEAL	YEARS	PART NO.	SIZE	DESCRIPTION
12	Valve Stem Seal	84-63	MV-1903		Use w/VG-5038 repair guide; Positive type; Rubber
12	Valve Stem Seal	84-63	ST-2001		Exh. & Int.; Use w/O.E. guide; Positive type; Installation requires valve guide machining; Rubber/PTFE
12	Valve Stem Seal	88-63	MV-1233C		Exh. & Int.; O-Ring; Rubber
12	Valve Stem Seal Bulk	88-63	MV-1233		Exh. & Int.; O-Ring; Carton of 100; Rubber
12	Valve Stem Seal Bulk	84-63	ST-2001BC		Exh. & Int.; Use w/O.E. guide; Positive type; Installation requires valve guide machining; Carton of 100; Rubber/PTFE
QTY	ROCKER PARTS	YEARS	PART NO.	SIZE	DESCRIPTION
12	Arm Assy.	88-63	R-832		Incl. arm, ball & nut
12	Arm Assy., Bulk	88-63	R-832B		Incl. arm, ball & nut; Carton of 64
12	Arm	88-63	R-832A		
12	Pivot Ball	88-63	MR-1780		
12	Nut	88-63	MR-1751		Self-locking, 3/8" x 24 threads
12	Stud	88-63	MR-1752		.003" O/S, 3/8" x 24 x 2.495"
12	Stud	88-63	MR-1949		.372" x 24 x 2.495"
CAMSHAFT GROUP					
QTY	TIMING	YEARS	PART NO.	SIZE	DESCRIPTION
1	Gear Set	88-63	221-2528S		Incl. (1) 221-2526, (1) 221-2527
1	Cam Gear	88-63	221-2526		Alum.; 54 Teeth
QTY	CAMSHAFT/LIFTER	YEARS	PART NO.	SIZE	DESCRIPTION
1	Camshaft	88-63	CS-551		
12	Lifter	88-63	HT-817 Std Only		Hyd.
12	Lifter, Bulk	88-63	HT-817B Std Only		Hyd.; Carton of 128
1	Prelube	88-63	55-400		4 oz. bottle; 1.5 oz. packet No. 55-403 also avail.
QTY	CAMSHAFT KIT	YEARS	PART NO.	SIZE	DESCRIPTION
1	Cam/Lifter Kit	88-63	KC-551		Hyd.; Incl. (1) CS-551, (12) HT-817, (1) 55-403B
ENGINE BLOCK & PARTS					
QTY	GASKET SETS	YEARS	PART NO.	SIZE	DESCRIPTION
1	Kit Gasket Set	88-85	260-1267		Exh. pipe packing not incl.; Premium valve stem seals incl.
1	Kit Gasket Set	84-81	260-1044		Exh. pipe packing not incl.
1	Kit Gasket Set	80	260-1044		W/24-bolt oil pan
1	Kit Gasket Set	78-63	260-1005		
QTY	CAM BEARINGS	YEARS	PART NO.	SIZE	DESCRIPTION
1	Cam Set	88-71	1557M Std Only		
1	Cam Set	70-65	1203M Std Only		
QTY	FREEZE PLUGS	YEARS	PART NO.	SIZE	DESCRIPTION
1	Brass Block Plug Kit	88-63	381-8006		
CRANKSHAFT/OIL PUMP					
QTY	CRANKSHAFT	YEARS	PART NO.	SIZE	DESCRIPTION
1	Harmonic Balancer Kit	86-63	5000		
1	Crank Gear	88-63	221-2527		27 Teeth
1	Harmonic Balancer Sleeve	86-63	88176		
QTY	SEALS - FRONT CRANK	YEARS	PART NO.	SIZE	DESCRIPTION
1	Redi-Sleeve	86-63	99176		
1	Oil Seal	86-63	9845		
QTY	SEALS - REAR CRANK	YEARS	PART NO.	SIZE	DESCRIPTION
1	Oil Seal Kit	86-68	5092		(Split Seal)
QTY	MAIN BEARINGS	YEARS	PART NO.	SIZE	DESCRIPTION
1	Main Set	88-65	4124MA Std-1-10-20-30-40-50-60		A-Series aluminum bearings
QTY	OIL PUMP	YEARS	PART NO.	SIZE	DESCRIPTION
1	Oil Pump	88-63	224-4147		
1	Oil Pump	88-63	224-4157		High Volume, check pan for clearance
1	Screen Assy.	88-68	224-1647		

(continued on next page)

GMC Truck - M/D & H/D

16 M/D Truck 292 Eng.

(cont.) 4.8L 292 OHV L6 (Chevrolet), 3.875" Bore 1963-88

CYLINDER COMPONENTS

QTY	LINERS	YEARS	PART NO.	SIZE	DESCRIPTION	
1	Repair Sleeve	88-63	SL-20Y Std Only		1/8" wall, must be cut to correct length	
QTY	PISTONS	YEARS	PART NO.	SIZE	DESCRIPTION	
6	Cast Piston	86-63	H909CP Std-20-30-40-60		Hypereutectic; 2-3/32", 1-3/16" Ring Groove, 2.010" CD, .9275" Pin Dia., Recessed Head .312" deep x 3.210" dia. - 7.6:1 C.R.; DUROSHIELD® skirt coated piston	
6	Cast Piston	86-63	H909P + Std-20-30-40-60		Hypereutectic; 2-3/32", 1-3/16" Ring Groove, 2.010" CD, .9275" Pin Dia., Recessed Head .312" deep x 3.210" dia. - 7.6:1 C.R.; When depleted use H909CP	
6	Cast Piston - Individual	86-63	WH909CP Std-20-30-40-60		Hypereutectic; 2-3/32", 1-3/16" Ring Groove, 2.010" CD, .9275" Pin Dia., Recessed Head .312" deep x 3.210" dia. - 7.6:1 C.R.; DUROSHIELD® skirt coated piston	
6	Cast Piston - Individual	86-63	WH909P Std-20-30-40-60		Hypereutectic; 2-3/32", 1-3/16" Ring Groove, 2.010" CD, .9275" Pin Dia., Recessed Head .312" deep x 3.210" dia. - 7.6:1 C.R.	
6	Pin	86-63	P-2208 Std-3-5-0015			
QTY	CONNECTING RODS & BRGS.	YEARS	PART NO.	SIZE	DESCRIPTION	
1	Rod Set	88-65	6-2555A Std-10-20-30		A-Series aluminum bearings	
1	Rod Set	88-65	6-2555CP Std-10-20-30-40		Overplated copper-lead alloy lining material; 6-2555CA 60 avail. as unplated & resizeable	
1	Rod Set	88-85	6-2555CA60 60		Unplated & resizeable	
6	Rod Pair	88-65	2555A Std-1-2-10-20-30-40-50-60		A-Series aluminum bearings	
6	Rod Pair	88-65	2555CP Std-1-2-10-20-30-40-50		Overplated copper-lead alloy	
6	Rod Pair	88-85	2555CA60 60		Unplated & resizeable	
QTY	PISTON RINGS	YEARS	PART NO.	SIZE	DESCRIPTION	
1	Premium Set	88-63	E-217K Std-20-30-40-60		2-3/32, 1-3/16	
1	Premium Set	88-63	E-217KC Std Only		2-3/32, 1-3/16	
1	Standard Set	88-63	E-217X Std-20-30-40-60		2-3/32, 1-3/16	
6	Premium Single Cylinder Set	88-63	WE-217K Std-20-30-40-60		2-3/32, 1-3/16	
6	Standard Single Cylinder Set	88-63	WE-217X Std-20-30-40-60		2-3/32, 1-3/16	
KITS						
RE-RING KIT						
YEARS	DESCRIPTION		QTY	PREMIUM KIT NO.	QTY	ECONOMY KIT NO.
88-86	Incl. A-Series aluminum bearings; Premium valve stem seals incl.	Re-ring	1	205-6036		----
85	Exh. pipe packing not incl.; Incl. A-Series aluminum bearings; Premium valve stem seals incl.	Re-ring	1	205-6036		----
85-80	w/24 bolt oil pan; 1983-85 exh. pipe packing not incl.; Incl. A-Series aluminum bearings	Re-ring	1	205-6266		----
78-63	Incl. A-Series aluminum bearings	Re-ring	1	205-6265		----
88-86	Incl. A-Series aluminum bearings; Premium valve stem seals incl.	Re-ring Re-ring w/Mains	1	----- 205-6036M	1	205-1036 205-1036M
88-86	Incl. Std. Mtl. Rod Brgs.; Exh. pipe packing not incl.	Re-ring w/Mains		-----	1	205-1264M
88-86	Incl. Std. Mtl. Rod Brgs.; exh. pipe packing not incl.	Re-ring w/Mains	1	205-6264M		----
88-86	Incl. Std. Mtl. Rod Brgs.; Exh. pipe packing not incl.	Re-ring		-----	1	205-1264
85	Exh. pipe packing not incl.; Incl. A-Series aluminum bearings; Premium valve stem seals incl.	Re-ring Re-ring w/Mains	1	----- 205-6036M	1	205-1036 205-1036M
85-80	w/24 bolt oil pan; 1983-85 exh. pipe packing not incl.; Incl. A-Series aluminum bearings	Re-ring Re-ring w/Mains	1	----- 205-6266M	1	205-1266 205-1266M
78-63	Incl. A-Series aluminum bearings	Re-ring Re-ring w/Mains	1	----- 205-6265M	1	205-1265 205-1265M
OVERHAUL KIT						
YEARS	DESCRIPTION		QTY	PREMIUM KIT NO.	QTY	ECONOMY KIT NO.
88-86	Incl. A-Series aluminum bearings; Premium valve stem seals incl.	Master	1	MKP-6036A	1	MKP-1036A
		Master w/o Pistons	1	MK-6036A	1	MK-1036A
88-86	Premium valve stem seals incl.	Master w/o Rods & Mains	1	505-6036A	1	505-1036A

(continued on next page)

GMC Truck - M/D & H/D

M/D Truck 292 Eng. 16
4.8L 292 OHV L6 (Chevrolet), 3.875" Bore 1963-88 (cont.)

KITS (cont.)

OVERHAUL KIT (cont.)		QTY	PREMIUM KIT NO.	QTY	ECONOMY KIT NO.
YEARS	DESCRIPTION				
85	Exh. pipe packing not incl.; Incl. A-Series aluminum bearings; Premium valve stem seals incl.	1	MKP-6036A	1	MKP-1036A
		1	MK-6036A	1	MK-1036A
85	Exh. pipe packing not incl.; Premium valve stem seals incl.	1	505-6036A	1	505-1036A
85-80	W/24 bolt oil pan	1	505-607A		-----
85-80	W/24-bolt oil pan		-----	1	505-107A
85-80	W/24-bolt oil pan; Incl. A-Series aluminum bearings	1	MKP-607A	1	MKP-107A
		1	MK-607A	1	MK-107A
78-71		1	505-606C	1	505-106C
78-71	Incl. A-Series aluminum bearings	1	MKP-606C	1	MKP-106C
		1	MK-606C	1	MK-106C
70-63		1	505-606A	1	505-106A
70-63	Incl. A-Series aluminum bearings	1	MKP-606A	1	MKP-106A
		1	MK-606A	1	MK-106A

M/D Truck 302 Eng. H/D Truck 302 Eng. 17
4.9L 302 OHV L6 (GMC), 4" Bore 1952-58

CYL. HEAD & PARTS

QTY	VALVE	YEARS	PART NO.	SIZE	DESCRIPTION
12	Keeper	58-52	VK-216		Exh.; Rotator type; 1 groove
24	Keeper	58-52	VK-115		Exh. & Int.; Non-rotator type; 1 groove; Square cut key groove
24	Keeper	58-52	VK-115R		Exh. & Int.; Non-rotator type; 1 groove; Square cut key groove; Hardened
12	Keeper, Bulk	58-52	VK-216B		Exh.; Rotator type; 1 groove; Carton of 1000
24	Keeper, Bulk	58-52	VK-115B		Exh. & Int.; Non-rotator type; 1 groove; Square cut key groove; Carton of 1000
QTY	VALVE GUIDE	YEARS	PART NO.	SIZE	DESCRIPTION
12	Guide	58-55	VG-509		.3435" ID, 2.1880" O.A.L.
QTY	VALVE SPRING	YEARS	PART NO.	SIZE	DESCRIPTION
12	Spring	58-52	VS-424		2.2500" Free Height
QTY	VALVE SEAL	YEARS	PART NO.	SIZE	DESCRIPTION
12	Valve Stem Seal	58-52	ST-2001		Positive type; Installation requires valve guide machining; Rubber/PTFE
12	Valve Stem Seal	58-52	MV-1233C		O-Ring; Rubber
12	Valve Stem Seal Bulk	58-52	MV-1233		O-Ring; Carton of 100; Rubber
12	Valve Stem Seal Bulk	58-52	ST-2001BC		Positive type; Installation requires valve guide machining; Carton of 100; Rubber/PTFE

CAMSHAFT GROUP

QTY	TIMING	YEARS	PART NO.	SIZE	DESCRIPTION
1	Cam Gear	58-52	221-2500		Silent type; 54 Teeth
QTY	CAMSHAFT/LIFTER	YEARS	PART NO.	SIZE	DESCRIPTION
12	Lifter	58-52	AT-887	Std Only	Mech.
1	Prelube	58-52	55-400		4 oz. bottle; 1.5 oz. packet No. 55-403 also avail.

ENGINE BLOCK & PARTS

QTY	CAM BEARINGS	YEARS	PART NO.	SIZE	DESCRIPTION
1	Cam Set	58-52	1094M	Std Only	

CRANKSHAFT/OIL PUMP

QTY	CRANKSHAFT	YEARS	PART NO.	SIZE	DESCRIPTION
1	Harmonic Balancer Kit	58-52	5000		
1	Harmonic Balancer Sleeve	58-52	88176		
QTY	SEALS - FRONT CRANK	YEARS	PART NO.	SIZE	DESCRIPTION
1	Redi-Sleeve	58-52	99176		
1	Oil Seal	58-52	9845		
QTY	MAIN BEARINGS	YEARS	PART NO.	SIZE	DESCRIPTION
1	Main Set	58-52	697M	Std-10-20	

(continued on next page)

GMC Truck - M/D & H/D

17 M/D Truck 302 Eng. H/D Truck 302 Eng. (cont.) 4.9L 302 OHV L6 (GMC), 4" Bore 1952-58

CYLINDER COMPONENTS					
QTY	PISTONS	YEARS	PART NO.	SIZE	DESCRIPTION
6	Pin Bushing	55-54	9849V		Split type bushing
QTY	CONNECTING RODS & BRGS.	YEARS	PART NO.	SIZE	DESCRIPTION
6	Rod Pair	58-52	1905CP	Std-10-20	

18 M/D Truck 305, 305C Engs. 5.0L 305 OHV V6 (GMC), 4.25" Bore 1960-74

CYL. HEAD & PARTS					
QTY	VALVE	YEARS	PART NO.	SIZE	DESCRIPTION
6	Exhaust	74-60	V-1558	Std Only	Eng. Codes "A", "D" & "E"; Use w/o rotocap; w/o seal groove; w/o seal groove; Use w/o Rotocaps; 1.5669" Head Dia., .3406" Stem Dia., 5.9094" O.A.L. 1 groove; Square cut key groove 1 groove; Square cut key groove; Hardened 1 groove; Square cut key groove; Carton of 1000
24	Keeper	74-60	VK-115		
24	Keeper	74-60	VK-115R		
24	Keeper, Bulk	74-60	VK-115B		
QTY	VALVE SEAT	YEARS	PART NO.	SIZE	DESCRIPTION
6	Exh.	74-60	245-1687-2N	Std Only	Premium Material; 1.6925" OD, 1.4375" ID, .2160" Depth 1.6925" OD, 1.4375" ID, .2160" Depth 2.0680" OD, 1.8125" ID, .2480" Depth
6	Exh.	74-60	245-1687-2	Std Only	
6	Int.	74-60	245-2062-1	Std Only	
QTY	VALVE GUIDE	YEARS	PART NO.	SIZE	DESCRIPTION
6	Guide	74-60	VG-5037		Int.; .3420" ID, 2.7500" O.A.L.
QTY	PUSH RODS	YEARS	PART NO.	SIZE	DESCRIPTION
12	Push Rod	74-60	RP-3099		7.9890" O.A.L.
QTY	VALVE SEAL	YEARS	PART NO.	SIZE	DESCRIPTION
12	Valve Stem Seal	74-60	ST-2001		Positive type; Installation requires valve guide machining; Rubber/PTFE O-Ring; Rubber O-Ring; Carton of 100; Rubber Positive type; Installation requires valve guide machining; Carton of 100; Rubber/PTFE
12	Valve Stem Seal	74-60	MV-1233C		
12	Valve Stem Seal Bulk	74-60	MV-1233		
12	Valve Stem Seal Bulk	74-60	ST-2001BC		

CAMSHAFT GROUP					
QTY	CAMSHAFT/LIFTER	YEARS	PART NO.	SIZE	DESCRIPTION
12	Lifter	70-60	AT-874	Std Only	Mech.
1	Prelube	70-60	55-400		4 oz. bottle; 1.5 oz. packet No. 55-403 also avail.

ENGINE BLOCK & PARTS					
QTY	CAM BEARINGS	YEARS	PART NO.	SIZE	DESCRIPTION
1	Cam Set	72-60	1198M	Std Only	
QTY	FREEZE PLUGS	YEARS	PART NO.	SIZE	DESCRIPTION
1	Brass Block Plug Kit	74-60	381-8019		

CRANKSHAFT/OIL PUMP					
QTY	SEALS - FRONT CRANK	YEARS	PART NO.	SIZE	DESCRIPTION
1	Redi-Sleeve	74-60	99240		
1	Oil Seal	74-60	480574H		
QTY	MAIN BEARINGS	YEARS	PART NO.	SIZE	DESCRIPTION
1	Main Set	72-60	4067MA	Std Only	A-Series aluminum bearings; Undersize brgs. can be used, but the surface hardness of the crankshaft should be restored after grinding through a suitable heat treatment process
QTY	OIL PUMP	YEARS	PART NO.	SIZE	DESCRIPTION
1	Oil Pump	74-60	224-41154		3/8" dia. mounting holes; Governor spinner not incl., Re-use original if req'd.

CYLINDER COMPONENTS					
QTY	PISTONS	YEARS	PART NO.	SIZE	DESCRIPTION
6	Pin Bushing	74-60	2404Y20		
QTY	CONNECTING RODS & BRGS.	YEARS	PART NO.	SIZE	DESCRIPTION
6	Rod Pair	74-60	2400P	Std-10-20-30	Undersize brgs. can be used, but the surface hardness of the crankshaft should be restored after grinding through a suitable heat treatment process
QTY	PISTON RINGS	YEARS	PART NO.	SIZE	DESCRIPTION
1	Premium Set	74-60	5659KX	Std-30-40-60	3-3/32, 1-3/16

GMC Truck - M/D & H/D

M/D Truck 307 Eng. 19
5.0L 307 OHV V8 (Chevrolet), 3.875" Bore 1968-70

CYL. HEAD & PARTS

QTY	HEAD BOLTS	YEARS	PART NO.	SIZE	DESCRIPTION
1	Head Bolt Set	70-68	260-2500		Replacement recommended
QTY	VALVE	YEARS	PART NO.	SIZE	DESCRIPTION
8	Intake	70-68	V-1927 Std-15		Chrome plated stem; 1.7200" Head Dia., .3413" Stem Dia., 4.9170" O.A.L.
8	Intake	70-68	V-1928 Std Only		Optional-H/D; Chrome plated stem; 1.7200" Head Dia., .3420" Stem Dia., 4.9170" O.A.L.
8	Intake, Bulk	70-68	V-1927B Std Only		Chrome plated stem; Carton of 25; 1.7200" Head Dia., .3413" Stem Dia., 4.9170" O.A.L.
8	Exhaust	70-68	V-1888X Std-15		Chrome plated stem; Stellite face; 1.5000" Head Dia., .3412" Stem Dia., 4.9230" O.A.L.
8	Exhaust	70-68	V-1199 Std-3-5-15-30		1.5000" Head Dia., .3415" Stem Dia., 4.9280" O.A.L.
8	Exhaust, Bulk	70-68	V-1199B Std Only		Carton of 25; 1.5000" Head Dia., .3415" Stem Dia., 4.9280" O.A.L.
32	Keeper	70-68	VK-115		1 groove; Square cut key groove
32	Keeper	70-68	VK-115R		1 groove; Square cut key groove; Hardened
32	Keeper, Bulk	70-68	VK-115B		1 groove; Square cut key groove; Carton of 1000
QTY	VALVE SEAT	YEARS	PART NO.	SIZE	DESCRIPTION
8	Exh.	70-68	245-1562-2N Std Only		Premium Material; 1.5675" OD, 1.3125" ID, .2480" Depth
8	Exh.	70-68	245-1562-2 Std Only		1.5675" OD, 1.3125" ID, .2480" Depth
8	Int.	70-68	245-1812-3 Std Only		1.8175" OD, 1.5000" ID, .2160" Depth
QTY	VALVE SPRING	YEARS	PART NO.	SIZE	DESCRIPTION
16	Spring	70-68	VS-677		Incl. damper; 2.0300" Free Height
16	Spring	70-68	VS-739R		Optional-H/D; 2.0000" Free Height
16	Spring, Bulk	70-68	VS-677B		Incl. damper; Carton of 250; 2.0300" Free Height
16	Spring, Bulk	70-68	VS-739RB		Optional-H/D; Carton of 300; 2.0000" Free Height
16	Spring Insert	70-68	259-201B		.030"; Carton of 100
16	Spring Insert	70-68	259-201A		.060"; Carton of 100
16	Spring Insert	70-68	259-201ARS		.060"; Carton of 500
QTY	PUSH RODS	YEARS	PART NO.	SIZE	DESCRIPTION
16	Push Rod	70-68	RP-3212R		Chrome-Moly; 7.7900" O.A.L.
16	Push Rod	70-68	RP-3212R100		Chrome-Moly; 7.8900" O.A.L.
16	Push Rod	70-68	RP-3212R150		Chrome-Moly; 7.9400" O.A.L.
16	Push Rod	70-68	RP-3212R200		Chrome-Moly; 7.9900" O.A.L.
16	Push Rod	70-68	RP-3093		7.7940" O.A.L.
16	Push Rod, Bulk	70-68	BRP-3093		Carton of 100; 7.7940" O.A.L.
16	Push Rod, Bulk	70-68	BRP-3212R		Chrome-Moly; Carton of 100; 7.7900" O.A.L.
16	Push Rod, Bulk	70-68	BRP-3212R100		Chrome-Moly; Carton of 100; 7.8900" O.A.L.
QTY	VALVE SEAL	YEARS	PART NO.	SIZE	DESCRIPTION
16	Valve Stem Seal	70-68	ST-2001		Positive type; Installation requires valve guide machining; Rubber/PTFE
16	Valve Stem Seal	70-68	MV-1233C		O-Ring; Rubber
16	Valve Stem Seal Bulk	70-68	MV-1233		O-Ring; Carton of 100; Rubber
16	Valve Stem Seal Bulk	70-68	ST-2001BC		Positive type; Installation requires valve guide machining; Carton of 100; Rubber/PTFE
QTY	ROCKER PARTS	YEARS	PART NO.	SIZE	DESCRIPTION
16	Arm Assy.	70-68	R-826		Incl. arm, ball & nut
16	Arm Assy., Bulk	70-68	R-826B		Incl. arm, ball & nut; Carton of 64
16	Arm	70-68	R-826A		
16	Pivot Ball	70-68	MR-1783		
16	Pivot Ball	70-68	MR-1822		H/D 4 groove ball
16	Nut	70-68	MR-1751		Self-locking, 3/8" x 24 threads
16	Stud	70-68	MR-1752		.003" O/S, 3/8" x 24 x 2.495"
16	Stud	70-68	MR-1949		.372" x 24 x 2.495"
CAMSHAFT GROUP					
QTY	TIMING	YEARS	PART NO.	SIZE	DESCRIPTION
1	3 Piece Set	70-68	KT3-499S		Powdered Metal Crank Sprocket; w/.405" tooth width sprocket; Incl. (1) 222-499, (1) 223-390, (1) 223-391
1	Timing Chain	70-68	222-499		Use w/.405" tooth width sprocket; 46 Links
1	Crank Sprocket	70-68	223-391		Powdered metal; .405" tooth width sprocket; 18 Teeth
1	Cam Sprocket	70-68	223-390		.405" tooth width sprocket; 36 Teeth
1	Cam Sprocket	70-68	223-390N		Nylon; .405" tooth width sprocket; 36 Teeth
QTY	CAMSHAFT/LIFTER	YEARS	PART NO.	SIZE	DESCRIPTION
1	Camshaft	70-68	CS-274		
16	Lifter	70-68	HT-817 Std Only		Hyd.
16	Lifter, Bulk	70-68	HT-817B Std Only		Hyd.; Carton of 128
1	Prelube	70-68	55-400		4 oz. bottle; 1.5 oz. packet No. 55-403 also avail.

(continued on next page)

GMC Truck - M/D & H/D

19 M/D Truck 307 Eng.

(cont.) 5.0L 307 OHV V8 (Chevrolet), 3.875" Bore 1968-70

CAMSHAFT GROUP (cont.)					
QTY	CAMSHAFT KIT	YEARS	PART NO.	SIZE	DESCRIPTION
1	Cam/Lifter Kit	70-68	KC-274		Hyd.; Incl. (1) CS-274, (16) HT-817, (1) 55-403B
1	Cam/Lifter/Timing Kit	70-68	KCT-274		Hyd.; w/.405" tooth width sprocket; Incl. (1) CS-274, (16) HT-817, (1) KT3-499S, (1) 55-403B
ENGINE BLOCK & PARTS					
QTY	GASKET SETS	YEARS	PART NO.	SIZE	DESCRIPTION
1	Kit Gasket Set	70-68	260-1000AT		w/o Exh. pipe packing; PermaDryPlus® valve cover & oil pan gskts. incl.; PermaDryPlus® water outlet gskt. incl.
1	Kit Gasket Set	70-68	260-1000		Head bolts not incl.
QTY	CAM BEARINGS	YEARS	PART NO.	SIZE	DESCRIPTION
1	Cam Set	70-68	1235M Std-1-10		Babbitt material; Full round design
1	Cam Set	70-68	1749M Std Only		Bi-Metal Aluminum
1	Cam Set	70-68	1750M Std Only		2.030" housing bore
CRANKSHAFT/OIL PUMP					
QTY	CRANKSHAFT	YEARS	PART NO.	SIZE	DESCRIPTION
1	Harmonic Balancer Kit	70-68	5000		
1	Harmonic Balancer Sleeve	70-68	88176		
QTY	SEALS - FRONT CRANK	YEARS	PART NO.	SIZE	DESCRIPTION
1	Redi-Sleeve	70-68	99176		
1	Oil Seal	70-68	9845		
QTY	SEALS - REAR CRANK	YEARS	PART NO.	SIZE	DESCRIPTION
1	Oil Seal Kit	70-68	5092		(Split Seal)
QTY	MAIN BEARINGS	YEARS	PART NO.	SIZE	DESCRIPTION
1	Main Set	70-68	4663M Std-1-2-10-20-30-40-60		
1	Main Set	70-68	6688M10 10-20-30		.020" O/S length flange brg.
1	Main Set	70-68	4663MA Std-1-2-10-20-30-40-60		A-Series aluminum bearings
1	Main Set	70-68	7329MA10 10-20		A-Series aluminum bearings; .010" O/S length flange brg.
QTY	OIL PUMP	YEARS	PART NO.	SIZE	DESCRIPTION
1	Oil Pump	70-68	224-4146A		High Pressure; 5/8" inlet
1	Oil Pump	70-68	224-4143		High Volume, check pan for clearance; 5/8" inlet; Use shaft w/steel guide
1	Oil Pump	70-68	224-4146		5/8" inlet
1	Inter. Shaft	70-68	224-6146E		Has steel shaft guide; Eliminates nylon shaft guide
1	Inter. Shaft	70-68	224-6146		Use w/nylon shaft guide
1	Screen Assy.	70-68	224-1146		5/8" inlet
1	Oil Pump Shaft Guide	70-68	224-43343		Nylon
CYLINDER COMPONENTS					
QTY	PISTONS	YEARS	PART NO.	SIZE	DESCRIPTION
8	Cast Piston	70-68	295P Std-20-30-40-60		Cast; 2-5/64", 1-3/16" Ring Groove, 1.655" CD, .9275" Pin Dia., Flat Head w/4 valve reliefs
8	Cast Piston - Individual	70-68	W295P Std Only		Cast; 2-5/64", 1-3/16" Ring Groove, 1.655" CD, .9275" Pin Dia., Flat Head w/4 valve reliefs
QTY	CONNECTING RODS & BRGS.	YEARS	PART NO.	SIZE	DESCRIPTION
1	Rod Set	70-68	8-2555A Std-1-2-10-20-30-40-50-60		A-Series aluminum bearings
1	Rod Set	70-68	8-2555A10X2 10X2-20X2-30X2-40X2		A-Series aluminum bearings; Use in .002" O/S Rod Bore
1	Rod Set	70-68	8-2555CP10X2 10X2-20X2-40X2		Use in .002" O/S Rod Bore; Overplated copper-lead alloy
1	Rod Set	70-68	8-2555CP Std-1-2-10-20-30-40-50		8-2555CA 60 avail. as unplated & resizeable; Overplated copper-lead alloy
1	Rod Set	70-68	8-2555CA60 60		Unplated & resizeable
8	Rod Pair	70-68	2555A Std-1-2-10-20-30-40-50-60		A-Series aluminum bearings
8	Rod Pair	70-68	2555CP Std-1-2-10-20-30-40-50		Overplated copper-lead alloy
8	Rod Pair	70-68	2555CA60 60		Unplated & resizeable
QTY	PISTON RINGS	YEARS	PART NO.	SIZE	DESCRIPTION
1	Premium Set	70-68	E-245K Std-20-30-40-60		2-5/64, 1-3/16
1	Standard Set	70-68	E-245X Std-20-30-40-60-80		2-5/64, 1-3/16

(continued on next page)

GMC Truck - M/D & H/D

M/D Truck 307 Eng. 19
5.0L 307 OHV V8 (Chevrolet), 3.875" Bore 1968-70 (cont.)

CYLINDER COMPONENTS (cont.)

QTY	PISTON RINGS (cont.)	YEARS	PART NO.	SIZE	DESCRIPTION
8	Premium Single Cylinder Set	70-68	WE-245K Std-30-40-60		2-5/64, 1-3/16
8	Standard Single Cylinder Set	70-68	WE-245X Std-20-30-40-60-80		2-5/64, 1-3/16

KITS

RE-RING KIT					QTY	PREMIUM KIT NO.	QTY	ECONOMY KIT NO.
YEARS	DESCRIPTION							
70-68	Incl. A-Series aluminum bearings		Re-ring		1	205-6283		----
70-68	Incl. A-Series aluminum bearings		Re-ring			----	1	205-1283
			Re-ring w/Mains		1	205-6283M	1	205-1283M

OVERHAUL KIT					QTY	PREMIUM KIT NO.	QTY	ECONOMY KIT NO.
YEARS	DESCRIPTION							
70-68	Incl. 5/8" inlet oil pump; w/.405" tooth width sprocket		Master w/o Rods & Mains		1	505-620A	1	505-120A
70-68	Incl. A-Series aluminum bearings; Incl. 5/8" inlet oil pump; w/.405" tooth width sprocket		Master		1	MKP-620B	1	MKP-120B
			Master w/o Pistons		1	MK-620B	1	MK-120B

M/D Truck 6V-53 (2-Valve or 4-Valve Cyl. Head), 6V-53N (4-Valve Cyl. Head) Engs. H/D 20
Truck 6V-53 (2-Valve or 4-Valve Cyl. Head), 6V-53N (4-Valve Cyl. Head) Engs.
5.2L 318 OHV Diesel V6, 3.875" Bore (Detroit Diesel Eng.) 1962-73

CYL. HEAD & PARTS

QTY	GASKETS	YEARS	PART NO.	SIZE	DESCRIPTION
2	Valve Cover Gasket	73-62	FP-8925273		w/Cast Alum. valve cover
2	Valve Cover Gasket	73-62	FP-5147994		w/Stamped Steel valve cover
6	Head Gasket	73-62	FP-5121254		
2	Head Set	73-62	FP-5199820		Military spec.; Services One Head
2	Head Set	73-62	FP-5199811		Services One Head
4	O-Ring	73-62	FP-5116122		Oil Hole seal
4	Bolt	73-62	FP-8927580		3/8" - 16 x .875"
4	Bolt	73-62	FP-8927581		3/8" - 16 x 1"
4	Bolt	73-62	FP-8927581		3/8" - 16 x 1"
16	Bolt	73-62	FP-5121263		5/8" - 11 x 6.250", 12 Pt. Head
4	Lock Washer	73-62	FP-103321		3/8"
4	Isolator Bushing	73-62	FP-5104515		Rocker cover bolt

QTY	HEAD BOLTS	YEARS	PART NO.	SIZE	DESCRIPTION
4	Washer	73-62	FP-5104514		Rocker cover bolt; .47" x 2.00" x .20"

QTY	MISCELLANEOUS	YEARS	PART NO.	SIZE	DESCRIPTION
6	Pipe Plug	73-62	FP-5121182		1/4" - 18; Hex head
6	Pipe Plug	73-62	FP-8923847		1/4" x 18 NPTF; Square head
2	Pipe Plug	73-62	FP-8924380		1/8" - 27
12	Bolt	73-62	FP-443603		.250" x 20 x .750"

QTY	FREEZE PLUGS	YEARS	PART NO.	SIZE	DESCRIPTION
6	Pipe Plug	73-62	FP-5121182		1/4" - 18; Hex head
6	Pipe Plug	73-62	FP-8923847		1/4" x 18 NPTF; Square head
2	Pipe Plug	73-62	FP-8924380		1/8" - 27
3	Expansion Plug	73-62	FP-5151449		.8125" Dia.
3	Expansion Plug	73-62	FP-5139997		.875" Dia.
4	Expansion Plug	73-62	FP-5154453		Cyl. head; 3/8" - 16 Headless Special
1	Expansion Plug	73-62	FP-8926347		Fuse Cyl. head

QTY	VALVE	YEARS	PART NO.	SIZE	DESCRIPTION
12	Exhaust Valve Kit	73-62	FP-5195948		Exh.; 2 Valve Head; 30 Deg.
24	Exhaust Valve Kit	73-62	FP-5199323		Exh.; 4 Valve Head; 30 Deg.
48	Keeper	73-62	FP-5116341		Exh.; 4 Valve Head

QTY	VALVE SEAT	YEARS	PART NO.	SIZE	DESCRIPTION
24	Exh.	73-62	FP-5196752	10	4 Valve Head; 30 Deg. seat; .010" O/S; 1.1710" OD, .0910" ID, .2220" Depth
24	Exh.	73-62	FP-8921501	STD	4 Valve Head; 30 Deg. seat; 1.1610" OD, .0910" ID, .2220" Depth

QTY	VALVE GUIDE	YEARS	PART NO.	SIZE	DESCRIPTION
24	Guide	73-62	FP-5129919		Exh.; 2 Valve Head; 2 3/8" length; .3130" ID, 2.3800" O.A.L.

QTY	VALVE SPRING	YEARS	PART NO.	SIZE	DESCRIPTION
24	Spring	73-62	FP-5144019		Exh.; 4 Valve Head; .135" Wire Dia.
24	Spring	73-62	FP-5147424		Exh.; 4 Valve Head; .148" Wire Dia.
24	Spring Insert	73-62	FP-5111467		4 Valve Head
24	Spring Cap	73-62	FP-5123330		Exh.; 4 Valve Head

(continued on next page)

GMC Truck - M/D & H/D

20 M/D Truck 6V-53 (2-Valve or 4-Valve Cyl. Head), 6V-53N (4-Valve Cyl. Head) Engs. H/D
 (cont.) Truck 6V-53 (2-Valve or 4-Valve Cyl. Head), 6V-53N (4-Valve Cyl. Head) Engs.
 5.2L 318 OHV Diesel V6, 3.875" Bore (Detroit Diesel Eng.) 1962-73

CYL. HEAD & PARTS (cont.)

QTY	PUSH RODS	YEARS	PART NO.	SIZE	DESCRIPTION
18	Push Rod	73-62	FP-5128640		
18	Push Rod Seat	73-62	FP-5123250		Lower
18	Push Rod Seat	73-62	FP-5108919		Upper; Cup type
18	Push Rod Seat	73-62	FP-5150302		Upper; Flange type
18	Push Rod Spring	73-62	FP-5186858		.177" Wire diameter
18	Push Rod Spring	73-62	FP-5108918		.192" Wire diameter
18	Push Rod Retainer	73-62	FP-5150303		
18	Lock Nut	73-62	FP-5151601		5/16" - 24

QTY	VALVE SEAL	YEARS	PART NO.	SIZE	DESCRIPTION
24	Valve Stem Seal	73-62	FP-8921741		Exh.; 4 Valve Head

QTY	ROCKER PARTS	YEARS	PART NO.	SIZE	DESCRIPTION
6	Arm Assy.	73-62	FP-8923554		Injector Rocker; 4 Valve Head
6	Arm Assy.	73-62	FP-5135267		LH; 4 Valve Head
6	Arm Assy.	73-62	FP-5135268		RH; 4 Valve Head
6	Rocker Shaft	73-62	FP-5116072		
12	Arm Support	73-62	FP-5116128		
6	Rocker Bushing	73-62	FP-8924355		Injector Rocker; Large
6	Rocker Bushing	73-62	FP-8924354		Injector Rocker; Small
30	Rocker Bushing	73-62	FP-5123700		Rocker Arm Clevis; .5625" OD
18	Follower Assy.	73-62	FP-8924439		
6	Follower Guide	73-62	FP-5116125		
18	Cam Follower Roller Set	73-62	FP-8923814		Incl. pin & roller
12	Valve Bridge	73-62	FP-5135262		Exh.
18	Rocker Arm Clevis Pin	73-62	FP-5150314		
12	Lock Washer	73-62	FP-103319		.250"

METERS

QTY	METERS	YEARS	PART NO.	SIZE	DESCRIPTION
1	Tachometer Drive Shaft	73-62	FP-3224992		.061" Key
1	Accessory Drive Gasket	73-62	FP-23515145		Tach. Drive Adaptor
1	Washer	73-62	FP-5150568		Tach. Drive; 7/16" x 3/4" x 1/16"; Copper
2	Lock Washer	73-62	FP-103320		Air Shut-Off Control; 5/16"
2	Lock Washer	73-62	FP-103320		Tach. Drive Adaptor; 5/16"
1	Oil Seal	73-62	FP-5135820		Tach. Drive Adaptor
1	Oil Seal	73-62	FP-3202615		Tach. Drive Cover
1	Pipe Plug	73-62	FP-5121182		Water Temp. Switch; 1/4" - 18; Hex head

INT & EXH MANIFOLDS

QTY	INT. & EXH. MANIFOLDS	YEARS	PART NO.	SIZE	DESCRIPTION
10	Lock Washer	73-62	FP-103321		Exh. Manifold; 3/8"
2	Exhaust Manifold Gasket	73-62	FP-5116205		
4	Pipe Plug	73-62	FP-5121182		Exh. Manifold; 1/4" - 18; Hex head
8	Washer	73-62	FP-5104439		Exh. Manifold; 7/16" x 1.250" Dia.; Dished
2	Clamp	73-62	FP-23506306		Exh. Manifold; 4.55" Dia.
2	Hose Clamp	73-62	FP-5137620		Exh. Manifold; 3.66" Dia.

QTY	AIR INTAKE	YEARS	PART NO.	SIZE	DESCRIPTION
1	Air Intake Housing Gasket	73-62	FP-5124405		
1	Air Intake Housing Gasket	73-62	FP-8924563		Air Inlet Housing
1	Air Intake Housing Gasket	73-62	FP-5123703		Air Inlet Housing; 5.68" ID, w/Eight 13/32" Holes
2	Air Cleaner Mtg. Adapter Gskt	73-62	FP-5127247		Air Inlet Housing
6	Bolt	73-62	FP-8927581		3/8" - 16 x 1"
6	Lock Washer	73-62	FP-103321		Air Inlet Housing; 3/8"
2	O-Ring	73-62	FP-5182977		Air Inlet Housing Shutdown Valve Shaft

CAMSHAFT GROUP

QTY	TIMING	YEARS	PART NO.	SIZE	DESCRIPTION
1	Idle Gear Hub Assembly	73-62	FP-5124458		
1	Ball Brg.	73-62	FP-5196793		

QTY	CAMSHAFT TIMING	YEARS	PART NO.	SIZE	DESCRIPTION
2	Camshaft Pulley Spacer	73-62	FP-5106360		Front
2	Camshaft Pulley Spacer	73-62	FP-5121071		Front

QTY	CAMSHAFT/LIFTER	YEARS	PART NO.	SIZE	DESCRIPTION
1	Camshaft	73-62	FP-5126934		LH & RH; Stamped FP-5126834; V7; Use w/FP-5144019 Spring; Types 60, 277, 297, 299
2	Oil Seal	73-62	FP-23516871		Front
2	Camshaft Plug	73-62	FP-5151277		.500" Drive; 15/32" x 1/2"

(continued on next page)

GMC Truck - M/D & H/D

M/D Truck 6V-53 (2-Valve or 4-Valve Cyl. Head), 6V-53N (4-Valve Cyl. Head) Engs. H/D 20
Truck 6V-53 (2-Valve or 4-Valve Cyl. Head), 6V-53N (4-Valve Cyl. Head) Engs. (cont.)
 5.2L 318 OHV Diesel V6, 3.875" Bore (Detroit Diesel Eng.) 1962-73

CAMSHAFT GROUP (cont.)

QTY	CAMSHAFT/LIFTER (cont.)	YEARS	PART NO.	SIZE	DESCRIPTION
2	Woodruff Key	73-62	FP-8926248		.1875" x .625"

ACCESSORY DRIVE

QTY	ACCESSORY DRIVE	YEARS	PART NO.	SIZE	DESCRIPTION
1	Accessory Drive Gasket	73-62	FP-23515145		
1	Oil Seal	73-62	FP-5131329		Accessory drive assy.
1	Ball Brg.	73-62	FP-23504528		Accessory drive assy.
3	Lock Washer	73-62	FP-103320		Accessory drive assy.; 5/16"

FUEL SYSTEM & PARTS

QTY	FUEL INJECTION	YEARS	PART NO.	SIZE	DESCRIPTION
3	Fuel Injector Seal Ring	73-62	FP-5234281		
3	Fuel Injector Seal Ring	73-62	FP-5104701		Viton®
3	Injector Hole Tube Kit	73-62	FP-8925981		Viton®
6	Washer	73-62	FP-5150250		
6	Clamp	73-62	FP-5121259		
6	Fuel Injector	73-62	FP-5229345		Injector Assembly C45
6	Fuel Injector Repair Kit	73-62	FP-5229649		
6	Fuel Injection Valve Cage	73-62	FP-5228696		
6	Fuel Injection Spring Seat	73-62	FP-5228766		
6	Fuel Injector Valve Spring	73-62	FP-5228596		
6	Fuel Injector Check Valve	73-62	FP-5228694		
6	Fuel Pump Check Valve	73-62	FP-5226411		
6	Fuel Pump Check Valve	73-62	FP-5228308		Incl. injector valve & 5228106 seat
6	Injector Plunger & Bushing	73-62	FP-5229342		For Inj. Assembly C40
6	Injector Plunger & Bushing	73-62	FP-5229346		For Inj. Assembly C45
6	Injector Plunger & Bushing	73-62	FP-5229354		For Inj. Assembly C50
6	Injector Plunger & Bushing	73-62	FP-5228684		For Inj. Assembly N45, 5N45
6	Injector Plunger & Bushing	73-62	FP-5228749		For Inj. Assembly N50
6	Injector Plunger & Bushing	73-62	FP-5228495		For Inj. Assembly S45
6	Injector Plunger & Bushing	73-62	FP-5228656		For Inj. Assembly 5A60
6	Fuel Injector Tip Kit	73-62	FP-5228491		
6	Fuel Injector Tip Kit	73-62	FP-5229034		For Inj. Assembly N35, N40, N45, N50, C40, C45, C50
6	Fuel Injector Tip Kit	73-62	FP-5229030		For Inj. Assembly 5A50, 5A55, 5A60
6	Fuel Injector Tip Kit	73-62	FP-5229026		For Inj. Assembly 5N45
6	Nut	73-62	FP-5228601		NV
6	Fuel Injector Valve Kit	73-62	FP-5228313		
6	Fuel Injector Valve Kit	73-62	FP-5228769		
1	Fuel Line Connector	73-62	FP-8924195		Restrictor; .080" Restrictor
6	Fuel Injector Roller Pin	73-62	FP-5228608		

QTY	FUEL FILTERS & PUMP	YEARS	PART NO.	SIZE	DESCRIPTION
1	Mechanical Fuel Pump	73-62	FP-5199735		LH; High Output; High output; w/.375" Gear
1	Mechanical Fuel Pump	73-62	FP-5199560		LH; Standard Output; Std. output; w/.250" Gear
1	Mechanical Fuel Pump	73-62	FP-5199734		RH; High Output; High output
1	Mechanical Fuel Pump	73-62	FP-5199561		RH; Standard Output
1	Fuel Pump Shaft & Gear	73-62	FP-5146705		High Output; Fuel Pump Drive; 3.09" Length; High Output
1	Fuel Pump Shaft & Gear	73-62	FP-5100313		High Output; Fuel Pump Drive; .963" Length; High Output
1	Fuel Pump Shaft & Gear	73-62	FP-5181746		Standard Output; Fuel Pump Drive; 3.09" Length; Std. Output
1	Fuel Pump Shaft & Gear	73-62	FP-5181747		Standard Output; Fuel Pump Drive; .838" Length; Std. Output
1	Fuel Pump Valve	73-62	FP-5174973		
1	Fuel Pump Gear	73-62	FP-5107088		Fuel Pump Drive; LH Helix
1	Fuel Pump Gear	73-62	FP-5118915		High Output; Fuel Pump Drive; .374" Width; High Output
1	Fuel Pump Gear	73-62	FP-5128217		High Output; Fuel Pump Drive; .374" Width; High Output
1	Fuel Pump Gear	73-62	FP-5174975		Standard Output; Fuel Pump Drive; .294" Width; Std. Output
1	Fuel Pump Gear	73-62	FP-5181748		Standard Output; Fuel Pump Drive; .294" Width; Std. Output
1	Fuel Pump Drive Shaft	73-62	FP-5100312		High Output; Fuel Pump Drive; .963" Length; High Output
1	Fuel Pump Drive Shaft	73-62	FP-5178700		Standard & High Output; Fuel Pump Drive; 3.09" Length
1	Fuel Pump Drive Shaft	73-62	FP-5181749		Standard Output; Fuel Pump Drive; .838" Length; Std. Output
1	Fuel Pump Check Valve	73-62	FP-5174924		1/4" Swing type
1	Fuel Pump Check Valve	73-62	FP-5135308		3/8" Swing type
6	Fuel Line Connector	73-62	FP-8926992		Fuel Pipe
1	Fuel Pump Relief Valve Spring	73-62	FP-5184530		
1	O-Ring	73-62	FP-5179232		.424" x .103"
1	O-Ring	73-62	FP-5179232		Check Valve Seal Ring; .424" x .103"
2	Oil Seal	73-62	FP-23512243		Fuel pump
1	Fuel Pump Valve Plug Gasket	73-62	FP-5161003		Fuel pump
3	Bolt	73-62	FP-8925603		Fuel pump mounting; 5/16" - 18 x 3/4"; Vibra-Tite®
1	Fuel Pump Repair Part	73-62	FP-5174971		Fuel Pump Valve; .500" x 20 plug

(continued on next page)

GMC Truck - M/D & H/D

20 M/D Truck 6V-53 (2-Valve or 4-Valve Cyl. Head), 6V-53N (4-Valve Cyl. Head) Engs. H/D
 (cont.) Truck 6V-53 (2-Valve or 4-Valve Cyl. Head), 6V-53N (4-Valve Cyl. Head) Engs.
 5.2L 318 OHV Diesel V6, 3.875" Bore (Detroit Diesel Eng.) 1962-73

FUEL SYSTEM & PARTS (cont.)

QTY	FUEL FILTERS & PUMP (cont.)	YEARS	PART NO.	SIZE	DESCRIPTION
1	Fuel Pump Drive Adapter Gskt.	73-62	FP-5150193		Fuel pump mounting; w/Limiting Speed Gov.
1	Fuel Pump Repair Kit	73-62	FP-5149599		High Output; High output; Short Shaft
1	Fuel Pump Repair Kit	73-62	FP-5195078		Standard Output; Std. output
1	Pipe Plug	73-62	FP-5121182		Fuel Pump; 1/4" - 18; Hex head
2	Pipe Plug	73-62	FP-8924380		1/8" - 27
2	Plastic Cap	73-62	FP-5136240		Fuel pump body; .250" Dia.
1	Plastic Cap	73-62	FP-5136241		Fuel pump body; .780" Dia., 3/8" NPTF
1	Dowel Pin	73-62	FP-103709		5/32" x 1" straight
1	Ball Brg.	73-62	FP-147481		Fuel Pump Shaft; .125" Dia. Steel
1	Bushing	73-62	FP-5198558		3/8" x 1/4"
12	Copper Washer	73-62	FP-5152148		25/64" ID x 9/16" OD x 1/16" Thick; Copper
12	Washer	73-62	FP-8925644		Fuel Pipe Connector
12	Washer	73-62	FP-5150568		7/16" x 3/4" x 1/16"; Copper

BLOWER

QTY	BLOWER	YEARS	PART NO.	SIZE	DESCRIPTION
4	Oil Seal	73-62	FP-5138710		Blower End Plate
4	Oil Seal	73-62	FP-5199366		Blower End Plate; Use w/FP5199366 Sleeve
4	Oil Seal	73-62	FP-5142266		Blower End Plate; Use w/New Counterbored End Plates
4	Wear Sleeve	73-62	FP-5199368		Blower Rotor Shaft; Use w/FP5199366 Seal
1	Gasket	73-62	FP-124546		Woodruff Key; Woodruff Key; 5/32" x 5/8"
1	O-Ring	73-62	FP-8923959		Blower By-pass Valve
2	Pipe Plug	73-62	FP-8924380		Blower End Plate; 1/8" - 27
1	Clamp	73-62	FP-5144768		Blower Drive Cover
1	Washer	73-62	FP-5116316		Blower Rotor Gear
2	Washer	73-62	FP-5121403		Blower Rotor Gear
2	Washer	73-62	FP-5127077		Thrust Blower Shaft
3	Shim	73-62	FP-5116165		Blower Rotor Gear
3	Shim	73-62	FP-5116166		Blower Rotor Gear
3	Shim	73-62	FP-5116167		Blower Rotor Gear
3	Shim	73-62	FP-5116164		Blower Rotor Gear; .002"

GOVERNOR

QTY	GOVERNOR	YEARS	PART NO.	SIZE	DESCRIPTION
2	Throttle/Governor Shaft	73-62	FP-5121339		w/Limiting Speed Gov.
1	Governor Spring	73-62	FP-5122270		w/Variable Speed; w/Two Red Stripes
1	Governor Spring	73-62	FP-5122165		Low Speed; w/One Blue Stripe
1	Governor Spring	73-62	FP-5183704		Low Speed; w/Two Yellow Stripes
1	Governor Low Speed Spring Cap	73-62	FP-5103975		w/Limiting Speed Gov.
1	Governor Low Speed Spring Cap	73-62	FP-5103975		Gov. Spring Hsg.
1	Screw	73-62	FP-5172383		Gov. Buffer; w/Variable Speed Gov.
6	Screw	73-62	FP-9417926		Gov. Cover; w/Limiting Speed Gov.; 1/4" -20 x 3/4"
1	Screw	73-62	FP-9417926		Gov. Cover; w/Variable Speed Gov.; 1/4" -20 x 3/4"
1	Screw	73-62	FP-5132962		Gov. Operating Shaft, Gap Adjusting; w/Limiting Speed Gov.
1	Screw	73-62	FP-5132962		Gov. Operating Shaft, Gap Adjusting; w/Variable Speed Gov.
1	Screw	73-62	FP-5102270		Low Speed Spring Adjusting; w/Variable Speed Gov.; .250" - 28 x 1.00"
4	Hose Clamp	73-62	FP-5186840		Gov. Hose; w/Variable Speed Gov.; 13/16" - 1 1/2" Clamping Range
2	Governor Dowel Pin	73-62	FP-5117693		Gov. Control Oper. Link; w/Variable Speed Gov.; 5/16" x 1.00"
3	Governor Dowel Pin	73-62	FP-5150943		Gov. Operating Shaft; w/Limiting Speed Gov.
3	Governor Dowel Pin	73-62	FP-5150943		Gov. Operating Shaft; w/Variable Speed Gov.
1	O-Ring	73-62	FP-5176557		Gov. Throttle Shaft Packing Seal; w/Limiting Speed Gov.; .477" ID x .113" Thick
2	O-Ring	73-62	FP-5176557		Gov. Throttle Shaft Packing Seal; w/Variable Speed Gov.; .477" ID x .113" Thick
2	Cylindrical Brg.	73-62	FP-148402		Variable speed spring lever shaft; .500" x .500" Dia.
2	Fuel Injection Link	73-62	FP-5121472		Lower; Gov. to Injector; w/Variable Speed Gov.
1	Needle Bearing	73-62	FP-9425166		Needle Brg., Variable Speed Spring Lever
9	Governor Valve Spring Shim	73-62	FP-5136590		w/Variable Speed Gov.; .010"
9	Governor Valve Spring Shim	73-62	FP-5136591		w/Variable Speed Gov.; .078"
2	Washer	73-62	FP-5150941		w/Variable Speed Gov.; 21/64"
3	Washer	73-62	FP-5151487		Gov. Control Oper. Link; w/Limiting Speed Gov.; 3/8" x 11/16" x .033"
2	Washer	73-62	FP-5151487		Gov. Control Oper. Link; w/Variable Speed Gov.; 3/8" x 11/16" x .033"
1	Washer	73-62	FP-5151487		Gov. Throttle; w/Limiting Speed Gov.; 3/8" x 11/16" x .033"
2	Copper Washer	73-62	FP-5155596		w/Variable Speed Gov.; 5/16"; Special copper washer

(continued on next page)

GMC Truck - M/D & H/D

M/D Truck 6V-53 (2-Valve or 4-Valve Cyl. Head), 6V-53N (4-Valve Cyl. Head) Engs. H/D 20
Truck 6V-53 (2-Valve or 4-Valve Cyl. Head), 6V-53N (4-Valve Cyl. Head) Engs. (cont.)
 5.2L 318 OHV Diesel V6, 3.875" Bore (Detroit Diesel Eng.) 1962-73

GOVERNOR (cont.)

QTY	GOVERNOR (cont.)	YEARS	PART NO.	SIZE	DESCRIPTION
2	Copper Washer	73-62	FP-5155596		Gov. Spring Housing; 5/16"; Special copper washer
1	Lock Washer	73-62	FP-103319		Gov. Shutdown Shaft; w/Limiting Speed Gov.; .250"
2	Lock Washer	73-62	FP-103320		Gov. Spring Housing; 5/16"
1	Governor Retainer	73-62	FP-5144178		Gov. Shutdown; w/Limiting Speed Gov.
1	Governor Retainer	73-62	FP-5178581		Gov. Shutdown; w/Limiting Speed Gov.
2	Bushing	73-62	FP-8921472		Gov. Throttle Shaft; w/Limiting Speed Gov.; Split Type Bushing
4	Ball Brg.	73-62	FP-447196		Gov. Control Oper. Link; w/Limiting Speed Gov.
2	Ball Brg.	73-62	FP-447196		Gov. Control Oper. Link; w/Variable Speed Gov.
2	Ball Brg.	73-62	FP-9431894		Gov. Operating Shaft; w/Limiting Speed Gov.
1	Ball Brg.	73-62	FP-9436682		Gov. Operating Shaft; w/Variable Speed Gov.
1	Ball Brg.	73-62	FP-9424121		Gov. Weight Carrier Shaft; w/Limiting Speed Gov.
1	Ball Brg.	73-62	FP-9424121		Gov. Weight Carrier Shaft; w/Variable Speed Gov.
1	Ball Brg.	73-62	FP-9438907		Gov. Weight Riser; .551" Width
1	Ball Brg.	73-62	FP-9436682		Lower; Gov. Operating Shaft; w/Limiting Speed Gov.
1	Ball Brg.	73-62	FP-9431894		Upper; Gov. Operating Shaft; w/Variable Speed Gov.
1	Expansion Plug	73-62	FP-116337		Gov. Housing; w/Limiting Speed Gov.; 1.0625"
1	Expansion Plug	73-62	FP-116337		Gov. Housing; w/Variable Speed Gov.; 1.0625"
1	Carrier, Governor Weight	73-62	FP-5133707		
1	Governor Riser	73-62	FP-5109544		Small Flange
1	Governor Riser	73-62	FP-5125367		Small Flange
1	Governor Spring Cover Gasket	73-62	FP-8922593		Gov. High Speed Spring; w/Limiting Speed Gov.
1	Governor Spring Cover Gasket	73-62	FP-8922593		Gov. High Speed Spring; w/Variable Speed Gov.
1	Nut	73-62	FP-5174286		w/Variable Speed Gov.; 3/8" - 24 UNF
1	Bolt	73-62	FP-443603		Gov. Shutdown Shaft; w/Limiting Speed Gov.; .250" x 20 x .750"
1	Pipe Plug	73-62	FP-5121182		Spring Housing; 1/4" - 18; Hex head
1	Governor Seal Ring	73-62	FP-5101691		Gov. Throttle Shaft; w/Limiting Speed Gov.; .362" x .113"
1	Governor Cover Gasket	73-62	FP-5121342		w/Limiting Speed Gov.
1	Governor Cover Gasket	73-62	FP-5121342		w/Variable Speed Gov.
1	Lock Nut	73-62	FP-123390		Spring Housing; 1/4" - 20
1	Retainer	73-62	FP-142583		Gov. to Injector Spring; w/Variable Speed Gov.; 13/64" Spring
1	Retainer	73-62	FP-142583		Gov. Differential Lever; w/Limiting Speed Gov.; 13/64" Spring

COOLING SYSTEM

QTY	WATER PUMP	YEARS	PART NO.	SIZE	DESCRIPTION
1	Water Pump - Heavy Duty	73-62	FP-23507971		Raw Water Pump; Opt. 40, 48, 54, 55, 74
1	Water Pump - Heavy Duty	73-62	FP-23506003		L.H.
1	Water Pump - Heavy Duty	73-62	FP-23506011		L.H.; w/Aluminum Housing; Military Spec.
1	Water Pump - Heavy Duty	73-62	FP-23506007		R.H.
1	Water Pump Shaft	73-62	FP-5193552		Raw Water Pump
1	Water Pump Impeller	73-62	FP-8924838		Raw Water Pump
1	Water Pump Impeller	73-62	FP-5193602		Raw Water Pump; Synthetic
1	Water Pump Impeller	73-62	FP-23505993		L.H.
1	Water Pump Impeller	73-62	FP-23506605		L.H.
1	Water Pump Impeller	73-62	FP-23505994		R.H.
1	Water Pump Impeller	73-62	FP-23506606		R.H.
1	Water Pump Repair/Rebuild Kit	73-62	FP-5197224		Raw Water Pump
1	Water Pump Repair/Rebuild Kit	73-62	FP-23506863		L.H.
1	Water Pump Repair/Rebuild Kit	73-62	FP-23506869		L.H.
1	Water Pump Repair/Rebuild Kit	73-62	FP-23506864		R.H.
1	Water Pump Repair/Rebuild Kit	73-62	FP-23506865		R.H.
1	Water Pump Cover	73-62	FP-5119283		
1	Water Pump Cover	73-62	FP-5193555		Raw Water Pump
1	Water Pump Retainer Ring	73-62	FP-9415285		Raw Water Pump; Large; External
1	Water Pump Retainer Ring	73-62	FP-5193569		Raw Water Pump; Small
1	Water Pump Mech. Shaft Seal	73-62	FP-5198419		Raw Water Pump Shaft
3	Water Pump Seal Ring	73-62	FP-5125150		Bypass Tube
1	Ball Brg.	73-62	FP-907394		Idler Pulley
1	Ball Brg.	73-62	FP-23503796		Inner Fan Shaft
1	Ball Brg.	73-62	FP-23503535		Outer Fan Shaft
1	Ball Brg.	73-62	FP-23503727		Outer Fan Shaft
1	Ball Brg.	73-62	FP-23504426		Raw Water Pump
1	Ball Brg.	73-62	FP-9415132		Front; Outer Fan Shaft
1	Ball Brg.	73-62	FP-7450630		Rear; Inner Fan Shaft
1	Oil Pump Intake Gasket	73-62	FP-5126473		Thermostat Housing Cover
1	Fresh Water Pump Gasket	73-62	FP-5133107		L.H. & R.H.
1	Oil Seal	73-62	FP-5103951		Fan Shaft
1	Oil Seal	73-62	FP-5100408		Fan Shaft; Rubber Lip
1	Oil Seal	73-62	FP-5195101		Raw Water Pump Bearing

(continued on next page)

GMC Truck - M/D & H/D

20 M/D Truck 6V-53 (2-Valve or 4-Valve Cyl. Head), 6V-53N (4-Valve Cyl. Head) Engs. H/D
 (cont.) Truck 6V-53 (2-Valve or 4-Valve Cyl. Head), 6V-53N (4-Valve Cyl. Head) Engs.
 5.2L 318 OHV Diesel V6, 3.875" Bore (Detroit Diesel Eng.) 1962-73

COOLING SYSTEM (cont.)

QTY	WATER PUMP (cont.)	YEARS	PART NO.	SIZE	DESCRIPTION
1	Oil Seal	73-62	FP-23506248		L.H. & R.H.; Water Pump Shaft
5	Bolt	73-62	FP-23504236		Raw Water Pump Housing; .250" - 20 x .500"; Stainless Steel
4	Bolt	73-62	FP-5145092		Raw Water Pump; 3/8" - 24 x 1.20", Self-Locking
1	Bolt	73-62	FP-9409060		Thermostat Housing; 1/2" - 20 x 1.500"
7	Bolt	73-62	FP-8925603		Water Pump Mounting Bolts; 5/16" - 18 x 3/4"; Vibra-Tite®
6	Pipe Plug	73-62	FP-5115214		Thermostat Housing; 1/2" Square Head
4	Pipe Plug	73-62	FP-8923847		Thermostat Housing; 1/4" x 18 NPTF; Square head
1	Pipe Plug	73-62	FP-8924380		Thermostat Housing; 1/8" - 27
2	Pipe Plug	73-62	FP-8924517		Thermostat Housing; 3/8" x 18 square head
1	Pipe Plug	73-62	FP-5115214		Water Pump Body; 1/2" Square Head
1	Shaft & Bearing Assembly	73-62	FP-8922500		
1	Shaft & Bearing Assembly	73-62	FP-904827		L.H. & R.H.
1	Dowel Pin	73-62	FP-5197597		Raw Water Pump; .184" OD x .375" Length
1	Gasket	73-62	FP-5196513		Raw Water Pump Housing
1	Gasket	73-62	FP-5116357		Water By-pass Tube
6	Screw	73-62	FP-114366		Raw Water Pump; .250" - 20 x .500"; Brass
1	Slinger, Water Pump	73-62	FP-5193676		Raw Water Pump
1	Washer	73-62	FP-103325		Raw Water Pump Flange; Lock washer; 5/8"
2	Washer	73-62	FP-5197310		Water Pump; Adhesive, Ceramic Insert
1	Water Pump Lock Ring	73-62	FP-274746		Fan Shaft
QTY	THERMOSTAT	YEARS	PART NO.	SIZE	DESCRIPTION
1	Thermostat	73-62	FP-3041379		170 Deg.
2	Thermostat	73-62	FP-5143210		170 Deg.
2	Thermostat	73-62	FP-5124872		175 Deg.
2	Thermostat	73-62	FP-5104462		180 Deg.
1	Thermostat Cover Gasket	73-62	FP-5125024		Thermostat Housing Cover
1	Thermostat Gasket	73-62	FP-5117786		Outlet Elbow
1	Water Outlet Gasket	73-62	FP-2206783		
QTY	MISCELLANEOUS	YEARS	PART NO.	SIZE	DESCRIPTION
1	Fan Drive Pulley	73-62	FP-5144503		
2	Lock Washer	73-62	FP-103321		Raw Water Pump; 3/8"
2	Lock Washer	73-62	FP-103320		Raw Water Pump; 5/16"
4	Lock Washer	73-62	FP-103321		Thermostat Housing; 3/8"
4	Lock Washer	73-62	FP-103320		Thermostat Housing; 5/16"
1	Accessory Drive Gasket	73-62	FP-23515145		Raw Water Pump
ENGINE BLOCK & PARTS					
QTY	GASKETS	YEARS	PART NO.	SIZE	DESCRIPTION
1	Front Cover Gasket	73-62	FP-5119368		Lower
1	Front Cover Gasket	73-62	FP-5124055		Upper
1	O-Ring	73-62	FP-5109517		Air Heater; 1.750"
1	Oil Pan Gasket	73-62	FP-5196061		w/Cast Iron Pan
1	Oil Pan Gasket	73-62	FP-5119266		w/Stamped Steel Pan
2	Copper Washer	73-62	FP-5155596		Oil Pan; 5/16"; Special copper washer
1	Washer	73-62	FP-840277		Oil Pan; 18MM, Nylon
5	Pipe Plug	73-62	FP-5115214		Oil Pan; 1/2" Square Head
2	Pipe Plug	73-62	FP-5121182		Oil Pan; 1/4" - 18; Hex head
1	Pipe Plug	73-62	FP-5142549		Oil Pan; 3/4" - 14 Square Head
1	Cyl. Block Water Hole Cvr Gsk	73-62	FP-5132474		
1	Gasket	73-62	FP-5116357		Water Hole Gasket
4	Gasket	73-62	FP-23505525		3/8" Copper
4	Hand Hole Cover Gasket	73-62	FP-5132117		
4	Hand Hole Cover Gasket	73-62	FP-8923792		
12	Copper Washer	73-62	FP-5152148		Fuel stand pipe; 25/64" ID x 9/16" OD x 1/16" Thick; Copper
10	Lock Washer	73-62	FP-103321		3/8"
QTY	GASKET SETS	YEARS	PART NO.	SIZE	DESCRIPTION
1	Complete Overhaul Gasket Set	73-62	FP-5199816		Aluminum; Crankshaft seals not incl.
1	Complete Overhaul Gasket Set	73-62	FP-23512690		Crankshaft seals not incl.
1	Complete Overhaul Gasket Set	73-62	FP-23512690WS		Incl. Front & Rear Seals
1	Complete Overhaul Gasket Set	73-62	FP-8927743		Military Applications; Crankshaft seals not incl.
QTY	DOWEL PINS	YEARS	PART NO.	SIZE	DESCRIPTION
4	Dowel Pin	73-62	FP-141346		.1875" x .500"
QTY	CAM BEARINGS	YEARS	PART NO.	SIZE	DESCRIPTION
1	Cam Set	73-62	FP-5197944		STD
1	Cam Set	73-62	FP-5197945		10
1	Cam Set	73-62	FP-5197946		20

(continued on next page)

GMC Truck - M/D & H/D

M/D Truck 6V-53 (2-Valve or 4-Valve Cyl. Head), 6V-53N (4-Valve Cyl. Head) Engs. H/D **20**
Truck 6V-53 (2-Valve or 4-Valve Cyl. Head), 6V-53N (4-Valve Cyl. Head) Engs. (cont.)
 5.2L 318 OHV Diesel V6, 3.875" Bore (Detroit Diesel Eng.) 1962-73

ENGINE BLOCK & PARTS (cont.)

QTY	OIL COOLERS & FILTERS	YEARS	PART NO.	SIZE	DESCRIPTION
1	Oil Cooler	73-62	FP-8547236		12 plate
1	Oil Cooler	73-62	FP-8547581		13 plate
1	Oil Cooler	73-62	FP-8547547		16 plate
1	Oil Cooler	73-62	FP-8547548		6 plate
1	Oil Cooler	73-62	FP-8547563		8 plate
12	Lock Washer	73-62	FP-103320		Oil Cooler; 5/16"
2	Pipe Plug	73-62	FP-5121182		Oil Cooler; 1/4" - 18; Hex head
2	Pipe Plug	73-62	FP-5142549		Oil Cooler; 3/4" - 14 Square Head
2	Oil Cooler Gasket	73-62	FP-8923223		Outlet
1	Gasket	73-62	FP-5116357		Oil Cooler Housing to Block
1	Oil Cooler Core Inner Gasket	73-62	FP-5150155		Inlet
2	Oil Cooler Core Outer Gasket	73-62	FP-5102506		Outlet
1	Oil Cooler Cover Gasket	73-62	FP-23501591		Inlet
QTY	FREEZE PLUGS	YEARS	PART NO.	SIZE	DESCRIPTION
1	Pipe Plug	73-62	FP-5121182		1/4" - 18; Hex head
10	Pipe Plug	73-62	FP-8924380		1/8" - 27
QTY	DIPSTICK	YEARS	PART NO.	SIZE	DESCRIPTION
1	Dipstick	73-62	FP-5146679		61" Length; Unmarked
1	Dipstick	73-62	FP-5146680		72" Length; Unmarked
1	Dipstick Guide	73-62	FP-5151430		1.50" Length
QTY	MISCELLANEOUS	YEARS	PART NO.	SIZE	DESCRIPTION
1	Pipe Plug	73-62	FP-5121182		1/4" - 18; Hex head
10	Pipe Plug	73-62	FP-8924380		1/8" - 27
6	Fuel Drain Tube	73-62	FP-5135662		.299"
6	Fuel Drain Tube	73-62	FP-5135547		.434"
1	Accessory Drive Gasket	73-62	FP-23515145		Oil Filler Tube
1	Oil Filler Cap	73-62	FP-5140259		w/Chain & Hook
1	Oil Filler Cap	73-62	FP-5108474		Twist Type
1	Oil Filler Cap	73-62	FP-5107106		1.50" Dia.; Thermos Bottle Style
1	Oil Filler Cap	73-62	FP-5117362		2.00" Dia.; Thermos Bottle Style
CRANKSHAFT/OIL PUMP					
QTY	CRANKSHAFT	YEARS	PART NO.	SIZE	DESCRIPTION
23	Lock Washer	73-62	FP-103321		3/8"
1	Woodruff Key	73-62	FP-8926247		.250" x .750"
4	Dowel Pin	73-62	FP-141346		.1875" x .500"
1	Harmonic Balancer Sleeve	73-62	88187		
QTY	SEALS - FRONT CRANK	YEARS	PART NO.	SIZE	DESCRIPTION
1	Oil Seal	73-62	FP-5138796		
1	Oil Seal	73-62	FP-5198503		Single lip O/S ID
1	Wear Sleeve	73-62	FP-5136097		
1	Wear Sleeve	73-62	FP-5198502		
QTY	SEALS - REAR CRANK	YEARS	PART NO.	SIZE	DESCRIPTION
1	Oil Seal	73-62	FP-5116229		Single lip
1	Oil Seal	73-62	FP-5196852		Single lip O/S ID
1	Oil Seal	73-62	FP-5128917		Wet only; Double Lip
1	Oil Seal Kit	73-62	FP-8926902		RH Rotation only; PTFE
1	Wear Sleeve	73-62	FP-23516636		Use w/O/S Seals only
8	Washer	73-62	FP-5133981		Main bearing cap; .122" Thick
QTY	MAIN BEARINGS	YEARS	PART NO.	SIZE	DESCRIPTION
1	Main Set	73-62	FP-5198410S	STD	Brgs. w/7 oil holes
4	Plain Main Brg.	73-62	FP-5195927	STD	Brgs. w/1 oil hole
4	Plain Main Brg.	73-62	FP-5196685	10	Brgs. w/1 oil hole
4	Plain Main Brg.	73-62	FP-5196686	20	Brgs. w/1 oil hole
4	Plain Main Brg.	73-62	FP-5196687	30	Brgs. w/1 oil hole
4	Plain Main Brg.	73-62	FP-5198410	STD	Brgs. w/7 oil holes
4	Plain Main Brg.	73-62	FP-5198411	2	Brgs. w/7 oil holes
4	Plain Main Brg.	73-62	FP-5198412	10	Brgs. w/7 oil holes
4	Plain Main Brg.	73-62	FP-5198413	20	Brgs. w/7 oil holes
4	Plain Main Brg.	73-62	FP-5198414	30	Brgs. w/7 oil holes
1	Thrust Washer Set	73-62	FP-5159353S	STD	Position 4
4	Thrust Washer	73-62	FP-5159353	STD	Position 4
4	Thrust Washer	73-62	FP-5160542	5	Position 4
4	Thrust Washer	73-62	FP-5192111	10	Position 4

(continued on next page)

GMC Truck - M/D & H/D

20 M/D Truck 6V-53 (2-Valve or 4-Valve Cyl. Head), 6V-53N (4-Valve Cyl. Head) Engs. H/D
 (cont.) Truck 6V-53 (2-Valve or 4-Valve Cyl. Head), 6V-53N (4-Valve Cyl. Head) Engs.
 5.2L 318 OHV Diesel V6, 3.875" Bore (Detroit Diesel Eng.) 1962-73

CRANKSHAFT/OIL PUMP (cont.)

QTY	OIL PUMP	YEARS	PART NO.	SIZE	DESCRIPTION
1	Oil Pump	73-62	FP-5116070		Option Type 51, 163, 164, 165, 174
1	Oil Pump Seal Ring	73-62	FP-5126492		Pump Inlet
1	Wear Sleeve	73-62	FP-5136097		Oil Pump Cover Bushing
1	Oil Pump Intake Gasket	73-62	FP-5126473		Elbow to Pump
1	Woodruff Key	73-62	FP-8928540		1/8" x 5/8"
2	Screw	73-62	FP-145067		Oil Pump Cover
4	Washer	73-62	FP-5138619		Oil Pump Assy.; 25/64" x 3/4" x .083"
2	Washer	73-62	FP-5177773		Oil Pump Relief Valve; 18MM x 1.5MM
2	Lock Washer	73-62	FP-103319		Oil Pump Assy.; .250"
6	Lock Washer	73-62	FP-103320		Oil Pump Mount; 5/16"
1	Oil Filter Gasket	73-62	FP-5121205		Filter Cover Adaptor
1	Oil Filter Gasket	73-62	FP-5121205		Oil Filter Adaptor
1	Lock Nut	73-62	FP-114498		Oil Filter Cover; 5/8" - 18, Jam Nut
1	Front Cover Gasket	73-62	FP-5119368		Oil Pump to Block
1	Oil Filter Adapter Gasket	73-62	FP-5128439		
1	Oil Filter Adapter Gasket	73-62	FP-8924412		
5	Pipe Plug	73-62	FP-5115214		Oil Pan; 1/2" Square Head
2	Pipe Plug	73-62	FP-5121182		Oil Pan; 1/4" - 18; Hex head
1	Pipe Plug	73-62	FP-5142549		Oil Pan; 3/4" - 14 Square Head

CYLINDER COMPONENTS

QTY	LINERS	YEARS	PART NO.	SIZE	DESCRIPTION
6	Liner w/o Sealing Rings	73-62	FP-8926088	STD	.740" Port Height
6	Liner w/o Sealing Rings	73-62	FP-8926090	20	.740" Port Height
6	Liner w/o Sealing Rings	73-62	FP-5132803	STD	.840" Port Height
6	Liner w/o Sealing Rings	73-62	FP-5101016	10	.840" Port Height
6	Liner w/o Sealing Rings	73-62	FP-5149944	20	.840" Port Height
6	Cylinder Kit Complete	73-62	FP-5198903	STD	Opt. 25,26,27,29,35,60,83; Trunk style piston; 17:1 C.R.
6	Cylinder Kit Complete	73-62	FP-519890310	10	Opt. 25,26,27,29,35,60,83; Trunk style piston; 17:1 C.R.
6	Cylinder Kit Complete	73-62	FP-519890320	20	Opt. 25,26,27,29,35,60,83; Trunk style piston; 17:1 C.R.
6	Cylinder Kit Complete	73-62	FP-5198904	STD	Opt. 53,56,65,66,77,236,249; Trunk style piston; 21:1 C.R.
6	Cylinder Kit Complete	73-62	FP-519890410	10	Opt. 53,56,65,66,77,236,249; Trunk style piston; 21:1 C.R.
6	Cylinder Kit Complete	73-62	FP-519890420	20	Opt. 53,56,65,66,77,236,249; Trunk style piston; 21:1 C.R.
6	Cylinder Kit Complete	73-62	FP-5198899	STD	Opt. 61,62,64,68,96,97,98,118,238,241; Trunk style piston; 21:1 C.R.
6	Cylinder Kit Complete	73-62	FP-519889910	10	Opt. 61,62,64,68,96,97,98,118,238,241; Trunk style piston; 21:1 C.R.
6	Cylinder Kit Complete	73-62	FP-519889920	20	Opt. 61,62,64,68,96,97,98,118,238,241; Trunk style piston; 21:1 C.R.
6	Cylinder Kit Complete	73-62	FP-5199116		Opt. 63,67; Trunk style piston; 21:1 C.R.; Military Spec.
6	Cylinder Kit Complete	73-62	FP-519911610	10	Opt. 63,67; Trunk style piston; 21:1 C.R.; Military Spec.
6	Cylinder Kit Complete	73-62	FP-519911620	20	Opt. 63,67; Trunk style piston; 21:1 C.R.; Military Spec.
12	Sealing Ring, Liner	73-62	FP-5121256		.010 O/S
12	Sealing Ring, Liner	73-62	FP-5149945		.020 O/S
6	Flange Shim	73-62	FP-29610	1	.001"
6	Flange Shim	73-62	FP-29611	2	.002"

QTY	PISTONS	YEARS	PART NO.	SIZE	DESCRIPTION
6	Piston With Retainers	73-62	FP-5195931		2 Valve Head; Trunk style piston
6	Piston With Retainers	73-62	FP-5198877		4 Valve Head; Military Spec.; Trunk style piston
6	Piston With Retainers	73-62	FP-5198877		4 Valve Head; Trunk style piston
6	Piston Skirt	73-62	FP-8924002		
6	Pin	73-62	FP-5116189		
6	Piston Pin Retainer	73-62	FP-5108131		2 Valve Head; 1.38" Dia.
12	Piston Pin Retainer	73-62	FP-5108131		4 Valve Head; 1.38" Dia.
12	Piston Pin Bolt Spacer	73-62	FP-8924732		w/Crosshead piston
24	Pin Bushing	73-62	FP-5116181		Trunk Type; 2 req'd. per rod
6	Pin Bushing	73-62	2619Y20 +		2 req'd. per rod; O.E. No. 5116181; When depleted use FP-5116181

QTY	CONNECTING RODS & BRGS.	YEARS	PART NO.	SIZE	DESCRIPTION
6	Con. Rod Bolt	73-62	FP-5197852		
6	Con. Rod Nut	73-62	FP-839103		
6	Rod Pair	73-62	FP-5197975	STD	
6	Rod Pair	73-62	FP-5197976	2	
6	Rod Pair	73-62	FP-5197977	10	
6	Rod Pair	73-62	FP-5197978	20	
6	Rod Pair	73-62	FP-5197979	30	

(continued on next page)

GMC Truck - M/D & H/D

M/D Truck 6V-53 (2-Valve or 4-Valve Cyl. Head), 6V-53N (4-Valve Cyl. Head) Engs. H/D 20
Truck 6V-53 (2-Valve or 4-Valve Cyl. Head), 6V-53N (4-Valve Cyl. Head) Engs. (cont.)
 5.2L 318 OHV Diesel V6, 3.875" Bore (Detroit Diesel Eng.) 1962-73

CYLINDER COMPONENTS (cont.)

QTY	PISTON RINGS	YEARS	PART NO.	SIZE	DESCRIPTION
6	Ring Set Single Cylinder	73-62	FP-23501520	STD	High Sulfur; Trunk type
6	Ring Set Single Cylinder	73-62	FP-23501521	STD	High Sulfur; Trunk type
6	Ring Set Single Cylinder	73-62	FP-5198901	STD	Military Spec.
6	Ring Set Single Cylinder	73-62	FP-5198902		Trunk type
6	Ring Set Single Cylinder	73-62	FP-5198822	STD	2 Valve Head; 1-.082, 3-3/32, 2-3/16 (1 cyl. set)
6	Ring Set Single Cylinder	73-62	FP-5149942	STD	4 Valve Head
6	Compression Ring	73-62	FP-5103382		Pos. 1; High Sulfur; Trunk type
6	Compression Ring	73-62	FP-8923328		Pos. 1; High Sulfur; Trunk type
6	Compression Ring	73-62	FP-5103382		Pos. 1; Military Spec.
6	Compression Ring	73-62	FP-5103382		Pos. 1; Trunk type
6	Compression Ring	73-62	FP-5103382		Pos. 1; 2 Valve Head
6	Compression Ring	73-62	FP-8923328		Pos. 1; 4 Valve Head
18	Compression Ring	73-62	FP-5116184		Pos. 2; Trunk type
18	Compression Ring	73-62	FP-8925779		Pos. 2, 3, 4; High Sulfur; Trunk type
18	Compression Ring	73-62	FP-8925779		Pos. 2, 3, 4; High Sulfur; Trunk type
18	Compression Ring	73-62	FP-5116184		Pos. 2, 3, 4; Military Spec.
18	Compression Ring	73-62	FP-5116184		Pos. 2, 3, 4; 2 Valve Head
18	Compression Ring	73-62	FP-5116184		Pos. 2, 3, 4; 4 Valve Head
12	Compression Ring	73-62	FP-5127147		Pos. 3, 4; Trunk type
6	Ring, Oil Control Set	73-62	FP-5198092		Military Spec.
12	Ring, Oil Control Set	73-62	FP-5195933		Trunk type
12	Ring, Oil Control Set	73-62	FP-5195933		2 Valve Head
12	Ring, Oil Control Set	73-62	FP-5195933		4 Valve Head

CLUTCH

QTY	CLUTCH	YEARS	PART NO.	SIZE	DESCRIPTION
1	Ball Brg.	73-62	FP-23503707		Clutch Pilot
1	Ball Brg.	73-62	FP-23504892		Clutch Pilot; Repl. FP-904983

KITS

QTY	OVERHAUL KIT	YEARS	PART NO.	SIZE	DESCRIPTION
1	In-Frame Overhaul Kit	73-62	FP-IFK6V53		
1	In-Frame Overhaul Kit	73-62	FP-6V53		
1	Complete Overhaul Kit	73-62	FP-OH6V53		
1	Complete Overhaul Kit	73-62	FP-6V53OH		

M/D Truck 327 Eng. 21
 5.3L 327 OHV V8 (Chevrolet), 4" Bore 1962-69

CYL. HEAD & PARTS

QTY	HEAD BOLTS	YEARS	PART NO.	SIZE	DESCRIPTION
2	Head Bolt Set	68-62	260-2500		Replacement recommended
QTY	VALVE	YEARS	PART NO.	SIZE	DESCRIPTION
8	Intake	68-62	V-1200	Std-3-15-30	1.7200" Head Dia., .3413" Stem Dia., 4.9170" O.A.L.
8	Intake, Bulk	68-62	V-1200B	Std Only	Carton of 25; 1.7200" Head Dia., .3413" Stem Dia., 4.9170" O.A.L.
8	Exhaust	68-62	V-1888X	Std-15	Chrome plated stem; Stellite face; 1.5000" Head Dia., .3412" Stem Dia., 4.9230" O.A.L.
32	Keeper	68-62	VK-115		1 groove; Square cut key groove
32	Keeper	68-62	VK-115R		1 groove; Square cut key groove; Hardened
32	Keeper, Bulk	68-62	VK-115B		1 groove; Square cut key groove; Carton of 1000
QTY	VALVE SEAT	YEARS	PART NO.	SIZE	DESCRIPTION
8	Exh.	68-62	245-1562-2N	Std Only	Premium Material; 1.5675" OD, 1.3125" ID, .2480" Depth
8	Exh.	68-62	245-1562-2	Std Only	1.5675" OD, 1.3125" ID, .2480" Depth
8	Int.	68-62	245-1812-3	Std Only	1.8175" OD, 1.5000" ID, .2160" Depth
QTY	VALVE SPRING	YEARS	PART NO.	SIZE	DESCRIPTION
16	Spring	68-67	VS-677		Incl. damper; 2.0300" Free Height
16	Spring	68-67	VS-739R		Optional-H/D; 2.0000" Free Height
16	Spring	66-62	VS-521		Incl. damper; 2.1090" Free Height
16	Spring, Bulk	68-67	VS-677B		Incl. damper; Carton of 250; 2.0300" Free Height
16	Spring, Bulk	68-67	VS-739RB		Optional-H/D; Carton of 300; 2.0000" Free Height
16	Spring Insert	68-62	259-203C		.015"; Carton of 100
16	Spring Insert	68-62	259-203B		.030"; Carton of 100
16	Spring Insert	68-62	259-203BRS		.030"; Carton of 500
16	Spring Insert	68-62	259-203A		.060"; Carton of 100
16	Spring Insert	68-62	259-203ARS		.060"; Carton of 500

(continued on next page)

GMC Truck - M/D & H/D

21 M/D Truck 327 Eng.

(cont.) 5.3L 327 OHV V8 (Chevrolet), 4" Bore 1962-69

CYL. HEAD & PARTS (cont.)					
QTY	PUSH RODS	YEARS	PART NO.	SIZE	DESCRIPTION
16	Push Rod	68-62	RP-3212R		Chrome-Moly; 7.7900" O.A.L.
16	Push Rod	68-62	RP-3212R100		Chrome-Moly; 7.8900" O.A.L.
16	Push Rod	68-62	RP-3212R150		Chrome-Moly; 7.9400" O.A.L.
16	Push Rod	68-62	RP-3212R200		Chrome-Moly; 7.9900" O.A.L.
16	Push Rod	68-62	RP-3093		7.7940" O.A.L.
16	Push Rod, Bulk	68-62	BRP-3093		Carton of 100; 7.7940" O.A.L.
16	Push Rod, Bulk	68-62	BRP-3212R		Chrome-Moly; Carton of 100; 7.7900" O.A.L.
16	Push Rod, Bulk	68-62	BRP-3212R100		Chrome-Moly; Carton of 100; 7.8900" O.A.L.
QTY	VALVE MISC.	YEARS	PART NO.	SIZE	DESCRIPTION
8	Rotocap	66-62	RC-157S		
QTY	VALVE SEAL	YEARS	PART NO.	SIZE	DESCRIPTION
16	Valve Stem Seal	68-62	ST-2001		Positive type; Installation requires valve guide machining; Rubber/PTFE
16	Valve Stem Seal	68-62	MV-1233C		O-Ring; Rubber
16	Valve Stem Seal Bulk	68-62	MV-1233		O-Ring; Carton of 100; Rubber
16	Valve Stem Seal Bulk	68-62	ST-2001BC		Positive type; Installation requires valve guide machining; Carton of 100; Rubber/PTFE
QTY	ROCKER PARTS	YEARS	PART NO.	SIZE	DESCRIPTION
16	Arm Assy.	68-62	R-826		Incl. arm, ball & nut
16	Arm Assy., Bulk	68-62	R-826B		Incl. arm, ball & nut; Carton of 64
16	Arm	68-62	R-826A		
16	Pivot Ball	68-62	MR-1783		
16	Pivot Ball	68-62	MR-1822		H/D 4 groove ball
16	Nut	68-62	MR-1751		Self-locking, 3/8" x 24 threads
16	Stud	68-62	MR-1752		.003" O/S, 3/8" x 24 x 2.495"
16	Stud	68-62	MR-1949		.372" x 24 x 2.495"
CAMSHAFT GROUP					
QTY	TIMING	YEARS	PART NO.	SIZE	DESCRIPTION
1	3 Piece Set	68-62	KT3-163S		Incl. double rlr. type chain; Incl. (1) 222-163, (1) 223-288, (1) 223-289
1	Timing Chain	68-62	222-163		Double rlr.; 58 Links
1	Crank Sprocket	68-62	223-289		Double row; 22 Teeth
1	Cam Sprocket	68-62	223-288		Double row; 44 Teeth
QTY	CAMSHAFT/LIFTER	YEARS	PART NO.	SIZE	DESCRIPTION
1	Camshaft	68-62	CS-274		
16	Lifter	68-62	HT-817 Std Only		Hyd.
16	Lifter, Bulk	68-62	HT-817B Std Only		Hyd.; Carton of 128
1	Prelube	68-62	55-400		4 oz. bottle; 1.5 oz. packet No. 55-403 also avail.
QTY	CAMSHAFT KIT	YEARS	PART NO.	SIZE	DESCRIPTION
1	Cam/Lifter Kit	68-62	KC-274		Hyd.; Incl. (1) CS-274, (16) HT-817, (1) 55-403B
1	Cam/Lifter/Timing Kit	68-62	KCT-274C		Hyd.; Incl. double rlr. type chain; Incl. (1) CS-274, (16) HT-817, (1) KT3-163S, (1) 55-403B
ENGINE BLOCK & PARTS					
QTY	GASKET SETS	YEARS	PART NO.	SIZE	DESCRIPTION
1	Kit Gasket Set	68-62	260-1000AT		w/o Exh. pipe packing; PermaDryPlus® valve cover & oil pan gskts. incl.; PermaDryPlus® water outlet gskt. incl.
1	Kit Gasket Set	68-62	260-1000		Head bolts not incl.
QTY	CAM BEARINGS	YEARS	PART NO.	SIZE	DESCRIPTION
1	Cam Set	68-62	1235M Std-1-10		Babbitt material; Full round design
1	Cam Set	68-62	1749M Std Only		Bi-Metal Aluminum
1	Cam Set	68-62	1750M Std Only		2.030" housing bore
QTY	FREEZE PLUGS	YEARS	PART NO.	SIZE	DESCRIPTION
1	Brass Block Plug Kit	68-62	381-8007		
1	Steel Block Plug Kit	68-62	381-4011		
CRANKSHAFT/OIL PUMP					
QTY	CRANKSHAFT	YEARS	PART NO.	SIZE	DESCRIPTION
1	Harmonic Balancer Kit	68-62	5000		
1	Harmonic Balancer Sleeve	68-62	88176		
QTY	SEALS - FRONT CRANK	YEARS	PART NO.	SIZE	DESCRIPTION
1	Redi-Sleeve	68-62	99176		
1	Oil Seal	68-62	9845		
QTY	SEALS - REAR CRANK	YEARS	PART NO.	SIZE	DESCRIPTION
1	Oil Seal Kit	68-62	5092		(Split Seal)

(continued on next page)

GMC Truck - M/D & H/D

M/D Truck 327 Eng. 21
5.3L 327 OHV V8 (Chevrolet), 4" Bore 1962-69 (cont.)

CRANKSHAFT/OIL PUMP (cont.)

QTY	MAIN BEARINGS	YEARS	PART NO.	SIZE	DESCRIPTION
1	Main Set	68	4663M Std-1-2-10-20-30-40-60		
1	Main Set	68	6688M10 10-20-30		.020" O/S length flange brg.
1	Main Set	68	4663MA Std-1-2-10-20-30-40-60		A-Series aluminum bearings
1	Main Set	68	7329MA10 10-20		A-Series aluminum bearings; .010" O/S length flange brg.
1	Main Set	67-62	994M Std-1-10-20-30-40		

QTY	OIL PUMP	YEARS	PART NO.	SIZE	DESCRIPTION
1	Oil Pump	68-62	224-4146A		High Pressure; 5/8" inlet
1	Oil Pump	68-62	224-4143		High Volume, check pan for clearance; 5/8" inlet; Use shaft w/steel guide
1	Oil Pump	68-62	224-4146		5/8" inlet

CYLINDER COMPONENTS

QTY	PISTONS	YEARS	PART NO.	SIZE	DESCRIPTION
8	Cast Piston	68-62	H951P30 30-40-60		Hypereutectic; 2-5/64", 1-3/16" Ring Groove, 1.655" CD, .9275" Pin Dia., Recessed Head .065" deep x 3.200" dia. w/2 valve reliefs
8	Cast Piston - Individual	68-62	WH951P30 30-40-60		Hypereutectic; 2-5/64", 1-3/16" Ring Groove, 1.655" CD, .9275" Pin Dia., Recessed Head .065" deep x 3.200" dia. w/2 valve reliefs

QTY	CONNECTING RODS & BRGS.	YEARS	PART NO.	SIZE	DESCRIPTION
1	Rod Set	68	8-2555A Std-1-2-10-20-30-40-50-60		A-Series aluminum bearings
1	Rod Set	68	8-2555CP10X2 10X2-20X2-40X2		Use in .002" O/S Rod Bore; Overplated copper-lead alloy
1	Rod Set	68	8-2555CP Std-1-2-10-20-30-40-50		8-2555CA 60 avail. as unplated & resizeable; Overplated copper-lead alloy
1	Rod Set	67-62	8-2020CP Std-10-20-30-40		
1	Rod Set	68	8-2555CA60 60		Unplated & resizeable
8	Rod Pair	68	2555A Std-1-2-10-20-30-40-50-60		A-Series aluminum bearings
8	Rod Pair	68	2555CP Std-1-2-10-20-30-40-50		Overplated copper-lead alloy
8	Rod Pair	67-62	2020CP Std-1-2-10-20-30-40-50		
8	Rod Pair	68	2555CA60 60		Unplated & resizeable

QTY	PISTON RINGS	YEARS	PART NO.	SIZE	DESCRIPTION
1	Premium Set	68-62	E-251K Std-10-20-30-40-60		2-5/64, 1-3/16
1	Premium Set	68-62	E-251KC Std-10-20-30-40-60		2-5/64, 1-3/16
1	Standard Set	68-62	E-251X Std-10-20-30-40-60-80		2-5/64, 1-3/16
8	Premium Single Cylinder Set	68-62	WE-251K Std-20-30-40-60		2-5/64, 1-3/16
8	Premium Single Cylinder Set	68-62	WE-251KC Std-20-30-40-60		2-5/64, 1-3/16
8	Standard Single Cylinder Set	68-62	WE-251X Std-20-30-40-60-80		2-5/64, 1-3/16

KITS

RE-RING KIT		QTY	PREMIUM KIT NO.	QTY	ECONOMY KIT NO.
YEARS	DESCRIPTION				
68	Incl. A-Series aluminum bearings	1	205-630		----
67-62		1	205-662		----
68	Incl. A-Series aluminum bearings	1	205-630M	1	205-130
				1	205-130M
67-62		1	205-662M	1	205-162
				1	205-162M

OVERHAUL KIT		QTY	PREMIUM KIT NO.	QTY	ECONOMY KIT NO.
YEARS	DESCRIPTION				
69-62	Master w/o Rods & Mains	1	505-662H		----

(continued on next page)

GMC Truck - M/D & H/D

21 M/D Truck 327 Eng. (cont.) 5.3L 327 OHV V8 (Chevrolet), 4" Bore 1962-69

KITS (cont.)

OVERHAUL KIT (cont.)		QTY	PREMIUM KIT NO.	QTY	ECONOMY KIT NO.
YEARS	DESCRIPTION				
68	Incl. A-Series aluminum bearings; Incl. 5/8" inlet oil pump; w/.405" tooth width sprocket	1	MK-630C	1	MK-130C
68	Incl. 5/8" inlet oil pump; w/.405" tooth width sprocket	1	505-630E	1	505-130E
68	Incl. A-Series aluminum bearings; Incl. 5/8" inlet oil pump; Incl. double rlr. type chain	1	MK-630F	1	MK-130F
68	Incl. A-Series aluminum bearings	1	MKP-630L	1	MKP-130L
68-62			----	1	505-162H
67	Incl. 5/8" inlet oil pump; w/.405" tooth width sprocket	1	505-630E	1	505-130E
67	Incl. 5/8" inlet oil pump; w/.405" tooth width sprocket	1	MKP-662J	1	MKP-162J
		1	MK-662J	1	MK-162J
67-62	Incl. double rlr. type chain; Incl. 5/8" inlet oil pump	1	MKP-662H	1	MKP-162H
		1	MK-662H		----
67-62	Incl. 5/8" inlet oil pump; Incl. double rlr. type chain		----	1	MK-162H

22 M/D Truck 348 Eng. H/D Truck 348 Eng. 5.7L 348 OHV V8 (Chevrolet), 4.125" Bore 1958-65

CYL. HEAD & PARTS

QTY	VALVE	YEARS	PART NO.	SIZE	DESCRIPTION
32	Keeper	65-58	VK-138		1 groove; Square cut key groove
32	Keeper	65-58	VK-138R		1 groove; Square cut key groove; Hardened
32	Keeper, Bulk	65-58	VK-138B		1 groove; Square cut key groove; Carton of 1000
QTY	VALVE GUIDE	YEARS	PART NO.	SIZE	DESCRIPTION
8	Guide	58	VG-5033		Exh.; .3735" ID, 2.6200" O.A.L.
8	Guide	58	VG-5062		Int.; Plain; .3735" ID, 2.3800" O.A.L.
QTY	VALVE SPRING	YEARS	PART NO.	SIZE	DESCRIPTION
16	Spring	65-58	VS-522		Incl. damper; 2.0000" Free Height
QTY	PUSH RODS	YEARS	PART NO.	SIZE	DESCRIPTION
8	Push Rod	65-58	RP-3229R		Exh.; Chrome-Moly; 9.1300" O.A.L.
8	Push Rod	65-58	RP-3028		Exh.; 9.1360" O.A.L.
8	Push Rod	65-58	RP-3102		Int.; 8.7780" O.A.L.
8	Push Rod, Bulk	65-58	BRP-3028		Exh.; Carton of 100; 9.1360" O.A.L.
8	Push Rod, Bulk	65-58	BRP-3102		Int.; Carton of 25; 8.7780" O.A.L.
QTY	VALVE SEAL	YEARS	PART NO.	SIZE	DESCRIPTION
16	Valve Stem Seal	65-58	ST-2002		Installation requires valve guide machining; Polyacrylate
16	Valve Stem Seal Bulk	65-58	ST-2002BC		Positive type; Installation requires valve guide machining; Carton of 100; Polyacrylate
QTY	ROCKER PARTS	YEARS	PART NO.	SIZE	DESCRIPTION
16	Arm Assy.	65-58	R-827		Incl. arm, ball & nut
16	Pivot Ball	65-58	MR-1780		
16	Nut	65-58	MR-1751		Self-locking, 3/8" x 24 threads
16	Stud	65-58	MR-1752		.003" O/S, 3/8" x 24 x 2.495"
16	Stud	65-58	MR-1949		.372" x 24 x 2.495"
CAMSHAFT GROUP					
QTY	TIMING	YEARS	PART NO.	SIZE	DESCRIPTION
1	Timing Chain	65-58	222-162		64 Links
QTY	CAMSHAFT/LIFTER	YEARS	PART NO.	SIZE	DESCRIPTION
1	Camshaft	65-58	CS-171		Use w/Hyd. lifters
16	Lifter	65-58	HT-817	Std Only	Hyd.
16	Lifter, Bulk	65-58	HT-817B	Std Only	Hyd.; Carton of 128
1	Prelube	65-58	55-400		4 oz. bottle; 1.5 oz. packet No. 55-403 also avail.
ENGINE BLOCK & PARTS					
QTY	CAM BEARINGS	YEARS	PART NO.	SIZE	DESCRIPTION
1	Cam Set	65-58	1177M	Std Only	
CRANKSHAFT/OIL PUMP					
QTY	CRANKSHAFT	YEARS	PART NO.	SIZE	DESCRIPTION
1	Harmonic Balancer Kit	65-58	5000		
1	Harmonic Balancer Sleeve	65-58	88176		

(continued on next page)

GMC Truck - M/D & H/D

M/D Truck 348 Eng. H/D Truck 348 Eng. 22
5.7L 348 OHV V8 (Chevrolet), 4.125" Bore 1958-65 (cont.)

CRANKSHAFT/OIL PUMP (cont.)

QTY	SEALS - FRONT CRANK	YEARS	PART NO.	SIZE	DESCRIPTION
1	Redi-Sleeve	65-58	99176		
1	Oil Seal	65-58	9845		
QTY	SEALS - REAR CRANK	YEARS	PART NO.	SIZE	DESCRIPTION
1	Oil Seal Kit	65-58	5072		(Split Seal)
QTY	MAIN BEARINGS	YEARS	PART NO.	SIZE	DESCRIPTION
1	Main Set	65-58	4036M		Std-10-20
QTY	OIL PUMP	YEARS	PART NO.	SIZE	DESCRIPTION
1	Oil Pump	65-58	224-4146A		High Pressure; 5/8" inlet
1	Oil Pump	65-58	224-4143		High Volume, check pan for clearance; 5/8" inlet; Use shaft w/steel guide
1	Oil Pump	65-58	224-4146		5/8" inlet
1	Inter. Shaft	65-58	224-6146E		Has steel shaft guide; Eliminates nylon shaft guide
1	Inter. Shaft	65-58	224-6146		Use w/nylon shaft guide
1	Screen Assy.	65-58	224-1146		5/8" inlet
1	Oil Pump Shaft Guide	65-58	224-43343		Nylon

CYLINDER COMPONENTS

QTY	CONNECTING RODS & BRGS.	YEARS	PART NO.	SIZE	DESCRIPTION
1	Rod Set	65-58	8-3190A		Std-1-10-20-30-40-60 A-Series aluminum bearings
8	Rod Pair	65-58	3190A		Std-1-2-10-20-30-40-50-60 A-Series aluminum bearings
QTY	PISTON RINGS	YEARS	PART NO.	SIZE	DESCRIPTION
1	Premium Set	65-58	E-243K		Std-20-30-40-60 2-5/64, 1-3/16
1	Standard Set	65-58	E-243X		Std-20-30-40-60 2-5/64, 1-3/16
8	Premium Single Cylinder Set	65-58	WE-243K		Std-20-30-40-60 2-5/64, 1-3/16
8	Standard Single Cylinder Set	65-58	WE-243X		Std-20-30-40-60 2-5/64, 1-3/16

M/D Truck 350 Eng. 23
5.7L 350 OHV V8 (Chevrolet), 4" Bore 1969-91

CYL. HEAD & PARTS

QTY	HEAD BOLTS	YEARS	PART NO.	SIZE	DESCRIPTION
1	Head Bolt Set	90-69	260-2500		Replacement recommended
QTY	VALVE	YEARS	PART NO.	SIZE	DESCRIPTION
8	Intake	91-79	V-1927		Std-15 Chrome plated stem; 1.7200" Head Dia., .3413" Stem Dia., 4.9170" O.A.L.
8	Intake	86-73	V-1928		Std Only Chrome plated stem; 1.7200" Head Dia., .3420" Stem Dia., 4.9170" O.A.L.
8	Intake	72-69	V-1927		Std-15 Exc. LPG Eng's.; Chrome plated stem; 1.7200" Head Dia., .3413" Stem Dia., 4.9170" O.A.L.
8	Intake	72-69	V-1928		Std Only LPG Eng's.; Chrome plated stem; 1.7200" Head Dia., .3420" Stem Dia., 4.9170" O.A.L.
8	Intake, Bulk	91-79	V-1927B		Std Only Chrome plated stem; Carton of 25; 1.7200" Head Dia., .3413" Stem Dia., 4.9170" O.A.L.
8	Intake, Bulk	72-69	V-1927B		Std Only Exc. LPG Eng's.; Chrome plated stem; Carton of 25; 1.7200" Head Dia., .3413" Stem Dia., 4.9170" O.A.L.
8	Exhaust	91-87	V-2449X		Std Only Inconel X-751; Chrome plated stem; Premium Material; 1.5000" Head Dia., .3718" Stem Dia., 4.9230" O.A.L.
8	Exhaust	86-74	V-1988X		Std-3-15 1 groove; Chrome plated stem; Stellite face; 1.5000" Head Dia., .3718" Stem Dia., 4.9230" O.A.L.
8	Exhaust	73-69	V-1888X		Std-15 1st design; Chrome plated stem; Stellite face; 1.5000" Head Dia., .3412" Stem Dia., 4.9230" O.A.L.
8	Exhaust	73-69	V-1988X		Std-3-15 2nd design; 1 groove; Chrome plated stem; Stellite face; 1.5000" Head Dia., .3718" Stem Dia., 4.9230" O.A.L.
8	Exhaust, Bulk	86-74	V-1988XB		Std-15 1 groove; Chrome plated stem; Stellite face; Carton of 25; 1.5000" Head Dia., .3718" Stem Dia., 4.9230" O.A.L.
8	Exhaust, Bulk	73-69	V-1988XB		Std-15 2nd design; 1 groove; Chrome plated stem; Stellite face; Carton of 25; 1.5000" Head Dia., .3718" Stem Dia., 4.9230" O.A.L.
32	Keeper	91-69	VK-115		1 groove; Square cut key groove
32	Keeper	91-69	VK-115R		1 groove; Square cut key groove; Hardened
32	Keeper, Bulk	91-69	VK-115B		1 groove; Square cut key groove; Carton of 1000

(continued on next page)

GMC Truck - M/D & H/D

23 M/D Truck 350 Eng.

(cont.) 5.7L 350 OHV V8 (Chevrolet), 4" Bore 1969-91

CYL. HEAD & PARTS (cont.)

QTY	VALVE SEAT	YEARS	PART NO.	SIZE	DESCRIPTION
8	Exh.	91-69	245-1562-1N Std Only		Premium Material; 1.5675" OD, 1.3125" ID, .2160" Depth
8	Exh.	91-69	245-1562-1 Std Only		1.5675" OD, 1.3125" ID, .2160" Depth
8	Int.	91-69	245-2125-1 Std Only		2.1305" OD, 1.8125" ID, .2480" Depth
QTY	VALVE GUIDE	YEARS	PART NO.	SIZE	DESCRIPTION
8	Guide	91-69	VG-5046		Exh.; .502" OD; .3740" ID, 2.2500" O.A.L.
8	Guide	91-69	VG-5038		Int.; .3430" ID, 2.1200" O.A.L.
8	Guide, Bulk	91-69	VG-5038B		Int.; Carton of 50; .3430" ID, 2.1200" O.A.L.
QTY	VALVE SPRING	YEARS	PART NO.	SIZE	DESCRIPTION
16	Spring	91-87	VS-677		Exh. & Int.; Incl. damper; 2.0300" Free Height
16	Spring	91-87	VS-739R		Exh. & Int.; Optional-H/D; 2.0000" Free Height
8	Spring	86-69	VS-727		Exh.; Incl. damper; 1.9100" Free Height
8	Spring	86-69	VS-677		Int.; Incl. damper; 2.0300" Free Height
16	Spring, Bulk	91-87	VS-677B		Exh. & Int.; Incl. damper; Carton of 250; 2.0300" Free Height
16	Spring, Bulk	91-87	VS-739RB		Exh. & Int.; Optional-H/D; Carton of 300; 2.0000" Free Height
8	Spring, Bulk	86-69	VS-727B		Exh.; Incl. damper; Carton of 250; 1.9100" Free Height
8	Spring, Bulk	86-69	VS-677B		Int.; Incl. damper; Carton of 250; 2.0300" Free Height
8	Spring Insert	91-69	259-203C		.015"; Carton of 100
8	Spring Insert	91-69	259-203B		.030"; Carton of 100
8	Spring Insert	91-69	259-203BRS		.030"; Carton of 500
8	Spring Insert	91-69	259-203A		.060"; Carton of 100
8	Spring Insert	91-69	259-203ARS		.060"; Carton of 500
QTY	PUSH RODS	YEARS	PART NO.	SIZE	DESCRIPTION
16	Push Rod	91-69	RP-3212R		Chrome-Moly; 7.7900" O.A.L.
16	Push Rod	91-69	RP-3212R100		Chrome-Moly; 7.8900" O.A.L.
16	Push Rod	91-69	RP-3212R150		Chrome-Moly; 7.9400" O.A.L.
16	Push Rod	91-69	RP-3212R200		Chrome-Moly; 7.9900" O.A.L.
16	Push Rod	91-69	RP-3093		7.7940" O.A.L.
16	Push Rod, Bulk	91-69	BRP-3093		Carton of 100; 7.7940" O.A.L.
16	Push Rod, Bulk	91-69	BRP-3212R		Chrome-Moly; Carton of 100; 7.7900" O.A.L.
16	Push Rod, Bulk	91-69	BRP-3212R100		Chrome-Moly; Carton of 100; 7.8900" O.A.L.
QTY	VALVE MISC.	YEARS	PART NO.	SIZE	DESCRIPTION
8	Rotocap	91-73	RC-157S		
QTY	VALVE SEAL	YEARS	PART NO.	SIZE	DESCRIPTION
16	Valve Stem Seal	86-69	MV-1903		Use w/repair guide; Positive type; Rubber
16	Valve Stem Seal	86-69	ST-2001		W/.343" stem dia.; Positive type; Installation requires valve guide machining; Rubber/PTFE
16	Valve Stem Seal	86-69	ST-2004		W/.375" stem dia.; Positive type; Installation requires valve guide machining; Rubber/PTFE
8	Valve Stem Seal	91-87	MV-1888C		Int.; Positive type; Viton®
16	Valve Stem Seal	91-69	MV-1233C		O-Ring; Rubber
16	Valve Stem Seal	91-69	MV-1598C		Umbrella type; Rubber
8	Valve Stem Seal Bulk	91-87	MV-1888		Int.; Positive type; Carton of 50; Viton®
16	Valve Stem Seal Bulk	91-69	MV-1233		O-Ring; Carton of 100; Rubber
16	Valve Stem Seal Bulk	91-69	MV-1598		Umbrella type; Carton of 100; Rubber
16	Valve Stem Seal Bulk	86-69	ST-2001BC		Use w/ 11/32" valve stem dia.; Positive type; Installation requires valve guide machining; Carton of 100; Rubber/PTFE
16	Valve Stem Seal Bulk	86-69	ST-2004BC		Use w/.375" stem dia.; Positive type; Installation requires valve guide machining; Carton of 100; Rubber/PTFE
QTY	ROCKER PARTS	YEARS	PART NO.	SIZE	DESCRIPTION
16	Arm Assy.	91-85	R-973		Incl. arm, ball & nut
16	Arm Assy.	84-69	R-826		Incl. arm, ball & nut
16	Arm Assy., Bulk	91-85	R-973B		Incl. arm, ball & nut; Carton of 64
16	Arm Assy., Bulk	84-69	R-826B		Incl. arm, ball & nut; Carton of 64
16	Arm	91-85	R-973A		
16	Arm	84-69	R-826A		
16	Pivot Ball	91-69	MR-1783		
16	Pivot Ball	91-69	MR-1822		H/D 4 groove ball
16	Nut	91-69	MR-1751		Self-locking, 3/8" x 24 threads
16	Stud	91-69	MR-1752		.003" O/S, 3/8" x 24 x 2.495"
16	Stud	91-69	MR-1949		.372" x 24 x 2.495"
CAMSHAFT GROUP					
QTY	TIMING	YEARS	PART NO.	SIZE	DESCRIPTION
1	3 Piece Set	91-69	KT3-163S		Incl. double rlr. type chain; Incl. (1) 222-163, (1) 223-288, (1) 223-289
1	Timing Chain	91-69	222-163		Double rlr.; 58 Links
1	Crank Sprocket	91-69	223-289		Double row; 22 Teeth

(continued on next page)

GMC Truck - M/D & H/D

M/D Truck 350 Eng. 23
5.7L 350 OHV V8 (Chevrolet), 4" Bore 1969-91 (cont.)

CAMSHAFT GROUP (cont.)					
QTY	TIMING (cont.)	YEARS	PART NO.	SIZE	DESCRIPTION
1	Cam Sprocket	91-69	223-288		Double row; 44 Teeth
CAMSHAFT/LIFTER					
1	Camshaft	91-69	CS-274		Hyd.
16	Lifter	91-69	HT-817 Std Only		Hyd.; Carton of 128
16	Lifter, Bulk	91-69	HT-817B Std Only		4 oz. bottle; 1.5 oz. packet No. 55-403 also avail.
1	Prelube	91-69	55-400		
CAMSHAFT KIT					
1	Cam/Lifter Kit	91-69	KC-274		Hyd.; Incl. (1) CS-274, (16) HT-817, (1) 55-403B
1	Cam/Lifter/Timing Kit	91-69	KCT-274C		Hyd.; Incl. double rlr. type chain; Incl. (1) CS-274, (16) HT-817, (1) KT3-163S, (1) 55-403B
ENGINE BLOCK & PARTS					
GASKET SETS					
1	Kit Gasket Set	90-86	260-1268		PermaDry® molded rubber oil pan gskt. incl.; Premium valve stem seals incl.; Premium valve stem seals incl.
1	Kit Gasket Set	85-80	260-1045		Head bolts not incl.; Premium valve stem seals incl.
1	Kit Gasket Set	79-75	260-1000BT		w/2 Bbl. & w/4 Bbl.; Head bolts not incl.; PermaDryPlus® valve cover & oil pan gskts. incl.; PermaDryPlus® water outlet gskt. incl.
1	Kit Gasket Set	79-69	260-1000		Head bolts not incl.
1	Kit Gasket Set	74-69	260-1000AT		w/2 Bbl. & w/4 Bbl.; w/o Exh. pipe packing; PermaDryPlus® valve cover & oil pan gskts. incl.; PermaDryPlus® water outlet gskt. incl.
CAM BEARINGS					
1	Cam Set	91-69	1235M Std-1-10		Babbitt material; Full round design
1	Cam Set	91-69	1749M Std Only		Bi-Metal Aluminum
1	Cam Set	91-69	1750M Std Only		2.030" housing bore
FREEZE PLUGS					
1	Brass Block Plug Kit	91-86	381-8059		
1	Brass Block Plug Kit	85-69	381-8007		
1	Steel Block Plug Kit	91-69	381-4011		
CRANKSHAFT/OIL PUMP					
MAIN BEARINGS					
1	Main Set	91-69	4663M Std-1-2-10-20-30-40-60		
1	Main Set	91-69	6688M10 10-20-30		.020" O/S length flange brg.
1	Main Set	91-69	4663MA Std-1-2-10-20-30-40-60		A-Series aluminum bearings
1	Main Set	91-69	7329MA10 10-20		A-Series aluminum bearings; .010" O/S length flange brg.
OIL PUMP					
1	Oil Pump	91-69	224-4143		High Volume, check pan for clearance; 5/8" inlet; Use shaft w/steel guide
1	Oil Pump	91-69	224-4146		5/8" inlet
1	Inter. Shaft	91-73	224-6146E		Has steel shaft guide; Eliminates nylon shaft guide
1	Inter. Shaft	91-73	224-6146		Use w/nylon shaft guide
1	Inter. Shaft	72-69	224-6146E		Exc. 50 series; Has steel shaft guide; Eliminates nylon shaft guide
1	Inter. Shaft	72-69	224-6146		Exc. 50 series; Use w/nylon shaft guide
1	Screen Assy.	90-87	224-1346		50-65 Series; 5/8" inlet tube
1	Screen Assy.	79-73	224-1346		50-60 Series; 5/8" inlet tube
1	Oil Pump Shaft Guide	91-69	224-43343		Nylon
CYLINDER COMPONENTS					
LINERS					
8	Repair Sleeve	91-69	SL-22Y Std Only		1/8" wall, must be cut to correct length; O.A.L. 10.250"
8	Repair Sleeve	91-69	SL-350M Std Only		3/32" wall, cut to length; Press fit sleeve
8	Repair Sleeve	91-69	SL-22M Std Only		3/32" wall, must be cut to correct length; O.A.L. 10.250"
PISTONS					
1	Cast Piston Set w/Prem. Rings	90-72	8KH580CP30 30-40-60		Optional for Eng. w/68-76cc heads, 305 heads or Alum. Corvette heads; Cast; 2-5/64", 1-3/16" Ring Groove, 1.550" CD, .9275" Pin Dia., Recessed Head .185" deep x 3.300" dia. w/2 valve reliefs; DUROSHIELD® skirt coated piston
8	Cast Piston	90-72	H580CP Std-20-30-40-60		Optional for Eng. w/68-76cc heads, 305 heads or Alum. Corvette heads; Use w/E-251K, E-251KC & E-251X ring set; Hypereutectic; 2-5/64", 1-3/16" Ring Groove, 1.550" CD, .9275" Pin Dia., Recessed Head .185" deep x 3.300" dia. w/2 valve reliefs; DUROSHIELD® skirt coated piston

(continued on next page)

GMC Truck - M/D & H/D

23 M/D Truck 350 Eng.
(cont.) 5.7L 350 OHV V8 (Chevrolet), 4" Bore 1969-91

CYLINDER COMPONENTS (cont.)							
QTY	PISTONS (cont.)	YEARS	PART NO.	SIZE	DESCRIPTION		
8	Cast Piston	90-72	H580P Std-20-30-40-60-80		Optional for Eng. w/68-76cc heads, 305 heads or Alum. Corvette heads; Use w/E-251K, E-251KC or E-251X ring set; Hypereutectic; 2-5/64", 1-3/16" Ring Groove, 1.550" CD, .9275" Pin Dia., Recessed Head .185" deep x 3.300" dia. w/2 valve reliefs		
8	Cast Piston - Individual	90-72	WH580P Std-20-30-40-60-80		Optional for Eng. w/68-76cc heads, 305 heads or Alum. Corvette heads; Use w/WE-251K, WE-251KC or WE-251X ring set; Hypereutectic; 2-5/64", 1-3/16" Ring Groove, 1.550" CD, .9275" Pin Dia., Recessed Head .185" deep x 3.300" dia. w/2 valve reliefs		
QTY	CONNECTING RODS & BRGS.	YEARS	PART NO.	SIZE	DESCRIPTION		
1	Rod Set	91-69	8-2555A Std-1-2-10-20-30-40-50-60		A-Series aluminum bearings		
1	Rod Set	91-69	8-2555CP10X2 10X2-20X2-40X2		Use in .002" O/S Rod Bore; Overplated copper-lead alloy		
1	Rod Set	91-69	8-2555CP Std-1-2-10-20-30-40-50		8-2555CA 60 avail. as unplated & resizeable; Overplated copper-lead alloy		
1	Rod Set	91-69	8-2555CA60 60		Unplated & resizeable		
8	Rod Pair	91-69	2555A Std-1-2-10-20-30-40-50-60		A-Series aluminum bearings		
8	Rod Pair	91-69	2555CP Std-1-2-10-20-30-40-50		Overplated copper-lead alloy		
8	Rod Pair	91-69	2555CA60 60		Unplated & resizeable		
QTY	PISTON RINGS	YEARS	PART NO.	SIZE	DESCRIPTION		
1	Premium Set	91-87	E-251K Std-10-20-30-40-60		.200" deep oil ring groove; 2-5/64, 1-3/16		
1	Premium Set	91-87	E-251KC Std-10-20-30-40-60		.200" deep oil ring groove; 2-5/64, 1-3/16		
1	Premium Set	91-87	E-377K Std-20-30-40		2-5/64, 1-3/16		
1	Premium Set	86-69	E-251K Std-10-20-30-40-60		2-5/64, 1-3/16		
1	Premium Set	86-69	E-251KC Std-10-20-30-40-60		2-5/64, 1-3/16		
1	Standard Set	91-87	E-251X Std-10-20-30-40-60-80		.200" deep oil ring groove; 2-5/64, 1-3/16		
1	Standard Set	91-87	E-377X Std-30-40		2-5/64, 1-3/16		
1	Standard Set	86-69	E-251X Std-10-20-30-40-60-80		2-5/64, 1-3/16		
8	Premium Single Cylinder Set	91-87	WE-251K Std-20-30-40-60		.200" deep oil ring groove; 2-5/64, 1-3/16		
8	Premium Single Cylinder Set	91-87	WE-251KC Std-20-30-40-60		.200" deep oil ring groove; 2-5/64, 1-3/16		
8	Premium Single Cylinder Set	91-87	WE-377K Std-20-30		2-5/64, 1-3/16		
8	Premium Single Cylinder Set	86-69	WE-251K Std-20-30-40-60		2-5/64, 1-3/16		
8	Premium Single Cylinder Set	86-69	WE-251KC Std-20-30-40-60		2-5/64, 1-3/16		
8	Standard Single Cylinder Set	91-87	WE-251X Std-20-30-40-60-80		.200" deep oil ring groove; 2-5/64, 1-3/16		
8	Standard Single Cylinder Set	91-87	WE-377X Std-30		2-5/64, 1-3/16		
8	Standard Single Cylinder Set	86-69	WE-251X Std-20-30-40-60-80		2-5/64, 1-3/16		
KITS							
YEARS	RE-RING KIT DESCRIPTION			QTY	PREMIUM KIT NO.	QTY	ECONOMY KIT NO.
90-87	PermaDry® molded rubber oil pan gskt. incl.; Premium valve stem seals incl.; .200" deep oil ring groove; Incl. A-Series aluminum bearings	Re-ring		1	205-6037		-----
90-87	PermaDry® molded rubber oil pan gskt. incl.; Premium valve stem seals incl.; Incl. A-Series aluminum bearings	Re-ring		1	205-6153		-----
86	PermaDry® molded rubber oil pan gskt. incl.; Premium valve stem seals incl.; Incl. A-Series aluminum bearings	Re-ring		1	205-6037		-----
85-80	Incl. A-Series aluminum bearings; Premium valve stem seals incl.	Re-ring		1	205-658		-----

(continued on next page)

GMC Truck - M/D & H/D

M/D Truck 350 Eng. 23
5.7L 350 OHV V8 (Chevrolet), 4" Bore 1969-91 (cont.)

KITS (cont.)

RE-RING KIT (cont.)		QTY	PREMIUM KIT NO.	QTY	ECONOMY KIT NO.
YEARS	DESCRIPTION				
79-69	Incl. A-Series aluminum bearings	1	205-630		----
90-87	PermaDry® molded rubber oil pan gskt. incl.; Premium valve stem seals incl.; .200" deep oil ring groove; Incl. A-Series aluminum bearings	1	205-6037M		----
90-87	PermaDry® molded rubber oil pan gskt. incl.; Premium valve stem seals incl.; w/.200" deep oil ring groove; Incl. A-Series aluminum bearings		----	1	205-1037
				1	205-1037M
90-87	PermaDry® molded rubber oil pan gskt. incl.; Premium valve stem seals incl.; Incl. A-Series aluminum bearings	1	205-6153M	1	205-1153
				1	205-1153M
86	PermaDry® molded rubber oil pan gskt. incl.; Premium valve stem seals incl.; Incl. A-Series aluminum bearings	1	205-6037M	1	205-1037
				1	205-1037M
85-80	Incl. A-Series aluminum bearings; Premium valve stem seals incl.	1	205-658M	1	205-158
				1	205-158M
79-69	Incl. A-Series aluminum bearings	1	205-630M	1	205-130
				1	205-130M
OVERHAUL KIT		QTY	PREMIUM KIT NO.	QTY	ECONOMY KIT NO.
YEARS	DESCRIPTION				
90-87	PermaDry® molded rubber oil pan gskt. incl.; Premium valve stem seals incl.; .200" deep oil ring groove; Incl. A-Series aluminum bearings; Incl. 5/8" inlet oil pump; Incl. double rlr. type chain	1	MK-6037C	1	MK-1037C
86	PermaDry® molded rubber oil pan gskt. incl.; Premium valve stem seals incl.; Incl. A-Series aluminum bearings; Incl. 5/8" inlet oil pump; Incl. double rlr. type chain	1	MK-6037C	1	MK-1037C
85-80	Incl. A-Series aluminum bearings; Premium valve stem seals incl.; Incl. 5/8" inlet oil pump; Incl. double rlr. type chain	1	MK-658C	1	MK-158C
79-69	Incl. A-Series aluminum bearings; Incl. 5/8" inlet oil pump; Incl. double rlr. type chain	1	MK-630F	1	MK-130F

M/D Truck 350 LPG Eng. 24
5.7L 350 OHV LPG V8 (Chevrolet), 4" Bore 1969-86

CYL. HEAD & PARTS

QTY	HEAD BOLTS	YEARS	PART NO.	SIZE	DESCRIPTION
1	Head Bolt Set	86-69	260-2500		Replacement recommended
QTY	VALVE	YEARS	PART NO.	SIZE	DESCRIPTION
8	Intake	78-69	V-1928	Std Only	Chrome plated stem; 1.7200" Head Dia., .3420" Stem Dia., 4.9170" O.A.L.
8	Exhaust	78-75	V-1988X	Std-3-15	1 groove; Chrome plated stem; Stellite face; 1.5000" Head Dia., .3718" Stem Dia., 4.9230" O.A.L.
8	Exhaust	74-69	V-1888X	Std-15	1st design; Chrome plated stem; Stellite face; 1.5000" Head Dia., .3412" Stem Dia., 4.9230" O.A.L.
8	Exhaust	74-69	V-1988X	Std-3-15	2nd design; 1 groove; Chrome plated stem; Stellite face; 1.5000" Head Dia., .3718" Stem Dia., 4.9230" O.A.L.
8	Exhaust, Bulk	78-75	V-1988XB	Std-15	1 groove; Chrome plated stem; Stellite face; Carton of 25; 1.5000" Head Dia., .3718" Stem Dia., 4.9230" O.A.L.
8	Exhaust, Bulk	74-69	V-1988XB	Std-15	2nd design; 1 groove; Chrome plated stem; Stellite face; Carton of 25; 1.5000" Head Dia., .3718" Stem Dia., 4.9230" O.A.L.
32	Keeper	78-69	VK-115		1 groove; Square cut key groove
32	Keeper	78-69	VK-115R		1 groove; Square cut key groove; Hardened
32	Keeper, Bulk	78-69	VK-115B		1 groove; Square cut key groove; Carton of 1000
QTY	VALVE GUIDE	YEARS	PART NO.	SIZE	DESCRIPTION
8	Guide	78-69	VG-5046		Exh.; .502" OD; .3740" ID, 2.2500" O.A.L.
8	Guide	78-69	VG-5038		Int.; .3430" ID, 2.1200" O.A.L.
8	Guide, Bulk	78-69	VG-5038B		Int.; Carton of 50; .3430" ID, 2.1200" O.A.L.
QTY	VALVE SPRING	YEARS	PART NO.	SIZE	DESCRIPTION
8	Spring	78-73	VS-727		Exh.; Incl. damper; 1.9100" Free Height
8	Spring	78-73	VS-677		Int.; Incl. damper; 2.0300" Free Height
16	Spring	72-69	VS-677		Exh. & Int.; Incl. damper; 2.0300" Free Height
8	Spring, Bulk	78-73	VS-727B		Exh.; Incl. damper; Carton of 250; 1.9100" Free Height

(continued on next page)

GMC Truck - M/D & H/D

24 M/D Truck 350 LPG Eng.

(cont.) 5.7L 350 OHV LPG V8 (Chevrolet), 4" Bore 1969-86

CYL. HEAD & PARTS (cont.)

QTY	VALVE SPRING (cont.)	YEARS	PART NO.	SIZE	DESCRIPTION
8	Spring, Bulk	78-73	VS-677B		Int.; Incl. damper; Carton of 250; 2.0300" Free Height
16	Spring, Bulk	72-69	VS-677B		Exh. & Int.; Incl. damper; Carton of 250; 2.0300" Free Height
16	Spring Insert	78-69	259-203C		.015"; Carton of 100
16	Spring Insert	78-69	259-203B		.030"; Carton of 100
16	Spring Insert	78-69	259-203BRS		.030"; Carton of 500
16	Spring Insert	78-69	259-203A		.060"; Carton of 100
16	Spring Insert	78-69	259-203ARS		.060"; Carton of 500
QTY	PUSH RODS	YEARS	PART NO.	SIZE	DESCRIPTION
16	Push Rod	78-69	RP-3212R		Chrome-Moly; 7.7900" O.A.L.
16	Push Rod	78-69	RP-3212R100		Chrome-Moly; 7.8900" O.A.L.
16	Push Rod	78-69	RP-3212R150		Chrome-Moly; 7.9400" O.A.L.
16	Push Rod	78-69	RP-3212R200		Chrome-Moly; 7.9900" O.A.L.
16	Push Rod	78-69	RP-3093		7.7940" O.A.L.
16	Push Rod, Bulk	78-69	BRP-3093		Carton of 100; 7.7940" O.A.L.
16	Push Rod, Bulk	78-69	BRP-3212R		Chrome-Moly; Carton of 100; 7.7900" O.A.L.
16	Push Rod, Bulk	78-69	BRP-3212R100		Chrome-Moly; Carton of 100; 7.8900" O.A.L.
QTY	VALVE SEAL	YEARS	PART NO.	SIZE	DESCRIPTION
16	Valve Stem Seal	78-69	MV-1903		Use w/repair guide; w/.371" stem dia.; Positive type; Rubber
16	Valve Stem Seal	78-69	ST-2004		Use w/O.E. guide; w/.371" stem dia.; Positive type; Installation requires valve guide machining; Rubber/PTFE
8	Valve Stem Seal	78-69	ST-2001		Exh.; Use w/O.E. guide; w/.343" stem dia.; Positive type; Installation requires valve guide machining; Rubber/PTFE
16	Valve Stem Seal Bulk	78-69	ST-2004BC		Use w/O.E. guide; w/.371" stem dia.; Positive type; Installation requires valve guide machining; Carton of 100; Rubber/PTFE
8	Valve Stem Seal Bulk	78-69	ST-2001BC		Exh.; Use w/O.E. guide; w/.343" stem dia.; Positive type; Installation requires valve guide machining; Carton of 100; Rubber/PTFE
QTY	ROCKER PARTS	YEARS	PART NO.	SIZE	DESCRIPTION
16	Arm Assy.	78-69	R-826		Incl. arm, ball & nut
16	Arm Assy., Bulk	78-69	R-826B		Incl. arm, ball & nut; Carton of 64
16	Arm	78-69	R-826A		
16	Pivot Ball	78-69	MR-1783		
16	Pivot Ball	78-69	MR-1822		H/D 4 groove ball
16	Nut	78-69	MR-1751		Self-locking, 3/8" x 24 threads
16	Stud	78-69	MR-1752		.003" O/S, 3/8" x 24 x 2.495"
16	Stud	78-69	MR-1949		.372" x 24 x 2.495"
CAMSHAFT GROUP					
QTY	TIMING	YEARS	PART NO.	SIZE	DESCRIPTION
1	3 Piece Set	74-69	KT3-163S		Incl. double rlr. type chain; Incl. (1) 222-163, (1) 223-288, (1) 223-289
1	Timing Chain	74-69	222-163		Double rlr.; 58 Links
1	Crank Sprocket	74-69	223-289		Double row; 22 Teeth
1	Cam Sprocket	74-69	223-288		Double row; 44 Teeth
QTY	CAMSHAFT/LIFTER	YEARS	PART NO.	SIZE	DESCRIPTION
1	Camshaft	76-69	CS-274		
16	Lifter	78-69	HT-817 Std Only		Hyd.
16	Lifter, Bulk	78-69	HT-817B Std Only		Hyd.; Carton of 128
1	Prelube	76-69	55-400		4 oz. bottle; 1.5 oz. packet No. 55-403 also avail.
QTY	CAMSHAFT KIT	YEARS	PART NO.	SIZE	DESCRIPTION
1	Cam/Lifter Kit	78-69	KC-274		Hyd.; Incl. (1) CS-274, (16) HT-817, (1) 55-403B
1	Cam/Lifter/Timing Kit	74-69	KCT-274C		Hyd.; Incl. double rlr. type chain; Incl. (1) CS-274, (16) HT-817, (1) KT3-163S, (1) 55-403B
ENGINE BLOCK & PARTS					
QTY	GASKET SETS	YEARS	PART NO.	SIZE	DESCRIPTION
1	Kit Gasket Set	86	260-1268		LPG int. manifold gskts. not incl.; PermaDry® molded rubber oil pan gskt. incl.; Premium valve stem seals incl.; Premium valve stem seals incl.
1	Kit Gasket Set	85-80	260-1045		LPG int. manifold gskts. not incl.; Head bolts not incl.; Premium valve stem seals incl.
1	Kit Gasket Set	79-75	260-1000BT		Int. manifold gskts. not incl.; Head bolts not incl.; PermaDryPlus® valve cover & oil pan gskts. incl.; PermaDryPlus® water outlet gskt. incl.
1	Kit Gasket Set	79-69	260-1000		Int. manifold gskts. not incl.; Head bolts not incl.
1	Kit Gasket Set	74-69	260-1000AT		Int. manifold gskts. not incl.; w/o Exh. pipe packing; PermaDryPlus® valve cover & oil pan gskts. incl.; PermaDryPlus® water outlet gskt. incl.

(continued on next page)

GMC Truck - M/D & H/D

M/D Truck 350 LPG Eng. 24
5.7L 350 OHV LPG V8 (Chevrolet), 4" Bore 1969-86 (cont.)

ENGINE BLOCK & PARTS (cont.)

QTY	CAM BEARINGS	YEARS	PART NO.	SIZE	DESCRIPTION
1	Cam Set	78-69	1235M Std-1-10		Babbitt material; Full round design
1	Cam Set	78-69	1749M Std Only		Bi-Metal Aluminum
1	Cam Set	78-69	1750M Std Only		2.030" housing bore

CRANKSHAFT/OIL PUMP

QTY	MAIN BEARINGS	YEARS	PART NO.	SIZE	DESCRIPTION
1	Main Set	78-69	4663M Std-1-2-10-20-30-40-60		
1	Main Set	78-69	6688M10 10-20-30		.020" O/S length flange brg.
1	Main Set	78-69	4663MA Std-1-2-10-20-30-40-60		A-Series aluminum bearings
1	Main Set	78-69	7329MA10 10-20		A-Series aluminum bearings; .010" O/S length flange brg.

CYLINDER COMPONENTS

QTY	LINERS	YEARS	PART NO.	SIZE	DESCRIPTION
8	Repair Sleeve	78-69	SL-22Y Std Only		1/8" wall, must be cut to correct length; O.A.L. 10.250"
8	Repair Sleeve	78-69	SL-35M Std Only		3/32" wall, cut to length; Press fit sleeve
8	Repair Sleeve	78-69	SL-220M Std Only		3/32" wall, must be cut to correct length; O.A.L. 10.250"

QTY	PISTONS	YEARS	PART NO.	SIZE	DESCRIPTION
8	Cast Piston	78-69	399P30 30-40		Cast; 2-5/64", 1-3/16" Ring Groove, 1.560" CD, .9275" Pin Dia., Flat Head w/2 valve reliefs - 9.0:1 C.R.
8	Cast Piston - Individual	78-69	W399P30 30-40		Cast; 2-5/64", 1-3/16" Ring Groove, 1.560" CD, .9275" Pin Dia., Flat Head w/2 valve reliefs - 9.0:1 C.R.

QTY	CONNECTING RODS & BRGS.	YEARS	PART NO.	SIZE	DESCRIPTION
1	Rod Set	78-69	8-2555A Std-1-2-10-20-30-40-50-60		A-Series aluminum bearings
1	Rod Set	78-69	8-2555CP10X2 10X2-20X2-40X2		Use in .002" O/S Rod Bore; Overplated copper-lead alloy
1	Rod Set	78-69	8-2555CP Std-1-2-10-20-30-40-50		8-2555CA 60 avail. as unplated & resizeable; Overplated copper-lead alloy
1	Rod Set	78-69	8-2555CA60 60		Unplated & resizeable
8	Rod Pair	78-69	2555A Std-1-2-10-20-30-40-50-60		A-Series aluminum bearings
8	Rod Pair	78-69	2555CP Std-1-2-10-20-30-40-50		Overplated copper-lead alloy
8	Rod Pair	78-69	2555CA60 60		Unplated & resizeable

QTY	PISTON RINGS	YEARS	PART NO.	SIZE	DESCRIPTION
1	Premium Set	78-69	E-251K Std-10-20-30-40-60		2-5/64, 1-3/16
1	Standard Set	78-69	E-251X Std-10-20-30-40-60-80		2-5/64, 1-3/16
8	Premium Single Cylinder Set	78-69	WE-251K Std-20-30-40-60		2-5/64, 1-3/16
8	Standard Single Cylinder Set	78-69	WE-251X Std-20-30-40-60-80		2-5/64, 1-3/16

KITS

RE-RING KIT	YEARS	DESCRIPTION	QTY	PREMIUM KIT NO.	QTY	ECONOMY KIT NO.
78-69		Int. manifold gskts. not incl.; Incl. A-Series aluminum bearings	1	205-630		----
78-69		Int. manifold gskts. not incl.; Incl. A-Series aluminum bearings	1	----	1	205-130
			1	205-630M	1	205-130M

M/D Truck 351, 351C, 351E, 351M Engs. H/D Truck 351, 351C, 351E, 351M Engs. 25
5.7L 351 OHV V6 (GMC), 4.5625" Bore 1960-72

CYL. HEAD & PARTS

QTY	VALVE	YEARS	PART NO.	SIZE	DESCRIPTION
24	Keeper	72-60	VK-115		1 groove; Square cut key groove
24	Keeper	72-60	VK-115R		1 groove; Square cut key groove; Hardened
24	Keeper, Bulk	72-60	VK-115B		1 groove; Square cut key groove; Carton of 1000
QTY	VALVE GUIDE	YEARS	PART NO.	SIZE	DESCRIPTION
6	Guide	72-60	VG-5036		Int.; .3740" ID, 2.7500" O.A.L.
6	Guide, Bulk	72-60	VG-5036B		Int.; Carton of 100; .3740" ID, 2.7500" O.A.L.

(continued on next page)

GMC Truck - M/D & H/D

25 M/D Truck 351, 351C, 351E, 351M Engs. H/D Truck 351, 351C, 351E, 351M Engs.
(cont.) 5.7L 351 OHV V6 (GMC), 4.5625" Bore 1960-72

CYL. HEAD & PARTS (cont.)					
QTY	PUSH RODS	YEARS	PART NO.	SIZE	DESCRIPTION
12	Push Rod	72-60	RP-3099		7.9890" O.A.L.
QTY	VALVE SEAL	YEARS	PART NO.	SIZE	DESCRIPTION
6	Valve Stem Seal	72-60	ST-2007		Exh.; Positive type; Rubber
6	Valve Stem Seal	72-60	ST-2002		Int.; Installation requires valve guide machining; Polyacrylate
6	Valve Stem Seal	72-60	MV-1233C		Int.; O-Ring; Rubber
6	Valve Stem Seal Bulk	72-60	MV-1233		Int.; O-Ring; Carton of 100; Rubber
6	Valve Stem Seal Bulk	72-60	ST-2002BC		Int.; Positive type; Installation requires valve guide machining; Carton of 100; Polyacrylate
CAMSHAFT GROUP					
QTY	CAMSHAFT/LIFTER	YEARS	PART NO.	SIZE	DESCRIPTION
12	Lifter	72-60	AT-874 Std Only		Mech.
1	Prelube	72-60	55-400		4 oz. bottle; 1.5 oz. packet No. 55-403 also avail.
ENGINE BLOCK & PARTS					
QTY	CAM BEARINGS	YEARS	PART NO.	SIZE	DESCRIPTION
1	Cam Set	70-60	1198M Std Only		
QTY	FREEZE PLUGS	YEARS	PART NO.	SIZE	DESCRIPTION
1	Brass Block Plug Kit	72-60	381-8019		
CRANKSHAFT/OIL PUMP					
QTY	SEALS - FRONT CRANK	YEARS	PART NO.	SIZE	DESCRIPTION
1	Redi-Sleeve	72-60	99240		
1	Oil Seal	72-60	480574H		
QTY	MAIN BEARINGS	YEARS	PART NO.	SIZE	DESCRIPTION
1	Main Set	70-60	4067MA Std Only		A-Series aluminum bearings; Undersize brgs. can be used, but the surface hardness of the crankshaft should be restored after grinding through a suitable heat treatment process
QTY	OIL PUMP	YEARS	PART NO.	SIZE	DESCRIPTION
1	Oil Pump	72-60	224-41154		3/8" dia. mounting holes; Governor spinner not incl., Re-use original if req'd.
CYLINDER COMPONENTS					
QTY	PISTONS	YEARS	PART NO.	SIZE	DESCRIPTION
6	Pin Bushing	72-60	2404Y20		
QTY	CONNECTING RODS & BRGS.	YEARS	PART NO.	SIZE	DESCRIPTION
6	Rod Pair	70-60	2400P Std-10-20-30		Undersize brgs. can be used, but the surface hardness of the crankshaft should be restored after grinding through a suitable heat treatment process

26 M/D Truck D351 Diesel Eng.
5.7L 351 OHV Diesel V6 (GMC), 4.5625" Bore 1964-69

CRANKSHAFT/OIL PUMP					
QTY	SEALS - FRONT CRANK	YEARS	PART NO.	SIZE	DESCRIPTION
1	Redi-Sleeve	69-64	99240		
1	Oil Seal	69-64	480574H		
QTY	MAIN BEARINGS	YEARS	PART NO.	SIZE	DESCRIPTION
1	Main Set	66-65	4067MA Std Only		A-Series aluminum bearings; Undersize brgs. can be used, but the surface hardness of the crankshaft should be restored after grinding through a suitable heat treatment process
QTY	OIL PUMP	YEARS	PART NO.	SIZE	DESCRIPTION
1	Oil Pump	67-65	224-41154		3/8" dia. mounting holes; Governor spinner not incl., Re-use original if req'd.
CYLINDER COMPONENTS					
QTY	CONNECTING RODS & BRGS.	YEARS	PART NO.	SIZE	DESCRIPTION
6	Rod Pair	66-65	2400P Std-10-20-30		Undersize brgs. can be used, but the surface hardness of the crankshaft should be restored after grinding through a suitable heat treatment process

GMC Truck - M/D & H/D

M/D Truck Eng. Code "6BD1-T" 27					
5.8L 353 (5785cc) OHV Turbo-Diesel L6 (12 Valve), 102mm Bore (Isuzu Eng.) 1987-95					
CRANKSHAFT/OIL PUMP					
QTY	SEALS - FRONT CRANK	YEARS	PART NO.	SIZE	DESCRIPTION
1	Redi-Sleeve	95-87	99235		
1	Oil Seal	95-87	710390		
QTY	SEALS - REAR CRANK	YEARS	PART NO.	SIZE	DESCRIPTION
1	Oil Seal	95-87	710349		
1	Redi-Sleeve	95-87	99413		
M/D Truck 366 Eng. 28					
6.0L 366 OHV V8 (Chevrolet), 3.9375" Bore 1966-98					
CYL. HEAD & PARTS					
QTY	VALVE	YEARS	PART NO.	SIZE	DESCRIPTION
8	Intake	94-86	V-1874 Std-15		Chrome plated stem; 1.9400" Head Dia., .3720" Stem Dia., 5.2300" O.A.L.
8	Intake	85	V-1754 Std Only		1st design; Chrome plated stem; 1.8386" Head Dia., .3719" Stem Dia., 5.2205" O.A.L.
8	Intake	85	V-1874 Std-15		1st design; Optional-H/D; Chrome plated stem; 1.9400" Head Dia., .3720" Stem Dia., 5.2300" O.A.L.
8	Intake	85	V-1874 Std-15		2nd design; Chrome plated stem; 1.9400" Head Dia., .3720" Stem Dia., 5.2300" O.A.L.
8	Intake	84-66	V-1754 Std Only		Chrome plated stem; 1.8386" Head Dia., .3719" Stem Dia., 5.2205" O.A.L.
8	Intake	84-66	V-1874 Std-15		Optional-H/D; Chrome plated stem; 1.9400" Head Dia., .3720" Stem Dia., 5.2300" O.A.L.
8	Exhaust	94-86	V-2451X Std Only		Inconel X-751; Chrome plated stem; 1.6600" Head Dia., .3711" Stem Dia., 5.3670" O.A.L.
8	Exhaust	85	V-1753X Std-15		1st design; Chrome plated stem; 1.6600" Head Dia., .3718" Stem Dia., 5.3670" O.A.L.
8	Exhaust	85	V-2451X Std Only		1st design; Optional-Premium Material; Inconel X-751; Chrome plated stem; 1.6600" Head Dia., .3711" Stem Dia., 5.3670" O.A.L.
8	Exhaust	85	V-2451X Std Only		2nd design; Inconel X-751; Chrome plated stem; 1.6600" Head Dia., .3711" Stem Dia., 5.3670" O.A.L.
8	Exhaust	84-66	V-1753X Std-15		Chrome plated stem; 1.6600" Head Dia., .3718" Stem Dia., 5.3670" O.A.L.
8	Exhaust	84-66	V-2451X Std Only		Optional-Premium Material; Inconel X-751; Chrome plated stem; 1.6600" Head Dia., .3711" Stem Dia., 5.3670" O.A.L.
32	Keeper	97-66	VK-138		1 groove; Square cut key groove
32	Keeper	97-66	VK-138R		1 groove; Square cut key groove; Hardened
32	Keeper, Bulk	97-66	VK-138B		1 groove; Square cut key groove; Carton of 1000
QTY	VALVE SEAT	YEARS	PART NO.	SIZE	DESCRIPTION
8	Exh.	94-77	FP-24518125N		Optional-Premium Material; Non-magenetic material; 1.8175" OD, 1.5000" ID, .2480" Depth
8	Exh.	94-77	245-1812-5N + Std Only		Optional-Premium Material; Non-magenetic material; 1.8175" OD, 1.5000" ID, .2480" Depth; When depleted use FP-24518125N
8	Exh.	94-77	FP-24518125		1.8175" OD, 1.5000" ID, .2480" Depth
8	Exh.	94-77	245-1812-5 + Std Only		1.8175" OD, 1.5000" ID, .2480" Depth; When depleted use FP-24518125
8	Int.	85-77	245-2000-1 Std Only		Use w/V-1754; 2.0055" OD, 1.7500" ID, .2160" Depth
QTY	VALVE GUIDE	YEARS	PART NO.	SIZE	DESCRIPTION
8	Guide	94-66	VG-690		Exh.; .3740" ID, 2.8000" O.A.L.
8	Guide	94-66	VG-689		Int.; .3735" ID, 2.4200" O.A.L.
8	Guide, Bulk	94-66	VG-689B		Int.; Carton of 50; .3735" ID, 2.4200" O.A.L.
QTY	VALVE SPRING	YEARS	PART NO.	SIZE	DESCRIPTION
16	Spring	94-86	VS-859		2.0500" Free Height
8	Spring	85	VS-671		1st design; 2.0500" Free Height
8	Spring	85	VS-859		2nd design; 2.0500" Free Height
8	Spring	84-66	VS-671		2.0500" Free Height
8	Spring, Bulk	85	VS-671B		1st design; Carton of 150; 2.0500" Free Height
8	Spring, Bulk	84-66	VS-671B		Carton of 150; 2.0500" Free Height
16	Spring Insert	94-77	259-404A		.060"; Carton of 50
QTY	PUSH RODS	YEARS	PART NO.	SIZE	DESCRIPTION
8	Push Rod	97-91	RP-3344		Exh.; 9.4740" O.A.L.
8	Push Rod	97-91	RP-3343		Int.; 8.5040" O.A.L.
16	Push Rod	90-83	RP-3257		Exh.; 9.6020" O.A.L.
16	Push Rod	90-83	RP-3258		Int.; 8.6320" O.A.L.
16	Push Rod	83-77	RP-3203		Exh.; 9.6520" O.A.L.
16	Push Rod	83-77	RP-3204 +		Int.; 8.6800" O.A.L.; When depleted use RP-3164

(continued on next page)

+ Superseded Part Number

GMC Truck - M/D & H/D

28 M/D Truck 366 Eng.

(cont.) 6.0L 366 OHV V8 (Chevrolet), 3.9375" Bore 1966-98

CYL. HEAD & PARTS (cont.)					
QTY	PUSH RODS (cont.)	YEARS	PART NO.	SIZE	DESCRIPTION
8	Push Rod	76-66	RP-3105		Exh.; 9.6560" O.A.L.
8	Push Rod	76-66	RP-3106		Int.; 8.6800" O.A.L.
16	Push Rod, Bulk	83-77	BRP-3203		Exh.; Carton of 100; 9.6520" O.A.L.
16	Push Rod, Bulk	83-77	BRP-3204 +		Int.; Carton of 100; 8.6800" O.A.L.; When depleted use BRP-3164
QTY	VALVE MISC.	YEARS	PART NO.	SIZE	DESCRIPTION
8	Rotocap	94-66	RC-163S		
QTY	VALVE SEAL	YEARS	PART NO.	SIZE	DESCRIPTION
16	Valve Stem Seal	94-66	ST-2004		Positive type; Installation requires valve guide machining; Rubber/PTFE
16	Valve Stem Seal	94-66	MV-1769C		Umbrella type; Polyacrylate
16	Valve Stem Seal	94-66	MV-1912		Umbrella type; Premium Material; Viton®
16	Valve Stem Seal Bulk	94-66	ST-2004BC		Positive type; Installation requires valve guide machining; Carton of 100; Rubber/PTFE
16	Valve Stem Seal Bulk	94-66	MV-1769		Umbrella type; Carton of 100; Polyacrylate
QTY	ROCKER PARTS	YEARS	PART NO.	SIZE	DESCRIPTION
16	Arm Assy.	90-66	R-851		Incl. arm, ball & nut
16	Arm Assy., Bulk	90-66	R-851B		Incl. arm, ball & nut; Carton of 64
16	Arm	90-66	R-851A		
16	Pivot Ball	90-66	MR-1815		
16	Nut	90-66	MR-1813		7/16" thread
CAMSHAFT GROUP					
QTY	TIMING	YEARS	PART NO.	SIZE	DESCRIPTION
1	3 Piece Set	98-91	KT3-4SR50S		Incl. (1) 222-4SR50, (1) 223-710, (1) 223-717
1	3 Piece Set	90-66	KT3-171S		W/Chain drive; Incl. (1) 222-168, (1) 223-394, (1) 223-395
1	Gear Set	68-66	221-2532S		W/Gear drive; 221-2530 & 221-2531 not sold separately; Incl. (1) 221-2530, (1) 221-2531
1	Timing Chain	98-91	222-4SR50		Single rlr. .500" pitch; 50 Links
1	Timing Chain	90-66	222-168		W/Chain drive; Double rlr.; 66 Links
1	Crank Sprocket	98-91	223-717		19 Teeth
1	Crank Sprocket	90-66	223-395		W/Chain drive; 25 Teeth
1	Cam Sprocket	98-91	223-710		38 Teeth
1	Cam Sprocket	90-66	223-394		W/Chain drive; 50 Teeth
QTY	CAMSHAFT/LIFTER	YEARS	PART NO.	SIZE	DESCRIPTION
1	Camshaft	98-95	CS-669		
1	Camshaft	94-85	CS-669		W/NA5 Fed. Emis.
1	Camshaft	94-85	CS-774		W/NC7 Fed. emis. override
1	Camshaft	84-73	CS-669		Chain driven
1	Camshaft	72-69	CS-636		Chain driven
16	Lifter	97-91	HT-969	Std Only	Hyd.; w/.440" wide oil groove
16	Lifter	90-66	HT-817	Std Only	Hyd.
16	Lifter, Bulk	97-91	HT-969B	Std Only	Hyd.; Carton of 128
16	Lifter, Bulk	90-66	HT-817B	Std Only	Hyd.; Carton of 128
1	Prelube	98-66	55-400		4 oz. bottle; 1.5 oz. packet No. 55-403 also avail.
QTY	CAMSHAFT KIT	YEARS	PART NO.	SIZE	DESCRIPTION
1	Cam/Lifter Kit	97-95	KC-669		Incl. (1) CS-669, (16) HT-817, (1) 55-403B
1	Cam/Lifter Kit	94-91	KC-669		W/NA5 Fed. Emis.; Incl. (1) CS-669, (16) HT-817, (1) 55-403B
1	Cam/Lifter Kit	94-91	KC-774A		W/NC7 Fed. Emis. override; Hyd.; Incl. (1) CS-774, (16) HT-969, (1) 55-403B
1	Cam/Lifter Kit	90-85	KC-669		W/NA5 Fed. Emis.; Incl. (1) CS-669, (16) HT-817, (1) 55-403B
1	Cam/Lifter Kit	90-85	KC-774		W/NC7 Fed. Emis. override; Hyd.; Incl. (1) CS-774, (16) HT-817, (1) 55-403B
1	Cam/Lifter Kit	84-73	KC-669		Chain driven; Incl. (1) CS-669, (16) HT-817, (1) 55-403B
1	Cam/Lifter Kit	72-69	KC-636		W/Chain drive; Hyd.; Incl. (1) CS-636, (16) HT-817, (1) 55-403B
1	Cam/Lifter/Timing Kit	97-95	KCT-669A		Incl. (1) CS-669, (16) HT-817, (1) KT3-4SR50S, (1) 55-403B
1	Cam/Lifter/Timing Kit	94-91	KCT-669A		W/NA5 Fed. Emis.; Incl. (1) CS-669, (16) HT-817, (1) KT3-4SR50S, (1) 55-403B
1	Cam/Lifter/Timing Kit	90-85	KCT-669		W/NA5 Fed. Emis.; Incl. (1) CS-669, (16) HT-817, (1) KT3-171S, (1) 55-403B
1	Cam/Lifter/Timing Kit	90-85	KCT-774A		W/NC7 Fed. emis. override; Hyd.; Incl. (1) CS-774, (16) HT-817, (1) KT3-171S, (1) 55-403B
1	Cam/Lifter/Timing Kit	84-73	KCT-669		Chain driven; Incl. (1) CS-669, (16) HT-817, (1) KT3-171S, (1) 55-403B
1	Cam/Lifter/Timing Kit	72-69	KCT-636		W/Chain drive; Incl. (1) CS-636, (16) HT-817, (1) KT3-171S, (1) 55-403B

(continued on next page)

GMC Truck - M/D & H/D

M/D Truck 366 Eng. 28
6.0L 366 OHV V8 (Chevrolet), 3.9375" Bore 1966-98 (cont.)

ENGINE BLOCK & PARTS					
QTY	GASKET SETS	YEARS	PART NO.	SIZE	DESCRIPTION
1	Kit Gasket Set	95-91	260-1636		Exh. pipe packing not incl.; PermaDry® molded rubber valve cover & oil pan gskts. incl.; Premium valve stem seals incl.
1	Kit Gasket Set	90-86	260-1270		Exh. pipe packing not incl.; LPG int. manifold gskts. not incl.; PermaDry® molded rubber valve cover gskts. incl.; Premium valve stem seals incl.
1	Kit Gasket Set	85	260-1009		w/o H5D Emis.; Exh. pipe packing not incl.; LPG int. manifold gskts. not incl.; Premium valve stem seals incl.
1	Kit Gasket Set	85	260-1270		W/H5D Emis.; Exh. pipe packing not incl.; LPG int. manifold gskts. not incl.; PermaDry® molded rubber valve cover gskts. incl.; Premium valve stem seals incl.
1	Kit Gasket Set	84-66	260-1009		Exh. pipe packing not incl.; LPG int. manifold gskts. not incl.; Premium valve stem seals incl.
CAM BEARINGS					
1	Cam Set	98-67	1404M Std Only		W/Grooved rear housing bore; Babbitt material; Full round design
1	Cam Set	66	1255M Std Only		Groove in rear cam journal & brg.
FREEZE PLUGS					
1	Brass Block Plug Kit	90-66	381-8009		
1	Steel Block Plug Kit	90-66	381-4017		
CRANKSHAFT/OIL PUMP					
CRANKSHAFT					
1	Harmonic Balancer Sleeve	96-66	88233		
SEALS - FRONT CRANK					
1	Redi-Sleeve	96-66	99233		
1	Oil Seal	96-66	3945		
SEALS - REAR CRANK					
1	Oil Seal	96-91	325776		
1	Oil Seal Kit	90-66	5072		(Split Seal)
1	Redi-Sleeve	96-91	99435		
MAIN BEARINGS					
1	Main Set	98-66	4400MA Std-1-2-10-20-30-40		A-Series aluminum bearings
1	Main Set	98-66	7122MA10 10-20-30		A-Series aluminum bearings; w/.020" O/S length flange brg.
OIL PUMP					
1	Oil Pump	95-91	224-4154G		
1	Oil Pump	90-88	224-4154		Exc. Kodiak, Top Kick & School Bus
1	Oil Pump	90-88	224-4153		Exc. Kodiak, Top Kick & School Bus; High Volume, check pan for clearance; Use shaft w/steel guide
1	Oil Pump	87-86	224-4154		
1	Oil Pump	85-83	224-4154		w/o Rockwell T223H transfer case
1	Oil Pump	85-83	224-4153		w/o Rockwell T223H transfer case; High Volume, check pan for clearance; Use shaft w/steel guide
1	Oil Pump	82-66	224-4154		
1	Oil Pump	82-66	224-4153		High Volume, check pan for clearance; Use shaft w/steel guide
1	Pump Repair Kit	95-91	224-51348		
1	Inter. Shaft	95-73	224-6154A		Shaft w/slotted end, 6.52" O.A.L.; Use w/nylon guide
1	Inter. Shaft	95-73	224-6154		Shaft w/slotted end, 6.82" O.A.L.; Has integral steel guide
1	Screen Assy.	95-94	224-14264		
1	Oil Pump Shaft Guide	95-66	224-43343		Nylon
CYLINDER COMPONENTS					
PISTONS					
8	Cast Piston	98-91	H811CP Std-20-30-40-60		Hypereutectic; 1-3/32", 2-5/64", 1-3/16" Ring Groove, 2.125 plus .110 crown" CD, .9894" Pin Dia., Domed Head w/1 valve relief; DUROSHIELD® skirt coated piston
8	Cast Piston	90-86	H721CP Std-20-30-40-60		Hypereutectic; 1-3/32", 2-5/64", 1-3/16" Ring Groove, 2.135 plus .098 crown" CD, .9894" Pin Dia., Domed Head w/1 valve relief - 8.6:1 C.R.; DUROSHIELD® skirt coated piston
8	Cast Piston	85	H719CP Std-30-40-60		Exc. H5D Emis.; w/Stainless steel exh. manifold; Hypereutectic; 1-3/32", 2-5/64", 1-3/16" Ring Groove, 2.100" CD, .9894" Pin Dia., Flat Head w/2 valve reliefs - 7.6:1 C.R.; Low compression; DUROSHIELD® skirt coated piston
8	Cast Piston	85	H958CP Std-20-30-40-60		Exc. H5D Emis.; w/Stainless steel exh. manifold; Hypereutectic; 1-3/32", 2-5/64", 1-3/16" Ring Groove, 2.130" CD, .9894" Pin Dia., Flat Head w/2 valve reliefs - 8.0:1 C.R.; DUROSHIELD® skirt coated piston

(continued on next page)

GMC Truck - M/D & H/D

28 M/D Truck 366 Eng.
 (cont.) 6.0L 366 OHV V8 (Chevrolet), 3.9375" Bore 1966-98

CYLINDER COMPONENTS (cont.)

QTY	PISTONS (cont.)	YEARS	PART NO.	SIZE	DESCRIPTION
8	Cast Piston	85	H721CP Std-20-30-40-60		W/H5D Emis.; w/Stainless steel exh. manifold; Hypereutectic; 1-3/32", 2-5/64", 1-3/16" Ring Groove, 2.135 plus .098 crown" CD, .9894" Pin Dia., Domed Head w/1 valve relief - 8.6:1 C.R.; DUROSHIELD® skirt coated piston
8	Cast Piston	84-66	H719CP Std-30-40-60		Hypereutectic; 1-3/32", 2-5/64", 1-3/16" Ring Groove, 2.100" CD, .9894" Pin Dia., Flat Head w/2 valve reliefs - 7.6:1 C.R.; Low compression; DUROSHIELD® skirt coated piston
8	Cast Piston	84-66	H958CP Std-20-30-40-60		Hypereutectic; 1-3/32", 2-5/64", 1-3/16" Ring Groove, 2.130" CD, .9894" Pin Dia., Flat Head w/2 valve reliefs - 8.0:1 C.R.; DUROSHIELD® skirt coated piston
8	Cast Piston - Individual	98-91	WH811CP Std-20-30-40-60		Hypereutectic; 1-3/32", 2-5/64", 1-3/16" Ring Groove, 2.125 plus .110 crown" CD, .9894" Pin Dia., Domed Head w/1 valve relief; DUROSHIELD® skirt coated piston
8	Cast Piston - Individual	90-86	WH721CP Std-20-30-40-60		Hypereutectic; 1-3/32", 2-5/64", 1-3/16" Ring Groove, 2.135 plus .098 crown" CD, .9894" Pin Dia., Domed Head w/1 valve relief - 8.6:1 C.R.; DUROSHIELD® skirt coated piston
8	Cast Piston - Individual	85	WH719CP Std-20-30-40-60		Exc. H5D Emis.; w/Stainless steel exh. manifold; Hypereutectic; 1-3/32", 2-5/64", 1-3/16" Ring Groove, 2.100" CD, .9894" Pin Dia., Flat Head w/2 valve reliefs - 7.6:1 C.R.; Low compression; DUROSHIELD® skirt coated piston
8	Cast Piston - Individual	85	WH958CP Std-20-30-40-60		Exc. H5D Emis.; w/Stainless steel exh. manifold; Hypereutectic; 1-3/32", 2-5/64", 1-3/16" Ring Groove, 2.130" CD, .9894" Pin Dia., Flat Head w/2 valve reliefs - 8.0:1 C.R.; DUROSHIELD® skirt coated piston
8	Cast Piston - Individual	85	WH721CP Std-20-30-40-60		W/H5D Emis.; w/Stainless steel exh. manifold; Hypereutectic; 1-3/32", 2-5/64", 1-3/16" Ring Groove, 2.135 plus .098 crown" CD, .9894" Pin Dia., Domed Head w/1 valve relief - 8.6:1 C.R.; DUROSHIELD® skirt coated piston
8	Cast Piston - Individual	84-66	WH719CP Std-20-30-40-60		Hypereutectic; 1-3/32", 2-5/64", 1-3/16" Ring Groove, 2.100" CD, .9894" Pin Dia., Flat Head w/2 valve reliefs - 7.6:1 C.R.; Low compression; DUROSHIELD® skirt coated piston
8	Cast Piston - Individual	84-66	WH958CP Std-20-30-40-60		Hypereutectic; 1-3/32", 2-5/64", 1-3/16" Ring Groove, 2.130" CD, .9894" Pin Dia., Flat Head w/2 valve reliefs - 8.0:1 C.R.; DUROSHIELD® skirt coated piston

QTY	CONNECTING RODS & BRGS.	YEARS	PART NO.	SIZE	DESCRIPTION
1	Rod Set	98-66	8-3190A Std-1-10-20-30-40-60		A-Series aluminum bearings
8	Rod Pair	98-66	3190A Std-1-2-10-20-30-40-50-60		A-Series aluminum bearings

QTY	PISTON RINGS	YEARS	PART NO.	SIZE	DESCRIPTION
1	Premium Set	98-91	E-940K Std-30-40-60		1-3/32, 1-5/64, 1-3/16
1	Premium Set	98-91	E-625K Std-20-30-40-60		1-3/32, 2-5/64, 1-3/16
1	Premium Set	90-66	E-259K Std-20-30-40-60		1-3/32, 2-5/64, 1-3/16
8	Premium Single Cylinder Set	98-91	WE-625K Std-30-60		1-3/32, 2-5/64, 1-3/16
8	Premium Single Cylinder Set	90-66	WE-259K Std-20-30-40-60		1-3/32, 2-5/64, 1-3/16

KITS

YEARS	RE-RING KIT DESCRIPTION		QTY	PREMIUM KIT NO.	QTY	ECONOMY KIT NO.
90-86	Steel sleeve exh. pipe packing not incl.	Re-ring	1	205-6039		-----
85	W/H5D Emis.; w/Stainless steel exh. manifold; Steel sleeve exh. pipe packing not incl.	Re-ring	1	205-6039		-----
85	w/o H5D Emis.; steel slv. exh. pipe packing not incl.; Premium valve stem seals incl.; Incl. A-Series aluminum bearings	Re-ring	1	205-631		-----
84-66	Steel slv. exh. pipe packing not incl.; Premium valve stem seals incl.; Incl. A-Series aluminum bearings	Re-ring	1	205-631		-----
90-86	Steel sleeve exh. pipe packing not incl.	Re-ring w/Mains	1	205-6039M		-----
85	W/H5D Emis.; w/Stainless steel exh. manifold; Steel sleeve exh. pipe packing not incl.	Re-ring w/Mains	1	205-6039M		-----
85	w/o H5D Emis.; steel slv. exh. pipe packing not incl.; Premium valve stem seals incl.; Incl. A-Series aluminum bearings	Re-ring w/Mains	1	205-631M		-----

(continued on next page)

GMC Truck - M/D & H/D

M/D Truck 366 Eng. 28
6.0L 366 OHV V8 (Chevrolet), 3.9375" Bore 1966-98 (cont.)

KITS (cont.)

RE-RING KIT (cont.)		QTY	PREMIUM KIT NO.	QTY	ECONOMY KIT NO.
YEARS	DESCRIPTION				
84-66	Steel slv. exh. pipe packing not incl.; Premium valve stem seals incl.; Incl. A-Series aluminum bearings	1	205-631M		----
OVERHAUL KIT		QTY	PREMIUM KIT NO.	QTY	ECONOMY KIT NO.
90-86	W/NA5 Fed. Emis.; Steel sleeve exh. pipe packing & freeze plugs not incl.	1	505-6039A		----
90-86	W/NA5 Fed. Emis.; Steel sleeve exh. pipe packing not incl.	1	MKP-6039A		----
		1	MK-6039A		----
85	W/H5D Emis.; w/Stainless steel exh. manifold; Steel sleeve exh. pipe packing & freeze plugs not incl.	1	505-6039A		----
85	W/H5D Emis.; w/Stainless steel exh. manifold; Steel sleeve exh. pipe packing not incl.	1	MKP-6039A		----
		1	MK-6039A		----
85	W/Chain drive; w/Grooved rear housing bore; Exh. pipe packing not incl.; LPG int. manifold gskts. not incl.; w/o Rockwell T223H transfer case; w/NA5 Fed. Emis.; w/Stainless steel exh. manifold; Exc. H5D Emis.; Premium valve stem seals incl.	1	505-631E		----
85	W/Chain drive; w/Grooved rear housing bore; Exh. pipe packing not incl.; LPG int. manifold gskts. not incl.; w/o Rockwell T223H transfer case; w/NA5 Fed. Emis.; w/Stainless steel exh. manifold; Exc. H5D Emis.; Premium valve stem seals incl.; Incl. A-Series aluminum bearings	1	MKP-631E		----
85	W/Chain drive; w/Grooved rear housing bore; Exh. pipe packing not incl.; LPG int. manifold gskts. not incl.; w/o Rockwell T223H transfer case; w/NA5 Fed. Emis.; Premium valve stem seals incl.; Incl. A-Series aluminum bearings	1	MK-631E		----
84-83	W/Chain drive; w/Grooved rear housing bore; Exh. pipe packing not incl.; LPG int. manifold gskts. not incl.; w/o Rockwell T223H transfer case; Premium valve stem seals incl.	1	505-631E		----
84-83	W/Chain drive; w/Grooved rear housing bore; Exh. pipe packing not incl.; LPG int. manifold gskts. not incl.; w/o Rockwell T223H transfer case; Premium valve stem seals incl.; Incl. A-Series aluminum bearings	1	MKP-631E		----
		1	MK-631E		----
84-82	Steel slv. exh. pipe packing not incl.; Premium valve stem seals incl.	1	505-631F		----
84-82	Steel slv. exh. pipe packing not incl.; Premium valve stem seals incl.; Incl. A-Series aluminum bearings	1	MKP-631F		----
		1	MK-631F		----
82	W/Chain drive; w/Grooved rear housing bore; Exh. pipe packing not incl.; LPG int. manifold gskts. not incl.; Premium valve stem seals incl.	1	505-631E		----
82	W/Chain drive; w/Grooved rear housing bore; Exh. pipe packing not incl.; LPG int. manifold gskts. not incl.; Premium valve stem seals incl.; Incl. A-Series aluminum bearings	1	MKP-631E		----
		1	MK-631E		----
81-77	Steel slv. exh. pipe packing not incl.; Premium valve stem seals incl.	1	505-631E		----
81-77	Steel slv. exh. pipe packing not incl.; Premium valve stem seals incl.; Incl. A-Series aluminum bearings	1	MKP-631E		----
		1	MK-631E		----
76-73	W/Chain drive; Steel slv. exh. pipe packing not incl.; Premium valve stem seals incl.	1	505-631E		----
76-73	W/Chain drive; Steel slv. exh. pipe packing not incl.; Premium valve stem seals incl.; Incl. A-Series aluminum bearings	1	MKP-631E		----
		1	MK-631E		----
72-69	W/Chain drive; Steel slv. exh. pipe packing not incl.; Premium valve stem seals incl.	1	505-631D		----

(continued on next page)

GMC Truck - M/D & H/D

28 M/D Truck 366 Eng. (cont.) 6.0L 366 OHV V8 (Chevrolet), 3.9375" Bore 1966-98

KITS (cont.)

OVERHAUL KIT (cont.)				QTY	PREMIUM KIT NO.	QTY	ECONOMY KIT NO.
YEARS	DESCRIPTION						
72-69	W/Chain drive; Steel slv. exh. pipe packing not incl.; Premium valve stem seals incl.; Incl. A-Series aluminum bearings	Master		1	MKP-631D		----
		Master w/o Pistons		1	MK-631D		----

29 M/D Truck 366 LPG Eng. 6.0L 366 OHV LPG V8 (Chevrolet), 3.9375" Bore 1985-90

CYL. HEAD & PARTS

QTY	VALVE	YEARS	PART NO.	SIZE	DESCRIPTION
8	Intake	90-86	V-1874 Std-15		Chrome plated stem; 1.9400" Head Dia., .3720" Stem Dia., 5.2300" O.A.L.
8	Intake	85	V-1754 Std Only		1st design; Chrome plated stem; 1.8386" Head Dia., .3719" Stem Dia., 5.2205" O.A.L.
8	Intake	85	V-1874 Std-15		2nd design; 1st design, Optional-H/D; Chrome plated stem; 1.9400" Head Dia., .3720" Stem Dia., 5.2300" O.A.L.
8	Exhaust	90-86	V-2451X Std Only		Inconel X-751; Chrome plated stem; 1.6600" Head Dia., .3711" Stem Dia., 5.3670" O.A.L.
8	Exhaust	85	V-1753X Std-15		1st design; Chrome plated stem; 1.6600" Head Dia., .3718" Stem Dia., 5.3670" O.A.L.
8	Exhaust	85	V-2451X Std Only		2nd design; 1st design, Optional-Premium Material; Inconel X-751; Chrome plated stem; 1.6600" Head Dia., .3711" Stem Dia., 5.3670" O.A.L.
32	Keeper	90-85	VK-138		1 groove; Square cut key groove
32	Keeper	90-85	VK-138R		1 groove; Square cut key groove; Hardened
32	Keeper, Bulk	90-85	VK-138B		1 groove; Square cut key groove; Carton of 1000
QTY	VALVE SEAT	YEARS	PART NO.	SIZE	DESCRIPTION
8	Exh.	90-85	FP-24518125N		Optional-Premium Material; Non-magenetic material; 1.8175" OD, 1.5000" ID, .2480" Depth
8	Exh.	90-85	245-1812-5N + Std Only		Optional-Premium Material; Non-magenetic material; 1.8175" OD, 1.5000" ID, .2480" Depth; When depleted use FP-24518125N
8	Exh.	90-85	FP-24518125		1.8175" OD, 1.5000" ID, .2480" Depth
8	Exh.	90-85	245-1812-5 + Std Only		1.8175" OD, 1.5000" ID, .2480" Depth; When depleted use FP-24518125
8	Int.	85	245-2000-1 Std Only		Use w/V-1754; 2.0055" OD, 1.7500" ID, .2160" Depth
QTY	VALVE GUIDE	YEARS	PART NO.	SIZE	DESCRIPTION
8	Guide	90-85	VG-690		Exh.; .3740" ID, 2.8000" O.A.L.
8	Guide	90-85	VG-689		Int.; .3735" ID, 2.4200" O.A.L.
8	Guide, Bulk	90-85	VG-689B		Int.; Carton of 50; .3735" ID, 2.4200" O.A.L.
QTY	VALVE SPRING	YEARS	PART NO.	SIZE	DESCRIPTION
16	Spring	90-86	VS-859		2.0500" Free Height
8	Spring	85	VS-671		1st design; 2.0500" Free Height
8	Spring	85	VS-859		2nd design; 2.0500" Free Height
8	Spring, Bulk	85	VS-671B		1st design; Carton of 150; 2.0500" Free Height
16	Spring Insert	90-85	259-404A		.060"; Carton of 50
QTY	VALVE MISC.	YEARS	PART NO.	SIZE	DESCRIPTION
8	Rotocap	90-85	RC-163S		
QTY	VALVE SEAL	YEARS	PART NO.	SIZE	DESCRIPTION
16	Valve Stem Seal	90-85	ST-2004		Positive type; Installation requires valve guide machining; Rubber/PTFE
16	Valve Stem Seal	90-85	MV-1769C		Umbrella type; Polyacrylate
16	Valve Stem Seal	90-85	MV-1912		Umbrella type; Premium Material; Viton®
16	Valve Stem Seal Bulk	90-85	ST-2004BC		Positive type; Installation requires valve guide machining; Carton of 100; Rubber/PTFE
16	Valve Stem Seal Bulk	90-85	MV-1769		Umbrella type; Carton of 100; Polyacrylate
CAMSHAFT GROUP					
QTY	TIMING	YEARS	PART NO.	SIZE	DESCRIPTION
1	3 Piece Set	90-85	KT3-171S		Incl. (1) 222-168, (1) 223-394, (1) 223-395
1	Timing Chain	90-85	222-168		Double rlr.; 66 Links
1	Crank Sprocket	90-85	223-395		25 Teeth
1	Cam Sprocket	90-85	223-394		50 Teeth
QTY	CAMSHAFT/LIFTER	YEARS	PART NO.	SIZE	DESCRIPTION
1	Camshaft	90-85	CS-669		
16	Lifter	90-85	HT-817 Std Only		Hyd.
16	Lifter, Bulk	90-85	HT-817B Std Only		Hyd.; Carton of 128

(continued on next page)

GMC Truck - M/D & H/D

<i>M/D Truck 366 LPG Eng. 29</i> 6.0L 366 OHV LPG V8 (Chevrolet), 3.9375" Bore 1985-90 (cont.)					
CAMSHAFT GROUP (cont.)					
QTY	CAMSHAFT/LIFTER (cont.)	YEARS	PART NO.	SIZE	DESCRIPTION
1	Prelube	90-85	55-400		4 oz. bottle; 1.5 oz. packet No. 55-403 also avail.
QTY	CAMSHAFT KIT	YEARS	PART NO.	SIZE	DESCRIPTION
1	Cam/Lifter Kit	90-85	KC-669		Incl. (1) CS-669, (16) HT-817, (1) 55-403B
1	Cam/Lifter/Timing Kit	90-85	KCT-669		Incl. (1) CS-669, (16) HT-817, (1) KT3-171S, (1) 55-403B
ENGINE BLOCK & PARTS					
QTY	GASKET SETS	YEARS	PART NO.	SIZE	DESCRIPTION
1	Kit Gasket Set	90-86	260-1270		Exh. pipe packing not incl.; LPG int. manifold gskts. not incl.; PermaDry® molded rubber valve cover gskts. incl.; Premium valve stem seals incl.
1	Kit Gasket Set	85	260-1009		w/o H5D Emis.; Exh. pipe packing not incl.; Int. manifold gskts. not incl.; Premium valve stem seals incl.
1	Kit Gasket Set	85	260-1270		W/H5D Emissions; Exh. pipe packing not incl.; LPG int. manifold gskts. not incl.; PermaDry® molded rubber valve cover gskts. incl.; Premium valve stem seals incl.
CRANKSHAFT/OIL PUMP					
QTY	OIL PUMP	YEARS	PART NO.	SIZE	DESCRIPTION
1	Oil Pump	90-85	224-4154		
CYLINDER COMPONENTS					
QTY	PISTON RINGS	YEARS	PART NO.	SIZE	DESCRIPTION
1	Premium Set	90-85	E-259K Std-20-30-40-60		1-3/32, 2-5/64, 1-3/16
8	Premium Single Cylinder Set	90-85	WE-259K Std-20-30-40-60		1-3/32, 2-5/64, 1-3/16
<i>M/D Truck 370 Eng. 30</i> 6.1L 370 OHV V8 (Oldsmobile), 4" Bore 1957-59					
CYL. HEAD & PARTS					
QTY	VALVE	YEARS	PART NO.	SIZE	DESCRIPTION
16	Keeper	59-57	VK-115		1 groove; Square cut key groove
16	Keeper	59-57	VK-115R		1 groove; Square cut key groove; Hardened
16	Keeper, Bulk	59-57	VK-115B		1 groove; Square cut key groove; Carton of 1000
QTY	VALVE GUIDE	YEARS	PART NO.	SIZE	DESCRIPTION
8	Guide	59-57	VG-584		Exh.; .3973" ID, 2.3800" O.A.L.
8	Guide	59-57	VG-538		Int.; .3450" ID, 2.3750" O.A.L.
QTY	VALVE SEAL	YEARS	PART NO.	SIZE	DESCRIPTION
8	Valve Stem Seal	59-57	ST-2001		Int.; Positive type; Installation requires valve guide machining; Rubber/PTFE
8	Valve Stem Seal Bulk	59-57	ST-2001BC		Int.; Positive type; Installation requires valve guide machining; Carton of 100; Rubber/PTFE
CYLINDER COMPONENTS					
QTY	PISTON RINGS	YEARS	PART NO.	SIZE	DESCRIPTION
1	Premium Set	59-57	E-248K Std-20-30-40-60		1-5/64, 1-3/32, 1-3/16
1	Standard Set	59-57	E-248X Std-30-40-60		1-5/64, 1-3/32, 1-3/16
8	Premium Single Cylinder Set	59-57	WE-248K Std-30		1-5/64, 1-3/32, 1-3/16
8	Standard Single Cylinder Set	59-57	WE-248X Std-30-40		1-5/64, 1-3/32, 1-3/16
<i>M/D Truck 379 Eng. H/D Truck 379 Eng. 31</i> 6.2L 379 OHV V6 (GMC), 4.5625" Bore 1973-74					
CYL. HEAD & PARTS					
QTY	VALVE	YEARS	PART NO.	SIZE	DESCRIPTION
24	Keeper	74-73	VK-115		1 groove; Square cut key groove
24	Keeper	74-73	VK-115R		1 groove; Square cut key groove; Hardened
24	Keeper, Bulk	74-73	VK-115B		1 groove; Square cut key groove; Carton of 1000
QTY	VALVE GUIDE	YEARS	PART NO.	SIZE	DESCRIPTION
8	Guide	74-73	VG-5036		Int.; .3740" ID, 2.7500" O.A.L.
8	Guide, Bulk	74-73	VG-5036B		Int.; Carton of 100; .3740" ID, 2.7500" O.A.L.
QTY	PUSH RODS	YEARS	PART NO.	SIZE	DESCRIPTION
12	Push Rod	74-73	RP-3099		7.9890" O.A.L.
QTY	VALVE SEAL	YEARS	PART NO.	SIZE	DESCRIPTION
6	Valve Stem Seal	74-73	ST-2007		Exh.; Positive type; Rubber

(continued on next page)

GMC Truck - M/D & H/D

31 M/D Truck 379 Eng. H/D Truck 379 Eng. (cont.) 6.2L 379 OHV V6 (GMC), 4.5625" Bore 1973-74

CYL. HEAD & PARTS (cont.)

QTY	VALVE SEAL (cont.)	YEARS	PART NO.	SIZE	DESCRIPTION
6	Valve Stem Seal	74-73	ST-2002		Int.; Installation requires valve guide machining; Polyacrylate
12	Valve Stem Seal	74-73	MV-1233C		O-Ring; Rubber
12	Valve Stem Seal Bulk	74-73	MV-1233		O-Ring; Carton of 100; Rubber
6	Valve Stem Seal Bulk	74-73	ST-2002BC		Int.; Positive type; Installation requires valve guide machining; Carton of 100; Polyacrylate

CAMSHAFT GROUP

QTY	CAMSHAFT/LIFTER	YEARS	PART NO.	SIZE	DESCRIPTION
12	Lifter	74-73	AT-874 Std Only		Mech.
1	Prelube	74-73	55-400		4 oz. bottle; 1.5 oz. packet No. 55-403 also avail.

CRANKSHAFT/OIL PUMP

QTY	OIL PUMP	YEARS	PART NO.	SIZE	DESCRIPTION
1	Oil Pump	74-73	224-41154		3/8" dia. mounting holes; Governor spinner not incl., Re-use original if req'd.

CYLINDER COMPONENTS

QTY	PISTONS	YEARS	PART NO.	SIZE	DESCRIPTION
6	Pin Bushing	74-73	2404Y20		
QTY	CONNECTING RODS & BRGS.	YEARS	PART NO.	SIZE	DESCRIPTION
6	Rod Pair	74-73	2400P Std-10-20-30		Undersize brgs. can be used, but the surface hardness of the crankshaft should be restored after grinding through a suitable heat treatment process

32 M/D Truck 395 Diesel, 6.5L Diesel 6.5L 395 (6468cc) OHV Diesel V8 (Chevrolet), 103mm Bore 1994-99

CYL. HEAD & PARTS

QTY	HEAD BOLTS	YEARS	PART NO.	SIZE	DESCRIPTION
2	Head Bolt Set	99-94	260-2507		Replacement recommended
QTY	VALVE	YEARS	PART NO.	SIZE	DESCRIPTION
8	Intake	99-94	V-2287 Std Only		Chrome plated stem; 1.8110" Head Dia., .3413" Stem Dia., 5.1080" O.A.L.
8	Exhaust	99-94	V-4491X Std Only		Chrome plated stem; 1.5350" Head Dia., .3718" Stem Dia., 5.1120" O.A.L.
32	Keeper	99-94	VK-115		1 groove; Square cut key groove
32	Keeper	99-94	VK-115R		1 groove; Square cut key groove; Hardened
32	Keeper, Bulk	99-94	VK-115B		1 groove; Square cut key groove; Carton of 1000
QTY	VALVE SEAT	YEARS	PART NO.	SIZE	DESCRIPTION
8	Int.	99-94	245-1937-17 Std Only		1.9425" OD, 1.6875" ID, .2160" Depth
QTY	VALVE GUIDE	YEARS	PART NO.	SIZE	DESCRIPTION
8	Guide	99-94	VG-5052T		Int.; Threaded; .3430" ID, 2.1200" O.A.L.
QTY	VALVE SPRING	YEARS	PART NO.	SIZE	DESCRIPTION
16	Spring	99-94	VS-820		2.0350" Free Height
QTY	PUSH RODS	YEARS	PART NO.	SIZE	DESCRIPTION
16	Push Rod	95-94	RP-3342		8.8215" O.A.L.
QTY	VALVE MISC.	YEARS	PART NO.	SIZE	DESCRIPTION
8	Rotocap	99-94	RC-157S		
QTY	ROCKER PARTS	YEARS	PART NO.	SIZE	DESCRIPTION
16	Arm Assy.	99-94	R-950D		Incl. arm; Incl. retainer
16	Arm	99-94	R-950		Stamped steel
2	Rocker Shaft	99-94	RS-676		
16	Retainer	99-94	MR-1948		
16	Retainer, Bulk	99-94	MR-1948B		Carton of 1000

CAMSHAFT GROUP

QTY	TIMING	YEARS	PART NO.	SIZE	DESCRIPTION
1	3 Piece Set	99-94	KT3-181SA		Incl. (1) 222-181, (1) 223-524, (1) 223-807
1	Timing Chain	99-94	222-181		48 Links
1	Crank Sprocket	99-94	223-807		18 teeth; 18 Teeth
1	Cam Sprocket	99-94	223-524		36 Teeth
QTY	CAMSHAFT/LIFTER	YEARS	PART NO.	SIZE	DESCRIPTION
1	Camshaft	99-94	CS-770		
16	Lifter	99-94	HT-2104 Std Only		Hyd. rlr.
16	Lifter, Bulk	99-94	HT-2104B Std Only		Hyd. rlr.; Carton of 113

(continued on next page)

GMC Truck - M/D & H/D

M/D Truck 395 Diesel, 6.5L Diesel **32**
6.5L 395 (6468cc) OHV Diesel V8 (Chevrolet), 103mm Bore 1994-99 (cont.)

CAMSHAFT GROUP (cont.)					
QTY	CAMSHAFT/LIFTER (cont.)	YEARS	PART NO.	SIZE	DESCRIPTION
1	Prelube	99-94	55-400		4 oz. bottle; 1.5 oz. packet No. 55-403 also avail.
QTY	CAMSHAFT KIT	YEARS	PART NO.	SIZE	DESCRIPTION
1	Cam/Lifter Kit	98-94	KC-770		Hyd. rlr.; Incl. (1) CS-770, (16) HT-2104, (1) 55-403B
ENGINE BLOCK & PARTS					
QTY	GASKET SETS	YEARS	PART NO.	SIZE	DESCRIPTION
1	Kit Gasket Set	99-94	260-1773		Incl. .010" thicker head gskts.; Head bolts not incl.; Exh. pipe packing not incl.; Positive control exh. valve stem seals not incl.
1	Kit Gasket Set	99-94	260-1772		Std. head gskts. incl.; Head bolts not incl.; Exh. pipe packing not incl.; Positive control exh. valve stem seals not incl.
QTY	CAM BEARINGS	YEARS	PART NO.	SIZE	DESCRIPTION
1	Cam Set	99-94	1496M	Std Only	Full round design
QTY	FREEZE PLUGS	YEARS	PART NO.	SIZE	DESCRIPTION
1	Brass Block Plug Kit	99-94	381-8057		
CRANKSHAFT/OIL PUMP					
QTY	MAIN BEARINGS	YEARS	PART NO.	SIZE	DESCRIPTION
1	Main Set	99-94	7370M	Std-.026-.25-.50-.75MM	3/4 grooved
QTY	OIL PUMP	YEARS	PART NO.	SIZE	DESCRIPTION
1	Oil Pump	99-97	224-43621		VIN Codes "P" & "Y"; Incl. screen
1	Oil Pump	96-94	224-43424		
1	Inter. Shaft	99-94	224-6143H		
1	Screen Assy.	96-94	224-1143H		
1	Oil Pump Shaft Guide	99-94	224-43351		
CYLINDER COMPONENTS					
QTY	PISTONS	YEARS	PART NO.	SIZE	DESCRIPTION
8	Cast Piston	99-94	2773PNA	Std-.50-.75MM	Cast; 1-3.00mm, 1-2.00mm, 1-4.00mm Ring Groove, 53.77mm CD, 31.0mm Pin Dia., Flat Head w/Ricardo Cup; Anodized top w/.020" extra bore stock
8	Pin Bushing	99-94	3864Y20		
QTY	CONNECTING RODS & BRGS.	YEARS	PART NO.	SIZE	DESCRIPTION
1	Rod Set	99-94	8-3860P	Std-.026-.25-.50-.75MM	
8	Rod Pair	99-94	3860P	Std-.026-.25-.50-.75MM	
QTY	PISTON RINGS	YEARS	PART NO.	SIZE	DESCRIPTION
1	Premium Set	99-94	E-626K	Std-.50-.75MM	1-3.00MM, 1-2.00MM, 1-4.00MM
8	Premium Single Cylinder Set	99-94	WE-626K	Std-.50MM	1-3.00MM, 1-2.00MM, 1-4.00MM
KITS					
RE-RING KIT					
YEARS	DESCRIPTION			QTY	PREMIUM KIT NO.
99-94	Std. head gskts. incl.; Head bolts not incl.; Exh. pipe packing not incl.; Positive control exh. valve stem seals not incl.	Re-ring		1	205-6866
99-94	Incl. .010" thicker head gskts.; Head bolts not incl.; Exh. pipe packing not incl.; Positive control exh. valve stem seals not incl.	Re-ring		1	205-6934
99-94	Std. head gskts. incl.; Head bolts not incl.; Exh. pipe packing not incl.; Positive control exh. valve stem seals not incl.; Incl. 3/4 grooved main brgs.	Re-ring w/Mains		1	205-6866M
99-94	Incl. .010" thicker head gskts.; Head bolts not incl.; Exh. pipe packing not incl.; Positive control exh. valve stem seals not incl.	Re-ring w/Mains		1	205-6934M
YEARS	DESCRIPTION			QTY	PREMIUM KIT NO.
99-94	Std. head gskts. incl.; Head bolts not incl.; Exh. pipe packing not incl.; Positive control exh. valve stem seals not incl.; Incl. 3/4 grooved main brgs.	Block		1	BK-6096
99-94	Incl. .010" thicker head gskts.; Head bolts not incl.; Exh. pipe packing not incl.; Positive control exh. valve stem seals not incl.; Incl. 3/4 grooved main brgs.	Block		1	BK-6097

(continued on next page)

GMC Truck - M/D & H/D

32 M/D Truck 395 Diesel, 6.5L Diesel (cont.) 6.5L 395 (6468cc) OHV Diesel V8 (Chevrolet), 103mm Bore 1994-99

KITS (cont.)

OVERHAUL KIT (cont.)		QTY	PREMIUM KIT NO.	QTY	ECONOMY KIT NO.
YEARS	DESCRIPTION				
98-97	VIN Codes "P" & "Y"; Std. head gskts. incl.; Head bolts not incl.; Exh. pipe packing not incl.; Positive control exh. valve stem seals not incl.; Incl. oil pump screen	1	505-7025		----
98-97	VIN Codes "P" & "Y"; Std. head gskts. incl.; Head bolts not incl.; Exh. pipe packing not incl.; Positive control exh. valve stem seals not incl.; Incl. 3/4 grooved main brgs.; Incl. oil pump screen	1	MKP-7025		----
		1	MK-7025		----
96-94	Std. head gskts. incl.; Head bolts not incl.; Exh. pipe packing not incl.; Positive control exh. valve stem seals not incl.; Incl. 3/4 grooved main brgs.	1	BKP-6096		----
96-94	Incl. .010" thicker head gskts.; Head bolts not incl.; Exh. pipe packing not incl.; Positive control exh. valve stem seals not incl.; Incl. 3/4 grooved main brgs.	1	BKP-6097		----
96-94	Std. head gskts. incl.; Head bolts not incl.; Exh. pipe packing not incl.; Positive control exh. valve stem seals not incl.; Incl. 3/4 grooved main brgs.	1	MKP-6359A		----
96-94	Std. head gskts. incl.; Head bolts not incl.; Exh. pipe packing not incl.; Positive control exh. valve stem seals not incl.	1	505-7026		----
96-94	Std. head gskts. incl.; Head bolts not incl.; Exh. pipe packing not incl.; Positive control exh. valve stem seals not incl.; Incl. 3/4 grooved main brgs.	1	MKP-7026		----
		1	MK-7026		----

33 M/D Truck 395 Turbo-Diesel, 6.5L Turbo-Diesel 6.5L 395 (6468cc) OHV Turbo-Diesel V8 (Chevrolet), 103mm Bore 1992-99

CYL. HEAD & PARTS

QTY	HEAD BOLTS	YEARS	PART NO.	SIZE	DESCRIPTION
2	Head Bolt Set	99-92	260-2507		Replacement recommended
QTY	VALVE	YEARS	PART NO.	SIZE	DESCRIPTION
8	Intake	99-92	V-2287	Std Only	Chrome plated stem; 1.8110" Head Dia., .3413" Stem Dia., 5.1080" O.A.L.
8	Exhaust	99-92	V-4491X	Std Only	Chrome plated stem; 1.5350" Head Dia., .3718" Stem Dia., 5.1120" O.A.L.
32	Keeper	99-92	VK-115		1 groove; Square cut key groove
32	Keeper	99-92	VK-115R		1 groove; Square cut key groove; Hardened
32	Keeper, Bulk	99-92	VK-115B		1 groove; Square cut key groove; Carton of 1000
QTY	VALVE GUIDE	YEARS	PART NO.	SIZE	DESCRIPTION
8	Guide	99-92	VG-5052T		Int.; Threaded; .3430" ID, 2.1200" O.A.L.
QTY	VALVE SPRING	YEARS	PART NO.	SIZE	DESCRIPTION
16	Spring	99-92	VS-820		2.0350" Free Height
QTY	PUSH RODS	YEARS	PART NO.	SIZE	DESCRIPTION
16	Push Rod	99-92	RP-3342		8.8215" O.A.L.
QTY	VALVE MISC.	YEARS	PART NO.	SIZE	DESCRIPTION
8	Rotocap	99-92	RC-157S		
QTY	VALVE SEAL	YEARS	PART NO.	SIZE	DESCRIPTION
16	Valve Stem Seal	99-92	MV-1233C		Exh. & Int.; O-Ring; Rubber
16	Valve Stem Seal Bulk	99-92	MV-1233		Exh. & Int.; O-Ring; Carton of 100; Rubber
QTY	ROCKER PARTS	YEARS	PART NO.	SIZE	DESCRIPTION
16	Arm Assy.	99-92	R-950D		Incl. arm; Incl. retainer
16	Arm	99-92	R-950		Stamped steel
2	Rocker Shaft	99-92	RS-676		
16	Retainer	99-92	MR-1948		
16	Retainer, Bulk	99-92	MR-1948B		Carton of 1000

CAMSHAFT GROUP

QTY	TIMING	YEARS	PART NO.	SIZE	DESCRIPTION
1	3 Piece Set	99-94	KT3-181SA		Incl. (1) 222-181, (1) 223-524, (1) 223-807
1	3 Piece Set	93-92	KT3-181S		Incl. (1) 222-181, (1) 223-375, (1) 223-524
1	Timing Chain	99-92	222-181		48 Links
1	Crank Sprocket	99-94	223-807		18 teeth; 18 Teeth
1	Crank Sprocket	93-92	223-375		18 Teeth

(continued on next page)

GMC Truck - M/D & H/D

<i>M/D Truck 395 Turbo-Diesel, 6.5L Turbo-Diesel</i> 33					
6.5L 395 (6468cc) OHV Turbo-Diesel V8 (Chevrolet), 103mm Bore 1992-99 (cont.)					
CAMSHAFT GROUP (cont.)					
QTY	TIMING (cont.)	YEARS	PART NO.	SIZE	DESCRIPTION
1	Cam Sprocket	99-92	223-524		36 Teeth
QTY	CAMSHAFT/LIFTER	YEARS	PART NO.	SIZE	DESCRIPTION
1	Camshaft	99-92	CS-770		
16	Lifter	99-92	HT-2104 Std Only		Hyd. rlr.
16	Lifter, Bulk	99-92	HT-2104B Std Only		Hyd. rlr.; Carton of 113
1	Prelube	99-92	55-400		4 oz. bottle; 1.5 oz. packet No. 55-403 also avail.
ENGINE BLOCK & PARTS					
QTY	GASKET SETS	YEARS	PART NO.	SIZE	DESCRIPTION
1	Kit Gasket Set	99-92	260-1773		Incl. .010" thicker head gskts.; Head bolts not incl.; Exh. pipe packing not incl.; Positive control exh. valve stem seals not incl.
1	Kit Gasket Set	99-92	260-1772		Std. head gskts. incl.; Head bolts not incl.; Exh. pipe packing not incl.; Positive control exh. valve stem seals not incl.
QTY	CAM BEARINGS	YEARS	PART NO.	SIZE	DESCRIPTION
1	Cam Set	99-92	1496M Std Only		Full round design
QTY	FREEZE PLUGS	YEARS	PART NO.	SIZE	DESCRIPTION
1	Brass Block Plug Kit	99-92	381-8057		
CRANKSHAFT/OIL PUMP					
QTY	MAIN BEARINGS	YEARS	PART NO.	SIZE	DESCRIPTION
1	Main Set	99-92	7370M Std-.026-.25-.50-.75MM		3/4 grooved
QTY	OIL PUMP	YEARS	PART NO.	SIZE	DESCRIPTION
1	Oil Pump	99-97	224-43621		VIN Codes "F" & "S"; Incl. screen
1	Oil Pump	96-92	224-43424		
1	Inter. Shaft	99-92	224-6143H		
1	Screen Assy.	96-92	224-1143H		
1	Oil Pump Shaft Guide	99-92	224-43351		Nylon
CYLINDER COMPONENTS					
QTY	PISTONS	YEARS	PART NO.	SIZE	DESCRIPTION
8	Cast Piston	99-92	2773PNA Std-.50-.75MM		Cast; 1-3.00mm, 1-2.00mm, 1-4.00mm Ring Groove, 53.77mm CD, 31.0mm Pin Dia., Flat Head w/Ricardo Cup; Anodized top w/.020" extra bore stock
8	Pin Bushing	99-92	3864Y20		
QTY	CONNECTING RODS & BRGS.	YEARS	PART NO.	SIZE	DESCRIPTION
1	Rod Set	99-92	8-3860P Std-.026-.25-.50-.75MM		
8	Rod Pair	99-92	3860P Std-.026-.25-.50-.75MM		
QTY	PISTON RINGS	YEARS	PART NO.	SIZE	DESCRIPTION
1	Premium Set	99-92	E-626K Std-.50-.75MM		1-3.00MM, 1-2.00MM, 1-4.00MM
8	Premium Single Cylinder Set	99-92	WE-626K Std-.50MM		1-3.00MM, 1-2.00MM, 1-4.00MM
<i>M/D Truck Eng. Code "6BG1-N"</i> 34					
6.5L 396.3 (6494cc) OHV Diesel L6 (12 Valve), 105mm Bore (Isuzu Eng.) 1988-90					
ENGINE BLOCK & PARTS					
QTY	CAM BEARINGS	YEARS	PART NO.	SIZE	DESCRIPTION
1	Cam Set	90-88	1804M Std Only		
CRANKSHAFT/OIL PUMP					
QTY	SEALS - FRONT CRANK	YEARS	PART NO.	SIZE	DESCRIPTION
1	Redi-Sleeve	90-88	99235		
1	Oil Seal	90-88	710390		
QTY	SEALS - REAR CRANK	YEARS	PART NO.	SIZE	DESCRIPTION
1	Oil Seal	90-88	710349		
1	Redi-Sleeve	90-88	99413		
QTY	MAIN BEARINGS	YEARS	PART NO.	SIZE	DESCRIPTION
1	Main Set	90-88	7106M Std Only		
1	Thrust Washer Set	90-88	3952BF Std Only		

(continued on next page)

GMC Truck - M/D & H/D

34 M/D Truck Eng. Code "6BG1-N" (cont.) 6.5L 396.3 (6494cc) OHV Diesel L6 (12 Valve), 105mm Bore (Isuzu Eng.) 1988-90					
CYLINDER COMPONENTS					
QTY	CONNECTING RODS & BRGS.	YEARS	PART NO.	SIZE	DESCRIPTION
3	Rod Set	90-88	2-3950CP	Std-.25-.50-.75-1.00MM	
35 M/D Truck Eng. Code "6BG1-T" 6.5L 396.3 (6494cc) OHV Turbo-Diesel L6 (12 Valve), 105mm Bore (Isuzu Eng.) 1987-94					
ENGINE BLOCK & PARTS					
QTY	CAM BEARINGS	YEARS	PART NO.	SIZE	DESCRIPTION
1	Cam Set	94-87	1804M	Std Only	
CRANKSHAFT/OIL PUMP					
QTY	SEALS - FRONT CRANK	YEARS	PART NO.	SIZE	DESCRIPTION
1	Redi-Sleeve	94-87	99235		
1	Oil Seal	94-87	710390		
QTY	SEALS - REAR CRANK	YEARS	PART NO.	SIZE	DESCRIPTION
1	Oil Seal	94-87	710349		
1	Redi-Sleeve	94-87	99413		
QTY	MAIN BEARINGS	YEARS	PART NO.	SIZE	DESCRIPTION
1	Main Set	94-87	7106M	Std Only	
1	Thrust Washer Set	94-87	3952BF	Std Only	
CYLINDER COMPONENTS					
QTY	CONNECTING RODS & BRGS.	YEARS	PART NO.	SIZE	DESCRIPTION
3	Rod Set	94-87	2-3950CP	Std-.25-.50-.75-1.00MM	
36 M/D Truck 401, 401M Eng. H/D Truck 401, 401M Eng. 6.6L 401 OHV V6 (GMC), 4.875" Bore 1960-72					
CYL. HEAD & PARTS					
QTY	VALVE	YEARS	PART NO.	SIZE	DESCRIPTION
24	Keeper	72-60	VK-115		1 groove; Square cut key groove
24	Keeper	72-60	VK-115R		1 groove; Square cut key groove; Hardened
24	Keeper, Bulk	72-60	VK-115B		1 groove; Square cut key groove; Carton of 1000
QTY	VALVE SEAT	YEARS	PART NO.	SIZE	DESCRIPTION
6	Int.	72-60	245-2250-1	Std Only	6V-401; 2.2555" OD, 1.9375" ID, .1855" Depth
QTY	VALVE GUIDE	YEARS	PART NO.	SIZE	DESCRIPTION
6	Guide	72-60	VG-5036		Int.; .3740" ID, 2.7500" O.A.L.
6	Guide, Bulk	72-60	VG-5036B		Int.; Carton of 100; .3740" ID, 2.7500" O.A.L.
QTY	PUSH RODS	YEARS	PART NO.	SIZE	DESCRIPTION
12	Push Rod	72-60	RP-3099		7.9890" O.A.L.
QTY	VALVE SEAL	YEARS	PART NO.	SIZE	DESCRIPTION
6	Valve Stem Seal	72-60	ST-2007		Exh.; Positive type; Rubber
6	Valve Stem Seal	72-60	ST-2002		Int.; Installation requires valve guide machining; Polyacrylate
12	Valve Stem Seal	72-60	MV-1233C		Int.; O-Ring; Rubber
12	Valve Stem Seal Bulk	72-60	MV-1233		Int.; O-Ring; Carton of 100; Rubber
6	Valve Stem Seal Bulk	72-60	ST-2002BC		Int.; Positive type; Installation requires valve guide machining; Carton of 100; Polyacrylate
CAMSHAFT GROUP					
QTY	CAMSHAFT/LIFTER	YEARS	PART NO.	SIZE	DESCRIPTION
12	Lifter	72-60	AT-874	Std Only	Mech.
1	Prelube	72-60	55-400		4 oz. bottle; 1.5 oz. packet No. 55-403 also avail.
ENGINE BLOCK & PARTS					
QTY	CAM BEARINGS	YEARS	PART NO.	SIZE	DESCRIPTION
1	Cam Set	72-60	1198M	Std Only	
QTY	FREEZE PLUGS	YEARS	PART NO.	SIZE	DESCRIPTION
1	Brass Block Plug Kit	72-60	381-8019		

(continued on next page)

GMC Truck - M/D & H/D

M/D Truck 401, 401M Engs. H/D Truck 401, 401M Engs. 36
6.6L 401 OHV V6 (GMC), 4.875" Bore 1960-72 (cont.)

CRANKSHAFT/OIL PUMP

QTY	MAIN BEARINGS	YEARS	PART NO.	SIZE	DESCRIPTION
1	Main Set	72-60	4067MA Std Only		A-Series aluminum bearings; Undersize brgs. can be used, but the surface hardness of the crankshaft should be restored after grinding through a suitable heat treatment process
QTY	OIL PUMP	YEARS	PART NO.	SIZE	DESCRIPTION
1	Oil Pump	72-66	224-41154		3/8" dia. mounting holes; Governor spinner not incl., Re-use original if req'd.

CYLINDER COMPONENTS

QTY	PISTONS	YEARS	PART NO.	SIZE	DESCRIPTION
6	Pin Bushing	72-60	2404Y20		
QTY	CONNECTING RODS & BRGS.	YEARS	PART NO.	SIZE	DESCRIPTION
6	Rod Pair	72-60	2400P Std-10-20-30		Undersize brgs. can be used, but the surface hardness of the crankshaft should be restored after grinding through a suitable heat treatment process

M/D Truck 409 Eng. H/D Truck 409 Eng. 37
6.7L 409 OHV V8 (Chevrolet), 4.3125" Bore 1962-65

CYL. HEAD & PARTS

QTY	VALVE	YEARS	PART NO.	SIZE	DESCRIPTION
32	Keeper	65-62	VK-138		1 groove; Square cut key groove
32	Keeper	65-62	VK-138R		1 groove; Square cut key groove; Hardened
32	Keeper, Bulk	65-62	VK-138B		1 groove; Square cut key groove; Carton of 1000
QTY	VALVE SPRING	YEARS	PART NO.	SIZE	DESCRIPTION
16	Spring	65-62	VS-522		Incl. damper; 2.0000" Free Height
QTY	PUSH RODS	YEARS	PART NO.	SIZE	DESCRIPTION
8	Push Rod	65-62	RP-3229R		Exh.; Chrome-Moly; 9.1300" O.A.L.
8	Push Rod	65-62	RP-3028		Exh.; 9.1360" O.A.L.
8	Push Rod	65-62	RP-3102		Int.; 8.7780" O.A.L.
8	Push Rod, Bulk	65-62	BRP-3028		Exh.; Carton of 100; 9.1360" O.A.L.
8	Push Rod, Bulk	65-62	BRP-3102		Int.; Carton of 25; 8.7780" O.A.L.
QTY	VALVE SEAL	YEARS	PART NO.	SIZE	DESCRIPTION
16	Valve Stem Seal	65-62	ST-2002		For use w/single valve springs; Installation requires valve guide machining; Polyacrylate
16	Valve Stem Seal Bulk	65-62	ST-2002BC		For use w/single valve springs; Positive type; Installation requires valve guide machining; Carton of 100; Polyacrylate
QTY	ROCKER PARTS	YEARS	PART NO.	SIZE	DESCRIPTION
16	Arm Assy.	65-62	R-827		Incl. arm, ball & nut
16	Pivot Ball	65-62	MR-1780		
16	Nut	65-62	MR-1751		Self-locking, 3/8" x 24 threads
16	Stud	65-62	MR-1752		.003" O/S, 3/8" x 24 x 2.495"
16	Stud	65-62	MR-1949		.372" x 24 x 2.495"

CAMSHAFT GROUP

QTY	TIMING	YEARS	PART NO.	SIZE	DESCRIPTION
1	Timing Chain	65-62	222-162		64 Links
QTY	CAMSHAFT/LIFTER	YEARS	PART NO.	SIZE	DESCRIPTION
1	Camshaft	65-62	CS-171		Use w/Hyd. lifters
16	Lifter	65-62	HT-817 Std Only		Hyd.
16	Lifter, Bulk	65-62	HT-817B Std Only		Hyd.; Carton of 128
1	Prelube	65-62	55-400		4 oz. bottle; 1.5 oz. packet No. 55-403 also avail.

ENGINE BLOCK & PARTS

QTY	CAM BEARINGS	YEARS	PART NO.	SIZE	DESCRIPTION
1	Cam Set	65-62	1177M Std Only		

CRANKSHAFT/OIL PUMP

QTY	CRANKSHAFT	YEARS	PART NO.	SIZE	DESCRIPTION
1	Harmonic Balancer Kit	65-62	5000		
1	Harmonic Balancer Sleeve	65-62	88176		
QTY	SEALS - FRONT CRANK	YEARS	PART NO.	SIZE	DESCRIPTION
1	Redi-Sleeve	65-62	99176		
1	Oil Seal	65-62	9845		

(continued on next page)

GMC Truck - M/D & H/D

37 M/D Truck 409 Eng. H/D Truck 409 Eng.
(cont.) 6.7L 409 OHV V8 (Chevrolet), 4.3125" Bore 1962-65

CRANKSHAFT/OIL PUMP (cont.)

QTY	SEALS - REAR CRANK	YEARS	PART NO.	SIZE	DESCRIPTION
1	Oil Seal Kit	65-62	5072		(Split Seal)
QTY	MAIN BEARINGS	YEARS	PART NO.	SIZE	DESCRIPTION
1	Main Set	65-62	4036M	Std-10-20	
QTY	OIL PUMP	YEARS	PART NO.	SIZE	DESCRIPTION
1	Oil Pump	65-62	224-4146A		High Pressure; 5/8" inlet
1	Oil Pump	65-62	224-4143		High Volume, check pan for clearance; 5/8" inlet; Use shaft w/steel guide
1	Oil Pump	65-62	224-4146		5/8" inlet
1	Screen Assy.	65-62	224-1146		5/8" inlet

CYLINDER COMPONENTS

QTY	CONNECTING RODS & BRGS.	YEARS	PART NO.	SIZE	DESCRIPTION
1	Rod Set	65-62	8-3190A	Std-1-10-20-30-40-60	A-Series aluminum bearings
8	Rod Pair	65-62	3190A	Std-1-2-10-20-30-40-50-60	A-Series aluminum bearings
QTY	PISTON RINGS	YEARS	PART NO.	SIZE	DESCRIPTION
1	Premium Set	65-62	E-289K	Std-30-40-60	2-5/64, 1-3/16
1	Standard Set	65-62	E-289X	Std-30	2-5/64, 1-3/16
8	Premium Single Cylinder Set	65-62	WE-289K30	30-60	2-5/64, 1-3/16
8	Standard Single Cylinder Set	65-62	WE-289X	Std-30	2-5/64, 1-3/16

38 M/D Truck 6-71 In-Line (2-Valve Cyl. Head), 6-71E In-Line (4-Valve Cyl. Head), 6-71N In-Line (4-Valve Cyl. Head) Eng.
7.0L 426 OHV Diesel L6 (6-71), 4.25" Bore (Detroit Diesel Eng.) 1961-65

CYL. HEAD & PARTS

QTY	GASKETS	YEARS	PART NO.	SIZE	DESCRIPTION
1	Accessory Drive Gasket	65-61	FP-23515145		Breather Body/Separator
1	Governor Hole Gasket	65-61	FP-5123812		Breather Pipe
1	Crankcase Breather	65-61	FP-5130750		Breather Oil Separator Pad
1	Crankcase Breather	65-61	FP-5101760		Oil Separator Filter Unit; 4"
1	Crankcase Breather	65-61	FP-5101760		4"
1	Valve Cover Gasket	65-61	FP-5104019		Engs. w/cast Alum. valve cover; Silicone
1	Valve Cover Gasket	65-61	FP-5143407		Engs. w/steel valve cover; Neoprene
1	Lo Filter Adapter Gasket	65-61	FP-5173482		Breather Pipe/Body/Shell Cover, A/R
1	Lo Filter Adapter Gasket	65-61	FP-5173482		Oil Filler
1	Washer	65-61	FP-5150568		Breather Pipe; 7/16" x 3/4" x 1/16"; Copper
1	Hose Clamp	65-61	FP-5186840		Breather Body; For 1 5/8" Hose Dia.; 13/16" - 1 1/2" Clamping Range
1	Bolt	65-61	FP-8927580		Breather Pipe; 3/8" - 16 x .875"
1	Bolt	65-61	FP-5103635		Throttle Delay; 3/8" - 16 x 2.90"
4	Stud	65-61	FP-5148504		Rocker Cover; 3/8" - 16 x 4.32"
1	Screw	65-61	FP-5103642		Breather Shell Cover; No. 10 - 24 x .375"
3	Screw	65-61	FP-5103642		Oil Filler Tube; No. 10 - 24 x .375"
2	Lock Washer	65-61	FP-103321		Breather Pipe; 3/8"
2	Lock Washer	65-61	FP-103320		Breather Pipe; 5/16"
4	Lock Washer	65-61	FP-103321		Breather Shell Cover; 3/8"
4	Isolator Bushing	65-61	FP-5104515		Rocker Cover Bolt
QTY	MISCELLANEOUS	YEARS	PART NO.	SIZE	DESCRIPTION
2	Wear Sleeve	65-61	FP-5113773		Pilot; .70" Length
1	Pipe Plug	65-61	FP-8926993		Cyl. Head Fuse Plug; 1/4" X 18; Recessed socket head
13	Pipe Plug	65-61	FP-5121182		Cyl. Head Plug; 1/4" - 18; Hex head
5	Pipe Plug	65-61	FP-8923847		Cyl. Head Plug; 1/4" x 18 NPTF; Square head
4	Pipe Plug	65-61	FP-5142549		Cyl. Head Plug; 3/4" - 14 Square Head
3	Pipe Plug	65-61	FP-8924517		Cyl. Head Plug; 3/8" x 18 square head
12	Washer	65-61	FP-5125108		Fuel Stand; 7/16" x 3/4" x 1/16"
12	Lock Washer	65-61	FP-103321		Cyl. Head; 3/8"
12	Lock Nut	65-61	FP-103026		Cyl. Head; 3/8" x 24
QTY	FREEZE PLUGS	YEARS	PART NO.	SIZE	DESCRIPTION
1	Pipe Plug	65-61	FP-8926993		Cyl. Head Fuse Plug; 1/4" X 18; Recessed socket head
13	Pipe Plug	65-61	FP-5121182		Cyl. Head Plug; 1/4" - 18; Hex head
5	Pipe Plug	65-61	FP-8923847		Cyl. Head Plug; 1/4" x 18 NPTF; Square head
4	Pipe Plug	65-61	FP-5142549		Cyl. Head Plug; 3/4" - 14 Square Head
3	Pipe Plug	65-61	FP-8924517		Cyl. Head Plug; 3/8" x 18 square head
2	Expansion Plug	65-61	FP-5117186		Cyl. Head Plug; 2" Dia. Cup; Stainless Steel

(continued on next page)

GMC Truck - M/D & H/D

M/D Truck 6-71 In-Line (2-Valve Cyl. Head), 6-71E In-Line (4-Valve Cyl. Head), 6-71N 38 In-Line (4-Valve Cyl. Head) Engs. (cont.)
7.0L 426 OHV Diesel L6 (6-71), 4.25" Bore (Detroit Diesel Eng.) 1961-65

CYL. HEAD & PARTS (cont.)

QTY	FREEZE PLUGS (cont.)	YEARS	PART NO.	SIZE	DESCRIPTION
2	Expansion Plug	65-61	FP-5150132		Cyl. Head Plug; 3/4" Dia. Cup
4	Expansion Plug	65-61	FP-5154453		Cyl. Head Plug; 3/8" - 16 Headless Special
4	Expansion Plug	65-61	FP-5178976		Cyl. Head Plug; 7/16" - 14 Special
QTY	VALVE	YEARS	PART NO.	SIZE	DESCRIPTION
12	Exhaust Valve Kit	65-61	FP-5192718		w/Locks; 2 Valve Head; Contains (1) FP-5178472 & (2) FP-23507238; 45 Degree
12	Exhaust Valve Kit	65-61	FP-5193197		w/Locks; 2 Valve Head; Contains (1) FP-5185327 & (2) FP-23507238; 30 Degree
12	Exhaust Valve Kit	65-61	FP-5194829		w/Locks; 2 Valve Head; Jet Blade; Contains (1) FP-5178501 & (2) FP-23507238; 45 Degree
12	Exhaust Valve Kit	65-61	FP-5193666		w/Locks; 2 Valve Head; Jet Blade; Contains (1) FP-5186381 & (2) FP-23507238; 30 Degree
24	Exhaust Valve Kit	65-61	FP-5149386		w/Locks; 4 Valve Head; Hi-Output Engs.; Contains (1) FP-5104280 & (2) FP-5111337
24	Exhaust Valve Kit	65-61	FP-23500501		w/Locks; 4 Valve Head; N & T Engs.; Contains (1) FP-8922516 & (2) FP-5111337
12	Valve Guide Cap	65-61	FP-5199914		Exh.; 2 Valve Head; Seal installer; Clear
24	Keeper	65-61	FP-23507238		2 Valve Head; 1 groove; Square cut key groove
48	Keeper	65-61	FP-5111337		4 Valve Head; 1 groove; Square cut key groove
QTY	VALVE SEAT	YEARS	PART NO.	SIZE	DESCRIPTION
12	Exh.	65-61	FP-5198230	10	2 Valve Head; 30 Deg. seat; .010" O/S; 1.6380" OD, 1.3440" ID, .2485" Depth
12	Exh.	65-61	FP-8927920	STD	2 Valve Head; 30 Deg. seat; 1.6280" OD, 1.3440" ID, .2485" Depth
24	Exh.	65-61	FP-5197167	10	4 Valve Head; 30 Deg. seat; .010" O/S; 1.2720" OD, .9770" ID, .2355" Depth
24	Exh.	65-61	FP-5101101	STD	4 Valve Head; 30 Deg. seat; 1.2620" OD, .9770" ID, .2490" Depth
QTY	VALVE GUIDE	YEARS	PART NO.	SIZE	DESCRIPTION
12	Guide	65-61	FP-5120930		Exh.; 2 Valve Head
12	Guide	65-61	FP-5192717		Exh.; 2 Valve Head; .0162" O/S
24	Guide	65-61	FP-5129919		Exh.; 4 Valve Head; 2 3/8" length; .3130" ID, 2.3800" O.A.L.
QTY	VALVE SPRING	YEARS	PART NO.	SIZE	DESCRIPTION
12	Spring	65-61	FP-5150289		Exh.; 2 Valve Head; .177" Wire dia.
24	Spring	65-61	FP-5111339		Exh.; 4 Valve Head; .135" Wire dia.
24	Spring	65-61	FP-5147347		Exh.; 4 Valve Head; .148" Wire dia.
12	Valve Spring Seat	65-61	FP-5150292		Exh.; 2 Valve Head
24	Valve Spring Seat	65-61	FP-5117562		Exh.; 4 Valve Head
24	Spring Insert	65-61	FP-5111467		Exh.
12	Spring Cap	65-61	FP-5150291		Exh.; 2 Valve Head
24	Spring Cap	65-61	FP-5117563		Exh.; 4 Valve Head
QTY	PUSH RODS	YEARS	PART NO.	SIZE	DESCRIPTION
18	Push Rod	65-61	FP-5128640		
18	Push Rod Seat	65-61	FP-5123250		Lower
18	Push Rod Seat	65-61	FP-5150302		Upper; Flange type
18	Push Rod Spring	65-61	FP-5186858		.177" Wire diameter
18	Push Rod Retainer	65-61	FP-5150303		
18	Lock Nut	65-61	FP-5151601		5/16" - 24
QTY	VALVE MISC.	YEARS	PART NO.	SIZE	DESCRIPTION
12	Bolt	65-61	FP-443603		.250" x 20 x .750"
12	Lock Nut	65-61	FP-5151601		5/16" - 24
12	Lock Washer	65-61	FP-103319		Cam Follower; .250"
12	Lock Washer	65-61	FP-103320		Cam Follower; 5/16"
QTY	VALVE SEAL	YEARS	PART NO.	SIZE	DESCRIPTION
12	Valve Stem Seal	65-61	FP-23500480		Exh.; 2 Valve Head
24	Valve Stem Seal	65-61	FP-8921209		Exh.; 4 Valve Head
24	Tools	65-61	FP-5199913		Exh.; 4 Valve Head; Seal installer; Green Stripe
QTY	ROCKER PARTS	YEARS	PART NO.	SIZE	DESCRIPTION
6	Arm Assy.	65-61	FP-5148472		Exh. Left
6	Arm Assy.	65-61	FP-5148475		Exh. Right
6	Arm Assy.	65-61	FP-8923554		Injector; Unbushed Clevis
6	Rocker Shaft	65-61	FP-23500714		
12	Rocker Shaft Bracket Bolt	65-61	FP-5150325		1/2" - 13 x 4.250"
12	Arm Support	65-61	FP-5103903		
12	Rocker Bushing	65-61	FP-5123700		Exh.; Exh. Valve Clevis; .5625" OD
12	Rocker Bushing	65-61	FP-23517217		Exh.; Large; .8755" ID, .9475" OD, .840" Length, .0360" Wall thickness

(continued on next page)

GMC Truck - M/D & H/D

38 M/D Truck 6-71 In-Line (2-Valve Cyl. Head), 6-71E In-Line (4-Valve Cyl. Head), 6-71N
 (cont.) In-Line (4-Valve Cyl. Head) Engs.
 7.0L 426 OHV Diesel L6 (6-71), 4.25" Bore (Detroit Diesel Eng.) 1961-65

CYL. HEAD & PARTS (cont.)

QTY	ROCKER PARTS (cont.)	YEARS	PART NO.	SIZE	DESCRIPTION
12	Rocker Bushing	65-61	FP-8924354		Exh.; Small
6	Rocker Bushing	65-61	FP-8924355		Injector; Large
18	Follower Assy.	65-61	FP-8924439		
18	Cam Follower Roller Set	65-61	FP-8923814		Incl. pin & roller
12	Valve Bridge Adj. Screw	65-61	FP-5129101		5/16" - 24 x 1"
12	Valve Bridge	65-61	FP-5117565		Exh.
12	Valve Bridge Guide	65-61	FP-5117564		Exh.; Press fit
12	Valve Bridge Guide	65-61	FP-51175646		Exh.; Press fit w/.006" O/S
12	Valve Bridge Guide	65-61	FP-5196843		Exh.; Threaded
12	Rocker Arm Clevis Pin	65-61	FP-5150314		
12	Bushing	65-61	FP-5122445 +		Exh.; Large; When depleted use FP-23517217

ELECTRICAL

QTY	ELECTRICAL	YEARS	PART NO.	SIZE	DESCRIPTION
1	Starting Motor Gasket	65-61	FP-5130995		Starting Motor Hole Cover

INT & EXH MANIFOLDS

QTY	INT. & EXH. MANIFOLDS	YEARS	PART NO.	SIZE	DESCRIPTION
4	Stud	65-61	FP-8927270		Exh. Manifold to Head; 3/8" - 16/24" x 1.6875"
7	Stud	65-61	FP-8925804		Exh. Manifold to Head; 7/16" - 14/20" x 2 3/32"
7	Lock Nut	65-61	FP-23505398		Exh. Manifold; 7/16" - 20
4	Lock Washer	65-61	FP-103320		Exh. Manifold; 5/16"
1	Exhaust Manifold Gasket	65-61	FP-5120223		Diameter
1	Exhaust Manifold Gasket	65-61	FP-5150196		Diameter
2	Exhaust Manifold Gasket	65-61	FP-5150195		Ends; Composition
2	Exhaust Manifold Gasket	65-61	FP-5120224		Ends; Metal Clad
1	Exhaust Manifold Gasket	65-61	FP-5163811		Exh. Outlet; 4.375" I.D.
4	Exhaust Manifold Gasket	65-61	FP-5156319		Manifold Cover Plate
1	Exhaust Manifold Gasket	65-61	FP-5156319		Water Outlet Flange
1	Gasket	65-61	FP-5113412		Exh. Manifold Cover Plate
1	Pipe Plug	65-61	FP-5115214		Exh. Manifold; 1/2" Square Head
4	Lock Washer	65-61	FP-103321		Exh. Flange; 3/8"
7	Washer	65-61	FP-5104439		Exh. Manifold; 7/16" x 1.250" Dia.; Dished
1	Clamp	65-61	FP-5132650		Exh. Flange; 5.250" Dia.
1	Hose Clamp	65-61	FP-5137618		Exh. Manifold
1	Exhaust Manifold	65-61	FP-8921704		Horizontal; Water Cooled

QTY	AIR INTAKE	YEARS	PART NO.	SIZE	DESCRIPTION
2	Air Intake Housing Gasket	65-61	FP-5124405		
1	Air Intake Gasket	65-61	FP-3290572		Housing Striker Plate
2	Lock Washer	65-61	FP-103319		Air Inlet Housing Shutdown Valve Shaft; .250"
4	Lock Washer	65-61	FP-103321		Air Silencer; 3/8"
6	Lock Washer	65-61	FP-103320		Air Silencer; 5/16"
2	O-Ring	65-61	FP-5182977		Air Inlet Housing Shutdown Valve Shaft

CAMSHAFT GROUP

QTY	TIMING	YEARS	PART NO.	SIZE	DESCRIPTION
1	Idle Gear Hub Assembly	65-61	FP-5130135		
1	Bolt	65-61	FP-454992		Idle Gear; 1/2" - 13 x 2 1/2
6	Bolt	65-61	FP-5103534		Idle Gear; 5/16" - 24 x 1/2"
1	Washer	65-61	FP-5167714		Idle Gear; 17/32" x 7/8" x 3/32"

QTY	CAMSHAFT/LIFTER	YEARS	PART NO.	SIZE	DESCRIPTION
1	Camshaft	65-61	FP-5149393		Advanced timing; R.H. rotation; Type 17, 27, 93, 166, 193, 399, 463, 532, 552, 558, 565
2	Camshaft Thrust Washer	65-61	FP-5111424		
2	Camshaft Thrust Washer	65-61	FP-5194826		
2	Camshaft Thrust Washer	65-61	FP-5194827		
5	Bolt	65-61	FP-5123383		Balance weight
2	Lock Washer	65-61	FP-5177769		Front balance weight; 1.125"
12	Lock Washer	65-61	FP-103321		Rear balance weight; 3/8"
2	Camshaft Plug	65-61	FP-5151277		.500" Drive; 15/32" x 1/2"
1	Prelube	65-61	55-400		4 oz. bottle; 1.5 oz. packet No. 55-403 also avail.

ACCESSORY DRIVE

QTY	ACCESSORY DRIVE	YEARS	PART NO.	SIZE	DESCRIPTION
1	Accessory Drive Gasket	65-61	FP-23515145		
1	Oil Seal	65-61	FP-5102456		Accessory Drive
1	Oil Seal	65-61	FP-5131329		Accessory Drive

(continued on next page)

GMC Truck - M/D & H/D

**M/D Truck 6-71 In-Line (2-Valve Cyl. Head), 6-71E In-Line (4-Valve Cyl. Head), 6-71N 38
In-Line (4-Valve Cyl. Head) Eng. (cont.)**
7.0L 426 OHV Diesel L6 (6-71), 4.25" Bore (Detroit Diesel Eng.) 1961-65

ACCESSORY DRIVE (cont.)

QTY	ACCESSORY DRIVE (cont.)	YEARS	PART NO.	SIZE	DESCRIPTION
1	Oil Seal	65-61	FP-5138710		Accessory Drive
1	Oil Seal Kit	65-61	FP-5198175		Accessory Drive
1	Ball Brg.	65-61	FP-23503727		Accessory Drive
1	Ball Brg.	65-61	FP-23504528		Accessory Drive
1	Ball Brg.	65-61	FP-23504528		Accessory Drive
1	Drive Coupling	65-61	FP-5141773		Accessory Drive
1	Water Pump Retainer Ring	65-61	FP-9415285		Accessory Drive; Large; External
6	Bolt	65-61	FP-5185793		Accessory Drive
10	Bolt	65-61	FP-8927580		Accessory Drive; w/Seal Patch; 3/8" - 16 x .875"
3	Bolt	65-61	FP-8927581		Accessory Drive; w/Seal Patch; 3/8" - 16 x 1"
4	Bolt	65-61	FP-5145092		Accessory Drive; 3/8" - 24 x 1.20", Self-Locking
1	Stud	65-61	FP-8927270		Accessory Drive; 3/8" - 16/24" x 1.6875"
4	Stud	65-61	FP-8925804		Balance Weight Cover; 7/16" - 14/20" x 2 3/32"
1	Hydraulic Pump Gasket	65-61	FP-5188755		Accessory Drive
1	Pipe Plug	65-61	FP-5121182		Accessory Drive; 1/4" - 18; Hex head
5	Washer	65-61	FP-5150568		Accessory Drive; 7/16" x 3/4" x 1/16"; Copper
13	Copper Washer	65-61	FP-5152148		Accessory Drive; 25/64" ID x 9/16" OD x 1/16" Thick; Copper
13	Lock Washer	65-61	FP-103321		Accessory Drive; 3/8"
4	Lock Washer	65-61	FP-103321		Accessory Drive; 3/8"
4	Lock Washer	65-61	FP-103320		Accessory Drive; 5/16"
2	Lock Washer	65-61	FP-103321		Balance Weight Cover; 3/8"
23	Lock Washer	65-61	FP-103320		Balance Weight Cover; 5/16"
13	Lock Nut	65-61	FP-103026		Accessory Drive; 3/8" x 24
1	Lock Nut	65-61	FP-103026		Accessory Drive; 3/8" x 24
23	Lock Nut	65-61	FP-103026		Balance Weight Cover; 3/8" x 24

FUEL SYSTEM & PARTS

QTY	FUEL INJECTION	YEARS	PART NO.	SIZE	DESCRIPTION
4	Fuel Injector Nozzle	65-61	FP-5172874		Water Nozzle; Single Outlet; Single Outlet
6	Fuel Injector Seal Ring	65-61	FP-5234281		
6	Fuel Injector Seal Ring	65-61	FP-5104701		Viton®
6	Injector Hole Tube Kit	65-61	FP-8925981		Incl. Seal Ring; Viton®
6	Clamp	65-61	FP-5121259		
6	Fuel Injector	65-61	FP-5229355		Option Type 111; Injector Assembly C55
6	Fuel Injector	65-61	FP-5229360		Option Type 113; Injector Assembly C60
6	Fuel Injector	65-61	FP-5229365		Option Type 115; Injector Assembly C65
6	Fuel Injector	65-61	FP-5228780		Option Type 14, 54, 82; Injector Assembly N80
6	Fuel Injector	65-61	FP-5229695		Option Type 153; Injector Assembly 7C75
6	Fuel Injector	65-61	FP-5229790		Option Type 163; Injector Assembly 7E55
6	Fuel Injector	65-61	FP-5229795		Option Type 164; Injector Assembly 7E60
6	Fuel Injector	65-61	FP-5229800		Option Type 165; Injector Assembly 7E65
6	Fuel Injector	65-61	FP-5229895		Option Type 180; Injector Assembly 7G65
6	Fuel Injector	65-61	FP-5226440		Option Type 242; Injector Assembly 7N65
6	Fuel Injector	65-61	FP-5228760		Option Type 53, 78; Injector Assembly N60
6	Fuel Injector	65-61	FP-5228770		Option Type 57, 80; Injector Assembly N70
6	Fuel Injector	65-61	FP-5228785		Option Type 60, 77; Injector Assembly N55
6	Fuel Injector	65-61	FP-5228777		Option Type 81; Injector Assembly N75
6	Fuel Injector	65-61	FP-5228900		Option Type 97; BT; Injector Assembly N65
12	Fuel Injector Repair Kit	65-61	FP-5229649		
6	Fuel Injection Valve Cage	65-61	FP-5228696		Check Valve
6	Fuel Injection Spring Seat	65-61	FP-5228766		
6	Fuel Injector Valve Spring	65-61	FP-5228596		
6	Fuel Injector Check Valve	65-61	FP-5228694		
6	Fuel Pump Check Valve	65-61	FP-5226411		
6	Fuel Pump Check Valve	65-61	FP-5228308		HV7, HV8, HV9, S70, S80, S90; Incl. injector valve & 5228106 seat
6	Fuel Pump Check Valve	65-61	FP-5228308		S55, S60, S65; Incl. injector valve & 5228106 seat
6	Injector Plunger & Bushing	65-61	FP-5229356		C55
6	Injector Plunger & Bushing	65-61	FP-5229362		C60
6	Injector Plunger & Bushing	65-61	FP-5229366		C65
6	Injector Plunger & Bushing	65-61	FP-5229372		C70
6	Injector Plunger & Bushing	65-61	FP-5228306		HV6
6	Injector Plunger & Bushing	65-61	FP-5228304		HV7
6	Injector Plunger & Bushing	65-61	FP-5228804		M95
6	Injector Plunger & Bushing	65-61	FP-5228668		N55
6	Injector Plunger & Bushing	65-61	FP-5228656		N60; For Inj. Assembly 5A60
6	Injector Plunger & Bushing	65-61	FP-5228928		N65 BT
6	Injector Plunger & Bushing	65-61	FP-5228658		N65 WT, N75, 7C75

(continued on next page)

GMC Truck - M/D & H/D

38 M/D Truck 6-71 In-Line (2-Valve Cyl. Head), 6-71E In-Line (4-Valve Cyl. Head), 6-71N
 (cont.) In-Line (4-Valve Cyl. Head) Engs.
 7.0L 426 OHV Diesel L6 (6-71), 4.25" Bore (Detroit Diesel Eng.) 1961-65

FUEL SYSTEM & PARTS (cont.)

QTY	FUEL INJECTION (cont.)	YEARS	PART NO.	SIZE	DESCRIPTION
6	Injector Plunger & Bushing	65-61	FP-5228682		N70, 7C70
6	Injector Plunger & Bushing	65-61	FP-5228661		N80
6	Injector Plunger & Bushing	65-61	FP-5228878		N90
6	Injector Plunger & Bushing	65-61	FP-5229823		7E55
6	Injector Plunger & Bushing	65-61	FP-5229814		7E60
6	Injector Plunger & Bushing	65-61	FP-5229808		7E75, 7G75
6	Injector Plunger & Bushing	65-61	FP-5229916		7G65
6	Injector Plunger & Bushing	65-61	FP-5229912		7G70
6	Injector Plunger & Bushing	65-61	FP-5229354		71C5; For Inj. Assembly C50
6	Fuel Injector Tip Kit	65-61	FP-5229026		C55, C60, 71C5, 7E55, 7E60; For Inj. Assembly 5N45
6	Fuel Injector Tip Kit	65-61	FP-5229192		C65, C70, N70, N75, 7N65
6	Fuel Injector Tip Kit	65-61	FP-5228312		HV7, HV8, HV9, S70, S80, S90
6	Fuel Injector Tip Kit	65-61	FP-5228554		HV7, HV8, HV9, S70, S80, S90
6	Fuel Injector Tip Kit	65-61	FP-5229256		M95, N80, N90
6	Fuel Injector Tip Kit	65-61	FP-5229026		N55, N60, N65 WT; For Inj. Assembly 5N45
6	Fuel Injector Tip Kit	65-61	FP-5229030		N65 BT; For Inj. Assembly 5A50, 5A55, 5A60
6	Fuel Injector Tip Kit	65-61	FP-5228491		S55, S60, S65
6	Fuel Injector Tip Kit	65-61	FP-5229030		7E65; For Inj. Assembly 5A50, 5A55, 5A60
6	Nut	65-61	FP-5228601		Inj. Valve; NV
6	Fuel Injector Valve Kit	65-61	FP-5228313		
6	Fuel Injector Valve Kit	65-61	FP-5228769		
6	Fuel Injector Roller Pin	65-61	FP-5228608		
QTY	FUEL FILTERS & PUMP	YEARS	PART NO.	SIZE	DESCRIPTION
1	Mechanical Fuel Pump	65-61	FP-5199735		LH; High Output; High output; w/.375" Gear
1	Mechanical Fuel Pump	65-61	FP-5199560		LH; Std. Output; Std. output; w/.250" Gear
1	Mechanical Fuel Pump	65-61	FP-5199734		RH; High Output; High output
1	Mechanical Fuel Pump	65-61	FP-5199561		RH; Std. Output
1	Fuel Pump Shaft & Gear	65-61	FP-5100313		High Output; .963" Length; High Output
1	Fuel Pump Shaft & Gear	65-61	FP-5146705		High Output; 3.09" Length; High Output
1	Fuel Pump Shaft & Gear	65-61	FP-5181747		Std. Output; .838" Length; Std. Output
1	Fuel Pump Shaft & Gear	65-61	FP-5181746		Std. Output; 3.09" Length; Std. Output
1	Fuel Pump Valve	65-61	FP-5174973		
1	Fuel Pump Gear	65-61	FP-5118915		High Output; .374" Width; High Output
1	Fuel Pump Gear	65-61	FP-5128217		High Output; .374" Width; High Output
1	Fuel Pump Gear	65-61	FP-5174975		Std. Output; .294" Width; Std. Output
1	Fuel Pump Gear	65-61	FP-5181748		Std. Output; .294" Width; Std. Output
1	Fuel Pump Drive Shaft	65-61	FP-5100312		High Output; .963" Length; High Output
1	Fuel Pump Drive Shaft	65-61	FP-5178700		Std. & High Output; 3.09" Length
1	Fuel Pump Drive Shaft	65-61	FP-5181749		Std. Output; .838" Length; Std. Output
1	Fuel Pump Check Valve	65-61	FP-5174924		1/4" Swing type
1	Fuel Pump Check Valve	65-61	FP-5135308		3/8" Swing type
12	Fuel Line Connector	65-61	FP-5117369		
1	Fuel Pump Relief Valve Spring	65-61	FP-5184530		
2	Oil Seal	65-61	FP-23512243		Fuel pump
1	Fuel Pump Valve Plug Gasket	65-61	FP-5161003		Fuel pump
1	Fuel Pump Repair Part	65-61	FP-5174971		Fuel pump valve plug; .500" x 20 plug
1	Fuel Pump Drive Adapter Gskt.	65-61	FP-5150193		
1	Fuel Pump Repair Kit	65-61	FP-5149599		High Output; High output; Short Shaft
1	Fuel Pump Repair Kit	65-61	FP-5195078		Std. Output; Std. output
1	Pipe Plug	65-61	FP-5121182		Fuel pump pipe; 1/4" - 18; Hex head
2	Plastic Cap	65-61	FP-5136240		Fuel pump body; .250" Dia.
1	Plastic Cap	65-61	FP-5136241		Fuel pump body; .780" Dia., 3/8" NPTF
1	Dowel Pin	65-61	FP-103709		5/32" x 1" straight
1	Ball Brg.	65-61	FP-147481		Fuel pump shaft; .125" Dia. Steel
1	Accessory Drive Gasket	65-61	FP-23515145		Fuel pump mounting plate
12	Washer	65-61	FP-5125108		Fuel pump pipe assy.; 7/16" x 3/4" x 1/16"
BLOWER					
QTY	BLOWER	YEARS	PART NO.	SIZE	DESCRIPTION
2	Ball Brg.	65-61	FP-23503543		Front; Blower Rotor
2	Ball Brg.	65-61	FP-23504305		Rear; Blower Rotor
1	Oil Seal Kit	65-61	FP-23500533		Blower End Plate
2	Rect. or Square Seal	65-61	FP-23515630		Blower Drive Cover; w/Flanged & Strut Covers
1	Rect. or Square Seal	65-61	FP-5172864		Blower Drive Cover; w/Sand Cast Covers
4	Oil Seal	65-61	FP-5192438		Blower End Plate
4	Oil Seal	65-61	FP-8924453		Blower Rotor
1	Fuel Blower Gasket	65-61	FP-5115656		Blower to Block
1	Pipe Plug	65-61	FP-8924380		Blower Drive Gear Hub; 1/8" - 27

(continued on next page)

GMC Truck - M/D & H/D

M/D Truck 6-71 In-Line (2-Valve Cyl. Head), 6-71E In-Line (4-Valve Cyl. Head), 6-71N 38 In-Line (4-Valve Cyl. Head) Engs. (cont.)
 7.0L 426 OHV Diesel L6 (6-71), 4.25" Bore (Detroit Diesel Eng.) 1961-65

BLOWER (cont.)

QTY	BLOWER (cont.)	YEARS	PART NO.	SIZE	DESCRIPTION
6	Bolt	65-61	FP-443603		Blower Rotor; .250" x 20 x .750"
1	Lock Washer	65-61	FP-8926285		Blower Drive Gear Hub
2	Lock Washer	65-61	FP-103321		Blower Drive Gear Hub; 3/8"
2	Lock Washer	65-61	FP-5154398		Blower Rotor; 1/2" Special, External Tooth
20	Lock Washer	65-61	FP-103320		Blower Rotor; 5/16"
1	Shim	65-61	FP-5150372		Blower Rotor Gear
1	Shim	65-61	FP-5153938		Blower Rotor Gear
1	Shim	65-61	FP-5150855		Blower Rotor Gear
1	Shim	65-61	FP-5150856		Blower Rotor Gear

GOVERNOR

QTY	GOVERNOR	YEARS	PART NO.	SIZE	DESCRIPTION
4	Throttle/Governor Shaft	65-61	FP-5185154		Gov. Weight Shaft; w/Limiting Speed Gov.; Ring Grooves
1	Governor Spring	65-61	FP-5122165		Low Speed; w/One Blue Stripe
1	Governor Spring	65-61	FP-5183704		Low Speed; w/Two Yellow Stripes
1	Governor Low Speed Spring Cap	65-61	FP-5103975		w/Limiting Speed Gov.
1	Governor Low Speed Spring Cap	65-61	FP-5102968		Gov. Spring Hsg.
1	Governor Low Speed Spring Cap	65-61	FP-5103975		Gov. Spring Hsg.
1	Screw	65-61	FP-5102270		Gov. High Speed Spring; w/Limiting Speed Gov.; .250" - 28 x 1.00"
1	Screw	65-61	FP-5102270		Gov. Low Speed Spring; w/Limiting Speed Gov.; .250" - 28 x 1.00"
1	Screw	65-61	FP-5102270		Low speed spring adjusting; .250" - 28 x 1.00"
1	Governor Dowel Pin	65-61	FP-5150894		Gov. Differential; w/Limiting Speed Gov.; 25/32" Length
2	Governor Dowel Pin	65-61	FP-5185153		Gov. Weight Shaft; w/Limiting Speed Gov.; .3750" Dia. x 2.150" Length
1	Governor Dowel Pin	65-61	FP-5150943		Operating Shaft; w/Limiting Speed Gov.
1	Governor Dowel Pin	65-61	FP-5150894		Shutdown Shaft; w/Limiting Speed Gov.; 25/32" Length
1	Governor Seal Ring	65-61	FP-5126623		Gov. Spring Hsg.
1	O-Ring	65-61	FP-5176557		w/Limiting Speed Gov.; .477" ID x .113" Thick
1	O-Ring	65-61	FP-5182977		Gov. Cover Throttle Shaft; w/Limiting Speed Gov.
2	Cylindrical Brg.	65-61	FP-148402		w/Limiting Speed Gov.; .500" x .500" Dia.
1	Cylindrical Brg.	65-61	FP-148402		Lower; Operating Shaft; w/Limiting Speed Gov.; .500" x .500" Dia.
1	Dowel Pin	65-61	FP-141195		w/Limiting Speed Gov.; .250" x .625"
1	Washer	65-61	FP-5167714		Gov. Cover; w/Limiting Speed Gov.; 17/32" x 7/8" x 3/32"
1	Washer	65-61	FP-5151487		Gov. Cover; w/Limiting Speed Gov.; 3/8" x 11/16" x .033"
3	Washer	65-61	FP-5179709		Gov. High Speed Spring; w/Limiting Speed Gov.; .250" Copper
4	Washer	65-61	FP-5150885		Gov. Weight Pin; w/Limiting Speed Gov.
24	Washer	65-61	FP-5151487		Gov. Weight Shaft; w/Limiting Speed Gov.; 3/8" x 11/16" x .033"
2	Copper Washer	65-61	FP-5155596		Gov. High Speed Spring; w/Limiting Speed Gov.; 5/16"; Special copper washer
3	Copper Washer	65-61	FP-5155596		Gov. High Speed Spring; w/Limiting Speed Gov.; 5/16"; Special copper washer
1	Copper Washer	65-61	FP-5155596		Gov. Spring Hsg.; 5/16"; Special copper washer
1	Lock Washer	65-61	FP-103319		Gov. Cover; w/Limiting Speed Gov.; .250"
1	Lock Washer	65-61	FP-103319		Gov. High Speed Spring; w/Limiting Speed Gov.; .250"
2	Lock Washer	65-61	FP-103320		Gov. High Speed Spring; w/Limiting Speed Gov.; 5/16"
1	Lock Washer	65-61	FP-103320		Gov. Spring Hsg.; 5/16"
4	Lock Washer	65-61	FP-103319		Gov. Weight Housing; w/Limiting Speed Gov.; .250"
1	Governor Retainer	65-61	FP-5178581		Gov. Cover; w/Limiting Speed Gov.
16	Governor Retainer	65-61	FP-5178581		Gov. Weight; w/Limiting Speed Gov.
4	Bushing	65-61	FP-5147866		Gov. Weight; w/Limiting Speed Gov.; .520" Length
1	Ball Brg.	65-61	FP-9437108		Gov. Weight Riser; w/Limiting Speed Gov.; .354" Width
1	Ball Brg.	65-61	FP-9424121		Gov. Weight Shaft; w/Limiting Speed Gov.
4	Ball Brg.	65-61	FP-447196		Gov. Weight; w/Limiting Speed Gov.
1	Ball Brg.	65-61	FP-148403		Lower; Operating Shaft; w/Limiting Speed Gov.; .750" Width
1	Ball Brg.	65-61	FP-9431894		Upper; Operating Shaft; w/Limiting Speed Gov.
1	Carrier, Governor Weight	65-61	FP-5150932		Gov. Weight Shaft; w/Limiting Speed Gov.
1	Pipe Plug	65-61	FP-8924380		w/Limiting Speed Gov.; 1/8" - 27
1	Governor Spring Cover Gasket	65-61	FP-8922593		Gov. High Speed Spring Adj. Cover
1	Governor Spring Cover Gasket	65-61	FP-8922593		Gov. High Speed Spring; w/Limiting Speed Gov.
1	Copper Washer	65-61	FP-5155596		w/Limiting Speed Gov.; 5/16"; Special copper washer
2	Washer	65-61	FP-5179709		w/Limiting Speed Gov.; .250" Copper
3	Lock Washer	65-61	FP-103319		Throttle Shaft; w/Limiting Speed Gov.; .250"
3	Screw	65-61	FP-9417926		Gov. cover; w/Limiting Speed Gov.; 1/4" -20 x 3/4"
1	Governor Hole Gasket	65-61	FP-5123812		Gov. to Cyl. Head; w/Limiting Speed Gov.
1	Governor Cover Gasket	65-61	FP-5150889		w/Limiting Speed Gov.
1	Retainer	65-61	FP-142583		Gov. Cover; w/Limiting Speed Gov.; 13/64" Spring

(continued on next page)

GMC Truck - M/D & H/D

38 M/D Truck 6-71 In-Line (2-Valve Cyl. Head), 6-71E In-Line (4-Valve Cyl. Head), 6-71N
 (cont.) In-Line (4-Valve Cyl. Head) Engs.
 7.0L 426 OHV Diesel L6 (6-71), 4.25" Bore (Detroit Diesel Eng.) 1961-65

GOVERNOR (cont.)

QTY	GOVERNOR (cont.)	YEARS	PART NO.	SIZE	DESCRIPTION
1	Retainer	65-61	FP-142583		Gov. Differential; w/Limiting Speed Gov.; 13/64" Spring

COOLING SYSTEM

QTY	WATER PUMP	YEARS	PART NO.	SIZE	DESCRIPTION
1	Water Pump - Heavy Duty	65-61	FP-23507971		Raw Water; Option Type 1, 2, 3, 28, 31, 62, 69, 70, 71, 72, 73, 75, 76, 77, 78, 80, 83
1	Water Pump - Heavy Duty	65-61	FP-5186250		Raw Water; Option Type 13
1	Water Pump - Heavy Duty	65-61	FP-23506704		L.H.; Fresh Water; High Capacity
1	Water Pump - Heavy Duty	65-61	FP-23506723		L.H.; Fresh Water; Std. Capacity
1	Water Pump - Heavy Duty	65-61	FP-23506711		R.H.; Fresh Water; High Capacity
1	Water Pump - Heavy Duty	65-61	FP-23506735		R.H.; Fresh Water; Std. Capacity
1	Water Pump Shaft	65-61	FP-5196169		Raw Water Pump; For Pump FP-5122599
1	Water Pump Shaft	65-61	FP-5193552		Raw Water; For Pump FP-5186250
1	Water Pump Shaft	65-61	FP-5193552		Raw Water; For Pumps FP-5115800, FP-5187140, FP-23507971
1	Water Pump Impeller	65-61	FP-23505997		Fresh Water
1	Water Pump Impeller	65-61	FP-5126911		Fresh Water
1	Water Pump Impeller	65-61	FP-23505998		Fresh Water; High Capacity
1	Water Pump Impeller	65-61	FP-8924839		Raw Water; For Pump FP-5122599
1	Water Pump Impeller	65-61	FP-8924838		Raw Water; For Pump FP-5186250
1	Water Pump Impeller	65-61	FP-8924838		Raw Water; For Pumps FP-23507971, FP-5186250
1	Water Pump Impeller	65-61	FP-8924838		Raw Water; For Pumps FP-5115800, FP-5187140, FP-23507971
1	Water Pump Impeller	65-61	FP-5193602		Raw Water; Option Type 14; For Obsolete Pump; Synthetic
1	Water Pump Repair/Rebuild Kit	65-61	FP-23506870		Fresh Water Recon. Kit; High Capacity; Incl. Impeller Assy.
1	Water Pump Repair/Rebuild Kit	65-61	FP-23506851		Fresh Water Recon. Kit; Std. Capacity; Ceramic Insert; Incl. Impeller Assy.
1	Water Pump Repair/Rebuild Kit	65-61	FP-5198307		Fresh Water Recon. Kit; Std. Capacity; Incl. Impeller Assy.
1	Water Pump Repair/Rebuild Kit	65-61	FP-5149918		Fresh Water Seals & Bearing Kit; High Capacity; Ceramic Insert
1	Water Pump Repair/Rebuild Kit	65-61	FP-23506858		Fresh Water Seals & Bearing Kit; Std. Capacity
1	Water Pump Repair/Rebuild Kit	65-61	FP-5197222		Recon. Kit; Raw Water; For Pump FP-5122599
1	Water Pump Repair/Rebuild Kit	65-61	FP-5197224		Recon. Kit; Raw Water; For Pump FP-5186250
1	Water Pump Repair/Rebuild Kit	65-61	FP-5197223		Recon. Kit; Raw Water; For Pumps FP-5115800, FP-5187140, FP-23507971
1	Water Pump Cover	65-61	FP-5193555		Raw Water Pump, End; For Pump FP-5122599
1	Water Pump Cover	65-61	FP-5193555		Raw Water Pump, End; For Pump FP-5186250
1	Water Pump Cover	65-61	FP-5193555		Raw Water Pump, End; For Pumps FP-5115800, FP-5187140, FP-23507971
1	Water Pump Gasket	65-61	FP-5178273		Fresh Water; High Capacity
1	Woodruff Key	65-61	FP-103462		Raw Water Pump Shaft; For Pump FP-5122599
1	Water Pump Retainer Ring	65-61	FP-5196171		Raw Water Pump; For Pump FP-5122599
1	Water Pump Retainer Ring	65-61	FP-9415285		Raw Water; For Pump FP-5186250; Large; External
1	Water Pump Retainer Ring	65-61	FP-5193569		Raw Water; For Pump FP-5186250; Small; Small
1	Water Pump Retainer Ring	65-61	FP-9415285		Raw Water; For Pumps FP-5115800, FP-5187140, FP-23507971; Large; Large; External
1	Water Pump Retainer Ring	65-61	FP-5193569		Raw Water; For Pumps FP-5115800, FP-5187140, FP-23507971; Small; Small
1	Water Pump Mech. Shaft Seal	65-61	FP-8924297		Fresh Water
1	Water Pump Mech. Shaft Seal	65-61	FP-5186571		Fresh Water; Seal & Spring
1	Water Pump Mech. Shaft Seal	65-61	FP-5198419		Raw Water; For Pump FP-5186250
1	Water Pump Mech. Shaft Seal	65-61	FP-5198419		Raw Water; For Pumps FP-23507971, FP-5186250, FP-5122599
1	Water Pump Mech. Shaft Seal	65-61	FP-5198419		Raw Water; For Pumps FP-5115800, FP-5187140, FP-23507971
1	Water Pump Mech. Shaft Seal	65-61	FP-5193684		Raw Water; For Pumps FP-5115800, FP-5187140, FP-23507971; Outboard
1	Ball Brg.	65-61	FP-23505479		Raw Water Pump; For Pump FP-5122599
1	Ball Brg.	65-61	FP-23504426		Raw Water Pump; For Pump FP-5186250
1	Ball Brg.	65-61	FP-23504426		Raw Water Pump; For Pumps FP-5115800, FP-5187140, FP-23507971
1	Ball Brg.	65-61	FP-23503821		Inner; Fan Shaft
1	Ball Brg.	65-61	FP-903205		Inner; Fan Shaft
1	Ball Brg.	65-61	FP-9415132		Inner; Fan Shaft
1	Ball Brg.	65-61	FP-23503535		Outer; Fan Shaft
1	Ball Brg.	65-61	FP-7450630		Outer; Fan Shaft
2	Lock Nut	65-61	FP-103026		Fan Hub Mount; 3/8" x 24
1	Oil Pump Intake Gasket	65-61	FP-5153902		Lower; Water By-Pass Tube; 2 1/4" B.C.
1	Oil Pump Intake Gasket	65-61	FP-5153902		Water Pump Cover; 2 1/4" B.C.
1	Fuel Pump Drive Adapter Gskt.	65-61	FP-5150193		Fresh Water Pump to Eng.
1	Accessory Drive Gasket	65-61	FP-23515145		Raw Water Pump Drive Gasket
1	Oil Seal	65-61	FP-5103951		Fan Shaft
1	Oil Seal	65-61	FP-5108219		Fan Shaft; Felt
1	Oil Seal	65-61	FP-5100408		Fan Shaft; Rubber Lip

(continued on next page)

GMC Truck - M/D & H/D

M/D Truck 6-71 In-Line (2-Valve Cyl. Head), 6-71E In-Line (4-Valve Cyl. Head), 6-71N 38 In-Line (4-Valve Cyl. Head) Engs. (cont.)
 7.0L 426 OHV Diesel L6 (6-71), 4.25" Bore (Detroit Diesel Eng.) 1961-65

COOLING SYSTEM (cont.)

QTY	WATER PUMP (cont.)	YEARS	PART NO.	SIZE	DESCRIPTION
1	Oil Seal	65-61	FP-23506248		Fresh Water Pump
1	Oil Seal	65-61	FP-5195101		Raw Water Pump; For Pump FP-5122599
1	Oil Seal	65-61	FP-5195101		Raw Water Pump; For Pump FP-5186250
1	Oil Seal	65-61	FP-5195101		Raw Water Pump; For Pumps FP-5115800, FP-5187140, FP-23507971
2	Oil Seal	65-61	FP-5132155		Thermostat Seal
1	Bolt	65-61	FP-454992		Fan Hub Mount; 1/2" - 13 x 2 1/2
3	Bolt	65-61	FP-8927581		Fan Hub Mount; 3/8" - 16 x 1"
4	Bolt	65-61	FP-8921930		Fresh Water Pump Body; 1/4" - 20 x 3/4"
4	Bolt	65-61	FP-443603		Heat Exchanger; .250" x 20 x .750"
1	Bolt	65-61	FP-454992		Heat Exchanger; 1/2" - 13 x 2 1/2
2	Bolt	65-61	FP-8927580		Heat Exchanger; 3/8" - 16 x .875"
5	Bolt	65-61	FP-23504236		Raw Water Pump Cover; For Pump FP-5122599; .250" - 20 x .500"; Stainless Steel
5	Bolt	65-61	FP-23504236		Raw Water Pump Cover; For Pump FP-5186250; .250" - 20 x .500"; Stainless Steel
5	Bolt	65-61	FP-23504236		Raw Water Pump Cover; For Pumps FP-5115800, FP-5187140, FP-23507971; .250" - 20 x .500"; Stainless Steel
4	Bolt	65-61	FP-5145092		Raw Water Pump Drive; 3/8" - 24 x 1.20", Self-Locking
4	Bolt	65-61	FP-8927581		Thermostat Housing; 3/8" - 16 x 1"
2	Bolt	65-61	FP-8927581		Inlet; Heat Exchanger; 3/8" - 16 x 1"
2	Bolt	65-61	FP-8927581		Outlet; Heat Exchanger; 3/8" - 16 x 1"
1	Pipe Plug	65-61	FP-8924380		Fan Hub; 1/8" - 27
1	Pipe Plug	65-61	FP-5121182		Heat Exchanger; 1/4" - 18; Hex head
1	Pipe Plug	65-61	FP-8924380		Heat Exchanger; 1/8" - 27
2	Pipe Plug	65-61	FP-5142549		Heat Exchanger; 3/4" - 14 Square Head
2	Pipe Plug	65-61	FP-8924517		Thermostat Housing Cover; 3/8" x 18 square head
1	Pipe Plug	65-61	FP-5115214		Thermostat Housing; 1/2" Square Head
1	Pipe Plug	65-61	FP-5121182		Thermostat Housing; 1/4" - 18; Hex head
1	Pipe Plug	65-61	FP-8924380		Thermostat Housing; 1/8" - 27
1	Pipe Plug	65-61	FP-5142549		Thermostat Housing; 3/4" - 14 Square Head
1	Pipe Plug	65-61	FP-5115214		Water Outlet Manifold Elbow; 1/2" Square Head
1	Pipe Plug	65-61	FP-5121182		Water Outlet Manifold Elbow; 1/4" - 18; Hex head
1	Pipe Plug	65-61	FP-5142549		Water Outlet Manifold Elbow; 3/4" - 14 Square Head
1	Pipe Plug	65-61	FP-5121182		Water Pump; 1/4" - 18; Hex head
1	Pipe Plug	65-61	FP-5142549		Water Pump; 3/4" - 14 Square Head
1	Pipe Plug	65-61	FP-8924517		Water Pump; 3/8" x 18 square head
1	Expansion Plug	65-61	FP-5117186		Heat Exchanger; 2" Dia. Cup; Stainless Steel
1	Shaft & Bearing Assembly	65-61	FP-5136671		Fresh Water
1	Shaft & Bearing Assembly	65-61	FP-908337		Fresh Water
1	Governor Spring Cover Gasket	65-61	FP-8922593		Thermostat Housing Cover
1	Dowel Pin	65-61	FP-5197597		Raw Water Pump; Wear Plate Locating Pin; .184" OD x .375" Length
1	Screw	65-61	FP-114366		Raw Water Pump Cam; For Pump FP-5122599; .250" - 20 x .500"; Brass
1	Screw	65-61	FP-114366		Raw Water Pump Cam; For Pump FP-5186250; .250" - 20 x .500"; Brass
1	Screw	65-61	FP-114366		Raw Water Pump Cam; For Pumps FP-5115800, FP-5187140, FP-23507971; .250" - 20 x .500"; Brass
1	Slinger, Water Pump	65-61	FP-5114011		Fresh Water
1	Slinger, Water Pump	65-61	FP-5193676		Raw Water Pump Shaft; For Pump FP-5122599
1	Slinger, Water Pump	65-61	FP-5193676		Raw Water Pump Shaft; For Pump FP-5186250
1	Slinger, Water Pump	65-61	FP-5193676		Raw Water; For Pumps FP-5115800, FP-5187140, FP-23507971
3	Copper Washer	65-61	FP-5155596		Water Pump Mounting; 5/16"; Special copper washer
2	Washer	65-61	FP-5197310		Adhesive Washer; Fresh Water Pump; Adhesive, Ceramic Insert
1	Washer	65-61	FP-5131978		Fan Mount Support Spacer; .53" ID x 1.00" OD x .170" Thick
2	Washer	65-61	FP-5131978		Heat Exchanger; .53" ID x 1.00" OD x .170" Thick
1	Washer	65-61	FP-103325		Raw Water Pump Drive Gear; Lock washer; 5/8"
QTY	THERMOSTAT	YEARS	PART NO.	SIZE	DESCRIPTION
1	Thermostat	65-61	FP-5104238		Choke & Shield Design; 173 Deg.
2	Thermostat	65-61	FP-23503828		Weir Type; 165 Deg., Weir Type
2	Thermostat	65-61	FP-23503827		160 Deg.
2	Thermostat	65-61	FP-23503826		170 Deg.
2	Thermostat	65-61	FP-5172141		170 Deg.
1	Thermostat	65-61	FP-5184475		173 Deg.
1	Thermostat Gasket	65-61	FP-5167761		Thermostat Housing
1	Thermostat Gasket	65-61	FP-5169478		Thermostat Housing
2	Thermostat Gasket	65-61	FP-5169478		Water By-Pass Tube Elbow

(continued on next page)

GMC Truck - M/D & H/D

38 M/D Truck 6-71 In-Line (2-Valve Cyl. Head), 6-71E In-Line (4-Valve Cyl. Head), 6-71N
 (cont.) In-Line (4-Valve Cyl. Head) Engs.
 7.0L 426 OHV Diesel L6 (6-71), 4.25" Bore (Detroit Diesel Eng.) 1961-65

COOLING SYSTEM (cont.)

QTY	THERMOSTAT (cont.)	YEARS	PART NO.	SIZE	DESCRIPTION
1	Thermostat Gasket	65-61	FP-5169478		Water Outlet Manifold Elbow
2	Thermostat Gasket	65-61	FP-5169478		Upper; Thermostat Housing
1	Thermostat Gasket	65-61	FP-5167761		Heat Exchanger
2	Exhaust Manifold Gasket	65-61	FP-5156319		Water By-Pass Tube to Exh. Manifold
QTY	MISCELLANEOUS	YEARS	PART NO.	SIZE	DESCRIPTION
12	Stud	65-61	FP-8927270		Water Outlet Manifold; 3/8" - 16/24" x 1.6875"
4	Hose Clamp	65-61	FP-5186841		Heat Exchanger; Water Inlet Tube; 1 9/16" - 2.50"
6	Hose Clamp	65-61	FP-9139809		Heat Exchanger; Water Inlet Tube; 2 1/16" - 3"
4	Hose Clamp	65-61	FP-5186841		Raw Water Pump Inlet Tube; 1 9/16" - 2.50"
2	Hose Clamp	65-61	FP-5186840		Thermostat Housing; 13/16" - 1 1/2" Clamping Range
2	Hose Clamp	65-61	FP-5186840		Water By-pass Tube Connecting Hose; 13/16" - 1 1/2" Clamping Range
1	Hose Clamp	65-61	FP-9139809		Water Outlet Manifold; 2 1/16" - 3"
1	Hose Clamp	65-61	FP-5188036		Water Outlet Manifold; 2.750" Dia. Hose
2	Hose Clamp	65-61	FP-5188036		Water Pump Inlet Seal; 2.750" Dia. Hose
3	Lock Washer	65-61	FP-103320		Fan Hub Mount; 5/16"
2	Lock Washer	65-61	FP-103321		Heat Exchanger; 3/8"
4	Lock Washer	65-61	FP-103321		Thermostat Housing; 3/8"
4	Lock Washer	65-61	FP-103320		Thermostat Housing; 5/16"
2	Lock Washer	65-61	FP-103320		Water Outlet Manifold Elbow; 5/16"
12	Lock Washer	65-61	FP-103321		Water Outlet Manifold; 3/8"
2	Lock Washer	65-61	FP-103321		Inlet; Heat Exchanger; 3/8"
2	Lock Washer	65-61	FP-103321		Inlet; Heat Exchanger; 3/8"
20	Lock Washer	65-61	FP-103320		Inlet; Heat Exchanger; 5/16"
2	Lock Washer	65-61	FP-103321		Outlet; Heat Exchanger; 3/8"
1	Sealing Ring	65-61	FP-5153560		Water Pump Inlet; 2.1875" OD
1	Sealing Ring	65-61	FP-5156770		Water Pump Inlet; 2.750" OD
1	O-Ring	65-61	FP-5150191		Fresh Water Pump Outlet
2	O-Ring	65-61	FP-5167746		Heat Exchanger
1	O-Ring	65-61	FP-23514265		Raw Water Pump; For Pump FP-5122599
1	O-Ring	65-61	FP-23514265		Raw Water Pump; For Pump FP-5186250
1	O-Ring	65-61	FP-23514265		Raw Water Pump; For Pumps FP-5115800, FP-5187140, FP-23507971
2	Exhaust Manifold Gasket	65-61	FP-5156319		Heat Exchanger; Cover Plate
2	Hose Clamp	65-61	FP-5186840		Upper; Hose to Thermostat Housing; 13/16" - 1 1/2" Clamping Range
2	Oil Cooler Gasket	65-61	FP-5112401		Heat Exchanger
1	Oil Cooler Core Outer Gasket	65-61	FP-5102506		Heat Exchanger; Oil Cooler Outlet
1	Oil Cooler Cover Gasket	65-61	FP-23501591		Heat Exchanger
1	Oil Cooler Cover Gasket	65-61	FP-23501591		Heat Exchanger; Expansion Tank Cover

ENGINE BLOCK & PARTS

QTY	GASKETS	YEARS	PART NO.	SIZE	DESCRIPTION
2	Flywheel Housing Gasket	65-61	FP-5150055		
1	Flywheel Housing Gasket	65-61	FP-8928967		
1	Governor Hole Gasket	65-61	FP-5123812		Flywheel Housing Vent Cover
2	Accessory Drive Gasket	65-61	FP-23515145		Flywheel Housing Large Hole Cover
2	Bolt	65-61	FP-8927580		Flywheel Housing; 3/8" - 16 x .875"
2	Washer	65-61	FP-5125108		Flywheel Housing; 7/16" x 3/4" x 1/16"
2	Lock Washer	65-61	FP-103319		Flywheel Housing; .250"
2	Copper Washer	65-61	FP-5152148		Flywheel Housing; 25/64" ID x 9/16" OD x 1/16" Thick; Copper
1	Oil Pan Gasket	65-61	FP-5150117		
4	Bolt	65-61	FP-8927580		Oil Filter; 3/8" - 16 x .875"
4	Bolt	65-61	FP-8927581		Oil Filter; 3/8" - 16 x 1"
1	Washer	65-61	FP-5177773		Filter By-pass Valve Plug; 18MM x 1.5MM
1	Washer	65-61	FP-840277		Oil Pan Drain Plug; 18MM, Nylon
1	Washer	65-61	FP-5150568		Oil Strainer Center Stud; 7/16" x 3/4" x 1/16"; Copper
4	Lock Washer	65-61	FP-103321		Oil Filter; 3/8"
34	Lock Washer	65-61	FP-103320		Oil Pan; 5/16"
2	Lock Washer	65-61	FP-103320		Oil Pressure Regulator; 5/16"
1	Pipe Plug	65-61	FP-5115214		Oil Cooler Water Inlet; 1/2" Square Head
2	Pipe Plug	65-61	FP-8924517		Oil Cooler Water Inlet; 3/8" x 18 square head
2	Pipe Plug	65-61	FP-5121182		Oil Filter; 1/4" - 18; Hex head
1	Pipe Plug	65-61	FP-5115214		Oil Pan Drain; 1/2" Square Head
1	Pipe Plug	65-61	FP-5121182		Oil Pan Drain; 1/4" - 18; Hex head
1	Pipe Plug	65-61	FP-5142549		Oil Pan Drain; 3/4" - 14 Square Head
1	Pipe Plug	65-61	FP-8924517		Oil Pan Drain; 3/8" x 18 square head
2	Pipe Plug	65-61	FP-5115214		Oil Pan Sump; 1/2" Square Head

(continued on next page)

GMC Truck - M/D & H/D

**M/D Truck 6-71 In-Line (2-Valve Cyl. Head), 6-71E In-Line (4-Valve Cyl. Head), 6-71N 38
In-Line (4-Valve Cyl. Head) Engs. (cont.)**
7.0L 426 OHV Diesel L6 (6-71), 4.25" Bore (Detroit Diesel Eng.) 1961-65

ENGINE BLOCK & PARTS (cont.)

QTY	GASKETS (cont.)	YEARS	PART NO.	SIZE	DESCRIPTION
1	Pipe Plug	65-61	FP-5115214		Oil Pan; 1/2" Square Head
1	Pipe Plug	65-61	FP-5121182		Oil Pan; 1/4" - 18; Hex head
1	Pipe Plug	65-61	FP-8923313		Oil Pan; 3/4"
1	Pipe Plug	65-61	FP-5142549		Oil Pan; 3/4" - 14 Square Head
2	Cylinder Cover Gasket	65-61	FP-23505518		Front & Rear; Cyl. Block End Plate
1	Gasket	65-61	FP-5116357		Cyl. Block Water Hole Cover
8	Gasket	65-61	FP-23505525		Cyl. Block; 3/8" Copper
4	Hand Hole Cover Gasket	65-61	FP-5132117		
12	Copper Washer	65-61	FP-5152148		Cyl. Block; 25/64" ID x 9/16" OD x 1/16" Thick; Copper
6	Lock Washer	65-61	FP-103321		Cyl. Block; 3/8"
QTY	GASKET SETS	YEARS	PART NO.	SIZE	DESCRIPTION
1	Complete Overhaul Gasket Set	65-61	FP-23512676WS		High Block; w/Seals; Compl., Incl. bi-directional front & rear crank seals; valve cover gskts. not incl.
1	Complete Overhaul Gasket Set	65-61	FP-23512676		High Block; Compl., Bi-directional front & rear crank seals not incl.; Valve cover gskts. not incl.
1	Complete Overhaul Gasket Set	65-61	FP-5192923		Low Block
QTY	CAM BEARINGS	YEARS	PART NO.	SIZE	DESCRIPTION
4	Cam Brg.	65-61	FP-5111422	STD	
4	Cam Brg.	65-61	FP-5194858	10	
8	Cam Brg.	65-61	FP-5194825	20	Cam & Balance shaft brg.; .020" U/S, Unfinished; Grooved
8	Cam Brg.	65-61	FP-5111423	STD	Position Front & Rear; Cam & Balance shaft brg.; From Ser. No. 6A-57745; Grooved
5	Cam Brg.	65-61	FP-5196026	STD	Position Inter.; w/o Steel bushing in ctr. hole; Aluminum Blocks only
5	Cam Brg.	65-61	FP-5196022	STD	Position Inter.; w/Steel bushing in ctr. hole
5	Cam Brg.	65-61	FP-5196023	10	Position Inter.; w/Steel bushing in ctr. hole; .010" U/S ID
5	Cam Brg.	65-61	FP-5196024	20	Position Inter.; w/Steel bushing in ctr. hole; .020" U/S ID
QTY	OIL COOLERS & FILTERS	YEARS	PART NO.	SIZE	DESCRIPTION
1	Oil Cooler	65-61	FP-8547236		12 plate
1	Oil Cooler	65-61	FP-8547581		13 plate
1	Oil Cooler	65-61	FP-8547563		8 plate
4	Bolt	65-61	FP-8927581		Oil Cooler By-Pass; 3/8" - 16 x 1"
16	Copper Washer	65-61	FP-5155596		Oil Cooler Housing Cover; 5/16"; Special copper washer
4	Lock Washer	65-61	FP-103320		Oil Cooler; 5/16"
1	Lock Washer	65-61	FP-103321		Oil Cooler Adaptor to Block; 3/8"
2	Oil Cooler Gasket	65-61	FP-5112401		Oil Cooler Adaptor to Block
1	Oil Cooler Gasket	65-61	FP-8923223		Outer
1	Oil Cooler Core Gasket	65-61	FP-23501589		Outer
1	Gasket	65-61	FP-5575086		Oil Cooler By-pass Plug
1	Oil Cooler Core Inner Gasket	65-61	FP-5150155		
1	Oil Cooler Core Outer Gasket	65-61	FP-5102506		
2	Oil Cooler Adapter Gasket Set	65-61	FP-5150154		
1	Oil Cooler Adapter Cover Gskt	65-61	FP-5175882		Spacer
1	Oil Pump Intake Gasket	65-61	FP-5153902		Oil Cooler Housing Pad Cover; 2 1/4" B.C.
1	Copper Washer	65-61	FP-5152148		Oil Cooler Adaptor to Block; 25/64" ID x 9/16" OD x 1/16" Thick; Copper
1	Pipe Plug	65-61	FP-5115214		Oil Cooler By-Pass; 1/2" Square Head
1	Pipe Plug	65-61	FP-8923313		Oil Cooler By-Pass; 3/4"
1	Pipe Plug	65-61	FP-5121182		Oil Cooler Housing; 1/4" - 18; Hex head
1	Pipe Plug	65-61	FP-8923847		Oil Cooler; 1/4" x 18 NPTF; Square head
8	Pipe Plug	65-61	FP-8924517		Oil Cooler; 3/8" x 18 square head
QTY	FREEZE PLUGS	YEARS	PART NO.	SIZE	DESCRIPTION
2	Pipe Plug	65-61	FP-5115214		Cyl. Block; 1/2" Square Head
8	Pipe Plug	65-61	FP-5121182		Cyl. Block; 1/4" - 18; Hex head
9	Pipe Plug	65-61	FP-8924380		Cyl. Block; 1/8" - 27
2	Pipe Plug	65-61	FP-5142549		Cyl. Block; 3/4" - 14 Square Head
2	Pipe Plug	65-61	FP-5115214		Flywheel Housing; 1/2" Square Head
1	Pipe Plug	65-61	FP-5142549		Flywheel Housing; 3/4" - 14 Square Head
1	Pipe Plug	65-61	FP-8923847		Oil Filler; 1/4" x 18 NPTF; Square head
QTY	DIPSTICK	YEARS	PART NO.	SIZE	DESCRIPTION
1	Dipstick	65-61	FP-5115162		18.88" Length
1	Dipstick	65-61	FP-5101884		24" x 1.38"
1	Dipstick	65-61	FP-5108895		26.32" x 1.46"
1	Dipstick	65-61	FP-5146679		61" Length; Unmarked
1	Dipstick	65-61	FP-5146680		72" Length; Unmarked

(continued on next page)

GMC Truck - M/D & H/D

38 M/D Truck 6-71 In-Line (2-Valve Cyl. Head), 6-71E In-Line (4-Valve Cyl. Head), 6-71N
 (cont.) In-Line (4-Valve Cyl. Head) Engs.
 7.0L 426 OHV Diesel L6 (6-71), 4.25" Bore (Detroit Diesel Eng.) 1961-65

ENGINE BLOCK & PARTS (cont.)

QTY	MISCELLANEOUS	YEARS	PART NO.	SIZE	DESCRIPTION
6	Bolt	65-61	FP-8927581		Cyl. Block; w/Seal patch; 3/8" - 16 x 1"
6	Bolt	65-61	FP-8927581		Flywheel Housing; 3/8" - 16 x 1"
6	Bolt	65-61	FP-9410925		Flywheel Housing; 9/16" - 18 x 2.250"
6	Bolt	65-61	FP-9412015		Flywheel Housing; 9/16" - 18 x 2.500"
1	Bolt	65-61	FP-5103534		Oil Filler; 5/16" - 24 x 1/2"
2	Pipe Plug	65-61	FP-5115214		Cyl. Block; 1/2" Square Head
8	Pipe Plug	65-61	FP-5121182		Cyl. Block; 1/4" - 18; Hex head
9	Pipe Plug	65-61	FP-8924380		Cyl. Block; 1/8" - 27
2	Pipe Plug	65-61	FP-5142549		Cyl. Block; 3/4" - 14 Square Head
2	Pipe Plug	65-61	FP-5115214		Flywheel Housing; 1/2" Square Head
1	Pipe Plug	65-61	FP-5142549		Flywheel Housing; 3/4" - 14 Square Head
1	Pipe Plug	65-61	FP-8923847		Oil Filler; 1/4" x 18 NPTF; Square head
4	Gasket	65-61	FP-5178997		Cyl. Block Core Plug
6	Washer	65-61	FP-5131978		Flywheel Housing; .53" ID x 1.00" OD x .170" Thick
1	Washer	65-61	FP-5131755		Flywheel Housing; 17/32" x .88" x .1345"
6	Washer	65-61	FP-5138619		Flywheel Housing; 25/64" x 3/4" x .083"
1	Copper Washer	65-61	FP-5155596		Oil Filler; 5/16"; Special copper washer
2	Lock Washer	65-61	FP-103320		Cyl. Block; w/Lock Washer; 5/16"
16	Lock Washer	65-61	FP-103321		Flywheel Housing; 3/8"
2	Lock Washer	65-61	FP-103321		Oil Filler; 3/8"
1	Oil Filler Cap	65-61	FP-5117362		2.00" Dia.; Thermos Bottle Style

CRANKSHAFT/OIL PUMP

QTY	CRANKSHAFT	YEARS	PART NO.	SIZE	DESCRIPTION
1	Vibration Damper	65-61	FP-8922491		Heavy Viscous
1	Vibration Damper	65-61	FP-5177763		Light Viscous
1	Bolt	65-61	FP-23501143		Crankshaft pulley; 1" - 14 X 2.750" (1.500" Hex head)
14	Washer	65-61	FP-103325		Lock washer; 5/8"
6	Lock Washer	65-61	FP-103321		3/8"
2	Woodruff Key	65-61	FP-5131724		Position Front; Crankshaft pulley; .375" x 1.250"
4	Dowel Pin	65-61	FP-141346		.1875" x .500"

ENGINE BLOCK & PARTS

QTY	SEALS - FLYWHEEL HOUSING	YEARS	PART NO.	SIZE	DESCRIPTION
1	Oil Seal	65-61	FP-5173384		Flywheel Seal

CRANKSHAFT/OIL PUMP

QTY	SEALS - FRONT CRANK	YEARS	PART NO.	SIZE	DESCRIPTION
1	Oil Seal	65-61	FP-5115454		Single Lip; Single Lip, Std.
1	Oil Seal	65-61	FP-5143108		Submersible
1	Redi-Sleeve	65-61	99287		Shaft dia. 2.876"
1	Oil Seal Spacer	65-61	FP-23507306		2.50" ID x 2.81" Length
1	O-Ring	65-61	FP-23503769		Front Crank Spacer Seal

QTY	SEALS - REAR CRANK	YEARS	PART NO.	SIZE	DESCRIPTION
1	Oil Seal	65-61	FP-5127821		Double Lip; Double Lip, Std.; Shaft Dia. 4.687"
1	Oil Seal	65-61	FP-5196927		Double Lip; O/S Seal; Double Lip; O/S Shaft Dia. 4.812"
1	Oil Seal	65-61	FP-5197860		Single Lip; O/S Seal; Single lip; O/S Shaft dia. 4.812"
1	Oil Seal	65-61	FP-5114335		Single Lip; Single Lip, Std.; Shaft Dia. 4.687"
1	Oil Seal Spacer	65-61	FP-5192496		Rear Crank Spacer; Exc. Double Lip Seal
1	Redi-Sleeve	65-61	FP-23507225		Rear Crank Sleeve; O/S Seal only

QTY	MAIN BEARINGS	YEARS	PART NO.	SIZE	DESCRIPTION
7	Plain Main Brg.	65-61	FP-5192874	STD	
7	Plain Main Brg.	65-61	FP-5192875	2	
7	Plain Main Brg.	65-61	FP-5192876	10	
7	Plain Main Brg.	65-61	FP-5192877	20	
7	Plain Main Brg.	65-61	FP-5192878	30	
7	Plain Main Brg.	65-61	FP-5193738	40	
7	Plain Main Brg.	65-61	FP-5193739	50	
1	Thrust Washer Set	65-61	FP-5159353S	STD	Position Rear
4	Thrust Washer	65-61	FP-5159353	STD	Position Rear
4	Thrust Washer	65-61	FP-5160542	5	Position Rear
4	Thrust Washer	65-61	FP-5192111	10	Position Rear

QTY	OIL PUMP	YEARS	PART NO.	SIZE	DESCRIPTION
1	Pump Repair Kit	65-61	FP-5194801		
1	Inter. Shaft	65-61	FP-5153309		Oil Pump Drive; 8 31/32" Length
1	Inter. Shaft	65-61	FP-5153310		Oil Pump Driven Gear; 3 7/32" Length

(continued on next page)

GMC Truck - M/D & H/D

M/D Truck 6-71 In-Line (2-Valve Cyl. Head), 6-71E In-Line (4-Valve Cyl. Head), 6-71N 38 In-Line (4-Valve Cyl. Head) Engs. (cont.)
 7.0L 426 OHV Diesel L6 (6-71), 4.25" Bore (Detroit Diesel Eng.) 1961-65

CRANKSHAFT/OIL PUMP (cont.)

QTY	OIL PUMP (cont.)	YEARS	PART NO.	SIZE	DESCRIPTION
1	Inter. Shaft	65-61	FP-5153146		Oil Pump Driven Gear; 5 5/32" Length
2	Oil Pump Intake Gasket	65-61	FP-5153902		Inlet Pipe; 2 1/4" B.C.
2	Bushing	65-61	FP-5153147		Oil Pump Body
4	Bushing	65-61	FP-5166840		Oil Pump Driven Gear
1	Bushing	65-61	FP-5153154		Oil Pump Shaft & Gear
1	Oil Pump Spring	65-61	FP-5155765		Oil Pump Relief Valve
1	Woodruff Key	65-61	FP-8928540		Oil Pump Drive Shaft; 1/8" x 5/8"
1	Woodruff Key	65-61	FP-8928540		Oil Pump Shaft; 1/8" x 5/8"
1	Washer	65-61	FP-5175944		Oil Pump Idler; Small
4	Lock Washer	65-61	FP-103321		Oil Pump Body; 3/8"
4	Lock Washer	65-61	FP-103320		Oil Pump Body; 5/16"
1	Gasket	65-61	FP-5156922		Oil Pump Outlet Pipe; 2 5/64" B.C.
2	Gasket	65-61	FP-105456		Oil Pump Relief Valve; 7/8" Copper
1	O-Ring	65-61	FP-5187316		Filter By-pass Valve Plug
2	Governor Hole Gasket	65-61	FP-5123812		Oil Drain Tube; Inclined Engines
1	Oil Filter Gasket	65-61	FP-1595620		Rectangular Section
1	Lo Press. Reg. Body Gasket	65-61	FP-5104381		Type No. 1, 2, 21, 23
1	Lo Press. Reg. Body Gasket	65-61	FP-5156831		Type No. 3
1	Gasket	65-61	FP-5575086		Filter By-pass Valve Plug
1	Lock Nut	65-61	FP-114498		Oil Filter Cover; 5/8" - 18, Jam Nut
1	Oil Pressure Regulator Valve	65-61	FP-5153247		Oil Pump Relief
1	Oil Filter Adapter Gasket	65-61	FP-5152413		Filter to Oil Cooler
1	Oil Filter Adapter Gasket	65-61	FP-5188028		Filter to Oil Cooler
1	Oil Pump Spring	65-61	FP-5156815		Oil Press. Regulator
1	Pipe Plug	65-61	FP-5115214		Oil Cooler Water Inlet; 1/2" Square Head
2	Pipe Plug	65-61	FP-8924517		Oil Cooler Water Inlet; 3/8" x 18 square head
2	Pipe Plug	65-61	FP-5121182		Oil Filter; 1/4" - 18; Hex head
1	Pipe Plug	65-61	FP-5115214		Oil Pan Drain; 1/2" Square Head
1	Pipe Plug	65-61	FP-5121182		Oil Pan Drain; 1/4" - 18; Hex head
1	Pipe Plug	65-61	FP-5142549		Oil Pan Drain; 3/4" - 14 Square Head
1	Pipe Plug	65-61	FP-8924517		Oil Pan Drain; 3/8" x 18 square head
2	Pipe Plug	65-61	FP-5115214		Oil Pan Sump; 1/2" Square Head
1	Pipe Plug	65-61	FP-5115214		Oil Pan; 1/2" Square Head
1	Pipe Plug	65-61	FP-5121182		Oil Pan; 1/4" - 18; Hex head
1	Pipe Plug	65-61	FP-8923313		Oil Pan; 3/4"
1	Pipe Plug	65-61	FP-5142549		Oil Pan; 3/4" - 14 Square Head

CYLINDER COMPONENTS

QTY	LINERS	YEARS	PART NO.	SIZE	DESCRIPTION
6	Liner w/o Sealing Rings	65-61	FP-5102316	5	Flanged, .810" port length
6	Liner w/o Sealing Rings	65-61	FP-5102317	10	Flanged, .810" port length
6	Liner w/o Sealing Rings	65-61	FP-5102318	20	Flanged, .810" port length
6	Liner w/o Sealing Rings	65-61	FP-5102319	30	Flanged, .810" port length
6	Liner w/o Sealing Rings	65-61	FP-5107448	5	Flanged, .950" port length
6	Liner w/o Sealing Rings	65-61	FP-5107449	10	Flanged, .950" port length
6	Liner w/o Sealing Rings	65-61	FP-5107450	20	Flanged, .950" port length
6	Liner w/o Sealing Rings	65-61	FP-5193732	5	Flanged, 1.050" port length
6	Liner w/o Sealing Rings	65-61	FP-5193733	10	Flanged, 1.050" port length
6	Liner w/o Sealing Rings	65-61	FP-5193734	20	Flanged, 1.050" port length
6	Liner w/o Sealing Rings	65-61	FP-5193735	30	Flanged, 1.050" port length
6	Liner w/o Sealing Rings	65-61	FP-23504931	STD	No. 1 Bore; Flanged, .810" port length
6	Liner w/o Sealing Rings	65-61	FP-23502023	STD	No. 1 Bore; Flanged, .950" port length
6	Liner w/o Sealing Rings	65-61	FP-23502020	STD	No. 1 Bore; Flanged, 1.050" port length
6	Liner w/o Sealing Rings	65-61	FP-23504932	STD	No. 2 Bore; Flanged, .810" port length
6	Liner w/o Sealing Rings	65-61	FP-23502024	STD	No. 2 Bore; Flanged, .950" port length
6	Liner w/o Sealing Rings	65-61	FP-23502021	STD	No. 2 Bore; Flanged, 1.050" port length
6	Liner w/o Sealing Rings	65-61	FP-23504933	STD	No. 3 Bore; Flanged, .810" port length
6	Liner w/o Sealing Rings	65-61	FP-23502025	STD	No. 3 Bore; Flanged, .950" port length
6	Liner w/o Sealing Rings	65-61	FP-23502022	STD	No. 3 Bore; Flanged, 1.050" port length
6	Liner w/o Sealing Rings	65-61	FP-23504934	STD	No. 4 Bore; Flanged, .810" port length
6	Liner w/o Sealing Rings	65-61	FP-23504935	STD	No. 4 Bore; Flanged, .950" port length
6	Liner w/o Sealing Rings	65-61	FP-23504936	STD	No. 4 Bore; Flanged, 1.050" port length
6	Cylinder Kit Complete	65-61	FP-23522951	10	w/Cross Head style piston; 1.050" port length sleeve
6	Cylinder Kit Complete	65-61	FP-23522525	20	w/Cross Head style piston; 1.050" port length sleeve
6	Cylinder Kit Complete	65-61	FP-5149263	10	w/Trunk style piston; 4 Valve Head; 1.05" port length sleeve
6	Cylinder Kit Complete	65-61	FP-5149264	20	w/Trunk style piston; 4 Valve Head; 1.05" port length sleeve
6	Cylinder Kit Complete	65-61	FP-20022	STD	No. 1 Bore; w/Cross Head style piston
6	Cylinder Kit Complete	65-61	FP-20014	STD	No. 1 Bore; w/Trunk style piston; 2 Valve Head

(continued on next page)

GMC Truck - M/D & H/D

38 M/D Truck 6-71 In-Line (2-Valve Cyl. Head), 6-71E In-Line (4-Valve Cyl. Head), 6-71N
 (cont.) In-Line (4-Valve Cyl. Head) Engs.
 7.0L 426 OHV Diesel L6 (6-71), 4.25" Bore (Detroit Diesel Eng.) 1961-65

CYLINDER COMPONENTS (cont.)

QTY	LINERS (cont.)	YEARS	PART NO.	SIZE	DESCRIPTION
6	Cylinder Kit Complete	65-61	FP-20011	STD	No. 1 Bore; w/Trunk style piston; 4 Valve Head; 1.05" port length sleeve
6	Cylinder Kit Complete	65-61	FP-23522949	STD	No. 2 Bore; w/Cross Head style piston; 1.050" port length sleeve
6	Cylinder Kit Complete	65-61	FP-23505308	STD	No. 2 Bore; w/Trunk style piston; 2 Valve Head; .810" port length sleeve
6	Cylinder Kit Complete	65-61	FP-23505305	STD	No. 2 Bore; w/Trunk style piston; 4 Valve Head; 1.05" port length sleeve
6	Cylinder Kit Complete	65-61	FP-23522947	STD	No. 3 Bore; w/Cross Head style piston; 1.050" port length sleeve
6	Cylinder Kit Complete	65-61	FP-23505309	STD	No. 3 Bore; w/Trunk style piston; 2 Valve Head
6	Cylinder Kit Complete	65-61	FP-23505306	STD	No. 3 Bore; w/Trunk style piston; 4 Valve Head; 1.05" port length sleeve
6	Cylinder Kit Complete	65-61	FP-23522521	STD	No. 4 Bore; w/Cross Head style piston; 1.050" port length sleeve
6	Cylinder Kit Complete	65-61	FP-5149261	STD	No. 4 Bore; w/Trunk style piston; 4 Valve Head; 1.05" port length sleeve
6	Liner Kit w/o Sleeve	65-61	FP-LCK22507		w/Cross Head style piston
6	Liner Kit w/o Sleeve	65-61	FP-LCK22949		w/Cross Head style piston
6	Liner Kit w/o Sleeve	65-61	FP-LCK5309		w/Trunk style piston; 2 Valve Head
6	Liner Kit w/o Sleeve	65-61	FP-LCK5306		w/Trunk style piston; 4 Valve Head
6	Flange Shim	65-61	FP-5199569	2	High Block; .002" Thick
6	Flange Shim	65-61	FP-2190595	.0015	Low Block; .002" Thick
6	Flange Shim	65-61	FP-5192226	3	Low Block; .003" Thick
6	Cntr. Bore Insert	65-61	FP-5199871		.0015" Thicker than std., for .010-.030 O/S sleeves
6	Cntr. Bore Insert	65-61	FP-5148399		.0015" Thicker than std., for std.-.005 O/S sleeves
6	Cntr. Bore Insert	65-61	FP-5148440		.0015" Thinner than std., for std.-.005 O/S sleeves
6	Cntr. Bore Insert	65-61	FP-5194073		.0035 Thinner than std., for std.-.005 O/S sleeves
6	Cntr. Bore Insert	65-61	FP-5194163		.0040 Thinner than std., for .010-.030 O/S sleeves
6	Cntr. Bore Insert	65-61	FP-5194164		.0080" Thinner than std., for .010-.030 O/S sleeves
6	Cntr. Bore Insert	65-61	FP-5193316		Std. thickness (.1795-.1800), for .010-.030 O/S sleeves
6	Cntr. Bore Insert	65-61	FP-5184484		Std. thickness (.1795-.1800), for std.-.005 O/S sleeves
QTY	PISTONS	YEARS	PART NO.	SIZE	DESCRIPTION
6	Piston With Retainers	65-61	FP-5189054	STD	17.5:1 C.R.; Trunk style piston; 2 Valve Head; Dish Head, Cast Iron; 4-1/8, 2-3/16 Ring Groove
6	Piston With Retainers	65-61	FP-5149234	STD	18.7:1 C.R.; Trunk style piston; 4 Valve Head
6	Piston Dome Kit	65-61	FP-23522475		17.0:1 C.R.; w/Cross Head style piston
6	Piston Dome Kit	65-61	FP-23522535		18.7:1 C.R.; w/Cross Head style piston
6	Crosshead Piston Dome	65-61	FP-23521992	STD	17.0:1 C.R.; Cross Head style piston
6	Crosshead Piston Dome	65-61	FP-23522026	STD	18.7:1 C.R.; w/Cross Head style piston
6	Piston Skirt	65-61	FP-23522070	STD	w/Cross Head style piston
6	Pin	65-61	FP-5101120	STD	w/Cross Head style piston
6	Pin	65-61	FP-5144744	STD	w/Cross Head style piston; Nut plate type
6	Pin	65-61	FP-5188406	STD	w/Trunk style piston
12	Piston Pin Retainer	65-61	FP-5180250		w/Cross Head style piston
12	Piston Pin Retainer	65-61	FP-5188405		w/Trunk style piston
6	Piston Pin Slipper Bearing	65-61	FP-23501687		w/Cross Head style piston; Slipper type design - 1 per cyl.
6	Pin Bushing	65-61	FP-5157274		w/Trunk style piston; w/.015" extra ID bore stock
6	Pin Bushing	65-61	FP-2409Y		w/1.5020" I.D., 1.7510" O.D., .7600" O.A.L.
6	Pin Bushing	65-61	2409Y +		w/1.5020" I.D., 1.7510" O.D., .7600" O.A.L.; When depleted use FP-2409Y
QTY	CONNECTING RODS & BRGS.	YEARS	PART NO.	SIZE	DESCRIPTION
12	Con. Rod Bolt	65-61	FP-5132383		.4375" x 20 x 3.52"
12	Con. Rod Nut	65-61	FP-5117629		.4375" x 20
6	Rod Pair	65-61	FP-23511129	STD	Late design-upper brg. w/2 oil slots
6	Rod Pair	65-61	FP-23511131	2	Late design-upper brg. w/2 oil slots
6	Rod Pair	65-61	FP-23511133	10	Late design-upper brg. w/2 oil slots
6	Rod Pair	65-61	FP-23511135	20	Late design-upper brg. w/2 oil slots
6	Rod Pair	65-61	FP-23511137	30	Late design-upper brg. w/2 oil slots
6	Rod Pair	65-61	FP-5193741	40	Late design-upper brg. w/2 oil slots
QTY	PISTON RINGS	YEARS	PART NO.	SIZE	DESCRIPTION
6	Ring Set Single Cylinder	65-61	FP-23522954	STD	w/Cross Head style piston; Wide gap Fire Ring
6	Ring Set Single Cylinder	65-61	FP-23522955	STD	Cross Head style piston; Std. gap Fire Ring
6	Ring Set Single Cylinder	65-61	FP-5193477	STD	Trunk style piston; 2 Valve Head; 4-1/8, 2-3/16 (1 cyl. set w/4 Chrome rings)
6	Ring Set Single Cylinder	65-61	FP-23514970	STD	Trunk style piston; 4 Valve Head; 4-.084, 2-3/16 (1 cyl. Set)
12	Compression Ring	65-61	FP-8926351		w/Cross Head style piston; 2nd & 3rd grooves
6	Compression Ring	65-61	FP-8924084		Cross Head style piston; Std. gap Fire Ring
6	Compression Ring	65-61	FP-8924083		Cross Head style piston; Wide gap Fire Ring

(continued on next page)

GMC Truck - M/D & H/D

**M/D Truck 6-71 In-Line (2-Valve Cyl. Head), 6-71E In-Line (4-Valve Cyl. Head), 6-71N 38
In-Line (4-Valve Cyl. Head) Engs. (cont.)**
7.0L 426 OHV Diesel L6 (6-71), 4.25" Bore (Detroit Diesel Eng.) 1961-65

CYLINDER COMPONENTS (cont.)

QTY	PISTON RINGS (cont.)	YEARS	PART NO.	SIZE	DESCRIPTION
24	Compression Ring	65-61	FP-5185325		Trunk style piston; 2 Valve Head; Top 4 grooves
18	Compression Ring	65-61	FP-5102648		Trunk style piston; 4 Valve Head; First 4 grooves
12	Ring, Oil Control Set	65-61	FP-23522534		Cross Head style piston; For one groove
6	Ring, Oil Control Set	65-61	FP-23514965		Trunk style piston; 4 Valve Head; Set for one piston

CLUTCH

QTY	CLUTCH	YEARS	PART NO.	SIZE	DESCRIPTION
1	Ball Brg.	65-61	FP-23503707		Clutch Pilot
1	Ball Brg.	65-61	FP-23503709		Clutch Pilot
1	Ball Brg.	65-61	FP-23504892		Clutch Pilot

KITS

QTY	OVERHAUL KIT	YEARS	PART NO.	SIZE	DESCRIPTION
1	In-Frame Overhaul Kit	65-61	FP-671XH		w/Cross Head style piston; Valve cover gaskets not incl.
1	In-Frame Overhaul Kit	65-61	FP-671NA		w/Trunk style piston & 1.050" Port Length Sleeve. Valve cover gaskets not Incl.
1	Complete Overhaul Kit	65-61	FP-671XHOH		w/Cross Head style piston; Valve cover gaskets not incl.
1	Complete Overhaul Kit	65-61	FP-6V71NAOH		w/Trunk style piston & 1.050" Port Length Sleeve. Valve cover gaskets Not Incl.

**H/D Truck 6-71 In-Line (2-Valve Cyl. Head), 6-71E In-Line (4-Valve Cyl. Head), 6-71N 39
In-Line (4-Valve Cyl. Head) Engs.**
7.0L 426 OHV Diesel L6 (6-71), 4.25" Bore (Detroit Diesel Eng.) 1960-87

CYL. HEAD & PARTS

QTY	GASKETS	YEARS	PART NO.	SIZE	DESCRIPTION
1	Accessory Drive Gasket	87-60	FP-23515145		Breather Body/Separator
1	Governor Hole Gasket	87-60	FP-5123812		Breather Pipe
1	Crankcase Breather	87-60	FP-5130750		Breather Oil Separator Pad
1	Crankcase Breather	87-60	FP-5101760		Oil Separator Filter Unit; 4"
1	Crankcase Breather	87-60	FP-5101760		4"
1	Valve Cover Gasket	87-60	FP-5104019		Engs. w/cast Alum. valve cover; Silicone
1	Valve Cover Gasket	87-60	FP-5143407		Engs. w/steel valve cover; Neoprene
1	Lo Filter Adapter Gasket	87-60	FP-5173482		Breather Pipe/Body/Shell Cover, A/R
1	Lo Filter Adapter Gasket	87-60	FP-5173482		Oil Filler
1	Washer	87-60	FP-5150568		Breather Pipe; 7/16" x 3/4" x 1/16"; Copper
1	Hose Clamp	87-60	FP-5186840		Breather Body; For 1 5/8" Hose Dia.; 13/16" - 1 1/2" Clamping Range
1	Bolt	87-60	FP-8927580		Breather Pipe; 3/8" - 16 x .875"
1	Bolt	87-60	FP-5103635		Throttle Delay; 3/8" - 16 x 2.90"
4	Stud	87-60	FP-5148504		Rocker Cover; 3/8" - 16 x 4.32"
1	Screw	87-60	FP-5103642		Breather Shell Cover; No. 10 - 24 x .375"
3	Screw	87-60	FP-5103642		Oil Filler Tube; No. 10 - 24 x .375"
2	Lock Washer	87-60	FP-103321		Breather Pipe; 3/8"
2	Lock Washer	87-60	FP-103320		Breather Pipe; 5/16"
4	Lock Washer	87-60	FP-103321		Breather Shell Cover; 3/8"
4	Isolator Bushing	87-60	FP-5104515		Rocker Cover Bolt
QTY	MISCELLANEOUS	YEARS	PART NO.	SIZE	DESCRIPTION
2	Wear Sleeve	87-60	FP-5113773		Pilot; .70" Length
1	Pipe Plug	87-60	FP-8926993		Cyl. Head Fuse Plug; 1/4" X 18; Recessed socket head
13	Pipe Plug	87-60	FP-5121182		Cyl. Head Plug; 1/4" - 18; Hex head
5	Pipe Plug	87-60	FP-8923847		Cyl. Head Plug; 1/4" x 18 NPTF; Square head
4	Pipe Plug	87-60	FP-5142549		Cyl. Head Plug; 3/4" - 14 Square Head
3	Pipe Plug	87-60	FP-8924517		Cyl. Head Plug; 3/8" x 18 square head
12	Washer	87-60	FP-5125108		Fuel Stand; 7/16" x 3/4" x 1/16"
12	Lock Washer	87-60	FP-103321		Cyl. Head; 3/8"
12	Lock Nut	87-60	FP-103026		Cyl. Head; 3/8" x 24
QTY	FREEZE PLUGS	YEARS	PART NO.	SIZE	DESCRIPTION
1	Pipe Plug	87-60	FP-8926993		Cyl. Head Fuse Plug; 1/4" X 18; Recessed socket head
13	Pipe Plug	87-60	FP-5121182		Cyl. Head Plug; 1/4" - 18; Hex head
5	Pipe Plug	87-60	FP-8923847		Cyl. Head Plug; 1/4" x 18 NPTF; Square head
4	Pipe Plug	87-60	FP-5142549		Cyl. Head Plug; 3/4" - 14 Square Head
3	Pipe Plug	87-60	FP-8924517		Cyl. Head Plug; 3/8" x 18 square head
2	Expansion Plug	87-60	FP-5117186		Cyl. Head Plug; 2" Dia. Cup; Stainless Steel
2	Expansion Plug	87-60	FP-5150132		Cyl. Head Plug; 3/4" Dia. Cup
4	Expansion Plug	87-60	FP-5154453		Cyl. Head Plug; 3/8" - 16 Headless Special

(continued on next page)

GMC Truck - M/D & H/D

39 H/D Truck 6-71 In-Line (2-Valve Cyl. Head), 6-71E In-Line (4-Valve Cyl. Head), 6-71N
 (cont.) In-Line (4-Valve Cyl. Head) Engs.
 7.0L 426 OHV Diesel L6 (6-71), 4.25" Bore (Detroit Diesel Eng.) 1960-87

CYL. HEAD & PARTS (cont.)

QTY	FREEZE PLUGS (cont.)	YEARS	PART NO.	SIZE	DESCRIPTION
4	Expansion Plug	87-60	FP-5178976		Cyl. Head Plug; 7/16" - 14 Special
QTY	VALVE	YEARS	PART NO.	SIZE	DESCRIPTION
12	Exhaust Valve Kit	87-60	FP-5192718		w/Locks; 2 Valve Head; Contains (1) FP-5178472 & (2) FP-23507238; 45 Degree
12	Exhaust Valve Kit	87-60	FP-5193197		w/Locks; 2 Valve Head; Contains (1) FP-5185327 & (2) FP-23507238; 30 Degree
12	Exhaust Valve Kit	87-60	FP-5194829		w/Locks; 2 Valve Head; Jet Blade; Contains (1) FP-5178501 & (2) FP-23507238; 45 Degree
12	Exhaust Valve Kit	87-60	FP-5193666		w/Locks; 2 Valve Head; Jet Blade; Contains (1) FP-5186381 & (2) FP-23507238; 30 Degree
24	Exhaust Valve Kit	87-60	FP-5149386		w/Locks; 4 Valve Head; Hi-Output Engs.; Contains (1) FP-5104280 & (2) FP-5111337
24	Exhaust Valve Kit	87-60	FP-23500501		w/Locks; 4 Valve Head; N & T Engs.; Contains (1) FP-8922516 & (2) FP-5111337
12	Valve Guide Cap	87-60	FP-5199914		Exh.; 2 Valve Head; Seal installer; Clear
24	Keeper	87-60	FP-23507238		2 Valve Head; 1 groove; Square cut key groove
48	Keeper	87-60	FP-5111337		4 Valve Head; 1 groove; Square cut key groove
QTY	VALVE SEAT	YEARS	PART NO.	SIZE	DESCRIPTION
12	Exh.	87-60	FP-5198230	10	2 Valve Head; 30 Deg. seat; .010" O/S; 1.6380" OD, 1.3440" ID, .2485" Depth
12	Exh.	87-60	FP-8927920	STD	2 Valve Head; 30 Deg. seat; 1.6280" OD, 1.3440" ID, .2485" Depth
24	Exh.	87-60	FP-5197167	10	4 Valve Head; 30 Deg. seat; .010" O/S; 1.2720" OD, .9770" ID, .2355" Depth
24	Exh.	87-60	FP-5101101	STD	4 Valve Head; 30 Deg. seat; 1.2620" OD, .9770" ID, .2490" Depth
QTY	VALVE GUIDE	YEARS	PART NO.	SIZE	DESCRIPTION
12	Guide	87-60	FP-5120930		Exh.; 2 Valve Head
12	Guide	87-60	FP-5192717		Exh.; 2 Valve Head; .0162" O/S
24	Guide	87-60	FP-5129919		Exh.; 4 Valve Head; 2 3/8" length; .3130" ID, 2.3800" O.A.L.
QTY	VALVE SPRING	YEARS	PART NO.	SIZE	DESCRIPTION
12	Spring	87-60	FP-5150289		Exh.; 2 Valve Head; .177" Wire dia.
24	Spring	87-60	FP-5111339		Exh.; 4 Valve Head; .135" Wire dia.
24	Spring	87-60	FP-5147347		Exh.; 4 Valve Head; .148" Wire dia.
12	Valve Spring Seat	87-60	FP-5150292		Exh.; 2 Valve Head
24	Valve Spring Seat	87-60	FP-5117562		Exh.; 4 Valve Head
24	Spring Insert	87-60	FP-5111467		Exh.
12	Spring Cap	87-60	FP-5150291		Exh.; 2 Valve Head
24	Spring Cap	87-60	FP-5117563		Exh.; 4 Valve Head
QTY	PUSH RODS	YEARS	PART NO.	SIZE	DESCRIPTION
18	Push Rod	87-60	FP-5128640		
18	Push Rod Seat	87-60	FP-5123250		Lower
18	Push Rod Seat	87-60	FP-5150302		Upper; Flange type
18	Push Rod Spring	87-60	FP-5186858		.177" Wire diameter
18	Push Rod Retainer	87-60	FP-5150303		
18	Lock Nut	87-60	FP-5151601		5/16" - 24
QTY	VALVE MISC.	YEARS	PART NO.	SIZE	DESCRIPTION
12	Bolt	87-60	FP-443603		.250" x 20 x .750"
12	Lock Nut	87-60	FP-5151601		5/16" - 24
12	Lock Washer	87-60	FP-103319		Cam Follower; .250"
12	Lock Washer	87-60	FP-103320		Cam Follower; 5/16"
QTY	VALVE SEAL	YEARS	PART NO.	SIZE	DESCRIPTION
12	Valve Stem Seal	87-60	FP-23500480		Exh.; 2 Valve Head
24	Valve Stem Seal	87-60	FP-8921209		Exh.; 4 Valve Head
24	Tools	87-60	FP-5199913		Exh.; 4 Valve Head; Seal installer; Green Stripe
QTY	ROCKER PARTS	YEARS	PART NO.	SIZE	DESCRIPTION
6	Arm Assy.	87-60	FP-5148472		Exh. Left
6	Arm Assy.	87-60	FP-5148475		Exh. Right
6	Arm Assy.	87-60	FP-8923554		Injector; Unbushed Clevis
6	Rocker Shaft	87-60	FP-23500714		
12	Rocker Shaft Bracket Bolt	87-60	FP-5150325		1/2" - 13 x 4.250"
12	Arm Support	87-60	FP-5103903		
12	Rocker Bushing	87-60	FP-5123700		Exh.; Exh. Valve Clevis; .5625" OD
12	Rocker Bushing	87-60	FP-23517217		Exh.; Large; .8755" ID, .9475" OD, .840" Length, .0360" Wall thickness
12	Rocker Bushing	87-60	FP-8924354		Exh.; Small
6	Rocker Bushing	87-60	FP-8924355		Injector; Large

(continued on next page)

GMC Truck - M/D & H/D

**H/D Truck 6-71 In-Line (2-Valve Cyl. Head), 6-71E In-Line (4-Valve Cyl. Head), 6-71N 39
In-Line (4-Valve Cyl. Head) Engs. (cont.)**
7.0L 426 OHV Diesel L6 (6-71), 4.25" Bore (Detroit Diesel Eng.) 1960-87

CYL. HEAD & PARTS (cont.)

QTY	ROCKER PARTS (cont.)	YEARS	PART NO.	SIZE	DESCRIPTION
18	Follower Assy.	87-60	FP-8924439		
18	Cam Follower Roller Set	87-60	FP-8923814		Incl. pin & roller
12	Valve Bridge Adj. Screw	87-60	FP-5129101		5/16" - 24 x 1"
12	Valve Bridge	87-60	FP-5117565		Exh.
12	Valve Bridge Guide	87-60	FP-5117564		Exh.; Press fit
12	Valve Bridge Guide	87-60	FP-51175646		Exh.; Press fit w/.006" O/S
12	Valve Bridge Guide	87-60	FP-5196843		Exh.; Threaded
12	Rocker Arm Clevis Pin	87-60	FP-5150314		
12	Bushing	87-60	FP-5122445 +		Exh.; Large; When depleted use FP-23517217

ELECTRICAL

QTY	ELECTRICAL	YEARS	PART NO.	SIZE	DESCRIPTION
1	Starting Motor Gasket	87-60	FP-5130995		Starting Motor Hole Cover

INT & EXH MANIFOLDS

QTY	INT. & EXH. MANIFOLDS	YEARS	PART NO.	SIZE	DESCRIPTION
4	Stud	87-60	FP-8927270		Exh. Manifold to Head; 3/8" - 16/24" x 1.6875"
7	Stud	87-60	FP-8925804		Exh. Manifold to Head; 7/16" - 14/20" x 2 3/32"
7	Lock Nut	87-60	FP-23505398		Exh. Manifold; 7/16" - 20
4	Lock Washer	87-60	FP-103320		Exh. Manifold; 5/16"
1	Exhaust Manifold Gasket	87-60	FP-5120223		Diameter
1	Exhaust Manifold Gasket	87-60	FP-5150196		Diameter
2	Exhaust Manifold Gasket	87-60	FP-5150195		Ends; Composition
2	Exhaust Manifold Gasket	87-60	FP-5120224		Ends; Metal Clad
1	Exhaust Manifold Gasket	87-60	FP-5163811		Exh. Outlet; 4.375" I.D.
4	Exhaust Manifold Gasket	87-60	FP-5156319		Manifold Cover Plate
1	Exhaust Manifold Gasket	87-60	FP-5156319		Water Outlet Flange
1	Gasket	87-60	FP-5113412		Exh. Manifold Cover Plate
1	Pipe Plug	87-60	FP-5115214		Exh. Manifold; 1/2" Square Head
4	Lock Washer	87-60	FP-103321		Exh. Flange; 3/8"
7	Washer	87-60	FP-5104439		Exh. Manifold; 7/16" x 1.250" Dia.; Dished
1	Clamp	87-60	FP-5132650		Exh. Flange; 5.250" Dia.
1	Hose Clamp	87-60	FP-5137618		Exh. Manifold
1	Exhaust Manifold	87-60	FP-8921704		Horizontal; Water Cooled

QTY	AIR INTAKE	YEARS	PART NO.	SIZE	DESCRIPTION
2	Air Intake Housing Gasket	87-60	FP-5124405		
1	Air Intake Gasket	87-60	FP-3290572		Housing Striker Plate
2	Lock Washer	87-60	FP-103319		Air Inlet Housing Shutdown Valve Shaft; .250"
4	Lock Washer	87-60	FP-103321		Air Silencer; 3/8"
6	Lock Washer	87-60	FP-103320		Air Silencer; 5/16"
2	O-Ring	87-60	FP-5182977		Air Inlet Housing Shutdown Valve Shaft

CAMSHAFT GROUP

QTY	TIMING	YEARS	PART NO.	SIZE	DESCRIPTION
1	Idler Gear Hub Assembly	87-60	FP-5130135		
1	Bolt	87-60	FP-454992		Idler Gear; 1/2" - 13 x 2 1/2
6	Bolt	87-60	FP-5103534		Idler Gear; 5/16" - 24 x 1/2"
1	Washer	87-60	FP-5167714		Idler Gear; 17/32" x 7/8" x 3/32"

QTY	CAMSHAFT/LIFTER	YEARS	PART NO.	SIZE	DESCRIPTION
1	Camshaft	87-60	FP-5149393		Advanced timing; R.H. rotation; Type 17, 27, 93, 166, 193, 399, 463, 532, 552, 558, 565
2	Camshaft Thrust Washer	87-60	FP-5111424		
2	Camshaft Thrust Washer	87-60	FP-5194826		
2	Camshaft Thrust Washer	87-60	FP-5194827		
5	Bolt	87-60	FP-5123383		Balance weight
2	Lock Washer	87-60	FP-5177769		Front balance weight; 1.125"
12	Lock Washer	87-60	FP-103321		Rear balance weight; 3/8"
2	Camshaft Plug	87-60	FP-5151277		.500" Drive; 15/32" x 1/2"
1	Prelube	87-60	55-400		4 oz. bottle; 1.5 oz. packet No. 55-403 also avail.

ACCESSORY DRIVE

QTY	ACCESSORY DRIVE	YEARS	PART NO.	SIZE	DESCRIPTION
1	Accessory Drive Gasket	87-60	FP-23515145		
1	Oil Seal	87-60	FP-5102456		Accessory Drive
1	Oil Seal	87-60	FP-5131329		Accessory Drive
1	Oil Seal	87-60	FP-5138710		Accessory Drive
1	Oil Seal Kit	87-60	FP-5198175		Accessory Drive

(continued on next page)

+ Superseded Part Number

GMC Truck - M/D & H/D

39 H/D Truck 6-71 In-Line (2-Valve Cyl. Head), 6-71E In-Line (4-Valve Cyl. Head), 6-71N
 (cont.) In-Line (4-Valve Cyl. Head) Engs.
 7.0L 426 OHV Diesel L6 (6-71), 4.25" Bore (Detroit Diesel Eng.) 1960-87

ACCESSORY DRIVE (cont.)

QTY	ACCESSORY DRIVE (cont.)	YEARS	PART NO.	SIZE	DESCRIPTION
1	Ball Brg.	87-60	FP-23503727		Accessory Drive
1	Ball Brg.	87-60	FP-23504528		Accessory Drive
1	Ball Brg.	87-60	FP-23504528		Accessory Drive
1	Drive Coupling	87-60	FP-5141773		Accessory Drive
1	Water Pump Retainer Ring	87-60	FP-9415285		Accessory Drive; Large; External
6	Bolt	87-60	FP-5185793		Accessory Drive
10	Bolt	87-60	FP-8927580		Accessory Drive; w/Seal Patch; 3/8" - 16 x .875"
3	Bolt	87-60	FP-8927581		Accessory Drive; w/Seal Patch; 3/8" - 16 x 1"
4	Bolt	87-60	FP-5145092		Accessory Drive; 3/8" - 24 x 1.20", Self-Locking
1	Stud	87-60	FP-8927270		Accessory Drive; 3/8" - 16/24" x 1.6875"
4	Stud	87-60	FP-8925804		Balance Weight Cover; 7/16" - 14/20" x 2 3/32"
1	Hydraulic Pump Gasket	87-60	FP-5188755		Accessory Drive
1	Pipe Plug	87-60	FP-5121182		Accessory Drive; 1/4" - 18; Hex head
5	Washer	87-60	FP-5150568		Accessory Drive; 7/16" x 3/4" x 1/16"; Copper
13	Copper Washer	87-60	FP-5152148		Accessory Drive; 25/64" ID x 9/16" OD x 1/16" Thick; Copper
13	Lock Washer	87-60	FP-103321		Accessory Drive; 3/8"
4	Lock Washer	87-60	FP-103321		Accessory Drive; 3/8"
4	Lock Washer	87-60	FP-103320		Accessory Drive; 5/16"
2	Lock Washer	87-60	FP-103321		Balance Weight Cover; 3/8"
23	Lock Washer	87-60	FP-103320		Balance Weight Cover; 5/16"
1	Oil Seal	87-60	470625		
1	Redi-Sleeve	87-60	99150		
13	Lock Nut	87-60	FP-103026		Accessory Drive; 3/8" x 24
1	Lock Nut	87-60	FP-103026		Accessory Drive; 3/8" x 24
23	Lock Nut	87-60	FP-103026		Balance Weight Cover; 3/8" x 24

FUEL SYSTEM & PARTS

QTY	FUEL INJECTION	YEARS	PART NO.	SIZE	DESCRIPTION
4	Fuel Injector Nozzle	87-60	FP-5172874		Water Nozzle; Single Outlet; Single Outlet
6	Fuel Injector Seal Ring	87-60	FP-5234281		
6	Fuel Injector Seal Ring	87-60	FP-5104701		Viton®
6	Injector Hole Tube Kit	87-60	FP-8925981		Incl. Seal Ring; Viton®
6	Clamp	87-60	FP-5121259		
6	Fuel Injector	87-60	FP-5229355		Option Type 111; Injector Assembly C55
6	Fuel Injector	87-60	FP-5229360		Option Type 113; Injector Assembly C60
6	Fuel Injector	87-60	FP-5229365		Option Type 115; Injector Assembly C65
6	Fuel Injector	87-60	FP-5228780		Option Type 14, 54, 82; Injector Assembly N80
6	Fuel Injector	87-60	FP-5229695		Option Type 153; Injector Assembly 7C75
6	Fuel Injector	87-60	FP-5229790		Option Type 163; Injector Assembly 7E55
6	Fuel Injector	87-60	FP-5229795		Option Type 164; Injector Assembly 7E60
6	Fuel Injector	87-60	FP-5229800		Option Type 165; Injector Assembly 7E65
6	Fuel Injector	87-60	FP-5229895		Option Type 180; Injector Assembly 7G65
6	Fuel Injector	87-60	FP-5226440		Option Type 242; Injector Assembly 7N65
6	Fuel Injector	87-60	FP-5228760		Option Type 53, 78; Injector Assembly N60
6	Fuel Injector	87-60	FP-5228770		Option Type 57, 80; Injector Assembly N70
6	Fuel Injector	87-60	FP-5228785		Option Type 60, 77; Injector Assembly N55
6	Fuel Injector	87-60	FP-5228777		Option Type 81; Injector Assembly N75
6	Fuel Injector	87-60	FP-5228900		Option Type 97; BT; Injector Assembly N65
12	Fuel Injector Repair Kit	87-60	FP-5229649		
6	Fuel Injection Valve Cage	87-60	FP-5228696		Check Valve
6	Fuel Injection Spring Seat	87-60	FP-5228766		
6	Fuel Injector Valve Spring	87-60	FP-5228596		
6	Fuel Injector Check Valve	87-60	FP-5228694		
6	Fuel Pump Check Valve	87-60	FP-5226411		
6	Fuel Pump Check Valve	87-60	FP-5228308		HV7, HV8, HV9, S70, S80, S90; Incl. injector valve & 5228106 seat
6	Fuel Pump Check Valve	87-60	FP-5228308		S55, S60, S65; Incl. injector valve & 5228106 seat
6	Injector Plunger & Bushing	87-60	FP-5229356		C55
6	Injector Plunger & Bushing	87-60	FP-5229362		C60
6	Injector Plunger & Bushing	87-60	FP-5229366		C65
6	Injector Plunger & Bushing	87-60	FP-5229372		C70
6	Injector Plunger & Bushing	87-60	FP-5228306		HV6
6	Injector Plunger & Bushing	87-60	FP-5228304		HV7
6	Injector Plunger & Bushing	87-60	FP-5228804		M95
6	Injector Plunger & Bushing	87-60	FP-5228668		N55
6	Injector Plunger & Bushing	87-60	FP-5228656		N60; For Inj. Assembly 5A60
6	Injector Plunger & Bushing	87-60	FP-5228928		N65 BT
6	Injector Plunger & Bushing	87-60	FP-5228658		N65 WT, N75, 7C75

(continued on next page)

GMC Truck - M/D & H/D

**H/D Truck 6-71 In-Line (2-Valve Cyl. Head), 6-71E In-Line (4-Valve Cyl. Head), 6-71N 39
In-Line (4-Valve Cyl. Head) Engs. (cont.)**
7.0L 426 OHV Diesel L6 (6-71), 4.25" Bore (Detroit Diesel Eng.) 1960-87

FUEL SYSTEM & PARTS (cont.)

QTY	FUEL INJECTION (cont.)	YEARS	PART NO.	SIZE	DESCRIPTION
6	Injector Plunger & Bushing	87-60	FP-5228682		N70, 7C70
6	Injector Plunger & Bushing	87-60	FP-5228661		N80
6	Injector Plunger & Bushing	87-60	FP-5228878		N90
6	Injector Plunger & Bushing	87-60	FP-5229823		7E55
6	Injector Plunger & Bushing	87-60	FP-5229814		7E60
6	Injector Plunger & Bushing	87-60	FP-5229808		7E75, 7G75
6	Injector Plunger & Bushing	87-60	FP-5229916		7G65
6	Injector Plunger & Bushing	87-60	FP-5229912		7G70
6	Injector Plunger & Bushing	87-60	FP-5229354		71C5; For Inj. Assembly C50
6	Fuel Injector Tip Kit	87-60	FP-5229026		C55, C60, 71C5. 7E55, 7E60; For Inj. Assembly 5N45
6	Fuel Injector Tip Kit	87-60	FP-5229192		C65, C70, N70, N75, 7N65
6	Fuel Injector Tip Kit	87-60	FP-5228312		HV7, HV8, HV9, S70, S80, S90
6	Fuel Injector Tip Kit	87-60	FP-5228554		HV7, HV8, HV9, S70, S80, S90
6	Fuel Injector Tip Kit	87-60	FP-5229256		M95, N80, N90
6	Fuel Injector Tip Kit	87-60	FP-5229026		N55, N60, N65 WT; For Inj. Assembly 5N45
6	Fuel Injector Tip Kit	87-60	FP-5229030		N65 BT; For Inj. Assembly 5A50, 5A55, 5A60
6	Fuel Injector Tip Kit	87-60	FP-5228491		S55, S60, S65
6	Fuel Injector Tip Kit	87-60	FP-5229030		7E65; For Inj. Assembly 5A50, 5A55, 5A60
6	Nut	87-60	FP-5228601		Inj. Valve; NV
6	Fuel Injector Valve Kit	87-60	FP-5228313		
6	Fuel Injector Valve Kit	87-60	FP-5228769		
6	Fuel Injector Roller Pin	87-60	FP-5228608		
QTY	FUEL FILTERS & PUMP	YEARS	PART NO.	SIZE	DESCRIPTION
1	Mechanical Fuel Pump	87-60	FP-5199735		LH; High Output; High output; w/.375" Gear
1	Mechanical Fuel Pump	87-60	FP-5199560		LH; Std. Output; Std. output; w/.250" Gear
1	Mechanical Fuel Pump	87-60	FP-5199734		RH; High Output; High output
1	Mechanical Fuel Pump	87-60	FP-5199561		RH; Std. Output
1	Fuel Pump Shaft & Gear	87-60	FP-5100313		High Output; .963" Length; High Output
1	Fuel Pump Shaft & Gear	87-60	FP-5146705		High Output; 3.09" Length; High Output
1	Fuel Pump Shaft & Gear	87-60	FP-5181747		Std. Output; .838" Length; Std. Output
1	Fuel Pump Shaft & Gear	87-60	FP-5181746		Std. Output; 3.09" Length; Std. Output
1	Fuel Pump Valve	87-60	FP-5174973		
1	Fuel Pump Gear	87-60	FP-5118915		High Output; .374" Width; High Output
1	Fuel Pump Gear	87-60	FP-5128217		High Output; .374" Width; High Output
1	Fuel Pump Gear	87-60	FP-5174975		Std. Output; .294" Width; Std. Output
1	Fuel Pump Gear	87-60	FP-5181748		Std. Output; .294" Width; Std. Output
1	Fuel Pump Drive Shaft	87-60	FP-5100312		High Output; .963" Length; High Output
1	Fuel Pump Drive Shaft	87-60	FP-5178700		Std. & High Output; 3.09" Length
1	Fuel Pump Drive Shaft	87-60	FP-5181749		Std. Output; .838" Length; Std. Output
1	Fuel Pump Check Valve	87-60	FP-5174924		1/4" Swing type
1	Fuel Pump Check Valve	87-60	FP-5135308		3/8" Swing type
12	Fuel Line Connector	87-60	FP-5117369		
1	Fuel Pump Relief Valve Spring	87-60	FP-5184530		
2	Oil Seal	87-60	FP-23512243		Fuel pump
1	Fuel Pump Valve Plug Gasket	87-60	FP-5161003		Fuel pump
1	Fuel Pump Repair Part	87-60	FP-5174971		Fuel pump valve plug; .500" x 20 plug
1	Fuel Pump Drive Adapter Gskt.	87-60	FP-5150193		
1	Fuel Pump Repair Kit	87-60	FP-5149599		High Output; High output; Short Shaft
1	Fuel Pump Repair Kit	87-60	FP-5195078		Std. Output; Std. output
1	Pipe Plug	87-60	FP-5121182		Fuel pump pipe; 1/4" - 18; Hex head
2	Plastic Cap	87-60	FP-5136240		Fuel pump body; .250" Dia.
1	Plastic Cap	87-60	FP-5136241		Fuel pump body; .780" Dia., 3/8" NPTF
1	Dowel Pin	87-60	FP-103709		5/32" x 1" straight
1	Ball Brg.	87-60	FP-147481		Fuel pump shaft; .125" Dia. Steel
1	Accessory Drive Gasket	87-60	FP-23515145		Fuel pump mounting plate
12	Washer	87-60	FP-5125108		Fuel pump pipe assy.; 7/16" x 3/4" x 1/16"
BLOWER					
QTY	BLOWER	YEARS	PART NO.	SIZE	DESCRIPTION
2	Ball Brg.	87-60	FP-23503543		Front; Blower Rotor
2	Ball Brg.	87-60	FP-23504305		Rear; Blower Rotor
1	Oil Seal Kit	87-60	FP-23500533		Blower End Plate
2	Rect. or Square Seal	87-60	FP-23515630		Blower Drive Cover; w/Flanged & Strut Covers
1	Rect. or Square Seal	87-60	FP-5172864		Blower Drive Cover; w/Sand Cast Covers
4	Oil Seal	87-60	FP-5192438		Blower End Plate
4	Oil Seal	87-60	FP-8924453		Blower Rotor
1	Fuel Blower Gasket	87-60	FP-5115656		Blower to Block
1	Pipe Plug	87-60	FP-8924380		Blower Drive Gear Hub; 1/8" - 27

(continued on next page)

GMC Truck - M/D & H/D

39 H/D Truck 6-71 In-Line (2-Valve Cyl. Head), 6-71E In-Line (4-Valve Cyl. Head), 6-71N
 (cont.) In-Line (4-Valve Cyl. Head) Engs.
 7.0L 426 OHV Diesel L6 (6-71), 4.25" Bore (Detroit Diesel Eng.) 1960-87

BLOWER (cont.)

QTY	BLOWER (cont.)	YEARS	PART NO.	SIZE	DESCRIPTION
6	Bolt	87-60	FP-443603		Blower Rotor; .250" x 20 x .750"
1	Lock Washer	87-60	FP-8926285		Blower Drive Gear Hub
2	Lock Washer	87-60	FP-103321		Blower Drive Gear Hub; 3/8"
2	Lock Washer	87-60	FP-5154398		Blower Rotor; 1/2" Special, External Tooth
20	Lock Washer	87-60	FP-103320		Blower Rotor; 5/16"
1	Shim	87-60	FP-5150372		Blower Rotor Gear
1	Shim	87-60	FP-5153938		Blower Rotor Gear
1	Shim	87-60	FP-5150855		Blower Rotor Gear
1	Shim	87-60	FP-5150856		Blower Rotor Gear

GOVERNOR

QTY	GOVERNOR	YEARS	PART NO.	SIZE	DESCRIPTION
4	Throttle/Governor Shaft	87-60	FP-5185154		Gov. Weight Shaft; w/Limiting Speed Gov.; Ring Grooves
1	Governor Spring	87-60	FP-5122165		Low Speed; w/One Blue Stripe
1	Governor Spring	87-60	FP-5183704		Low Speed; w/Two Yellow Stripes
1	Governor Low Speed Spring Cap	87-60	FP-5103975		w/Limiting Speed Gov.
1	Governor Low Speed Spring Cap	87-60	FP-5102968		Gov. Spring Hsg.
1	Governor Low Speed Spring Cap	87-60	FP-5103975		Gov. Spring Hsg.
1	Screw	87-60	FP-5102270		Gov. High Speed Spring; w/Limiting Speed Gov.; .250" - 28 x 1.00"
1	Screw	87-60	FP-5102270		Gov. Low Speed Spring; w/Limiting Speed Gov.; .250" - 28 x 1.00"
1	Screw	87-60	FP-5102270		Low speed spring adjusting; .250" - 28 x 1.00"
1	Governor Dowel Pin	87-60	FP-5150894		Gov. Differential; w/Limiting Speed Gov.; 25/32" Length
2	Governor Dowel Pin	87-60	FP-5185153		Gov. Weight Shaft; w/Limiting Speed Gov.; .3750" Dia. x 2.150" Length
1	Governor Dowel Pin	87-60	FP-5150943		Operating Shaft; w/Limiting Speed Gov.
1	Governor Dowel Pin	87-60	FP-5150894		Shutdown Shaft; w/Limiting Speed Gov.; 25/32" Length
1	Governor Seal Ring	87-60	FP-5126623		Gov. Spring Hsg.
1	O-Ring	87-60	FP-5176557		w/Limiting Speed Gov.; .477" ID x .113" Thick
1	O-Ring	87-60	FP-5182977		Gov. Cover Throttle Shaft; w/Limiting Speed Gov.
2	Cylindrical Brg.	87-60	FP-148402		w/Limiting Speed Gov.; .500" x .500" Dia.
1	Cylindrical Brg.	87-60	FP-148402		Lower; Operating Shaft; w/Limiting Speed Gov.; .500" x .500" Dia.
1	Dowel Pin	87-60	FP-141195		w/Limiting Speed Gov.; .250" x .625"
1	Washer	87-60	FP-5167714		Gov. Cover; w/Limiting Speed Gov.; 17/32" x 7/8" x 3/32"
1	Washer	87-60	FP-5151487		Gov. Cover; w/Limiting Speed Gov.; 3/8" x 11/16" x .033"
3	Washer	87-60	FP-5179709		Gov. High Speed Spring; w/Limiting Speed Gov.; .250" Copper
4	Washer	87-60	FP-5150885		Gov. Weight Pin; w/Limiting Speed Gov.
24	Washer	87-60	FP-5151487		Gov. Weight Shaft; w/Limiting Speed Gov.; 3/8" x 11/16" x .033"
2	Copper Washer	87-60	FP-5155596		Gov. High Speed Spring; w/Limiting Speed Gov.; 5/16"; Special copper washer
3	Copper Washer	87-60	FP-5155596		Gov. High Speed Spring; w/Limiting Speed Gov.; 5/16"; Special copper washer
1	Copper Washer	87-60	FP-5155596		Gov. Spring Hsg.; 5/16"; Special copper washer
1	Lock Washer	87-60	FP-103319		Gov. Cover; w/Limiting Speed Gov.; .250"
1	Lock Washer	87-60	FP-103319		Gov. High Speed Spring; w/Limiting Speed Gov.; .250"
2	Lock Washer	87-60	FP-103320		Gov. High Speed Spring; w/Limiting Speed Gov.; 5/16"
1	Lock Washer	87-60	FP-103320		Gov. Spring Hsg.; 5/16"
4	Lock Washer	87-60	FP-103319		Gov. Weight Housing; w/Limiting Speed Gov.; .250"
1	Governor Retainer	87-60	FP-5178581		Gov. Cover; w/Limiting Speed Gov.
16	Governor Retainer	87-60	FP-5178581		Gov. Weight; w/Limiting Speed Gov.
4	Bushing	87-60	FP-5147866		Gov. Weight; w/Limiting Speed Gov.; .520" Length
1	Ball Brg.	87-60	FP-9437108		Gov. Weight Riser; w/Limiting Speed Gov.; .354" Width
1	Ball Brg.	87-60	FP-9424121		Gov. Weight Shaft; w/Limiting Speed Gov.
4	Ball Brg.	87-60	FP-447196		Gov. Weight; w/Limiting Speed Gov.
1	Ball Brg.	87-60	FP-148403		Lower; Operating Shaft; w/Limiting Speed Gov.; .750" Width
1	Ball Brg.	87-60	FP-9431894		Upper; Operating Shaft; w/Limiting Speed Gov.
1	Carrier, Governor Weight	87-60	FP-5150932		Gov. Weight Shaft; w/Limiting Speed Gov.
1	Pipe Plug	87-60	FP-8924380		w/Limiting Speed Gov.; 1/8" - 27
1	Governor Spring Cover Gasket	87-60	FP-8922593		Gov. High Speed Spring Adj. Cover
1	Governor Spring Cover Gasket	87-60	FP-8922593		Gov. High Speed Spring; w/Limiting Speed Gov.
1	Copper Washer	87-60	FP-5155596		w/Limiting Speed Gov.; 5/16"; Special copper washer
2	Washer	87-60	FP-5179709		w/Limiting Speed Gov.; .250" Copper
3	Lock Washer	87-60	FP-103319		Throttle Shaft; w/Limiting Speed Gov.; .250"
3	Screw	87-60	FP-9417926		Gov. cover; w/Limiting Speed Gov.; 1/4" -20 x 3/4"
1	Governor Hole Gasket	87-60	FP-5123812		Gov. to Cyl. Head; w/Limiting Speed Gov.
1	Governor Cover Gasket	87-60	FP-5150889		w/Limiting Speed Gov.
1	Retainer	87-60	FP-142583		Gov. Cover; w/Limiting Speed Gov.; 13/64" Spring

(continued on next page)

GMC Truck - M/D & H/D

*H/D Truck 6-71 In-Line (2-Valve Cyl. Head), 6-71E In-Line (4-Valve Cyl. Head), 6-71N 39
In-Line (4-Valve Cyl. Head) Engs. (cont.)*
7.0L 426 OHV Diesel L6 (6-71), 4.25" Bore (Detroit Diesel Eng.) 1960-87

GOVERNOR (cont.)

QTY	GOVERNOR (cont.)	YEARS	PART NO.	SIZE	DESCRIPTION
1	Retainer	87-60	FP-142583		Gov. Differential; w/Limiting Speed Gov.; 13/64" Spring

COOLING SYSTEM

QTY	WATER PUMP	YEARS	PART NO.	SIZE	DESCRIPTION
1	Water Pump - Heavy Duty	87-60	FP-23507971		Raw Water; Option Type 1, 2, 3, 28, 31, 62, 69, 70, 71, 72, 73, 75, 76, 77, 78, 80, 83
1	Water Pump - Heavy Duty	87-60	FP-5186250		Raw Water; Option Type 13
1	Water Pump - Heavy Duty	87-60	FP-23506704		L.H.; Fresh Water; High Capacity
1	Water Pump - Heavy Duty	87-60	FP-23506723		L.H.; Fresh Water; Std. Capacity
1	Water Pump - Heavy Duty	87-60	FP-23506711		R.H.; Fresh Water; High Capacity
1	Water Pump - Heavy Duty	87-60	FP-23506735		R.H.; Fresh Water; Std. Capacity
1	Water Pump Shaft	87-60	FP-5196169		Raw Water Pump; For Pump FP-5122599
1	Water Pump Shaft	87-60	FP-5193552		Raw Water; For Pump FP-5186250
1	Water Pump Shaft	87-60	FP-5193552		Raw Water; For Pumps FP-5115800, FP-5187140, FP-23507971
1	Water Pump Impeller	87-60	FP-23505997		Fresh Water
1	Water Pump Impeller	87-60	FP-5126911		Fresh Water
1	Water Pump Impeller	87-60	FP-23505998		Fresh Water; High Capacity
1	Water Pump Impeller	87-60	FP-8924839		Raw Water; For Pump FP-5122599
1	Water Pump Impeller	87-60	FP-8924838		Raw Water; For Pump FP-5186250
1	Water Pump Impeller	87-60	FP-8924838		Raw Water; For Pumps FP-23507971, FP-5186250
1	Water Pump Impeller	87-60	FP-8924838		Raw Water; For Pumps FP-5115800, FP-5187140, FP-23507971
1	Water Pump Impeller	87-60	FP-5193602		Raw Water; Option Type 14; For Obsolete Pump; Synthetic
1	Water Pump Repair/Rebuild Kit	87-60	FP-23506870		Fresh Water Recon. Kit; High Capacity; Incl. Impeller Assy.
1	Water Pump Repair/Rebuild Kit	87-60	FP-23506851		Fresh Water Recon. Kit; Std. Capacity; Ceramic Insert; Incl. Impeller Assy.
1	Water Pump Repair/Rebuild Kit	87-60	FP-5198307		Fresh Water Recon. Kit; Std. Capacity; Incl. Impeller Assy.
1	Water Pump Repair/Rebuild Kit	87-60	FP-5149918		Fresh Water Seals & Bearing Kit; High Capacity; Ceramic Insert
1	Water Pump Repair/Rebuild Kit	87-60	FP-23506858		Fresh Water Seals & Bearing Kit; Std. Capacity
1	Water Pump Repair/Rebuild Kit	87-60	FP-5197222		Recon. Kit; Raw Water; For Pump FP-5122599
1	Water Pump Repair/Rebuild Kit	87-60	FP-5197224		Recon. Kit; Raw Water; For Pump FP-5186250
1	Water Pump Repair/Rebuild Kit	87-60	FP-5197223		Recon. Kit; Raw Water; For Pumps FP-5115800, FP-5187140, FP-23507971
1	Water Pump Cover	87-60	FP-5193555		Raw Water Pump, End; For Pump FP-5122599
1	Water Pump Cover	87-60	FP-5193555		Raw Water Pump, End; For Pump FP-5186250
1	Water Pump Cover	87-60	FP-5193555		Raw Water Pump, End; For Pumps FP-5115800, FP-5187140, FP-23507971
1	Water Pump Gasket	87-60	FP-5178273		Fresh Water; High Capacity
1	Woodruff Key	87-60	FP-103462		Raw Water Pump Shaft; For Pump FP-5122599
1	Water Pump Retainer Ring	87-60	FP-5196171		Raw Water Pump; For Pump FP-5122599
1	Water Pump Retainer Ring	87-60	FP-9415285		Raw Water; For Pump FP-5186250; Large; External
1	Water Pump Retainer Ring	87-60	FP-5193569		Raw Water; For Pump FP-5186250; Small; Small
1	Water Pump Retainer Ring	87-60	FP-9415285		Raw Water; For Pumps FP-5115800, FP-5187140, FP-23507971; Large; Large; External
1	Water Pump Retainer Ring	87-60	FP-5193569		Raw Water; For Pumps FP-5115800, FP-5187140, FP-23507971; Small; Small
1	Water Pump Mech. Shaft Seal	87-60	FP-8924297		Fresh Water
1	Water Pump Mech. Shaft Seal	87-60	FP-5186571		Fresh Water; Seal & Spring
1	Water Pump Mech. Shaft Seal	87-60	FP-5198419		Raw Water; For Pump FP-5186250
1	Water Pump Mech. Shaft Seal	87-60	FP-5198419		Raw Water; For Pumps FP-23507971, FP-5186250, FP-5122599
1	Water Pump Mech. Shaft Seal	87-60	FP-5198419		Raw Water; For Pumps FP-5115800, FP-5187140, FP-23507971
1	Water Pump Mech. Shaft Seal	87-60	FP-5193684		Raw Water; For Pumps FP-5115800, FP-5187140, FP-23507971; Outboard
1	Ball Brg.	87-60	FP-23505479		Raw Water Pump; For Pump FP-5122599
1	Ball Brg.	87-60	FP-23504426		Raw Water Pump; For Pump FP-5186250
1	Ball Brg.	87-60	FP-23504426		Raw Water Pump; For Pumps FP-5115800, FP-5187140, FP-23507971
1	Ball Brg.	87-60	FP-23503821		Inner; Fan Shaft
1	Ball Brg.	87-60	FP-903205		Inner; Fan Shaft
1	Ball Brg.	87-60	FP-9415132		Inner; Fan Shaft
1	Ball Brg.	87-60	FP-23503535		Outer; Fan Shaft
1	Ball Brg.	87-60	FP-7450630		Outer; Fan Shaft
2	Lock Nut	87-60	FP-103026		Fan Hub Mount; 3/8" x 24
1	Oil Pump Intake Gasket	87-60	FP-5153902		Lower; Water By-Pass Tube; 2 1/4" B.C.
1	Oil Pump Intake Gasket	87-60	FP-5153902		Water Pump Cover; 2 1/4" B.C.
1	Fuel Pump Drive Adapter Gskt.	87-60	FP-5150193		Fresh Water Pump to Eng.
1	Accessory Drive Gasket	87-60	FP-23515145		Raw Water Pump Drive Gasket
1	Oil Seal	87-60	FP-5103951		Fan Shaft
1	Oil Seal	87-60	FP-5108219		Fan Shaft; Felt
1	Oil Seal	87-60	FP-5100408		Fan Shaft; Rubber Lip

(continued on next page)

GMC Truck - M/D & H/D

39 H/D Truck 6-71 In-Line (2-Valve Cyl. Head), 6-71E In-Line (4-Valve Cyl. Head), 6-71N
 (cont.) In-Line (4-Valve Cyl. Head) Engs.
 7.0L 426 OHV Diesel L6 (6-71), 4.25" Bore (Detroit Diesel Eng.) 1960-87

COOLING SYSTEM (cont.)

QTY	WATER PUMP (cont.)	YEARS	PART NO.	SIZE	DESCRIPTION
1	Oil Seal	87-60	FP-23506248		Fresh Water Pump
1	Oil Seal	87-60	FP-5195101		Raw Water Pump; For Pump FP-5122599
1	Oil Seal	87-60	FP-5195101		Raw Water Pump; For Pump FP-5186250
1	Oil Seal	87-60	FP-5195101		Raw Water Pump; For Pumps FP-5115800, FP-5187140, FP-23507971
2	Oil Seal	87-60	FP-5132155		Thermostat Seal
1	Bolt	87-60	FP-454992		Fan Hub Mount; 1/2" - 13 x 2 1/2
3	Bolt	87-60	FP-8927581		Fan Hub Mount; 3/8" - 16 x 1"
4	Bolt	87-60	FP-8921930		Fresh Water Pump Body; 1/4" - 20 x 3/4"
4	Bolt	87-60	FP-443603		Heat Exchanger; .250" x 20 x .750"
1	Bolt	87-60	FP-454992		Heat Exchanger; 1/2" - 13 x 2 1/2
2	Bolt	87-60	FP-8927580		Heat Exchanger; 3/8" - 16 x .875"
5	Bolt	87-60	FP-23504236		Raw Water Pump Cover; For Pump FP-5122599; .250" - 20 x .500"; Stainless Steel
5	Bolt	87-60	FP-23504236		Raw Water Pump Cover; For Pump FP-5186250; .250" - 20 x .500"; Stainless Steel
5	Bolt	87-60	FP-23504236		Raw Water Pump Cover; For Pumps FP-5115800, FP-5187140, FP-23507971; .250" - 20 x .500"; Stainless Steel
4	Bolt	87-60	FP-5145092		Raw Water Pump Drive; 3/8" - 24 x 1.20", Self-Locking
4	Bolt	87-60	FP-8927581		Thermostat Housing; 3/8" - 16 x 1"
2	Bolt	87-60	FP-8927581		Inlet; Heat Exchanger; 3/8" - 16 x 1"
2	Bolt	87-60	FP-8927581		Outlet; Heat Exchanger; 3/8" - 16 x 1"
1	Pipe Plug	87-60	FP-8924380		Fan Hub; 1/8" - 27
1	Pipe Plug	87-60	FP-5121182		Heat Exchanger; 1/4" - 18; Hex head
1	Pipe Plug	87-60	FP-8924380		Heat Exchanger; 1/8" - 27
2	Pipe Plug	87-60	FP-5142549		Heat Exchanger; 3/4" - 14 Square Head
2	Pipe Plug	87-60	FP-8924517		Thermostat Housing Cover; 3/8" x 18 square head
1	Pipe Plug	87-60	FP-5115214		Thermostat Housing; 1/2" Square Head
1	Pipe Plug	87-60	FP-5121182		Thermostat Housing; 1/4" - 18; Hex head
1	Pipe Plug	87-60	FP-8924380		Thermostat Housing; 1/8" - 27
1	Pipe Plug	87-60	FP-5142549		Thermostat Housing; 3/4" - 14 Square Head
1	Pipe Plug	87-60	FP-5115214		Water Outlet Manifold Elbow; 1/2" Square Head
1	Pipe Plug	87-60	FP-5121182		Water Outlet Manifold Elbow; 1/4" - 18; Hex head
1	Pipe Plug	87-60	FP-5142549		Water Outlet Manifold Elbow; 3/4" - 14 Square Head
1	Pipe Plug	87-60	FP-5121182		Water Pump; 1/4" - 18; Hex head
1	Pipe Plug	87-60	FP-5142549		Water Pump; 3/4" - 14 Square Head
1	Pipe Plug	87-60	FP-8924517		Water Pump; 3/8" x 18 square head
1	Expansion Plug	87-60	FP-5117186		Heat Exchanger; 2" Dia. Cup; Stainless Steel
1	Shaft & Bearing Assembly	87-60	FP-5136671		Fresh Water
1	Shaft & Bearing Assembly	87-60	FP-908337		Fresh Water
1	Governor Spring Cover Gasket	87-60	FP-8922593		Thermostat Housing Cover
1	Dowel Pin	87-60	FP-5197597		Raw Water Pump; Wear Plate Locating Pin; .184" OD x .375" Length
1	Screw	87-60	FP-114366		Raw Water Pump Cam; For Pump FP-5122599; .250" - 20 x .500"; Brass
1	Screw	87-60	FP-114366		Raw Water Pump Cam; For Pump FP-5186250; .250" - 20 x .500"; Brass
1	Screw	87-60	FP-114366		Raw Water Pump Cam; For Pumps FP-5115800, FP-5187140, FP-23507971; .250" - 20 x .500"; Brass
1	Slinger, Water Pump	87-60	FP-5114011		Fresh Water
1	Slinger, Water Pump	87-60	FP-5193676		Raw Water Pump Shaft; For Pump FP-5122599
1	Slinger, Water Pump	87-60	FP-5193676		Raw Water Pump Shaft; For Pump FP-5186250
1	Slinger, Water Pump	87-60	FP-5193676		Raw Water; For Pumps FP-5115800, FP-5187140, FP-23507971
3	Copper Washer	87-60	FP-5155596		Water Pump Mounting; 5/16"; Special copper washer
2	Washer	87-60	FP-5197310		Adhesive Washer; Fresh Water Pump; Adhesive, Ceramic Insert
1	Washer	87-60	FP-5131978		Fan Mount Support Spacer; .53" ID x 1.00" OD x .170" Thick
2	Washer	87-60	FP-5131978		Heat Exchanger; .53" ID x 1.00" OD x .170" Thick
1	Washer	87-60	FP-103325		Raw Water Pump Drive Gear; Lock washer; 5/8"
QTY	THERMOSTAT	YEARS	PART NO.	SIZE	DESCRIPTION
1	Thermostat	87-60	FP-5104238		Choke & Shield Design; 173 Deg.
2	Thermostat	87-60	FP-23503828		Weir Type; 165 Deg., Weir Type
2	Thermostat	87-60	FP-23503827		160 Deg.
2	Thermostat	87-60	FP-23503826		170 Deg.
2	Thermostat	87-60	FP-5172141		170 Deg.
1	Thermostat	87-60	FP-5184475		173 Deg.
1	Thermostat Gasket	87-60	FP-5167761		Thermostat Housing
1	Thermostat Gasket	87-60	FP-5169478		Thermostat Housing
2	Thermostat Gasket	87-60	FP-5169478		Water By-Pass Tube Elbow

(continued on next page)

GMC Truck - M/D & H/D

H/D Truck 6-71 In-Line (2-Valve Cyl. Head), 6-71E In-Line (4-Valve Cyl. Head), 6-71N 39 In-Line (4-Valve Cyl. Head) Engs. (cont.)
 7.0L 426 OHV Diesel L6 (6-71), 4.25" Bore (Detroit Diesel Eng.) 1960-87

COOLING SYSTEM (cont.)

QTY	THERMOSTAT (cont.)	YEARS	PART NO.	SIZE	DESCRIPTION
1	Thermostat Gasket	87-60	FP-5169478		Water Outlet Manifold Elbow
2	Thermostat Gasket	87-60	FP-5169478		Upper; Thermostat Housing
1	Thermostat Gasket	87-60	FP-5167761		Heat Exchanger
2	Exhaust Manifold Gasket	87-60	FP-5156319		Water By-Pass Tube to Exh. Manifold
QTY	MISCELLANEOUS	YEARS	PART NO.	SIZE	DESCRIPTION
12	Stud	87-60	FP-8927270		Water Outlet Manifold; 3/8" - 16/24" x 1.6875"
4	Hose Clamp	87-60	FP-5186841		Heat Exchanger; Water Inlet Tube; 1 9/16" - 2.50"
6	Hose Clamp	87-60	FP-9139809		Heat Exchanger; Water Inlet Tube; 2 1/16" - 3"
4	Hose Clamp	87-60	FP-5186841		Raw Water Pump Inlet Tube; 1 9/16" - 2.50"
2	Hose Clamp	87-60	FP-5186840		Thermostat Housing; 13/16" - 1 1/2" Clamping Range
2	Hose Clamp	87-60	FP-5186840		Water By-pass Tube Connecting Hose; 13/16" - 1 1/2" Clamping Range
1	Hose Clamp	87-60	FP-9139809		Water Outlet Manifold; 2 1/16" - 3"
1	Hose Clamp	87-60	FP-5188036		Water Outlet Manifold; 2.750" Dia. Hose
2	Hose Clamp	87-60	FP-5188036		Water Pump Inlet Seal; 2.750" Dia. Hose
3	Lock Washer	87-60	FP-103320		Fan Hub Mount; 5/16"
2	Lock Washer	87-60	FP-103321		Heat Exchanger; 3/8"
4	Lock Washer	87-60	FP-103321		Thermostat Housing; 3/8"
4	Lock Washer	87-60	FP-103320		Thermostat Housing; 5/16"
2	Lock Washer	87-60	FP-103320		Water Outlet Manifold Elbow; 5/16"
12	Lock Washer	87-60	FP-103321		Water Outlet Manifold; 3/8"
2	Lock Washer	87-60	FP-103321		Inlet; Heat Exchanger; 3/8"
2	Lock Washer	87-60	FP-103321		Inlet; Heat Exchanger; 3/8"
20	Lock Washer	87-60	FP-103320		Inlet; Heat Exchanger; 5/16"
2	Lock Washer	87-60	FP-103321		Outlet; Heat Exchanger; 3/8"
1	Sealing Ring	87-60	FP-5153560		Water Pump Inlet; 2.1875" OD
1	Sealing Ring	87-60	FP-5156770		Water Pump Inlet; 2.750" OD
1	O-Ring	87-60	FP-5150191		Fresh Water Pump Outlet
2	O-Ring	87-60	FP-5167746		Heat Exchanger
1	O-Ring	87-60	FP-23514265		Raw Water Pump; For Pump FP-5122599
1	O-Ring	87-60	FP-23514265		Raw Water Pump; For Pump FP-5186250
1	O-Ring	87-60	FP-23514265		Raw Water Pump; For Pumps FP-5115800, FP-5187140, FP-23507971
2	Exhaust Manifold Gasket	87-60	FP-5156319		Heat Exchanger; Cover Plate
2	Hose Clamp	87-60	FP-5186840		Upper; Hose to Thermostat Housing; 13/16" - 1 1/2" Clamping Range
2	Oil Cooler Gasket	87-60	FP-5112401		Heat Exchanger
1	Oil Cooler Core Outer Gasket	87-60	FP-5102506		Heat Exchanger; Oil Cooler Outlet
1	Oil Cooler Cover Gasket	87-60	FP-23501591		Heat Exchanger
1	Oil Cooler Cover Gasket	87-60	FP-23501591		Heat Exchanger; Expansion Tank Cover

ENGINE BLOCK & PARTS

QTY	GASKETS	YEARS	PART NO.	SIZE	DESCRIPTION
2	Flywheel Housing Gasket	87-60	FP-5150055		
1	Flywheel Housing Gasket	87-60	FP-8928967		
1	Governor Hole Gasket	87-60	FP-5123812		Flywheel Housing Vent Cover
2	Accessory Drive Gasket	87-60	FP-23515145		Flywheel Housing Large Hole Cover
2	Bolt	87-60	FP-8927580		Flywheel Housing; 3/8" - 16 x .875"
2	Washer	87-60	FP-5125108		Flywheel Housing; 7/16" x 3/4" x 1/16"
2	Lock Washer	87-60	FP-103319		Flywheel Housing; .250"
2	Copper Washer	87-60	FP-5152148		Flywheel Housing; 25/64" ID x 9/16" OD x 1/16" Thick; Copper
1	Oil Pan Gasket	87-60	FP-5150117		
4	Bolt	87-60	FP-8927580		Oil Filter; 3/8" - 16 x .875"
4	Bolt	87-60	FP-8927581		Oil Filter; 3/8" - 16 x 1"
1	Washer	87-60	FP-5177773		Filter By-pass Valve Plug; 18MM x 1.5MM
1	Washer	87-60	FP-8402777		Oil Pan Drain Plug; 18MM, Nylon
1	Washer	87-60	FP-5150568		Oil Strainer Center Stud; 7/16" x 3/4" x 1/16"; Copper
4	Lock Washer	87-60	FP-103321		Oil Filter; 3/8"
34	Lock Washer	87-60	FP-103320		Oil Pan; 5/16"
2	Lock Washer	87-60	FP-103320		Oil Pressure Regulator; 5/16"
1	Pipe Plug	87-60	FP-5115214		Oil Cooler Water Inlet; 1/2" Square Head
2	Pipe Plug	87-60	FP-8924517		Oil Cooler Water Inlet; 3/8" x 18 square head
2	Pipe Plug	87-60	FP-5121182		Oil Filter; 1/4" - 18; Hex head
1	Pipe Plug	87-60	FP-5115214		Oil Pan Drain; 1/2" Square Head
1	Pipe Plug	87-60	FP-5121182		Oil Pan Drain; 1/4" - 18; Hex head
1	Pipe Plug	87-60	FP-5142549		Oil Pan Drain; 3/4" - 14 Square Head
1	Pipe Plug	87-60	FP-8924517		Oil Pan Drain; 3/8" x 18 square head
2	Pipe Plug	87-60	FP-5115214		Oil Pan Sump; 1/2" Square Head

(continued on next page)

GMC Truck - M/D & H/D

39 H/D Truck 6-71 In-Line (2-Valve Cyl. Head), 6-71E In-Line (4-Valve Cyl. Head), 6-71N
 (cont.) In-Line (4-Valve Cyl. Head) Engs.
 7.0L 426 OHV Diesel L6 (6-71), 4.25" Bore (Detroit Diesel Eng.) 1960-87

ENGINE BLOCK & PARTS (cont.)

QTY	GASKETS (cont.)	YEARS	PART NO.	SIZE	DESCRIPTION
1	Pipe Plug	87-60	FP-5115214		Oil Pan; 1/2" Square Head
1	Pipe Plug	87-60	FP-5121182		Oil Pan; 1/4" - 18; Hex head
1	Pipe Plug	87-60	FP-8923313		Oil Pan; 3/4"
1	Pipe Plug	87-60	FP-5142549		Oil Pan; 3/4" - 14 Square Head
2	Cylinder Cover Gasket	87-60	FP-23505518		Front & Rear; Cyl. Block End Plate
1	Gasket	87-60	FP-5116357		Cyl. Block Water Hole Cover
8	Gasket	87-60	FP-23505525		Cyl. Block; 3/8" Copper
4	Hand Hole Cover Gasket	87-60	FP-5132117		
12	Copper Washer	87-60	FP-5152148		Cyl. Block; 25/64" ID x 9/16" OD x 1/16" Thick; Copper
6	Lock Washer	87-60	FP-103321		Cyl. Block; 3/8"
QTY	GASKET SETS	YEARS	PART NO.	SIZE	DESCRIPTION
1	Complete Overhaul Gasket Set	87-60	FP-23512676WS		High Block; w/Seals; Compl., Incl. bi-directional front & rear crank seals; valve cover gskts. not incl.
1	Complete Overhaul Gasket Set	87-60	FP-23512676		High Block; Compl., Bi-directional front & rear crank seals not incl.; Valve cover gskts. not incl.
1	Complete Overhaul Gasket Set	87-60	FP-5192923		Low Block
QTY	CAM BEARINGS	YEARS	PART NO.	SIZE	DESCRIPTION
4	Cam Brg.	87-60	FP-5111422	STD	
4	Cam Brg.	87-60	FP-5194858	10	
8	Cam Brg.	87-60	FP-5194825	20	Cam & Balance shaft brg.; .020" U/S, Unfinished; Grooved
8	Cam Brg.	87-60	FP-5111423	STD	Position Front & Rear; Cam & Balance shaft brg.; From Ser. No. 6A-57745; Grooved
5	Cam Brg.	87-60	FP-5196026	STD	Position Inter.; w/o Steel bushing in ctr. hole; Aluminum Blocks only
5	Cam Brg.	87-60	FP-5196022	STD	Position Inter.; w/Steel bushing in ctr. hole
5	Cam Brg.	87-60	FP-5196023	10	Position Inter.; w/Steel bushing in ctr. hole; .010" U/S ID
5	Cam Brg.	87-60	FP-5196024	20	Position Inter.; w/Steel bushing in ctr. hole; .020" U/S ID
QTY	OIL COOLERS & FILTERS	YEARS	PART NO.	SIZE	DESCRIPTION
1	Oil Cooler	87-60	FP-8547236		12 plate
1	Oil Cooler	87-60	FP-8547581		13 plate
1	Oil Cooler	87-60	FP-8547563		8 plate
4	Bolt	87-60	FP-8927581		Oil Cooler By-Pass; 3/8" - 16 x 1"
16	Copper Washer	87-60	FP-5155596		Oil Cooler Housing Cover; 5/16"; Special copper washer
4	Lock Washer	87-60	FP-103320		Oil Cooler; 5/16"
1	Lock Washer	87-60	FP-103321		Oil Cooler Adaptor to Block; 3/8"
2	Oil Cooler Gasket	87-60	FP-5112401		Oil Cooler Adaptor to Block
1	Oil Cooler Gasket	87-60	FP-8923223		Outer
1	Oil Cooler Core Gasket	87-60	FP-23501589		Outer
1	Gasket	87-60	FP-5575086		Oil Cooler By-pass Plug
1	Oil Cooler Core Inner Gasket	87-60	FP-5150155		
1	Oil Cooler Core Outer Gasket	87-60	FP-5102506		
2	Oil Cooler Adapter Gasket Set	87-60	FP-5150154		
1	Oil Cooler Adapter Cover Gskt	87-60	FP-5175882		Spacer
1	Oil Pump Intake Gasket	87-60	FP-5153902		Oil Cooler Housing Pad Cover; 2 1/4" B.C.
1	Copper Washer	87-60	FP-5152148		Oil Cooler Adaptor to Block; 25/64" ID x 9/16" OD x 1/16" Thick; Copper
1	Pipe Plug	87-60	FP-5115214		Oil Cooler By-Pass; 1/2" Square Head
1	Pipe Plug	87-60	FP-8923313		Oil Cooler By-Pass; 3/4"
1	Pipe Plug	87-60	FP-5121182		Oil Cooler Housing; 1/4" - 18; Hex head
1	Pipe Plug	87-60	FP-8923847		Oil Cooler; 1/4" x 18 NPTF; Square head
8	Pipe Plug	87-60	FP-8924517		Oil Cooler; 3/8" x 18 square head
QTY	FREEZE PLUGS	YEARS	PART NO.	SIZE	DESCRIPTION
2	Pipe Plug	87-60	FP-5115214		Cyl. Block; 1/2" Square Head
8	Pipe Plug	87-60	FP-5121182		Cyl. Block; 1/4" - 18; Hex head
9	Pipe Plug	87-60	FP-8924380		Cyl. Block; 1/8" - 27
2	Pipe Plug	87-60	FP-5142549		Cyl. Block; 3/4" - 14 Square Head
2	Pipe Plug	87-60	FP-5115214		Flywheel Housing; 1/2" Square Head
1	Pipe Plug	87-60	FP-5142549		Flywheel Housing; 3/4" - 14 Square Head
1	Pipe Plug	87-60	FP-8923847		Oil Filler; 1/4" x 18 NPTF; Square head
QTY	DIPSTICK	YEARS	PART NO.	SIZE	DESCRIPTION
1	Dipstick	87-60	FP-5115162		18.88" Length
1	Dipstick	87-60	FP-5101884		24" x 1.38"
1	Dipstick	87-60	FP-5108895		26.32" x 1.46"
1	Dipstick	87-60	FP-5146679		61" Length; Unmarked
1	Dipstick	87-60	FP-5146680		72" Length; Unmarked

(continued on next page)

GMC Truck - M/D & H/D

**H/D Truck 6-71 In-Line (2-Valve Cyl. Head), 6-71E In-Line (4-Valve Cyl. Head), 6-71N 39
In-Line (4-Valve Cyl. Head) Engs. (cont.)**

7.0L 426 OHV Diesel L6 (6-71), 4.25" Bore (Detroit Diesel Eng.) 1960-87

ENGINE BLOCK & PARTS (cont.)

QTY	MISCELLANEOUS	YEARS	PART NO.	SIZE	DESCRIPTION
6	Bolt	87-60	FP-8927581		Cyl. Block; w/Seal patch; 3/8" - 16 x 1"
6	Bolt	87-60	FP-8927581		Flywheel Housing; 3/8" - 16 x 1"
6	Bolt	87-60	FP-9410925		Flywheel Housing; 9/16" - 18 x 2.250"
6	Bolt	87-60	FP-9412015		Flywheel Housing; 9/16" - 18 x 2.500"
1	Bolt	87-60	FP-5103534		Oil Filler; 5/16" - 24 x 1/2"
2	Pipe Plug	87-60	FP-5115214		Cyl. Block; 1/2" Square Head
8	Pipe Plug	87-60	FP-5121182		Cyl. Block; 1/4" - 18; Hex head
9	Pipe Plug	87-60	FP-8924380		Cyl. Block; 1/8" - 27
2	Pipe Plug	87-60	FP-5142549		Cyl. Block; 3/4" - 14 Square Head
2	Pipe Plug	87-60	FP-5115214		Flywheel Housing; 1/2" Square Head
1	Pipe Plug	87-60	FP-5142549		Flywheel Housing; 3/4" - 14 Square Head
1	Pipe Plug	87-60	FP-8923847		Oil Filler; 1/4" x 18 NPTF; Square head
4	Gasket	87-60	FP-5178997		Cyl. Block Core Plug
6	Washer	87-60	FP-5131978		Flywheel Housing; .53" ID x 1.00" OD x .170" Thick
1	Washer	87-60	FP-5131755		Flywheel Housing; 17/32" x .88" x .1345"
6	Washer	87-60	FP-5138619		Flywheel Housing; 25/64" x 3/4" x .083"
1	Copper Washer	87-60	FP-5155596		Oil Filler; 5/16"; Special copper washer
2	Lock Washer	87-60	FP-103320		Cyl. Block; w/Lock Washer; 5/16"
16	Lock Washer	87-60	FP-103321		Flywheel Housing; 3/8"
2	Lock Washer	87-60	FP-103321		Oil Filler; 3/8"
1	Oil Filler Cap	87-60	FP-5117362		2.00" Dia.; Thermos Bottle Style

CRANKSHAFT/OIL PUMP

QTY	CRANKSHAFT	YEARS	PART NO.	SIZE	DESCRIPTION
1	Vibration Damper	87-60	FP-8922491		Heavy Viscous
1	Vibration Damper	87-60	FP-5177763		Light Viscous
1	Bolt	87-60	FP-23501143		Crankshaft pulley; 1" - 14 X 2.750" (1.500" Hex head)
14	Washer	87-60	FP-103325		Lock washer; 5/8"
6	Lock Washer	87-60	FP-103321		3/8"
2	Woodruff Key	87-60	FP-5131724		Position Front; Crankshaft pulley; .375" x 1.250"
4	Dowel Pin	87-60	FP-141346		.1875" x .500"

ENGINE BLOCK & PARTS

QTY	SEALS - FLYWHEEL HOUSING	YEARS	PART NO.	SIZE	DESCRIPTION
1	Oil Seal	87-60	FP-5173384		Flywheel Seal

CRANKSHAFT/OIL PUMP

QTY	SEALS - FRONT CRANK	YEARS	PART NO.	SIZE	DESCRIPTION
1	Oil Seal	87-60	FP-5115454		Single Lip; Single Lip, Std.
1	Oil Seal	87-60	FP-5143108		Submersible
1	Redi-Sleeve	87-60	99287		Shaft dia. 2.876"
1	Oil Seal Spacer	87-60	FP-23507306		2.50" ID x 2.81" Length
1	Oil Seal	87-60	455006N		
1	O-Ring	87-60	FP-23503769		Front Crank Spacer Seal

QTY	SEALS - REAR CRANK	YEARS	PART NO.	SIZE	DESCRIPTION
1	Oil Seal	87-60	FP-5127821		Double Lip; Double Lip, Std.; Shaft Dia. 4.687"
1	Oil Seal	87-60	FP-5196927		Double Lip; O/S Seal; Double Lip; O/S Shaft Dia. 4.812"
1	Oil Seal	87-60	FP-5197860		Single Lip; O/S Seal; Single lip; O/S Shaft dia. 4.812"
1	Oil Seal	87-60	FP-5114335		Single Lip; Single Lip, Std.; Shaft Dia. 4.687"
1	Oil Seal Spacer	87-60	FP-5192496		Rear Crank Spacer; Exc. Double Lip Seal
1	Oil Seal	87-60	455378H		
1	Oil Seal	87-60	6329S		(Double Lip Seal)
1	Oil Seal Kit	87-60	5460		(Oversize)
1	Redi-Sleeve	87-60	FP-23507225		Rear Crank Sleeve; O/S Seal only
1	Redi-Sleeve	87-60	99468		
1	Redi-Sleeve	87-60	99468		(Double Lip Seal)

QTY	MAIN BEARINGS	YEARS	PART NO.	SIZE	DESCRIPTION
7	Plain Main Brg.	87-60	FP-5192874	STD	
7	Plain Main Brg.	87-60	FP-5192875	2	
7	Plain Main Brg.	87-60	FP-5192876	10	
7	Plain Main Brg.	87-60	FP-5192877	20	
7	Plain Main Brg.	87-60	FP-5192878	30	
7	Plain Main Brg.	87-60	FP-5193738	40	
7	Plain Main Brg.	87-60	FP-5193739	50	
1	Thrust Washer Set	87-60	FP-5159353S	STD	Position Rear
4	Thrust Washer	87-60	FP-5159353	STD	Position Rear

(continued on next page)

GMC Truck - M/D & H/D

39 H/D Truck 6-71 In-Line (2-Valve Cyl. Head), 6-71E In-Line (4-Valve Cyl. Head), 6-71N
 (cont.) In-Line (4-Valve Cyl. Head) Engs.
 7.0L 426 OHV Diesel L6 (6-71), 4.25" Bore (Detroit Diesel Eng.) 1960-87

CRANKSHAFT/OIL PUMP (cont.)

QTY	MAIN BEARINGS (cont.)	YEARS	PART NO.	SIZE	DESCRIPTION
4	Thrust Washer	87-60	FP-5160542	5	Position Rear
4	Thrust Washer	87-60	FP-5192111	10	Position Rear
QTY	OIL PUMP	YEARS	PART NO.	SIZE	DESCRIPTION
1	Pump Repair Kit	87-60	FP-5194801		
1	Inter. Shaft	87-60	FP-5153309		Oil Pump Drive; 8 31/32" Length
1	Inter. Shaft	87-60	FP-5153310		Oil Pump Driven Gear; 3 7/32" Length
1	Inter. Shaft	87-60	FP-5153146		Oil Pump Driven Gear; 5 5/32" Length
2	Oil Pump Intake Gasket	87-60	FP-5153902		Inlet Pipe; 2 1/4" B.C.
2	Bushing	87-60	FP-5153147		Oil Pump Body
4	Bushing	87-60	FP-5166840		Oil Pump Driven Gear
1	Bushing	87-60	FP-5153154		Oil Pump Shaft & Gear
1	Oil Pump Spring	87-60	FP-5155765		Oil Pump Relief Valve
1	Woodruff Key	87-60	FP-8928540		Oil Pump Drive Shaft; 1/8" x 5/8"
1	Woodruff Key	87-60	FP-8928540		Oil Pump Shaft; 1/8" x 5/8"
1	Washer	87-60	FP-5175944		Oil Pump Idler; Small
4	Lock Washer	87-60	FP-103321		Oil Pump Body; 3/8"
4	Lock Washer	87-60	FP-103320		Oil Pump Body; 5/16"
1	Gasket	87-60	FP-5156922		Oil Pump Outlet Pipe; 2 5/64" B.C.
2	Gasket	87-60	FP-105456		Oil Pump Relief Valve; 7/8" Copper
1	O-Ring	87-60	FP-5187316		Filter By-pass Valve Plug
2	Governor Hole Gasket	87-60	FP-5123812		Oil Drain Tube; Inclined Engines
1	Oil Filter Gasket	87-60	FP-1595620		Rectangular Section
1	Lo Press. Reg. Body Gasket	87-60	FP-5104381		Type No. 1, 2, 21, 23
1	Lo Press. Reg. Body Gasket	87-60	FP-5156831		Type No. 3
1	Gasket	87-60	FP-5575086		Filter By-pass Valve Plug
1	Lock Nut	87-60	FP-114498		Oil Filter Cover; 5/8" - 18, Jam Nut
1	Oil Pressure Regulator Valve	87-60	FP-5153247		Oil Pump Relief
1	Oil Filter Adapter Gasket	87-60	FP-5152413		Filter to Oil Cooler
1	Oil Filter Adapter Gasket	87-60	FP-5188028		Filter to Oil Cooler
1	Oil Pump Spring	87-60	FP-5156815		Oil Press. Regulator
1	Pipe Plug	87-60	FP-5115214		Oil Cooler Water Inlet; 1/2" Square Head
2	Pipe Plug	87-60	FP-8924517		Oil Cooler Water Inlet; 3/8" x 18 square head
2	Pipe Plug	87-60	FP-5121182		Oil Filter; 1/4" - 18; Hex head
1	Pipe Plug	87-60	FP-5115214		Oil Pan Drain; 1/2" Square Head
1	Pipe Plug	87-60	FP-5121182		Oil Pan Drain; 1/4" - 18; Hex head
1	Pipe Plug	87-60	FP-5142549		Oil Pan Drain; 3/4" - 14 Square Head
1	Pipe Plug	87-60	FP-8924517		Oil Pan Drain; 3/8" x 18 square head
2	Pipe Plug	87-60	FP-5115214		Oil Pan Sump; 1/2" Square Head
1	Pipe Plug	87-60	FP-5115214		Oil Pan; 1/2" Square Head
1	Pipe Plug	87-60	FP-5121182		Oil Pan; 1/4" - 18; Hex head
1	Pipe Plug	87-60	FP-8923313		Oil Pan; 3/4"
1	Pipe Plug	87-60	FP-5142549		Oil Pan; 3/4" - 14 Square Head

CYLINDER COMPONENTS

QTY	LINERS	YEARS	PART NO.	SIZE	DESCRIPTION
6	Liner w/o Sealing Rings	87-60	FP-5102316	5	Flanged, .810" port length
6	Liner w/o Sealing Rings	87-60	FP-5102317	10	Flanged, .810" port length
6	Liner w/o Sealing Rings	87-60	FP-5102318	20	Flanged, .810" port length
6	Liner w/o Sealing Rings	87-60	FP-5102319	30	Flanged, .810" port length
6	Liner w/o Sealing Rings	87-60	FP-5107448	5	Flanged, .950" port length
6	Liner w/o Sealing Rings	87-60	FP-5107449	10	Flanged, .950" port length
6	Liner w/o Sealing Rings	87-60	FP-5107450	20	Flanged, .950" port length
6	Liner w/o Sealing Rings	87-60	FP-5193732	5	Flanged, 1.050" port length
6	Liner w/o Sealing Rings	87-60	FP-5193733	10	Flanged, 1.050" port length
6	Liner w/o Sealing Rings	87-60	FP-5193734	20	Flanged, 1.050" port length
6	Liner w/o Sealing Rings	87-60	FP-5193735	30	Flanged, 1.050" port length
6	Liner w/o Sealing Rings	87-60	FP-23504931	STD	No. 1 Bore; Flanged, .810" port length
6	Liner w/o Sealing Rings	87-60	FP-23502023	STD	No. 1 Bore; Flanged, .950" port length
6	Liner w/o Sealing Rings	87-60	FP-23502020	STD	No. 1 Bore; Flanged, 1.050" port length
6	Liner w/o Sealing Rings	87-60	FP-23504932	STD	No. 2 Bore; Flanged, .810" port length
6	Liner w/o Sealing Rings	87-60	FP-23502024	STD	No. 2 Bore; Flanged, .950" port length
6	Liner w/o Sealing Rings	87-60	FP-23502021	STD	No. 2 Bore; Flanged, 1.050" port length
6	Liner w/o Sealing Rings	87-60	FP-23504933	STD	No. 3 Bore; Flanged, .810" port length
6	Liner w/o Sealing Rings	87-60	FP-23502025	STD	No. 3 Bore; Flanged, .950" port length
6	Liner w/o Sealing Rings	87-60	FP-23502022	STD	No. 3 Bore; Flanged, 1.050" port length
6	Liner w/o Sealing Rings	87-60	FP-23504934	STD	No. 4 Bore; Flanged, .810" port length
6	Liner w/o Sealing Rings	87-60	FP-23504935	STD	No. 4 Bore; Flanged, .950" port length
6	Liner w/o Sealing Rings	87-60	FP-23504936	STD	No. 4 Bore; Flanged, 1.050" port length

(continued on next page)

GMC Truck - M/D & H/D

**H/D Truck 6-71 In-Line (2-Valve Cyl. Head), 6-71E In-Line (4-Valve Cyl. Head), 6-71N 39
In-Line (4-Valve Cyl. Head) Engs. (cont.)**
7.0L 426 OHV Diesel L6 (6-71), 4.25" Bore (Detroit Diesel Eng.) 1960-87

CYLINDER COMPONENTS (cont.)

QTY	LINERS (cont.)	YEARS	PART NO.	SIZE	DESCRIPTION
6	Cylinder Kit Complete	87-60	FP-23522951	10	w/Cross Head style piston; 1.050" port length sleeve
6	Cylinder Kit Complete	87-60	FP-23522525	20	w/Cross Head style piston; 1.050" port length sleeve
6	Cylinder Kit Complete	87-60	FP-5149263	10	w/Trunk style piston; 4 Valve Head; 1.05" port length sleeve
6	Cylinder Kit Complete	87-60	FP-5149264	20	w/Trunk style piston; 4 Valve Head; 1.05" port length sleeve
6	Cylinder Kit Complete	87-60	FP-20022	STD	No. 1 Bore; w/Cross Head style piston
6	Cylinder Kit Complete	87-60	FP-20014	STD	No. 1 Bore; w/Trunk style piston; 2 Valve Head
6	Cylinder Kit Complete	87-60	FP-20011	STD	No. 1 Bore; w/Trunk style piston; 4 Valve Head; 1.05" port length sleeve
6	Cylinder Kit Complete	87-60	FP-23522949	STD	No. 2 Bore; w/Cross Head style piston; 1.050" port length sleeve
6	Cylinder Kit Complete	87-60	FP-23505308	STD	No. 2 Bore; w/Trunk style piston; 2 Valve Head; .810" port length sleeve
6	Cylinder Kit Complete	87-60	FP-23505305	STD	No. 2 Bore; w/Trunk style piston; 4 Valve Head; 1.05" port length sleeve
6	Cylinder Kit Complete	87-60	FP-23522947	STD	No. 3 Bore; w/Cross Head style piston; 1.050" port length sleeve
6	Cylinder Kit Complete	87-60	FP-23505309	STD	No. 3 Bore; w/Trunk style piston; 2 Valve Head
6	Cylinder Kit Complete	87-60	FP-23505306	STD	No. 3 Bore; w/Trunk style piston; 4 Valve Head; 1.05" port length sleeve
6	Cylinder Kit Complete	87-60	FP-23522521	STD	No. 4 Bore; w/Cross Head style piston; 1.050" port length sleeve
6	Cylinder Kit Complete	87-60	FP-5149261	STD	No. 4 Bore; w/Trunk style piston; 4 Valve Head; 1.05" port length sleeve
6	Liner Kit w/o Sleeve	87-60	FP-LCK22507		w/Cross Head style piston
6	Liner Kit w/o Sleeve	87-60	FP-LCK22949		w/Cross Head style piston
6	Liner Kit w/o Sleeve	87-60	FP-LCK5309		w/Trunk style piston; 2 Valve Head
6	Liner Kit w/o Sleeve	87-60	FP-LCK5306		w/Trunk style piston; 4 Valve Head
6	Flange Shim	87-60	FP-5199569	2	High Block; .002" Thick
6	Flange Shim	87-60	FP-2190595	.0015	Low Block; .002" Thick
6	Flange Shim	87-60	FP-5192226	3	Low Block; .003" Thick
6	Cntr. Bore Insert	87-60	FP-5199871		.0015" Thicker than std., for .010-.030 O/S sleeves
6	Cntr. Bore Insert	87-60	FP-5148399		.0015" Thicker than std., for std.-.005 O/S sleeves
6	Cntr. Bore Insert	87-60	FP-5148440		.0015" Thinner than std., for std.-.005 O/S sleeves
6	Cntr. Bore Insert	87-60	FP-5194073		.0035 Thinner than std., for std.-.005 O/S sleeves
6	Cntr. Bore Insert	87-60	FP-5194163		.0040 Thinner than std., for .010-.030 O/S sleeves
6	Cntr. Bore Insert	87-60	FP-5194164		.0080" Thinner than std., for .010-.030 O/S sleeves
6	Cntr. Bore Insert	87-60	FP-5193316		Std. thickness (.1795-.1800), for .010-.030 O/S sleeves
6	Cntr. Bore Insert	87-60	FP-5184484		Std. thickness (.1795-.1800), for std.-.005 O/S sleeves
QTY	PISTONS	YEARS	PART NO.	SIZE	DESCRIPTION
6	Piston With Retainers	87-60	FP-5189054	STD	17.5:1 C.R.; Trunk style piston; 2 Valve Head; Dish Head, Cast Iron; 4-1/8, 2-3/16 Ring Groove
6	Piston With Retainers	87-60	FP-5149234	STD	18.7:1 C.R.; Trunk style piston; 4 Valve Head
6	Piston Dome Kit	87-60	FP-23522475		17.0:1 C.R.; w/Cross Head style piston
6	Piston Dome Kit	87-60	FP-23522535		18.7:1 C.R.; w/Cross Head style piston
6	Crosshead Piston Dome	87-60	FP-23521992	STD	17.0:1 C.R.; Cross Head style piston
6	Crosshead Piston Dome	87-60	FP-23522026	STD	18.7:1 C.R.; w/Cross Head style piston
6	Piston Skirt	87-60	FP-23522070	STD	w/Cross Head style piston
6	Pin	87-60	FP-5101120	STD	w/Cross Head style piston
6	Pin	87-60	FP-5144744	STD	w/Cross Head style piston; Nut plate type
6	Pin	87-60	FP-5188406	STD	w/Trunk style piston
12	Piston Pin Retainer	87-60	FP-5180250		w/Cross Head style piston
12	Piston Pin Retainer	87-60	FP-5188405		w/Trunk style piston
6	Piston Pin Slipper Bearing	87-60	FP-23501687		w/Cross Head style piston; Slipper type design - 1 per cyl.
6	Pin Bushing	87-60	FP-5157274		w/Trunk style piston; w/.015" extra ID bore stock
6	Pin Bushing	87-60	FP-2409Y		w/1.5020" I.D., 1.7510" O.D., .7600" O.A.L.
6	Pin Bushing	87-60	2409Y +		w/1.5020" I.D., 1.7510" O.D., .7600" O.A.L.; When depleted use FP-2409Y
QTY	CONNECTING RODS & BRGS.	YEARS	PART NO.	SIZE	DESCRIPTION
12	Con. Rod Bolt	87-60	FP-5132383		.4375" x 20 x 3.52"
12	Con. Rod Nut	87-60	FP-5117629		.4375" x 20
6	Rod Pair	87-60	FP-23511129	STD	Late design-upper brg. w/2 oil slots
6	Rod Pair	87-60	FP-23511131	2	Late design-upper brg. w/2 oil slots
6	Rod Pair	87-60	FP-23511133	10	Late design-upper brg. w/2 oil slots
6	Rod Pair	87-60	FP-23511135	20	Late design-upper brg. w/2 oil slots
6	Rod Pair	87-60	FP-23511137	30	Late design-upper brg. w/2 oil slots
6	Rod Pair	87-60	FP-5193741	40	Late design-upper brg. w/2 oil slots
QTY	PISTON RINGS	YEARS	PART NO.	SIZE	DESCRIPTION
6	Ring Set Single Cylinder	87-60	FP-23522954	STD	w/Cross Head style piston; Wide gap Fire Ring
6	Ring Set Single Cylinder	87-60	FP-23522955	STD	Cross Head style piston; Std. gap Fire Ring

(continued on next page)

+ Superseded Part Number

GMC Truck - M/D & H/D

39 H/D Truck 6-71 In-Line (2-Valve Cyl. Head), 6-71E In-Line (4-Valve Cyl. Head), 6-71N (cont.) In-Line (4-Valve Cyl. Head) Engs. 7.0L 426 OHV Diesel L6 (6-71), 4.25" Bore (Detroit Diesel Eng.) 1960-87

CYLINDER COMPONENTS (cont.)

QTY	PISTON RINGS (cont.)	YEARS	PART NO.	SIZE	DESCRIPTION
6	Ring Set Single Cylinder	87-60	FP-5193477	STD	Trunk style piston; 2 Valve Head; 4-1/8, 2-3/16 (1 cyl. set w/4 Chrome rings)
6	Ring Set Single Cylinder	87-60	FP-23514970	STD	Trunk style piston; 4 Valve Head; 4-.084, 2-3/16 (1 cyl. Set)
12	Compression Ring	87-60	FP-8926351		w/Cross Head style piston; 2nd & 3rd grooves
6	Compression Ring	87-60	FP-8924084		Cross Head style piston; Std. gap Fire Ring
6	Compression Ring	87-60	FP-8924083		Cross Head style piston; Wide gap Fire Ring
24	Compression Ring	87-60	FP-5185325		Trunk style piston; 2 Valve Head; Top 4 grooves
18	Compression Ring	87-60	FP-5102648		Trunk style piston; 4 Valve Head; First 4 grooves
12	Ring, Oil Control Set	87-60	FP-23522534		Cross Head style piston; For one groove
6	Ring, Oil Control Set	87-60	FP-23514965		Trunk style piston; 4 Valve Head; Set for one piston

CLUTCH

QTY	CLUTCH	YEARS	PART NO.	SIZE	DESCRIPTION
1	Ball Brg.	87-60	FP-23503707		Clutch Pilot
1	Ball Brg.	87-60	FP-23503709		Clutch Pilot
1	Ball Brg.	87-60	FP-23504892		Clutch Pilot

KITS

QTY	OVERHAUL KIT	YEARS	PART NO.	SIZE	DESCRIPTION
1	In-Frame Overhaul Kit	87-60	FP-671XH		w/Cross Head style piston; Valve cover gaskets not incl.
1	In-Frame Overhaul Kit	87-60	FP-671NA		w/Trunk style piston & 1.050" Port Length Sleeve. Valve cover gaskets not Incl.
1	Complete Overhaul Kit	87-60	FP-671XHOH		w/Cross Head style piston; Valve cover gaskets not incl.
1	Complete Overhaul Kit	87-60	FP-6V71NAOH		w/Trunk style piston & 1.050" Port Length Sleeve. Valve cover gaskets Not Incl.

40 H/D Truck 6-71T In-Line (4-Valve Cyl. Head) Eng. 7.0L 426 OHV Turbo-Diesel L6, 4.25" Bore (Detroit Diesel Eng.) 1979-87

CYL. HEAD & PARTS

QTY	GASKETS	YEARS	PART NO.	SIZE	DESCRIPTION
1	Accessory Drive Gasket	87-79	FP-23515145		Breather Body/Separator
1	Governor Hole Gasket	87-79	FP-5123812		Breather Pipe
1	Crankcase Breather	87-79	FP-5130750		Breather Oil Separator Pad
1	Crankcase Breather	87-79	FP-5101760		Oil Separator Filter Unit; 4"
1	Crankcase Breather	87-79	FP-5101760		4"
1	Valve Cover Gasket	87-79	FP-5104019		Engs. w/cast Alum. valve cover; Silicone
1	Valve Cover Gasket	87-79	FP-5143407		Engs. w/steel valve cover; Neoprene
1	Lo Filter Adapter Gasket	87-79	FP-5173482		Breather Pipe/Body/Shell Cover, A/R
1	Lo Filter Adapter Gasket	87-79	FP-5173482		Oil Filler
1	Washer	87-79	FP-5150568		Breather Pipe; 7/16" x 3/4" x 1/16"; Copper
1	Hose Clamp	87-79	FP-5186840		Breather Body; For 1 5/8" Hose Dia.; 13/16" - 1 1/2" Clamping Range
1	Bolt	87-79	FP-8927580		Breather Pipe; 3/8" - 16 x .875"
1	Bolt	87-79	FP-5103635		Throttle Delay; 3/8" - 16 x 2.90"
4	Stud	87-79	FP-5148504		Rocker Cover; 3/8" - 16 x 4.32"
1	Screw	87-79	FP-5103642		Breather Shell Cover; No. 10 - 24 x .375"
3	Screw	87-79	FP-5103642		Oil Filler Tube; No. 10 - 24 x .375"
2	Lock Washer	87-79	FP-103321		Breather Pipe; 3/8"
2	Lock Washer	87-79	FP-103320		Breather Pipe; 5/16"
4	Lock Washer	87-79	FP-103321		Breather Shell Cover; 3/8"
4	Isolator Bushing	87-79	FP-5104515		Rocker Cover Bolt
QTY	MISCELLANEOUS	YEARS	PART NO.	SIZE	DESCRIPTION
2	Wear Sleeve	87-79	FP-5113773		Pilot; .70" Length
1	Pipe Plug	87-79	FP-8926993		Cyl. Head Fuse Plug; 1/4" X 18; Recessed socket head
13	Pipe Plug	87-79	FP-5121182		Cyl. Head Plug; 1/4" - 18; Hex head
5	Pipe Plug	87-79	FP-8923847		Cyl. Head Plug; 1/4" x 18 NPTF; Square head
4	Pipe Plug	87-79	FP-5142549		Cyl. Head Plug; 3/4" - 14 Square Head
3	Pipe Plug	87-79	FP-8924517		Cyl. Head Plug; 3/8" x 18 square head
12	Washer	87-79	FP-5125108		Fuel Stand; 7/16" x 3/4" x 1/16"
12	Lock Washer	87-79	FP-103321		Cyl. Head; 3/8"
12	Lock Nut	87-79	FP-103026		Cyl. Head; 3/8" x 24
QTY	FREEZE PLUGS	YEARS	PART NO.	SIZE	DESCRIPTION
1	Pipe Plug	87-79	FP-8926993		Cyl. Head Fuse Plug; 1/4" X 18; Recessed socket head
13	Pipe Plug	87-79	FP-5121182		Cyl. Head Plug; 1/4" - 18; Hex head
5	Pipe Plug	87-79	FP-8923847		Cyl. Head Plug; 1/4" x 18 NPTF; Square head
4	Pipe Plug	87-79	FP-5142549		Cyl. Head Plug; 3/4" - 14 Square Head

(continued on next page)

GMC Truck - M/D & H/D

H/D Truck 6-71T In-Line (4-Valve Cyl. Head) Eng. 40
7.0L 426 OHV Turbo-Diesel L6, 4.25" Bore (Detroit Diesel Eng.) 1979-87 (cont.)

CYL. HEAD & PARTS (cont.)

QTY	FREEZE PLUGS (cont.)	YEARS	PART NO.	SIZE	DESCRIPTION
3	Pipe Plug	87-79	FP-8924517		Cyl. Head Plug; 3/8" x 18 square head
2	Expansion Plug	87-79	FP-5117186		Cyl. Head Plug; 2" Dia. Cup; Stainless Steel
2	Expansion Plug	87-79	FP-5150132		Cyl. Head Plug; 3/4" Dia. Cup
4	Expansion Plug	87-79	FP-5154453		Cyl. Head Plug; 3/8" - 16 Headless Special
4	Expansion Plug	87-79	FP-5178976		Cyl. Head Plug; 7/16" - 14 Special
QTY	VALVE	YEARS	PART NO.	SIZE	DESCRIPTION
12	Exhaust Valve Kit	87-79	FP-5192718		w/Locks; 2 Valve Head; Contains (1) FP-5178472 & (2) FP-23507238; 45 Degree
12	Exhaust Valve Kit	87-79	FP-5193197		w/Locks; 2 Valve Head; Contains (1) FP-5185327 & (2) FP-23507238; 30 Degree
12	Exhaust Valve Kit	87-79	FP-5194829		w/Locks; 2 Valve Head; Jet Blade; Contains (1) FP-5178501 & (2) FP-23507238; 45 Degree
12	Exhaust Valve Kit	87-79	FP-5193666		w/Locks; 2 Valve Head; Jet Blade; Contains (1) FP-5186381 & (2) FP-23507238; 30 Degree
24	Exhaust Valve Kit	87-79	FP-5149386		w/Locks; 4 Valve Head; Hi-Output Eng.s.; Contains (1) FP-5104280 & (2) FP-5111337
24	Exhaust Valve Kit	87-79	FP-23500501		w/Locks; 4 Valve Head; N & T Eng.s.; Contains (1) FP-8922516 & (2) FP-5111337
12	Valve Guide Cap	87-79	FP-5199914		Exh.; 2 Valve Head; Seal installer; Clear
24	Keeper	87-79	FP-23507238		2 Valve Head; 1 groove; Square cut key groove
48	Keeper	87-79	FP-5111337		4 Valve Head; 1 groove; Square cut key groove
QTY	VALVE SEAT	YEARS	PART NO.	SIZE	DESCRIPTION
12	Exh.	87-79	FP-5198230	10	2 Valve Head; 30 Deg. seat; .010" O/S; 1.6380" OD, 1.3440" ID, .2485" Depth
12	Exh.	87-79	FP-8927920	STD	2 Valve Head; 30 Deg. seat; 1.6280" OD, 1.3440" ID, .2485" Depth
24	Exh.	87-79	FP-5197167	10	4 Valve Head; 30 Deg. seat; .010" O/S; 1.2720" OD, .9770" ID, .2355" Depth
24	Exh.	87-79	FP-5101101	STD	4 Valve Head; 30 Deg. seat; 1.2620" OD, .9770" ID, .2490" Depth
QTY	VALVE GUIDE	YEARS	PART NO.	SIZE	DESCRIPTION
12	Guide	87-79	FP-5120930		Exh.; 2 Valve Head
12	Guide	87-79	FP-5192717		Exh.; 2 Valve Head; .0162" O/S
24	Guide	87-79	FP-5129919		Exh.; 4 Valve Head; 2 3/8" length; .3130" ID, 2.3800" O.A.L.
QTY	VALVE SPRING	YEARS	PART NO.	SIZE	DESCRIPTION
12	Spring	87-79	FP-5150289		Exh.; 2 Valve Head; .177" Wire dia.
24	Spring	87-79	FP-5111339		Exh.; 4 Valve Head; .135" Wire dia.
24	Spring	87-79	FP-5147347		Exh.; 4 Valve Head; .148" Wire dia.
12	Valve Spring Seat	87-79	FP-5150292		Exh.; 2 Valve Head
24	Valve Spring Seat	87-79	FP-5117562		Exh.; 4 Valve Head
24	Spring Insert	87-79	FP-5111467		Exh.
12	Spring Cap	87-79	FP-5150291		Exh.; 2 Valve Head
24	Spring Cap	87-79	FP-5117563		Exh.; 4 Valve Head
QTY	PUSH RODS	YEARS	PART NO.	SIZE	DESCRIPTION
18	Push Rod	87-79	FP-5128640		
18	Push Rod Seat	87-79	FP-5123250		Lower
18	Push Rod Seat	87-79	FP-5150302		Upper; Flange type
18	Push Rod Spring	87-79	FP-5186858		.177" Wire diameter
18	Push Rod Retainer	87-79	FP-5150303		
18	Lock Nut	87-79	FP-5151601		5/16" - 24
QTY	VALVE MISC.	YEARS	PART NO.	SIZE	DESCRIPTION
12	Bolt	87-79	FP-443603		.250" x 20 x .750"
12	Lock Nut	87-79	FP-5151601		5/16" - 24
12	Lock Washer	87-79	FP-103319		Cam Follower; .250"
12	Lock Washer	87-79	FP-103320		Cam Follower; 5/16"
QTY	VALVE SEAL	YEARS	PART NO.	SIZE	DESCRIPTION
12	Valve Stem Seal	87-79	FP-23500480		Exh.; 2 Valve Head
24	Valve Stem Seal	87-79	FP-8921209		Exh.; 4 Valve Head
24	Tools	87-79	FP-5199913		Exh.; 4 Valve Head; Seal installer; Green Stripe
QTY	ROCKER PARTS	YEARS	PART NO.	SIZE	DESCRIPTION
6	Arm Assy.	87-79	FP-5148472		Exh. Left
6	Arm Assy.	87-79	FP-5148475		Exh. Right
6	Arm Assy.	87-79	FP-8923554		Injector; Unbushed Clevis
6	Rocker Shaft	87-79	FP-23500714		
12	Rocker Shaft Bracket Bolt	87-79	FP-5150325		1/2" - 13 x 4.250"
12	Arm Support	87-79	FP-5103903		
12	Rocker Bushing	87-79	FP-5123700		Exh.; Exh. Valve Clevis; .5625" OD

(continued on next page)

GMC Truck - M/D & H/D

40 H/D Truck 6-71T In-Line (4-Valve Cyl. Head) Eng.
 (cont.) 7.0L 426 OHV Turbo-Diesel L6, 4.25" Bore (Detroit Diesel Eng.) 1979-87

CYL. HEAD & PARTS (cont.)					
QTY	ROCKER PARTS (cont.)	YEARS	PART NO.	SIZE	DESCRIPTION
12	Rocker Bushing	87-79	FP-23517217		Exh.; Large; .8755" ID, .9475" OD, .840" Length, .0360" Wall thickness
12	Rocker Bushing	87-79	FP-8924354		Exh.; Small
6	Rocker Bushing	87-79	FP-8924355		Injector; Large
18	Follower Assy.	87-79	FP-8924439		
18	Cam Follower Roller Set	87-79	FP-8923814		Incl. pin & roller
12	Valve Bridge Adj. Screw	87-79	FP-5129101		5/16" - 24 x 1"
12	Valve Bridge	87-79	FP-5117565		Exh.
12	Valve Bridge Guide	87-79	FP-5117564		Exh.; Press fit
12	Valve Bridge Guide	87-79	FP-51175646		Exh.; Press fit w/.006" O/S
12	Valve Bridge Guide	87-79	FP-5196843		Exh.; Threaded
12	Rocker Arm Clevis Pin	87-79	FP-5150314		
12	Bushing	87-79	FP-5122445 +		Exh.; Large; When depleted use FP-23517217
ELECTRICAL					
QTY	ELECTRICAL	YEARS	PART NO.	SIZE	DESCRIPTION
1	Starting Motor Gasket	87-79	FP-5130995		Starting Motor Hole Cover
INT & EXH MANIFOLDS					
QTY	INT. & EXH. MANIFOLDS	YEARS	PART NO.	SIZE	DESCRIPTION
4	Stud	87-79	FP-8927270		Exh. Manifold to Head; 3/8" - 16/24" x 1.6875"
7	Stud	87-79	FP-8925804		Exh. Manifold to Head; 7/16" - 14/20" x 2 3/32"
7	Lock Nut	87-79	FP-23505398		Exh. Manifold; 7/16" - 20
4	Lock Washer	87-79	FP-103320		Exh. Manifold; 5/16"
1	Exhaust Manifold Gasket	87-79	FP-5120223		Diameter
1	Exhaust Manifold Gasket	87-79	FP-5150196		Diameter
2	Exhaust Manifold Gasket	87-79	FP-5150195		Ends; Composition
2	Exhaust Manifold Gasket	87-79	FP-5120224		Ends; Metal Clad
1	Exhaust Manifold Gasket	87-79	FP-5163811		Exh. Outlet; 4.375" I.D.
4	Exhaust Manifold Gasket	87-79	FP-5156319		Manifold Cover Plate
1	Exhaust Manifold Gasket	87-79	FP-5156319		Water Outlet Flange
1	Gasket	87-79	FP-5113412		Exh. Manifold Cover Plate
1	Pipe Plug	87-79	FP-5115214		Exh. Manifold; 1/2" Square Head
4	Lock Washer	87-79	FP-103321		Exh. Flange; 3/8"
7	Washer	87-79	FP-5104439		Exh. Manifold; 7/16" x 1.250" Dia.; Dished
1	Clamp	87-79	FP-5132650		Exh. Flange; 5.250" Dia.
1	Hose Clamp	87-79	FP-5137618		Exh. Manifold
1	Exhaust Manifold	87-79	FP-8921704		Horizontal; Water Cooled
QTY	AIR INTAKE	YEARS	PART NO.	SIZE	DESCRIPTION
2	Air Intake Housing Gasket	87-79	FP-5124405		
1	Air Intake Gasket	87-79	FP-3290572		Housing Striker Plate
2	Lock Washer	87-79	FP-103319		Air Inlet Housing Shutdown Valve Shaft; .250"
4	Lock Washer	87-79	FP-103321		Air Silencer; 3/8"
6	Lock Washer	87-79	FP-103320		Air Silencer; 5/16"
2	O-Ring	87-79	FP-5182977		Air Inlet Housing Shutdown Valve Shaft
CAMSHAFT GROUP					
QTY	TIMING	YEARS	PART NO.	SIZE	DESCRIPTION
1	Idler Gear Hub Assembly	87-79	FP-5130135		
1	Bolt	87-79	FP-454992		Idler Gear; 1/2" - 13 x 2 1/2
6	Bolt	87-79	FP-5103534		Idler Gear; 5/16" - 24 x 1/2"
1	Washer	87-79	FP-5167714		Idler Gear; 17/32" x 7/8" x 3/32"
QTY	CAMSHAFT/LIFTER	YEARS	PART NO.	SIZE	DESCRIPTION
1	Camshaft	87-79	FP-5149393		Advanced timing; R.H. rotation; Type 17, 27, 93, 166, 193, 399, 463, 532, 552, 558, 565
2	Camshaft Thrust Washer	87-79	FP-5111424		
2	Camshaft Thrust Washer	87-79	FP-5194826		
2	Camshaft Thrust Washer	87-79	FP-5194827		
5	Bolt	87-79	FP-5123383		Balance weight
2	Lock Washer	87-79	FP-5177769		Front balance weight; 1.125"
12	Lock Washer	87-79	FP-103321		Rear balance weight; 3/8"
2	Camshaft Plug	87-79	FP-5151277		.500" Drive; 15/32" x 1/2"
1	Prelube	87-79	55-400		4 oz. bottle; 1.5 oz. packet No. 55-403 also avail.
ACCESSORY DRIVE					
QTY	ACCESSORY DRIVE	YEARS	PART NO.	SIZE	DESCRIPTION
1	Accessory Drive Gasket	87-79	FP-23515145		
1	Oil Seal	87-79	FP-5102456		Accessory Drive
1	Oil Seal	87-79	FP-5131329		Accessory Drive

(continued on next page)

+ Superseded Part Number

GMC Truck - M/D & H/D

H/D Truck 6-71T In-Line (4-Valve Cyl. Head) Eng. 40
7.0L 426 OHV Turbo-Diesel L6, 4.25" Bore (Detroit Diesel Eng.) 1979-87 (cont.)

ACCESSORY DRIVE (cont.)

QTY	ACCESSORY DRIVE (cont.)	YEARS	PART NO.	SIZE	DESCRIPTION
1	Oil Seal	87-79	FP-5138710		Accessory Drive
1	Oil Seal Kit	87-79	FP-5198175		Accessory Drive
1	Ball Brg.	87-79	FP-23503727		Accessory Drive
1	Ball Brg.	87-79	FP-23504528		Accessory Drive
1	Ball Brg.	87-79	FP-23504528		Accessory Drive
1	Drive Coupling	87-79	FP-5141773		Accessory Drive
1	Water Pump Retainer Ring	87-79	FP-9415285		Accessory Drive; Large; External
6	Bolt	87-79	FP-5185793		Accessory Drive
10	Bolt	87-79	FP-8927580		Accessory Drive; w/Seal Patch; 3/8" - 16 x .875"
3	Bolt	87-79	FP-8927581		Accessory Drive; w/Seal Patch; 3/8" - 16 x 1"
4	Bolt	87-79	FP-5145092		Accessory Drive; 3/8" - 24 x 1.20", Self-Locking
1	Stud	87-79	FP-8927270		Accessory Drive; 3/8" - 16/24" x 1.6875"
4	Stud	87-79	FP-8925804		Balance Weight Cover; 7/16" - 14/20" x 2 3/32"
1	Hydraulic Pump Gasket	87-79	FP-5188755		Accessory Drive
1	Pipe Plug	87-79	FP-5121182		Accessory Drive; 1/4" - 18; Hex head
5	Washer	87-79	FP-5150568		Accessory Drive; 7/16" x 3/4" x 1/16"; Copper
13	Copper Washer	87-79	FP-5152148		Accessory Drive; 25/64" ID x 9/16" OD x 1/16" Thick; Copper
13	Lock Washer	87-79	FP-103321		Accessory Drive; 3/8"
4	Lock Washer	87-79	FP-103321		Accessory Drive; 3/8"
4	Lock Washer	87-79	FP-103320		Accessory Drive; 5/16"
2	Lock Washer	87-79	FP-103321		Balance Weight Cover; 3/8"
23	Lock Washer	87-79	FP-103320		Balance Weight Cover; 5/16"
13	Lock Nut	87-79	FP-103026		Accessory Drive; 3/8" x 24
1	Lock Nut	87-79	FP-103026		Accessory Drive; 3/8" x 24
23	Lock Nut	87-79	FP-103026		Balance Weight Cover; 3/8" x 24

FUEL SYSTEM & PARTS

QTY	FUEL INJECTION	YEARS	PART NO.	SIZE	DESCRIPTION
4	Fuel Injector Nozzle	87-79	FP-5172874		Water Nozzle; Single Outlet; Single Outlet
6	Fuel Injector Seal Ring	87-79	FP-5234281		
6	Fuel Injector Seal Ring	87-79	FP-5104701		Viton®
6	Injector Hole Tube Kit	87-79	FP-8925981		Incl. Seal Ring; Viton®
6	Clamp	87-79	FP-5121259		
6	Fuel Injector	87-79	FP-5229355		Option Type 111; Injector Assembly C55
6	Fuel Injector	87-79	FP-5229360		Option Type 113; Injector Assembly C60
6	Fuel Injector	87-79	FP-5229365		Option Type 115; Injector Assembly C65
6	Fuel Injector	87-79	FP-5228780		Option Type 14, 54, 82; Injector Assembly N80
6	Fuel Injector	87-79	FP-5229695		Option Type 153; Injector Assembly 7C75
6	Fuel Injector	87-79	FP-5229790		Option Type 163; Injector Assembly 7E55
6	Fuel Injector	87-79	FP-5229795		Option Type 164; Injector Assembly 7E60
6	Fuel Injector	87-79	FP-5229800		Option Type 165; Injector Assembly 7E65
6	Fuel Injector	87-79	FP-5229895		Option Type 180; Injector Assembly 7G65
6	Fuel Injector	87-79	FP-5226440		Option Type 242; Injector Assembly 7N65
6	Fuel Injector	87-79	FP-5228760		Option Type 53, 78; Injector Assembly N60
6	Fuel Injector	87-79	FP-5228770		Option Type 57, 80; Injector Assembly N70
6	Fuel Injector	87-79	FP-5228785		Option Type 60, 77; Injector Assembly N55
6	Fuel Injector	87-79	FP-5228777		Option Type 81; Injector Assembly N75
6	Fuel Injector	87-79	FP-5228900		Option Type 97; BT; Injector Assembly N65
12	Fuel Injector Repair Kit	87-79	FP-5229649		
6	Fuel Injection Valve Cage	87-79	FP-5228696		Check Valve
6	Fuel Injection Spring Seat	87-79	FP-5228766		
6	Fuel Injector Valve Spring	87-79	FP-5228596		
6	Fuel Injector Check Valve	87-79	FP-5228694		
6	Fuel Pump Check Valve	87-79	FP-5226411		
6	Fuel Pump Check Valve	87-79	FP-5228308		HV7, HV8, HV9, S70, S80, S90; Incl. injector valve & 5228106 seat
6	Fuel Pump Check Valve	87-79	FP-5228308		S55, S60, S65; Incl. injector valve & 5228106 seat
6	Injector Plunger & Bushing	87-79	FP-5229356		C55
6	Injector Plunger & Bushing	87-79	FP-5229362		C60
6	Injector Plunger & Bushing	87-79	FP-5229366		C65
6	Injector Plunger & Bushing	87-79	FP-5229372		C70
6	Injector Plunger & Bushing	87-79	FP-5228306		HV6
6	Injector Plunger & Bushing	87-79	FP-5228304		HV7
6	Injector Plunger & Bushing	87-79	FP-5228804		M95
6	Injector Plunger & Bushing	87-79	FP-5228668		N55
6	Injector Plunger & Bushing	87-79	FP-5228656		N60; For Inj. Assembly 5A60
6	Injector Plunger & Bushing	87-79	FP-5228928		N65 BT
6	Injector Plunger & Bushing	87-79	FP-5228658		N65 WT, N75, 7C75
6	Injector Plunger & Bushing	87-79	FP-5228682		N70, 7C70

(continued on next page)

GMC Truck - M/D & H/D

40 H/D Truck 6-71T In-Line (4-Valve Cyl. Head) Eng.
 (cont.) 7.0L 426 OHV Turbo-Diesel L6, 4.25" Bore (Detroit Diesel Eng.) 1979-87

FUEL SYSTEM & PARTS (cont.)

QTY	FUEL INJECTION (cont.)	YEARS	PART NO.	SIZE	DESCRIPTION
6	Injector Plunger & Bushing	87-79	FP-5228661		N80
6	Injector Plunger & Bushing	87-79	FP-5228878		N90
6	Injector Plunger & Bushing	87-79	FP-5229823		7E55
6	Injector Plunger & Bushing	87-79	FP-5229814		7E60
6	Injector Plunger & Bushing	87-79	FP-5229808		7E75, 7G75
6	Injector Plunger & Bushing	87-79	FP-5229916		7G65
6	Injector Plunger & Bushing	87-79	FP-5229912		7G70
6	Injector Plunger & Bushing	87-79	FP-5229354		71C5; For Inj. Assembly C50
6	Fuel Injector Tip Kit	87-79	FP-5229026		C55, C60, 71C5, 7E55, 7E60; For Inj. Assembly 5N45
6	Fuel Injector Tip Kit	87-79	FP-5229192		C65, C70, N70, N75, 7N65
6	Fuel Injector Tip Kit	87-79	FP-5228312		HV7, HV8, HV9, S70, S80, S90
6	Fuel Injector Tip Kit	87-79	FP-5228554		HV7, HV8, HV9, S70, S80, S90
6	Fuel Injector Tip Kit	87-79	FP-5229256		M95, N80, N90
6	Fuel Injector Tip Kit	87-79	FP-5229026		N55, N60, N65 WT; For Inj. Assembly 5N45
6	Fuel Injector Tip Kit	87-79	FP-5229030		N65 BT; For Inj. Assembly 5A50, 5A55, 5A60
6	Fuel Injector Tip Kit	87-79	FP-5228491		S55, S60, S65
6	Fuel Injector Tip Kit	87-79	FP-5229030		7E65; For Inj. Assembly 5A50, 5A55, 5A60
6	Nut	87-79	FP-5228601		Inj. Valve; NV
6	Fuel Injector Valve Kit	87-79	FP-5228313		
6	Fuel Injector Valve Kit	87-79	FP-5228769		
6	Fuel Injector Roller Pin	87-79	FP-5228608		

QTY	FUEL FILTERS & PUMP	YEARS	PART NO.	SIZE	DESCRIPTION
1	Mechanical Fuel Pump	87-79	FP-5199735		LH; High Output; High output; w/.375" Gear
1	Mechanical Fuel Pump	87-79	FP-5199560		LH; Std. Output; Std. output; w/.250" Gear
1	Mechanical Fuel Pump	87-79	FP-5199734		RH; High Output; High output
1	Mechanical Fuel Pump	87-79	FP-5199561		RH; Std. Output
1	Fuel Pump Shaft & Gear	87-79	FP-5100313		High Output; .963" Length; High Output
1	Fuel Pump Shaft & Gear	87-79	FP-5146705		High Output; 3.09" Length; High Output
1	Fuel Pump Shaft & Gear	87-79	FP-5181747		Std. Output; .838" Length; Std. Output
1	Fuel Pump Shaft & Gear	87-79	FP-5181746		Std. Output; 3.09" Length; Std. Output
1	Fuel Pump Valve	87-79	FP-5174973		
1	Fuel Pump Gear	87-79	FP-5118915		High Output; .374" Width; High Output
1	Fuel Pump Gear	87-79	FP-5128217		High Output; .374" Width; High Output
1	Fuel Pump Gear	87-79	FP-5174975		Std. Output; .294" Width; Std. Output
1	Fuel Pump Gear	87-79	FP-5181748		Std. Output; .294" Width; Std. Output
1	Fuel Pump Drive Shaft	87-79	FP-5100312		High Output; .963" Length; High Output
1	Fuel Pump Drive Shaft	87-79	FP-5178700		Std. & High Output; 3.09" Length
1	Fuel Pump Drive Shaft	87-79	FP-5181749		Std. Output; .838" Length; Std. Output
1	Fuel Pump Check Valve	87-79	FP-5174924		1/4" Swing type
1	Fuel Pump Check Valve	87-79	FP-5135308		3/8" Swing type
12	Fuel Line Connector	87-79	FP-5117369		
1	Fuel Pump Relief Valve Spring	87-79	FP-5184530		
2	Oil Seal	87-79	FP-23512243		Fuel pump
1	Fuel Pump Valve Plug Gasket	87-79	FP-5161003		Fuel pump
1	Fuel Pump Repair Part	87-79	FP-5174971		Fuel pump valve plug; .500" x 20 plug
1	Fuel Pump Drive Adapter Gskt.	87-79	FP-5150193		
1	Fuel Pump Repair Kit	87-79	FP-5149599		High Output; High output; Short Shaft
1	Fuel Pump Repair Kit	87-79	FP-5195078		Std. Output; Std. output
1	Pipe Plug	87-79	FP-5121182		Fuel pump pipe; 1/4" - 18; Hex head
2	Plastic Cap	87-79	FP-5136240		Fuel pump body; .250" Dia.
1	Plastic Cap	87-79	FP-5136241		Fuel pump body; .780" Dia., 3/8" NPTF
1	Dowel Pin	87-79	FP-103709		5/32" x 1" straight
1	Ball Brg.	87-79	FP-147481		Fuel pump shaft; .125" Dia. Steel
1	Accessory Drive Gasket	87-79	FP-23515145		Fuel pump mounting plate
12	Washer	87-79	FP-5125108		Fuel pump pipe assy.; 7/16" x 3/4" x 1/16"

BLOWER

QTY	BLOWER	YEARS	PART NO.	SIZE	DESCRIPTION
2	Ball Brg.	87-79	FP-23503543		Front; Blower Rotor
2	Ball Brg.	87-79	FP-23504305		Rear; Blower Rotor
1	Oil Seal Kit	87-79	FP-23500533		Blower End Plate
2	Rect. or Square Seal	87-79	FP-23515630		Blower Drive Cover; w/Flanged & Strut Covers
1	Rect. or Square Seal	87-79	FP-5172864		Blower Drive Cover; w/Sand Cast Covers
4	Oil Seal	87-79	FP-5192438		Blower End Plate
4	Oil Seal	87-79	FP-8924453		Blower Rotor
1	Fuel Blower Gasket	87-79	FP-5115656		Blower to Block
1	Pipe Plug	87-79	FP-8924380		Blower Drive Gear Hub; 1/8" - 27
6	Bolt	87-79	FP-443603		Blower Rotor; .250" x 20 x .750"
1	Lock Washer	87-79	FP-8926285		Blower Drive Gear Hub

(continued on next page)

GMC Truck - M/D & H/D

H/D Truck 6-71T In-Line (4-Valve Cyl. Head) Eng. 40
7.0L 426 OHV Turbo-Diesel L6, 4.25" Bore (Detroit Diesel Eng.) 1979-87 (cont.)

BLOWER (cont.)

QTY	BLOWER (cont.)	YEARS	PART NO.	SIZE	DESCRIPTION
2	Lock Washer	87-79	FP-103321		Blower Drive Gear Hub; 3/8"
2	Lock Washer	87-79	FP-5154398		Blower Rotor; 1/2" Special, External Tooth
20	Lock Washer	87-79	FP-103320		Blower Rotor; 5/16"
1	Shim	87-79	FP-5150372		Blower Rotor Gear
1	Shim	87-79	FP-5153938		Blower Rotor Gear
1	Shim	87-79	FP-5150855		Blower Rotor Gear
1	Shim	87-79	FP-5150856		Blower Rotor Gear

GOVERNOR

QTY	GOVERNOR	YEARS	PART NO.	SIZE	DESCRIPTION
4	Throttle/Governor Shaft	87-79	FP-5185154		Gov. Weight Shaft; w/Limiting Speed Gov.; Ring Grooves
1	Governor Spring	87-79	FP-5122165		Low Speed; w/One Blue Stripe
1	Governor Spring	87-79	FP-5183704		Low Speed; w/Two Yellow Stripes
1	Governor Low Speed Spring Cap	87-79	FP-5103975		w/Limiting Speed Gov.
1	Governor Low Speed Spring Cap	87-79	FP-5102968		Gov. Spring Hsg.
1	Governor Low Speed Spring Cap	87-79	FP-5103975		Gov. Spring Hsg.
1	Screw	87-79	FP-5102270		Gov. High Speed Spring; w/Limiting Speed Gov.; .250" - 28 x 1.00"
1	Screw	87-79	FP-5102270		Gov. Low Speed Spring; w/Limiting Speed Gov.; .250" - 28 x 1.00"
1	Screw	87-79	FP-5102270		Low speed spring adjusting; .250" - 28 x 1.00"
1	Governor Dowel Pin	87-79	FP-5150894		Gov. Differential; w/Limiting Speed Gov.; 25/32" Length
2	Governor Dowel Pin	87-79	FP-5185153		Gov. Weight Shaft; w/Limiting Speed Gov.; .3750" Dia. x 2.150" Length
1	Governor Dowel Pin	87-79	FP-5150943		Operating Shaft; w/Limiting Speed Gov.
1	Governor Dowel Pin	87-79	FP-5150894		Shutdown Shaft; w/Limiting Speed Gov.; 25/32" Length
1	Governor Seal Ring	87-79	FP-5126623		Gov. Spring Hsg.
1	O-Ring	87-79	FP-5176557		w/Limiting Speed Gov.; .477" ID x .113" Thick
1	O-Ring	87-79	FP-5182977		Gov. Cover Throttle Shaft; w/Limiting Speed Gov.
2	Cylindrical Brg.	87-79	FP-148402		w/Limiting Speed Gov.; .500" x .500" Dia.
1	Cylindrical Brg.	87-79	FP-148402		Lower; Operating Shaft; w/Limiting Speed Gov.; .500" x .500" Dia.
1	Dowel Pin	87-79	FP-141195		w/Limiting Speed Gov.; .250" x .625"
1	Washer	87-79	FP-5167714		Gov. Cover; w/Limiting Speed Gov.; 17/32" x 7/8" x 3/32"
1	Washer	87-79	FP-5151487		Gov. Cover; w/Limiting Speed Gov.; 3/8" x 11/16" x .033"
3	Washer	87-79	FP-5179709		Gov. High Speed Spring; w/Limiting Speed Gov.; .250" Copper
4	Washer	87-79	FP-5150885		Gov. Weight Pin; w/Limiting Speed Gov.
24	Washer	87-79	FP-5151487		Gov. Weight Shaft; w/Limiting Speed Gov.; 3/8" x 11/16" x .033"
2	Copper Washer	87-79	FP-5155596		Gov. High Speed Spring; w/Limiting Speed Gov.; 5/16"; Special copper washer
3	Copper Washer	87-79	FP-5155596		Gov. High Speed Spring; w/Limiting Speed Gov.; 5/16"; Special copper washer
1	Copper Washer	87-79	FP-5155596		Gov. Spring Hsg.; 5/16"; Special copper washer
1	Lock Washer	87-79	FP-103319		Gov. Cover; w/Limiting Speed Gov.; .250"
1	Lock Washer	87-79	FP-103319		Gov. High Speed Spring; w/Limiting Speed Gov.; .250"
2	Lock Washer	87-79	FP-103320		Gov. High Speed Spring; w/Limiting Speed Gov.; 5/16"
1	Lock Washer	87-79	FP-103320		Gov. Spring Hsg.; 5/16"
4	Lock Washer	87-79	FP-103319		Gov. Weight Housing; w/Limiting Speed Gov.; .250"
1	Governor Retainer	87-79	FP-5178581		Gov. Cover; w/Limiting Speed Gov.
16	Governor Retainer	87-79	FP-5178581		Gov. Weight; w/Limiting Speed Gov.
4	Bushing	87-79	FP-5147866		Gov. Weight; w/Limiting Speed Gov.; .520" Length
1	Ball Brg.	87-79	FP-9437108		Gov. Weight Riser; w/Limiting Speed Gov.; .354" Width
1	Ball Brg.	87-79	FP-9424121		Gov. Weight Shaft; w/Limiting Speed Gov.
4	Ball Brg.	87-79	FP-447196		Gov. Weight; w/Limiting Speed Gov.
1	Ball Brg.	87-79	FP-148403		Lower; Operating Shaft; w/Limiting Speed Gov.; .750" Width
1	Ball Brg.	87-79	FP-9431894		Upper; Operating Shaft; w/Limiting Speed Gov.
1	Carrier, Governor Weight	87-79	FP-5150932		Gov. Weight Shaft; w/Limiting Speed Gov.
1	Pipe Plug	87-79	FP-8924380		w/Limiting Speed Gov.; 1/8" - 27
1	Governor Spring Cover Gasket	87-79	FP-8922593		Gov. High Speed Spring Adj. Cover
1	Governor Spring Cover Gasket	87-79	FP-8922593		Gov. High Speed Spring; w/Limiting Speed Gov.
1	Copper Washer	87-79	FP-5155596		w/Limiting Speed Gov.; 5/16"; Special copper washer
2	Washer	87-79	FP-5179709		w/Limiting Speed Gov.; .250" Copper
3	Lock Washer	87-79	FP-103319		Throttle Shaft; w/Limiting Speed Gov.; .250"
3	Screw	87-79	FP-9417926		Gov. cover; w/Limiting Speed Gov.; 1/4" -20 x 3/4"
1	Governor Hole Gasket	87-79	FP-5123812		Gov. to Cyl. Head; w/Limiting Speed Gov.
1	Governor Cover Gasket	87-79	FP-5150889		w/Limiting Speed Gov.
1	Retainer	87-79	FP-142583		Gov. Cover; w/Limiting Speed Gov.; 13/64" Spring
1	Retainer	87-79	FP-142583		Gov. Differential; w/Limiting Speed Gov.; 13/64" Spring

(continued on next page)

GMC Truck - M/D & H/D

40 H/D Truck 6-71T In-Line (4-Valve Cyl. Head) Eng.
 (cont.) 7.0L 426 OHV Turbo-Diesel L6, 4.25" Bore (Detroit Diesel Eng.) 1979-87

COOLING SYSTEM

QTY	WATER PUMP	YEARS	PART NO.	SIZE	DESCRIPTION
1	Water Pump - Heavy Duty	87-79	FP-23507971		Raw Water; Option Type 1, 2, 3, 28, 31, 62, 69, 70, 71, 72, 73, 75, 76, 77, 78, 80, 83
1	Water Pump - Heavy Duty	87-79	FP-5186250		Raw Water; Option Type 13
1	Water Pump - Heavy Duty	87-79	FP-23506704		L.H.; Fresh Water; High Capacity
1	Water Pump - Heavy Duty	87-79	FP-23506723		L.H.; Fresh Water; Std. Capacity
1	Water Pump - Heavy Duty	87-79	FP-23506711		R.H.; Fresh Water; High Capacity
1	Water Pump - Heavy Duty	87-79	FP-23506735		R.H.; Fresh Water; Std. Capacity
1	Water Pump Shaft	87-79	FP-5196169		Raw Water Pump; For Pump FP-5122599
1	Water Pump Shaft	87-79	FP-5193552		Raw Water; For Pump FP-5186250
1	Water Pump Shaft	87-79	FP-5193552		Raw Water; For Pumps FP-5115800, FP-5187140, FP-23507971
1	Water Pump Impeller	87-79	FP-23505997		Fresh Water
1	Water Pump Impeller	87-79	FP-5126911		Fresh Water
1	Water Pump Impeller	87-79	FP-23505998		Fresh Water; High Capacity
1	Water Pump Impeller	87-79	FP-8924839		Raw Water; For Pump FP-5122599
1	Water Pump Impeller	87-79	FP-8924838		Raw Water; For Pump FP-5186250
1	Water Pump Impeller	87-79	FP-8924838		Raw Water; For Pumps FP-23507971, FP-5186250
1	Water Pump Impeller	87-79	FP-8924838		Raw Water; For Pumps FP-5115800, FP-5187140, FP-23507971
1	Water Pump Impeller	87-79	FP-5193602		Raw Water; Option Type 14; For Obsolete Pump; Synthetic
1	Water Pump Repair/Rebuild Kit	87-79	FP-23506870		Fresh Water Recon. Kit; High Capacity; Incl. Impeller Assy.
1	Water Pump Repair/Rebuild Kit	87-79	FP-23506851		Fresh Water Recon. Kit; Std. Capacity; Ceramic Insert; Incl. Impeller Assy.
1	Water Pump Repair/Rebuild Kit	87-79	FP-5198307		Fresh Water Recon. Kit; Std. Capacity; Incl. Impeller Assy.
1	Water Pump Repair/Rebuild Kit	87-79	FP-5149918		Fresh Water Seals & Bearing Kit; High Capacity; Ceramic Insert
1	Water Pump Repair/Rebuild Kit	87-79	FP-23506858		Fresh Water Seals & Bearing Kit; Std. Capacity
1	Water Pump Repair/Rebuild Kit	87-79	FP-5197222		Recon. Kit; Raw Water; For Pump FP-5122599
1	Water Pump Repair/Rebuild Kit	87-79	FP-5197224		Recon. Kit; Raw Water; For Pump FP-5186250
1	Water Pump Repair/Rebuild Kit	87-79	FP-5197223		Recon. Kit; Raw Water; For Pumps FP-5115800, FP-5187140, FP-23507971
1	Water Pump Cover	87-79	FP-5193555		Raw Water Pump, End; For Pump FP-5122599
1	Water Pump Cover	87-79	FP-5193555		Raw Water Pump, End; For Pump FP-5186250
1	Water Pump Cover	87-79	FP-5193555		Raw Water Pump, End; For Pumps FP-5115800, FP-5187140, FP-23507971
1	Water Pump Gasket	87-79	FP-5178273		Fresh Water; High Capacity
1	Woodruff Key	87-79	FP-103462		Raw Water Pump Shaft; For Pump FP-5122599
1	Water Pump Retainer Ring	87-79	FP-5196171		Raw Water Pump; For Pump FP-5122599
1	Water Pump Retainer Ring	87-79	FP-9415285		Raw Water; For Pump FP-5186250; Large; External
1	Water Pump Retainer Ring	87-79	FP-5193569		Raw Water; For Pump FP-5186250; Small; Small
1	Water Pump Retainer Ring	87-79	FP-9415285		Raw Water; For Pumps FP-5115800, FP-5187140, FP-23507971; Large; Large; External
1	Water Pump Retainer Ring	87-79	FP-5193569		Raw Water; For Pumps FP-5115800, FP-5187140, FP-23507971; Small; Small
1	Water Pump Mech. Shaft Seal	87-79	FP-8924297		Fresh Water
1	Water Pump Mech. Shaft Seal	87-79	FP-5186571		Fresh Water; Seal & Spring
1	Water Pump Mech. Shaft Seal	87-79	FP-5198419		Raw Water; For Pump FP-5186250
1	Water Pump Mech. Shaft Seal	87-79	FP-5198419		Raw Water; For Pumps FP-23507971, FP-5186250, FP-5122599
1	Water Pump Mech. Shaft Seal	87-79	FP-5198419		Raw Water; For Pumps FP-5115800, FP-5187140, FP-23507971
1	Water Pump Mech. Shaft Seal	87-79	FP-5193684		Raw Water; For Pumps FP-5115800, FP-5187140, FP-23507971; Outboard
1	Ball Brg.	87-79	FP-23505479		Raw Water Pump; For Pump FP-5122599
1	Ball Brg.	87-79	FP-23504426		Raw Water Pump; For Pump FP-5186250
1	Ball Brg.	87-79	FP-23504426		Raw Water Pump; For Pumps FP-5115800, FP-5187140, FP-23507971
1	Ball Brg.	87-79	FP-23503821		Inner; Fan Shaft
1	Ball Brg.	87-79	FP-903205		Inner; Fan Shaft
1	Ball Brg.	87-79	FP-9415132		Inner; Fan Shaft
1	Ball Brg.	87-79	FP-23503535		Outer; Fan Shaft
1	Ball Brg.	87-79	FP-7450630		Outer; Fan Shaft
2	Lock Nut	87-79	FP-103026		Fan Hub Mount; 3/8" x 24
1	Oil Pump Intake Gasket	87-79	FP-5153902		Lower; Water By-Pass Tube; 2 1/4" B.C.
1	Oil Pump Intake Gasket	87-79	FP-5153902		Water Pump Cover; 2 1/4" B.C.
1	Fuel Pump Drive Adapter Gskt.	87-79	FP-5150193		Fresh Water Pump to Eng.
1	Accessory Drive Gasket	87-79	FP-23515145		Raw Water Pump Drive Gasket
1	Oil Seal	87-79	FP-5103951		Fan Shaft
1	Oil Seal	87-79	FP-5108219		Fan Shaft; Felt
1	Oil Seal	87-79	FP-5100408		Fan Shaft; Rubber Lip
1	Oil Seal	87-79	FP-23506248		Fresh Water Pump
1	Oil Seal	87-79	FP-5195101		Raw Water Pump; For Pump FP-5122599
1	Oil Seal	87-79	FP-5195101		Raw Water Pump; For Pump FP-5186250
1	Oil Seal	87-79	FP-5195101		Raw Water Pump; For Pumps FP-5115800, FP-5187140, FP-23507971

(continued on next page)

GMC Truck - M/D & H/D

H/D Truck 6-71T In-Line (4-Valve Cyl. Head) Eng. 40
7.0L 426 OHV Turbo-Diesel L6, 4.25" Bore (Detroit Diesel Eng.) 1979-87 (cont.)

COOLING SYSTEM (cont.)

QTY	WATER PUMP (cont.)	YEARS	PART NO.	SIZE	DESCRIPTION
2	Oil Seal	87-79	FP-5132155		Thermostat Seal
1	Bolt	87-79	FP-454992		Fan Hub Mount; 1/2" - 13 x 2 1/2
3	Bolt	87-79	FP-8927581		Fan Hub Mount; 3/8" - 16 x 1"
4	Bolt	87-79	FP-8921930		Fresh Water Pump Body; 1/4" - 20 x 3/4"
4	Bolt	87-79	FP-443603		Heat Exchanger; .250" x 20 x .750"
1	Bolt	87-79	FP-454992		Heat Exchanger; 1/2" - 13 x 2 1/2
2	Bolt	87-79	FP-8927580		Heat Exchanger; 3/8" - 16 x .875"
5	Bolt	87-79	FP-23504236		Raw Water Pump Cover; For Pump FP-5122599; .250" - 20 x .500"; Stainless Steel
5	Bolt	87-79	FP-23504236		Raw Water Pump Cover; For Pump FP-5186250; .250" - 20 x .500"; Stainless Steel
5	Bolt	87-79	FP-23504236		Raw Water Pump Cover; For Pumps FP-5115800, FP-5187140, FP-23507971; .250" - 20 x .500"; Stainless Steel
4	Bolt	87-79	FP-5145092		Raw Water Pump Drive; 3/8" - 24 x 1.20", Self-Locking
4	Bolt	87-79	FP-8927581		Thermostat Housing; 3/8" - 16 x 1"
2	Bolt	87-79	FP-8927581		Inlet; Heat Exchanger; 3/8" - 16 x 1"
2	Bolt	87-79	FP-8927581		Outlet; Heat Exchanger; 3/8" - 16 x 1"
1	Pipe Plug	87-79	FP-8924380		Fan Hub; 1/8" - 27
1	Pipe Plug	87-79	FP-5121182		Heat Exchanger; 1/4" - 18; Hex head
1	Pipe Plug	87-79	FP-8924380		Heat Exchanger; 1/8" - 27
2	Pipe Plug	87-79	FP-5142549		Heat Exchanger; 3/4" - 14 Square Head
2	Pipe Plug	87-79	FP-8924517		Thermostat Housing Cover; 3/8" x 18 square head
1	Pipe Plug	87-79	FP-5115214		Thermostat Housing; 1/2" Square Head
1	Pipe Plug	87-79	FP-5121182		Thermostat Housing; 1/4" - 18; Hex head
1	Pipe Plug	87-79	FP-8924380		Thermostat Housing; 1/8" - 27
1	Pipe Plug	87-79	FP-5142549		Thermostat Housing; 3/4" - 14 Square Head
1	Pipe Plug	87-79	FP-5115214		Water Outlet Manifold Elbow; 1/2" Square Head
1	Pipe Plug	87-79	FP-5121182		Water Outlet Manifold Elbow; 1/4" - 18; Hex head
1	Pipe Plug	87-79	FP-5142549		Water Outlet Manifold Elbow; 3/4" - 14 Square Head
1	Pipe Plug	87-79	FP-5121182		Water Pump; 1/4" - 18; Hex head
1	Pipe Plug	87-79	FP-5142549		Water Pump; 3/4" - 14 Square Head
1	Pipe Plug	87-79	FP-8924517		Water Pump; 3/8" x 18 square head
1	Expansion Plug	87-79	FP-5117186		Heat Exchanger; 2" Dia. Cup; Stainless Steel
1	Shaft & Bearing Assembly	87-79	FP-5136671		Fresh Water
1	Shaft & Bearing Assembly	87-79	FP-908337		Fresh Water
1	Governor Spring Cover Gasket	87-79	FP-8922593		Thermostat Housing Cover
1	Dowel Pin	87-79	FP-5197597		Raw Water Pump; Wear Plate Locating Pin; .184" OD x .375" Length
1	Screw	87-79	FP-114366		Raw Water Pump Cam; For Pump FP-5122599; .250" - 20 x .500"; Brass
1	Screw	87-79	FP-114366		Raw Water Pump Cam; For Pump FP-5186250; .250" - 20 x .500"; Brass
1	Screw	87-79	FP-114366		Raw Water Pump Cam; For Pumps FP-5115800, FP-5187140, FP-23507971; .250" - 20 x .500"; Brass
1	Slinger, Water Pump	87-79	FP-5114011		Fresh Water
1	Slinger, Water Pump	87-79	FP-5193676		Raw Water Pump Shaft; For Pump FP-5122599
1	Slinger, Water Pump	87-79	FP-5193676		Raw Water Pump Shaft; For Pump FP-5186250
1	Slinger, Water Pump	87-79	FP-5193676		Raw Water; For Pumps FP-5115800, FP-5187140, FP-23507971
3	Copper Washer	87-79	FP-5155596		Water Pump Mounting; 5/16"; Special copper washer
2	Washer	87-79	FP-5197310		Adhesive Washer; Fresh Water Pump; Adhesive, Ceramic Insert
1	Washer	87-79	FP-5131978		Fan Mount Support Spacer; .53" ID x 1.00" OD x .170" Thick
2	Washer	87-79	FP-5131978		Heat Exchanger; .53" ID x 1.00" OD x .170" Thick
1	Washer	87-79	FP-103325		Raw Water Pump Drive Gear; Lock washer; 5/8"
QTY	THERMOSTAT	YEARS	PART NO.	SIZE	DESCRIPTION
1	Thermostat	87-79	FP-5104238		Choke & Shield Design; 173 Deg.
2	Thermostat	87-79	FP-23503828		Weir Type; 165 Deg., Weir Type
2	Thermostat	87-79	FP-23503827		160 Deg.
2	Thermostat	87-79	FP-23503826		170 Deg.
2	Thermostat	87-79	FP-5172141		170 Deg.
1	Thermostat	87-79	FP-5184475		173 Deg.
1	Thermostat Gasket	87-79	FP-5167761		Thermostat Housing
1	Thermostat Gasket	87-79	FP-5169478		Thermostat Housing
2	Thermostat Gasket	87-79	FP-5169478		Water By-Pass Tube Elbow
1	Thermostat Gasket	87-79	FP-5169478		Water Outlet Manifold Elbow
2	Thermostat Gasket	87-79	FP-5169478		Upper; Thermostat Housing
1	Thermostat Gasket	87-79	FP-5167761		Heat Exchanger
2	Exhaust Manifold Gasket	87-79	FP-5156319		Water By-Pass Tube to Exh. Manifold
QTY	MISCELLANEOUS	YEARS	PART NO.	SIZE	DESCRIPTION
12	Stud	87-79	FP-8927270		Water Outlet Manifold; 3/8" - 16/24" x 1.6875"

(continued on next page)

GMC Truck - M/D & H/D

40 H/D Truck 6-71T In-Line (4-Valve Cyl. Head) Eng.
 (cont.) 7.0L 426 OHV Turbo-Diesel L6, 4.25" Bore (Detroit Diesel Eng.) 1979-87

COOLING SYSTEM (cont.)

QTY	MISCELLANEOUS (cont.)	YEARS	PART NO.	SIZE	DESCRIPTION
4	Hose Clamp	87-79	FP-5186841		Heat Exchanger; Water Inlet Tube; 1 9/16" - 2.50"
6	Hose Clamp	87-79	FP-9139809		Heat Exchanger; Water Inlet Tube; 2 1/16" - 3"
4	Hose Clamp	87-79	FP-5186841		Raw Water Pump Inlet Tube; 1 9/16" - 2.50"
2	Hose Clamp	87-79	FP-5186840		Thermostat Housing; 13/16" - 1 1/2" Clamping Range
2	Hose Clamp	87-79	FP-5186840		Water By-pass Tube Connecting Hose; 13/16" - 1 1/2" Clamping Range
1	Hose Clamp	87-79	FP-9139809		Water Outlet Manifold; 2 1/16" - 3"
1	Hose Clamp	87-79	FP-5188036		Water Outlet Manifold; 2.750" Dia. Hose
2	Hose Clamp	87-79	FP-5188036		Water Pump Inlet Seal; 2.750" Dia. Hose
3	Lock Washer	87-79	FP-103320		Fan Hub Mount; 5/16"
2	Lock Washer	87-79	FP-103321		Heat Exchanger; 3/8"
4	Lock Washer	87-79	FP-103321		Thermostat Housing; 3/8"
4	Lock Washer	87-79	FP-103320		Thermostat Housing; 5/16"
2	Lock Washer	87-79	FP-103320		Water Outlet Manifold Elbow; 5/16"
12	Lock Washer	87-79	FP-103321		Water Outlet Manifold; 3/8"
2	Lock Washer	87-79	FP-103321		Inlet; Heat Exchanger; 3/8"
2	Lock Washer	87-79	FP-103321		Inlet; Heat Exchanger; 3/8"
20	Lock Washer	87-79	FP-103320		Inlet; Heat Exchanger; 5/16"
2	Lock Washer	87-79	FP-103321		Outlet; Heat Exchanger; 3/8"
1	Sealing Ring	87-79	FP-5153560		Water Pump Inlet; 2.1875" OD
1	Sealing Ring	87-79	FP-5156770		Water Pump Inlet; 2.750" OD
1	O-Ring	87-79	FP-5150191		Fresh Water Pump Outlet
2	O-Ring	87-79	FP-5167746		Heat Exchanger
1	O-Ring	87-79	FP-23514265		Raw Water Pump; For Pump FP-5122599
1	O-Ring	87-79	FP-23514265		Raw Water Pump; For Pump FP-5186250
1	O-Ring	87-79	FP-23514265		Raw Water Pump; For Pumps FP-5115800, FP-5187140, FP-23507971
2	Exhaust Manifold Gasket	87-79	FP-5156319		Heat Exchanger; Cover Plate
2	Hose Clamp	87-79	FP-5186840		Upper; Hose to Thermostat Housing; 13/16" - 1 1/2" Clamping Range
2	Oil Cooler Gasket	87-79	FP-5112401		Heat Exchanger
1	Oil Cooler Core Outer Gasket	87-79	FP-5102506		Heat Exchanger; Oil Cooler Outlet
1	Oil Cooler Cover Gasket	87-79	FP-23501591		Heat Exchanger
1	Oil Cooler Cover Gasket	87-79	FP-23501591		Heat Exchanger; Expansion Tank Cover

ENGINE BLOCK & PARTS

QTY	GASKETS	YEARS	PART NO.	SIZE	DESCRIPTION
2	Flywheel Housing Gasket	87-79	FP-5150055		
1	Flywheel Housing Gasket	87-79	FP-8928967		
1	Governor Hole Gasket	87-79	FP-5123812		Flywheel Housing Vent Cover
2	Accessory Drive Gasket	87-79	FP-23515145		Flywheel Housing Large Hole Cover
2	Bolt	87-79	FP-8927580		Flywheel Housing; 3/8" - 16 x .875"
2	Washer	87-79	FP-5125108		Flywheel Housing; 7/16" x 3/4" x 1/16"
2	Lock Washer	87-79	FP-103319		Flywheel Housing; .250"
2	Copper Washer	87-79	FP-5152148		Flywheel Housing; 25/64" ID x 9/16" OD x 1/16" Thick; Copper
1	Oil Pan Gasket	87-79	FP-5150117		
4	Bolt	87-79	FP-8927580		Oil Filter; 3/8" - 16 x .875"
4	Bolt	87-79	FP-8927581		Oil Filter; 3/8" - 16 x 1"
1	Washer	87-79	FP-5177773		Filter By-pass Valve Plug; 18MM x 1.5MM
1	Washer	87-79	FP-840277		Oil Pan Drain Plug; 18MM, Nylon
1	Washer	87-79	FP-5150568		Oil Strainer Center Stud; 7/16" x 3/4" x 1/16"; Copper
4	Lock Washer	87-79	FP-103321		Oil Filter; 3/8"
34	Lock Washer	87-79	FP-103320		Oil Pan; 5/16"
2	Lock Washer	87-79	FP-103320		Oil Pressure Regulator; 5/16"
1	Pipe Plug	87-79	FP-5115214		Oil Cooler Water Inlet; 1/2" Square Head
2	Pipe Plug	87-79	FP-8924517		Oil Cooler Water Inlet; 3/8" x 18 square head
2	Pipe Plug	87-79	FP-5121182		Oil Filter; 1/4" - 18; Hex head
1	Pipe Plug	87-79	FP-5115214		Oil Pan Drain; 1/2" Square Head
1	Pipe Plug	87-79	FP-5121182		Oil Pan Drain; 1/4" - 18; Hex head
1	Pipe Plug	87-79	FP-5142549		Oil Pan Drain; 3/4" - 14 Square Head
1	Pipe Plug	87-79	FP-8924517		Oil Pan Drain; 3/8" x 18 square head
2	Pipe Plug	87-79	FP-5115214		Oil Pan Sump; 1/2" Square Head
1	Pipe Plug	87-79	FP-5115214		Oil Pan; 1/2" Square Head
1	Pipe Plug	87-79	FP-5121182		Oil Pan; 1/4" - 18; Hex head
1	Pipe Plug	87-79	FP-8923313		Oil Pan; 3/4"
1	Pipe Plug	87-79	FP-5142549		Oil Pan; 3/4" - 14 Square Head
2	Cylinder Cover Gasket	87-79	FP-23505518		Front & Rear; Cyl. Block End Plate
1	Gasket	87-79	FP-5116357		Cyl. Block Water Hole Cover
8	Gasket	87-79	FP-23505525		Cyl. Block; 3/8" Copper
4	Hand Hole Cover Gasket	87-79	FP-5132117		

(continued on next page)

GMC Truck - M/D & H/D

H/D Truck 6-71T In-Line (4-Valve Cyl. Head) Eng. 40
7.0L 426 OHV Turbo-Diesel L6, 4.25" Bore (Detroit Diesel Eng.) 1979-87 (cont.)

ENGINE BLOCK & PARTS (cont.)

QTY	GASKETS (cont.)	YEARS	PART NO.	SIZE	DESCRIPTION
12	Copper Washer	87-79	FP-5152148		Cyl. Block; 25/64" ID x 9/16" OD x 1/16" Thick; Copper
6	Lock Washer	87-79	FP-103321		Cyl. Block; 3/8"
QTY	GASKET SETS	YEARS	PART NO.	SIZE	DESCRIPTION
1	Complete Overhaul Gasket Set	87-79	FP-23512676WS		High Block; w/Seals; Compl., Incl. bi-directional front & rear crank seals; valve cover gskts. not incl.
1	Complete Overhaul Gasket Set	87-79	FP-23512676		High Block; Compl., Bi-directional front & rear crank seals not incl.; Valve cover gskts. not incl.
1	Complete Overhaul Gasket Set	87-79	FP-5192923		Low Block
QTY	CAM BEARINGS	YEARS	PART NO.	SIZE	DESCRIPTION
4	Cam Brg.	87-79	FP-5111422	STD	
4	Cam Brg.	87-79	FP-5194858	10	
8	Cam Brg.	87-79	FP-5194825	20	Cam & Balance shaft brg.; .020" U/S, Unfinished; Grooved
8	Cam Brg.	87-79	FP-5111423	STD	Position Front & Rear; Cam & Balance shaft brg.; From Ser. No. 6A-57745; Grooved
5	Cam Brg.	87-79	FP-5196026	STD	Position Inter.; w/o Steel bushing in ctr. hole; Aluminum Blocks only
5	Cam Brg.	87-79	FP-5196022	STD	Position Inter.; w/Steel bushing in ctr. hole
5	Cam Brg.	87-79	FP-5196023	10	Position Inter.; w/Steel bushing in ctr. hole; .010" U/S ID
5	Cam Brg.	87-79	FP-5196024	20	Position Inter.; w/Steel bushing in ctr. hole; .020" U/S ID
QTY	OIL COOLERS & FILTERS	YEARS	PART NO.	SIZE	DESCRIPTION
1	Oil Cooler	87-79	FP-8547236		12 plate
1	Oil Cooler	87-79	FP-8547581		13 plate
1	Oil Cooler	87-79	FP-8547563		8 plate
4	Bolt	87-79	FP-8927581		Oil Cooler By-Pass; 3/8" - 16 x 1"
16	Copper Washer	87-79	FP-5155596		Oil Cooler Housing Cover; 5/16"; Special copper washer
4	Lock Washer	87-79	FP-103320		Oil Cooler; 5/16"
1	Lock Washer	87-79	FP-103321		Oil Cooler Adaptor to Block; 3/8"
2	Oil Cooler Gasket	87-79	FP-5112401		Oil Cooler Adaptor to Block
1	Oil Cooler Gasket	87-79	FP-8923223		Outer
1	Oil Cooler Core Gasket	87-79	FP-23501589		Outer
1	Gasket	87-79	FP-5575086		Oil Cooler By-pass Plug
1	Oil Cooler Core Inner Gasket	87-79	FP-5150155		
1	Oil Cooler Core Outer Gasket	87-79	FP-5102506		
2	Oil Cooler Adapter Gasket Set	87-79	FP-5150154		
1	Oil Cooler Adapter Cover Gskt	87-79	FP-5175882		Spacer
1	Oil Pump Intake Gasket	87-79	FP-5153902		Oil Cooler Housing Pad Cover; 2 1/4" B.C.
1	Copper Washer	87-79	FP-5152148		Oil Cooler Adaptor to Block; 25/64" ID x 9/16" OD x 1/16" Thick; Copper
1	Pipe Plug	87-79	FP-5115214		Oil Cooler By-Pass; 1/2" Square Head
1	Pipe Plug	87-79	FP-8923313		Oil Cooler By-Pass; 3/4"
1	Pipe Plug	87-79	FP-5121182		Oil Cooler Housing; 1/4" - 18; Hex head
1	Pipe Plug	87-79	FP-8923847		Oil Cooler; 1/4" x 18 NPTF; Square head
8	Pipe Plug	87-79	FP-8924517		Oil Cooler; 3/8" x 18 square head
QTY	FREEZE PLUGS	YEARS	PART NO.	SIZE	DESCRIPTION
2	Pipe Plug	87-79	FP-5115214		Cyl. Block; 1/2" Square Head
8	Pipe Plug	87-79	FP-5121182		Cyl. Block; 1/4" - 18; Hex head
9	Pipe Plug	87-79	FP-8924380		Cyl. Block; 1/8" - 27
2	Pipe Plug	87-79	FP-5142549		Cyl. Block; 3/4" - 14 Square Head
2	Pipe Plug	87-79	FP-5115214		Flywheel Housing; 1/2" Square Head
1	Pipe Plug	87-79	FP-5142549		Flywheel Housing; 3/4" - 14 Square Head
1	Pipe Plug	87-79	FP-8923847		Oil Filler; 1/4" x 18 NPTF; Square head
QTY	DIPSTICK	YEARS	PART NO.	SIZE	DESCRIPTION
1	Dipstick	87-79	FP-5115162		18.88" Length
1	Dipstick	87-79	FP-5101884		24" x 1.38"
1	Dipstick	87-79	FP-5108895		26.32" x 1.46"
1	Dipstick	87-79	FP-5146679		61" Length; Unmarked
1	Dipstick	87-79	FP-5146680		72" Length; Unmarked
QTY	MISCELLANEOUS	YEARS	PART NO.	SIZE	DESCRIPTION
6	Bolt	87-79	FP-8927581		Cyl. Block; w/Seal patch; 3/8" - 16 x 1"
6	Bolt	87-79	FP-8927581		Flywheel Housing; 3/8" - 16 x 1"
6	Bolt	87-79	FP-9410925		Flywheel Housing; 9/16" - 18 x 2.250"
6	Bolt	87-79	FP-9412015		Flywheel Housing; 9/16" - 18 x 2.500"
1	Bolt	87-79	FP-5103534		Oil Filler; 5/16" - 24 x 1/2"
2	Pipe Plug	87-79	FP-5115214		Cyl. Block; 1/2" Square Head
8	Pipe Plug	87-79	FP-5121182		Cyl. Block; 1/4" - 18; Hex head
9	Pipe Plug	87-79	FP-8924380		Cyl. Block; 1/8" - 27
2	Pipe Plug	87-79	FP-5142549		Cyl. Block; 3/4" - 14 Square Head

(continued on next page)

GMC Truck - M/D & H/D

40 H/D Truck 6-71T In-Line (4-Valve Cyl. Head) Eng.
 (cont.) 7.0L 426 OHV Turbo-Diesel L6, 4.25" Bore (Detroit Diesel Eng.) 1979-87

ENGINE BLOCK & PARTS (cont.)					
QTY	MISCELLANEOUS (cont.)	YEARS	PART NO.	SIZE	DESCRIPTION
2	Pipe Plug	87-79	FP-5115214		Flywheel Housing; 1/2" Square Head
1	Pipe Plug	87-79	FP-5142549		Flywheel Housing; 3/4" - 14 Square Head
1	Pipe Plug	87-79	FP-8923847		Oil Filler; 1/4" x 18 NPTF; Square head
4	Gasket	87-79	FP-5178997		Cyl. Block Core Plug
6	Washer	87-79	FP-5131978		Flywheel Housing; .53" ID x 1.00" OD x .170" Thick
1	Washer	87-79	FP-5131755		Flywheel Housing; 17/32" x .88" x .1345"
6	Washer	87-79	FP-5138619		Flywheel Housing; 25/64" x 3/4" x .083"
1	Copper Washer	87-79	FP-5155596		Oil Filler; 5/16"; Special copper washer
2	Lock Washer	87-79	FP-103320		Cyl. Block; w/Lock Washer; 5/16"
16	Lock Washer	87-79	FP-103321		Flywheel Housing; 3/8"
2	Lock Washer	87-79	FP-103321		Oil Filler; 3/8"
1	Oil Filler Cap	87-79	FP-5117362		2.00" Dia.; Thermos Bottle Style
CRANKSHAFT/OIL PUMP					
QTY	CRANKSHAFT	YEARS	PART NO.	SIZE	DESCRIPTION
1	Vibration Damper	87-79	FP-8922491		Heavy Viscous
1	Vibration Damper	87-79	FP-5177763		Light Viscous
1	Bolt	87-79	FP-23501143		Crankshaft pulley; 1" - 14 X 2.750" (1.500" Hex head)
14	Washer	87-79	FP-103325		Lock washer; 5/8"
6	Lock Washer	87-79	FP-103321		3/8"
2	Woodruff Key	87-79	FP-5131724		Position Front; Crankshaft pulley; .375" x 1.250"
4	Dowel Pin	87-79	FP-141346		.1875" x .500"
ENGINE BLOCK & PARTS					
SEALS - FLYWHEEL HOUSING					
QTY	HOUSING	YEARS	PART NO.	SIZE	DESCRIPTION
1	Oil Seal	87-79	FP-5173384		Flywheel Seal
CRANKSHAFT/OIL PUMP					
SEALS - FRONT CRANK					
QTY	SEALS - FRONT CRANK	YEARS	PART NO.	SIZE	DESCRIPTION
1	Oil Seal	87-79	FP-5115454		Single Lip; Single Lip, Std.
1	Oil Seal	87-79	FP-5143108		Submersible
1	Redi-Sleeve	87-79	99287		Shaft dia. 2.876"
1	Oil Seal Spacer	87-79	FP-23507306		2.50" ID x 2.81" Length
1	O-Ring	87-79	FP-23503769		Front Crank Spacer Seal
SEALS - REAR CRANK					
QTY	SEALS - REAR CRANK	YEARS	PART NO.	SIZE	DESCRIPTION
1	Oil Seal	87-79	FP-5127821		Double Lip; Double Lip, Std.; Shaft Dia. 4.687"
1	Oil Seal	87-79	FP-5196927		Double Lip; O/S Seal; Double Lip; O/S Shaft Dia. 4.812"
1	Oil Seal	87-79	FP-5197860		Single Lip; O/S Seal; Single lip; O/S Shaft dia. 4.812"
1	Oil Seal	87-79	FP-5114335		Single Lip; Single Lip, Std.; Shaft Dia. 4.687"
1	Oil Seal Spacer	87-79	FP-5192496		Rear Crank Spacer; Exc. Double Lip Seal
1	Redi-Sleeve	87-79	FP-23507225		Rear Crank Sleeve; O/S Seal only
MAIN BEARINGS					
QTY	MAIN BEARINGS	YEARS	PART NO.	SIZE	DESCRIPTION
7	Plain Main Brg.	87-79	FP-5192874	STD	
7	Plain Main Brg.	87-79	FP-5192875	2	
7	Plain Main Brg.	87-79	FP-5192876	10	
7	Plain Main Brg.	87-79	FP-5192877	20	
7	Plain Main Brg.	87-79	FP-5192878	30	
7	Plain Main Brg.	87-79	FP-5193738	40	
7	Plain Main Brg.	87-79	FP-5193739	50	
1	Thrust Washer Set	87-79	FP-5159353S	STD	Position Rear
4	Thrust Washer	87-79	FP-5159353	STD	Position Rear
4	Thrust Washer	87-79	FP-5160542	5	Position Rear
4	Thrust Washer	87-79	FP-5192111	10	Position Rear
OIL PUMP					
QTY	OIL PUMP	YEARS	PART NO.	SIZE	DESCRIPTION
1	Pump Repair Kit	87-79	FP-5194801		
1	Inter. Shaft	87-79	FP-5153309		Oil Pump Drive; 8 31/32" Length
1	Inter. Shaft	87-79	FP-5153310		Oil Pump Driven Gear; 3 7/32" Length
1	Inter. Shaft	87-79	FP-5153146		Oil Pump Driven Gear; 5 5/32" Length
2	Oil Pump Intake Gasket	87-79	FP-5153902		Inlet Pipe; 2 1/4" B.C.
2	Bushing	87-79	FP-5153147		Oil Pump Body
4	Bushing	87-79	FP-5166840		Oil Pump Driven Gear
1	Bushing	87-79	FP-5153154		Oil Pump Shaft & Gear
1	Oil Pump Spring	87-79	FP-5155765		Oil Pump Relief Valve
1	Woodruff Key	87-79	FP-8928540		Oil Pump Drive Shaft; 1/8" x 5/8"
1	Woodruff Key	87-79	FP-8928540		Oil Pump Shaft; 1/8" x 5/8"
1	Washer	87-79	FP-5175944		Oil Pump Idler; Small
4	Lock Washer	87-79	FP-103321		Oil Pump Body; 3/8"

(continued on next page)

GMC Truck - M/D & H/D

H/D Truck 6-71T In-Line (4-Valve Cyl. Head) Eng. 40
7.0L 426 OHV Turbo-Diesel L6, 4.25" Bore (Detroit Diesel Eng.) 1979-87 (cont.)

CRANKSHAFT/OIL PUMP (cont.)

QTY	OIL PUMP (cont.)	YEARS	PART NO.	SIZE	DESCRIPTION
4	Lock Washer	87-79	FP-103320		Oil Pump Body; 5/16"
1	Gasket	87-79	FP-5156922		Oil Pump Outlet Pipe; 2 5/64" B.C.
2	Gasket	87-79	FP-105456		Oil Pump Relief Valve; 7/8" Copper
1	O-Ring	87-79	FP-5187316		Filter By-pass Valve Plug
2	Governor Hole Gasket	87-79	FP-5123812		Oil Drain Tube; Inclined Engines
1	Oil Filter Gasket	87-79	FP-1595620		Rectangular Section
1	Lo Press. Reg. Body Gasket	87-79	FP-5104381		Type No. 1, 2, 21, 23
1	Lo Press. Reg. Body Gasket	87-79	FP-5156831		Type No. 3
1	Gasket	87-79	FP-5575086		Filter By-pass Valve Plug
1	Lock Nut	87-79	FP-114498		Oil Filter Cover; 5/8" - 18, Jam Nut
1	Oil Pressure Regulator Valve	87-79	FP-5153247		Oil Pump Relief
1	Oil Filter Adapter Gasket	87-79	FP-5152413		Filter to Oil Cooler
1	Oil Filter Adapter Gasket	87-79	FP-5188028		Filter to Oil Cooler
1	Oil Pump Spring	87-79	FP-5156815		Oil Press. Regulator
1	Pipe Plug	87-79	FP-5115214		Oil Cooler Water Inlet; 1/2" Square Head
2	Pipe Plug	87-79	FP-8924517		Oil Cooler Water Inlet; 3/8" x 18 square head
2	Pipe Plug	87-79	FP-5121182		Oil Filter; 1/4" - 18; Hex head
1	Pipe Plug	87-79	FP-5115214		Oil Pan Drain; 1/2" Square Head
1	Pipe Plug	87-79	FP-5121182		Oil Pan Drain; 1/4" - 18; Hex head
1	Pipe Plug	87-79	FP-5142549		Oil Pan Drain; 3/4" - 14 Square Head
1	Pipe Plug	87-79	FP-8924517		Oil Pan Drain; 3/8" x 18 square head
2	Pipe Plug	87-79	FP-5115214		Oil Pan Sump; 1/2" Square Head
1	Pipe Plug	87-79	FP-5115214		Oil Pan; 1/2" Square Head
1	Pipe Plug	87-79	FP-5121182		Oil Pan; 1/4" - 18; Hex head
1	Pipe Plug	87-79	FP-8923313		Oil Pan; 3/4"
1	Pipe Plug	87-79	FP-5142549		Oil Pan; 3/4" - 14 Square Head

CYLINDER COMPONENTS

QTY	LINERS	YEARS	PART NO.	SIZE	DESCRIPTION
6	Liner w/o Sealing Rings	87-79	FP-5102316	5	Flanged, .810" port length
6	Liner w/o Sealing Rings	87-79	FP-5102317	10	Flanged, .810" port length
6	Liner w/o Sealing Rings	87-79	FP-5102318	20	Flanged, .810" port length
6	Liner w/o Sealing Rings	87-79	FP-5102319	30	Flanged, .810" port length
6	Liner w/o Sealing Rings	87-79	FP-5107448	5	Flanged, .950" port length
6	Liner w/o Sealing Rings	87-79	FP-5107449	10	Flanged, .950" port length
6	Liner w/o Sealing Rings	87-79	FP-5107450	20	Flanged, .950" port length
6	Liner w/o Sealing Rings	87-79	FP-5193732	5	Flanged, 1.050" port length
6	Liner w/o Sealing Rings	87-79	FP-5193733	10	Flanged, 1.050" port length
6	Liner w/o Sealing Rings	87-79	FP-5193734	20	Flanged, 1.050" port length
6	Liner w/o Sealing Rings	87-79	FP-5193735	30	Flanged, 1.050" port length
6	Liner w/o Sealing Rings	87-79	FP-23504931	STD	No. 1 Bore; Flanged, .810" port length
6	Liner w/o Sealing Rings	87-79	FP-23502023	STD	No. 1 Bore; Flanged, .950" port length
6	Liner w/o Sealing Rings	87-79	FP-23502020	STD	No. 1 Bore; Flanged, 1.050" port length
6	Liner w/o Sealing Rings	87-79	FP-23504932	STD	No. 2 Bore; Flanged, .810" port length
6	Liner w/o Sealing Rings	87-79	FP-23502024	STD	No. 2 Bore; Flanged, .950" port length
6	Liner w/o Sealing Rings	87-79	FP-23502021	STD	No. 2 Bore; Flanged, 1.050" port length
6	Liner w/o Sealing Rings	87-79	FP-23504933	STD	No. 3 Bore; Flanged, .810" port length
6	Liner w/o Sealing Rings	87-79	FP-23502025	STD	No. 3 Bore; Flanged, .950" port length
6	Liner w/o Sealing Rings	87-79	FP-23502022	STD	No. 3 Bore; Flanged, 1.050" port length
6	Liner w/o Sealing Rings	87-79	FP-23504934	STD	No. 4 Bore; Flanged, .810" port length
6	Liner w/o Sealing Rings	87-79	FP-23504935	STD	No. 4 Bore; Flanged, .950" port length
6	Liner w/o Sealing Rings	87-79	FP-23504936	STD	No. 4 Bore; Flanged, 1.050" port length
6	Cylinder Kit Complete	87-79	FP-23522951	10	w/Cross Head style piston; 1.050" port length sleeve
6	Cylinder Kit Complete	87-79	FP-23522525	20	w/Cross Head style piston; 1.050" port length sleeve
6	Cylinder Kit Complete	87-79	FP-5149263	10	w/Trunk style piston; 4 Valve Head; 1.05" port length sleeve
6	Cylinder Kit Complete	87-79	FP-5149264	20	w/Trunk style piston; 4 Valve Head; 1.05" port length sleeve
6	Cylinder Kit Complete	87-79	FP-20022	STD	No. 1 Bore; w/Cross Head style piston
6	Cylinder Kit Complete	87-79	FP-20014	STD	No. 1 Bore; w/Trunk style piston; 2 Valve Head
6	Cylinder Kit Complete	87-79	FP-20011	STD	No. 1 Bore; w/Trunk style piston; 4 Valve Head; 1.05" port length sleeve
6	Cylinder Kit Complete	87-79	FP-23522949	STD	No. 2 Bore; w/Cross Head style piston; 1.050" port length sleeve
6	Cylinder Kit Complete	87-79	FP-23505308	STD	No. 2 Bore; w/Trunk style piston; 2 Valve Head; .810" port length sleeve
6	Cylinder Kit Complete	87-79	FP-23505305	STD	No. 2 Bore; w/Trunk style piston; 4 Valve Head; 1.05" port length sleeve
6	Cylinder Kit Complete	87-79	FP-23522947	STD	No. 3 Bore; w/Cross Head style piston; 1.050" port length sleeve
6	Cylinder Kit Complete	87-79	FP-23505309	STD	No. 3 Bore; w/Trunk style piston; 2 Valve Head
6	Cylinder Kit Complete	87-79	FP-23505306	STD	No. 3 Bore; w/Trunk style piston; 4 Valve Head; 1.05" port length sleeve
6	Cylinder Kit Complete	87-79	FP-23522521	STD	No. 4 Bore; w/Cross Head style piston; 1.050" port length sleeve

(continued on next page)

GMC Truck - M/D & H/D

40 H/D Truck 6-71T In-Line (4-Valve Cyl. Head) Eng.
 (cont.) 7.0L 426 OHV Turbo-Diesel L6, 4.25" Bore (Detroit Diesel Eng.) 1979-87

CYLINDER COMPONENTS (cont.)					
QTY	LINERS (cont.)	YEARS	PART NO.	SIZE	DESCRIPTION
6	Cylinder Kit Complete	87-79	FP-5149261	STD	No. 4 Bore; w/Trunk style piston; 4 Valve Head; 1.05" port length sleeve
6	Liner Kit w/o Sleeve	87-79	FP-LCK22507		w/Cross Head style piston
6	Liner Kit w/o Sleeve	87-79	FP-LCK22949		w/Cross Head style piston
6	Liner Kit w/o Sleeve	87-79	FP-LCK5309		w/Trunk style piston; 2 Valve Head
6	Liner Kit w/o Sleeve	87-79	FP-LCK5306		w/Trunk style piston; 4 Valve Head
6	Flange Shim	87-79	FP-5199569	2	High Block; .002" Thick
6	Flange Shim	87-79	FP-2190595	.0015	Low Block; .002" Thick
6	Flange Shim	87-79	FP-5192226	3	Low Block; .003" Thick
6	Cntr. Bore Insert	87-79	FP-5199871		.0015" Thicker than std., for .010-.030 O/S sleeves
6	Cntr. Bore Insert	87-79	FP-5148399		.0015" Thicker than std., for std.-.005 O/S sleeves
6	Cntr. Bore Insert	87-79	FP-5148440		.0015" Thinner than std., for std.-.005 O/S sleeves
6	Cntr. Bore Insert	87-79	FP-5194073		.0035 Thinner than std., for std.-.005 O/S sleeves
6	Cntr. Bore Insert	87-79	FP-5194163		.0040 Thinner than std., for .010-.030 O/S sleeves
6	Cntr. Bore Insert	87-79	FP-5194164		.0080" Thinner than std., for .010-.030 O/S sleeves
6	Cntr. Bore Insert	87-79	FP-5193316		Std. thickness (.1795-.1800), for .010-.030 O/S sleeves
6	Cntr. Bore Insert	87-79	FP-5184484		Std. thickness (.1795-.1800), for std.-.005 O/S sleeves
QTY	PISTONS	YEARS	PART NO.	SIZE	DESCRIPTION
6	Piston With Retainers	87-79	FP-5189054	STD	17.5:1 C.R.; Trunk style piston; 2 Valve Head; Dish Head, Cast Iron; 4-1/8, 2-3/16 Ring Groove
6	Piston With Retainers	87-79	FP-5149234	STD	18.7:1 C.R.; Trunk style piston; 4 Valve Head
6	Piston Dome Kit	87-79	FP-23522475		17.0:1 C.R.; w/Cross Head style piston
6	Piston Dome Kit	87-79	FP-23522535		18.7:1 C.R.; w/Cross Head style piston
6	Crosshead Piston Dome	87-79	FP-23521992	STD	17.0:1 C.R.; Cross Head style piston
6	Crosshead Piston Dome	87-79	FP-23522026	STD	18.7:1 C.R.; w/Cross Head style piston
6	Piston Skirt	87-79	FP-23522070	STD	w/Cross Head style piston
6	Pin	87-79	FP-5101120	STD	w/Cross Head style piston
6	Pin	87-79	FP-5144744	STD	w/Cross Head style piston; Nut plate type
6	Pin	87-79	FP-5188406	STD	w/Trunk style piston
12	Piston Pin Retainer	87-79	FP-5180250		w/Cross Head style piston
12	Piston Pin Retainer	87-79	FP-5188405		w/Trunk style piston
6	Piston Pin Slipper Bearing	87-79	FP-23501687		w/Cross Head style piston; Slipper type design - 1 per cyl.
6	Pin Bushing	87-79	FP-5157274		w/Trunk style piston; w/.015" extra ID bore stock
6	Pin Bushing	87-79	FP-2409Y		w/1.5020" I.D., 1.7510" O.D., .7600" O.A.L.
6	Pin Bushing	87-79	2409Y +		w/1.5020" I.D., 1.7510" O.D., .7600" O.A.L.; When depleted use FP-2409Y
QTY	CONNECTING RODS & BRGS.	YEARS	PART NO.	SIZE	DESCRIPTION
12	Con. Rod Bolt	87-79	FP-5132383		.4375" x 20 x 3.52"
12	Con. Rod Nut	87-79	FP-5117629		.4375" x 20
6	Rod Pair	87-79	FP-23511129	STD	Late design-upper brg. w/2 oil slots
6	Rod Pair	87-79	FP-23511131	2	Late design-upper brg. w/2 oil slots
6	Rod Pair	87-79	FP-23511133	10	Late design-upper brg. w/2 oil slots
6	Rod Pair	87-79	FP-23511135	20	Late design-upper brg. w/2 oil slots
6	Rod Pair	87-79	FP-23511137	30	Late design-upper brg. w/2 oil slots
6	Rod Pair	87-79	FP-5193741	40	Late design-upper brg. w/2 oil slots
QTY	PISTON RINGS	YEARS	PART NO.	SIZE	DESCRIPTION
6	Ring Set Single Cylinder	87-79	FP-23522954	STD	w/Cross Head style piston; Wide gap Fire Ring
6	Ring Set Single Cylinder	87-79	FP-23522955	STD	Cross Head style piston; Std. gap Fire Ring
6	Ring Set Single Cylinder	87-79	FP-5193477	STD	Trunk style piston; 2 Valve Head; 4-1/8, 2-3/16 (1 cyl. set w/4 Chrome rings)
6	Ring Set Single Cylinder	87-79	FP-23514970	STD	Trunk style piston; 4 Valve Head; 4-.084, 2-3/16 (1 cyl. Set)
12	Compression Ring	87-79	FP-8926351		w/Cross Head style piston; 2nd & 3rd grooves
6	Compression Ring	87-79	FP-8924084		Cross Head style piston; Std. gap Fire Ring
6	Compression Ring	87-79	FP-8924083		Cross Head style piston; Wide gap Fire Ring
24	Compression Ring	87-79	FP-5185325		Trunk style piston; 2 Valve Head; Top 4 grooves
18	Compression Ring	87-79	FP-5102648		Trunk style piston; 4 Valve Head; First 4 grooves
12	Ring, Oil Control Set	87-79	FP-23522534		Cross Head style piston; For one groove
6	Ring, Oil Control Set	87-79	FP-23514965		Trunk style piston; 4 Valve Head; Set for one piston
CLUTCH					
QTY	CLUTCH	YEARS	PART NO.	SIZE	DESCRIPTION
1	Ball Brg.	87-79	FP-23503707		Clutch Pilot
1	Ball Brg.	87-79	FP-23503709		Clutch Pilot
1	Ball Brg.	87-79	FP-23504892		Clutch Pilot

(continued on next page)

GMC Truck - M/D & H/D

H/D Truck 6-71T In-Line (4-Valve Cyl. Head) Eng. 40
7.0L 426 OHV Turbo-Diesel L6, 4.25" Bore (Detroit Diesel Eng.) 1979-87 (cont.)

KITS

QTY	OVERHAUL KIT	YEARS	PART NO.	SIZE	DESCRIPTION
1	In-Frame Overhaul Kit	87-79	FP-671XH		w/Cross Head style piston; Valve cover gaskets not incl.
1	In-Frame Overhaul Kit	87-79	FP-671NA		w/Trunk style piston & 1.050" Port Length Sleeve. Valve cover gaskets not Incl.
1	Complete Overhaul Kit	87-79	FP-671XHOH		w/Cross Head style piston; Valve cover gaskets not incl.
1	Complete Overhaul Kit	87-79	FP-671NAOH		w/Trunk style piston & 1.050" Port Length Sleeve. Valve cover gaskets not Incl.

M/D Truck 427 Eng. H/D Truck 427 Eng. 41
7.0L 427 OHV V8 (Chevrolet), 4.25" Bore 1966-98

CYL. HEAD & PARTS

QTY	VALVE	YEARS	PART NO.	SIZE	DESCRIPTION
8	Intake	93-91	V-1874 Std-15		Exc. Series P6; Chrome plated stem; 1.9400" Head Dia., .3720" Stem Dia., 5.2300" O.A.L.
8	Intake	90-88	V-1874 Std-15		2nd design; Chrome plated stem; 1.9400" Head Dia., .3720" Stem Dia., 5.2300" O.A.L.
8	Intake	88-74	V-1754 Std Only		1st design; Chrome plated stem; 1.8386" Head Dia., .3719" Stem Dia., 5.2205" O.A.L.
8	Intake	69	V-1912 Std-3-15		Chrome plated stem; 2.0650" Head Dia., .3720" Stem Dia., 5.2300" O.A.L.
8	Intake	68	V-1874 Std-15		Chrome plated stem; 1.9400" Head Dia., .3720" Stem Dia., 5.2300" O.A.L.
8	Intake, Bulk	69	V-1912B Std Only		Chrome plated stem; Carton of 25; 2.0650" Head Dia., .3720" Stem Dia., 5.2300" O.A.L.
8	Exhaust	94-91	V-2451X Std Only		Optional-Premium Material; Inconel X-751; Chrome plated stem; 1.6600" Head Dia., .3711" Stem Dia., 5.3670" O.A.L.
8	Exhaust	78-74	V-1753X Std-15		Series 40-65; Optional-Stellite Face; Chrome plated stem; 1.6600" Head Dia., .3718" Stem Dia., 5.3670" O.A.L.
8	Exhaust	73-70	V-1753X Std-15		Optional-Stellite Face; Chrome plated stem; 1.6600" Head Dia., .3718" Stem Dia., 5.3670" O.A.L.
8	Exhaust	69	V-1911 Std-3-15		Chrome plated stem; 1.7200" Head Dia., .3718" Stem Dia., 5.3550" O.A.L.
8	Exhaust	68	V-1753X Std-15		Optional-Stellite Face; Chrome plated stem; 1.6600" Head Dia., .3718" Stem Dia., 5.3670" O.A.L.
8	Exhaust, Bulk	69	V-1911B Std-15		Chrome plated stem; Carton of 25; 1.7200" Head Dia., .3718" Stem Dia., 5.3550" O.A.L.
32	Keeper	97-68	VK-138		1 groove; Square cut key groove
32	Keeper	97-68	VK-138R		1 groove; Square cut key groove; Hardened
32	Keeper, Bulk	97-68	VK-138B		1 groove; Square cut key groove; Carton of 1000

QTY	VALVE SEAT	YEARS	PART NO.	SIZE	DESCRIPTION
8	Exh.	94-68	FP-24518125N		Exc. 1969; Optional-Premium Material; Non-magenetic material; 1.8175" OD, 1.5000" ID, .2480" Depth
8	Exh.	94-68	245-1812-5N + Std Only		Exc. 1969; Optional-Premium Material; Non-magenetic material; 1.8175" OD, 1.5000" ID, .2480" Depth; When depleted use FP-24518125N
8	Exh.	94-68	FP-24518125		Exc. 1969; 1.8175" OD, 1.5000" ID, .2480" Depth
8	Exh.	94-68	245-1812-5 + Std Only		Exc. 1969; 1.8175" OD, 1.5000" ID, .2480" Depth; When depleted use FP-24518125
8	Int.	94-68	245-2000-1 Std Only		Exc. 1969; 2.0055" OD, 1.7500" ID, .2160" Depth
8	Exh.	69	245-1812-4N Std Only		Premium Material; 1.8175" OD, 1.5625" ID, .2160" Depth
8	Exh.	69	245-1812-4 Std Only		1.8175" OD, 1.5625" ID, .2160" Depth
8	Int.	69	245-2250-1 Std Only		2.2555" OD, 1.9375" ID, .1855" Depth

QTY	VALVE GUIDE	YEARS	PART NO.	SIZE	DESCRIPTION
8	Guide	94-68	VG-688		Exh.; .3740" ID, 2.6300" O.A.L.
8	Guide	94-68	VG-689		Int.; .3735" ID, 2.4200" O.A.L.
8	Guide, Bulk	94-68	VG-689B		Int.; Carton of 50; .3735" ID, 2.4200" O.A.L.

QTY	VALVE SPRING	YEARS	PART NO.	SIZE	DESCRIPTION
8	Spring	94-86	VS-859		2.0500" Free Height
8	Spring	85	VS-671		1st design; 2.0500" Free Height
8	Spring	85	VS-859		2nd Design; 2.0500" Free Height
8	Spring	84-68	VS-671		2.0500" Free Height
8	Spring, Bulk	85	VS-671B		1st design; Carton of 150; 2.0500" Free Height
8	Spring, Bulk	84-68	VS-671B		Carton of 150; 2.0500" Free Height
16	Spring Insert	94-68	259-404A		.060"; Carton of 50

QTY	PUSH RODS	YEARS	PART NO.	SIZE	DESCRIPTION
8	Push Rod	97-91	RP-3344		Exh.; 9.4740" O.A.L.
8	Push Rod	97-91	RP-3343		Int.; 8.5040" O.A.L.
8	Push Rod	90-84	RP-3257		Exh.; 9.6020" O.A.L.
8	Push Rod	90-84	RP-3258		Int.; 8.6320" O.A.L.

(continued on next page)

+ Superseded Part Number

GMC Truck - M/D & H/D

41 M/D Truck 427 Eng. H/D Truck 427 Eng.
(cont.) 7.0L 427 OHV V8 (Chevrolet), 4.25" Bore 1966-98

CYL. HEAD & PARTS (cont.)					
QTY	PUSH RODS (cont.)	YEARS	PART NO.	SIZE	DESCRIPTION
8	Push Rod	83-77	RP-3203		Exh.; 9.6520" O.A.L.
8	Push Rod	83-77	RP-3204 +		Int.; 8.6800" O.A.L.; When depleted use RP-3164
8	Push Rod	76-68	RP-3105		Exh.; 9.6560" O.A.L.
8	Push Rod	76-68	RP-3106		Int.; 8.6800" O.A.L.
8	Push Rod, Bulk	83-77	BRP-3203		Exh.; Carton of 100; 9.6520" O.A.L.
8	Push Rod, Bulk	83-77	BRP-3204 +		Int.; Carton of 100; 8.6800" O.A.L.; When depleted use BRP-3164
QTY	VALVE MISC.	YEARS	PART NO.	SIZE	DESCRIPTION
8	Rotocap	94-68	RC-163S		
QTY	VALVE SEAL	YEARS	PART NO.	SIZE	DESCRIPTION
16	Valve Stem Seal	94-68	ST-2004		Positive type; Installation requires valve guide machining; Rubber/PTFE
16	Valve Stem Seal	90-68	MV-1769C		Umbrella type; Polyacrylate
16	Valve Stem Seal Bulk	94-68	ST-2004BC		Positive type; Installation requires valve guide machining; Carton of 100; Rubber/PTFE
16	Valve Stem Seal Bulk	90-68	MV-1769		Umbrella type; Carton of 100; Polyacrylate
QTY	ROCKER PARTS	YEARS	PART NO.	SIZE	DESCRIPTION
16	Arm Assy.	90-68	R-851		Incl. arm, ball & nut
16	Arm Assy., Bulk	90-68	R-851B		Incl. arm, ball & nut; Carton of 64
16	Arm	90-68	R-851A		
16	Pivot Ball	90-68	MR-1815		
16	Nut	90-68	MR-1813		7/16" thread
CAMSHAFT GROUP					
QTY	TIMING	YEARS	PART NO.	SIZE	DESCRIPTION
1	3 Piece Set	90-68	KT3-171S		W/Chain drive; Incl. (1) 222-168, (1) 223-394, (1) 223-395
1	Gear Set	68	221-2532S		W/Gear drive; 221-2530 & 221-2531 not sold separately; Incl. (1) 221-2530, (1) 221-2531
1	Timing Chain	97-91	222-4SR50		Single rlr.; 50 Links
1	Timing Chain	90-68	222-168		Double rlr.; 66 Links
1	Crank Sprocket	97-91	223-717		19 Teeth
1	Crank Sprocket	90-68	223-395		25 Teeth
1	Cam Sprocket	97-91	223-710		38 Teeth
1	Cam Sprocket	90-68	223-394		50 Teeth
QTY	CAMSHAFT/LIFTER	YEARS	PART NO.	SIZE	DESCRIPTION
1	Camshaft	98-85	CS-774		
1	Camshaft	84-73	CS-669		
1	Camshaft	72-68	CS-636		Chain driven
16	Lifter	98-91	HT-969	Std Only	Hyd.; w/.440" wide oil groove
16	Lifter	90-68	HT-817	Std Only	Hyd.
16	Lifter, Bulk	98-91	HT-969B	Std Only	Hyd.; Carton of 128
16	Lifter, Bulk	90-68	HT-817B	Std Only	Hyd.; Carton of 128
1	Prelube	98-68	55-400		4 oz. bottle; 1.5 oz. packet No. 55-403 also avail.
QTY	CAMSHAFT KIT	YEARS	PART NO.	SIZE	DESCRIPTION
1	Cam/Lifter Kit	98-91	KC-774A		Hyd.; Incl. (1) CS-774, (16) HT-969, (1) 55-403B
1	Cam/Lifter Kit	90-85	KC-774		Hyd.; Incl. (1) CS-774, (16) HT-817, (1) 55-403B
1	Cam/Lifter Kit	84-73	KC-669		Incl. (1) CS-669, (16) HT-817, (1) 55-403B
1	Cam/Lifter Kit	72-68	KC-636		W/Chain drive; Hyd.; Incl. (1) CS-636, (16) HT-817, (1) 55-403B
1	Cam/Lifter/Timing Kit	90-85	KCT-774A		Hyd.; Incl. (1) CS-774, (16) HT-817, (1) KT3-171S, (1) 55-403B
1	Cam/Lifter/Timing Kit	84-73	KCT-669		Incl. (1) CS-669, (16) HT-817, (1) KT3-171S, (1) 55-403B
1	Cam/Lifter/Timing Kit	72-68	KCT-636		Chain driven; Incl. (1) CS-636, (16) HT-817, (1) KT3-171S, (1) 55-403B
ENGINE BLOCK & PARTS					
QTY	GASKET SETS	YEARS	PART NO.	SIZE	DESCRIPTION
1	Kit Gasket Set	95-91	260-1636		Exh. pipe packing not incl.; PermaDry® molded rubber valve cover & oil pan gskts. incl.; Premium valve stem seals incl.
1	Kit Gasket Set	90-86	260-1418		Exh. pipe packing not incl.; LPG int. manifold gskts. not incl.; PermaDry® molded rubber valve cover gskts. incl.; Premium valve stem seals incl.
1	Kit Gasket Set	85	260-1046		w/o H5D Emis.; Exh. pipe packing not incl.; LPG int. manifold gskts. not incl.; Premium valve stem seals incl.
1	Kit Gasket Set	85	260-1418		W/H5D Emis.; Exh. pipe packing not incl.; LPG int. manifold gskts. not incl.; PermaDry® molded rubber valve cover gskts. incl.; Premium valve stem seals incl.
1	Kit Gasket Set	84-74	260-1046		Exh. pipe packing not incl.; LPG int. manifold gskts. not incl.; Premium valve stem seals incl.

(continued on next page)

GMC Truck - M/D & H/D

M/D Truck 427 Eng. H/D Truck 427 Eng. 41
7.0L 427 OHV V8 (Chevrolet), 4.25" Bore 1966-98 (cont.)

ENGINE BLOCK & PARTS (cont.)					
QTY	GASKET SETS (cont.)	YEARS	PART NO.	SIZE	DESCRIPTION
1	Kit Gasket Set	73-68	260-1009		Exh. pipe packing not incl.; LPG int. manifold gsks. not incl.; Premium valve stem seals incl.
QTY	CAM BEARINGS	YEARS	PART NO.	SIZE	DESCRIPTION
1	Cam Set	98-68	1404M	Std Only	Babbitt material; Full round design
QTY	FREEZE PLUGS	YEARS	PART NO.	SIZE	DESCRIPTION
1	Brass Block Plug Kit	90-77	381-8009		
1	Steel Block Plug Kit	90-77	381-4017		
CRANKSHAFT/OIL PUMP					
QTY	CRANKSHAFT	YEARS	PART NO.	SIZE	DESCRIPTION
1	Harmonic Balancer Sleeve	96-68	88233		
QTY	SEALS - FRONT CRANK	YEARS	PART NO.	SIZE	DESCRIPTION
1	Redi-Sleeve	96-68	99233		
1	Oil Seal	96-68	3945		
QTY	SEALS - REAR CRANK	YEARS	PART NO.	SIZE	DESCRIPTION
1	Oil Seal	96-68	325776		
1	Redi-Sleeve	96-68	99435		
QTY	MAIN BEARINGS	YEARS	PART NO.	SIZE	DESCRIPTION
1	Main Set	98-68	4400MA	Std-1-2-10-20-30-40	A-Series aluminum bearings
1	Main Set	85-68	7122MA10	10-20-30	A-Series aluminum bearings; w/.020" O/S length flange brg.
QTY	OIL PUMP	YEARS	PART NO.	SIZE	DESCRIPTION
1	Oil Pump	95-82	224-4154G		
1	Oil Pump	81-68	224-4154		
1	Oil Pump	81-68	224-4153		High Volume, check pan for clearance; Use shaft w/steel guide
1	Inter. Shaft	95-79	224-6154A		Shaft w/slotted end, 6.52" O.A.L.; Use w/nylon guide
1	Inter. Shaft	95-79	224-6154		Shaft w/slotted end, 6.82" O.A.L.; Has integral steel guide
1	Inter. Shaft	78-73	224-6154A		Shaft w/slotted end, 6.52" O.A.L.; Use w/nylon guide
1	Inter. Shaft	78-73	224-6154		Shaft w/slotted end, 6.82" O.A.L.; Has integral steel guide
1	Screen Assy.	95-91	224-14264		
1	Oil Pump Shaft Guide	95-68	224-43343		Nylon
CYLINDER COMPONENTS					
QTY	LINERS	YEARS	PART NO.	SIZE	DESCRIPTION
1	Repair Sleeve	97-66	SL-24Y	Std Only	1/8" wall, must be cut to correct length
1	Repair Sleeve	97-66	SL-24M	Std Only	3/32" wall, must be cut to correct length
QTY	PISTONS	YEARS	PART NO.	SIZE	DESCRIPTION
8	Cast Piston	98-85	H604CP	Std-20-30-40-60	Perf. or regular duty operation; Hypereutectic; 1-3/32", 2-5/64", 1-3/16" Ring Groove, 2.140" CD, .9894" Pin Dia., Recessed Head .100" deep w/1 valve relief; DUROSHIELD® skirt coated piston
8	Cast Piston	85-68	H989CP	Std-20-30-40-60	Hypereutectic; 1-3/32", 2-5/64", 1-3/16" Ring Groove, 2.140" CD, .9894" Pin Dia., Flat Head w/1 valve relief - 8.0:1 C.R.; DUROSHIELD® skirt coated piston
8	Cast Piston	85-68	718CP	Std-30-40	Special low comp.; Cast; 1-3/32", 2-5/64", 1-3/16" Ring Groove, 2.100" CD, .9894" Pin Dia., Flat Head w/2 valve reliefs - 7.3:1 C.R.; DUROSHIELD® skirt coated piston
8	Cast Piston - Individual	98-85	WH604CP	Std-20-30-40-60	Perf. or regular duty operation; Hypereutectic; 1-3/32", 2-5/64", 1-3/16" Ring Groove, 2.140" CD, .9894" Pin Dia., Recessed Head .100" deep w/1 valve relief; DUROSHIELD® skirt coated piston
8	Cast Piston - Individual	85-68	WH989CP	Std-20-30-40-60	Hypereutectic; 1-3/32", 2-5/64", 1-3/16" Ring Groove, 2.140" CD, .9894" Pin Dia., Flat Head w/1 valve relief - 8.0:1 C.R.; DUROSHIELD® skirt coated piston
8	Cast Piston - Individual	85-68	W718CP	Std-30-40-60	Special low comp.; Cast; 1-3/32", 2-5/64", 1-3/16" Ring Groove, 2.100" CD, .9894" Pin Dia., Flat Head w/2 valve reliefs - 7.3:1 C.R.; DUROSHIELD® skirt coated piston
QTY	CONNECTING RODS & BRGS.	YEARS	PART NO.	SIZE	DESCRIPTION
1	Rod Set	98-68	8-3190A	Std-1-10-20-30-40-60	A-Series aluminum bearings
8	Rod Pair	98-68	3190A	Std-1-2-10-20-30-40-50-60	A-Series aluminum bearings
QTY	PISTON RINGS	YEARS	PART NO.	SIZE	DESCRIPTION
1	Premium Set	98-68	E-292K	Std-20-30-40-60	1-3/32, 2-5/64, 1-3/16

(continued on next page)

GMC Truck - M/D & H/D

41 M/D Truck 427 Eng. H/D Truck 427 Eng.
 (cont.) 7.0L 427 OHV V8 (Chevrolet), 4.25" Bore 1966-98

CYLINDER COMPONENTS (cont.)

QTY	PISTON RINGS (cont.)	YEARS	PART NO.	SIZE	DESCRIPTION
8	Premium Single Cylinder Set	98-68	WE-292K Std-20-30-40-60		1-3/32, 2-5/64, 1-3/16

KITS

RE-RING KIT				QTY	PREMIUM KIT NO.	QTY	ECONOMY KIT NO.
YEARS	DESCRIPTION						
90-86	PermaDry® molded rubber valve cover gskts. incl.; Premium valve stem seals incl.; Incl. A-Series aluminum bearings	Re-ring		1	205-6085		----
85	W/H5D Emis.; w/Stainless steel exh. manifold; PermaDry® molded rubber valve cover gskts. incl.; Premium valve stem seals incl.; Incl. A-Series aluminum bearings	Re-ring		1	205-6085		----
85	w/o H5D Emis.; Premium valve stem seals incl.; Incl. A-Series aluminum bearings	Re-ring		1	205-659		----
84-74	Premium valve stem seals incl.; Incl. A-Series aluminum bearings	Re-ring		1	205-659		----
73-68	Premium valve stem seals incl.; Incl. A-Series aluminum bearings	Re-ring		1	205-636		----
90-86	PermaDry® molded rubber valve cover gskts. incl.; Premium valve stem seals incl.; Incl. A-Series aluminum bearings	Re-ring w/Mains		1	205-6085M		----
85	W/H5D Emis.; w/Stainless steel exh. manifold; PermaDry® molded rubber valve cover gskts. incl.; Premium valve stem seals incl.; Incl. A-Series aluminum bearings	Re-ring w/Mains		1	205-6085M		----
85	w/o H5D Emis.; Exh. pipe packing not incl.	Re-ring w/Mains		1	205-659M		----
84-74	Exh. pipe packing not incl.	Re-ring w/Mains		1	205-659M		----
73-68	Premium valve stem seals incl.; Incl. A-Series aluminum bearings	Re-ring w/Mains		1	205-636M		----
OVERHAUL KIT				QTY	PREMIUM KIT NO.	QTY	ECONOMY KIT NO.
YEARS	DESCRIPTION						
90-86	W/Chain drive; Exh. pipe packing not incl.; LPG int. manifold gskts. not incl.; PermaDry® molded rubber valve cover gskts. incl.; Premium valve stem seals incl.; Incl. A-Series aluminum bearings	Master w/o Pistons		1	MK-6085A		----
90-86	Incl. A-Series aluminum bearings; PermaDry® molded rubber valve cover gskts. incl.; Premium valve stem seals incl.	Master w/o Pistons		1	MK-6085C		----
85	W/H5D Emis.; PermaDry® molded rubber oil pan gskt. incl.; Premium valve stem seals incl.	Master w/o Rods & Mains		1	505-6085A		----
85	W/H5D Emis.; PermaDry® molded rubber valve cover gskts. incl.; Premium valve stem seals incl.; Incl. A-Series aluminum bearings	Master Master w/o Pistons		1 1	MKP-6085A MK-6085A		----
85	W/Chain drive; w/H5D Emis.; Exh. pipe packing not incl.; LPG int. manifold gskts. not incl.; Incl. A-Series aluminum bearings; PermaDry® molded rubber valve cover gskts. incl.; Premium valve stem seals incl.	Master w/o Pistons		1	MK-6085C		----
85	w/o H5D Emis.; Exh. pipe packing not incl.	Master Master w/o Pistons Master w/o Rods & Mains		1 1 1	MKP-659D MK-659D 505-659D		----
84-82	Exh. pipe packing not incl.	Master Master w/o Pistons Master w/o Rods & Mains		1 1 1	MKP-659C MK-659C 505-659C		----
81-77	Exh. pipe packing not incl.	Master Master w/o Pistons Master w/o Rods & Mains		1 1 1	MKP-659A MK-659A 505-659A		----
76-74	W/Chain drive; Exh. pipe packing not incl.	Master Master w/o Pistons Master w/o Rods & Mains		1 1 1	MKP-659A MK-659A 505-659A		----

(continued on next page)

GMC Truck - M/D & H/D

M/D Truck 427 Eng. H/D Truck 427 Eng. 41
7.0L 427 OHV V8 (Chevrolet), 4.25" Bore 1966-98 (cont.)

KITS (cont.)

OVERHAUL KIT (cont.)		QTY	PREMIUM KIT NO.	QTY	ECONOMY KIT NO.
YEARS	DESCRIPTION				
73	W/Chain drive; Incl. A-Series aluminum bearings; Premium valve stem seals incl.;	1	MK-636D		----
73	W/Chain drive; Premium valve stem seals incl.	1	505-636D		----
73	W/Chain drive; Premium valve stem seals incl.; Incl. A-Series aluminum bearings	1	MKP-636D		----
72-68	W/Chain drive; Incl. A-Series aluminum bearings; Premium valve stem seals incl.;	1	MK-636C		----
72-68	W/Chain drive; Premium valve stem seals incl.	1	505-636C		----
72-68	W/Chain drive; Premium valve stem seals incl.; Incl. A-Series aluminum bearings	1	MKP-636C		----

M/D Truck 432, 432M Eng. H/D Truck 432, 432M Eng. 42
7.1L 432 OHV V6 (GMC), 4.875" Bore 1973-74

CYL. HEAD & PARTS

QTY	VALVE	YEARS	PART NO.	SIZE	DESCRIPTION
12	Keeper	74-73	VK-115		1 groove; Square cut key groove
12	Keeper	74-73	VK-115R		1 groove; Square cut key groove; Hardened
12	Keeper, Bulk	74-73	VK-115B		1 groove; Square cut key groove; Carton of 1000
QTY	VALVE GUIDE	YEARS	PART NO.	SIZE	DESCRIPTION
6	Guide	74-73	VG-5036		Int.; .3740" ID, 2.7500" O.A.L.
6	Guide, Bulk	74-73	VG-5036B		Int.; Carton of 100; .3740" ID, 2.7500" O.A.L.
QTY	PUSH RODS	YEARS	PART NO.	SIZE	DESCRIPTION
12	Push Rod	74-73	RP-3099		7.9890" O.A.L.

CAMSHAFT GROUP

QTY	CAMSHAFT/LIFTER	YEARS	PART NO.	SIZE	DESCRIPTION
12	Lifter	74-73	AT-874 Std Only		Mech.
1	Prelube	74-73	55-400		4 oz. bottle; 1.5 oz. packet No. 55-403 also avail.

CRANKSHAFT/OIL PUMP

QTY	OIL PUMP	YEARS	PART NO.	SIZE	DESCRIPTION
1	Oil Pump	74-73	224-41154		3/8" dia. mounting holes; Governor spinner not incl., Re-use original if req'd.

CYLINDER COMPONENTS

QTY	PISTONS	YEARS	PART NO.	SIZE	DESCRIPTION
6	Pin Bushing	74-73	2404Y20		
QTY	CONNECTING RODS & BRGS.	YEARS	PART NO.	SIZE	DESCRIPTION
6	Rod Pair	74-73	2400P Std-10-20-30		Undersize brgs. can be used, but the surface hardness of the crankshaft should be restored after grinding through a suitable heat treatment process

M/D Truck 454 Eng. 43
7.4L 454 OHV V8 (Chevrolet), 4.25" Bore 1979-81

CYL. HEAD & PARTS

QTY	VALVE	YEARS	PART NO.	SIZE	DESCRIPTION
8	Intake	81-79	V-1754 Std Only		Chrome plated stem; 1.8386" Head Dia., .3719" Stem Dia., 5.2205" O.A.L.
32	Keeper	81-79	VK-138		1 groove; Square cut key groove
32	Keeper	81-79	VK-138R		1 groove; Square cut key groove; Hardened
32	Keeper, Bulk	81-79	VK-138B		1 groove; Square cut key groove; Carton of 1000
QTY	VALVE SEAT	YEARS	PART NO.	SIZE	DESCRIPTION
8	Exh.	81-79	FP-24518125N		Optional-Premium Material; Non-magenetic material; 1.8175" OD, 1.5000" ID, .2480" Depth
8	Exh.	81-79	245-1812-5N + Std Only		Optional-Premium Material; Non-magenetic material; 1.8175" OD, 1.5000" ID, .2480" Depth; When depleted use FP-24518125N
8	Exh.	81-79	FP-24518125		1.8175" OD, 1.5000" ID, .2480" Depth
8	Exh.	81-79	245-1812-5 + Std Only		1.8175" OD, 1.5000" ID, .2480" Depth; When depleted use FP-24518125
8	Int.	81-79	245-2000-1 Std Only		2.0055" OD, 1.7500" ID, .2160" Depth

(continued on next page)

GMC Truck - M/D & H/D

43 M/D Truck 454 Eng.

(cont.) 7.4L 454 OHV V8 (Chevrolet), 4.25" Bore 1979-81

CYL. HEAD & PARTS (cont.)					
QTY	VALVE SPRING	YEARS	PART NO.	SIZE	DESCRIPTION
16	Spring	81-79	VS-671		2.0500" Free Height
16	Spring, Bulk	81-79	VS-671B		Carton of 150; 2.0500" Free Height
16	Spring Insert	81-79	259-404A		.060"; Carton of 50
QTY	PUSH RODS	YEARS	PART NO.	SIZE	DESCRIPTION
8	Push Rod	81-79	RP-3203		Exh.; 9.6520" O.A.L.
8	Push Rod	81-79	RP-3204 +		Int.; 8.6800" O.A.L.; When depleted use RP-3164
8	Push Rod, Bulk	81-79	BRP-3203		Exh.; Carton of 100; 9.6520" O.A.L.
8	Push Rod, Bulk	81-79	BRP-3204 +		Int.; Carton of 100; 8.6800" O.A.L.; When depleted use BRP-3164
QTY	VALVE SEAL	YEARS	PART NO.	SIZE	DESCRIPTION
16	Valve Stem Seal	81-79	MV-1912		Umbrella type; Premium Material; Viton®
QTY	ROCKER PARTS	YEARS	PART NO.	SIZE	DESCRIPTION
16	Arm Assy.	81-79	R-851		Incl. arm, ball & nut
16	Arm Assy., Bulk	81-79	R-851B		Incl. arm, ball & nut; Carton of 64
16	Arm	81-79	R-851A		
16	Pivot Ball	81-79	MR-1815		
16	Nut	81-79	MR-1813		7/16" thread
CAMSHAFT GROUP					
QTY	TIMING	YEARS	PART NO.	SIZE	DESCRIPTION
1	3 Piece Set	81-79	KT3-171S		Incl. (1) 222-168, (1) 223-394, (1) 223-395
1	Timing Chain	81-79	222-168		Double rlr.; 66 Links
1	Crank Sprocket	81-79	223-395		25 Teeth
1	Cam Sprocket	81-79	223-394		50 Teeth
QTY	CAMSHAFT/LIFTER	YEARS	PART NO.	SIZE	DESCRIPTION
1	Camshaft	81-79	CS-660		
16	Lifter	81-79	HT-817 Std Only		Hyd.
16	Lifter, Bulk	81-79	HT-817B Std Only		Hyd.; Carton of 128
1	Prelube	81-79	55-400		4 oz. bottle; 1.5 oz. packet No. 55-403 also avail.
QTY	CAMSHAFT KIT	YEARS	PART NO.	SIZE	DESCRIPTION
1	Cam/Lifter Kit	81-79	KC-660		Hyd.; Incl. (1) CS-660, (16) HT-817, (1) 55-403B
1	Cam/Lifter/Timing Kit	81-79	KCT-660A		Hyd.; Incl. (1) CS-660, (16) HT-817, (1) KT3-171S, (1) 55-403B
ENGINE BLOCK & PARTS					
QTY	GASKET SETS	YEARS	PART NO.	SIZE	DESCRIPTION
1	Kit Gasket Set	81-80	260-1046		Exh. pipe packing not incl.; LPG int. manifold gskts. not incl.; Premium valve stem seals incl.
1	Kit Gasket Set	79	260-1009T		Exh. pipe packing not incl.; LPG int. manifold gskts. not incl.; PermaDryPlus® oil pan gskt. incl.; PermaDryPlus® water outlet gskt. incl.; Premium valve stem seals incl.
1	Kit Gasket Set	79	260-1009		Exh. pipe packing not incl.; LPG int. manifold gskts. not incl.; Premium valve stem seals incl.
QTY	CAM BEARINGS	YEARS	PART NO.	SIZE	DESCRIPTION
1	Cam Set	81-79	1404M Std Only		Babbitt material; Full round design
QTY	FREEZE PLUGS	YEARS	PART NO.	SIZE	DESCRIPTION
1	Brass Block Plug Kit	81-79	381-8009		
1	Steel Block Plug Kit	81-79	381-4017		
CRANKSHAFT/OIL PUMP					
QTY	CRANKSHAFT	YEARS	PART NO.	SIZE	DESCRIPTION
1	Harmonic Balancer Sleeve	80-79	88233		
QTY	SEALS - FRONT CRANK	YEARS	PART NO.	SIZE	DESCRIPTION
1	Redi-Sleeve	80-79	99233		
1	Oil Seal	80-79	3945		
QTY	SEALS - REAR CRANK	YEARS	PART NO.	SIZE	DESCRIPTION
1	Oil Seal Kit	80-79	5072		(Split Seal)
QTY	MAIN BEARINGS	YEARS	PART NO.	SIZE	DESCRIPTION
1	Main Set	81-79	4400MA Std-1-2-10-20-30-40		A-Series aluminum bearings
1	Main Set	81-79	7122MA10 10-20-30		A-Series aluminum bearings; w/.020" O/S length flange brg.
QTY	OIL PUMP	YEARS	PART NO.	SIZE	DESCRIPTION
1	Oil Pump	80-79	224-4154		
1	Inter. Shaft	80-79	224-6154		Shaft w/slotted end, 6.82" O.A.L.; Has integral steel guide

(continued on next page)

GMC Truck - M/D & H/D

M/D Truck 454 Eng. 43
7.4L 454 OHV V8 (Chevrolet), 4.25" Bore 1979-81 (cont.)

CYLINDER COMPONENTS

QTY	LINERS	YEARS	PART NO.	SIZE	DESCRIPTION
1	Repair Sleeve	81-79	SL-24Y Std Only		1/8" wall, must be cut to correct length
1	Repair Sleeve	81-79	SL-24M Std Only		3/32" wall, must be cut to correct length
QTY	CONNECTING RODS & BRGS.	YEARS	PART NO.	SIZE	DESCRIPTION
1	Rod Set	81-79	8-3190A Std-1-10-20-30-40-60		A-Series aluminum bearings
8	Rod Pair	81-79	3190A Std-1-2-10-20-30-40-50-60		A-Series aluminum bearings
QTY	PISTON RINGS	YEARS	PART NO.	SIZE	DESCRIPTION
1	Premium Set	81-79	E-292K Std-20-30-40-60		1-3/32, 2-5/64, 1-3/16
8	Premium Single Cylinder Set	81-79	WE-292K Std-20-30-40-60		1-3/32, 2-5/64, 1-3/16

KITS

RE-RING KIT				QTY	PREMIUM KIT NO.	QTY	ECONOMY KIT NO.
YEARS	DESCRIPTION						
81-80	Exh. pipe packing not incl.; LPG int. manifold gskts. not incl.; Premium valve stem seals incl.; Incl. A-Series aluminum bearings	Re-ring		1	205-659		----
79	Incl. A-Series aluminum bearings; Premium valve stem seals incl.	Re-ring		1	205-613		----
79	Exh. pipe packing not incl.; LPG int. manifold gskts. not incl.; Premium valve stem seals incl.; Incl. A-Series aluminum bearings	Re-ring		1	205-636		----
81-80	Exh. pipe packing not incl.; LPG int. manifold gskts. not incl.; Exh. pipe packing not incl.	Re-ring w/Mains		1	205-659M		----
79	Incl. A-Series aluminum bearings; Premium valve stem seals incl.	Re-ring			----	1	205-113
		Re-ring w/Mains		1	205-613M	1	205-113M
79	Exh. pipe packing not incl.; LPG int. manifold gskts. not incl.; Premium valve stem seals incl.; Incl. A-Series aluminum bearings	Re-ring w/Mains		1	205-636M		----
OVERHAUL KIT				QTY	PREMIUM KIT NO.	QTY	ECONOMY KIT NO.
YEARS	DESCRIPTION						
79	Incl. A-Series aluminum bearings; Premium valve stem seals incl.; Incl. silent type chain	Master		1	MKP-613E	1	MKP-113E
		Master w/o Pistons		1	MK-613E	1	MK-113E
79	Premium valve stem seals incl.; Incl. silent type chain	Master w/o Rods & Mains		1	505-613E	1	505-113E

M/D Truck 478, 478M Engs. H/D Truck 478, 478M Engs. 44
7.8L 478 OHV V6 (GMC), 5.125" Bore 1962-74

CYL. HEAD & PARTS

QTY	VALVE	YEARS	PART NO.	SIZE	DESCRIPTION
24	Keeper	73-62	VK-115		1 groove; Square cut key groove
24	Keeper	73-62	VK-115R		1 groove; Square cut key groove; Hardened
24	Keeper, Bulk	73-62	VK-115B		1 groove; Square cut key groove; Carton of 1000
QTY	VALVE GUIDE	YEARS	PART NO.	SIZE	DESCRIPTION
8	Guide	73-62	VG-5036		Int.; .3740" ID, 2.7500" O.A.L.
8	Guide, Bulk	73-62	VG-5036B		Int.; Carton of 100; .3740" ID, 2.7500" O.A.L.
QTY	PUSH RODS	YEARS	PART NO.	SIZE	DESCRIPTION
12	Push Rod	73-62	RP-3099		7.9890" O.A.L.
QTY	VALVE SEAL	YEARS	PART NO.	SIZE	DESCRIPTION
6	Valve Stem Seal	73-62	ST-2007		Exh.; Positive type; Rubber
6	Valve Stem Seal	73-62	ST-2002		Int.; Installation requires valve guide machining; Polyacrylate
6	Valve Stem Seal	73-62	MV-1233C		Int.; O-Ring; Rubber
6	Valve Stem Seal Bulk	73-62	MV-1233		Int.; O-Ring; Carton of 100; Rubber
6	Valve Stem Seal Bulk	73-62	ST-2002BC		Int.; Positive type; Installation requires valve guide machining; Carton of 100; Polyacrylate

CAMSHAFT GROUP

QTY	CAMSHAFT/LIFTER	YEARS	PART NO.	SIZE	DESCRIPTION
12	Lifter	73-62	AT-874 Std Only		Mech.
1	Prelube	73-62	55-400		4 oz. bottle; 1.5 oz. packet No. 55-403 also avail.

(continued on next page)

GMC Truck - M/D & H/D

44 M/D Truck 478, 478M Engs. H/D Truck 478, 478M Engs. (cont.) 7.8L 478 OHV V6 (GMC), 5.125" Bore 1962-74

ENGINE BLOCK & PARTS					
QTY	CAM BEARINGS	YEARS	PART NO.	SIZE	DESCRIPTION
1	Cam Set	72-64	1198M Std Only		
QTY	FREEZE PLUGS	YEARS	PART NO.	SIZE	DESCRIPTION
1	Brass Block Plug Kit	73-62	381-8019		
CRANKSHAFT/OIL PUMP					
QTY	SEALS - FRONT CRANK	YEARS	PART NO.	SIZE	DESCRIPTION
1	Redi-Sleeve	73-64	99240		
1	Oil Seal	73-64	480574H		
QTY	MAIN BEARINGS	YEARS	PART NO.	SIZE	DESCRIPTION
1	Main Set	72-64	4067MA Std Only		A-Series aluminum bearings; Undersize brgs. can be used, but the surface hardness of the crankshaft should be restored after grinding through a suitable heat treatment process
QTY	OIL PUMP	YEARS	PART NO.	SIZE	DESCRIPTION
1	Oil Pump	73-62	224-41154		3/8" dia. mounting holes; Governor spinner not incl., Re-use original if req'd.
CYLINDER COMPONENTS					
QTY	PISTONS	YEARS	PART NO.	SIZE	DESCRIPTION
6	Pin Bushing	73-64	2404Y20		
QTY	CONNECTING RODS & BRGS.	YEARS	PART NO.	SIZE	DESCRIPTION
6	Rod Pair	73-64	2400P Std-10-20-30		Undersize brgs. can be used, but the surface hardness of the crankshaft should be restored after grinding through a suitable heat treatment process

45 M/D Truck D478, DH478 Diesel Engs. H/D Truck D478, DH478 Diesel Engs. 7.8L 478 OHV Diesel V6 (GMC), 5.125" Bore 1964-75

CYL. HEAD & PARTS					
QTY	VALVE	YEARS	PART NO.	SIZE	DESCRIPTION
24	Keeper	74-64	VK-115		1 groove; Square cut key groove
24	Keeper	74-64	VK-115R		1 groove; Square cut key groove; Hardened
24	Keeper, Bulk	74-64	VK-115B		1 groove; Square cut key groove; Carton of 1000
QTY	VALVE GUIDE	YEARS	PART NO.	SIZE	DESCRIPTION
6	Guide	74-64	FP-VG5040		Int.; .3735" ID, 3.9700" O.A.L.
6	Guide	74-64	VG-5040 +		Int.; .3735" ID, 3.9700" O.A.L.; When depleted use FP-VG5040
QTY	VALVE SPRING	YEARS	PART NO.	SIZE	DESCRIPTION
16	Spring Insert	74-64	259-404A		.060"; Carton of 50
QTY	VALVE SEAL	YEARS	PART NO.	SIZE	DESCRIPTION
12	Valve Stem Seal	74-64	MV-1233C		O-Ring; Rubber
12	Valve Stem Seal Bulk	74-64	MV-1233		O-Ring; Carton of 100; Rubber
CRANKSHAFT/OIL PUMP					
QTY	MAIN BEARINGS	YEARS	PART NO.	SIZE	DESCRIPTION
1	Main Set	72-64	4067MA Std Only		Exc. 2nd series 1972 DH478; A-Series aluminum bearings; Undersize brgs. can be used, but the surface hardness of the crankshaft should be restored after grinding through a suitable heat treatment process
QTY	OIL PUMP	YEARS	PART NO.	SIZE	DESCRIPTION
1	Oil Pump	75-64	224-41154		3/8" dia. mounting holes; Governor spinner not incl., Re-use original if req'd.
CYLINDER COMPONENTS					
QTY	CONNECTING RODS & BRGS.	YEARS	PART NO.	SIZE	DESCRIPTION
6	Rod Pair	75-64	2400P Std-10-20-30		Undersize brgs. can be used, but the surface hardness of the crankshaft should be restored after grinding through a suitable heat treatment process

46 M/D Truck 8.2, 8.2N Engs. (Fuel Pincher) 8.2L 500 OHV Diesel V8 (Fuel Pincher), 108mm Bore (Detroit Diesel Eng.) 1979-91

CYL. HEAD & PARTS					
QTY	GASKETS	YEARS	PART NO.	SIZE	DESCRIPTION
2	Valve Cover Gasket	91-79	FP-8920271		w/o Breather
2	Valve Cover Gasket	91-79	FP-8926675		w/Breather

(continued on next page)

GMC Truck - M/D & H/D

M/D Truck 8.2, 8.2N Eng. (Fuel Pincher) 46
8.2L 500 OHV Diesel V8 (Fuel Pincher), 108mm Bore (Detroit Diesel Eng.) 1979-91 (cont.)

CYL. HEAD & PARTS (cont.)					
QTY	GASKETS (cont.)	YEARS	PART NO.	SIZE	DESCRIPTION
2	Head Gasket	91-79	FP-8923848		
1	Head Set	91-79	FP-8924127		
1	Head Set	91-79	FP-892412710		Incl. .010" oversized cylinder head gskt.; Valve cover gskt. not incl.
1	Head Set	91-79	FP-8924127V		Incl. 11 hole valve cover gskts. for valve covers w/o breather
1	Head Set	91-79	FP-8924127VB		Incl. 9 hole valve cover gskts. for valve covers w/breather
1	Multiple Cyl. Head Gskt. Set	91-79	FP-8924127MV		Incl. 11 hole valve cover gskts. for valve covers w/o breather
1	Multiple Cyl. Head Gskt. Set	91-79	FP-8924127MVB		Incl. 9 hole valve cover gskts. for valve covers w/breather
1	Breather Seal Ring	91-79	FP-8921294		
QTY	HEAD BOLTS	YEARS	PART NO.	SIZE	DESCRIPTION
10	Head Bolt	91-79	FP-23500463		M15 x 2.0 x 128MM; 12 Point head
10	Head Bolt	91-79	FP-23500462		M15 x 2.0 x 158MM; 12 Point head
2	Head Bolt Set	91-79	FP-2602522		Replacement recommended; 15MM bolts only
2	Head Bolt Set	91-79	260-2522 +		Replacement recommended; 15MM bolts only; When depleted use FP-2602522
2	Head Bolt Set	91-79	FP-2602522		Replacement recommended; 15MM bolts only
20	Washer	91-79	FP-8921876		To Ser. No. 8G138422; Exc. Marine applications
QTY	VALVE	YEARS	PART NO.	SIZE	DESCRIPTION
8	Intake	91-79	FP-8920119		
8	Exhaust	91-79	FP-8921347		
8	Exhaust Valve Kit	91-79	FP-23502067		Valve & valve keepers incl.
8	Intake Valve Kit	91-79	FP-23502068		Valve & valve keepers incl.
16	Valve Guide Cap	91-79	FP-5199914		Seal installer; Clear
32	Keeper	91-79	FP-23507238		1 groove; Square cut key groove
32	Keeper	91-79	VK-115		1 groove; Square cut key groove
32	Keeper	91-79	VK-115R		1 groove; Square cut key groove; Hardened
32	Keeper, Bulk	91-79	VK-115B		1 groove; Square cut key groove; Carton of 1000
QTY	VALVE GUIDE	YEARS	PART NO.	SIZE	DESCRIPTION
16	Guide	91-79	FP-VG5079T		Exh. & Int.; .3440" ID, 2.8750" O.A.L.
16	Guide	91-79	VG-5079T		Exh. & Int.; .3440" ID, 2.8750" O.A.L.
QTY	VALVE SPRING	YEARS	PART NO.	SIZE	DESCRIPTION
16	Spring	91-79	FP-8927857		Exh. & Int.
QTY	PUSH RODS	YEARS	PART NO.	SIZE	DESCRIPTION
8	Push Rod Spring	91-79	FP-8921253		
QTY	VALVE MISC.	YEARS	PART NO.	SIZE	DESCRIPTION
8	Rotocap	91-79	FP-8922369		
8	Oil Filler Cap	91-79	FP-5108474		Twist Type
QTY	VALVE SEAL	YEARS	PART NO.	SIZE	DESCRIPTION
16	Valve Stem Seal	91-79	FP-23500480		
QTY	ROCKER PARTS	YEARS	PART NO.	SIZE	DESCRIPTION
8	Expansion Plug	91-79	FP-5151272		Rocker Shaft
8	Cam Follower Roller Set	91-79	FP-8923814		Injector; Incl. pin & roller
8	Cam Follower Roller Set	91-79	FP-8923813		Valve; Incl. pin & roller
ELECTRICAL					
QTY	ELECTRICAL	YEARS	PART NO.	SIZE	DESCRIPTION
1	Starting Motor Gasket	91-79	FP-5130995		
INT & EXH MANIFOLDS					
QTY	INT. & EXH. MANIFOLDS	YEARS	PART NO.	SIZE	DESCRIPTION
2	Exhaust Manifold Gasket	91-79	FP-8921817		
1	Cyl. Block Valley Cover Gskt.	91-79	FP-8920220		Front
1	Cyl. Block Valley Cover Gskt.	91-79	FP-8920246		Rear
2	Extruded Seal	91-79	FP-8920219		Side Valley Pan
3	Pipe Plug	91-79	FP-23511574		1/2" pipe thread; w/1" Square head
2	Pipe Plug	91-79	FP-8923847		1/4" x 18 NPTF; Square head
QTY	AIR INTAKE	YEARS	PART NO.	SIZE	DESCRIPTION
2	Air Intake Housing Gasket	91-79	FP-8920247		
QTY	AIR CLEANER	YEARS	PART NO.	SIZE	DESCRIPTION
1	Air Cleaner Adapter Screen	91-79	FP-8920732		Mounting adapter
1	Air Cleaner Adapter Screen	91-79	FP-8927214		Mounting adapter; Closed breather system
1	Pipe Plug	91-79	FP-5142549		Mounting adapter; 3/4" - 14 Square Head
2	Seal & Plate Assembly	91-79	FP-8921883		Mounting adapter

(continued on next page)

GMC Truck - M/D & H/D

46 M/D Truck 8.2, 8.2N Eng. (Fuel Pincher)

(cont.) 8.2L 500 OHV Diesel V8 (Fuel Pincher), 108mm Bore (Detroit Diesel Eng.) 1979-91

CAMSHAFT GROUP

QTY	TIMING COVER	YEARS	PART NO.	SIZE	DESCRIPTION
1	Crankshaft Front Cover Gasket	91-79	FP-8920273		
1	Crankshaft Front Cover Gasket	91-79	FP-8923090		Cover to oil pan

FUEL SYSTEM & PARTS

QTY	FUEL INJECTION	YEARS	PART NO.	SIZE	DESCRIPTION
8	Fuel Injector Seal Ring	91-79	FP-8920390		
8	Injector Hole Tube Kit	91-79	FP-8925981A		
8	Injector Hole Tube Kit	91-79	FP-5149724		Injector tube seal ring incl.
8	Injector Hole Tube Kit	91-79	FP-5149724		Injector tube seal ring incl.
8	Fuel Injector	91-79	FP-5229850		4A53
8	Fuel Injector Repair Kit	91-79	FP-5229930		
4	Bracket	91-79	FP-8920350		Control tube
8	Fuel Injection Valve Cage	91-79	FP-5229726		Spring cage
8	Fuel Injection Spring Seat	91-79	FP-5228766		Valve spring seat
8	Fuel Injector Valve Spring	91-79	FP-5228596		
8	Fuel Injector Check Valve	91-79	FP-5228694		
8	Injector Plunger & Bushing	91-79	FP-5229840		4A53 & 4B55; Assembly
8	Fuel Injector Tip Kit	91-79	FP-5229727		4A53
8	Fuel Injector Tip Kit	91-79	FP-5229846		4C65
8	Nut	91-79	FP-5229720		Fuel injector valve
8	Fuel Injector Valve Kit	91-79	FP-5228769		

QTY	FUEL FILTERS & PUMP	YEARS	PART NO.	SIZE	DESCRIPTION
1	Mechanical Fuel Pump	91-79	FP-5199735		Left hand; High output; w/.375" Gear
1	Mechanical Fuel Pump	91-79	FP-5199560		Left hand; Std. output; w/.250" Gear
1	Mechanical Fuel Pump	91-79	FP-5199561		Right hand
1	Mechanical Fuel Pump	91-79	FP-5199734		Right hand; High output
1	Fuel Pump Valve Plug Gasket	91-79	FP-5161003		
1	Fuel Pump Shaft & Gear	91-79	FP-5181747		Driven; .838" Length; Std. Output
1	Fuel Pump Valve	91-79	FP-5174973		
1	Fuel Pump Coupling	91-79	FP-5154216		
1	Fuel Pump Gear	91-79	FP-5174975		.294" Width; Std. Output
1	Fuel Pump Drive Shaft	91-79	FP-5178700		Drive; 3.09" Length
1	Fuel Pump Relief Valve Spring	91-79	FP-5184530		
1	Fuel Pump Repair Part	91-79	FP-5174971		Fuel pump valve; .500" x 20 plug
1	Fuel Pump Drive Adapter Gskt.	91-79	FP-5150193		Fuel pump to block
1	Oil Seal	91-79	FP-23512243		Fuel pump
1	Fuel Pump Repair Kit	91-79	FP-5149599		w/High output fuel pump; High output; Short Shaft
1	Fuel Pump Repair Kit	91-79	FP-5195078		w/Std. fuel pump; Std. output
2	Pipe Plug	91-79	FP-5121182		Fuel filter cover; 1/4" - 18; Hex head
2	Pipe Plug	91-79	FP-8923847		Fuel filter cover; 1/4" x 18 NPTF; Square head
2	Pipe Plug	91-79	FP-8924380		Fuel pump drain; 1/8" - 27
1	Plastic Cap	91-79	FP-5136240		Fuel pump drain; .250" Dia.
2	Plastic Cap	91-79	FP-5136241		Fuel pump drain; .780" Dia., 3/8" NPTF
1	Dowel Pin	91-79	FP-103709		Fuel pump valve spring; 5/32" x 1" straight
2	Dowel Pin	91-79	FP-141195		Fuel pump body; .250" x .625"
1	Ball Brg.	91-79	FP-147481		Drive gear; .125" Dia. Steel
1	Bushing	91-79	FP-5198558		Fuel pump cover; 3/8" x 1/4"
1	Bushing	91-79	FP-5198558		Fuel pump shaft; 3/8" x 1/4"

GOVERNOR

QTY	GOVERNOR	YEARS	PART NO.	SIZE	DESCRIPTION
1	Retaining Ring	91-79	FP-9411502		Governor weight shaft end brg.
1	Governor Spring	91-79	FP-5122165		Low speed; w/One Blue Stripe
1	Governor Spring	91-79	FP-5183704		Low speed; w/Two Yellow Stripes
1	Governor Low Speed Spring Cap	91-79	FP-5103975		
1	Screw	91-79	FP-5102270		Low speed spring adjusting; .250" - 28 x 1.00"
1	O-Ring	91-79	FP-5176557		Variable speed spring lever shaft packing; .477" ID x .113" Thick
2	Cylindrical Brg.	91-79	FP-148402		Variable speed spring lever shaft; .500" x .500" Dia.
4	Governor Valve Spring Shim	91-79	FP-5136590		Variable speed; .010"
2	Governor Valve Spring Shim	91-79	FP-5136591		Variable speed; .078"
1	Pin	91-79	FP-457008		Variable speed shaft pin; 3/16" x 1 1/2"
2	Governor Retainer	91-79	FP-5178581		Variable speed throttle shaft; Lower
2	Governor Retainer	91-79	FP-5144178		Variable speed throttle shaft; Upper
1	Ball Brg.	91-79	FP-9437108		Gov. Weight Riser Thrust Brg.; .354" Width
1	Ball Brg.	91-79	FP-23506244		Governor weight shaft end brg.
1	Ball Brg.	91-79	FP-9431894		Upper operating shaft
1	Governor Riser	91-79	FP-5117193		1.062" Length
1	Governor Spring Cover Gasket	91-79	FP-8922593		High speed
1	Nut	91-79	FP-5174286		Governor buffer screw; 3/8" - 24 UNF

(continued on next page)

GMC Truck - M/D & H/D

M/D Truck 8.2, 8.2N Eng. (Fuel Pincher) 46
8.2L 500 OHV Diesel V8 (Fuel Pincher), 108mm Bore (Detroit Diesel Eng.) 1979-91 (cont.)

GOVERNOR (cont.)

QTY	GOVERNOR (cont.)	YEARS	PART NO.	SIZE	DESCRIPTION
1	Governor to Cyl. Block Gasket	91-79	FP-8920308		
1	Governor Gasket	91-79	FP-5180539		Variable speed cover; Copper material
1	Copper Washer	91-79	FP-5152148		Governor cover; 25/64" ID x 9/16" OD x 1/16" Thick; Copper
1	Copper Washer	91-79	FP-5152148		High speed spring adj. screw housing; 25/64" ID x 9/16" OD x 1/16" Thick; Copper
2	Washer	91-79	FP-5151487		Variable speed throttle shaft; 3/8" x 11/16" x .033"
1	Governor Seal Ring	91-79	FP-5101691		Variable speed throttle shaft; .362" x .113"
1	Solenoid Mounting Gasket	91-79	FP-8921033		Air shutoff mounting
1	Solenoid Plunger Assy. Gasket	91-79	FP-8927033		Air shutoff between plunger & solenoid
1	Governor Hole Gasket	91-79	FP-8920399		Control tube to cylinder head
1	Governor Cover Gasket	91-79	FP-8920290		Limiting speed
1	Retainer	91-79	FP-142583		Operating shaft lever spring; 13/64" Spring

COOLING SYSTEM

QTY	WATER PUMP	YEARS	PART NO.	SIZE	DESCRIPTION
1	Water Pump - Heavy Duty	91-79	FP-8928672		Fresh water pump Assy.; Thermostat housing not incl.
1	Water Pump Impeller	91-79	FP-8927727		Use w/Fresh water pump
1	Water Pump Impeller	91-79	FP-5193602		Use w/Raw water pump; Synthetic
1	Water Pump Repair/Rebuild Kit	91-79	FP-8928670		Fresh water pump; Incl. bearing, seal, impeller & hub
1	Water Pump Repair/Rebuild Kit	91-79	FP-8928671		Fresh water pump; Incl. bearing, seal, impeller, cover & seal ring
1	Water Pump Cover	91-79	FP-8923151		Fresh water pump
1	Water Pump Mech. Shaft Seal	91-79	FP-8927408		Fresh water pump
2	Fresh Water Outlet Elbow Gskt	91-79	FP-8920161		Right & left bank
1	Fresh Water Outlet Elbow Gskt	91-79	FP-8920083		Right bank
1	Fresh Water Pump Gasket	91-79	FP-8922132		Pump to front cover
1	Rect. or Square Seal	91-79	FP-8923152		Fresh water pump cover
1	Pipe Plug	91-79	FP-5115214		Water pump housing; 1/2" Square Head
2	Pipe Plug	91-79	FP-5142549		Water pump housing; 3/4" - 14 Square Head
1	Shaft & Bearing Assembly	91-79	FP-8920144		Fresh water pump
1	Water Pump Hub	91-79	FP-8922299		Driven hub

QTY	THERMOSTAT	YEARS	PART NO.	SIZE	DESCRIPTION
2	Thermostat	91-79	FP-3046745		
1	Thermostat Gasket	91-79	FP-8924813		For dual thermostat applications

ENGINE BLOCK & PARTS

QTY	GASKETS	YEARS	PART NO.	SIZE	DESCRIPTION
1	Flywheel Housing Gasket	91-79	FP-8920091		
1	Oil Pan Gasket Kit	91-79	FP-5149728		
1	Washer	91-79	FP-5177773		Oil filter bypass plug; 18MM x 1.5MM
1	Washer	91-79	FP-8922349		Oil drain plug

QTY	GASKET SETS	YEARS	PART NO.	SIZE	DESCRIPTION
1	In-Frame Gasket Set	91-79	FP-PGE4127IF		In Frm.; Head gskts. will accomodate 15mm head bolts; Incl. four-piece oil pan gskt.; Premium valve stem seals incl.
1	In-Frame Gasket Set	91-79	FP-PGE4127IF		In Frm.; Head gskts. will accomodate 15mm head bolts; Incl. four-piece oil pan gskt.; Premium valve stem seals incl.
1	In-Frame Gasket Set	91-79	FP-PGE4127IF10		In Frm.; Head gskts. will accomodate 15mm head bolts; Incl. four-piece oil pan gskt.; Premium valve stem seals incl.; Incl. .010" oversized cylinder head gskts.
1	In-Frame Gasket Set	91-79	FP-PGE4127IF10		In Frm.; Head gskts. will accomodate 15mm head bolts; Incl. four-piece oil pan gskt.; Premium valve stem seals incl.; Incl. .010" oversized cylinder head gskts.
1	In-Frame Gasket Set	91-79	PGE4127-IF +		In Frm.; Head gskts. will accomodate 15mm head bolts; Incl. four-piece oil pan gskt.; Premium valve stem seals incl.; When depleted use FP-PGE4127IF
1	In-Frame Gasket Set	91-79	PGE4127-IF 10 +		Incl. .010" oversized cylinder head gskts.; When depleted use FP-PGE4127IF10
1	Complete Overhaul Gasket Set	91-79	FP-8924126		Crankshaft seals & valve cover gskts. not incl.
1	Complete Overhaul Gasket Set	91-79	FP-8924126CB		Crankshaft seals not incl.; Incl. front seal & 9 hole valve cover gskt. for valve covers w/breather
1	Complete Overhaul Gasket Set	91-79	FP-PGE4126		Head gskts. not incl.
1	Complete Overhaul Gasket Set	91-79	PGE4126 +		Head gskts. not incl.; When depleted use FP-PGE4126
1	Complete Overhaul Gasket Set	91-79	FP-892412610		Incl. .010" oversized cylinder head gskt.; Crankshaft seals & valve cover gskts. not incl.
1	Complete Overhaul Gasket Set	91-79	FP-8924126C10		Incl. .010" oversized cylinder head gskt.; Rear crankshaft seals not incl.; Incl. front seal & 11 hole valve cover gskts. for valve covers w/o breather
1	Complete Overhaul Gasket Set	91-79	FP-PGE4126C10		Incl. .010" oversized cylinder head gskts., crankshaft seals, & valve cover gskts. for valve covers w/o breathers

(continued on next page)

GMC Truck - M/D & H/D

46 M/D Truck 8.2, 8.2N Eng. (Fuel Pincher)

(cont.) 8.2L 500 OHV Diesel V8 (Fuel Pincher), 108mm Bore (Detroit Diesel Eng.) 1979-91

ENGINE BLOCK & PARTS (cont.)					
QTY	GASKET SETS (cont.)	YEARS	PART NO.	SIZE	DESCRIPTION
1	Complete Overhaul Gasket Set	91-79	PGE4126C 10 +		Incl. .010" oversized cylinder head gskts., crankshaft seals, & valve cover gskts. for valve covers w/o breathers; When depleted use FP-PGE4126C10
1	Complete Overhaul Gasket Set	91-79	FP-8924126WS		Incl. bi-directional crank seals
1	Complete Overhaul Gasket Set	91-79	FP-8924126C		Rear crankshaft seals not incl.; Incl. front seal & 11 hole valve cover gskt. for valve covers w/o breather
QTY	CAM BEARINGS	YEARS	PART NO.	SIZE	DESCRIPTION
1	Cam Set	91-79	FP-8922110	STD	
QTY	OIL COOLERS & FILTERS	YEARS	PART NO.	SIZE	DESCRIPTION
1	Oil Cooler	91-79	FP-8547194		4 plate
1	O-Ring	91-79	FP-8920849		Adapter to block; .487" ID x .6875" OD
1	Rect. or Square Seal	91-79	FP-8920180		Adapter to block; 18.82MM ID x 3.175MM Thick
1	Copper Washer	91-79	FP-5152148		Adapter; 25/64" ID x 9/16" OD x 1/16" Thick; Copper
QTY	FREEZE PLUGS	YEARS	PART NO.	SIZE	DESCRIPTION
2	Pipe Plug	91-79	FP-5115214		1/2" Square Head
1	Pipe Plug	91-79	FP-8924380		1/8" - 27
QTY	DIPSTICK	YEARS	PART NO.	SIZE	DESCRIPTION
1	Dipstick	91-79	FP-8920462		478.0MM to top of cap
QTY	MISCELLANEOUS	YEARS	PART NO.	SIZE	DESCRIPTION
2	Pipe Plug	91-79	FP-5115214		1/2" Square Head
1	Pipe Plug	91-79	FP-8924380		1/8" - 27
CRANKSHAFT/OIL PUMP					
QTY	SEALS - FRONT CRANK	YEARS	PART NO.	SIZE	DESCRIPTION
1	Oil Seal	91-79	FP-8920200		Single lip
1	Redi-Sleeve	91-79	99250		
QTY	SEALS - REAR CRANK	YEARS	PART NO.	SIZE	DESCRIPTION
1	Oil Seal	91-79	FP-8926761		Std.; Single lip; R.H. Rotation
1	Oil Seal	91-79	FP-8923654		Use w/FP-8923655; O.S.; Single lip; R.H. Rotation
1	Wear Sleeve	91-79	FP-8923655		Rear; Use w/FP-8923654
QTY	MAIN BEARINGS	YEARS	PART NO.	SIZE	DESCRIPTION
1	Main Set	91-79	FP-5099M	Std-25-50MM	
1	Main Set	91-79	FP-5099M25MM	Std-25-50MM	
1	Main Set	91-79	FP-5099M50MM	Std-25-50MM	
4	Plain Main Brg.	91-79	FP-8921712	STD	Position 1-2-3-5
4	Plain Main Brg.	91-79	FP-8924704	.25MM	Position 1-2-3-5
1	Flanged Main Brg.	91-79	FP-8922948	STD	Position 4
1	Flanged Main Brg.	91-79	FP-8924705	.25MM	Position 4
10	Bolt	91-79	FP-8922200		M12 x 1.75 x 70.0MM
QTY	OIL PUMP	YEARS	PART NO.	SIZE	DESCRIPTION
1	Bushing	91-79	FP-8922093		Oil pump; Unfinished
3	Bolt	91-79	FP-11504822		Oil filter adapter; M8 x 1.25 x 30MM
2	O-Ring	91-79	FP-8920849		Oil filter adapter; .487" ID x .6875" OD
1	Oil Pump Intake Gasket	91-79	FP-5126473		Oil pick up tube
4	Rect. or Square Seal	91-79	FP-8920180		Oil filter adapter; 18.82MM ID x 3.175MM Thick
1	Oil Pump Drive Bushing	91-79	FP-8927784		Oil pump; Finished
1	Gasket	91-79	FP-5575086		Oil pressure regulator plug
4	Pipe Plug	91-79	FP-5115214		1/2" Square Head
1	Oil Pressure Regulator Valve	91-79	FP-8926365		
CYLINDER COMPONENTS					
QTY	LINERS	YEARS	PART NO.	SIZE	DESCRIPTION
8	Repair Sleeve	91-79	FP-8924716		
QTY	PISTONS	YEARS	PART NO.	SIZE	DESCRIPTION
8	Piston Body w/o Pin	91-79	FP-8921605	STD	18.8:1 C.R.; Grade A; White dot OE identification
8	Piston Body w/o Pin	91-79	FP-8922234	STD	18.8:1 C.R.; Grade B; Black dot OE identification
8	Piston Body w/o Pin	91-79	FP-8922236	STD	18.8:1 C.R.; Grade C; Yellow dot OE identification
8	Piston Body w/o Pin	91-79	FP-8928520	STD	18.8:1 C.R.; Grade D; No dot OE identification
8	Piston Body w/o Pin	91-79	FP-8922452	10	18.8:1 C.R.; Grade E
8	Piston Body w/o Pin	91-79	FP-8922453	20	18.8:1 C.R.; Grade E
8	Piston Body w/o Pin	91-79	FP-892160530	30	18.8:1 C.R.; Grade E
8	Piston Kit w/Pin & Retainers	91-79	FP-PK8921605	STD	
8	Piston Kit w/Pin & Retainers	91-79	FP-PK8922452	10	
8	Piston Kit w/Pin & Retainers	91-79	FP-PK8922453	20	

(continued on next page)

GMC Truck - M/D & H/D

M/D Truck 8.2, 8.2N Engs. (Fuel Pincher) 46
8.2L 500 OHV Diesel V8 (Fuel Pincher), 108mm Bore (Detroit Diesel Eng.) 1979-91 (cont.)

CYLINDER COMPONENTS (cont.)					
QTY	PISTONS (cont.)	YEARS	PART NO.	SIZE	DESCRIPTION
8	Piston Kit w/Pin & Retainers	91-79	FP-PK892160530	30	
8	Pin	91-79	FP-8925717		
16	Piston Pin Retainer	91-79	FP-8922977		
8	Pin Bushing	91-79	FP-8920078		
QTY	CONNECTING RODS & BRGS.	YEARS	PART NO.	SIZE	DESCRIPTION
16	Con. Rod Bolt	91-79	FP-8920087		7/16" - 20 x 2.58"
8	Rod Pair	91-79	FP-8921714	STD	
8	Rod Pair	91-79	FP-8924703	.25MM	
8	Rod Pair	91-79	FP-892171420	.50MM	
8	Rod Pair	91-79	FP-892171430	.75MM	
QTY	PISTON RINGS	YEARS	PART NO.	SIZE	DESCRIPTION
8	Ring Set Single Cylinder	91-79	FP-8921721	STD	2-2.50MM, 1-4.50MM
8	Ring Set Single Cylinder	91-79	FP-8923779	5	2-2.50MM, 1-4.50MM
8	Ring Set Single Cylinder	91-79	FP-8923917	10	2-2.50MM, 1-4.50MM
8	Ring Set Single Cylinder	91-79	FP-8923919	20	2-2.50MM, 1-4.50MM
8	Ring Set Single Cylinder	91-79	FP-892172130	30	2-2.50MM, 1-4.50MM
1	Premium Set	91-79	FP-8921721S	STD	2-2.50MM, 1-4.50MM
1	Premium Set	91-79	FP-8921721S30	30	2-2.50MM, 1-4.50MM
8	Premium Single Cylinder Set	91-79	WE-499KC + Std-30		2-2.50MM, 1-4.50MM; When depleted use FP-8921721
KITS					
QTY	OVERHAUL KIT	YEARS	PART NO.	SIZE	DESCRIPTION
1	Piston and Ring Kit	91-79	PK1-2666		
1	Piston and Ring Kit w/Bearing	91-79	PK2-2666		
1	Piston Kit w/Ring Set	91-79	FP-PK12666		
1	Piston Kit w/Rings & Bearings	91-79	FP-PK22666		
1	In-Frame Overhaul Kit	91-79	FP-82NA		Pistons & main brgs. not incl.
1	Complete Overhaul Kit	91-79	FP-82NAOH		Cam brg. set incl.

M/D Truck 8.2T Eng. (Fuel Pincher) 47
8.2L 500 OHV Turbo-Diesel V8 (Fuel Pincher), 108mm Bore (Detroit Diesel Eng.) 1979-91

CYL. HEAD & PARTS					
QTY	GASKETS	YEARS	PART NO.	SIZE	DESCRIPTION
2	Valve Cover Gasket	91-79	FP-8920271		w/o Breather
2	Valve Cover Gasket	91-79	FP-8926675		w/Breather
2	Head Gasket	91-79	FP-8923848		
1	Head Set	91-79	FP-8924127		
1	Head Set	91-79	FP-892412710		Incl. .010" oversized cylinder head gskt.; Valve cover gskt. not incl.
1	Head Set	91-79	FP-8924127V		Incl. 11 hole valve cover gskts. for valve covers w/o breather
1	Head Set	91-79	FP-8924127VB		Incl. 9 hole valve cover gskts. for valve covers w/breather
1	Multiple Cyl. Head Gskt. Set	91-79	FP-8924127MV		Incl. 11 hole valve cover gskts. for valve covers w/o breather
1	Multiple Cyl. Head Gskt. Set	91-79	FP-8924127MVB		Incl. 9 hole valve cover gskts. for valve covers w/breather
1	Breather Seal Ring	91-79	FP-8921294		
QTY	HEAD BOLTS	YEARS	PART NO.	SIZE	DESCRIPTION
10	Head Bolt	91-79	FP-23500463		M15 x 2.0 x 128MM; 12 Point head
10	Head Bolt	91-79	FP-23500462		M15 x 2.0 x 158MM; 12 Point head
2	Head Bolt Set	91-79	FP-2602522		Replacement recommended; 15MM bolts only
2	Head Bolt Set	91-79	260-2522 +		Replacement recommended; 15MM bolts only; When depleted use FP-2602522
2	Head Bolt Set	91-79	FP-2602522		Replacement recommended; 15MM bolts only
20	Washer	91-79	FP-8921876		To Ser. No. 8G138422; Exc. Marine applications
QTY	MISCELLANEOUS	YEARS	PART NO.	SIZE	DESCRIPTION
2	Hose Clamp	91-79	FP-5186840		Breather pipe; 13/16" - 1 1/2" Clamping Range
QTY	VALVE	YEARS	PART NO.	SIZE	DESCRIPTION
8	Intake	91-79	FP-8920119		
8	Exhaust	91-79	FP-8921347		
8	Exhaust Valve Kit	91-79	FP-23502067		Valve & valve keepers incl.
8	Intake Valve Kit	91-79	FP-23502068		Valve & valve keepers incl.
16	Valve Guide Cap	91-79	FP-5199914		Seal installer; Clear
32	Keeper	91-79	FP-23507238		1 groove; Square cut key groove
32	Keeper	91-79	VK-115		1 groove; Square cut key groove
32	Keeper	91-79	VK-115R		1 groove; Square cut key groove; Hardened
32	Keeper, Bulk	91-79	VK-115B		1 groove; Square cut key groove; Carton of 1000

(continued on next page)

GMC Truck - M/D & H/D

47 M/D Truck 8.2T Eng. (Fuel Pincher)

(cont.) 8.2L 500 OHV Turbo-Diesel V8 (Fuel Pincher), 108mm Bore (Detroit Diesel Eng.) 1979-91

CYL. HEAD & PARTS (cont.)					
QTY	VALVE GUIDE	YEARS	PART NO.	SIZE	DESCRIPTION
16	Guide	91-79	FP-VG5079T		Exh. & Int.; .3440" ID, 2.8750" O.A.L.
16	Guide	91-79	VG-5079T		Exh. & Int.; .3440" ID, 2.8750" O.A.L.
QTY	VALVE SPRING	YEARS	PART NO.	SIZE	DESCRIPTION
16	Spring	91-79	FP-8927857		Exh. & Int.
QTY	PUSH RODS	YEARS	PART NO.	SIZE	DESCRIPTION
8	Push Rod Spring	91-79	FP-8921253		
QTY	VALVE MISC.	YEARS	PART NO.	SIZE	DESCRIPTION
8	Rotocap	91-79	FP-8922369		
8	Oil Filler Cap	91-79	FP-5108474		Twist Type
QTY	VALVE SEAL	YEARS	PART NO.	SIZE	DESCRIPTION
16	Valve Stem Seal	91-79	FP-23500480		
QTY	ROCKER PARTS	YEARS	PART NO.	SIZE	DESCRIPTION
8	Expansion Plug	91-79	FP-5151272		Rocker Shaft
8	Cam Follower Roller Set	91-79	FP-8923814		Injector; Incl. pin & roller
8	Cam Follower Roller Set	91-79	FP-8923813		Valve; Incl. pin & roller
ELECTRICAL					
QTY	ELECTRICAL	YEARS	PART NO.	SIZE	DESCRIPTION
1	Starting Motor Gasket	91-79	FP-5130995		
INT & EXH MANIFOLDS					
QTY	INT. & EXH. MANIFOLDS	YEARS	PART NO.	SIZE	DESCRIPTION
2	Exhaust Manifold Gasket	91-79	FP-8921817		
1	Cyl. Block Valley Cover Gskt.	91-79	FP-8920220		Front
1	Cyl. Block Valley Cover Gskt.	91-79	FP-8920246		Rear
2	Extruded Seal	91-79	FP-8920219		Side Valley Pan
2	Pipe Plug	91-79	FP-23511574		Exh. outlet adapter; 1/2" pipe thread; w/1" Square head
2	Pipe Plug	91-79	FP-8923847		Exh. outlet adapter; 1/4" x 18 NPTF; Square head
QTY	AIR INTAKE	YEARS	PART NO.	SIZE	DESCRIPTION
2	Air Intake Housing Gasket	91-79	FP-8920247		
QTY	AIR CLEANER	YEARS	PART NO.	SIZE	DESCRIPTION
1	Air Cleaner Adapter Screen	91-79	FP-8920732		Mounting adapter
1	Pipe Plug	91-79	FP-5142549		Mounting adapter; 3/4" - 14 Square Head
2	Air Cleaner Mtg. Adapter Gskt	91-79	FP-5127247		
CAMSHAFT GROUP					
QTY	TIMING COVER	YEARS	PART NO.	SIZE	DESCRIPTION
1	Crankshaft Front Cover Gasket	91-79	FP-8920273		
1	Crankshaft Front Cover Gasket	91-79	FP-8923090		Cover to oil pan
FUEL SYSTEM & PARTS					
QTY	FUEL INJECTION	YEARS	PART NO.	SIZE	DESCRIPTION
8	Fuel Injector Seal Ring	91-79	FP-8920390		
8	Fuel Injector Seal Ring	91-79	FP-8920390		
8	Injector Hole Tube Kit	91-79	FP-8925981A		
8	Injector Hole Tube Kit	91-79	FP-5149724		Injector tube seal ring incl.
8	Injector Hole Tube Kit	91-79	FP-5149724		Injector tube seal ring incl.
8	Fuel Injector	91-79	FP-5229850		4A53
8	Fuel Injector Repair Kit	91-79	FP-5229930		
4	Bracket	91-79	FP-8920350		Control tube
8	Fuel Injection Valve Cage	91-79	FP-5229726		Spring cage
8	Fuel Injection Spring Seat	91-79	FP-5228766		Valve spring seat
8	Fuel Injector Valve Spring	91-79	FP-5228596		
8	Fuel Injector Check Valve	91-79	FP-5228694		
8	Injector Plunger & Bushing	91-79	FP-5229840		4A53 & 4B55; Assembly
8	Fuel Injector Tip Kit	91-79	FP-5229727		4A53
8	Fuel Injector Tip Kit	91-79	FP-5229846		4C65
8	Nut	91-79	FP-5229720		Fuel injector valve
8	Fuel Injector Valve Kit	91-79	FP-5228769		
QTY	FUEL FILTERS & PUMP	YEARS	PART NO.	SIZE	DESCRIPTION
1	Mechanical Fuel Pump	91-79	FP-5199735		Left hand; High output; w/.375" Gear
1	Mechanical Fuel Pump	91-79	FP-5199560		Left hand; Std. output; w/.250" Gear
1	Mechanical Fuel Pump	91-79	FP-5199561		Right hand
1	Mechanical Fuel Pump	91-79	FP-5199734		Right hand; High output
1	Fuel Pump Valve Plug Gasket	91-79	FP-5161003		
1	Fuel Pump Shaft & Gear	91-79	FP-5181747		Driven; .838" Length; Std. Output

(continued on next page)

GMC Truck - M/D & H/D

M/D Truck 8.2T Eng. (Fuel Pincher) 47
8.2L 500 OHV Turbo-Diesel V8 (Fuel Pincher), 108mm Bore (Detroit Diesel Eng.) 1979-91 (cont.)

FUEL SYSTEM & PARTS (cont.)

QTY	FUEL FILTERS & PUMP (cont.)	YEARS	PART NO.	SIZE	DESCRIPTION
1	Fuel Pump Valve	91-79	FP-5174973		
1	Fuel Pump Coupling	91-79	FP-5154216		
1	Fuel Pump Gear	91-79	FP-5174975		.294" Width; Std. Output
1	Fuel Pump Drive Shaft	91-79	FP-5178700		Drive; 3.09" Length
1	Fuel Pump Relief Valve Spring	91-79	FP-5184530		
1	Fuel Pump Repair Part	91-79	FP-5174971		Fuel pump valve; .500" x 20 plug
1	Fuel Pump Drive Adapter Gskt.	91-79	FP-5150193		Fuel pump to block
1	Oil Seal	91-79	FP-23512243		Fuel pump
1	Fuel Pump Repair Kit	91-79	FP-5149599		w/High output fuel pump; High output; Short Shaft
1	Fuel Pump Repair Kit	91-79	FP-5195078		w/Std. fuel pump; Std. output
2	Pipe Plug	91-79	FP-5121182		Fuel filter cover; 1/4" - 18; Hex head
2	Pipe Plug	91-79	FP-8923847		Fuel filter cover; 1/4" x 18 NPTF; Square head
2	Pipe Plug	91-79	FP-8924380		Fuel pump drain; 1/8" - 27
1	Plastic Cap	91-79	FP-5136240		Fuel pump drain; .250" Dia.
2	Plastic Cap	91-79	FP-5136241		Fuel pump drain; .780" Dia., 3/8" NPTF
1	Dowel Pin	91-79	FP-103709		Fuel pump valve spring; 5/32" x 1" straight
2	Dowel Pin	91-79	FP-141195		Fuel pump body; .250" x .625"
1	Ball Brg.	91-79	FP-147481		Drive gear; .125" Dia. Steel
1	Bushing	91-79	FP-5198558		Fuel pump cover; 3/8" x 1/4"
1	Bushing	91-79	FP-5198558		Fuel pump shaft; 3/8" x 1/4"

QTY	TURBOCHARGER	YEARS	PART NO.	SIZE	DESCRIPTION
1	O-Ring	91-79	FP-8920203		Air inlet elbow
1	Sealing Ring	91-79	FP-8923184		Mounting hole cover

GOVERNOR

QTY	GOVERNOR	YEARS	PART NO.	SIZE	DESCRIPTION
1	Retaining Ring	91-79	FP-9411502		Governor weight shaft end brg.
1	Governor Spring	91-79	FP-5122165		Low speed; w/One Blue Stripe
1	Governor Spring	91-79	FP-5183704		Low speed; w/Two Yellow Stripes
1	Governor Low Speed Spring Cap	91-79	FP-5103975		
1	Screw	91-79	FP-5102270		Low speed spring adjusting; .250" - 28 x 1.00"
1	O-Ring	91-79	FP-5176557		Variable speed spring lever shaft packing; .477" ID x .113" Thick
2	Cylindrical Brg.	91-79	FP-148402		Variable speed spring lever shaft; .500" x .500" Dia.
4	Governor Valve Spring Shim	91-79	FP-5136590		Variable speed; .010"
2	Governor Valve Spring Shim	91-79	FP-5136591		Variable speed; .078"
1	Pin	91-79	FP-457008		Variable speed shaft pin; 3/16" x 1 1/2"
2	Governor Retainer	91-79	FP-5178581		Variable speed throttle shaft; Lower
2	Governor Retainer	91-79	FP-5144178		Variable speed throttle shaft; Upper
1	Ball Brg.	91-79	FP-9437108		Gov. Weight Riser Thrust Brg.; .354" Width
1	Ball Brg.	91-79	FP-23506244		Governor weight shaft end brg.
1	Ball Brg.	91-79	FP-9431894		Upper operating shaft
1	Governor Riser	91-79	FP-5117193		1.062" Length
1	Governor Spring Cover Gasket	91-79	FP-8922593		High speed
1	Nut	91-79	FP-5174286		Governor buffer screw; 3/8" - 24 UNF
1	Governor to Cyl. Block Gasket	91-79	FP-8920308		
1	Governor Gasket	91-79	FP-5180539		Variable speed cover; Copper material
1	Copper Washer	91-79	FP-5152148		Governor cover; 25/64" ID x 9/16" OD x 1/16" Thick; Copper
1	Copper Washer	91-79	FP-5152148		High speed spring adj. screw housing; 25/64" ID x 9/16" OD x 1/16" Thick; Copper
2	Washer	91-79	FP-5151487		Variable speed throttle shaft; 3/8" x 11/16" x .033"
1	Governor Seal Ring	91-79	FP-5101691		Variable speed throttle shaft; .362" x .113"
1	Solenoid Mounting Gasket	91-79	FP-8921033		Air shutoff mounting
1	Solenoid Plunger Assy. Gasket	91-79	FP-8927033		Air shutoff between plunger & solenoid
1	Governor Hole Gasket	91-79	FP-8920399		Control tube to cylinder head
1	Governor Cover Gasket	91-79	FP-8920290		Limiting speed
1	Retainer	91-79	FP-142583		Operating shaft lever pin; 13/64" Spring

COOLING SYSTEM

QTY	WATER PUMP	YEARS	PART NO.	SIZE	DESCRIPTION
1	Water Pump - Heavy Duty	91-79	FP-8928672		Fresh water pump assy.; Thermostat housing not incl.
1	Water Pump Impeller	91-79	FP-8927727		Use w/Fresh water pump
1	Water Pump Impeller	91-79	FP-5193602		Use w/Raw water pump; Synthetic
1	Water Pump Repair/Rebuild Kit	91-79	FP-8928670		Fresh water pump; Incl. bearing, seal, impeller & hub
1	Water Pump Repair/Rebuild Kit	91-79	FP-8928671		Fresh water pump; Incl. bearing, seal, impeller, cover & seal ring
1	Water Pump Cover	91-79	FP-8923151		Fresh water pump
1	Water Pump Mech. Shaft Seal	91-79	FP-8927408		Fresh water pump
2	Fresh Water Outlet Elbow Gskt	91-79	FP-8920161		Right & left bank
1	Fresh Water Outlet Elbow Gskt	91-79	FP-8920083		Right bank
1	Fresh Water Pump Gasket	91-79	FP-8922132		Pump to front cover

(continued on next page)

GMC Truck - M/D & H/D

47 M/D Truck 8.2T Eng. (Fuel Pincher)

(cont.) 8.2L 500 OHV Turbo-Diesel V8 (Fuel Pincher), 108mm Bore (Detroit Diesel Eng.) 1979-91

COOLING SYSTEM (cont.)					
QTY	WATER PUMP (cont.)	YEARS	PART NO.	SIZE	DESCRIPTION
1	Rect. or Square Seal	91-79	FP-8923152		Fresh water pump cover
1	Pipe Plug	91-79	FP-5115214		Water pump housing; 1/2" Square Head
2	Pipe Plug	91-79	FP-5142549		Water pump housing; 3/4" - 14 Square Head
1	Shaft & Bearing Assembly	91-79	FP-8920144		Fresh water pump
1	Water Pump Hub	91-79	FP-8922299		Driven hub
QTY	THERMOSTAT	YEARS	PART NO.	SIZE	DESCRIPTION
2	Thermostat	91-79	FP-3046745		
1	Thermostat Gasket	91-79	FP-8924813		For dual thermostat applications
ENGINE BLOCK & PARTS					
QTY	GASKETS	YEARS	PART NO.	SIZE	DESCRIPTION
1	Flywheel Housing Gasket	91-79	FP-8920091		
1	Oil Pan Gasket Kit	91-79	FP-5149728		
1	Washer	91-79	FP-5177773		Oil filter bypass plug; 18MM x 1.5MM
1	Washer	91-79	FP-8922349		Oil drain plug
QTY	GASKET SETS	YEARS	PART NO.	SIZE	DESCRIPTION
1	In-Frame Gasket Set	91-79	FP-PGE4127IF		In Frm.; Head gsks. will accomodate 15mm head bolts; Incl. four-piece oil pan gskt.; Premium valve stem seals incl.
1	In-Frame Gasket Set	91-79	FP-PGE4127IF		In Frm.; Head gsks. will accomodate 15mm head bolts; Incl. four-piece oil pan gskt.; Premium valve stem seals incl.
1	In-Frame Gasket Set	91-79	FP-PGE4127IF10		In Frm.; Head gsks. will accomodate 15mm head bolts; Incl. four-piece oil pan gskt.; Premium valve stem seals incl.; Incl. .010" oversized cylinder head gsks.
1	In-Frame Gasket Set	91-79	FP-PGE4127IF10		In Frm.; Head gsks. will accomodate 15mm head bolts; Incl. four-piece oil pan gskt.; Premium valve stem seals incl.; Incl. .010" oversized cylinder head gsks.
1	In-Frame Gasket Set	91-79	PGE4127-IF +		In Frm.; Head gsks. will accomodate 15mm head bolts; Incl. four-piece oil pan gskt.; Premium valve stem seals incl.; When depleted use FP-PGE4127IF
1	In-Frame Gasket Set	91-79	PGE4127-IF 10 +		Incl. .010" oversized cylinder head gsks.; When depleted use FP-PGE4127IF10
1	Complete Overhaul Gasket Set	91-79	FP-8924126		Crankshaft seals & valve cover gsks. not incl.
1	Complete Overhaul Gasket Set	91-79	FP-8924126CB		Crankshaft seals not incl.; Incl. front seal & 9 hole valve cover gskt. for valve covers w/breather
1	Complete Overhaul Gasket Set	91-79	FP-PGE4126		Head gsks. not incl.
1	Complete Overhaul Gasket Set	91-79	PGE4126 +		Head gsks. not incl.; When depleted use FP-PGE4126
1	Complete Overhaul Gasket Set	91-79	FP-892412610		Incl. .010" oversized cylinder head gskt.; Crankshaft seals & valve cover gsks. not incl.
1	Complete Overhaul Gasket Set	91-79	FP-8924126C10		Incl. .010" oversized cylinder head gskt.; Rear crankshaft seals not incl.; Incl. front seal & 11 hole valve cover gsks. for valve covers w/o breather
1	Complete Overhaul Gasket Set	91-79	FP-PGE4126C10		Incl. .010" oversized cylinder head gsks., crankshaft seals, & valve cover gsks. for valve covers w/o breathers
1	Complete Overhaul Gasket Set	91-79	PGE4126C 10 +		Incl. .010" oversized cylinder head gsks., crankshaft seals, & valve cover gsks. for valve covers w/o breathers; When depleted use FP-PGE4126C10
1	Complete Overhaul Gasket Set	91-79	FP-8924126WS		Incl. bi-directional crank seals
1	Complete Overhaul Gasket Set	91-79	FP-8924126C		Rear crankshaft seals not incl.; Incl. front seal & 11 hole valve cover gskt. for valve covers w/o breather
QTY	CAM BEARINGS	YEARS	PART NO.	SIZE	DESCRIPTION
1	Cam Set	91-79	FP-8922110	STD	
QTY	OIL COOLERS & FILTERS	YEARS	PART NO.	SIZE	DESCRIPTION
1	Oil Cooler	91-79	FP-8547194		4 plate
1	O-Ring	91-79	FP-8920849		Adapter to block; .487" ID x .6875" OD
1	Rect. or Square Seal	91-79	FP-8920180		Adapter to block; 18.82MM ID x 3.175MM Thick
1	Copper Washer	91-79	FP-5152148		Adapter; 25/64" ID x 9/16" OD x 1/16" Thick; Copper
QTY	FREEZE PLUGS	YEARS	PART NO.	SIZE	DESCRIPTION
2	Pipe Plug	91-79	FP-5115214		1/2" Square Head
1	Pipe Plug	91-79	FP-8924380		1/8" - 27
QTY	DIPSTICK	YEARS	PART NO.	SIZE	DESCRIPTION
1	Dipstick	91-79	FP-8920462		478.0MM to top of cap
QTY	MISCELLANEOUS	YEARS	PART NO.	SIZE	DESCRIPTION
2	Pipe Plug	91-79	FP-5115214		1/2" Square Head
1	Pipe Plug	91-79	FP-8924380		1/8" - 27
CRANKSHAFT/OIL PUMP					
QTY	SEALS - FRONT CRANK	YEARS	PART NO.	SIZE	DESCRIPTION
1	Oil Seal	91-79	FP-8920200		Single lip

(continued on next page)

+ Superseded Part Number

GMC Truck - M/D & H/D

M/D Truck 8.2T Eng. (Fuel Pincher) 47
8.2L 500 OHV Turbo-Diesel V8 (Fuel Pincher), 108mm Bore (Detroit Diesel Eng.) 1979-91 (cont.)

CRANKSHAFT/OIL PUMP (cont.)					
SEALS - FRONT CRANK					
QTY	(cont.)	YEARS	PART NO.	SIZE	DESCRIPTION
1	Redi-Sleeve	91-79	99250		
SEALS - REAR CRANK					
1	Oil Seal	91-79	FP-8926761		Std.; Single lip; R.H. Rotation
1	Oil Seal	91-79	FP-8923654		Use w/FP-8923655; O.S.; Single lip; R.H. Rotation
1	Wear Sleeve	91-79	FP-8923655		Rear; Use w/FP-8923654
MAIN BEARINGS					
1	Main Set	91-79	FP-5099M	<i>Std-25-50MM</i>	
1	Main Set	91-79	FP-5099M25MM	<i>Std-25-50MM</i>	
1	Main Set	91-79	FP-5099M50MM	<i>Std-25-50MM</i>	
4	Plain Main Brg.	91-79	FP-8921712	<i>STD</i>	Position 1-2-3-5
4	Plain Main Brg.	91-79	FP-8924704	<i>.25MM</i>	Position 1-2-3-5
1	Flanged Main Brg.	91-79	FP-8922948	<i>STD</i>	Position 4
1	Flanged Main Brg.	91-79	FP-8924705	<i>.25MM</i>	Position 4
10	Bolt	91-79	FP-8922200		Main bearing cap; M12 x 1.75 x 70.0MM
OIL PUMP					
1	Bushing	91-79	FP-8922093		Oil pump; Unfinished
3	Bolt	91-79	FP-11504822		Oil filter adapter; M8 x 1.25 x 30MM
2	O-Ring	91-79	FP-8920849		Oil filter adapter; .487" ID x .6875" OD
1	Oil Pump Intake Gasket	91-79	FP-5126473		Oil pick up tube
4	Rect. or Square Seal	91-79	FP-8920180		Oil filter adapter; 18.82MM ID x 3.175MM Thick
1	Oil Pump Drive Bushing	91-79	FP-8927784		Oil pump; Finished
1	Gasket	91-79	FP-5575086		Oil pressure regulator plug
4	Pipe Plug	91-79	FP-5115214		Oil filter adapter; 1/2" Square Head
1	Oil Pressure Regulator Valve	91-79	FP-8926365		
CYLINDER COMPONENTS					
LINERS					
8	Repair Sleeve	91-79	FP-8924716		
PISTONS					
8	Piston Body w/o Pin	91-79	FP-8925818	<i>STD</i>	17.4:1 C.R.; Grade A; White dot OE identification
8	Piston Body w/o Pin	91-79	FP-8925819	<i>STD</i>	17.4:1 C.R.; Grade B; Black dot OE identification
8	Piston Body w/o Pin	91-79	FP-8925820	<i>STD</i>	17.4:1 C.R.; Grade C; Yellow dot OE identification
8	Piston Body w/o Pin	91-79	FP-8928521	<i>STD</i>	17.4:1 C.R.; Grade D; No dot OE identification
8	Piston Body w/o Pin	91-79	FP-8925816	<i>10</i>	17.4:1 C.R.; Grade E
8	Piston Body w/o Pin	91-79	FP-8925817	<i>20</i>	17.4:1 C.R.; Grade E
8	Piston Body w/o Pin	91-79	FP-892581830	<i>30</i>	17.4:1 C.R.; Grade E
8	Piston Kit w/Pin & Retainers	91-79	FP-PK8925818	<i>STD</i>	
8	Piston Kit w/Pin & Retainers	91-79	FP-PK8925816	<i>10</i>	
8	Piston Kit w/Pin & Retainers	91-79	FP-PK8925817	<i>20</i>	
8	Piston Kit w/Pin & Retainers	91-79	FP-PK892581830	<i>30</i>	
8	Pin	91-79	FP-8925717		
8	Pin Bushing	91-79	FP-8920078		
CONNECTING RODS & BRGS.					
16	Con. Rod Bolt	91-79	FP-8920087		7/16" - 20 x 2.58"
8	Rod Pair	91-79	FP-8921714	<i>STD</i>	
8	Rod Pair	91-79	FP-8924703	<i>.25MM</i>	
8	Rod Pair	91-79	FP-892171420	<i>.50MM</i>	
8	Rod Pair	91-79	FP-892171430	<i>.75MM</i>	
PISTON RINGS					
8	Ring Set Single Cylinder	91-79	FP-8923780	<i>5</i>	
8	Ring Set Single Cylinder	91-79	FP-8923918	<i>10</i>	
8	Ring Set Single Cylinder	91-79	FP-8923920	<i>20</i>	
8	Ring Set Single Cylinder	91-79	FP-8921722	<i>STD</i>	1-3.00MM, 1-2.50MM, 1-4.50MM
8	Ring Set Single Cylinder	91-79	FP-892172230	<i>30</i>	1-3.00MM, 1-2.50MM, 1-4.50MM
1	Premium Set	91-79	FP-8921722S	<i>STD</i>	1-3.00MM, 1-2.50MM, 1-4.50MM
1	Premium Set	91-79	FP-8921722S30	<i>30</i>	1-3.00MM, 1-2.50MM, 1-4.50MM
8	Premium Single Cylinder Set	91-79	WE-500KC	<i>Std-30</i>	1-3.00MM, 1-2.50MM, 1-4.50MM
KITS					
OVERHAUL KIT					
1	Piston and Ring Kit	91-79	PK1-2667		When depleted use FP-PK12667
1	Piston and Ring Kit w/Bearing	91-79	PK2-2667		When depleted use FP-PK22667
1	Piston Kit w/Ring Set	91-79	FP-PK12667		

(continued on next page)

GMC Truck - M/D & H/D

47 M/D Truck 8.2T Eng. (Fuel Pincher)

(cont.) 8.2L 500 OHV Turbo-Diesel V8 (Fuel Pincher), 108mm Bore (Detroit Diesel Eng.) 1979-91

KITS (cont.)

QTY	OVERHAUL KIT (cont.)	YEARS	PART NO.	SIZE	DESCRIPTION
1	Piston Kit w/Rings & Bearings	91-79	FP-PK22667		
1	In-Frame Overhaul Kit	91-79	FP-82T		Pistons & main brgs. not incl.
1	Complete Overhaul Kit	91-79	FP-82TOH		Cam brg. set incl.

48 H/D Truck 6V-92 (4-Valve Cyl. Head) Eng.

9.0L 552 OHV Diesel V6, 4.84" Bore (Detroit Diesel Eng.) 1975-80

CYL. HEAD & PARTS

QTY	GASKETS	YEARS	PART NO.	SIZE	DESCRIPTION
2	Valve Cover Gasket	80-75	FP-5104018		w/Alum. Rocker Cover; Silicone
2	Valve Cover Gasket	80-75	FP-5143405		w/Stamped Rocker Cover; Neoprene
6	Head Gasket	80-75	FP-5100404		Cyl. Head Compression
2	Head Set	80-75	FP-5199673		Services One Head
1	Oil Filler Tube Gasket	80-75	FP-5120540		
1	Oil Cooler Adapter Cover Gskt	80-75	FP-5175882		Eng. Lifting Bracket spacer
26	O-Ring	80-75	FP-5148502		Cyl. Head Oil Seal
16	Bolt	80-75	FP-5148324		Cyl. Head; 11/16" - 11 x 5.500"
1	Bolt	80-75	FP-5103635		Throttle Delay; 3/8" - 16 x 2.90"
1	Bolt	80-75	FP-8927581		Oil Filler Tube; 3/8" - 16 x 1"
2	Lock Washer	80-75	FP-103321		Oil Filler Tube; 3/8"
1	Pipe Plug	80-75	FP-8923847		Oil Filler Tube; 1/4" x 18 NPTF; Square head
4	Isolator Bushing	80-75	FP-5104515		Rocker Cover
QTY	HEAD BOLTS	YEARS	PART NO.	SIZE	DESCRIPTION
16	Washer	80-75	FP-5148310		Cyl. Head; 11/16" Dia.
4	Washer	80-75	FP-5104514		Rocker Cover; .47" x 2.00" x .20"
QTY	MISCELLANEOUS	YEARS	PART NO.	SIZE	DESCRIPTION
4	Wear Sleeve	80-75	FP-5148615		Cyl. Head; Pilot; .700" Length
2	Pipe Plug	80-75	FP-8926993		Cyl. Head Fuse; 1/4" X 18; Recessed socket head
7	Pipe Plug	80-75	FP-5121182		Cyl. Head; 1/4" - 18; Hex head
15	Pipe Plug	80-75	FP-8923847		Cyl. Head; 1/4" x 18 NPTF; Square head
4	Pipe Plug	80-75	FP-5142549		Cyl. Head; 3/4" - 14 Square Head
3	Pipe Plug	80-75	FP-8924517		Cyl. Head; 3/8" x 18 square head
6	Bolt	80-75	FP-8927580		Cyl. Head; 3/8" - 16 x .875"
2	Stud	80-75	FP-8927270		Cyl. Head; 3/8" - 16/24" x 1.6875"
4	Stud	80-75	FP-8925804		Cyl. Head; 7/16" - 14/20" x 2 3/32"
6	Washer	80-75	FP-5125108		Fuel Stand; 7/16" x 3/4" x 1/16"
2	Lock Washer	80-75	FP-103321		Cyl. Head; 3/8"
2	Lock Nut	80-75	FP-103026		Cyl. Head; 3/8" x 24
4	Shim	80-75	FP-5100703		Cyl. Head Support
12	Bolt	80-75	FP-443603		Cam Follower Guide; .250" x 20 x .750"
QTY	FREEZE PLUGS	YEARS	PART NO.	SIZE	DESCRIPTION
2	Pipe Plug	80-75	FP-8926993		Cyl. Head Fuse; 1/4" X 18; Recessed socket head
7	Pipe Plug	80-75	FP-5121182		Cyl. Head; 1/4" - 18; Hex head
15	Pipe Plug	80-75	FP-8923847		Cyl. Head; 1/4" x 18 NPTF; Square head
4	Pipe Plug	80-75	FP-5142549		Cyl. Head; 3/4" - 14 Square Head
3	Pipe Plug	80-75	FP-8924517		Cyl. Head; 3/8" x 18 square head
1	Expansion Plug	80-75	FP-5117186		Cyl. Head; 2" Dia. Cup; Stainless Steel
2	Expansion Plug	80-75	FP-5150132		Cyl. Head; 3/4" Dia. Cup
6	Expansion Plug	80-75	FP-5154453		Cyl. Head; 3/8" - 16 Headless Special
4	Expansion Plug	80-75	FP-5178976		Cyl. Head; 7/16" - 14 Special
2	Expansion Plug	80-75	FP-5132410		1 5/8" Dia. Cup; Stainless Steel
QTY	VALVE	YEARS	PART NO.	SIZE	DESCRIPTION
24	Exhaust Valve Kit	80-75	FP-5149771		Incl. Locks
48	Keeper	80-75	FP-5111337		Exh.; 1 groove; Square cut key groove
QTY	VALVE SEAT	YEARS	PART NO.	SIZE	DESCRIPTION
24	Exh.	80-75	FP-5101315	10	30 Deg. seat; .010" O/S; 1.4520" OD, 1.1400" ID, .2510" Depth
24	Exh.	80-75	FP-5148490	STD	30 Deg. seat; 1.4420" OD, 1.1400" ID, .2510" Depth
QTY	VALVE GUIDE	YEARS	PART NO.	SIZE	DESCRIPTION
24	Guide	80-75	FP-5129919		Exh.; 2 3/8" length; .3130" ID, 2.3800" O.A.L.
QTY	VALVE SPRING	YEARS	PART NO.	SIZE	DESCRIPTION
24	Spring	80-75	FP-5147347		Exh.; .148" Wire dia.
24	Spring	80-75	FP-8927794		Exh.; DDEC Coach; Type 281, 283
24	Spring Cap	80-75	FP-5117563		Exh.
QTY	PUSH RODS	YEARS	PART NO.	SIZE	DESCRIPTION
18	Push Rod	80-75	FP-5128640		
18	Push Rod Seat	80-75	FP-5123250		Lower

(continued on next page)

GMC Truck - M/D & H/D

H/D Truck 6V-92 (4-Valve Cyl. Head) Eng. 48
9.0L 552 OHV Diesel V6, 4.84" Bore (Detroit Diesel Eng.) 1975-80 (cont.)

CYL. HEAD & PARTS (cont.)

QTY	PUSH RODS (cont.)	YEARS	PART NO.	SIZE	DESCRIPTION
18	Push Rod Seat	80-75	FP-5108919		Upper; Cup type
18	Push Rod Spring	80-75	FP-5108918		.192" Wire diameter
18	Push Rod Retainer	80-75	FP-5150303		
18	Lock Nut	80-75	FP-5151601		Push rod; 5/16" - 24
QTY	VALVE MISC.	YEARS	PART NO.	SIZE	DESCRIPTION
1	Breather Seal Ring	80-75	FP-5103646		Breather Hole Plug
2	Governor Hole Gasket	80-75	FP-5123812		Breather Elbow
2	Bolt	80-75	FP-8927581		Breather Elbow; 3/8" - 16 x 1"
2	Bolt	80-75	FP-443603		Breather; .250" x 20 x .750"
2	Bolt	80-75	FP-8921930		Breather; 1/4" - 20 x 3/4"
1	Bolt	80-75	FP-8927580		Breather; 3/8" - 16 x .875"
2	Bolt	80-75	FP-8927581		Breather; 3/8" - 16 x 1"
1	Screw	80-75	FP-5103642		Breather Pipe; No. 10 - 24 x .375"
12	Lock Nut	80-75	FP-5151601		Exh.; Valve Bridge; 5/16" - 24
1	Washer	80-75	FP-5131433		Breather; .410" x .810" x .1345"
1	Washer	80-75	FP-106261		Breather; 5/16" x 3/4"
2	Lock Washer	80-75	FP-103319		Breather Elbow; .250"
2	Lock Washer	80-75	FP-103321		Breather Elbow; 3/8"
1	Lock Washer	80-75	FP-103319		Breather; .250"
1	Lock Washer	80-75	FP-103321		Breather; 3/8"
1	Lock Washer	80-75	FP-103320		Breather; 5/16"
2	Hose Clamp	80-75	FP-5186840		Breather Pipe; 13/16" - 1 1/2" Clamping Range
2	Hose Clamp	80-75	FP-5104592		Breather Pipe; 2.50" Dia.
1	Crankcase Breather	80-75	FP-5101760		Breather Oil Separator Filter; 4"
24	Valve Spring Seat	80-75	FP-5117562		Exh.
QTY	VALVE SEAL	YEARS	PART NO.	SIZE	DESCRIPTION
24	Valve Stem Seal	80-75	FP-8921209		Exh.
QTY	ROCKER PARTS	YEARS	PART NO.	SIZE	DESCRIPTION
6	Arm Assy.	80-75	FP-5148472		Exh. L.H.
6	Arm Assy.	80-75	FP-5148475		Exh. R.H.
6	Arm Assy.	80-75	FP-23502616		Injector; DDEC Coach; Blue Paint I.D.
6	Arm Assy.	80-75	FP-8923554		Injector; Orange paint I.D.
6	Rocker Shaft	80-75	FP-23500714		Repl. FP-5150322
12	Rocker Shaft Bracket Bolt	80-75	FP-5150325		1/2" - 13 x 4.250"
12	Arm Support	80-75	FP-5103903		Rocker Shaft Bracket
12	Rocker Bushing	80-75	FP-5123700		Exh.; Rocker Arm Clevis; .5625" OD
12	Rocker Bushing	80-75	FP-23517217		Exh.; Rocker Arm; Large; .875" ID, .9475" OD, .840" Length, .0360" Wall thickness
12	Rocker Bushing	80-75	FP-8924354		Exh.; Rocker Arm; Small
6	Rocker Bushing	80-75	FP-8924355		Injector; Large
6	Rocker Bushing	80-75	FP-5123700		Injector; Rocker Arm Clevis; .5625" OD
6	Rocker Bushing	80-75	FP-8924354		Injector; Small
18	Follower Assy.	80-75	FP-8924439		
18	Cam Follower Roller Set	80-75	FP-8923814		Incl. pin & roller
12	Valve Bridge Adj. Screw	80-75	FP-5129101		Exh.; 5/16" - 24 x 1"
12	Valve Bridge	80-75	FP-5148491		Exh.
12	Valve Bridge Guide	80-75	FP-5117564		Exh.; Press fit
12	Valve Bridge Guide	80-75	FP-51175646		Exh.; Press fit w/.006" O/S
12	Valve Bridge Guide	80-75	FP-5196843		Exh.; Threaded
12	Rocker Arm Clevis Pin	80-75	FP-5150314		Exh.
6	Rocker Arm Clevis Pin	80-75	FP-5150314		Injector
12	Bushing	80-75	FP-5122445 +		Exh.; Rocker Arm; Large; When depleted use FP-23517217
6	Bushing	80-75	FP-23502615		Injector; Rocker Arm Clevis; .6295" OD
12	Lock Washer	80-75	FP-103319		Cam Follower Guide; .250"
INT & EXH MANIFOLDS					
QTY	INT. & EXH. MANIFOLDS	YEARS	PART NO.	SIZE	DESCRIPTION
4	Exhaust Manifold Gasket	80-75	FP-5156319		Exh. Manifold Cover Plate
2	Exhaust Manifold Gasket	80-75	FP-5156319		Exh. Manifold Water Outlet Flange
2	Exhaust Manifold Gasket	80-75	FP-5150194		3 Ports, Composition
1	Gasket	80-75	FP-5113412		Exh. Manifold Cover Plate
2	Exhaust Pipe Gasket	80-75	FP-5145238		Exh. Manifold
2	Exhaust Pipe Gasket	80-75	FP-5145238		Exh. Manifold Adaptor
6	Pipe Plug	80-75	FP-23511574		Exh. Manifold; 1/2" pipe thread; w/1" Square head
2	Pipe Plug	80-75	FP-5115214		Exh. Manifold; 1/2" Square Head
2	Clamp	80-75	FP-5132650		Exh. Flange; 5.250" Dia.
2	Clamp	80-75	FP-5146165		Exh. Manifold; 3.88" Dia.; Marmon
12	Bolt	80-75	FP-8925603		Exh. Manifold Cover Plate; 5/16" - 18 x 3/4"; Vibra-Tite®

(continued on next page)

+ Superseded Part Number

GMC Truck - M/D & H/D

48 H/D Truck 6V-92 (4-Valve Cyl. Head) Eng.
 (cont.) 9.0L 552 OHV Diesel V6, 4.84" Bore (Detroit Diesel Eng.) 1975-80

INT & EXH MANIFOLDS (cont.)

INT. & EXH. MANIFOLDS					
QTY	(cont.)	YEARS	PART NO.	SIZE	DESCRIPTION
12	Stud	80-75	FP-8925804		Exh. Manifold to Head; 7/16" - 14/20" x 2 3/32"
12	Lock Nut	80-75	FP-23505398		Exh. Manifold; 7/16" - 20
12	Nut	80-75	FP-9411981		Exh. Manifold; 3/8" - 24 Lock Nut
8	Washer	80-75	FP-5104439		Exh. Manifold; 7/16" x 1.250" Dia.; Dished
12	Lock Washer	80-75	FP-103320		Exh. Manifold; 5/16"
QTY	AIR INTAKE	YEARS	PART NO.	SIZE	DESCRIPTION
2	Air Intake Housing Gasket	80-75	FP-5145086		Air Inlet Housing
2	Air Intake Housing Gasket	80-75	FP-5101412		Air Inlet Housing; 11.60" ID, w/Eight 15/32" Holes
2	Air Intake Housing Gasket	80-75	FP-5101408		Air Inlet Housing; 15.48" I.D., w/Ten 15/32" Holes
2	Air Intake Housing Gasket	80-75	FP-5123703		Air Inlet Housing; 5.68" ID, w/Eight 13/32" Holes
2	Air Intake Housing Gasket	80-75	FP-5134838		Air Inlet Housing; 8.00" Long, w/Four 13/32" Holes
1	Gasket	80-75	FP-5145235		Air Inlet Housing Striker Plate
1	Bolt	80-75	FP-8927580		Air Inlet Housing Shutdown Reset; 3/8" - 16 x .875"
2	Bolt	80-75	FP-179803		Air Inlet Housing Shutdown Valve; 1/4" x 20 x 1.750"
1	Bolt	80-75	FP-179803		Air Inlet Housing Striker Plate; 1/4" x 20 x 1.750"
8	Bolt	80-75	FP-8927580		Air Inlet Housing; 3/8" - 16 x .875"
1	Washer	80-75	FP-5159714		Air Inlet Housing Shutdown Valve; 11/16" x 1/8"
1	Washer	80-75	FP-5159714		Air Inlet Housing Striker Plate; 11/16" x 1/8"
1	Lock Washer	80-75	FP-103321		Air Inlet Housing Shutdown Reset; 3/8"
8	Lock Washer	80-75	FP-103321		Air Inlet Housing; 3/8"
8	Lock Washer	80-75	FP-103320		Air Inlet Housing; 5/16"
2	O-Ring	80-75	FP-5179232		Air Inlet Housing Shutdown Valve; .424" x .103"
1	Pipe Plug	80-75	FP-5142549		Air Inlet Housing; 3/4" - 14 Square Head

CAMSHAFT GROUP

QTY	TIMING	YEARS	PART NO.	SIZE	DESCRIPTION
1	Cam Gear	80-75	FP-8926631		R.H.; R.H. Helix
2	Idler Gear Hub Assembly	80-75	FP-5130135		L.H. & R.H.
2	Bolt	80-75	FP-454992		Idler Gear Assembly; 1/2" - 13 x 2 1/2
12	Bolt	80-75	FP-5103534		L.H. & R.H.; Idler Gear Assembly; 5/16" - 24 x 1/2"
2	Washer	80-75	FP-5167714		Idler Gear Assembly; 17/32" x 7/8" x 3/32"
QTY	CAMSHAFT TIMING	YEARS	PART NO.	SIZE	DESCRIPTION
2	Camshaft Pulley Spacer	80-75	FP-5116485		L.H. & R.H.; .640" Length
QTY	CAMSHAFT/LIFTER	YEARS	PART NO.	SIZE	DESCRIPTION
1	Camshaft	80-75	FP-5108111		L.H.; Type 245, 249, 303, 316, 338, 349, 359, 360, 380, 381, 408, 411, 439, 440, 478, 517, 580, 581, 598, 603, 609, 633, 635, 644, 649, 650, 667; R.H. Rotation; O.E. Stamped 5108113
4	Camshaft Thrust Washer	80-75	FP-5111424		
4	Camshaft Thrust Washer	80-75	FP-5194826		
4	Camshaft Thrust Washer	80-75	FP-5194827		
2	Lock Washer	80-75	FP-5177769		Front; Camshaft L.H. & R.H.; 1.125"
8	Lock Washer	80-75	FP-103321		Rear; Camshaft Rear Lock Washer; 3/8"
1	Oil Seal	80-75	FP-23516871		Front; Camshaft L.H. Bank
4	Woodruff Key	80-75	FP-8926247		Front & Rear; .250" x .750"

ACCESSORY DRIVE

QTY	ACCESSORY DRIVE	YEARS	PART NO.	SIZE	DESCRIPTION
1	Oil Seal	80-75	FP-5131329		Acc. Drive
1	Oil Seal	80-75	FP-5138710		Acc. Drive
1	Oil Seal Kit	80-75	FP-5198175		Acc. Drive Seal & Brg. Kit
1	Ball Brg.	80-75	FP-23503727		Acc. Drive
1	Ball Brg.	80-75	FP-23504528		Acc. Drive
1	Drive Coupling	80-75	FP-5141773		Accessory Drive; Type 226, 230, 330, 378, 384
1	Water Pump Retainer Ring	80-75	FP-9415285		Acc. Drive; Large; External
2	Bolt	80-75	FP-8927580		Acc. Drive; 3/8" - 16 x .875"
6	Bolt	80-75	FP-8927581		Acc. Drive; 3/8" - 16 x 1"
4	Bolt	80-75	FP-5145092		Acc. Drive; 3/8" - 24 x 1.20", Self-Locking
6	Bolt	80-75	FP-5185793		Acc. Drive, Internal Gear mount
2	Stud	80-75	FP-8927270		Acc. Drive; 3/8" - 16/24" x 1.6875"
1	Expansion Plug	80-75	FP-9428477		Acc. Drive; 15/16" Dia.
1	Gasket	80-75	FP-5124926		Acc. Drive Adaptor Cover
2	Bushing	80-75	FP-5120501		Acc. Drive Gear
1	Pipe Plug	80-75	FP-5115214		Acc. Drive; 1/2" Square Head
1	Pipe Plug	80-75	FP-5121182		Acc. Drive; 1/4" - 18; Hex head
1	Pipe Plug	80-75	FP-8924380		Acc. Drive; 1/8" - 27
2	Copper Washer	80-75	FP-5152148		Acc. Drive; 25/64" ID x 9/16" OD x 1/16" Thick; Copper
1	Lock Washer	80-75	FP-8926285		Acc. & Blower Drive Gear

(continued on next page)

GMC Truck - M/D & H/D

H/D Truck 6V-92 (4-Valve Cyl. Head) Eng. 48
9.0L 552 OHV Diesel V6, 4.84" Bore (Detroit Diesel Eng.) 1975-80 (cont.)

ACCESSORY DRIVE (cont.)

QTY	ACCESSORY DRIVE (cont.)	YEARS	PART NO.	SIZE	DESCRIPTION
1	Lock Washer	80-75	FP-103321		Balance Weight Cover; 3/8"
6	Lock Nut	80-75	FP-103026		Acc. Drive; 3/8" x 24
10	Lock Nut	80-75	FP-103026		Balance Weight Cover; 3/8" x 24

FUEL SYSTEM & PARTS

QTY	FUEL INJECTION	YEARS	PART NO.	SIZE	DESCRIPTION
2	Fuel Injector Nozzle	80-75	FP-5172874		Single Outlet; Single Outlet
6	Fuel Injector Seal Ring	80-75	FP-5234281		
6	Fuel Injector Seal Ring	80-75	FP-5104701		Inj. Hole Tube; Viton®
6	Injector Hole Tube Kit	80-75	FP-8925981		Incl. Seal Ring; Viton®
6	Washer	80-75	FP-5150250		Inj. Hold-Down Clamp
6	Clamp	80-75	FP-5121259		Inj. Hold-Down
6	Fuel Injector Repair Kit	80-75	FP-5229649		
6	Fuel Injection Spring Seat	80-75	FP-5228766		
6	Fuel Injector Valve Spring	80-75	FP-5228596		
6	Fuel Injector Valve Kit	80-75	FP-5228769		

QTY	FUEL FILTERS & PUMP	YEARS	PART NO.	SIZE	DESCRIPTION
1	Mechanical Fuel Pump	80-75	FP-5199560		L.H.; Type 126, 150, 174; Std. output; w/.250" Gear
1	Mechanical Fuel Pump	80-75	FP-5199735		L.H.; Type 56, 146, 177; High output; w/.375" Gear
1	Fuel Pump Shaft & Gear	80-75	FP-5181747		.838" Length; Std. Output
1	Fuel Pump Shaft & Gear	80-75	FP-5100313		.963" Length; High Output
1	Fuel Pump Shaft & Gear	80-75	FP-5146705		3.09" Length; High Output
1	Fuel Pump Shaft & Gear	80-75	FP-5181746		3.09" Length; Std. Output
1	Fuel Pump Valve	80-75	FP-5174973		
1	Fuel Pump Gear	80-75	FP-5174975		.294" Width; Std. Output
1	Fuel Pump Gear	80-75	FP-5181748		.294" Width; Std. Output
1	Fuel Pump Gear	80-75	FP-5118915		.374" Width; High Output
1	Fuel Pump Gear	80-75	FP-5128217		.374" Width; High Output
1	Fuel Pump Drive Shaft	80-75	FP-5181749		.838" Length; Std. Output
1	Fuel Pump Drive Shaft	80-75	FP-5100312		.963" Length; High Output
1	Fuel Pump Drive Shaft	80-75	FP-5178700		3.09" Length
1	Fuel Pump Check Valve	80-75	FP-5174924		1/4" Swing type
1	Fuel Pump Check Valve	80-75	FP-5135308		3/8" Swing type
4	Fuel Line Connector	80-75	FP-8926992		
1	Fuel Pump Relief Valve Spring	80-75	FP-5184530		
2	Oil Seal	80-75	FP-23512243		Fuel Pump Shaft
1	Fuel Pump Valve Plug Gasket	80-75	FP-5161003		Fuel Pump
4	Bolt	80-75	FP-179803		Fuel Pump Cover; 1/4" x 20 x 1.750"
1	Fuel Pump Repair Part	80-75	FP-5174971		Fuel Pump Valve plug; .500" x 20 plug
1	Fuel Pump Drive Adapter Gskt.	80-75	FP-5150193		Fuel Pump mounting
1	Fuel Pump Repair Kit	80-75	FP-5149599		High output; Short Shaft
1	Fuel Pump Repair Kit	80-75	FP-5195078		Std. output
2	Pipe Plug	80-75	FP-8924380		Fuel Pump; 1/8" - 27
2	Plastic Cap	80-75	FP-5136240		Fuel Pump Outlet; .250" Dia.
1	Plastic Cap	80-75	FP-5136241		Fuel Pump Outlet; .780" Dia., 3/8" NPTF
1	Dowel Pin	80-75	FP-103709		Fuel Pump Valve; 5/32" x 1" straight
2	Dowel Pin	80-75	FP-141195		Fuel Pump; .250" x .625"
1	Ball Brg.	80-75	FP-147481		Fuel Pump Shaft; .125" Dia. Steel
1	Bushing	80-75	FP-5198558		Fuel Pump; 3/8" x 1/4"
1	Accessory Drive Gasket	80-75	FP-23515145		Fuel Pump Mounting Plate
4	Copper Washer	80-75	FP-5152148		Fuel Pump; 25/64" ID x 9/16" OD x 1/16" Thick; Copper

BLOWER

QTY	BLOWER	YEARS	PART NO.	SIZE	DESCRIPTION
2	Ball Brg.	80-75	FP-23504304		Rear; Blower Rotor
2	Cylindrical Brg.	80-75	FP-23503542		Front; Blower Rotor
1	Oil Seal Kit	80-75	FP-23500533		Front & Rear; Blower End Plate
4	Oil Seal	80-75	FP-8924453		Blower Rotor
4	Oil Seal	80-75	FP-5138710		Front & Rear; Blower End Plate, Std.
1	Fuel Blower Gasket	80-75	FP-23520019		Blower to Block
1	Gasket	80-75	FP-5145235		Blower to Block, w/o Screen
1	Sealing Ring	80-75	FP-8922140		Blower Drive Cover Seal; 4.32" x 4.88" x .770"
3	Bolt	80-75	FP-5103364		Blower Drive Coupling; 1/2" - 20 x 1.10", 12 Pt. Head
3	Bolt	80-75	FP-9409077		Blower Drive Coupling; 5/16" - 24 x 1.625"
1	Bolt	80-75	FP-9409060		Blower Rotor Gear; 1/2" - 20 x 1.500"
12	Screw	80-75	FP-5148794		Blower Rotor End Plate; 1/4" - 20 x 5/8"
1	Hose Clamp	80-75	FP-5106219		Blower Drive Cover Seal
28	Washer	80-75	FP-5159714		Blower Assy.; 11/16" x 1/8"
2	Washer	80-75	FP-5121905		Blower End Plate; 15/32" ID x 7/8" OD x 5/32" Long

(continued on next page)

GMC Truck - M/D & H/D

48 H/D Truck 6V-92 (4-Valve Cyl. Head) Eng.

(cont.) 9.0L 552 OHV Diesel V6, 4.84" Bore (Detroit Diesel Eng.) 1975-80

BLOWER (cont.)

QTY	BLOWER (cont.)	YEARS	PART NO.	SIZE	DESCRIPTION
3	Lock Washer	80-75	FP-103320		Blower Drive Coupling; 5/16"
2	Lock Washer	80-75	FP-5154398		Front; Blower End Plate; 1/2" Special, External Tooth
1	Shim	80-75	FP-5150372		Blower Rotor Gear
1	Shim	80-75	FP-5153938		Blower Rotor Gear
1	Shim	80-75	FP-5150855		Blower Rotor Gear
1	Shim	80-75	FP-5150856		Blower Rotor Gear

GOVERNOR

QTY	GOVERNOR	YEARS	PART NO.	SIZE	DESCRIPTION
8	Governor Hole Gasket	80-75	FP-5123812		Cyl. Head Gov. Hole Cover

COOLING SYSTEM

QTY	WATER PUMP	YEARS	PART NO.	SIZE	DESCRIPTION
1	Water Pump - Heavy Duty	80-75	FP-23506602		Fresh Water; "Walking" Design
1	Water Pump - Heavy Duty	80-75	FP-23507971		Raw Water Pump; Opt. Type 62
1	Water Pump Shaft	80-75	FP-23506053		Fresh Water Pump
1	Water Pump Shaft	80-75	FP-5193552		Raw Water Pump
1	Water Pump Impeller	80-75	FP-23505995		Fresh Water Pump
1	Water Pump Impeller	80-75	FP-23505999		Fresh Water Pump; Hi-Capacity
1	Water Pump Impeller	80-75	FP-23505999		Fresh Water Pump; Hi-Capacity
1	Water Pump Impeller	80-75	FP-8924838		Raw Water Pump
1	Water Pump Impeller	80-75	FP-8924838		Raw Water Pump
1	Water Pump Repair/Rebuild Kit	80-75	FP-23506852		Fresh Water Pump
1	Water Pump Repair/Rebuild Kit	80-75	FP-23500517		Fresh Water Pump Seal Kit
1	Water Pump Repair/Rebuild Kit	80-75	FP-5149711		Fresh Water Pump; Repair Kit
1	Water Pump Repair/Rebuild Kit	80-75	FP-5197224		Recon. Kit; Raw Water; For Pump FP-23507971
1	Water Pump Cover	80-75	FP-5117950		Fresh Water Pump Body
1	Water Pump Cover	80-75	FP-8922383		Fresh Water Pump Body; Non-Metallic
1	Water Pump Cover	80-75	FP-5193555		Raw Water Pump
1	Water Pump Retainer Ring	80-75	FP-9415285		Raw Water Pump; Large; External
1	Water Pump Retainer Ring	80-75	FP-5193569		Raw Water Pump; Small
1	Water Pump Mech. Shaft Seal	80-75	FP-5198419		
1	Water Pump Mech. Shaft Seal	80-75	FP-8924297		Fresh Water Pump
1	Water Pump Mech. Shaft Seal	80-75	FP-5198419		Raw Water Pump
1	Water Pump Seal Ring	80-75	FP-5101160		Fresh Water Pump Body Cover
1	Water Pump Seal Ring	80-75	FP-5103544		Fresh Water Pump; .139" x 5.109" I.D.
1	Ball Brg.	80-75	FP-23504426		Raw Water Pump Shaft
1	Ball Brg.	80-75	FP-23503550		Inner; Fan Shaft
1	Ball Brg.	80-75	FP-23503704		Inner; Fan Shaft
1	Ball Brg.	80-75	FP-23503796		Inner; Fan Shaft
1	Ball Brg.	80-75	FP-7450630		Inner; Fan Shaft
1	Ball Brg.	80-75	FP-23503687		Inner; Fresh Water Pump
1	Ball Brg.	80-75	FP-23503535		Outer; Fan Shaft
1	Ball Brg.	80-75	FP-23503537		Outer; Fan Shaft
1	Ball Brg.	80-75	FP-23503727		Outer; Fan Shaft
1	Ball Brg.	80-75	FP-9415132		Outer; Fan Shaft
1	Ball Brg.	80-75	FP-23503649		Outer; Fresh Water Pump
5	Lock Nut	80-75	FP-103026		Fresh Water Pump; 3/8" x 24
1	Lock Nut	80-75	FP-5117972		Fresh Water Pump; 7/16" - 20
2	Lock Nut	80-75	FP-103026		Heat Exchanger; 3/8" x 24
1	Accessory Drive Gasket	80-75	FP-23515145		Raw Water Pump
1	Gasket	80-75	FP-5196513		Raw Water Pump Adaptor
1	Oil Seal	80-75	FP-5103623		Fan Shaft
1	Oil Seal	80-75	FP-5103951		Fan Shaft
1	Oil Seal	80-75	FP-5108219		Fan Shaft; Felt
1	Oil Seal	80-75	FP-5100408		Fan Shaft; Rubber Lip
1	Oil Seal	80-75	FP-23506248		Fresh Water Pump
1	Oil Seal	80-75	FP-5117983		Fresh Water Pump Shaft Bearing
1	Oil Seal	80-75	FP-5195101		Raw Water Pump Shaft
2	Oil Seal	80-75	FP-5132155		Thermostat Seal
2	Bolt	80-75	FP-454992		Fan Hub Support Bracket; 1/2" - 13 x 2 1/2
1	Bolt	80-75	FP-9409060		Fan Hub; 1/2" - 20 x 1.500"
5	Bolt	80-75	FP-8925603		Fresh Water Pump Body; 5/16" - 18 x 3/4"; Vibra-Tite®
4	Bolt	80-75	FP-8927580		Heat Exchanger Water Outlet Tube; 3/8" - 16 x .875"
4	Bolt	80-75	FP-8927581		Heat Exchanger Water Outlet Tube; 3/8" - 16 x 1"
2	Bolt	80-75	FP-454992		Heat Exchanger; 1/2" - 13 x 2 1/2
4	Bolt	80-75	FP-454992		Heat Exchanger; 1/2" - 13 x 2 1/2
4	Bolt	80-75	FP-8927581		Heat Exchanger; 3/8" - 16 x 1"
6	Bolt	80-75	FP-23504236		Raw Water Pump Cover; .250" - 20 x .500"; Stainless Steel

(continued on next page)

GMC Truck - M/D & H/D

H/D Truck 6V-92 (4-Valve Cyl. Head) Eng. 48
9.0L 552 OHV Diesel V6, 4.84" Bore (Detroit Diesel Eng.) 1975-80 (cont.)

COOLING SYSTEM (cont.)

QTY	WATER PUMP (cont.)	YEARS	PART NO.	SIZE	DESCRIPTION
5	Bolt	80-75	FP-23504236		Raw Water Pump Cover; .250" - 20 x .500"; Stainless Steel
4	Bolt	80-75	FP-5145092		Raw Water Pump; 3/8" - 24 x 1.20", Self-Locking
6	Bolt	80-75	FP-23501660		Raw Water Pump, Adaptor to Body; 3/8" - 16 x 1.00"
2	Bolt	80-75	FP-8927581		Thermostat Housing; 3/8" - 16 x 1"
1	Pipe Plug	80-75	FP-8924380		Fan Hub; 1/8" - 27
1	Pipe Plug	80-75	FP-5115214		Fresh Water Pump Body; 1/2" Square Head
1	Pipe Plug	80-75	FP-8923313		Fresh Water Pump Body; 3/4"
1	Pipe Plug	80-75	FP-5142549		Fresh Water Pump Body; 3/4" - 14 Square Head
1	Pipe Plug	80-75	FP-5142549		Fresh Water Pump Body; 3/4" - 14 Square Head
1	Pipe Plug	80-75	FP-5121182		Heat Exchanger; 1/4" - 18; Hex head
1	Pipe Plug	80-75	FP-8924380		Heat Exchanger; 1/8" - 27
1	Pipe Plug	80-75	FP-5142549		Heat Exchanger; 3/4" - 14 Square Head
1	Pipe Plug	80-75	FP-5115214		Thermostat Housing; 1/2" Square Head
2	Pipe Plug	80-75	FP-5121182		Thermostat Housing; 1/4" - 18; Hex head
2	Pipe Plug	80-75	FP-8924380		Thermostat Housing; 1/8" - 27
2	Pipe Plug	80-75	FP-5142549		Thermostat Housing; 3/4" - 14 Square Head
1	Expansion Plug	80-75	FP-5154453		Fresh Water Pump Body; 3/8" - 16 Headless Special
2	Expansion Plug	80-75	FP-5117186		Heat Exchanger; 2" Dia. Cup; Stainless Steel
1	Dowel Pin	80-75	FP-5197597		Raw Water Pump Wear Plate; .184" OD x .375" Length
1	Screw	80-75	FP-114366		Raw Water Pump Cam; .250" - 20 x .500"; Brass
1	Slinger, Water Pump	80-75	FP-5193676		Raw Water Pump Shaft
2	Copper Washer	80-75	FP-5152148		Thermostat Housing; 25/64" ID x 9/16" OD x 1/16" Thick; Copper
4	Washer	80-75	FP-5133981		Fan Hub Support Bracket; .122" Thick
4	Washer	80-75	FP-103325		Fan Hub Support Bracket; Lock washer; 5/8"
1	Washer	80-75	FP-5103624		Fan Shaft Bearing Retainer; .500" Thick
4	Washer	80-75	FP-5131978		Fan Shaft; .53" ID x 1.00" OD x .170" Thick
2	Washer	80-75	FP-5197310		Fresh Water Pump; Adhesive, Ceramic Insert
1	Washer	80-75	FP-221436		Fresh Water Pump; Flat
4	Washer	80-75	FP-5131978		Heat Exchanger Cover Spacer; .53" ID x 1.00" OD x .170" Thick
8	Washer	80-75	FP-103325		Heat Exchanger; Lock washer; 5/8"
4	Washer	80-75	FP-5125108		Heat Exchanger; 7/16" x 3/4" x 1/16"
1	Washer	80-75	FP-103325		Raw Water Pump; Lock washer; 5/8"
1	Washer	80-75	FP-5125108		Thermostat Housing; 7/16" x 3/4" x 1/16"
1	Water Pump Lock Ring	80-75	FP-274746		Fresh Water Pump
QTY	THERMOSTAT	YEARS	PART NO.	SIZE	DESCRIPTION
2	Thermostat	80-75	FP-5102112		160 Deg.
2	Thermostat	80-75	FP-23503826		170 Deg.
2	Thermostat	80-75	FP-23503825		180 Deg.
2	Thermostat	80-75	FP-5104096		180 Deg.
2	Thermostat	80-75	FP-5106232		180 Deg.
2	Thermostat Gasket	80-75	FP-5117786		Thermostat Housing Cover
2	Thermostat Gasket	80-75	FP-5117993		Thermostat Housing Cover
1	Thermostat Gasket	80-75	FP-8924018		Thermostat Housing Cover
2	Thermostat Cover Gasket	80-75	FP-5100860		Thermostat Housing Cover
1	Thermostat Cover Gasket	80-75	FP-5123575		Thermostat Housing Cover
2	Thermostat Gasket	80-75	FP-5117786		Left & Right Bank; Thermostat Housing
2	Thermostat Gasket	80-75	FP-5117993		Left & Right Bank; Thermostat Housing
2	Thermostat Gasket	80-75	FP-5144277		Left & Right Bank; Thermostat Housing
1	Thermostat Gasket	80-75	FP-5123716		Left Bank; Thermostat Housing
1	Thermostat Gasket	80-75	FP-5133254		Left Bank; Thermostat Housing
1	Thermostat Gasket	80-75	FP-5123570		Right Bank; Thermostat Housing
1	Thermostat Gasket	80-75	FP-5123715		Right Bank; Thermostat Housing
QTY	MISCELLANEOUS	YEARS	PART NO.	SIZE	DESCRIPTION
3	Stud	80-75	FP-8927270		Fresh Water Pump Body; 3/8" - 16/24" x 1.6875"
4	Hose Clamp	80-75	FP-5186841		Heat Exchanger Raw Water Inlet Tube; 1 9/16" - 2.50"
4	Hose Clamp	80-75	FP-5188036		Heat Exchanger Raw Water Inlet; 2.750" Dia. Hose
4	Hose Clamp	80-75	FP-9139809		Heat Exchanger Raw Water Outlet Tube; 2 1/16" - 3"
4	Hose Clamp	80-75	FP-9139809		Heat Exchanger Raw Water Tube; 2 1/16" - 3"
1	Hose Clamp	80-75	FP-5186841		Heat Exchanger Water Outlet Tube; 1 9/16" - 2.50"
1	Hose Clamp	80-75	FP-9139809		Water Outlet Manifold; 2 1/16" - 3"
2	Hose Clamp	80-75	FP-5188036		Water Outlet Manifold; 2.750" Dia. Hose
1	Lock Washer	80-75	FP-103320		Fan Hub; 5/16"
5	Lock Washer	80-75	FP-103321		Fresh Water Pump Body; 3/8"
5	Lock Washer	80-75	FP-103321		Fresh Water Pump; 3/8"
10	Lock Washer	80-75	FP-103320		Heat Exchanger Cover; 5/16"
4	Lock Washer	80-75	FP-103320		Heat Exchanger Expansion Tank Cover; 5/16"
4	Lock Washer	80-75	FP-103320		Heat Exchanger Water Outlet; 5/16"
4	Lock Washer	80-75	FP-103321		Heat Exchanger; 3/8"
2	Lock Washer	80-75	FP-103321		Thermostat Housing; 3/8"

(continued on next page)

GMC Truck - M/D & H/D

48 H/D Truck 6V-92 (4-Valve Cyl. Head) Eng.

(cont.) 9.0L 552 OHV Diesel V6, 4.84" Bore (Detroit Diesel Eng.) 1975-80

COOLING SYSTEM (cont.)

QTY	MISCELLANEOUS (cont.)	YEARS	PART NO.	SIZE	DESCRIPTION
2	O-Ring	80-75	FP-5167746		Heat Exchanger Seal Ring
1	O-Ring	80-75	FP-23514265		Raw Water Pump
1	Water Manifold Gasket	80-75	FP-5124029		Heat Exchanger Water Manifold
3	Water Manifold Gasket	80-75	FP-23506469		Water Outlet Cover Plate
2	Hose Clamp	80-75	FP-5186841		Thermostat Housing Cover; 1 9/16" - 2.50"
2	Hose Clamp	80-75	FP-9139809		Thermostat Housing Cover; 2 1/16" - 3"
1	Oil Filler Tube Gasket	80-75	FP-5120540		Thermostat Housing Elbow Gasket
1	Oil Cooler Core Inner Gasket	80-75	FP-5150155		Heat Exchanger Expansion Tank Cover

ENGINE BLOCK & PARTS

QTY	GASKETS	YEARS	PART NO.	SIZE	DESCRIPTION
1	Front Crankcase Cover Gasket	80-75	FP-5121714		
2	Pipe Plug	80-75	FP-5121182		Cyl. Block; 1/4" - 18; Hex head
2	Pipe Plug	80-75	FP-8924380		Cyl. Block; 1/8" - 27
1	Flywheel Housing Gasket	80-75	FP-5147246		Flywheel Housing Gasket; Types 504, 506, 528, 533, 535, 540, 546, 581, 582, 594, 602, 646, 657, 658, 659, 660, 661, 662, 663, 670, 674, 686, 687, 727
2	Accessory Drive Gasket	80-75	FP-23515145		Flywheel Housing Large Hole Cover
6	Bolt	80-75	FP-8927580		Flywheel Housing; 3/8" - 16 x .875"
1	Lock Nut	80-75	FP-103026		Flywheel Housing; 3/8" x 24
1	Washer	80-75	FP-5138619		Flywheel Housing; 25/64" x 3/4" x .083"
2	Washer	80-75	FP-5125108		Flywheel Housing; 7/16" x 3/4" x 1/16"
6	Lock Washer	80-75	FP-103321		Flywheel Housing; 3/8"
12	Copper Washer	80-75	FP-5152148		Flywheel Housing; 25/64" ID x 9/16" OD x 1/16" Thick; Copper
1	Oil Pan Gasket	80-75	FP-5150115		Lower Oil Pan
1	Oil Pan Gasket	80-75	FP-5150116		Lower Oil Pan
1	Oil Pan Gasket	80-75	FP-8920557		Lower Oil Pan
1	Oil Pan Gasket	80-75	FP-23503588		Pan to Block; w/Stamped Pan; w/Stamped Steel Pan
24	Bolt	80-75	FP-8927581		Oil Pan; 3/8" - 16 x 1"
4	Bolt	80-75	FP-8927581		Oil Pan; 3/8" - 16 x 1"
1	Washer	80-75	FP-840277		Oil Pan Drain Plug; 18MM, Nylon
1	Pipe Plug	80-75	FP-5115214		Oil Pan Drain Plug; 1/2" Square Head
1	Pipe Plug	80-75	FP-5121182		Oil Pan Drain Plug; 1/4" - 18; Hex head
1	Pipe Plug	80-75	FP-8923847		Oil Pan Drain Plug; 1/4" x 18 NPTF; Square head
1	Pipe Plug	80-75	FP-8923313		Oil Pan Drain Plug; 3/4"
1	Pipe Plug	80-75	FP-8924517		Oil Pan Drain Plug; 3/8" x 18 square head
1	Pipe Plug	80-75	FP-5115214		Oil Pan Sump; 1/2" Square Head
1	Cyl. Block Water Hole Cvr Gsk	80-75	FP-5117734		Rear
2	Hand Hole Cover Gasket	80-75	FP-8923791		Large
2	Hand Hole Cover Gasket	80-75	FP-8923792		Small
2	Copper Washer	80-75	FP-5152148		Cyl. Block; 25/64" ID x 9/16" OD x 1/16" Thick; Copper
12	Copper Washer	80-75	FP-5152148		Cyl. Head; 25/64" ID x 9/16" OD x 1/16" Thick; Copper
4	Bolt	80-75	FP-8927580		Cyl. Block; 3/8" - 16 x .875"
10	Stud	80-75	FP-5152121		Cyl. Block; 5/16" - 18 x 1 1/2"

QTY	GASKET SETS	YEARS	PART NO.	SIZE	DESCRIPTION
1	Complete Overhaul Gasket Set	80-75	FP-23512684WS		6V92; Exc. Tilt Coach
1	Complete Overhaul Gasket Set	80-75	FP-23512684		6V92; Exc. Tilt Coach; Crankshaft seals not incl.
1	Complete Overhaul Gasket Set	80-75	FP-23512683		6V92; Tilt Coach only; Crankshaft seals not incl.

QTY	CAM BEARINGS	YEARS	PART NO.	SIZE	DESCRIPTION
8	Cam Brg.	80-75	FP-5194825	20	Camshaft End Bushing; .020" U/S, Unfinished; Grooved
8	Cam Brg.	80-75	FP-5111423	STD	Camshaft End Bushing; Grooved
2	Cam Brg.	80-75	FP-5117984	STD	Position Front
2	Cam Brg.	80-75	FP-5197569	10	Position Front
4	Cam Brg.	80-75	FP-5196026	STD	Position Inter.; w/o Steel bushing in ctr. hole; Aluminum Blocks only
4	Cam Brg.	80-75	FP-5196022	STD	Position Inter.; w/steel bushing in ctr. hole; 4 req'd
2	Cam Brg.	80-75	FP-5111422	STD	Position Rear
2	Cam Brg.	80-75	FP-5194858	10	Position Rear

QTY	OIL COOLERS & FILTERS	YEARS	PART NO.	SIZE	DESCRIPTION
1	Oil Cooler	80-75	FP-8547547		Core Assy.; 16 plate
1	Oil Cooler	80-75	FP-8547195		Core Assy.; 18 plate
1	Oil Cooler	80-75	FP-8547551		Core Assy.; 8 plate
1	Oil Cooler	80-75	FP-8547581		Twin Plate; 13 plate
1	Oil Cooler	80-75	FP-8547553		Twin Plate; 16 Plate
1	Oil Cooler	80-75	FP-8547237		Twin Plate; 24 Plate
1	Oil Cooler	80-75	FP-8547552		Twin Plate; 32 Plate
2	Oil Cooler	80-75	FP-8547237		Twin Plate-Dual; 24 Plate
1	Oil Filter Adapter Gasket	80-75	FP-8924412		

(continued on next page)

GMC Truck - M/D & H/D

H/D Truck 6V-92 (4-Valve Cyl. Head) Eng. 48
9.0L 552 OHV Diesel V6, 4.84" Bore (Detroit Diesel Eng.) 1975-80 (cont.)

ENGINE BLOCK & PARTS (cont.)

QTY	(cont.)	YEARS	PART NO.	SIZE	DESCRIPTION
1	Lock Washer	80-75	FP-103320		Aftercooler; 5/16"
2	Lock Nut	80-75	FP-103026		Oil Cooler Water Outlet Flange; 3/8" x 24
2	Lock Nut	80-75	FP-103026		Twin Plate; Oil Cooler Water Elbow; 3/8" x 24
2	Lock Nut	80-75	FP-103026		Twin Plate-Dual; Oil Cooler Water Elbow; 3/8" x 24
2	Washer	80-75	FP-5131433		Oil Cooler Adaptor; .410" x .810" x .1345"
1	Washer	80-75	FP-5177773		Oil Cooler Bypass Plug; 18MM x 1.5MM
1	Washer	80-75	FP-5131433		Oil Cooler Housing Cover; .410" x .810" x .1345"
1	Washer	80-75	FP-5177773		Twin Plate; Oil Cooler By-pass; 18MM x 1.5MM
8	Washer	80-75	FP-5131433		Twin Plate; Oil Cooler Housing Cover; .410" x .810" x .1345"
1	Washer	80-75	FP-5177773		Twin Plate-Dual; Oil Cooler By-pass Plug; 18MM x 1.5MM
2	Lock Washer	80-75	FP-103320		Oil Cooler Adaptor Cover; 5/16"
1	Lock Washer	80-75	FP-103320		Oil Cooler Housing Cover; 5/16"
8	Lock Washer	80-75	FP-103320		Oil Cooler Housing; 5/16"
2	Lock Washer	80-75	FP-103321		Oil Cooler Water Outlet Flange; 3/8"
1	Lock Washer	80-75	FP-103320		Oil Cooler Water Outlet Flange; 5/16"
8	Lock Washer	80-75	FP-103320		Twin Plate; Oil Cooler Core; 5/16"
2	Lock Washer	80-75	FP-103321		Twin Plate; Oil Cooler Water Inlet; 3/8"
22	Lock Washer	80-75	FP-103320		Twin Plate-Dual; Oil Cooler Core; 5/16"
2	Lock Washer	80-75	FP-103321		Twin Plate-Dual; Oil Cooler Water Inlet; 3/8"
1	Spacer	80-75	FP-5102793		Oil Cooler Adaptor to Block; 5.70" x 1.00" x .012"
1	Spacer	80-75	FP-5102793		Twin Plate; Oil Cooler Adaptor to Block; 5.70" x 1.00" x .012"
1	Pipe Plug	80-75	FP-8923847		Oil Cooler Core; 1/4" x 18 NPTF; Square head
1	Pipe Plug	80-75	FP-8923313		Oil Cooler Core; 3/4"
2	Pipe Plug	80-75	FP-5142549		Oil Cooler Core; 3/4" - 14 Square Head
1	Pipe Plug	80-75	FP-5121182		Oil Cooler Housing; 1/4" - 18; Hex head
2	Pipe Plug	80-75	FP-8923847		Oil Cooler Housing; 1/4" x 18 NPTF; Square head
1	Pipe Plug	80-75	FP-8924517		Oil Cooler Housing; 3/8" x 18 square head
1	Pipe Plug	80-75	FP-5115214		Oil Cooler Water Inlet; 1/2" Square Head
2	Pipe Plug	80-75	FP-8923847		Oil Cooler Water Inlet; 1/4" x 18 NPTF; Square head
1	Pipe Plug	80-75	FP-8923313		Oil Cooler Water Inlet; 3/4"
1	Pipe Plug	80-75	FP-5142549		Oil Cooler Water Inlet; 3/4" - 14 Square Head
2	Pipe Plug	80-75	FP-8923847		Twin Plate; Oil Cooler Core; 1/4" x 18 NPTF; Square head
1	Pipe Plug	80-75	FP-8923313		Twin Plate; Oil Cooler Water Elbow; 3/4"
1	Pipe Plug	80-75	FP-5142549		Twin Plate; Oil Cooler Water Elbow; 3/4" - 14 Square Head
2	Pipe Plug	80-75	FP-5115214		Twin Plate; Oil Cooler Water Inlet; 1/2" Square Head
1	Pipe Plug	80-75	FP-5115214		Twin Plate-Dual; Oil Cooler By-pass; 1/2" Square Head
1	Pipe Plug	80-75	FP-8923847		Twin Plate-Dual; Oil Cooler Core; 1/4" x 18 NPTF; Square head
1	Pipe Plug	80-75	FP-8923847		Twin Plate-Dual; Oil Cooler Core; 1/4" x 18 NPTF; Square head
1	Pipe Plug	80-75	FP-5142549		Twin Plate-Dual; Oil Cooler Core; 3/4" - 14 Square Head
1	Pipe Plug	80-75	FP-5115214		Twin Plate-Dual; Oil Cooler Water Elbow; 1/2" Square Head
1	Pipe Plug	80-75	FP-8923313		Twin Plate-Dual; Oil Cooler Water Elbow; 3/4"
2	Pipe Plug	80-75	FP-5142549		Twin Plate-Dual; Oil Cooler Water Elbow; 3/4" - 14 Square Head
4	Hose Clamp	80-75	FP-5186840		Aftercooler; 13/16" - 1 1/2" Clamping Range
4	Air Compressor Seal Ring	80-75	FP-5101138		Aftercooler; .984" x .139"
1	Oil Cooler Gasket Kit	80-75	FP-5149946		Oil Cooler Adaptor Cover
1	Oil Cooler Gasket	80-75	FP-8923512		Adaptor to Block
1	Oil Cooler Gasket	80-75	FP-8923512		Oil Cooler Adaptor Cover
1	Oil Cooler Gasket	80-75	FP-8923223		Oil Cooler Core
1	Oil Cooler Gasket	80-75	FP-8923512		Twin Plate; Oil Cooler Adaptor Cover
1	Oil Cooler Gasket	80-75	FP-8923223		Outer
1	Oil Cooler Gasket	80-75	FP-23501587		Outer; Twin Plate; Oil Cooler Core, Element to Plate
1	Cyl. Block Water Hole Cvr Gsk	80-75	FP-5117734		Oil Cooler Housing Cover
1	Cyl. Block Water Hole Cvr Gsk	80-75	FP-5117734		Twin Plate-Dual; Oil Cooler Housing Cover
1	Cyl. Block Water Hole Cvr Gsk	80-75	FP-5117734		Front; Twin Plate; Oil Cooler Water Elbow
1	Cyl. Block Water Hole Cvr Gsk	80-75	FP-5117734		Front; Twin Plate-Dual; Oil Cooler Water Elbow
1	Sealing Ring	80-75	FP-5102098		Twin Plate; Oil Cooler Water Outlet Hose; 3.60" OD x .620" Wide
1	Sealing Ring	80-75	FP-5102098		Twin Plate-Dual; Oil Cooler Water Outlet Hose; 3.60" OD x .620" Wide
1	Oil Cooler Core Gasket	80-75	FP-23501589		Twin Plate; Oil Cooler Housing Cover
1	Oil Cooler Seal Ring	80-75	FP-23501837		Oil Cooler Water Outlet Flange
1	Gasket	80-75	FP-5575086		Oil Cooler Bypass Plug
1	Gasket	80-75	FP-5575086		Oil Cooler Housing
1	Oil Cooler Core Inner Gasket	80-75	FP-5150155		
1	Oil Cooler Core Inner Gasket	80-75	FP-5150155		
1	Oil Cooler Core Inner Gasket	80-75	FP-5150155		Housing Cover
1	Oil Cooler Core Inner Gasket	80-75	FP-23511304		Twin Plate; Oil Cooler Housing Cover
1	Oil Cooler Core Inner Gasket	80-75	FP-5150155		Inner; Twin Plate
1	Oil Cooler Core Inner Gasket	80-75	FP-23511304		Inner; Twin Plate-Dual; Oil Cooler Core
1	Oil Cooler Core Outer Gasket	80-75	FP-5102506		

(continued on next page)

GMC Truck - M/D & H/D

48 H/D Truck 6V-92 (4-Valve Cyl. Head) Eng.
 (cont.) 9.0L 552 OHV Diesel V6, 4.84" Bore (Detroit Diesel Eng.) 1975-80

ENGINE BLOCK & PARTS (cont.)

QTY	(cont.)	YEARS	PART NO.	SIZE	DESCRIPTION
OIL COOLERS & FILTERS					
1	Oil Cooler Housing Cover Gskt	80-75	FP-8924623		
2	Oil Cooler Adapter Cover Gskt	80-75	FP-5117535		
1	Oil Cooler Adapter Cover Gskt	80-75	FP-5117535		
2	Oil Cooler Adapter Cover Gskt	80-75	FP-5117535		Twin Plate; Oil Cooler Adaptor to Block
2	Oil Cooler Adapter Cover Gskt	80-75	FP-5117535		Twin Plate-Dual; Oil Cooler Adaptor to Block
1	Copper Washer	80-75	FP-5152148		Oil Cooler Housing Cover; 25/64" ID x 9/16" OD x 1/16" Thick; Copper
1	Copper Washer	80-75	FP-5155596		Oil Cooler Housing; 5/16"; Special copper washer
1	Copper Washer	80-75	FP-5155596		Oil Cooler Housing; 5/16"; Special copper washer
1	Copper Washer	80-75	FP-5155596		Oil Cooler Water Inlet; 5/16"; Special copper washer
2	Copper Washer	80-75	FP-5152148		Oil Cooler Water Outlet Flange; 25/64" ID x 9/16" OD x 1/16" Thick; Copper
8	Copper Washer	80-75	FP-5155596		Twin Plate; Oil Cooler Core; 5/16"; Special copper washer
2	Copper Washer	80-75	FP-5152148		Twin Plate; Oil Cooler Water Elbow; 25/64" ID x 9/16" OD x 1/16" Thick; Copper
1	Copper Washer	80-75	FP-5155596		Twin Plate-Dual; Oil Cooler Core; 5/16"; Special copper washer
1	Copper Washer	80-75	FP-5152148		Twin Plate-Dual; Oil Cooler Housing Cover; 25/64" ID x 9/16" OD x 1/16" Thick; Copper
1	Copper Washer	80-75	FP-5152148		Twin Plate-Dual; Oil Cooler Water Elbow; 25/64" ID x 9/16" OD x 1/16" Thick; Copper
1	Clamp	80-75	FP-5143999		Twin Plate; Oil Cooler Water Outlet Hose; 3.50" T-Bolt
2	Clamp	80-75	FP-5143999		Twin Plate-Dual; Oil Cooler Water Outlet Hose; 3.50" T-Bolt
2	Hose Clamp	80-75	FP-9139809		Oil Cooler Water Inlet Hose; 2 1/16" - 3"
2	Hose Clamp	80-75	FP-5188036		Oil Cooler Water Inlet Hose; 2.750" Dia. Hose
2	Hose Clamp	80-75	FP-9139809		Twin Plate; Oil Cooler Water Inlet Hose; 2 1/16" - 3"
2	Hose Clamp	80-75	FP-5188036		Twin Plate; Oil Cooler Water Inlet Hose; 2.750" Dia. Hose
2	Hose Clamp	80-75	FP-9139809		Twin Plate-Dual; Oil Cooler Water Inlet Hose; 2 1/16" - 3"
2	Hose Clamp	80-75	FP-5188036		Twin Plate-Dual; Oil Cooler Water Inlet Hose; 2.750" Dia. Hose
2	Bolt	80-75	FP-8923391		Oil Cooler Adaptor; 3/8" - 16 x 1.880"
1	Bolt	80-75	FP-8923391		Oil Cooler Housing Cover; 3/8" - 16 x 1.880"
3	Bolt	80-75	FP-8927581		Oil Cooler Housing Cover; 3/8" - 16 x 1"
1	Bolt	80-75	FP-8927580		Oil Cooler Housing; 3/8" - 16 x .875"
1	Bolt	80-75	FP-8927580		Oil Cooler Water Inlet; 3/8" - 16 x .875"
2	Bolt	80-75	FP-8927581		Oil Cooler Water Outlet Flange; 3/8" - 16 x 1"
2	Bolt	80-75	FP-8927581		Twin Plate; Oil Cooler Housing Cover; 3/8" - 16 x 1"
2	Bolt	80-75	FP-8927581		Twin Plate; Oil Cooler Water Elbow; 3/8" - 16 x 1"
2	Bolt	80-75	FP-8927580		Twin Plate; Oil Cooler Water Inlet; 3/8" - 16 x .875"
2	Bolt	80-75	FP-8927581		Twin Plate; Oil Cooler Water Inlet; 3/8" - 16 x 1"
1	Bolt	80-75	FP-8927581		Twin Plate-Dual; Oil Cooler Water Elbow; 3/8" - 16 x 1"
6	Bolt	80-75	FP-8927580		Twin Plate-Dual; Oil Cooler Water Inlet; 3/8" - 16 x .875"
2	Bolt	80-75	FP-8927581		Twin Plate-Dual; Oil Cooler Water Inlet; 3/8" - 16 x 1"
FREEZE PLUGS					
6	Pipe Plug	80-75	FP-5115214		Cyl. Block; 1/2" Square Head
3	Pipe Plug	80-75	FP-8923847		Cyl. Block; 1/4" x 18 NPTF; Square head
1	Pipe Plug	80-75	FP-8924380		Cyl. Block; 1/8" - 27
6	Pipe Plug	80-75	FP-5142549		Cyl. Block; 3/4" - 14 Square Head
1	Pipe Plug	80-75	FP-5142549		Flywheel Housing; 3/4" - 14 Square Head
1	Pipe Plug	80-75	FP-5121182		Oil Level Dipstick; 1/4" - 18; Hex head
DIPSTICK					
1	Dipstick	80-75	FP-5102092		21" Length; Marked
1	Dipstick	80-75	FP-5101885		25" Length; Marked
1	Dipstick	80-75	FP-5146680		72" Length; Unmarked
1	Dipstick Guide	80-75	FP-5151430		1.50" Length
MISCELLANEOUS					
12	Bolt	80-75	FP-5103280		Flywheel Housing; 9/16" - 18 x 2.250"
12	Bolt	80-75	FP-9410925		Flywheel Housing; 9/16" - 18 x 2.250"
12	Bolt	80-75	FP-9412015		Flywheel Housing; 9/16" - 18 x 2.500"
1	Bolt	80-75	FP-8927581		Oil Level Dipstick; 3/8" - 16 x 1"
2	Screw	80-75	FP-5103642		Oil Filler Tube; No. 10 - 24 x .375"
6	Pipe Plug	80-75	FP-5115214		Cyl. Block; 1/2" Square Head
3	Pipe Plug	80-75	FP-8923847		Cyl. Block; 1/4" x 18 NPTF; Square head
1	Pipe Plug	80-75	FP-8924380		Cyl. Block; 1/8" - 27
6	Pipe Plug	80-75	FP-5142549		Cyl. Block; 3/4" - 14 Square Head
1	Pipe Plug	80-75	FP-5142549		Flywheel Housing; 3/4" - 14 Square Head
1	Pipe Plug	80-75	FP-5121182		Oil Level Dipstick; 1/4" - 18; Hex head
2	Washer	80-75	FP-5131755		Flywheel Housing; 17/32" x .88" x .1345"
3	Washer	80-75	FP-5138619		Flywheel Housing; 25/64" x 3/4" x .083"
1	Washer	80-75	FP-106261		Oil Level Dipstick; 5/16" x 3/4"

(continued on next page)

GMC Truck - M/D & H/D

H/D Truck 6V-92 (4-Valve Cyl. Head) Eng. 48
9.0L 552 OHV Diesel V6, 4.84" Bore (Detroit Diesel Eng.) 1975-80 (cont.)

ENGINE BLOCK & PARTS (cont.)

QTY	MISCELLANEOUS (cont.)	YEARS	PART NO.	SIZE	DESCRIPTION
1	Copper Washer	80-75	FP-5152148		Oil Level Dipstick; 25/64" ID x 9/16" OD x 1/16" Thick; Copper
2	Lock Nut	80-75	FP-103026		Flywheel Housing; 3/8" x 24
1	Lock Nut	80-75	FP-103026		Oil Level Dipstick; 3/8" x 24
2	Oil Filler Cap	80-75	FP-5107106		1.50" Dia.; Thermos Bottle Style
2	Oil Filler Cap	80-75	FP-5117362		2.00" Dia.; Thermos Bottle Style
CRANKSHAFT/OIL PUMP					
QTY	CRANKSHAFT	YEARS	PART NO.	SIZE	DESCRIPTION
1	Crankshaft	80-75	FP-8926922		LH Rotation
1	Crankshaft	80-75	FP-8926921		RH Rotation
1	Bolt	80-75	FP-23501143		Crankshaft pulley; 1" - 14 X 2.750" (1.500" Hex head)
3	Pipe Plug	80-75	FP-8924380		Crankshaft; 1/8" - 27
2	Woodruff Key	80-75	FP-8928545		3/16" x 7/8" Woodruff
4	Dowel Pin	80-75	FP-141346		.1875" x .500"
QTY	SEALS - FRONT CRANK	YEARS	PART NO.	SIZE	DESCRIPTION
1	Oil Seal	80-75	FP-8922045		Front; Crankshaft; RH Rotation
1	Oil Seal	80-75	FP-23514608		Front; Crankshaft; RH Rotation; Red
1	Oil Seal	80-75	FP-5115454		Front; Crankshaft; Single Lip, Std.
1	Oil Seal	80-75	FP-8923654		Rear; Crankshaft; O.S.; Single lip; R.H. Rotation
1	Oil Seal	80-75	FP-5198159		Rear; Crankshaft; O/S; Double lip
1	Oil Seal	80-75	FP-5194462		Rear; Crankshaft; O/S; Single lip; L.H. Rotation
1	Oil Seal	80-75	FP-23501610		Rear; Crankshaft; PTFE Double Lip
1	Oil Seal	80-75	FP-23501545		Rear; Crankshaft; PTFE Double Lip; O/S
1	Oil Seal	80-75	FP-5106329		Rear; Crankshaft; Std.; Double lip
1	Oil Seal	80-75	FP-8926762		Rear; Crankshaft; Std.; Single lip; L.H. Rotation
1	Oil Seal	80-75	FP-8926761		Rear; Crankshaft; Std.; Single lip; R.H. Rotation
1	Wear Sleeve	80-75	FP-23507226		Rear; Crankshaft; Use w/O.S. Seal
1	Oil Seal Spacer	80-75	FP-23507306		Front; Crankshaft; 2.50" ID x 2.81" Length
1	O-Ring	80-75	FP-23503769		Front; Crankshaft
QTY	MAIN BEARINGS	YEARS	PART NO.	SIZE	DESCRIPTION
4	Plain Main Brg.	80-75	FP-5149565	STD	Upper brg. w/elongated oil slot. May also be used as replacement for brg. w/11/32" oil hole.
4	Plain Main Brg.	80-75	FP-5149566	2	Upper brg. w/elongated oil slot. May also be used as replacement for brg. w/11/32" oil hole.
4	Plain Main Brg.	80-75	FP-5149567	10	Upper brg. w/elongated oil slot. May also be used as replacement for brg. w/11/32" oil hole.
4	Plain Main Brg.	80-75	FP-5149568	20	Upper brg. w/elongated oil slot. May also be used as replacement for brg. w/11/32" oil hole.
4	Plain Main Brg.	80-75	FP-8922118	30	Upper brg. w/elongated oil slot. May also be used as replacement for brg. w/11/32" oil hole.
4	Thrust Washer	80-75	FP-5117005	STD	
4	Thrust Washer	80-75	FP-5196753	5	
4	Thrust Washer	80-75	FP-5196754	10	
QTY	OIL PUMP	YEARS	PART NO.	SIZE	DESCRIPTION
2	Oil Pump Cover Gasket	80-75	FP-29503153		2.40" B.C.
1	Bushing	80-75	FP-5123303		Oil Pump Driven Gear
1	Oil Pump Spring	80-75	FP-5126326		Pressure Relief Valve; .520" Dia., 2.570" Length
1	Oil Pump Spring	80-75	FP-5126327		Pressure Relief Valve; .790" Dia., 2.96" Length
1	Woodruff Key	80-75	FP-8928545		Oil Pump Drive Gear; 3/16" x 7/8" Woodruff
1	Bolt	80-75	FP-8927580		Oil Pump Inlet Pipe; 3/8" - 16 x .875"
2	Bolt	80-75	FP-8927581		Oil Pump Inlet Pipe; 3/8" - 16 x 1"
2	Bolt	80-75	FP-8927580		Oil Pump; 3/8" - 16 x .875"
1	Washer	80-75	FP-5104439		Oil Pump; 7/16" x 1.250" Dia.; Dished
2	Lock Washer	80-75	FP-103321		Front Cover; 3/8"
2	Lock Washer	80-75	FP-103321		Oil Pump Inlet Pipe; 3/8"
2	Lock Washer	80-75	FP-103320		Oil Pump Inlet Pipe; 5/16"
2	Lock Washer	80-75	FP-103321		Oil Pump; 3/8"
1	Plastic Cap	80-75	FP-5136240		Front Cover; .250" Dia.
1	Pipe Plug	80-75	FP-5142549		Oil Pump; 3/4" - 14 Square Head
1	Pipe Plug	80-75	FP-8924517		Oil Pump; 3/8" x 18 square head
1	Gasket	80-75	FP-5126160		At Pump; 1.80" B.C.
1	Pipe Plug	80-75	FP-5115214		Oil Pan Drain Plug; 1/2" Square Head
1	Pipe Plug	80-75	FP-5121182		Oil Pan Drain Plug; 1/4" - 18; Hex head
1	Pipe Plug	80-75	FP-8923847		Oil Pan Drain Plug; 1/4" x 18 NPTF; Square head
1	Pipe Plug	80-75	FP-8923313		Oil Pan Drain Plug; 3/4"
1	Pipe Plug	80-75	FP-8924517		Oil Pan Drain Plug; 3/8" x 18 square head
1	Pipe Plug	80-75	FP-5115214		Oil Pan Sump; 1/2" Square Head

(continued on next page)

GMC Truck - M/D & H/D

48 H/D Truck 6V-92 (4-Valve Cyl. Head) Eng.
 (cont.) 9.0L 552 OHV Diesel V6, 4.84" Bore (Detroit Diesel Eng.) 1975-80

CYLINDER COMPONENTS					
QTY	LINERS	YEARS	PART NO.	SIZE	DESCRIPTION
6	Liner w/o Sealing Rings	80-75	FP-23508383	STD	.85"; 20 Deg. Port
6	Liner w/o Sealing Rings	80-75	FP-23507231	STD	.95"; Brushed
6	Liner w/o Sealing Rings	80-75	FP-235072311	1	.95"; Brushed; O/S .001 in Lower Receiver Bore Area
6	Liner w/o Sealing Rings	80-75	FP-5148505	STD	1.05"; 30 Deg. Port
6	Liner w/o Sealing Rings	80-75	FP-51485051	1	1.05"; 30 Deg. Port; O/S .001 in Lower Receiver Bore Area
6	Liner w/o Sealing Rings	80-75	FP-514850510	10	1.05"; 30 Deg. Port; O/S .010 in Lower Receiver Bore Area
6	Liner w/o Sealing Rings	80-75	FP-514850520	20	1.05"; 30 Deg. Port; O/S .020 in Lower Receiver Bore Area
6	Cylinder Kit Complete	80-75	FP-23524337	STD	15.0:1 C.R.; Option Type 411
6	Cylinder Kit Complete	80-75	FP-235243371	1	15.0:1 C.R.; Option Type 411
6	Cylinder Kit Complete	80-75	FP-23523101	STD	17.0:1 C.R.
6	Cylinder Kit Complete	80-75	FP-23524494	STD	17.0:1 C.R.
6	Cylinder Kit Complete	80-75	FP-23524339	STD	17.0:1 C.R.; Option Type 149, 150, 202, 221, 228, 250, 255, 262, 275, 277, 278, 279, 299, 409
6	Cylinder Kit Complete	80-75	FP-235243391	1	17.0:1 C.R.; Option Type 149, 150, 202, 221, 228, 250, 255, 262, 275, 277, 278, 279, 299, 409
6	Cylinder Kit Complete	80-75	FP-2352433910	10	17.0:1 C.R.; Option Type 149, 150, 202, 221, 228, 250, 255, 262, 275, 277, 278, 279, 299, 409
6	Cylinder Kit Complete	80-75	FP-2352433920	20	17.0:1 C.R.; Option Type 149, 150, 202, 221, 228, 250, 255, 262, 275, 277, 278, 279, 299, 409
6	Cylinder Kit Complete	80-75	FP-23524342	STD	17.0:1 C.R.; Option Type 410
6	Cylinder Kit Complete	80-75	FP-235243421	1	17.0:1 C.R.; Option Type 410
12	Sealing Ring, Liner	80-75	FP-8927189		
6	Cntr. Bore Insert	80-75	FP-5101723		.015" I.D., .1338"-.1343"
6	Cntr. Bore Insert	80-75	FP-5101723		.015" I.D., .1338"-.1343"
6	Cntr. Bore Insert	80-75	FP-5101727		.015" I.D., .1362"-.1367"
QTY	PISTONS	YEARS	PART NO.	SIZE	DESCRIPTION
6	Piston Kit w/Pin & Retainers	80-75	FP-23505052		15.0:1 C.R.; w/Cross Head style piston
6	Piston Kit w/Pin & Retainers	80-75	FP-5149963		17.0:1 C.R.; w/Cross Head style piston
6	Crosshead Piston Dome	80-75	FP-23504353		15.0:1 C.R.; w/Cross Head style piston
6	Crosshead Piston Dome	80-75	FP-5144872		17.0:1 C.R.; w/Cross Head style piston
6	Piston Skirt	80-75	FP-23508986		w/Cross Head style piston
6	Pin	80-75	FP-5101120	STD	w/Cross Head style piston
12	Piston Pin Retainer	80-75	FP-5180250		
12	Piston Pin Bolt	80-75	FP-5148373		7/16" - 20 x 2.00" Length
12	Piston Pin Bolt Spacer	80-75	FP-5144846		
6	Pin Bushing	80-75	FP-5157274		w/.015" extra ID bore stock
6	Pin Bushing	80-75	FP-2409Y		w/1.5020" I.D., 1.7510" O.D., .7600" O.A.L.
6	Pin Bushing	80-75	2409Y +		w/1.5020" I.D., 1.7510" O.D., .7600" O.A.L.; When depleted use FP-2409Y
6	Piston Pin Slipper Bearing	80-75	FP-23501687		w/Cross Head style piston; Slipper type design - 1 per cyl.
6	O-Ring	80-75	FP-8923729		w/Cross Head style piston
QTY	CONNECTING RODS & BRGS.	YEARS	PART NO.	SIZE	DESCRIPTION
12	Con. Rod Bolt	80-75	FP-5132383		.4375" x 20 x 3.52"
12	Con. Rod Nut	80-75	FP-5117629		.4375" x 20
6	Rod Pair	80-75	FP-5149572	STD	
6	Rod Pair	80-75	FP-5149573	2	
6	Rod Pair	80-75	FP-5149575	10	
6	Rod Pair	80-75	FP-5149577	20	
6	Rod Pair	80-75	FP-5149579	30	
6	Rod Pair	80-75	FP-23501026	2	Air/Air & ALCC
6	Rod Pair	80-75	FP-23501029	30	Air/Air & ALCC
QTY	PISTON RINGS	YEARS	PART NO.	SIZE	DESCRIPTION
6	Ring Set Single Cylinder	80-75	FP-23524542		w/Cross Head style piston; Std. gap Fire Ring
6	Ring Set Single Cylinder	80-75	FP-23524349		w/Cross Head style piston; Wide gap Fire Ring
6	Compression Ring	80-75	FP-23524191		w/Cross Head style piston; Std. gap Fire Ring
6	Compression Ring	80-75	FP-23524192		w/Cross Head style piston; Wide gap Fire Ring; Top Fire ring
12	Compression Ring	80-75	FP-8923113		w/Cross Head style piston; 2nd & 3rd grooves
6	Ring, Oil Control Set	80-75	FP-23524350		w/Cross Head style piston; For one groove
CLUTCH					
QTY	CLUTCH	YEARS	PART NO.	SIZE	DESCRIPTION
1	Ball Brg.	80-75	FP-23503706		Clutch Pilot
1	Ball Brg.	80-75	FP-23503709		Clutch Pilot
KITS					
QTY	OVERHAUL KIT	YEARS	PART NO.	SIZE	DESCRIPTION
1	In-Frame Overhaul Kit	80-75	FP-6V92		w/Cross Head style piston & .950" Port Length Sleeve; Valve cover gskts. not incl.

(continued on next page)
 + Superseded Part Number

GMC Truck - M/D & H/D

H/D Truck 6V-92 (4-Valve Cyl. Head) Eng. 48
9.0L 552 OHV Diesel V6, 4.84" Bore (Detroit Diesel Eng.) 1975-80 (cont.)

KITS (cont.)

QTY	OVERHAUL KIT (cont.)	YEARS	PART NO.	SIZE	DESCRIPTION
1	In-Frame Overhaul Kit	80-75	FP-6V92		w/Cross Head style piston & 1.050" Port Length Sleeve; Valve cover gskts. not incl.
1	Complete Overhaul Kit	80-75	FP-6V92OH		w/Cross Head style piston & .950" Port Length Sleeve; Valve cover gskts. not incl.
1	Complete Overhaul Kit	80-75	FP-6V92OH		w/Cross Head style piston & 1.050" Port Length Sleeve; Valve cover gskts. not incl.

H/D Truck 6V-92T (4-Valve Cyl. Head) Eng. 49
9.0L 552 OHV Turbo-Diesel V6, 4.84" Bore (Detroit Diesel Eng.) 1977-88

CYL. HEAD & PARTS

QTY	GASKETS	YEARS	PART NO.	SIZE	DESCRIPTION
2	Valve Cover Gasket	88-77	FP-5104018		w/Alum. Rocker Cover; Silicone
2	Valve Cover Gasket	88-77	FP-5143405		w/Stamped Rocker Cover; Neoprene
6	Head Gasket	88-77	FP-5100404		Cyl. Head Compression
2	Head Set	88-77	FP-5199673		Services One Head
1	Oil Filler Tube Gasket	88-77	FP-5120540		
1	Oil Cooler Adapter Cover Gskt	88-77	FP-5175882		Eng. Lifting Bracket spacer
26	O-Ring	88-77	FP-5148502		Cyl. Head Oil Seal
16	Bolt	88-77	FP-5148324		Cyl. Head; 11/16" - 11 x 5.500"
1	Bolt	88-77	FP-5103635		Throttle Delay; 3/8" - 16 x 2.90"
1	Bolt	88-77	FP-8927581		Oil Filler Tube; 3/8" - 16 x 1"
3	Screw	88-77	FP-5103642		Oil Filler Tube; No. 10 - 24 x .375"
2	Lock Washer	88-77	FP-103321		Oil Filler Tube; 3/8"
1	Pipe Plug	88-77	FP-8923847		Oil Filler Tube; 1/4" x 18 NPTF; Square head
4	Isolator Bushing	88-77	FP-5104515		Rocker Cover
QTY	HEAD BOLTS	YEARS	PART NO.	SIZE	DESCRIPTION
16	Washer	88-77	FP-5148310		Cyl. Head; 11/16" Dia.
4	Washer	88-77	FP-5104514		Rocker Cover; .47" x 2.00" x .20"
QTY	MISCELLANEOUS	YEARS	PART NO.	SIZE	DESCRIPTION
4	Wear Sleeve	88-77	FP-5148615		Cyl. Head; Pilot; .700" Length
2	Pipe Plug	88-77	FP-8926993		Cyl. Head Fuse; 1/4" X 18; Recessed socket head
7	Pipe Plug	88-77	FP-5121182		Cyl. Head; 1/4" - 18; Hex head
15	Pipe Plug	88-77	FP-8923847		Cyl. Head; 1/4" x 18 NPTF; Square head
4	Pipe Plug	88-77	FP-5142549		Cyl. Head; 3/4" - 14 Square Head
3	Pipe Plug	88-77	FP-8924517		Cyl. Head; 3/8" x 18 square head
6	Bolt	88-77	FP-8927580		Cyl. Head; 3/8" - 16 x .875"
6	Washer	88-77	FP-5125108		Fuel Stand; 7/16" x 3/4" x 1/16"
2	Lock Washer	88-77	FP-103321		Cyl. Head; 3/8"
2	Lock Nut	88-77	FP-103026		Cyl. Head; 3/8" x 24
12	Bolt	88-77	FP-443603		Cam Follower Guide; .250" x 20 x .750"
QTY	FREEZE PLUGS	YEARS	PART NO.	SIZE	DESCRIPTION
2	Pipe Plug	88-77	FP-8926993		Cyl. Head Fuse; 1/4" X 18; Recessed socket head
7	Pipe Plug	88-77	FP-5121182		Cyl. Head; 1/4" - 18; Hex head
15	Pipe Plug	88-77	FP-8923847		Cyl. Head; 1/4" x 18 NPTF; Square head
4	Pipe Plug	88-77	FP-5142549		Cyl. Head; 3/4" - 14 Square Head
3	Pipe Plug	88-77	FP-8924517		Cyl. Head; 3/8" x 18 square head
1	Expansion Plug	88-77	FP-5117186		Cyl. Head; 2" Dia. Cup; Stainless Steel
2	Expansion Plug	88-77	FP-5150132		Cyl. Head; 3/4" Dia. Cup
6	Expansion Plug	88-77	FP-5154453		Cyl. Head; 3/8" - 16 Headless Special
4	Expansion Plug	88-77	FP-5178976		Cyl. Head; 7/16" - 14 Special
2	Expansion Plug	88-77	FP-5132410		1 5/8" Dia. Cup; Stainless Steel
QTY	VALVE	YEARS	PART NO.	SIZE	DESCRIPTION
24	Exhaust Valve Kit	88-77	FP-5149771		Incl. Locks
48	Keeper	88-77	FP-5111337		Exh.; 1 groove; Square cut key groove
QTY	VALVE SEAT	YEARS	PART NO.	SIZE	DESCRIPTION
24	Exh.	88-77	FP-5101315	10	30 Deg. seat; .010" O/S; 1.4520" OD, 1.1400" ID, .2510" Depth
24	Exh.	88-77	FP-5148490	STD	30 Deg. seat; 1.4420" OD, 1.1400" ID, .2510" Depth
QTY	VALVE GUIDE	YEARS	PART NO.	SIZE	DESCRIPTION
24	Guide	88-77	FP-5129919		Exh.; 2 3/8" length; .3130" ID, 2.3800" O.A.L.
QTY	VALVE SPRING	YEARS	PART NO.	SIZE	DESCRIPTION
24	Spring	88-77	FP-5147347		Exh.; .148" Wire dia.
24	Spring	88-77	FP-8927794		Exh.; DDEC Coach; Type 281, 283
24	Spring Cap	88-77	FP-5117563		Exh.
QTY	PUSH RODS	YEARS	PART NO.	SIZE	DESCRIPTION
18	Push Rod	88-77	FP-5128640		

(continued on next page)

GMC Truck - M/D & H/D

49 H/D Truck 6V-92T (4-Valve Cyl. Head) Eng.

(cont.) 9.0L 552 OHV Turbo-Diesel V6, 4.84" Bore (Detroit Diesel Eng.) 1977-88

CYL. HEAD & PARTS (cont.)

QTY	PUSH RODS (cont.)	YEARS	PART NO.	SIZE	DESCRIPTION
18	Push Rod Seat	88-77	FP-5123250		Lower
18	Push Rod Seat	88-77	FP-5108919		Upper; Cup type
18	Push Rod Spring	88-77	FP-5108918		.192" Wire diameter
18	Push Rod Retainer	88-77	FP-5150303		
18	Lock Nut	88-77	FP-5151601		Push rod; 5/16" - 24
QTY	VALVE MISC.	YEARS	PART NO.	SIZE	DESCRIPTION
1	Breather Seal Ring	88-77	FP-5103646		Breather Hole Plug
2	Governor Hole Gasket	88-77	FP-5123812		Breather Elbow
2	Bolt	88-77	FP-8927581		Breather Elbow; 3/8" - 16 x 1"
2	Bolt	88-77	FP-443603		Breather; .250" x 20 x .750"
2	Bolt	88-77	FP-8921930		Breather; 1/4" - 20 x 3/4"
1	Bolt	88-77	FP-8927580		Breather; 3/8" - 16 x .875"
2	Bolt	88-77	FP-8927581		Breather; 3/8" - 16 x 1"
1	Screw	88-77	FP-5103642		Breather Pipe; No. 10 - 24 x .375"
12	Lock Nut	88-77	FP-5151601		Exh.; Valve Bridge; 5/16" - 24
1	Washer	88-77	FP-5131433		Breather; .410" x .810" x .1345"
1	Washer	88-77	FP-106261		Breather; 5/16" x 3/4"
2	Lock Washer	88-77	FP-103319		Breather Elbow; .250"
2	Lock Washer	88-77	FP-103321		Breather Elbow; 3/8"
1	Lock Washer	88-77	FP-103319		Breather; .250"
1	Lock Washer	88-77	FP-103321		Breather; 3/8"
1	Lock Washer	88-77	FP-103320		Breather; 5/16"
2	Hose Clamp	88-77	FP-5186840		Breather Pipe; 13/16" - 1 1/2" Clamping Range
2	Hose Clamp	88-77	FP-5104592		Breather Pipe; 2.50" Dia.
1	Crankcase Breather	88-77	FP-5101760		Breather Oil Separator Filter; 4"
24	Valve Spring Seat	88-77	FP-5117562		Exh.
QTY	VALVE SEAL	YEARS	PART NO.	SIZE	DESCRIPTION
24	Valve Stem Seal	88-77	FP-8921209		Exh.
QTY	ROCKER PARTS	YEARS	PART NO.	SIZE	DESCRIPTION
6	Arm Assy.	88-77	FP-5148472		Exh. L.H.
6	Arm Assy.	88-77	FP-5148475		Exh. R.H.
6	Arm Assy.	88-77	FP-23502616		Injector; DDEC Coach; Blue Paint I.D.
6	Arm Assy.	88-77	FP-8923554		Injector; Orange paint I.D.
6	Rocker Shaft	88-77	FP-23500714		Repl. FP-5150322
12	Rocker Shaft Bracket Bolt	88-77	FP-5150325		1/2" - 13 x 4.250"
12	Arm Support	88-77	FP-5103903		Rocker Shaft Bracket
12	Rocker Bushing	88-77	FP-5123700		Exh.; Rocker Arm Clevis; .5625" OD
12	Rocker Bushing	88-77	FP-23517217		Exh.; Rocker Arm; Large; .8755" ID, .9475" OD, .840" Length, .0360" Wall thickness
12	Rocker Bushing	88-77	FP-8924354		Exh.; Rocker Arm; Small
6	Rocker Bushing	88-77	FP-8924355		Injector; Large
6	Rocker Bushing	88-77	FP-5123700		Injector; Rocker Arm Clevis; .5625" OD
6	Rocker Bushing	88-77	FP-8924354		Injector; Small
18	Follower Assy.	88-77	FP-8924439		
18	Cam Follower Roller Set	88-77	FP-8923814		Incl. pin & roller
12	Valve Bridge Adj. Screw	88-77	FP-5129101		Exh.; 5/16" - 24 x 1"
12	Valve Bridge	88-77	FP-5148491		Exh.
12	Valve Bridge Guide	88-77	FP-5117564		Exh.; Press fit
12	Valve Bridge Guide	88-77	FP-51175646		Exh.; Press fit w/.006" O/S
12	Valve Bridge Guide	88-77	FP-5196843		Exh.; Threaded
12	Rocker Arm Clevis Pin	88-77	FP-5150314		Exh.
6	Rocker Arm Clevis Pin	88-77	FP-5150314		Injector
12	Bushing	88-77	FP-5122445 +		Exh.; Rocker Arm; Large; When depleted use FP-23517217
6	Bushing	88-77	FP-23502615		Injector; Rocker Arm Clevis; .6295" OD
12	Lock Washer	88-77	FP-103319		Cam Follower Guide; .250"
INT & EXH MANIFOLDS					
QTY	INT. & EXH. MANIFOLDS	YEARS	PART NO.	SIZE	DESCRIPTION
4	Exhaust Manifold Gasket	88-77	FP-5156319		Exh. Manifold Cover Plate
2	Exhaust Manifold Gasket	88-77	FP-5156319		Exh. Manifold Water Outlet Flange
2	Exhaust Manifold Gasket	88-77	FP-5150194		3 Ports, Composition
1	Gasket	88-77	FP-5113412		Exh. Manifold Cover Plate
2	Exhaust Pipe Gasket	88-77	FP-5145238		Exh. Manifold
2	Exhaust Pipe Gasket	88-77	FP-5145238		Exh. Manifold Adaptor
6	Pipe Plug	88-77	FP-23511574		Exh. Manifold; 1/2" pipe thread; w/1" Square head
2	Pipe Plug	88-77	FP-5115214		Exh. Manifold; 1/2" Square Head
2	Clamp	88-77	FP-5132650		Exh. Flange; 5.250" Dia.
2	Clamp	88-77	FP-5146165		Exh. Manifold; 3.88" Dia.; Marmon

(continued on next page)

GMC Truck - M/D & H/D

H/D Truck 6V-92T (4-Valve Cyl. Head) Eng. 49
9.0L 552 OHV Turbo-Diesel V6, 4.84" Bore (Detroit Diesel Eng.) 1977-88 (cont.)

INT & EXH MANIFOLDS (cont.)

QTY	INT. & EXH. MANIFOLDS (cont.)	YEARS	PART NO.	SIZE	DESCRIPTION
12	Bolt	88-77	FP-8925603		Exh. Manifold Cover Plate; 5/16" - 18 x 3/4"; Vibra-Tite®
12	Stud	88-77	FP-8925804		Exh. Manifold to Head; 7/16" - 14/20" x 2 3/32"
12	Lock Nut	88-77	FP-23505398		Exh. Manifold; 7/16" - 20
12	Nut	88-77	FP-9411981		Exh. Manifold; 3/8" - 24 Lock Nut
8	Washer	88-77	FP-5104439		Exh. Manifold; 7/16" x 1.250" Dia.; Dished
12	Lock Washer	88-77	FP-103320		Exh. Manifold; 5/16"
QTY	AIR INTAKE	YEARS	PART NO.	SIZE	DESCRIPTION
2	Air Intake Housing Gasket	88-77	FP-5145086		Air Inlet Housing
2	Air Intake Housing Gasket	88-77	FP-5101412		Air Inlet Housing; 11.60" ID, w/Eight 15/32" Holes
2	Air Intake Housing Gasket	88-77	FP-5101408		Air Inlet Housing; 15.48" I.D., w/Ten 15/32" Holes
2	Air Intake Housing Gasket	88-77	FP-5123703		Air Inlet Housing; 5.68" ID, w/Eight 13/32" Holes
2	Air Intake Housing Gasket	88-77	FP-5134838		Air Inlet Housing; 8.00" Long, w/Four 13/32" Holes
1	Gasket	88-77	FP-5145235		Air Inlet Housing Striker Plate
1	Bolt	88-77	FP-8927580		Air Inlet Housing Shutdown Reset; 3/8" - 16 x .875"
2	Bolt	88-77	FP-179803		Air Inlet Housing Shutdown Valve; 1/4" x 20 x 1.750"
1	Bolt	88-77	FP-179803		Air Inlet Housing Striker Plate; 1/4" x 20 x 1.750"
8	Bolt	88-77	FP-8927580		Air Inlet Housing; 3/8" - 16 x .875"
1	Washer	88-77	FP-5159714		Air Inlet Housing Shutdown Valve; 11/16" x 1/8"
1	Washer	88-77	FP-5159714		Air Inlet Housing Striker Plate; 11/16" x 1/8"
1	Lock Washer	88-77	FP-103321		Air Inlet Housing Shutdown Reset; 3/8"
8	Lock Washer	88-77	FP-103321		Air Inlet Housing; 3/8"
8	Lock Washer	88-77	FP-103320		Air Inlet Housing; 5/16"
2	O-Ring	88-77	FP-5179232		Air Inlet Housing Shutdown Valve; .424" x .103"
1	Pipe Plug	88-77	FP-5142549		Air Inlet Housing; 3/4" - 14 Square Head
CAMSHAFT GROUP					
QTY	TIMING	YEARS	PART NO.	SIZE	DESCRIPTION
1	Cam Gear	88-77	FP-8926631		R.H.; R.H. Helix
2	Idler Gear Hub Assembly	88-77	FP-5130135		L.H. & R.H.
2	Bolt	88-77	FP-454992		Idler Gear Assembly; 1/2" - 13 x 2 1/2
12	Bolt	88-77	FP-5103534		L.H. & R.H.; Idler Gear Assembly; 5/16" - 24 x 1/2"
2	Washer	88-77	FP-5167714		Idler Gear Assembly; 17/32" x 7/8" x 3/32"
QTY	CAMSHAFT TIMING	YEARS	PART NO.	SIZE	DESCRIPTION
2	Camshaft Pulley Spacer	88-77	FP-5116485		L.H. & R.H.; .640" Length
QTY	CAMSHAFT/LIFTER	YEARS	PART NO.	SIZE	DESCRIPTION
4	Camshaft Thrust Washer	88-77	FP-5111424		
4	Camshaft Thrust Washer	88-77	FP-5194826		
4	Camshaft Thrust Washer	88-77	FP-5194827		
2	Lock Washer	88-77	FP-5177769		Front; Camshaft L.H. & R.H.; 1.125"
8	Lock Washer	88-77	FP-103321		Rear; Camshaft Rear Lock Washer; 3/8"
1	Oil Seal	88-77	FP-23516871		Front; Camshaft L.H. Bank
4	Woodruff Key	88-77	FP-8926247		Front & Rear; .250" x .750"
ACCESSORY DRIVE					
QTY	ACCESSORY DRIVE	YEARS	PART NO.	SIZE	DESCRIPTION
1	Oil Seal	88-77	FP-5131329		Acc. Drive
1	Oil Seal	88-77	FP-5138710		Acc. Drive
1	Oil Seal Kit	88-77	FP-5198175		Acc. Drive Seal & Brg. Kit
1	Ball Brg.	88-77	FP-23503727		Acc. Drive
1	Ball Brg.	88-77	FP-23504528		Acc. Drive
1	Water Pump Retainer Ring	88-77	FP-9415285		Acc. Drive; Large; External
2	Bolt	88-77	FP-8927580		Acc. Drive; 3/8" - 16 x .875"
6	Bolt	88-77	FP-8927581		Acc. Drive; 3/8" - 16 x 1"
4	Bolt	88-77	FP-5145092		Acc. Drive; 3/8" - 24 x 1.20", Self-Locking
6	Bolt	88-77	FP-5185793		Acc. Drive, Internal Gear mount
2	Stud	88-77	FP-8927270		Acc. Drive; 3/8" - 16/24" x 1.6875"
1	Expansion Plug	88-77	FP-9428477		Acc. Drive; 15/16" Dia.
2	Bushing	88-77	FP-5120501		Acc. Drive Gear
1	Pipe Plug	88-77	FP-5115214		Acc. Drive; 1/2" Square Head
1	Pipe Plug	88-77	FP-5121182		Acc. Drive; 1/4" - 18; Hex head
1	Pipe Plug	88-77	FP-8924380		Acc. Drive; 1/8" - 27
2	Copper Washer	88-77	FP-5152148		Acc. Drive; 25/64" ID x 9/16" OD x 1/16" Thick; Copper
1	Lock Washer	88-77	FP-8926285		Acc. & Blower Drive Gear
1	Lock Washer	88-77	FP-103321		Balance Weight Cover; 3/8"
6	Lock Nut	88-77	FP-103026		Acc. Drive; 3/8" x 24
10	Lock Nut	88-77	FP-103026		Balance Weight Cover; 3/8" x 24

(continued on next page)

GMC Truck - M/D & H/D

49 H/D Truck 6V-92T (4-Valve Cyl. Head) Eng.
 (cont.) 9.0L 552 OHV Turbo-Diesel V6, 4.84" Bore (Detroit Diesel Eng.) 1977-88

FUEL SYSTEM & PARTS					
QTY	FUEL INJECTION	YEARS	PART NO.	SIZE	DESCRIPTION
2	Fuel Injector Nozzle	88-77	FP-5172874		Single Outlet; Single Outlet
6	Fuel Injector Seal Ring	88-77	FP-5234281		
6	Fuel Injector Seal Ring	88-77	FP-5104701		Inj. Hole Tube; Viton®
6	Injector Hole Tube Kit	88-77	FP-8925981		Incl. Seal Ring; Viton®
6	Washer	88-77	FP-5150250		Inj. Hold-Down Clamp
6	Clamp	88-77	FP-5121259		Inj. Hold-Down
6	Fuel Injector Repair Kit	88-77	FP-5229649		
6	Fuel Injection Spring Seat	88-77	FP-5228766		
6	Fuel Injector Valve Spring	88-77	FP-5228596		
6	Fuel Injector Valve Kit	88-77	FP-5228769		
BLOWER					
QTY	BLOWER	YEARS	PART NO.	SIZE	DESCRIPTION
2	Ball Brg.	88-77	FP-23504304		Rear; Blower Rotor
2	Cylindrical Brg.	88-77	FP-23503542		Front; Blower Rotor
1	Oil Seal Kit	88-77	FP-23500533		Front & Rear; Blower End Plate
4	Oil Seal	88-77	FP-8924453		Blower Rotor
4	Oil Seal	88-77	FP-5138710		Front & Rear; Blower End Plate, Std.
1	Fuel Blower Gasket	88-77	FP-23520019		Blower to Block
1	Gasket	88-77	FP-5145235		Blower to Block, w/o Screen
1	Sealing Ring	88-77	FP-8922140		Blower Drive Cover Seal; 4.32" x 4.88" x .770"
3	Bolt	88-77	FP-5103364		Blower Drive Coupling; 1/2" - 20 x 1.10", 12 Pt. Head
3	Bolt	88-77	FP-9409077		Blower Drive Coupling; 5/16" - 24 x 1.625"
1	Bolt	88-77	FP-9409060		Blower Rotor Gear; 1/2" - 20 x 1.500"
12	Screw	88-77	FP-5148794		Blower Rotor End Plate; 1/4" - 20 x 5/8"
1	Hose Clamp	88-77	FP-5106219		Blower Drive Cover Seal
28	Washer	88-77	FP-5159714		Blower Assy.; 11/16" x 1/8"
2	Washer	88-77	FP-5121905		Blower End Plate; 15/32" ID x 7/8" OD x 5/32" Long
3	Lock Washer	88-77	FP-103320		Blower Drive Coupling; 5/16"
2	Lock Washer	88-77	FP-5154398		Front; Blower End Plate; 1/2" Special, External Tooth
1	Shim	88-77	FP-5150372		Blower Rotor Gear
1	Shim	88-77	FP-5153938		Blower Rotor Gear
1	Shim	88-77	FP-5150855		Blower Rotor Gear
1	Shim	88-77	FP-5150856		Blower Rotor Gear
GOVERNOR					
QTY	GOVERNOR	YEARS	PART NO.	SIZE	DESCRIPTION
8	Governor Hole Gasket	88-77	FP-5123812		Cyl. Head Gov. Hole Cover
COOLING SYSTEM					
QTY	WATER PUMP	YEARS	PART NO.	SIZE	DESCRIPTION
1	Water Pump - Heavy Duty	88-77	FP-23506602		Fresh Water; "Walking" Design
1	Water Pump - Heavy Duty	88-77	FP-23507971		Raw Water Pump; Opt. Type 62
1	Water Pump Shaft	88-77	FP-23506053		Fresh Water Pump
1	Water Pump Shaft	88-77	FP-5193552		Raw Water Pump
1	Water Pump Impeller	88-77	FP-23505995		Fresh Water Pump
1	Water Pump Impeller	88-77	FP-23505999		Fresh Water Pump; Hi-Capacity
1	Water Pump Impeller	88-77	FP-23505999		Fresh Water Pump; Hi-Capacity
1	Water Pump Impeller	88-77	FP-8924838		Raw Water Pump
1	Water Pump Impeller	88-77	FP-8924838		Raw Water Pump
1	Water Pump Repair/Rebuild Kit	88-77	FP-23506852		Fresh Water Pump
1	Water Pump Repair/Rebuild Kit	88-77	FP-23500517		Fresh Water Pump Seal Kit
1	Water Pump Repair/Rebuild Kit	88-77	FP-5149711		Fresh Water Pump; Repair Kit
1	Water Pump Repair/Rebuild Kit	88-77	FP-5197224		Recon. Kit; Raw Water; For Pump FP-23507971
1	Water Pump Cover	88-77	FP-5117950		Fresh Water Pump Body
1	Water Pump Cover	88-77	FP-8922383		Fresh Water Pump Body; Non-Metallic
1	Water Pump Cover	88-77	FP-5193555		Raw Water Pump
1	Water Pump Retainer Ring	88-77	FP-9415285		Raw Water Pump; Large; External
1	Water Pump Retainer Ring	88-77	FP-5193569		Raw Water Pump; Small
1	Water Pump Mech. Shaft Seal	88-77	FP-5198419		
1	Water Pump Mech. Shaft Seal	88-77	FP-8924297		Fresh Water Pump
1	Water Pump Mech. Shaft Seal	88-77	FP-5198419		Raw Water Pump
1	Water Pump Seal Ring	88-77	FP-5101160		Fresh Water Pump Body Cover
1	Water Pump Seal Ring	88-77	FP-5103544		Fresh Water Pump; .139" x 5.109" I.D.
1	Ball Brg.	88-77	FP-23504426		Raw Water Pump Shaft
1	Ball Brg.	88-77	FP-23503550		Inner; Fan Shaft
1	Ball Brg.	88-77	FP-23503704		Inner; Fan Shaft
1	Ball Brg.	88-77	FP-23503796		Inner; Fan Shaft
1	Ball Brg.	88-77	FP-7450630		Inner; Fan Shaft

(continued on next page)

GMC Truck - M/D & H/D

H/D Truck 6V-92T (4-Valve Cyl. Head) Eng. 49
9.0L 552 OHV Turbo-Diesel V6, 4.84" Bore (Detroit Diesel Eng.) 1977-88 (cont.)

COOLING SYSTEM (cont.)

QTY	WATER PUMP (cont.)	YEARS	PART NO.	SIZE	DESCRIPTION
1	Ball Brg.	88-77	FP-23503687		Inner; Fresh Water Pump
1	Ball Brg.	88-77	FP-23503535		Outer; Fan Shaft
1	Ball Brg.	88-77	FP-23503537		Outer; Fan Shaft
1	Ball Brg.	88-77	FP-23503727		Outer; Fan Shaft
1	Ball Brg.	88-77	FP-9415132		Outer; Fan Shaft
1	Ball Brg.	88-77	FP-23503649		Outer; Fresh Water Pump
5	Lock Nut	88-77	FP-103026		Fresh Water Pump; 3/8" x 24
1	Lock Nut	88-77	FP-5117972		Fresh Water Pump; 7/16" - 20
2	Lock Nut	88-77	FP-103026		Heat Exchanger; 3/8" x 24
1	Accessory Drive Gasket	88-77	FP-23515145		Raw Water Pump
1	Gasket	88-77	FP-5196513		Raw Water Pump Adaptor
1	Oil Seal	88-77	FP-5103623		Fan Shaft
1	Oil Seal	88-77	FP-5103951		Fan Shaft
1	Oil Seal	88-77	FP-5108219		Fan Shaft; Felt
1	Oil Seal	88-77	FP-5100408		Fan Shaft; Rubber Lip
1	Oil Seal	88-77	FP-23506248		Fresh Water Pump
1	Oil Seal	88-77	FP-5117983		Fresh Water Pump Shaft Bearing
1	Oil Seal	88-77	FP-5195101		Raw Water Pump Shaft
2	Oil Seal	88-77	FP-5132155		Thermostat Seal
2	Bolt	88-77	FP-454992		Fan Hub Support Bracket; 1/2" - 13 x 2 1/2
1	Bolt	88-77	FP-9409060		Fan Hub; 1/2" - 20 x 1.500"
5	Bolt	88-77	FP-8925603		Fresh Water Pump Body; 5/16" - 18 x 3/4"; Vibra-Tite®
4	Bolt	88-77	FP-8927580		Heat Exchanger Water Outlet Tube; 3/8" - 16 x .875"
4	Bolt	88-77	FP-8927581		Heat Exchanger Water Outlet Tube; 3/8" - 16 x 1"
2	Bolt	88-77	FP-454992		Heat Exchanger; 1/2" - 13 x 2 1/2
4	Bolt	88-77	FP-454992		Heat Exchanger; 1/2" - 13 x 2 1/2
4	Bolt	88-77	FP-8927581		Heat Exchanger; 3/8" - 16 x 1"
6	Bolt	88-77	FP-23504236		Raw Water Pump Cover; .250" - 20 x .500"; Stainless Steel
5	Bolt	88-77	FP-23504236		Raw Water Pump Cover; .250" - 20 x .500"; Stainless Steel
4	Bolt	88-77	FP-5145092		Raw Water Pump; 3/8" - 24 x 1.20", Self-Locking
6	Bolt	88-77	FP-23501660		Raw Water Pump, Adaptor to Body; 3/8" - 16 x 1.00"
2	Bolt	88-77	FP-8927581		Thermostat Housing; 3/8" - 16 x 1"
1	Pipe Plug	88-77	FP-8924380		Fan Hub; 1/8" - 27
1	Pipe Plug	88-77	FP-5115214		Fresh Water Pump Body; 1/2" Square Head
1	Pipe Plug	88-77	FP-8923313		Fresh Water Pump Body; 3/4"
1	Pipe Plug	88-77	FP-5142549		Fresh Water Pump Body; 3/4" - 14 Square Head
1	Pipe Plug	88-77	FP-5142549		Fresh Water Pump Body; 3/4" - 14 Square Head
1	Pipe Plug	88-77	FP-5121182		Heat Exchanger; 1/4" - 18; Hex head
1	Pipe Plug	88-77	FP-8924380		Heat Exchanger; 1/8" - 27
1	Pipe Plug	88-77	FP-5142549		Heat Exchanger; 3/4" - 14 Square Head
1	Pipe Plug	88-77	FP-5115214		Thermostat Housing; 1/2" Square Head
2	Pipe Plug	88-77	FP-5121182		Thermostat Housing; 1/4" - 18; Hex head
2	Pipe Plug	88-77	FP-8924380		Thermostat Housing; 1/8" - 27
2	Pipe Plug	88-77	FP-5142549		Thermostat Housing; 3/4" - 14 Square Head
1	Expansion Plug	88-77	FP-5154453		Fresh Water Pump Body; 3/8" - 16 Headless Special
2	Expansion Plug	88-77	FP-5117186		Heat Exchanger; 2" Dia. Cup; Stainless Steel
1	Dowel Pin	88-77	FP-5197597		Raw Water Pump Wear Plate; .184" OD x .375" Length
1	Screw	88-77	FP-114366		Raw Water Pump Cam; .250" - 20 x .500"; Brass
1	Slinger, Water Pump	88-77	FP-5193676		Raw Water Pump Shaft
2	Copper Washer	88-77	FP-5152148		Thermostat Housing; 25/64" ID x 9/16" OD x 1/16" Thick; Copper
4	Washer	88-77	FP-5133981		Fan Hub Support Bracket; .122" Thick
4	Washer	88-77	FP-103325		Fan Hub Support Bracket; Lock washer; 5/8"
1	Washer	88-77	FP-5103624		Fan Shaft Bearing Retainer; .500" Thick
4	Washer	88-77	FP-5131978		Fan Shaft; .53" ID x 1.00" OD x .170" Thick
2	Washer	88-77	FP-5197310		Fresh Water Pump; Adhesive, Ceramic Insert
1	Washer	88-77	FP-221436		Fresh Water Pump; Flat
4	Washer	88-77	FP-5131978		Heat Exchanger Cover Spacer; .53" ID x 1.00" OD x .170" Thick
8	Washer	88-77	FP-103325		Heat Exchanger; Lock washer; 5/8"
4	Washer	88-77	FP-5125108		Heat Exchanger; 7/16" x 3/4" x 1/16"
1	Washer	88-77	FP-103325		Raw Water Pump; Lock washer; 5/8"
1	Washer	88-77	FP-5125108		Thermostat Housing; 7/16" x 3/4" x 1/16"
1	Water Pump Lock Ring	88-77	FP-274746		Fresh Water Pump
QTY	THERMOSTAT	YEARS	PART NO.	SIZE	DESCRIPTION
2	Thermostat	88-77	FP-5102112		160 Deg.
2	Thermostat	88-77	FP-23503826		170 Deg.
2	Thermostat	88-77	FP-23503825		180 Deg.
2	Thermostat	88-77	FP-5104096		180 Deg.
2	Thermostat	88-77	FP-5106232		180 Deg.
2	Thermostat Gasket	88-77	FP-5117786		Thermostat Housing Cover

(continued on next page)

GMC Truck - M/D & H/D

49 H/D Truck 6V-92T (4-Valve Cyl. Head) Eng.
 (cont.) 9.0L 552 OHV Turbo-Diesel V6, 4.84" Bore (Detroit Diesel Eng.) 1977-88

COOLING SYSTEM (cont.)

QTY	THERMOSTAT (cont.)	YEARS	PART NO.	SIZE	DESCRIPTION
2	Thermostat Gasket	88-77	FP-5117993		Thermostat Housing Cover
1	Thermostat Gasket	88-77	FP-8924018		Thermostat Housing Cover
2	Thermostat Cover Gasket	88-77	FP-5100860		Thermostat Housing Cover
1	Thermostat Cover Gasket	88-77	FP-5123575		Thermostat Housing Cover
2	Thermostat Gasket	88-77	FP-5117786		Left & Right Bank; Thermostat Housing
2	Thermostat Gasket	88-77	FP-5117993		Left & Right Bank; Thermostat Housing
2	Thermostat Gasket	88-77	FP-5144277		Left & Right Bank; Thermostat Housing
1	Thermostat Gasket	88-77	FP-5123716		Left Bank; Thermostat Housing
1	Thermostat Gasket	88-77	FP-5133254		Left Bank; Thermostat Housing
1	Thermostat Gasket	88-77	FP-5123570		Right Bank; Thermostat Housing
1	Thermostat Gasket	88-77	FP-5123715		Right Bank; Thermostat Housing
QTY	MISCELLANEOUS	YEARS	PART NO.	SIZE	DESCRIPTION
3	Stud	88-77	FP-8927270		Fresh Water Pump Body; 3/8" - 16/24" x 1.6875"
4	Hose Clamp	88-77	FP-5186841		Heat Exchanger Raw Water Inlet Tube; 1 9/16" - 2.50"
4	Hose Clamp	88-77	FP-5188036		Heat Exchanger Raw Water Inlet; 2.750" Dia. Hose
4	Hose Clamp	88-77	FP-9139809		Heat Exchanger Raw Water Outlet Tube; 2 1/16" - 3"
4	Hose Clamp	88-77	FP-9139809		Heat Exchanger Raw Water Tube; 2 1/16" - 3"
1	Hose Clamp	88-77	FP-5186841		Heat Exchanger Water Outlet Tube; 1 9/16" - 2.50"
1	Hose Clamp	88-77	FP-9139809		Water Outlet Manifold; 2 1/16" - 3"
2	Hose Clamp	88-77	FP-5188036		Water Outlet Manifold; 2.750" Dia. Hose
1	Lock Washer	88-77	FP-103320		Fan Hub; 5/16"
5	Lock Washer	88-77	FP-103321		Fresh Water Pump Body; 3/8"
5	Lock Washer	88-77	FP-103321		Fresh Water Pump; 3/8"
10	Lock Washer	88-77	FP-103320		Heat Exchanger Cover; 5/16"
4	Lock Washer	88-77	FP-103320		Heat Exchanger Expansion Tank Cover; 5/16"
4	Lock Washer	88-77	FP-103320		Heat Exchanger Water Outlet; 5/16"
4	Lock Washer	88-77	FP-103321		Heat Exchanger; 3/8"
2	Lock Washer	88-77	FP-103321		Thermostat Housing; 3/8"
2	O-Ring	88-77	FP-5167746		Heat Exchanger Seal Ring
1	O-Ring	88-77	FP-23514265		Raw Water Pump
1	Water Manifold Gasket	88-77	FP-5124029		Heat Exchanger Water Manifold
3	Water Manifold Gasket	88-77	FP-23506469		Water Outlet Cover Plate
2	Hose Clamp	88-77	FP-5186841		Thermostat Housing Cover; 1 9/16" - 2.50"
2	Hose Clamp	88-77	FP-9139809		Thermostat Housing Cover; 2 1/16" - 3"
1	Oil Filler Tube Gasket	88-77	FP-5120540		Thermostat Housing Elbow Gasket
1	Oil Cooler Core Inner Gasket	88-77	FP-5150155		Heat Exchanger Expansion Tank Cover

ENGINE BLOCK & PARTS

QTY	GASKETS	YEARS	PART NO.	SIZE	DESCRIPTION
1	Front Crankcase Cover Gasket	88-77	FP-5121714		
2	Pipe Plug	88-77	FP-5121182		Cyl. Block; 1/4" - 18; Hex head
2	Pipe Plug	88-77	FP-8924380		Cyl. Block; 1/8" - 27
2	Accessory Drive Gasket	88-77	FP-23515145		Flywheel Housing Large Hole Cover
6	Bolt	88-77	FP-8927580		Flywheel Housing; 3/8" - 16 x .875"
1	Lock Nut	88-77	FP-103026		Flywheel Housing; 3/8" x 24
1	Washer	88-77	FP-5138619		Flywheel Housing; 25/64" x 3/4" x .083"
2	Washer	88-77	FP-5125108		Flywheel Housing; 7/16" x 3/4" x 1/16"
6	Lock Washer	88-77	FP-103321		Flywheel Housing; 3/8"
12	Copper Washer	88-77	FP-5152148		Flywheel Housing; 25/64" ID x 9/16" OD x 1/16" Thick; Copper
1	Oil Pan Gasket	88-77	FP-5150115		Lower Oil Pan
1	Oil Pan Gasket	88-77	FP-5150116		Lower Oil Pan
1	Oil Pan Gasket	88-77	FP-8920557		Lower Oil Pan
1	Oil Pan Gasket	88-77	FP-23503588		Pan to Block; w/Stamped Pan; w/Stamped Steel Pan
24	Bolt	88-77	FP-8927581		Oil Pan; 3/8" - 16 x 1"
4	Bolt	88-77	FP-8927581		Oil Pan; 3/8" - 16 x 1"
1	Washer	88-77	FP-840277		Oil Pan Drain Plug; 18MM, Nylon
1	Pipe Plug	88-77	FP-5115214		Oil Pan Drain Plug; 1/2" Square Head
1	Pipe Plug	88-77	FP-5121182		Oil Pan Drain Plug; 1/4" - 18; Hex head
1	Pipe Plug	88-77	FP-8923847		Oil Pan Drain Plug; 1/4" x 18 NPTF; Square head
1	Pipe Plug	88-77	FP-8923313		Oil Pan Drain Plug; 3/4"
1	Pipe Plug	88-77	FP-8924517		Oil Pan Drain Plug; 3/8" x 18 square head
1	Pipe Plug	88-77	FP-5115214		Oil Pan Sump; 1/2" Square Head
1	Cyl. Block Water Hole Cvr Gsk	88-77	FP-5117734		Rear
2	Hand Hole Cover Gasket	88-77	FP-8923791		Large
2	Hand Hole Cover Gasket	88-77	FP-8923792		Small
2	Copper Washer	88-77	FP-5152148		Cyl. Block; 25/64" ID x 9/16" OD x 1/16" Thick; Copper
12	Copper Washer	88-77	FP-5152148		Cyl. Head; 25/64" ID x 9/16" OD x 1/16" Thick; Copper
4	Bolt	88-77	FP-8927580		Cyl. Block; 3/8" - 16 x .875"
10	Stud	88-77	FP-5152121		Cyl. Block; 5/16" - 18 x 1 1/2"

(continued on next page)

GMC Truck - M/D & H/D

H/D Truck 6V-92T (4-Valve Cyl. Head) Eng. 49
9.0L 552 OHV Turbo-Diesel V6, 4.84" Bore (Detroit Diesel Eng.) 1977-88 (cont.)

ENGINE BLOCK & PARTS (cont.)

QTY	GASKET SETS	YEARS	PART NO.	SIZE	DESCRIPTION
1	Complete Overhaul Gasket Set	88-77	FP-23512684WS		6V92; Exc. Tilt Coach
1	Complete Overhaul Gasket Set	88-77	FP-23512684		6V92; Exc. Tilt Coach; Crankshaft seals not incl.
1	Complete Overhaul Gasket Set	88-77	FP-23512683		6V92; Tilt Coach only; Crankshaft seals not incl.
QTY	CAM BEARINGS	YEARS	PART NO.	SIZE	DESCRIPTION
8	Cam Brg.	88-77	FP-5194825	20	Camshaft End Bushing; .020" U/S, Unfinished; Grooved
8	Cam Brg.	88-77	FP-5111423	STD	Camshaft End Bushing; Grooved
2	Cam Brg.	88-77	FP-5117984	STD	Position Front
2	Cam Brg.	88-77	FP-5197569	10	Position Front
4	Cam Brg.	88-77	FP-5196026	STD	Position Inter.; w/o Steel bushing in ctr. hole; Aluminum Blocks only
4	Cam Brg.	88-77	FP-5196022	STD	Position Inter.; w/steel bushing in ctr. hole; 4 req'd
2	Cam Brg.	88-77	FP-5111422	STD	Position Rear
2	Cam Brg.	88-77	FP-5194858	10	Position Rear
QTY	OIL COOLERS & FILTERS	YEARS	PART NO.	SIZE	DESCRIPTION
1	Oil Cooler	88-77	FP-8547547		Core Assy.; 16 plate
1	Oil Cooler	88-77	FP-8547195		Core Assy.; 18 plate
1	Oil Cooler	88-77	FP-8547551		Core Assy.; 8 plate
1	Oil Cooler	88-77	FP-8547581		Twin Plate; 13 plate
1	Oil Cooler	88-77	FP-8547553		Twin Plate; 16 Plate
1	Oil Cooler	88-77	FP-8547237		Twin Plate; 24 Plate
1	Oil Cooler	88-77	FP-8547552		Twin Plate; 32 Plate
2	Oil Cooler	88-77	FP-8547237		Twin Plate-Dual; 24 Plate
1	Oil Filter Adapter Gasket	88-77	FP-8924412		
1	Lock Washer	88-77	FP-103320		Aftercooler; 5/16"
2	Lock Nut	88-77	FP-103026		Oil Cooler Water Outlet Flange; 3/8" x 24
2	Lock Nut	88-77	FP-103026		Twin Plate; Oil Cooler Water Elbow; 3/8" x 24
2	Lock Nut	88-77	FP-103026		Twin Plate-Dual; Oil Cooler Water Elbow; 3/8" x 24
2	Washer	88-77	FP-5131433		Oil Cooler Adaptor; .410" x .810" x .1345"
1	Washer	88-77	FP-5177773		Oil Cooler Bypass Plug; 18MM x 1.5MM
1	Washer	88-77	FP-5131433		Oil Cooler Housing Cover; .410" x .810" x .1345"
1	Washer	88-77	FP-5177773		Twin Plate; Oil Cooler By-pass; 18MM x 1.5MM
8	Washer	88-77	FP-5131433		Twin Plate; Oil Cooler Housing Cover; .410" x .810" x .1345"
1	Washer	88-77	FP-5177773		Twin Plate-Dual; Oil Cooler By-pass Plug; 18MM x 1.5MM
2	Lock Washer	88-77	FP-103320		Oil Cooler Adaptor Cover; 5/16"
1	Lock Washer	88-77	FP-103320		Oil Cooler Housing Cover; 5/16"
8	Lock Washer	88-77	FP-103320		Oil Cooler Housing; 5/16"
2	Lock Washer	88-77	FP-103321		Oil Cooler Water Outlet Flange; 3/8"
1	Lock Washer	88-77	FP-103320		Oil Cooler Water Outlet Flange; 5/16"
8	Lock Washer	88-77	FP-103320		Twin Plate; Oil Cooler Core; 5/16"
2	Lock Washer	88-77	FP-103321		Twin Plate; Oil Cooler Water Inlet; 3/8"
22	Lock Washer	88-77	FP-103320		Twin Plate-Dual; Oil Cooler Core; 5/16"
2	Lock Washer	88-77	FP-103321		Twin Plate-Dual; Oil Cooler Water Inlet; 3/8"
1	Spacer	88-77	FP-5102793		Oil Cooler Adaptor to Block; 5.70" x 1.00" x .012"
1	Spacer	88-77	FP-5102793		Twin Plate; Oil Cooler Adaptor to Block; 5.70" x 1.00" x .012"
1	Pipe Plug	88-77	FP-8923847		Oil Cooler Core; 1/4" x 18 NPTF; Square head
1	Pipe Plug	88-77	FP-8923313		Oil Cooler Core; 3/4"
2	Pipe Plug	88-77	FP-5142549		Oil Cooler Core; 3/4" - 14 Square Head
1	Pipe Plug	88-77	FP-5121182		Oil Cooler Housing; 1/4" - 18; Hex head
2	Pipe Plug	88-77	FP-8923847		Oil Cooler Housing; 1/4" x 18 NPTF; Square head
1	Pipe Plug	88-77	FP-8924517		Oil Cooler Housing; 3/8" x 18 square head
1	Pipe Plug	88-77	FP-5115214		Oil Cooler Water Inlet; 1/2" Square Head
2	Pipe Plug	88-77	FP-8923847		Oil Cooler Water Inlet; 1/4" x 18 NPTF; Square head
1	Pipe Plug	88-77	FP-8923313		Oil Cooler Water Inlet; 3/4"
1	Pipe Plug	88-77	FP-5142549		Oil Cooler Water Inlet; 3/4" - 14 Square Head
2	Pipe Plug	88-77	FP-8923847		Twin Plate; Oil Cooler Core; 1/4" x 18 NPTF; Square head
1	Pipe Plug	88-77	FP-8923313		Twin Plate; Oil Cooler Water Elbow; 3/4"
1	Pipe Plug	88-77	FP-5142549		Twin Plate; Oil Cooler Water Elbow; 3/4" - 14 Square Head
2	Pipe Plug	88-77	FP-5115214		Twin Plate; Oil Cooler Water Inlet; 1/2" Square Head
1	Pipe Plug	88-77	FP-5115214		Twin Plate-Dual; Oil Cooler By-pass; 1/2" Square Head
1	Pipe Plug	88-77	FP-8923847		Twin Plate-Dual; Oil Cooler Core; 1/4" x 18 NPTF; Square head
1	Pipe Plug	88-77	FP-8923847		Twin Plate-Dual; Oil Cooler Core; 1/4" x 18 NPTF; Square head
1	Pipe Plug	88-77	FP-5142549		Twin Plate-Dual; Oil Cooler Core; 3/4" - 14 Square Head
1	Pipe Plug	88-77	FP-5115214		Twin Plate-Dual; Oil Cooler Water Elbow; 1/2" Square Head
1	Pipe Plug	88-77	FP-8923313		Twin Plate-Dual; Oil Cooler Water Elbow; 3/4"
2	Pipe Plug	88-77	FP-5142549		Twin Plate-Dual; Oil Cooler Water Elbow; 3/4" - 14 Square Head
4	Hose Clamp	88-77	FP-5186840		Aftercooler; 13/16" - 1 1/2" Clamping Range
4	Air Compressor Seal Ring	88-77	FP-5101138		Aftercooler; .984" x .139"
1	Oil Cooler Gasket Kit	88-77	FP-5149946		Oil Cooler Adaptor Cover
1	Oil Cooler Gasket	88-77	FP-8923512		Adaptor to Block

(continued on next page)

GMC Truck - M/D & H/D

49 H/D Truck 6V-92T (4-Valve Cyl. Head) Eng.

(cont.) 9.0L 552 OHV Turbo-Diesel V6, 4.84" Bore (Detroit Diesel Eng.) 1977-88

ENGINE BLOCK & PARTS (cont.)

QTY	(cont.)	YEARS	PART NO.	SIZE	DESCRIPTION
1	Oil Cooler Gasket	88-77	FP-8923512		Oil Cooler Adaptor Cover
1	Oil Cooler Gasket	88-77	FP-8923223		Oil Cooler Core
1	Oil Cooler Gasket	88-77	FP-8923512		Twin Plate; Oil Cooler Adaptor Cover
1	Oil Cooler Gasket	88-77	FP-8923223		Outer
1	Oil Cooler Gasket	88-77	FP-23501587		Outer; Twin Plate; Oil Cooler Core, Element to Plate
1	Cyl. Block Water Hole Cvr Gsk	88-77	FP-5117734		Oil Cooler Housing Cover
1	Cyl. Block Water Hole Cvr Gsk	88-77	FP-5117734		Twin Plate-Dual; Oil Cooler Housing Cover
1	Cyl. Block Water Hole Cvr Gsk	88-77	FP-5117734		Front; Twin Plate; Oil Cooler Water Elbow
1	Cyl. Block Water Hole Cvr Gsk	88-77	FP-5117734		Front; Twin Plate-Dual; Oil Cooler Water Elbow
1	Sealing Ring	88-77	FP-5102098		Twin Plate; Oil Cooler Water Outlet Hose; 3.60" OD x .620" Wide
1	Sealing Ring	88-77	FP-5102098		Twin Plate-Dual; Oil Cooler Water Outlet Hose; 3.60" OD x .620" Wide
1	Oil Cooler Core Gasket	88-77	FP-23501589		Twin Plate; Oil Cooler Housing Cover
1	Oil Cooler Seal Ring	88-77	FP-23501837		Oil Cooler Water Outlet Flange
1	Gasket	88-77	FP-5575086		Oil Cooler Bypass Plug
1	Gasket	88-77	FP-5575086		Oil Cooler Housing
1	Oil Cooler Core Inner Gasket	88-77	FP-5150155		
1	Oil Cooler Core Inner Gasket	88-77	FP-5150155		
1	Oil Cooler Core Inner Gasket	88-77	FP-5150155		Housing Cover
1	Oil Cooler Core Inner Gasket	88-77	FP-23511304		Twin Plate; Oil Cooler Housing Cover
1	Oil Cooler Core Inner Gasket	88-77	FP-5150155		Inner; Twin Plate
1	Oil Cooler Core Inner Gasket	88-77	FP-23511304		Inner; Twin Plate-Dual; Oil Cooler Core
1	Oil Cooler Core Outer Gasket	88-77	FP-5102506		
1	Oil Cooler Housing Cover Gskt	88-77	FP-8924623		
2	Oil Cooler Adapter Cover Gskt	88-77	FP-5117535		
1	Oil Cooler Adapter Cover Gskt	88-77	FP-5117535		
2	Oil Cooler Adapter Cover Gskt	88-77	FP-5117535		Twin Plate; Oil Cooler Adaptor to Block
2	Oil Cooler Adapter Cover Gskt	88-77	FP-5117535		Twin Plate-Dual; Oil Cooler Adaptor to Block
1	Copper Washer	88-77	FP-5152148		Oil Cooler Housing Cover; 25/64" ID x 9/16" OD x 1/16" Thick; Copper
1	Copper Washer	88-77	FP-5155596		Oil Cooler Housing; 5/16"; Special copper washer
1	Copper Washer	88-77	FP-5155596		Oil Cooler Housing; 5/16"; Special copper washer
1	Copper Washer	88-77	FP-5155596		Oil Cooler Water Inlet; 5/16"; Special copper washer
2	Copper Washer	88-77	FP-5152148		Oil Cooler Water Outlet Flange; 25/64" ID x 9/16" OD x 1/16" Thick; Copper
8	Copper Washer	88-77	FP-5155596		Twin Plate; Oil Cooler Core; 5/16"; Special copper washer
2	Copper Washer	88-77	FP-5152148		Twin Plate; Oil Cooler Water Elbow; 25/64" ID x 9/16" OD x 1/16" Thick; Copper
1	Copper Washer	88-77	FP-5155596		Twin Plate-Dual; Oil Cooler Core; 5/16"; Special copper washer
1	Copper Washer	88-77	FP-5152148		Twin Plate-Dual; Oil Cooler Housing Cover; 25/64" ID x 9/16" OD x 1/16" Thick; Copper
1	Copper Washer	88-77	FP-5152148		Twin Plate-Dual; Oil Cooler Water Elbow; 25/64" ID x 9/16" OD x 1/16" Thick; Copper
1	Clamp	88-77	FP-5143999		Twin Plate; Oil Cooler Water Outlet Hose; 3.50" T-Bolt
2	Clamp	88-77	FP-5143999		Twin Plate-Dual; Oil Cooler Water Outlet Hose; 3.50" T-Bolt
2	Hose Clamp	88-77	FP-9139809		Oil Cooler Water Inlet Hose; 2 1/16" - 3"
2	Hose Clamp	88-77	FP-5188036		Oil Cooler Water Inlet Hose; 2.750" Dia. Hose
2	Hose Clamp	88-77	FP-9139809		Twin Plate; Oil Cooler Water Inlet Hose; 2 1/16" - 3"
2	Hose Clamp	88-77	FP-5188036		Twin Plate; Oil Cooler Water Inlet Hose; 2.750" Dia. Hose
2	Hose Clamp	88-77	FP-9139809		Twin Plate-Dual; Oil Cooler Water Inlet Hose; 2 1/16" - 3"
2	Hose Clamp	88-77	FP-5188036		Twin Plate-Dual; Oil Cooler Water Inlet Hose; 2.750" Dia. Hose
2	Bolt	88-77	FP-8923391		Oil Cooler Adaptor; 3/8" - 16 x 1.880"
1	Bolt	88-77	FP-8923391		Oil Cooler Housing Cover; 3/8" - 16 x 1.880"
3	Bolt	88-77	FP-8927581		Oil Cooler Housing Cover; 3/8" - 16 x 1"
1	Bolt	88-77	FP-8927580		Oil Cooler Housing; 3/8" - 16 x .875"
1	Bolt	88-77	FP-8927580		Oil Cooler Water Inlet; 3/8" - 16 x .875"
2	Bolt	88-77	FP-8927581		Oil Cooler Water Outlet Flange; 3/8" - 16 x 1"
2	Bolt	88-77	FP-8927581		Twin Plate; Oil Cooler Housing Cover; 3/8" - 16 x 1"
2	Bolt	88-77	FP-8927581		Twin Plate; Oil Cooler Water Elbow; 3/8" - 16 x 1"
2	Bolt	88-77	FP-8927580		Twin Plate; Oil Cooler Water Inlet; 3/8" - 16 x .875"
2	Bolt	88-77	FP-8927581		Twin Plate; Oil Cooler Water Inlet; 3/8" - 16 x 1"
1	Bolt	88-77	FP-8927581		Twin Plate-Dual; Oil Cooler Water Elbow; 3/8" - 16 x 1"
6	Bolt	88-77	FP-8927580		Twin Plate-Dual; Oil Cooler Water Inlet; 3/8" - 16 x .875"
2	Bolt	88-77	FP-8927581		Twin Plate-Dual; Oil Cooler Water Inlet; 3/8" - 16 x 1"
QTY	FREEZE PLUGS	YEARS	PART NO.	SIZE	DESCRIPTION
6	Pipe Plug	88-77	FP-5115214		Cyl. Block; 1/2" Square Head
3	Pipe Plug	88-77	FP-8923847		Cyl. Block; 1/4" x 18 NPTF; Square head
1	Pipe Plug	88-77	FP-8924380		Cyl. Block; 1/8" - 27

(continued on next page)

GMC Truck - M/D & H/D

H/D Truck 6V-92T (4-Valve Cyl. Head) Eng. 49
9.0L 552 OHV Turbo-Diesel V6, 4.84" Bore (Detroit Diesel Eng.) 1977-88 (cont.)

ENGINE BLOCK & PARTS (cont.)

QTY	FREEZE PLUGS (cont.)	YEARS	PART NO.	SIZE	DESCRIPTION
6	Pipe Plug	88-77	FP-5142549		Cyl. Block; 3/4" - 14 Square Head
1	Pipe Plug	88-77	FP-5142549		Flywheel Housing; 3/4" - 14 Square Head
1	Pipe Plug	88-77	FP-5121182		Oil Level Dipstick; 1/4" - 18; Hex head
QTY	DIPSTICK	YEARS	PART NO.	SIZE	DESCRIPTION
1	Dipstick	88-77	FP-5102092		21" Length; Marked
1	Dipstick	88-77	FP-5101885		25" Length; Marked
1	Dipstick	88-77	FP-5146680		72" Length; Unmarked
1	Dipstick Guide	88-77	FP-5151430		1.50" Length
QTY	MISCELLANEOUS	YEARS	PART NO.	SIZE	DESCRIPTION
12	Bolt	88-77	FP-5103280		Flywheel Housing; 9/16" - 18 x 2.250"
12	Bolt	88-77	FP-9410925		Flywheel Housing; 9/16" - 18 x 2.250"
12	Bolt	88-77	FP-9412015		Flywheel Housing; 9/16" - 18 x 2.500"
1	Bolt	88-77	FP-8927581		Oil Level Dipstick; 3/8" - 16 x 1"
2	Screw	88-77	FP-5103642		Oil Filler Tube; No. 10 - 24 x .375"
6	Pipe Plug	88-77	FP-5115214		Cyl. Block; 1/2" Square Head
3	Pipe Plug	88-77	FP-8923847		Cyl. Block; 1/4" x 18 NPTF; Square head
1	Pipe Plug	88-77	FP-8924380		Cyl. Block; 1/8" - 27
6	Pipe Plug	88-77	FP-5142549		Cyl. Block; 3/4" - 14 Square Head
1	Pipe Plug	88-77	FP-5142549		Flywheel Housing; 3/4" - 14 Square Head
1	Pipe Plug	88-77	FP-5121182		Oil Level Dipstick; 1/4" - 18; Hex head
2	Washer	88-77	FP-5131755		Flywheel Housing; 17/32" x .88" x .1345"
3	Washer	88-77	FP-5138619		Flywheel Housing; 25/64" x 3/4" x .083"
1	Washer	88-77	FP-106261		Oil Level Dipstick; 5/16" x 3/4"
1	Copper Washer	88-77	FP-5152148		Oil Level Dipstick; 25/64" ID x 9/16" OD x 1/16" Thick; Copper
2	Lock Nut	88-77	FP-103026		Flywheel Housing; 3/8" x 24
1	Lock Nut	88-77	FP-103026		Oil Level Dipstick; 3/8" x 24
2	Oil Filler Cap	88-77	FP-5107106		1.50" Dia.; Thermos Bottle Style
2	Oil Filler Cap	88-77	FP-5117362		2.00" Dia.; Thermos Bottle Style
CRANKSHAFT/OIL PUMP					
QTY	CRANKSHAFT	YEARS	PART NO.	SIZE	DESCRIPTION
1	Crankshaft	88-77	FP-8926921		RH Rotation
1	Bolt	88-77	FP-23501143		Crankshaft pulley; 1" - 14 X 2.750" (1.500" Hex head)
4	Dowel Pin	88-77	FP-141346		.1875" x .500"
QTY	SEALS - FRONT CRANK	YEARS	PART NO.	SIZE	DESCRIPTION
1	Oil Seal	88-77	FP-8922045		Front; Crankshaft; RH Rotation
1	Oil Seal	88-77	FP-23514608		Front; Crankshaft; RH Rotation; Red
1	Oil Seal	88-77	FP-5115454		Front; Crankshaft; Single Lip, Std.
1	Oil Seal	88-77	FP-8923654		Rear; Crankshaft; O.S.; Single lip; R.H. Rotation
1	Oil Seal	88-77	FP-5198159		Rear; Crankshaft; O/S; Double lip
1	Oil Seal	88-77	FP-5106329		Rear; Crankshaft; Std.; Double lip
1	Oil Seal	88-77	FP-8926761		Rear; Crankshaft; Std.; Single lip; R.H. Rotation
1	Wear Sleeve	88-77	FP-23507226		Rear; Crankshaft; Use w/O.S. Seal
1	Oil Seal Spacer	88-77	FP-23507306		Front; Crankshaft; 2.50" ID x 2.81" Length
1	O-Ring	88-77	FP-23503769		Front; Crankshaft
QTY	MAIN BEARINGS	YEARS	PART NO.	SIZE	DESCRIPTION
4	Plain Main Brg.	88-77	FP-5149565	STD	Upper brg. w/elongated oil slot (acceptable as replacement for brg. w/11/32" oil hole)
4	Plain Main Brg.	88-77	FP-5149566	2	Upper brg. w/elongated oil slot (acceptable as replacement for brg. w/11/32" oil hole)
4	Plain Main Brg.	88-77	FP-5149567	10	Upper brg. w/elongated oil slot (acceptable as replacement for brg. w/11/32" oil hole)
4	Plain Main Brg.	88-77	FP-5149568	20	Upper brg. w/elongated oil slot (acceptable as replacement for brg. w/11/32" oil hole)
4	Plain Main Brg.	88-77	FP-8922118	30	Upper brg. w/elongated oil slot (acceptable as replacement for brg. w/11/32" oil hole)
4	Thrust Washer	88-77	FP-5117005	STD	
4	Thrust Washer	88-77	FP-5196753	5	
4	Thrust Washer	88-77	FP-5196754	10	
QTY	OIL PUMP	YEARS	PART NO.	SIZE	DESCRIPTION
2	Oil Pump Cover Gasket	88-77	FP-29503153		2.40" B.C.
1	Bushing	88-77	FP-5123303		Oil Pump Driven Gear
1	Oil Pump Spring	88-77	FP-5126326		Pressure Relief Valve; .520" Dia., 2.570" Length
1	Oil Pump Spring	88-77	FP-5126327		Pressure Relief Valve; .790" Dia., 2.96" Length
1	Woodruff Key	88-77	FP-8928545		Oil Pump Drive Gear; 3/16" x 7/8" Woodruff
1	Bolt	88-77	FP-8927580		Oil Pump Inlet Pipe; 3/8" - 16 x .875"
2	Bolt	88-77	FP-8927581		Oil Pump Inlet Pipe; 3/8" - 16 x 1"
2	Bolt	88-77	FP-8927580		Oil Pump; 3/8" - 16 x .875"

(continued on next page)

GMC Truck - M/D & H/D

49 H/D Truck 6V-92T (4-Valve Cyl. Head) Eng.
 (cont.) 9.0L 552 OHV Turbo-Diesel V6, 4.84" Bore (Detroit Diesel Eng.) 1977-88

CRANKSHAFT/OIL PUMP (cont.)

QTY	OIL PUMP (cont.)	YEARS	PART NO.	SIZE	DESCRIPTION
1	Washer	88-77	FP-5104439		Oil Pump; 7/16" x 1.250" Dia.; Dished
2	Lock Washer	88-77	FP-103321		Front Cover; 3/8"
2	Lock Washer	88-77	FP-103321		Oil Pump Inlet Pipe; 3/8"
2	Lock Washer	88-77	FP-103320		Oil Pump Inlet Pipe; 5/16"
2	Lock Washer	88-77	FP-103321		Oil Pump; 3/8"
1	Plastic Cap	88-77	FP-5136240		Front Cover; .250" Dia.
1	Pipe Plug	88-77	FP-5142549		Oil Pump; 3/4" - 14 Square Head
1	Pipe Plug	88-77	FP-8924517		Oil Pump; 3/8" x 18 square head
1	Gasket	88-77	FP-5126160		At Pump; 1.80" B.C.
1	Pipe Plug	88-77	FP-5115214		Oil Pan Drain Plug; 1/2" Square Head
1	Pipe Plug	88-77	FP-5121182		Oil Pan Drain Plug; 1/4" - 18; Hex head
1	Pipe Plug	88-77	FP-8923847		Oil Pan Drain Plug; 1/4" x 18 NPTF; Square head
1	Pipe Plug	88-77	FP-8923313		Oil Pan Drain Plug; 3/4"
1	Pipe Plug	88-77	FP-8924517		Oil Pan Drain Plug; 3/8" x 18 square head
1	Pipe Plug	88-77	FP-5115214		Oil Pan Sump; 1/2" Square Head

CYLINDER COMPONENTS

QTY	LINERS	YEARS	PART NO.	SIZE	DESCRIPTION
6	Liner w/o Sealing Rings	88-77	FP-23508383	STD	.85"; 20 Deg. Port
6	Liner w/o Sealing Rings	88-77	FP-23507231	STD	.95"; Brushed
6	Liner w/o Sealing Rings	88-77	FP-235072311	1	.95"; Brushed; O/S .001 in Lower Receiver Bore Area
6	Liner w/o Sealing Rings	88-77	FP-5148505	STD	1.05"; 30 Deg. Port
6	Liner w/o Sealing Rings	88-77	FP-51485051	1	1.05"; 30 Deg. Port; O/S .001 in Lower Receiver Bore Area
6	Liner w/o Sealing Rings	88-77	FP-514850510	10	1.05"; 30 Deg. Port; O/S .010 in Lower Receiver Bore Area
6	Liner w/o Sealing Rings	88-77	FP-514850520	20	1.05"; 30 Deg. Port; O/S .020 in Lower Receiver Bore Area
6	Cylinder Kit Complete	88-77	FP-23524337	STD	15.0:1 C.R.; Option Type 411
6	Cylinder Kit Complete	88-77	FP-235243371	1	15.0:1 C.R.; Option Type 411
6	Cylinder Kit Complete	88-77	FP-23523101	STD	17.0:1 C.R.
6	Cylinder Kit Complete	88-77	FP-23524494	STD	17.0:1 C.R.
6	Cylinder Kit Complete	88-77	FP-23524339	STD	17.0:1 C.R.; Option Type 149, 150, 202, 221, 228, 250, 255, 262, 275, 277, 278, 279, 299, 409
6	Cylinder Kit Complete	88-77	FP-235243391	1	17.0:1 C.R.; Option Type 149, 150, 202, 221, 228, 250, 255, 262, 275, 277, 278, 279, 299, 409
6	Cylinder Kit Complete	88-77	FP-2352433910	10	17.0:1 C.R.; Option Type 149, 150, 202, 221, 228, 250, 255, 262, 275, 277, 278, 279, 299, 409
6	Cylinder Kit Complete	88-77	FP-2352433920	20	17.0:1 C.R.; Option Type 149, 150, 202, 221, 228, 250, 255, 262, 275, 277, 278, 279, 299, 409
6	Cylinder Kit Complete	88-77	FP-23524342	STD	17.0:1 C.R.; Option Type 410
6	Cylinder Kit Complete	88-77	FP-235243421	1	17.0:1 C.R.; Option Type 410
12	Sealing Ring, Liner	88-77	FP-8927189		
6	Cntr. Bore Insert	88-77	FP-5101723		.015" I.D., .1338"-.1343"
6	Cntr. Bore Insert	88-77	FP-5101723		.015" I.D., .1338"-.1343"
6	Cntr. Bore Insert	88-77	FP-5101727		.015" I.D., .1362"-.1367"

QTY	PISTONS	YEARS	PART NO.	SIZE	DESCRIPTION
6	Piston Kit w/Pin & Retainers	88-77	FP-23505052		15.0:1 C.R.; w/Cross Head style piston
6	Piston Kit w/Pin & Retainers	88-77	FP-5149963		17.0:1 C.R.; w/Cross Head style piston
6	Crosshead Piston Dome	88-77	FP-23504353		15.0:1 C.R.; w/Cross Head style piston
6	Crosshead Piston Dome	88-77	FP-5144872		17.0:1 C.R.; w/Cross Head style piston
6	Piston Skirt	88-77	FP-23508986		w/Cross Head style piston
6	Pin	88-77	FP-5101120	STD	w/Cross Head style piston
12	Piston Pin Retainer	88-77	FP-5180250		
12	Piston Pin Bolt	88-77	FP-5148373		7/16" - 20 x 2.00" Length
12	Piston Pin Bolt Spacer	88-77	FP-5144846		
6	Pin Bushing	88-77	FP-5157274		w/.015" extra ID bore stock
6	Pin Bushing	88-77	FP-2409Y		w/1.5020" I.D., 1.7510" O.D., .7600" O.A.L.
6	Pin Bushing	88-77	2409Y +		w/1.5020" I.D., 1.7510" O.D., .7600" O.A.L.; When depleted use FP-2409Y
6	Piston Pin Slipper Bearing	88-77	FP-23501687		w/Cross Head style piston; Slipper type design - 1 per cyl.
6	O-Ring	88-77	FP-8923729		w/Cross Head style piston

QTY	CONNECTING RODS & BRGS.	YEARS	PART NO.	SIZE	DESCRIPTION
12	Con. Rod Bolt	88-77	FP-5132383		.4375" x 20 x 3.52"
12	Con. Rod Nut	88-77	FP-5117629		.4375" x 20
6	Rod Pair	88-77	FP-5149572	STD	
6	Rod Pair	88-77	FP-5149573	2	
6	Rod Pair	88-77	FP-5149575	10	
6	Rod Pair	88-77	FP-5149577	20	
6	Rod Pair	88-77	FP-5149579	30	
6	Rod Pair	88-77	FP-23501026	2	Air/Air & ALCC

(continued on next page)

GMC Truck - M/D & H/D

H/D Truck 6V-92T (4-Valve Cyl. Head) Eng. 49
9.0L 552 OHV Turbo-Diesel V6, 4.84" Bore (Detroit Diesel Eng.) 1977-88 (cont.)

CYLINDER COMPONENTS (cont.)

QTY	CONNECTING RODS & BRGS. (cont.)	YEARS	PART NO.	SIZE	DESCRIPTION
6	Rod Pair	88-77	FP-23501029	30	Air/Air & ALCC
QTY	PISTON RINGS	YEARS	PART NO.	SIZE	DESCRIPTION
6	Ring Set Single Cylinder	88-77	FP-23524542		w/Cross Head style piston; Std. gap Fire Ring
6	Ring Set Single Cylinder	88-77	FP-23524349		w/Cross Head style piston; Wide gap Fire Ring
6	Compression Ring	88-77	FP-23524191		w/Cross Head style piston; Std. gap Fire Ring
6	Compression Ring	88-77	FP-23524192		w/Cross Head style piston; Wide gap Fire Ring; Top Fire ring
12	Compression Ring	88-77	FP-8923113		w/Cross Head style piston; 2nd & 3rd grooves
6	Ring, Oil Control Set	88-77	FP-23524350		w/Cross Head style piston; For one groove
CLUTCH					
QTY	CLUTCH	YEARS	PART NO.	SIZE	DESCRIPTION
1	Ball Brg.	88-77	FP-23503706		Clutch Pilot
1	Ball Brg.	88-77	FP-23503709		Clutch Pilot
KITS					
QTY	OVERHAUL KIT	YEARS	PART NO.	SIZE	DESCRIPTION
1	In-Frame Overhaul Kit	88-77	FP-6V92		w/Cross Head style piston & .950" Port Length Sleeve; Valve cover gskts. not incl.
1	In-Frame Overhaul Kit	88-77	FP-6V92		w/Cross Head style piston & 1.050" Port Length Sleeve; Valve cover gskts. not incl.
1	Complete Overhaul Kit	88-77	FP-6V92OH		w/Cross Head style piston & .950" Port Length Sleeve; Valve cover gskts. not incl.
1	Complete Overhaul Kit	88-77	FP-6V92OH		w/Cross Head style piston & 1.050" Port Length Sleeve; Valve cover gskts. not incl.

H/D Truck 8V-71 (2-Valve Cyl. Head), 8V-71E (4-Valve Cyl. Head), 8V-71N (4-Valve Cyl. Head) Engs. 50
9.3L 568 OHV Diesel V8, 4.25" Bore (Detroit Diesel Eng.) 1966-81

CYL. HEAD & PARTS

QTY	GASKETS	YEARS	PART NO.	SIZE	DESCRIPTION
2	Valve Cover Gasket	81-66	FP-5104081		Engs. w/cast Alum. valve cover; Silicone
2	Valve Cover Gasket	81-66	FP-5143406		Engs. w/Steel valve cover; Neoprene
QTY	VALVE	YEARS	PART NO.	SIZE	DESCRIPTION
32	Exhaust	81-66	FP-5104280		30 deg. seat
32	Exhaust	81-66	FP-8922516		30 deg. seat; 30 deg. seat; 1.1800" Head Dia., .3103" Stem Dia., 5.5280" O.A.L.
64	Keeper	81-66	VK-144		1 groove; Square cut key groove
64	Keeper	81-66	VK-144R		1 groove; Square cut key groove; Hardened
QTY	VALVE SEAT	YEARS	PART NO.	SIZE	DESCRIPTION
32	Exh.	81-66	FP-5197170	30	.030" O/S; 1.2920" OD, .9770" ID, .2490" Depth
32	Exh.	81-66	FP-5101101	STD	30 Deg. seat; 1.2620" OD, .9770" ID, .2490" Depth
QTY	VALVE GUIDE	YEARS	PART NO.	SIZE	DESCRIPTION
32	Guide	81-66	FP-5129919		2 3/8" length; 2 3/8" length; .3130" ID, 2.3800" O.A.L.
QTY	VALVE SPRING	YEARS	PART NO.	SIZE	DESCRIPTION
32	Spring	81-66	FP-5147347		To Ser. No. 6V-8191; .148" Wire dia.
QTY	PUSH RODS	YEARS	PART NO.	SIZE	DESCRIPTION
16	Push Rod	81-66	FP-5128640		O.E. No. 5128640
QTY	VALVE SEAL	YEARS	PART NO.	SIZE	DESCRIPTION
32	Valve Stem Seal	81-66	FP-8921209		Use w/VG-647 guide
QTY	ROCKER PARTS	YEARS	PART NO.	SIZE	DESCRIPTION
8	Arm Assy.	81-66	FP-5148472		Exh. Left
8	Arm Assy.	81-66	FP-5148475		Exh. Right
8	Arm Assy.	81-66	FP-8923554		Injector
2	Rocker Shaft	81-66	FP-23500714		
24	Arm Support	81-66	FP-5103903		
16	Rocker Bushing	81-66	FP-23517217		.8755" ID, .9475" OD, .840" Length, .0360" Wall thickness
12	Follower Assy.	81-66	FP-8924439		
24	Cam Follower Roller Set	81-66	FP-8923814		Incl. pin & roller
16	Valve Bridge	81-66	FP-5117565		
16	Valve Bridge Guide	81-66	FP-5117564		Press fit

CAMSHAFT GROUP

QTY	CAMSHAFT/LIFTER	YEARS	PART NO.	SIZE	DESCRIPTION
1	Prelube	81-66	55-400		4 oz. bottle; 1.5 oz. packet No. 55-403 also avail.

(continued on next page)

GMC Truck - M/D & H/D

50 H/D Truck 8V-71 (2-Valve Cyl. Head), 8V-71E (4-Valve Cyl. Head), 8V-71N (4-Valve Cyl. Head) Engs.
 (cont.) 9.3L 568 OHV Diesel V8, 4.25" Bore (Detroit Diesel Eng.) 1966-81

ACCESSORY DRIVE					
QTY	ACCESSORY DRIVE	YEARS	PART NO.	SIZE	DESCRIPTION
1	Oil Seal	81-66	470625		
1	Redi-Sleeve	81-66	99150		
FUEL SYSTEM & PARTS					
QTY	FUEL INJECTION	YEARS	PART NO.	SIZE	DESCRIPTION
16	Injector Hole Tube Kit	81-66	FP-8925981		Viton®
COOLING SYSTEM					
QTY	WATER PUMP	YEARS	PART NO.	SIZE	DESCRIPTION
1	Water Pump - Heavy Duty	81-66	FP-23507971		Raw water pump
ENGINE BLOCK & PARTS					
QTY	GASKET SETS	YEARS	PART NO.	SIZE	DESCRIPTION
1	Complete Overhaul Gasket Set	81-66	FP-23512680WS		Includes Seals
QTY	CAM BEARINGS	YEARS	PART NO.	SIZE	DESCRIPTION
4	Cam Brg.	81-66	FP-5111423	STD	Position Front & Rear; Grooved
6	Cam Brg.	81-66	FP-5196026	STD	Position Inter.; w/o Steel bushing in ctr. hole; Aluminum Blocks only
6	Cam Brg.	81-66	FP-5196022	STD	Position Inter.; W/Steel bushing in ctr. hole
CRANKSHAFT/OIL PUMP					
QTY	SEALS - FRONT CRANK	YEARS	PART NO.	SIZE	DESCRIPTION
1	Redi-Sleeve	81-66	99287		Shaft dia. 2.876"
1	Oil Seal	81-66	FP-5115454		Single Lip, Std.
QTY	SEALS - REAR CRANK	YEARS	PART NO.	SIZE	DESCRIPTION
1	Oil Seal	81-66	FP-5114335		Single Lip, Std.; Shaft Dia. 4.687"
1	Redi-Sleeve	81-66	99468		
QTY	MAIN BEARINGS	YEARS	PART NO.	SIZE	DESCRIPTION
5	Plain Main Brg.	81-66	FP-5149565	STD	Upper brg. w/elongated oil slot. May also be used as replacement for brg. w/11/32" oil hole.
5	Plain Main Brg.	81-66	FP-5149566	2	Upper brg. w/elongated oil slot. May also be used as replacement for brg. w/11/32" oil hole.
5	Plain Main Brg.	81-66	FP-5149567	10	Upper brg. w/elongated oil slot. May also be used as replacement for brg. w/11/32" oil hole.
5	Plain Main Brg.	81-66	FP-5149568	20	Upper brg. w/elongated oil slot. May also be used as replacement for brg. w/11/32" oil hole.
5	Plain Main Brg.	81-66	FP-8922118	30	Upper brg. w/elongated oil slot. May also be used as replacement for brg. w/11/32" oil hole.
CYLINDER COMPONENTS					
QTY	LINERS	YEARS	PART NO.	SIZE	DESCRIPTION
8	Liner w/o Sealing Rings	81-66	FP-23502024	STD	Flanged, .950" port length
8	Liner w/o Sealing Rings	81-66	FP-23502021	STD	Flanged, 1.050" port length
8	Liner w/o Sealing Rings	81-66	FP-23504936	STD	Flanged, 1.050" port length
8	Liner w/o Sealing Rings	81-66	FP-5193733	10	Flanged, 1.050" port length
8	Liner w/o Sealing Rings	81-66	FP-5193734	20	Flanged, 1.050" port length
8	Liner w/o Sealing Rings	81-66	FP-5193735	30	Flanged, 1.050" port length
8	Cylinder Kit Complete	81-66	FP-23505305	STD	1.05" port length sleeve
8	Cylinder Kit Complete	81-66	FP-5149261	STD	1.05" port length sleeve
8	Cylinder Kit Complete	81-66	FP-5149263	10	1.05" port length sleeve
8	Cylinder Kit Complete	81-66	FP-5149264	20	1.05" port length sleeve
8	Cylinder Kit Complete	81-66	FP-2350530630	30	1.05" port length sleeve
8	Cylinder Kit Complete	81-66	FP-23522521	STD	1.050" port length sleeve
8	Cylinder Kit Complete	81-66	FP-23522947	STD	1.050" port length sleeve
8	Cylinder Kit Complete	81-66	FP-23522951	10	1.050" port length sleeve
8	Cylinder Kit Complete	81-66	FP-23522525	20	1.050" port length sleeve
8	Cylinder Kit Complete	81-66	FP-2352294930	30	1.050" port length sleeve
8	O-Ring	81-66	FP-8922221		
8	Cntr. Bore Insert	81-66	FP-5199871		.0015" Thicker than std., for .010-.030 O/S sleeves
8	Cntr. Bore Insert	81-66	FP-5148399		.0015" Thicker than std., for std.-.005 O/S sleeves
8	Cntr. Bore Insert	81-66	FP-CLR81008		.0030" Thicker than std., for .010-030 O/S sleeves
8	Cntr. Bore Insert	81-66	CLR-81-008 +		.0030" Thicker than std., for .010-030 O/S sleeves; When depleted use FP-CLR81008
8	Cntr. Bore Insert	81-66	FP-5193316		Std. thickness (.1795-.1800), for .010-.030 O/S sleeves
8	Cntr. Bore Insert	81-66	FP-5184484		Std. thickness (.1795-.1800), for std.-.005 O/S sleeves
QTY	PISTONS	YEARS	PART NO.	SIZE	DESCRIPTION
16	Piston Pin Retainer	81-66	FP-5188405		w/Trunk style pistons

(continued on next page)

+ Superseded Part Number

GMC Truck - M/D & H/D

H/D Truck 8V-71 (2-Valve Cyl. Head), 8V-71E (4-Valve Cyl. Head), 8V-71N (4-Valve Cyl. Head) Engs. (cont.)
 9.3L 568 OHV Diesel V8, 4.25" Bore (Detroit Diesel Eng.) 1966-81

CYLINDER COMPONENTS (cont.)

QTY	PISTONS (cont.)	YEARS	PART NO.	SIZE	DESCRIPTION
16	Piston Pin Retainer	81-66	FP-5180250		Cross Head pistons
8	Pin Bushing	81-66	FP-5157274		w/.015" extra ID bore stock
8	Pin Bushing	81-66	FP-2409Y		w/1.5020" I.D., 1.7510" O.D., .7600" O.A.L.
8	Pin Bushing	81-66	2409Y +		w/1.5020" I.D., 1.7510" O.D., .7600" O.A.L.; When depleted use FP-2409Y
QTY	CONNECTING RODS & BRGS.	YEARS	PART NO.	SIZE	DESCRIPTION
8	Rod Pair	81-66	FP-5149572	STD	
8	Rod Pair	81-66	FP-5149575	10	
8	Rod Pair	81-66	FP-5149577	20	
8	Rod Pair	81-66	FP-5149579	30	
QTY	PISTON RINGS	YEARS	PART NO.	SIZE	DESCRIPTION
8	Ring Set Single Cylinder	81-66	FP-23514970	STD	w/Trunk style piston; 4-.084, 2-3/16 (1 cyl. Set)
8	Premium Set	81-66	FP-9518KX	Std Only	w/Cross Head style piston; 1-.110, 2-.084, 2-3/16 (1 cyl. set)
8	Premium Set	81-66	9518KX +	Std Only	w/Cross Head style piston; 1-.110, 2-.084, 2-3/16 (1 cyl. set); When depleted use FP-9518KX
KITS					
QTY	OVERHAUL KIT	YEARS	PART NO.	SIZE	DESCRIPTION
1	In-Frame Overhaul Kit	81-66	FP-8V71XH		w/Cross Head style piston; Valve cover gsks. not incl.
1	In-Frame Overhaul Kit	81-66	FP-8V71NA		w/Trunk style piston & 1.050" Port Length Sleeve. Valve cover gskt. not incl.
1	Complete Overhaul Kit	81-66	FP-8V71XHOH		w/Cross Head style piston; Valve cover gsks. not incl.
1	Complete Overhaul Kit	81-66	FP-8V71NAOH		w/Trunk style piston & 1.050" Port Length Sleeve. Valve cover gskt. not incl.

H/D Truck 8V-71T (4-Valve Cyl. Head) Eng. 51
 9.3L 568 OHV Turbo-Diesel V8, 4.25" Bore (Detroit Diesel Eng.) 1979-83

CYL. HEAD & PARTS

QTY	GASKETS	YEARS	PART NO.	SIZE	DESCRIPTION
2	Valve Cover Gasket	83-79	FP-5104081		Engs. w/cast Alum. valve cover; Silicone
2	Valve Cover Gasket	83-79	FP-5143406		Engs. w/Steel valve cover; Neoprene
QTY	VALVE	YEARS	PART NO.	SIZE	DESCRIPTION
32	Exhaust	83-79	FP-5104280		30 deg. seat
32	Exhaust	83-79	FP-8922516		30 deg. seat; 30 deg. seat; 1.1800" Head Dia., .3103" Stem Dia., 5.5280" O.A.L.
64	Keeper	83-79	VK-144		1 groove; Square cut key groove
64	Keeper	83-79	VK-144R		1 groove; Square cut key groove; Hardened
QTY	VALVE SEAT	YEARS	PART NO.	SIZE	DESCRIPTION
32	Exh.	83-79	FP-5197170	30	.030" O/S; 1.2920" OD, .9770" ID, .2490" Depth
32	Exh.	83-79	FP-5101101	STD	30 Deg. seat; 1.2620" OD, .9770" ID, .2490" Depth
QTY	VALVE GUIDE	YEARS	PART NO.	SIZE	DESCRIPTION
32	Guide	83-79	FP-5129919		2 3/8" length; 2 3/8" length; .3130" ID, 2.3800" O.A.L.
QTY	VALVE SPRING	YEARS	PART NO.	SIZE	DESCRIPTION
32	Spring	83-79	FP-5147347		To Ser. No. 6V-8191; .148" Wire dia.
QTY	PUSH RODS	YEARS	PART NO.	SIZE	DESCRIPTION
16	Push Rod	83-79	FP-5128640		O.E. No. 5128640
QTY	VALVE SEAL	YEARS	PART NO.	SIZE	DESCRIPTION
32	Valve Stem Seal	83-79	FP-8921209		Use w/VG-647 guide
QTY	ROCKER PARTS	YEARS	PART NO.	SIZE	DESCRIPTION
8	Arm Assy.	83-79	FP-5148472		Exh. Left
8	Arm Assy.	83-79	FP-5148475		Exh. Right
8	Arm Assy.	83-79	FP-8923554		Injector
2	Rocker Shaft	83-79	FP-23500714		
24	Arm Support	83-79	FP-5103903		
16	Rocker Bushing	83-79	FP-23517217		.8755" ID, .9475" OD, .840" Length, .0360" Wall thickness
12	Follower Assy.	83-79	FP-8924439		
24	Cam Follower Roller Set	83-79	FP-8923814		Incl. pin & roller
16	Valve Bridge	83-79	FP-5117565		
16	Valve Bridge Guide	83-79	FP-5117564		Press fit

(continued on next page)

GMC Truck - M/D & H/D

51 H/D Truck 8V-71T (4-Valve Cyl. Head) Eng.
 (cont.) 9.3L 568 OHV Turbo-Diesel V8, 4.25" Bore (Detroit Diesel Eng.) 1979-83

CAMSHAFT GROUP					
QTY	CAMSHAFT/LIFTER	YEARS	PART NO.	SIZE	DESCRIPTION
1	Prelube	83-79	55-400		4 oz. bottle; 1.5 oz. packet No. 55-403 also avail.
ACCESSORY DRIVE					
QTY	ACCESSORY DRIVE	YEARS	PART NO.	SIZE	DESCRIPTION
1	Oil Seal	83-79	470625		
1	Redi-Sleeve	83-79	99150		
FUEL SYSTEM & PARTS					
QTY	FUEL INJECTION	YEARS	PART NO.	SIZE	DESCRIPTION
16	Injector Hole Tube Kit	83-79	FP-8925981		Viton®
COOLING SYSTEM					
QTY	WATER PUMP	YEARS	PART NO.	SIZE	DESCRIPTION
1	Water Pump - Heavy Duty	83-79	FP-23507971		Raw water pump
ENGINE BLOCK & PARTS					
QTY	GASKET SETS	YEARS	PART NO.	SIZE	DESCRIPTION
1	Complete Overhaul Gasket Set	83-79	FP-23512680WS		Includes Seals
QTY	CAM BEARINGS	YEARS	PART NO.	SIZE	DESCRIPTION
4	Cam Brg.	83-79	FP-5111423	STD	Position Front & Rear; Grooved
6	Cam Brg.	83-79	FP-5196026	STD	Position Inter.; w/o Steel bushing in ctr. hole; Aluminum Blocks only
6	Cam Brg.	83-79	FP-5196022	STD	Position Inter.; W/Steel bushing in ctr. hole
CRANKSHAFT/OIL PUMP					
QTY	SEALS - FRONT CRANK	YEARS	PART NO.	SIZE	DESCRIPTION
1	Redi-Sleeve	83-79	99287		Shaft dia. 2.876"
1	Oil Seal	83-79	FP-5115454		Single Lip, Std.
QTY	SEALS - REAR CRANK	YEARS	PART NO.	SIZE	DESCRIPTION
1	Oil Seal	83-79	FP-5114335		Single Lip, Std.; Shaft Dia. 4.687"
1	Redi-Sleeve	83-79	99468		
QTY	MAIN BEARINGS	YEARS	PART NO.	SIZE	DESCRIPTION
5	Plain Main Brg.	83-79	FP-5149565	STD	Upper brg. w/elongated oil slot. May also be used as replacement for brg. w/11/32" oil hole.
5	Plain Main Brg.	83-79	FP-5149566	2	Upper brg. w/elongated oil slot. May also be used as replacement for brg. w/11/32" oil hole.
5	Plain Main Brg.	83-79	FP-5149567	10	Upper brg. w/elongated oil slot. May also be used as replacement for brg. w/11/32" oil hole.
5	Plain Main Brg.	83-79	FP-5149568	20	Upper brg. w/elongated oil slot. May also be used as replacement for brg. w/11/32" oil hole.
5	Plain Main Brg.	83-79	FP-8922118	30	Upper brg. w/elongated oil slot. May also be used as replacement for brg. w/11/32" oil hole.
CYLINDER COMPONENTS					
QTY	LINERS	YEARS	PART NO.	SIZE	DESCRIPTION
8	Liner w/o Sealing Rings	83-79	FP-23502024	STD	Flanged, .950" port length
8	Liner w/o Sealing Rings	83-79	FP-23502021	STD	Flanged, 1.050" port length
8	Liner w/o Sealing Rings	83-79	FP-23504936	STD	Flanged, 1.050" port length
8	Liner w/o Sealing Rings	83-79	FP-5193733	10	Flanged, 1.050" port length
8	Liner w/o Sealing Rings	83-79	FP-5193734	20	Flanged, 1.050" port length
8	Liner w/o Sealing Rings	83-79	FP-5193735	30	Flanged, 1.050" port length
8	Cylinder Kit Complete	83-79	FP-23505305	STD	1.05" port length sleeve
8	Cylinder Kit Complete	83-79	FP-5149261	STD	1.05" port length sleeve
8	Cylinder Kit Complete	83-79	FP-5149263	10	1.05" port length sleeve
8	Cylinder Kit Complete	83-79	FP-5149264	20	1.05" port length sleeve
8	Cylinder Kit Complete	83-79	FP-2350530630	30	1.05" port length sleeve
8	Cylinder Kit Complete	83-79	FP-23522521	STD	1.050" port length sleeve
8	Cylinder Kit Complete	83-79	FP-23522947	STD	1.050" port length sleeve
8	Cylinder Kit Complete	83-79	FP-23522951	10	1.050" port length sleeve
8	Cylinder Kit Complete	83-79	FP-23522525	20	1.050" port length sleeve
8	Cylinder Kit Complete	83-79	FP-2352294930	30	1.050" port length sleeve
8	O-Ring	83-79	FP-8922221		
8	Cntr. Bore Insert	83-79	FP-5199871		.0015" Thicker than std., for .010-.030 O/S sleeves
8	Cntr. Bore Insert	83-79	FP-5148399		.0015" Thicker than std., for std.-.005 O/S sleeves
8	Cntr. Bore Insert	83-79	FP-CLR81008		.0030" Thicker than std., for .010-030 O/S sleeves
8	Cntr. Bore Insert	83-79	CLR-81-008 +		.0030" Thicker than std., for .010-030 O/S sleeves; When depleted use FP-CLR81008
8	Cntr. Bore Insert	83-79	FP-5193316		Std. thickness (.1795-.1800), for .010-.030 O/S sleeves

(continued on next page)

GMC Truck - M/D & H/D

H/D Truck 8V-71T (4-Valve Cyl. Head) Eng. 51
9.3L 568 OHV Turbo-Diesel V8, 4.25" Bore (Detroit Diesel Eng.) 1979-83 (cont.)

CYLINDER COMPONENTS (cont.)

QTY	LINERS (cont.)	YEARS	PART NO.	SIZE	DESCRIPTION
8	Cntr. Bore Insert	83-79	FP-5184484		Std. thickness (.1795-.1800), for std.-.005 O/S sleeves
QTY	PISTONS	YEARS	PART NO.	SIZE	DESCRIPTION
16	Piston Pin Retainer	83-79	FP-5188405		w/Trunk style pistons
16	Piston Pin Retainer	83-79	FP-5180250		Cross Head pistons
8	Pin Bushing	83-79	FP-5157274		w/.015" extra ID bore stock
8	Pin Bushing	83-79	FP-2409Y		w/1.5020" I.D., 1.7510" O.D., .7600" O.A.L.
8	Pin Bushing	83-79	2409Y +		w/1.5020" I.D., 1.7510" O.D., .7600" O.A.L.; When depleted use FP-2409Y
QTY	CONNECTING RODS & BRGS.	YEARS	PART NO.	SIZE	DESCRIPTION
8	Rod Pair	83-79	FP-5149572	STD	
8	Rod Pair	83-79	FP-5149575	10	
8	Rod Pair	83-79	FP-5149577	20	
8	Rod Pair	83-79	FP-5149579	30	
QTY	PISTON RINGS	YEARS	PART NO.	SIZE	DESCRIPTION
8	Ring Set Single Cylinder	83-79	FP-23514970	STD	w/Trunk style piston; 4-.084, 2-3/16 (1 cyl. Set)
8	Premium Set	83-79	FP-9518KX	Std Only	w/Cross Head style piston; 1-.110, 2-.084, 2-3/16 (1 cyl. set)
8	Premium Set	83-79	9518KX +	Std Only	w/Cross Head style piston; 1-.110, 2-.084, 2-3/16 (1 cyl. set); When depleted use FP-9518KX
KITS					
QTY	OVERHAUL KIT	YEARS	PART NO.	SIZE	DESCRIPTION
1	In-Frame Overhaul Kit	83-79	FP-8V71XH		w/Cross Head style piston; Valve cover gskts. not incl.
1	In-Frame Overhaul Kit	83-79	FP-8V71NA		w/Trunk style piston & 1.050" Port Length Sleeve. Valve cover gskt. not incl.
1	Complete Overhaul Kit	83-79	FP-8V71XHOH		w/Cross Head style piston; Valve cover gskts. not incl.
1	Complete Overhaul Kit	83-79	FP-8V71NAOH		w/Trunk style piston & 1.050" Port Length Sleeve. Valve cover gskt. not incl.

H/D Truck 52
10.0L 611 OHV Turbo-Diesel L6, 125mm Bore (Cummins Eng.) 1983-88

CYL. HEAD & PARTS

QTY	GASKETS	YEARS	PART NO.	SIZE	DESCRIPTION
1	Valve Cover Gasket	88-83	FP-3883220		
1	Head Gasket	88-83	FP-4022500		
1	Head Set	88-83	FP-4025155		Upper
QTY	MISCELLANEOUS	YEARS	PART NO.	SIZE	DESCRIPTION
3	Bolt	88-83	FP-4022907		L10; 14MM X 1.50MM X 70MM
QTY	VALVE	YEARS	PART NO.	SIZE	DESCRIPTION
12	Exhaust Valve Kit	88-83	FP-3803996		Incl. FP-3417713 valve & (2) FP-3275354 keepers; 1.6730" Head Dia., .3789" Stem Dia., 6.940" O.A.L.
12	Exhaust Valve Kit	88-83	FP-3800639		Incl. FP-3418021 valve & (2) FP-3275354 keepers
12	Exhaust Valve Kit	88-83	FP-3803995		Incl. FP-3895477 valve & (2) FP-3275354 keepers
12	Intake Valve Kit	88-83	FP-3801356		Incl. FP-3033234 valve & (2) FP-3275354 keepers
12	Intake Valve Kit	88-83	FP-3800638		Incl. FP-3418020 valve & (2) FP-3275354 keepers;
QTY	VALVE SEAT	YEARS	PART NO.	SIZE	DESCRIPTION
24	Exh. & Int.	88-83	FP-3418040	STD	1.8120" OD, 1.4500" ID, .1970" Depth
24	Exh. & Int.	88-83	FP-3418044	.25MM	1.8220" OD, 1.4500" ID, .1970" Depth
24	Exh. & Int.	88-83	FP-3418045	.50MM	1.8320" OD, 1.4500" ID, .1970" Depth
24	Exh. & Int.	88-83	FP-3418046	.75MM	1.8420" OD, 1.4500" ID, .1970" Depth
24	Exh. & Int.	88-83	FP-3418047	1.00MM	1.8520" OD, 1.4500" ID, .1970" Depth
QTY	VALVE GUIDE	YEARS	PART NO.	SIZE	DESCRIPTION
24	Guide	88-83	FP-3033314		Exh. & Int.
24	Guide	88-83	FP-3328785		Exh. & Int.; w/Short Guide; .3819" ID, 2.6330" O.A.L.
24	Guide	88-83	FP-3033230		Exh. & Int.; Valve Spring Guide
QTY	VALVE SPRING	YEARS	PART NO.	SIZE	DESCRIPTION
24	Spring	88-83	FP-3895860		Valve Spring Assy.; 4.0670" Free Height
24	Spring	88-83	FP-3033233		Inner
24	Spring	88-83	FP-3033232		Outer
24	Retainer	88-83	FP-3883512		Exh. & Int.
QTY	VALVE SEAL	YEARS	PART NO.	SIZE	DESCRIPTION
24	Valve Stem Seal	88-83	FP-3328781		Exh. & Int.
QTY	ROCKER PARTS	YEARS	PART NO.	SIZE	DESCRIPTION
12	Cam Follower Roller	88-83	FP-3895488		
6	Injector Cam Roller	88-83	FP-3895487		

(continued on next page)
+ Superseded Part Number

GMC Truck - M/D & H/D

52 H/D Truck

(cont.) 10.0L 611 OHV Turbo-Diesel L6, 125mm Bore (Cummins Eng.) 1983-88

CYL. HEAD & PARTS (cont.)

QTY	ROCKER PARTS (cont.)	YEARS	PART NO.	SIZE	DESCRIPTION
12	Valve Roller Pin	88-83	FP-3335342		
6	Fuel Injector Roller Pin	88-83	FP-3335341		

INT & EXH MANIFOLDS

QTY	INT. & EXH. MANIFOLDS	YEARS	PART NO.	SIZE	DESCRIPTION
6	Exhaust Manifold Gasket	88-83	FP-3328948		

CAMSHAFT GROUP

QTY	CAMSHAFT/LIFTER	YEARS	PART NO.	SIZE	DESCRIPTION
1	Camshaft	88-83	FP-3036117		L10; CPL's 528, 638, 703, 704, 717, 770, 773, 774, 775, 776, 777, 784, 785, 786, 881, 882, 894, 919, 921, 958, 1198, 1234, 1198, 1359, 1414, 1454, 1459, 1660, 1674, 1687, 1695, 1696, 1699, 1849.; Bare
1	Camshaft	88-83	FP-3037523		L10; CPL's 652, 655, 671, 735, 748, 751, 764, 765, 780, 781, 783, 787, 788, 789, 790, 835, 836, 894, 978, 995, 1208, 1429, 1443.; Bare

ACCESSORY DRIVE

QTY	ACCESSORY DRIVE	YEARS	PART NO.	SIZE	DESCRIPTION
1	Oil Seal	88-83	39875		
1	Redi-Sleeve	88-83	99147		

FUEL SYSTEM & PARTS

QTY	FUEL INJECTION	YEARS	PART NO.	SIZE	DESCRIPTION
6	Fuel Injector Sleeve	88-83	FP-3070486		L10; Thin
12	Fuel Injector Sleeve	88-83	FP-3070486		Thin
6	Screw	88-83	FP-3018772		L10; PTD Top Stop
6	Screw	88-83	FP-3055742		L10; PTD Top Stop
6	Fuel Injector	88-83	FP-3045102		L10; PTD
6	Fuel Injector Repair Parts	88-83	FP-167157		L10; Check Ball
6	Fuel Injector Valve Spring	88-83	FP-166009		L10
6	Retainer, Fuel Inj. Spring	88-83	FP-3049995		L10; PTD Top Stop
6	Fuel Inj. Plunger & Barrel	88-83	FP-3049996		L10; PTD Top Stop
6	Fuel Inj. Plunger & Barrel	88-83	FP-3069718		L10; STC
1	Fuel Injector Adapter	88-83	FP-3028066		L10; PTD Top Stop
1	Fuel Injector Cup	88-83	FP-3069717		L10; orifice number 8; orifice size 0.007; 14 Deg. spray angle
1	Fuel Injector Cup	88-83	FP-3071564		L10; orifice number 8; orifice size 0.067; 14 Deg. spray angle
1	Fuel Injector Cup	88-83	FP-3028068		L10; orifice number 9; orifice size 0.007; 10 Deg. spray angle
6	Lock Nut	88-83	FP-3009362		L10; PTD Top Stop
6	Fuel Injector Screen	88-83	FP-3008706		L10
6	Fuel Injector Roller Pin	88-83	FP-203426		L10
6	Fuel Injector Retainer	88-83	FP-185138		L10; PTD Top Stop Injector

QTY	FUEL FILTERS & PUMP	YEARS	PART NO.	SIZE	DESCRIPTION
1	Fuel Pump Valve	88-83	FP-3050624		L10
1	Fuel Pump Valve	88-83	FP-3035342		L10; Shutdown; 12V
1	Fuel Pump Valve	88-83	FP-3035344		L10; Shutdown; 24V
2	Fuel Pump Gear	88-83	FP-119364		L10; 1 1/4"
2	Fuel Pump Gear	88-83	FP-119363		L10; 3/4"
1	Fuel Pump Drive Shaft	88-83	FP-3000266		L10; Fuel Shutoff Valve
1	Fuel Pump Drive Shaft	88-83	FP-212601		L10; Main Shaft; AFC
1	Fuel Pump Drive Shaft	88-83	FP-100215		L10; 3/4"; Drive, Splined
1	Fuel Pump Check Valve	88-83	FP-3030970		L10; Fuel Shutoff Valve
1	Ball Brg.	88-83	FP-S16052		L10; Fuel Pump Front Cover
1	Bushing	88-83	FP-163944		L10; Fuel Pump
1	Fuel Pump Spider Jaw Coupling	88-83	FP-3046200		L10
1	Fuel Pump Check Valve	88-83	FP-3033740		L10
1	Air Fuel Control Check Valve	88-83	FP-3015522		L10

COOLING SYSTEM

QTY	WATER PUMP	YEARS	PART NO.	SIZE	DESCRIPTION
1	Water Pump - Heavy Duty	88-83	FP-3803403		L10; 3 Hole Mount
1	Water Pump - Heavy Duty	88-83	FP-3803402		L10; 4 Hole Mount
1	Water Pump Shaft	88-83	FP-3040964		L10; For FP-3803402 Pump
1	Water Pump Shaft	88-83	FP-3819632		L10; For FP-3803403 Pump; 4.216" Long
1	Water Pump Impeller	88-83	FP-3035679		L10
1	Water Pump Repair/Rebuild Kit	88-83	FP-4024817		L10; 3 Hole Mount
1	Water Pump Repair/Rebuild Kit	88-83	FP-3801179		L10; 4 Hole Mount
1	Water Pump Retainer Ring	88-83	FP-3064634		L10
1	Water Pump Mech. Shaft Seal	88-83	FP-3029099		L10

(continued on next page)

GMC Truck - M/D & H/D

H/D Truck **52**
10.0L 611 OHV Turbo-Diesel L6, 125mm Bore (Cummins Eng.) 1983-88 (cont.)

COOLING SYSTEM (cont.)					
QTY	WATER PUMP (cont.)	YEARS	PART NO.	SIZE	DESCRIPTION
1	Ball Brg.	88-83	FP-S16002		L10
1	Ball Brg.	88-83	FP-S16054		L10
1	Oil Seal	88-83	39867		
1	Oil Seal	88-83	39869		PUMP SIDE
1	Redi-Sleeve	88-83	99098		
1	Redi-Sleeve	88-83	99111		PUMP SIDE
1	Snap Ring	88-83	FP-112302		L10
1	Water Pump Idler Assembly	88-83	FP-3062602		L10
1	Water Pump Lock Ring	88-83	FP-160586		L10
SEALS - FAN HUB					
1	Oil Seal	88-83	39835		INNER
1	Oil Seal	88-83	39877		OUTER
1	Redi-Sleeve	88-83	99181		INNER
THERMOSTAT					
1	Oil Seal	88-83	39821		
ENGINE BLOCK & PARTS					
GASKETS					
1	Oil Pan Gasket Set	88-83	FP-3882433PS		Incl. narrow flange pan gasket, with washers and seal rings.
3	Hand Hole Gasket	88-83	FP-3883472		
1	Seal Strip	88-83	FP-4920751		Front Gear Cover
GASKET SETS					
1	Gasket Conversion Set	88-83	FP-3803404		Lower
CAM BEARINGS					
1	Cam Set	88-83	FP-3820566S		
FREEZE PLUGS					
2	Pipe Plug	88-83	FP-3002158		L10
DIPSTICK					
1	Dipstick	88-83	FP-216484		L10; 90" Long; Blank Universal
MISCELLANEOUS					
38	Bolt	88-83	FP-4070463		L10; Short, Gear Cover; 8MM X 1.25MM x 12MM
2	Pipe Plug	88-83	FP-3002158		L10
CRANKSHAFT/OIL PUMP					
CRANKSHAFT					
1	Crankshaft	88-83	FP-3819989		5 Hole, Internal Dampner Only
SEALS - FRONT CRANK					
1	Oil Seal	88-83	FP-3803896		Front
1	Oil Seal Kit	88-83	FP-4089995		Front Gear Cover Seal Kit; Incl. Seal Strip, Cover Bolts
1	Oil Seal Kit	88-83	FP-4025151 +		Front Gear Cover Seal Kit; Incl. Seal Strip, Cover Bolts; When depleted use FP-4089995
1	Redi-Sleeve	88-83	FP-3820917		Front
SEALS - REAR CRANK					
1	Oil Seal Kit	88-83	FP-3800643		Rear; Dry
1	Redi-Sleeve	88-83	FP-3819774		Rear
MAIN BEARINGS					
1	Main Set	88-83	FP-4025125	STD	For engines w/roll pin design thrust washers
1	Main Set	88-83	FP-4025126	10	For engines w/roll pin design thrust washers
1	Main Set	88-83	FP-4025127	20	For engines w/roll pin design thrust washers
1	Main Set	88-83	FP-4025128	30	For engines w/roll pin design thrust washers
1	Thrust Washer Set	88-83	FP-3161653S		
OIL PUMP					
2	Oil Drain Plug	88-83	FP-3055069		1" - 18 UNS
2	Washer	88-83	FP-67946		Oil Drain Plug Gasket; 1.03125" ID
CYLINDER COMPONENTS					
LINERS					
6	Liner w/o Sealing Rings	88-83	FP-3080760		
6	Liner w/Sealing Rings	88-83	FP-3803703		
6	Cylinder Kit Complete	88-83	FP-3800800	STD	17.0:1 C.R.
6	Cylinder Kit Complete	88-83	FP-3803974	STD	18.1:1 C.R.
6	Sealing Ring, Liner	88-83	FP-3047188		
PISTONS					
6	Piston Body w/o Pin	88-83	FP-3055622		17.0:1 C.R.
6	Piston Body w/o Pin	88-83	FP-3045907		18.1:1 C.R.

(continued on next page)

+ Superseded Part Number

GMC Truck - M/D & H/D

52 H/D Truck

(cont.) 10.0L 611 OHV Turbo-Diesel L6, 125mm Bore (Cummins Eng.) 1983-88

CYLINDER COMPONENTS (cont.)

QTY	PISTONS (cont.)	YEARS	PART NO.	SIZE	DESCRIPTION
6	Pin	88-83	FP-4083243		
12	Piston Pin Retainer	88-83	FP-3016652		
6	Piston Cooling Nozzle	88-83	FP-3803495		
6	Pin Bushing	88-83	FP-3027105		
QTY	CONNECTING RODS & BRGS.	YEARS	PART NO.	SIZE	DESCRIPTION
12	Con. Rod Bolt	88-83	FP-3027108		
1	Rod Set	88-83	FP-63016760PR	STD	
1	Rod Set	88-83	FP-63016761PR	.25MM	
6	Rod Pair	88-83	FP-3016760PR	STD	
6	Rod Pair	88-83	FP-3016761PR	.25MM	
12	Rod Bearing Half Upper/Lower	88-83	FP-3016760	STD	
12	Rod Bearing Half Upper/Lower	88-83	FP-3016761	10	
12	Rod Bearing Half Upper/Lower	88-83	FP-3016762	20	
12	Rod Bearing Half Upper/Lower	88-83	FP-3016763	30	
QTY	PISTON RINGS	YEARS	PART NO.	SIZE	DESCRIPTION
6	Ring Set Single Cylinder	88-83	FP-3803961	STD	Includes Top Ring, Comp Ring, Oil Ring
KITS					
QTY	OVERHAUL KIT	YEARS	PART NO.	SIZE	DESCRIPTION
1	In-Frame Overhaul Kit	88-83	FP-L10PREM		LTA10; For engines w/outer dia. tab thrust washers; Premium; With Upper Gasket Set & Pan Gasket
1	In-Frame Overhaul Kit	88-83	FP-L10PREM		LT10; For engines w/outer dia. tab thrust washers; Premium; With Upper Gasket Set & Pan Gasket
1	In-Frame Overhaul Kit	88-83	FP-L10PREM		L10; For engines w/outer dia. tab thrust washers; Premium; With Upper Gasket Set & Pan Gasket
1	Complete Overhaul Kit	88-83	FP-L10PREMOH		L10; For engines w/outer dia. tab thrust washers; Premium; With Front & Rear Seals and Upper & Lower Gasket Sets

53 H/D Truck 3208, 3208N Engs.

10.4L 636 OHV Diesel V8, 4.5" Bore (Caterpillar Eng.) 1975-89

CYL. HEAD & PARTS

QTY	GASKETS	YEARS	PART NO.	SIZE	DESCRIPTION
1	Multiple Cyl. Head Gskt. Set	89-75	FP-PGE0053		3208, 3208N Engs.
QTY	VALVE	YEARS	PART NO.	SIZE	DESCRIPTION
8	Intake	89-75	FP-9L7682		2.0900" Head Dia., 5.7000" O.A.L.
8	Exhaust	89-75	FP-9L7683		1.8000" Head Dia., 5.6800" O.A.L.
32	Keeper	89-75	FP-2A4429		Exh. & Int.
QTY	VALVE SEAT	YEARS	PART NO.	SIZE	DESCRIPTION
8	Exh.	89-75	FP-9N2837		
8	Int.	89-75	FP-2N8943		
QTY	VALVE GUIDE	YEARS	PART NO.	SIZE	DESCRIPTION
16	Guide	89-75	FP-6I2864		Exh. & Int.; .3740" ID, 2.5500" O.A.L.
QTY	VALVE SPRING	YEARS	PART NO.	SIZE	DESCRIPTION
16	Spring	89-75	FP-9N3617		Exh. & Int.

CAMSHAFT GROUP

QTY	CAMSHAFT/LIFTER	YEARS	PART NO.	SIZE	DESCRIPTION
1	Camshaft	89-75	FP-2W4197		Prev. Part No. FP-7C6950
16	Lifter	89-75	FP-9N5786		Dumbbell shaped mech.

FUEL SYSTEM & PARTS

QTY	FUEL INJECTION	YEARS	PART NO.	SIZE	DESCRIPTION
8	Fuel Injector Nozzle	89-75	FP-9N3299		3208, 3208N Engs. From Ser. No. 40S1 & up
16	Fuel Inj. Plunger & Barrel	89-75	FP-1W3010		3208, 3208N Engs.

COOLING SYSTEM

QTY	WATER PUMP	YEARS	PART NO.	SIZE	DESCRIPTION
1	Water Pump - Heavy Duty	89-75	FP-2W1225		3208, 3208N Engs.
1	Water Pump Impeller	89-75	FP-2W3535		3208, 3208N Engs.
1	Water Pump Repair/Rebuild Kit	89-75	FP-6V6894		3208, 3208N Engs.; Incl. gaskets, shaft, bearing & seal assy.
1	Water Pump Mech. Shaft Seal	89-75	FP-2W0712		3208, 3208N Engs.
2	Ball Brg.	89-75	FP-5P7807		Water pump shaft bearing; 3208, 3208N Engs.
QTY	THERMOSTAT	YEARS	PART NO.	SIZE	DESCRIPTION
1	Thermostat	89-75	FP-2485513		3208, 3208N Engs.; w/1 Thermostat; 180 Degree

(continued on next page)

GMC Truck - M/D & H/D

H/D Truck 3208, 3208N Engs. 53
10.4L 636 OHV Diesel V8, 4.5" Bore (Caterpillar Eng.) 1975-89 (cont.)

COOLING SYSTEM (cont.)					
QTY	THERMOSTAT (cont.)	YEARS	PART NO.	SIZE	DESCRIPTION
2	Thermostat	89-75	FP-9N5121		3208, 3208N Engs.; w/2 Thermostats; 180 Degree
ENGINE BLOCK & PARTS					
QTY	GASKETS	YEARS	PART NO.	SIZE	DESCRIPTION
1	Oil Pan Gasket Set	89-75	FP-3208PS		3208, 3208N Engs.
QTY	GASKET SETS	YEARS	PART NO.	SIZE	DESCRIPTION
1	In-Frame Gasket Set	89-75	FP-PGE0054		3208, 3208N Engs.
1	Complete Overhaul Gasket Set	89-75	FP-PGE0051		3208, 3208N Engs.
QTY	CAM BEARINGS	YEARS	PART NO.	SIZE	DESCRIPTION
1	Cam Set	89-75	FP-9N5246S		
CRANKSHAFT/OIL PUMP					
QTY	SEALS - FRONT CRANK	YEARS	PART NO.	SIZE	DESCRIPTION
1	Wear Sleeve	89-75	FP-9L8336		
QTY	SEALS - REAR CRANK	YEARS	PART NO.	SIZE	DESCRIPTION
1	Oil Seal	89-75	FP-7C6660		Front; 3208, 3208N Engs.
1	Oil Seal	89-75	FP-7W3200		Rear; 3208, 3208N Engs.
1	Redi-Sleeve	89-75	99499		
QTY	MAIN BEARINGS	YEARS	PART NO.	SIZE	DESCRIPTION
1	Main Set	89-75	5089M +	Std-10-20-30	Engs. From Ser. No. 40S1 & up, 75V1447 & up, 90N6121 & up, w/grooved No. 1 housing & non-grooved front brg.; When depleted use FP-9Y6202
1	Main Set	89-75	FP-9Y6202	STD	Engs. From Ser. No. 40S1 & up, 75V1447 & up, 90N6121 & up, w/grooved No. 1 housing & non-grooved front brg.
1	Main Set	89-75	FP-4W8001DM	10	Engs. From Ser. No. 40S1 & up, 75V1447 & up, 90N6121 & up, w/grooved No. 1 housing & non-grooved front brg.
1	Main Set	89-75	FP-4W8020DM	20	Engs. From Ser. No. 40S1 & up, 75V1447 & up, 90N6121 & up, w/grooved No. 1 housing & non-grooved front brg.
1	Main Set	89-75	FP-4W8030DM	30	Engs. From Ser. No. 40S1 & up, 75V1447 & up, 90N6121 & up, w/grooved No. 1 housing & non-grooved front brg.
1	Main Set	89-75	FP-5034M	Std-10-20-30	W/Crankshaft Frg. Nos. 9L-9230, 9L-9231 & 9L-9232 & 1.253" length on No. 4 brg.
1	Main Set	89-75	5034M +	Std-10-20-30	W/Crankshaft Frg. Nos. 9L-9230, 9L-9231 & 9L-9232 & 1.253" length on No. 4 brg.; When depleted use FP-5034M
1	Main Set	89-75	FP-5101M	Std-10	W/Grooved front brg.; Engs. From Ser. No. 40S1 & up, 75V1447 & up & 90N6121 & up
1	Main Set	89-75	5101M +	Std-10	W/Grooved front brg.; Engs. From Ser. No. 40S1 & up, 75V1447 & up & 90N6121 & up; When depleted use FP-5101M
CYLINDER COMPONENTS					
QTY	PISTONS	YEARS	PART NO.	SIZE	DESCRIPTION
8	Piston Body w/o Pin	89-75	FP-9L77373R	STD	For all rods; 3208, 3208N Engs.; w/3-Ring pistons
8	Piston Body w/o Pin	89-75	FP-9L78273R	20	For all rods; 3208, 3208N Engs.; w/3-Ring pistons
8	Piston Body w/o Pin	89-75	FP-9L78283R	40	For all rods; 3208, 3208N Engs.; w/3-Ring pistons
8	Piston Body w/o Pin	89-75	FP-9L7737	STD	Straight Rod only; 3208, 3208N Engs.; 16.5:1 C.R.
8	Piston Body w/o Pin	89-75	FP-9L7827	20	Straight Rod only; 3208, 3208N Engs.; 16.5:1 C.R.
8	Piston Body w/o Pin	89-75	FP-9L7828	40	Straight Rod only; 3208, 3208N Engs.; 16.5:1 C.R.
8	Piston Body w/o Pin	89-75	FP-2W84123R	STD	Tapered Rod only; 3208 Eng.; From Ser. No. 40S1 & up, 3241 & up, 51Z1 & up; w/3-Ring pistons; 18.2:1 C.R.
8	Piston Body w/o Pin	89-75	FP-2W84143R	20	Tapered Rod only; 3208 Eng.; From Ser. No. 40S1 & up, 3241 & up, 51Z1 & up; w/3-Ring pistons; 18.2:1 C.R.
8	Piston Body w/o Pin	89-75	FP-2W84153R	40	Tapered Rod only; 3208 Eng.; From Ser. No. 40S1 & up, 3241 & up, 51Z1 & up; w/3-Ring pistons; 18.2:1 C.R.
8	Piston Body w/o Pin	89-75	FP-2W4831	STD	Tapered Rod only; 3208 Eng.; From Ser. No. 40S1 & up, 3241 & up, 51Z1 & up; 16.5:1 C.R.
8	Piston Body w/o Pin	89-75	FP-2W8410	20	Tapered Rod only; 3208 Eng.; From Ser. No. 40S1 & up, 3241 & up, 51Z1 & up; 16.5:1 C.R.
8	Piston Body w/o Pin	89-75	FP-2W483130	30	Tapered Rod only; 3208 Eng.; From Ser. No. 40S1 & up, 3241 & up, 51Z1 & up; 16.5:1 C.R.
8	Piston Body w/o Pin	89-75	FP-2W8411	40	Tapered Rod only; 3208 Eng.; From Ser. No. 40S1 & up, 3241 & up, 51Z1 & up; 16.5:1 C.R.
8	Piston Body w/o Pin	89-75	FP-2W8412	STD	Tapered Rod only; 3208 Eng.; From Ser. No. 40S1 & up, 3241 & up, 51Z1 & up; 18.2:1 C.R.
8	Piston Body w/o Pin	89-75	FP-2W8414	20	Tapered Rod only; 3208 Eng.; From Ser. No. 40S1 & up, 3241 & up, 51Z1 & up; 18.2:1 C.R.
8	Piston Body w/o Pin	89-75	FP-2W8415	40	Tapered Rod only; 3208 Eng.; From Ser. No. 40S1 & up, 3241 & up, 51Z1 & up; 18.2:1 C.R.
8	Piston w/Pin, Retainer, Rings	89-75	FP-PK77373R	STD	For all rods; 3208, 3208N Engs.; w/3-Ring pistons
8	Piston w/Pin, Retainer, Rings	89-75	FP-PK78273R	20	For all rods; 3208, 3208N Engs.; w/3-Ring pistons

(continued on next page)

+ Superseded Part Number

GMC Truck - M/D & H/D

53 H/D Truck 3208, 3208N Engs.
 (cont.) 10.4L 636 OHV Diesel V8, 4.5" Bore (Caterpillar Eng.) 1975-89

CYLINDER COMPONENTS (cont.)

QTY	PISTONS (cont.)	YEARS	PART NO.	SIZE	DESCRIPTION
8	Piston w/Pin, Retainer, Rings	89-75	FP-PK78283R	40	For all rods; 3208, 3208N Engs.; w/3-Ring pistons
8	Piston w/Pin, Retainer, Rings	89-75	FP-PK7737	STD	Straight Rod only; 3208, 3208N Engs.; 16.5:1 C.R.
8	Piston w/Pin, Retainer, Rings	89-75	FP-PK7827	20	Straight Rod only; 3208, 3208N Engs.; 16.5:1 C.R.
8	Piston w/Pin, Retainer, Rings	89-75	FP-PK7828	40	Straight Rod only; 3208, 3208N Engs.; 16.5:1 C.R.
8	Piston w/Pin, Retainer, Rings	89-75	FP-PK84123R	STD	Tapered Rod only; 3208 Eng.; From Ser. No. 40S1 & up, 3241 & up, 51Z1 & up; w/3-Ring pistons; 18.2:1 C.R.
8	Piston w/Pin, Retainer, Rings	89-75	FP-PK84143R	20	Tapered Rod only; 3208 Eng.; From Ser. No. 40S1 & up, 3241 & up, 51Z1 & up; w/3-Ring pistons; 18.2:1 C.R.
8	Piston w/Pin, Retainer, Rings	89-75	FP-PK84153R	40	Tapered Rod only; 3208 Eng.; From Ser. No. 40S1 & up, 3241 & up, 51Z1 & up; w/3-Ring pistons; 18.2:1 C.R.
8	Piston w/Pin, Retainer, Rings	89-75	FP-PK4831	STD	Tapered Rod only; 3208 Eng.; From Ser. No. 40S1 & up, 3241 & up, 51Z1 & up; 16.5:1 C.R.
8	Piston w/Pin, Retainer, Rings	89-75	FP-PK8410	20	Tapered Rod only; 3208 Eng.; From Ser. No. 40S1 & up, 3241 & up, 51Z1 & up; 16.5:1 C.R.
8	Piston w/Pin, Retainer, Rings	89-75	FP-PK8411	40	Tapered Rod only; 3208 Eng.; From Ser. No. 40S1 & up, 3241 & up, 51Z1 & up; 16.5:1 C.R.
8	Piston w/Pin, Retainer, Rings	89-75	FP-PK8412	STD	Tapered Rod only; 3208 Eng.; From Ser. No. 40S1 & up, 3241 & up, 51Z1 & up; 18.2:1 C.R.
8	Piston w/Pin, Retainer, Rings	89-75	FP-PK8414	20	Tapered Rod only; 3208 Eng.; From Ser. No. 40S1 & up, 3241 & up, 51Z1 & up; 18.2:1 C.R.
8	Piston w/Pin, Retainer, Rings	89-75	FP-PK8415	40	Tapered Rod only; 3208 Eng.; From Ser. No. 40S1 & up, 3241 & up, 51Z1 & up; 18.2:1 C.R.
8	Pin	89-75	FP-7N9803	STD	
16	Piston Pin Retainer	89-75	FP-8N7294		
8	Pin Bushing	79-75	FP-8N0701		Engs. From Ser. No. 40S1 & up, 75V1447 & up, 90N6121 & up
8	Pin Bushing	79-75	FP-9N5082		Tapered bushing; O.E. Nos. 9N-5082 & 9N-5082X
CONNECTING RODS & BRGS.					
16	Con. Rod Bolt	89-75	FP-9N3832		3208, 3208N Engs.
16	Con. Rod Nut	89-75	FP-9L7669		3208, 3208N Engs.
8	Rod Pair	89-75	FP-7E7894	STD	Engs. From Ser. No. 40S1 & up, 75V1447 & up, 90N6121 & up
8	Rod Pair	89-75	FP-9N5920	10	Engs. From Ser. No. 40S1 & up, 75V1447 & up, 90N6121 & up
8	Rod Pair	89-75	FP-9N5921	20	Engs. From Ser. No. 40S1 & up, 75V1447 & up, 90N6121 & up
8	Rod Pair	89-75	FP-7E789430	30	Engs. From Ser. No. 40S1 & up, 75V1447 & up, 90N6121 & up
8	Rod Pair	89-75	FP-7E789430	30	Engs. From Ser. No. 40S1 & up, 75V1447 & up, 90N6121 & up
8	Connecting Rod, New	89-75	FP-9N0407		Straight Rod; 3208, 3208N Engs.; Casting No. 9N0406
8	Connecting Rod, New	89-75	FP-7E4728		Tapered Rod; 3208, 3208N Engs.; Casting No. W2258
PISTON RINGS					
8	Ring Set Single Cylinder	89-75	FP-2W826510	10	Exc. 3-Ring pistons; Check piston grooving before supplying ring set
8	Ring Set Single Cylinder	89-75	FP-2W826530	30	Exc. 3-Ring pistons; Check piston grooving before supplying ring set
8	Ring Set Single Cylinder	89-75	FP-2W8265	STD	Exc. 3-Ring pistons; Check piston grooving before supplying ring set; 1-1/8, 1-7/64
8	Ring Set Single Cylinder	89-75	FP-2W8646	20	Exc. 3-Ring pistons; Check piston grooving before supplying ring set; 1-1/8, 1-7/64
8	Ring Set Single Cylinder	89-75	FP-2W8647	40	Exc. 3-Ring pistons; Check piston grooving before supplying ring set; 1-1/8, 1-7/64
8	Ring Set Single Cylinder	89-75	FP-2W82653R	STD	For 3-Ring pistons; Check piston grooving before supplying ring set
8	Ring Set Single Cylinder	89-75	FP-2W86463R	20	For 3-Ring pistons; Check piston grooving before supplying ring set
8	Ring Set Single Cylinder	89-75	FP-2W86473R	40	For 3-Ring pistons; Check piston grooving before supplying ring set
1	Premium Set	89-75	FP-2W8265S	STD	Exc. 3-Ring pistons; Check piston grooving before supplying ring set; 1-1/8, 1-7/64
1	Premium Set	89-75	FP-2W8265S10	10	Exc. 3-Ring pistons; Check piston grooving before supplying ring set; 1-1/8, 1-7/64
1	Premium Set	89-75	FP-2W8646S	20	Exc. 3-Ring pistons; Check piston grooving before supplying ring set; 1-1/8, 1-7/64
1	Premium Set	89-75	FP-2W8265S30	30	Exc. 3-Ring pistons; Check piston grooving before supplying ring set; 1-1/8, 1-7/64
1	Premium Set	89-75	FP-2W8647S	40	Exc. 3-Ring pistons; Check piston grooving before supplying ring set; 1-1/8, 1-7/64
1	Premium Set	89-75	FP-2W82653RS	STD	For 3-Ring pistons; Check piston grooving before supplying ring set; 2-3/32, 1-3/16 (Rectangular Comp. Rings)
1	Premium Set	89-75	FP-2W86463RS	20	For 3-Ring pistons; Check piston grooving before supplying ring set; 2-3/32, 1-3/16; Check piston grooving before using

(continued on next page)

GMC Truck - M/D & H/D

<i>H/D Truck 3208, 3208N Eng. 53</i> 10.4L 636 OHV Diesel V8, 4.5" Bore (Caterpillar Eng.) 1975-89 (cont.)					
KITS					
QTY	OVERHAUL KIT	YEARS	PART NO.	SIZE	DESCRIPTION
1	In-Frame Overhaul Kit	89-75	FP-IFK3208		3208, 3208N Engs.
1	Complete Overhaul Kit	89-75	FP-OH3208		3208, 3208N Engs.
<i>H/D Truck 637 Eng. 54</i> 10.4L 637 OHV V8 (GMC), 5.125" Bore 1966-72					
CRANKSHAFT/OIL PUMP					
QTY	SEALS - FRONT CRANK	YEARS	PART NO.	SIZE	DESCRIPTION
1	Redi-Sleeve	72-66	99287		Shaft dia. 2.876"
1	Oil Seal	72-66	3783		PTFE
QTY	SEALS - REAR CRANK	YEARS	PART NO.	SIZE	DESCRIPTION
1	Oil Seal	72-66	39801		
1	Redi-Sleeve	72-66	99499		
CYLINDER COMPONENTS					
QTY	PISTONS	YEARS	PART NO.	SIZE	DESCRIPTION
8	Pin Bushing	72-66	2404Y20		
QTY	CONNECTING RODS & BRGS.	YEARS	PART NO.	SIZE	DESCRIPTION
8	Rod Pair	72-66	2400P	Std-10-20-30	Undersize brgs. can be used, but the surface hardness of the crankshaft should be restored after grinding through a suitable heat treatment process
<i>M/D Truck D637 Diesel Eng. H/D Truck D637 Diesel Eng. 55</i> 10.4L 637 OHV Diesel V8 (GMC), 5.125" Bore 1966-73					
CRANKSHAFT/OIL PUMP					
QTY	SEALS - FRONT CRANK	YEARS	PART NO.	SIZE	DESCRIPTION
1	Redi-Sleeve	71-66	99287		Shaft dia. 2.876"
1	Oil Seal	71-66	3783		PTFE
QTY	SEALS - REAR CRANK	YEARS	PART NO.	SIZE	DESCRIPTION
1	Oil Seal	71-66	39801		
1	Redi-Sleeve	71-66	99499		
CYLINDER COMPONENTS					
QTY	CONNECTING RODS & BRGS.	YEARS	PART NO.	SIZE	DESCRIPTION
8	Rod Pair	71-66	2400P	Std-10-20-30	Undersize brgs. can be used, but the surface hardness of the crankshaft should be restored after grinding through a suitable heat treatment process
<i>H/D Truck 702 Eng. 56</i> 11.5L 702 OHV V12 (GMC), 4.5625" Bore 1960-65					
CYL. HEAD & PARTS					
QTY	VALVE	YEARS	PART NO.	SIZE	DESCRIPTION
48	Keeper	65-60	VK-115		1 groove; Square cut key groove
48	Keeper	65-60	VK-115R		1 groove; Square cut key groove; Hardened
48	Keeper, Bulk	65-60	VK-115B		1 groove; Square cut key groove; Carton of 1000
QTY	VALVE GUIDE	YEARS	PART NO.	SIZE	DESCRIPTION
12	Guide	65-60	VG-5036		Int.; .3740" ID, 2.7500" O.A.L.
12	Guide, Bulk	65-60	VG-5036B		Int.; Carton of 100; .3740" ID, 2.7500" O.A.L.
QTY	PUSH RODS	YEARS	PART NO.	SIZE	DESCRIPTION
24	Push Rod	65-60	RP-3099		7.9890" O.A.L.
QTY	VALVE SEAL	YEARS	PART NO.	SIZE	DESCRIPTION
12	Valve Stem Seal	65-60	ST-2007		Exh.; Positive type; Rubber
12	Valve Stem Seal	65-60	ST-2002		Int.; Installation requires valve guide machining; Polyacrylate
12	Valve Stem Seal	65-60	MV-1233C		Int.; O-Ring; Rubber
12	Valve Stem Seal Bulk	65-60	MV-1233		Int.; O-Ring; Carton of 100; Rubber
12	Valve Stem Seal Bulk	65-60	ST-2002BC		Int.; Positive type; Installation requires valve guide machining; Carton of 100; Polyacrylate
CAMSHAFT GROUP					
QTY	CAMSHAFT/LIFTER	YEARS	PART NO.	SIZE	DESCRIPTION
24	Lifter	65-60	HT-761	Std Only	Hyd.

(continued on next page)

GMC Truck - M/D & H/D

56 H/D Truck 702 Eng.
(cont.) 11.5L 702 OHV V12 (GMC), 4.5625" Bore 1960-65

CYLINDER COMPONENTS

QTY	PISTONS	YEARS	PART NO.	SIZE	DESCRIPTION
12	Pin Bushing	65-60	2404Y20		
QTY	CONNECTING RODS & BRGS.	YEARS	PART NO.	SIZE	DESCRIPTION
12	Rod Pair	65-60	2400P Std-10-20-30		Undersize brgs. can be used, but the surface hardness of the crankshaft should be restored after grinding through a suitable heat treatment process

57 H/D Truck 8V-92 (4-Valve Cyl. Head) Eng.
12.1L 736 OHV Diesel V8, 4.84" Bore (Detroit Diesel Eng.) 1975-80

CYL. HEAD & PARTS

QTY	GASKETS	YEARS	PART NO.	SIZE	DESCRIPTION
2	Valve Cover Gasket	80-75	FP-5104081		w/Alum. Rocker Cover; Eng. w/cast Alum. valve cover; Silicone
2	Valve Cover Gasket	80-75	FP-5143406		w/Stamped Rocker Cover; Eng. w/Steel valve cover; Neoprene
8	Head Gasket	80-75	FP-5100404		Cyl. Head Compression
2	Head Set	80-75	FP-5199674		Services One Head
1	Oil Filler Tube Gasket	80-75	FP-5120540		
1	Oil Cooler Adapter Cover Gskt	80-75	FP-5175882		Eng. Lifting Bracket spacer
34	O-Ring	80-75	FP-5148502		Cyl. Head Oil Seal
20	Bolt	80-75	FP-5148324		Cyl. Head; 11/16" - 11 x 5.500"
1	Bolt	80-75	FP-5103635		Throttle Delay; 3/8" - 16 x 2.90"
4	Stud	80-75	FP-5148504		Rocker Cover; 3/8" - 16 x 4.32"
1	Bolt	80-75	FP-8927581		Oil Filler Tube; 3/8" - 16 x 1"
2	Lock Washer	80-75	FP-103321		Oil Filler Tube; 3/8"
1	Pipe Plug	80-75	FP-8923847		Oil Filler Tube; 1/4" x 18 NPTF; Square head
4	Isolator Bushing	80-75	FP-5104515		Rocker Cover
QTY	HEAD BOLTS	YEARS	PART NO.	SIZE	DESCRIPTION
20	Washer	80-75	FP-5148310		Cyl. Head; 11/16" Dia.
4	Washer	80-75	FP-5104514		Rocker Cover; .47" x 2.00" x .20"
QTY	MISCELLANEOUS	YEARS	PART NO.	SIZE	DESCRIPTION
4	Wear Sleeve	80-75	FP-5148615		Cyl. Head; Pilot; .700" Length
2	Pipe Plug	80-75	FP-8926993		Cyl. Head Fuse; 1/4" X 18; Recessed socket head
9	Pipe Plug	80-75	FP-5121182		Cyl. Head; 1/4" - 18; Hex head
17	Pipe Plug	80-75	FP-8923847		Cyl. Head; 1/4" x 18 NPTF; Square head
4	Pipe Plug	80-75	FP-5142549		Cyl. Head; 3/4" - 14 Square Head
3	Pipe Plug	80-75	FP-8924517		Cyl. Head; 3/8" x 18 square head
8	Bolt	80-75	FP-8927580		Cyl. Head; 3/8" - 16 x .875"
2	Stud	80-75	FP-8927270		Cyl. Head; 3/8" - 16/24" x 1.6875"
5	Stud	80-75	FP-8925804		Cyl. Head; 7/16" - 14/20" x 2 3/32"
8	Washer	80-75	FP-5125108		Fuel Stand; 7/16" x 3/4" x 1/16"
2	Lock Washer	80-75	FP-103321		Cyl. Head; 3/8"
2	Lock Nut	80-75	FP-103026		Cyl. Head; 3/8" x 24
4	Shim	80-75	FP-5100703		Cyl. Head Support
16	Bolt	80-75	FP-443603		Cam Follower Guide; .250" x 20 x .750"
QTY	FREEZE PLUGS	YEARS	PART NO.	SIZE	DESCRIPTION
2	Pipe Plug	80-75	FP-8926993		Cyl. Head Fuse; 1/4" X 18; Recessed socket head
9	Pipe Plug	80-75	FP-5121182		Cyl. Head; 1/4" - 18; Hex head
17	Pipe Plug	80-75	FP-8923847		Cyl. Head; 1/4" x 18 NPTF; Square head
4	Pipe Plug	80-75	FP-5142549		Cyl. Head; 3/4" - 14 Square Head
3	Pipe Plug	80-75	FP-8924517		Cyl. Head; 3/8" x 18 square head
1	Expansion Plug	80-75	FP-5117186		Cyl. Head; 2" Dia. Cup; Stainless Steel
2	Expansion Plug	80-75	FP-5150132		Cyl. Head; 3/4" Dia. Cup
6	Expansion Plug	80-75	FP-5154453		Cyl. Head; 3/8" - 16 Headless Special
4	Expansion Plug	80-75	FP-5178976		Cyl. Head; 7/16" - 14 Special
2	Expansion Plug	80-75	FP-5132410		1 5/8" Dia. Cup; Stainless Steel
QTY	VALVE	YEARS	PART NO.	SIZE	DESCRIPTION
24	Exhaust Valve Kit	80-75	FP-5149771		Incl. Locks
64	Keeper	80-75	FP-5111337		Exh.; 1 groove; Square cut key groove
QTY	VALVE SEAT	YEARS	PART NO.	SIZE	DESCRIPTION
32	Exh.	80-75	FP-5101315	10	30 Deg. seat; .010" O/S; 1.4520" OD, 1.1400" ID, .2510" Depth
32	Exh.	80-75	FP-5148490	STD	30 Deg. seat; 1.4420" OD, 1.1400" ID, .2510" Depth
QTY	VALVE GUIDE	YEARS	PART NO.	SIZE	DESCRIPTION
32	Guide	80-75	FP-5129919		Exh.; 2 3/8" length; .3130" ID, 2.3800" O.A.L.
QTY	VALVE SPRING	YEARS	PART NO.	SIZE	DESCRIPTION
24	Spring	80-75	FP-5147347		Exh.; .148" Wire dia.
24	Spring	80-75	FP-8927794		Exh.; DDEC Coach; Type 281, 283

(continued on next page)

GMC Truck - M/D & H/D

H/D Truck 8V-92 (4-Valve Cyl. Head) Eng. 57
12.1L 736 OHV Diesel V8, 4.84" Bore (Detroit Diesel Eng.) 1975-80 (cont.)

CYL. HEAD & PARTS (cont.)

QTY	VALVE SPRING (cont.)	YEARS	PART NO.	SIZE	DESCRIPTION
32	Spring Cap	80-75	FP-5117563		Exh.
QTY	PUSH RODS	YEARS	PART NO.	SIZE	DESCRIPTION
24	Push Rod	80-75	FP-5128640		
24	Push Rod Seat	80-75	FP-5123250		Lower
24	Push Rod Seat	80-75	FP-5108919		Upper; Cup type
24	Push Rod Spring	80-75	FP-5108918		.192" Wire diameter
24	Push Rod Retainer	80-75	FP-5150303		
24	Lock Nut	80-75	FP-5151601		Push rod; 5/16" - 24
QTY	VALVE MISC.	YEARS	PART NO.	SIZE	DESCRIPTION
1	Breather Seal Ring	80-75	FP-5103646		Breather Hole Plug
2	Governor Hole Gasket	80-75	FP-5123812		Breather Elbow
2	Bolt	80-75	FP-8927581		Breather Elbow; 3/8" - 16 x 1"
2	Bolt	80-75	FP-443603		Breather; .250" x 20 x .750"
2	Bolt	80-75	FP-8921930		Breather; 1/4" - 20 x 3/4"
1	Bolt	80-75	FP-8927580		Breather; 3/8" - 16 x .875"
2	Bolt	80-75	FP-8927581		Breather; 3/8" - 16 x 1"
1	Screw	80-75	FP-5103642		Breather Pipe; No. 10 - 24 x .375"
16	Lock Nut	80-75	FP-5151601		Exh.; Valve Bridge; 5/16" - 24
1	Washer	80-75	FP-5131433		Breather; .410" x .810" x .1345"
1	Washer	80-75	FP-106261		Breather; 5/16" x 3/4"
2	Lock Washer	80-75	FP-103319		Breather Elbow; .250"
2	Lock Washer	80-75	FP-103321		Breather Elbow; 3/8"
1	Lock Washer	80-75	FP-103319		Breather; .250"
1	Lock Washer	80-75	FP-103321		Breather; 3/8"
1	Lock Washer	80-75	FP-103320		Breather; 5/16"
2	Hose Clamp	80-75	FP-5186840		Breather Pipe; 13/16" - 1 1/2" Clamping Range
2	Hose Clamp	80-75	FP-5104592		Breather Pipe; 2.50" Dia.
1	Crankcase Breather	80-75	FP-5101760		Breather Oil Separator Filter; 4"
32	Valve Spring Seat	80-75	FP-5117562		Exh.
QTY	VALVE SEAL	YEARS	PART NO.	SIZE	DESCRIPTION
32	Valve Stem Seal	80-75	FP-8921209		Exh.
QTY	ROCKER PARTS	YEARS	PART NO.	SIZE	DESCRIPTION
8	Arm Assy.	80-75	FP-5148472		Exh. L.H.
8	Arm Assy.	80-75	FP-5148475		Exh. R.H.
8	Arm Assy.	80-75	FP-23502616		Injector; DDEC Coach; Blue Paint I.D.
8	Arm Assy.	80-75	FP-8923554		Injector; Orange paint I.D.
8	Rocker Shaft	80-75	FP-23500714		Repl. FP-5150322
16	Rocker Shaft Bracket Bolt	80-75	FP-5150325		1/2" - 13 x 4.250"
16	Arm Support	80-75	FP-5103903		Rocker Shaft Bracket
16	Rocker Bushing	80-75	FP-5123700		Exh.; Rocker Arm Clevis; .5625" OD
16	Rocker Bushing	80-75	FP-23517217		Exh.; Rocker Arm; Large; .8755" ID, .9475" OD, .840" Length, .0360" Wall thickness
16	Rocker Bushing	80-75	FP-8924354		Exh.; Rocker Arm; Small
8	Rocker Bushing	80-75	FP-8924355		Injector; Large
8	Rocker Bushing	80-75	FP-5123700		Injector; Rocker Arm Clevis; .5625" OD
8	Rocker Bushing	80-75	FP-8924354		Injector; Small
24	Follower Assy.	80-75	FP-8924439		
24	Cam Follower Roller Set	80-75	FP-8923814		Incl. pin & roller
16	Valve Bridge Adj. Screw	80-75	FP-5129101		Exh.; 5/16" - 24 x 1"
16	Valve Bridge	80-75	FP-5148491		Exh.
16	Valve Bridge Guide	80-75	FP-5117564		Exh.; Press fit
16	Valve Bridge Guide	80-75	FP-51175646		Exh.; Press fit w/.006" O/S
16	Valve Bridge Guide	80-75	FP-5196843		Exh.; Threaded
16	Rocker Arm Clevis Pin	80-75	FP-5150314		Exh.
8	Rocker Arm Clevis Pin	80-75	FP-5150314		Injector
16	Bushing	80-75	FP-5122445 +		Exh.; Rocker Arm; Large; When depleted use FP-23517217
8	Bushing	80-75	FP-23502615		Injector; Rocker Arm Clevis; .6295" OD
16	Lock Washer	80-75	FP-103319		Cam Follower Guide; .250"
INT & EXH MANIFOLDS					
QTY	INT. & EXH. MANIFOLDS	YEARS	PART NO.	SIZE	DESCRIPTION
4	Exhaust Manifold Gasket	80-75	FP-5150195		Composition
4	Exhaust Manifold Gasket	80-75	FP-5156319		Exh. Manifold Cover Plate
2	Exhaust Manifold Gasket	80-75	FP-5156319		Exh. Manifold Water Outlet Flange
2	Exhaust Manifold Gasket	80-75	FP-5163811		Exh. Manifold; 4.375" I.D.
4	Exhaust Manifold Gasket	80-75	FP-5120224		Metal Clad
1	Gasket	80-75	FP-5113412		Exh. Manifold Cover Plate
2	Exhaust Pipe Gasket	80-75	FP-5145238		Exh. Manifold

(continued on next page)

+ Superseded Part Number

GMC Truck - M/D & H/D

57 H/D Truck 8V-92 (4-Valve Cyl. Head) Eng.
 (cont.) 12.1L 736 OHV Diesel V8, 4.84" Bore (Detroit Diesel Eng.) 1975-80

INT & EXH MANIFOLDS (cont.)					
INT. & EXH. MANIFOLDS					
QTY	(cont.)	YEARS	PART NO.	SIZE	DESCRIPTION
2	Exhaust Pipe Gasket	80-75	FP-5145238		Exh. Manifold Adaptor
8	Pipe Plug	80-75	FP-23511574		Exh. Manifold; 1/2" pipe thread; w/1" Square head
4	Pipe Plug	80-75	FP-5142549		Exh. Manifold; 3/4" - 14 Square Head
2	Clamp	80-75	FP-5132650		Exh. Flange; 5.250" Dia.
2	Clamp	80-75	FP-5146165		Exh. Manifold; 3.88" Dia.; Marmon
12	Bolt	80-75	FP-8925603		Exh. Manifold Cover Plate; 5/16" - 18 x 3/4"; Vibra-Tite®
16	Stud	80-75	FP-8925804		Exh. Manifold to Head; 7/16" - 14/20" x 2 3/32"
16	Lock Nut	80-75	FP-23505398		Exh. Manifold; 7/16" - 20
14	Nut	80-75	FP-9411981		Exh. Manifold; 3/8" - 24 Lock Nut
10	Washer	80-75	FP-5104439		Exh. Manifold; 7/16" x 1.250" Dia.; Dished
12	Lock Washer	80-75	FP-103320		Exh. Manifold; 5/16"
2	Exhaust Manifold	80-75	FP-8921706		Horizontal; Water Cooled
QTY	AIR INTAKE	YEARS	PART NO.	SIZE	DESCRIPTION
2	Air Intake Housing Gasket	80-75	FP-5145086		Air Inlet Housing
2	Air Intake Housing Gasket	80-75	FP-5101412		Air Inlet Housing; 11.60" ID, w/Eight 15/32" Holes
2	Air Intake Housing Gasket	80-75	FP-5101408		Air Inlet Housing; 15.48" I.D., w/Ten 15/32" Holes
2	Air Intake Housing Gasket	80-75	FP-5123703		Air Inlet Housing; 5.68" ID, w/Eight 13/32" Holes
2	Air Intake Housing Gasket	80-75	FP-5134838		Air Inlet Housing; 8.00" Long, w/Four 13/32" Holes
2	Gasket	80-75	FP-5145235		Air Inlet Housing Striker Plate
1	Bolt	80-75	FP-8927580		Air Inlet Housing Shutdown Reset; 3/8" - 16 x .875"
2	Bolt	80-75	FP-179803		Air Inlet Housing Shutdown Valve; 1/4" x 20 x 1.750"
1	Bolt	80-75	FP-179803		Air Inlet Housing Striker Plate; 1/4" x 20 x 1.750"
8	Bolt	80-75	FP-8927580		Air Inlet Housing; 3/8" - 16 x .875"
1	Washer	80-75	FP-5159714		Air Inlet Housing Shutdown Valve; 11/16" x 1/8"
1	Washer	80-75	FP-5159714		Air Inlet Housing Striker Plate; 11/16" x 1/8"
1	Lock Washer	80-75	FP-103321		Air Inlet Housing Shutdown Reset; 3/8"
8	Lock Washer	80-75	FP-103321		Air Inlet Housing; 3/8"
8	Lock Washer	80-75	FP-103320		Air Inlet Housing; 5/16"
2	O-Ring	80-75	FP-5179232		Air Inlet Housing Shutdown Valve; .424" x .103"
1	Pipe Plug	80-75	FP-5142549		Air Inlet Housing; 3/4" - 14 Square Head
CAMSHAFT GROUP					
QTY	TIMING	YEARS	PART NO.	SIZE	DESCRIPTION
1	Cam Gear	80-75	FP-8926631		R.H.; R.H. Helix
2	Idle Gear Hub Assembly	80-75	FP-5130135		L.H. & R.H.
2	Bolt	80-75	FP-454992		Idle Gear Assembly; 1/2" - 13 x 2 1/2
12	Bolt	80-75	FP-5103534		L.H. & R.H.; Idle Gear Assembly; 5/16" - 24 x 1/2"
2	Washer	80-75	FP-5167714		Idle Gear Assembly; 17/32" x 7/8" x 3/32"
QTY	CAMSHAFT TIMING	YEARS	PART NO.	SIZE	DESCRIPTION
2	Camshaft Pulley Spacer	80-75	FP-5116485		L.H. & R.H.; .640" Length
QTY	CAMSHAFT/LIFTER	YEARS	PART NO.	SIZE	DESCRIPTION
4	Camshaft Thrust Washer	80-75	FP-5111424		
4	Camshaft Thrust Washer	80-75	FP-5194826		
4	Camshaft Thrust Washer	80-75	FP-5194827		
2	Lock Washer	80-75	FP-5177769		Front; Camshaft L.H. & R.H.; 1.125"
12	Lock Washer	80-75	FP-103321		Rear; Camshaft Rear Lock Washer; 3/8"
1	Oil Seal	80-75	FP-23516871		Front; Camshaft L.H. Bank
3	Woodruff Key	80-75	FP-8926247		Front & Rear; .250" x .750"
ACCESSORY DRIVE					
QTY	ACCESSORY DRIVE	YEARS	PART NO.	SIZE	DESCRIPTION
1	Oil Seal	80-75	FP-5131329		Acc. Drive
1	Oil Seal	80-75	FP-5138710		Acc. Drive
1	Oil Seal Kit	80-75	FP-5198175		Acc. Drive Seal & Brg. Kit
1	Ball Brg.	80-75	FP-23503727		Acc. Drive
1	Ball Brg.	80-75	FP-23504528		Acc. Drive
1	Drive Coupling	80-75	FP-5141773		Accessory Drive; Type 226, 230, 330, 378, 384
1	Water Pump Retainer Ring	80-75	FP-9415285		Acc. Drive; Large; External
2	Bolt	80-75	FP-8927580		Acc. Drive; 3/8" - 16 x .875"
6	Bolt	80-75	FP-8927581		Acc. Drive; 3/8" - 16 x 1"
4	Bolt	80-75	FP-5145092		Acc. Drive; 3/8" - 24 x 1.20", Self-Locking
6	Bolt	80-75	FP-5185793		Acc. Drive, Internal Gear mount
2	Stud	80-75	FP-8927270		Acc. Drive; 3/8" - 16/24" x 1.6875"
1	Expansion Plug	80-75	FP-9428477		Acc. Drive; 15/16" Dia.
1	Gasket	80-75	FP-5124926		Acc. Drive Adaptor Cover
2	Bushing	80-75	FP-5120501		Acc. Drive Gear
1	Pipe Plug	80-75	FP-5115214		Acc. Drive; 1/2" Square Head

(continued on next page)

GMC Truck - M/D & H/D

H/D Truck 8V-92 (4-Valve Cyl. Head) Eng. 57
12.1L 736 OHV Diesel V8, 4.84" Bore (Detroit Diesel Eng.) 1975-80 (cont.)

ACCESSORY DRIVE (cont.)

QTY	ACCESSORY DRIVE (cont.)	YEARS	PART NO.	SIZE	DESCRIPTION
1	Pipe Plug	80-75	FP-5121182		Acc. Drive; 1/4" - 18; Hex head
1	Pipe Plug	80-75	FP-8924380		Acc. Drive; 1/8" - 27
2	Copper Washer	80-75	FP-5152148		Acc. Drive; 25/64" ID x 9/16" OD x 1/16" Thick; Copper
1	Lock Washer	80-75	FP-8926285		Acc. & Blower Drive Gear
1	Lock Washer	80-75	FP-103321		Balance Weight Cover; 3/8"
6	Lock Nut	80-75	FP-103026		Acc. Drive; 3/8" x 24
10	Lock Nut	80-75	FP-103026		Balance Weight Cover; 3/8" x 24

FUEL SYSTEM & PARTS

QTY	FUEL INJECTION	YEARS	PART NO.	SIZE	DESCRIPTION
2	Fuel Injector Nozzle	80-75	FP-5172874		Single Outlet; Single Outlet
8	Fuel Injector Seal Ring	80-75	FP-5234281		
8	Fuel Injector Seal Ring	80-75	FP-5104701		Inj. Hole Tube; Viton®
8	Injector Hole Tube Kit	80-75	FP-8925981		Incl. Seal Ring; Viton®
2	Retainer	80-75	FP-142583		F.I. Control Tube, Plain Spring; 13/64" Spring
1	Bolt	80-75	FP-8927580		F.I. Control Tube; 3/8" - 16 x .875"
2	Bolt	80-75	FP-5103635		F.I. Control Tube; 3/8" - 16 x 2.90"
4	Bolt	80-75	FP-9422203		Inj. Control Tube Bracket; 1/4" - 20 x 5/8"
1	Washer	80-75	FP-5131433		F.I. Control Tube; .410" x .810" x .1345"
8	Washer	80-75	FP-5150250		Inj. Hold-Down Clamp
4	Lock Washer	80-75	FP-103319		Inj. Control Tube Bracket; .250"
8	Clamp	80-75	FP-5121259		Inj. Hold-Down
8	Fuel Injector Repair Kit	80-75	FP-5229649		
4	Bracket	80-75	FP-5130509		Inj. Control Tube
1	Rocker Shaft Bracket Bolt	80-75	FP-5150325		F.I. Control Tube; 1/2" - 13 x 4.250"
8	Fuel Injection Valve Cage	80-75	FP-5228696		
8	Fuel Injection Spring Seat	80-75	FP-5228766		
8	Fuel Injector Valve Spring	80-75	FP-5228596		
2	Fuel Injector Valve Spring	80-75	FP-5124142		F.I. Control Tube Return; Green I.D. Marking
2	Fuel Injector Valve Spring	80-75	FP-5101258		F.I. Control Tube Return; LH Helix
8	Fuel Injector Valve Spring	80-75	FP-5229518		Inj. Plunger
8	Fuel Injector Check Valve	80-75	FP-5228694		
8	Injector Plunger & Bushing	80-75	FP-5229298		F10-9200
8	Injector Plunger & Bushing	80-75	FP-5229181		F8-9A80, F8-7E80, F8-9280
8	Injector Plunger & Bushing	80-75	FP-5229278		F85-7E85, F85-9A85, F85-9285
8	Injector Plunger & Bushing	80-75	FP-5229292		F9-7E90, F9-9A90, F9-9290
8	Injector Plunger & Bushing	80-75	FP-5229268		F95-9295
8	Injector Plunger & Bushing	80-75	FP-5229657		115-9215, 115-9225
8	Injector Plunger & Bushing	80-75	FP-5229916		7G65
8	Injector Plunger & Bushing	80-75	FP-5229912		7G70, 7G70-9E65
8	Fuel Injector Tip Kit	80-75	FP-5229806		For Plunger & Bushing Assy. F7-7E70, F75-7E75, F75-9275, F8-7E80, F85-9A85, F9-7E90, G7-9C70, G75-9C75, G8-9C80, G85-9C85, G9-9C90
8	Fuel Injector Tip Kit	80-75	FP-5229622		For Plunger & Bushing Assy. F8-9A80, F9-9A90, G9-9F90
8	Fuel Injector Tip Kit	80-75	FP-5229184		For Plunger & Bushing Assy. 115-9215, F10-9200, F7-9270, F75-9275, F8-9280, F85-9285, F9-9290, F95-9295
8	Fuel Injector Tip Kit	80-75	FP-5229516		For Plunger & Bushing Assy. 115-9225
1	Fuel Injection Link	80-75	FP-5127415		Left Bank; Long; Inj. Control Tube to Gov.; Type 116, 117, 119, 241, 243, 289, 313
1	Fuel Injection Link	80-75	FP-5117191		Left Bank; Short; Inj. Control Tube to Gov.; Type 95, 96, 216, 218, 233, 234, 241, 244, 246, 251, 288, 292, 295, 296, 298, 299, 308, 309, 310, 311, 312, 326, 327, 328, 329, 330, 331, 332, 333, 334, 335, 336, 337, 338, 341, 344, 353, 362, 363, 370, 371, 383, 386
1	Fuel Injection Link	80-75	FP-5134026		Left Bank; Front; Short; Inj. Control Tube to Gov.; Type 137, 150, 215, 253, 314, 315, 379, 388
1	Fuel Injection Link	80-75	FP-5133700		Left Bank; Rear; Short; Inj. Control Tube to Gov.; Type 137, 150, 215, 253, 314, 315, 379, 388
4	Fuel Injection Link	80-75	FP-5117942		Right Bank; Long; Inj. Control Tube to Gov.; Type 95, 96, 137, 150, 215, 216, 218, 233, 234, 244, 246, 251, 253, 288, 292, 295, 296, 298, 299, 308, 311, 312, 314, 315, 324, 325
1	Fuel Injection Link	80-75	FP-5133699		Right Bank; Front; Long; Inj. Control Tube to Gov.; Type 137, 150, 215, 253, 314, 315, 379, 388
1	Fuel Injection Link	80-75	FP-5127417		Right Bank; Rear; Short; Inj. Control Tube to Gov.; Type 116, 117, 119, 241, 243, 289, 313
8	Nut	80-75	FP-5228601		Inj. Valve
8	Fuel Injector Valve Kit	80-75	FP-5228769		
8	Fuel Injector Roller Pin	80-75	FP-5228608		Inj. Stop

QTY	FUEL FILTERS & PUMP	YEARS	PART NO.	SIZE	DESCRIPTION
1	Mechanical Fuel Pump	80-75	FP-5199560		L.H.; Type 126, 150, 174; Std. output; w/.250" Gear

(continued on next page)

GMC Truck - M/D & H/D

57 H/D Truck 8V-92 (4-Valve Cyl. Head) Eng.
 (cont.) 12.1L 736 OHV Diesel V8, 4.84" Bore (Detroit Diesel Eng.) 1975-80

FUEL SYSTEM & PARTS (cont.)

QTY	FUEL FILTERS & PUMP (cont.)	YEARS	PART NO.	SIZE	DESCRIPTION
1	Mechanical Fuel Pump	80-75	FP-5199735		L.H.; Type 56, 146, 177; High output; w/.375" Gear
1	Fuel Pump Shaft & Gear	80-75	FP-5181747		.838" Length; Std. Output
1	Fuel Pump Shaft & Gear	80-75	FP-5100313		.963" Length; High Output
1	Fuel Pump Shaft & Gear	80-75	FP-5146705		3.09" Length; High Output
1	Fuel Pump Shaft & Gear	80-75	FP-5181746		3.09" Length; Std. Output
1	Fuel Pump Valve	80-75	FP-5174973		
1	Fuel Pump Gear	80-75	FP-5174975		.294" Width; Std. Output
1	Fuel Pump Gear	80-75	FP-5181748		.294" Width; Std. Output
1	Fuel Pump Gear	80-75	FP-5118915		.374" Width; High Output
1	Fuel Pump Gear	80-75	FP-5128217		.374" Width; High Output
1	Fuel Pump Drive Shaft	80-75	FP-5181749		.838" Length; Std. Output
1	Fuel Pump Drive Shaft	80-75	FP-5100312		.963" Length; High Output
1	Fuel Pump Drive Shaft	80-75	FP-5178700		3.09" Length
1	Fuel Pump Check Valve	80-75	FP-5174924		1/4" Swing type
1	Fuel Pump Check Valve	80-75	FP-5135308		3/8" Swing type
6	Fuel Line Connector	80-75	FP-5117369		
1	Fuel Pump Relief Valve Spring	80-75	FP-5184530		
2	Oil Seal	80-75	FP-23512243		Fuel Pump Shaft
1	Fuel Pump Valve Plug Gasket	80-75	FP-5161003		Fuel Pump
4	Bolt	80-75	FP-179803		Fuel Pump Cover; 1/4" x 20 x 1.750"
1	Fuel Pump Repair Part	80-75	FP-5174971		Fuel Pump Valve plug; .500" x 20 plug
1	Fuel Pump Drive Adapter Gskt.	80-75	FP-5150193		Fuel Pump mounting
1	Fuel Pump Repair Kit	80-75	FP-5149599		High output; Short Shaft
1	Fuel Pump Repair Kit	80-75	FP-5195078		Std. output
2	Pipe Plug	80-75	FP-8924380		Fuel Pump; 1/8" - 27
2	Plastic Cap	80-75	FP-5136240		Fuel Pump Outlet; .250" Dia.
1	Plastic Cap	80-75	FP-5136241		Fuel Pump Outlet; .780" Dia., 3/8" NPTF
1	Dowel Pin	80-75	FP-103709		Fuel Pump Valve; 5/32" x 1" straight
2	Dowel Pin	80-75	FP-141195		Fuel Pump; .250" x .625"
1	Ball Brg.	80-75	FP-147481		Fuel Pump Shaft; .125" Dia. Steel
1	Bushing	80-75	FP-5198558		Fuel Pump; 3/8" x 1/4"
1	Accessory Drive Gasket	80-75	FP-23515145		Fuel Pump Mounting Plate
6	Washer	80-75	FP-5125108		Fuel Pump; 7/16" x 3/4" x 1/16"

BLOWER

QTY	BLOWER	YEARS	PART NO.	SIZE	DESCRIPTION
2	Ball Brg.	80-75	FP-23504304		Rear; Blower Rotor
2	Cylindrical Brg.	80-75	FP-23503542		Front; Blower Rotor
1	Oil Seal Kit	80-75	FP-23500533		Front & Rear; Blower End Plate
4	Oil Seal	80-75	FP-8924453		Blower Rotor
4	Oil Seal	80-75	FP-5138710		Front & Rear; Blower End Plate, Std.
1	Air Intake Housing Gasket	80-75	FP-5102062		Blower
1	Air Intake Housing Gasket	80-75	FP-5145086		Blower to Block, w/o Screen
1	Fuel Blower Gasket	80-75	FP-23520012		Blower to Block
1	Sealing Ring	80-75	FP-8922140		Blower Drive Cover Seal; 4.32" x 4.88" x .770"
3	Bolt	80-75	FP-5103364		Blower Drive Coupling; 1/2" - 20 x 1.10", 12 Pt. Head
3	Bolt	80-75	FP-9409077		Blower Drive Coupling; 5/16" - 24 x 1.625"
1	Bolt	80-75	FP-9409060		Blower Rotor Gear; 1/2" - 20 x 1.500"
12	Screw	80-75	FP-5148794		Blower Rotor End Plate; 1/4" - 20 x 5/8"
1	Hose Clamp	80-75	FP-5106219		Blower Drive Cover Seal
28	Washer	80-75	FP-5159714		Blower Assy.; 11/16" x 1/8"
2	Washer	80-75	FP-5121905		Blower End Plate; 15/32" ID x 7/8" OD x 5/32" Long
3	Lock Washer	80-75	FP-103320		Blower Drive Coupling; 5/16"
2	Lock Washer	80-75	FP-5154398		Front; Blower End Plate; 1/2" Special, External Tooth
1	Shim	80-75	FP-5150372		Blower Rotor Gear
1	Shim	80-75	FP-5153938		Blower Rotor Gear
1	Shim	80-75	FP-5150855		Blower Rotor Gear
1	Shim	80-75	FP-5150856		Blower Rotor Gear

GOVERNOR

QTY	GOVERNOR	YEARS	PART NO.	SIZE	DESCRIPTION
8	Governor Hole Gasket	80-75	FP-5123812		Cyl. Head Gov. Hole Cover

COOLING SYSTEM

QTY	WATER PUMP	YEARS	PART NO.	SIZE	DESCRIPTION
1	Ball Brg.	80-75	FP-23503550		Inner; Fan Shaft
1	Ball Brg.	80-75	FP-23503704		Inner; Fan Shaft
1	Ball Brg.	80-75	FP-23503796		Inner; Fan Shaft
1	Ball Brg.	80-75	FP-7450630		Inner; Fan Shaft

(continued on next page)

GMC Truck - M/D & H/D

H/D Truck 8V-92 (4-Valve Cyl. Head) Eng. 57
12.1L 736 OHV Diesel V8, 4.84" Bore (Detroit Diesel Eng.) 1975-80 (cont.)

COOLING SYSTEM (cont.)

QTY	WATER PUMP (cont.)	YEARS	PART NO.	SIZE	DESCRIPTION
1	Ball Brg.	80-75	FP-23503535		Outer; Fan Shaft
1	Ball Brg.	80-75	FP-23503537		Outer; Fan Shaft
1	Ball Brg.	80-75	FP-23503727		Outer; Fan Shaft
1	Ball Brg.	80-75	FP-9415132		Outer; Fan Shaft
2	Lock Nut	80-75	FP-103026		Heat Exchanger; 3/8" x 24
1	Oil Seal	80-75	FP-5103623		Fan Shaft
1	Oil Seal	80-75	FP-5103951		Fan Shaft
1	Oil Seal	80-75	FP-5108219		Fan Shaft; Felt
1	Oil Seal	80-75	FP-5100408		Fan Shaft; Rubber Lip
2	Oil Seal	80-75	FP-5132155		Thermostat Seal
2	Bolt	80-75	FP-454992		Fan Hub Support Bracket; 1/2" - 13 x 2 1/2
1	Bolt	80-75	FP-9409060		Fan Hub; 1/2" - 20 x 1.500"
4	Bolt	80-75	FP-8927580		Heat Exchanger Water Outlet Tube; 3/8" - 16 x .875"
4	Bolt	80-75	FP-8927581		Heat Exchanger Water Outlet Tube; 3/8" - 16 x 1"
2	Bolt	80-75	FP-454992		Heat Exchanger; 1/2" - 13 x 2 1/2
4	Bolt	80-75	FP-454992		Heat Exchanger; 1/2" - 13 x 2 1/2
4	Bolt	80-75	FP-8927581		Heat Exchanger; 3/8" - 16 x 1"
2	Bolt	80-75	FP-8927581		Thermostat Housing; 3/8" - 16 x 1"
1	Pipe Plug	80-75	FP-8924380		Fan Hub; 1/8" - 27
1	Pipe Plug	80-75	FP-5121182		Heat Exchanger; 1/4" - 18; Hex head
1	Pipe Plug	80-75	FP-8924380		Heat Exchanger; 1/8" - 27
1	Pipe Plug	80-75	FP-5142549		Heat Exchanger; 3/4" - 14 Square Head
1	Pipe Plug	80-75	FP-5115214		Thermostat Housing; 1/2" Square Head
2	Pipe Plug	80-75	FP-5121182		Thermostat Housing; 1/4" - 18; Hex head
2	Pipe Plug	80-75	FP-8924380		Thermostat Housing; 1/8" - 27
2	Pipe Plug	80-75	FP-5142549		Thermostat Housing; 3/4" - 14 Square Head
2	Expansion Plug	80-75	FP-5117186		Heat Exchanger; 2" Dia. Cup; Stainless Steel
2	Copper Washer	80-75	FP-5152148		Thermostat Housing; 25/64" ID x 9/16" OD x 1/16" Thick; Copper
4	Washer	80-75	FP-5133981		Fan Hub Support Bracket; .122" Thick
4	Washer	80-75	FP-103325		Fan Hub Support Bracket; Lock washer; 5/8"
1	Washer	80-75	FP-5103624		Fan Shaft Bearing Retainer; .500" Thick
4	Washer	80-75	FP-5131978		Fan Shaft; .53" ID x 1.00" OD x .170" Thick
4	Washer	80-75	FP-5131978		Heat Exchanger Cover Spacer; .53" ID x 1.00" OD x .170" Thick
8	Washer	80-75	FP-103325		Heat Exchanger; Lock washer; 5/8"
4	Washer	80-75	FP-5125108		Heat Exchanger; 7/16" x 3/4" x 1/16"
1	Washer	80-75	FP-5125108		Thermostat Housing; 7/16" x 3/4" x 1/16"
1	Water Pump Lock Ring	80-75	FP-274746		Fan Shaft
QTY	THERMOSTAT	YEARS	PART NO.	SIZE	DESCRIPTION
2	Thermostat	80-75	FP-5102112		160 Deg.
2	Thermostat	80-75	FP-23503826		170 Deg.
2	Thermostat	80-75	FP-23503825		180 Deg.
2	Thermostat	80-75	FP-5104096		180 Deg.
2	Thermostat	80-75	FP-5106232		180 Deg.
2	Thermostat Gasket	80-75	FP-5117786		Thermostat Housing Cover
2	Thermostat Gasket	80-75	FP-5117993		Thermostat Housing Cover
1	Thermostat Gasket	80-75	FP-8924018		Thermostat Housing Cover
2	Thermostat Cover Gasket	80-75	FP-5100860		Thermostat Housing Cover
1	Thermostat Cover Gasket	80-75	FP-5123575		Thermostat Housing Cover
2	Thermostat Gasket	80-75	FP-5117786		Left & Right Bank; Thermostat Housing
2	Thermostat Gasket	80-75	FP-5117993		Left & Right Bank; Thermostat Housing
2	Thermostat Gasket	80-75	FP-5144277		Left & Right Bank; Thermostat Housing
1	Thermostat Gasket	80-75	FP-5123716		Left Bank; Thermostat Housing
1	Thermostat Gasket	80-75	FP-5133254		Left Bank; Thermostat Housing
1	Thermostat Gasket	80-75	FP-5123570		Right Bank; Thermostat Housing
1	Thermostat Gasket	80-75	FP-5123715		Right Bank; Thermostat Housing
QTY	MISCELLANEOUS	YEARS	PART NO.	SIZE	DESCRIPTION
4	Hose Clamp	80-75	FP-5188036		Heat Exchanger Raw Water Inlet; 2.750" Dia. Hose
4	Hose Clamp	80-75	FP-9139809		Heat Exchanger Raw Water Tube; 2 1/16" - 3"
1	Hose Clamp	80-75	FP-5186841		Heat Exchanger Water Outlet Tube; 1 9/16" - 2.50"
1	Hose Clamp	80-75	FP-9139809		Water Outlet Manifold; 2 1/16" - 3"
2	Hose Clamp	80-75	FP-5188036		Water Outlet Manifold; 2.750" Dia. Hose
1	Lock Washer	80-75	FP-103320		Fan Hub; 5/16"
10	Lock Washer	80-75	FP-103321		Heat Exchanger Cover; 3/8"
10	Lock Washer	80-75	FP-103320		Heat Exchanger Cover; 5/16"
4	Lock Washer	80-75	FP-103320		Heat Exchanger Expansion Tank Cover; 5/16"
4	Lock Washer	80-75	FP-103320		Heat Exchanger Water Outlet; 5/16"
4	Lock Washer	80-75	FP-103321		Heat Exchanger; 3/8"
2	Lock Washer	80-75	FP-103321		Thermostat Housing; 3/8"
2	O-Ring	80-75	FP-5167746		Heat Exchanger Seal Ring

(continued on next page)

GMC Truck - M/D & H/D

57 H/D Truck 8V-92 (4-Valve Cyl. Head) Eng.
 (cont.) 12.1L 736 OHV Diesel V8, 4.84" Bore (Detroit Diesel Eng.) 1975-80

COOLING SYSTEM (cont.)

QTY	MISCELLANEOUS (cont.)	YEARS	PART NO.	SIZE	DESCRIPTION
1	Water Manifold Gasket	80-75	FP-5124029		Heat Exchanger Water Manifold
3	Water Manifold Gasket	80-75	FP-23506469		Water Outlet Cover Plate
2	Hose Clamp	80-75	FP-5186841		Thermostat Housing Cover; 1 9/16" - 2.50"
2	Hose Clamp	80-75	FP-9139809		Thermostat Housing Cover; 2 1/16" - 3"
1	Oil Filler Tube Gasket	80-75	FP-5120540		Thermostat Housing Elbow Gasket
1	Oil Cooler Core Inner Gasket	80-75	FP-5150155		Heat Exchanger Expansion Tank Cover

ENGINE BLOCK & PARTS

QTY	GASKETS	YEARS	PART NO.	SIZE	DESCRIPTION
1	Front Crankcase Cover Gasket	80-75	FP-5121714		
2	Pipe Plug	80-75	FP-5121182		Cyl. Block; 1/4" - 18; Hex head
2	Pipe Plug	80-75	FP-8924380		Cyl. Block; 1/8" - 27
1	Flywheel Housing Gasket	80-75	FP-5147246		Flywheel Housing Gasket; Types 504, 506, 528, 533, 535, 540, 546, 581, 582, 594, 602, 646, 657, 658, 659, 660, 661, 662, 663, 670, 674, 686, 687, 727
2	Accessory Drive Gasket	80-75	FP-23515145		Flywheel Housing Large Hole Cover
6	Bolt	80-75	FP-8927580		Flywheel Housing; 3/8" - 16 x .875"
1	Lock Nut	80-75	FP-103026		Flywheel Housing; 3/8" x 24
1	Washer	80-75	FP-5138619		Flywheel Housing; 25/64" x 3/4" x .083"
2	Washer	80-75	FP-5125108		Flywheel Housing; 7/16" x 3/4" x 1/16"
6	Lock Washer	80-75	FP-103321		Flywheel Housing; 3/8"
12	Copper Washer	80-75	FP-5152148		Flywheel Housing; 25/64" ID x 9/16" OD x 1/16" Thick; Copper
1	Oil Pan Gasket	80-75	FP-5150115		Lower Oil Pan
1	Oil Pan Gasket	80-75	FP-5150116		Lower Oil Pan
1	Oil Pan Gasket	80-75	FP-5117231		Pan to Block; w/Stamped Pan; w/Stamped Steel Pan
28	Bolt	80-75	FP-8927581		Oil Pan; 3/8" - 16 x 1"
1	Washer	80-75	FP-840277		Oil Pan Drain Plug; 18MM, Nylon
1	Pipe Plug	80-75	FP-5115214		Oil Pan Drain Plug; 1/2" Square Head
1	Pipe Plug	80-75	FP-5121182		Oil Pan Drain Plug; 1/4" - 18; Hex head
1	Pipe Plug	80-75	FP-8923847		Oil Pan Drain Plug; 1/4" x 18 NPTF; Square head
1	Pipe Plug	80-75	FP-8923313		Oil Pan Drain Plug; 3/4"
1	Pipe Plug	80-75	FP-8924517		Oil Pan Drain Plug; 3/8" x 18 square head
1	Pipe Plug	80-75	FP-5115214		Oil Pan Sump; 1/2" Square Head
1	Pipe Plug	80-75	FP-5142549		Oil Pan; 3/4" - 14 Square Head
1	Cyl. Block Water Hole Cvr Gsk	80-75	FP-5117734		Rear
2	Hand Hole Cover Gasket	80-75	FP-8923791		Large
4	Hand Hole Cover Gasket	80-75	FP-8923792		Small
2	Copper Washer	80-75	FP-5152148		Cyl. Block; 25/64" ID x 9/16" OD x 1/16" Thick; Copper
16	Copper Washer	80-75	FP-5152148		Cyl. Head; 25/64" ID x 9/16" OD x 1/16" Thick; Copper
4	Bolt	80-75	FP-8927580		Cyl. Block; 3/8" - 16 x .875"
14	Stud	80-75	FP-5152121		Cyl. Block; 5/16" - 18 x 1 1/2"

QTY	GASKET SETS	YEARS	PART NO.	SIZE	DESCRIPTION
1	Complete Overhaul Gasket Set	80-75	FP-23512685WS		8V92
1	Complete Overhaul Gasket Set	80-75	FP-23512685		8V92; Crankshaft seals not incl.

QTY	CAM BEARINGS	YEARS	PART NO.	SIZE	DESCRIPTION
8	Cam Brg.	80-75	FP-5194825	20	Camshaft End Bushing; .020" U/S, Unfinished; Grooved
8	Cam Brg.	80-75	FP-5111423	STD	Camshaft End Bushing; Grooved
2	Cam Brg.	80-75	FP-5117984	STD	Position Front
2	Cam Brg.	80-75	FP-5197569	10	Position Front
6	Cam Brg.	80-75	FP-5196026	STD	Position Inter.; w/o Steel bushing in ctr. hole; Aluminum Blocks only
6	Cam Brg.	80-75	FP-5196022	STD	Position Inter.; w/steel bushing in ctr. hole; 4 req'd
2	Cam Brg.	80-75	FP-5111422	STD	Position Rear
2	Cam Brg.	80-75	FP-5194858	10	Position Rear

QTY	OIL COOLERS & FILTERS	YEARS	PART NO.	SIZE	DESCRIPTION
1	Oil Cooler	80-75	FP-8547195		Core Assy.; 18 plate
1	Oil Cooler	80-75	FP-8547581		Twin Plate; 13 plate
1	Oil Cooler	80-75	FP-8547553		Twin Plate; 16 Plate
1	Oil Cooler	80-75	FP-8547237		Twin Plate; 24 Plate
1	Oil Cooler	80-75	FP-8547552		Twin Plate; 32 Plate
2	Oil Cooler	80-75	FP-8547552		Twin Plate-Dual; 32 Plate
1	Oil Filter Adapter Gasket	80-75	FP-8924412		
1	Lock Washer	80-75	FP-103320		Aftercooler; 5/16"
2	Lock Nut	80-75	FP-103026		Oil Cooler Water Outlet Flange; 3/8" x 24
2	Lock Nut	80-75	FP-103026		Twin Plate; Oil Cooler Water Elbow; 3/8" x 24
2	Lock Nut	80-75	FP-103026		Twin Plate-Dual; Oil Cooler Water Elbow; 3/8" x 24
2	Washer	80-75	FP-5131433		Oil Cooler Adaptor; .410" x .810" x .1345"
1	Washer	80-75	FP-5177773		Oil Cooler Bypass Plug; 18MM x 1.5MM

(continued on next page)

GMC Truck - M/D & H/D

H/D Truck 8V-92 (4-Valve Cyl. Head) Eng. 57
12.1L 736 OHV Diesel V8, 4.84" Bore (Detroit Diesel Eng.) 1975-80 (cont.)

ENGINE BLOCK & PARTS (cont.)

QTY	(cont.)	YEARS	PART NO.	SIZE	DESCRIPTION
1	Washer	80-75	FP-5131433		Oil Cooler Housing Cover; .410" x .810" x .1345"
1	Washer	80-75	FP-5177773		Twin Plate; Oil Cooler By-pass; 18MM x 1.5MM
8	Washer	80-75	FP-5131433		Twin Plate; Oil Cooler Housing Cover; .410" x .810" x .1345"
2	Washer	80-75	FP-5177773		Twin Plate-Dual; Oil Cooler By-pass Plug; 18MM x 1.5MM
2	Lock Washer	80-75	FP-103320		Oil Cooler Adaptor Cover; 5/16"
1	Lock Washer	80-75	FP-103320		Oil Cooler Housing Cover; 5/16"
8	Lock Washer	80-75	FP-103320		Oil Cooler Housing; 5/16"
2	Lock Washer	80-75	FP-103321		Oil Cooler Water Outlet Flange; 3/8"
1	Lock Washer	80-75	FP-103320		Oil Cooler Water Outlet Flange; 5/16"
8	Lock Washer	80-75	FP-103320		Twin Plate; Oil Cooler Core; 5/16"
2	Lock Washer	80-75	FP-103321		Twin Plate; Oil Cooler Water Inlet; 3/8"
22	Lock Washer	80-75	FP-103320		Twin Plate-Dual; Oil Cooler Core; 5/16"
2	Lock Washer	80-75	FP-103321		Twin Plate-Dual; Oil Cooler Water Inlet; 3/8"
1	Spacer	80-75	FP-5102793		Oil Cooler Adaptor to Block; 5.70" x 1.00" x .012"
1	Spacer	80-75	FP-5102793		Twin Plate; Oil Cooler Adaptor to Block; 5.70" x 1.00" x .012"
1	Pipe Plug	80-75	FP-5115214		Oil Cooler Core; 1/2" Square Head
1	Pipe Plug	80-75	FP-8923847		Oil Cooler Core; 1/4" x 18 NPTF; Square head
1	Pipe Plug	80-75	FP-8923313		Oil Cooler Core; 3/4"
2	Pipe Plug	80-75	FP-5142549		Oil Cooler Core; 3/4" - 14 Square Head
1	Pipe Plug	80-75	FP-5121182		Oil Cooler Housing; 1/4" - 18; Hex head
2	Pipe Plug	80-75	FP-8923847		Oil Cooler Housing; 1/4" x 18 NPTF; Square head
1	Pipe Plug	80-75	FP-8924517		Oil Cooler Housing; 3/8" x 18 square head
1	Pipe Plug	80-75	FP-5115214		Oil Cooler Water Inlet; 1/2" Square Head
2	Pipe Plug	80-75	FP-8923847		Oil Cooler Water Inlet; 1/4" x 18 NPTF; Square head
1	Pipe Plug	80-75	FP-8923313		Oil Cooler Water Inlet; 3/4"
1	Pipe Plug	80-75	FP-5142549		Oil Cooler Water Inlet; 3/4" - 14 Square Head
2	Pipe Plug	80-75	FP-8923847		Twin Plate; Oil Cooler Core; 1/4" x 18 NPTF; Square head
1	Pipe Plug	80-75	FP-8923313		Twin Plate; Oil Cooler Water Elbow; 3/4"
1	Pipe Plug	80-75	FP-5142549		Twin Plate; Oil Cooler Water Elbow; 3/4" - 14 Square Head
2	Pipe Plug	80-75	FP-5115214		Twin Plate; Oil Cooler Water Inlet; 1/2" Square Head
1	Pipe Plug	80-75	FP-5115214		Twin Plate-Dual; Oil Cooler By-pass; 1/2" Square Head
1	Pipe Plug	80-75	FP-8923847		Twin Plate-Dual; Oil Cooler Core; 1/4" x 18 NPTF; Square head
1	Pipe Plug	80-75	FP-8923847		Twin Plate-Dual; Oil Cooler Core; 1/4" x 18 NPTF; Square head
1	Pipe Plug	80-75	FP-5142549		Twin Plate-Dual; Oil Cooler Core; 3/4" - 14 Square Head
1	Pipe Plug	80-75	FP-5115214		Twin Plate-Dual; Oil Cooler Water Elbow; 1/2" Square Head
1	Pipe Plug	80-75	FP-8923313		Twin Plate-Dual; Oil Cooler Water Elbow; 3/4"
2	Pipe Plug	80-75	FP-5142549		Twin Plate-Dual; Oil Cooler Water Elbow; 3/4" - 14 Square Head
4	Hose Clamp	80-75	FP-5186840		Aftercooler; 13/16" - 1 1/2" Clamping Range
4	Air Compressor Seal Ring	80-75	FP-5101138		Aftercooler; .984" x .139"
1	Oil Cooler Gasket Kit	80-75	FP-5149946		Oil Cooler Adaptor Cover
1	Oil Cooler Gasket	80-75	FP-8923512		Adaptor to Block
1	Oil Cooler Gasket	80-75	FP-8923512		Oil Cooler Adaptor Cover
1	Oil Cooler Gasket	80-75	FP-8923223		Oil Cooler Core
1	Oil Cooler Gasket	80-75	FP-8923512		Twin Plate; Oil Cooler Adaptor Cover
1	Oil Cooler Gasket	80-75	FP-8923223		Outer
1	Oil Cooler Gasket	80-75	FP-23501587		Outer; Twin Plate; Oil Cooler Core, Element to Plate
1	Cyl. Block Water Hole Cvr Gsk	80-75	FP-5117734		Oil Cooler Housing Cover
1	Cyl. Block Water Hole Cvr Gsk	80-75	FP-5117734		Twin Plate-Dual; Oil Cooler Housing Cover
1	Cyl. Block Water Hole Cvr Gsk	80-75	FP-5117734		Front; Twin Plate; Oil Cooler Water Elbow
1	Cyl. Block Water Hole Cvr Gsk	80-75	FP-5117734		Front; Twin Plate-Dual; Oil Cooler Water Elbow
1	Sealing Ring	80-75	FP-5102098		Twin Plate; Oil Cooler Water Outlet Hose; 3.60" OD x .620" Wide
1	Sealing Ring	80-75	FP-5102098		Twin Plate-Dual; Oil Cooler Water Outlet Hose; 3.60" OD x .620" Wide
1	Oil Cooler Core Gasket	80-75	FP-23501589		Twin Plate; Oil Cooler Housing Cover
1	Oil Cooler Seal Ring	80-75	FP-23501837		Oil Cooler Water Outlet Flange
1	Gasket	80-75	FP-5575086		Oil Cooler Bypass Plug
1	Gasket	80-75	FP-5575086		Oil Cooler Housing
1	Oil Cooler Core Inner Gasket	80-75	FP-5150155		
1	Oil Cooler Core Inner Gasket	80-75	FP-5150155		
1	Oil Cooler Core Inner Gasket	80-75	FP-5150155		Housing Cover
1	Oil Cooler Core Inner Gasket	80-75	FP-23511304		Twin Plate; Oil Cooler Housing Cover
4	Oil Cooler Core Inner Gasket	80-75	FP-23501595		Inner
1	Oil Cooler Core Inner Gasket	80-75	FP-5150155		Inner; Twin Plate
2	Oil Cooler Core Inner Gasket	80-75	FP-23511304		Inner; Twin Plate-Dual; Oil Cooler Core
1	Oil Cooler Core Inner Gasket	80-75	FP-8925731		Outer
1	Oil Cooler Core Outer Gasket	80-75	FP-5102506		
1	Oil Cooler Housing Cover Gskt	80-75	FP-8924623		
1	Oil Cooler Adapter Cover Gskt	80-75	FP-5117535		
1	Oil Cooler Adapter Cover Gskt	80-75	FP-5117535		

(continued on next page)

GMC Truck - M/D & H/D

57 H/D Truck 8V-92 (4-Valve Cyl. Head) Eng.
 (cont.) 12.1L 736 OHV Diesel V8, 4.84" Bore (Detroit Diesel Eng.) 1975-80

ENGINE BLOCK & PARTS (cont.)

ENGINE BLOCK & PARTS (cont.)					
QTY	OIL COOLERS & FILTERS	YEARS	PART NO.	SIZE	DESCRIPTION
(cont.)					
2	Oil Cooler Adapter Cover Gskt	80-75	FP-5117535		Twin Plate; Oil Cooler Adaptor to Block
4	Oil Cooler Adapter Cover Gskt	80-75	FP-5117535		Twin Plate-Dual; Oil Cooler Adaptor to Block
1	Copper Washer	80-75	FP-5152148		Oil Cooler Housing Cover; 25/64" ID x 9/16" OD x 1/16" Thick; Copper
1	Copper Washer	80-75	FP-5155596		Oil Cooler Housing; 5/16"; Special copper washer
1	Copper Washer	80-75	FP-5155596		Oil Cooler Housing; 5/16"; Special copper washer
1	Copper Washer	80-75	FP-5155596		Oil Cooler Water Inlet; 5/16"; Special copper washer
2	Copper Washer	80-75	FP-5152148		Oil Cooler Water Outlet Flange; 25/64" ID x 9/16" OD x 1/16" Thick; Copper
8	Copper Washer	80-75	FP-5155596		Twin Plate; Oil Cooler Core; 5/16"; Special copper washer
2	Copper Washer	80-75	FP-5152148		Twin Plate; Oil Cooler Water Elbow; 25/64" ID x 9/16" OD x 1/16" Thick; Copper
1	Copper Washer	80-75	FP-5155596		Twin Plate-Dual; Oil Cooler Core; 5/16"; Special copper washer
1	Copper Washer	80-75	FP-5152148		Twin Plate-Dual; Oil Cooler Housing Cover; 25/64" ID x 9/16" OD x 1/16" Thick; Copper
1	Copper Washer	80-75	FP-5152148		Twin Plate-Dual; Oil Cooler Water Elbow; 25/64" ID x 9/16" OD x 1/16" Thick; Copper
1	Clamp	80-75	FP-5143999		Twin Plate; Oil Cooler Water Outlet Hose; 3.50" T-Bolt
2	Clamp	80-75	FP-5143999		Twin Plate-Dual; Oil Cooler Water Outlet Hose; 3.50" T-Bolt
2	Hose Clamp	80-75	FP-9139809		Oil Cooler Water Inlet Hose; 2 1/16" - 3"
2	Hose Clamp	80-75	FP-5188036		Oil Cooler Water Inlet Hose; 2.750" Dia. Hose
2	Hose Clamp	80-75	FP-9139809		Twin Plate; Oil Cooler Water Inlet Hose; 2 1/16" - 3"
2	Hose Clamp	80-75	FP-5188036		Twin Plate; Oil Cooler Water Inlet Hose; 2.750" Dia. Hose
2	Hose Clamp	80-75	FP-9139809		Twin Plate-Dual; Oil Cooler Water Inlet Hose; 2 1/16" - 3"
2	Hose Clamp	80-75	FP-5188036		Twin Plate-Dual; Oil Cooler Water Inlet Hose; 2.750" Dia. Hose
2	Bolt	80-75	FP-8923391		Oil Cooler Adaptor; 3/8" - 16 x 1.880"
1	Bolt	80-75	FP-8923391		Oil Cooler Housing Cover; 3/8" - 16 x 1.880"
3	Bolt	80-75	FP-8927581		Oil Cooler Housing Cover; 3/8" - 16 x 1"
1	Bolt	80-75	FP-8927580		Oil Cooler Housing; 3/8" - 16 x .875"
1	Bolt	80-75	FP-8927580		Oil Cooler Water Inlet; 3/8" - 16 x .875"
2	Bolt	80-75	FP-8927581		Oil Cooler Water Outlet Flange; 3/8" - 16 x 1"
2	Bolt	80-75	FP-8927581		Twin Plate; Oil Cooler Housing Cover; 3/8" - 16 x 1"
2	Bolt	80-75	FP-8927581		Twin Plate; Oil Cooler Water Elbow; 3/8" - 16 x 1"
2	Bolt	80-75	FP-8927580		Twin Plate; Oil Cooler Water Inlet; 3/8" - 16 x .875"
2	Bolt	80-75	FP-8927581		Twin Plate; Oil Cooler Water Inlet; 3/8" - 16 x 1"
1	Bolt	80-75	FP-8927581		Twin Plate-Dual; Oil Cooler Water Elbow; 3/8" - 16 x 1"
6	Bolt	80-75	FP-8927580		Twin Plate-Dual; Oil Cooler Water Inlet; 3/8" - 16 x .875"
2	Bolt	80-75	FP-8927581		Twin Plate-Dual; Oil Cooler Water Inlet; 3/8" - 16 x 1"
QTY	FREEZE PLUGS	YEARS	PART NO.	SIZE	DESCRIPTION
6	Pipe Plug	80-75	FP-5115214		Cyl. Block; 1/2" Square Head
3	Pipe Plug	80-75	FP-8923847		Cyl. Block; 1/4" x 18 NPTF; Square head
1	Pipe Plug	80-75	FP-8924380		Cyl. Block; 1/8" - 27
6	Pipe Plug	80-75	FP-5142549		Cyl. Block; 3/4" - 14 Square Head
1	Pipe Plug	80-75	FP-5142549		Flywheel Housing; 3/4" - 14 Square Head
1	Pipe Plug	80-75	FP-5121182		Oil Level Dipstick; 1/4" - 18; Hex head
QTY	DIPSTICK	YEARS	PART NO.	SIZE	DESCRIPTION
1	Dipstick	80-75	FP-5102092		21" Length; Marked
1	Dipstick	80-75	FP-5101885		25" Length; Marked
1	Dipstick	80-75	FP-5146680		72" Length; Unmarked
1	Dipstick Guide	80-75	FP-5151430		1.50" Length
QTY	MISCELLANEOUS	YEARS	PART NO.	SIZE	DESCRIPTION
12	Bolt	80-75	FP-5103280		Flywheel Housing; 9/16" - 18 x 2.250"
12	Bolt	80-75	FP-9410925		Flywheel Housing; 9/16" - 18 x 2.250"
12	Bolt	80-75	FP-9412015		Flywheel Housing; 9/16" - 18 x 2.500"
1	Bolt	80-75	FP-8927581		Oil Level Dipstick; 3/8" - 16 x 1"
3	Screw	80-75	FP-5103642		Oil Filler Tube; No. 10 - 24 x .375"
6	Pipe Plug	80-75	FP-5115214		Cyl. Block; 1/2" Square Head
3	Pipe Plug	80-75	FP-8923847		Cyl. Block; 1/4" x 18 NPTF; Square head
1	Pipe Plug	80-75	FP-8924380		Cyl. Block; 1/8" - 27
6	Pipe Plug	80-75	FP-5142549		Cyl. Block; 3/4" - 14 Square Head
1	Pipe Plug	80-75	FP-5142549		Flywheel Housing; 3/4" - 14 Square Head
1	Pipe Plug	80-75	FP-5121182		Oil Level Dipstick; 1/4" - 18; Hex head
2	Washer	80-75	FP-5131755		Flywheel Housing; 17/32" x .88" x .1345"
3	Washer	80-75	FP-5138619		Flywheel Housing; 25/64" x 3/4" x .083"
1	Washer	80-75	FP-106261		Oil Level Dipstick; 5/16" x 3/4"
1	Copper Washer	80-75	FP-5152148		Oil Level Dipstick; 25/64" ID x 9/16" OD x 1/16" Thick; Copper
2	Lock Nut	80-75	FP-103026		Flywheel Housing; 3/8" x 24
1	Lock Nut	80-75	FP-103026		Oil Level Dipstick; 3/8" x 24

(continued on next page)

GMC Truck - M/D & H/D

H/D Truck 8V-92 (4-Valve Cyl. Head) Eng. 57
12.1L 736 OHV Diesel V8, 4.84" Bore (Detroit Diesel Eng.) 1975-80 (cont.)

ENGINE BLOCK & PARTS (cont.)					
QTY	MISCELLANEOUS (cont.)	YEARS	PART NO.	SIZE	DESCRIPTION
2	Oil Filler Cap	80-75	FP-5107106		1.50" Dia.; Thermos Bottle Style
2	Oil Filler Cap	80-75	FP-5117362		2.00" Dia.; Thermos Bottle Style
CRANKSHAFT/OIL PUMP					
QTY	CRANKSHAFT	YEARS	PART NO.	SIZE	DESCRIPTION
1	Crankshaft	80-75	FP-8926923		RH Rotation
1	Vibration Damper	80-75	FP-8922492		12.3" Dia., Heavy Viscous
1	Vibration Damper	80-75	FP-8924435		12.3" Dia., Heavy Viscous
1	Vibration Damper	80-75	FP-5106222		15" Dia., Heavy Viscous
1	Bolt	80-75	FP-23501143		Crankshaft pulley; 1" - 14 X 2.750" (1.500" Hex head)
1	Oil Seal	80-75	FP-23512418		Camshaft Damper; Pulley Drive Shaft
4	Pipe Plug	80-75	FP-8924380		Crankshaft; 1/8" - 27
2	Woodruff Key	80-75	FP-8928545		3/16" x 7/8" Woodruff
4	Dowel Pin	80-75	FP-141346		.1875" x .500"
QTY	SEALS - FRONT CRANK	YEARS	PART NO.	SIZE	DESCRIPTION
1	Oil Seal	80-75	FP-5143108		Front
1	Oil Seal	80-75	FP-8922045		Front; Crankshaft; RH Rotation
1	Oil Seal	80-75	FP-23514608		Front; Crankshaft; RH Rotation; Red
1	Oil Seal	80-75	FP-5115454		Front; Crankshaft; Single Lip, Std.
1	Oil Seal Spacer	80-75	FP-23507306		Front; Crankshaft; 2.50" ID x 2.81" Length
1	O-Ring	80-75	FP-23503769		Front; Crankshaft
QTY	SEALS - REAR CRANK	YEARS	PART NO.	SIZE	DESCRIPTION
1	Oil Seal	80-75	FP-8923654		Rear; Crankshaft; O.S.; Single lip; R.H. Rotation
1	Oil Seal	80-75	FP-5198159		Rear; Crankshaft; O/S; Double lip
1	Oil Seal	80-75	FP-5194462		Rear; Crankshaft; O/S; Single lip; L.H. Rotation
1	Oil Seal	80-75	FP-23501610		Rear; Crankshaft; PTFE Double Lip
1	Oil Seal	80-75	FP-23501545		Rear; Crankshaft; PTFE Double Lip; O/S
1	Oil Seal	80-75	FP-5106329		Rear; Crankshaft; Std.; Double lip
1	Oil Seal	80-75	FP-8926762		Rear; Crankshaft; Std.; Single lip; L.H. Rotation
1	Oil Seal	80-75	FP-8926761		Rear; Crankshaft; Std.; Single lip; R.H. Rotation
1	Wear Sleeve	80-75	FP-23507226		Rear; Crankshaft; Use w/O.S. Seal
QTY	MAIN BEARINGS	YEARS	PART NO.	SIZE	DESCRIPTION
5	Plain Main Brg.	80-75	FP-5149565	STD	Upper brg. w/elongated oil slot. May also be used as replacement for brg. w/11/32" oil hole.
5	Plain Main Brg.	80-75	FP-5149566	2	Upper brg. w/elongated oil slot. May also be used as replacement for brg. w/11/32" oil hole.
5	Plain Main Brg.	80-75	FP-5149567	10	Upper brg. w/elongated oil slot. May also be used as replacement for brg. w/11/32" oil hole.
5	Plain Main Brg.	80-75	FP-5149568	20	Upper brg. w/elongated oil slot. May also be used as replacement for brg. w/11/32" oil hole.
5	Plain Main Brg.	80-75	FP-8922118	30	Upper brg. w/elongated oil slot. May also be used as replacement for brg. w/11/32" oil hole.
4	Thrust Washer	80-75	FP-5117005	STD	
4	Thrust Washer	80-75	FP-5196753	5	
4	Thrust Washer	80-75	FP-5196754	10	
QTY	OIL PUMP	YEARS	PART NO.	SIZE	DESCRIPTION
2	Oil Pump Cover Gasket	80-75	FP-29503153		2.40" B.C.
1	Bushing	80-75	FP-5123303		Oil Pump Driven Gear
1	Oil Pump Spring	80-75	FP-5126326		Pressure Relief Valve; .520" Dia., 2.570" Length
1	Oil Pump Spring	80-75	FP-5126327		Pressure Relief Valve; .790" Dia., 2.96" Length
1	Woodruff Key	80-75	FP-8928545		Oil Pump Drive Gear; 3/16" x 7/8" Woodruff
1	Bolt	80-75	FP-8927580		Oil Pump Inlet Pipe; 3/8" - 16 x .875"
2	Bolt	80-75	FP-8927581		Oil Pump Inlet Pipe; 3/8" - 16 x 1"
2	Bolt	80-75	FP-8927580		Oil Pump; 3/8" - 16 x .875"
1	Washer	80-75	FP-5104439		Oil Pump; 7/16" x 1.250" Dia.; Dished
2	Lock Washer	80-75	FP-103321		Front Cover; 3/8"
2	Lock Washer	80-75	FP-103321		Oil Pump Inlet Pipe; 3/8"
2	Lock Washer	80-75	FP-103320		Oil Pump Inlet Pipe; 5/16"
2	Lock Washer	80-75	FP-103321		Oil Pump; 3/8"
1	Plastic Cap	80-75	FP-5136240		Front Cover; .250" Dia.
1	Pipe Plug	80-75	FP-5142549		Oil Pump; 3/4" - 14 Square Head
1	Pipe Plug	80-75	FP-8924517		Oil Pump; 3/8" x 18 square head
1	Gasket	80-75	FP-5126160		At Pump; 1.80" B.C.
1	Pipe Plug	80-75	FP-5115214		Oil Pan Drain Plug; 1/2" Square Head
1	Pipe Plug	80-75	FP-5121182		Oil Pan Drain Plug; 1/4" - 18; Hex head
1	Pipe Plug	80-75	FP-8923847		Oil Pan Drain Plug; 1/4" x 18 NPTF; Square head
1	Pipe Plug	80-75	FP-8923313		Oil Pan Drain Plug; 3/4"
1	Pipe Plug	80-75	FP-8924517		Oil Pan Drain Plug; 3/8" x 18 square head

(continued on next page)

GMC Truck - M/D & H/D

57 H/D Truck 8V-92 (4-Valve Cyl. Head) Eng.
 (cont.) 12.1L 736 OHV Diesel V8, 4.84" Bore (Detroit Diesel Eng.) 1975-80

CRANKSHAFT/OIL PUMP (cont.)

QTY	OIL PUMP (cont.)	YEARS	PART NO.	SIZE	DESCRIPTION
1	Pipe Plug	80-75	FP-5115214		Oil Pan Sump; 1/2" Square Head
1	Pipe Plug	80-75	FP-5142549		Oil Pan; 3/4" - 14 Square Head

CYLINDER COMPONENTS

QTY	LINERS	YEARS	PART NO.	SIZE	DESCRIPTION
8	Liner w/o Sealing Rings	80-75	FP-5148505	STD	1.05"; 30 Deg. Port
8	Liner w/o Sealing Rings	80-75	FP-51485051	1	1.05"; 30 Deg. Port; O/S .001 in Lower Receiver Bore Area
8	Liner w/o Sealing Rings	80-75	FP-514850510	10	1.05"; 30 Deg. Port; O/S .010 in Lower Receiver Bore Area
8	Liner w/o Sealing Rings	80-75	FP-514850520	20	1.05"; 30 Deg. Port; O/S .020 in Lower Receiver Bore Area
8	Cylinder Kit Complete	80-75	FP-23524345	STD	18.0:1 C.R.; Option Type 146, 147, 148, 222, 226, 259, 264, 304, 315, 317
8	Cylinder Kit Complete	80-75	FP-235243451	1	18.0:1 C.R.; Option Type 146, 147, 148, 222, 226, 259, 264, 304, 315, 317
8	Cylinder Kit Complete	80-75	FP-2352434510	10	18.0:1 C.R.; Option Type 146, 147, 148, 222, 226, 259, 264, 304, 315, 317
8	Cylinder Kit Complete	80-75	FP-2352434520	20	18.0:1 C.R.; Option Type 146, 147, 148, 222, 226, 259, 264, 304, 315, 317
16	Sealing Ring, Liner	80-75	FP-8927189		
8	Cntr. Bore Insert	80-75	FP-5101723		.015" I.D., .1338"-.1343"
8	Cntr. Bore Insert	80-75	FP-5101533		.015" I.D., .1350"-.1355"
8	Cntr. Bore Insert	80-75	FP-5101727		.015" I.D., .1362"-.1367"

QTY	PISTONS	YEARS	PART NO.	SIZE	DESCRIPTION
8	Piston Kit w/Pin & Retainers	80-75	FP-23500883		19.0:1 C.R.; w/Cross Head style piston
8	Crosshead Piston Dome	80-75	FP-8926480		19.0:1 C.R.; w/Cross Head style piston
8	Piston Skirt	80-75	FP-23508986		18.0:1 C.R.; w/Cross Head style piston
8	Pin	80-75	FP-5101120	STD	w/Cross Head style piston
8	Pin	80-75	FP-5144744	STD	w/Cross Head style piston; Nut plate type
16	Piston Pin Retainer	80-75	FP-5180250		
16	Piston Pin Bolt	80-75	FP-5148373		7/16" - 20 x 2.00" Length
16	Piston Pin Bolt Spacer	80-75	FP-5144846		w/Cross Head style piston
8	Pin Bushing	80-75	FP-5157274		w/.015" extra ID bore stock
8	Pin Bushing	80-75	FP-2409Y		w/1.5020" I.D., 1.7510" O.D., .7600" O.A.L.
8	Pin Bushing	80-75	2409Y +		w/1.5020" I.D., 1.7510" O.D., .7600" O.A.L.; When depleted use FP-2409Y
8	Piston Pin Slipper Bearing	80-75	FP-23501687		Slipper type design - 1 per cyl.
8	O-Ring	80-75	FP-8923729		19.0:1 C.R.; w/Cross Head style piston

QTY	CONNECTING RODS & BRGS.	YEARS	PART NO.	SIZE	DESCRIPTION
16	Con. Rod Bolt	80-75	FP-5132383		.4375" x 20 x 3.52"
16	Con. Rod Nut	80-75	FP-5117629		.4375" x 20
8	Rod Pair	80-75	FP-5149572	STD	
8	Rod Pair	80-75	FP-5149573	2	
8	Rod Pair	80-75	FP-5149575	10	
8	Rod Pair	80-75	FP-5149577	20	
8	Rod Pair	80-75	FP-5149579	30	

QTY	PISTON RINGS	YEARS	PART NO.	SIZE	DESCRIPTION
8	Ring Set Single Cylinder	80-75	FP-23524349		w/Cross Head style piston; Wide gap Fire Ring
8	Compression Ring	80-75	FP-23524192		w/Cross Head style piston; Wide gap Fire Ring; Top Fire ring
16	Compression Ring	80-75	FP-8923113		w/Cross Head style piston; 2nd & 3rd grooves
8	Ring, Oil Control Set	80-75	FP-23524350		w/Cross Head style piston; For one groove

CLUTCH

QTY	CLUTCH	YEARS	PART NO.	SIZE	DESCRIPTION
1	Ball Brg.	80-75	FP-23503706		Clutch Pilot
1	Ball Brg.	80-75	FP-23503709		Clutch Pilot

KITS

QTY	OVERHAUL KIT	YEARS	PART NO.	SIZE	DESCRIPTION
1	In-Frame Overhaul Kit	80-75	FP-8V92		w/Cross Head style piston & .950" Port Length Sleeve; Valve cover gskts. not incl.
1	In-Frame Overhaul Kit	80-75	FP-8V92		w/Cross Head style piston & 1.050" Port Length Sleeve; Valve cover gskts. not incl.
1	Complete Overhaul Kit	80-75	FP-8V92OH		w/Cross Head style piston & .950" Port Length Sleeve; Valve cover gskts. not incl.
1	Complete Overhaul Kit	80-75	FP-8V92OH		w/Cross Head style piston & 1.050" Port Length Sleeve; Valve cover gskts. not incl.

GMC Truck - M/D & H/D

H/D Truck 8V-92T (4-Valve Cyl. Head) Eng. 58
12.1L 736 OHV Turbo-Diesel V8, 4.84" Bore (Detroit Diesel Eng.) 1979-88

CYL. HEAD & PARTS

QTY	GASKETS	YEARS	PART NO.	SIZE	DESCRIPTION
2	Valve Cover Gasket	88-79	FP-5104081		w/Alum. Rocker Cover; Eng. w/cast Alum. valve cover; Silicone
2	Valve Cover Gasket	88-79	FP-5143406		w/Stamped Rocker Cover; Eng. w/Steel valve cover; Neoprene
8	Head Gasket	88-79	FP-5100404		Cyl. Head Compression
2	Head Set	88-79	FP-5199674		Services One Head
1	Oil Filler Tube Gasket	88-79	FP-5120540		
1	Oil Cooler Adapter Cover Gskt	88-79	FP-5175882		Eng. Lifting Bracket spacer
34	O-Ring	88-79	FP-5148502		Cyl. Head Oil Seal
20	Bolt	88-79	FP-5148324		Cyl. Head; 11/16" - 11 x 5.500"
1	Bolt	88-79	FP-5103635		Throttle Delay; 3/8" - 16 x 2.90"
4	Stud	88-79	FP-5148504		Rocker Cover; 3/8" - 16 x 4.32"
1	Bolt	88-79	FP-8927581		Oil Filler Tube; 3/8" - 16 x 1"
2	Lock Washer	88-79	FP-103321		Oil Filler Tube; 3/8"
1	Pipe Plug	88-79	FP-8923847		Oil Filler Tube; 1/4" x 18 NPTF; Square head
4	Isolator Bushing	88-79	FP-5104515		Rocker Cover
QTY	HEAD BOLTS	YEARS	PART NO.	SIZE	DESCRIPTION
20	Washer	88-79	FP-5148310		Cyl. Head; 11/16" Dia.
4	Washer	88-79	FP-5104514		Rocker Cover; .47" x 2.00" x .20"
QTY	MISCELLANEOUS	YEARS	PART NO.	SIZE	DESCRIPTION
4	Wear Sleeve	88-79	FP-5148615		Cyl. Head; Pilot; .700" Length
2	Pipe Plug	88-79	FP-8926993		Cyl. Head Fuse; 1/4" X 18; Recessed socket head
9	Pipe Plug	88-79	FP-5121182		Cyl. Head; 1/4" - 18; Hex head
17	Pipe Plug	88-79	FP-8923847		Cyl. Head; 1/4" x 18 NPTF; Square head
4	Pipe Plug	88-79	FP-5142549		Cyl. Head; 3/4" - 14 Square Head
3	Pipe Plug	88-79	FP-8924517		Cyl. Head; 3/8" x 18 square head
8	Bolt	88-79	FP-8927580		Cyl. Head; 3/8" - 16 x .875"
2	Stud	88-79	FP-8927270		Cyl. Head; 3/8" - 16/24" x 1.6875"
5	Stud	88-79	FP-8925804		Cyl. Head; 7/16" - 14/20" x 2 3/32"
8	Washer	88-79	FP-5125108		Fuel Stand; 7/16" x 3/4" x 1/16"
2	Lock Washer	88-79	FP-103321		Cyl. Head; 3/8"
2	Lock Nut	88-79	FP-103026		Cyl. Head; 3/8" x 24
4	Shim	88-79	FP-5100703		Cyl. Head Support
16	Bolt	88-79	FP-443603		Cam Follower Guide; .250" x 20 x .750"
QTY	FREEZE PLUGS	YEARS	PART NO.	SIZE	DESCRIPTION
2	Pipe Plug	88-79	FP-8926993		Cyl. Head Fuse; 1/4" X 18; Recessed socket head
9	Pipe Plug	88-79	FP-5121182		Cyl. Head; 1/4" - 18; Hex head
17	Pipe Plug	88-79	FP-8923847		Cyl. Head; 1/4" x 18 NPTF; Square head
4	Pipe Plug	88-79	FP-5142549		Cyl. Head; 3/4" - 14 Square Head
3	Pipe Plug	88-79	FP-8924517		Cyl. Head; 3/8" x 18 square head
1	Expansion Plug	88-79	FP-5117186		Cyl. Head; 2" Dia. Cup; Stainless Steel
2	Expansion Plug	88-79	FP-5150132		Cyl. Head; 3/4" Dia. Cup
6	Expansion Plug	88-79	FP-5154453		Cyl. Head; 3/8" - 16 Headless Special
4	Expansion Plug	88-79	FP-5178976		Cyl. Head; 7/16" - 14 Special
2	Expansion Plug	88-79	FP-5132410		1 5/8" Dia. Cup; Stainless Steel
QTY	VALVE	YEARS	PART NO.	SIZE	DESCRIPTION
24	Exhaust Valve Kit	88-79	FP-5149771		Incl. Locks
64	Keeper	88-79	FP-5111337		Exh.; 1 groove; Square cut key groove
QTY	VALVE SEAT	YEARS	PART NO.	SIZE	DESCRIPTION
24	Exh.	88-79	FP-5101315	10	30 Deg. seat; .010" O/S; 1.4520" OD, 1.1400" ID, .2510" Depth
32	Exh.	88-79	FP-5148490	STD	30 Deg. seat; 1.4420" OD, 1.1400" ID, .2510" Depth
QTY	VALVE GUIDE	YEARS	PART NO.	SIZE	DESCRIPTION
32	Guide	88-79	FP-5129919		Exh.; 2 3/8" length; .3130" ID, 2.3800" O.A.L.
QTY	VALVE SPRING	YEARS	PART NO.	SIZE	DESCRIPTION
24	Spring	88-79	FP-5147347		Exh.; .148" Wire dia.
24	Spring	88-79	FP-8927794		Exh.; DDEC Coach; Type 281, 283
32	Spring Cap	88-79	FP-5117563		Exh.
QTY	PUSH RODS	YEARS	PART NO.	SIZE	DESCRIPTION
24	Push Rod	88-79	FP-5128640		
24	Push Rod Seat	88-79	FP-5123250		Lower
24	Push Rod Seat	88-79	FP-5108919		Upper; Cup type
24	Push Rod Spring	88-79	FP-5108918		.192" Wire diameter
24	Push Rod Retainer	88-79	FP-5150303		
24	Lock Nut	88-79	FP-5151601		Push rod; 5/16" - 24
QTY	VALVE MISC.	YEARS	PART NO.	SIZE	DESCRIPTION
1	Breather Seal Ring	88-79	FP-5103646		Breather Hole Plug
2	Governor Hole Gasket	88-79	FP-5123812		Breather Elbow
2	Bolt	88-79	FP-8927581		Breather Elbow; 3/8" - 16 x 1"

(continued on next page)

GMC Truck - M/D & H/D

58 H/D Truck 8V-92T (4-Valve Cyl. Head) Eng.
 (cont.) 12.1L 736 OHV Turbo-Diesel V8, 4.84" Bore (Detroit Diesel Eng.) 1979-88

CYL. HEAD & PARTS (cont.)

QTY	VALVE MISC. (cont.)	YEARS	PART NO.	SIZE	DESCRIPTION
2	Bolt	88-79	FP-443603		Breather; .250" x 20 x .750"
2	Bolt	88-79	FP-8921930		Breather; 1/4" - 20 x 3/4"
1	Bolt	88-79	FP-8927580		Breather; 3/8" - 16 x .875"
2	Bolt	88-79	FP-8927581		Breather; 3/8" - 16 x 1"
1	Screw	88-79	FP-5103642		Breather Pipe; No. 10 - 24 x .375"
16	Lock Nut	88-79	FP-5151601		Exh.; Valve Bridge; 5/16" - 24
1	Washer	88-79	FP-5131433		Breather; .410" x .810" x .1345"
1	Washer	88-79	FP-106261		Breather; 5/16" x 3/4"
2	Lock Washer	88-79	FP-103319		Breather Elbow; .250"
2	Lock Washer	88-79	FP-103321		Breather Elbow; 3/8"
1	Lock Washer	88-79	FP-103319		Breather; .250"
1	Lock Washer	88-79	FP-103321		Breather; 3/8"
1	Lock Washer	88-79	FP-103320		Breather; 5/16"
2	Hose Clamp	88-79	FP-5186840		Breather Pipe; 13/16" - 1 1/2" Clamping Range
2	Hose Clamp	88-79	FP-5104592		Breather Pipe; 2.50" Dia.
1	Crankcase Breather	88-79	FP-5101760		Breather Oil Separator Filter; 4"
32	Valve Spring Seat	88-79	FP-5117562		Exh.

QTY	VALVE SEAL	YEARS	PART NO.	SIZE	DESCRIPTION
32	Valve Stem Seal	88-79	FP-8921209		Exh.

QTY	ROCKER PARTS	YEARS	PART NO.	SIZE	DESCRIPTION
8	Arm Assy.	88-79	FP-5148472		Exh. L.H.
8	Arm Assy.	88-79	FP-5148475		Exh. R.H.
8	Arm Assy.	88-79	FP-23502616		Injector; DDEC Coach; Blue Paint I.D.
8	Arm Assy.	88-79	FP-8923554		Injector; Orange paint I.D.
8	Rocker Shaft	88-79	FP-23500714		Repl. FP-5150322
16	Rocker Shaft Bracket Bolt	88-79	FP-5150325		1/2" - 13 x 4.250"
16	Arm Support	88-79	FP-5103903		Rocker Shaft Bracket
16	Rocker Bushing	88-79	FP-5123700		Exh.; Rocker Arm Clevis; .5625" OD
16	Rocker Bushing	88-79	FP-23517217		Exh.; Rocker Arm; Large; .8755" ID, .9475" OD, .840" Length, .0360" Wall thickness
16	Rocker Bushing	88-79	FP-8924354		Exh.; Rocker Arm; Small
8	Rocker Bushing	88-79	FP-8924355		Injector; Large
8	Rocker Bushing	88-79	FP-5123700		Injector; Rocker Arm Clevis; .5625" OD
8	Rocker Bushing	88-79	FP-8924354		Injector; Small
24	Follower Assy.	88-79	FP-8924439		
24	Cam Follower Roller Set	88-79	FP-8923814		Incl. pin & roller
16	Valve Bridge Adj. Screw	88-79	FP-5129101		Exh.; 5/16" - 24 x 1"
16	Valve Bridge	88-79	FP-5148491		Exh.
16	Valve Bridge Guide	88-79	FP-5117564		Exh.; Press fit
16	Valve Bridge Guide	88-79	FP-51175646		Exh.; Press fit w/.006" O/S
16	Valve Bridge Guide	88-79	FP-5196843		Exh.; Threaded
16	Rocker Arm Clevis Pin	88-79	FP-5150314		Exh.
8	Rocker Arm Clevis Pin	88-79	FP-5150314		Injector
16	Bushing	88-79	FP-5122445 +		Exh.; Rocker Arm; Large; When depleted use FP-23517217
8	Bushing	88-79	FP-23502615		Injector; Rocker Arm Clevis; .6295" OD
16	Lock Washer	88-79	FP-103319		Cam Follower Guide; .250"

INT & EXH MANIFOLDS

QTY	INT. & EXH. MANIFOLDS	YEARS	PART NO.	SIZE	DESCRIPTION
4	Exhaust Manifold Gasket	88-79	FP-5150195		Composition
4	Exhaust Manifold Gasket	88-79	FP-5156319		Exh. Manifold Cover Plate
2	Exhaust Manifold Gasket	88-79	FP-5156319		Exh. Manifold Water Outlet Flange
2	Exhaust Manifold Gasket	88-79	FP-5163811		Exh. Manifold; 4.375" I.D.
4	Exhaust Manifold Gasket	88-79	FP-5120224		Metal Clad
1	Gasket	88-79	FP-5113412		Exh. Manifold Cover Plate
2	Exhaust Pipe Gasket	88-79	FP-5145238		Exh. Manifold
2	Exhaust Pipe Gasket	88-79	FP-5145238		Exh. Manifold Adaptor
8	Pipe Plug	88-79	FP-23511574		Exh. Manifold; 1/2" pipe thread; w/1" Square head
4	Pipe Plug	88-79	FP-5142549		Exh. Manifold; 3/4" - 14 Square Head
2	Clamp	88-79	FP-5132650		Exh. Flange; 5.250" Dia.
2	Clamp	88-79	FP-5146165		Exh. Manifold; 3.88" Dia.; Marmon
12	Bolt	88-79	FP-8925603		Exh. Manifold Cover Plate; 5/16" - 18 x 3/4"; Vibra-Tite®
16	Stud	88-79	FP-8925804		Exh. Manifold to Head; 7/16" - 14/20" x 2 3/32"
16	Lock Nut	88-79	FP-23505398		Exh. Manifold; 7/16" - 20
14	Nut	88-79	FP-9411981		Exh. Manifold; 3/8" - 24 Lock Nut
10	Washer	88-79	FP-5104439		Exh. Manifold; 7/16" x 1.250" Dia.; Dished
12	Lock Washer	88-79	FP-103320		Exh. Manifold; 5/16"
2	Exhaust Manifold	88-79	FP-8921706		Horizontal; Water Cooled

(continued on next page)

GMC Truck - M/D & H/D

H/D Truck 8V-92T (4-Valve Cyl. Head) Eng. 58
12.1L 736 OHV Turbo-Diesel V8, 4.84" Bore (Detroit Diesel Eng.) 1979-88 (cont.)

INT & EXH MANIFOLDS (cont.)

QTY	AIR INTAKE	YEARS	PART NO.	SIZE	DESCRIPTION
2	Air Intake Housing Gasket	88-79	FP-5145086		Air Inlet Housing
2	Air Intake Housing Gasket	88-79	FP-5101412		Air Inlet Housing; 11.60" ID, w/Eight 15/32" Holes
2	Air Intake Housing Gasket	88-79	FP-5101408		Air Inlet Housing; 15.48" I.D., w/Ten 15/32" Holes
2	Air Intake Housing Gasket	88-79	FP-5123703		Air Inlet Housing; 5.68" ID, w/Eight 13/32" Holes
2	Air Intake Housing Gasket	88-79	FP-5134838		Air Inlet Housing; 8.00" Long, w/Four 13/32" Holes
2	Gasket	88-79	FP-5145235		Air Inlet Housing Striker Plate
1	Bolt	88-79	FP-8927580		Air Inlet Housing Shutdown Reset; 3/8" - 16 x .875"
2	Bolt	88-79	FP-179803		Air Inlet Housing Shutdown Valve; 1/4" x 20 x 1.750"
1	Bolt	88-79	FP-179803		Air Inlet Housing Striker Plate; 1/4" x 20 x 1.750"
8	Bolt	88-79	FP-8927580		Air Inlet Housing; 3/8" - 16 x .875"
1	Washer	88-79	FP-5159714		Air Inlet Housing Shutdown Valve; 11/16" x 1/8"
1	Washer	88-79	FP-5159714		Air Inlet Housing Striker Plate; 11/16" x 1/8"
1	Lock Washer	88-79	FP-103321		Air Inlet Housing Shutdown Reset; 3/8"
8	Lock Washer	88-79	FP-103321		Air Inlet Housing; 3/8"
8	Lock Washer	88-79	FP-103320		Air Inlet Housing; 5/16"
2	O-Ring	88-79	FP-5179232		Air Inlet Housing Shutdown Valve; .424" x .103"
1	Pipe Plug	88-79	FP-5142549		Air Inlet Housing; 3/4" - 14 Square Head

CAMSHAFT GROUP

QTY	TIMING	YEARS	PART NO.	SIZE	DESCRIPTION
1	Cam Gear	88-79	FP-8926631		R.H.; R.H. Helix
2	Idler Gear Hub Assembly	88-79	FP-5130135		L.H. & R.H.
2	Bolt	88-79	FP-454992		Idler Gear Assembly; 1/2" - 13 x 2 1/2
12	Bolt	88-79	FP-5103534		L.H. & R.H.; Idler Gear Assembly; 5/16" - 24 x 1/2"
2	Washer	88-79	FP-5167714		Idler Gear Assembly; 17/32" x 7/8" x 3/32"

QTY	CAMSHAFT TIMING	YEARS	PART NO.	SIZE	DESCRIPTION
2	Camshaft Pulley Spacer	88-79	FP-5116485		L.H. & R.H.; .640" Length

QTY	CAMSHAFT/LIFTER	YEARS	PART NO.	SIZE	DESCRIPTION
4	Camshaft Thrust Washer	88-79	FP-5111424		
4	Camshaft Thrust Washer	88-79	FP-5194826		
4	Camshaft Thrust Washer	88-79	FP-5194827		
2	Lock Washer	88-79	FP-5177769		Front; Camshaft L.H. & R.H.; 1.125"
12	Lock Washer	88-79	FP-103321		Rear; Camshaft Rear Lock Washer; 3/8"
1	Oil Seal	88-79	FP-23516871		Front; Camshaft L.H. Bank
3	Woodruff Key	88-79	FP-8926247		Front & Rear; .250" x .750"

ACCESSORY DRIVE

QTY	ACCESSORY DRIVE	YEARS	PART NO.	SIZE	DESCRIPTION
1	Oil Seal	88-79	FP-5131329		Acc. Drive
1	Oil Seal	88-79	FP-5138710		Acc. Drive
1	Oil Seal Kit	88-79	FP-5198175		Acc. Drive Seal & Brg. Kit
1	Ball Brg.	88-79	FP-23503727		Acc. Drive
1	Ball Brg.	88-79	FP-23504528		Acc. Drive
1	Drive Coupling	88-79	FP-5141773		Accessory Drive; Type 226, 230, 330, 378, 384
1	Water Pump Retainer Ring	88-79	FP-9415285		Acc. Drive; Large; External
2	Bolt	88-79	FP-8927580		Acc. Drive; 3/8" - 16 x .875"
6	Bolt	88-79	FP-8927581		Acc. Drive; 3/8" - 16 x 1"
4	Bolt	88-79	FP-5145092		Acc. Drive; 3/8" - 24 x 1.20", Self-Locking
6	Bolt	88-79	FP-5185793		Acc. Drive, Internal Gear mount
2	Stud	88-79	FP-8927270		Acc. Drive; 3/8" - 16/24" x 1.6875"
1	Expansion Plug	88-79	FP-9428477		Acc. Drive; 15/16" Dia.
1	Gasket	88-79	FP-5124926		Acc. Drive Adaptor Cover
2	Bushing	88-79	FP-5120501		Acc. Drive Gear
1	Pipe Plug	88-79	FP-5115214		Acc. Drive; 1/2" Square Head
1	Pipe Plug	88-79	FP-5121182		Acc. Drive; 1/4" - 18; Hex head
1	Pipe Plug	88-79	FP-8924380		Acc. Drive; 1/8" - 27
2	Copper Washer	88-79	FP-5152148		Acc. Drive; 25/64" ID x 9/16" OD x 1/16" Thick; Copper
1	Lock Washer	88-79	FP-8926285		Acc. & Blower Drive Gear
1	Lock Washer	88-79	FP-103321		Balance Weight Cover; 3/8"
6	Lock Nut	88-79	FP-103026		Acc. Drive; 3/8" x 24
10	Lock Nut	88-79	FP-103026		Balance Weight Cover; 3/8" x 24

FUEL SYSTEM & PARTS

QTY	FUEL INJECTION	YEARS	PART NO.	SIZE	DESCRIPTION
2	Fuel Injector Nozzle	88-79	FP-5172874		Single Outlet; Single Outlet
8	Fuel Injector Seal Ring	88-79	FP-5234281		
8	Fuel Injector Seal Ring	88-79	FP-5104701		Inj. Hole Tube; Viton®
8	Injector Hole Tube Kit	88-79	FP-8925981		Incl. Seal Ring; Viton®

(continued on next page)

GMC Truck - M/D & H/D

58 H/D Truck 8V-92T (4-Valve Cyl. Head) Eng.
 (cont.) 12.1L 736 OHV Turbo-Diesel V8, 4.84" Bore (Detroit Diesel Eng.) 1979-88

FUEL SYSTEM & PARTS (cont.)

QTY	FUEL INJECTION (cont.)	YEARS	PART NO.	SIZE	DESCRIPTION
2	Retainer	88-79	FP-142583		F.I. Control Tube, Plain Spring; 13/64" Spring
1	Bolt	88-79	FP-8927580		F.I. Control Tube; 3/8" - 16 x .875"
2	Bolt	88-79	FP-5103635		F.I. Control Tube; 3/8" - 16 x 2.90"
4	Bolt	88-79	FP-9422203		Inj. Control Tube Bracket; 1/4" - 20 x 5/8"
1	Washer	88-79	FP-5131433		F.I. Control Tube; .410" x .810" x .1345"
8	Washer	88-79	FP-5150250		Inj. Hold-Down Clamp
4	Lock Washer	88-79	FP-103319		Inj. Control Tube Bracket; .250"
8	Clamp	88-79	FP-5121259		Inj. Hold-Down
4	Fuel Injector Repair Kit	88-79	FP-5229649		
4	Bracket	88-79	FP-5130509		Inj. Control Tube
1	Rocker Shaft Bracket Bolt	88-79	FP-5150325		F.I. Control Tube; 1/2" - 13 x 4.250"
8	Fuel Injection Valve Cage	88-79	FP-5228696		
8	Fuel Injection Spring Seat	88-79	FP-5228766		
8	Fuel Injector Valve Spring	88-79	FP-5228596		
2	Fuel Injector Valve Spring	88-79	FP-5124142		F.I. Control Tube Return; Green I.D. Marking
2	Fuel Injector Valve Spring	88-79	FP-5101258		F.I. Control Tube Return; LH Helix
8	Fuel Injector Valve Spring	88-79	FP-5229518		Inj. Plunger
8	Fuel Injector Check Valve	88-79	FP-5228694		
8	Injector Plunger & Bushing	88-79	FP-5229298		F10-9200
8	Injector Plunger & Bushing	88-79	FP-5229181		F8-9A80, F8-7E80, F8-9280
8	Injector Plunger & Bushing	88-79	FP-5229278		F85-7E85, F85-9A85, F85-9285
8	Injector Plunger & Bushing	88-79	FP-5229292		F9-7E90, F9-9A90, F9-9290
8	Injector Plunger & Bushing	88-79	FP-5229268		F95-9295
8	Injector Plunger & Bushing	88-79	FP-5229657		115-9215, 115-9225
8	Injector Plunger & Bushing	88-79	FP-5229916		7G65
8	Injector Plunger & Bushing	88-79	FP-5229912		7G70, 7G70-9E65
8	Fuel Injector Tip Kit	88-79	FP-5229806		For Plunger & Bushing Assy. F7-7E70, F75-7E75, F75-9275, F8-7E80, F85-9A85, F9-7E90, G7-9C70, G75-9C75, G8-9C80, G85-9C85, G9-9C90
8	Fuel Injector Tip Kit	88-79	FP-5229622		For Plunger & Bushing Assy. F8-9A80, F9-9A90, G9-9F90
8	Fuel Injector Tip Kit	88-79	FP-5229184		For Plunger & Bushing Assy. 115-9215, F10-9200, F7-9270, F75-9275, F8-9280, F85-9285, F9-9290, F95-9295
8	Fuel Injector Tip Kit	88-79	FP-5229516		For Plunger & Bushing Assy. 115-9225
1	Fuel Injection Link	88-79	FP-5127415		Left Bank; Long; Inj. Control Tube to Gov.; Type 116, 117, 119, 241, 243, 289, 313
1	Fuel Injection Link	88-79	FP-5117191		Left Bank; Short; Inj. Control Tube to Gov.; Type 95, 96, 216, 218, 233, 234, 241, 244, 246, 251, 288, 292, 295, 296, 298, 299, 308, 309, 310, 311, 312, 326, 327, 328, 329, 330, 331, 332, 333, 334, 335, 336, 337, 338, 341, 344, 353, 362, 363, 370, 371, 383, 386
1	Fuel Injection Link	88-79	FP-5134026		Left Bank; Front; Short; Inj. Control Tube to Gov.; Type 137, 150, 215, 253, 314, 315, 379, 388
1	Fuel Injection Link	88-79	FP-5133700		Left Bank; Rear; Short; Inj. Control Tube to Gov.; Type 137, 150, 215, 253, 314, 315, 379, 388
4	Fuel Injection Link	88-79	FP-5117942		Right Bank; Long; Inj. Control Tube to Gov.; Type 95, 96, 137, 150, 215, 216, 218, 233, 234, 244, 246, 251, 253, 288, 292, 295, 296, 298, 299, 308, 311, 312, 314, 315, 324, 325
1	Fuel Injection Link	88-79	FP-5133699		Right Bank; Front; Long; Inj. Control Tube to Gov.; Type 137, 150, 215, 253, 314, 315, 379, 388
1	Fuel Injection Link	88-79	FP-5127417		Right Bank; Rear; Short; Inj. Control Tube to Gov.; Type 116, 117, 119, 241, 243, 289, 313
8	Nut	88-79	FP-5228601		Inj. Valve
8	Fuel Injector Valve Kit	88-79	FP-5228769		
8	Fuel Injector Roller Pin	88-79	FP-5228608		Inj. Stop
QTY	FUEL FILTERS & PUMP	YEARS	PART NO.	SIZE	DESCRIPTION
1	Mechanical Fuel Pump	88-79	FP-5199560		L.H.; Type 126, 150, 174; Std. output; w/.250" Gear
1	Mechanical Fuel Pump	88-79	FP-5199735		L.H.; Type 56, 146, 177; High output; w/.375" Gear
1	Fuel Pump Shaft & Gear	88-79	FP-5181747		.838" Length; Std. Output
1	Fuel Pump Shaft & Gear	88-79	FP-5100313		.963" Length; High Output
1	Fuel Pump Shaft & Gear	88-79	FP-5146705		3.09" Length; High Output
1	Fuel Pump Shaft & Gear	88-79	FP-5181746		3.09" Length; Std. Output
1	Fuel Pump Valve	88-79	FP-5174973		
1	Fuel Pump Gear	88-79	FP-5174975		.294" Width; Std. Output
1	Fuel Pump Gear	88-79	FP-5181748		.294" Width; Std. Output
1	Fuel Pump Gear	88-79	FP-5118915		.374" Width; High Output
1	Fuel Pump Gear	88-79	FP-5128217		.374" Width; High Output
1	Fuel Pump Drive Shaft	88-79	FP-5181749		.838" Length; Std. Output
1	Fuel Pump Drive Shaft	88-79	FP-5100312		.963" Length; High Output
1	Fuel Pump Drive Shaft	88-79	FP-5178700		3.09" Length
1	Fuel Pump Check Valve	88-79	FP-5174924		1/4" Swing type

(continued on next page)

GMC Truck - M/D & H/D

H/D Truck 8V-92T (4-Valve Cyl. Head) Eng. 58
12.1L 736 OHV Turbo-Diesel V8, 4.84" Bore (Detroit Diesel Eng.) 1979-88 (cont.)

FUEL SYSTEM & PARTS (cont.)

QTY	FUEL FILTERS & PUMP (cont.)	YEARS	PART NO.	SIZE	DESCRIPTION
1	Fuel Pump Check Valve	88-79	FP-5135308		3/8" Swing type
6	Fuel Line Connector	88-79	FP-5117369		
1	Fuel Pump Relief Valve Spring	88-79	FP-5184530		
2	Oil Seal	88-79	FP-23512243		Fuel Pump Shaft
1	Fuel Pump Valve Plug Gasket	88-79	FP-5161003		Fuel Pump
4	Bolt	88-79	FP-179803		Fuel Pump Cover; 1/4" x 20 x 1.750"
1	Fuel Pump Repair Part	88-79	FP-5174971		Fuel Pump Valve plug; .500" x 20 plug
1	Fuel Pump Drive Adapter Gskt.	88-79	FP-5150193		Fuel Pump mounting
1	Fuel Pump Repair Kit	88-79	FP-5149599		High output; Short Shaft
1	Fuel Pump Repair Kit	88-79	FP-5195078		Std. output
2	Pipe Plug	88-79	FP-8924380		Fuel Pump; 1/8" - 27
2	Plastic Cap	88-79	FP-5136240		Fuel Pump Outlet; .250" Dia.
1	Plastic Cap	88-79	FP-5136241		Fuel Pump Outlet; .780" Dia., 3/8" NPTF
1	Dowel Pin	88-79	FP-103709		Fuel Pump Valve; 5/32" x 1" straight
2	Dowel Pin	88-79	FP-141195		Fuel Pump; .250" x .625"
1	Ball Brg.	88-79	FP-147481		Fuel Pump Shaft; .125" Dia. Steel
1	Bushing	88-79	FP-5198558		Fuel Pump; 3/8" x 1/4"
1	Accessory Drive Gasket	88-79	FP-23515145		Fuel Pump Mounting Plate
6	Washer	88-79	FP-5125108		Fuel Pump; 7/16" x 3/4" x 1/16"

BLOWER

QTY	BLOWER	YEARS	PART NO.	SIZE	DESCRIPTION
2	Ball Brg.	88-79	FP-23504304		Rear; Blower Rotor
2	Cylindrical Brg.	88-79	FP-23503542		Front; Blower Rotor
1	Oil Seal Kit	88-79	FP-23500533		Front & Rear; Blower End Plate
4	Oil Seal	88-79	FP-8924453		Blower Rotor
4	Oil Seal	88-79	FP-5138710		Front & Rear; Blower End Plate, Std.
1	Air Intake Housing Gasket	88-79	FP-5102062		Blower
1	Air Intake Housing Gasket	88-79	FP-5145086		Blower to Block, w/o Screen
1	Fuel Blower Gasket	88-79	FP-23520012		Blower to Block
1	Sealing Ring	88-79	FP-8922140		Blower Drive Cover Seal; 4.32" x 4.88" x .770"
3	Bolt	88-79	FP-5103364		Blower Drive Coupling; 1/2" - 20 x 1.10", 12 Pt. Head
3	Bolt	88-79	FP-9409077		Blower Drive Coupling; 5/16" - 24 x 1.625"
1	Bolt	88-79	FP-9409060		Blower Rotor Gear; 1/2" - 20 x 1.500"
12	Screw	88-79	FP-5148794		Blower Rotor End Plate; 1/4" - 20 x 5/8"
1	Hose Clamp	88-79	FP-5106219		Blower Drive Cover Seal
28	Washer	88-79	FP-5159714		Blower Assy.; 11/16" x 1/8"
2	Washer	88-79	FP-5121905		Blower End Plate; 15/32" ID x 7/8" OD x 5/32" Long
3	Lock Washer	88-79	FP-103320		Blower Drive Coupling; 5/16"
2	Lock Washer	88-79	FP-5154398		Front; Blower End Plate; 1/2" Special, External Tooth
1	Shim	88-79	FP-5150372		Blower Rotor Gear
1	Shim	88-79	FP-5153938		Blower Rotor Gear
1	Shim	88-79	FP-5150855		Blower Rotor Gear
1	Shim	88-79	FP-5150856		Blower Rotor Gear

GOVERNOR

QTY	GOVERNOR	YEARS	PART NO.	SIZE	DESCRIPTION
8	Governor Hole Gasket	88-79	FP-5123812		Cyl. Head Gov. Hole Cover

COOLING SYSTEM

QTY	WATER PUMP	YEARS	PART NO.	SIZE	DESCRIPTION
1	Ball Brg.	88-79	FP-23503550		Inner; Fan Shaft
1	Ball Brg.	88-79	FP-23503704		Inner; Fan Shaft
1	Ball Brg.	88-79	FP-23503796		Inner; Fan Shaft
1	Ball Brg.	88-79	FP-7450630		Inner; Fan Shaft
1	Ball Brg.	88-79	FP-23503535		Outer; Fan Shaft
1	Ball Brg.	88-79	FP-23503537		Outer; Fan Shaft
1	Ball Brg.	88-79	FP-23503727		Outer; Fan Shaft
1	Ball Brg.	88-79	FP-9415132		Outer; Fan Shaft
2	Lock Nut	88-79	FP-103026		Heat Exchanger; 3/8" x 24
1	Oil Seal	88-79	FP-5103623		Fan Shaft
1	Oil Seal	88-79	FP-5103951		Fan Shaft
1	Oil Seal	88-79	FP-5108219		Fan Shaft; Felt
1	Oil Seal	88-79	FP-5100408		Fan Shaft; Rubber Lip
2	Oil Seal	88-79	FP-5132155		Thermostat Seal
2	Bolt	88-79	FP-454992		Fan Hub Support Bracket; 1/2" - 13 x 2 1/2
1	Bolt	88-79	FP-9409060		Fan Hub; 1/2" - 20 x 1.500"
4	Bolt	88-79	FP-8927580		Heat Exchanger Water Outlet Tube; 3/8" - 16 x .875"
4	Bolt	88-79	FP-8927581		Heat Exchanger Water Outlet Tube; 3/8" - 16 x 1"

(continued on next page)

GMC Truck - M/D & H/D

58 H/D Truck 8V-92T (4-Valve Cyl. Head) Eng.
 (cont.) 12.1L 736 OHV Turbo-Diesel V8, 4.84" Bore (Detroit Diesel Eng.) 1979-88

COOLING SYSTEM (cont.)					
QTY	WATER PUMP (cont.)	YEARS	PART NO.	SIZE	DESCRIPTION
2	Bolt	88-79	FP-454992		Heat Exchanger; 1/2" - 13 x 2 1/2
4	Bolt	88-79	FP-454992		Heat Exchanger; 1/2" - 13 x 2 1/2
4	Bolt	88-79	FP-8927581		Heat Exchanger; 3/8" - 16 x 1"
2	Bolt	88-79	FP-8927581		Thermostat Housing; 3/8" - 16 x 1"
1	Pipe Plug	88-79	FP-8924380		Fan Hub; 1/8" - 27
1	Pipe Plug	88-79	FP-5121182		Heat Exchanger; 1/4" - 18; Hex head
1	Pipe Plug	88-79	FP-8924380		Heat Exchanger; 1/8" - 27
1	Pipe Plug	88-79	FP-5142549		Heat Exchanger; 3/4" - 14 Square Head
1	Pipe Plug	88-79	FP-5115214		Thermostat Housing; 1/2" Square Head
2	Pipe Plug	88-79	FP-5121182		Thermostat Housing; 1/4" - 18; Hex head
2	Pipe Plug	88-79	FP-8924380		Thermostat Housing; 1/8" - 27
2	Pipe Plug	88-79	FP-5142549		Thermostat Housing; 3/4" - 14 Square Head
2	Expansion Plug	88-79	FP-5117186		Heat Exchanger; 2" Dia. Cup; Stainless Steel
2	Copper Washer	88-79	FP-5125148		Thermostat Housing; 25/64" ID x 9/16" OD x 1/16" Thick; Copper
4	Washer	88-79	FP-5133981		Fan Hub Support Bracket; .122" Thick
4	Washer	88-79	FP-103325		Fan Hub Support Bracket; Lock washer; 5/8"
1	Washer	88-79	FP-5103624		Fan Shaft Bearing Retainer; .500" Thick
4	Washer	88-79	FP-5131978		Fan Shaft; .53" ID x 1.00" OD x .170" Thick
4	Washer	88-79	FP-5131978		Heat Exchanger Cover Spacer; .53" ID x 1.00" OD x .170" Thick
8	Washer	88-79	FP-103325		Heat Exchanger; Lock washer; 5/8"
4	Washer	88-79	FP-5125108		Heat Exchanger; 7/16" x 3/4" x 1/16"
1	Washer	88-79	FP-5125108		Thermostat Housing; 7/16" x 3/4" x 1/16"
1	Water Pump Lock Ring	88-79	FP-274746		Fan Shaft
QTY	THERMOSTAT	YEARS	PART NO.	SIZE	DESCRIPTION
2	Thermostat	88-79	FP-5102112		160 Deg.
2	Thermostat	88-79	FP-23503826		170 Deg.
2	Thermostat	88-79	FP-23503825		180 Deg.
2	Thermostat	88-79	FP-5104096		180 Deg.
2	Thermostat	88-79	FP-5106232		180 Deg.
2	Thermostat Gasket	88-79	FP-5117786		Thermostat Housing Cover
2	Thermostat Gasket	88-79	FP-5117993		Thermostat Housing Cover
1	Thermostat Gasket	88-79	FP-8924018		Thermostat Housing Cover
2	Thermostat Cover Gasket	88-79	FP-5100860		Thermostat Housing Cover
1	Thermostat Cover Gasket	88-79	FP-5123575		Thermostat Housing Cover
2	Thermostat Gasket	88-79	FP-5117786		Left & Right Bank; Thermostat Housing
2	Thermostat Gasket	88-79	FP-5117993		Left & Right Bank; Thermostat Housing
2	Thermostat Gasket	88-79	FP-5144277		Left & Right Bank; Thermostat Housing
1	Thermostat Gasket	88-79	FP-5123716		Left Bank; Thermostat Housing
1	Thermostat Gasket	88-79	FP-5133254		Left Bank; Thermostat Housing
1	Thermostat Gasket	88-79	FP-5123570		Right Bank; Thermostat Housing
1	Thermostat Gasket	88-79	FP-5123715		Right Bank; Thermostat Housing
QTY	MISCELLANEOUS	YEARS	PART NO.	SIZE	DESCRIPTION
4	Hose Clamp	88-79	FP-5188036		Heat Exchanger Raw Water Inlet; 2.750" Dia. Hose
4	Hose Clamp	88-79	FP-9139809		Heat Exchanger Raw Water Tube; 2 1/16" - 3"
1	Hose Clamp	88-79	FP-5186841		Heat Exchanger Water Outlet Tube; 1 9/16" - 2.50"
1	Hose Clamp	88-79	FP-9139809		Water Outlet Manifold; 2 1/16" - 3"
2	Hose Clamp	88-79	FP-5188036		Water Outlet Manifold; 2.750" Dia. Hose
1	Lock Washer	88-79	FP-103320		Fan Hub; 5/16"
10	Lock Washer	88-79	FP-103321		Heat Exchanger Cover; 3/8"
10	Lock Washer	88-79	FP-103320		Heat Exchanger Cover; 5/16"
4	Lock Washer	88-79	FP-103320		Heat Exchanger Expansion Tank Cover; 5/16"
4	Lock Washer	88-79	FP-103320		Heat Exchanger Water Outlet; 5/16"
4	Lock Washer	88-79	FP-103321		Heat Exchanger; 3/8"
2	Lock Washer	88-79	FP-103321		Thermostat Housing; 3/8"
2	O-Ring	88-79	FP-5167746		Heat Exchanger Seal Ring
1	Water Manifold Gasket	88-79	FP-5124029		Heat Exchanger Water Manifold
3	Water Manifold Gasket	88-79	FP-23506469		Water Outlet Cover Plate
2	Hose Clamp	88-79	FP-5186841		Thermostat Housing Cover; 1 9/16" - 2.50"
2	Hose Clamp	88-79	FP-9139809		Thermostat Housing Cover; 2 1/16" - 3"
1	Oil Filler Tube Gasket	88-79	FP-5120540		Thermostat Housing Elbow Gasket
1	Oil Cooler Core Inner Gasket	88-79	FP-5150155		Heat Exchanger Expansion Tank Cover
ENGINE BLOCK & PARTS					
QTY	GASKETS	YEARS	PART NO.	SIZE	DESCRIPTION
1	Front Crankcase Cover Gasket	88-79	FP-5121714		
2	Pipe Plug	88-79	FP-5121182		Cyl. Block; 1/4" - 18; Hex head
2	Pipe Plug	88-79	FP-8924380		Cyl. Block; 1/8" - 27

(continued on next page)

GMC Truck - M/D & H/D

H/D Truck 8V-92T (4-Valve Cyl. Head) Eng. 58
12.1L 736 OHV Turbo-Diesel V8, 4.84" Bore (Detroit Diesel Eng.) 1979-88 (cont.)

ENGINE BLOCK & PARTS (cont.)

QTY	GASKETS (cont.)	YEARS	PART NO.	SIZE	DESCRIPTION
1	Flywheel Housing Gasket	88-79	FP-5147246		Flywheel Housing Gasket; Types 504, 506, 528, 533, 535, 540, 546, 581, 582, 594, 602, 646, 657, 658, 659, 660, 661, 662, 663, 670, 674, 686, 687, 727
2	Accessory Drive Gasket	88-79	FP-23515145		Flywheel Housing Large Hole Cover
6	Bolt	88-79	FP-8927580		Flywheel Housing; 3/8" - 16 x .875"
1	Lock Nut	88-79	FP-103026		Flywheel Housing; 3/8" x 24
1	Washer	88-79	FP-5138619		Flywheel Housing; 25/64" x 3/4" x .083"
2	Washer	88-79	FP-5125108		Flywheel Housing; 7/16" x 3/4" x 1/16"
6	Lock Washer	88-79	FP-103321		Flywheel Housing; 3/8"
12	Copper Washer	88-79	FP-5152148		Flywheel Housing; 25/64" ID x 9/16" OD x 1/16" Thick; Copper
1	Oil Pan Gasket	88-79	FP-5150115		Lower Oil Pan
1	Oil Pan Gasket	88-79	FP-5150116		Lower Oil Pan
1	Oil Pan Gasket	88-79	FP-5117231		Pan to Block; w/Stamped Pan; w/Stamped Steel Pan
28	Bolt	88-79	FP-8927581		Oil Pan; 3/8" - 16 x 1"
1	Washer	88-79	FP-840277		Oil Pan Drain Plug; 18MM, Nylon
1	Pipe Plug	88-79	FP-5115214		Oil Pan Drain Plug; 1/2" Square Head
1	Pipe Plug	88-79	FP-5121182		Oil Pan Drain Plug; 1/4" - 18; Hex head
1	Pipe Plug	88-79	FP-8923847		Oil Pan Drain Plug; 1/4" x 18 NPTF; Square head
1	Pipe Plug	88-79	FP-8923313		Oil Pan Drain Plug; 3/4"
1	Pipe Plug	88-79	FP-8924517		Oil Pan Drain Plug; 3/8" x 18 square head
1	Pipe Plug	88-79	FP-5115214		Oil Pan Sump; 1/2" Square Head
1	Pipe Plug	88-79	FP-5142549		Oil Pan; 3/4" - 14 Square Head
1	Cyl. Block Water Hole Cvr Gsk	88-79	FP-5117734		Rear
2	Hand Hole Cover Gasket	88-79	FP-8923791		Large
4	Hand Hole Cover Gasket	88-79	FP-8923792		Small
2	Copper Washer	88-79	FP-5152148		Cyl. Block; 25/64" ID x 9/16" OD x 1/16" Thick; Copper
16	Copper Washer	88-79	FP-5152148		Cyl. Head; 25/64" ID x 9/16" OD x 1/16" Thick; Copper
4	Bolt	88-79	FP-8927580		Cyl. Block; 3/8" - 16 x .875"
14	Stud	88-79	FP-5152121		Cyl. Block; 5/16" - 18 x 1 1/2"
GASKET SETS					
1	Complete Overhaul Gasket Set	88-79	FP-23512685WS		8V92
1	Complete Overhaul Gasket Set	88-79	FP-23512685		8V92; Crankshaft seals not incl.
CAM BEARINGS					
8	Cam Brg.	88-79	FP-5194825	20	Camshaft End Bushing; .020" U/S, Unfinished; Grooved
8	Cam Brg.	88-79	FP-5111423	STD	Camshaft End Bushing; Grooved
2	Cam Brg.	88-79	FP-5117984	STD	Position Front
2	Cam Brg.	88-79	FP-5197569	10	Position Front
6	Cam Brg.	88-79	FP-5196026	STD	Position Inter.; w/o Steel bushing in ctr. hole; Aluminum Blocks only
6	Cam Brg.	88-79	FP-5196022	STD	Position Inter.; w/steel bushing in ctr. hole; 4 req'd
2	Cam Brg.	88-79	FP-5111422	STD	Position Rear
2	Cam Brg.	88-79	FP-5194858	10	Position Rear
OIL COOLERS & FILTERS					
1	Oil Cooler	88-79	FP-8547195		Core Assy.; 18 plate
1	Oil Cooler	88-79	FP-8547581		Twin Plate; 13 plate
1	Oil Cooler	88-79	FP-8547553		Twin Plate; 16 Plate
1	Oil Cooler	88-79	FP-8547237		Twin Plate; 24 Plate
1	Oil Cooler	88-79	FP-8547552		Twin Plate; 32 Plate
2	Oil Cooler	88-79	FP-8547552		Twin Plate-Dual; 32 Plate
1	Oil Filter Adapter Gasket	88-79	FP-8924412		
1	Lock Washer	88-79	FP-103320		Aftercooler; 5/16"
2	Lock Nut	88-79	FP-103026		Oil Cooler Water Outlet Flange; 3/8" x 24
2	Lock Nut	88-79	FP-103026		Twin Plate; Oil Cooler Water Elbow; 3/8" x 24
2	Lock Nut	88-79	FP-103026		Twin Plate-Dual; Oil Cooler Water Elbow; 3/8" x 24
2	Washer	88-79	FP-5131433		Oil Cooler Adaptor; .410" x .810" x .1345"
1	Washer	88-79	FP-5177773		Oil Cooler Bypass Plug; 18MM x 1.5MM
1	Washer	88-79	FP-5131433		Oil Cooler Housing Cover; .410" x .810" x .1345"
1	Washer	88-79	FP-5177773		Twin Plate; Oil Cooler By-pass; 18MM x 1.5MM
8	Washer	88-79	FP-5131433		Twin Plate; Oil Cooler Housing Cover; .410" x .810" x .1345"
2	Washer	88-79	FP-5177773		Twin Plate-Dual; Oil Cooler By-pass Plug; 18MM x 1.5MM
2	Lock Washer	88-79	FP-103320		Oil Cooler Adaptor Cover; 5/16"
1	Lock Washer	88-79	FP-103320		Oil Cooler Housing Cover; 5/16"
8	Lock Washer	88-79	FP-103320		Oil Cooler Housing; 5/16"
2	Lock Washer	88-79	FP-103321		Oil Cooler Water Outlet Flange; 3/8"
1	Lock Washer	88-79	FP-103320		Oil Cooler Water Outlet Flange; 5/16"
8	Lock Washer	88-79	FP-103320		Twin Plate; Oil Cooler Core; 5/16"
2	Lock Washer	88-79	FP-103321		Twin Plate; Oil Cooler Water Inlet; 3/8"
22	Lock Washer	88-79	FP-103320		Twin Plate-Dual; Oil Cooler Core; 5/16"

(continued on next page)

GMC Truck - M/D & H/D

58 H/D Truck 8V-92T (4-Valve Cyl. Head) Eng.
 (cont.) 12.1L 736 OHV Turbo-Diesel V8, 4.84" Bore (Detroit Diesel Eng.) 1979-88

ENGINE BLOCK & PARTS (cont.)

QTY	OIL COOLERS & FILTERS (cont.)	YEARS	PART NO.	SIZE	DESCRIPTION
2	Lock Washer	88-79	FP-103321		Twin Plate-Dual; Oil Cooler Water Inlet; 3/8"
1	Spacer	88-79	FP-5102793		Oil Cooler Adaptor to Block; 5.70" x 1.00" x .012"
1	Spacer	88-79	FP-5102793		Twin Plate; Oil Cooler Adaptor to Block; 5.70" x 1.00" x .012"
1	Pipe Plug	88-79	FP-5115214		Oil Cooler Core; 1/2" Square Head
1	Pipe Plug	88-79	FP-8923847		Oil Cooler Core; 1/4" x 18 NPTF; Square head
1	Pipe Plug	88-79	FP-8923313		Oil Cooler Core; 3/4"
2	Pipe Plug	88-79	FP-5142549		Oil Cooler Core; 3/4" - 14 Square Head
1	Pipe Plug	88-79	FP-5121182		Oil Cooler Housing; 1/4" - 18; Hex head
2	Pipe Plug	88-79	FP-8923847		Oil Cooler Housing; 1/4" x 18 NPTF; Square head
1	Pipe Plug	88-79	FP-8924517		Oil Cooler Housing; 3/8" x 18 square head
1	Pipe Plug	88-79	FP-5115214		Oil Cooler Water Inlet; 1/2" Square Head
2	Pipe Plug	88-79	FP-8923847		Oil Cooler Water Inlet; 1/4" x 18 NPTF; Square head
1	Pipe Plug	88-79	FP-8923313		Oil Cooler Water Inlet; 3/4"
1	Pipe Plug	88-79	FP-5142549		Oil Cooler Water Inlet; 3/4" - 14 Square Head
2	Pipe Plug	88-79	FP-8923847		Twin Plate; Oil Cooler Core; 1/4" x 18 NPTF; Square head
1	Pipe Plug	88-79	FP-8923313		Twin Plate; Oil Cooler Water Elbow; 3/4"
1	Pipe Plug	88-79	FP-5142549		Twin Plate; Oil Cooler Water Elbow; 3/4" - 14 Square Head
2	Pipe Plug	88-79	FP-5115214		Twin Plate; Oil Cooler Water Inlet; 1/2" Square Head
1	Pipe Plug	88-79	FP-5115214		Twin Plate-Dual; Oil Cooler By-pass; 1/2" Square Head
1	Pipe Plug	88-79	FP-8923847		Twin Plate-Dual; Oil Cooler Core; 1/4" x 18 NPTF; Square head
1	Pipe Plug	88-79	FP-8923847		Twin Plate-Dual; Oil Cooler Core; 1/4" x 18 NPTF; Square head
1	Pipe Plug	88-79	FP-5142549		Twin Plate-Dual; Oil Cooler Core; 3/4" - 14 Square Head
1	Pipe Plug	88-79	FP-5115214		Twin Plate-Dual; Oil Cooler Water Elbow; 1/2" Square Head
1	Pipe Plug	88-79	FP-8923313		Twin Plate-Dual; Oil Cooler Water Elbow; 3/4"
2	Pipe Plug	88-79	FP-5142549		Twin Plate-Dual; Oil Cooler Water Elbow; 3/4" - 14 Square Head
4	Hose Clamp	88-79	FP-5186840		Aftercooler; 13/16" - 1 1/2" Clamping Range
4	Air Compressor Seal Ring	88-79	FP-5101138		Aftercooler; .984" x .139"
1	Oil Cooler Gasket Kit	88-79	FP-5149946		Oil Cooler Adaptor Cover
1	Oil Cooler Gasket	88-79	FP-8923512		Adaptor to Block
1	Oil Cooler Gasket	88-79	FP-8923512		Oil Cooler Adaptor Cover
1	Oil Cooler Gasket	88-79	FP-8923223		Oil Cooler Core
1	Oil Cooler Gasket	88-79	FP-8923512		Twin Plate; Oil Cooler Adaptor Cover
1	Oil Cooler Gasket	88-79	FP-8923223		Outer
1	Oil Cooler Gasket	88-79	FP-23501587		Outer; Twin Plate; Oil Cooler Core, Element to Plate
1	Cyl. Block Water Hole Cvr Gsk	88-79	FP-5117734		Oil Cooler Housing Cover
1	Cyl. Block Water Hole Cvr Gsk	88-79	FP-5117734		Twin Plate-Dual; Oil Cooler Housing Cover
1	Cyl. Block Water Hole Cvr Gsk	88-79	FP-5117734		Front; Twin Plate; Oil Cooler Water Elbow
1	Cyl. Block Water Hole Cvr Gsk	88-79	FP-5117734		Front; Twin Plate-Dual; Oil Cooler Water Elbow
1	Sealing Ring	88-79	FP-5102098		Twin Plate; Oil Cooler Water Outlet Hose; 3.60" OD x .620" Wide
1	Sealing Ring	88-79	FP-5102098		Twin Plate-Dual; Oil Cooler Water Outlet Hose; 3.60" OD x .620" Wide
1	Oil Cooler Core Gasket	88-79	FP-23501589		Twin Plate; Oil Cooler Housing Cover
1	Oil Cooler Seal Ring	88-79	FP-23501837		Oil Cooler Water Outlet Flange
1	Gasket	88-79	FP-5575086		Oil Cooler Bypass Plug
1	Gasket	88-79	FP-5575086		Oil Cooler Housing
1	Oil Cooler Core Inner Gasket	88-79	FP-5150155		
1	Oil Cooler Core Inner Gasket	88-79	FP-5150155		
1	Oil Cooler Core Inner Gasket	88-79	FP-5150155		Housing Cover
1	Oil Cooler Core Inner Gasket	88-79	FP-23511304		Twin Plate; Oil Cooler Housing Cover
4	Oil Cooler Core Inner Gasket	88-79	FP-23501595		Inner
1	Oil Cooler Core Inner Gasket	88-79	FP-5150155		Inner; Twin Plate
2	Oil Cooler Core Inner Gasket	88-79	FP-23511304		Inner; Twin Plate-Dual; Oil Cooler Core
1	Oil Cooler Core Inner Gasket	88-79	FP-8925731		Outer
1	Oil Cooler Core Outer Gasket	88-79	FP-5102506		
1	Oil Cooler Housing Cover Gskt	88-79	FP-8924623		
1	Oil Cooler Adapter Cover Gskt	88-79	FP-5117535		
1	Oil Cooler Adapter Cover Gskt	88-79	FP-5117535		
2	Oil Cooler Adapter Cover Gskt	88-79	FP-5117535		Twin Plate; Oil Cooler Adaptor to Block
4	Oil Cooler Adapter Cover Gskt	88-79	FP-5117535		Twin Plate-Dual; Oil Cooler Adaptor to Block
1	Copper Washer	88-79	FP-5152148		Oil Cooler Housing Cover; 25/64" ID x 9/16" OD x 1/16" Thick; Copper
1	Copper Washer	88-79	FP-5155596		Oil Cooler Housing; 5/16"; Special copper washer
1	Copper Washer	88-79	FP-5155596		Oil Cooler Housing; 5/16"; Special copper washer
1	Copper Washer	88-79	FP-5155596		Oil Cooler Water Inlet; 5/16"; Special copper washer
2	Copper Washer	88-79	FP-5152148		Oil Cooler Water Outlet Flange; 25/64" ID x 9/16" OD x 1/16" Thick; Copper
8	Copper Washer	88-79	FP-5155596		Twin Plate; Oil Cooler Core; 5/16"; Special copper washer
2	Copper Washer	88-79	FP-5152148		Twin Plate; Oil Cooler Water Elbow; 25/64" ID x 9/16" OD x 1/16" Thick; Copper

(continued on next page)

GMC Truck - M/D & H/D

H/D Truck 8V-92T (4-Valve Cyl. Head) Eng. 58
12.1L 736 OHV Turbo-Diesel V8, 4.84" Bore (Detroit Diesel Eng.) 1979-88 (cont.)

ENGINE BLOCK & PARTS (cont.)

QTY	(cont.)	YEARS	PART NO.	SIZE	DESCRIPTION
OIL COOLERS & FILTERS					
1	Copper Washer	88-79	FP-5155596		Twin Plate-Dual; Oil Cooler Core; 5/16"; Special copper washer
1	Copper Washer	88-79	FP-5152148		Twin Plate-Dual; Oil Cooler Housing Cover; 25/64" ID x 9/16" OD x 1/16" Thick; Copper
1	Copper Washer	88-79	FP-5152148		Twin Plate-Dual; Oil Cooler Water Elbow; 25/64" ID x 9/16" OD x 1/16" Thick; Copper
1	Clamp	88-79	FP-5143999		Twin Plate; Oil Cooler Water Outlet Hose; 3.50" T-Bolt
2	Clamp	88-79	FP-5143999		Twin Plate-Dual; Oil Cooler Water Outlet Hose; 3.50" T-Bolt
2	Hose Clamp	88-79	FP-9139809		Oil Cooler Water Inlet Hose; 2 1/16" - 3"
2	Hose Clamp	88-79	FP-5188036		Oil Cooler Water Inlet Hose; 2.750" Dia. Hose
2	Hose Clamp	88-79	FP-9139809		Twin Plate; Oil Cooler Water Inlet Hose; 2 1/16" - 3"
2	Hose Clamp	88-79	FP-5188036		Twin Plate; Oil Cooler Water Inlet Hose; 2.750" Dia. Hose
2	Hose Clamp	88-79	FP-9139809		Twin Plate-Dual; Oil Cooler Water Inlet Hose; 2 1/16" - 3"
2	Hose Clamp	88-79	FP-5188036		Twin Plate-Dual; Oil Cooler Water Inlet Hose; 2.750" Dia. Hose
2	Bolt	88-79	FP-8923391		Oil Cooler Adaptor; 3/8" - 16 x 1.880"
1	Bolt	88-79	FP-8923391		Oil Cooler Housing Cover; 3/8" - 16 x 1.880"
3	Bolt	88-79	FP-8927581		Oil Cooler Housing Cover; 3/8" - 16 x 1"
1	Bolt	88-79	FP-8927580		Oil Cooler Housing; 3/8" - 16 x .875"
1	Bolt	88-79	FP-8927580		Oil Cooler Water Inlet; 3/8" - 16 x .875"
2	Bolt	88-79	FP-8927581		Oil Cooler Water Outlet Flange; 3/8" - 16 x 1"
2	Bolt	88-79	FP-8927581		Twin Plate; Oil Cooler Housing Cover; 3/8" - 16 x 1"
2	Bolt	88-79	FP-8927581		Twin Plate; Oil Cooler Water Elbow; 3/8" - 16 x 1"
2	Bolt	88-79	FP-8927580		Twin Plate; Oil Cooler Water Inlet; 3/8" - 16 x .875"
2	Bolt	88-79	FP-8927581		Twin Plate; Oil Cooler Water Inlet; 3/8" - 16 x 1"
1	Bolt	88-79	FP-8927581		Twin Plate-Dual; Oil Cooler Water Elbow; 3/8" - 16 x 1"
6	Bolt	88-79	FP-8927580		Twin Plate-Dual; Oil Cooler Water Inlet; 3/8" - 16 x .875"
2	Bolt	88-79	FP-8927581		Twin Plate-Dual; Oil Cooler Water Inlet; 3/8" - 16 x 1"
FREEZE PLUGS					
6	Pipe Plug	88-79	FP-5115214		Cyl. Block; 1/2" Square Head
3	Pipe Plug	88-79	FP-8923847		Cyl. Block; 1/4" x 18 NPTF; Square head
1	Pipe Plug	88-79	FP-8924380		Cyl. Block; 1/8" - 27
6	Pipe Plug	88-79	FP-5142549		Cyl. Block; 3/4" - 14 Square Head
1	Pipe Plug	88-79	FP-5142549		Flywheel Housing; 3/4" - 14 Square Head
1	Pipe Plug	88-79	FP-5121182		Oil Level Dipstick; 1/4" - 18; Hex head
DIPSTICK					
1	Dipstick	88-79	FP-5102092		21" Length; Marked
1	Dipstick	88-79	FP-5101885		25" Length; Marked
1	Dipstick	88-79	FP-5146680		72" Length; Unmarked
1	Dipstick Guide	88-79	FP-5151430		1.50" Length
MISCELLANEOUS					
12	Bolt	88-79	FP-5103280		Flywheel Housing; 9/16" - 18 x 2.250"
12	Bolt	88-79	FP-9410925		Flywheel Housing; 9/16" - 18 x 2.250"
12	Bolt	88-79	FP-9412015		Flywheel Housing; 9/16" - 18 x 2.500"
1	Bolt	88-79	FP-8927581		Oil Level Dipstick; 3/8" - 16 x 1"
3	Screw	88-79	FP-5103642		Oil Filler Tube; No. 10 - 24 x .375"
6	Pipe Plug	88-79	FP-5115214		Cyl. Block; 1/2" Square Head
3	Pipe Plug	88-79	FP-8923847		Cyl. Block; 1/4" x 18 NPTF; Square head
1	Pipe Plug	88-79	FP-8924380		Cyl. Block; 1/8" - 27
6	Pipe Plug	88-79	FP-5142549		Cyl. Block; 3/4" - 14 Square Head
1	Pipe Plug	88-79	FP-5142549		Flywheel Housing; 3/4" - 14 Square Head
1	Pipe Plug	88-79	FP-5121182		Oil Level Dipstick; 1/4" - 18; Hex head
2	Washer	88-79	FP-5131755		Flywheel Housing; 17/32" x .88" x .1345"
3	Washer	88-79	FP-5138619		Flywheel Housing; 25/64" x 3/4" x .083"
1	Washer	88-79	FP-106261		Oil Level Dipstick; 5/16" x 3/4"
1	Copper Washer	88-79	FP-5152148		Oil Level Dipstick; 25/64" ID x 9/16" OD x 1/16" Thick; Copper
2	Lock Nut	88-79	FP-103026		Flywheel Housing; 3/8" x 24
1	Lock Nut	88-79	FP-103026		Oil Level Dipstick; 3/8" x 24
2	Oil Filler Cap	88-79	FP-5107106		1.50" Dia.; Thermos Bottle Style
2	Oil Filler Cap	88-79	FP-5117362		2.00" Dia.; Thermos Bottle Style
CRANKSHAFT/OIL PUMP					
CRANKSHAFT					
1	Crankshaft	88-79	FP-8926923		RH Rotation
1	Vibration Damper	88-79	FP-8922492		12.3" Dia., Heavy Viscous
1	Vibration Damper	88-79	FP-8924435		12.3" Dia., Heavy Viscous
1	Vibration Damper	88-79	FP-5106222		15" Dia., Heavy Viscous
1	Bolt	88-79	FP-23501143		Crankshaft pulley; 1" - 14 X 2.750" (1.500" Hex head)
1	Oil Seal	88-79	FP-23512418		Camshaft Damper; Pulley Drive Shaft

(continued on next page)

GMC Truck - M/D & H/D

58 H/D Truck 8V-92T (4-Valve Cyl. Head) Eng.
 (cont.) 12.1L 736 OHV Turbo-Diesel V8, 4.84" Bore (Detroit Diesel Eng.) 1979-88

CRANKSHAFT/OIL PUMP (cont.)

QTY	CRANKSHAFT (cont.)	YEARS	PART NO.	SIZE	DESCRIPTION
4	Pipe Plug	88-79	FP-8924380		Crankshaft; 1/8" - 27
2	Woodruff Key	88-79	FP-8928545		3/16" x 7/8" Woodruff
4	Dowel Pin	88-79	FP-141346		.1875" x .500"
QTY	SEALS - FRONT CRANK	YEARS	PART NO.	SIZE	DESCRIPTION
1	Oil Seal	88-79	FP-5143108		Front
1	Oil Seal	88-79	FP-8922045		Front; Crankshaft; RH Rotation
1	Oil Seal	88-79	FP-23514608		Front; Crankshaft; RH Rotation; Red
1	Oil Seal	88-79	FP-5115454		Front; Crankshaft; Single Lip, Std.
1	Oil Seal	88-79	FP-8923654		Rear; Crankshaft; O.S.; Single lip; R.H. Rotation
1	Oil Seal	88-79	FP-5198159		Rear; Crankshaft; O/S; Double lip
1	Oil Seal	88-79	FP-8926762		Rear; Crankshaft; O/S; Single lip; L.H. Rotation
1	Oil Seal	88-79	FP-23501610		Rear; Crankshaft; PTFE Double Lip
1	Oil Seal	88-79	FP-23501545		Rear; Crankshaft; PTFE Double Lip; O/S
1	Oil Seal	88-79	FP-5106329		Rear; Crankshaft; Std.; Double lip
1	Oil Seal	88-79	FP-8926762		Rear; Crankshaft; Std.; Single lip; L.H. Rotation
1	Oil Seal	88-79	FP-8926761		Rear; Crankshaft; Std.; Single lip; R.H. Rotation
1	Wear Sleeve	88-79	FP-23507226		Rear; Crankshaft; Use w/O.S. Seal
1	Oil Seal Spacer	88-79	FP-23507306		Front; Crankshaft; 2.50" ID x 2.81" Length
1	O-Ring	88-79	FP-23503769		Front; Crankshaft
QTY	MAIN BEARINGS	YEARS	PART NO.	SIZE	DESCRIPTION
5	Plain Main Brg.	88-79	FP-5149565	STD	Upper brg. w/elongated oil slot. May also be used as replacement for brg. w/11/32" oil hole.
5	Plain Main Brg.	88-79	FP-5149566	2	Upper brg. w/elongated oil slot. May also be used as replacement for brg. w/11/32" oil hole.
5	Plain Main Brg.	88-79	FP-5149567	10	Upper brg. w/elongated oil slot. May also be used as replacement for brg. w/11/32" oil hole.
5	Plain Main Brg.	88-79	FP-5149568	20	Upper brg. w/elongated oil slot. May also be used as replacement for brg. w/11/32" oil hole.
5	Plain Main Brg.	88-79	FP-8922118	30	Upper brg. w/elongated oil slot. May also be used as replacement for brg. w/11/32" oil hole.
4	Thrust Washer	88-79	FP-5117005	STD	
4	Thrust Washer	88-79	FP-5196753	5	
4	Thrust Washer	88-79	FP-5196754	10	
QTY	OIL PUMP	YEARS	PART NO.	SIZE	DESCRIPTION
2	Oil Pump Cover Gasket	88-79	FP-29503153		2.40" B.C.
1	Bushing	88-79	FP-5123303		Oil Pump Driven Gear
1	Oil Pump Spring	88-79	FP-5126326		Pressure Relief Valve; .520" Dia., 2.570" Length
1	Oil Pump Spring	88-79	FP-5126327		Pressure Relief Valve; .790" Dia., 2.96" Length
1	Woodruff Key	88-79	FP-8928545		Oil Pump Drive Gear; 3/16" x 7/8" Woodruff
1	Bolt	88-79	FP-8927580		Oil Pump Inlet Pipe; 3/8" - 16 x .875"
2	Bolt	88-79	FP-8927581		Oil Pump Inlet Pipe; 3/8" - 16 x 1"
2	Bolt	88-79	FP-8927580		Oil Pump; 3/8" - 16 x .875"
1	Washer	88-79	FP-5104439		Oil Pump; 7/16" x 1.250" Dia.; Dished
2	Lock Washer	88-79	FP-103321		Front Cover; 3/8"
2	Lock Washer	88-79	FP-103321		Oil Pump Inlet Pipe; 3/8"
2	Lock Washer	88-79	FP-103320		Oil Pump Inlet Pipe; 5/16"
2	Lock Washer	88-79	FP-103321		Oil Pump; 3/8"
1	Plastic Cap	88-79	FP-5136240		Front Cover; .250" Dia.
1	Pipe Plug	88-79	FP-5142549		Oil Pump; 3/4" - 14 Square Head
1	Pipe Plug	88-79	FP-8924517		Oil Pump; 3/8" x 18 square head
1	Gasket	88-79	FP-5126160		At Pump; 1.80" B.C.
1	Pipe Plug	88-79	FP-5115214		Oil Pan Drain Plug; 1/2" Square Head
1	Pipe Plug	88-79	FP-5121182		Oil Pan Drain Plug; 1/4" - 18; Hex head
1	Pipe Plug	88-79	FP-8923847		Oil Pan Drain Plug; 1/4" x 18 NPTF; Square head
1	Pipe Plug	88-79	FP-8923313		Oil Pan Drain Plug; 3/4"
1	Pipe Plug	88-79	FP-8924517		Oil Pan Drain Plug; 3/8" x 18 square head
1	Pipe Plug	88-79	FP-5115214		Oil Pan Sump; 1/2" Square Head
1	Pipe Plug	88-79	FP-5142549		Oil Pan; 3/4" - 14 Square Head
CYLINDER COMPONENTS					
QTY	LINERS	YEARS	PART NO.	SIZE	DESCRIPTION
8	Liner w/o Sealing Rings	88-79	FP-23507231	STD	15.0:1 C.R.; Option Type 411; .95"; Brushed
8	Liner w/o Sealing Rings	88-79	FP-235072311	1	15.0:1 C.R.; Option Type 411; .95"; Brushed; O/S .001 in Lower Receiver Bore Area
8	Liner w/o Sealing Rings	88-79	FP-5148505	STD	17.0:1 C.R.; Option Type 149, 150, 202, 221, 228, 250, 255, 262, 275, 277, 278, 279, 299, 409; 1.05"; 30 Deg. Port
8	Liner w/o Sealing Rings	88-79	FP-51485051	1	17.0:1 C.R.; Option Type 149, 150, 202, 221, 228, 250, 255, 262, 275, 277, 278, 279, 299, 409; 1.05"; 30 Deg. Port; O/S .001 in Lower Receiver Bore Area

(continued on next page)

GMC Truck - M/D & H/D

H/D Truck 8V-92T (4-Valve Cyl. Head) Eng. 58
12.1L 736 OHV Turbo-Diesel V8, 4.84" Bore (Detroit Diesel Eng.) 1979-88 (cont.)

CYLINDER COMPONENTS (cont.)

QTY	LINERS (cont.)	YEARS	PART NO.	SIZE	DESCRIPTION
8	Liner w/o Sealing Rings	88-79	FP-514850510	10	17.0:1 C.R.; Option Type 149, 150, 202, 221, 228, 250, 255, 262, 275, 277, 278, 279, 299, 409; 1.05"; 30 Deg. Port; O/S .010 in Lower Receiver Bore Area
8	Liner w/o Sealing Rings	88-79	FP-514850520	20	17.0:1 C.R.; Option Type 149, 150, 202, 221, 228, 250, 255, 262, 275, 277, 278, 279, 299, 409; 1.05"; 30 Deg. Port; O/S .020 in Lower Receiver Bore Area
8	Liner w/o Sealing Rings	88-79	FP-23507231	STD	17.0:1 C.R.; Option Type 410; 17.0:1 C.R.; Option Type 395, 396, 407, 458, High-Output; .95"; Brushed
8	Liner w/o Sealing Rings	88-79	FP-235072311	1	17.0:1 C.R.; Option Type 410; 17.0:1 C.R.; Option Type 395, 396, 407, 458, High-Output; .95"; Brushed; O/S .001 in Lower Receiver Bore Area
8	Cylinder Kit Complete	88-79	FP-23524337	STD	15.0:1 C.R.; Option Type 411
8	Cylinder Kit Complete	88-79	FP-235243371	1	15.0:1 C.R.; Option Type 411
8	Cylinder Kit Complete	88-79	FP-23523101	STD	17.0:1 C.R.
8	Cylinder Kit Complete	88-79	FP-23524494	STD	17.0:1 C.R.
8	Cylinder Kit Complete	88-79	FP-23524339	STD	17.0:1 C.R.; Option Type 149, 150, 202, 221, 228, 250, 255, 262, 275, 277, 278, 279, 299, 409
8	Cylinder Kit Complete	88-79	FP-235243391	1	17.0:1 C.R.; Option Type 149, 150, 202, 221, 228, 250, 255, 262, 275, 277, 278, 279, 299, 409
8	Cylinder Kit Complete	88-79	FP-2352433910	10	17.0:1 C.R.; Option Type 149, 150, 202, 221, 228, 250, 255, 262, 275, 277, 278, 279, 299, 409
8	Cylinder Kit Complete	88-79	FP-2352433920	20	17.0:1 C.R.; Option Type 149, 150, 202, 221, 228, 250, 255, 262, 275, 277, 278, 279, 299, 409
8	Cylinder Kit Complete	88-79	FP-23524340	STD	17.0:1 C.R.; Option Type 395, 396, 407, 458; High-Output
8	Cylinder Kit Complete	88-79	FP-235243401	1	17.0:1 C.R.; Option Type 395, 396, 407, 458; High-Output
8	Cylinder Kit Complete	88-79	FP-23524342	STD	17.0:1 C.R.; Option Type 410
8	Cylinder Kit Complete	88-79	FP-235243421	1	17.0:1 C.R.; Option Type 410
8	Liner Kit w/o Sleeve	88-79	FP-LCK24337		15.0:1 C.R.
8	Liner Kit w/o Sleeve	88-79	FP-LCK24342		17.0:1 C.R.
8	Liner Kit w/o Sleeve	88-79	FP-LCK24340		17.0:1 C.R.; High-Output
16	Sealing Ring, Liner	88-79	FP-8927189		
8	Cntr. Bore Insert	88-79	FP-5101723		.015" I.D., .1338"-.1343"
8	Cntr. Bore Insert	88-79	FP-5101533		.015" I.D., .1350"-.1355"
8	Cntr. Bore Insert	88-79	FP-5101727		.015" I.D., .1362"-.1367"
QTY	PISTONS	YEARS	PART NO.	SIZE	DESCRIPTION
8	Crosshead Piston Dome	88-79	FP-23504353		15.0:1 C.R.; w/Cross Head style piston
8	Crosshead Piston Dome	88-79	FP-5144872		17.0:1 C.R.; w/Cross Head style piston
8	Piston Skirt	88-79	FP-23508986		
8	Pin	88-79	FP-5101120	STD	w/Cross Head style piston
16	Piston Pin Retainer	88-79	FP-5180250		
16	Piston Pin Bolt	88-79	FP-5148373		7/16" - 20 x 2.00" Length
16	Piston Pin Bolt Spacer	88-79	FP-5144846		w/Cross Head style piston
8	Pin Bushing	88-79	FP-5157274		w/.015" extra ID bore stock
8	Pin Bushing	88-79	FP-2409Y		w/1.5020" I.D., 1.7510" O.D., .7600" O.A.L.
8	Pin Bushing	88-79	2409Y +		w/1.5020" I.D., 1.7510" O.D., .7600" O.A.L.; When depleted use FP-2409Y
8	Piston Pin Slipper Bearing	88-79	FP-23501687		Slipper type design - 1 per cyl.
8	O-Ring	88-79	FP-8923729		w/Cross Head style piston
QTY	CONNECTING RODS & BRGS.	YEARS	PART NO.	SIZE	DESCRIPTION
16	Con. Rod Bolt	88-79	FP-5132383		.4375" x 20 x 3.52"
16	Con. Rod Nut	88-79	FP-5117629		.4375" x 20
8	Rod Pair	88-79	FP-5149572	STD	
8	Rod Pair	88-79	FP-5149573	2	
8	Rod Pair	88-79	FP-5149575	10	
8	Rod Pair	88-79	FP-5149577	20	
8	Rod Pair	88-79	FP-5149579	30	
QTY	PISTON RINGS	YEARS	PART NO.	SIZE	DESCRIPTION
8	Ring Set Single Cylinder	88-79	FP-23524542		w/Cross Head style piston; Std. gap Fire Ring
8	Ring Set Single Cylinder	88-79	FP-23524349		w/Cross Head style piston; Wide gap Fire Ring
8	Compression Ring	88-79	FP-23524191		w/Cross Head style piston; Std. gap Fire Ring; Top Fire ring
8	Compression Ring	88-79	FP-23524192		w/Cross Head style piston; Wide gap Fire Ring; Top Fire ring
16	Compression Ring	88-79	FP-8923113		w/Cross Head style piston; 2nd & 3rd grooves
8	Ring, Oil Control Set	88-79	FP-23524350		w/Cross Head style piston; For one groove
CLUTCH					
QTY	CLUTCH	YEARS	PART NO.	SIZE	DESCRIPTION
1	Ball Brg.	88-79	FP-23503706		Clutch Pilot

(continued on next page)

+ Superseded Part Number

GMC Truck - M/D & H/D

58 H/D Truck 8V-92T (4-Valve Cyl. Head) Eng. (cont.) 12.1L 736 OHV Turbo-Diesel V8, 4.84" Bore (Detroit Diesel Eng.) 1979-88

CLUTCH (cont.)

QTY	CLUTCH (cont.)	YEARS	PART NO.	SIZE	DESCRIPTION
1	Ball Brg.	88-79	FP-23503709		Clutch Pilot

KITS

QTY	OVERHAUL KIT	YEARS	PART NO.	SIZE	DESCRIPTION
1	In-Frame Overhaul Kit	88-79	FP-8V92		w/Cross Head style piston & .950" Port Length Sleeve; Valve cover gskts. not incl.
1	In-Frame Overhaul Kit	88-79	FP-8V92		w/Cross Head style piston & 1.050" Port Length Sleeve; Valve cover gskts. not incl.
1	Complete Overhaul Kit	88-79	FP-8V92OH		w/Cross Head style piston & .950" Port Length Sleeve; Valve cover gskts. not incl.
1	Complete Overhaul Kit	88-79	FP-8V92OH		w/Cross Head style piston & 1.050" Port Length Sleeve; Valve cover gskts. not incl.

59 H/D Truck 12V-71 (2-Valve Cyl. Head), 12V-71N (4-Valve Cyl. Head) Engs. 14.0L 852 OHV Diesel V12, 4.25" Bore (Detroit Diesel Eng.) 1961-78

CYL. HEAD & PARTS

QTY	GASKETS	YEARS	PART NO.	SIZE	DESCRIPTION
2	Valve Cover Gasket	78-61	FP-5104019		Engs. w/cast Alum. valve cover; Silicone
2	Valve Cover Gasket	78-61	FP-5143407		Engs. w/steel valve cover; Neoprene
12	Head Gasket	78-61	FP-5103659		Compression Gasket
2	Head Set	78-61	FP-5196382		Accommodates One Head
1	Breather Seal Ring	78-61	FP-5103646		Breather Hole Plug
1	Breather Seal Ring	78-61	FP-5103646		Breather Shell Cover
2	Accessory Drive Gasket	78-61	FP-23515145		Oil Filler Tube Adaptor
4	Governor Hole Gasket	78-61	FP-5123812		Breather Elbow Gasket
1	Crankcase Breather	78-61	FP-5101760		Breather Element; 4"
2	Oil Filler Tube Gasket	78-61	FP-5120540		Tube Adaptor
6	Governor Hole Gasket	78-61	FP-5123812		Cyl. Head
20	O-Ring	78-61	FP-5186579		Cyl. Head Water Seal
22	Bolt	78-61	FP-5117003		Cyl. Head; 5/8" x 5.375"
1	Bolt	78-61	FP-5103635		Throttle Delay; 3/8" - 16 x 2.90"
4	Stud	78-61	FP-5148504		Rocker Cover; 3/8" - 16 x 4.32"
6	Lock Nut	78-61	FP-103026		Cyl. Head; 3/8" x 24
6	Nut	78-61	FP-5150013		Cyl. Head; 5/8" - 18
6	Lock Washer	78-61	FP-103321		Cyl. Head; 3/8"
1	Washer	78-61	FP-5131433		Breather Pipe; .410" x .810" x .1345"
1	Washer	78-61	FP-106261		Breather Pipe; 5/16" x 3/4"
2	Hose Clamp	78-61	FP-5186840		Breather Hose; 13/16" - 1 1/2" Clamping Range
2	Hose Clamp	78-61	FP-5104592		Breather Hose; 2.50" Dia.
2	Bolt	78-61	FP-443603		Breather Elbow; .250" x 20 x .750"
4	Bolt	78-61	FP-8921930		Breather Elbow; 1/4" - 20 x 3/4"
2	Bolt	78-61	FP-8927581		Breather Elbow; 3/8" - 16 x 1"
2	Bolt	78-61	FP-8927581		Breather Pipe; 3/8" - 16 x 1"
1	Bolt	78-61	FP-8927580		Breather; 3/8" - 16 x .875"
1	Screw	78-61	FP-5103642		Breather Pipe; No. 10 - 24 x .375"
1	Lock Washer	78-61	FP-103320		Breather Body; 5/16"
2	Lock Washer	78-61	FP-103319		Breather Elbow; .250"
2	Lock Washer	78-61	FP-103321		Breather Elbow; 3/8"
4	Isolator Bushing	78-61	FP-5104515		Rocker Cover

QTY	HEAD BOLTS	YEARS	PART NO.	SIZE	DESCRIPTION
6	Washer	78-61	FP-5125108		Fuel Stand Pipe; 7/16" x 3/4" x 1/16"
4	Washer	78-61	FP-5104514		Rocker Cover Isolator; .47" x 2.00" x .20"

QTY	MISCELLANEOUS	YEARS	PART NO.	SIZE	DESCRIPTION
7	Pipe Plug	78-61	FP-5121182		Cyl. Head; 1/4" - 18; Hex head
15	Pipe Plug	78-61	FP-8923847		Cyl. Head; 1/4" x 18 NPTF; Square head
2	Pipe Plug	78-61	FP-5142549		Cyl. Head; 3/4" - 14 Square Head
3	Pipe Plug	78-61	FP-8924517		Cyl. Head; 3/8" x 18 square head
6	Bolt	78-61	FP-8927580		Cyl. Head; 3/8" - 16 x .875"
4	Stud	78-61	FP-8925804		Exh. Manifold; 7/16" - 14/20" x 2 3/32"
12	Stud	78-61	FP-8927270		Water Manifold; 3/8" - 16/24" x 1.6875"
24	Bolt	78-61	FP-443603		Cam Follower; .250" x 20 x .750"

QTY	FREEZE PLUGS	YEARS	PART NO.	SIZE	DESCRIPTION
7	Pipe Plug	78-61	FP-5121182		Cyl. Head; 1/4" - 18; Hex head
15	Pipe Plug	78-61	FP-8923847		Cyl. Head; 1/4" x 18 NPTF; Square head
2	Pipe Plug	78-61	FP-5142549		Cyl. Head; 3/4" - 14 Square Head
3	Pipe Plug	78-61	FP-8924517		Cyl. Head; 3/8" x 18 square head
1	Expansion Plug	78-61	FP-5117186		Cyl. Head; 2" Dia. Cup; Stainless Steel

(continued on next page)

GMC Truck - M/D & H/D

H/D Truck 12V-71 (2-Valve Cyl. Head), 12V-71N (4-Valve Cyl. Head) Engs. 59
14.0L 852 OHV Diesel V12, 4.25" Bore (Detroit Diesel Eng.) 1961-78 (cont.)

CYL. HEAD & PARTS (cont.)

QTY	FREEZE PLUGS (cont.)	YEARS	PART NO.	SIZE	DESCRIPTION
4	Expansion Plug	78-61	FP-5150132		Cyl. Head; 3/4" Dia. Cup
6	Expansion Plug	78-61	FP-5154453		Cyl. Head; 3/8" - 16 Headless Special
4	Expansion Plug	78-61	FP-5178976		Cyl. Head; 7/16" - 14 Special
QTY	VALVE	YEARS	PART NO.	SIZE	DESCRIPTION
48	Exhaust Valve Kit	78-61	FP-5149386		w/Locks; 4 Valve Head; Hi-Output Engs.; Contains (1) FP-5104280 & (2) FP-5111337
24	Exhaust Valve Kit	78-61	FP-5193666		w/2 Valve Head; Jet Blade; Contains (1) FP-5186381 & (2) FP-23507238; 30 Degree
48	Exhaust Valve Kit	78-61	FP-23500501		w/4 Valve Head; N & T; Contains (1) FP-8922516 & (2) FP-5111337
24	Valve Guide Cap	78-61	FP-5199914		Exh.; w/2 Valve Head; Seal installer; Clear
48	Keeper	78-61	FP-23507238		w/2 Valve Head; 1 groove; Square cut key groove
96	Keeper	78-61	FP-5111337		w/4 Valve Head; 1 groove; Square cut key groove
QTY	VALVE SEAT	YEARS	PART NO.	SIZE	DESCRIPTION
24	Exh.	78-61	FP-5198230	10	w/2 Valve Head; 30 Deg. seat; .010" O/S; 1.6380" OD, 1.3440" ID, .2485" Depth
24	Exh.	78-61	FP-8927920	STD	w/2 Valve Head; 30 Deg. seat; 1.6280" OD, 1.3440" ID, .2485" Depth
48	Exh.	78-61	FP-5197167	10	w/4 Valve Head; 30 Deg. seat; .010" O/S; 1.2720" OD, .9770" ID, .2355" Depth
48	Exh.	78-61	FP-5101101	STD	w/4 Valve Head; 30 Deg. seat; 1.2620" OD, .9770" ID, .2490" Depth
QTY	VALVE GUIDE	YEARS	PART NO.	SIZE	DESCRIPTION
24	Guide	78-61	FP-5120930		Exh.; w/2 Valve Head
24	Guide	78-61	FP-5192717		Exh.; w/2 Valve Head; .0162" O/S
48	Guide	78-61	FP-5129919		Exh.; w/4 Valve Head; 2 3/8" length; .3130" ID, 2.3800" O.A.L.
QTY	VALVE SPRING	YEARS	PART NO.	SIZE	DESCRIPTION
24	Spring	78-61	FP-5150289		Exh.; w/2 Valve Head; .177" Wire dia.
48	Spring	78-61	FP-5111339		Exh.; w/4 Valve Head; .135" Wire dia.
48	Spring	78-61	FP-5147347		Exh.; w/4 Valve Head; .148" Wire dia.
24	Valve Spring Seat	78-61	FP-5150292		Exh.; w/2 Valve Head
48	Valve Spring Seat	78-61	FP-5117562		Exh.; w/4 Valve Head
48	Spring Insert	78-61	FP-5111467		Exh.
24	Spring Cap	78-61	FP-5150291		Exh.; 2 Valve Head
48	Spring Cap	78-61	FP-5117563		Exh.; 4 Valve Head
QTY	PUSH RODS	YEARS	PART NO.	SIZE	DESCRIPTION
36	Push Rod	78-61	FP-5128640		
36	Push Rod Seat	78-61	FP-5123250		Lower
36	Push Rod Seat	78-61	FP-5150302		Upper; Flange type
36	Push Rod Spring	78-61	FP-5186858		.177" Wire diameter
36	Push Rod Retainer	78-61	FP-5150303		
36	Lock Nut	78-61	FP-5151601		Push Rod Nut; 5/16" - 24
QTY	VALVE MISC.	YEARS	PART NO.	SIZE	DESCRIPTION
24	Lock Nut	78-61	FP-5151601		5/16" - 24
QTY	VALVE SEAL	YEARS	PART NO.	SIZE	DESCRIPTION
24	Valve Stem Seal	78-61	FP-23500480		Exh.; w/2 Valve Head
48	Valve Stem Seal	78-61	FP-8921209		Exh.; w/4 Valve Head
48	Tools	78-61	FP-5199913		Exh.; w/4 Valve Head; Seal installer; Green Stripe
QTY	ROCKER PARTS	YEARS	PART NO.	SIZE	DESCRIPTION
12	Arm Assy.	78-61	FP-5148472		Exh. Left
12	Arm Assy.	78-61	FP-5148475		Exh. Right
12	Arm Assy.	78-61	FP-8923554		Injector
12	Rocker Shaft	78-61	FP-23500714		
24	Rocker Shaft Bracket Bolt	78-61	FP-5150325		1/2" - 13 x 4.250"
24	Arm Support	78-61	FP-5103903		
24	Rocker Bushing	78-61	FP-8924355		Large
12	Rocker Bushing	78-61	FP-5123700		Exh.; Clevis; .5625" OD
24	Rocker Bushing	78-61	FP-23517217		Exh.; Large; .8755" ID, .9475" OD, .840" Length, .0360" Wall thickness
24	Rocker Bushing	78-61	FP-8924354		Exh.; Small
36	Follower Assy.	78-61	FP-8924439		
36	Cam Follower Roller Set	78-61	FP-8923814		Incl. pin & roller
24	Valve Bridge Adj. Screw	78-61	FP-5129101		5/16" - 24 x 1"
24	Valve Bridge	78-61	FP-5117565		Exh.
24	Valve Bridge Guide	78-61	FP-5117564		Exh.; Press fit
24	Valve Bridge Guide	78-61	FP-51175646		Exh.; Press fit w/.006" O/S
24	Valve Bridge Guide	78-61	FP-5196843		Exh.; Threaded

(continued on next page)

GMC Truck - M/D & H/D

59 H/D Truck 12V-71 (2-Valve Cyl. Head), 12V-71N (4-Valve Cyl. Head) Engs.
 (cont.) 14.0L 852 OHV Diesel V12, 4.25" Bore (Detroit Diesel Eng.) 1961-78

CYL. HEAD & PARTS (cont.)

QTY	ROCKER PARTS (cont.)	YEARS	PART NO.	SIZE	DESCRIPTION
24	Rocker Arm Clevis Pin	78-61	FP-5150314		
12	Bushing	78-61	FP-23502615		Rocker Arm Clevis; .6295" OD
24	Bushing	78-61	FP-5122445 +		Exh.; Large; When depleted use FP-23517217
24	Lock Washer	78-61	FP-103319		Cam Follower; .250"

INT & EXH MANIFOLDS

QTY	INT. & EXH. MANIFOLDS	YEARS	PART NO.	SIZE	DESCRIPTION
2	Exhaust Manifold Gasket	78-61	FP-5120223		Exh. Manifold
4	Exhaust Manifold Gasket	78-61	FP-5156319		Exh. Manifold Cover Plate
2	Exhaust Manifold Gasket	78-61	FP-5156319		Exh. Manifold Water Outlet Flange
4	Exhaust Manifold Gasket	78-61	FP-5150195		Exh. Manifold; Ends; Composition
4	Exhaust Manifold Gasket	78-61	FP-5120224		Exh. Manifold; Ends; Metal Clad
2	Exhaust Manifold Gasket	78-61	FP-5120223		Exh. Manifold; Intermediate
2	Exhaust Manifold Gasket	78-61	FP-5163811		Exh. Outlet; 4.375" I.D.
2	Exhaust Manifold Gasket	78-61	FP-5150196		Exhaust Manifold; Intermediate
2	Gasket	78-61	FP-5113412		Exh. Manifold Cover Plate
2	Exhaust Pipe Gasket	78-61	FP-5145238		Exh. Manifold Adaptor
2	Pipe Plug	78-61	FP-5115214		Exh. Manifold; 1/2" Square Head
2	Clamp	78-61	FP-5146165		Exh. Manifold; 3.88" Dia.; Marmon
2	Hose Clamp	78-61	FP-5137620		Exh. Flange; 3.66" Dia.
12	Bolt	78-61	FP-8925603		Exh. Manifold Cover Plate; 5/16" - 18 x 3/4"; Vibra-Tite®
24	Stud	78-61	FP-8925804		Exh. Manifold to Head; 7/16" - 14/20" x 2 3/32"
14	Nut	78-61	FP-9411981		Exh. Manifold; 3/8" - 24 Lock Nut
10	Washer	78-61	FP-5104439		Exh. Manifold; 7/16" x 1.250" Dia.; Dished
12	Lock Washer	78-61	FP-103320		Exh. Manifold; 5/16"
2	Exhaust Manifold	78-61	FP-8921704		Horizontal; Water Cooled

QTY	AIR INTAKE	YEARS	PART NO.	SIZE	DESCRIPTION
2	Air Intake Housing Gasket	78-61	FP-5145086		
2	Air Intake Housing Gasket	78-61	FP-5101412		11.60" ID, w/Eight 15/32" Holes
2	Air Intake Housing Gasket	78-61	FP-5101408		15.48" I.D., w/Ten 15/32" Holes
2	Air Intake Housing Gasket	78-61	FP-5123703		5.68" ID, w/Eight 13/32" Holes
2	Air Intake Housing Gasket	78-61	FP-5122692		7.88" ID, w/Eight 13/32" Holes
2	Air Intake Housing Gasket	78-61	FP-5134838		8.00" Long, w/Four 13/32" Holes
2	Gasket	78-61	FP-5145235		Air Inlet Housing Striker Plate
4	Bolt	78-61	FP-179803		Air Inlet Housing; 1/4" x 20 x 1.750"
8	Bolt	78-61	FP-8927580		Air Silencer; 3/8" - 16 x .875"
1	Lock Nut	78-61	FP-103026		Air Inlet Housing; 3/8" x 24
2	Washer	78-61	FP-5159714		Air Inlet Housing; 11/16" x 1/8"
1	Lock Washer	78-61	FP-103320		Air Inlet Housing; 5/16"
8	Lock Washer	78-61	FP-103321		Air Silencer; 3/8"
8	Lock Washer	78-61	FP-103320		Air Silencer; 5/16"
4	O-Ring	78-61	FP-5179232		Air Inlet Housing Shutdown Valve; .424" x .103"
1	Pipe Plug	78-61	FP-5115214		Air Inlet Housing; 1/2" Square Head
1	Pipe Plug	78-61	FP-5121182		Air Inlet Housing; 1/4" - 18; Hex head
1	Pipe Plug	78-61	FP-8923847		Air Inlet Housing; 1/4" x 18 NPTF; Square head
1	Pipe Plug	78-61	FP-5142549		Air Inlet Housing; 3/4" - 14 Square Head
1	Pipe Plug	78-61	FP-5142549		Air Silencer; 3/4" - 14 Square Head

CAMSHAFT GROUP

QTY	TIMING	YEARS	PART NO.	SIZE	DESCRIPTION
1	Cam Gear	78-61	FP-8926631		R.H.; R.H. Helix
2	Idler Gear Hub Assembly	78-61	FP-5130135		L.H. & R.H.
4	Bolt	78-61	FP-454992		Idler Gear Assembly; 1/2" - 13 x 2 1/2
12	Bolt	78-61	FP-5103534		L.H. & R.H.; Idler Gear Assembly; 5/16" - 24 x 1/2"
2	Washer	78-61	FP-5167714		Idler Gear Assembly; 17/32" x 7/8" x 3/32"

QTY	CAMSHAFT TIMING	YEARS	PART NO.	SIZE	DESCRIPTION
2	Camshaft Pulley Spacer	78-61	FP-5116485		Front; Camshaft Gear; .640" Length

QTY	CAMSHAFT/LIFTER	YEARS	PART NO.	SIZE	DESCRIPTION
4	Camshaft Thrust Washer	78-61	FP-5111424		
4	Camshaft Thrust Washer	78-61	FP-5194826		
4	Camshaft Thrust Washer	78-61	FP-5194827		
1	Bolt	78-61	FP-9412015		For OEM Camshafts 5146074 & 5146163; 9/16" - 18 x 2.500"
1	Lock Washer	78-61	FP-5177769		Camshaft; 1.125"
8	Lock Washer	78-61	FP-103321		Camshaft; 3/8"
1	Oil Seal	78-61	FP-23516871		Left Bank; Front
4	Camshaft Plug	78-61	FP-5151277		.500" Drive; 15/32" x 1/2"
4	Woodruff Key	78-61	FP-8926247		.250" x .750"

(continued on next page)

GMC Truck - M/D & H/D

H/D Truck 12V-71 (2-Valve Cyl. Head), 12V-71N (4-Valve Cyl. Head) Engs. 59
 14.0L 852 OHV Diesel V12, 4.25" Bore (Detroit Diesel Eng.) 1961-78 (cont.)

ACCESSORY DRIVE

QTY	ACCESSORY DRIVE	YEARS	PART NO.	SIZE	DESCRIPTION
1	Accessory Drive Gasket	78-61	FP-23515145		Type 9, 40, 47, 55, 59, 62, 64, 66, 68, 70, 71, 77, 144, 229, 230, 232, 236, 237, 265, 273, 276, 284, 288
1	Oil Seal	78-61	FP-5131329		Accessory Drive
1	Oil Seal	78-61	FP-5138710		Accessory Drive
1	Oil Seal	78-61	FP-5102456		Accessory Drive Pulley
1	Oil Seal Kit	78-61	FP-5198175		Accessory Drive Seal & Brg.
1	Ball Brg.	78-61	FP-23503727		Accessory Drive
1	Drive Coupling	78-61	FP-5141773		Accessory Drive; Type 183, 185, 229, 230, 232, 283, 384
1	Water Pump Retainer Ring	78-61	FP-9415285		Accessory Drive Lock Ring; Large; External
1	Water Pump Retainer Ring	78-61	FP-9415285		Accessory Drive Retainer Bearing; Large; External
6	Bolt	78-61	FP-8927580		Accessory Drive Gear; 3/8" - 16 x .875"
14	Bolt	78-61	FP-8927581		Accessory Drive Gear; 3/8" - 16 x 1"
4	Bolt	78-61	FP-5145092		Accessory Drive; 3/8" - 24 x 1.20", Self-Locking
6	Bolt	78-61	FP-5185793		Accessory Drive, Internal Gear Mount
2	Stud	78-61	FP-8927270		Accessory Drive; 3/8" - 16/24" x 1.6875"
1	Expansion Plug	78-61	FP-9428477		Accessory Drive; 15/16" Dia.
1	Hydraulic Pump Gasket	78-61	FP-5188755		Accessory Drive Adaptor; Type 136, 144, 166, 167, 171, 172, 179, 180, 254, 255, 284, 289, 331
1	Gasket	78-61	FP-5124926		Accessory Drive Adaptor Cover; Type 122, 153, 154, 297, 300, 302, 336, 348, 349, 381, 384
1	Gasket	78-61	FP-5124926		Accessory Drive Adaptor; Type 135
2	Bushing	78-61	FP-5120501		Accessory Drive Gear
2	Bushing	78-61	FP-5120501		Accessory Drive Gear
1	Pipe Plug	78-61	FP-5121182		Accessory Drive; 1/4" - 18; Hex head
1	Pipe Plug	78-61	FP-8924380		Accessory Drive; 1/8" - 27
1	Copper Washer	78-61	FP-5152148		Accessory Drive; 25/64" ID x 9/16" OD x 1/16" Thick; Copper
1	Lock Washer	78-61	FP-8926285		Accessory Drive Gear
2	Lock Nut	78-61	FP-103026		Accessory Drive Adaptor; 3/8" x 24
4	Lock Nut	78-61	FP-103026		Accessory Drive Gear; 3/8" x 24

FUEL SYSTEM & PARTS

QTY	FUEL INJECTION	YEARS	PART NO.	SIZE	DESCRIPTION
2	Fuel Injector Nozzle	78-61	FP-5172874		Water Nozzle; Single Outlet; Single Outlet
2	Wear Sleeve	78-61	FP-5113773		Pilot Sleeve; .70" Length
12	Fuel Injector Seal Ring	78-61	FP-5104701		Viton®
12	Injector Hole Tube Kit	78-61	FP-8925981		Incl. Seal Ring; Viton®
4	Retainer	78-61	FP-142583		F.I. Control Tube, Plain Spring; 13/64" Spring
1	Bolt	78-61	FP-8927580		F.I. Control Tube; 3/8" - 16 x .875"
2	Bolt	78-61	FP-5103635		F.I. Control Tube; 3/8" - 16 x 2.90"
8	Bolt	78-61	FP-9422203		Inj. Control Tube Bracket; 1/4" - 20 x 5/8"
1	Washer	78-61	FP-5131433		F.I. Control Tube; .410" x .810" x .1345"
8	Lock Washer	78-61	FP-103319		Inj. Control Tube Bracket; .250"
12	Fuel Injector	78-61	FP-5229355		Option Type 111; Injector Assembly C55
12	Fuel Injector	78-61	FP-5229360		Option Type 113; Injector Assembly C60
12	Fuel Injector	78-61	FP-5229365		Option Type 115, 192; Injector Assembly C65
12	Fuel Injector	78-61	FP-5228780		Option Type 14, 54, 82; Injector Assembly N80
12	Fuel Injector	78-61	FP-5229695		Option Type 153, 199; Injector Assembly 7C75
12	Fuel Injector	78-61	FP-5229790		Option Type 163; Injector Assembly 7E55
12	Fuel Injector	78-61	FP-5229795		Option Type 164; Injector Assembly 7E60
12	Fuel Injector	78-61	FP-5229800		Option Type 165; Injector Assembly 7E65
12	Fuel Injector	78-61	FP-5226440		Option Type 242, 247; Injector Assembly 7N65
12	Fuel Injector	78-61	FP-5229895		Option Type 246; Injector Assembly 7G65
12	Fuel Injector	78-61	FP-5228760		Option Type 53, 78; Injector Assembly N60
12	Fuel Injector	78-61	FP-5228770		Option Type 57, 80; Injector Assembly N70
12	Fuel Injector	78-61	FP-5228785		Option Type 60, 77; Injector Assembly N55
12	Fuel Injector	78-61	FP-5228777		Option Type 73, 81; Injector Assembly N75
12	Fuel Injector	78-61	FP-5228900		Option Type 97; BT; Injector Assembly N65
8	Bracket	78-61	FP-5130509		Inj. Control Tube
1	Rocker Shaft Bracket Bolt	78-61	FP-5150325		F.I. Control Tube; 1/2" - 13 x 4.250"
2	Fuel Injector Valve Spring	78-61	FP-5124142		F.I. Control Tube Return; Green I.D. Marking
2	Fuel Injector Valve Spring	78-61	FP-5101258		F.I. Control Tube Return; LH Helix
12	Injector Plunger & Bushing	78-61	FP-5229356		C55
12	Injector Plunger & Bushing	78-61	FP-5229362		C60
12	Injector Plunger & Bushing	78-61	FP-5229366		C65
12	Injector Plunger & Bushing	78-61	FP-5229372		C70
12	Injector Plunger & Bushing	78-61	FP-5228804		M95
12	Injector Plunger & Bushing	78-61	FP-5228668		N55
12	Injector Plunger & Bushing	78-61	FP-5228656		N60; For Inj. Assembly 5A60
12	Injector Plunger & Bushing	78-61	FP-5228928		N65 BT
12	Injector Plunger & Bushing	78-61	FP-5228658		N65 WT, N75, 7C75

(continued on next page)

GMC Truck - M/D & H/D

59 H/D Truck 12V-71 (2-Valve Cyl. Head), 12V-71N (4-Valve Cyl. Head) Engs.
 (cont.) 14.0L 852 OHV Diesel V12, 4.25" Bore (Detroit Diesel Eng.) 1961-78

FUEL SYSTEM & PARTS (cont.)

QTY	FUEL INJECTION (cont.)	YEARS	PART NO.	SIZE	DESCRIPTION
12	Injector Plunger & Bushing	78-61	FP-5228682		N70, 7C70
12	Injector Plunger & Bushing	78-61	FP-5228661		N80
12	Injector Plunger & Bushing	78-61	FP-5228878		N90
12	Injector Plunger & Bushing	78-61	FP-5229823		7E55
12	Injector Plunger & Bushing	78-61	FP-5229814		7E60
12	Injector Plunger & Bushing	78-61	FP-5229808		7E75, 7G75
12	Injector Plunger & Bushing	78-61	FP-5229916		7G65
12	Injector Plunger & Bushing	78-61	FP-5229912		7G70
12	Injector Plunger & Bushing	78-61	FP-5229354		71C5; For Inj. Assembly C50
12	Fuel Injector Tip Kit	78-61	FP-5229026		C55, C60, 71C5, 7E55, 7E60; For Inj. Assembly 5N45
12	Fuel Injector Tip Kit	78-61	FP-5229192		C65, C70, N70, N75, 7N65
12	Fuel Injector Tip Kit	78-61	FP-5229256		M95, N80, N90
12	Fuel Injector Tip Kit	78-61	FP-5229026		N55, N60, N65 WT; For Inj. Assembly 5N45
12	Fuel Injector Tip Kit	78-61	FP-5229030		N65 BT; For Inj. Assembly 5A50, 5A55, 5A60
12	Fuel Injector Tip Kit	78-61	FP-5229030		7E65; For Inj. Assembly 5A50, 5A55, 5A60
1	Fuel Injection Link	78-61	FP-5127415		Left Bank; Long; Inj. Control Tube to Gov.; Type 116, 117, 119, 241, 243, 289, 313
1	Fuel Injection Link	78-61	FP-5117191		Left Bank; Short; Inj. Control Tube to Gov.; Type 95, 96, 216, 218, 233, 234, 241, 244, 246, 251, 288, 292, 295, 296, 298, 299, 308, 309, 310, 311, 312, 326, 327, 328, 329, 330, 331, 332, 333, 334, 335, 336, 337, 338, 341, 344, 353, 362, 363, 370, 371, 383, 386
1	Fuel Injection Link	78-61	FP-5134026		Left Bank; Front; Short; Inj. Control Tube to Gov.; Type 137, 150, 215, 253, 314, 315, 379, 388
1	Fuel Injection Link	78-61	FP-5133700		Left Bank; Rear; Short; Inj. Control Tube to Gov.; Type 137, 150, 215, 253, 314, 315, 379, 388
8	Fuel Injection Link	78-61	FP-5117942		Right Bank; Long; Inj. Control Tube to Gov.; Type 95, 96, 137, 150, 215, 216, 218, 233, 234, 244, 246, 251, 253, 288, 292, 295, 296, 298, 299, 308, 311, 312, 314, 315, 324, 325
1	Fuel Injection Link	78-61	FP-5133699		Right Bank; Front; Long; Inj. Control Tube to Gov.; Type 137, 150, 215, 253, 314, 315, 379, 388
1	Fuel Injection Link	78-61	FP-5127417		Right Bank; Rear; Short; Inj. Control Tube to Gov.; Type 116, 117, 119, 241, 243, 289, 313
QTY	FUEL FILTERS & PUMP	YEARS	PART NO.	SIZE	DESCRIPTION
1	Mechanical Fuel Pump	78-61	FP-5199735		LH; High Output; High output; w/.375" Gear
1	Mechanical Fuel Pump	78-61	FP-5199560		LH; Std. Output; Std. output; w/.250" Gear
1	Mechanical Fuel Pump	78-61	FP-5199734		RH; High Output; High output
1	Mechanical Fuel Pump	78-61	FP-5199561		RH; Std. Output
1	Fuel Pump Shaft & Gear	78-61	FP-5100313		High Output; .963" Length; High Output
1	Fuel Pump Shaft & Gear	78-61	FP-5146705		High Output; 3.09" Length; High Output
1	Fuel Pump Shaft & Gear	78-61	FP-5181747		Std. Output; .838" Length; Std. Output
1	Fuel Pump Shaft & Gear	78-61	FP-5181746		Std. Output; 3.09" Length; Std. Output
1	Fuel Pump Valve	78-61	FP-5174973		
1	Fuel Pump Gear	78-61	FP-5118915		High Output; .374" Width; High Output
1	Fuel Pump Gear	78-61	FP-5128217		High Output; .374" Width; High Output
1	Fuel Pump Gear	78-61	FP-5174975		Std. Output; .294" Width; Std. Output
1	Fuel Pump Gear	78-61	FP-5181748		Std. Output; .294" Width; Std. Output
1	Fuel Pump Drive Shaft	78-61	FP-5100312		High Output; .963" Length; High Output
1	Fuel Pump Drive Shaft	78-61	FP-5178700		Std. & High Output; 3.09" Length
1	Fuel Pump Drive Shaft	78-61	FP-5181749		Std. Output; .838" Length; Std. Output
1	Fuel Pump Check Valve	78-61	FP-5174924		1/4" Swing type
1	Fuel Pump Check Valve	78-61	FP-5135308		3/8" Swing type
8	Fuel Line Connector	78-61	FP-5117369		
1	Fuel Pump Relief Valve Spring	78-61	FP-5184530		
2	Oil Seal	78-61	FP-23512243		Fuel pump
1	Fuel Pump Valve Plug Gasket	78-61	FP-5161003		Fuel pump
1	Fuel Pump Repair Part	78-61	FP-5174971		Fuel pump valve plug; .500" x 20 plug
1	Fuel Pump Drive Adapter Gskt.	78-61	FP-5150193		
1	Fuel Pump Repair Kit	78-61	FP-5149599		High Output; High output; Short Shaft
1	Fuel Pump Repair Kit	78-61	FP-5195078		Std. Output; Std. output
1	Pipe Plug	78-61	FP-5121182		Fuel pump pipe; 1/4" - 18; Hex head
2	Plastic Cap	78-61	FP-5136240		Fuel pump body; .250" Dia.
1	Plastic Cap	78-61	FP-5136241		Fuel pump body; .780" Dia., 3/8" NPTF
2	Dowel Pin	78-61	FP-103709		Fuel Pump Shaft; High Output; 5/32" x 1" straight
1	Dowel Pin	78-61	FP-103709		5/32" x 1" straight
1	Ball Brg.	78-61	FP-147481		Fuel pump shaft; .125" Dia. Steel
8	Washer	78-61	FP-5125108		Fuel pump pipe assy.; 7/16" x 3/4" x 1/16"

(continued on next page)

GMC Truck - M/D & H/D

H/D Truck 12V-71 (2-Valve Cyl. Head), 12V-71N (4-Valve Cyl. Head) Engs. 59
 14.0L 852 OHV Diesel V12, 4.25" Bore (Detroit Diesel Eng.) 1961-78 (cont.)

BLOWER					
QTY	BLOWER	YEARS	PART NO.	SIZE	DESCRIPTION
2	Ball Brg.	78-61	FP-23503543		Front; Blower Rotor
2	Ball Brg.	78-61	FP-23504305		Rear; Blower Rotor
2	Oil Seal Kit	78-61	FP-23500533		Blower End Plate Seal Kit
4	Oil Seal	78-61	FP-5192438		Blower End Plate
8	Oil Seal	78-61	FP-5138710		Blower End Plate Seal
8	Oil Seal	78-61	FP-8924453		Blower End Plate Seal
1	Bushing	78-61	FP-5120501		Blower Drive Gear
4	Bushing	78-61	FP-5120501		Blower Drive Gear
1	Fuel Blower Gasket	78-61	FP-23520019		Blower to Block
2	Gasket	78-61	FP-5145235		Blower to Block; w/o Screen
1	Sealing Ring	78-61	FP-8922140		Blower Drive Cover Seal; 4.32" x 4.88" x .770"
3	Bolt	78-61	FP-5103364		Blower Drive Coupling; 1/2" - 20 x 1.10", 12 Pt. Head
3	Bolt	78-61	FP-9409077		Blower Drive Coupling; 5/16" - 24 x 1.625"
3	Bolt	78-61	FP-5103364		Blower Rotor Gear Hub; 1/2" - 20 x 1.10", 12 Pt. Head
1	Bolt	78-61	FP-9409060		Blower Rotor Gear Hub; 1/2" - 20 x 1.500"
24	Screw	78-61	FP-5148794		Blower Rotor End Plate; 1/4" - 20 x 5/8"
1	Hose Clamp	78-61	FP-5106219		Blower Drive Cover Seal
56	Washer	78-61	FP-5159714		Blower End Plate; 11/16" x 1/8"
4	Washer	78-61	FP-5121905		Blower End Plate; 15/32" ID x 7/8" OD x 5/32" Long
4	Copper Washer	78-61	FP-5152148		Blower Drive Gear; 25/64" ID x 9/16" OD x 1/16" Thick; Copper
3	Lock Washer	78-61	FP-103320		Blower Drive Coupling; 5/16"
2	Lock Washer	78-61	FP-5154398		Blower End Plate; 1/2" Special, External Tooth
56	Lock Washer	78-61	FP-103320		Blower End Plate; 5/16"
12	Lock Washer	78-61	FP-103319		Blower Rotor End Plate; .250"
1	Lock Washer	78-61	FP-5154398		Blower Rotor End Plate; 1/2" Special, External Tooth
1	Shim	78-61	FP-5150372		Blower Rotor Gear
1	Shim	78-61	FP-5153938		Blower Rotor Gear
1	Shim	78-61	FP-5150855		Blower Rotor Gear
1	Shim	78-61	FP-5150856		Blower Rotor Gear
COOLING SYSTEM					
QTY	WATER PUMP	YEARS	PART NO.	SIZE	DESCRIPTION
2	Lock Nut	78-61	FP-103026		Heat Exchanger; 3/8" x 24
4	Oil Seal	78-61	FP-5132155		Thermostat Seal
4	Bolt	78-61	FP-8927580		Heat Exchanger; 3/8" - 16 x .875"
4	Bolt	78-61	FP-8927581		Heat Exchanger; 3/8" - 16 x 1"
2	Bolt	78-61	FP-454992		Heat Exchanger Cover; 1/2" - 13 x 2 1/2
4	Bolt	78-61	FP-454992		Heat Exchanger; 1/2" - 13 x 2 1/2
2	Bolt	78-61	FP-8927581		Thermostat Housing; 3/8" - 16 x 1"
2	Bolt	78-61	FP-8927581		Thermostat Housing; 3/8" - 16 x 1"
1	Pipe Plug	78-61	FP-5121182		Heat Exchanger Cover; 1/4" - 18; Hex head
1	Pipe Plug	78-61	FP-8924380		Heat Exchanger Cover; 1/8" - 27
1	Pipe Plug	78-61	FP-5142549		Heat Exchanger Cover; 3/4" - 14 Square Head
1	Pipe Plug	78-61	FP-23511574		Thermostat Housing; 1/2" pipe thread; w/1" Square head
1	Pipe Plug	78-61	FP-5115214		Thermostat Housing; 1/2" Square Head
1	Pipe Plug	78-61	FP-8924380		Thermostat Housing; 1/8" - 27
1	Pipe Plug	78-61	FP-5142549		Thermostat Housing; 3/4" - 14 Square Head
1	Pipe Plug	78-61	FP-5115214		Water Outlet Manifold; 1/2" Square Head
2	Pipe Plug	78-61	FP-5142549		Water Outlet Manifold; 3/4" - 14 Square Head
2	Expansion Plug	78-61	FP-5117186		Heat Exchanger Cover; 2" Dia. Cup; Stainless Steel
2	Copper Washer	78-61	FP-5152148		Thermostat Housing; 25/64" ID x 9/16" OD x 1/16" Thick; Copper
4	Washer	78-61	FP-5131978		Heat Exchanger; .53" ID x 1.00" OD x .170" Thick
8	Washer	78-61	FP-103325		Heat Exchanger; Lock washer; 5/8"
4	Washer	78-61	FP-5125108		Heat Exchanger; 7/16" x 3/4" x 1/16"
1	Washer	78-61	FP-5125108		Thermostat Housing; 7/16" x 3/4" x 1/16"
QTY	THERMOSTAT	YEARS	PART NO.	SIZE	DESCRIPTION
4	Thermostat	78-61	FP-23503826		170 Deg.
2	Thermostat	78-61	FP-23503825		180 Deg.
1	Thermostat Gasket	78-61	FP-5169478		Water By-Pass Tube Elbow
1	Thermostat Gasket	78-61	FP-5169478		Water Outlet Manifold Elbow
2	Thermostat Cover Gasket	78-61	FP-5133450		Thermostat Housing Cover
2	Thermostat Gasket	78-61	FP-5144277		Left & Right Bank; Thermostat Housing
QTY	MISCELLANEOUS	YEARS	PART NO.	SIZE	DESCRIPTION
24	Stud	78-61	FP-8927270		Water Outlet Manifold; 3/8" - 16/24" x 1.6875"
2	Hose Clamp	78-61	FP-5186841		Heat Exchanger Raw Water Inlet & Outlet; 1 9/16" - 2.50"
4	Hose Clamp	78-61	FP-9139809		Heat Exchanger Raw Water Inlet Tube; 2 1/16" - 3"
4	Hose Clamp	78-61	FP-5188036		Heat Exchanger Raw Water Inlet; 2.750" Dia. Hose
1	Hose Clamp	78-61	FP-5186841		Interceder By-pass Tube; 1 9/16" - 2.50"
8	Hose Clamp	78-61	FP-9139809		Interceder Inlet & Outlet Hose; 2 1/16" - 3"

(continued on next page)

GMC Truck - M/D & H/D

59 H/D Truck 12V-71 (2-Valve Cyl. Head), 12V-71N (4-Valve Cyl. Head) Engs.
 (cont.) 14.0L 852 OHV Diesel V12, 4.25" Bore (Detroit Diesel Eng.) 1961-78

COOLING SYSTEM (cont.)

QTY	MISCELLANEOUS (cont.)	YEARS	PART NO.	SIZE	DESCRIPTION
8	Hose Clamp	78-61	FP-5188036		Interceder Inlet & Outlet Hose; 2.750" Dia. Hose
4	Hose Clamp	78-61	FP-5186841		Interceder Inlet Hose; 1 9/16" - 2.50"
2	Hose Clamp	78-61	FP-5186841		Water By-Pass Tube; 1 9/16" - 2.50"
2	Hose Clamp	78-61	FP-9139809		Water By-Pass Tube; 2 1/16" - 3"
1	Hose Clamp	78-61	FP-9139809		Water Outlet Manifold; 2 1/16" - 3"
4	Hose Clamp	78-61	FP-5188036		Water Outlet Manifold; 2.750" Dia. Hose
2	Clamp	78-61	FP-5144768		Water Outlet Manifold
4	Lock Washer	78-61	FP-103320		Heat Exchanger Inlet Flange; 5/16"
10	Lock Washer	78-61	FP-103321		Heat Exchanger Cover; 3/8"
10	Lock Washer	78-61	FP-103320		Heat Exchanger; 5/16"
2	Lock Washer	78-61	FP-103321		Thermostat Housing; 3/8"
24	Lock Washer	78-61	FP-103321		Water Outlet Manifold; 3/8"
4	O-Ring	78-61	FP-5167746		Heat Exchanger Seal Ring
1	Water Manifold Gasket	78-61	FP-5124029		Heat Exchanger Water Manifold
4	Water Manifold Gasket	78-61	FP-23506469		Water Outlet Cover Plate
1	Oil Filler Tube Gasket	78-61	FP-5120540		Thermostat Housing Elbow Gasket
1	Oil Cooler Core Inner Gasket	78-61	FP-5150155		Heat Exchanger Expansion Tank Cover

ENGINE BLOCK & PARTS

QTY	GASKETS	YEARS	PART NO.	SIZE	DESCRIPTION
1	Front Crankcase Cover Gasket	78-61	FP-5121714		Oil Pump to Cyl. Block
2	Expansion Plug	78-61	FP-5132410		Cyl. Block; 1 5/8" Dia. Cup; Stainless Steel
4	Pipe Plug	78-61	FP-5101033		Cyl. Block; Aftercooler Plug; 2 1/2" Dia. Cup; Special
12	Pipe Plug	78-61	FP-5115214		Cyl. Block; 1/2" Square Head
2	Pipe Plug	78-61	FP-5121182		Cyl. Block; 1/4" - 18; Hex head
1	Pipe Plug	78-61	FP-5121182		Cyl. Block; 1/4" - 18; Hex head
4	Pipe Plug	78-61	FP-8924380		Cyl. Block; 1/8" - 27
8	Pipe Plug	78-61	FP-5142549		Cyl. Block; 3/4" - 14 Square Head
1	Flywheel Housing Gasket	78-61	FP-5147246		Flywheel Housing Gasket
2	Accessory Drive Gasket	78-61	FP-23515145		Flywheel Housing Large Hole Cover
1	Starting Motor Gasket	78-61	FP-5130995		Starting Motor Hole Cover
1	Oil Pan Gasket	78-61	FP-8920557		Lower Oil Pan
1	Oil Pan Gasket	78-61	FP-5109915		Oil Pan to Block
1	Oil Pan Gasket	78-61	FP-5150115		Oil Pan Cover
4	Bolt	78-61	FP-8923391		Oil Filter Mounting; 3/8" - 16 x 1.880"
2	Bolt	78-61	FP-8927580		Oil Pressure Regulator; 3/8" - 16 x .875"
2	Bolt	78-61	FP-8927581		Oil Pressure Regulator; 3/8" - 16 x 1"
1	Pin	78-61	FP-457008		Oil Pressure Regulator; 3/16" x 1 1/2"
4	Copper Washer	78-61	FP-5155596		Oil Filter Mounting; 5/16"; Special copper washer
2	Washer	78-61	FP-5131433		Oil Pressure Regulator; .410" x .810" x .1345"
4	Lock Washer	78-61	FP-103321		Oil Filter Mounting; 3/8"
4	Lock Washer	78-61	FP-103320		Oil Filter Mounting; 5/16"
40	Lock Washer	78-61	FP-103321		Oil Pan; 3/8"
40	Lock Washer	78-61	FP-103320		Oil Pan; 5/16"
1	Pipe Plug	78-61	FP-8923847		Oil Filter Adaptor; 1/4" x 18 NPTF; Square head
1	Pipe Plug	78-61	FP-5142549		Oil Filter Drain Plug; 3/4" - 14 Square Head
1	Pipe Plug	78-61	FP-5121182		Oil Filter Housing; 1/4" - 18; Hex head
1	Pipe Plug	78-61	FP-8923313		Oil Pan Drain Plug; 3/4"
1	Pipe Plug	78-61	FP-5142549		Oil Pan Drain Plug; 3/4" - 14 Square Head
2	Pipe Plug	78-61	FP-8923313		Oil Pan; 3/4"
1	Pipe Plug	78-61	FP-5121182		Oil Pump Outlet Pipe; 1/4" - 18; Hex head
1	Pipe Plug	78-61	FP-8923847		Oil Pump Outlet Pipe; 1/4" x 18 NPTF; Square head
2	O-Ring	78-61	FP-5186579		Cyl. Block
2	Crankcase Breather	78-61	FP-5130750		Cyl. Block
1	Cyl. Block Water Hole Cvr Gsk	78-61	FP-5117734		
4	Hand Hole Cover Gasket	78-61	FP-8923791		Cyl. Block; Large
6	Hand Hole Cover Gasket	78-61	FP-5117016		Cyl. Block; Non-Turbo
8	Hand Hole Cover Gasket	78-61	FP-8923792		Cyl. Block; Small
1	Extruded Seal	78-61	FP-5109346		Inter-Block
14	Washer	78-61	FP-5133981		Cyl. Block, Main Brg. Bolt; .122" Thick
12	Copper Washer	78-61	FP-5155596		Cyl. Block; Dry Block Only; 5/16"; Special copper washer
2	Copper Washer	78-61	FP-5152148		Cyl. Block; 25/64" ID x 9/16" OD x 1/16" Thick; Copper
8	Lock Washer	78-61	FP-103320		Cyl. Block; 5/16"
4	Bolt	78-61	FP-8927580		Cyl. Block; 3/8" - 16 x .875"
8	Bolt	78-61	FP-8927581		Cyl. Block; 3/8" - 16 x 1"
22	Stud	78-61	FP-5152121		Cyl. Block; 5/16" - 18 x 1 1/2"

QTY	GASKET SETS	YEARS	PART NO.	SIZE	DESCRIPTION
1	Complete Overhaul Gasket Set	78-61	FP-23512681		Crankshaft seals not incl.
1	Complete Overhaul Gasket Set	78-61	FP-23512681WS		Includes Seals

(continued on next page)

GMC Truck - M/D & H/D

H/D Truck 12V-71 (2-Valve Cyl. Head), 12V-71N (4-Valve Cyl. Head) Engs. 59
 14.0L 852 OHV Diesel V12, 4.25" Bore (Detroit Diesel Eng.) 1961-78 (cont.)

ENGINE BLOCK & PARTS (cont.)

QTY	DOWEL PINS	YEARS	PART NO.	SIZE	DESCRIPTION
4	Dowel Pin	78-61	FP-141346		Cyl. Block; .1875" x .500"
QTY CAM BEARINGS					
2	Cam Brg.	78-61	FP-5117984	STD	Position Front
2	Cam Brg.	78-61	FP-5197569	10	Position Front
8	Cam Brg.	78-61	FP-5194825	20	Position Front & Rear; .020" U/S, Unfinished; Grooved
8	Cam Brg.	78-61	FP-5111423	STD	Position Front & Rear; Grooved
10	Cam Brg.	78-61	FP-5196026	STD	Position Inter.; w/o Steel bushing in ctr. hole; Aluminum Blocks only
6	Cam Brg.	78-61	FP-5196022	STD	Position Inter.; w/Steel bushing in ctr. hole
2	Cam Brg.	78-61	FP-5111422	STD	Position Rear
2	Cam Brg.	78-61	FP-5194858	10	Position Rear
QTY OIL COOLERS & FILTERS					
1	Oil Cooler	78-61	FP-8547237		Twin Plate; 24 Plate
2	Oil Cooler	78-61	FP-8547237		Twin Plate-Dual; 24 Plate
1	Oil Cooler	78-61	FP-8547581		13 plate
1	Oil Cooler	78-61	FP-8547551		8 plate
1	Oil Filter Adapter Gasket	78-61	FP-23501590		Twin Plate-Dual; Oil Cooler Housing Cover
3	Oil Filter Adapter Gasket	78-61	FP-23501590		Inner; Twin Plate-Dual; Oil Cooler Core
1	Oil Filter Adapter Gasket	78-61	FP-5136701		Outer; Tube-Type; Oil Cooler Core
1	Starting Motor Gasket	78-61	FP-5130995		Tube-Type; Oil Cooler Cover Bracket to Flywheel Hsg.
2	Lock Washer	78-61	FP-103320		Aftercooler; 5/16"
4	Lock Nut	78-61	FP-103026		Oil Cooler Water Outlet; 3/8" x 24
28	Lock Nut	78-61	FP-103026		Tube-Type; Oil Cooler Core; 3/8" x 24
1	Washer	78-61	FP-5131433		Oil Cooler Housing Cover; .410" x .810" x .1345"
1	Washer	78-61	FP-5131433		Twin Plate; Oil Cooler Housing; .410" x .810" x .1345"
1	Washer	78-61	FP-5177773		Twin Plate-Dual; Oil Cooler By-pass Plug; 18MM x 1.5MM
6	Lock Washer	78-61	FP-103320		Oil Cooler Core; 5/16"
10	Lock Washer	78-61	FP-103320		Oil Cooler Housing Cover; 5/16"
10	Lock Washer	78-61	FP-103321		Oil Cooler Water Inlet; 3/8"
1	Lock Washer	78-61	FP-103320		Oil Cooler Water Inlet; 5/16"
4	Lock Washer	78-61	FP-103321		Oil Cooler Water Outlet; 3/8"
28	Lock Washer	78-61	FP-103321		Tube-Type; Oil Cooler Core; 3/8"
8	Lock Washer	78-61	FP-103320		Tube-Type; Oil Cooler Cover; 5/16"
4	Lock Washer	78-61	FP-103321		Twin Plate; Oil Cooler Housing; 3/8"
6	Lock Washer	78-61	FP-103320		Twin Plate; Oil Cooler Housing; 5/16"
2	Lock Washer	78-61	FP-103321		Twin Plate; Oil Cooler Water Inlet; 3/8"
8	Lock Washer	78-61	FP-103320		Twin Plate-Dual; Oil Cooler Adaptor; 5/16"
8	Lock Washer	78-61	FP-103320		Twin Plate-Dual; Oil Cooler Core; 5/16"
24	Lock Washer	78-61	FP-103321		Twin Plate-Dual; Oil Cooler Housing Cover; 3/8"
8	Lock Washer	78-61	FP-103320		Twin Plate-Dual; Oil Cooler Housing Cover; 5/16"
4	Lock Washer	78-61	FP-103321		Twin Plate-Dual; Oil Cooler Water Inlet; 3/8"
2	Spacer	78-61	FP-5102793		Oil Cooler Adaptor To Block; 5.70" x 1.00" x .012"
2	Spacer	78-61	FP-5102793		Twin Plate; Oil Cooler Adaptor to Block; 5.70" x 1.00" x .012"
1	Pipe Plug	78-61	FP-8923847		Oil Cooler Core; 1/4" x 18 NPTF; Square head
1	Pipe Plug	78-61	FP-8923313		Oil Cooler Core; 3/4"
1	Pipe Plug	78-61	FP-5142549		Oil Cooler Core; 3/4" - 14 Square Head
1	Pipe Plug	78-61	FP-5121182		Oil Cooler Housing; 1/4" - 18; Hex head
1	Pipe Plug	78-61	FP-8923847		Oil Cooler Housing; 1/4" x 18 NPTF; Square head
1	Pipe Plug	78-61	FP-8924517		Oil Cooler Housing; 3/8" x 18 square head
1	Pipe Plug	78-61	FP-5115214		Oil Cooler Water Inlet Elbow; 1/2" Square Head
1	Pipe Plug	78-61	FP-8923847		Oil Cooler Water Inlet Elbow; 1/4" x 18 NPTF; Square head
1	Pipe Plug	78-61	FP-8923313		Oil Cooler Water Inlet Elbow; 3/4"
1	Pipe Plug	78-61	FP-5142549		Oil Cooler Water Inlet Elbow; 3/4" - 14 Square Head
2	Pipe Plug	78-61	FP-8923847		Twin Plate; Oil Cooler Housing; 1/4" x 18 NPTF; Square head
1	Pipe Plug	78-61	FP-5115214		Twin Plate; Oil Cooler Water Inlet; 1/2" Square Head
2	Pipe Plug	78-61	FP-8923847		Twin Plate; Oil Cooler Water Inlet; 1/4" x 18 NPTF; Square head
1	Pipe Plug	78-61	FP-5115214		Twin Plate-Dual; Oil Cooler By-pass; 1/2" Square Head
2	Pipe Plug	78-61	FP-8923847		Twin Plate-Dual; Oil Cooler Housing Cover; 1/4" x 18 NPTF; Square head
2	Pipe Plug	78-61	FP-5142549		Twin Plate-Dual; Oil Cooler Housing Cover; 3/4" - 14 Square Head
1	Pipe Plug	78-61	FP-5142549		Twin Plate-Dual; Oil Cooler Water Elbow; 3/4" - 14 Square Head
1	Pipe Plug	78-61	FP-5115214		Twin Plate-Dual; Oil Cooler Water Inlet; 1/2" Square Head
4	Pipe Plug	78-61	FP-8923847		Twin Plate-Dual; Oil Cooler Water Inlet; 1/4" x 18 NPTF; Square head
1	Pipe Plug	78-61	FP-5142549		Twin Plate-Dual; Oil Cooler Water Inlet; 3/4" - 14 Square Head
8	Hose Clamp	78-61	FP-5186840		Aftercooler; 13/16" - 1 1/2" Clamping Range
8	Air Compressor Seal Ring	78-61	FP-5101138		Aftercooler; .984" x .139"
1	Oil Cooler Gasket Kit	78-61	FP-5149946		Oil Cooler Adaptor Cover

(continued on next page)

GMC Truck - M/D & H/D

59 H/D Truck 12V-71 (2-Valve Cyl. Head), 12V-71N (4-Valve Cyl. Head) Engs.
 (cont.) 14.0L 852 OHV Diesel V12, 4.25" Bore (Detroit Diesel Eng.) 1961-78

ENGINE BLOCK & PARTS (cont.)

OIL COOLERS & FILTERS					
QTY	(cont.)	YEARS	PART NO.	SIZE	DESCRIPTION
1	Oil Cooler Gasket	78-61	FP-8923512		Oil Cooler Adaptor Cover
1	Oil Cooler Gasket	78-61	FP-8923512		Twin Plate; Oil Cooler Adaptor Cover
1	Oil Cooler Gasket	78-61	FP-23501587		Twin Plate; Oil Cooler Core, Element to Block
1	Oil Cooler Gasket	78-61	FP-23506522		Twin Plate-Dual; Oil Cooler Core Cover
1	Oil Cooler Gasket	78-61	FP-23501587		Outer; Twin Plate-Dual; Oil Cooler Core
1	Cyl. Block Water Hole Cvr Gsk	78-61	FP-5117734		Oil Cooler Housing Cover
2	O-Ring	78-61	FP-5193598		Tube-Type; Oil Cooler By-pass Tube Flange
2	Sealing Ring	78-61	FP-5102098		Twin Plate-Dual; Oil Cooler Water Outlet Hose; 3.60" OD x .620" Wide
1	Oil Cooler Core Gasket	78-61	FP-23501589		Front; Twin Plate-Dual; Oil Cooler Housing Cover
1	Oil Cooler Core Gasket	78-61	FP-23501589		Outer; Twin Plate; Oil Cooler Housing Cover
1	Oil Cooler Core Gasket	78-61	FP-23501589		Outer; Twin Plate-Dual; Oil Cooler Core
1	Oil Cooler Seal Ring	78-61	FP-23501837		Oil Cooler Water Outlet Flange
1	Gasket	78-61	FP-5575086		Oil Cooler Housing
1	Gasket	78-61	FP-5575086		Twin Plate-Dual; Oil Cooler By-pass Plug
1	Oil Cooler Core Inner Gasket	78-61	FP-5150155		
1	Oil Cooler Core Inner Gasket	78-61	FP-5150155		Oil Cooler Housing Cover
1	Oil Cooler Core Inner Gasket	78-61	FP-23511304		Twin Plate-Dual; Oil Cooler Housing
1	Oil Cooler Core Inner Gasket	78-61	FP-5150155		Inner; Tube-Type; Oil Cooler Core
1	Oil Cooler Core Outer Gasket	78-61	FP-5102506		Outer; Tube-Type; Oil Cooler Core
3	Oil Cooler Bypass Gasket	78-61	FP-5124798		Tube-Type; Oil Cooler By-pass Hole Cover
2	Oil Cooler Bypass Gasket	78-61	FP-5124798		Tube-Type; Oil Cooler By-pass Tube Flange
2	Oil Cooler Cover Gasket	78-61	FP-23501584		Twin Plate-Dual; Oil Cooler Housing Cover
1	Oil Cooler Cover Gasket	78-61	FP-23501584		Outer; Twin Plate; Oil Cooler Core
1	Oil Cooler Cover Gasket	78-61	FP-23501584		Outer; Twin Plate-Dual; Oil Cooler Core
1	Oil Cooler Housing Cover Gskt	78-61	FP-5124806		Tube-Type
2	Oil Cooler Housing Cover Gskt	78-61	FP-8924623		Twin Plate-Dual; Oil Cooler Housing Cover
1	Oil Cooler Housing Cover Gskt	78-61	FP-5124806		Inner; Tube-Type; Oil Cooler Core
1	Oil Cooler Housing Cover Gskt	78-61	FP-5124806		Outer; Tube-Type; Oil Cooler Core
1	Oil Cooler Housing Cover Gskt	78-61	FP-5126618		Outer; Tube-Type; Oil Cooler Core
2	Oil Cooler Adapter Cover Gskt	78-61	FP-5117535		Tube-Type; Oil Cooler Inlet & Outlet Tube
1	Oil Cooler Adapter Cover Gskt	78-61	FP-23501596		Twin Plate
2	Oil Cooler Adapter Cover Gskt	78-61	FP-5175882		Twin Plate
4	Oil Cooler Adapter Cover Gskt	78-61	FP-5117535		Twin Plate-Dual; Oil Cooler Adaptor-to-Block
1	Oil Cooler Adapter Cover Gskt	78-61	FP-5117535		Inner; Tube-Type; Oil Cooler Core
6	Copper Washer	78-61	FP-5155596		Oil Cooler Core; 5/16"; Special copper washer
12	Copper Washer	78-61	FP-5152148		Oil Cooler Housing Cover; 25/64" ID x 9/16" OD x 1/16" Thick; Copper
10	Copper Washer	78-61	FP-5155596		Oil Cooler Housing; 5/16"; Special copper washer
1	Copper Washer	78-61	FP-5152148		Oil Cooler Water Inlet; 25/64" ID x 9/16" OD x 1/16" Thick; Copper
6	Copper Washer	78-61	FP-5155596		Oil Cooler Water Inlet; 5/16"; Special copper washer
28	Copper Washer	78-61	FP-5152148		Tube-Type; Oil Cooler Cover; 25/64" ID x 9/16" OD x 1/16" Thick; Copper
6	Copper Washer	78-61	FP-5155596		Twin Plate; Oil Cooler Housing; 5/16"; Special copper washer
24	Copper Washer	78-61	FP-5152148		Twin Plate-Dual; Oil Cooler Housing Cover; 25/64" ID x 9/16" OD x 1/16" Thick; Copper
8	Copper Washer	78-61	FP-5155596		Twin Plate-Dual; Oil Cooler Housing Cover; 5/16"; Special copper washer
4	Copper Washer	78-61	FP-5152148		Twin Plate-Dual; Oil Cooler Water Elbow; 25/64" ID x 9/16" OD x 1/16" Thick; Copper
1	Clamp	78-61	FP-5143999		Oil Cooler Water Outlet; 3.50" T-Bolt
2	Clamp	78-61	FP-5143999		Twin Plate-Dual; Oil Cooler Water Outlet Hose; 3.50" T-Bolt
2	Hose Clamp	78-61	FP-9139809		Oil Cooler Water Inlet Hose; 2 1/16" - 3"
2	Hose Clamp	78-61	FP-5188036		Oil Cooler Water Inlet Hose; 2.750" Dia. Hose
2	Hose Clamp	78-61	FP-9139809		Twin Plate-Dual; Oil Cooler Water Inlet; 2 1/16" - 3"
1	Hose Clamp	78-61	FP-5188036		Twin Plate-Dual; Oil Cooler Water Inlet; 2.750" Dia. Hose
6	Bolt	78-61	FP-8923391		Oil Cooler Housing Cover; 3/8" - 16 x 1.880"
6	Bolt	78-61	FP-8927581		Oil Cooler Housing Cover; 3/8" - 16 x 1"
12	Bolt	78-61	FP-8927580		Oil Cooler Housing; 3/8" - 16 x .875"
8	Bolt	78-61	FP-8927580		Oil Cooler Water Inlet; 3/8" - 16 x .875"
4	Bolt	78-61	FP-8927581		Oil Cooler Water Outlet; 3/8" - 16 x 1"
6	Bolt	78-61	FP-8927581		Twin Plate; Oil Cooler Housing; 3/8" - 16 x 1"
6	Bolt	78-61	FP-8927580		Twin Plate; Oil Cooler Water Inlet; 3/8" - 16 x .875"
2	Bolt	78-61	FP-8927581		Twin Plate; Oil Cooler Water Inlet; 3/8" - 16 x 1"
4	Bolt	78-61	FP-8927581		Twin Plate-Dual; Oil Cooler Water Elbow; 3/8" - 16 x 1"
QTY	FREEZE PLUGS	YEARS	PART NO.	SIZE	DESCRIPTION
1	Pipe Plug	78-61	FP-5121182		Oil Dipstick Adaptor; 1/4" - 18; Hex head

(continued on next page)

GMC Truck - M/D & H/D

H/D Truck 12V-71 (2-Valve Cyl. Head), 12V-71N (4-Valve Cyl. Head) Engs. 59
 14.0L 852 OHV Diesel V12, 4.25" Bore (Detroit Diesel Eng.) 1961-78 (cont.)

ENGINE BLOCK & PARTS (cont.)

QTY	FREEZE PLUGS (cont.)	YEARS	PART NO.	SIZE	DESCRIPTION
1	Pipe Plug	78-61	FP-8923847		Oil Filler Tube; 1/4" x 18 NPTF; Square head
QTY	DIPSTICK	YEARS	PART NO.	SIZE	DESCRIPTION
1	Dipstick	78-61	FP-5147185		Marked
1	Dipstick	78-61	FP-5102092		21" Length; Marked
1	Dipstick	78-61	FP-5101885		25" Length; Marked
1	Dipstick	78-61	FP-5162667		26" Length; Marked
1	Dipstick	78-61	FP-5146679		61" Length; Unmarked
1	Dipstick	78-61	FP-5146680		72" Length; Unmarked
1	Dipstick Guide	78-61	FP-5151430		1.50" Length
QTY	MISCELLANEOUS	YEARS	PART NO.	SIZE	DESCRIPTION
2	Bolt	78-61	FP-8927581		Oil Dipstick Adaptor; 3/8" - 16 x 1"
1	Bolt	78-61	FP-8927581		Oil Filler Tube; 3/8" - 16 x 1"
2	Screw	78-61	FP-5103642		Oil Filler Tube; No. 10 - 24 x .375"
1	Pipe Plug	78-61	FP-5121182		Oil Dipstick Adaptor; 1/4" - 18; Hex head
1	Pipe Plug	78-61	FP-8923847		Oil Filler Tube; 1/4" x 18 NPTF; Square head
2	Copper Washer	78-61	FP-5152148		Oil Dipstick Adaptor; 25/64" ID x 9/16" OD x 1/16" Thick; Copper
2	Lock Washer	78-61	FP-103319		Oil Dipstick Adaptor; .250"
1	Lock Washer	78-61	FP-103321		Oil Dipstick Adaptor; 3/8"
2	Lock Washer	78-61	FP-103321		Oil Filler Tube; 3/8"
2	Oil Filler Cap	78-61	FP-5107106		1.50" Dia.; Thermos Bottle Style
2	Oil Filler Cap	78-61	FP-5117362		2.00" Dia.; Thermos Bottle Style
CRANKSHAFT/OIL PUMP					
QTY	CRANKSHAFT	YEARS	PART NO.	SIZE	DESCRIPTION
1	Crankshaft	78-61	FP-23502165		
1	Vibration Damper	78-61	FP-8922491		
1	Vibration Damper	78-61	FP-8922492		12.3" Dia., Heavy Viscous
1	Vibration Damper	78-61	FP-5106222		15" Dia., Heavy Viscous
14	Bolt	78-61	FP-5116353		5/8" - 11 x 6.00"
14	Bolt	78-61	FP-5102374		5/8" - 11 x 6.60"
14	Washer	78-61	FP-5102373		.694" ID x 1.125" OD x .180" Thick
1	O-Ring	78-61	FP-23503769		Position Rear; Vibration Damper Cone
6	Pipe Plug	78-61	FP-8924380		1/8" - 27
2	Woodruff Key	78-61	FP-8928545		Crankshaft Key; 3/16" x 7/8" Woodruff
4	Dowel Pin	78-61	FP-141346		.1875" x .500"
QTY	SEALS - FRONT CRANK	YEARS	PART NO.	SIZE	DESCRIPTION
1	Oil Seal	78-61	FP-8927747		Front; LH Engine; Double Lip; PTFE Material
1	Oil Seal	78-61	FP-8927749		Front; LH Engine; Double Lip, Oversized; PTFE Material
1	Oil Seal	78-61	FP-8927746		Front; RH Engine; Double Lip; PTFE Material
1	Oil Seal	78-61	FP-8927748		Front; RH Engine; Double Lip, Oversized; PTFE Material
1	Oil Seal	78-61	FP-5115454		Front; Single Lip, Std.
1	Oil Seal	78-61	FP-5197860		Front; Use w/Front Trunnion Mount; Single lip; O/S Shaft dia. 4.812"
1	Oil Seal Spacer	78-61	FP-23507306		Front; 2.50" ID x 2.81" Length
1	O-Ring	78-61	FP-23503769		Front; Use w/Spacers
QTY	SEALS - REAR CRANK	YEARS	PART NO.	SIZE	DESCRIPTION
1	Oil Seal	78-61	FP-8927747		Rear; LH Engine; Double Lip; PTFE Material
1	Oil Seal	78-61	FP-8927749		Rear; LH Engine; Double Lip, Oversized; PTFE Material
1	Oil Seal	78-61	FP-5194462		Rear; LH Engine; O/S; Single lip; L.H. Rotation
1	Oil Seal	78-61	FP-23501610		Rear; LH Engine; PTFE Double Lip
1	Oil Seal	78-61	FP-23501545		Rear; LH Engine; PTFE Double Lip; O/S
1	Oil Seal	78-61	FP-8926762		Rear; LH Engine; Std.; Single lip; L.H. Rotation
1	Oil Seal	78-61	FP-5196927		Rear; Non-Directional; Double Lip; O/S Shaft Dia. 4.812"
1	Oil Seal	78-61	FP-5127821		Rear; Non-Directional; Double Lip, Std.; Shaft Dia. 4.687"
1	Oil Seal	78-61	FP-5197860		Rear; Non-Directional; Single lip; O/S Shaft dia. 4.812"
1	Oil Seal	78-61	FP-5114335		Rear; Non-Directional; Single Lip, Std.; Shaft Dia. 4.687"
1	Oil Seal	78-61	FP-8927746		Rear; RH Engine; Double Lip; PTFE Material
1	Oil Seal	78-61	FP-8927748		Rear; RH Engine; Double Lip, Oversized; PTFE Material
1	Oil Seal	78-61	FP-8926761		Rear; RH Engine; Std.; Single lip; R.H. Rotation
1	Oil Seal Spacer	78-61	FP-5192496		Rear; For Single Lip Seals Only
1	Redi-Sleeve	78-61	FP-23507225		Rear; For O/S Seals
1	Wear Sleeve	78-61	FP-5198908		Rear; Use w/FP-5198908; w/Front Trunnion Mount
QTY	MAIN BEARINGS	YEARS	PART NO.	SIZE	DESCRIPTION
7	Plain Main Brg.	78-61	FP-5149565	STD	Upper brg. w/elongated oil slot (acceptable as replacement for brg. w/11/32" oil hole)
7	Plain Main Brg.	78-61	FP-5149566	2	Upper brg. w/elongated oil slot (acceptable as replacement for brg. w/11/32" oil hole)

(continued on next page)

GMC Truck - M/D & H/D

59 H/D Truck 12V-71 (2-Valve Cyl. Head), 12V-71N (4-Valve Cyl. Head) Engs.
 (cont.) 14.0L 852 OHV Diesel V12, 4.25" Bore (Detroit Diesel Eng.) 1961-78

CRANKSHAFT/OIL PUMP (cont.)

QTY	MAIN BEARINGS (cont.)	YEARS	PART NO.	SIZE	DESCRIPTION
7	Plain Main Brg.	78-61	FP-5149567	10	Upper brg. w/elongated oil slot (acceptable as replacement for brg. w/11/32" oil hole)
7	Plain Main Brg.	78-61	FP-5149568	20	Upper brg. w/elongated oil slot (acceptable as replacement for brg. w/11/32" oil hole)
7	Plain Main Brg.	78-61	FP-8922118	30	Upper brg. w/elongated oil slot (acceptable as replacement for brg. w/11/32" oil hole)
5	Plain Main Brg.	78-61	FP-5149556	STD	Upper brg. w/o elongated oil slot
5	Plain Main Brg.	78-61	FP-5149557	2	Upper brg. w/o elongated oil slot
5	Plain Main Brg.	78-61	FP-5149559	10	Upper brg. w/o elongated oil slot
5	Plain Main Brg.	78-61	FP-5149561	20	Upper brg. w/o elongated oil slot
5	Plain Main Brg.	78-61	FP-5149563	30	Upper brg. w/o elongated oil slot
4	Thrust Washer	78-61	FP-5117005	STD	
4	Thrust Washer	78-61	FP-5196753	5	
4	Thrust Washer	78-61	FP-5196754	10	

QTY	OIL PUMP	YEARS	PART NO.	SIZE	DESCRIPTION
1	Inter. Shaft	78-61	FP-5126350		Driven Gear
1	Oil Pump Cover Gasket	78-61	FP-29503153		Cover Flange; 2.40" B.C.
1	Oil Pump Cover Gasket	78-61	FP-5123235		Cover Flange; 2.44" B.C.
2	Oil Pump Cover Gasket	78-61	FP-5123235		Oil Pump Inlet; 2.44" B.C.
1	Oil Cooler Bypass Gasket	78-61	FP-5124798		Oil Pump Inlet Pipe
1	Bushing	78-61	FP-5123303		Oil Pump Driven Gear
1	Woodruff Key	78-61	FP-8928545		Oil Pump Drive Gear; 3/16" x 7/8" Woodruff
2	Bolt	78-61	FP-8927580		Oil Pump Cover Flange; 3/8" - 16 x .875"
2	Bolt	78-61	FP-8927580		Oil Pump Cover Flange; 3/8" - 16 x .875"
4	Bolt	78-61	FP-8927580		Oil Pump Inlet Screen; 3/8" - 16 x .875"
2	Bolt	78-61	FP-8927581		Oil Pump Inlet; 3/8" - 16 x 1"
8	Bolt	78-61	FP-8927581		Oil Pump Outlet; 3/8" - 16 x 1"
1	Washer	78-61	FP-5104439		Oil Pump Cover; 7/16" x 1.250" Dia.; Dished
2	Lock Washer	78-61	FP-103321		Oil Pump Cover Flange; 3/8"
2	Lock Washer	78-61	FP-103321		Oil Pump Cover; 3/8"
4	Lock Washer	78-61	FP-103321		Oil Pump Front Cover; 3/8"
8	Lock Washer	78-61	FP-103321		Oil Pump Inlet Pipe Bracket; 3/8"
4	Lock Washer	78-61	FP-103321		Oil Pump Inlet Pipe; 3/8"
8	Lock Washer	78-61	FP-103321		Oil Pump Outlet; 3/8"
4	Lock Nut	78-61	FP-103026		Oil Pump Front Cover; 3/8" x 24
2	Lock Nut	78-61	FP-103026		Oil Pump Inlet Pipe; 3/8" x 24
1	Plastic Cap	78-61	FP-5136240		Oil Pump Front Cover; .250" Dia.
1	Pipe Plug	78-61	FP-8924517		Oil Pump Body; 3/8" x 18 square head
1	Pipe Plug	78-61	FP-8924380		Oil Pump Inlet; 1/8" - 27
1	Pipe Plug	78-61	FP-8923847		Oil Pump Outlet; 1/4" x 18 NPTF; Square head
1	Pipe Plug	78-61	FP-8924380		Oil Pump Outlet; 1/8" - 27
1	O-Ring	78-61	FP-5187316		By-Pass Valve Plug Seal
1	Oil Pump Cover Gasket	78-61	FP-29503153		Relief Valve to Oil Pump; 2.40" B.C.
1	Oil Filter Gasket	78-61	FP-5121205		Oil Filter Adaptor
3	Lo Press. Reg. Body Gasket	78-61	FP-5117269		
2	Lo Press. Reg. Body Gasket	78-61	FP-5117269		Oil Pump Outlet Pipe-Junction Block
1	Lo Pressure Regulator Valve	78-61	FP-8922740		
1	Gasket	78-61	FP-5575086		By-Pass Valve Plug Seal
1	Lock Nut	78-61	FP-114498		Oil Filter Mounting; 5/8" - 18, Jam Nut
1	Oil Filter Adapter Gasket	78-61	FP-23501590		
1	Oil Filter Adapter Gasket	78-61	FP-5122533		
1	Oil Filter Adapter Gasket	78-61	FP-5136701		
1	Oil Filter Adapter Gasket	78-61	FP-8924412		By-Pass
1	Oil Filter Adapter Gasket	78-61	FP-8924413		By-Pass
1	Oil Pump Spring	78-61	FP-5126326		Oil Pressure Regulator; .520" Dia., 2.570" Length
2	Oil Pump Spring	78-61	FP-5126327		Oil Pressure Regulator; .790" Dia., 2.96" Length
1	Water Outlet Gasket	78-61	FP-2206783		Oil Pump Outlet Pipe-Junction Outlet
1	Pipe Plug	78-61	FP-8923847		Oil Filter Adaptor; 1/4" x 18 NPTF; Square head
1	Pipe Plug	78-61	FP-5142549		Oil Filter Drain Plug; 3/4" - 14 Square Head
1	Pipe Plug	78-61	FP-5121182		Oil Filter Housing; 1/4" - 18; Hex head
1	Pipe Plug	78-61	FP-8923313		Oil Pan Drain Plug; 3/4"
1	Pipe Plug	78-61	FP-5142549		Oil Pan Drain Plug; 3/4" - 14 Square Head
2	Pipe Plug	78-61	FP-8923313		Oil Pan; 3/4"
1	Pipe Plug	78-61	FP-5121182		Oil Pump Outlet Pipe; 1/4" - 18; Hex head
1	Pipe Plug	78-61	FP-8923847		Oil Pump Outlet Pipe; 1/4" x 18 NPTF; Square head

CYLINDER COMPONENTS

QTY	LINERS	YEARS	PART NO.	SIZE	DESCRIPTION
12	Liner w/o Sealing Rings	78-61	FP-5193732	5	Flanged, 1.050" port length

(continued on next page)

GMC Truck - M/D & H/D

H/D Truck 12V-71 (2-Valve Cyl. Head), 12V-71N (4-Valve Cyl. Head) Engs. 59
 14.0L 852 OHV Diesel V12, 4.25" Bore (Detroit Diesel Eng.) 1961-78 (cont.)

CYLINDER COMPONENTS (cont.)

QTY	LINERS (cont.)	YEARS	PART NO.	SIZE	DESCRIPTION
12	Liner w/o Sealing Rings	78-61	FP-5193733	10	Flanged, 1.050" port length
12	Liner w/o Sealing Rings	78-61	FP-5193734	20	Flanged, 1.050" port length
12	Liner w/o Sealing Rings	78-61	FP-5193735	30	Flanged, 1.050" port length
12	Liner w/o Sealing Rings	78-61	FP-23502023	STD	No. 1 Bore; Flanged, .950" port length
12	Liner w/o Sealing Rings	78-61	FP-23502020	STD	No. 1 Bore; Flanged, 1.050" port length
12	Liner w/o Sealing Rings	78-61	FP-23502024	STD	No. 2 Bore; Flanged, .950" port length
12	Liner w/o Sealing Rings	78-61	FP-23502021	STD	No. 2 Bore; Flanged, 1.050" port length
12	Liner w/o Sealing Rings	78-61	FP-23502025	STD	No. 3 Bore; Flanged, .950" port length
12	Liner w/o Sealing Rings	78-61	FP-23502022	STD	No. 3 Bore; Flanged, 1.050" port length
12	Liner w/o Sealing Rings	78-61	FP-23504935	STD	No. 4 Bore; Flanged, .950" port length
12	Liner w/o Sealing Rings	78-61	FP-23504936	STD	No. 4 Bore; Flanged, 1.050" port length
12	Cylinder Kit Complete	78-61	FP-23522951	10	w/Cross Head style piston; 1.050" port length sleeve
12	Cylinder Kit Complete	78-61	FP-23522525	20	w/Cross Head style piston; 1.050" port length sleeve
12	Cylinder Kit Complete	78-61	FP-5149263	10	w/Trunk style piston; 4 Valve Head; 1.05" port length sleeve
12	Cylinder Kit Complete	78-61	FP-5149264	20	w/Trunk style piston; 4 Valve Head; 1.05" port length sleeve
12	Cylinder Kit Complete	78-61	FP-20022	STD	No. 1 Bore; w/Cross Head style piston
12	Cylinder Kit Complete	78-61	FP-20011	STD	No. 1 Bore; w/Trunk style piston; 4 Valve Head; 1.05" port length sleeve
12	Cylinder Kit Complete	78-61	FP-23522949	STD	No. 2 Bore; w/Cross Head style piston; 1.050" port length sleeve
12	Cylinder Kit Complete	78-61	FP-23505305	STD	No. 2 Bore; w/Trunk style piston; 4 Valve Head; 1.05" port length sleeve
12	Cylinder Kit Complete	78-61	FP-23522947	STD	No. 3 Bore; w/Cross Head style piston; 1.050" port length sleeve
12	Cylinder Kit Complete	78-61	FP-23505306	STD	No. 3 Bore; w/Trunk style piston; 4 Valve Head; 1.05" port length sleeve
12	Cylinder Kit Complete	78-61	FP-23522521	STD	No. 4 Bore; w/Cross Head style piston; 1.050" port length sleeve
12	Cylinder Kit Complete	78-61	FP-5149261	STD	No. 4 Bore; w/Trunk style piston; 4 Valve Head; 1.05" port length sleeve
12	Liner Kit w/o Sleeve	78-61	FP-LCK22507		w/Cross Head style piston
12	Liner Kit w/o Sleeve	78-61	FP-LCK22949		w/Cross Head style piston
12	Liner Kit w/o Sleeve	78-61	FP-LCK5306		w/Trunk style piston; 4 Valve Head
12	O-Ring	78-61	FP-8922221		w/Cross Head style piston
12	Flange Shim	78-61	FP-5199569	2	.002" Thick
12	Cntr. Bore Insert	78-61	FP-5199871		.0015" Thicker than std., for .010-.030 O/S sleeves
12	Cntr. Bore Insert	78-61	FP-5148399		.0015" Thicker than std., for std.-.005 O/S sleeves
12	Cntr. Bore Insert	78-61	FP-5148440		.0015" Thinner than std., for std.-.005 O/S sleeves
12	Cntr. Bore Insert	78-61	FP-5194073		.0035 Thinner than std., for std.-.005 O/S sleeves
12	Cntr. Bore Insert	78-61	FP-5194163		.0040 Thinner than std., for .010-.030 O/S sleeves
12	Cntr. Bore Insert	78-61	FP-5194164		.0080" Thinner than std., for .010-.030 O/S sleeves
12	Cntr. Bore Insert	78-61	FP-5193316		Std. thickness (.1795-.1800), for .010-.030 O/S sleeves
12	Cntr. Bore Insert	78-61	FP-5184484		Std. thickness (.1795-.1800), for std.-.005 O/S sleeves
QTY	PISTONS	YEARS	PART NO.	SIZE	DESCRIPTION
12	Piston Kit w/Pin & Retainers	78-61	FP-23522497	STD	18.7:1 C.R.; w/Cross Head style piston
12	Piston With Retainers	78-61	FP-5149234	STD	18.7:1 C.R.; Trunk style piston; 4 Valve Head
12	Piston Dome Kit	78-61	FP-23522535		18.7:1 C.R.; w/Cross Head style piston
12	Crosshead Piston Dome	78-61	FP-23522026	STD	18.7:1 C.R.; w/Cross Head style piston
12	Piston Skirt	78-61	FP-23522070	STD	w/Cross Head style piston
12	Pin	78-61	FP-5101120	STD	w/Cross Head style piston
12	Pin	78-61	FP-5144744	STD	w/Cross Head style piston; Nut plate type
12	Pin	78-61	FP-5188406	STD	w/Trunk style piston
12	Pin	78-61	FP-5144495	STD	w/Trunk style piston; Drilled
24	Piston Pin Retainer	78-61	FP-5188405		w/Trunk style pistons
24	Piston Pin Retainer	78-61	FP-5180250		Cross Head pistons
24	Piston Pin Bolt	78-61	FP-5148373		7/16" - 20 x 2.00" Length
24	Piston Pin Bolt Spacer	78-61	FP-5144846		w/Cross Head style piston
12	Piston Pin Slipper Bearing	78-61	FP-23501687		Slipper type design - 1 per cyl.
24	Pin Bushing	78-61	FP-5155839		w/Trunk style piston
24	Pin Bushing	78-61	FP-5157274		w/Trunk style piston; w/.015" extra ID bore stock
12	Pin Bushing	78-61	FP-2409Y		w/1.5020" I.D., 1.7510" O.D., .7600" O.A.L.
12	Pin Bushing	78-61	2409Y +		w/1.5020" I.D., 1.7510" O.D., .7600" O.A.L.; When depleted use FP-2409Y
QTY	CONNECTING RODS & BRGS.	YEARS	PART NO.	SIZE	DESCRIPTION
24	Con. Rod Bolt	78-61	FP-5132383		.4375" x 20 x 3.52"
24	Con. Rod Nut	78-61	FP-5117629		.4375" x 20
12	Rod Pair	78-61	FP-5149572	STD	
12	Rod Pair	78-61	FP-5149573	2	
12	Rod Pair	78-61	FP-5149575	10	
12	Rod Pair	78-61	FP-5149577	20	
12	Rod Pair	78-61	FP-5149579	30	

(continued on next page)

+ Superseded Part Number

GMC Truck - M/D & H/D

59 H/D Truck 12V-71 (2-Valve Cyl. Head), 12V-71N (4-Valve Cyl. Head) Engs. (cont.) 14.0L 852 OHV Diesel V12, 4.25" Bore (Detroit Diesel Eng.) 1961-78

CYLINDER COMPONENTS (cont.)

QTY	PISTON RINGS	YEARS	PART NO.	SIZE	DESCRIPTION
12	Ring Set Single Cylinder	78-61	FP-23522955	STD	Cross Head style piston; Std. gap Fire Ring
12	Ring Set Single Cylinder	78-61	FP-23514970	STD	Trunk style piston; 4 Valve Head; 4-.084, 2-3/16 (1 cyl. Set)
12	Compression Ring	78-61	FP-8924084		Cross Head style piston; Std. gap Fire Ring
24	Compression Ring	78-61	FP-8926351		Cross Head style piston; 2nd & 3rd grooves
48	Compression Ring	78-61	FP-5102648		Trunk style piston; 4 Valve Head
24	Ring, Oil Control Set	78-61	FP-23522534		Cross Head style piston; For one groove
12	Ring, Oil Control Set	78-61	FP-23514965		Trunk style piston; 4 Valve Head; Set for one piston

CLUTCH

QTY	CLUTCH	YEARS	PART NO.	SIZE	DESCRIPTION
1	Ball Brg.	78-61	FP-23503706		Clutch Pilot
1	Ball Brg.	78-61	FP-23503707		Clutch Pilot
1	Ball Brg.	78-61	FP-23503709		Clutch Pilot

KITS

QTY	OVERHAUL KIT	YEARS	PART NO.	SIZE	DESCRIPTION
1	In-Frame Overhaul Kit	78-61	FP-IFK12V71XH		w/Cross Head style piston
1	In-Frame Overhaul Kit	78-61	FP-12V71XH		w/Cross Head style piston
1	In-Frame Overhaul Kit	78-61	FP-IFK12V71NA		w/Trunk style piston
1	In-Frame Overhaul Kit	78-61	FP-12V71NA		w/Trunk style piston
1	Complete Overhaul Kit	78-61	FP-OH12V71XH		w/Cross Head style piston
1	Complete Overhaul Kit	78-61	FP-12V71XHOH		w/Cross Head style piston
1	Complete Overhaul Kit	78-61	FP-OH12V71NA		w/Trunk style piston
1	Complete Overhaul Kit	78-61	FP-12V71NAOH		w/Trunk style piston

60 H/D Truck NH230, NH250, NHC250 Engs. 14.0L 855 OHV Diesel L6, 5.5" Bore (Cummins Eng.) 1970-78

CYL. HEAD & PARTS

QTY	GASKETS	YEARS	PART NO.	SIZE	DESCRIPTION
1	Cam Follower Gasket	78-70	FP-3074401		855 Big Cam; .006-.008
1	Cam Follower Gasket	78-70	FP-3074402		855 Big Cam; .014-.020
1	Cam Follower Gasket	78-70	FP-3074403		855 Big Cam; .018-.025
1	Cam Follower Gasket	78-70	FP-3074404		855 Big Cam; .026-.036
1	Cam Follower Gasket	78-70	FP-9266A		855 Small Cam; .006-.008
1	Cam Follower Gasket	78-70	FP-9266		855 Small Cam; .014-.020
1	Cam Follower Gasket	78-70	FP-3011272		855 Small Cam; .020-.024
1	Cam Follower Gasket	78-70	FP-120819		855 Small Cam; .027-.033
1	Cam Follower Gasket	78-70	FP-3011273		855 Small Cam; .037-.041
1	Cam Follower Housing Gasket	78-70	FP-3074400		855 Big Cam; .014-.021
QTY	HEAD BOLTS	YEARS	PART NO.	SIZE	DESCRIPTION
36	Head Bolt	78-70	FP-209700		6 1/4"
36	Head Bolt	78-70	FP-3013623		7 1/4"
QTY	MISCELLANEOUS	YEARS	PART NO.	SIZE	DESCRIPTION
18	Adjusting Screw Nut	78-70	FP-S212		1/2" - 20 UNF; Use w/FP-168306
1	Brass Water Tube	78-70	FP-CWB008		Brass
1	Insert, Water	78-70	FP-3823681		Threaded
QTY	FREEZE PLUGS	YEARS	PART NO.	SIZE	DESCRIPTION
6	Expansion Plug	78-70	FP-216524		1 1/4" Dia. Cup
18	Expansion Plug	78-70	FP-213395		1" Dia. Cup
3	Expansion Plug	78-70	FP-213394		3/4" Dia. Cup
QTY	VALVE	YEARS	PART NO.	SIZE	DESCRIPTION
24	Keeper	78-70	FP-127554		Exh. & Int.
QTY	VALVE GUIDE	YEARS	PART NO.	SIZE	DESCRIPTION
12	Guide	78-70	FP-3006457		Exh. & Int.; Check Cummins Service Topics 93T2-2
12	Guide	78-70	FP-3006458		Exh. & Int.; Check Cummins Service Topics 93T2-2
12	Guide	78-70	FP-3006456		Exh. & Int.; Check Cummins Service Topics 93T2-2; .4530" ID, 3.3900" O.A.L.
QTY	VALVE SPRING	YEARS	PART NO.	SIZE	DESCRIPTION
12	Spring	78-70	FP-211999		Exh. & Int.; Check Cummins Service Topics 93T2-2; 2.6850" Free Height
12	Retainer	78-70	FP-170296		Exh. & Int.
12	Valve Spring Seat	78-70	FP-3042745		Exh. & Int.
QTY	PUSH RODS	YEARS	PART NO.	SIZE	DESCRIPTION
6	Push Rod	78-70	FP-3046430		855 Big Cam; Injector
6	Push Rod	78-70	FP-3046431		855 Small Cam; Injector

(continued on next page)

GMC Truck - M/D & H/D

H/D Truck NH230, NH250, NHC250 Engs. 60
14.0L 855 OHV Diesel L6, 5.5" Bore (Cummins Eng.) 1970-78 (cont.)

CYL. HEAD & PARTS (cont.)					
QTY	PUSH RODS (cont.)	YEARS	PART NO.	SIZE	DESCRIPTION
6	Push Rod	78-70	FP-3046418		Exh.; 855 Small Cam
12	Push Rod	78-70	FP-3046420		Exh. & Int.; 855 Big Cam; 17.7220" O.A.L.
6	Push Rod	78-70	FP-3053377		Int.; 855 Small Cam
QTY	VALVE MISC.	YEARS	PART NO.	SIZE	DESCRIPTION
12	Crosshead Valve Assembly	78-70	FP-3030038		Exh. & Int.; 855 Big Cam
12	Crosshead Valve	78-70	FP-3028293 +		Exh. & Int.; 855 Big Cam; When depleted use FP-3030038
QTY	VALVE SEAL	YEARS	PART NO.	SIZE	DESCRIPTION
12	Valve Stem Seal	78-70	FP-156541		Exh. & Int.; Installation requires valve guide machining; Polyacrylate
QTY	ROCKER PARTS	YEARS	PART NO.	SIZE	DESCRIPTION
3	Rocker Shaft	78-70	FP-3038904		
12	Cam Follower Roller	78-70	FP-3036933		855 Big Cam
12	Cam Follower Roller	78-70	FP-92601		855 Small Cam
6	Injector Cam Roller	78-70	FP-3036934		855 Big Cam
6	Injector Cam Roller	78-70	FP-3062096		855 Small Cam
12	Valve Bridge Guide	78-70	FP-123558		Exh. & Int.
12	Valve Roller Pin	78-70	FP-3013331		Exh. & Int.; 855 Big Cam
12	Valve Roller Pin	78-70	FP-68513		Exh. & Int.; 855 Small Cam; .500" OD x 1.280" Length
18	Rocker Lever Adjusting Screw	78-70	FP-168306		1/2" - 20 UNF x 2.045" Length; Use w/FP-S212
6	Rocker Shaft Plug	78-70	FP-3038903		
6	Rocker Arm Socket	78-70	FP-194037		
6	Bushing	78-70	FP-218153		Injector
6	Bushing	78-70	FP-118377		Injector; Cam Follower
12	Bushing	78-70	FP-118378		Exh. & Int.; Valve; Cam Follower
12	Bushing	78-70	FP-140330		Exh. & Int.; Valve; Rocker Lever
6	Fuel Injector Roller Pin	78-70	FP-3013330		855 Big Cam
6	Fuel Injector Roller Pin	78-70	FP-3017544		855 Small Cam
18	Valve Lock Pin	78-70	FP-118939		Injector and Valve; Cam Follower
CAMSHAFT GROUP					
QTY	CAMSHAFT/LIFTER	YEARS	PART NO.	SIZE	DESCRIPTION
3	Cam Follower Shaft	78-70	FP-3065125		
FUEL SYSTEM & PARTS					
QTY	FUEL INJECTION	YEARS	PART NO.	SIZE	DESCRIPTION
6	Fuel Injector Sleeve	78-70	FP-3070486		Thin
6	Bolt	78-70	FP-70772		Fuel Crossover; Qty 2 Per Head; 1/4" - 20 X 1/2" Fillister machine screw
6	O-Ring	78-70	FP-131026		Fuel Crossover; Qty 2 Per Head
1	Fitting	78-70	FP-181213		Fuel Crossover; Qty A/R; 90 Deg.
6	Fuel Crossover Connection	78-70	FP-147100		Qty 2 Per Head
QTY	FUEL FILTERS & PUMP	YEARS	PART NO.	SIZE	DESCRIPTION
6	O-Ring	78-70	FP-3007759		Injector Tube Seal
COOLING SYSTEM					
QTY	WATER PUMP	YEARS	PART NO.	SIZE	DESCRIPTION
1	Rect. or Square Seal	78-70	FP-186780		Thermostat Hsg. Seal
1	O-Ring	78-70	FP-43643A		Front Water By-pass
4	O-Ring	78-70	FP-70624		Water Manifold Coupling
2	O-Ring	78-70	FP-212161		Water Transfer Tube
QTY	THERMOSTAT	YEARS	PART NO.	SIZE	DESCRIPTION
1	Thermostat	78-70	FP-146076		160 Deg. F
1	Thermostat	78-70	FP-204586		175 Deg. F
1	Thermostat	78-70	FP-135675		180 degree F, Vented
1	Thermostat	78-70	FP-3076489		180 Deg. F, Non-Vented
1	Thermostat Gasket	78-70	FP-208128		
1	Water Outlet Gasket	78-70	FP-3019158		
QTY	MISCELLANEOUS	YEARS	PART NO.	SIZE	DESCRIPTION
1	Water Filter Valve	78-70	FP-179901		For 3/8" Pipe, 3/8" Heater Hose; 3/8 Pipe-3/8 Heater Hose
1	Water Heater Valve	78-70	FP-157098		For 3/8" Pipe, 5/8" Heater Hose; 3/8 Pipe-5/8 Heater Hose
1	Hose	78-70	FP-102522		Water By-pass Hose
2	Hose Clamp	78-70	FP-43828B		Water By-pass Hose
6	Ring - Seal	78-70	FP-3024709		Water Manifold
1	Bypass Tube	78-70	FP-213485		Water By-pass Pipe

(continued on next page)

GMC Truck - M/D & H/D

60 H/D Truck NH230, NH250, NHC250 Engs.
 (cont.) 14.0L 855 OHV Diesel L6, 5.5" Bore (Cummins Eng.) 1970-78

ENGINE BLOCK & PARTS					
QTY	CAM BEARINGS	YEARS	PART NO.	SIZE	DESCRIPTION
1	Cam Set	78-70	FP-3007689S	STD	Big Cam 2.500" dia.; Engs. w/2.625" cam housing
1	Cam Set	78-70	FP-3801106	STD	Big Cam 2.500" dia.; Engs. w/2.687" cam housing
1	Cam Set	78-70	FP-BM27253	STD	Small Cam 2.000" dia.; Engs. w/2.1295" cam. housing
QTY	MISCELLANEOUS	YEARS	PART NO.	SIZE	DESCRIPTION
6	Washer	78-70	FP-200861		Flywheel
CRANKSHAFT/OIL PUMP					
QTY	CRANKSHAFT	YEARS	PART NO.	SIZE	DESCRIPTION
1	Crank Gear	78-70	FP-3014614		Front; w/Stub Nose Crankshaft; 36 Teeth; 36 Teeth
QTY	SEALS - FRONT CRANK	YEARS	PART NO.	SIZE	DESCRIPTION
1	Oil Seal	78-70	FP-3006736		Front; w/Stub Nose Crankshaft
1	Oil Seal	78-70	FP-3010457		Front; w/Tapered Nose Crankshaft
1	Redi-Sleeve	78-70	FP-3006742		Front; w/Stub Nose Crankshaft
QTY	SEALS - REAR CRANK	YEARS	PART NO.	SIZE	DESCRIPTION
1	Oil Seal	78-70	FP-3006737		Rear; Dry Applications; 6.00" Shaft
1	Oil Seal	78-70	FP-3006738		Rear; Wet Applications; Wet Clutch
1	Redi-Sleeve	78-70	FP-3006743		Rear; Wet Clutch; 6.00" Shaft
QTY	MAIN BEARINGS	YEARS	PART NO.	SIZE	DESCRIPTION
1	Main Set	78-70	FP-3801260	STD	W/Partial groove brgs.; Incl. thrust washers
1	Main Set	78-70	FP-3801261	10	W/Partial groove brgs.; Incl. thrust washers
1	Main Set	78-70	FP-3801262	20	W/Partial groove brgs.; Incl. thrust washers
1	Main Set	78-70	FP-3801263	30	W/Partial groove brgs.; Incl. thrust washers
1	Thrust Washer Set	78-70	FP-1334AFA +	Std Only	Position 7; When depleted use FP-3067568
4	Thrust Washer	78-70	FP-3067568	STD	Position 7
6	Bolt	78-70	FP-204165		Vibration damper to crankshaft; 5/8" - 18 X 1 5/8"
QTY	OIL PUMP	YEARS	PART NO.	SIZE	DESCRIPTION
1	Oil Pump	78-70	FP-3821572		855 Big Cam, Exc. Big Cam I; For Big Cam (2.500"dia.) Engs.
1	Oil Pump	78-70	FP-AR10172		855 Small Cam & Big Cam I; New
CYLINDER COMPONENTS					
QTY	LINERS	YEARS	PART NO.	SIZE	DESCRIPTION
6	Liner w/o Sealing Rings	78-70	FP-3055099	STD	Std. Liners
6	Liner w/o Sealing Rings	78-70	FP-3065405	20	20/40 Oversize lower press-fit liner; Flange Dia. is .020" Larger than Std.; Flange thickness is .020" greater than Std.; Pilot Dia. is .040" larger than Std.
6	Cylinder Kit Complete	78-70	FP-3804456	STD	14.0:1 C.R.; Premium Plus TriTech; 3 Rings, Dual NI-Anodized; Std. Liners
6	Cylinder Kit Complete	78-70	FP-3804486		14.0:1 C.R.; Premium Plus TriTech; 3 Rings, Dual NI-Anodized; 20/40 Liners
6	Cylinder Kit Complete	78-70	FP-3804444	STD	14.5:1 C.R.; Premium Plus TriTech; 3 Rings, Single NI-Resist; Std. Liners
6	Cylinder Kit Complete	78-70	FP-3804474		14.5:1 C.R.; Premium Plus TriTech; 3 Rings, Single NI-Resist; 20/40 Liners
6	Cylinder Kit Complete	78-70	FP-3801232	STD	14.5:1 C.R.; Premium Plus TriTech; 4 Rings, Dual NI-Resist; Std. Liners
6	Cylinder Kit Complete	78-70	FP-3804354	STD	14.5:1 C.R.; Premium TriTech; 3 Rings, Single NI-Resist; Std. Liners
6	Cylinder Kit Complete	78-70	FP-3804384		14.5:1 C.R.; Premium TriTech; 3 Rings, Single NI-Resist; 20/40 Liners
6	Sealing Ring, Liner	78-70	FP-215090		
2	Sealing Ring, Liner	78-70	FP-3032874		
QTY	PISTONS	YEARS	PART NO.	SIZE	DESCRIPTION
6	Piston Cooling Nozzle	78-70	FP-3013591		
12	Pin Bushing	78-70	FP-43067		Straight rod bushing; 1.03" Width; 2 req'd. per rod
6	Pin Bushing	78-70	FP-187420		1 piece bushing; 1 piece bushing; 2.20" Width
6	Bushing	78-70	FP-116391		Accessory drive bushing; O.E. No. 116391
6	Bushing	78-70	FP-132770		Front cover bushing; O.E. No. 132770; w/1.567" ID, 1.697" OD, 1.500" O.A.L.
QTY	CONNECTING RODS & BRGS.	YEARS	PART NO.	SIZE	DESCRIPTION
6	Rod Pair	78-70	FP-203670PR	STD	
6	Rod Pair	78-70	FP-203671PR	10	
6	Rod Pair	78-70	FP-203672PR	20	
6	Rod Pair	78-70	FP-203673PR	30	
6	Rod Pair	78-70	FP-214950PR	STD	Big Cam 2.500" dia.; Engs. w/1.741" length. brgs.; Used w/con. rod No. 218808; w/3.1240-3.1250" std. shaft size

(continued on next page)

GMC Truck - M/D & H/D

H/D Truck NH230, NH250, NHC250 Engs. 60
14.0L 855 OHV Diesel L6, 5.5" Bore (Cummins Eng.) 1970-78 (cont.)

CYLINDER COMPONENTS (cont.)

QTY	CONNECTING RODS & BRGS. (cont.)	YEARS	PART NO.	SIZE	DESCRIPTION
6	Rod Pair	78-70	FP-214951PR	10	Big Cam 2.500" dia.; Engs. w/1.741" length. brgs.; Used w/con. rod No. 218808; w/3.1240-3.1250" std. shaft size
6	Rod Pair	78-70	FP-214952PR	20	Big Cam 2.500" dia.; Engs. w/1.741" length. brgs.; Used w/con. rod No. 218808; w/3.1240-3.1250" std. shaft size
6	Rod Pair	78-70	FP-203660PR	STD	Small Cam 2.000" dia.; Engs. w/1.730" length. brgs.; w/3.2725-3.2730" std. shaft size
6	Rod Pair	78-70	FP-203661PR	10	Small Cam 2.000" dia.; Engs. w/1.730" length. brgs.; w/3.2725-3.2730" std. shaft size
6	Rod Pair	78-70	FP-203662PR	20	Small Cam 2.000" dia.; Engs. w/1.730" length. brgs.; w/3.2725-3.2730" std. shaft size

KITS

QTY	OVERHAUL KIT	YEARS	PART NO.	SIZE	DESCRIPTION
1	In-Frame Overhaul Kit	78-70	FP-855PREMPDN		Dual NI; Premium Plus; 4 Rings
1	In-Frame Overhaul Kit	78-70	FP-855PREMP		Premium Plus; 4 Rings
1	In-Frame Overhaul Kit	78-70	FP-855PREM		Premium; 4 Rings
1	Complete Overhaul Kit	78-70	FP-855PREMPDNOH		Dual NI; Premium Plus; 4 Rings; With Front & Rear Seals and Upper & Lower Gasket Sets
1	Complete Overhaul Kit	78-70	FP-855PREMPOH		Premium Plus; 4 Rings; With Front & Rear Seals and Upper & Lower Gasket Sets
1	Complete Overhaul Kit	78-70	FP-855PREMOH		Premium; 4 Rings; With Front & Rear Seals and Upper & Lower Gasket Sets

H/D Truck NHCT270, NTC230, NTC250, NTC270, NTC290, NTC300, NTC335, NTC350, 61
NTC400 Engs.
14.0L 855 OHV Turbo-Diesel L6, 5.5" Bore (Cummins Eng.) 1970-88

CYL. HEAD & PARTS

QTY	GASKETS	YEARS	PART NO.	SIZE	DESCRIPTION
1	Cam Follower Gasket	87-70	FP-3074401		855 Big Cam; .006-.008
1	Cam Follower Gasket	87-70	FP-3074402		855 Big Cam; .014-.020
1	Cam Follower Gasket	87-70	FP-3074403		855 Big Cam; .018-.025
1	Cam Follower Gasket	87-70	FP-3074404		855 Big Cam; .026-.036
1	Cam Follower Gasket	87-70	FP-9266A		855 Small Cam; .006-.008
1	Cam Follower Gasket	87-70	FP-9266		855 Small Cam; .014-.020
1	Cam Follower Gasket	87-70	FP-3011272		855 Small Cam; .020-.024
1	Cam Follower Gasket	87-70	FP-120819		855 Small Cam; .027-.033
1	Cam Follower Gasket	87-70	FP-3011273		855 Small Cam; .037-.041
1	Cam Follower Housing Gasket	87-70	FP-3074400		855 Big Cam; .014-.021
QTY	HEAD BOLTS	YEARS	PART NO.	SIZE	DESCRIPTION
36	Head Bolt	87-70	FP-209700		6 1/4"
36	Head Bolt	87-70	FP-3013623		7 1/4"
QTY	MISCELLANEOUS	YEARS	PART NO.	SIZE	DESCRIPTION
18	Adjusting Screw Nut	87-70	FP-S212		1/2" - 20 UNF; Use w/FP-168306
1	Brass Water Tube	87-70	FP-CWB008		Brass
1	Insert, Water	87-70	FP-3823681		Threaded
QTY	FREEZE PLUGS	YEARS	PART NO.	SIZE	DESCRIPTION
6	Expansion Plug	87-70	FP-216524		1 1/4" Dia. Cup
18	Expansion Plug	87-70	FP-213395		1" Dia. Cup
3	Expansion Plug	87-70	FP-213394		3/4" Dia. Cup
QTY	VALVE	YEARS	PART NO.	SIZE	DESCRIPTION
24	Keeper	87-70	FP-127554		Exh. & Int.
QTY	VALVE GUIDE	YEARS	PART NO.	SIZE	DESCRIPTION
12	Guide	87-70	FP-3006457		Exh. & Int.; Check Cummins Service Topics 93T2-2
12	Guide	87-70	FP-3006458		Exh. & Int.; Check Cummins Service Topics 93T2-2
12	Guide	87-70	FP-3006456		Exh. & Int.; Check Cummins Service Topics 93T2-2; .4530" ID, 3.3900" O.A.L.
QTY	VALVE SPRING	YEARS	PART NO.	SIZE	DESCRIPTION
12	Spring	87-70	FP-211999		Exh. & Int.; Check Cummins Service Topics 93T2-2; 2.6850" Free Height
12	Retainer	87-70	FP-170296		Exh. & Int.
12	Valve Spring Seat	87-70	FP-3042745		Exh. & Int.
QTY	PUSH RODS	YEARS	PART NO.	SIZE	DESCRIPTION
6	Push Rod	87-70	FP-3046430		855 Big Cam; Injector
6	Push Rod	87-70	FP-3046431		855 Small Cam; Injector
6	Push Rod	87-70	FP-3046418		Exh.; 855 Small Cam

(continued on next page)

GMC Truck - M/D & H/D

61 H/D Truck NHCT270, NTC230, NTC250, NTC270, NTC290, NTC300, NTC335, NTC350,
(cont.) NTC400 Engs.
14.0L 855 OHV Turbo-Diesel L6, 5.5" Bore (Cummins Eng.) 1970-88

CYL. HEAD & PARTS (cont.)

QTY	PUSH RODS (cont.)	YEARS	PART NO.	SIZE	DESCRIPTION
12	Push Rod	87-70	FP-3046420		Exh. & Int.; 855 Big Cam; 17.7220" O.A.L.
6	Push Rod	87-70	FP-3053377		Int.; 855 Small Cam
QTY	VALVE MISC.	YEARS	PART NO.	SIZE	DESCRIPTION
12	Crosshead Valve Assembly	87-70	FP-3030038		Exh. & Int.; 855 Big Cam
12	Crosshead Valve	87-70	FP-3028293 +		Exh. & Int.; 855 Big Cam; When depleted use FP-3030038
QTY	VALVE SEAL	YEARS	PART NO.	SIZE	DESCRIPTION
12	Valve Stem Seal	87-70	FP-156541		Exh. & Int.; Installation requires valve guide machining; Polyacrylate
QTY	ROCKER PARTS	YEARS	PART NO.	SIZE	DESCRIPTION
3	Rocker Shaft	87-70	FP-3038904		
12	Cam Follower Roller	87-70	FP-3036933		855 Big Cam
12	Cam Follower Roller	87-70	FP-92601		855 Small Cam
6	Injector Cam Roller	87-70	FP-3036934		855 Big Cam
6	Injector Cam Roller	87-70	FP-3062096		855 Small Cam
12	Valve Bridge Guide	87-70	FP-123558		Exh. & Int.
12	Valve Roller Pin	87-70	FP-3013331		Exh. & Int.; 855 Big Cam
12	Valve Roller Pin	87-70	FP-68513		Exh. & Int.; 855 Small Cam; .500" OD x 1.280" Length
18	Rocker Lever Adjusting Screw	87-70	FP-168306		1/2" - 20 UNF x 2.045" Length; Use w/FP-S212
6	Rocker Shaft Plug	87-70	FP-3038903		
6	Rocker Arm Socket	87-70	FP-194037		
6	Bushing	87-70	FP-218153		Injector
6	Bushing	87-70	FP-118377		Injector; Cam Follower
12	Bushing	87-70	FP-118378		Exh. & Int.; Valve; Cam Follower
12	Bushing	87-70	FP-140330		Exh. & Int.; Valve; Rocker Lever
6	Fuel Injector Roller Pin	87-70	FP-3013330		855 Big Cam
6	Fuel Injector Roller Pin	87-70	FP-3017544		855 Small Cam
18	Valve Lock Pin	87-70	FP-118939		Injector and Valve; Cam Follower
CAMSHAFT GROUP					
QTY	TIMING	YEARS	PART NO.	SIZE	DESCRIPTION
1	Cam Gear	87-70	FP-215966		Hardened; Replaces O.E. No. 215966; 72 Teeth; 72 Teeth
QTY	CAMSHAFT/LIFTER	YEARS	PART NO.	SIZE	DESCRIPTION
3	Cam Follower Shaft	87-70	FP-3065125		
FUEL SYSTEM & PARTS					
QTY	FUEL INJECTION	YEARS	PART NO.	SIZE	DESCRIPTION
6	Fuel Injector Sleeve	87-70	FP-3070486		Thin
6	Bolt	87-70	FP-70772		Fuel Crossover; Qty 2 Per Head; 1/4" - 20 X 1/2" Fillister machine screw
6	O-Ring	87-70	FP-131026		Fuel Crossover; Qty 2 Per Head
1	Fitting	87-70	FP-181213		Fuel Crossover; Qty A/R; 90 Deg.
6	Fuel Crossover Connection	87-70	FP-147100		Qty 2 Per Head
QTY	FUEL FILTERS & PUMP	YEARS	PART NO.	SIZE	DESCRIPTION
6	O-Ring	87-70	FP-3007759		Injector Tube Seal
COOLING SYSTEM					
QTY	WATER PUMP	YEARS	PART NO.	SIZE	DESCRIPTION
1	Rect. or Square Seal	87-70	FP-186780		Thermostat Hsg. Seal
1	O-Ring	87-70	FP-43643A		Front Water By-pass
4	O-Ring	87-70	FP-70624		Water Manifold Coupling
2	O-Ring	87-70	FP-212161		Water Transfer Tube
QTY	THERMOSTAT	YEARS	PART NO.	SIZE	DESCRIPTION
1	Thermostat	87-70	FP-146076		160 Deg. F
1	Thermostat	87-70	FP-204586		175 Deg. F
1	Thermostat	87-70	FP-135675		180 degree F, Vented
1	Thermostat	87-70	FP-3076489		180 Deg. F, Non-Vented
1	Thermostat Gasket	87-70	FP-208128		
1	Water Outlet Gasket	87-70	FP-3019158		
QTY	MISCELLANEOUS	YEARS	PART NO.	SIZE	DESCRIPTION
1	Water Filter Valve	87-70	FP-179901		For 3/8" Pipe, 3/8" Heater Hose; 3/8 Pipe-3/8 Heater Hose
1	Water Heater Valve	87-70	FP-157098		For 3/8" Pipe, 5/8" Heater Hose; 3/8 Pipe-5/8 Heater Hose
1	Hose	87-70	FP-102522		Water By-pass Hose
2	Hose Clamp	87-70	FP-43828B		Water By-pass Hose
6	Ring - Seal	87-70	FP-3024709		Water Manifold
1	Bypass Tube	87-70	FP-213485		Water By-pass Pipe

(continued on next page)

GMC Truck - M/D & H/D

*H/D Truck NHCT270, NTC230, NTC250, NTC270, NTC290, NTC300, NTC335, NTC350, 61
NTC400 Engs. (cont.)*

14.0L 855 OHV Turbo-Diesel L6, 5.5" Bore (Cummins Eng.) 1970-88

ENGINE BLOCK & PARTS

QTY	CAM BEARINGS	YEARS	PART NO.	SIZE	DESCRIPTION
1	Cam Set	87-70	FP-3007689S	STD	Big Cam 2.500" dia.; Engs. w/2.625" cam housing
1	Cam Set	87-70	FP-3801106	STD	Big Cam 2.500" dia.; Engs. w/2.687" cam housing
1	Cam Set	87-70	FP-BM27253	STD	Small Cam 2.000" dia.; Engs. w/2.1295" cam. housing
QTY	MISCELLANEOUS	YEARS	PART NO.	SIZE	DESCRIPTION
6	Washer	87-70	FP-200861		Flywheel
CRANKSHAFT/OIL PUMP					
QTY	CRANKSHAFT	YEARS	PART NO.	SIZE	DESCRIPTION
1	Crank Gear	87-70	FP-3014614		Front; w/Snub Nose Crankshaft; 36 Teeth; 36 Teeth
QTY	SEALS - FRONT CRANK	YEARS	PART NO.	SIZE	DESCRIPTION
1	Oil Seal	87-70	FP-3006736		Front; w/Snub Nose Crankshaft
1	Oil Seal	87-70	FP-3010457		Front; w/Tapered Nose Crankshaft
1	Redi-Sleeve	87-70	FP-3006742		Front; w/Snub Nose Crankshaft
QTY	SEALS - REAR CRANK	YEARS	PART NO.	SIZE	DESCRIPTION
1	Oil Seal	87-70	FP-3006737		Rear; Dry Applications; 6.00" Shaft
1	Oil Seal	87-70	FP-3006738		Rear; Wet Applications; Wet Clutch
1	Redi-Sleeve	87-70	FP-3006743		Rear; Wet Clutch; 6.00" Shaft
QTY	MAIN BEARINGS	YEARS	PART NO.	SIZE	DESCRIPTION
1	Main Set	87-70	FP-3801260	STD	W/Partial groove brgs.; Incl. thrust washers
1	Main Set	87-70	FP-3801261	10	W/Partial groove brgs.; Incl. thrust washers
1	Main Set	87-70	FP-3801262	20	W/Partial groove brgs.; Incl. thrust washers
1	Main Set	87-70	FP-3801263	30	W/Partial groove brgs.; Incl. thrust washers
1	Thrust Washer Set	87-70	FP-1334AFA +	Std Only	Position 7; When depleted use FP-3067568
4	Thrust Washer	87-70	FP-3067568	STD	Position 7
6	Bolt	87-70	FP-204165		Vibration damper to crankshaft; 5/8" - 18 X 1 5/8"
QTY	OIL PUMP	YEARS	PART NO.	SIZE	DESCRIPTION
1	Oil Pump	87-70	FP-3821572		855 Big Cam, Exc. Big Cam I; For Big Cam (2.500"dia.) Engs.
1	Oil Pump	87-70	FP-AR10172		855 Small Cam & Big Cam I; New
CYLINDER COMPONENTS					
QTY	LINERS	YEARS	PART NO.	SIZE	DESCRIPTION
6	Liner w/o Sealing Rings	87-70	FP-3055099	STD	Std. Liners
6	Liner w/o Sealing Rings	87-70	FP-3065405	20	20/40 Oversize lower press-fit liner; Flange Dia. is .020" Larger than Std.; Flange thickness is .020" greater than Std.; Pilot Dia. is .040" larger than Std.
6	Cylinder Kit Complete	87-70	FP-3804456	STD	14.0:1 C.R.; Premium Plus TriTech; 3 Rings, Dual NI-Anodized; Std. Liners
6	Cylinder Kit Complete	87-70	FP-3804486		14.0:1 C.R.; Premium Plus TriTech; 3 Rings, Dual NI-Anodized; 20/40 Liners
6	Cylinder Kit Complete	87-70	FP-3804444	STD	14.5:1 C.R.; Premium Plus TriTech; 3 Rings, Single NI-Resist; Std. Liners
6	Cylinder Kit Complete	87-70	FP-3804474		14.5:1 C.R.; Premium Plus TriTech; 3 Rings, Single NI-Resist; 20/40 Liners
6	Cylinder Kit Complete	87-70	FP-3801232	STD	14.5:1 C.R.; Premium Plus TriTech; 4 Rings, Dual NI-Resist; Std. Liners
6	Cylinder Kit Complete	87-70	FP-3804354	STD	14.5:1 C.R.; Premium TriTech; 3 Rings, Single NI-Resist; Std. Liners
6	Cylinder Kit Complete	87-70	FP-3804384		14.5:1 C.R.; Premium TriTech; 3 Rings, Single NI-Resist; 20/40 Liners
6	Sealing Ring, Liner	87-70	FP-215090		
2	Sealing Ring, Liner	87-70	FP-3032874		
QTY	PISTONS	YEARS	PART NO.	SIZE	DESCRIPTION
6	Piston Cooling Nozzle	87-70	FP-3013591		
12	Pin Bushing	87-70	FP-43067		Straight rod bushing; 1.03" Width; 2 req'd. per rod
6	Pin Bushing	87-70	FP-187420		1 piece bushing; 1 piece bushing; 2.20" Width
6	Bushing	87-70	FP-116391		Accessory drive bushing; O.E. No. 116391
6	Bushing	87-70	FP-132770		Front cover bushing; O.E. No. 132770; w/1.567" ID, 1.697" OD, 1.500" O.A.L.
QTY	CONNECTING RODS & BRGS.	YEARS	PART NO.	SIZE	DESCRIPTION
6	Rod Pair	87-70	FP-203670PR	STD	
6	Rod Pair	87-70	FP-203671PR	10	
6	Rod Pair	87-70	FP-203672PR	20	
6	Rod Pair	87-70	FP-203673PR	30	
6	Rod Pair	87-70	FP-214950PR	STD	Big Cam 2.500" dia.; Engs. w/1.741" length. brgs.; Used w/con. rod No. 218808; w/3.1240-3.1250" std. shaft size

(continued on next page)

+ Superseded Part Number

GMC Truck - M/D & H/D

61 H/D Truck NHCT270, NTC230, NTC250, NTC270, NTC290, NTC300, NTC335, NTC350,
(cont.) NTC400 Engs.
14.0L 855 OHV Turbo-Diesel L6, 5.5" Bore (Cummins Eng.) 1970-88

CYLINDER COMPONENTS (cont.)

QTY	CONNECTING RODS & BRGS. (cont.)	YEARS	PART NO.	SIZE	DESCRIPTION
6	Rod Pair	87-70	FP-214951PR	10	Big Cam 2.500" dia.; Engs. w/1.741" length. brgs.; Used w/con. rod No. 218808; w/3.1240-3.1250" std. shaft size
6	Rod Pair	87-70	FP-214952PR	20	Big Cam 2.500" dia.; Engs. w/1.741" length. brgs.; Used w/con. rod No. 218808; w/3.1240-3.1250" std. shaft size
6	Rod Pair	87-70	FP-203660PR	STD	Small Cam 2.000" dia.; Engs. w/1.730" length. brgs.; w/3.2725-3.2730" std. shaft size
6	Rod Pair	87-70	FP-203661PR	10	Small Cam 2.000" dia.; Engs. w/1.730" length. brgs.; w/3.2725-3.2730" std. shaft size
6	Rod Pair	87-70	FP-203662PR	20	Small Cam 2.000" dia.; Engs. w/1.730" length. brgs.; w/3.2725-3.2730" std. shaft size

KITS

QTY	OVERHAUL KIT	YEARS	PART NO.	SIZE	DESCRIPTION
1	In-Frame Overhaul Kit	88-70	FP-855PREMP		Premium Plus; 4 Rings
1	In-Frame Overhaul Kit	88-70	FP-855PREM		Premium; 4 Rings
1	Complete Overhaul Kit	88-70	FP-855PREMPOH		Premium Plus; 4 Rings; With Front & Rear Seals and Upper & Lower Gasket Sets
1	Complete Overhaul Kit	88-70	FP-855PREMOH		Premium; 4 Rings; With Front & Rear Seals and Upper & Lower Gasket Sets

62 H/D Truck 3406 Eng. From Ser. No. 92U1
14.6L 893 OHV Turbo-Diesel L6, 5.4" Bore (Caterpillar Eng.) 1972-88

CYL. HEAD & PARTS

QTY	VALVE	YEARS	PART NO.	SIZE	DESCRIPTION
6	Intake	88-72	FP-1152368		
6	Exhaust	88-72	FP-1152367		
24	Keeper	88-72	FP-2A4429		Exh. & Int.
QTY	VALVE SEAT	YEARS	PART NO.	SIZE	DESCRIPTION
6	Exh.	88-72	FP-4N5893		1.8125" OD, 1.4375" ID, .3750" Depth
6	Int.	88-72	FP-1W5283		1.6870" OD, 1.4370" ID, .3650" Depth
QTY	VALVE GUIDE	YEARS	PART NO.	SIZE	DESCRIPTION
12	Guide	88-72	FP-1737188		Exh. & Int.
QTY	VALVE SPRING	YEARS	PART NO.	SIZE	DESCRIPTION
12	Spring	88-72	FP-4N5906		Exh. & Int.; Engs. w/Single Valve Springs
12	Spring	88-72	FP-4W2471		Inner; Engs. w/Dual Valve Springs
12	Spring	88-72	FP-4W2472		Outer; Engs. w/Dual Valve Springs
QTY	VALVE MISC.	YEARS	PART NO.	SIZE	DESCRIPTION
12	Rotacap	88-72	FP-4W2474		Exh. & Int.; Engs. w/Dual Valve Springs
12	Rotacap	88-72	FP-6N7175		Exh. & Int.; Engs. w/Single Valve Springs
QTY	VALVE SEAL	YEARS	PART NO.	SIZE	DESCRIPTION
12	Valve Shield	88-72	FP-6N7174		Exh. & Int.

IGNITION

QTY	IGNITION	YEARS	PART NO.	SIZE	DESCRIPTION
6	Glow Plug	88-72	FP-3T8706		24 Volt

CAMSHAFT GROUP

QTY	CAMSHAFT/LIFTER	YEARS	PART NO.	SIZE	DESCRIPTION
1	Camshaft	88-72	FP-4W2430		

COOLING SYSTEM

QTY	THERMOSTAT	YEARS	PART NO.	SIZE	DESCRIPTION
1	Thermostat	88-72	FP-2485513		180 Degree
1	Thermostat	88-72	FP-1223821		190 Degree

ENGINE BLOCK & PARTS

QTY	GASKET SETS	YEARS	PART NO.	SIZE	DESCRIPTION
1	In-Frame Gasket Set	88-72	FP-PGE0085		92U1-5943
1	In-Frame Gasket Set	88-72	FP-PGE0082		92U1-5944 to 92U9-9999
1	Complete Overhaul Gasket Set	88-72	FP-PGE0084		92U1-5943
1	Complete Overhaul Gasket Set	88-72	FP-PGE0081		92U1-5944 to 92U9-9999
QTY	CAM BEARINGS	YEARS	PART NO.	SIZE	DESCRIPTION
6	Cam Brg.	88-72	FP-4N0685	STD	O.E. No. 4N0685

(continued on next page)

GMC Truck - M/D & H/D

H/D Truck 3406 Eng. From Ser. No. 92U1 62
14.6L 893 OHV Turbo-Diesel L6, 5.4" Bore (Caterpillar Eng.) 1972-88 (cont.)

ENGINE BLOCK & PARTS (cont.)					
QTY	CAM BEARINGS (cont.)	YEARS	PART NO.	SIZE	DESCRIPTION
1	Cam Brg.	88-72	FP-4N6658	STD	O.E. No. 4N6658
QTY	OIL COOLERS & FILTERS	YEARS	PART NO.	SIZE	DESCRIPTION
1	Oil Cooler	88-72	FP-7W0205		
CRANKSHAFT/OIL PUMP					
QTY	SEALS - FRONT CRANK	YEARS	PART NO.	SIZE	DESCRIPTION
1	Oil Seal	88-72	FP-1425867		
1	Oil Seal	88-72	39890		
QTY	SEALS - REAR CRANK	YEARS	PART NO.	SIZE	DESCRIPTION
1	Oil Seal	88-72	FP-1425868		
1	Oil Seal	88-72	39889		
QTY	MAIN BEARINGS	YEARS	PART NO.	SIZE	DESCRIPTION
7	Plain Main Brg.	88-72	FP-4W549240	40	w/1.645" length brg.
7	Plain Main Brg.	88-72	FP-4W5698	.63MM	W/1.645" length brg.
7	Plain Main Brg.	88-72	FP-4W5699	1.27MM	W/1.645" length brg.
1	Thrust Washer Set	88-72	FP-7E9262S		Position 4
QTY	OIL PUMP	YEARS	PART NO.	SIZE	DESCRIPTION
1	Oil Pump	88-72	FP-1614112		
CYLINDER COMPONENTS					
QTY	LINERS	YEARS	PART NO.	SIZE	DESCRIPTION
6	Liner w/o Sealing Rings	88-72	FP-1979322		
6	Liner w/Sealing Rings	88-72	FP-1979322WS		
6	Cyl. Liner Sealing Ring Kit	88-72	FP-1609874		
6	Sealing Ring, Liner	88-72	FP-1426217		
6	Sealing Ring, Liner	88-72	FP-1427072		
6	Sealing Ring, Liner	88-72	FP-1102220		Lower
6	Sealing Ring, Liner	88-72	FP-9L5854		Upper
QTY	PISTONS	YEARS	PART NO.	SIZE	DESCRIPTION
6	Piston Body w/o Pin	88-72	FP-6N4080		Straight Rod; Dual NI insert; 1/8" Narrow Keystone Ring
6	Piston Body w/o Pin	88-72	FP-7N3633		6 Deg. Tapered Rod; Dual NI insert w/plug; 1/8" Narrow Keystone Ring; 15.0:1 C.R.
6	Piston Body w/o Pin	88-72	FP-7N3509		6 Deg. Tapered Rod; Dual NI insert; 1/8" Narrow Keystone Ring
6	Piston Body w/o Pin	88-72	FP-4N3724		6 Deg. Tapered Rod; 4 Valve Reliefs; Single NI insert; 1/8" Ring grooves
6	Piston Body w/o Pin	88-72	FP-2900017	STD	9 Deg. Tapered Rod; 280/300 HP (JWAC)
6	Piston Body w/o Pin	88-72	FP-9Y4004 +		9 Deg. Tapered Rod; 280/300 HP (JWAC); 5/32" Wide Keystone Ring; 14.5:1 C.R.; When depleted use FP-2900017
6	Piston Body w/o Pin	88-72	FP-6N4126		9 Deg. Tapered Rod; 4 Valve Reliefs; 1/8" Narrow Keystone Ring
6	Pin	88-72	FP-8N1608		Use w/Piston FP-9Y4004
6	Pin	88-72	FP-7N9806		Use w/Pistons FP-4N3724, FP-6N4080, FP-7N3509
6	Pin	88-72	FP-7N9807		Use w/Pistons FP-6N4126, FP-7N3633
6	Pin Bushing	88-72	FP-8N0705		Cylindrical bushing w/1.550" length; O.E. No. 8N0705
6	Pin Bushing	88-72	FP-1M6107		D343 Engs.
6	Pin Bushing	88-72	FP-8N0706		Tapered bushing w/1.550" length. O.E. No. 8N0706
6	Pin Bushing	88-72	FP-4P8495		Tapered bushing w/1.855" length; O.E. No. 8N2018
QTY	CONNECTING RODS & BRGS.	YEARS	PART NO.	SIZE	DESCRIPTION
6	Rod Pair	88-72	FP-7W2136	STD	Exc. VIN Codes "C" & "E"
6	Rod Pair	88-72	FP-8N5339	25	Exc. VIN Codes "C" & "E"
6	Rod Pair	88-72	FP-8N5338	50	Exc. VIN Codes "C" & "E"
6	Rod Pair	88-72	FP-9Y9497	STD	W/1.535" length brg.
6	Rod Pair	88-72	FP-9Y949710	10	W/1.535" length brg.
6	Rod Pair	88-72	FP-4W5702	25	W/1.535" length brg.
6	Rod Pair	88-72	FP-4W5703	50	W/1.535" length brg.
QTY	PISTON RINGS	YEARS	PART NO.	SIZE	DESCRIPTION
6	Ring Set Single Cylinder	88-72	FP-1W8922	STD	Use w/Piston FP-9Y4004; 1-5/32, 1-1/8, 1-1/8 (1 cyl. set)
6	Ring Set Single Cylinder	88-72	FP-8N0822	STD	Use w/Pistons FP-4N3724, FP-6N4080, FP-6N4126, FP-7N3509, FP-7N3633
KITS					
QTY	OVERHAUL KIT	YEARS	PART NO.	SIZE	DESCRIPTION
1	In-Frame Overhaul Kit	88-72	FP-IFK3406		
1	Complete Overhaul Kit	88-72	FP-IFK3406OH		

GMC Truck - M/D & H/D

63 H/D Truck V903 Eng.
14.8L 903 OHV Diesel V8, 5.5" Bore (Cummins Eng.) 1970-79

CYL. HEAD & PARTS					
QTY	GASKETS	YEARS	PART NO.	SIZE	DESCRIPTION
2	Valve Cover Gasket	79-70	FP-3026315		
2	Valve Cover Gasket	73-70	FP-3028673		
2	Head Gasket	79-70	FP-212224		
1	Head Set	79-70	FP-3013497		
2	Gasket	79-74	FP-171028		
QTY	VALVE	YEARS	PART NO.	SIZE	DESCRIPTION
16	Exhaust	79-70	FP-138887		Exh. & Int.
QTY	VALVE SEAT	YEARS	PART NO.	SIZE	DESCRIPTION
16	Exh. & Int.	79-70	FP-3017759		Check Cummins Service Topics 93T2-2; 2.0030" OD, 1.6900" ID, .2795" Depth
QTY	VALVE GUIDE	YEARS	PART NO.	SIZE	DESCRIPTION
16	Guide	79-70	FP-138937		Exh. & Int.
QTY	VALVE SPRING	YEARS	PART NO.	SIZE	DESCRIPTION
16	Spring	79-70	FP-146732		Exh. & Int.; Inner
16	Spring	79-70	FP-146731		Exh. & Int.; Outer
FUEL SYSTEM & PARTS					
QTY	FUEL INJECTION	YEARS	PART NO.	SIZE	DESCRIPTION
16	Fuel Injector Sleeve	79-70	FP-3070486		Thin
16	O-Ring	79-70	FP-3007759		Inj. Sleeve
ENGINE BLOCK & PARTS					
QTY	GASKET SETS	YEARS	PART NO.	SIZE	DESCRIPTION
1	Gasket Conversion Set	79-70	FP-3014458		Incl. crank seals
QTY	CAM BEARINGS	YEARS	PART NO.	SIZE	DESCRIPTION
1	Cam Set	79-70	FP-1449M	Std Only	Late Eng.s.; w/2.6875" housing bore
1	Cam Set	79-70	1449M +	Std Only	Late Eng.s.; w/2.6875" housing bore; When depleted use FP-1449M
2	Cam Brg.	79-70	FP-200780	STD	Position 1, 5
3	Cam Brg.	79-70	FP-200790	STD	Position 2, 3, 4
CRANKSHAFT/OIL PUMP					
QTY	SEALS - FRONT CRANK	YEARS	PART NO.	SIZE	DESCRIPTION
1	Oil Seal	79-70	FP-3020184		
QTY	SEALS - REAR CRANK	YEARS	PART NO.	SIZE	DESCRIPTION
1	Oil Seal	79-70	FP-3023867		
QTY	MAIN BEARINGS	YEARS	PART NO.	SIZE	DESCRIPTION
1	Main Set	79-70	FP-AR3640	STD	Incl. Thrust Washers
1	Main Set	79-70	FP-AR3641	10	Incl. Thrust Washers
1	Main Set	79-70	FP-AR3642	20	Incl. Thrust Washers
1	Main Set	79-70	FP-AR3643	30	Incl. Thrust Washers
CYLINDER COMPONENTS					
QTY	LINERS	YEARS	PART NO.	SIZE	DESCRIPTION
8	Liner w/o Sealing Rings	79-70	FP-203170		
8	Liner w/Sealing Rings	79-70	FP-AR8069	STD	
8	Cylinder Kit Complete	79-70	FP-AR11909	STD	w/Keystone Top Ring; 15.5:1 C.R.
8	Sealing Ring, Liner	79-70	FP-3044795		1 per liner req'd.
16	Sealing Ring, Liner	79-70	FP-3032874		2 per liner req'd.
QTY	PISTONS	YEARS	PART NO.	SIZE	DESCRIPTION
8	Piston Body w/o Pin	79-70	FP-3037413	STD	w/Keystone Top Ring; 15.5:1 C.R.
8	Piston Kit w/Pin & Retainers	79-70	FP-3019287		w/Keystone Top Ring; 15.5:1 C.R.
8	Pin	79-70	FP-215390	STD	
16	Piston Pin Retainer	79-70	FP-155267		
8	Pin Bushing	79-70	FP-189763		
QTY	CONNECTING RODS & BRGS.	YEARS	PART NO.	SIZE	DESCRIPTION
8	Rod Pair	79-70	FP-189770PR	STD	
8	Rod Pair	79-70	FP-189771PR	10	
8	Rod Pair	79-70	FP-189772PR	20	

GMC Truck - M/D & H/D

H/D Truck 16V-71 (2-Valve Cyl. Head), 16V-71N (4-Valve Cyl. Head) Eng. 64
18.6L 1136 OHV Diesel V16, 4.25" Bore (Detroit Diesel Eng.) 1961-78

CYL. HEAD & PARTS

QTY	GASKETS	YEARS	PART NO.	SIZE	DESCRIPTION
4	Valve Cover Gasket		FP-5104081		Engs. w/cast Alum. valve cover; Silicone
4	Valve Cover Gasket		FP-5143406		Engs. w/Steel valve cover; Neoprene
16	Head Gasket		FP-5103659		Compression Gasket
4	Head Set		FP-5196381		Accommodates One Head
1	Breather Seal Ring		FP-5103646		Breather Hole Plug
1	Breather Seal Ring		FP-5103646		Breather Shell Cover
2	Accessory Drive Gasket		FP-23515145		Oil Filler Tube Adaptor
4	Governor Hole Gasket		FP-5123812		Breather Elbow Gasket
1	Crankcase Breather		FP-5101760		Breather Element; 4"
2	Oil Filler Tube Gasket		FP-5120540		Tube Adaptor
12	Governor Hole Gasket		FP-5123812		Cyl. Head
6	Oil Cooler Adapter Cover Gskt		FP-5175882		Eng. Lifting Bracket
24	O-Ring		FP-5186579		Cyl. Head Water Seal
28	Bolt		FP-5117003		Cyl. Head; 5/8" x 5.375"
1	Bolt		FP-5103635		Throttle Delay; 3/8" - 16 x 2.90"
4	Stud		FP-5148504		Rocker Cover; 3/8" - 16 x 4.32"
8	Lock Nut		FP-103026		Cyl. Head; 3/8" x 24
12	Nut		FP-5150013		Cyl. Head; 5/8" - 18
8	Lock Washer		FP-103321		Cyl. Head; 3/8"
2	Hose		FP-5127843		Cyl. Head
1	Washer		FP-5131433		Breather Pipe; .410" x .810" x .1345"
1	Washer		FP-106261		Breather Pipe; 5/16" x 3/4"
2	Hose Clamp		FP-5186840		Breather Hose; 13/16" - 1 1/2" Clamping Range
2	Hose Clamp		FP-5104592		Breather Hose; 2.50" Dia.
2	Bolt		FP-443603		Breather Elbow; .250" x 20 x .750"
4	Bolt		FP-8921930		Breather Elbow; 1/4" - 20 x 3/4"
2	Bolt		FP-8927581		Breather Elbow; 3/8" - 16 x 1"
2	Bolt		FP-8927581		Breather Pipe; 3/8" - 16 x 1"
1	Bolt		FP-8927580		Breather; 3/8" - 16 x .875"
1	Screw		FP-5103642		Breather Pipe; No. 10 - 24 x .375"
1	Lock Washer		FP-103320		Breather Body; 5/16"
2	Lock Washer		FP-103319		Breather Elbow; .250"
2	Lock Washer		FP-103321		Breather Elbow; 3/8"
8	Isolator Bushing		FP-5104515		Rocker Cover
QTY	HEAD BOLTS	YEARS	PART NO.	SIZE	DESCRIPTION
8	Washer		FP-5125108		Fuel Stand Pipe; 7/16" x 3/4" x 1/16"
8	Washer		FP-5104514		Rocker Cover Isolator; .47" x 2.00" x .20"
QTY	MISCELLANEOUS	YEARS	PART NO.	SIZE	DESCRIPTION
9	Pipe Plug		FP-5121182		Cyl. Head; 1/4" - 18; Hex head
17	Pipe Plug		FP-8923847		Cyl. Head; 1/4" x 18 NPTF; Square head
2	Pipe Plug		FP-5142549		Cyl. Head; 3/4" - 14 Square Head
3	Pipe Plug		FP-8924517		Cyl. Head; 3/8" x 18 square head
8	Bolt		FP-8927580		Cyl. Head; 3/8" - 16 x .875"
5	Stud		FP-8925804		Exh. Manifold; 7/16" - 14/20" x 2 3/32"
16	Stud		FP-8927270		Water Manifold; 3/8" - 16/24" x 1.6875"
32	Bolt		FP-443603		Cam Follower; .250" x 20 x .750"
QTY	FREEZE PLUGS	YEARS	PART NO.	SIZE	DESCRIPTION
9	Pipe Plug		FP-5121182		Cyl. Head; 1/4" - 18; Hex head
17	Pipe Plug		FP-8923847		Cyl. Head; 1/4" x 18 NPTF; Square head
2	Pipe Plug		FP-5142549		Cyl. Head; 3/4" - 14 Square Head
3	Pipe Plug		FP-8924517		Cyl. Head; 3/8" x 18 square head
1	Expansion Plug		FP-5117186		Cyl. Head; 2" Dia. Cup; Stainless Steel
8	Expansion Plug		FP-5150132		Cyl. Head; 3/4" Dia. Cup
6	Expansion Plug		FP-5154453		Cyl. Head; 3/8" - 16 Headless Special
4	Expansion Plug		FP-5178976		Cyl. Head; 7/16" - 14 Special
QTY	VALVE	YEARS	PART NO.	SIZE	DESCRIPTION
64	Exhaust Valve Kit	78-61	FP-5149386		w/Locks; 4 Valve Head; Hi-Output Engs.; Contains (1) FP-5104280 & (2) FP-5111337
32	Exhaust Valve Kit		FP-5193666		w/2 Valve Head; Jet Blade; Contains (1) FP-5186381 & (2) FP-23507238; 30 Degree
64	Exhaust Valve Kit		FP-23500501		w/4 Valve Head; N & T; Contains (1) FP-8922516 & (2) FP-5111337
32	Valve Guide Cap	78-61	FP-5199914		Exh.; w/2 Valve Head; Seal installer; Clear
64	Keeper		FP-23507238		w/2 Valve Head; 1 groove; Square cut key groove
128	Keeper		FP-5111337		w/4 Valve Head; 1 groove; Square cut key groove
QTY	VALVE SEAT	YEARS	PART NO.	SIZE	DESCRIPTION
32	Exh.	78-61	FP-5198230	10	w/2 Valve Head; 30 Deg. seat; .010" O/S; 1.6380" OD, 1.3440" ID, .2485" Depth

(continued on next page)

GMC Truck - M/D & H/D

64 H/D Truck 16V-71 (2-Valve Cyl. Head), 16V-71N (4-Valve Cyl. Head) Engs.
 (cont.) 18.6L 1136 OHV Diesel V16, 4.25" Bore (Detroit Diesel Eng.) 1961-78

CYL. HEAD & PARTS (cont.)

QTY	VALVE SEAT (cont.)	YEARS	PART NO.	SIZE	DESCRIPTION
32	Exh.	78-61	FP-8927920	STD	w/2 Valve Head; 30 Deg. seat; 1.6280" OD, 1.3440" ID, .2485" Depth
64	Exh.	78-61	FP-5197167	10	w/4 Valve Head; 30 Deg. seat; .010" O/S; 1.2720" OD, .9770" ID, .2355" Depth
64	Exh.	78-61	FP-5101101	STD	w/4 Valve Head; 30 Deg. seat; 1.2620" OD, .9770" ID, .2490" Depth
QTY	VALVE GUIDE	YEARS	PART NO.	SIZE	DESCRIPTION
32	Guide		FP-5120930		Exh.; w/2 Valve Head
32	Guide		FP-5192717		Exh.; w/2 Valve Head; .0162" O/S
64	Guide		FP-5129919		Exh.; w/4 Valve Head; 2 3/8" length; .3130" ID, 2.3800" O.A.L.
QTY	VALVE SPRING	YEARS	PART NO.	SIZE	DESCRIPTION
32	Spring		FP-5150289		Exh.; w/2 Valve Head; .177" Wire dia.
64	Spring		FP-5111339		Exh.; w/4 Valve Head; .135" Wire dia.
64	Spring		FP-5147347		Exh.; w/4 Valve Head; .148" Wire dia.
32	Valve Spring Seat		FP-5150292		Exh.; w/2 Valve Head
64	Valve Spring Seat		FP-5117562		Exh.; w/4 Valve Head
64	Spring Insert	78-61	FP-5111467		Exh.
32	Spring Cap		FP-5150291		Exh.; 2 Valve Head
64	Spring Cap		FP-5117563		Exh.; 4 Valve Head
QTY	PUSH RODS	YEARS	PART NO.	SIZE	DESCRIPTION
48	Push Rod		FP-5128640		
48	Push Rod Seat		FP-5123250		Lower
48	Push Rod Seat		FP-5150302		Upper; Flange type
48	Push Rod Spring		FP-5186858		.177" Wire diameter
48	Push Rod Retainer		FP-5150303		
48	Lock Nut		FP-5151601		Push Rod Nut; 5/16" - 24
QTY	VALVE MISC.	YEARS	PART NO.	SIZE	DESCRIPTION
32	Lock Nut		FP-5151601		5/16" - 24
QTY	VALVE SEAL	YEARS	PART NO.	SIZE	DESCRIPTION
32	Valve Stem Seal	78-61	FP-23500480		Exh.; w/2 Valve Head
64	Valve Stem Seal	78-61	FP-8921209		Exh.; w/4 Valve Head
64	Tools	78-61	FP-5199913		Exh.; w/4 Valve Head; Seal installer; Green Stripe
QTY	ROCKER PARTS	YEARS	PART NO.	SIZE	DESCRIPTION
16	Arm Assy.		FP-5148472		Exh. Left
16	Arm Assy.		FP-5148475		Exh. Right
16	Arm Assy.		FP-8923554		Injector
16	Rocker Shaft		FP-23500714		
32	Rocker Shaft Bracket Bolt		FP-5150325		1/2" - 13 x 4.250"
32	Arm Support		FP-5103903		
16	Rocker Bushing		FP-8924355		Large
32	Rocker Bushing		FP-5123700		Exh.; Clevis; .5625" OD
32	Rocker Bushing		FP-23517217		Exh.; Large; .8755" ID, .9475" OD, .840" Length, .0360" Wall thickness
32	Rocker Bushing		FP-8924354		Exh.; Small
48	Follower Assy.		FP-8924439		
48	Cam Follower Roller Set		FP-8923814		Incl. pin & roller
32	Valve Bridge Adj. Screw		FP-5129101		5/16" - 24 x 1"
32	Valve Bridge		FP-5117565		Exh.
32	Valve Bridge Guide		FP-5117564		Exh.; Press fit
32	Valve Bridge Guide		FP-5117564		Exh.; Press fit w/.006" O/S
32	Valve Bridge Guide		FP-5196843		Exh.; Threaded
32	Rocker Arm Clevis Pin		FP-5150314		
16	Bushing		FP-23502615		Rocker Arm Clevis; .6295" OD
32	Bushing		FP-5122445 +		Exh.; Large; When depleted use FP-23517217
32	Lock Washer		FP-103319		Cam Follower; .250"
INT & EXH MANIFOLDS					
QTY	INT. & EXH. MANIFOLDS	YEARS	PART NO.	SIZE	DESCRIPTION
4	Exhaust Manifold Gasket		FP-5120223		Exh. Manifold
16	Exhaust Manifold Gasket		FP-5156319		Exh. Manifold Cover Plate
8	Exhaust Manifold Gasket		FP-5156319		Exh. Manifold Water Outlet Flange
8	Exhaust Manifold Gasket		FP-5150195		Exh. Manifold; Ends; Composition
8	Exhaust Manifold Gasket		FP-5120224		Exh. Manifold; Ends; Metal Clad
2	Exhaust Manifold Gasket		FP-5120223		Exh. Manifold; Intermediate
8	Exhaust Manifold Gasket		FP-5163811		Exh. Outlet; 4.375" I.D.
4	Gasket		FP-5113412		Exh. Manifold Cover Plate
4	Exhaust Pipe Gasket		FP-5145238		Exh. Manifold Adaptor

(continued on next page)

GMC Truck - M/D & H/D

H/D Truck 16V-71 (2-Valve Cyl. Head), 16V-71N (4-Valve Cyl. Head) Eng. 64
18.6L 1136 OHV Diesel V16, 4.25" Bore (Detroit Diesel Eng.) 1961-78 (cont.)

INT & EXH MANIFOLDS (cont.)

QTY	INT. & EXH. MANIFOLDS (cont.)	YEARS	PART NO.	SIZE	DESCRIPTION
8	Pipe Plug		FP-5142549		Exh. Manifold; 3/4" - 14 Square Head
4	Clamp		FP-5146165		Exh. Flange; 3.88" Dia.; Marmon
2	Clamp		FP-5146165		Exh. Manifold; 3.88" Dia.; Marmon
24	Bolt		FP-8925603		Exh. Manifold Cover Plate; 5/16" - 18 x 3/4"; Vibra-Tite®
32	Stud		FP-8925804		Exh. Manifold to Head; 7/16" - 14/20" x 2 3/32"
24	Nut		FP-9411981		Exh. Manifold; 3/8" - 24 Lock Nut
16	Washer		FP-5104439		Exh. Manifold; 7/16" x 1.250" Dia.; Dished
24	Lock Washer		FP-103320		Exh. Manifold; 5/16"
4	Exhaust Manifold		FP-8921706		Horizontal; Water Cooled
QTY	AIR INTAKE	YEARS	PART NO.	SIZE	DESCRIPTION
4	Air Intake Housing Gasket		FP-5145086		
4	Air Intake Housing Gasket		FP-5101412		11.60" ID, w/Eight 15/32" Holes
4	Air Intake Housing Gasket		FP-5101408		15.48" I.D., w/Ten 15/32" Holes
4	Air Intake Housing Gasket		FP-5123703		5.68" ID, w/Eight 13/32" Holes
4	Air Intake Housing Gasket		FP-5122692		7.88" ID, w/Eight 13/32" Holes
4	Air Intake Housing Gasket		FP-5134838		8.00" Long, w/Four 13/32" Holes
4	Gasket		FP-5145235		Air Inlet Housing Striker Plate
4	Bolt		FP-179803		Air Inlet Housing; 1/4" x 20 x 1.750"
16	Bolt		FP-8927580		Air Silencer; 3/8" - 16 x .875"
2	Lock Nut		FP-103026		Air Inlet Housing; 3/8" x 24
2	Washer		FP-5159714		Air Inlet Housing; 11/16" x 1/8"
2	Lock Washer		FP-103320		Air Inlet Housing; 5/16"
16	Lock Washer		FP-103321		Air Silencer; 3/8"
8	Lock Washer		FP-103320		Air Silencer; 5/16"
4	O-Ring		FP-5179232		Air Inlet Housing Shutdown Valve; .424" x .103"
2	Pipe Plug		FP-5115214		Air Inlet Housing; 1/2" Square Head
1	Pipe Plug		FP-5121182		Air Inlet Housing; 1/4" - 18; Hex head
2	Pipe Plug		FP-8923847		Air Inlet Housing; 1/4" x 18 NPTF; Square head
2	Pipe Plug		FP-5142549		Air Inlet Housing; 3/4" - 14 Square Head
2	Pipe Plug		FP-5142549		Air Silencer; 3/4" - 14 Square Head
CAMSHAFT GROUP					
QTY	TIMING	YEARS	PART NO.	SIZE	DESCRIPTION
1	Cam Gear		FP-8926631		R.H.; R.H. Helix
2	Idler Gear Hub Assembly		FP-5130135		L.H. & R.H.
4	Bolt		FP-454992		Idler Gear Assembly; 1/2" - 13 x 2 1/2
12	Bolt		FP-5103534		L.H. & R.H.; Idler Gear Assembly; 5/16" - 24 x 1/2"
2	Washer		FP-5167714		Idler Gear Assembly; 17/32" x 7/8" x 3/32"
QTY	CAMSHAFT/LIFTER	YEARS	PART NO.	SIZE	DESCRIPTION
8	Camshaft Thrust Washer		FP-5111424		
8	Camshaft Thrust Washer		FP-5194826		
8	Camshaft Thrust Washer		FP-5194827		
1	Bolt		FP-9412015		For OEM Camshafts 5146074 & 5146163; 9/16" - 18 x 2.500"
16	Lock Washer		FP-103321		Camshaft; 3/8"
8	Camshaft Plug		FP-5151277		.500" Drive; 15/32" x 1/2"
4	Woodruff Key		FP-8926247		Camshaft; .250" x .750"
ACCESSORY DRIVE					
QTY	ACCESSORY DRIVE	YEARS	PART NO.	SIZE	DESCRIPTION
1	Accessory Drive Gasket		FP-23515145		Type 9, 40, 47, 55, 59, 62, 64, 66, 68, 70, 71, 77, 144, 229, 230, 232, 236, 237, 265, 273, 276, 284, 288
1	Oil Seal		FP-5131329		Accessory Drive
1	Oil Seal		FP-5138710		Accessory Drive
1	Oil Seal		FP-5102456		Accessory Drive Pulley
1	Oil Seal Kit		FP-5198175		Accessory Drive Seal & Brg.
1	Ball Brg.		FP-23503727		Accessory Drive
1	Drive Coupling		FP-5141773		Accessory Drive; Type 183, 185, 229, 230, 232, 283, 384
1	Water Pump Retainer Ring		FP-9415285		Accessory Drive Lock Ring; Large; External
1	Water Pump Retainer Ring		FP-9415285		Accessory Drive Retainer Bearing; Large; External
6	Bolt		FP-8927580		Accessory Drive Gear; 3/8" - 16 x .875"
14	Bolt		FP-8927581		Accessory Drive Gear; 3/8" - 16 x 1"
4	Bolt		FP-5145092		Accessory Drive; 3/8" - 24 x 1.20", Self-Locking
6	Bolt		FP-5185793		Accessory Drive, Internal Gear Mount
2	Stud		FP-8927270		Accessory Drive; 3/8" - 16/24" x 1.6875"
1	Expansion Plug		FP-9428477		Accessory Drive; 15/16" Dia.
1	Hydraulic Pump Gasket		FP-5188755		Accessory Drive Adaptor; Type 136, 144, 166, 167, 171, 172, 179, 180, 254, 255, 284, 289, 331

(continued on next page)

GMC Truck - M/D & H/D

64 H/D Truck 16V-71 (2-Valve Cyl. Head), 16V-71N (4-Valve Cyl. Head) Engs.
 (cont.) 18.6L 1136 OHV Diesel V16, 4.25" Bore (Detroit Diesel Eng.) 1961-78

ACCESSORY DRIVE (cont.)

QTY	ACCESSORY DRIVE (cont.)	YEARS	PART NO.	SIZE	DESCRIPTION
1	Gasket		FP-5124926		Accessory Drive Adaptor Cover; Type 122, 153, 154, 297, 300, 302, 336, 348, 349, 381, 384
1	Gasket		FP-5124926		Accessory Drive Adaptor; Type 135
2	Bushing		FP-5120501		Accessory Drive Gear
2	Bushing		FP-5120501		Accessory Drive Gear
1	Pipe Plug		FP-5121182		Accessory Drive; 1/4" - 18; Hex head
1	Pipe Plug		FP-8924380		Accessory Drive; 1/8" - 27
1	Copper Washer		FP-5152148		Accessory Drive; 25/64" ID x 9/16" OD x 1/16" Thick; Copper
1	Lock Washer		FP-8926285		Accessory Drive Gear
2	Lock Nut		FP-103026		Accessory Drive Adaptor; 3/8" x 24
6	Lock Nut		FP-103026		Accessory Drive Gear; 3/8" x 24

FUEL SYSTEM & PARTS

QTY	FUEL INJECTION	YEARS	PART NO.	SIZE	DESCRIPTION
2	Fuel Injector Nozzle		FP-5172874		Water Nozzle; Single Outlet; Single Outlet
2	Wear Sleeve		FP-5113773		Pilot Sleeve; .70" Length
16	Fuel Injector Seal Ring		FP-5104701		Viton®
16	Injector Hole Tube Kit		FP-8925981		Incl. Seal Ring; Viton®
4	Retainer		FP-142583		F.I. Control Tube, Plain Spring; 13/64" Spring
1	Bolt		FP-8927580		F.I. Control Tube; 3/8" - 16 x .875"
2	Bolt		FP-5103635		F.I. Control Tube; 3/8" - 16 x 2.90"
8	Bolt		FP-9422203		Inj. Control Tube Bracket; 1/4" - 20 x 5/8"
1	Washer		FP-5131433		F.I. Control Tube; .410" x .810" x .1345"
8	Lock Washer		FP-103319		Inj. Control Tube Bracket; .250"
16	Fuel Injector		FP-5229355		Option Type 111; Injector Assembly C55
16	Fuel Injector		FP-5229360		Option Type 113; Injector Assembly C60
16	Fuel Injector		FP-5229365		Option Type 115, 192; Injector Assembly C65
16	Fuel Injector		FP-5228780		Option Type 14, 54, 82; Injector Assembly N80
16	Fuel Injector		FP-5229695		Option Type 153, 199; Injector Assembly 7C75
16	Fuel Injector		FP-5229790		Option Type 163; Injector Assembly 7E55
16	Fuel Injector		FP-5229795		Option Type 164; Injector Assembly 7E60
16	Fuel Injector		FP-5229800		Option Type 165; Injector Assembly 7E65
16	Fuel Injector		FP-5226440		Option Type 242, 247; Injector Assembly 7N65
16	Fuel Injector		FP-5229895		Option Type 246; Injector Assembly 7G65
16	Fuel Injector		FP-5228760		Option Type 53, 78; Injector Assembly N60
16	Fuel Injector		FP-5228770		Option Type 57, 80; Injector Assembly N70
16	Fuel Injector		FP-5228785		Option Type 60, 77; Injector Assembly N55
16	Fuel Injector		FP-5228777		Option Type 73, 81; Injector Assembly N75
16	Fuel Injector		FP-5228900		Option Type 97; BT; Injector Assembly N65
8	Bracket		FP-5130509		Inj. Control Tube
1	Rocker Shaft Bracket Bolt		FP-5150325		F.I. Control Tube; 1/2" - 13 x 4.250"
2	Fuel Injector Valve Spring		FP-5124142		F.I. Control Tube Return; Green I.D. Marking
2	Fuel Injector Valve Spring		FP-5101258		F.I. Control Tube Return; LH Helix
16	Injector Plunger & Bushing		FP-5229356		C55
16	Injector Plunger & Bushing		FP-5229362		C60
16	Injector Plunger & Bushing		FP-5229366		C65
16	Injector Plunger & Bushing		FP-5229372		C70
16	Injector Plunger & Bushing		FP-5228804		M95
16	Injector Plunger & Bushing		FP-5228668		N55
16	Injector Plunger & Bushing		FP-5228656		N60; For Inj. Assembly 5A60
16	Injector Plunger & Bushing		FP-5228928		N65 BT
16	Injector Plunger & Bushing		FP-5228658		N65 WT, N75, 7C75
16	Injector Plunger & Bushing		FP-5228682		N70, 7C70
16	Injector Plunger & Bushing		FP-5228661		N80
16	Injector Plunger & Bushing		FP-5228878		N90
16	Injector Plunger & Bushing		FP-5229823		7E55
16	Injector Plunger & Bushing		FP-5229814		7E60
16	Injector Plunger & Bushing		FP-5229808		7E75, 7G75
16	Injector Plunger & Bushing		FP-5229916		7G65
16	Injector Plunger & Bushing		FP-5229912		7G70
16	Injector Plunger & Bushing		FP-5229354		71C5; For Inj. Assembly C50
16	Fuel Injector Tip Kit		FP-5229026		C55, C60, 71C5, 7E55, 7E60; For Inj. Assembly 5N45
16	Fuel Injector Tip Kit		FP-5229192		C65, C70, N70, N75, 7N65
16	Fuel Injector Tip Kit		FP-5229256		M95, N80, N90
16	Fuel Injector Tip Kit		FP-5229026		N55, N60, N65 WT; For Inj. Assembly 5N45
16	Fuel Injector Tip Kit		FP-5229030		N65 BT; For Inj. Assembly 5A50, 5A55, 5A60
16	Fuel Injector Tip Kit		FP-5229030		7E65; For Inj. Assembly 5A50, 5A55, 5A60
1	Fuel Injection Link		FP-5127415		Left Bank; Long; Inj. Control Tube to Gov.; Type 116, 117, 119, 241, 243, 289, 313

(continued on next page)

GMC Truck - M/D & H/D

H/D Truck 16V-71 (2-Valve Cyl. Head), 16V-71N (4-Valve Cyl. Head) Engs. 64
18.6L 1136 OHV Diesel V16, 4.25" Bore (Detroit Diesel Eng.) 1961-78 (cont.)

FUEL SYSTEM & PARTS (cont.)

QTY	FUEL INJECTION (cont.)	YEARS	PART NO.	SIZE	DESCRIPTION
1	Fuel Injection Link		FP-5117191		Left Bank; Short; Inj. Control Tube to Gov.; Type 95, 96, 216, 218, 233, 234, 241, 244, 246, 251, 288, 292, 295, 296, 298, 299, 308, 309, 310, 311, 312, 326, 327, 328, 329, 330, 331, 332, 333, 334, 335, 336, 337, 338, 341, 344, 353, 362, 363, 370, 371, 383, 386
1	Fuel Injection Link		FP-5134026		Left Bank; Front; Short; Inj. Control Tube to Gov.; Type 137, 150, 215, 253, 314, 315, 379, 388
1	Fuel Injection Link		FP-5133700		Left Bank; Rear; Short; Inj. Control Tube to Gov.; Type 137, 150, 215, 253, 314, 315, 379, 388
8	Fuel Injection Link		FP-5117942		Right Bank; Long; Inj. Control Tube to Gov.; Type 95, 96, 137, 150, 215, 216, 218, 233, 234, 244, 246, 251, 253, 288, 292, 295, 296, 298, 299, 308, 311, 312, 314, 315, 324, 325
1	Fuel Injection Link		FP-5133699		Right Bank; Front; Long; Inj. Control Tube to Gov.; Type 137, 150, 215, 253, 314, 315, 379, 388
1	Fuel Injection Link		FP-5127417		Right Bank; Rear; Short; Inj. Control Tube to Gov.; Type 116, 117, 119, 241, 243, 289, 313

QTY	FUEL FILTERS & PUMP	YEARS	PART NO.	SIZE	DESCRIPTION
1	Mechanical Fuel Pump		FP-5199735		LH; High Output; High output; w/.375" Gear
1	Mechanical Fuel Pump		FP-5199560		LH; Std. Output; Std. output; w/.250" Gear
1	Mechanical Fuel Pump		FP-5199734		RH; High Output; High output
1	Mechanical Fuel Pump		FP-5199561		RH; Std. Output
1	Fuel Pump Shaft & Gear		FP-5100313		High Output; .963" Length; High Output
1	Fuel Pump Shaft & Gear		FP-5146705		High Output; 3.09" Length; High Output
1	Fuel Pump Shaft & Gear		FP-5181747		Std. Output; .838" Length; Std. Output
1	Fuel Pump Shaft & Gear		FP-5181746		Std. Output; 3.09" Length; Std. Output
1	Fuel Pump Valve		FP-5174973		
1	Fuel Pump Gear		FP-5118915		High Output; .374" Width; High Output
1	Fuel Pump Gear		FP-5128217		High Output; .374" Width; High Output
1	Fuel Pump Gear		FP-5174975		Std. Output; .294" Width; Std. Output
1	Fuel Pump Gear		FP-5181748		Std. Output; .294" Width; Std. Output
1	Fuel Pump Drive Shaft		FP-5100312		High Output; .963" Length; High Output
1	Fuel Pump Drive Shaft		FP-5178700		Std. & High Output; 3.09" Length
1	Fuel Pump Drive Shaft		FP-5181749		Std. Output; .838" Length; Std. Output
1	Fuel Pump Check Valve		FP-5174924		1/4" Swing type
1	Fuel Pump Check Valve		FP-5135308		3/8" Swing type
12	Fuel Line Connector		FP-5117369		
1	Fuel Pump Relief Valve Spring		FP-5184530		
2	Oil Seal		FP-23512243		Fuel pump
1	Fuel Pump Valve Plug Gasket		FP-5161003		Fuel pump
1	Fuel Pump Repair Part		FP-5174971		Fuel pump valve plug; .500" x 20 plug
1	Fuel Pump Drive Adapter Gskt.		FP-5150193		
1	Fuel Pump Repair Kit		FP-5149599		High Output; High output; Short Shaft
1	Fuel Pump Repair Kit		FP-5195078		Std. Output; Std. output
1	Pipe Plug		FP-5121182		Fuel pump pipe; 1/4" - 18; Hex head
2	Plastic Cap		FP-5136240		Fuel pump body; .250" Dia.
1	Plastic Cap		FP-5136241		Fuel pump body; .780" Dia., 3/8" NPTF
2	Dowel Pin		FP-103709		Fuel Pump Shaft; High Output; 5/32" x 1" straight
1	Dowel Pin		FP-103709		Fuel Pump Shaft; Std. Output; 5/32" x 1" straight
1	Ball Brg.		FP-147481		Fuel pump shaft; .125" Dia. Steel
1	Accessory Drive Gasket		FP-23515145		Fuel Pump Mounting Plate
12	Washer		FP-5125108		Fuel pump pipe Assy.; 7/16" x 3/4" x 1/16"

BLOWER

QTY	BLOWER	YEARS	PART NO.	SIZE	DESCRIPTION
2	Ball Brg.		FP-23503543		Front; Blower Rotor
2	Ball Brg.		FP-23504305		Rear; Blower Rotor
2	Oil Seal Kit		FP-23500533		Blower End Plate Seal Kit
2	Rect. or Square Seal		FP-5146040		Blower Drive Cover Seal; 4.32" x 5.091" x .770"
4	Oil Seal		FP-5192438		Blower End Plate
8	Oil Seal		FP-5138710		Blower End Plate Seal
8	Oil Seal		FP-8924453		Blower End Plate Seal
1	Bushing		FP-5120501		Blower Drive Gear
4	Bushing		FP-5120501		Blower Drive Gear
2	Air Intake Housing Gasket		FP-5145086		Blower to Block; w/o Screen
2	Fuel Blower Gasket		FP-23520012		Blower to Block
1	Sealing Ring		FP-8922140		Blower Drive Cover Seal; 4.32" x 4.88" x .770"
3	Bolt		FP-5103364		Blower Drive Coupling; 1/2" - 20 x 1.10", 12 Pt. Head
3	Bolt		FP-9409077		Blower Drive Coupling; 5/16" - 24 x 1.625"
1	Bolt		FP-9409060		Blower Rotor Gear Hub; 1/2" - 20 x 1.500"
24	Screw		FP-5148794		Blower Rotor End Plate; 1/4" - 20 x 5/8"

(continued on next page)

GMC Truck - M/D & H/D

64 H/D Truck 16V-71 (2-Valve Cyl. Head), 16V-71N (4-Valve Cyl. Head) Engs.
 (cont.) 18.6L 1136 OHV Diesel V16, 4.25" Bore (Detroit Diesel Eng.) 1961-78

BLOWER (cont.)					
QTY	BLOWER (cont.)	YEARS	PART NO.	SIZE	DESCRIPTION
1	Hose Clamp		FP-5106219		Blower Drive Cover Seal
56	Washer		FP-5159714		Blower End Plate; 11/16" x 1/8"
4	Washer		FP-5121905		Blower End Plate; 15/32" ID x 7/8" OD x 5/32" Long
4	Copper Washer		FP-5152148		Blower Drive Gear; 25/64" ID x 9/16" OD x 1/16" Thick; Copper
3	Lock Washer		FP-103320		Blower Drive Coupling; 5/16"
2	Lock Washer		FP-5154398		Blower End Plate; 1/2" Special, External Tooth
56	Lock Washer		FP-103320		Blower End Plate; 5/16"
12	Lock Washer		FP-103319		Blower Rotor End Plate; .250"
1	Lock Washer		FP-5154398		Blower Rotor End Plate; 1/2" Special, External Tooth
1	Shim		FP-5150372		Blower Rotor Gear
1	Shim		FP-5153938		Blower Rotor Gear
1	Shim		FP-5150855		Blower Rotor Gear
1	Shim		FP-5150856		Blower Rotor Gear
COOLING SYSTEM					
QTY	WATER PUMP	YEARS	PART NO.	SIZE	DESCRIPTION
2	Lock Nut		FP-103026		Heat Exchanger; 3/8" x 24
4	Oil Seal		FP-5132155		Thermostat Seal
4	Bolt		FP-8927580		Heat Exchanger; 3/8" - 16 x .875"
4	Bolt		FP-8927581		Heat Exchanger; 3/8" - 16 x 1"
2	Bolt		FP-454992		Heat Exchanger Cover; 1/2" - 13 x 2 1/2
4	Bolt		FP-454992		Heat Exchanger; 1/2" - 13 x 2 1/2
2	Bolt		FP-8927581		Thermostat Housing; 3/8" - 16 x 1"
2	Bolt		FP-8927581		Thermostat Housing; 3/8" - 16 x 1"
1	Pipe Plug		FP-5121182		Heat Exchanger Cover; 1/4" - 18; Hex head
1	Pipe Plug		FP-8924380		Heat Exchanger Cover; 1/8" - 27
1	Pipe Plug		FP-5142549		Heat Exchanger Cover; 3/4" - 14 Square Head
1	Pipe Plug		FP-23511574		Thermostat Housing; 1/2" pipe thread; w/1" Square head
2	Pipe Plug		FP-5115214		Thermostat Housing; 1/2" Square Head
1	Pipe Plug		FP-8924380		Thermostat Housing; 1/8" - 27
1	Pipe Plug		FP-5142549		Thermostat Housing; 3/4" - 14 Square Head
2	Pipe Plug		FP-8924517		Thermostat Housing; 3/8" x 18 square head
1	Pipe Plug		FP-5115214		Water Outlet Manifold; 1/2" Square Head
2	Pipe Plug		FP-5142549		Water Outlet Manifold; 3/4" - 14 Square Head
2	Expansion Plug		FP-5117186		Heat Exchanger Cover; 2" Dia. Cup; Stainless Steel
2	Copper Washer		FP-5152148		Thermostat Housing; 25/64" ID x 9/16" OD x 1/16" Thick; Copper
4	Washer		FP-5131978		Heat Exchanger; .53" ID x 1.00" OD x .170" Thick
8	Washer		FP-103325		Heat Exchanger; Lock washer; 5/8"
4	Washer		FP-5125108		Heat Exchanger; 7/16" x 3/4" x 1/16"
1	Washer		FP-5125108		Thermostat Housing; 7/16" x 3/4" x 1/16"
QTY	THERMOSTAT	YEARS	PART NO.	SIZE	DESCRIPTION
4	Thermostat		FP-23503826		170 Deg.
2	Thermostat		FP-23503825		180 Deg.
1	Thermostat Gasket		FP-5169478		Water By-Pass Tube Elbow
1	Thermostat Gasket		FP-5169478		Water Outlet Manifold Elbow
2	Thermostat Cover Gasket		FP-5133450		Thermostat Housing Cover
2	Thermostat Gasket		FP-5144277		Left & Right Bank; Thermostat Housing
QTY	MISCELLANEOUS	YEARS	PART NO.	SIZE	DESCRIPTION
32	Stud		FP-8927270		Water Outlet Manifold; 3/8" - 16/24" x 1.6875"
2	Hose Clamp		FP-5186841		Heat Exchanger Raw Water Inlet & Outlet; 1 9/16" - 2.50"
4	Hose Clamp		FP-9139809		Heat Exchanger Raw Water Inlet Tube; 2 1/16" - 3"
4	Hose Clamp		FP-5188036		Heat Exchanger Raw Water Inlet; 2.750" Dia. Hose
1	Hose Clamp		FP-5186841		Interceder By-pass Tube; 1 9/16" - 2.50"
8	Hose Clamp		FP-9139809		Interceder Inlet & Outlet Hose; 2 1/16" - 3"
8	Hose Clamp		FP-5188036		Interceder Inlet & Outlet Hose; 2.750" Dia. Hose
4	Hose Clamp		FP-5186841		Interceder Inlet Hose; 1 9/16" - 2.50"
2	Hose Clamp		FP-5186841		Water By-Pass Tube; 1 9/16" - 2.50"
2	Hose Clamp		FP-9139809		Water By-Pass Tube; 2 1/16" - 3"
1	Hose Clamp		FP-9139809		Water Outlet Manifold; 2 1/16" - 3"
4	Hose Clamp		FP-5188036		Water Outlet Manifold; 2.750" Dia. Hose
2	Clamp		FP-5144768		Water Outlet Manifold
4	Lock Washer		FP-103320		Heat Exchanger Inlet Flange; 5/16"
10	Lock Washer		FP-103321		Heat Exchanger Cover; 3/8"
14	Lock Washer		FP-103320		Heat Exchanger; 5/16"
2	Lock Washer		FP-103321		Thermostat Housing; 3/8"
32	Lock Washer		FP-103321		Water Outlet Manifold; 3/8"
4	O-Ring		FP-5167746		Heat Exchanger Seal Ring
1	Water Manifold Gasket		FP-5124029		Heat Exchanger Water Manifold
4	Water Manifold Gasket		FP-23506469		Water Outlet Cover Plate

(continued on next page)

GMC Truck - M/D & H/D

H/D Truck 16V-71 (2-Valve Cyl. Head), 16V-71N (4-Valve Cyl. Head) Engs. 64
18.6L 1136 OHV Diesel V16, 4.25" Bore (Detroit Diesel Eng.) 1961-78 (cont.)

COOLING SYSTEM (cont.)

QTY	MISCELLANEOUS (cont.)	YEARS	PART NO.	SIZE	DESCRIPTION
1	Oil Filler Tube Gasket		FP-5120540		Thermostat Housing Elbow Gasket
1	Oil Cooler Core Inner Gasket		FP-5150155		Heat Exchanger Expansion Tank Cover

ENGINE BLOCK & PARTS

QTY	GASKETS	YEARS	PART NO.	SIZE	DESCRIPTION
1	Front Crankcase Cover Gasket		FP-5121714		Oil Pump to Cyl. Block
4	Expansion Plug		FP-5132410		Cyl. Block; 1 5/8" Dia. Cup; Stainless Steel
4	Pipe Plug		FP-5101033		Cyl. Block; Aftercooler Plug; 2 1/2" Dia. Cup; Special
12	Pipe Plug		FP-5115214		Cyl. Block; 1/2" Square Head
10	Pipe Plug		FP-5121182		Cyl. Block; 1/4" - 18; Hex head
1	Pipe Plug		FP-5121182		Cyl. Block; 1/4" - 18; Hex head
18	Pipe Plug		FP-8924380		Cyl. Block; 1/8" - 27
6	Pipe Plug		FP-5142549		Cyl. Block; 3/4" - 14 Square Head
1	Flywheel Housing Gasket		FP-5147246		Flywheel Housing Gasket
2	Accessory Drive Gasket		FP-23515145		Flywheel Housing Large Hole Cover
1	Starting Motor Gasket		FP-5130995		Starting Motor Hole Cover
1	Oil Pan Gasket		FP-5126562		Oil Pan to Block
1	Oil Pan Gasket		FP-5150115		Front; Lower Oil Pan
1	Oil Pan Gasket		FP-5150116		Rear; Lower Oil Pan
4	Bolt		FP-8923391		Oil Filter Mounting; 3/8" - 16 x 1.880"
2	Bolt		FP-8927580		Oil Pressure Regulator; 3/8" - 16 x .875"
2	Bolt		FP-8927581		Oil Pressure Regulator; 3/8" - 16 x 1"
1	Pin		FP-457008		Oil Pressure Regulator; 3/16" x 1 1/2"
4	Copper Washer		FP-5155596		Oil Filter Mounting; 5/16"; Special copper washer
2	Washer		FP-5131433		Oil Pressure Regulator; .410" x .810" x .1345"
4	Lock Washer		FP-103321		Oil Filter Mounting; 3/8"
4	Lock Washer		FP-103320		Oil Filter Mounting; 5/16"
56	Lock Washer		FP-103321		Oil Pan; 3/8"
56	Lock Washer		FP-103320		Oil Pan; 5/16"
1	Pipe Plug		FP-8923847		Oil Filter Adaptor; 1/4" x 18 NPTF; Square head
1	Pipe Plug		FP-5142549		Oil Filter Drain Plug; 3/4" - 14 Square Head
1	Pipe Plug		FP-5121182		Oil Filter Housing; 1/4" - 18; Hex head
1	Pipe Plug		FP-8923313		Oil Pan Drain Plug; 3/4"
1	Pipe Plug		FP-5142549		Oil Pan Drain Plug; 3/4" - 14 Square Head
1	Pipe Plug		FP-5115214		Oil Pan Drain; 1/2" Square Head
1	Pipe Plug		FP-5115214		Oil Pan Sump; 1/2" Square Head
2	Pipe Plug		FP-5142549		Oil Pan; 3/4" - 14 Square Head
1	Pipe Plug		FP-5121182		Oil Pump Outlet Pipe; 1/4" - 18; Hex head
1	Pipe Plug		FP-8923847		Oil Pump Outlet Pipe; 1/4" x 18 NPTF; Square head
2	O-Ring		FP-5186579		Cyl. Block
4	Crankcase Breather		FP-5130750		Cyl. Block
1	Cyl. Block Water Hole Cvr Gsk		FP-5117734		
2	Oil Cooler Adapter Cover Gskt		FP-5117535		Cyl. Block Oil Hole Cover
8	Hand Hole Cover Gasket		FP-5117016		Cyl. Block; Non-Turbo
4	Hand Hole Cover Gasket		FP-8923792		Cyl. Block; Small
4	Hand Hole Cover Gasket		FP-8923792		Cyl. Block; Small
1	Extruded Seal		FP-5109346		Inter-Block
20	Washer		FP-5133981		Cyl. Block, Main Brg. Bolt; .122" Thick
16	Copper Washer		FP-5155596		Cyl. Block; Dry Block Only; 5/16"; Special copper washer
2	Copper Washer		FP-5152148		Cyl. Block; 25/64" ID x 9/16" OD x 1/16" Thick; Copper
4	Lock Washer		FP-103321		Cyl. Block; 3/8"
8	Lock Washer		FP-103320		Cyl. Block; 5/16"
4	Bolt		FP-8927580		Cyl. Block; 3/8" - 16 x .875"
8	Bolt		FP-8927581		Cyl. Block; 3/8" - 16 x 1"
28	Stud		FP-5152121		Cyl. Block; 5/16" - 18 x 1 1/2"
QTY	GASKET SETS	YEARS	PART NO.	SIZE	DESCRIPTION
1	Complete Overhaul Gasket Set		FP-23512682WS		
1	Complete Overhaul Gasket Set		FP-23512682		Crankshaft seals not incl.
QTY	CAM BEARINGS	YEARS	PART NO.	SIZE	DESCRIPTION
8	Cam Brg.		FP-5194825	20	Position Front & Rear; .020" U/S, Unfinished; Grooved
8	Cam Brg.		FP-5111423	STD	Position Front & Rear; Grooved
12	Cam Brg.		FP-5196026	STD	Position Inter.; w/o Steel bushing in ctr. hole; Aluminum Blocks only
4	Cam Brg.		FP-5111422	STD	Position Rear
4	Cam Brg.		FP-5194858	10	Position Rear
QTY	OIL COOLERS & FILTERS	YEARS	PART NO.	SIZE	DESCRIPTION
1	Oil Cooler		FP-8547237		Twin Plate; 24 Plate
2	Oil Cooler		FP-8547237		Twin Plate-Dual; 24 Plate

(continued on next page)

GMC Truck - M/D & H/D

64 H/D Truck 16V-71 (2-Valve Cyl. Head), 16V-71N (4-Valve Cyl. Head) Engs.
 (cont.) 18.6L 1136 OHV Diesel V16, 4.25" Bore (Detroit Diesel Eng.) 1961-78

ENGINE BLOCK & PARTS (cont.)

QTY	OIL COOLERS & FILTERS (cont.)	YEARS	PART NO.	SIZE	DESCRIPTION
3	Oil Filter Adapter Gasket		FP-23501590		Inner; Twin Plate-Dual; Oil Cooler Core
1	Oil Filter Adapter Gasket		FP-5136701		Outer; Tube-Type; Oil Cooler Core
1	Starting Motor Gasket		FP-5130995		Tube-Type; Oil Cooler Cover Bracket to Flywheel Hsg.
2	Lock Washer		FP-103320		Aftercooler; 5/16"
4	Lock Nut		FP-103026		Oil Cooler Water Outlet; 3/8" x 24
28	Lock Nut		FP-103026		Tube-Type; Oil Cooler By-pass Tube Flange; 3/8" x 24
28	Lock Nut		FP-103026		Tube-Type; Oil Cooler Core; 3/8" x 24
2	Washer		FP-5131433		Oil Cooler Housing Cover; .410" x .810" x .1345"
2	Washer		FP-5177773		Twin Plate-Dual; Oil Cooler By-pass Plug; 18MM x 1.5MM
8	Lock Washer		FP-103320		Oil Cooler Core; 5/16"
12	Lock Washer		FP-103320		Oil Cooler Housing Cover; 5/16"
20	Lock Washer		FP-103321		Oil Cooler Water Inlet; 3/8"
1	Lock Washer		FP-103320		Oil Cooler Water Inlet; 5/16"
4	Lock Washer		FP-103321		Oil Cooler Water Outlet; 3/8"
28	Lock Washer		FP-103321		Tube-Type; Oil Cooler Core; 3/8"
8	Lock Washer		FP-103320		Tube-Type; Oil Cooler Cover; 5/16"
12	Lock Washer		FP-103320		Twin Plate-Dual; Oil Cooler Adaptor; 5/16"
12	Lock Washer		FP-103320		Twin Plate-Dual; Oil Cooler Core; 5/16"
12	Lock Washer		FP-103320		Twin Plate-Dual; Oil Cooler Housing Cover; 5/16"
4	Lock Washer		FP-103321		Twin Plate-Dual; Oil Cooler Water Inlet; 3/8"
2	Spacer		FP-5102793		Oil Cooler Adaptor To Block; 5.70" x 1.00" x .012"
2	Pipe Plug		FP-8923847		Oil Cooler Core; 1/4" x 18 NPTF; Square head
2	Pipe Plug		FP-8923313		Oil Cooler Core; 3/4"
2	Pipe Plug		FP-5142549		Oil Cooler Core; 3/4" - 14 Square Head
2	Pipe Plug		FP-5121182		Oil Cooler Housing; 1/4" - 18; Hex head
2	Pipe Plug		FP-8923847		Oil Cooler Housing; 1/4" x 18 NPTF; Square head
2	Pipe Plug		FP-8924517		Oil Cooler Housing; 3/8" x 18 square head
2	Pipe Plug		FP-5115214		Oil Cooler Water Inlet Elbow; 1/2" Square Head
2	Pipe Plug		FP-8923847		Oil Cooler Water Inlet Elbow; 1/4" x 18 NPTF; Square head
2	Pipe Plug		FP-8923313		Oil Cooler Water Inlet Elbow; 3/4"
2	Pipe Plug		FP-5142549		Oil Cooler Water Inlet Elbow; 3/4" - 14 Square Head
4	Pipe Plug		FP-8923847		Twin Plate-Dual; Oil Cooler Housing Cover; 1/4" x 18 NPTF; Square head
4	Pipe Plug		FP-5142549		Twin Plate-Dual; Oil Cooler Housing Cover; 3/4" - 14 Square Head
1	Pipe Plug		FP-5142549		Twin Plate-Dual; Oil Cooler Water Elbow; 3/4" - 14 Square Head
1	Pipe Plug		FP-5115214		Twin Plate-Dual; Oil Cooler Water Inlet; 1/2" Square Head
6	Pipe Plug		FP-8923847		Twin Plate-Dual; Oil Cooler Water Inlet; 1/4" x 18 NPTF; Square head
1	Pipe Plug		FP-5142549		Twin Plate-Dual; Oil Cooler Water Inlet; 3/4" - 14 Square Head
8	Hose Clamp		FP-5186840		Aftercooler; 13/16" - 1 1/2" Clamping Range
8	Air Compressor Seal Ring		FP-5101138		Aftercooler; .984" x .139"
2	Oil Cooler Gasket Kit		FP-5149946		Oil Cooler Adaptor Cover
2	Oil Cooler Gasket		FP-8923512		Oil Cooler Adaptor Cover
1	Oil Cooler Gasket		FP-23506522		Twin Plate-Dual; Oil Cooler Core Cover
1	Oil Cooler Gasket		FP-23501587		Outer; Twin Plate-Dual; Oil Cooler Core
2	Cyl. Block Water Hole Cvr Gsk		FP-5117734		Oil Cooler Housing Cover
1	Cyl. Block Water Hole Cvr Gsk		FP-5117734		Front; Oil Cooler Water Elbow
2	O-Ring		FP-5193598		Tube-Type; Oil Cooler By-pass Tube Flange
2	Sealing Ring		FP-5102098		Twin Plate-Dual; Oil Cooler Water Outlet Hose; 3.60" OD x .620" Wide
1	Oil Cooler Core Gasket		FP-23501589		Outer; Twin Plate-Dual; Oil Cooler Core
1	Oil Cooler Seal Ring		FP-23501837		Oil Cooler Water Outlet Flange
2	Gasket		FP-5575086		Oil Cooler Housing
2	Gasket		FP-5575086		Twin Plate-Dual; Oil Cooler By-pass Plug
2	Oil Cooler Core Inner Gasket		FP-5150155		Oil Cooler Housing Cover
1	Oil Cooler Core Inner Gasket		FP-23511304		Twin Plate-Dual; Oil Cooler Housing
1	Oil Cooler Core Inner Gasket		FP-5150155		Inner; Tube-Type; Oil Cooler Core
1	Oil Cooler Core Outer Gasket		FP-5102506		Outer; Tube-Type; Oil Cooler Core
3	Oil Cooler Bypass Gasket		FP-5124798		Tube-Type; Oil Cooler By-pass Hole Cover
2	Oil Cooler Bypass Gasket		FP-5124798		Tube-Type; Oil Cooler By-pass Tube Flange
2	Oil Cooler Cover Gasket		FP-23501584		Twin Plate-Dual; Oil Cooler Housing Cover
1	Oil Cooler Cover Gasket		FP-23501584		Outer; Twin Plate-Dual; Oil Cooler Core
1	Oil Cooler Housing Cover Gskt		FP-5124806		Tube-Type
2	Oil Cooler Housing Cover Gskt		FP-8924623		Twin Plate-Dual; Oil Cooler Housing Cover
1	Oil Cooler Housing Cover Gskt		FP-5124806		Inner; Tube-Type; Oil Cooler Core
1	Oil Cooler Housing Cover Gskt		FP-5124806		Outer; Tube-Type; Oil Cooler Core
1	Oil Cooler Housing Cover Gskt		FP-5126618		Outer; Tube-Type; Oil Cooler Core
2	Oil Cooler Adapter Cover Gskt		FP-5117535		Tube-Type; Oil Cooler Inlet & Outlet Tube

(continued on next page)

GMC Truck - M/D & H/D

H/D Truck 16V-71 (2-Valve Cyl. Head), 16V-71N (4-Valve Cyl. Head) Engs. 64
18.6L 1136 OHV Diesel V16, 4.25" Bore (Detroit Diesel Eng.) 1961-78 (cont.)

ENGINE BLOCK & PARTS (cont.)

QTY	OIL COOLERS & FILTERS (cont.)	YEARS	PART NO.	SIZE	DESCRIPTION
1	Oil Cooler Adapter Cover Gskt		FP-23501596		Twin Plate
2	Oil Cooler Adapter Cover Gskt		FP-5175882		Twin Plate
4	Oil Cooler Adapter Cover Gskt		FP-5117535		Twin Plate-Dual; Oil Cooler Adaptor-to-Block
1	Oil Cooler Adapter Cover Gskt		FP-5117535		Inner; Tube-Type; Oil Cooler Core
8	Copper Washer		FP-5155596		Oil Cooler Core; 5/16"; Special copper washer
16	Copper Washer		FP-5152148		Oil Cooler Housing Cover; 25/64" ID x 9/16" OD x 1/16" Thick; Copper
12	Copper Washer		FP-5155596		Oil Cooler Housing; 5/16"; Special copper washer
1	Copper Washer		FP-5152148		Oil Cooler Water Inlet; 25/64" ID x 9/16" OD x 1/16" Thick; Copper
12	Copper Washer		FP-5155596		Oil Cooler Water Inlet; 5/16"; Special copper washer
28	Copper Washer		FP-5152148		Tube-Type; Oil Cooler Cover; 25/64" ID x 9/16" OD x 1/16" Thick; Copper
12	Copper Washer		FP-5155596		Twin Plate-Dual; Oil Cooler Housing Cover; 5/16"; Special copper washer
4	Copper Washer		FP-5152148		Twin Plate-Dual; Oil Cooler Water Elbow; 25/64" ID x 9/16" OD x 1/16" Thick; Copper
1	Clamp		FP-5143999		Oil Cooler Water Outlet; 3.50" T-Bolt
4	Clamp		FP-5143999		Twin Plate-Dual; Oil Cooler Water Outlet Hose; 3.50" T-Bolt
2	Hose Clamp		FP-9139809		Oil Cooler Water Inlet Hose; 2 1/16" - 3"
2	Hose Clamp		FP-5188036		Oil Cooler Water Inlet Hose; 2.750" Dia. Hose
2	Hose Clamp		FP-9139809		Twin Plate-Dual; Oil Cooler Water Inlet; 2 1/16" - 3"
1	Hose Clamp		FP-5188036		Twin Plate-Dual; Oil Cooler Water Inlet; 2.750" Dia. Hose
8	Bolt		FP-8923391		Oil Cooler Housing Cover; 3/8" - 16 x 1.880"
8	Bolt		FP-8927581		Oil Cooler Housing Cover; 3/8" - 16 x 1"
16	Bolt		FP-8927580		Oil Cooler Housing; 3/8" - 16 x .875"
16	Bolt		FP-8927580		Oil Cooler Water Inlet; 3/8" - 16 x .875"
4	Bolt		FP-8927581		Oil Cooler Water Outlet; 3/8" - 16 x 1"
8	Bolt		FP-8927580		Twin Plate; Oil Cooler Water Inlet; 3/8" - 16 x .875"
4	Bolt		FP-8927581		Twin Plate-Dual; Oil Cooler Water Elbow; 3/8" - 16 x 1"
QTY	FREEZE PLUGS	YEARS	PART NO.	SIZE	DESCRIPTION
1	Pipe Plug		FP-5121182		Oil Dipstick Adaptor; 1/4" - 18; Hex head
1	Pipe Plug		FP-8923847		Oil Filler Tube; 1/4" x 18 NPTF; Square head
QTY	DIPSTICK	YEARS	PART NO.	SIZE	DESCRIPTION
1	Dipstick		FP-5147185		Marked
1	Dipstick		FP-5102092		21" Length; Marked
1	Dipstick		FP-5101885		25" Length; Marked
1	Dipstick		FP-5162667		26" Length; Marked
1	Dipstick		FP-5146679		61" Length; Unmarked
1	Dipstick		FP-5146680		72" Length; Unmarked
1	Dipstick Guide		FP-5151430		1.50" Length
QTY	MISCELLANEOUS	YEARS	PART NO.	SIZE	DESCRIPTION
2	Bolt		FP-8927581		Oil Dipstick Adaptor; 3/8" - 16 x 1"
1	Bolt		FP-8927581		Oil Filler Tube; 3/8" - 16 x 1"
2	Screw		FP-5103642		Oil Filler Tube; No. 10 - 24 x .375"
1	Pipe Plug		FP-5121182		Oil Dipstick Adaptor; 1/4" - 18; Hex head
1	Pipe Plug		FP-8923847		Oil Filler Tube; 1/4" x 18 NPTF; Square head
2	Copper Washer		FP-5152148		Oil Dipstick Adaptor; 25/64" ID x 9/16" OD x 1/16" Thick; Copper
2	Lock Washer		FP-103319		Oil Dipstick Adaptor; .250"
2	Lock Washer		FP-103321		Oil Filler Tube; 3/8"
2	Oil Filler Cap		FP-5107106		1.50" Dia.; Thermos Bottle Style
2	Oil Filler Cap		FP-5117362		2.00" Dia.; Thermos Bottle Style
CRANKSHAFT/OIL PUMP					
QTY	CRANKSHAFT	YEARS	PART NO.	SIZE	DESCRIPTION
1	Vibration Damper		FP-8922492		12.3" Dia., Heavy Viscous
1	Vibration Damper		FP-5106222		15" Dia., Heavy Viscous
20	Bolt		FP-5116353		5/8" - 11 x 6.00"
8	Bolt		FP-5102374		5/8" - 11 x 6.60"
20	Washer		FP-5102373		.694" ID x 1.125" OD x .180" Thick
1	O-Ring		FP-23503769		Position Rear; Vibration Damper Cone
8	Pipe Plug		FP-8924380		1/8" - 27
2	Woodruff Key		FP-8928545		Crankshaft Key; 3/16" x 7/8" Woodruff
4	Dowel Pin		FP-141346		.1875" x .500"
QTY	SEALS - FRONT CRANK	YEARS	PART NO.	SIZE	DESCRIPTION
1	Oil Seal		FP-5114335		Front; Single Lip, Std.; Shaft Dia. 4.687"

(continued on next page)

GMC Truck - M/D & H/D

64 H/D Truck 16V-71 (2-Valve Cyl. Head), 16V-71N (4-Valve Cyl. Head) Engs.
 (cont.) 18.6L 1136 OHV Diesel V16, 4.25" Bore (Detroit Diesel Eng.) 1961-78

CRANKSHAFT/OIL PUMP (cont.)

SEALS - FRONT CRANK					
QTY	(cont.)	YEARS	PART NO.	SIZE	DESCRIPTION
1	Oil Seal		FP-5197860		Front; Use w/Front Trunnion Mount; Single lip; O/S Shaft dia. 4.812"
1	Oil Seal Spacer		FP-23507306		Front; 2.50" ID x 2.81" Length
1	O-Ring		FP-23503769		Front; Use w/Spacers
SEALS - REAR CRANK					
QTY		YEARS	PART NO.	SIZE	DESCRIPTION
1	Oil Seal		FP-8927747		Rear; LH Engine; Double Lip; PTFE Material
1	Oil Seal		FP-8927749		Rear; LH Engine; Double Lip, Oversized; PTFE Material
1	Oil Seal		FP-5194462		Rear; LH Engine; O/S; Single lip; L.H. Rotation
1	Oil Seal		FP-23501610		Rear; LH Engine; PTFE Double Lip
1	Oil Seal		FP-23501545		Rear; LH Engine; PTFE Double Lip; O/S
1	Oil Seal		FP-8926762		Rear; LH Engine; Std.; Single lip; L.H. Rotation
1	Oil Seal		FP-5198159		Rear; Non-Directional; O/S; Double lip
1	Oil Seal		FP-5106329		Rear; Non-Directional; Std.; Double lip
1	Oil Seal		FP-8927746		Rear; RH Engine; Double Lip; PTFE Material
1	Oil Seal		FP-8927748		Rear; RH Engine; Double Lip, Oversized; PTFE Material
1	Oil Seal		FP-8923654		Rear; RH Engine; O.S.; Single lip; R.H. Rotation
1	Oil Seal		FP-8926761		Rear; RH Engine; Std.; Single lip; R.H. Rotation
1	Wear Sleeve		FP-23507226		Rear; For O/S Seals; Use w/O.S. Seal
1	Wear Sleeve		FP-5198908		Rear; Use w/FP-5198908; w/Front Trunnion Mount
MAIN BEARINGS					
QTY		YEARS	PART NO.	SIZE	DESCRIPTION
10	Plain Main Brg.		FP-5149565	STD	Upper brg. w/elongated oil slot (acceptable as replacement for brg. w/11/32" oil hole)
10	Plain Main Brg.		FP-5149566	2	Upper brg. w/elongated oil slot (acceptable as replacement for brg. w/11/32" oil hole)
10	Plain Main Brg.		FP-5149567	10	Upper brg. w/elongated oil slot (acceptable as replacement for brg. w/11/32" oil hole)
10	Plain Main Brg.		FP-5149568	20	Upper brg. w/elongated oil slot (acceptable as replacement for brg. w/11/32" oil hole)
10	Plain Main Brg.		FP-8922118	30	Upper brg. w/elongated oil slot (acceptable as replacement for brg. w/11/32" oil hole)
10	Plain Main Brg.		FP-5149556	STD	Upper brg. w/o elongated oil slot
10	Plain Main Brg.		FP-5149557	2	Upper brg. w/o elongated oil slot
10	Plain Main Brg.		FP-5149559	10	Upper brg. w/o elongated oil slot
10	Plain Main Brg.		FP-5149561	20	Upper brg. w/o elongated oil slot
10	Plain Main Brg.		FP-5149563	30	Upper brg. w/o elongated oil slot
4	Thrust Washer		FP-5117005	STD	
4	Thrust Washer		FP-5196753	5	
4	Thrust Washer		FP-5196754	10	
OIL PUMP					
QTY		YEARS	PART NO.	SIZE	DESCRIPTION
1	Inter. Shaft		FP-5126350		Driven Gear
1	Oil Pump Cover Gasket		FP-29503153		Cover Flange; 2.40" B.C.
1	Oil Pump Cover Gasket		FP-5123235		Cover Flange; 2.44" B.C.
1	Bushing		FP-5123303		Oil Pump Driven Gear
1	Woodruff Key		FP-8928545		Oil Pump Drive Gear; 3/16" x 7/8" Woodruff
2	Bolt		FP-8927580		Oil Pump Cover Flange; 3/8" - 16 x .875"
2	Bolt		FP-8927580		Oil Pump Cover Flange; 3/8" - 16 x .875"
4	Bolt		FP-8927580		Oil Pump Inlet Screen; 3/8" - 16 x .875"
8	Bolt		FP-8927581		Oil Pump Inlet; 3/8" - 16 x 1"
8	Bolt		FP-8927581		Oil Pump Outlet; 3/8" - 16 x 1"
1	Washer		FP-5104439		Oil Pump Cover; 7/16" x 1.250" Dia.; Dished
2	Lock Washer		FP-103321		Oil Pump Cover Flange; 3/8"
2	Lock Washer		FP-103321		Oil Pump Cover; 3/8"
4	Lock Washer		FP-103321		Oil Pump Front Cover; 3/8"
8	Lock Washer		FP-103321		Oil Pump Inlet Pipe Bracket; 3/8"
4	Lock Washer		FP-103321		Oil Pump Inlet Pipe; 3/8"
4	Lock Washer		FP-103321		Oil Pump Outlet; 3/8"
8	Lock Nut		FP-103026		Oil Pump Front Cover; 3/8" x 24
2	Lock Nut		FP-103026		Oil Pump Inlet Pipe; 3/8" x 24
1	Plastic Cap		FP-5136240		Oil Pump Front Cover; .250" Dia.
1	Pipe Plug		FP-8924517		Oil Pump Body; 3/8" x 18 square head
1	Pipe Plug		FP-8924380		Oil Pump Inlet; 1/8" - 27
1	Pipe Plug		FP-8923847		Oil Pump Outlet; 1/4" x 18 NPTF; Square head
1	Pipe Plug		FP-8924380		Oil Pump Outlet; 1/8" - 27
1	O-Ring		FP-5187316		By-Pass Valve Plug Seal
1	Oil Filter Gasket		FP-5121205		Oil Filter Adaptor
3	Lo Press. Reg. Body Gasket		FP-5117269		
2	Lo Press. Reg. Body Gasket		FP-5117269		Oil Pump Outlet Pipe-Junction Block
1	Lo Pressure Regulator Valve		FP-8922740		

(continued on next page)

GMC Truck - M/D & H/D

H/D Truck 16V-71 (2-Valve Cyl. Head), 16V-71N (4-Valve Cyl. Head) Engs. 64
18.6L 1136 OHV Diesel V16, 4.25" Bore (Detroit Diesel Eng.) 1961-78 (cont.)

CRANKSHAFT/OIL PUMP (cont.)

QTY	OIL PUMP (cont.)	YEARS	PART NO.	SIZE	DESCRIPTION
1	Gasket		FP-5575086		By-Pass Valve Plug Seal
1	Lock Nut		FP-114498		Oil Filter Mounting; 5/8" - 18, Jam Nut
1	Oil Filter Adapter Gasket		FP-23501590		
1	Oil Filter Adapter Gasket		FP-5122533		
1	Oil Filter Adapter Gasket		FP-5136701		
1	Oil Filter Adapter Gasket		FP-8924412		By-Pass
1	Oil Filter Adapter Gasket		FP-8924413		By-Pass
1	Oil Pump Spring		FP-5126326		Oil Pressure Regulator; .520" Dia., 2.570" Length
3	Oil Pump Spring		FP-5126327		Oil Pressure Regulator; .790" Dia., 2.96" Length
1	Water Outlet Gasket		FP-2206783		Oil Pump Outlet Pipe-Junction Outlet
1	Pipe Plug		FP-8923847		Oil Filter Adaptor; 1/4" x 18 NPTF; Square head
1	Pipe Plug		FP-5142549		Oil Filter Drain Plug; 3/4" - 14 Square Head
1	Pipe Plug		FP-5121182		Oil Filter Housing; 1/4" - 18; Hex head
1	Pipe Plug		FP-8923313		Oil Pan Drain Plug; 3/4"
1	Pipe Plug		FP-5142549		Oil Pan Drain Plug; 3/4" - 14 Square Head
1	Pipe Plug		FP-5115214		Oil Pan Drain; 1/2" Square Head
1	Pipe Plug		FP-5115214		Oil Pan Sump; 1/2" Square Head
2	Pipe Plug		FP-5142549		Oil Pan; 3/4" - 14 Square Head
1	Pipe Plug		FP-5121182		Oil Pump Outlet Pipe; 1/4" - 18; Hex head
1	Pipe Plug		FP-8923847		Oil Pump Outlet Pipe; 1/4" x 18 NPTF; Square head

CYLINDER COMPONENTS

QTY	LINERS	YEARS	PART NO.	SIZE	DESCRIPTION
16	Liner w/o Sealing Rings		FP-5193732	5	Flanged, 1.050" port length
16	Liner w/o Sealing Rings		FP-5193733	10	Flanged, 1.050" port length
16	Liner w/o Sealing Rings		FP-5193734	20	Flanged, 1.050" port length
16	Liner w/o Sealing Rings		FP-5193735	30	Flanged, 1.050" port length
16	Liner w/o Sealing Rings		FP-23502023	STD	No. 1 Bore; Flanged, .950" port length
16	Liner w/o Sealing Rings		FP-23502020	STD	No. 1 Bore; Flanged, 1.050" port length
16	Liner w/o Sealing Rings		FP-23502024	STD	No. 2 Bore; Flanged, .950" port length
16	Liner w/o Sealing Rings		FP-23502021	STD	No. 2 Bore; Flanged, 1.050" port length
16	Liner w/o Sealing Rings		FP-23502025	STD	No. 3 Bore; Flanged, .950" port length
16	Liner w/o Sealing Rings		FP-23502022	STD	No. 3 Bore; Flanged, 1.050" port length
16	Liner w/o Sealing Rings		FP-23504935	STD	No. 4 Bore; Flanged, .950" port length
16	Liner w/o Sealing Rings		FP-23504936	STD	No. 4 Bore; Flanged, 1.050" port length
16	Cylinder Kit Complete		FP-23522951	10	w/Cross Head style piston; 1.050" port length sleeve
16	Cylinder Kit Complete		FP-23522525	20	w/Cross Head style piston; 1.050" port length sleeve
16	Cylinder Kit Complete		FP-5149263	10	w/Trunk style piston; 4 Valve Head; 1.05" port length sleeve
16	Cylinder Kit Complete		FP-5149264	20	w/Trunk style piston; 4 Valve Head; 1.05" port length sleeve
16	Cylinder Kit Complete		FP-20022	STD	No. 1 Bore; w/Cross Head style piston
16	Cylinder Kit Complete		FP-20011	STD	No. 1 Bore; w/Trunk style piston; 4 Valve Head; 1.05" port length sleeve
16	Cylinder Kit Complete		FP-23522949	STD	No. 2 Bore; w/Cross Head style piston; 1.050" port length sleeve
16	Cylinder Kit Complete		FP-23505305	STD	No. 2 Bore; w/Trunk style piston; 4 Valve Head; 1.05" port length sleeve
16	Cylinder Kit Complete		FP-23522947	STD	No. 3 Bore; w/Cross Head style piston; 1.050" port length sleeve
16	Cylinder Kit Complete		FP-23505306	STD	No. 3 Bore; w/Trunk style piston; 4 Valve Head; 1.05" port length sleeve
16	Cylinder Kit Complete		FP-23522521	STD	No. 4 Bore; w/Cross Head style piston; 1.050" port length sleeve
16	Cylinder Kit Complete		FP-5149261	STD	No. 4 Bore; w/Trunk style piston; 4 Valve Head; 1.05" port length sleeve
16	Liner Kit w/o Sleeve		FP-LCK22507		w/Cross Head style piston
16	Liner Kit w/o Sleeve		FP-LCK22949		w/Cross Head style piston
16	Liner Kit w/o Sleeve		FP-LCK5306		w/Trunk style piston; 4 Valve Head
16	O-Ring		FP-8922221		w/Cross Head style piston
16	Flange Shim		FP-5199569	2	.002" Thick
16	Cntr. Bore Insert		FP-5199871		.0015" Thicker than std., for .010-.030 O/S sleeves
16	Cntr. Bore Insert		FP-5148399		.0015" Thicker than std., for std.-.005 O/S sleeves
16	Cntr. Bore Insert		FP-5148440		.0015" Thinner than std., for std.-.005 O/S sleeves
16	Cntr. Bore Insert		FP-5194073		.0035 Thinner than std., for std.-.005 O/S sleeves
16	Cntr. Bore Insert		FP-5194163		.0040 Thinner than std., for .010-.030 O/S sleeves
16	Cntr. Bore Insert		FP-5194164		.0080" Thinner than std., for .010-.030 O/S sleeves
16	Cntr. Bore Insert		FP-5193316		Std. thickness (.1795-.1800), for .010-.030 O/S sleeves
16	Cntr. Bore Insert		FP-5184484		Std. thickness (.1795-.1800), for std.-.005 O/S sleeves

QTY	PISTONS	YEARS	PART NO.	SIZE	DESCRIPTION
16	Piston Kit w/Pin & Retainers		FP-23522497	STD	18.7:1 C.R.; w/Cross Head style piston
16	Piston With Retainers		FP-5149234	STD	18.7:1 C.R.; Trunk style piston; 4 Valve Head
16	Piston Dome Kit		FP-23522535		18.7:1 C.R.; w/Cross Head style piston
16	Crosshead Piston Dome		FP-23522026	STD	18.7:1 C.R.; w/Cross Head style piston

(continued on next page)

GMC Truck - M/D & H/D

64 H/D Truck 16V-71 (2-Valve Cyl. Head), 16V-71N (4-Valve Cyl. Head) Engs. (cont.) 18.6L 1136 OHV Diesel V16, 4.25" Bore (Detroit Diesel Eng.) 1961-78

CYLINDER COMPONENTS (cont.)

QTY	PISTONS (cont.)	YEARS	PART NO.	SIZE	DESCRIPTION
16	Piston Skirt		FP-23522070	STD	w/Cross Head style piston
16	Pin		FP-5101120	STD	w/Cross Head style piston
16	Pin		FP-5144744	STD	w/Cross Head style piston; Nut plate type
16	Pin		FP-5188406	STD	w/Trunk style piston
16	Pin		FP-5144495	STD	w/Trunk style piston; Drilled
32	Piston Pin Retainer		FP-5188405		w/Trunk style pistons
32	Piston Pin Retainer		FP-5180250		Cross Head pistons
32	Piston Pin Bolt		FP-5148373		7/16" - 20 x 2.00" Length
32	Piston Pin Bolt Spacer		FP-5144846		w/Cross Head style piston
16	Piston Pin Slipper Bearing		FP-23501687		Slipper type design - 1 per cyl.
32	Pin Bushing		FP-5155839		w/Trunk style piston
32	Pin Bushing		FP-5157274		w/Trunk style piston; w/.015" extra ID bore stock
16	Pin Bushing		FP-2409Y		w/1.5020" I.D., 1.7510" O.D., .7600" O.A.L.
16	Pin Bushing		2409Y +		w/1.5020" I.D., 1.7510" O.D., .7600" O.A.L.; When depleted use FP-2409Y

QTY	CONNECTING RODS & BRGS.	YEARS	PART NO.	SIZE	DESCRIPTION
32	Con. Rod Bolt		FP-5132383		.4375" x 20 x 3.52"
32	Con. Rod Nut		FP-5117629		.4375" x 20
16	Rod Pair		FP-5149572	STD	
16	Rod Pair		FP-5149573	2	
16	Rod Pair		FP-5149575	10	
16	Rod Pair		FP-5149577	20	
16	Rod Pair		FP-5149579	30	

QTY	PISTON RINGS	YEARS	PART NO.	SIZE	DESCRIPTION
16	Ring Set Single Cylinder		FP-23522955	STD	Cross Head style piston; Std. gap Fire Ring
16	Ring Set Single Cylinder		FP-23514970	STD	Trunk style piston; 4 Valve Head; 4-.084, 2-3/16 (1 cyl. Set)
16	Compression Ring		FP-8924084		Cross Head style piston; Std. gap Fire Ring
32	Compression Ring		FP-8926351		Cross Head style piston; 2nd & 3rd grooves
64	Compression Ring		FP-5102648		Trunk style piston; 4 Valve Head
32	Ring, Oil Control Set		FP-23522534		Cross Head style piston; For one groove
16	Ring, Oil Control Set		FP-23514965		Trunk style piston; 4 Valve Head; Set for one piston

CLUTCH					
QTY	CLUTCH	YEARS	PART NO.	SIZE	DESCRIPTION
1	Ball Brg.		FP-23503706		Clutch Pilot
1	Ball Brg.		FP-23503707		Clutch Pilot
1	Ball Brg.		FP-23503709		Clutch Pilot

65 H/D Truck 16V-92 (4-Valve Cyl. Head) Eng. 24.1L 1472 OHV Diesel V16, 4.84" Bore (Detroit Diesel Eng.) 1975-80

CYL. HEAD & PARTS

QTY	GASKETS	YEARS	PART NO.	SIZE	DESCRIPTION
4	Valve Cover Gasket		FP-5104081		w/Alum. Rocker Cover; Engs. w/cast Alum. valve cover; Silicone
4	Valve Cover Gasket		FP-5143406		w/Stamped Rocker Cover; Engs. w/Steel valve cover; Neoprene
16	Head Gasket		FP-5100404		Cyl. Head Compression
4	Head Set		FP-5199674		Services One Head
2	Oil Filler Tube Gasket		FP-5120540		Oil Filler Tube Adaptor
1	Oil Cooler Adapter Cover Gskt		FP-5175882		Eng. Lifting Bracket spacer
68	O-Ring		FP-5148502		Cyl. Head Oil Seal
40	Bolt		FP-5148324		Cyl. Head; 11/16" - 11 x 5.500"
1	Bolt		FP-5103635		Throttle Delay; 3/8" - 16 x 2.90"
4	Stud		FP-5148504		Rocker Cover; 3/8" - 16 x 4.32"
1	Bolt		FP-8927581		Oil Filler Tube; 3/8" - 16 x 1"
2	Lock Washer		FP-103321		Oil Filler Tube; 3/8"
1	Pipe Plug		FP-8923847		Oil Filler Tube; 1/4" x 18 NPTF; Square head
8	Isolator Bushing		FP-5104515		Rocker Cover

QTY	HEAD BOLTS	YEARS	PART NO.	SIZE	DESCRIPTION
40	Washer		FP-5148310		Cyl. Head; 11/16" Dia.
8	Washer		FP-5104514		Rocker Cover; .47" x 2.00" x .20"

QTY	MISCELLANEOUS	YEARS	PART NO.	SIZE	DESCRIPTION
4	Wear Sleeve		FP-5148615		Cyl. Head; Pilot; .700" Length
2	Pipe Plug		FP-8926993		Cyl. Head Fuse; 1/4" X 18; Recessed socket head
9	Pipe Plug		FP-5121182		Cyl. Head; 1/4" - 18; Hex head
17	Pipe Plug		FP-8923847		Cyl. Head; 1/4" x 18 NPTF; Square head
4	Pipe Plug		FP-5142549		Cyl. Head; 3/4" - 14 Square Head
3	Pipe Plug		FP-8924517		Cyl. Head; 3/8" x 18 square head

(continued on next page)

GMC Truck - M/D & H/D

H/D Truck 16V-92 (4-Valve Cyl. Head) Eng. 65
24.1L 1472 OHV Diesel V16, 4.84" Bore (Detroit Diesel Eng.) 1975-80 (cont.)

CYL. HEAD & PARTS (cont.)

QTY	MISCELLANEOUS (cont.)	YEARS	PART NO.	SIZE	DESCRIPTION
8	Bolt		FP-8927580		Cyl. Head; 3/8" - 16 x .875"
32	Stud		FP-8927270		Cyl. Head; 3/8" - 16/24" x 1.6875"
5	Stud		FP-8925804		Cyl. Head; 7/16" - 14/20" x 2 3/32"
8	Washer		FP-5125108		Fuel Stand; 7/16" x 3/4" x 1/16"
6	Lock Washer		FP-103321		Cyl. Head; 3/8"
6	Lock Nut		FP-103026		Cyl. Head; 3/8" x 24
8	Shim		FP-5100703		Cyl. Head Support
32	Bolt		FP-443603		Cam Follower Guide; .250" x 20 x .750"
2	Hose		FP-5127843		Cyl. Head; Vent
QTY	FREEZE PLUGS	YEARS	PART NO.	SIZE	DESCRIPTION
2	Pipe Plug		FP-8926993		Cyl. Head Fuse; 1/4" X 18; Recessed socket head
9	Pipe Plug		FP-5121182		Cyl. Head; 1/4" - 18; Hex head
17	Pipe Plug		FP-8923847		Cyl. Head; 1/4" x 18 NPTF; Square head
4	Pipe Plug		FP-5142549		Cyl. Head; 3/4" - 14 Square Head
3	Pipe Plug		FP-8924517		Cyl. Head; 3/8" x 18 square head
1	Expansion Plug		FP-5117186		Cyl. Head; 2" Dia. Cup; Stainless Steel
2	Expansion Plug		FP-5150132		Cyl. Head; 3/4" Dia. Cup
6	Expansion Plug		FP-5154453		Cyl. Head; 3/8" - 16 Headless Special
4	Expansion Plug		FP-5178976		Cyl. Head; 7/16" - 14 Special
2	Expansion Plug		FP-5132410		1 5/8" Dia. Cup; Stainless Steel
QTY	VALVE	YEARS	PART NO.	SIZE	DESCRIPTION
64	Exhaust Valve Kit		FP-5149771		Incl. Locks
128	Keeper		FP-5111337		Exh.; 1 groove; Square cut key groove
QTY	VALVE SEAT	YEARS	PART NO.	SIZE	DESCRIPTION
64	Exh.		FP-5101315	10	30 Deg. seat; .010" O/S; 1.4520" OD, 1.1400" ID, .2510" Depth
64	Exh.		FP-5148490	STD	30 Deg. seat; 1.4420" OD, 1.1400" ID, .2510" Depth
QTY	VALVE GUIDE	YEARS	PART NO.	SIZE	DESCRIPTION
64	Guide		FP-5129919		Exh.; 2 3/8" length; .3130" ID, 2.3800" O.A.L.
QTY	VALVE SPRING	YEARS	PART NO.	SIZE	DESCRIPTION
64	Spring		FP-5147347		Exh.; .148" Wire dia.
64	Spring Cap		FP-5117563		Exh.
QTY	PUSH RODS	YEARS	PART NO.	SIZE	DESCRIPTION
48	Push Rod		FP-5128640		
48	Push Rod Seat		FP-5123250		Lower
48	Push Rod Seat		FP-5108919		Upper; Cup type
48	Push Rod Spring		FP-5108918		.192" Wire diameter
48	Push Rod Retainer		FP-5150303		
48	Lock Nut		FP-5151601		Push rod; 5/16" - 24
QTY	VALVE MISC.	YEARS	PART NO.	SIZE	DESCRIPTION
1	Breather Seal Ring		FP-5103646		Breather Hole Plug
4	Governor Hole Gasket		FP-5123812		Breather Elbow
2	Bolt		FP-8927581		Breather Elbow; 3/8" - 16 x 1"
2	Bolt		FP-443603		Breather; .250" x 20 x .750"
4	Bolt		FP-8921930		Breather; 1/4" - 20 x 3/4"
1	Bolt		FP-8927580		Breather; 3/8" - 16 x .875"
2	Bolt		FP-8927581		Breather; 3/8" - 16 x 1"
1	Screw		FP-5103642		Breather Pipe; No. 10 - 24 x .375"
32	Lock Nut		FP-5151601		Exh.; Valve Bridge; 5/16" - 24
1	Washer		FP-5131433		Breather; .410" x .810" x .1345"
1	Washer		FP-106261		Breather; 5/16" x 3/4"
2	Lock Washer		FP-103319		Breather Elbow; .250"
2	Lock Washer		FP-103321		Breather Elbow; 3/8"
1	Lock Washer		FP-103319		Breather; .250"
1	Lock Washer		FP-103321		Breather; 3/8"
1	Lock Washer		FP-103320		Breather; 5/16"
2	Hose Clamp		FP-5186840		Breather Pipe; 13/16" - 1 1/2" Clamping Range
2	Hose Clamp		FP-5104592		Breather Pipe; 2.50" Dia.
1	Crankcase Breather		FP-5101760		Breather Oil Separator Filter; 4"
64	Valve Spring Seat		FP-5117562		Exh.
QTY	VALVE SEAL	YEARS	PART NO.	SIZE	DESCRIPTION
64	Valve Stem Seal		FP-8921209		Exh.
QTY	ROCKER PARTS	YEARS	PART NO.	SIZE	DESCRIPTION
16	Arm Assy.		FP-5148472		Exh. L.H.
16	Arm Assy.		FP-5148475		Exh. R.H.
16	Arm Assy.		FP-8923554		Injector; Orange paint I.D.
16	Rocker Shaft		FP-23500714		Repl. FP-5150322

(continued on next page)

GMC Truck - M/D & H/D

65 H/D Truck 16V-92 (4-Valve Cyl. Head) Eng.

(cont.) 24.1L 1472 OHV Diesel V16, 4.84" Bore (Detroit Diesel Eng.) 1975-80

CYL. HEAD & PARTS (cont.)

QTY	ROCKER PARTS (cont.)	YEARS	PART NO.	SIZE	DESCRIPTION
32	Rocker Shaft Bracket Bolt		FP-5150325		1/2" - 13 x 4.250"
32	Arm Support		FP-5103903		Rocker Shaft Bracket
32	Rocker Bushing		FP-5123700		Exh.; Rocker Arm Clevis; .5625" OD
16	Rocker Bushing		FP-8924355		Exh.; Rocker Arm; Large
32	Rocker Bushing		FP-23517217		Exh.; Rocker Arm; Large; .8755" ID, .9475" OD, .840" Length, .0360" Wall thickness
32	Rocker Bushing		FP-8924354		Exh.; Rocker Arm; Small
16	Rocker Bushing		FP-8924355		Injector; Large
16	Rocker Bushing		FP-5123700		Injector; Rocker Arm Clevis; .5625" OD
16	Rocker Bushing		FP-8924354		Injector; Small
48	Follower Assy.		FP-8924439		
48	Cam Follower Roller Set		FP-8923814		Incl. pin & roller
32	Valve Bridge Adj. Screw		FP-5129101		Exh.; 5/16" - 24 x 1"
32	Valve Bridge		FP-5148491		Exh.
32	Valve Bridge Guide		FP-5117564		Exh.; Press fit
32	Valve Bridge Guide		FP-51175646		Exh.; Press fit w/.006" O/S
32	Valve Bridge Guide		FP-5196843		Exh.; Threaded
32	Rocker Arm Clevis Pin		FP-5150314		Exh.
16	Rocker Arm Clevis Pin		FP-5150314		Injector
32	Bushing		FP-5122445 +		Exh.; Rocker Arm; Large; When depleted use FP-23517217
16	Bushing		FP-23502615		Injector; Rocker Arm Clevis; .6295" OD
32	Lock Washer		FP-103319		Cam Follower Guide; .250"

INT & EXH MANIFOLDS

QTY	INT. & EXH. MANIFOLDS	YEARS	PART NO.	SIZE	DESCRIPTION
8	Exhaust Manifold Gasket		FP-5150195		Composition
8	Exhaust Manifold Gasket		FP-5120224		Ends; Metal Clad
16	Exhaust Manifold Gasket		FP-5156319		Exh. Manifold Cover Plate
8	Exhaust Manifold Gasket		FP-5156319		Exh. Manifold Water Outlet Flange
8	Exhaust Manifold Gasket		FP-5163811		Exh. Manifold; 4.375" I.D.
4	Exhaust Manifold Gasket		FP-5120223		Intermediate
4	Gasket		FP-5113412		Exh. Manifold Cover Plate
8	Exhaust Pipe Gasket		FP-5145238		Exh. Manifold
4	Exhaust Pipe Gasket		FP-5145238		Exh. Manifold Adaptor
16	Pipe Plug		FP-23511574		Exh. Manifold; 1/2" pipe thread; w/1" Square head
8	Pipe Plug		FP-5142549		Exh. Manifold; 3/4" - 14 Square Head
4	Clamp		FP-5146165		Exh. Flange; 3.88" Dia.; Marmon
2	Clamp		FP-5146165		Exh. Manifold; 3.88" Dia.; Marmon
24	Bolt		FP-8925603		Exh. Manifold Cover Plate; 5/16" - 18 x 3/4"; Vibra-Tite®
32	Stud		FP-8925804		Exh. Manifold to Head; 7/16" - 14/20" x 2 3/32"
32	Lock Nut		FP-23505398		Exh. Manifold; 7/16" - 20
24	Nut		FP-9411981		Exh. Manifold; 3/8" - 24 Lock Nut
16	Washer		FP-5104439		Exh. Manifold; 7/16" x 1.250" Dia.; Dished
24	Lock Washer		FP-103320		Exh. Manifold; 5/16"
4	Exhaust Manifold		FP-8921706		Horizontal; Water Cooled

QTY	AIR INTAKE	YEARS	PART NO.	SIZE	DESCRIPTION
4	Air Intake Housing Gasket		FP-5145086		Air Inlet Housing
4	Air Intake Housing Gasket		FP-5145086		Air Inlet Housing Striker Plate
4	Air Intake Housing Gasket		FP-5101412		Air Inlet Housing; 11.60" ID, w/Eight 15/32" Holes
4	Air Intake Housing Gasket		FP-5101408		Air Inlet Housing; 15.48" I.D., w/Ten 15/32" Holes
4	Air Intake Housing Gasket		FP-5123703		Air Inlet Housing; 5.68" ID, w/Eight 13/32" Holes
4	Air Intake Housing Gasket		FP-5134838		Air Inlet Housing; 8.00" Long, w/Four 13/32" Holes
4	Gasket		FP-5145235		Air Inlet Housing Striker Plate
2	Bolt		FP-8927580		Air Inlet Housing Shutdown Reset; 3/8" - 16 x .875"
4	Bolt		FP-179803		Air Inlet Housing Shutdown Valve; 1/4" x 20 x 1.750"
2	Bolt		FP-179803		Air Inlet Housing Striker Plate; 1/4" x 20 x 1.750"
16	Bolt		FP-8927580		Air Inlet Housing; 3/8" - 16 x .875"
2	Washer		FP-5159714		Air Inlet Housing Shutdown Valve; 11/16" x 1/8"
2	Washer		FP-5159714		Air Inlet Housing Striker Plate; 11/16" x 1/8"
2	Lock Washer		FP-103321		Air Inlet Housing Shutdown Reset; 3/8"
16	Lock Washer		FP-103321		Air Inlet Housing; 3/8"
8	Lock Washer		FP-103320		Air Inlet Housing; 5/16"
4	O-Ring		FP-5179232		Air Inlet Housing Shutdown Valve; .424" x .103"
2	Pipe Plug		FP-5142549		Air Inlet Housing; 3/4" - 14 Square Head

CAMSHAFT GROUP

QTY	TIMING	YEARS	PART NO.	SIZE	DESCRIPTION
1	Cam Gear		FP-8926631		R.H.; R.H. Helix
2	Idle Gear Hub Assembly		FP-5130135		L.H. & R.H.

(continued on next page)

GMC Truck - M/D & H/D

H/D Truck 16V-92 (4-Valve Cyl. Head) Eng. 65
24.1L 1472 OHV Diesel V16, 4.84" Bore (Detroit Diesel Eng.) 1975-80 (cont.)

CAMSHAFT GROUP (cont.)

QTY	TIMING (cont.)	YEARS	PART NO.	SIZE	DESCRIPTION
2	Bolt		FP-454992		Idler Gear Assembly; 1/2" - 13 x 2 1/2
12	Bolt		FP-5103534		L.H. & R.H.; Idler Gear Assembly; 5/16" - 24 x 1/2"
2	Washer		FP-5167714		Idler Gear Assembly; 17/32" x 7/8" x 3/32"
QTY	CAMSHAFT/LIFTER	YEARS	PART NO.	SIZE	DESCRIPTION
8	Camshaft Thrust Washer		FP-5111424		
8	Camshaft Thrust Washer		FP-5194826		
8	Camshaft Thrust Washer		FP-5194827		
16	Lock Washer		FP-103321		Rear; Camshaft Rear Lock Washer; 3/8"
4	Woodruff Key		FP-8926247		Front & Rear; .250" x .750"

ACCESSORY DRIVE

QTY	ACCESSORY DRIVE	YEARS	PART NO.	SIZE	DESCRIPTION
1	Oil Seal		FP-5131329		Acc. Drive
1	Oil Seal		FP-5138710		Acc. Drive
1	Oil Seal		FP-5102456		Accessory Drive Pulley; Type 324
1	Oil Seal Kit		FP-5198175		Acc. Drive Seal & Brg. Kit
1	Ball Brg.		FP-23503727		Acc. Drive
1	Ball Brg.		FP-23504528		Acc. Drive
1	Drive Coupling		FP-5141773		Accessory Drive; Type 226, 230, 330, 378, 384
1	Water Pump Retainer Ring		FP-9415285		Acc. Drive; Large; External
2	Bolt		FP-8927580		Acc. Drive; 3/8" - 16 x .875"
6	Bolt		FP-8927581		Acc. Drive; 3/8" - 16 x 1"
4	Bolt		FP-5145092		Acc. Drive; 3/8" - 24 x 1.20", Self-Locking
6	Bolt		FP-5185793		Acc. Drive, Internal Gear mount
2	Stud		FP-8927270		Acc. Drive; 3/8" - 16/24" x 1.6875"
1	Expansion Plug		FP-9428477		Acc. Drive; 15/16" Dia.
1	Hydraulic Pump Gasket		FP-5188755		Accessory Drive Adaptor; Type 136, 144, 166, 167, 171, 172, 179, 180, 254, 255, 284, 289, 331, 389
1	Gasket		FP-5124926		Acc. Drive Adaptor Cover
1	Gasket		FP-5124926		Accessory Drive Adaptor; Type 135
2	Bushing		FP-5120501		Acc. Drive Gear
1	Pipe Plug		FP-5115214		Acc. Drive; 1/2" Square Head
1	Pipe Plug		FP-5121182		Acc. Drive; 1/4" - 18; Hex head
1	Pipe Plug		FP-8924380		Acc. Drive; 1/8" - 27
2	Copper Washer		FP-5152148		Acc. Drive; 25/64" ID x 9/16" OD x 1/16" Thick; Copper
1	Lock Washer		FP-8926285		Acc. & Blower Drive Gear
1	Lock Washer		FP-103321		Balance Weight Cover; 3/8"
6	Lock Nut		FP-103026		Acc. Drive; 3/8" x 24
10	Lock Nut		FP-103026		Balance Weight Cover; 3/8" x 24

FUEL SYSTEM & PARTS

QTY	FUEL INJECTION	YEARS	PART NO.	SIZE	DESCRIPTION
2	Fuel Injector Nozzle		FP-5172874		Single Outlet; Single Outlet
16	Fuel Injector Seal Ring		FP-5234281		
16	Fuel Injector Seal Ring		FP-5104701		Inj. Hole Tube; Viton®
68	Injector Hole Tube Kit		FP-8925981		Incl. Seal Ring; Viton®
4	Retainer		FP-142583		F.I. Control Tube, Plain Spring; 13/64" Spring
1	Bolt		FP-8927580		F.I. Control Tube; 3/8" - 16 x .875"
2	Bolt		FP-5103635		F.I. Control Tube; 3/8" - 16 x 2.90"
8	Bolt		FP-9422203		Inj. Control Tube Bracket; 1/4" - 20 x 5/8"
1	Washer		FP-5131433		F.I. Control Tube; .410" x .810" x .1345"
16	Washer		FP-5150250		Inj. Hold-Down Clamp
8	Lock Washer		FP-103319		Inj. Control Tube Bracket; .250"
16	Clamp		FP-5121259		Inj. Hold-Down
16	Fuel Injector Repair Kit		FP-5229649		
8	Bracket		FP-5130509		Inj. Control Tube
1	Rocker Shaft Bracket Bolt		FP-5150325		F.I. Control Tube; 1/2" - 13 x 4.250"
16	Fuel Injection Valve Cage		FP-5228696		
16	Fuel Injection Spring Seat		FP-5228766		
16	Fuel Injector Valve Spring		FP-5228596		
2	Fuel Injector Valve Spring		FP-5124142		F.I. Control Tube Return; Green I.D. Marking
2	Fuel Injector Valve Spring		FP-5101258		F.I. Control Tube Return; LH Helix
16	Fuel Injector Valve Spring		FP-5229518		Inj. Plunger
16	Fuel Injector Check Valve		FP-5228694		
16	Injector Plunger & Bushing		FP-5229298		F10-9200
16	Injector Plunger & Bushing		FP-5229181		F8-9A80, F8-7E80, F8-9280
16	Injector Plunger & Bushing		FP-5229278		F85-7E85, F85-9A85, F85-9285
16	Injector Plunger & Bushing		FP-5229292		F9-7E90, F9-9A90, F9-9290
16	Injector Plunger & Bushing		FP-5229268		F95-9295

(continued on next page)

GMC Truck - M/D & H/D

65 H/D Truck 16V-92 (4-Valve Cyl. Head) Eng.

(cont.) 24.1L 1472 OHV Diesel V16, 4.84" Bore (Detroit Diesel Eng.) 1975-80

FUEL SYSTEM & PARTS (cont.)

QTY	FUEL INJECTION (cont.)	YEARS	PART NO.	SIZE	DESCRIPTION
16	Injector Plunger & Bushing		FP-5229657		115-9215, 115-9225
16	Injector Plunger & Bushing		FP-5229916		7G65
16	Injector Plunger & Bushing		FP-5229912		7G70, 7G70-9E65
16	Fuel Injector Tip Kit		FP-5229806		For Plunger & Bushing Assy. F7-7E70, F75-7E75, F75-9275, F8-7E80, F85-9A85, F9-7E90, G7-9C70, G75-9C75, G8-9C80, G85-9C85, G9-9C90
16	Fuel Injector Tip Kit		FP-5229622		For Plunger & Bushing Assy. F8-9A80, F9-9A90, G9-9F90
16	Fuel Injector Tip Kit		FP-5229184		For Plunger & Bushing Assy. 115-9215, F10-9200, F7-9270, F75-9275, F8-9280, F85-9285, F9-9290, F95-9295
16	Fuel Injector Tip Kit		FP-5229516		For Plunger & Bushing Assy. 115-9225
1	Fuel Injection Link		FP-5127415		Left Bank; Long; Inj. Control Tube to Gov.; Type 116, 117, 119, 241, 243, 289, 313
1	Fuel Injection Link		FP-5117191		Left Bank; Short; Inj. Control Tube to Gov.; Type 95, 96, 216, 218, 233, 234, 241, 244, 246, 251, 288, 292, 295, 296, 298, 299, 308, 309, 310, 311, 312, 326, 327, 328, 329, 330, 331, 332, 333, 334, 335, 336, 337, 338, 341, 344, 353, 362, 363, 370, 371, 383, 386
1	Fuel Injection Link		FP-5134026		Left Bank; Front; Short; Inj. Control Tube to Gov.; Type 137, 150, 215, 253, 314, 315, 379, 388
1	Fuel Injection Link		FP-5133700		Left Bank; Rear; Short; Inj. Control Tube to Gov.; Type 137, 150, 215, 253, 314, 315, 379, 388
8	Fuel Injection Link		FP-5117942		Right Bank; Long; Inj. Control Tube to Gov.; Type 95, 96, 137, 150, 215, 216, 218, 233, 234, 244, 246, 251, 253, 288, 292, 295, 296, 298, 299, 308, 311, 312, 314, 315, 324, 325
1	Fuel Injection Link		FP-5133699		Right Bank; Front; Long; Inj. Control Tube to Gov.; Type 137, 150, 215, 253, 314, 315, 379, 388
1	Fuel Injection Link		FP-5127417		Right Bank; Rear; Short; Inj. Control Tube to Gov.; Type 116, 117, 119, 241, 243, 289, 313
16	Nut		FP-5228601		Inj. Valve
16	Fuel Injector Valve Kit		FP-5228769		
16	Fuel Injector Roller Pin		FP-5228608		Inj. Stop
QTY	FUEL FILTERS & PUMP	YEARS	PART NO.	SIZE	DESCRIPTION
1	Mechanical Fuel Pump		FP-5199560		L.H.; Type 126, 150, 174; Std. output; w/.250" Gear
1	Mechanical Fuel Pump		FP-5199735		L.H.; Type 56, 146, 177; High output; w/.375" Gear
1	Fuel Pump Shaft & Gear		FP-5181747		.838" Length; Std. Output
1	Fuel Pump Shaft & Gear		FP-5100313		.963" Length; High Output
1	Fuel Pump Shaft & Gear		FP-5146705		3.09" Length; High Output
1	Fuel Pump Shaft & Gear		FP-5181746		3.09" Length; Std. Output
1	Fuel Pump Valve		FP-5174973		
1	Fuel Pump Gear		FP-5174975		.294" Width; Std. Output
1	Fuel Pump Gear		FP-5181748		.294" Width; Std. Output
1	Fuel Pump Gear		FP-5118915		.374" Width; High Output
1	Fuel Pump Gear		FP-5128217		.374" Width; High Output
1	Fuel Pump Drive Shaft		FP-5181749		.838" Length; Std. Output
1	Fuel Pump Drive Shaft		FP-5100312		.963" Length; High Output
1	Fuel Pump Drive Shaft		FP-5178700		3.09" Length
1	Fuel Pump Check Valve		FP-5174924		1/4" Swing type
1	Fuel Pump Check Valve		FP-5135308		3/8" Swing type
12	Fuel Line Connector		FP-5117369		
1	Fuel Pump Relief Valve Spring		FP-5184530		
2	Oil Seal		FP-23512243		Fuel Pump Shaft
1	Fuel Pump Valve Plug Gasket		FP-5161003		Fuel Pump
4	Bolt		FP-179803		Fuel Pump Cover; 1/4" x 20 x 1.750"
1	Fuel Pump Repair Part		FP-5174971		Fuel Pump Valve plug; .500" x 20 plug
1	Fuel Pump Drive Adapter Gskt.		FP-5150193		Fuel Pump mounting
1	Fuel Pump Repair Kit		FP-5149599		High output; Short Shaft
1	Fuel Pump Repair Kit		FP-5195078		Std. output
2	Pipe Plug		FP-8924380		Fuel Pump; 1/8" - 27
2	Plastic Cap		FP-5136240		Fuel Pump Outlet; .250" Dia.
1	Plastic Cap		FP-5136241		Fuel Pump Outlet; .780" Dia., 3/8" NPTF
1	Dowel Pin		FP-103709		Fuel Pump Valve; 5/32" x 1" straight
2	Dowel Pin		FP-141195		Fuel Pump; .250" x .625"
1	Ball Brg.		FP-147481		Fuel Pump Shaft; .125" Dia. Steel
1	Bushing		FP-5198558		Fuel Pump; 3/8" x 1/4"
1	Accessory Drive Gasket		FP-23515145		Fuel Pump Mounting Plate
12	Washer		FP-5125108		Fuel Pump; 7/16" x 3/4" x 1/16"
BLOWER					
QTY	BLOWER	YEARS	PART NO.	SIZE	DESCRIPTION
2	Ball Brg.		FP-23504304		Rear; Blower Rotor

(continued on next page)

GMC Truck - M/D & H/D

H/D Truck 16V-92 (4-Valve Cyl. Head) Eng. 65
24.1L 1472 OHV Diesel V16, 4.84" Bore (Detroit Diesel Eng.) 1975-80 (cont.)

BLOWER (cont.)

QTY	BLOWER (cont.)	YEARS	PART NO.	SIZE	DESCRIPTION
2	Cylindrical Brg.		FP-23503542		Front; Blower Rotor
2	Oil Seal Kit		FP-23500533		Front & Rear; Blower End Plate
8	Oil Seal		FP-8924453		Blower End Plate
8	Oil Seal		FP-5138710		Front & Rear; Blower End Plate, Std.
2	Air Intake Housing Gasket		FP-5102062		Blower
2	Air Intake Housing Gasket		FP-5145086		Blower to Block, w/o Screen
2	Fuel Blower Gasket		FP-23520012		Blower to Block
1	Sealing Ring		FP-8922140		Blower Drive Cover Seal; 4.32" x 4.88" x .770"
3	Bolt		FP-5103364		Blower Drive Coupling; 1/2" - 20 x 1.10", 12 Pt. Head
3	Bolt		FP-9409077		Blower Drive Coupling; 5/16" - 24 x 1.625"
1	Bolt		FP-9409060		Blower Rotor Gear; 1/2" - 20 x 1.500"
24	Screw		FP-5148794		Blower Rotor End Plate; 1/4" - 20 x 5/8"
1	Hose Clamp		FP-5106219		Blower Drive Cover Seal
56	Washer		FP-5159714		Blower Assy.; 11/16" x 1/8"
4	Washer		FP-5121905		Blower End Plate; 15/32" ID x 7/8" OD x 5/32" Long
3	Lock Washer		FP-103320		Blower Drive Coupling; 5/16"
1	Lock Washer		FP-5154398		Blower End Plate; 1/2" Special, External Tooth
2	Lock Washer		FP-5154398		Front; Blower Rotor; 1/2" Special, External Tooth
1	Shim		FP-5150372		Blower Rotor Gear
1	Shim		FP-5153938		Blower Rotor Gear
1	Shim		FP-5150855		Blower Rotor Gear
1	Shim		FP-5150856		Blower Rotor Gear

COOLING SYSTEM

QTY	WATER PUMP	YEARS	PART NO.	SIZE	DESCRIPTION
1	Ball Brg.		FP-23503550		Inner; Fan Shaft
1	Ball Brg.		FP-23503704		Inner; Fan Shaft
1	Ball Brg.		FP-23503796		Inner; Fan Shaft
1	Ball Brg.		FP-7450630		Inner; Fan Shaft
1	Ball Brg.		FP-23503535		Outer; Fan Shaft
1	Ball Brg.		FP-23503537		Outer; Fan Shaft
1	Ball Brg.		FP-23503727		Outer; Fan Shaft
1	Ball Brg.		FP-9415132		Outer; Fan Shaft
2	Lock Nut		FP-103026		Heat Exchanger; 3/8" x 24
1	Oil Seal		FP-5103623		Fan Shaft
1	Oil Seal		FP-5103951		Fan Shaft
1	Oil Seal		FP-5108219		Fan Shaft; Felt
1	Oil Seal		FP-5100408		Fan Shaft; Rubber Lip
4	Oil Seal		FP-5132155		Thermostat Seal
2	Bolt		FP-454992		Fan Hub Support Bracket; 1/2" - 13 x 2 1/2
1	Bolt		FP-9409060		Fan Hub; 1/2" - 20 x 1.500"
4	Bolt		FP-8927580		Heat Exchanger Water Outlet Tube; 3/8" - 16 x .875"
4	Bolt		FP-8927581		Heat Exchanger Water Outlet Tube; 3/8" - 16 x 1"
2	Bolt		FP-454992		Heat Exchanger; 1/2" - 13 x 2 1/2
4	Bolt		FP-454992		Heat Exchanger; 1/2" - 13 x 2 1/2
2	Bolt		FP-8927581		Thermostat Housing; 3/8" - 16 x 1"
1	Pipe Plug		FP-8924380		Fan Hub; 1/8" - 27
1	Pipe Plug		FP-5121182		Heat Exchanger; 1/4" - 18; Hex head
1	Pipe Plug		FP-8924380		Heat Exchanger; 1/8" - 27
1	Pipe Plug		FP-5142549		Heat Exchanger; 3/4" - 14 Square Head
2	Pipe Plug		FP-5115214		Thermostat Housing; 1/2" Square Head
1	Pipe Plug		FP-8924380		Thermostat Housing; 1/8" - 27
2	Pipe Plug		FP-5142549		Thermostat Housing; 3/4" - 14 Square Head
2	Pipe Plug		FP-8924517		Thermostat Housing; 3/8" x 18 square head
2	Expansion Plug		FP-5117186		Heat Exchanger; 2" Dia. Cup; Stainless Steel
2	Copper Washer		FP-5152148		Thermostat Housing; 25/64" ID x 9/16" OD x 1/16" Thick; Copper
4	Washer		FP-5133981		Fan Hub Support Bracket; .122" Thick
4	Washer		FP-103325		Fan Hub Support Bracket; Lock washer; 5/8"
1	Washer		FP-5103624		Fan Shaft Bearing Retainer; .500" Thick
4	Washer		FP-5131978		Fan Shaft; .53" ID x 1.00" OD x .170" Thick
4	Washer		FP-5131978		Heat Exchanger Cover Spacer; .53" ID x 1.00" OD x .170" Thick
8	Washer		FP-103325		Heat Exchanger; Lock washer; 5/8"
4	Washer		FP-5125108		Heat Exchanger; 7/16" x 3/4" x 1/16"
1	Washer		FP-5125108		Thermostat Housing; 7/16" x 3/4" x 1/16"
1	Water Pump Lock Ring		FP-274746		Fan Shaft

QTY	THERMOSTAT	YEARS	PART NO.	SIZE	DESCRIPTION
4	Thermostat		FP-23503826		170 Deg.
2	Thermostat		FP-23503825		180 Deg.
2	Thermostat Gasket		FP-5144277		Left & Right Bank; Thermostat Housing

(continued on next page)

GMC Truck - M/D & H/D

65 H/D Truck 16V-92 (4-Valve Cyl. Head) Eng.

(cont.) 24.1L 1472 OHV Diesel V16, 4.84" Bore (Detroit Diesel Eng.) 1975-80

COOLING SYSTEM (cont.)

QTY	MISCELLANEOUS	YEARS	PART NO.	SIZE	DESCRIPTION
4	Hose Clamp		FP-5188036		Heat Exchanger Raw Water Inlet; 2.750" Dia. Hose
4	Hose Clamp		FP-9139809		Heat Exchanger Raw Water Tube; 2 1/16" - 3"
1	Hose Clamp		FP-5186841		Heat Exchanger Water Outlet Tube; 1 9/16" - 2.50"
1	Hose Clamp		FP-9139809		Water Outlet Manifold; 2 1/16" - 3"
4	Hose Clamp		FP-5188036		Water Outlet Manifold; 2.750" Dia. Hose
1	Lock Washer		FP-103320		Fan Hub; 5/16"
10	Lock Washer		FP-103321		Heat Exchanger Cover; 3/8"
4	Lock Washer		FP-103320		Heat Exchanger Expansion Tank Cover; 5/16"
4	Lock Washer		FP-103320		Heat Exchanger Water Outlet; 5/16"
4	Lock Washer		FP-103321		Heat Exchanger; 3/8"
2	Lock Washer		FP-103321		Thermostat Housing; 3/8"
4	O-Ring		FP-5167746		Heat Exchanger Seal Ring
1	Water Manifold Gasket		FP-5124029		Heat Exchanger Water Manifold
4	Water Manifold Gasket		FP-23506469		Water Outlet Cover Plate
2	Hose Clamp		FP-5186841		Thermostat Housing Cover; 1 9/16" - 2.50"
2	Hose Clamp		FP-9139809		Thermostat Housing Cover; 2 1/16" - 3"
2	Clamp		FP-5144768		Water Outlet Manifold
1	Oil Filler Tube Gasket		FP-5120540		Thermostat Housing Elbow Gasket
1	Oil Cooler Core Inner Gasket		FP-5150155		Heat Exchanger Expansion Tank Cover

ENGINE BLOCK & PARTS

QTY	GASKETS	YEARS	PART NO.	SIZE	DESCRIPTION
1	Pipe Plug		FP-5121182		Cyl. Block; 1/4" - 18; Hex head
4	Pipe Plug		FP-8924380		Cyl. Block; 1/8" - 27
1	Flywheel Housing Gasket		FP-5147246		Flywheel Housing Gasket; Types 504, 506, 528, 533, 535, 540, 546, 581, 582, 594, 602, 646, 657, 658, 659, 660, 661, 662, 663, 670, 674, 686, 687, 727
2	Accessory Drive Gasket		FP-23515145		Flywheel Housing Large Hole Cover
6	Bolt		FP-8927580		Flywheel Housing; 3/8" - 16 x .875"
1	Lock Nut		FP-103026		Flywheel Housing; 3/8" x 24
1	Washer		FP-5138619		Flywheel Housing; 25/64" x 3/4" x .083"
2	Washer		FP-5125108		Flywheel Housing; 7/16" x 3/4" x 1/16"
6	Lock Washer		FP-103321		Flywheel Housing; 3/8"
12	Copper Washer		FP-5152148		Flywheel Housing; 25/64" ID x 9/16" OD x 1/16" Thick; Copper
1	Oil Pan Gasket		FP-5126562		Oil Pan to Block
1	Oil Pan Gasket		FP-5150115		Front; Lower Oil Pan
1	Oil Pan Gasket		FP-5150116		Rear; Lower Oil Pan
56	Lock Washer		FP-103321		Oil Pan; 3/8"
56	Lock Washer		FP-103320		Oil Pan; 5/16"
21	Lock Washer		FP-103320		Oil Pan; 5/16"
1	Pipe Plug		FP-5115214		Oil Pan Drain; 1/2" Square Head
1	Pipe Plug		FP-8923313		Oil Pan Drain; 3/4"
1	Pipe Plug		FP-5142549		Oil Pan Drain; 3/4" - 14 Square Head
1	Pipe Plug		FP-5115214		Oil Pan Sump; 1/2" Square Head
2	Pipe Plug		FP-5142549		Oil Pan; 3/4" - 14 Square Head
2	O-Ring		FP-5186579		Cyl. Block
1	Cyl. Block Water Hole Cvr Gsk		FP-5117734		Rear
1	Accessory Drive Gasket		FP-23515145		Crankshaft Front Cover Large Hole
2	Oil Cooler Adapter Cover Gskt		FP-5117535		Cyl. Block Oil Hole Cover
4	Hand Hole Cover Gasket		FP-8923791		Large
4	Hand Hole Cover Gasket		FP-8923792		Small
1	Extruded Seal		FP-5109346		Inter-Block
2	Copper Washer		FP-5152148		Cyl. Block; 25/64" ID x 9/16" OD x 1/16" Thick; Copper
4	Copper Washer		FP-5152148		Cyl. Block; 25/64" ID x 9/16" OD x 1/16" Thick; Copper
4	Lock Washer		FP-103321		Cyl. Block; 3/8"
20	Lock Washer		FP-103320		Cyl. Block; 5/16"
4	Bolt		FP-8927580		Cyl. Block; 3/8" - 16 x .875"

QTY	GASKET SETS	YEARS	PART NO.	SIZE	DESCRIPTION
1	Complete Overhaul Gasket Set		FP-23512687		16V92; Crankshaft seals not incl.

QTY	CAM BEARINGS	YEARS	PART NO.	SIZE	DESCRIPTION
8	Cam Brg.		FP-5194825	20	Position Front & Rear; .020" U/S, Unfinished; Grooved
8	Cam Brg.		FP-5111423	STD	Position Front & Rear; Grooved
12	Cam Brg.		FP-5196026	STD	Position Inter.; w/o Steel bushing in ctr. hole; Aluminum Blocks only
4	Cam Brg.		FP-5111422	STD	Position Rear
4	Cam Brg.		FP-5194858	10	Position Rear

QTY	FREEZE PLUGS	YEARS	PART NO.	SIZE	DESCRIPTION
1	Pipe Plug	80-75	FP-5142549		Flywheel Housing; 3/4" - 14 Square Head

(continued on next page)

GMC Truck - M/D & H/D

H/D Truck 16V-92 (4-Valve Cyl. Head) Eng. 65
24.1L 1472 OHV Diesel V16, 4.84" Bore (Detroit Diesel Eng.) 1975-80 (cont.)

ENGINE BLOCK & PARTS (cont.)					
QTY	FREEZE PLUGS (cont.)	YEARS	PART NO.	SIZE	DESCRIPTION
1	Pipe Plug	80-75	FP-5121182		Oil Level Dipstick; 1/4" - 18; Hex head
12	Pipe Plug		FP-5115214		Cyl. Block; 1/2" Square Head
10	Pipe Plug		FP-5121182		Cyl. Block; 1/4" - 18; Hex head
12	Pipe Plug		FP-5142549		Cyl. Block; 3/4" - 14 Square Head
QTY	DIPSTICK	YEARS	PART NO.	SIZE	DESCRIPTION
1	Dipstick	80-75	FP-5102092		21" Length; Marked
1	Dipstick	80-75	FP-5101885		25" Length; Marked
1	Dipstick	80-75	FP-5146680		72" Length; Unmarked
1	Dipstick Guide	80-75	FP-5151430		1.50" Length
QTY	MISCELLANEOUS	YEARS	PART NO.	SIZE	DESCRIPTION
12	Bolt	80-75	FP-5103280		Flywheel Housing; 9/16" - 18 x 2.250"
1	Bolt	80-75	FP-8927581		Oil Level Dipstick; 3/8" - 16 x 1"
12	Bolt		FP-9410925		Flywheel Housing; 9/16" - 18 x 2.250"
12	Bolt		FP-9412015		Flywheel Housing; 9/16" - 18 x 2.500"
3	Screw	80-75	FP-5103642		Oil Filler Tube; No. 10 - 24 x .375"
1	Pipe Plug	80-75	FP-5142549		Flywheel Housing; 3/4" - 14 Square Head
1	Pipe Plug	80-75	FP-5121182		Oil Level Dipstick; 1/4" - 18; Hex head
12	Pipe Plug		FP-5115214		Cyl. Block; 1/2" Square Head
10	Pipe Plug		FP-5121182		Cyl. Block; 1/4" - 18; Hex head
12	Pipe Plug		FP-5142549		Cyl. Block; 3/4" - 14 Square Head
2	Washer	80-75	FP-5131755		Flywheel Housing; 17/32" x .88" x .1345"
3	Washer	80-75	FP-5138619		Flywheel Housing; 25/64" x 3/4" x .083"
1	Washer	80-75	FP-106261		Oil Level Dipstick; 5/16" x 3/4"
1	Copper Washer	80-75	FP-5152148		Oil Level Dipstick; 25/64" ID x 9/16" OD x 1/16" Thick; Copper
2	Lock Nut	80-75	FP-103026		Flywheel Housing; 3/8" x 24
1	Lock Nut	80-75	FP-103026		Oil Level Dipstick; 3/8" x 24
2	Oil Filler Cap	80-75	FP-5107106		1.50" Dia.; Thermos Bottle Style
2	Oil Filler Cap	80-75	FP-5117362		2.00" Dia.; Thermos Bottle Style
CRANKSHAFT/OIL PUMP					
QTY	CRANKSHAFT	YEARS	PART NO.	SIZE	DESCRIPTION
1	Vibration Damper		FP-8922492		12.3" Dia., Heavy Viscous
1	Vibration Damper		FP-8924435		12.3" Dia., Heavy Viscous
1	Vibration Damper		FP-5106222		15" Dia., Heavy Viscous
1	Bolt		FP-23501143		Crankshaft pulley; 1" - 14 X 2.750" (1.500" Hex head)
1	O-Ring		FP-23503769		Vibration Damper Cone
8	Pipe Plug		FP-8924380		Crankshaft; 1/8" - 27
2	Woodruff Key		FP-8928545		3/16" x 7/8" Woodruff
4	Dowel Pin		FP-141346		.1875" x .500"
QTY	SEALS - FRONT CRANK	YEARS	PART NO.	SIZE	DESCRIPTION
1	Oil Seal		FP-8927746		Front; Crankshaft; Double Lip; PTFE Material
1	Oil Seal		FP-8927747		Front; Crankshaft; Double Lip; PTFE Material
1	Oil Seal		FP-8927748		Front; Crankshaft; Double Lip, Oversized; PTFE Material
1	Oil Seal		FP-8927749		Front; Crankshaft; Double Lip, Oversized; PTFE Material
1	Oil Seal		FP-5114335		Front; Crankshaft; Single Lip, Std.; Shaft Dia. 4.687"
1	Oil Seal Spacer		FP-23507306		Front; Crankshaft; 2.50" ID x 2.81" Length
QTY	SEALS - REAR CRANK	YEARS	PART NO.	SIZE	DESCRIPTION
1	Oil Seal		FP-8923654		Rear; Crankshaft; O.S.; Single lip; R.H. Rotation
1	Oil Seal		FP-5198159		Rear; Crankshaft; O/S; Double lip
1	Oil Seal		FP-5194462		Rear; Crankshaft; O/S; Single lip; L.H. Rotation
1	Oil Seal		FP-23501610		Rear; Crankshaft; PTFE Double Lip
1	Oil Seal		FP-23501545		Rear; Crankshaft; PTFE Double Lip; O/S
1	Oil Seal		FP-5106329		Rear; Crankshaft; Std.; Double lip
1	Oil Seal		FP-8926762		Rear; Crankshaft; Std.; Single lip; L.H. Rotation
1	Oil Seal		FP-8926761		Rear; Crankshaft; Std.; Single lip; R.H. Rotation
1	Redi-Sleeve		FP-23507225		Rear; Crankshaft
1	Wear Sleeve		FP-23507226		Rear; Crankshaft; Use w/O.S. Seal
QTY	MAIN BEARINGS	YEARS	PART NO.	SIZE	DESCRIPTION
10	Plain Main Brg.		FP-5149565	STD	Upper brg. w/elongated oil slot. May also be used as replacement for brg. w/11/32" oil hole.
10	Plain Main Brg.		FP-5149566	2	Upper brg. w/elongated oil slot. May also be used as replacement for brg. w/11/32" oil hole.
10	Plain Main Brg.		FP-5149567	10	Upper brg. w/elongated oil slot. May also be used as replacement for brg. w/11/32" oil hole.
10	Plain Main Brg.		FP-5149568	20	Upper brg. w/elongated oil slot. May also be used as replacement for brg. w/11/32" oil hole.
10	Plain Main Brg.		FP-8922118	30	Upper brg. w/elongated oil slot. May also be used as replacement for brg. w/11/32" oil hole.

(continued on next page)

GMC Truck - M/D & H/D

65 H/D Truck 16V-92 (4-Valve Cyl. Head) Eng.

(cont.) 24.1L 1472 OHV Diesel V16, 4.84" Bore (Detroit Diesel Eng.) 1975-80

CRANKSHAFT/OIL PUMP (cont.)

QTY	MAIN BEARINGS (cont.)	YEARS	PART NO.	SIZE	DESCRIPTION
4	Thrust Washer		FP-5117005	STD	
4	Thrust Washer		FP-5196753	5	
4	Thrust Washer		FP-5196754	10	
QTY	OIL PUMP	YEARS	PART NO.	SIZE	DESCRIPTION
2	Oil Pump Cover Gasket		FP-29503153		Cover Flange; 2.40" B.C.
1	Water Outlet Gasket		FP-2206783		Oil Pump Outlet Pipe-Junction Outlet
1	Oil Pump Spring		FP-5126326		Oil Pressure Relief Valve; .520" Dia., 2.570" Length
1	Oil Pump Spring		FP-5126327		Oil Pressure Relief Valve; .790" Dia., 2.96" Length
1	Woodruff Key		FP-8928545		Oil Pump Drive Gear; 3/16" x 7/8" Woodruff
2	Bolt		FP-8927580		Oil Pressure Relief Valve; 3/8" - 16 x .875"
4	Bolt		FP-8927581		Oil Pump Body; 3/8" - 16 x 1"
4	Bolt		FP-8927580		Oil Pump Inlet Pipe; 3/8" - 16 x .875"
8	Bolt		FP-8927581		Oil Pump Outlet; 3/8" - 16 x 1"
1	Washer		FP-5104439		Oil Pump; 7/16" x 1.250" Dia.; Dished
2	Lock Washer		FP-103321		Oil Pressure Relief Valve; 3/8"
4	Lock Washer		FP-103321		Oil Pump Body; 3/8"
4	Lock Washer		FP-103321		Oil Pump Inlet Screen; 3/8"
8	Lock Washer		FP-103321		Oil Pump Outlet; 3/8"
2	Lock Nut		FP-103026		Oil Pump Inlet Screen; 3/8" x 24
1	Pipe Plug		FP-8924517		Oil Pump Body; 3/8" x 18 square head
1	Pipe Plug		FP-8924380		Oil Pump Inlet; 1/8" - 27
1	Pipe Plug		FP-5121182		Oil Pump Outlet; 1/4" - 18; Hex head
1	Pipe Plug		FP-8923847		Oil Pump Outlet; 1/4" x 18 NPTF; Square head
1	Pipe Plug		FP-8923847		Oil Pump Outlet; 1/4" x 18 NPTF; Square head
1	Pipe Plug		FP-8924380		Oil Pump Outlet; 1/8" - 27
2	Lo Press. Reg. Body Gasket		FP-5117269		Oil Pump Outlet Pipe-Junction Block
1	Pipe Plug		FP-5115214		Oil Pan Drain; 1/2" Square Head
1	Pipe Plug		FP-8923313		Oil Pan Drain; 3/4"
1	Pipe Plug		FP-5142549		Oil Pan Drain; 3/4" - 14 Square Head
1	Pipe Plug		FP-5115214		Oil Pan Sump; 1/2" Square Head
2	Pipe Plug		FP-5142549		Oil Pan; 3/4" - 14 Square Head

CYLINDER COMPONENTS

QTY	LINERS	YEARS	PART NO.	SIZE	DESCRIPTION
16	Liner w/o Sealing Rings		FP-5148505	STD	1.05"; 30 Deg. Port
16	Liner w/o Sealing Rings		FP-51485051	1	1.05"; 30 Deg. Port; O/S .001 in Lower Receiver Bore Area
16	Liner w/o Sealing Rings		FP-514850510	10	1.05"; 30 Deg. Port; O/S .010 in Lower Receiver Bore Area
16	Liner w/o Sealing Rings		FP-514850520	20	1.05"; 30 Deg. Port; O/S .020 in Lower Receiver Bore Area
16	Cylinder Kit Complete		FP-23524345	STD	18.0:1 C.R.; Option Type 146, 147, 148, 222, 226, 259, 264, 304, 315, 317
16	Cylinder Kit Complete		FP-235243451	1	18.0:1 C.R.; Option Type 146, 147, 148, 222, 226, 259, 264, 304, 315, 317
16	Cylinder Kit Complete		FP-2352434510	10	18.0:1 C.R.; Option Type 146, 147, 148, 222, 226, 259, 264, 304, 315, 317
16	Cylinder Kit Complete		FP-2352434520	20	18.0:1 C.R.; Option Type 146, 147, 148, 222, 226, 259, 264, 304, 315, 317
32	Sealing Ring, Liner		FP-8927189		
16	Cntr. Bore Insert		FP-5101723		.015" I.D., .1338"-.1343"
16	Cntr. Bore Insert		FP-5101533		.015" I.D., .1350"-.1355"
16	Cntr. Bore Insert		FP-5101727		.015" I.D., .1362"-.1367"

QTY	PISTONS	YEARS	PART NO.	SIZE	DESCRIPTION
16	Piston Kit w/Pin & Retainers		FP-23500883		19.0:1 C.R.; w/Cross Head style piston
16	Crosshead Piston Dome		FP-8926480		19.0:1 C.R.; w/Cross Head style piston
16	Piston Skirt		FP-23508986		19.0:1 C.R.; w/Cross Head style piston
16	Pin		FP-5101120	STD	w/Cross Head style piston
16	Pin		FP-5144744	STD	w/Cross Head style piston; Nut plate type
32	Piston Pin Retainer		FP-5180250		
32	Piston Pin Bolt		FP-5148373		7/16" - 20 x 2.00" Length
32	Piston Pin Bolt Spacer		FP-5144846		w/Cross Head style piston
16	Pin Bushing		FP-5157274		w/.015" extra ID bore stock
16	Pin Bushing		FP-2409Y		w/1.5020" I.D., 1.7510" O.D., .7600" O.A.L.
16	Pin Bushing		2409Y +		w/1.5020" I.D., 1.7510" O.D., .7600" O.A.L.; When depleted use FP-2409Y
16	Piston Pin Slipper Bearing		FP-23501687		Slipper type design - 1 per cyl.
16	O-Ring		FP-8923729		19.0:1 C.R.; w/Cross Head style piston

QTY	CONNECTING RODS & BRGS.	YEARS	PART NO.	SIZE	DESCRIPTION
32	Con. Rod Bolt		FP-5132383		.4375" x 20 x 3.52"
32	Con. Rod Nut		FP-5117629		.4375" x 20

(continued on next page)

+ Superseded Part Number

GMC Truck - M/D & H/D

H/D Truck 16V-92 (4-Valve Cyl. Head) Eng. 65
24.1L 1472 OHV Diesel V16, 4.84" Bore (Detroit Diesel Eng.) 1975-80 (cont.)

CYLINDER COMPONENTS (cont.)

QTY	CONNECTING RODS & BRGS. (cont.)	YEARS	PART NO.	SIZE	DESCRIPTION
16	Rod Pair		FP-5149572	STD	
16	Rod Pair		FP-5149573	2	
16	Rod Pair		FP-5149575	10	
16	Rod Pair		FP-5149577	20	
16	Rod Pair		FP-5149579	30	

QTY	PISTON RINGS	YEARS	PART NO.	SIZE	DESCRIPTION
16	Ring Set Single Cylinder		FP-23524349		w/Cross Head style piston; Wide gap Fire Ring
16	Compression Ring		FP-23524192		w/Cross Head style piston; Wide gap Fire Ring; Top Fire ring
32	Compression Ring		FP-8923113		w/Cross Head style piston; 2nd & 3rd grooves
16	Ring, Oil Control Set		FP-23524350		w/Cross Head style piston; For one groove

CLUTCH

QTY	CLUTCH	YEARS	PART NO.	SIZE	DESCRIPTION
1	Ball Brg.		FP-23503706		Clutch Pilot
1	Ball Brg.		FP-23503709		Clutch Pilot

Hercules

Engine Finding Index

Engine	Line No.	Engine	Line No.
1.0L 57 L-HEAD L2 3" Bore	1	3.4L 205 L-HEAD L6 3.25" Bore	24
1.1L 65 L-HEAD L4 2.625" Bore	2	3.5L 212 OHV L4 3.875" Bore	25
1.1L 66 L-HEAD L2 3.25" Bore	3	3.5L 214 L-HEAD L4 4" Bore	26
1.3L 79 L-HEAD L4 2.5" Bore	4	3.6L 222 L-HEAD L6 3.375" Bore	27
1.6L 95 L-HEAD L4 2.75" Bore	5	3.7L 226 OHV L4 4" Bore	28
1.9L 113 L-HEAD L4 3" Bore	6	3.7L 226 OHV Diesel L4 4" Bore	29
2.0L 123 L-HEAD L4 3.125" Bore	7	3.7L 228 L-HEAD L6 3.375" Bore	30
2.1L 130 OHV L3 3.5" Bore	8	3.8L 230 L-HEAD L6 3.4375" Bore	31
2.1L 130 OHV Diesel L3 3.5" Bore	9	3.8L 232 L-HEAD L6 3.4063" Bore	32
2.2L 133 L-HEAD L4 3.25" Bore	10	3.9L 237 L-HEAD L6 3.4375" Bore	33
2.3L 141 OHV L4 3.25" Bore	11	4.0L 245 L-HEAD L6 3.5" Bore	34
2.4L 149 OHV L3 3.75" Bore	12	4.3L 260 OHV L6 3.5" Bore	35
2.4L 149 OHV Diesel L3 3.75" Bore	13	4.3L 260 OHV Diesel L6 3.5" Bore	36
2.7L 163 OHV L4 4" Bore	14	4.3L 263 L-HEAD L6 3.625" Bore	37
2.7L 164 L-HEAD L4 3.5" Bore	15	4.6L 282 L-HEAD L6 3.75" Bore	38
2.8L 169 OHV L3 4" Bore	16	4.9L 298 OHV L6 3.75" Bore	39
2.8L 169 OHV Diesel L3 4" Bore	17	4.9L 298 OHV Diesel L6 3.75" Bore	40
2.8L 173 OHV L4 3.5" Bore	18	5.2L 320 L-HEAD L6 4" Bore	41
2.8L 173 OHV Diesel L4 3.5" Bore	19	5.6L 339 OHV L6 4" Bore	42
3.1L 188 L-HEAD L4 3.75" Bore	20	5.6L 339 OHV Diesel L6 4" Bore	43
3.1L 191 L-HEAD L6 3.125" Bore	21	6.6L 404 L-HEAD L6 4.25" Bore	44
3.2L 198 OHV L4 3.75" Bore	22	7.8L 478 OHV Diesel L6 4.5625" Bore	45
3.2L 198 OHV Diesel L4 3.75" Bore	23		

Engine Code Index

Engine Code	Engine Description	Line No.	Engine Code	Engine Description	Line No.
DD130 ... Multi-Purpose Engines	2.1L 130 OHV Diesel L3 3.5" Bore	9	DD298 ... Multi-Purpose Engines	4.9L 298 OHV Diesel L6 3.75" Bore	40
DD149 ... Multi-Purpose Engines	2.4L 149 OHV Diesel L3 3.75" Bore	13	DD339 ... Multi-Purpose Engines	5.6L 339 OHV Diesel L6 4" Bore ..	43
DD169 ... Multi-Purpose Engines	2.8L 169 OHV Diesel L3 4" Bore ..	17	D1500 ... Multi-Purpose Engines	2.4L 149 OHV Diesel L3 3.75" Bore	13
DD173 ... Multi-Purpose Engines	2.8L 173 OHV Diesel L4 3.5" Bore	19	D2000 ... Multi-Purpose Engines	3.2L 198 OHV Diesel L4 3.75" Bore	23
DD198 ... Multi-Purpose Engines	3.2L 198 OHV Diesel L4 3.75" Bore	23	D2300 ... Multi-Purpose Engines	3.7L 226 OHV Diesel L4 4" Bore ..	29
DD226 ... Multi-Purpose Engines	3.7L 226 OHV Diesel L4 4" Bore ..	29	D2600 ... Multi-Purpose Engines	4.3L 260 OHV Diesel L6 3.5" Bore	36
DD260 ... Multi-Purpose Engines	4.3L 260 OHV Diesel L6 3.5" Bore	36			

(continued on next page)

Hercules

Engine Code Index

Engine Code	Engine Description	Line No.	Engine Code	Engine Description	Line No.
D3000 ... Multi-Purpose Engines	4.9L 298 OHV Diesel L6 3.75" Bore	40	IXF5 ... Multi-Purpose Engines	1.6L 95 L-HEAD L4 2.75" Bore	5
D339H ... Multi-Purpose Engines	5.6L 339 OHV Diesel L6 4" Bore	43	IXK ... Multi-Purpose Engines	2.0L 123 L-HEAD L4 3.125" Bore	7
D3400 ... Multi-Purpose Engines	5.6L 339 OHV Diesel L6 4" Bore	43	IXK3 ... Multi-Purpose Engines	2.0L 123 L-HEAD L4 3.125" Bore	7
D4800 ... Multi-Purpose Engines	7.8L 478 OHV Diesel L6 4.5625" Bore	45	IXK5 ... Multi-Purpose Engines	2.0L 123 L-HEAD L4 3.125" Bore	7
D5000T ... Multi-Purpose Engines	5.6L 339 OHV Diesel L6 4" Bore	43	IX3 ... Multi-Purpose Engines	1.3L 79 L-HEAD L4 2.5" Bore	4
GO130 ... Multi-Purpose Engines	2.1L 130 OHV L3 3.5" Bore	8	IX5 ... Multi-Purpose Engines	1.3L 79 L-HEAD L4 2.5" Bore	4
GO149 ... Multi-Purpose Engines	2.4L 149 OHV L3 3.75" Bore	12	JXA ... Multi-Purpose Engines	3.7L 228 L-HEAD L6 3.375" Bore	30
GO169 ... Multi-Purpose Engines	2.8L 169 OHV L3 4" Bore	16	JXA2 ... Multi-Purpose Engines	4.0L 245 L-HEAD L6 3.5" Bore	34
GO173 ... Multi-Purpose Engines	2.8L 173 OHV L4 3.5" Bore	18	JXB ... Multi-Purpose Engines	4.3L 263 L-HEAD L6 3.625" Bore	37
GO198 ... Multi-Purpose Engines	3.2L 198 OHV L4 3.75" Bore	22	JXC ... Multi-Purpose Engines	4.6L 282 L-HEAD L6 3.75" Bore	38
GO226 ... Multi-Purpose Engines	3.7L 226 OHV L4 4" Bore	28	JXCT ... Multi-Purpose Engines	4.6L 282 L-HEAD L6 3.75" Bore	38
GO260 ... Multi-Purpose Engines	4.3L 260 OHV L6 3.5" Bore	35	JXC3 ... Multi-Purpose Engines	4.6L 282 L-HEAD L6 3.75" Bore	38
GO298 ... Multi-Purpose Engines	4.9L 298 OHV L6 3.75" Bore	39	JXD ... Multi-Purpose Engines	5.2L 320 L-HEAD L6 4" Bore	41
GO339 ... Multi-Purpose Engines	5.6L 339 OHV L6 4" Bore	42	JXDF ... Multi-Purpose Engines	5.2L 320 L-HEAD L6 4" Bore	41
G1400 ... Multi-Purpose Engines	2.3L 141 OHV L4 3.25" Bore	11	JXDM ... Multi-Purpose Engines	5.6L 339 OHV L6 4" Bore	42
G1500 ... Multi-Purpose Engines	2.4L 149 OHV L3 3.75" Bore	12	JXE ... Multi-Purpose Engines	4.0L 245 L-HEAD L6 3.5" Bore	34
G1600 ... Multi-Purpose Engines	2.7L 163 OHV L4 4" Bore	14	JXE3 ... Multi-Purpose Engines	4.0L 245 L-HEAD L6 3.5" Bore	34
G2000 ... Multi-Purpose Engines	3.2L 198 OHV L4 3.75" Bore	22	JXF ... Multi-Purpose Engines	3.8L 232 L-HEAD L6 3.4063" Bore	32
G2120 ... Multi-Purpose Engines	3.5L 212 OHV L4 3.875" Bore	25	JXG ... Multi-Purpose Engines	4.0L 245 L-HEAD L6 3.5" Bore	34
G2300 ... Multi-Purpose Engines	3.7L 226 OHV L4 4" Bore	28	JXLD ... Multi-Purpose Engines	5.6L 339 OHV L6 4" Bore	42
G2600 ... Multi-Purpose Engines	4.3L 260 OHV L6 3.5" Bore	35	JX4-C2 ... Multi-Purpose Engines	3.1L 188 L-HEAD L4 3.75" Bore	20
G3000 ... Multi-Purpose Engines	4.9L 298 OHV L6 3.75" Bore	39	JX4-C3 ... Multi-Purpose Engines	3.1L 188 L-HEAD L4 3.75" Bore	20
G339H ... Multi-Purpose Engines	5.6L 339 OHV L6 4" Bore	42	JX4-C5 ... Multi-Purpose Engines	3.1L 188 L-HEAD L4 3.75" Bore	20
G3400 ... Multi-Purpose Engines	5.6L 339 OHV L6 4" Bore	42	JX4-D2 ... Multi-Purpose Engines	3.5L 214 L-HEAD L4 4" Bore	26
IX ... Multi-Purpose Engines	1.3L 79 L-HEAD L4 2.5" Bore	4	JX4-D3 ... Multi-Purpose Engines	3.5L 214 L-HEAD L4 4" Bore	26
IXA ... Multi-Purpose Engines	1.9L 113 L-HEAD L4 3" Bore	6	JX4-D5 ... Multi-Purpose Engines	3.5L 214 L-HEAD L4 4" Bore	26
IXAC ... Multi-Purpose Engines	1.9L 113 L-HEAD L4 3" Bore	6	JX4-E3 ... Multi-Purpose Engines	2.7L 164 L-HEAD L4 3.5" Bore	15
IXAC5 ... Multi-Purpose Engines	1.9L 113 L-HEAD L4 3" Bore	6	JX4-E5 ... Multi-Purpose Engines	2.7L 164 L-HEAD L4 3.5" Bore	15
IXA3 ... Multi-Purpose Engines	1.9L 113 L-HEAD L4 3" Bore	6	JX4D2 ... Multi-Purpose Engines	3.5L 214 L-HEAD L4 4" Bore	26
IXA5 ... Multi-Purpose Engines	1.9L 113 L-HEAD L4 3" Bore	6	JX4D3 ... Multi-Purpose Engines	3.5L 214 L-HEAD L4 4" Bore	26
IXB ... Multi-Purpose Engines	2.2L 133 L-HEAD L4 3.25" Bore	10	JX4D5 ... Multi-Purpose Engines	3.5L 214 L-HEAD L4 4" Bore	26
IXBC ... Multi-Purpose Engines	2.2L 133 L-HEAD L4 3.25" Bore	10	JX4LD3 ... Multi-Purpose Engines	2.7L 163 OHV L4 4" Bore	14
IXBC5 ... Multi-Purpose Engines	2.2L 133 L-HEAD L4 3.25" Bore	10	NXA ... Multi-Purpose Engines	1.0L 57 L-HEAD L2 3" Bore	1
IXB3 ... Multi-Purpose Engines	2.2L 133 L-HEAD L4 3.25" Bore	10	NXB ... Multi-Purpose Engines	1.1L 66 L-HEAD L2 3.25" Bore	3
IXB5 ... Multi-Purpose Engines	2.2L 133 L-HEAD L4 3.25" Bore	10	OOA ... Multi-Purpose Engines	2.7L 164 L-HEAD L4 3.5" Bore	15
IXF3 ... Multi-Purpose Engines	1.6L 95 L-HEAD L4 2.75" Bore	5			

Engine Code Index

Engine Code	Engine Description	Line No.	Engine Code	Engine Description	Line No.
OOB ... Multi-Purpose Engines.....	3.7L 226 OHV L4 4" Bore.....	28	QXD ... Multi-Purpose Engines.....	3.8L 230 L-HEAD L6 3.4375" Bore.....	31
QXA ... Multi-Purpose Engines.....	3.1L 191 L-HEAD L6 3.125" Bore.....	21	QXD3 ... Multi-Purpose Engines.....	3.8L 230 L-HEAD L6 3.4375" Bore.....	31
QXA3 ... Multi-Purpose Engines.....	3.1L 191 L-HEAD L6 3.125" Bore.....	21	QXD5 ... Multi-Purpose Engines.....	3.8L 230 L-HEAD L6 3.4375" Bore.....	31
QXA5 ... Multi-Purpose Engines.....	3.1L 191 L-HEAD L6 3.125" Bore.....	21	QXLD ... Multi-Purpose Engines.....	3.9L 237 L-HEAD L6 3.4375" Bore.....	33
QXB ... Multi-Purpose Engines.....	3.4L 205 L-HEAD L6 3.25" Bore ..	24	QXLD3 ... Multi-Purpose Engines.....	3.9L 237 L-HEAD L6 3.4375" Bore.....	33
QXB2 ... Multi-Purpose Engines.....	3.4L 205 L-HEAD L6 3.25" Bore ..	24	QXLD5 ... Multi-Purpose Engines.....	3.9L 237 L-HEAD L6 3.4375" Bore.....	33
QXB3 ... Multi-Purpose Engines.....	3.4L 205 L-HEAD L6 3.25" Bore ..	24	WXB ... Multi-Purpose Engines.....	4.9L 298 OHV L6 3.75" Bore.....	39
QXB5 ... Multi-Purpose Engines.....	3.4L 205 L-HEAD L6 3.25" Bore ..	24	WXE ... Multi-Purpose Engines.....	4.9L 298 OHV L6 3.75" Bore.....	39
QXB5C ... Multi-Purpose Engines.....	3.4L 205 L-HEAD L6 3.25" Bore ..	24	WXLC3ER ... Multi-Purpose Engines.....	6.6L 404 L-HEAD L6 4.25" Bore ..	44
QXC ... Multi-Purpose Engines.....	3.6L 222 L-HEAD L6 3.375" Bore.....	27	ZXB ... Multi-Purpose Engines.....	1.1L 65 L-HEAD L4 2.625" Bore	2
QXC3 ... Multi-Purpose Engines.....	3.6L 222 L-HEAD L6 3.375" Bore.....	27	ZXB3 ... Multi-Purpose Engines.....	1.1L 65 L-HEAD L4 2.625" Bore	2
QXC5 ... Multi-Purpose Engines.....	3.6L 222 L-HEAD L6 3.375" Bore.....	27			

Multi-Purpose Engines **NXA Eng. 1** 1.0L 57 L-HEAD L2, 3" Bore

CYL. HEAD & PARTS

QTY	VALVE	PART NO.	SIZE	DESCRIPTION
2	Intake	FP-V429		1.4840" Head Dia., .3100" Stem Dia., 3.9260" O.A.L.
2	Intake	V-429 + Std Only		1.4840" Head Dia., .3100" Stem Dia., 3.9260" O.A.L.; When depleted use FP-V429
2	Exhaust	FP-V428		1.3583" Head Dia., .3100" Stem Dia., 3.9213" O.A.L.
2	Exhaust	V-428 + Std Only		1.3583" Head Dia., .3100" Stem Dia., 3.9213" O.A.L.; When depleted use FP-V428
QTY	VALVE GUIDE	PART NO.	SIZE	DESCRIPTION
4	Guide	VG-930 +		.485" OD; .3120" ID, 2.0940" O.A.L.; When depleted use FP-VG930
4	Guide	FP-VG930		.485" OD; 3/8" Counterbore; .3120" ID, 2.0940" O.A.L.
4	Guide	FP-VG456		.532" OD; .3120" ID, 2.0940" O.A.L.
QTY	VALVE SPRING	PART NO.	SIZE	DESCRIPTION
4	Spring	FP-VS622		1.7650" Free Height
4	Spring	VS-622 +		1.7650" Free Height; When depleted use FP-VS622

CYLINDER COMPONENTS

QTY	CONNECTING RODS & BRGS.	PART NO.	SIZE	DESCRIPTION
2	Rod Pair	FP-1450SB	Std-10-20-30	
2	Rod Pair	1450SB + Std-10-20-30		When depleted use FP-1450SB

Multi-Purpose Engines **ZXB, ZXB3 Eng. 2** 1.1L 65 L-HEAD L4, 2.625" Bore

CYLINDER COMPONENTS

QTY	PISTON RINGS	PART NO.	SIZE	DESCRIPTION
1	Premium Set	FP-5098KX	Std-20-30	Check piston grooving before supplying ring set; 2-3/32, 1-3/16
1	Premium Set	5098KX + Std-20-30		Check piston grooving before supplying ring set; 2-3/32, 1-3/16; When depleted use FP-5098KX
1	Standard Set	FP-5098X	Std-20-30-40-60	Check piston grooving before supplying ring set; 2-3/32, 1-3/16
1	Standard Set	5098X + Std-20-30-40-60		Check piston grooving before supplying ring set; 2-3/32, 1-3/16; When depleted use FP-5098X

(continued on next page)

Hercules

2 Multi-Purpose Engines ZXB, ZXB3 Engs. (cont.) 1.1L 65 L-HEAD L4, 2.625" Bore

CYLINDER COMPONENTS (cont.)

QTY	PISTON RINGS (cont.)	PART NO.	SIZE	DESCRIPTION
4	Standard Single Cylinder Set	W-5098X	Std-20-30-40	Check piston grooving before supplying ring set; 2-3/32, 1-3/16

3 Multi-Purpose Engines NXB Eng. 1.1L 66 L-HEAD L2, 3.25" Bore

CYL. HEAD & PARTS

QTY	VALVE	PART NO.	SIZE	DESCRIPTION
2	Intake	FP-V429		1.4840" Head Dia., .3100" Stem Dia., 3.9260" O.A.L.
2	Intake	V-429 + Std Only		1.4840" Head Dia., .3100" Stem Dia., 3.9260" O.A.L.; When depleted use FP-V429
2	Exhaust	FP-V428		1.3583" Head Dia., .3100" Stem Dia., 3.9213" O.A.L.
2	Exhaust	V-428 + Std Only		1.3583" Head Dia., .3100" Stem Dia., 3.9213" O.A.L.; When depleted use FP-V428

QTY	VALVE GUIDE	PART NO.	SIZE	DESCRIPTION
4	Guide	VG-930 +		.485" OD; .3120" ID, 2.0940" O.A.L.; When depleted use FP-VG930
4	Guide	FP-VG930		.485" OD; 3/8" Counterbore; .3120" ID, 2.0940" O.A.L.
4	Guide	FP-VG456		.532" OD; .3120" ID, 2.0940" O.A.L.

QTY	VALVE SPRING	PART NO.	SIZE	DESCRIPTION
4	Spring	FP-VS622		1.7650" Free Height
4	Spring	VS-622 +		1.7650" Free Height; When depleted use FP-VS622

CYLINDER COMPONENTS

QTY	CONNECTING RODS & BRGS.	PART NO.	SIZE	DESCRIPTION
4	Rod Pair	FP-1450SB	Std-10-20-30	
4	Rod Pair	1450SB +	Std-10-20-30	When depleted use FP-1450SB

4 Multi-Purpose Engines IX, IX3, IX5 Engs. 1.3L 79 L-HEAD L4, 2.5" Bore

CYLINDER COMPONENTS

QTY	CONNECTING RODS & BRGS.	PART NO.	SIZE	DESCRIPTION
4	Rod Pair	FP-1450SB	Std-10-20-30	
4	Rod Pair	1450SB +	Std-10-20-30	When depleted use FP-1450SB

5 Multi-Purpose Engines IXF3, IXF5 Engs. 1.6L 95 L-HEAD L4, 2.75" Bore

CYLINDER COMPONENTS

QTY	CONNECTING RODS & BRGS.	PART NO.	SIZE	DESCRIPTION
4	Rod Pair	FP-1450SB	Std-10-20-30	
4	Rod Pair	1450SB +	Std-10-20-30	When depleted use FP-1450SB

6 Multi-Purpose Engines IXA, IXA3, IXA5, IXAC, IXAC5 Engs. 1.9L 113 L-HEAD L4, 3" Bore

CYL. HEAD & PARTS

QTY	VALVE	PART NO.	SIZE	DESCRIPTION
4	Intake	FP-V429		1.4840" Head Dia., .3100" Stem Dia., 3.9260" O.A.L.
4	Intake	V-429 + Std Only		1.4840" Head Dia., .3100" Stem Dia., 3.9260" O.A.L.; When depleted use FP-V429
8	Exhaust	FP-V428		1.3583" Head Dia., .3100" Stem Dia., 3.9213" O.A.L.
8	Exhaust	V-428 + Std Only		1.3583" Head Dia., .3100" Stem Dia., 3.9213" O.A.L.; When depleted use FP-V428

QTY	VALVE GUIDE	PART NO.	SIZE	DESCRIPTION
8	Guide	VG-930 +		.485" OD; .3120" ID, 2.0940" O.A.L.; When depleted use FP-VG930
8	Guide	FP-VG930		.485" OD; 3/8" Counterbore; .3120" ID, 2.0940" O.A.L.
8	Guide	FP-VG456		.532" OD; .3120" ID, 2.0940" O.A.L.

QTY	VALVE SPRING	PART NO.	SIZE	DESCRIPTION
8	Spring	FP-VS622		1.7650" Free Height

(continued on next page)

<i>Multi-Purpose Engines IXA, IXA3, IXA5, IXAC, IXAC5 Engs. 6</i> 1.9L 113 L-HEAD L4, 3" Bore (cont.)				
CYL. HEAD & PARTS (cont.)				
QTY	VALVE SPRING (cont.)	PART NO.	SIZE	DESCRIPTION
8	Spring	VS-622 +		1.7650" Free Height; When depleted use FP-VS622
CYLINDER COMPONENTS				
QTY	CONNECTING RODS & BRGS.	PART NO.	SIZE	DESCRIPTION
4	Rod Pair	FP-1450SB	Std-10-20-30	
4	Rod Pair	1450SB +	Std-10-20-30	When depleted use FP-1450SB
<i>Multi-Purpose Engines IXK, IXK3, IXK5 Engs. 7</i> 2.0L 123 L-HEAD L4, 3.125" Bore				
CYL. HEAD & PARTS				
QTY	VALVE	PART NO.	SIZE	DESCRIPTION
4	Intake	FP-V429		1.4840" Head Dia., .3100" Stem Dia., 3.9260" O.A.L.
4	Intake	V-429 +	Std Only	1.4840" Head Dia., .3100" Stem Dia., 3.9260" O.A.L.; When depleted use FP-V429
8	Exhaust	FP-V428		1.3583" Head Dia., .3100" Stem Dia., 3.9213" O.A.L.
8	Exhaust	V-428 +	Std Only	1.3583" Head Dia., .3100" Stem Dia., 3.9213" O.A.L.; When depleted use FP-V428
QTY	VALVE GUIDE	PART NO.	SIZE	DESCRIPTION
8	Guide	VG-930 +		.485" OD; .3120" ID, 2.0940" O.A.L.; When depleted use FP-VG930
8	Guide	FP-VG930		.485" OD; 3/8" Counterbore; .3120" ID, 2.0940" O.A.L.
8	Guide	FP-VG456		.532" OD; .3120" ID, 2.0940" O.A.L.
QTY	VALVE SPRING	PART NO.	SIZE	DESCRIPTION
8	Spring	FP-VS622		1.7650" Free Height
8	Spring	VS-622 +		1.7650" Free Height; When depleted use FP-VS622
CYLINDER COMPONENTS				
QTY	CONNECTING RODS & BRGS.	PART NO.	SIZE	DESCRIPTION
4	Rod Pair	FP-1450SB	Std-10-20-30	
4	Rod Pair	1450SB +	Std-10-20-30	When depleted use FP-1450SB
<i>Multi-Purpose Engines GO130 Eng. 8</i> 2.1L 130 OHV L3, 3.5" Bore				
CYL. HEAD & PARTS				
QTY	VALVE	PART NO.	SIZE	DESCRIPTION
3	Exhaust	FP-V1460		1.5000" Head Dia., .3730" Stem Dia., 5.3660" O.A.L.
3	Exhaust	V-1460 +	Std Only	1.5000" Head Dia., .3730" Stem Dia., 5.3660" O.A.L.; When depleted use FP-V1460
12	Keeper	VK-138		1 groove; Square cut key groove
12	Keeper	VK-138R		1 groove; Square cut key groove; Hardened
12	Keeper, Bulk	VK-138B		1 groove; Square cut key groove; Carton of 1000
QTY	VALVE SEAT	PART NO.	SIZE	DESCRIPTION
3	Exh.	245-1625-4	Std Only	1.6305" OD, 1.3120" ID, .2175" Depth
QTY	VALVE GUIDE	PART NO.	SIZE	DESCRIPTION
3	Guide	FP-VG552		Exh.; .3755" ID, 2.9400" O.A.L.
3	Guide	VG-552 +		Exh.; .3755" ID, 2.9400" O.A.L.; When depleted use FP-VG552
3	Guide	FP-VG553		Int.; .3745" ID, 2.9370" O.A.L.
3	Guide	VG-553 +		Int.; .3745" ID, 2.9370" O.A.L.; When depleted use FP-VG553
CYLINDER COMPONENTS				
QTY	CONNECTING RODS & BRGS.	PART NO.	SIZE	DESCRIPTION
3	Rod Pair	FP-1420CP	Std-10-20-30-40	w/1.9870-1.9880" std. shaft size
3	Rod Pair	1420CP +	Std-10-20-30	w/1.9870-1.9880" std. shaft size; When depleted use FP-1420CP
3	Rod Pair	3160CP	Std-10	w/2.3730-2.3740" std. shaft size

Hercules

9 Multi-Purpose Engines DD130 Eng. 2.1L 130 OHV Diesel L3, 3.5" Bore

CYL. HEAD & PARTS

QTY	VALVE	PART NO.	SIZE	DESCRIPTION
3	Exhaust	FP-V1460		1.5000" Head Dia., .3730" Stem Dia., 5.3660" O.A.L.
3	Exhaust	V-1460 +	Std Only	1.5000" Head Dia., .3730" Stem Dia., 5.3660" O.A.L.; When depleted use FP-V1460
12	Keeper	VK-138		1 groove; Square cut key groove
12	Keeper	VK-138R		1 groove; Square cut key groove; Hardened
12	Keeper, Bulk	VK-138B		1 groove; Square cut key groove; Carton of 1000
QTY	VALVE SEAT	PART NO.	SIZE	DESCRIPTION
3	Exh.	245-1625-4		1.6305" OD, 1.3120" ID, .2175" Depth
				Std Only
QTY	VALVE GUIDE	PART NO.	SIZE	DESCRIPTION
3	Guide	FP-VG552		Exh.; .3755" ID, 2.9400" O.A.L.
3	Guide	VG-552 +		Exh.; .3755" ID, 2.9400" O.A.L.; When depleted use FP-VG552
3	Guide	FP-VG553		Int.; .3745" ID, 2.9370" O.A.L.
3	Guide	VG-553 +		Int.; .3745" ID, 2.9370" O.A.L.; When depleted use FP-VG553

CYLINDER COMPONENTS

QTY	CONNECTING RODS & BRGS.	PART NO.	SIZE	DESCRIPTION
3	Rod Pair	FP-1420CP		w/1.9870-1.9880" std. shaft size
3	Rod Pair	1420CP +		w/1.9870-1.9880" std. shaft size; When depleted use FP-1420CP
				Std-10-20-30
3	Rod Pair	3160CP		w/2.3730-2.3740" std. shaft size
				Std-10

10 Multi-Purpose Engines IXB, IXB3, IXB5, IXBC, IXBC5 Eng. 2.2L 133 L-HEAD L4, 3.25" Bore

CYL. HEAD & PARTS

QTY	VALVE	PART NO.	SIZE	DESCRIPTION
4	Intake	FP-V429		1.4840" Head Dia., .3100" Stem Dia., 3.9260" O.A.L.
4	Intake	V-429 +		1.4840" Head Dia., .3100" Stem Dia., 3.9260" O.A.L.; When depleted use FP-V429
				Std Only
8	Exhaust	FP-V428		1.3583" Head Dia., .3100" Stem Dia., 3.9213" O.A.L.
8	Exhaust	V-428 +		1.3583" Head Dia., .3100" Stem Dia., 3.9213" O.A.L.; When depleted use FP-V428
				Std Only
QTY	VALVE GUIDE	PART NO.	SIZE	DESCRIPTION
8	Guide	VG-930 +		.485" OD; .3120" ID, 2.0940" O.A.L.; When depleted use FP-VG930
8	Guide	FP-VG930		.485" OD; 3/8" Counterbore; .3120" ID, 2.0940" O.A.L.
8	Guide	FP-VG456		.532" OD; .3120" ID, 2.0940" O.A.L.
QTY	VALVE SPRING	PART NO.	SIZE	DESCRIPTION
8	Spring	FP-VS622		1.7650" Free Height
8	Spring	VS-622 +		1.7650" Free Height; When depleted use FP-VS622

CYLINDER COMPONENTS

QTY	CONNECTING RODS & BRGS.	PART NO.	SIZE	DESCRIPTION
4	Rod Pair	FP-1450SB		W/1.7470-1.7480" standard shaft size
4	Rod Pair	1450SB +		W/1.7470-1.7480" standard shaft size; When depleted use FP-1450SB
				Std-10-20-30
4	Rod Pair	FP-2425CP		W/1.8090-1.8100" standard shaft size
4	Rod Pair	2425CP +		W/1.8090-1.8100" standard shaft size; When depleted use FP-2425CP
				Std-10-20-30
QTY	PISTON RINGS	PART NO.	SIZE	DESCRIPTION
1	Standard Set	FP-617X		2-1/8, 1-3/16
1	Standard Set	617X +		2-1/8, 1-3/16; When depleted use FP-617X
				Std Only

11 Multi-Purpose Engines G1400 Eng. 2.3L 141 OHV L4, 3.25" Bore

CYLINDER COMPONENTS

QTY	CONNECTING RODS & BRGS.	PART NO.	SIZE	DESCRIPTION
4	Rod Pair	FP-1450SB		
4	Rod Pair	1450SB +		When depleted use FP-1450SB
				Std-10-20-30

Multi-Purpose Engines G1500, GO149 Eng. 12 2.4L 149 OHV L3, 3.75" Bore

CYL. HEAD & PARTS

QTY	VALVE	PART NO.	SIZE	DESCRIPTION
3	Exhaust	FP-V1460		1.5000" Head Dia., .3730" Stem Dia., 5.3660" O.A.L.
3	Exhaust	V-1460 +	Std Only	1.5000" Head Dia., .3730" Stem Dia., 5.3660" O.A.L.; When depleted use FP-V1460
12	Keeper	VK-138		1 groove; Square cut key groove
12	Keeper	VK-138R		1 groove; Square cut key groove; Hardened
12	Keeper, Bulk	VK-138B		1 groove; Square cut key groove; Carton of 1000
QTY	VALVE SEAT	PART NO.	SIZE	DESCRIPTION
3	Exh.	245-1625-4		1.6305" OD, 1.3120" ID, .2175" Depth
				Std Only
QTY	VALVE GUIDE	PART NO.	SIZE	DESCRIPTION
3	Guide	FP-VG552		Exh.; .3755" ID, 2.9400" O.A.L.
3	Guide	VG-552 +		Exh.; .3755" ID, 2.9400" O.A.L.; When depleted use FP-VG552
3	Guide	FP-VG553		Int.; .3745" ID, 2.9370" O.A.L.
3	Guide	VG-553 +		Int.; .3745" ID, 2.9370" O.A.L.; When depleted use FP-VG553

CYLINDER COMPONENTS

QTY	CONNECTING RODS & BRGS.	PART NO.	SIZE	DESCRIPTION
3	Rod Pair	FP-1420CP		w/1.9870-1.9880" std. shaft size
3	Rod Pair	1420CP +	Std-10-20-	w/1.9870-1.9880" std. shaft size; When depleted use FP-1420CP
			30	
3	Rod Pair	3160CP	Std-10	w/2.3730-2.3740" std. shaft size
				Std-10
QTY	PISTON RINGS	PART NO.	SIZE	DESCRIPTION
3	Premium Set	FP-5648KX		GO-149 Eng.; 1-3/32, 1-1/8, 2-3/16 (1 cyl. set)
3	Premium Set	5648KX +	Std Only	GO-149 Eng.; 1-3/32, 1-1/8, 2-3/16 (1 cyl. set); When depleted use FP-5648KX

Multi-Purpose Engines D1500, DD149 Eng. 13 2.4L 149 OHV Diesel L3, 3.75" Bore

CYL. HEAD & PARTS

QTY	VALVE	PART NO.	SIZE	DESCRIPTION
3	Exhaust	FP-V1460		1.5000" Head Dia., .3730" Stem Dia., 5.3660" O.A.L.
3	Exhaust	V-1460 +	Std Only	1.5000" Head Dia., .3730" Stem Dia., 5.3660" O.A.L.; When depleted use FP-V1460
12	Keeper	VK-138		1 groove; Square cut key groove
12	Keeper	VK-138R		1 groove; Square cut key groove; Hardened
12	Keeper, Bulk	VK-138B		1 groove; Square cut key groove; Carton of 1000
QTY	VALVE SEAT	PART NO.	SIZE	DESCRIPTION
3	Exh.	245-1625-4		1.6305" OD, 1.3120" ID, .2175" Depth
				Std Only
QTY	VALVE GUIDE	PART NO.	SIZE	DESCRIPTION
3	Guide	FP-VG552		Exh.; .3755" ID, 2.9400" O.A.L.
3	Guide	VG-552 +		Exh.; .3755" ID, 2.9400" O.A.L.; When depleted use FP-VG552
3	Guide	FP-VG553		Int.; .3745" ID, 2.9370" O.A.L.
3	Guide	VG-553 +		Int.; .3745" ID, 2.9370" O.A.L.; When depleted use FP-VG553

CYLINDER COMPONENTS

QTY	CONNECTING RODS & BRGS.	PART NO.	SIZE	DESCRIPTION
3	Rod Pair	FP-1420CP		w/1.9870-1.9880" std. shaft size
3	Rod Pair	1420CP +	Std-10-20-	w/1.9870-1.9880" std. shaft size; When depleted use FP-1420CP
			30	
3	Rod Pair	3160CP	Std-10	w/2.3730-2.3740" std. shaft size
				Std-10

Multi-Purpose Engines G1600, JX4LD3 Eng. 14 2.7L 163 OHV L4, 4" Bore

CYL. HEAD & PARTS

QTY	VALVE	PART NO.	SIZE	DESCRIPTION
4	Intake	FP-V318		1.6930" Head Dia., .3725" Stem Dia., 5.1150" O.A.L.
4	Intake	V-318 +	Std Only	1.6930" Head Dia., .3725" Stem Dia., 5.1150" O.A.L.; When depleted use FP-V318
QTY	VALVE GUIDE	PART NO.	SIZE	DESCRIPTION
8	Guide	FP-VG414		.3745" ID, 2.3600" O.A.L.
8	Guide	VG-414 +		.3745" ID, 2.3600" O.A.L.; When depleted use FP-VG414

(continued on next page)

Hercules

14 Multi-Purpose Engines G1600, JX4LD3 Engs. (cont.) 2.7L 163 OHV L4, 4" Bore

ENGINE BLOCK & PARTS				
QTY	CAM BEARINGS	PART NO.	SIZE	DESCRIPTION
1	Cam Set	FP-1090M	Std Only	
1	Cam Set	1090M +	Std Only	When depleted use FP-1090M
CYLINDER COMPONENTS				
QTY	CONNECTING RODS & BRGS.	PART NO.	SIZE	DESCRIPTION
4	Rod Pair	FP-1420CP	Std-10-20-30-40	w/1.9870-1.9880" std. shaft size
4	Rod Pair	1420CP +	Std-10-20-30	w/1.9870-1.9880" std. shaft size; When depleted use FP-1420CP
QTY	PISTON RINGS	PART NO.	SIZE	DESCRIPTION
1	Premium Set	E-381K	Std-20-30-40	G1600 Engs.; 2-5/64, 1-3/16
1	Premium Set	FP-5647KX	Std Only	JX4L-D3 Engs.; For Piston w/1 1/2" Dia. free floating pin; 1-3/32, 1-1/8, 2-3/16 (1 cyl. set)
1	Premium Set	5647KX +	Std Only	JX4L-D3 Engs.; For Piston w/1 1/2" Dia. free floating pin; 1-3/32, 1-1/8, 2-3/16 (1 cyl. set); When depleted use FP-5647KX
1	Premium Set	FP-920KX	Std Only	JX4L-D3 Engs.; For Piston w/1" dia. floating pin; 3-1/8, 1-3/16
1	Premium Set	920KX +	Std Only	JX4L-D3 Engs.; For Piston w/1" dia. floating pin; 3-1/8, 1-3/16; When depleted use FP-920KX
1	Standard Set	E-381X	Std-20-30-40-60	G1600 Engs.; 2-5/64, 1-3/16
1	Standard Set	FP-920X	Std Only	JX4L-D3 Engs.; For Piston w/1" dia. floating pin; 3-1/8, 1-3/16
1	Standard Set	920X +	Std Only	JX4L-D3 Engs.; For Piston w/1" dia. floating pin; 3-1/8, 1-3/16; When depleted use FP-920X
4	Premium Single Cylinder Set	WE-381K	Std-20-30	G1600 Engs.; 2-5/64, 1-3/16
4	Premium Single Cylinder Set	W-920KX	Std Only	JX4L-D3 Engs.; For Piston w/1" dia. floating pin; 3-1/8, 1-3/16
4	Standard Single Cylinder Set	WE-381X	Std-20-30-40	G1600 Engs.; 2-5/64, 1-3/16
4	Standard Single Cylinder Set	W-920X	Std Only	JX4L-D3 Engs.; For Piston w/1" dia. floating pin; 3-1/8, 1-3/16

15 Multi-Purpose Engines JX4E2, JX4E3, JX4E5 Engs. 2.7L 164 L-HEAD L4, 3.5" Bore

CYL. HEAD & PARTS				
QTY	VALVE	PART NO.	SIZE	DESCRIPTION
4	Intake	FP-V318		1.6930" Head Dia., .3725" Stem Dia., 5.1150" O.A.L.
4	Intake	V-318 +	Std Only	1.6930" Head Dia., .3725" Stem Dia., 5.1150" O.A.L.; When depleted use FP-V318
QTY	VALVE GUIDE	PART NO.	SIZE	DESCRIPTION
8	Guide	FP-VG414		.3745" ID, 2.3600" O.A.L.
8	Guide	VG-414 +		.3745" ID, 2.3600" O.A.L.; When depleted use FP-VG414
ENGINE BLOCK & PARTS				
QTY	CAM BEARINGS	PART NO.	SIZE	DESCRIPTION
1	Cam Set	FP-1090M	Std Only	
1	Cam Set	1090M +	Std Only	When depleted use FP-1090M
CYLINDER COMPONENTS				
QTY	PISTONS	PART NO.	SIZE	DESCRIPTION
4	Pin Bushing	FP-1424X		Drilled rod type bushing
4	Pin Bushing	1424X +		Drilled rod type bushing; When depleted use FP-1424X
QTY	CONNECTING RODS & BRGS.	PART NO.	SIZE	DESCRIPTION
4	Rod Pair	FP-1420CP	Std-10-20-30-40	w/1.9870-1.9880" std. shaft size
4	Rod Pair	1420CP +	Std-10-20-30	w/1.9870-1.9880" std. shaft size; When depleted use FP-1420CP
QTY	PISTON RINGS	PART NO.	SIZE	DESCRIPTION
1	Premium Set	FP-934KX	Std-20-30-60	3-1/8, 1-3/16
1	Premium Set	934KX +	Std-20-30-60	3-1/8, 1-3/16; When depleted use FP-934KX
1	Standard Set	FP-934X	Std Only	3-1/8, 1-3/16
1	Standard Set	934X +	Std Only	3-1/8, 1-3/16; When depleted use FP-934X
4	Premium Single Cylinder Set	W-934KX	Std Only	3-1/8, 1-3/16
4	Standard Single Cylinder Set	W-934X	Std Only	3-1/8, 1-3/16

16 Multi-Purpose Engines G1700, GO169 Engs. 2.8L 169 OHV L3, 4" Bore

CYL. HEAD & PARTS				
QTY	VALVE	PART NO.	SIZE	DESCRIPTION
3	Exhaust	FP-V1460		1.5000" Head Dia., .3730" Stem Dia., 5.3660" O.A.L.

(continued on next page)

+ Superseded Part Number

Multi-Purpose Engines G1700, GO169 Eng. 16 2.8L 169 OHV L3, 4" Bore (cont.)

CYL. HEAD & PARTS (cont.)

QTY	VALVE (cont.)	PART NO.	SIZE	DESCRIPTION
3	Exhaust	V-1460 +	Std Only	1.5000" Head Dia., .3730" Stem Dia., 5.3660" O.A.L.; When depleted use FP-V1460
12	Keeper	VK-138		1 groove; Square cut key groove
12	Keeper	VK-138R		1 groove; Square cut key groove; Hardened
12	Keeper, Bulk	VK-138B		1 groove; Square cut key groove; Carton of 1000
QTY	VALVE SEAT	PART NO.	SIZE	DESCRIPTION
3	Exh.	245-1625-4	Std Only	1.6305" OD, 1.3120" ID, .2175" Depth
QTY	VALVE GUIDE	PART NO.	SIZE	DESCRIPTION
3	Guide	FP-VG552		Exh.; .3755" ID, 2.9400" O.A.L.
3	Guide	VG-552 +		Exh.; .3755" ID, 2.9400" O.A.L.; When depleted use FP-VG552
3	Guide	FP-VG553		Int.; .3745" ID, 2.9370" O.A.L.
3	Guide	VG-553 +		Int.; .3745" ID, 2.9370" O.A.L.; When depleted use FP-VG553
CYLINDER COMPONENTS				
QTY	CONNECTING RODS & BRGS.	PART NO.	SIZE	DESCRIPTION
3	Rod Pair	FP-1420CP	Std-10-20-30-40	w/1.9870-1.9880" std. shaft size
3	Rod Pair	1420CP +	Std-10-20-30	w/1.9870-1.9880" std. shaft size; When depleted use FP-1420CP
3	Rod Pair	3160CP	Std-10	w/2.3730-2.3740" std. shaft size
QTY	PISTON RINGS	PART NO.	SIZE	DESCRIPTION
3	Premium Set	FP-5647KX	Std Only	1-3/32, 1-1/8, 2-3/16 (1 cyl. set)
3	Premium Set	5647KX +	Std Only	1-3/32, 1-1/8, 2-3/16 (1 cyl. set); When depleted use FP-5647KX

Multi-Purpose Engines D1700, DD169 Eng. 17 2.8L 169 OHV Diesel L3, 4" Bore

CYL. HEAD & PARTS

QTY	VALVE	PART NO.	SIZE	DESCRIPTION
3	Exhaust	FP-V1460		1.5000" Head Dia., .3730" Stem Dia., 5.3660" O.A.L.
3	Exhaust	V-1460 +	Std Only	1.5000" Head Dia., .3730" Stem Dia., 5.3660" O.A.L.; When depleted use FP-V1460
12	Keeper	VK-138		1 groove; Square cut key groove
12	Keeper	VK-138R		1 groove; Square cut key groove; Hardened
12	Keeper, Bulk	VK-138B		1 groove; Square cut key groove; Carton of 1000
QTY	VALVE SEAT	PART NO.	SIZE	DESCRIPTION
3	Exh.	245-1625-4	Std Only	1.6305" OD, 1.3120" ID, .2175" Depth
QTY	VALVE GUIDE	PART NO.	SIZE	DESCRIPTION
3	Guide	FP-VG552		Exh.; .3755" ID, 2.9400" O.A.L.
3	Guide	VG-552 +		Exh.; .3755" ID, 2.9400" O.A.L.; When depleted use FP-VG552
3	Guide	FP-VG553		Int.; .3745" ID, 2.9370" O.A.L.
3	Guide	VG-553 +		Int.; .3745" ID, 2.9370" O.A.L.; When depleted use FP-VG553
CYLINDER COMPONENTS				
QTY	CONNECTING RODS & BRGS.	PART NO.	SIZE	DESCRIPTION
3	Rod Pair	FP-1420CP	Std-10-20-30-40	w/1.9870-1.9880" std. shaft size
3	Rod Pair	1420CP +	Std-10-20-30	w/1.9870-1.9880" std. shaft size; When depleted use FP-1420CP
3	Rod Pair	3160CP	Std-10	w/2.3730-2.3740" std. shaft size

Multi-Purpose Engines GO173 Eng. 18 2.8L 173 OHV L4, 3.5" Bore

CYL. HEAD & PARTS

QTY	VALVE	PART NO.	SIZE	DESCRIPTION
4	Exhaust	FP-V1460		1.5000" Head Dia., .3730" Stem Dia., 5.3660" O.A.L.
4	Exhaust	V-1460 +	Std Only	1.5000" Head Dia., .3730" Stem Dia., 5.3660" O.A.L.; When depleted use FP-V1460
16	Keeper	VK-138		1 groove; Square cut key groove
16	Keeper	VK-138R		1 groove; Square cut key groove; Hardened
16	Keeper, Bulk	VK-138B		1 groove; Square cut key groove; Carton of 1000
QTY	VALVE SEAT	PART NO.	SIZE	DESCRIPTION
4	Exh.	245-1625-4	Std Only	1.6305" OD, 1.3120" ID, .2175" Depth
QTY	VALVE GUIDE	PART NO.	SIZE	DESCRIPTION
4	Guide	FP-VG552		Exh.; .3755" ID, 2.9400" O.A.L.
4	Guide	VG-552 +		Exh.; .3755" ID, 2.9400" O.A.L.; When depleted use FP-VG552

(continued on next page)
+ Superseded Part Number

Hercules

18 Multi-Purpose Engines GO173 Eng. (cont.) 2.8L 173 OHV L4, 3.5" Bore

CYL. HEAD & PARTS (cont.)				
QTY	VALVE GUIDE (cont.)	PART NO.	SIZE	DESCRIPTION
4	Guide	FP-VG553		Int.; .3745" ID, 2.9370" O.A.L.
4	Guide	VG-553 +		Int.; .3745" ID, 2.9370" O.A.L.; When depleted use FP-VG553
ENGINE BLOCK & PARTS				
QTY	CAM BEARINGS	PART NO.	SIZE	DESCRIPTION
1	Cam Set	FP-1226M	Std Only	W/1.057" length on No. 1 & 4 positions
1	Cam Set	1226M +	Std Only	W/1.057" length on No. 1 & 4 positions; When depleted use FP-1226M
1	Cam Set	FP-1090M	Std Only	W/1.125" length on No. 1 & 4 positions
1	Cam Set	1090M +	Std Only	W/1.125" length on No. 1 & 4 positions; When depleted use FP-1090M
CYLINDER COMPONENTS				
QTY	PISTONS	PART NO.	SIZE	DESCRIPTION
4	Pin Bushing	FP-1424X		Drilled rod type bushing
4	Pin Bushing	1424X +		Drilled rod type bushing; When depleted use FP-1424X
QTY	CONNECTING RODS & BRGS.	PART NO.	SIZE	DESCRIPTION
4	Rod Pair	FP-1420CP	Std-10-20-30-40	w/1.9870-1.9880" std. shaft size
4	Rod Pair	1420CP +	Std-10-20-30	w/1.9870-1.9880" std. shaft size; When depleted use FP-1420CP

19 Multi-Purpose Engines DD173 Eng. 2.8L 173 OHV Diesel L4, 3.5" Bore

CYL. HEAD & PARTS				
QTY	VALVE	PART NO.	SIZE	DESCRIPTION
4	Exhaust	FP-V1460		1.5000" Head Dia., .3730" Stem Dia., 5.3660" O.A.L.
4	Exhaust	V-1460 +	Std Only	1.5000" Head Dia., .3730" Stem Dia., 5.3660" O.A.L.; When depleted use FP-V1460
16	Keeper	VK-138		1 groove; Square cut key groove
16	Keeper	VK-138R		1 groove; Square cut key groove; Hardened
16	Keeper, Bulk	VK-138B		1 groove; Square cut key groove; Carton of 1000
QTY	VALVE SEAT	PART NO.	SIZE	DESCRIPTION
4	Exh.	245-1625-4	Std Only	1.6305" OD, 1.3120" ID, .2175" Depth
QTY	VALVE GUIDE	PART NO.	SIZE	DESCRIPTION
4	Guide	FP-VG552		Exh.; .3755" ID, 2.9400" O.A.L.
4	Guide	VG-552 +		Exh.; .3755" ID, 2.9400" O.A.L.; When depleted use FP-VG552
4	Guide	FP-VG553		Int.; .3745" ID, 2.9370" O.A.L.
4	Guide	VG-553 +		Int.; .3745" ID, 2.9370" O.A.L.; When depleted use FP-VG553
ENGINE BLOCK & PARTS				
QTY	CAM BEARINGS	PART NO.	SIZE	DESCRIPTION
1	Cam Set	FP-1226M	Std Only	W/1.057" length on No. 1 & 4 positions
1	Cam Set	1226M +	Std Only	W/1.057" length on No. 1 & 4 positions; When depleted use FP-1226M
1	Cam Set	FP-1090M	Std Only	W/1.125" length on No. 1 & 4 positions
1	Cam Set	1090M +	Std Only	W/1.125" length on No. 1 & 4 positions; When depleted use FP-1090M
CYLINDER COMPONENTS				
QTY	PISTONS	PART NO.	SIZE	DESCRIPTION
4	Pin Bushing	FP-1424X		Drilled rod type bushing
4	Pin Bushing	1424X +		Drilled rod type bushing; When depleted use FP-1424X
QTY	CONNECTING RODS & BRGS.	PART NO.	SIZE	DESCRIPTION
4	Rod Pair	FP-1420CP	Std-10-20-30-40	w/1.9870-1.9880" std. shaft size
4	Rod Pair	1420CP +	Std-10-20-30	w/1.9870-1.9880" std. shaft size; When depleted use FP-1420CP

20 Multi-Purpose Engines JX4C, JX4C2, JX4C3, JX4C5 Eng. 3.1L 188 L-HEAD L4, 3.75" Bore

CYL. HEAD & PARTS				
QTY	VALVE	PART NO.	SIZE	DESCRIPTION
4	Intake	FP-V318		1.6930" Head Dia., .3725" Stem Dia., 5.1150" O.A.L.

(continued on next page)

Multi-Purpose Engines JX4C, JX4C2, JX4C3, JX4C5 Engs. 20
3.1L 188 L-HEAD L4, 3.75" Bore (cont.)

CYL. HEAD & PARTS (cont.)

QTY	VALVE (cont.)	PART NO.	SIZE	DESCRIPTION
4	Intake	V-318 +	Std Only	1.6930" Head Dia., .3725" Stem Dia., 5.1150" O.A.L.; When depleted use FP-V318
8	Guide	FP-VG414		.3745" ID, 2.3600" O.A.L.
8	Guide	VG-414 +		.3745" ID, 2.3600" O.A.L.; When depleted use FP-VG414

ENGINE BLOCK & PARTS

QTY	CAM BEARINGS	PART NO.	SIZE	DESCRIPTION
1	Cam Set	FP-1090M	Std Only	
1	Cam Set	1090M +	Std Only	When depleted use FP-1090M

CYLINDER COMPONENTS

QTY	PISTONS	PART NO.	SIZE	DESCRIPTION
4	Pin Bushing	FP-1424X		Drilled rod type bushing
4	Pin Bushing	1424X +		Drilled rod type bushing; When depleted use FP-1424X
4	CONNECTING RODS & BRGS.	FP-1420CP	Std-10-20-30-40	w/1.9870-1.9880" std. shaft size
4	Rod Pair	1420CP +	Std-10-20-30	w/1.9870-1.9880" std. shaft size; When depleted use FP-1420CP

Multi-Purpose Engines QXA, QXA3, QXA5 Engs. 21
3.1L 191 L-HEAD L6, 3.125" Bore

CYL. HEAD & PARTS

QTY	VALVE	PART NO.	SIZE	DESCRIPTION
12	Exhaust	FP-V748		Exh. & Int.; 1.4380" Head Dia., .3100" Stem Dia., 4.3320" O.A.L.
12	Exhaust	V-748 +	Std Only	Exh. & Int.; 1.4380" Head Dia., .3100" Stem Dia., 4.3320" O.A.L.; When depleted use FP-V748
24	Keeper	FP-VK123		
24	Keeper	VK-123 +		When depleted use FP-VK123
12	VALVE GUIDE	FP-VG456		.532" OD; .3120" ID, 2.0940" O.A.L.
12	VALVE SPRING	FP-VS286		2.0620" Free Height
12	Spring	VS-286 +		2.0620" Free Height; When depleted use FP-VS286

ENGINE BLOCK & PARTS

QTY	CAM BEARINGS	PART NO.	SIZE	DESCRIPTION
1	Cam Set	FP-1142M	Std Only	
1	Cam Set	1142M +	Std Only	When depleted use FP-1142M

CRANKSHAFT/OIL PUMP

QTY	MAIN BEARINGS	PART NO.	SIZE	DESCRIPTION
1	Plain Main Brg.	FP-2241CP10	10	Position 1
1	Plain Main Brg.	FP-2241CP20	20	Position 1
1	Plain Main Brg.	FP-2241CP30	30	Position 1
4	Plain Main Brg.	FP-2243CP10	10	Position 2-3-5-6
4	Plain Main Brg.	FP-2243CP20	20	Position 2-3-5-6
4	Plain Main Brg.	FP-2243CP30	30	Position 2-3-5-6
1	Plain Main Brg.	FP-2244CP10	10	Position 4
1	Plain Main Brg.	FP-2244CP20	20	Position 4
1	Plain Main Brg.	FP-2244CP30	30	Position 4
1	Plain Main Brg.	FP-9624CPA10	10	Position 7
1	Plain Main Brg.	FP-9624CPA20	20	Position 7
1	Plain Main Brg.	FP-9624CPA30	30	Position 7

CYLINDER COMPONENTS

QTY	CONNECTING RODS & BRGS.	PART NO.	SIZE	DESCRIPTION
6	Rod Pair	FP-9620CPA	Std-10-20-30	
6	Rod Pair	9620CPA +	Std-10-20-30	When depleted use FP-9620CPA

Hercules

22 Multi-Purpose Engines G2000, GO198, OOB Engs. 3.2L 198 OHV L4, 3.75" Bore

CYL. HEAD & PARTS				
QTY	VALVE	PART NO.	SIZE	DESCRIPTION
4	Exhaust	FP-V1460		1.5000" Head Dia., .3730" Stem Dia., 5.3660" O.A.L.
4	Exhaust	V-1460 +	Std Only	1.5000" Head Dia., .3730" Stem Dia., 5.3660" O.A.L.; When depleted use FP-V1460
16	Keeper	VK-138		1 groove; Square cut key groove
16	Keeper	VK-138R		1 groove; Square cut key groove; Hardened
16	Keeper, Bulk	VK-138B		1 groove; Square cut key groove; Carton of 1000
QTY	VALVE SEAT	PART NO.	SIZE	DESCRIPTION
4	Exh.	245-1625-4		1.6305" OD, 1.3120" ID, .2175" Depth
				Std Only
QTY	VALVE GUIDE	PART NO.	SIZE	DESCRIPTION
4	Guide	FP-VG552		Exh.; .3755" ID, 2.9400" O.A.L.
4	Guide	VG-552 +		Exh.; .3755" ID, 2.9400" O.A.L.; When depleted use FP-VG552
4	Guide	FP-VG553		Int.; .3745" ID, 2.9370" O.A.L.
4	Guide	VG-553 +		Int.; .3745" ID, 2.9370" O.A.L.; When depleted use FP-VG553
ENGINE BLOCK & PARTS				
QTY	CAM BEARINGS	PART NO.	SIZE	DESCRIPTION
1	Cam Set	FP-1226M		W/1.057" length on No. 1 & 4 positions
1	Cam Set	1226M +		W/1.057" length on No. 1 & 4 positions; When depleted use FP-1226M
				Std Only
1	Cam Set	FP-1090M		W/1.125" length on No. 1 & 4 positions
1	Cam Set	1090M +		W/1.125" length on No. 1 & 4 positions; When depleted use FP-1090M
				Std Only
CYLINDER COMPONENTS				
QTY	PISTONS	PART NO.	SIZE	DESCRIPTION
4	Pin Bushing	FP-1424X		Drilled rod type bushing
4	Pin Bushing	1424X +		Drilled rod type bushing; When depleted use FP-1424X
QTY	CONNECTING RODS & BRGS.	PART NO.	SIZE	DESCRIPTION
4	Rod Pair	FP-1420CP		w/1.9870-1.9880" std. shaft size
4	Rod Pair	1420CP +		w/1.9870-1.9880" std. shaft size; When depleted use FP-1420CP
				Std-10-20-
				30
4	Rod Pair	3160CP		w/2.3730-2.3740" std. shaft size
				Std-10
QTY	PISTON RINGS	PART NO.	SIZE	DESCRIPTION
4	Premium Set	FP-5648KX		GO-198 Engs.; 1-3/32, 1-1/8, 2-3/16 (1 cyl. set)
4	Premium Set	5648KX +		GO-198 Engs.; 1-3/32, 1-1/8, 2-3/16 (1 cyl. set); When depleted use FP-5648KX
				Std Only

23 Multi-Purpose Engines D2000, DD198 Engs. 3.2L 198 OHV Diesel L4, 3.75" Bore

CYL. HEAD & PARTS				
QTY	VALVE	PART NO.	SIZE	DESCRIPTION
4	Exhaust	FP-V1460		1.5000" Head Dia., .3730" Stem Dia., 5.3660" O.A.L.
4	Exhaust	V-1460 +		1.5000" Head Dia., .3730" Stem Dia., 5.3660" O.A.L.; When depleted use FP-V1460
				Std Only
16	Keeper	VK-138		1 groove; Square cut key groove
16	Keeper	VK-138R		1 groove; Square cut key groove; Hardened
16	Keeper, Bulk	VK-138B		1 groove; Square cut key groove; Carton of 1000
QTY	VALVE SEAT	PART NO.	SIZE	DESCRIPTION
4	Exh.	245-1625-4		1.6305" OD, 1.3120" ID, .2175" Depth
				Std Only
QTY	VALVE GUIDE	PART NO.	SIZE	DESCRIPTION
4	Guide	FP-VG552		Exh.; .3755" ID, 2.9400" O.A.L.
4	Guide	VG-552 +		Exh.; .3755" ID, 2.9400" O.A.L.; When depleted use FP-VG552
4	Guide	FP-VG553		Int.; .3745" ID, 2.9370" O.A.L.
4	Guide	VG-553 +		Int.; .3745" ID, 2.9370" O.A.L.; When depleted use FP-VG553
ENGINE BLOCK & PARTS				
QTY	CAM BEARINGS	PART NO.	SIZE	DESCRIPTION
1	Cam Set	FP-1226M		W/1.057" length on No. 1 & 4 positions
1	Cam Set	1226M +		W/1.057" length on No. 1 & 4 positions; When depleted use FP-1226M
				Std Only
1	Cam Set	FP-1090M		W/1.125" length on No. 1 & 4 positions
1	Cam Set	1090M +		W/1.125" length on No. 1 & 4 positions; When depleted use FP-1090M
				Std Only

(continued on next page)

Multi-Purpose Engines D2000, DD198 Eng. 23
3.2L 198 OHV Diesel L4, 3.75" Bore (cont.)

CYLINDER COMPONENTS

QTY	CONNECTING RODS & BRGS.	PART NO.	SIZE	DESCRIPTION
4	Rod Pair	FP-1420CP	Std-10-20-30-40	w/1.9870-1.9880" std. shaft size
4	Rod Pair	1420CP +	Std-10-20-30	w/1.9870-1.9880" std. shaft size; When depleted use FP-1420CP
4	Rod Pair	3160CP	Std-10	w/2.3730-2.3740" std. shaft size

Multi-Purpose Engines QXB, QXB2, QXB3, QXB5 Eng. 24
3.4L 205 L-HEAD L6, 3.25" Bore

CYL. HEAD & PARTS

QTY	VALVE	PART NO.	SIZE	DESCRIPTION
12	Exhaust	FP-V748		Exh. & Int.; 1.4380" Head Dia., .3100" Stem Dia., 4.3320" O.A.L.
12	Exhaust	V-748 +	Std Only	Exh. & Int.; 1.4380" Head Dia., .3100" Stem Dia., 4.3320" O.A.L.; When depleted use FP-V748
24	Keeper	FP-VK123		
24	Keeper	VK-123 +		When depleted use FP-VK123
QTY	VALVE GUIDE	PART NO.	SIZE	DESCRIPTION
12	Guide	FP-VG456		.532" OD; .3120" ID, 2.0940" O.A.L.
QTY	VALVE SPRING	PART NO.	SIZE	DESCRIPTION
12	Spring	FP-VS286		2.0620" Free Height
12	Spring	VS-286 +		2.0620" Free Height; When depleted use FP-VS286

ENGINE BLOCK & PARTS

QTY	CAM BEARINGS	PART NO.	SIZE	DESCRIPTION
1	Cam Set	FP-1142M	Std Only	
1	Cam Set	1142M +	Std Only	When depleted use FP-1142M

CRANKSHAFT/OIL PUMP

QTY	MAIN BEARINGS	PART NO.	SIZE	DESCRIPTION
1	Plain Main Brg.	FP-2241CP10	10	Position 1
1	Plain Main Brg.	FP-2241CP20	20	Position 1
1	Plain Main Brg.	FP-2241CP30	30	Position 1
4	Plain Main Brg.	FP-2243CP10	10	Position 2-3-5-6
4	Plain Main Brg.	FP-2243CP20	20	Position 2-3-5-6
4	Plain Main Brg.	FP-2243CP30	30	Position 2-3-5-6
1	Plain Main Brg.	FP-2244CP10	10	Position 4
1	Plain Main Brg.	FP-2244CP20	20	Position 4
1	Plain Main Brg.	FP-2244CP30	30	Position 4
1	Plain Main Brg.	FP-9624CPA10	10	Position 7
1	Plain Main Brg.	FP-9624CPA20	20	Position 7
1	Plain Main Brg.	FP-9624CPA30	30	Position 7

CYLINDER COMPONENTS

QTY	PISTONS	PART NO.	SIZE	DESCRIPTION
6	Pin Bushing	FP-9624X		Full round bushing
6	Pin Bushing	9624X +		Full round bushing; When depleted use FP-9624X
QTY	CONNECTING RODS & BRGS.	PART NO.	SIZE	DESCRIPTION
6	Rod Pair	FP-9620CPA	Std-10-20-30	
6	Rod Pair	9620CPA +	Std-10-20-30	When depleted use FP-9620CPA

Multi-Purpose Engines G2120 Eng. 25
3.5L 212 OHV L4, 3.875" Bore

ENGINE BLOCK & PARTS

QTY	CAM BEARINGS	PART NO.	SIZE	DESCRIPTION
1	Cam Set	FP-1226M	Std Only	
1	Cam Set	1226M +	Std Only	When depleted use FP-1226M

CYLINDER COMPONENTS

QTY	CONNECTING RODS & BRGS.	PART NO.	SIZE	DESCRIPTION
4	Rod Pair	3160CP	Std-10	w/2.3730-2.3740" std. shaft size

Hercules

26 Multi-Purpose Engines JX4D2, JX4D3, JX4D5 Engs. 3.5L 214 L-HEAD L4, 4" Bore

CYL. HEAD & PARTS				
QTY	VALVE	PART NO.	SIZE	DESCRIPTION
4	Intake	FP-V318		1.6930" Head Dia., .3725" Stem Dia., 5.1150" O.A.L.
4	Intake	V-318 +	Std Only	1.6930" Head Dia., .3725" Stem Dia., 5.1150" O.A.L.; When depleted use FP-V318
QTY	VALVE GUIDE	PART NO.	SIZE	DESCRIPTION
8	Guide	FP-VG414		.3745" ID, 2.3600" O.A.L.
8	Guide	VG-414 +		.3745" ID, 2.3600" O.A.L.; When depleted use FP-VG414
ENGINE BLOCK & PARTS				
QTY	CAM BEARINGS	PART NO.	SIZE	DESCRIPTION
1	Cam Set	FP-1090M	Std Only	
1	Cam Set	1090M +	Std Only	When depleted use FP-1090M
CYLINDER COMPONENTS				
QTY	PISTONS	PART NO.	SIZE	DESCRIPTION
4	Pin Bushing	FP-1424X		Drilled rod type bushing
4	Pin Bushing	1424X +		Drilled rod type bushing; When depleted use FP-1424X
QTY	CONNECTING RODS & BRGS.	PART NO.	SIZE	DESCRIPTION
4	Rod Pair	FP-1420CP	Std-10-20-30-40	w/1.9870-1.9880" std. shaft size
4	Rod Pair	1420CP +	Std-10-20-30	w/1.9870-1.9880" std. shaft size; When depleted use FP-1420CP
QTY	PISTON RINGS	PART NO.	SIZE	DESCRIPTION
1	Premium Set	FP-920KX	Std Only	For Alum. replacement piston, w/1" dia. floating pin; Check piston grooving before supplying ring set; 3-1/8, 1-3/16
1	Premium Set	920KX +	Std Only	For Alum. replacement piston, w/1" dia. floating pin; Check piston grooving before supplying ring set; 3-1/8, 1-3/16; When depleted use FP-920KX
4	Premium Set	FP-5647KX	Std Only	For Piston w/1 1/8" Dia. free floating pin; Check piston grooving before supplying ring set; 1-3/32, 1-1/8, 2-3/16 (1 cyl. set)
4	Premium Set	5647KX +	Std Only	For Piston w/1 1/8" Dia. free floating pin; Check piston grooving before supplying ring set; 1-3/32, 1-1/8, 2-3/16 (1 cyl. set); When depleted use FP-5647KX
1	Standard Set	FP-920X	Std Only	For Alum. replacement piston, 1" Dia. floating pin; Check piston grooving before supplying ring set; 3-1/8, 1-3/16
1	Standard Set	920X +	Std Only	For Alum. replacement piston, 1" Dia. floating pin; Check piston grooving before supplying ring set; 3-1/8, 1-3/16; When depleted use FP-920X
4	Premium Single Cylinder Set	W-920KX	Std Only	For Alum. replacement piston, w/1" dia. floating pin; Check piston grooving before supplying ring set; 3-1/8, 1-3/16
4	Standard Single Cylinder Set	W-920X	Std Only	For Alum. replacement piston, 1" Dia. floating pin; Check piston grooving before supplying ring set; 3-1/8, 1-3/16

27 Multi-Purpose Engines QXC, QXC3, QXC5 Engs. 3.6L 222 L-HEAD L6, 3.375" Bore

CYL. HEAD & PARTS				
QTY	VALVE	PART NO.	SIZE	DESCRIPTION
6	Intake	FP-V956		1.6410" Head Dia., .3100" Stem Dia., 4.2940" O.A.L.
6	Intake	V-956 +	Std Only	1.6410" Head Dia., .3100" Stem Dia., 4.2940" O.A.L.; When depleted use FP-V956
6	Exhaust	FP-V748		1.4380" Head Dia., .3100" Stem Dia., 4.3320" O.A.L.
6	Exhaust	V-748 +	Std Only	1.4380" Head Dia., .3100" Stem Dia., 4.3320" O.A.L.; When depleted use FP-V748
24	Keeper	FP-VK123		
24	Keeper	VK-123 +		When depleted use FP-VK123
QTY	VALVE GUIDE	PART NO.	SIZE	DESCRIPTION
12	Guide	FP-VG456		.532" OD; .3120" ID, 2.0940" O.A.L.
QTY	VALVE SPRING	PART NO.	SIZE	DESCRIPTION
12	Spring	FP-VS286		2.0620" Free Height
12	Spring	VS-286 +		2.0620" Free Height; When depleted use FP-VS286
ENGINE BLOCK & PARTS				
QTY	CAM BEARINGS	PART NO.	SIZE	DESCRIPTION
1	Cam Set	FP-1142M	Std Only	
1	Cam Set	1142M +	Std Only	When depleted use FP-1142M

(continued on next page)

Multi-Purpose Engines QXC, QXC3, QXC5 Engs. 27
3.6L 222 L-HEAD L6, 3.375" Bore (cont.)

CRANKSHAFT/OIL PUMP

QTY	MAIN BEARINGS	PART NO.	SIZE	DESCRIPTION
1	Plain Main Brg.	FP-2241CP10	10	Position 1
1	Plain Main Brg.	FP-2241CP20	20	Position 1
1	Plain Main Brg.	FP-2241CP30	30	Position 1
4	Plain Main Brg.	FP-2243CP10	10	Position 2-3-5-6
4	Plain Main Brg.	FP-2243CP20	20	Position 2-3-5-6
4	Plain Main Brg.	FP-2243CP30	30	Position 2-3-5-6
1	Plain Main Brg.	FP-2244CP10	10	Position 4
1	Plain Main Brg.	FP-2244CP20	20	Position 4
1	Plain Main Brg.	FP-2244CP30	30	Position 4
1	Plain Main Brg.	FP-9624CPA10	10	Position 7
1	Plain Main Brg.	FP-9624CPA20	20	Position 7
1	Plain Main Brg.	FP-9624CPA30	30	Position 7

CYLINDER COMPONENTS

QTY	PISTONS	PART NO.	SIZE	DESCRIPTION
6	Pin Bushing	FP-9624X		Full round bushing
6	Pin Bushing	9624X +		Full round bushing; When depleted use FP-9624X

QTY	CONNECTING RODS & BRGS.	PART NO.	SIZE	DESCRIPTION
6	Rod Pair	FP-9620CPA	Std-10-20-30	
6	Rod Pair	9620CPA +	Std-10-20-30	When depleted use FP-9620CPA

Multi-Purpose Engines G2300, GO226, OOC Engs. 28
3.7L 226 OHV L4, 4" Bore

CYL. HEAD & PARTS

QTY	VALVE	PART NO.	SIZE	DESCRIPTION
4	Exhaust	FP-V1460		1.5000" Head Dia., .3730" Stem Dia., 5.3660" O.A.L.
4	Exhaust	V-1460 +	Std Only	1.5000" Head Dia., .3730" Stem Dia., 5.3660" O.A.L.; When depleted use FP-V1460
16	Keeper	VK-138		1 groove; Square cut key groove
16	Keeper	VK-138R		1 groove; Square cut key groove; Hardened
16	Keeper, Bulk	VK-138B		1 groove; Square cut key groove; Carton of 1000

QTY	VALVE SEAT	PART NO.	SIZE	DESCRIPTION
4	Exh.	245-1625-4	Std Only	1.6305" OD, 1.3120" ID, .2175" Depth

QTY	VALVE GUIDE	PART NO.	SIZE	DESCRIPTION
4	Guide	FP-VG552		Exh.; .3755" ID, 2.9400" O.A.L.
4	Guide	VG-552 +		Exh.; .3755" ID, 2.9400" O.A.L.; When depleted use FP-VG552
4	Guide	FP-VG553		Int.; .3745" ID, 2.9370" O.A.L.
4	Guide	VG-553 +		Int.; .3745" ID, 2.9370" O.A.L.; When depleted use FP-VG553

ENGINE BLOCK & PARTS

QTY	CAM BEARINGS	PART NO.	SIZE	DESCRIPTION
1	Cam Set	FP-1090M	Std Only	
1	Cam Set	1090M +	Std Only	When depleted use FP-1090M

CYLINDER COMPONENTS

QTY	PISTONS	PART NO.	SIZE	DESCRIPTION
4	Pin Bushing	FP-1424X		Drilled rod type bushing
4	Pin Bushing	1424X +		Drilled rod type bushing; When depleted use FP-1424X

QTY	CONNECTING RODS & BRGS.	PART NO.	SIZE	DESCRIPTION
4	Rod Pair	FP-1420CP	Std-10-20-30-40	w/1.9870-1.9880" std. shaft size
4	Rod Pair	1420CP +	Std-10-20-30	w/1.9870-1.9880" std. shaft size; When depleted use FP-1420CP
4	Rod Pair	FP-3220CP	Std-10-20-30	w/2.1232-2.1240" std. shaft size
4	Rod Pair	3220CP +	Std-10-20-30	w/2.1232-2.1240" std. shaft size; When depleted use FP-3220CP
4	Rod Pair	3160CP	Std-10	w/2.3730-2.3740" std. shaft size

QTY	PISTON RINGS	PART NO.	SIZE	DESCRIPTION
4	Premium Set	FP-5647KX	Std Only	GO-226 Engs.; 1-3/32, 1-1/8, 2-3/16 (1 cyl. set)
4	Premium Set	5647KX +	Std Only	GO-226 Engs.; 1-3/32, 1-1/8, 2-3/16 (1 cyl. set); When depleted use FP-5647KX

Hercules

29 Multi-Purpose Engines D2300, DD226 Engs. 3.7L 226 OHV Diesel L4, 4" Bore

CYL. HEAD & PARTS				
QTY	VALVE	PART NO.	SIZE	DESCRIPTION
4	Exhaust	FP-V1460		1.5000" Head Dia., .3730" Stem Dia., 5.3660" O.A.L.
4	Exhaust	V-1460 +	Std Only	1.5000" Head Dia., .3730" Stem Dia., 5.3660" O.A.L.; When depleted use FP-V1460
16	Keeper	VK-138		1 groove; Square cut key groove
16	Keeper	VK-138R		1 groove; Square cut key groove; Hardened
16	Keeper, Bulk	VK-138B		1 groove; Square cut key groove; Carton of 1000
QTY	VALVE SEAT	PART NO.	SIZE	DESCRIPTION
4	Exh.	245-1625-4	Std Only	1.6305" OD, 1.3120" ID, .2175" Depth
QTY	VALVE GUIDE	PART NO.	SIZE	DESCRIPTION
4	Guide	FP-VG552		Exh.; .3755" ID, 2.9400" O.A.L.
4	Guide	VG-552 +		Exh.; .3755" ID, 2.9400" O.A.L.; When depleted use FP-VG552
4	Guide	FP-VG553		Int.; .3745" ID, 2.9370" O.A.L.
4	Guide	VG-553 +		Int.; .3745" ID, 2.9370" O.A.L.; When depleted use FP-VG553
ENGINE BLOCK & PARTS				
QTY	CAM BEARINGS	PART NO.	SIZE	DESCRIPTION
1	Cam Set	FP-1090M	Std Only	
1	Cam Set	1090M +	Std Only	When depleted use FP-1090M
CYLINDER COMPONENTS				
QTY	PISTONS	PART NO.	SIZE	DESCRIPTION
4	Pin Bushing	FP-1424X		Drilled rod type bushing
4	Pin Bushing	1424X +		Drilled rod type bushing; When depleted use FP-1424X
QTY	CONNECTING RODS & BRGS.	PART NO.	SIZE	DESCRIPTION
4	Rod Pair	FP-1420CP	Std-10-20-30-40	w/1.9870-1.9880" std. shaft size
4	Rod Pair	1420CP +	Std-10-20-30	w/1.9870-1.9880" std. shaft size; When depleted use FP-1420CP
4	Rod Pair	FP-3220CP	Std-10-20-30	w/2.1232-2.1240" std. shaft size
4	Rod Pair	3220CP +	Std-10-20-30	w/2.1232-2.1240" std. shaft size; When depleted use FP-3220CP
4	Rod Pair	3160CP	Std-10	w/2.3730-2.3740" std. shaft size
QTY	PISTON RINGS	PART NO.	SIZE	DESCRIPTION
4	Ring Set Single Cylinder	FP-A151892	STD	D2300 Engs.; Keystone Comp. Ring; 1-1/8, 1-3/32, 1-3/16
1	Premium Set	FP-A151892S	STD	D2300 Engs.; Keystone Comp. Ring; 1-1/8, 1-3/32, 1-3/16
4	Premium Single Cylinder Set	W-9330KX	Std Only	D2300 Engs.; Keystone Comp. Ring; 1-1/8, 1-3/32, 1-3/16

30 Multi-Purpose Engines JXA Eng. 3.7L 228 L-HEAD L6, 3.375" Bore

CYL. HEAD & PARTS				
QTY	VALVE	PART NO.	SIZE	DESCRIPTION
6	Intake	FP-V318		1.6930" Head Dia., .3725" Stem Dia., 5.1150" O.A.L.
6	Intake	V-318 +	Std Only	1.6930" Head Dia., .3725" Stem Dia., 5.1150" O.A.L.; When depleted use FP-V318
QTY	VALVE GUIDE	PART NO.	SIZE	DESCRIPTION
12	Guide	FP-VG414		.3745" ID, 2.3600" O.A.L.
12	Guide	VG-414 +		.3745" ID, 2.3600" O.A.L.; When depleted use FP-VG414
ENGINE BLOCK & PARTS				
QTY	CAM BEARINGS	PART NO.	SIZE	DESCRIPTION
1	Cam Set	FP-1090M	Std Only	
1	Cam Set	1090M +	Std Only	When depleted use FP-1090M
CRANKSHAFT/OIL PUMP				
QTY	MAIN BEARINGS	PART NO.	SIZE	DESCRIPTION
1	Plain Main Brg.	FP-2241CP10	10	Position 1
1	Plain Main Brg.	FP-2241CP20	20	Position 1
1	Plain Main Brg.	FP-2241CP30	30	Position 1
4	Plain Main Brg.	FP-2243CP10	10	Position 2-3-5-6
4	Plain Main Brg.	FP-2243CP20	20	Position 2-3-5-6
4	Plain Main Brg.	FP-2243CP30	30	Position 2-3-5-6
1	Plain Main Brg.	FP-2242CP10	10	Position 4
1	Plain Main Brg.	FP-2242CP20	20	Position 4
1	Plain Main Brg.	FP-2242CP30	30	Position 4
1	Plain Main Brg.	FP-2244CP10	10	Position 7
1	Plain Main Brg.	FP-2244CP20	20	Position 7

(continued on next page)

Multi-Purpose Engines JXA Eng. 30
3.7L 228 L-HEAD L6, 3.375" Bore (cont.)

CRANKSHAFT/OIL PUMP (cont.)				
QTY	MAIN BEARINGS (cont.)	PART NO.	SIZE	DESCRIPTION
1	Plain Main Brg.	FP-2244CP30	30	Position 7
CYLINDER COMPONENTS				
QTY	PISTONS	PART NO.	SIZE	DESCRIPTION
6	Pin Bushing	FP-1424X		Drilled rod type bushing
6	Pin Bushing	1424X +		Drilled rod type bushing; When depleted use FP-1424X
QTY	CONNECTING RODS & BRGS.	PART NO.	SIZE	DESCRIPTION
6	Rod Pair	FP-1420CP	Std-10-20-30-40	w/1.9870-1.9880" std. shaft size
6	Rod Pair	1420CP +	Std-10-20-30	w/1.9870-1.9880" std. shaft size; When depleted use FP-1420CP
Multi-Purpose Engines QXD, QXD3, QXD5 Eng. 31 3.8L 230 L-HEAD L6, 3.4375" Bore				
CYL. HEAD & PARTS				
QTY	VALVE	PART NO.	SIZE	DESCRIPTION
6	Intake	FP-V956		1.6410" Head Dia., .3100" Stem Dia., 4.2940" O.A.L.
6	Intake	V-956 +	Std Only	1.6410" Head Dia., .3100" Stem Dia., 4.2940" O.A.L.; When depleted use FP-V956
6	Exhaust	FP-V748		1.4380" Head Dia., .3100" Stem Dia., 4.3320" O.A.L.
6	Exhaust	V-748 +	Std Only	1.4380" Head Dia., .3100" Stem Dia., 4.3320" O.A.L.; When depleted use FP-V748
24	Keeper	FP-VK123		
24	Keeper	VK-123 +		When depleted use FP-VK123
QTY	VALVE GUIDE	PART NO.	SIZE	DESCRIPTION
12	Guide	FP-VG456		.532" OD; .3120" ID, 2.0940" O.A.L.
QTY	VALVE SPRING	PART NO.	SIZE	DESCRIPTION
12	Spring	FP-VS286		2.0620" Free Height
12	Spring	VS-286 +		2.0620" Free Height; When depleted use FP-VS286
ENGINE BLOCK & PARTS				
QTY	CAM BEARINGS	PART NO.	SIZE	DESCRIPTION
1	Cam Set	FP-1142M	Std Only	
1	Cam Set	1142M +	Std Only	When depleted use FP-1142M
CRANKSHAFT/OIL PUMP				
QTY	MAIN BEARINGS	PART NO.	SIZE	DESCRIPTION
1	Plain Main Brg.	FP-2241CP10	10	Position 1
1	Plain Main Brg.	FP-2241CP20	20	Position 1
1	Plain Main Brg.	FP-2241CP30	30	Position 1
4	Plain Main Brg.	FP-2243CP10	10	Position 2-3-5-6
4	Plain Main Brg.	FP-2243CP20	20	Position 2-3-5-6
4	Plain Main Brg.	FP-2243CP30	30	Position 2-3-5-6
1	Plain Main Brg.	FP-2244CP10	10	Position 4
1	Plain Main Brg.	FP-2244CP20	20	Position 4
1	Plain Main Brg.	FP-2244CP30	30	Position 4
1	Plain Main Brg.	FP-9624CPA10	10	Position 7
1	Plain Main Brg.	FP-9624CPA20	20	Position 7
1	Plain Main Brg.	FP-9624CPA30	30	Position 7
CYLINDER COMPONENTS				
QTY	PISTONS	PART NO.	SIZE	DESCRIPTION
6	Pin Bushing	FP-9624X		Full round bushing
6	Pin Bushing	9624X +		Full round bushing; When depleted use FP-9624X
QTY	CONNECTING RODS & BRGS.	PART NO.	SIZE	DESCRIPTION
6	Rod Pair	FP-9620CPA	Std-10-20-30	
6	Rod Pair	9620CPA +	Std-10-20-30	When depleted use FP-9620CPA
QTY	PISTON RINGS	PART NO.	SIZE	DESCRIPTION
1	Premium Set	FP-644KX	Std Only	Check piston grooving before supplying ring set; 3-1/8, 1-3/16
1	Premium Set	644KX +	Std Only	Check piston grooving before supplying ring set; 3-1/8, 1-3/16; When depleted use FP-644KX
6	Premium Single Cylinder Set	W-644KX	Std Only	Check piston grooving before supplying ring set; 3-1/8, 1-3/16

Hercules

32 Multi-Purpose Engines JXF Eng. 3.8L 232 L-HEAD L6, 3.4063" Bore

ENGINE BLOCK & PARTS

QTY	CAM BEARINGS	PART NO.	SIZE	DESCRIPTION
1	Cam Set	FP-1090M	Std Only	
1	Cam Set	1090M +	Std Only	When depleted use FP-1090M

CRANKSHAFT/OIL PUMP

QTY	MAIN BEARINGS	PART NO.	SIZE	DESCRIPTION
1	Plain Main Brg.	FP-2241CP10	10	Position 1
1	Plain Main Brg.	FP-2241CP20	20	Position 1
1	Plain Main Brg.	FP-2241CP30	30	Position 1
4	Plain Main Brg.	FP-2243CP10	10	Position 2-3-5-6
4	Plain Main Brg.	FP-2243CP20	20	Position 2-3-5-6
4	Plain Main Brg.	FP-2243CP30	30	Position 2-3-5-6
1	Plain Main Brg.	FP-2242CP10	10	Position 4
1	Plain Main Brg.	FP-2242CP20	20	Position 4
1	Plain Main Brg.	FP-2242CP30	30	Position 4
1	Plain Main Brg.	FP-2244CP10	10	Position 7
1	Plain Main Brg.	FP-2244CP20	20	Position 7
1	Plain Main Brg.	FP-2244CP30	30	Position 7

CYLINDER COMPONENTS

QTY	PISTONS	PART NO.	SIZE	DESCRIPTION
6	Pin Bushing	FP-1424X		Drilled rod type bushing
6	Pin Bushing	1424X +		Drilled rod type bushing; When depleted use FP-1424X

QTY	CONNECTING RODS & BRGS.	PART NO.	SIZE	DESCRIPTION
6	Rod Pair	FP-1420CP	Std-10-20-30-40	w/1.9870-1.9880" std. shaft size
6	Rod Pair	1420CP +	Std-10-20-30	w/1.9870-1.9880" std. shaft size; When depleted use FP-1420CP

33 Multi-Purpose Engines QXLD, QXLD3, QXLD5 Eng. 3.9L 237 L-HEAD L6, 3.4375" Bore

CYL. HEAD & PARTS

QTY	VALVE	PART NO.	SIZE	DESCRIPTION
6	Intake	FP-V956		1.6410" Head Dia., .3100" Stem Dia., 4.2940" O.A.L.
6	Intake	V-956 +	Std Only	1.6410" Head Dia., .3100" Stem Dia., 4.2940" O.A.L.; When depleted use FP-V956
6	Exhaust	FP-V748		1.4380" Head Dia., .3100" Stem Dia., 4.3320" O.A.L.
6	Exhaust	V-748 +	Std Only	1.4380" Head Dia., .3100" Stem Dia., 4.3320" O.A.L.; When depleted use FP-V748
24	Keeper	FP-VK123		
24	Keeper	VK-123 +		When depleted use FP-VK123

QTY	VALVE GUIDE	PART NO.	SIZE	DESCRIPTION
12	Guide	FP-VG456		.532" OD; .3120" ID, 2.0940" O.A.L.

QTY	VALVE SPRING	PART NO.	SIZE	DESCRIPTION
12	Spring	FP-VS286		2.0620" Free Height
12	Spring	VS-286 +		2.0620" Free Height; When depleted use FP-VS286

ENGINE BLOCK & PARTS

QTY	CAM BEARINGS	PART NO.	SIZE	DESCRIPTION
1	Cam Set	FP-1151M	Std Only	3 brg. set
1	Cam Set	1151M +	Std Only	3 brg. set; When depleted use FP-1151M
1	Cam Set	FP-1142M	Std Only	4 brg. set
1	Cam Set	1142M +	Std Only	4 brg. set; When depleted use FP-1142M

CRANKSHAFT/OIL PUMP

QTY	MAIN BEARINGS	PART NO.	SIZE	DESCRIPTION
1	Plain Main Brg.	FP-2241CP10	10	Position 1
1	Plain Main Brg.	FP-2241CP20	20	Position 1
1	Plain Main Brg.	FP-2241CP30	30	Position 1
4	Plain Main Brg.	FP-2243CP10	10	Position 2-3-5-6
4	Plain Main Brg.	FP-2243CP20	20	Position 2-3-5-6
4	Plain Main Brg.	FP-2243CP30	30	Position 2-3-5-6
1	Plain Main Brg.	FP-2244CP10	10	Position 4
1	Plain Main Brg.	FP-2244CP20	20	Position 4
1	Plain Main Brg.	FP-2244CP30	30	Position 4
1	Plain Main Brg.	FP-9624CPA10	10	Position 7
1	Plain Main Brg.	FP-9624CPA20	20	Position 7
1	Plain Main Brg.	FP-9624CPA30	30	Position 7

(continued on next page)

Multi-Purpose Engines QXLD, QXLD3, QXLD5 Engs. 33
3.9L 237 L-HEAD L6, 3.4375" Bore (cont.)

CYLINDER COMPONENTS

QTY	PISTONS	PART NO.	SIZE	DESCRIPTION
6	Pin Bushing	FP-9624X		Bushing w/1.0005" ID
6	Pin Bushing	9624X +		Bushing w/1.0005" ID; When depleted use FP-9624X
QTY	CONNECTING RODS & BRGS.	PART NO.	SIZE	DESCRIPTION
6	Rod Pair	FP-9620CPA	Std-10-20-30	W/1.9870-1.9880" std. shaft size
6	Rod Pair	9620CPA +	Std-10-20-30	W/1.9870-1.9880" std. shaft size; When depleted use FP-9620CPA
6	Rod Pair	FP-3185CP	Std-10-20-30	W/2.0590-2.0600" std. shaft size
6	Rod Pair	3185CP +	Std-10-20-30	W/2.0590-2.0600" std. shaft size; When depleted use FP-3185CP

Multi-Purpose Engines JXA2, JXE, JXE3, JXG Engs. 34
4.0L 245 L-HEAD L6, 3.5" Bore

CYL. HEAD & PARTS

QTY	VALVE	PART NO.	SIZE	DESCRIPTION
6	Intake	FP-V318		1.6930" Head Dia., .3725" Stem Dia., 5.1150" O.A.L.
6	Intake	V-318 +	Std Only	1.6930" Head Dia., .3725" Stem Dia., 5.1150" O.A.L.; When depleted use FP-V318
QTY	VALVE GUIDE	PART NO.	SIZE	DESCRIPTION
12	Guide	FP-VG414		.3745" ID, 2.3600" O.A.L.
12	Guide	VG-414 +		.3745" ID, 2.3600" O.A.L.; When depleted use FP-VG414

ENGINE BLOCK & PARTS

QTY	CAM BEARINGS	PART NO.	SIZE	DESCRIPTION
1	Cam Set	FP-1090M	Std Only	
1	Cam Set	1090M +	Std Only	When depleted use FP-1090M

CRANKSHAFT/OIL PUMP

QTY	MAIN BEARINGS	PART NO.	SIZE	DESCRIPTION
1	Plain Main Brg.	FP-2241CP10	10	Position 1
1	Plain Main Brg.	FP-2241CP20	20	Position 1
1	Plain Main Brg.	FP-2241CP30	30	Position 1
4	Plain Main Brg.	FP-2243CP10	10	Position 2-3-5-6
4	Plain Main Brg.	FP-2243CP20	20	Position 2-3-5-6
4	Plain Main Brg.	FP-2243CP30	30	Position 2-3-5-6
1	Plain Main Brg.	FP-2242CP10	10	Position 4
1	Plain Main Brg.	FP-2242CP20	20	Position 4
1	Plain Main Brg.	FP-2242CP30	30	Position 4
1	Plain Main Brg.	FP-2244CP10	10	Position 7
1	Plain Main Brg.	FP-2244CP20	20	Position 7
1	Plain Main Brg.	FP-2244CP30	30	Position 7

CYLINDER COMPONENTS

QTY	PISTONS	PART NO.	SIZE	DESCRIPTION
6	Pin Bushing	FP-1424X		Drilled rod type bushing
6	Pin Bushing	1424X +		Drilled rod type bushing; When depleted use FP-1424X
QTY	CONNECTING RODS & BRGS.	PART NO.	SIZE	DESCRIPTION
6	Rod Pair	FP-1420CP	Std-10-20-30-40	w/1.9870-1.9880" std. shaft size
6	Rod Pair	1420CP +	Std-10-20-30	w/1.9870-1.9880" std. shaft size; When depleted use FP-1420CP

Multi-Purpose Engines G2600, GO260 Engs. 35
4.3L 260 OHV L6, 3.5" Bore

CYL. HEAD & PARTS

QTY	VALVE	PART NO.	SIZE	DESCRIPTION
6	Exhaust	FP-V1460		1.5000" Head Dia., .3730" Stem Dia., 5.3660" O.A.L.
6	Exhaust	V-1460 +	Std Only	1.5000" Head Dia., .3730" Stem Dia., 5.3660" O.A.L.; When depleted use FP-V1460
24	Keeper	VK-138		1 groove; Square cut key groove
24	Keeper	VK-138R		1 groove; Square cut key groove; Hardened
24	Keeper, Bulk	VK-138B		1 groove; Square cut key groove; Carton of 1000
QTY	VALVE SEAT	PART NO.	SIZE	DESCRIPTION
6	Exh.	245-1625-4	Std Only	1.6305" OD, 1.3120" ID, .2175" Depth

(continued on next page)

Hercules

35 Multi-Purpose Engines G2600, GO260 Engs. (cont.) 4.3L 260 OHV L6, 3.5" Bore

CYL. HEAD & PARTS (cont.)				
QTY	VALVE GUIDE	PART NO.	SIZE	DESCRIPTION
6	Guide	FP-VG552		Exh.; .3755" ID, 2.9400" O.A.L.
6	Guide	VG-552 +		Exh.; .3755" ID, 2.9400" O.A.L.; When depleted use FP-VG552
6	Guide	FP-VG553		Int.; .3745" ID, 2.9370" O.A.L.
6	Guide	VG-553 +		Int.; .3745" ID, 2.9370" O.A.L.; When depleted use FP-VG553
ENGINE BLOCK & PARTS				
QTY	CAM BEARINGS	PART NO.	SIZE	DESCRIPTION
1	Cam Set	FP-1226M	Std Only	
1	Cam Set	1226M +	Std Only	When depleted use FP-1226M
CYLINDER COMPONENTS				
QTY	CONNECTING RODS & BRGS.	PART NO.	SIZE	DESCRIPTION
6	Rod Pair	FP-1420CP	Std-10-20-30-40	w/1.9870-1.9880" std. shaft size
6	Rod Pair	1420CP +	Std-10-20-30	w/1.9870-1.9880" std. shaft size; When depleted use FP-1420CP

36 Multi-Purpose Engines D2600, DD260 Engs. 4.3L 260 OHV Diesel L6, 3.5" Bore

CYL. HEAD & PARTS				
QTY	VALVE	PART NO.	SIZE	DESCRIPTION
6	Exhaust	FP-V1460		1.5000" Head Dia., .3730" Stem Dia., 5.3660" O.A.L.
6	Exhaust	V-1460 +	Std Only	1.5000" Head Dia., .3730" Stem Dia., 5.3660" O.A.L.; When depleted use FP-V1460
24	Keeper	VK-138		1 groove; Square cut key groove
24	Keeper	VK-138R		1 groove; Square cut key groove; Hardened
24	Keeper, Bulk	VK-138B		1 groove; Square cut key groove; Carton of 1000
QTY	VALVE SEAT	PART NO.	SIZE	DESCRIPTION
6	Exh.	245-1625-4	Std Only	1.6305" OD, 1.3120" ID, .2175" Depth
QTY	VALVE GUIDE	PART NO.	SIZE	DESCRIPTION
6	Guide	FP-VG552		Exh.; .3755" ID, 2.9400" O.A.L.
6	Guide	VG-552 +		Exh.; .3755" ID, 2.9400" O.A.L.; When depleted use FP-VG552
6	Guide	FP-VG553		Int.; .3745" ID, 2.9370" O.A.L.
6	Guide	VG-553 +		Int.; .3745" ID, 2.9370" O.A.L.; When depleted use FP-VG553
ENGINE BLOCK & PARTS				
QTY	CAM BEARINGS	PART NO.	SIZE	DESCRIPTION
1	Cam Set	FP-1226M	Std Only	
1	Cam Set	1226M +	Std Only	When depleted use FP-1226M
CYLINDER COMPONENTS				
QTY	CONNECTING RODS & BRGS.	PART NO.	SIZE	DESCRIPTION
6	Rod Pair	FP-1420CP	Std-10-20-30-40	w/1.9870-1.9880" std. shaft size
6	Rod Pair	1420CP +	Std-10-20-30	w/1.9870-1.9880" std. shaft size; When depleted use FP-1420CP

37 Multi-Purpose Engines JXB Eng. 4.3L 263 L-HEAD L6, 3.625" Bore

CYL. HEAD & PARTS				
QTY	VALVE	PART NO.	SIZE	DESCRIPTION
6	Intake	FP-V318		1.6930" Head Dia., .3725" Stem Dia., 5.1150" O.A.L.
6	Intake	V-318 +	Std Only	1.6930" Head Dia., .3725" Stem Dia., 5.1150" O.A.L.; When depleted use FP-V318
QTY	VALVE GUIDE	PART NO.	SIZE	DESCRIPTION
12	Guide	FP-VG414		.3745" ID, 2.3600" O.A.L.
12	Guide	VG-414 +		.3745" ID, 2.3600" O.A.L.; When depleted use FP-VG414
ENGINE BLOCK & PARTS				
QTY	CAM BEARINGS	PART NO.	SIZE	DESCRIPTION
1	Cam Set	FP-1090M	Std Only	
1	Cam Set	1090M +	Std Only	When depleted use FP-1090M
CRANKSHAFT/OIL PUMP				
QTY	MAIN BEARINGS	PART NO.	SIZE	DESCRIPTION
1	Plain Main Brg.	FP-2241CP10	10	Position 1

(continued on next page)

Multi-Purpose Engines JXB Eng. 37
4.3L 263 L-HEAD L6, 3.625" Bore (cont.)

CRANKSHAFT/OIL PUMP (cont.)

QTY	MAIN BEARINGS (cont.)	PART NO.	SIZE	DESCRIPTION
1	Plain Main Brg.	FP-2241CP20	20	Position 1
1	Plain Main Brg.	FP-2241CP30	30	Position 1
4	Plain Main Brg.	FP-2243CP10	10	Position 2-3-5-6
4	Plain Main Brg.	FP-2243CP20	20	Position 2-3-5-6
4	Plain Main Brg.	FP-2243CP30	30	Position 2-3-5-6
1	Plain Main Brg.	FP-2242CP10	10	Position 4
1	Plain Main Brg.	FP-2242CP20	20	Position 4
1	Plain Main Brg.	FP-2242CP30	30	Position 4
1	Plain Main Brg.	FP-2244CP10	10	Position 7
1	Plain Main Brg.	FP-2244CP20	20	Position 7
1	Plain Main Brg.	FP-2244CP30	30	Position 7

CYLINDER COMPONENTS

QTY	PISTONS	PART NO.	SIZE	DESCRIPTION
6	Pin Bushing	FP-1424X		Drilled rod type bushing
6	Pin Bushing	1424X +		Drilled rod type bushing; When depleted use FP-1424X
QTY	CONNECTING RODS & BRGS.	PART NO.	SIZE	DESCRIPTION
6	Rod Pair	FP-1420CP	Std-10-20-30-40	w/1.9870-1.9880" std. shaft size
6	Rod Pair	1420CP +	Std-10-20-30	w/1.9870-1.9880" std. shaft size; When depleted use FP-1420CP

Multi-Purpose Engines JXC, JXC3, JXCT Eng. 38
4.6L 282 L-HEAD L6, 3.75" Bore

CYL. HEAD & PARTS

QTY	VALVE	PART NO.	SIZE	DESCRIPTION
6	Intake	FP-V318		1.6930" Head Dia., .3725" Stem Dia., 5.1150" O.A.L.
6	Intake	V-318 +	Std Only	1.6930" Head Dia., .3725" Stem Dia., 5.1150" O.A.L.; When depleted use FP-V318
QTY	VALVE GUIDE	PART NO.	SIZE	DESCRIPTION
12	Guide	FP-VG414		.3745" ID, 2.3600" O.A.L.
12	Guide	VG-414 +		.3745" ID, 2.3600" O.A.L.; When depleted use FP-VG414

ENGINE BLOCK & PARTS

QTY	CAM BEARINGS	PART NO.	SIZE	DESCRIPTION
1	Cam Set	FP-1090M	Std Only	
1	Cam Set	1090M +	Std Only	When depleted use FP-1090M

CRANKSHAFT/OIL PUMP

QTY	MAIN BEARINGS	PART NO.	SIZE	DESCRIPTION
1	Plain Main Brg.	FP-2241CP10	10	Position 1
1	Plain Main Brg.	FP-2241CP20	20	Position 1
1	Plain Main Brg.	FP-2241CP30	30	Position 1
4	Plain Main Brg.	FP-2243CP10	10	Position 2-3-5-6
4	Plain Main Brg.	FP-2243CP20	20	Position 2-3-5-6
4	Plain Main Brg.	FP-2243CP30	30	Position 2-3-5-6
1	Plain Main Brg.	FP-2242CP10	10	Position 4
1	Plain Main Brg.	FP-2242CP20	20	Position 4
1	Plain Main Brg.	FP-2242CP30	30	Position 4
1	Plain Main Brg.	FP-2244CP10	10	Position 7
1	Plain Main Brg.	FP-2244CP20	20	Position 7
1	Plain Main Brg.	FP-2244CP30	30	Position 7

CYLINDER COMPONENTS

QTY	PISTONS	PART NO.	SIZE	DESCRIPTION
6	Pin Bushing	FP-1424X		Drilled rod type bushing
6	Pin Bushing	1424X +		Drilled rod type bushing; When depleted use FP-1424X
QTY	CONNECTING RODS & BRGS.	PART NO.	SIZE	DESCRIPTION
6	Rod Pair	FP-1420CP	Std-10-20-30-40	w/1.9870-1.9880" std. shaft size
6	Rod Pair	1420CP +	Std-10-20-30	w/1.9870-1.9880" std. shaft size; When depleted use FP-1420CP
QTY	PISTON RINGS	PART NO.	SIZE	DESCRIPTION
1	Premium Set	FP-645KX	Std Only	3-1/8, 1-3/16
1	Premium Set	645KX +	Std Only	3-1/8, 1-3/16; When depleted use FP-645KX
6	Premium Single Cylinder Set	W-645KX	Std Only	3-1/8, 1-3/16

Hercules

39 Multi-Purpose Engines G3000, GO298, WXB, WXE Engs. 4.9L 298 OHV L6, 3.75" Bore

CYL. HEAD & PARTS

QTY	VALVE	PART NO.	SIZE	DESCRIPTION
6	Intake	FP-V318		1.6930" Head Dia., .3725" Stem Dia., 5.1150" O.A.L.
6	Intake	V-318 +	Std Only	1.6930" Head Dia., .3725" Stem Dia., 5.1150" O.A.L.; When depleted use FP-V318
QTY	VALVE GUIDE	PART NO.	SIZE	DESCRIPTION
12	Guide	FP-VG414		.3745" ID, 2.3600" O.A.L.
12	Guide	VG-414 +		.3745" ID, 2.3600" O.A.L.; When depleted use FP-VG414

ENGINE BLOCK & PARTS

QTY	CAM BEARINGS	PART NO.	SIZE	DESCRIPTION
1	Cam Set	FP-1226M	Std Only	
1	Cam Set	1226M +	Std Only	When depleted use FP-1226M

CYLINDER COMPONENTS

QTY	CONNECTING RODS & BRGS.	PART NO.	SIZE	DESCRIPTION
6	Rod Pair	FP-1420CP	Std-10-20-30-40	w/1.9870-1.9880" std. shaft size
6	Rod Pair	1420CP +	Std-10-20-30	w/1.9870-1.9880" std. shaft size; When depleted use FP-1420CP
6	Rod Pair	3160CP	Std-10	w/2.3730-2.3740" std. shaft size
QTY	PISTON RINGS	PART NO.	SIZE	DESCRIPTION
6	Premium Set	FP-5648KX	Std Only	GO-298 Engs.; 1-3/32, 1-1/8, 2-3/16 (1 cyl. set)
6	Premium Set	5648KX +	Std Only	GO-298 Engs.; 1-3/32, 1-1/8, 2-3/16 (1 cyl. set); When depleted use FP-5648KX
1	Premium Set	FP-645KX	Std Only	WXB & WXE Engs.; 3-1/8, 1-3/16
1	Premium Set	645KX +	Std Only	WXB & WXE Engs.; 3-1/8, 1-3/16; When depleted use FP-645KX
6	Premium Single Cylinder Set	W-645KX	Std Only	WXB & WXE Engs.; 3-1/8, 1-3/16

40 Multi-Purpose Engines D3000, DD298 Engs. 4.9L 298 OHV Diesel L6, 3.75" Bore

CYL. HEAD & PARTS

QTY	VALVE	PART NO.	SIZE	DESCRIPTION
6	Exhaust	FP-V1460		1.5000" Head Dia., .3730" Stem Dia., 5.3660" O.A.L.
6	Exhaust	V-1460 +	Std Only	1.5000" Head Dia., .3730" Stem Dia., 5.3660" O.A.L.; When depleted use FP-V1460
24	Keeper	VK-138		1 groove; Square cut key groove
24	Keeper	VK-138R		1 groove; Square cut key groove; Hardened
24	Keeper, Bulk	VK-138B		1 groove; Square cut key groove; Carton of 1000
QTY	VALVE SEAT	PART NO.	SIZE	DESCRIPTION
6	Exh.	245-1625-4	Std Only	1.6305" OD, 1.3120" ID, .2175" Depth
QTY	VALVE GUIDE	PART NO.	SIZE	DESCRIPTION
6	Guide	FP-VG552		Exh.; .3755" ID, 2.9400" O.A.L.
6	Guide	VG-552 +		Exh.; .3755" ID, 2.9400" O.A.L.; When depleted use FP-VG552
6	Guide	FP-VG553		Int.; .3745" ID, 2.9370" O.A.L.
6	Guide	VG-553 +		Int.; .3745" ID, 2.9370" O.A.L.; When depleted use FP-VG553

ENGINE BLOCK & PARTS

QTY	CAM BEARINGS	PART NO.	SIZE	DESCRIPTION
1	Cam Set	FP-1226M	Std Only	
1	Cam Set	1226M +	Std Only	When depleted use FP-1226M

CYLINDER COMPONENTS

QTY	CONNECTING RODS & BRGS.	PART NO.	SIZE	DESCRIPTION
6	Rod Pair	FP-1420CP	Std-10-20-30-40	w/1.9870-1.9880" std. shaft size
6	Rod Pair	1420CP +	Std-10-20-30	w/1.9870-1.9880" std. shaft size; When depleted use FP-1420CP
6	Rod Pair	3160CP	Std-10	w/2.3730-2.3740" std. shaft size

41 Multi-Purpose Engines JXD, JXDF Engs. 5.2L 320 L-HEAD L6, 4" Bore

CYL. HEAD & PARTS

QTY	VALVE	PART NO.	SIZE	DESCRIPTION
6	Intake	FP-V318		1.6930" Head Dia., .3725" Stem Dia., 5.1150" O.A.L.
6	Intake	V-318 +	Std Only	1.6930" Head Dia., .3725" Stem Dia., 5.1150" O.A.L.; When depleted use FP-V318

(continued on next page)

Multi-Purpose Engines JXD, JXDF Eng. 41 5.2L 320 L-HEAD L6, 4" Bore (cont.)

CYL. HEAD & PARTS (cont.)

QTY	VALVE GUIDE	PART NO.	SIZE	DESCRIPTION
12	Guide	FP-VG414		.3745" ID, 2.3600" O.A.L.
12	Guide	VG-414 +		.3745" ID, 2.3600" O.A.L.; When depleted use FP-VG414

ENGINE BLOCK & PARTS

QTY	CAM BEARINGS	PART NO.	SIZE	DESCRIPTION
1	Cam Set	FP-1090M	Std Only	
1	Cam Set	1090M +	Std Only	When depleted use FP-1090M

CRANKSHAFT/OIL PUMP

QTY	MAIN BEARINGS	PART NO.	SIZE	DESCRIPTION
1	Plain Main Brg.	FP-2241CP10	10	Position 1
1	Plain Main Brg.	FP-2241CP20	20	Position 1
1	Plain Main Brg.	FP-2241CP30	30	Position 1
4	Plain Main Brg.	FP-2243CP10	10	Position 2-3-5-6
4	Plain Main Brg.	FP-2243CP20	20	Position 2-3-5-6
4	Plain Main Brg.	FP-2243CP30	30	Position 2-3-5-6
1	Plain Main Brg.	FP-2242CP10	10	Position 4
1	Plain Main Brg.	FP-2242CP20	20	Position 4
1	Plain Main Brg.	FP-2242CP30	30	Position 4
1	Plain Main Brg.	FP-2244CP10	10	Position 7
1	Plain Main Brg.	FP-2244CP20	20	Position 7
1	Plain Main Brg.	FP-2244CP30	30	Position 7

CYLINDER COMPONENTS

QTY	PISTONS	PART NO.	SIZE	DESCRIPTION
6	Pin Bushing	FP-1424X		Drilled rod type bushing
6	Pin Bushing	1424X +		Drilled rod type bushing; When depleted use FP-1424X
QTY	CONNECTING RODS & BRGS.	PART NO.	SIZE	DESCRIPTION
6	Rod Pair	FP-1420CP	Std-10-20-30-40	w/1.9870-1.9880" std. shaft size
6	Rod Pair	1420CP +	Std-10-20-30	w/1.9870-1.9880" std. shaft size; When depleted use FP-1420CP
QTY	PISTON RINGS	PART NO.	SIZE	DESCRIPTION
6	Premium Set	FP-5647KX	Std Only	For Piston w/1 1/8" Dia. free floating pin; 1-3/32, 1-1/8, 2-3/16 (1 cyl. set)
6	Premium Set	5647KX +	Std Only	For Piston w/1 1/8" Dia. free floating pin; 1-3/32, 1-1/8, 2-3/16 (1 cyl. set); When depleted use FP-5647KX

Multi-Purpose Engines G339H, G3400, GO339, JXDM, JXLD Eng. 42 5.6L 339 OHV L6, 4" Bore

CYL. HEAD & PARTS

QTY	VALVE	PART NO.	SIZE	DESCRIPTION
12	Keeper	VK-261		Exh.
12	Keeper	VK-66		Int.; 2 groove
12	Keeper	VK-66R		Int.; 2 groove; Hardened
QTY	VALVE GUIDE	PART NO.	SIZE	DESCRIPTION
12	Guide	FP-VG414		.3745" ID, 2.3600" O.A.L.
12	Guide	VG-414 +		.3745" ID, 2.3600" O.A.L.; When depleted use FP-VG414

ENGINE BLOCK & PARTS

QTY	CAM BEARINGS	PART NO.	SIZE	DESCRIPTION
1	Cam Set	FP-1226M	Std Only	W/1.057" length on No. 1 & 4 positions
1	Cam Set	1226M +	Std Only	W/1.057" length on No. 1 & 4 positions; When depleted use FP-1226M
1	Cam Set	FP-1090M	Std Only	W/1.125" length on No. 1 & 4 positions
1	Cam Set	1090M +	Std Only	W/1.125" length on No. 1 & 4 positions; When depleted use FP-1090M

CRANKSHAFT/OIL PUMP

QTY	MAIN BEARINGS	PART NO.	SIZE	DESCRIPTION
1	Plain Main Brg.	FP-2241CP10	10	Position 1
1	Plain Main Brg.	FP-2241CP20	20	Position 1
1	Plain Main Brg.	FP-2241CP30	30	Position 1
4	Plain Main Brg.	FP-2243CP10	10	Position 2-3-5-6
4	Plain Main Brg.	FP-2243CP20	20	Position 2-3-5-6
4	Plain Main Brg.	FP-2243CP30	30	Position 2-3-5-6
1	Plain Main Brg.	FP-2242CP10	10	Position 4

(continued on next page)

+ Superseded Part Number

Hercules

42 Multi-Purpose Engines G339H, G3400, GO339, JXDM, JXLD Engs. (cont.) 5.6L 339 OHV L6, 4" Bore

CRANKSHAFT/OIL PUMP (cont.)

QTY	MAIN BEARINGS (cont.)	PART NO.	SIZE	DESCRIPTION
1	Plain Main Brg.	FP-2242CP20	20	Position 4
1	Plain Main Brg.	FP-2242CP30	30	Position 4
1	Plain Main Brg.	FP-2244CP10	10	Position 7
1	Plain Main Brg.	FP-2244CP20	20	Position 7
1	Plain Main Brg.	FP-2244CP30	30	Position 7

CYLINDER COMPONENTS

QTY	PISTONS	PART NO.	SIZE	DESCRIPTION
6	Pin Bushing	FP-1424X		Drilled rod type bushing; 1.110" ID
6	Pin Bushing	1424X +		Drilled rod type bushing; 1.110" ID; When depleted use FP-1424X
QTY	CONNECTING RODS & BRGS.	PART NO.	SIZE	DESCRIPTION
6	Rod Pair	FP-1420CP	Std-10-20-30-40	w/1.9870-1.9880" std. shaft size
6	Rod Pair	1420CP +	Std-10-20-30	w/1.9870-1.9880" std. shaft size; When depleted use FP-1420CP
6	Rod Pair	FP-3220CP	Std-10-20-30	w/2.1232-2.1240" std. shaft size
6	Rod Pair	3220CP +	Std-10-20-30	w/2.1232-2.1240" std. shaft size; When depleted use FP-3220CP
6	Rod Pair	3160CP	Std-10	w/2.3730-2.3740" std. shaft size
QTY	PISTON RINGS	PART NO.	SIZE	DESCRIPTION
6	Premium Set	FP-5647KX	Std Only	GO-339, JXDL Engs.; 1-3/32, 1-1/8, 2-3/16 (1 cyl. set)
6	Premium Set	5647KX +	Std Only	GO-339, JXDL Engs.; 1-3/32, 1-1/8, 2-3/16 (1 cyl. set); When depleted use FP-5647KX

43 Multi-Purpose Engines D339H, D3400, DD339 Engs. 5.6L 339 OHV Diesel L6, 4" Bore

CYL. HEAD & PARTS

QTY	VALVE	PART NO.	SIZE	DESCRIPTION
6	Exhaust	FP-V1460		1.5000" Head Dia., .3730" Stem Dia., 5.3660" O.A.L.
6	Exhaust	V-1460 +	Std Only	1.5000" Head Dia., .3730" Stem Dia., 5.3660" O.A.L.; When depleted use FP-V1460
24	Keeper	VK-138		1 groove; Square cut key groove
24	Keeper	VK-138R		1 groove; Square cut key groove; Hardened
24	Keeper, Bulk	VK-138B		1 groove; Square cut key groove; Carton of 1000
QTY	VALVE SEAT	PART NO.	SIZE	DESCRIPTION
6	Exh.	245-1625-4	Std Only	1.6305" OD, 1.3120" ID, .2175" Depth
QTY	VALVE GUIDE	PART NO.	SIZE	DESCRIPTION
6	Guide	FP-VG552		Exh.; .3755" ID, 2.9400" O.A.L.
6	Guide	VG-552 +		Exh.; .3755" ID, 2.9400" O.A.L.; When depleted use FP-VG552
6	Guide	FP-VG553		Int.; .3745" ID, 2.9370" O.A.L.
6	Guide	VG-553 +		Int.; .3745" ID, 2.9370" O.A.L.; When depleted use FP-VG553

ENGINE BLOCK & PARTS

QTY	CAM BEARINGS	PART NO.	SIZE	DESCRIPTION
1	Cam Set	FP-1226M	Std Only	W/1.057" length on No. 1 & 4 positions
1	Cam Set	1226M +	Std Only	W/1.057" length on No. 1 & 4 positions; When depleted use FP-1226M
1	Cam Set	FP-1090M	Std Only	W/1.125" length on No. 1 & 4 positions
1	Cam Set	1090M +	Std Only	W/1.125" length on No. 1 & 4 positions; When depleted use FP-1090M

CRANKSHAFT/OIL PUMP

QTY	MAIN BEARINGS	PART NO.	SIZE	DESCRIPTION
1	Plain Main Brg.	FP-2241CP10	10	Position 1
1	Plain Main Brg.	FP-2241CP20	20	Position 1
1	Plain Main Brg.	FP-2241CP30	30	Position 1
4	Plain Main Brg.	FP-2243CP10	10	Position 2-3-5-6
4	Plain Main Brg.	FP-2243CP20	20	Position 2-3-5-6
4	Plain Main Brg.	FP-2243CP30	30	Position 2-3-5-6
1	Plain Main Brg.	FP-2242CP10	10	Position 4
1	Plain Main Brg.	FP-2242CP20	20	Position 4
1	Plain Main Brg.	FP-2242CP30	30	Position 4
1	Plain Main Brg.	FP-2244CP10	10	Position 7
1	Plain Main Brg.	FP-2244CP20	20	Position 7
1	Plain Main Brg.	FP-2244CP30	30	Position 7

(continued on next page)

Multi-Purpose Engines D339H, D3400, DD339 Eng. 43

5.6L 339 OHV Diesel L6, 4" Bore (cont.)

CYLINDER COMPONENTS

QTY	PISTONS	PART NO.	SIZE	DESCRIPTION
4	Pin Bushing	FP-1424X		Drilled rod type bushing
4	Pin Bushing	1424X +		Drilled rod type bushing; When depleted use FP-1424X
QTY	CONNECTING RODS & BRGS.	PART NO.	SIZE	DESCRIPTION
6	Rod Pair	FP-1420CP	Std-10-20-30-40	w/1.9870-1.9880" std. shaft size
6	Rod Pair	1420CP +	Std-10-20-30	w/1.9870-1.9880" std. shaft size; When depleted use FP-1420CP
6	Rod Pair	FP-3220CP	Std-10-20-30	w/2.1232-2.1240" std. shaft size
6	Rod Pair	3220CP +	Std-10-20-30	w/2.1232-2.1240" std. shaft size; When depleted use FP-3220CP
6	Rod Pair	3160CP	Std-10	w/2.3730-2.3740" std. shaft size

Multi-Purpose Engines WXL3, WXLD, WXRT, WXT Eng. 44

6.6L 404 L-HEAD L6, 4.25" Bore

CYLINDER COMPONENTS

QTY	PISTON RINGS	PART NO.	SIZE	DESCRIPTION
1	Premium Set	FP-9964KX	Std Only	1-3/32, 2-1/8, 1-1/4
1	Premium Set	9964KX +	Std Only	1-3/32, 2-1/8, 1-1/4; When depleted use FP-9964KX
6	Premium Single Cylinder Set	W-9964KX	Std Only	1-3/32, 2-1/8, 1-1/4

Multi-Purpose Engines D4800 Eng. 45

7.8L 478 OHV Diesel L6, 4.5625" Bore

CRANKSHAFT/OIL PUMP

QTY	MAIN BEARINGS	PART NO.	SIZE	DESCRIPTION
1	Main Set	FP-4910M	Std-10	

CYLINDER COMPONENTS

QTY	CONNECTING RODS & BRGS.	PART NO.	SIZE	DESCRIPTION
6	Rod Pair	FP-3355CP	Std-10	
6	Rod Pair	3355CP +	Std-10	When depleted use FP-3355CP

IHC Tractor

Engine Finding Index

Engine	Line No.	Engine	Line No.
.9L 53.9 L-HEAD L2 3.25" Bore (Wisconsin Eng.)	1	3.1L 188 Diesel L4 3.6875" Bore	30
1.0L 60 L4 2.625" Bore	2	3.2L 193 L-HEAD L6 3.25" Bore (12 Valve) (International Eng.)	31
1.1L 69 L-HEAD L4 2.5" Bore (Continental Eng.)	3	3.2L 193 OHV Diesel L4 3.75" Bore (Continental Eng.)	32
1.8L 108 L-HEAD V4 3.25" Bore (Wisconsin Eng.)	4	3.3L 200 L4 3.8125" Bore	33
1.8L 112 L-HEAD L4 3.1875" Bore (Continental Eng.)	5	3.4L 206 OHV Diesel L4 3.875" Bore	34
1.8L 113 L4 3" Bore	6	3.5L 213 L-HEAD L6 3.3125" Bore	35
2.0L 123 L4 3.125" Bore	7	3.5L 214 L-HEAD L6 3.3125" Bore (12 Valve) (International Eng.)	36
2.2L 132 L-HEAD L4 3.25" Bore	8	3.6L 220 OHV L6 3.5625" Bore	37
2.2L 133 L4 3.25" Bore	9	3.6L 220 OHV L6 3.5625" Bore (12 Valve) (International Eng.)	38
2.2L 135 L4 3.25" Bore	10	3.8L 232 L-HEAD L6 3.3125" Bore	39
2.2L 135 L4 3.25" Bore	11	3.8L 232 OHV L6 3.75" Bore (Hi Torque) (AMC Eng.)	40
2.4L 144 L4 3.375" Bore	12	3.8L 233 L-HEAD L6 3.3125" Bore (12 Valve) (International Eng.)	41
2.4L 144 Diesel L4 3.375" Bore	13	3.9L 236 L6 3.6875" Bore	42
2.4L 145 L4 3.375" Bore	14	3.9L 236 Diesel L6 3.6875" Bore	43
2.5L 152 L4 3.375" Bore	15	3.9L 239 OHV Diesel L4 3.875" Bore	44
2.5L 153 L4 3.375" Bore	16	3.9L 240 L6 3.5625" Bore	45
2.5L 154 L4 3.5" Bore	17	4.1L 248 L4 3.875" Bore	46
2.5L 154 L-HEAD V4 3.5" Bore (Wisconsin Eng.)	18	4.1L 248 Diesel L4 3.875" Bore	47
2.5L 154 Diesel L4 3.5" Bore	19	4.3L 263 L6 3.5625" Bore	48
2.5L 155 Diesel L3 3.875" Bore	20	4.3L 264 L4 4" Bore	49
2.6L 157 L4 3.375" Bore	21	4.3L 264 Diesel L4 4" Bore	50
2.7L 164 L4 3.5" Bore	22	4.3L 264 OHV LPG L4 4" Bore	51
2.7L 166 Diesel L4 3.6875" Bore	23	4.3L 264 OHV L6 3.6875" Bore (12 Valve) (International Eng.)	52
2.8L 169 L4 3.5625" Bore	24	4.6L 281 Diesel L4 4.125" Bore	53
2.9L 174 L-HEAD L6 3" Bore	25	4.6L 281 L4 4.125" Bore	54
2.9L 175 L4 3.5625" Bore	26	4.6L 282 L6 3.6875" Bore	55
2.9L 175 L4 3.625" Bore	27	4.6L 282 Diesel L6 3.6875" Bore	56
2.9L 179 Diesel L3 3.875" Bore	28		
3.0L 186 L4 3.625" Bore (Waukesha Eng.)	29		

(continued on next page)
+ Superseded Part Number

Engine Finding Index

Engine	Line No.	Engine	Line No.
4.8L 291 L6 3.75" Bore.....	57	6.8L 414 Turbo-Diesel L6 4.3005" Bore.....	79
4.9L 298 L6 3.75" Bore.....	58	7.0L 429 Turbo-Diesel L6 4.5" Bore.....	80
4.9L 301 L6 3.8125" Bore.....	59	7.1L 436 Diesel L6 4.3005" Bore.....	81
4.9L 301 OHV Diesel L6 3.8125" Bore (12 Valve) (International Eng.).....	60	7.1L 436 Turbo-Diesel L6 4.3005" Bore.....	82
5.0L 304 OHV V8 3.875" Bore (16 Valve) (International Eng.).....	61	7.4L 450 OHV L6 4.375" Bore (12 Valve) (International Eng.).....	83
5.1L 310 Diesel L6 3.875" Bore.....	62	7.5L 460 L4 4.75" Bore.....	84
5.1L 312 Diesel L6 3.875" Bore.....	63	7.5L 460 Diesel L4 4.75" Bore.....	85
5.5L 335 L4 4.406" Bore.....	64	7.6L 466 Diesel L6 4.3005" Bore.....	86
5.5L 335 Diesel L4 4.406" Bore.....	65	7.6L 466 Turbo-Diesel L6 4.3005" Bore.....	87
5.6L 345 OHV V8 3.875" Bore (16 Valve) (International Eng.).....	66	8.2L 502 Diesel L6 4.406" Bore.....	88
5.7L 350 L4 4.5" Bore.....	67	8.6L 525 Diesel L6 4.5" Bore.....	89
5.7L 350 Diesel L4 4.5" Bore.....	68	9.0L 549 OHV V8 4.5" Bore.....	90
5.9L 358 Diesel L6 3.875" Bore.....	69	9.0L 549 OHV Diesel V8 4.5" Bore (16 Valve) (International Eng.).....	91
5.9L 360 Diesel L6 3.875" Bore.....	70	9.1L 554 Diesel L6 4.625" Bore.....	92
5.9L 361 Diesel L6 4.125" Bore.....	71	9.4L 573 OHV Turbo-Diesel V8 4.5" Bore.....	93
5.9L 361 Turbo-Diesel L6 4.125" Bore.....	72	9.9L 605 V8 4.625" Bore.....	94
6.1L 370 Diesel L4 4.625" Bore.....	73	11.3L 691 Diesel L6 4.75" Bore.....	95
6.1L 372 OHV L6 4.375" Bore (12 Valve) (International Eng.).....	74	12.2L 743 OHV Diesel L6 5.125" Bore (Cummins Eng.).....	96
6.4L 392 OHV V8 4.125" Bore (16 Valve) (International Eng.).....	75	13.1L 800 Turbo-Diesel V8 5.3125" Bore.....	97
6.7L 407 Diesel L6 4.321" Bore.....	76	13.4L 817 Diesel L6 5.375" Bore.....	98
6.7L 407 Turbo-Diesel L6 4.321" Bore.....	77	14.0L 855 OHV Turbo-Diesel L6 5.5" Bore (Cummins Eng.).....	99
6.8L 414 Diesel L6 4.3005" Bore.....	78		

Engine Code Index

Engine Code	Engine Description	Line No.	Engine Code	Engine Description	Line No.
A ... Wheel Tractor.....	1.8L 113 L4 3" Bore.....	6	C157 ... Wheel Tractor.....	2.6L 157 L4 3.375" Bore.....	21
A1 ... Wheel Tractor.....	2.2L 133 L4 3.25" Bore.....	9	C164 ... Combine.....	2.7L 164 L4 3.5" Bore.....	22
BC144 ... Forklift.....	2.4L 144 L4 3.375" Bore.....	12	C164 ... Power Unit.....	2.7L 164 L4 3.5" Bore.....	22
BC144 ... Wheel Tractor.....	2.4L 144 L4 3.375" Bore.....	12	C164 ... Wheel Tractor.....	2.7L 164 L4 3.5" Bore.....	22
BC154 ... Forklift.....	2.5L 154 L4 3.5" Bore.....	17	C169 ... Combine.....	2.8L 169 L4 3.5625" Bore.....	24
BC154 ... Loader.....	2.5L 154 L4 3.5" Bore.....	17	C169 ... Power Unit.....	2.8L 169 L4 3.5625" Bore.....	24
BC154 ... Wheel Tractor.....	2.5L 154 L4 3.5" Bore.....	17	C169 ... Wheel Tractor.....	2.8L 169 L4 3.5625" Bore.....	24
BD144 ... Wheel Tractor.....	2.4L 144 Diesel L4 3.375" Bore.....	13	C175 ... Combine.....	2.9L 175 L4 3.625" Bore.....	27
BD144 ... Crawler Tractor.....	2.4L 144 Diesel L4 3.375" Bore.....	13	C175 ... Wheel Tractor.....	2.9L 175 L4 3.625" Bore.....	27
BD154 ... Combine.....	2.5L 154 Diesel L4 3.5" Bore.....	19	C175 ... Loader.....	2.9L 175 L4 3.5625" Bore.....	26
BD154 ... Wheel Tractor.....	2.5L 154 Diesel L4 3.5" Bore.....	19	C175 ... Power Unit.....	2.9L 175 L4 3.5625" Bore.....	26
BD154 ... Crawler Tractor.....	2.5L 154 Diesel L4 3.5" Bore.....	19	C175 ... Wheel Tractor.....	2.9L 175 L4 3.5625" Bore.....	26
BD220 ... Combine.....	3.6L 220 OHV L6 3.5625" Bore (12 Valve) (International Eng.).....	38	C175 ... Windrower.....	2.9L 175 L4 3.5625" Bore.....	26
BD240 ... Combine.....	3.9L 240 L6 3.5625" Bore.....	45	C200 ... Forklift.....	3.3L 200 L4 3.8125" Bore.....	33
BD240 ... Harvester.....	3.9L 240 L6 3.5625" Bore.....	45	C200 ... Loader.....	3.3L 200 L4 3.8125" Bore.....	33
BD264 ... Combine.....	4.3L 264 OHV L6 3.6875" Bore (12 Valve) (International Eng.).....	52	C200 ... Wheel Tractor.....	3.3L 200 L4 3.8125" Bore.....	33
BD264 ... Cotton Picker.....	4.3L 264 OHV L6 3.6875" Bore (12 Valve) (International Eng.).....	52	C221 ... Combine.....	3.6L 220 OHV L6 3.5625" Bore.....	37
C113 ... Hay Baler.....	1.8L 113 L4 3" Bore.....	6	C221 ... Power Unit.....	3.6L 220 OHV L6 3.5625" Bore.....	37
C113 ... Combine.....	1.8L 113 L4 3" Bore.....	6	C221 ... Wheel Tractor.....	3.6L 220 OHV L6 3.5625" Bore.....	37
C113 ... Wheel Tractor.....	1.8L 113 L4 3" Bore.....	6	C221 ... Wheel Loader.....	3.6L 220 OHV L6 3.5625" Bore.....	37
C113 ... Windrower.....	1.8L 113 L4 3" Bore.....	6	C236 ... Wheel Tractor.....	3.9L 236 L6 3.6875" Bore.....	42
C123 ... Hay Baler.....	2.0L 123 L4 3.125" Bore.....	7	C248 ... Power Unit.....	4.1L 248 L4 3.875" Bore.....	46
C123 ... Combine.....	2.0L 123 L4 3.125" Bore.....	7	C248 ... Wheel Tractor.....	4.1L 248 L4 3.875" Bore.....	46
C123 ... Wheel Tractor.....	2.0L 123 L4 3.125" Bore.....	7	C248 ... Crawler Tractor.....	4.1L 248 L4 3.875" Bore.....	46
C123 ... Windrower.....	2.0L 123 L4 3.125" Bore.....	7	C263 ... Combine.....	4.3L 263 L6 3.5625" Bore.....	48
C135 ... Combine.....	2.2L 135 L4 3.25" Bore.....	10	C263 ... Cotton Picker.....	4.3L 263 L6 3.5625" Bore.....	48
C135 ... Wheel Tractor.....	2.2L 135 L4 3.25" Bore.....	10	C263 ... Harvester.....	4.3L 263 L6 3.5625" Bore.....	48
C135 ... Windrower.....	2.2L 135 L4 3.25" Bore.....	10	C263 ... Power Unit.....	4.3L 263 L6 3.5625" Bore.....	48
C135 ... Crawler Tractor.....	2.2L 135 L4 3.25" Bore.....	10	C263 ... Wheel Tractor.....	4.3L 263 L6 3.5625" Bore.....	48
C135 ... Combine.....	2.2L 135 L4 3.25" Bore.....	11	C263 ... Crawler Tractor.....	4.3L 263 L6 3.5625" Bore.....	48
C146 ... Wheel Tractor.....	2.4L 145 L4 3.375" Bore.....	14	C263 ... Wheel Loader.....	4.3L 263 L6 3.5625" Bore.....	48
C146 ... Crawler Tractor.....	2.4L 145 L4 3.375" Bore.....	14	C264 ... Power Unit.....	4.3L 264 L4 4" Bore.....	49
C152 ... Combine.....	2.5L 152 L4 3.375" Bore.....	15	C264 ... Wheel Tractor.....	4.3L 264 L4 4" Bore.....	49
C152 ... Power Unit.....	2.5L 152 L4 3.375" Bore.....	15	C264 LPG ... Wheel Tractor.....	4.3L 264 OHV LPG L4 4" Bore.....	51
C152 ... Wheel Tractor.....	2.5L 152 L4 3.375" Bore.....	15	C281 ... Wheel Tractor.....	4.6L 281 L4 4.125" Bore.....	54
C153 ... Combine.....	2.5L 153 L4 3.375" Bore.....	16	C282 ... Combine.....	4.6L 282 L6 3.6875" Bore.....	55
C153 ... Forklift.....	2.5L 153 L4 3.375" Bore.....	16	C282 ... Wheel Tractor.....	4.6L 282 L6 3.6875" Bore.....	55
C153 ... Wheel Tractor.....	2.5L 153 L4 3.375" Bore.....	16	C291 ... Cotton Picker.....	4.8L 291 L6 3.75" Bore.....	57
C153 ... Windrower.....	2.5L 153 L4 3.375" Bore.....	16	C291 ... Forklift.....	4.8L 291 L6 3.75" Bore.....	57
C153 ... Crawler Tractor.....	2.5L 153 L4 3.375" Bore.....	16	C291 ... Wheel Tractor.....	4.8L 291 L6 3.75" Bore.....	57
C157 ... Forklift.....	2.6L 157 L4 3.375" Bore.....	21	C301 ... Combine.....	4.9L 301 L6 3.8125" Bore.....	59
			C301 ... Cotton Picker.....	4.9L 301 L6 3.8125" Bore.....	59
			C301 ... Forklift.....	4.9L 301 L6 3.8125" Bore.....	59
			C301 ... Wheel Tractor.....	4.9L 301 L6 3.8125" Bore.....	59

(continued on next page)

Engine Code Index

Engine Code	Engine Description	Line No.	Engine Code	Engine Description	Line No.
C301 ... Wheel Loader.....	4.9L 301 L6 3.8125" Bore.....	59	DT436 ... Combine	7.1L 436 Turbo-Diesel L6 4.3005" Bore.....	82
C335 ... Wheel Tractor	5.5L 335 L4 4.406" Bore.....	64	DT436 ... Wheel Tractor	7.1L 436 Turbo-Diesel L6 4.3005" Bore.....	82
C350 ... Wheel Tractor	5.7L 350 L4 4.5" Bore.....	67	DT466 ... Combine	7.6L 466 Turbo-Diesel L6 4.3005" Bore.....	87
C549 ... Power Unit	9.0L 549 OHV V8 4.5" Bore	90	DT466 ... Power Unit	7.6L 466 Turbo-Diesel L6 4.3005" Bore.....	87
C60 ... Hay Baler	1.0L 60 L4 2.625" Bore.....	2	DT466 ... Scrapper	7.6L 466 Turbo-Diesel L6 4.3005" Bore.....	87
C60 ... Combine.....	1.0L 60 L4 2.625" Bore.....	2	DT466 ... Wheel Tractor	7.6L 466 Turbo-Diesel L6 4.3005" Bore.....	87
C60 ... Power Unit	1.0L 60 L4 2.625" Bore.....	2	DT466 ... Crawler Tractor.....	7.6L 466 Turbo-Diesel L6 4.3005" Bore.....	87
C60 ... Wheel Tractor	1.0L 60 L4 2.625" Bore.....	2	DT466 ... Wheel Loader	7.6L 466 Turbo-Diesel L6 4.3005" Bore.....	87
C605 ... Power Unit	9.9L 605 V8 4.625" Bore	94	DT466B ... Combine	7.6L 466 Turbo-Diesel L6 4.3005" Bore.....	87
DTI466B ... Combine.....	7.6L 466 Turbo-Diesel L6 4.3005" Bore.....	87	DT466B ... Power Unit.....	7.6L 466 Turbo-Diesel L6 4.3005" Bore.....	87
DTI466B ... Power Unit.....	7.6L 466 Turbo-Diesel L6 4.3005" Bore.....	87	DT466B ... Scrapper.....	7.6L 466 Turbo-Diesel L6 4.3005" Bore.....	87
DTI466B ... Scrapper.....	7.6L 466 Turbo-Diesel L6 4.3005" Bore.....	87	DT466B ... Wheel Tractor.....	7.6L 466 Turbo-Diesel L6 4.3005" Bore.....	87
DTI466B ... Wheel Tractor.....	7.6L 466 Turbo-Diesel L6 4.3005" Bore.....	87	DT466B ... Crawler Tractor...	7.6L 466 Turbo-Diesel L6 4.3005" Bore.....	87
DTI466B ... Crawler Tractor...	7.6L 466 Turbo-Diesel L6 4.3005" Bore.....	87	DT466B ... Wheel Loader	7.6L 466 Turbo-Diesel L6 4.3005" Bore.....	87
DTI466B ... Wheel Loader.....	7.6L 466 Turbo-Diesel L6 4.3005" Bore.....	87	DT466C ... Combine.....	7.6L 466 Turbo-Diesel L6 4.3005" Bore.....	87
DTI466C ... Combine.....	7.6L 466 Turbo-Diesel L6 4.3005" Bore.....	87	DT466C ... Power Unit.....	7.6L 466 Turbo-Diesel L6 4.3005" Bore.....	87
DTI466C ... Power Unit.....	7.6L 466 Turbo-Diesel L6 4.3005" Bore.....	87	DT466C ... Crawler Tractor...	7.6L 466 Turbo-Diesel L6 4.3005" Bore.....	87
DTI466C ... Scrapper.....	7.6L 466 Turbo-Diesel L6 4.3005" Bore.....	87	DT466C ... Wheel Loader	7.6L 466 Turbo-Diesel L6 4.3005" Bore.....	87
DTI466C ... Wheel Tractor.....	7.6L 466 Turbo-Diesel L6 4.3005" Bore.....	87	DT466C ... Combine.....	7.6L 466 Turbo-Diesel L6 4.3005" Bore.....	87
DTI466C ... Crawler Tractor ..	7.6L 466 Turbo-Diesel L6 4.3005" Bore.....	87	DT466C ... Power Unit.....	7.6L 466 Turbo-Diesel L6 4.3005" Bore.....	87
DTI466C ... Wheel Loader.....	7.6L 466 Turbo-Diesel L6 4.3005" Bore.....	87	DT466C ... Scrapper.....	7.6L 466 Turbo-Diesel L6 4.3005" Bore.....	87
DTI817B From Ser. No. 1617 ... Scrapper	13.4L 817 Diesel L6 5.375" Bore..	98	DT466C ... Wheel Tractor.....	7.6L 466 Turbo-Diesel L6 4.3005" Bore.....	87
DTI817B From Ser. No. 1617 ... Crawler Tractor	13.4L 817 Diesel L6 5.375" Bore..	98	DT466C ... Crawler Tractor ...	7.6L 466 Turbo-Diesel L6 4.3005" Bore.....	87
DTI817B From Ser. No. 1617 ... Hauler	13.4L 817 Diesel L6 5.375" Bore..	98	DT466C ... Wheel Loader.....	7.6L 466 Turbo-Diesel L6 4.3005" Bore.....	87
DTI817C ... Crawler Tractor ..	13.4L 817 Diesel L6 5.375" Bore..	98	DT573 ... Loader.....	9.4L 573 OHV Turbo-Diesel V8 4.5" Bore.....	93
DTI817C ... Hauler.....	13.4L 817 Diesel L6 5.375" Bore..	98	DT573 ... Scrapper	9.4L 573 OHV Turbo-Diesel V8 4.5" Bore.....	93
DT361 ... Wheel Tractor	5.9L 361 Turbo-Diesel L6 4.125" Bore.....	72	DT573 ... Crawler Tractor.....	9.4L 573 OHV Turbo-Diesel V8 4.5" Bore.....	93
DT361 ... Crawler Tractor	5.9L 361 Turbo-Diesel L6 4.125" Bore.....	72	DT573 ... Wheel Loader	9.4L 573 OHV Turbo-Diesel V8 4.5" Bore.....	93
DT361 ... Wheel Loader	5.9L 361 Turbo-Diesel L6 4.125" Bore.....	72	DT573 ... Hauler	9.4L 573 OHV Turbo-Diesel V8 4.5" Bore.....	93
DT407 ... Combine	6.7L 407 Turbo-Diesel L6 4.321" Bore.....	77	DT573H ... Loader.....	9.4L 573 OHV Turbo-Diesel V8 4.5" Bore.....	93
DT407 ... Scrapper.....	6.7L 407 Turbo-Diesel L6 4.321" Bore.....	77	DT573H ... Scrapper.....	9.4L 573 OHV Turbo-Diesel V8 4.5" Bore.....	93
DT407 ... Wheel Tractor	6.7L 407 Turbo-Diesel L6 4.321" Bore.....	77	DT573H ... Crawler Tractor ...	9.4L 573 OHV Turbo-Diesel V8 4.5" Bore.....	93
DT407 ... Crawler Tractor	6.7L 407 Turbo-Diesel L6 4.321" Bore.....	77	DT573H ... Wheel Loader.....	9.4L 573 OHV Turbo-Diesel V8 4.5" Bore.....	93
DT407 ... Wheel Loader	6.7L 407 Turbo-Diesel L6 4.321" Bore.....	77	DT573H ... Hauler.....	9.4L 573 OHV Turbo-Diesel V8 4.5" Bore.....	93
DT414 ... Combine	6.8L 414 Turbo-Diesel L6 4.3005" Bore.....	79	DT691 ... Crawler Tractor.....	11.3L 691 Diesel L6 4.75" Bore....	95
DT414 ... Scrapper.....	6.8L 414 Turbo-Diesel L6 4.3005" Bore.....	79	DT817 ... Scrapper	13.4L 817 Diesel L6 5.375" Bore..	98
DT414 ... Wheel Tractor	6.8L 414 Turbo-Diesel L6 4.3005" Bore.....	79	DT817 ... Crawler Tractor.....	13.4L 817 Diesel L6 5.375" Bore..	98
DT414 ... Wheel Loader	6.8L 414 Turbo-Diesel L6 4.3005" Bore.....	79	DT817 ... Hauler	13.4L 817 Diesel L6 5.375" Bore..	98
DT429 ... Loader.....	7.0L 429 Turbo-Diesel L6 4.5" Bore.....	80	DT817B From Ser. No. 1617 ... Scrapper	13.4L 817 Diesel L6 5.375" Bore..	98
DT429 ... Wheel Tractor	7.0L 429 Turbo-Diesel L6 4.5" Bore.....	80	DT817B From Ser. No. 1617 ... Crawler Tractor	13.4L 817 Diesel L6 5.375" Bore..	98
DT429 ... Crawler Tractor.....	7.0L 429 Turbo-Diesel L6 4.5" Bore.....	80	DT817B From Ser. No. 1617 ... Hauler	13.4L 817 Diesel L6 5.375" Bore..	98
DT429 ... Wheel Loader	7.0L 429 Turbo-Diesel L6 4.5" Bore.....	80	DT817C ... Crawler Tractor ...	13.4L 817 Diesel L6 5.375" Bore..	98
			DT817C ... Hauler.....	13.4L 817 Diesel L6 5.375" Bore..	98

(continued on next page)

Engine Code Index

Engine Code	Engine Description	Line No.	Engine Code	Engine Description	Line No.
DVTI573B ... Loader.....	9.4L 573 OHV Turbo-Diesel V8 4.5" Bore.....	93	D310 ... Harvester	5.1L 310 Diesel L6 3.875" Bore....	62
DVTI573B ... Scraper	9.4L 573 OHV Turbo-Diesel V8 4.5" Bore.....	93	D310 ... Forklift	5.1L 310 Diesel L6 3.875" Bore....	62
DVTI573B ... Crawler Tractor.....	9.4L 573 OHV Turbo-Diesel V8 4.5" Bore.....	93	D310 ... Wheel Tractor	5.1L 310 Diesel L6 3.875" Bore....	62
DVTI573B ... Wheel Loader.....	9.4L 573 OHV Turbo-Diesel V8 4.5" Bore.....	93	D310 ... Wheel Loader.....	5.1L 310 Diesel L6 3.875" Bore....	62
DVTI573B ... Hauler	9.4L 573 OHV Turbo-Diesel V8 4.5" Bore.....	93	D312 ... Wheel Tractor	5.1L 312 Diesel L6 3.875" Bore....	63
DVT573 ... Loader	9.4L 573 OHV Turbo-Diesel V8 4.5" Bore.....	93	D335 ... Loader.....	5.5L 335 Diesel L4 4.406" Bore....	65
DVT573 ... Scraper.....	9.4L 573 OHV Turbo-Diesel V8 4.5" Bore.....	93	D335 ... Power Unit	5.5L 335 Diesel L4 4.406" Bore....	65
DVT573 ... Crawler Tractor.....	9.4L 573 OHV Turbo-Diesel V8 4.5" Bore.....	93	D335 ... Wheel Tractor	5.5L 335 Diesel L4 4.406" Bore....	65
DVT573 ... Hauler.....	9.4L 573 OHV Turbo-Diesel V8 4.5" Bore.....	93	D335 ... Crawler Tractor	5.5L 335 Diesel L4 4.406" Bore....	65
DVT573B ... Loader.....	9.4L 573 OHV Turbo-Diesel V8 4.5" Bore.....	93	D350 ... Wheel Tractor	5.7L 350 Diesel L4 4.5" Bore.....	68
DVT573B ... Scraper	9.4L 573 OHV Turbo-Diesel V8 4.5" Bore.....	93	D350 ... Crawler Tractor	5.7L 350 Diesel L4 4.5" Bore.....	68
DVT573B ... Crawler Tractor.....	9.4L 573 OHV Turbo-Diesel V8 4.5" Bore.....	93	D358 ... Combine.....	5.9L 358 Diesel L6 3.875" Bore....	69
DVT573B ... Wheel Loader.....	9.4L 573 OHV Turbo-Diesel V8 4.5" Bore.....	93	D358 ... Wheel Tractor	5.9L 358 Diesel L6 3.875" Bore....	69
DVT573B ... Hauler	9.4L 573 OHV Turbo-Diesel V8 4.5" Bore.....	93	D358 ... Payloader.....	5.9L 358 Diesel L6 3.875" Bore....	69
DVT800 ... Scraper.....	13.1L 800 Turbo-Diesel V8 5.3125" Bore.....	97	D360 ... Combine.....	5.9L 360 Diesel L6 3.875" Bore....	70
DV550 ... Wheel Tractor	9.0L 549 OHV Diesel V8 4.5" Bore (16 Valve) (International Eng.).....	91	D360 ... Wheel Tractor	5.9L 360 Diesel L6 3.875" Bore....	70
DV550B ... Wheel Tractor.....	9.0L 549 OHV Diesel V8 4.5" Bore (16 Valve) (International Eng.).....	91	D361 ... Loader.....	5.9L 361 Diesel L6 4.125" Bore....	71
D14A ... Wheel Tractor	7.5L 460 L4 4.75" Bore.....	84	D361 ... Scraper	5.9L 361 Diesel L6 4.125" Bore....	71
D155 ... Wheel Tractor	2.5L 155 Diesel L3 3.875" Bore....	20	D361 ... Wheel Tractor	5.9L 361 Diesel L6 4.125" Bore....	71
D166 ... Wheel Tractor	2.7L 166 Diesel L4 3.6875" Bore..	23	D370 ... Wheel Tractor	6.1L 370 Diesel L4 4.625" Bore....	73
D166 ... Crawler Tractor	2.7L 166 Diesel L4 3.6875" Bore..	23	D407 ... Combine.....	6.7L 407 Diesel L6 4.321" Bore....	76
D179 ... Wheel Tractor	2.9L 179 Diesel L3 3.875" Bore....	28	D407 ... Scraper	6.7L 407 Diesel L6 4.321" Bore....	76
D188 ... Wheel Tractor	3.1L 188 Diesel L4 3.6875" Bore..	30	D407 ... Wheel Tractor	6.7L 407 Diesel L6 4.321" Bore....	76
D188 ... Wheel Loader.....	3.1L 188 Diesel L4 3.6875" Bore..	30	D407 ... Crawler Tractor	6.7L 407 Diesel L6 4.321" Bore....	76
D206 ... Wheel Tractor	3.4L 206 OHV Diesel L4 3.875" Bore.....	34	D407 ... Wheel Loader.....	6.7L 407 Diesel L6 4.321" Bore....	76
D236 ... Combine.....	3.9L 236 Diesel L6 3.6875" Bore..	43	D414 ... Combine.....	6.8L 414 Diesel L6 4.3005" Bore..	78
D236 ... Cotton Picker	3.9L 236 Diesel L6 3.6875" Bore..	43	D414 ... Wheel Tractor	6.8L 414 Diesel L6 4.3005" Bore..	78
D236 ... Wheel Tractor	3.9L 236 Diesel L6 3.6875" Bore..	43	D436 ... Wheel Tractor	7.1L 436 Diesel L6 4.3005" Bore..	81
D236 ... Crawler Tractor	3.9L 236 Diesel L6 3.6875" Bore..	43	D461 ... Crawler Tractor	7.5L 460 Diesel L4 4.75" Bore....	85
D236 ... Wheel Loader.....	3.9L 236 Diesel L6 3.6875" Bore..	43	D466 ... Wheel Tractor	7.6L 466 Diesel L6 4.3005" Bore..	86
D239 ... Wheel Tractor	3.9L 239 OHV Diesel L4 3.875" Bore.....	44	D502 ... Wheel Tractor	8.2L 502 Diesel L6 4.406" Bore....	88
D239 ... Wheel Loader.....	3.9L 239 OHV Diesel L4 3.875" Bore.....	44	D525 ... Wheel Tractor	8.6L 525 Diesel L6 4.5" Bore....	89
D239 ... Dozer	3.9L 239 OHV Diesel L4 3.875" Bore.....	44	D554 ... Wheel Tractor	9.1L 554 Diesel L6 4.625" Bore....	92
D248 ... Wheel Tractor	4.1L 248 Diesel L4 3.875" Bore....	47	D6 ... Wheel Tractor	4.3L 264 Diesel L4 4" Bore.....	50
D248 ... Crawler Tractor	4.1L 248 Diesel L4 3.875" Bore....	47	D691 ... Crawler Tractor	11.3L 691 Diesel L6 4.75" Bore....	95
D264 ... Wheel Tractor	4.3L 264 Diesel L4 4" Bore.....	50	FC132 ... Wheel Tractor	2.2L 132 L-HEAD L4 3.25" Bore ...	8
D281 ... Wheel Tractor	4.6L 281 Diesel L4 4.125" Bore....	53	FG132 ... Combine	2.2L 132 L-HEAD L4 3.25" Bore ...	8
D281 ... Crawler Tractor	4.6L 281 Diesel L4 4.125" Bore....	53	FK132 ... Combine.....	2.2L 132 L-HEAD L4 3.25" Bore ...	8
D282 ... Combine.....	4.6L 282 Diesel L6 3.6875" Bore..	56	FK132 ... Wheel Tractor	2.2L 132 L-HEAD L4 3.25" Bore ...	8
D282 ... Cotton Picker	4.6L 282 Diesel L6 3.6875" Bore..	56	FL ... Combine	2.2L 132 L-HEAD L4 3.25" Bore ...	8
D282 ... Loader.....	4.6L 282 Diesel L6 3.6875" Bore..	56	FL ... Wheel Tractor.....	2.2L 132 L-HEAD L4 3.25" Bore ...	8
D282 ... Wheel Tractor	4.6L 282 Diesel L6 3.6875" Bore..	56	GRD214 ... Combine	3.5L 214 L-HEAD L6 3.3125" Bore (12 Valve) (International Eng.).....	36
D282 ... Crawler Tractor	4.6L 282 Diesel L6 3.6875" Bore..	56	GRD233 ... Combine	3.8L 233 L-HEAD L6 3.3125" Bore (12 Valve) (International Eng.).....	41
D282 ... Wheel Loader.....	4.6L 282 Diesel L6 3.6875" Bore..	56	HD ... Combine	3.2L 193 L-HEAD L6 3.25" Bore (12 Valve) (International Eng.).....	31
D301 ... Combine.....	4.9L 301 OHV Diesel L6 3.8125" Bore (12 Valve) (International Eng.).....	60	HD174 ... Combine	2.9L 174 L-HEAD L6 3" Bore	25
D301 ... Wheel Loader.....	4.9L 301 OHV Diesel L6 3.8125" Bore (12 Valve) (International Eng.).....	60	HD213 ... Combine	3.5L 213 L-HEAD L6 3.3125" Bore	35
D310 ... Cotton Picker	5.1L 310 Diesel L6 3.875" Bore....	62	HD232 ... Combine	3.8L 232 L-HEAD L6 3.3125" Bore	39
			HRB ... Loader.....	12.2L 743 OHV Diesel L6 5.125" Bore (Cummins Eng.).....	96
			HRB ... Scraper	12.2L 743 OHV Diesel L6 5.125" Bore (Cummins Eng.).....	96
			HRB ... Wheel Tractor	12.2L 743 OHV Diesel L6 5.125" Bore (Cummins Eng.).....	96
			HRB6 ... Loader.....	12.2L 743 OHV Diesel L6 5.125" Bore (Cummins Eng.).....	96
			HRB6 ... Scraper	12.2L 743 OHV Diesel L6 5.125" Bore (Cummins Eng.).....	96
			HRB6 ... Wheel Tractor	12.2L 743 OHV Diesel L6 5.125" Bore (Cummins Eng.).....	96
			HR6 ... Loader	12.2L 743 OHV Diesel L6 5.125" Bore (Cummins Eng.).....	96
			HR6 ... Scraper.....	12.2L 743 OHV Diesel L6 5.125" Bore (Cummins Eng.).....	96
			HR6 ... Wheel Tractor.....	12.2L 743 OHV Diesel L6 5.125" Bore (Cummins Eng.).....	96
			IU4 ... Power Unit	2.5L 152 L4 3.375" Bore.....	15
			IU6 ... Power Unit	4.1L 248 L4 3.875" Bore.....	46

(continued on next page)

Engine Code Index					
Engine Code	Engine Description	Line No.	Engine Code	Engine Description	Line No.
NT Series ... Loader	14.0L 855 OHV Turbo-Diesel L6 5.5" Bore (Cummins Eng.)	99	VF4D ... Windrower	1.8L 108 L-HEAD V4 3.25" Bore (Wisconsin Eng.)	4
PA50 ... Power Unit	4.9L 298 L6 3.75" Bore	58	VF41 ... Hay Baler	1.8L 108 L-HEAD V4 3.25" Bore (Wisconsin Eng.)	4
PD40 ... Wheel Tractor	7.5L 460 L4 4.75" Bore	84	VF41 ... Windrower	1.8L 108 L-HEAD V4 3.25" Bore (Wisconsin Eng.)	4
RD372 ... Power Unit	6.1L 372 OHV L6 4.375" Bore (12 Valve) (International Eng.)	74	VG4D ... Hay Baler	2.5L 154 L-HEAD V4 3.5" Bore (Wisconsin Eng.)	18
RD450 ... Power Unit	7.4L 450 OHV L6 4.375" Bore (12 Valve) (International Eng.)	83	VG4D ... Windrower	2.5L 154 L-HEAD V4 3.5" Bore (Wisconsin Eng.)	18
TF ... Hay Baler	.9L 53.9 L-HEAD L2 3.25" Bore (Wisconsin Eng.)	1	VH4 ... Hay Baler	1.8L 108 L-HEAD V4 3.25" Bore (Wisconsin Eng.)	4
TFD ... Hay Baler	.9L 53.9 L-HEAD L2 3.25" Bore (Wisconsin Eng.)	1	VH4 ... Windrower	1.8L 108 L-HEAD V4 3.25" Bore (Wisconsin Eng.)	4
TH ... Hay Baler	.9L 53.9 L-HEAD L2 3.25" Bore (Wisconsin Eng.)	1	VH4D ... Hay Baler	1.8L 108 L-HEAD V4 3.25" Bore (Wisconsin Eng.)	4
THD ... Hay Baler	.9L 53.9 L-HEAD L2 3.25" Bore (Wisconsin Eng.)	1	VH4D ... Windrower	1.8L 108 L-HEAD V4 3.25" Bore (Wisconsin Eng.)	4
TJD ... Hay Baler	.9L 53.9 L-HEAD L2 3.25" Bore (Wisconsin Eng.)	1	VH4DM ... Hay Baler	1.8L 108 L-HEAD V4 3.25" Bore (Wisconsin Eng.)	4
UC153 ... Power Unit	2.5L 152 L4 3.375" Bore	15	VH4DM ... Windrower	1.8L 108 L-HEAD V4 3.25" Bore (Wisconsin Eng.)	4
UC221 ... Power Unit	3.6L 220 OHV L6 3.5625" Bore	37	VP4 ... Hay Baler	2.5L 154 L-HEAD V4 3.5" Bore (Wisconsin Eng.)	18
UC263 ... Power Unit	4.3L 263 L6 3.5625" Bore	48	VP4 ... Windrower	2.5L 154 L-HEAD V4 3.5" Bore (Wisconsin Eng.)	18
UC264 ... Power Unit	4.3L 264 L4 4" Bore	49	VP4D ... Hay Baler	2.5L 154 L-HEAD V4 3.5" Bore (Wisconsin Eng.)	18
UC60 ... Power Unit	1.0L 60 L4 2.625" Bore	2	VP4D ... Windrower	2.5L 154 L-HEAD V4 3.5" Bore (Wisconsin Eng.)	18
UDT817 ... Scraper	13.4L 817 Diesel L6 5.375" Bore	98	VS549 ... Power Unit	9.0L 549 OHV V8 4.5" Bore	90
UDT817 ... Crawler Tractor	13.4L 817 Diesel L6 5.375" Bore	98	V304 ... Combine	5.0L 304 OHV V8 3.875" Bore (16 Valve) (International Eng.)	61
UDT817 ... Hauler	13.4L 817 Diesel L6 5.375" Bore	98	V345 ... Combine	5.6L 345 OHV V8 3.875" Bore (16 Valve) (International Eng.)	66
UD14 ... Crawler Tractor	7.5L 460 Diesel L4 4.75" Bore	85	V392 ... Combine	6.4L 392 OHV V8 4.125" Bore (16 Valve) (International Eng.)	75
UD14A ... Crawler Tractor	7.5L 460 Diesel L4 4.75" Bore	85	V460D ... Hay Baler	2.5L 154 L-HEAD V4 3.5" Bore (Wisconsin Eng.)	18
UD18 ... Crawler Tractor	11.3L 691 Diesel L6 4.75" Bore	95	V460D ... Windrower	2.5L 154 L-HEAD V4 3.5" Bore (Wisconsin Eng.)	18
UD18A ... Crawler Tractor	11.3L 691 Diesel L6 4.75" Bore	95	V461D ... Hay Baler	2.5L 154 L-HEAD V4 3.5" Bore (Wisconsin Eng.)	18
UD218 ... Wheel Tractor	4.6L 281 Diesel L4 4.125" Bore	53	V461D ... Windrower	2.5L 154 L-HEAD V4 3.5" Bore (Wisconsin Eng.)	18
UD218 ... Crawler Tractor	4.6L 281 Diesel L4 4.125" Bore	53	V549 ... Power Unit	9.0L 549 OHV V8 4.5" Bore	90
UD264 ... Power Unit	4.3L 264 Diesel L4 4" Bore	50	V605 ... Power Unit	9.9L 605 V8 4.625" Bore	94
UD525 ... Wheel Tractor	8.6L 525 Diesel L6 4.5" Bore	89	XAH ... Combine	3.0L 186 L4 3.625" Bore (Waukesha Eng.)	29
UD554 ... Wheel Tractor	9.1L 554 Diesel L6 4.625" Bore	92	Y112 ... Hay Baler	1.8L 112 L-HEAD L4 3.1875" Bore (Continental Eng.)	5
UD6 ... Wheel Tractor	4.3L 264 Diesel L4 4" Bore	50	Y4069 ... Hay Baler	1.1L 69 L-HEAD L4 2.5" Bore (Continental Eng.)	3
UD6A ... Wheel Tractor	4.3L 264 Diesel L4 4" Bore	50	Y4069 ... Combine	1.1L 69 L-HEAD L4 2.5" Bore (Continental Eng.)	3
UD9 ... Power Unit	5.5L 335 Diesel L4 4.406" Bore	65	Y4112 ... Hay Baler	1.8L 112 L-HEAD L4 3.1875" Bore (Continental Eng.)	5
UD9A ... Power Unit	5.5L 335 Diesel L4 4.406" Bore	65	Y69 ... Hay Baler	1.1L 69 L-HEAD L4 2.5" Bore (Continental Eng.)	3
UR372 ... Power Unit	6.1L 372 OHV L6 4.375" Bore (12 Valve) (International Eng.)	74	Y69 ... Combine	1.1L 69 L-HEAD L4 2.5" Bore (Continental Eng.)	3
UR450 ... Power Unit	7.4L 450 OHV L6 4.375" Bore (12 Valve) (International Eng.)	83	6-232 ... Windrower	3.8L 232 OHV L6 3.75" Bore (Hi Torque) (AMC Eng.)	40
U1 ... Power Unit	1.0L 60 L4 2.625" Bore	2			
U14 ... Wheel Tractor	7.5L 460 L4 4.75" Bore	84			
U164 ... Power Unit	2.5L 152 L4 3.375" Bore	15			
U164 ... Power Unit	2.7L 164 L4 3.5" Bore	22			
U169 ... Power Unit	2.8L 169 L4 3.5625" Bore	24			
U175 ... Power Unit	2.9L 175 L4 3.5625" Bore	26			
U21 ... Power Unit	4.9L 298 L6 3.75" Bore	58			
U264 ... Power Unit	4.3L 264 L4 4" Bore	49			
U372 ... Power Unit	6.1L 372 OHV L6 4.375" Bore (12 Valve) (International Eng.)	74			
U4 ... Power Unit	2.5L 152 L4 3.375" Bore	15			
U450 ... Power Unit	7.4L 450 OHV L6 4.375" Bore (12 Valve) (International Eng.)	83			
U6 ... Power Unit	4.1L 248 L4 3.875" Bore	46			
VF4 ... Hay Baler	1.8L 108 L-HEAD V4 3.25" Bore (Wisconsin Eng.)	4			
VF4 ... Windrower	1.8L 108 L-HEAD V4 3.25" Bore (Wisconsin Eng.)	4			
VF4D ... Hay Baler	1.8L 108 L-HEAD V4 3.25" Bore (Wisconsin Eng.)	4			

Model Index

Model	Engine Description	Line No.	Model	Engine Description	Line No.
A ... Wheel Tractor	1.8L 113 L4 3" Bore	6	AI ... Wheel Tractor	1.8L 113 L4 3" Bore	6
A ... Wheel Tractor	2.0L 123 L4 3.125" Bore	7	AI Super ... Wheel Tractor	1.8L 113 L4 3" Bore	6
A ... Wheel Tractor	2.2L 135 L4 3.25" Bore	10	AV ... Wheel Tractor	1.8L 113 L4 3" Bore	6
A Super ... Wheel Tractor	1.8L 113 L4 3" Bore	6	AV ... Wheel Tractor	2.0L 123 L4 3.125" Bore	7

(continued on next page)

IHC Tractor

Model Index

Model	Engine Description	Line No.	Model	Engine Description	Line No.
AV ... Wheel Tractor	2.2L 135 L4 3.25" Bore	10	H50B ... Wheel Loader	4.9L 301 L6 3.8125" Bore	59
AV Super ... Wheel Tractor	1.8L 113 L4 3" Bore	6	H50C ... Wheel Loader	4.6L 282 Diesel L6 3.6875" Bore	56
AVI ... Wheel Tractor	1.8L 113 L4 3" Bore	6	H50C ... Wheel Loader	4.9L 301 L6 3.8125" Bore	59
AVI ... Wheel Tractor	2.0L 123 L4 3.125" Bore	7	H60B ... Wheel Loader	4.9L 301 L6 3.8125" Bore	59
AVI ... Wheel Tractor	2.2L 135 L4 3.25" Bore	10	H60B ... Wheel Loader	4.9L 301 OHV Diesel L6 3.8125" Bore (12 Valve) (International Eng.)	60
AVI Super ... Wheel Tractor	1.8L 113 L4 3" Bore	6	H60B ... Wheel Loader	5.9L 361 Turbo-Diesel L6 4.125" Bore	72
B ... Wheel Tractor	1.8L 113 L4 3" Bore	6	H65C ... Wheel Loader	5.9L 361 Turbo-Diesel L6 4.125" Bore	72
BN ... Wheel Tractor	1.8L 113 L4 3" Bore	6	H65C ... Wheel Loader	6.7L 407 Diesel L6 4.321" Bore	76
B275 ... Wheel Tractor	2.4L 144 L4 3.375" Bore	12	H65C ... Wheel Loader	6.7L 407 Turbo-Diesel L6 4.321" Bore	77
B275 ... Wheel Tractor	2.4L 144 Diesel L4 3.375" Bore	13	H65C ... Wheel Loader	6.8L 414 Turbo-Diesel L6 4.3005" Bore	79
B275 ... Wheel Tractor	2.5L 154 Diesel L4 3.5" Bore	19	H70F ... Wheel Loader	7.0L 429 Turbo-Diesel L6 4.5" Bore	80
B414 ... Wheel Tractor	2.4L 144 L4 3.375" Bore	12	H80B ... Wheel Loader	7.6L 466 Turbo-Diesel L6 4.3005" Bore	87
B414 ... Wheel Tractor	2.4L 144 Diesel L4 3.375" Bore	13	H90C ... Crawler Tractor	9.4L 573 OHV Turbo-Diesel V8 4.5" Bore	93
B414 ... Wheel Tractor	2.5L 154 L4 3.5" Bore	17	ID9 ... Wheel Tractor	5.5L 335 Diesel L4 4.406" Bore	65
B414 ... Wheel Tractor	2.5L 154 Diesel L4 3.5" Bore	19	ID9 ... Wheel Tractor	5.7L 350 Diesel L4 4.5" Bore	68
C ... Wheel Tractor	1.8L 113 L4 3" Bore	6	ID9 ... Wheel Tractor	6.1L 370 Diesel L4 4.625" Bore	73
C Super ... Wheel Tractor	2.0L 123 L4 3.125" Bore	7	International ... Wheel Tractor	1.0L 60 L4 2.625" Bore	2
C Super ... Wheel Tractor	2.2L 135 L4 3.25" Bore	10	IUD6 ... Wheel Tractor	4.1L 248 L4 3.875" Bore	46
Cub ... Wheel Tractor	1.0L 60 L4 2.625" Bore	2	IU4 ... Power Unit	2.5L 152 L4 3.375" Bore	15
Cub Lo-Boy ... Wheel Tractor	1.0L 60 L4 2.625" Bore	2	IU6 ... Power Unit	4.1L 248 L4 3.875" Bore	46
C549 ... Power Unit	9.0L 549 OHV V8 4.5" Bore	90	I300 ... Wheel Tractor	2.9L 175 L4 3.5625" Bore	26
C605 ... Power Unit	9.9L 605 V8 4.625" Bore	94	I330 ... Wheel Tractor	2.2L 135 L4 3.25" Bore	10
D-VD460 ... Wheel Tractor	3.9L 236 Diesel L6 3.6875" Bore	43	I350 ... Wheel Tractor	2.9L 175 L4 3.5625" Bore	26
E200 ... Scraper	5.9L 361 Diesel L6 4.125" Bore	71	I4 ... Wheel Tractor	2.5L 152 L4 3.375" Bore	15
E200 ... Wheel Tractor	5.9L 361 Turbo-Diesel L6 4.125" Bore	72	I6 ... Wheel Tractor	4.1L 248 L4 3.875" Bore	46
E200 ... Scraper	6.7L 407 Diesel L6 4.321" Bore	76	I6 ... Wheel Tractor	4.3L 264 L4 4" Bore	49
E200 ... Scraper	6.7L 407 Turbo-Diesel L6 4.321" Bore	77	I9 ... Wheel Tractor	5.5L 335 L4 4.406" Bore	64
E200 ... Scraper	6.8L 414 Turbo-Diesel L6 4.3005" Bore	79	Lo-Boy ... Wheel Tractor	1.0L 60 L4 2.625" Bore	2
E211 ... Scraper	6.7L 407 Diesel L6 4.321" Bore	76	Lo-Boy 2404 ... Wheel Tractor	2.2L 135 L4 3.25" Bore	10
E211 ... Scraper	6.7L 407 Turbo-Diesel L6 4.321" Bore	77	Lo-Boy 404 ... Wheel Tractor	2.2L 135 L4 3.25" Bore	10
E270 ... Scraper	9.4L 573 OHV Turbo-Diesel V8 4.5" Bore	93	L150 ... Crawler Tractor	4.6L 282 Diesel L6 3.6875" Bore	56
E295 ... Scraper	13.4L 817 Diesel L6 5.375" Bore	98	L150 ... Wheel Loader	4.6L 282 Diesel L6 3.6875" Bore	56
E412 ... Scraper	7.6L 466 Turbo-Diesel L6 4.3005" Bore	87	L175 ... Crawler Tractor	5.9L 361 Turbo-Diesel L6 4.125" Bore	72
E433 ... Scraper	7.6L 466 Turbo-Diesel L6 4.3005" Bore	87	L175 ... Wheel Loader	5.9L 361 Turbo-Diesel L6 4.125" Bore	72
F350 ... Wheel Tractor	2.9L 175 L4 3.5625" Bore	26	L175B ... Crawler Tractor	5.9L 361 Turbo-Diesel L6 4.125" Bore	72
F350HS ... Wheel Tractor	2.9L 175 L4 3.5625" Bore	26	L175B ... Wheel Loader	6.7L 407 Diesel L6 4.321" Bore	76
H ... Wheel Tractor	2.5L 152 L4 3.375" Bore	15	L175B ... Wheel Loader	6.7L 407 Turbo-Diesel L6 4.321" Bore	77
H ... Wheel Tractor	2.7L 164 L4 3.5" Bore	22	L175C ... Crawler Tractor	7.6L 466 Turbo-Diesel L6 4.3005" Bore	87
H Super ... Wheel Tractor	2.5L 152 L4 3.375" Bore	15	L175C ... Wheel Loader	7.6L 466 Turbo-Diesel L6 4.3005" Bore	87
H Super ... Wheel Tractor	2.7L 164 L4 3.5" Bore	22	M ... Wheel Tractor	4.1L 248 L4 3.875" Bore	46
HV ... Wheel Tractor	2.5L 152 L4 3.375" Bore	15	M ... Wheel Tractor	4.3L 264 L4 4" Bore	49
HV ... Wheel Tractor	2.7L 164 L4 3.5" Bore	22	M Super ... Wheel Tractor	4.1L 248 L4 3.875" Bore	46
HV Super ... Wheel Tractor	2.5L 152 L4 3.375" Bore	15	M Super ... Wheel Tractor	4.3L 264 OHV LPG L4 4" Bore	51
HV Super ... Wheel Tractor	2.7L 164 L4 3.5" Bore	22	MV ... Wheel Tractor	4.1L 248 L4 3.875" Bore	46
Hydro 100 ... Wheel Tractor	7.1L 436 Turbo-Diesel L6 4.3005" Bore	82	MV ... Wheel Tractor	4.3L 264 L4 4" Bore	49
Hydro 186 ... Wheel Tractor	7.1L 436 Turbo-Diesel L6 4.3005" Bore	82	ND375 ... Windrower	2.9L 175 L4 3.5625" Bore	26
Hydro 70 ... Wheel Tractor	4.8L 291 L6 3.75" Bore	57	No. 8 ... Combine	3.0L 186 L4 3.625" Bore (Waukesha Eng.)	29
Hydro 70 ... Wheel Tractor	5.1L 312 Diesel L6 3.875" Bore	63	OD9 ... Wheel Tractor	5.5L 335 Diesel L4 4.406" Bore	65
Hydro 86 ... Wheel Tractor	4.8L 291 L6 3.75" Bore	57	OS4 ... Wheel Tractor	2.5L 152 L4 3.375" Bore	15
H100C ... Hauler	13.4L 817 Diesel L6 5.375" Bore	98	OS4 ... Wheel Tractor	2.7L 164 L4 3.5" Bore	22
H25B ... Wheel Loader	3.1L 188 Diesel L4 3.6875" Bore	30	OS6 ... Wheel Tractor	4.1L 248 L4 3.875" Bore	46
H30A ... Wheel Loader	3.9L 236 Diesel L6 3.6875" Bore	43	OS6 ... Wheel Tractor	4.3L 264 L4 4" Bore	49
H30A ... Wheel Loader	4.6L 282 Diesel L6 3.6875" Bore	56	O4 ... Wheel Tractor	2.5L 152 L4 3.375" Bore	15
H30B ... Wheel Loader	3.9L 236 Diesel L6 3.6875" Bore	43			
H30B ... Wheel Loader	4.3L 263 L6 3.5625" Bore	48			
H30B ... Wheel Loader	4.6L 282 Diesel L6 3.6875" Bore	56			
H30F ... Wheel Tractor	2.5L 153 L4 3.375" Bore	16			
H30F ... Wheel Loader	3.9L 236 Diesel L6 3.6875" Bore	43			
H30R ... Wheel Tractor	2.5L 153 L4 3.375" Bore	16			
H30R ... Wheel Loader	3.9L 236 Diesel L6 3.6875" Bore	43			
H50A ... Wheel Loader	4.6L 282 Diesel L6 3.6875" Bore	56			
H50A ... Wheel Loader	4.9L 301 L6 3.8125" Bore	59			
H50B ... Wheel Loader	4.6L 282 Diesel L6 3.6875" Bore	56			

Model Index

Model	Engine Description	Line No.	Model	Engine Description	Line No.
O4 ... Wheel Tractor	2.7L 164 L4 3.5" Bore	22	TD9 91 Series ... Crawler		
O6 ... Wheel Tractor	4.1L 248 L4 3.875" Bore	46	Tractor	4.6L 282 Diesel L6 3.6875" Bore	56
O6 ... Wheel Tractor	4.3L 264 L4 4" Bore	49	TD9 91 Series ... Crawler		
PH65C ... Hauler	9.4L 573 OHV Turbo-Diesel V8 4.5" Bore	93	Tractor	5.7L 350 Diesel L4 4.5" Bore	68
S11A ... Wheel Tractor	5.9L 361 Turbo-Diesel L6 4.125" Bore	72	TD9 92 Series ... Crawler		
S11A ... Wheel Tractor	6.7L 407 Turbo-Diesel L6 4.321" Bore	77	Tractor	4.6L 282 Diesel L6 3.6875" Bore	56
S7 ... Wheel Tractor	5.9L 361 Turbo-Diesel L6 4.125" Bore	72	TD9B ... Crawler Tractor	4.6L 282 Diesel L6 3.6875" Bore	56
S7 ... Wheel Tractor	6.7L 407 Turbo-Diesel L6 4.321" Bore	77	TD92 ... Crawler Tractor	4.6L 282 Diesel L6 3.6875" Bore	56
S7C ... Wheel Tractor	5.9L 361 Turbo-Diesel L6 4.125" Bore	72	Type M ... Hay Baler	1.8L 113 L4 3" Bore	6
S7C ... Wheel Tractor	6.7L 407 Turbo-Diesel L6 4.321" Bore	77	T340 ... Crawler Tractor	2.2L 135 L4 3.25" Bore	10
S8 ... Wheel Tractor	5.9L 361 Turbo-Diesel L6 4.125" Bore	72	T340A ... Crawler Tractor	2.2L 135 L4 3.25" Bore	10
S8 ... Wheel Tractor	6.7L 407 Turbo-Diesel L6 4.321" Bore	77	T4 ... Wheel Tractor	2.0L 123 L4 3.125" Bore	7
S8B ... Wheel Tractor	5.9L 361 Turbo-Diesel L6 4.125" Bore	72	T4 ... Crawler Tractor	2.2L 135 L4 3.25" Bore	10
S8B ... Wheel Tractor	6.7L 407 Turbo-Diesel L6 4.321" Bore	77	T5 ... Crawler Tractor	2.2L 135 L4 3.25" Bore	10
TC5 ... Crawler Tractor	2.2L 135 L4 3.25" Bore	10	T6 ... Crawler Tractor	3.9L 236 Diesel L6 3.6875" Bore	43
TD12 ... Wheel Tractor	7.6L 466 Diesel L6 4.3005" Bore	86	T6 ... Crawler Tractor	4.1L 248 L4 3.875" Bore	46
TD15B ... Crawler Tractor	5.9L 361 Turbo-Diesel L6 4.125" Bore	72	T6 ... Crawler Tractor	4.3L 263 L6 3.5625" Bore	48
TD15B ... Crawler Tractor	6.7L 407 Diesel L6 4.321" Bore	76	T6 ... Wheel Tractor	4.3L 264 L4 4" Bore	49
TD15B ... Crawler Tractor	6.7L 407 Turbo-Diesel L6 4.321" Bore	77	T6 ... Wheel Tractor	4.6L 281 L4 4.125" Bore	54
TD15C ... Wheel Tractor	7.6L 466 Turbo-Diesel L6 4.3005" Bore	87	T6 61 Series ... Wheel		
TD15C ... Wheel Tractor	7.6L 466 Turbo-Diesel L6 4.3005" Bore	87	Tractor	4.6L 281 L4 4.125" Bore	54
TD15C ... Crawler Tractor	7.6L 466 Turbo-Diesel L6 4.3005" Bore	87	T6 62 Series ... Wheel		
TD15CLGP ... Wheel Tractor	7.6L 466 Turbo-Diesel L6 4.3005" Bore	87	Tractor	4.3L 263 L6 3.5625" Bore	48
TD15PS ... Wheel Tractor	7.6L 466 Turbo-Diesel L6 4.3005" Bore	87	T6 62 Series ... Wheel		
TD20B ... Wheel Tractor	7.0L 429 Turbo-Diesel L6 4.5" Bore	80	Tractor	4.6L 282 L6 3.6875" Bore	55
TD20B ... Crawler Tractor	7.0L 429 Turbo-Diesel L6 4.5" Bore	80	T7 Series C ... Loader	3.3L 200 L4 3.8125" Bore	33
TD20C ... Crawler Tractor	9.4L 573 OHV Turbo-Diesel V8 4.5" Bore	93	T9 ... Wheel Tractor	5.5L 335 L4 4.406" Bore	64
TD340 ... Wheel Tractor	2.7L 164 L4 3.5" Bore	22	T9 ... Crawler Tractor	5.5L 335 Diesel L4 4.406" Bore	65
TD340 ... Wheel Tractor	2.7L 166 Diesel L4 3.6875" Bore	23	UC153 ... Power Unit	2.5L 152 L4 3.375" Bore	15
TD340 ... Crawler Tractor	2.7L 166 Diesel L4 3.6875" Bore	23	UC221 ... Power Unit	3.6L 220 OHV L6 3.5625" Bore	37
TD340 ... Wheel Tractor	3.1L 188 Diesel L4 3.6875" Bore	30	UC263 ... Power Unit	4.3L 263 L6 3.5625" Bore	48
TD340A ... Wheel Tractor	2.7L 166 Diesel L4 3.6875" Bore	23	UC264 ... Power Unit	4.3L 264 L4 4" Bore	49
TD6 ... Crawler Tractor	4.6L 282 Diesel L6 3.6875" Bore	56	UC60 ... Power Unit	1.0L 60 L4 2.625" Bore	2
TD6 62 Series ... Wheel Tractor	4.6L 281 L4 4.125" Bore	54	UDT466 ... Power Unit	7.6L 466 Turbo-Diesel L6 4.3005" Bore	87
TD6 62 Series ... Wheel Tractor	4.6L 282 Diesel L6 3.6875" Bore	56	UD350 ... Power Unit	5.5L 335 Diesel L4 4.406" Bore	65
TD7 ... Wheel Tractor	3.4L 206 OHV Diesel L4 3.875" Bore	34	UD9 ... Power Unit	5.5L 335 Diesel L4 4.406" Bore	65
TD7 ... Wheel Tractor	3.9L 239 OHV Diesel L4 3.875" Bore	44	UD9A ... Power Unit	5.5L 335 Diesel L4 4.406" Bore	65
TD7 ... Dozer	3.9L 239 OHV Diesel L4 3.875" Bore	44	UR372 ... Power Unit	6.1L 372 OHV L6 4.375" Bore (12 Valve) (International Eng.)	74
TD7E ... Dozer	3.9L 239 OHV Diesel L4 3.875" Bore	44	UR450 ... Power Unit	7.4L 450 OHV L6 4.375" Bore (12 Valve) (International Eng.)	83
TD7PS ... Dozer	3.9L 239 OHV Diesel L4 3.875" Bore	44	U1 ... Power Unit	1.0L 60 L4 2.625" Bore	2
TD8 ... Dozer	3.9L 239 OHV Diesel L4 3.875" Bore	44	U164 ... Power Unit	2.5L 152 L4 3.375" Bore	15
TD8E ... Dozer	3.9L 239 OHV Diesel L4 3.875" Bore	44	U164 ... Power Unit	2.7L 164 L4 3.5" Bore	22
TD8PS ... Dozer	3.9L 239 OHV Diesel L4 3.875" Bore	44	U169 ... Power Unit	2.8L 169 L4 3.5625" Bore	24
			U175 ... Power Unit	2.9L 175 L4 3.5625" Bore	26
			U264 ... Power Unit	4.3L 264 L4 4" Bore	49
			U372 ... Power Unit	6.1L 372 OHV L6 4.375" Bore (12 Valve) (International Eng.)	74
			U4 ... Power Unit	2.5L 152 L4 3.375" Bore	15
			U450 ... Power Unit	7.4L 450 OHV L6 4.375" Bore (12 Valve) (International Eng.)	83
			U6 ... Power Unit	4.1L 248 L4 3.875" Bore	46
			WDR9 ... Wheel Tractor	5.5L 335 Diesel L4 4.406" Bore	65
			WDR9 ... Wheel Tractor	5.7L 350 Diesel L4 4.5" Bore	68
			WD6 ... Wheel Tractor	4.1L 248 Diesel L4 3.875" Bore	47
			WD6 Super ... Wheel Tractor	4.1L 248 Diesel L4 3.875" Bore	47
			WD9 ... Wheel Tractor	5.5L 335 Diesel L4 4.406" Bore	65
			WD9 ... Wheel Tractor	5.7L 350 Diesel L4 4.5" Bore	68
			WD9 Super ... Wheel Tractor	5.5L 335 Diesel L4 4.406" Bore	65
			WD9 Super ... Wheel Tractor	5.7L 350 Diesel L4 4.5" Bore	68
			WR9 ... Wheel Tractor	5.5L 335 L4 4.406" Bore	64
			WR9 ... Wheel Tractor	5.7L 350 L4 4.5" Bore	67
			WR9S ... Wheel Tractor	5.5L 335 L4 4.406" Bore	64
			WR9S ... Wheel Tractor	5.7L 350 L4 4.5" Bore	67
			W4 ... Wheel Tractor	2.5L 152 L4 3.375" Bore	15
			W4 ... Wheel Tractor	2.7L 164 L4 3.5" Bore	22
			W4 Super ... Wheel Tractor	2.5L 152 L4 3.375" Bore	15
			W4 Super ... Wheel Tractor	2.7L 164 L4 3.5" Bore	22

(continued on next page)

IHC Tractor

Model Index

Model	Engine Description	Line No.	Model	Engine Description	Line No.
W400 ... Wheel Tractor.....	4.3L 264 L4 4" Bore.....	49	1330 ... Wheel Tractor.....	2.2L 135 L4 3.25" Bore.....	10
W400D ... Wheel Tractor.....	4.3L 264 L4 4" Bore.....	49	14 Ft. ... Windrower.....	1.8L 108 L-HEAD V4 3.25" Bore (Wisconsin Eng.).....	4
W400D ... Wheel Tractor.....	4.3L 264 Diesel L4 4" Bore.....	50	14 Ft. ... Windrower.....	1.8L 113 L4 3" Bore.....	6
W450 ... Wheel Tractor.....	4.6L 281 L4 4.125" Bore.....	54	140 ... Wheel Tractor.....	2.0L 123 L4 3.125" Bore.....	7
W450D ... Wheel Tractor.....	4.6L 281 L4 4.125" Bore.....	54	140 ... Combine.....	2.7L 164 L4 3.5" Bore.....	22
W6 ... Wheel Tractor.....	4.1L 248 L4 3.875" Bore.....	46	140 ... Combine.....	2.8L 169 L4 3.5625" Bore.....	24
W6 Super ... Wheel Tractor...	4.1L 248 L4 3.875" Bore.....	46	140 ... Combine.....	2.9L 175 L4 3.625" Bore.....	27
W6 Super ... Wheel Tractor...	4.3L 264 L4 4" Bore.....	49	140HC ... Wheel Tractor.....	2.0L 123 L4 3.125" Bore.....	7
W6 Super ... Wheel Tractor...	4.3L 264 OHV LPG L4 4" Bore.....	51	141 ... Combine.....	2.7L 164 L4 3.5" Bore.....	22
W600 ... Wheel Tractor.....	5.7L 350 L4 4.5" Bore.....	67	141 ... Combine.....	2.8L 169 L4 3.5625" Bore.....	24
W9 ... Wheel Tractor.....	5.5L 335 L4 4.406" Bore.....	64	141 ... Combine.....	2.9L 175 L4 3.625" Bore.....	27
10 Ft. ... Windrower.....	1.8L 108 L-HEAD V4 3.25" Bore (Wisconsin Eng.).....	4	141 ... Combine.....	3.9L 240 L6 3.5625" Bore.....	45
10 Ft. ... Windrower.....	1.8L 113 L4 3" Bore.....	6	141 All Purpose ... Combine..	3.9L 240 L6 3.5625" Bore.....	45
100 ... Wheel Tractor.....	2.0L 123 L4 3.125" Bore.....	7	141 Hillside ... Combine.....	3.9L 240 L6 3.5625" Bore.....	45
100 Series C ... Loader.....	3.3L 200 L4 3.8125" Bore.....	33	141 Prairie ... Combine.....	3.9L 240 L6 3.5625" Bore.....	45
100E ... Wheel Loader.....	3.9L 239 OHV Diesel L4 3.875" Bore.....	44	141R ... Combine.....	3.9L 240 L6 3.5625" Bore.....	45
100E ... Wheel Tractor.....	7.1L 436 Diesel L6 4.3005" Bore..	81	1420 ... Combine.....	5.9L 358 Diesel L6 3.875" Bore....	69
100E ... Wheel Tractor.....	7.1L 436 Turbo-Diesel L6 4.3005" Bore.....	82	1440 ... Wheel Tractor.....	7.1L 436 Diesel L6 4.3005" Bore..	81
100HC ... Wheel Tractor.....	2.0L 123 L4 3.125" Bore.....	7	1440 ... Wheel Tractor.....	7.1L 436 Turbo-Diesel L6 4.3005" Bore.....	82
101 ... Combine.....	3.6L 220 OHV L6 3.5625" Bore (12 Valve) (International Eng.).....	38	1456D ... Wheel Tractor.....	6.7L 407 Diesel L6 4.321" Bore....	76
101 ... Combine.....	3.9L 236 Diesel L6 3.6875" Bore..	43	1456D ... Wheel Tractor.....	6.7L 407 Turbo-Diesel L6 4.321" Bore.....	77
101HT ... Combine.....	3.6L 220 OHV L6 3.5625" Bore (12 Valve) (International Eng.).....	38	1460 ... Wheel Tractor.....	7.1L 436 Diesel L6 4.3005" Bore..	81
101HTR ... Combine.....	3.6L 220 OHV L6 3.5625" Bore (12 Valve) (International Eng.).....	38	1460 ... Combine.....	7.1L 436 Turbo-Diesel L6 4.3005" Bore.....	82
101R ... Combine.....	3.6L 220 OHV L6 3.5625" Bore (12 Valve) (International Eng.).....	38	1460 ... Wheel Tractor.....	7.1L 436 Turbo-Diesel L6 4.3005" Bore.....	82
1026D ... Wheel Tractor.....	6.7L 407 Diesel L6 4.321" Bore....	76	1466 ... Wheel Tractor.....	7.1L 436 Diesel L6 4.3005" Bore..	81
1026D ... Wheel Tractor.....	6.7L 407 Turbo-Diesel L6 4.321" Bore.....	77	1466 ... Wheel Tractor.....	7.1L 436 Turbo-Diesel L6 4.3005" Bore.....	82
105 ... Combine.....	2.5L 153 L4 3.375" Bore.....	16	1468 ... Wheel Tractor.....	9.0L 549 OHV Diesel V8 4.5" Bore (16 Valve) (International Eng.).....	91
1066 ... Wheel Tractor.....	6.8L 414 Turbo-Diesel L6 4.3005" Bore.....	79	1470 ... Combine.....	7.6L 466 Turbo-Diesel L6 4.3005" Bore.....	87
1086 ... Wheel Tractor.....	6.8L 414 Turbo-Diesel L6 4.3005" Bore.....	79	1480 ... Combine.....	7.1L 436 Turbo-Diesel L6 4.3005" Bore.....	82
12 ... Loader.....	5.5L 335 Diesel L4 4.406" Bore....	65	1480 ... Combine.....	7.6L 466 Turbo-Diesel L6 4.3005" Bore.....	87
12 Ft. ... Windrower.....	1.8L 108 L-HEAD V4 3.25" Bore (Wisconsin Eng.).....	4	1486 ... Wheel Tractor.....	7.1L 436 Diesel L6 4.3005" Bore..	81
12 Ft. ... Windrower.....	1.8L 113 L4 3" Bore.....	6	1486 ... Wheel Tractor.....	7.1L 436 Turbo-Diesel L6 4.3005" Bore.....	82
1206 ... Wheel Tractor.....	5.9L 361 Diesel L6 4.125" Bore....	71	15 ... Hay Baler.....	1.1L 69 L-HEAD L4 2.5" Bore (Continental Eng.).....	3
1206 ... Wheel Tractor.....	5.9L 361 Turbo-Diesel L6 4.125" Bore.....	72	150 ... Loader.....	4.6L 282 Diesel L6 3.6875" Bore..	56
1206 ... Wheel Tractor.....	6.7L 407 Diesel L6 4.321" Bore....	76	150 ... Wheel Loader.....	4.6L 282 Diesel L6 3.6875" Bore..	56
1206 ... Wheel Tractor.....	6.7L 407 Turbo-Diesel L6 4.321" Bore.....	77	1500 ... Wheel Tractor.....	2.9L 175 L4 3.5625" Bore.....	26
122 ... Combine.....	2.5L 153 L4 3.375" Bore.....	16	151 ... Combine.....	4.6L 282 Diesel L6 3.6875" Bore..	56
122 Prairie ... Combine.....	3.5L 214 L-HEAD L6 3.3125" Bore (12 Valve) (International Eng.).....	36	151 Hillside ... Combine.....	4.3L 264 OHV L6 3.6875" Bore (12 Valve) (International Eng.).....	52
122C Prairie ... Combine.....	3.5L 214 L-HEAD L6 3.3125" Bore (12 Valve) (International Eng.).....	36	151H ... Combine.....	4.3L 264 OHV L6 3.6875" Bore (12 Valve) (International Eng.).....	52
122C Towed ... Combine.....	3.5L 214 L-HEAD L6 3.3125" Bore (12 Valve) (International Eng.).....	36	151HS ... Combine.....	4.3L 264 OHV L6 3.6875" Bore (12 Valve) (International Eng.).....	52
123 ... Combine.....	3.8L 233 L-HEAD L6 3.3125" Bore (12 Valve) (International Eng.).....	41	151HT Rice Special ... Combine.....	4.3L 264 OHV L6 3.6875" Bore (12 Valve) (International Eng.).....	52
123SP Prairie ... Combine.....	3.8L 233 L-HEAD L6 3.3125" Bore (12 Valve) (International Eng.).....	41	151HTH ... Combine.....	4.3L 264 OHV L6 3.6875" Bore (12 Valve) (International Eng.).....	52
125 ... Combine.....	3.8L 233 L-HEAD L6 3.3125" Bore (12 Valve) (International Eng.).....	41	151HTR ... Combine.....	4.3L 264 OHV L6 3.6875" Bore (12 Valve) (International Eng.).....	52
125E ... Wheel Loader.....	3.9L 239 OHV Diesel L4 3.875" Bore.....	44	1566 ... Wheel Tractor.....	7.1L 436 Diesel L6 4.3005" Bore..	81
1256D ... Wheel Tractor.....	6.7L 407 Diesel L6 4.321" Bore....	76	1566 ... Wheel Tractor.....	7.1L 436 Turbo-Diesel L6 4.3005" Bore.....	82
1256D ... Wheel Tractor.....	6.7L 407 Turbo-Diesel L6 4.321" Bore.....	77	1568 ... Wheel Tractor.....	9.0L 549 OHV Diesel V8 4.5" Bore (16 Valve) (International Eng.).....	91
127SB ... Combine.....	3.8L 233 L-HEAD L6 3.3125" Bore (12 Valve) (International Eng.).....	41	1586 ... Wheel Tractor.....	7.1L 436 Diesel L6 4.3005" Bore..	81
127SP Prairie ... Combine.....	3.9L 240 L6 3.5625" Bore.....	45	1586 ... Wheel Tractor.....	7.1L 436 Turbo-Diesel L6 4.3005" Bore.....	82
127SP Rice ... Combine.....	3.9L 240 L6 3.5625" Bore.....	45	16 ... Wheel Tractor.....	4.3L 264 L4 4" Bore.....	49
130 ... Wheel Tractor.....	2.0L 123 L4 3.125" Bore.....	7	16 Ft. ... Windrower.....	1.8L 108 L-HEAD V4 3.25" Bore (Wisconsin Eng.).....	4
1300 ... Wheel Tractor.....	2.9L 175 L4 3.5625" Bore.....	26			

(continued on next page)

Model Index

Model	Engine Description	Line No.	Model	Engine Description	Line No.
16 Ft. ... Windrower	1.8L 113 L4 3" Bore	6	2400A Lo-Boy ... Wheel Tractor	2.6L 157 L4 3.375" Bore	21
160 Hillside ... Combine	3.8L 233 L-HEAD L6 3.3125" Bore (12 Valve) (International Eng.)	41	2400A Lo-Boy ... Wheel Tractor	2.9L 175 L4 3.5625" Bore	26
161 ... Windrower	2.0L 123 L4 3.125" Bore	7	2400B ... Wheel Tractor	2.9L 179 Diesel L3 3.875" Bore	28
163 ... Windrower	2.0L 123 L4 3.125" Bore	7	2400B Lo-Boy ... Wheel Tractor	2.6L 157 L4 3.375" Bore	21
163 ... Windrower	2.5L 153 L4 3.375" Bore	16	2400B Lo-Boy ... Wheel Tractor	2.9L 175 L4 3.5625" Bore	26
165 ... Wheel Loader	5.1L 310 Diesel L6 3.875" Bore	62	2404 ... Wheel Tractor	2.2L 135 L4 3.25" Bore	10
175 ... Windrower	1.8L 108 L-HEAD V4 3.25" Bore (Wisconsin Eng.)	4	2405B ... Wheel Tractor	2.6L 157 L4 3.375" Bore	21
175 ... Windrower	2.5L 154 L-HEAD V4 3.5" Bore (Wisconsin Eng.)	18	2405B ... Wheel Tractor	2.9L 175 L4 3.5625" Bore	26
175 ... Loader	5.9L 361 Diesel L6 4.125" Bore	71	2405B ... Wheel Tractor	3.3L 200 L4 3.8125" Bore	33
175 Drott Bucket ... Wheel Loader	5.9L 361 Turbo-Diesel L6 4.125" Bore	72	2410B ... Wheel Tractor	2.6L 157 L4 3.375" Bore	21
175C ... Wheel Loader	7.6L 466 Turbo-Diesel L6 4.3005" Bore	87	2410B ... Wheel Tractor	2.9L 175 L4 3.5625" Bore	26
181 ... Combine	4.3L 264 OHV L6 3.6875" Bore (12 Valve) (International Eng.)	52	2410B ... Wheel Tractor	2.9L 179 Diesel L3 3.875" Bore	28
181 ... Combine	4.6L 282 Diesel L6 3.6875" Bore	56	2412B ... Wheel Tractor	3.9L 239 OHV Diesel L4 3.875" Bore	44
184 ... Wheel Tractor	1.0L 60 L4 2.625" Bore	2	2412B ... Wheel Tractor	2.9L 175 L4 3.5625" Bore	26
19 ... Wheel Tractor	5.5L 335 L4 4.406" Bore	64	2412B ... Wheel Tractor	2.9L 179 Diesel L3 3.875" Bore	28
19 ... Wheel Tractor	5.7L 350 L4 4.5" Bore	67	2424 ... Wheel Tractor	2.4L 145 L4 3.375" Bore	14
2T55 ... Wheel Tractor	12.2L 743 OHV Diesel L6 5.125" Bore (Cummins Eng.)	96	2424 ... Wheel Tractor	2.5L 153 L4 3.375" Bore	16
2T75 ... Wheel Tractor	12.2L 743 OHV Diesel L6 5.125" Bore (Cummins Eng.)	96	2424 ... Wheel Tractor	2.5L 154 L4 3.5" Bore	17
20C ... Harvester	3.9L 240 L6 3.5625" Bore	45	2424D ... Wheel Tractor	2.5L 154 Diesel L4 3.5" Bore	19
200 ... Wheel Tractor	2.0L 123 L4 3.125" Bore	7	2444 ... Wheel Tractor	2.4L 145 L4 3.375" Bore	14
201 ... Windrower	1.8L 108 L-HEAD V4 3.25" Bore (Wisconsin Eng.)	4	2444 ... Wheel Tractor	2.5L 154 L4 3.5" Bore	17
201 ... Combine	2.2L 135 L4 3.25" Bore	10	2444 Lo-Boy ... Wheel Tractor	2.5L 153 L4 3.375" Bore	16
201 ... Windrower	2.2L 135 L4 3.25" Bore	10	2444D ... Wheel Tractor	2.5L 154 Diesel L4 3.5" Bore	19
201 ... Combine	2.2L 135 L4 3.25" Bore	11	250 ... Wheel Tractor	3.9L 239 OHV Diesel L4 3.875" Bore	44
203 ... Combine	2.5L 153 L4 3.375" Bore	16	250 ... Loader	7.0L 429 Turbo-Diesel L6 4.5" Bore	80
205 ... Combine	3.6L 220 OHV L6 3.5625" Bore	37	250A ... Wheel Tractor	3.9L 239 OHV Diesel L4 3.875" Bore	44
210 ... Windrower	2.5L 153 L4 3.375" Bore	16	250B ... Loader	7.0L 429 Turbo-Diesel L6 4.5" Bore	80
21026D ... Wheel Tractor	5.9L 361 Diesel L6 4.125" Bore	71	2500 ... Wheel Tractor	2.5L 153 L4 3.375" Bore	16
21026D ... Wheel Tractor	5.9L 361 Turbo-Diesel L6 4.125" Bore	72	2500 ... Wheel Tractor	3.3L 200 L4 3.8125" Bore	33
21026D ... Wheel Tractor	6.7L 407 Diesel L6 4.321" Bore	76	2500 ... Wheel Tractor	3.9L 239 OHV Diesel L4 3.875" Bore	44
21026D ... Wheel Tractor	6.7L 407 Turbo-Diesel L6 4.321" Bore	77	2500A Lo-Boy ... Wheel Tractor	2.5L 153 L4 3.375" Bore	16
21206D ... Wheel Tractor	5.9L 361 Diesel L6 4.125" Bore	71	2500A Lo-Boy ... Wheel Tractor	3.3L 200 L4 3.8125" Bore	33
21206D ... Wheel Tractor	5.9L 361 Turbo-Diesel L6 4.125" Bore	72	2500B ... Wheel Loader	3.9L 239 OHV Diesel L4 3.875" Bore	44
21256D ... Wheel Tractor	6.7L 407 Diesel L6 4.321" Bore	76	2500B Lo-Boy ... Wheel Tractor	2.5L 153 L4 3.375" Bore	16
21256D ... Wheel Tractor	6.7L 407 Turbo-Diesel L6 4.321" Bore	77	2500B Lo-Boy ... Wheel Tractor	3.3L 200 L4 3.8125" Bore	33
214 ... Cotton Picker	3.9L 236 Diesel L6 3.6875" Bore	43	2501B ... Wheel Tractor	3.3L 200 L4 3.8125" Bore	33
214 ... Cotton Picker	4.6L 282 Diesel L6 3.6875" Bore	56	2504 ... Wheel Tractor	2.4L 145 L4 3.375" Bore	14
214A ... Cotton Picker	3.9L 236 Diesel L6 3.6875" Bore	43	2504 ... Wheel Tractor	2.5L 153 L4 3.375" Bore	16
21456D ... Wheel Tractor	6.7L 407 Diesel L6 4.321" Bore	76	2504 ... Wheel Tractor	3.1L 188 Diesel L4 3.6875" Bore	30
21456D ... Wheel Tractor	6.7L 407 Turbo-Diesel L6 4.321" Bore	77	2510 ... Wheel Tractor	3.9L 239 OHV Diesel L4 3.875" Bore	44
22 ... Hay Baler	1.8L 112 L-HEAD L4 3.1875" Bore (Continental Eng.)	5	2510B ... Wheel Tractor	3.3L 200 L4 3.8125" Bore	33
22 ... Combine	1.8L 113 L4 3" Bore	6	2514B ... Wheel Tractor	3.3L 200 L4 3.8125" Bore	33
220 ... Cotton Picker	3.9L 236 Diesel L6 3.6875" Bore	43	2544 ... Wheel Tractor	3.3L 200 L4 3.8125" Bore	33
220 ... Cotton Picker	4.6L 282 Diesel L6 3.6875" Bore	56	2544 ... Wheel Tractor	3.9L 239 OHV Diesel L4 3.875" Bore	44
220A ... Cotton Picker	3.9L 236 Diesel L6 3.6875" Bore	43	2544 ... Wheel Tractor	4.6L 282 Diesel L6 3.6875" Bore	56
225 ... Windrower	2.5L 153 L4 3.375" Bore	16	260 ... Wheel Tractor	3.9L 239 OHV Diesel L4 3.875" Bore	44
230 ... Wheel Tractor	2.0L 123 L4 3.125" Bore	7	2606 ... Wheel Tractor	3.6L 220 OHV L6 3.5625" Bore	37
230 ... Windrower	2.5L 153 L4 3.375" Bore	16	2606 ... Wheel Tractor	3.9L 236 Diesel L6 3.6875" Bore	43
238 ... Wheel Tractor	2.5L 154 Diesel L4 3.5" Bore	19	2606 ... Wheel Tractor	4.9L 301 L6 3.8125" Bore	59
240 ... Wheel Tractor	2.0L 123 L4 3.125" Bore	7	2656 ... Wheel Tractor	4.3L 263 L6 3.5625" Bore	48
240A ... Wheel Tractor	2.9L 179 Diesel L3 3.875" Bore	28	2656 ... Wheel Tractor	4.6L 282 Diesel L6 3.6875" Bore	56
240V ... Wheel Tractor	2.0L 123 L4 3.125" Bore	7	270 ... Scraper	9.4L 573 OHV Turbo-Diesel V8 4.5" Bore	93
2400 ... Wheel Tractor	2.6L 157 L4 3.375" Bore	21	270E ... Scraper	9.4L 573 OHV Turbo-Diesel V8 4.5" Bore	93
2400 ... Wheel Tractor	2.9L 175 L4 3.5625" Bore	26			
2400A ... Wheel Tractor	2.5L 155 Diesel L3 3.875" Bore	20			
2400A ... Wheel Tractor	2.9L 179 Diesel L3 3.875" Bore	28			

(continued on next page)

IHC Tractor

Model Index

Model	Engine Description	Line No.	Model	Engine Description	Line No.
2706 ... Wheel Tractor	4.3L 263 L6 3.5625" Bore	48	3414 ... Wheel Tractor	2.4L 144 L4 3.375" Bore	12
2706 ... Wheel Tractor	4.6L 282 Diesel L6 3.6875" Bore	56	3414 ... Loader	2.5L 154 L4 3.5" Bore	17
2706 ... Wheel Tractor	4.8L 291 L6 3.75" Bore	57	3414 ... Wheel Tractor	2.5L 154 L4 3.5" Bore	17
2706 ... Wheel Tractor	5.1L 310 Diesel L6 3.875" Bore	62	3414 ... Wheel Tractor	2.5L 154 Diesel L4 3.5" Bore	19
275 ... Combine	2.5L 153 L4 3.375" Bore	16	3444 ... Wheel Tractor	2.4L 144 L4 3.375" Bore	12
275 ... Windrower	2.5L 153 L4 3.375" Bore	16	3444 ... Loader	2.5L 154 L4 3.5" Bore	17
275 ... Windrower	3.8L 232 OHV L6 3.75" Bore (Hi Torque) (AMC Eng.)	40	3444 ... Wheel Tractor	2.5L 154 Diesel L4 3.5" Bore	19
2756 ... Wheel Tractor	4.8L 291 L6 3.75" Bore	57	350 ... Wheel Tractor	2.8L 169 L4 3.5625" Bore	24
2756 ... Wheel Tractor	5.1L 310 Diesel L6 3.875" Bore	62	350 ... Wheel Tractor	2.9L 175 L4 3.625" Bore	27
2806 ... Wheel Tractor	4.9L 301 L6 3.8125" Bore	59	350 ... Wheel Tractor	2.9L 175 L4 3.5625" Bore	26
2806 ... Wheel Tractor	5.9L 361 Diesel L6 4.125" Bore	71	3500 ... Wheel Tractor	3.9L 239 OHV Diesel L4 3.875" Bore	44
2826 ... Wheel Tractor	4.9L 301 L6 3.8125" Bore	59	3500A ... Wheel Tractor	3.3L 200 L4 3.8125" Bore	33
2826 ... Wheel Tractor	5.9L 358 Diesel L6 3.875" Bore	69	3500A ... Wheel Tractor	3.9L 239 OHV Diesel L4 3.875" Bore	44
2826 ... Wheel Tractor	6.7L 407 Diesel L6 4.321" Bore	76	3514 ... Wheel Tractor	2.5L 153 L4 3.375" Bore	16
2826 ... Wheel Tractor	6.7L 407 Turbo-Diesel L6 4.321" Bore	77	3514 ... Loader	2.9L 175 L4 3.5625" Bore	26
2856 ... Wheel Tractor	4.9L 301 L6 3.8125" Bore	59	3514 ... Wheel Tractor	2.9L 175 L4 3.5625" Bore	26
2856 ... Wheel Tractor	5.9L 358 Diesel L6 3.875" Bore	69	3514 ... Wheel Loader	3.1L 188 Diesel L4 3.6875" Bore	30
2856 ... Wheel Tractor	6.7L 407 Diesel L6 4.321" Bore	76	3514 ... Wheel Tractor	3.3L 200 L4 3.8125" Bore	33
2856 ... Wheel Tractor	6.7L 407 Turbo-Diesel L6 4.321" Bore	77	3514 ... Wheel Tractor	3.9L 239 OHV Diesel L4 3.875" Bore	44
295 ... Scraper	13.4L 817 Diesel L6 5.375" Bore	98	354 ... Wheel Tractor	2.4L 144 L4 3.375" Bore	12
295B ... Scraper	13.4L 817 Diesel L6 5.375" Bore	98	354 ... Wheel Tractor	2.4L 144 Diesel L4 3.375" Bore	13
300 ... Wheel Tractor	2.8L 169 L4 3.5625" Bore	24	354 ... Wheel Tractor	2.5L 154 Diesel L4 3.5" Bore	19
300 Hi-Clear ... Wheel Tractor	2.8L 169 L4 3.5625" Bore	24	36 ... Harvester	3.9L 240 L6 3.5625" Bore	45
300 Utility ... Wheel Tractor	2.8L 169 L4 3.5625" Bore	24	3600A ... Wheel Tractor	4.3L 263 L6 3.5625" Bore	48
300HC ... Wheel Tractor	2.8L 169 L4 3.5625" Bore	24	3600A ... Wheel Tractor	4.6L 282 Diesel L6 3.6875" Bore	56
303 ... Combine	3.6L 220 OHV L6 3.5625" Bore (12 Valve) (International Eng.)	38	3616 ... Wheel Loader	3.6L 220 OHV L6 3.5625" Bore	37
303R ... Combine	3.6L 220 OHV L6 3.5625" Bore (12 Valve) (International Eng.)	38	3616 ... Wheel Loader	3.9L 236 Diesel L6 3.6875" Bore	43
3088 ... Wheel Tractor	5.9L 358 Diesel L6 3.875" Bore	69	364 ... Wheel Tractor	2.4L 144 L4 3.375" Bore	12
31 ... Combine	2.9L 174 L-HEAD L6 3" Bore	25	364 ... Wheel Tractor	2.4L 144 Diesel L4 3.375" Bore	13
31 ... Combine	3.2L 193 L-HEAD L6 3.25" Bore (12 Valve) (International Eng.)	31	364 ... Wheel Tractor	2.5L 154 Diesel L4 3.5" Bore	19
31 ... Combine	3.5L 213 L-HEAD L6 3.3125" Bore	35	3688 ... Wheel Tractor	7.1L 436 Diesel L6 4.3005" Bore	81
31 ... Combine	3.8L 232 L-HEAD L6 3.3125" Bore	39	37 ... Hay Baler	.9L 53.9 L-HEAD L2 3.25" Bore (Wisconsin Eng.)	1
31R ... Combine	2.9L 174 L-HEAD L6 3" Bore	25	375 ... Combine	2.5L 153 L4 3.375" Bore	16
31R ... Combine	3.2L 193 L-HEAD L6 3.25" Bore (12 Valve) (International Eng.)	31	375 ... Windrower	2.5L 153 L4 3.375" Bore	16
31R ... Combine	3.5L 213 L-HEAD L6 3.3125" Bore	35	375 ... Windrower	2.9L 175 L4 3.5625" Bore	26
31R ... Combine	3.8L 232 L-HEAD L6 3.3125" Bore	39	375 ... Windrower	3.8L 232 OHV L6 3.75" Bore (Hi Torque) (AMC Eng.)	40
31RW ... Combine	2.9L 174 L-HEAD L6 3" Bore	25	3800 ... Wheel Tractor	3.9L 236 L6 3.6875" Bore	42
31RW ... Combine	3.2L 193 L-HEAD L6 3.25" Bore (12 Valve) (International Eng.)	31	3800 ... Wheel Tractor	4.3L 263 L6 3.5625" Bore	48
31RW ... Combine	3.5L 213 L-HEAD L6 3.3125" Bore	35	3800 ... Wheel Tractor	4.6L 282 Diesel L6 3.6875" Bore	56
31RW ... Combine	3.8L 232 L-HEAD L6 3.3125" Bore	39	3820A ... Wheel Tractor	5.1L 310 Diesel L6 3.875" Bore	62
31T ... Combine	2.9L 174 L-HEAD L6 3" Bore	25	384 ... Wheel Tractor	2.5L 154 Diesel L4 3.5" Bore	19
31T ... Combine	3.2L 193 L-HEAD L6 3.25" Bore (12 Valve) (International Eng.)	31	3850 ... Wheel Tractor	3.9L 236 L6 3.6875" Bore	42
31T ... Combine	3.5L 213 L-HEAD L6 3.3125" Bore	35	3850 ... Wheel Tractor	4.3L 263 L6 3.5625" Bore	48
31T ... Combine	3.8L 232 L-HEAD L6 3.3125" Bore	39	3850 ... Wheel Tractor	4.6L 282 Diesel L6 3.6875" Bore	56
315 ... Combine	3.6L 220 OHV L6 3.5625" Bore	37	3964B ... Payloader	5.9L 358 Diesel L6 3.875" Bore	69
315 ... Combine	3.9L 236 Diesel L6 3.6875" Bore	43	3965B ... Wheel Tractor	5.9L 358 Diesel L6 3.875" Bore	69
3288 ... Wheel Tractor	5.9L 358 Diesel L6 3.875" Bore	69	3965B ... Payloader	5.9L 358 Diesel L6 3.875" Bore	69
330 ... Wheel Tractor	2.2L 135 L4 3.25" Bore	10	3966B ... Payloader	5.9L 358 Diesel L6 3.875" Bore	69
340 ... Wheel Tractor	2.2L 135 L4 3.25" Bore	10	3984 ... Payloader	5.9L 358 Diesel L6 3.875" Bore	69
340 ... Wheel Tractor	3.1L 188 Diesel L4 3.6875" Bore	30	400 ... Wheel Tractor	4.3L 264 L4 4" Bore	49
340D ... Wheel Tractor	2.7L 166 Diesel L4 3.6875" Bore	23	400 ... Wheel Tractor	4.3L 264 Diesel L4 4" Bore	50
340D ... Wheel Tractor	3.1L 188 Diesel L4 3.6875" Bore	30	400 ... Wheel Tractor	4.6L 281 L4 4.125" Bore	54
3400A ... Wheel Tractor	2.9L 175 L4 3.5625" Bore	26	4000 ... Forklift	2.5L 153 L4 3.375" Bore	16
3400A ... Wheel Tractor	2.9L 179 Diesel L3 3.875" Bore	28	4000 ... Windrower	3.8L 232 OHV L6 3.75" Bore (Hi Torque) (AMC Eng.)	40
3400B ... Wheel Tractor	2.9L 179 Diesel L3 3.875" Bore	28	403 ... Combine	3.9L 236 Diesel L6 3.6875" Bore	43
			403 ... Combine	4.3L 263 L6 3.5625" Bore	48
			403 ... Combine	4.6L 282 L6 3.6875" Bore	55
			403 ... Combine	4.6L 282 Diesel L6 3.6875" Bore	56
			403 ... Combine	4.9L 301 L6 3.8125" Bore	59
			403 ... Combine	4.9L 301 OHV Diesel L6 3.8125" Bore (12 Valve) (International Eng.)	60
			403H ... Combine	3.9L 236 Diesel L6 3.6875" Bore	43
			403H ... Combine	4.3L 263 L6 3.5625" Bore	48
			403H ... Combine	4.9L 301 L6 3.8125" Bore	59
			403R ... Combine	3.9L 236 Diesel L6 3.6875" Bore	43
			403R ... Combine	4.3L 263 L6 3.5625" Bore	48

(continued on next page)

Model Index

Model	Engine Description	Line No.	Model	Engine Description	Line No.
403R ... Combine	4.9L 301 L6 3.8125" Bore	59	460D ... Wheel Tractor	3.9L 236 Diesel L6 3.6875" Bore	43
404 ... Wheel Tractor	2.2L 135 L4 3.25" Bore	10	460HC ... Wheel Tractor	4.3L 263 L6 3.5625" Bore	48
41 ... Combine	2.9L 174 L-HEAD L6 3" Bore	25	460V ... Wheel Tractor	3.6L 220 OHV L6 3.5625" Bore	37
41 ... Combine	3.2L 193 L-HEAD L6 3.25" Bore (12 Valve) (International Eng.)	31	464 ... Wheel Tractor	2.9L 175 L4 3.5625" Bore	26
41 ... Combine	3.5L 213 L-HEAD L6 3.3125" Bore	35	464 ... Wheel Tractor	2.9L 179 Diesel L3 3.875" Bore	28
41 ... Combine	3.8L 232 L-HEAD L6 3.3125" Bore	39	47 ... Hay Baler	2.5L 154 L-HEAD V4 3.5" Bore (Wisconsin Eng.)	18
4100 ... Wheel Tractor	7.0L 429 Turbo-Diesel L6 4.5" Bore	80	47 ... Hay Baler	.9L 53.9 L-HEAD L2 3.25" Bore (Wisconsin Eng.)	1
412B ... Scraper	7.6L 466 Turbo-Diesel L6 4.3005" Bore	87	484 ... Wheel Tractor	2.9L 179 Diesel L3 3.875" Bore	28
414 ... Cotton Picker	4.3L 263 L6 3.5625" Bore	48	50 ... Harvester	4.3L 263 L6 3.5625" Bore	48
414 ... Cotton Picker	4.3L 264 OHV L6 3.6875" Bore (12 Valve) (International Eng.)	52	50 ... Combine	1.1L 69 L-HEAD L4 2.5" Bore (Continental Eng.)	3
414 ... Cotton Picker	4.6L 282 Diesel L6 3.6875" Bore	56	50AW ... Hay Baler	1.0L 60 L4 2.625" Bore	2
4156 ... Wheel Tractor	7.0L 429 Turbo-Diesel L6 4.5" Bore	80	50AW ... Hay Baler	1.1L 69 L-HEAD L4 2.5" Bore (Continental Eng.)	3
416 ... Cotton Picker	4.3L 263 L6 3.5625" Bore	48	50T ... Hay Baler	1.0L 60 L4 2.625" Bore	2
416 ... Cotton Picker	4.6L 282 Diesel L6 3.6875" Bore	56	50T ... Hay Baler	1.1L 69 L-HEAD L4 2.5" Bore (Continental Eng.)	3
4166 ... Wheel Tractor	7.1L 436 Turbo-Diesel L6 4.3005" Bore	82	500 ... Crawler Tractor	2.4L 144 Diesel L4 3.375" Bore	13
4186 ... Wheel Tractor	7.1L 436 Turbo-Diesel L6 4.3005" Bore	82	500 ... Crawler Tractor	2.4L 145 L4 3.375" Bore	14
420 ... Cotton Picker	4.3L 263 L6 3.5625" Bore	48	500 ... Crawler Tractor	2.5L 153 L4 3.375" Bore	16
420 ... Cotton Picker	4.3L 264 OHV L6 3.6875" Bore (12 Valve) (International Eng.)	52	500 ... Crawler Tractor	2.5L 154 Diesel L4 3.5" Bore	19
420 ... Cotton Picker	4.6L 282 Diesel L6 3.6875" Bore	56	5000 ... Wheel Tractor	3.9L 239 OHV Diesel L4 3.875" Bore	44
422 ... Cotton Picker	4.3L 263 L6 3.5625" Bore	48	503 ... Combine	4.6L 282 L6 3.6875" Bore	55
422 ... Cotton Picker	4.6L 282 Diesel L6 3.6875" Bore	56	503 ... Combine	4.6L 282 Diesel L6 3.6875" Bore	56
424 ... Wheel Tractor	2.4L 145 L4 3.375" Bore	14	503 ... Combine	4.9L 301 L6 3.8125" Bore	59
424 ... Wheel Tractor	2.5L 153 L4 3.375" Bore	16	503 ... Combine	4.9L 301 OHV Diesel L6 3.8125" Bore (12 Valve) (International Eng.)	60
424 ... Wheel Tractor	2.5L 154 L4 3.5" Bore	17	503R ... Combine	4.6L 282 L6 3.6875" Bore	55
424 ... Wheel Tractor	2.5L 154 Diesel L4 3.5" Bore	19	503R ... Combine	4.9L 301 L6 3.8125" Bore	59
431 ... Scraper	9.4L 573 OHV Turbo-Diesel V8 4.5" Bore	93	503R ... Combine	4.9L 301 OHV Diesel L6 3.8125" Bore (12 Valve) (International Eng.)	60
433 ... Scraper	9.4L 573 OHV Turbo-Diesel V8 4.5" Bore	93	504 ... Wheel Tractor	2.4L 145 L4 3.375" Bore	14
433B ... Scraper	7.6L 466 Turbo-Diesel L6 4.3005" Bore	87	504 ... Wheel Tractor	2.5L 153 L4 3.375" Bore	16
4366 ... Wheel Tractor	7.1L 436 Turbo-Diesel L6 4.3005" Bore	82	504 ... Wheel Tractor	3.1L 188 Diesel L4 3.6875" Bore	30
4366 ... Wheel Tractor	7.6L 466 Diesel L6 4.3005" Bore	86	5088 ... Wheel Tractor	7.1L 436 Turbo-Diesel L6 4.3005" Bore	82
4366 ... Wheel Tractor	7.6L 466 Turbo-Diesel L6 4.3005" Bore	87	51 ... Combine	2.9L 174 L-HEAD L6 3" Bore	25
4386 ... Wheel Tractor	7.6L 466 Turbo-Diesel L6 4.3005" Bore	87	51 ... Combine	3.2L 193 L-HEAD L6 3.25" Bore (12 Valve) (International Eng.)	31
442 ... Scraper	7.6L 466 Turbo-Diesel L6 4.3005" Bore	87	51 ... Combine	3.5L 213 L-HEAD L6 3.3125" Bore	35
442 ... Scraper	9.4L 573 OHV Turbo-Diesel V8 4.5" Bore	93	51 ... Combine	3.8L 232 L-HEAD L6 3.3125" Bore	39
444 ... Wheel Tractor	2.4L 145 L4 3.375" Bore	14	51H Hillside ... Combine	3.5L 214 L-HEAD L6 3.3125" Bore (12 Valve) (International Eng.)	36
444 ... Wheel Tractor	2.5L 153 L4 3.375" Bore	16	51H Prairie ... Combine	3.5L 214 L-HEAD L6 3.3125" Bore (12 Valve) (International Eng.)	36
444 ... Wheel Tractor	2.5L 154 L4 3.5" Bore	17	514 ... Wheel Tractor	3.9L 239 OHV Diesel L4 3.875" Bore	44
444 ... Scraper	9.4L 573 OHV Turbo-Diesel V8 4.5" Bore	93	515 ... Wheel Loader	5.9L 358 Diesel L6 3.875" Bore	69
444D ... Wheel Tractor	2.5L 154 Diesel L4 3.5" Bore	19	52 ... Combine	1.1L 69 L-HEAD L4 2.5" Bore (Continental Eng.)	3
45 ... Hay Baler	.9L 53.9 L-HEAD L2 3.25" Bore (Wisconsin Eng.)	1	52 All Purpose ... Combine	1.1L 69 L-HEAD L4 2.5" Bore (Continental Eng.)	3
450 ... Wheel Tractor	4.3L 264 L4 4" Bore	49	52 Prairie ... Combine	1.0L 60 L4 2.625" Bore	2
450 ... Wheel Tractor	4.6L 281 L4 4.125" Bore	54	52R ... Combine	1.0L 60 L4 2.625" Bore	2
450 ... Wheel Tractor	4.6L 282 L6 3.6875" Bore	55	520B ... Wheel Loader	5.9L 358 Diesel L6 3.875" Bore	69
4500B ... Forklift	2.6L 157 L4 3.375" Bore	21	5288 ... Wheel Tractor	7.6L 466 Turbo-Diesel L6 4.3005" Bore	87
453 ... Combine	4.9L 301 L6 3.8125" Bore	59	530 ... Wheel Loader	6.8L 414 Turbo-Diesel L6 4.3005" Bore	79
453 ... Combine	5.9L 360 Diesel L6 3.875" Bore	70	530 ... Wheel Loader	7.6L 466 Turbo-Diesel L6 4.3005" Bore	87
453H ... Combine	4.9L 301 L6 3.8125" Bore	59	540 ... Wheel Loader	6.8L 414 Turbo-Diesel L6 4.3005" Bore	79
454 ... Wheel Tractor	2.6L 157 L4 3.375" Bore	21	540 ... Wheel Loader	7.6L 466 Turbo-Diesel L6 4.3005" Bore	87
454 ... Wheel Tractor	2.9L 175 L4 3.5625" Bore	26	540 ... Wheel Loader	7.6L 466 Turbo-Diesel L6 4.3005" Bore	87
454 ... Wheel Tractor	2.9L 179 Diesel L3 3.875" Bore	28	544 ... Wheel Tractor	3.3L 200 L4 3.8125" Bore	33
46 ... Hay Baler	.9L 53.9 L-HEAD L2 3.25" Bore (Wisconsin Eng.)	1			
460 ... Wheel Tractor	3.6L 220 OHV L6 3.5625" Bore	37			

(continued on next page)

IHC Tractor

Model Index

Model	Engine Description	Line No.	Model	Engine Description	Line No.
544 ... Wheel Tractor	3.6L 220 OHV L6 3.5625" Bore	37	65 ... Loader	14.0L 855 OHV Turbo-Diesel L6 5.5" Bore (Cummins Eng.)	99
544 ... Wheel Tractor	3.9L 239 OHV Diesel L4 3.875" Bore	44	650 ... Wheel Tractor	5.5L 335 Diesel L4 4.406" Bore	65
5488 ... Wheel Tractor	7.6L 466 Turbo-Diesel L6 4.3005" Bore	87	650 ... Wheel Tractor	5.7L 350 L4 4.5" Bore	67
55 ... Scraper	12.2L 743 OHV Diesel L6 5.125" Bore (Cummins Eng.)	96	650 ... Wheel Tractor	5.7L 350 Diesel L4 4.5" Bore	68
55T ... Hay Baler	1.8L 113 L4 3" Bore	6	656 ... Wheel Tractor	4.3L 263 L6 3.5625" Bore	48
55W ... Hay Baler	1.8L 113 L4 3" Bore	6	656 ... Wheel Tractor	4.6L 282 Diesel L6 3.6875" Bore	56
55W ... Hay Baler	1.0L 60 L4 2.625" Bore	2	6588 ... Wheel Tractor	7.6L 466 Turbo-Diesel L6 4.3005" Bore	87
5500 ... Wheel Tractor	3.9L 239 OHV Diesel L4 3.875" Bore	44	660 ... Wheel Tractor	4.3L 263 L6 3.5625" Bore	48
56T ... Hay Baler	1.8L 113 L4 3" Bore	6	660 ... Wheel Tractor	4.6L 282 Diesel L6 3.6875" Bore	56
56W ... Hay Baler	1.8L 108 L-HEAD V4 3.25" Bore (Wisconsin Eng.)	4	660 Hi Clear ... Wheel Tractor	2.4L 145 L4 3.375" Bore	14
56W ... Hay Baler	1.8L 113 L4 3" Bore	6	664 ... Wheel Tractor	3.9L 239 OHV Diesel L4 3.875" Bore	44
56W ... Hay Baler	2.5L 154 L-HEAD V4 3.5" Bore (Wisconsin Eng.)	18	666 ... Wheel Tractor	4.8L 291 L6 3.75" Bore	57
560 ... Wheel Tractor	3.6L 220 OHV L6 3.5625" Bore	37	666 ... Wheel Tractor	5.1L 312 Diesel L6 3.875" Bore	63
560 ... Wheel Tractor	4.3L 263 L6 3.5625" Bore	48	674 ... Wheel Tractor	3.3L 200 L4 3.8125" Bore	33
560D ... Wheel Tractor	4.6L 282 Diesel L6 3.6875" Bore	56	674 ... Wheel Tractor	3.9L 239 OHV Diesel L4 3.875" Bore	44
560DHC ... Wheel Tractor	4.6L 282 Diesel L6 3.6875" Bore	56	6788 ... Wheel Tractor	7.6L 466 Turbo-Diesel L6 4.3005" Bore	87
560HC ... Wheel Tractor	4.3L 263 L6 3.5625" Bore	48	684 ... Wheel Tractor	3.3L 200 L4 3.8125" Bore	33
57 ... Hay Baler	2.0L 123 L4 3.125" Bore	7	684 ... Wheel Tractor	3.9L 239 OHV Diesel L4 3.875" Bore	44
57T ... Hay Baler	1.8L 113 L4 3" Bore	6	686 ... Wheel Tractor	4.8L 291 L6 3.75" Bore	57
57W ... Hay Baler	2.0L 123 L4 3.125" Bore	7	70 ... Wheel Tractor	4.8L 291 L6 3.75" Bore	57
574 ... Wheel Tractor	3.3L 200 L4 3.8125" Bore	33	7000 ... Forklift	2.4L 144 L4 3.375" Bore	12
574 ... Wheel Tractor	3.9L 239 OHV Diesel L4 3.875" Bore	44	7000 ... Forklift	2.5L 154 L4 3.5" Bore	17
584 ... Wheel Tractor	3.4L 206 OHV Diesel L4 3.875" Bore	34	706 ... Wheel Tractor	4.3L 263 L6 3.5625" Bore	48
584RC ... Wheel Tractor	3.4L 206 OHV Diesel L4 3.875" Bore	34	706 ... Wheel Tractor	4.6L 282 Diesel L6 3.6875" Bore	56
584U ... Wheel Tractor	3.4L 206 OHV Diesel L4 3.875" Bore	34	706 ... Wheel Tractor	4.8L 291 L6 3.75" Bore	57
60 ... Combine	1.1L 69 L-HEAD L4 2.5" Bore (Continental Eng.)	3	706 ... Wheel Tractor	5.1L 310 Diesel L6 3.875" Bore	62
600 ... Wheel Tractor	5.5L 335 L4 4.406" Bore	64	71 ... Hay Baler	2.5L 154 L-HEAD V4 3.5" Bore (Wisconsin Eng.)	18
600 ... Wheel Tractor	5.5L 335 Diesel L4 4.406" Bore	65	715 ... Combine	4.9L 301 L6 3.8125" Bore	59
600 ... Wheel Tractor	5.7L 350 L4 4.5" Bore	67	715 ... Combine	4.9L 301 OHV Diesel L6 3.8125" Bore (12 Valve) (International Eng.)	60
600 ... Wheel Tractor	5.7L 350 Diesel L4 4.5" Bore	68	715 ... Wheel Tractor	5.1L 310 Diesel L6 3.875" Bore	62
606 ... Wheel Tractor	3.6L 220 OHV L6 3.5625" Bore	37	7388 ... Wheel Tractor	7.6L 466 Turbo-Diesel L6 4.3005" Bore	87
606 ... Wheel Tractor	3.9L 236 Diesel L6 3.6875" Bore	43	75 ... Scraper	12.2L 743 OHV Diesel L6 5.125" Bore (Cummins Eng.)	96
61 ... Combine	1.1L 69 L-HEAD L4 2.5" Bore (Continental Eng.)	3	75 ... Loader	14.0L 855 OHV Turbo-Diesel L6 5.5" Bore (Cummins Eng.)	99
615 ... Combine	4.3L 263 L6 3.5625" Bore	48	756 ... Wheel Tractor	4.8L 291 L6 3.75" Bore	57
615 ... Combine	4.6L 282 Diesel L6 3.6875" Bore	56	756 ... Combine	4.9L 301 OHV Diesel L6 3.8125" Bore (12 Valve) (International Eng.)	60
616 ... Cotton Picker	4.8L 291 L6 3.75" Bore	57	756 ... Wheel Tractor	5.1L 310 Diesel L6 3.875" Bore	62
616 ... Cotton Picker	4.9L 301 L6 3.8125" Bore	59	756 ... Wheel Tractor	5.9L 360 Diesel L6 3.875" Bore	70
616 ... Cotton Picker	5.1L 310 Diesel L6 3.875" Bore	62	76 ... Combine	2.0L 123 L4 3.125" Bore	7
62 ... Hay Baler	1.8L 113 L4 3" Bore	6	76-6 ... Combine	1.8L 113 L4 3" Bore	6
62 ... Combine	1.8L 113 L4 3" Bore	6	76-7 ... Combine	1.8L 113 L4 3" Bore	6
62 ... Combine	1.1L 69 L-HEAD L4 2.5" Bore (Continental Eng.)	3	766 ... Wheel Tractor	4.8L 291 L6 3.75" Bore	57
622 ... Cotton Picker	4.8L 291 L6 3.75" Bore	57	766 ... Wheel Tractor	5.9L 360 Diesel L6 3.875" Bore	70
622 ... Cotton Picker	4.9L 301 L6 3.8125" Bore	59	770 Hi Clear ... Wheel Tractor	2.4L 145 L4 3.375" Bore	14
622 ... Cotton Picker	5.1L 310 Diesel L6 3.875" Bore	62	780 Hi Clear ... Wheel Tractor	2.4L 145 L4 3.375" Bore	14
630 ... Payloader	5.9L 358 Diesel L6 3.875" Bore	69	800 ... Forklift	3.3L 200 L4 3.8125" Bore	33
6388 ... Wheel Tractor	7.1L 436 Turbo-Diesel L6 4.3005" Bore	82	8000 ... Forklift	3.3L 200 L4 3.8125" Bore	33
64 Prairie ... Combine	1.0L 60 L4 2.625" Bore	2	806 ... Wheel Tractor	4.9L 301 L6 3.8125" Bore	59
64 Towed ... Combine	1.8L 113 L4 3" Bore	6	806 ... Wheel Tractor	5.9L 361 Diesel L6 4.125" Bore	71
64 Towed ... Combine	1.0L 60 L4 2.625" Bore	2	806 ... Wheel Tractor	6.7L 407 Diesel L6 4.321" Bore	76
64-6 ... Combine	1.8L 113 L4 3" Bore	6	806 ... Wheel Tractor	6.7L 407 Turbo-Diesel L6 4.321" Bore	77
64-6 ... Combine	1.0L 60 L4 2.625" Bore	2	815 ... Combine	5.0L 304 OHV V8 3.875" Bore (16 Valve) (International Eng.)	61
64-7 ... Combine	1.8L 113 L4 3" Bore	6	815 ... Combine	5.6L 345 OHV V8 3.875" Bore (16 Valve) (International Eng.)	66
64-7 ... Combine	1.0L 60 L4 2.625" Bore	2			
64HT ... Combine	1.8L 113 L4 3" Bore	6			
64HT ... Combine	1.0L 60 L4 2.625" Bore	2			
640 ... Payloader	5.9L 358 Diesel L6 3.875" Bore	69			
65 ... Loader	9.4L 573 OHV Turbo-Diesel V8 4.5" Bore	93			

(continued on next page)

Model Index					
Model	Engine Description	Line No.	Model	Engine Description	Line No.
815 ... Combine	6.4L 392 OHV V8 4.125" Bore (16 Valve) (International Eng.)	75	91 ... Combine	2.2L 135 L4 3.25" Bore	10
815 ... Combine	6.7L 407 Diesel L6 4.321" Bore	76	91 ... Combine	2.2L 135 L4 3.25" Bore	11
815 ... Combine	6.7L 407 Turbo-Diesel L6 4.321" Bore	77	915 ... Combine	5.6L 345 OHV V8 3.875" Bore (16 Valve) (International Eng.)	66
815 ... Combine	6.8L 414 Diesel L6 4.3005" Bore	78	915 ... Combine	6.4L 392 OHV V8 4.125" Bore (16 Valve) (International Eng.)	75
826 ... Wheel Tractor	4.9L 301 L6 3.8125" Bore	59	915 ... Combine	6.7L 407 Diesel L6 4.321" Bore	76
826 ... Wheel Tractor	5.9L 358 Diesel L6 3.875" Bore	69	915 ... Combine	6.7L 407 Turbo-Diesel L6 4.321" Bore	77
826 ... Wheel Tractor	6.7L 407 Diesel L6 4.321" Bore	76	915 ... Combine	6.8L 414 Diesel L6 4.3005" Bore	78
826 ... Wheel Tractor	6.7L 407 Turbo-Diesel L6 4.321" Bore	77	915 ... Combine	6.8L 414 Turbo-Diesel L6 4.3005" Bore	79
829 ... Wheel Tractor	3.9L 239 OHV Diesel L4 3.875" Bore	44	93 ... Combine	2.2L 135 L4 3.25" Bore	11
856 ... Wheel Tractor	4.9L 301 L6 3.8125" Bore	59	93 ... Combine	2.5L 153 L4 3.375" Bore	16
856 ... Wheel Tractor	5.9L 358 Diesel L6 3.875" Bore	69	93 ... Combine	2.5L 154 Diesel L4 3.5" Bore	19
856 ... Wheel Tractor	6.7L 407 Diesel L6 4.321" Bore	76	95 ... Cotton Picker	5.1L 310 Diesel L6 3.875" Bore	62
856 ... Wheel Tractor	6.7L 407 Turbo-Diesel L6 4.321" Bore	77	95 ... Harvester	5.1L 310 Diesel L6 3.875" Bore	62
857 ... Combine	6.7L 407 Diesel L6 4.321" Bore	76	95 ... Loader	12.2L 743 OHV Diesel L6 5.125" Bore (Cummins Eng.)	96
857 ... Combine	6.7L 407 Turbo-Diesel L6 4.321" Bore	77	960 ... Wheel Tractor	6.8L 414 Diesel L6 4.3005" Bore	78
880 Hi Clear ... Wheel Tractor	2.4L 145 L4 3.375" Bore	14	960 ... Wheel Tractor	6.8L 414 Turbo-Diesel L6 4.3005" Bore	79
886 ... Wheel Tractor	5.9L 358 Diesel L6 3.875" Bore	69	966 ... Wheel Tractor	6.8L 414 Diesel L6 4.3005" Bore	78
886 ... Wheel Tractor	5.9L 360 Diesel L6 3.875" Bore	70	966 ... Wheel Tractor	6.8L 414 Turbo-Diesel L6 4.3005" Bore	79
9000 ... Forklift	4.8L 291 L6 3.75" Bore	57	986 ... Wheel Tractor	7.1L 436 Diesel L6 4.3005" Bore	81
9000 ... Forklift	4.9L 301 L6 3.8125" Bore	59	986 ... Wheel Tractor	7.1L 436 Turbo-Diesel L6 4.3005" Bore	82
9000 ... Forklift	5.1L 310 Diesel L6 3.875" Bore	62			

Hay Baler TF, TFD, TH, THD, TJD Eng. 1
 .9L 53.9 L-HEAD L2, 3.25" Bore (Wisconsin Eng.)

CYLINDER COMPONENTS

QTY	PISTONS	PART NO.	SIZE	DESCRIPTION
2	Pin Bushing	1394		1.000" max. length
QTY	CONNECTING RODS & BRGS.	PART NO.	SIZE	DESCRIPTION
2	Rod Pair	FP-3520CP	Std-10-20	
2	Rod Pair	FP-3645CP	Std-10-20	TJD Eng.
2	Rod Pair	3645CP +	Std-10-20	TJD Eng.; When depleted use FP-3645CP
2	Rod Pair	3520CP +	Std-10-20	When depleted use FP-3520CP

Hay Baler C60 Eng. Combine C60 Eng. Power Unit C60, U1, UC60 Eng. Wheel Tractor C60 Eng. 2
 1.0L 60 L4, 2.625" Bore

CYL. HEAD & PARTS

QTY	VALVE	PART NO.	SIZE	DESCRIPTION
4	Intake	FP-V1012		1.0940" Head Dia., .3100" Stem Dia., 3.3950" O.A.L.
4	Intake	V-1012 +	Std Only	1.0940" Head Dia., .3100" Stem Dia., 3.3950" O.A.L.; When depleted use FP-V1012
4	Exhaust	FP-V1696		.9060" Head Dia., .3100" Stem Dia., 3.3820" O.A.L.
4	Exhaust	V-1696 +	Std Only	.9060" Head Dia., .3100" Stem Dia., 3.3820" O.A.L.; When depleted use FP-V1696
16	Keeper	VK-144		1 groove; Square cut key groove
16	Keeper	VK-144R		1 groove; Square cut key groove; Hardened
QTY	VALVE SEAT	PART NO.	SIZE	DESCRIPTION
4	Exh.	245-1187-1	Std Only	1.1920" OD, 1.0000" ID, .1855" Depth
4	Int.	245-1437-3	Std Only	1.4425" OD, 1.1880" ID, .2160" Depth
QTY	VALVE GUIDE	PART NO.	SIZE	DESCRIPTION
8	Guide	FP-VG867		.3120" ID, 1.3400" O.A.L.
8	Guide	VG-867 +		.3120" ID, 1.3400" O.A.L.; When depleted use FP-VG867
QTY	VALVE SPRING	PART NO.	SIZE	DESCRIPTION
8	Spring	FP-VS378		2.0310" Free Height
8	Spring	VS-378 +		2.0310" Free Height; When depleted use FP-VS378

(continued on next page)

IHC Tractor

2 Hay Baler C60 Eng. Combine C60 Eng. Power Unit C60, U1, UC60 Engs. Wheel Tractor C60 (cont.) Eng.
1.0L 60 L4, 2.625" Bore

ENGINE BLOCK & PARTS

QTY	GASKET SETS	PART NO.	SIZE	DESCRIPTION
1	Kit Gasket Set	260-1419 +		Compl.; timing cover seal to Ser. No. 500 and from Ser. No. 135916 not incl.; When depleted use FP-2601419
1	Kit Gasket Set	FP-2601419		Compl.; Timing cover seal to Ser. No. 500 and from Ser. No. 135916 not incl.

CRANKSHAFT/OIL PUMP

QTY	MAIN BEARINGS	PART NO.	SIZE	DESCRIPTION
1	Main Set	FP-685M	Std-2-10-20-30	
1	Main Set	685M +	Std-2-10-20-30	When depleted use FP-685M

CYLINDER COMPONENTS

QTY	PISTONS	PART NO.	SIZE	DESCRIPTION
4	Cast Piston	C-1660P +	Std-20-30-40-60	Farmall Cub and Cub Lo-Boy; International Cub To Ser. No. 264567; Cast; 2-3/32", 1-3/16" Ring Groove, 1.437" CD, .6880" Pin Dia., Flat Head - 6.5:1 C.R.; Cast iron; Repl. O.E. No. 251250R93; When depleted use FP-C1660P
4	Pin Bushing	FP-1459V		
4	Pin Bushing	1459V +		When depleted use FP-1459V

QTY	CONNECTING RODS & BRGS.	PART NO.	SIZE	DESCRIPTION
4	Rod Pair	FP-1455CP	Std-2-10-20-30	W/Con. rod No. 251246R3
4	Rod Pair	1455CP +	Std-2-10-20-30	W/Con. rod No. 251246R3; When depleted use FP-1455CP
4	Rod Pair	FP-3720CP	Std-10-20	W/Con. rod No. 527457R11
4	Rod Pair	3720CP +	Std-10-20	W/Con. rod No. 527457R11; When depleted use FP-3720CP

QTY	PISTON RINGS	PART NO.	SIZE	DESCRIPTION
1	Premium Set	FP-5098KX	Std-20-30	2-3/32, 1-3/16
1	Premium Set	5098KX +	Std-20-30	2-3/32, 1-3/16; When depleted use FP-5098KX
1	Standard Set	FP-5098X	Std-20-30-40-60	2-3/32, 1-3/16
1	Standard Set	5098X +	Std-20-30-40-60	2-3/32, 1-3/16; When depleted use FP-5098X
4	Standard Single Cylinder Set	W-5098X	Std-20-30-40	2-3/32, 1-3/16

KITS

QTY	OVERHAUL KIT	PART NO.	SIZE	DESCRIPTION
1	Tractor Overhaul Kit	FP-KST1660C		W/Con. rod No. 251246R3; Wheel Tractor Models Farmall Cub, Cub Lo-Boy & International Cub To Ser. No. 251246R3; Timing cover seal To Ser. No. 499 and From Ser. No. 135916 not incl.
1	Tractor Overhaul Kit	FP-KST1660A		W/Con. rod No. 527457R11; Wheel Tractor Models Farmall Cub, Cub Lo-Boy & International Cub To Ser. No. 264567; Timing cover seal To Ser. No. 499 and From Ser. No. 135916 not incl.

3 Hay Baler Y69, Y4069 Engs. Combine Y69, Y4069 Engs.
1.1L 69 L-HEAD L4, 2.5" Bore (Continental Eng.)

CYL. HEAD & PARTS

QTY	VALVE	PART NO.	SIZE	DESCRIPTION
4	Intake	FP-V1019		Drilled stem; use w/VG437 guide & VK142 locks; 1.2030" Head Dia., .3144" Stem Dia., 4.0140" O.A.L.
4	Intake	V-1019 +	Std Only	Drilled stem; use w/VG437 guide & VK142 locks; 1.2030" Head Dia., .3144" Stem Dia., 4.0140" O.A.L.; When depleted use FP-V1019
4	Exhaust	FP-V1018		Drilled stem; use w/VG437 guide & VK142 locks; 1.0150" Head Dia., .3128" Stem Dia., 4.0610" O.A.L.
4	Exhaust	V-1018 +	Std Only	Drilled stem; use w/VG437 guide & VK142 locks; 1.0150" Head Dia., .3128" Stem Dia., 4.0610" O.A.L.; When depleted use FP-V1018
4	Exhaust	FP-V1421		Single groove stem, use w/VG437 guide & VK144 locks; 1.0150" Head Dia., .3128" Stem Dia., 4.0770" O.A.L.
4	Exhaust	V-1421 +	Std Only	Single groove stem, use w/VG437 guide & VK144 locks; 1.0150" Head Dia., .3128" Stem Dia., 4.0770" O.A.L.; When depleted use FP-V1421
8	Keeper	FP-VK142		For drilled stem
8	Keeper	VK-142 +		For drilled stem; When depleted use FP-VK142
16	Keeper	FP-VK144		1 groove; Square cut key groove
16	Keeper	VK-144R		1 groove; Square cut key groove; Hardened
16	Keeper, Bulk	FP-VK144B		1 groove; Square cut key groove; Carton of 1000

(continued on next page)

Hay Baler Y69, Y4069 Engs. Combine Y69, Y4069 Engs. 3
1.1L 69 L-HEAD L4, 2.5" Bore (Continental Eng.) (cont.)

CYL. HEAD & PARTS (cont.)

QTY	VALVE SEAT	PART NO.	SIZE	DESCRIPTION
4	Int.	FP-24513121		1.3170" OD, 1.0625" ID, .1855" Depth
8	VALVE GUIDE	PART NO.	SIZE	DESCRIPTION
	Guide	FP-VG437		Use w/4.031" O.A.L. valves FP-V1018, FP-V1019 & FP-V1421; .3163" ID, 2.2810" O.A.L.
8	Guide	VG-437 +		Use w/4.031" O.A.L. valves V-1018, V-1019 & V-1421; .3163" ID, 2.2810" O.A.L.; When depleted use FP-VG437
8	VALVE SPRING	PART NO.	SIZE	DESCRIPTION
	Spring	FP-VS356		2.0000" Free Height
8	Spring	VS-356 +		2.0000" Free Height; When depleted use FP-VS356

ENGINE BLOCK & PARTS

QTY	CAM BEARINGS	PART NO.	SIZE	DESCRIPTION
1	Cam Set	FP-1093M	Std Only	
1	Cam Set	1093M +	Std Only	When depleted use FP-1093M

CRANKSHAFT/OIL PUMP

QTY	MAIN BEARINGS	PART NO.	SIZE	DESCRIPTION
1	Main Set	FP-5142M	Std-10-20	Later Engs.; w/flanged upper half front brg.
1	Main Set	5142M +	Std-10-20	Later Engs.; w/flanged upper half front brg.; When depleted use FP-5142M
1	Main Set	FP-836M	Std-10-20	Later Engs.; w/straight shell front brg.; Thrust Washer not incl.
1	Main Set	836M +	Std-10-20	Later Engs.; w/straight shell front brg.; Thrust Washer not incl.; When depleted use FP-836M
1	OIL PUMP	PART NO.	SIZE	DESCRIPTION
	Oil Pump	224-4130 +		Y69 Engs. only; Iron drive gear - use only w/iron cams. 5-13/16" flange to end of shaft. Incl. screen.; When depleted use FP-2244130
1	Oil Pump	FP-2244130		Y69 Engs. only; Iron drive gear - use w/iron cams. 5-13/16" flange to end of shaft. Incl. screen.

CYLINDER COMPONENTS

QTY	PISTONS	PART NO.	SIZE	DESCRIPTION
4	Pin Bushing	FP-1214VA		Split type, thin wall bushing w/.7625" OD
4	Pin Bushing	1214VA +		Split type, thin wall bushing w/.7625" OD; When depleted use FP-1214VA
2	CONNECTING RODS & BRGS.	PART NO.	SIZE	DESCRIPTION
	Rod Pair	FP-9885CP	Std-10-20-30	Position 1-3
2	Rod Pair	9885CP +	Std-10-20-30	Position 1-3; When depleted use FP-9885CP
2	Rod Pair	FP-9885CPA	Std-10-20	Position 2-4
2	Rod Pair	9885CPA +	Std-10-20	Position 2-4; When depleted use FP-9885CPA
1	PISTON RINGS	PART NO.	SIZE	DESCRIPTION
	Premium Set	FP-5098KX	Std-20-30	2-3/32, 1-3/16
1	Premium Set	5098KX +	Std-20-30	2-3/32, 1-3/16; When depleted use FP-5098KX
1	Standard Set	FP-5098X	Std-20-30-40-60	2-3/32, 1-3/16
1	Standard Set	5098X +	Std-20-30-40-60	2-3/32, 1-3/16; When depleted use FP-5098X
1	Standard Set	FP-5016X	Std Only	2-3/32, 1-5/32
4	Standard Single Cylinder Set	W-5098X	Std-20-30-40	2-3/32, 1-3/16

Hay Baler VF4, VF4D, VF41, VH4, VH4D, VH4DM Engs. Windrower VF4, VF4D, VF41, VH4, VH4D, VH4DM Engs. 4
1.8L 108 L-HEAD V4, 3.25" Bore (Wisconsin Eng.)

CYL. HEAD & PARTS

QTY	VALVE	PART NO.	SIZE	DESCRIPTION
8	Intake	FP-V816		Exh. & Int.; 1.3130" Head Dia., .3085" Stem Dia., 4.7660" O.A.L.
8	Intake	V-816 +	Std Only	Exh. & Int.; 1.3130" Head Dia., .3085" Stem Dia., 4.7660" O.A.L.; When depleted use FP-V816
4	Exhaust	FP-V1326X		Optional-H/D; 1.2500" Head Dia., .3085" Stem Dia., 4.7710" O.A.L.
4	Exhaust	V-1326X +	Std Only	Optional-H/D; 1.2500" Head Dia., .3085" Stem Dia., 4.7710" O.A.L.; When depleted use FP-V1326X
16	Keeper	VK-144		1 groove; Square cut key groove
16	Keeper	VK-144R		1 groove; Square cut key groove; Hardened

(continued on next page)

IHC Tractor

4 Hay Baler VF4, VF4D, VF41, VH4, VH4D, VH4DM Engs. Windrower VF4, VF4D, VF41, VH4, (cont.) VH4D, VH4DM Engs. 1.8L 108 L-HEAD V4, 3.25" Bore (Wisconsin Eng.)

CYL. HEAD & PARTS (cont.)

QTY	VALVE SEAT	PART NO.	SIZE	DESCRIPTION
8	Exh. & Int.	FP-24513755		1.3795" OD, 1.1250" ID, .2636" Depth
8	Exh. & Int.	245-1375-5 + Std Only		1.3795" OD, 1.1250" ID, .2636" Depth; When depleted use FP-24513755
QTY	VALVE GUIDE	PART NO.	SIZE	DESCRIPTION
8	Guide	FP-VG635		.3155" ID, 2.5000" O.A.L.
8	Guide	VG-635 +		.3155" ID, 2.5000" O.A.L.; When depleted use FP-VG635
8	Guide	FP-VG681		VF Series Engs.; .439" x 1.812"; .3133" ID, 1.8100" O.A.L.
8	Guide	VG-681 +		VF Series Engs.; .439" x 1.812"; .3133" ID, 1.8100" O.A.L.; When depleted use FP-VG681
QTY	VALVE SPRING	PART NO.	SIZE	DESCRIPTION
8	Spring	FP-VS793		Use w/FP-RC45 rotocap; VF Series Engs.; 1.9700" Free Height
8	Spring	VS-793 +		Use w/RC-45 rotocap; VF Series Engs.; 1.9700" Free Height; When depleted use FP-VS793
8	Spring	FP-VS468		2.3120" Free Height
8	Spring	VS-468 +		2.3120" Free Height; When depleted use FP-VS468
QTY	VALVE MISC.	PART NO.	SIZE	DESCRIPTION
8	Rotocap	FP-RC45		Use w/VS-793 valve spring.; VF Series Engs.
8	Rotocap	RC-45 +		Use w/VS-793 valve spring.; VF Series Engs.; When depleted use FP-RC45

CYLINDER COMPONENTS

QTY	LINERS	PART NO.	SIZE	DESCRIPTION
4	Repair Sleeve	FP-SL11M	Std Only	3/32" wall, must be cut to correct length
4	Repair Sleeve	SL-11M +	Std Only	3/32" wall, must be cut to correct length; When depleted use FP-SL11M
QTY	PISTONS	PART NO.	SIZE	DESCRIPTION
4	Cast Piston	FP-628CP	Std-20-30-40-60	Cast; 2-3/32", 1-3/16" Ring Groove, 1.500" CD, .7503" Pin Dia., Recessed Head .010" deep; Piston length 2.870"; Repl. 3 ring piston in sets only
4	Cast Piston - Individual	FP-W628CP	Std-20-30-40-60	Cast; 2-3/32", 1-3/16" Ring Groove, 1.500" CD, .7500" Pin Dia., Recessed Head .010" deep; Piston length 2.870"; Repl. 3 ring piston in sets only
4	Cast Piston - Individual	W628CP +	Std-20-30-40-60	Cast; 2-3/32", 1-3/16" Ring Groove, 1.500" CD, .7500" Pin Dia., Recessed Head .010" deep; Piston length 2.870"; Repl. 3 ring piston in sets only; When depleted use FP-W628CP
4	Pin Bushing	1394		1.000" max. length
QTY	CONNECTING RODS & BRGS.	PART NO.	SIZE	DESCRIPTION
4	Rod Pair	FP-3520CP	Std-10-20	VF4, VF4D Engs.
4	Rod Pair	3520CP +	Std-10-20	VF4, VF4D Engs.; When depleted use FP-3520CP
4	Rod Pair	FP-3645CP	Std-10-20	VH4, VH4D, VH4DM Engs.
4	Rod Pair	3645CP +	Std-10-20	VH4, VH4D, VH4DM Engs.; When depleted use FP-3645CP
QTY	PISTON RINGS	PART NO.	SIZE	DESCRIPTION
1	Premium Set	FP-5051KX	Std-20-30-40-60	3-3/32, 1-3/16
1	Premium Set	5051KX +	Std-20-30-40-60	3-3/32, 1-3/16; When depleted use FP-5051KX
1	Standard Set	FP-10366X	Std Only	VF4D Engs.; 3-5/64, 1-3/16
1	Standard Set	10366X +	Std Only	VF4D Engs.; 3-5/64, 1-3/16; When depleted use FP-10366X
1	Standard Set	FP-5051X	Std-20-30-40-60	3-3/32, 1-3/16
1	Standard Set	5051X +	Std-20-30-40-60	3-3/32, 1-3/16; When depleted use FP-5051X
4	Premium Single Cylinder Set	W-5051KX20	20-30-60	3-3/32, 1-3/16
4	Standard Single Cylinder Set	W-5051X	Std-30	3-3/32, 1-3/16

5 Hay Baler Y112, Y4112 Engs. 1.8L 112 L-HEAD L4, 3.1875" Bore (Continental Eng.)

CYL. HEAD & PARTS

QTY	VALVE	PART NO.	SIZE	DESCRIPTION
4	Intake	FP-V1019		Drilled stem; use w/VG437 guide & VK142 locks; 1.2030" Head Dia., .3144" Stem Dia., 4.0140" O.A.L.
4	Intake	V-1019 +	Std Only	Drilled stem; use w/VG437 guide & VK142 locks; 1.2030" Head Dia., .3144" Stem Dia., 4.0140" O.A.L.; When depleted use FP-V1019
4	Exhaust	FP-V1018		Drilled stem; use w/VG437 guide & VK142 locks; 1.0150" Head Dia., .3128" Stem Dia., 4.0610" O.A.L.

(continued on next page)

+ Superseded Part Number

Hay Baler Y112, Y4112 Engs. 5
1.8L 112 L-HEAD L4, 3.1875" Bore (Continental Eng.) (cont.)

CYL. HEAD & PARTS (cont.)				
QTY	VALVE (cont.)	PART NO.	SIZE	DESCRIPTION
4	Exhaust	V-1018 + Std Only		Drilled stem; use w/VG437 guide & VK142 locks; 1.0150" Head Dia., .3128" Stem Dia., 4.0610" O.A.L.; When depleted use FP-V1018
4	Exhaust	FP-V1421		Single groove stem, use w/VG437 guide & VK144 locks; 1.0150" Head Dia., .3128" Stem Dia., 4.0770" O.A.L.
4	Exhaust	V-1421 + Std Only		Single groove stem, use w/VG437 guide & VK144 locks; 1.0150" Head Dia., .3128" Stem Dia., 4.0770" O.A.L.; When depleted use FP-V1421
8	Keeper	FP-VK142		For drilled stem
8	Keeper	VK-142 +		For drilled stem; When depleted use FP-VK142
16	Keeper	FP-VK144		1 groove; Square cut key groove
16	Keeper	VK-144R		1 groove; Square cut key groove; Hardened
16	Keeper, Bulk	FP-VK144B		1 groove; Square cut key groove; Carton of 1000
QTY	VALVE SEAT	PART NO.	SIZE	DESCRIPTION
4	Int.	FP-24513121		1.3170" OD, 1.0625" ID, .1855" Depth
QTY	VALVE GUIDE	PART NO.	SIZE	DESCRIPTION
8	Guide	FP-VG437		Use w/4.031" O.A.L. valves FP-V1018, FP-V1019 & FP-V1421; .3163" ID, 2.2810" O.A.L.
8	Guide	VG-437 +		Use w/4.031" O.A.L. valves V-1018, V-1019 & V-1421; .3163" ID, 2.2810" O.A.L.; When depleted use FP-VG437
QTY	VALVE SPRING	PART NO.	SIZE	DESCRIPTION
8	Spring	FP-VS356		2.0000" Free Height
8	Spring	VS-356 +		2.0000" Free Height; When depleted use FP-VS356
ENGINE BLOCK & PARTS				
QTY	CAM BEARINGS	PART NO.	SIZE	DESCRIPTION
1	Cam Set	FP-1093M	<i>Std Only</i>	
1	Cam Set	1093M + Std Only		When depleted use FP-1093M
CRANKSHAFT/OIL PUMP				
QTY	MAIN BEARINGS	PART NO.	SIZE	DESCRIPTION
1	Main Set	FP-5142M	<i>Std-10-20</i>	w/flanged upper half front brg.
1	Main Set	5142M + Std-10-20		w/flanged upper half front brg.; When depleted use FP-5142M
1	Main Set	FP-836M	<i>Std-10-20</i>	W/Straight shell front brg.; Thrust Washer not incl.
1	Main Set	836M + Std-10-20		W/Straight shell front brg.; Thrust Washer not incl.; When depleted use FP-836M
CYLINDER COMPONENTS				
QTY	LINERS	PART NO.	SIZE	DESCRIPTION
1	Repair Sleeve	FP-SL10Y	<i>Std Only</i>	1/8" wall, must be cut to correct length
1	Repair Sleeve	FP-SL10M	<i>Std Only</i>	3/32" wall, must be cut to correct length
1	Repair Sleeve	SL-10M + Std Only		3/32" wall, must be cut to correct length; When depleted use FP-SL10M
QTY	PISTONS	PART NO.	SIZE	DESCRIPTION
4	Pin Bushing	FP-1214VA		Split type, thin wall bushing w/.7625" OD
4	Pin Bushing	1214VA +		Split type, thin wall bushing w/.7625" OD; When depleted use FP-1214VA
QTY	CONNECTING RODS & BRGS.	PART NO.	SIZE	DESCRIPTION
2	Rod Pair	FP-9885CP	<i>Std-10-20-30</i>	Position 1-3
2	Rod Pair	9885CP + Std-10-20-30		Position 1-3; When depleted use FP-9885CP
2	Rod Pair	FP-9885CPA	<i>Std-10-20</i>	Position 2-4
2	Rod Pair	9885CPA + Std-10-20		Position 2-4; When depleted use FP-9885CPA
QTY	PISTON RINGS	PART NO.	SIZE	DESCRIPTION
1	Premium Set	FP-670KX	<i>Std-20-30</i>	Check piston grooving before supplying ring set; 2-3/32, 1-1/4
1	Premium Set	670KX + Std-20-30		Check piston grooving before supplying ring set; 2-3/32, 1-1/4; When depleted use FP-670KX
1	Standard Set	FP-670X	<i>Std-20-30</i>	Check piston grooving before supplying ring set; 2-3/32, 1-1/4
1	Standard Set	670X + Std-20-30		Check piston grooving before supplying ring set; 2-3/32, 1-1/4; When depleted use FP-670X
1	Standard Set	FP-598X	<i>Std Only</i>	Check piston grooving before supplying ring set; 2-3/32, 1-5/32
1	Standard Set	598X + Std Only		Check piston grooving before supplying ring set; 2-3/32, 1-5/32; When depleted use FP-598X
4	Standard Single Cylinder Set	W-670X Std Only		Check piston grooving before supplying ring set; 2-3/32, 1-1/4

IHC Tractor

6 Hay Baler C113 Eng. Combine C113 Eng. Wheel Tractor A, C113 Engs. Windrower C113 Eng. 1.8L 113 L4, 3" Bore

CYL. HEAD & PARTS

QTY	VALVE	PART NO.	SIZE	DESCRIPTION
4	Intake	FP-V840		1.3420" Head Dia., .3410" Stem Dia., 4.8280" O.A.L.
4	Intake	V-840 + Std Only		1.3420" Head Dia., .3410" Stem Dia., 4.8280" O.A.L.; When depleted use FP-V840
4	Intake	FP-V3921		1.3420" Head Dia., .3410" Stem Dia., 4.9410" O.A.L.
4	Intake	V-3921 + Std Only		1.3420" Head Dia., .3410" Stem Dia., 4.9410" O.A.L.; When depleted use FP-V3921
4	Exhaust	FP-V1013		1.1575" Head Dia., .3409" Stem Dia., 4.9370" O.A.L.
4	Exhaust	V-1013 + Std Only		1.1575" Head Dia., .3409" Stem Dia., 4.9370" O.A.L.; When depleted use FP-V1013
4	Exhaust	FP-V839		1.2180" Head Dia., .3410" Stem Dia., 4.8420" O.A.L.
4	Exhaust	V-839 + Std Only		1.2180" Head Dia., .3410" Stem Dia., 4.8420" O.A.L.; When depleted use FP-V839
16	Keeper	VK-115		1 groove; Square cut key groove
16	Keeper	VK-115R		1 groove; Square cut key groove; Hardened
16	Keeper, Bulk	VK-115B		1 groove; Square cut key groove; Carton of 1000
QTY	VALVE GUIDE	PART NO.	SIZE	DESCRIPTION
8	Guide	FP-VG840		Flanged; .3435" ID, 2.6880" O.A.L.
8	Guide	VG-840 +		Flanged; .3435" ID, 2.6880" O.A.L.; When depleted use FP-VG840
8	Guide	FP-VG540		Plain - Late type valve guide. May be used in older applications by using stamped steel spring seat available from I.H.C.; .3440" ID, 2.6560" O.A.L.
8	Guide	VG-540 +		Plain - Late type valve guide. May be used in older applications by using stamped steel spring seat available from I.H.C.; .3440" ID, 2.6560" O.A.L.; When depleted use FP-VG540
QTY	VALVE SPRING	PART NO.	SIZE	DESCRIPTION
8	Spring	FP-VS242		2.5930" Free Height
8	Spring	VS-242 +		2.5930" Free Height; When depleted use FP-VS242
QTY	VALVE SEAL	PART NO.	SIZE	DESCRIPTION
8	Valve Stem Seal	ST-2003		Positive type; Installation requires valve guide machining; Rubber
8	Valve Stem Seal	ST-2092		Positive type; Rubber
8	Valve Stem Seal Bulk	ST-2003BC		Positive type; Installation requires valve guide machining; Carton of 100; Rubber

ENGINE BLOCK & PARTS

QTY	GASKET SETS	PART NO.	SIZE	DESCRIPTION
1	Kit Gasket Set	FP-2601367		
1	Kit Gasket Set	260-1367 +		When depleted use FP-2601367

CRANKSHAFT/OIL PUMP

QTY	MAIN BEARINGS	PART NO.	SIZE	DESCRIPTION
1	Main Set	FP-575M	<i>Std-2-10-20-30</i>	
1	Main Set	575M +	<i>Std-2-10-20-30</i>	When depleted use FP-575M

CYLINDER COMPONENTS

QTY	LINERS	PART NO.	SIZE	DESCRIPTION
4	Liner w/Sealing Rings	FP-SO1779	<i>Std Only</i>	OVERBORE To 3.125"; Incl. (1) FP-SLR1121 sealing ring. From the flange to top of the sealing land is 4.750"; O.A.L. 6.875"; w/3.310" dia. sealing land
4	Liner w/Sealing Rings	SO-1779 +	<i>Std Only</i>	OVERBORE To 3.125"; Incl. (1) SLR-1121 sealing ring. From the flange to top of the sealing land is 4.750"; O.A.L. 6.875"; w/3.310" dia. sealing land; When depleted use FP-SO1779
4	Liner w/Sealing Rings	FP-SO1814	<i>Std Only</i>	OVERBORE To 3.250"; For crankcase No. 354898R2; Incl. (2) FP-SLR1121 sealing rings. Is 5.250" from top to sealing ring land, 7.060" length, w/3.436" dia. sealing land.
4	Liner w/Sealing Rings	SO-1814 +	<i>Std Only</i>	OVERBORE To 3.250"; For crankcase No. 354898R2; Incl. (2) SLR-1121 sealing rings. Is 5.250" from top to sealing ring land, 7.060" length, w/3.436" dia. sealing land.; When depleted use FP-SO1814
4	Sleeve Assy.	FP-SL1779	<i>Std Only</i>	OVERBORE To 3.125"; Check sleeve dimensions before ordering parts
4	Sleeve Assy.	SL-1779 +	<i>Std Only</i>	OVERBORE To 3.125"; Check sleeve dimensions before ordering parts; When depleted use FP-SL1779
4	Sleeve Assy.	SL-1814 +	<i>Std Only</i>	OVERBORE To 3.250"; Check sleeve dimensions before ordering parts; For crankcase No. 354898R2; When depleted use FP-SL1814
4	Sleeve Assy.	FP-SL1814	<i>Std Only</i>	OVERBORE To 3.250"; OVERBORE To 3.250"; Check sleeve dimensions before ordering parts; For crankcase No. 354898R2

(continued on next page)

6
Eng. (cont.)
1.8L 113 L4, 3" Bore

Hay Baler C113 Eng. Combine C113 Eng. Wheel Tractor A, C113 Engs. Windrower

CYLINDER COMPONENTS (cont.)

QTY	PISTONS	PART NO.	SIZE	DESCRIPTION
4	Cast Piston	FP-1779P	<i>Std Only</i>	OVERBORE To 3.125"; Cast; 3-3/32", 1-3/16" Ring Groove, 1.968" CD, .9194" Pin Dia., Domed Head; Repl. O.E. No. 362867R1; Repl. flat head piston in sets
4	Cast Piston	1779P +	<i>Std Only</i>	OVERBORE To 3.125"; Cast; 3-3/32", 1-3/16" Ring Groove, 1.968" CD, .9194" Pin Dia., Domed Head; Repl. O.E. No. 362867R1; Repl. flat head piston in sets; When depleted use FP-1779P
4	Pin Bushing	FP-1799V		Bushing w/.9908" OD, 1.2290" length & .250" dia. oil hole
4	Pin Bushing	1799V +		Bushing w/.9908" OD, 1.2290" length & .250" dia. oil hole; When depleted use FP-1799V

QTY	CONNECTING RODS & BRGS.	PART NO.	SIZE	DESCRIPTION
4	Rod Pair	FP-1795CP	<i>Std-2-10-20-30-40</i>	
4	Rod Pair	1795CP +	<i>Std-2-10-20-30-40</i>	When depleted use FP-1795CP

QTY	PISTON RINGS	PART NO.	SIZE	DESCRIPTION
1	Premium Set	FP-918KX	<i>Std Only</i>	Gas Eng's.; Check piston grooving before supplying ring set; 3-1/8, 1-1/4
1	Premium Set	918KX +	<i>Std Only</i>	Gas Eng's.; Check piston grooving before supplying ring set; 3-1/8, 1-1/4; When depleted use FP-918KX
1	Premium Set	FP-5106KX	<i>Std Only</i>	OVERBORE To 3.125"; Check piston grooving before supplying ring set; 3-3/32, 1-1/4
1	Premium Set	FP-5051KX	<i>Std-20-30-40-60</i>	OVERBORE To 3.250"; Use w/1814P piston; 3-3/32, 1-3/16
1	Premium Set	5051KX +	<i>Std-20-30-40-60</i>	OVERBORE To 3.250"; Use w/1814P piston; 3-3/32, 1-3/16; When depleted use FP-5051KX
1	Standard Set	FP-918X	<i>Std Only</i>	Gas Eng's.; Check piston grooving before supplying ring set; 3-1/8, 1-1/4
1	Standard Set	918X +	<i>Std Only</i>	Gas Eng's.; Check piston grooving before supplying ring set; 3-1/8, 1-1/4; When depleted use FP-918X
1	Standard Set	FP-5106X	<i>Std Only</i>	OVERBORE To 3.125"; Check piston grooving before supplying ring set; 3-3/32, 1-1/4
1	Standard Set	5106X +	<i>Std Only</i>	OVERBORE To 3.125"; Check piston grooving before supplying ring set; 3-3/32, 1-1/4; When depleted use FP-5106X
1	Standard Set	FP-534X	<i>Std Only</i>	OVERBORE To 3.125"; Use w/1779P piston; 3-3/32, 1-3/16 (4 cyl. set)
1	Standard Set	534X +	<i>Std Only</i>	OVERBORE To 3.125"; Use w/1779P piston; 3-3/32, 1-3/16 (4 cyl. set); When depleted use FP-534X
1	Standard Set	FP-5051X	<i>Std-20-30-40-60</i>	OVERBORE To 3.250"; Use w/1814P piston; 3-3/32, 1-3/16
1	Standard Set	5051X +	<i>Std-20-30-40-60</i>	OVERBORE To 3.250"; Use w/1814P piston; 3-3/32, 1-3/16; When depleted use FP-5051X
4	Premium Single Cylinder Set	W-5051KX20	<i>20-30-60</i>	OVERBORE To 3.250"; Use w/1814P piston; 3-3/32, 1-3/16
4	Standard Single Cylinder Set	W-918X	<i>Std Only</i>	Gas Eng's.; Check piston grooving before supplying ring set; 3-1/8, 1-1/4
4	Standard Single Cylinder Set	W-534X	<i>Std Only</i>	OVERBORE To 3.125"; Use w/1779P piston; 3-3/32, 1-3/16 (4 cyl. set)
4	Standard Single Cylinder Set	W-5051X	<i>Std-30</i>	OVERBORE To 3.250"; Use w/1814P piston; 3-3/32, 1-3/16

KITS

QTY	OVERHAUL KIT	PART NO.	SIZE	DESCRIPTION
1	Tractor Overhaul Kit	FP-KST1779A		OVERBORE To 3.125"
1	Tractor Overhaul Kit	FP-KST1814A		OVERBORE To 3.250"

7
Eng.
2.0L 123 L4, 3.125" Bore

Hay Baler C123 Eng. Combine C123 Eng. Wheel Tractor C123 Eng. Windrower

CYL. HEAD & PARTS

QTY	VALVE	PART NO.	SIZE	DESCRIPTION
4	Intake	FP-V1578		1 groove; 1.5000" Head Dia., .3410" Stem Dia., 5.2800" O.A.L.
4	Intake	V-1578 +	<i>Std Only</i>	1 groove; 1.5000" Head Dia., .3410" Stem Dia., 5.2800" O.A.L.; When depleted use FP-V1578
4	Intake	FP-V3921		1.3420" Head Dia., .3410" Stem Dia., 4.9410" O.A.L.
4	Intake	V-3921 +	<i>Std Only</i>	1.3420" Head Dia., .3410" Stem Dia., 4.9410" O.A.L.; When depleted use FP-V3921
4	Exhaust	FP-V1577		1 groove; 1.3120" Head Dia., .3410" Stem Dia., 5.2810" O.A.L.
4	Exhaust	V-1577 +	<i>Std Only</i>	1 groove; 1.3120" Head Dia., .3410" Stem Dia., 5.2810" O.A.L.; When depleted use FP-V1577
4	Exhaust	FP-V1013		1.1575" Head Dia., .3409" Stem Dia., 4.9370" O.A.L.

(continued on next page)

IHC Tractor

7 Hay Baler C123 Eng. Combine C123 Eng. Wheel Tractor C123 Eng. Windrower C123 Eng.
(cont.) 2.0L 123 L4, 3.125" Bore

CYL. HEAD & PARTS (cont.)				
QTY	VALVE (cont.)	PART NO.	SIZE	DESCRIPTION
4	Exhaust	V-1013 +	Std Only	1.1575" Head Dia., .3409" Stem Dia., 4.9370" O.A.L.; When depleted use FP-V1013
16	Keeper	VK-115		1 groove; Square cut key groove
16	Keeper	VK-115R		1 groove; Square cut key groove; Hardened
16	Keeper, Bulk	VK-115B		1 groove; Square cut key groove; Carton of 1000
QTY	VALVE SEAT	PART NO.	SIZE	DESCRIPTION
4	Exh.	245-1187-1	Std Only	1.1920" OD, 1.0000" ID, .1855" Depth
4	Int.	245-1437-3	Std Only	1.4425" OD, 1.1880" ID, .2160" Depth
4	Int.	245-1625-1	Std Only	1.6300" OD, 1.3750" ID, .2160" Depth
QTY	VALVE GUIDE	PART NO.	SIZE	DESCRIPTION
8	Guide	FP-VG840		Flanged; .3435" ID, 2.6880" O.A.L.
8	Guide	VG-840 +		Flanged; .3435" ID, 2.6880" O.A.L.; When depleted use FP-VG840
8	Guide	FP-VG540		Plain - Late type valve guide. May be used in older applications by using stamped steel spring seat available from I.H.C.; .3440" ID, 2.6560" O.A.L.
8	Guide	VG-540 +		Plain - Late type valve guide. May be used in older applications by using stamped steel spring seat available from I.H.C.; .3440" ID, 2.6560" O.A.L.; When depleted use FP-VG540
QTY	VALVE SPRING	PART NO.	SIZE	DESCRIPTION
4	Spring	FP-VS1576		Exh.; Exc. Wheel Tractor, From Ser. No. 35831
4	Spring	VS-1576 +		Exh.; Exc. Wheel Tractor, From Ser. No. 35831; When depleted use FP-VS1576
8	Spring	FP-VS242		Exh. & Int.; U123 Eng.; Wheel Tractor; To Ser. No. 35830; 2.5930" Free Height
8	Spring	VS-242 +		Exh. & Int.; U123 Eng.; Wheel Tractor; To Ser. No. 35830; 2.5930" Free Height; When depleted use FP-VS242
4	Spring	FP-VS242		Int.; C123 Eng.; Wheel Tractor; 2.5930" Free Height
4	Spring	VS-242 +		Int.; C123 Eng.; Wheel Tractor; 2.5930" Free Height; When depleted use FP-VS242
QTY	VALVE SEAL	PART NO.	SIZE	DESCRIPTION
8	Valve Stem Seal	ST-2003		Positive type; Installation requires valve guide machining; Rubber
8	Valve Stem Seal	ST-2092		Positive type; Rubber
8	Valve Stem Seal Bulk	ST-2003BC		Positive type; Installation requires valve guide machining; Carton of 100; Rubber
ENGINE BLOCK & PARTS				
QTY	GASKET SETS	PART NO.	SIZE	DESCRIPTION
1	Kit Gasket Set	FP-2601368		
1	Kit Gasket Set	260-1368 +		When depleted use FP-2601368
CRANKSHAFT/OIL PUMP				
QTY	MAIN BEARINGS	PART NO.	SIZE	DESCRIPTION
1	Main Set	FP-575M	Std-2-10-20-30	
1	Main Set	575M +	Std-2-10-20-30	When depleted use FP-575M
CYLINDER COMPONENTS				
QTY	LINERS	PART NO.	SIZE	DESCRIPTION
4	Liner w/Sealing Rings	FP-SO1814	Std Only	OVERBORE To 3.250"; From Ser. No. 35831; Incl. (2) FP-SLR1121 sealing rings. Is 5.250" from top to sealing ring land, 7.060" length, w/3.436" dia. sealing land.
4	Liner w/Sealing Rings	SO-1814 +	Std Only	OVERBORE To 3.250"; From Ser. No. 35831; Incl. (2) SLR-1121 sealing rings. Is 5.250" from top to sealing ring land, 7.060" length, w/3.436" dia. sealing land.; When depleted use FP-SO1814
4	Liner w/Sealing Rings	FP-SO1779	Std Only	To Ser. No. 35830; Incl. (1) FP-SLR1121 sealing ring. From the flange to top of the sealing land is 4.750"; O.A.L. 6.875"; w/3.310" dia. sealing land
4	Liner w/Sealing Rings	SO-1779 +	Std Only	To Ser. No. 35830; Incl. (1) SLR-1121 sealing ring. From the flange to top of the sealing land is 4.750"; O.A.L. 6.875"; w/3.310" dia. sealing land; When depleted use FP-SO1779
4	Sleeve Assy.	SL-1814 +	Std Only	OVERBORE To 3.250"; From Ser. No. 35831; Check sleeve dimensions before ordering parts; When depleted use FP-SL1814
4	Sleeve Assy.	FP-SL1814	Std Only	OVERBORE To 3.250"; OVERBORE To 3.250"; From Ser. No. 35831; Check sleeve dimensions before ordering parts
4	Sleeve Assy.	FP-SL1779	Std Only	To Ser. No. 35830; Check sleeve dimensions before ordering parts

(continued on next page)

Hay Baler C123 Eng. Combine C123 Eng. Wheel Tractor C123 Eng. Windrower C123 Eng. 7
2.0L 123 L4, 3.125" Bore (cont.)

CYLINDER COMPONENTS (cont.)

QTY	LINERS (cont.)	PART NO.	SIZE	DESCRIPTION
4	Sleeve Assy.	SL-1779 +	Std Only	To Ser. No. 35830; Check sleeve dimensions before ordering parts; When depleted use FP-SL1779
QTY	PISTONS	PART NO.	SIZE	DESCRIPTION
4	Cast Piston	FP-1779P	Std Only	To Ser. No. 35830; Cast; 3-3/32", 1-3/16" Ring Groove, 1.968" CD, .9194" Pin Dia., Domed Head; Repl. O.E. No. 362867R1; Repl. flat head piston in sets
4	Cast Piston	1779P +	Std Only	To Ser. No. 35830; Cast; 3-3/32", 1-3/16" Ring Groove, 1.968" CD, .9194" Pin Dia., Domed Head; Repl. O.E. No. 362867R1; Repl. flat head piston in sets; When depleted use FP-1779P
4	Pin Bushing	FP-1799V		Bushing w/.9908" OD, 1.2290" length & .250" dia. oil hole
4	Pin Bushing	1799V +		Bushing w/.9908" OD, 1.2290" length & .250" dia. oil hole; When depleted use FP-1799V
QTY	CONNECTING RODS & BRGS.	PART NO.	SIZE	DESCRIPTION
4	Rod Pair	FP-1795CP	Std-2-10-20-30-40	
4	Rod Pair	1795CP +	Std-2-10-20-30-40	When depleted use FP-1795CP
QTY	PISTON RINGS	PART NO.	SIZE	DESCRIPTION
1	Premium Set	FP-5482KX	Std Only	Check piston grooving before supplying ring set; 2-3/32, 1-1/4
1	Premium Set	5482KX +	Std Only	Check piston grooving before supplying ring set; 2-3/32, 1-1/4; When depleted use FP-5482KX
1	Premium Set	FP-670KX	Std-20-30	OVERBORE To 3.1875"; 2-3/32, 1-1/4
1	Premium Set	670KX +	Std-20-30	OVERBORE To 3.1875"; 2-3/32, 1-1/4; When depleted use FP-670KX
1	Premium Set	FP-5051KX	Std-20-30-40-60	OVERBORE To 3.250"; 3-3/32, 1-3/16
1	Premium Set	5051KX +	Std-20-30-40-60	OVERBORE To 3.250"; 3-3/32, 1-3/16; When depleted use FP-5051KX
1	Standard Set	FP-534X	Std Only	Check piston grooving before supplying ring set; 3-3/32, 1-3/16 (4 cyl. set)
1	Standard Set	534X +	Std Only	Check piston grooving before supplying ring set; 3-3/32, 1-3/16 (4 cyl. set); When depleted use FP-534X
1	Standard Set	FP-670X	Std-20-30	OVERBORE To 3.1875"; 2-3/32, 1-1/4
1	Standard Set	670X +	Std-20-30	OVERBORE To 3.1875"; 2-3/32, 1-1/4; When depleted use FP-670X
1	Standard Set	FP-5051X	Std-20-30-40-60	OVERBORE To 3.250"; 3-3/32, 1-3/16
1	Standard Set	5051X +	Std-20-30-40-60	OVERBORE To 3.250"; 3-3/32, 1-3/16; When depleted use FP-5051X
4	Premium Single Cylinder Set	W-5051KX20	20-30-60	OVERBORE To 3.250"; 3-3/32, 1-3/16
4	Standard Single Cylinder Set	W-534X	Std Only	Check piston grooving before supplying ring set; 3-3/32, 1-3/16 (4 cyl. set)
4	Standard Single Cylinder Set	W-670X	Std Only	OVERBORE To 3.1875"; 2-3/32, 1-1/4
4	Standard Single Cylinder Set	W-5051X	Std-30	OVERBORE To 3.250"; 3-3/32, 1-3/16

KITS

QTY	OVERHAUL KIT	PART NO.	SIZE	DESCRIPTION
1	Tractor Overhaul Kit	FP-KST1814C		OVERBORE To 3.250"; From Ser. No. 35831
1	Tractor Overhaul Kit	FP-KST1779C		To Ser. No. 35830

Combine FC132, FK132, FL Engs. Wheel Tractor FC132, FK132, FL Engs. 8
2.2L 132 L-HEAD L4, 3.25" Bore

CYLINDER COMPONENTS

QTY	PISTONS	PART NO.	SIZE	DESCRIPTION
4	Pin Bushing	FP-9629X		Bushing w/1/16" dia. oil hole
4	Pin Bushing	9629X +		Bushing w/1/16" dia. oil hole; When depleted use FP-9629X

Wheel Tractor A1 Eng. 9
2.2L 133 L4, 3.25" Bore

CRANKSHAFT/OIL PUMP

QTY	MAIN BEARINGS	PART NO.	SIZE	DESCRIPTION
1	Main Set	FP-575M	Std-2-10-20-30	
1	Main Set	575M +	Std-2-10-20-30	When depleted use FP-575M

CYLINDER COMPONENTS

QTY	PISTONS	PART NO.	SIZE	DESCRIPTION
4	Pin Bushing	FP-1799V		Bushing w/.9908" OD, 1.2290" length & .250" dia. oil hole

(continued on next page)

IHC Tractor

9 Wheel Tractor A1 Eng. (cont.) 2.2L 133 L4, 3.25" Bore				
CYLINDER COMPONENTS (cont.)				
QTY	PISTONS (cont.)	PART NO.	SIZE	DESCRIPTION
4	Pin Bushing	1799V +		Bushing w/.9908" OD, 1.2290" length & .250" dia. oil hole; When depleted use FP-1799V
QTY	CONNECTING RODS & BRGS.	PART NO.	SIZE	DESCRIPTION
4	Rod Pair	FP-1795CP	Std-2-10-20-30-40	
4	Rod Pair	1795CP +	Std-2-10-20-30-40	When depleted use FP-1795CP
10 Combine C135 Eng. Wheel Tractor C135 Eng. Windrower C135 Eng. Crawler Tractor C135 Eng. 2.2L 135 L4, 3.25" Bore				
CYL. HEAD & PARTS				
QTY	VALVE	PART NO.	SIZE	DESCRIPTION
4	Intake	FP-V1578		1 groove; 1.5000" Head Dia., .3410" Stem Dia., 5.2800" O.A.L.
4	Intake	V-1578 +	Std Only	1 groove; 1.5000" Head Dia., .3410" Stem Dia., 5.2800" O.A.L.; When depleted use FP-V1578
4	Exhaust	FP-V1577		1 groove; 1.3120" Head Dia., .3410" Stem Dia., 5.2810" O.A.L.
4	Exhaust	V-1577 +	Std Only	1 groove; 1.3120" Head Dia., .3410" Stem Dia., 5.2810" O.A.L.; When depleted use FP-V1577
16	Keeper	VK-115		1 groove; Square cut key groove
16	Keeper	VK-115R		1 groove; Square cut key groove; Hardened
16	Keeper, Bulk	VK-115B		1 groove; Square cut key groove; Carton of 1000
QTY	VALVE SEAT	PART NO.	SIZE	DESCRIPTION
4	Int.	245-1625-1	Std Only	1.6300" OD, 1.3750" ID, .2160" Depth
QTY	VALVE GUIDE	PART NO.	SIZE	DESCRIPTION
8	Guide	FP-VG540		Plain - Late type valve guide. May be used in older applications by using stamped steel spring seat available from I.H.C.; .3440" ID, 2.6560" O.A.L.
8	Guide	VG-540 +		Plain - Late type valve guide. May be used in older applications by using stamped steel spring seat available from I.H.C.; .3440" ID, 2.6560" O.A.L.; When depleted use FP-VG540
QTY	VALVE SPRING	PART NO.	SIZE	DESCRIPTION
4	Spring	FP-VS1576		Exh.
4	Spring	VS-1576 +		Exh.; When depleted use FP-VS1576
QTY	VALVE SEAL	PART NO.	SIZE	DESCRIPTION
8	Valve Stem Seal	ST-2003		Positive type; Installation requires valve guide machining; Rubber
8	Valve Stem Seal	ST-2092		Positive type; Rubber
8	Valve Stem Seal	FP-MV1902		Umbrella type; Rubber
8	Valve Stem Seal Bulk	ST-2003BC		Positive type; Installation requires valve guide machining; Carton of 100; Rubber
ENGINE BLOCK & PARTS				
QTY	GASKET SETS	PART NO.	SIZE	DESCRIPTION
1	Kit Gasket Set	FP-2601369		From Ser. No. 100501
1	Kit Gasket Set	260-1369 +		From Ser. No. 100501; When depleted use FP-2601369
1	Kit Gasket Set	FP-2601368		To Ser. No. 100500
1	Kit Gasket Set	260-1368 +		To Ser. No. 100500; When depleted use FP-2601368
CRANKSHAFT/OIL PUMP				
QTY	MAIN BEARINGS	PART NO.	SIZE	DESCRIPTION
1	Main Set	FP-4935M	Std-10-20-30	From Ser. No. 100501
1	Main Set	4935M +	Std-10-20-30	From Ser. No. 100501; When depleted use FP-4935M
1	Main Set	FP-4083M	Std Only	To Ser. No. 100500
CYLINDER COMPONENTS				
QTY	LINERS	PART NO.	SIZE	DESCRIPTION
4	Sleeve Assy.	FP-SL2710	Std Only	From Ser. No. 100501
4	Sleeve Assy.	SL-2710 +	Std Only	From Ser. No. 100501; When depleted use FP-SL2710
4	Sleeve Assy.	FP-SL2137	Std Only	To Ser. No. 100500 (To Ser. No. 20287, replace in sets only).
4	Sleeve Assy.	SL-2137 +	Std Only	To Ser. No. 100500 (To Ser. No. 20287, replace in sets only); When depleted use FP-SL2137
QTY	PISTONS	PART NO.	SIZE	DESCRIPTION
4	Cast Piston	FP-2137P	Std Only	To Ser. No. 100500 (To Ser. No. 20287, replace in sets only); Cast; 2-3/32", 1-3/16" Ring Groove, 1.630" CD, .8590" Pin Dia., Contoured Head; .130" dome & .250" dish

(continued on next page)

Combine C135 Eng. Wheel Tractor C135 Eng. Windrower C135 Eng. Crawler Tractor C135 10
Eng. (cont.)
 2.2L 135 L4, 3.25" Bore

CYLINDER COMPONENTS (cont.)

QTY	PARTS (cont.)	PART NO.	SIZE	DESCRIPTION
4	Cast Piston	2137P +	Std Only	To Ser. No. 100500 (To Ser. No. 20287, replace in sets only); Cast; 2-3/32", 1-3/16" Ring Groove, 1.630" CD, .8590" Pin Dia., Contoured Head; .130" dome & .250" dish; When depleted use FP-2137P
CONNECTING RODS & BRGS.				
4	Rod Pair	FP-3185CP	Std-10-20-30	From Ser. No. 100501
4	Rod Pair	3185CP +	Std-10-20-30	From Ser. No. 100501; When depleted use FP-3185CP
4	Rod Pair	FP-2425CP	Std-10-20-30	To Ser. No. 100500
4	Rod Pair	2425CP +	Std-10-20-30	To Ser. No. 100500; When depleted use FP-2425CP
PISTON RINGS				
1	Premium Set	FP-5735KX	Std Only	2-3/32, 1-3/16
1	Premium Set	5735KX +	Std Only	2-3/32, 1-3/16; When depleted use FP-5735KX
4	Premium Single Cylinder Set	W-5735KX	Std Only	2-3/32, 1-3/16
KITS				
1	Tractor Overhaul Kit	FP-KST2710A		C135; From Ser. No. 100501
1	Tractor Overhaul Kit	FP-KST2137A		C135; To Ser. No. 100500

Combine C135 Eng. 11
 2.2L 135 L4, 3.25" Bore

CYL. HEAD & PARTS

QTY	PARTS	PART NO.	SIZE	DESCRIPTION
4	Intake	FP-V1578		1 groove; 1.5000" Head Dia., .3410" Stem Dia., 5.2800" O.A.L.
4	Intake	V-1578 +	Std Only	1 groove; 1.5000" Head Dia., .3410" Stem Dia., 5.2800" O.A.L.; When depleted use FP-V1578
4	Exhaust	FP-V1577		1 groove; 1.3120" Head Dia., .3410" Stem Dia., 5.2810" O.A.L.
4	Exhaust	V-1577 +	Std Only	1 groove; 1.3120" Head Dia., .3410" Stem Dia., 5.2810" O.A.L.; When depleted use FP-V1577
16	Keeper	VK-115		1 groove; Square cut key groove
16	Keeper	VK-115R		1 groove; Square cut key groove; Hardened
16	Keeper, Bulk	VK-115B		1 groove; Square cut key groove; Carton of 1000
4	VALVE SEAT Int.	245-1625-1	Std Only	1.6300" OD, 1.3750" ID, .2160" Depth
8	VALVE GUIDE Guide	FP-VG540		Plain - Late type valve guide. May be used in older applications by using stamped steel spring seat available from I.H.C.; .3440" ID, 2.6560" O.A.L.
8	Guide	VG-540 +		Plain - Late type valve guide. May be used in older applications by using stamped steel spring seat available from I.H.C.; .3440" ID, 2.6560" O.A.L.; When depleted use FP-VG540
4	VALVE SPRING Spring	FP-VS1576		Exh.
4	Spring	VS-1576 +		Exh.; When depleted use FP-VS1576
8	VALVE SEAL Valve Stem Seal	ST-2003		Positive type; Installation requires valve guide machining; Rubber
8	Valve Stem Seal	ST-2092		Positive type; Rubber
8	Valve Stem Seal	FP-MV1902		Umbrella type; Rubber
8	Valve Stem Seal Bulk	ST-2003BC		Positive type; Installation requires valve guide machining; Carton of 100; Rubber

ENGINE BLOCK & PARTS

QTY	PARTS	PART NO.	SIZE	DESCRIPTION
1	Kit Gasket Set	FP-2601369		From Ser. No. 100500
1	Kit Gasket Set	260-1369 +		From Ser. No. 100500; When depleted use FP-2601369

CRANKSHAFT/OIL PUMP

QTY	PARTS	PART NO.	SIZE	DESCRIPTION
1	MAIN BEARINGS Main Set	FP-4935M	Std-10-20-30	
1	Main Set	4935M +	Std-10-20-30	When depleted use FP-4935M

(continued on next page)

IHC Tractor

11 Combine C135 Eng. (cont.) 2.2L 135 L4, 3.25" Bore				
CYLINDER COMPONENTS				
QTY	LINERS	PART NO.	SIZE	DESCRIPTION
4	Sleeve Assy.	FP-SL2710	Std Only	From Ser. No. 100501
4	Sleeve Assy.	SL-2710 +	Std Only	From Ser. No. 100501; When depleted use FP-SL2710
QTY	CONNECTING RODS & BRGS.	PART NO.	SIZE	DESCRIPTION
4	Rod Pair	FP-3185CP	Std-10-20-30	
4	Rod Pair	3185CP +	Std-10-20-30	When depleted use FP-3185CP
QTY	PISTON RINGS	PART NO.	SIZE	DESCRIPTION
1	Premium Set	FP-5735KX	Std Only	2-3/32, 1-3/16
1	Premium Set	5735KX +	Std Only	2-3/32, 1-3/16; When depleted use FP-5735KX
4	Premium Single Cylinder Set	W-5735KX	Std Only	2-3/32, 1-3/16
KITS				
QTY	OVERHAUL KIT	PART NO.	SIZE	DESCRIPTION
1	Tractor Overhaul Kit	FP-KST2710A		C135; From Ser. No. 100501
12 Forklift BC144 Eng. Wheel Tractor BC144 Eng. 2.4L 144 L4, 3.375" Bore				
ENGINE BLOCK & PARTS				
QTY	CAM BEARINGS	PART NO.	SIZE	DESCRIPTION
1	Cam Set	FP-1591M	Std Only	
1	Cam Set	1591M +	Std Only	When depleted use FP-1591M
CRANKSHAFT/OIL PUMP				
QTY	MAIN BEARINGS	PART NO.	SIZE	DESCRIPTION
1	Main Set	FP-4359M	Std-10	
1	Main Set	4359M +	Std-10-20	When depleted use FP-4359M
CYLINDER COMPONENTS				
QTY	CONNECTING RODS & BRGS.	PART NO.	SIZE	DESCRIPTION
4	Rod Pair	FP-60150RA	Std-10	
4	Rod Pair	60150RA +	Std-10	When depleted use FP-60150RA
QTY	PISTON RINGS	PART NO.	SIZE	DESCRIPTION
1	Premium Set	FP-5898KX	Std Only	3-3/32, 2-3/16
1	Premium Set	5898KX +	Std Only	3-3/32, 2-3/16; When depleted use FP-5898KX
13 Wheel Tractor BD144 Eng. Crawler Tractor BD144 Eng. 2.4L 144 Diesel L4, 3.375" Bore				
ENGINE BLOCK & PARTS				
QTY	CAM BEARINGS	PART NO.	SIZE	DESCRIPTION
1	Cam Set	FP-1591M	Std Only	
1	Cam Set	1591M +	Std Only	When depleted use FP-1591M
CRANKSHAFT/OIL PUMP				
QTY	MAIN BEARINGS	PART NO.	SIZE	DESCRIPTION
1	Main Set	FP-4359M	Std-10	
1	Main Set	4359M +	Std-10-20	When depleted use FP-4359M
CYLINDER COMPONENTS				
QTY	CONNECTING RODS & BRGS.	PART NO.	SIZE	DESCRIPTION
4	Rod Pair	FP-60150RA	Std-10	
4	Rod Pair	60150RA +	Std-10	When depleted use FP-60150RA
QTY	PISTON RINGS	PART NO.	SIZE	DESCRIPTION
1	Premium Set	FP-5898KX	Std Only	3-3/32, 2-3/16
1	Premium Set	5898KX +	Std Only	3-3/32, 2-3/16; When depleted use FP-5898KX
14 Wheel Tractor C146 Eng. Crawler Tractor C146 Eng. 2.4L 145 L4, 3.375" Bore				
CYL. HEAD & PARTS				
QTY	VALVE	PART NO.	SIZE	DESCRIPTION
4	Intake	FP-V1578		1 groove; 1.5000" Head Dia., .3410" Stem Dia., 5.2800" O.A.L.

(continued on next page)

Wheel Tractor C146 Eng. Crawler Tractor C146 Eng. 14 2.4L 145 L4, 3.375" Bore (cont.)

CYL. HEAD & PARTS (cont.)

QTY	VALVE (cont.)	PART NO.	SIZE	DESCRIPTION
4	Intake	V-1578 +	Std Only	1 groove; 1.5000" Head Dia., .3410" Stem Dia., 5.2800" O.A.L.; When depleted use FP-V1578
4	Exhaust	FP-V1577		1 groove; 1.3120" Head Dia., .3410" Stem Dia., 5.2810" O.A.L.
4	Exhaust	V-1577 +	Std Only	1 groove; 1.3120" Head Dia., .3410" Stem Dia., 5.2810" O.A.L.; When depleted use FP-V1577
16	Keeper	VK-115		1 groove; Square cut key groove
16	Keeper	VK-115R		1 groove; Square cut key groove; Hardened
16	Keeper, Bulk	VK-115B		1 groove; Square cut key groove; Carton of 1000
QTY	VALVE SEAT	PART NO.	SIZE	DESCRIPTION
4	Int.	245-1625-1	Std Only	1.6300" OD, 1.3750" ID, .2160" Depth
QTY	VALVE GUIDE	PART NO.	SIZE	DESCRIPTION
8	Guide	FP-VG540		Plain - Late type valve guide. May be used in older applications by using stamped steel spring seat available from I.H.C.; .3440" ID, 2.6560" O.A.L.
8	Guide	VG-540 +		Plain - Late type valve guide. May be used in older applications by using stamped steel spring seat available from I.H.C.; .3440" ID, 2.6560" O.A.L.; When depleted use FP-VG540
QTY	VALVE SPRING	PART NO.	SIZE	DESCRIPTION
4	Spring	FP-VS1576		Exh.
4	Spring	VS-1576 +		Exh.; When depleted use FP-VS1576
QTY	VALVE SEAL	PART NO.	SIZE	DESCRIPTION
8	Valve Stem Seal	ST-2003		Positive type; Installation requires valve guide machining; Rubber
8	Valve Stem Seal	ST-2092		Positive type; Rubber
8	Valve Stem Seal	FP-MV1902		Umbrella type; Rubber
8	Valve Stem Seal Bulk	ST-2003BC		Positive type; Installation requires valve guide machining; Carton of 100; Rubber

ENGINE BLOCK & PARTS

QTY	GASKET SETS	PART NO.	SIZE	DESCRIPTION
1	Kit Gasket Set	FP-2601369		
1	Kit Gasket Set	260-1369 +		When depleted use FP-2601369

CRANKSHAFT/OIL PUMP

QTY	MAIN BEARINGS	PART NO.	SIZE	DESCRIPTION
1	Main Set	FP-4935M	Std-10-20-30	
1	Main Set	4935M +	Std-10-20-30	When depleted use FP-4935M

CYLINDER COMPONENTS

QTY	LINERS	PART NO.	SIZE	DESCRIPTION
1	Repair Sleeve	SL-13M	Std Only	3/32" wall, must be cut to correct length
QTY	CONNECTING RODS & BRGS.	PART NO.	SIZE	DESCRIPTION
4	Rod Pair	FP-3185CP	Std-10-20-30	
4	Rod Pair	3185CP +	Std-10-20-30	When depleted use FP-3185CP
QTY	PISTON RINGS	PART NO.	SIZE	DESCRIPTION
1	Premium Set	FP-5973KX	Std-30-40	2-3/32, 1-3/16
1	Premium Set	5973KX +	Std-30-40	2-3/32, 1-3/16; When depleted use FP-5973KX
4	Premium Single Cylinder Set	W-5973KX	Std Only	2-3/32, 1-3/16

Combine C152 Eng. Power Unit C152, IU4, U4, U164, UC153 Engs. Wheel Tractor C152 15 Eng. 2.5L 152 L4, 3.375" Bore

CYL. HEAD & PARTS

QTY	VALVE	PART NO.	SIZE	DESCRIPTION
4	Intake	FP-V909		For distillate; 1.5000" Head Dia., .3409" Stem Dia., 5.0453" O.A.L.
4	Intake	V-909 +	Std Only	For distillate; 1.5000" Head Dia., .3409" Stem Dia., 5.0453" O.A.L.; When depleted use FP-V909
4	Intake	FP-V842		For gasoline; 1.5000" Head Dia., .3410" Stem Dia., 5.3630" O.A.L.
4	Intake	V-842 +	Std Only	For gasoline; 1.5000" Head Dia., .3410" Stem Dia., 5.3630" O.A.L.; When depleted use FP-V842
4	Exhaust	FP-V3955		For distillate; 1.3750" Head Dia., .3410" Stem Dia., 5.0510" O.A.L.

(continued on next page)

IHC Tractor

15 Combine C152 Eng. Power Unit C152, IU4, U4, U164, UC153 Engs. Wheel Tractor C152
 (cont.) Eng.
 2.5L 152 L4, 3.375" Bore

CYL. HEAD & PARTS (cont.)				
QTY	VALVE (cont.)	PART NO.	SIZE	DESCRIPTION
4	Exhaust	V-3955 +	Std Only	For distillate; 1.3750" Head Dia., .3410" Stem Dia., 5.0510" O.A.L.; When depleted use FP-V3955
4	Exhaust	FP-V841		For gasoline; 1.3750" Head Dia., .3410" Stem Dia., 5.3580" O.A.L.
4	Exhaust	V-841 +	Std Only	For gasoline; 1.3750" Head Dia., .3410" Stem Dia., 5.3580" O.A.L.; When depleted use FP-V841
16	Keeper	VK-115		1 groove; Square cut key groove
16	Keeper	VK-115R		1 groove; Square cut key groove; Hardened
16	Keeper, Bulk	VK-115B		1 groove; Square cut key groove; Carton of 1000
QTY	VALVE SEAT	PART NO.	SIZE	DESCRIPTION
4	Int.	245-1500-1	Std Only	1.5045" OD, 1.2500" ID, .2160" Depth
QTY	VALVE GUIDE	PART NO.	SIZE	DESCRIPTION
8	Guide	FP-VG380		For distillate; .3435" ID, 2.6250" O.A.L.
8	Guide	VG-380 +		For distillate; .3435" ID, 2.6250" O.A.L.; When depleted use FP-VG380
8	Guide	FP-VG361		For gasoline; .3435" ID, 2.9300" O.A.L.
8	Guide	VG-361 +		For gasoline; .3435" ID, 2.9300" O.A.L.; When depleted use FP-VG361
QTY	VALVE SPRING	PART NO.	SIZE	DESCRIPTION
8	Spring	FP-VS242		2.5930" Free Height
8	Spring	VS-242 +		2.5930" Free Height; When depleted use FP-VS242
QTY	VALVE SEAL	PART NO.	SIZE	DESCRIPTION
8	Valve Stem Seal	ST-2003		Positive type; Installation requires valve guide machining; Rubber
8	Valve Stem Seal	ST-2092		Positive type; Rubber
8	Valve Stem Seal Bulk	ST-2003BC		Positive type; Installation requires valve guide machining; Carton of 100; Rubber
ENGINE BLOCK & PARTS				
QTY	GASKET SETS	PART NO.	SIZE	DESCRIPTION
1	Kit Gasket Set	FP-2601370		
1	Kit Gasket Set	260-1370		
QTY	CAM BEARINGS	PART NO.	SIZE	DESCRIPTION
1	Cam Set	FP-1228M	Std Only	
1	Cam Set	1228M +	Std Only	When depleted use FP-1228M
CRANKSHAFT/OIL PUMP				
QTY	SEALS - FRONT CRANK	PART NO.	SIZE	DESCRIPTION
1	Redi-Sleeve	99248		
1	Oil Seal	7581H		
QTY	SEALS - REAR CRANK	PART NO.	SIZE	DESCRIPTION
1	Oil Seal	2218		
1	Redi-Sleeve	99372		
QTY	MAIN BEARINGS	PART NO.	SIZE	DESCRIPTION
4	Main Set	FP-941M	Std-10-20-30	From Ser. No. 391358 models H & HV, From Ser. No. 33340 models I-4, O-4, OS-4
4	Main Set	941M +	Std-10-20-30	From Ser. No. 391358 models H & HV, From Ser. No. 33340 models I-4, O-4, OS-4; When depleted use FP-941M
1	Main Set	FP-577M	Std-10-20-30	To Ser. No. 391357 models H & HV, To Ser. No. 33339 models I-4, O-4, OS-4
1	Main Set	577M +	Std-10-20-30	To Ser. No. 391357 models H & HV, To Ser. No. 33339 models I-4, O-4, OS-4; When depleted use FP-577M
CYLINDER COMPONENTS				
QTY	LINERS	PART NO.	SIZE	DESCRIPTION
4	Dry Sleeve	FP-SL148M	Std Only	OVERBORE To 3.4375"
4	Dry Sleeve	SL-148M +	Std Only	OVERBORE To 3.4375"; When depleted use FP-SL148M
4	Sleeve Assy.	FP-SL1695	Std Only	OVERBORE To 3.4375"
4	Sleeve Assy.	SL-1695 +	Std Only	OVERBORE To 3.4375"; When depleted use FP-SL1695
QTY	PISTONS	PART NO.	SIZE	DESCRIPTION
4	Cast Piston	FP-1695P	Std Only	OVERBORE To 3.4375"; Cast; 2-3/32", 1-1/8", 1-1/4" Ring Groove, 2.500" CD, 1.1080" Pin Dia., Flat Head - 6.8:1 C.R.
4	Cast Piston	1695P +	Std Only	OVERBORE To 3.4375"; Cast; 2-3/32", 1-1/8", 1-1/4" Ring Groove, 2.500" CD, 1.1080" Pin Dia., Flat Head - 6.8:1 C.R.; When depleted use FP-1695P
4	Pin Bushing	FP-8944X		

(continued on next page)

Combine C152 Eng. Power Unit C152, IU4, U4, U164, UC153 Engs. Wheel Tractor C152 15 Eng. (cont.)
2.5L 152 L4, 3.375" Bore

CYLINDER COMPONENTS (cont.)

QTY	PISTONS (cont.)	PART NO.	SIZE	DESCRIPTION
4	Pin Bushing	8944X +		When depleted use FP-8944X
CONNECTING RODS & BRGS.				
QTY		PART NO.	SIZE	DESCRIPTION
4	Rod Pair	FP-2105CP	Std-2-10-20-30	Wheel Tractor From Ser. No. 391358 models H & HV, From Ser. No. 33340 models I-4, O-4, OS-4
4	Rod Pair	2105CP +	Std-2-10-20-30	Wheel Tractor From Ser. No. 391358 models H & HV, From Ser. No. 33340 models I-4, O-4, OS-4; When depleted use FP-2105CP
4	Rod Pair	FP-1105SB	Std-2-10-20-30-40	Wheel Tractor To Ser. No. 391357 models H & HV; To Ser. No. 33339 models I-4, O-4, OS-4
4	Rod Pair	1105SB +	Std-2-10-20-30-40	Wheel Tractor To Ser. No. 391357 models H & HV; To Ser. No. 33339 models I-4, O-4, OS-4; When depleted use FP-1105SB
PISTON RINGS				
QTY		PART NO.	SIZE	DESCRIPTION
1	Premium Set	FP-915KX	Std Only	Check piston grooving before supplying ring set; 1-1/8, 2-5/32, 1-1/4
1	Premium Set	915KX +	Std Only	Check piston grooving before supplying ring set; 1-1/8, 2-5/32, 1-1/4; When depleted use FP-915KX
1	Premium Set	FP-5579KX	Std Only	Check piston grooving before supplying ring set; 3-3/32, 1-1/4
1	Premium Set	5579KX +	Std Only	Check piston grooving before supplying ring set; 3-3/32, 1-1/4; When depleted use FP-5579KX
1	Premium Set	FP-5137KX	Std Only	OVERBORE To 3.4375"; Check piston grooving before supplying ring set; 2-3/32, 1-1/8, 1-1/4
1	Premium Set	5137KX +	Std Only	OVERBORE To 3.4375"; Check piston grooving before supplying ring set; 2-3/32, 1-1/8, 1-1/4; When depleted use FP-5137KX
1	Premium Set	FP-5607KX	Std Only	OVERBORE To 3.4375"; Check piston grooving before supplying ring set; 3-3/32, 1-1/4
1	Premium Set	5607KX +	Std Only	OVERBORE To 3.4375"; Check piston grooving before supplying ring set; 3-3/32, 1-1/4; When depleted use FP-5607KX
1	Premium Set	FP-5535KX	Std Only	OVERBORE To 3.4375"; Check piston grooving before supplying ring set; 3-3/32, 2-3/16
1	Premium Set	5535KX +	Std Only	OVERBORE To 3.4375"; Check piston grooving before supplying ring set; 3-3/32, 2-3/16; When depleted use FP-5535KX
1	Standard Set	FP-915X	Std Only	Check piston grooving before supplying ring set; 1-1/8, 2-5/32, 1-1/4
1	Standard Set	915X +	Std Only	Check piston grooving before supplying ring set; 1-1/8, 2-5/32, 1-1/4; When depleted use FP-915X
1	Standard Set	FP-5579X	Std Only	Check piston grooving before supplying ring set; 3-3/32, 1-1/4
1	Standard Set	5579X +	Std Only	Check piston grooving before supplying ring set; 3-3/32, 1-1/4; When depleted use FP-5579X
4	Premium Single Cylinder Set	W-915KX	Std Only	Check piston grooving before supplying ring set; 1-1/8, 2-5/32, 1-1/4
4	Premium Single Cylinder Set	W-5579KX	Std Only	Check piston grooving before supplying ring set; 3-3/32, 1-1/4
4	Premium Single Cylinder Set	W-5137KX	Std Only	OVERBORE To 3.4375"; Check piston grooving before supplying ring set; 2-3/32, 1-1/8, 1-1/4
KITS				
QTY	OVERHAUL KIT	PART NO.	SIZE	DESCRIPTION
1	Tractor Overhaul Kit	FP-KST1695C		OVERBORE To 3.4375"; Wheel Tractor Models H & HV From Ser. No. 391358, Models I-4, O-4 & OS-4 From Ser. No. 33340
1	Tractor Overhaul Kit	FP-KST1695A		OVERBORE To 3.4375"; Wheel Tractor Models H & HV To Ser. No. 391357, Models I-4, O-4 & OS-4 To Ser. No. 33339

Combine C153 Eng. Forklift C153 Eng. Wheel Tractor C153 Eng. Windrower C153 Eng. 16 Crawler Tractor C153 Eng.
2.5L 153 L4, 3.375" Bore

CYL. HEAD & PARTS

QTY	VALVE	PART NO.	SIZE	DESCRIPTION
4	Intake	FP-V1578		1 groove; 1.5000" Head Dia., .3410" Stem Dia., 5.2800" O.A.L.
4	Intake	V-1578 +	Std Only	1 groove; 1.5000" Head Dia., .3410" Stem Dia., 5.2800" O.A.L.; When depleted use FP-V1578
4	Exhaust	FP-V1577		1 groove; 1.3120" Head Dia., .3410" Stem Dia., 5.2810" O.A.L.
4	Exhaust	V-1577 +	Std Only	1 groove; 1.3120" Head Dia., .3410" Stem Dia., 5.2810" O.A.L.; When depleted use FP-V1577
16	Keeper	VK-115		1 groove; Square cut key groove

(continued on next page)

+ Superseded Part Number

IHC Tractor

16 Combine **C153 Eng. Forklift C153 Eng. Wheel Tractor C153 Eng. Windrower C153 Eng.**
 (cont.) **Crawler Tractor C153 Eng.**
 2.5L 153 L4, 3.375" Bore

CYL. HEAD & PARTS (cont.)

QTY	VALVE (cont.)	PART NO.	SIZE	DESCRIPTION
16	Keeper	VK-115R		1 groove; Square cut key groove; Hardened
16	Keeper, Bulk	VK-115B		1 groove; Square cut key groove; Carton of 1000
QTY	VALVE SEAT	PART NO.	SIZE	DESCRIPTION
4	Int.	245-1625-1	Std Only	1.6300" OD, 1.3750" ID, .2160" Depth
QTY	VALVE GUIDE	PART NO.	SIZE	DESCRIPTION
8	Guide	FP-VG540		Plain - Late type valve guide. May be used in older applications by using stamped steel spring seat available from I.H.C.; .3440" ID, 2.6560" O.A.L.
8	Guide	VG-540 +		Plain - Late type valve guide. May be used in older applications by using stamped steel spring seat available from I.H.C.; .3440" ID, 2.6560" O.A.L.; When depleted use FP-VG540
QTY	VALVE SPRING	PART NO.	SIZE	DESCRIPTION
4	Spring	FP-VS1576		Exh.
4	Spring	VS-1576 +		Exh.; When depleted use FP-VS1576
QTY	VALVE SEAL	PART NO.	SIZE	DESCRIPTION
8	Valve Stem Seal	ST-2003		Positive type; Installation requires valve guide machining; Rubber
8	Valve Stem Seal	ST-2092		Positive type; Rubber
8	Valve Stem Seal	FP-MV1902		Umbrella type; Rubber
8	Valve Stem Seal Bulk	ST-2003BC		Positive type; Installation requires valve guide machining; Carton of 100; Rubber

ENGINE BLOCK & PARTS

QTY	GASKET SETS	PART NO.	SIZE	DESCRIPTION
1	Kit Gasket Set	FP-2601369		
1	Kit Gasket Set	260-1369 +		When depleted use FP-2601369

CRANKSHAFT/OIL PUMP

QTY	MAIN BEARINGS	PART NO.	SIZE	DESCRIPTION
1	Main Set	FP-4935M	Std-10-20-30	
1	Main Set	4935M +	Std-10-20-30	When depleted use FP-4935M

CYLINDER COMPONENTS

QTY	CONNECTING RODS & BRGS.	PART NO.	SIZE	DESCRIPTION
4	Rod Pair	FP-3185CP	Std-10-20-30	
4	Rod Pair	3185CP +	Std-10-20-30	When depleted use FP-3185CP
QTY	PISTON RINGS	PART NO.	SIZE	DESCRIPTION
1	Premium Set	FP-5973KX	Std-30-40	2-3/32, 1-3/16
1	Premium Set	5973KX +	Std-30-40	2-3/32, 1-3/16; When depleted use FP-5973KX
4	Premium Single Cylinder Set	W-5973KX	Std Only	2-3/32, 1-3/16

17 Forklift **BC154 Eng. Loader BC154 Eng. Wheel Tractor BC154 Eng.**
 2.5L 154 L4, 3.5" Bore

CYL. HEAD & PARTS

QTY	VALVE GUIDE	PART NO.	SIZE	DESCRIPTION
4	Guide	VG-450		Exh.; .3435" ID, 3.0000" O.A.L.

ENGINE BLOCK & PARTS

QTY	CAM BEARINGS	PART NO.	SIZE	DESCRIPTION
1	Cam Set	FP-1591M	Std Only	
1	Cam Set	1591M +	Std Only	When depleted use FP-1591M

CRANKSHAFT/OIL PUMP

QTY	MAIN BEARINGS	PART NO.	SIZE	DESCRIPTION
1	Main Set	FP-4359M	Std-10	
1	Main Set	4359M +	Std-10-20	When depleted use FP-4359M

CYLINDER COMPONENTS

QTY	CONNECTING RODS & BRGS.	PART NO.	SIZE	DESCRIPTION
4	Rod Pair	FP-60150RA	Std-10	
4	Rod Pair	60150RA +	Std-10	When depleted use FP-60150RA
QTY	PISTON RINGS	PART NO.	SIZE	DESCRIPTION
1	Premium Set	FP-9209KX	Std Only	3-3/32, 2-3/16

(continued on next page)

+ Superseded Part Number

Forklift BC154 Eng. Loader BC154 Eng. Wheel Tractor BC154 Eng. 17
2.5L 154 L4, 3.5" Bore (cont.)

CYLINDER COMPONENTS (cont.)

QTY	PISTON RINGS (cont.)	PART NO.	SIZE	DESCRIPTION
1	Premium Set	9209KX +	Std Only	3-3/32, 2-3/16; When depleted use FP-9209KX

Hay Baler V460D, V461D, VG4D, VP4, VP4D Engs. Windrower V460D, V461D, VG4D, VP4, VP4D Engs. 18
2.5L 154 L-HEAD V4, 3.5" Bore (Wisconsin Eng.)

CYL. HEAD & PARTS

QTY	VALVE	PART NO.	SIZE	DESCRIPTION
4	Intake	FP-V818		VG4D & VP4D Engs.; 1.5630" Head Dia., .3089" Stem Dia., 6.3346" O.A.L.
4	Intake	V-818 +	Std Only	VG4D & VP4D Engs.; 1.5630" Head Dia., .3089" Stem Dia., 6.3346" O.A.L.; When depleted use FP-V818
4	Exhaust	FP-V1676X		VG4D & VP4D Engs.; 1.5570" Head Dia., .3085" Stem Dia., 6.3330" O.A.L.
4	Exhaust	V-1676X +	Std Only	VG4D & VP4D Engs.; 1.5570" Head Dia., .3085" Stem Dia., 6.3330" O.A.L.; When depleted use FP-V1676X
16	Keeper	VK-144		Exc. V460D, V461D Engs.; 1 groove; Square cut key groove
16	Keeper	VK-144R		Exc. V460D, V461D Engs.; 1 groove; Square cut key groove; Hardened
16	Keeper	VK-115		V460D, V461D Engs.; 1 groove; Square cut key groove
16	Keeper	VK-115R		V460D, V461D Engs.; 1 groove; Square cut key groove; Hardened
16	Keeper, Bulk	VK-115B		V460D, V461D Engs.; 1 groove; Square cut key groove; Carton of 1000

QTY	VALVE GUIDE	PART NO.	SIZE	DESCRIPTION
8	Guide	VG-855		VG4D & VP4D Engs.; .3130" ID, 2.5000" O.A.L.

QTY	VALVE SPRING	PART NO.	SIZE	DESCRIPTION
8	Spring	FP-VS468		AP4 Engs.; 2.3120" Free Height
8	Spring	VS-468 +		AP4 Engs.; 2.3120" Free Height; When depleted use FP-VS468

CRANKSHAFT/OIL PUMP

QTY	MAIN BEARINGS	PART NO.	SIZE	DESCRIPTION
1	Plain Main Brg.	FP-3224CP	Std-10	Position Center; V-460D, V-461D, V-465D Engs.
1	Plain Main Brg.	3224CP +	Std-10	Position Center; V-460D, V-461D, V-465D Engs.; When depleted use FP-3224CP
2	Cone Taper Brg.	39590		Position Ends; V-460D, V-461D & V-465D Engs. Tapered roller brg. cone
2	Cone Taper Brg.	455S		Position 1-2; AM-4, AM-41, AP-4, AP-41, VG4D, VM4 & VP4 Engs. Tapered roller brg. cone
2	Cup Taper Brg.	39520		Position Ends; V-460D, V-461D & V-465D Engs. Tapered roller brg. cup
2	Cup Taper Brg.	453A		Position 1-2; AM-4, AM-41, AP-4, AP-41, VG4D, VM4 & VP4 Engs. Tapered roller brg. cup

CYLINDER COMPONENTS

QTY	LINERS	PART NO.	SIZE	DESCRIPTION
1	Repair Sleeve	SL-15M	Std Only	3/32" wall, Must be cut to correct length

QTY	PISTONS	PART NO.	SIZE	DESCRIPTION
4	Pin Bushing	1394		VG4D & VP4 Engs.; 1.000" max. length

QTY	CONNECTING RODS & BRGS.	PART NO.	SIZE	DESCRIPTION
4	Rod Pair	FP-3220CP	Std-10-20-30	V-460D, V-461D, V-465D Engs.; w/2.1232-2.1240" std. shaft size
4	Rod Pair	3220CP +	Std-10-20-30	V-460D, V-461D, V-465D Engs.; w/2.1232-2.1240" std. shaft size; When depleted use FP-3220CP
4	Rod Pair	FP-3605SB	Std-10-20	VG4D, VM4, VP4 Engs.
4	Rod Pair	3605SB +	Std-10-20	VG4D, VM4, VP4 Engs.; When depleted use FP-3605SB

Combine BD154 Eng. Wheel Tractor BD154 Eng. Crawler Tractor BD154 Eng. 19
2.5L 154 Diesel L4, 3.5" Bore

CYL. HEAD & PARTS

QTY	VALVE GUIDE	PART NO.	SIZE	DESCRIPTION
4	Guide	VG-450		Exh.; .3435" ID, 3.0000" O.A.L.

ENGINE BLOCK & PARTS

QTY	CAM BEARINGS	PART NO.	SIZE	DESCRIPTION
1	Cam Set	FP-1591M	Std Only	

(continued on next page)

IHC Tractor

19 Combine BD154 Eng. Wheel Tractor BD154 Eng. Crawler Tractor BD154 Eng. (cont.) 2.5L 154 Diesel L4, 3.5" Bore

ENGINE BLOCK & PARTS (cont.)

QTY	CAM BEARINGS (cont.)	PART NO.	SIZE	DESCRIPTION
1	Cam Set	1591M +	Std Only	When depleted use FP-1591M
CRANKSHAFT/OIL PUMP				
QTY	MAIN BEARINGS	PART NO.	SIZE	DESCRIPTION
1	Main Set	FP-4359M	Std-10	
1	Main Set	4359M +	Std-10-20	When depleted use FP-4359M
CYLINDER COMPONENTS				
QTY	CONNECTING RODS & BRGS.	PART NO.	SIZE	DESCRIPTION
4	Rod Pair	FP-60150RA	Std-10	
4	Rod Pair	60150RA +	Std-10	When depleted use FP-60150RA
QTY	PISTON RINGS	PART NO.	SIZE	DESCRIPTION
1	Premium Set	FP-9209KX	Std Only	3-3/32, 2-3/16
1	Premium Set	9209KX +	Std Only	3-3/32, 2-3/16; When depleted use FP-9209KX

20 Wheel Tractor D155 Eng. 2.5L 155 Diesel L3, 3.875" Bore

CRANKSHAFT/OIL PUMP

QTY	MAIN BEARINGS	PART NO.	SIZE	DESCRIPTION
1	Main Set	FP-6304M	Std-.25MM	
1	Main Set	6304M +	Std-.25MM	When depleted use FP-6304M
CYLINDER COMPONENTS				
QTY	CONNECTING RODS & BRGS.	PART NO.	SIZE	DESCRIPTION
3	Rod Pair	FP-65925CP	Std-.25-.50MM	To 2/75; w/locking lip on the right side
3	Rod Pair	65925CP +	Std-.25-.50MM	To 2/75; w/locking lip on the right side; When depleted use FP-65925CP

21 Forklift C157 Eng. Wheel Tractor C157 Eng. 2.6L 157 L4, 3.375" Bore

CYL. HEAD & PARTS

QTY	VALVE	PART NO.	SIZE	DESCRIPTION
4	Intake	FP-V1543		1.7810" Head Dia., .3720" Stem Dia., 5.0720" O.A.L.
4	Exhaust	FP-V3928X		1.5160" Head Dia., .3715" Stem Dia., 5.0530" O.A.L.
4	Exhaust	V-3928X +	Std Only	1.5160" Head Dia., .3715" Stem Dia., 5.0530" O.A.L.; When depleted use FP-V3928X
16	Keeper	VK-138		1 groove; Square cut key groove
16	Keeper	VK-138R		1 groove; Square cut key groove; Hardened
16	Keeper, Bulk	VK-138B		1 groove; Square cut key groove; Carton of 1000
QTY	VALVE GUIDE	PART NO.	SIZE	DESCRIPTION
4	Guide	VG-499		Exh.; .3760" ID, 2.4100" O.A.L.
4	Guide	FP-VG862		Int.; .3760" ID, 2.2500" O.A.L.
4	Guide	VG-862 +		Int.; .3760" ID, 2.2500" O.A.L.; When depleted use FP-VG862
QTY	VALVE SPRING	PART NO.	SIZE	DESCRIPTION
8	Spring	FP-VS596		2.4370" Free Height
8	Spring	VS-596 +		2.4370" Free Height; When depleted use FP-VS596
QTY	PUSH RODS	PART NO.	SIZE	DESCRIPTION
8	Push Rod	FP-RP3127		12.6860" O.A.L.
QTY	VALVE MISC.	PART NO.	SIZE	DESCRIPTION
4	Rotocap	RC-107		Exh.
QTY	VALVE SEAL	PART NO.	SIZE	DESCRIPTION
4	Valve Stem Seal	FP-MV1902		Exh.; Umbrella type; Rubber
CAMSHAFT GROUP				
QTY	CAMSHAFT/LIFTER	PART NO.	SIZE	DESCRIPTION
8	Lifter	FP-911776		Mech.; .997" dia.
8	Lifter	AT-2041	Std Only	Mech.; .997" dia. body
CRANKSHAFT/OIL PUMP				
QTY	MAIN BEARINGS	PART NO.	SIZE	DESCRIPTION
1	Main Set	FP-4982M	Std-10-20	
1	Main Set	4982M +	Std-10-20	When depleted use FP-4982M

(continued on next page)

Forklift C157 Eng. Wheel Tractor C157 Eng. 21 2.6L 157 L4, 3.375" Bore (cont.)

CYLINDER COMPONENTS

QTY	LINERS	PART NO.	SIZE	DESCRIPTION
1	Repair Sleeve	SL-13M	Std Only	3/32" wall, must be cut to correct length
QTY	CONNECTING RODS & BRGS.	PART NO.	SIZE	DESCRIPTION
4	Rod Pair	FP-3185CP	Std-10-20-30	
4	Rod Pair	3185CP +	Std-10-20-30	When depleted use FP-3185CP
QTY	PISTON RINGS	PART NO.	SIZE	DESCRIPTION
1	Premium Set	FP-5973KX	Std-30-40	2-3/32, 1-3/16
1	Premium Set	5973KX +	Std-30-40	2-3/32, 1-3/16; When depleted use FP-5973KX
4	Premium Single Cylinder Set	W-5973KX	Std Only	2-3/32, 1-3/16

Combine C164 Eng. Power Unit C164, U164 Engs. Wheel Tractor C164 Eng. 22 2.7L 164 L4, 3.5" Bore

CYL. HEAD & PARTS

QTY	VALVE	PART NO.	SIZE	DESCRIPTION
4	Intake	FP-V909		For distillate; 1.5000" Head Dia., .3409" Stem Dia., 5.0453" O.A.L.
4	Intake	V-909 +	Std Only	For distillate; 1.5000" Head Dia., .3409" Stem Dia., 5.0453" O.A.L.; When depleted use FP-V909
4	Intake	FP-V842		For gasoline; 1.5000" Head Dia., .3410" Stem Dia., 5.3630" O.A.L.
4	Intake	V-842 +	Std Only	For gasoline; 1.5000" Head Dia., .3410" Stem Dia., 5.3630" O.A.L.; When depleted use FP-V842
4	Exhaust	FP-V3955		For distillate; 1.3750" Head Dia., .3410" Stem Dia., 5.0510" O.A.L.
4	Exhaust	V-3955 +	Std Only	For distillate; 1.3750" Head Dia., .3410" Stem Dia., 5.0510" O.A.L.; When depleted use FP-V3955
4	Exhaust	FP-V841		For gasoline; 1.3750" Head Dia., .3410" Stem Dia., 5.3580" O.A.L.
4	Exhaust	V-841 +	Std Only	For gasoline; 1.3750" Head Dia., .3410" Stem Dia., 5.3580" O.A.L.; When depleted use FP-V841
16	Keeper	VK-115		1 groove; Square cut key groove
16	Keeper	VK-115R		1 groove; Square cut key groove; Hardened
16	Keeper, Bulk	VK-115B		1 groove; Square cut key groove; Carton of 1000
QTY	VALVE SEAT	PART NO.	SIZE	DESCRIPTION
4	Exh.	245-1500-1	Std Only	1.5045" OD, 1.2500" ID, .2160" Depth
QTY	VALVE GUIDE	PART NO.	SIZE	DESCRIPTION
8	Guide	FP-VG361		For gasoline; .3435" ID, 2.9300" O.A.L.
8	Guide	VG-361 +		For gasoline; .3435" ID, 2.9300" O.A.L.; When depleted use FP-VG361
QTY	VALVE SPRING	PART NO.	SIZE	DESCRIPTION
8	Spring	FP-VS469		2.2810" Free Height
8	Spring	VS-469 +		2.2810" Free Height; When depleted use FP-VS469
QTY	VALVE SEAL	PART NO.	SIZE	DESCRIPTION
8	Valve Stem Seal	ST-2003		Positive type; Installation requires valve guide machining; Rubber
8	Valve Stem Seal	ST-2092		Positive type; Rubber
8	Valve Stem Seal Bulk	ST-2003BC		Positive type; Installation requires valve guide machining; Carton of 100; Rubber

ENGINE BLOCK & PARTS

QTY	CAM BEARINGS	PART NO.	SIZE	DESCRIPTION
1	Cam Set	FP-1228M	Std Only	
1	Cam Set	1228M +	Std Only	When depleted use FP-1228M

CRANKSHAFT/OIL PUMP

QTY	MAIN BEARINGS	PART NO.	SIZE	DESCRIPTION
1	Main Set	FP-941M	Std-10-20-30	
1	Main Set	941M +	Std-10-20-30	When depleted use FP-941M

CYLINDER COMPONENTS

QTY	CONNECTING RODS & BRGS.	PART NO.	SIZE	DESCRIPTION
4	Rod Pair	FP-2105CP	Std-2-10-20-30	
4	Rod Pair	2105CP +	Std-2-10-20-30	When depleted use FP-2105CP

(continued on next page)

IHC Tractor

22 Combine C164 Eng. Power Unit C164, U164 Engs. Wheel Tractor C164 Eng. (cont.) 2.7L 164 L4, 3.5" Bore

CYLINDER COMPONENTS (cont.)

QTY	PISTON RINGS	PART NO.	SIZE	DESCRIPTION
1	Premium Set	FP-5448KX	Std Only	OVERBORE To 3.5625"; 3-3/32, 1-1/4
1	Premium Set	5448KX +	Std Only	OVERBORE To 3.5625"; 3-3/32, 1-1/4; When depleted use FP-5448KX

23 Wheel Tractor D166 Eng. Crawler Tractor D166 Eng. 2.7L 166 Diesel L4, 3.6875" Bore

CYL. HEAD & PARTS

QTY	VALVE	PART NO.	SIZE	DESCRIPTION
4	Intake	FP-V1574		1.6520" Head Dia., .3720" Stem Dia., 6.0620" O.A.L.
4	Intake	V-1574 +	Std Only	1.6520" Head Dia., .3720" Stem Dia., 6.0620" O.A.L.; When depleted use FP-V1574
4	Exhaust	FP-V1573		1.2933" Head Dia., .3719" Stem Dia., 6.0669" O.A.L.
4	Exhaust	V-1573 +	Std Only	1.2933" Head Dia., .3719" Stem Dia., 6.0669" O.A.L.; When depleted use FP-V1573
16	Keeper	VK-138		1 groove; Square cut key groove
16	Keeper	VK-138R		1 groove; Square cut key groove; Hardened
16	Keeper, Bulk	VK-138B		1 groove; Square cut key groove; Carton of 1000

QTY	VALVE SEAT	PART NO.	SIZE	DESCRIPTION
4	Exh.	FP-24513755		1.3795" OD, 1.1250" ID, .2636" Depth
4	Exh.	245-1375-5 +	Std Only	1.3795" OD, 1.1250" ID, .2636" Depth; When depleted use FP-24513755
4	Int.	245-1750-4	Std Only	1.7555" OD, 1.4375" ID, .2480" Depth

QTY	VALVE GUIDE	PART NO.	SIZE	DESCRIPTION
8	Guide	FP-VG594		.3748" ID, 2.8300" O.A.L.
8	Guide	VG-594 +		.3748" ID, 2.8300" O.A.L.; When depleted use FP-VG594

QTY	VALVE SPRING	PART NO.	SIZE	DESCRIPTION
8	Spring	VS-547		From Eng. No. 2149; Rototype; Free valve; 2.2650" Free Height
8	Spring	FP-VS596		To Eng. No. 2148; 2.4370" Free Height
8	Spring	VS-596 +		To Eng. No. 2148; 2.4370" Free Height; When depleted use FP-VS596

QTY	PUSH RODS	PART NO.	SIZE	DESCRIPTION
8	Push Rod	FP-RP3127		12.6860" O.A.L.

QTY	VALVE MISC.	PART NO.	SIZE	DESCRIPTION
4	Rotocap	RC-107		Exh.; To Eng. No. 2148

QTY	VALVE SEAL	PART NO.	SIZE	DESCRIPTION
8	Valve Stem Seal	ST-2002		Installation requires valve guide machining; Polyacrylate
4	Valve Stem Seal	MV-1796C		Int.; Umbrella type; Fits Std. to .015" O/S valve stem; Rubber
8	Valve Stem Seal Bulk	ST-2002BC		Positive type; Installation requires valve guide machining; Carton of 100; Polyacrylate
4	Valve Stem Seal Bulk	MV-1796		Int.; Umbrella type; Fits Std. to .015" O/S valve stem; Carton of 100; Rubber

CAMSHAFT GROUP

QTY	CAMSHAFT/LIFTER	PART NO.	SIZE	DESCRIPTION
12	Lifter	FP-911776		Mech.; .997" dia.
12	Lifter	AT-2041	Std Only	Mech.; .997" dia. body

CRANKSHAFT/OIL PUMP

QTY	OIL PUMP	PART NO.	SIZE	DESCRIPTION
1	Oil Pump	FP-22443367S		Models 330, 340, TD340; Screen welded to pump cover, replaces O.E. No. 379138R91
1	Oil Pump	224-43367S +		Models 330, 340, TD340; Screen welded to pump cover, replaces O.E. No. 379138R91; When depleted use FP-22443367S
1	Pump Repair Kit	224-51185		Models 330, 340, TD340

CYLINDER COMPONENTS

QTY	LINERS	PART NO.	SIZE	DESCRIPTION
4	Dry Sleeve	FP-SL416M	Std Only	From Ser. No. 12093; Flange Dia. 3.875" & .070" thick
4	Dry Sleeve	SL-416M +	Std Only	From Ser. No. 12093; Flange Dia. 3.875" & .070" thick; When depleted use FP-SL416M
4	Dry Sleeve	FP-SL189M	Std-2-10	To Ser. No. 12093
4	Dry Sleeve	SL-189M +	Std-2-10	To Ser. No. 12093; When depleted use FP-SL189M
4	Cylinder Kit Complete	FP-SL2558	Std Only	From Ser. No. 12093
4	Sleeve Assy.	FP-SL2080	Std-2-10	To Ser. No. 12093

(continued on next page)

Wheel Tractor D166 Eng. Crawler Tractor D166 Eng. 23
2.7L 166 Diesel L4, 3.6875" Bore (cont.)

CYLINDER COMPONENTS (cont.)

QTY	PARTS	PART NO.	SIZE	DESCRIPTION
4	Cast Piston	FP-2080P	Std Only	Cast; 2-1/8", 1-1/4" Ring Groove, 2.031" CD, 1.1240" Pin Dia., Recessed Head .288" deep; Spherical shape w/2 valve reliefs; Repl. O.E. No. 318377R2
4	Pin Bushing	FP-1744Y20		
4	Pin Bushing	1744Y20 +		When depleted use FP-1744Y20
QTY	CONNECTING RODS & BRGS.	PART NO.	SIZE	DESCRIPTION
4	Rod Pair	2410CP	Std-2-10-20-30-40	
QTY	PISTON RINGS	PART NO.	SIZE	DESCRIPTION
1	Premium Set	FP-9197KX	Std Only	2-1/8, 1-1/4
4	Premium Single Cylinder Set	W-9197KX	Std Only	2-1/8, 1-1/4

Combine C169 Eng. Power Unit C169, U169 Engs. Wheel Tractor C169 Eng. 24
2.8L 169 L4, 3.5625" Bore

CYL. HEAD & PARTS

QTY	VALVE	PART NO.	SIZE	DESCRIPTION
4	Intake	FP-V1230		For gasoline; 1.5000" Head Dia., .3409" Stem Dia., 5.4567" O.A.L.
4	Intake	V-1230 +	Std Only	For gasoline; 1.5000" Head Dia., .3409" Stem Dia., 5.4567" O.A.L.; When depleted use FP-V1230
4	Exhaust	FP-V1229X		For gasoline; 1.3750" Head Dia., .3410" Stem Dia., 5.4530" O.A.L.
4	Exhaust	V-1229X +	Std Only	For gasoline; 1.3750" Head Dia., .3410" Stem Dia., 5.4530" O.A.L.; When depleted use FP-V1229X
16	Keeper	VK-115		1 groove; Square cut key groove
16	Keeper	VK-115R		1 groove; Square cut key groove; Hardened
16	Keeper, Bulk	VK-115B		1 groove; Square cut key groove; Carton of 1000
QTY	VALVE GUIDE	PART NO.	SIZE	DESCRIPTION
8	Guide	FP-VG361		.3435" ID, 2.9300" O.A.L.
8	Guide	VG-361 +		.3435" ID, 2.9300" O.A.L.; When depleted use FP-VG361
QTY	VALVE SPRING	PART NO.	SIZE	DESCRIPTION
8	Spring	FP-VS469		2.2810" Free Height
8	Spring	VS-469 +		2.2810" Free Height; When depleted use FP-VS469
QTY	VALVE SEAL	PART NO.	SIZE	DESCRIPTION
8	Valve Stem Seal	ST-2003		Positive type; Installation requires valve guide machining; Rubber
8	Valve Stem Seal	ST-2092		Positive type; Rubber
8	Valve Stem Seal Bulk	ST-2003BC		Positive type; Installation requires valve guide machining; Carton of 100; Rubber

CAMSHAFT GROUP

QTY	CAMSHAFT/LIFTER	PART NO.	SIZE	DESCRIPTION
8	Lifter	FP-911776		W/.37" Dia. valves; Mech.; .997" dia.
8	Lifter	AT-2041	Std Only	W/.37" Dia. valves; Mech.; .997" dia. body

ENGINE BLOCK & PARTS

QTY	GASKET SETS	PART NO.	SIZE	DESCRIPTION
1	Kit Gasket Set	FP-2601372		Timing cover seal for Engs. before 1952 not incl.
1	Kit Gasket Set	260-1372		Timing cover seal for Engs. before 1952 not incl.
QTY	CAM BEARINGS	PART NO.	SIZE	DESCRIPTION
1	Cam Set	FP-1228M	Std Only	
1	Cam Set	1228M +	Std Only	When depleted use FP-1228M

CRANKSHAFT/OIL PUMP

QTY	SEALS - REAR CRANK	PART NO.	SIZE	DESCRIPTION
1	Oil Seal	2218		
1	Redi-Sleeve	99372		
QTY	MAIN BEARINGS	PART NO.	SIZE	DESCRIPTION
1	Main Set	FP-941M	Std-10-20-30	
1	Main Set	941M +	Std-10-20-30	When depleted use FP-941M

CYLINDER COMPONENTS

QTY	LINERS	PART NO.	SIZE	DESCRIPTION
4	Dry Sleeve	FP-SL188M	Std Only	OVERBORE To 3.625"
4	Dry Sleeve	SL-188M +	Std Only	OVERBORE To 3.625"; When depleted use FP-SL188M

(continued on next page)

IHC Tractor

24 Combine C169 Eng. Power Unit C169, U169 Engs. Wheel Tractor C169 Eng. (cont.) 2.8L 169 L4, 3.5625" Bore

CYLINDER COMPONENTS (cont.)				
QTY	DESCRIPTION	PART NO.	SIZE	DESCRIPTION
4	LINERS (cont.) Sleeve Assy.	FP-SL2076	Std Only	OVERBORE To 3.625"; Piston pin dia. is .875", use 366883R92 rod adaptor & bushing package in "300" Series Tractors with 1.1088" Pin Dia.
4	Sleeve Assy.	SL-2076 +	Std Only	OVERBORE To 3.625"; Piston pin dia. is .875", use 366883R92 rod adaptor & bushing package in "300" Series Tractors with 1.1088" Pin Dia.; When depleted use FP-SL2076
QTY	PISTONS	PART NO.	SIZE	DESCRIPTION
4	Pin Bushing	FP-2109Y20		
4	Pin Bushing	2109Y20 +		When depleted use FP-2109Y20
QTY	CONNECTING RODS & BRGS.	PART NO.	SIZE	DESCRIPTION
4	Rod Pair	FP-2105CP	Std-2-10-20-30	
4	Rod Pair	2105CP +	Std-2-10-20-30	When depleted use FP-2105CP
QTY	PISTON RINGS	PART NO.	SIZE	DESCRIPTION
1	Premium Set	FP-5707KX	Std Only	OVERBORE To 3.625"; 3-3/32, 1-1/4
1	Premium Set	5707KX +	Std Only	OVERBORE To 3.625"; 3-3/32, 1-1/4; When depleted use FP-5707KX
1	Premium Set	FP-5448KX	Std Only	3-3/32, 1-1/4
1	Premium Set	5448KX +	Std Only	3-3/32, 1-1/4; When depleted use FP-5448KX
KITS				
QTY	OVERHAUL KIT	PART NO.	SIZE	DESCRIPTION
1	Tractor Overhaul Kit	FP-KST2076A		OVERBORE To 3.625"

25 Combine HD174 Eng. 2.9L 174 L-HEAD L6, 3" Bore

ENGINE BLOCK & PARTS				
QTY	CAM BEARINGS	PART NO.	SIZE	DESCRIPTION
1	Cam Set	FP-1228M	Std Only	
1	Cam Set	1228M +	Std Only	When depleted use FP-1228M
CRANKSHAFT/OIL PUMP				
QTY	MAIN BEARINGS	PART NO.	SIZE	DESCRIPTION
1	Main Set	FP-941M	Std-10-20-30	
1	Main Set	941M +	Std-10-20-30	When depleted use FP-941M
CYLINDER COMPONENTS				
QTY	CONNECTING RODS & BRGS.	PART NO.	SIZE	DESCRIPTION
6	Rod Pair	FP-2105CP	Std-2-10-20-30	
6	Rod Pair	2105CP +	Std-2-10-20-30	When depleted use FP-2105CP

26 Loader C175 Eng. (Late engine). Power Unit C175, U175 Engs. (Late engines). Wheel Tractor C175 Eng. (Late engine). Windrower C175 Eng. (Late engine). 2.9L 175 L4, 3.5625" Bore

CYL. HEAD & PARTS				
QTY	VALVE	PART NO.	SIZE	DESCRIPTION
4	Intake	FP-V1230		1.5000" Head Dia., .3409" Stem Dia., 5.4567" O.A.L.
4	Intake	V-1230 +	Std Only	1.5000" Head Dia., .3409" Stem Dia., 5.4567" O.A.L.; When depleted use FP-V1230
4	Intake	FP-V1543		1.7810" Head Dia., .3720" Stem Dia., 5.0720" O.A.L.
4	Exhaust	FP-V1229X		1.3750" Head Dia., .3410" Stem Dia., 5.4530" O.A.L.
4	Exhaust	V-1229X +	Std Only	1.3750" Head Dia., .3410" Stem Dia., 5.4530" O.A.L.; When depleted use FP-V1229X
4	Exhaust	FP-V3928X		1.5160" Head Dia., .3715" Stem Dia., 5.0530" O.A.L.
4	Exhaust	V-3928X +	Std Only	1.5160" Head Dia., .3715" Stem Dia., 5.0530" O.A.L.; When depleted use FP-V3928X
16	Keeper	VK-138		1 groove; Square cut key groove
16	Keeper	VK-138R		1 groove; Square cut key groove; Hardened
16	Keeper, Bulk	VK-138B		1 groove; Square cut key groove; Carton of 1000
QTY	VALVE GUIDE	PART NO.	SIZE	DESCRIPTION
4	Guide	VG-499		Exh.; .3760" ID, 2.4100" O.A.L.
4	Guide	FP-VG862		Int.; .3760" ID, 2.2500" O.A.L.

(continued on next page)

Loader C175 Eng. (Late engine). Power Unit C175, U175 Eng. (Late engines). Wheel 26
Tractor C175 Eng. (Late engine). Windrower C175 Eng. (Late engine). (cont.)
 2.9L 175 L4, 3.5625" Bore

CYL. HEAD & PARTS (cont.)

QTY	VALVE GUIDE (cont.)	PART NO.	SIZE	DESCRIPTION
4	Guide	VG-862 +		Int.; .3760" ID, 2.2500" O.A.L.; When depleted use FP-VG862
8	Spring	FP-VS469		Use w/V-1229X & V-1230; 2.2810" Free Height
8	Spring	VS-469 +		Use w/V-1229X & V-1230; 2.2810" Free Height; When depleted use FP-VS469
8	Spring	FP-VS596		Use w/V-3928X & V-1543; 2.4370" Free Height
8	Spring	VS-596 +		Use w/V-3928X & V-1543; 2.4370" Free Height; When depleted use FP-VS596
8	Push Rod	FP-RP3127		12.6860" O.A.L.
4	Rotocap	RC-107		Exh.
8	Valve Stem Seal	ST-2003		Positive type; Installation requires valve guide machining; Rubber
8	Valve Stem Seal	ST-2092		Positive type; Rubber
4	Valve Stem Seal	FP-MV1902		Exh.; Umbrella type; Rubber
8	Valve Stem Seal Bulk	ST-2003BC		Positive type; Installation requires valve guide machining; Carton of 100; Rubber

CAMSHAFT GROUP

QTY	CAMSHAFT/LIFTER	PART NO.	SIZE	DESCRIPTION
12	Lifter	FP-911776		Mech.; .997" dia.
12	Lifter	AT-2041 Std Only		Mech.; .997" dia. body

ENGINE BLOCK & PARTS

QTY	GASKET SETS	PART NO.	SIZE	DESCRIPTION
1	Kit Gasket Set	FP-2601372		Timing cover seal for Eng. before 1952 not incl.
1	Kit Gasket Set	260-1372		Timing cover seal for Eng. before 1952 not incl.
1	Cam Set	FP-1228M	Std Only	
1	Cam Set	1228M + Std Only		When depleted use FP-1228M

CRANKSHAFT/OIL PUMP

QTY	MAIN BEARINGS	PART NO.	SIZE	DESCRIPTION
1	Main Set	FP-4982M	Std-10-20	
1	Main Set	4982M + Std-10-20		When depleted use FP-4982M
1	Pump Repair Kit	224-51185		Models 375, 454, 464, 2400A, 2400B, 2405B, 2410B, 2412B, 3400A, 2412B, T7

CYLINDER COMPONENTS

QTY	LINERS	PART NO.	SIZE	DESCRIPTION
4	Dry Sleeve	FP-SL188M	Std Only	OVERBORE To 3.625"
4	Dry Sleeve	SL-188M + Std Only		OVERBORE To 3.625"; When depleted use FP-SL188M
4	Sleeve Assy.	FP-SL2076	Std Only	OVERBORE To 3.625"; Piston pin dia. is .875", use 366883R92 rod adaptor & bushing package in "300" Series Tractors with 1.1088" Pin Dia.
4	Sleeve Assy.	SL-2076 + Std Only		OVERBORE To 3.625"; Piston pin dia. is .875", use 366883R92 rod adaptor & bushing package in "300" Series Tractors with 1.1088" Pin Dia.; When depleted use FP-SL2076
4	Pin Bushing	FP-2109Y20		
4	Pin Bushing	2109Y20 +		When depleted use FP-2109Y20
4	Rod Pair	2410CP Std-2-10-20-30-40		
1	Premium Set	FP-5448KX	Std Only	3-3/32, 1-1/4
1	Premium Set	5448KX + Std Only		3-3/32, 1-1/4; When depleted use FP-5448KX

IHC Tractor

27 Combine C175 Eng. (Early engine). Wheel Tractor C175 Eng. (Early engine). 2.9L 175 L4, 3.625" Bore

CYL. HEAD & PARTS

QTY	VALVE	PART NO.	SIZE	DESCRIPTION
4	Intake	FP-V1230		For gasoline; 1.5000" Head Dia., .3409" Stem Dia., 5.4567" O.A.L.
4	Intake	V-1230 +	Std Only	For gasoline; 1.5000" Head Dia., .3409" Stem Dia., 5.4567" O.A.L.; When depleted use FP-V1230
4	Exhaust	FP-V1229X		For gasoline; 1.3750" Head Dia., .3410" Stem Dia., 5.4530" O.A.L.
4	Exhaust	V-1229X +	Std Only	For gasoline; 1.3750" Head Dia., .3410" Stem Dia., 5.4530" O.A.L.; When depleted use FP-V1229X
16	Keeper	VK-115		1 groove; Square cut key groove
16	Keeper	VK-115R		1 groove; Square cut key groove; Hardened
16	Keeper, Bulk	VK-115B		1 groove; Square cut key groove; Carton of 1000
QTY	VALVE GUIDE	PART NO.	SIZE	DESCRIPTION
8	Guide	FP-VG361		.3435" ID, 2.9300" O.A.L.
8	Guide	VG-361 +		.3435" ID, 2.9300" O.A.L.; When depleted use FP-VG361
QTY	VALVE SPRING	PART NO.	SIZE	DESCRIPTION
8	Spring	FP-VS469		2.2810" Free Height
8	Spring	VS-469 +		2.2810" Free Height; When depleted use FP-VS469
QTY	VALVE SEAL	PART NO.	SIZE	DESCRIPTION
8	Valve Stem Seal	ST-2003		Positive type; Installation requires valve guide machining; Rubber
8	Valve Stem Seal	ST-2092		Positive type; Rubber
8	Valve Stem Seal Bulk	ST-2003BC		Positive type; Installation requires valve guide machining; Carton of 100; Rubber

ENGINE BLOCK & PARTS

QTY	CAM BEARINGS	PART NO.	SIZE	DESCRIPTION
1	Cam Set	FP-1228M	Std Only	
1	Cam Set	1228M +	Std Only	When depleted use FP-1228M

CRANKSHAFT/OIL PUMP

QTY	SEALS - REAR CRANK	PART NO.	SIZE	DESCRIPTION
1	Oil Seal	2218		
1	Redi-Sleeve	99372		
QTY	MAIN BEARINGS	PART NO.	SIZE	DESCRIPTION
1	Main Set	FP-941M	Std-10-20-30	
1	Main Set	941M +	Std-10-20-30	When depleted use FP-941M

CYLINDER COMPONENTS

QTY	CONNECTING RODS & BRGS.	PART NO.	SIZE	DESCRIPTION
4	Rod Pair	FP-2105CP	Std-2-10-20-30	
4	Rod Pair	2105CP +	Std-2-10-20-30	When depleted use FP-2105CP
QTY	PISTON RINGS	PART NO.	SIZE	DESCRIPTION
1	Premium Set	FP-5707KX	Std Only	OVERBORE To 3.625"; 3-3/32, 1-1/4
1	Premium Set	5707KX +	Std Only	OVERBORE To 3.625"; 3-3/32, 1-1/4; When depleted use FP-5707KX

28 Wheel Tractor D179 Eng. 2.9L 179 Diesel L3, 3.875" Bore

CRANKSHAFT/OIL PUMP

QTY	MAIN BEARINGS	PART NO.	SIZE	DESCRIPTION
1	Main Set	FP-6304M	Std-.25MM	
1	Main Set	6304M +	Std-.25MM	When depleted use FP-6304M

CYLINDER COMPONENTS

QTY	PISTONS	PART NO.	SIZE	DESCRIPTION
3	Pin Bushing	FP-1239V20		
QTY	CONNECTING RODS & BRGS.	PART NO.	SIZE	DESCRIPTION
3	Rod Pair	FP-65925CP	Std-.25-.50MM	To 2/75; w/locking lip on the right side
3	Rod Pair	65925CP +	Std-.25-.50MM	To 2/75; w/locking lip on the right side; When depleted use FP-65925CP
QTY	PISTON RINGS	PART NO.	SIZE	DESCRIPTION
1	Premium Set	FP-10579KX	Std Only	Check piston grooving before supplying ring set; 1-1/8, 1-3/32, 1-3/16 (1 cyl. set)

(continued on next page)

Wheel Tractor D179 Eng. 28 2.9L 179 Diesel L3, 3.875" Bore (cont.)

CYLINDER COMPONENTS (cont.)

QTY	PISTON RINGS (cont.)	PART NO.	SIZE	DESCRIPTION
1	Premium Set	10579KX + Std Only		Check piston grooving before supplying ring set; 1-1/8, 1-3/32, 1-3/16 (1 cyl. set); When depleted use FP-10579KX
1	Premium Set	FP-9766KX	Std Only	Check piston grooving before supplying ring set; 3-1/8, 1-3/16 (1 cyl. set)
1	Premium Set	9766KX + Std Only		Check piston grooving before supplying ring set; 3-1/8, 1-3/16 (1 cyl. set); When depleted use FP-9766KX

Combine XAH Eng. 29 3.0L 186 L4, 3.625" Bore (Waukesha Eng.)

CYLINDER COMPONENTS

QTY	PISTONS	PART NO.	SIZE	DESCRIPTION
4	Pin Bushing	FP-8944X		
4	Pin Bushing	8944X +		When depleted use FP-8944X
QTY	CONNECTING RODS & BRGS.	PART NO.	SIZE	DESCRIPTION
4	Rod Pair	FP-3220CP	Std-10-20-30	w/2.1232-2.1240" std. shaft size
4	Rod Pair	3220CP + Std-10-20-30		w/2.1232-2.1240" std. shaft size; When depleted use FP-3220CP

Wheel Tractor D188 Eng. Wheel Loader D188 Eng. 30 3.1L 188 Diesel L4, 3.6875" Bore

CYL. HEAD & PARTS

QTY	VALVE	PART NO.	SIZE	DESCRIPTION
4	Intake	FP-V1574		1.6520" Head Dia., .3720" Stem Dia., 6.0620" O.A.L.
4	Intake	V-1574 + Std Only		1.6520" Head Dia., .3720" Stem Dia., 6.0620" O.A.L.; When depleted use FP-V1574
4	Intake	FP-V2101		1.6772" Head Dia., .3720" Stem Dia., 6.0374" O.A.L.
4	Intake	V-2101 + Std Only		1.6772" Head Dia., .3720" Stem Dia., 6.0374" O.A.L.; When depleted use FP-V2101
4	Exhaust	FP-V1573		1.2933" Head Dia., .3719" Stem Dia., 6.0669" O.A.L.
4	Exhaust	V-1573 + Std Only		1.2933" Head Dia., .3719" Stem Dia., 6.0669" O.A.L.; When depleted use FP-V1573
4	Exhaust	FP-V2100		1.3750" Head Dia., .3720" Stem Dia., 6.0590" O.A.L.
4	Exhaust	V-2100 + Std Only		1.3750" Head Dia., .3720" Stem Dia., 6.0590" O.A.L.; When depleted use FP-V2100
16	Keeper	VK-138		1 groove; Square cut key groove
16	Keeper	VK-138R		1 groove; Square cut key groove; Hardened
16	Keeper, Bulk	VK-138B		1 groove; Square cut key groove; Carton of 1000
QTY	VALVE SEAT	PART NO.	SIZE	DESCRIPTION
4	Exh.	FP-24513755		1.3795" OD, 1.1250" ID, .2636" Depth
4	Exh.	245-1375-5 + Std Only		1.3795" OD, 1.1250" ID, .2636" Depth; When depleted use FP-24513755
4	Int.	245-1750-4 Std Only		1.7555" OD, 1.4375" ID, .2480" Depth
QTY	VALVE GUIDE	PART NO.	SIZE	DESCRIPTION
8	Guide	FP-VG594		.3748" ID, 2.8300" O.A.L.
8	Guide	VG-594 +		.3748" ID, 2.8300" O.A.L.; When depleted use FP-VG594
QTY	VALVE SPRING	PART NO.	SIZE	DESCRIPTION
8	Spring	FP-VS596		2.4370" Free Height
8	Spring	VS-596 +		2.4370" Free Height; When depleted use FP-VS596
QTY	PUSH RODS	PART NO.	SIZE	DESCRIPTION
8	Push Rod	FP-RP3127		12.6860" O.A.L.
QTY	VALVE SEAL	PART NO.	SIZE	DESCRIPTION
8	Valve Stem Seal	ST-2002		Installation requires valve guide machining; Polyacrylate
4	Valve Stem Seal	MV-1796C		Int.; Umbrella type; Fits Std. to .015" O/S valve stem; Rubber
8	Valve Stem Seal Bulk	ST-2002BC		Positive type; Installation requires valve guide machining; Carton of 100; Polyacrylate
4	Valve Stem Seal Bulk	MV-1796		Int.; Umbrella type; Fits Std. to .015" O/S valve stem; Carton of 100; Rubber

CAMSHAFT GROUP

QTY	CAMSHAFT/LIFTER	PART NO.	SIZE	DESCRIPTION
12	Lifter	FP-911776		Exc. power unit U-221 & Farmall 460; Mech.; .997" dia.
12	Lifter	AT-2041 Std Only		Exc. power unit U-221 & Farmall 460; Mech.; .997" dia. body

(continued on next page)

IHC Tractor

30 Wheel Tractor D188 Eng. Wheel Loader D188 Eng. (cont.) 3.1L 188 Diesel L4, 3.6875" Bore

ENGINE BLOCK & PARTS				
QTY	GASKET SETS	PART NO.	SIZE	DESCRIPTION
1	Kit Gasket Set	FP-2601373		
1	Kit Gasket Set	260-1373		
CRANKSHAFT/OIL PUMP				
QTY	OIL PUMP	PART NO.	SIZE	DESCRIPTION
1	Oil Pump	224-41185		Models 504, 2504 & 3514; Replaces O.E. No. 230421R91
1	Pump Repair Kit	224-51185		Models 504, 2504 & 3514
CYLINDER COMPONENTS				
QTY	LINERS	PART NO.	SIZE	DESCRIPTION
4	Dry Sleeve	FP-SL416M	Std Only	From Ser. No. 12093; Flange Dia. 3.875" & .070" thick
4	Dry Sleeve	SL-416M +	Std Only	From Ser. No. 12093; Flange Dia. 3.875" & .070" thick; When depleted use FP-SL416M
4	Dry Sleeve	FP-SL189M	Std-2-10	To Ser. No. 12092
4	Dry Sleeve	SL-189M +	Std-2-10	To Ser. No. 12092; When depleted use FP-SL189M
4	Cylinder Kit Complete	FP-SL2558	Std Only	From Ser. No. 12093
4	Sleeve Assy.	FP-SL2080	Std-2-10	To Ser. No. 12092
4	Sleeve Assy.	SL-2080 +	Std-2-10	To Ser. No. 12092; When depleted use FP-SL2080
QTY	PISTONS	PART NO.	SIZE	DESCRIPTION
4	Cast Piston	FP-2080P	Std Only	Cast; 2-1/8", 1-1/4" Ring Groove, 2.031" CD, 1.1240" Pin Dia., Recessed Head .288" deep; Spherical shape w/2 valve reliefs; Repl. O.E. No. 318377R2
4	Cast Piston	2080P +	Std Only	Cast; 2-1/8", 1-1/4" Ring Groove, 2.031" CD, 1.1240" Pin Dia., Recessed Head .288" deep; Spherical shape w/2 valve reliefs; Repl. O.E. No. 318377R2; When depleted use FP-2080P
4	Pin Bushing	FP-1744Y20		
4	Pin Bushing	1744Y20 +		When depleted use FP-1744Y20
QTY	CONNECTING RODS & BRGS.	PART NO.	SIZE	DESCRIPTION
4	Rod Pair	2410CP	Std-2-10-20-30-40	
QTY	PISTON RINGS	PART NO.	SIZE	DESCRIPTION
1	Premium Set	FP-9197KX	Std Only	2-1/8, 1-1/4
4	Premium Single Cylinder Set	W-9197KX	Std Only	2-1/8, 1-1/4

31 Combine HD Eng. 3.2L 193 L-HEAD L6 (12 Valve), 3.25" Bore (International Eng.)

ENGINE BLOCK & PARTS				
QTY	CAM BEARINGS	PART NO.	SIZE	DESCRIPTION
1	Cam Set	1091M	Std Only	
CYLINDER COMPONENTS				
QTY	PISTONS	PART NO.	SIZE	DESCRIPTION
6	Pin Bushing	9219X		Full round bushing w/1.110" length
6	Pin Bushing	9219V		Split type bushing w/1.120" length

32 Wheel Tractor 3.2L 193 OHV Diesel L4, 3.75" Bore (Continental Eng.)

ENGINE BLOCK & PARTS				
QTY	CAM BEARINGS	PART NO.	SIZE	DESCRIPTION
1	Cam Set	FP-1474M	Std Only	
1	Cam Set	1474M +	Std Only	When depleted use FP-1474M
CYLINDER COMPONENTS				
QTY	CONNECTING RODS & BRGS.	PART NO.	SIZE	DESCRIPTION
4	Rod Pair	FP-2920CP	Std-10-20	
4	Rod Pair	2920CP +	Std-10-20	When depleted use FP-2920CP

33 Forklift C200 Eng. Loader C200 Eng. Wheel Tractor C200 Eng. 3.3L 200 L4, 3.8125" Bore

CYL. HEAD & PARTS				
QTY	VALVE	PART NO.	SIZE	DESCRIPTION
4	Intake	FP-V1543		1.7810" Head Dia., .3720" Stem Dia., 5.0720" O.A.L.
4	Exhaust	FP-V3928X		1.5160" Head Dia., .3715" Stem Dia., 5.0530" O.A.L.

(continued on next page)

Forklift C200 Eng. Loader C200 Eng. Wheel Tractor C200 Eng. 33
3.3L 200 L4, 3.8125" Bore (cont.)

CYL. HEAD & PARTS (cont.)

QTY	VALVE (cont.)	PART NO.	SIZE	DESCRIPTION
4	Exhaust	V-3928X +	Std Only	1.5160" Head Dia., .3715" Stem Dia., 5.0530" O.A.L.; When depleted use FP-V3928X
16	Keeper	VK-138		1 groove; Square cut key groove
16	Keeper	VK-138R		1 groove; Square cut key groove; Hardened
16	Keeper, Bulk	VK-138B		1 groove; Square cut key groove; Carton of 1000
QTY	VALVE GUIDE	PART NO.	SIZE	DESCRIPTION
8	Guide	VG-499		Exh.; .3760" ID, 2.4100" O.A.L.
4	Guide	FP-VG862		Int.; .3760" ID, 2.2500" O.A.L.
4	Guide	VG-862 +		Int.; .3760" ID, 2.2500" O.A.L.; When depleted use FP-VG862
QTY	VALVE SPRING	PART NO.	SIZE	DESCRIPTION
8	Spring	FP-VS596		2.4370" Free Height
8	Spring	VS-596 +		2.4370" Free Height; When depleted use FP-VS596
QTY	PUSH RODS	PART NO.	SIZE	DESCRIPTION
8	Push Rod	FP-RP3127		12.6860" O.A.L.
QTY	VALVE SEAL	PART NO.	SIZE	DESCRIPTION
4	Valve Stem Seal	FP-MV1902		Exh.; Umbrella type; Rubber
CAMSHAFT GROUP				
QTY	CAMSHAFT/LIFTER	PART NO.	SIZE	DESCRIPTION
8	Lifter	FP-911776		Mech.; .997" dia.
8	Lifter	AT-2041	Std Only	Mech.; .997" dia. body
CRANKSHAFT/OIL PUMP				
QTY	MAIN BEARINGS	PART NO.	SIZE	DESCRIPTION
1	Main Set	FP-4982M	Std-10-20	
1	Main Set	4982M +	Std-10-20	When depleted use FP-4982M
QTY	OIL PUMP	PART NO.	SIZE	DESCRIPTION
1	Pump Repair Kit	224-51185		For 544, 574, 674, 2500, 2500B, 2510B, 2514B, 2544, 3500, 8000
CYLINDER COMPONENTS				
QTY	LINERS	PART NO.	SIZE	DESCRIPTION
4	Repair Sleeve	SL-93M	Std Only	3/32" wall, must be cut to correct length
QTY	PISTONS	PART NO.	SIZE	DESCRIPTION
4	Cast Piston	FP-2273P	Std-20-30-40-60	Cast; 1-1/8", 1-3/32", 1-1/4" Ring Groove, 2.150" CD, .8740" Pin Dia., Domed Head; Contoured .120" high and recess .500" deep; Repl. O.E. No. 392833
4	Cast Piston	2273P +	Std-20-30-40-60	Cast; 1-1/8", 1-3/32", 1-1/4" Ring Groove, 2.150" CD, .8740" Pin Dia., Domed Head; Contoured .120" high and recess .500" deep; Repl. O.E. No. 392833; When depleted use FP-2273P
QTY	PISTON RINGS	PART NO.	SIZE	DESCRIPTION
1	Premium Set	FP-9662KX	Std-30-40-60	1-1/8, 1-3/32, 1-1/4
1	Premium Set	9662KX +	Std-30-40-60	1-1/8, 1-3/32, 1-1/4; When depleted use FP-9662KX
8	Premium Single Cylinder Set	W-9662KX30	30	1-1/8, 1-3/32, 1-1/4

Wheel Tractor D206 Eng. 34
3.4L 206 OHV Diesel L4, 3.875" Bore

CRANKSHAFT/OIL PUMP

QTY	MAIN BEARINGS	PART NO.	SIZE	DESCRIPTION
1	Main Set	FP-6305M	Std-.25-.50MM	
1	Main Set	6305M +	Std-.25MM	When depleted use FP-6305M

CYLINDER COMPONENTS

QTY	CONNECTING RODS & BRGS.	PART NO.	SIZE	DESCRIPTION
4	Rod Pair	FP-65925CP	Std-.25-.50MM	To 2/75; w/locking lip on the right side
4	Rod Pair	65925CP +	Std-.25-.50MM	To 2/75; w/locking lip on the right side; When depleted use FP-65925CP

IHC Tractor

35 Combine HD213 Eng. 3.5L 213 L-HEAD L6, 3.3125" Bore

ENGINE BLOCK & PARTS

QTY	CAM BEARINGS	PART NO.	SIZE	DESCRIPTION
1	Cam Set	1091M		Std Only

CYLINDER COMPONENTS

QTY	LINERS	PART NO.	SIZE	DESCRIPTION
6	Repair Sleeve	SL-12M		Std Only 3/32" wall, must be cut to correct length
QTY	PISTONS	PART NO.	SIZE	DESCRIPTION
6	Pin Bushing	9219X		Full round bushing w/1.110" length
6	Pin Bushing	9219V		Split type bushing w/1.120" length

36 Combine GRD214 Eng. 3.5L 214 L-HEAD L6 (12 Valve), 3.3125" Bore (International Eng.)

ENGINE BLOCK & PARTS

QTY	CAM BEARINGS	PART NO.	SIZE	DESCRIPTION
1	Cam Set	1091M		Std Only

CYLINDER COMPONENTS

QTY	LINERS	PART NO.	SIZE	DESCRIPTION
6	Repair Sleeve	SL-12M		Std Only 3/32" wall, must be cut to correct length
QTY	PISTONS	PART NO.	SIZE	DESCRIPTION
6	Pin Bushing	9219X		Full round bushing w/1.110" length
6	Pin Bushing	9219V		Split type bushing w/1.120" length

37 Combine C221 Eng. Power Unit C221, UC221 Engs. Wheel Tractor C221 Eng. Wheel Loader C221 Eng. 3.6L 220 OHV L6, 3.5625" Bore

CYL. HEAD & PARTS

QTY	VALVE	PART NO.	SIZE	DESCRIPTION
6	Intake	FP-V1543		Use w/head assy. 308 812R93; 1.7810" Head Dia., .3720" Stem Dia., 5.0720" O.A.L.
6	Intake	V-1542		Std Only Use w/head assy. 383 665R96; 1.6560" Head Dia., .3720" Stem Dia., 5.0860" O.A.L.
6	Exhaust	FP-V3928X		Optional-H/D & LPG use; 1.5160" Head Dia., .3715" Stem Dia., 5.0530" O.A.L.
6	Exhaust	V-3928X +		Std Only Optional-H/D & LPG use; 1.5160" Head Dia., .3715" Stem Dia., 5.0530" O.A.L.; When depleted use FP-V3928X
6	Exhaust	FP-V1229X		1.3750" Head Dia., .3410" Stem Dia., 5.4530" O.A.L.
6	Exhaust	V-1229X +		Std Only 1.3750" Head Dia., .3410" Stem Dia., 5.4530" O.A.L.; When depleted use FP-V1229X
24	Keeper	VK-138		1 groove; Square cut key groove
24	Keeper	VK-138R		1 groove; Square cut key groove; Hardened
24	Keeper, Bulk	VK-138B		1 groove; Square cut key groove; Carton of 1000
QTY	VALVE SEAT	PART NO.	SIZE	DESCRIPTION
6	Int.	245-1687-3		Std Only 1.6925" OD, 1.4375" ID, .2480" Depth
QTY	VALVE GUIDE	PART NO.	SIZE	DESCRIPTION
12	Guide	VG-499		Exh. & Int.; Farmall 460; .3760" ID, 2.4100" O.A.L.
6	Guide	FP-VG862		Int.; Exc. Farmall 460; .3760" ID, 2.2500" O.A.L.
6	Guide	VG-862 +		Int.; Exc. Farmall 460; .3760" ID, 2.2500" O.A.L.; When depleted use FP-VG862
QTY	VALVE SPRING	PART NO.	SIZE	DESCRIPTION
12	Spring	FP-VS596		2.4370" Free Height
12	Spring	VS-596 +		2.4370" Free Height; When depleted use FP-VS596
QTY	PUSH RODS	PART NO.	SIZE	DESCRIPTION
12	Push Rod	FP-RP3127		Exc. Farmall 460 & Power Unit U-221; 12.6860" O.A.L.
QTY	VALVE MISC.	PART NO.	SIZE	DESCRIPTION
6	Rotocap	RC-107		Exh.
QTY	VALVE SEAL	PART NO.	SIZE	DESCRIPTION
12	Valve Stem Seal	ST-2004		Positive type; Installation requires valve guide machining; Rubber/PTFE
6	Valve Stem Seal	FP-MV1902		Exh.; Umbrella type; Rubber
12	Valve Stem Seal Bulk	ST-2004BC		Positive type; Installation requires valve guide machining; Carton of 100; Rubber/PTFE

(continued on next page)

Combine C221 Eng. Power Unit C221, UC221 Engs. Wheel Tractor C221 Eng. Wheel Loader C221 Eng. (cont.)
3.6L 220 OHV L6, 3.5625" Bore

CAMSHAFT GROUP				
QTY	CAMSHAFT/LIFTER	PART NO.	SIZE	DESCRIPTION
12	Lifter	FP-911776		Exc. power unit U-221 & Farmall 460; Mech.; .997" dia.
12	Lifter	AT-2041	Std Only	Exc. power unit U-221 & Farmall 460; Mech.; .997" dia. body
ENGINE BLOCK & PARTS				
QTY	GASKET SETS	PART NO.	SIZE	DESCRIPTION
1	Kit Gasket Set	FP-2601371		
1	Kit Gasket Set	260-1371		
QTY	CAM BEARINGS	PART NO.	SIZE	DESCRIPTION
1	Cam Set	FP-1209M		
CRANKSHAFT/OIL PUMP				
QTY	SEALS - FRONT CRANK	PART NO.	SIZE	DESCRIPTION
1	Oil Seal	472856		
QTY	SEALS - REAR CRANK	PART NO.	SIZE	DESCRIPTION
1	Redi-Sleeve	99240		
QTY	MAIN BEARINGS	PART NO.	SIZE	DESCRIPTION
1	Main Set	FP-4082M	Std-10-20-30	W/3.750" flange dia.
1	Main Set	4082M +	Std-10-20-30	W/3.750" flange dia.; When depleted use FP-4082M
1	Main Set	FP-4933M	Std-10-20-30	W/4.000" flange dia.
1	Main Set	4933M +	Std-10-20-30	W/4.000" flange dia.; When depleted use FP-4933M
QTY	OIL PUMP	PART NO.	SIZE	DESCRIPTION
1	Oil Pump	224-41185		For 205, 315, 460 Farmall; Replaces O.E. No. 230421R91
1	Oil Pump	FP-22443367S		Models 606, 2606, 3616; Screen welded to pump cover, replaces O.E. No. 379138R91
1	Oil Pump	224-43367S +		Models 606, 2606, 3616; Screen welded to pump cover, replaces O.E. No. 379138R91; When depleted use FP-22443367S
1	Pump Repair Kit	224-51185		For 205, 315, 460 Farmall, 606, 2606, 3616
CYLINDER COMPONENTS				
QTY	LINERS	PART NO.	SIZE	DESCRIPTION
6	Dry Sleeve	FP-SL186M	Std Only	Flange Dia. 4.165" & .190" thick
6	Dry Sleeve	SL-186M +	Std Only	Flange Dia. 4.165" & .190" thick; When depleted use FP-SL186M
6	Sleeve Assy.	FP-SL2059	Std Only	Exc. 606 & 2606 Wheel Tractors & 3616 Wheel Loaders
6	Sleeve Assy.	SL-2059 +	Std Only	Exc. 606 & 2606 Wheel Tractors & 3616 Wheel Loaders; When depleted use FP-SL2059
6	Sleeve Assy.	FP-SL2547	Std Only	For 606 & 2606 Wheel Tractors & 3616 Loader Tractors
6	Sleeve Assy.	SL-2547 +	Std Only	For 606 & 2606 Wheel Tractors & 3616 Loader Tractors; When depleted use FP-SL2547
QTY	PISTONS	PART NO.	SIZE	DESCRIPTION
6	Cast Piston	FP-2059P	Std Only	Exc. 606 & 2606 Wheel Tractors & 3616 Wheel Loaders; Cast; 2-3/32", 1-1/4" Ring Groove, 2.325 plus dome" CD, .8750" Pin Dia., Domed Head .420" high; Repl. O.E. No. 367641R1
6	Cast Piston	2059P +	Std Only	Exc. 606 & 2606 Wheel Tractors & 3616 Wheel Loaders; Cast; 2-3/32", 1-1/4" Ring Groove, 2.325 plus dome" CD, .8750" Pin Dia., Domed Head .420" high; Repl. O.E. No. 367641R1; When depleted use FP-2059P
6	Cast Piston	FP-2547P	Std Only	For 606 & 2606 Wheel Tractors & 3616 Wheel Loaders; Cast; 2-3/32", 1-1/4" Ring Groove, 2.375" CD, .8750" Pin Dia., Contoured Head. Repl. O.E. No. 378602R4.
6	Pin Bushing	1579V		
QTY	CONNECTING RODS & BRGS.	PART NO.	SIZE	DESCRIPTION
6	Rod Pair	2410CP	Std-2-10-20-30-40	
QTY	PISTON RINGS	PART NO.	SIZE	DESCRIPTION
1	Premium Set	FP-5737KX	Std Only	C221; Models 205, 315; 2-3/32, 1-1/4
1	Premium Set	5737KX +	Std Only	C221; Models 205, 315; 2-3/32, 1-1/4; When depleted use FP-5737KX
1	Standard Set	E-135X	Std-30	Eng. Code "BD220"; Model 101; 1-3/32, 1-1/8, 1-3/16
6	Premium Single Cylinder Set	W-5737KX	Std Only	C221; Models 205, 315; 2-3/32, 1-1/4
KITS				
QTY	OVERHAUL KIT	PART NO.	SIZE	DESCRIPTION
1	Tractor Overhaul Kit	FP-KST2059C		Exc. 606 & 2606 Wheel Tractors & 3616 Wheel Loaders; Contains main brg. w/3.750" flange dia.

(continued on next page)

+ Superseded Part Number

IHC Tractor

37 Combine C221 Eng. Power Unit C221, UC221 Engs. Wheel Tractor C221 Eng. Wheel
(cont.) Loader C221 Eng.
3.6L 220 OHV L6, 3.5625" Bore

KITS (cont.)

QTY	OVERHAUL KIT (cont.)	PART NO.	SIZE	DESCRIPTION
1	Tractor Overhaul Kit	FP-KST2059A		Exc. 606 & 2606 Wheel Tractors & 3616 Wheel Loaders; Contains main brg. w/4.000" flange dia.
1	Tractor Overhaul Kit	FP-KST2547C		606 & 2606 Wheel Tractors & 3616 Wheel Loader; Contains main brg. w/3.750" flange dia.
1	Tractor Overhaul Kit	FP-KST2547A		606 & 2606 Wheel Tractors & 3616 Wheel Loader; Contains main brg. w/4.000" flange dia.

38 Combine BD220 Eng.
3.6L 220 OHV L6 (12 Valve), 3.5625" Bore (International Eng.)

CYL. HEAD & PARTS

QTY	VALVE	PART NO.	SIZE	DESCRIPTION
6	Intake	V-1542 Std Only		To Ser. No. 261932; 1.6560" Head Dia., .3720" Stem Dia., 5.0860" O.A.L.
6	Exhaust	V-1327X Std Only		Rototype; Free valve; 1.5160" Head Dia., .3715" Stem Dia., 4.9910" O.A.L.
24	Keeper	FP-41339		1 groove; Square cut key groove
QTY	VALVE SEAT	PART NO.	SIZE	DESCRIPTION
6	Int.	245-1687-3 Std Only		For 1.656" Head Dia. Valves.; 1.6925" OD, 1.4375" ID, .2480" Depth
QTY	VALVE GUIDE	PART NO.	SIZE	DESCRIPTION
12	Guide	VG-499		From Ser. No. 261931; .3760" ID, 2.4100" O.A.L.
QTY	VALVE SPRING	PART NO.	SIZE	DESCRIPTION
12	Spring	VS-547		Use w/Rotocaps; Rototype; Free valve; 2.2650" Free Height
12	Spring	VS-389		Use w/Std. retainers; 2.6870" Free Height
QTY	PUSH RODS	PART NO.	SIZE	DESCRIPTION
12	Push Rod	RP-3127		12.6860" O.A.L.
QTY	VALVE SEAL	PART NO.	SIZE	DESCRIPTION
12	Valve Stem Seal	FP-156541		Exh. & Int.; Installation requires valve guide machining; Polyacrylate

CAMSHAFT GROUP

QTY	CAMSHAFT/LIFTER	PART NO.	SIZE	DESCRIPTION
12	Lifter	FP-911776		Mech.; .997" dia.

ENGINE BLOCK & PARTS

QTY	CAM BEARINGS	PART NO.	SIZE	DESCRIPTION
1	Cam Set	FP-1209M		

CRANKSHAFT/OIL PUMP

QTY	SEALS - FRONT CRANK	PART NO.	SIZE	DESCRIPTION
1	Oil Seal	472856		
QTY	SEALS - REAR CRANK	PART NO.	SIZE	DESCRIPTION
1	Redi-Sleeve	99240		
QTY	MAIN BEARINGS	PART NO.	SIZE	DESCRIPTION
1	Main Set	4093M10 10		Full grooved; w/high volume oil pump
1	Main Set	935M Std-10-20		Partial grooved; w/std. oil pump
QTY	OIL PUMP	PART NO.	SIZE	DESCRIPTION
1	Oil Pump	224-41185		Eng. Code "SD220"; 1940-57; Exc. M & MC Models; Eng. Code "BD220" 1958-70; (O.E. No. 69604R91 or 230421R91); Replaces O.E. No. 230421R91
1	Pump Repair Kit	224-51185		Eng. Code "SD220"; 1940-57; Exc. M & MC Models; Eng. Code "BD220" 1958-70; Replaces O.E. No. 69604R91 or 230421R91

CYLINDER COMPONENTS

QTY	PISTONS	PART NO.	SIZE	DESCRIPTION
6	Pin Bushing	1579V		
QTY	CONNECTING RODS & BRGS.	PART NO.	SIZE	DESCRIPTION
1	Rod Set	6-1575CPA Std-10		
6	Rod Pair	1575CPA Std-10-20-40		

(continued on next page)

<i>Combine BD220 Eng. 38</i> 3.6L 220 OHV L6 (12 Valve), 3.5625" Bore (International Eng.) (cont.)				
CYLINDER COMPONENTS (cont.)				
QTY	PISTON RINGS	PART NO.	SIZE	DESCRIPTION
1	Standard Set	E-135X Std-30		1-3/32, 1-1/8, 1-3/16
<i>Combine HD232 Eng. 39</i> 3.8L 232 L-HEAD L6, 3.3125" Bore				
ENGINE BLOCK & PARTS				
QTY	CAM BEARINGS	PART NO.	SIZE	DESCRIPTION
1	Cam Set	1091M Std Only		
CYLINDER COMPONENTS				
QTY	LINERS	PART NO.	SIZE	DESCRIPTION
6	Repair Sleeve	SL-12M Std Only		3/32" wall, must be cut to correct length
QTY	PISTONS	PART NO.	SIZE	DESCRIPTION
6	Pin Bushing	9219X		Full round bushing w/1.110" length
6	Pin Bushing	9219V		Split type bushing w/1.120" length
<i>Windrower 6-232 Eng. 40</i> 3.8L 232 OHV L6 (Hi Torque), 3.75" Bore (AMC Eng.)				
CYL. HEAD & PARTS				
QTY	VALVE	PART NO.	SIZE	DESCRIPTION
6	Intake	V-1981 Std Only		4 groove; 1.7870" Head Dia., .3720" Stem Dia., 4.8990" O.A.L.
6	Exhaust	V-2023 Std Only		4 groove; Chrome plated stem; 1.4060" Head Dia., .3720" Stem Dia., 4.8920" O.A.L.
24	Keeper	VK-174		4 groove
24	Keeper	VK-174R		4 groove; Hardened
QTY	VALVE SPRING	PART NO.	SIZE	DESCRIPTION
12	Spring	VS-666		w/damper; 2.2600" Free Height
QTY	PUSH RODS	PART NO.	SIZE	DESCRIPTION
12	Push Rod	RP-3171		9.5940" O.A.L.
QTY	VALVE SEAL	PART NO.	SIZE	DESCRIPTION
12	Valve Stem Seal	ST-2004		Positive type; Installation requires valve guide machining; Rubber/PTFE
12	Valve Stem Seal Bulk	ST-2004BC		Positive type; Installation requires valve guide machining; Carton of 100; Rubber/PTFE
QTY	ROCKER PARTS	PART NO.	SIZE	DESCRIPTION
12	Arm Assy.	R-847		Incl. arm, ball & nut; rail style rockers; Cast iron; w/stud type mount; Incl. 3/8" nut; Incl. 5/16" nut
12	Arm	R-847A		
12	Pivot	MR-1909		Incl. 2-pivots & 1-bridge
CAMSHAFT GROUP				
QTY	TIMING	PART NO.	SIZE	DESCRIPTION
1	3 Piece Set	KT3-494S		Incl. (1) 222-494, (1) 223-355, (1) 223-388
1	Timing Chain	222-494		48 Links
1	Crank Sprocket	223-355		18 Teeth
1	Cam Sprocket	223-388		36 Teeth
QTY	CAMSHAFT/LIFTER	PART NO.	SIZE	DESCRIPTION
12	Lifter	HT-2011 Std Only		Hyd.
12	Lifter, Bulk	HT-2011B Std Only		Hyd.; Carton of 117
ENGINE BLOCK & PARTS				
QTY	GASKET SETS	PART NO.	SIZE	DESCRIPTION
1	Kit Gasket Set	260-1007		Premium valve stem seals incl.
QTY	CAM BEARINGS	PART NO.	SIZE	DESCRIPTION
1	Cam Set	1244M Std-10		
CRANKSHAFT/OIL PUMP				
QTY	CRANKSHAFT	PART NO.	SIZE	DESCRIPTION
1	Harmonic Balancer Sleeve	88179		
QTY	SEALS - FRONT CRANK	PART NO.	SIZE	DESCRIPTION
1	Redi-Sleeve	99179		
1	Oil Seal	321460		
QTY	SEALS - REAR CRANK	PART NO.	SIZE	DESCRIPTION
1	Oil Seal	5111S		

(continued on next page)

IHC Tractor

40 Windrower 6-232 Eng. (cont.) 3.8L 232 OHV L6 (Hi Torque), 3.75" Bore (AMC Eng.)				
CRANKSHAFT/OIL PUMP (cont.)				
QTY	MAIN BEARINGS	PART NO.	SIZE	DESCRIPTION
1	Main Set	4289M	Std-10-20-30-40-60	
CYLINDER COMPONENTS				
QTY	LINERS	PART NO.	SIZE	DESCRIPTION
6	Repair Sleeve	SL-19M	Std Only	3/32" wall, must be cut to correct length
QTY	CONNECTING RODS & BRGS.	PART NO.	SIZE	DESCRIPTION
1	Rod Set	6-3310CPA	Std-1-10-20-30-40-50-60	
6	Rod Pair	3310CPA	Std-1-2-10-20-30-40-50-60	
41 Combine GRD233 Eng. 3.8L 233 L-HEAD L6 (12 Valve), 3.3125" Bore (International Eng.)				
ENGINE BLOCK & PARTS				
QTY	CAM BEARINGS	PART NO.	SIZE	DESCRIPTION
1	Cam Set	1091M	Std Only	
CYLINDER COMPONENTS				
QTY	LINERS	PART NO.	SIZE	DESCRIPTION
6	Repair Sleeve	SL-12M	Std Only	3/32" wall, must be cut to correct length
QTY	PISTONS	PART NO.	SIZE	DESCRIPTION
6	Pin Bushing	9219X		Full round bushing w/1.110" length
6	Pin Bushing	9219V		Split type bushing w/1.120" length
42 Wheel Tractor C236 Eng. 3.9L 236 L6, 3.6875" Bore				
CYL. HEAD & PARTS				
QTY	VALVE	PART NO.	SIZE	DESCRIPTION
6	Intake	FP-V1574		1.6520" Head Dia., .3720" Stem Dia., 6.0620" O.A.L.
6	Intake	FP-V2101		1.6772" Head Dia., .3720" Stem Dia., 6.0374" O.A.L.
6	Exhaust	FP-V1573		1.2933" Head Dia., .3719" Stem Dia., 6.0669" O.A.L.
6	Exhaust	FP-V2100		1.3750" Head Dia., .3720" Stem Dia., 6.0590" O.A.L.
24	Keeper	VK-138		Exh. & Int.; 1 groove; Square cut key groove
QTY	VALVE GUIDE	PART NO.	SIZE	DESCRIPTION
12	Guide	FP-VG594		Exh. & Int.; .3748" ID, 2.8300" O.A.L.
ENGINE BLOCK & PARTS				
QTY	CAM BEARINGS	PART NO.	SIZE	DESCRIPTION
1	Cam Set	FP-1209M		
CRANKSHAFT/OIL PUMP				
QTY	MAIN BEARINGS	PART NO.	SIZE	DESCRIPTION
1	Main Set	FP-4082M	Std-10-20-30	W/3.750" flange dia.
1	Main Set	4082M +	Std-10-20-30	W/3.750" flange dia.; When depleted use FP-4082M
1	Main Set	FP-4933M	Std-10-20-30	W/4.000" flange dia.
1	Main Set	4933M +	Std-10-20-30	W/4.000" flange dia.; When depleted use FP-4933M
CYLINDER COMPONENTS				
QTY	PISTONS	PART NO.	SIZE	DESCRIPTION
6	Pin Bushing	FP-1744Y20		
QTY	CONNECTING RODS & BRGS.	PART NO.	SIZE	DESCRIPTION
6	Rod Pair	2410CP	Std-2-10-20-30-40	
43 Combine D236 Eng. Cotton Picker D236 Eng. Wheel Tractor D236 Eng. Crawler Tractor D236 Eng. Wheel Loader D236 Eng. 3.9L 236 Diesel L6, 3.6875" Bore				
CYL. HEAD & PARTS				
QTY	VALVE	PART NO.	SIZE	DESCRIPTION
6	Intake	FP-V1574		1.6520" Head Dia., .3720" Stem Dia., 6.0620" O.A.L.

(continued on next page)

**Combine D236 Eng. Cotton Picker D236 Eng. Wheel Tractor D236 Eng. Crawler Tractor 43
D236 Eng. Wheel Loader D236 Eng. (cont.)
3.9L 236 Diesel L6, 3.6875" Bore**

CYL. HEAD & PARTS (cont.)

QTY	VALVE (cont.)	PART NO.	SIZE	DESCRIPTION
6	Intake	V-1574 +	Std Only	1.6520" Head Dia., .3720" Stem Dia., 6.0620" O.A.L.; When depleted use FP-V1574
6	Intake	FP-V2101		1.6772" Head Dia., .3720" Stem Dia., 6.0374" O.A.L.
6	Intake	V-2101 +	Std Only	1.6772" Head Dia., .3720" Stem Dia., 6.0374" O.A.L.; When depleted use FP-V2101
6	Exhaust	FP-V1573		1.2933" Head Dia., .3719" Stem Dia., 6.0669" O.A.L.
6	Exhaust	V-1573 +	Std Only	1.2933" Head Dia., .3719" Stem Dia., 6.0669" O.A.L.; When depleted use FP-V1573
6	Exhaust	FP-V2100		1.3750" Head Dia., .3720" Stem Dia., 6.0590" O.A.L.
6	Exhaust	V-2100 +	Std Only	1.3750" Head Dia., .3720" Stem Dia., 6.0590" O.A.L.; When depleted use FP-V2100
24	Keeper	VK-138		1 groove; Square cut key groove
24	Keeper	VK-138R		1 groove; Square cut key groove; Hardened
24	Keeper, Bulk	VK-138B		1 groove; Square cut key groove; Carton of 1000
QTY	VALVE GUIDE	PART NO.	SIZE	DESCRIPTION
12	Guide	FP-VG594		.3748" ID, 2.8300" O.A.L.
12	Guide	VG-594 +		.3748" ID, 2.8300" O.A.L.; When depleted use FP-VG594
QTY	VALVE SPRING	PART NO.	SIZE	DESCRIPTION
6	Spring	VS-547		Exh.; Rototype; Free valve; 2.2650" Free Height
6	Spring	FP-VS596		Exh.; 2.4370" Free Height
6	Spring	VS-596 +		Exh.; 2.4370" Free Height; When depleted use FP-VS596
6	Spring	VS-389		Int.; 2.6870" Free Height
QTY	PUSH RODS	PART NO.	SIZE	DESCRIPTION
12	Push Rod	FP-RP3127		12.6860" O.A.L.
QTY	VALVE SEAL	PART NO.	SIZE	DESCRIPTION
12	Valve Stem Seal	ST-2002		Installation requires valve guide machining; Polyacrylate
12	Valve Stem Seal Bulk	ST-2002BC		Positive type; Installation requires valve guide machining; Carton of 100; Polyacrylate
CAMSHAFT GROUP				
QTY	CAMSHAFT/LIFTER	PART NO.	SIZE	DESCRIPTION
12	Lifter	FP-911776		Mech.; .997" dia.
12	Lifter	AT-2041	Std Only	Mech.; .997" dia. body
ENGINE BLOCK & PARTS				
QTY	GASKET SETS	PART NO.	SIZE	DESCRIPTION
1	Kit Gasket Set	FP-2601374		
1	Kit Gasket Set	260-1374 +		When depleted use FP-2601374
QTY	CAM BEARINGS	PART NO.	SIZE	DESCRIPTION
1	Cam Set	FP-1209M		
CRANKSHAFT/OIL PUMP				
QTY	MAIN BEARINGS	PART NO.	SIZE	DESCRIPTION
1	Main Set	FP-4082M	Std-10-20-30	W/3.750" flange dia.
1	Main Set	4082M +	Std-10-20-30	W/3.750" flange dia.; When depleted use FP-4082M
1	Main Set	FP-4933M	Std-10-20-30	W/4.000" flange dia.
1	Main Set	4933M +	Std-10-20-30	W/4.000" flange dia.; When depleted use FP-4933M
QTY	OIL PUMP	PART NO.	SIZE	DESCRIPTION
1	Oil Pump	224-41185		For 315, 460, 606, 2606, 3514, 3616, 4236, U236; Replaces O.E. No. 230421R91
1	Pump Repair Kit	224-51185		For 315, 460, 606, 2606, 3514, 3616, 4236, U236
CYLINDER COMPONENTS				
QTY	LINERS	PART NO.	SIZE	DESCRIPTION
6	Dry Sleeve	FP-SL416M	Std Only	From Ser. No. 16620; Flange Dia. 3.875" & .070" thick
6	Dry Sleeve	SL-416M +	Std Only	From Ser. No. 16620; Flange Dia. 3.875" & .070" thick; When depleted use FP-SL416M
6	Dry Sleeve	FP-SL189M	Std-2-10	To Ser. No. 16619
6	Dry Sleeve	SL-189M +	Std-2-10	To Ser. No. 16619; When depleted use FP-SL189M
6	Sleeve Assy.	FP-SL2557	Std Only	From Ser. No. 16620
6	Sleeve Assy.	SL-2557 +	Std Only	From Ser. No. 16620; When depleted use FP-SL2557
6	Sleeve Assy.	FP-SL2079	Std Only	To Ser. No. 16619
6	Sleeve Assy.	SL-2079 +	Std Only	To Ser. No. 16619; When depleted use FP-SL2079
QTY	PISTONS	PART NO.	SIZE	DESCRIPTION
6	Cast Piston	FP-2079P	Std Only	Cast; 2-1/8", 1-1/4" Ring Groove, 2.390" CD, 1.1240" Pin Dia., Repl. O.E. No. 306275R4

(continued on next page)

+ Superseded Part Number

IHC Tractor

43 Combine D236 Eng. Cotton Picker D236 Eng. Wheel Tractor D236 Eng. Crawler Tractor
(cont.) D236 Eng. Wheel Loader D236 Eng.
3.9L 236 Diesel L6, 3.6875" Bore

CYLINDER COMPONENTS (cont.)

QTY	PISTONS (cont.)	PART NO.	SIZE	DESCRIPTION
6	Cast Piston	2079P +	Std Only	Cast; 2-1/8", 1-1/4" Ring Groove, 2.390" CD, 1.1240" Pin Dia., Repl. O.E. No. 306275R4; When depleted use FP-2079P
6	Pin Bushing	FP-1744Y20		Engs. From Ser. No. 4370; Frg. Nos. 61349H & 306280R1, w/1.125 pin dia.
6	Pin Bushing	1744Y20 +		Engs. From Ser. No. 4370; Frg. Nos. 61349H & 306280R1, w/1.125 pin dia.; When depleted use FP-1744Y20
6	Pin Bushing	1579V		Engs. From Ser. No. 501 To 4369; Forging No. 367406R1; w/.875" pin dia.
QTY	CONNECTING RODS & BRGS.	PART NO.	SIZE	DESCRIPTION
6	Rod Pair	2410CP	Std-2-10-20-30-40	
QTY	PISTON RINGS	PART NO.	SIZE	DESCRIPTION
1	Premium Set	FP-5738KX	Std Only	2-1/8, 1-1/4
1	Premium Set	5738KX +	Std Only	2-1/8, 1-1/4; When depleted use FP-5738KX
6	Premium Single Cylinder Set	W-5738KX	Std Only	2-1/8, 1-1/4
KITS				
QTY	OVERHAUL KIT	PART NO.	SIZE	DESCRIPTION
1	Tractor Overhaul Kit	FP-KST2557C		From Ser. No. 16620; w/main brg. w/3.750" flange dia.
1	Tractor Overhaul Kit	FP-KST2557A		From Ser. No. 16620; w/main brg. w/4.000" flange dia.
1	Tractor Overhaul Kit	FP-KST2079C		To Ser. No. 16619, w/main brg. w/3.750" flange dia.
1	Tractor Overhaul Kit	FP-KST2079A		To Ser. No. 16619, w/main brg. w/4.000" flange dia.

44 Wheel Tractor D239 Eng. Wheel Loader D239 Eng. Dozer D239 Eng.
3.9L 239 OHV Diesel L4, 3.875" Bore

CRANKSHAFT/OIL PUMP

QTY	MAIN BEARINGS	PART NO.	SIZE	DESCRIPTION
1	Main Set	FP-6305M	Std-.25-.50MM	
1	Main Set	6305M +	Std-.25MM	When depleted use FP-6305M

CYLINDER COMPONENTS

QTY	CONNECTING RODS & BRGS.	PART NO.	SIZE	DESCRIPTION
4	Rod Pair	FP-65925CP	Std-.25-.50MM	To 2/75; w/locking lip on the right side
4	Rod Pair	65925CP +	Std-.25-.50MM	To 2/75; w/locking lip on the right side; When depleted use FP-65925CP
QTY	PISTON RINGS	PART NO.	SIZE	DESCRIPTION
4	Premium Set	FP-10579KX	Std Only	Check piston grooving before supplying ring set; 1-1/8, 1-3/32, 1-3/16 (1 cyl. set)
4	Premium Set	10579KX +	Std Only	Check piston grooving before supplying ring set; 1-1/8, 1-3/32, 1-3/16 (1 cyl. set); When depleted use FP-10579KX
1	Premium Set	FP-9766KX	Std Only	Check piston grooving before supplying ring set; 3-1/8, 1-3/16 (1 cyl. set)
1	Premium Set	9766KX +	Std Only	Check piston grooving before supplying ring set; 3-1/8, 1-3/16 (1 cyl. set); When depleted use FP-9766KX

45 Combine BD240 Eng. Harvester BD240 Eng.
3.9L 240 L6, 3.5625" Bore

CYL. HEAD & PARTS

QTY	VALVE	PART NO.	SIZE	DESCRIPTION
6	Intake	V-1542	Std Only	1.6560" Head Dia., .3720" Stem Dia., 5.0860" O.A.L.
6	Intake	V-1543	Std Only	1.7810" Head Dia., .3720" Stem Dia., 5.0720" O.A.L.
6	Exhaust	V-1327X	Std Only	Rototype; Free valve; 1.5160" Head Dia., .3715" Stem Dia., 4.9910" O.A.L.
24	Keeper	FP-41339		1 groove; Square cut key groove
QTY	VALVE SEAT	PART NO.	SIZE	DESCRIPTION
6	Int.	245-1687-3	Std Only	For 1.6560" Head Dia.; 1.6925" OD, 1.4375" ID, .2480" Depth
6	Int.	245-1875-1N	Std Only	For 1.7810" Head Dia.; Premium Material; 1.8810" OD, 1.6100" ID, .2485" Depth
6	Int.	245-1875-1	Std Only	For 1.7810" Head Dia.; 1.8810" OD, 1.6100" ID, .2485" Depth
QTY	VALVE GUIDE	PART NO.	SIZE	DESCRIPTION
6	Guide	VG-499		Int.; .3760" ID, 2.4100" O.A.L.

(continued on next page)

Combine BD240 Eng. Harvester BD240 Eng. 45
3.9L 240 L6, 3.5625" Bore (cont.)

CYL. HEAD & PARTS (cont.)				
QTY	VALVE SPRING	PART NO.	SIZE	DESCRIPTION
12	Spring	VS-547		Exh. & Int.; Use w/Rotocaps; Rototype; Free valve; 2.2650" Free Height
12	Spring	VS-389		Exh. & Int.; Use w/Std. retainers; 2.6870" Free Height
QTY	PUSH RODS	PART NO.	SIZE	DESCRIPTION
12	Push Rod	RP-3127		12.6860" O.A.L.
CAMSHAFT GROUP				
QTY	CAMSHAFT/LIFTER	PART NO.	SIZE	DESCRIPTION
12	Lifter	FP-911776		Mech.; .997" dia.
ENGINE BLOCK & PARTS				
QTY	CAM BEARINGS	PART NO.	SIZE	DESCRIPTION
1	Cam Set	1209M	Std Only	
1	Cam Set	FP-1209M		
CRANKSHAFT/OIL PUMP				
QTY	SEALS - FRONT CRANK	PART NO.	SIZE	DESCRIPTION
1	Redi-Sleeve	99272		
1	Oil Seal	417316		
QTY	MAIN BEARINGS	PART NO.	SIZE	DESCRIPTION
1	Main Set	4093M10	10	Full grooved; w/high volume oil pump
1	Main Set	935M	Std-10-20	Partial grooved; w/std. oil pump
QTY	OIL PUMP	PART NO.	SIZE	DESCRIPTION
1	Oil Pump	224-41185		Replaces O.E. No. 230421R91
1	Pump Repair Kit	224-51185		
CYLINDER COMPONENTS				
QTY	PISTONS	PART NO.	SIZE	DESCRIPTION
6	Pin Bushing	1579V		
QTY	CONNECTING RODS & BRGS.	PART NO.	SIZE	DESCRIPTION
1	Rod Set	6-1575CPA	Std-10	
6	Rod Pair	1575CPA	Std-10-20-40	
QTY	PISTON RINGS	PART NO.	SIZE	DESCRIPTION
1	Standard Set	E-135X	Std-30	1-3/32, 1-1/8, 1-3/16
1	Standard Set	677X	Std Only	1-3/32, 2-1/8, 1-3/16
Power Unit C248, IU6, U6 Engs. Wheel Tractor C248 Eng. Crawler Tractor C248 Eng. 46 4.1L 248 L4, 3.875" Bore				
CYL. HEAD & PARTS				
QTY	VALVE	PART NO.	SIZE	DESCRIPTION
4	Intake	FP-V913		For distillate; 1.8120" Head Dia., .3715" Stem Dia., 5.5200" O.A.L.
4	Intake	V-913 +	Std Only	For distillate; 1.8120" Head Dia., .3715" Stem Dia., 5.5200" O.A.L.; When depleted use FP-V913
4	Intake	FP-V844		For gasoline; 1.8110" Head Dia., .3715" Stem Dia., 5.8425" O.A.L.
4	Intake	V-844 +	Std Only	For gasoline; 1.8110" Head Dia., .3715" Stem Dia., 5.8425" O.A.L.; When depleted use FP-V844
4	Exhaust	FP-V843		For gasoline; 1.6535" Head Dia., .3719" Stem Dia., 5.8425" O.A.L.
4	Exhaust	V-843 +	Std Only	For gasoline; 1.6535" Head Dia., .3719" Stem Dia., 5.8425" O.A.L.; When depleted use FP-V843
16	Keeper	VK-138		1 groove; Square cut key groove
16	Keeper	VK-138R		1 groove; Square cut key groove; Hardened
16	Keeper, Bulk	VK-138B		1 groove; Square cut key groove; Carton of 1000
QTY	VALVE SEAT	PART NO.	SIZE	DESCRIPTION
4	Exh.	245-1812-7	Std Only	1.8175" OD, 1.4375" ID, .2480" Depth
4	Int.	245-1875-1	Std Only	1.8810" OD, 1.6100" ID, .2485" Depth
QTY	VALVE GUIDE	PART NO.	SIZE	DESCRIPTION
8	Guide	FP-VG226		For distillate; .3750" ID, 2.7500" O.A.L.
8	Guide	VG-226 +		For distillate; .3750" ID, 2.7500" O.A.L.; When depleted use FP-VG226
8	Guide	FP-VG362		Gas & LPG Engs.; .3745" ID, 3.2190" O.A.L.

(continued on next page)

IHC Tractor

46 Power Unit C248, IU6, U6 Engs. Wheel Tractor C248 Eng. Crawler Tractor C248 Eng.
(cont.) 4.1L 248 L4, 3.875" Bore

CYL. HEAD & PARTS (cont.)				
QTY	DESCRIPTION	PART NO.	SIZE	DESCRIPTION
8	VALVE GUIDE (cont.) Guide	VG-362 +		Gas & LPG Engs.; .3745" ID, 3.2190" O.A.L.; When depleted use FP-VG362
8	VALVE SPRING Spring	FP-VS425		2.5780" Free Height
8	Spring	VS-425 +		2.5780" Free Height; When depleted use FP-VS425
8	VALVE SEAL Valve Stem Seal	ST-2002		Installation requires valve guide machining; Polyacrylate
8	Valve Stem Seal Bulk	ST-2002BC		Positive type; Installation requires valve guide machining; Carton of 100; Polyacrylate
ENGINE BLOCK & PARTS				
1	GASKET SETS Kit Gasket Set	FP-2601377		
1	Kit Gasket Set	260-1377		
1	CAM BEARINGS Cam Set	FP-1106M	Std Only	
1	Cam Set	1106M + Std Only		When depleted use FP-1106M
CRANKSHAFT/OIL PUMP				
1	MAIN BEARINGS Main Set	FP-576M	Std-2-10-20-30	Early Engs.
1	Main Set	576M + Std-2-10-20-30		Early Engs.; When depleted use FP-576M
1	Main Set	FP-942M	Std-2-10-20-30	Later Engs.
1	Main Set	942M + Std-2-10-20-30		Later Engs.; When depleted use FP-942M
CYLINDER COMPONENTS				
4	LINERS Dry Sleeve	FP-SL149M	Std Only	OVERBORE To 4.000"
4	Dry Sleeve	SL-149M + Std Only		OVERBORE To 4.000"; When depleted use FP-SL149M
4	Sleeve Assy.	FP-SL1696A	Std Only	OVERBORE To 4.000"
4	Sleeve Assy.	SL-1696A + Std Only		OVERBORE To 4.000"; When depleted use FP-SL1696A
4	PISTONS Pin Bushing	FP-1239V20		Bushing w/1.313" ID
4	Pin Bushing	1239V20 +		Bushing w/1.313" ID; When depleted use FP-1239V20
4	CONNECTING RODS & BRGS. Rod Pair	FP-1100CP	Std-2-10-20-30-40	Early Engs.
4	Rod Pair	1100CP + Std-2-10-20-30-40		Early Engs.; When depleted use FP-1100CP
4	Rod Pair	FP-2030SB	Std-2-10-20-30	Later Engs.
4	Rod Pair	2030SB + Std-2-10-20-30		Later Engs.; When depleted use FP-2030SB
1	PISTON RINGS Premium Set	FP-5138KX	Std Only	OVERBORE To 4.000"; Check piston grooving before supplying ring set; 2-3/32, 1-1/8, 1-1/4
1	Premium Set	5138KX + Std Only		OVERBORE To 4.000"; Check piston grooving before supplying ring set; 2-3/32, 1-1/8, 1-1/4; When depleted use FP-5138KX
1	Premium Set	FP-5194KX	Std Only	OVERBORE To 4.000"; Check piston grooving before supplying ring set; 3-3/32, 1-1/4
1	Premium Set	5194KX + Std Only		OVERBORE To 4.000"; Check piston grooving before supplying ring set; 3-3/32, 1-1/4; When depleted use FP-5194KX
1	Premium Set	FP-5357KX	Std Only	Use w/Alum. piston. Check piston grooving before supplying ring set; 3-3/32, 1-1/4
1	Premium Set	5357KX + Std Only		Use w/Alum. piston. Check piston grooving before supplying ring set; 3-3/32, 1-1/4; When depleted use FP-5357KX
1	Premium Set	FP-902KX	Std Only	Use w/Cast iron piston. Check piston grooving before supplying ring set; 1-1/8, 2-5/32, 1-1/4
1	Premium Set	902KX + Std Only		Use w/Cast iron piston. Check piston grooving before supplying ring set; 1-1/8, 2-5/32, 1-1/4; When depleted use FP-902KX
4	Premium Single Cylinder Set	W-5194KX Std Only		OVERBORE To 4.000"; Check piston grooving before supplying ring set; 3-3/32, 1-1/4
KITS				
1	OVERHAUL KIT Tractor Overhaul Kit	FP-KST1696A		OVERBORE To 4.000"; Early Engs. To Ser. No. 35463
1	Tractor Overhaul Kit	FP-KST1696C		OVERBORE To 4.000"; Late Engs. From Ser. No. 35463

Wheel Tractor D248 Eng. Crawler Tractor D248 Eng. 47
4.1L 248 Diesel L4, 3.875" Bore

CYL. HEAD & PARTS

QTY	VALVE	PART NO.	SIZE	DESCRIPTION
16	Keeper	VK-138		1 groove; Square cut key groove
16	Keeper	VK-138R		1 groove; Square cut key groove; Hardened
16	Keeper, Bulk	VK-138B		1 groove; Square cut key groove; Carton of 1000
QTY	VALVE SEAT	PART NO.	SIZE	DESCRIPTION
4	Exh.	245-1562-1 Std Only		1.5675" OD, 1.3125" ID, .2160" Depth
4	Int.	FP-24518125		1.8175" OD, 1.5000" ID, .2480" Depth
4	Int.	245-1812-5 + Std Only		1.8175" OD, 1.5000" ID, .2480" Depth; When depleted use FP-24518125
QTY	VALVE SEAL	PART NO.	SIZE	DESCRIPTION
8	Valve Stem Seal	ST-2002		Installation requires valve guide machining; Polyacrylate
8	Valve Stem Seal Bulk	ST-2002BC		Positive type; Installation requires valve guide machining; Carton of 100; Polyacrylate

CYLINDER COMPONENTS

QTY	PISTONS	PART NO.	SIZE	DESCRIPTION
4	Pin Bushing	FP-1239V20		

Combine C263 Eng. Cotton Picker C263 Eng. Harvester C263 Eng. Power Unit C263, 48
UC263 Engs. Wheel Tractor C263 Eng. Crawler Tractor C263 Eng. Wheel Loader C263 Eng.
4.3L 263 L6, 3.5625" Bore

CYL. HEAD & PARTS

QTY	VALVE	PART NO.	SIZE	DESCRIPTION
6	Intake	V-1542 Std Only		For Farmall 560, 660, Power unit U-263; 403 Combine To Ser. No. 7086; 1.6560" Head Dia., .3720" Stem Dia., 5.0860" O.A.L.
6	Intake	FP-V1543		For 403 Combine From Ser. No. 7087, 615 Combine, Farmall 656, 706 Tractors, International 656, 706, 2656, 2706, 3600 Series A, 3800, 3850 Tractors & 50 Forage Harvester; 1.7810" Head Dia., .3720" Stem Dia., 5.0720" O.A.L.
6	Exhaust	FP-V2007		Farmall 560, 660, Power Unit U-263, 656 gas. Eng. w/drive gear, 706, 2656 & 2706 tractors; 1.5160" Head Dia., .3715" Stem Dia., 5.0530" O.A.L.
6	Exhaust	V-2007 + Std Only		Farmall 560, 660, Power Unit U-263, 656 gas. Eng. w/drive gear, 706, 2656 & 2706 tractors; 1.5160" Head Dia., .3715" Stem Dia., 5.0530" O.A.L.; When depleted use FP-V2007
6	Exhaust	V-3928X + Std Only		Optional-H/D for V-2007; For all H/D & L.P.G. exc. 656 gas w/gear drive; For 3800 & 3850 tractors; 1.5160" Head Dia., .3715" Stem Dia., 5.0530" O.A.L.; When depleted use FP-V3928X
6	Exhaust	FP-V3928X		Optional-H/D for V-2007; Optional-H/D for V-2007; For all H/D & L.P.G. exc. 656 gas w/gear drive; For 3800 & 3850 tractors; 1.5160" Head Dia., .3715" Stem Dia., 5.0530" O.A.L.
24	Keeper	VK-138		1 groove; Square cut key groove
24	Keeper	VK-138R		1 groove; Square cut key groove; Hardened
24	Keeper, Bulk	VK-138B		1 groove; Square cut key groove; Carton of 1000
QTY	VALVE GUIDE	PART NO.	SIZE	DESCRIPTION
6	Guide	VG-499		Exh.; .3760" ID, 2.4100" O.A.L.
6	Guide	VG-499		Int.; Farmall 560, 660; UC263 To Ser. No. 95245; .3760" ID, 2.4100" O.A.L.
6	Guide	FP-VG862		Int.; For Farmall 656, 706, 2656, 2706, 3600A, 3850, 403, 615, 50; UC263 From Ser. No. 95246; .3760" ID, 2.2500" O.A.L.
6	Guide	VG-862 +		Int.; For Farmall 656, 706, 2656, 2706, 3600A, 3850, 403, 615, 50; UC263 From Ser. No. 95246; .3760" ID, 2.2500" O.A.L.; When depleted use FP-VG862
QTY	VALVE SPRING	PART NO.	SIZE	DESCRIPTION
12	Spring	FP-VS596		2.4370" Free Height
12	Spring	VS-596 +		2.4370" Free Height; When depleted use FP-VS596
QTY	PUSH RODS	PART NO.	SIZE	DESCRIPTION
12	Push Rod	FP-RP3127		For all exc. 560, 660 & Power unit U-263.; 12.6860" O.A.L.
QTY	VALVE MISC.	PART NO.	SIZE	DESCRIPTION
6	Rotocap	RC-107		Exh.
QTY	VALVE SEAL	PART NO.	SIZE	DESCRIPTION
12	Valve Stem Seal	ST-2004		Exh. & Int.; For Farmall 50, 403, 560, 615, 660 & U-263; Positive type; Installation requires valve guide machining; Rubber/PTFE
6	Valve Stem Seal	FP-MV1902		Exh.; Umbrella type; Rubber
6	Valve Stem Seal	MV-1233C		Int.; For Farmall 560, 660 To Ser. No. 25608; O-Ring; Rubber

(continued on next page)

IHC Tractor

48 Combine **C263 Eng. Cotton Picker C263 Eng. Harvester C263 Eng. Power Unit C263,**
 (cont.) **UC263 Engs. Wheel Tractor C263 Eng. Crawler Tractor C263 Eng. Wheel Loader C263 Eng.**
 4.3L 263 L6, 3.5625" Bore

CYL. HEAD & PARTS (cont.)				
QTY	VALVE SEAL (cont.)	PART NO.	SIZE	DESCRIPTION
6	Valve Stem Seal	FP-MV1902		Int.; For Farmall 560, 660, From Ser. No. 25609; For U263 To Ser. No. 95245; Umbrella type; Rubber
12	Valve Stem Seal Bulk	ST-2004BC		Exh. & Int.; For Farmall 50, 403, 560, 615, 660 & U-263; Positive type; Installation requires valve guide machining; Carton of 100; Rubber/PTFE
6	Valve Stem Seal Bulk	MV-1233		Int.; For Farmall 560, 660 To Ser. No. 25608; O-Ring; Carton of 100; Rubber
CAMSHAFT GROUP				
QTY	CAMSHAFT/LIFTER	PART NO.	SIZE	DESCRIPTION
12	Lifter	FP-911776		Exc. 560 & 660 Farmall & U-263 power unit; Mech.; .997" dia.
12	Lifter	AT-2041	Std Only	Exc. 560 & 660 Farmall & U-263 power unit; Mech.; .997" dia. body
ENGINE BLOCK & PARTS				
QTY	GASKET SETS	PART NO.	SIZE	DESCRIPTION
1	Kit Gasket Set	FP-2601371		
1	Kit Gasket Set	260-1371		
QTY	CAM BEARINGS	PART NO.	SIZE	DESCRIPTION
1	Cam Set	FP-1209M		
CRANKSHAFT/OIL PUMP				
QTY	SEALS - FRONT CRANK	PART NO.	SIZE	DESCRIPTION
1	Redi-Sleeve	99240		
1	Oil Seal	472856		
QTY	MAIN BEARINGS	PART NO.	SIZE	DESCRIPTION
1	Main Set	FP-4082M	Std-10-20-30	W/3.750" flange dia.
1	Main Set	4082M +	Std-10-20-30	W/3.750" flange dia.; When depleted use FP-4082M
1	Main Set	FP-4933M	Std-10-20-30	W/4.000" flange dia.
1	Main Set	4933M +	Std-10-20-30	W/4.000" flange dia.; When depleted use FP-4933M
QTY	OIL PUMP	PART NO.	SIZE	DESCRIPTION
1	Oil Pump	FP-22443367S		Models 560 & 660; From Ser. No. 32242, 656, 706, 2656, 3600A, 2706, 3850; Screen welded to pump cover, replaces O.E. No. 379138R91
1	Oil Pump	224-43367S +		Models 560 & 660; From Ser. No. 32242, 656, 706, 2656, 3600A, 2706, 3850; Screen welded to pump cover, replaces O.E. No. 379138R91; When depleted use FP-22443367S
1	Oil Pump	224-41185		403, 560, 615, U263; Replaces O.E. No. 230421R91
1	Pump Repair Kit	224-51185		560, 615, 656, 660, 706, 2656, 2706, 3600A, 3800, 3850
CYLINDER COMPONENTS				
QTY	LINERS	PART NO.	SIZE	DESCRIPTION
6	Dry Sleeve	FP-SL186M	Std Only	Exc. Non-Sleeved Engs.; Used in Models 403 & 615 Combine & Forage Harvester 50; Flange Dia. 4.165" & .190" thick
6	Dry Sleeve	SL-186M +	Std Only	Exc. Non-Sleeved Engs.; Used in Models 403 & 615 Combines & Forage Harvester 50; Flange Dia. 4.165" & .190" thick; When depleted use FP-SL186M
6	Sleeve Assy.	FP-SL2468	Std Only	Exc. 414 & 420 Cotton Picker To Ser. No. 32460; U263 Power Unit; 560 & 660 Wheel Tractor; T6 62 Series Tractor. Also, not for use in non-sleeved engs. Used in Combines 403 & 615 or Model 50 Forage Harvester.
6	Sleeve Assy.	SL-2468 +	Std Only	Exc. 414 & 420 Cotton Picker To Ser. No. 32460; U263 Power Unit; 560 & 660 Wheel Tractor; T6 62 Series Tractor. Also, not for use in non-sleeved engs. Used in Combines 403 & 615 or Model 50 Forage Harvester.; When depleted use FP-SL2468
6	Sleeve Assy.	FP-SL2060	Std Only	For 414 & 420 Cotton Picker To Ser. No. 32460; U263 Power Unit; 560 & 660 Wheel Tractor; T6 62 Series Crawler Tractor
6	Sleeve Assy.	SL-2060 +	Std Only	For 414 & 420 Cotton Picker To Ser. No. 32460; U263 Power Unit; 560 & 660 Wheel Tractor; T6 62 Series Crawler Tractor; When depleted use FP-SL2060
QTY	PISTONS	PART NO.	SIZE	DESCRIPTION
6	Cast Piston	FP-2468P	Std-30-40	Exc. 414 & 420 Cotton Picker To Ser. No. 32460; Exc. 414 & 420 Cotton Picker To Ser. No. 32460; U263 Power Unit; 560 & 660 Wheel Tractor; T6 62 Series Tractor; Cast; Oversizes for use in non-sleeved Engs.; 2-3/32", 1-1/4" Ring Groove, 2.024" CD, .8748" Pin Dia., Contoured Head; Stepped Dome .310" high and recessed; Repl. O.E. No. 378605R6

(continued on next page)

Combine C263 Eng. Cotton Picker C263 Eng. Harvester C263 Eng. Power Unit C263, 48 UC263 Engs. Wheel Tractor C263 Eng. Crawler Tractor C263 Eng. Wheel Loader C263 Eng. (cont.)
4.3L 263 L6, 3.5625" Bore

CYLINDER COMPONENTS (cont.)

QTY	PISTONS (cont.)	PART NO.	SIZE	DESCRIPTION
6	Cast Piston	2468P +	Std-30-40	Exc. 414 & 420 Cotton Picker To Ser. No. 32460; U263 Power Unit; 560 & 660 Wheel Tractor; T6 62 Series Tractor; Cast; Oversizes for use in non-sleeved Eng.s.; 2-3/32", 1-1/4" Ring Groove, 2.024" CD, .8748" Pin Dia., Contoured Head; Stepped Dome .310" high and recessed; Repl. O.E. No. 378605R6; When depleted use FP-2468P
6	Cast Piston	FP-2060P	Std Only	For 414 & 420 Cotton Picker To Ser. No. 32460; For 414 & 420 Cotton Picker To Ser. No. 32460; U263 Power Unit; 560 & 660 Wheel Tractor; T6 62 Series Crawler Tractor; Cast; 2-3/32", 1-1/4" Ring Groove, 1.795 plus dome" CD, .8750" Pin Dia., Domed Head .590" high; Repl. O.E. No. 367642R1
6	Cast Piston	2060P +	Std Only	For 414 & 420 Cotton Picker To Ser. No. 32460; U263 Power Unit; 560 & 660 Wheel Tractor; T6 62 Series Crawler Tractor; Cast; 2-3/32", 1-1/4" Ring Groove, 1.795 plus dome" CD, .8750" Pin Dia., Domed Head .590" high; Repl. O.E. No. 367642R1; When depleted use FP-2060P

QTY	PISTON RINGS	PART NO.	SIZE	DESCRIPTION
1	Premium Set	FP-5737KX	Std Only	2-3/32, 1-1/4
1	Premium Set	5737KX +	Std Only	2-3/32, 1-1/4; When depleted use FP-5737KX
6	Premium Single Cylinder Set	W-5737KX	Std Only	2-3/32, 1-1/4

KITS

QTY	OVERHAUL KIT	PART NO.	SIZE	DESCRIPTION
1	Tractor Overhaul Kit	FP-KST2468A		Exc. Model 414 & 420 Cotton Picker; To Ser. No. 32460; U263, Model 560 & 660 Wheel Tractor & T6 62 Series Crawler Tractors; contains main brg. w/4.000" flange dia.
1	Tractor Overhaul Kit	FP-KST2468C		Exc. Model 414 & 420 Cotton Picker; To Ser. No. 32460; U263, Model 560 & 660 Wheel Tractor & T6 62 Series Crawler Tractors; contains main brg. w/3.750" flange dia.
1	Tractor Overhaul Kit	FP-KST2060A		Model 414 & 420 Cotton Picker To Ser. No. 32460, U263 Power Unit, Model 560 & 660 Wheel Tractor, T6 62 Series Crawler Tractor; contains main brg. w/4.000" flange dia.
1	Tractor Overhaul Kit	FP-KST2060C		Model 414 & 420 Cotton Picker To Ser. No. 32460, U263 Power Unit, Model 560 & 660 Wheel Tractor, T6 62 Series Crawler Tractor; contains main brg. w/3.750" flange dia.

Power Unit C264, U264, UC264 Engs. Wheel Tractor C264 Eng. 49
4.3L 264 L4, 4" Bore

CYL. HEAD & PARTS

QTY	VALVE	PART NO.	SIZE	DESCRIPTION
4	Intake	FP-V844		For gasoline & L.P.G. Exc. Farmall 400, 400 Hi-Clear, Wheel 400; 1.8110" Head Dia., .3715" Stem Dia., 5.8425" O.A.L.
4	Intake	V-844 +	Std Only	For gasoline & L.P.G. Exc. Farmall 400, 400 Hi-Clear, Wheel 400; 1.8110" Head Dia., .3715" Stem Dia., 5.8425" O.A.L.; When depleted use FP-V844
4	Intake	FP-V1219		For Farmall 400, 400 Hi-Clear, Wheel 400, gasoline only; 1.8120" Head Dia., .3715" Stem Dia., 6.0620" O.A.L.
4	Intake	V-1219 +	Std Only	For Farmall 400, 400 Hi-Clear, Wheel 400, gasoline only; 1.8120" Head Dia., .3715" Stem Dia., 6.0620" O.A.L.; When depleted use FP-V1219
4	Exhaust	FP-V843		1.6535" Head Dia., .3719" Stem Dia., 5.8425" O.A.L.
4	Exhaust	V-843 +	Std Only	1.6535" Head Dia., .3719" Stem Dia., 5.8425" O.A.L.; When depleted use FP-V843
4	Exhaust	FP-V1218X		1.6560" Head Dia., .3715" Stem Dia., 6.0730" O.A.L.
4	Exhaust	V-1218X +	Std Only	1.6560" Head Dia., .3715" Stem Dia., 6.0730" O.A.L.; When depleted use FP-V1218X
16	Keeper	VK-138		1 groove; Square cut key groove
16	Keeper	VK-138R		1 groove; Square cut key groove; Hardened
16	Keeper, Bulk	VK-138B		1 groove; Square cut key groove; Carton of 1000
QTY	VALVE SEAT	PART NO.	SIZE	DESCRIPTION
4	Exh.	245-1812-7	Std Only	1.8175" OD, 1.4375" ID, .2480" Depth
4	Int.	245-1875-1	Std Only	1.8810" OD, 1.6100" ID, .2485" Depth
QTY	VALVE GUIDE	PART NO.	SIZE	DESCRIPTION
8	Guide	FP-VG362		Gas & LPG Eng.s.; .3745" ID, 3.2190" O.A.L.
8	Guide	VG-362 +		Gas & LPG Eng.s.; .3745" ID, 3.2190" O.A.L.; When depleted use FP-VG362

(continued on next page)

IHC Tractor

49 Power Unit C264, U264, UC264 Engs. Wheel Tractor C264 Eng. (cont.) 4.3L 264 L4, 4" Bore

CYL. HEAD & PARTS (cont.)				
QTY	VALVE SPRING	PART NO.	SIZE	DESCRIPTION
8	Spring	FP-VS425		2.5780" Free Height
8	Spring	VS-425 +		2.5780" Free Height; When depleted use FP-VS425
QTY	VALVE SEAL	PART NO.	SIZE	DESCRIPTION
8	Valve Stem Seal	ST-2002		Installation requires valve guide machining; Polyacrylate
8	Valve Stem Seal Bulk	ST-2002BC		Positive type; Installation requires valve guide machining; Carton of 100; Polyacrylate
ENGINE BLOCK & PARTS				
QTY	GASKET SETS	PART NO.	SIZE	DESCRIPTION
1	Kit Gasket Set	FP-2601378		
1	Kit Gasket Set	260-1378		
QTY	CAM BEARINGS	PART NO.	SIZE	DESCRIPTION
1	Cam Set	FP-1106M	Std Only	
1	Cam Set	1106M +	Std Only	When depleted use FP-1106M
CRANKSHAFT/OIL PUMP				
QTY	SEALS - FRONT CRANK	PART NO.	SIZE	DESCRIPTION
1	Redi-Sleeve	99260		
1	Oil Seal	410708		
QTY	MAIN BEARINGS	PART NO.	SIZE	DESCRIPTION
1	Main Set	FP-942M	Std-2-10-20-30	
1	Main Set	942M +	Std-2-10-20-30	When depleted use FP-942M
CYLINDER COMPONENTS				
QTY	LINERS	PART NO.	SIZE	DESCRIPTION
4	Sleeve Assy.	FP-SL2442	Std Only	OVERBORE To 4.125"; Exc. 400 and W400 from Ser. No. 163808
4	Sleeve Assy.	SL-2442 +	Std Only	OVERBORE To 4.125"; Exc. 400 and W400 from Ser. No. 163808; When depleted use FP-SL2442
QTY	PISTONS	PART NO.	SIZE	DESCRIPTION
4	Cast Piston	FP-2442P	Std Only	OVERBORE To 4.125"; Exc. 400 & W400 From Ser. No. 163808; Cast; 1-3/32", 2-1/8", 1-3/16" Ring Groove, 3.125" CD, 1.3130" Pin Dia., Domed Head .187" high
4	Cast Piston	2442P +	Std Only	OVERBORE To 4.125"; Exc. 400 & W400 From Ser. No. 163808; Cast; 1-3/32", 2-1/8", 1-3/16" Ring Groove, 3.125" CD, 1.3130" Pin Dia., Domed Head .187" high; When depleted use FP-2442P
4	Pin Bushing	FP-1239V20		1.3134" ID
4	Pin Bushing	1239V20 +		1.3134" ID; When depleted use FP-1239V20
QTY	CONNECTING RODS & BRGS.	PART NO.	SIZE	DESCRIPTION
4	Rod Pair	FP-2030SB	Std-2-10-20-30	
4	Rod Pair	2030SB +	Std-2-10-20-30	When depleted use FP-2030SB
QTY	PISTON RINGS	PART NO.	SIZE	DESCRIPTION
4	Ring Set Single Cylinder	FP-A40364	STD	OVERBORE To 4.125"; Check piston grooving before supplying ring set; 3-3/32, 1-1/4
1	Premium Set	FP-5368KX	Std Only	OVERBORE To 4.125"; Check piston grooving before supplying ring set; 2-3/32, 1-1/8, 1-1/4
1	Premium Set	5368KX +	Std Only	OVERBORE To 4.125"; Check piston grooving before supplying ring set; 2-3/32, 1-1/8, 1-1/4; When depleted use FP-5368KX
1	Premium Set	FP-A40364S	STD	OVERBORE To 4.125"; Check piston grooving before supplying ring set; 3-3/32, 1-1/4
1	Premium Set	FP-5194KX	Std Only	3-3/32, 1-1/4
1	Premium Set	5194KX +	Std Only	3-3/32, 1-1/4; When depleted use FP-5194KX
4	Premium Single Cylinder Set	W-5368KX	Std Only	OVERBORE To 4.125", Check piston grooving before supplying ring set; 2-3/32, 1-1/8, 1-1/4
4	Premium Single Cylinder Set	W-5538KX	Std Only	OVERBORE To 4.125", Check piston grooving before supplying ring set; 3-3/32, 1-1/4
4	Premium Single Cylinder Set	W-5194KX	Std Only	3-3/32, 1-1/4
KITS				
QTY	OVERHAUL KIT	PART NO.	SIZE	DESCRIPTION
1	Tractor Overhaul Kit	FP-KST2442A		OVERBORE To 4.125"; Exc. Wheel Tractor Models 400 & W400 From Ser. No. 163808; contains 1.313" dia. piston pin

Power Unit D264, IUD6, UD264 Engs. Wheel Tractor D264 Eng. 50
4.3L 264 Diesel L4, 4" Bore

CYL. HEAD & PARTS

QTY	VALVE	PART NO.	SIZE	DESCRIPTION
16	Keeper	VK-138		1 groove; Square cut key groove
16	Keeper	VK-138R		1 groove; Square cut key groove; Hardened
16	Keeper, Bulk	VK-138B		1 groove; Square cut key groove; Carton of 1000
QTY	VALVE SEAT	PART NO.	SIZE	DESCRIPTION
4	Exh.	245-1562-1 Std Only		1.5675" OD, 1.3125" ID, .2160" Depth
4	Int.	FP-24518125		1.8175" OD, 1.5000" ID, .2480" Depth
4	Int.	245-1812-5 + Std Only		1.8175" OD, 1.5000" ID, .2480" Depth; When depleted use FP-24518125
QTY	VALVE SEAL	PART NO.	SIZE	DESCRIPTION
8	Valve Stem Seal	ST-2002		Installation requires valve guide machining; Polyacrylate
8	Valve Stem Seal Bulk	ST-2002BC		Positive type; Installation requires valve guide machining; Carton of 100; Polyacrylate

CRANKSHAFT/OIL PUMP

QTY	SEALS - FRONT CRANK	PART NO.	SIZE	DESCRIPTION
1	Redi-Sleeve	99260		
1	Oil Seal	410708		

Wheel Tractor C264 Eng. (LPG) 51
4.3L 264 OHV LPG L4, 4" Bore

CYL. HEAD & PARTS

QTY	VALVE	PART NO.	SIZE	DESCRIPTION
4	Intake	FP-V844		For gasoline & L.P.G. Exc. Farmall 400, 400 Hi-Clear, Wheel 400; 1.8110" Head Dia., .3715" Stem Dia., 5.8425" O.A.L.
4	Intake	V-844 + Std Only		For gasoline & L.P.G. Exc. Farmall 400, 400 Hi-Clear, Wheel 400; 1.8110" Head Dia., .3715" Stem Dia., 5.8425" O.A.L.; When depleted use FP-V844
4	Intake	FP-V1219		For Farmall 400, 400 Hi-Clear, Wheel 400, gasoline only; 1.8120" Head Dia., .3715" Stem Dia., 6.0620" O.A.L.
4	Intake	V-1219 + Std Only		For Farmall 400, 400 Hi-Clear, Wheel 400, gasoline only; 1.8120" Head Dia., .3715" Stem Dia., 6.0620" O.A.L.; When depleted use FP-V1219
4	Exhaust	FP-V843		1.6535" Head Dia., .3719" Stem Dia., 5.8425" O.A.L.
4	Exhaust	V-843 + Std Only		1.6535" Head Dia., .3719" Stem Dia., 5.8425" O.A.L.; When depleted use FP-V843
4	Exhaust	FP-V1218X		1.6560" Head Dia., .3715" Stem Dia., 6.0730" O.A.L.
4	Exhaust	V-1218X + Std Only		1.6560" Head Dia., .3715" Stem Dia., 6.0730" O.A.L.; When depleted use FP-V1218X
16	Keeper	VK-138		1 groove; Square cut key groove
16	Keeper	VK-138R		1 groove; Square cut key groove; Hardened
16	Keeper, Bulk	VK-138B		1 groove; Square cut key groove; Carton of 1000
QTY	VALVE GUIDE	PART NO.	SIZE	DESCRIPTION
8	Guide	FP-VG362		Gas & LPG Engs.; .3745" ID, 3.2190" O.A.L.
8	Guide	VG-362 +		Gas & LPG Engs.; .3745" ID, 3.2190" O.A.L.; When depleted use FP-VG362
QTY	VALVE SPRING	PART NO.	SIZE	DESCRIPTION
8	Spring	FP-VS425		2.5780" Free Height
8	Spring	VS-425 +		2.5780" Free Height; When depleted use FP-VS425
QTY	VALVE SEAL	PART NO.	SIZE	DESCRIPTION
8	Valve Stem Seal	ST-2002		Installation requires valve guide machining; Polyacrylate
8	Valve Stem Seal Bulk	ST-2002BC		Positive type; Installation requires valve guide machining; Carton of 100; Polyacrylate

ENGINE BLOCK & PARTS

QTY	GASKET SETS	PART NO.	SIZE	DESCRIPTION
1	Kit Gasket Set	FP-2601378		
1	Kit Gasket Set	260-1378		
QTY	CAM BEARINGS	PART NO.	SIZE	DESCRIPTION
1	Cam Set	FP-1106M	Std Only	
1	Cam Set	1106M + Std Only		When depleted use FP-1106M

CRANKSHAFT/OIL PUMP

QTY	MAIN BEARINGS	PART NO.	SIZE	DESCRIPTION
1	Main Set	FP-942M	Std-2-10-20-30	Exc. Super W6-TA tractor
1	Main Set	942M + Std-2-10-20-30		Exc. Super W6-TA tractor; When depleted use FP-942M

(continued on next page)

IHC Tractor

51 Wheel Tractor C264 Eng. (LPG)

(cont.) 4.3L 264 OHV LPG L4, 4" Bore

CYLINDER COMPONENTS

QTY	LINERS	PART NO.	SIZE	DESCRIPTION
4	Sleeve Assy.	FP-SL2442	Std Only	OVERBORE To 4.125"; Exc. 400 and W400 from Ser. No. 163808
4	Sleeve Assy.	SL-2442 +	Std Only	OVERBORE To 4.125"; Exc. 400 and W400 from Ser. No. 163808; When depleted use FP-SL2442
QTY	PISTONS	PART NO.	SIZE	DESCRIPTION
4	Cast Piston	FP-2442P	Std Only	OVERBORE To 4.125"; Exc. 400 & W400 From Ser. No. 163808; Cast; 1-3/32", 2-1/8", 1-3/16" Ring Groove, 3.125" CD, 1.3130" Pin Dia., Domed Head .187" high
4	Cast Piston	2442P +	Std Only	OVERBORE To 4.125"; Exc. 400 & W400 From Ser. No. 163808; Cast; 1-3/32", 2-1/8", 1-3/16" Ring Groove, 3.125" CD, 1.3130" Pin Dia., Domed Head .187" high; When depleted use FP-2442P
4	Pin Bushing	FP-1239V20		Bushing w/1.313" ID
4	Pin Bushing	1239V20 +		Bushing w/1.313" ID; When depleted use FP-1239V20
QTY	CONNECTING RODS & BRGS.	PART NO.	SIZE	DESCRIPTION
4	Rod Pair	FP-2030SB	Std-2-10-20-30	Exc. Super W6-TA tractor
4	Rod Pair	2030SB +	Std-2-10-20-30	Exc. Super W6-TA tractor; When depleted use FP-2030SB
QTY	PISTON RINGS	PART NO.	SIZE	DESCRIPTION
4	Ring Set Single Cylinder	FP-A40364	STD	OVERBORE To 4.125"; Check piston grooving before supplying ring set; 3-3/32, 1-1/4
1	Premium Set	FP-5368KX	Std Only	OVERBORE To 4.125"; Check piston grooving before supplying ring set; 2-3/32, 1-1/8, 1-1/4
1	Premium Set	5368KX +	Std Only	OVERBORE To 4.125"; Check piston grooving before supplying ring set; 2-3/32, 1-1/8, 1-1/4; When depleted use FP-5368KX
1	Premium Set	FP-A40364S	STD	OVERBORE To 4.125"; Check piston grooving before supplying ring set; 3-3/32, 1-1/4
1	Premium Set	FP-5194KX	Std Only	3-3/32, 1-1/4
1	Premium Set	5194KX +	Std Only	3-3/32, 1-1/4; When depleted use FP-5194KX
4	Premium Single Cylinder Set	W-5368KX	Std Only	OVERBORE To 4.125", Check piston grooving before supplying ring set; 2-3/32, 1-1/8, 1-1/4
4	Premium Single Cylinder Set	W-5538KX	Std Only	OVERBORE To 4.125", Check piston grooving before supplying ring set; 3-3/32, 1-1/4
4	Premium Single Cylinder Set	W-5194KX	Std Only	3-3/32, 1-1/4
KITS				
QTY	OVERHAUL KIT	PART NO.	SIZE	DESCRIPTION
1	Tractor Overhaul Kit	FP-KST2442A		OVERBORE To 4.125"; Exc. Wheel Tractor Models 400 & W400 From Ser. No. 163808; contains 1.313" dia. piston pin

52 Combine BD264 Eng. Cotton Picker BD264 Eng.

4.3L 264 OHV L6 (12 Valve), 3.6875" Bore (International Eng.)

CYL. HEAD & PARTS

QTY	VALVE	PART NO.	SIZE	DESCRIPTION
6	Intake	FP-V1543		1.7810" Head Dia., .3720" Stem Dia., 5.0720" O.A.L.
6	Exhaust	V-1327X	Std Only	Rototype; Free valve; 1.5160" Head Dia., .3715" Stem Dia., 4.9910" O.A.L.
12	Keeper	VK-138R		Exh.; Use w/Rotocaps; 1 groove; Square cut key groove; Hardened
12	Keeper	VK-138		Exh.; W/Rototype Free valve; 1 groove; Square cut key groove
6	Keeper	VK-138		Int.; 1 groove; Square cut key groove
6	Keeper	VK-138R		Int.; 1 groove; Square cut key groove; Hardened
12	Keeper, Bulk	VK-138B		Exh.; W/Rototype; 1 groove; Square cut key groove; Carton of 1000
12	Keeper, Bulk	VK-138B		Int.; W/Rototype; 1 groove; Square cut key groove; Carton of 1000
QTY	VALVE GUIDE	PART NO.	SIZE	DESCRIPTION
12	Guide	VG-499		.3760" ID, 2.4100" O.A.L.
QTY	VALVE SPRING	PART NO.	SIZE	DESCRIPTION
12	Spring	VS-547		Rototype; Free valve; 2.2650" Free Height
12	Spring	VS-389		2.6870" Free Height
QTY	VALVE SEAL	PART NO.	SIZE	DESCRIPTION
12	Valve Stem Seal	ST-2002		Installation requires valve guide machining; Polyacrylate
6	Valve Stem Seal	MV-1233C		Int.; O-Ring; Rubber
12	Valve Stem Seal Bulk	ST-2002BC		Positive type; Installation requires valve guide machining; Carton of 100; Polyacrylate

(continued on next page)

Combine BD264 Eng. Cotton Picker BD264 Eng. 52
4.3L 264 OHV L6 (12 Valve), 3.6875" Bore (International Eng.) (cont.)

CYL. HEAD & PARTS (cont.)

QTY	VALVE SEAL (cont.)	PART NO.	SIZE	DESCRIPTION
6	Valve Stem Seal Bulk	MV-1233		Int.; O-Ring; Carton of 100; Rubber
CAMSHAFT GROUP				
QTY	CAMSHAFT/LIFTER	PART NO.	SIZE	DESCRIPTION
12	Lifter	FP-911776		Mech.; .997" dia.
12	Lifter	AT-2041 Std Only		Mech.; .997" dia. body
ENGINE BLOCK & PARTS				
QTY	CAM BEARINGS	PART NO.	SIZE	DESCRIPTION
1	Cam Set	FP-1209M		
CRANKSHAFT/OIL PUMP				
QTY	SEALS - FRONT CRANK	PART NO.	SIZE	DESCRIPTION
1	Redi-Sleeve	99260		
1	Oil Seal	410708		
QTY	MAIN BEARINGS	PART NO.	SIZE	DESCRIPTION
1	Main Set	4093M10 10		Full grooved; w/high volume oil pump
1	Main Set	935M Std-10-20		Partial grooved; w/std. oil pump
CYLINDER COMPONENTS				
QTY	LINERS	PART NO.	SIZE	DESCRIPTION
6	Repair Sleeve	FP-SL17Y	Std Only	1/8" wall, must be cut to correct length
6	Repair Sleeve	SL-17Y +	Std Only	1/8" wall, must be cut to correct length; When depleted use FP-SL17Y
QTY	PISTONS	PART NO.	SIZE	DESCRIPTION
6	Pin Bushing	1579V		
QTY	CONNECTING RODS & BRGS.	PART NO.	SIZE	DESCRIPTION
1	Rod Set	6-1575CPA Std-10		
6	Rod Pair	1575CPA Std-10-20-40		
QTY	PISTON RINGS	PART NO.	SIZE	DESCRIPTION
1	Premium Set	5576KX Std-30		1-3/32, 1-1/8, 1-3/16

Wheel Tractor D281 Eng. Crawler Tractor D281 Eng. 53
4.6L 281 Diesel L4, 4.125" Bore

CYL. HEAD & PARTS

QTY	VALVE	PART NO.	SIZE	DESCRIPTION
16	Keeper	VK-138		Exc. Starting valve; 1 groove; Square cut key groove
16	Keeper	VK-138R		Exc. Starting valve; 1 groove; Square cut key groove; Hardened
16	Keeper, Bulk	VK-138B		Exc. Starting valve; 1 groove; Square cut key groove; Carton of 1000
QTY	VALVE SEAT	PART NO.	SIZE	DESCRIPTION
4	Exh.	245-1562-1 Std Only		1.5675" OD, 1.3125" ID, .2160" Depth
4	Int.	FP-24518125		1.8175" OD, 1.5000" ID, .2480" Depth
4	Int.	245-1812-5 + Std Only		1.8175" OD, 1.5000" ID, .2480" Depth; When depleted use FP-24518125
QTY	VALVE SEAL	PART NO.	SIZE	DESCRIPTION
8	Valve Stem Seal	ST-2002		Installation requires valve guide machining; Polyacrylate
8	Valve Stem Seal Bulk	ST-2002BC		Positive type; Installation requires valve guide machining; Carton of 100; Polyacrylate

Wheel Tractor C281 Eng. 54
4.6L 281 L4, 4.125" Bore

CYL. HEAD & PARTS

QTY	VALVE	PART NO.	SIZE	DESCRIPTION
4	Intake	FP-V1219		For gasoline & LPG To Ser. No. 161409; 1.8120" Head Dia., .3715" Stem Dia., 6.0620" O.A.L.
4	Intake	V-1219 + Std Only		For gasoline & LPG To Ser. No. 161409; 1.8120" Head Dia., .3715" Stem Dia., 6.0620" O.A.L.; When depleted use FP-V1219
4	Exhaust	FP-V1218X		For gasoline & LPG To Ser. No. 161409; 1.6560" Head Dia., .3715" Stem Dia., 6.0730" O.A.L.
4	Exhaust	V-1218X + Std Only		For gasoline & LPG To Ser. No. 161409; 1.6560" Head Dia., .3715" Stem Dia., 6.0730" O.A.L.; When depleted use FP-V1218X

(continued on next page)

+ Superseded Part Number

IHC Tractor

54 Wheel Tractor C281 Eng. (cont.) 4.6L 281 L4, 4.125" Bore

CYL. HEAD & PARTS (cont.)				
QTY	VALVE (cont.)	PART NO.	SIZE	DESCRIPTION
16	Keeper	VK-138		1 groove; Square cut key groove
16	Keeper	VK-138R		1 groove; Square cut key groove; Hardened
16	Keeper, Bulk	VK-138B		1 groove; Square cut key groove; Carton of 1000
QTY	VALVE SEAT	PART NO.	SIZE	DESCRIPTION
4	Exh.	245-1812-7	Std Only	1.8175" OD, 1.4375" ID, .2480" Depth
4	Int.	245-1875-1	Std Only	1.8810" OD, 1.6100" ID, .2485" Depth
QTY	VALVE GUIDE	PART NO.	SIZE	DESCRIPTION
8	Guide	FP-VG362		Gas & LPG Eng.s.; To Ser. No. 161409; .3745" ID, 3.2190" O.A.L.
8	Guide	VG-362 +		Gas & LPG Eng.s.; To Ser. No. 161409; .3745" ID, 3.2190" O.A.L.; When depleted use FP-VG362
QTY	VALVE SPRING	PART NO.	SIZE	DESCRIPTION
8	Spring	FP-VS425		2.5780" Free Height
8	Spring	VS-425 +		2.5780" Free Height; When depleted use FP-VS425
QTY	VALVE SEAL	PART NO.	SIZE	DESCRIPTION
8	Valve Stem Seal	ST-2002		Installation requires valve guide machining; Polyacrylate
8	Valve Stem Seal Bulk	ST-2002BC		Positive type; Installation requires valve guide machining; Carton of 100; Polyacrylate
ENGINE BLOCK & PARTS				
QTY	GASKET SETS	PART NO.	SIZE	DESCRIPTION
1	Kit Gasket Set	FP-2601378		
1	Kit Gasket Set	260-1378		
QTY	CAM BEARINGS	PART NO.	SIZE	DESCRIPTION
1	Cam Set	FP-1106M	Std Only	
1	Cam Set	1106M +	Std Only	When depleted use FP-1106M
CRANKSHAFT/OIL PUMP				
QTY	SEALS - FRONT CRANK	PART NO.	SIZE	DESCRIPTION
1	Redi-Sleeve	99260		
1	Oil Seal	410708		
QTY	MAIN BEARINGS	PART NO.	SIZE	DESCRIPTION
1	Main Set	FP-942M	Std-2-10-20-30	
1	Main Set	942M +	Std-2-10-20-30	When depleted use FP-942M
CYLINDER COMPONENTS				
QTY	PISTONS	PART NO.	SIZE	DESCRIPTION
4	Pin Bushing	FP-1239V20		Bushing w/1.313" ID
4	Pin Bushing	1239V20 +		Bushing w/1.313" ID; When depleted use FP-1239V20
QTY	CONNECTING RODS & BRGS.	PART NO.	SIZE	DESCRIPTION
4	Rod Pair	FP-2030SB	Std-2-10-20-30	
4	Rod Pair	2030SB +	Std-2-10-20-30	When depleted use FP-2030SB
QTY	PISTON RINGS	PART NO.	SIZE	DESCRIPTION
4	Ring Set Single Cylinder	FP-A40364	STD	3-3/32, 1-1/4
1	Premium Set	FP-A40364S	STD	3-3/32, 1-1/4
4	Premium Single Cylinder Set	W-5538KX	Std Only	3-3/32, 1-1/4

55 Combine C282 Eng. Wheel Tractor C282 Eng. 4.6L 282 L6, 3.6875" Bore

CYL. HEAD & PARTS				
QTY	VALVE	PART NO.	SIZE	DESCRIPTION
6	Intake	FP-V1543		403 Combine; From Ser. No. 7088; 1.7810" Head Dia., .3720" Stem Dia., 5.0720" O.A.L.
6	Intake	V-1542	Std Only	403 Combine; To Ser. No. 7087; 1.6560" Head Dia., .3720" Stem Dia., 5.0860" O.A.L.
6	Intake	FP-V1543		503 Combine; From Ser. No. 2134; 1.7810" Head Dia., .3720" Stem Dia., 5.0720" O.A.L.
6	Intake	V-1542	Std Only	503 Combine; To Ser. No. 2133; 1.6560" Head Dia., .3720" Stem Dia., 5.0860" O.A.L.
6	Exhaust	FP-V3928X		1.5160" Head Dia., .3715" Stem Dia., 5.0530" O.A.L.
6	Exhaust	V-3928X +	Std Only	1.5160" Head Dia., .3715" Stem Dia., 5.0530" O.A.L.; When depleted use FP-V3928X
24	Keeper	VK-138		1 groove; Square cut key groove
24	Keeper	VK-138R		1 groove; Square cut key groove; Hardened

(continued on next page)

Combine C282 Eng. Wheel Tractor C282 Eng. 55
4.6L 282 L6, 3.6875" Bore (cont.)

CYL. HEAD & PARTS (cont.)				
QTY	VALVE (cont.)	PART NO.	SIZE	DESCRIPTION
24	Keeper, Bulk	VK-138B		1 groove; Square cut key groove; Carton of 1000
6	Int.	245-1687-3 Std Only		1.6925" OD, 1.4375" ID, .2480" Depth
6	Guide	VG-499		Exh.; .3760" ID, 2.4100" O.A.L.
6	Guide	FP-VG862		Int.; .3760" ID, 2.2500" O.A.L.
6	Guide	VG-862 +		Int.; .3760" ID, 2.2500" O.A.L.; When depleted use FP-VG862
12	Spring	FP-VS596		2.4370" Free Height
12	Spring	VS-596 +		2.4370" Free Height; When depleted use FP-VS596
12	Push Rod	FP-RP3127		12.6860" O.A.L.
6	Rotocap	RC-107		Exh.
12	Valve Stem Seal	ST-2002		Installation requires valve guide machining; Polyacrylate
12	Valve Stem Seal	ST-2001		Positive type; Installation requires valve guide machining; Rubber/PTFE
6	Valve Stem Seal	FP-MV1902		Exh.; Umbrella type; Rubber
12	Valve Stem Seal Bulk	ST-2002BC		Positive type; Installation requires valve guide machining; Carton of 100; Polyacrylate
12	Valve Stem Seal Bulk	ST-2001BC		Positive type; Installation requires valve guide machining; Carton of 100; Rubber/PTFE
CAMSHAFT GROUP				
12	Lifter	FP-911776		Mech.; .997" dia.
12	Lifter	AT-2041 Std Only		Mech.; .997" dia. body
ENGINE BLOCK & PARTS				
1	Kit Gasket Set	FP-2601371		
1	Kit Gasket Set	260-1371		
1	Cam Set	FP-1209M		
CRANKSHAFT/OIL PUMP				
1	Redi-Sleeve	99240		
1	Oil Seal	472856		
1	Main Set	FP-4082M Std-10-20-30		W/3.750" flange dia.
1	Main Set	4082M + Std-10-20-30		W/3.750" flange dia.; When depleted use FP-4082M
1	Main Set	FP-4933M Std-10-20-30		W/4.000" flange dia.
1	Main Set	4933M + Std-10-20-30		W/4.000" flange dia.; When depleted use FP-4933M
1	Oil Pump	224-41185		For 403, 503; Replaces O.E. No. 230421R91
1	Pump Repair Kit	224-51185		For 403, 503
CYLINDER COMPONENTS				
6	Repair Sleeve	FP-SL17Y	Std Only	1/8" wall, must be cut to correct length
6	Repair Sleeve	SL-17Y + Std Only		1/8" wall, must be cut to correct length; When depleted use FP-SL17Y
6	Pin Bushing	FP-1744Y20		From Ser. No. 4370 & Up
6	Pin Bushing	1579V		From Ser. No. 501 to 4369

IHC Tractor

56 Combine D282 Eng. Cotton Picker D282 Eng. Loader D282 Eng. Wheel Tractor D282 Eng. Crawler Tractor D282 Eng. Wheel Loader D282 Eng.
4.6L 282 Diesel L6, 3.6875" Bore

CYL. HEAD & PARTS

QTY	VALVE	PART NO.	SIZE	DESCRIPTION
6	Intake	FP-V1574		Exc. 656, 2656, 706, 2706, 3600A, 3800, 3850 Tractors; 403 & 615 Combines, 416 & 422 Cotton Pickers; 1.6520" Head Dia., .3720" Stem Dia., 6.0620" O.A.L.
6	Intake	V-1574 +	Std Only	Exc. 656, 2656, 706, 2706, 3600A, 3800, 3850 Tractors; 403 & 615 Combines, 416 & 422 Cotton Pickers; 1.6520" Head Dia., .3720" Stem Dia., 6.0620" O.A.L.; When depleted use FP-V1574
6	Intake	FP-V2101		For 656, 2656, 706, 2706, 3600A, 3800, 3850 Tractors; 403 & 615 Combines, 416 & 422 Cotton Pickers; 1.6772" Head Dia., .3720" Stem Dia., 6.0374" O.A.L.
6	Intake	V-2101 +	Std Only	For 656, 2656, 706, 2706, 3600A, 3800, 3850 Tractors; 403 & 615 Combines, 416 & 422 Cotton Pickers; 1.6772" Head Dia., .3720" Stem Dia., 6.0374" O.A.L.
6	Exhaust	FP-V1573		1.2933" Head Dia., .3719" Stem Dia., 6.0669" O.A.L.
6	Exhaust	V-1573 +	Std Only	1.2933" Head Dia., .3719" Stem Dia., 6.0669" O.A.L.; When depleted use FP-V1573
6	Exhaust	FP-V2100		1.3750" Head Dia., .3720" Stem Dia., 6.0590" O.A.L.
6	Exhaust	V-2100 +	Std Only	1.3750" Head Dia., .3720" Stem Dia., 6.0590" O.A.L.; When depleted use FP-V2100
24	Keeper	VK-138		1 groove; Square cut key groove
24	Keeper	VK-138R		1 groove; Square cut key groove; Hardened
24	Keeper, Bulk	VK-138B		1 groove; Square cut key groove; Carton of 1000
QTY	VALVE SEAT	PART NO.	SIZE	DESCRIPTION
6	Int.	245-1750-4	Std Only	1.7555" OD, 1.4375" ID, .2480" Depth
QTY	VALVE GUIDE	PART NO.	SIZE	DESCRIPTION
12	Guide	FP-VG594		.3748" ID, 2.8300" O.A.L.
12	Guide	VG-594 +		.3748" ID, 2.8300" O.A.L.; When depleted use FP-VG594
QTY	VALVE SPRING	PART NO.	SIZE	DESCRIPTION
12	Spring	VS-547		Rototype; Free valve; 2.2650" Free Height
12	Spring	FP-VS596		Exh.; 2.4370" Free Height
12	Spring	VS-596 +		Exh.; 2.4370" Free Height; When depleted use FP-VS596
12	Spring	VS-389		Int.; 2.6870" Free Height
QTY	PUSH RODS	PART NO.	SIZE	DESCRIPTION
12	Push Rod	FP-RP3127		12.6860" O.A.L.
QTY	VALVE SEAL	PART NO.	SIZE	DESCRIPTION
12	Valve Stem Seal	ST-2002		Installation requires valve guide machining; Polyacrylate
6	Valve Stem Seal	MV-1796C		Int.; Umbrella type; Fits Std. to .015" O/S valve stem; Rubber
12	Valve Stem Seal Bulk	ST-2002BC		Positive type; Installation requires valve guide machining; Carton of 100; Polyacrylate
6	Valve Stem Seal Bulk	MV-1796		Int.; Umbrella type; Fits Std. to .015" O/S valve stem; Carton of 100; Rubber
CAMSHAFT GROUP				
QTY	CAMSHAFT/LIFTER	PART NO.	SIZE	DESCRIPTION
12	Lifter	FP-911776		Mech.; .997" dia.
12	Lifter	AT-2041	Std Only	Mech.; .997" dia. body
ENGINE BLOCK & PARTS				
QTY	GASKET SETS	PART NO.	SIZE	DESCRIPTION
1	Kit Gasket Set	FP-2601374		
1	Kit Gasket Set	260-1374 +		When depleted use FP-2601374
QTY	CAM BEARINGS	PART NO.	SIZE	DESCRIPTION
1	Cam Set	FP-1209M		
CRANKSHAFT/OIL PUMP				
QTY	MAIN BEARINGS	PART NO.	SIZE	DESCRIPTION
1	Main Set	FP-4082M	Std-10-20-30	W/3.750" flange dia.
1	Main Set	4082M +	Std-10-20-30	W/3.750" flange dia.; When depleted use FP-4082M
1	Main Set	FP-4933M	Std-10-20-30	W/4.000" flange dia.
1	Main Set	4933M +	Std-10-20-30	W/4.000" flange dia.; When depleted use FP-4933M
QTY	OIL PUMP	PART NO.	SIZE	DESCRIPTION
1	Oil Pump	224-41185		For 214, 220, 403, 414, 422, 560, 656, 660, 2656, 2706, 62 Series, 4D282 To Ser. No. 42217, H50A, H50B, H50C, TD6, 7D9, 706W From Ser. No. 51721; Replaces O.E. No. 230421R91

(continued on next page)

**Combine D282 Eng. Cotton Picker D282 Eng. Loader D282 Eng. Wheel Tractor D282 Eng. 56
Crawler Tractor D282 Eng. Wheel Loader D282 Eng. (cont.)
4.6L 282 Diesel L6, 3.6875" Bore**

CRANKSHAFT/OIL PUMP (cont.)

QTY	OIL PUMP (cont.)	PART NO.	SIZE	DESCRIPTION
1	Oil Pump	FP-22443367S		Models 560, 660; From Ser. No. 42218, Model 706 To Ser. No. 51721; Screen welded to pump cover, replaces O.E. No. 379138R91
1	Oil Pump	224-43367S +		Models 560, 660; From Ser. No. 42218, Model 706 To Ser. No. 51721; Screen welded to pump cover, replaces O.E. No. 379138R91; When depleted use FP-22443367S
1	Pump Repair Kit	224-51185		For 214, 220, 403, 414, 422, 560, 656, 660, 706, 2656, 2706, TD6, 7D9, 62 Series, H50A, H50B, H50C, UD282

CYLINDER COMPONENTS

QTY	LINERS	PART NO.	SIZE	DESCRIPTION
6	Dry Sleeve	FP-SL416M	Std Only	D282 From Ser. No. 71778; D282H From Ser. No. 10252; UD282 From Ser. No. 10228; Flange Dia. 3.875" & .070" thick
6	Dry Sleeve	SL-416M +	Std Only	D282 From Ser. No. 71778; D282H From Ser. No. 10252; UD282 From Ser. No. 10228; Flange Dia. 3.875" & .070" thick; When depleted use FP-SL416M
6	Dry Sleeve	FP-SL189M	Std-2-10	D282 To Ser. No. 71777; D282H Ser. No. 1137 To 10251; UD282 To Ser. No. 10227
6	Dry Sleeve	SL-189M +	Std-2-10	D282 To Ser. No. 71777; D282H Ser. No. 1137 To 10251; UD282 To Ser. No. 10227; When depleted use FP-SL189M
6	Cylinder Kit Complete	FP-SL2558	Std Only	D282 From Ser. No. 71778; D282H From Ser. No. 10252; UD282 From Ser. No. 10228
6	Sleeve Assy.	FP-SL2080	Std-2-10	D282 To Ser. No. 71777; D282H Ser. No. 1137 To 10251; UD282 To Ser. No. 10227
6	Sleeve Assy.	SL-2080 +	Std-2-10	D282 To Ser. No. 71777; D282H Ser. No. 1137 To 10251; UD282 To Ser. No. 10227; When depleted use FP-SL2080

QTY	PISTONS	PART NO.	SIZE	DESCRIPTION
6	Cast Piston	FP-2080P	Std Only	Engs. From Ser. No. 4370; Cast; 2-1/8", 1-1/4" Ring Groove, 2.031" CD, 1.1240" Pin Dia., Recessed Head .288" deep; Spherical shape w/2 valve reliefs; Repl. O.E. No. 318377R2
6	Cast Piston	2080P +	Std Only	Engs. From Ser. No. 4370; Cast; 2-1/8", 1-1/4" Ring Groove, 2.031" CD, 1.1240" Pin Dia., Recessed Head .288" deep; Spherical shape w/2 valve reliefs; Repl. O.E. No. 318377R2; When depleted use FP-2080P
6	Pin Bushing	FP-1744Y20		Engs. From Ser. No. 4370; Frg. Nos. 61349H & 306280R1, w/1.125 pin dia.
6	Pin Bushing	1744Y20 +		Engs. From Ser. No. 4370; Frg. Nos. 61349H & 306280R1, w/1.125 pin dia.; When depleted use FP-1744Y20
6	Pin Bushing	1579V		Engs. From Ser. No. 501 To 4369; Forging No. 367406R1; w/.875" pin dia.

QTY	CONNECTING RODS & BRGS.	PART NO.	SIZE	DESCRIPTION
6	Rod Pair	2410CP	Std-2-10-20-30-40	

QTY	PISTON RINGS	PART NO.	SIZE	DESCRIPTION
1	Premium Set	FP-5738KX	Std Only	Check piston grooving before supplying ring set; 2-1/8, 1-1/4
1	Premium Set	5738KX +	Std Only	Check piston grooving before supplying ring set; 2-1/8, 1-1/4; When depleted use FP-5738KX
6	Premium Single Cylinder Set	W-5738KX	Std Only	Check piston grooving before supplying ring set; 2-1/8, 1-1/4

KITS

QTY	OVERHAUL KIT	PART NO.	SIZE	DESCRIPTION
1	Tractor Overhaul Kit	FP-KST2558C		D-282 From Ser. No. 71778, D-282H From Ser. No. 10252, UD-282 From Ser. No. 10228, Eng. w/Main brg. w/4.000" flange dia.
1	Tractor Overhaul Kit	FP-KST2558D		D-282 From Ser. No. 71778, D-282H From Ser. No. 10252, UD-282 From Ser. No. 10228, Eng. w/Main brg. w/3.750" flange dia.
1	Tractor Overhaul Kit	FP-KST2080C		D-282 To Ser. No. 71777, D-282H Ser. No. 1137 to 10251, UD-282 To Ser. No. 10227, Eng. w/Main brg. w/4.000" flange dia.
1	Tractor Overhaul Kit	FP-KST2080D		D-282 To Ser. No. 71777, D-282H Ser. No. 1137 To 10251, UD-282 To Ser. No. 10227, Eng. w/Main brg. w/3.750" flange dia.

IHC Tractor

57 Cotton Picker C291 Eng. Forklift C291 Eng. Wheel Tractor C291 Eng.
4.8L 291 L6, 3.75" Bore

CYL. HEAD & PARTS				
QTY	VALVE	PART NO.	SIZE	DESCRIPTION
6	Intake	FP-V1543		1.7810" Head Dia., .3720" Stem Dia., 5.0720" O.A.L.
6	Exhaust	FP-V3928X		1.5160" Head Dia., .3715" Stem Dia., 5.0530" O.A.L.
6	Exhaust	V-3928X +	Std Only	1.5160" Head Dia., .3715" Stem Dia., 5.0530" O.A.L.; When depleted use FP-V3928X
24	Keeper	VK-138		1 groove; Square cut key groove
24	Keeper	VK-138R		1 groove; Square cut key groove; Hardened
24	Keeper, Bulk	VK-138B		1 groove; Square cut key groove; Carton of 1000
QTY	VALVE GUIDE	PART NO.	SIZE	DESCRIPTION
6	Guide	VG-499		Exh.; .3760" ID, 2.4100" O.A.L.
6	Guide	FP-VG862		Int.; .3760" ID, 2.2500" O.A.L.
6	Guide	VG-862 +		Int.; .3760" ID, 2.2500" O.A.L.; When depleted use FP-VG862
QTY	VALVE SPRING	PART NO.	SIZE	DESCRIPTION
12	Spring	FP-VS596		2.4370" Free Height
12	Spring	VS-596 +		2.4370" Free Height; When depleted use FP-VS596
QTY	PUSH RODS	PART NO.	SIZE	DESCRIPTION
12	Push Rod	FP-RP3127		12.6860" O.A.L.
QTY	VALVE SEAL	PART NO.	SIZE	DESCRIPTION
6	Valve Stem Seal	FP-MV1902		Exh.; Umbrella type; Rubber
CAMSHAFT GROUP				
QTY	CAMSHAFT/LIFTER	PART NO.	SIZE	DESCRIPTION
12	Lifter	FP-911776		Mech.; .997" dia.
12	Lifter	AT-2041	Std Only	Mech.; .997" dia. body
ENGINE BLOCK & PARTS				
QTY	GASKET SETS	PART NO.	SIZE	DESCRIPTION
1	Kit Gasket Set	FP-2601371		
1	Kit Gasket Set	260-1371		
QTY	CAM BEARINGS	PART NO.	SIZE	DESCRIPTION
1	Cam Set	FP-1209M		
CRANKSHAFT/OIL PUMP				
QTY	SEALS - FRONT CRANK	PART NO.	SIZE	DESCRIPTION
1	Redi-Sleeve	99240		
1	Oil Seal	472856		
QTY	MAIN BEARINGS	PART NO.	SIZE	DESCRIPTION
1	Main Set	FP-4082M	Std-10-20-30	W/3.750" flange dia.
1	Main Set	4082M +	Std-10-20-30	W/3.750" flange dia.; When depleted use FP-4082M
1	Main Set	FP-4933M	Std-10-20-30	W/4.000" flange dia.
1	Main Set	4933M +	Std-10-20-30	W/4.000" flange dia.; When depleted use FP-4933M
QTY	OIL PUMP	PART NO.	SIZE	DESCRIPTION
1	Oil Pump	FP-22443367S		Models 616, 622, 666, 686, 706, 756, 2706, 2756, Hydro 70, Hydro 86; Screen welded to pump cover, replaces O.E. No. 379138R91
1	Oil Pump	224-43367S +		Models 616, 622, 666, 686, 706, 756, 2706, 2756, Hydro 70, Hydro 86; Screen welded to pump cover, replaces O.E. No. 379138R91; When depleted use FP-22443367S
1	Pump Repair Kit	224-51185		For 616, 622, 666, 686, 706, 756, 2706, 2756, Hydro 70, Hydro 86
CYLINDER COMPONENTS				
QTY	LINERS	PART NO.	SIZE	DESCRIPTION
6	Sleeve Assy.	FP-SL2711	Std Only	Sold as complete assembly only. Piston has Contoured Head (.125" Dome, .39" Deep Cup) and 2.022" CD. O.E. No. 395365R1.
6	Sleeve Assy.	SL-2711 +	Std Only	Sold as complete assembly only. Piston has Contoured Head (.125" Dome, .39" Deep Cup) and 2.022" CD. O.E. No. 395365R1.; When depleted use FP-SL2711
QTY	PISTON RINGS	PART NO.	SIZE	DESCRIPTION
1	Premium Set	FP-9663KX	Std Only	Gas & LPG Engs.; 1-1/8, 1-3/32, 1-1/4
1	Premium Set	9663KX +	Std Only	Gas & LPG Engs.; 1-1/8, 1-3/32, 1-1/4; When depleted use FP-9663KX
6	Premium Single Cylinder Set	W-9663KX	Std Only	Gas & LPG Engs.; 1-1/8, 1-3/32, 1-1/4
KITS				
QTY	OVERHAUL KIT	PART NO.	SIZE	DESCRIPTION
1	Tractor Overhaul Kit	FP-KST2711C		W/Main brg. w/3.750" flange dia.

(continued on next page)

+ Superseded Part Number

Cotton Picker C291 Eng. Forklift C291 Eng. Wheel Tractor C291 Eng. 57 4.8L 291 L6, 3.75" Bore (cont.)				
KITS (cont.)				
QTY	OVERHAUL KIT (cont.)	PART NO.	SIZE	DESCRIPTION
1	Tractor Overhaul Kit	FP-KST2711A		W/Main brg. w/4.000" flange dia.
Power Unit PA40, PA50, PK40, U21 Eng. 58 4.9L 298 L6, 3.75" Bore				
CYLINDER COMPONENTS				
QTY	PISTON RINGS	PART NO.	SIZE	DESCRIPTION
1	Premium Set	FP-645KX	Std Only	3-1/8, 1-3/16
1	Premium Set	645KX +	Std Only	3-1/8, 1-3/16; When depleted use FP-645KX
6	Premium Single Cylinder Set	W-645KX	Std Only	3-1/8, 1-3/16
Combine C301 Eng. Cotton Picker C301 Eng. Forklift C301 Eng. Wheel Tractor C301 Eng. 59 Wheel Loader C301 Eng. 4.9L 301 L6, 3.8125" Bore				
CYL. HEAD & PARTS				
QTY	VALVE	PART NO.	SIZE	DESCRIPTION
6	Intake	FP-V1543		1.7810" Head Dia., .3720" Stem Dia., 5.0720" O.A.L.
6	Exhaust	FP-V3928X		1.5160" Head Dia., .3715" Stem Dia., 5.0530" O.A.L.
6	Exhaust	V-3928X +	Std Only	1.5160" Head Dia., .3715" Stem Dia., 5.0530" O.A.L.; When depleted use FP-V3928X
24	Keeper	VK-138		1 groove; Square cut key groove
24	Keeper	VK-138R		1 groove; Square cut key groove; Hardened
24	Keeper, Bulk	VK-138B		1 groove; Square cut key groove; Carton of 1000
QTY	VALVE GUIDE	PART NO.	SIZE	DESCRIPTION
6	Guide	VG-499		Exh.; .3760" ID, 2.4100" O.A.L.
6	Guide	FP-VG862		Int.; .3760" ID, 2.2500" O.A.L.
6	Guide	VG-862 +		Int.; .3760" ID, 2.2500" O.A.L.; When depleted use FP-VG862
QTY	VALVE SPRING	PART NO.	SIZE	DESCRIPTION
12	Spring	FP-VS596		2.4370" Free Height
12	Spring	VS-596 +		2.4370" Free Height; When depleted use FP-VS596
QTY	PUSH RODS	PART NO.	SIZE	DESCRIPTION
12	Push Rod	FP-RP3127		12.6860" O.A.L.
QTY	VALVE SEAL	PART NO.	SIZE	DESCRIPTION
12	Valve Stem Seal	ST-2002		Installation requires valve guide machining; Polyacrylate
6	Valve Stem Seal	FP-MV1902		Exh.; Umbrella type; Rubber
12	Valve Stem Seal Bulk	ST-2002BC		Positive type; Installation requires valve guide machining; Carton of 100; Polyacrylate
CAMSHAFT GROUP				
QTY	CAMSHAFT/LIFTER	PART NO.	SIZE	DESCRIPTION
12	Lifter	FP-911776		Mech.; .997" dia.
12	Lifter	AT-2041	Std Only	Mech.; .997" dia. body
ENGINE BLOCK & PARTS				
QTY	GASKET SETS	PART NO.	SIZE	DESCRIPTION
1	Kit Gasket Set	FP-2601371		
1	Kit Gasket Set	260-1371		
QTY	CAM BEARINGS	PART NO.	SIZE	DESCRIPTION
1	Cam Set	FP-1209M		
CRANKSHAFT/OIL PUMP				
QTY	MAIN BEARINGS	PART NO.	SIZE	DESCRIPTION
1	Main Set	FP-4082M	Std-10-20-30	W/3.750" flange dia.
1	Main Set	4082M +	Std-10-20-30	W/3.750" flange dia.; When depleted use FP-4082M
1	Main Set	FP-4933M	Std-10-20-30	W/4.000" flange dia.
1	Main Set	4933M +	Std-10-20-30	W/4.000" flange dia.; When depleted use FP-4933M
QTY	OIL PUMP	PART NO.	SIZE	DESCRIPTION
1	Oil Pump	FP-22443367S		Exc. 453, 715; Screen welded to pump cover, replaces O.E. No. 379138R91
1	Oil Pump	224-43367S +		Exc. 453, 715; Screen welded to pump cover, replaces O.E. No. 379138R91; When depleted use FP-22443367S
1	Oil Pump	224-41185		453 & 715; Replaces O.E. No. 230421R91
1	Pump Repair Kit	224-51185		For 453, 616, 622, 715, 806, 826, 856, 2806, 2826, 2856, 9000, H50B, H50C, H60B

(continued on next page)

IHC Tractor

59 Combine C301 Eng. Cotton Picker C301 Eng. Forklift C301 Eng. Wheel Tractor C301 Eng.
 (cont.) Wheel Loader C301 Eng.
 4.9L 301 L6, 3.8125" Bore

CYLINDER COMPONENTS

QTY	LINERS	PART NO.	SIZE	DESCRIPTION
6	Repair Sleeve	SL-93M	Std Only	From Ser. No. 4996 for 856 & 2856; 3/32" wall, must be cut to correct length
QTY	PISTONS	PART NO.	SIZE	DESCRIPTION
6	Cast Piston	FP-2273P	Std-20-30-40-60	Replaces Early 4-ring pistons in sets only; Cast; 1-1/8", 1-3/32", 1-1/4" Ring Groove, 2.150" CD, .8740" Pin Dia., Domed Head; Contoured .120" high and recess .500" deep; Repl. O.E. No. 392833
6	Cast Piston	2273P +	Std-20-30-40-60	Replaces Early 4-ring pistons in sets only; Cast; 1-1/8", 1-3/32", 1-1/4" Ring Groove, 2.150" CD, .8740" Pin Dia., Domed Head; Contoured .120" high and recess .500" deep; Repl. O.E. No. 392833; When depleted use FP-2273P
QTY	CONNECTING RODS & BRGS.	PART NO.	SIZE	DESCRIPTION
6	Rod Pair	2410CP	Std-2-10-20-30-40	

60 Combine D301 Eng. Wheel Loader D301 Eng.
 4.9L 301 OHV Diesel L6 (12 Valve), 3.8125" Bore (International Eng.)

CYL. HEAD & PARTS

QTY	VALVE	PART NO.	SIZE	DESCRIPTION
6	Intake	FP-V2101		1.6772" Head Dia., .3720" Stem Dia., 6.0374" O.A.L.
6	Intake	V-2101 +	Std Only	1.6772" Head Dia., .3720" Stem Dia., 6.0374" O.A.L.; When depleted use FP-V2101
6	Exhaust	FP-V2100		1.3750" Head Dia., .3720" Stem Dia., 6.0590" O.A.L.
6	Exhaust	V-2100 +	Std Only	1.3750" Head Dia., .3720" Stem Dia., 6.0590" O.A.L.; When depleted use FP-V2100
24	Keeper	VK-138R		1 groove; Square cut key groove; Hardened
QTY	VALVE GUIDE	PART NO.	SIZE	DESCRIPTION
12	Guide	FP-VG594		.3748" ID, 2.8300" O.A.L.
12	Guide	VG-594 +		.3748" ID, 2.8300" O.A.L.; When depleted use FP-VG594
QTY	PUSH RODS	PART NO.	SIZE	DESCRIPTION
12	Push Rod	FP-RP3127		12.6860" O.A.L.
QTY	VALVE SEAL	PART NO.	SIZE	DESCRIPTION
12	Valve Stem Seal	ST-2002		Installation requires valve guide machining; Polyacrylate Umbrella type; Fits Std. to .015" O/S valve stem
12	Valve Stem Seal	MV-1796A		Positive type; Installation requires valve guide machining; Carton of 100; Polyacrylate
12	Valve Stem Seal Bulk	ST-2002BC		Umbrella type; Fits Std. to .015" O/S valve stem; Carton of 100; Rubber
12	Valve Stem Seal Bulk	MV-1796		

CAMSHAFT GROUP

QTY	CAMSHAFT/LIFTER	PART NO.	SIZE	DESCRIPTION
12	Lifter	FP-911776		Mech.; .997" dia.
12	Lifter	AT-2041	Std Only	Mech.; .997" dia. body

ENGINE BLOCK & PARTS

QTY	GASKET SETS	PART NO.	SIZE	DESCRIPTION
1	Kit Gasket Set	FP-2601374		
1	Kit Gasket Set	260-1374 +		When depleted use FP-2601374
QTY	CAM BEARINGS	PART NO.	SIZE	DESCRIPTION
1	Cam Set	FP-1209M		

CRANKSHAFT/OIL PUMP

QTY	MAIN BEARINGS	PART NO.	SIZE	DESCRIPTION
1	Main Set	FP-4082M	Std-10-20-30	W/3.750" flange dia.
1	Main Set	4082M +	Std-10-20-30	W/3.750" flange dia.; When depleted use FP-4082M
1	Main Set	FP-4933M	Std-10-20-30	W/4.000" flange dia.
1	Main Set	4933M +	Std-10-20-30	W/4.000" flange dia.; When depleted use FP-4933M

CYLINDER COMPONENTS

QTY	PISTONS	PART NO.	SIZE	DESCRIPTION
6	Pin Bushing	FP-1744Y20		Frg. Nos. 61349H & 306280R1
6	Pin Bushing	1744Y20 +		Frg. Nos. 61349H & 306280R1; When depleted use FP-1744Y20

(continued on next page)

Combine D301 Eng. Wheel Loader D301 Eng. 60
4.9L 301 OHV Diesel L6 (12 Valve), 3.8125" Bore (International Eng.) (cont.)

CYLINDER COMPONENTS (cont.)

QTY	CONNECTING RODS & BRGS.	PART NO.	SIZE	DESCRIPTION
6	Rod Pair	2410CP	Std-2-10-20-30-40	

Combine V304 Eng. 61
5.0L 304 OHV V8 (16 Valve), 3.875" Bore (International Eng.)

CYL. HEAD & PARTS

QTY	VALVE	PART NO.	SIZE	DESCRIPTION
8	Intake	V-2525	Std Only	Chrome plated stem; 1.9690" Head Dia., .3725" Stem Dia., 5.2230" O.A.L.
8	Exhaust	V-2524X	Std Only	Chrome plated stem; 1.6090" Head Dia., .3720" Stem Dia., 5.4730" O.A.L.
32	Keeper	FP-41339		1 groove; Square cut key groove
32	Keeper	VK-138		1 groove; Square cut key groove
32	Keeper	VK-138R		1 groove; Square cut key groove; Hardened
32	Keeper, Bulk	VK-138B		1 groove; Square cut key groove; Carton of 1000

QTY	VALVE GUIDE	PART NO.	SIZE	DESCRIPTION
16	Guide	VG-581		.3755" ID, 2.9060" O.A.L.

QTY	VALVE SPRING	PART NO.	SIZE	DESCRIPTION
16	Spring	FP-317365		Incl. damper; 2.0500" Free Height
16	Spring	VS-693		Incl. damper; 2.0500" Free Height

QTY	PUSH RODS	PART NO.	SIZE	DESCRIPTION
16	Push Rod	RP-3131		Ball & socket type; Use w/fabricated arm w/welded ball; 8.9500" O.A.L.

QTY	VALVE MISC.	PART NO.	SIZE	DESCRIPTION
8	Rotocap Assy.	FP-RC126SA		Exh.
8	Rotocap	FP-443128		Exh.
8	Rotocap	RC-126S		Exh.

QTY	VALVE SEAL	PART NO.	SIZE	DESCRIPTION
16	Valve Stem Seal	ST-2004		Positive type; Installation requires valve guide machining; Rubber/PTFE
16	O-Ring	FP-111024		Rubber
16	Valve Stem Seal	MV-1233C		O-Ring; Rubber
16	Valve Stem Seal Bulk	MV-1233		O-Ring; Carton of 100; Rubber
16	Valve Stem Seal Bulk	ST-2004BC		Positive type; Installation requires valve guide machining; Carton of 100; Rubber/PTFE

QTY	ROCKER PARTS	PART NO.	SIZE	DESCRIPTION
8	Arm	R-884		Int.; Boat type rocker arm; Stamped steel; Use w/Ball & ball end push rod

CAMSHAFT GROUP

QTY	TIMING	PART NO.	SIZE	DESCRIPTION
1	Gear Set	221-3336S		

QTY	CAMSHAFT/LIFTER	PART NO.	SIZE	DESCRIPTION
1	Camshaft	CS-415		
16	Lifter	HT-855	Std Only	Hyd.
16	Lifter, Bulk	HT-855B	Std Only	Hyd.; Carton of 96
1	Prelube	55-400		4 oz. bottle; 1.5 oz. packet No. 55-403 also avail.

COOLING SYSTEM

QTY	WATER PUMP	PART NO.	SIZE	DESCRIPTION
4	O-Ring	FP-356005		Water pipe seal

ENGINE BLOCK & PARTS

QTY	GASKET SETS	PART NO.	SIZE	DESCRIPTION
1	Kit Gasket Set	260-1075		

QTY	CAM BEARINGS	PART NO.	SIZE	DESCRIPTION
1	Cam Set	1218M	Std Only	

QTY	FREEZE PLUGS	PART NO.	SIZE	DESCRIPTION
1	Brass Block Plug Kit	381-8083		

CRANKSHAFT/OIL PUMP

QTY	SEALS - FRONT CRANK	PART NO.	SIZE	DESCRIPTION
1	Redi-Sleeve	99272		

(continued on next page)

IHC Tractor

61 Combine V304 Eng.

(cont.) 5.0L 304 OHV V8 (16 Valve), 3.875" Bore (International Eng.)

CRANKSHAFT/OIL PUMP (cont.)							
SEALS - FRONT CRANK							
QTY	DESCRIPTION	PART NO.	SIZE	DESCRIPTION			
(cont.)							
1	Oil Seal	417316					
SEALS - REAR CRANK							
1	Oil Seal	2218					
1	Redi-Sleeve	99372					
1	Wear Sleeve	FP-1816569					
MAIN BEARINGS							
1	Main Set	4070M	Std-10-20-30				
OIL PUMP							
1	Oil Pump	224-41187		Repl. O.E. No. 151075R93			
1	Pump Repair Kit	224-51187					
CYLINDER COMPONENTS							
LINERS							
1	Repair Sleeve	SL-20Y	Std Only	1/8" wall, must be cut to correct length			
PISTONS							
8	Cast Piston	HLC997CP	Std-40-60	From Chassis No. H668260; w/Exh. Emis.; Hypereutectic; 2-3/32", 1-3/16" Ring Groove, 1.825" CD, 1.0627" Pin Dia., Flat Head; Low Compression; DUROSHIELD® skirt coated piston			
8	Cast Piston	H997CP	Std-20-30-40-60	From Chassis No. H668260; w/Exh. Emis.; Hypereutectic; 2-3/32", 1-3/16" Ring Groove, 1.876" CD, 1.0627" Pin Dia., Flat Head; DUROSHIELD® skirt coated piston			
8	Cast Piston - Individual	WH997CP	Std-20-30-40-60	From Chassis No. H668260; w/Exh. Emis.; Hypereutectic; 2-3/32", 1-3/16" Ring Groove, 1.876" CD, 1.0627" Pin Dia., Flat Head; DUROSHIELD® skirt coated piston			
CONNECTING RODS & BRGS.							
1	Rod Set	8-2410CP	Std-10-20				
8	Rod Pair	2410CP	Std-2-10-20-30-40				
PISTON RINGS							
1	Premium Set	E-270K	Std-20-30-40-60	2-3/32, 1-3/16			
1	Standard Set	E-270X	Std-20-30-40-60	2-3/32, 1-3/16			
8	Premium Single Cylinder Set	WE-270K	Std-20-30-40-60	2-3/32, 1-3/16			
8	Standard Single Cylinder Set	WE-270X	Std-30-40-60	2-3/32, 1-3/16			
KITS							
RE-RING KIT				QTY	PREMIUM KIT NO.	QTY	ECONOMY KIT NO.
YEARS	DESCRIPTION						
			Re-ring	1	205-670		----
			Re-ring		----	1	205-170
			Re-ring w/Mains	1	205-670M	1	205-170M

62 Cotton Picker D310 Eng. Harvester D310 Eng. Forklift D310 Eng. Wheel Tractor D310 Eng.

Wheel Loader D310 Eng.

5.1L 310 Diesel L6, 3.875" Bore

ENGINE BLOCK & PARTS					
GASKET SETS					
1	Kit Gasket Set	FP-2601375			
1	Kit Gasket Set	260-1375			
CRANKSHAFT/OIL PUMP					
MAIN BEARINGS					
1	Main Set	FP-6306M	Std-.25MM		
CYLINDER COMPONENTS					
LINERS					
6	Sleeve Assy.	FP-SL2687	Std Only	Sold as complete assembly only. Piston has 2.17" Dia. X .78" Deep Cup Head.	
CONNECTING RODS & BRGS.					
6	Rod Pair	FP-65925CP	Std-.25-.50MM	To 2/75; w/locking lip on the right side	

(continued on next page)

Cotton Picker D310 Eng. Harvester D310 Eng. Forklift D310 Eng. Wheel Tractor D310 Eng. 62
Wheel Loader D310 Eng. (cont.)
 5.1L 310 Diesel L6, 3.875" Bore

CYLINDER COMPONENTS (cont.)

QTY	CONNECTING RODS & BRGS. (cont.)	PART NO.	SIZE	DESCRIPTION
6	Rod Pair	65925CP +	Std-.25-.50MM	To 2/75; w/locking lip on the right side; When depleted use FP-65925CP
6	Premium Set	FP-9766KX	Std Only	3-1/8, 1-3/16 (1 cyl. set)
6	Premium Set	9766KX +	Std Only	3-1/8, 1-3/16 (1 cyl. set); When depleted use FP-9766KX

Wheel Tractor D312 Eng. 63
 5.1L 312 Diesel L6, 3.875" Bore

CYL. HEAD & PARTS

QTY	VALVE	PART NO.	SIZE	DESCRIPTION
6	Intake	FP-V2193		1.7100" Head Dia., .3721" Stem Dia., 5.6410" O.A.L.
6	Intake	V-2193 +	Std Only	1.7100" Head Dia., .3721" Stem Dia., 5.6410" O.A.L.; When depleted use FP-V2193
6	Exhaust	FP-V2192		1.4550" Head Dia., .3721" Stem Dia., 5.6410" O.A.L.
6	Exhaust	V-2192 +	Std Only	1.4550" Head Dia., .3721" Stem Dia., 5.6410" O.A.L.; When depleted use FP-V2192
24	Keeper	VK-138		1 groove; Square cut key groove
24	Keeper	VK-138R		1 groove; Square cut key groove; Hardened
24	Keeper, Bulk	VK-138B		1 groove; Square cut key groove; Carton of 1000
QTY	VALVE GUIDE	PART NO.	SIZE	DESCRIPTION
12	Guide	FP-675439		
QTY	VALVE SPRING	PART NO.	SIZE	DESCRIPTION
12	Spring	FP-682064		2.3400" Free Height
QTY	VALVE MISC.	PART NO.	SIZE	DESCRIPTION
6	Rotocap Assy.	FP-1811581		

CAMSHAFT GROUP

QTY	CAMSHAFT/LIFTER	PART NO.	SIZE	DESCRIPTION
12	Lifter	FP-911776		Mech.; .997" dia.
12	Lifter	AT-2041	Std Only	Mech.; .997" dia. body

ENGINE BLOCK & PARTS

QTY	GASKET SETS	PART NO.	SIZE	DESCRIPTION
1	Kit Gasket Set	FP-2601661		
1	Kit Gasket Set	260-1661		
QTY	CAM BEARINGS	PART NO.	SIZE	DESCRIPTION
1	Cam Set	FP-680117	STD	

CRANKSHAFT/OIL PUMP

QTY	SEALS - FRONT CRANK	PART NO.	SIZE	DESCRIPTION
1	Oil Seal	714470		
QTY	SEALS - REAR CRANK	PART NO.	SIZE	DESCRIPTION
1	Oil Seal	39958		
1	Redi-Sleeve	99298		
QTY	MAIN BEARINGS	PART NO.	SIZE	DESCRIPTION
1	Main Set	FP-5038M	Std-10	
1	Main Set	5038M +	Std-10	When depleted use FP-5038M

CYLINDER COMPONENTS

QTY	LINERS	PART NO.	SIZE	DESCRIPTION
6	Liner w/Sealing Rings	FP-SO2537	Std Only	Incl. (3) FP-SLR2537 sealing rings.
6	Liner w/Sealing Rings	SO-2537 +	Std Only	Incl. (3) SLR-2537 sealing rings.; When depleted use FP-SO2537
QTY	CONNECTING RODS & BRGS.	PART NO.	SIZE	DESCRIPTION
6	Rod Pair	FP-681314	STD	Narrow
6	Rod Pair	FP-681315	10	Narrow
6	Rod Pair	FP-687382	20	Narrow
6	Rod Pair	FP-681316	30	Narrow
6	Rod Pair	FP-68131440	40	Narrow
QTY	PISTON RINGS	PART NO.	SIZE	DESCRIPTION
1	Premium Set	FP-9534KX	Std Only	1-1/8, 1-3/32, 1-3/16
6	Premium Set	FP-10579KX	Std Only	1-1/8, 1-3/32, 1-3/16 (1 cyl. set)

(continued on next page)

IHC Tractor

63 Wheel Tractor D312 Eng. (cont.) 5.1L 312 Diesel L6, 3.875" Bore

CYLINDER COMPONENTS (cont.)

QTY	PISTON RINGS (cont.)	PART NO.	SIZE	DESCRIPTION
6	Premium Set	10579KX +	Std Only	1-1/8, 1-3/32, 1-3/16 (1 cyl. set); When depleted use FP-10579KX
1	Premium Set	9534KX +	Std Only	1-1/8, 1-3/32, 1-3/16; When depleted use FP-9534KX
6	Premium Single Cylinder Set	W-9534KX	Std Only	1-1/8, 1-3/32, 1-3/16

64 Wheel Tractor C335 Eng. 5.5L 335 L4, 4.406" Bore

CYL. HEAD & PARTS

QTY	VALVE	PART NO.	SIZE	DESCRIPTION
24	Keeper	VK-144		Starting valve; 1 groove; Square cut key groove
24	Keeper	VK-144R		Starting valve; 1 groove; Square cut key groove; Hardened
QTY	VALVE SEAT	PART NO.	SIZE	DESCRIPTION
6	Exh.	245-1687-3	Std Only	1.6925" OD, 1.4375" ID, .2480" Depth

ENGINE BLOCK & PARTS

QTY	GASKET SETS	PART NO.	SIZE	DESCRIPTION
1	Kit Gasket Set	FP-2601383		w/4 11/16" dia. bore head gskt.
1	Kit Gasket Set	260-1383		w/4 11/16" dia. bore head gskt.

CRANKSHAFT/OIL PUMP

QTY	MAIN BEARINGS	PART NO.	SIZE	DESCRIPTION
1	Main Set	FP-912M	Std-10-20	
1	Main Set	912M +	Std-10	When depleted use FP-912M

CYLINDER COMPONENTS

QTY	PISTONS	PART NO.	SIZE	DESCRIPTION
4	Pin Bushing	FP-1769V20		
4	Pin Bushing	1769V20 +		When depleted use FP-1769V20
QTY	CONNECTING RODS & BRGS.	PART NO.	SIZE	DESCRIPTION
4	Rod Pair	FP-1765CP	Std-10-20	Later Eng.
4	Rod Pair	1765CP +	Std-10-20	Later Eng.; When depleted use FP-1765CP
QTY	PISTON RINGS	PART NO.	SIZE	DESCRIPTION
1	Premium Set	FP-5366KX	Std Only	OVERBORE To 4.500"; 1-1/8, 1-5/32, 1-3/16, 2-1/4
1	Premium Set	5366KX +	Std Only	OVERBORE To 4.500"; 1-1/8, 1-5/32, 1-3/16, 2-1/4; When depleted use FP-5366KX

65 Loader D335 Eng. Power Unit D335, UD9, UD9A, UD350 Engs. Wheel Tractor D335 Eng. Crawler Tractor D335 Eng. 5.5L 335 Diesel L4, 4.406" Bore

CYL. HEAD & PARTS

QTY	VALVE	PART NO.	SIZE	DESCRIPTION
24	Keeper	VK-144		Starting valve; 1 groove; Square cut key groove
24	Keeper	VK-144R		Starting valve; 1 groove; Square cut key groove; Hardened
QTY	VALVE SEAT	PART NO.	SIZE	DESCRIPTION
6	Exh.	245-1687-3	Std Only	1.6925" OD, 1.4375" ID, .2480" Depth

ENGINE BLOCK & PARTS

QTY	GASKET SETS	PART NO.	SIZE	DESCRIPTION
1	Kit Gasket Set	FP-2601383		w/4 11/16" dia. bore head gskt.
1	Kit Gasket Set	260-1383		w/4 11/16" dia. bore head gskt.

CRANKSHAFT/OIL PUMP

QTY	MAIN BEARINGS	PART NO.	SIZE	DESCRIPTION
1	Main Set	FP-912M	Std-10-20	
1	Main Set	912M +	Std-10	When depleted use FP-912M

CYLINDER COMPONENTS

QTY	PISTONS	PART NO.	SIZE	DESCRIPTION
4	Pin Bushing	FP-1769V20		Early Eng.; 1.5009" ID
4	Pin Bushing	1769V20 +		Early Eng.; 1.5009" ID; When depleted use FP-1769V20
QTY	CONNECTING RODS & BRGS.	PART NO.	SIZE	DESCRIPTION
4	Rod Pair	FP-1765CP	Std-10-20	Later Eng.

(continued on next page)

Loader D335 Eng. Power Unit D335, UD9, UD9A, UD350 Engs. Wheel Tractor D335 Eng. 65
Crawler Tractor D335 Eng. (cont.)
 5.5L 335 Diesel L4, 4.406" Bore

CYLINDER COMPONENTS (cont.)

QTY	CONNECTING RODS & BRGS. (cont.)	PART NO.	SIZE	DESCRIPTION
4	Rod Pair	1765CP +	Std-10-20	Later Engs.; When depleted use FP-1765CP
1	Premium Set	FP-5366KX	Std Only	OVERBORE To 4.500"; 1-1/8, 1-5/32, 1-3/16, 2-1/4
1	Premium Set	5366KX +	Std Only	OVERBORE To 4.500"; 1-1/8, 1-5/32, 1-3/16, 2-1/4; When depleted use FP-5366KX

Combine V345 Eng. 66
 5.6L 345 OHV V8 (16 Valve), 3.875" Bore (International Eng.)

CYL. HEAD & PARTS

QTY	VALVE	PART NO.	SIZE	DESCRIPTION
8	Intake	V-2525	Std Only	Chrome plated stem; 1.9690" Head Dia., .3725" Stem Dia., 5.2230" O.A.L.
8	Exhaust	V-2524X	Std Only	Chrome plated stem; 1.6090" Head Dia., .3720" Stem Dia., 5.4730" O.A.L.
32	Keeper	FP-41339		1 groove; Square cut key groove
32	Keeper	VK-138		1 groove; Square cut key groove
32	Keeper	VK-138R		1 groove; Square cut key groove; Hardened
32	Keeper, Bulk	VK-138B		1 groove; Square cut key groove; Carton of 1000
16	VALVE GUIDE Guide	VG-581		.3755" ID, 2.9060" O.A.L.
16	VALVE SPRING Spring	FP-317365		Incl. damper; 2.0500" Free Height
16	VALVE SPRING Spring	VS-693		Incl. damper; 2.0500" Free Height
16	PUSH RODS Push Rod	RP-3133		Ball & ball type ends; Use w/boat type rocker arms; 9.7790" O.A.L.
16	PUSH RODS Push Rod	RP-3132		Ball & socket type; Use w/fabricated arm w/welded ball; 9.7500" O.A.L.
8	VALVE MISC. Rotocap Assy.	FP-RC126SA		Exh.
8	VALVE MISC. Rotocap	FP-443128		Exh.
8	VALVE MISC. Rotocap	RC-126S		Exh.
16	VALVE SEAL Valve Stem Seal	ST-2004		Positive type; Installation requires valve guide machining; Rubber/PTFE
16	O-Ring	FP-111024		Rubber
16	Valve Stem Seal	MV-1233C		O-Ring; Rubber
16	Valve Stem Seal Bulk	MV-1233		O-Ring; Carton of 100; Rubber
16	Valve Stem Seal Bulk	ST-2004BC		Positive type; Installation requires valve guide machining; Carton of 100; Rubber/PTFE
8	ROCKER PARTS Arm	R-884		Int.; Boat type rocker arm; Stamped steel; Use w/Ball & ball end push rod

CAMSHAFT GROUP

QTY	TIMING	PART NO.	SIZE	DESCRIPTION
1	Gear Set	221-3336S		
1	CAMSHAFT/LIFTER Camshaft	CS-415		
16	Lifter	HT-855	Std Only	Hyd.
16	Lifter, Bulk	HT-855B	Std Only	Hyd.; Carton of 96
1	Prelube	55-400		4 oz. bottle; 1.5 oz. packet No. 55-403 also avail.

COOLING SYSTEM

QTY	WATER PUMP	PART NO.	SIZE	DESCRIPTION
4	O-Ring	FP-356005		Water pipe seal

ENGINE BLOCK & PARTS

QTY	GASKET SETS	PART NO.	SIZE	DESCRIPTION
1	Kit Gasket Set	260-1075		
1	CAM BEARINGS Cam Set	1218M	Std Only	

(continued on next page)

IHC Tractor

66 Combine V345 Eng.

(cont.) 5.6L 345 OHV V8 (16 Valve), 3.875" Bore (International Eng.)

ENGINE BLOCK & PARTS (cont.)							
QTY	FREEZE PLUGS	PART NO.	SIZE	DESCRIPTION			
1	Brass Block Plug Kit	381-8083					
CRANKSHAFT/OIL PUMP							
QTY	SEALS - FRONT CRANK	PART NO.	SIZE	DESCRIPTION			
1	Redi-Sleeve	99248					
1	Oil Seal	7581H					
QTY	SEALS - REAR CRANK	PART NO.	SIZE	DESCRIPTION			
1	Oil Seal	2218					
1	Redi-Sleeve	99372					
1	Wear Sleeve	FP-1816569					
QTY	MAIN BEARINGS	PART NO.	SIZE	DESCRIPTION			
1	Main Set	4070M	Std-10-20-30				
QTY	OIL PUMP	PART NO.	SIZE	DESCRIPTION			
1	Oil Pump	224-41187		Repl. O.E. No. 151075R93			
1	Pump Repair Kit	224-51187		To Eng. Ser. No. 1342934			
CYLINDER COMPONENTS							
QTY	LINERS	PART NO.	SIZE	DESCRIPTION			
8	Repair Sleeve	SL-20Y	Std Only	1/8" wall, must be cut to correct length			
QTY	PISTONS	PART NO.	SIZE	DESCRIPTION			
8	Cast Piston	HLC997CP	Std-40-60	From Chassis No. H765354; /Exh. Emis.; Hypereutectic; 2-3/32", 1-3/16" Ring Groove, 1.825" CD, 1.0627" Pin Dia., Flat Head; Low Compression; DUROSHIELD® skirt coated piston			
8	Cast Piston	H997CP	Std-20-30-40-60	From Chassis No. H765354; w/Exh. Emis.; Hypereutectic; 2-3/32", 1-3/16" Ring Groove, 1.876" CD, 1.0627" Pin Dia., Flat Head; DUROSHIELD® skirt coated piston			
8	Cast Piston - Individual	WH997CP	Std-20-30-40-60	From Chassis No. H765354; w/Exh. Emis.; Hypereutectic; 2-3/32", 1-3/16" Ring Groove, 1.876" CD, 1.0627" Pin Dia., Flat Head; DUROSHIELD® skirt coated piston			
QTY	CONNECTING RODS & BRGS.	PART NO.	SIZE	DESCRIPTION			
1	Rod Set	8-2410CP	Std-10-20				
8	Rod Pair	2410CP	Std-2-10-20-30-40				
QTY	PISTON RINGS	PART NO.	SIZE	DESCRIPTION			
1	Premium Set	E-270K	Std-20-30-40-60	2-3/32, 1-3/16			
1	Standard Set	E-270X	Std-20-30-40-60	2-3/32, 1-3/16			
8	Premium Single Cylinder Set	WE-270K	Std-20-30-40-60	2-3/32, 1-3/16			
8	Standard Single Cylinder Set	WE-270X	Std-30-40-60	2-3/32, 1-3/16			
KITS							
RE-RING KIT				QTY	PREMIUM KIT NO.	QTY	ECONOMY KIT NO.
YEARS	DESCRIPTION						
			Re-ring	1	205-670		-----
			Re-ring		-----	1	205-170
			Re-ring w/Mains	1	205-670M	1	205-170M
67 Wheel Tractor C350 Eng.							
5.7L 350 L4, 4.5" Bore							
CYL. HEAD & PARTS							
QTY	VALVE	PART NO.	SIZE	DESCRIPTION			
24	Keeper	VK-144		Starting valve; 1 groove; Square cut key groove			
24	Keeper	VK-144R		Starting valve; 1 groove; Square cut key groove; Hardened			
QTY	VALVE SEAT	PART NO.	SIZE	DESCRIPTION			
6	Exh.	245-1687-3	Std Only	1.6925" OD, 1.4375" ID, .2480" Depth			
CRANKSHAFT/OIL PUMP							
QTY	MAIN BEARINGS	PART NO.	SIZE	DESCRIPTION			
1	Main Set	FP-912M	Std-10-20				
1	Main Set	912M +	Std-10	When depleted use FP-912M			

(continued on next page)

Wheel Tractor C350 Eng. 67
5.7L 350 L4, 4.5" Bore (cont.)

CYLINDER COMPONENTS

QTY	PISTONS	PART NO.	SIZE	DESCRIPTION
4	Pin Bushing	FP-1769V20		
4	Pin Bushing	1769V20 +		When depleted use FP-1769V20
QTY	CONNECTING RODS & BRGS.	PART NO.	SIZE	DESCRIPTION
4	Rod Pair	FP-1765CP	Std-10-20	Later Eng.
4	Rod Pair	1765CP +	Std-10-20	Later Eng.; When depleted use FP-1765CP
QTY	PISTON RINGS	PART NO.	SIZE	DESCRIPTION
1	Premium Set	FP-5366KX	Std Only	1-1/8, 1-5/32, 1-3/16, 2-1/4
1	Premium Set	5366KX +	Std Only	1-1/8, 1-5/32, 1-3/16, 2-1/4; When depleted use FP-5366KX

Wheel Tractor D350 Eng. Crawler Tractor D350 Eng. 68
5.7L 350 Diesel L4, 4.5" Bore

CYL. HEAD & PARTS

QTY	VALVE	PART NO.	SIZE	DESCRIPTION
24	Keeper	VK-144		Starting valve; 1 groove; Square cut key groove
24	Keeper	VK-144R		Starting valve; 1 groove; Square cut key groove; Hardened
QTY	VALVE SEAT	PART NO.	SIZE	DESCRIPTION
6	Exh.	245-1687-3	Std Only	1.6925" OD, 1.4375" ID, .2480" Depth

CRANKSHAFT/OIL PUMP

QTY	MAIN BEARINGS	PART NO.	SIZE	DESCRIPTION
1	Main Set	FP-912M	Std-10-20	
1	Main Set	912M +	Std-10	When depleted use FP-912M

CYLINDER COMPONENTS

QTY	PISTONS	PART NO.	SIZE	DESCRIPTION
4	Pin Bushing	FP-1769V20		Early Eng.; 1.5009" ID
4	Pin Bushing	1769V20 +		Early Eng.; 1.5009" ID; When depleted use FP-1769V20
QTY	CONNECTING RODS & BRGS.	PART NO.	SIZE	DESCRIPTION
4	Rod Pair	FP-1765CP	Std-10-20	Later Eng.
4	Rod Pair	1765CP +	Std-10-20	Later Eng.; When depleted use FP-1765CP
QTY	PISTON RINGS	PART NO.	SIZE	DESCRIPTION
1	Premium Set	FP-5366KX	Std Only	1-1/8, 1-5/32, 1-3/16, 2-1/4
1	Premium Set	5366KX +	Std Only	1-1/8, 1-5/32, 1-3/16, 2-1/4; When depleted use FP-5366KX

Combine D358 Eng. Wheel Tractor D358 Eng. Wheel Loader D358 Eng. Payloader D358 69
5.9L 358 Diesel L6, 3.875" Bore

CRANKSHAFT/OIL PUMP

QTY	MAIN BEARINGS	PART NO.	SIZE	DESCRIPTION
1	Main Set	FP-6306M	Std-.25MM	
1	Main Set	FP-6306M25MM	Std-.25MM	

CYLINDER COMPONENTS

QTY	CONNECTING RODS & BRGS.	PART NO.	SIZE	DESCRIPTION
6	Rod Pair	FP-65925CP	Std-.25-.50MM	To 2/75; w/locking lip on the right side
6	Rod Pair	65925CP +	Std-.25-.50MM	To 2/75; w/locking lip on the right side; When depleted use FP-65925CP
QTY	PISTON RINGS	PART NO.	SIZE	DESCRIPTION
6	Premium Set	FP-10579KX	Std Only	1-1/8, 1-3/32, 1-3/16 (1 cyl. set)
6	Premium Set	10579KX +	Std Only	1-1/8, 1-3/32, 1-3/16 (1 cyl. set); When depleted use FP-10579KX

Combine D360 Eng. Wheel Tractor D360 Eng. 70
5.9L 360 Diesel L6, 3.875" Bore

CYL. HEAD & PARTS

QTY	VALVE	PART NO.	SIZE	DESCRIPTION
6	Intake	FP-V2193		1.7100" Head Dia., .3721" Stem Dia., 5.6410" O.A.L.
6	Intake	V-2193 +	Std Only	1.7100" Head Dia., .3721" Stem Dia., 5.6410" O.A.L.; When depleted use FP-V2193

(continued on next page)

IHC Tractor

70 Combine D360 Eng. Wheel Tractor D360 Eng. (cont.) 5.9L 360 Diesel L6, 3.875" Bore

CYL. HEAD & PARTS (cont.)				
QTY	VALVE (cont.)	PART NO.	SIZE	DESCRIPTION
6	Exhaust	FP-V2192		D-360 Engs.; 1.4550" Head Dia., .3721" Stem Dia., 5.6410" O.A.L.
6	Exhaust	V-2192 +	Std Only	D-360 Engs.; 1.4550" Head Dia., .3721" Stem Dia., 5.6410" O.A.L.; When depleted use FP-V2192
24	Keeper	VK-138		1 groove; Square cut key groove
24	Keeper	VK-138R		1 groove; Square cut key groove; Hardened
24	Keeper, Bulk	VK-138B		1 groove; Square cut key groove; Carton of 1000
QTY	VALVE GUIDE	PART NO.	SIZE	DESCRIPTION
12	Guide	FP-675439		
QTY	VALVE SPRING	PART NO.	SIZE	DESCRIPTION
12	Spring	FP-682064		2.3400" Free Height
QTY	VALVE MISC.	PART NO.	SIZE	DESCRIPTION
6	Rotocap Assy.	FP-1811581		
CAMSHAFT GROUP				
QTY	CAMSHAFT/LIFTER	PART NO.	SIZE	DESCRIPTION
12	Lifter	FP-911776		Mech.; .997" dia.
12	Lifter	AT-2041	Std Only	Mech.; .997" dia. body
ENGINE BLOCK & PARTS				
QTY	GASKET SETS	PART NO.	SIZE	DESCRIPTION
1	Kit Gasket Set	FP-2601661		
1	Kit Gasket Set	260-1661		
QTY	CAM BEARINGS	PART NO.	SIZE	DESCRIPTION
1	Cam Set	FP-680117	STD	
CRANKSHAFT/OIL PUMP				
QTY	SEALS - FRONT CRANK	PART NO.	SIZE	DESCRIPTION
1	Oil Seal	714470		
QTY	SEALS - REAR CRANK	PART NO.	SIZE	DESCRIPTION
1	Oil Seal	39958		
1	Redi-Sleeve	99298		
QTY	MAIN BEARINGS	PART NO.	SIZE	DESCRIPTION
1	Main Set	FP-5038M	Std-10	
1	Main Set	5038M +	Std-10	When depleted use FP-5038M
CYLINDER COMPONENTS				
QTY	LINERS	PART NO.	SIZE	DESCRIPTION
6	Liner w/Sealing Rings	FP-SO2537	Std Only	Incl. (3) FP-SLR2537 sealing rings.
6	Liner w/Sealing Rings	SO-2537 +	Std Only	Incl. (3) SLR-2537 sealing rings.; When depleted use FP-SO2537
6	Sleeve Assy.	FP-SL2537	Std Only	
6	Sleeve Assy.	SL-2537 +	Std Only	When depleted use FP-SL2537
QTY	CONNECTING RODS & BRGS.	PART NO.	SIZE	DESCRIPTION
6	Rod Pair	FP-681314	STD	Narrow
6	Rod Pair	FP-681315	10	Narrow
6	Rod Pair	FP-687382	20	Narrow
6	Rod Pair	FP-681316	30	Narrow
6	Rod Pair	FP-68131440	40	Narrow
QTY	PISTON RINGS	PART NO.	SIZE	DESCRIPTION
1	Premium Set	FP-9534KX	Std Only	1-1/8, 1-3/32, 1-3/16
6	Premium Set	FP-10579KX	Std Only	1-1/8, 1-3/32, 1-3/16 (1 cyl. set)
6	Premium Set	10579KX +	Std Only	1-1/8, 1-3/32, 1-3/16 (1 cyl. set); When depleted use FP-10579KX
1	Premium Set	9534KX +	Std Only	1-1/8, 1-3/32, 1-3/16; When depleted use FP-9534KX
6	Premium Single Cylinder Set	W-9534KX	Std Only	1-1/8, 1-3/32, 1-3/16
KITS				
QTY	OVERHAUL KIT	PART NO.	SIZE	DESCRIPTION
1	Tractor Overhaul Kit	FP-KST2537A		

Loader D361 Eng. Scraper D361 Eng. Wheel Tractor D361 Eng. 71
5.9L 361 Diesel L6, 4.125" Bore

CYL. HEAD & PARTS

QTY	VALVE	PART NO.	SIZE	DESCRIPTION
6	Intake	FP-V2165		1.9400" Head Dia., .4350" Stem Dia., 6.1500" O.A.L.
6	Intake	V-2165 +	Std Only	1.9400" Head Dia., .4350" Stem Dia., 6.1500" O.A.L.; When depleted use FP-V2165
6	Exhaust	FP-V2164		1.6250" Head Dia., .4350" Stem Dia., 6.2380" O.A.L.
6	Exhaust	V-2164 +	Std Only	1.6250" Head Dia., .4350" Stem Dia., 6.2380" O.A.L.; When depleted use FP-V2164
24	Keeper	FP-127554		
QTY	VALVE GUIDE	PART NO.	SIZE	DESCRIPTION
12	Guide	FP-VG639		.4375" ID, 3.1880" O.A.L.
12	Guide	VG-639 +		.4375" ID, 3.1880" O.A.L.; When depleted use FP-VG639
QTY	VALVE SPRING	PART NO.	SIZE	DESCRIPTION
6	Spring	VS-336		Int. Inner; 2.3430" Free Height
6	Spring	VS-337		Int. Outer; 2.5620" Free Height

ENGINE BLOCK & PARTS

QTY	GASKET SETS	PART NO.	SIZE	DESCRIPTION
1	Kit Gasket Set	FP-2601380		In Frm.
1	Kit Gasket Set	260-1380		In Frm.
QTY	CAM BEARINGS	PART NO.	SIZE	DESCRIPTION
1	Cam Set	FP-1402M	Std Only	
1	Cam Set	1402M +	Std Only	When depleted use FP-1402M

CRANKSHAFT/OIL PUMP

QTY	SEALS - FRONT CRANK	PART NO.	SIZE	DESCRIPTION
1	Redi-Sleeve	99272		
1	Oil Seal	417316		
QTY	MAIN BEARINGS	PART NO.	SIZE	DESCRIPTION
1	Main Set	FP-5125M	Std-10-20-30	
1	Main Set	5125M +	Std-10-20-30	When depleted use FP-5125M

CYLINDER COMPONENTS

QTY	LINERS	PART NO.	SIZE	DESCRIPTION
6	Sleeve Assy.	FP-SL2412	Std Only	
6	Sleeve Assy.	SL-2412 +	Std Only	When depleted use FP-SL2412
QTY	PISTONS	PART NO.	SIZE	DESCRIPTION
6	Cast Piston	FP-2412PN	Std Only	Cast; 1-1/8", 1-3/32", 1-1/4" Ring Groove, 3.042" CD, 1.5000" Pin Dia., Dish Head .686" deep x 2.470" dia w/2 valve reliefs - 17.0:1 C.R.; Repl. O.E. No. 345250R2
6	Cast Piston	2412PN +	Std Only	Cast; 1-1/8", 1-3/32", 1-1/4" Ring Groove, 3.042" CD, 1.5000" Pin Dia., Dish Head .686" deep x 2.470" dia w/2 valve reliefs - 17.0:1 C.R.; Repl. O.E. No. 345250R2; When depleted use FP-2412PN
QTY	CONNECTING RODS & BRGS.	PART NO.	SIZE	DESCRIPTION
6	Rod Pair	FP-681314	STD	Narrow
6	Rod Pair	FP-681315	10	Narrow
6	Rod Pair	FP-687382	20	Narrow
6	Rod Pair	FP-681316	30	Narrow
6	Rod Pair	FP-68131440	40	Narrow
QTY	PISTON RINGS	PART NO.	SIZE	DESCRIPTION
1	Premium Set	FP-9092KX	Std Only	1-1/8, 1-3/32, 1-1/4
1	Premium Set	9092KX +	Std Only	1-1/8, 1-3/32, 1-1/4; When depleted use FP-9092KX
6	Premium Single Cylinder Set	W-9092KX	Std Only	1-1/8, 1-3/32, 1-1/4

KITS

QTY	OVERHAUL KIT	PART NO.	SIZE	DESCRIPTION
1	Tractor Overhaul Kit	FP-KST2412A		

Wheel Tractor DT361 Eng. Crawler Tractor DT361 Eng. Wheel Loader DT361 Eng. 72
5.9L 361 Turbo-Diesel L6, 4.125" Bore

CYL. HEAD & PARTS

QTY	VALVE	PART NO.	SIZE	DESCRIPTION
6	Intake	FP-V2165		1.9400" Head Dia., .4350" Stem Dia., 6.1500" O.A.L.
6	Intake	V-2165 +	Std Only	1.9400" Head Dia., .4350" Stem Dia., 6.1500" O.A.L.; When depleted use FP-V2165
6	Exhaust	FP-V2164		1.6250" Head Dia., .4350" Stem Dia., 6.2380" O.A.L.

(continued on next page)

+ Superseded Part Number

IHC Tractor

72 Wheel Tractor DT361 Eng. Crawler Tractor DT361 Eng. Wheel Loader DT361 Eng. (cont.) 5.9L 361 Turbo-Diesel L6, 4.125" Bore

CYL. HEAD & PARTS (cont.)				
QTY	VALVE (cont.)	PART NO.	SIZE	DESCRIPTION
6	Exhaust	V-2164 +	Std Only	1.6250" Head Dia., .4350" Stem Dia., 6.2380" O.A.L.; When depleted use FP-V2164
24	Keeper	FP-127554		
QTY	VALVE GUIDE	PART NO.	SIZE	DESCRIPTION
12	Guide	FP-VG639		.4375" ID, 3.1880" O.A.L.
12	Guide	VG-639 +		.4375" ID, 3.1880" O.A.L.; When depleted use FP-VG639
QTY	VALVE SPRING	PART NO.	SIZE	DESCRIPTION
6	Spring	VS-336		Int. Inner; 2.3430" Free Height
6	Spring	VS-337		Int. Outer; 2.5620" Free Height
ENGINE BLOCK & PARTS				
QTY	GASKET SETS	PART NO.	SIZE	DESCRIPTION
1	Kit Gasket Set	FP-2601380		In Frm.
1	Kit Gasket Set	260-1380		In Frm.
QTY	CAM BEARINGS	PART NO.	SIZE	DESCRIPTION
1	Cam Set	FP-1402M	Std Only	When depleted use FP-1402M
1	Cam Set	1402M +	Std Only	
CRANKSHAFT/OIL PUMP				
QTY	SEALS - FRONT CRANK	PART NO.	SIZE	DESCRIPTION
1	Redi-Sleeve	99272		
1	Oil Seal	417316		
QTY	MAIN BEARINGS	PART NO.	SIZE	DESCRIPTION
1	Main Set	FP-5125M	Std-10-20-30	When depleted use FP-5125M
1	Main Set	5125M +	Std-10-20-30	
CYLINDER COMPONENTS				
QTY	LINERS	PART NO.	SIZE	DESCRIPTION
6	Sleeve Assy.	FP-SL2435	Std Only	When depleted use FP-SL2435
6	Sleeve Assy.	SL-2435 +	Std Only	
QTY	CONNECTING RODS & BRGS.	PART NO.	SIZE	DESCRIPTION
6	Rod Pair	FP-681314	STD	Narrow
6	Rod Pair	FP-681315	10	Narrow
6	Rod Pair	FP-687382	20	Narrow
6	Rod Pair	FP-681316	30	Narrow
6	Rod Pair	FP-68131440	40	Narrow
QTY	PISTON RINGS	PART NO.	SIZE	DESCRIPTION
1	Premium Set	FP-9092KX	Std Only	1-1/8, 1-3/32, 1-1/4
1	Premium Set	9092KX +	Std Only	1-1/8, 1-3/32, 1-1/4; When depleted use FP-9092KX
6	Premium Single Cylinder Set	W-9092KX	Std Only	1-1/8, 1-3/32, 1-1/4
KITS				
QTY	OVERHAUL KIT	PART NO.	SIZE	DESCRIPTION
1	Tractor Overhaul Kit	FP-KST2435A		
73 Wheel Tractor D370 Eng. 6.1L 370 Diesel L4, 4.625" Bore				
CRANKSHAFT/OIL PUMP				
QTY	MAIN BEARINGS	PART NO.	SIZE	DESCRIPTION
1	Main Set	FP-912M	Std-10-20	When depleted use FP-912M
1	Main Set	912M +	Std-10	
CYLINDER COMPONENTS				
QTY	CONNECTING RODS & BRGS.	PART NO.	SIZE	DESCRIPTION
4	Rod Pair	FP-1765CP	Std-10-20	When depleted use FP-1765CP
4	Rod Pair	1765CP +	Std-10-20	
74 Power Unit RD372, U372, UR372 Eng. 6.1L 372 OHV L6 (12 Valve), 4.375" Bore (International Eng.)				
CYL. HEAD & PARTS				
QTY	GASKETS	PART NO.	SIZE	DESCRIPTION
1	Head Set	FP-2606030		w/o Improved cooling

(continued on next page)

Power Unit RD372, U372, UR372 Eng. 74
6.1L 372 OHV L6 (12 Valve), 4.375" Bore (International Eng.) (cont.)

CYL. HEAD & PARTS (cont.)				
QTY	GASKETS (cont.)	PART NO.	SIZE	DESCRIPTION
1	Head Set	260-6030		w/o Improved cooling
QTY	VALVE SEAT	PART NO.	SIZE	DESCRIPTION
6	Exh.	245-1875-1N Std Only		Premium Material; 1.8810" OD, 1.6100" ID, .2485" Depth
6	Exh.	245-1875-1 Std Only		1.8810" OD, 1.6100" ID, .2485" Depth
QTY	VALVE SPRING	PART NO.	SIZE	DESCRIPTION
12	Spring	VS-336		Inner; 2.3430" Free Height
12	Spring	VS-337		Outer; 2.5620" Free Height
12	Spring Insert	259-303C		.015"; ID .703"; Carton of 100
12	Spring Insert	259-303B		.030"; ID .703"; Carton of 100
12	Spring Insert	259-303A		.060"; ID .703"; Carton of 100
12	Spring Insert	259-303ARS		.060"; ID .703"; Carton of 500
QTY	VALVE SEAL	PART NO.	SIZE	DESCRIPTION
12	Valve Stem Seal	ST-2007		Positive type; Rubber
6	O-Ring	FP-111024		Int.; Rubber
6	Valve Stem Seal	MV-1233C		Int.; O-Ring; Rubber
6	Valve Stem Seal Bulk	MV-1233		Int.; O-Ring; Carton of 100; Rubber
CRANKSHAFT/OIL PUMP				
QTY	SEALS - FRONT CRANK	PART NO.	SIZE	DESCRIPTION
1	Redi-Sleeve	99272		
1	Oil Seal	417316		
CYLINDER COMPONENTS				
QTY	PISTON RINGS	PART NO.	SIZE	DESCRIPTION
1	Premium Set	5642KX Std Only		2-3/32, 1-3/16
6	Premium Single Cylinder Set	W-5642KX Std Only		2-3/32, 1-3/16
Combine V392 Eng. 75				
6.4L 392 OHV V8 (16 Valve), 4.125" Bore (International Eng.)				
CYL. HEAD & PARTS				
QTY	VALVE	PART NO.	SIZE	DESCRIPTION
8	Exhaust	V-1834X Std Only		1.7340" Head Dia., .4145" Stem Dia., 5.4800" O.A.L.
32	Keeper	FP-41339		1 groove; Square cut key groove
32	Keeper	VK-138		1 groove; Square cut key groove
32	Keeper	VK-138R		1 groove; Square cut key groove; Hardened
32	Keeper, Bulk	VK-138B		1 groove; Square cut key groove; Carton of 1000
QTY	VALVE GUIDE	PART NO.	SIZE	DESCRIPTION
8	Guide	VG-646		Exh.; .4180" ID, 2.9060" O.A.L.
8	Guide	VG-581		Int.; .3755" ID, 2.9060" O.A.L.
QTY	VALVE SPRING	PART NO.	SIZE	DESCRIPTION
16	Spring	FP-317365		Incl. damper; 2.0500" Free Height
16	Spring	VS-693		Use w/Rotocaps; Incl. damper; 2.0500" Free Height
QTY	PUSH RODS	PART NO.	SIZE	DESCRIPTION
16	Push Rod	RP-3133		Ball & ball type ends; Use w/boat type rocker arms; 9.7790" O.A.L.
16	Push Rod	RP-3132		Ball & socket type; Use w/fabricated arm w/welded ball; 9.7500" O.A.L.
QTY	VALVE MISC.	PART NO.	SIZE	DESCRIPTION
8	Rotocap Assy.	FP-RC126SA		Exh.
8	Rotocap	FP-443128		Exh.
8	Rotocap	RC-126S		Exh.
QTY	VALVE SEAL	PART NO.	SIZE	DESCRIPTION
16	Valve Stem Seal	MV-1233C		O-Ring; Rubber
16	Valve Stem Seal Bulk	MV-1233		O-Ring; Carton of 100; Rubber
QTY	ROCKER PARTS	PART NO.	SIZE	DESCRIPTION
8	Arm	R-884		Int.; Boat type rocker arm; Stamped steel; Use w/Ball & ball end push rod
CAMSHAFT GROUP				
QTY	TIMING	PART NO.	SIZE	DESCRIPTION
1	Gear Set	221-3336S		
QTY	CAMSHAFT/LIFTER	PART NO.	SIZE	DESCRIPTION
1	Camshaft	CS-415		
16	Lifter	HT-855 Std Only		Hyd.

(continued on next page)

IHC Tractor

75 Combine V392 Eng.
(cont.) 6.4L 392 OHV V8 (16 Valve), 4.125" Bore (International Eng.)

CAMSHAFT GROUP (cont.)						
QTY	CAMSHAFT/LIFTER (cont.)	PART NO.	SIZE	DESCRIPTION		
16	Lifter, Bulk	HT-855B	Std Only	Hyd.; Carton of 96		
1	Prelube	55-400		4 oz. bottle; 1.5 oz. packet No. 55-403 also avail.		
COOLING SYSTEM						
QTY	WATER PUMP	PART NO.	SIZE	DESCRIPTION		
4	O-Ring	FP-356005		Water pipe seal		
ENGINE BLOCK & PARTS						
QTY	GASKET SETS	PART NO.	SIZE	DESCRIPTION		
1	Kit Gasket Set	260-1050				
1	Kit Gasket Set	260-1076		w/o Improved cooling		
QTY	CAM BEARINGS	PART NO.	SIZE	DESCRIPTION		
1	Cam Set	1218M	Std Only			
QTY	FREEZE PLUGS	PART NO.	SIZE	DESCRIPTION		
1	Brass Block Plug Kit	381-8083				
CRANKSHAFT/OIL PUMP						
QTY	SEALS - FRONT CRANK	PART NO.	SIZE	DESCRIPTION		
1	Redi-Sleeve	99248				
1	Oil Seal	7581H				
QTY	SEALS - REAR CRANK	PART NO.	SIZE	DESCRIPTION		
1	Oil Seal	2218				
1	Redi-Sleeve	99372				
1	Wear Sleeve	FP-1816569				
QTY	MAIN BEARINGS	PART NO.	SIZE	DESCRIPTION		
1	Main Set	4070M	Std-10-20-30			
QTY	OIL PUMP	PART NO.	SIZE	DESCRIPTION		
1	Oil Pump	224-41187		To Eng. Ser. No. 1343145; Repl. O.E. No. 151075R93		
1	Pump Repair Kit	224-51187		To Eng. Ser. No. 1343145		
CYLINDER COMPONENTS						
QTY	LINERS	PART NO.	SIZE	DESCRIPTION		
8	Repair Sleeve	SL-23Y	Std Only	1/8" wall, must be cut to correct length		
8	Repair Sleeve	SL-23M	Std Only	3/32" wall, must be cut to correct length		
QTY	PISTONS	PART NO.	SIZE	DESCRIPTION		
8	Cast Piston	H996CP	Std-20-30-40-60	Eng. Code "V392E"; Hypereutectic; 2-3/32", 1-3/16" Ring Groove, 1.886" CD, 1.0624" Pin Dia., Recessed Head; DUROSHIELD® skirt coated piston		
8	Cast Piston - Individual	WH996CP	Std-20-30-40-60	Eng. Code "V392E"; Hypereutectic; 2-3/32", 1-3/16" Ring Groove, 1.886" CD, 1.0624" Pin Dia., Recessed Head; DUROSHIELD® skirt coated piston		
QTY	CONNECTING RODS & BRGS.	PART NO.	SIZE	DESCRIPTION		
1	Rod Set	8-2410CP	Std-10-20			
8	Rod Pair	2410CP	Std-2-10-20-30-40			
QTY	PISTON RINGS	PART NO.	SIZE	DESCRIPTION		
1	Premium Set	E-404K	Std-30-60	2-3/32, 1-3/16		
1	Standard Set	E-422X30	30	Nat. Gas or LPG; 2-3/32, 1-3/16		
8	Premium Single Cylinder Set	WE-404K	Std-30	2-3/32, 1-3/16		
KITS						
RE-RING KIT YEARS	DESCRIPTION		QTY	PREMIUM KIT NO.	QTY	ECONOMY KIT NO.
	To Ser. No. 1013196; w/o Improved cooling	Re-ring	1	FP-205671		----
	From Ser. No. 1013197	Re-ring	1	FP-205673		----
	H/D; Highway; To Ser. No. 1013196; w/o Improved cooling; For pistons w/2-3/32, 1-3/16 ring groove	Re-ring	1	205-671		----
	H/D; Highway; To Ser. No. 1013197; w/Improved cooling; For pistons w/2-3/32, 1-3/16 ring groove	Re-ring	1	205-673		----
	L/D; To Ser. No. 1013196; w/o Improved cooling	Re-ring	1	205-675		----
	L/D; To Ser. No. 1013197; w/Improved cooling	Re-ring	1	205-676		----

**Combine D407 Eng. Scraper D407 Eng. Wheel Tractor D407 Eng. Crawler Tractor D407 76
Eng. Wheel Loader D407 Eng.
6.7L 407 Diesel L6, 4.321" Bore**

CYL. HEAD & PARTS

QTY	VALVE	PART NO.	SIZE	DESCRIPTION
6	Intake	FP-V2165		1.9400" Head Dia., .4350" Stem Dia., 6.1500" O.A.L.
6	Intake	V-2165 +	Std Only	1.9400" Head Dia., .4350" Stem Dia., 6.1500" O.A.L.; When depleted use FP-V2165
6	Exhaust	FP-V2164		1.6250" Head Dia., .4350" Stem Dia., 6.2380" O.A.L.
6	Exhaust	V-2164 +	Std Only	1.6250" Head Dia., .4350" Stem Dia., 6.2380" O.A.L.; When depleted use FP-V2164
24	Keeper	FP-127554		
QTY	VALVE GUIDE	PART NO.	SIZE	DESCRIPTION
12	Guide	FP-VG639		.4375" ID, 3.1880" O.A.L.
12	Guide	VG-639 +		.4375" ID, 3.1880" O.A.L.; When depleted use FP-VG639
QTY	VALVE SPRING	PART NO.	SIZE	DESCRIPTION
6	Spring	VS-336		Int. Inner; 2.3430" Free Height
6	Spring	VS-337		Int. Outer; 2.5620" Free Height

ENGINE BLOCK & PARTS

QTY	GASKET SETS	PART NO.	SIZE	DESCRIPTION
1	Kit Gasket Set	FP-2601382		
1	Kit Gasket Set	260-1382		
QTY	CAM BEARINGS	PART NO.	SIZE	DESCRIPTION
1	Cam Set	FP-1402M	Std Only	
1	Cam Set	1402M +	Std Only	When depleted use FP-1402M

CRANKSHAFT/OIL PUMP

QTY	SEALS - FRONT CRANK	PART NO.	SIZE	DESCRIPTION
1	Oil Seal	714470		
QTY	SEALS - REAR CRANK	PART NO.	SIZE	DESCRIPTION
1	Oil Seal	39958		
1	Redi-Sleeve	99298		
QTY	MAIN BEARINGS	PART NO.	SIZE	DESCRIPTION
1	Main Set	FP-5125M	Std-10-20-30	
1	Main Set	5125M +	Std-10-20-30	When depleted use FP-5125M

CYLINDER COMPONENTS

QTY	LINERS	PART NO.	SIZE	DESCRIPTION
6	Dry Sleeve	FP-SL414M10	10	
6	Dry Sleeve	SL-414M10 +	10	When depleted use FP-SL414M10
6	Sleeve Assy.	FP-SL2538	Std Only	
6	Sleeve Assy.	SL-2538 +	Std Only	When depleted use FP-SL2538
QTY	PISTONS	PART NO.	SIZE	DESCRIPTION
6	Cast Piston	FP-2538PN	Std Only	Cast; 1-1/8", 1-3/32", 1-1/4" Ring Groove, 2.975" CD, 1.5000" Pin Dia., Dish Head 2.470" dia. w/2 valve reliefs; Repl. O.E. Nos. 670173C1 & 670294C1
6	Cast Piston	2538PN +	Std Only	Cast; 1-1/8", 1-3/32", 1-1/4" Ring Groove, 2.975" CD, 1.5000" Pin Dia., Dish Head 2.470" dia. w/2 valve reliefs; Repl. O.E. Nos. 670173C1 & 670294C1; When depleted use FP-2538PN
QTY	CONNECTING RODS & BRGS.	PART NO.	SIZE	DESCRIPTION
6	Rod Pair	FP-681314	STD	Narrow
6	Rod Pair	FP-681315	10	Narrow
6	Rod Pair	FP-687382	20	Narrow
6	Rod Pair	FP-681316	30	Narrow
6	Rod Pair	FP-68131440	40	Narrow
QTY	PISTON RINGS	PART NO.	SIZE	DESCRIPTION
1	Premium Set	FP-9550KX	Std Only	1-1/8, 1-3/32, 1-1/4
1	Premium Set	9550KX +	Std Only	1-1/8, 1-3/32, 1-1/4; When depleted use FP-9550KX
6	Premium Single Cylinder Set	W-9550KX	Std Only	1-1/8, 1-3/32, 1-1/4

KITS

QTY	OVERHAUL KIT	PART NO.	SIZE	DESCRIPTION
1	Tractor Overhaul Kit	FP-KST2538A		

IHC Tractor

77 Combine DT407 Eng. Scraper DT407 Eng. Wheel Tractor DT407 Eng. Crawler Tractor
 DT407 Eng. Wheel Loader DT407 Eng.
 6.7L 407 Turbo-Diesel L6, 4.321" Bore

CYL. HEAD & PARTS

QTY	VALVE	PART NO.	SIZE	DESCRIPTION
6	Intake	FP-V2165		1.9400" Head Dia., .4350" Stem Dia., 6.1500" O.A.L.
6	Intake	V-2165 + Std Only		1.9400" Head Dia., .4350" Stem Dia., 6.1500" O.A.L.; When depleted use FP-V2165
6	Exhaust	FP-V2164		1.6250" Head Dia., .4350" Stem Dia., 6.2380" O.A.L.
6	Exhaust	V-2164 + Std Only		1.6250" Head Dia., .4350" Stem Dia., 6.2380" O.A.L.; When depleted use FP-V2164
24	Keeper	FP-127554		
QTY	VALVE GUIDE	PART NO.	SIZE	DESCRIPTION
12	Guide	FP-VG639		.4375" ID, 3.1880" O.A.L.
12	Guide	VG-639 +		.4375" ID, 3.1880" O.A.L.; When depleted use FP-VG639
QTY	VALVE SPRING	PART NO.	SIZE	DESCRIPTION
6	Spring	VS-336		Int. Inner; 2.3430" Free Height
6	Spring	VS-337		Int. Outer; 2.5620" Free Height

ENGINE BLOCK & PARTS

QTY	GASKET SETS	PART NO.	SIZE	DESCRIPTION
1	Kit Gasket Set	FP-2601382		
1	Kit Gasket Set	260-1382		
QTY	CAM BEARINGS	PART NO.	SIZE	DESCRIPTION
1	Cam Set	FP-1402M	Std Only	
1	Cam Set	1402M + Std Only		When depleted use FP-1402M

CRANKSHAFT/OIL PUMP

QTY	SEALS - FRONT CRANK	PART NO.	SIZE	DESCRIPTION
1	Oil Seal	714470		
QTY	SEALS - REAR CRANK	PART NO.	SIZE	DESCRIPTION
1	Oil Seal	39958		
1	Redi-Sleeve	99298		
QTY	MAIN BEARINGS	PART NO.	SIZE	DESCRIPTION
1	Main Set	FP-5125M	Std-10-20-30	
1	Main Set	5125M + Std-10-20-30		When depleted use FP-5125M

CYLINDER COMPONENTS

QTY	LINERS	PART NO.	SIZE	DESCRIPTION
6	Dry Sleeve	FP-SL414M10	10	
6	Dry Sleeve	SL-414M10 + 10		When depleted use FP-SL414M10
6	Sleeve Assy.	SL-2538 + Std Only		Exc. Wheel Tractors 1456 & 21456; Combine 915; Loader 175B; & Late DT407 or UDT407 w/1.500" piston pin dia.; When depleted use FP-SL2538
6	Sleeve Assy.	FP-SL2538	Std Only	Exc. Wheel Tractors 1456 & 21456; Exc. Wheel Tractors 1456 & 21456; Combine 915; & Late DT407 or UDT407 w/1.500" piston pin dia.
6	Sleeve Assy.	SL-2586 + Std Only		For Wheel Tractors 1456 & 21456; Combine 915; Loader 175B; & Late DT407 or UDT407 w/1.625" piston pin dia.; When depleted use FP-SL2586
6	Sleeve Assy.	FP-SL2586	Std Only	For Wheel Tractors 1456 & 21456; For Wheel Tractors 1456 & 21456; Combine 915; Loader 175B; & Late DT407 or UDT407 w/1.625" piston pin dia.
QTY	PISTONS	PART NO.	SIZE	DESCRIPTION
6	Cast Piston	2538PN + Std Only		Exc. Wheel Tractors 1456 & 21456; Combine 915; Loader 175B; & Late DT407 or UDT407 with 1.500" piston pin dia.; Cast; 1-1/8", 1-3/32", 1-1/4" Ring Groove, 2.975" CD, 1.5000" Pin Dia., Dish Head 2.470" dia. w/2 valve reliefs; Repl. O.E. Nos. 670173C1 & 670294C1; When depleted use FP-2538PN
6	Cast Piston	FP-2538PN	Std Only	Exc. Wheel Tractors 1456 & 21456; Exc. Wheel Tractors 1456 & 21456; Combine 915; Loader 175B; & Late DT407 or UDT407 with 1.500" piston pin dia.; Cast; 1-1/8", 1-3/32", 1-1/4" Ring Groove, 2.975" CD, 1.5000" Pin Dia., Dish Head 2.470" dia. w/2 valve reliefs; Repl. O.E. Nos. 670173C1 & 670294C1
6	Cast Piston	2586PN + Std Only		For Wheel Tractors 1456 & 21456; Combine 915; Loader 175B; & Late DT407 or UDT407 w/1.625" piston pin dia.; Cast; 1-1/8", 1-3/32", 1-1/4" Ring Groove, 2.980" CD, 1.6250" Pin Dia., Dish Head 2.470" dia. w/2 valve reliefs; Repl. O.E. No. 670677C1; When depleted use FP-2586PN

(continued on next page)

**Combine DT407 Eng. Scraper DT407 Eng. Wheel Tractor DT407 Eng. Crawler Tractor 77
DT407 Eng. Wheel Loader DT407 Eng. (cont.)
6.7L 407 Turbo-Diesel L6, 4.321" Bore**

CYLINDER COMPONENTS (cont.)

QTY	PISTONS (cont.)	PART NO.	SIZE	DESCRIPTION
6	Cast Piston	FP-2586PN	Std Only	For Wheel Tractors 1456 & 21456; For Wheel Tractors 1456 & 21456; Combine 915; Loader 175B; & Late DT407 or UDT407 w/1.625" piston pin dia.; Cast; 1-1/8", 1-3/32", 1-1/4" Ring Groove, 2.980" CD, 1.6250" Pin Dia., Dish Head 2.470" dia. w/2 valve reliefs; Repl. O.E. No. 670677C1
QTY	CONNECTING RODS & BRGS.	PART NO.	SIZE	DESCRIPTION
6	Rod Pair	FP-681314	STD	Narrow
6	Rod Pair	FP-681315	10	Narrow
6	Rod Pair	FP-687382	20	Narrow
6	Rod Pair	FP-681316	30	Narrow
6	Rod Pair	FP-68131440	40	Narrow
QTY	PISTON RINGS	PART NO.	SIZE	DESCRIPTION
1	Premium Set	FP-9550KX	Std Only	1-1/8, 1-3/32, 1-1/4
1	Premium Set	9550KX +	Std Only	1-1/8, 1-3/32, 1-1/4; When depleted use FP-9550KX
6	Premium Single Cylinder Set	W-9550KX	Std Only	1-1/8, 1-3/32, 1-1/4
KITS				
QTY	OVERHAUL KIT	PART NO.	SIZE	DESCRIPTION
1	Tractor Overhaul Kit	FP-KST2538A		Exc. Wheel Tractors 1456 & 21456, Combine 915, Loader 175B, Late DT407 or UDT407 w/1.500" piston pin dia.
1	Tractor Overhaul Kit	FP-KST2586A		Wheel Tractor 1456 & 21456, Combine 915, Loader 175B, Late DT407 & UDT407 w/1.625" piston pin dia.

**Combine D414 Eng. Wheel Tractor D414 Eng. 78
6.8L 414 Diesel L6, 4.3005" Bore**

CYL. HEAD & PARTS

QTY	VALVE	PART NO.	SIZE	DESCRIPTION
6	Intake	FP-675046		
6	Exhaust	FP-676865		
24	Keeper	VK-138		1 groove; Square cut key groove
24	Keeper	VK-138R		1 groove; Square cut key groove; Hardened
24	Keeper, Bulk	VK-138B		1 groove; Square cut key groove; Carton of 1000
QTY	VALVE SEAT	PART NO.	SIZE	DESCRIPTION
6	Exh.	FP-671563	2	.002" O/S
6	Int.	FP-671559	2	.002" O/S
QTY	VALVE GUIDE	PART NO.	SIZE	DESCRIPTION
12	Guide	FP-675439		
QTY	VALVE SPRING	PART NO.	SIZE	DESCRIPTION
12	Spring	FP-682064		2.3400" Free Height
QTY	VALVE MISC.	PART NO.	SIZE	DESCRIPTION
6	Rotocap Assy.	FP-1811581		Exh.
QTY	VALVE SEAL	PART NO.	SIZE	DESCRIPTION
12	Valve Stem Seal	FP-681234		Umbrella type

CAMSHAFT GROUP

QTY	TIMING	PART NO.	SIZE	DESCRIPTION
1	Cam Gear	FP-675600		66 Teeth
QTY	CAMSHAFT/LIFTER	PART NO.	SIZE	DESCRIPTION
1	Camshaft	FP-1802337		
12	Lifter	FP-911776		Mech.; .997" dia.
12	Lifter	AT-2041	Std Only	Mech.; .997" dia. body
1	Prelube	55-400		4 oz. bottle; 1.5 oz. packet No. 55-403 also avail.

ENGINE BLOCK & PARTS

QTY	GASKET SETS	PART NO.	SIZE	DESCRIPTION
1	In-Frame Gasket Set	FP-PGN466IF		Head set & bearing roll-in
1	In-Frame Gasket Set	PGN466-IF +		Head set & bearing roll-in; When depleted use FP-PGN466IF
1	Complete Overhaul Gasket Set	FP-PGN466C		
1	Complete Overhaul Gasket Set	PGN466C +		When depleted use FP-PGN466C
QTY	CAM BEARINGS	PART NO.	SIZE	DESCRIPTION
1	Cam Set	FP-680117	STD	

(continued on next page)

IHC Tractor

78 Combine D414 Eng. Wheel Tractor D414 Eng. (cont.) 6.8L 414 Diesel L6, 4.3005" Bore

CRANKSHAFT/OIL PUMP				
QTY	SEALS - FRONT CRANK	PART NO.	SIZE	DESCRIPTION
1	Oil Seal	714470		
QTY	SEALS - REAR CRANK	PART NO.	SIZE	DESCRIPTION
1	Oil Seal	39958		
1	Redi-Sleeve	99298		
QTY	MAIN BEARINGS	PART NO.	SIZE	DESCRIPTION
1	Main Set	FP-1823847	STD	Narrow
1	Main Set	FP-1823848	10	Narrow
1	Main Set	FP-1823849	20	Narrow
1	Main Set	FP-1823850	30	Narrow
CYLINDER COMPONENTS				
QTY	LINERS	PART NO.	SIZE	DESCRIPTION
6	Liner w/o Sealing Rings	FP-1810504		
6	Liner w/Sealing Rings	FP-1810504WS		
6	Sleeve Assy.	FP-SL2526	Std Only	
6	Sleeve Assy.	SL-2526 +	Std Only	When depleted use FP-SL2526
QTY	PISTONS	PART NO.	SIZE	DESCRIPTION
6	Piston Body w/o Pin	FP-671543		
6	Pin Bushing	FP-675006		
QTY	CONNECTING RODS & BRGS.	PART NO.	SIZE	DESCRIPTION
6	Rod Pair	FP-681314	STD	Narrow
6	Rod Pair	FP-681315	10	Narrow
6	Rod Pair	FP-687382	20	Narrow
6	Rod Pair	FP-681316	30	Narrow
6	Rod Pair	FP-68131440	40	Narrow
QTY	PISTON RINGS	PART NO.	SIZE	DESCRIPTION
6	Ring Set Single Cylinder	FP-684065	STD	1-1/8, 1-3/32, 1-1/4
1	Premium Set	FP-684065S	STD	1-1/8, 1-3/32, 1-1/4
6	Premium Single Cylinder Set	W-9520KX	Std Only	1-1/8, 1-3/32, 1-1/4
KITS				
QTY	OVERHAUL KIT	PART NO.	SIZE	DESCRIPTION
1	In-Frame Overhaul Kit	FP-IFK414		
1	Complete Overhaul Kit	FP-IFK4140H		
79 Combine DT414 Eng. Scraper DT414 Eng. Wheel Tractor DT414 Eng. Wheel Loader DT414 Eng. 6.8L 414 Turbo-Diesel L6, 4.3005" Bore				
CYL. HEAD & PARTS				
QTY	VALVE	PART NO.	SIZE	DESCRIPTION
6	Intake	FP-675046		
6	Exhaust	FP-676865		
24	Keeper	VK-138		1 groove; Square cut key groove
24	Keeper	VK-138R		1 groove; Square cut key groove; Hardened
24	Keeper, Bulk	VK-138B		1 groove; Square cut key groove; Carton of 1000
QTY	VALVE SEAT	PART NO.	SIZE	DESCRIPTION
6	Exh.	FP-671563	2	.002" O/S
6	Int.	FP-671559	2	.002" O/S
QTY	VALVE GUIDE	PART NO.	SIZE	DESCRIPTION
12	Guide	FP-675439		
QTY	VALVE SPRING	PART NO.	SIZE	DESCRIPTION
12	Spring	FP-682064		2.3400" Free Height
QTY	VALVE MISC.	PART NO.	SIZE	DESCRIPTION
6	Rotocap Assy.	FP-1811581		Exh.
QTY	VALVE SEAL	PART NO.	SIZE	DESCRIPTION
12	Valve Stem Seal	FP-681234		Umbrella type
CAMSHAFT GROUP				
QTY	TIMING	PART NO.	SIZE	DESCRIPTION
1	Cam Gear	FP-675600		66 Teeth
QTY	CAMSHAFT/LIFTER	PART NO.	SIZE	DESCRIPTION
1	Camshaft	FP-1802337		
12	Lifter	FP-911776		Mech.; .997" dia.

(continued on next page)

+ Superseded Part Number

Combine DT414 Eng. Scraper DT414 Eng. Wheel Tractor DT414 Eng. Wheel Loader DT414 79
Eng. (cont.)
 6.8L 414 Turbo-Diesel L6, 4.3005" Bore

CAMSHAFT GROUP (cont.)

QTY	CAMSHAFT/LIFTER (cont.)	PART NO.	SIZE	DESCRIPTION
1	Prelube	55-400		4 oz. bottle; 1.5 oz. packet No. 55-403 also avail.

FUEL SYSTEM & PARTS

QTY	FUEL INJECTION	PART NO.	SIZE	DESCRIPTION
6	Fuel Injector Sleeve	FP-675442		

ENGINE BLOCK & PARTS

QTY	GASKET SETS	PART NO.	SIZE	DESCRIPTION
1	In-Frame Gasket Set	FP-PGN466IF		Head set & bearing roll-in
1	In-Frame Gasket Set	PGN466-IF +		Head set & bearing roll-in; When depleted use FP-PGN466IF
1	Complete Overhaul Gasket Set	FP-PGN466C		
1	Complete Overhaul Gasket Set	PGN466C +		When depleted use FP-PGN466C

QTY	CAM BEARINGS	PART NO.	SIZE	DESCRIPTION
1	Cam Set	FP-680117	STD	

CRANKSHAFT/OIL PUMP

QTY	SEALS - FRONT CRANK	PART NO.	SIZE	DESCRIPTION
1	Oil Seal	714470		

QTY	SEALS - REAR CRANK	PART NO.	SIZE	DESCRIPTION
1	Oil Seal	39958		
1	Redi-Sleeve	99298		

QTY	MAIN BEARINGS	PART NO.	SIZE	DESCRIPTION
1	Main Set	FP-1823847	STD	Narrow
1	Main Set	FP-1823848	10	Narrow
1	Main Set	FP-1823849	20	Narrow
1	Main Set	FP-1823850	30	Narrow

CYLINDER COMPONENTS

QTY	LINERS	PART NO.	SIZE	DESCRIPTION
6	Liner w/o Sealing Rings	FP-1810504		
6	Liner w/Sealing Rings	FP-1810504WS		
6	Sleeve Assy.	FP-SL2519	Std Only	
6	Sleeve Assy.	SL-2519 +	Std Only	When depleted use FP-SL2519

QTY	PISTONS	PART NO.	SIZE	DESCRIPTION
6	Cast Piston	FP-2519PN	Std Only	Cast; 2-1/8", 1-1/4" Ring Groove, 3.697" CD, 1.6250" Pin Dia., Dish Head w/2 valve reliefs; Repl. O.E. No. 684251C1
6	Cast Piston	2519PN +	Std Only	Cast; 2-1/8", 1-1/4" Ring Groove, 3.697" CD, 1.6250" Pin Dia., Dish Head w/2 valve reliefs; Repl. O.E. No. 684251C1; When depleted use FP-2519PN
6	Pin Bushing	FP-675006		

QTY	CONNECTING RODS & BRGS.	PART NO.	SIZE	DESCRIPTION
6	Rod Pair	FP-681314	STD	Narrow
6	Rod Pair	FP-681315	10	Narrow
6	Rod Pair	FP-687382	20	Narrow
6	Rod Pair	FP-681316	30	Narrow
6	Rod Pair	FP-68131440	40	Narrow

QTY	PISTON RINGS	PART NO.	SIZE	DESCRIPTION
6	Ring Set Single Cylinder	FP-684256		Check piston grooving before supplying ring set; 2-1/8, 1-1/4; Incl. narrow gap intermediate rings
1	Premium Set	FP-684256S		Check piston grooving before supplying ring set; 2-1/8, 1-1/4; Incl. narrow gap intermediate rings
6	Premium Single Cylinder Set	W-9618KX	Std Only	Check piston grooving before supplying ring set; 2-1/8, 1-1/4

KITS

QTY	OVERHAUL KIT	PART NO.	SIZE	DESCRIPTION
1	In-Frame Overhaul Kit	FP-IFK414		
1	Complete Overhaul Kit	FP-IFK414OH		

IHC Tractor

80 Loader DT429 Eng. Wheel Tractor DT429 Eng. Crawler Tractor DT429 Eng. Wheel Loader DT429 Eng.
7.0L 429 Turbo-Diesel L6, 4.5" Bore

CYL. HEAD & PARTS

QTY	VALVE	PART NO.	SIZE	DESCRIPTION
6	Exhaust	FP-V2158X		1.7000" Head Dia., .4351" Stem Dia., 6.6240" O.A.L.
6	Exhaust	V-2158X +	Std Only	1.7000" Head Dia., .4351" Stem Dia., 6.6240" O.A.L.; When depleted use FP-V2158X
24	Keeper	VK-140		
QTY	VALVE SEAT	PART NO.	SIZE	DESCRIPTION
6	Exh.	245-1687-3	Std Only	1.6925" OD, 1.4375" ID, .2480" Depth
QTY	VALVE GUIDE	PART NO.	SIZE	DESCRIPTION
12	Guide	FP-VG694		.4375" ID, 3.6870" O.A.L.
12	Guide	VG-694 +		.4375" ID, 3.6870" O.A.L.; When depleted use FP-VG694

CAMSHAFT GROUP

QTY	CAMSHAFT/LIFTER	PART NO.	SIZE	DESCRIPTION
12	Lifter	FP-911776		Mech.; .997" dia.
12	Lifter	AT-2041	Std Only	Mech.; .997" dia. body

CRANKSHAFT/OIL PUMP

QTY	SEALS - FRONT CRANK	PART NO.	SIZE	DESCRIPTION
1	Oil Seal	714470		
QTY	SEALS - REAR CRANK	PART NO.	SIZE	DESCRIPTION
1	Oil Seal	39958		
1	Redi-Sleeve	99298		

CYLINDER COMPONENTS

QTY	LINERS	PART NO.	SIZE	DESCRIPTION
6	Liner w/Sealing Rings	FP-SO2443	Std Only	Incl. (3) FP-SLR2443 sealing rings.
6	Liner w/Sealing Rings	SO-2443 +	Std Only	Incl. (3) SLR-2443 sealing rings.; When depleted use FP-SO2443
QTY	CONNECTING RODS & BRGS.	PART NO.	SIZE	DESCRIPTION
6	Rod Pair	FP-3210CP	Std-10-20-30	
6	Rod Pair	3210CP +	Std-10-20-30	When depleted use FP-3210CP

81 Wheel Tractor D436 Eng.
7.1L 436 Diesel L6, 4.3005" Bore

CYL. HEAD & PARTS

QTY	VALVE	PART NO.	SIZE	DESCRIPTION
6	Intake	FP-675046		
6	Exhaust	FP-676865		
24	Keeper	VK-138		1 groove; Square cut key groove
24	Keeper	VK-138R		1 groove; Square cut key groove; Hardened
24	Keeper, Bulk	VK-138B		1 groove; Square cut key groove; Carton of 1000
QTY	VALVE SEAT	PART NO.	SIZE	DESCRIPTION
6	Exh.	FP-671563	2	.002" O/S
6	Int.	FP-671559	2	.002" O/S
QTY	VALVE GUIDE	PART NO.	SIZE	DESCRIPTION
12	Guide	FP-675439		
QTY	VALVE SPRING	PART NO.	SIZE	DESCRIPTION
12	Spring	FP-682064		2.3400" Free Height
QTY	VALVE MISC.	PART NO.	SIZE	DESCRIPTION
6	Rotocap Assy.	FP-1811581		Exh.
QTY	VALVE SEAL	PART NO.	SIZE	DESCRIPTION
12	Valve Stem Seal	FP-681234		Umbrella type

CAMSHAFT GROUP

QTY	TIMING	PART NO.	SIZE	DESCRIPTION
1	Cam Gear	FP-675600		66 Teeth
QTY	CAMSHAFT/LIFTER	PART NO.	SIZE	DESCRIPTION
1	Camshaft	FP-1802337		
12	Lifter	FP-911776		Mech.; .997" dia.
12	Lifter	AT-2041	Std Only	Mech.; .997" dia. body
1	Prelube	55-400		4 oz. bottle; 1.5 oz. packet No. 55-403 also avail.

(continued on next page)

Wheel Tractor D436 Eng. 81
7.1L 436 Diesel L6, 4.3005" Bore (cont.)

ENGINE BLOCK & PARTS				
QTY		PART NO.	SIZE	DESCRIPTION
1	GASKET SETS			
1	In-Frame Gasket Set	FP-PGN466IF		Head set & bearing roll-in
1	In-Frame Gasket Set	PGN466-IF +		Head set & bearing roll-in; When depleted use FP-PGN466IF
1	Complete Overhaul Gasket Set	FP-PGN466C		
1	Complete Overhaul Gasket Set	PGN466C +		When depleted use FP-PGN466C
QTY	CAM BEARINGS	PART NO.	SIZE	DESCRIPTION
1	Cam Set	FP-680117	STD	
CRANKSHAFT/OIL PUMP				
QTY	SEALS - FRONT CRANK	PART NO.	SIZE	DESCRIPTION
1	Oil Seal	714470		
QTY	SEALS - REAR CRANK	PART NO.	SIZE	DESCRIPTION
1	Oil Seal	39958		
1	Redi-Sleeve	99298		
QTY	MAIN BEARINGS	PART NO.	SIZE	DESCRIPTION
1	Main Set	FP-1823847	STD	Narrow
1	Main Set	FP-1823848	10	Narrow
1	Main Set	FP-1823849	20	Narrow
1	Main Set	FP-1823850	30	Narrow
CYLINDER COMPONENTS				
QTY	LINERS	PART NO.	SIZE	DESCRIPTION
6	Liner w/o Sealing Rings	FP-1810504		
6	Liner w/Sealing Rings	FP-1810504WS		
6	Cylinder Kit Complete	FP-671508		
6	Sleeve Assy.	SL-2709 +	Std Only	When depleted use FP-671508
QTY	PISTONS	PART NO.	SIZE	DESCRIPTION
6	Piston Body w/o Pin	FP-675775		
6	Pin Bushing	FP-675006		
QTY	CONNECTING RODS & BRGS.	PART NO.	SIZE	DESCRIPTION
6	Rod Pair	FP-681314	STD	Narrow
6	Rod Pair	FP-681315	10	Narrow
6	Rod Pair	FP-687382	20	Narrow
6	Rod Pair	FP-681316	30	Narrow
6	Rod Pair	FP-68131440	40	Narrow
QTY	PISTON RINGS	PART NO.	SIZE	DESCRIPTION
6	Ring Set Single Cylinder	FP-684065	STD	1-1/8, 1-3/32, 1-1/4
1	Premium Set	FP-684065S	STD	1-1/8, 1-3/32, 1-1/4
6	Premium Single Cylinder Set	W-9520KX	Std Only	1-1/8, 1-3/32, 1-1/4
KITS				
QTY	OVERHAUL KIT	PART NO.	SIZE	DESCRIPTION
1	In-Frame Overhaul Kit	FP-IFKDT466		
1	Complete Overhaul Kit	FP-IFK436OH		
Combine DT436 Eng. Wheel Tractor DT436 Eng. 82 7.1L 436 Turbo-Diesel L6, 4.3005" Bore				
CYL. HEAD & PARTS				
QTY	VALVE	PART NO.	SIZE	DESCRIPTION
6	Intake	FP-675046		
6	Exhaust	FP-676865		
24	Keeper	VK-138		1 groove; Square cut key groove
24	Keeper	VK-138R		1 groove; Square cut key groove; Hardened
24	Keeper, Bulk	VK-138B		1 groove; Square cut key groove; Carton of 1000
QTY	VALVE SEAT	PART NO.	SIZE	DESCRIPTION
6	Exh.	FP-671563	2	.002" O/S
6	Int.	FP-671559	2	.002" O/S
QTY	VALVE GUIDE	PART NO.	SIZE	DESCRIPTION
12	Guide	FP-675439		
QTY	VALVE SPRING	PART NO.	SIZE	DESCRIPTION
12	Spring	FP-682064		2.3400" Free Height
QTY	VALVE MISC.	PART NO.	SIZE	DESCRIPTION
6	Rotocap Assy.	FP-1811581		Exh.

(continued on next page)

IHC Tractor

82 Combine DT436 Eng. Wheel Tractor DT436 Eng.
(cont.) 7.1L 436 Turbo-Diesel L6, 4.3005" Bore

CYL. HEAD & PARTS (cont.)				
QTY	VALVE SEAL	PART NO.	SIZE	DESCRIPTION
12	Valve Stem Seal	FP-681234		Umbrella type
CAMSHAFT GROUP				
QTY	TIMING	PART NO.	SIZE	DESCRIPTION
1	Cam Gear	FP-675600		66 Teeth
QTY	CAMSHAFT/LIFTER	PART NO.	SIZE	DESCRIPTION
1	Camshaft	FP-1802337		
12	Lifter	FP-911776		Mech.; .997" dia.
12	Lifter	AT-2041 Std Only		Mech.; .997" dia. body
1	Prelube	55-400		4 oz. bottle; 1.5 oz. packet No. 55-403 also avail.
FUEL SYSTEM & PARTS				
QTY	FUEL INJECTION	PART NO.	SIZE	DESCRIPTION
6	Fuel Injector Sleeve	FP-675442		
ENGINE BLOCK & PARTS				
QTY	GASKET SETS	PART NO.	SIZE	DESCRIPTION
1	In-Frame Gasket Set	FP-PGN466IF		Head set & bearing roll-in
1	In-Frame Gasket Set	PGN466-IF +		Head set & bearing roll-in; When depleted use FP-PGN466IF
1	Complete Overhaul Gasket Set	FP-PGN466C		
1	Complete Overhaul Gasket Set	PGN466C +		When depleted use FP-PGN466C
QTY	CAM BEARINGS	PART NO.	SIZE	DESCRIPTION
1	Cam Set	FP-680117	STD	
CRANKSHAFT/OIL PUMP				
QTY	SEALS - FRONT CRANK	PART NO.	SIZE	DESCRIPTION
1	Oil Seal	714470		
QTY	SEALS - REAR CRANK	PART NO.	SIZE	DESCRIPTION
1	Oil Seal	39958		
1	Redi-Sleeve	99298		
QTY	MAIN BEARINGS	PART NO.	SIZE	DESCRIPTION
1	Main Set	FP-1823847	STD	Narrow
1	Main Set	FP-1823848	10	Narrow
1	Main Set	FP-1823849	20	Narrow
1	Main Set	FP-1823850	30	Narrow
CYLINDER COMPONENTS				
QTY	LINERS	PART NO.	SIZE	DESCRIPTION
6	Liner w/o Sealing Rings	FP-1810504		
6	Liner w/Sealing Rings	FP-1810504WS		
6	Sleeve Assy.	FP-SL2525	Std Only	
6	Sleeve Assy.	SL-2525 +	Std Only	When depleted use FP-SL2525
QTY	PISTONS	PART NO.	SIZE	DESCRIPTION
6	Cast Piston	FP-2525PN	Std Only	Cast; 2-1/8", 1-1/4" Ring Groove, 3.577" CD, 1.6250" Pin Dia., Dish Head w/2 valve reliefs - 16.1:1 C.R.; Repl. O.E. No. 684253C2
6	Cast Piston	2525PN +	Std Only	Cast; 2-1/8", 1-1/4" Ring Groove, 3.577" CD, 1.6250" Pin Dia., Dish Head w/2 valve reliefs - 16.1:1 C.R.; Repl. O.E. No. 684253C2; When depleted use FP-2525PN
6	Pin Bushing	FP-675006		
QTY	CONNECTING RODS & BRGS.	PART NO.	SIZE	DESCRIPTION
6	Rod Pair	FP-681314	STD	Narrow
6	Rod Pair	FP-681315	10	Narrow
6	Rod Pair	FP-687382	20	Narrow
6	Rod Pair	FP-681316	30	Narrow
6	Rod Pair	FP-68131440	40	Narrow
QTY	PISTON RINGS	PART NO.	SIZE	DESCRIPTION
6	Ring Set Single Cylinder	FP-684256		Check piston grooving before supplying ring set; 2-1/8, 1-1/4; Incl. narrow gap intermediate rings
1	Premium Set	FP-684256S		Check piston grooving before supplying ring set; 2-1/8, 1-1/4; Incl. narrow gap intermediate rings
6	Premium Single Cylinder Set	W-9618KX Std Only		Check piston grooving before supplying ring set; 2-1/8, 1-1/4
KITS				
QTY	OVERHAUL KIT	PART NO.	SIZE	DESCRIPTION
1	In-Frame Overhaul Kit	FP-IFK436		

(continued on next page)

+ Superseded Part Number

Combine DT436 Eng. Wheel Tractor DT436 Eng. 82
7.1L 436 Turbo-Diesel L6, 4.3005" Bore (cont.)

KITS (cont.)

QTY	OVERHAUL KIT (cont.)	PART NO.	SIZE	DESCRIPTION
1	Complete Overhaul Kit	FP-IFK436OH		

Power Unit RD450, U450, UR450 Engs. 83
7.4L 450 OHV L6 (12 Valve), 4.375" Bore (International Eng.)

CYL. HEAD & PARTS

QTY	GASKETS	PART NO.	SIZE	DESCRIPTION
1	Head Set	FP-2606030		w/o Improved cooling
1	Head Set	260-6030		w/o Improved cooling
QTY	VALVE SEAT	PART NO.	SIZE	DESCRIPTION
6	Exh.	245-1875-1N Std Only		Premium Material; 1.8810" OD, 1.6100" ID, .2485" Depth
6	Exh.	245-1875-1 Std Only		1.8810" OD, 1.6100" ID, .2485" Depth
QTY	VALVE SPRING	PART NO.	SIZE	DESCRIPTION
12	Spring	VS-336		Inner; 2.3430" Free Height
12	Spring	VS-337		Outer; 2.5620" Free Height
12	Spring Insert	259-303C		.015"; ID .703"; Carton of 100
12	Spring Insert	259-303B		.030"; ID .703"; Carton of 100
12	Spring Insert	259-303A		.060"; ID .703"; Carton of 100
12	Spring Insert	259-303ARS		.060"; ID .703"; Carton of 500
QTY	VALVE SEAL	PART NO.	SIZE	DESCRIPTION
12	Valve Stem Seal	ST-2007		Positive type; Rubber
6	O-Ring	FP-111024		Int.; Rubber
6	Valve Stem Seal	MV-1233C		Int.; O-Ring; Rubber
6	Valve Stem Seal Bulk	MV-1233		Int.; O-Ring; Carton of 100; Rubber

CRANKSHAFT/OIL PUMP

QTY	SEALS - FRONT CRANK	PART NO.	SIZE	DESCRIPTION
1	Redi-Sleeve	99272		
1	Oil Seal	417316		

CYLINDER COMPONENTS

QTY	PISTON RINGS	PART NO.	SIZE	DESCRIPTION
1	Premium Set	5642KX Std Only		Eng. Ser. Nos. 118530 to 118542, 118562 to 119569, 119634 to 119666 & From 119670; 2-3/32, 1-3/16
6	Premium Single Cylinder Set	W-5642KX Std Only		Eng. Ser. Nos. 118530 to 118542, 118562 to 119569, 119634 to 119666 & From 119670; 2-3/32, 1-3/16

Wheel Tractor T40, TD40 Engs. 84
7.5L 460 L4, 4.75" Bore

CYL. HEAD & PARTS

QTY	VALVE	PART NO.	SIZE	DESCRIPTION
16	Keeper	FP-127554		
QTY	VALVE SEAL	PART NO.	SIZE	DESCRIPTION
8	Valve Stem Seal	ST-2007		Positive type; Rubber

CYLINDER COMPONENTS

QTY	PISTON RINGS	PART NO.	SIZE	DESCRIPTION
1	Premium Set	FP-5170KX	Std Only	4-1/8, 2-1/4
1	Premium Set	5170KX +	Std Only	4-1/8, 2-1/4; When depleted use FP-5170KX

Crawler Tractor D461 Eng. 85
7.5L 460 Diesel L4, 4.75" Bore

CYL. HEAD & PARTS

QTY	VALVE	PART NO.	SIZE	DESCRIPTION
16	Keeper	FP-127554		
QTY	VALVE SEAL	PART NO.	SIZE	DESCRIPTION
8	Valve Stem Seal	ST-2007		Positive type; Rubber

CYLINDER COMPONENTS

QTY	PISTON RINGS	PART NO.	SIZE	DESCRIPTION
1	Premium Set	FP-5170KX	Std Only	4-1/8, 2-1/4
1	Premium Set	5170KX +	Std Only	4-1/8, 2-1/4; When depleted use FP-5170KX

IHC Tractor

86 Wheel Tractor D466 Eng.
7.6L 466 Diesel L6, 4.3005" Bore

CYL. HEAD & PARTS				
QTY	GASKETS	PART NO.	SIZE	DESCRIPTION
1	Breather Housing Gasket	FP-673973		
6	Grommet	FP-677692		Valve Cover Bolt
1	Valve Cover Gasket	FP-675109		
1	Head Gasket	FP-1819547		
1	Head Set	FP-1808973		
QTY	VALVE	PART NO.	SIZE	DESCRIPTION
6	Intake	FP-675046		
6	Exhaust	FP-676865		
24	Keeper	FP-41339		1 groove; Square cut key groove
24	Keeper	VK-138		1 groove; Square cut key groove
24	Keeper	VK-138R		1 groove; Square cut key groove; Hardened
24	Keeper, Bulk	VK-138B		1 groove; Square cut key groove; Carton of 1000
QTY	VALVE SEAT	PART NO.	SIZE	DESCRIPTION
6	Exh.	FP-671563	2	
6	Exh.	FP-671565	15	
6	Int.	FP-671559	2	
6	Int.	FP-671561	15	
QTY	VALVE GUIDE	PART NO.	SIZE	DESCRIPTION
12	Guide	FP-675439		
QTY	VALVE SPRING	PART NO.	SIZE	DESCRIPTION
12	Spring	FP-682064		To Ser. No. 74999; 2.3400" Free Height
QTY	PUSH RODS	PART NO.	SIZE	DESCRIPTION
12	Push Rod	FP-675621		To Ser. No. 532980; 11.4000" O.A.L.
12	Push Rod	RP-3239 +		To Ser. No. 532980; 11.4000" O.A.L.; When depleted use FP-675621
QTY	VALVE MISC.	PART NO.	SIZE	DESCRIPTION
6	Rotocap Assy.	FP-1811581		Exh.
QTY	VALVE SEAL	PART NO.	SIZE	DESCRIPTION
12	Valve Stem Seal	FP-1815374		From Ser. No. 594840
12	Valve Stem Seal	FP-681234		To Ser. No. 594839; Umbrella type
INT & EXH MANIFOLDS				
QTY	INT. & EXH. MANIFOLDS	PART NO.	SIZE	DESCRIPTION
1	Intake Manifold Gasket	FP-682199		
CAMSHAFT GROUP				
QTY	TIMING	PART NO.	SIZE	DESCRIPTION
1	Cam Gear	FP-675600		66 Teeth
QTY	CAMSHAFT TIMING	PART NO.	SIZE	DESCRIPTION
1	Woodruff Key	FP-218211		1/4" x 3/4"
QTY	CAMSHAFT/LIFTER	PART NO.	SIZE	DESCRIPTION
12	Lifter	FP-911776		Mech.; .997" dia.
12	Lifter	AT-2041 Std Only		Mech.; .997" dia. body
FUEL SYSTEM & PARTS				
QTY	FUEL INJECTION	PART NO.	SIZE	DESCRIPTION
6	Fuel Injector Sleeve	FP-675442		
COOLING SYSTEM				
QTY	THERMOSTAT	PART NO.	SIZE	DESCRIPTION
1	Thermostat Gasket	FP-675384		
ENGINE BLOCK & PARTS				
QTY	GASKETS	PART NO.	SIZE	DESCRIPTION
1	Oil Pan Gasket	FP-671825		
QTY	GASKET SETS	PART NO.	SIZE	DESCRIPTION
1	Lower Gasket Set	FP-674399		Crankshaft seals not incl.
1	In-Frame Gasket Set	FP-PGN4661		Head set & front crankshaft seal
1	In-Frame Gasket Set	PGN466-1 +		Head set & front crankshaft seal; When depleted use FP-PGN4661
QTY	CAM BEARINGS	PART NO.	SIZE	DESCRIPTION
1	Cam Set	FP-680117	STD	

(continued on next page)

Wheel Tractor D466 Eng. **86**
7.6L 466 Diesel L6, 4.3005" Bore (cont.)

CRANKSHAFT/OIL PUMP				
QTY	CRANKSHAFT	PART NO.	SIZE	DESCRIPTION
1	Crankshaft	FP-675669		
QTY	SEALS - FRONT CRANK	PART NO.	SIZE	DESCRIPTION
1	Oil Seal	714470		
QTY	SEALS - REAR CRANK	PART NO.	SIZE	DESCRIPTION
1	Oil Seal	39958		
1	Oil Seal Kit	FP-1809964		Incl. seal & wear sleeve
1	Redi-Sleeve	99298		
QTY	MAIN BEARINGS	PART NO.	SIZE	DESCRIPTION
1	Main Set	FP-1823847	STD	To Ser. No. 4400361B; Narrow
1	Main Set	FP-1823848	10	To Ser. No. 4400361B; Narrow
1	Main Set	FP-1823849	20	To Ser. No. 4400361B; Narrow
1	Main Set	FP-1823850	30	To Ser. No. 4400361B; Narrow
QTY	OIL PUMP	PART NO.	SIZE	DESCRIPTION
1	Oil Inlet Elbow Gasket	FP-671821		Oil inlet elbow
CYLINDER COMPONENTS				
QTY	LINERS	PART NO.	SIZE	DESCRIPTION
6	Piston & Liner Kit w/o Rings	FP-1802580		To Ser. No. 74999; 15.2:1 C.R.
6	Cylinder Kit Complete	FP-687432	STD	To Ser. No. 74999; For Eng. equipped w/side mounted breather; 15.2:1 C.R.
QTY	PISTONS	PART NO.	SIZE	DESCRIPTION
6	Piston Body w/o Pin	FP-684255		To Ser. No. 74999; 15.2:1 C.R.
6	Pin Bushing	FP-675006		To Ser. No. 4400361B
QTY	CONNECTING RODS & BRGS.	PART NO.	SIZE	DESCRIPTION
6	Rod Pair	FP-681314	STD	To Ser. No. 4400361B; Narrow
6	Rod Pair	FP-681315	10	To Ser. No. 4400361B; Narrow
6	Rod Pair	FP-687382	20	To Ser. No. 4400361B; Narrow
6	Rod Pair	FP-681316	30	To Ser. No. 4400361B; Narrow
6	Rod Pair	FP-68131440	40	To Ser. No. 4400361B; Narrow
QTY	PISTON RINGS	PART NO.	SIZE	DESCRIPTION
6	Ring Set Single Cylinder	FP-684256		Eng. w/side mounted breather; 2-1/8, 1-1/4; Incl. narrow gap intermediate rings
1	Premium Set	FP-684256S		Eng. w/side mounted breather; 2-1/8, 1-1/4; Incl. narrow gap intermediate rings
<p>Combine DT466 To Ser. No. 76439, DT466B To Ser. No. 439617, DT466C To Ser. No. 594840, DTI466B To Ser. No. 439617, DTI466C To Ser. No. 439617 Engs. Power Unit DT466 To Ser. No. 76439, DT466B To Ser. No. 439617, DT466C To Ser. No. 594840, DTI466B To Ser. No. 439617, DTI466C To Ser. No. 439617, UDT466 Engs. Scaper DT466 To Ser. No. 76439, DT466B To Ser. No. 439617, DT466C To Ser. No. 594840, DTI466B To Ser. No. 439617, DTI466C To Ser. No. 439617 Engs. Wheel Tractor DT466 To Ser. No. 76439, DT466B To Ser. No. 439617, DT466C To Ser. No. 594840, DTI466B To Ser. No. 439617, DTI466C To Ser. No. 439617 Engs. Crawler Tractor DT466 To Ser. No. 76439, DT466B To Ser. No. 439617, DT466C To Ser. No. 594840, DTI466B To Ser. No. 439617, DTI466C To Ser. No. 439617 Engs. Wheel Loader DT466 To Ser. No. 76439, DT466B To Ser. No. 439617, DT466C To Ser. No. 594840, DTI466B To Ser. No. 439617, DTI466C To Ser. No. 439617 Engs.</p> <p style="text-align: right;">87 7.6L 466 Turbo-Diesel L6, 4.3005" Bore</p>				
CYL. HEAD & PARTS				
QTY	GASKETS	PART NO.	SIZE	DESCRIPTION
1	Breather Housing Gasket	FP-673973		
6	Grommet	FP-677692		Valve cover bolt
1	Valve Cover Gasket	FP-675109		
1	Head Gasket	FP-1819547		
1	Head Gasket	FP-1817562		DT466P (NGD) Engs.
1	Head Set	FP-1808973		
QTY	MANIFOLD STUDS	PART NO.	SIZE	DESCRIPTION
1	Exhaust Manifold Stud	FP-682840		From Ser. No. 571742
QTY	VALVE	PART NO.	SIZE	DESCRIPTION
6	Intake	FP-675046		
6	Intake	FP-1824642		DT466P (NGD) Engs.; From Ser. No. 956464

(continued on next page)

IHC Tractor

87 *Combine* DT466 To Ser. No. 76439, DT466B To Ser. No. 439617, DT466C To Ser. No. 594840, DTI466B To Ser. No. 439617, DTI466C To Ser. No. 439617 *Engs. Power Unit* DT466 To Ser. No. 76439, DT466B To Ser. No. 439617, DT466C To Ser. No. 594840, DTI466B To Ser. No. 439617, DTI466C To Ser. No. 439617, *UDT466 Engs. Scraper* DT466 To Ser. No. 76439, DT466B To Ser. No. 439617, DT466C To Ser. No. 594840, DTI466B To Ser. No. 439617, DTI466C To Ser. No. 439617 *Engs. Wheel Tractor* DT466 To Ser. No. 76439, DT466B To Ser. No. 439617, DT466C To Ser. No. 594840, DTI466B To Ser. No. 439617, DTI466C To Ser. No. 439617 *Engs. Crawler Tractor* DT466 To Ser. No. 76439, DT466B To Ser. No. 439617, DT466C To Ser. No. 594840, DTI466B To Ser. No. 439617, DTI466C To Ser. No. 439617 *Engs. Wheel Loader* DT466 To Ser. No. 76439, DT466B To Ser. No. 439617, DT466C To Ser. No. 594840, DTI466B To Ser. No. 439617, DTI466C To Ser. No. 439617 *Engs.*

7.6L 466 Turbo-Diesel L6, 4.3005" Bore

CYL. HEAD & PARTS (cont.)

QTY	VALVE (cont.)	PART NO.	SIZE	DESCRIPTION
6	Intake	FP-1818580		DT466P (NGD) Engs.; To Ser. No. 956463
6	Exhaust	FP-676865		
6	Exhaust	FP-1824842		DT466P (NGD) Engs.; From Ser. No. 956464; 3/8" valve stem
6	Exhaust	FP-1824838		DT466P (NGD) Engs.; To Ser. No. 956463; 5/16" valve stem
24	Keeper	FP-1824644		DT466P (NGD) Engs.; From Ser. No. 956464
24	Keeper	FP-1810944		DT466P (NGD) Engs.; To Ser. No. 956463
24	Keeper	FP-41339		1 groove; Square cut key groove
24	Keeper	VK-138		1 groove; Square cut key groove
24	Keeper	VK-138R		1 groove; Square cut key groove; Hardened
24	Keeper, Bulk	VK-138B		1 groove; Square cut key groove; Carton of 1000
QTY	VALVE SEAT	PART NO.	SIZE	DESCRIPTION
6	Exh.	FP-671563	2	
6	Exh.	FP-671565	15	
6	Exh.	FP-675450	STD	DT466P (NGD) Engs.; I.D. Top taper 1.524"; 1.6285" OD, 1.3480" ID, .3650" Depth
6	Int.	FP-671559	2	
6	Int.	FP-671561	15	
6	Int.	FP-675043	STD	DT466P (NGD) Engs.; I.D. Top taper 1.767"; 1.9990" OD, 1.7120" ID, .3860" Depth
QTY	VALVE GUIDE	PART NO.	SIZE	DESCRIPTION
12	Guide	FP-1824646		DT466P (NGD) Engs.; From Ser. No. 956464; .375" ID, .6262" OD, 2.39" O.A.L.; .3750" ID, 2.3900" O.A.L.
12	Guide	FP-1815264		Use w/Engs. manufactured from 6/89; new style cut for valve stem seal.
12	Guide	FP-675439		Use w/Engs. manufactured to 5/89
QTY	VALVE SPRING	PART NO.	SIZE	DESCRIPTION
12	Spring	FP-677349		From Ser. No. 532981
12	Spring	FP-682064		To Ser. No. 532980; 2.3400" Free Height
6	Spring	FP-1825540		Exh.; DT466P (NGD) Engs.
6	Spring	FP-677349		Int.; DT466P (NGD) Engs.
QTY	PUSH RODS	PART NO.	SIZE	DESCRIPTION
12	Push Rod	FP-675621		DT-466 Engs. only; 11.4000" O.A.L.
12	Push Rod	RP-3239 +		DT-466 Engs. only; 11.4000" O.A.L.; When depleted use FP-675621
QTY	VALVE MISC.	PART NO.	SIZE	DESCRIPTION
6	Rotacap Assy.	FP-1811581		To Ser. No. 594839
12	Rotacap	FP-1824680		DT466P (NGD); From Ser. No. 95464; Valve stem seal incl.
6	Rotacap	FP-1817661		From Ser. No. 594840
6	Bushing	FP-1818446		From Ser. No. 594840; Use w/FP-1817661 rotacap or 1817661C91 O.E. rotacap; Exc. DT466P (NGD) Engs.
12	Valve Rotator Seal	FP-1824683		DT466P (NGD); From Ser. No. 95464
QTY	VALVE SEAL	PART NO.	SIZE	DESCRIPTION
12	Valve Stem Seal	ST-2002		Installation requires valve guide machining; Polyacrylate
12	Valve Stem Seal	FP-1815374		From Ser. No. 594840
12	Valve Stem Seal	FP-156541		Installation requires valve guide machining; Polyacrylate
12	Valve Stem Seal	FP-681234		To Ser. No. 594839; Umbrella type
12	Valve Stem Seal Bulk	ST-2002BC		Positive type; Installation requires valve guide machining; Carton of 100; Polyacrylate
INT & EXH MANIFOLDS				
QTY	INT. & EXH. MANIFOLDS	PART NO.	SIZE	DESCRIPTION
1	Exhaust Manifold Gasket	FP-1825436		
6	Exhaust Manifold Gasket	FP-688928		To Ser. No. 532980

(continued on next page)

Combine DT466 To Ser. No. 76439, DT466B To Ser. No. 439617, DT466C To Ser. No. 594840, DTI466B To Ser. No. 439617, DTI466C To Ser. No. 439617 Engs. *Power Unit* (cont.)
 DT466 To Ser. No. 76439, DT466B To Ser. No. 439617, DT466C To Ser. No. 594840, DTI466B To Ser. No. 439617, DTI466C To Ser. No. 439617, UDT466 Engs. *Scraper* DT466 To Ser. No. 76439, DT466B To Ser. No. 439617, DT466C To Ser. No. 594840, DTI466B To Ser. No. 439617, DTI466C To Ser. No. 439617 Engs. *Wheel Tractor* DT466 To Ser. No. 76439, DT466B To Ser. No. 439617, DT466C To Ser. No. 594840, DTI466B To Ser. No. 439617, DTI466C To Ser. No. 439617 Engs. *Crawler Tractor* DT466 To Ser. No. 76439, DT466B To Ser. No. 439617, DT466C To Ser. No. 594840, DTI466B To Ser. No. 439617, DTI466C To Ser. No. 439617 Engs. *Wheel Loader* DT466 To Ser. No. 76439, DT466B To Ser. No. 439617, DT466C To Ser. No. 594840, DTI466B To Ser. No. 439617, DTI466C To Ser. No. 439617 Engs.
 7.6L 466 Turbo-Diesel L6, 4.3005" Bore

INT & EXH MANIFOLDS (cont.)

QTY	INT. & EXH. MANIFOLDS (cont.)	PART NO.	SIZE	DESCRIPTION
1	Intake Manifold Gasket	FP-682199		To Ser. No. 532980

CAMSHAFT GROUP

QTY	TIMING	PART NO.	SIZE	DESCRIPTION
1	Cam Gear	FP-675600		66 Teeth
QTY	CAMSHAFT TIMING	PART NO.	SIZE	DESCRIPTION
1	Woodruff Key	FP-218211		Cam gear; 1/4" x 3/4"
QTY	CAMSHAFT/LIFTER	PART NO.	SIZE	DESCRIPTION
1	Camshaft	FP-1802337		Use w/Mechanical lifters
1	Camshaft	FP-1810744		Use w/Roller lifters
12	Lifter	FP-1802340		DT-466 Engs.; Use w/non rlr. cam; Mech.; 1.120" dia. body
12	Lifter	FP-911776		DT-466 Engs.; Use w/non-rlr. cam; Mech.; .997" dia.
12	Lifter	AT-2041 Std Only		DT-466 Engs.; Use w/non-rlr. cam; Mech.; .997" dia. body
1	Prelube	55-400		4 oz. bottle; 1.5 oz. packet No. 55-403 also avail.
QTY	CAMSHAFT KIT	PART NO.	SIZE	DESCRIPTION
1	Cam/Lifter Kit	FP-1802337WL		Incl. (1) FP-1802337, (12) FP-911776

FUEL SYSTEM & PARTS

QTY	FUEL INJECTION	PART NO.	SIZE	DESCRIPTION
6	Injector Nozzle Seat Gasket	FP-675477		.060" thick
6	Injector Nozzle Seat Gasket	FP-675477		DT466P (NGD) Engs.; .060" thick
6	Grommet	FP-682810		Injector dust seal
6	Grommet	FP-682810		Injector dust seal; DT466P (NGD) Engs.
6	Fuel Injector Sleeve	FP-675442		
QTY	FUEL FILTERS & PUMP	PART NO.	SIZE	DESCRIPTION
1	Injector Pump Mount Gasket	FP-675609		
1	Fuel Pump Access Gasket	FP-675816		
QTY	TURBOCHARGER	PART NO.	SIZE	DESCRIPTION
1	Turbocharger Oil Drain Gasket	FP-670079		
1	Turbocharger Oil Inlet Gasket	FP-253660		
1	Turbocharger Mounting Gasket	FP-670073		
1	Turbocharger Mounting Gasket	FP-1822120		DT466P (NGD) Engs.
1	Air Intake Elbow Gasket	FP-686181		Ser. No. 143536 to 567491

COOLING SYSTEM

QTY	WATER PUMP	PART NO.	SIZE	DESCRIPTION
1	Water Pump - Heavy Duty	FP-680899		Cargostar, To Ser. No. 642459; Low Mount
1	Water Pump - Heavy Duty	FP-1817687		DT466P (NGD) Engs.
1	Water Pump - Heavy Duty	FP-1815538		From Ser. No. 642460. Exc. LPE Engs. for trucks built from 10/4/91
1	Water Pump - Heavy Duty	FP-685155		S-Series & Paystar; To Ser. No. 638215
1	Water Pump Shaft	FP-685153		To Ser. No. 638217
1	Water Pump Housing Gasket	FP-675808		S-Series & Paystar; From Ser. No. 567492
QTY	THERMOSTAT	PART NO.	SIZE	DESCRIPTION
1	Thermostat	FP-1801191		180 Deg., Incl. seal
1	Thermostat Gasket	FP-675384		

ENGINE BLOCK & PARTS

QTY	GASKETS	PART NO.	SIZE	DESCRIPTION
1	Front Cover Gasket	FP-1810510		Exc. S-Series & Paystar
1	Front Cover Gasket	FP-675812		S-Series & Paystar; From Ser. No. 532981
1	Front Cover Gasket	FP-675813		S-Series & Paystar; To Ser. No. 532980

(continued on next page)

IHC Tractor

87 *Combine* DT466 To Ser. No. 76439, DT466B To Ser. No. 439617, DT466C To Ser. No. 594840, DTI466B To Ser. No. 439617, DTI466C To Ser. No. 439617 Engs. *Power Unit* DT466 To Ser. No. 76439, DT466B To Ser. No. 439617, DT466C To Ser. No. 594840, DTI466B To Ser. No. 439617, DTI466C To Ser. No. 439617, UDT466 Engs. *Scraper* DT466 To Ser. No. 76439, DT466B To Ser. No. 439617, DT466C To Ser. No. 594840, DTI466B To Ser. No. 439617, DTI466C To Ser. No. 439617 Engs. *Wheel Tractor* DT466 To Ser. No. 76439, DT466B To Ser. No. 439617, DT466C To Ser. No. 594840, DTI466B To Ser. No. 439617, DTI466C To Ser. No. 439617 Engs. *Crawler Tractor* DT466 To Ser. No. 76439, DT466B To Ser. No. 439617, DT466C To Ser. No. 594840, DTI466B To Ser. No. 439617, DTI466C To Ser. No. 439617 Engs. *Wheel Loader* DT466 To Ser. No. 76439, DT466B To Ser. No. 439617, DT466C To Ser. No. 594840, DTI466B To Ser. No. 439617, DTI466C To Ser. No. 439617 Engs.

7.6L 466 Turbo-Diesel L6, 4.3005" Bore

ENGINE BLOCK & PARTS (cont.)

QTY	GASKETS (cont.)	PART NO.	SIZE	DESCRIPTION
1	Fuel Pump Access Gasket	FP-675816		
1	Front Crankcase Cover Gasket	FP-677082		Cargostar w/alternator bracket
1	Front Crankcase Cover Gasket	FP-1813933		From Ser. No. 532981
1	Front Crankcase Cover Gasket	FP-680084		To Ser. No. 532980
1	Flywheel Housing Gasket	FP-682945		Exc. 270 HP Engs. w/MT654CR and FC Bus
1	Oil Pan Gasket	FP-671827		
1	Oil Pan Gasket Set	FP-PGN466PS		Bearing roll-in
1	Oil Pan Gasket Set	PGN466PS +		Bearing roll-in; When depleted use FP-PGN466PS
1	Chemicals	FP-1816593		Oil Pan; DT466P Engs.; For oil pan w/o mounting bars; RTV Sealant
QTY	GASKET SETS	PART NO.	SIZE	DESCRIPTION
1	Lower Gasket Set	FP-1815668		From Ser. No. 532981
1	Lower Gasket Set	FP-674399WS		To Ser. No. 532980; Crankshaft seals incl.
1	Lower Gasket Set	FP-674399		To Ser. No. 532980; Crankshaft seals not incl.
1	In-Frame Gasket Set	FP-PGN466IF		Head set & bearing roll-in
1	In-Frame Gasket Set	PGN466-IF +		Head set & bearing roll-in; When depleted use FP-PGN466IF
1	In-Frame Gasket Set	FP-PGN4661		Head set & front crankshaft seal
1	In-Frame Gasket Set	PGN466-1 +		Head set & front crankshaft seal; When depleted use FP-PGN4661
1	Complete Overhaul Gasket Set	FP-PGN466C		
1	Complete Overhaul Gasket Set	PGN466C +		When depleted use FP-PGN466C
QTY	CAM BEARINGS	PART NO.	SIZE	DESCRIPTION
1	Cam Set	FP-680117	STD	
QTY	OIL COOLERS & FILTERS	PART NO.	SIZE	DESCRIPTION
1	O-Ring	FP-252483		Oil cooler tube
CRANKSHAFT/OIL PUMP				
QTY	CRANKSHAFT	PART NO.	SIZE	DESCRIPTION
1	Crankshaft	FP-675669		
QTY	SEALS - FRONT CRANK	PART NO.	SIZE	DESCRIPTION
1	Oil Seal Kit	FP-690437		DT466P Engs.; Incl. seal & wear sleeve
1	Oil Seal Kit	FP-690437		Incl. seal & wear sleeve
1	Oil Seal	714470		
QTY	SEALS - REAR CRANK	PART NO.	SIZE	DESCRIPTION
1	Oil Seal	39958		
1	Oil Seal Kit	FP-1809964		Incl. seal & wear sleeve
1	Redi-Sleeve	99298		
QTY	MAIN BEARINGS	PART NO.	SIZE	DESCRIPTION
1	Main Set	FP-1823843	STD	From Ser. No. 439619; Wide
1	Main Set	FP-1823844	10	From Ser. No. 439619; Wide
1	Main Set	FP-1823845	20	From Ser. No. 439619; Wide
1	Main Set	FP-1823846	30	From Ser. No. 439619; Wide
1	Main Set	FP-1823847	STD	To Ser. No. 439618; Narrow
1	Main Set	FP-1823848	10	To Ser. No. 439618; Narrow
1	Main Set	FP-1823849	20	To Ser. No. 439618; Narrow
1	Main Set	FP-1823850	30	To Ser. No. 439618; Narrow
6	Plain Main Brg.	FP-1822321	STD	Position 1-2-3-4-5-6; DT466P (NGD) Engs.
6	Plain Main Brg.	FP-1822490	10	Position 1-2-3-4-5-6; DT466P (NGD) Engs.
6	Plain Main Brg.	FP-1822491	20	Position 1-2-3-4-5-6; DT466P (NGD) Engs.
6	Plain Main Brg.	FP-1822492	30	Position 1-2-3-4-5-6; DT466P (NGD) Engs.
6	Plain Main Brg.	FP-1808069	STD	Position 1-2-3-4-5-6; From Ser. No. 439619; Wide
6	Plain Main Brg.	FP-1808070	10	Position 1-2-3-4-5-6; From Ser. No. 439619; Wide
6	Plain Main Brg.	FP-1808071	20	Position 1-2-3-4-5-6; From Ser. No. 439619; Wide

(continued on next page)

Combine DT466 To Ser. No. 76439, DT466B To Ser. No. 439617, DT466C To Ser. No. **87**
594840, DTI466B To Ser. No. 439617, DTI466C To Ser. No. 439617 Engs. Power Unit (cont.)
DT466 To Ser. No. 76439, DT466B To Ser. No. 439617, DT466C To Ser. No. 594840,
DTI466B To Ser. No. 439617, DTI466C To Ser. No. 439617, UDT466 Engs. Scraper DT466
To Ser. No. 76439, DT466B To Ser. No. 439617, DT466C To Ser. No. 594840, DTI466B To
Ser. No. 439617, DTI466C To Ser. No. 439617 Engs. Wheel Tractor DT466 To Ser. No.
76439, DT466B To Ser. No. 439617, DT466C To Ser. No. 594840, DTI466B To Ser. No.
439617, DTI466C To Ser. No. 439617 Engs. Crawler Tractor DT466 To Ser. No. 76439,
DT466B To Ser. No. 439617, DT466C To Ser. No. 594840, DTI466B To Ser. No. 439617,
DTI466C To Ser. No. 439617 Engs. Wheel Loader DT466 To Ser. No. 76439, DT466B To
Ser. No. 439617, DT466C To Ser. No. 594840, DTI466B To Ser. No. 439617, DTI466C To
Ser. No. 439617 Engs.
 7.6L 466 Turbo-Diesel L6, 4.3005" Bore

CRANKSHAFT/OIL PUMP (cont.)

QTY	MAIN BEARINGS (cont.)	PART NO.	SIZE	DESCRIPTION
6	Plain Main Brg.	FP-1808072	30	Position 1-2-3-4-5-6; From Ser. No. 439619; Wide
6	Plain Main Brg.	FP-684570	STD	Position 1-2-3-4-5-6; To Ser. No. 439618; Narrow
6	Plain Main Brg.	FP-684573	10	Position 1-2-3-4-5-6; To Ser. No. 439618; Narrow
6	Plain Main Brg.	FP-687391	20	Position 1-2-3-4-5-6; To Ser. No. 439618; Narrow
6	Plain Main Brg.	FP-684576	30	Position 1-2-3-4-5-6; To Ser. No. 439618; Narrow
1	Flanged Main Brg.	FP-684579	STD	Position 7
1	Flanged Main Brg.	FP-684582	10	Position 7
1	Flanged Main Brg.	FP-687394	20	Position 7
1	Flanged Main Brg.	FP-684585	30	Position 7
1	Flanged Main Brg.	FP-1822379	STD	Position 7; DT466P (NGD) Engs.
1	Flanged Main Brg.	FP-1822494	10	Position 7; DT466P (NGD) Engs.
1	Flanged Main Brg.	FP-1822495	20	Position 7; DT466P (NGD) Engs.
1	Flanged Main Brg.	FP-1822496	30	Position 7; DT466P (NGD) Engs.

QTY	OIL PUMP	PART NO.	SIZE	DESCRIPTION
2	O-Ring	FP-675860		Oil pump housing
1	Oil Inlet Elbow Gasket	FP-1802867		From Ser. No. 488776
1	Oil Inlet Elbow Gasket	FP-671821		To Ser. No. 488775

CYLINDER COMPONENTS

QTY	LINERS	PART NO.	SIZE	DESCRIPTION
6	Piston & Liner Kit w/o Rings	FP-1817339		DT466, DTA466, DT466C, DTA466C, DINA To Ser. No. 645484; 16.5:1 C.R.
6	Piston & Liner Kit w/o Rings	FP-1817646		DT466B & DT466C From Ser. No. 76441 through 594840; DT466, DTA466, DT466C, DTA466C From Ser. No. 618496; Exc. NAP & NAR; 16.5:1 C.R.
6	Piston & Liner Kit w/o Rings	FP-18025814R		DT466B, DTA466B, DTI466B, DT466C, DTA466C, DTI466C From Ser. No. 76441 through 532980; 4 ring applications; 16.3:1 C.R.
6	Piston & Liner Kit w/o Rings	FP-1802580		To Ser. No. 76440; 15.2:1 C.R.
6	Liner w/o Sealing Rings	FP-1810504		
6	Liner w/o Sealing Rings	FP-1815674		DT466P (NGD) Engs.
6	Liner w/Sealing Rings	FP-1810504WS		
6	Cylinder Kit Complete	FP-1817189		DT466, DTA466, DT466C, DTA466C, DINA To Ser. No. 645484; 16.5:1 C.R.
6	Cylinder Kit Complete	FP-1817645		DT466B & DT466C From Ser. No. 76441 through 594840; DT466, DTA466, DT466C, DTA466C From Ser. No. 618496 Exc. NAP & NAR; 16.5:1 C.R.
6	Cylinder Kit Complete	FP-18103594R	STD	DT466B, DTA466B, DTI466B, DT466C, DTA466C, DTI466C From Ser. No. 76441 through 532980; 4 ring piston applications; 16.3:1 C.R.
6	Cylinder Kit Complete	FP-1824823	STD	DT466P (NGD) Engs.; From Ser. No. 888341 to 933833; 1 Keystone ring; Barrel skirt; Bowl Dia. 2.540"
6	Cylinder Kit Complete	FP-1824820	STD	DT466P (NGD) Engs.; From Ser. No. 888341; 2 Keystone rings; Barrel skirt; Bowl Dia. 2.580"
6	Cylinder Kit Complete	FP-1822340	STD	DT466P (NGD) Engs.; To Ser. No. 888340; 2 Keystone rings; Tapered skirt; Bowl Dia. 2.519"
6	Cylinder Kit Complete	FP-687432	STD	To Ser. No. 76440; for Engs. equipped with side mounted breather. Purchase ring set FP-1810358 for Engs. w/valve cover mounted breather; 15.2:1 C.R.
6	Cyl. Liner Sealing Ring Kit	FP-680086		
6	Cyl. Liner Sealing Ring Kit	FP-1822322		DT466P (NGD) Engs.
18	Sealing Ring, Liner	FP-675774		
1	Flange Shim	FP-671505	2	
1	Flange Shim	FP-671506	4	
1	Flange Shim	FP-684930	10	

(continued on next page)

IHC Tractor

87 *Combine* DT466 To Ser. No. 76439, DT466B To Ser. No. 439617, DT466C To Ser. No. 594840, DTI466B To Ser. No. 439617, DTI466C To Ser. No. 439617 *Engs. Power Unit* DT466 To Ser. No. 76439, DT466B To Ser. No. 439617, DT466C To Ser. No. 594840, DTI466B To Ser. No. 439617, DTI466C To Ser. No. 439617, *UDT466 Engs. Scraper* DT466 To Ser. No. 76439, DT466B To Ser. No. 439617, DT466C To Ser. No. 594840, DTI466B To Ser. No. 439617, DTI466C To Ser. No. 439617 *Engs. Wheel Tractor* DT466 To Ser. No. 76439, DT466B To Ser. No. 439617, DT466C To Ser. No. 594840, DTI466B To Ser. No. 439617, DTI466C To Ser. No. 439617 *Engs. Crawler Tractor* DT466 To Ser. No. 76439, DT466B To Ser. No. 439617, DT466C To Ser. No. 594840, DTI466B To Ser. No. 439617, DTI466C To Ser. No. 439617 *Engs. Wheel Loader* DT466 To Ser. No. 76439, DT466B To Ser. No. 439617, DT466C To Ser. No. 594840, DTI466B To Ser. No. 439617, DTI466C To Ser. No. 439617 *Engs.*

7.6L 466 Turbo-Diesel L6, 4.3005" Bore

CYLINDER COMPONENTS (cont.)

QTY	LINERS (cont.)	PART NO.	SIZE	DESCRIPTION
1	Flange Shim	FP-684931	20	
QTY	PISTONS	PART NO.	SIZE	DESCRIPTION
6	Piston Body w/o Pin	FP-1817520		DT466 To. Ser. No. 74999; Use w/FP-1817247 ring set
6	Piston Body w/o Pin	FP-1817188		DT466, DTA466, DT466C, DTA466C, DINA To Ser. No. 645484; 16.5:1 C.R.
6	Piston Body w/o Pin	FP-18096834R		DT466B & DTI466B Engs. From Ser. No. 76440 to 439617. DT466C & DTI466C Engs. From Ser. No. 439618 to 532980 DTA466C Engs. To Ser. No. 532980. 4-ring replacement piston (Can replace 3-ring original piston in sets)
6	Piston Body w/o Pin	FP-1824810	STD	DT466P (NGD) Engs.; From Ser. No. 888341; 1 Keystone ring; Barrel skirt; Bowl Dia. 2.540"
6	Piston Body w/o Pin	FP-1823930	STD	DT466P (NGD) Engs.; From Ser. No. 888341; 2 Keystone rings; Barrel skirt; Bowl Dia. 2.580"
6	Piston Body w/o Pin	FP-1822097	STD	DT466P (NGD) Engs.; To Ser. No. 888340; 2 Keystone rings; Tapered skirt; Bowl Dia. 2.519"
6	Piston Body w/o Pin	FP-684255		To Ser. No. 76440; 15.2:1 C.R.
6	Piston Kit w/Pin & Retainers	FP-1817520WP		DT466 To. Ser. No. 74999; Use w/FP-1817247 ring set
6	Piston Kit w/Pin & Retainers	FP-1817188WP		DT466B & DTI466B Engs. From Ser. No. 76440 to 439617. DT466C & DTI466C Engs. From Ser. No. 439618 to 532980 DTA466C Engs. To Ser. No. 532980. 4-ring replacement piston (Can replace 3-ring original piston in sets); 16.5:1 C.R.
6	Piston Kit w/Pin & Retainers	FP-1824810WP		DT466P (NGD) Engs.; From Ser. No. 888341; 1 Keystone ring
6	Piston Kit w/Pin & Retainers	FP-1822097WP		DT466P (NGD) Engs.; To Ser. No. 888340
6	Piston Kit w/Pin & Retainers	FP-684255WP		To Ser. No. 76440; 15.2:1 C.R.
6	Pin	FP-670675		
6	Pin	FP-1818552		DT466P (NGD) Engs.
12	Piston Pin Retainer	FP-326874		
12	Piston Pin Retainer	FP-1818702		DT466P (NGD) Engs.
6	Pin Bushing	FP-675006		
QTY	CONNECTING RODS & BRGS.	PART NO.	SIZE	DESCRIPTION
12	Con. Rod Bolt	FP-676679		
6	Rod Pair	FP-1822389	STD	DT466P (NGD) Engs.
6	Rod Pair	FP-1822486	10	DT466P (NGD) Engs.
6	Rod Pair	FP-1822487	20	DT466P (NGD) Engs.
6	Rod Pair	FP-1808059	STD	Engs. From Ser. No. 440036; Wide
6	Rod Pair	FP-1808060	10	Engs. From Ser. No. 440036; Wide
6	Rod Pair	FP-1808061	20	Engs. From Ser. No. 440036; Wide
6	Rod Pair	FP-1808062	30	Engs. From Ser. No. 440036; Wide
6	Rod Pair	FP-681314	STD	To Ser. No. 440035; Narrow
6	Rod Pair	FP-681315	10	To Ser. No. 440035; Narrow
6	Rod Pair	FP-687382	20	To Ser. No. 440035; Narrow
6	Rod Pair	FP-681316	30	To Ser. No. 440035; Narrow
6	Rod Pair	FP-68131440	40	To Ser. No. 440035; Narrow
QTY	PISTON RINGS	PART NO.	SIZE	DESCRIPTION
6	Ring Set Single Cylinder	FP-18103584R		
6	Ring Set Single Cylinder	FP-1825461		DT466P (NGD) Engs.; From Ser. No. 888341
6	Ring Set Single Cylinder	FP-1817247		DT466P (NGD) Engs.; To Ser. No. 888340
6	Ring Set Single Cylinder	FP-684256		Engs. w/side mounted breather; 2-1/8, 1-1/4; Incl. narrow gap intermediate rings
6	Ring Set Single Cylinder	FP-1817247		From Ser. No. 618496; Exc. Ser. No. 618498 & 618499
6	Ring Set Single Cylinder	FP-1810358		To Ser. No. 618495, Ser. No. 618498 & 618499; Incl. wide gap intermediate rings
1	Premium Set	FP-684065S	STD	Check piston grooving before supplying ring sets; 1-1/8, 1-3/32, 1-1/4

(continued on next page)

Combine DT466 To Ser. No. 76439, DT466B To Ser. No. 439617, DT466C To Ser. No. 594840, DTI466B To Ser. No. 439617, DTI466C To Ser. No. 439617 **Engs. Power Unit (cont.) 87**
 DT466 To Ser. No. 76439, DT466B To Ser. No. 439617, DT466C To Ser. No. 594840, DTI466B To Ser. No. 439617, DTI466C To Ser. No. 439617, UDT466 *Engs. Scraper* DT466 To Ser. No. 76439, DT466B To Ser. No. 439617, DT466C To Ser. No. 594840, DTI466B To Ser. No. 439617, DTI466C To Ser. No. 439617 **Engs. Wheel Tractor** DT466 To Ser. No. 76439, DT466B To Ser. No. 439617, DT466C To Ser. No. 594840, DTI466B To Ser. No. 439617, DTI466C To Ser. No. 439617 **Engs. Crawler Tractor** DT466 To Ser. No. 76439, DT466B To Ser. No. 439617, DT466C To Ser. No. 594840, DTI466B To Ser. No. 439617, DTI466C To Ser. No. 439617 **Engs. Wheel Loader** DT466 To Ser. No. 76439, DT466B To Ser. No. 439617, DT466C To Ser. No. 594840, DTI466B To Ser. No. 439617, DTI466C To Ser. No. 439617 **Engs.**
 7.6L 466 Turbo-Diesel L6, 4.3005" Bore

CYLINDER COMPONENTS (cont.)

QTY	PISTON RINGS (cont.)	PART NO.	SIZE	DESCRIPTION
1	Premium Set	FP-684256S		Engs. w/side mounted breather; 2-1/8, 1-1/4; Incl. narrow gap intermediate rings
6	Premium Single Cylinder Set	W-9618KX	Std Only	Check piston grooving before supplying ring set; 2-1/8, 1-1/4
6	Premium Single Cylinder Set	W-9520KX	Std Only	Check piston grooving before supplying ring sets; 1-1/8, 1-3/32, 1-1/4

KITS

QTY	OVERHAUL KIT	PART NO.	SIZE	DESCRIPTION
1	In-Frame Overhaul Kit	FP-IFKDT466		From Ser. No. 440036; Contains 3-ring piston
1	In-Frame Overhaul Kit	FP-IFKDT4664R		From Ser. No. 440036; Contains 4-ring replacement piston (Replaces 3-ring pistons in sets)
1	In-Frame Overhaul Kit	FP-IFKDT466		From Ser. No. 76440 To Ser. No. 440035; Contains 3-ring piston
1	In-Frame Overhaul Kit	FP-IFKDT4664R		From Ser. No. 76440 To Ser. No. 440035; Contains 4-ring replacement piston (Replaces 3-ring pistons in sets)
1	Complete Overhaul Kit	FP-IFKDT466OH		From Ser. No. 440036; Contains 3-ring piston
1	Complete Overhaul Kit	FP-IFKDT4664ROH		From Ser. No. 440036; Contains 4-ring replacement piston (Replaces 3-ring pistons in sets)
1	Complete Overhaul Kit	FP-IFKDT466OH		From Ser. No. 76440 To Ser. No. 440035; Contains 3-ring piston
1	Complete Overhaul Kit	FP-IFKDT4664ROH		From Ser. No. 76440 To Ser. No. 440035; Contains 4-ring replacement piston (Replaces 3-ring pistons in sets)
1	Complete Overhaul Kit	FP-IFKDT466OH		From Ser. No. 76440; Contains 3-ring piston
1	Complete Overhaul Kit	FP-IFKDT466OH		To Ser. No. 74999

Wheel Tractor D502 Eng. 88
 8.2L 502 Diesel L6, 4.406" Bore

CYLINDER COMPONENTS

QTY	PISTONS	PART NO.	SIZE	DESCRIPTION
6	Pin Bushing	FP-1769V20		
6	Pin Bushing	1769V20 +		When depleted use FP-1769V20
QTY	CONNECTING RODS & BRGS.	PART NO.	SIZE	DESCRIPTION
6	Rod Pair	FP-1765CP	Std-10-20	
6	Rod Pair	1765CP +	Std-10-20	When depleted use FP-1765CP

Wheel Tractor D525 Eng. 89
 8.6L 525 Diesel L6, 4.5" Bore

CYLINDER COMPONENTS

QTY	PISTONS	PART NO.	SIZE	DESCRIPTION
6	Pin Bushing	FP-1769V20		
6	Pin Bushing	1769V20 +		When depleted use FP-1769V20
QTY	CONNECTING RODS & BRGS.	PART NO.	SIZE	DESCRIPTION
6	Rod Pair	FP-1765CP	Std-10-20	
6	Rod Pair	1765CP +	Std-10-20	When depleted use FP-1765CP

Power Unit C549, V549, VS549 Engs. 90
 9.0L 549 OHV V8, 4.5" Bore

CYL. HEAD & PARTS

QTY	VALVE	PART NO.	SIZE	DESCRIPTION
8	Intake	FP-V3958		2.1570" Head Dia., .4345" Stem Dia., 6.3410" O.A.L.

(continued on next page)

IHC Tractor

90 Power Unit C549, V549, VS549 Engs.

(cont.) 9.0L 549 OHV V8, 4.5" Bore

CYL. HEAD & PARTS (cont.)				
QTY	VALVE (cont.)	PART NO.	SIZE	DESCRIPTION
8	Intake	V-3958 +	Std Only	2.1570" Head Dia., .4345" Stem Dia., 6.3410" O.A.L.; When depleted use FP-V3958
8	Exhaust	FP-V2021X		1.8050" Head Dia., .4335" Stem Dia., 6.3430" O.A.L.
8	Exhaust	V-2021X +	Std Only	1.8050" Head Dia., .4335" Stem Dia., 6.3430" O.A.L.; When depleted use FP-V2021X
32	Keeper	VK-140		
QTY	VALVE SEAT	PART NO.	SIZE	DESCRIPTION
8	Int.	245-2250-1	Std Only	2.2555" OD, 1.9375" ID, .1855" Depth
QTY	VALVE GUIDE	PART NO.	SIZE	DESCRIPTION
8	Guide	FP-VG529		Exh.; .4385" ID, 3.2500" O.A.L.
8	Guide	VG-529 +		Exh.; .4385" ID, 3.2500" O.A.L.; When depleted use FP-VG529
QTY	VALVE SPRING	PART NO.	SIZE	DESCRIPTION
16	Spring	FP-317365		Late Engs.; Incl. damper; 2.0500" Free Height
16	Spring	VS-693		Late Engs.; Incl. damper; 2.0500" Free Height
QTY	VALVE MISC.	PART NO.	SIZE	DESCRIPTION
8	Rotocap Assy.	FP-RC126SA		Exh.; Late Engs.
8	Rotocap	FP-443128		Exh.; Late Engs.
8	Rotocap	RC-126S		Exh.; Late Engs.
QTY	VALVE SEAL	PART NO.	SIZE	DESCRIPTION
16	Valve Stem Seal	ST-2007		Positive type; Rubber
16	O-Ring	FP-111024		From Ser. No. 139494; Rubber
16	Valve Stem Seal	MV-1233C		From Ser. No. 139494; O-Ring; Rubber
16	Valve Stem Seal	MV-1551		Late Engs.; O-Ring; Carton of 50; Rubber
16	Valve Stem Seal Bulk	MV-1233		From Ser. No. 139494; O-Ring; Carton of 100; Rubber
CAMSHAFT GROUP				
QTY	CAMSHAFT/LIFTER	PART NO.	SIZE	DESCRIPTION
1	Camshaft	CS-218		
1	Prelube	55-400		4 oz. bottle; 1.5 oz. packet No. 55-403 also avail.
ENGINE BLOCK & PARTS				
QTY	GASKETS	PART NO.	SIZE	DESCRIPTION
1	Oil Pan Gasket	FP-448428		
QTY	GASKET SETS	PART NO.	SIZE	DESCRIPTION
1	Kit Gasket Set	260-1115		Note: head gskt. requires retorque; Valve stem seals from Ser. No. 139494 not incl.
QTY	CAM BEARINGS	PART NO.	SIZE	DESCRIPTION
1	Cam Set	FP-1479M	Std Only	
1	Cam Set	FP-448139	STD	
CRANKSHAFT/OIL PUMP				
QTY	SEALS - FRONT CRANK	PART NO.	SIZE	DESCRIPTION
1	Redi-Sleeve	99248		
1	Oil Seal	7581H		
QTY	SEALS - REAR CRANK	PART NO.	SIZE	DESCRIPTION
1	Oil Seal Kit	5065		
QTY	MAIN BEARINGS	PART NO.	SIZE	DESCRIPTION
1	Main Set	FP-4405M	Std-10-20	Engs. From Ser. No. 64557
1	Main Set	4405M +	Std-10-20	Engs. From Ser. No. 64557; When depleted use FP-4405M
CYLINDER COMPONENTS				
QTY	PISTONS	PART NO.	SIZE	DESCRIPTION
8	Pin Bushing	2199Y20		
QTY	CONNECTING RODS & BRGS.	PART NO.	SIZE	DESCRIPTION
8	Rod Pair	FP-2195CP	Std-10	
8	Rod Pair	2195CP +	Std-10	When depleted use FP-2195CP
QTY	PISTON RINGS	PART NO.	SIZE	DESCRIPTION
1	Premium Set	FP-E308K	Std Only	For 3-ring pistons; 2-3/32, 1-3/16
1	Premium Set	E-308K +	Std Only	For 3-ring pistons; 2-3/32, 1-3/16; When depleted use FP-E308K
1	Standard Set	FP-E421X	Std-30-60	For 4-ring pistons; 3-3/32, 1-3/16
1	Standard Set	E-421X +	Std-30-60	For 4-ring pistons; 3-3/32, 1-3/16; When depleted use FP-E421X

Wheel Tractor DV550, DV550B Eng. 91
9.0L 549 OHV Diesel V8 (16 Valve), 4.5" Bore (International Eng.)

CYL. HEAD & PARTS

QTY	VALVE	PART NO.	SIZE	DESCRIPTION
32	Keeper	FP-41339		1 groove; Square cut key groove
32	Keeper	VK-138		1 groove; Square cut key groove
32	Keeper	VK-138R		1 groove; Square cut key groove; Hardened
32	Keeper, Bulk	VK-138B		1 groove; Square cut key groove; Carton of 1000
QTY	VALVE GUIDE	PART NO.	SIZE	DESCRIPTION
8	Guide	VG-644 +		Exh.; .3742" ID, 2.9600" O.A.L.; When depleted use FP-VG644
QTY	VALVE SPRING	PART NO.	SIZE	DESCRIPTION
16	Spring	FP-317365		Incl. damper; 2.0500" Free Height
16	Spring	VS-693		Incl. damper; 2.0500" Free Height
QTY	VALVE MISC.	PART NO.	SIZE	DESCRIPTION
8	Rotocap	FP-443128		Exh.
8	Rotocap	RC-126S		Exh.
QTY	VALVE SEAL	PART NO.	SIZE	DESCRIPTION
16	O-Ring	FP-111024		Rubber
16	Valve Stem Seal	MV-1233C		O-Ring; Rubber
16	Valve Stem Seal Bulk	MV-1233		O-Ring; Carton of 100; Rubber

ENGINE BLOCK & PARTS

QTY	GASKETS	PART NO.	SIZE	DESCRIPTION
1	Oil Pan Gasket	FP-448428		
QTY	CAM BEARINGS	PART NO.	SIZE	DESCRIPTION
1	Cam Set	FP-448139	STD	

CRANKSHAFT/OIL PUMP

QTY	SEALS - FRONT CRANK	PART NO.	SIZE	DESCRIPTION
1	Redi-Sleeve	99248		
1	Oil Seal	7581H		
QTY	SEALS - REAR CRANK	PART NO.	SIZE	DESCRIPTION
1	Oil Seal Kit	5065		
1	Rear Main Seal Set	260-6017 +		Rubber; One-piece; Wear sleeve incl.; When depleted use FP-2606017
QTY	MAIN BEARINGS	PART NO.	SIZE	DESCRIPTION
1	Main Set	FP-5032M	Std-10-20-30	
1	Main Set	FP-5032M10	Std-10-20-30	
1	Main Set	FP-5032M20	Std-10-20-30	
1	Main Set	FP-5032M30	Std-10-20-30	
1	Main Set	5032M +	Std-10-20-30	When depleted use FP-5032M
4	Plain Main Brg.	FP-480842	STD	Position 1-2-4-5
4	Plain Main Brg.	FP-480843	10	Position 1-2-4-5
4	Plain Main Brg.	FP-480844	20	Position 1-2-4-5
4	Plain Main Brg.	FP-480845	30	Position 1-2-4-5
1	Flanged Main Brg.	FP-448064	STD	Position 3
1	Flanged Main Brg.	FP-480847	10	Position 3
1	Flanged Main Brg.	FP-480848	20	Position 3
1	Flanged Main Brg.	FP-480849	30	Position 3

CYLINDER COMPONENTS

QTY	CONNECTING RODS & BRGS.	PART NO.	SIZE	DESCRIPTION
8	Rod Pair	3595CP +	Std-10-20-30	When depleted use FP-3595CP

Wheel Tractor D554 Eng. 92
9.1L 554 Diesel L6, 4.625" Bore

CYLINDER COMPONENTS

QTY	CONNECTING RODS & BRGS.	PART NO.	SIZE	DESCRIPTION
6	Rod Pair	FP-1765CP	Std-10-20	
6	Rod Pair	FP-1765CP10	Std-10-20	
6	Rod Pair	FP-1765CP20	Std-10-20	

IHC Tractor

93 Loader DT573, DT573H, DVT573, DVT573B, DVTI573B Engs. Scraper DT573, DT573H, DVT573, DVT573B, DVTI573B Engs. Crawler Tractor DT573, DT573H, DVT573, DVT573B, DVTI573B Engs. Wheel Loader DT573, DT573H, DVT573, DVT573B, DVTI573B Engs. Hauler DT573, DT573H, DVT573, DVT573B, DVTI573B Engs.
9.4L 573 OHV Turbo-Diesel V8, 4.5" Bore

CYL. HEAD & PARTS

QTY	VALVE	PART NO.	SIZE	DESCRIPTION
8	Exhaust	FP-V2158X		1.7000" Head Dia., .4351" Stem Dia., 6.6240" O.A.L.
8	Exhaust	V-2158X +	Std Only	1.7000" Head Dia., .4351" Stem Dia., 6.6240" O.A.L.; When depleted use FP-V2158X

QTY	VALVE GUIDE	PART NO.	SIZE	DESCRIPTION
16	Guide	FP-VG694		.4375" ID, 3.6870" O.A.L.
16	Guide	VG-694 +		.4375" ID, 3.6870" O.A.L.; When depleted use FP-VG694

CRANKSHAFT/OIL PUMP

QTY	SEALS - REAR CRANK	PART NO.	SIZE	DESCRIPTION
1	Oil Seal Kit	FP-1809964		Incl. seal & wear sleeve

QTY	MAIN BEARINGS	PART NO.	SIZE	DESCRIPTION
1	Main Set	FP-5084M	Std-10-20	
1	Main Set	5084M +	Std-10-20	When depleted use FP-5084M

CYLINDER COMPONENTS

QTY	LINERS	PART NO.	SIZE	DESCRIPTION
8	Liner w/Sealing Rings	FP-SO2443	Std Only	Incl. (3) FP-SLR2443 sealing rings.
8	Liner w/Sealing Rings	SO-2443 +	Std Only	Incl. (3) SLR-2443 sealing rings.; When depleted use FP-SO2443
8	Sleeve Assy.	FP-SL2444	Std Only	
8	Sleeve Assy.	SL-2444 +	Std Only	When depleted use FP-SL2444

QTY	CONNECTING RODS & BRGS.	PART NO.	SIZE	DESCRIPTION
8	Rod Pair	FP-3210CP	Std-10-20-30	
8	Rod Pair	3210CP +	Std-10-20-30	When depleted use FP-3210CP

QTY	PISTON RINGS	PART NO.	SIZE	DESCRIPTION
1	Premium Set	FP-9245KX	Std Only	1-1/8, 1-3/32, 1-1/4
1	Premium Set	9245KX +	Std Only	1-1/8, 1-3/32, 1-1/4; When depleted use FP-9245KX

KITS

QTY	OVERHAUL KIT	PART NO.	SIZE	DESCRIPTION
1	Tractor Overhaul Kit	FP-KST2444A		Gasket set is not available

94 Power Unit C605, V605 Engs.
9.9L 605 V8, 4.625" Bore

CYL. HEAD & PARTS

QTY	VALVE	PART NO.	SIZE	DESCRIPTION
8	Intake	FP-V2115		2.1570" Head Dia., .4345" Stem Dia., 6.0990" O.A.L.
8	Intake	V-2115 +	Std Only	2.1570" Head Dia., .4345" Stem Dia., 6.0990" O.A.L.; When depleted use FP-V2115
8	Intake	FP-V2284		45 deg. seat; Made w/Exh. valve mtl.; 2.1570" Head Dia., .4345" Stem Dia., 6.0990" O.A.L.
8	Intake	V-2284 +	Std Only	45 deg. seat; Made w/Exh. valve mtl.; 2.1570" Head Dia., .4345" Stem Dia., 6.0990" O.A.L.; When depleted use FP-V2284
8	Exhaust	FP-V2114X		1.8050" Head Dia., .4341" Stem Dia., 6.1010" O.A.L.
8	Exhaust	V-2114X +	Std Only	1.8050" Head Dia., .4341" Stem Dia., 6.1010" O.A.L.; When depleted use FP-V2114X
32	Keeper	VK-140		

QTY	VALVE SPRING	PART NO.	SIZE	DESCRIPTION
16	Spring	VS-693		Incl. damper; 2.0500" Free Height

QTY	VALVE MISC.	PART NO.	SIZE	DESCRIPTION
8	Rotocap Assy.	FP-RC126SA		Exh.
8	Rotocap	FP-443128		Exh.
8	Rotocap	RC-126S		Exh.

CAMSHAFT GROUP

QTY	CAMSHAFT/LIFTER	PART NO.	SIZE	DESCRIPTION
1	Camshaft	FP-CS747		
1	Camshaft	CS-747 +		When depleted use FP-CS747
16	Lifter	FP-HT886		Hyd.
16	Lifter	HT-886 +	Std Only	Hyd.; When depleted use FP-HT886
1	Prelube	55-400		4 oz. bottle; 1.5 oz. packet No. 55-403 also avail.

(continued on next page)

Power Unit C605, V605 Engs. 94
9.9L 605 V8, 4.625" Bore (cont.)

ENGINE BLOCK & PARTS

QTY	GASKET SETS	PART NO.	SIZE	DESCRIPTION
1	Kit Gasket Set	FP-2601114		Incl. CNG Engs.; Exc. Irrigation Engs.; Incl. RMB seal & wear sleeve; Incl. timing seal & wear sleeve
1	Kit Gasket Set	260-1114		Incl. CNG Engs.; Exc. Irrigation Engs.; Incl. RMB seal & wear sleeve; Incl. timing seal & wear sleeve
1	Kit Gasket Set	FP-2601277A		Nat. Gas Engs.; Irrigation Engs.; Incl. RMB seal & wear sleeve
1	Kit Gasket Set	260-1277A		Nat. Gas Engs.; Irrigation Engs.; Incl. RMB seal & wear sleeve
QTY	CAM BEARINGS	PART NO.	SIZE	DESCRIPTION
1	Cam Set	FP-1479M	Std Only	
1	Cam Set	FP-448139	STD	

CRANKSHAFT/OIL PUMP

QTY	SEALS - REAR CRANK	PART NO.	SIZE	DESCRIPTION
1	Rear Main Seal Set	260-6017 +		Rubber; One-piece; Wear sleeve incl.; When depleted use FP-2606017
QTY	MAIN BEARINGS	PART NO.	SIZE	DESCRIPTION
1	Main Set	FP-5032M	Std-10-20-30	
1	Main Set	5032M +	Std-10-20-30	When depleted use FP-5032M

CYLINDER COMPONENTS

QTY	PISTONS	PART NO.	SIZE	DESCRIPTION
8	Cast Piston	FP-H720P20	20-30-40-60	Hypereutectic; 2-3/32", 1-3/16" Ring Groove, 2.270 plus .260 dome" CD, 1.3119" Pin Dia., Domed Head - 9.5:1 C.R.
8	Cast Piston	H720P20 +	20-30-40-60	Hypereutectic; 2-3/32", 1-3/16" Ring Groove, 2.270 plus .260 dome" CD, 1.3119" Pin Dia., Domed Head - 9.5:1 C.R.; When depleted use FP-H720P20
8	Cast Piston - Individual	FP-WH720P20	20-30-40-60	Hypereutectic; 2-3/32", 1-3/16" Ring Groove, 2.270 plus .260 dome" CD, 1.3119" Pin Dia., Domed Head - 9.5:1 C.R.
8	Cast Piston - Individual	WH720P20 +	20-30-40-60	Hypereutectic; 2-3/32", 1-3/16" Ring Groove, 2.270 plus .260 dome" CD, 1.3119" Pin Dia., Domed Head - 9.5:1 C.R.; When depleted use FP-WH720P20
QTY	CONNECTING RODS & BRGS.	PART NO.	SIZE	DESCRIPTION
8	Rod Pair	FP-3790CP	Std-10-20	
8	Rod Pair	3790CP +	Std-10-20	When depleted use FP-3790CP

Wheel Tractor D691, DT691 Engs. Crawler Tractor D691, DT691 Engs. 95
11.3L 691 Diesel L6, 4.75" Bore

CYL. HEAD & PARTS

QTY	VALVE	PART NO.	SIZE	DESCRIPTION
24	Keeper	FP-127554		
QTY	VALVE SEAL	PART NO.	SIZE	DESCRIPTION
12	Valve Stem Seal	ST-2007		Positive type; Rubber

Loader HR6, HRB, HRB6 Engs. Scraper HR6, HRB, HRB6 Engs. Wheel Tractor HR6, HRB, HRB6 Engs. 96
12.2L 743 OHV Diesel L6, 5.125" Bore (Cummins Eng.)

CYL. HEAD & PARTS

QTY	VALVE	PART NO.	SIZE	DESCRIPTION
6	Exhaust	FP-144911		Exc. HRB, HRB6 Engs.; 1.7400" Head Dia., 7.0600" O.A.L.
QTY	VALVE GUIDE	PART NO.	SIZE	DESCRIPTION
12	Guide	FP-105984		Exh. & Int.; HRB, HRB6 Engs. only; Plain ID; .500" ID, 3.66" OAL
12	Guide	FP-66890		Exh. & Int.; HR6 Engs. only; Threaded ID; .405" ID, 3.44" OAL

CAMSHAFT GROUP

QTY	CAMSHAFT/LIFTER	PART NO.	SIZE	DESCRIPTION
1	Camshaft	FP-3801030		w/.750" Keyway, replaces O.E. 129860 & 3801030; If camshaft being replaced has 1" keyway, contact Cummins dealer for replacement key
1	Prelube	55-400		4 oz. bottle; 1.5 oz. packet No. 55-403 also avail.

ACCESSORY DRIVE

QTY	ACCESSORY DRIVE	PART NO.	SIZE	DESCRIPTION
1	Oil Seal	39302		
1	Wear Sleeve	J1396		Wear Sleeve

(continued on next page)

IHC Tractor

96 Loader HR6, HRB, HRB6 Engs. Scraper HR6, HRB, HRB6 Engs. Wheel Tractor HR6, HRB, HRB6 Engs.
(cont.) 12.2L 743 OHV Diesel L6, 5.125" Bore (Cummins Eng.)

COOLING SYSTEM

QTY	WATER PUMP	PART NO.	SIZE	DESCRIPTION
1	Oil Seal	473010N		
QTY	SEALS - FAN HUB	PART NO.	SIZE	DESCRIPTION
1	Oil Seal	39835		inner
1	Oil Seal	39877		outer
1	Redi-Sleeve	99181		inner
QTY	THERMOSTAT	PART NO.	SIZE	DESCRIPTION
1	Oil Seal	39821		

ENGINE BLOCK & PARTS

QTY	CAM BEARINGS	PART NO.	SIZE	DESCRIPTION
1	Cam Set	FP-BM27253	STD	
QTY	OIL COOLERS & FILTERS	PART NO.	SIZE	DESCRIPTION
1	Oil Cooler	FP-110848		May not be used on all engs.; Check O.E. part number; 6.500" X 4.000" tube bundle

CRANKSHAFT/OIL PUMP

QTY	CRANKSHAFT	PART NO.	SIZE	DESCRIPTION
1	Crankshaft	FP-3029341		
QTY	SEALS - FRONT CRANK	PART NO.	SIZE	DESCRIPTION
1	Redi-Sleeve	99363		
1	Oil Seal	39813		
QTY	SEALS - REAR CRANK	PART NO.	SIZE	DESCRIPTION
1	Oil Seal	39703		
1	Oil Seal	39807		(w/6.000" Shaft)
1	Oil Seal	39823		(Wet Clutch)
1	Redi-Sleeve	99363		
1	Redi-Sleeve	99599		(w/ 6.000" Shaft)
1	Redi-Sleeve	99599		(Wet Clutch)
QTY	MAIN BEARINGS	PART NO.	SIZE	DESCRIPTION
1	Main Set	FP-3801260	STD	W/Partial groove brgs.; Incl. thrust washers
1	Main Set	FP-3801261	10	W/Partial groove brgs.; Incl. thrust washers
1	Main Set	FP-3801262	20	W/Partial groove brgs.; Incl. thrust washers
1	Main Set	FP-3801263	30	W/Partial groove brgs.; Incl. thrust washers
1	Thrust Washer Set	FP-1334AFA +	Std Only	Position 7; When depleted use FP-3067568
4	Thrust Washer	FP-3067568	STD	Position 7

CYLINDER COMPONENTS

QTY	LINERS	PART NO.	SIZE	DESCRIPTION
6	Liner w/o Sealing Rings	FP-184420		15.5:1 C.R.
6	Cylinder Kit Complete	FP-AR7375	STD	15.5:1 C.R.
6	Sealing Ring, Liner	FP-181449		
6	Sealing Ring, Liner	FP-215983		
6	Sealing Ring, Liner	FP-216879		
QTY	PISTONS	PART NO.	SIZE	DESCRIPTION
6	Piston Body w/o Pin	FP-200680		15.5:1 C.R.; 15.5:1 C.R.
6	Piston Kit w/Pin & Retainers	FP-AR7420		15.5:1 C.R.; 15.5:1 C.R.
6	Pin	FP-203070		1.9989" Dia.
12	Piston Pin Retainer	FP-175755		
12	Pin Bushing	FP-43067		Straight rod bushing; 1.03" Width; 2 req'd. per rod
QTY	CONNECTING RODS & BRGS.	PART NO.	SIZE	DESCRIPTION
6	Rod Pair	FP-203670PR	STD	
6	Rod Pair	FP-203671PR	10	
6	Rod Pair	FP-203672PR	20	
6	Rod Pair	FP-203673PR	30	
QTY	PISTON RINGS	PART NO.	SIZE	DESCRIPTION
6	Ring Set Single Cylinder	FP-AR12098	STD	1 cyl. set

97 Scraper DT800, DVT800 Engs. Wheel Tractor DT800, DVT800 Engs.
13.1L 800 Turbo-Diesel V8, 5.3125" Bore

CYL. HEAD & PARTS

QTY	VALVE GUIDE	PART NO.	SIZE	DESCRIPTION
32	Guide	VG-864		.3740" ID, 2.8700" O.A.L.

(continued on next page)

Scraper DT800, DVT800 Engs. Wheel Tractor DT800, DVT800 Engs. 97
13.1L 800 Turbo-Diesel V8, 5.3125" Bore (cont.)

CRANKSHAFT/OIL PUMP

QTY	MAIN BEARINGS	PART NO.	SIZE	DESCRIPTION
1	Main Set	FP-5084M	Std-10-20	
1	Main Set	5084M +	Std-10-20	When depleted use FP-5084M

CYLINDER COMPONENTS

QTY	CONNECTING RODS & BRGS.	PART NO.	SIZE	DESCRIPTION
8	Rod Pair	FP-3210CP	Std-10-20-30	
8	Rod Pair	3210CP +	Std-10-20-30	When depleted use FP-3210CP

Loader D817, DT817 Engs. Scraper D817, DT817 Engs. Wheel Tractor D817, DT817 Engs. 98
Crawler Tractor D817, DT817 Engs. Hauler D817, DT817 Engs.
13.4L 817 Diesel L6, 5.375" Bore

CYL. HEAD & PARTS

QTY	VALVE	PART NO.	SIZE	DESCRIPTION
6	Exhaust	FP-V1898		Exc. DT-817C & DTI817C; 1.7050" Head Dia., .4050" Stem Dia., 7.3080" O.A.L.
6	Exhaust	V-1898 +	Std Only	Exc. DT-817C & DTI817C; 1.7050" Head Dia., .4050" Stem Dia., 7.3080" O.A.L.; When depleted use FP-V1898

QTY	VALVE SEAL	PART NO.	SIZE	DESCRIPTION
12	Valve Stem Seal	ST-2007		Exc. DT-817C & DTI817C; Positive type; Rubber

CYLINDER COMPONENTS

QTY	LINERS	PART NO.	SIZE	DESCRIPTION
6	Liner w/Sealing Rings	FP-SO2539	Std Only	Incl. (1) FP-SLR2188 (Red, top) & (2) SLR-2185 (Black, middle & bottom) sealing rings.
6	Liner w/Sealing Rings	SO-2539 +	Std Only	Incl. (1) SLR-2188 (Red, top) & (2) SLR-2185 (Black, middle & bottom) sealing rings.; When depleted use FP-SO2539
6	Sleeve Assy.	FP-SL2610	Std Only	For Eng. Models DT-817C & DTI-817C.
6	Sleeve Assy.	SL-2610 +	Std Only	For Eng. Models DT-817C & DTI-817C.; When depleted use FP-SL2610

QTY	CONNECTING RODS & BRGS.	PART NO.	SIZE	DESCRIPTION
6	Rod Pair	FP-3155CP	Std-10-20	
6	Rod Pair	3155CP +	Std-10-20	When depleted use FP-3155CP

Loader NT Series Engs. 99
14.0L 855 OHV Turbo-Diesel L6, 5.5" Bore (Cummins Eng.)

CYL. HEAD & PARTS

QTY	GASKETS	PART NO.	SIZE	DESCRIPTION
3	Valve Cover Gasket	FP-3054841		Single valve cover gskt., 5-bolt Engs.; 3 req'd.
3	Rocker Housing Gasket	FP-3017750		Single rocker box gskt., 5-bolt Engs.; 3 req'd.
1	Head Set	FP-3801348		Upper; .010 O/S Water Grommets; Upper set, SC & BC I, II, III, 5 bolt Engs.; w/ & w/o FFC
1	Head Set	FP-3804276		Upper; Contains standard size water grommets
1	Head Set	FP-3801330 +		Upper; Std. size Water Grommets; When depleted use FP-3804276
1	Cam Follower Gasket	FP-3074401		855 Big Cam; .006-.008
1	Cam Follower Gasket	FP-3074402		855 Big Cam; .014-.020
1	Cam Follower Gasket	FP-3074403		855 Big Cam; .018-.025
1	Cam Follower Gasket	FP-3074404		855 Big Cam; .026-.036
1	Cam Follower Gasket	FP-9266A		855 Small Cam; .006-.008
1	Cam Follower Gasket	FP-9266		855 Small Cam; .014-.020
1	Cam Follower Gasket	FP-3011272		855 Small Cam; .020-.024
1	Cam Follower Gasket	FP-120819		855 Small Cam; .027-.033
1	Cam Follower Gasket	FP-3011273		855 Small Cam; .037-.041
1	Cam Follower Housing Gasket	FP-3074400		855 Big Cam; .014-.021

QTY	HEAD BOLTS	PART NO.	SIZE	DESCRIPTION
36	Head Bolt	FP-209700		6 1/4"
36	Head Bolt	FP-3013623		7 1/4"

QTY	MISCELLANEOUS	PART NO.	SIZE	DESCRIPTION
18	Adjusting Screw Nut	FP-S212		1/2" - 20 UNF; Use w/FP-168306

QTY	VALVE	PART NO.	SIZE	DESCRIPTION
12	Intake	FP-135957		1.8700" Head Dia., .4505" Stem Dia., 7.0660" O.A.L.
12	Exhaust	FP-3040830		

(continued on next page)

+ Superseded Part Number

IHC Tractor

99 Loader NT Series Engs.

(cont.) 14.0L 855 OHV Turbo-Diesel L6, 5.5" Bore (Cummins Eng.)

CYL. HEAD & PARTS (cont.)				
QTY	VALVE (cont.)	PART NO.	SIZE	DESCRIPTION
48	Keeper	FP-127554		Exh. & Int.
QTY	VALVE SEAT	PART NO.	SIZE	DESCRIPTION
12	Exh.	FP-3017759		Check Cummins Service Topics 93T2-2; 2.0030" OD, 1.6900" ID, .2795" Depth
QTY	VALVE GUIDE	PART NO.	SIZE	DESCRIPTION
24	Guide	FP-3006457		Exh. & Int.; Check Cummins Service Topics 93T2-2
24	Guide	FP-3006458		Exh. & Int.; Check Cummins Service Topics 93T2-2
24	Guide	FP-3006456		Exh. & Int.; Check Cummins Service Topics 93T2-2; .4530" ID, 3.3900" O.A.L.
QTY	VALVE SPRING	PART NO.	SIZE	DESCRIPTION
24	Spring	FP-211999		Exh. & Int.; Check Cummins Service Topics 93T2-2; 2.6850" Free Height
24	Retainer	FP-170296		Exh. & Int.
24	Valve Spring Seat	FP-3042745		Exh. & Int.
QTY	PUSH RODS	PART NO.	SIZE	DESCRIPTION
6	Push Rod	FP-3046430		855 Big Cam; Injector
12	Push Rod	FP-3046420		Exh. & Int.; 855 Big Cam; 17.7220" O.A.L.
QTY	VALVE MISC.	PART NO.	SIZE	DESCRIPTION
12	Crosshead Valve Assembly	FP-3030038		Exh. & Int.
12	Crosshead Valve	FP-3028293 +		Exh. & Int.; When depleted use FP-3030038
QTY	VALVE SEAL	PART NO.	SIZE	DESCRIPTION
12	Valve Stem Seal	FP-156541		Exh. & Int.; Installation requires valve guide machining; Polyacrylate
QTY	ROCKER PARTS	PART NO.	SIZE	DESCRIPTION
3	Rocker Shaft	FP-3038904		
12	Cam Follower Roller	FP-3036933		855 Big Cam
12	Cam Follower Roller	FP-92601		855 Small Cam
6	Injector Cam Roller	FP-3036934		855 Big Cam
6	Injector Cam Roller	FP-3062096		855 Small Cam
12	Valve Bridge Guide	FP-123558		Exh. & Int.
12	Valve Roller Pin	FP-3013331		Exh. & Int.; 855 Big Cam
12	Valve Roller Pin	FP-68513		Exh. & Int.; 855 Small Cam; .500" OD x 1.280" Length
18	Rocker Lever Adjusting Screw	FP-168306		1/2" - 20 UNF x 2.045" Length; Use w/FP-S212
6	Rocker Shaft Plug	FP-3038903		
6	Rocker Arm Socket	FP-194037		
6	Bushing	FP-218153		Injector
6	Bushing	FP-118377		Injector; Cam Follower
12	Bushing	FP-118378		Exh. & Int.; Valve; Cam Follower
12	Bushing	FP-140330		Exh. & Int.; Valve; Rocker Lever
6	Fuel Injector Roller Pin	FP-3013330		855 Big Cam
6	Fuel Injector Roller Pin	FP-3017544		855 Small Cam
18	Valve Lock Pin	FP-118939		Injector and Valve; Cam Follower
INT & EXH MANIFOLDS				
QTY	INT. & EXH. MANIFOLDS	PART NO.	SIZE	DESCRIPTION
3	Intake Manifold Gasket	FP-3008591		Aftercooler
CAMSHAFT GROUP				
QTY	TIMING	PART NO.	SIZE	DESCRIPTION
1	Cam Gear	FP-3002901		Flangeless 2.500" camshaft
1	Cam Gear	FP-215966		Hardened; Replaces O.E. No. 215966; 72 Teeth; 72 Teeth
QTY	CAMSHAFT/LIFTER	PART NO.	SIZE	DESCRIPTION
1	Camshaft	FP-3049024		Flangeless 2.500" camshaft; Replaces O.E. Nos. 3025518, 3049024, (cam only); or 3026975, 3801036 (camshaft w/pipe plug).
1	Camshaft Thrust Washer	FP-215233		
3	Cam Follower Shaft	FP-3065125		
ACCESSORY DRIVE				
QTY	ACCESSORY DRIVE	PART NO.	SIZE	DESCRIPTION
1	Wear Sleeve	FP-190397		
1	Oil Seal	39302		
1	Wear Sleeve	J1396		Wear Sleeve
1	Oil Seal	FP-3004316		Front Cover

(continued on next page)

Loader NT Series Engs. 99
14.0L 855 OHV Turbo-Diesel L6, 5.5" Bore (Cummins Eng.) (cont.)

FUEL SYSTEM & PARTS				
QTY	FUEL INJECTION	PART NO.	SIZE	DESCRIPTION
6	Fuel Injector Sleeve	FP-3070486		Thin
6	Bolt	FP-70772		Fuel Crossover; Qty 2 Per Head; 1/4" - 20 X 1/2" Fillister machine screw
6	O-Ring	FP-131026		Fuel Crossover; Qty 2 Per Head
1	Fitting	FP-181213		Fuel Crossover; Qty A/R; 90 Deg.
6	Fuel Crossover Connection	FP-147100		Qty 2 Per Head
QTY	FUEL FILTERS & PUMP	PART NO.	SIZE	DESCRIPTION
18	O-Ring	FP-193736		Fuel Injector Mounting; 3 per injector
6	O-Ring	FP-3007759		Injector Tube Seal
COOLING SYSTEM				
QTY	WATER PUMP	PART NO.	SIZE	DESCRIPTION
1	Water Pump - Heavy Duty	FP-3801708		Vented; Multi-groove pulley
1	Water Pump Repair/Rebuild Kit	FP-3801712		w/Brg. & seal
1	Rect. or Square Seal	FP-186780		Thermostat Hsg. Seal
1	Oil Seal	473010N		
1	O-Ring	FP-43643A		Front Water By-pass
4	O-Ring	FP-70624		Water Manifold Coupling
2	O-Ring	FP-212161		Water Transfer Tube
1	V Belt	FP-217638		Multi-Groove
1	Water Pump Idler Assembly	FP-3064919		Multi-Groove
QTY	SEALS - FAN HUB	PART NO.	SIZE	DESCRIPTION
1	Oil Seal	39835		Inner
1	Oil Seal	39877		Outer
1	Redi-Sleeve	99181		Inner
QTY	THERMOSTAT	PART NO.	SIZE	DESCRIPTION
1	Thermostat	FP-146076		160 Deg. F
1	Thermostat	FP-204586		175 Deg. F
1	Thermostat	FP-135675		180 degree F, Vented
1	Thermostat	FP-3076489		180 Deg. F, Non-Vented
1	Thermostat Gasket	FP-208128		
1	Water Outlet Gasket	FP-3019158		
1	Oil Seal	39821		
QTY	MISCELLANEOUS	PART NO.	SIZE	DESCRIPTION
1	Water Filter Valve	FP-179901		For 3/8" Pipe, 3/8" Heater Hose; 3/8 Pipe-3/8 Heater Hose
1	Water Heater Valve	FP-157098		For 3/8" Pipe, 5/8" Heater Hose; 3/8 Pipe-5/8 Heater Hose
1	Hose	FP-102522		Water By-pass Hose
2	Hose Clamp	FP-43828B		Water By-pass Hose
6	Ring - Seal	FP-3024709		Water Manifold
1	Bypass Tube	FP-213485		Water By-pass Pipe
ENGINE BLOCK & PARTS				
QTY	GASKETS	PART NO.	SIZE	DESCRIPTION
1	Oil Pan Gasket Set	FP-PGC300		All 855 Engs.; Incl. 1 pc. oil pan gskt.; Includes Seals For Suction Tube & Drain Plug
QTY	GASKET SETS	PART NO.	SIZE	DESCRIPTION
1	Gasket Conversion Set	FP-3801235		Lower
1	In-Frame Gasket Set	FP-3804276IF		Contains standard size water grommets
1	In-Frame Gasket Set	FP-3801348S		In Frm.; Small Cam & Big Cam I, II, III, 5-bolt Engs.; O/S Grommets
1	In-Frame Gasket Set	FP-3801330S +		In Frm.; Small Cam & Big Cam I, II, III, 5-bolt Engs.; When depleted use FP-3804276IF
QTY	CAM BEARINGS	PART NO.	SIZE	DESCRIPTION
1	Cam Set	FP-3007689S	STD	Big Cam 2.500" dia.; Engs. w/2.625" cam housing
1	Cam Set	FP-3801106	STD	Big Cam 2.500" dia.; Engs. w/2.687" cam housing
QTY	OIL COOLERS & FILTERS	PART NO.	SIZE	DESCRIPTION
1	Aftercooler Core Assembly	FP-3411460		For Big Cam III and Engs. up-dated to cross bolt mount, O.E. Nos. 3028997 & 3068724.
1	Aftercooler Gasket Set	FP-PGC206		
1	Aftercooler Housing Gasket	FP-216486		
1	Aftercooler Gasket	FP-3032348		
1	Oil Cooler	FP-3412285		13.125" x 3.125" tube bundle. O.E. No's. 3018692, 3045483 & 3412285. Big Cam III & Big Cam IV.
1	Oil Cooler Gasket Kit	FP-3801199		
1	Oil Cooler Gasket	FP-3008017		
1	Oil Cooler Gasket	FP-3047464		
1	Oil Cooler Gasket	FP-3047465		

(continued on next page)

+ Superseded Part Number

IHC Tractor

99 Loader NT Series Eng.

(cont.) 14.0L 855 OHV Turbo-Diesel L6, 5.5" Bore (Cummins Eng.)

ENGINE BLOCK & PARTS (cont.)

OIL COOLERS & FILTERS				
QTY	(cont.)	PART NO.	SIZE	DESCRIPTION
1	Oil Cooler Gasket	FP-3069014		
4	O-Ring	FP-195952		Aftercooler Core Seal
2	O-Ring	FP-212161		Oil Cooler
1	O-Ring	FP-3030808		Oil Cooler
1	O-Ring	FP-3045979		Oil Cooler
1	Sealing Ring	FP-3018695		Oil Cooler Core Seal
CRANKSHAFT/OIL PUMP				
QTY	CRANKSHAFT	PART NO.	SIZE	DESCRIPTION
1	Crankshaft	FP-3608833		w/Snub Nose Crankshaft; Snub Nose
1	Vibration Damper	FP-217323		13.55" Dia.; Snub Nose
1	Crank Gear	FP-3014614		Front; w/Snub Nose Crankshaft; 36 Teeth; 36 Teeth
QTY	SEALS - FRONT CRANK	PART NO.	SIZE	DESCRIPTION
1	Oil Seal	FP-3006736		Front; w/Snub Nose Crankshaft
1	Oil Seal	FP-3010457		Front; w/Tapered Nose Crankshaft
1	Redi-Sleeve	FP-3006742		Front; w/Snub Nose Crankshaft
1	Redi-Sleeve	99363		
1	Oil Seal	39813		
QTY	SEALS - REAR CRANK	PART NO.	SIZE	DESCRIPTION
1	Oil Seal	FP-3006737		Rear; Dry Applications; 6.00" Shaft
1	Oil Seal	FP-3006738		Rear; Wet Applications; Wet Clutch
1	Oil Seal	39703		
1	Oil Seal	39807		(w/6.000" Shaft)
1	Oil Seal	39823		(Wet Clutch)
1	Redi-Sleeve	FP-3006743		Rear; Wet Clutch; 6.00" Shaft
1	Redi-Sleeve	99363		
1	Redi-Sleeve	99599		(w/ 6.000" Shaft)
1	Redi-Sleeve	99599		(Wet Clutch)
QTY	MAIN BEARINGS	PART NO.	SIZE	DESCRIPTION
1	Main Set	FP-3801264	40	W/Partial groove brgs.
1	Main Set	FP-3801260	STD	W/Partial groove brgs.; Incl. thrust washers
1	Main Set	FP-3801261	10	W/Partial groove brgs.; Incl. thrust washers
1	Main Set	FP-3801262	20	W/Partial groove brgs.; Incl. thrust washers
1	Main Set	FP-3801263	30	W/Partial groove brgs.; Incl. thrust washers
1	Thrust Washer Set	FP-1334AFA +	Std Only	Position 7; When depleted use FP-3067568
4	Thrust Washer	FP-3067568	STD	Position 7
6	Bolt	FP-204165		Vibration damper to crankshaft; 5/8" - 18 X 1 5/8"
QTY	OIL PUMP	PART NO.	SIZE	DESCRIPTION
1	Oil Pump	FP-3821572		855 Big Cam, Exc. Big Cam I; For Big Cam (2.500"dia.) Eng.
1	Oil Pump	FP-AR10172		855 Small Cam & Big Cam I; New
1	O-Ring	FP-3029847		Oil suction tube seal
1	Oil Suction Tube Gasket	FP-157551		
CYLINDER COMPONENTS				
QTY	LINERS	PART NO.	SIZE	DESCRIPTION
6	Liner w/o Sealing Rings	FP-3055099	STD	Std. Liners
6	Liner w/Sealing Rings	FP-3803219	20	Incl. (1) FP215090 crevice seal, (2) FP3032874 (Blk., middle & lower) sealing rings. Oversize, flange Press Fit dia. .020" larger than Std. & lower Press Fit is increased by .040". Replaces O.E. Nos. 3056405 & 3803219 (referred to as '20/40 Size').
6	Liner w/Sealing Rings	FP-3801826	STD	Incl. (1) FP215090 crevice seal, (2) FP3032874 (Blk., middle & lower) sealing rings. Std. size, Lower Press Fit design. Replaces O.E. Nos. 3055099 & 3801826 w/seals.
6	Cylinder Kit Complete	FP-3801771	STD	14.0:1 C.R.; Sled Runner Skirt; Premium Plus; 4 Rings; Refer to CPL chart for CPL application data
6	Cylinder Kit Complete	FP-3803214	20	14.0:1 C.R.; Sled Runner Skirt; Premium Plus; 4 Rings; Refer to CPL chart for CPL application data
6	Cylinder Kit Complete	FP-3801768	STD	14.5:1 C.R.; Sled Runner Skirt; Premium Plus; 4 Rings; Refer to CPL chart for CPL application data
6	Cylinder Kit Complete	FP-3803213	20	14.5:1 C.R.; Sled Runner Skirt; Premium Plus; 4 Rings; Refer to CPL chart for CPL application data
6	Cyl. Liner Sealing Ring Kit	FP-AR51477 +		Incl. (1) FP-215090 crevice seal and (2) FP-3032874 liner seals; When depleted use FP-3800174
6	Sealing Ring, Liner	FP-215090		Crevice Seal
6	Sealing Ring, Liner	FP-3032874		Lower
6	Sealing Ring, Liner	FP-3032874		Middle

(continued on next page)

Loader NT Series Engs. 99
14.0L 855 OHV Turbo-Diesel L6, 5.5" Bore (Cummins Eng.) (cont.)

CYLINDER COMPONENTS (cont.)				
QTY	PISTONS	PART NO.	SIZE	DESCRIPTION
6	Piston Body w/o Pin	FP-3051556		14.0:1 C.R.; Sled Runner Skirt; Single NI-Resist; 4 Rings
6	Piston Body w/o Pin	FP-3051555		14.5:1 C.R.; Sled Runner Skirt; Single NI-Resist; 4 Rings
6	Piston Kit w/Pin & Retainers	FP-3801773WP	STD	14.0:1 C.R.; Single NI-Resist; 4 Rings; 14.0:1 C.R.
6	Piston Kit w/Pin & Retainers	FP-3801770WP	STD	14.5:1 C.R.; Single NI-Resist; 4 Rings; 14.5:1 C.R.
6	Piston With Retainers	FP-3801773		14.0:1 C.R.; Sled Runner Skirt; Single NI-Resist; 4 Rings; 14.0:1 C.R.
6	Piston With Retainers	FP-3801770		14.5:1 C.R.; Sled Runner Skirt; Single NI-Resist; 4 Rings; 14.5:1 C.R.
6	Pin	FP-191970		
12	Piston Pin Retainer	FP-175755		2 per piston
6	Piston Cooling Nozzle	FP-3013591		
12	Pin Bushing	FP-43067		Straight rod bushing; 1.03" Width; 2 req'd. per rod
6	Pin Bushing	FP-187420		1 piece bushing; 1 piece bushing; 2.20" Width
6	Bushing	FP-116391		Accessory drive bushing; O.E. No. 116391
6	Bushing	FP-132770		Front cover bushing; O.E. No. 132770; w/1.567" ID, 1.697" OD, 1.500" O.A.L.
QTY	CONNECTING RODS & BRGS.	PART NO.	SIZE	DESCRIPTION
12	Con. Rod Bolt	FP-219153		Big Cam Engs.
12	Con. Rod Nut	FP-69936		Big Cam Engs.
6	Rod Pair	FP-214950PR	STD	Big Cam 2.500" dia.; Engs. w/1.741" length. brgs.; Used w/con. rod No. 218808; w/3.1240-3.1250" std. shaft size
6	Rod Pair	FP-214951PR	10	Big Cam 2.500" dia.; Engs. w/1.741" length. brgs.; Used w/con. rod No. 218808; w/3.1240-3.1250" std. shaft size
6	Rod Pair	FP-214952PR	20	Big Cam 2.500" dia.; Engs. w/1.741" length. brgs.; Used w/con. rod No. 218808; w/3.1240-3.1250" std. shaft size
12	Rod Bearing Half Upper/Lower	FP-214953	30	Big Cam 2.500" dia.; Engs. w/1.741" length. brgs.; Used w/con. rod No. 218808
12	Rod Bearing Half Upper/Lower	FP-214954	40	Big Cam 2.500" dia.; Engs. w/1.741" length. brgs.; Used w/con. rod No. 218808
KITS				
QTY	OVERHAUL KIT	PART NO.	SIZE	DESCRIPTION
1	In-Frame Overhaul Kit	FP-855PREMP		Premium Plus; 4 Rings
1	Complete Overhaul Kit	FP-855PREMPOH		Premium Plus; 4 Rings; With Front & Rear Seals and Upper & Lower Gasket Sets

IHC/Navistar Truck - M/D & H/D - Refer to CA0050 Catalog Isuzu Forklift

Engine Finding Index					
Engine	Line No.	Engine	Line No.		
2.0L 1951cc OHV Diesel L4 86mm Bore (8 Valve)	1	2.4L 2369cc OHV Diesel L4 86mm Bore (8 Valve)	3		
2.0L 1991cc OHV Diesel L4 83mm Bore (8 Valve)	2				
Engine Code Index					
Engine Code	Engine Description	Line No.	Engine Code	Engine Description	Line No.
C190 ... Forklift	2.0L 1951cc OHV Diesel L4 86mm Bore (8 Valve).....	1	C240 ... Forklift	2.4L 2369cc OHV Diesel L4 86mm Bore (8 Valve).....	3
C201 ... Forklift	2.0L 1991cc OHV Diesel L4 83mm Bore (8 Valve).....	2			

Forklift Eng. Code "C190" 1 2.0L 1951cc OHV Diesel L4 (8 Valve), 86mm Bore				
ENGINE BLOCK & PARTS				
QTY	CAM BEARINGS	PART NO.	SIZE	DESCRIPTION
1	Cam Set	1746M	Std Only	
CRANKSHAFT/OIL PUMP				
QTY	MAIN BEARINGS	PART NO.	SIZE	DESCRIPTION
1	Main Set	7094M	Std-.25MM	From 5/83

(continued on next page)

Isuzu Forklift

1 Forklift Eng. Code "C190" (cont.) 2.0L 1951cc OHV Diesel L4 (8 Valve), 86mm Bore				
CRANKSHAFT/OIL PUMP (cont.)				
QTY	MAIN BEARINGS (cont.)	PART NO.	SIZE	DESCRIPTION
1	Main Set	6619M	Std-.25MM	To 4/83
1	Thrust Washer Set	67006BF	Std Only	Position 3
CYLINDER COMPONENTS				
QTY	CONNECTING RODS & BRGS.	PART NO.	SIZE	DESCRIPTION
1	Rod Set	4-4000CP	Std-.25-.50-.75MM	
2 Forklift Eng. Code "C201" 2.0L 1991cc OHV Diesel L4 (8 Valve), 83mm Bore				
CYL. HEAD & PARTS				
QTY	VALVE	PART NO.	SIZE	DESCRIPTION
4	Intake	FP-V2306		1.5000" Head Dia., .2500" Stem Dia., 4.5600" O.A.L.
4	Intake	V-2306 +	Std Only	1.5000" Head Dia., .2500" Stem Dia., 4.5600" O.A.L.; When depleted use FP-V2306
4	Exhaust	V-2305X	Std Only	1.2600" Head Dia., .3121" Stem Dia., 4.5600" O.A.L.
QTY	VALVE GUIDE	PART NO.	SIZE	DESCRIPTION
4	Guide	FP-VG739		Exh.; .3154" ID, 2.1650" O.A.L.
4	Guide	VG-739 +		Exh.; .3154" ID, 2.1650" O.A.L.; When depleted use FP-VG739
CAMSHAFT GROUP				
QTY	CAMSHAFT/LIFTER	PART NO.	SIZE	DESCRIPTION
8	Lifter	FP-AT2214		Mech.
8	Lifter	AT-2214 +	Std Only	Mech.; When depleted use FP-AT2214
1	Prelube	55-400		4 oz. bottle; 1.5 oz. packet No. 55-403 also avail.
CYLINDER COMPONENTS				
QTY	PISTONS	PART NO.	SIZE	DESCRIPTION
4	Pin Bushing	FP-67329YA		
4	Pin Bushing	67329YA +		When depleted use FP-67329YA
QTY	CONNECTING RODS & BRGS.	PART NO.	SIZE	DESCRIPTION
1	Rod Set	4-4000CP	Std-.25-.50-.75MM	
3 Forklift Eng. Code "C240" 2.4L 2369cc OHV Diesel L4 (8 Valve), 86mm Bore				
ENGINE BLOCK & PARTS				
QTY	CAM BEARINGS	PART NO.	SIZE	DESCRIPTION
1	Cam Set	1746M	Std Only	
CYLINDER COMPONENTS				
QTY	CONNECTING RODS & BRGS.	PART NO.	SIZE	DESCRIPTION
1	Rod Set	4-4000CP	Std-.25-.50-.75MM	

John Deere - Refer to CA0080 Catalog KHD

Engine Finding Index					
Engine	Years	Line No.	Engine	Years	Line No.
.8L 824cc OHV Diesel L1 100mm Bore.....		1	4.1L 4086cc OHV Diesel L4 102mm Bore.....	1976-80	8
1.9L 1885cc OHV Diesel L2 100mm Bore.....		2	4.7L 4712cc OHV Diesel L5 100mm Bore.....	1967-80	9
2.5L 2474cc OHV Diesel L3 100mm Bore.....		3	4.9L 4948cc OHV Diesel L6 100mm Bore.....		10
2.8L 2827cc OHV Diesel L3 100mm Bore.....	1967-80	4	5.7L 5655cc OHV Diesel L6 100mm Bore.....	1967-87	11
3.1L 3064cc OHV Diesel L3 102mm Bore.....	1976-80	5	6.1L 6128cc OHV Diesel L6 102mm Bore.....	1976-80	12
3.3L 3299cc OHV Diesel L4 100mm Bore.....		6			
3.8L 3770cc OHV Diesel L4 100mm Bore.....	1967-87	7			

Engine Code Index

Engine Code	Engine Description	Line No.	Engine Code	Engine Description	Line No.
FL511 Series ... Industrial Applications.....	.8L 824cc OHV Diesel L1 100mm Bore.....	1	FL912D ... Wheel Tractor.....	5.7L 5655cc OHV Diesel L6 100mm Bore.....	11
FL912 ... Wheel Tractor.....	2.8L 2827cc OHV Diesel L3 100mm Bore.....	4	FL912D Series ... Industrial Applications.....	1.9L 1885cc OHV Diesel L2 100mm Bore.....	2
FL912 ... Wheel Tractor.....	3.8L 3770cc OHV Diesel L4 100mm Bore.....	7	FL913 ... Wheel Tractor.....	3.1L 3064cc OHV Diesel L3 102mm Bore.....	5
FL912 ... Wheel Tractor.....	4.7L 4712cc OHV Diesel L5 100mm Bore.....	9	FL913 ... Wheel Tractor.....	4.1L 4086cc OHV Diesel L4 102mm Bore.....	8
FL912 ... Wheel Tractor.....	5.7L 5655cc OHV Diesel L6 100mm Bore.....	11	FL913 ... Wheel Tractor.....	6.1L 6128cc OHV Diesel L6 102mm Bore.....	12
FL912 Series ... Industrial Applications.....	1.9L 1885cc OHV Diesel L2 100mm Bore.....	2	F3L911 ... Industrial Applications.....	2.5L 2474cc OHV Diesel L3 100mm Bore.....	3
FL912D ... Wheel Tractor.....	2.8L 2827cc OHV Diesel L3 100mm Bore.....	4	F4L911 ... Industrial Applications.....	3.3L 3299cc OHV Diesel L4 100mm Bore.....	6
FL912D ... Wheel Tractor.....	3.8L 3770cc OHV Diesel L4 100mm Bore.....	7	F6L911 ... Industrial Applications.....	4.9L 4948cc OHV Diesel L6 100mm Bore.....	10
FL912D ... Wheel Tractor.....	4.7L 4712cc OHV Diesel L5 100mm Bore.....	9			

Industrial Applications F1L511 Eng. 1
 .8L 824cc OHV Diesel L1, 100mm Bore
 Non North American Vehicles

CYLINDER COMPONENTS

QTY	PISTON RINGS	PART NO.	SIZE	DESCRIPTION
1	Premium Set	FP-10224KX	Std Only	1-3.00MM, 1-2.50MM, 1-5.00MM (1 cyl. set)
1	Premium Set	10224KX +	Std Only	1-3.00MM, 1-2.50MM, 1-5.00MM (1 cyl. set); When depleted use FP-10224KX

Industrial Applications F2L912, F2L912D Eng. 2
 1.9L 1885cc OHV Diesel L2, 100mm Bore
 Non North American Vehicles

CYLINDER COMPONENTS

QTY	PISTON RINGS	PART NO.	SIZE	DESCRIPTION
2	Premium Set	FP-9826KX	Std Only	1-3.00MM, 2-2.50MM, 1-5.00MM (1 cyl. set)
2	Premium Set	9826KX +	Std Only	1-3.00MM, 2-2.50MM, 1-5.00MM (1 cyl. set); When depleted use FP-9826KX

Industrial Applications F3L911 Eng. 3
 2.5L 2474cc OHV Diesel L3, 100mm Bore
 Non North American Vehicles

CRANKSHAFT/OIL PUMP

QTY	MAIN BEARINGS	PART NO.	SIZE	DESCRIPTION
1	Thrust Washer Set	FP-1481AF	Std Only	Thrust washer w/locating lug
1	Thrust Washer Set	1481AF +	Std Only	Thrust washer w/locating lug; When depleted use FP-1481AF

Wheel Tractor F3L912, F3L912D, F3L912W Eng. 4
 2.8L 2827cc OHV Diesel L3, 100mm Bore 1967-80
 Non North American Vehicles

CRANKSHAFT/OIL PUMP

QTY	MAIN BEARINGS	YEARS	PART NO.	SIZE	DESCRIPTION
1	Thrust Washer Set	80-73	FP-1481AF	Std Only	Thrust washer w/locating lug
1	Thrust Washer Set	80-73	1481AF +	Std Only	Thrust washer w/locating lug; When depleted use FP-1481AF

CYLINDER COMPONENTS

QTY	PISTON RINGS	YEARS	PART NO.	SIZE	DESCRIPTION
3	Premium Set	72-67	FP-9826KX	Std Only	Check piston grooving before supplying ring set; 1-3.00MM, 2-2.50MM, 1-5.00MM (1 cyl. set)
3	Premium Set	72-67	9826KX +	Std Only	Check piston grooving before supplying ring set; 1-3.00MM, 2-2.50MM, 1-5.00MM (1 cyl. set); When depleted use FP-9826KX

KHD

5 Wheel Tractor F3L913 Eng. 3.1L 3064cc OHV Diesel L3, 102mm Bore 1976-80 Non North American Vehicles					
CRANKSHAFT/OIL PUMP					
QTY	MAIN BEARINGS	YEARS	PART NO.	SIZE	DESCRIPTION
1	Thrust Washer Set	80-76	FP-1481AF	<i>Std Only</i>	Thrust washer w/locating lug
1	Thrust Washer Set	80-76	1481AF +	Std Only	Thrust washer w/locating lug; When depleted use FP-1481AF
6 Industrial Applications F4L911 Eng. 3.3L 3299cc OHV Diesel L4, 100mm Bore Non North American Vehicles					
CRANKSHAFT/OIL PUMP					
QTY	MAIN BEARINGS		PART NO.	SIZE	DESCRIPTION
1	Thrust Washer Set		FP-1481AF	<i>Std Only</i>	Thrust washer w/locating lug
1	Thrust Washer Set		1481AF +	Std Only	Thrust washer w/locating lug; When depleted use FP-1481AF
7 Wheel Tractor F4L912, F4L912D, F4L912W Eng. 3.8L 3770cc OHV Diesel L4, 100mm Bore 1967-87 Non North American Vehicles					
CRANKSHAFT/OIL PUMP					
QTY	MAIN BEARINGS	YEARS	PART NO.	SIZE	DESCRIPTION
1	Thrust Washer Set	87-73	FP-1481AF	<i>Std Only</i>	Thrust washer w/locating lug
1	Thrust Washer Set	87-73	1481AF +	Std Only	Thrust washer w/locating lug; When depleted use FP-1481AF
CYLINDER COMPONENTS					
QTY	PISTON RINGS	YEARS	PART NO.	SIZE	DESCRIPTION
4	Premium Set	72-67	FP-9826KX	<i>Std Only</i>	Check piston grooving before supplying ring set; 1-3.00MM, 2-2.50MM, 1-5.00MM (1 cyl. set)
4	Premium Set	72-67	9826KX +	Std Only	Check piston grooving before supplying ring set; 1-3.00MM, 2-2.50MM, 1-5.00MM (1 cyl. set); When depleted use FP-9826KX
8 Wheel Tractor F4L913 Eng. 4.1L 4086cc OHV Diesel L4, 102mm Bore 1976-80 Non North American Vehicles					
CRANKSHAFT/OIL PUMP					
QTY	MAIN BEARINGS	YEARS	PART NO.	SIZE	DESCRIPTION
1	Thrust Washer Set	80-76	FP-1481AF	<i>Std Only</i>	Thrust washer w/locating lug
1	Thrust Washer Set	80-76	1481AF +	Std Only	Thrust washer w/locating lug; When depleted use FP-1481AF
9 Wheel Tractor F5L912, F5L912D, F5L912W Eng. 4.7L 4712cc OHV Diesel L5, 100mm Bore 1967-80 Non North American Vehicles					
CRANKSHAFT/OIL PUMP					
QTY	MAIN BEARINGS	YEARS	PART NO.	SIZE	DESCRIPTION
1	Thrust Washer Set	80-73	FP-1481AF	<i>Std Only</i>	Thrust washer w/locating lug
1	Thrust Washer Set	80-73	1481AF +	Std Only	Thrust washer w/locating lug; When depleted use FP-1481AF
CYLINDER COMPONENTS					
QTY	PISTON RINGS	YEARS	PART NO.	SIZE	DESCRIPTION
5	Premium Set	72-67	FP-9826KX	<i>Std Only</i>	Check piston grooving before supplying ring set; 1-3.00MM, 2-2.50MM, 1-5.00MM (1 cyl. set)
5	Premium Set	72-67	9826KX +	Std Only	Check piston grooving before supplying ring set; 1-3.00MM, 2-2.50MM, 1-5.00MM (1 cyl. set); When depleted use FP-9826KX
10 Industrial Applications F6L911 Eng. 4.9L 4948cc OHV Diesel L6, 100mm Bore Non North American Vehicles					
CRANKSHAFT/OIL PUMP					
QTY	MAIN BEARINGS		PART NO.	SIZE	DESCRIPTION
1	Thrust Washer Set		FP-1481AF	<i>Std Only</i>	Thrust washer w/locating lug
1	Thrust Washer Set		1481AF +	Std Only	Thrust washer w/locating lug; When depleted use FP-1481AF

Wheel Tractor BF6L912, F6L912, F6L912D, F6L912W Engs. 11
5.7L 5655cc OHV Diesel L6, 100mm Bore 1967-87
Non North American Vehicles

CRANKSHAFT/OIL PUMP

QTY	MAIN BEARINGS	YEARS	PART NO.	SIZE	DESCRIPTION
1	Thrust Washer Set	87-73	FP-1481AF	<i>Std Only</i>	Thrust washer w/locating lug
1	Thrust Washer Set	87-73	1481AF +	<i>Std Only</i>	Thrust washer w/locating lug; When depleted use FP-1481AF

CYLINDER COMPONENTS

QTY	PISTON RINGS	YEARS	PART NO.	SIZE	DESCRIPTION
6	Premium Set	72-67	FP-9826KX	<i>Std Only</i>	Check piston grooving before supplying ring set; 1-3.00MM, 2-2.50MM, 1-5.00MM (1 cyl. set)
6	Premium Set	72-67	9826KX +	<i>Std Only</i>	Check piston grooving before supplying ring set; 1-3.00MM, 2-2.50MM, 1-5.00MM (1 cyl. set); When depleted use FP-9826KX

Wheel Tractor BF6L913, F6L913 Engs. 12
6.1L 6128cc OHV Diesel L6, 102mm Bore 1976-80
Non North American Vehicles

CRANKSHAFT/OIL PUMP

QTY	MAIN BEARINGS	YEARS	PART NO.	SIZE	DESCRIPTION
1	Thrust Washer Set	80-76	FP-1481AF	<i>Std Only</i>	Thrust washer w/locating lug
1	Thrust Washer Set	80-76	1481AF +	<i>Std Only</i>	Thrust washer w/locating lug; When depleted use FP-1481AF

Kohler

Engine Finding Index

Engine	Line No.	Engine	Line No.
L4 2.625" Bore.....	1	2.2L 133 L-HEAD L4 3.25" Bore (Early) (Waukesha Eng.)	3
8.9 L1 2.375" Bore.....	2		

Engine Code Index

Engine Code	Engine Description	Line No.	Engine Code	Engine Description	Line No.
FC ... Industrial Applications..	2.2L 133 L-HEAD L4 3.25" Bore (Early) (Waukesha Eng.)	3	L654 ... Industrial Applications.....	L4 2.625" Bore.....	1
FCL ... Industrial Applications.....	2.2L 133 L-HEAD L4 3.25" Bore (Early) (Waukesha Eng.)	3	10KW ... Industrial Applications.....	2.2L 133 L-HEAD L4 3.25" Bore (Early) (Waukesha Eng.)	3
K90 ... Industrial Applications.....	8.9 L1 2.375" Bore.....	2	5KW ... Industrial Applications.....	2.2L 133 L-HEAD L4 3.25" Bore (Early) (Waukesha Eng.)	3
K91 ... Industrial Applications.....	8.9 L1 2.375" Bore.....	2			

Industrial Applications L654 Eng. 1
L4, 2.625" Bore

CYLINDER COMPONENTS

QTY	PISTON RINGS	PART NO.	SIZE	DESCRIPTION
1	Standard Set	FP-5098X	<i>Std-20-30-40-60</i>	2-3/32, 1-3/16
1	Standard Set	5098X +	<i>Std-20-30-40-60</i>	2-3/32, 1-3/16; When depleted use FP-5098X
4	Standard Single Cylinder Set	W-5098X	<i>Std-20-30-40</i>	2-3/32, 1-3/16

Industrial Applications K90, K91 Engs. 2
8.9 L1, 2.375" Bore

CYLINDER COMPONENTS

QTY	PISTON RINGS	PART NO.	SIZE	DESCRIPTION
1	Standard Set	FP-5355X	<i>Std-10-30</i>	2-3/32, 1-3/16 (1 cyl. set)
1	Standard Set	FP-5355X	<i>Std-10-30</i>	2-3/32, 1-3/16 (1 cyl. set)
1	Standard Set	5355X +	<i>Std-10</i>	2-3/32, 1-3/16 (1 cyl. set); When depleted use FP-5355X

Kohler

3 Industrial Applications FC, FCL Engs. 2.2L 133 L-HEAD L4 (Early), 3.25" Bore (Waukesha Eng.)

CYL. HEAD & PARTS				
QTY	VALVE	PART NO.	SIZE	DESCRIPTION
4	Exhaust	FP-V713		1.3490" Head Dia., .3095" Stem Dia., 4.4690" O.A.L.
4	Exhaust	V-713 + Std Only		1.3490" Head Dia., .3095" Stem Dia., 4.4690" O.A.L.; When depleted use FP-V713
16	Keeper	FP-VK123		
16	Keeper	VK-123 +		When depleted use FP-VK123
QTY	VALVE GUIDE	PART NO.	SIZE	DESCRIPTION
8	Guide	FP-VG296		.3135" ID, 2.5000" O.A.L.
8	Guide	VG-296 +		.3135" ID, 2.5000" O.A.L.; When depleted use FP-VG296
CYLINDER COMPONENTS				
QTY	LINERS	PART NO.	SIZE	DESCRIPTION
4	Repair Sleeve	FP-SL11M	Std Only	3/32" wall, must be cut to correct length
4	Repair Sleeve	SL-11M + Std Only		3/32" wall, must be cut to correct length; When depleted use FP-SL11M
QTY	PISTONS	PART NO.	SIZE	DESCRIPTION
4	Cast Piston	FP-C1549P40	40	Cast; 3-3/32", 1-3/16" Ring Groove, 1.750" CD, .8750" Pin Dia., Flat Head - 6.5:1 C.R.; Cast iron 4 ring piston; Repl. O.E. Nos. alum. pistons 68304A, 68304B; Use in sets only
4	Pin Bushing	FP-9629X		Bushing w/1/16" dia. oil hole
4	Pin Bushing	9629X +		Bushing w/1/16" dia. oil hole; When depleted use FP-9629X
QTY	PISTON RINGS	PART NO.	SIZE	DESCRIPTION
1	Premium Set	FP-5051KX	Std-20-30-40-60	Check piston grooving before supplying ring set; 3-3/32, 1-3/16
1	Premium Set	5051KX + Std-20-30-40-60		Check piston grooving before supplying ring set; 3-3/32, 1-3/16; When depleted use FP-5051KX
1	Standard Set	FP-617X	Std Only	Check piston grooving before supplying ring set; 2-1/8, 1-3/16
1	Standard Set	617X + Std Only		Check piston grooving before supplying ring set; 2-1/8, 1-3/16; When depleted use FP-617X
1	Standard Set	FP-5051X	Std-20-30-40-60	Check piston grooving before supplying ring set; 3-3/32, 1-3/16
1	Standard Set	5051X + Std-20-30-40-60		Check piston grooving before supplying ring set; 3-3/32, 1-3/16; When depleted use FP-5051X
4	Premium Single Cylinder Set	W-5051KX20	20-30-60	Check piston grooving before supplying ring set; 3-3/32, 1-3/16
4	Standard Single Cylinder Set	W-5051X	Std-30	Check piston grooving before supplying ring set; 3-3/32, 1-3/16

Komatsu - Refer to CA0085 Catalog Lauson Engines

Engine Finding Index			
Engine	Line No.	Engine	Line No.
L1 2.75" Bore.....	1		

1 Industrial Applications H-70, HH-70, V-70, VH-70 Engs. L1, 2.75" Bore

CYLINDER COMPONENTS				
QTY	PISTON RINGS	PART NO.	SIZE	DESCRIPTION
1	Standard Set	5803	Std Only	2-5/64, 1-3/16

LeRoi

Engine Finding Index			
Engine	Line No.	Engine	Line No.
2.2L 133 L4 3.25" Bore.....	1	3.7L 226 L4 4" Bore.....	4
2.9L 176 L4 3.75" Bore.....	2	6.3L 382 L6 4.5" Bore.....	5
3.3L 201 L4 4" Bore.....	3		

Engine Code Index					
Engine Code	Engine Description	Line No.	Engine Code	Engine Description	Line No.
D-133 ... Industrial Applications.....	2.2L 133 L4 3.25" Bore.....	1	D201W ... Industrial Applications.....	3.3L 201 L4 4" Bore.....	3
D176 ... Industrial Applications.....	2.9L 176 L4 3.75" Bore.....	2	D226 ... Industrial Applications.....	3.7L 226 L4 4" Bore.....	4
D176P ... Industrial Applications.....	2.9L 176 L4 3.75" Bore.....	2	D226P ... Industrial Applications.....	3.7L 226 L4 4" Bore.....	4
D176W ... Industrial Applications.....	2.9L 176 L4 3.75" Bore.....	2	D226W ... Industrial Applications.....	3.7L 226 L4 4" Bore.....	4
D201 ... Industrial Applications.....	3.3L 201 L4 4" Bore.....	3	60G1 ... Industrial Applications.....	6.3L 382 L6 4.5" Bore.....	5
D201P ... Industrial Applications.....	3.3L 201 L4 4" Bore.....	3			

Model Index					
Model	Engine Description	Line No.	Model	Engine Description	Line No.
125 ... Industrial Applications.....	3.3L 201 L4 4" Bore.....	3	125RG2-A ... Industrial Applications.....	3.3L 201 L4 4" Bore.....	3
125 ... Industrial Applications.....	3.7L 226 L4 4" Bore.....	4	125RG2-A ... Industrial Applications.....	3.7L 226 L4 4" Bore.....	4
125G1 ... Industrial Applications.....	2.9L 176 L4 3.75" Bore.....	2	125RG2-E ... Industrial Applications.....	3.3L 201 L4 4" Bore.....	3
125G1 ... Industrial Applications.....	3.3L 201 L4 4" Bore.....	3	125RG2-E ... Industrial Applications.....	3.7L 226 L4 4" Bore.....	4
125G1 ... Industrial Applications.....	3.7L 226 L4 4" Bore.....	4	125RG2-U ... Industrial Applications.....	3.3L 201 L4 4" Bore.....	3
125G1-U ... Industrial Applications.....	3.3L 201 L4 4" Bore.....	3	125RG2-U ... Industrial Applications.....	3.7L 226 L4 4" Bore.....	4
125G1-U ... Industrial Applications.....	3.7L 226 L4 4" Bore.....	4	85G1 ... Industrial Applications.....	3.3L 201 L4 4" Bore.....	3
125RG2 ... Industrial Applications.....	2.9L 176 L4 3.75" Bore.....	2	85G1 ... Industrial Applications.....	3.7L 226 L4 4" Bore.....	4

Industrial Applications D133 Eng. 1
2.2L 133 L4, 3.25" Bore

CYLINDER COMPONENTS					
QTY	PISTON RINGS	PART NO.	SIZE	DESCRIPTION	
1	Standard Set	FP-617X	Std Only	2-1/8, 1-3/16	
1	Standard Set	617X +	Std Only	2-1/8, 1-3/16; When depleted use FP-617X	

Industrial Applications D176, D176P, D176W Eng. 2
2.9L 176 L4, 3.75" Bore

CYL. HEAD & PARTS					
QTY	VALVE	PART NO.	SIZE	DESCRIPTION	
4	Intake	FP-V869		Valve w/narrow .100" keeper groove.; 1.6870" Head Dia., .3715" Stem Dia., 5.1550" O.A.L.	
4	Intake	V-869 +	Std Only	Valve w/narrow .100" keeper groove.; 1.6870" Head Dia., .3715" Stem Dia., 5.1550" O.A.L.; When depleted use FP-V869	
4	Exhaust	FP-V868		Valve w/narrow .100" keeper groove.; Gage dia. 1.375", gage length 5.031"; 1.4530" Head Dia., .3716" Stem Dia., 5.1330" O.A.L.	
4	Exhaust	V-868 +	Std Only	Valve w/narrow .100" keeper groove.; Gage dia. 1.375", gage length 5.031"; 1.4530" Head Dia., .3716" Stem Dia., 5.1330" O.A.L.; When depleted use FP-V868	
16	Keeper	VK-138		For narrow .100" keeper groove; 1 groove; Square cut key groove	
16	Keeper	VK-138R		For narrow .100" keeper groove; 1 groove; Square cut key groove; Hardened	
16	Keeper, Bulk	VK-138B		For narrow .100" keeper groove; 1 groove; Square cut key groove; Carton of 1000	
QTY	VALVE GUIDE	PART NO.	SIZE	DESCRIPTION	
4	Guide	FP-VG354		Exh.; .3750" ID, 2.3400" O.A.L.	
4	Guide	VG-354 +		Exh.; .3750" ID, 2.3400" O.A.L.; When depleted use FP-VG354	
4	Guide	FP-VG226		Int.; .3750" ID, 2.7500" O.A.L.	
4	Guide	VG-226 +		Int.; .3750" ID, 2.7500" O.A.L.; When depleted use FP-VG226	
QTY	VALVE SPRING	PART NO.	SIZE	DESCRIPTION	
8	Spring	FP-VS1426		2.3120" Free Height	

(continued on next page)

LeRoi

2 Industrial Applications D176, D176P, D176W Engs. (cont.) 2.9L 176 L4, 3.75" Bore

CYL. HEAD & PARTS (cont.)				
QTY	VALVE SPRING (cont.)	PART NO.	SIZE	DESCRIPTION
8	Spring	VS-1426 +		2.3120" Free Height; When depleted use FP-VS1426
ENGINE BLOCK & PARTS				
QTY	CAM BEARINGS	PART NO.	SIZE	DESCRIPTION
1	Cam Set	FP-1017M	Std Only	Early Engs.
1	Cam Set	1017M +	Std Only	Early Engs.; When depleted use FP-1017M
CYLINDER COMPONENTS				
QTY	LINERS	PART NO.	SIZE	DESCRIPTION
4	Liner w/Sealing Rings	FP-SO1154	Std Only	OVERBORE To 4.000"; Incl. (2) FP-SLR1228 sealing rings.
4	Liner w/Sealing Rings	SO-1154 +	Std Only	OVERBORE To 4.000"; Incl. (2) SLR-1228 sealing rings.; When depleted use FP-SO1154
QTY	CONNECTING RODS & BRGS.	PART NO.	SIZE	DESCRIPTION
4	Rod Pair	FP-2440SB	Std-2-10-20-30-40	
4	Rod Pair	2440SB +	Std-2-10-20-30-40	When depleted use FP-2440SB
QTY	PISTON RINGS	PART NO.	SIZE	DESCRIPTION
1	Premium Set	FP-920KX	Std Only	OVERBORE To 4.000"; 3-1/8, 1-3/16
1	Premium Set	920KX +	Std Only	OVERBORE To 4.000"; 3-1/8, 1-3/16; When depleted use FP-920KX
1	Standard Set	FP-920X	Std Only	OVERBORE To 4.000"; 3-1/8, 1-3/16
1	Standard Set	920X +	Std Only	OVERBORE To 4.000"; 3-1/8, 1-3/16; When depleted use FP-920X
4	Premium Single Cylinder Set	W-920KX	Std Only	OVERBORE To 4.000"; 3-1/8, 1-3/16
4	Standard Single Cylinder Set	W-920X	Std Only	OVERBORE To 4.000"; 3-1/8, 1-3/16
QTY	ENGINE BEARING MISC.	PART NO.	SIZE	DESCRIPTION
1	Shim Set	FP-FSM119S		Set consists of 2 pcs. for No. 1, 4 pcs. for No. 2-3 positions.; Two SM130 shims w/thickness of .0085; Four SM131 shims w/thickness of .0085
1	Shim Set	FSM-119S +		Set consists of 2 pcs. for No. 1, 4 pcs. for No. 2-3 positions.; Two SM130 shims w/thickness of .0085; Four SM131 shims w/thickness of .0085; When depleted use FP-FSM119S
1	Shim Set	FP-FSM118S		Set consists of 8 pcs.; Rod brg. shim set; Eight SM129 shims w/thickness of .0085
1	Shim Set	FSM-118S +		Set consists of 8 pcs.; Rod brg. shim set; Eight SM129 shims w/thickness of .0085; When depleted use FP-FSM118S

3 Industrial Applications D201, D201P, D201W Engs. 3.3L 201 L4, 4" Bore

CYL. HEAD & PARTS				
QTY	VALVE	PART NO.	SIZE	DESCRIPTION
4	Intake	FP-V869		Valve w/narrow .100" keeper groove.; 1.6870" Head Dia., .3715" Stem Dia., 5.1550" O.A.L.
4	Intake	V-869 +	Std Only	Valve w/narrow .100" keeper groove.; 1.6870" Head Dia., .3715" Stem Dia., 5.1550" O.A.L.; When depleted use FP-V869
4	Exhaust	FP-V868		Valve w/narrow .100" keeper groove.; Gage dia. 1.375", gage length 5.031"; 1.4530" Head Dia., .3716" Stem Dia., 5.1330" O.A.L.
4	Exhaust	V-868 +	Std Only	Valve w/narrow .100" keeper groove.; Gage dia. 1.375", gage length 5.031"; 1.4530" Head Dia., .3716" Stem Dia., 5.1330" O.A.L.; When depleted use FP-V868
16	Keeper	VK-138		For narrow .100" keeper groove; 1 groove; Square cut key groove
16	Keeper	VK-138R		For narrow .100" keeper groove; 1 groove; Square cut key groove; Hardened
16	Keeper, Bulk	VK-138B		For narrow .100" keeper groove.; 1 groove; Square cut key groove; Carton of 1000
QTY	VALVE GUIDE	PART NO.	SIZE	DESCRIPTION
4	Guide	FP-VG354		Exh.; .3750" ID, 2.3400" O.A.L.
4	Guide	VG-354 +		Exh.; .3750" ID, 2.3400" O.A.L.; When depleted use FP-VG354
4	Guide	FP-VG226		Int.; .3750" ID, 2.7500" O.A.L.
4	Guide	VG-226 +		Int.; .3750" ID, 2.7500" O.A.L.; When depleted use FP-VG226
QTY	VALVE SPRING	PART NO.	SIZE	DESCRIPTION
8	Spring	FP-VS1426		2.3120" Free Height
8	Spring	VS-1426 +		2.3120" Free Height; When depleted use FP-VS1426

(continued on next page)

Industrial Applications D201, D201P, D201W Engs. 3
3.3L 201 L4, 4" Bore (cont.)

ENGINE BLOCK & PARTS

QTY	CAM BEARINGS	PART NO.	SIZE	DESCRIPTION
1	Cam Set	FP-1017M	Std Only	Early Engs.
1	Cam Set	1017M +	Std Only	Early Engs.; When depleted use FP-1017M

CYLINDER COMPONENTS

QTY	LINERS	PART NO.	SIZE	DESCRIPTION
4	Liner w/Sealing Rings	FP-SO1154	Std Only	Incl. (2) FP-SLR1228 sealing rings.
4	Liner w/Sealing Rings	SO-1154 +	Std Only	Incl. (2) SLR-1228 sealing rings.; When depleted use FP-SO1154
4	Sleeve Assy.	FP-SL1533	Std Only	For clamp type rods. Contains piston w/.990" dia. pin used w/clamp type rods
4	Sleeve Assy.	SL-1533 +	Std Only	For clamp type rods. Contains piston w/.990" dia. pin used w/clamp type rods; When depleted use FP-SL1533

QTY	CONNECTING RODS & BRGS.	PART NO.	SIZE	DESCRIPTION
4	Rod Pair	FP-2440SB	Std-2-10-20-30-40	
4	Rod Pair	2440SB +	Std-2-10-20-30-40	When depleted use FP-2440SB

QTY	PISTON RINGS	PART NO.	SIZE	DESCRIPTION
1	Premium Set	FP-920KX	Std Only	3-1/8, 1-3/16
1	Premium Set	920KX +	Std Only	3-1/8, 1-3/16; When depleted use FP-920KX
1	Standard Set	FP-920X	Std Only	3-1/8, 1-3/16
1	Standard Set	920X +	Std Only	3-1/8, 1-3/16; When depleted use FP-920X
4	Premium Single Cylinder Set	W-920KX	Std Only	3-1/8, 1-3/16
4	Standard Single Cylinder Set	W-920X	Std Only	3-1/8, 1-3/16

QTY	ENGINE BEARING MISC.	PART NO.	SIZE	DESCRIPTION
1	Shim Set	FP-FSM119S		Set consists of 2 pcs. for No. 1, 4 pcs. for No. 2-3 positions.; Two SM130 shims w/thickness of .0085; Four SM131 shims w/thickness of .0085
1	Shim Set	FSM-119S +		Set consists of 2 pcs. for No. 1, 4 pcs. for No. 2-3 positions.; Two SM130 shims w/thickness of .0085; Four SM131 shims w/thickness of .0085; When depleted use FP-FSM119S
1	Shim Set	FP-FSM118S		Set consists of 8 pcs.; Rod brg. shim set; Eight SM129 shims w/thickness of .0085
1	Shim Set	FSM-118S +		Set consists of 8 pcs.; Rod brg. shim set; Eight SM129 shims w/thickness of .0085; When depleted use FP-FSM118S

Industrial Applications D226, D226P, D226W Engs. 4
3.7L 226 L4, 4" Bore

CYL. HEAD & PARTS

QTY	VALVE	PART NO.	SIZE	DESCRIPTION
4	Intake	FP-V869		Valve w/narrow .100" keeper groove.; 1.6870" Head Dia., .3715" Stem Dia., 5.1550" O.A.L.
4	Intake	V-869 +	Std Only	Valve w/narrow .100" keeper groove.; 1.6870" Head Dia., .3715" Stem Dia., 5.1550" O.A.L.; When depleted use FP-V869
4	Exhaust	FP-V868		Valve w/narrow .100" keeper groove.; Gage dia. 1.375", gage length 5.031"; 1.4530" Head Dia., .3716" Stem Dia., 5.1330" O.A.L.
4	Exhaust	V-868 +	Std Only	Valve w/narrow .100" keeper groove.; Gage dia. 1.375", gage length 5.031"; 1.4530" Head Dia., .3716" Stem Dia., 5.1330" O.A.L.; When depleted use FP-V868
16	Keeper	VK-138		For narrow .100" keeper groove; 1 groove; Square cut key groove
16	Keeper	VK-138R		For narrow .100" keeper groove; 1 groove; Square cut key groove; Hardened
16	Keeper, Bulk	VK-138B		For narrow .100" keeper groove; 1 groove; Square cut key groove; Carton of 1000

QTY	VALVE GUIDE	PART NO.	SIZE	DESCRIPTION
4	Guide	FP-VG354		Exh.; .3750" ID, 2.3400" O.A.L.
4	Guide	VG-354 +		Exh.; .3750" ID, 2.3400" O.A.L.; When depleted use FP-VG354
4	Guide	FP-VG226		Int.; .3750" ID, 2.7500" O.A.L.
4	Guide	VG-226 +		Int.; .3750" ID, 2.7500" O.A.L.; When depleted use FP-VG226

QTY	VALVE SPRING	PART NO.	SIZE	DESCRIPTION
8	Spring	FP-VS1426		2.3120" Free Height
8	Spring	VS-1426 +		2.3120" Free Height; When depleted use FP-VS1426

ENGINE BLOCK & PARTS

QTY	CAM BEARINGS	PART NO.	SIZE	DESCRIPTION
1	Cam Set	FP-1017M	Std Only	Early Engs.
1	Cam Set	1017M +	Std Only	Early Engs.; When depleted use FP-1017M

(continued on next page)

+ Superseded Part Number

LeRoi

4 Industrial Applications D226, D226P, D226W Engs. (cont.) 3.7L 226 L4, 4" Bore

CRANKSHAFT/OIL PUMP				
QTY	MAIN BEARINGS	PART NO.	SIZE	DESCRIPTION
1	Shim Set	FP-FSM119S		Set consists of 2 pcs. for No. 1, 4 pcs. for No. 2-3 positions.; Two SM130 shims w/thickness of .0085; Four SM131 shims w/thickness of .0085
1	Shim Set	FP-FSM119S		Set consists of 2 pcs. for No. 1, 4 pcs. for No. 2-3 positions.; Two SM130 shims w/thickness of .0085; Four SM131 shims w/thickness of .0085
CYLINDER COMPONENTS				
QTY	LINERS	PART NO.	SIZE	DESCRIPTION
4	Liner w/Sealing Rings	FP-SO1154	Std Only	Incl. (2) FP-SLR1228 sealing rings.
4	Liner w/Sealing Rings	SO-1154 +	Std Only	Incl. (2) SLR-1228 sealing rings.; When depleted use FP-SO1154
4	Sleeve Assy.	FP-SL1533	Std Only	For clamp type rods. Contains piston w/.990" dia. pin used w/clamp type rods
4	Sleeve Assy.	SL-1533 +	Std Only	For clamp type rods. Contains piston w/.990" dia. pin used w/clamp type rods; When depleted use FP-SL1533
QTY	CONNECTING RODS & BRGS.	PART NO.	SIZE	DESCRIPTION
4	Rod Pair	FP-2440SB	Std-2-10-20-30-40	
4	Rod Pair	2440SB +	Std-2-10-20-30-40	When depleted use FP-2440SB
QTY	PISTON RINGS	PART NO.	SIZE	DESCRIPTION
1	Premium Set	FP-920KX	Std Only	3-1/8, 1-3/16
1	Premium Set	920KX +	Std Only	3-1/8, 1-3/16; When depleted use FP-920KX
1	Standard Set	FP-920X	Std Only	3-1/8, 1-3/16
1	Standard Set	920X +	Std Only	3-1/8, 1-3/16; When depleted use FP-920X
4	Premium Single Cylinder Set	W-920KX	Std Only	3-1/8, 1-3/16
4	Standard Single Cylinder Set	W-920X	Std Only	3-1/8, 1-3/16
QTY	ENGINE BEARING MISC.	PART NO.	SIZE	DESCRIPTION
1	Shim Set	FP-FSM119S		Set consists of 2 pcs. for No. 1, 4 pcs. for No. 2-3 positions.; Two SM130 shims w/thickness of .0085; Four SM131 shims w/thickness of .0085
1	Shim Set	FSM-119S +		Set consists of 2 pcs. for No. 1, 4 pcs. for No. 2-3 positions.; Two SM130 shims w/thickness of .0085; Four SM131 shims w/thickness of .0085; When depleted use FP-FSM119S
1	Shim Set	FP-FSM118S		Set consists of 8 pcs.; Rod brg. shim set; Eight SM129 shims w/thickness of .0085
1	Shim Set	FSM-118S +		Set consists of 8 pcs.; Rod brg. shim set; Eight SM129 shims w/thickness of .0085; When depleted use FP-FSM118S

5 Industrial Applications 60G1 Eng. 6.3L 382 L6, 4.5" Bore

ENGINE BLOCK & PARTS				
QTY	CAM BEARINGS	PART NO.	SIZE	DESCRIPTION
1	Cam Set	FP-1017M	Std Only	
1	Cam Set	1017M +	Std Only	When depleted use FP-1017M
CYLINDER COMPONENTS				
QTY	CONNECTING RODS & BRGS.	PART NO.	SIZE	DESCRIPTION
6	Rod Pair	FP-2440SB	Std-2-10-20-30-40	
6	Rod Pair	2440SB +	Std-2-10-20-30-40	When depleted use FP-2440SB

Mack - Refer to CA0060 Catalog

Massey-Ferguson - Also See Engine Manufacturer

Engine Finding Index			
Engine	Line No.	Engine	Line No.
.9L 53.9 L-HEAD L2 3.25" Bore (Wisconsin Eng.)	1	1.9L 113 L-HEAD L4 3" Bore (Hercules Eng.)	7
1.0L 62 L-HEAD L4 2.375" Bore (Continental Eng.)	2	2.0L 120 OHV L4 3.1875" Bore (Continental Eng.)	8
1.5L 91 L-HEAD L4 2.875" Bore (Continental Eng.)	3	2.1L 124 L-HEAD L4 3" Bore (Continental Eng.)	9
1.5L 91.9 L-HEAD V4 3" Bore (Wisconsin Eng.)	4	2.1L 129 OHV L4 3.25" Bore (Continental Eng.)	10
1.8L 107.4 OHV Diesel L4 3.125" Bore (Perkins Eng.)	5	2.2L 133 L-HEAD L4 3.25" Bore (Hercules Eng.)	11
1.8L 108 L-HEAD V4 3.25" Bore (Wisconsin Eng.)	6	2.2L 133 L-HEAD L4 3.25" Bore (Early) (Waukesha Eng.)	12

(continued on next page)

+ Superseded Part Number

Massey-Ferguson - Also See Engine Manufacturer

Engine Finding Index			
Engine	Line No.	Engine	Line No.
2.2L 133 L4 3.25" Bore (Waukesha Eng.).....	13	4.1L 248.2 OHV Diesel L4 3.975" Bore (Perkins Eng.).....	37
2.2L 134 OHV L4 3.3125" Bore (Continental Eng.).....	14	4.1L 251 L-HEAD L6 3.4375" Bore (Chrysler) (Chrysler Eng.).....	38
2.3L 140 L-HEAD L4 3.1875" Bore (Continental Eng.).....	15	4.3L 260 OHV L4 3.875" Bore (Continental Eng.).....	39
2.4L 144 OHV Diesel L3 3.5" Bore (Perkins Eng.).....	16	4.3L 260 OHV Diesel L4 3.875" Bore (Continental Eng.).....	40
2.4L 145 OHV L4 3.375" Bore (Continental Eng.).....	17	4.3L 265 L-HEAD L6 3.4375" Bore (Chrysler) (Chrysler Eng.).....	41
2.5L 152.7 OHV Diesel L3 3.6" Bore (Perkins Eng.).....	18	4.5L 277 OHV L4 4" Bore (Continental Eng.).....	42
2.5L 154 L-HEAD V4 3.5" Bore (Wisconsin Eng.).....	19	4.5L 277 OHV Diesel L4 4" Bore (Continental Eng.).....	43
2.6L 162 L-HEAD L4 3.4375" Bore (Continental Eng.).....	20	4.6L 282 L-HEAD L6 3.75" Bore (Hercules Eng.).....	44
2.9L 176 OHV L4 3.625" Bore (Continental Eng.).....	21	4.7L 284 OHV Diesel L4 4.25" Bore (4-71) (Detroit Diesel Eng.).....	45
2.9L 176 OHV LPG L4 3.625" Bore (Continental Eng.).....	22	4.7L 288 OHV Diesel L6 3.5" Bore (Perkins Eng.).....	46
3.2L 193 OHV L4 3.75" Bore (Continental Eng.).....	23	4.7L 289.9 OHV L6 3.75" Bore (Continental Eng.).....	47
3.3L 201 OHV L4 3.625" Bore (Continental Eng.).....	24	4.8L 292 OHV L6 3.875" Bore (Chevrolet) (GMC Eng.).....	48
3.3L 203.6 OHV Diesel L4 3.6" Bore (Perkins Eng.).....	25	5.2L 318 OHV Diesel L4 4.5" Bore (Perkins Eng.).....	49
3.4L 208 OHV L4 3.6875" Bore (Continental Eng.).....	26	5.3L 327 OHV V8 4" Bore (Chevrolet) (GMC Eng.).....	50
3.5L 212 OHV Diesel L4 3.875" Bore (Perkins Eng.).....	27	5.4L 329.9 OHV L6 4" Bore (Continental Eng.).....	51
3.5L 213 OHV Diesel L3 4.25" Bore (3-71) (Detroit Diesel Eng.).....	28	5.6L 339 OHV L6 4" Bore (Hercules Eng.).....	52
3.6L 217.8 L-HEAD L6 3.25" Bore (Dodge/Plymouth) (Chrysler Eng.).....	29	5.8L 354 OHV Diesel L6 3.875" Bore (12 Valve) (Perkins Eng.).....	53
3.7L 223 OHV L4 3.8125" Bore (Continental Eng.).....	30	5.8L 354 OHV Turbo-Diesel L6 3.875" Bore (12 Valve) (Perkins Eng.).....	54
3.7L 225 OHV L6 3.4063" Bore (Chrysler Eng.).....	31	7.0L 425 L6 4.25" Bore (Minneapolis-Moline Eng.).....	55
3.7L 226 OHV L6 3.3125" Bore (12 Valve) (Continental Eng.).....	32	7.0L 425 Diesel L6 4.25" Bore (Minneapolis-Moline Eng.).....	56
3.7L 226 OHV L4 4" Bore (Hercules Eng.).....	33	8.3L 504 Diesel L6 4.625" Bore (Minneapolis-Moline Eng.).....	57
3.8L 230 L-HEAD L6 3.25" Bore (Dodge) (Chrysler Eng.).....	34	9.4L 573 OHV Diesel V8 4.5" Bore (Caterpillar Eng.).....	58
3.9L 235.9 OHV Diesel L4 3.875" Bore (Perkins Eng.).....	35	10.4L 636 OHV Diesel V8 4.5" Bore (Caterpillar Eng.).....	59
4.0L 242 OHV L4 3.875" Bore (Continental Eng.).....	36		

Engine Code Index

Engine Code	Engine Description	Line No.	Engine Code	Engine Description	Line No.
AD3.152 ... Wheel Tractor.....	2.5L 152.7 OHV Diesel L3 3.6" Bore (Perkins Eng.).....	18	E201 ... Wheel Tractor.....	3.3L 201 OHV L4 3.625" Bore (Continental Eng.).....	24
AD4.203 ... Wheel Tractor.....	3.3L 203.6 OHV Diesel L4 3.6" Bore (Perkins Eng.).....	25	E208 ... Wheel Tractor.....	3.4L 208 OHV L4 3.6875" Bore (Continental Eng.).....	26
AD4.212 ... Wheel Tractor.....	3.5L 212 OHV Diesel L4 3.875" Bore (Perkins Eng.).....	27	E223 ... Wheel Tractor.....	3.7L 223 OHV L4 3.8125" Bore (Continental Eng.).....	30
A3.152 ... Wheel Tractor.....	2.5L 152.7 OHV Diesel L3 3.6" Bore (Perkins Eng.).....	18	E242 ... Wheel Tractor.....	4.0L 242 OHV L4 3.875" Bore (Continental Eng.).....	36
A4.107 ... Wheel Tractor.....	1.8L 107.4 OHV Diesel L4 3.125" Bore (Perkins Eng.).....	5	E400 ... Wheel Tractor.....	3.4L 208 OHV L4 3.6875" Bore (Continental Eng.).....	26
A4.203 ... Wheel Tractor.....	3.3L 203.6 OHV Diesel L4 3.6" Bore (Perkins Eng.).....	25	FC ... Combine	2.2L 133 L-HEAD L4 3.25" Bore (Early) (Waukesha Eng.).....	12
A4.212 ... Wheel Tractor.....	3.5L 212 OHV Diesel L4 3.875" Bore (Perkins Eng.).....	27	F124 ... Wheel Tractor.....	2.1L 124 L-HEAD L4 3" Bore (Continental Eng.).....	9
A4.236 ... Wheel Tractor.....	3.9L 235.9 OHV Diesel L4 3.875" Bore (Perkins Eng.).....	35	F140 ... Combine.....	2.3L 140 L-HEAD L4 3.1875" Bore (Continental Eng.).....	15
A4.248 ... Wheel Tractor.....	4.1L 248.2 OHV Diesel L4 3.975" Bore (Perkins Eng.).....	37	F140 ... Wheel Tractor.....	2.3L 140 L-HEAD L4 3.1875" Bore (Continental Eng.).....	15
A4.248 ... Crawler Tractor	4.1L 248.2 OHV Diesel L4 3.975" Bore (Perkins Eng.).....	37	F140 ... Windrower	2.3L 140 L-HEAD L4 3.1875" Bore (Continental Eng.).....	15
A4.248 ... Wheel Loader.....	4.1L 248.2 OHV Diesel L4 3.975" Bore (Perkins Eng.).....	37	F162 ... Combine.....	2.6L 162 L-HEAD L4 3.4375" Bore (Continental Eng.).....	20
A4.248 ... Excavator	4.1L 248.2 OHV Diesel L4 3.975" Bore (Perkins Eng.).....	37	F162 ... Wheel Tractor.....	2.6L 162 L-HEAD L4 3.4375" Bore (Continental Eng.).....	20
A4.248 ... Wheel Skidder.....	4.1L 248.2 OHV Diesel L4 3.975" Bore (Perkins Eng.).....	37	F226 ... Combine	3.7L 226 OHV L6 3.3125" Bore (12 Valve) (Continental Eng.).....	32
A6.354 ... Wheel Tractor.....	5.8L 354 OHV Diesel L6 3.875" Bore (12 Valve) (Perkins Eng.).....	53	F226 ... Harvester.....	3.7L 226 OHV L6 3.3125" Bore (12 Valve) (Continental Eng.).....	32
D3.152 ... Wheel Tractor	2.5L 152.7 OHV Diesel L3 3.6" Bore (Perkins Eng.).....	18	F226 ... Wheel Tractor.....	3.7L 226 OHV L6 3.3125" Bore (12 Valve) (Continental Eng.).....	32
D4.203 ... Wheel Tractor	3.3L 203.6 OHV Diesel L4 3.6" Bore (Perkins Eng.).....	25	G176 ... Wheel Tractor	2.9L 176 OHV L4 3.625" Bore (Continental Eng.).....	21
D425-6 ... Wheel Tractor	7.0L 425 Diesel L6 4.25" Bore (Minneapolis-Moline Eng.).....	56	G176LP LPG ... Wheel Tractor.....	2.9L 176 OHV LPG L4 3.625" Bore (Continental Eng.).....	22
D425-6A ... Wheel Tractor.....	7.0L 425 Diesel L6 4.25" Bore (Minneapolis-Moline Eng.).....	56	G193 ... Wheel Tractor	3.2L 193 OHV L4 3.75" Bore (Continental Eng.).....	23
D504-6 ... Wheel Tractor	8.3L 504 Diesel L6 4.625" Bore (Minneapolis-Moline Eng.).....	57	H-225 ... Combine	3.7L 225 OHV L6 3.4063" Bore (Chrysler Eng.).....	31
D504A-6 ... Wheel Tractor.....	8.3L 504 Diesel L6 4.625" Bore (Minneapolis-Moline Eng.).....	57	H-225 ... Wheel Tractor	3.7L 225 OHV L6 3.4063" Bore (Chrysler Eng.).....	31

(continued on next page)

Massey-Ferguson - Also See Engine Manufacturer

Engine Code Index					
Engine Code	Engine Description	Line No.	Engine Code	Engine Description	Line No.
HD260 ... Wheel Tractor	4.3L 260 OHV Diesel L4 3.875" Bore (Continental Eng.)	40	T165 ... Combine	3.8L 230 L-HEAD L6 3.25" Bore (Dodge) (Chrysler Eng.)	34
HD277 ... Wheel Tractor	4.5L 277 OHV Diesel L4 4" Bore (Continental Eng.)	43	T17 ... Combine	3.6L 217.8 L-HEAD L6 3.25" Bore (Dodge/Plymouth) (Chrysler Eng.)	29
H260 ... Wheel Tractor	4.3L 260 OHV L4 3.875" Bore (Continental Eng.)	39	T17 ... Wheel Tractor	3.6L 217.8 L-HEAD L6 3.25" Bore (Dodge/Plymouth) (Chrysler Eng.)	29
H277 ... Wheel Tractor	4.5L 277 OHV L4 4" Bore (Continental Eng.)	42	T176 ... Combine	3.8L 230 L-HEAD L6 3.25" Bore (Dodge) (Chrysler Eng.)	34
H6.354 ... Wheel Tractor	5.8L 354 OHV Diesel L6 3.875" Bore (12 Valve) (Perkins Eng.)	53	T2 ... Combine	3.6L 217.8 L-HEAD L6 3.25" Bore (Dodge/Plymouth) (Chrysler Eng.)	29
IXA ... Combine	1.9L 113 L-HEAD L4 3" Bore (Hercules Eng.)	7	T2 ... Wheel Tractor	3.6L 217.8 L-HEAD L6 3.25" Bore (Dodge/Plymouth) (Chrysler Eng.)	29
IXB ... Combine	2.2L 133 L-HEAD L4 3.25" Bore (Hercules Eng.)	11	T211 ... Combine	3.8L 230 L-HEAD L6 3.25" Bore (Dodge) (Chrysler Eng.)	34
JXC ... Combine	4.6L 282 L-HEAD L6 3.75" Bore (Hercules Eng.)	44	T214 ... Combine	3.8L 230 L-HEAD L6 3.25" Bore (Dodge) (Chrysler Eng.)	34
JXLD ... Combine	5.6L 339 OHV L6 4" Bore (Hercules Eng.)	52	T215 ... Combine	3.8L 230 L-HEAD L6 3.25" Bore (Dodge) (Chrysler Eng.)	34
M-290 ... Wheel Tractor	4.7L 289.9 OHV L6 3.75" Bore (Continental Eng.)	47	T23 ... Combine	3.6L 217.8 L-HEAD L6 3.25" Bore (Dodge/Plymouth) (Chrysler Eng.)	29
N62 ... Wheel Tractor	1.0L 62 L-HEAD L4 2.375" Bore (Continental Eng.)	2	T23 ... Wheel Tractor	3.6L 217.8 L-HEAD L6 3.25" Bore (Dodge/Plymouth) (Chrysler Eng.)	29
OOC ... Combine	3.7L 226 OHV L4 4" Bore (Hercules Eng.)	33	T245 ... Combine	3.8L 230 L-HEAD L6 3.25" Bore (Dodge) (Chrysler Eng.)	34
P3.144 ... Wheel Tractor	2.4L 144 OHV Diesel L3 3.5" Bore (Perkins Eng.)	16	T25 ... Combine	3.6L 217.8 L-HEAD L6 3.25" Bore (Dodge/Plymouth) (Chrysler Eng.)	29
TF ... Hay Baler	9L 53.9 L-HEAD L2 3.25" Bore (Wisconsin Eng.)	1	T25 ... Wheel Tractor	3.6L 217.8 L-HEAD L6 3.25" Bore (Dodge/Plymouth) (Chrysler Eng.)	29
TFD ... Hay Baler	9L 53.9 L-HEAD L2 3.25" Bore (Wisconsin Eng.)	1	T26 ... Combine	3.8L 230 L-HEAD L6 3.25" Bore (Dodge) (Chrysler Eng.)	34
TH ... Hay Baler	9L 53.9 L-HEAD L2 3.25" Bore (Wisconsin Eng.)	1	T3 ... Combine	3.6L 217.8 L-HEAD L6 3.25" Bore (Dodge/Plymouth) (Chrysler Eng.)	29
THD ... Hay Baler	9L 53.9 L-HEAD L2 3.25" Bore (Wisconsin Eng.)	1	T3 ... Wheel Tractor	3.6L 217.8 L-HEAD L6 3.25" Bore (Dodge/Plymouth) (Chrysler Eng.)	29
TJD ... Hay Baler	9L 53.9 L-HEAD L2 3.25" Bore (Wisconsin Eng.)	1	T310 ... Combine	3.8L 230 L-HEAD L6 3.25" Bore (Dodge) (Chrysler Eng.)	34
T112 ... Combine	3.6L 217.8 L-HEAD L6 3.25" Bore (Dodge/Plymouth) (Chrysler Eng.)	29	T334 ... Combine	3.8L 230 L-HEAD L6 3.25" Bore (Dodge) (Chrysler Eng.)	34
T112 ... Wheel Tractor	3.6L 217.8 L-HEAD L6 3.25" Bore (Dodge/Plymouth) (Chrysler Eng.)	29	T5 ... Combine	3.6L 217.8 L-HEAD L6 3.25" Bore (Dodge/Plymouth) (Chrysler Eng.)	29
T116 ... Combine	3.8L 230 L-HEAD L6 3.25" Bore (Dodge) (Chrysler Eng.)	34	T5 ... Wheel Tractor	3.6L 217.8 L-HEAD L6 3.25" Bore (Dodge/Plymouth) (Chrysler Eng.)	29
T12 ... Combine	3.8L 230 L-HEAD L6 3.25" Bore (Dodge) (Chrysler Eng.)	34	T6 ... Combine	3.8L 230 L-HEAD L6 3.25" Bore (Dodge) (Chrysler Eng.)	34
T125 ... Combine	3.6L 217.8 L-HEAD L6 3.25" Bore (Dodge/Plymouth) (Chrysler Eng.)	29	T6.354 ... Wheel Tractor	5.8L 354 OHV Turbo-Diesel L6 3.875" Bore (12 Valve) (Perkins Eng.)	54
T125 ... Wheel Tractor	3.6L 217.8 L-HEAD L6 3.25" Bore (Dodge/Plymouth) (Chrysler Eng.)	29	T6.354-3 ... Wheel Tractor	5.8L 354 OHV Turbo-Diesel L6 3.875" Bore (12 Valve) (Perkins Eng.)	54
T128 ... Combine	3.6L 217.8 L-HEAD L6 3.25" Bore (Dodge/Plymouth) (Chrysler Eng.)	29	T70 ... Combine	3.8L 230 L-HEAD L6 3.25" Bore (Dodge) (Chrysler Eng.)	34
T128 ... Wheel Tractor	3.6L 217.8 L-HEAD L6 3.25" Bore (Dodge/Plymouth) (Chrysler Eng.)	29	T72 ... Combine	3.8L 230 L-HEAD L6 3.25" Bore (Dodge) (Chrysler Eng.)	34
T13 ... Combine	3.6L 217.8 L-HEAD L6 3.25" Bore (Dodge/Plymouth) (Chrysler Eng.)	29	T96 ... Combine	3.8L 230 L-HEAD L6 3.25" Bore (Dodge) (Chrysler Eng.)	34
T13 ... Wheel Tractor	3.6L 217.8 L-HEAD L6 3.25" Bore (Dodge/Plymouth) (Chrysler Eng.)	29	VE4 ... Hay Baler	1.5L 91.9 L-HEAD V4 3" Bore (Wisconsin Eng.)	4
T137 ... Combine	3.8L 230 L-HEAD L6 3.25" Bore (Dodge) (Chrysler Eng.)	34	VE4D ... Hay Baler	1.5L 91.9 L-HEAD V4 3" Bore (Wisconsin Eng.)	4
T14 ... Combine	3.8L 230 L-HEAD L6 3.25" Bore (Dodge) (Chrysler Eng.)	34			
T146 ... Combine	3.8L 230 L-HEAD L6 3.25" Bore (Dodge) (Chrysler Eng.)	34			
T164 ... Combine	3.8L 230 L-HEAD L6 3.25" Bore (Dodge) (Chrysler Eng.)	34			

(continued on next page)

Massey-Ferguson - Also See Engine Manufacturer

Engine Code Index					
Engine Code	Engine Description	Line No.	Engine Code	Engine Description	Line No.
VE41 ... Hay Baler	1.5L 91.9 L-HEAD V4 3" Bore (Wisconsin Eng.)	4	16A ... Combine	4.3L 265 L-HEAD L6 3.4375" Bore (Chrysler) (Chrysler Eng.)	41
VF4 ... Hay Baler	1.8L 108 L-HEAD V4 3.25" Bore (Wisconsin Eng.)	6	292 ... Combine	4.8L 292 OHV L6 3.875" Bore (Chevrolet) (GMC Eng.)	48
VF4 ... Combine	1.8L 108 L-HEAD V4 3.25" Bore (Wisconsin Eng.)	6	292 ... Wheel Tractor	4.8L 292 OHV L6 3.875" Bore (Chevrolet) (GMC Eng.)	48
VF4 ... Windrower	1.8L 108 L-HEAD V4 3.25" Bore (Wisconsin Eng.)	6	3 ... Combine	3.6L 217.8 L-HEAD L6 3.25" Bore (Dodge/Plymouth) (Chrysler Eng.)	29
VF4D ... Hay Baler	1.8L 108 L-HEAD V4 3.25" Bore (Wisconsin Eng.)	6	3 ... Wheel Tractor	3.6L 217.8 L-HEAD L6 3.25" Bore (Dodge/Plymouth) (Chrysler Eng.)	29
VF4D ... Combine	1.8L 108 L-HEAD V4 3.25" Bore (Wisconsin Eng.)	6	3.152 ... Wheel Tractor	2.5L 152.7 OHV Diesel L3 3.6" Bore (Perkins Eng.)	18
VF4D ... Windrower	1.8L 108 L-HEAD V4 3.25" Bore (Wisconsin Eng.)	6	3-71 ... Wheel Tractor	3.5L 213 OHV Diesel L3 4.25" Bore (3-71) (Detroit Diesel Eng.)	28
VF41 ... Hay Baler	1.8L 108 L-HEAD V4 3.25" Bore (Wisconsin Eng.)	6	3-71E ... Wheel Tractor	3.5L 213 OHV Diesel L3 4.25" Bore (3-71) (Detroit Diesel Eng.)	28
VF41 ... Combine	1.8L 108 L-HEAD V4 3.25" Bore (Wisconsin Eng.)	6	3-71N ... Wheel Tractor	3.5L 213 OHV Diesel L3 4.25" Bore (3-71) (Detroit Diesel Eng.)	28
VF41 ... Windrower	1.8L 108 L-HEAD V4 3.25" Bore (Wisconsin Eng.)	6	3A ... Combine	3.6L 217.8 L-HEAD L6 3.25" Bore (Dodge/Plymouth) (Chrysler Eng.)	29
VG4D ... Harvester	2.5L 154 L-HEAD V4 3.5" Bore (Wisconsin Eng.)	19	3A ... Wheel Tractor	3.6L 217.8 L-HEAD L6 3.25" Bore (Dodge/Plymouth) (Chrysler Eng.)	29
VH4 ... Hay Baler	1.8L 108 L-HEAD V4 3.25" Bore (Wisconsin Eng.)	6	30 ... Combine	3.8L 230 L-HEAD L6 3.25" Bore (Dodge) (Chrysler Eng.)	34
VH4 ... Combine	1.8L 108 L-HEAD V4 3.25" Bore (Wisconsin Eng.)	6	31 ... Combine	3.8L 230 L-HEAD L6 3.25" Bore (Dodge) (Chrysler Eng.)	34
VH4 ... Windrower	1.8L 108 L-HEAD V4 3.25" Bore (Wisconsin Eng.)	6	3150 ... Wheel Tractor	9.4L 573 OHV Diesel V8 4.5" Bore (Caterpillar Eng.)	58
VH4D ... Hay Baler	1.8L 108 L-HEAD V4 3.25" Bore (Wisconsin Eng.)	6	3160 ... Wheel Tractor	10.4L 636 OHV Diesel V8 4.5" Bore (Caterpillar Eng.)	59
VH4D ... Combine	1.8L 108 L-HEAD V4 3.25" Bore (Wisconsin Eng.)	6	32 ... Combine	4.3L 265 L-HEAD L6 3.4375" Bore (Chrysler) (Chrysler Eng.)	41
VH4D ... Windrower	1.8L 108 L-HEAD V4 3.25" Bore (Wisconsin Eng.)	6	3208 ... Wheel Tractor	10.4L 636 OHV Diesel V8 4.5" Bore (Caterpillar Eng.)	59
VH4DM ... Hay Baler	1.8L 108 L-HEAD V4 3.25" Bore (Wisconsin Eng.)	6	327 ... Combine	5.3L 327 OHV V8 4" Bore (Chevrolet) (GMC Eng.)	50
VH4DM ... Combine	1.8L 108 L-HEAD V4 3.25" Bore (Wisconsin Eng.)	6	327 ... Wheel Tractor	5.3L 327 OHV V8 4" Bore (Chevrolet) (GMC Eng.)	50
VH4DM ... Windrower	1.8L 108 L-HEAD V4 3.25" Bore (Wisconsin Eng.)	6	33 ... Combine	4.3L 265 L-HEAD L6 3.4375" Bore (Chrysler) (Chrysler Eng.)	41
VP4 ... Harvester	2.5L 154 L-HEAD V4 3.5" Bore (Wisconsin Eng.)	19	4.107 ... Wheel Tractor	1.8L 107.4 OHV Diesel L4 3.125" Bore (Perkins Eng.)	5
VP4D ... Harvester	2.5L 154 L-HEAD V4 3.5" Bore (Wisconsin Eng.)	19	4.108 ... Wheel Tractor	1.8L 107.4 OHV Diesel L4 3.125" Bore (Perkins Eng.)	5
V460D ... Harvester	2.5L 154 L-HEAD V4 3.5" Bore (Wisconsin Eng.)	19	4.203 ... Wheel Tractor	3.3L 203.6 OHV Diesel L4 3.6" Bore (Perkins Eng.)	25
V461D ... Harvester	2.5L 154 L-HEAD V4 3.5" Bore (Wisconsin Eng.)	19	4.212 ... Wheel Tractor	3.5L 212 OHV Diesel L4 3.875" Bore (Perkins Eng.)	27
Y91 ... Wheel Tractor	1.5L 91 L-HEAD L4 2.875" Bore (Continental Eng.)	3	4.236 ... Wheel Tractor	3.9L 235.9 OHV Diesel L4 3.875" Bore (Perkins Eng.)	35
Z120 ... Wheel Tractor	2.0L 120 OHV L4 3.1875" Bore (Continental Eng.)	8	4.248 ... Wheel Tractor	4.1L 248.2 OHV Diesel L4 3.975" Bore (Perkins Eng.)	37
Z129 ... Wheel Tractor	2.1L 129 OHV L4 3.25" Bore (Continental Eng.)	10	4.248 ... Crawler Tractor	4.1L 248.2 OHV Diesel L4 3.975" Bore (Perkins Eng.)	37
Z134 ... Hay Baler	2.2L 134 OHV L4 3.3125" Bore (Continental Eng.)	14	4.248 ... Wheel Loader	4.1L 248.2 OHV Diesel L4 3.975" Bore (Perkins Eng.)	37
Z134 ... Harvester	2.2L 134 OHV L4 3.3125" Bore (Continental Eng.)	14	4.248 ... Excavator	4.1L 248.2 OHV Diesel L4 3.975" Bore (Perkins Eng.)	37
Z134 ... Wheel Tractor	2.2L 134 OHV L4 3.3125" Bore (Continental Eng.)	14	4.248 ... Wheel Skidder	4.1L 248.2 OHV Diesel L4 3.975" Bore (Perkins Eng.)	37
Z145 ... Wheel Tractor	2.4L 145 OHV L4 3.375" Bore (Continental Eng.)	17	4-71 ... Wheel Tractor	4.7L 284 OHV Diesel L4 4.25" Bore (4-71) (Detroit Diesel Eng.)	45
10 ... Combine	3.6L 217.8 L-HEAD L6 3.25" Bore (Dodge/Plymouth) (Chrysler Eng.)	29	4-71E ... Wheel Tractor	4.7L 284 OHV Diesel L4 4.25" Bore (4-71) (Detroit Diesel Eng.)	45
10 ... Wheel Tractor	3.6L 217.8 L-HEAD L6 3.25" Bore (Dodge/Plymouth) (Chrysler Eng.)	29	4-71N ... Wheel Tractor	4.7L 284 OHV Diesel L4 4.25" Bore (4-71) (Detroit Diesel Eng.)	45
15-22 ... Combine	3.7L 226 OHV L4 4" Bore (Hercules Eng.)	33	425-6 ... Wheel Tractor	7.0L 425 L6 4.25" Bore (Minneapolis-Moline Eng.)	55
16 ... Combine	4.3L 265 L-HEAD L6 3.4375" Bore (Chrysler) (Chrysler Eng.)	41			

(continued on next page)

Massey-Ferguson - Also See Engine Manufacturer

Engine Code Index					
Engine Code	Engine Description	Line No.	Engine Code	Engine Description	Line No.
425-6A ... Wheel Tractor	7.0L 425 L6 4.25" Bore (Minneapolis-Moline Eng.)	55	6A ... Combine	3.6L 217.8 L-HEAD L6 3.25" Bore (Dodge/Plymouth) (Chrysler Eng.)	29
425C-6 ... Wheel Tractor	7.0L 425 L6 4.25" Bore (Minneapolis-Moline Eng.)	55	6A ... Wheel Tractor	3.6L 217.8 L-HEAD L6 3.25" Bore (Dodge/Plymouth) (Chrysler Eng.)	29
5 ... Combine	3.6L 217.8 L-HEAD L6 3.25" Bore (Dodge/Plymouth) (Chrysler Eng.)	29	6A ... Combine	3.8L 230 L-HEAD L6 3.25" Bore (Dodge) (Chrysler Eng.)	34
5 ... Wheel Tractor	3.6L 217.8 L-HEAD L6 3.25" Bore (Dodge/Plymouth) (Chrysler Eng.)	29	8 ... Combine	4.1L 251 L-HEAD L6 3.4375" Bore (Chrysler) (Chrysler Eng.)	38
5A ... Combine	3.6L 217.8 L-HEAD L6 3.25" Bore (Dodge/Plymouth) (Chrysler Eng.)	29	8 ... Wheel Tractor	4.1L 251 L-HEAD L6 3.4375" Bore (Chrysler) (Chrysler Eng.)	38
5A ... Wheel Tractor	3.6L 217.8 L-HEAD L6 3.25" Bore (Dodge/Plymouth) (Chrysler Eng.)	29	8-213 ... Combine	4.1L 251 L-HEAD L6 3.4375" Bore (Chrysler) (Chrysler Eng.)	38
6 ... Combine	3.6L 217.8 L-HEAD L6 3.25" Bore (Dodge/Plymouth) (Chrysler Eng.)	29	8-213 ... Wheel Tractor	4.1L 251 L-HEAD L6 3.4375" Bore (Chrysler) (Chrysler Eng.)	38
6 ... Wheel Tractor	3.6L 217.8 L-HEAD L6 3.25" Bore (Dodge/Plymouth) (Chrysler Eng.)	29	8-231 ... Combine	4.1L 251 L-HEAD L6 3.4375" Bore (Chrysler) (Chrysler Eng.)	38
6 ... Combine	3.8L 230 L-HEAD L6 3.25" Bore (Dodge) (Chrysler Eng.)	34	8-231 ... Wheel Tractor	4.1L 251 L-HEAD L6 3.4375" Bore (Chrysler) (Chrysler Eng.)	38
6.354 ... Wheel Tractor	5.8L 354 OHV Diesel L6 3.875" Bore (12 Valve) (Perkins Eng.)	53	8A ... Combine	4.1L 251 L-HEAD L6 3.4375" Bore (Chrysler) (Chrysler Eng.)	38
			8A ... Wheel Tractor	4.1L 251 L-HEAD L6 3.4375" Bore (Chrysler) (Chrysler Eng.)	38

Model Index

Model	Engine Description	Line No.	Model	Engine Description	Line No.
Clipper ... Wheel Tractor	2.6L 162 L-HEAD L4 3.4375" Bore (Continental Eng.)	20	MF1130 ... Wheel Tractor	5.8L 354 OHV Diesel L6 3.875" Bore (12 Valve) (Perkins Eng.)	53
Clipper ... Harvester	3.7L 226 OHV L6 3.3125" Bore (12 Valve) (Continental Eng.)	32	MF1130 ... Wheel Tractor	5.8L 354 OHV Turbo-Diesel L6 3.875" Bore (12 Valve) (Perkins Eng.)	54
Clipper SP ... Combine	2.6L 162 L-HEAD L4 3.4375" Bore (Continental Eng.)	20	MF1130D ... Wheel Tractor	2.5L 152.7 OHV Diesel L3 3.6" Bore (Perkins Eng.)	18
Colt ... Wheel Tractor	2.1L 124 L-HEAD L4 3" Bore (Continental Eng.)	9	MF1135 ... Wheel Tractor	5.8L 354 OHV Diesel L6 3.875" Bore (12 Valve) (Perkins Eng.)	53
Forage Clipper ... Combine	3.7L 226 OHV L6 3.3125" Bore (12 Valve) (Continental Eng.)	32	MF1135 ... Wheel Tractor	5.8L 354 OHV Turbo-Diesel L6 3.875" Bore (12 Valve) (Perkins Eng.)	54
F12 ... Hay Baler	9L 53.9 L-HEAD L2 3.25" Bore (Wisconsin Eng.)	1	MF130 ... Wheel Tractor	1.8L 107.4 OHV Diesel L4 3.125" Bore (Perkins Eng.)	5
F40 ... Wheel Tractor	2.2L 134 OHV L4 3.3125" Bore (Continental Eng.)	14	MF135 ... Wheel Tractor	2.2L 134 OHV L4 3.3125" Bore (Continental Eng.)	14
HA21 ... Wheel Tractor	2.1L 124 L-HEAD L4 3" Bore (Continental Eng.)	9	MF135 ... Wheel Tractor	2.4L 145 OHV L4 3.375" Bore (Continental Eng.)	17
HA21 ... Wheel Tractor	2.3L 140 L-HEAD L4 3.1875" Bore (Continental Eng.)	15	MF135 ... Wheel Tractor	2.5L 152.7 OHV Diesel L3 3.6" Bore (Perkins Eng.)	18
HA33 ... Wheel Tractor	2.1L 124 L-HEAD L4 3" Bore (Continental Eng.)	9	MF135 Deluxe ... Wheel Tractor	2.2L 134 OHV L4 3.3125" Bore (Continental Eng.)	14
HA33 ... Wheel Tractor	2.3L 140 L-HEAD L4 3.1875" Bore (Continental Eng.)	15	MF135 Deluxe ... Wheel Tractor	2.4L 145 OHV L4 3.375" Bore (Continental Eng.)	17
MD50 ... Wheel Tractor	2.2L 134 OHV L4 3.3125" Bore (Continental Eng.)	14	MF135 Deluxe ... Wheel Tractor	2.5L 152.7 OHV Diesel L3 3.6" Bore (Perkins Eng.)	18
MF-1080D ... Wheel Tractor	5.2L 318 OHV Diesel L4 4.5" Bore (Perkins Eng.)	49	MF150 ... Wheel Tractor	2.2L 134 OHV L4 3.3125" Bore (Continental Eng.)	14
MF105 ... Wheel Tractor	2.4L 145 OHV L4 3.375" Bore (Continental Eng.)	17	MF150 ... Wheel Tractor	2.4L 145 OHV L4 3.375" Bore (Continental Eng.)	17
MF1085 ... Wheel Tractor	5.8L 354 OHV Diesel L6 3.875" Bore (12 Valve) (Perkins Eng.)	53	MF150 ... Wheel Tractor	2.5L 152.7 OHV Diesel L3 3.6" Bore (Perkins Eng.)	18
MF11 ... Wheel Loader	4.1L 248.2 OHV Diesel L4 3.975" Bore (Perkins Eng.)	37	MF1500 ... Wheel Tractor	9.4L 573 OHV Diesel V8 4.5" Bore (Caterpillar Eng.)	58
MF1100 ... Wheel Tractor	5.8L 354 OHV Diesel L6 3.875" Bore (12 Valve) (Perkins Eng.)	53	MF1505 ... Wheel Tractor	10.4L 636 OHV Diesel V8 4.5" Bore (Caterpillar Eng.)	59
MF1105 ... Wheel Tractor	5.8L 354 OHV Diesel L6 3.875" Bore (12 Valve) (Perkins Eng.)	53	MF165 ... Wheel Tractor	2.9L 176 OHV L4 3.625" Bore (Continental Eng.)	21
MF1105 ... Wheel Tractor	5.8L 354 OHV Turbo-Diesel L6 3.875" Bore (12 Valve) (Perkins Eng.)	54			
MF1130 ... Wheel Tractor	2.5L 152.7 OHV Diesel L3 3.6" Bore (Perkins Eng.)	18			

(continued on next page)

Massey-Ferguson - Also See Engine Manufacturer

Model Index					
Model	Engine Description	Line No.	Model	Engine Description	Line No.
MF165 ... Wheel Tractor	2.9L 176 OHV LPG L4 3.625" Bore (Continental Eng.)	22	MF230 ... Wheel Tractor	2.5L 152.7 OHV Diesel L3 3.6" Bore (Perkins Eng.)	18
MF165 ... Wheel Tractor	3.3L 203.6 OHV Diesel L4 3.6" Bore (Perkins Eng.)	25	MF230D ... Wheel Tractor	2.4L 145 OHV L4 3.375" Bore (Continental Eng.)	17
MF165 ... Wheel Tractor	3.5L 212 OHV Diesel L4 3.875" Bore (Perkins Eng.)	27	MF230D ... Wheel Tractor	2.5L 152.7 OHV Diesel L3 3.6" Bore (Perkins Eng.)	18
MF165G ... Wheel Tractor	2.9L 176 OHV L4 3.625" Bore (Continental Eng.)	21	MF230G ... Wheel Tractor	2.4L 145 OHV L4 3.375" Bore (Continental Eng.)	17
MF165G ... Wheel Tractor	3.3L 203.6 OHV Diesel L4 3.6" Bore (Perkins Eng.)	25	MF230G ... Wheel Tractor	2.5L 152.7 OHV Diesel L3 3.6" Bore (Perkins Eng.)	18
MF165G ... Wheel Tractor	3.5L 212 OHV Diesel L4 3.875" Bore (Perkins Eng.)	27	MF235 ... Wheel Tractor	2.4L 145 OHV L4 3.375" Bore (Continental Eng.)	17
MF175 ... Wheel Tractor	2.2L 134 OHV L4 3.3125" Bore (Continental Eng.)	14	MF235 ... Wheel Tractor	2.5L 152.7 OHV Diesel L3 3.6" Bore (Perkins Eng.)	18
MF175 ... Wheel Tractor	3.9L 235.9 OHV Diesel L4 3.875" Bore (Perkins Eng.)	35	MF235D ... Wheel Tractor	2.5L 152.7 OHV Diesel L3 3.6" Bore (Perkins Eng.)	18
MF175D ... Wheel Tractor	3.9L 235.9 OHV Diesel L4 3.875" Bore (Perkins Eng.)	35	MF235G ... Wheel Tractor	2.4L 145 OHV L4 3.375" Bore (Continental Eng.)	17
MF178 ... Wheel Tractor	4.1L 248.2 OHV Diesel L4 3.975" Bore (Perkins Eng.)	37	MF245 ... Wheel Tractor	2.4L 145 OHV L4 3.375" Bore (Continental Eng.)	17
MF180 ... Wheel Tractor	3.9L 235.9 OHV Diesel L4 3.875" Bore (Perkins Eng.)	35	MF245 ... Wheel Tractor	2.5L 152.7 OHV Diesel L3 3.6" Bore (Perkins Eng.)	18
MF1800 ... Wheel Tractor	10.4L 636 OHV Diesel V8 4.5" Bore (Caterpillar Eng.)	59	MF245D ... Wheel Tractor	2.4L 145 OHV L4 3.375" Bore (Continental Eng.)	17
MF1805 ... Wheel Tractor	10.4L 636 OHV Diesel V8 4.5" Bore (Caterpillar Eng.)	59	MF245D ... Wheel Tractor	2.5L 152.7 OHV Diesel L3 3.6" Bore (Perkins Eng.)	18
MF185 ... Wheel Tractor	3.9L 235.9 OHV Diesel L4 3.875" Bore (Perkins Eng.)	35	MF245G ... Wheel Tractor	2.4L 145 OHV L4 3.375" Bore (Continental Eng.)	17
MF20 ... Wheel Tractor	2.5L 152.7 OHV Diesel L3 3.6" Bore (Perkins Eng.)	18	MF245G ... Wheel Tractor	2.5L 152.7 OHV Diesel L3 3.6" Bore (Perkins Eng.)	18
MF20 Turf ... Wheel Tractor	2.5L 152.7 OHV Diesel L3 3.6" Bore (Perkins Eng.)	18	MF25D ... Wheel Tractor	1.8L 107.4 OHV Diesel L4 3.125" Bore (Perkins Eng.)	5
MF200 ... Wheel Tractor	2.5L 152.7 OHV Diesel L3 3.6" Bore (Perkins Eng.)	18	MF2500 ... Wheel Tractor	2.4L 145 OHV L4 3.375" Bore (Continental Eng.)	17
MF202 ... Wheel Tractor	2.2L 134 OHV L4 3.3125" Bore (Continental Eng.)	14	MF2500 ... Wheel Tractor	2.5L 152.7 OHV Diesel L3 3.6" Bore (Perkins Eng.)	18
MF202D ... Wheel Tractor	2.5L 152.7 OHV Diesel L3 3.6" Bore (Perkins Eng.)	18	MF255 ... Wheel Tractor	3.3L 203.6 OHV Diesel L4 3.6" Bore (Perkins Eng.)	25
MF202G ... Wheel Tractor	2.2L 134 OHV L4 3.3125" Bore (Continental Eng.)	14	MF255 ... Wheel Tractor	3.5L 212 OHV Diesel L4 3.875" Bore (Perkins Eng.)	27
MF203 ... Wheel Tractor	2.4L 144 OHV Diesel L3 3.5" Bore (Perkins Eng.)	16	MF265 ... Wheel Tractor	3.9L 235.9 OHV Diesel L4 3.875" Bore (Perkins Eng.)	35
MF203 ... Wheel Tractor	2.5L 152.7 OHV Diesel L3 3.6" Bore (Perkins Eng.)	18	MF265D ... Wheel Tractor	3.9L 235.9 OHV Diesel L4 3.875" Bore (Perkins Eng.)	35
MF203D ... Wheel Tractor	2.5L 152.7 OHV Diesel L3 3.6" Bore (Perkins Eng.)	18	MF275 ... Wheel Tractor	4.1L 248.2 OHV Diesel L4 3.975" Bore (Perkins Eng.)	37
MF204 ... Wheel Tractor	2.2L 134 OHV L4 3.3125" Bore (Continental Eng.)	14	MF275D ... Wheel Tractor	4.1L 248.2 OHV Diesel L4 3.975" Bore (Perkins Eng.)	37
MF204G ... Wheel Tractor	2.2L 134 OHV L4 3.3125" Bore (Continental Eng.)	14	MF30 ... Wheel Tractor	3.3L 203.6 OHV Diesel L4 3.6" Bore (Perkins Eng.)	25
MF205 ... Wheel Tractor	2.4L 145 OHV L4 3.375" Bore (Continental Eng.)	17	MF30 ... Wheel Tractor	3.5L 212 OHV Diesel L4 3.875" Bore (Perkins Eng.)	27
MF205 ... Wheel Tractor	2.5L 152.7 OHV Diesel L3 3.6" Bore (Perkins Eng.)	18	MF300 ... Wheel Tractor	3.3L 203.6 OHV Diesel L4 3.6" Bore (Perkins Eng.)	25
MF205 ... Combine	3.7L 225 OHV L6 3.4063" Bore (Chrysler Eng.)	31	MF300 ... Combine	3.7L 225 OHV L6 3.4063" Bore (Chrysler Eng.)	31
MF205D ... Wheel Tractor	2.5L 152.7 OHV Diesel L3 3.6" Bore (Perkins Eng.)	18	MF300 ... Wheel Tractor	3.7L 225 OHV L6 3.4063" Bore (Chrysler Eng.)	31
MF2135 ... Wheel Tractor	2.2L 134 OHV L4 3.3125" Bore (Continental Eng.)	14	MF300 ... Wheel Tractor	4.1L 248.2 OHV Diesel L4 3.975" Bore (Perkins Eng.)	37
MF2135 ... Wheel Tractor	2.5L 152.7 OHV Diesel L3 3.6" Bore (Perkins Eng.)	18	MF300 Rice ... Wheel Tractor	3.3L 203.6 OHV Diesel L4 3.6" Bore (Perkins Eng.)	25
MF220 ... Wheel Skidder	4.1L 248.2 OHV Diesel L4 3.975" Bore (Perkins Eng.)	37	MF300 Rice ... Combine	3.7L 225 OHV L6 3.4063" Bore (Chrysler Eng.)	31
MF2200 ... Wheel Tractor	2.2L 134 OHV L4 3.3125" Bore (Continental Eng.)	14	MF300 Rice ... Wheel Tractor	3.7L 225 OHV L6 3.4063" Bore (Chrysler Eng.)	31
MF2200 ... Wheel Tractor	2.5L 152.7 OHV Diesel L3 3.6" Bore (Perkins Eng.)	18	MF300 Rice ... Wheel Tractor	4.1L 248.2 OHV Diesel L4 3.975" Bore (Perkins Eng.)	37
MF2244 ... Wheel Tractor	2.5L 152.7 OHV Diesel L3 3.6" Bore (Perkins Eng.)	18	MF302 ... Wheel Tractor	3.2L 193 OHV L4 3.75" Bore (Continental Eng.)	23
MF230 ... Wheel Tractor	2.4L 145 OHV L4 3.375" Bore (Continental Eng.)	17			

(continued on next page)

Massey-Ferguson - Also See Engine Manufacturer

Model Index					
Model	Engine Description	Line No.	Model	Engine Description	Line No.
MF302 ... Wheel Tractor.....	3.3L 203.6 OHV Diesel L4 3.6" Bore (Perkins Eng.).....	25	MF402G ... Wheel Tractor.....	3.4L 208 OHV L4 3.6875" Bore (Continental Eng.).....	26
MF302D ... Wheel Tractor	3.3L 203.6 OHV Diesel L4 3.6" Bore (Perkins Eng.).....	25	MF410 ... Combine.....	4.8L 292 OHV L6 3.875" Bore (Chevrolet) (GMC Eng.).....	48
MF302G ... Wheel Tractor.....	3.2L 193 OHV L4 3.75" Bore (Continental Eng.).....	23	MF410 ... Wheel Tractor.....	4.8L 292 OHV L6 3.875" Bore (Chevrolet) (GMC Eng.).....	48
MF303 Work Bull ... Wheel Tractor.....	3.4L 208 OHV L4 3.6875" Bore (Continental Eng.).....	26	MF410 ... Wheel Tractor.....	5.3L 327 OHV V8 4" Bore (Chevrolet) (GMC Eng.).....	50
MF303G ... Wheel Tractor.....	3.4L 208 OHV L4 3.6875" Bore (Continental Eng.).....	26	MF410 Rice ... Combine.....	4.8L 292 OHV L6 3.875" Bore (Chevrolet) (GMC Eng.).....	48
MF304 ... Wheel Tractor.....	3.2L 193 OHV L4 3.75" Bore (Continental Eng.).....	23	MF44 ... Windrower	2.3L 140 L-HEAD L4 3.1875" Bore (Continental Eng.).....	15
MF304 ... Wheel Tractor.....	3.3L 203.6 OHV Diesel L4 3.6" Bore (Perkins Eng.).....	25	MF44 ... Wheel Tractor.....	5.8L 354 OHV Diesel L6 3.875" Bore (12 Valve) (Perkins Eng.).....	53
MF304D ... Wheel Tractor	3.3L 203.6 OHV Diesel L4 3.6" Bore (Perkins Eng.).....	25	MF470 ... Wheel Tractor.....	3.7L 226 OHV L6 3.3125" Bore (12 Valve) (Continental Eng.).....	32
MF304G ... Wheel Tractor.....	3.2L 193 OHV L4 3.75" Bore (Continental Eng.).....	23	MF470 ... Wheel Tractor.....	3.9L 235.9 OHV Diesel L4 3.875" Bore (Perkins Eng.).....	35
MF305 ... Wheel Tractor.....	3.2L 193 OHV L4 3.75" Bore (Continental Eng.).....	23	MF50 ... Wheel Tractor.....	2.2L 134 OHV L4 3.3125" Bore (Continental Eng.).....	14
MF305 ... Wheel Tractor.....	3.3L 203.6 OHV Diesel L4 3.6" Bore (Perkins Eng.).....	25	MF50 ... Wheel Tractor.....	2.5L 152.7 OHV Diesel L3 3.6" Bore (Perkins Eng.).....	18
MF31 ... Wheel Tractor.....	3.9L 235.9 OHV Diesel L4 3.875" Bore (Perkins Eng.).....	35	MF50 ... Wheel Tractor.....	3.2L 193 OHV L4 3.75" Bore (Continental Eng.).....	23
MF3135 ... Wheel Tractor.....	2.9L 176 OHV L4 3.625" Bore (Continental Eng.).....	21	MF50 ... Wheel Tractor.....	3.3L 203.6 OHV Diesel L4 3.6" Bore (Perkins Eng.).....	25
MF3135 ... Wheel Tractor.....	3.3L 203.6 OHV Diesel L4 3.6" Bore (Perkins Eng.).....	25	MF50 ... Wheel Tractor.....	3.9L 235.9 OHV Diesel L4 3.875" Bore (Perkins Eng.).....	35
MF3165 ... Wheel Tractor.....	2.9L 176 OHV L4 3.625" Bore (Continental Eng.).....	21	MF50C ... Wheel Tractor	3.9L 235.9 OHV Diesel L4 3.875" Bore (Perkins Eng.).....	35
MF3165 ... Wheel Tractor.....	2.9L 176 OHV LPG L4 3.625" Bore (Continental Eng.).....	22	MF510 ... Combine.....	5.3L 327 OHV V8 4" Bore (Chevrolet) (GMC Eng.).....	50
MF3165 ... Wheel Tractor.....	3.3L 203.6 OHV Diesel L4 3.6" Bore (Perkins Eng.).....	25	MF510 ... Wheel Tractor.....	5.3L 327 OHV V8 4" Bore (Chevrolet) (GMC Eng.).....	50
MF33 ... Wheel Loader.....	4.1L 248.2 OHV Diesel L4 3.975" Bore (Perkins Eng.).....	37	MF510 ... Wheel Tractor.....	5.8L 354 OHV Diesel L6 3.875" Bore (12 Valve) (Perkins Eng.).....	53
MF34 ... Windrower	2.3L 140 L-HEAD L4 3.1875" Bore (Continental Eng.).....	15	MF510 Rice ... Combine.....	5.3L 327 OHV V8 4" Bore (Chevrolet) (GMC Eng.).....	50
MF35 ... Wheel Tractor.....	2.2L 134 OHV L4 3.3125" Bore (Continental Eng.).....	14	MF55 ... Wheel Tractor.....	2.2L 134 OHV L4 3.3125" Bore (Continental Eng.).....	14
MF35 ... Wheel Tractor.....	2.5L 152.7 OHV Diesel L3 3.6" Bore (Perkins Eng.).....	18	MF65 ... Wheel Tractor.....	2.9L 176 OHV L4 3.625" Bore (Continental Eng.).....	21
MF35 ... Wheel Tractor.....	3.2L 193 OHV L4 3.75" Bore (Continental Eng.).....	23	MF65 ... Wheel Tractor.....	2.9L 176 OHV LPG L4 3.625" Bore (Continental Eng.).....	22
MF35 ... Wheel Tractor.....	3.3L 203.6 OHV Diesel L4 3.6" Bore (Perkins Eng.).....	25	MF65 ... Wheel Tractor.....	3.3L 203.6 OHV Diesel L4 3.6" Bore (Perkins Eng.).....	25
MF35 ... Wheel Tractor.....	3.9L 235.9 OHV Diesel L4 3.875" Bore (Perkins Eng.).....	35	MF6500 ... Wheel Tractor.....	3.9L 235.9 OHV Diesel L4 3.875" Bore (Perkins Eng.).....	35
MF35D ... Wheel Tractor	2.5L 152.7 OHV Diesel L3 3.6" Bore (Perkins Eng.).....	18	MF711 ... Combine.....	1.8L 108 L-HEAD V4 3.25" Bore (Wisconsin Eng.).....	6
MF35G ... Wheel Tractor.....	2.2L 134 OHV L4 3.3125" Bore (Continental Eng.).....	14	MF72 ... Combine.....	3.6L 217.8 L-HEAD L6 3.25" Bore (Dodge/Plymouth) (Chrysler Eng.).....	29
MF35G ... Wheel Tractor.....	2.4L 144 OHV Diesel L3 3.5" Bore (Perkins Eng.).....	16	MF750 ... Wheel Tractor.....	5.8L 354 OHV Turbo-Diesel L6 3.875" Bore (12 Valve) (Perkins Eng.).....	54
MF356 ... Wheel Tractor.....	2.9L 176 OHV L4 3.625" Bore (Continental Eng.).....	21	MF760 ... Wheel Tractor.....	5.8L 354 OHV Turbo-Diesel L6 3.875" Bore (12 Valve) (Perkins Eng.).....	54
MF356 ... Wheel Tractor.....	3.2L 193 OHV L4 3.75" Bore (Continental Eng.).....	23	MF80 ... Wheel Tractor.....	5.8L 354 OHV Diesel L6 3.875" Bore (12 Valve) (Perkins Eng.).....	53
MF356 ... Wheel Tractor.....	3.3L 203.6 OHV Diesel L4 3.6" Bore (Perkins Eng.).....	25	MF85 ... Wheel Tractor.....	3.7L 223 OHV L4 3.8125" Bore (Continental Eng.).....	30
MF40 ... Wheel Tractor.....	2.2L 134 OHV L4 3.3125" Bore (Continental Eng.).....	14	MF85 ... Wheel Tractor.....	4.0L 242 OHV L4 3.875" Bore (Continental Eng.).....	36
MF40 ... Wheel Tractor.....	2.5L 152.7 OHV Diesel L3 3.6" Bore (Perkins Eng.).....	18	MF85 ... Wheel Tractor.....	4.3L 260 OHV Diesel L4 3.875" Bore (Continental Eng.).....	40
MF40 ... Wheel Tractor.....	3.2L 193 OHV L4 3.75" Bore (Continental Eng.).....	23	MF85 ... Wheel Tractor.....	4.5L 277 OHV Diesel L4 4" Bore (Continental Eng.).....	43
MF40 ... Wheel Tractor.....	3.3L 203.6 OHV Diesel L4 3.6" Bore (Perkins Eng.).....	25	MF88 ... Wheel Tractor.....	3.7L 223 OHV L4 3.8125" Bore (Continental Eng.).....	30
MF40 ... Wheel Tractor.....	3.9L 235.9 OHV Diesel L4 3.875" Bore (Perkins Eng.).....	35	MF88 ... Wheel Tractor.....	4.0L 242 OHV L4 3.875" Bore (Continental Eng.).....	36
MF400 ... Wheel Tractor.....	5.8L 354 OHV Diesel L6 3.875" Bore (12 Valve) (Perkins Eng.).....	53			

Massey-Ferguson - Also See Engine Manufacturer

Model Index					
Model	Engine Description	Line No.	Model	Engine Description	Line No.
MF88 ... Wheel Tractor.....	4.3L 260 OHV Diesel L4 3.875" Bore (Continental Eng.).....	40	No. 22 ... Combine.....	2.6L 162 L-HEAD L4 3.4375" Bore (Continental Eng.).....	20
MF88 ... Wheel Tractor.....	4.5L 277 OHV Diesel L4 4" Bore (Continental Eng.).....	43	No. 27 ... Combine.....	4.1L 251 L-HEAD L6 3.4375" Bore (Chrysler) (Chrysler Eng.).....	38
MF90 Super ... Wheel Tractor.....	4.0L 242 OHV L4 3.875" Bore (Continental Eng.).....	36	Pacer ... Wheel Tractor.....	1.5L 91 L-HEAD L4 2.875" Bore (Continental Eng.).....	3
MF95 ... Wheel Tractor.....	7.0L 425 L6 4.25" Bore (Minneapolis-Moline Eng.).....	55	Pacer Series 16 ... Wheel Tractor.....	1.5L 91 L-HEAD L4 2.875" Bore (Continental Eng.).....	3
MF95 ... Wheel Tractor.....	7.0L 425 Diesel L6 4.25" Bore (Minneapolis-Moline Eng.).....	56	PA4 ... Wheel Tractor	1.5L 91 L-HEAD L4 2.875" Bore (Continental Eng.).....	3
MF95 Super ... Wheel Tractor.....	7.0L 425 L6 4.25" Bore (Minneapolis-Moline Eng.).....	55	Pony ... Wheel Tractor.....	1.0L 62 L-HEAD L4 2.375" Bore (Continental Eng.).....	2
MF95 Super ... Wheel Tractor.....	7.0L 425 Diesel L6 4.25" Bore (Minneapolis-Moline Eng.).....	56	Pony Series 11 ... Wheel Tractor.....	1.0L 62 L-HEAD L4 2.375" Bore (Continental Eng.).....	2
MF97 ... Wheel Tractor.....	8.3L 504 Diesel L6 4.625" Bore (Minneapolis-Moline Eng.).....	57	RS21 ... Wheel Tractor	2.1L 124 L-HEAD L4 3" Bore (Continental Eng.).....	9
MF98 ... Wheel Tractor.....	3.5L 213 OHV Diesel L3 4.25" Bore (3-71) (Detroit Diesel Eng.).....	28	RT21 ... Wheel Tractor	2.1L 124 L-HEAD L4 3" Bore (Continental Eng.).....	9
MHF50 ... Wheel Tractor	2.2L 134 OHV L4 3.3125" Bore (Continental Eng.).....	14	S ... Combine.....	3.7L 226 OHV L6 3.3125" Bore (12 Valve) (Continental Eng.)	32
MH50 ... Wheel Tractor	2.2L 134 OHV L4 3.3125" Bore (Continental Eng.).....	14	SP ... Combine	3.7L 226 OHV L6 3.3125" Bore (12 Valve) (Continental Eng.)	32
MH50 Hi Clear ... Wheel Tractor.....	2.2L 134 OHV L4 3.3125" Bore (Continental Eng.).....	14	SPH88 ... Combine.....	5.6L 339 OHV L6 4" Bore (Hercules Eng.).....	52
Mustang ... Wheel Tractor	2.3L 140 L-HEAD L4 3.1875" Bore (Continental Eng.).....	15	SR ... Combine	3.7L 226 OHV L6 3.3125" Bore (12 Valve) (Continental Eng.).....	32
Mustang K23 ... Wheel Tractor.....	2.3L 140 L-HEAD L4 3.1875" Bore (Continental Eng.).....	15	STD21 ... Wheel Tractor.....	2.1L 124 L-HEAD L4 3" Bore (Continental Eng.).....	9
Mustang RC ... Wheel Tractor.....	2.3L 140 L-HEAD L4 3.1875" Bore (Continental Eng.).....	15	Super 35 ... Combine.....	2.3L 140 L-HEAD L4 3.1875" Bore (Continental Eng.).....	15
Mustang RS ... Wheel Tractor.....	2.3L 140 L-HEAD L4 3.1875" Bore (Continental Eng.).....	15	Super 90 ... Wheel Tractor ...	4.0L 242 OHV L4 3.875" Bore (Continental Eng.).....	36
Mustang RT ... Wheel Tractor.....	2.3L 140 L-HEAD L4 3.1875" Bore (Continental Eng.).....	15	Super 90G ... Wheel Tractor..	4.0L 242 OHV L4 3.875" Bore (Continental Eng.).....	36
Mustang Standard RT ... Wheel Tractor	2.3L 140 L-HEAD L4 3.1875" Bore (Continental Eng.).....	15	Super 90WR ... Wheel Tractor.....	4.0L 242 OHV L4 3.875" Bore (Continental Eng.).....	36
Mustang 23 ... Wheel Tractor.....	2.3L 140 L-HEAD L4 3.1875" Bore (Continental Eng.).....	15	Super 92 Hillside ... Wheel Tractor.....	2.3L 140 L-HEAD L4 3.1875" Bore (Continental Eng.).....	15
No. 1 ... Hay Baler	1.8L 108 L-HEAD V4 3.25" Bore (Wisconsin Eng.).....	6	TE20 ... Wheel Tractor	2.0L 120 OHV L4 3.1875" Bore (Continental Eng.).....	8
No. 1 ... Hay Baler	1.5L 91.9 L-HEAD V4 3" Bore (Wisconsin Eng.).....	4	TE20 ... Wheel Tractor	2.1L 129 OHV L4 3.25" Bore (Continental Eng.).....	10
No. 11 ... Combine.....	3.7L 226 OHV L4 4" Bore (Hercules Eng.).....	33	TE35 ... Wheel Tractor	2.2L 134 OHV L4 3.3125" Bore (Continental Eng.).....	14
No. 14 ... Combine.....	4.6L 282 L-HEAD L6 3.75" Bore (Hercules Eng.).....	44	TO ... Wheel Tractor.....	2.2L 134 OHV L4 3.3125" Bore (Continental Eng.).....	14
No. 15 ... Combine.....	2.2L 133 L-HEAD L4 3.25" Bore (Hercules Eng.).....	11	TO20 ... Wheel Tractor.....	2.0L 120 OHV L4 3.1875" Bore (Continental Eng.).....	8
No. 15 ... Combine.....	2.2L 133 L-HEAD L4 3.25" Bore (Early) (Waukesha Eng.)	12	TO20 ... Wheel Tractor.....	2.1L 129 OHV L4 3.25" Bore (Continental Eng.).....	10
No. 15 ... Combine.....	2.6L 162 L-HEAD L4 3.4375" Bore (Continental Eng.).....	20	TO30 ... Wheel Tractor.....	2.0L 120 OHV L4 3.1875" Bore (Continental Eng.).....	8
No. 17 ... Combine.....	2.2L 133 L-HEAD L4 3.25" Bore (Hercules Eng.).....	11	TO30 ... Wheel Tractor.....	2.1L 129 OHV L4 3.25" Bore (Continental Eng.).....	10
No. 17 ... Combine.....	2.6L 162 L-HEAD L4 3.4375" Bore (Continental Eng.).....	20	TO30 ... Wheel Tractor.....	2.2L 134 OHV L4 3.3125" Bore (Continental Eng.).....	14
No. 18 ... Combine.....	2.6L 162 L-HEAD L4 3.4375" Bore (Continental Eng.).....	20	TO35 ... Wheel Tractor.....	2.2L 134 OHV L4 3.3125" Bore (Continental Eng.).....	14
No. 2 Clipper ... Combine	3.7L 226 OHV L6 3.3125" Bore (12 Valve) (Continental Eng.).....	32	TO35 ... Wheel Tractor.....	2.4L 144 OHV Diesel L3 3.5" Bore (Perkins Eng.).....	16
No. 21 ... Combine.....	3.8L 230 L-HEAD L6 3.25" Bore (Dodge) (Chrysler Eng.).....	34	TO40 ... Wheel Tractor.....	2.2L 134 OHV L4 3.3125" Bore (Continental Eng.).....	14
			Tractor Mate ... Hay Baler	2.2L 134 OHV L4 3.3125" Bore (Continental Eng.).....	14
			Tractor Mate ... Harvester.....	2.2L 134 OHV L4 3.3125" Bore (Continental Eng.).....	14
			T40 ... Wheel Tractor.....	2.2L 134 OHV L4 3.3125" Bore (Continental Eng.).....	14

(continued on next page)

Massey-Ferguson - Also See Engine Manufacturer

Model Index					
Model	Engine Description	Line No.	Model	Engine Description	Line No.
10 ... Hay Baler.....	9L 53.9 L-HEAD L2 3.25" Bore (Wisconsin Eng.)	1	14 Ft. ... Windrower	1.8L 108 L-HEAD V4 3.25" Bore (Wisconsin Eng.)	6
10 Ft. ... Windrower	1.8L 108 L-HEAD V4 3.25" Bore (Wisconsin Eng.)	6	15 ... Combine	2.2L 133 L-HEAD L4 3.25" Bore (Hercules Eng.).....	11
1001D ... Wheel Tractor	3.4L 208 OHV L4 3.6875" Bore (Continental Eng.).....	26	15 ... Combine	2.6L 162 L-HEAD L4 3.4375" Bore (Continental Eng.).....	20
1001G ... Wheel Tractor	3.4L 208 OHV L4 3.6875" Bore (Continental Eng.).....	26	15-17 ... Combine	1.9L 113 L-HEAD L4 3" Bore (Hercules Eng.).....	7
101 ... Wheel Tractor.....	2.1L 124 L-HEAD L4 3" Bore (Continental Eng.).....	9	15-17 ... Combine.....	4.1L 251 L-HEAD L6 3.4375" Bore (Chrysler) (Chrysler Eng.).....	38
101 ... Wheel Tractor.....	2.3L 140 L-HEAD L4 3.1875" Bore (Continental Eng.).....	15	16 Ft. ... Windrower	1.8L 108 L-HEAD V4 3.25" Bore (Wisconsin Eng.).....	6
101 ... Wheel Tractor.....	2.6L 162 L-HEAD L4 3.4375" Bore (Continental Eng.).....	20	17 ... Combine	2.2L 133 L-HEAD L4 3.25" Bore (Hercules Eng.).....	11
101 Junior ... Wheel Tractor ..	2.1L 124 L-HEAD L4 3" Bore (Continental Eng.).....	9	17 ... Combine	2.6L 162 L-HEAD L4 3.4375" Bore (Continental Eng.).....	20
101 Row Crop ... Wheel Tractor.....	3.6L 217.8 L-HEAD L6 3.25" Bore (Dodge/Plymouth) (Chrysler Eng.).....	29	20 ... Wheel Tractor.....	2.1L 124 L-HEAD L4 3" Bore (Continental Eng.).....	9
101 Senior ... Wheel Tractor..	3.7L 226 OHV L6 3.3125" Bore (12 Valve) (Continental Eng.)	32	20 ... Wheel Tractor.....	2.3L 140 L-HEAD L4 3.1875" Bore (Continental Eng.).....	15
101JR ... Wheel Tractor.....	2.1L 124 L-HEAD L4 3" Bore (Continental Eng.).....	9	20 ... Harvester.....	3.7L 226 OHV L6 3.3125" Bore (12 Valve) (Continental Eng.)	32
101JR ... Wheel Tractor.....	2.3L 140 L-HEAD L4 3.1875" Bore (Continental Eng.).....	15	20 Forage Clipper ... Combine.....	3.7L 226 OHV L6 3.3125" Bore (12 Valve) (Continental Eng.)	32
101JR ... Wheel Tractor.....	2.6L 162 L-HEAD L4 3.4375" Bore (Continental Eng.).....	20	20G ... Wheel Tractor	2.1L 124 L-HEAD L4 3" Bore (Continental Eng.).....	9
101RC ... Wheel Tractor.....	3.7L 226 OHV L6 3.3125" Bore (12 Valve) (Continental Eng.)	32	20G ... Wheel Tractor	2.3L 140 L-HEAD L4 3.1875" Bore (Continental Eng.).....	15
101RC ... Combine.....	3.8L 230 L-HEAD L6 3.25" Bore (Dodge) (Chrysler Eng.)	34	20K ... Wheel Tractor.....	2.1L 124 L-HEAD L4 3" Bore (Continental Eng.).....	9
101SR ... Wheel Tractor.....	3.6L 217.8 L-HEAD L6 3.25" Bore (Dodge/Plymouth) (Chrysler Eng.).....	29	20K ... Wheel Tractor.....	2.3L 140 L-HEAD L4 3.1875" Bore (Continental Eng.).....	15
101SR ... Wheel Tractor.....	3.7L 226 OHV L6 3.3125" Bore (12 Valve) (Continental Eng.)	32	20SP ... Combine	4.1L 251 L-HEAD L6 3.4375" Bore (Chrysler) (Chrysler Eng.).....	38
101SR ... Combine	3.8L 230 L-HEAD L6 3.25" Bore (Dodge) (Chrysler Eng.)	34	201 ... Wheel Tractor.....	4.1L 251 L-HEAD L6 3.4375" Bore (Chrysler) (Chrysler Eng.).....	38
102 Junior ... Wheel Tractor ..	2.3L 140 L-HEAD L4 3.1875" Bore (Continental Eng.).....	15	202 ... Wheel Tractor.....	2.0L 120 OHV L4 3.1875" Bore (Continental Eng.).....	8
102 Junior ... Wheel Tractor ..	4.7L 289.9 OHV L6 3.75" Bore (Continental Eng.).....	47	202 ... Wheel Tractor.....	2.2L 134 OHV L4 3.3125" Bore (Continental Eng.).....	14
102G Junior ... Wheel Tractor.....	2.6L 162 L-HEAD L4 3.4375" Bore (Continental Eng.).....	20	202 ... Wheel Tractor.....	4.7L 289.9 OHV L6 3.75" Bore (Continental Eng.).....	47
102G-JR ... Wheel Tractor.....	2.1L 124 L-HEAD L4 3" Bore (Continental Eng.).....	9	202G ... Wheel Tractor	2.2L 134 OHV L4 3.3125" Bore (Continental Eng.).....	14
102G-JR ... Wheel Tractor.....	2.3L 140 L-HEAD L4 3.1875" Bore (Continental Eng.).....	15	203 ... Wheel Tractor.....	2.0L 120 OHV L4 3.1875" Bore (Continental Eng.).....	8
102G-JR ... Wheel Tractor.....	2.6L 162 L-HEAD L4 3.4375" Bore (Continental Eng.).....	20	203D ... Wheel Tractor	2.2L 134 OHV L4 3.3125" Bore (Continental Eng.).....	14
102G-SR ... Wheel Tractor.....	3.7L 226 OHV L6 3.3125" Bore (12 Valve) (Continental Eng.)	32	203G ... Wheel Tractor	2.0L 120 OHV L4 3.1875" Bore (Continental Eng.).....	8
102JR ... Wheel Tractor.....	2.1L 124 L-HEAD L4 3" Bore (Continental Eng.).....	9	204 ... Wheel Tractor.....	2.0L 120 OHV L4 3.1875" Bore (Continental Eng.).....	8
102JR ... Wheel Tractor.....	2.3L 140 L-HEAD L4 3.1875" Bore (Continental Eng.).....	15	204G ... Wheel Tractor	2.2L 134 OHV L4 3.3125" Bore (Continental Eng.).....	14
102JR ... Wheel Tractor.....	2.6L 162 L-HEAD L4 3.4375" Bore (Continental Eng.).....	20	205D ... Wheel Tractor	2.5L 152.7 OHV Diesel L3 3.6" Bore (Perkins Eng.).....	18
102S ... Wheel Tractor.....	3.6L 217.8 L-HEAD L6 3.25" Bore (Dodge/Plymouth) (Chrysler Eng.).....	29	21 ... Combine	3.6L 217.8 L-HEAD L6 3.25" Bore (Dodge/Plymouth) (Chrysler Eng.).....	29
12 ... Hay Baler.....	9L 53.9 L-HEAD L2 3.25" Bore (Wisconsin Eng.)	1	21 ... Combine	4.1L 251 L-HEAD L6 3.4375" Bore (Chrysler) (Chrysler Eng.).....	38
12 Cut ... Combine.....	3.7L 226 OHV L4 4" Bore (Hercules Eng.).....	33	21 Colt ... Wheel Tractor.....	2.1L 124 L-HEAD L4 3" Bore (Continental Eng.).....	9
12 Ft. ... Windrower	1.8L 108 L-HEAD V4 3.25" Bore (Wisconsin Eng.)	6	21 Colt ... Wheel Tractor.....	2.3L 140 L-HEAD L4 3.1875" Bore (Continental Eng.).....	15
135 ... Wheel Tractor.....	2.5L 152.7 OHV Diesel L3 3.6" Bore (Perkins Eng.).....	18	21SP ... Combine	4.1L 251 L-HEAD L6 3.4375" Bore (Chrysler) (Chrysler Eng.).....	38
14 ... Combine	4.6L 282 L-HEAD L6 3.75" Bore (Hercules Eng.).....	44	22 ... Wheel Tractor	2.1L 124 L-HEAD L4 3" Bore (Continental Eng.).....	9
			22 ... Wheel Tractor.....	2.3L 140 L-HEAD L4 3.1875" Bore (Continental Eng.).....	15

Massey-Ferguson - Also See Engine Manufacturer

Model Index					
Model	Engine Description	Line No.	Model	Engine Description	Line No.
22G ... Wheel Tractor	2.1L 124 L-HEAD L4 3" Bore (Continental Eng.)	9	300 ... Crawler Tractor	4.1L 248.2 OHV Diesel L4 3.975" Bore (Perkins Eng.)	37
22G ... Wheel Tractor	2.3L 140 L-HEAD L4 3.1875" Bore (Continental Eng.)	15	300 Rice ... Combine	3.7L 225 OHV L6 3.4063" Bore (Chrysler Eng.)	31
22K ... Wheel Tractor	2.1L 124 L-HEAD L4 3" Bore (Continental Eng.)	9	302D ... Wheel Tractor	3.3L 203.6 OHV Diesel L4 3.6" Bore (Perkins Eng.)	25
22K ... Wheel Tractor	2.3L 140 L-HEAD L4 3.1875" Bore (Continental Eng.)	15	302G ... Wheel Tractor	3.2L 193 OHV L4 3.75" Bore (Continental Eng.)	23
22RC ... Wheel Tractor	2.1L 124 L-HEAD L4 3" Bore (Continental Eng.)	9	303 ... Wheel Tractor	3.4L 208 OHV L4 3.6875" Bore (Continental Eng.)	26
22RC ... Wheel Tractor	2.3L 140 L-HEAD L4 3.1875" Bore (Continental Eng.)	15	303D ... Wheel Tractor	3.4L 208 OHV L4 3.6875" Bore (Continental Eng.)	26
22RT ... Wheel Tractor	2.1L 124 L-HEAD L4 3" Bore (Continental Eng.)	9	303G ... Wheel Tractor	3.4L 208 OHV L4 3.6875" Bore (Continental Eng.)	26
22RT ... Wheel Tractor	2.3L 140 L-HEAD L4 3.1875" Bore (Continental Eng.)	15	304 ... Wheel Tractor	3.2L 193 OHV L4 3.75" Bore (Continental Eng.)	23
220 ... Wheel Skidder	4.1L 248.2 OHV Diesel L4 3.975" Bore (Perkins Eng.)	37	304 ... Wheel Tractor	3.3L 203.6 OHV Diesel L4 3.6" Bore (Perkins Eng.)	25
23 ... Wheel Tractor	2.1L 124 L-HEAD L4 3" Bore (Continental Eng.)	9	304 Work Bull ... Wheel Tractor	3.4L 208 OHV L4 3.6875" Bore (Continental Eng.)	26
23 ... Wheel Tractor	2.3L 140 L-HEAD L4 3.1875" Bore (Continental Eng.)	15	33 ... Wheel Tractor	3.3L 201 OHV L4 3.625" Bore (Continental Eng.)	24
26 ... Combine	3.6L 217.8 L-HEAD L6 3.25" Bore (Dodge/Plymouth) (Chrysler Eng.)	29	33 ... Wheel Tractor	3.4L 208 OHV L4 3.6875" Bore (Continental Eng.)	26
26 Rice ... Combine	3.6L 217.8 L-HEAD L6 3.25" Bore (Dodge/Plymouth) (Chrysler Eng.)	29	33 ... Wheel Loader	4.1L 248.2 OHV Diesel L4 3.975" Bore (Perkins Eng.)	37
26SP ... Combine	3.6L 217.8 L-HEAD L6 3.25" Bore (Dodge/Plymouth) (Chrysler Eng.)	29	33K ... Wheel Tractor	2.3L 140 L-HEAD L4 3.1875" Bore (Continental Eng.)	15
27 ... Combine	4.3L 265 L-HEAD L6 3.4375" Bore (Chrysler) (Chrysler Eng.)	41	33K ... Wheel Tractor	3.3L 201 OHV L4 3.625" Bore (Continental Eng.)	24
27 Rice ... Combine	4.3L 265 L-HEAD L6 3.4375" Bore (Chrysler) (Chrysler Eng.)	41	33RT ... Wheel Tractor	2.3L 140 L-HEAD L4 3.1875" Bore (Continental Eng.)	15
27 Standard ... Wheel Tractor	3.6L 217.8 L-HEAD L6 3.25" Bore (Dodge/Plymouth) (Chrysler Eng.)	29	33RT ... Wheel Tractor	3.3L 201 OHV L4 3.625" Bore (Continental Eng.)	24
27 Standard ... Combine	4.3L 265 L-HEAD L6 3.4375" Bore (Chrysler) (Chrysler Eng.)	41	333 ... Wheel Tractor	3.4L 208 OHV L4 3.6875" Bore (Continental Eng.)	26
27L ... Combine	4.1L 251 L-HEAD L6 3.4375" Bore (Chrysler) (Chrysler Eng.)	38	333D ... Wheel Tractor	3.4L 208 OHV L4 3.6875" Bore (Continental Eng.)	26
27L ... Combine	4.3L 265 L-HEAD L6 3.4375" Bore (Chrysler) (Chrysler Eng.)	41	333G ... Wheel Tractor	3.4L 208 OHV L4 3.6875" Bore (Continental Eng.)	26
27SP ... Combine	4.1L 251 L-HEAD L6 3.4375" Bore (Chrysler) (Chrysler Eng.)	38	333K ... Wheel Tractor	3.4L 208 OHV L4 3.6875" Bore (Continental Eng.)	26
27SP ... Combine	4.3L 265 L-HEAD L6 3.4375" Bore (Chrysler) (Chrysler Eng.)	41	333LP ... Wheel Tractor	3.4L 208 OHV L4 3.6875" Bore (Continental Eng.)	26
3 ... Hay Baler	.9L 53.9 L-HEAD L2 3.25" Bore (Wisconsin Eng.)	1	35 ... Wheel Tractor	2.3L 140 L-HEAD L4 3.1875" Bore (Continental Eng.)	15
30 ... Wheel Tractor	2.6L 162 L-HEAD L4 3.4375" Bore (Continental Eng.)	20	35G ... Wheel Tractor	2.2L 134 OHV L4 3.3125" Bore (Continental Eng.)	14
30 Row Crop ... Wheel Tractor	2.6L 162 L-HEAD L4 3.4375" Bore (Continental Eng.)	20	35SP ... Combine	2.3L 140 L-HEAD L4 3.1875" Bore (Continental Eng.)	15
30 Standard ... Wheel Tractor	2.6L 162 L-HEAD L4 3.4375" Bore (Continental Eng.)	20	35TU ... Wheel Tractor	2.2L 134 OHV L4 3.3125" Bore (Continental Eng.)	14
30-38LL ... Combine	4.6L 282 L-HEAD L6 3.75" Bore (Hercules Eng.)	44	35TU ... Wheel Tractor	2.5L 152.7 OHV Diesel L3 3.6" Bore (Perkins Eng.)	18
30-38SH ... Combine	4.6L 282 L-HEAD L6 3.75" Bore (Hercules Eng.)	44	350 ... Excavator	4.1L 248.2 OHV Diesel L4 3.975" Bore (Perkins Eng.)	37
30G ... Wheel Tractor	2.6L 162 L-HEAD L4 3.4375" Bore (Continental Eng.)	20	356 ... Wheel Tractor	3.2L 193 OHV L4 3.75" Bore (Continental Eng.)	23
30K ... Wheel Tractor	2.6L 162 L-HEAD L4 3.4375" Bore (Continental Eng.)	20	356 ... Wheel Tractor	3.3L 203.6 OHV Diesel L4 3.6" Bore (Perkins Eng.)	25
30RC ... Wheel Tractor	2.6L 162 L-HEAD L4 3.4375" Bore (Continental Eng.)	20	36 ... Wheel Tractor	2.1L 124 L-HEAD L4 3" Bore (Continental Eng.)	9
30RT ... Wheel Tractor	2.6L 162 L-HEAD L4 3.4375" Bore (Continental Eng.)	20	36 ... Wheel Tractor	2.3L 140 L-HEAD L4 3.1875" Bore (Continental Eng.)	15
300 ... Combine	3.7L 225 OHV L6 3.4063" Bore (Chrysler Eng.)	31	36 ... Wheel Tractor	2.6L 162 L-HEAD L4 3.4375" Bore (Continental Eng.)	20
			36SP ... Combine	2.3L 140 L-HEAD L4 3.1875" Bore (Continental Eng.)	15
			402 ... Wheel Tractor	3.4L 208 OHV L4 3.6875" Bore (Continental Eng.)	26
			404 ... Wheel Tractor	4.3L 260 OHV L4 3.875" Bore (Continental Eng.)	39

(continued on next page)

Massey-Ferguson - Also See Engine Manufacturer

Model Index					
Model	Engine Description	Line No.	Model	Engine Description	Line No.
404 ... Wheel Tractor	4.3L 260 OHV Diesel L4 3.875" Bore (Continental Eng.)	40	44K ... Wheel Tractor	4.5L 277 OHV L4 4" Bore (Continental Eng.)	42
404 ... Wheel Tractor	4.5L 277 OHV L4 4" Bore (Continental Eng.)	42	44LP ... Wheel Tractor	4.3L 260 OHV L4 3.875" Bore (Continental Eng.)	39
404D ... Wheel Tractor	4.5L 277 OHV L4 4" Bore (Continental Eng.)	42	44LP ... Wheel Tractor	4.5L 277 OHV L4 4" Bore (Continental Eng.)	42
404G ... Wheel Tractor	4.5L 277 OHV L4 4" Bore (Continental Eng.)	42	44RT ... Wheel Tractor	4.3L 260 OHV L4 3.875" Bore (Continental Eng.)	39
406D ... Wheel Tractor	3.4L 208 OHV L4 3.6875" Bore (Continental Eng.)	26	444 ... Wheel Tractor	4.3L 260 OHV L4 3.875" Bore (Continental Eng.)	39
406G ... Wheel Tractor	3.4L 208 OHV L4 3.6875" Bore (Continental Eng.)	26	444 ... Wheel Tractor	4.5L 277 OHV L4 4" Bore (Continental Eng.)	42
406G ... Wheel Tractor	4.0L 242 OHV L4 3.875" Bore (Continental Eng.)	36	444B ... Wheel Tractor	4.3L 260 OHV L4 3.875" Bore (Continental Eng.)	39
410SP ... Combine	4.8L 292 OHV L6 3.875" Bore (Chevrolet) (GMC Eng.)	48	444B ... Wheel Tractor	4.5L 277 OHV L4 4" Bore (Continental Eng.)	42
410SP Rice ... Combine	4.8L 292 OHV L6 3.875" Bore (Chevrolet) (GMC Eng.)	48	444D ... Wheel Tractor	4.3L 260 OHV L4 3.875" Bore (Continental Eng.)	39
44 ... Wheel Tractor	4.3L 260 OHV L4 3.875" Bore (Continental Eng.)	39	444D ... Wheel Tractor	4.5L 277 OHV L4 4" Bore (Continental Eng.)	42
44 ... Wheel Tractor	4.5L 277 OHV L4 4" Bore (Continental Eng.)	42	444D ... Wheel Tractor	4.5L 277 OHV Diesel L4 4" Bore (Continental Eng.)	43
44 Special ... Wheel Tractor	4.3L 260 OHV L4 3.875" Bore (Continental Eng.)	39	444G ... Wheel Tractor	4.3L 260 OHV L4 3.875" Bore (Continental Eng.)	39
44 Special ... Wheel Tractor	4.5L 277 OHV L4 4" Bore (Continental Eng.)	42	444G ... Wheel Tractor	4.5L 277 OHV L4 4" Bore (Continental Eng.)	42
44 Special G ... Wheel Tractor	4.3L 260 OHV L4 3.875" Bore (Continental Eng.)	39	444K ... Wheel Tractor	4.3L 260 OHV L4 3.875" Bore (Continental Eng.)	39
44 Special G ... Wheel Tractor	4.5L 277 OHV L4 4" Bore (Continental Eng.)	42	444K ... Wheel Tractor	4.5L 277 OHV L4 4" Bore (Continental Eng.)	42
44 Special K ... Wheel Tractor	4.3L 260 OHV L4 3.875" Bore (Continental Eng.)	39	444LP ... Wheel Tractor	4.3L 260 OHV L4 3.875" Bore (Continental Eng.)	39
44 Special K ... Wheel Tractor	4.5L 277 OHV L4 4" Bore (Continental Eng.)	42	444LP ... Wheel Tractor	4.5L 277 OHV L4 4" Bore (Continental Eng.)	42
44 Special LP ... Wheel Tractor	4.3L 260 OHV L4 3.875" Bore (Continental Eng.)	39	50 Clipper ... Combine	1.8L 108 L-HEAD V4 3.25" Bore (Wisconsin Eng.)	6
44 Special LP ... Wheel Tractor	4.5L 277 OHV L4 4" Bore (Continental Eng.)	42	50 Series ... Wheel Tractor	2.2L 134 OHV L4 3.3125" Bore (Continental Eng.)	14
44(6)G ... Wheel Tractor	3.7L 226 OHV L6 3.3125" Bore (12 Valve) (Continental Eng.)	32	510SP ... Combine	5.3L 327 OHV V8 4" Bore (Chevrolet) (GMC Eng.)	50
44-6 ... Wheel Tractor	3.7L 226 OHV L6 3.3125" Bore (12 Valve) (Continental Eng.)	32	510SP Rice ... Combine	5.3L 327 OHV V8 4" Bore (Chevrolet) (GMC Eng.)	50
44B ... Wheel Tractor	4.3L 260 OHV L4 3.875" Bore (Continental Eng.)	39	55G ... Wheel Tractor	2.2L 134 OHV L4 3.3125" Bore (Continental Eng.)	14
44B ... Wheel Tractor	4.5L 277 OHV L4 4" Bore (Continental Eng.)	42	6 Ft. Clipper ... Combine	1.8L 108 L-HEAD V4 3.25" Bore (Wisconsin Eng.)	6
44D ... Wheel Tractor	4.3L 260 OHV L4 3.875" Bore (Continental Eng.)	39	6-8 Cut ... Combine	2.2L 133 L-HEAD L4 3.25" Bore (Hercules Eng.)	11
44D ... Wheel Tractor	4.3L 260 OHV Diesel L4 3.875" Bore (Continental Eng.)	40	60 ... Harvester	2.5L 154 L-HEAD V4 3.5" Bore (Wisconsin Eng.)	19
44D ... Wheel Tractor	4.5L 277 OHV L4 4" Bore (Continental Eng.)	42	60PT ... Combine	1.8L 108 L-HEAD V4 3.25" Bore (Wisconsin Eng.)	6
44D ... Wheel Tractor	4.5L 277 OHV Diesel L4 4" Bore (Continental Eng.)	43	60PT ... Combine	2.3L 140 L-HEAD L4 3.1875" Bore (Continental Eng.)	15
44D Special ... Wheel Tractor	4.3L 260 OHV Diesel L4 3.875" Bore (Continental Eng.)	40	60SP ... Combine	3.6L 217.8 L-HEAD L6 3.25" Bore (Dodge/Plymouth) (Chrysler Eng.)	29
44D Special ... Wheel Tractor	4.5L 277 OHV Diesel L4 4" Bore (Continental Eng.)	43	60SP ... Combine	3.8L 230 L-HEAD L6 3.25" Bore (Dodge) (Chrysler Eng.)	34
44G ... Wheel Tractor	4.3L 260 OHV L4 3.875" Bore (Continental Eng.)	39	60SP Rice ... Combine	3.8L 230 L-HEAD L6 3.25" Bore (Dodge) (Chrysler Eng.)	34
44G ... Wheel Tractor	4.5L 277 OHV L4 4" Bore (Continental Eng.)	42	60SP Standard ... Combine	3.8L 230 L-HEAD L6 3.25" Bore (Dodge) (Chrysler Eng.)	34
44K ... Wheel Tractor	4.3L 260 OHV L4 3.875" Bore (Continental Eng.)	39	65U ... Wheel Tractor	2.9L 176 OHV L4 3.625" Bore (Continental Eng.)	21
			69 ... Combine	1.8L 108 L-HEAD V4 3.25" Bore (Wisconsin Eng.)	6
			7 Ft. Clipper ... Combine	1.8L 108 L-HEAD V4 3.25" Bore (Wisconsin Eng.)	6
			70SP ... Combine	3.6L 217.8 L-HEAD L6 3.25" Bore (Dodge/Plymouth) (Chrysler Eng.)	29

(continued on next page)

Massey-Ferguson - Also See Engine Manufacturer

Model Index					
Model	Engine Description	Line No.	Model	Engine Description	Line No.
70SP ... Combine	3.8L 230 L-HEAD L6 3.25" Bore (Dodge) (Chrysler Eng.)	34	82SP Standard ... Combine...	3.8L 230 L-HEAD L6 3.25" Bore (Dodge) (Chrysler Eng.)	34
70SP Rice ... Combine	3.8L 230 L-HEAD L6 3.25" Bore (Dodge) (Chrysler Eng.)	34	85G ... Wheel Tractor	4.0L 242 OHV L4 3.875" Bore (Continental Eng.).....	36
70SP Standard ... Combine...	3.8L 230 L-HEAD L6 3.25" Bore (Dodge) (Chrysler Eng.)	34	88 ... Combine	1.8L 108 L-HEAD V4 3.25" Bore (Wisconsin Eng.)	6
72PT ... Combine.....	2.3L 140 L-HEAD L4 3.1875" Bore (Continental Eng.).....	15	88G ... Wheel Tractor	4.0L 242 OHV L4 3.875" Bore (Continental Eng.).....	36
72SP ... Combine	2.3L 140 L-HEAD L4 3.1875" Bore (Continental Eng.).....	15	90 ... Combine	4.1L 251 L-HEAD L6 3.4375" Bore (Chrysler) (Chrysler Eng.).....	38
72SP ... Combine	3.8L 230 L-HEAD L6 3.25" Bore (Dodge) (Chrysler Eng.)	34	90 ... Combine	4.3L 265 L-HEAD L6 3.4375" Bore (Chrysler) (Chrysler Eng.).....	41
72SP Rice ... Combine	3.8L 230 L-HEAD L6 3.25" Bore (Dodge) (Chrysler Eng.)	34	90SP ... Combine	4.1L 251 L-HEAD L6 3.4375" Bore (Chrysler) (Chrysler Eng.).....	38
72SP Standard ... Combine...	3.8L 230 L-HEAD L6 3.25" Bore (Dodge) (Chrysler Eng.)	34	90SP ... Combine	4.3L 265 L-HEAD L6 3.4375" Bore (Chrysler) (Chrysler Eng.).....	41
775 ... Combine	3.7L 225 OHV L6 3.4063" Bore (Chrysler Eng.)	31	90SP Rice ... Combine	4.1L 251 L-HEAD L6 3.4375" Bore (Chrysler) (Chrysler Eng.).....	38
80SP ... Combine	3.6L 217.8 L-HEAD L6 3.25" Bore (Dodge/Plymouth) (Chrysler Eng.).....	29	90SP Rice ... Combine	4.3L 265 L-HEAD L6 3.4375" Bore (Chrysler) (Chrysler Eng.).....	41
80SP ... Combine	3.8L 230 L-HEAD L6 3.25" Bore (Dodge) (Chrysler Eng.)	34	90SP Standard ... Combine...	4.1L 251 L-HEAD L6 3.4375" Bore (Chrysler) (Chrysler Eng.).....	38
80SP Rice ... Combine	3.8L 230 L-HEAD L6 3.25" Bore (Dodge) (Chrysler Eng.)	34	90SP Standard ... Combine...	4.3L 265 L-HEAD L6 3.4375" Bore (Chrysler) (Chrysler Eng.).....	41
80SP Standard ... Combine...	3.8L 230 L-HEAD L6 3.25" Bore (Dodge) (Chrysler Eng.)	34	90WR2 ... Wheel Tractor	4.0L 242 OHV L4 3.875" Bore (Continental Eng.).....	36
81 ... Wheel Tractor.....	2.1L 124 L-HEAD L4 3" Bore (Continental Eng.).....	9	92 Super ... Combine.....	4.3L 265 L-HEAD L6 3.4375" Bore (Chrysler) (Chrysler Eng.).....	41
81 ... Wheel Tractor.....	2.3L 140 L-HEAD L4 3.1875" Bore (Continental Eng.).....	15	92 Super Rice ... Combine ...	4.3L 265 L-HEAD L6 3.4375" Bore (Chrysler) (Chrysler Eng.).....	41
81 Row Crop ... Wheel Tractor.....	2.1L 124 L-HEAD L4 3" Bore (Continental Eng.).....	9	92SP ... Combine	4.1L 251 L-HEAD L6 3.4375" Bore (Chrysler) (Chrysler Eng.).....	38
82 ... Wheel Tractor.....	2.1L 124 L-HEAD L4 3" Bore (Continental Eng.).....	9	92SP ... Combine	4.3L 265 L-HEAD L6 3.4375" Bore (Chrysler) (Chrysler Eng.).....	41
82 ... Wheel Tractor.....	2.3L 140 L-HEAD L4 3.1875" Bore (Continental Eng.).....	15	92SP Rice ... Combine	4.1L 251 L-HEAD L6 3.4375" Bore (Chrysler) (Chrysler Eng.).....	38
82 Row Crop ... Wheel Tractor.....	2.3L 140 L-HEAD L4 3.1875" Bore (Continental Eng.).....	15	92SP Rice ... Combine	4.3L 265 L-HEAD L6 3.4375" Bore (Chrysler) (Chrysler Eng.).....	41
82S ... Wheel Tractor.....	2.1L 124 L-HEAD L4 3" Bore (Continental Eng.).....	9	95 ... Wheel Tractor.....	8.3L 504 Diesel L6 4.625" Bore (Minneapolis-Moline Eng.).....	57
82S ... Wheel Tractor.....	2.3L 140 L-HEAD L4 3.1875" Bore (Continental Eng.).....	15	97 ... Wheel Tractor.....	8.3L 504 Diesel L6 4.625" Bore (Minneapolis-Moline Eng.).....	57
82SP ... Combine	3.8L 230 L-HEAD L6 3.25" Bore (Dodge) (Chrysler Eng.)	34	98D ... Wheel Tractor	3.5L 213 OHV Diesel L3 4.25" Bore (3-71) (Detroit Diesel Eng.).....	28
82SP Rice ... Combine	3.8L 230 L-HEAD L6 3.25" Bore (Dodge) (Chrysler Eng.)	34	98D ... Wheel Tractor	4.7L 284 OHV Diesel L4 4.25" Bore (4-71) (Detroit Diesel Eng.).....	45

Hay Baler TF, TFD, TH, THD, TJD Eng. 1
.9L 53.9 L-HEAD L2, 3.25" Bore (Wisconsin Eng.)

CYL. HEAD & PARTS

QTY	VALVE	PART NO.	SIZE	DESCRIPTION
4	Intake	FP-V816		TF & TH Engs.; 1.3130" Head Dia., .3085" Stem Dia., 4.7660" O.A.L.
4	Intake	V-816 + Std Only		TF & TH Engs.; 1.3130" Head Dia., .3085" Stem Dia., 4.7660" O.A.L.; When depleted use FP-V816
2	Intake	FP-V816		TFD & THD Engs.; 1.3130" Head Dia., .3085" Stem Dia., 4.7660" O.A.L.
2	Intake	V-816 + Std Only		TFD & THD Engs.; 1.3130" Head Dia., .3085" Stem Dia., 4.7660" O.A.L.; When depleted use FP-V816
4	Exhaust	FP-V1326X		Optional-H/D; TF & TH Engs.; 1.2500" Head Dia., .3085" Stem Dia., 4.7710" O.A.L.
4	Exhaust	V-1326X + Std Only		Optional-H/D; TF & TH Engs.; 1.2500" Head Dia., .3085" Stem Dia., 4.7710" O.A.L.; When depleted use FP-V1326X
2	Exhaust	FP-V1326X		TFD & THD Engs.; 1.2500" Head Dia., .3085" Stem Dia., 4.7710" O.A.L.
2	Exhaust	V-1326X + Std Only		TFD & THD Engs.; 1.2500" Head Dia., .3085" Stem Dia., 4.7710" O.A.L.; When depleted use FP-V1326X

(continued on next page)

+ Superseded Part Number

Massey-Ferguson - Also See Engine Manufacturer

1 Hay Baler TF, TFD, TH, THD, TJD Engs.				
(cont.) .9L 53.9 L-HEAD L2, 3.25" Bore (Wisconsin Eng.)				
CYL. HEAD & PARTS (cont.)				
QTY	VALVE (cont.)	PART NO.	SIZE	DESCRIPTION
8	Keeper	VK-144		1 groove; Square cut key groove
8	Keeper	VK-144R		1 groove; Square cut key groove; Hardened
QTY	VALVE SEAT	PART NO.	SIZE	DESCRIPTION
2	Exh.	FP-24513755		1.3795" OD, 1.1250" ID, .2636" Depth
2	Exh.	245-1375-5 + Std Only		1.3795" OD, 1.1250" ID, .2636" Depth; When depleted use FP-24513755
QTY	VALVE GUIDE	PART NO.	SIZE	DESCRIPTION
4	Guide	FP-VG635		.3155" ID, 2.5000" O.A.L.
4	Guide	VG-635 +		.3155" ID, 2.5000" O.A.L.; When depleted use FP-VG635
4	Guide	FP-VG681		.439" x 1.812"; .3133" ID, 1.8100" O.A.L.
4	Guide	VG-681 +		.439" x 1.812"; .3133" ID, 1.8100" O.A.L.; When depleted use FP-VG681
QTY	VALVE SPRING	PART NO.	SIZE	DESCRIPTION
4	Spring	FP-VS793		Exh.; Use w/FP-RC45 rotocap; 1.9700" Free Height
4	Spring	VS-793 +		Exh.; Use w/RC-45 rotocap; 1.9700" Free Height; When depleted use FP-VS793
4	Spring	FP-VS468		Exh. & Int.; TF & TH Engs.; 2.3120" Free Height
4	Spring	VS-468 +		Exh. & Int.; TF & TH Engs.; 2.3120" Free Height; When depleted use FP-VS468
2	Spring	FP-VS468		Int.; TFD & THD Engs.; 2.3120" Free Height
2	Spring	VS-468 +		Int.; TFD & THD Engs.; 2.3120" Free Height; When depleted use FP-VS468
QTY	VALVE MISC.	PART NO.	SIZE	DESCRIPTION
2	Rotocap	FP-RC45		Use w/VS-793 valve spring.; VF Series Engs.
2	Rotocap	RC-45 +		Use w/VS-793 valve spring.; VF Series Engs.; When depleted use FP-RC45
CYLINDER COMPONENTS				
QTY	LINERS	PART NO.	SIZE	DESCRIPTION
2	Repair Sleeve	FP-SL11M	Std Only	3/32" wall, must be cut to correct length
2	Repair Sleeve	SL-11M +	Std Only	3/32" wall, must be cut to correct length; When depleted use FP-SL11M
QTY	PISTONS	PART NO.	SIZE	DESCRIPTION
2	Cast Piston	FP-1115CP	Std-20-30-40-60	Cast; 2-3/32", 1-3/16" Ring Groove, 1.500" CD, .7500" Pin Dia., Recessed Head .010" deep; Piston length 2.870"; Repl. 3 ring piston in sets only
2	Cast Piston	1115CP +	Std-20-30-40-60	Cast; 2-3/32", 1-3/16" Ring Groove, 1.500" CD, .7500" Pin Dia., Recessed Head .010" deep; Piston length 2.870"; Repl. 3 ring piston in sets only; When depleted use FP-1115CP
2	Cast Piston	FP-628CP	Std-20-30-40-60	Cast; 2-3/32", 1-3/16" Ring Groove, 1.500" CD, .7503" Pin Dia., Recessed Head .010" deep; Piston length 2.870"; Repl. 3 ring piston in sets only
2	Cast Piston - Individual	FP-W1115CP	Std-20-30-40-60	Cast; 2-3/32", 1-3/16" Ring Groove, 1.500" CD, .7500" Pin Dia., Recessed Head .010" deep; Piston length 2.870"; Repl. 3 ring piston in sets only
2	Cast Piston - Individual	FP-W628CP	Std-20-30-40-60	Cast; 2-3/32", 1-3/16" Ring Groove, 1.500" CD, .7500" Pin Dia., Recessed Head .010" deep; Piston length 2.870"; Repl. 3 ring piston in sets only
2	Cast Piston - Individual	W1115CP +	Std-20-30-40-60	Cast; 2-3/32", 1-3/16" Ring Groove, 1.500" CD, .7500" Pin Dia., Recessed Head .010" deep; Piston length 2.870"; Repl. 3 ring piston in sets only; When depleted use FP-W1115CP
2	Cast Piston - Individual	W628CP +	Std-20-30-40-60	Cast; 2-3/32", 1-3/16" Ring Groove, 1.500" CD, .7500" Pin Dia., Recessed Head .010" deep; Piston length 2.870"; Repl. 3 ring piston in sets only; When depleted use FP-W628CP
2	Pin Bushing	1394		TF & TH Engs.; 1.000" max. length
QTY	CONNECTING RODS & BRGS.	PART NO.	SIZE	DESCRIPTION
2	Rod Pair	FP-3520CP	Std-10-20	
2	Rod Pair	FP-3645CP	Std-10-20	TJD Engs.
2	Rod Pair	3645CP +	Std-10-20	TJD Engs.; When depleted use FP-3645CP
2	Rod Pair	3520CP +	Std-10-20	When depleted use FP-3520CP
QTY	PISTON RINGS	PART NO.	SIZE	DESCRIPTION
1	Premium Set	FP-5809KX	Std-20-30-40-60	TF, TFD, TH & THD Engs.; 3-3/32, 1-3/16
1	Premium Set	5809KX +	Std-20-30-40-60	TF, TFD, TH & THD Engs.; 3-3/32, 1-3/16; When depleted use FP-5809KX
1	Premium Set	FP-9981KX	Std Only	TJD Engs.; 2-5/64, 1-3/16
1	Premium Set	9981KX +	Std Only	TJD Engs.; 2-5/64, 1-3/16; When depleted use FP-9981KX
1	Standard Set	FP-7079X	Std-30-40	TF, TFD, TH & THD Engs.; 3-3/32, 1-3/16

(continued on next page)

Massey-Ferguson - Also See Engine Manufacturer

<i>Hay Baler TF, TFD, TH, THD, TJD Engs. 1</i> .9L 53.9 L-HEAD L2, 3.25" Bore (Wisconsin Eng.) (cont.)				
CYLINDER COMPONENTS (cont.)				
QTY	PISTON RINGS (cont.)	PART NO.	SIZE	DESCRIPTION
2	Premium Single Cylinder Set	W-5809KX	Std Only	TF, TFD, TH & THD Engs.; 3-3/32, 1-3/16
<i>Wheel Tractor N62 Eng. 2</i> 1.0L 62 L-HEAD L4, 2.375" Bore (Continental Eng.)				
CYL. HEAD & PARTS				
QTY	VALVE	PART NO.	SIZE	DESCRIPTION
4	Intake	FP-V1062		.8900" Head Dia., .3145" Stem Dia., 3.2630" O.A.L.
4	Intake	V-1062 +	Std Only	.8900" Head Dia., .3145" Stem Dia., 3.2630" O.A.L.; When depleted use FP-V1062
16	Keeper	FP-VK142		Exc. Free valve
16	Keeper	VK-142 +		Exc. Free valve; When depleted use FP-VK142
QTY	VALVE GUIDE	PART NO.	SIZE	DESCRIPTION
8	Guide	FP-VG461		.3163" ID, 1.6560" O.A.L.
8	Guide	VG-461 +		.3163" ID, 1.6560" O.A.L.; When depleted use FP-VG461
QTY	VALVE SPRING	PART NO.	SIZE	DESCRIPTION
8	Spring	FP-VS402		1.7500" Free Height
8	Spring	VS-402 +		1.7500" Free Height; When depleted use FP-VS402
CYLINDER COMPONENTS				
QTY	PISTONS	PART NO.	SIZE	DESCRIPTION
4	Pin Bushing	FP-1664V		
4	Pin Bushing	1664V +		When depleted use FP-1664V
QTY	CONNECTING RODS & BRGS.	PART NO.	SIZE	DESCRIPTION
4	Rod Pair	FP-1660CP	Std-10-20-30	W/Horizontal split rods; FP-1660CA60 avail. as unplated & resizeable
4	Rod Pair	1660CP +	Std-10-20-30	W/Horizontal split rods; 1660CA60 avail. as unplated & resizeable; When depleted use FP-1660CP
QTY	PISTON RINGS	PART NO.	SIZE	DESCRIPTION
1	Standard Set	FP-5037X	Std Only	2-3/32, 1-3/16
1	Standard Set	5037X +	Std Only	2-3/32, 1-3/16; When depleted use FP-5037X
4	Standard Single Cylinder Set	W-5037X	Std Only	2-3/32, 1-3/16
<i>Wheel Tractor Y91 Eng. 3</i> 1.5L 91 L-HEAD L4, 2.875" Bore (Continental Eng.)				
CYL. HEAD & PARTS				
QTY	VALVE	PART NO.	SIZE	DESCRIPTION
4	Intake	FP-V1019		Drilled stem; 1.2030" Head Dia., .3144" Stem Dia., 4.0140" O.A.L.
4	Intake	V-1019 +	Std Only	Drilled stem; 1.2030" Head Dia., .3144" Stem Dia., 4.0140" O.A.L.; When depleted use FP-V1019
4	Exhaust	FP-V1018		Drilled stem; 1.0150" Head Dia., .3128" Stem Dia., 4.0610" O.A.L.
4	Exhaust	V-1018 +	Std Only	Drilled stem; 1.0150" Head Dia., .3128" Stem Dia., 4.0610" O.A.L.; When depleted use FP-V1018
4	Exhaust	FP-V1421		Single groove stem; 1.0150" Head Dia., .3128" Stem Dia., 4.0770" O.A.L.
4	Exhaust	V-1421 +	Std Only	Single groove stem; 1.0150" Head Dia., .3128" Stem Dia., 4.0770" O.A.L.; When depleted use FP-V1421
8	Keeper	FP-VK142		For drilled stem
8	Keeper	VK-142 +		For drilled stem; When depleted use FP-VK142
16	Keeper	FP-VK144		1 groove; Square cut key groove
16	Keeper	VK-144R		1 groove; Square cut key groove; Hardened
16	Keeper, Bulk	FP-VK144B		1 groove; Square cut key groove; Carton of 1000
QTY	VALVE SEAT	PART NO.	SIZE	DESCRIPTION
4		FP-24513121		1.3170" OD, 1.0625" ID, .1855" Depth
QTY	VALVE GUIDE	PART NO.	SIZE	DESCRIPTION
8	Guide	FP-VG437		Use w/4.031" O.A.L. valves FP-V1018, FP-V1019 & FP-V1421; .3163" ID, 2.2810" O.A.L.
8	Guide	VG-437 +		Use w/4.031" O.A.L. valves V-1018, V-1019 & V-1421; .3163" ID, 2.2810" O.A.L.; When depleted use FP-VG437
QTY	VALVE SPRING	PART NO.	SIZE	DESCRIPTION
8	Spring	FP-VS356		2.0000" Free Height
8	Spring	VS-356 +		2.0000" Free Height; When depleted use FP-VS356

(continued on next page)

Massey-Ferguson - Also See Engine Manufacturer

3 Wheel Tractor Y91 Eng. (cont.) 1.5L 91 L-HEAD L4, 2.875" Bore (Continental Eng.)				
ENGINE BLOCK & PARTS				
QTY	CAM BEARINGS	PART NO.	SIZE	DESCRIPTION
1	Cam Set	FP-1093M	Std Only	
1	Cam Set	1093M +	Std Only	When depleted use FP-1093M
CRANKSHAFT/OIL PUMP				
QTY	MAIN BEARINGS	PART NO.	SIZE	DESCRIPTION
1	Main Set	FP-5142M	Std-10-20	Later Eng's.; w/flanged upper half front brg.
1	Main Set	5142M +	Std-10-20	Later Eng's.; w/flanged upper half front brg.; When depleted use FP-5142M
1	Main Set	FP-836M	Std-10-20	Later Eng's.; w/straight shell front brg.; Thrust Washer not incl.
1	Main Set	836M +	Std-10-20	Later Eng's.; w/straight shell front brg.; Thrust Washer not incl.; When depleted use FP-836M
QTY	OIL PUMP	PART NO.	SIZE	DESCRIPTION
1	Oil Pump	224-4130 +		Iron drive gear - use only w/iron cams. 5-13/16" flange to end of shaft. Incl. screen.; When depleted use FP-2244130
1	Oil Pump	FP-2244130		Iron drive gear - use w/iron cams. 5-13/16" flange to end of shaft. Incl. screen.
CYLINDER COMPONENTS				
QTY	PISTONS	PART NO.	SIZE	DESCRIPTION
4	Pin Bushing	FP-1214VA		Split type, thin wall bushing w/.7625" OD
4	Pin Bushing	1214VA +		Split type, thin wall bushing w/.7625" OD; When depleted use FP-1214VA
QTY	CONNECTING RODS & BRGS.	PART NO.	SIZE	DESCRIPTION
2	Rod Pair	FP-9885CP	Std-10-20-30	Position 1-3
2	Rod Pair	9885CP +	Std-10-20-30	Position 1-3; When depleted use FP-9885CP
2	Rod Pair	FP-9885CPA	Std-10-20	Position 2-4
2	Rod Pair	9885CPA +	Std-10-20	Position 2-4; When depleted use FP-9885CPA
4 Hay Baler VE4, VE4D, VE41 Engs. 1.5L 91.9 L-HEAD V4, 3" Bore (Wisconsin Eng.)				
CYLINDER COMPONENTS				
QTY	PISTONS	PART NO.	SIZE	DESCRIPTION
4	Pin Bushing	1394		1.000" max. length
QTY	CONNECTING RODS & BRGS.	PART NO.	SIZE	DESCRIPTION
4	Rod Pair	FP-3520CP	Std-10-20	
4	Rod Pair	3520CP +	Std-10-20	When depleted use FP-3520CP
5 Wheel Tractor A4.107, 4.107, 4.108 Engs. 1.8L 107.4 OHV Diesel L4, 3.125" Bore (Perkins Eng.)				
CYL. HEAD & PARTS				
QTY	VALVE	PART NO.	SIZE	DESCRIPTION
16	Keeper	FP-VK222		
16	Keeper	VK-222 +		When depleted use FP-VK222
ENGINE BLOCK & PARTS				
QTY	GASKET SETS	PART NO.	SIZE	DESCRIPTION
1	Kit Gasket Set	FP-2601402		Compl.; timing cover seal not incl.
1	Kit Gasket Set	260-1402		Compl.; timing cover seal not incl.
CRANKSHAFT/OIL PUMP				
QTY	MAIN BEARINGS	PART NO.	SIZE	DESCRIPTION
1	Main Set	FP-5197M	Std Only	
1	Main Set	5197M +	Std Only	When depleted use FP-5197M
1	Thrust Washer Set	FP-2581BFA	Std Only	Position 3
1	Thrust Washer Set	2581BFA +	Std Only	Position 3; When depleted use FP-2581BFA
CYLINDER COMPONENTS				
QTY	LINERS	PART NO.	SIZE	DESCRIPTION
4	Sleeve Assy.	FP-SL2521	Std Only	
4	Sleeve Assy.	SL-2521 +	Std Only	When depleted use FP-SL2521
QTY	CONNECTING RODS & BRGS.	PART NO.	SIZE	DESCRIPTION
1	Rod Set	FP-42580CP	Std-10	

(continued on next page)

+ Superseded Part Number

Massey-Ferguson - Also See Engine Manufacturer

Wheel Tractor A4.107, 4.107, 4.108 Engs. 5 1.8L 107.4 OHV Diesel L4, 3.125" Bore (Perkins Eng.) (cont.)				
CYLINDER COMPONENTS (cont.)				
QTY	CONNECTING RODS & BRGS. (cont.)	PART NO.	SIZE	DESCRIPTION
1	Rod Set	4-2580CP +	Std-10	When depleted use FP-42580CP
KITS				
QTY	OVERHAUL KIT	PART NO.	SIZE	DESCRIPTION
1	Tractor Overhaul Kit	FP-KST2521A		4-107, 4A-107 Engs.; Timing cover seal not incl.
Hay Baler VF4, VF4D, VF41, VH4, VH4D, VH4DM Engs. Combine VF4, VF4D, VF41, VH4, 6 VH4D, VH4DM Engs. Windrower VF4, VF4D, VF41, VH4, VH4D, VH4DM Engs. 1.8L 108 L-HEAD V4, 3.25" Bore (Wisconsin Eng.)				
CYL. HEAD & PARTS				
QTY	VALVE	PART NO.	SIZE	DESCRIPTION
8	Intake	FP-V816		Exh. & Int.; 1.3130" Head Dia., .3085" Stem Dia., 4.7660" O.A.L.
8	Intake	V-816 +	Std Only	Exh. & Int.; 1.3130" Head Dia., .3085" Stem Dia., 4.7660" O.A.L.; When depleted use FP-V816
4	Exhaust	FP-V1326X		Optional-H/D; 1.2500" Head Dia., .3085" Stem Dia., 4.7710" O.A.L.
4	Exhaust	V-1326X +	Std Only	Optional-H/D; 1.2500" Head Dia., .3085" Stem Dia., 4.7710" O.A.L.; When depleted use FP-V1326X
16	Keeper	VK-144		1 groove; Square cut key groove
16	Keeper	VK-144R		1 groove; Square cut key groove; Hardened
QTY	VALVE SEAT	PART NO.	SIZE	DESCRIPTION
8	Exh. & Int.	FP-24513755		1.3795" OD, 1.1250" ID, .2636" Depth
8	Exh. & Int.	245-1375-5 +	Std Only	1.3795" OD, 1.1250" ID, .2636" Depth; When depleted use FP-24513755
QTY	VALVE GUIDE	PART NO.	SIZE	DESCRIPTION
8	Guide	FP-VG635		.3155" ID, 2.5000" O.A.L.
8	Guide	VG-635 +		.3155" ID, 2.5000" O.A.L.; When depleted use FP-VG635
8	Guide	FP-VG681		VF Series Engs.; .439" x 1.812"; .3133" ID, 1.8100" O.A.L.
8	Guide	VG-681 +		VF Series Engs.; .439" x 1.812"; .3133" ID, 1.8100" O.A.L.; When depleted use FP-VG681
QTY	VALVE SPRING	PART NO.	SIZE	DESCRIPTION
8	Spring	FP-VS793		Use w/FP-RC45 rotocap; VF Series Engs.; 1.9700" Free Height
8	Spring	VS-793 +		Use w/RC-45 rotocap; VF Series Engs.; 1.9700" Free Height; When depleted use FP-VS793
8	Spring	FP-VS468		2.3120" Free Height
8	Spring	VS-468 +		2.3120" Free Height; When depleted use FP-VS468
QTY	VALVE MISC.	PART NO.	SIZE	DESCRIPTION
8	Rotocap	FP-RC45		Use w/VS-793 valve spring.; VF Series Engs.
8	Rotocap	RC-45 +		Use w/VS-793 valve spring.; VF Series Engs.; When depleted use FP-RC45
CYLINDER COMPONENTS				
QTY	LINERS	PART NO.	SIZE	DESCRIPTION
4	Repair Sleeve	FP-SL11M	Std Only	3/32" wall, must be cut to correct length
4	Repair Sleeve	SL-11M +	Std Only	3/32" wall, must be cut to correct length; When depleted use FP-SL11M
QTY	PISTONS	PART NO.	SIZE	DESCRIPTION
4	Cast Piston	FP-628CP	Std-20-30-40-60	Cast; 2-3/32", 1-3/16" Ring Groove, 1.500" CD, .7503" Pin Dia., Recessed Head .010" deep; Piston length 2.870"; Repl. 3 ring piston in sets only
4	Cast Piston - Individual	FP-W628CP	Std-20-30-40-60	Cast; 2-3/32", 1-3/16" Ring Groove, 1.500" CD, .7500" Pin Dia., Recessed Head .010" deep; Piston length 2.870"; Repl. 3 ring piston in sets only
4	Cast Piston - Individual	W628CP +	Std-20-30-40-60	Cast; 2-3/32", 1-3/16" Ring Groove, 1.500" CD, .7500" Pin Dia., Recessed Head .010" deep; Piston length 2.870"; Repl. 3 ring piston in sets only; When depleted use FP-W628CP
4	Pin Bushing	1394		1.000" max. length
QTY	CONNECTING RODS & BRGS.	PART NO.	SIZE	DESCRIPTION
4	Rod Pair	FP-3520CP	Std-10-20	VF4, VF4D Engs.
4	Rod Pair	3520CP +	Std-10-20	VF4, VF4D Engs.; When depleted use FP-3520CP
4	Rod Pair	FP-3645CP	Std-10-20	VH4, VH4D, VH4DM Engs.
4	Rod Pair	3645CP +	Std-10-20	VH4, VH4D, VH4DM Engs.; When depleted use FP-3645CP
QTY	PISTON RINGS	PART NO.	SIZE	DESCRIPTION
1	Premium Set	FP-5051KX	Std-20-30-40-60	3-3/32, 1-3/16

(continued on next page)

+ Superseded Part Number

Massey-Ferguson - Also See Engine Manufacturer

6 Hay Baler VF4, VF4D, VF41, VH4, VH4D, VH4DM Engs. Combine VF4, VF4D, VF41, VH4, (cont.) VH4D, VH4DM Engs. Windrower VF4, VF4D, VF41, VH4, VH4D, VH4DM Engs.
1.8L 108 L-HEAD V4, 3.25" Bore (Wisconsin Eng.)

CYLINDER COMPONENTS (cont.)

QTY	PISTON RINGS (cont.)	PART NO.	SIZE	DESCRIPTION
1	Premium Set	5051KX + Std-20-30-40-60		3-3/32, 1-3/16; When depleted use FP-5051KX
1	Standard Set	FP-10366X	Std Only	VF4D Engs.; 3-5/64, 1-3/16
1	Standard Set	10366X + Std Only		VF4D Engs.; 3-5/64, 1-3/16; When depleted use FP-10366X
1	Standard Set	FP-5051X	Std-20-30-40-60	3-3/32, 1-3/16
1	Standard Set	5051X + Std-20-30-40-60		3-3/32, 1-3/16; When depleted use FP-5051X
4	Premium Single Cylinder Set	W-5051KX20	20-30-60	3-3/32, 1-3/16
4	Standard Single Cylinder Set	W-5051X	Std-30	3-3/32, 1-3/16

7 Combine IXA Eng.
1.9L 113 L-HEAD L4, 3" Bore (Hercules Eng.)

CYL. HEAD & PARTS

QTY	VALVE	PART NO.	SIZE	DESCRIPTION
4	Intake	FP-V429		1.4840" Head Dia., .3100" Stem Dia., 3.9260" O.A.L.
4	Exhaust	FP-V428		1.3583" Head Dia., .3100" Stem Dia., 3.9213" O.A.L.
QTY	VALVE GUIDE	PART NO.	SIZE	DESCRIPTION
8	Guide	FP-VG930		Exh. & Int.; .485" OD; 3/8" Counterbore; .3120" ID, 2.0940" O.A.L.
8	Guide	FP-VG456		Exh. & Int.; .532" OD; .3120" ID, 2.0940" O.A.L.
QTY	VALVE SPRING	PART NO.	SIZE	DESCRIPTION
8	Spring	FP-VS622		Exh. & Int.; 1.7650" Free Height

CYLINDER COMPONENTS

QTY	CONNECTING RODS & BRGS.	PART NO.	SIZE	DESCRIPTION
4	Rod Pair	FP-1450SB	Std-10-20-30	
4	Rod Pair	1450SB +	Std-10-20-30	When depleted use FP-1450SB

8 Wheel Tractor Z120 Eng.
2.0L 120 OHV L4, 3.1875" Bore (Continental Eng.)

CYL. HEAD & PARTS

QTY	VALVE	PART NO.	SIZE	DESCRIPTION
8	Intake	FP-V1017		Exh. & Int.; Drilled stem; 1.0157" Head Dia., .3128" Stem Dia., 3.9409" O.A.L.
8	Intake	V-1017 +	Std Only	Exh. & Int.; Drilled stem; 1.0157" Head Dia., .3128" Stem Dia., 3.9409" O.A.L.; When depleted use FP-V1017
8	Exhaust	FP-V1421		Exh. & Int.; Single groove stem; 1.0150" Head Dia., .3128" Stem Dia., 4.0770" O.A.L.
8	Exhaust	V-1421 +	Std Only	Exh. & Int.; Single groove stem; 1.0150" Head Dia., .3128" Stem Dia., 4.0770" O.A.L.; When depleted use FP-V1421
8	Keeper	FP-VK142		For drilled stem
8	Keeper	VK-142 +		For drilled stem; When depleted use FP-VK142
16	Keeper	FP-VK144		1 groove; Square cut key groove
16	Keeper	VK-144R		1 groove; Square cut key groove; Hardened
16	Keeper, Bulk	FP-VK144B		1 groove; Square cut key groove; Carton of 1000
QTY	VALVE GUIDE	PART NO.	SIZE	DESCRIPTION
8	Guide	FP-VG474		.3170" ID, 1.8130" O.A.L.
8	Guide	VG-474 +		.3170" ID, 1.8130" O.A.L.; When depleted use FP-VG474
QTY	VALVE SPRING	PART NO.	SIZE	DESCRIPTION
8	Spring	FP-VS356		2.0000" Free Height
8	Spring	VS-356 +		2.0000" Free Height; When depleted use FP-VS356
QTY	VALVE SEAL	PART NO.	SIZE	DESCRIPTION
8	Valve Stem Seal	ST-2017R		Positive type; PTFE

CAMSHAFT GROUP

QTY	TIMING	PART NO.	SIZE	DESCRIPTION
1	Cam Gear	221-4702		48 Teeth

ENGINE BLOCK & PARTS

QTY	GASKET SETS	PART NO.	SIZE	DESCRIPTION
1	Kit Gasket Set	FP-2601353		Compl.

(continued on next page)

Massey-Ferguson - Also See Engine Manufacturer

<i>Wheel Tractor Z120 Eng. 8</i> 2.0L 120 OHV L4, 3.1875" Bore (Continental Eng.) (cont.)				
ENGINE BLOCK & PARTS (cont.)				
QTY	GASKET SETS (cont.)	PART NO.	SIZE	DESCRIPTION
1	Kit Gasket Set	260-1353		Compl.
CRANKSHAFT/OIL PUMP				
QTY	CRANKSHAFT	PART NO.	SIZE	DESCRIPTION
1	Crank Gear	FP-2214703		24 Teeth
1	Crank Gear	221-4703		24 Teeth
QTY	MAIN BEARINGS	PART NO.	SIZE	DESCRIPTION
1	Main Set	FP-755M	Std-10-20-30-40	W/Single flanged front brg.
1	Main Set	755M +	Std-10-20-30-40	W/Single flanged front brg.; When depleted use FP-755M
1	Thrust Washer Set	FP-9811BF	Std Only	Position 1; Use w/Flanged main brg.
1	Thrust Washer Set	9811BF +	Std Only	Position 1; Use w/Flanged main brg.; When depleted use FP-9811BF
CYLINDER COMPONENTS				
QTY	PISTONS	PART NO.	SIZE	DESCRIPTION
4	Cast Piston	FP-1105P30	30-60	OVERBORE To 3.3125"; Cast; 2-3/32", 2-5/32" Ring Groove, 1.980" CD, .8592" Pin Dia., Flat Head - 7.0:1 C.R.
4	Cast Piston	1105P30 +	30-60	OVERBORE To 3.3125"; Cast; 2-3/32", 2-5/32" Ring Groove, 1.980" CD, .8592" Pin Dia., Flat Head - 7.0:1 C.R.; When depleted use FP-1105P30
4	Cast Piston - Individual	FP-W1105P30	30-60	OVERBORE To 3.3125"; Cast; 2-3/32", 2-5/32" Ring Groove, 1.980" CD, .8592" Pin Dia., Flat Head - 7.0:1 C.R.
4	Cast Piston - Individual	W1105P30 +	30-60	OVERBORE To 3.3125"; Cast; 2-3/32", 2-5/32" Ring Groove, 1.980" CD, .8592" Pin Dia., Flat Head - 7.0:1 C.R.; When depleted use FP-W1105P30
4	Pin Bushing	8649XAS		Full round, thin wall .0055" O/S OD bushing
4	Pin Bushing	8649XA		Full round, thin wall bushing w/.9150" OD
4	Pin Bushing	8649V		Split type, thin wall bushing w/.9135" OD
4	Pin Bushing	8649V20		Split type, thin wall bushing w/.9135" OD & .020" extra bore stock
QTY	CONNECTING RODS & BRGS.	PART NO.	SIZE	DESCRIPTION
4	Rod Pair	FP-1670SB	Std-2-10-20-30-40-60	
4	Rod Pair	1670SB +	Std-2-10-20-30-40-60	When depleted use FP-1670SB
QTY	PISTON RINGS	PART NO.	SIZE	DESCRIPTION
1	Premium Set	FP-5600KX	Std Only	OVERBORE To 3.3125"; Check piston grooving before supplying ring set; 2-3/32, 2-5/32
1	Premium Set	5600KX +	Std Only	OVERBORE To 3.3125"; Check piston grooving before supplying ring set; 2-3/32, 2-5/32; When depleted use FP-5600KX
1	Standard Set	FP-5036X	Std Only	3-1/8, 1-3/16
1	Standard Set	5036X +	Std Only	3-1/8, 1-3/16; When depleted use FP-5036X
<i>Wheel Tractor F124 Eng. 9</i> 2.1L 124 L-HEAD L4, 3" Bore (Continental Eng.)				
CYL. HEAD & PARTS				
QTY	VALVE	PART NO.	SIZE	DESCRIPTION
4	Intake	FP-V801		Drilled stem; 1.5200" Head Dia., .3411" Stem Dia., 5.1760" O.A.L.
4	Intake	V-801 +	Std Only	Drilled stem; 1.5200" Head Dia., .3411" Stem Dia., 5.1760" O.A.L.; When depleted use FP-V801
4	Intake	FP-V1748		Single groove stem; 1.5160" Head Dia., .3410" Stem Dia., 5.1570" O.A.L.
4	Intake	V-1748 +	Std Only	Single groove stem; 1.5160" Head Dia., .3410" Stem Dia., 5.1570" O.A.L.; When depleted use FP-V1748
4	Exhaust	FP-V800		Drilled stem; 1.2030" Head Dia., .3381" Stem Dia., 5.1520" O.A.L.
4	Exhaust	V-800 +	Std Only	Drilled stem; 1.2030" Head Dia., .3381" Stem Dia., 5.1520" O.A.L.; When depleted use FP-V800
4	Exhaust	FP-V954		Drilled stem; 1.3280" Head Dia., .3386" Stem Dia., 5.1950" O.A.L.
4	Exhaust	V-954 +	Std Only	Drilled stem; 1.3280" Head Dia., .3386" Stem Dia., 5.1950" O.A.L.; When depleted use FP-V954
4	Exhaust	FP-V1684		Single groove stem; 1.2030" Head Dia., .3392" Stem Dia., 5.1890" O.A.L.

(continued on next page)

Massey-Ferguson - Also See Engine Manufacturer

9 Wheel Tractor F124 Eng. (cont.) 2.1L 124 L-HEAD L4, 3" Bore (Continental Eng.)

CYL. HEAD & PARTS (cont.)				
QTY	VALVE (cont.)	PART NO.	SIZE	DESCRIPTION
4	Exhaust	V-1684 +	Std Only	Single groove stem; 1.2030" Head Dia., .3392" Stem Dia., 5.1890" O.A.L.; When depleted use FP-V1684
8	Keeper	FP-VK142		For drilled stem
8	Keeper	VK-142 +		For drilled stem; When depleted use FP-VK142
16	Keeper	FP-VK144		1 groove; Square cut key groove
16	Keeper	VK-144R		1 groove; Square cut key groove; Hardened
16	Keeper, Bulk	FP-VK144B		1 groove; Square cut key groove; Carton of 1000
QTY	VALVE SEAT	PART NO.	SIZE	DESCRIPTION
4	Int.	245-1625-1N	Std Only	Premium Material; 1.6300" OD, 1.3750" ID, .2160" Depth
4	Int.	245-1625-1	Std Only	1.6300" OD, 1.3750" ID, .2160" Depth
QTY	VALVE GUIDE	PART NO.	SIZE	DESCRIPTION
8	Guide	FP-VG418		Exc. Rototype; .3425" ID, 2.3100" O.A.L.
8	Guide	VG-418 +		Exc. Rototype; .3425" ID, 2.3100" O.A.L.; When depleted use FP-VG418
QTY	VALVE SPRING	PART NO.	SIZE	DESCRIPTION
8	Spring	FP-VS356		2.0000" Free Height
8	Spring	VS-356 +		2.0000" Free Height; When depleted use FP-VS356
CAMSHAFT GROUP				
QTY	TIMING	PART NO.	SIZE	DESCRIPTION
1	Cam Gear	FP-2212601		Repl. O.E. No. F124H401; 48 Teeth
1	Cam Gear	221-2601		Repl. O.E. No. F124H401; 48 Teeth
1	Cam Gear	FP-2212600		Replacement O.E. No. F400H310; 48 Teeth
1	Cam Gear	221-2600 +		Replacement O.E. No. F400H310; 48 Teeth; When depleted use FP-2212600
ENGINE BLOCK & PARTS				
QTY	GASKET SETS	PART NO.	SIZE	DESCRIPTION
1	Kit Gasket Set	FP-2601355		Compl.; Timing cover gskt. & seal not incl.
1	Kit Gasket Set	260-1355		Compl.; Timing cover gskt. & seal not incl.
QTY	CAM BEARINGS	PART NO.	SIZE	DESCRIPTION
1	Cam Set	FP-1158M	Std Only	
1	Cam Set	1158M +	Std Only	When depleted use FP-1158M
CRANKSHAFT/OIL PUMP				
QTY	CRANKSHAFT	PART NO.	SIZE	DESCRIPTION
1	Crank Gear	FP-2212603A		Repl. O.E. No. D600H300; 24 Teeth
1	Crank Gear	221-2603A		Repl. O.E. No. D600H300; 24 Teeth
QTY	MAIN BEARINGS	PART NO.	SIZE	DESCRIPTION
1	Main Set	FP-4004M	Std-10-20	W/Single flanged front brg.
1	Main Set	4004M +	Std-10-20	W/Single flanged front brg.; When depleted use FP-4004M
1	Main Set	FP-4005M	Std-10-20	W/Straight shell front brg.
1	Main Set	FP-6632M	Std-10-20-30	W/Straight shell front brg. & thrust washer
1	Main Set	6632M +	Std-10-20-30	W/Straight shell front brg. & thrust washer; When depleted use FP-6632M
1	Main Set	4005M +	Std-10-20	W/Straight shell front brg.; When depleted use FP-4005M
1	Thrust Washer Set	FP-9811BFA	Std Only	Position 1; Use w/straight shell main brg. set
1	Thrust Washer Set	9811BFA +	Std Only	Position 1; Use w/straight shell main brg. set; When depleted use FP-9811BFA
1	Thrust Washer Set	FP-9811BF	Std Only	Position 1; Use w/Flanged main brg.
1	Thrust Washer Set	9811BF +	Std Only	Position 1; Use w/Flanged main brg.; When depleted use FP-9811BF
CYLINDER COMPONENTS				
QTY	LINERS	PART NO.	SIZE	DESCRIPTION
1	Repair Sleeve	FP-SL7M	Std Only	3/32" wall, must be cut to correct length
1	Repair Sleeve	SL-7M +	Std Only	3/32" wall, must be cut to correct length; When depleted use FP-SL7M
QTY	PISTONS	PART NO.	SIZE	DESCRIPTION
4	Pin Bushing	8649XAS		Forging No. F400D-502; Full round, thin wall .0055" O/S OD bushing
4	Pin Bushing	8649XA		Forging No. F400D-502; Full round, thin wall bushing w/.9150" OD
4	Pin Bushing	8649V		Forging No. F400D-502; Split type, thin wall bushing w/.9135" OD
4	Pin Bushing	8649V20		Forging No. F400D-502; Split type, thin wall bushing w/.9135" OD & .020" extra bore stock

(continued on next page)

Massey-Ferguson - Also See Engine Manufacturer

Wheel Tractor F124 Eng. 9 2.1L 124 L-HEAD L4, 3" Bore (Continental Eng.) (cont.)				
CYLINDER COMPONENTS (cont.)				
QTY	PISTONS (cont.)	PART NO.	SIZE	DESCRIPTION
4	Pin Bushing	FP-9324X		Full round, heavy wall bushing w/1.0625" OD; Forging No. F400D-500
4	Pin Bushing	9324X +		Full round, heavy wall bushing w/1.0625" OD; Forging No. F400D-500; When depleted use FP-9324X
QTY	CONNECTING RODS & BRGS.	PART NO.	SIZE	DESCRIPTION
2	Rod Pair	FP-9320CPA	Std-2-10-20-30-40	Position 1-3
2	Rod Pair	9320CPA +	Std-2-10-20-30-40	Position 1-3; When depleted use FP-9320CPA
2	Rod Pair	FP-9320CP	Std-10-20-30-40	Position 2-4
2	Rod Pair	9320CP +	Std-10-20-30-40	Position 2-4; When depleted use FP-9320CP
QTY	PISTON RINGS	PART NO.	SIZE	DESCRIPTION
1	Premium Set	FP-918KX	Std Only	Check piston grooving before supplying ring set; 3-1/8, 1-1/4
1	Premium Set	918KX +	Std Only	Check piston grooving before supplying ring set; 3-1/8, 1-1/4; When depleted use FP-918KX
1	Standard Set	FP-918X	Std Only	Check piston grooving before supplying ring set; 3-1/8, 1-1/4
1	Standard Set	918X +	Std Only	Check piston grooving before supplying ring set; 3-1/8, 1-1/4; When depleted use FP-918X
4	Standard Single Cylinder Set	W-918X	Std Only	Check piston grooving before supplying ring set; 3-1/8, 1-1/4
Wheel Tractor Z129 Eng. 10 2.1L 129 OHV L4, 3.25" Bore (Continental Eng.)				
CYL. HEAD & PARTS				
QTY	VALVE	PART NO.	SIZE	DESCRIPTION
4	Intake	FP-V1102		Drilled stem; 1.2780" Head Dia., .3145" Stem Dia., 3.9770" O.A.L.
4	Intake	V-1102 +	Std Only	Drilled stem; 1.2780" Head Dia., .3145" Stem Dia., 3.9770" O.A.L.; When depleted use FP-V1102
4	Exhaust	FP-V4088X		Optional-H/D material; 1 groove stem; New design, lash cap is not req'd.; 1.1400" Head Dia., .3128" Stem Dia., 4.0790" O.A.L.
4	Exhaust	V-4088X +	Std Only	Optional-H/D material; 1 groove stem; New design, lash cap is not req'd.; 1.1400" Head Dia., .3128" Stem Dia., 4.0790" O.A.L.; When depleted use FP-V4088X
4	Exhaust	FP-V1422		Single groove stem; 1.1400" Head Dia., .3128" Stem Dia., 3.9890" O.A.L.
4	Exhaust	V-1422 +	Std Only	Single groove stem; 1.1400" Head Dia., .3128" Stem Dia., 3.9890" O.A.L.; When depleted use FP-V1422
8	Keeper	FP-VK144		Exh.; 1 groove; Square cut key groove
8	Keeper	VK-144R		Exh.; 1 groove; Square cut key groove; Hardened
4	Keeper	FP-VK142		Int.; For drilled stem
4	Keeper	VK-142 +		Int.; For drilled stem; When depleted use FP-VK142
8	Keeper, Bulk	FP-VK144B		Exh.; 1 groove; Square cut key groove; Carton of 1000
QTY	VALVE SEAT	PART NO.	SIZE	DESCRIPTION
4	Exh.	FP-24512501		1.2545" OD, 1.0000" ID, .2160" Depth
4	Exh.	245-1250-1 +	Std Only	1.2545" OD, 1.0000" ID, .2160" Depth; When depleted use FP-24512501
4	Int.	245-1375-4	Std Only	1.3795" OD, 1.1250" ID, .1855" Depth
QTY	VALVE GUIDE	PART NO.	SIZE	DESCRIPTION
8	Guide	FP-VG474		.3170" ID, 1.8130" O.A.L.
8	Guide	VG-474 +		.3170" ID, 1.8130" O.A.L.; When depleted use FP-VG474
QTY	VALVE SPRING	PART NO.	SIZE	DESCRIPTION
8	Spring	FP-VS356		2.0000" Free Height
8	Spring	VS-356 +		2.0000" Free Height; When depleted use FP-VS356
QTY	VALVE SEAL	PART NO.	SIZE	DESCRIPTION
8	Valve Stem Seal	ST-2017R		Exh. & Int.; Positive type; PTFE
4	Valve Stem Seal	MV-1233C		Int.; O-Ring; Rubber
4	Valve Stem Seal Bulk	MV-1233		Int.; O-Ring; Carton of 100; Rubber
CAMSHAFT GROUP				
QTY	TIMING	PART NO.	SIZE	DESCRIPTION
1	Cam Gear	221-4702		48 Teeth
ENGINE BLOCK & PARTS				
QTY	GASKET SETS	PART NO.	SIZE	DESCRIPTION
1	Kit Gasket Set	FP-2601353		Compl.

(continued on next page)

+ Superseded Part Number

Massey-Ferguson - Also See Engine Manufacturer

10 Wheel Tractor Z129 Eng.				
(cont.) 2.1L 129 OHV L4, 3.25" Bore (Continental Eng.)				
ENGINE BLOCK & PARTS (cont.)				
QTY	GASKET SETS (cont.)	PART NO.	SIZE	DESCRIPTION
1	Kit Gasket Set	260-1353		Compl.
CRANKSHAFT/OIL PUMP				
QTY	CRANKSHAFT	PART NO.	SIZE	DESCRIPTION
1	Crank Gear	FP-2214703		24 Teeth
1	Crank Gear	221-4703		24 Teeth
QTY	MAIN BEARINGS	PART NO.	SIZE	DESCRIPTION
1	Main Set	FP-755M	Std-10-20-30-40	W/Single flanged front brg.
1	Main Set	755M +	Std-10-20-30-40	W/Single flanged front brg.; When depleted use FP-755M
1	Thrust Washer Set	FP-9811BF	Std Only	Position 1; Use w/Flanged main brg.
1	Thrust Washer Set	9811BF +	Std Only	Position 1; Use w/Flanged main brg.; When depleted use FP-9811BF
CYLINDER COMPONENTS				
QTY	LINERS	PART NO.	SIZE	DESCRIPTION
4	Liner w/Sealing Rings	FP-SO1762	Std Only	OVERBORE To 3.375"; Incl. (2) FP-SLR1762 sealing rings.
4	Sleeve Assy.	FP-SL2314	Std Only	OVERBORE To 3.375"
4	Sleeve Assy.	SL-2314 +	Std Only	OVERBORE To 3.375"; When depleted use FP-SL2314
QTY	PISTONS	PART NO.	SIZE	DESCRIPTION
4	Powerforged	FP-L2031F	Std Only	OVERBORE To 3.375"; Powerforged; 3-3/32", 1-3/16" Ring Groove, 1.875" CD, .8592" Pin Dia., Recessed Head .187" deep
4	Forged Piston - Individual	FP-WL2031F	Std Only	OVERBORE To 3.375"; Powerforged; 3-3/32", 1-3/16" Ring Groove, 1.875" CD, .8592" Pin Dia., Recessed Head .187" deep
4	Pin Bushing	8649XAS		Full round, thin wall .0055" O/S OD bushing
4	Pin Bushing	8649XA		Full round, thin wall bushing w/.9150" OD
4	Pin Bushing	8649V		Split type, thin wall bushing w/.9135" OD
4	Pin Bushing	8649V20		Split type, thin wall bushing w/.9135" OD & .020" extra bore stock
QTY	CONNECTING RODS & BRGS.	PART NO.	SIZE	DESCRIPTION
4	Rod Pair	FP-1670SB	Std-2-10-20-30-40-60	
4	Rod Pair	1670SB +	Std-2-10-20-30-40-60	When depleted use FP-1670SB
QTY	PISTON RINGS	PART NO.	SIZE	DESCRIPTION
1	Premium Set	FP-964KX	Std Only	OVERBORE To 3.375"; Check piston grooving before supplying ring set; 3-1/8, 1-3/16
1	Premium Set	964KX +	Std Only	OVERBORE To 3.375"; Check piston grooving before supplying ring set; 3-1/8, 1-3/16; When depleted use FP-964KX
1	Premium Set	FP-974KX	Std Only	OVERBORE To 3.375"; Check piston grooving before supplying ring set; 3-3/32, 1-3/16
1	Premium Set	974KX +	Std Only	OVERBORE To 3.375"; Check piston grooving before supplying ring set; 3-3/32, 1-3/16; When depleted use FP-974KX
1	Standard Set	FP-964X	Std Only	OVERBORE To 3.375"; Check piston grooving before supplying ring set; 3-1/8, 1-3/16
1	Standard Set	964X +	Std Only	OVERBORE To 3.375"; Check piston grooving before supplying ring set; 3-1/8, 1-3/16; When depleted use FP-964X
4	Premium Single Cylinder Set	W-964KX	Std Only	OVERBORE To 3.375"; Check piston grooving before supplying ring set; 3-1/8, 1-3/16
4	Premium Single Cylinder Set	W-974KX	Std Only	OVERBORE To 3.375"; Check piston grooving before supplying ring set; 3-3/32, 1-3/16
4	Standard Single Cylinder Set	W-964X	Std Only	OVERBORE To 3.375"; Check piston grooving before supplying ring set; 3-1/8, 1-3/16
11 Combine IXB Eng.				
2.2L 133 L-HEAD L4, 3.25" Bore (Hercules Eng.)				
CYL. HEAD & PARTS				
QTY	VALVE	PART NO.	SIZE	DESCRIPTION
4	Intake	FP-V429		1.4840" Head Dia., .3100" Stem Dia., 3.9260" O.A.L.
4	Exhaust	FP-V428		1.3583" Head Dia., .3100" Stem Dia., 3.9213" O.A.L.
QTY	VALVE GUIDE	PART NO.	SIZE	DESCRIPTION
8	Guide	FP-VG930		Exh. & Int.; .485" OD; 3/8" Counterbore; .3120" ID, 2.0940" O.A.L.
8	Guide	FP-VG456		Exh. & Int.; .532" OD; .3120" ID, 2.0940" O.A.L.
QTY	VALVE SPRING	PART NO.	SIZE	DESCRIPTION
8	Spring	FP-VS622		Exh. & Int.; 1.7650" Free Height

(continued on next page)

Massey-Ferguson - Also See Engine Manufacturer

Combine IXB Eng. 11
2.2L 133 L-HEAD L4, 3.25" Bore (Hercules Eng.) (cont.)

CYLINDER COMPONENTS

QTY	CONNECTING RODS & BRGS.	PART NO.	SIZE	DESCRIPTION
4	Rod Pair	FP-1450SB	Std-10-20-30	W/1.7470-1.7480" standard shaft size
4	Rod Pair	1450SB +	Std-10-20-30	W/1.7470-1.7480" standard shaft size; When depleted use FP-1450SB
4	Rod Pair	FP-2425CP	Std-10-20-30	W/1.8090-1.8100" standard shaft size
4	Rod Pair	2425CP +	Std-10-20-30	W/1.8090-1.8100" standard shaft size; When depleted use FP-2425CP
QTY	PISTON RINGS	PART NO.	SIZE	DESCRIPTION
1	Standard Set	FP-617X	Std Only	2-1/8, 1-3/16
1	Standard Set	617X +	Std Only	2-1/8, 1-3/16; When depleted use FP-617X

Combine FC Eng. 12
2.2L 133 L-HEAD L4 (Early), 3.25" Bore (Waukesha Eng.)

CYL. HEAD & PARTS

QTY	VALVE	PART NO.	SIZE	DESCRIPTION
4	Exhaust	FP-V713		1.3490" Head Dia., .3095" Stem Dia., 4.4690" O.A.L.
16	Keeper	FP-VK123		Exh. & Int.
QTY	VALVE GUIDE	PART NO.	SIZE	DESCRIPTION
8	Guide	FP-VG296		Exh. & Int.; .3135" ID, 2.5000" O.A.L.

CYLINDER COMPONENTS

QTY	LINERS	PART NO.	SIZE	DESCRIPTION
4	Repair Sleeve	FP-SL11M	Std Only	3/32" wall, must be cut to correct length
QTY	PISTONS	PART NO.	SIZE	DESCRIPTION
4	Pin Bushing	FP-9629X		Bushing w/1/16" dia. oil hole
4	Pin Bushing	9629X +		Bushing w/1/16" dia. oil hole; When depleted use FP-9629X
QTY	PISTON RINGS	PART NO.	SIZE	DESCRIPTION
1	Premium Set	FP-5051KX	Std-20-30-40-60	Check piston grooving before supplying ring set; 3-3/32, 1-3/16
1	Premium Set	5051KX +	Std-20-30-40-60	Check piston grooving before supplying ring set; 3-3/32, 1-3/16; When depleted use FP-5051KX
1	Standard Set	FP-617X	Std Only	Check piston grooving before supplying ring set; 2-1/8, 1-3/16
1	Standard Set	617X +	Std Only	Check piston grooving before supplying ring set; 2-1/8, 1-3/16; When depleted use FP-617X
1	Standard Set	FP-5051X	Std-20-30-40-60	Check piston grooving before supplying ring set; 3-3/32, 1-3/16
1	Standard Set	5051X +	Std-20-30-40-60	Check piston grooving before supplying ring set; 3-3/32, 1-3/16; When depleted use FP-5051X
4	Premium Single Cylinder Set	W-5051KX20	20-30-60	Check piston grooving before supplying ring set; 3-3/32, 1-3/16
4	Standard Single Cylinder Set	W-5051X	Std-30	Check piston grooving before supplying ring set; 3-3/32, 1-3/16

Combine FC Eng. 13
2.2L 133 L4, 3.25" Bore (Waukesha Eng.)

CYLINDER COMPONENTS

QTY	LINERS	PART NO.	SIZE	DESCRIPTION
4	Repair Sleeve	FP-SL11M	Std Only	3/32" wall, must be cut to correct length
QTY	PISTONS	PART NO.	SIZE	DESCRIPTION
4	Pin Bushing	FP-9629X		Bushing w/1/16" dia. oil hole
4	Pin Bushing	9629X +		Bushing w/1/16" dia. oil hole; When depleted use FP-9629X
QTY	PISTON RINGS	PART NO.	SIZE	DESCRIPTION
1	Premium Set	FP-5051KX	Std-20-30-40-60	Check piston grooving before supplying ring set; 3-3/32, 1-3/16
1	Premium Set	5051KX +	Std-20-30-40-60	Check piston grooving before supplying ring set; 3-3/32, 1-3/16; When depleted use FP-5051KX
1	Standard Set	FP-617X	Std Only	Check piston grooving before supplying ring set; 2-1/8, 1-3/16
1	Standard Set	617X +	Std Only	Check piston grooving before supplying ring set; 2-1/8, 1-3/16; When depleted use FP-617X
1	Standard Set	FP-5051X	Std-20-30-40-60	Check piston grooving before supplying ring set; 3-3/32, 1-3/16
1	Standard Set	5051X +	Std-20-30-40-60	Check piston grooving before supplying ring set; 3-3/32, 1-3/16; When depleted use FP-5051X
4	Premium Single Cylinder Set	W-5051KX20	20-30-60	Check piston grooving before supplying ring set; 3-3/32, 1-3/16
4	Standard Single Cylinder Set	W-5051X	Std-30	Check piston grooving before supplying ring set; 3-3/32, 1-3/16

Massey-Ferguson - Also See Engine Manufacturer

14 Hay Baler Z134 Eng. Harvester Z134 Eng. Wheel Tractor Z134 Eng. 2.2L 134 OHV L4, 3.3125" Bore (Continental Eng.)

CYL. HEAD & PARTS				
QTY	VALVE	PART NO.	SIZE	DESCRIPTION
4	Intake	FP-V1102		Drilled stem; 1.2780" Head Dia., .3145" Stem Dia., 3.9770" O.A.L.
4	Intake	V-1102 +	Std Only	Drilled stem; 1.2780" Head Dia., .3145" Stem Dia., 3.9770" O.A.L.; When depleted use FP-V1102
4	Exhaust	FP-V4088X		Optional-H/D material; 1 groove stem; New design, lash cap is not req'd.; 1.1400" Head Dia., .3128" Stem Dia., 4.0790" O.A.L.
4	Exhaust	V-4088X +	Std Only	Optional-H/D material; 1 groove stem; New design, lash cap is not req'd.; 1.1400" Head Dia., .3128" Stem Dia., 4.0790" O.A.L.; When depleted use FP-V4088X
4	Exhaust	FP-V1422		Single groove stem; 1.1400" Head Dia., .3128" Stem Dia., 3.9890" O.A.L.
4	Exhaust	V-1422 +	Std Only	Single groove stem; 1.1400" Head Dia., .3128" Stem Dia., 3.9890" O.A.L.; When depleted use FP-V1422
8	Keeper	FP-VK144		Exh.; 1 groove; Square cut key groove
8	Keeper	VK-144R		Exh.; 1 groove; Square cut key groove; Hardened
4	Keeper	FP-VK142		Int.; For drilled stem
4	Keeper	VK-142 +		Int.; For drilled stem; When depleted use FP-VK142
8	Keeper, Bulk	FP-VK144B		Exh.; 1 groove; Square cut key groove; Carton of 1000
QTY	VALVE SEAT	PART NO.	SIZE	DESCRIPTION
4	Exh.	FP-24512501		1.2545" OD, 1.0000" ID, .2160" Depth
4	Exh.	245-1250-1 +	Std Only	1.2545" OD, 1.0000" ID, .2160" Depth; When depleted use FP-24512501
4	Int.	245-1375-4	Std Only	1.3795" OD, 1.1250" ID, .1855" Depth
QTY	VALVE GUIDE	PART NO.	SIZE	DESCRIPTION
8	Guide	FP-VG474		.3170" ID, 1.8130" O.A.L.
8	Guide	VG-474 +		.3170" ID, 1.8130" O.A.L.; When depleted use FP-VG474
QTY	VALVE SPRING	PART NO.	SIZE	DESCRIPTION
8	Spring	FP-VS356		2.0000" Free Height
8	Spring	VS-356 +		2.0000" Free Height; When depleted use FP-VS356
QTY	VALVE SEAL	PART NO.	SIZE	DESCRIPTION
8	Valve Stem Seal	ST-2017R		Exh. & Int.; Positive type; PTFE
4	Valve Stem Seal	MV-1233C		Int.; O-Ring; Rubber
4	Valve Stem Seal Bulk	MV-1233		Int.; O-Ring; Carton of 100; Rubber
CAMSHAFT GROUP				
QTY	TIMING	PART NO.	SIZE	DESCRIPTION
1	Gear Set	FP-2214711S		
1	Gear Set	221-4711S		
ENGINE BLOCK & PARTS				
QTY	GASKET SETS	PART NO.	SIZE	DESCRIPTION
1	Kit Gasket Set	FP-2601354		Compl.
1	Kit Gasket Set	260-1354 +		Compl.; When depleted use FP-2601354
CRANKSHAFT/OIL PUMP				
QTY	CRANKSHAFT	PART NO.	SIZE	DESCRIPTION
1	Crank Gear	FP-2214709		24 Teeth
1	Crank Gear	221-4709		24 Teeth
QTY	MAIN BEARINGS	PART NO.	SIZE	DESCRIPTION
1	Main Set	FP-4015M	Std-10-20-30-60	
1	Main Set	4015M +	Std-10-20-30-60	When depleted use FP-4015M
CYLINDER COMPONENTS				
QTY	LINERS	PART NO.	SIZE	DESCRIPTION
4	Liner w/Sealing Rings	FP-SO1762	Std Only	OVERBORE To 3.375"; Incl. (2) FP-SLR1762 sealing rings.
4	Sleeve Assy.	FP-SL2314	Std Only	OVERBORE To 3.375"
4	Sleeve Assy.	SL-2314 +	Std Only	OVERBORE To 3.375"; When depleted use FP-SL2314
QTY	PISTONS	PART NO.	SIZE	DESCRIPTION
4	Powerforged	FP-L2031F	Std Only	OVERBORE To 3.375"; Powerforged; 3-3/32", 1-3/16" Ring Groove, 1.875" CD, .8592" Pin Dia., Recessed Head .187" deep
4	Forged Piston - Individual	FP-WL2031F	Std Only	OVERBORE To 3.375"; Powerforged; 3-3/32", 1-3/16" Ring Groove, 1.875" CD, .8592" Pin Dia., Recessed Head .187" deep
4	Pin Bushing	8649XAS		Full round, thin wall .0055" O/S OD bushing
4	Pin Bushing	8649XA		Full round, thin wall bushing w/.9150" OD
4	Pin Bushing	8649V		Split type, thin wall bushing w/.9135" OD
4	Pin Bushing	8649V20		Split type, thin wall bushing w/.9135" OD & .020" extra bore stock

(continued on next page)

Massey-Ferguson - Also See Engine Manufacturer

Hay Baler Z134 Eng. Harvester Z134 Eng. Wheel Tractor Z134 Eng. 14
2.2L 134 OHV L4, 3.3125" Bore (Continental Eng.) (cont.)

CYLINDER COMPONENTS (cont.)

QTY	CONNECTING RODS & BRGS.	PART NO.	SIZE	DESCRIPTION
4	Rod Pair	FP-1670SB	<i>Std-2-10-20-30-40-60</i>	
4	Rod Pair	1670SB +	<i>Std-2-10-20-30-40-60</i>	When depleted use FP-1670SB
QTY	PISTON RINGS	PART NO.	SIZE	DESCRIPTION
1	Premium Set	FP-964KX	<i>Std Only</i>	OVERBORE To 3.375"; Check piston grooving before supplying ring set; 3-1/8, 1-3/16
1	Premium Set	964KX +	<i>Std Only</i>	OVERBORE To 3.375"; Check piston grooving before supplying ring set; 3-1/8, 1-3/16; When depleted use FP-964KX
1	Premium Set	FP-974KX	<i>Std Only</i>	OVERBORE To 3.375"; Check piston grooving before supplying ring set; 3-3/32, 1-3/16
1	Premium Set	974KX +	<i>Std Only</i>	OVERBORE To 3.375"; Check piston grooving before supplying ring set; 3-3/32, 1-3/16; When depleted use FP-974KX
1	Premium Set	FP-5446KX	<i>Std Only</i>	3-1/8, 1-3/16
1	Premium Set	5446KX +	<i>Std Only</i>	3-1/8, 1-3/16; When depleted use FP-5446KX
1	Standard Set	FP-964X	<i>Std Only</i>	OVERBORE To 3.375"; Check piston grooving before supplying ring set; 3-1/8, 1-3/16
1	Standard Set	964X +	<i>Std Only</i>	OVERBORE To 3.375"; Check piston grooving before supplying ring set; 3-1/8, 1-3/16; When depleted use FP-964X
4	Premium Single Cylinder Set	W-964KX	<i>Std Only</i>	OVERBORE To 3.375"; Check piston grooving before supplying ring set; 3-1/8, 1-3/16
4	Premium Single Cylinder Set	W-974KX	<i>Std Only</i>	OVERBORE To 3.375"; Check piston grooving before supplying ring set; 3-3/32, 1-3/16
4	Standard Single Cylinder Set	W-964X	<i>Std Only</i>	OVERBORE To 3.375"; Check piston grooving before supplying ring set; 3-1/8, 1-3/16

KITS

QTY	OVERHAUL KIT	PART NO.	SIZE	DESCRIPTION
1	Tractor Overhaul Kit	FP-KST2314C		OVERBORE To 3.375"

Combine F140 Eng. Wheel Tractor F140 Eng. Windrower F140 Eng. 15
2.3L 140 L-HEAD L4, 3.1875" Bore (Continental Eng.)

CYL. HEAD & PARTS

QTY	VALVE	PART NO.	SIZE	DESCRIPTION
4	Intake	FP-V801		Drilled stem; 1.5200" Head Dia., .3411" Stem Dia., 5.1760" O.A.L.
4	Intake	V-801 +	<i>Std Only</i>	Drilled stem; 1.5200" Head Dia., .3411" Stem Dia., 5.1760" O.A.L.; When depleted use FP-V801
4	Intake	FP-V1748		Single groove stem; 1.5160" Head Dia., .3410" Stem Dia., 5.1570" O.A.L.
4	Intake	V-1748 +	<i>Std Only</i>	Single groove stem; 1.5160" Head Dia., .3410" Stem Dia., 5.1570" O.A.L.; When depleted use FP-V1748
4	Exhaust	FP-V800		Drilled stem; 1.2030" Head Dia., .3381" Stem Dia., 5.1520" O.A.L.
4	Exhaust	V-800 +	<i>Std Only</i>	Drilled stem; 1.2030" Head Dia., .3381" Stem Dia., 5.1520" O.A.L.; When depleted use FP-V800
4	Exhaust	FP-V954		Drilled stem; 1.3280" Head Dia., .3386" Stem Dia., 5.1950" O.A.L.
4	Exhaust	V-954 +	<i>Std Only</i>	Drilled stem; 1.3280" Head Dia., .3386" Stem Dia., 5.1950" O.A.L.; When depleted use FP-V954
4	Exhaust	FP-V1684		Single groove stem; 1.2030" Head Dia., .3392" Stem Dia., 5.1890" O.A.L.
4	Exhaust	V-1684 +	<i>Std Only</i>	Single groove stem; 1.2030" Head Dia., .3392" Stem Dia., 5.1890" O.A.L.; When depleted use FP-V1684
8	Keeper	FP-VK142		For drilled stem
8	Keeper	VK-142 +		For drilled stem; When depleted use FP-VK142
16	Keeper	FP-VK144		1 groove; Square cut key groove
16	Keeper	VK-144R		1 groove; Square cut key groove; Hardened
16	Keeper, Bulk	FP-VK144B		1 groove; Square cut key groove; Carton of 1000
QTY	VALVE SEAT	PART NO.	SIZE	DESCRIPTION
4	Int.	245-1625-1N	<i>Std Only</i>	Premium Material; 1.6300" OD, 1.3750" ID, .2160" Depth
4	Int.	245-1625-1	<i>Std Only</i>	1.6300" OD, 1.3750" ID, .2160" Depth
QTY	VALVE GUIDE	PART NO.	SIZE	DESCRIPTION
8	Guide	FP-VG418		Exc. Rototype; .3425" ID, 2.3100" O.A.L.
8	Guide	VG-418 +		Exc. Rototype; .3425" ID, 2.3100" O.A.L.; When depleted use FP-VG418

(continued on next page)

Massey-Ferguson - Also See Engine Manufacturer

15 Combine F140 Eng. Wheel Tractor F140 Eng. Windrower F140 Eng. (cont.) 2.3L 140 L-HEAD L4, 3.1875" Bore (Continental Eng.)				
CYL. HEAD & PARTS (cont.)				
QTY	VALVE SPRING	PART NO.	SIZE	DESCRIPTION
8	Spring	FP-VS356		2.0000" Free Height
8	Spring	VS-356 +		2.0000" Free Height; When depleted use FP-VS356
CAMSHAFT GROUP				
QTY	TIMING	PART NO.	SIZE	DESCRIPTION
1	Cam Gear	FP-2212601		Repl. O.E. No. F124H401; 48 Teeth
1	Cam Gear	221-2601		Repl. O.E. No. F124H401; 48 Teeth
1	Cam Gear	FP-2212600		Replacement O.E. No. F400H310; 48 Teeth
1	Cam Gear	221-2600 +		Replacement O.E. No. F400H310; 48 Teeth; When depleted use FP-2212600
ENGINE BLOCK & PARTS				
QTY	GASKET SETS	PART NO.	SIZE	DESCRIPTION
1	Kit Gasket Set	FP-2601355		Compl.; Timing cover gskt. & seal not incl.
1	Kit Gasket Set	260-1355		Compl.; Timing cover gskt. & seal not incl.
QTY	CAM BEARINGS	PART NO.	SIZE	DESCRIPTION
1	Cam Set	FP-1158M	<i>Std Only</i>	
1	Cam Set	1158M +	<i>Std Only</i>	When depleted use FP-1158M
CRANKSHAFT/OIL PUMP				
QTY	CRANKSHAFT	PART NO.	SIZE	DESCRIPTION
1	Crank Gear	FP-2212603A		Repl. O.E. No. D600H300; 24 Teeth
1	Crank Gear	221-2603A		Repl. O.E. No. D600H300; 24 Teeth
QTY	MAIN BEARINGS	PART NO.	SIZE	DESCRIPTION
1	Main Set	FP-4004M	<i>Std-10-20</i>	W/Single flanged front brg.
1	Main Set	4004M +	<i>Std-10-20</i>	W/Single flanged front brg.; When depleted use FP-4004M
1	Main Set	FP-4005M	<i>Std-10-20</i>	W/Straight shell front brg.
1	Main Set	FP-6632M	<i>Std-10-20-30</i>	W/Straight shell front brg. & thrust washer
1	Main Set	6632M +	<i>Std-10-20-30</i>	W/Straight shell front brg. & thrust washer; When depleted use FP-6632M
1	Main Set	4005M +	<i>Std-10-20</i>	W/Straight shell front brg.; When depleted use FP-4005M
1	Thrust Washer Set	FP-9811BFA	<i>Std Only</i>	Position 1; Use w/straight shell main brg. set
1	Thrust Washer Set	9811BFA +	<i>Std Only</i>	Position 1; Use w/straight shell main brg. set; When depleted use FP-9811BFA
1	Thrust Washer Set	FP-9811BF	<i>Std Only</i>	Position 1; Use w/Flanged main brg.
1	Thrust Washer Set	9811BF +	<i>Std Only</i>	Position 1; Use w/Flanged main brg.; When depleted use FP-9811BF
CYLINDER COMPONENTS				
QTY	LINERS	PART NO.	SIZE	DESCRIPTION
1	Repair Sleeve	FP-SL10Y	<i>Std Only</i>	1/8" wall, must be cut to correct length
1	Repair Sleeve	FP-SL10M	<i>Std Only</i>	3/32" wall, must be cut to correct length
1	Repair Sleeve	SL-10M +	<i>Std Only</i>	3/32" wall, must be cut to correct length; When depleted use FP-SL10M
QTY	PISTONS	PART NO.	SIZE	DESCRIPTION
4	Pin Bushing	8649XAS		Forging No. F400D-502; Full round, thin wall .0055" O/S OD bushing
4	Pin Bushing	8649XA		Forging No. F400D-502; Full round, thin wall bushing w/.9150" OD
4	Pin Bushing	8649V		Forging No. F400D-502; Split type, thin wall bushing w/.9135" OD
4	Pin Bushing	8649V20		Forging No. F400D-502; Split type, thin wall bushing w/.9135" OD & .020" extra bore stock
4	Pin Bushing	FP-9324X		Full round, heavy wall bushing w/1.0625" OD; Forging No. F400D-500
4	Pin Bushing	9324X +		Full round, heavy wall bushing w/1.0625" OD; Forging No. F400D-500; When depleted use FP-9324X
QTY	CONNECTING RODS & BRGS.	PART NO.	SIZE	DESCRIPTION
2	Rod Pair	FP-9320CPA	<i>Std-2-10-20-30-40</i>	Position 1-3
2	Rod Pair	9320CPA +	<i>Std-2-10-20-30-40</i>	Position 1-3; When depleted use FP-9320CPA
2	Rod Pair	FP-9320CP	<i>Std-10-20-30-40</i>	Position 2-4
2	Rod Pair	9320CP +	<i>Std-10-20-30-40</i>	Position 2-4; When depleted use FP-9320CP
QTY	PISTON RINGS	PART NO.	SIZE	DESCRIPTION
1	Standard Set	FP-948X	<i>Std Only</i>	Check piston grooving before supplying ring set; 3-1/8, 1-1/4

(continued on next page)

Massey-Ferguson - Also See Engine Manufacturer

Combine F140 Eng. Wheel Tractor F140 Eng. Windrower F140 Eng. 15 2.3L 140 L-HEAD L4, 3.1875" Bore (Continental Eng.) (cont.)				
CYLINDER COMPONENTS (cont.)				
QTY	PISTON RINGS (cont.)	PART NO.	SIZE	DESCRIPTION
1	Standard Set	948X +	Std Only	Check piston grooving before supplying ring set; 3-1/8, 1-1/4; When depleted use FP-948X
1	Standard Set	FP-5036X	Std Only	Check piston grooving before supplying ring set; 3-1/8, 1-3/16
1	Standard Set	5036X +	Std Only	Check piston grooving before supplying ring set; 3-1/8, 1-3/16; When depleted use FP-5036X
Wheel Tractor P3.144 Eng. 16 2.4L 144 OHV Diesel L3, 3.5" Bore (Perkins Eng.)				
CRANKSHAFT/OIL PUMP				
QTY	MAIN BEARINGS	PART NO.	SIZE	DESCRIPTION
1	Main Set	FP-4415M	Std-10-20-30	
1	Main Set	4415M +	Std-10-20-30	When depleted use FP-4415M
1	Thrust Washer Set	FP-2783BF	Std Only	Position 4; To Ser. No. 1400249
1	Thrust Washer Set	2783BF +	Std Only	Position 4; To Ser. No. 1400249; When depleted use FP-2783BF
CYLINDER COMPONENTS				
QTY	PISTONS	PART NO.	SIZE	DESCRIPTION
3	Pin Bushing	FP-2019Y20		
3	Pin Bushing	2019Y20 +		When depleted use FP-2019Y20
QTY	CONNECTING RODS & BRGS.	PART NO.	SIZE	DESCRIPTION
3	Rod Pair	FP-2015CPA	Std-10-20-30	
3	Rod Pair	2015CPA +	Std-10-20-30	When depleted use FP-2015CPA
Wheel Tractor Z145 Eng. 17 2.4L 145 OHV L4, 3.375" Bore (Continental Eng.)				
CYL. HEAD & PARTS				
QTY	VALVE	PART NO.	SIZE	DESCRIPTION
4	Intake	FP-V1102		Drilled stem; 1.2780" Head Dia., .3145" Stem Dia., 3.9770" O.A.L.
4	Intake	V-1102 +	Std Only	Drilled stem; 1.2780" Head Dia., .3145" Stem Dia., 3.9770" O.A.L.; When depleted use FP-V1102
4	Exhaust	FP-V4088X		Optional-H/D material; 1 groove stem; New design, lash cap is not req'd.; 1.1400" Head Dia., .3128" Stem Dia., 4.0790" O.A.L.
4	Exhaust	V-4088X +	Std Only	Optional-H/D material; 1 groove stem; New design, lash cap is not req'd.; 1.1400" Head Dia., .3128" Stem Dia., 4.0790" O.A.L.; When depleted use FP-V4088X
4	Exhaust	FP-V1422		Single groove stem; 1.1400" Head Dia., .3128" Stem Dia., 3.9890" O.A.L.
4	Exhaust	V-1422 +	Std Only	Single groove stem; 1.1400" Head Dia., .3128" Stem Dia., 3.9890" O.A.L.; When depleted use FP-V1422
8	Keeper	FP-VK144		Exh.; 1 groove; Square cut key groove
8	Keeper	VK-144R		Exh.; 1 groove; Square cut key groove; Hardened
4	Keeper	FP-VK142		Int.; For drilled stem
4	Keeper	VK-142 +		Int.; For drilled stem; When depleted use FP-VK142
8	Keeper, Bulk	FP-VK144B		Exh.; 1 groove; Square cut key groove; Carton of 1000
QTY	VALVE SEAT	PART NO.	SIZE	DESCRIPTION
4	Exh.	FP-24512501		1.2545" OD, 1.0000" ID, .2160" Depth
4	Exh.	245-1250-1 +	Std Only	1.2545" OD, 1.0000" ID, .2160" Depth; When depleted use FP-24512501
4	Int.	245-1375-4	Std Only	1.3795" OD, 1.1250" ID, .1855" Depth
QTY	VALVE GUIDE	PART NO.	SIZE	DESCRIPTION
8	Guide	FP-VG474		.3170" ID, 1.8130" O.A.L.
8	Guide	VG-474 +		.3170" ID, 1.8130" O.A.L.; When depleted use FP-VG474
QTY	VALVE SPRING	PART NO.	SIZE	DESCRIPTION
8	Spring	FP-VS356		2.0000" Free Height
8	Spring	VS-356 +		2.0000" Free Height; When depleted use FP-VS356
QTY	VALVE SEAL	PART NO.	SIZE	DESCRIPTION
8	Valve Stem Seal	ST-2017R		Exh. & Int.; Positive type; PTFE
4	Valve Stem Seal	MV-1233C		Int.; O-Ring; Rubber
4	Valve Stem Seal Bulk	MV-1233		Int.; O-Ring; Carton of 100; Rubber
CAMSHAFT GROUP				
QTY	TIMING	PART NO.	SIZE	DESCRIPTION
1	Gear Set	FP-2214711S		

(continued on next page)
+ Superseded Part Number

Massey-Ferguson - Also See Engine Manufacturer

17 Wheel Tractor Z145 Eng. (cont.) 2.4L 145 OHV L4, 3.375" Bore (Continental Eng.)

CAMSHAFT GROUP (cont.)				
QTY	TIMING (cont.)	PART NO.	SIZE	DESCRIPTION
1	Gear Set	221-4711S		
ENGINE BLOCK & PARTS				
QTY	GASKET SETS	PART NO.	SIZE	DESCRIPTION
1	Kit Gasket Set	FP-2601354		Compl.
1	Kit Gasket Set	260-1354 +		Compl.; When depleted use FP-2601354
CRANKSHAFT/OIL PUMP				
QTY	CRANKSHAFT	PART NO.	SIZE	DESCRIPTION
1	Crank Gear	FP-2214709		24 Teeth
1	Crank Gear	221-4709		24 Teeth
QTY	MAIN BEARINGS	PART NO.	SIZE	DESCRIPTION
1	Main Set	FP-4015M	Std-10-20-30-60	
1	Main Set	4015M +	Std-10-20-30-60	When depleted use FP-4015M
CYLINDER COMPONENTS				
QTY	LINERS	PART NO.	SIZE	DESCRIPTION
4	Liner w/Sealing Rings	FP-SO2488	Std Only	Incl. (2) FP-SLR2488 sealing rings.
4	Liner w/Sealing Rings	SO-2488 +	Std Only	Incl. (2) SLR-2488 sealing rings.; When depleted use FP-SO2488
4	Sleeve Assy.	FP-SL2488	Std Only	Contains piston w/1.838"CD, .859" Pin dia., Dished head 2.500" Dia. X .310" Deep (Ref. O.E. No. Z145A401). Pin bushing No. 8649V20 also included.
4	Sleeve Assy.	SL-2488 +	Std Only	Contains piston w/1.838"CD, .859" Pin dia., Dished head 2.500" Dia. X .310" Deep (Ref. O.E. No. Z145A401). Pin bushing No. 8649V20 also included.; When depleted use FP-SL2488
QTY	PISTONS	PART NO.	SIZE	DESCRIPTION
4	Cast Piston	2488P	Std Only	Avail. in sleeve assy. only.; Cast; 3-1/8", 1-3/16" Ring Groove, 1.838" CD, .8590" Pin Dia., Dish Head .310" deep x 2.500 dia.; Repl. O.E. No. Z145-A401; AVAILABLE ONLY IN SLEEVE ASSY
4	Pin Bushing	8649XAS		Full round, thin wall .0055" O/S OD bushing
4	Pin Bushing	8649XA		Full round, thin wall bushing w/.9150" OD
4	Pin Bushing	8649V		Split type, thin wall bushing w/.9135" OD
4	Pin Bushing	8649V20		Split type, thin wall bushing w/.9135" OD & .020" extra bore stock
QTY	CONNECTING RODS & BRGS.	PART NO.	SIZE	DESCRIPTION
4	Rod Pair	FP-1670SB	Std-2-10-20-30-40-60	
4	Rod Pair	1670SB +	Std-2-10-20-30-40-60	When depleted use FP-1670SB
QTY	PISTON RINGS	PART NO.	SIZE	DESCRIPTION
1	Premium Set	FP-964KX	Std Only	Check piston grooving before supplying ring set; 3-1/8, 1-3/16
1	Premium Set	964KX +	Std Only	Check piston grooving before supplying ring set; 3-1/8, 1-3/16; When depleted use FP-964KX
1	Standard Set	FP-964X	Std Only	Check piston grooving before supplying ring set; 3-1/8, 1-3/16
1	Standard Set	964X +	Std Only	Check piston grooving before supplying ring set; 3-1/8, 1-3/16; When depleted use FP-964X
4	Premium Single Cylinder Set	W-964KX	Std Only	Check piston grooving before supplying ring set; 3-1/8, 1-3/16
4	Standard Single Cylinder Set	W-964X	Std Only	Check piston grooving before supplying ring set; 3-1/8, 1-3/16
KITS				
QTY	OVERHAUL KIT	PART NO.	SIZE	DESCRIPTION
1	Tractor Overhaul Kit	FP-KST2488A		

18 Wheel Tractor A3.152, AD3.152, D3.152, 3.152 Engs. 2.5L 152.7 OHV Diesel L3, 3.6" Bore (Perkins Eng.)

CYL. HEAD & PARTS				
QTY	VALVE	PART NO.	SIZE	DESCRIPTION
3	Intake	FP-V2150		1.5340" Head Dia., .3115" Stem Dia., 4.4980" O.A.L.
3	Intake	V-2150 +	Std Only	1.5340" Head Dia., .3115" Stem Dia., 4.4980" O.A.L.; When depleted use FP-V2150
3	Exhaust	FP-V2149		1.3130" Head Dia., .3115" Stem Dia., 4.5030" O.A.L.
3	Exhaust	V-2149 +	Std Only	1.3130" Head Dia., .3115" Stem Dia., 4.5030" O.A.L.; When depleted use FP-V2149
12	Keeper	FP-VK222		
12	Keeper	VK-222 +		When depleted use FP-VK222

(continued on next page)

Massey-Ferguson - Also See Engine Manufacturer

Wheel Tractor A3.152, AD3.152, D3.152, 3.152 Engs. 18
2.5L 152.7 OHV Diesel L3, 3.6" Bore (Perkins Eng.) (cont.)

CYL. HEAD & PARTS (cont.)				
QTY	VALVE GUIDE	PART NO.	SIZE	DESCRIPTION
6	Guide	VG-860		.3150" ID, 2.4400" O.A.L.
QTY	VALVE SPRING	PART NO.	SIZE	DESCRIPTION
6	Spring	FP-VS782		Inner; 1.3750" Free Height
6	Spring	VS-782 +		Inner; 1.3750" Free Height; When depleted use FP-VS782
6	Spring	FP-VS783		Outer; 1.7820" Free Height
6	Spring	VS-783 +		Outer; 1.7820" Free Height; When depleted use FP-VS783
QTY	VALVE SEAL	PART NO.	SIZE	DESCRIPTION
6	Valve Stem Seal	FP-ST2032		Positive type; PTFE
6	Valve Stem Seal	ST-2032 +		Positive type; PTFE; When depleted use FP-ST2032
ENGINE BLOCK & PARTS				
QTY	GASKET SETS	PART NO.	SIZE	DESCRIPTION
1	Kit Gasket Set	FP-2601404		Compl.; Direct Inj. Engs., w/rectangular head gskt.
1	Kit Gasket Set	260-1404 +		Compl.; Direct Inj. Engs., w/rectangular head gskt.; When depleted use FP-2601404
1	Kit Gasket Set	FP-2601403		Compl.; Indirect Inj. Engs., w/notched head gskt.
1	Kit Gasket Set	260-1403		Compl.; Indirect Inj. Engs., w/notched head gskt.
CRANKSHAFT/OIL PUMP				
QTY	MAIN BEARINGS	PART NO.	SIZE	DESCRIPTION
1	Main Set	FP-4415M	Std-10-20-30	
1	Main Set	4415M +	Std-10-20-30	When depleted use FP-4415M
1	Thrust Washer Set	FP-2783BF	Std Only	Position 4; To Ser. No. 1400249
1	Thrust Washer Set	2783BF +	Std Only	Position 4; To Ser. No. 1400249; When depleted use FP-2783BF
CYLINDER COMPONENTS				
QTY	LINERS	PART NO.	SIZE	DESCRIPTION
3	Dry Sleeve	FP-SL375M	Std Only	Flanged sleeve. Early blocks may require machining for flanged sleeve (instructions incl.)
3	Dry Sleeve	SL-375M +	Std Only	Flanged sleeve. Early blocks may require machining for flanged sleeve (instructions incl.); When depleted use FP-SL375M
3	Sleeve Assy.	FP-SL2186	Std Only	3-152 Engs.; w/Indirect Inj.; Flanged sleeve. Early blocks may require machining for flanged sleeve (instructions incl.)
3	Sleeve Assy.	SL-2186 +	Std Only	3-152 Engs.; w/Indirect Inj.; Flanged sleeve. Early blocks may require machining for flanged sleeve (instructions incl.); When depleted use FP-SL2186
3	Sleeve Assy.	FP-SL2439	Std Only	3AD-152 Engs.; w/Direct Inj.; Flanged sleeve. Early blocks may require machining for flanged sleeve (instructions incl.)
3	Sleeve Assy.	SL-2439 +	Std Only	3AD-152 Engs.; w/Direct Inj.; Flanged sleeve. Early blocks may require machining for flanged sleeve (instructions incl.); When depleted use FP-SL2439
QTY	PISTONS	PART NO.	SIZE	DESCRIPTION
3	Cast Piston	FP-2186P	Std Only	3-153 Engs.; w/Indirect Inj.; Cast; 2-3/32", 1-1/8", 2-1/4" Ring Groove, 2.234" CD, 1.2500" Pin Dia., Flat Head - 17.4:1 C.R.; Repl. O.E. No. 81565
3	Cast Piston	2186P +	Std Only	3-153 Engs.; w/Indirect Inj.; Cast; 2-3/32", 1-1/8", 2-1/4" Ring Groove, 2.234" CD, 1.2500" Pin Dia., Flat Head - 17.4:1 C.R.; Repl. O.E. No. 81565; When depleted use FP-2186P
3	Cast Piston	FP-2439P	Std Only	3AD-152 Engs.; w/Direct Inj.; Cast; 2-3/32", 1-1/8", 2-1/4" Ring Groove, 2.431" CD, 1.2500" Pin Dia., Dish Head .725" deep x 2.200" dia.; Repl. O.E. No. 82111
3	Cast Piston	2439P +	Std Only	3AD-152 Engs.; w/Direct Inj.; Cast; 2-3/32", 1-1/8", 2-1/4" Ring Groove, 2.431" CD, 1.2500" Pin Dia., Dish Head .725" deep x 2.200" dia.; Repl. O.E. No. 82111; When depleted use FP-2439P
3	Pin Bushing	FP-2019Y20		
3	Pin Bushing	2019Y20 +		When depleted use FP-2019Y20
QTY	CONNECTING RODS & BRGS.	PART NO.	SIZE	DESCRIPTION
3	Rod Pair	FP-2015CPA	Std-10-20-30	
3	Rod Pair	2015CPA +	Std-10-20-30	When depleted use FP-2015CPA
QTY	PISTON RINGS	PART NO.	SIZE	DESCRIPTION
3	Premium Set	FP-5944KX	Std Only	Check piston grooving before supplying ring set; 2-3/32, 1-1/8, 2-1/4 (1 cyl. set); Do not use w/Chrome liners
3	Premium Set	5944KX +	Std Only	Check piston grooving before supplying ring set; 2-3/32, 1-1/8, 2-1/4 (1 cyl. set); Do not use w/Chrome liners; When depleted use FP-5944KX

(continued on next page)

Massey-Ferguson - Also See Engine Manufacturer

18 Wheel Tractor A3.152, AD3.152, D3.152, 3.152 Engs.

(cont.) 2.5L 152.7 OHV Diesel L3, 3.6" Bore (Perkins Eng.)

CYLINDER COMPONENTS (cont.)

QTY	PISTON RINGS (cont.)	PART NO.	SIZE	DESCRIPTION
3	Premium Set	FP-9132KX	Std Only	3-152 Engs.; w/Indirect Inj.; Check piston grooving before supplying ring set; 3-3/32, 2-1/4 (1 cyl. set); Do not use w/Chrome liners
3	Premium Set	FP-10222KX	Std Only	3A-152 Engs.; 2-3/32, 1-1/4 (1 cyl. set)
3	Standard Set	FP-5944X	Std Only	Check piston grooving before supplying ring set; 2-3/32, 1-1/8, 2-1/4 (1 cyl. set)
3	Standard Set	5944X +	Std Only	Check piston grooving before supplying ring set; 2-3/32, 1-1/8, 2-1/4 (1 cyl. set); When depleted use FP-5944X
3	Standard Set	FP-9132X	Std Only	3-152 Engs.; w/Indirect Inj.; Check piston grooving before supplying ring set; 3-3/32, 2-1/4 (1 cyl. set)

KITS

QTY	OVERHAUL KIT	PART NO.	SIZE	DESCRIPTION
1	Tractor Overhaul Kit	FP-KST2186A		3-152 Engs.; w/Indirect inj.; From Ser. No. 1400250; Valve stem seals not incl.
1	Tractor Overhaul Kit	FP-KST2439A		3AD-152 Engs.; w/Direct Inj.

19 Harvester V460D, V461D, VG4D, VP4, VP4D Engs.

2.5L 154 L-HEAD V4, 3.5" Bore (Wisconsin Eng.)

CYL. HEAD & PARTS

QTY	VALVE	PART NO.	SIZE	DESCRIPTION
4	Intake	FP-V818		VG4D & VP4D Engs.; 1.5630" Head Dia., .3089" Stem Dia., 6.3346" O.A.L.
4	Intake	V-818 +	Std Only	VG4D & VP4D Engs.; 1.5630" Head Dia., .3089" Stem Dia., 6.3346" O.A.L.; When depleted use FP-V818
4	Exhaust	FP-V1676X		VG4D & VP4D Engs.; 1.5570" Head Dia., .3085" Stem Dia., 6.3330" O.A.L.
4	Exhaust	V-1676X +	Std Only	VG4D & VP4D Engs.; 1.5570" Head Dia., .3085" Stem Dia., 6.3330" O.A.L.; When depleted use FP-V1676X
16	Keeper	VK-144		Exc. V460D, V461D Engs.; 1 groove; Square cut key groove
16	Keeper	VK-144R		Exc. V460D, V461D Engs.; 1 groove; Square cut key groove; Hardened
16	Keeper	VK-115		V460D, V461D Engs.; 1 groove; Square cut key groove
16	Keeper	VK-115R		V460D, V461D Engs.; 1 groove; Square cut key groove; Hardened
16	Keeper, Bulk	VK-115B		V460D, V461D Engs.; 1 groove; Square cut key groove; Carton of 1000
QTY	VALVE GUIDE	PART NO.	SIZE	DESCRIPTION
8	Guide	VG-855		VG4D & VP4D Engs.; .3130" ID, 2.5000" O.A.L.
QTY	VALVE SPRING	PART NO.	SIZE	DESCRIPTION
8	Spring	FP-VS468		AP4 Engs.; 2.3120" Free Height
8	Spring	VS-468 +		AP4 Engs.; 2.3120" Free Height; When depleted use FP-VS468

CRANKSHAFT/OIL PUMP

QTY	MAIN BEARINGS	PART NO.	SIZE	DESCRIPTION
1	Plain Main Brg.	FP-3224CP	Std-10	Position Center; V-460D, V-461D, V-465D Engs.
1	Plain Main Brg.	3224CP +	Std-10	Position Center; V-460D, V-461D, V-465D Engs.; When depleted use FP-3224CP
2	Cone Taper Brg.	39590		Position Ends; V-460D, V-461D & V-465D Engs. Tapered roller brg. cone
2	Cone Taper Brg.	455S		Position 1-2; AM-4, AM-41, AP-4, AP-41, VG4D, VM4 & VP4 Engs. Tapered roller brg. cone
2	Cup Taper Brg.	39520		Position Ends; V-460D, V-461D & V-465D Engs. Tapered roller brg. cup
2	Cup Taper Brg.	453A		Position 1-2; AM-4, AM-41, AP-4, AP-41, VG4D, VM4 & VP4 Engs. Tapered roller brg. cup

CYLINDER COMPONENTS

QTY	LINERS	PART NO.	SIZE	DESCRIPTION
4	Repair Sleeve	SL-15M	Std Only	3/32" wall, Must be cut to correct length
QTY	PISTONS	PART NO.	SIZE	DESCRIPTION
4	Pin Bushing	1394		VG4D & VP4 Engs.; 1.000" max. length
QTY	CONNECTING RODS & BRGS.	PART NO.	SIZE	DESCRIPTION
4	Rod Pair	FP-3220CP	Std-10-20-30	V-460D, V-461D, V-465D Engs.; w/2.1232-2.1240" std. shaft size
4	Rod Pair	3220CP +	Std-10-20-30	V-460D, V-461D, V-465D Engs.; w/2.1232-2.1240" std. shaft size; When depleted use FP-3220CP
4	Rod Pair	FP-3605SB	Std-10-20	VG4D, VM4, VP4 Engs.

(continued on next page)

+ Superseded Part Number

Massey-Ferguson - Also See Engine Manufacturer

Harvester V460D, V461D, VG4D, VP4, VP4D Engs. 19
2.5L 154 L-HEAD V4, 3.5" Bore (Wisconsin Eng.) (cont.)

CYLINDER COMPONENTS (cont.)

QTY	CONNECTING RODS & BRGS. (cont.)	PART NO.	SIZE	DESCRIPTION
4	Rod Pair	3605SB +	Std-10-20	VG4D, VM4, VP4 Engs.; When depleted use FP-3605SB
QTY	PISTON RINGS	PART NO.	SIZE	DESCRIPTION
4	Premium Set	FP-5091KX	Std-30	AP4, AP41, VG4D, VP4, VP4D Engs.; 3-1/8, 1-3/16 (1 cyl. set)
4	Premium Set	5091KX +	Std-30	AP4, AP41, VG4D, VP4, VP4D Engs.; 3-1/8, 1-3/16 (1 cyl. set); When depleted use FP-5091KX
1	Premium Set	FP-934KX	Std-20-30-60	AP4, VG4D, VP4, VP4D Engs.; 3-1/8, 1-3/16
1	Premium Set	934KX +	Std-20-30-60	AP4, VG4D, VP4, VP4D Engs.; 3-1/8, 1-3/16; When depleted use FP-934KX
1	Standard Set	FP-934X	Std Only	AP4, VG4D, VP4, VP4D Engs.; 3-1/8, 1-3/16
1	Standard Set	934X +	Std Only	AP4, VG4D, VP4, VP4D Engs.; 3-1/8, 1-3/16; When depleted use FP-934X
4	Premium Single Cylinder Set	W-934KX	Std Only	AP4, VG4D, VP4, VP4D Engs.; 3-1/8, 1-3/16
4	Standard Single Cylinder Set	W-934X	Std Only	AP4, VG4D, VP4, VP4D Engs.; 3-1/8, 1-3/16

Combine F162 Eng. Wheel Tractor F162 Eng. 20
2.6L 162 L-HEAD L4, 3.4375" Bore (Continental Eng.)

CYL. HEAD & PARTS

QTY	VALVE	PART NO.	SIZE	DESCRIPTION
4	Intake	FP-V801		Drilled stem; 1.5200" Head Dia., .3411" Stem Dia., 5.1760" O.A.L.
4	Intake	V-801 +	Std Only	Drilled stem; 1.5200" Head Dia., .3411" Stem Dia., 5.1760" O.A.L.; When depleted use FP-V801
4	Intake	FP-V1748		Single groove stem; 1.5160" Head Dia., .3410" Stem Dia., 5.1570" O.A.L.
4	Intake	V-1748 +	Std Only	Single groove stem; 1.5160" Head Dia., .3410" Stem Dia., 5.1570" O.A.L.; When depleted use FP-V1748
4	Exhaust	FP-V800		Drilled stem; 1.2030" Head Dia., .3381" Stem Dia., 5.1520" O.A.L.
4	Exhaust	V-800 +	Std Only	Drilled stem; 1.2030" Head Dia., .3381" Stem Dia., 5.1520" O.A.L.; When depleted use FP-V800
4	Exhaust	FP-V954		Drilled stem; 1.3280" Head Dia., .3386" Stem Dia., 5.1950" O.A.L.
4	Exhaust	V-954 +	Std Only	Drilled stem; 1.3280" Head Dia., .3386" Stem Dia., 5.1950" O.A.L.; When depleted use FP-V954
4	Exhaust	FP-V1684		Single groove stem; 1.2030" Head Dia., .3392" Stem Dia., 5.1890" O.A.L.
4	Exhaust	V-1684 +	Std Only	Single groove stem; 1.2030" Head Dia., .3392" Stem Dia., 5.1890" O.A.L.; When depleted use FP-V1684
8	Keeper	FP-VK142		For drilled stem
8	Keeper	VK-142 +		For drilled stem; When depleted use FP-VK142
16	Keeper	FP-VK144		1 groove; Square cut key groove
16	Keeper	VK-144R		1 groove; Square cut key groove; Hardened
16	Keeper, Bulk	FP-VK144B		1 groove; Square cut key groove; Carton of 1000
QTY	VALVE SEAT	PART NO.	SIZE	DESCRIPTION
4	Exh.	245-1437-3N	Std Only	Premium Material; 1.4425" OD, 1.1880" ID, .2160" Depth
4	Exh.	245-1437-3	Std Only	1.4425" OD, 1.1880" ID, .2160" Depth
4	Int.	245-1625-1N	Std Only	Premium Material; 1.6300" OD, 1.3750" ID, .2160" Depth
4	Int.	FP-2451348E1N		1.3480" OD, 1.0870" ID, .2005" Depth
4	Int.	245-1348-E1N +	Std Only	1.3480" OD, 1.0870" ID, .2005" Depth; When depleted use FP-2451348E1N
4	Int.	245-1625-1	Std Only	1.6300" OD, 1.3750" ID, .2160" Depth
QTY	VALVE GUIDE	PART NO.	SIZE	DESCRIPTION
8	Guide	FP-VG418		Exc. Rototype; .3425" ID, 2.3100" O.A.L.
8	Guide	VG-418 +		Exc. Rototype; .3425" ID, 2.3100" O.A.L.; When depleted use FP-VG418
QTY	VALVE SPRING	PART NO.	SIZE	DESCRIPTION
8	Spring	FP-VS356		2.0000" Free Height
8	Spring	VS-356 +		2.0000" Free Height; When depleted use FP-VS356
CAMSHAFT GROUP				
QTY	TIMING	PART NO.	SIZE	DESCRIPTION
1	Cam Gear	FP-2212601		Repl. O.E. No. F124H401; 48 Teeth
1	Cam Gear	221-2601		Repl. O.E. No. F124H401; 48 Teeth
1	Cam Gear	FP-2212600		Replacement O.E. No. F400H310; 48 Teeth
1	Cam Gear	221-2600 +		Replacement O.E. No. F400H310; 48 Teeth; When depleted use FP-2212600

(continued on next page)

Massey-Ferguson - Also See Engine Manufacturer

20 Combine F162 Eng. Wheel Tractor F162 Eng.
(cont.) 2.6L 162 L-HEAD L4, 3.4375" Bore (Continental Eng.)

ENGINE BLOCK & PARTS				
QTY		PART NO.	SIZE	DESCRIPTION
1	Kit Gasket Set	FP-2601355		Compl.; Timing cover gskt. & seal not incl.
1	Kit Gasket Set	260-1355		Compl.; Timing cover gskt. & seal not incl.
QTY	CAM BEARINGS	PART NO.	SIZE	DESCRIPTION
1	Cam Set	FP-1158M	Std Only	
1	Cam Set	1158M +	Std Only	When depleted use FP-1158M
CRANKSHAFT/OIL PUMP				
QTY	CRANKSHAFT	PART NO.	SIZE	DESCRIPTION
1	Crank Gear	FP-2212603A		Repl. O.E. No. D600H300; 24 Teeth
1	Crank Gear	221-2603A		Repl. O.E. No. D600H300; 24 Teeth
QTY	MAIN BEARINGS	PART NO.	SIZE	DESCRIPTION
1	Main Set	FP-4004M	Std-10-20	W/Single flanged front brg.
1	Main Set	4004M +	Std-10-20	W/Single flanged front brg.; When depleted use FP-4004M
1	Main Set	FP-4005M	Std-10-20	W/Straight shell front brg.
1	Main Set	FP-6632M	Std-10-20-30	W/Straight shell front brg. & thrust washer
1	Main Set	6632M +	Std-10-20-30	W/Straight shell front brg. & thrust washer; When depleted use FP-6632M
1	Main Set	4005M +	Std-10-20	W/Straight shell front brg.; When depleted use FP-4005M
1	Thrust Washer Set	FP-9811BFA	Std Only	Position 1; Use w/straight shell main brg. set
1	Thrust Washer Set	9811BFA +	Std Only	Position 1; Use w/straight shell main brg. set; When depleted use FP-9811BFA
1	Thrust Washer Set	FP-9811BF	Std Only	Position 1; Use w/Flanged main brg.
1	Thrust Washer Set	9811BF +	Std Only	Position 1; Use w/Flanged main brg.; When depleted use FP-9811BF
CYLINDER COMPONENTS				
QTY	LINERS	PART NO.	SIZE	DESCRIPTION
1	Repair Sleeve	SL-14M	Std Only	3/32" wall, must be cut to correct length
QTY	PISTONS	PART NO.	SIZE	DESCRIPTION
4	Cast Piston	FP-1102P	Std-20-30-40-60	Cast; 1-5/64", 2-3/32", 1-1/4" Ring Groove, 2.000" CD, .8592" Pin Dia., Flat Head
4	Cast Piston	1102P +	Std-20-30-40-60	Cast; 1-5/64", 2-3/32", 1-1/4" Ring Groove, 2.000" CD, .8592" Pin Dia., Flat Head; When depleted use FP-1102P
4	Cast Piston - Individual	FP-W1102P	Std-20-30-40-60	Cast; 1-5/64", 2-3/32", 1-1/4" Ring Groove, 2.000" CD, .8592" Pin Dia., Flat Head
4	Cast Piston - Individual	W1102P +	Std-20-30-40-60	Cast; 1-5/64", 2-3/32", 1-1/4" Ring Groove, 2.000" CD, .8592" Pin Dia., Flat Head; When depleted use FP-W1102P
4	Pin Bushing	8649XAS		Forging No. F400D-502; Full round, thin wall .0055" O/S OD bushing
4	Pin Bushing	8649XA		Forging No. F400D-502; Full round, thin wall bushing w/.9150" OD
4	Pin Bushing	8649V		Forging No. F400D-502; Split type, thin wall bushing w/.9135" OD
4	Pin Bushing	8649V20		Forging No. F400D-502; Split type, thin wall bushing w/.9135" OD & .020" extra bore stock
4	Pin Bushing	FP-9324X		Full round, heavy wall bushing w/1.0625" OD; Forging No. F400D-500
4	Pin Bushing	9324X +		Full round, heavy wall bushing w/1.0625" OD; Forging No. F400D-500; When depleted use FP-9324X
QTY	CONNECTING RODS & BRGS.	PART NO.	SIZE	DESCRIPTION
2	Rod Pair	FP-9320CPA	Std-2-10-20-30-40	Position 1-3
2	Rod Pair	9320CPA +	Std-2-10-20-30-40	Position 1-3; When depleted use FP-9320CPA
2	Rod Pair	FP-9320CP	Std-10-20-30-40	Position 2-4
2	Rod Pair	9320CP +	Std-10-20-30-40	Position 2-4; When depleted use FP-9320CP
QTY	PISTON RINGS	PART NO.	SIZE	DESCRIPTION
1	Premium Set	FP-E323KC	Std-20-30-40-60	Check piston grooving before supplying ring set; 1-5/64, 2-3/32, 1-1/4
1	Premium Set	E-323KC +	Std-20-30-40-60	Check piston grooving before supplying ring set; 1-5/64, 2-3/32, 1-1/4; When depleted use FP-E323KC
1	Premium Set	FP-926KX	Std Only	Check piston grooving before supplying ring set; 3-1/8, 1-1/4
1	Premium Set	926KX +	Std Only	Check piston grooving before supplying ring set; 3-1/8, 1-1/4; When depleted use FP-926KX
1	Premium Set	FP-5039KX	Std Only	Check piston grooving before supplying ring set; 3-1/8, 1-3/16
1	Premium Set	5039KX +	Std Only	Check piston grooving before supplying ring set; 3-1/8, 1-3/16; When depleted use FP-5039KX

(continued on next page)

Massey-Ferguson - Also See Engine Manufacturer

Combine F162 Eng. Wheel Tractor F162 Eng. 20
2.6L 162 L-HEAD L4, 3.4375" Bore (Continental Eng.) (cont.)

CYLINDER COMPONENTS (cont.)

QTY	PISTON RINGS (cont.)	PART NO.	SIZE	DESCRIPTION
1	Standard Set	FP-E323X	Std-20-30-40-60	Check piston grooving before supplying ring set; 1-5/64, 2-3/32, 1-1/4
1	Standard Set	E-323X +	Std-20-30-40-60	Check piston grooving before supplying ring set; 1-5/64, 2-3/32, 1-1/4; When depleted use FP-E323X
1	Standard Set	FP-926X	Std Only	Check piston grooving before supplying ring set; 3-1/8, 1-1/4
1	Standard Set	926X +	Std Only	Check piston grooving before supplying ring set; 3-1/8, 1-1/4; When depleted use FP-926X
4	Premium Single Cylinder Set	WE-323KC	Std-20-30-40-60	Check piston grooving before supplying ring set; 1-5/64, 2-3/32, 1-1/4
4	Premium Single Cylinder Set	W-5039KX	Std Only	Check piston grooving before supplying ring set; 3-1/8, 1-3/16
4	Standard Single Cylinder Set	WE-323X	Std-20-30-40-60	Check piston grooving before supplying ring set; 1-5/64, 2-3/32, 1-1/4

Wheel Tractor G176 Eng. 21
2.9L 176 OHV L4, 3.625" Bore (Continental Eng.)

CYL. HEAD & PARTS

QTY	VALVE	PART NO.	SIZE	DESCRIPTION
4	Intake	FP-V1508		Exc. LPG Eng.s.; 1.3268" Head Dia., .3407" Stem Dia., 4.3346" O.A.L.
4	Intake	V-1508 +	Std Only	Exc. LPG Eng.s.; 1.3268" Head Dia., .3407" Stem Dia., 4.3346" O.A.L.; When depleted use FP-V1508
4	Exhaust	FP-V1507X		1.2030" Head Dia., .3386" Stem Dia., 4.3510" O.A.L.
4	Exhaust	V-1507X +	Std Only	1.2030" Head Dia., .3386" Stem Dia., 4.3510" O.A.L.; When depleted use FP-V1507X
16	Keeper	VK-115		1 groove; Square cut key groove
16	Keeper	VK-115R		1 groove; Square cut key groove; Hardened
16	Keeper, Bulk	VK-115B		1 groove; Square cut key groove; Carton of 1000
QTY	VALVE SEAT	PART NO.	SIZE	DESCRIPTION
4	Exh.	FP-2451348E1N		1.3480" OD, 1.0870" ID, .2005" Depth
4	Exh.	245-1348-E1N +	Std Only	1.3480" OD, 1.0870" ID, .2005" Depth; When depleted use FP-2451348E1N
4	Int.	245-1437-3N	Std Only	Premium Material; 1.4425" OD, 1.1880" ID, .2160" Depth
4	Int.	245-1437-3	Std Only	1.4425" OD, 1.1880" ID, .2160" Depth
QTY	VALVE GUIDE	PART NO.	SIZE	DESCRIPTION
8	Guide	FP-VG569		.3432" ID, 1.8100" O.A.L.
8	Guide	VG-569 +		.3432" ID, 1.8100" O.A.L.; When depleted use FP-VG569
QTY	VALVE SPRING	PART NO.	SIZE	DESCRIPTION
8	Spring	FP-VS583		1.9680" Free Height
8	Spring	VS-583 +		1.9680" Free Height; When depleted use FP-VS583
QTY	VALVE MISC.	PART NO.	SIZE	DESCRIPTION
4	Rotocap Assy.	FP-RC122A		Exh.; Exc. LPG Eng.s.
4	Rotocap Assy.	RC-122A +		Exh.; Exc. LPG Eng.s.; When depleted use FP-RC122A
QTY	VALVE SEAL	PART NO.	SIZE	DESCRIPTION
8	Valve Stem Seal	ST-2001		Positive type; Installation requires valve guide machining; Rubber/PTFE
8	Valve Stem Seal	MV-1233C		O-Ring; Rubber
8	Valve Stem Seal Bulk	MV-1233		O-Ring; Carton of 100; Rubber
8	Valve Stem Seal Bulk	ST-2001BC		Positive type; Installation requires valve guide machining; Carton of 100; Rubber/PTFE

CRANKSHAFT/OIL PUMP

QTY	MAIN BEARINGS	PART NO.	SIZE	DESCRIPTION
1	Main Set	FP-5063M	Std-10-20-30	
1	Main Set	5063M +	Std-10-20-30	When depleted use FP-5063M

CYLINDER COMPONENTS

QTY	LINERS	PART NO.	SIZE	DESCRIPTION
4	Sleeve Assy.	FP-SL2419	Std Only	OVERBORE To 3.655"; Sold as complete assembly only. Contains Dome Head Piston. Comp. Ht. 2.160" + Dome.
4	Sleeve Assy.	SL-2419 +	Std Only	OVERBORE To 3.655"; Sold as complete assembly only. Contains Dome Head Piston. Comp. Ht. 2.160" + Dome.; When depleted use FP-SL2419
QTY	PISTONS	PART NO.	SIZE	DESCRIPTION
4	Pin Bushing	FP-2924V		
4	Pin Bushing	2924V +		When depleted use FP-2924V

(continued on next page)

Massey-Ferguson - Also See Engine Manufacturer

21 Wheel Tractor G176 Eng. (cont.) 2.9L 176 OHV L4, 3.625" Bore (Continental Eng.)

CYLINDER COMPONENTS (cont.)

QTY	CONNECTING RODS & BRGS.	PART NO.	SIZE	DESCRIPTION
4	Rod Pair	FP-2925CP	Std-10-20-30	
4	Rod Pair	2925CP +	Std-10-20-30	When depleted use FP-2925CP
QTY	PISTON RINGS	PART NO.	SIZE	DESCRIPTION
1	Premium Set	FP-5597KX	Std Only	3-1/8, 1-1/4
1	Premium Set	5597KX +	Std Only	3-1/8, 1-1/4; When depleted use FP-5597KX

22 Wheel Tractor G176LP Eng. (LPG) 2.9L 176 OHV LPG L4, 3.625" Bore (Continental Eng.)

CYL. HEAD & PARTS

QTY	VALVE	PART NO.	SIZE	DESCRIPTION
4	Exhaust	FP-V1507X		1.2030" Head Dia., .3386" Stem Dia., 4.3510" O.A.L.
4	Exhaust	V-1507X +	Std Only	1.2030" Head Dia., .3386" Stem Dia., 4.3510" O.A.L.; When depleted use FP-V1507X
16	Keeper	VK-115		1 groove; Square cut key groove
16	Keeper	VK-115R		1 groove; Square cut key groove; Hardened
16	Keeper, Bulk	VK-115B		1 groove; Square cut key groove; Carton of 1000
QTY	VALVE SEAT	PART NO.	SIZE	DESCRIPTION
4	Exh.	FP-2451348E1N		1.3480" OD, 1.0870" ID, .2005" Depth
4	Exh.	245-1348-E1N +	Std Only	1.3480" OD, 1.0870" ID, .2005" Depth; When depleted use FP-2451348E1N
QTY	VALVE GUIDE	PART NO.	SIZE	DESCRIPTION
8	Guide	FP-VG569		.3432" ID, 1.8100" O.A.L.
8	Guide	VG-569 +		.3432" ID, 1.8100" O.A.L.; When depleted use FP-VG569
QTY	VALVE SPRING	PART NO.	SIZE	DESCRIPTION
8	Spring	FP-VS583		1.9680" Free Height
8	Spring	VS-583 +		1.9680" Free Height; When depleted use FP-VS583
QTY	VALVE SEAL	PART NO.	SIZE	DESCRIPTION
8	Valve Stem Seal	ST-2001		Positive type; Installation requires valve guide machining; Rubber/PTFE
8	Valve Stem Seal	MV-1233C		O-Ring; Rubber
8	Valve Stem Seal Bulk	MV-1233		O-Ring; Carton of 100; Rubber
8	Valve Stem Seal Bulk	ST-2001BC		Positive type; Installation requires valve guide machining; Carton of 100; Rubber/PTFE

23 Wheel Tractor G193 Eng. 3.2L 193 OHV L4, 3.75" Bore (Continental Eng.)

CYL. HEAD & PARTS

QTY	VALVE	PART NO.	SIZE	DESCRIPTION
4	Intake	FP-V2220		1.6410" Head Dia., .3406" Stem Dia., 5.5310" O.A.L.
4	Intake	V-2220 +	Std Only	1.6410" Head Dia., .3406" Stem Dia., 5.5310" O.A.L.; When depleted use FP-V2220
4	Exhaust	FP-V2219		1.3750" Head Dia., .3386" Stem Dia., 5.5240" O.A.L.
4	Exhaust	V-2219 +	Std Only	1.3750" Head Dia., .3386" Stem Dia., 5.5240" O.A.L.; When depleted use FP-V2219
16	Keeper	VK-115		1 groove; Square cut key groove
16	Keeper	VK-115R		1 groove; Square cut key groove; Hardened
16	Keeper, Bulk	VK-115B		1 groove; Square cut key groove; Carton of 1000
QTY	VALVE SEAT	PART NO.	SIZE	DESCRIPTION
4	Exh.	245-1437-3N	Std Only	Premium Material; 1.4425" OD, 1.1880" ID, .2160" Depth
4	Exh.	245-1437-3	Std Only	1.4425" OD, 1.1880" ID, .2160" Depth
4	Int.	FP-24518125N		Optional-Premium Material; Non-magenetic material; 1.8175" OD, 1.5000" ID, .2480" Depth
4	Int.	245-1812-5N +	Std Only	Optional-Premium Material; Non-magenetic material; 1.8175" OD, 1.5000" ID, .2480" Depth; When depleted use FP-24518125N
4	Int.	FP-24518125		1.8175" OD, 1.5000" ID, .2480" Depth
4	Int.	245-1812-5 +	Std Only	1.8175" OD, 1.5000" ID, .2480" Depth; When depleted use FP-24518125
QTY	VALVE GUIDE	PART NO.	SIZE	DESCRIPTION
8	Guide	FP-VG696		.3435" ID, 2.7200" O.A.L.
8	Guide	VG-696 +		.3435" ID, 2.7200" O.A.L.; When depleted use FP-VG696
QTY	VALVE SPRING	PART NO.	SIZE	DESCRIPTION
8	Spring	FP-VS796		2.1250" Free Height

(continued on next page)

+ Superseded Part Number

Massey-Ferguson - Also See Engine Manufacturer

<i>Wheel Tractor G193 Eng. 23</i> 3.2L 193 OHV L4, 3.75" Bore (Continental Eng.) (cont.)				
CYL. HEAD & PARTS (cont.)				
QTY	VALVE SPRING (cont.)	PART NO.	SIZE	DESCRIPTION
8	Spring	VS-796 +		2.1250" Free Height; When depleted use FP-VS796
QTY	VALVE SEAL	PART NO.	SIZE	DESCRIPTION
4	Valve Stem Seal	MV-1233C		Int.; O-Ring; Rubber
4	Valve Stem Seal Bulk	MV-1233		Int.; O-Ring; Carton of 100; Rubber
ENGINE BLOCK & PARTS				
QTY	CAM BEARINGS	PART NO.	SIZE	DESCRIPTION
1	Cam Set	FP-1474M	<i>Std Only</i>	
1	Cam Set	1474M +	<i>Std Only</i>	When depleted use FP-1474M
CRANKSHAFT/OIL PUMP				
QTY	MAIN BEARINGS	PART NO.	SIZE	DESCRIPTION
1	Main Set	FP-5063M	<i>Std-10-20-30</i>	
1	Main Set	5063M +	<i>Std-10-20-30</i>	When depleted use FP-5063M
CYLINDER COMPONENTS				
QTY	PISTONS	PART NO.	SIZE	DESCRIPTION
4	Pin Bushing	FP-2924V		
4	Pin Bushing	2924V +		When depleted use FP-2924V
QTY	CONNECTING RODS & BRGS.	PART NO.	SIZE	DESCRIPTION
4	Rod Pair	FP-2920CP	<i>Std-10-20</i>	
4	Rod Pair	2920CP +	<i>Std-10-20</i>	When depleted use FP-2920CP
QTY	PISTON RINGS	PART NO.	SIZE	DESCRIPTION
1	Premium Set	FP-5677KX	<i>Std Only</i>	Early 4-Ring piston; Check piston grooving before supplying ring set; 1-3/32, 2-1/8, 1-1/4
1	Premium Set	5677KX +	<i>Std Only</i>	Early 4-Ring piston; Check piston grooving before supplying ring set; 1-3/32, 2-1/8, 1-1/4; When depleted use FP-5677KX
<i>Wheel Tractor E201 Eng. 24</i> 3.3L 201 OHV L4, 3.625" Bore (Continental Eng.)				
CYL. HEAD & PARTS				
QTY	VALVE SPRING	PART NO.	SIZE	DESCRIPTION
8	Spring	FP-VS310		Exh. & Int.; 1.9690" Free Height
CRANKSHAFT/OIL PUMP				
QTY	MAIN BEARINGS	PART NO.	SIZE	DESCRIPTION
1	Main Set	FP-4139M	<i>Std-10-20</i>	
1	Main Set	4139M +	<i>Std-10-20</i>	When depleted use FP-4139M
CYLINDER COMPONENTS				
QTY	CONNECTING RODS & BRGS.	PART NO.	SIZE	DESCRIPTION
4	Rod Pair	FP-2590CP	<i>Std-10-20</i>	
4	Rod Pair	2590CP +	<i>Std-10-20</i>	When depleted use FP-2590CP
<i>Wheel Tractor A4.203, AD4.203, D4.203, 4.203 Eng. 25</i> 3.3L 203.6 OHV Diesel L4, 3.6" Bore (Perkins Eng.)				
CYL. HEAD & PARTS				
QTY	VALVE	PART NO.	SIZE	DESCRIPTION
4	Intake	FP-V2150		1.5340" Head Dia., .3115" Stem Dia., 4.4980" O.A.L.
4	Intake	V-2150 +	<i>Std Only</i>	1.5340" Head Dia., .3115" Stem Dia., 4.4980" O.A.L.; When depleted use FP-V2150
4	Exhaust	FP-V2149		1.3130" Head Dia., .3115" Stem Dia., 4.5030" O.A.L.
4	Exhaust	V-2149 +	<i>Std Only</i>	1.3130" Head Dia., .3115" Stem Dia., 4.5030" O.A.L.; When depleted use FP-V2149
16	Keeper	FP-VK222		
16	Keeper	VK-222 +		When depleted use FP-VK222
QTY	VALVE GUIDE	PART NO.	SIZE	DESCRIPTION
8	Guide	VG-860		.3150" ID, 2.4400" O.A.L.
QTY	VALVE SPRING	PART NO.	SIZE	DESCRIPTION
8	Spring	FP-VS782		Inner; 1.3750" Free Height
8	Spring	VS-782 +		Inner; 1.3750" Free Height; When depleted use FP-VS782
8	Spring	FP-VS783		Outer; 1.7820" Free Height
8	Spring	VS-783 +		Outer; 1.7820" Free Height; When depleted use FP-VS783

(continued on next page)

+ Superseded Part Number

Massey-Ferguson - Also See Engine Manufacturer

25 Wheel Tractor A4.203, AD4.203, D4.203, 4.203 Engs.				
(cont.) 3.3L 203.6 OHV Diesel L4, 3.6" Bore (Perkins Eng.)				
CYL. HEAD & PARTS (cont.)				
QTY	VALVE SEAL	PART NO.	SIZE	DESCRIPTION
8	Valve Stem Seal	FP-ST2032		Positive type; PTFE
8	Valve Stem Seal	ST-2032 +		Positive type; PTFE; When depleted use FP-ST2032
ENGINE BLOCK & PARTS				
QTY	GASKET SETS	PART NO.	SIZE	DESCRIPTION
1	Kit Gasket Set	FP-2601407		Compl.; Direct Inj. Engs.; timing cover seal not incl.
1	Kit Gasket Set	260-1407		Compl.; Direct Inj. Engs.; timing cover seal not incl.
CRANKSHAFT/OIL PUMP				
QTY	MAIN BEARINGS	PART NO.	SIZE	DESCRIPTION
1	Main Set	FP-4416M	Std-10	
1	Main Set	4416M +	Std-10	When depleted use FP-4416M
1	Thrust Washer Set	FP-2783BF	Std Only	Position 5; To Ser. No. 2105859
1	Thrust Washer Set	2783BF +	Std Only	Position 5; To Ser. No. 2105859; When depleted use FP-2783BF
CYLINDER COMPONENTS				
QTY	LINERS	PART NO.	SIZE	DESCRIPTION
4	Dry Sleeve	FP-SL375M	Std Only	Flanged sleeve. Early blocks may require machining for flanged sleeve (instructions incl.)
4	Dry Sleeve	SL-375M +	Std Only	Flanged sleeve. Early blocks may require machining for flanged sleeve (instructions incl.); When depleted use FP-SL375M
4	Sleeve Assy.	FP-SL2186	Std Only	4-203 Engs.; w/Indirect Inj.; Flanged sleeve. Early blocks may require machining for flanged sleeve (instructions incl.)
4	Sleeve Assy.	SL-2186 +	Std Only	4-203 Engs.; w/Indirect Inj.; Flanged sleeve. Early blocks may require machining for flanged sleeve (instructions incl.); When depleted use FP-SL2186
4	Sleeve Assy.	FP-SL2439	Std Only	4AD-203 Engs.; w/Direct Inj.; Flanged sleeve. Early blocks may require machining for flanged sleeve (instructions incl.)
4	Sleeve Assy.	SL-2439 +	Std Only	4AD-203 Engs.; w/Direct Inj.; Flanged sleeve. Early blocks may require machining for flanged sleeve (instructions incl.); When depleted use FP-SL2439
QTY	PISTONS	PART NO.	SIZE	DESCRIPTION
4	Cast Piston	FP-2186P	Std Only	4-203 Engs.; w/Indirect Inj.; Cast; 2-3/32", 1-1/8", 2-1/4" Ring Groove, 2.234" CD, 1.2500" Pin Dia., Flat Head - 17.4:1 C.R.; Repl. O.E. No. 81565
4	Cast Piston	2186P +	Std Only	4-203 Engs.; w/Indirect Inj.; Cast; 2-3/32", 1-1/8", 2-1/4" Ring Groove, 2.234" CD, 1.2500" Pin Dia., Flat Head - 17.4:1 C.R.; Repl. O.E. No. 81565; When depleted use FP-2186P
4	Cast Piston	FP-2439P	Std Only	4AD-203 Engs.; w/Direct Inj.; Cast; 2-3/32", 1-1/8", 2-1/4" Ring Groove, 2.431" CD, 1.2500" Pin Dia., Dish Head .725" deep x 2.200" dia.; Repl. O.E. No. 82111
4	Cast Piston	2439P +	Std Only	4AD-203 Engs.; w/Direct Inj.; Cast; 2-3/32", 1-1/8", 2-1/4" Ring Groove, 2.431" CD, 1.2500" Pin Dia., Dish Head .725" deep x 2.200" dia.; Repl. O.E. No. 82111; When depleted use FP-2439P
4	Pin Bushing	FP-2019Y20		
4	Pin Bushing	2019Y20 +		When depleted use FP-2019Y20
QTY	CONNECTING RODS & BRGS.	PART NO.	SIZE	DESCRIPTION
4	Rod Pair	FP-2015CPA	Std-10-20-30	
4	Rod Pair	2015CPA +	Std-10-20-30	When depleted use FP-2015CPA
QTY	PISTON RINGS	PART NO.	SIZE	DESCRIPTION
4	Premium Set	FP-5944KX	Std Only	2-3/32, 1-1/8, 2-1/4 (1 cyl. set); Do not use w/Chrome liners
4	Premium Set	5944KX +	Std Only	2-3/32, 1-1/8, 2-1/4 (1 cyl. set); Do not use w/Chrome liners; When depleted use FP-5944KX
4	Premium Set	FP-9132KX	Std Only	4-203 Engs.; w/Indirect Inj.; Check piston grooving before supplying ring set; 3-3/32, 2-1/4 (1 cyl. set); Do not use w/Chrome liners
4	Standard Set	FP-5944X	Std Only	2-3/32, 1-1/8, 2-1/4 (1 cyl. set)
4	Standard Set	5944X +	Std Only	2-3/32, 1-1/8, 2-1/4 (1 cyl. set); When depleted use FP-5944X
4	Standard Set	FP-9132X	Std Only	4-203 Engs.; w/Indirect Inj.; Check piston grooving before supplying ring set; 3-3/32, 2-1/4 (1 cyl. set)
KITS				
QTY	OVERHAUL KIT	PART NO.	SIZE	DESCRIPTION
1	Tractor Overhaul Kit	FP-KST2439D		4AD-203 Engs.; w/Direct Inj.; From Ser. No. 2105860; Timing cover seal & valve stem seals not incl.

Massey-Ferguson - Also See Engine Manufacturer

<i>Wheel Tractor E208, E400 Engs. 26</i> 3.4L 208 OHV L4, 3.6875" Bore (Continental Eng.)				
CYL. HEAD & PARTS				
QTY	VALVE SEAT	PART NO.	SIZE	DESCRIPTION
4	Exh.	245-1437-3	Std Only	E208 Eng.; 1.4425" OD, 1.1880" ID, .2160" Depth
4	Int.	245-1562-1	Std Only	E208 Eng.; 1.5675" OD, 1.3125" ID, .2160" Depth
QTY	VALVE GUIDE	PART NO.	SIZE	DESCRIPTION
8	Guide	FP-VG457		E208 Eng.; .3430" ID, 2.6870" O.A.L.
8	Guide	VG-457 +		E208 Eng.; .3430" ID, 2.6870" O.A.L.; When depleted use FP-VG457
QTY	VALVE SPRING	PART NO.	SIZE	DESCRIPTION
8	Spring	FP-VS583		E208 Eng.; 1.9680" Free Height
8	Spring	VS-583 +		E208 Eng.; 1.9680" Free Height; When depleted use FP-VS583
QTY	VALVE MISC.	PART NO.	SIZE	DESCRIPTION
4	Rotocap Assy.	FP-RC122A		Exh.; E208 Eng.
4	Rotocap Assy.	RC-122A +		Exh.; E208 Eng.; When depleted use FP-RC122A
CRANKSHAFT/OIL PUMP				
QTY	MAIN BEARINGS	PART NO.	SIZE	DESCRIPTION
1	Main Set	FP-4139M	Std-10-20	
1	Main Set	4139M +	Std-10-20	When depleted use FP-4139M
CYLINDER COMPONENTS				
QTY	CONNECTING RODS & BRGS.	PART NO.	SIZE	DESCRIPTION
4	Rod Pair	FP-2590CP	Std-10-20	
4	Rod Pair	2590CP +	Std-10-20	When depleted use FP-2590CP
<i>Wheel Tractor A4.212, AD4.212, 4.212 Engs. 27</i> 3.5L 212 OHV Diesel L4, 3.875" Bore (Perkins Eng.)				
CRANKSHAFT/OIL PUMP				
QTY	MAIN BEARINGS	PART NO.	SIZE	DESCRIPTION
1	Main Set	FP-4353M	Std-10-20	
1	Main Set	4353M +	Std-10-20	When depleted use FP-4353M
1	Thrust Washer Set	FP-3137BFA	Std Only	Position 5; Engs. From Ser. No. 4203049
1	Thrust Washer Set	3137BFA +	Std Only	Position 5; Engs. From Ser. No. 4203049; When depleted use FP-3137BFA
1	Thrust Washer Set	FP-3137BF	Std Only	Position 5; To Ser. No. 4203048
1	Thrust Washer Set	3137BF +	Std Only	Position 5; To Ser. No. 4203048; When depleted use FP-3137BF
CYLINDER COMPONENTS				
QTY	PISTONS	PART NO.	SIZE	DESCRIPTION
4	Pin Bushing	FP-3139Y15		
4	Pin Bushing	3139Y15 +		When depleted use FP-3139Y15
QTY	PISTON RINGS	PART NO.	SIZE	DESCRIPTION
1	Premium Set	FP-5357KX	Std Only	3-3/32, 1-1/4
1	Premium Set	5357KX +	Std Only	3-3/32, 1-1/4; When depleted use FP-5357KX
<i>Wheel Tractor 3-71 (2-Valve Cyl. Head), 3-71E (4-Valve Cyl. Head), 3-71N (4-Valve Cyl. Head) Engs. 28</i> 3.5L 213 OHV Diesel L3 (3-71), 4.25" Bore (Detroit Diesel Eng.)				
CYL. HEAD & PARTS				
QTY	GASKETS	PART NO.	SIZE	DESCRIPTION
1	Accessory Drive Gasket	FP-23515145		Breather Body/Separator
1	Governor Hole Gasket	FP-5123812		Breather Pipe
1	Crankcase Breather	FP-5130750		Breather Oil Separator Pad
1	Crankcase Breather	FP-5101760		Oil Separator Filter Unit; 4"
1	Crankcase Breather	FP-5101760		4"
1	Valve Cover Gasket	FP-5143405		Neoprene
1	Valve Cover Gasket	FP-5104018		Silicone
1	Lo Filter Adapter Gasket	FP-5173482		Breather Pipe/Body/Shell Cover, A/R
1	Washer	FP-5150568		Breather Pipe; 7/16" x 3/4" x 1/16"; Copper
1	Hose Clamp	FP-5186840		Breather Body; For 1 5/8" Hose Dia.; 13/16" - 1 1/2" Clamping Range
1	Bolt	FP-8927580		Breather Pipe; 3/8" - 16 x .875"
1	Bolt	FP-5103635		Throttle Delay; 3/8" - 16 x 2.90"
2	Stud	FP-5148504		Rocker Cover; 3/8" - 16 x 4.32"
1	Screw	FP-5103642		Breather Shell Cover; No. 10 - 24 x .375"
3	Screw	FP-5103642		Oil Filler Tube; No. 10 - 24 x .375"

(continued on next page)

+ Superseded Part Number

Massey-Ferguson - Also See Engine Manufacturer

28 Wheel Tractor 3-71 (2-Valve Cyl. Head), 3-71E (4-Valve Cyl. Head), 3-71N (4-Valve Cyl. Head) Engs.
 (cont.) 3.5L 213 OHV Diesel L3 (3-71), 4.25" Bore (Detroit Diesel Eng.)

CYL. HEAD & PARTS (cont.)

QTY	GASKETS (cont.)	PART NO.	SIZE	DESCRIPTION
1	Lock Washer	FP-103321		Breather Pipe; 3/8"
2	Lock Washer	FP-103320		Breather Pipe; 5/16"
2	Isolator Bushing	FP-5104515		Rocker Cover Bolt
QTY	MISCELLANEOUS	PART NO.	SIZE	DESCRIPTION
2	Wear Sleeve	FP-5113773		Pilot; .70" Length
1	Pipe Plug	FP-8926993		Cyl. Head Fuse Plug; 1/4" X 18; Recessed socket head
7	Pipe Plug	FP-5121182		Cyl. Head Plug; 1/4" - 18; Hex head
5	Pipe Plug	FP-8923847		Cyl. Head Plug; 1/4" x 18 NPTF; Square head
2	Pipe Plug	FP-5142549		Cyl. Head Plug; 3/4" - 14 Square Head
1	Pipe Plug	FP-8924517		Cyl. Head Plug; 3/8" x 18 square head
6	Washer	FP-5125108		Fuel Stand; 7/16" x 3/4" x 1/16"
6	Lock Washer	FP-103321		Cyl. Head; 3/8"
6	Lock Nut	FP-103026		Cyl. Head; 3/8" x 24
QTY	FREEZE PLUGS	PART NO.	SIZE	DESCRIPTION
1	Pipe Plug	FP-8926993		Cyl. Head Fuse Plug; 1/4" X 18; Recessed socket head
7	Pipe Plug	FP-5121182		Cyl. Head Plug; 1/4" - 18; Hex head
5	Pipe Plug	FP-8923847		Cyl. Head Plug; 1/4" x 18 NPTF; Square head
2	Pipe Plug	FP-5142549		Cyl. Head Plug; 3/4" - 14 Square Head
1	Pipe Plug	FP-8924517		Cyl. Head Plug; 3/8" x 18 square head
2	Expansion Plug	FP-5150132		Cyl. Head Plug; 3/4" Dia. Cup
4	Expansion Plug	FP-5154453		Cyl. Head Plug; 3/8" - 16 Headless Special
4	Expansion Plug	FP-5178976		Cyl. Head Plug; 7/16" - 14 Special
QTY	VALVE	PART NO.	SIZE	DESCRIPTION
6	Exhaust Valve Kit	FP-5192718		w/Locks; 2 Valve Head; Contains (1) FP-5178472 & (2) FP-23507238; 45 Degree
6	Exhaust Valve Kit	FP-5193197		w/Locks; 2 Valve Head; Contains (1) FP-5185327 & (2) FP-23507238; 30 Degree
6	Exhaust Valve Kit	FP-5194829		w/Locks; 2 Valve Head; Jet Blade; Contains (1) FP-5178501 & (2) FP-23507238; 45 Degree
6	Exhaust Valve Kit	FP-5193666		w/Locks; 2 Valve Head; Jet Blade; Contains (1) FP-5186381 & (2) FP-23507238; 30 Degree
12	Exhaust Valve Kit	FP-5149386		w/Locks; 4 Valve Head; Hi-Output Engs.; Contains (1) FP-5104280 & (2) FP-5111337
12	Exhaust Valve Kit	FP-23500501		w/Locks; 4 Valve Head; N & T Engs.; Contains (1) FP-8922516 & (2) FP-5111337
6	Valve Guide Cap	FP-5199914		Exh.; 2 Valve Head; Seal installer; Clear
12	Keeper	FP-23507238		2 Valve Head; 1 groove; Square cut key groove
24	Keeper	FP-5111337		4 Valve Head; 1 groove; Square cut key groove
QTY	VALVE SEAT	PART NO.	SIZE	DESCRIPTION
6	Exh.	FP-5198230	10	2 Valve Head; 30 Deg. seat; .010" O/S; 1.6380" OD, 1.3440" ID, .2485" Depth
6	Exh.	FP-8927920	STD	2 Valve Head; 30 Deg. seat; 1.6280" OD, 1.3440" ID, .2485" Depth
12	Exh.	FP-5197167	10	4 Valve Head; 30 Deg. seat; .010" O/S; 1.2720" OD, .9770" ID, .2355" Depth
12	Exh.	FP-5101101	STD	4 Valve Head; 30 Deg. seat; 1.2620" OD, .9770" ID, .2490" Depth
QTY	VALVE GUIDE	PART NO.	SIZE	DESCRIPTION
6	Guide	FP-5120930		Exh.; 2 Valve Head
6	Guide	FP-5192717		Exh.; 2 Valve Head; .0162" O/S
12	Guide	FP-5129919		Exh.; 4 Valve Head; 2 3/8" length; .3130" ID, 2.3800" O.A.L.
QTY	VALVE SPRING	PART NO.	SIZE	DESCRIPTION
6	Spring	FP-5150289		Exh.; 2 Valve Head; .177" Wire dia.
12	Spring	FP-5111339		Exh.; 4 Valve Head; .135" Wire dia.
12	Spring	FP-5147347		Exh.; 4 Valve Head; .148" Wire dia.
6	Valve Spring Seat	FP-5150292		Exh.; 2 Valve Head
12	Valve Spring Seat	FP-5117562		Exh.; 4 Valve Head
6	Spring Insert	FP-5111467		Exh.
6	Spring Cap	FP-5150291		Exh.; 2 Valve Head
12	Spring Cap	FP-5117563		Exh.; 4 Valve Head
QTY	PUSH RODS	PART NO.	SIZE	DESCRIPTION
9	Push Rod	FP-5128640		
9	Push Rod Seat	FP-5123250		Lower
9	Push Rod Seat	FP-5150302		Upper; Flange type
9	Push Rod Spring	FP-5186858		.177" Wire diameter
9	Push Rod Retainer	FP-5150303		

(continued on next page)

Massey-Ferguson - Also See Engine Manufacturer

Wheel Tractor 3-71 (2-Valve Cyl. Head), 3-71E (4-Valve Cyl. Head), 3-71N (4-Valve Cyl. Head) Engs. (cont.) **28**
 3.5L 213 OHV Diesel L3 (3-71), 4.25" Bore (Detroit Diesel Eng.)

CYL. HEAD & PARTS (cont.)

QTY	PUSH RODS (cont.)	PART NO.	SIZE	DESCRIPTION
9	Lock Nut	FP-5151601		5/16" - 24
QTY	VALVE MISC.	PART NO.	SIZE	DESCRIPTION
6	Bolt	FP-443603		.250" x 20 x .750"
6	Lock Nut	FP-5151601		5/16" - 24
6	Lock Washer	FP-103319		Cam Follower; .250"
6	Lock Washer	FP-103320		Cam Follower; 5/16"
QTY	VALVE SEAL	PART NO.	SIZE	DESCRIPTION
6	Valve Stem Seal	FP-23500480		Exh.; 2 Valve Head
12	Valve Stem Seal	FP-8921209		Exh.; 4 Valve Head
12	Tools	FP-5199913		Exh.; 4 Valve Head; Seal installer; Green Stripe
QTY	ROCKER PARTS	PART NO.	SIZE	DESCRIPTION
3	Arm Assy.	FP-5148472		Exh. Left
3	Arm Assy.	FP-5148475		Exh. Right
3	Arm Assy.	FP-8923554		Injector; Unbushed Clevis
3	Rocker Shaft	FP-23500714		
6	Rocker Shaft Bracket Bolt	FP-5150325		1/2" - 13 x 4.250"
6	Arm Support	FP-5103903		
3	Rocker Bushing	FP-8924355		Large
6	Rocker Bushing	FP-5123700		Exh.; Exh. Valve Clevis; .5625" OD
6	Rocker Bushing	FP-23517217		Exh.; Large; .8755" ID, .9475" OD, .840" Length, .0360" Wall thickness
6	Rocker Bushing	FP-8924354		Exh.; Small
9	Follower Assy.	FP-8924439		
9	Cam Follower Roller Set	FP-8923814		Incl. pin & roller
6	Valve Bridge Adj. Screw	FP-5129101		5/16" - 24 x 1"
6	Valve Bridge	FP-5117565		Exh.
6	Valve Bridge Guide	FP-5117564		Exh.; Press fit
6	Valve Bridge Guide	FP-51175646		Exh.; Press fit w/.006" O/S
6	Valve Bridge Guide	FP-5196843		Exh.; Threaded
6	Rocker Arm Clevis Pin	FP-5150314		
6	Bushing	FP-5122445 +		Exh.; Large; When depleted use FP-23517217
ELECTRICAL				
QTY	ELECTRICAL	PART NO.	SIZE	DESCRIPTION
1	Starting Motor Gasket	FP-5130995		Starting Motor Hole Cover
METERS				
QTY	METERS	PART NO.	SIZE	DESCRIPTION
1	Tachometer Drive Shaft	FP-5135936		
1	Tachometer Drive Shaft	FP-3224992		.061" Key
1	Accessory Drive Gasket	FP-23515145		Tach. Drive Cover
1	Bolt	FP-443603		.250" x 20 x .750"
1	Bolt	FP-179803		1/4" x 20 x 1.750"
1	Washer	FP-5150568		Tach. Drive Cover; 7/16" x 3/4" x 1/16"; Copper
4	Lock Washer	FP-103319		.250"
1	Lock Washer	FP-103319		Tach. Drive Adaptor; .250"
2	Lock Washer	FP-103320		Tach. Drive Adaptor; 5/16"
2	Lock Washer	FP-103320		Water Temp. Switch; 5/16"
1	Gasket	FP-5113412		Water Temp. Switch
1	Oil Seal	FP-5135820		Tach. Drive Adaptor
2	Oil Seal	FP-3202615		Tach. Drive Cover
1	Pipe Plug	FP-5121182		Water Temp. Switch; 1/4" - 18; Hex head
2	Pipe Plug	FP-8923847		Water Temp. Switch; 1/4" x 18 NPTF; Square head
INT & EXH MANIFOLDS				
QTY	INT. & EXH. MANIFOLDS	PART NO.	SIZE	DESCRIPTION
4	Stud	FP-8927270		Exh. Manifold to Head; 3/8" - 16/24" x 1.6875"
4	Stud	FP-8925804		Exh. Manifold to Head; 7/16" - 14/20" x 2 3/32"
4	Lock Nut	FP-23505398		Exh. Manifold; 7/16" - 20
4	Lock Washer	FP-103320		Exh. Manifold; 5/16"
1	Exhaust Manifold Gasket	FP-5163811		Exh. Outlet; 4.375" I.D.
4	Exhaust Manifold Gasket	FP-5156319		Manifold Cover Plate
1	Exhaust Manifold Gasket	FP-5156319		Water Outlet Flange
1	Exhaust Manifold Gasket	FP-5150194		3 Ports, Composition
4	Washer	FP-5104439		Exh. Manifold; 7/16" x 1.250" Dia.; Dished

(continued on next page)

Massey-Ferguson - Also See Engine Manufacturer

28 Wheel Tractor 3-71 (2-Valve Cyl. Head), 3-71E (4-Valve Cyl. Head), 3-71N (4-Valve Cyl. Head) Engs.
 (cont.) 3.5L 213 OHV Diesel L3 (3-71), 4.25" Bore (Detroit Diesel Eng.)

INT & EXH MANIFOLDS (cont.)

QTY	AIR INTAKE	PART NO.	SIZE	DESCRIPTION
2	Air Intake Housing Gasket	FP-5124405		
1	Air Intake Gasket	FP-3290577		Housing Striker Plate
2	Lock Washer	FP-103319		Air Inlet Housing Shutdown Valve Shaft; .250"
4	Lock Washer	FP-103321		Air Silencer; 3/8"
6	Lock Washer	FP-103320		Air Silencer; 5/16"
2	O-Ring	FP-5182977		Air Inlet Housing Shutdown Valve Shaft

CAMSHAFT GROUP

QTY	TIMING	PART NO.	SIZE	DESCRIPTION
1	Idler Gear Hub Assembly	FP-5130135		
1	Bolt	FP-454992		Idler Gear; 1/2" - 13 x 2 1/2
6	Bolt	FP-5103534		Idler Gear; 5/16" - 24 x 1/2"
1	Washer	FP-5167714		Idler Gear; 17/32" x 7/8" x 3/32"

QTY	CAMSHAFT/LIFTER	PART NO.	SIZE	DESCRIPTION
4	Camshaft Thrust Washer	FP-5111424		
4	Camshaft Thrust Washer	FP-5194826		
4	Camshaft Thrust Washer	FP-5194827		
2	Bolt	FP-5123383		Balance weight
2	Lock Washer	FP-5177769		Front balance weight; 1.125"
12	Lock Washer	FP-103321		Rear balance weight; 3/8"
2	Camshaft Plug	FP-5151277		.500" Drive; 15/32" x 1/2"

ACCESSORY DRIVE

QTY	ACCESSORY DRIVE	PART NO.	SIZE	DESCRIPTION
1	Accessory Drive Gasket	FP-23515145		
1	Oil Seal	FP-5131329		Accessory Drive
1	Oil Seal	FP-5138710		Accessory Drive
1	Oil Seal Kit	FP-5198175		Accessory Drive
1	Ball Brg.	FP-23503727		Accessory Drive
1	Ball Brg.	FP-23504528		Accessory Drive
1	Ball Brg.	FP-23504528		Accessory Drive
1	Drive Coupling	FP-5141773		Accessory Drive
1	Water Pump Retainer Ring	FP-9415285		Accessory Drive; Large; External
10	Bolt	FP-8927580		Accessory Drive; w/Seal Patch; 3/8" - 16 x .875"
3	Bolt	FP-8927581		Accessory Drive; w/Seal Patch; 3/8" - 16 x 1"
4	Bolt	FP-5145092		Accessory Drive; 3/8" - 24 x 1.20", Self-Locking
1	Stud	FP-8927270		Accessory Drive; 3/8" - 16/24" x 1.6875"
4	Stud	FP-8925804		Balance Weight Cover; 7/16" - 14/20" x 2 3/32"
1	Hydraulic Pump Gasket	FP-5188755		Accessory Drive
1	Pipe Plug	FP-5121182		Accessory Drive; 1/4" - 18; Hex head
5	Washer	FP-5150568		Accessory Drive; 7/16" x 3/4" x 1/16"; Copper
13	Copper Washer	FP-5152148		Accessory Drive; 25/64" ID x 9/16" OD x 1/16" Thick; Copper
13	Lock Washer	FP-103321		Accessory Drive; 3/8"
4	Lock Washer	FP-103321		Accessory Drive; 3/8"
4	Lock Washer	FP-103320		Accessory Drive; 5/16"
2	Lock Washer	FP-103321		Balance Weight Cover; 3/8"
20	Lock Washer	FP-103320		Balance Weight Cover; 5/16"
13	Lock Nut	FP-103026		Accessory Drive; 3/8" x 24
20	Lock Nut	FP-103026		Balance Weight Cover; 3/8" x 24

FUEL SYSTEM & PARTS

QTY	FUEL INJECTION	PART NO.	SIZE	DESCRIPTION
4	Fuel Injector Nozzle	FP-5172874		Water Nozzle; Single Outlet; Single Outlet
3	Fuel Injector Seal Ring	FP-5234281		
3	Fuel Injector Seal Ring	FP-5104701		Viton®
3	Injector Hole Tube Kit	FP-8925981		Incl. Seal Ring; Viton®
3	Clamp	FP-5121259		
3	Fuel Injector	FP-5229355		Option Type 111; Injector Assembly C55
3	Fuel Injector	FP-5229360		Option Type 113; Injector Assembly C60
3	Fuel Injector	FP-5229365		Option Type 115; Injector Assembly C65
3	Fuel Injector	FP-5228780		Option Type 14, 54, 82; Injector Assembly N80
3	Fuel Injector	FP-5229695		Option Type 153; Injector Assembly 7C75
3	Fuel Injector	FP-5229790		Option Type 163; Injector Assembly 7E55
3	Fuel Injector	FP-5229795		Option Type 164; Injector Assembly 7E60
3	Fuel Injector	FP-5229800		Option Type 165; Injector Assembly 7E65
3	Fuel Injector	FP-5229895		Option Type 180; Injector Assembly 7G65
3	Fuel Injector	FP-5226440		Option Type 242; Injector Assembly 7N65
3	Fuel Injector	FP-5228760		Option Type 53, 78; Injector Assembly N60

(continued on next page)

Massey-Ferguson - Also See Engine Manufacturer

Wheel Tractor 3-71 (2-Valve Cyl. Head), 3-71E (4-Valve Cyl. Head), 3-71N (4-Valve Cyl. Head) Engs. (cont.)
 3.5L 213 OHV Diesel L3 (3-71), 4.25" Bore (Detroit Diesel Eng.)

FUEL SYSTEM & PARTS (cont.)

QTY	FUEL INJECTION (cont.)	PART NO.	SIZE	DESCRIPTION
3	Fuel Injector	FP-5228770		Option Type 57, 80; Injector Assembly N70
3	Fuel Injector	FP-5228785		Option Type 60, 77; Injector Assembly N55
3	Fuel Injector	FP-5228777		Option Type 81; Injector Assembly N75
3	Fuel Injector	FP-5228900		Option Type 97; BT; Injector Assembly N65
6	Fuel Injector Repair Kit	FP-5229649		
3	Fuel Injection Valve Cage	FP-5228696		Check Valve
3	Fuel Injection Spring Seat	FP-5228766		
3	Fuel Injector Valve Spring	FP-5228596		
3	Fuel Injector Check Valve	FP-5228694		
3	Fuel Pump Check Valve	FP-5226411		
3	Fuel Pump Check Valve	FP-5228308		HV7, HV8, HV9, S70, S80, S90; Incl. injector valve & 5228106 seat
3	Fuel Pump Check Valve	FP-5228308		S55, S60, S65; Incl. injector valve & 5228106 seat
3	Injector Plunger & Bushing	FP-5229356		C55
3	Injector Plunger & Bushing	FP-5229362		C60
3	Injector Plunger & Bushing	FP-5229366		C65
3	Injector Plunger & Bushing	FP-5229372		C70
3	Injector Plunger & Bushing	FP-5228306		HV6
3	Injector Plunger & Bushing	FP-5228304		HV7
3	Injector Plunger & Bushing	FP-5228804		M95
3	Injector Plunger & Bushing	FP-5228668		N55
3	Injector Plunger & Bushing	FP-5228656		N60; For Inj. Assembly 5A60
3	Injector Plunger & Bushing	FP-5228928		N65 BT
3	Injector Plunger & Bushing	FP-5228658		N65 WT, N75, 7C75
3	Injector Plunger & Bushing	FP-5228682		N70, 7C70
3	Injector Plunger & Bushing	FP-5228661		N80
3	Injector Plunger & Bushing	FP-5228878		N90
3	Injector Plunger & Bushing	FP-5229823		7E55
3	Injector Plunger & Bushing	FP-5229814		7E60
3	Injector Plunger & Bushing	FP-5229808		7E75, 7G75
3	Injector Plunger & Bushing	FP-5229916		7G65
3	Injector Plunger & Bushing	FP-5229912		7G70
3	Injector Plunger & Bushing	FP-5229354		71C5; For Inj. Assembly C50
3	Fuel Injector Tip Kit	FP-5229026		C55, C60, 71C5, 7E55, 7E60; For Inj. Assembly 5N45
3	Fuel Injector Tip Kit	FP-5229192		C65, C70, N70, N75, 7N65
3	Fuel Injector Tip Kit	FP-5228312		HV7, HV8, HV9, S70, S80, S90
3	Fuel Injector Tip Kit	FP-5228554		HV7, HV8, HV9, S70, S80, S90
3	Fuel Injector Tip Kit	FP-5229256		M95, N80, N90
3	Fuel Injector Tip Kit	FP-5229026		N55, N60, N65 WT; For Inj. Assembly 5N45
3	Fuel Injector Tip Kit	FP-5229030		N65 BT; For Inj. Assembly 5A50, 5A55, 5A60
3	Fuel Injector Tip Kit	FP-5228491		S55, S60, S65
3	Fuel Injector Tip Kit	FP-5229030		7E65; For Inj. Assembly 5A50, 5A55, 5A60
3	Nut	FP-5228601		Inj. Valve; NV
3	Fuel Injector Valve Kit	FP-5228313		
3	Fuel Injector Valve Kit	FP-5228769		
3	Fuel Injector Roller Pin	FP-5228608		
QTY	FUEL FILTERS & PUMP	PART NO.	SIZE	DESCRIPTION
1	Mechanical Fuel Pump	FP-5199735		LH; High Output; High output; w/.375" Gear
1	Mechanical Fuel Pump	FP-5199560		LH; Std. Output; Std. output; w/.250" Gear
1	Mechanical Fuel Pump	FP-5199734		RH; High Output; High output
1	Mechanical Fuel Pump	FP-5199561		RH; Std. Output
1	Fuel Pump Shaft & Gear	FP-5100313		High Output; .963" Length; High Output
1	Fuel Pump Shaft & Gear	FP-5146705		High Output; 3.09" Length; High Output
1	Fuel Pump Shaft & Gear	FP-5181747		Std. Output; .838" Length; Std. Output
1	Fuel Pump Shaft & Gear	FP-5181746		Std. Output; 3.09" Length; Std. Output
1	Fuel Pump Valve	FP-5174973		
1	Fuel Pump Gear	FP-5118915		High Output; .374" Width; High Output
1	Fuel Pump Gear	FP-5128217		High Output; .374" Width; High Output
1	Fuel Pump Gear	FP-5174975		Std. Output; .294" Width; Std. Output
1	Fuel Pump Gear	FP-5181748		Std. Output; .294" Width; Std. Output
1	Fuel Pump Drive Shaft	FP-5100312		High Output; .963" Length; High Output
1	Fuel Pump Drive Shaft	FP-5178700		Std. & High Output; 3.09" Length
1	Fuel Pump Drive Shaft	FP-5181749		Std. Output; .838" Length; Std. Output
1	Fuel Pump Check Valve	FP-5174924		1/4" Swing type
1	Fuel Pump Check Valve	FP-5135308		3/8" Swing type
6	Fuel Line Connector	FP-5117369		
1	Fuel Pump Relief Valve Spring	FP-5184530		
2	Oil Seal	FP-23512243		Fuel pump

(continued on next page)

Massey-Ferguson - Also See Engine Manufacturer

28 Wheel Tractor 3-71 (2-Valve Cyl. Head), 3-71E (4-Valve Cyl. Head), 3-71N (4-Valve Cyl. Head) Engs.
(cont.) 3.5L 213 OHV Diesel L3 (3-71), 4.25" Bore (Detroit Diesel Eng.)

FUEL SYSTEM & PARTS (cont.)

QTY	FUEL FILTERS & PUMP (cont.)	PART NO.	SIZE	DESCRIPTION
1	Fuel Pump Valve Plug Gasket	FP-5161003		Fuel pump
1	Fuel Pump Repair Part	FP-5174971		Fuel pump valve plug; .500" x 20 plug
1	Fuel Pump Drive Adapter Gskt.	FP-5150193		
1	Fuel Pump Repair Kit	FP-5149599		High Output; High output; Short Shaft
1	Fuel Pump Repair Kit	FP-5195078		Std. Output; Std. output
1	Pipe Plug	FP-5121182		Fuel pump pipe; 1/4" - 18; Hex head
2	Plastic Cap	FP-5136240		Fuel pump body; .250" Dia.
1	Plastic Cap	FP-5136241		Fuel pump body; .780" Dia., 3/8" NPTF
1	Dowel Pin	FP-103709		5/32" x 1" straight
1	Ball Brg.	FP-147481		Fuel pump shaft; .125" Dia. Steel
6	Washer	FP-5125108		Fuel pump pipe assy.; 7/16" x 3/4" x 1/16"

BLOWER

QTY	BLOWER	PART NO.	SIZE	DESCRIPTION
2	Ball Brg.	FP-23503543		Front; Blower Rotor
2	Ball Brg.	FP-23504305		Rear; Blower Rotor
1	Oil Seal Kit	FP-23500533		Blower End Plate
2	Rect. or Square Seal	FP-23515630		Blower Drive Cover; w/Flanged & Strut Covers
1	Rect. or Square Seal	FP-5172864		Blower Drive Cover; w/Sand Cast Covers
4	Oil Seal	FP-5192438		Blower End Plate
4	Oil Seal	FP-8924453		Blower Rotor
1	Fuel Blower Gasket	FP-5150235		Blower to Block
1	Pipe Plug	FP-8924380		Blower Drive Gear Hub; 1/8" - 27
6	Bolt	FP-443603		Blower Rotor; .250" x 20 x .750"
1	Lock Washer	FP-8926285		Blower Drive Gear Hub
2	Lock Washer	FP-103321		Blower Drive Gear Hub; 3/8"
2	Lock Washer	FP-5154398		Blower Rotor; 1/2" Special, External Tooth
20	Lock Washer	FP-103320		Blower Rotor; 5/16"
1	Shim	FP-5150372		Blower Rotor Gear
1	Shim	FP-5153938		Blower Rotor Gear
1	Shim	FP-5150855		Blower Rotor Gear
1	Shim	FP-5150856		Blower Rotor Gear

GOVERNOR

QTY	GOVERNOR	PART NO.	SIZE	DESCRIPTION
1	Governor Shaft & Carrier	FP-5183624		Limiting Speed Gov.
3	Throttle/Governor Shaft	FP-5150923		Gov. Weight Carrier; w/Limiting Speed Gov.
4	Throttle/Governor Shaft	FP-5185154		Gov. Weight Shaft; w/Limiting Speed Gov.; Ring Grooves
1	Governor Spring	FP-5122165		Low Speed; w/One Blue Stripe
1	Governor Spring	FP-5183704		Low Speed; w/Two Yellow Stripes
1	Governor Low Speed Spring Cap	FP-5103975		w/Limiting Speed Gov.
1	Governor Low Speed Spring Cap	FP-5102968		Gov. Spring Hsg.
1	Governor Low Speed Spring Cap	FP-5103975		Gov. Spring Hsg.
1	Screw	FP-5102270		Gov. High Speed Spring; w/Limiting Speed Gov.; .250" - 28 x 1.00"
1	Screw	FP-5102270		Gov. Low Speed Spring; w/Limiting Speed Gov.; .250" - 28 x 1.00"
1	Screw	FP-5102270		Low speed spring adjusting; .250" - 28 x 1.00"
1	Governor Dowel Pin	FP-5150894		Gov. Differential; w/Limiting Speed Gov.; 25/32" Length
2	Governor Dowel Pin	FP-5185153		Gov. Weight Shaft; w/Limiting Speed Gov.; .3750" Dia. x 2.150" Length
1	Governor Dowel Pin	FP-5150943		Operating Shaft; w/Limiting Speed Gov.
1	Governor Dowel Pin	FP-5150894		Shutdown Shaft; w/Limiting Speed Gov.; 25/32" Length
1	Governor Seal Ring	FP-5126623		Gov. Spring Hsg.
1	O-Ring	FP-5176557		w/Limiting Speed Gov.; .477" ID x .113" Thick
1	O-Ring	FP-5182977		Gov. Cover Throttle Shaft; w/Limiting Speed Gov.
2	Cylindrical Brg.	FP-148402		w/Limiting Speed Gov.; .500" x .500" Dia.
1	Cylindrical Brg.	FP-148402		Lower; Operating Shaft; w/Limiting Speed Gov.; .500" x .500" Dia.
1	Dowel Pin	FP-141195		w/Limiting Speed Gov.; .250" x .625"
1	Washer	FP-5167714		Gov. Cover; w/Limiting Speed Gov.; 17/32" x 7/8" x 3/32"
1	Washer	FP-5151487		Gov. Cover; w/Limiting Speed Gov.; 3/8" x 11/16" x .033"
3	Washer	FP-5179709		Gov. High Speed Spring; w/Limiting Speed Gov.; .250" Copper
2	Washer	FP-5150885		Gov. Weight Pin; w/Limiting Speed Gov.
12	Washer	FP-5151487		Gov. Weight Shaft; w/Limiting Speed Gov.; 3/8" x 11/16" x .033"
2	Copper Washer	FP-5155596		Gov. High Speed Spring; w/Limiting Speed Gov.; 5/16"; Special copper washer
3	Copper Washer	FP-5155596		Gov. High Speed Spring; w/Limiting Speed Gov.; 5/16"; Special copper washer

(continued on next page)

Massey-Ferguson - Also See Engine Manufacturer

Wheel Tractor 3-71 (2-Valve Cyl. Head), 3-71E (4-Valve Cyl. Head), 3-71N (4-Valve Cyl. Head) Engs. (cont.)
 3.5L 213 OHV Diesel L3 (3-71), 4.25" Bore (Detroit Diesel Eng.)

GOVERNOR (cont.)

QTY	GOVERNOR (cont.)	PART NO.	SIZE	DESCRIPTION
1	Copper Washer	FP-5155596		Gov. Spring Hsg.; 5/16"; Special copper washer
1	Lock Washer	FP-103319		Gov. Cover; w/Limiting Speed Gov.; .250"
1	Lock Washer	FP-103319		Gov. High Speed Spring; w/Limiting Speed Gov.; .250"
2	Lock Washer	FP-103320		Gov. High Speed Spring; w/Limiting Speed Gov.; 5/16"
1	Lock Washer	FP-103320		Gov. Spring Hsg.; 5/16"
4	Lock Washer	FP-103319		Gov. Weight Housing; w/Limiting Speed Gov.; .250"
1	Governor Retainer	FP-5178581		Gov. Cover; w/Limiting Speed Gov.
8	Governor Retainer	FP-5178581		Gov. Weight; w/Limiting Speed Gov.
2	Bushing	FP-5147866		Gov. Weight; w/Limiting Speed Gov.; .520" Length
1	Ball Brg.	FP-9437108		Gov. Weight Riser; w/Limiting Speed Gov.; .354" Width
1	Ball Brg.	FP-9424121		Gov. Weight Shaft; w/Limiting Speed Gov.
4	Ball Brg.	FP-447196		Gov. Weight; w/Limiting Speed Gov.
1	Ball Brg.	FP-148403		Lower; Operating Shaft; w/Limiting Speed Gov.; .750" Width
1	Ball Brg.	FP-9431894		Upper; Operating Shaft; w/Limiting Speed Gov.
1	Carrier, Governor Weight	FP-5150932		Gov. Weight Shaft; w/Limiting Speed Gov.
1	Pipe Plug	FP-8924380		w/Limiting Speed Gov.; 1/8" - 27
1	Governor Spring Cover Gasket	FP-8922593		Gov. High Speed Spring Adj. Cover
1	Governor Spring Cover Gasket	FP-8922593		Gov. High Speed Spring; w/Limiting Speed Gov.
1	Copper Washer	FP-5155596		w/Limiting Speed Gov.; 5/16"; Special copper washer
2	Washer	FP-5179709		w/Limiting Speed Gov.; .250" Copper
3	Lock Washer	FP-103319		Throttle Shaft; w/Limiting Speed Gov.; .250"
3	Screw	FP-9417926		Gov. cover; w/Limiting Speed Gov.; 1/4" -20 x 3/4"
1	Governor Hole Gasket	FP-5123812		Gov. to Cyl. Head; w/Limiting Speed Gov.
1	Governor Cover Gasket	FP-5150889		w/Limiting Speed Gov.
1	Retainer	FP-142583		Gov. Cover; w/Limiting Speed Gov.; 13/64" Spring
1	Retainer	FP-142583		Gov. Differential; w/Limiting Speed Gov.; 13/64" Spring

COOLING SYSTEM

QTY	WATER PUMP	PART NO.	SIZE	DESCRIPTION
1	Water Pump - Heavy Duty	FP-23507971		Raw Water; Option Type 1, 2, 3, 28, 31, 62, 69, 70, 71, 72, 73, 75, 76, 77, 78, 80, 83
1	Water Pump - Heavy Duty	FP-5186250		Raw Water; Option Type 13
1	Water Pump - Heavy Duty	FP-23506704		L.H.; Fresh Water; High Capacity
1	Water Pump - Heavy Duty	FP-23506723		L.H.; Fresh Water; Std. Capacity
1	Water Pump - Heavy Duty	FP-23506711		R.H.; Fresh Water; High Capacity
1	Water Pump - Heavy Duty	FP-23506735		R.H.; Fresh Water; Std. Capacity
1	Water Pump Shaft	FP-5193552		Raw Water; For Pump FP-5186250
1	Water Pump Shaft	FP-5193552		Raw Water; For Pumps FP-5115800, FP-5187140, FP-23507971
1	Water Pump Impeller	FP-23505997		Fresh Water
1	Water Pump Impeller	FP-5126911		Fresh Water
1	Water Pump Impeller	FP-23505998		Fresh Water; High Capacity
1	Water Pump Impeller	FP-8924839		Raw Water; For Pump FP-5122599
1	Water Pump Impeller	FP-8924838		Raw Water; For Pump FP-5186250
1	Water Pump Impeller	FP-8924838		Raw Water; For Pumps FP-23507971, FP-5186250
1	Water Pump Impeller	FP-8924838		Raw Water; For Pumps FP-5115800, FP-5187140, FP-23507971
1	Water Pump Impeller	FP-5193602		Raw Water; Option Type 14; For Obsolete Pump; Synthetic
1	Water Pump Repair/Rebuild Kit	FP-23506870		Fresh Water Recon. Kit; High Capacity; Incl. Impeller Assy.
1	Water Pump Repair/Rebuild Kit	FP-23506851		Fresh Water Recon. Kit; Std. Capacity; Ceramic Insert; Incl. Impeller Assy.
1	Water Pump Repair/Rebuild Kit	FP-5198307		Fresh Water Recon. Kit; Std. Capacity; Incl. Impeller Assy.
1	Water Pump Repair/Rebuild Kit	FP-5149918		Fresh Water Seals & Bearing Kit; High Capacity; Ceramic Insert
1	Water Pump Repair/Rebuild Kit	FP-23506858		Fresh Water Seals & Bearing Kit; Std. Capacity
1	Water Pump Repair/Rebuild Kit	FP-5197224		Recon. Kit; Raw Water; For Pump FP-5186250
1	Water Pump Repair/Rebuild Kit	FP-5197223		Recon. Kit; Raw Water; For Pumps FP-5115800, FP-5187140, FP-23507971
1	Water Pump Cover	FP-5193555		Raw Water Pump, End; For Pump FP-5186250
1	Water Pump Cover	FP-5193555		Raw Water Pump, End; For Pumps FP-5115800, FP-5187140, FP-23507971
1	Water Pump Gasket	FP-5178273		Fresh Water; High Capacity
1	Water Pump Retainer Ring	FP-9415285		Raw Water; For Pump FP-5186250; Large; External
1	Water Pump Retainer Ring	FP-5193569		Raw Water; For Pump FP-5186250; Small; Small
1	Water Pump Retainer Ring	FP-9415285		Raw Water; For Pumps FP-5115800, FP-5187140, FP-23507971; Large; External
1	Water Pump Retainer Ring	FP-5193569		Raw Water; For Pumps FP-5115800, FP-5187140, FP-23507971; Small; Small
1	Water Pump Mech. Shaft Seal	FP-8924297		Fresh Water
1	Water Pump Mech. Shaft Seal	FP-5186571		Fresh Water; Seal & Spring
1	Water Pump Mech. Shaft Seal	FP-5198419		Raw Water; For Pump FP-5186250

(continued on next page)

Massey-Ferguson - Also See Engine Manufacturer

28 Wheel Tractor 3-71 (2-Valve Cyl. Head), 3-71E (4-Valve Cyl. Head), 3-71N (4-Valve Cyl. Head) Engs.
 (cont.) 3.5L 213 OHV Diesel L3 (3-71), 4.25" Bore (Detroit Diesel Eng.)

COOLING SYSTEM (cont.)

QTY	WATER PUMP (cont.)	PART NO.	SIZE	DESCRIPTION
1	Water Pump Mech. Shaft Seal	FP-5198419		Raw Water; For Pumps FP-23507971, FP-5186250, FP-5122599
1	Water Pump Mech. Shaft Seal	FP-5198419		Raw Water; For Pumps FP-5115800, FP-5187140, FP-23507971
1	Water Pump Mech. Shaft Seal	FP-5193684		Raw Water; For Pumps FP-5115800, FP-5187140, FP-23507971; Outboard
1	Ball Brg.	FP-23504426		Raw Water Pump; For Pump FP-5186250
1	Ball Brg.	FP-23504426		Raw Water Pump; For Pumps FP-5115800, FP-5187140, FP-23507971
1	Ball Brg.	FP-23503821		Inner; Fan Shaft
1	Ball Brg.	FP-903205		Inner; Fan Shaft
1	Ball Brg.	FP-9415132		Inner; Fan Shaft
1	Ball Brg.	FP-23503535		Outer; Fan Shaft
1	Oil Pump Intake Gasket	FP-5153902		Lower; Water By-Pass Tube; 2 1/4" B.C.
1	Fuel Pump Drive Adapter Gskt.	FP-5150193		Fresh Water Pump to Eng.
1	Accessory Drive Gasket	FP-23515145		Raw Water Pump Drive Gasket
1	Oil Seal	FP-5103951		Fan Shaft
1	Oil Seal	FP-5108219		Fan Shaft; Felt
1	Oil Seal	FP-23506248		Fresh Water Pump
1	Oil Seal	FP-5195101		Raw Water Pump; For Pump FP-5186250
1	Oil Seal	FP-5195101		Raw Water Pump; For Pumps FP-5115800, FP-5187140, FP-23507971
1	Oil Seal	FP-5132155		Thermostat Seal
1	Bolt	FP-454992		Fan Hub Mount; 1/2" - 13 x 2 1/2
3	Bolt	FP-8927581		Fan Hub Mount; 3/8" - 16 x 1"
4	Bolt	FP-8921930		Fresh Water Pump Body; 1/4" - 20 x 3/4"
4	Bolt	FP-443603		Heat Exchanger; .250" x 20 x .750"
1	Bolt	FP-454992		Heat Exchanger; 1/2" - 13 x 2 1/2
2	Bolt	FP-8927580		Heat Exchanger; 3/8" - 16 x .875"
5	Bolt	FP-23504236		Raw Water Pump Cover; For Pump FP-5186250; .250" - 20 x .500"; Stainless Steel
5	Bolt	FP-23504236		Raw Water Pump Cover; For Pumps FP-5115800, FP-5187140, FP-23507971; .250" - 20 x .500"; Stainless Steel
4	Bolt	FP-5145092		Raw Water Pump Drive; 3/8" - 24 x 1.20", Self-Locking
1	Pipe Plug	FP-8924380		Fan Hub; 1/8" - 27
1	Pipe Plug	FP-5121182		Heat Exchanger; 1/4" - 18; Hex head
1	Pipe Plug	FP-8924380		Heat Exchanger; 1/8" - 27
2	Pipe Plug	FP-5142549		Heat Exchanger; 3/4" - 14 Square Head
2	Pipe Plug	FP-8924517		Thermostat Housing Cover; 3/8" x 18 square head
1	Pipe Plug	FP-5115214		Thermostat Housing; 1/2" Square Head
1	Pipe Plug	FP-5121182		Thermostat Housing; 1/4" - 18; Hex head
1	Pipe Plug	FP-8924380		Thermostat Housing; 1/8" - 27
1	Pipe Plug	FP-5142549		Thermostat Housing; 3/4" - 14 Square Head
1	Pipe Plug	FP-5115214		Water Outlet Manifold Elbow; 1/2" Square Head
1	Pipe Plug	FP-5121182		Water Outlet Manifold Elbow; 1/4" - 18; Hex head
1	Pipe Plug	FP-5142549		Water Outlet Manifold Elbow; 3/4" - 14 Square Head
1	Pipe Plug	FP-5142549		Water Pump; 3/4" - 14 Square Head
1	Pipe Plug	FP-8924517		Water Pump; 3/8" x 18 square head
1	Expansion Plug	FP-5117186		Heat Exchanger; 2" Dia. Cup; Stainless Steel
1	Shaft & Bearing Assembly	FP-5136671		Fresh Water
1	Shaft & Bearing Assembly	FP-908337		Fresh Water
1	Dowel Pin	FP-5197597		Raw Water Pump; Wear Plate Locating Pin; .184" OD x .375" Length
1	Screw	FP-114366		Raw Water Pump Cam; For Pump FP-5186250; .250" - 20 x .500"; Brass
1	Screw	FP-114366		Raw Water Pump Cam; For Pumps FP-5115800, FP-5187140, FP-23507971; .250" - 20 x .500"; Brass
1	Slinger, Water Pump	FP-5114011		Fresh Water
1	Slinger, Water Pump	FP-5193676		Raw Water Pump Shaft; For Pump FP-5186250
1	Slinger, Water Pump	FP-5193676		Raw Water; For Pumps FP-5115800, FP-5187140, FP-23507971
3	Copper Washer	FP-5155596		Water Pump Mounting; 5/16"; Special copper washer
2	Washer	FP-5197310		Adhesive Washer; Fresh Water Pump; Adhesive, Ceramic Insert
1	Washer	FP-103325		Raw Water Pump Drive Gear; Lock washer; 5/8"
QTY	THERMOSTAT	PART NO.	SIZE	DESCRIPTION
1	Thermostat	FP-3041379		Vent Hole Design; 170 Deg.
2	Thermostat	FP-23503827		160 Deg.
2	Thermostat	FP-23503826		170 Deg.
2	Thermostat	FP-5172141		170 Deg.
1	Thermostat Gasket	FP-5167761		Thermostat Housing
2	Thermostat Gasket	FP-5169478		Water By-Pass Tube Elbow

(continued on next page)

Massey-Ferguson - Also See Engine Manufacturer

Wheel Tractor 3-71 (2-Valve Cyl. Head), 3-71E (4-Valve Cyl. Head), 3-71N (4-Valve Cyl. Head) Engs. (cont.) **28**
 3.5L 213 OHV Diesel L3 (3-71), 4.25" Bore (Detroit Diesel Eng.)

COOLING SYSTEM (cont.)

QTY	THERMOSTAT (cont.)	PART NO.	SIZE	DESCRIPTION
2	Thermostat Gasket	FP-5169478		Upper; Thermostat Housing
1	Thermostat Gasket	FP-5167761		Heat Exchanger
2	Exhaust Manifold Gasket	FP-5156319		Water By-Pass Tube to Exh. Manifold
QTY	MISCELLANEOUS	PART NO.	SIZE	DESCRIPTION
6	Stud	FP-8927270		Water Outlet Manifold; 3/8" - 16/24" x 1.6875"
4	Hose Clamp	FP-5186841		Raw Water Pump Inlet Tube; 1 9/16" - 2.50"
2	Hose Clamp	FP-5186840		Thermostat Housing; 13/16" - 1 1/2" Clamping Range
2	Hose Clamp	FP-5186840		Water By-pass Tube Connecting Hose; 13/16" - 1 1/2" Clamping Range
1	Hose Clamp	FP-9139809		Water Outlet Manifold; 2 1/16" - 3"
1	Hose Clamp	FP-5188036		Water Outlet Manifold; 2.750" Dia. Hose
3	Lock Washer	FP-103320		Fan Hub Mount; 5/16"
1	Lock Washer	FP-103321		Heat Exchanger; 3/8"
2	Lock Washer	FP-103320		Water Outlet Manifold Elbow; 5/16"
6	Lock Washer	FP-103321		Water Outlet Manifold; 3/8"
20	Lock Washer	FP-103320		Inlet; Heat Exchanger; 5/16"
1	Sealing Ring	FP-5159457		Water Pump Inlet
1	Sealing Ring	FP-5153560		Water Pump Inlet; 2.1875" OD
1	O-Ring	FP-5150191		Fresh Water Pump Outlet
2	O-Ring	FP-5167746		Heat Exchanger
1	O-Ring	FP-23514265		Raw Water Pump; For Pump FP-5186250
1	O-Ring	FP-23514265		Raw Water Pump; For Pumps FP-5115800, FP-5187140, FP-23507971
1	Exhaust Manifold Gasket	FP-5156319		Heat Exchanger; Cover Plate
3	Water Manifold Gasket	FP-23506469		Water Outlet Cover Plate
2	Hose Clamp	FP-5186840		Upper; Hose to Thermostat Housing; 13/16" - 1 1/2" Clamping Range
2	Oil Cooler Gasket	FP-5112401		Heat Exchanger
1	Oil Cooler Core Outer Gasket	FP-5102506		Heat Exchanger; Oil Cooler Outlet
1	Oil Cooler Cover Gasket	FP-23501591		Heat Exchanger
1	Oil Cooler Cover Gasket	FP-23501591		Heat Exchanger; Expansion Tank Cover

ENGINE BLOCK & PARTS

QTY	GASKETS	PART NO.	SIZE	DESCRIPTION
2	Flywheel Housing Gasket	FP-5150055		
1	Flywheel Housing Gasket	FP-8928967		
2	Accessory Drive Gasket	FP-23515145		Flywheel Housing Large Hole Cover
2	Bolt	FP-8927580		Flywheel Housing; 3/8" - 16 x .875"
2	Washer	FP-5125108		Flywheel Housing; 7/16" x 3/4" x 1/16"
2	Copper Washer	FP-5152148		Flywheel Housing; 25/64" ID x 9/16" OD x 1/16" Thick; Copper
1	Oil Pan Gasket	FP-5150115		
4	Bolt	FP-8927580		Oil Filter; 3/8" - 16 x .875"
1	Washer	FP-5177773		Filter By-pass Valve Plug; 18MM x 1.5MM
1	Washer	FP-840277		Oil Pan Drain Plug; 18MM, Nylon
1	Washer	FP-5150568		Oil Strainer Center Stud; 7/16" x 3/4" x 1/16"; Copper
4	Lock Washer	FP-103321		Oil Filter; 3/8"
22	Lock Washer	FP-103320		Oil Pan; 5/16"
2	Lock Washer	FP-103320		Oil Pressure Regulator; 5/16"
1	Pipe Plug	FP-5115214		Oil Cooler Water Inlet; 1/2" Square Head
2	Pipe Plug	FP-8924517		Oil Cooler Water Inlet; 3/8" x 18 square head
2	Pipe Plug	FP-5121182		Oil Filter; 1/4" - 18; Hex head
1	Pipe Plug	FP-5115214		Oil Pan Drain; 1/2" Square Head
1	Pipe Plug	FP-5121182		Oil Pan Drain; 1/4" - 18; Hex head
1	Pipe Plug	FP-5142549		Oil Pan Drain; 3/4" - 14 Square Head
1	Pipe Plug	FP-8924517		Oil Pan Drain; 3/8" x 18 square head
1	Pipe Plug	FP-5115214		Oil Pan; 1/2" Square Head
1	Pipe Plug	FP-5121182		Oil Pan; 1/4" - 18; Hex head
1	Pipe Plug	FP-8923313		Oil Pan; 3/4"
1	Pipe Plug	FP-5142549		Oil Pan; 3/4" - 14 Square Head
2	Cylinder Cover Gasket	FP-23505518		Front & Rear; Cyl. Block End Plate
1	Gasket	FP-5116357		Cyl. Block Water Hole Cover
4	Gasket	FP-23505525		Cyl. Block; 3/8" Copper
4	Hand Hole Cover Gasket	FP-5132117		
6	Copper Washer	FP-5152148		Cyl. Block; 25/64" ID x 9/16" OD x 1/16" Thick; Copper
6	Lock Washer	FP-103321		Cyl. Block; 3/8"
QTY	GASKET SETS	PART NO.	SIZE	DESCRIPTION
1	Complete Overhaul Gasket Set	FP-23512674WS		High Block; w/Seals

(continued on next page)

Massey-Ferguson - Also See Engine Manufacturer

28 Wheel Tractor 3-71 (2-Valve Cyl. Head), 3-71E (4-Valve Cyl. Head), 3-71N (4-Valve Cyl. Head) Engs.
 (cont.) 3.5L 213 OHV Diesel L3 (3-71), 4.25" Bore (Detroit Diesel Eng.)

ENGINE BLOCK & PARTS (cont.)

QTY	GASKET SETS (cont.)	PART NO.	SIZE	DESCRIPTION
1	Complete Overhaul Gasket Set	FP-23512674		High Block; Crankshaft seals not incl.
1	Complete Overhaul Gasket Set	FP-5192921		Low Block
QTY	CAM BEARINGS	PART NO.	SIZE	DESCRIPTION
4	Cam Brg.	FP-5111422	STD	
4	Cam Brg.	FP-5194858	10	
8	Cam Brg.	FP-5111423	STD	Position Front & Rear; Cam & Balance shaft brg.; Grooved
8	Cam Brg.	FP-5194825	20	Position Front & Rear; Cam & Balance Shaft brg.; .020" U/S, Unfinished; Grooved
2	Cam Brg.	FP-5196022	STD	Position Inter.; w/Steel bushing in ctr. hole
2	Cam Brg.	FP-5196023	10	Position Inter.; w/Steel bushing in ctr. hole; .010" U/S ID
2	Cam Brg.	FP-5196024	20	Position Inter.; w/Steel bushing in ctr. hole; .020" U/S ID
QTY	OIL COOLERS & FILTERS	PART NO.	SIZE	DESCRIPTION
1	Oil Cooler	FP-8547581		13 plate
1	Oil Cooler	FP-8547548		6 plate
1	Oil Cooler	FP-8547563		8 plate
4	Bolt	FP-8927581		Oil Cooler By-Pass; 3/8" - 16 x 1"
8	Copper Washer	FP-5155596		Oil Cooler Housing Cover; 5/16"; Special copper washer
4	Lock Washer	FP-103320		Oil Cooler; 5/16"
1	Lock Washer	FP-103321		Oil Cooler Adaptor to Block; 3/8"
2	Oil Cooler Gasket	FP-5112401		Oil Cooler Adaptor to Block
1	Oil Cooler Gasket	FP-5112401		Oil Cooler Housing Pad Cover
1	Oil Cooler Gasket	FP-8923223		Outer
1	Oil Cooler Core Gasket	FP-23501589		Outer
1	Gasket	FP-5575086		Oil Cooler By-pass Plug
1	Oil Cooler Core Inner Gasket	FP-5150155		
1	Oil Cooler Core Outer Gasket	FP-5102506		
2	Oil Cooler Adapter Gasket Set	FP-5150154		
1	Oil Cooler Adapter Cover Gskt	FP-5175882		Spacer
1	Oil Pump Intake Gasket	FP-5153902		Oil Cooler Housing Pad Cover; 2 1/4" B.C.
1	Copper Washer	FP-5152148		Oil Cooler Adaptor to Block; 25/64" ID x 9/16" OD x 1/16" Thick; Copper
1	Pipe Plug	FP-5115214		Oil Cooler By-Pass; 1/2" Square Head
1	Pipe Plug	FP-8923313		Oil Cooler By-Pass; 3/4"
1	Pipe Plug	FP-5121182		Oil Cooler Housing; 1/4" - 18; Hex head
1	Pipe Plug	FP-8923847		Oil Cooler; 1/4" x 18 NPTF; Square head
2	Pipe Plug	FP-8924517		Oil Cooler; 3/8" x 18 square head
QTY	FREEZE PLUGS	PART NO.	SIZE	DESCRIPTION
2	Pipe Plug	FP-5115214		Cyl. Block; 1/2" Square Head
1	Pipe Plug	FP-5121182		Cyl. Block; 1/4" - 18; Hex head
2	Pipe Plug	FP-8924380		Cyl. Block; 1/8" - 27
2	Pipe Plug	FP-5115214		Flywheel Housing; 1/2" Square Head
1	Pipe Plug	FP-5142549		Flywheel Housing; 3/4" - 14 Square Head
1	Pipe Plug	FP-8923847		Oil Filler; 1/4" x 18 NPTF; Square head
QTY	DIPSTICK	PART NO.	SIZE	DESCRIPTION
1	Dipstick	FP-5115162		18.88" Length
1	Dipstick	FP-5101884		24" x 1.38"
1	Dipstick	FP-5108895		26.32" x 1.46"
1	Dipstick	FP-5146679		61" Length; Unmarked
1	Dipstick	FP-5146680		72" Length; Unmarked
1	Dipstick Guide	FP-5151430		1.50" Length
QTY	MISCELLANEOUS	PART NO.	SIZE	DESCRIPTION
6	Bolt	FP-8927581		Cyl. Block; w/Seal patch; 3/8" - 16 x 1"
6	Bolt	FP-8927581		Flywheel Housing; 3/8" - 16 x 1"
6	Bolt	FP-9410925		Flywheel Housing; 9/16" - 18 x 2.250"
6	Bolt	FP-9412015		Flywheel Housing; 9/16" - 18 x 2.500"
1	Bolt	FP-5103534		Oil Filler; 5/16" - 24 x 1/2"
2	Pipe Plug	FP-5115214		Cyl. Block; 1/2" Square Head
1	Pipe Plug	FP-5121182		Cyl. Block; 1/4" - 18; Hex head
2	Pipe Plug	FP-8924380		Cyl. Block; 1/8" - 27
2	Pipe Plug	FP-5115214		Flywheel Housing; 1/2" Square Head
1	Pipe Plug	FP-5142549		Flywheel Housing; 3/4" - 14 Square Head
1	Pipe Plug	FP-8923847		Oil Filler; 1/4" x 18 NPTF; Square head
4	Gasket	FP-5178997		Cyl. Block Core Plug
1	Washer	FP-5131755		Flywheel Housing; 17/32" x .88" x .1345"
6	Washer	FP-5138619		Flywheel Housing; 25/64" x 3/4" x .083"
1	Copper Washer	FP-5155596		Oil Filler; 5/16"; Special copper washer

(continued on next page)

Massey-Ferguson - Also See Engine Manufacturer

Wheel Tractor 3-71 (2-Valve Cyl. Head), 3-71E (4-Valve Cyl. Head), 3-71N (4-Valve Cyl. Head) Engs. (cont.) **28**
 3.5L 213 OHV Diesel L3 (3-71), 4.25" Bore (Detroit Diesel Eng.)

ENGINE BLOCK & PARTS (cont.)

QTY	MISCELLANEOUS (cont.)	PART NO.	SIZE	DESCRIPTION
2	Lock Washer	FP-103320		Cyl. Block; w/Lock Washer; 5/16"
16	Lock Washer	FP-103321		Flywheel Housing; 3/8"
2	Lock Washer	FP-103321		Oil Filler; 3/8"
1	Oil Filler Cap	FP-5117362		2.00" Dia.; Thermos Bottle Style
CRANKSHAFT/OIL PUMP				
QTY	CRANKSHAFT	PART NO.	SIZE	DESCRIPTION
1	Bolt	FP-23501143		Crankshaft Hub; 1" - 14 X 2.750" (1.500" Hex head)
8	Washer	FP-103325		Lock washer; 5/8"
2	Woodruff Key	FP-5131724		Position Front; Crankshaft Pulley; .375" x 1.250"
4	Dowel Pin	FP-141346		.1875" x .500"
QTY	SEALS - FRONT CRANK	PART NO.	SIZE	DESCRIPTION
1	Oil Seal	FP-5115454		Single Lip, Std.
1	Redi-Sleeve	99287		Shaft dia. 2.876"
1	Oil Seal	455006N		
1	Oil Seal	FP-5115454		Single Lip, Std.
QTY	SEALS - REAR CRANK	PART NO.	SIZE	DESCRIPTION
1	Oil Seal	FP-5127821		Double Lip; Double Lip, Std.; Shaft Dia. 4.687"
1	Oil Seal	FP-5196927		Double Lip; O/S Seal; Double Lip; O/S Shaft Dia. 4.812"
1	Oil Seal	FP-5197860		Single Lip; O/S Seal; Single lip; O/S Shaft dia. 4.812"
1	Oil Seal	FP-5114335		Single Lip; Single Lip, Std.; Shaft Dia. 4.687"
1	Oil Seal Spacer	FP-5192496		Rear Crank Spacer; Exc. Double Lip Seal
1	Oil Seal	455378H		
1	Oil Seal	FP-5114335		Single Lip, Std.; Shaft Dia. 4.687"
1	Oil Seal Kit	5460		
1	Redi-Sleeve	FP-23507225		Rear Crank Sleeve; O/S Seal only
1	Redi-Sleeve	99468		
QTY	MAIN BEARINGS	PART NO.	SIZE	DESCRIPTION
4	Plain Main Brg.	FP-5192874	STD	
4	Plain Main Brg.	FP-5192875	2	
4	Plain Main Brg.	FP-5192876	10	
4	Plain Main Brg.	FP-5192877	20	
4	Plain Main Brg.	FP-5192878	30	
4	Plain Main Brg.	FP-5193738	40	
4	Plain Main Brg.	FP-5193739	50	
1	Thrust Washer Set	FP-5159353S	STD	
4	Thrust Washer	FP-5159353	STD	
4	Thrust Washer	FP-5160542	5	
4	Thrust Washer	FP-5192111	10	
QTY	OIL PUMP	PART NO.	SIZE	DESCRIPTION
1	Pump Repair Kit	FP-5194800		
1	Inter. Shaft	FP-5153309		Oil Pump Drive; 8 31/32" Length
1	Inter. Shaft	FP-5153310		Oil Pump Driven Gear; 3 7/32" Length
2	Bushing	FP-5153147		Oil Pump Body
2	Bushing	FP-5166840		Oil Pump Driven Gear
1	Bushing	FP-5153154		Oil Pump Shaft & Gear
1	Oil Pump Spring	FP-5155765		Oil Pump Relief Valve
3	Woodruff Key	FP-8928540		Oil Pump Shaft; 1/8" x 5/8"
1	Washer	FP-5175944		Oil Pump Idler; Small
4	Lock Washer	FP-103321		Oil Pump Body; 3/8"
4	Lock Washer	FP-103320		Oil Pump Body; 5/16"
2	Gasket	FP-105456		Oil Pump Relief Valve; 7/8" Copper
1	O-Ring	FP-5187316		Filter By-pass Valve Plug
2	Governor Hole Gasket	FP-5123812		Oil Drain Tube; Inclined Engines
1	Oil Filter Gasket	FP-1595620		Rectangular Section
1	Lo Press. Reg. Body Gasket	FP-5104381		Type No. 1, 2, 21, 23
1	Lo Press. Reg. Body Gasket	FP-5156831		Type No. 3
1	Gasket	FP-5575086		Filter By-pass Valve Plug
1	Lock Nut	FP-114498		Oil Filter Cover; 5/8" - 18, Jam Nut
1	Oil Pressure Regulator Valve	FP-5153247		Oil Pump Relief
1	Oil Filter Adapter Gasket	FP-5152413		Filter to Oil Cooler
2	Oil Filter Adapter Gasket	FP-5188028		Filter to Oil Cooler
1	Oil Pump Spring	FP-5156815		Oil Press. Regulator
1	Pipe Plug	FP-5115214		Oil Cooler Water Inlet; 1/2" Square Head
2	Pipe Plug	FP-8924517		Oil Cooler Water Inlet; 3/8" x 18 square head
2	Pipe Plug	FP-5121182		Oil Filter; 1/4" - 18; Hex head
1	Pipe Plug	FP-5115214		Oil Pan Drain; 1/2" Square Head

(continued on next page)

Massey-Ferguson - Also See Engine Manufacturer

28 Wheel Tractor 3-71 (2-Valve Cyl. Head), 3-71E (4-Valve Cyl. Head), 3-71N (4-Valve Cyl. Head) Engs.
 (cont.) 3.5L 213 OHV Diesel L3 (3-71), 4.25" Bore (Detroit Diesel Eng.)

CRANKSHAFT/OIL PUMP (cont.)

QTY	OIL PUMP (cont.)	PART NO.	SIZE	DESCRIPTION
1	Pipe Plug	FP-5121182		Oil Pan Drain; 1/4" - 18; Hex head
1	Pipe Plug	FP-5142549		Oil Pan Drain; 3/4" - 14 Square Head
1	Pipe Plug	FP-8924517		Oil Pan Drain; 3/8" x 18 square head
1	Pipe Plug	FP-5115214		Oil Pan; 1/2" Square Head
1	Pipe Plug	FP-5121182		Oil Pan; 1/4" - 18; Hex head
1	Pipe Plug	FP-8923313		Oil Pan; 3/4"
1	Pipe Plug	FP-5142549		Oil Pan; 3/4" - 14 Square Head

CYLINDER COMPONENTS

QTY	LINERS	PART NO.	SIZE	DESCRIPTION
3	Liner w/o Sealing Rings	FP-5102316	5	Flanged, .810" port length
3	Liner w/o Sealing Rings	FP-5102317	10	Flanged, .810" port length
3	Liner w/o Sealing Rings	FP-5102318	20	Flanged, .810" port length
3	Liner w/o Sealing Rings	FP-5102319	30	Flanged, .810" port length
3	Liner w/o Sealing Rings	FP-5107448	5	Flanged, .950" port length
3	Liner w/o Sealing Rings	FP-5107449	10	Flanged, .950" port length
3	Liner w/o Sealing Rings	FP-5107450	20	Flanged, .950" port length
3	Liner w/o Sealing Rings	FP-5193732	5	Flanged, 1.050" port length
3	Liner w/o Sealing Rings	FP-5193733	10	Flanged, 1.050" port length
3	Liner w/o Sealing Rings	FP-5193734	20	Flanged, 1.050" port length
3	Liner w/o Sealing Rings	FP-5193735	30	Flanged, 1.050" port length
3	Liner w/o Sealing Rings	FP-23504931	STD	No. 1 Bore; Flanged, .810" port length
3	Liner w/o Sealing Rings	FP-23502023	STD	No. 1 Bore; Flanged, .950" port length
3	Liner w/o Sealing Rings	FP-23502020	STD	No. 1 Bore; Flanged, 1.050" port length
3	Liner w/o Sealing Rings	FP-23504932	STD	No. 2 Bore; Flanged, .810" port length
3	Liner w/o Sealing Rings	FP-23502024	STD	No. 2 Bore; Flanged, .950" port length
3	Liner w/o Sealing Rings	FP-23502021	STD	No. 2 Bore; Flanged, 1.050" port length
3	Liner w/o Sealing Rings	FP-23504933	STD	No. 3 Bore; Flanged, .810" port length
3	Liner w/o Sealing Rings	FP-23502025	STD	No. 3 Bore; Flanged, .950" port length
3	Liner w/o Sealing Rings	FP-23502022	STD	No. 3 Bore; Flanged, 1.050" port length
3	Liner w/o Sealing Rings	FP-23504934	STD	No. 4 Bore; Flanged, .810" port length
3	Liner w/o Sealing Rings	FP-23504935	STD	No. 4 Bore; Flanged, .950" port length
3	Liner w/o Sealing Rings	FP-23504936	STD	No. 4 Bore; Flanged, 1.050" port length
3	Cylinder Kit Complete	FP-23522951	10	w/Cross Head style piston; 1.050" port length sleeve
3	Cylinder Kit Complete	FP-23522525	20	w/Cross Head style piston; 1.050" port length sleeve
3	Cylinder Kit Complete	FP-5149263	10	w/Trunk style piston; 4 Valve Head; 1.05" port length sleeve
3	Cylinder Kit Complete	FP-5149264	20	w/Trunk style piston; 4 Valve Head; 1.05" port length sleeve
3	Cylinder Kit Complete	FP-20022	STD	No. 1 Bore; w/Cross Head style piston
3	Cylinder Kit Complete	FP-20014	STD	No. 1 Bore; w/Trunk style piston; 2 Valve Head
3	Cylinder Kit Complete	FP-20011	STD	No. 1 Bore; w/Trunk style piston; 4 Valve Head; 1.05" port length sleeve
3	Cylinder Kit Complete	FP-23522949	STD	No. 2 Bore; w/Cross Head style piston; 1.050" port length sleeve
3	Cylinder Kit Complete	FP-23505308	STD	No. 2 Bore; w/Trunk style piston; 2 Valve Head; .810" port length sleeve
3	Cylinder Kit Complete	FP-23505305	STD	No. 2 Bore; w/Trunk style piston; 4 Valve Head; 1.05" port length sleeve
3	Cylinder Kit Complete	FP-23522947	STD	No. 3 Bore; w/Cross Head style piston; 1.050" port length sleeve
3	Cylinder Kit Complete	FP-23505309	STD	No. 3 Bore; w/Trunk style piston; 2 Valve Head
3	Cylinder Kit Complete	FP-23505306	STD	No. 3 Bore; w/Trunk style piston; 4 Valve Head; 1.05" port length sleeve
3	Cylinder Kit Complete	FP-23522521	STD	No. 4 Bore; w/Cross Head style piston; 1.050" port length sleeve
3	Cylinder Kit Complete	FP-5149261	STD	No. 4 Bore; w/Trunk style piston; 4 Valve Head; 1.05" port length sleeve
3	Liner Kit w/o Sleeve	FP-LCK22507		w/Cross Head style piston
3	Liner Kit w/o Sleeve	FP-LCK22949		w/Cross Head style piston
3	Liner Kit w/o Sleeve	FP-LCK5309		w/Trunk style piston; 2 Valve Head
3	Liner Kit w/o Sleeve	FP-LCK5306		w/Trunk style piston; 4 Valve Head
3	O-Ring	FP-8922221		w/Cross Head style piston
3	Flange Shim	FP-5199569	2	High Block; .002" Thick
3	Flange Shim	FP-2190595	.0015	Low Block; .002" Thick
3	Flange Shim	FP-5192226	3	Low Block; .003" Thick
3	Cntr. Bore Insert	FP-5199871		.0015" Thicker than std., for .010-.030 O/S sleeves
3	Cntr. Bore Insert	FP-5148399		.0015" Thicker than std., for std.-.005 O/S sleeves
3	Cntr. Bore Insert	FP-5148440		.0015" Thinner than std., for std.-.005 O/S sleeves
3	Cntr. Bore Insert	FP-5194073		.0035 Thinner than std., for std.-.005 O/S sleeves
3	Cntr. Bore Insert	FP-5194163		.0040 Thinner than std., for .010-.030 O/S sleeves
3	Cntr. Bore Insert	FP-5194164		.0080" Thinner than std., for .010-.030 O/S sleeves
3	Cntr. Bore Insert	FP-5193316		Std. thickness (.1795-.1800), for .010-.030 O/S sleeves

(continued on next page)

Massey-Ferguson - Also See Engine Manufacturer

Wheel Tractor 3-71 (2-Valve Cyl. Head), 3-71E (4-Valve Cyl. Head), 3-71N (4-Valve Cyl. Head) Engs. (cont.) **28**
 3.5L 213 OHV Diesel L3 (3-71), 4.25" Bore (Detroit Diesel Eng.)

CYLINDER COMPONENTS (cont.)

QTY	LINERS (cont.)	PART NO.	SIZE	DESCRIPTION
3	Cntr. Bore Insert	FP-5184484		Std. thickness (.1795-.1800), for std.-.005 O/S sleeves
QTY	PISTONS	PART NO.	SIZE	DESCRIPTION
3	Piston With Retainers	FP-5189054	STD	17.5:1 C.R.; Trunk style piston; 2 Valve Head; Dish Head, Cast Iron; 4-1/8, 2-3/16 Ring Groove
3	Piston With Retainers	FP-5149234	STD	18.7:1 C.R.; Trunk style piston; 4 Valve Head
3	Piston Dome Kit	FP-23522475		17.0:1 C.R.; w/Cross Head style piston
3	Piston Dome Kit	FP-23522535		18.7:1 C.R.; w/Cross Head style piston
3	Crosshead Piston Dome	FP-23521992	STD	17.0:1 C.R.; Cross Head style piston
3	Crosshead Piston Dome	FP-23522026	STD	18.7:1 C.R.; w/Cross Head style piston
3	Piston Skirt	FP-23522070	STD	w/Cross Head style piston
3	Pin	FP-5101120	STD	w/Cross Head style piston
3	Pin	FP-5144744	STD	w/Cross Head style piston; Nut plate type
3	Pin	FP-5188406	STD	w/Trunk style piston
6	Piston Pin Retainer	FP-5180250		w/Cross Head style piston
6	Piston Pin Retainer	FP-5188405		w/Trunk style piston
6	Piston Pin Bolt	FP-5148373		7/16" - 20 x 2.00" Length
6	Piston Pin Bolt Spacer	FP-5144846		w/Cross Head style piston
3	Piston Pin Slipper Bearing	FP-23501687		w/Cross Head style piston; Slipper type design - 1 per cyl.
6	Pin Bushing	FP-5155839		w/Trunk style piston (In piston)
3	Pin Bushing	FP-5157274		w/Trunk style piston; w/.015" extra ID bore stock
3	Pin Bushing	FP-2409Y		w/1.5020" I.D., 1.7510" O.D., .7600" O.A.L.
3	Pin Bushing	2409Y +		w/1.5020" I.D., 1.7510" O.D., .7600" O.A.L.; When depleted use FP-2409Y
QTY	CONNECTING RODS & BRGS.	PART NO.	SIZE	DESCRIPTION
6	Con. Rod Bolt	FP-5132383		.4375" x 20 x 3.52"
6	Con. Rod Nut	FP-5117629		.4375" x 20
3	Rod Pair	FP-23511129	STD	Late design-upper brg. w/2 oil slots
3	Rod Pair	FP-23511131	2	Late design-upper brg. w/2 oil slots
3	Rod Pair	FP-23511133	10	Late design-upper brg. w/2 oil slots
3	Rod Pair	FP-23511135	20	Late design-upper brg. w/2 oil slots
3	Rod Pair	FP-23511137	30	Late design-upper brg. w/2 oil slots
3	Rod Pair	FP-5193741	40	Late design-upper brg. w/2 oil slots
QTY	PISTON RINGS	PART NO.	SIZE	DESCRIPTION
3	Ring Set Single Cylinder	FP-23522954	STD	w/Cross Head style piston; Wide gap Fire Ring
3	Ring Set Single Cylinder	FP-23522955	STD	Cross Head style piston; Std. gap Fire Ring
3	Ring Set Single Cylinder	FP-5193477	STD	Trunk style piston; 2 Valve Head; 4-1/8, 2-3/16 (1 cyl. set w/4 Chrome rings)
3	Ring Set Single Cylinder	FP-23514970	STD	Trunk style piston; 4 Valve Head; 4-.084, 2-3/16 (1 cyl. Set)
6	Compression Ring	FP-8926351		w/Cross Head style piston; 2nd & 3rd grooves
3	Compression Ring	FP-8924084		Cross Head style piston; Std. gap Fire Ring
3	Compression Ring	FP-8924083		Cross Head style piston; Wide gap Fire Ring
12	Compression Ring	FP-5185325		Trunk style piston; 2 Valve Head; Top 4 grooves
9	Compression Ring	FP-5102648		Trunk style piston; 4 Valve Head; First 4 grooves
6	Ring, Oil Control Set	FP-23522534		Cross Head style piston; For one groove
3	Ring, Oil Control Set	FP-23514965		Trunk style piston; 4 Valve Head; Set for one piston
CLUTCH				
QTY	CLUTCH	PART NO.	SIZE	DESCRIPTION
1	Ball Brg.	FP-23503707		Clutch Pilot
1	Ball Brg.	FP-23503709		Clutch Pilot
1	Ball Brg.	FP-23504892		Clutch Pilot
KITS				
QTY	OVERHAUL KIT	PART NO.	SIZE	DESCRIPTION
1	In-Frame Overhaul Kit	FP-IFK371XH		Cross Head style piston
1	In-Frame Overhaul Kit	FP-371XH		Cross Head style piston
1	In-Frame Overhaul Kit	FP-IFK3712V		Trunk style piston; 2 Valve Head
1	In-Frame Overhaul Kit	FP-3712V		Trunk style piston; 2 Valve Head
1	In-Frame Overhaul Kit	FP-IFK371NA		Trunk style piston; 4 Valve Head
1	In-Frame Overhaul Kit	FP-371NA		Trunk style piston; 4 Valve Head
1	Complete Overhaul Kit	FP-OH371XH		Cross Head style piston
1	Complete Overhaul Kit	FP-371XHOH		Cross Head style piston
1	Complete Overhaul Kit	FP-OH3712V		Trunk style piston; 2 Valve Head
1	Complete Overhaul Kit	FP-3712VOH		Trunk style piston; 2 Valve Head
1	Complete Overhaul Kit	FP-OH371NA		Trunk style piston; 4 Valve Head
1	Complete Overhaul Kit	FP-371NAOH		Trunk style piston; 4 Valve Head

Massey-Ferguson - Also See Engine Manufacturer

29 Combine T2, T3, T5, T13, T17, T23, T25, T112, T125, T128, 3, 3A, 5, 5A, 6, 6A, 10 Engs.
Wheel Tractor T2, T3, T5, T13, T17, T23, T25, T112, T125, T128, 3, 3A, 5, 5A, 6, 6A, 10
Engs.
3.6L 217.8 L-HEAD L6 (Dodge/Plymouth), 3.25" Bore (Chrysler Eng.)

CYL. HEAD & PARTS

QTY	VALVE	PART NO.	SIZE	DESCRIPTION
6	Intake	V-1005	Std Only	Canada; 1.7180" Head Dia., .3410" Stem Dia., 4.8450" O.A.L.
6	Intake	V-1086	Std Only	1.5310" Head Dia., .3405" Stem Dia., 4.8450" O.A.L.
6	Exhaust	V-1351	Std Only	1.4070" Head Dia., .3405" Stem Dia., 4.8410" O.A.L.
24	Keeper	VK-63		2 groove; Round key groove
QTY	VALVE GUIDE	PART NO.	SIZE	DESCRIPTION
6	Guide	VG-419		Exh.; .3445" ID, 2.8130" O.A.L.
6	Guide	VG-420		Int.; .3425" ID, 2.8130" O.A.L.
QTY	VALVE SPRING	PART NO.	SIZE	DESCRIPTION
12	Spring	VS-304		w/o Rotocaps; 2.0000" Free Height
12	Spring	VS-506		Use w/Rotocaps; 1.8570" Free Height

ENGINE BLOCK & PARTS

QTY	CAM BEARINGS	PART NO.	SIZE	DESCRIPTION
1	Cam Set	1010M	Std Only	

CRANKSHAFT/OIL PUMP

QTY	MAIN BEARINGS	PART NO.	SIZE	DESCRIPTION
1	Main Set	415M	Std-10-20-30-40	

CYLINDER COMPONENTS

QTY	PISTONS	PART NO.	SIZE	DESCRIPTION
6	Cast Piston	37P	Std-20-30-40-60-80	Cast; 2-3/32", 2-5/32" Ring Groove, 1.980" CD, .8591" Pin Dia., Flat Head - 7.8:1 C.R.
6	Cast Piston - Individual	W37P	Std-20-30-40-60-80	Cast; 2-3/32", 2-5/32" Ring Groove, 1.980" CD, .8591" Pin Dia., Flat Head - 7.8:1 C.R.
6	Pin Bushing	8649XAS		Full round, thin wall .0055" O/S OD bushing
6	Pin Bushing	8649XA		Full round, thin wall bushing w/.9150" OD
6	Pin Bushing	8649V		Split type, thin wall bushing w/.9135" OD
6	Pin Bushing	8649V20		Split type, thin wall bushing w/.9135" OD & .020" extra bore stock
QTY	CONNECTING RODS & BRGS.	PART NO.	SIZE	DESCRIPTION
1	Rod Set	6-9185CP	Std-10-20-30-40	
6	Rod Pair	9185CP	Std-10-20-30-40	
QTY	PISTON RINGS	PART NO.	SIZE	DESCRIPTION
1	Premium Set	E-108KC	Std-30-60	2-3/32, 2-5/32
1	Standard Set	E-108X	Std-30-40-60	2-3/32, 2-5/32
6	Standard Single Cylinder Set	WE-108X	Std-30	2-3/32, 2-5/32

30 Wheel Tractor E223 Eng.
3.7L 223 OHV L4, 3.8125" Bore (Continental Eng.)

CYL. HEAD & PARTS

QTY	VALVE	PART NO.	SIZE	DESCRIPTION
16	Keeper	VK-115		1 groove; Square cut key groove
16	Keeper	VK-115R		1 groove; Square cut key groove; Hardened
16	Keeper, Bulk	VK-115B		1 groove; Square cut key groove; Carton of 1000
QTY	VALVE SEAT	PART NO.	SIZE	DESCRIPTION
4	Exh.	245-1437-3	Std Only	1.4425" OD, 1.1880" ID, .2160" Depth
QTY	VALVE GUIDE	PART NO.	SIZE	DESCRIPTION
8	Guide	FP-VG457		.3430" ID, 2.6870" O.A.L.
8	Guide	VG-457 +		.3430" ID, 2.6870" O.A.L.; When depleted use FP-VG457
QTY	VALVE SPRING	PART NO.	SIZE	DESCRIPTION
8	Spring	FP-VS583		1.9680" Free Height
8	Spring	VS-583 +		1.9680" Free Height; When depleted use FP-VS583
QTY	VALVE MISC.	PART NO.	SIZE	DESCRIPTION
4	Rotocap Assy.	FP-RC122A		Exh.
4	Rotocap Assy.	RC-122A +		Exh.; When depleted use FP-RC122A
QTY	VALVE SEAL	PART NO.	SIZE	DESCRIPTION
8	Valve Stem Seal	ST-2001		Exh. & Int.; Positive type; Installation requires valve guide machining; Rubber/PTFE
4	Valve Stem Seal	MV-1233C		Int.; O-Ring; Rubber

(continued on next page)

Massey-Ferguson - Also See Engine Manufacturer

<i>Wheel Tractor E223 Eng. 30</i> 3.7L 223 OHV L4, 3.8125" Bore (Continental Eng.) (cont.)				
CYL. HEAD & PARTS (cont.)				
QTY	VALVE SEAL (cont.)	PART NO.	SIZE	DESCRIPTION
8	Valve Stem Seal Bulk	ST-2001BC		Exh. & Int.; Positive type; Installation requires valve guide machining; Carton of 100; Rubber/PTFE
4	Valve Stem Seal Bulk	MV-1233		Int.; O-Ring; Carton of 100; Rubber
CRANKSHAFT/OIL PUMP				
QTY	MAIN BEARINGS	PART NO.	SIZE	DESCRIPTION
1	Main Set	FP-4139M	Std-10-20	
1	Main Set	4139M +	Std-10-20	When depleted use FP-4139M
CYLINDER COMPONENTS				
QTY	CONNECTING RODS & BRGS.	PART NO.	SIZE	DESCRIPTION
4	Rod Pair	FP-2590CP	Std-10-20	
4	Rod Pair	2590CP +	Std-10-20	When depleted use FP-2590CP
<i>Combine H-225 Eng. Wheel Tractor H-225 Eng. 31</i> 3.7L 225 OHV L6, 3.4063" Bore (Chrysler Eng.)				
CYL. HEAD & PARTS				
QTY	VALVE SEAL	PART NO.	SIZE	DESCRIPTION
6	Valve Stem Seal	ST-2048		Int.; Positive type; Viton®
CAMSHAFT GROUP				
QTY	TIMING	PART NO.	SIZE	DESCRIPTION
1	3 Piece Set	KT3-495SA		Incl. (1) KT3-495SA
1	Timing Chain	222-495		Silent type; 50 Links
1	Crank Sprocket	223-291		Use w/silent type chain; 19 Teeth
1	Cam Sprocket	223-314		38 Teeth
QTY	CAMSHAFT/LIFTER	PART NO.	SIZE	DESCRIPTION
1	Camshaft	CS-380		
12	Lifter	AT-2084	Std Only	Dumbbell shaped mech.
12	Lifter, Bulk	AT-2084B	Std Only	Dumbbell shaped mech.; Carton of 117
1	Prelube	55-400		4 oz. bottle; 1.5 oz. packet No. 55-403 also avail.
QTY	CAMSHAFT KIT	PART NO.	SIZE	DESCRIPTION
1	Cam/Lifter Kit	KC-380		Dumbbell shaped mech.; Incl. (12) AT-2084, (1) CS-380, (1) 55-403B
ENGINE BLOCK & PARTS				
QTY	GASKET SETS	PART NO.	SIZE	DESCRIPTION
1	Kit Gasket Set	260-1004		Premium valve stem seals incl.
QTY	CAM BEARINGS	PART NO.	SIZE	DESCRIPTION
1	Cam Set	1454M	Std Only	
1	Cam Set	1473M	Std Only	
CRANKSHAFT/OIL PUMP				
QTY	SEALS - FRONT CRANK	PART NO.	SIZE	DESCRIPTION
1	Redi-Sleeve	99226		
1	Oil Seal	3095		
QTY	SEALS - REAR CRANK	PART NO.	SIZE	DESCRIPTION
1	Oil Seal Kit	5650		
QTY	MAIN BEARINGS	PART NO.	SIZE	DESCRIPTION
1	Main Set	5070M	Std-10-20-30-40	
1	Main Set	4092M	Std-10-20-30	1960-76; w/Forged crankshaft
CYLINDER COMPONENTS				
QTY	PISTONS	PART NO.	SIZE	DESCRIPTION
6	Cast Piston	244NP	Std-20-30-40-60	Cast; 2-5/64", 1-3/16" Ring Groove, 1.740" CD, .9011" Pin Dia., Flat Head - 8.2:1 C.R.
6	Cast Piston - Individual	W244NP	Std-20-30-40-60-80	Cast; 2-5/64", 1-3/16" Ring Groove, 1.740" CD, .9011" Pin Dia., Flat Head - 8.2:1 C.R.
6	Pin Bushing	2134Y		
QTY	CONNECTING RODS & BRGS.	PART NO.	SIZE	DESCRIPTION
1	Rod Set	6-3695RA	Std-10-20-30-40	A-Series aluminum bearings
1	Rod Set	6-2375CP	Std-10-20-30-40	6-2375CA 60 avail. as unplated & resizeable

(continued on next page)

+ Superseded Part Number

Massey-Ferguson - Also See Engine Manufacturer

31 Combine H-225 Eng. Wheel Tractor H-225 Eng. (cont.) 3.7L 225 OHV L6, 3.4063" Bore (Chrysler Eng.)

CYLINDER COMPONENTS (cont.)

QTY	CONNECTING RODS & BRGS. (cont.)	PART NO.	SIZE	DESCRIPTION
6	Rod Pair	2375CP	Std-10-20-30-40	
6	Rod Pair	3695RA	Std-1-10-20-30-40	A-Series aluminum bearings
QTY	PISTON RINGS	PART NO.	SIZE	DESCRIPTION
1	Premium Set	E-196K	Std-20-30-40-60	2-5/64, 1-3/16
1	Standard Set	E-196X	Std-20-30-40-60	2-5/64, 1-3/16
6	Premium Single Cylinder Set	WE-196K	Std-20-30-40-60	2-5/64, 1-3/16
6	Standard Single Cylinder Set	WE-196X	Std-20-30-40-60	2-5/64, 1-3/16

32 Combine F226 Eng. Harvester F226 Eng. Wheel Tractor F226 Eng. 3.7L 226 OHV L6 (12 Valve), 3.3125" Bore (Continental Eng.)

CYL. HEAD & PARTS

QTY	VALVE	PART NO.	SIZE	DESCRIPTION
6	Intake	FP-V801		Drilled stem; 1.5200" Head Dia., .3411" Stem Dia., 5.1760" O.A.L.
6	Intake	V-801 +	Std Only	Drilled stem; 1.5200" Head Dia., .3411" Stem Dia., 5.1760" O.A.L.; When depleted use FP-V801
6	Intake	FP-V1203		Single groove stem; Use w/rotocap; 1.5200" Head Dia., .3405" Stem Dia., 5.1820" O.A.L.
6	Intake	FP-V1748		Single groove stem; 1.5160" Head Dia., .3410" Stem Dia., 5.1570" O.A.L.
6	Intake	V-1748 +	Std Only	Single groove stem; 1.5160" Head Dia., .3410" Stem Dia., 5.1570" O.A.L.; When depleted use FP-V1748
6	Exhaust	FP-V800		Drilled stem; 1.2030" Head Dia., .3381" Stem Dia., 5.1520" O.A.L.
6	Exhaust	V-800 +	Std Only	Drilled stem; 1.2030" Head Dia., .3381" Stem Dia., 5.1520" O.A.L.; When depleted use FP-V800
6	Exhaust	FP-V954		Drilled stem; 1.3280" Head Dia., .3386" Stem Dia., 5.1950" O.A.L.
6	Exhaust	V-954 +	Std Only	Drilled stem; 1.3280" Head Dia., .3386" Stem Dia., 5.1950" O.A.L.; When depleted use FP-V954
6	Exhaust	FP-V959		Single groove stem; Use w/Rotocaps; 1.3230" Head Dia., .3382" Stem Dia., 5.1100" O.A.L.
6	Keeper	FP-VK142		For drilled stem
6	Keeper	FP-VK27		For drilled stem
6	Keeper	VK-142 +		For drilled stem; When depleted use FP-VK142
6	Keeper	VK-27 +		For drilled stem; When depleted use FP-VK27
12	Keeper	FP-VK144		1 groove; Square cut key groove
12	Keeper	VK-115		1 groove; Square cut key groove
12	Keeper	VK-115R		1 groove; Square cut key groove; Hardened
12	Keeper	VK-144R		1 groove; Square cut key groove; Hardened
12	Keeper, Bulk	FP-VK144B		1 groove; Square cut key groove; Carton of 1000
12	Keeper, Bulk	VK-115B		1 groove; Square cut key groove; Carton of 1000
QTY	VALVE SEAT	PART NO.	SIZE	DESCRIPTION
6	Exh.	FP-24513753		1.3795" OD, 1.0625" ID, .1855" Depth
6	Exh.	245-1375-3 +	Std Only	1.3795" OD, 1.0625" ID, .1855" Depth; When depleted use FP-24513753
6	Int.	245-1625-1N	Std Only	Premium Material; 1.6300" OD, 1.3750" ID, .2160" Depth
6	Int.	245-1625-1	Std Only	1.6300" OD, 1.3750" ID, .2160" Depth
QTY	VALVE GUIDE	PART NO.	SIZE	DESCRIPTION
6	Guide	FP-VG336		.3427" ID, 2.5600" O.A.L.
QTY	VALVE SPRING	PART NO.	SIZE	DESCRIPTION
6	Spring	FP-VS310		1.9690" Free Height
CAMSHAFT GROUP				
QTY	TIMING	PART NO.	SIZE	DESCRIPTION
1	Timing Chain	222-489		Late Model; 46 Links
1	Cam Gear	FP-223233		Early model; 36 Teeth
1	Cam Gear	FP-2212601		Governor type; 48 Teeth
1	Cam Gear	221-2601		Governor type; 48 Teeth
1	Cam Gear	FP-2212600		Replacement O.E. No. F400H310; 48 Teeth

(continued on next page)

Massey-Ferguson - Also See Engine Manufacturer

Combine F226 Eng. Harvester F226 Eng. Wheel Tractor F226 Eng. 32 3.7L 226 OHV L6 (12 Valve), 3.3125" Bore (Continental Eng.) (cont.)				
CAMSHAFT GROUP (cont.)				
QTY	TIMING (cont.)	PART NO.	SIZE	DESCRIPTION
1	Cam Gear	221-2600 +		Replacement O.E. No. F400H310; 48 Teeth; When depleted use FP-2212600
ENGINE BLOCK & PARTS				
QTY	GASKET SETS	PART NO.	SIZE	DESCRIPTION
1	Kit Gasket Set	FP-2601351		F227, F6227 Engs.; Compl.
1	Kit Gasket Set	260-1351 +		F227, F6227 Engs.; Compl.; When depleted use FP-2601351
QTY	CAM BEARINGS	PART NO.	SIZE	DESCRIPTION
1	Cam Set	FP-1088M		
CRANKSHAFT/OIL PUMP				
QTY	CRANKSHAFT	PART NO.	SIZE	DESCRIPTION
1	Crank Gear	FP-223234A		Early model; 18 Teeth
1	Crank Gear	FP-2212603A		Repl. O.E. No. F400H326; 24 Teeth
1	Crank Gear	221-2603A		Repl. O.E. No. F400H326; 24 Teeth
QTY	MAIN BEARINGS	PART NO.	SIZE	DESCRIPTION
1	Main Set	FP-4247M		
QTY	OIL PUMP	PART NO.	SIZE	DESCRIPTION
1	Oil Pump	FP-2244132		Cast Iron drive gear; Use w/Cast Iron cams; 7 1/8" from flange to end of shaft; Incl. screen
1	Oil Pump	224-4132 +		Cast Iron drive gear; Use w/Cast Iron cams; 7 1/8" from flange to end of shaft; Incl. screen; When depleted use FP-2244132
1	Oil Pump	FP-2244137		Steel drive gear w/groove at pin; Use w/Steel cams; 7-1/8" from flange to end of shaft; Incl. pin
1	Oil Pump	224-4137 +		Steel drive gear w/groove at pin; Use w/Steel cams; 7-1/8" from flange to end of shaft; Incl. pin; When depleted use FP-2244137
1	Oil Pump	FP-22441171		226 "L" head Engs.
1	Oil Pump	224-41171 +		226 "L" head Engs.; When depleted use FP-22441171
CYLINDER COMPONENTS				
QTY	LINERS	PART NO.	SIZE	DESCRIPTION
1	Repair Sleeve	SL-12M	Std Only	3/32" wall, must be cut to correct length
QTY	PISTONS	PART NO.	SIZE	DESCRIPTION
6	Pin Bushing	8649XAS		Full round, thin wall .0055" O/S OD bushing
6	Pin Bushing	8649XA		Full round, thin wall bushing w/.9150" OD
6	Pin Bushing	8649V		Split type, thin wall bushing w/.9135" OD
6	Pin Bushing	8649V20		Split type, thin wall bushing w/.9135" OD & .020" extra bore stock
QTY	CONNECTING RODS & BRGS.	PART NO.	SIZE	DESCRIPTION
3	Rod Pair	FP-1995CPA	STD	Position 1-3-5; Use on all 6 positions if rod Forging No. ends in 402
3	Rod Pair	FP-1995CP	STD	Position 2-4-6
QTY	PISTON RINGS	PART NO.	SIZE	DESCRIPTION
1	Standard Set	5141X30	30	Check piston grooving before supplying ring set; 2-3/32, 2-5/32
1	Standard Set	FP-965X	Std Only	Check piston grooving before supplying ring set; 3-1/8, 1-1/4
1	Standard Set	965X +	Std Only	Check piston grooving before supplying ring set; 3-1/8, 1-1/4; When depleted use FP-965X
Combine OOC Eng. 33 3.7L 226 OHV L4, 4" Bore (Hercules Eng.)				
ENGINE BLOCK & PARTS				
QTY	CAM BEARINGS	PART NO.	SIZE	DESCRIPTION
1	Cam Set	FP-1090M	Std Only	
1	Cam Set	1090M +	Std Only	When depleted use FP-1090M
CYLINDER COMPONENTS				
QTY	PISTONS	PART NO.	SIZE	DESCRIPTION
4	Pin Bushing	FP-1424X		Drilled rod type bushing
4	Pin Bushing	1424X +		Drilled rod type bushing; When depleted use FP-1424X
QTY	CONNECTING RODS & BRGS.	PART NO.	SIZE	DESCRIPTION
4	Rod Pair	FP-1420CP	Std-10-20-30-40	w/1.9870-1.9880" std. shaft size
4	Rod Pair	1420CP +	Std-10-20-30	w/1.9870-1.9880" std. shaft size; When depleted use FP-1420CP
4	Rod Pair	FP-3220CP	Std-10-20-30	w/2.1232-2.1240" std. shaft size

(continued on next page)

Massey-Ferguson - Also See Engine Manufacturer

33 Combine OOC Eng. (cont.) 3.7L 226 OHV L4, 4" Bore (Hercules Eng.)

CYLINDER COMPONENTS (cont.)

QTY	CONNECTING RODS & BRGS. (cont.)	PART NO.	SIZE	DESCRIPTION
4	Rod Pair	3220CP + Std-10-20-30		w/2.1232-2.1240" std. shaft size; When depleted use FP-3220CP
4	Rod Pair	3160CP Std-10		w/2.3730-2.3740" std. shaft size
QTY	PISTON RINGS	PART NO.	SIZE	DESCRIPTION
1	Premium Set	FP-920KX	Std Only	3-1/8, 1-3/16
1	Premium Set	920KX + Std Only		3-1/8, 1-3/16; When depleted use FP-920KX
1	Standard Set	FP-920X	Std Only	3-1/8, 1-3/16
1	Standard Set	920X + Std Only		3-1/8, 1-3/16; When depleted use FP-920X
4	Premium Single Cylinder Set	W-920KX Std Only		3-1/8, 1-3/16
4	Standard Single Cylinder Set	W-920X Std Only		3-1/8, 1-3/16

34 Combine T6, T12, T14, T26, T70, T72, T96, T116, T137, T146, T164, T165, T176, T211, T214, T215, T245, T310, T334, 6, 6A, 30, 31 Eng. 3.8L 230 L-HEAD L6 (Dodge), 3.25" Bore (Chrysler Eng.)

CYL. HEAD & PARTS

QTY	VALVE	PART NO.	SIZE	DESCRIPTION
6	Intake	V-1005 Std Only		Canada; 1.7180" Head Dia., .3410" Stem Dia., 4.8450" O.A.L.
6	Intake	V-1086 Std Only		1.5310" Head Dia., .3405" Stem Dia., 4.8450" O.A.L.
6	Exhaust	V-1351 Std Only		1.4070" Head Dia., .3405" Stem Dia., 4.8410" O.A.L.
24	Keeper	VK-63		2 groove; Round key groove
QTY	VALVE GUIDE	PART NO.	SIZE	DESCRIPTION
6	Guide	VG-419		Exh.; .3445" ID, 2.8130" O.A.L.
6	Guide	VG-420		Int.; .3425" ID, 2.8130" O.A.L.
QTY	VALVE SPRING	PART NO.	SIZE	DESCRIPTION
12	Spring	VS-304		w/o Rotocaps; 2.0000" Free Height
12	Spring	VS-506		Use w/Rotocaps; 1.8570" Free Height

ENGINE BLOCK & PARTS

QTY	CAM BEARINGS	PART NO.	SIZE	DESCRIPTION
1	Cam Set	1010M Std Only		

CRANKSHAFT/OIL PUMP

QTY	MAIN BEARINGS	PART NO.	SIZE	DESCRIPTION
1	Main Set	415M Std-10-20-30-40		

CYLINDER COMPONENTS

QTY	PISTONS	PART NO.	SIZE	DESCRIPTION
6	Cast Piston	37P Std-20-30-40-60-80		Cast; 2-3/32", 2-5/32" Ring Groove, 1.980" CD, .8591" Pin Dia., Flat Head - 7.8:1 C.R.
6	Cast Piston - Individual	W37P Std-20-30-40-60-80		Cast; 2-3/32", 2-5/32" Ring Groove, 1.980" CD, .8591" Pin Dia., Flat Head - 7.8:1 C.R.
6	Pin Bushing	1904V		From Ser. No. 17001; Split type bushing
6	Pin Bushing	8649XAS		Full round, thin wall .0055" O/S OD bushing
6	Pin Bushing	8649XA		Full round, thin wall bushing w/.9150" OD
6	Pin Bushing	8649V		Split type, thin wall bushing w/.9135" OD
6	Pin Bushing	8649V20		Split type, thin wall bushing w/.9135" OD & .020" extra bore stock
QTY	CONNECTING RODS & BRGS.	PART NO.	SIZE	DESCRIPTION
1	Rod Set	6-9185CP Std-10-20-30-40		
6	Rod Pair	9185CP Std-10-20-30-40		
QTY	PISTON RINGS	PART NO.	SIZE	DESCRIPTION
1	Premium Set	E-108KC Std-30-60		2-3/32, 2-5/32
1	Standard Set	E-108X Std-30-40-60		2-3/32, 2-5/32
6	Standard Single Cylinder Set	WE-108X Std-30		2-3/32, 2-5/32

35 Wheel Tractor A4.236, 4.236 Eng. 3.9L 235.9 OHV Diesel L4, 3.875" Bore (Perkins Eng.)

CYL. HEAD & PARTS

QTY	VALVE	PART NO.	SIZE	DESCRIPTION
4	Intake	FP-V1701		1.7440" Head Dia., .3730" Stem Dia., 4.8290" O.A.L.
4	Intake	V-1701 + Std Only		1.7440" Head Dia., .3730" Stem Dia., 4.8290" O.A.L.; When depleted use FP-V1701

(continued on next page)

Massey-Ferguson - Also See Engine Manufacturer

Wheel Tractor A4.236, 4.236 Engs. 35
3.9L 235.9 OHV Diesel L4, 3.875" Bore (Perkins Eng.) (cont.)

CYL. HEAD & PARTS (cont.)				
QTY	VALVE (cont.)	PART NO.	SIZE	DESCRIPTION
4	Exhaust	FP-V1700		1.4400" Head Dia., .3725" Stem Dia., 4.8570" O.A.L.
4	Exhaust	V-1700 +	Std Only	1.4400" Head Dia., .3725" Stem Dia., 4.8570" O.A.L.; When depleted use FP-V1700
16	Keeper	FP-VK223		
16	Keeper	VK-223 +		When depleted use FP-VK223
CYL. HEAD & PARTS (cont.)				
QTY	VALVE GUIDE	PART NO.	SIZE	DESCRIPTION
4	Guide	FP-VG619		Exh.; For use in cyl. head w/replaceable guides; .3755" ID, 2.4060" O.A.L.
4	Guide	VG-619 +		Exh.; For use in cyl. head w/replaceable guides; .3755" ID, 2.4060" O.A.L.; When depleted use FP-VG619
4	Guide	FP-VG620		Int.; For use in cyl. head w/replaceable guides; .3755" ID, 2.2810" O.A.L.
4	Guide	VG-620 +		Int.; For use in cyl. head w/replaceable guides; .3755" ID, 2.2810" O.A.L.; When depleted use FP-VG620
CYL. HEAD & PARTS (cont.)				
QTY	VALVE SPRING	PART NO.	SIZE	DESCRIPTION
8	Spring	FP-VS1432		Single Spring, To Ser. No. 236UA-19816. Outer Spring, From Ser. No. 236AU-19817.; 2.5780" Free Height
8	Spring	VS-1432 +		Single Spring, To Ser. No. 236UA-19816. Outer Spring, From Ser. No. 236AU-19817.; 2.5780" Free Height; When depleted use FP-VS1432
CYL. HEAD & PARTS (cont.)				
QTY	VALVE SEAL	PART NO.	SIZE	DESCRIPTION
4	Valve Stem Seal	MV-1598C		Int.; To Eng. Ser. No. 4805664; Umbrella type; Rubber
4	Valve Stem Seal Bulk	MV-1598		Int.; To Eng. Ser. No. 4805664; Umbrella type; Carton of 100; Rubber
ENGINE BLOCK & PARTS				
QTY	GASKET SETS	PART NO.	SIZE	DESCRIPTION
1	Kit Gasket Set	FP-2601334		Compl.; Incl. 2 pc. RMB seal
1	Kit Gasket Set	260-1334		Compl.; Incl. 2 pc. RMB seal
CRANKSHAFT/OIL PUMP				
QTY	MAIN BEARINGS	PART NO.	SIZE	DESCRIPTION
1	Main Set	FP-4353M	Std-10-20	
1	Main Set	4353M +	Std-10-20	When depleted use FP-4353M
1	Thrust Washer Set	FP-3137BFA	Std Only	Position 3; Engs. From Ser. No. 4203049
1	Thrust Washer Set	3137BFA +	Std Only	Position 3; Engs. From Ser. No. 4203049; When depleted use FP-3137BFA
1	Thrust Washer Set	FP-3137BF	Std Only	Position 3; To Ser. No. 4203048
1	Thrust Washer Set	3137BF +	Std Only	Position 3; To Ser. No. 4203048; When depleted use FP-3137BF
CYLINDER COMPONENTS				
QTY	LINERS	PART NO.	SIZE	DESCRIPTION
4	Dry Sleeve	FP-SL382M	Std Only	Flanged sleeve w/firewall. Early blocks may require machining for flanged sleeve (instructions incl.)
4	Dry Sleeve	SL-382M +	Std Only	Flanged sleeve w/firewall. Early blocks may require machining for flanged sleeve (instructions incl.); When depleted use FP-SL382M
4	Sleeve Assy.	FP-SL2487	Std Only	Flanged sleeve w/firewall. Early blocks may require machining for flanged sleeve (instructions incl.)
4	Sleeve Assy.	SL-2487 +	Std Only	Flanged sleeve w/firewall. Early blocks may require machining for flanged sleeve (instructions incl.); When depleted use FP-SL2487
CYLINDER COMPONENTS				
QTY	PISTONS	PART NO.	SIZE	DESCRIPTION
4	Cast Piston	FP-2487P	Std Only	Repl. O.E. No. 735187M91; Cast; 3-3/32", 2-1/4" Ring Groove, 2.749" CD, 1.3750" Pin Dia., Cup Head .800" deep x 2.430" dia.; Repl. O.E. Nos. 82878 & 31354042
4	Cast Piston	2487P +	Std Only	Repl. O.E. No. 735187M91; Cast; 3-3/32", 2-1/4" Ring Groove, 2.749" CD, 1.3750" Pin Dia., Cup Head .800" deep x 2.430" dia.; Repl. O.E. Nos. 82878 & 31354042; When depleted use FP-2487P
4	Pin Bushing	FP-3139Y15		
4	Pin Bushing	3139Y15 +		When depleted use FP-3139Y15
CYLINDER COMPONENTS				
QTY	PISTON RINGS	PART NO.	SIZE	DESCRIPTION
2	Premium Set	FP-9194KX	Std-30	3-3/32, 2-1/4 (2 cyl. set); Do not use w/Chrome liners
2	Premium Set	9194KX +	Std-30	3-3/32, 2-1/4 (2 cyl. set); Do not use w/Chrome liners; When depleted use FP-9194KX
1	Premium Set	FP-9646KX	Std Only	3-3/32, 2-1/4; Do not use w/Chrome liners
1	Premium Set	9646KX +	Std Only	3-3/32, 2-1/4; Do not use w/Chrome liners; When depleted use FP-9646KX

(continued on next page)
+ Superseded Part Number

Massey-Ferguson - Also See Engine Manufacturer

35 Wheel Tractor A4.236, 4.236 Engs. (cont.) 3.9L 235.9 OHV Diesel L4, 3.875" Bore (Perkins Eng.)

CYLINDER COMPONENTS (cont.)

QTY	PISTON RINGS (cont.)	PART NO.	SIZE	DESCRIPTION
4	Premium Single Cylinder Set	W-9194KX	Std Only	3-3/32, 2-1/4 (2 cyl. set); Do not use w/Chrome liners

KITS

QTY	OVERHAUL KIT	PART NO.	SIZE	DESCRIPTION
1	Tractor Overhaul Kit	FP-KST2487A		To Ser. No. 4203048

36 Wheel Tractor E242 Eng. 4.0L 242 OHV L4, 3.875" Bore (Continental Eng.)

CYL. HEAD & PARTS

QTY	VALVE	PART NO.	SIZE	DESCRIPTION
16	Keeper	VK-115		1 groove; Square cut key groove
16	Keeper	VK-115R		1 groove; Square cut key groove; Hardened
16	Keeper, Bulk	VK-115B		1 groove; Square cut key groove; Carton of 1000
QTY	VALVE SEAT	PART NO.	SIZE	DESCRIPTION
4	Exh.	245-1437-3	Std Only	1.4425" OD, 1.1880" ID, .2160" Depth
QTY	VALVE GUIDE	PART NO.	SIZE	DESCRIPTION
8	Guide	FP-VG457		.3430" ID, 2.6870" O.A.L.
8	Guide	VG-457 +		.3430" ID, 2.6870" O.A.L.; When depleted use FP-VG457
QTY	VALVE SPRING	PART NO.	SIZE	DESCRIPTION
8	Spring	FP-VS583		1.9680" Free Height
8	Spring	VS-583 +		1.9680" Free Height; When depleted use FP-VS583
QTY	VALVE MISC.	PART NO.	SIZE	DESCRIPTION
4	Rotocap Assy.	FP-RC122A		Exh.
4	Rotocap Assy.	RC-122A +		Exh.; When depleted use FP-RC122A
QTY	VALVE SEAL	PART NO.	SIZE	DESCRIPTION
8	Valve Stem Seal	ST-2001		Exh. & Int.; Positive type; Installation requires valve guide machining; Rubber/PTFE
4	Valve Stem Seal	MV-1233C		Int.; O-Ring; Rubber
8	Valve Stem Seal Bulk	ST-2001BC		Exh. & Int.; Positive type; Installation requires valve guide machining; Carton of 100; Rubber/PTFE
4	Valve Stem Seal Bulk	MV-1233		Int.; O-Ring; Carton of 100; Rubber

CRANKSHAFT/OIL PUMP

QTY	MAIN BEARINGS	PART NO.	SIZE	DESCRIPTION
1	Main Set	FP-4139M	Std-10-20	
1	Main Set	4139M +	Std-10-20	When depleted use FP-4139M

CYLINDER COMPONENTS

QTY	CONNECTING RODS & BRGS.	PART NO.	SIZE	DESCRIPTION
4	Rod Pair	FP-2590CP	Std-10-20	
4	Rod Pair	2590CP +	Std-10-20	When depleted use FP-2590CP

37 Wheel Tractor A4.248, 4.248 Engs. Crawler Tractor A4.248, 4.248 Engs. Wheel Loader A4.248, 4.248 Engs. Excavator A4.248, 4.248 Engs. Wheel Skidder A4.248, 4.248 Engs. 4.1L 248.2 OHV Diesel L4, 3.975" Bore (Perkins Eng.)

CYL. HEAD & PARTS

QTY	VALVE	PART NO.	SIZE	DESCRIPTION
4	Intake	FP-V1701		1.7440" Head Dia., .3730" Stem Dia., 4.8290" O.A.L.
4	Intake	V-1701 +	Std Only	1.7440" Head Dia., .3730" Stem Dia., 4.8290" O.A.L.; When depleted use FP-V1701
4	Exhaust	FP-V1700		1.4400" Head Dia., .3725" Stem Dia., 4.8570" O.A.L.
4	Exhaust	V-1700 +	Std Only	1.4400" Head Dia., .3725" Stem Dia., 4.8570" O.A.L.; When depleted use FP-V1700
16	Keeper	FP-VK223		
16	Keeper	VK-223 +		When depleted use FP-VK223
QTY	VALVE SEAT	PART NO.	SIZE	DESCRIPTION
4	Int.	245-2018E-1 +	Std Only	O.E. replacement for heads w/factory-installed seats; 2.0180" OD, 1.5938" ID, .2813" Depth; When depleted use FP-2452018E1
QTY	VALVE SPRING	PART NO.	SIZE	DESCRIPTION
8	Spring	FP-VS1432		2.5780" Free Height
8	Spring	VS-1432 +		2.5780" Free Height; When depleted use FP-VS1432

(continued on next page)

Massey-Ferguson - Also See Engine Manufacturer

**Wheel Tractor A4.248, 4.248 Engs. Crawler Tractor A4.248, 4.248 Engs. Wheel Loader 37
A4.248, 4.248 Engs. Excavator A4.248, 4.248 Engs. Wheel Skidder A4.248, 4.248 Engs. (cont.)
4.1L 248.2 OHV Diesel L4, 3.975" Bore (Perkins Eng.)**

CRANKSHAFT/OIL PUMP

QTY	MAIN BEARINGS	PART NO.	SIZE	DESCRIPTION
1	Main Set	FP-4353M	Std-10-20	
1	Main Set	4353M +	Std-10-20	When depleted use FP-4353M
1	Thrust Washer Set	FP-3137BFA	Std Only	Position 3; Engs. From Ser. No. 4203049
1	Thrust Washer Set	3137BFA +	Std Only	Position 3; Engs. From Ser. No. 4203049; When depleted use FP-3137BFA
1	Thrust Washer Set	FP-3137BF	Std Only	Position 3; To Ser. No. 4203048
1	Thrust Washer Set	3137BF +	Std Only	Position 3; To Ser. No. 4203048; When depleted use FP-3137BF

CYLINDER COMPONENTS

QTY	PISTONS	PART NO.	SIZE	DESCRIPTION
4	Pin Bushing	FP-3139Y15		
4	Pin Bushing	3139Y15 +		When depleted use FP-3139Y15

**Combine 8, 8A, 8-213, 8-231 Engs. Wheel Tractor 8, 8A, 8-213, 8-231 Engs. 38
4.1L 251 L-HEAD L6 (Chrysler), 3.4375" Bore (Chrysler Eng.)**

ENGINE BLOCK & PARTS

QTY	CAM BEARINGS	PART NO.	SIZE	DESCRIPTION
1	Cam Set	1011M	Std Only	

CRANKSHAFT/OIL PUMP

QTY	CRANKSHAFT	PART NO.	SIZE	DESCRIPTION
1	Harmonic Balancer Sleeve	88218		

QTY	SEALS - FRONT CRANK	PART NO.	SIZE	DESCRIPTION
1	Redi-Sleeve	99218		
1	Oil Seal	6636S		

QTY	MAIN BEARINGS	PART NO.	SIZE	DESCRIPTION
1	Main Set	485M	Std-10-20-30-40	

CYLINDER COMPONENTS

QTY	PISTONS	PART NO.	SIZE	DESCRIPTION
6	Pin Bushing	8649XAS		Full round, thin wall .0055" O/S OD bushing
6	Pin Bushing	8649XA		Full round, thin wall bushing w/.9150" OD
6	Pin Bushing	8649V		Split type, thin wall bushing w/.9135" OD
6	Pin Bushing	8649V20		Split type, thin wall bushing w/.9135" OD & .020" extra bore stock

QTY	CONNECTING RODS & BRGS.	PART NO.	SIZE	DESCRIPTION
6	Rod Pair	9560CPA	Std-10-20-30-40-50	

QTY	PISTON RINGS	PART NO.	SIZE	DESCRIPTION
1	Standard Set	E-107X	Std-30-40	2-3/32, 2-5/32

**Wheel Tractor H260 Eng. 39
4.3L 260 OHV L4, 3.875" Bore (Continental Eng.)**

CYL. HEAD & PARTS

QTY	VALVE	PART NO.	SIZE	DESCRIPTION
16	Keeper	VK-140		

QTY	VALVE SEAT	PART NO.	SIZE	DESCRIPTION
4	Exh.	FP-24516253		1.6305" OD, 1.3125" ID, .2480" Depth
4	Exh.	245-1625-3 +	Std Only	1.6305" OD, 1.3125" ID, .2480" Depth; When depleted use FP-24516253
4	Int.	FP-24518125N		Non-magenetic material; 1.8175" OD, 1.5000" ID, .2480" Depth
4	Int.	245-1812-5N +	Std Only	Non-magenetic material; 1.8175" OD, 1.5000" ID, .2480" Depth; When depleted use FP-24518125N
4	Int.	FP-24518125		1.8175" OD, 1.5000" ID, .2480" Depth
4	Int.	245-1812-5 +	Std Only	1.8175" OD, 1.5000" ID, .2480" Depth; When depleted use FP-24518125

QTY	VALVE GUIDE	PART NO.	SIZE	DESCRIPTION
8	Guide	FP-VG483		.4365" ID, 2.8750" O.A.L.
8	Guide	VG-483 +		.4365" ID, 2.8750" O.A.L.; When depleted use FP-VG483

QTY	VALVE SPRING	PART NO.	SIZE	DESCRIPTION
8	Spring	FP-A30025		

(continued on next page)

Massey-Ferguson - Also See Engine Manufacturer

39 Wheel Tractor H260 Eng. (cont.) 4.3L 260 OHV L4, 3.875" Bore (Continental Eng.)				
CYL. HEAD & PARTS (cont.)				
QTY	VALVE SEAL	PART NO.	SIZE	DESCRIPTION
8	Valve Stem Seal	ST-2007		Positive type; Rubber
CYLINDER COMPONENTS				
QTY	PISTONS	PART NO.	SIZE	DESCRIPTION
4	Pin Bushing	FP-1669Y20		
4	Pin Bushing	1669Y20 +		When depleted use FP-1669Y20
QTY	CONNECTING RODS & BRGS.	PART NO.	SIZE	DESCRIPTION
4	Rod Pair	FP-1665SB	Std-10-20	
4	Rod Pair	1665SB +	Std-10-20	When depleted use FP-1665SB
QTY	PISTON RINGS	PART NO.	SIZE	DESCRIPTION
1	Premium Set	FP-919KX	Std Only	3-1/8, 1-1/4
1	Premium Set	919KX +	Std Only	3-1/8, 1-1/4; When depleted use FP-919KX
40 Wheel Tractor HD260 Eng. 4.3L 260 OHV Diesel L4, 3.875" Bore (Continental Eng.)				
CYL. HEAD & PARTS				
QTY	VALVE	PART NO.	SIZE	DESCRIPTION
16	Keeper	VK-140		
QTY	VALVE SEAT	PART NO.	SIZE	DESCRIPTION
4	Int.	245-1625-1	Std Only	1.6300" OD, 1.3750" ID, .2160" Depth
QTY	VALVE GUIDE	PART NO.	SIZE	DESCRIPTION
8	Guide	FP-VG483		.4365" ID, 2.8750" O.A.L.
8	Guide	VG-483 +		.4365" ID, 2.8750" O.A.L.; When depleted use FP-VG483
QTY	VALVE SPRING	PART NO.	SIZE	DESCRIPTION
8	Spring	FP-A30025		
QTY	VALVE SEAL	PART NO.	SIZE	DESCRIPTION
8	Valve Stem Seal	ST-2007		Positive type; Rubber
CYLINDER COMPONENTS				
QTY	PISTONS	PART NO.	SIZE	DESCRIPTION
4	Pin Bushing	FP-1669Y20		
4	Pin Bushing	1669Y20 +		When depleted use FP-1669Y20
QTY	PISTON RINGS	PART NO.	SIZE	DESCRIPTION
1	Premium Set	FP-919KX	Std Only	3-1/8, 1-1/4
1	Premium Set	919KX +	Std Only	3-1/8, 1-1/4; When depleted use FP-919KX
41 Combine 16, 16A, 32, 33 Engs. 4.3L 265 L-HEAD L6 (Chrysler), 3.4375" Bore (Chrysler Eng.)				
ENGINE BLOCK & PARTS				
QTY	CAM BEARINGS	PART NO.	SIZE	DESCRIPTION
1	Cam Set	1011M	Std Only	
CRANKSHAFT/OIL PUMP				
QTY	CRANKSHAFT	PART NO.	SIZE	DESCRIPTION
1	Harmonic Balancer Sleeve	88218		
QTY	SEALS - FRONT CRANK	PART NO.	SIZE	DESCRIPTION
1	Redi-Sleeve	99218		
1	Oil Seal	6636S		
QTY	MAIN BEARINGS	PART NO.	SIZE	DESCRIPTION
1	Main Set	485M	Std-10-20-30-40	
CYLINDER COMPONENTS				
QTY	PISTONS	PART NO.	SIZE	DESCRIPTION
6	Pin Bushing	8649XAS		Full round, thin wall .0055" O/S OD bushing
6	Pin Bushing	8649XA		Full round, thin wall bushing w/.9150" OD
6	Pin Bushing	8649V		Split type, thin wall bushing w/.9135" OD
6	Pin Bushing	8649V20		Split type, thin wall bushing w/.9135" OD & .020" extra bore stock
QTY	CONNECTING RODS & BRGS.	PART NO.	SIZE	DESCRIPTION
6	Rod Pair	9560CPA	Std-10-20-30-40-50	

Massey-Ferguson - Also See Engine Manufacturer

Wheel Tractor H277 Eng. 42 4.5L 277 OHV L4, 4" Bore (Continental Eng.)				
CYL. HEAD & PARTS				
QTY	VALVE	PART NO.	SIZE	DESCRIPTION
16	Keeper	VK-140		
QTY	VALVE SEAT	PART NO.	SIZE	DESCRIPTION
4	Exh.	FP-24516253		1.6305" OD, 1.3125" ID, .2480" Depth
4	Exh.	245-1625-3 + Std Only		1.6305" OD, 1.3125" ID, .2480" Depth; When depleted use FP-24516253
4	Int.	FP-24518125N		Non-magenetic material; 1.8175" OD, 1.5000" ID, .2480" Depth
4	Int.	245-1812-5N + Std Only		Non-magenetic material; 1.8175" OD, 1.5000" ID, .2480" Depth; When depleted use FP-24518125N
4	Int.	FP-24518125		1.8175" OD, 1.5000" ID, .2480" Depth
4	Int.	245-1812-5 + Std Only		1.8175" OD, 1.5000" ID, .2480" Depth; When depleted use FP-24518125
QTY	VALVE GUIDE	PART NO.	SIZE	DESCRIPTION
8	Guide	FP-VG483		.4365" ID, 2.8750" O.A.L.
8	Guide	VG-483 +		.4365" ID, 2.8750" O.A.L.; When depleted use FP-VG483
QTY	VALVE SPRING	PART NO.	SIZE	DESCRIPTION
8	Spring	FP-A30025		
QTY	VALVE SEAL	PART NO.	SIZE	DESCRIPTION
8	Valve Stem Seal	ST-2007		Positive type; Rubber
CYLINDER COMPONENTS				
QTY	PISTONS	PART NO.	SIZE	DESCRIPTION
4	Pin Bushing	FP-1669Y20		
4	Pin Bushing	1669Y20 +		When depleted use FP-1669Y20
QTY	CONNECTING RODS & BRGS.	PART NO.	SIZE	DESCRIPTION
4	Rod Pair	FP-1665SB	Std-10-20	
4	Rod Pair	1665SB + Std-10-20		When depleted use FP-1665SB
Wheel Tractor HD277 Eng. 43 4.5L 277 OHV Diesel L4, 4" Bore (Continental Eng.)				
CYL. HEAD & PARTS				
QTY	VALVE	PART NO.	SIZE	DESCRIPTION
16	Keeper	VK-140		
QTY	VALVE SEAT	PART NO.	SIZE	DESCRIPTION
4	Int.	245-1625-1 Std Only		1.6300" OD, 1.3750" ID, .2160" Depth
QTY	VALVE GUIDE	PART NO.	SIZE	DESCRIPTION
8	Guide	FP-VG483		.4365" ID, 2.8750" O.A.L.
8	Guide	VG-483 +		.4365" ID, 2.8750" O.A.L.; When depleted use FP-VG483
QTY	VALVE SPRING	PART NO.	SIZE	DESCRIPTION
8	Spring	FP-A30025		
QTY	VALVE SEAL	PART NO.	SIZE	DESCRIPTION
8	Valve Stem Seal	ST-2007		Positive type; Rubber
CYLINDER COMPONENTS				
QTY	PISTONS	PART NO.	SIZE	DESCRIPTION
4	Pin Bushing	FP-1669Y20		
4	Pin Bushing	1669Y20 +		When depleted use FP-1669Y20
Combine JXC Eng. 44 4.6L 282 L-HEAD L6, 3.75" Bore (Hercules Eng.)				
CYL. HEAD & PARTS				
QTY	VALVE	PART NO.	SIZE	DESCRIPTION
6	Intake	FP-V318		1.6930" Head Dia., .3725" Stem Dia., 5.1150" O.A.L.
6	Intake	V-318 + Std Only		1.6930" Head Dia., .3725" Stem Dia., 5.1150" O.A.L.; When depleted use FP-V318
QTY	VALVE GUIDE	PART NO.	SIZE	DESCRIPTION
12	Guide	FP-VG414		.3745" ID, 2.3600" O.A.L.
12	Guide	VG-414 +		.3745" ID, 2.3600" O.A.L.; When depleted use FP-VG414
ENGINE BLOCK & PARTS				
QTY	CAM BEARINGS	PART NO.	SIZE	DESCRIPTION
1	Cam Set	FP-1090M	Std Only	
1	Cam Set	1090M + Std Only		When depleted use FP-1090M

(continued on next page)

+ Superseded Part Number

Massey-Ferguson - Also See Engine Manufacturer

44 Combine JXC Eng.

(cont.) 4.6L 282 L-HEAD L6, 3.75" Bore (Hercules Eng.)

CRANKSHAFT/OIL PUMP

QTY	MAIN BEARINGS	PART NO.	SIZE	DESCRIPTION
1	Plain Main Brg.	FP-2241CP10	10	Position 1
1	Plain Main Brg.	FP-2241CP20	20	Position 1
1	Plain Main Brg.	FP-2241CP30	30	Position 1
4	Plain Main Brg.	FP-2243CP10	10	Position 2-3-5-6
4	Plain Main Brg.	FP-2243CP20	20	Position 2-3-5-6
4	Plain Main Brg.	FP-2243CP30	30	Position 2-3-5-6
1	Plain Main Brg.	FP-2242CP10	10	Position 4
1	Plain Main Brg.	FP-2242CP20	20	Position 4
1	Plain Main Brg.	FP-2242CP30	30	Position 4
1	Plain Main Brg.	FP-2244CP10	10	Position 7
1	Plain Main Brg.	FP-2244CP20	20	Position 7
1	Plain Main Brg.	FP-2244CP30	30	Position 7

CYLINDER COMPONENTS

QTY	PISTONS	PART NO.	SIZE	DESCRIPTION
6	Pin Bushing	FP-1424X		Drilled rod type bushing
6	Pin Bushing	1424X +		Drilled rod type bushing; When depleted use FP-1424X
QTY	CONNECTING RODS & BRGS.	PART NO.	SIZE	DESCRIPTION
6	Rod Pair	FP-1420CP	Std-10-20-30-40	w/1.9870-1.9880" std. shaft size
6	Rod Pair	1420CP +	Std-10-20-30	w/1.9870-1.9880" std. shaft size; When depleted use FP-1420CP
QTY	PISTON RINGS	PART NO.	SIZE	DESCRIPTION
1	Premium Set	FP-645KX	Std Only	3-1/8, 1-3/16
1	Premium Set	645KX +	Std Only	3-1/8, 1-3/16; When depleted use FP-645KX
6	Premium Single Cylinder Set	W-645KX	Std Only	3-1/8, 1-3/16

45 Wheel Tractor 4-71 (2-Valve Cyl. Head), 4-71E (4-Valve Cyl. Head), 4-71N (4-Valve Cyl. Head) Engs.

4.7L 284 OHV Diesel L4 (4-71), 4.25" Bore (Detroit Diesel Eng.)

CYL. HEAD & PARTS

QTY	GASKETS	PART NO.	SIZE	DESCRIPTION
1	Accessory Drive Gasket	FP-23515145		Breather Body/Separator
1	Governor Hole Gasket	FP-5123812		Breather Pipe
1	Crankcase Breather	FP-5130750		Breather Oil Separator Pad
1	Crankcase Breather	FP-5101760		Oil Separator Filter Unit; 4"
1	Crankcase Breather	FP-5101760		4"
1	Valve Cover Gasket	FP-5104081		Engs. w/cast Alum. valve cover; Silicone
1	Valve Cover Gasket	FP-5143406		Engs. w/Steel valve cover; Neoprene
1	Lo Filter Adapter Gasket	FP-5173482		Breather Pipe/Body/Shell Cover, A/R
1	Washer	FP-5150568		Breather Pipe; 7/16" x 3/4" x 1/16"; Copper
1	Hose Clamp	FP-5186840		Breather Body; For 1 5/8" Hose Dia.; 13/16" - 1 1/2" Clamping Range
1	Bolt	FP-8927580		Breather Pipe; 3/8" - 16 x .875"
1	Bolt	FP-5103635		Throttle Delay; 3/8" - 16 x 2.90"
2	Stud	FP-5148504		Rocker Cover; 3/8" - 16 x 4.32"
1	Screw	FP-5103642		Breather Shell Cover; No. 10 - 24 x .375"
3	Screw	FP-5103642		Oil Filler Tube; No. 10 - 24 x .375"
1	Lock Washer	FP-103321		Breather Pipe; 3/8"
2	Lock Washer	FP-103320		Breather Pipe; 5/16"
2	Isolator Bushing	FP-5104515		Rocker Cover Bolt
QTY	MISCELLANEOUS	PART NO.	SIZE	DESCRIPTION
2	Wear Sleeve	FP-5113773		Pilot; .70" Length
1	Pipe Plug	FP-8926993		Cyl. Head Fuse Plug; 1/4" X 18; Recessed socket head
9	Pipe Plug	FP-5121182		Cyl. Head Plug; 1/4" - 18; Hex head
5	Pipe Plug	FP-8923847		Cyl. Head Plug; 1/4" x 18 NPTF; Square head
2	Pipe Plug	FP-5142549		Cyl. Head Plug; 3/4" - 14 Square Head
2	Pipe Plug	FP-8924517		Cyl. Head Plug; 3/8" x 18 square head
8	Washer	FP-5125108		Fuel Stand; 7/16" x 3/4" x 1/16"
8	Lock Washer	FP-103321		Cyl. Head; 3/8"
8	Lock Nut	FP-103026		Cyl. Head; 3/8" x 24
QTY	FREEZE PLUGS	PART NO.	SIZE	DESCRIPTION
1	Pipe Plug	FP-8926993		Cyl. Head Fuse Plug; 1/4" X 18; Recessed socket head
9	Pipe Plug	FP-5121182		Cyl. Head Plug; 1/4" - 18; Hex head
5	Pipe Plug	FP-8923847		Cyl. Head Plug; 1/4" x 18 NPTF; Square head
2	Pipe Plug	FP-5142549		Cyl. Head Plug; 3/4" - 14 Square Head

(continued on next page)

Massey-Ferguson - Also See Engine Manufacturer

Wheel Tractor 4-71 (2-Valve Cyl. Head), 4-71E (4-Valve Cyl. Head), 4-71N (4-Valve Cyl. H 45 ad) Engs. (cont.)
4.7L 284 OHV Diesel L4 (4-71), 4.25" Bore (Detroit Diesel Eng.)

CYL. HEAD & PARTS (cont.)

QTY	FREEZE PLUGS (cont.)	PART NO.	SIZE	DESCRIPTION
2	Pipe Plug	FP-8924517		Cyl. Head Plug; 3/8" x 18 square head
2	Expansion Plug	FP-5117186		Cyl. Head Plug; 2" Dia. Cup; Stainless Steel
2	Expansion Plug	FP-5150132		Cyl. Head Plug; 3/4" Dia. Cup
4	Expansion Plug	FP-5154453		Cyl. Head Plug; 3/8" - 16 Headless Special
4	Expansion Plug	FP-5178976		Cyl. Head Plug; 7/16" - 14 Special
QTY	VALVE	PART NO.	SIZE	DESCRIPTION
8	Exhaust Valve Kit	FP-5192718		w/Locks; 2 Valve Head; Contains (1) FP-5178472 & (2) FP-23507238; 45 Degree
8	Exhaust Valve Kit	FP-5193197		w/Locks; 2 Valve Head; Contains (1) FP-5185327 & (2) FP-23507238; 30 Degree
8	Exhaust Valve Kit	FP-5194829		w/Locks; 2 Valve Head; Jet Blade; Contains (1) FP-5178501 & (2) FP-23507238; 45 Degree
8	Exhaust Valve Kit	FP-5193666		w/Locks; 2 Valve Head; Jet Blade; Contains (1) FP-5186381 & (2) FP-23507238; 30 Degree
16	Exhaust Valve Kit	FP-5149386		w/Locks; 4 Valve Head; Hi-Output Engs.; Contains (1) FP-5104280 & (2) FP-5111337
16	Exhaust Valve Kit	FP-23500501		w/Locks; 4 Valve Head; N & T Engs.; Contains (1) FP-8922516 & (2) FP-5111337
8	Valve Guide Cap	FP-5199914		Exh.; 2 Valve Head; Seal installer; Clear
16	Keeper	FP-23507238		2 Valve Head; 1 groove; Square cut key groove
32	Keeper	FP-5111337		4 Valve Head; 1 groove; Square cut key groove
QTY	VALVE SEAT	PART NO.	SIZE	DESCRIPTION
8	Exh.	FP-5198230	10	2 Valve Head; 30 Deg. seat; .010" O/S; 1.6380" OD, 1.3440" ID, .2485" Depth
8	Exh.	FP-8927920	STD	2 Valve Head; 30 Deg. seat; 1.6280" OD, 1.3440" ID, .2485" Depth
16	Exh.	FP-5197167	10	4 Valve Head; 30 Deg. seat; .010" O/S; 1.2720" OD, .9770" ID, .2355" Depth
16	Exh.	FP-5101101	STD	4 Valve Head; 30 Deg. seat; 1.2620" OD, .9770" ID, .2490" Depth
QTY	VALVE GUIDE	PART NO.	SIZE	DESCRIPTION
8	Guide	FP-5120930		Exh.; 2 Valve Head
8	Guide	FP-5192717		Exh.; 2 Valve Head; .0162" O/S
16	Guide	FP-5129919		Exh.; 4 Valve Head; 2 3/8" length; .3130" ID, 2.3800" O.A.L.
QTY	VALVE SPRING	PART NO.	SIZE	DESCRIPTION
8	Spring	FP-5150289		Exh.; 2 Valve Head; .177" Wire dia.
16	Spring	FP-5111339		Exh.; 4 Valve Head; .135" Wire dia.
16	Spring	FP-5147347		Exh.; 4 Valve Head; .148" Wire dia.
8	Valve Spring Seat	FP-5150292		Exh.; 2 Valve Head
16	Valve Spring Seat	FP-5117562		Exh.; 4 Valve Head
6	Spring Insert	FP-5111467		Exh.
8	Spring Cap	FP-5150291		Exh.; 2 Valve Head
16	Spring Cap	FP-5117563		Exh.; 4 Valve Head
QTY	PUSH RODS	PART NO.	SIZE	DESCRIPTION
12	Push Rod	FP-5128640		
12	Push Rod Seat	FP-5123250		Lower
12	Push Rod Seat	FP-5150302		Upper; Flange type
12	Push Rod Spring	FP-5186858		.177" Wire diameter
12	Push Rod Retainer	FP-5150303		
12	Lock Nut	FP-5151601		5/16" - 24
QTY	VALVE MISC.	PART NO.	SIZE	DESCRIPTION
8	Bolt	FP-443603		.250" x 20 x .750"
8	Lock Nut	FP-5151601		5/16" - 24
8	Lock Washer	FP-103319		Cam Follower; .250"
8	Lock Washer	FP-103320		Cam Follower; 5/16"
QTY	VALVE SEAL	PART NO.	SIZE	DESCRIPTION
8	Valve Stem Seal	FP-23500480		Exh.; 2 Valve Head
16	Valve Stem Seal	FP-8921209		Exh.; 4 Valve Head
16	Tools	FP-5199913		Exh.; 4 Valve Head; Seal installer; Green Stripe
QTY	ROCKER PARTS	PART NO.	SIZE	DESCRIPTION
4	Arm Assy.	FP-5148472		Exh. Left
4	Arm Assy.	FP-5148475		Exh. Right
4	Arm Assy.	FP-8923554		Injector; Unbushed Clevis
4	Rocker Shaft	FP-23500714		
8	Rocker Shaft Bracket Bolt	FP-5150325		1/2" - 13 x 4.250"
8	Arm Support	FP-5103903		
4	Rocker Bushing	FP-8924355		Large

(continued on next page)

Massey-Ferguson - Also See Engine Manufacturer

45 Wheel Tractor 4-71 (2-Valve Cyl. Head), 4-71E (4-Valve Cyl. Head), 4-71N (4-Valve Cyl. H
(cont.) ad) Engs.
4.7L 284 OHV Diesel L4 (4-71), 4.25" Bore (Detroit Diesel Eng.)

CYL. HEAD & PARTS (cont.)

QTY	ROCKER PARTS (cont.)	PART NO.	SIZE	DESCRIPTION
8	Rocker Bushing	FP-5123700		Exh.; Exh. Valve Clevis; .5625" OD
8	Rocker Bushing	FP-23517217		Exh.; Large; .8755" ID, .9475" OD, .840" Length, .0360" Wall thickness
8	Rocker Bushing	FP-8924354		Exh.; Small
12	Follower Assy.	FP-8924439		
12	Cam Follower Roller Set	FP-8923814		Incl. pin & roller
8	Valve Bridge Adj. Screw	FP-5129101		5/16" - 24 x 1"
8	Valve Bridge	FP-5117565		Exh.
8	Valve Bridge Guide	FP-5117564		Exh.; Press fit
8	Valve Bridge Guide	FP-51175646		Exh.; Press fit w/.006" O/S
8	Valve Bridge Guide	FP-5196843		Exh.; Threaded
8	Rocker Arm Clevis Pin	FP-5150314		
8	Bushing	FP-5122445 +		Exh.; Large; When depleted use FP-23517217

ELECTRICAL

QTY	ELECTRICAL	PART NO.	SIZE	DESCRIPTION
1	Starting Motor Gasket	FP-5130995		Starting Motor Hole Cover

METERS

QTY	METERS	PART NO.	SIZE	DESCRIPTION
1	Tachometer Drive Shaft	FP-5135936		
1	Tachometer Drive Shaft	FP-3224992		.061" Key
1	Accessory Drive Gasket	FP-23515145		Tach. Drive Cover
1	Bolt	FP-443603		.250" x 20 x .750"
1	Bolt	FP-179803		1/4" x 20 x 1.750"
1	Washer	FP-5150568		Tach. Drive Cover; 7/16" x 3/4" x 1/16"; Copper
4	Lock Washer	FP-103319		.250"
1	Lock Washer	FP-103319		Tach. Drive Adaptor; .250"
2	Lock Washer	FP-103320		Tach. Drive Adaptor; 5/16"
2	Lock Washer	FP-103320		Water Temp. Switch; 5/16"
1	Gasket	FP-5113412		Water Temp. Switch
1	Oil Seal	FP-5135820		Tach. Drive Adaptor
2	Oil Seal	FP-3202615		Tach. Drive Cover
1	Pipe Plug	FP-5121182		Water Temp. Switch; 1/4" - 18; Hex head
2	Pipe Plug	FP-8923847		Water Temp. Switch; 1/4" x 18 NPTF; Square head

INT & EXH MANIFOLDS

QTY	INT. & EXH. MANIFOLDS	PART NO.	SIZE	DESCRIPTION
4	Stud	FP-8927270		Exh. Manifold to Head; 3/8" - 16/24" x 1.6875"
5	Stud	FP-8925804		Exh. Manifold to Head; 7/16" - 14/20" x 2 3/32"
5	Lock Nut	FP-23505398		Exh. Manifold; 7/16" - 20
4	Lock Washer	FP-103321		Exh. Flange; 3/8"
4	Lock Washer	FP-103320		Exh. Manifold; 5/16"
1	Exhaust Manifold Gasket	FP-5113954		
1	Exhaust Manifold Gasket	FP-5120223		Diameter
2	Exhaust Manifold Gasket	FP-5150195		Ends; Composition
2	Exhaust Manifold Gasket	FP-5120224		Ends; Metal Clad
1	Exhaust Manifold Gasket	FP-5163811		Exh. Outlet; 4.375" I.D.
4	Exhaust Manifold Gasket	FP-5156319		Manifold Cover Plate
1	Exhaust Manifold Gasket	FP-5156319		Water Outlet Flange
1	Exhaust Pipe Gasket	FP-5145238		Exh. Outlet
5	Washer	FP-5104439		Exh. Manifold; 7/16" x 1.250" Dia.; Dished
1	Clamp	FP-5132650		Exh. Flange; 5.250" Dia.
1	Exhaust Manifold	FP-8921706		Water Cooled

QTY	AIR INTAKE	PART NO.	SIZE	DESCRIPTION
2	Air Intake Housing Gasket	FP-5124405		
1	Air Intake Gasket	FP-3290612		Housing Striker Plate
2	Lock Washer	FP-103319		Air Inlet Housing Shutdown Valve Shaft; .250"
4	Lock Washer	FP-103321		Air Silencer; 3/8"
2	O-Ring	FP-5182977		Air Inlet Housing Shutdown Valve Shaft

CAMSHAFT GROUP

QTY	TIMING	PART NO.	SIZE	DESCRIPTION
1	Idler Gear Hub Assembly	FP-5130135		
1	Bolt	FP-454992		Idler Gear; 1/2" - 13 x 2 1/2
6	Bolt	FP-5103534		Idler Gear; 5/16" - 24 x 1/2"
1	Washer	FP-5167714		Idler Gear; 17/32" x 7/8" x 3/32"

(continued on next page)

Massey-Ferguson - Also See Engine Manufacturer

Wheel Tractor 4-71 (2-Valve Cyl. Head), 4-71E (4-Valve Cyl. Head), 4-71N (4-Valve Cyl. H **45**
ad) Engs. (cont.)
 4.7L 284 OHV Diesel L4 (4-71), 4.25" Bore (Detroit Diesel Eng.)

CAMSHAFT GROUP (cont.)

QTY	CAMSHAFT/LIFTER	PART NO.	SIZE	DESCRIPTION
1	Camshaft	FP-5149391		Advanced timing; R.H. rotation; Type 16, 28, 45, 48, 71, 432, 489, 492, 500, 522, 530, 531, 567
4	Camshaft Thrust Washer	FP-5111424		
4	Camshaft Thrust Washer	FP-5194826		
4	Camshaft Thrust Washer	FP-5194827		
3	Bolt	FP-5123383		Balance weight
2	Lock Washer	FP-5177769		Front balance weight; 1.125"
12	Lock Washer	FP-103321		Rear balance weight; 3/8"
2	Camshaft Plug	FP-5151277		.500" Drive; 15/32" x 1/2"

ACCESSORY DRIVE

QTY	ACCESSORY DRIVE	PART NO.	SIZE	DESCRIPTION
1	Accessory Drive Gasket	FP-23515145		
1	Oil Seal	FP-5131329		Accessory Drive
1	Oil Seal	FP-5138710		Accessory Drive
1	Oil Seal	FP-5102456		Accessory Drive Pulley Hub
1	Oil Seal Kit	FP-5198175		Accessory Drive
1	Ball Brg.	FP-23503727		Accessory Drive
2	Ball Brg.	FP-23504528		Accessory Drive
2	Ball Brg.	FP-23504528		Accessory Drive
1	Drive Coupling	FP-5141773		Accessory Drive
1	Water Pump Retainer Ring	FP-9415285		Accessory Drive; Large; External
10	Bolt	FP-8927580		Accessory Drive; w/Seal Patch; 3/8" - 16 x .875"
3	Bolt	FP-8927581		Accessory Drive; w/Seal Patch; 3/8" - 16 x 1"
4	Bolt	FP-5145092		Accessory Drive; 3/8" - 24 x 1.20", Self-Locking
1	Stud	FP-8927270		Accessory Drive; 3/8" - 16/24" x 1.6875"
4	Stud	FP-8925804		Balance Weight Cover; 7/16" - 14/20" x 2 3/32"
1	Hydraulic Pump Gasket	FP-5188755		Accessory Drive
1	Pipe Plug	FP-5121182		Accessory Drive; 1/4" - 18; Hex head
5	Washer	FP-5150568		Accessory Drive; 7/16" x 3/4" x 1/16"; Copper
13	Copper Washer	FP-5152148		Accessory Drive; 25/64" ID x 9/16" OD x 1/16" Thick; Copper
13	Lock Washer	FP-103321		Accessory Drive; 3/8"
4	Lock Washer	FP-103321		Accessory Drive; 3/8"
4	Lock Washer	FP-103320		Accessory Drive; 5/16"
2	Lock Washer	FP-103321		Balance Weight Cover; 3/8"
20	Lock Washer	FP-103320		Balance Weight Cover; 5/16"
13	Lock Nut	FP-103026		Accessory Drive; 3/8" x 24
20	Lock Nut	FP-103026		Balance Weight Cover; 3/8" x 24

FUEL SYSTEM & PARTS

QTY	FUEL INJECTION	PART NO.	SIZE	DESCRIPTION
4	Fuel Injector Nozzle	FP-5172874		Water Nozzle; Single Outlet; Single Outlet
4	Fuel Injector Seal Ring	FP-5234281		
4	Fuel Injector Seal Ring	FP-5104701		Viton®
4	Injector Hole Tube Kit	FP-8925981		Incl. Seal Ring; Viton®
4	Clamp	FP-5121259		
4	Fuel Injector	FP-5229355		Option Type 111; Injector Assembly C55
4	Fuel Injector	FP-5229360		Option Type 113; Injector Assembly C60
4	Fuel Injector	FP-5229365		Option Type 115; Injector Assembly C65
4	Fuel Injector	FP-5228780		Option Type 14, 54, 82; Injector Assembly N80
4	Fuel Injector	FP-5229695		Option Type 153; Injector Assembly 7C75
4	Fuel Injector	FP-5229790		Option Type 163; Injector Assembly 7E55
4	Fuel Injector	FP-5229795		Option Type 164; Injector Assembly 7E60
4	Fuel Injector	FP-5229800		Option Type 165; Injector Assembly 7E65
4	Fuel Injector	FP-5229895		Option Type 180; Injector Assembly 7G65
4	Fuel Injector	FP-5226440		Option Type 242; Injector Assembly 7N65
4	Fuel Injector	FP-5228760		Option Type 53, 78; Injector Assembly N60
4	Fuel Injector	FP-5228770		Option Type 57, 80; Injector Assembly N70
4	Fuel Injector	FP-5228785		Option Type 60, 77; Injector Assembly N55
4	Fuel Injector	FP-5228777		Option Type 81; Injector Assembly N75
4	Fuel Injector	FP-5228900		Option Type 97; BT; Injector Assembly N65
8	Fuel Injector Repair Kit	FP-5229649		
4	Fuel Injection Valve Cage	FP-5228696		Check Valve
4	Fuel Injection Spring Seat	FP-5228766		
4	Fuel Injector Valve Spring	FP-5228596		
4	Fuel Injector Check Valve	FP-5228694		
4	Fuel Pump Check Valve	FP-5226411		

(continued on next page)

Massey-Ferguson - Also See Engine Manufacturer

45 Wheel Tractor 4-71 (2-Valve Cyl. Head), 4-71E (4-Valve Cyl. Head), 4-71N (4-Valve Cyl. H
(cont.) ad) Engs.
4.7L 284 OHV Diesel L4 (4-71), 4.25" Bore (Detroit Diesel Eng.)

FUEL SYSTEM & PARTS (cont.)

QTY	FUEL INJECTION (cont.)	PART NO.	SIZE	DESCRIPTION
4	Fuel Pump Check Valve	FP-5228308		HV7, HV8, HV9, S70, S80, S90; Incl. injector valve & 5228106 seat
4	Fuel Pump Check Valve	FP-5228308		S55, S60, S65; Incl. injector valve & 5228106 seat
4	Injector Plunger & Bushing	FP-5229356		C55
4	Injector Plunger & Bushing	FP-5229362		C60
4	Injector Plunger & Bushing	FP-5229366		C65
4	Injector Plunger & Bushing	FP-5229372		C70
4	Injector Plunger & Bushing	FP-5228306		HV6
4	Injector Plunger & Bushing	FP-5228304		HV7
4	Injector Plunger & Bushing	FP-5228804		M95
4	Injector Plunger & Bushing	FP-5228668		N55
4	Injector Plunger & Bushing	FP-5228656		N60; For Inj. Assembly 5A60
4	Injector Plunger & Bushing	FP-5228928		N65 BT
4	Injector Plunger & Bushing	FP-5228658		N65 WT, N75, 7C75
4	Injector Plunger & Bushing	FP-5228682		N70, 7C70
4	Injector Plunger & Bushing	FP-5228661		N80
4	Injector Plunger & Bushing	FP-5228878		N90
4	Injector Plunger & Bushing	FP-5229823		7E55
4	Injector Plunger & Bushing	FP-5229814		7E60
4	Injector Plunger & Bushing	FP-5229808		7E75, 7G75
4	Injector Plunger & Bushing	FP-5229916		7G65
4	Injector Plunger & Bushing	FP-5229912		7G70
4	Injector Plunger & Bushing	FP-5229354		71C5; For Inj. Assembly C50
4	Fuel Injector Tip Kit	FP-5229026		C55, C60, 71C5, 7E55, 7E60; For Inj. Assembly 5N45
4	Fuel Injector Tip Kit	FP-5229192		C65, C70, N70, N75, 7N65
4	Fuel Injector Tip Kit	FP-5228312		HV7, HV8, HV9, S70, S80, S90
4	Fuel Injector Tip Kit	FP-5228554		HV7, HV8, HV9, S70, S80, S90
4	Fuel Injector Tip Kit	FP-5229256		M95, N80, N90
4	Fuel Injector Tip Kit	FP-5229026		N55, N60, N65 WT; For Inj. Assembly 5N45
4	Fuel Injector Tip Kit	FP-5229030		N65 BT; For Inj. Assembly 5A50, 5A55, 5A60
4	Fuel Injector Tip Kit	FP-5228491		S55, S60, S65
4	Fuel Injector Tip Kit	FP-5229030		7E65; For Inj. Assembly 5A50, 5A55, 5A60
4	Nut	FP-5228601		Inj. Valve; NV
4	Fuel Injector Valve Kit	FP-5228313		
4	Fuel Injector Valve Kit	FP-5228769		
4	Fuel Injector Roller Pin	FP-5228608		
QTY	FUEL FILTERS & PUMP	PART NO.	SIZE	DESCRIPTION
1	Mechanical Fuel Pump	FP-5199735		LH; High Output; High output; w/.375" Gear
1	Mechanical Fuel Pump	FP-5199560		LH; Std. Output; Std. output; w/.250" Gear
1	Mechanical Fuel Pump	FP-5199734		RH; High Output; High output
1	Mechanical Fuel Pump	FP-5199561		RH; Std. Output
1	Fuel Pump Shaft & Gear	FP-5100313		High Output; .963" Length; High Output
1	Fuel Pump Shaft & Gear	FP-5146705		High Output; 3.09" Length; High Output
1	Fuel Pump Shaft & Gear	FP-5181747		Std. Output; .838" Length; Std. Output
1	Fuel Pump Shaft & Gear	FP-5181746		Std. Output; 3.09" Length; Std. Output
1	Fuel Pump Valve	FP-5174973		
1	Fuel Pump Gear	FP-5118915		High Output; .374" Width; High Output
1	Fuel Pump Gear	FP-5128217		High Output; .374" Width; High Output
1	Fuel Pump Gear	FP-5174975		Std. Output; .294" Width; Std. Output
1	Fuel Pump Gear	FP-5181748		Std. Output; .294" Width; Std. Output
1	Fuel Pump Drive Shaft	FP-5100312		High Output; .963" Length; High Output
1	Fuel Pump Drive Shaft	FP-5178700		Std. & High Output; 3.09" Length
1	Fuel Pump Drive Shaft	FP-5181749		Std. Output; .838" Length; Std. Output
1	Fuel Pump Check Valve	FP-5174924		1/4" Swing type
1	Fuel Pump Check Valve	FP-5135308		3/8" Swing type
6	Fuel Line Connector	FP-5117369		
1	Fuel Pump Relief Valve Spring	FP-5184530		
2	Oil Seal	FP-23512243		Fuel pump
1	Fuel Pump Valve Plug Gasket	FP-5161003		Fuel pump
1	Fuel Pump Repair Part	FP-5174971		Fuel pump valve plug; .500" x 20 plug
1	Fuel Pump Drive Adapter Gskt.	FP-5150193		
1	Fuel Pump Repair Kit	FP-5149599		High Output; High output; Short Shaft
1	Fuel Pump Repair Kit	FP-5195078		Std. Output; Std. output
1	Pipe Plug	FP-5121182		Fuel pump pipe; 1/4" - 18; Hex head
2	Plastic Cap	FP-5136240		Fuel pump body; .250" Dia.
1	Plastic Cap	FP-5136241		Fuel pump body; .780" Dia., 3/8" NPTF
1	Dowel Pin	FP-103709		5/32" x 1" straight
1	Ball Brg.	FP-147481		Fuel pump shaft; .125" Dia. Steel

(continued on next page)

Massey-Ferguson - Also See Engine Manufacturer

Wheel Tractor 4-71 (2-Valve Cyl. Head), 4-71E (4-Valve Cyl. Head), 4-71N (4-Valve Cyl. H **45**
ad) Engs. (cont.)
 4.7L 284 OHV Diesel L4 (4-71), 4.25" Bore (Detroit Diesel Eng.)

FUEL SYSTEM & PARTS (cont.)

QTY	FUEL FILTERS & PUMP (cont.)	PART NO.	SIZE	DESCRIPTION
6	Washer	FP-5125108		Fuel pump pipe assy.; 7/16" x 3/4" x 1/16"

BLOWER

QTY	BLOWER	PART NO.	SIZE	DESCRIPTION
2	Ball Brg.	FP-23503543		Front; Blower Rotor
2	Ball Brg.	FP-23504305		Rear; Blower Rotor
1	Oil Seal Kit	FP-23500533		Blower End Plate
2	Rect. or Square Seal	FP-5115375		Blower Drive Cover
2	Rect. or Square Seal	FP-23515630		Blower Drive Cover; w/Flanged & Strut Covers
1	Rect. or Square Seal	FP-5172864		Blower Drive Cover; w/Sand Cast Covers
4	Oil Seal	FP-5192438		Blower End Plate
4	Oil Seal	FP-8924453		Blower Rotor
1	Fuel Blower Gasket	FP-5115657		Blower to Block
1	Pipe Plug	FP-8924380		Blower Drive Gear Hub; 1/8" - 27
6	Bolt	FP-443603		Blower Rotor; .250" x 20 x .750"
1	Lock Washer	FP-8926285		Blower Drive Gear Hub
2	Lock Washer	FP-103321		Blower Drive Gear Hub; 3/8"
2	Lock Washer	FP-5154398		Blower Rotor; 1/2" Special, External Tooth
20	Lock Washer	FP-103320		Blower Rotor; 5/16"
1	Shim	FP-5150372		Blower Rotor Gear
1	Shim	FP-5153938		Blower Rotor Gear
1	Shim	FP-5150855		Blower Rotor Gear
1	Shim	FP-5150856		Blower Rotor Gear

GOVERNOR

QTY	GOVERNOR	PART NO.	SIZE	DESCRIPTION
4	Throttle/Governor Shaft	FP-5185154		Gov. Weight Shaft; w/Limiting Speed Gov.; Ring Grooves
1	Governor Spring	FP-5122165		Low Speed; w/One Blue Stripe
1	Governor Spring	FP-5183704		Low Speed; w/Two Yellow Stripes
1	Governor Low Speed Spring Cap	FP-5103975		w/Limiting Speed Gov.
1	Governor Low Speed Spring Cap	FP-5102968		Gov. Spring Hsg.
1	Governor Low Speed Spring Cap	FP-5103975		Gov. Spring Hsg.
1	Screw	FP-5102270		Gov. High Speed Spring; w/Limiting Speed Gov.; .250" - 28 x 1.00"
1	Screw	FP-5102270		Gov. Low Speed Spring; w/Limiting Speed Gov.; .250" - 28 x 1.00"
1	Screw	FP-5102270		Low speed spring adjusting; .250" - 28 x 1.00"
1	Governor Dowel Pin	FP-5150894		Gov. Differential; w/Limiting Speed Gov.; 25/32" Length
2	Governor Dowel Pin	FP-5185153		Gov. Weight Shaft; w/Limiting Speed Gov.; .3750" Dia. x 2.150" Length
1	Governor Dowel Pin	FP-5150943		Operating Shaft; w/Limiting Speed Gov.
1	Governor Dowel Pin	FP-5150894		Shutdown Shaft; w/Limiting Speed Gov.; 25/32" Length
1	Governor Seal Ring	FP-5126623		Gov. Spring Hsg.
1	O-Ring	FP-5176557		w/Limiting Speed Gov.; .477" ID x .113" Thick
1	O-Ring	FP-5182977		Gov. Cover Throttle Shaft; w/Limiting Speed Gov.
2	Cylindrical Brg.	FP-148402		w/Limiting Speed Gov.; .500" x .500" Dia.
1	Cylindrical Brg.	FP-148402		Lower; Operating Shaft; w/Limiting Speed Gov.; .500" x .500" Dia.
1	Dowel Pin	FP-141195		w/Limiting Speed Gov.; .250" x .625"
1	Washer	FP-5167714		Gov. Cover; w/Limiting Speed Gov.; 17/32" x 7/8" x 3/32"
1	Washer	FP-5151487		Gov. Cover; w/Limiting Speed Gov.; 3/8" x 11/16" x .033"
3	Washer	FP-5179709		Gov. High Speed Spring; w/Limiting Speed Gov.; .250" Copper
2	Washer	FP-5150885		Gov. Weight Pin; w/Limiting Speed Gov.
12	Washer	FP-5151487		Gov. Weight Shaft; w/Limiting Speed Gov.; 3/8" x 11/16" x .033"
2	Copper Washer	FP-5155596		Gov. High Speed Spring; w/Limiting Speed Gov.; 5/16"; Special copper washer
3	Copper Washer	FP-5155596		Gov. High Speed Spring; w/Limiting Speed Gov.; 5/16"; Special copper washer
1	Copper Washer	FP-5155596		Gov. Spring Hsg.; 5/16"; Special copper washer
1	Lock Washer	FP-103319		Gov. Cover; w/Limiting Speed Gov.; .250"
1	Lock Washer	FP-103319		Gov. High Speed Spring; w/Limiting Speed Gov.; .250"
2	Lock Washer	FP-103320		Gov. High Speed Spring; w/Limiting Speed Gov.; 5/16"
1	Lock Washer	FP-103320		Gov. Spring Hsg.; 5/16"
4	Lock Washer	FP-103319		Gov. Weight Housing; w/Limiting Speed Gov.; .250"
1	Governor Retainer	FP-5178581		Gov. Cover; w/Limiting Speed Gov.
8	Governor Retainer	FP-5178581		Gov. Weight; w/Limiting Speed Gov.
2	Bushing	FP-5147866		Gov. Weight; w/Limiting Speed Gov.; .520" Length
1	Ball Brg.	FP-9437108		Gov. Weight Riser; w/Limiting Speed Gov.; .354" Width
1	Ball Brg.	FP-9424121		Gov. Weight Shaft; w/Limiting Speed Gov.

(continued on next page)

Massey-Ferguson - Also See Engine Manufacturer

45 Wheel Tractor 4-71 (2-Valve Cyl. Head), 4-71E (4-Valve Cyl. Head), 4-71N (4-Valve Cyl. H
(cont.) ad) Engs.
4.7L 284 OHV Diesel L4 (4-71), 4.25" Bore (Detroit Diesel Eng.)

GOVERNOR (cont.)

QTY	GOVERNOR (cont.)	PART NO.	SIZE	DESCRIPTION
4	Ball Brg.	FP-447196		Gov. Weight; w/Limiting Speed Gov.
1	Ball Brg.	FP-148403		Lower; Operating Shaft; w/Limiting Speed Gov.; .750" Width
1	Ball Brg.	FP-9431894		Upper; Operating Shaft; w/Limiting Speed Gov.
1	Carrier, Governor Weight	FP-5150932		Gov. Weight Shaft; w/Limiting Speed Gov.
1	Pipe Plug	FP-8924380		w/Limiting Speed Gov.; 1/8" - 27
1	Governor Spring Cover Gasket	FP-8922593		Gov. High Speed Spring Adj. Cover
1	Governor Spring Cover Gasket	FP-8922593		Gov. High Speed Spring; w/Limiting Speed Gov.
1	Copper Washer	FP-5155596		w/Limiting Speed Gov.; 5/16"; Special copper washer
2	Washer	FP-5179709		w/Limiting Speed Gov.; .250" Copper
3	Lock Washer	FP-103319		Throttle Shaft; w/Limiting Speed Gov.; .250"
3	Screw	FP-9417926		Gov. cover; w/Limiting Speed Gov.; 1/4" -20 x 3/4"
1	Governor Hole Gasket	FP-5123812		Gov. to Cyl. Head; w/Limiting Speed Gov.
1	Governor Cover Gasket	FP-5150889		w/Limiting Speed Gov.
1	Retainer	FP-142583		Gov. Cover; w/Limiting Speed Gov.; 13/64" Spring
1	Retainer	FP-142583		Gov. Differential; w/Limiting Speed Gov.; 13/64" Spring

COOLING SYSTEM

QTY	WATER PUMP	PART NO.	SIZE	DESCRIPTION
1	Water Pump - Heavy Duty	FP-23507971		Raw Water; Option Type 1, 2, 3, 28, 31, 62, 69, 70, 71, 72, 73, 75, 76, 77, 78, 80, 83
1	Water Pump - Heavy Duty	FP-5186250		Raw Water; Option Type 13
1	Water Pump - Heavy Duty	FP-23506704		L.H.; Fresh Water; High Capacity
1	Water Pump - Heavy Duty	FP-23506723		L.H.; Fresh Water; Std. Capacity
1	Water Pump - Heavy Duty	FP-23506711		R.H.; Fresh Water; High Capacity
1	Water Pump - Heavy Duty	FP-23506735		R.H.; Fresh Water; Std. Capacity
1	Water Pump Shaft	FP-5193552		Raw Water; For Pump FP-5186250
1	Water Pump Shaft	FP-5193552		Raw Water; For Pumps FP-5115800, FP-5187140, FP-23507971
1	Water Pump Impeller	FP-23505997		Fresh Water
1	Water Pump Impeller	FP-5126911		Fresh Water
1	Water Pump Impeller	FP-23505998		Fresh Water; High Capacity
1	Water Pump Impeller	FP-8924839		Raw Water; For Pump FP-5122599
1	Water Pump Impeller	FP-8924838		Raw Water; For Pump FP-5186250
1	Water Pump Impeller	FP-8924838		Raw Water; For Pumps FP-23507971, FP-5186250
1	Water Pump Impeller	FP-8924838		Raw Water; For Pumps FP-5115800, FP-5187140, FP-23507971
1	Water Pump Impeller	FP-5193602		Raw Water; Option Type 14; For Obsolete Pump; Synthetic
1	Water Pump Repair/Rebuild Kit	FP-23506870		Fresh Water Recon. Kit; High Capacity; Incl. Impeller Assy.
1	Water Pump Repair/Rebuild Kit	FP-23506851		Fresh Water Recon. Kit; Std. Capacity; Ceramic Insert; Incl. Impeller Assy.
1	Water Pump Repair/Rebuild Kit	FP-5198307		Fresh Water Recon. Kit; Std. Capacity; Incl. Impeller Assy.
1	Water Pump Repair/Rebuild Kit	FP-5149918		Fresh Water Seals & Bearing Kit; High Capacity; Ceramic Insert
1	Water Pump Repair/Rebuild Kit	FP-23506858		Fresh Water Seals & Bearing Kit; Std. Capacity
1	Water Pump Repair/Rebuild Kit	FP-5197224		Recon. Kit; Raw Water; For Pump FP-5186250
1	Water Pump Repair/Rebuild Kit	FP-5197223		Recon. Kit; Raw Water; For Pumps FP-5115800, FP-5187140, FP-23507971
1	Water Pump Cover	FP-5193555		Raw Water Pump, End; For Pump FP-5186250
1	Water Pump Cover	FP-5193555		Raw Water Pump, End; For Pumps FP-5115800, FP-5187140, FP-23507971
1	Water Pump Gasket	FP-5178273		Fresh Water; High Capacity
1	Water Pump Retainer Ring	FP-9415285		Raw Water; For Pump FP-5186250; Large; External
1	Water Pump Retainer Ring	FP-5193569		Raw Water; For Pump FP-5186250; Small; Small
1	Water Pump Retainer Ring	FP-9415285		Raw Water; For Pumps FP-5115800, FP-5187140, FP-23507971; Large; Large; External
1	Water Pump Retainer Ring	FP-5193569		Raw Water; For Pumps FP-5115800, FP-5187140, FP-23507971; Small; Small
1	Water Pump Mech. Shaft Seal	FP-8924297		Fresh Water
1	Water Pump Mech. Shaft Seal	FP-5186571		Fresh Water; Seal & Spring
1	Water Pump Mech. Shaft Seal	FP-5198419		Raw Water; For Pump FP-5186250
1	Water Pump Mech. Shaft Seal	FP-5198419		Raw Water; For Pumps FP-23507971, FP-5186250, FP-5122599
1	Water Pump Mech. Shaft Seal	FP-5198419		Raw Water; For Pumps FP-5115800, FP-5187140, FP-23507971
1	Water Pump Mech. Shaft Seal	FP-5193684		Raw Water; For Pumps FP-5115800, FP-5187140, FP-23507971; Outboard
1	Ball Brg.	FP-23504426		Raw Water Pump; For Pump FP-5186250
1	Ball Brg.	FP-23504426		Raw Water Pump; For Pumps FP-5115800, FP-5187140, FP-23507971
1	Ball Brg.	FP-23503821		Inner; Fan Shaft
1	Ball Brg.	FP-903205		Inner; Fan Shaft
1	Ball Brg.	FP-9415132		Inner; Fan Shaft
1	Ball Brg.	FP-23503535		Outer; Fan Shaft
1	Ball Brg.	FP-7450630		Outer; Fan Shaft

(continued on next page)

Massey-Ferguson - Also See Engine Manufacturer

Wheel Tractor 4-71 (2-Valve Cyl. Head), 4-71E (4-Valve Cyl. Head), 4-71N (4-Valve Cyl. H 45 ad) Engs. (cont.)
 4.7L 284 OHV Diesel L4 (4-71), 4.25" Bore (Detroit Diesel Eng.)

COOLING SYSTEM (cont.)

QTY	WATER PUMP (cont.)	PART NO.	SIZE	DESCRIPTION
1	Oil Pump Intake Gasket	FP-5153902		Lower; Water By-Pass Tube; 2 1/4" B.C.
1	Fuel Pump Drive Adapter Gskt.	FP-5150193		Fresh Water Pump to Eng.
1	Accessory Drive Gasket	FP-23515145		Raw Water Pump Drive Gasket
1	Oil Seal	FP-5103951		Fan Shaft
1	Oil Seal	FP-5108219		Fan Shaft; Felt
1	Oil Seal	FP-5100408		Fan Shaft; Rubber Lip
1	Oil Seal	FP-23506248		Fresh Water Pump
1	Oil Seal	FP-5195101		Raw Water Pump; For Pump FP-5186250
1	Oil Seal	FP-5195101		Raw Water Pump; For Pumps FP-5115800, FP-5187140, FP-23507971
1	Oil Seal	FP-5132155		Thermostat Seal
1	Bolt	FP-454992		Fan Hub Mount; 1/2" - 13 x 2 1/2
3	Bolt	FP-8927581		Fan Hub Mount; 3/8" - 16 x 1"
4	Bolt	FP-8921930		Fresh Water Pump Body; 1/4" - 20 x 3/4"
4	Bolt	FP-443603		Heat Exchanger; .250" x 20 x .750"
1	Bolt	FP-454992		Heat Exchanger; 1/2" - 13 x 2 1/2
2	Bolt	FP-8927580		Heat Exchanger; 3/8" - 16 x .875"
5	Bolt	FP-23504236		Raw Water Pump Cover; For Pump FP-5186250; .250" - 20 x .500"; Stainless Steel
5	Bolt	FP-23504236		Raw Water Pump Cover; For Pumps FP-5115800, FP-5187140, FP-23507971; .250" - 20 x .500"; Stainless Steel
4	Bolt	FP-5145092		Raw Water Pump Drive; 3/8" - 24 x 1.20"; Self-Locking
1	Pipe Plug	FP-8924380		Fan Hub; 1/8" - 27
1	Pipe Plug	FP-5121182		Heat Exchanger; 1/4" - 18; Hex head
1	Pipe Plug	FP-8924380		Heat Exchanger; 1/8" - 27
2	Pipe Plug	FP-5142549		Heat Exchanger; 3/4" - 14 Square Head
2	Pipe Plug	FP-8924517		Thermostat Housing Cover; 3/8" x 18 square head
1	Pipe Plug	FP-5115214		Thermostat Housing; 1/2" Square Head
1	Pipe Plug	FP-5121182		Thermostat Housing; 1/4" - 18; Hex head
1	Pipe Plug	FP-8924380		Thermostat Housing; 1/8" - 27
1	Pipe Plug	FP-5142549		Thermostat Housing; 3/4" - 14 Square Head
1	Pipe Plug	FP-5115214		Water Outlet Manifold Elbow; 1/2" Square Head
1	Pipe Plug	FP-5121182		Water Outlet Manifold Elbow; 1/4" - 18; Hex head
1	Pipe Plug	FP-5142549		Water Outlet Manifold Elbow; 3/4" - 14 Square Head
1	Pipe Plug	FP-5142549		Water Pump; 3/4" - 14 Square Head
1	Pipe Plug	FP-8924517		Water Pump; 3/8" x 18 square head
1	Expansion Plug	FP-5117186		Heat Exchanger; 2" Dia. Cup; Stainless Steel
1	Shaft & Bearing Assembly	FP-5136671		Fresh Water
1	Shaft & Bearing Assembly	FP-908337		Fresh Water
1	Dowel Pin	FP-5197597		Raw Water Pump; Wear Plate Locating Pin; .184" OD x .375" Length
1	Screw	FP-114366		Raw Water Pump Cam; For Pump FP-5186250; .250" - 20 x .500"; Brass
1	Screw	FP-114366		Raw Water Pump Cam; For Pumps FP-5115800, FP-5187140, FP-23507971; .250" - 20 x .500"; Brass
1	Slinger, Water Pump	FP-5114011		Fresh Water
1	Slinger, Water Pump	FP-5193676		Raw Water Pump Shaft; For Pump FP-5186250
1	Slinger, Water Pump	FP-5193676		Raw Water; For Pumps FP-5115800, FP-5187140, FP-23507971
3	Copper Washer	FP-5155596		Water Pump Mounting; 5/16"; Special copper washer
2	Washer	FP-5197310		Adhesive Washer; Fresh Water Pump; Adhesive, Ceramic Insert
1	Washer	FP-103325		Raw Water Pump Drive Gear; Lock washer; 5/8"
QTY	THERMOSTAT	PART NO.	SIZE	DESCRIPTION
1	Thermostat	FP-5186383		Vented
2	Thermostat	FP-23503827		160 Deg.
2	Thermostat	FP-23503826		170 Deg.
2	Thermostat	FP-5172141		170 Deg.
1	Thermostat	FP-5184475		173 Deg.
1	Thermostat Gasket	FP-5167761		Thermostat Housing
2	Thermostat Gasket	FP-5169478		Water By-Pass Tube Elbow
2	Thermostat Gasket	FP-5169478		Upper; Thermostat Housing
1	Thermostat Gasket	FP-5167761		Heat Exchanger
2	Exhaust Manifold Gasket	FP-5156319		Water By-Pass Tube to Exh. Manifold
QTY	MISCELLANEOUS	PART NO.	SIZE	DESCRIPTION
8	Stud	FP-8927270		Water Outlet Manifold; 3/8" - 16/24" x 1.6875"
6	Hose Clamp	FP-9139809		Heat Exchanger Raw Water Inlet Tube; 2 1/16" - 3"
4	Hose Clamp	FP-5186841		Raw Water Pump Inlet Tube; 1 9/16" - 2.50"
2	Hose Clamp	FP-5186840		Thermostat Housing; 13/16" - 1 1/2" Clamping Range

(continued on next page)

Massey-Ferguson - Also See Engine Manufacturer

45 Wheel Tractor 4-71 (2-Valve Cyl. Head), 4-71E (4-Valve Cyl. Head), 4-71N (4-Valve Cyl. H
(cont.) ad) Engs.
4.7L 284 OHV Diesel L4 (4-71), 4.25" Bore (Detroit Diesel Eng.)

COOLING SYSTEM (cont.)

QTY	MISCELLANEOUS (cont.)	PART NO.	SIZE	DESCRIPTION
2	Hose Clamp	FP-5186840		Water By-pass Tube Connecting Hose; 13/16" - 1 1/2" Clamping Range
1	Hose Clamp	FP-9139809		Water Outlet Manifold; 2 1/16" - 3"
1	Hose Clamp	FP-5188036		Water Outlet Manifold; 2.750" Dia. Hose
1	Hose Clamp	FP-5188036		Water Pump Inlet Seal; 2.750" Dia. Hose
3	Lock Washer	FP-103320		Fan Hub Mount; 5/16"
1	Lock Washer	FP-103321		Heat Exchanger; 3/8"
2	Lock Washer	FP-103320		Water Outlet Manifold Elbow; 5/16"
6	Lock Washer	FP-103321		Water Outlet Manifold; 3/8"
20	Lock Washer	FP-103320		Inlet; Heat Exchanger; 5/16"
1	Sealing Ring	FP-5156770		Water Outlet Manifold Seal; 2.750" OD
1	Sealing Ring	FP-5159457		Water Pump Inlet
1	Sealing Ring	FP-5153560		Water Pump Inlet; 2.1875" OD
1	Sealing Ring	FP-5156770		Water Pump Inlet; 2.750" OD
1	O-Ring	FP-5150191		Fresh Water Pump Outlet
2	O-Ring	FP-5167746		Heat Exchanger
1	O-Ring	FP-23514265		Raw Water Pump; For Pump FP-5186250
1	O-Ring	FP-23514265		Raw Water Pump; For Pumps FP-5115800, FP-5187140, FP-23507971
1	Exhaust Manifold Gasket	FP-5156319		Heat Exchanger; Cover Plate
3	Water Manifold Gasket	FP-23506469		Water Outlet Cover Plate
2	Hose Clamp	FP-5186840		Upper; Hose to Thermostat Housing; 13/16" - 1 1/2" Clamping Range
2	Oil Cooler Gasket	FP-5112401		Heat Exchanger
1	Oil Cooler Core Outer Gasket	FP-5102506		Heat Exchanger; Oil Cooler Outlet
1	Oil Cooler Cover Gasket	FP-23501591		Heat Exchanger
1	Oil Cooler Cover Gasket	FP-23501591		Heat Exchanger; Expansion Tank Cover

ENGINE BLOCK & PARTS

QTY	GASKETS	PART NO.	SIZE	DESCRIPTION
1	Pipe Plug	FP-5121182		Cyl. Block; 1/4" - 18; Hex head
2	Flywheel Housing Gasket	FP-5150055		
1	Flywheel Housing Gasket	FP-8928967		
2	Accessory Drive Gasket	FP-23515145		Flywheel Housing Large Hole Cover
2	Bolt	FP-8927580		Flywheel Housing; 3/8" - 16 x .875"
2	Washer	FP-5125108		Flywheel Housing; 7/16" x 3/4" x 1/16"
2	Copper Washer	FP-5152148		Flywheel Housing; 25/64" ID x 9/16" OD x 1/16" Thick; Copper
1	Oil Pan Gasket	FP-5150116		
4	Bolt	FP-8927580		Oil Filter; 3/8" - 16 x .875"
4	Bolt	FP-8927581		Oil Filter; 3/8" - 16 x 1"
1	Washer	FP-5177773		Filter By-pass Valve Plug; 18MM x 1.5MM
1	Washer	FP-840277		Oil Pan Drain Plug; 18MM, Nylon
1	Washer	FP-5150568		Oil Strainer Center Stud; 7/16" x 3/4" x 1/16"; Copper
4	Lock Washer	FP-103321		Oil Filter; 3/8"
26	Lock Washer	FP-103320		Oil Pan; 5/16"
2	Lock Washer	FP-103320		Oil Pressure Regulator; 5/16"
1	Pipe Plug	FP-5115214		Oil Cooler Water Inlet; 1/2" Square Head
2	Pipe Plug	FP-8924517		Oil Cooler Water Inlet; 3/8" x 18 square head
2	Pipe Plug	FP-5121182		Oil Filter; 1/4" - 18; Hex head
1	Pipe Plug	FP-5115214		Oil Pan Drain; 1/2" Square Head
1	Pipe Plug	FP-5121182		Oil Pan Drain; 1/4" - 18; Hex head
1	Pipe Plug	FP-5142549		Oil Pan Drain; 3/4" - 14 Square Head
1	Pipe Plug	FP-8924517		Oil Pan Drain; 3/8" x 18 square head
1	Pipe Plug	FP-5115214		Oil Pan; 1/2" Square Head
1	Pipe Plug	FP-5121182		Oil Pan; 1/4" - 18; Hex head
1	Pipe Plug	FP-8923313		Oil Pan; 3/4"
1	Pipe Plug	FP-5142549		Oil Pan; 3/4" - 14 Square Head
2	Cylinder Cover Gasket	FP-23505518		Front & Rear; Cyl. Block End Plate
1	Gasket	FP-5116357		Cyl. Block Water Hole Cover
4	Gasket	FP-23505525		Cyl. Block; 3/8" Copper
4	Hand Hole Cover Gasket	FP-5132117		
8	Copper Washer	FP-5152148		Cyl. Block; 25/64" ID x 9/16" OD x 1/16" Thick; Copper
6	Lock Washer	FP-103321		Cyl. Block; 3/8"
QTY	GASKET SETS	PART NO.	SIZE	DESCRIPTION
1	Complete Overhaul Gasket Set	FP-23512675WS		High Block; w/Seals
1	Complete Overhaul Gasket Set	FP-23512675		High Block; Crankshaft seals not incl.
1	Complete Overhaul Gasket Set	FP-5192922		Low Block

(continued on next page)

Massey-Ferguson - Also See Engine Manufacturer

Wheel Tractor 4-71 (2-Valve Cyl. Head), 4-71E (4-Valve Cyl. Head), 4-71N (4-Valve Cyl. H 45 ad) Engs. (cont.)
4.7L 284 OHV Diesel L4 (4-71), 4.25" Bore (Detroit Diesel Eng.)

ENGINE BLOCK & PARTS (cont.)

QTY	CAM BEARINGS	PART NO.	SIZE	DESCRIPTION
4	Cam Brg.	FP-5111422	STD	
4	Cam Brg.	FP-5194858	10	
8	Cam Brg.	FP-5111423	STD	Position Front & Rear; Cam & Balance shaft brg.; Grooved
8	Cam Brg.	FP-5194825	20	Position Front & Rear; Cam & Balance Shaft brg.; .020" U/S, Unfinished; Grooved
3	Cam Brg.	FP-5196022	STD	Position Inter.; w/Steel bushing in ctr. hole
3	Cam Brg.	FP-5196023	10	Position Inter.; w/Steel bushing in ctr. hole; .010" U/S ID
3	Cam Brg.	FP-5196024	20	Position Inter.; w/Steel bushing in ctr. hole; .020" U/S ID
QTY	OIL COOLERS & FILTERS	PART NO.	SIZE	DESCRIPTION
1	Oil Cooler	FP-8547236		12 plate
1	Oil Cooler	FP-8547581		13 plate
1	Oil Cooler	FP-8547551		8 plate
1	Oil Cooler	FP-8547563		8 plate
4	Bolt	FP-8927581		Oil Cooler By-Pass; 3/8" - 16 x 1"
8	Copper Washer	FP-5155596		Oil Cooler Housing Cover; 5/16"; Special copper washer
4	Lock Washer	FP-103320		Oil Cooler; 5/16"
1	Lock Washer	FP-103321		Oil Cooler Adaptor to Block; 3/8"
2	Oil Cooler Gasket	FP-5112401		Oil Cooler Adaptor to Block
1	Oil Cooler Gasket	FP-5112401		Oil Cooler Housing Pad Cover
1	Oil Cooler Gasket	FP-8923223		Outer
1	Oil Cooler Core Gasket	FP-23501589		Outer
1	Gasket	FP-5575086		Oil Cooler By-pass Plug
1	Oil Cooler Core Inner Gasket	FP-5150155		
1	Oil Cooler Core Outer Gasket	FP-5102506		
2	Oil Cooler Adapter Gasket Set	FP-5150154		
1	Oil Cooler Adapter Cover Gskt	FP-5175882		Spacer
1	Oil Pump Intake Gasket	FP-5153902		Oil Cooler Housing Pad Cover; 2 1/4" B.C.
1	Copper Washer	FP-5152148		Oil Cooler Adaptor to Block; 25/64" ID x 9/16" OD x 1/16" Thick; Copper
1	Pipe Plug	FP-5115214		Oil Cooler By-Pass; 1/2" Square Head
1	Pipe Plug	FP-8923313		Oil Cooler By-Pass; 3/4"
1	Pipe Plug	FP-5121182		Oil Cooler Housing; 1/4" - 18; Hex head
1	Pipe Plug	FP-8923847		Oil Cooler; 1/4" x 18 NPTF; Square head
2	Pipe Plug	FP-8924517		Oil Cooler; 3/8" x 18 square head
QTY	FREEZE PLUGS	PART NO.	SIZE	DESCRIPTION
2	Pipe Plug	FP-5115214		Cyl. Block; 1/2" Square Head
1	Pipe Plug	FP-5121182		Cyl. Block; 1/4" - 18; Hex head
4	Pipe Plug	FP-8924380		Cyl. Block; 1/8" - 27
2	Pipe Plug	FP-5142549		Cyl. Block; 3/4" - 14 Square Head
2	Pipe Plug	FP-5115214		Flywheel Housing; 1/2" Square Head
1	Pipe Plug	FP-5142549		Flywheel Housing; 3/4" - 14 Square Head
1	Pipe Plug	FP-8923847		Oil Filler; 1/4" x 18 NPTF; Square head
QTY	DIPSTICK	PART NO.	SIZE	DESCRIPTION
1	Dipstick	FP-5115162		18.88" Length
1	Dipstick	FP-5101884		24" x 1.38"
1	Dipstick	FP-5108895		26.32" x 1.46"
1	Dipstick	FP-5146679		61" Length; Unmarked
1	Dipstick	FP-5146680		72" Length; Unmarked
1	Dipstick Guide	FP-5151430		1.50" Length
QTY	MISCELLANEOUS	PART NO.	SIZE	DESCRIPTION
6	Bolt	FP-8927581		Cyl. Block; w/Seal patch; 3/8" - 16 x 1"
6	Bolt	FP-8927581		Flywheel Housing; 3/8" - 16 x 1"
6	Bolt	FP-9410925		Flywheel Housing; 9/16" - 18 x 2.250"
6	Bolt	FP-9412015		Flywheel Housing; 9/16" - 18 x 2.500"
1	Bolt	FP-5103534		Oil Filler; 5/16" - 24 x 1/2"
3	Screw	FP-5103642		Oil Filler; No. 10 - 24 x .375"
2	Pipe Plug	FP-5115214		Cyl. Block; 1/2" Square Head
1	Pipe Plug	FP-5121182		Cyl. Block; 1/4" - 18; Hex head
4	Pipe Plug	FP-8924380		Cyl. Block; 1/8" - 27
2	Pipe Plug	FP-5142549		Cyl. Block; 3/4" - 14 Square Head
2	Pipe Plug	FP-5115214		Flywheel Housing; 1/2" Square Head
1	Pipe Plug	FP-5142549		Flywheel Housing; 3/4" - 14 Square Head
1	Pipe Plug	FP-8923847		Oil Filler; 1/4" x 18 NPTF; Square head
4	Gasket	FP-5178997		Cyl. Block Core Plug
1	Lo Filter Adapter Gasket	FP-5173482		Oil Filler
1	Washer	FP-5131755		Flywheel Housing; 17/32" x .88" x .1345"
6	Washer	FP-5138619		Flywheel Housing; 25/64" x 3/4" x .083"

(continued on next page)

Massey-Ferguson - Also See Engine Manufacturer

45 Wheel Tractor 4-71 (2-Valve Cyl. Head), 4-71E (4-Valve Cyl. Head), 4-71N (4-Valve Cyl. H
(cont.) ad) Engs.
4.7L 284 OHV Diesel L4 (4-71), 4.25" Bore (Detroit Diesel Eng.)

ENGINE BLOCK & PARTS (cont.)

QTY	MISCELLANEOUS (cont.)	PART NO.	SIZE	DESCRIPTION
1	Copper Washer	FP-5155596		Oil Filler; 5/16"; Special copper washer
2	Lock Washer	FP-103320		Cyl. Block; w/Lock Washer; 5/16"
16	Lock Washer	FP-103321		Flywheel Housing; 3/8"
2	Lock Washer	FP-103321		Oil Filler; 3/8"
1	Oil Filler Cap	FP-5117362		2.00" Dia.; Thermos Bottle Style
CRANKSHAFT/OIL PUMP				
QTY	CRANKSHAFT	PART NO.	SIZE	DESCRIPTION
1	Vibration Damper	FP-8922491		Heavy Viscous
1	Vibration Damper	FP-5177763		Light Viscous
1	Bolt	FP-23501143		Crankshaft Hub; 1" - 14 X 2.750" (1.500" Hex head)
10	Washer	FP-103325		Lock washer; 5/8"
2	Woodruff Key	FP-5131724		Position Front; Crankshaft Pulley; .375" x 1.250"
4	Dowel Pin	FP-141346		.1875" x .500"
QTY	SEALS - FRONT CRANK	PART NO.	SIZE	DESCRIPTION
1	Oil Seal	FP-5115454		Front; Single Lip, Std.
1	Oil Seal	FP-5143108		Front; Submersible
1	Redi-Sleeve	99287		Shaft dia. 2.876"
1	Oil Seal Spacer	FP-23507306		Front; 2.50" ID x 2.81" Length
1	Oil Seal	FP-5115454		Single Lip, Std.
1	O-Ring	FP-23503769		Front; Front Crankshaft Spacer Seal
QTY	SEALS - REAR CRANK	PART NO.	SIZE	DESCRIPTION
1	Oil Seal	FP-5127821		Double Lip; Double Lip, Std.; Shaft Dia. 4.687"
1	Oil Seal	FP-5196927		Double Lip; O/S Seal; Double Lip; O/S Shaft Dia. 4.812"
1	Oil Seal	FP-5197860		Single Lip; O/S Seal; Single lip; O/S Shaft dia. 4.812"
1	Oil Seal	FP-5114335		Single Lip; Single Lip, Std.; Shaft Dia. 4.687"
1	Oil Seal Spacer	FP-5192496		Rear Crank Spacer; Exc. Double Lip Seal
1	Oil Seal	FP-5114335		Single Lip, Std.; Shaft Dia. 4.687"
1	Redi-Sleeve	FP-23507225		Rear Crank Sleeve; O/S Seal only
QTY	MAIN BEARINGS	PART NO.	SIZE	DESCRIPTION
5	Plain Main Brg.	FP-5192874	STD	
5	Plain Main Brg.	FP-5192875	2	
5	Plain Main Brg.	FP-5192876	10	
5	Plain Main Brg.	FP-5192877	20	
5	Plain Main Brg.	FP-5192878	30	
5	Plain Main Brg.	FP-5193738	40	
5	Plain Main Brg.	FP-5193739	50	
1	Thrust Washer Set	FP-5159353S	STD	Position Rear
4	Thrust Washer	FP-5159353	STD	Position Rear
4	Thrust Washer	FP-5160542	5	Position Rear
4	Thrust Washer	FP-5192111	10	Position Rear
QTY	OIL PUMP	PART NO.	SIZE	DESCRIPTION
1	Pump Repair Kit	FP-5194800		
1	Inter. Shaft	FP-5153309		Oil Pump Drive; 8 31/32" Length
1	Inter. Shaft	FP-5153310		Oil Pump Driven Gear; 3 7/32" Length
2	Bushing	FP-5153147		Oil Pump Body
4	Bushing	FP-5153154		Oil Pump Body
2	Bushing	FP-5166840		Oil Pump Driven Gear
1	Bushing	FP-5153154		Oil Pump Shaft & Gear
1	Oil Pump Spring	FP-5155765		Oil Pump Relief Valve
3	Woodruff Key	FP-8928540		Oil Pump Shaft; 1/8" x 5/8"
1	Washer	FP-5175944		Oil Pump Idler; Small
4	Lock Washer	FP-103321		Oil Pump Body; 3/8"
4	Lock Washer	FP-103320		Oil Pump Body; 5/16"
2	Gasket	FP-105456		Oil Pump Relief Valve; 7/8" Copper
1	O-Ring	FP-5187316		Filter By-pass Valve Plug
2	Governor Hole Gasket	FP-5123812		Oil Drain Tube; Inclined Engines
1	Oil Filter Gasket	FP-1595620		Rectangular Section
1	Oil Filler Tube Gasket	FP-5120540		Oil Pan Cover
1	Lo Press. Reg. Body Gasket	FP-5104381		Type No. 1, 2, 21, 23
1	Lo Press. Reg. Body Gasket	FP-5156831		Type No. 3
1	Gasket	FP-5575086		Filter By-pass Valve Plug
1	Lock Nut	FP-114498		Oil Filter Cover; 5/8" - 18, Jam Nut
1	Oil Pressure Regulator Valve	FP-5153247		Oil Pump Relief
1	Oil Filter Adapter Gasket	FP-5152413		Filter to Oil Cooler
2	Oil Filter Adapter Gasket	FP-5188028		Filter to Oil Cooler
1	Oil Pump Spring	FP-5156815		Oil Press. Regulator

(continued on next page)

Massey-Ferguson - Also See Engine Manufacturer

Wheel Tractor 4-71 (2-Valve Cyl. Head), 4-71E (4-Valve Cyl. Head), 4-71N (4-Valve Cyl. H **45**
ad) Engs. (cont.)
 4.7L 284 OHV Diesel L4 (4-71), 4.25" Bore (Detroit Diesel Eng.)

CRANKSHAFT/OIL PUMP (cont.)

QTY	OIL PUMP (cont.)	PART NO.	SIZE	DESCRIPTION
1	Pipe Plug	FP-5115214		Oil Cooler Water Inlet; 1/2" Square Head
2	Pipe Plug	FP-8924517		Oil Cooler Water Inlet; 3/8" x 18 square head
2	Pipe Plug	FP-5121182		Oil Filter; 1/4" - 18; Hex head
1	Pipe Plug	FP-5115214		Oil Pan Drain; 1/2" Square Head
1	Pipe Plug	FP-5121182		Oil Pan Drain; 1/4" - 18; Hex head
1	Pipe Plug	FP-5142549		Oil Pan Drain; 3/4" - 14 Square Head
1	Pipe Plug	FP-8924517		Oil Pan Drain; 3/8" x 18 square head
1	Pipe Plug	FP-5115214		Oil Pan; 1/2" Square Head
1	Pipe Plug	FP-5121182		Oil Pan; 1/4" - 18; Hex head
1	Pipe Plug	FP-8923313		Oil Pan; 3/4"
1	Pipe Plug	FP-5142549		Oil Pan; 3/4" - 14 Square Head

CYLINDER COMPONENTS

QTY	LINERS	PART NO.	SIZE	DESCRIPTION
4	Liner w/o Sealing Rings	FP-5102316	5	Flanged, .810" port length
4	Liner w/o Sealing Rings	FP-5102317	10	Flanged, .810" port length
4	Liner w/o Sealing Rings	FP-5102318	20	Flanged, .810" port length
4	Liner w/o Sealing Rings	FP-5102319	30	Flanged, .810" port length
4	Liner w/o Sealing Rings	FP-5107448	5	Flanged, .950" port length
4	Liner w/o Sealing Rings	FP-5107449	10	Flanged, .950" port length
4	Liner w/o Sealing Rings	FP-5107450	20	Flanged, .950" port length
4	Liner w/o Sealing Rings	FP-5193732	5	Flanged, 1.050" port length
4	Liner w/o Sealing Rings	FP-5193733	10	Flanged, 1.050" port length
4	Liner w/o Sealing Rings	FP-5193734	20	Flanged, 1.050" port length
4	Liner w/o Sealing Rings	FP-5193735	30	Flanged, 1.050" port length
4	Liner w/o Sealing Rings	FP-23504931	STD	No. 1 Bore; Flanged, .810" port length
4	Liner w/o Sealing Rings	FP-23502023	STD	No. 1 Bore; Flanged, .950" port length
4	Liner w/o Sealing Rings	FP-23502020	STD	No. 1 Bore; Flanged, 1.050" port length
4	Liner w/o Sealing Rings	FP-23504932	STD	No. 2 Bore; Flanged, .810" port length
4	Liner w/o Sealing Rings	FP-23502024	STD	No. 2 Bore; Flanged, .950" port length
4	Liner w/o Sealing Rings	FP-23502021	STD	No. 2 Bore; Flanged, 1.050" port length
4	Liner w/o Sealing Rings	FP-23504933	STD	No. 3 Bore; Flanged, .810" port length
4	Liner w/o Sealing Rings	FP-23502025	STD	No. 3 Bore; Flanged, .950" port length
4	Liner w/o Sealing Rings	FP-23502022	STD	No. 3 Bore; Flanged, 1.050" port length
4	Liner w/o Sealing Rings	FP-23504934	STD	No. 4 Bore; Flanged, .810" port length
4	Liner w/o Sealing Rings	FP-23504935	STD	No. 4 Bore; Flanged, .950" port length
4	Liner w/o Sealing Rings	FP-23504936	STD	No. 4 Bore; Flanged, 1.050" port length
4	Cylinder Kit Complete	FP-23522951	10	w/Cross Head style piston; 1.050" port length sleeve
4	Cylinder Kit Complete	FP-23522525	20	w/Cross Head style piston; 1.050" port length sleeve
4	Cylinder Kit Complete	FP-5149263	10	w/Trunk style piston; 4 Valve Head; 1.05" port length sleeve
4	Cylinder Kit Complete	FP-5149264	20	w/Trunk style piston; 4 Valve Head; 1.05" port length sleeve
4	Cylinder Kit Complete	FP-20022	STD	No. 1 Bore; w/Cross Head style piston
4	Cylinder Kit Complete	FP-20014	STD	No. 1 Bore; w/Trunk style piston; 2 Valve Head
4	Cylinder Kit Complete	FP-20011	STD	No. 1 Bore; w/Trunk style piston; 4 Valve Head; 1.05" port length sleeve
4	Cylinder Kit Complete	FP-23522949	STD	No. 2 Bore; w/Cross Head style piston; 1.050" port length sleeve
4	Cylinder Kit Complete	FP-23505308	STD	No. 2 Bore; w/Trunk style piston; 2 Valve Head; .810" port length sleeve
4	Cylinder Kit Complete	FP-23505305	STD	No. 2 Bore; w/Trunk style piston; 4 Valve Head; 1.05" port length sleeve
4	Cylinder Kit Complete	FP-23522947	STD	No. 3 Bore; w/Cross Head style piston; 1.050" port length sleeve
4	Cylinder Kit Complete	FP-23505309	STD	No. 3 Bore; w/Trunk style piston; 2 Valve Head
4	Cylinder Kit Complete	FP-23505306	STD	No. 3 Bore; w/Trunk style piston; 4 Valve Head; 1.05" port length sleeve
4	Cylinder Kit Complete	FP-23522521	STD	No. 4 Bore; w/Cross Head style piston; 1.050" port length sleeve
4	Cylinder Kit Complete	FP-5149261	STD	No. 4 Bore; w/Trunk style piston; 4 Valve Head; 1.05" port length sleeve
4	Liner Kit w/o Sleeve	FP-LCK22507		w/Cross Head style piston
4	Liner Kit w/o Sleeve	FP-LCK22949		w/Cross Head style piston
4	Liner Kit w/o Sleeve	FP-LCK5309		w/Trunk style piston; 2 Valve Head
4	Liner Kit w/o Sleeve	FP-LCK5306		w/Trunk style piston; 4 Valve Head
4	O-Ring	FP-8922221		w/Cross Head style piston
4	Flange Shim	FP-5199569	2	High Block; .002" Thick
4	Flange Shim	FP-2190595	.0015	Low Block; .002" Thick
4	Flange Shim	FP-5192226	3	Low Block; .003" Thick
4	Cntr. Bore Insert	FP-5199871		.0015" Thicker than std., for .010-.030 O/S sleeves
4	Cntr. Bore Insert	FP-5148399		.0015" Thicker than std., for std.-.005 O/S sleeves
4	Cntr. Bore Insert	FP-5148440		.0015" Thinner than std., for std.-.005 O/S sleeves

(continued on next page)

Massey-Ferguson - Also See Engine Manufacturer

45 Wheel Tractor 4-71 (2-Valve Cyl. Head), 4-71E (4-Valve Cyl. Head), 4-71N (4-Valve Cyl. H
(cont.) ad) Engs.
4.7L 284 OHV Diesel L4 (4-71), 4.25" Bore (Detroit Diesel Eng.)

CYLINDER COMPONENTS (cont.)

QTY	LINERS (cont.)	PART NO.	SIZE	DESCRIPTION
4	Cntr. Bore Insert	FP-5194073		.0035 Thinner than std., for std.-.005 O/S sleeves
4	Cntr. Bore Insert	FP-5194163		.0040 Thinner than std., for .010-.030 O/S sleeves
4	Cntr. Bore Insert	FP-5194164		.0080" Thinner than std., for .010-.030 O/S sleeves
4	Cntr. Bore Insert	FP-5193316		Std. thickness (.1795-.1800), for .010-.030 O/S sleeves
4	Cntr. Bore Insert	FP-5184484		Std. thickness (.1795-.1800), for std.-.005 O/S sleeves
QTY	PISTONS	PART NO.	SIZE	DESCRIPTION
4	Piston With Retainers	FP-5189054	STD	17.5:1 C.R.; Trunk style piston; 2 Valve Head; Dish Head, Cast Iron; 4-1/8, 2-3/16 Ring Groove
4	Piston With Retainers	FP-5149234	STD	18.7:1 C.R.; Trunk style piston; 4 Valve Head
4	Piston Dome Kit	FP-23522475		17.0:1 C.R.; w/Cross Head style piston
4	Piston Dome Kit	FP-23522535		18.7:1 C.R.; w/Cross Head style piston
4	Crosshead Piston Dome	FP-23521992	STD	17.0:1 C.R.; Cross Head style piston
4	Crosshead Piston Dome	FP-23522026	STD	18.7:1 C.R.; w/Cross Head style piston
4	Piston Skirt	FP-23522070	STD	w/Cross Head style piston
3	Pin	FP-5101120	STD	w/Cross Head style piston
3	Pin	FP-5144744	STD	w/Cross Head style piston; Nut plate type
4	Pin	FP-5188406	STD	w/Trunk style piston
4	Piston Pin Retainer	FP-5180250		w/Cross Head style piston
8	Piston Pin Retainer	FP-5188405		w/Trunk style piston
6	Piston Pin Bolt	FP-5148373		7/16" - 20 x 2.00" Length
6	Piston Pin Bolt Spacer	FP-5144846		w/Cross Head style piston
4	Piston Pin Slipper Bearing	FP-23501687		w/Cross Head style piston; Slipper type design - 1 per cyl.
8	Pin Bushing	FP-5155839		w/Trunk style piston (In piston)
8	Pin Bushing	FP-5157274		w/Trunk style piston; w/.015" extra ID bore stock
4	Pin Bushing	FP-2409Y		w/1.5020" I.D., 1.7510" O.D., .7600" O.A.L.
4	Pin Bushing	2409Y +		w/1.5020" I.D., 1.7510" O.D., .7600" O.A.L.; When depleted use FP-2409Y
QTY	CONNECTING RODS & BRGS.	PART NO.	SIZE	DESCRIPTION
8	Con. Rod Bolt	FP-5132383		.4375" x 20 x 3.52"
8	Con. Rod Nut	FP-5117629		.4375" x 20
4	Rod Pair	FP-23511129	STD	Late design-upper brg. w/2 oil slots
4	Rod Pair	FP-23511131	2	Late design-upper brg. w/2 oil slots
4	Rod Pair	FP-23511133	10	Late design-upper brg. w/2 oil slots
4	Rod Pair	FP-23511135	20	Late design-upper brg. w/2 oil slots
4	Rod Pair	FP-23511137	30	Late design-upper brg. w/2 oil slots
4	Rod Pair	FP-5193741	40	Late design-upper brg. w/2 oil slots
QTY	PISTON RINGS	PART NO.	SIZE	DESCRIPTION
4	Ring Set Single Cylinder	FP-23522954	STD	w/Cross Head style piston; Wide gap Fire Ring
4	Ring Set Single Cylinder	FP-23522955	STD	Cross Head style piston; Std. gap Fire Ring
4	Ring Set Single Cylinder	FP-5193477	STD	Trunk style piston; 2 Valve Head; 4-1/8, 2-3/16 (1 cyl. set w/4 Chrome rings)
4	Ring Set Single Cylinder	FP-23514970	STD	Trunk style piston; 4 Valve Head; 4-.084, 2-3/16 (1 cyl. Set)
8	Compression Ring	FP-8926351		w/Cross Head style piston; 2nd & 3rd grooves
4	Compression Ring	FP-8924084		Cross Head style piston; Std. gap Fire Ring
4	Compression Ring	FP-8924083		Cross Head style piston; Wide gap Fire Ring
16	Compression Ring	FP-5185325		Trunk style piston; 2 Valve Head; Top 4 grooves
12	Compression Ring	FP-5102648		Trunk style piston; 4 Valve Head; First 4 grooves
8	Ring, Oil Control Set	FP-23522534		Cross Head style piston; For one groove
4	Ring, Oil Control Set	FP-23514965		Trunk style piston; 4 Valve Head; Set for one piston
CLUTCH				
QTY	CLUTCH	PART NO.	SIZE	DESCRIPTION
1	Ball Brg.	FP-23503707		Clutch Pilot
1	Ball Brg.	FP-23503709		Clutch Pilot
1	Ball Brg.	FP-23504892		Clutch Pilot
KITS				
QTY	OVERHAUL KIT	PART NO.	SIZE	DESCRIPTION
1	In-Frame Overhaul Kit	FP-IFK471XH		Cross Head style piston
1	In-Frame Overhaul Kit	FP-471XH		Cross Head style piston
1	In-Frame Overhaul Kit	FP-IFK4712V		Trunk style piston; 2 Valve Head
1	In-Frame Overhaul Kit	FP-4712V		Trunk style piston; 2 Valve Head
1	In-Frame Overhaul Kit	FP-IFK471NA		Trunk style piston; 4 Valve Head
1	In-Frame Overhaul Kit	FP-471NA		Trunk style piston; 4 Valve Head
1	Complete Overhaul Kit	FP-OH471XH		Cross Head style piston
1	Complete Overhaul Kit	FP-471XHOH		Cross Head style piston

(continued on next page)

Massey-Ferguson - Also See Engine Manufacturer

Wheel Tractor 4-71 (2-Valve Cyl. Head), 4-71E (4-Valve Cyl. Head), 4-71N (4-Valve Cyl. H 45 ad) Engs. (cont.) 4.7L 284 OHV Diesel L4 (4-71), 4.25" Bore (Detroit Diesel Eng.)				
KITS (cont.)				
QTY	OVERHAUL KIT (cont.)	PART NO.	SIZE	DESCRIPTION
1	Complete Overhaul Kit	FP-OH4712V		Trunk style piston; 2 Valve Head
1	Complete Overhaul Kit	FP-4712VOH		Trunk style piston; 2 Valve Head
1	Complete Overhaul Kit	FP-OH471NA		Trunk style piston; 4 Valve Head
1	Complete Overhaul Kit	FP-471NAOH		Trunk style piston; 4 Valve Head
Combine P6 Eng. Wheel Tractor P6 Eng. 46 4.7L 288 OHV Diesel L6, 3.5" Bore (Perkins Eng.)				
CRANKSHAFT/OIL PUMP				
QTY	MAIN BEARINGS	PART NO.	SIZE	DESCRIPTION
1	Thrust Washer Set	FP-2783BF	Std Only	Position 7; To Ser. No. 3294767
1	Thrust Washer Set	2783BF +	Std Only	Position 7; To Ser. No. 3294767; When depleted use FP-2783BF
CYLINDER COMPONENTS				
QTY	PISTONS	PART NO.	SIZE	DESCRIPTION
6	Pin Bushing	FP-2019Y20		
6	Pin Bushing	2019Y20 +		When depleted use FP-2019Y20
QTY	CONNECTING RODS & BRGS.	PART NO.	SIZE	DESCRIPTION
6	Rod Pair	FP-2015CPA	Std-10-20-30	
6	Rod Pair	2015CPA +	Std-10-20-30	When depleted use FP-2015CPA
Wheel Tractor M290 Eng. 47 4.7L 289.9 OHV L6, 3.75" Bore (Continental Eng.)				
CYL. HEAD & PARTS				
QTY	VALVE SEAT	PART NO.	SIZE	DESCRIPTION
6	Exh.	245-1687-7	Std Only	1.6925" OD, 1.3750" ID, .2480" Depth
6	Int.	245-2000-6	Std Only	2.0000" OD, 1.6250" ID, .2812" Depth
QTY	VALVE SPRING	PART NO.	SIZE	DESCRIPTION
12	Spring	FP-A30025		
CYLINDER COMPONENTS				
QTY	LINERS	PART NO.	SIZE	DESCRIPTION
6	Repair Sleeve	SL-19M	Std Only	3/32" wall, must be cut to correct length
QTY	PISTONS	PART NO.	SIZE	DESCRIPTION
6	Pin Bushing	FP-9909X		
6	Pin Bushing	9909X +		When depleted use FP-9909X
QTY	PISTON RINGS	PART NO.	SIZE	DESCRIPTION
1	Premium Set	FP-645KX	Std Only	3-1/8, 1-3/16
1	Premium Set	645KX +	Std Only	3-1/8, 1-3/16; When depleted use FP-645KX
6	Premium Single Cylinder Set	W-645KX	Std Only	3-1/8, 1-3/16
Combine 292 Eng. Wheel Tractor 292 Eng. 48 4.8L 292 OHV L6 (Chevrolet), 3.875" Bore (GMC Eng.)				
CYL. HEAD & PARTS				
QTY	VALVE	PART NO.	SIZE	DESCRIPTION
6	Intake	V-1927	Std-15	Chrome plated stem; 1.7200" Head Dia., .3413" Stem Dia., 4.9170" O.A.L.
6	Intake, Bulk	V-1927B	Std Only	Chrome plated stem; Carton of 25; 1.7200" Head Dia., .3413" Stem Dia., 4.9170" O.A.L.
6	Exhaust	V-1888X	Std-15	Chrome plated stem; Stellite face; 1.5000" Head Dia., .3412" Stem Dia., 4.9230" O.A.L.
24	Keeper	VK-115		1 groove; Square cut key groove
24	Keeper	VK-115R		1 groove; Square cut key groove; Hardened
24	Keeper, Bulk	VK-115B		1 groove; Square cut key groove; Carton of 1000
QTY	VALVE SEAT	PART NO.	SIZE	DESCRIPTION
6	Exh.	245-1562-1	Std Only	1.5675" OD, 1.3125" ID, .2160" Depth
QTY	VALVE GUIDE	PART NO.	SIZE	DESCRIPTION
6	Guide	VG-5005		Exh.; .3430" ID, 2.2500" O.A.L.
6	Guide	VG-5038		Int.; .3430" ID, 2.1200" O.A.L.
6	Guide, Bulk	VG-5005B		Exh.; Carton of 50; .3430" ID, 2.2500" O.A.L.
6	Guide, Bulk	VG-5038B		Int.; Carton of 50; .3430" ID, 2.1200" O.A.L.

(continued on next page)

+ Superseded Part Number

Massey-Ferguson - Also See Engine Manufacturer

48 Combine 292 Eng. Wheel Tractor 292 Eng.
(cont.) 4.8L 292 OHV L6 (Chevrolet), 3.875" Bore (GMC Eng.)

CYL. HEAD & PARTS (cont.)				
QTY	VALVE SPRING	PART NO.	SIZE	DESCRIPTION
12	Spring	VS-677		Incl. damper; 2.0300" Free Height
12	Spring	VS-521		Incl. damper; 2.1090" Free Height
12	Spring, Bulk	VS-677B		Incl. damper; Carton of 250; 2.0300" Free Height
QTY	PUSH RODS	PART NO.	SIZE	DESCRIPTION
12	Push Rod	RP-3188		11.3820" O.A.L.
12	Push Rod, Bulk	BRP-3188		Carton of 100; 11.3820" O.A.L.
QTY	VALVE SEAL	PART NO.	SIZE	DESCRIPTION
12	Valve Stem Seal	ST-2001		Positive type; Installation requires valve guide machining; Rubber/PTFE
12	Valve Stem Seal	MV-1233C		O-Ring; Rubber
12	Valve Stem Seal Bulk	MV-1233		O-Ring; Carton of 100; Rubber
12	Valve Stem Seal Bulk	ST-2001BC		Positive type; Installation requires valve guide machining; Carton of 100; Rubber/PTFE
QTY	ROCKER PARTS	PART NO.	SIZE	DESCRIPTION
12	Arm Assy.	R-832		Incl. arm, ball & nut
12	Arm Assy., Bulk	R-832B		Incl. arm, ball & nut; Carton of 64
12	Arm	R-832A		
12	Stud	MR-1752		.003" O/S, 3/8" x 24 x 2.495"
12	Stud	MR-1949		.372" x 24 x 2.495"
CAMSHAFT GROUP				
QTY	TIMING	PART NO.	SIZE	DESCRIPTION
1	Gear Set	221-2528S		Incl. (1) 221-2526, (1) 221-2527
1	Cam Gear	221-2526		Alum.; 54 Teeth
QTY	CAMSHAFT/LIFTER	PART NO.	SIZE	DESCRIPTION
1	Camshaft	CS-551		
12	Lifter	HT-817 Std Only		Hyd.
12	Lifter, Bulk	HT-817B Std Only		Hyd.; Carton of 128
1	Prelube	55-400		4 oz. bottle; 1.5 oz. packet No. 55-403 also avail.
QTY	CAMSHAFT KIT	PART NO.	SIZE	DESCRIPTION
1	Cam/Lifter Kit	KC-551		Hyd.; Incl. (1) CS-551, (12) HT-817, (1) 55-403B
ENGINE BLOCK & PARTS				
QTY	GASKET SETS	PART NO.	SIZE	DESCRIPTION
1	Kit Gasket Set	260-1005		1963-78
1	Kit Gasket Set	260-1044		1980; w/24-bolt oil pan
1	Kit Gasket Set	260-1044		1981-85; Exh. pipe packing not incl.
1	Kit Gasket Set	260-1267		1986-89; Exh. pipe packing not incl.; Premium valve stem seals incl.
QTY	CAM BEARINGS	PART NO.	SIZE	DESCRIPTION
1	Cam Set	1203M Std Only		1963-70
1	Cam Set	1557M Std Only		1971-89
CRANKSHAFT/OIL PUMP				
QTY	CRANKSHAFT	PART NO.	SIZE	DESCRIPTION
1	Harmonic Balancer Kit	5000		
1	Crank Gear	221-2527		27 Teeth
1	Harmonic Balancer Sleeve	88176		
QTY	SEALS - FRONT CRANK	PART NO.	SIZE	DESCRIPTION
1	Redi-Sleeve	99176		
1	Oil Seal	9845		
QTY	SEALS - REAR CRANK	PART NO.	SIZE	DESCRIPTION
1	Oil Seal Kit	5092		(Split Seal)
QTY	MAIN BEARINGS	PART NO.	SIZE	DESCRIPTION
1	Main Set	4124MA Std-1-10-20-30-40-50-60		A-Series aluminum bearings
QTY	OIL PUMP	PART NO.	SIZE	DESCRIPTION
1	Oil Pump	224-4147		
CYLINDER COMPONENTS				
QTY	PISTONS	PART NO.	SIZE	DESCRIPTION
6	Cast Piston	H909CP Std-20-30-40-60		Hypereutectic; 2-3/32", 1-3/16" Ring Groove, 2.010" CD, .9275" Pin Dia., Recessed Head .312" deep x 3.210" dia. - 7.6:1 C.R.; DUROSHIELD® skirt coated piston

(continued on next page)

Massey-Ferguson - Also See Engine Manufacturer

Combine 292 Eng. Wheel Tractor 292 Eng. 48
4.8L 292 OHV L6 (Chevrolet), 3.875" Bore (GMC Eng.) (cont.)

CYLINDER COMPONENTS (cont.)

QTY	PISTONS (cont.)	PART NO.	SIZE	DESCRIPTION
6	Cast Piston	H909P + Std-20-30-40-60		Hypereutectic; 2-3/32", 1-3/16" Ring Groove, 2.010" CD, .9275" Pin Dia., Recessed Head .312" deep x 3.210" dia. - 7.6:1 C.R.; When depleted use H909CP
6	Cast Piston - Individual	WH909CP Std-20-30-40-60		Hypereutectic; 2-3/32", 1-3/16" Ring Groove, 2.010" CD, .9275" Pin Dia., Recessed Head .312" deep x 3.210" dia. - 7.6:1 C.R.; DUROSHIELD® skirt coated piston
6	Cast Piston - Individual	WH909P Std-20-30-40-60		Hypereutectic; 2-3/32", 1-3/16" Ring Groove, 2.010" CD, .9275" Pin Dia., Recessed Head .312" deep x 3.210" dia. - 7.6:1 C.R.
QTY	CONNECTING RODS & BRGS.	PART NO.	SIZE	DESCRIPTION
1	Rod Set	6-2555A Std-10-20-30		A-Series aluminum bearings
1	Rod Set	6-2555CP Std-10-20-30-40		Overplated copper-lead alloy lining material; 6-2555CA 60 avail. as unplated & resizeable
1	Rod Set	6-2555CA60 60		Unplated & resizeable
6	Rod Pair	2555A Std-1-2-10-20-30-40-50-60		A-Series aluminum bearings
6	Rod Pair	2555CP Std-1-2-10-20-30-40-50		Overplated copper-lead alloy
6	Rod Pair	2555CA60 60		Unplated & resizeable
QTY	PISTON RINGS	PART NO.	SIZE	DESCRIPTION
1	Premium Set	E-217K Std-20-30-40-60		2-3/32, 1-3/16
1	Premium Set	E-217KC Std Only		2-3/32, 1-3/16
1	Standard Set	E-217X Std-20-30-40-60		2-3/32, 1-3/16
6	Premium Single Cylinder Set	WE-217K Std-20-30-40-60		2-3/32, 1-3/16
6	Standard Single Cylinder Set	WE-217X Std-20-30-40-60		2-3/32, 1-3/16

Wheel Tractor A4.318, 4.318 Engs. 49
5.2L 318 OHV Diesel L4, 4.5" Bore (Perkins Eng.)

CYL. HEAD & PARTS

QTY	VALVE	PART NO.	SIZE	DESCRIPTION
16	Keeper	FP-VK223		
16	Keeper	VK-223 +		When depleted use FP-VK223
QTY	VALVE GUIDE	PART NO.	SIZE	DESCRIPTION
8	Guide	FP-VG865		.3750" ID, 2.6500" O.A.L.
8	Guide	VG-865 +		.3750" ID, 2.6500" O.A.L.; When depleted use FP-VG865
QTY	VALVE SPRING	PART NO.	SIZE	DESCRIPTION
8	Spring	FP-VS1432		Outer; 2.5780" Free Height
8	Spring	VS-1432 +		Outer; 2.5780" Free Height; When depleted use FP-VS1432

CRANKSHAFT/OIL PUMP

QTY	MAIN BEARINGS	PART NO.	SIZE	DESCRIPTION
1	Main Set	FP-4353M	Std-10-20	
1	Main Set	4353M + Std-10-20		When depleted use FP-4353M
1	Thrust Washer Set	FP-3137BFA	Std Only	Position 3
1	Thrust Washer Set	3137BFA + Std Only		Position 3; When depleted use FP-3137BFA

Combine 327 Eng. Wheel Tractor 327 Eng. 50
5.3L 327 OHV V8 (Chevrolet), 4" Bore (GMC Eng.)

CYL. HEAD & PARTS

QTY	HEAD BOLTS	PART NO.	SIZE	DESCRIPTION
2	Head Bolt Set	260-2500		Replacement recommended
QTY	VALVE	PART NO.	SIZE	DESCRIPTION
8	Intake	V-1927 Std-15		Chrome plated stem; 1.7200" Head Dia., .3413" Stem Dia., 4.9170" O.A.L.
8	Intake, Bulk	V-1927B Std Only		Chrome plated stem; Carton of 25; 1.7200" Head Dia., .3413" Stem Dia., 4.9170" O.A.L.
8	Exhaust	V-1888X Std-15		Chrome plated stem; Stellite face; 1.5000" Head Dia., .3412" Stem Dia., 4.9230" O.A.L.
32	Keeper	VK-115		1 groove; Square cut key groove
32	Keeper	VK-115R		1 groove; Square cut key groove; Hardened
32	Keeper, Bulk	VK-115B		1 groove; Square cut key groove; Carton of 1000

(continued on next page)

Massey-Ferguson - Also See Engine Manufacturer

50 Combine 327 Eng. Wheel Tractor 327 Eng.				
(cont.) 5.3L 327 OHV V8 (Chevrolet), 4" Bore (GMC Eng.)				
CYL. HEAD & PARTS (cont.)				
QTY	VALVE SEAT	PART NO.	SIZE	DESCRIPTION
8	Exh.	245-1562-1	Std Only	1.5675" OD, 1.3125" ID, .2160" Depth
QTY	VALVE GUIDE	PART NO.	SIZE	DESCRIPTION
8	Guide	VG-5005		Exh.; .3430" ID, 2.2500" O.A.L.
8	Guide	VG-5038		Int.; .3430" ID, 2.1200" O.A.L.
8	Guide, Bulk	VG-5005B		Exh.; Carton of 50; .3430" ID, 2.2500" O.A.L.
8	Guide, Bulk	VG-5038B		Int.; Carton of 50; .3430" ID, 2.1200" O.A.L.
QTY	VALVE SPRING	PART NO.	SIZE	DESCRIPTION
16	Spring	VS-521		Incl. damper; 2.1090" Free Height
QTY	PUSH RODS	PART NO.	SIZE	DESCRIPTION
16	Push Rod	RP-3093		7.7940" O.A.L.
16	Push Rod, Bulk	BRP-3093		Carton of 100; 7.7940" O.A.L.
QTY	VALVE SEAL	PART NO.	SIZE	DESCRIPTION
16	Valve Stem Seal	ST-2001		Positive type; Installation requires valve guide machining; Rubber/PTFE
16	Valve Stem Seal	MV-1233C		O-Ring; Rubber
16	Valve Stem Seal Bulk	MV-1233		O-Ring; Carton of 100; Rubber
16	Valve Stem Seal Bulk	ST-2001BC		Positive type; Installation requires valve guide machining; Carton of 100; Rubber/PTFE
QTY	ROCKER PARTS	PART NO.	SIZE	DESCRIPTION
16	Arm Assy.	R-827		Incl. arm, ball & nut
16	Stud	MR-1752		.003" O/S, 3/8" x 24 x 2.495"
16	Stud	MR-1949		.372" x 24 x 2.495"
CAMSHAFT GROUP				
QTY	TIMING	PART NO.	SIZE	DESCRIPTION
1	3 Piece Set	KT3-499S		Powdered Metal Crank Sprocket; w/.405" tooth width sprocket; Incl. (1) 222-499, (1) 223-390, (1) 223-391
1	Timing Chain	222-499		Use w/.405" tooth width sprocket; 46 Links
1	Crank Sprocket	223-391		Powdered metal; .405" tooth width sprocket; 18 Teeth
1	Cam Sprocket	223-390		.405" tooth width sprocket; 36 Teeth
1	Cam Sprocket	223-390N		Nylon; .405" tooth width sprocket; 36 Teeth
QTY	CAMSHAFT/LIFTER	PART NO.	SIZE	DESCRIPTION
1	Camshaft	CS-274		
16	Lifter	HT-817	Std Only	Hyd.
16	Lifter, Bulk	HT-817B	Std Only	Hyd.; Carton of 128
1	Prelube	55-400		4 oz. bottle; 1.5 oz. packet No. 55-403 also avail.
ENGINE BLOCK & PARTS				
QTY	GASKET SETS	PART NO.	SIZE	DESCRIPTION
1	Kit Gasket Set	260-1000		Head bolts not incl.
QTY	CAM BEARINGS	PART NO.	SIZE	DESCRIPTION
1	Cam Set	1235M	Std-1-10	Babbitt material; Full round design
1	Cam Set	1749M	Std Only	Bi-Metal Aluminum
1	Cam Set	1145M	Std Only	1957-63; Babbitt material; Full round design
1	Cam Set	1750M	Std Only	2.030" housing bore
CRANKSHAFT/OIL PUMP				
QTY	CRANKSHAFT	PART NO.	SIZE	DESCRIPTION
1	Harmonic Balancer Kit	5000		
1	Harmonic Balancer Sleeve	88176		
QTY	SEALS - FRONT CRANK	PART NO.	SIZE	DESCRIPTION
1	Redi-Sleeve	99176		
1	Oil Seal	9845		
QTY	SEALS - REAR CRANK	PART NO.	SIZE	DESCRIPTION
1	Oil Seal Kit	5092		(Split Seal)
QTY	MAIN BEARINGS	PART NO.	SIZE	DESCRIPTION
1	Main Set	994M	Std-1-10-20-30-40	
1	Main Set	4663MA	Std-1-2-10-20-30-40-60	A-Series aluminum bearings
1	Main Set	4663M	Std-1-2-10-20-30-40-60	1968-69
1	Main Set	6688M10	10-20-30	1968-69; .020" O/S length flange brg.
1	Main Set	7329MA10	10-20	1968-69; A-Series aluminum bearings; .010" O/S length flange brg.

(continued on next page)

Massey-Ferguson - Also See Engine Manufacturer

Combine 327 Eng. Wheel Tractor 327 Eng. 50
5.3L 327 OHV V8 (Chevrolet), 4" Bore (GMC Eng.) (cont.)

CYLINDER COMPONENTS

QTY	PISTONS	PART NO.	SIZE	DESCRIPTION
8	Cast Piston	H951P30	30-40-60	Hypereutectic; 2-5/64", 1-3/16" Ring Groove, 1.655" CD, .9275" Pin Dia., Recessed Head .065" deep x 3.200" dia. w/2 valve reliefs
8	Cast Piston - Individual	WH951P30	30-40-60	Hypereutectic; 2-5/64", 1-3/16" Ring Groove, 1.655" CD, .9275" Pin Dia., Recessed Head .065" deep x 3.200" dia. w/2 valve reliefs
QTY	CONNECTING RODS & BRGS.	PART NO.	SIZE	DESCRIPTION
1	Rod Set	8-2555CP10X2	10X2-20X2-40X2	Use in .002" O/S Rod Bore; Overplated copper-lead alloy
1	Rod Set	8-2020CP	Std-10-20-30-40	1962-67
1	Rod Set	8-2555A	Std-1-2-10-20-30-40-50-60	1968-69; A-Series aluminum bearings
1	Rod Set	8-2555CP	Std-1-2-10-20-30-40-50	1968-69; 8-2555CA 60 avail. as unplated & resizeable; Overplated copper-lead alloy
1	Rod Set	8-2555CA60	60	1968-69; Unplated & resizeable
8	Rod Pair	2020CP	Std-1-2-10-20-30-40-50	1962-67
8	Rod Pair	2555A	Std-1-2-10-20-30-40-50-60	1968-69; A-Series aluminum bearings
8	Rod Pair	2555CP	Std-1-2-10-20-30-40-50	1968-69; Overplated copper-lead alloy
8	Rod Pair	2555CA60	60	1968-69; Unplated & resizeable
QTY	PISTON RINGS	PART NO.	SIZE	DESCRIPTION
1	Premium Set	E-251K	Std-10-20-30-40-60	2-5/64, 1-3/16
1	Premium Set	E-251KC	Std-10-20-30-40-60	2-5/64, 1-3/16
1	Standard Set	E-251X	Std-10-20-30-40-60-80	2-5/64, 1-3/16
8	Premium Single Cylinder Set	WE-251K	Std-20-30-40-60	2-5/64, 1-3/16
8	Premium Single Cylinder Set	WE-251KC	Std-20-30-40-60	2-5/64, 1-3/16
8	Standard Single Cylinder Set	WE-251X	Std-20-30-40-60-80	2-5/64, 1-3/16

Wheel Tractor M330 Eng. 51
5.4L 329.9 OHV L6, 4" Bore (Continental Eng.)

CYL. HEAD & PARTS

QTY	VALVE SEAT	PART NO.	SIZE	DESCRIPTION
6	Exh.	245-1687-7	Std Only	1.693" OD; M330, PM330, M6330, 40B Eng.s.; 1.6925" OD, 1.3750" ID, .2480" Depth
6	Int.	245-2000-6	Std Only	M330, PM330, M6330, 40B Eng.s.; 2.0000" OD, 1.6250" ID, .2812" Depth
QTY	VALVE SPRING	PART NO.	SIZE	DESCRIPTION
12	Spring	FP-A30025		M330, PM330, M6330, 40B Eng.s.

CYLINDER COMPONENTS

QTY	LINERS	PART NO.	SIZE	DESCRIPTION
1	Repair Sleeve	SL-22Y	Std Only	M330, PM330, M6330, 40B Eng.s.; 1/8" wall, must be cut to correct length; O.A.L. 10.250"
1	Repair Sleeve	SL-22M	Std Only	M330, PM330, M6330, 40B Eng.s.; 3/32" wall, must be cut to correct length; O.A.L. 10.250"
QTY	PISTONS	PART NO.	SIZE	DESCRIPTION
6	Pin Bushing	FP-9909X		
6	Pin Bushing	9909X +		When depleted use FP-9909X

Combine JXLD Eng. 52
5.6L 339 OHV L6, 4" Bore (Hercules Eng.)

CYL. HEAD & PARTS

QTY	VALVE	PART NO.	SIZE	DESCRIPTION
12	Keeper	VK-66		Exh. & Int.; 2 groove
QTY	VALVE GUIDE	PART NO.	SIZE	DESCRIPTION
12	Guide	FP-VG414		Exh. & Int.; .3745" ID, 2.3600" O.A.L.

(continued on next page)

+ Superseded Part Number

Massey-Ferguson - Also See Engine Manufacturer

52 Combine JXLD Eng. (cont.) 5.6L 339 OHV L6, 4" Bore (Hercules Eng.)

ENGINE BLOCK & PARTS				
QTY	CAM BEARINGS	PART NO.	SIZE	DESCRIPTION
1	Cam Set	FP-1226M	Std Only	W/1.057" length on No. 1 & 4 positions
1	Cam Set	1226M +	Std Only	W/1.057" length on No. 1 & 4 positions; When depleted use FP-1226M
1	Cam Set	FP-1090M	Std Only	W/1.125" length on No. 1 & 4 positions
1	Cam Set	1090M +	Std Only	W/1.125" length on No. 1 & 4 positions; When depleted use FP-1090M
CRANKSHAFT/OIL PUMP				
QTY	MAIN BEARINGS	PART NO.	SIZE	DESCRIPTION
1	Plain Main Brg.	FP-2241CP10	10	Position 1
1	Plain Main Brg.	FP-2241CP20	20	Position 1
1	Plain Main Brg.	FP-2241CP30	30	Position 1
4	Plain Main Brg.	FP-2243CP10	10	Position 2-3-5-6
4	Plain Main Brg.	FP-2243CP20	20	Position 2-3-5-6
4	Plain Main Brg.	FP-2243CP30	30	Position 2-3-5-6
1	Plain Main Brg.	FP-2242CP10	10	Position 4
1	Plain Main Brg.	FP-2242CP20	20	Position 4
1	Plain Main Brg.	FP-2242CP30	30	Position 4
1	Plain Main Brg.	FP-2244CP10	10	Position 7
1	Plain Main Brg.	FP-2244CP20	20	Position 7
1	Plain Main Brg.	FP-2244CP30	30	Position 7
CYLINDER COMPONENTS				
QTY	PISTONS	PART NO.	SIZE	DESCRIPTION
6	Pin Bushing	FP-1424X		Drilled rod type bushing
6	Pin Bushing	1424X +		Drilled rod type bushing; When depleted use FP-1424X
QTY	CONNECTING RODS & BRGS.	PART NO.	SIZE	DESCRIPTION
6	Rod Pair	FP-1420CP	Std-10-20-30-40	w/1.9870-1.9880" std. shaft size
6	Rod Pair	1420CP +	Std-10-20-30	w/1.9870-1.9880" std. shaft size; When depleted use FP-1420CP
1	Rod Pair	FP-3220CP	Std-10-20-30	w/2.1232-2.1240" std. shaft size
1	Rod Pair	3220CP +	Std-10-20-30	w/2.1232-2.1240" std. shaft size; When depleted use FP-3220CP
6	Rod Pair	3160CP	Std-10	w/2.3730-2.3740" std. shaft size
QTY	PISTON RINGS	PART NO.	SIZE	DESCRIPTION
1	Premium Set	FP-5647KX	Std Only	For Piston w/1 1/2" Dia. free floating pin; 1-3/32, 1-1/8, 2-3/16 (1 cyl. set)
1	Premium Set	FP-920KX	Std Only	For Piston w/1" dia. Oscillating piston pin; 3-1/8, 1-3/16
1	Standard Set	FP-920X	Std Only	For Piston w/1" dia. Oscillating piston pin; 3-1/8, 1-3/16
53 Wheel Tractor A6.354, H6.354, 6.354 Engs. 5.8L 354 OHV Diesel L6 (12 Valve), 3.875" Bore (Perkins Eng.)				
CYL. HEAD & PARTS				
QTY	VALVE	PART NO.	SIZE	DESCRIPTION
6	Intake	FP-V1701		1.7440" Head Dia., .3730" Stem Dia., 4.8290" O.A.L.
6	Intake	V-1701 +	Std Only	1.7440" Head Dia., .3730" Stem Dia., 4.8290" O.A.L.; When depleted use FP-V1701
6	Exhaust	FP-V1700		1.4400" Head Dia., .3725" Stem Dia., 4.8570" O.A.L.
6	Exhaust	V-1700 +	Std Only	1.4400" Head Dia., .3725" Stem Dia., 4.8570" O.A.L.; When depleted use FP-V1700
24	Keeper	FP-VK223		
24	Keeper	VK-223 +		When depleted use FP-VK223
QTY	VALVE GUIDE	PART NO.	SIZE	DESCRIPTION
6	Guide	FP-VG619		Exh.; .3755" ID, 2.4060" O.A.L.
6	Guide	VG-619 +		Exh.; .3755" ID, 2.4060" O.A.L.; When depleted use FP-VG619
6	Guide	FP-VG620		Int.; .3755" ID, 2.2810" O.A.L.
6	Guide	VG-620 +		Int.; .3755" ID, 2.2810" O.A.L.; When depleted use FP-VG620
QTY	VALVE SPRING	PART NO.	SIZE	DESCRIPTION
12	Spring	FP-VS1432		Outer; 2.5780" Free Height
12	Spring	VS-1432 +		Outer; 2.5780" Free Height; When depleted use FP-VS1432
QTY	VALVE SEAL	PART NO.	SIZE	DESCRIPTION
12	Valve Stem Seal	ST-2004		Exh. & Int.; Positive type; Installation requires valve guide machining; Rubber/PTFE
6	Valve Stem Seal	MV-1598C		Int.; Umbrella type; Rubber
12	Valve Stem Seal Bulk	ST-2004BC		Exh. & Int.; Positive type; Installation requires valve guide machining; Carton of 100; Rubber/PTFE

(continued on next page)

+ Superseded Part Number

Massey-Ferguson - Also See Engine Manufacturer

Wheel Tractor A6.354, H6.354, 6.354 Engs. 53 5.8L 354 OHV Diesel L6 (12 Valve), 3.875" Bore (Perkins Eng.) (cont.)				
CYL. HEAD & PARTS (cont.)				
QTY	VALVE SEAL (cont.)	PART NO.	SIZE	DESCRIPTION
6	Valve Stem Seal Bulk	MV-1598		Int.; Umbrella type; Carton of 100; Rubber
CRANKSHAFT/OIL PUMP				
QTY	MAIN BEARINGS	PART NO.	SIZE	DESCRIPTION
1	Main Set	FP-4352M	<i>Std Only</i>	
1	Main Set	4352M +	<i>Std Only</i>	When depleted use FP-4352M
1	Thrust Washer Set	FP-3137BFA	<i>Std Only</i>	Position 4; Engs. From Ser. No. 8504189
1	Thrust Washer Set	3137BFA +	<i>Std Only</i>	Position 4; Engs. From Ser. No. 8504189; When depleted use FP-3137BFA
1	Thrust Washer Set	FP-3137BF	<i>Std Only</i>	Position 4; To Ser. No. 8504188
1	Thrust Washer Set	3137BF +	<i>Std Only</i>	Position 4; To Ser. No. 8504188; When depleted use FP-3137BF
CYLINDER COMPONENTS				
QTY	LINERS	PART NO.	SIZE	DESCRIPTION
6	Dry Sleeve	FP-SL382M	<i>Std Only</i>	Flanged sleeve w/firewall. Early blocks may require machining for flanged sleeve (instructions incl.)
6	Dry Sleeve	SL-382M +	<i>Std Only</i>	Flanged sleeve w/firewall. Early blocks may require machining for flanged sleeve (instructions incl.); When depleted use FP-SL382M
6	Sleeve Assy.	FP-SL2193	<i>Std Only</i>	Flanged sleeve. Early blocks may require machining for flanged sleeve (instructions incl.)
6	Sleeve Assy.	SL-2193 +	<i>Std Only</i>	Flanged sleeve. Early blocks may require machining for flanged sleeve (instructions incl.); When depleted use FP-SL2193
QTY	PISTONS	PART NO.	SIZE	DESCRIPTION
6	Cast Piston	FP-2193PX	<i>Std Only</i>	Cast; 3-3/32", 2-1/4" Ring Groove, 2.757" CD, 1.3750" Pin Dia., Recessed Head 1.00" deep x 2.125" dia. - 16.0:1 C.R.; Repl. O.E. Nos. MF-738871M91, 2236105
6	Cast Piston	2193PX +	<i>Std Only</i>	Cast; 3-3/32", 2-1/4" Ring Groove, 2.757" CD, 1.3750" Pin Dia., Recessed Head 1.00" deep x 2.125" dia. - 16.0:1 C.R.; Repl. O.E. Nos. MF-738871M91, 2236105; When depleted use FP-2193PX
6	Pin Bushing	FP-3139Y15		
6	Pin Bushing	3139Y15 +		When depleted use FP-3139Y15
QTY	PISTON RINGS	PART NO.	SIZE	DESCRIPTION
3	Premium Set	FP-9194KX	<i>Std-30</i>	3-3/32, 2-1/4 (2 cyl. set); Do not use w/Chrome liners
3	Premium Set	9194KX +	<i>Std-30</i>	3-3/32, 2-1/4 (2 cyl. set); Do not use w/Chrome liners; When depleted use FP-9194KX
6	Premium Single Cylinder Set	W-9194KX	<i>Std Only</i>	3-3/32, 2-1/4 (2 cyl. set); Do not use w/Chrome liners
Wheel Tractor T6.354, T6.354-3 Engs. 54 5.8L 354 OHV Turbo-Diesel L6 (12 Valve), 3.875" Bore (Perkins Eng.)				
CYL. HEAD & PARTS				
QTY	VALVE	PART NO.	SIZE	DESCRIPTION
6	Intake	FP-V1701		MF1130 Model From Ser. No. 354UA 3356T; All MF1135 Models; 1.7440" Head Dia., .3730" Stem Dia., 4.8290" O.A.L.
6	Intake	V-1701 +	<i>Std Only</i>	MF1130 Model From Ser. No. 354UA 3356T; All MF1135 Models; 1.7440" Head Dia., .3730" Stem Dia., 4.8290" O.A.L.; When depleted use FP-V1701
6	Exhaust	FP-V1700		1.4400" Head Dia., .3725" Stem Dia., 4.8570" O.A.L.
6	Exhaust	V-1700 +	<i>Std Only</i>	1.4400" Head Dia., .3725" Stem Dia., 4.8570" O.A.L.; When depleted use FP-V1700
24	Keeper	FP-VK223		
24	Keeper	VK-223 +		When depleted use FP-VK223
QTY	VALVE GUIDE	PART NO.	SIZE	DESCRIPTION
6	Guide	FP-VG619		Exh.; .3755" ID, 2.4060" O.A.L.
6	Guide	VG-619 +		Exh.; .3755" ID, 2.4060" O.A.L.; When depleted use FP-VG619
6	Guide	FP-VG620		Int.; .3755" ID, 2.2810" O.A.L.
6	Guide	VG-620 +		Int.; .3755" ID, 2.2810" O.A.L.; When depleted use FP-VG620
QTY	VALVE SPRING	PART NO.	SIZE	DESCRIPTION
12	Spring	FP-VS1432		Outer; 2.5780" Free Height
12	Spring	VS-1432 +		Outer; 2.5780" Free Height; When depleted use FP-VS1432
QTY	VALVE SEAL	PART NO.	SIZE	DESCRIPTION
12	Valve Stem Seal	ST-2004		Exh. & Int.; Positive type; Installation requires valve guide machining; Rubber/PTFE
6	Valve Stem Seal	MV-1598C		Int.; Umbrella type; Rubber
12	Valve Stem Seal Bulk	ST-2004BC		Exh. & Int.; Positive type; Installation requires valve guide machining; Carton of 100; Rubber/PTFE

(continued on next page)

+ Superseded Part Number

Massey-Ferguson - Also See Engine Manufacturer

54 Wheel Tractor T6.354, T6.354-3 Engs.				
(cont.) 5.8L 354 OHV Turbo-Diesel L6 (12 Valve), 3.875" Bore (Perkins Eng.)				
CYL. HEAD & PARTS (cont.)				
QTY	VALVE SEAL (cont.)	PART NO.	SIZE	DESCRIPTION
6	Valve Stem Seal Bulk	MV-1598		Int.; Umbrella type; Carton of 100; Rubber
CRANKSHAFT/OIL PUMP				
QTY	MAIN BEARINGS	PART NO.	SIZE	DESCRIPTION
1	Main Set	FP-4352M	<i>Std Only</i>	T6-354 Engs. Only
1	Main Set	4352M +	<i>Std Only</i>	T6-354 Engs. Only; When depleted use FP-4352M
1	Thrust Washer Set	FP-3137BFA	<i>Std Only</i>	Position 4; Engs. From Ser. No. 8504189
1	Thrust Washer Set	3137BFA +	<i>Std Only</i>	Position 4; Engs. From Ser. No. 8504189; When depleted use FP-3137BFA
1	Thrust Washer Set	FP-3137BF	<i>Std Only</i>	Position 4; To Ser. No. 8504188
1	Thrust Washer Set	3137BF +	<i>Std Only</i>	Position 4; To Ser. No. 8504188; When depleted use FP-3137BF
CYLINDER COMPONENTS				
QTY	LINERS	PART NO.	SIZE	DESCRIPTION
6	Dry Sleeve	FP-SL382M	<i>Std Only</i>	Flanged sleeve w/firewall. Early blocks may require machining for flanged sleeve (instructions incl.)
6	Dry Sleeve	SL-382M +	<i>Std Only</i>	Flanged sleeve w/firewall. Early blocks may require machining for flanged sleeve (instructions incl.); When depleted use FP-SL382M
6	Sleeve Assy.	FP-SL2457	<i>Std Only</i>	Flanged sleeve w/firewall. Early blocks may require machining for flanged sleeve (instructions incl.)
6	Sleeve Assy.	SL-2457 +	<i>Std Only</i>	Flanged sleeve w/firewall. Early blocks may require machining for flanged sleeve (instructions incl.); When depleted use FP-SL2457
QTY	CONNECTING RODS & BRGS.	PART NO.	SIZE	DESCRIPTION
1	Rod Set	FP-63135CPA	<i>Std-10</i>	
1	Rod Set	6-3135CPA +	<i>Std-10</i>	When depleted use FP-63135CPA
55 Wheel Tractor 425-6, 425-6A, 425C-6 Engs.				
7.0L 425 L6, 4.25" Bore (Minneapolis-Moline Eng.)				
CYL. HEAD & PARTS				
QTY	VALVE	PART NO.	SIZE	DESCRIPTION
6	Intake	FP-V1051		1.7165" Head Dia., .4339" Stem Dia., 6.6693" O.A.L.
6	Intake	V-1051 +	<i>Std Only</i>	1.7165" Head Dia., .4339" Stem Dia., 6.6693" O.A.L.; When depleted use FP-V1051
6	Exhaust	FP-V1050		1.5940" Head Dia., .4340" Stem Dia., 6.7000" O.A.L.
6	Exhaust	V-1050 +	<i>Std Only</i>	1.5940" Head Dia., .4340" Stem Dia., 6.7000" O.A.L.; When depleted use FP-V1050
24	Keeper	FP-127554		
QTY	VALVE GUIDE	PART NO.	SIZE	DESCRIPTION
12	Guide	FP-VG626		.4370" ID, 3.1200" O.A.L.
12	Guide	VG-626 +		.4370" ID, 3.1200" O.A.L.; When depleted use FP-VG626
12	Guide	FP-VG735		Cut for seal; .4365" ID, 3.0000" O.A.L.
12	Guide	VG-735 +		Cut for seal; .4365" ID, 3.0000" O.A.L.; When depleted use FP-VG735
QTY	VALVE SEAL	PART NO.	SIZE	DESCRIPTION
12	Valve Stem Seal	ST-2007		Positive type; Rubber
CRANKSHAFT/OIL PUMP				
QTY	MAIN BEARINGS	PART NO.	SIZE	DESCRIPTION
1	Main Set	FP-4162M	<i>Std-10-20</i>	
1	Main Set	4162M +	<i>Std-10-20</i>	When depleted use FP-4162M
CYLINDER COMPONENTS				
QTY	CONNECTING RODS & BRGS.	PART NO.	SIZE	DESCRIPTION
6	Rod Pair	FP-1545AP	<i>Std-10</i>	425-6 & 425-6A Model Engs.
6	Rod Pair	1545AP +	<i>Std-10</i>	425-6 & 425-6A Model Engs.; When depleted use FP-1545AP
6	Rod Pair	FP-1780AP	<i>Std-10-20-30</i>	425B-6 Model Engs.
6	Rod Pair	1780AP +	<i>Std-10-20-30</i>	425B-6 Model Engs.; When depleted use FP-1780AP
QTY	PISTON RINGS	PART NO.	SIZE	DESCRIPTION
1	Premium Set	5659KX	<i>Std-30-40-60</i>	3-3/32, 1-3/16

Massey-Ferguson - Also See Engine Manufacturer

<i>Wheel Tractor D425-6, D425-6A Engs. 56</i> 7.0L 425 Diesel L6, 4.25" Bore (Minneapolis-Moline Eng.)				
ENGINE BLOCK & PARTS				
QTY	CAM BEARINGS	PART NO.	SIZE	DESCRIPTION
1	Cam Set	FP-1456M	<i>Std Only</i>	G900 & G950 Tractors
1	Cam Set	1456M +	Std Only	G900 & G950 Tractors; When depleted use FP-1456M
CRANKSHAFT/OIL PUMP				
QTY	MAIN BEARINGS	PART NO.	SIZE	DESCRIPTION
1	Main Set	FP-4162M	<i>Std-10-20</i>	
1	Main Set	4162M +	Std-10-20	When depleted use FP-4162M
CYLINDER COMPONENTS				
QTY	PISTONS	PART NO.	SIZE	DESCRIPTION
6	Pin Bushing	FP-1549Y		
6	Pin Bushing	1549Y +		When depleted use FP-1549Y
QTY	CONNECTING RODS & BRGS.	PART NO.	SIZE	DESCRIPTION
6	Rod Pair	FP-1545AP	<i>Std-10</i>	Early Engs.; To Ser. No. 06700858
6	Rod Pair	1545AP +	Std-10	Early Engs.; To Ser. No. 06700858; When depleted use FP-1545AP
6	Rod Pair	FP-2750AP	<i>Std-10-20-30</i>	Later Engs.; From Ser. No. 06700859
6	Rod Pair	2750AP +	Std-10-20-30	Later Engs.; From Ser. No. 06700859; When depleted use FP-2750AP
<i>Wheel Tractor D504-6, D504A-6 Engs. 57</i> 8.3L 504 Diesel L6, 4.625" Bore (Minneapolis-Moline Eng.)				
CRANKSHAFT/OIL PUMP				
QTY	MAIN BEARINGS	PART NO.	SIZE	DESCRIPTION
1	Main Set	FP-4162M	<i>Std-10-20</i>	
1	Main Set	4162M +	Std-10-20	When depleted use FP-4162M
CYLINDER COMPONENTS				
QTY	PISTONS	PART NO.	SIZE	DESCRIPTION
6	Pin Bushing	FP-1549Y		
6	Pin Bushing	1549Y +		When depleted use FP-1549Y
QTY	CONNECTING RODS & BRGS.	PART NO.	SIZE	DESCRIPTION
6	Rod Pair	FP-2750AP	<i>Std-10-20-30</i>	
6	Rod Pair	2750AP +	Std-10-20-30	When depleted use FP-2750AP
QTY	PISTON RINGS	PART NO.	SIZE	DESCRIPTION
3	Premium Set	FP-10304KX	<i>Std-30</i>	3-3/32, 1-3/16 (2 cyl. set)
3	Premium Set	10304KX +	Std-30	3-3/32, 1-3/16 (2 cyl. set); When depleted use FP-10304KX
3	Standard Set	FP-10304X	<i>Std Only</i>	3-3/32, 1-3/16 (2 cyl. set)
3	Standard Set	10304X +	Std Only	3-3/32, 1-3/16 (2 cyl. set); When depleted use FP-10304X
<i>Wheel Tractor 3150 Eng. 58</i> 9.4L 573 OHV Diesel V8, 4.5" Bore (Caterpillar Eng.)				
CYL. HEAD & PARTS				
QTY	GASKETS	PART NO.	SIZE	DESCRIPTION
1	Multiple Cyl. Head Gskt. Set	FP-5P8539		
QTY	VALVE	PART NO.	SIZE	DESCRIPTION
8	Intake	FP-9L7682		2.0900" Head Dia., 5.7000" O.A.L.
8	Exhaust	FP-9L7683		1.8000" Head Dia., 5.6800" O.A.L.
32	Keeper	FP-2A4429		Exh. & Int.
QTY	VALVE SEAT	PART NO.	SIZE	DESCRIPTION
8	Exh.	FP-9N2837		
8	Int.	FP-2N8943		
QTY	VALVE GUIDE	PART NO.	SIZE	DESCRIPTION
16	Guide	FP-6I2864		Exh. & Int.; .3740" ID, 2.5500" O.A.L.
QTY	VALVE SPRING	PART NO.	SIZE	DESCRIPTION
16	Spring	FP-9N3617		Exh. & Int.
CAMSHAFT GROUP				
QTY	CAMSHAFT/LIFTER	PART NO.	SIZE	DESCRIPTION
1	Camshaft	FP-2W4197		Use w/late style gear assy. O.E. No. 2W4197 or 2W6944
16	Lifter	FP-9N5786		Dumbbell shaped mech.

(continued on next page)

+ Superseded Part Number

Massey-Ferguson - Also See Engine Manufacturer

58 Wheel Tractor 3150 Eng. (cont.) 9.4L 573 OHV Diesel V8, 4.5" Bore (Caterpillar Eng.)

CAMSHAFT GROUP (cont.)				
QTY	CAMSHAFT/LIFTER (cont.)	PART NO.	SIZE	DESCRIPTION
1	Prelube	55-400		4 oz. bottle; 1.5 oz. packet No. 55-403 also avail.
COOLING SYSTEM				
QTY	WATER PUMP	PART NO.	SIZE	DESCRIPTION
1	Water Pump Repair/Rebuild Kit	FP-9N3139		Incl. gaskets, shaft, bearing & seal assy.
ENGINE BLOCK & PARTS				
QTY	GASKET SETS	PART NO.	SIZE	DESCRIPTION
1	Cyl. Block & Oil Pan Gskt Set	FP-5P9391		
QTY	CAM BEARINGS	PART NO.	SIZE	DESCRIPTION
1	Cam Set	FP-9N5246S		
CRANKSHAFT/OIL PUMP				
QTY	SEALS - FRONT CRANK	PART NO.	SIZE	DESCRIPTION
1	Oil Seal	FP-9L7735		Front; (2.375" Shaft)
QTY	SEALS - REAR CRANK	PART NO.	SIZE	DESCRIPTION
1	Oil Seal	FP-7W3200		Rear
QTY	MAIN BEARINGS	PART NO.	SIZE	DESCRIPTION
1	Main Set	FP-5034M	Std-10-20-30	W/Crankshaft Frg. Nos. 9L-9230, 9L-9231 & 9L-9232 & 1.253" length on No. 4 brg.
1	Main Set	5034M +	Std-10-20-30	W/Crankshaft Frg. Nos. 9L-9230, 9L-9231 & 9L-9232 & 1.253" length on No. 4 brg.; When depleted use FP-5034M
CYLINDER COMPONENTS				
QTY	LINERS	PART NO.	SIZE	DESCRIPTION
8	Repair Sleeve	FP-9N6275	STD	Press-in Dry Wall Liner; 3/32" wall, cut to length, press fit sleeve
QTY	PISTONS	PART NO.	SIZE	DESCRIPTION
8	Piston Body w/o Pin	FP-9L9318	STD	w/Straight Rod Eng.
8	Piston Body w/o Pin	FP-9L9668	20	w/Straight Rod Eng.
8	Piston Body w/o Pin	FP-9L9321	40	w/Straight Rod Eng.
8	Piston w/Pin, Retainer, Rings	FP-PK9318	STD	w/Straight Rod Eng.
8	Piston w/Pin, Retainer, Rings	FP-PK9321	40	w/Straight Rod Eng.
8	Pin	FP-7N9803	STD	
16	Piston Pin Retainer	FP-8N7294		
8	Pin Bushing	FP-8N0701		
QTY	CONNECTING RODS & BRGS.	PART NO.	SIZE	DESCRIPTION
8	Rod Pair	FP-9N5923	STD	
8	Rod Pair	FP-9N5924	10	
8	Rod Pair	FP-9N5925	20	
8	Rod Pair	FP-9N592330	30	
8	Rod Pair	FP-9N5926	50	
QTY	PISTON RINGS	PART NO.	SIZE	DESCRIPTION
8	Ring Set Single Cylinder	FP-2W826530	30	
8	Ring Set Single Cylinder	FP-2W8265	STD	1-1/8, 1-7/64
8	Ring Set Single Cylinder	FP-2W8646	20	1-1/8, 1-7/64
8	Ring Set Single Cylinder	FP-2W8647	40	1-1/8, 1-7/64
1	Premium Set	FP-2W8265S	STD	1-1/8, 1-7/64
1	Premium Set	FP-2W8265S10	10	1-1/8, 1-7/64
1	Premium Set	FP-2W8646S	20	1-1/8, 1-7/64
1	Premium Set	FP-2W8265S30	30	1-1/8, 1-7/64
1	Premium Set	FP-2W8647S	40	1-1/8, 1-7/64
8	Premium Single Cylinder Set	WE-479K	Std-20-40	1-1/8, 1-7/64

59 Wheel Tractor 3160, 3208 Engs. 10.4L 636 OHV Diesel V8, 4.5" Bore (Caterpillar Eng.)

CYL. HEAD & PARTS				
QTY	GASKETS	PART NO.	SIZE	DESCRIPTION
1	Multiple Cyl. Head Gskt. Set	FP-PGE0053		3208, 3208N Engs.
QTY	VALVE	PART NO.	SIZE	DESCRIPTION
8	Intake	FP-9L7682		2.0900" Head Dia., 5.7000" O.A.L.
8	Exhaust	FP-9L7683		1.8000" Head Dia., 5.6800" O.A.L.
32	Keeper	FP-2A4429		Exh. & Int.
QTY	VALVE SEAT	PART NO.	SIZE	DESCRIPTION
8	Exh.	FP-9N2837		

(continued on next page)

Massey-Ferguson - Also See Engine Manufacturer

Wheel Tractor 3160, 3208 Engs. 59
10.4L 636 OHV Diesel V8, 4.5" Bore (Caterpillar Eng.) (cont.)

CYL. HEAD & PARTS (cont.)				
QTY	VALVE SEAT (cont.)	PART NO.	SIZE	DESCRIPTION
8	Int.	FP-2N8943		
QTY	VALVE GUIDE	PART NO.	SIZE	DESCRIPTION
16	Guide	FP-6I2864		Exh. & Int.; .3740" ID, 2.5500" O.A.L.
QTY	VALVE SPRING	PART NO.	SIZE	DESCRIPTION
16	Spring	FP-9N3617		Exh. & Int.
CAMSHAFT GROUP				
QTY	CAMSHAFT/LIFTER	PART NO.	SIZE	DESCRIPTION
1	Camshaft	FP-2W4197		Use w/late style gear assy. O.E. No. 2W4197 or 2W6944
16	Lifter	FP-9N5786		Dumbbell shaped mech.
1	Prelube	55-400		4 oz. bottle; 1.5 oz. packet No. 55-403 also avail.
FUEL SYSTEM & PARTS				
QTY	FUEL INJECTION	PART NO.	SIZE	DESCRIPTION
8	Fuel Injector Nozzle	FP-9N2366		V190, V195, V225, 1160 Engs.
8	Fuel Injector Nozzle	FP-9N3299		3208, 3208N Engs. From Ser. No. 40S1 & up
16	Fuel Inj. Plunger & Barrel	FP-1W3010		3208, 3208N Engs.
COOLING SYSTEM				
QTY	WATER PUMP	PART NO.	SIZE	DESCRIPTION
1	Water Pump - Heavy Duty	FP-2W1225		3208, 3208N Engs.
1	Water Pump Impeller	FP-9Y3778		V190, V195, V225, 1160 Engs.
1	Water Pump Impeller	FP-2W3535		3208, 3208N Engs.
1	Water Pump Repair/Rebuild Kit	FP-9N3139		V190, V195, V225, 1160 Engs.; Incl. gaskets, shaft, bearing & seal assy.
1	Water Pump Repair/Rebuild Kit	FP-6V6894		3208, 3208N Engs.; Incl. gaskets, shaft, bearing & seal assy.
1	Water Pump Mech. Shaft Seal	FP-2W4390		V190, V195, V225, 1160 Engs.
1	Water Pump Mech. Shaft Seal	FP-2W0712		3208, 3208N Engs.
2	Ball Brg.	FP-5P7807		Water pump shaft bearing; 3208, 3208N Engs.
1	Shaft & Bearing Assembly	FP-9L7493		V190, V195, V225, 1160 Engs.
QTY	THERMOSTAT	PART NO.	SIZE	DESCRIPTION
1	Thermostat	FP-2485513		3208, 3208N Engs.; w/1 Thermostat; 180 Degree
2	Thermostat	FP-9N5121		3208, 3208N Engs.; w/2 Thermostats; 180 Degree
ENGINE BLOCK & PARTS				
QTY	GASKETS	PART NO.	SIZE	DESCRIPTION
1	Oil Pan Gasket Set	FP-3208PS		3208, 3208N Engs.
QTY	GASKET SETS	PART NO.	SIZE	DESCRIPTION
1	In-Frame Gasket Set	FP-PGE0054		3208, 3208N Engs.
1	Complete Overhaul Gasket Set	FP-PGE0050		1160 Eng.
1	Complete Overhaul Gasket Set	FP-PGE0051		3208, 3208N Engs.
QTY	CAM BEARINGS	PART NO.	SIZE	DESCRIPTION
1	Cam Set	FP-9N5246S		
CRANKSHAFT/OIL PUMP				
QTY	CRANKSHAFT	PART NO.	SIZE	DESCRIPTION
1	Crankshaft	FP-9L6266		1160 Eng.
1	Crankshaft	FP-9N6221		3208, 3208N Engs.; w/o Gear
1	Vibration Damper	FP-1W6760		3208, 3208N Engs.
QTY	SEALS - FRONT CRANK	PART NO.	SIZE	DESCRIPTION
1	Wear Sleeve	FP-9L8336		
1	Oil Seal	FP-9L7735		Front; V190, V195, V225, 1160 Engs.
1	Oil Seal	FP-7C6660		Front; 3208, 3208N Engs.
QTY	SEALS - REAR CRANK	PART NO.	SIZE	DESCRIPTION
1	Oil Seal	FP-7W3200		Rear
QTY	MAIN BEARINGS	PART NO.	SIZE	DESCRIPTION
1	Main Set	FP-9Y6202	<i>STD</i>	Engs. From Ser. No. 40S1 & up, w/grooved No. 1 housing & non-grooved front brg.
1	Main Set	FP-4W8001DM	<i>10</i>	Engs. From Ser. No. 40S1 & up, w/grooved No. 1 housing & non-grooved front brg.
1	Main Set	FP-4W8020DM	<i>20</i>	Engs. From Ser. No. 40S1 & up, w/grooved No. 1 housing & non-grooved front brg.
1	Main Set	FP-4W8030DM	<i>30</i>	Engs. From Ser. No. 40S1 & up, w/grooved No. 1 housing & non-grooved front brg.
1	Main Set	5089M +	Std-10-20-30	Engs. From Ser. No. 40S1 & up, w/grooved No. 1 housing & non-grooved front brg.; When depleted use FP-9Y6202

(continued on next page)

+ Superseded Part Number

Massey-Ferguson - Also See Engine Manufacturer

59 Wheel Tractor 3160, 3208 Engs.
(cont.) 10.4L 636 OHV Diesel V8, 4.5" Bore (Caterpillar Eng.)

CRANKSHAFT/OIL PUMP (cont.)

QTY	MAIN BEARINGS (cont.)	PART NO.	SIZE	DESCRIPTION
1	Main Set	FP-5034M	Std-10-20-30	W/Crankshaft Frg. Nos. 9L-9230, 9L-9231 & 9L-9232; 1.253" length on No. 4 brg.
1	Main Set	5034M +	Std-10-20-30	W/Crankshaft Frg. Nos. 9L-9230, 9L-9231 & 9L-9232; 1.253" length on No. 4 brg.; When depleted use FP-5034M
1	Main Set	FP-5101M	Std-10	W/Grooved front brg.; Engs. From Ser. No. 40S1 & up
1	Main Set	5101M +	Std-10	W/Grooved front brg.; Engs. From Ser. No. 40S1 & up; When depleted use FP-5101M
1	Plain Main Brg.	FP-8N8929	STD	Position 1; 2nd Design; V190 Eng. From Ser. No. 36B2013 & up, Cyl. Block 9N1255; V195 Eng. From Ser. No. 97B6576 & up, Cyl. Block 9N1255; V225 Eng. From Ser. No. 97B6576 & up, Cyl. Block 9N1255; 1160 Eng. From Ser. No. 95B14668 & up, Cyl. Block 9N1255; 3208 Eng. From Ser. No. 40S1 to 40S15611, Cyl. Block 9N1255; 3208 Eng. From Ser. No. 40S15612 & up, Cyl. Block 9N3120; w/Grooved Front Brg.
1	Plain Main Brg.	FP-8N8926	10	Position 1; 2nd Design; V190 Eng. From Ser. No. 36B2013 & up, Cyl. Block 9N1255; V195 Eng. From Ser. No. 97B6576 & up, Cyl. Block 9N1255; V225 Eng. From Ser. No. 97B6576 & up, Cyl. Block 9N1255; 1160 Eng. From Ser. No. 95B14668 & up, Cyl. Block 9N1255; 3208 Eng. From Ser. No. 40S1 to 40S15611, Cyl. Block 9N1255; 3208 Eng. From Ser. No. 40S15612 & up, Cyl. Block 9N3120; w/Grooved Front Brg.
1	Plain Main Brg.	FP-8N8931	20	Position 1; 2nd Design; V190 Eng. From Ser. No. 36B2013 & up, Cyl. Block 9N1255; V195 Eng. From Ser. No. 97B6576 & up, Cyl. Block 9N1255; V225 Eng. From Ser. No. 97B6576 & up, Cyl. Block 9N1255; 1160 Eng. From Ser. No. 95B14668 & up, Cyl. Block 9N1255; 3208 Eng. From Ser. No. 40S1 to 40S15611, Cyl. Block 9N1255; 3208 Eng. From Ser. No. 40S15612 & up, Cyl. Block 9N3120; w/Grooved Front Brg.
1	Plain Main Brg.	FP-4W8093	STD	Position 1; 3rd Design; V190 Eng. From Ser. No. 36B2013 & up, Cyl. Block 9N3120; V195 Eng. From Ser. No. 97B6576 & up, Cyl. Block 9N3120; V225 Eng. From Ser. No. 97B6576 & up, Cyl. Block 9N3120; 1160 Eng. From Ser. No. 95B14668 & up, Cyl. Block 9N3120; 3208 Eng. From Ser. No. 40S15612, Cyl. Blocks 9N3120, 9N3763, 9N5190; 3241 Eng. & up, Exc. Arrangement No. 9N6348, 9N6349, 9N6350, 9N6351, 9N6637, 9N5185, 9N5140, 9N5146; w/Non-Grooved Front Brg.
1	Plain Main Brg.	FP-8N8976	10	Position 1; 3rd Design; V190 Eng. From Ser. No. 36B2013 & up, Cyl. Block 9N3120; V195 Eng. From Ser. No. 97B6576 & up, Cyl. Block 9N3120; V225 Eng. From Ser. No. 97B6576 & up, Cyl. Block 9N3120; 1160 Eng. From Ser. No. 95B14668 & up, Cyl. Block 9N3120; 3208 Eng. From Ser. No. 40S15612, Cyl. Blocks 9N3120, 9N3763, 9N5190; 3241 Eng. & up, Exc. Arrangement No. 9N6348, 9N6349, 9N6350, 9N6351, 9N6637, 9N5185, 9N5140, 9N5146; w/Non-Grooved Front Brg.
1	Plain Main Brg.	FP-8N8972	20	Position 1; 3rd Design; V190 Eng. From Ser. No. 36B2013 & up, Cyl. Block 9N3120; V195 Eng. From Ser. No. 97B6576 & up, Cyl. Block 9N3120; V225 Eng. From Ser. No. 97B6576 & up, Cyl. Block 9N3120; 1160 Eng. From Ser. No. 95B14668 & up, Cyl. Block 9N3120; 3208 Eng. From Ser. No. 40S15612, Cyl. Blocks 9N3120, 9N3763, 9N5190; 3241 Eng. & up, Exc. Arrangement No. 9N6348, 9N6349, 9N6350, 9N6351, 9N6637, 9N5185, 9N5140, 9N5146; w/Non-Grooved Front Brg.
1	Plain Main Brg.	FP-4W809330	30	Position 1; 3rd Design; V190 Eng. From Ser. No. 36B2013 & up, Cyl. Block 9N3120; V195 Eng. From Ser. No. 97B6576 & up, Cyl. Block 9N3120; V225 Eng. From Ser. No. 97B6576 & up, Cyl. Block 9N3120; 1160 Eng. From Ser. No. 95B14668 & up, Cyl. Block 9N3120; 3208 Eng. From Ser. No. 40S15612, Cyl. Blocks 9N3120, 9N3763, 9N5190; 3241 Eng. & up, Exc. Arrangement No. 9N6348, 9N6349, 9N6350, 9N6351, 9N6637, 9N5185, 9N5140, 9N5146; w/Non-Grooved Front Brg.
1	Plain Main Brg.	FP-4W809340	40	Position 1; 3rd Design; V190 Eng. From Ser. No. 36B2013 & up, Cyl. Block 9N3120; V195 Eng. From Ser. No. 97B6576 & up, Cyl. Block 9N3120; V225 Eng. From Ser. No. 97B6576 & up, Cyl. Block 9N3120; 1160 Eng. From Ser. No. 95B14668 & up, Cyl. Block 9N3120; 3208 Eng. From Ser. No. 40S15612, Cyl. Blocks 9N3120, 9N3763, 9N5190; 3241 Eng. & up, Exc. Arrangement No. 9N6348, 9N6349, 9N6350, 9N6351, 9N6637, 9N5185, 9N5140, 9N5146; w/Non-Grooved Front Brg.

(continued on next page)

Massey-Ferguson - Also See Engine Manufacturer

Wheel Tractor 3160, 3208 Engs. 59
10.4L 636 OHV Diesel V8, 4.5" Bore (Caterpillar Eng.) (cont.)

CRANKSHAFT/OIL PUMP (cont.)

QTY	MAIN BEARINGS (cont.)	PART NO.	SIZE	DESCRIPTION
4	Plain Main Brg.	FP-4W8092	STD	Position 1-2-3-5; 1st Design; V190 Eng. From Ser. No. 36B2013 & up, Cyl. Blocks 9L9446, 9L6553, 9L0130; V195 Eng. From Ser. No. 97B6576 & up, Cyl. Blocks 9L9446, 9L6553, 9L0130; V225 Eng. From Ser. No. 96B7590 & up, Cyl. Blocks 9L9446, 9L6553, 9L0130; 1160 Eng. From Ser. No. 95B14688 & up, Cyl. Blocks 9L9446, 9L6553, 9L0130; 3208 Eng. From Ser. No. 40S1 to 40S15611, Cyl. Blocks 9L0130, 9N1250, 9N2139
4	Plain Main Brg.	FP-8N9022	10	Position 1-2-3-5; 1st Design; V190 Eng. From Ser. No. 36B2013 & up, Cyl. Blocks 9L9446, 9L6553, 9L0130; V195 Eng. From Ser. No. 97B6576 & up, Cyl. Blocks 9L9446, 9L6553, 9L0130; V225 Eng. From Ser. No. 96B7590 & up, Cyl. Blocks 9L9446, 9L6553, 9L0130; 1160 Eng. From Ser. No. 95B14688 & up, Cyl. Blocks 9L9446, 9L6553, 9L0130; 3208 Eng. From Ser. No. 40S1 to 40S15611, Cyl. Blocks 9L0130, 9N1250, 9N2139
4	Plain Main Brg.	FP-8N9023	20	Position 1-2-3-5; 1st Design; V190 Eng. From Ser. No. 36B2013 & up, Cyl. Blocks 9L9446, 9L6553, 9L0130; V195 Eng. From Ser. No. 97B6576 & up, Cyl. Blocks 9L9446, 9L6553, 9L0130; V225 Eng. From Ser. No. 96B7590 & up, Cyl. Blocks 9L9446, 9L6553, 9L0130; 1160 Eng. From Ser. No. 95B14688 & up, Cyl. Blocks 9L9446, 9L6553, 9L0130; 3208 Eng. From Ser. No. 40S1 to 40S15611, Cyl. Blocks 9L0130, 9N1250, 9N2139
4	Plain Main Brg.	FP-4W809230	30	Position 1-2-3-5; 1st Design; V190 Eng. From Ser. No. 36B2013 & up, Cyl. Blocks 9L9446, 9L6553, 9L0130; V195 Eng. From Ser. No. 97B6576 & up, Cyl. Blocks 9L9446, 9L6553, 9L0130; V225 Eng. From Ser. No. 96B7590 & up, Cyl. Blocks 9L9446, 9L6553, 9L0130; 1160 Eng. From Ser. No. 95B14688 & up, Cyl. Blocks 9L9446, 9L6553, 9L0130; 3208 Eng. From Ser. No. 40S1 to 40S15611, Cyl. Blocks 9L0130, 9N1250, 9N2139
4	Plain Main Brg.	FP-4W809240	40	Position 1-2-3-5; 1st Design; V190 Eng. From Ser. No. 36B2013 & up, Cyl. Blocks 9L9446, 9L6553, 9L0130; V195 Eng. From Ser. No. 97B6576 & up, Cyl. Blocks 9L9446, 9L6553, 9L0130; V225 Eng. From Ser. No. 96B7590 & up, Cyl. Blocks 9L9446, 9L6553, 9L0130; 1160 Eng. From Ser. No. 95B14688 & up, Cyl. Blocks 9L9446, 9L6553, 9L0130; 3208 Eng. From Ser. No. 40S1 to 40S15611, Cyl. Blocks 9L0130, 9N1250, 9N2139
4	Plain Main Brg.	FP-8N9020	50	Position 1-2-3-5; 1st Design; V190 Eng. From Ser. No. 36B2013 & up, Cyl. Blocks 9L9446, 9L6553, 9L0130; V195 Eng. From Ser. No. 97B6576 & up, Cyl. Blocks 9L9446, 9L6553, 9L0130; V225 Eng. From Ser. No. 96B7590 & up, Cyl. Blocks 9L9446, 9L6553, 9L0130; 1160 Eng. From Ser. No. 95B14688 & up, Cyl. Blocks 9L9446, 9L6553, 9L0130; 3208 Eng. From Ser. No. 40S1 to 40S15611, Cyl. Blocks 9L0130, 9N1250, 9N2139
3	Plain Main Brg.	FP-4W8092	STD	Position 2-3-5; 2nd Design; V190 Eng. From Ser. No. 36B2013 & up, Cyl. Block 9N1255; V195 Eng. From Ser. No. 97B6576 & up, Cyl. Block 9N1255; V225 Eng. From Ser. No. 97B6576 & up, Cyl. Block 9N1255; 1160 Eng. From Ser. No. 95B14668 & up, Cyl. Block 9N1255; 3208 Eng. From Ser. No. 40S1 to 40S15611, Cyl. Block 9N1255; 3208 Eng. From Ser. No. 40S15612 & up, Cyl. Block 9N3120; w/Grooved Front Brg.
3	Plain Main Brg.	FP-8N9022	10	Position 2-3-5; 2nd Design; V190 Eng. From Ser. No. 36B2013 & up, Cyl. Block 9N1255; V195 Eng. From Ser. No. 97B6576 & up, Cyl. Block 9N1255; V225 Eng. From Ser. No. 97B6576 & up, Cyl. Block 9N1255; 1160 Eng. From Ser. No. 95B14668 & up, Cyl. Block 9N1255; 3208 Eng. From Ser. No. 40S1 to 40S15611, Cyl. Block 9N1255; 3208 Eng. From Ser. No. 40S15612 & up, Cyl. Block 9N3120; w/Grooved Front Brg.
3	Plain Main Brg.	FP-8N9023	20	Position 2-3-5; 2nd Design; V190 Eng. From Ser. No. 36B2013 & up, Cyl. Block 9N1255; V195 Eng. From Ser. No. 97B6576 & up, Cyl. Block 9N1255; V225 Eng. From Ser. No. 97B6576 & up, Cyl. Block 9N1255; 1160 Eng. From Ser. No. 95B14668 & up, Cyl. Block 9N1255; 3208 Eng. From Ser. No. 40S1 to 40S15611, Cyl. Block 9N1255; 3208 Eng. From Ser. No. 40S15612 & up, Cyl. Block 9N3120; w/Grooved Front Brg.
3	Plain Main Brg.	FP-4W8092	STD	Position 2-3-5; 3rd Design; V190 Eng. From Ser. No. 36B2013 & up, Cyl. Block 9N3120; V195 Eng. From Ser. No. 97B6576 & up, Cyl. Block 9N3120; V225 Eng. From Ser. No. 97B6576 & up, Cyl. Block 9N3120; 1160 Eng. From Ser. No. 95B14668 & up, Cyl. Block 9N3120; 3208 Eng. From Ser. No. 40S15612, Cyl. Blocks 9N3120, 9N3763, 9N5190; 3241 Eng. & up, Exc. Arrangement No. 9N6348, 9N6349, 9N6350, 9N6351, 9N6637, 9N5185, 9N5140, 9N5146; w/Non-Grooved Front Brg.

(continued on next page)

Massey-Ferguson - Also See Engine Manufacturer

59 Wheel Tractor 3160, 3208 Engs.
(cont.) 10.4L 636 OHV Diesel V8, 4.5" Bore (Caterpillar Eng.)

CRANKSHAFT/OIL PUMP (cont.)

QTY	MAIN BEARINGS (cont.)	PART NO.	SIZE	DESCRIPTION
3	Plain Main Brg.	FP-8N9022	10	Position 2-3-5; 3rd Design; V190 Eng. From Ser. No. 36B2013 & up, Cyl. Block 9N3120; V195 Eng. From Ser. No. 97B6576 & up, Cyl. Block 9N3120; V225 Eng. From Ser. No. 97B6576 & up, Cyl. Block 9N3120; 1160 Eng. From Ser. No. 95B14668 & up, Cyl. Block 9N3120; 3208 Eng. From Ser. No. 40S15612, Cyl. Blocks 9N3120, 9N3763, 9N5190; 3241 Eng. & up, Exc. Arrangement No. 9N6348, 9N6349, 9N6350, 9N6351, 9N6637, 9N5185, 9N5140, 9N5146; w/Non-Grooved Front Brg.
3	Plain Main Brg.	FP-8N9023	20	Position 2-3-5; 3rd Design; V190 Eng. From Ser. No. 36B2013 & up, Cyl. Block 9N3120; V195 Eng. From Ser. No. 97B6576 & up, Cyl. Block 9N3120; V225 Eng. From Ser. No. 97B6576 & up, Cyl. Block 9N3120; 1160 Eng. From Ser. No. 95B14668 & up, Cyl. Block 9N3120; 3208 Eng. From Ser. No. 40S15612, Cyl. Blocks 9N3120, 9N3763, 9N5190; 3241 Eng. & up, Exc. Arrangement No. 9N6348, 9N6349, 9N6350, 9N6351, 9N6637, 9N5185, 9N5140, 9N5146; w/Non-Grooved Front Brg.
3	Plain Main Brg.	FP-4W809230	30	Position 2-3-5; 3rd Design; V190 Eng. From Ser. No. 36B2013 & up, Cyl. Block 9N3120; V195 Eng. From Ser. No. 97B6576 & up, Cyl. Block 9N3120; V225 Eng. From Ser. No. 97B6576 & up, Cyl. Block 9N3120; 1160 Eng. From Ser. No. 95B14668 & up, Cyl. Block 9N3120; 3208 Eng. From Ser. No. 40S15612, Cyl. Blocks 9N3120, 9N3763, 9N5190; 3241 Eng. & up, Exc. Arrangement No. 9N6348, 9N6349, 9N6350, 9N6351, 9N6637, 9N5185, 9N5140, 9N5146; w/Non-Grooved Front Brg.
3	Plain Main Brg.	FP-4W809240	40	Position 2-3-5; 3rd Design; V190 Eng. From Ser. No. 36B2013 & up, Cyl. Block 9N3120; V195 Eng. From Ser. No. 97B6576 & up, Cyl. Block 9N3120; V225 Eng. From Ser. No. 97B6576 & up, Cyl. Block 9N3120; 1160 Eng. From Ser. No. 95B14668 & up, Cyl. Block 9N3120; 3208 Eng. From Ser. No. 40S15612, Cyl. Blocks 9N3120, 9N3763, 9N5190; 3241 Eng. & up, Exc. Arrangement No. 9N6348, 9N6349, 9N6350, 9N6351, 9N6637, 9N5185, 9N5140, 9N5146; w/Non-Grooved Front Brg.
1	Plain Main Brg.	FP-4W809240	40	Position 4; 1st Design; V190 Eng. From Ser. No. 36B2013 & up, Cyl. Blocks 9L9446, 9L6553, 9L0130; V195 Eng. From Ser. No. 97B6576 & up, Cyl. Blocks 9L9446, 9L6553, 9L0130; V225 Eng. From Ser. No. 96B7590 & up, Cyl. Blocks 9L9446, 9L6553, 9L0130; 1160 Eng. From Ser. No. 95B14688 & up, Cyl. Blocks 9L9446, 9L6553, 9L0130; 3208 Eng. From Ser. No. 40S1 to 40S15611, Cyl. Blocks 9L0130, 9N1250, 9N2139
1	Flanged Main Brg.	FP-4W8091	STD	Position 4; 1st Design; V190 Eng. From Ser. No. 36B2013 & up, Cyl. Blocks 9L9446, 9L6553, 9L0130; V195 Eng. From Ser. No. 97B6576 & up, Cyl. Blocks 9L9446, 9L6553, 9L0130; V225 Eng. From Ser. No. 96B7590 & up, Cyl. Blocks 9L9446, 9L6553, 9L0130; 1160 Eng. From Ser. No. 95B14688 & up, Cyl. Blocks 9L9446, 9L6553, 9L0130; 3208 Eng. From Ser. No. 40S1 to 40S15611, Cyl. Blocks 9L0130, 9N1250, 9N2139
1	Flanged Main Brg.	FP-8N9065	10	Position 4; 1st Design; V190 Eng. From Ser. No. 36B2013 & up, Cyl. Blocks 9L9446, 9L6553, 9L0130; V195 Eng. From Ser. No. 97B6576 & up, Cyl. Blocks 9L9446, 9L6553, 9L0130; V225 Eng. From Ser. No. 96B7590 & up, Cyl. Blocks 9L9446, 9L6553, 9L0130; 1160 Eng. From Ser. No. 95B14688 & up, Cyl. Blocks 9L9446, 9L6553, 9L0130; 3208 Eng. From Ser. No. 40S1 to 40S15611, Cyl. Blocks 9L0130, 9N1250, 9N2139
1	Flanged Main Brg.	FP-8N9064	20	Position 4; 1st Design; V190 Eng. From Ser. No. 36B2013 & up, Cyl. Blocks 9L9446, 9L6553, 9L0130; V195 Eng. From Ser. No. 97B6576 & up, Cyl. Blocks 9L9446, 9L6553, 9L0130; V225 Eng. From Ser. No. 96B7590 & up, Cyl. Blocks 9L9446, 9L6553, 9L0130; 1160 Eng. From Ser. No. 95B14688 & up, Cyl. Blocks 9L9446, 9L6553, 9L0130; 3208 Eng. From Ser. No. 40S1 to 40S15611, Cyl. Blocks 9L0130, 9N1250, 9N2139
1	Flanged Main Brg.	FP-4W809130	30	Position 4; 1st Design; V190 Eng. From Ser. No. 36B2013 & up, Cyl. Blocks 9L9446, 9L6553, 9L0130; V195 Eng. From Ser. No. 97B6576 & up, Cyl. Blocks 9L9446, 9L6553, 9L0130; V225 Eng. From Ser. No. 96B7590 & up, Cyl. Blocks 9L9446, 9L6553, 9L0130; 1160 Eng. From Ser. No. 95B14688 & up, Cyl. Blocks 9L9446, 9L6553, 9L0130; 3208 Eng. From Ser. No. 40S1 to 40S15611, Cyl. Blocks 9L0130, 9N1250, 9N2139

(continued on next page)

Massey-Ferguson - Also See Engine Manufacturer

Wheel Tractor 3160, 3208 Engs. 59
10.4L 636 OHV Diesel V8, 4.5" Bore (Caterpillar Eng.) (cont.)

CRANKSHAFT/OIL PUMP (cont.)

QTY	MAIN BEARINGS (cont.)	PART NO.	SIZE	DESCRIPTION
1	Flanged Main Brg.	FP-8N9066	50	Position 4; 1st Design; V190 Eng. From Ser. No. 36B2013 & up, Cyl. Blocks 9L9446, 9L6553, 9L0130; V195 Eng. From Ser. No. 97B6576 & up, Cyl. Blocks 9L9446, 9L6553, 9L0130; V225 Eng. From Ser. No. 96B7590 & up, Cyl. Blocks 9L9446, 9L6553, 9L0130; 1160 Eng. From Ser. No. 95B14688 & up, Cyl. Blocks 9L9446, 9L6553, 9L0130; 3208 Eng. From Ser. No. 40S1 to 40S15611, Cyl. Blocks 9L0130, 9N1250, 9N2139
1	Flanged Main Brg.	FP-4W8091	STD	Position 4; 2nd Design; V190 Eng. From Ser. No. 36B2013 & up, Cyl. Block 9N1255; V195 Eng. From Ser. No. 97B6576 & up, Cyl. Block 9N1255; V225 Eng. From Ser. No. 97B6576 & up, Cyl. Block 9N1255; 1160 Eng. From Ser. No. 95B14668 & up, Cyl. Block 9N1255; 3208 Eng. From Ser. No. 40S1 to 40S15611, Cyl. Block 9N1255; 3208 Eng. From Ser. No. 40S15612 & up, Cyl. Block 9N3120; w/Grooved Front Brg.
1	Flanged Main Brg.	FP-8N9065	10	Position 4; 2nd Design; V190 Eng. From Ser. No. 36B2013 & up, Cyl. Block 9N1255; V195 Eng. From Ser. No. 97B6576 & up, Cyl. Block 9N1255; V225 Eng. From Ser. No. 97B6576 & up, Cyl. Block 9N1255; 1160 Eng. From Ser. No. 95B14668 & up, Cyl. Block 9N1255; 3208 Eng. From Ser. No. 40S1 to 40S15611, Cyl. Block 9N1255; 3208 Eng. From Ser. No. 40S15612 & up, Cyl. Block 9N3120; w/Grooved Front Brg.
1	Flanged Main Brg.	FP-8N9064	20	Position 4; 2nd Design; V190 Eng. From Ser. No. 36B2013 & up, Cyl. Block 9N1255; V195 Eng. From Ser. No. 97B6576 & up, Cyl. Block 9N1255; V225 Eng. From Ser. No. 97B6576 & up, Cyl. Block 9N1255; 1160 Eng. From Ser. No. 95B14668 & up, Cyl. Block 9N1255; 3208 Eng. From Ser. No. 40S1 to 40S15611, Cyl. Block 9N1255; 3208 Eng. From Ser. No. 40S15612 & up, Cyl. Block 9N3120; w/Grooved Front Brg.
1	Flanged Main Brg.	FP-4W8091	STD	Position 4; 3rd Design; V190 Eng. From Ser. No. 36B2013 & up, Cyl. Block 9N3120; V195 Eng. From Ser. No. 97B6576 & up, Cyl. Block 9N3120; V225 Eng. From Ser. No. 97B6576 & up, Cyl. Block 9N3120; 1160 Eng. From Ser. No. 95B14668 & up, Cyl. Block 9N3120; 3208 Eng. From Ser. No. 40S15612, Cyl. Blocks 9N3120, 9N3763, 9N5190; 3241 Eng. & up, Exc. Arrangement No. 9N6348, 9N6349, 9N6350, 9N6351, 9N6637, 9N5185, 9N5140, 9N5146; w/Non-Grooved Front Brg.
1	Flanged Main Brg.	FP-8N9065	10	Position 4; 3rd Design; V190 Eng. From Ser. No. 36B2013 & up, Cyl. Block 9N3120; V195 Eng. From Ser. No. 97B6576 & up, Cyl. Block 9N3120; V225 Eng. From Ser. No. 97B6576 & up, Cyl. Block 9N3120; 1160 Eng. From Ser. No. 95B14668 & up, Cyl. Block 9N3120; 3208 Eng. From Ser. No. 40S15612, Cyl. Blocks 9N3120, 9N3763, 9N5190; 3241 Eng. & up, Exc. Arrangement No. 9N6348, 9N6349, 9N6350, 9N6351, 9N6637, 9N5185, 9N5140, 9N5146; w/Non-Grooved Front Brg.
1	Flanged Main Brg.	FP-8N9064	20	Position 4; 3rd Design; V190 Eng. From Ser. No. 36B2013 & up, Cyl. Block 9N3120; V195 Eng. From Ser. No. 97B6576 & up, Cyl. Block 9N3120; V225 Eng. From Ser. No. 97B6576 & up, Cyl. Block 9N3120; 1160 Eng. From Ser. No. 95B14668 & up, Cyl. Block 9N3120; 3208 Eng. From Ser. No. 40S15612, Cyl. Blocks 9N3120, 9N3763, 9N5190; 3241 Eng. & up, Exc. Arrangement No. 9N6348, 9N6349, 9N6350, 9N6351, 9N6637, 9N5185, 9N5140, 9N5146; w/Non-Grooved Front Brg.
1	Flanged Main Brg.	FP-4W809130	30	Position 4; 3rd Design; V190 Eng. From Ser. No. 36B2013 & up, Cyl. Block 9N3120; V195 Eng. From Ser. No. 97B6576 & up, Cyl. Block 9N3120; V225 Eng. From Ser. No. 97B6576 & up, Cyl. Block 9N3120; 1160 Eng. From Ser. No. 95B14668 & up, Cyl. Block 9N3120; 3208 Eng. From Ser. No. 40S15612, Cyl. Blocks 9N3120, 9N3763, 9N5190; 3241 Eng. & up, Exc. Arrangement No. 9N6348, 9N6349, 9N6350, 9N6351, 9N6637, 9N5185, 9N5140, 9N5146; w/Non-Grooved Front Brg.
1	Flanged Main Brg.	FP-4W809140	40	Position 4; 3rd Design; V190 Eng. From Ser. No. 36B2013 & up, Cyl. Block 9N3120; V195 Eng. From Ser. No. 97B6576 & up, Cyl. Block 9N3120; V225 Eng. From Ser. No. 97B6576 & up, Cyl. Block 9N3120; 1160 Eng. From Ser. No. 95B14668 & up, Cyl. Block 9N3120; 3208 Eng. From Ser. No. 40S15612, Cyl. Blocks 9N3120, 9N3763, 9N5190; 3241 Eng. & up, Exc. Arrangement No. 9N6348, 9N6349, 9N6350, 9N6351, 9N6637, 9N5185, 9N5140, 9N5146; w/Non-Grooved Front Brg.

CYLINDER COMPONENTS

QTY	PISTONS	PART NO.	SIZE	DESCRIPTION
8	Piston Body w/o Pin	FP-9L77373R	STD	For all rods; 1160, 3208, 3208N Engs.; w/3-Ring pistons
8	Piston Body w/o Pin	FP-9L78273R	20	For all rods; 1160, 3208, 3208N Engs.; w/3-Ring pistons

(continued on next page)

Massey-Ferguson - Also See Engine Manufacturer

59 Wheel Tractor 3160, 3208 Engs.
(cont.) 10.4L 636 OHV Diesel V8, 4.5" Bore (Caterpillar Eng.)

CYLINDER COMPONENTS (cont.)

QTY	PISTONS (cont.)	PART NO.	SIZE	DESCRIPTION
8	Piston Body w/o Pin	FP-9L78283R	40	For all rods; 1160, 3208, 3208N Engs.; w/3-Ring pistons
8	Piston Body w/o Pin	FP-9L9317	STD	Straight Rod only; V190, V195 Engs.
8	Piston Body w/o Pin	FP-9L9667	20	Straight Rod only; V190, V195 Engs.
8	Piston Body w/o Pin	FP-9L9318	STD	Straight Rod only; V225 Eng.
8	Piston Body w/o Pin	FP-9L9668	20	Straight Rod only; V225 Eng.
8	Piston Body w/o Pin	FP-9L9321	40	Straight Rod only; V225 Eng.
8	Piston Body w/o Pin	FP-9L7737	STD	Straight Rod only; 1160, 3208, 3208N Engs.; 16.5:1 C.R.
8	Piston Body w/o Pin	FP-9L7827	20	Straight Rod only; 1160, 3208, 3208N Engs.; 16.5:1 C.R.
8	Piston Body w/o Pin	FP-9L7828	40	Straight Rod only; 1160, 3208, 3208N Engs.; 16.5:1 C.R.
8	Piston Body w/o Pin	FP-2W84123R	STD	Tapered Rod only; 3208 Eng.; From Ser. No. 40S1 & up, 3241 & up, 51Z1 & up; w/3-Ring pistons; 18.2:1 C.R.
8	Piston Body w/o Pin	FP-2W84143R	20	Tapered Rod only; 3208 Eng.; From Ser. No. 40S1 & up, 3241 & up, 51Z1 & up; w/3-Ring pistons; 18.2:1 C.R.
8	Piston Body w/o Pin	FP-2W84153R	40	Tapered Rod only; 3208 Eng.; From Ser. No. 40S1 & up, 3241 & up, 51Z1 & up; w/3-Ring pistons; 18.2:1 C.R.
8	Piston Body w/o Pin	FP-2W4831	STD	Tapered Rod only; 3208 Eng.; From Ser. No. 40S1 & up, 3241 & up, 51Z1 & up; 16.5:1 C.R.
8	Piston Body w/o Pin	FP-2W8410	20	Tapered Rod only; 3208 Eng.; From Ser. No. 40S1 & up, 3241 & up, 51Z1 & up; 16.5:1 C.R.
8	Piston Body w/o Pin	FP-2W483130	30	Tapered Rod only; 3208 Eng.; From Ser. No. 40S1 & up, 3241 & up, 51Z1 & up; 16.5:1 C.R.
8	Piston Body w/o Pin	FP-2W8411	40	Tapered Rod only; 3208 Eng.; From Ser. No. 40S1 & up, 3241 & up, 51Z1 & up; 16.5:1 C.R.
8	Piston Body w/o Pin	FP-2W8412	STD	Tapered Rod only; 3208 Eng.; From Ser. No. 40S1 & up, 3241 & up, 51Z1 & up; 18.2:1 C.R.
8	Piston Body w/o Pin	FP-2W8414	20	Tapered Rod only; 3208 Eng.; From Ser. No. 40S1 & up, 3241 & up, 51Z1 & up; 18.2:1 C.R.
8	Piston Body w/o Pin	FP-2W8415	40	Tapered Rod only; 3208 Eng.; From Ser. No. 40S1 & up, 3241 & up, 51Z1 & up; 18.2:1 C.R.
8	Piston w/Pin, Retainer, Rings	FP-PK77373R	STD	For all rods; 1160, 3208, 3208N Engs.; w/3-Ring pistons
8	Piston w/Pin, Retainer, Rings	FP-PK78273R	20	For all rods; 1160, 3208, 3208N Engs.; w/3-Ring pistons
8	Piston w/Pin, Retainer, Rings	FP-PK78283R	40	For all rods; 1160, 3208, 3208N Engs.; w/3-Ring pistons
8	Piston w/Pin, Retainer, Rings	FP-PK9317	STD	Straight Rod only; V190, V195 Engs.
8	Piston w/Pin, Retainer, Rings	FP-PK9667	20	Straight Rod only; V190, V195 Engs.
8	Piston w/Pin, Retainer, Rings	FP-PK9318	STD	Straight Rod only; V225 Eng.
8	Piston w/Pin, Retainer, Rings	FP-PK9321	40	Straight Rod only; V225 Eng.
8	Piston w/Pin, Retainer, Rings	FP-PK7737	STD	Straight Rod only; 1160, 3208, 3208N Engs.; 16.5:1 C.R.
8	Piston w/Pin, Retainer, Rings	FP-PK7827	20	Straight Rod only; 1160, 3208, 3208N Engs.; 16.5:1 C.R.
8	Piston w/Pin, Retainer, Rings	FP-PK7828	40	Straight Rod only; 1160, 3208, 3208N Engs.; 16.5:1 C.R.
8	Piston w/Pin, Retainer, Rings	FP-PK84123R	STD	Tapered Rod only; 3208 Eng.; From Ser. No. 40S1 & up, 3241 & up, 51Z1 & up; w/3-Ring pistons; 18.2:1 C.R.
8	Piston w/Pin, Retainer, Rings	FP-PK84143R	20	Tapered Rod only; 3208 Eng.; From Ser. No. 40S1 & up, 3241 & up, 51Z1 & up; w/3-Ring pistons; 18.2:1 C.R.
8	Piston w/Pin, Retainer, Rings	FP-PK84153R	40	Tapered Rod only; 3208 Eng.; From Ser. No. 40S1 & up, 3241 & up, 51Z1 & up; w/3-Ring pistons; 18.2:1 C.R.
8	Piston w/Pin, Retainer, Rings	FP-PK4831	STD	Tapered Rod only; 3208 Eng.; From Ser. No. 40S1 & up, 3241 & up, 51Z1 & up; 16.5:1 C.R.
8	Piston w/Pin, Retainer, Rings	FP-PK8410	20	Tapered Rod only; 3208 Eng.; From Ser. No. 40S1 & up, 3241 & up, 51Z1 & up; 16.5:1 C.R.
8	Piston w/Pin, Retainer, Rings	FP-PK8411	40	Tapered Rod only; 3208 Eng.; From Ser. No. 40S1 & up, 3241 & up, 51Z1 & up; 16.5:1 C.R.
8	Piston w/Pin, Retainer, Rings	FP-PK8412	STD	Tapered Rod only; 3208 Eng.; From Ser. No. 40S1 & up, 3241 & up, 51Z1 & up; 18.2:1 C.R.
8	Piston w/Pin, Retainer, Rings	FP-PK8414	20	Tapered Rod only; 3208 Eng.; From Ser. No. 40S1 & up, 3241 & up, 51Z1 & up; 18.2:1 C.R.
8	Piston w/Pin, Retainer, Rings	FP-PK8415	40	Tapered Rod only; 3208 Eng.; From Ser. No. 40S1 & up, 3241 & up, 51Z1 & up; 18.2:1 C.R.
8	Pin	FP-7N9803	STD	
16	Piston Pin Retainer	FP-8N7294		
8	Pin Bushing	FP-8N0701		Straight bushing; 3208, 3208N Engs.; O.E. No. 8N0701
8	Pin Bushing	FP-9N5082		Tapered bushing; 3208, 3208N Engs.; O.E. Nos. 9N-5082 & 9N-5082X
QTY	CONNECTING RODS & BRGS.	PART NO.	SIZE	DESCRIPTION
16	Con. Rod Bolt	FP-9N3832		3208, 3208N Engs.
16	Con. Rod Nut	FP-9L7669		3208, 3208N Engs.
8	Rod Pair	FP-9N5923	STD	
8	Rod Pair	FP-9N5924	10	
8	Rod Pair	FP-9N5925	20	
8	Rod Pair	FP-9N592330	30	

(continued on next page)

Massey-Ferguson - Also See Engine Manufacturer

Wheel Tractor 3160, 3208 Engs. 59
10.4L 636 OHV Diesel V8, 4.5" Bore (Caterpillar Eng.) (cont.)

CYLINDER COMPONENTS (cont.)

CONNECTING RODS & BRGS. (cont.)				
QTY	PART NO.	SIZE	DESCRIPTION	
8	Rod Pair FP-9N5926	50		
8	Rod Pair FP-7E7894	STD	Engs. From Ser. No. 40S1 & up, 75V1447 & up, 90N6121 & up	
8	Rod Pair FP-9N5920	10	Engs. From Ser. No. 40S1 & up, 75V1447 & up, 90N6121 & up	
8	Rod Pair FP-9N5921	20	Engs. From Ser. No. 40S1 & up, 75V1447 & up, 90N6121 & up	
8	Rod Pair FP-7E789430	30	Engs. From Ser. No. 40S1 & up, 75V1447 & up, 90N6121 & up	
8	Connecting Rod, New FP-9N0407		Straight Rod; 3208, 3208N Engs.; Casting No. 9N0406	
8	Connecting Rod, New FP-7E4728		Tapered Rod; 3208, 3208N Engs.; Casting No. W2258	
PISTON RINGS				
QTY	PART NO.	SIZE	DESCRIPTION	
8	Ring Set Single Cylinder FP-2W826510	10	Exc. 3-Ring pistons; Check piston grooving before supplying ring set	
8	Ring Set Single Cylinder FP-2W826530	30	Exc. 3-Ring pistons; Check piston grooving before supplying ring set	
8	Ring Set Single Cylinder FP-2W8265	STD	Exc. 3-Ring pistons; Check piston grooving before supplying ring set; 1-1/8, 1-7/64	
8	Ring Set Single Cylinder FP-2W8646	20	Exc. 3-Ring pistons; Check piston grooving before supplying ring set; 1-1/8, 1-7/64	
8	Ring Set Single Cylinder FP-2W8647	40	Exc. 3-Ring pistons; Check piston grooving before supplying ring set; 1-1/8, 1-7/64	
8	Ring Set Single Cylinder FP-2W82653R	STD	For 3-Ring pistons; Check piston grooving before supplying ring set	
8	Ring Set Single Cylinder FP-2W86463R	20	For 3-Ring pistons; Check piston grooving before supplying ring set	
8	Ring Set Single Cylinder FP-2W86473R	40	For 3-Ring pistons; Check piston grooving before supplying ring set	
1	Premium Set FP-2W8265S	STD	Exc. 3-Ring pistons; Check piston grooving before supplying ring set; 1-1/8, 1-7/64	
1	Premium Set FP-2W8265S10	10	Exc. 3-Ring pistons; Check piston grooving before supplying ring set; 1-1/8, 1-7/64	
1	Premium Set FP-2W8646S	20	Exc. 3-Ring pistons; Check piston grooving before supplying ring set; 1-1/8, 1-7/64	
1	Premium Set FP-2W8265S30	30	Exc. 3-Ring pistons; Check piston grooving before supplying ring set; 1-1/8, 1-7/64	
1	Premium Set FP-2W8647S	40	Exc. 3-Ring pistons; Check piston grooving before supplying ring set; 1-1/8, 1-7/64	
1	Premium Set FP-2W82653RS	STD	For 3-Ring pistons; Check piston grooving before supplying ring set; 2-3/32, 1-3/16 (Rectangular Comp. Rings)	
1	Premium Set FP-2W86463RS	20	For 3-Ring pistons; Check piston grooving before supplying ring set; 2-3/32, 1-3/16; Check piston grooving before using	
KITS				
QTY	OVERHAUL KIT	PART NO.	SIZE	DESCRIPTION
1	In-Frame Overhaul Kit	FP-IFK1160		1160 Eng.
1	In-Frame Overhaul Kit	FP-IFK3208		3208, 3208N Engs.
1	Complete Overhaul Kit	FP-OH1160		1160 Eng.
1	Complete Overhaul Kit	FP-OH3208		3208, 3208N Engs.

Mazda Forklift

Engine Finding Index					
Engine	Line No.	Engine	Line No.		
1.5L 1484cc OHV L4 75mm Bore (8 Valve)	1	2.0L 1998cc SOHC L4 86mm Bore (8 Valve).....	3		
2.0L 1985cc OHV L4 82mm Bore (8 Valve)	2				
Engine Code Index					
Engine Code	Engine Description	Line No.	Engine Code	Engine Description	Line No.
FE ... Forklift	2.0L 1998cc SOHC L4 86mm Bore (8 Valve)	3	VA ... Forklift	2.0L 1985cc OHV L4 82mm Bore (8 Valve)	2
UA ... Forklift	1.5L 1484cc OHV L4 75mm Bore (8 Valve)	1			

Mazda Forklift

1 Forklift Eng. Code "UA" 1.5L 1484cc OHV L4 (8 Valve), 75mm Bore				
CYLINDER COMPONENTS				
QTY	PISTONS	PART NO.	SIZE	DESCRIPTION
4	Pin Bushing	3569Y		1.091" max. length
QTY	PISTON RINGS	PART NO.	SIZE	DESCRIPTION
1	Standard Set	E-362X1.00MM		2-2.00MM, 1-4.00MM; w/Deep oil groove
4	Premium Single Cylinder Set	WE-362KC Std Only		2-2.00MM, 1-4.00MM; w/Deep oil groove
4	Standard Single Cylinder Set	WE-362X Std Only		2-2.00MM, 1-4.00MM; w/Deep oil groove
2 Forklift Eng. Code "VA" 2.0L 1985cc OHV L4 (8 Valve), 82mm Bore				
CYLINDER COMPONENTS				
QTY	PISTONS	PART NO.	SIZE	DESCRIPTION
4	Pin Bushing	3569Y		1.091" max. length
3 Forklift Eng. Code "FE" 2.0L 1998cc SOHC L4 (8 Valve), 86mm Bore				
CAMSHAFT GROUP				
QTY	CAMSHAFT/LIFTER	PART NO.	SIZE	DESCRIPTION
1	Oil Seal	223420		
1	Redi-Sleeve	99134		
CRANKSHAFT/OIL PUMP				
QTY	SEALS - FRONT CRANK	PART NO.	SIZE	DESCRIPTION
1	Redi-Sleeve	99134		
1	Oil Seal	223420		
QTY	SEALS - REAR CRANK	PART NO.	SIZE	DESCRIPTION
1	Oil Seal	229010		
1	Redi-Sleeve	99354		
QTY	MAIN BEARINGS	PART NO.	SIZE	DESCRIPTION
1	Main Set	6692M Std-.25-.50-.75MM		
CYLINDER COMPONENTS				
QTY	CONNECTING RODS & BRGS.	PART NO.	SIZE	DESCRIPTION
1	Rod Set	4-3975P Std-.25-.50-.75-1.00MM		
QTY	PISTON RINGS	PART NO.	SIZE	DESCRIPTION
1	Premium Set	E-542K Std-.50-.75-1.00MM		2-1.50MM, 1-4.00MM
1	Premium Set	E-542KC Std-.50-.75-1.00MM		2-1.50MM, 1-4.00MM
1	Standard Set	E-542X Std-.50-.75-1.00MM		2-1.50MM, 1-4.00MM
4	Premium Single Cylinder Set	WE-542KC Std-.50-.75-1.00MM		2-1.50MM, 1-4.00MM

Mercedes-Benz Truck - M/D & H/D

Engine Finding Index					
Engine	Years	Line No.	Engine	Years	Line No.
4.2L 4249cc OHV Turbo-Diesel L4 102mm Bore (12 Valve) H/D Truck.....		1	8.3L 505 OHV Turbo-Diesel L6 114mm Bore (Cummins Eng.) M/D Truck	1992-95	5
5.9L 5882cc OHV Turbo-Diesel L6 102mm Bore (12 Valve) (Cummins Eng.) M/D Truck.....	1992-95	2	8.3L 505 OHV Turbo-Diesel L6 114mm Bore (Cummins Eng.) H/D Truck.....	1989-93	6
5.9L 5882cc OHV Turbo-Diesel L6 102mm Bore (12 Valve) (Cummins Eng.) H/D Truck	1992-95	2	10.0L 611 OHV Turbo-Diesel L6 125mm Bore (Cummins Eng.) H/D Truck.....	1981-93	7
6.0L 5958cc OHV Turbo-Diesel L6 97.5mm Bore (12 Valve) M/D Truck	1984-95	3	18.8L 18884cc (1150) OHV Turbo-Diesel L6 6.25" Bore (Cummins Eng.) H/D Truck	1981-85	8
6.4L 6374cc OHV Turbo-Diesel L6 102mm Bore (18 Valve) H/D Truck.....		4			

Mercedes-Benz Truck - M/D & H/D

<i>H/D Truck OM904 Eng. 1</i> 4.2L 4249cc OHV Turbo-Diesel L4 (12 Valve), 102mm Bore					
CYL. HEAD & PARTS					
QTY	GASKETS		PART NO.	SIZE	DESCRIPTION
1	Head Set		FP-9040102220 *		w/Cast Alum. valve cover
1	Head Set		FP-9040101921 *		w/Plastic valve cover
ENGINE BLOCK & PARTS					
QTY	GASKETS		PART NO.	SIZE	DESCRIPTION
1	Oil Pan Gasket		FP-9040140622 *		w/Alum. oil pan; To Ser. No. 128978
1	Oil Pan Gasket		FP-9040140722 *		Elastomer
QTY	GASKET SETS		PART NO.	SIZE	DESCRIPTION
1	Gasket Conversion Set		FP-9040104505		
CRANKSHAFT/OIL PUMP					
QTY	MAIN BEARINGS		PART NO.	SIZE	DESCRIPTION
1	Main Set		FP-9040300040	STD	
1	Main Set		FP-9040300140	25MM	
1	Main Set		FP-9040300240	50MM	
CYLINDER COMPONENTS					
QTY	PISTONS		PART NO.	SIZE	DESCRIPTION
4	Piston w/Pin, Retainer, Rings		FP-9040300024	STD	
QTY	CONNECTING RODS & BRGS.		PART NO.	SIZE	DESCRIPTION
1	Rod Set		FP-9040301160	STD	
1	Rod Set		FP-90425MM	25MM	
1	Rod Set		FP-90450MM	50MM	
QTY	PISTON RINGS		PART NO.	SIZE	DESCRIPTION
4	Ring Set Single Cylinder		FP-0030309724 *	STD	
KITS					
QTY	OVERHAUL KIT		PART NO.	SIZE	DESCRIPTION
1	In-Frame Overhaul Kit		FP-IFKOM904		
<i>M/D Truck 6BT5.9 (Turbo), 6BTA5.9 (Turbo-Aftercooled). H/D Truck 6BT5.9 (Turbo), 6BTA5.9 (Turbo-Aftercooled). 2</i> 5.9L 5882cc OHV Turbo-Diesel L6 (12 Valve), 102mm Bore (Cummins Eng.) 1992-95					
CYL. HEAD & PARTS					
QTY	GASKETS	YEARS	PART NO.	SIZE	DESCRIPTION
4	Grommet	95-92	FP-3900267		Push Rod Cover
6	Valve Cover Gasket	95-92	FP-3902666 +		When depleted use FP-3930906
1	Head Gasket	95-92	FP-3283337		.25 MM
1	Head Gasket	95-92	FP-3283339		.50 MM
1	Head Gasket	95-92	FP-3283570		Standard
1	Head Set	95-93	FP-4089649		Standard; For engines built after April 2003
1	Head Set	95-92	FP-3802245		.25 MM
1	Head Set	95-92	FP-3802363		.25 MM
1	Head Set	95-92	FP-3802364		Standard
1	Head Set	95-92	FP-3804897		Standard; For engines built before April 2003
1	Head Set w/o Head Gasket	95-92	FP-3804897WOHG		Standard; For engines built before April 2003
6	Grommet	95-92	FP-3900267		Cam Follower Cover
QTY	HEAD BOLTS	YEARS	PART NO.	SIZE	DESCRIPTION
14	Head Bolt	95-92	FP-3920780		M12 X 1.75 X 122MM Length
6	Head Bolt	95-92	FP-3920779		M12 X 1.75 X 71.5MM Length
QTY	MISCELLANEOUS	YEARS	PART NO.	SIZE	DESCRIPTION
1	Fuel Manifold	95-92	FP-3926103		6BT5.9
12	Adjusting Screw Nut	95-92	FP-203131		3/8" - 24 UNF
6	Bolt	95-92	FP-3920781		Rocker Lever Shaft Support; 7.201" Length
QTY	VALVE	YEARS	PART NO.	SIZE	DESCRIPTION
6	Intake	95-92	FP-3920867		Bare
6	Intake	95-92	V-4385 Std Only		Chrome plated stem; 1.7720" Head Dia., .3138" Stem Dia., 5.0840" O.A.L.
6	Exhaust	95-92	FP-3920868		
6	Exhaust	95-92	V-4384 Std Only		Chrome plated stem; 1.6540" Head Dia., .3138" Stem Dia., 5.0810" O.A.L.
6	Exhaust Valve Kit	95-92	FP-3802356		With Locks
6	Intake Valve Kit	95-92	FP-3802355		With Locks
12	Keeper	95-92	FP-3900250		

(continued on next page)

Mercedes-Benz Truck - M/D & H/D

2 M/D Truck 6BT5.9 (Turbo), 6BTA5.9 (Turbo-Aftercooled). H/D Truck 6BT5.9 (Turbo),
 (cont.) 6BTA5.9 (Turbo-Aftercooled).
 5.9L 5882cc OHV Turbo-Diesel L6 (12 Valve), 102mm Bore (Cummins Eng.) 1992-95

CYL. HEAD & PARTS (cont.)

QTY	VALVE (cont.)	YEARS	PART NO.	SIZE	DESCRIPTION
24	Keeper	95-92	VK-286		
QTY	VALVE SEAT	YEARS	PART NO.	SIZE	DESCRIPTION
6	Exh.	95-92	FP-3904105		
6	Exh.	95-92	245-1722-E1	Std Only	1.7220" OD, 1.3570" ID, .2650" Depth
6	Int.	95-92	FP-3906854		
QTY	VALVE GUIDE	YEARS	PART NO.	SIZE	DESCRIPTION
6	Guide	95-92	VG-1331		Exh.; .3160" ID, 2.0520" O.A.L.
6	Guide	95-92	FP-3904409		Exh.; Thick wall, 51.75MM
12	Guide	95-92	VG-1325		Exh. & Int.; 7/16" OD; .3162" ID, 2.5000" O.A.L.
6	Guide	95-92	VG-1330		Int.; .3160" ID, 2.3970" O.A.L.
6	Guide	95-92	FP-3904408		Int.; Thick wall, 60.50MM; .3160" ID, 2.3970" O.A.L.
6	Guide	95-92	FP-3906206		Int. & Exh.; Thin wall
QTY	VALVE SPRING	YEARS	PART NO.	SIZE	DESCRIPTION
12	Spring	95-92	FP-3932453 *		
12	Spring	95-92	FP-4936080		
12	Spring	95-92	FP-3900276		30 PSI
12	Spring	95-92	FP-3926700		36 PSI
12	Retainer	95-92	FP-3900299		
QTY	PUSH RODS	YEARS	PART NO.	SIZE	DESCRIPTION
12	Push Rod	95-92	FP-3284377		10.9100" O.A.L.
1	Push Rod Cover Gasket	95-92	FP-3284623		
QTY	VALVE MISC.	YEARS	PART NO.	SIZE	DESCRIPTION
1	O-Ring	95-92	FP-3910824		Valve Cover Screw
QTY	VALVE SEAL	YEARS	PART NO.	SIZE	DESCRIPTION
12	Valve Stem Seal	95-92	FP-3901097		Int. & Exh.
QTY	ROCKER PARTS	YEARS	PART NO.	SIZE	DESCRIPTION
6	Support, Rocker Lever	95-92	FP-3922488		
6	Rocker Lever Exhaust	95-92	FP-3910810		
6	Rocker Lever Intake	95-92	FP-3910811		
12	Washer	95-92	FP-3900245		Rocker Lever
12	Snap Ring	95-92	FP-3900242		Rocker Lever
INT & EXH MANIFOLDS					
QTY	INT. & EXH. MANIFOLDS	YEARS	PART NO.	SIZE	DESCRIPTION
6	Exhaust Manifold Gasket	95-92	FP-3905443		
1	Int. Manif. Cover Plate Gskt.	95-92	FP-3914029		
QTY	AIR INTAKE	YEARS	PART NO.	SIZE	DESCRIPTION
1	Air Intake Gasket	95-92	FP-3931604 +		When depleted use FP-3938158
CAMSHAFT GROUP					
QTY	CAMSHAFT/LIFTER	YEARS	PART NO.	SIZE	DESCRIPTION
1	Camshaft	95-92	FP-3929041		CPL Numbers 987, 1261, 1422 1527 & 1582
1	Camshaft	95-92	FP-3914639 +		CPL's 596-600, 691, 697-8, 713-4, 716, 728-9, 742, 761, 766, 791-2, 802, 804, 834, 845, 912, 938, 940, 947, 949, 953, 961-2, 970, 983, 994, 998-9, 1160, 1163, 1165, 1168, 1174, 1189, 1207, 1245-7, 1266, 1279, 1288-9, 1313, 1322, 1351, 1403, 1408, 1433, 1440, 1554, 1570, 1578-9, 1581, 1601, 1605, 1613, 1694.; When depleted use FP-3929042
1	Camshaft	95-92	FP-3929042		CPL's 596-600, 691, 697-8, 713-4, 716, 728-9, 742, 761, 766, 791-2, 802, 804, 834, 845, 912, 938, 940, 947, 949, 953, 961-2, 970, 983, 994, 998-9, 1160, 1163, 1165, 1168, 1174, 1189, 1207, 1245-7, 1266, 1279, 1288-9, 1313, 1322, 1351, 1403, 1408, 1433, 1440, 1554, 1570, 1578-9, 1581, 1601, 1605, 1613, 1694.
12	Lifter	95-92	FP-3931623		
FUEL SYSTEM & PARTS					
QTY	FUEL INJECTION	YEARS	PART NO.	SIZE	DESCRIPTION
4	Grommet	95-92	FP-3900267		Fuel Drain Tube
6	Fuel Injector Seal Ring	95-92	FP-3909356		
6	Fuel Injector Seal Ring	95-92	FP-3909356		
6	Fuel Injector Seal	95-92	FP-3930324		
6	Copper Washer	95-92	FP-3906659		
6	Copper Washer	95-92	FP-3906659		For 7mm head
6	Fuel Line Connector	95-92	FP-3903380		Banjo connector; 6mm

(continued on next page)

Mercedes-Benz Truck - M/D & H/D

**M/D Truck 6BT5.9 (Turbo), 6BTA5.9 (Turbo-Aftercooled). H/D Truck 6BT5.9 (Turbo), 2
6BTA5.9 (Turbo-Aftercooled). (cont.)**
5.9L 5882cc OHV Turbo-Diesel L6 (12 Valve), 102mm Bore (Cummins Eng.) 1992-95

FUEL SYSTEM & PARTS (cont.)

QTY	FUEL INJECTION (cont.)	YEARS	PART NO.	SIZE	DESCRIPTION
6	Fuel Line Connector	95-92	FP-3903380		Fuel Manifold
QTY	FUEL FILTERS & PUMP	YEARS	PART NO.	SIZE	DESCRIPTION
1	Fuel Transfer Pump	95-92	FP-3936321		
1	Fuel Transfer Pump	95-92	FP-3936324		
1	Fuel Transfer Pump	95-92	FP-3970880		
1	Fuel Transfer Pump	95-92	FP-3928143 +		When depleted use FP-3970880
1	Fuel Transfer Pump	95-92	FP-4944714		108.1 - 230.9 LPH; 1/4 x 18 NPTF Fuel Inlet
1	Fuel Transfer Pump	95-92	FP-4944712		117 - 229.9 LPH; 1/4 x 18 NPTF Fuel Inlet
1	Fuel Transfer Pump	95-92	FP-4944713		144.7 - 201.2 LPH; 1/4 x 18 NPTF Fuel Inlet
1	Fuel Transfer Pump	95-92	FP-4944710		183 - 229 LPH; 1/2 x 14 NPTF Fuel Inlet
1	Fuel Transfer Pump	95-92	FP-4944711		187.4 - 304.2 LPH; 1/4 x 18 NPTF Fuel Inlet
1	Cover Plate Gasket	95-92	FP-3931348		Fuel Transfer Pump Mounting
1	Cover Plate Gasket	95-92	FP-3939258		Fuel Transfer Pump Mounting
1	Solenoid Repair Kit	95-92	FP-3903575		Fuel Transfer Pump; 12V
1	Solenoid Repair Kit	95-92	FP-3903576		Fuel Transfer Pump; 24V
6	Washer	95-92	FP-3900808		Sealing
2	Washer	95-92	FP-3918188		Sealing; Fuel Supply Tube
1	Fuel Filter Gasket	95-92	FP-3906694		Large
1	Fuel Filter Gasket	95-92	FP-3906695		Small
QTY	TURBOCHARGER	YEARS	PART NO.	SIZE	DESCRIPTION
1	Turbocharger Mounting Gasket	95-92	FP-3901356		
COOLING SYSTEM					
QTY	WATER PUMP	YEARS	PART NO.	SIZE	DESCRIPTION
1	Ball Brg.	95-92	FP-3910739		Fan Drive
1	Water Pump Seal Ring	95-92	FP-3906698		
1	O-Ring	95-92	FP-3883284		Air Intake Connection
1	O-Ring	95-92	FP-3923331		Thermostat Housing Cover
1	Shaft & Bearing Assembly	95-92	FP-3923517		
1	V Belt	95-92	FP-3911587		53.5 X 1.125"; Ribbed 8
1	V Belt	95-92	FP-3911557		56 X 1.125"; Ribbed 8
1	V Belt	95-92	FP-3911588		56.5 X 1.125"; Ribbed 8
1	V Belt	95-92	FP-3911568		57 X 1.125"; Ribbed 8
1	V Belt	95-92	FP-3911558		59 X 1.125"; Ribbed 8
1	V Belt	95-92	FP-3911563		60.5 X 1.125"; Ribbed 8
1	V Belt	95-92	FP-3911572		61.5 X 1.125"; Ribbed 8
1	V Belt	95-92	FP-3911559		62 X 1.125"; Ribbed 8
1	V Belt	95-92	FP-3034946		62.5 X 1.125"; Ribbed 8
1	V Belt	95-92	FP-3911575		63 X 1.125"; Ribbed 8
1	V Belt	95-92	FP-3911582		70 X 1.125"; Ribbed 8
QTY	THERMOSTAT	YEARS	PART NO.	SIZE	DESCRIPTION
1	Thermostat	95-92	FP-3917324		180 Deg. F
1	Thermostat Kit	95-92	FP-3802273		180 Deg. F; Includes Thermostat, Template and O-ring
ENGINE BLOCK & PARTS					
QTY	GASKETS	YEARS	PART NO.	SIZE	DESCRIPTION
1	Washer	95-92	FP-3902425		Sealing; Oil Pan Plug
1	Washer	95-92	FP-3920773		Sealing; Oil Pan Plug
1	O-Ring	95-92	FP-3913994		
1	Gear Cover Gasket	95-92	FP-3918673		
1	Rect. or Square Seal	95-92	FP-3903475		Tach Drive Cover
QTY	GASKET SETS	YEARS	PART NO.	SIZE	DESCRIPTION
1	Gasket Conversion Set	95-92	FP-3802376		
1	In-Frame Gasket Set	95-93	FP-4089649S		
1	In-Frame Gasket Set	95-92	FP-3802364S		.25 MM O/S Head Gasket
1	In-Frame Gasket Set	95-92	FP-3802245S		.50 MM O/S Head Gasket
1	In-Frame Gasket Set	95-92	FP-3802363S		Standard Head Gasket
1	In-Frame Gasket Set	95-92	FP-3804897S		Standard Head Gasket; For engines built before April 2003
QTY	CAM BEARINGS	YEARS	PART NO.	SIZE	DESCRIPTION
1	Cam Brg.	95-92	4206DR Std Only		
1	Cam Brg.	95-92	FP-3901306	STD	Position Front only
QTY	OIL COOLERS & FILTERS	YEARS	PART NO.	SIZE	DESCRIPTION
1	Oil Press. Reg. Low Pressure	95-92	FP-3918428		
1	O-Ring	95-92	FP-3909397		Oil Cooler
1	Oil Cooler Core Inner Gasket	95-92	FP-3926760		Core

(continued on next page)

Mercedes-Benz Truck - M/D & H/D

2 M/D Truck 6BT5.9 (Turbo), 6BTA5.9 (Turbo-Aftercooled). H/D Truck 6BT5.9 (Turbo),
 (cont.) 6BTA5.9 (Turbo-Aftercooled).
 5.9L 5882cc OHV Turbo-Diesel L6 (12 Valve), 102mm Bore (Cummins Eng.) 1992-95

ENGINE BLOCK & PARTS (cont.)

OIL COOLERS & FILTERS					
QTY	(cont.)	YEARS	PART NO.	SIZE	DESCRIPTION
1	Oil Cooler Core Outer Gasket	95-92	FP-3929792		
CRANKSHAFT/OIL PUMP					
QTY	CRANKSHAFT	YEARS	PART NO.	SIZE	DESCRIPTION
1	Crankshaft	95-92	FP-3929037		With Gear
1	Crank Gear	95-92	FP-3929027		Front; 6BT5.9
QTY	SEALS - FRONT CRANK	YEARS	PART NO.	SIZE	DESCRIPTION
1	Oil Seal	95-92	FP-3904353 +		Front; When depleted use FP-3937111
1	Redi-Sleeve	95-92	FP-3906080		Front
1	Redi-Sleeve	95-92	99248		
1	Oil Seal	95-92	39803		
1	O-Ring	95-92	FP-3913994		
1	Rect. or Square Seal	95-92	FP-3915772		Front
QTY	SEALS - REAR CRANK	YEARS	PART NO.	SIZE	DESCRIPTION
1	Oil Seal	95-92	FP-3909410		Rear; Dry
1	Oil Seal	95-92	39805		
1	Oil Seal Kit	95-92	FP-3926126		
1	Redi-Sleeve	95-92	FP-3906081		Rear
1	Redi-Sleeve	95-92	99494		
1	Rear Cover Gasket	95-92	FP-3928493		
1	Rect. or Square Seal	95-92	FP-3912473		Rear
QTY	MAIN BEARINGS	YEARS	PART NO.	SIZE	DESCRIPTION
1	Main Set	95-92	7216M Std-.25-.50MM		
1	Main Set	95-92	FP-3802070	STD	
1	Main Set	95-92	FP-3802071	.25MM	
1	Main Set	95-92	FP-3802072	.50MM	
1	Main Set	95-92	FP-3802073	.75MM	
1	Main Set	95-92	FP-3802074	1.00MM	
1	Main Set	95-92	FP-3357480	STD	Brazil engs.
QTY	OIL PUMP	YEARS	PART NO.	SIZE	DESCRIPTION
1	Oil Pump	95-92	FP-4939587		
1	Oil Pump	95-92	FP-3937404 +		When depleted use FP-4939587
1	Pick-Up Tube Gasket	95-92	FP-3914383		
CYLINDER COMPONENTS					
QTY	LINERS	YEARS	PART NO.	SIZE	DESCRIPTION
6	Liner w/o Sealing Rings	95-92	FP-3904166		To return block to standard; Fuel Injector sleeve
QTY	PISTONS	YEARS	PART NO.	SIZE	DESCRIPTION
6	Piston Body w/o Pin	95-92	FP-3903579	STD	
6	Piston Body w/o Pin	95-92	FP-3917619	STD	
6	Piston Body w/o Pin	95-92	FP-3919041	STD	
6	Piston Body w/o Pin	95-92	FP-3903656	.50MM	
6	Piston Body w/o Pin	95-92	FP-3919044	.50MM	
6	Piston Body w/o Pin	95-92	FP-3919047	.50MM	
6	Piston Body w/o Pin	95-92	FP-3903655	1.00MM	
6	Piston Body w/o Pin	95-92	FP-3919045	1.00MM	
6	Piston Body w/o Pin	95-92	FP-3919048	1.00MM	
6	Piston Body w/o Pin	95-92	FP-3926631	STD	A Grade; Naturally Aspirated
6	Piston Body w/o Pin	95-92	FP-3926632	STD	B Grade; 10 MM Top Ring Land
6	Piston Body w/o Pin	95-92	FP-3926632	STD	B Grade; 10 MM Top Ring Land
6	Piston Body w/o Pin	95-92	FP-3926633	STD	C Grade; 10 MM Top Ring Land
6	Piston Body w/o Pin	95-92	FP-3922571	STD	CPL Numbers 1549, 1550, 1815, 1816, 1863, 1901, 1959, 1968, 2022, 2023, 2174, 2265, 2268, 2292, 2308, 2346 & 2349; A Grade; Naturally Aspirated
6	Piston Body w/o Pin	95-92	FP-3922574	.50MM	CPL Numbers 1549, 1550, 1815, 1816, 1863, 1901, 1959, 1968, 2022, 2023, 2174, 2265, 2268, 2292, 2308, 2346 & 2349; 8 MM Top Ring Land
6	Piston Body w/o Pin	95-92	FP-3922575	1.00MM	CPL Numbers 1549, 1550, 1815, 1816, 1863, 1901, 1959, 1968, 2022, 2023, 2174, 2265, 2268, 2292, 2308, 2346 & 2349; 8 MM Top Ring Land
6	Piston Body w/o Pin	95-92	FP-3907156	STD	Early; 16.5:1 C.R.
6	Piston Body w/o Pin	95-92	FP-3907157	.50MM	Early; 16.5:1 C.R.
6	Piston Body w/o Pin	95-92	FP-3907158	1.00MM	Early; 16.5:1 C.R.
6	Piston Body w/o Pin	95-92	FP-3906223	STD	Early; 17.3:1 C.R.
6	Piston Body w/o Pin	95-92	FP-3906209	.50MM	Early; 17.3:1 C.R.

(continued on next page)

Mercedes-Benz Truck - M/D & H/D

**M/D Truck 6BT5.9 (Turbo), 6BTA5.9 (Turbo-Aftercooled). H/D Truck 6BT5.9 (Turbo), 2
6BTA5.9 (Turbo-Aftercooled). (cont.)**
5.9L 5882cc OHV Turbo-Diesel L6 (12 Valve), 102mm Bore (Cummins Eng.) 1992-95

CYLINDER COMPONENTS (cont.)

QTY	PISTONS (cont.)	YEARS	PART NO.	SIZE	DESCRIPTION
6	Piston Body w/o Pin	95-92	FP-3906208	1.00MM	Early; 17.3:1 C.R.
6	Piston Body w/o Pin	95-92	FP-3907163	STD	Early; 17.5:1 C.R.
6	Piston Body w/o Pin	95-92	FP-3911400	STD	Early; 17.5:1 C.R.
6	Piston Body w/o Pin	95-92	FP-3908815	.50MM	Early; 17.5:1 C.R.
6	Piston Body w/o Pin	95-92	FP-3912049	.50MM	Early; 17.5:1 C.R.
6	Piston Body w/o Pin	95-92	FP-3908816	1.00MM	Early; 17.5:1 C.R.
6	Piston Body w/o Pin	95-92	FP-3912050	1.00MM	Early; 17.5:1 C.R.
6	Piston Body w/o Pin	95-92	FP-3903579	STD	Late; 17.2:1 C.R.
6	Piston Body w/o Pin	95-92	FP-3903656	.50MM	Late; 17.2:1 C.R.
6	Piston Body w/o Pin	95-92	FP-3903655	1.00MM	Late; 17.2:1 C.R.
6	Piston Body w/o Pin	95-92	FP-3917619	STD	Late; 17.3:1 C.R.
6	Piston Body w/o Pin	95-92	FP-3930187	STD	Late; 17.3:1 C.R.
6	Piston Body w/o Pin	95-92	FP-3919047	.50MM	Late; 17.3:1 C.R.
6	Piston Body w/o Pin	95-92	FP-3930188	.50MM	Late; 17.3:1 C.R.
6	Piston Body w/o Pin	95-92	FP-3919048	1.00MM	Late; 17.3:1 C.R.
6	Piston Body w/o Pin	95-92	FP-3930189	1.00MM	Late; 17.3:1 C.R.
6	Piston Body w/o Pin	95-92	FP-3919041	STD	Late; 17.5:1 C.R.
6	Piston Body w/o Pin	95-92	FP-3919044	.50MM	Late; 17.5:1 C.R.
6	Piston Body w/o Pin	95-92	FP-3919045	1.00MM	Late; 17.5:1 C.R.
6	Piston Body w/o Pin	95-92	FP-3922571	STD	Late; 17.5:1 C.R.; A Grade; Naturally Aspirated
6	Piston Body w/o Pin	95-92	FP-3926631	STD	Late; 17.5:1 C.R.; A Grade; Naturally Aspirated
6	Piston Body w/o Pin	95-92	FP-3926632	STD	Late; 17.5:1 C.R.; B Grade; 10 MM Top Ring Land
6	Piston Body w/o Pin	95-92	FP-3922572	STD	Late; 17.5:1 C.R.; B Grade; 8 MM Top Ring Land
6	Piston Body w/o Pin	95-92	FP-3926633	STD	Late; 17.5:1 C.R.; C Grade; 10 MM Top Ring Land
6	Piston Body w/o Pin	95-92	FP-3922573	STD	Late; 17.5:1 C.R.; C Grade; 8 MM Top Ring Land
6	Piston Body w/o Pin	95-92	FP-3926634	.50MM	Late; 17.5:1 C.R.; 10 MM Top Ring Land
6	Piston Body w/o Pin	95-92	FP-3926635	1.00MM	Late; 17.5:1 C.R.; 10 MM Top Ring Land
6	Piston Body w/o Pin	95-92	FP-3922574	.50MM	Late; 17.5:1 C.R.; 8 MM Top Ring Land
6	Piston Body w/o Pin	95-92	FP-3922575	1.00MM	Late; 17.5:1 C.R.; 8 MM Top Ring Land
6	Piston Body w/o Pin	95-92	FP-3926634	.50MM	10 MM Top Ring Land
6	Piston Body w/o Pin	95-92	FP-3926634	.50MM	10 MM Top Ring Land
6	Piston Body w/o Pin	95-92	FP-3926635	1.00MM	10 MM Top Ring Land
6	Piston Body w/o Pin	95-92	FP-3926635	1.00MM	10 MM Top Ring Land
6	Piston Body w/o Pin	95-92	FP-3903579	STD	17.2:1 C.R.
6	Piston Body w/o Pin	95-92	FP-3917619	STD	17.3:1 C.R.
6	Piston Body w/o Pin	95-92	FP-3919041	STD	17.5:1 C.R.
6	Piston Kit w/Pin & Retainers	95-92	FP-3903579WP	STD	
6	Piston Kit w/Pin & Retainers	95-92	FP-3917619WP	STD	
6	Piston Kit w/Pin & Retainers	95-92	FP-3919041WP	STD	
6	Piston Kit w/Pin & Retainers	95-92	FP-3903656WP	.50MM	
6	Piston Kit w/Pin & Retainers	95-92	FP-3919044WP	.50MM	
6	Piston Kit w/Pin & Retainers	95-92	FP-3919047WP	.50MM	
6	Piston Kit w/Pin & Retainers	95-92	FP-3903655WP	1.00MM	
6	Piston Kit w/Pin & Retainers	95-92	FP-3919045WP	1.00MM	
6	Piston Kit w/Pin & Retainers	95-92	FP-3919048WP	1.00MM	
6	Piston Kit w/Pin & Retainers	95-92	FP-3922571WP	STD	CPL Numbers 1549, 1550, 1815, 1816, 1863, 1901, 1959, 1968, 2022, 2023, 2174, 2265, 2268, 2292, 2308, 2346 & 2349; A Grade; Naturally Aspirated
6	Piston Kit w/Pin & Retainers	95-92	FP-3922574WP	.50MM	CPL Numbers 1549, 1550, 1815, 1816, 1863, 1901, 1959, 1968, 2022, 2023, 2174, 2265, 2268, 2292, 2308, 2346 & 2349; 8 MM Top Ring Land
6	Piston Kit w/Pin & Retainers	95-92	FP-3922575WP	1.00MM	CPL Numbers 1549, 1550, 1815, 1816, 1863, 1901, 1959, 1968, 2022, 2023, 2174, 2265, 2268, 2292, 2308, 2346 & 2349; 8 MM Top Ring Land
6	Piston Kit w/Pin & Retainers	95-92	FP-3907156WP	STD	Early; 16.5:1 C.R.
6	Piston Kit w/Pin & Retainers	95-92	FP-3907157WP	.50MM	Early; 16.5:1 C.R.
6	Piston Kit w/Pin & Retainers	95-92	FP-3907158WP	1.00MM	Early; 16.5:1 C.R.
6	Piston Kit w/Pin & Retainers	95-92	FP-3906223WP	STD	Early; 17.3:1 C.R.
6	Piston Kit w/Pin & Retainers	95-92	FP-3906209WP	.50MM	Early; 17.3:1 C.R.
6	Piston Kit w/Pin & Retainers	95-92	FP-3906208WP	1.00MM	Early; 17.3:1 C.R.
6	Piston Kit w/Pin & Retainers	95-92	FP-3907163WP	STD	Early; 17.5:1 C.R.
6	Piston Kit w/Pin & Retainers	95-92	FP-3911400WP	STD	Early; 17.5:1 C.R.
6	Piston Kit w/Pin & Retainers	95-92	FP-3908815WP	.50MM	Early; 17.5:1 C.R.
6	Piston Kit w/Pin & Retainers	95-92	FP-3912049WP	.50MM	Early; 17.5:1 C.R.
6	Piston Kit w/Pin & Retainers	95-92	FP-3908816WP	1.00MM	Early; 17.5:1 C.R.
6	Piston Kit w/Pin & Retainers	95-92	FP-3912050WP	1.00MM	Early; 17.5:1 C.R.
6	Piston Kit w/Pin & Retainers	95-92	FP-3903579WP	STD	Late; 17.2:1 C.R.
6	Piston Kit w/Pin & Retainers	95-92	FP-3903656WP	.50MM	Late; 17.2:1 C.R.

(continued on next page)

Mercedes-Benz Truck - M/D & H/D

2 M/D Truck 6BT5.9 (Turbo), 6BTA5.9 (Turbo-Aftercooled). H/D Truck 6BT5.9 (Turbo),
 (cont.) 6BTA5.9 (Turbo-Aftercooled).
 5.9L 5882cc OHV Turbo-Diesel L6 (12 Valve), 102mm Bore (Cummins Eng.) 1992-95

CYLINDER COMPONENTS (cont.)

QTY	PISTONS (cont.)	YEARS	PART NO.	SIZE	DESCRIPTION
6	Piston Kit w/Pin & Retainers	95-92	FP-3903655WP	1.00MM	Late; 17.2:1 C.R.
6	Piston Kit w/Pin & Retainers	95-92	FP-3917619WP	STD	Late; 17.3:1 C.R.
6	Piston Kit w/Pin & Retainers	95-92	FP-3919047WP	.50MM	Late; 17.3:1 C.R.
6	Piston Kit w/Pin & Retainers	95-92	FP-3919048WP	1.00MM	Late; 17.3:1 C.R.
6	Piston Kit w/Pin & Retainers	95-92	FP-3919041WP	STD	Late; 17.5:1 C.R.
6	Piston Kit w/Pin & Retainers	95-92	FP-3919044WP	.50MM	Late; 17.5:1 C.R.
6	Piston Kit w/Pin & Retainers	95-92	FP-3919045WP	1.00MM	Late; 17.5:1 C.R.
6	Piston Kit w/Pin & Retainers	95-92	FP-3922571WP	STD	Late; 17.5:1 C.R.; A Grade; Naturally Aspirated
6	Piston Kit w/Pin & Retainers	95-92	FP-3926634WP	.50MM	Late; 17.5:1 C.R.; 10 MM Top Ring Land
6	Piston Kit w/Pin & Retainers	95-92	FP-3926635WP	1.00MM	Late; 17.5:1 C.R.; 10 MM Top Ring Land
6	Piston Kit w/Pin & Retainers	95-92	FP-3922574WP	.50MM	Late; 17.5:1 C.R.; 8 MM Top Ring Land
6	Piston Kit w/Pin & Retainers	95-92	FP-3922575WP	1.00MM	Late; 17.5:1 C.R.; 8 MM Top Ring Land
6	Piston Kit w/Pin & Retainers	95-92	FP-3926634WP	.50MM	10 MM Top Ring Land
6	Piston Kit w/Pin & Retainers	95-92	FP-3926634WP	.50MM	10 MM Top Ring Land
6	Piston Kit w/Pin & Retainers	95-92	FP-3926635WP	1.00MM	10 MM Top Ring Land
6	Piston Kit w/Pin & Retainers	95-92	FP-3926635WP	1.00MM	10 MM Top Ring Land
6	Piston Kit w/Pin & Retainers	95-92	FP-3903579WP	STD	17.2:1 C.R.
6	Piston Kit w/Pin & Retainers	95-92	FP-3917619WP	STD	17.3:1 C.R.
6	Piston Kit w/Pin & Retainers	95-92	FP-3919041WP	STD	17.5:1 C.R.
6	Piston w/Retainer & Rings	95-92	FP-3802030	STD	
6	Piston w/Retainer & Rings	95-92	FP-3802248	STD	
6	Piston w/Retainer & Rings	95-92	FP-3802251	STD	
6	Piston w/Retainer & Rings	95-92	FP-3802032	.50MM	
6	Piston w/Retainer & Rings	95-92	FP-3802249	.50MM	
6	Piston w/Retainer & Rings	95-92	FP-3802252	.50MM	
6	Piston w/Retainer & Rings	95-92	FP-3802034	1.00MM	
6	Piston w/Retainer & Rings	95-92	FP-3802250	1.00MM	
6	Piston w/Retainer & Rings	95-92	FP-3802253	1.00MM	
6	Piston w/Retainer & Rings	95-92	FP-3802487	STD	A Grade; Naturally Aspirated
6	Piston w/Retainer & Rings	95-92	FP-3802561	STD	A Grade; Naturally Aspirated
6	Piston w/Retainer & Rings	95-92	FP-3802562	STD	B Grade; 10 MM Top Ring Land
6	Piston w/Retainer & Rings	95-92	FP-3802562	STD	B Grade; 10 MM Top Ring Land
6	Piston w/Retainer & Rings	95-92	FP-3802563	STD	C Grade; 10 MM Top Ring Land
6	Piston w/Retainer & Rings	95-92	FP-3802100	STD	Early; 16.5:1 C.R.
6	Piston w/Retainer & Rings	95-92	FP-3802102	.50MM	Early; 16.5:1 C.R.
6	Piston w/Retainer & Rings	95-92	FP-3802104	1.00MM	Early; 16.5:1 C.R.
6	Piston w/Retainer & Rings	95-92	FP-3802060	STD	Early; 17.3:1 C.R.
6	Piston w/Retainer & Rings	95-92	FP-3802062	.50MM	Early; 17.3:1 C.R.
6	Piston w/Retainer & Rings	95-92	FP-3802064	1.00MM	Early; 17.3:1 C.R.
6	Piston w/Retainer & Rings	95-92	FP-3802160	STD	Early; 17.5:1 C.R.
6	Piston w/Retainer & Rings	95-92	FP-3802170	STD	Early; 17.5:1 C.R.
6	Piston w/Retainer & Rings	95-92	FP-3802132	.50MM	Early; 17.5:1 C.R.
6	Piston w/Retainer & Rings	95-92	FP-3802172	.50MM	Early; 17.5:1 C.R.
6	Piston w/Retainer & Rings	95-92	FP-3802134	1.00MM	Early; 17.5:1 C.R.
6	Piston w/Retainer & Rings	95-92	FP-3802174	1.00MM	Early; 17.5:1 C.R.
6	Piston w/Retainer & Rings	95-92	FP-3802030	STD	Late; 17.2:1 C.R.
6	Piston w/Retainer & Rings	95-92	FP-3802032	.50MM	Late; 17.2:1 C.R.
6	Piston w/Retainer & Rings	95-92	FP-3802034	1.00MM	Late; 17.2:1 C.R.
6	Piston w/Retainer & Rings	95-92	FP-3802251	STD	Late; 17.3:1 C.R.
6	Piston w/Retainer & Rings	95-92	FP-3802757	STD	Late; 17.3:1 C.R.
6	Piston w/Retainer & Rings	95-92	FP-3802252	.50MM	Late; 17.3:1 C.R.
6	Piston w/Retainer & Rings	95-92	FP-3802758	.50MM	Late; 17.3:1 C.R.
6	Piston w/Retainer & Rings	95-92	FP-3802253	1.00MM	Late; 17.3:1 C.R.
6	Piston w/Retainer & Rings	95-92	FP-3802759	1.00MM	Late; 17.3:1 C.R.
6	Piston w/Retainer & Rings	95-92	FP-3802248	STD	Late; 17.5:1 C.R.
6	Piston w/Retainer & Rings	95-92	FP-3802249	.50MM	Late; 17.5:1 C.R.
6	Piston w/Retainer & Rings	95-92	FP-3802250	1.00MM	Late; 17.5:1 C.R.
6	Piston w/Retainer & Rings	95-92	FP-3802487	STD	Late; 17.5:1 C.R.; A Grade; Naturally Aspirated
6	Piston w/Retainer & Rings	95-92	FP-3802561	STD	Late; 17.5:1 C.R.; A Grade; Naturally Aspirated
6	Piston w/Retainer & Rings	95-92	FP-3802562	STD	Late; 17.5:1 C.R.; B Grade; 10 MM Top Ring Land
6	Piston w/Retainer & Rings	95-92	FP-3802489	STD	Late; 17.5:1 C.R.; B Grade; 8 MM Top Ring Land
6	Piston w/Retainer & Rings	95-92	FP-3802563	STD	Late; 17.5:1 C.R.; C Grade; 10 MM Top Ring Land
6	Piston w/Retainer & Rings	95-92	FP-3802490	STD	Late; 17.5:1 C.R.; C Grade; 8 MM Top Ring Land
6	Piston w/Retainer & Rings	95-92	FP-3802564	.50MM	Late; 17.5:1 C.R.; 10 MM Top Ring Land
6	Piston w/Retainer & Rings	95-92	FP-3802565	1.00MM	Late; 17.5:1 C.R.; 10 MM Top Ring Land
6	Piston w/Retainer & Rings	95-92	FP-3802493	.50MM	Late; 17.5:1 C.R.; 8 MM Top Ring Land
6	Piston w/Retainer & Rings	95-92	FP-3802495	1.00MM	Late; 17.5:1 C.R.; 8 MM Top Ring Land
6	Piston w/Retainer & Rings	95-92	FP-3802487	STD	N/A; A Grade; Naturally Aspirated

(continued on next page)

Mercedes-Benz Truck - M/D & H/D

**M/D Truck 6BT5.9 (Turbo), 6BTA5.9 (Turbo-Aftercooled). H/D Truck 6BT5.9 (Turbo), 2
6BTA5.9 (Turbo-Aftercooled). (cont.)**
5.9L 5882cc OHV Turbo-Diesel L6 (12 Valve), 102mm Bore (Cummins Eng.) 1992-95

CYLINDER COMPONENTS (cont.)

QTY	PISTONS (cont.)	YEARS	PART NO.	SIZE	DESCRIPTION
6	Piston w/Retainer & Rings	95-92	FP-3802564	.50MM	10 MM Top Ring Land
6	Piston w/Retainer & Rings	95-92	FP-3802564	.50MM	10 MM Top Ring Land
6	Piston w/Retainer & Rings	95-92	FP-3802565	1.00MM	10 MM Top Ring Land
6	Piston w/Retainer & Rings	95-92	FP-3802565	1.00MM	10 MM Top Ring Land
6	Piston w/Retainer & Rings	95-92	FP-3802030	STD	17.2:1 C.R.
6	Piston w/Retainer & Rings	95-92	FP-3802251	STD	17.3:1 C.R.
6	Piston w/Retainer & Rings	95-92	FP-3802248	STD	17.5:1 C.R.
6	Piston w/Retainer & Rings	95-92	FP-3802493	.50MM	8 MM Top Ring Land
6	Piston w/Retainer & Rings	95-92	FP-3802493	.50MM	8 MM Top Ring Land
6	Piston w/Retainer & Rings	95-92	FP-3802495	1.00MM	8 MM Top Ring Land
6	Piston w/Retainer & Rings	95-92	FP-3802495	1.00MM	8 MM Top Ring Land
6	Piston w/Pin, Retainer, Rings	95-92	FP-PK3579	STD	
6	Piston w/Pin, Retainer, Rings	95-92	FP-PK7619	STD	
6	Piston w/Pin, Retainer, Rings	95-92	FP-PK9041	STD	
6	Piston w/Pin, Retainer, Rings	95-92	FP-PK3656	.50MM	
6	Piston w/Pin, Retainer, Rings	95-92	FP-PK9044	.50MM	
6	Piston w/Pin, Retainer, Rings	95-92	FP-PK9047	.50MM	
6	Piston w/Pin, Retainer, Rings	95-92	FP-PK3655	1.00MM	
6	Piston w/Pin, Retainer, Rings	95-92	FP-PK9045	1.00MM	
6	Piston w/Pin, Retainer, Rings	95-92	FP-PK9048	1.00MM	
6	Piston w/Pin, Retainer, Rings	95-92	FP-PK6631		A Grade; Naturally Aspirated
6	Piston w/Pin, Retainer, Rings	95-92	FP-PK2571	STD	A Grade; Naturally Aspirated
6	Piston w/Pin, Retainer, Rings	95-92	FP-PK6632	STD	B Grade; 10 MM Top Ring Land
6	Piston w/Pin, Retainer, Rings	95-92	FP-PK6632	STD	B Grade; 10 MM Top Ring Land
6	Piston w/Pin, Retainer, Rings	95-92	FP-PK6633	STD	C Grade; 10 MM Top Ring Land
6	Piston w/Pin, Retainer, Rings	95-92	FP-3802711	STD	Early; 16.5:1 C.R.
6	Piston w/Pin, Retainer, Rings	95-92	FP-PK7157	.50MM	Early; 16.5:1 C.R.
6	Piston w/Pin, Retainer, Rings	95-92	FP-PK7158	1.00MM	Early; 16.5:1 C.R.
6	Piston w/Pin, Retainer, Rings	95-92	FP-PK6223	STD	Early; 17.3:1 C.R.
6	Piston w/Pin, Retainer, Rings	95-92	FP-PK6209	.50MM	Early; 17.3:1 C.R.
6	Piston w/Pin, Retainer, Rings	95-92	FP-PK6208	1.00MM	Early; 17.3:1 C.R.
6	Piston w/Pin, Retainer, Rings	95-92	FP-PK1400	STD	Early; 17.5:1 C.R.
6	Piston w/Pin, Retainer, Rings	95-92	FP-3802712	STD	Early; 17.5:1 C.R.
6	Piston w/Pin, Retainer, Rings	95-92	FP-PK2049	.50MM	Early; 17.5:1 C.R.
6	Piston w/Pin, Retainer, Rings	95-92	FP-PK8815	.50MM	Early; 17.5:1 C.R.
6	Piston w/Pin, Retainer, Rings	95-92	FP-PK2050	1.00MM	Early; 17.5:1 C.R.
6	Piston w/Pin, Retainer, Rings	95-92	FP-PK8816	1.00MM	Early; 17.5:1 C.R.
6	Piston w/Pin, Retainer, Rings	95-92	FP-PK3579	STD	Late; 17.2:1 C.R.
6	Piston w/Pin, Retainer, Rings	95-92	FP-PK3656	.50MM	Late; 17.2:1 C.R.
6	Piston w/Pin, Retainer, Rings	95-92	FP-PK3655	1.00MM	Late; 17.2:1 C.R.
6	Piston w/Pin, Retainer, Rings	95-92	FP-PK0187	STD	Late; 17.3:1 C.R.
6	Piston w/Pin, Retainer, Rings	95-92	FP-PK7619	STD	Late; 17.3:1 C.R.
6	Piston w/Pin, Retainer, Rings	95-92	FP-PK0188	.50MM	Late; 17.3:1 C.R.
6	Piston w/Pin, Retainer, Rings	95-92	FP-PK9047	.50MM	Late; 17.3:1 C.R.
6	Piston w/Pin, Retainer, Rings	95-92	FP-PK0189	1.00MM	Late; 17.3:1 C.R.
6	Piston w/Pin, Retainer, Rings	95-92	FP-PK9048	1.00MM	Late; 17.3:1 C.R.
6	Piston w/Pin, Retainer, Rings	95-92	FP-PK9041	STD	Late; 17.5:1 C.R.
6	Piston w/Pin, Retainer, Rings	95-92	FP-PK9044	.50MM	Late; 17.5:1 C.R.
6	Piston w/Pin, Retainer, Rings	95-92	FP-PK9045	1.00MM	Late; 17.5:1 C.R.
6	Piston w/Pin, Retainer, Rings	95-92	FP-PK6631		Late; 17.5:1 C.R.; A Grade; Naturally Aspirated
6	Piston w/Pin, Retainer, Rings	95-92	FP-PK2571	STD	Late; 17.5:1 C.R.; A Grade; Naturally Aspirated
6	Piston w/Pin, Retainer, Rings	95-92	FP-PK6632	STD	Late; 17.5:1 C.R.; B Grade; 10 MM Top Ring Land
6	Piston w/Pin, Retainer, Rings	95-92	FP-PK2572		Late; 17.5:1 C.R.; B Grade; 8 MM Top Ring Land
6	Piston w/Pin, Retainer, Rings	95-92	FP-PK6633	STD	Late; 17.5:1 C.R.; C Grade; 10 MM Top Ring Land
6	Piston w/Pin, Retainer, Rings	95-92	FP-PK2573		Late; 17.5:1 C.R.; C Grade; 8 MM Top Ring Land
6	Piston w/Pin, Retainer, Rings	95-92	FP-PK6634	.50MM	Late; 17.5:1 C.R.; 10 MM Top Ring Land
6	Piston w/Pin, Retainer, Rings	95-92	FP-PK6635	1.00MM	Late; 17.5:1 C.R.; 10 MM Top Ring Land
6	Piston w/Pin, Retainer, Rings	95-92	FP-PK2574	.50MM	Late; 17.5:1 C.R.; 8 MM Top Ring Land
6	Piston w/Pin, Retainer, Rings	95-92	FP-PK2575	1.00MM	Late; 17.5:1 C.R.; 8 MM Top Ring Land
6	Piston w/Pin, Retainer, Rings	95-92	FP-PK2571	STD	N/A; A Grade; Naturally Aspirated
6	Piston w/Pin, Retainer, Rings	95-92	FP-PK6634	.50MM	10 MM Top Ring Land
6	Piston w/Pin, Retainer, Rings	95-92	FP-PK6634	.50MM	10 MM Top Ring Land
6	Piston w/Pin, Retainer, Rings	95-92	FP-PK6635	1.00MM	10 MM Top Ring Land
6	Piston w/Pin, Retainer, Rings	95-92	FP-PK6635	1.00MM	10 MM Top Ring Land
6	Piston w/Pin, Retainer, Rings	95-92	FP-PK3579	STD	17.2:1 C.R.
6	Piston w/Pin, Retainer, Rings	95-92	FP-PK7619	STD	17.3:1 C.R.
6	Piston w/Pin, Retainer, Rings	95-92	FP-PK9041	STD	17.5:1 C.R.
6	Piston w/Pin, Retainer, Rings	95-92	FP-PK2574	.50MM	8 MM Top Ring Land

(continued on next page)

Mercedes-Benz Truck - M/D & H/D

2 M/D Truck 6BT5.9 (Turbo), 6BTA5.9 (Turbo-Aftercooled). H/D Truck 6BT5.9 (Turbo),
(cont.) 6BTA5.9 (Turbo-Aftercooled).
5.9L 5882cc OHV Turbo-Diesel L6 (12 Valve), 102mm Bore (Cummins Eng.) 1992-95

CYLINDER COMPONENTS (cont.)

QTY	PISTONS (cont.)	YEARS	PART NO.	SIZE	DESCRIPTION
6	Piston w/Pin, Retainer, Rings	95-92	FP-PK2574	.50MM	8 MM Top Ring Land
6	Piston w/Pin, Retainer, Rings	95-92	FP-PK2575	1.00MM	8 MM Top Ring Land
6	Piston w/Pin, Retainer, Rings	95-92	FP-PK2575	1.00MM	8 MM Top Ring Land
6	Pin	95-92	FP-3934047		
6	Pin	95-92	FP-3934048		
6	Pin	95-92	FP-3934048		Early; Also for late model pistons 3903579, 3903656 and 3903655.
6	Pin	95-92	FP-3934047		Late; Except for pistons 3903579, 3903656 and 3903655.
6	Piston Pin Retainer	95-92	FP-3920691		
6	Piston Pin Retainer	95-92	FP-3920691		
6	Piston Cooling Nozzle	95-92	FP-3937214		
6	Piston Cooling Nozzle	95-92	FP-3930139 +		When depleted use FP-3937214
6	Pin Bushing	95-92	FP-3901085		

QTY	CONNECTING RODS & BRGS.	YEARS	PART NO.	SIZE	DESCRIPTION
1	Rod Set	95-92	6-4205CP	Std-.25-.50-.75MM	
6	Rod Pair	95-92	4205CP	Std-.25-.50-.75MM	
12	Rod Bearing Half Upper/Lower	95-92	FP-3939859	STD	
12	Rod Bearing Half Upper/Lower	95-92	FP-3901171	.25MM	
12	Rod Bearing Half Upper/Lower	95-92	FP-3901172	.50MM	
12	Rod Bearing Half Upper/Lower	95-92	FP-3901173	.75MM	
12	Rod Bearing Half Upper/Lower	95-92	FP-3901174	1.00MM	

QTY	PISTON RINGS	YEARS	PART NO.	SIZE	DESCRIPTION
6	Ring Set Single Cylinder	95-92	FP-3802421	STD	
6	Ring Set Single Cylinder	95-92	FP-3802421	STD	
6	Ring Set Single Cylinder	95-92	FP-3802750	STD	
6	Ring Set Single Cylinder	95-92	FP-3802042	.50MM	
6	Ring Set Single Cylinder	95-92	FP-3802232	.50MM	
6	Ring Set Single Cylinder	95-92	FP-3802232	.50MM	
6	Ring Set Single Cylinder	95-92	FP-3802422	.50MM	
6	Ring Set Single Cylinder	95-92	FP-3802422	.50MM	
6	Ring Set Single Cylinder	95-92	FP-3802863	.50MM	
6	Ring Set Single Cylinder	95-92	FP-3802864	1.00	
6	Ring Set Single Cylinder	95-92	FP-3802044	1.00MM	
6	Ring Set Single Cylinder	95-92	FP-3802234	1.00MM	
6	Ring Set Single Cylinder	95-92	FP-3802234	1.00MM	
6	Ring Set Single Cylinder	95-92	FP-3802423	1.00MM	
6	Ring Set Single Cylinder	95-92	FP-3802423	1.00MM	
6	Ring Set Single Cylinder	95-92	FP-3802750	STD	CPL Numbers 595, 793, 1522, 1889, 1948, 1963, 2063, 2264, 2359, 2479, 2623, 2881, 8085, 8108, 8205 & 8209
6	Ring Set Single Cylinder	95-92	FP-3802863	.50MM	CPL Numbers 595, 793, 1522, 1889, 1948, 1963, 2063, 2264, 2359, 2479, 2623, 2881, 8085, 8108, 8205 & 8209
6	Ring Set Single Cylinder	95-92	FP-3802864	1.00	CPL Numbers 595, 793, 1522, 1889, 1948, 1963, 2063, 2264, 2359, 2479, 2623, 2881, 8085, 8108, 8205 & 8209
6	Ring Set Single Cylinder	95-92	FP-3802040	STD	1-2.40MM, 1-2.36MM, 1-4.00MM (1 cyl. set)
6	Ring Set Single Cylinder	95-92	FP-3802230	STD	1-3.00MM, 1-2.36MM, 1-4.00MM (1 cyl. set)
6	Ring Set Single Cylinder	95-92	FP-3802230	STD	1-3.00MM, 1-2.36MM, 1-4.00MM (1 cyl. set)
6	Premium Set	95-92	E-623KC	Std-.50-1.00MM	1-3.00MM, 1-2.36MM, 1-4.00MM (1 cyl. set)

KITS

QTY	OVERHAUL KIT	YEARS	PART NO.	SIZE	DESCRIPTION
1	Complete Overhaul Kit	95-92	FP-OH6B59T		6BT Engs.
1	Complete Overhaul Kit	95-92	FP-OH6B59TA		6BTA Engs.

3 M/D Truck OM366A, OM366LA Engs.
6.0L 5958cc OHV Turbo-Diesel L6 (12 Valve), 97.5mm Bore 1984-95

ENGINE BLOCK & PARTS

QTY	CAM BEARINGS	YEARS	PART NO.	SIZE	DESCRIPTION
1	Cam Set	95-84	1762M	Std Only	

CRANKSHAFT/OIL PUMP

QTY	MAIN BEARINGS	YEARS	PART NO.	SIZE	DESCRIPTION
1	Main Set	95-84	7387M	Std-.25-.50MM	

(continued on next page)

Mercedes-Benz Truck - M/D & H/D

<i>M/D Truck OM366A, OM366LA Eng. 3</i> 6.0L 5958cc OHV Turbo-Diesel L6 (12 Valve), 97.5mm Bore 1984-95 (cont.)					
CYLINDER COMPONENTS					
QTY	CONNECTING RODS & BRGS.	YEARS	PART NO.	SIZE	DESCRIPTION
1	Rod Set	95-84	6-61915CPA	Std Only	
<i>H/D Truck OM906 Eng. 4</i> 6.4L 6374cc OHV Turbo-Diesel L6 (18 Valve), 102mm Bore					
CYL. HEAD & PARTS					
QTY	GASKETS		PART NO.	SIZE	DESCRIPTION
1	Head Set		FP-9060103720 *		w/Cast Alum. valve cover
1	Head Set		FP-9060105521 *		w/Plastic valve cover
ENGINE BLOCK & PARTS					
QTY	GASKETS		PART NO.	SIZE	DESCRIPTION
1	Oil Pan Gasket		FP-9060140422		
QTY	GASKET SETS		PART NO.	SIZE	DESCRIPTION
1	Gasket Conversion Set		FP-9060104505		
CRANKSHAFT/OIL PUMP					
QTY	MAIN BEARINGS		PART NO.	SIZE	DESCRIPTION
1	Main Set		FP-9060330702	STD	
1	Main Set		FP-9060330801	25MM	
1	Main Set		FP-9060330902	50MM	
CYLINDER COMPONENTS					
QTY	PISTONS		PART NO.	SIZE	DESCRIPTION
6	Piston w/Pin, Retainer, Rings		FP-9060303217	STD	
QTY	CONNECTING RODS & BRGS.		PART NO.	SIZE	DESCRIPTION
1	Rod Set		FP-9060380711	STD	
1	Rod Set		FP-9060380811	25MM	
1	Rod Set		FP-9060380911	50MM	
QTY	PISTON RINGS		PART NO.	SIZE	DESCRIPTION
6	Ring Set Single Cylinder		FP-0030309724 *	STD	
KITS					
QTY	OVERHAUL KIT		PART NO.	SIZE	DESCRIPTION
1	In-Frame Overhaul Kit		FP-IFKOM906		
<i>M/D Truck 6CT8.3 (Turbo), 6CTA8.3 (Turbo-Aftercooled) 5</i> 8.3L 505 OHV Turbo-Diesel L6, 114mm Bore (Cummins Eng.) 1992-95					
CYL. HEAD & PARTS					
QTY	GASKETS	YEARS	PART NO.	SIZE	DESCRIPTION
1	Valve Cover Gasket	95-92	FP-3905449		
1	Head Set	95-92	FP-4025271		Incl. valve stem seals
QTY	HEAD BOLTS	YEARS	PART NO.	SIZE	DESCRIPTION
14	Head Bolt	95-92	FP-3917728		M14 X 2.00 X 160
12	Head Bolt	95-92	FP-3917729		M14 X 2.00 X 80
QTY	MISCELLANEOUS	YEARS	PART NO.	SIZE	DESCRIPTION
12	Adjusting Screw Nut	95-92	FP-203131		3/8" - 24 UNF
QTY	VALVE	YEARS	PART NO.	SIZE	DESCRIPTION
6	Intake	95-92	FP-3924492		
6	Exhaust	95-92	FP-3921444		
6	Exhaust Valve Kit	95-92	FP-3802085		Exh.; Incl. valve and keepers
6	Intake Valve Kit	95-92	FP-3802463		Int.; Incl. valve and keepers
24	Keeper	95-92	FP-3901177		Exh. & Int.
QTY	VALVE SEAT	YEARS	PART NO.	SIZE	DESCRIPTION
6	Exh.	95-92	FP-3929005		
6	Int.	95-92	FP-3924582		
QTY	VALVE GUIDE	YEARS	PART NO.	SIZE	DESCRIPTION
12	Guide	95-92	FP-3923564		
QTY	VALVE SPRING	YEARS	PART NO.	SIZE	DESCRIPTION
6	Spring	95-92	FP-3916588		Exh.; 3.0500" Free Height
6	Spring	95-92	FP-3906412		Int.; 2.6000" Free Height

(continued on next page)

Mercedes-Benz Truck - M/D & H/D

5 M/D Truck 6CT8.3 (Turbo), 6CTA8.3 (Turbo-Aftercooled)
(cont.) 8.3L 505 OHV Turbo-Diesel L6, 114mm Bore (Cummins Eng.) 1992-95

CYL. HEAD & PARTS (cont.)					
QTY	VALVE MISC.	YEARS	PART NO.	SIZE	DESCRIPTION
1	Oil Filler Cap Gasket	95-92	FP-3902466		
QTY	VALVE SEAL	YEARS	PART NO.	SIZE	DESCRIPTION
12	Valve Stem Seal	95-92	FP-3927642		Exh. & Int.
QTY	ROCKER PARTS	YEARS	PART NO.	SIZE	DESCRIPTION
6	Rocker Shaft	95-92	FP-3919435		
2	Expansion Plug	95-92	FP-3907555		Rocker Lever
6	O-Ring	95-92	FP-3910824		Rocker Lever Cover Screw
12	Support, Rocker Lever	95-92	FP-3905870		
12	Rocker Lever Exhaust	95-92	FP-3901717		
6	Clamp	95-92	FP-3901693		Rocker Lever
12	Snap Ring	95-92	FP-3901764		Rocker Lever
INT & EXH MANIFOLDS					
QTY	INT. & EXH. MANIFOLDS	YEARS	PART NO.	SIZE	DESCRIPTION
6	Exhaust Manifold Gasket	95-92	FP-3932063		
1	Intake Manifold Gasket	95-92	FP-3936993		
CAMSHAFT GROUP					
QTY	TIMING COVER	YEARS	PART NO.	SIZE	DESCRIPTION
1	Oil Filler Cap	95-92	FP-101322		2"
QTY	CAMSHAFT/LIFTER	YEARS	PART NO.	SIZE	DESCRIPTION
1	Camshaft	95-92	FP-3923478		
12	Lifter	95-92	FP-3931623		
FUEL SYSTEM & PARTS					
QTY	FUEL INJECTION	YEARS	PART NO.	SIZE	DESCRIPTION
1	Injector Tube	95-92	FP-3906783		No. 1 Cylinder
1	Injector Tube	95-92	FP-3906784		No. 2 Cylinder
1	Injector Tube	95-92	FP-3906785		No. 3 Cylinder
1	Injector Tube	95-92	FP-3910521		No. 4 Cylinder
1	Injector Tube	95-92	FP-3906788		No. 5 Cylinder
6	Copper Washer	95-92	FP-3906659		
6	Fuel Line Connector	95-92	FP-3903380		Fuel Manifold
QTY	FUEL FILTERS & PUMP	YEARS	PART NO.	SIZE	DESCRIPTION
1	Fuel Transfer Pump	95-92	FP-4944714		108.1 - 230.9 LPH; 1/4 x 18 NPTF Fuel Inlet
1	Fuel Transfer Pump	95-92	FP-4944712		117 - 229.9 LPH; 1/4 x 18 NPTF Fuel Inlet
1	Fuel Transfer Pump	95-92	FP-4944713		144.7 - 201.2 LPH; 1/4 x 18 NPTF Fuel Inlet
1	Fuel Transfer Pump	95-92	FP-4944710		183 - 229 LPH; 1/2 x 14 NPTF Fuel Inlet
1	Fuel Transfer Pump	95-92	FP-4944711		187.4 - 304.2 LPH; 1/4 x 18 NPTF Fuel Inlet
1	Cover Plate Gasket	95-92	FP-3931348		Fuel Transfer Pump Mounting
1	Cover Plate Gasket	95-92	FP-3939258		Fuel Transfer Pump Mounting
2	Washer	95-92	FP-3918191		Sealing; Fuel Filter
2	Washer	95-92	FP-3918192		Sealing; Fuel Inlet Tube
1	Fuel Shutdown Solenoid	95-92	FP-3921978		12V
QTY	TURBOCHARGER	YEARS	PART NO.	SIZE	DESCRIPTION
1	Turbocharger Mounting Gasket	95-92	FP-3911941		
1	Turbocharger Oil Drain Gasket	95-92	FP-3914388		
COOLING SYSTEM					
QTY	WATER PUMP	YEARS	PART NO.	SIZE	DESCRIPTION
1	Ball Brg.	95-92	FP-3910739		Fan Drive
1	O-Ring	95-92	FP-3902089		Water Pump Mounting
QTY	THERMOSTAT	YEARS	PART NO.	SIZE	DESCRIPTION
2	Thermostat	95-92	FP-3928639		180 Deg. F
1	Thermostat Gasket	95-92	FP-3914310		Thermostat Housing
ENGINE BLOCK & PARTS					
QTY	GASKETS	YEARS	PART NO.	SIZE	DESCRIPTION
1	Oil Pan Gasket	95-92	FP-3914017 +		When depleted use FP-3938160
1	Washer	95-92	FP-3902425		Sealing; Oil Pan Plug
1	Washer	95-92	FP-3920773		Sealing; Oil Pan Plug
1	Cover Plate Gasket	95-92	FP-3908096		Bell Housing
1	Gear Cover Gasket	95-92	FP-3917780		
1	Gear Housing Gasket	95-92	FP-3281721		
QTY	GASKET SETS	YEARS	PART NO.	SIZE	DESCRIPTION
1	Gasket Conversion Set	95-92	FP-3802389		

(continued on next page)

Mercedes-Benz Truck - M/D & H/D

M/D Truck 6CT8.3 (Turbo), 6CTA8.3 (Turbo-Aftercooled) 5
8.3L 505 OHV Turbo-Diesel L6, 114mm Bore (Cummins Eng.) 1992-95 (cont.)

ENGINE BLOCK & PARTS (cont.)					
QTY	CAM BEARINGS	YEARS	PART NO.	SIZE	DESCRIPTION
7	Cam Brg.	95-92	FP-3945329	STD	
QTY	OIL COOLERS & FILTERS	YEARS	PART NO.	SIZE	DESCRIPTION
1	Oil Cooler	95-92	FP-3974815		
1	Oil Cooler	95-92	FP-3974815		
1	Oil Press. Reg. Low Pressure	95-92	FP-3945967		
1	Oil Cooler Gasket	95-92	FP-3914308		Core Mounting
1	Oil Cooler Core Inner Gasket	95-92	FP-3918174		Core
1	Oil Cooler Core Outer Gasket	95-92	FP-3918332		Core Cover
QTY	FREEZE PLUGS	YEARS	PART NO.	SIZE	DESCRIPTION
1	Expansion Plug	95-92	FP-3901969		
CRANKSHAFT/OIL PUMP					
QTY	SEALS - FRONT CRANK	YEARS	PART NO.	SIZE	DESCRIPTION
1	Oil Seal	95-92	FP-3353977		Front
1	Oil Seal Kit	95-92	FP-3925343		Front
1	Redi-Sleeve	95-92	99294		
1	Oil Seal	95-92	39804		
QTY	SEALS - REAR CRANK	YEARS	PART NO.	SIZE	DESCRIPTION
1	Oil Seal	95-92	FP-3909410		Rear; Dry
1	Oil Seal	95-92	39805		
1	Oil Seal Kit	95-92	FP-3926126		
1	Redi-Sleeve	95-92	FP-3906081		Rear
1	Redi-Sleeve	95-92	99494		
1	Rear Cover Gasket	95-92	FP-3914301		Rear
1	Rear Cover Gasket	95-92	FP-3939353		Rear
1	Rect. or Square Seal	95-92	FP-3912473		Rear
QTY	MAIN BEARINGS	YEARS	PART NO.	SIZE	DESCRIPTION
1	Main Set	95-92	FP-3802211	.25MM	
1	Main Set	95-92	FP-3802212	.50MM	
1	Main Set	95-92	FP-3802210	STD	Wide style, 33.85 - 34.10MM
QTY	OIL PUMP	YEARS	PART NO.	SIZE	DESCRIPTION
1	Oil Pump	95-92	FP-3948071		
1	Oil Pump	95-92	FP-3800828		Includes Pressure Regulator
1	Oil Suction Tube Gasket	95-92	FP-3914302		
CYLINDER COMPONENTS					
QTY	LINERS	YEARS	PART NO.	SIZE	DESCRIPTION
6	Liner w/o Sealing Rings	95-92	FP-3907792		To be used with early standard cylinder block # FP-3802265 prior to 1991.
6	Liner w/o Sealing Rings	95-92	FP-3948095		To be used with late thick-walled cylinder block # FP-3934899 Effective 1/05/98. This liner is 3mm shorter than previous liners. Refer to Cummins Service Topics 99T1-3.
6	Liner w/o Sealing Rings	95-92	FP-3919937		To be used with late thick-walled cylinder block # FP-3928962 1991 thru 1/04/98.
6	Liner w/Sealing Rings	95-92	FP-3802370		Early; Prior to 1991
6	Liner w/Sealing Rings	95-92	FP-3802407		1991 thru 1/04/98; Thick-Walled Block
6	Cylinder Kit Complete	95-92	FP-LK92477792		To be used with early standard cylinder block # FP-3802265 prior to 1991.
6	Cylinder Kit Complete	95-92	FP-3802388		To be used with early standard cylinder block # FP-3802265 prior to 1991.
6	Cylinder Kit Complete	95-92	FP-3802401		To be used with early standard cylinder block # FP-3802265 prior to 1991.
6	Cylinder Kit Complete	95-92	FP-3934586		To be used with late thick-walled cylinder block # FP-3934899 Effective 1/05/98. This liner is 3mm shorter than previous liners. Refer to Cummins Service Topics 99T1-3.
6	Cylinder Kit Complete	95-92	FP-3934588		To be used with late thick-walled cylinder block # FP-3934899 Effective 1/05/98. This liner is 3mm shorter than previous liners. Refer to Cummins Service Topics 99T1-3.
6	Cylinder Kit Complete	95-92	FP-LK92479937		To be used with late thick-walled cylinder block # FP-3928962 1991 thru 1/04/98.
6	Cylinder Kit Complete	95-92	FP-3802406		To be used with late thick-walled cylinder block # FP-3928962 1991 thru 1/04/98.
6	Cylinder Kit Complete	95-92	FP-3802609		To be used with late thick-walled cylinder block # FP-3928962 1991 thru 1/04/98.
6	Cylinder Kit Complete	95-92	FP-3802811		To be used with late thick-walled cylinder block # FP-3928962 1991 thru 1/04/98.

(continued on next page)

Mercedes-Benz Truck - M/D & H/D

5 M/D Truck 6CT8.3 (Turbo), 6CTA8.3 (Turbo-Aftercooled)
 (cont.) 8.3L 505 OHV Turbo-Diesel L6, 114mm Bore (Cummins Eng.) 1992-95

CYLINDER COMPONENTS (cont.)

QTY	LINERS (cont.)	YEARS	PART NO.	SIZE	DESCRIPTION
6	Cylinder Kit Complete	95-92	FP-3802610		To be used with late thick-walled cylinder block # FP-3928962 1991 thru 1/04/98.; B Grade piston; Anodized crown & combustion bowl
6	Sealing Ring, Liner	95-92	FP-3907177		
QTY	PISTONS	YEARS	PART NO.	SIZE	DESCRIPTION
6	Piston Body w/o Pin	95-92	FP-3929161		
6	Piston Body w/o Pin	95-92	FP-3925878		A Grade; Anodized crown & combustion bowl
6	Piston Body w/o Pin	95-92	FP-3925879		B Grade; Anodized crown & combustion bowl
6	Piston Body w/o Pin	95-92	FP-3919247		Charge-Air-Cooled; Europe Appl.
6	Piston Body w/o Pin	95-92	FP-3917707		Charge-Air-Cooled; U.S.A. Appl.
6	Piston Body w/o Pin	95-92	FP-3923164		Engine Coolant Aftercooled; U.S.A. Appl.
6	Piston Kit w/Pin & Retainers	95-92	FP-3917707WP		
6	Piston Kit w/Pin & Retainers	95-92	FP-3919247WP		
6	Piston Kit w/Pin & Retainers	95-92	FP-3923164WP		
6	Piston Kit w/Pin & Retainers	95-92	FP-3925878WP		
6	Piston Kit w/Pin & Retainers	95-92	FP-3925879WP		
6	Piston Kit w/Pin & Retainers	95-92	FP-3929161WP		
6	Piston w/Retainer & Rings	95-92	FP-3802263		
6	Piston w/Retainer & Rings	95-92	FP-3802344		
6	Piston w/Retainer & Rings	95-92	FP-3802398		
6	Piston w/Retainer & Rings	95-92	FP-3802657		
6	Piston w/Retainer & Rings	95-92	FP-3802601		A Grade; Anodized crown & combustion bowl
6	Piston w/Retainer & Rings	95-92	FP-3802602		B Grade; Anodized crown & combustion bowl
6	Piston w/Pin, Retainer, Rings	95-92	FP-PK3164		
6	Piston w/Pin, Retainer, Rings	95-92	FP-PK7707		
6	Piston w/Pin, Retainer, Rings	95-92	FP-PK9161		
6	Piston w/Pin, Retainer, Rings	95-92	FP-PK9247		
6	Piston w/Pin, Retainer, Rings	95-92	FP-PK5878		A Grade; Anodized crown & combustion bowl
6	Piston w/Pin, Retainer, Rings	95-92	FP-PK5879		B Grade; Anodized crown & combustion bowl
6	Pin	95-92	FP-3934046		
6	Piston Cooling Nozzle	95-92	FP-3905928		Early; < 91C
12	Piston Cooling Nozzle	95-92	FP-3928031		Thick-Walled Block; Late; 91C>
6	Pin Bushing	95-92	FP-3913990		
QTY	CONNECTING RODS & BRGS.	YEARS	PART NO.	SIZE	DESCRIPTION
6	Rod Bearing Half Upper/Lower	95-92	FP-3901430	STD	
6	Rod Bearing Half Upper/Lower	95-92	FP-3901431	.25MM	
6	Rod Bearing Half Upper/Lower	95-92	FP-3901432	.50MM	
6	Rod Bearing Half Upper/Lower	95-92	FP-3901433	.75MM	
6	Rod Bearing Half Upper/Lower	95-92	FP-3901434	1.00MM	
QTY	PISTON RINGS	YEARS	PART NO.	SIZE	DESCRIPTION
6	Ring Set Single Cylinder	95-92	FP-3802429		
KITS					
QTY	OVERHAUL KIT	YEARS	PART NO.	SIZE	DESCRIPTION
1	In-Frame Overhaul Kit	95-92	FP-6C83PREM		Premium; With Upper Gasket Set & Pan Gasket
1	Complete Overhaul Kit	95-92	FP-6C83PREMOH		Premium; With Front & Rear Seals and Upper & Lower Gasket Sets

6 H/D Truck 6CT8.3 (Turbo), 6CTA8.3 (Turbo-Aftercooled)
 8.3L 505 OHV Turbo-Diesel L6, 114mm Bore (Cummins Eng.) 1989-93

CYL. HEAD & PARTS

QTY	GASKETS	YEARS	PART NO.	SIZE	DESCRIPTION
1	Valve Cover Gasket	93-89	FP-3905449		
1	Head Set	93-89	FP-4025271		Incl. valve stem seals
QTY	HEAD BOLTS	YEARS	PART NO.	SIZE	DESCRIPTION
14	Head Bolt	93-89	FP-3917728		M14 X 2.00 X 160
12	Head Bolt	93-89	FP-3917729		M14 X 2.00 X 80
QTY	MISCELLANEOUS	YEARS	PART NO.	SIZE	DESCRIPTION
12	Adjusting Screw Nut	93-89	FP-203131		3/8" - 24 UNF
QTY	VALVE	YEARS	PART NO.	SIZE	DESCRIPTION
6	Intake	93-89	FP-3924492		
6	Exhaust	93-89	FP-3921444		
6	Exhaust Valve Kit	93-89	FP-3802085		Exh.; Incl. valve and keepers
6	Intake Valve Kit	93-89	FP-3802463		Int.; Incl. valve and keepers
24	Keeper	93-89	FP-3901177		Exh. & Int.

(continued on next page)

Mercedes-Benz Truck - M/D & H/D

H/D Truck 6CT8.3 (Turbo), 6CTA8.3 (Turbo-Aftercooled) 6
8.3L 505 OHV Turbo-Diesel L6, 114mm Bore (Cummins Eng.) 1989-93 (cont.)

CYL. HEAD & PARTS (cont.)					
QTY	VALVE SEAT	YEARS	PART NO.	SIZE	DESCRIPTION
6	Exh.	93-89	FP-3929005		
6	Int.	93-89	FP-3924582		
QTY	VALVE GUIDE	YEARS	PART NO.	SIZE	DESCRIPTION
12	Guide	93-89	FP-3923564		
QTY	VALVE SPRING	YEARS	PART NO.	SIZE	DESCRIPTION
6	Spring	93-89	FP-3916588		Exh.; 3.0500" Free Height
6	Spring	93-89	FP-3906412		Int.; 2.6000" Free Height
QTY	VALVE MISC.	YEARS	PART NO.	SIZE	DESCRIPTION
1	Oil Filler Cap Gasket	93-89	FP-3902466		
QTY	VALVE SEAL	YEARS	PART NO.	SIZE	DESCRIPTION
12	Valve Stem Seal	93-89	FP-3927642		Exh. & Int.
QTY	ROCKER PARTS	YEARS	PART NO.	SIZE	DESCRIPTION
6	Rocker Shaft	93-89	FP-3919435		
2	Expansion Plug	93-89	FP-3907555		Rocker Lever
6	O-Ring	93-89	FP-3910824		Rocker Lever Cover Screw
12	Support, Rocker Lever	93-89	FP-3905870		
12	Rocker Lever Exhaust	93-89	FP-3901717		
6	Clamp	93-89	FP-3901693		Rocker Lever
12	Snap Ring	93-89	FP-3901764		Rocker Lever
INT & EXH MANIFOLDS					
QTY	INT. & EXH. MANIFOLDS	YEARS	PART NO.	SIZE	DESCRIPTION
6	Exhaust Manifold Gasket	93-89	FP-3932063		
1	Intake Manifold Gasket	93-89	FP-3936993		
CAMSHAFT GROUP					
QTY	TIMING COVER	YEARS	PART NO.	SIZE	DESCRIPTION
1	Oil Filler Cap	93-89	FP-101322		2"
QTY	CAMSHAFT/LIFTER	YEARS	PART NO.	SIZE	DESCRIPTION
1	Camshaft	93-89	FP-3923478		
12	Lifter	93-89	FP-3931623		
FUEL SYSTEM & PARTS					
QTY	FUEL INJECTION	YEARS	PART NO.	SIZE	DESCRIPTION
1	Injector Tube	93-89	FP-3906783		No. 1 Cylinder
1	Injector Tube	93-89	FP-3906784		No. 2 Cylinder
1	Injector Tube	93-89	FP-3906785		No. 3 Cylinder
1	Injector Tube	93-89	FP-3910521		No. 4 Cylinder
1	Injector Tube	93-89	FP-3906788		No. 5 Cylinder
6	Copper Washer	93-89	FP-3906659		
6	Fuel Line Connector	93-89	FP-3903380		Fuel Manifold
QTY	FUEL FILTERS & PUMP	YEARS	PART NO.	SIZE	DESCRIPTION
1	Fuel Transfer Pump	93-89	FP-4944714		108.1 - 230.9 LPH; 1/4 x 18 NPTF Fuel Inlet
1	Fuel Transfer Pump	93-89	FP-4944712		117 - 229.9 LPH; 1/4 x 18 NPTF Fuel Inlet
1	Fuel Transfer Pump	93-89	FP-4944713		144.7 - 201.2 LPH; 1/4 x 18 NPTF Fuel Inlet
1	Fuel Transfer Pump	93-89	FP-4944710		183 - 229 LPH; 1/2 x 14 NPTF Fuel Inlet
1	Fuel Transfer Pump	93-89	FP-4944711		187.4 - 304.2 LPH; 1/4 x 18 NPTF Fuel Inlet
1	Cover Plate Gasket	93-89	FP-3931348		Fuel Transfer Pump Mounting
1	Cover Plate Gasket	93-89	FP-3939258		Fuel Transfer Pump Mounting
2	Washer	93-89	FP-3918191		Sealing; Fuel Filter
2	Washer	93-89	FP-3918192		Sealing; Fuel Inlet Tube
1	Fuel Shutdown Solenoid	93-89	FP-3921978		12V
QTY	TURBOCHARGER	YEARS	PART NO.	SIZE	DESCRIPTION
1	Turbocharger Mounting Gasket	93-89	FP-3911941		
1	Turbocharger Oil Drain Gasket	93-89	FP-3914388		
COOLING SYSTEM					
QTY	WATER PUMP	YEARS	PART NO.	SIZE	DESCRIPTION
1	Ball Brg.	93-89	FP-3910739		Fan Drive
1	O-Ring	93-89	FP-3902089		Water Pump Mounting
QTY	THERMOSTAT	YEARS	PART NO.	SIZE	DESCRIPTION
2	Thermostat	93-89	FP-3928639		180 Deg. F
1	Thermostat Gasket	93-89	FP-3914310		Thermostat Housing

(continued on next page)

Mercedes-Benz Truck - M/D & H/D

6 H/D Truck 6CT8.3 (Turbo), 6CTA8.3 (Turbo-Aftercooled)
 (cont.) 8.3L 505 OHV Turbo-Diesel L6, 114mm Bore (Cummins Eng.) 1989-93

ENGINE BLOCK & PARTS					
QTY	GASKETS	YEARS	PART NO.	SIZE	DESCRIPTION
1	Oil Pan Gasket	93-89	FP-3914017 +		When depleted use FP-3938160
1	Washer	93-89	FP-3902425		Sealing; Oil Pan Plug
1	Washer	93-89	FP-3920773		Sealing; Oil Pan Plug
1	Cover Plate Gasket	93-89	FP-3908096		Bell Housing
1	Gear Cover Gasket	93-89	FP-3917780		
1	Gear Housing Gasket	93-89	FP-3281721		
QTY	GASKET SETS	YEARS	PART NO.	SIZE	DESCRIPTION
1	Gasket Conversion Set	93-89	FP-3802389		
QTY	CAM BEARINGS	YEARS	PART NO.	SIZE	DESCRIPTION
7	Cam Brg.	93-89	FP-3945329	STD	
QTY	OIL COOLERS & FILTERS	YEARS	PART NO.	SIZE	DESCRIPTION
1	Oil Cooler	93-89	FP-3974815		
1	Oil Cooler	93-89	FP-3974815		
1	Oil Press. Reg. Low Pressure	93-89	FP-3945967		
1	Oil Cooler Gasket	93-89	FP-3914308		Core Mounting
1	Oil Cooler Core Inner Gasket	93-89	FP-3918174		Core
1	Oil Cooler Core Outer Gasket	93-89	FP-3918332		Core Cover
QTY	FREEZE PLUGS	YEARS	PART NO.	SIZE	DESCRIPTION
1	Expansion Plug	93-89	FP-3901969		
CRANKSHAFT/OIL PUMP					
QTY	SEALS - FRONT CRANK	YEARS	PART NO.	SIZE	DESCRIPTION
1	Oil Seal	93-89	FP-3353977		Front
1	Oil Seal Kit	93-89	FP-3925343		Front
1	Redi-Sleeve	93-89	99248		
1	Oil Seal	93-89	39803		
QTY	SEALS - REAR CRANK	YEARS	PART NO.	SIZE	DESCRIPTION
1	Oil Seal	93-89	FP-3909410		Rear; Dry
1	Oil Seal	93-89	39805		
1	Oil Seal Kit	93-89	FP-3926126		
1	Redi-Sleeve	93-89	FP-3906081		Rear
1	Redi-Sleeve	93-89	99494		
1	Rear Cover Gasket	93-89	FP-3914301		Rear
1	Rear Cover Gasket	93-89	FP-3939353		Rear
1	Rect. or Square Seal	93-89	FP-3912473		Rear
QTY	MAIN BEARINGS	YEARS	PART NO.	SIZE	DESCRIPTION
1	Main Set	93-89	FP-3802211	.25MM	
1	Main Set	93-89	FP-3802212	.50MM	
1	Main Set	93-89	FP-3802210	STD	Wide style, 33.85 - 34.10MM
QTY	OIL PUMP	YEARS	PART NO.	SIZE	DESCRIPTION
1	Oil Pump	93-89	FP-3948071		
1	Oil Pump	93-89	FP-3800828		Includes Pressure Regulator
1	Oil Suction Tube Gasket	93-89	FP-3914302		
CYLINDER COMPONENTS					
QTY	LINERS	YEARS	PART NO.	SIZE	DESCRIPTION
6	Liner w/o Sealing Rings	93-89	FP-3907792		To be used with early standard cylinder block # FP-3802265 prior to 1991.
6	Liner w/o Sealing Rings	93-89	FP-3948095		To be used with late thick-walled cylinder block # FP-3934899 Effective 1/05/98. This liner is 3mm shorter than previous liners. Refer to Cummins Service Topics 99T1-3.
6	Liner w/o Sealing Rings	93-89	FP-3919937		To be used with late thick-walled cylinder block # FP-3928962 1991 thru 1/04/98.
6	Liner w/Sealing Rings	93-89	FP-3802370		Early; Prior to 1991
6	Liner w/Sealing Rings	93-89	FP-3802407		1991 thru 1/04/98; Thick-Walled Block
6	Cylinder Kit Complete	93-89	FP-LK92477792		To be used with early standard cylinder block # FP-3802265 prior to 1991.
6	Cylinder Kit Complete	93-89	FP-3802388		To be used with early standard cylinder block # FP-3802265 prior to 1991.
6	Cylinder Kit Complete	93-89	FP-3802401		To be used with early standard cylinder block # FP-3802265 prior to 1991.
6	Cylinder Kit Complete	93-89	FP-3934586		To be used with late thick-walled cylinder block # FP-3934899 Effective 1/05/98. This liner is 3mm shorter than previous liners. Refer to Cummins Service Topics 99T1-3.
6	Cylinder Kit Complete	93-89	FP-3934588		To be used with late thick-walled cylinder block # FP-3934899 Effective 1/05/98. This liner is 3mm shorter than previous liners. Refer to Cummins Service Topics 99T1-3.

(continued on next page)

Mercedes-Benz Truck - M/D & H/D

H/D Truck 6CT8.3 (Turbo), 6CTA8.3 (Turbo-Aftercooled) 6
8.3L 505 OHV Turbo-Diesel L6, 114mm Bore (Cummins Eng.) 1989-93 (cont.)

CYLINDER COMPONENTS (cont.)

QTY	LINERS (cont.)	YEARS	PART NO.	SIZE	DESCRIPTION
6	Cylinder Kit Complete	93-89	FP-LK92479937		To be used with late thick-walled cylinder block # FP-3928962 1991 thru 1/04/98.
6	Cylinder Kit Complete	93-89	FP-3802406		To be used with late thick-walled cylinder block # FP-3928962 1991 thru 1/04/98.
6	Cylinder Kit Complete	93-89	FP-3802609		To be used with late thick-walled cylinder block # FP-3928962 1991 thru 1/04/98.
6	Cylinder Kit Complete	93-89	FP-3802811		To be used with late thick-walled cylinder block # FP-3928962 1991 thru 1/04/98.
6	Cylinder Kit Complete	93-89	FP-3802610		To be used with late thick-walled cylinder block # FP-3928962 1991 thru 1/04/98.; B Grade piston; Anodized crown & combustion bowl
6	Sealing Ring, Liner	93-89	FP-3907177		
QTY	PISTONS	YEARS	PART NO.	SIZE	DESCRIPTION
6	Piston Body w/o Pin	93-89	FP-3929161		
6	Piston Body w/o Pin	93-89	FP-3925878		A Grade; Anodized crown & combustion bowl
6	Piston Body w/o Pin	93-89	FP-3925879		B Grade; Anodized crown & combustion bowl
6	Piston Body w/o Pin	93-89	FP-3919247		Charge-Air-Cooled; Europe Appl.
6	Piston Body w/o Pin	93-89	FP-3917707		Charge-Air-Cooled; U.S.A. Appl.
6	Piston Body w/o Pin	93-89	FP-3923164		Engine Coolant Aftercooled; U.S.A. Appl.
6	Piston Kit w/Pin & Retainers	93-89	FP-3917707WP		
6	Piston Kit w/Pin & Retainers	93-89	FP-3919247WP		
6	Piston Kit w/Pin & Retainers	93-89	FP-3923164WP		
6	Piston Kit w/Pin & Retainers	93-89	FP-3925878WP		
6	Piston Kit w/Pin & Retainers	93-89	FP-3925879WP		
6	Piston Kit w/Pin & Retainers	93-89	FP-3929161WP		
6	Piston w/Retainer & Rings	93-89	FP-3802263		
6	Piston w/Retainer & Rings	93-89	FP-3802344		
6	Piston w/Retainer & Rings	93-89	FP-3802398		
6	Piston w/Retainer & Rings	93-89	FP-3802657		
6	Piston w/Retainer & Rings	93-89	FP-3802601		A Grade; Anodized crown & combustion bowl
6	Piston w/Retainer & Rings	93-89	FP-3802602		B Grade; Anodized crown & combustion bowl
6	Piston w/Pin, Retainer, Rings	93-89	FP-PK3164		
6	Piston w/Pin, Retainer, Rings	93-89	FP-PK7707		
6	Piston w/Pin, Retainer, Rings	93-89	FP-PK9161		
6	Piston w/Pin, Retainer, Rings	93-89	FP-PK9247		
6	Piston w/Pin, Retainer, Rings	93-89	FP-PK5878		A Grade; Anodized crown & combustion bowl
6	Piston w/Pin, Retainer, Rings	93-89	FP-PK5879		B Grade; Anodized crown & combustion bowl
6	Pin	93-89	FP-3934046		
6	Piston Cooling Nozzle	93-89	FP-3905928		Early; < 91C
12	Piston Cooling Nozzle	93-89	FP-3928031		Thick-Walled Block; Late; 91C>
6	Pin Bushing	93-89	FP-3913990		
QTY	CONNECTING RODS & BRGS.	YEARS	PART NO.	SIZE	DESCRIPTION
6	Rod Bearing Half Upper/Lower	93-89	FP-3901430	STD	
6	Rod Bearing Half Upper/Lower	93-89	FP-3901431	.25MM	
6	Rod Bearing Half Upper/Lower	93-89	FP-3901432	.50MM	
6	Rod Bearing Half Upper/Lower	93-89	FP-3901433	.75MM	
6	Rod Bearing Half Upper/Lower	93-89	FP-3901434	1.00MM	
QTY	PISTON RINGS	YEARS	PART NO.	SIZE	DESCRIPTION
6	Ring Set Single Cylinder	93-89	FP-3802429		
KITS					
QTY	OVERHAUL KIT	YEARS	PART NO.	SIZE	DESCRIPTION
1	In-Frame Overhaul Kit	93-89	FP-6C83PREM		Premium; With Upper Gasket Set & Pan Gasket
1	Complete Overhaul Kit	93-89	FP-6C83PREMOH		Premium; With Front & Rear Seals and Upper & Lower Gasket Sets
H/D Truck L10 (4-Valve Cyl. Head) 7					
10.0L 611 OHV Turbo-Diesel L6, 125mm Bore (Cummins Eng.) 1981-93					
CYL. HEAD & PARTS					
QTY	GASKETS	YEARS	PART NO.	SIZE	DESCRIPTION
1	Valve Cover Gasket	93-81	FP-3883220		
1	Head Gasket	93-81	FP-4022500		
1	Head Set	93-81	FP-4025155		Upper
QTY	MISCELLANEOUS	YEARS	PART NO.	SIZE	DESCRIPTION
3	Bolt	93-81	FP-4022907		L10; 14MM X 1.50MM X 70MM

(continued on next page)

Mercedes-Benz Truck - M/D & H/D

7 H/D Truck L10 (4-Valve Cyl. Head)

(cont.) 10.0L 611 OHV Turbo-Diesel L6, 125mm Bore (Cummins Eng.) 1981-93

CYL. HEAD & PARTS (cont.)

QTY	VALVE	YEARS	PART NO.	SIZE	DESCRIPTION
12	Exhaust Valve Kit	93-81	FP-3803996		Incl. FP-3417713 valve & (2) FP-3275354 keepers; 1.6730" Head Dia., .3789" Stem Dia., 6.940" O.A.L.
12	Exhaust Valve Kit	93-81	FP-3800639		Incl. FP-3418021 valve & (2) FP-3275354 keepers
12	Exhaust Valve Kit	93-81	FP-3803995		Incl. FP-3895477 valve & (2) FP-3275354 keepers
12	Intake Valve Kit	93-81	FP-3801356		Incl. FP-3033234 valve & (2) FP-3275354 keepers
12	Intake Valve Kit	93-81	FP-3800638		Incl. FP-3418020 valve & (2) FP-3275354 keepers;
QTY	VALVE SEAT	YEARS	PART NO.	SIZE	DESCRIPTION
24	Exh. & Int.	93-81	FP-3418040	STD	1.8120" OD, 1.4500" ID, .1970" Depth
24	Exh. & Int.	93-81	FP-3418044	.25MM	1.8220" OD, 1.4500" ID, .1970" Depth
24	Exh. & Int.	93-81	FP-3418045	.50MM	1.8320" OD, 1.4500" ID, .1970" Depth
24	Exh. & Int.	93-81	FP-3418046	.75MM	1.8420" OD, 1.4500" ID, .1970" Depth
24	Exh. & Int.	93-81	FP-3418047	1.00MM	1.8520" OD, 1.4500" ID, .1970" Depth
QTY	VALVE GUIDE	YEARS	PART NO.	SIZE	DESCRIPTION
24	Guide	93-81	FP-3033314		Exh. & Int.
24	Guide	93-81	FP-3328785		Exh. & Int.; w/Short Guide; .3819" ID, 2.6330" O.A.L.
24	Guide	93-81	FP-3033230		Exh. & Int.; Valve Spring Guide
QTY	VALVE SPRING	YEARS	PART NO.	SIZE	DESCRIPTION
24	Spring	93-81	FP-3895860		Valve Spring Assy.; 4.0670" Free Height
24	Spring	93-81	FP-3033233		Inner
24	Spring	93-81	FP-3033232		Outer
24	Retainer	93-81	FP-3883512		Exh. & Int.
QTY	VALVE SEAL	YEARS	PART NO.	SIZE	DESCRIPTION
24	Valve Stem Seal	93-81	FP-3328781		Exh. & Int.
QTY	ROCKER PARTS	YEARS	PART NO.	SIZE	DESCRIPTION
12	Cam Follower Roller	93-81	FP-3895488		
6	Injector Cam Roller	93-81	FP-3895487		
12	Valve Roller Pin	93-81	FP-3335342		
6	Fuel Injector Roller Pin	93-81	FP-3335341		
INT & EXH MANIFOLDS					
QTY	INT. & EXH. MANIFOLDS	YEARS	PART NO.	SIZE	DESCRIPTION
6	Exhaust Manifold Gasket	93-81	FP-3328948		
CAMSHAFT GROUP					
QTY	TIMING COVER	YEARS	PART NO.	SIZE	DESCRIPTION
1	Oil Filler Cap	93-81	FP-101322		L10; 2"
QTY	CAMSHAFT/LIFTER	YEARS	PART NO.	SIZE	DESCRIPTION
1	Camshaft	93-81	FP-3036117		L10; CPL's 528, 638, 703, 704, 717, 770, 773, 774, 775, 776, 777, 784, 785, 786, 881, 882, 894, 919, 921, 958, 1198, 1234, 1198, 1359, 1414, 1454, 1459, 1660, 1674, 1687, 1695, 1696, 1699, 1849.; Bare
1	Camshaft	93-81	FP-3037523		L10; CPL's 652, 655, 671, 735, 748, 751, 764, 765, 780, 781, 783, 787, 788, 789, 790, 835, 836, 894, 978, 995, 1208, 1429, 1443.; Bare
ACCESSORY DRIVE					
QTY	ACCESSORY DRIVE	YEARS	PART NO.	SIZE	DESCRIPTION
1	Oil Seal	93-81	39875		
1	Redi-Sleeve	93-81	99147		
FUEL SYSTEM & PARTS					
QTY	FUEL INJECTION	YEARS	PART NO.	SIZE	DESCRIPTION
6	Fuel Injector Sleeve	93-81	FP-3070486		L10; Thin
12	Fuel Injector Sleeve	93-81	FP-3070486		Thin
6	Screw	93-81	FP-3018772		L10; PTD Top Stop
6	Screw	93-81	FP-3055742		L10; PTD Top Stop
6	Fuel Injector	93-81	FP-3045102		L10; PTD
6	Fuel Injector Repair Parts	93-81	FP-167157		L10; Check Ball
6	Fuel Injector Valve Spring	93-81	FP-166009		L10
6	Retainer, Fuel Inj. Spring	93-81	FP-3049995		L10; PTD Top Stop
6	Fuel Inj. Plunger & Barrel	93-81	FP-3049996		L10; PTD Top Stop
6	Fuel Inj. Plunger & Barrel	93-81	FP-3069718		L10; STC
1	Fuel Injector Adapter	93-81	FP-3028066		L10; PTD Top Stop
1	Fuel Injector Cup	93-81	FP-3069717		L10; orifice number 8; orifice size 0.007; 14 Deg. spray angle
1	Fuel Injector Cup	93-81	FP-3071564		L10; orifice number 8; orifice size 0.067; 14 Deg. spray angle
1	Fuel Injector Cup	93-81	FP-3028068		L10; orifice number 9; orifice size 0.007; 10 Deg. spray angle
6	Lock Nut	93-81	FP-3009362		L10; PTD Top Stop

(continued on next page)

Mercedes-Benz Truck - M/D & H/D

H/D Truck L10 (4-Valve Cyl. Head) 7
10.0L 611 OHV Turbo-Diesel L6, 125mm Bore (Cummins Eng.) 1981-93 (cont.)

FUEL SYSTEM & PARTS (cont.)					
QTY	FUEL INJECTION (cont.)	YEARS	PART NO.	SIZE	DESCRIPTION
6	Fuel Injector Screen	93-81	FP-3008706		L10
6	Fuel Injector Roller Pin	93-81	FP-203426		L10
6	Fuel Injector Retainer	93-81	FP-185138		L10; PTD Top Stop Injector
QTY	FUEL FILTERS & PUMP	YEARS	PART NO.	SIZE	DESCRIPTION
1	Fuel Pump Valve	93-81	FP-3050624		L10
1	Fuel Pump Valve	93-81	FP-3035342		L10; Shutdown; 12V
1	Fuel Pump Valve	93-81	FP-3035344		L10; Shutdown; 24V
2	Fuel Pump Gear	93-81	FP-119364		L10; 1 1/4"
2	Fuel Pump Gear	93-81	FP-119363		L10; 3/4"
1	Fuel Pump Drive Shaft	93-81	FP-3000266		L10; Fuel Shutoff Valve
1	Fuel Pump Drive Shaft	93-81	FP-212601		L10; Main Shaft; AFC
1	Fuel Pump Drive Shaft	93-81	FP-100215		L10; 3/4"; Drive, Splined
1	Fuel Pump Check Valve	93-81	FP-3030970		L10; Fuel Shutoff Valve
1	Ball Brg.	93-81	FP-S16052		L10; Fuel Pump Front Cover
1	Bushing	93-81	FP-163944		L10; Fuel Pump
1	Fuel Pump Spider Jaw Coupling	93-81	FP-3046200		L10
1	Fuel Pump Check Valve	93-81	FP-3033740		L10
1	Air Fuel Control Check Valve	93-81	FP-3015522		L10
COOLING SYSTEM					
QTY	WATER PUMP	YEARS	PART NO.	SIZE	DESCRIPTION
1	Water Pump - Heavy Duty	93-81	FP-3803403		L10; 3 Hole Mount
1	Water Pump - Heavy Duty	93-81	FP-3803402		L10; 4 Hole Mount
1	Water Pump Shaft	93-81	FP-3040964		L10; For FP-3803402 Pump
1	Water Pump Shaft	93-81	FP-3819632		L10; For FP-3803403 Pump; 4.216" Long
1	Water Pump Impeller	93-81	FP-3035679		L10
1	Water Pump Repair/Rebuild Kit	93-81	FP-4024817		L10; 3 Hole Mount
1	Water Pump Repair/Rebuild Kit	93-81	FP-3801179		L10; 4 Hole Mount
1	Water Pump Retainer Ring	93-81	FP-3064634		L10
1	Water Pump Mech. Shaft Seal	93-81	FP-3029099		L10
1	Ball Brg.	93-81	FP-S16002		L10
1	Ball Brg.	93-81	FP-S16054		L10
1	Oil Seal	93-81	39867		
1	Oil Seal	93-81	39869		PUMP SIDE
1	Redi-Sleeve	93-81	99098		
1	Redi-Sleeve	93-81	99111		PUMP SIDE
1	Snap Ring	93-81	FP-112302		L10
1	Water Pump Idler Assembly	93-81	FP-3062602		L10
1	Water Pump Lock Ring	93-81	FP-160586		L10
QTY	SEALS - FAN HUB	YEARS	PART NO.	SIZE	DESCRIPTION
1	Oil Seal	93-81	39835		INNER
1	Oil Seal	93-81	39877		OUTER
1	Redi-Sleeve	93-81	99181		INNER
QTY	THERMOSTAT	YEARS	PART NO.	SIZE	DESCRIPTION
1	Oil Seal	93-81	39821		
ENGINE BLOCK & PARTS					
QTY	GASKETS	YEARS	PART NO.	SIZE	DESCRIPTION
1	Oil Pan Gasket Set	93-81	FP-3882433PS		Incl. narrow flange pan gasket, with washers and seal rings.
3	Hand Hole Gasket	93-81	FP-3883472		
1	Seal Strip	93-81	FP-4920751		Front Gear Cover
QTY	GASKET SETS	YEARS	PART NO.	SIZE	DESCRIPTION
1	Gasket Conversion Set	93-81	FP-3803404		Lower
QTY	CAM BEARINGS	YEARS	PART NO.	SIZE	DESCRIPTION
1	Cam Set	93-81	FP-3820566S		
QTY	FREEZE PLUGS	YEARS	PART NO.	SIZE	DESCRIPTION
2	Pipe Plug	93-81	FP-3002158		L10
QTY	DIPSTICK	YEARS	PART NO.	SIZE	DESCRIPTION
1	Dipstick	93-81	FP-216484		L10; 90" Long; Blank Universal
QTY	MISCELLANEOUS	YEARS	PART NO.	SIZE	DESCRIPTION
38	Bolt	93-81	FP-4070463		L10; Short, Gear Cover; 8MM X 1.25MM x 12MM
2	Pipe Plug	93-81	FP-3002158		L10
CRANKSHAFT/OIL PUMP					
QTY	CRANKSHAFT	YEARS	PART NO.	SIZE	DESCRIPTION
1	Crankshaft	93-81	FP-3819989		5 Hole, Internal Dampner Only

(continued on next page)

Mercedes-Benz Truck - M/D & H/D

7 H/D Truck L10 (4-Valve Cyl. Head)
 (cont.) 10.0L 611 OHV Turbo-Diesel L6, 125mm Bore (Cummins Eng.) 1981-93

CRANKSHAFT/OIL PUMP (cont.)

QTY	SEALS - FRONT CRANK	YEARS	PART NO.	SIZE	DESCRIPTION
1	Oil Seal	93-81	FP-3803896		Front
1	Oil Seal Kit	93-81	FP-4089995		Front Gear Cover Seal Kit; Incl. Seal Strip, Cover Bolts
1	Oil Seal Kit	93-81	FP-4025151 +		Front Gear Cover Seal Kit; Incl. Seal Strip, Cover Bolts; When depleted use FP-4089995
1	Redi-Sleeve	93-81	FP-3820917		Front
1	Redi-Sleeve	93-81	99351		
1	Oil Seal	93-81	39865		
QTY	SEALS - REAR CRANK	YEARS	PART NO.	SIZE	DESCRIPTION
1	Oil Seal	93-81	39861		
1	Oil Seal Kit	93-81	FP-3800643		Rear; Dry
1	Redi-Sleeve	93-81	FP-3819774		Rear
1	Redi-Sleeve	93-81	99650		
QTY	MAIN BEARINGS	YEARS	PART NO.	SIZE	DESCRIPTION
1	Main Set	93-81	FP-4025125	STD	For engines w/roll pin design thrust washers
1	Main Set	93-81	FP-4025126	10	For engines w/roll pin design thrust washers
1	Main Set	93-81	FP-4025127	20	For engines w/roll pin design thrust washers
1	Main Set	93-81	FP-4025128	30	For engines w/roll pin design thrust washers
1	Thrust Washer Set	93-81	FP-3161653S		
QTY	OIL PUMP	YEARS	PART NO.	SIZE	DESCRIPTION
2	Oil Drain Plug	93-81	FP-3055069		1" - 18 UNS
2	Washer	93-81	FP-67946		Oil Drain Plug Gasket; 1.03125" ID

CYLINDER COMPONENTS

QTY	LINERS	YEARS	PART NO.	SIZE	DESCRIPTION
6	Liner w/o Sealing Rings	93-81	FP-3080760		
6	Liner w/Sealing Rings	93-81	FP-3803703		
6	Cylinder Kit Complete	93-81	FP-3800800	STD	17.0:1 C.R.
6	Cylinder Kit Complete	93-81	FP-3803974	STD	18.1:1 C.R.
6	Sealing Ring, Liner	93-81	FP-3047188		
QTY	PISTONS	YEARS	PART NO.	SIZE	DESCRIPTION
6	Piston Body w/o Pin	93-81	FP-3055622		17.0:1 C.R.
6	Piston Body w/o Pin	93-81	FP-3045907		18.1:1 C.R.
6	Pin	93-81	FP-4083243		
12	Piston Pin Retainer	93-81	FP-3016652		
6	Piston Cooling Nozzle	93-81	FP-3803495		
6	Pin Bushing	93-81	FP-3027105		
QTY	CONNECTING RODS & BRGS.	YEARS	PART NO.	SIZE	DESCRIPTION
1	Rod Set	93-81	FP-63016760PR	STD	
1	Rod Set	93-81	FP-63016761PR	.25MM	
6	Rod Pair	93-81	FP-3016760PR	STD	
6	Rod Pair	93-81	FP-3016761PR	.25MM	
12	Rod Bearing Half Upper/Lower	93-81	FP-3016760	STD	
12	Rod Bearing Half Upper/Lower	93-81	FP-3016761	10	
12	Rod Bearing Half Upper/Lower	93-81	FP-3016762	20	
12	Rod Bearing Half Upper/Lower	93-81	FP-3016763	30	
QTY	PISTON RINGS	YEARS	PART NO.	SIZE	DESCRIPTION
6	Ring Set Single Cylinder	93-81	FP-3803961	STD	Includes Top Ring, Comp Ring, Oil Ring

KITS

QTY	OVERHAUL KIT	YEARS	PART NO.	SIZE	DESCRIPTION
1	In-Frame Overhaul Kit	93-81	FP-L10PREM		LTA10; For engines w/outer dia. tab thrust washers; Premium; With Upper Gasket Set & Pan Gasket
1	In-Frame Overhaul Kit	93-81	FP-L10PREM		LT10; For engines w/outer dia. tab thrust washers; Premium; With Upper Gasket Set & Pan Gasket
1	In-Frame Overhaul Kit	93-81	FP-L10PREM		L10; For engines w/outer dia. tab thrust washers; Premium; With Upper Gasket Set & Pan Gasket
1	Complete Overhaul Kit	93-81	FP-L10PREMOH		L10; For engines w/outer dia. tab thrust washers; Premium; With Front & Rear Seals and Upper & Lower Gasket Sets

8 H/D Truck KT1912, KT-19, KTA-19 Eng.
 18.8L 18884cc (1150) OHV Turbo-Diesel L6, 6.25" Bore (Cummins Eng.) 1981-85

CYL. HEAD & PARTS

QTY	GASKETS	YEARS	PART NO.	SIZE	DESCRIPTION
24	Grommet	85-81	FP-207448		KT-19; Water
6	Rocker Housing Gasket	85-81	FP-3201517		KT-19

(continued on next page)

Mercedes-Benz Truck - M/D & H/D

H/D Truck **KT1912, KT-19, KTA-19 Engs. 8**
18.8L 18884cc (1150) OHV Turbo-Diesel L6, 6.25" Bore (Cummins Eng.) 1981-85 (cont.)

CYL. HEAD & PARTS (cont.)					
QTY	GASKETS (cont.)	YEARS	PART NO.	SIZE	DESCRIPTION
6	Rocker Lever Gasket	85-81	FP-4922219		KT-19
6	Rocker Lever Gasket	85-81	FP-3629140 +		KT-19; When depleted use FP-4922219
1	Head Set	85-81	FP-3803597		KT-19
1	Head Set	85-81	FP-3803596		KT-19; Single Cylinder Head
6	Cam Follower Gasket	85-81	FP-3040721		KT-19; Cover
1	Camshaft Hole Cover Gasket	85-81	FP-3040722		KT-19
QTY	MISCELLANEOUS	YEARS	PART NO.	SIZE	DESCRIPTION
6	Pipe Plug	85-81	FP-S915A		KT-19
1	Pipe Plug	85-81	FP-3002158		KT-19
6	Pipe Plug	85-81	FP-67622		KT-19
18	Adjusting Screw Nut	85-81	FP-S212		KT-19; 1/2" - 20 UNF; Use w/FP-168306
12	Adjusting Screw Nut	85-81	FP-203131		KT-19; 3/8" - 24 UNF
12	Screw	85-81	FP-147389		KT-19; Crosshead; 3/8" - 24 UNF x 3/4"
QTY	FREEZE PLUGS	YEARS	PART NO.	SIZE	DESCRIPTION
6	Pipe Plug	85-81	FP-S915A		KT-19
1	Pipe Plug	85-81	FP-3002158		KT-19
6	Pipe Plug	85-81	FP-67622		KT-19
QTY	VALVE	YEARS	PART NO.	SIZE	DESCRIPTION
12	Intake	85-81	FP-3052820		KT-19; Premium; Tribaloy; Must use with Tribaloy Valve Insert FP-3052819
12	Intake	85-81	FP-3088393		KT-19; Standard; Silichrome 1
12	Exhaust	85-81	FP-3088389		KT-19; Premium; Inconel
12	Exhaust	85-81	FP-3088391		KT-19; Standard; Stellite 6
12	Exhaust Valve Kit	85-81	FP-3803528		KT-19; Premium; Inconel; With locks
12	Exhaust Valve Kit	85-81	FP-3803529		KT-19; Standard; Stellite 6; With locks
12	Intake Valve Kit	85-81	FP-3803518		KT-19; Premium; Tribaloy; with locks; Must use with Tribaloy Valve Insert FP-3052819
12	Intake Valve Kit	85-81	FP-3803515		KT-19; Standard; Silichrome 1; With locks
48	Keeper	85-81	FP-205091		KT-19
QTY	VALVE SEAT	YEARS	PART NO.	SIZE	DESCRIPTION
12	Exh.	85-81	FP-205093	<i>STD</i>	KT-19
12	Int.	85-81	FP-3052819		KT-19; Tribaloy
12	Int.	85-81	FP-3026296	<i>STD</i>	KT-19; 2.381"
12	Int.	85-81	FP-3031098	<i>10</i>	KT-19; 2.391"
12	Int.	85-81	FP-3031099	<i>20</i>	KT-19; 2.401"
QTY	VALVE GUIDE	YEARS	PART NO.	SIZE	DESCRIPTION
12	Guide	85-81	FP-3018818		KT-19; Flat Top; 3.800" Std. Length
12	Guide	85-81	FP-3202210		KT-19; 45 Deg. Taper Top; 3.580" Std. Length
QTY	VALVE SPRING	YEARS	PART NO.	SIZE	DESCRIPTION
12	Spring	85-81	FP-3629006		KT-19; Carbon Steel; Long
24	Spring	85-81	FP-3633840		KT-19; Nitrided; Short
QTY	PUSH RODS	YEARS	PART NO.	SIZE	DESCRIPTION
6	Push Rod	85-81	FP-3017961		KT-19; Injector
12	Push Rod	85-81	FP-205492		Int. & Exh.; KT-19; Intake & Exhaust Valve
QTY	VALVE MISC.	YEARS	PART NO.	SIZE	DESCRIPTION
12	Rotocap	85-81	FP-3081081		KT-19
12	Swirl Plate, Cylinder Head	85-81	FP-3009109		KT-19
QTY	ROCKER PARTS	YEARS	PART NO.	SIZE	DESCRIPTION
48	Expansion Plug	85-81	FP-205401		KT-19
12	Expansion Plug	85-81	FP-206224		KT-19
6	Expansion Plug	85-81	FP-203933		KT-19; Rocker Lever Shaft
12	Cam Follower Roller	85-81	FP-3016826		Int. & Exh.; KT-19; Valve
6	Injector Cam Roller	85-81	FP-3016825		KT-19
12	Valve Bridge Guide	85-81	FP-205169		KT-19
12	Valve Roller Pin	85-81	FP-205071		KT-19; Cam Follower
6	Rocker Arm Rivet	85-81	FP-208084		KT-19
18	Rocker Lever Adjusting Screw	85-81	FP-168306		KT-19; 1/2" - 20 UNF x 2.045" Length; Use w/FP-S212
6	Rocker Arm Socket	85-81	FP-194037		KT-19
6	Rocker Lever Intake	85-81	FP-3013300		KT-19; Injector; Early
6	Fuel Injector Roller Pin	85-81	FP-205068		KT-19; Cam Follower
18	Cam Follower Socket	85-81	FP-107738		KT-19
INT & EXH MANIFOLDS					
QTY	INT. & EXH. MANIFOLDS	YEARS	PART NO.	SIZE	DESCRIPTION
6	Exhaust Manifold Gasket	85-81	FP-3043097		KT-19

(continued on next page)

Mercedes-Benz Truck - M/D & H/D

8 H/D Truck KT1912, KT-19, KTA-19 Engs. (cont.) 18.8L 18884cc (1150) OHV Turbo-Diesel L6, 6.25" Bore (Cummins Eng.) 1981-85					
CAMSHAFT GROUP					
QTY	TIMING COVER	YEARS	PART NO.	SIZE	DESCRIPTION
1	Oil Filler Cap	85-81	FP-107981		KT-19
QTY	CAMSHAFT/LIFTER	YEARS	PART NO.	SIZE	DESCRIPTION
1	Camshaft	85-81	FP-3066877		KT-19; CPL's 127, 153, 159, 171, 183-5, 213, 219, 232, 245, 251, 274, 290, 291-3, 297, 302, 334, 379, 385-6, 398, 415, 428, 438-42, 444-5, 447, 474-5, 520, 584, 640, 672, 724, 884-6, 888, 952, 969, 1190, 1531
ACCESSORY DRIVE					
QTY	ACCESSORY DRIVE	YEARS	PART NO.	SIZE	DESCRIPTION
1	Accessory Drive Gasket	85-81	FP-3410171		KT-19
1	Accessory Drive Gasket	85-81	FP-3201693 +		KT-19; When depleted use FP-3410171
1	Sealing Ring	85-81	FP-3200287		KT-19
1	Oil Seal	85-81	39719		
1	Oil Seal	85-81	39853		(2.879" Seal O.D.)
1	Redi-Sleeve	85-81	99210		
1	Redi-Sleeve	85-81	99210		(2.879" Seal O.D.)
AIR COMPRESSOR					
QTY	AIR COMPRESSOR	YEARS	PART NO.	SIZE	DESCRIPTION
1	Air Compressor Gasket Set	85-81	FP-AR73308		KT-19; 13.2 CFM
1	Air Compressor Gasket	85-81	FP-176027		KT-19; Support to Compressor Housing; 13.2 CFM
1	Air Compressor Gasket	85-81	FP-154018		KT-19; 13.2 CFM
1	Air Compressor Gasket	85-81	FP-3047159		KT-19; 13.2 CFM
1	Air Compressor Gasket	85-81	FP-185848		KT-19; 30 CFM
1	Air Compressor Gasket	85-81	FP-199347		KT-19; 30 CFM
1	Air Compressor Gasket	85-81	FP-207117		KT-19; 30 CFM
1	Air Compressor Gasket	85-81	FP-3069102		KT-19; 30 CFM
1	Air Connection Gasket	85-81	FP-3201386		KT-19; 13.2 CFM
1	O-Ring	85-81	FP-128085		KT-19; 13.2 CFM
1	O-Ring	85-81	FP-128086		KT-19; 13.2 CFM
1	O-Ring	85-81	FP-3042542		KT-19; 13.2 CFM
1	O-Ring	85-81	FP-3043995		KT-19; 13.2 CFM
1	O-Ring	85-81	FP-128086		KT-19; 30 CFM
2	O-Ring	85-81	FP-211315		KT-19; 30 CFM
2	O-Ring	85-81	FP-3042542		KT-19; 30 CFM
1	O-Ring	85-81	FP-3046201		KT-19; 30 CFM; O-Ring for 3/4" plug
1	Gasket	85-81	FP-3820922		KT-19; Air Compressor Support; 13.2 CFM
1	Gasket	85-81	FP-127950		KT-19; Connection Gasket; 30 CFM
1	Air Compressor Seal Ring	85-81	FP-127936		KT-19; 13.2 CFM
1	Air Compressor Seal Ring	85-81	FP-127936		KT-19; 30 CFM
1	Air Compressor Seal Ring	85-81	FP-3009738		KT-19; 30 CFM
1	Air Compressor Seal Ring	85-81	FP-3009739		KT-19; 30 CFM
2	Air Compressor Seal Ring	85-81	FP-3015068		KT-19; 30 CFM
FUEL SYSTEM & PARTS					
QTY	FUEL INJECTION	YEARS	PART NO.	SIZE	DESCRIPTION
1	Sealing Ring	85-81	FP-207244		KT-19
6	Fuel Injector	85-81	FP-3016675		KT-19; PTK
6	Fuel Injector	85-81	FP-3016676		KT-19; PTK
6	Fuel Injector	85-81	FP-3022197		KT-19; PTK
6	Fuel Injector Repair Parts	85-81	FP-167157		KT-19; Check Ball
6	Fuel Inj. Plunger & Barrel	85-81	FP-3037292		KT-19
1	Fuel Injection Driver Tang	85-81	FP-70690		KT-19
1	FI Auto Fuel Control Barrel	85-81	FP-3021068		KT-19; AFC Assembly
1	Fuel Injection Link	85-81	FP-205462		KT-19
1	Fuel Injector Adapter	85-81	FP-205463		KT-19; PTK
1	Fuel Injector Cup	85-81	FP-3001314		KT-19; orifice number 10; orifice size .0085; 10 Deg. spray angle
1	Fuel Injector Cup	85-81	FP-3005963		KT-19; orifice number 10; orifice size 0.0075; 10 Deg. spray angle
1	Fuel Injector Cup	85-81	FP-3003933		KT-19; orifice number 9; orifice size 0.0085; 10 Deg. spray angle
1	Fuel Injector Cup	85-81	FP-3003932		KT-19; orifice number 9; orifice size 0.0085; 7 Deg. spray angle
6	Fuel Injector Screen	85-81	FP-3008706		KT-19
1	Fuel Injector Roller Pin	85-81	FP-203426		KT-19
1	Fuel Injector Retainer	85-81	FP-207245		KT-19
QTY	FUEL FILTERS & PUMP	YEARS	PART NO.	SIZE	DESCRIPTION
1	Mechanical Fuel Pump	85-81	FP-3034245		KT-19; 1" R.H. Pressurized
1	Fuel Pump Filter	85-81	FP-146483		KT-19
1	Fuel Pump Valve	85-81	FP-3050624		KT-19
2	Fuel Pump Gear	85-81	FP-170942		KT-19; 1"
2	Fuel Pump Gear	85-81	FP-119363		KT-19; 3/4"

(continued on next page)

+ Superseded Part Number

Mercedes-Benz Truck - M/D & H/D

H/D Truck **KT1912, KT-19, KTA-19 Engs. 8**
 18.8L 18884cc (1150) OHV Turbo-Diesel L6, 6.25" Bore (Cummins Eng.) 1981-85 (cont.)

FUEL SYSTEM & PARTS (cont.)

QTY	FUEL FILTERS & PUMP (cont.)	YEARS	PART NO.	SIZE	DESCRIPTION
1	Fuel Pump Drive Shaft	85-81	FP-3013036		KT-19; Fuel Shutoff Valve
1	Fuel Pump Drive Shaft	85-81	FP-212601		KT-19; Main Shaft; AFC
1	Fuel Pump Drive Shaft	85-81	FP-100216		KT-19; 1"; Drive
1	Fuel Pump Drive Shaft	85-81	FP-100215		KT-19; 3/4"; Drive, Splined
1	Fuel Pump Check Valve	85-81	FP-3030970		KT-19; Fuel Shutoff Valve
2	Bolt	85-81	FP-S2286		KT-19; Name Plate; Fuel Pump Housing
1	O-Ring	85-81	FP-193736		KT-19; Fuel Injector
1	O-Ring	85-81	FP-205216		KT-19; Fuel Injector
1	O-Ring	85-81	FP-3010510		KT-19; Fuel Injector
1	O-Ring	85-81	FP-145504		KT-19; AFC Assembly
1	O-Ring	85-81	FP-145505		KT-19; AFC Assembly
1	O-Ring	85-81	FP-3045986		KT-19; AFC Assembly
1	O-Ring	85-81	FP-3066914		KT-19; AFC Assembly
2	O-Ring	85-81	FP-68061A		KT-19; AFC Assembly
1	O-Ring	85-81	FP-151900		KT-19; Fuel Pump Damper; 0.621" OD, 0.494" ID
1	O-Ring	85-81	FP-100099		KT-19; Fuel Pump Damper; 1.627" OD, 1.364" ID
1	O-Ring	85-81	FP-139988		KT-19; Fuel Pump Damper; 1.752" OD, 1.489" ID
1	O-Ring	85-81	FP-145504		KT-19; Fuel Pump Housing
1	O-Ring	85-81	FP-213768		KT-19; Fuel Pump Housing
1	O-Ring	85-81	FP-129888		KT-19; Fuel Shutoff Valve
1	O-Ring	85-81	FP-190876		KT-19; Fuel Shutoff Valve
1	O-Ring	85-81	FP-100478		KT-19; Throttle Shaft
1	Fuel Pump Gasket	85-81	FP-4026171		KT-19; Front Cover to Drive
1	Fuel Pump Gasket	85-81	FP-110855		KT-19; Fuel Pump Body
1	Gasket	85-81	FP-70705		KT-19; Spring Pack Flange; Automotive
1	Oil Seal	85-81	FP-212603		KT-19
2	Oil Seal	85-81	FP-3062676		KT-19; Front Cover
1	Ball Brg.	85-81	FP-S16052		KT-19; Fuel Pump Front Cover
1	Bushing	85-81	FP-163944		KT-19; Fuel Pump
1	Fuel Pump Spider Jaw Coupling	85-81	FP-3046200		KT-19
1	Fuel Pump Check Valve	85-81	FP-3033740		KT-19
1	Fuel Pump Drive Coupling Hub	85-81	FP-3000175		KT-19
1	Air Fuel Control Check Valve	85-81	FP-3015522		KT-19
1	AFC Plunger	85-81	FP-144178		KT-19
1	AFC Plunger	85-81	FP-3021676		KT-19
1	Fuel Ratio Control Diaphragm	85-81	FP-3013811		KT-19; AFC Assembly
1	Filter Cap, Fuel Pump	85-81	FP-157088		KT-19
1	Fuel Pump Thrust Bearing	85-81	FP-3027633		KT-19
1	Needle Valve	85-81	FP-214144		KT-19; AFC; No. 162
1	Spring Pack Housing	85-81	FP-3036970		KT-19; Fuel Pump Housing
1	Transfer Pump Gasket Kit	85-81	FP-3010242		KT-19; AFC-VS
1	Thrust Washer	85-81	FP-201745		KT-19; Fuel Pump Front Cover
1	Thrust Washer	85-81	FP-3035230		KT-19; Fuel Pump Housing
1	Washer	85-81	FP-S631		KT-19; AFC Assembly; .250" ID
1	Fuel Pump Mounting Gasket	85-81	FP-3069017		KT-19
1	Fuel Pump Housing Cover	85-81	FP-3063052		KT-19; Automotive
1	Fuel Pump Housing Cover	85-81	FP-200998		KT-19; Industrial
1	Fuel Pump Regulator Gasket	85-81	FP-3010240		KT-19; PT Type G
1	Rect. or Square Seal	85-81	FP-154087		KT-19; Fuel Shutoff Valve

QTY	TURBOCHARGER	YEARS	PART NO.	SIZE	DESCRIPTION
1	Turbocharger Oil Drain Gasket	85-81	FP-3202117		KT-19
1	Turbocharger Mounting Gasket	85-81	FP-206576		KT-19

COOLING SYSTEM

QTY	WATER PUMP	YEARS	PART NO.	SIZE	DESCRIPTION
1	Water Pump Shaft	85-81	FP-3042827		KT-19
1	Water Pump Repair/Rebuild Kit	85-81	FP-3803153		KT-19
1	Water Pump Retainer Ring	85-81	FP-205258		KT-19
1	Water Pump Retainer Ring	85-81	FP-70183		KT-19
1	Water Pump Mech. Shaft Seal	85-81	FP-3029099		KT-19
1	Ball Brg.	85-81	FP-S16002		Inner; KT-19; Shaft
1	Ball Brg.	85-81	FP-S16069		Outer; KT-19; Shaft
1	Water Pump Gasket	85-81	FP-3202283		KT-19
1	Water Intake Gasket	85-81	FP-205288		KT-19
1	Oil Seal	85-81	FP-206948		KT-19
1	Oil Seal	85-81	FP-3016794		KT-19; Drive
1	Oil Seal	85-81	39713		
1	O-Ring	85-81	FP-145623		KT-19
2	O-Ring	85-81	FP-3028291		KT-19

(continued on next page)

Mercedes-Benz Truck - M/D & H/D

8 H/D Truck KT1912, KT-19, KTA-19 Engs.

(cont.) 18.8L 18884cc (1150) OHV Turbo-Diesel L6, 6.25" Bore (Cummins Eng.) 1981-85

COOLING SYSTEM (cont.)

QTY	WATER PUMP (cont.)	YEARS	PART NO.	SIZE	DESCRIPTION
1	O-Ring	85-81	FP-3818885		KT-19
1	Redi-Sleeve	85-81	99125		
1	Pipe Plug	85-81	FP-S965E		KT-19; 1/16" NPT
1	Gasket	85-81	FP-3042612		KT-19; Fan Hub
1	Screw	85-81	FP-3012472		KT-19; .375" - 16 X 1.500"
1	Washer	85-81	FP-S631		KT-19; .250" ID
2	Thrust Washer	85-81	FP-3026556		KT-19

QTY	SEALS - FAN HUB	YEARS	PART NO.	SIZE	DESCRIPTION
1	Oil Seal	85-81	39851		
1	Redi-Sleeve	85-81	99210		

QTY	THERMOSTAT	YEARS	PART NO.	SIZE	DESCRIPTION
1	Thermostat	85-81	FP-204586		KT-19; 175 Deg. F
2	Thermostat	85-81	FP-3076489		KT-19; 180 Deg. F, Non-Vented
2	Thermostat	85-81	FP-3017360		KT-19; 185 Deg. F
1	Thermostat Gasket	85-81	FP-3010918		KT-19; Thermostat Housing
1	Water Outlet Gasket	85-81	FP-205289		KT-19
1	Rect. or Square Seal	85-81	FP-186780		KT-19
1	Drain Cock	85-81	FP-S962E		KT-19

ENGINE BLOCK & PARTS

QTY	GASKETS	YEARS	PART NO.	SIZE	DESCRIPTION
1	Oil Pan Gasket	85-81	FP-3042590		KT-19
1	Oil Pan Adapter Gasket	85-81	FP-3042588		KT-19; Early
1	Oil Pan Adapter Gasket	85-81	FP-3042587		KT-19; Late
1	Oil Pan Adapter Gasket	85-81	FP-3073213		KT-19; Late
1	O-Ring	85-81	FP-205247		KT-19
6	O-Ring	85-81	FP-3015067		KT-19
1	O-Ring	85-81	FP-3201125		KT-19; Barring Shaft
1	O-Ring	85-81	FP-3046201		KT-19; O-Ring for 3/4" plug
1	Gear Cover Gasket	85-81	FP-3001318		KT-19
1	Gear Cover Gasket	85-81	FP-3074690		KT-19
1	Gear Housing Gasket	85-81	FP-3037282		KT-19
3	Hand Hole Cover Gasket	85-81	FP-3042586		KT-19
1	Hydraulic Gasket	85-81	FP-3007380		KT-19; Cover
1	Hydraulic Pump Gasket	85-81	FP-3008400		KT-19; Cover
4	Rect. or Square Seal	85-81	FP-153518		KT-19
2	Seal Strip	85-81	FP-205241		KT-19; Oil Pan

QTY	GASKET SETS	YEARS	PART NO.	SIZE	DESCRIPTION
1	Gasket Conversion Set	85-81	FP-3801006		KT-19

QTY	DOWEL PINS	YEARS	PART NO.	SIZE	DESCRIPTION
12	Dowel Pin	85-81	FP-68445		KT-19

QTY	CAM BEARINGS	YEARS	PART NO.	SIZE	DESCRIPTION
7	Cam Brg.	85-81	FP-3002834		KT-19

QTY	OIL COOLERS & FILTERS	YEARS	PART NO.	SIZE	DESCRIPTION
1	Aftercooler Core Assembly	85-81	FP-3001299		KT-19
3	Connection Gasket	85-81	FP-3032161		KT-19; Aftercooler
1	Aftercooler Gasket	85-81	FP-3001305		KT-19
2	Oil Cooler	85-81	FP-4095097		KT-19; 10 plate
4	Washer	85-81	FP-109557		KT-19; Aftercooler; .250" ID
4	Oil Cooler Gasket	85-81	FP-206973		KT-19
2	O-Ring	85-81	FP-3023066		KT-19; Aftercooler
12	O-Ring	85-81	FP-212161		KT-19; Oil Cooler
1	O-Ring	85-81	FP-70624		KT-19; Oil Cooler
2	Rect. or Square Seal	85-81	FP-206808		KT-19
24	Misc. Rubber or Plas. Sleeve	85-81	FP-3014304		KT-19; Aftercooler
1	Oil Cooler Core Inner Gasket	85-81	FP-3200550		KT-19
1	Oil Cooler Core Outer Gasket	85-81	FP-3065791		KT-19
6	Oil Cooler Cover Gasket	85-81	FP-206021		KT-19
2	Aftercooler Cover Gasket	85-81	FP-3001304		KT-19
1	Pipe Plug	85-81	FP-3002158		KT-19; Aftercooler

QTY	FREEZE PLUGS	YEARS	PART NO.	SIZE	DESCRIPTION
6	Pipe Plug	85-81	FP-3002158		KT-19; Gear Cover
1	Pipe Plug	85-81	FP-S965E		KT-19; Gear Cover; 1/16" NPT
2	Pipe Plug	85-81	FP-3013786		KT-19; Gear Cover; 3/8" N.P.T.
1	Pipe Plug	85-81	FP-3013786		KT-19; 3/8" N.P.T.

(continued on next page)

Mercedes-Benz Truck - M/D & H/D

H/D Truck **KT1912, KT-19, KTA-19 Eng. 8**
18.8L 18884cc (1150) OHV Turbo-Diesel L6, 6.25" Bore (Cummins Eng.) 1981-85 (cont.)

ENGINE BLOCK & PARTS (cont.)					
QTY	MISCELLANEOUS	YEARS	PART NO.	SIZE	DESCRIPTION
6	Pipe Plug	85-81	FP-3002158		KT-19; Gear Cover
1	Pipe Plug	85-81	FP-S965E		KT-19; Gear Cover; 1/16" NPT
2	Pipe Plug	85-81	FP-3013786		KT-19; Gear Cover; 3/8" N.P.T.
1	Pipe Plug	85-81	FP-3013786		KT-19; 3/8" N.P.T.
2	Bushing	85-81	FP-132770		KT-19; Gear Cover; w/1.567" ID, 1.697" OD, 1.500" O.A.L.
8	Washer	85-81	FP-S631		KT-19; .250" ID
9	Washer	85-81	FP-200861		KT-19; Flywheel
CRANKSHAFT/OIL PUMP					
QTY	CRANKSHAFT	YEARS	PART NO.	SIZE	DESCRIPTION
1	Crankshaft	85-81	FP-3096362		KT-19; Without Gear
1	Vibration Damper	85-81	FP-217322		KT-19; 13.55"
QTY	SEALS - FRONT CRANK	YEARS	PART NO.	SIZE	DESCRIPTION
1	Oil Seal	85-81	FP-3016792		Front; KT-19
1	Redi-Sleeve	85-81	FP-3006236		Front; KT-19
1	Redi-Sleeve	85-81	99376		(3.750" Shaft)
1	Redi-Sleeve	85-81	99437		(4.375" Shaft)
1	Oil Seal	85-81	39705		(3.750" Shaft)
1	Oil Seal	85-81	39849		(4.375" Shaft)
QTY	SEALS - REAR CRANK	YEARS	PART NO.	SIZE	DESCRIPTION
1	Oil Seal	85-81	FP-3005885		Rear; KT-19; Dry
1	Oil Seal	85-81	FP-3005886		Rear; KT-19; Wet
1	Oil Seal	85-81	39701		
1	Oil Seal	85-81	39715		(6.000" Shaft)
1	Redi-Sleeve	85-81	FP-3006237		Rear; KT-19
1	Redi-Sleeve	85-81	99725		
1	Redi-Sleeve	85-81	99725		(Wet Clutch)
1	Redi-Sleeve	85-81	99599		(6.000" Shaft)
8	Washer	85-81	FP-S631		KT-19; .250" ID
12	Rect. or Square Seal	85-81	FP-172648		KT-19
QTY	MAIN BEARINGS	YEARS	PART NO.	SIZE	DESCRIPTION
1	Main Set	85-81	FP-AR12270	STD	KT-19
1	Main Set	85-81	FP-AR12271	10	KT-19
1	Main Set	85-81	FP-AR12272	20	KT-19
1	Main Set	85-81	FP-AR12273	30	KT-19
1	Thrust Washer Set	85-81	FP-205112S		Position 6
4	Thrust Washer	85-81	FP-205112	STD	KT-19
4	Thrust Washer	85-81	FP-3001197	20	KT-19
QTY	OIL PUMP	YEARS	PART NO.	SIZE	DESCRIPTION
1	Pipe Plug	85-81	FP-3002158		KT-19; Oil Pan
1	Pipe Plug	85-81	FP-3013786		KT-19; Oil Pan; 3/8" N.P.T.
1	Oil Suction Tube Gasket	85-81	FP-3008403		KT-19
CYLINDER COMPONENTS					
QTY	LINERS	YEARS	PART NO.	SIZE	DESCRIPTION
6	Liner w/o Sealing Rings	85-81	FP-4009220		KT-19; LPF; For Late Blocks FP-3028130 & FP-3060545; Thick Flange .526"
6	Liner w/o Sealing Rings	85-81	FP-4009230		KT-19; LPF; For Late Blocks FP-3028130 & FP-3060545; Thick Flange .526"
6	Liner w/o Sealing Rings	85-81	FP-4009221	20	KT-19; LPF; For Late Blocks FP-3028130 & FP-3060545; Thick Flange .526"
6	Liner w/o Sealing Rings	85-81	FP-4009222	40	KT-19; LPF; For Late Blocks FP-3028130 & FP-3060545; Thick Flange .526"
6	Liner w/o Sealing Rings	85-81	FP-4009233	60	KT-19; LPF; For Late Blocks FP-3028130 & FP-3060545; Thick Flange .526"
6	Liner w/o Sealing Rings	85-81	FP-4009228	83	KT-19; LPF; For Late Blocks FP-3028130 & FP-3060545; Thick Flange .526"
6	Liner w/o Sealing Rings	85-81	FP-4009231		KT-19; 20/20 LPF; For Late Blocks FP-3028130 & FP-3060545; Thick Flange .526"
6	Liner w/o Sealing Rings	85-81	FP-4009232		KT-19; 60/20 LPF; For Late Blocks FP-3028130 & FP-3060545
6	Liner w/o Sealing Rings	85-81	FP-4009227		UPF; Thin Flange .306"
6	Liner w/Sealing Rings	85-81	FP-4024773		.020/.020; LPF; Thick Flange .526"
6	Liner w/Sealing Rings	85-81	FP-4024774		.060/.020; LPF
6	Liner w/Sealing Rings	85-81	FP-4024772		.095; LPF; Thick Flange .526"
6	Liner w/Sealing Rings	85-81	FP-4024767		LPF; Thick Flange .526"
6	Liner w/Sealing Rings	85-81	FP-4024768	20	LPF; Thick Flange .526"
6	Liner w/Sealing Rings	85-81	FP-4024769	40	LPF; Thick Flange .526"
6	Liner w/Sealing Rings	85-81	FP-4024775	60	LPF; Thick Flange .526"

(continued on next page)

Mercedes-Benz Truck - M/D & H/D

8 H/D Truck KT1912, KT-19, KTA-19 Engs.					
(cont.) 18.8L 18884cc (1150) OHV Turbo-Diesel L6, 6.25" Bore (Cummins Eng.) 1981-85					
CYLINDER COMPONENTS (cont.)					
QTY	LINERS (cont.)	YEARS	PART NO.	SIZE	DESCRIPTION
6	Liner w/Sealing Rings	85-81	FP-4024771	83	LPF; Thick Flange .526"
6	Liner w/Sealing Rings	85-81	FP-4024770		UPF; Thin Flange .306"
6	Sealing Ring, Liner	85-81	FP-3011076		KT-19
6	Sealing Ring, Liner	85-81	FP-3014668		KT-19
6	Sealing Ring, Liner	85-81	FP-3081489		KT-19
6	Sealing Ring, Liner	85-81	FP-4000504		KT-19; Filler Band
6	Flange Shim	85-81	FP-3014226	7	KT-19; .007"
6	Flange Shim	85-81	FP-3014228	9	KT-19; .009"
QTY	PISTONS	YEARS	PART NO.	SIZE	DESCRIPTION
6	Piston Body w/o Pin	85-81	FP-3096683		KT-19; 13.5:1 C.R.
6	Piston Body w/o Pin	85-81	FP-3096680		KT-19; 13.8:1 C.R.
6	Piston Body w/o Pin	85-81	FP-3096685		KT-19; 13.9:1 C.R.
6	Piston Body w/o Pin	85-81	FP-3096682		KT-19; 14.5:1 C.R.
6	Piston Body w/o Pin	85-81	FP-3096681		KT-19; 15.5:1 C.R.
6	Piston Body w/o Pin	85-81	FP-3096684		KT-19; 15.7:1 C.R.
6	Piston Kit w/Pin & Retainers	85-81	FP-3631242		KT-19; 13.5:1 C.R.; New Offset Piston Pin Design
6	Piston Kit w/Pin & Retainers	85-81	FP-3631246		KT-19; 13.8:1 C.R.; New Offset Piston Pin Design
6	Piston Kit w/Pin & Retainers	85-81	FP-3631241		KT-19; 13.9:1 C.R.; New Offset Piston Pin Design
6	Piston Kit w/Pin & Retainers	85-81	FP-3631244		KT-19; 14.5:1 C.R.; New Offset Piston Pin Design
6	Piston Kit w/Pin & Retainers	85-81	FP-3631245		KT-19; 15.5:1 C.R.; New Offset Piston Pin Design
6	Piston Kit w/Pin & Retainers	85-81	FP-3631243		KT-19; 15.7:1 C.R.; New Offset Piston Pin Design
12	Piston Pin Retainer	85-81	FP-205269		KT-19
6	Pin Bushing	85-81	FP-3043909		KT-19
QTY	CONNECTING RODS & BRGS.	YEARS	PART NO.	SIZE	DESCRIPTION
12	Rod Bearing Half Upper/Lower	85-81	FP-205840	STD	KT-19
12	Rod Bearing Half Upper/Lower	85-81	FP-205841	10	KT-19
12	Rod Bearing Half Upper/Lower	85-81	FP-205842	20	KT-19
12	Rod Bearing Half Upper/Lower	85-81	FP-205843	30	KT-19
QTY	PISTON RINGS	YEARS	PART NO.	SIZE	DESCRIPTION
6	Ring Set Single Cylinder	85-81	FP-4089500		KT-19; Exc. Piston 3628731
6	Ring Set Single Cylinder	85-81	FP-4089501		KT-19; Use w/Piston 3628731 Only
6	Compression Ring	85-81	FP-3068813		KT-19; Second

Mercury Marine - Refer to SP1501 Catalog Midland Ross Compressor

Engine Finding Index					
Engine	Line No.	Engine	Line No.	Engine	Line No.
L2 2" Bore.....	1	OHV L2 2.75" Bore.....	3		
L2 2.375" Bore.....	2				
Engine Code Index					
Engine Code	Engine Description	Line No.	Engine Code	Engine Description	Line No.
EL-1300 ... Compressors....	OHV L2 2.75" Bore.....	3	4030W ... Compressors.....	L2 2" Bore.....	1
EL-740 ... Compressors.....	L2 2" Bore.....	1	4084 ... Compressors	L2 2" Bore.....	1
12 cu. ft. ... Compressors	L2 2.375" Bore.....	2	7.4 cu. ft. ... Compressors	L2 2" Bore.....	1
4025AW ... Compressors	L2 2" Bore.....	1			

1 Compressors EL-740, 4025AW, 4030W, 4084, 7.4 cu. ft. Engs.					
L2, 2" Bore					
CYLINDER COMPONENTS					
QTY	PISTON RINGS	PART NO.	SIZE	DESCRIPTION	
1	Standard Set	FP-5055X	Std-10-20-30	2-3/32, 1-3/16	
1	Standard Set	5055X +	Std-10-20-30	2-3/32, 1-3/16; When depleted use FP-5055X	

Midland Ross Compressor

Compressors 12 cu. ft. Eng. **2**
L2, 2.375" Bore

CYLINDER COMPONENTS

QTY	PISTON RINGS	PART NO.	SIZE	DESCRIPTION
2	Standard Set	FP-5355X	Std-10-30	2-3/32, 1-3/16 (1 cyl. set)
2	Standard Set	FP-5355X	Std-10-30	2-3/32, 1-3/16 (1 cyl. set)
2	Standard Set	5355X + Std-10		2-3/32, 1-3/16 (1 cyl. set); When depleted use FP-5355X

Compressors EL-1300, EL-1600 Eng. **3**
OHV L2, 2.75" Bore

CYLINDER COMPONENTS

QTY	CONNECTING RODS & BRGS.	PART NO.	SIZE	DESCRIPTION
2	Rod Pair	FP-RN26EG *	STD	
2	Rod Pair	FP-RN26EH *	10	
2	Rod Pair	FP-RN26EJ *	20	
QTY	PISTON RINGS	PART NO.	SIZE	DESCRIPTION
2	Ring Set Single Cylinder	FP-7E8925	STD	
2	Ring Set Single Cylinder	FP-7E892510	10	2-3/16, 1-3/16
2	Ring Set Single Cylinder	FP-7E892520	20	2-3/16, 1-3/16
2	Ring Set Single Cylinder	FP-7E892530	30	2-3/16, 1-3/16
2	Standard Set	FP-10223X	Std-10-20-30	2-3/16, 1-3/16 (1 cyl. set)
2	Standard Set	10223X + Std-10-20-		2-3/16, 1-3/16 (1 cyl. set); When depleted use FP-10223X

Military Standard

Engine Finding Index

Engine	Line No.	Engine	Line No.
.9L 53.9 L-HEAD L2 3.25" Bore (Mil-Std) (Wisconsin Eng.).....	1	3.8L 230 L6 3.4375" Bore (Mil-Std) (Buda Eng.).....	23
1.8L 108 L-HEAD V4 3.25" Bore (Mil-Std) (Wisconsin Eng.)	2	3.9L 237 L-HEAD L6 3.4375" Bore (Mil-Std) (Hercules Eng.).....	24
2.0L 125 OHV L4 3.25" Bore (Mil-Std) (Waukesha Eng.)	3	3.9L 239.4 L-HEAD V8 3.1875" Bore (Ford/Mercury) (Ford Eng.)	25
2.2L 133 OHV L4 3.25" Bore (Mil-Std) (Waukesha Eng.)	4	4.0L 244 L-HEAD L6 3.4375" Bore (Mil-Std) (Continental Eng.)..	26
2.2L 133 L-HEAD L4 3.25" Bore (Mil-Std) (Hercules Eng.).....	5	4.1L 251 L-HEAD L6 3.4375" Bore (Chrysler) (Chrysler Eng.)	27
2.2L 134 F-HEAD L4 3.125" Bore (Hurricane) (Jeep Eng.).....	6	4.6L 283 OHV V8 3.875" Bore (Chevrolet) (GMC Eng.)	28
2.3L 139 OHV L4 3.4375" Bore (Waukesha Eng.)	7	4.9L 302 OHV L6 4" Bore (GMC) (GMC Eng.).....	29
2.3L 141.5 L-HEAD L4 3.875" Bore	8	4.9L 302 OHV V8 4" Bore (Chevrolet) (GMC Eng.)	30
2.4L 145 OHV H6 3.4375" Bore (Corvaire) (GMC Eng.).....	9	5.2L 318 OHV Diesel V6 3.875" Bore (Detroit Diesel Eng.)	31
2.4L 145 L-HEAD L4 3.25" Bore (Mil-Std) (Continental Eng.).....	10	5.4L 331 OHV L6 4.125" Bore (Reo Eng.)	32
2.4L 149 L-HEAD V4 3.4375" Bore (Mil-Std) (Wisconsin Eng.) ...	11	5.6L 339 L-HEAD L6 4" Bore (Mil-Std) (Hercules Eng.).....	33
2.5L 152 OHV L4 3.875" Bore (8 Valve) (International Eng.).....	12	5.9L 361 OHV V8 4.125" Bore (Chrysler Eng.)	34
2.5L 153 L4 3.4375" Bore (Mil-Std) (Buda Eng.).....	13	7.0L 426 OHV Diesel L6 4.25" Bore (6-71) (Detroit Diesel Eng.)	35
2.6L 159 OHV Diesel L3 3.875" Bore (3-53) (Detroit Diesel Eng.)	14	7.0L 427.3 OHV L6 4.3125" Bore.....	36
2.6L 162 L-HEAD L4 3.4375" Bore (Mil-Std) (Continental Eng.)..	15	7.8L 478 OHV L6 4.5625" Bore.....	37
3.0L 186 OHV L6 3.25" Bore (Mil-Std) (Waukesha Eng.)	16	8.8L 534 OHV V8 4.5" Bore (Ford Eng.)	38
3.4L 209 OHV L6 3.4375" Bore (Mil-Std) (Waukesha Eng.)	17	9.3L 568 OHV Diesel V8 4.25" Bore (Detroit Diesel Eng.)	39
3.6L 217.8 L-HEAD L6 3.25" Bore (Dodge/Plymouth) (Chrysler Eng.)	18	11.0L 672 OHV Diesel L6 4.875" Bore (Mack Eng.)	40
3.6L 218 L-HEAD L6 3.25" Bore (Mil-Std) (Continental Eng.).....	19	12.8L 779 OHV L6 5.25" Bore (Waukesha Eng.)	41
3.7L 226 L-HEAD L4 4" Bore (Mil-Std) (Hercules Eng.).....	20	13.4L 818 OHV L6 5.375" Bore (Waukesha Eng.)	42
3.8L 230 L-HEAD L6 3.25" Bore (Dodge) (Chrysler Eng.)	21		
3.8L 230 SOHC L6 3.3438" Bore (Tornado) (Continental Eng.) ..	22		

Military Vehicles **1**
.9L 53.9 L-HEAD L2 (Mil-Std), 3.25" Bore (Wisconsin Eng.)

CRANKSHAFT/OIL PUMP

QTY	MAIN BEARINGS	PART NO.	SIZE	DESCRIPTION
1	Cone Taper Brg.	420		Position Fan End; Tapered roller brg. cone
1	Cup Taper Brg.	414		Position Fan End; Tapered roller brg. cup

CYLINDER COMPONENTS

QTY	CONNECTING RODS & BRGS.	PART NO.	SIZE	DESCRIPTION
2	Rod Pair	FP-2425CP	Std-10-20-30	
2	Rod Pair	2425CP + Std-10-20-		When depleted use FP-2425CP

Military Standard

2 Military Vehicles 1.8L 108 L-HEAD V4 (Mil-Std), 3.25" Bore (Wisconsin Eng.)				
CRANKSHAFT/OIL PUMP				
QTY	MAIN BEARINGS	PART NO.	SIZE	DESCRIPTION
1	Cone Taper Brg.	420		Position Fan End; Tapered roller brg. cone
1	Cup Taper Brg.	414		Position Fan End; Tapered roller brg. cup
CYLINDER COMPONENTS				
QTY	CONNECTING RODS & BRGS.	PART NO.	SIZE	DESCRIPTION
4	Rod Pair	FP-2425CP	Std-10-20-30	
4	Rod Pair	2425CP +	Std-10-20-30	When depleted use FP-2425CP
3 Military Vehicles 2.0L 125 OHV L4 (Mil-Std), 3.25" Bore (Waukesha Eng.)				
ENGINE BLOCK & PARTS				
QTY	CAM BEARINGS	PART NO.	SIZE	DESCRIPTION
1	Cam Set	FP-1137M	Std Only	
1	Cam Set	1137M +	Std Only	When depleted use FP-1137M
CYLINDER COMPONENTS				
QTY	CONNECTING RODS & BRGS.	PART NO.	SIZE	DESCRIPTION
4	Rod Pair	FP-3220CP	Std-10-20-30	w/2.1232-2.1240" std. shaft size
4	Rod Pair	3220CP +	Std-10-20-30	w/2.1232-2.1240" std. shaft size; When depleted use FP-3220CP
4 Military Vehicles 2.2L 133 OHV L4 (Mil-Std), 3.25" Bore (Waukesha Eng.)				
CYLINDER COMPONENTS				
QTY	CONNECTING RODS & BRGS.	PART NO.	SIZE	DESCRIPTION
4	Rod Pair	FP-2425CP	Std-10-20-30	
4	Rod Pair	2425CP +	Std-10-20-30	When depleted use FP-2425CP
5 Military Vehicles 2.2L 133 L-HEAD L4 (Mil-Std), 3.25" Bore (Hercules Eng.)				
CYLINDER COMPONENTS				
QTY	CONNECTING RODS & BRGS.	PART NO.	SIZE	DESCRIPTION
4	Rod Pair	FP-2425CP	Std-10-20-30	
4	Rod Pair	2425CP +	Std-10-20-30	When depleted use FP-2425CP
6 Military Vehicles 2.2L 134 F-HEAD L4 (Hurricane), 3.125" Bore (Jeep Eng.)				
ENGINE BLOCK & PARTS				
QTY	CAM BEARINGS	PART NO.	SIZE	DESCRIPTION
1	Cam Set	1091M	Std Only	
CRANKSHAFT/OIL PUMP				
QTY	SEALS - FRONT CRANK	PART NO.	SIZE	DESCRIPTION
1	Redi-Sleeve	99174		
1	Oil Seal	471504		
1	Oil Seal	471504V		Viton®
QTY	MAIN BEARINGS	PART NO.	SIZE	DESCRIPTION
1	Main Set	558M	Std-10-20-30-40-50-60-70	
CYLINDER COMPONENTS				
QTY	PISTONS	PART NO.	SIZE	DESCRIPTION
4	Cast Piston	88NP	Std-20-30-40-60-80	Cast; 2-3/32", 1-3/16" Ring Groove, 2.167" CD, .8120" Pin Dia., Flat Head - 6.7:1 C.R.
4	Cast Piston - Individual	W88NP	Std-20-30-40-60-80	Cast; 2-3/32", 1-3/16" Ring Groove, 2.167" CD, .8120" Pin Dia., Flat Head - 6.7:1 C.R.

(continued on next page)

Military Standard

<i>Military Vehicles</i> 6				
2.2L 134 F-HEAD L4 (Hurricane), 3.125" Bore (Jeep Eng.) (cont.)				
CYLINDER COMPONENTS (cont.)				
QTY	CONNECTING RODS & BRGS.	PART NO.	SIZE	DESCRIPTION
1	Rod Set	4-9955SB	Std-10-20-30-40-50-60-70-80	
4	Rod Pair	9955SB	Std-10-20-30-40-50-60-70-80	
<i>Military Vehicles</i> 7				
2.3L 139 OHV L4, 3.4375" Bore (Waukesha Eng.)				
ENGINE BLOCK & PARTS				
QTY	CAM BEARINGS	PART NO.	SIZE	DESCRIPTION
1	Cam Set	FP-1137M	<i>Std Only</i>	
1	Cam Set	1137M +	Std Only	When depleted use FP-1137M
CYLINDER COMPONENTS				
QTY	CONNECTING RODS & BRGS.	PART NO.	SIZE	DESCRIPTION
4	Rod Pair	FP-3220CP	<i>Std-10-20-30</i>	w/2.1232-2.1240" std. shaft size
4	Rod Pair	3220CP +	Std-10-20-30	w/2.1232-2.1240" std. shaft size; When depleted use FP-3220CP
<i>Military Vehicles</i> 8				
2.3L 141.5 L-HEAD L4, 3.875" Bore				
ENGINE BLOCK & PARTS				
QTY	CAM BEARINGS	PART NO.	SIZE	DESCRIPTION
1	Cam Set	1447M	Std Only	
CRANKSHAFT/OIL PUMP				
QTY	MAIN BEARINGS	PART NO.	SIZE	DESCRIPTION
1	Main Set	4959M	Std-10	
CYLINDER COMPONENTS				
QTY	CONNECTING RODS & BRGS.	PART NO.	SIZE	DESCRIPTION
4	Rod Pair	3370CP	Std-10-20	
<i>Military Vehicles</i> 9				
2.4L 145 OHV H6 (Corvair), 3.4375" Bore (GMC Eng.)				
CRANKSHAFT/OIL PUMP				
QTY	MAIN BEARINGS	PART NO.	SIZE	DESCRIPTION
1	Main Set	4063M	Std-10	Full flanged brgs.
CYLINDER COMPONENTS				
QTY	CONNECTING RODS & BRGS.	PART NO.	SIZE	DESCRIPTION
1	Rod Set	6-2385CP	Std-10	
6	Rod Pair	2385CP	Std-1-10-20	
<i>Military Vehicles</i> 10				
2.4L 145 L-HEAD L4 (Mil-Std), 3.25" Bore (Continental Eng.)				
ENGINE BLOCK & PARTS				
QTY	CAM BEARINGS	PART NO.	SIZE	DESCRIPTION
1	Cam Set	FP-1158M	<i>Std Only</i>	
1	Cam Set	1158M +	Std Only	When depleted use FP-1158M
CYLINDER COMPONENTS				
QTY	CONNECTING RODS & BRGS.	PART NO.	SIZE	DESCRIPTION
4	Rod Pair	FP-3185CP	<i>Std-10-20-30</i>	
4	Rod Pair	3185CP +	Std-10-20-30	When depleted use FP-3185CP

Military Standard

11 Military Vehicles 2.4L 149 L-HEAD V4 (Mil-Std), 3.4375" Bore (Wisconsin Eng.)

CRANKSHAFT/OIL PUMP

QTY	MAIN BEARINGS	PART NO.	SIZE	DESCRIPTION
1	Plain Main Brg.	FP-3224CP	Std-10	Position Center
1	Plain Main Brg.	3224CP + Std-10		Position Center; When depleted use FP-3224CP
2	Cone Taper Brg.	455S		Position 1-2; Tapered roller brg. cone
2	Cup Taper Brg.	453A		Position 1-2; Tapered roller brg. cup

CYLINDER COMPONENTS

QTY	CONNECTING RODS & BRGS.	PART NO.	SIZE	DESCRIPTION
4	Rod Pair	FP-3220CP	Std-10-20-30	w/2.1232-2.1240" std. shaft size
4	Rod Pair	3220CP + Std-10-20-30		w/2.1232-2.1240" std. shaft size; When depleted use FP-3220CP

12 Military Vehicles 2.5L 152 OHV L4 (8 Valve), 3.875" Bore (International Eng.)

ENGINE BLOCK & PARTS

QTY	CAM BEARINGS	PART NO.	SIZE	DESCRIPTION
1	Cam Set	1218M	Std Only	

CRANKSHAFT/OIL PUMP

QTY	SEALS - FRONT CRANK	PART NO.	SIZE	DESCRIPTION
1	Redi-Sleeve	99248		
1	Oil Seal	7581H		

QTY	SEALS - REAR CRANK	PART NO.	SIZE	DESCRIPTION
1	Oil Seal	2218		
1	Redi-Sleeve	99372		

QTY	MAIN BEARINGS	PART NO.	SIZE	DESCRIPTION
1	Main Set	4070M	Std-10-20-30	

CYLINDER COMPONENTS

QTY	CONNECTING RODS & BRGS.	PART NO.	SIZE	DESCRIPTION
4	Rod Pair	2800P	Std-10	

13 Military Vehicles 4MB153 Eng. 2.5L 153 L4 (Mil-Std), 3.4375" Bore (Buda Eng.)

ENGINE BLOCK & PARTS

QTY	CAM BEARINGS	PART NO.	SIZE	DESCRIPTION
1	Cam Set	FP-1151M	Std Only	
1	Cam Set	1151M + Std Only		When depleted use FP-1151M

CYLINDER COMPONENTS

QTY	CONNECTING RODS & BRGS.	PART NO.	SIZE	DESCRIPTION
4	Rod Pair	FP-3220CP	Std-10-20-30	w/2.1232-2.1240" std. shaft size
4	Rod Pair	3220CP + Std-10-20-30		w/2.1232-2.1240" std. shaft size; When depleted use FP-3220CP

14 Military Vehicles 2.6L 159 OHV Diesel L3 (3-53), 3.875" Bore (Detroit Diesel Eng.)

CYL. HEAD & PARTS

QTY	VALVE	PART NO.	SIZE	DESCRIPTION
6	Exhaust	FP-5116137		For 2-valve cyl. head
12	Exhaust	FP-5145172		For 4-valve cyl. head
12	Exhaust	FP-5109925		Optional-H/D; For 4-valve cyl. head; Optional-H/D
12	Keeper	VK-144R		For 2-valve cyl. head; 1 groove; Square cut key groove; Hardened
24	Keeper	FP-5116341		For 4-valve cyl. head
12	Keeper	FP-VK144		Use w/2-valve cyl. head; 1 groove; Square cut key groove
12	Keeper, Bulk	FP-VK144B		Use w/2-valve cyl. head; 1 groove; Square cut key groove; Carton of 1000

QTY	VALVE SEAT	PART NO.	SIZE	DESCRIPTION
12	Exh.	FP-5196752	10	For 4-valve cyl. head; 30 Deg. seat; .010" O/S; 1.1710" OD, .0910" ID, .2220" Depth
12	Exh.	FP-5116362	20	For 4-valve cyl. head; 30 Deg. seat; .020" O/S; 1.1810" OD, .0910" ID, .2220" Depth

(continued on next page)

Military Standard

Military Vehicles **14**
2.6L 159 OHV Diesel L3 (3-53), 3.875" Bore (Detroit Diesel Eng.) (cont.)

CYL. HEAD & PARTS (cont.)				
QTY	VALVE SEAT (cont.)	PART NO.	SIZE	DESCRIPTION
12	Exh.	FP-5116363	30	For 4-valve cyl. head; 30 Deg. seat; .030" O/S; 1.1910" OD, .0910" ID, .2220" Depth
12	Exh.	FP-8921501	STD	For 4-valve cyl. head; 30 Deg. seat; 1.1610" OD, .0910" ID, .2220" Depth
QTY	VALVE GUIDE	PART NO.	SIZE	DESCRIPTION
6	Guide	FP-5129919		For 2-valve cyl. head; 2 3/8" length; .3130" ID, 2.3800" O.A.L.
12	Guide	FP-5131961		For 4-valve cyl. head; use w/seal
QTY	VALVE SPRING	PART NO.	SIZE	DESCRIPTION
12	Spring	FP-5144019		For 4-valve cyl. head; Hi-lift camshaft stamped "V" or "V7"; .135" Wire Dia.
12	Spring	FP-5147424		For 4-valve cyl. head; Lo-lift cam or cams stamped "V7L"; .148" Wire Dia.
QTY	PUSH RODS	PART NO.	SIZE	DESCRIPTION
8	Push Rod	FP-5128640		
QTY	VALVE SEAL	PART NO.	SIZE	DESCRIPTION
6	Valve Stem Seal	FP-8921209		For 2-valve cyl. head; Use w/VG-647 guide
QTY	ROCKER PARTS	PART NO.	SIZE	DESCRIPTION
6	Follower Assy.	FP-8924439		For 2 or 4 valve cyl. head
6	Cam Follower Roller Set	FP-8923814		For 2 or 4 valve cyl. head; Incl. pin & roller
CAMSHAFT GROUP				
QTY	CAMSHAFT/LIFTER	PART NO.	SIZE	DESCRIPTION
1	Prelube	55-400		4 oz. bottle; 1.5 oz. packet No. 55-403 also avail.
ACCESSORY DRIVE				
QTY	ACCESSORY DRIVE	PART NO.	SIZE	DESCRIPTION
1	Oil Seal	470059		
1	Redi-Sleeve	99149		
COOLING SYSTEM				
QTY	WATER PUMP	PART NO.	SIZE	DESCRIPTION
1	Water Pump - Heavy Duty	FP-23507971		Raw water pump
ENGINE BLOCK & PARTS				
QTY	GASKET SETS	PART NO.	SIZE	DESCRIPTION
1	Kit Gasket Set	FP-2601631		Exc. Alum. Ind. Eng. No. 50336299; Incl. rear main brg. seal & valve cover gskt.; Valve stem seals not incl.; Order 1 MV1956S for 4-valve Eng.
QTY	CAM BEARINGS	PART NO.	SIZE	DESCRIPTION
1	Cam Set	FP-5198209	STD	
1	Cam Set	1211M +	Std Only	When depleted use FP-5198209
CRANKSHAFT/OIL PUMP				
QTY	CRANKSHAFT	PART NO.	SIZE	DESCRIPTION
1	Harmonic Balancer Sleeve	88187		
QTY	SEALS - FRONT CRANK	PART NO.	SIZE	DESCRIPTION
1	Redi-Sleeve	99187		
1	Oil Seal	482041N		
QTY	SEALS - REAR CRANK	PART NO.	SIZE	DESCRIPTION
1	Oil Seal	710022		
1	Redi-Sleeve	99395		
QTY	MAIN BEARINGS	PART NO.	SIZE	DESCRIPTION
4	Plain Main Brg.	FP-5149447	STD	
4	Plain Main Brg.	2611CPA +	Std-10-20-30	When depleted use FP-5149447
1	Thrust Washer Set	2611AF	Std Only	Position Rear
CYLINDER COMPONENTS				
QTY	PISTONS	PART NO.	SIZE	DESCRIPTION
6	Piston Pin Retainer	FP-5180250		
6	Pin Bushing	2619Y20 +		2 req'd. per rod; O.E. No. 5116181; When depleted use FP-5116181
QTY	CONNECTING RODS & BRGS.	PART NO.	SIZE	DESCRIPTION
3	Rod Pair	FP-5149452	STD	

(continued on next page)

+ Superseded Part Number

Military Standard

14 Military Vehicles

(cont.) 2.6L 159 OHV Diesel L3 (3-53), 3.875" Bore (Detroit Diesel Eng.)

CYLINDER COMPONENTS (cont.)

QTY	CONNECTING RODS & BRGS. (cont.)	PART NO.	SIZE	DESCRIPTION
3	Rod Pair	2610CPA + 30-40	Std-10-20-	When depleted use FP-5149452
QTY	PISTON RINGS	PART NO.	SIZE	DESCRIPTION
3	Ring Set Single Cylinder	FP-5198822	STD	1-.082, 3-3/32, 2-3/16 (1 cyl. set)

15 Military Vehicles

2.6L 162 L-HEAD L4 (Mil-Std), 3.4375" Bore (Continental Eng.)

ENGINE BLOCK & PARTS

QTY	CAM BEARINGS	PART NO.	SIZE	DESCRIPTION
1	Cam Set	FP-1158M	Std Only	
1	Cam Set	1158M +	Std Only	When depleted use FP-1158M

CYLINDER COMPONENTS

QTY	CONNECTING RODS & BRGS.	PART NO.	SIZE	DESCRIPTION
4	Rod Pair	FP-3185CP	Std-10-20-30	
4	Rod Pair	3185CP +	Std-10-20-30	When depleted use FP-3185CP

16 Military Vehicles

3.0L 186 OHV L6 (Mil-Std), 3.25" Bore (Waukesha Eng.)

ENGINE BLOCK & PARTS

QTY	CAM BEARINGS	PART NO.	SIZE	DESCRIPTION
1	Cam Set	FP-1137M	Std Only	
1	Cam Set	1137M +	Std Only	When depleted use FP-1137M

CYLINDER COMPONENTS

QTY	CONNECTING RODS & BRGS.	PART NO.	SIZE	DESCRIPTION
6	Rod Pair	FP-3220CP	Std-10-20-30	w/2.1232-2.1240" std. shaft size
6	Rod Pair	3220CP +	Std-10-20-30	w/2.1232-2.1240" std. shaft size; When depleted use FP-3220CP

17 Military Vehicles

3.4L 209 OHV L6 (Mil-Std), 3.4375" Bore (Waukesha Eng.)

ENGINE BLOCK & PARTS

QTY	CAM BEARINGS	PART NO.	SIZE	DESCRIPTION
1	Cam Set	FP-1137M	Std Only	
1	Cam Set	1137M +	Std Only	When depleted use FP-1137M

CYLINDER COMPONENTS

QTY	CONNECTING RODS & BRGS.	PART NO.	SIZE	DESCRIPTION
6	Rod Pair	FP-3220CP	Std-10-20-30	w/2.1232-2.1240" std. shaft size
6	Rod Pair	3220CP +	Std-10-20-30	w/2.1232-2.1240" std. shaft size; When depleted use FP-3220CP

18 Military Vehicles

3.6L 217.8 L-HEAD L6 (Dodge/Plymouth), 3.25" Bore (Chrysler Eng.)

ENGINE BLOCK & PARTS

QTY	CAM BEARINGS	PART NO.	SIZE	DESCRIPTION
1	Cam Set	1010M	Std Only	

CRANKSHAFT/OIL PUMP

QTY	MAIN BEARINGS	PART NO.	SIZE	DESCRIPTION
1	Main Set	415M	Std-10-20-30-40	

CYLINDER COMPONENTS

QTY	CONNECTING RODS & BRGS.	PART NO.	SIZE	DESCRIPTION
1	Rod Set	6-9185CP	Std-10-20-30-40	

(continued on next page)

Military Standard

<i>Military Vehicles</i> 18				
3.6L 217.8 L-HEAD L6 (Dodge/Plymouth), 3.25" Bore (Chrysler Eng.) (cont.)				
CYLINDER COMPONENTS (cont.)				
QTY	CONNECTING RODS & BRGS. (cont.)	PART NO.	SIZE	DESCRIPTION
6	Rod Pair	9185CP	Std-10-20-30-40	
<i>Military Vehicles</i> 19				
3.6L 218 L-HEAD L6 (Mil-Std), 3.25" Bore (Continental Eng.)				
ENGINE BLOCK & PARTS				
QTY	CAM BEARINGS	PART NO.	SIZE	DESCRIPTION
1	Cam Set	FP-1088M		
CYLINDER COMPONENTS				
QTY	CONNECTING RODS & BRGS.	PART NO.	SIZE	DESCRIPTION
6	Rod Pair	FP-3185CP	Std-10-20-30	
6	Rod Pair	3185CP +	Std-10-20-30	When depleted use FP-3185CP
<i>Military Vehicles</i> 20				
3.7L 226 L-HEAD L4 (Mil-Std), 4" Bore (Hercules Eng.)				
ENGINE BLOCK & PARTS				
QTY	CAM BEARINGS	PART NO.	SIZE	DESCRIPTION
1	Cam Set	FP-1090M	Std Only	
1	Cam Set	1090M +	Std Only	When depleted use FP-1090M
CYLINDER COMPONENTS				
QTY	CONNECTING RODS & BRGS.	PART NO.	SIZE	DESCRIPTION
4	Rod Pair	FP-3220CP	Std-10-20-30	w/2.1232-2.1240" std. shaft size
4	Rod Pair	3220CP +	Std-10-20-30	w/2.1232-2.1240" std. shaft size; When depleted use FP-3220CP
<i>Military Vehicles</i> 21				
3.8L 230 L-HEAD L6 (Dodge), 3.25" Bore (Chrysler Eng.)				
ENGINE BLOCK & PARTS				
QTY	CAM BEARINGS	PART NO.	SIZE	DESCRIPTION
1	Cam Set	1010M	Std Only	
CRANKSHAFT/OIL PUMP				
QTY	MAIN BEARINGS	PART NO.	SIZE	DESCRIPTION
1	Main Set	415M	Std-10-20-30-40	W/M/T
CYLINDER COMPONENTS				
QTY	PISTONS	PART NO.	SIZE	DESCRIPTION
6	Pin Bushing	1904V		From Ser. No. 17001; Split type bushing
6	Pin Bushing	8649XAS		Full round, thin wall .0055" O/S OD bushing
6	Pin Bushing	8649XA		Full round, thin wall bushing w/.9150" OD
6	Pin Bushing	8649V		Split type, thin wall bushing w/.9135" OD
6	Pin Bushing	8649V20		Split type, thin wall bushing w/.9135" OD & .020" extra bore stock
QTY	CONNECTING RODS & BRGS.	PART NO.	SIZE	DESCRIPTION
1	Rod Set	6-9185CP	Std-10-20-30-40	
6	Rod Pair	9185CP	Std-10-20-30-40	
<i>Military Vehicles</i> 22				
3.8L 230 SOHC L6 (Tornado), 3.3438" Bore (Continental Eng.)				
CRANKSHAFT/OIL PUMP				
QTY	SEALS - FRONT CRANK	PART NO.	SIZE	DESCRIPTION
1	Redi-Sleeve	99205		
1	Oil Seal	450096		

(continued on next page)

Military Standard

22 Military Vehicles (cont.) 3.8L 230 SOHC L6 (Tornado), 3.3438" Bore (Continental Eng.)				
CYLINDER COMPONENTS				
QTY	PISTONS	PART NO.	SIZE	DESCRIPTION
6	Pin Bushing	8649XA		Full round, thin wall bushing w/.9150" OD
23 Military Vehicles 6MB230 Eng. 3.8L 230 L6 (Mil-Std), 3.4375" Bore (Buda Eng.)				
ENGINE BLOCK & PARTS				
QTY	CAM BEARINGS	PART NO.	SIZE	DESCRIPTION
1	Cam Set	FP-1151M	Std Only	
1	Cam Set	1151M +	Std Only	When depleted use FP-1151M
CYLINDER COMPONENTS				
QTY	CONNECTING RODS & BRGS.	PART NO.	SIZE	DESCRIPTION
6	Rod Pair	FP-3220CP	Std-10-20-30	w/2.1232-2.1240" std. shaft size
6	Rod Pair	3220CP +	Std-10-20-30	w/2.1232-2.1240" std. shaft size; When depleted use FP-3220CP
24 Military Vehicles 3.9L 237 L-HEAD L6 (Mil-Std), 3.4375" Bore (Hercules Eng.)				
ENGINE BLOCK & PARTS				
QTY	CAM BEARINGS	PART NO.	SIZE	DESCRIPTION
1	Cam Set	FP-1151M	Std Only	
1	Cam Set	1151M +	Std Only	When depleted use FP-1151M
CYLINDER COMPONENTS				
QTY	CONNECTING RODS & BRGS.	PART NO.	SIZE	DESCRIPTION
4	Rod Pair	FP-3185CP	Std-10-20-30	
4	Rod Pair	3185CP +	Std-10-20-30	When depleted use FP-3185CP
25 Military Vehicles 3.9L 239.4 L-HEAD V8 (Ford/Mercury), 3.1875" Bore (Ford Eng.)				
ENGINE BLOCK & PARTS				
QTY	CAM BEARINGS	PART NO.	SIZE	DESCRIPTION
1	Cam Set	1005M	Std Only	
CRANKSHAFT/OIL PUMP				
QTY	MAIN BEARINGS	PART NO.	SIZE	DESCRIPTION
1	Main Set	646M	Std-10-20-30	
1	Main Set	533M	Std-10-20-30	100 HP
CYLINDER COMPONENTS				
QTY	PISTONS	PART NO.	SIZE	DESCRIPTION
8	Cast Piston	1003P	Std-20-30-40-60-80	95-100 HP; Cast; 2-3/32", 2-3/16" Ring Groove, 1.519 plus .210 crown" CD, .7500" Pin Dia., Crowned Head w/ring below pin - 7.0:1 C.R.; Not factory duplicate; Repl. O.E. No. 8BA-6108A
8	Cast Piston - Individual	W1003P	Std-20-30-40-60-80	Cast; 2-3/32", 2-3/16" Ring Groove, 1.519 plus .210 crown" CD, .7500" Pin Dia., Crowned Head w/ring below pin - 7.0:1 C.R.; Not factory duplicate; Repl. O.E. No. 8BA-6108A
8	Pin Bushing	9024XBS		.820" max. housing bore
8	Pin Bushing	9024V		Split type bushing; .801" max. housing bore
8	Pin Bushing	9024VA		Split type bushing; .8125" max. housing bore
QTY	CONNECTING RODS & BRGS.	PART NO.	SIZE	DESCRIPTION
1	Rod Set	8-1505CAA	Std-10-20	
8	Rod Pair	1505CAA	Std-10-20-30-40	
8	Rod Pair	9805CA10	10-20-30	95-100 HP
26 Military Vehicles 4.0L 244 L-HEAD L6 (Mil-Std), 3.4375" Bore (Continental Eng.)				
ENGINE BLOCK & PARTS				
QTY	CAM BEARINGS	PART NO.	SIZE	DESCRIPTION
1	Cam Set	FP-1088M		

(continued on next page)

Military Standard

<i>Military Vehicles</i> 26				
4.0L 244 L-HEAD L6 (Mil-Std), 3.4375" Bore (Continental Eng.) (cont.)				
CYLINDER COMPONENTS				
QTY	CONNECTING RODS & BRGS.	PART NO.	SIZE	DESCRIPTION
6	Rod Pair	FP-3185CP	Std-10-20-30	
6	Rod Pair	3185CP +	Std-10-20-30	When depleted use FP-3185CP
<i>Military Vehicles</i> 27				
4.1L 251 L-HEAD L6 (Chrysler), 3.4375" Bore (Chrysler Eng.)				
ENGINE BLOCK & PARTS				
QTY	CAM BEARINGS	PART NO.	SIZE	DESCRIPTION
1	Cam Set	1011M	Std Only	
CYLINDER COMPONENTS				
QTY	CONNECTING RODS & BRGS.	PART NO.	SIZE	DESCRIPTION
6	Rod Pair	FP-3220CP	Std-10-20-30	w/2.1232-2.1240" std. shaft size
6	Rod Pair	3220CP +	Std-10-20-30	w/2.1232-2.1240" std. shaft size; When depleted use FP-3220CP
<i>Military Vehicles</i> 28				
4.6L 283 OHV V8 (Chevrolet), 3.875" Bore (GMC Eng.)				
ENGINE BLOCK & PARTS				
QTY	CAM BEARINGS	PART NO.	SIZE	DESCRIPTION
1	Cam Set	1145M	Std Only	Babbitt material; Full round design
1	Cam Set	1749M	Std Only	Bi-Metal Aluminum
1	Cam Set	1750M	Std Only	2.030" housing bore
CRANKSHAFT/OIL PUMP				
QTY	CRANKSHAFT	PART NO.	SIZE	DESCRIPTION
1	Harmonic Balancer Kit	5000		
1	Harmonic Balancer Sleeve	88176		
QTY	SEALS - FRONT CRANK	PART NO.	SIZE	DESCRIPTION
1	Redi-Sleeve	99176		
1	Oil Seal	9845		
QTY	SEALS - REAR CRANK	PART NO.	SIZE	DESCRIPTION
1	Oil Seal Kit	5092		(Split Seal)
QTY	MAIN BEARINGS	PART NO.	SIZE	DESCRIPTION
1	Main Set	994M	Std-1-10-20-30-40	
CYLINDER COMPONENTS				
QTY	CONNECTING RODS & BRGS.	PART NO.	SIZE	DESCRIPTION
1	Rod Set	8-2020CP	Std-10-20-30-40	
8	Rod Pair	2020CP	Std-1-2-10-20-30-40-50	
<i>Military Vehicles</i> 29				
4.9L 302 OHV L6 (GMC), 4" Bore (GMC Eng.)				
ENGINE BLOCK & PARTS				
QTY	CAM BEARINGS	PART NO.	SIZE	DESCRIPTION
1	Cam Set	1094M	Std Only	
CRANKSHAFT/OIL PUMP				
QTY	CRANKSHAFT	PART NO.	SIZE	DESCRIPTION
1	Harmonic Balancer Kit	5000		
1	Harmonic Balancer Sleeve	88176		
QTY	SEALS - FRONT CRANK	PART NO.	SIZE	DESCRIPTION
1	Redi-Sleeve	99176		
1	Oil Seal	9845		
QTY	SEALS - REAR CRANK	PART NO.	SIZE	DESCRIPTION
1	Oil Seal Kit	5092		(Split Seal)

(continued on next page)

Military Standard

29 Military Vehicles (cont.) 4.9L 302 OHV L6 (GMC), 4" Bore (GMC Eng.)				
CRANKSHAFT/OIL PUMP (cont.)				
QTY	MAIN BEARINGS	PART NO.	SIZE	DESCRIPTION
1	Main Set	697M	Std-10-20	
CYLINDER COMPONENTS				
QTY	PISTONS	PART NO.	SIZE	DESCRIPTION
6	Pin Bushing	9849V		Split type bushing
QTY	CONNECTING RODS & BRGS.	PART NO.	SIZE	DESCRIPTION
6	Rod Pair	1905CP	Std-10-20	
30 Military Vehicles 4.9L 302 OHV V8 (Chevrolet), 4" Bore (GMC Eng.)				
ENGINE BLOCK & PARTS				
QTY	CAM BEARINGS	PART NO.	SIZE	DESCRIPTION
1	Cam Set	1235M	Std-1-10	Babbitt material; Full round design
1	Cam Set	1749M	Std Only	Bi-Metal Aluminum
1	Cam Set	1750M	Std Only	2.030" housing bore
CRANKSHAFT/OIL PUMP				
QTY	CRANKSHAFT	PART NO.	SIZE	DESCRIPTION
1	Harmonic Balancer Kit	5000		
1	Harmonic Balancer Sleeve	88176		
QTY	SEALS - FRONT CRANK	PART NO.	SIZE	DESCRIPTION
1	Redi-Sleeve	99176		
1	Oil Seal	9845		
QTY	SEALS - REAR CRANK	PART NO.	SIZE	DESCRIPTION
1	Oil Seal Kit	5092		(Split Seal)
QTY	MAIN BEARINGS	PART NO.	SIZE	DESCRIPTION
1	Main Set	4663M	Std-1-2-10-20-30-40-60	
1	Main Set	994M	Std-1-10-20-30-40	
1	Main Set	6688M10	10-20-30	.020" O/S length flange brg.
1	Main Set	4663MA	Std-1-2-10-20-30-40-60	A-Series aluminum bearings
1	Main Set	7329MA10	10-20	A-Series aluminum bearings; .010" O/S length flange brg.
CYLINDER COMPONENTS				
QTY	CONNECTING RODS & BRGS.	PART NO.	SIZE	DESCRIPTION
1	Rod Set	8-2020CP	Std-10-20-30-40	
1	Rod Set	8-2555A	Std-1-2-10-20-30-40-50-60	A-Series aluminum bearings
1	Rod Set	8-2555A10X2	10X2-20X2-30X2-40X2	A-Series aluminum bearings; Use in .002" O/S Rod Bore
1	Rod Set	8-2555CP10X2	10X2-20X2-40X2	Use in .002" O/S Rod Bore; Overplated copper-lead alloy
1	Rod Set	8-2555CP	Std-1-2-10-20-30-40-50	8-2555CA 60 avail. as unplated & resizeable; Overplated copper-lead alloy
1	Rod Set	8-2555CA60	60	Unplated & resizeable
8	Rod Pair	2020CP	Std-1-2-10-20-30-40-50	
8	Rod Pair	2555A	Std-1-2-10-20-30-40-50-60	A-Series aluminum bearings
8	Rod Pair	2555CP	Std-1-2-10-20-30-40-50	Overplated copper-lead alloy
8	Rod Pair	2555CA60	60	Unplated & resizeable
31 Military Vehicles 6V-53 (2-Valve Cyl. Head) 5.2L 318 OHV Diesel V6, 3.875" Bore (Detroit Diesel Eng.)				
CYL. HEAD & PARTS				
QTY	GASKETS	PART NO.	SIZE	DESCRIPTION
2	Valve Cover Gasket	FP-8925273		w/Cast Alum. valve cover
2	Valve Cover Gasket	FP-5147994		w/Stamped Steel valve cover
6	Head Gasket	FP-5121254		
2	Head Set	FP-5199820		Military spec.; Services One Head

(continued on next page)

Military Standard

Military Vehicles 6V-53 (2-Valve Cyl. Head) 31
5.2L 318 OHV Diesel V6, 3.875" Bore (Detroit Diesel Eng.) (cont.)

CYL. HEAD & PARTS (cont.)				
QTY	GASKETS (cont.)	PART NO.	SIZE	DESCRIPTION
2	Head Set	FP-5199811		Services One Head
4	O-Ring	FP-5116122		Oil Hole seal
4	Bolt	FP-8927580		3/8" - 16 x .875"
4	Bolt	FP-8927581		3/8" - 16 x 1"
4	Bolt	FP-8927581		3/8" - 16 x 1"
16	Bolt	FP-5121263		5/8" - 11 x 6.250", 12 Pt. Head
4	Lock Washer	FP-103321		3/8"
4	Isolator Bushing	FP-5104515		Rocker cover bolt
QTY	HEAD BOLTS	PART NO.	SIZE	DESCRIPTION
4	Washer	FP-5104514		Rocker cover bolt; .47" x 2.00" x .20"
QTY	MISCELLANEOUS	PART NO.	SIZE	DESCRIPTION
12	Bolt	FP-443603		.250" x 20 x .750"
QTY	VALVE	PART NO.	SIZE	DESCRIPTION
12	Exhaust Valve Kit	FP-5195948		Exh.; 2 Valve Head; 30 Deg.
24	Exhaust Valve Kit	FP-5199323		Exh.; 4 Valve Head; 30 Deg.
48	Keeper	FP-5116341		Exh.; 4 Valve Head
QTY	VALVE SEAT	PART NO.	SIZE	DESCRIPTION
24	Exh.	FP-5196752	10	4 Valve Head; 30 Deg. seat; .010" O/S; 1.1710" OD, .0910" ID, .2220" Depth
24	Exh.	FP-8921501	STD	4 Valve Head; 30 Deg. seat; 1.1610" OD, .0910" ID, .2220" Depth
QTY	VALVE GUIDE	PART NO.	SIZE	DESCRIPTION
24	Guide	FP-5129919		Exh.; 2 Valve Head; 2 3/8" length; .3130" ID, 2.3800" O.A.L.
QTY	VALVE SPRING	PART NO.	SIZE	DESCRIPTION
24	Spring	FP-5144019		Exh.; 4 Valve Head; .135" Wire Dia.
24	Spring	FP-5147424		Exh.; 4 Valve Head; .148" Wire Dia.
24	Spring Insert	FP-5111467		4 Valve Head
24	Spring Cap	FP-5123330		Exh.; 4 Valve Head
QTY	PUSH RODS	PART NO.	SIZE	DESCRIPTION
18	Push Rod	FP-5128640		
18	Push Rod Seat	FP-5123250		Lower
18	Push Rod Seat	FP-5108919		Upper; Cup type
18	Push Rod Seat	FP-5150302		Upper; Flange type
18	Push Rod Spring	FP-5186858		.177" Wire diameter
18	Push Rod Spring	FP-5108918		.192" Wire diameter
18	Push Rod Retainer	FP-5150303		
18	Lock Nut	FP-5151601		5/16" - 24
QTY	VALVE SEAL	PART NO.	SIZE	DESCRIPTION
24	Valve Stem Seal	FP-8921741		Exh.; 4 Valve Head
QTY	ROCKER PARTS	PART NO.	SIZE	DESCRIPTION
6	Arm Assy.	FP-8923554		Injector Rocker; 4 Valve Head
6	Arm Assy.	FP-5135267		LH; 4 Valve Head
6	Arm Assy.	FP-5135268		RH; 4 Valve Head
6	Rocker Shaft	FP-5116072		
12	Arm Support	FP-5116128		
6	Rocker Bushing	FP-8924355		Injector Rocker; Large
6	Rocker Bushing	FP-8924354		Injector Rocker; Small
30	Rocker Bushing	FP-5123700		Rocker Arm Clevis; .5625" OD
18	Follower Assy.	FP-8924439		
6	Follower Guide	FP-5116125		
18	Cam Follower Roller Set	FP-8923814		Incl. pin & roller
12	Valve Bridge	FP-5135262		Exh.
18	Rocker Arm Clevis Pin	FP-5150314		
12	Lock Washer	FP-103319		.250"
INT & EXH MANIFOLDS				
QTY	INT. & EXH. MANIFOLDS	PART NO.	SIZE	DESCRIPTION
2	Exhaust Manifold Gasket	FP-5116205		
QTY	AIR INTAKE	PART NO.	SIZE	DESCRIPTION
1	Air Intake Housing Gasket	FP-5124405		
1	Air Intake Housing Gasket	FP-8924563		Air Inlet Housing
1	Air Intake Housing Gasket	FP-5123703		Air Inlet Housing; 5.68" ID, w/Eight 13/32" Holes
2	Air Cleaner Mtg. Adapter Gskt	FP-5127247		Air Inlet Housing
6	Bolt	FP-8927581		3/8" - 16 x 1"
6	Lock Washer	FP-103321		Air Inlet Housing; 3/8"
2	O-Ring	FP-5182977		Air Inlet Housing Shutdown Valve Shaft

(continued on next page)

Military Standard

31 Military Vehicles 6V-53 (2-Valve Cyl. Head) (cont.) 5.2L 318 OHV Diesel V6, 3.875" Bore (Detroit Diesel Eng.)

CAMSHAFT GROUP				
QTY	CAMSHAFT TIMING	PART NO.	SIZE	DESCRIPTION
2	Camshaft Pulley Spacer	FP-5106360		Front
2	Camshaft Pulley Spacer	FP-5121071		Front
QTY	CAMSHAFT/LIFTER	PART NO.	SIZE	DESCRIPTION
1	Camshaft	FP-5126934		LH & RH; Stamped FP-5126834; V7; Use w/FP-5144019 Spring; Types 60, 277, 297, 299
2	Oil Seal	FP-23516871		Front
2	Camshaft Plug	FP-5151277		.500" Drive; 15/32" x 1/2"
2	Woodruff Key	FP-8926248		.1875" x .625"
ACCESSORY DRIVE				
QTY	ACCESSORY DRIVE	PART NO.	SIZE	DESCRIPTION
1	Accessory Drive Gasket	FP-23515145		
1	Oil Seal	FP-5131329		Accessory drive assy.
1	Ball Brg.	FP-23504528		Accessory drive assy.
3	Lock Washer	FP-103320		Accessory drive assy.; 5/16"
1	Oil Seal	470059		
1	Redi-Sleeve	99149		
FUEL SYSTEM & PARTS				
QTY	FUEL INJECTION	PART NO.	SIZE	DESCRIPTION
3	Fuel Injector Seal Ring	FP-5234281		
3	Fuel Injector Seal Ring	FP-5104701		Viton®
3	Injector Hole Tube Kit	FP-8925981		Viton®
6	Washer	FP-5150250		
6	Clamp	FP-5121259		
6	Fuel Injector	FP-5229345		Injector Assembly C45
6	Fuel Injector Repair Kit	FP-5229649		
6	Fuel Injection Valve Cage	FP-5228696		
6	Fuel Injection Spring Seat	FP-5228766		
6	Fuel Injector Valve Spring	FP-5228596		
6	Fuel Injector Check Valve	FP-5228694		
6	Fuel Pump Check Valve	FP-5226411		
6	Fuel Pump Check Valve	FP-5228308		Incl. injector valve & 5228106 seat
6	Injector Plunger & Bushing	FP-5229342		For Inj. Assembly C40
6	Injector Plunger & Bushing	FP-5229346		For Inj. Assembly C45
6	Injector Plunger & Bushing	FP-5229354		For Inj. Assembly C50
6	Injector Plunger & Bushing	FP-5228684		For Inj. Assembly N45, 5N45
6	Injector Plunger & Bushing	FP-5228749		For Inj. Assembly N50
6	Injector Plunger & Bushing	FP-5228495		For Inj. Assembly S45
6	Injector Plunger & Bushing	FP-5228656		For Inj. Assembly 5A60
6	Fuel Injector Tip Kit	FP-5228491		
6	Fuel Injector Tip Kit	FP-5229034		For Inj. Assembly N35, N40, N45, N50, C40, C45, C50
6	Fuel Injector Tip Kit	FP-5229030		For Inj. Assembly 5A50, 5A55, 5A60
6	Fuel Injector Tip Kit	FP-5229026		For Inj. Assembly 5N45
6	Nut	FP-5228601		NV
6	Fuel Injector Valve Kit	FP-5228313		
6	Fuel Injector Valve Kit	FP-5228769		
1	Fuel Line Connector	FP-8924195		Restrictor; .080" Restrictor
6	Fuel Injector Roller Pin	FP-5228608		
QTY	FUEL FILTERS & PUMP	PART NO.	SIZE	DESCRIPTION
1	Mechanical Fuel Pump	FP-5199735		LH; High Output; High output; w/.375" Gear
1	Mechanical Fuel Pump	FP-5199560		LH; Standard Output; Std. output; w/.250" Gear
1	Mechanical Fuel Pump	FP-5199734		RH; High Output; High output
1	Mechanical Fuel Pump	FP-5199561		RH; Standard Output
1	Fuel Pump Shaft & Gear	FP-5146705		High Output; Fuel Pump Drive; 3.09" Length; High Output
1	Fuel Pump Shaft & Gear	FP-5100313		High Output; Fuel Pump Driven; .963" Length; High Output
1	Fuel Pump Shaft & Gear	FP-5181746		Standard Output; Fuel Pump Drive; 3.09" Length; Std. Output
1	Fuel Pump Shaft & Gear	FP-5181747		Standard Output; Fuel Pump Driven; .838" Length; Std. Output
1	Fuel Pump Valve	FP-5174973		
1	Fuel Pump Gear	FP-5107088		Fuel Pump Drive; LH Helix
1	Fuel Pump Gear	FP-5118915		High Output; Fuel Pump Drive; .374" Width; High Output
1	Fuel Pump Gear	FP-5128217		High Output; Fuel Pump Drive; .374" Width; High Output
1	Fuel Pump Gear	FP-5174975		Standard Output; Fuel Pump Drive; .294" Width; Std. Output
1	Fuel Pump Gear	FP-5181748		Standard Output; Fuel Pump Driven; .294" Width; Std. Output
1	Fuel Pump Drive Shaft	FP-5100312		High Output; Fuel Pump Driven; .963" Length; High Output
1	Fuel Pump Drive Shaft	FP-5178700		Standard & High Output; Fuel Pump Drive; 3.09" Length
1	Fuel Pump Drive Shaft	FP-5181749		Standard Output; Fuel Pump Driven; .838" Length; Std. Output
1	Fuel Pump Check Valve	FP-5174924		1/4" Swing type
1	Fuel Pump Check Valve	FP-5135308		3/8" Swing type

(continued on next page)

Military Standard

Military Vehicles 6V-53 (2-Valve Cyl. Head) 31
5.2L 318 OHV Diesel V6, 3.875" Bore (Detroit Diesel Eng.) (cont.)

FUEL SYSTEM & PARTS (cont.)

QTY	FUEL FILTERS & PUMP (cont.)	PART NO.	SIZE	DESCRIPTION
6	Fuel Line Connector	FP-8926992		Fuel Pipe
1	Fuel Pump Relief Valve Spring	FP-5184530		
1	O-Ring	FP-5179232		.424" x .103"
1	O-Ring	FP-5179232		Check Valve Seal Ring; .424" x .103"
2	Oil Seal	FP-23512243		Fuel pump
1	Fuel Pump Valve Plug Gasket	FP-5161003		Fuel pump
3	Bolt	FP-8925603		Fuel pump mounting; 5/16" - 18 x 3/4"; Vibra-Tite®
1	Fuel Pump Repair Part	FP-5174971		Fuel Pump Valve; .500" x 20 plug
1	Fuel Pump Drive Adapter Gskt.	FP-5150193		Fuel pump mounting; w/Limiting Speed Gov.
1	Fuel Pump Repair Kit	FP-5149599		High Output; High output; Short Shaft
1	Fuel Pump Repair Kit	FP-5195078		Standard Output; Std. output
1	Pipe Plug	FP-5121182		Fuel Pump; 1/4" - 18; Hex head
2	Pipe Plug	FP-8924380		1/8" - 27
2	Plastic Cap	FP-5136240		Fuel pump body; .250" Dia.
1	Plastic Cap	FP-5136241		Fuel pump body; .780" Dia., 3/8" NPTF
1	Dowel Pin	FP-103709		5/32" x 1" straight
1	Ball Brg.	FP-147481		Fuel Pump Shaft; .125" Dia. Steel
1	Bushing	FP-5198558		3/8" x 1/4"
12	Copper Washer	FP-5152148		25/64" ID x 9/16" OD x 1/16" Thick; Copper
12	Washer	FP-8925644		Fuel Pipe Connector
12	Washer	FP-5150568		7/16" x 3/4" x 1/16"; Copper

GOVERNOR

QTY	GOVERNOR	PART NO.	SIZE	DESCRIPTION
1	Governor Spring Cover Gasket	FP-8922593		Gov. High Speed Spring; w/Limiting Speed Gov.
1	Governor Spring Cover Gasket	FP-8922593		Gov. High Speed Spring; w/Variable Speed Gov.
1	Governor Seal Ring	FP-5101691		Gov. Throttle Shaft; w/Limiting Speed Gov.; .362" x .113"
1	Governor Cover Gasket	FP-5121342		w/Limiting Speed Gov.
1	Governor Cover Gasket	FP-5121342		w/Variable Speed Gov.

COOLING SYSTEM

QTY	WATER PUMP	PART NO.	SIZE	DESCRIPTION
1	Water Pump - Heavy Duty	FP-23507971		Raw Water Pump; Opt. 40, 48, 54, 55, 74
1	Water Pump - Heavy Duty	FP-23506003		L.H.
1	Water Pump - Heavy Duty	FP-23506011		L.H.; w/Aluminum Housing; Military Spec.
1	Water Pump - Heavy Duty	FP-23506007		R.H.
1	Water Pump Shaft	FP-5193552		Raw Water Pump
1	Water Pump Impeller	FP-8924838		Raw Water Pump
1	Water Pump Impeller	FP-5193602		Raw Water Pump; Synthetic
1	Water Pump Impeller	FP-23505993		L.H.
1	Water Pump Impeller	FP-23506605		L.H.
1	Water Pump Impeller	FP-23505994		R.H.
1	Water Pump Impeller	FP-23506606		R.H.
1	Water Pump Repair/Rebuild Kit	FP-5197224		Raw Water Pump
1	Water Pump Repair/Rebuild Kit	FP-23506863		L.H.
1	Water Pump Repair/Rebuild Kit	FP-23506869		L.H.
1	Water Pump Repair/Rebuild Kit	FP-23506864		R.H.
1	Water Pump Repair/Rebuild Kit	FP-23506865		R.H.
1	Water Pump Cover	FP-5119283		
1	Water Pump Cover	FP-5193555		Raw Water Pump
1	Water Pump Retainer Ring	FP-9415285		Raw Water Pump; Large; External
1	Water Pump Retainer Ring	FP-5193569		Raw Water Pump; Small
1	Water Pump Mech. Shaft Seal	FP-5198419		Raw Water Pump Shaft
3	Water Pump Seal Ring	FP-5125150		Bypass Tube
1	Ball Brg.	FP-907394		Idler Pulley
1	Ball Brg.	FP-23503796		Inner Fan Shaft
1	Ball Brg.	FP-23503535		Outer Fan Shaft
1	Ball Brg.	FP-23503727		Outer Fan Shaft
1	Ball Brg.	FP-23504426		Raw Water Pump
1	Ball Brg.	FP-9415132		Front; Outer Fan Shaft
1	Ball Brg.	FP-7450630		Rear; Inner Fan Shaft
1	Oil Pump Intake Gasket	FP-5126473		Thermostat Housing Cover
1	Fresh Water Pump Gasket	FP-5133107		L.H. & R.H.
1	Oil Seal	FP-5103951		Fan Shaft
1	Oil Seal	FP-5100408		Fan Shaft; Rubber Lip
1	Oil Seal	FP-5195101		Raw Water Pump Bearing
1	Oil Seal	FP-23506248		L.H. & R.H.; Water Pump Shaft
5	Bolt	FP-23504236		Raw Water Pump Housing; .250" - 20 x .500"; Stainless Steel
4	Bolt	FP-5145092		Raw Water Pump; 3/8" - 24 x 1.20", Self-Locking

(continued on next page)

Military Standard

31 Military Vehicles 6V-53 (2-Valve Cyl. Head) (cont.) 5.2L 318 OHV Diesel V6, 3.875" Bore (Detroit Diesel Eng.)

COOLING SYSTEM (cont.)				
QTY	DESCRIPTION	PART NO.	SIZE	DESCRIPTION
WATER PUMP (cont.)				
1	Bolt	FP-9409060		Thermostat Housing; 1/2" - 20 x 1.500"
7	Bolt	FP-8925603		Water Pump Mounting Bolts; 5/16" - 18 x 3/4"; Vibra-Tite®
6	Pipe Plug	FP-5115214		Thermostat Housing; 1/2" Square Head
4	Pipe Plug	FP-8923847		Thermostat Housing; 1/4" x 18 NPTF; Square head
1	Pipe Plug	FP-8924380		Thermostat Housing; 1/8" - 27
2	Pipe Plug	FP-8924517		Thermostat Housing; 3/8" x 18 square head
1	Pipe Plug	FP-5115214		Water Pump Body; 1/2" Square Head
1	Shaft & Bearing Assembly	FP-8922500		
1	Shaft & Bearing Assembly	FP-904827		L.H. & R.H.
1	Dowel Pin	FP-5197597		Raw Water Pump; .184" OD x .375" Length
1	Gasket	FP-5196513		Raw Water Pump Housing
1	Gasket	FP-5116357		Water By-pass Tube
6	Screw	FP-114366		Raw Water Pump; .250" - 20 x .500"; Brass
1	Slinger, Water Pump	FP-5193676		Raw Water Pump
1	Washer	FP-103325		Raw Water Pump Flange; Lock washer; 5/8"
2	Washer	FP-5197310		Water Pump; Adhesive, Ceramic Insert
1	Water Pump Lock Ring	FP-274746		Fan Shaft
THERMOSTAT				
1	Thermostat	FP-3041379		170 Deg.
2	Thermostat	FP-5143210		170 Deg.
2	Thermostat	FP-5124872		175 Deg.
2	Thermostat	FP-5104462		180 Deg.
1	Thermostat Cover Gasket	FP-5125024		Thermostat Housing Cover
1	Thermostat Gasket	FP-5117786		Outlet Elbow
1	Water Outlet Gasket	FP-2206783		
MISCELLANEOUS				
1	Fan Drive Pulley	FP-5144503		
2	Lock Washer	FP-103321		Raw Water Pump; 3/8"
2	Lock Washer	FP-103320		Raw Water Pump; 5/16"
4	Lock Washer	FP-103321		Thermostat Housing; 3/8"
4	Lock Washer	FP-103320		Thermostat Housing; 5/16"
1	Accessory Drive Gasket	FP-23515145		Raw Water Pump
ENGINE BLOCK & PARTS				
GASKETS				
1	Front Cover Gasket	FP-5119368		Lower
1	Front Cover Gasket	FP-5124055		Upper
1	O-Ring	FP-5109517		Air Heater; 1.750"
1	Oil Pan Gasket	FP-5196061		w/Cast Iron Pan
1	Oil Pan Gasket	FP-5119266		w/Stamped Steel Pan
2	Copper Washer	FP-5155596		Oil Pan; 5/16"; Special copper washer
1	Washer	FP-840277		Oil Pan; 18MM, Nylon
5	Pipe Plug	FP-5115214		Oil Pan; 1/2" Square Head
2	Pipe Plug	FP-5121182		Oil Pan; 1/4" - 18; Hex head
1	Pipe Plug	FP-5142549		Oil Pan; 3/4" - 14 Square Head
1	Cyl. Block Water Hole Cvr Gsk	FP-5132474		
1	Gasket	FP-5116357		Water Hole Gasket
4	Gasket	FP-23505525		3/8" Copper
4	Hand Hole Cover Gasket	FP-5132117		
4	Hand Hole Cover Gasket	FP-8923792		
12	Copper Washer	FP-5152148		Fuel stand pipe; 25/64" ID x 9/16" OD x 1/16" Thick; Copper
10	Lock Washer	FP-103321		3/8"
GASKET SETS				
1	Complete Overhaul Gasket Set	FP-5199816		Aluminum; Crankshaft seals not incl.
1	Complete Overhaul Gasket Set	FP-23512690		Crankshaft seals not incl.
1	Complete Overhaul Gasket Set	FP-23512690WS		Incl. Front & Rear Seals
1	Complete Overhaul Gasket Set	FP-8927743		Military Applications; Crankshaft seals not incl.
DOWEL PINS				
4	Dowel Pin	FP-141346		.1875" x .500"
CAM BEARINGS				
1	Cam Set	FP-5197944	STD	
1	Cam Set	FP-5197945	10	
1	Cam Set	FP-5197946	20	
OIL COOLERS & FILTERS				
1	Oil Cooler	FP-8547236		12 plate
1	Oil Cooler	FP-8547581		13 plate
1	Oil Cooler	FP-8547547		16 plate

(continued on next page)

Military Standard

Military Vehicles 6V-53 (2-Valve Cyl. Head) 31
5.2L 318 OHV Diesel V6, 3.875" Bore (Detroit Diesel Eng.) (cont.)

ENGINE BLOCK & PARTS (cont.)

OIL COOLERS & FILTERS				
QTY	(cont.)	PART NO.	SIZE	DESCRIPTION
1	Oil Cooler	FP-8547548		6 plate
1	Oil Cooler	FP-8547563		8 plate
12	Lock Washer	FP-103320		Oil Cooler; 5/16"
2	Pipe Plug	FP-5121182		Oil Cooler; 1/4" - 18; Hex head
2	Pipe Plug	FP-5142549		Oil Cooler; 3/4" - 14 Square Head
2	Oil Cooler Gasket	FP-8923223		Outlet
1	Gasket	FP-5116357		Oil Cooler Housing to Block
1	Oil Cooler Core Inner Gasket	FP-5150155		Inlet
2	Oil Cooler Core Outer Gasket	FP-5102506		Outlet
1	Oil Cooler Cover Gasket	FP-23501591		Inlet
CRANKSHAFT/OIL PUMP				
QTY	CRANKSHAFT	PART NO.	SIZE	DESCRIPTION
23	Lock Washer	FP-103321		3/8"
1	Woodruff Key	FP-8926247		.250" x .750"
4	Dowel Pin	FP-141346		.1875" x .500"
1	Harmonic Balancer Sleeve	88187		
QTY	SEALS - FRONT CRANK	PART NO.	SIZE	DESCRIPTION
1	Oil Seal	FP-5138796		
1	Oil Seal	FP-5198503		Single lip O/S ID
1	Redi-Sleeve	99187		
1	Wear Sleeve	FP-5136097		
1	Wear Sleeve	FP-5198502		
1	Oil Seal	482041N		
QTY	SEALS - REAR CRANK	PART NO.	SIZE	DESCRIPTION
1	Oil Seal	710022		
1	Redi-Sleeve	99395		
1	Wear Sleeve	FP-23516636		Use w/O/S Seals only
8	Washer	FP-5133981		Main bearing cap; .122" Thick
QTY	MAIN BEARINGS	PART NO.	SIZE	DESCRIPTION
1	Main Set	FP-5198410S	STD	Brgs. w/7 oil holes
4	Plain Main Brg.	FP-5195927	STD	Brgs. w/1 oil hole
4	Plain Main Brg.	FP-5196685	10	Brgs. w/1 oil hole
4	Plain Main Brg.	FP-5196686	20	Brgs. w/1 oil hole
4	Plain Main Brg.	FP-5196687	30	Brgs. w/1 oil hole
4	Plain Main Brg.	FP-5198410	STD	Brgs. w/7 oil holes
4	Plain Main Brg.	FP-5198411	2	Brgs. w/7 oil holes
4	Plain Main Brg.	FP-5198412	10	Brgs. w/7 oil holes
4	Plain Main Brg.	FP-5198413	20	Brgs. w/7 oil holes
4	Plain Main Brg.	FP-5198414	30	Brgs. w/7 oil holes
1	Thrust Washer Set	FP-5159353S	STD	Position 4
4	Thrust Washer	FP-5159353	STD	Position 4
4	Thrust Washer	FP-5160542	5	Position 4
4	Thrust Washer	FP-5192111	10	Position 4
QTY	OIL PUMP	PART NO.	SIZE	DESCRIPTION
1	Oil Pump	FP-5116070		Option Type 51, 163, 164, 165, 174
1	Oil Pump Seal Ring	FP-5126492		Pump Inlet
1	Wear Sleeve	FP-5136097		Oil Pump Cover Bushing
1	Oil Pump Intake Gasket	FP-5126473		Elbow to Pump
1	Woodruff Key	FP-8928540		1/8" x 5/8"
2	Screw	FP-145067		Oil Pump Cover
4	Washer	FP-5138619		Oil Pump Assy.; 25/64" x 3/4" x .083"
2	Washer	FP-5177773		Oil Pump Relief Valve; 18MM x 1.5MM
2	Lock Washer	FP-103319		Oil Pump Assy.; .250"
6	Lock Washer	FP-103320		Oil Pump Mount; 5/16"
1	Oil Filter Gasket	FP-5121205		Filter Cover Adaptor
1	Oil Filter Gasket	FP-5121205		Oil Filter Adaptor
1	Lock Nut	FP-114498		Oil Filter Cover; 5/8" - 18, Jam Nut
1	Front Cover Gasket	FP-5119368		Oil Pump to Block
1	Oil Filter Adapter Gasket	FP-5128439		
1	Oil Filter Adapter Gasket	FP-8924412		
5	Pipe Plug	FP-5115214		Oil Pan; 1/2" Square Head
2	Pipe Plug	FP-5121182		Oil Pan; 1/4" - 18; Hex head
1	Pipe Plug	FP-5142549		Oil Pan; 3/4" - 14 Square Head

(continued on next page)

Military Standard

31 Military Vehicles 6V-53 (2-Valve Cyl. Head) (cont.) 5.2L 318 OHV Diesel V6, 3.875" Bore (Detroit Diesel Eng.)

CYLINDER COMPONENTS				
QTY	LINERS	PART NO.	SIZE	DESCRIPTION
6	Liner w/o Sealing Rings	FP-8926088	STD	.740" Port Height
6	Liner w/o Sealing Rings	FP-8926090	20	.740" Port Height
6	Liner w/o Sealing Rings	FP-5132803	STD	.840" Port Height
6	Liner w/o Sealing Rings	FP-5101016	10	.840" Port Height
6	Liner w/o Sealing Rings	FP-5149944	20	.840" Port Height
6	Cylinder Kit Complete	FP-5198903	STD	Opt. 25,26,27,29,35,60,83; Trunk style piston; 17:1 C.R.
6	Cylinder Kit Complete	FP-519890310	10	Opt. 25,26,27,29,35,60,83; Trunk style piston; 17:1 C.R.
6	Cylinder Kit Complete	FP-519890320	20	Opt. 25,26,27,29,35,60,83; Trunk style piston; 17:1 C.R.
6	Cylinder Kit Complete	FP-5198904	STD	Opt. 53,56,65,66,77,236,249; Trunk style piston; 21:1 C.R.
6	Cylinder Kit Complete	FP-519890410	10	Opt. 53,56,65,66,77,236,249; Trunk style piston; 21:1 C.R.
6	Cylinder Kit Complete	FP-519890420	20	Opt. 53,56,65,66,77,236,249; Trunk style piston; 21:1 C.R.
6	Cylinder Kit Complete	FP-5198899	STD	Opt. 61,62,64,68,96,97,98,118,238,241; Trunk style piston; 21:1 C.R.
6	Cylinder Kit Complete	FP-519889910	10	Opt. 61,62,64,68,96,97,98,118,238,241; Trunk style piston; 21:1 C.R.
6	Cylinder Kit Complete	FP-519889920	20	Opt. 61,62,64,68,96,97,98,118,238,241; Trunk style piston; 21:1 C.R.
6	Cylinder Kit Complete	FP-5199116		Opt. 63,67; Trunk style piston; 21:1 C.R.; Military Spec.
6	Cylinder Kit Complete	FP-519911610	10	Opt. 63,67; Trunk style piston; 21:1 C.R.; Military Spec.
6	Cylinder Kit Complete	FP-519911620	20	Opt. 63,67; Trunk style piston; 21:1 C.R.; Military Spec.
12	Sealing Ring, Liner	FP-5121256		.010 O/S
12	Sealing Ring, Liner	FP-5149945		.020 O/S
6	Flange Shim	FP-29610	1	.001"
6	Flange Shim	FP-29611	2	.002"
QTY	PISTONS	PART NO.	SIZE	DESCRIPTION
6	Piston With Retainers	FP-5195931		2 Valve Head; Trunk style piston
6	Piston With Retainers	FP-5198877		4 Valve Head; Military Spec.; Trunk style piston
6	Piston With Retainers	FP-5198877		4 Valve Head; Trunk style piston
6	Piston Skirt	FP-8924002		
6	Pin	FP-5116189		
6	Piston Pin Retainer	FP-5108131		2 Valve Head; 1.38" Dia.
12	Piston Pin Retainer	FP-5108131		4 Valve Head; 1.38" Dia.
12	Piston Pin Bolt Spacer	FP-8924732		w/Crosshead piston
24	Pin Bushing	FP-5116181		Trunk Type; 2 req'd. per rod
6	Pin Bushing	2619Y20 +		2 req'd. per rod; O.E. No. 5116181; When depleted use FP-5116181
QTY	CONNECTING RODS & BRGS.	PART NO.	SIZE	DESCRIPTION
6	Rod Pair	FP-5197975	STD	
6	Rod Pair	FP-5197976	2	
6	Rod Pair	FP-5197977	10	
6	Rod Pair	FP-5197978	20	
6	Rod Pair	FP-5197979	30	
QTY	PISTON RINGS	PART NO.	SIZE	DESCRIPTION
6	Ring Set Single Cylinder	FP-23501520	STD	High Sulfur; Trunk type
6	Ring Set Single Cylinder	FP-23501521	STD	High Sulfur; Trunk type
6	Ring Set Single Cylinder	FP-5198901	STD	Military Spec.
6	Ring Set Single Cylinder	FP-5198902		Trunk type
6	Ring Set Single Cylinder	FP-5198822	STD	2 Valve Head; 1-.082, 3-3/32, 2-3/16 (1 cyl. set)
6	Ring Set Single Cylinder	FP-5149942	STD	4 Valve Head
6	Compression Ring	FP-5103382		Pos. 1; High Sulfur; Trunk type
6	Compression Ring	FP-8923328		Pos. 1; High Sulfur; Trunk type
6	Compression Ring	FP-5103382		Pos. 1; Military Spec.
6	Compression Ring	FP-5103382		Pos. 1; Trunk type
6	Compression Ring	FP-5103382		Pos. 1; 2 Valve Head
6	Compression Ring	FP-8923328		Pos. 1; 4 Valve Head
18	Compression Ring	FP-5116184		Pos. 2; Trunk type
18	Compression Ring	FP-8925779		Pos. 2, 3, 4; High Sulfur; Trunk type
18	Compression Ring	FP-8925779		Pos. 2, 3, 4; High Sulfur; Trunk type
18	Compression Ring	FP-5116184		Pos. 2, 3, 4; Military Spec.
18	Compression Ring	FP-5116184		Pos. 2, 3, 4; 2 Valve Head
18	Compression Ring	FP-5116184		Pos. 2, 3, 4; 4 Valve Head
12	Compression Ring	FP-5127147		Pos. 3, 4; Trunk type
6	Ring, Oil Control Set	FP-5198092		Military Spec.
12	Ring, Oil Control Set	FP-5195933		Trunk type
12	Ring, Oil Control Set	FP-5195933		2 Valve Head
12	Ring, Oil Control Set	FP-5195933		4 Valve Head

(continued on next page)

Military Standard

<i>Military Vehicles 6V-53 (2-Valve Cyl. Head) 31</i> 5.2L 318 OHV Diesel V6, 3.875" Bore (Detroit Diesel Eng.) (cont.)				
KITS				
QTY	OVERHAUL KIT	PART NO.	SIZE	DESCRIPTION
1	In-Frame Overhaul Kit	FP-IFK6V53		
1	In-Frame Overhaul Kit	FP-6V53		
1	Complete Overhaul Kit	FP-OH6V53		
1	Complete Overhaul Kit	FP-6V53OH		
<i>Military Vehicles 32</i> 5.4L 331 OHV L6, 4.125" Bore (Reo Eng.)				
CYLINDER COMPONENTS				
QTY	PISTONS	PART NO.	SIZE	DESCRIPTION
6	Pin Bushing	FP-1744Y20		
6	Pin Bushing	1744Y20 +		When depleted use FP-1744Y20
<i>Military Vehicles 33</i> 5.6L 339 L-HEAD L6 (Mil-Std), 4" Bore (Hercules Eng.)				
ENGINE BLOCK & PARTS				
QTY	CAM BEARINGS	PART NO.	SIZE	DESCRIPTION
1	Cam Set	FP-1090M	Std Only	
1	Cam Set	1090M +	Std Only	When depleted use FP-1090M
CYLINDER COMPONENTS				
QTY	CONNECTING RODS & BRGS.	PART NO.	SIZE	DESCRIPTION
6	Rod Pair	FP-3220CP	Std-10-20-30	w/2.1232-2.1240" std. shaft size
6	Rod Pair	3220CP +	Std-10-20-30	w/2.1232-2.1240" std. shaft size; When depleted use FP-3220CP
<i>Military Vehicles 34</i> 5.9L 361 OHV V8, 4.125" Bore (Chrysler Eng.)				
ENGINE BLOCK & PARTS				
QTY	CAM BEARINGS	PART NO.	SIZE	DESCRIPTION
1	Cam Set	1453M	Std Only	Babbitt material; Full round design
CRANKSHAFT/OIL PUMP				
QTY	CRANKSHAFT	PART NO.	SIZE	DESCRIPTION
1	Harmonic Balancer Sleeve	88218		
QTY	SEALS - FRONT CRANK	PART NO.	SIZE	DESCRIPTION
1	Redi-Sleeve	99218		
1	Oil Seal	3103		
QTY	SEALS - REAR CRANK	PART NO.	SIZE	DESCRIPTION
1	Oil Seal Kit	5414		
QTY	MAIN BEARINGS	PART NO.	SIZE	DESCRIPTION
1	Main Set	4094M	Std-10-20-30-40-60	3.453" max. flange OD
CYLINDER COMPONENTS				
QTY	CONNECTING RODS & BRGS.	PART NO.	SIZE	DESCRIPTION
1	Rod Set	8-2320CP	Std-10-20-30-40-50	8-2320CA 60 avail. as unplated & resizeable
1	Rod Set	8-2320CA60	60	Unplated & resizeable
8	Rod Pair	2320CP	Std-1-10-20-30-40-50	
<i>Military Vehicles 6-71 In-Line 35</i> 7.0L 426 OHV Diesel L6 (6-71), 4.25" Bore (Detroit Diesel Eng.)				
CYL. HEAD & PARTS				
QTY	GASKETS	PART NO.	SIZE	DESCRIPTION
1	Valve Cover Gasket	FP-5104019		Engs. w/cast Alum. valve cover; Silicone
1	Valve Cover Gasket	FP-5143407		Engs. w/steel valve cover; Neoprene
1	Accessory Drive Gasket	FP-23515145		Breather Body/Separator
1	Governor Hole Gasket	FP-5123812		Breather Pipe
1	Crankcase Breather	FP-5130750		Breather Oil Separator Pad
1	Crankcase Breather	FP-5101760		Oil Separator Filter Unit; 4"
1	Crankcase Breather	FP-5101760		4"

(continued on next page)
+ Superseded Part Number

Military Standard

35 Military Vehicles 6-71 In-Line

(cont.) 7.0L 426 OHV Diesel L6 (6-71), 4.25" Bore (Detroit Diesel Eng.)

CYL. HEAD & PARTS (cont.)

QTY	GASKETS (cont.)	PART NO.	SIZE	DESCRIPTION
1	Valve Cover Gasket	FP-5104019		Engs. w/cast Alum. valve cover; Silicone
1	Valve Cover Gasket	FP-5143407		Engs. w/steel valve cover; Neoprene
1	Lo Filter Adapter Gasket	FP-5173482		Breather Pipe/Body/Shell Cover, A/R
1	Lo Filter Adapter Gasket	FP-5173482		Oil Filler
1	Washer	FP-5150568		Breather Pipe; 7/16" x 3/4" x 1/16"; Copper
1	Hose Clamp	FP-5186840		Breather Body; For 1 5/8" Hose Dia.; 13/16" - 1 1/2" Clamping Range
1	Bolt	FP-8927580		Breather Pipe; 3/8" - 16 x .875"
1	Bolt	FP-5103635		Throttle Delay; 3/8" - 16 x 2.90"
4	Stud	FP-5148504		Rocker Cover; 3/8" - 16 x 4.32"
1	Screw	FP-5103642		Breather Shell Cover; No. 10 - 24 x .375"
3	Screw	FP-5103642		Oil Filler Tube; No. 10 - 24 x .375"
2	Lock Washer	FP-103321		Breather Pipe; 3/8"
2	Lock Washer	FP-103320		Breather Pipe; 5/16"
4	Lock Washer	FP-103321		Breather Shell Cover; 3/8"
4	Isolator Bushing	FP-5104515		Rocker Cover Bolt
QTY	VALVE	PART NO.	SIZE	DESCRIPTION
12	Exhaust Valve Kit	FP-5192718		w/Locks; 2 Valve Head; Contains (1) FP-5178472 & (2) FP-23507238; 45 Degree
12	Exhaust Valve Kit	FP-5193197		w/Locks; 2 Valve Head; Contains (1) FP-5185327 & (2) FP-23507238; 30 Degree
12	Exhaust Valve Kit	FP-5194829		w/Locks; 2 Valve Head; Jet Blade; Contains (1) FP-5178501 & (2) FP-23507238; 45 Degree
12	Exhaust Valve Kit	FP-5193666		w/Locks; 2 Valve Head; Jet Blade; Contains (1) FP-5186381 & (2) FP-23507238; 30 Degree
24	Exhaust Valve Kit	FP-5149386		w/Locks; 4 Valve Head; Hi-Output Engs.; Contains (1) FP-5104280 & (2) FP-5111337
24	Exhaust Valve Kit	FP-23500501		w/Locks; 4 Valve Head; N & T Engs.; Contains (1) FP-8922516 & (2) FP-5111337
12	Valve Guide Cap	FP-5199914		Exh.; 2 Valve Head; Seal installer; Clear
24	Keeper	FP-23507238		2 Valve Head; 1 groove; Square cut key groove
48	Keeper	FP-5111337		4 Valve Head; 1 groove; Square cut key groove
QTY	VALVE SEAT	PART NO.	SIZE	DESCRIPTION
12	Exh.	FP-5198230	10	2 Valve Head; 30 Deg. seat; .010" O/S; 1.6380" OD, 1.3440" ID, .2485" Depth
12	Exh.	FP-8927920	STD	2 Valve Head; 30 Deg. seat; 1.6280" OD, 1.3440" ID, .2485" Depth
24	Exh.	FP-5197167	10	4 Valve Head; 30 Deg. seat; .010" O/S; 1.2720" OD, .9770" ID, .2355" Depth
24	Exh.	FP-5101101	STD	4 Valve Head; 30 Deg. seat; 1.2620" OD, .9770" ID, .2490" Depth
QTY	VALVE GUIDE	PART NO.	SIZE	DESCRIPTION
12	Guide	FP-5120930		Exh.; 2 Valve Head
12	Guide	FP-5192717		Exh.; 2 Valve Head; .0162" O/S
24	Guide	FP-5129919		Exh.; 4 Valve Head; 2 3/8" length; .3130" ID, 2.3800" O.A.L.
QTY	VALVE SPRING	PART NO.	SIZE	DESCRIPTION
12	Spring	FP-5150289		Exh.; 2 Valve Head; .177" Wire dia.
24	Spring	FP-5111339		Exh.; 4 Valve Head; .135" Wire dia.
24	Spring	FP-5147347		Exh.; 4 Valve Head; .148" Wire dia.
12	Valve Spring Seat	FP-5150292		Exh.; 2 Valve Head
24	Valve Spring Seat	FP-5117562		Exh.; 4 Valve Head
24	Spring Insert	FP-5111467		Exh.
12	Spring Cap	FP-5150291		Exh.; 2 Valve Head
24	Spring Cap	FP-5117563		Exh.; 4 Valve Head
QTY	PUSH RODS	PART NO.	SIZE	DESCRIPTION
18	Push Rod	FP-5128640		
18	Push Rod Seat	FP-5123250		Lower
18	Push Rod Seat	FP-5150302		Upper; Flange type
18	Push Rod Spring	FP-5186858		.177" Wire diameter
18	Push Rod Retainer	FP-5150303		
18	Lock Nut	FP-5151601		5/16" - 24
QTY	VALVE MISC.	PART NO.	SIZE	DESCRIPTION
12	Bolt	FP-443603		.250" x 20 x .750"
12	Lock Nut	FP-5151601		5/16" - 24
12	Lock Washer	FP-103319		Cam Follower; .250"
12	Lock Washer	FP-103320		Cam Follower; 5/16"
QTY	VALVE SEAL	PART NO.	SIZE	DESCRIPTION
12	Valve Stem Seal	FP-23500480		Exh.; 2 Valve Head

(continued on next page)

Military Standard

Military Vehicles 6-71 In-Line 35
7.0L 426 OHV Diesel L6 (6-71), 4.25" Bore (Detroit Diesel Eng.) (cont.)

CYL. HEAD & PARTS (cont.)				
QTY	VALVE SEAL (cont.)	PART NO.	SIZE	DESCRIPTION
24	Valve Stem Seal	FP-8921209		Exh.; 4 Valve Head
24	Tools	FP-5199913		Exh.; 4 Valve Head; Seal installer; Green Stripe
ROCKER PARTS				
QTY		PART NO.	SIZE	DESCRIPTION
6	Arm Assy.	FP-5148472		Exh. Left
6	Arm Assy.	FP-5148475		Exh. Right
6	Arm Assy.	FP-8923554		Injector; Unbushed Clevis
6	Rocker Shaft	FP-23500714		
12	Rocker Shaft Bracket Bolt	FP-5150325		1/2" - 13 x 4.250"
12	Arm Support	FP-5103903		
12	Rocker Bushing	FP-5123700		Exh.; Exh. Valve Clevis; .5625" OD
12	Rocker Bushing	FP-23517217		Exh.; Large; .8755" ID, .9475" OD, .840" Length, .0360" Wall thickness
12	Rocker Bushing	FP-8924354		Exh.; Small
6	Rocker Bushing	FP-8924355		Injector; Large
18	Follower Assy.	FP-8924439		
18	Cam Follower Roller Set	FP-8923814		Incl. pin & roller
12	Valve Bridge Adj. Screw	FP-5129101		5/16" - 24 x 1"
12	Valve Bridge	FP-5117565		Exh.
12	Valve Bridge Guide	FP-5117564		Exh.; Press fit
12	Valve Bridge Guide	FP-51175646		Exh.; Press fit w/.006" O/S
12	Valve Bridge Guide	FP-5196843		Exh.; Threaded
12	Rocker Arm Clevis Pin	FP-5150314		
12	Bushing	FP-5122445 +		Exh.; Large; When depleted use FP-23517217
ELECTRICAL				
QTY	ELECTRICAL	PART NO.	SIZE	DESCRIPTION
1	Starting Motor Gasket	FP-5130995		Starting Motor Hole Cover
METERS				
QTY	METERS	PART NO.	SIZE	DESCRIPTION
1	Tachometer Drive Shaft	FP-5135936		
1	Tachometer Drive Shaft	FP-3224992		.061" Key
1	Accessory Drive Gasket	FP-23515145		Tach. Drive Cover
1	Bolt	FP-443603		.250" x 20 x .750"
2	Bolt	FP-8927580		Tach. Drive Cover; 3/8" - 16 x .875"
1	Bolt	FP-179803		1/4" x 20 x 1.750"
1	Washer	FP-5150568		Tach. Drive Cover; 7/16" x 3/4" x 1/16"; Copper
4	Lock Washer	FP-103319		.250"
1	Lock Washer	FP-103319		Tach. Drive Adaptor; .250"
2	Lock Washer	FP-103320		Tach. Drive Adaptor; 5/16"
2	Lock Washer	FP-103320		Water Temp. Switch; 5/16"
1	Gasket	FP-5113412		Water Temp. Switch
1	Oil Seal	FP-5135820		Tach. Drive Adaptor
2	Oil Seal	FP-3202615		Tach. Drive Cover
1	Pipe Plug	FP-8924380		Tach. Drive Adaptor; 1/8" - 27
1	Pipe Plug	FP-5121182		Water Temp. Switch; 1/4" - 18; Hex head
2	Pipe Plug	FP-8923847		Water Temp. Switch; 1/4" x 18 NPTF; Square head
INT & EXH MANIFOLDS				
QTY	INT. & EXH. MANIFOLDS	PART NO.	SIZE	DESCRIPTION
1	Exhaust Manifold Gasket	FP-5120223		Diameter
1	Exhaust Manifold Gasket	FP-5150196		Diameter
2	Exhaust Manifold Gasket	FP-5150195		Ends; Composition
2	Exhaust Manifold Gasket	FP-5120224		Ends; Metal Clad
1	Exhaust Manifold Gasket	FP-5163811		Exh. Outlet; 4.375" I.D.
4	Exhaust Manifold Gasket	FP-5156319		Manifold Cover Plate
1	Exhaust Manifold Gasket	FP-5156319		Water Outlet Flange
1	Gasket	FP-5113412		Exh. Manifold Cover Plate
4	Lock Washer	FP-103321		Exh. Flange; 3/8"
QTY	AIR INTAKE	PART NO.	SIZE	DESCRIPTION
2	Air Intake Housing Gasket	FP-5124405		
1	Air Intake Gasket	FP-3290572		Housing Striker Plate
2	Lock Washer	FP-103319		Air Inlet Housing Shutdown Valve Shaft; .250"
4	Lock Washer	FP-103321		Air Silencer; 3/8"
6	Lock Washer	FP-103320		Air Silencer; 5/16"
2	O-Ring	FP-5182977		Air Inlet Housing Shutdown Valve Shaft

(continued on next page)

Military Standard

35 Military Vehicles 6-71 In-Line (cont.) 7.0L 426 OHV Diesel L6 (6-71), 4.25" Bore (Detroit Diesel Eng.)

CAMSHAFT GROUP				
QTY	CAMSHAFT/LIFTER	PART NO.	SIZE	DESCRIPTION
1	Camshaft	FP-5149393		Advanced timing; R.H. rotation
1	Prelube	55-400		4 oz. bottle; 1.5 oz. packet No. 55-403 also avail.
ACCESSORY DRIVE				
QTY	ACCESSORY DRIVE	PART NO.	SIZE	DESCRIPTION
1	Accessory Drive Gasket	FP-23515145		
1	Oil Seal	FP-5102456		Accessory Drive
1	Oil Seal	FP-5131329		Accessory Drive
1	Oil Seal	FP-5138710		Accessory Drive
1	Oil Seal Kit	FP-5198175		Accessory Drive
1	Ball Brg.	FP-23503727		Accessory Drive
1	Ball Brg.	FP-23504528		Accessory Drive
1	Drive Coupling	FP-5141773		Accessory Drive
1	Water Pump Retainer Ring	FP-9415285		Accessory Drive; Large; External
6	Bolt	FP-5185793		Accessory Drive
10	Bolt	FP-8927580		Accessory Drive; w/Seal Patch; 3/8" - 16 x .875"
3	Bolt	FP-8927581		Accessory Drive; w/Seal Patch; 3/8" - 16 x 1"
4	Bolt	FP-5145092		Accessory Drive; 3/8" - 24 x 1.20", Self-Locking
1	Stud	FP-8927270		Accessory Drive; 3/8" - 16/24" x 1.6875"
4	Stud	FP-8925804		Balance Weight Cover; 7/16" - 14/20" x 2 3/32"
1	Hydraulic Pump Gasket	FP-5188755		Accessory Drive
1	Pipe Plug	FP-5121182		Accessory Drive; 1/4" - 18; Hex head
5	Washer	FP-5150568		Accessory Drive; 7/16" x 3/4" x 1/16"; Copper
13	Copper Washer	FP-5152148		Accessory Drive; 25/64" ID x 9/16" OD x 1/16" Thick; Copper
13	Lock Washer	FP-103321		Accessory Drive; 3/8"
4	Lock Washer	FP-103320		Accessory Drive; 5/16"
2	Lock Washer	FP-103321		Balance Weight Cover; 3/8"
23	Lock Washer	FP-103320		Balance Weight Cover; 5/16"
1	Oil Seal	470625		
1	Redi-Sleeve	99150		
13	Lock Nut	FP-103026		Accessory Drive; 3/8" x 24
23	Lock Nut	FP-103026		Balance Weight Cover; 3/8" x 24
FUEL SYSTEM & PARTS				
QTY	FUEL INJECTION	PART NO.	SIZE	DESCRIPTION
4	Fuel Injector Nozzle	FP-5172874		Water Nozzle; Single Outlet; Single Outlet
6	Fuel Injector Seal Ring	FP-5234281		
6	Fuel Injector Seal Ring	FP-5104701		Viton®
6	Injector Hole Tube Kit	FP-8925981		Incl. Seal Ring; Viton®
6	Clamp	FP-5121259		
6	Fuel Injector	FP-5229355		Option Type 111; Injector Assembly C55
6	Fuel Injector	FP-5229360		Option Type 113; Injector Assembly C60
6	Fuel Injector	FP-5229365		Option Type 115; Injector Assembly C65
6	Fuel Injector	FP-5228780		Option Type 14, 54, 82; Injector Assembly N80
6	Fuel Injector	FP-5229695		Option Type 153; Injector Assembly 7C75
6	Fuel Injector	FP-5229790		Option Type 163; Injector Assembly 7E55
6	Fuel Injector	FP-5229795		Option Type 164; Injector Assembly 7E60
6	Fuel Injector	FP-5229800		Option Type 165; Injector Assembly 7E65
6	Fuel Injector	FP-5229895		Option Type 180; Injector Assembly 7G65
6	Fuel Injector	FP-5226440		Option Type 242; Injector Assembly 7N65
6	Fuel Injector	FP-5228760		Option Type 53, 78; Injector Assembly N60
6	Fuel Injector	FP-5228770		Option Type 57, 80; Injector Assembly N70
6	Fuel Injector	FP-5228785		Option Type 60, 77; Injector Assembly N55
6	Fuel Injector	FP-5228777		Option Type 81; Injector Assembly N75
6	Fuel Injector	FP-5228900		Option Type 97; BT; Injector Assembly N65
12	Fuel Injector Repair Kit	FP-5229649		
6	Fuel Injection Valve Cage	FP-5228696		Check Valve
6	Fuel Injection Spring Seat	FP-5228766		
6	Fuel Injector Valve Spring	FP-5228596		
6	Fuel Injector Check Valve	FP-5228694		
6	Fuel Pump Check Valve	FP-5226411		
6	Fuel Pump Check Valve	FP-5228308		HV7, HV8, HV9, S70, S80, S90; Incl. injector valve & 5228106 seat
6	Fuel Pump Check Valve	FP-5228308		S55, S60, S65; Incl. injector valve & 5228106 seat
6	Injector Plunger & Bushing	FP-5229356		C55
6	Injector Plunger & Bushing	FP-5229362		C60
6	Injector Plunger & Bushing	FP-5229366		C65
6	Injector Plunger & Bushing	FP-5229372		C70
6	Injector Plunger & Bushing	FP-5228306		HV6

(continued on next page)

FUEL SYSTEM & PARTS (cont.)

QTY	FUEL INJECTION (cont.)	PART NO.	SIZE	DESCRIPTION
6	Injector Plunger & Bushing	FP-5228304		HV7
6	Injector Plunger & Bushing	FP-5228804		M95
6	Injector Plunger & Bushing	FP-5228668		N55
6	Injector Plunger & Bushing	FP-5228656		N60; For Inj. Assembly 5A60
6	Injector Plunger & Bushing	FP-5228928		N65 BT
6	Injector Plunger & Bushing	FP-5228658		N65 WT, N75, 7C75
6	Injector Plunger & Bushing	FP-5228682		N70, 7C70
6	Injector Plunger & Bushing	FP-5228661		N80
6	Injector Plunger & Bushing	FP-5228878		N90
6	Injector Plunger & Bushing	FP-5229823		7E55
6	Injector Plunger & Bushing	FP-5229814		7E60
6	Injector Plunger & Bushing	FP-5229808		7E75, 7G75
6	Injector Plunger & Bushing	FP-5229916		7G65
6	Injector Plunger & Bushing	FP-5229912		7G70
6	Injector Plunger & Bushing	FP-5229354		71C5; For Inj. Assembly C50
6	Fuel Injector Tip Kit	FP-5229026		C55, C60, 71C5. 7E55, 7E60; For Inj. Assembly 5N45
6	Fuel Injector Tip Kit	FP-5229192		C65, C70, N70, N75, 7N65
6	Fuel Injector Tip Kit	FP-5228312		HV7, HV8, HV9, S70, S80, S90
6	Fuel Injector Tip Kit	FP-5228554		HV7, HV8, HV9, S70, S80, S90
6	Fuel Injector Tip Kit	FP-5229256		M95, N80, N90
6	Fuel Injector Tip Kit	FP-5229026		N55, N60, N65 WT; For Inj. Assembly 5N45
6	Fuel Injector Tip Kit	FP-5229030		N65 BT; For Inj. Assembly 5A50, 5A55, 5A60
6	Fuel Injector Tip Kit	FP-5228491		S55, S60, S65
6	Fuel Injector Tip Kit	FP-5229030		7E65; For Inj. Assembly 5A50, 5A55, 5A60
6	Nut	FP-5228601		Inj. Valve; NV
6	Fuel Injector Valve Kit	FP-5228313		
6	Fuel Injector Valve Kit	FP-5228769		
6	Fuel Injector Roller Pin	FP-5228608		
QTY	FUEL FILTERS & PUMP	PART NO.	SIZE	DESCRIPTION
1	Mechanical Fuel Pump	FP-5199735		LH; High Output; High output; w/.375" Gear
1	Mechanical Fuel Pump	FP-5199560		LH; Std. Output; Std. output; w/.250" Gear
1	Mechanical Fuel Pump	FP-5199734		RH; High Output; High output
1	Mechanical Fuel Pump	FP-5199561		RH; Std. Output
1	Fuel Pump Shaft & Gear	FP-5100313		High Output; .963" Length; High Output
1	Fuel Pump Shaft & Gear	FP-5146705		High Output; 3.09" Length; High Output
1	Fuel Pump Shaft & Gear	FP-5181747		Std. Output; .838" Length; Std. Output
1	Fuel Pump Shaft & Gear	FP-5181746		Std. Output; 3.09" Length; Std. Output
1	Fuel Pump Valve	FP-5174973		
1	Fuel Pump Gear	FP-5118915		High Output; .374" Width; High Output
1	Fuel Pump Gear	FP-5128217		High Output; .374" Width; High Output
1	Fuel Pump Gear	FP-5174975		Std. Output; .294" Width; Std. Output
1	Fuel Pump Gear	FP-5181748		Std. Output; .294" Width; Std. Output
1	Fuel Pump Drive Shaft	FP-5100312		High Output; .963" Length; High Output
1	Fuel Pump Drive Shaft	FP-5187800		Std. & High Output; 3.09" Length
1	Fuel Pump Drive Shaft	FP-5181749		Std. Output; .838" Length; Std. Output
1	Fuel Pump Check Valve	FP-5174924		1/4" Swing type
1	Fuel Pump Check Valve	FP-5135308		3/8" Swing type
12	Fuel Line Connector	FP-5117369		
1	Fuel Pump Relief Valve Spring	FP-5184530		
2	Oil Seal	FP-23512243		Fuel pump
1	Fuel Pump Valve Plug Gasket	FP-5161003		Fuel pump
1	Fuel Pump Repair Part	FP-5174971		Fuel pump valve plug; .500" x 20 plug
1	Fuel Pump Drive Adapter Gskt.	FP-5150193		
1	Fuel Pump Repair Kit	FP-5149599		High Output; High output; Short Shaft
1	Fuel Pump Repair Kit	FP-5195078		Std. Output; Std. output
1	Pipe Plug	FP-5121182		Fuel pump pipe; 1/4" - 18; Hex head
2	Plastic Cap	FP-5136240		Fuel pump body; .250" Dia.
1	Plastic Cap	FP-5136241		Fuel pump body; .780" Dia., 3/8" NPTF
1	Dowel Pin	FP-103709		5/32" x 1" straight
1	Ball Brg.	FP-147481		Fuel pump shaft; .125" Dia. Steel
1	Accessory Drive Gasket	FP-23515145		Fuel pump mounting plate
12	Washer	FP-5125108		Fuel pump pipe assy.; 7/16" x 3/4" x 1/16"
GOVERNOR				
QTY	GOVERNOR	PART NO.	SIZE	DESCRIPTION
1	Copper Washer	FP-5155596		w/Limiting Speed Gov.; 5/16"; Special copper washer
2	Washer	FP-5179709		w/Limiting Speed Gov.; .250" Copper
3	Lock Washer	FP-103319		Throttle Shaft; w/Limiting Speed Gov.; .250"
3	Screw	FP-9417926		Gov. cover; w/Limiting Speed Gov.; 1/4" -20 x 3/4"

(continued on next page)

Military Standard

35 Military Vehicles 6-71 In-Line

(cont.) 7.0L 426 OHV Diesel L6 (6-71), 4.25" Bore (Detroit Diesel Eng.)

GOVERNOR (cont.)				
QTY	GOVERNOR (cont.)	PART NO.	SIZE	DESCRIPTION
1	Governor Hole Gasket	FP-5123812		Gov. to Cyl. Head; w/Limiting Speed Gov.
1	Governor Cover Gasket	FP-5150889		w/Limiting Speed Gov.
COOLING SYSTEM				
QTY	WATER PUMP	PART NO.	SIZE	DESCRIPTION
1	Water Pump - Heavy Duty	FP-23507971		Raw Water; Option Type 1, 2, 3, 28, 31, 62, 69, 70, 71, 72, 73, 75, 76, 77, 78, 80, 83
1	Water Pump - Heavy Duty	FP-5186250		Raw Water; Option Type 13
1	Water Pump - Heavy Duty	FP-23506704		L.H.; Fresh Water; High Capacity
1	Water Pump - Heavy Duty	FP-23506723		L.H.; Fresh Water; Std. Capacity
1	Water Pump - Heavy Duty	FP-23506711		R.H.; Fresh Water; High Capacity
1	Water Pump - Heavy Duty	FP-23506735		R.H.; Fresh Water; Std. Capacity
1	Water Pump Shaft	FP-5196169		Raw Water Pump; For Pump FP-5122599
1	Water Pump Shaft	FP-5193552		Raw Water; For Pump FP-5186250
1	Water Pump Shaft	FP-5193552		Raw Water; For Pumps FP-5115800, FP-5187140, FP-23507971
1	Water Pump Impeller	FP-23505997		Fresh Water
1	Water Pump Impeller	FP-5126911		Fresh Water
1	Water Pump Impeller	FP-23505998		Fresh Water; High Capacity
1	Water Pump Impeller	FP-8924839		Raw Water; For Pump FP-5122599
1	Water Pump Impeller	FP-8924838		Raw Water; For Pump FP-5186250
1	Water Pump Impeller	FP-8924838		Raw Water; For Pumps FP-23507971, FP-5186250
1	Water Pump Impeller	FP-8924838		Raw Water; For Pumps FP-5115800, FP-5187140, FP-23507971
1	Water Pump Impeller	FP-5193602		Raw Water; Option Type 14; For Obsolete Pump; Synthetic
1	Water Pump Repair/Rebuild Kit	FP-23506870		Fresh Water Recon. Kit; High Capacity; Incl. Impeller Assy.
1	Water Pump Repair/Rebuild Kit	FP-23506851		Fresh Water Recon. Kit; Std. Capacity; Ceramic Insert; Incl. Impeller Assy.
1	Water Pump Repair/Rebuild Kit	FP-5198307		Fresh Water Recon. Kit; Std. Capacity; Incl. Impeller Assy.
1	Water Pump Repair/Rebuild Kit	FP-5149918		Fresh Water Seals & Bearing Kit; High Capacity; Ceramic Insert
1	Water Pump Repair/Rebuild Kit	FP-23506858		Fresh Water Seals & Bearing Kit; Std. Capacity
1	Water Pump Repair/Rebuild Kit	FP-5197222		Recon. Kit; Raw Water; For Pump FP-5122599
1	Water Pump Repair/Rebuild Kit	FP-5197224		Recon. Kit; Raw Water; For Pump FP-5186250
1	Water Pump Repair/Rebuild Kit	FP-5197223		Recon. Kit; Raw Water; For Pumps FP-5115800, FP-5187140, FP-23507971
1	Water Pump Cover	FP-5193555		Raw Water Pump, End; For Pump FP-5122599
1	Water Pump Cover	FP-5193555		Raw Water Pump, End; For Pump FP-5186250
1	Water Pump Cover	FP-5193555		Raw Water Pump, End; For Pumps FP-5115800, FP-5187140, FP-23507971
1	Water Pump Gasket	FP-5178273		Fresh Water; High Capacity
1	Woodruff Key	FP-103462		Raw Water Pump Shaft; For Pump FP-5122599
1	Water Pump Retainer Ring	FP-5196171		Raw Water Pump; For Pump FP-5122599
1	Water Pump Retainer Ring	FP-9415285		Raw Water; For Pump FP-5186250; Large; External
1	Water Pump Retainer Ring	FP-5193569		Raw Water; For Pump FP-5186250; Small; Small
1	Water Pump Retainer Ring	FP-9415285		Raw Water; For Pumps FP-5115800, FP-5187140, FP-23507971; Large; Large; External
1	Water Pump Retainer Ring	FP-5193569		Raw Water; For Pumps FP-5115800, FP-5187140, FP-23507971; Small; Small
1	Water Pump Mech. Shaft Seal	FP-8924297		Fresh Water
1	Water Pump Mech. Shaft Seal	FP-5186571		Fresh Water; Seal & Spring
1	Water Pump Mech. Shaft Seal	FP-5198419		Raw Water; For Pump FP-5186250
1	Water Pump Mech. Shaft Seal	FP-5198419		Raw Water; For Pumps FP-23507971, FP-5186250, FP-5122599
1	Water Pump Mech. Shaft Seal	FP-5198419		Raw Water; For Pumps FP-5115800, FP-5187140, FP-23507971
1	Water Pump Mech. Shaft Seal	FP-5193684		Raw Water; For Pumps FP-5115800, FP-5187140, FP-23507971; Outboard
1	Ball Brg.	FP-23505479		Raw Water Pump; For Pump FP-5122599
1	Ball Brg.	FP-23504426		Raw Water Pump; For Pump FP-5186250
1	Ball Brg.	FP-23504426		Raw Water Pump; For Pumps FP-5115800, FP-5187140, FP-23507971
1	Ball Brg.	FP-23503821		Inner; Fan Shaft
1	Ball Brg.	FP-903205		Inner; Fan Shaft
1	Ball Brg.	FP-9415132		Inner; Fan Shaft
1	Ball Brg.	FP-23503535		Outer; Fan Shaft
1	Ball Brg.	FP-7450630		Outer; Fan Shaft
2	Lock Nut	FP-103026		Fan Hub Mount; 3/8" x 24
1	Oil Pump Intake Gasket	FP-5153902		Lower; Water By-Pass Tube; 2 1/4" B.C.
1	Oil Pump Intake Gasket	FP-5153902		Water Pump Cover; 2 1/4" B.C.
1	Fuel Pump Drive Adapter Gskt.	FP-5150193		Fresh Water Pump to Eng.
1	Accessory Drive Gasket	FP-23515145		Raw Water Pump Drive Gasket
1	Oil Seal	FP-5103951		Fan Shaft
1	Oil Seal	FP-5108219		Fan Shaft; Felt
1	Oil Seal	FP-5100408		Fan Shaft; Rubber Lip

(continued on next page)

COOLING SYSTEM (cont.)

QTY	WATER PUMP (cont.)	PART NO.	SIZE	DESCRIPTION
1	Oil Seal	FP-23506248		Fresh Water Pump
1	Oil Seal	FP-5195101		Raw Water Pump; For Pump FP-5122599
1	Oil Seal	FP-5195101		Raw Water Pump; For Pump FP-5186250
1	Oil Seal	FP-5195101		Raw Water Pump; For Pumps FP-5115800, FP-5187140, FP-23507971
2	Oil Seal	FP-5132155		Thermostat Seal
1	Bolt	FP-454992		Fan Hub Mount; 1/2" - 13 x 2 1/2
3	Bolt	FP-8927581		Fan Hub Mount; 3/8" - 16 x 1"
4	Bolt	FP-8921930		Fresh Water Pump Body; 1/4" - 20 x 3/4"
4	Bolt	FP-443603		Heat Exchanger; .250" x 20 x .750"
1	Bolt	FP-454992		Heat Exchanger; 1/2" - 13 x 2 1/2
2	Bolt	FP-8927580		Heat Exchanger; 3/8" - 16 x .875"
5	Bolt	FP-23504236		Raw Water Pump Cover; For Pump FP-5122599; .250" - 20 x .500"; Stainless Steel
5	Bolt	FP-23504236		Raw Water Pump Cover; For Pump FP-5186250; .250" - 20 x .500"; Stainless Steel
5	Bolt	FP-23504236		Raw Water Pump Cover; For Pumps FP-5115800, FP-5187140, FP-23507971; .250" - 20 x .500"; Stainless Steel
4	Bolt	FP-5145092		Raw Water Pump Drive; 3/8" - 24 x 1.20", Self-Locking
4	Bolt	FP-8927581		Thermostat Housing; 3/8" - 16 x 1"
2	Bolt	FP-8927581		Inlet; Heat Exchanger; 3/8" - 16 x 1"
2	Bolt	FP-8927581		Outlet; Heat Exchanger; 3/8" - 16 x 1"
1	Pipe Plug	FP-8924380		Fan Hub; 1/8" - 27
1	Pipe Plug	FP-5121182		Heat Exchanger; 1/4" - 18; Hex head
1	Pipe Plug	FP-8924380		Heat Exchanger; 1/8" - 27
2	Pipe Plug	FP-5142549		Heat Exchanger; 3/4" - 14 Square Head
2	Pipe Plug	FP-8924517		Thermostat Housing Cover; 3/8" x 18 square head
1	Pipe Plug	FP-5115214		Thermostat Housing; 1/2" Square Head
1	Pipe Plug	FP-5121182		Thermostat Housing; 1/4" - 18; Hex head
1	Pipe Plug	FP-8924380		Thermostat Housing; 1/8" - 27
1	Pipe Plug	FP-5142549		Thermostat Housing; 3/4" - 14 Square Head
1	Pipe Plug	FP-5115214		Water Outlet Manifold Elbow; 1/2" Square Head
1	Pipe Plug	FP-5121182		Water Outlet Manifold Elbow; 1/4" - 18; Hex head
1	Pipe Plug	FP-5142549		Water Outlet Manifold Elbow; 3/4" - 14 Square Head
1	Pipe Plug	FP-5121182		Water Pump; 1/4" - 18; Hex head
1	Pipe Plug	FP-5142549		Water Pump; 3/4" - 14 Square Head
1	Pipe Plug	FP-8924517		Water Pump; 3/8" x 18 square head
1	Expansion Plug	FP-5117186		Heat Exchanger; 2" Dia. Cup; Stainless Steel
1	Shaft & Bearing Assembly	FP-5136671		Fresh Water
1	Shaft & Bearing Assembly	FP-908337		Fresh Water
1	Governor Spring Cover Gasket	FP-8922593		Thermostat Housing Cover
1	Dowel Pin	FP-5197597		Raw Water Pump; Wear Plate Locating Pin; .184" OD x .375" Length
1	Screw	FP-114366		Raw Water Pump Cam; For Pump FP-5122599; .250" - 20 x .500"; Brass
1	Screw	FP-114366		Raw Water Pump Cam; For Pump FP-5186250; .250" - 20 x .500"; Brass
1	Screw	FP-114366		Raw Water Pump Cam; For Pumps FP-5115800, FP-5187140, FP-23507971; .250" - 20 x .500"; Brass
1	Slinger, Water Pump	FP-5114011		Fresh Water
1	Slinger, Water Pump	FP-5193676		Raw Water Pump Shaft; For Pump FP-5122599
1	Slinger, Water Pump	FP-5193676		Raw Water Pump Shaft; For Pump FP-5186250
1	Slinger, Water Pump	FP-5193676		Raw Water; For Pumps FP-5115800, FP-5187140, FP-23507971
3	Copper Washer	FP-5155596		Water Pump Mounting; 5/16"; Special copper washer
2	Washer	FP-5197310		Adhesive Washer; Fresh Water Pump; Adhesive, Ceramic Insert
1	Washer	FP-5131978		Fan Mount Support Spacer; .53" ID x 1.00" OD x .170" Thick
2	Washer	FP-5131978		Heat Exchanger; .53" ID x 1.00" OD x .170" Thick
1	Washer	FP-103325		Raw Water Pump Drive Gear; Lock washer; 5/8"
QTY	THERMOSTAT	PART NO.	SIZE	DESCRIPTION
1	Thermostat	FP-5104238		Choke & Shield Design; 173 Deg.
2	Thermostat	FP-23503828		Weir Type; 165 Deg., Weir Type
2	Thermostat	FP-23503827		160 Deg.
2	Thermostat	FP-23503826		170 Deg.
2	Thermostat	FP-5172141		170 Deg.
1	Thermostat	FP-5184475		173 Deg.
1	Thermostat Gasket	FP-5167761		Thermostat Housing
1	Thermostat Gasket	FP-5169478		Thermostat Housing
2	Thermostat Gasket	FP-5169478		Water By-Pass Tube Elbow
1	Thermostat Gasket	FP-5169478		Water Outlet Manifold Elbow

(continued on next page)

Military Standard

35 Military Vehicles 6-71 In-Line (cont.) 7.0L 426 OHV Diesel L6 (6-71), 4.25" Bore (Detroit Diesel Eng.)

COOLING SYSTEM (cont.)				
QTY	THERMOSTAT (cont.)	PART NO.	SIZE	DESCRIPTION
2	Thermostat Gasket	FP-5169478		Upper; Thermostat Housing
1	Thermostat Gasket	FP-5167761		Heat Exchanger
2	Exhaust Manifold Gasket	FP-5156319		Water By-Pass Tube to Exh. Manifold
QTY	MISCELLANEOUS	PART NO.	SIZE	DESCRIPTION
12	Stud	FP-8927270		Water Outlet Manifold; 3/8" - 16/24" x 1.6875"
4	Hose Clamp	FP-5186841		Heat Exchanger; Water Inlet Tube; 1 9/16" - 2.50"
6	Hose Clamp	FP-9139809		Heat Exchanger; Water Inlet Tube; 2 1/16" - 3"
4	Hose Clamp	FP-5186841		Raw Water Pump Inlet Tube; 1 9/16" - 2.50"
2	Hose Clamp	FP-5186840		Thermostat Housing; 13/16" - 1 1/2" Clamping Range
2	Hose Clamp	FP-5186840		Water By-pass Tube Connecting Hose; 13/16" - 1 1/2" Clamping Range
1	Hose Clamp	FP-9139809		Water Outlet Manifold; 2 1/16" - 3"
1	Hose Clamp	FP-5188036		Water Outlet Manifold; 2.750" Dia. Hose
2	Hose Clamp	FP-5188036		Water Pump Inlet Seal; 2.750" Dia. Hose
3	Lock Washer	FP-103320		Fan Hub Mount; 5/16"
2	Lock Washer	FP-103321		Heat Exchanger; 3/8"
4	Lock Washer	FP-103321		Thermostat Housing; 3/8"
4	Lock Washer	FP-103320		Thermostat Housing; 5/16"
2	Lock Washer	FP-103320		Water Outlet Manifold Elbow; 5/16"
12	Lock Washer	FP-103321		Water Outlet Manifold; 3/8"
2	Lock Washer	FP-103321		Inlet; Heat Exchanger; 3/8"
2	Lock Washer	FP-103321		Inlet; Heat Exchanger; 3/8"
20	Lock Washer	FP-103320		Inlet; Heat Exchanger; 5/16"
2	Lock Washer	FP-103321		Outlet; Heat Exchanger; 3/8"
1	Sealing Ring	FP-5153560		Water Pump Inlet; 2.1875" OD
1	Sealing Ring	FP-5156770		Water Pump Inlet; 2.750" OD
1	O-Ring	FP-5150191		Fresh Water Pump Outlet
2	O-Ring	FP-5167746		Heat Exchanger
1	O-Ring	FP-23514265		Raw Water Pump; For Pump FP-5122599
1	O-Ring	FP-23514265		Raw Water Pump; For Pump FP-5186250
1	O-Ring	FP-23514265		Raw Water Pump; For Pumps FP-5115800, FP-5187140, FP-23507971
2	Exhaust Manifold Gasket	FP-5156319		Heat Exchanger; Cover Plate
2	Hose Clamp	FP-5186840		Upper; Hose to Thermostat Housing; 13/16" - 1 1/2" Clamping Range
2	Oil Cooler Gasket	FP-5112401		Heat Exchanger
1	Oil Cooler Core Outer Gasket	FP-5102506		Heat Exchanger; Oil Cooler Outlet
1	Oil Cooler Cover Gasket	FP-23501591		Heat Exchanger
1	Oil Cooler Cover Gasket	FP-23501591		Heat Exchanger; Expansion Tank Cover
ENGINE BLOCK & PARTS				
QTY	GASKETS	PART NO.	SIZE	DESCRIPTION
2	Flywheel Housing Gasket	FP-5150055		
1	Flywheel Housing Gasket	FP-8928967		
1	Governor Hole Gasket	FP-5123812		Flywheel Housing Vent Cover
2	Accessory Drive Gasket	FP-235151445		Flywheel Housing Large Hole Cover
2	Bolt	FP-8927580		Flywheel Housing; 3/8" - 16 x .875"
2	Washer	FP-5125108		Flywheel Housing; 7/16" x 3/4" x 1/16"
2	Lock Washer	FP-103319		Flywheel Housing; .250"
2	Copper Washer	FP-5152148		Flywheel Housing; 25/64" ID x 9/16" OD x 1/16" Thick; Copper
1	Oil Pan Gasket	FP-5150117		
4	Bolt	FP-8927580		Oil Filter; 3/8" - 16 x .875"
4	Bolt	FP-8927581		Oil Filter; 3/8" - 16 x 1"
1	Washer	FP-5177773		Filter By-pass Valve Plug; 18MM x 1.5MM
1	Washer	FP-840277		Oil Pan Drain Plug; 18MM, Nylon
1	Washer	FP-5150568		Oil Strainer Center Stud; 7/16" x 3/4" x 1/16"; Copper
4	Lock Washer	FP-103321		Oil Filter; 3/8"
34	Lock Washer	FP-103320		Oil Pan; 5/16"
2	Lock Washer	FP-103320		Oil Pressure Regulator; 5/16"
1	Pipe Plug	FP-5115214		Oil Cooler Water Inlet; 1/2" Square Head
2	Pipe Plug	FP-8924517		Oil Cooler Water Inlet; 3/8" x 18 square head
2	Pipe Plug	FP-5121182		Oil Filter; 1/4" - 18; Hex head
1	Pipe Plug	FP-5115214		Oil Pan Drain; 1/2" Square Head
1	Pipe Plug	FP-5121182		Oil Pan Drain; 1/4" - 18; Hex head
1	Pipe Plug	FP-5142549		Oil Pan Drain; 3/4" - 14 Square Head
1	Pipe Plug	FP-8924517		Oil Pan Drain; 3/8" x 18 square head
2	Pipe Plug	FP-5115214		Oil Pan Sump; 1/2" Square Head
1	Pipe Plug	FP-5115214		Oil Pan; 1/2" Square Head
1	Pipe Plug	FP-5121182		Oil Pan; 1/4" - 18; Hex head

(continued on next page)

Military Standard

Military Vehicles 6-71 In-Line 35
7.0L 426 OHV Diesel L6 (6-71), 4.25" Bore (Detroit Diesel Eng.) (cont.)

ENGINE BLOCK & PARTS (cont.)

QTY	GASKETS (cont.)	PART NO.	SIZE	DESCRIPTION
1	Pipe Plug	FP-8923313		Oil Pan; 3/4"
1	Pipe Plug	FP-5142549		Oil Pan; 3/4" - 14 Square Head
2	Cylinder Cover Gasket	FP-23505518		Front & Rear; Cyl. Block End Plate
1	Gasket	FP-5116357		Cyl. Block Water Hole Cover
8	Gasket	FP-23505525		Cyl. Block; 3/8" Copper
4	Hand Hole Cover Gasket	FP-5132117		
12	Copper Washer	FP-5152148		Cyl. Block; 25/64" ID x 9/16" OD x 1/16" Thick; Copper
6	Lock Washer	FP-103321		Cyl. Block; 3/8"
QTY	GASKET SETS	PART NO.	SIZE	DESCRIPTION
1	Complete Overhaul Gasket Set	FP-23512676WS		High Block; w/Seals; Compl., Incl. bi-directional front & rear crank seals; valve cover gskts. not incl.
1	Complete Overhaul Gasket Set	FP-23512676		High Block; Compl., Bi-directional front & rear crank seals not incl.; Valve cover gskts. not incl.
1	Complete Overhaul Gasket Set	FP-5192923		Low Block
1	Kit Gasket Set	FP-2601256		In Frm.; Valve cover gskts. not incl.
1	Kit Gasket Set	260-1256		In Frm.; Valve cover gskts. not incl.
QTY	CAM BEARINGS	PART NO.	SIZE	DESCRIPTION
4	Cam Brg.	FP-5111422	STD	
4	Cam Brg.	FP-5194858	10	
8	Cam Brg.	FP-5194825	20	Cam & Balance shaft brg.; .020" U/S, Unfinished; Grooved
8	Cam Brg.	FP-5111423	STD	Position Front & Rear; Cam & Balance shaft brg.; From Ser. No. 6A-57745; Grooved
5	Cam Brg.	FP-5196026	STD	Position Inter.; w/o Steel bushing in ctr. hole; Aluminum Blocks only
5	Cam Brg.	FP-5196022	STD	Position Inter.; w/Steel bushing in ctr. hole
5	Cam Brg.	FP-5196023	10	Position Inter.; w/Steel bushing in ctr. hole; .010" U/S ID
5	Cam Brg.	FP-5196024	20	Position Inter.; w/Steel bushing in ctr. hole; .020" U/S ID
QTY	OIL COOLERS & FILTERS	PART NO.	SIZE	DESCRIPTION
1	Lock Washer	FP-103321		Oil Cooler Adaptor to Block; 3/8"
2	Oil Cooler Gasket	FP-5112401		Oil Cooler Adaptor to Block
1	Oil Cooler Gasket	FP-8923223		Outer
1	Oil Cooler Core Gasket	FP-23501589		Outer
1	Gasket	FP-5575086		Oil Cooler By-pass Plug
1	Oil Cooler Core Inner Gasket	FP-5150155		
1	Oil Cooler Core Outer Gasket	FP-5102506		
2	Oil Cooler Adapter Gasket Set	FP-5150154		
1	Oil Cooler Adapter Cover Gskt	FP-5175882		Spacer
1	Oil Pump Intake Gasket	FP-5153902		Oil Cooler Housing Pad Cover; 2 1/4" B.C.
1	Copper Washer	FP-5152148		Oil Cooler Adaptor to Block; 25/64" ID x 9/16" OD x 1/16" Thick; Copper
QTY	FREEZE PLUGS	PART NO.	SIZE	DESCRIPTION
2	Pipe Plug	FP-5115214		Cyl. Block; 1/2" Square Head
8	Pipe Plug	FP-5121182		Cyl. Block; 1/4" - 18; Hex head
9	Pipe Plug	FP-8924380		Cyl. Block; 1/8" - 27
2	Pipe Plug	FP-5142549		Cyl. Block; 3/4" - 14 Square Head
2	Pipe Plug	FP-5115214		Flywheel Housing; 1/2" Square Head
1	Pipe Plug	FP-5142549		Flywheel Housing; 3/4" - 14 Square Head
1	Pipe Plug	FP-8923847		Oil Filler; 1/4" x 18 NPTF; Square head
QTY	DIPSTICK	PART NO.	SIZE	DESCRIPTION
1	Dipstick	FP-5115162		18.88" Length
1	Dipstick	FP-5101884		24" x 1.38"
1	Dipstick	FP-5108895		26.32" x 1.46"
1	Dipstick	FP-5146679		61" Length; Unmarked
1	Dipstick	FP-5146680		72" Length; Unmarked
QTY	MISCELLANEOUS	PART NO.	SIZE	DESCRIPTION
6	Bolt	FP-8927581		Cyl. Block; w/Seal patch; 3/8" - 16 x 1"
6	Bolt	FP-8927581		Flywheel Housing; 3/8" - 16 x 1"
6	Bolt	FP-9410925		Flywheel Housing; 9/16" - 18 x 2.250"
6	Bolt	FP-9412015		Flywheel Housing; 9/16" - 18 x 2.500"
1	Bolt	FP-5103534		Oil Filler; 5/16" - 24 x 1/2"
2	Pipe Plug	FP-5115214		Cyl. Block; 1/2" Square Head
8	Pipe Plug	FP-5121182		Cyl. Block; 1/4" - 18; Hex head
9	Pipe Plug	FP-8924380		Cyl. Block; 1/8" - 27
2	Pipe Plug	FP-5142549		Cyl. Block; 3/4" - 14 Square Head
2	Pipe Plug	FP-5115214		Flywheel Housing; 1/2" Square Head
1	Pipe Plug	FP-5142549		Flywheel Housing; 3/4" - 14 Square Head
1	Pipe Plug	FP-8923847		Oil Filler; 1/4" x 18 NPTF; Square head

(continued on next page)

Military Standard

35 Military Vehicles 6-71 In-Line

(cont.) 7.0L 426 OHV Diesel L6 (6-71), 4.25" Bore (Detroit Diesel Eng.)

ENGINE BLOCK & PARTS (cont.)				
QTY	MISCELLANEOUS (cont.)	PART NO.	SIZE	DESCRIPTION
4	Gasket	FP-5178997		Cyl. Block Core Plug
6	Washer	FP-5131978		Flywheel Housing; .53" ID x 1.00" OD x .170" Thick
1	Washer	FP-5131755		Flywheel Housing; 17/32" x .88" x .1345"
6	Washer	FP-5138619		Flywheel Housing; 25/64" x 3/4" x .083"
1	Copper Washer	FP-5155596		Oil Filler; 5/16"; Special copper washer
2	Lock Washer	FP-103320		Cyl. Block; w/Lock Washer; 5/16"
16	Lock Washer	FP-103321		Flywheel Housing; 3/8"
2	Lock Washer	FP-103321		Oil Filler; 3/8"
1	Oil Filler Cap	FP-5117362		2.00" Dia.; Thermos Bottle Style
CRANKSHAFT/OIL PUMP				
QTY	CRANKSHAFT	PART NO.	SIZE	DESCRIPTION
1	Vibration Damper	FP-8922491		Heavy Viscous
1	Vibration Damper	FP-5177763		Light Viscous
1	Bolt	FP-23501143		Crankshaft pulley; 1" - 14 X 2.750" (1.500" Hex head)
14	Washer	FP-103325		Lock washer; 5/8"
6	Lock Washer	FP-103321		3/8"
2	Woodruff Key	FP-5131724		Position Front; Crankshaft pulley; .375" x 1.250"
4	Dowel Pin	FP-141346		.1875" x .500"
QTY	SEALS - FRONT CRANK	PART NO.	SIZE	DESCRIPTION
1	Oil Seal	FP-5115454		Single Lip; Single Lip, Std.
1	Oil Seal	FP-5143108		Submersible
1	Redi-Sleeve	99287		Shaft dia. 2.876"
1	Oil Seal Spacer	FP-23507306		2.50" ID x 2.81" Length
1	Oil Seal	455006N		
1	Oil Seal	FP-5115454		Single Lip, Std.
1	O-Ring	FP-23503769		Front Crank Spacer Seal
QTY	SEALS - REAR CRANK	PART NO.	SIZE	DESCRIPTION
1	Oil Seal	FP-5127821		Double Lip; Double Lip, Std.; Shaft Dia. 4.687"
1	Oil Seal	FP-5196927		Double Lip; O/S Seal; Double Lip; O/S Shaft Dia. 4.812"
1	Oil Seal	FP-5197860		Single Lip; O/S Seal; Single lip; O/S Shaft dia. 4.812"
1	Oil Seal	FP-5114335		Single Lip; Single Lip, Std.; Shaft Dia. 4.687"
1	Oil Seal Spacer	FP-5192496		Rear Crank Spacer; Exc. Double Lip Seal
1	Oil Seal	455378H		
1	Oil Seal	FP-5114335		Single Lip, Std.; Shaft Dia. 4.687"
1	Oil Seal Kit	5460		
1	Redi-Sleeve	FP-23507225		Rear Crank Sleeve; O/S Seal only
1	Redi-Sleeve	99468		
QTY	MAIN BEARINGS	PART NO.	SIZE	DESCRIPTION
7	Plain Main Brg.	FP-5192874	STD	
7	Plain Main Brg.	FP-5192875	2	
7	Plain Main Brg.	FP-5192876	10	
7	Plain Main Brg.	FP-5192877	20	
7	Plain Main Brg.	FP-5192878	30	
7	Plain Main Brg.	FP-5193738	40	
7	Plain Main Brg.	FP-5193739	50	
1	Thrust Washer Set	FP-5159353S	STD	Position Rear
4	Thrust Washer	FP-5159353	STD	Position Rear
4	Thrust Washer	FP-5160542	5	Position Rear
4	Thrust Washer	FP-5192111	10	Position Rear
QTY	OIL PUMP	PART NO.	SIZE	DESCRIPTION
1	Pump Repair Kit	FP-5194801		
1	Inter. Shaft	FP-5153309		Oil Pump Drive; 8 31/32" Length
1	Inter. Shaft	FP-5153310		Oil Pump Driven Gear; 3 7/32" Length
1	Inter. Shaft	FP-5153146		Oil Pump Driven Gear; 5 5/32" Length
2	Oil Pump Intake Gasket	FP-5153902		Inlet Pipe; 2 1/4" B.C.
2	Bushing	FP-5153147		Oil Pump Body
4	Bushing	FP-5166840		Oil Pump Driven Gear
1	Bushing	FP-5153154		Oil Pump Shaft & Gear
1	Oil Pump Spring	FP-5155765		Oil Pump Relief Valve
1	Woodruff Key	FP-8928540		Oil Pump Drive Shaft; 1/8" x 5/8"
1	Woodruff Key	FP-8928540		Oil Pump Shaft; 1/8" x 5/8"
1	Washer	FP-5175944		Oil Pump Idler; Small
4	Lock Washer	FP-103321		Oil Pump Body; 3/8"
4	Lock Washer	FP-103320		Oil Pump Body; 5/16"
1	Gasket	FP-5156922		Oil Pump Outlet Pipe; 2 5/64" B.C.
2	Gasket	FP-105456		Oil Pump Relief Valve; 7/8" Copper
1	O-Ring	FP-5187316		Filter By-pass Valve Plug

(continued on next page)

CRANKSHAFT/OIL PUMP (cont.)

QTY	OIL PUMP (cont.)	PART NO.	SIZE	DESCRIPTION
2	Governor Hole Gasket	FP-5123812		Oil Drain Tube; Inclined Engines
1	Oil Filter Gasket	FP-1595620		Rectangular Section
1	Lo Press. Reg. Body Gasket	FP-5104381		Type No. 1, 2, 21, 23
1	Lo Press. Reg. Body Gasket	FP-5156831		Type No. 3
1	Gasket	FP-5575086		Filter By-pass Valve Plug
1	Lock Nut	FP-114498		Oil Filter Cover; 5/8" - 18, Jam Nut
1	Oil Pressure Regulator Valve	FP-5153247		Oil Pump Relief
1	Oil Filter Adapter Gasket	FP-5152413		Filter to Oil Cooler
1	Oil Filter Adapter Gasket	FP-5188028		Filter to Oil Cooler
1	Oil Pump Spring	FP-5156815		Oil Press. Regulator
1	Pipe Plug	FP-5115214		Oil Cooler Water Inlet; 1/2" Square Head
2	Pipe Plug	FP-8924517		Oil Cooler Water Inlet; 3/8" x 18 square head
2	Pipe Plug	FP-5121182		Oil Filter; 1/4" - 18; Hex head
1	Pipe Plug	FP-5115214		Oil Pan Drain; 1/2" Square Head
1	Pipe Plug	FP-5121182		Oil Pan Drain; 1/4" - 18; Hex head
1	Pipe Plug	FP-5142549		Oil Pan Drain; 3/4" - 14 Square Head
1	Pipe Plug	FP-8924517		Oil Pan Drain; 3/8" x 18 square head
2	Pipe Plug	FP-5115214		Oil Pan Sump; 1/2" Square Head
1	Pipe Plug	FP-5115214		Oil Pan; 1/2" Square Head
1	Pipe Plug	FP-5121182		Oil Pan; 1/4" - 18; Hex head
1	Pipe Plug	FP-8923313		Oil Pan; 3/4"
1	Pipe Plug	FP-5142549		Oil Pan; 3/4" - 14 Square Head

CYLINDER COMPONENTS

QTY	LINERS	PART NO.	SIZE	DESCRIPTION
6	Liner w/o Sealing Rings	FP-5102316	5	Flanged, .810" port length
6	Liner w/o Sealing Rings	FP-5102317	10	Flanged, .810" port length
6	Liner w/o Sealing Rings	FP-5102318	20	Flanged, .810" port length
6	Liner w/o Sealing Rings	FP-5102319	30	Flanged, .810" port length
6	Liner w/o Sealing Rings	FP-5107448	5	Flanged, .950" port length
6	Liner w/o Sealing Rings	FP-5107449	10	Flanged, .950" port length
6	Liner w/o Sealing Rings	FP-5107450	20	Flanged, .950" port length
6	Liner w/o Sealing Rings	FP-5193732	5	Flanged, 1.050" port length
6	Liner w/o Sealing Rings	FP-5193733	10	Flanged, 1.050" port length
6	Liner w/o Sealing Rings	FP-5193734	20	Flanged, 1.050" port length
6	Liner w/o Sealing Rings	FP-5193735	30	Flanged, 1.050" port length
6	Liner w/o Sealing Rings	FP-23504931	STD	No. 1 Bore; Flanged, .810" port length
6	Liner w/o Sealing Rings	FP-23502023	STD	No. 1 Bore; Flanged, .950" port length
6	Liner w/o Sealing Rings	FP-23502020	STD	No. 1 Bore; Flanged, 1.050" port length
6	Liner w/o Sealing Rings	FP-23504932	STD	No. 2 Bore; Flanged, .810" port length
6	Liner w/o Sealing Rings	FP-23502024	STD	No. 2 Bore; Flanged, .950" port length
6	Liner w/o Sealing Rings	FP-23502021	STD	No. 2 Bore; Flanged, 1.050" port length
6	Liner w/o Sealing Rings	FP-23504933	STD	No. 3 Bore; Flanged, .810" port length
6	Liner w/o Sealing Rings	FP-23502025	STD	No. 3 Bore; Flanged, .950" port length
6	Liner w/o Sealing Rings	FP-23502022	STD	No. 3 Bore; Flanged, 1.050" port length
6	Liner w/o Sealing Rings	FP-23504934	STD	No. 4 Bore; Flanged, .810" port length
6	Liner w/o Sealing Rings	FP-23504935	STD	No. 4 Bore; Flanged, .950" port length
6	Liner w/o Sealing Rings	FP-23504936	STD	No. 4 Bore; Flanged, 1.050" port length
6	Cylinder Kit Complete	FP-23522951	10	w/Cross Head style piston; 1.050" port length sleeve
6	Cylinder Kit Complete	FP-23522525	20	w/Cross Head style piston; 1.050" port length sleeve
6	Cylinder Kit Complete	FP-5149263	10	w/Trunk style piston; 4 Valve Head; 1.05" port length sleeve
6	Cylinder Kit Complete	FP-5149264	20	w/Trunk style piston; 4 Valve Head; 1.05" port length sleeve
6	Cylinder Kit Complete	FP-20022	STD	No. 1 Bore; w/Cross Head style piston
6	Cylinder Kit Complete	FP-20014	STD	No. 1 Bore; w/Trunk style piston; 2 Valve Head
6	Cylinder Kit Complete	FP-20011	STD	No. 1 Bore; w/Trunk style piston; 4 Valve Head; 1.05" port length sleeve
6	Cylinder Kit Complete	FP-23522949	STD	No. 2 Bore; w/Cross Head style piston; 1.050" port length sleeve
6	Cylinder Kit Complete	FP-23505308	STD	No. 2 Bore; w/Trunk style piston; 2 Valve Head; .810" port length sleeve
6	Cylinder Kit Complete	FP-23505305	STD	No. 2 Bore; w/Trunk style piston; 4 Valve Head; 1.05" port length sleeve
6	Cylinder Kit Complete	FP-23522947	STD	No. 3 Bore; w/Cross Head style piston; 1.050" port length sleeve
6	Cylinder Kit Complete	FP-23505309	STD	No. 3 Bore; w/Trunk style piston; 2 Valve Head
6	Cylinder Kit Complete	FP-23505306	STD	No. 3 Bore; w/Trunk style piston; 4 Valve Head; 1.05" port length sleeve
6	Cylinder Kit Complete	FP-23522521	STD	No. 4 Bore; w/Cross Head style piston; 1.050" port length sleeve
6	Cylinder Kit Complete	FP-5149261	STD	No. 4 Bore; w/Trunk style piston; 4 Valve Head; 1.05" port length sleeve
6	Liner Kit w/o Sleeve	FP-LCK22507		w/Cross Head style piston
6	Liner Kit w/o Sleeve	FP-LCK22949		w/Cross Head style piston

(continued on next page)

Military Standard

35 Military Vehicles 6-71 In-Line

(cont.) 7.0L 426 OHV Diesel L6 (6-71), 4.25" Bore (Detroit Diesel Eng.)

CYLINDER COMPONENTS (cont.)

QTY	LINERS (cont.)	PART NO.	SIZE	DESCRIPTION
6	Liner Kit w/o Sleeve	FP-LCK5309		w/Trunk style piston; 2 Valve Head
6	Liner Kit w/o Sleeve	FP-LCK5306		w/Trunk style piston; 4 Valve Head
6	Flange Shim	FP-5199569	2	High Block; .002" Thick
6	Flange Shim	FP-2190595	.0015	Low Block; .002" Thick
6	Flange Shim	FP-5192226	3	Low Block; .003" Thick
6	Cntr. Bore Insert	FP-5199871		.0015" Thicker than std., for .010-.030 O/S sleeves
6	Cntr. Bore Insert	FP-5148399		.0015" Thicker than std., for std.-.005 O/S sleeves
6	Cntr. Bore Insert	FP-5148440		.0015" Thinner than std., for std.-.005 O/S sleeves
6	Cntr. Bore Insert	FP-CLR81008		.0030" Thicker than std., for .010-.030 O/S sleeves
6	Cntr. Bore Insert	FP-5194073		.0035 Thinner than std., for std.-.005 O/S sleeves
6	Cntr. Bore Insert	FP-5194163		.0040 Thinner than std., for .010-.030 O/S sleeves
6	Cntr. Bore Insert	FP-5194164		.0080" Thinner than std., for .010-.030 O/S sleeves
6	Cntr. Bore Insert	FP-5193316		Std. thickness (.1795-.1800), for .010-.030 O/S sleeves
6	Cntr. Bore Insert	FP-5184484		Std. thickness (.1795-.1800), for std.-.005 O/S sleeves
QTY	PISTONS	PART NO.	SIZE	DESCRIPTION
6	Piston With Retainers	FP-5189054	STD	17.5:1 C.R.; Trunk style piston; 2 Valve Head; Dish Head, Cast Iron; 4-1/8, 2-3/16 Ring Groove
6	Piston With Retainers	FP-5149234	STD	18.7:1 C.R.; Trunk style piston; 4 Valve Head
6	Piston Dome Kit	FP-23522475		17.0:1 C.R.; w/Cross Head style piston
6	Piston Dome Kit	FP-23522535		18.7:1 C.R.; w/Cross Head style piston
6	Crosshead Piston Dome	FP-23521992	STD	17.0:1 C.R.; Cross Head style piston
6	Crosshead Piston Dome	FP-23522026	STD	18.7:1 C.R.; w/Cross Head style piston
6	Piston Skirt	FP-23522070	STD	w/Cross Head style piston
6	Pin	FP-5101120	STD	w/Cross Head style piston
6	Pin	FP-5144744	STD	w/Cross Head style piston; Nut plate type
6	Pin	FP-5188406	STD	w/Trunk style piston
12	Piston Pin Retainer	FP-5180250		w/Cross Head style piston
12	Piston Pin Retainer	FP-5188405		w/Trunk style piston
6	Piston Pin Slipper Bearing	FP-23501687		w/Cross Head style piston; Slipper type design - 1 per cyl.
6	Pin Bushing	FP-5157274		w/Trunk style piston; w/.015" extra ID bore stock
6	Pin Bushing	FP-2409Y		w/1.5020" I.D., 1.7510" O.D., .7600" O.A.L.
6	Pin Bushing	2409Y +		w/1.5020" I.D., 1.7510" O.D., .7600" O.A.L.; When depleted use FP-2409Y
QTY	CONNECTING RODS & BRGS.	PART NO.	SIZE	DESCRIPTION
6	Rod Pair	FP-23511129	STD	Late design-upper brg. w/2 oil slots
6	Rod Pair	FP-23511131	2	Late design-upper brg. w/2 oil slots
6	Rod Pair	FP-23511133	10	Late design-upper brg. w/2 oil slots
6	Rod Pair	FP-23511135	20	Late design-upper brg. w/2 oil slots
6	Rod Pair	FP-23511137	30	Late design-upper brg. w/2 oil slots
6	Rod Pair	FP-5193741	40	Late design-upper brg. w/2 oil slots
QTY	PISTON RINGS	PART NO.	SIZE	DESCRIPTION
6	Ring Set Single Cylinder	FP-5193477	STD	4-1/8, 2-3/16 (1 cyl. set w/4 Chrome rings)
CLUTCH				
QTY	CLUTCH	PART NO.	SIZE	DESCRIPTION
1	Ball Brg.	FP-23503707		Clutch Pilot
1	Ball Brg.	FP-23503709		Clutch Pilot
1	Ball Brg.	FP-23504892		Clutch Pilot
KITS				
QTY	OVERHAUL KIT	PART NO.	SIZE	DESCRIPTION
1	In-Frame Overhaul Kit	FP-671XH		w/Cross Head style piston; Valve cover gaskets not incl.
1	In-Frame Overhaul Kit	FP-671NA		w/Trunk style piston & 1.050" Port Length Sleeve. Valve cover gaskets not Incl.
1	Complete Overhaul Kit	FP-671XHOH		w/Cross Head style piston; Valve cover gaskets not incl.
1	Complete Overhaul Kit	FP-6V71NAOH		w/Trunk style piston & 1.050" Port Length Sleeve. Valve cover gaskets Not Incl.

36 Military Vehicles

7.0L 427.3 OHV L6, 4.3125" Bore

CRANKSHAFT/OIL PUMP

QTY	MAIN BEARINGS	PART NO.	SIZE	DESCRIPTION
1	Main Set	FP-4910M	Std-10	

(continued on next page)

Military Standard

Military Vehicles **36**
7.0L 427.3 OHV L6, 4.3125" Bore (cont.)

CYLINDER COMPONENTS

QTY	CONNECTING RODS & BRGS.	PART NO.	SIZE	DESCRIPTION
6	Rod Pair	FP-3355CP	Std-10	
6	Rod Pair	3355CP +	Std-10	When depleted use FP-3355CP

Military Vehicles **37**
7.8L 478 OHV L6, 4.5625" Bore

CRANKSHAFT/OIL PUMP

QTY	MAIN BEARINGS	PART NO.	SIZE	DESCRIPTION
1	Main Set	FP-4910M	Std-10	

CYLINDER COMPONENTS

QTY	CONNECTING RODS & BRGS.	PART NO.	SIZE	DESCRIPTION
6	Rod Pair	FP-3355CP	Std-10	
6	Rod Pair	3355CP +	Std-10	When depleted use FP-3355CP

Military Vehicles **38**
8.8L 534 OHV V8, 4.5" Bore (Ford Eng.)

CYLINDER COMPONENTS

QTY	PISTONS	PART NO.	SIZE	DESCRIPTION
8	Pin Bushing	2319Y20		

QTY	CONNECTING RODS & BRGS.	PART NO.	SIZE	DESCRIPTION
8	Rod Pair	2470CP	Std-10-20-30	Use w/crankshaft Frg. Nos. C1TE-6303B, C2TE-B

Military Vehicles 8V-71 (2-Valve Cyl. Head), 8V-71E (4-Valve Cyl. Head), 8V-71N (4-Valve Cyl. Head) Eng. **39**
9.3L 568 OHV Diesel V8, 4.25" Bore (Detroit Diesel Eng.)

CYL. HEAD & PARTS

QTY	GASKETS	PART NO.	SIZE	DESCRIPTION
2	Valve Cover Gasket	FP-5104081		Engs. w/cast Alum. valve cover; Silicone
2	Valve Cover Gasket	FP-5143406		Engs. w/Steel valve cover; Neoprene
8	Head Gasket	FP-5103659		Compression Gasket
2	Head Set	FP-5196381		Accommodates One Head
1	Breather Seal Ring	FP-5103646		Breather Hole Plug
1	Breather Seal Ring	FP-5103646		Breather Shell Cover
1	Accessory Drive Gasket	FP-23515145		Oil Filler Tube Adaptor
2	Governor Hole Gasket	FP-5123812		Breather Elbow Gasket
1	Crankcase Breather	FP-5101760		Breather Element; 4"
1	Oil Filler Tube Gasket	FP-5120540		Tube Adaptor
6	Governor Hole Gasket	FP-5123812		Cyl. Head
12	O-Ring	FP-5186579		Cyl. Head Water Seal
14	Bolt	FP-5117003		Cyl. Head; 5/8" x 5.375"
1	Bolt	FP-5103635		Throttle Delay; 3/8" - 16 x 2.90"
4	Stud	FP-5148504		Rocker Cover; 3/8" - 16 x 4.32"
8	Lock Nut	FP-103026		Cyl. Head; 3/8" x 24
6	Nut	FP-5150013		Cyl. Head; 5/8" - 18
8	Lock Washer	FP-103321		Cyl. Head; 3/8"
1	Washer	FP-5131433		Breather Pipe; .410" x .810" x .1345"
1	Washer	FP-106261		Breather Pipe; 5/16" x 3/4"
2	Hose Clamp	FP-5186840		Breather Hose; 13/16" - 1 1/2" Clamping Range
2	Hose Clamp	FP-5104592		Breather Hose; 2.50" Dia.
2	Bolt	FP-443603		Breather Elbow; .250" x 20 x .750"
2	Bolt	FP-8921930		Breather Elbow; 1/4" - 20 x 3/4"
2	Bolt	FP-8927581		Breather Elbow; 3/8" - 16 x 1"
2	Bolt	FP-8927581		Breather Pipe; 3/8" - 16 x 1"
1	Bolt	FP-8927580		Breather; 3/8" - 16 x .875"
1	Screw	FP-5103642		Breather Pipe; No. 10 - 24 x .375"
1	Lock Washer	FP-103320		Breather Body; 5/16"
2	Lock Washer	FP-103319		Breather Elbow; .250"
2	Lock Washer	FP-103321		Breather Elbow; 3/8"
4	Isolator Bushing	FP-5104515		Rocker Cover

QTY	HEAD BOLTS	PART NO.	SIZE	DESCRIPTION
8	Washer	FP-5125108		Fuel Stand Pipe; 7/16" x 3/4" x 1/16"

(continued on next page)

Military Standard

39 *Military Vehicles 8V-71 (2-Valve Cyl. Head), 8V-71E (4-Valve Cyl. Head), 8V-71N (4-Valve Cyl. Head) Engs.*
 9.3L 568 OHV Diesel V8, 4.25" Bore (Detroit Diesel Eng.)

CYL. HEAD & PARTS (cont.)				
QTY	HEAD BOLTS (cont.)	PART NO.	SIZE	DESCRIPTION
4	Washer	FP-5104514		Rocker Cover Isolator; .47" x 2.00" x .20"
QTY	MISCELLANEOUS	PART NO.	SIZE	DESCRIPTION
16	Bolt	FP-443603		Cam Follower; .250" x 20 x .750"
QTY	VALVE	PART NO.	SIZE	DESCRIPTION
16	Exhaust Valve Kit	FP-5193666		w/2 Valve Head; Jet Blade; Contains (1) FP-5186381 & (2) FP-23507238; 30 Degree
32	Exhaust Valve Kit	FP-23500501		w/4 Valve Head; N & T; Contains (1) FP-8922516 & (2) FP-5111337
16	Valve Guide Cap	FP-5199914		Exh.; w/2 Valve Head; Seal installer; Clear
32	Keeper	FP-23507238		w/2 Valve Head; 1 groove; Square cut key groove
64	Keeper	FP-5111337		w/4 Valve Head; 1 groove; Square cut key groove
QTY	VALVE SEAT	PART NO.	SIZE	DESCRIPTION
16	Exh.	FP-5198230	10	w/2 Valve Head; 30 Deg. seat; .010" O/S; 1.6380" OD, 1.3440" ID, .2485" Depth
16	Exh.	FP-8927920	STD	w/2 Valve Head; 30 Deg. seat; 1.6280" OD, 1.3440" ID, .2485" Depth
32	Exh.	FP-5197167	10	w/4 Valve Head; 30 Deg. seat; .010" O/S; 1.2720" OD, .9770" ID, .2355" Depth
32	Exh.	FP-5101101	STD	w/4 Valve Head; 30 Deg. seat; 1.2620" OD, .9770" ID, .2490" Depth
QTY	VALVE GUIDE	PART NO.	SIZE	DESCRIPTION
16	Guide	FP-5120930		Exh.; w/2 Valve Head
16	Guide	FP-5192717		Exh.; w/2 Valve Head; .0162" O/S
32	Guide	FP-5129919		Exh.; w/4 Valve Head; 2 3/8" length; .3130" ID, 2.3800" O.A.L.
QTY	VALVE SPRING	PART NO.	SIZE	DESCRIPTION
16	Spring	FP-5150289		Exh.; w/2 Valve Head; .177" Wire dia.
32	Spring	FP-5111339		Exh.; w/4 Valve Head; .135" Wire dia.
32	Spring	FP-5147347		Exh.; w/4 Valve Head; .148" Wire dia.
32	Spring Insert	FP-5111467		Exh.; Exh. Valve Spring Washer
16	Spring Cap	FP-5150291		Exh.; w/2 Valve Head
32	Spring Cap	FP-5117563		Exh.; w/4 Valve Head
QTY	PUSH RODS	PART NO.	SIZE	DESCRIPTION
24	Push Rod	FP-5128640		
24	Push Rod Seat	FP-5123250		Lower
24	Push Rod Seat	FP-5150302		Upper; Flange type
24	Push Rod Spring	FP-5186858		.177" Wire diameter
24	Push Rod Retainer	FP-5150303		
24	Lock Nut	FP-5151601		Push Rod Nut; 5/16" - 24
QTY	VALVE MISC.	PART NO.	SIZE	DESCRIPTION
16	Lock Nut	FP-5151601		Exh.; Valve Bridge; 5/16" - 24
16	Valve Spring Seat	FP-5150292		Exh.; w/2 Valve Head
32	Valve Spring Seat	FP-5117562		Exh.; w/4 Valve Head
QTY	VALVE SEAL	PART NO.	SIZE	DESCRIPTION
16	Valve Stem Seal	FP-23500480		Exh.; w/2 Valve Head
32	Valve Stem Seal	FP-8921209		Exh.; w/4 Valve Head
32	Tools	FP-5199913		Exh.; w/4 Valve Head; Seal installer; Green Stripe
QTY	ROCKER PARTS	PART NO.	SIZE	DESCRIPTION
8	Arm Assy.	FP-5148472		Exh. L.H.
8	Arm Assy.	FP-5148475		Exh. R.H.
8	Arm Assy.	FP-23502616		Injector; DDEC Coach; Blue Paint I.D.
8	Arm Assy.	FP-8923554		Injector; Unbushed Clevis, Orange paint I.D.
8	Rocker Shaft	FP-23500714		
16	Rocker Shaft Bracket Bolt	FP-5150325		1/2" - 13 x 4.250"
16	Arm Support	FP-5103903		Rocker Shaft Bracket
16	Rocker Bushing	FP-5123700		Exh.; Clevis Bushing; .5625" OD
16	Rocker Bushing	FP-23517217		Exh.; Large; .8755" ID, .9475" OD, .840" Length, .0360" Wall thickness
16	Rocker Bushing	FP-8924354		Exh.; Rocker Arm Bushing; Small
8	Rocker Bushing	FP-5123700		Injector; Clevis Bushing; .5625" OD
8	Rocker Bushing	FP-8924355		Injector; Large
8	Rocker Bushing	FP-8924354		Injector; Small
24	Follower Assy.	FP-8924439		
24	Cam Follower Roller Set	FP-8923814		Pin & Roller Assy.; Incl. pin & roller
16	Valve Bridge Adj. Screw	FP-5129101		Exh.; 5/16" - 24 x 1"
16	Valve Bridge	FP-5117565		Exh.

(continued on next page)

Military Standard

Military Vehicles 8V-71 (2-Valve Cyl. Head), 8V-71E (4-Valve Cyl. Head), 8V-71N (4-Valve Cyl. Head) Engs. (cont.)
 9.3L 568 OHV Diesel V8, 4.25" Bore (Detroit Diesel Eng.)

CYL. HEAD & PARTS (cont.)

QTY	ROCKER PARTS (cont.)	PART NO.	SIZE	DESCRIPTION
16	Valve Bridge Guide	FP-5117564		Exh.; Press fit
16	Valve Bridge Guide	FP-51175646		Exh.; Press fit w/.006" O/S
16	Valve Bridge Guide	FP-5196843		Exh.; Threaded
16	Rocker Arm Clevis Pin	FP-5150314		Exh.
8	Rocker Arm Clevis Pin	FP-5150314		Injector
16	Bushing	FP-5122445 +		Exh.; Rocker Arm Bushing; Large; When depleted use FP-23517217
8	Bushing	FP-23502615		Injector; Clevis Bushing; .6295" OD
16	Lock Washer	FP-103319		Cam Follower; .250"

INT & EXH MANIFOLDS

QTY	INT. & EXH. MANIFOLDS	PART NO.	SIZE	DESCRIPTION
4	Exhaust Manifold Gasket	FP-5156319		Exh. Manifold Cover Plate
2	Exhaust Manifold Gasket	FP-5156319		Exh. Manifold Water Outlet Flange
4	Exhaust Manifold Gasket	FP-5150195		Exh. Manifold; Ends; Composition
4	Exhaust Manifold Gasket	FP-5120224		Exh. Manifold; Ends; Metal Clad
2	Exhaust Manifold Gasket	FP-5163811		Exh. Outlet; 4.375" I.D.
1	Gasket	FP-5113412		Exh. Manifold Cover Plate
2	Exhaust Pipe Gasket	FP-5145238		Exh. Manifold Adaptor
4	Pipe Plug	FP-5142549		Exh. Manifold; 3/4" - 14 Square Head
2	Clamp	FP-5132650		Exh. Flange; 5.250" Dia.
2	Clamp	FP-5146165		Exh. Manifold; 3.88" Dia.; Marmon
12	Bolt	FP-8925603		Exh. Manifold Cover Plate; 5/16" - 18 x 3/4"; Vibra-Tite®
16	Stud	FP-8925804		Exh. Manifold to Head; 7/16" - 14/20" x 2 3/32"
14	Nut	FP-9411981		Exh. Manifold; 3/8" - 24 Lock Nut
10	Washer	FP-5104439		Exh. Manifold; 7/16" x 1.250" Dia.; Dished
12	Lock Washer	FP-103320		Exh. Manifold; 5/16"

QTY	AIR INTAKE	PART NO.	SIZE	DESCRIPTION
2	Air Intake Housing Gasket	FP-5145086		
2	Air Intake Housing Gasket	FP-5101412		11.60" ID, w/Eight 15/32" Holes
2	Air Intake Housing Gasket	FP-5101408		15.48" I.D., w/Ten 15/32" Holes
2	Air Intake Housing Gasket	FP-5123703		5.68" ID, w/Eight 13/32" Holes
2	Air Intake Housing Gasket	FP-5122692		7.88" ID, w/Eight 13/32" Holes
2	Air Intake Housing Gasket	FP-5134838		8.00" Long, w/Four 13/32" Holes
2	Gasket	FP-5145235		Air Inlet Housing Striker Plate
4	Bolt	FP-179803		Air Inlet Housing; 1/4" x 20 x 1.750"
8	Bolt	FP-8927580		Air Silencer; 3/8" - 16 x .875"
1	Lock Nut	FP-103026		Air Inlet Housing; 3/8" x 24
2	Washer	FP-5159714		Air Inlet Housing; 11/16" x 1/8"
1	Lock Washer	FP-103320		Air Inlet Housing; 5/16"
8	Lock Washer	FP-103321		Air Silencer; 3/8"
8	Lock Washer	FP-103320		Air Silencer; 5/16"
2	O-Ring	FP-5179232		Air Inlet Housing Shutdown Valve; .424" x .103"
1	Pipe Plug	FP-5115214		Air Inlet Housing; 1/2" Square Head
1	Pipe Plug	FP-5121182		Air Inlet Housing; 1/4" - 18; Hex head
1	Pipe Plug	FP-8923847		Air Inlet Housing; 1/4" x 18 NPTF; Square head
1	Pipe Plug	FP-5142549		Air Inlet Housing; 3/4" - 14 Square Head
1	Pipe Plug	FP-5142549		Air Silencer; 3/4" - 14 Square Head

CAMSHAFT GROUP

QTY	CAMSHAFT TIMING	PART NO.	SIZE	DESCRIPTION
2	Camshaft Pulley Spacer	FP-5116485		Front; Camshaft Gear; .640" Length

QTY	CAMSHAFT/LIFTER	PART NO.	SIZE	DESCRIPTION
4	Camshaft Thrust Washer	FP-5111424		
4	Camshaft Thrust Washer	FP-5194826		
4	Camshaft Thrust Washer	FP-5194827		
1	Bolt	FP-5145092		Camshaft; 3/8" - 24 x 1.20", Self-Locking
1	Bolt	FP-9412015		For OEM Camshafts 5146074 & 5146163; 9/16" - 18 x 2.500"
1	Lock Washer	FP-5177769		Camshaft; 1.125"
1	Lock Washer	FP-5177769		Camshaft; 1.125"
8	Lock Washer	FP-103321		Camshaft; 3/8"
1	Oil Seal	FP-23516871		Left Bank; Front
4	Camshaft Plug	FP-5151277		.500" Drive; 15/32" x 1/2"
1	Woodruff Key	FP-8926247		.250" x .750"

(continued on next page)

Military Standard

39 *Military Vehicles 8V-71 (2-Valve Cyl. Head), 8V-71E (4-Valve Cyl. Head), 8V-71N (4-Valve Cyl. Head) Engs.*
 (cont.) 9.3L 568 OHV Diesel V8, 4.25" Bore (Detroit Diesel Eng.)

ACCESSORY DRIVE

QTY	ACCESSORY DRIVE	PART NO.	SIZE	DESCRIPTION
1	Oil Seal	FP-5131329		Accessory Drive
1	Oil Seal	FP-5138710		Accessory Drive
1	Oil Seal	FP-5102456		Accessory Drive Pulley
1	Oil Seal Kit	FP-5198175		Accessory Drive Seal & Brg.
1	Ball Brg.	FP-23503727		Accessory Drive
1	Water Pump Retainer Ring	FP-9415285		Accessory Drive Lock Ring; Large; External
1	Water Pump Retainer Ring	FP-9415285		Accessory Drive Retainer Bearing; Large; External
6	Bolt	FP-8927580		Accessory Drive Gear; 3/8" - 16 x .875"
14	Bolt	FP-8927581		Accessory Drive Gear; 3/8" - 16 x 1"
4	Bolt	FP-5145092		Accessory Drive; 3/8" - 24 x 1.20", Self-Locking
6	Bolt	FP-5185793		Accessory Drive, Internal Gear Mount
2	Stud	FP-8927270		Accessory Drive; 3/8" - 16/24" x 1.6875"
1	Expansion Plug	FP-9428477		Accessory Drive; 15/16" Dia.
2	Bushing	FP-5120501		Accessory Drive Gear
2	Bushing	FP-5120501		Accessory Drive Gear
1	Pipe Plug	FP-5121182		Accessory Drive; 1/4" - 18; Hex head
1	Pipe Plug	FP-8924380		Accessory Drive; 1/8" - 27
1	Copper Washer	FP-5152148		Accessory Drive; 25/64" ID x 9/16" OD x 1/16" Thick; Copper
1	Lock Washer	FP-8926285		Accessory Drive Gear
1	Oil Seal	470625		
1	Redi-Sleeve	99150		
2	Lock Nut	FP-103026		Accessory Drive Adaptor; 3/8" x 24
4	Lock Nut	FP-103026		Accessory Drive Gear; 3/8" x 24

FUEL SYSTEM & PARTS

QTY	FUEL INJECTION	PART NO.	SIZE	DESCRIPTION
2	Fuel Injector Nozzle	FP-5172874		Water Nozzle; Single Outlet
2	Wear Sleeve	FP-5113773		Pilot Sleeve; .70" Length
8	Fuel Injector Seal Ring	FP-5104701		Inj. Hole Tube; Viton®
8	Injector Hole Tube Kit	FP-8925981		Incl. Seal Ring; Viton®
2	Retainer	FP-142583		F.I. Control Tube, Plain Spring; 13/64" Spring
4	Bolt	FP-9422203		F.I. Control Tube; 1/4" - 20 x 5/8"
1	Bolt	FP-8927580		F.I. Control Tube; 3/8" - 16 x .875"
2	Bolt	FP-5103635		F.I. Control Tube; 3/8" - 16 x 2.90"
1	Washer	FP-5131433		F.I. Control Tube; .410" x .810" x .1345"
4	Lock Washer	FP-103319		F.I. Control Tube; .250"
4	Bracket	FP-5130509		F.I. Control Tube
1	Rocker Shaft Bracket Bolt	FP-5150325		F.I. Control Tube; 1/2" - 13 x 4.250"
2	Fuel Injector Valve Spring	FP-5124142		F.I. Control Tube Return; Green I.D. Marking

QTY	FUEL FILTERS & PUMP	PART NO.	SIZE	DESCRIPTION
1	Mechanical Fuel Pump	FP-5199561		R.H.; Standard Output
1	Fuel Pump Shaft & Gear	FP-5181746		Drive Gear; Standard Output; 3.09" Length; Std. Output
1	Fuel Pump Shaft & Gear	FP-5181746		Drive Gear; Standard Output; 3.09" Length; Std. Output
1	Fuel Pump Shaft & Gear	FP-5181747		Driven Gear; Standard Output; .838" Length; Std. Output
1	Fuel Pump Shaft & Gear	FP-5181747		Driven Gear; Standard Output; .838" Length; Std. Output
1	Fuel Pump Valve	FP-5174973		
1	Fuel Pump Gear	FP-5174975		Drive Gear; Standard Output; .294" Width; Std. Output
1	Fuel Pump Gear	FP-5181748		Driven Gear; Standard Output; .294" Width; Std. Output
1	Fuel Pump Drive Shaft	FP-5178700		Drive Gear; Standard Output; 3.09" Length
1	Fuel Pump Drive Shaft	FP-5181749		Driven Gear; Standard Output; .838" Length; Std. Output
1	Fuel Pump Check Valve	FP-5174924		1/4" Swing type
1	Fuel Pump Check Valve	FP-5135308		3/8" Swing type
6	Fuel Line Connector	FP-5117369		
1	Fuel Pump Relief Valve Spring	FP-5184530		
2	Oil Seal	FP-23512243		Fuel Pump Shaft Seal
1	Fuel Pump Valve Plug Gasket	FP-5161003		
1	Fuel Pump Repair Part	FP-5174971		Fuel Pump Valve; .500" x 20 plug
1	Fuel Pump Drive Adapter Gskt.	FP-5150193		
1	Fuel Pump Repair Kit	FP-5195078		Standard Output; Std. output
1	Pipe Plug	FP-5121182		Fuel Pump; 1/4" - 18; Hex head
1	Plastic Cap	FP-5136240		Outlet; .250" Dia.
1	Plastic Cap	FP-5136241		Outlet; .780" Dia., 3/8" NPTF
1	Dowel Pin	FP-103709		Fuel Pump Shaft; 5/32" x 1" straight
1	Ball Brg.	FP-147481		Fuel Pump Shaft; .125" Dia. Steel
6	Washer	FP-5125108		Fuel Pipe; 7/16" x 3/4" x 1/16"

(continued on next page)

Military Standard

Military Vehicles 8V-71 (2-Valve Cyl. Head), 8V-71E (4-Valve Cyl. Head), 8V-71N (4-Valve Cyl. Head) Engs. (cont.)
9.3L 568 OHV Diesel V8, 4.25" Bore (Detroit Diesel Eng.)

COOLING SYSTEM

QTY	WATER PUMP	PART NO.	SIZE	DESCRIPTION
1	Water Pump Shaft	FP-23506053		Fresh Water Pump
1	Water Pump Shaft	FP-5123150		Fresh Water Pump
1	Water Pump Shaft	FP-5196169		Raw Water Pump
1	Water Pump Impeller	FP-23505995		Fresh Water Pump
1	Water Pump Impeller	FP-23505999		Fresh Water Pump; Hi-Capacity
1	Water Pump Impeller	FP-8924839		Raw Water Pump
1	Water Pump Impeller	FP-5193602		Raw Water Pump; Option Type 14; Synthetic
1	Water Pump Repair/Rebuild Kit	FP-23506852		Fresh Water Pump
1	Water Pump Repair/Rebuild Kit	FP-23506366		Fresh Water Pump Reconditioning Kit
1	Water Pump Repair/Rebuild Kit	FP-5149711		Fresh Water Pump Repair Kit; Repair Kit
1	Water Pump Repair/Rebuild Kit	FP-23500517		Fresh Water Pump Seal Kit
1	Water Pump Repair/Rebuild Kit	FP-5197222		Raw Water Pump
1	Water Pump Cover	FP-5117950		Fresh Water Pump Body
1	Water Pump Cover	FP-5117961		Fresh Water Pump Body
1	Water Pump Cover	FP-8922383		Fresh Water Pump Body; Non-Metallic
1	Water Pump Cover	FP-5193555		End; Raw Water Pump
1	Woodruff Key	FP-103462		Raw Water Pump Shaft
1	Water Pump Retainer Ring	FP-5196171		Raw Water Pump
2	Water Pump Retainer Ring	FP-9415285		Raw Water Pump; Large; External
1	Water Pump Mech. Shaft Seal	FP-8924297		Fresh Water Pump
1	Water Pump Mech. Shaft Seal	FP-5198419		Raw Water Pump
1	Water Pump Seal Ring	FP-5103544		.139" x 5.109" I.D.
1	Water Pump Seal Ring	FP-5101160		Fresh Water Pump Body Cover
1	Ball Brg.	FP-23505479		Raw Water Pump
1	Ball Brg.	FP-23503687		Inner; Fresh Water Pump
1	Ball Brg.	FP-23503649		Outer; Fresh Water Pump
1	Lock Nut	FP-5117972		Fresh Water Pump Shaft; 7/16" - 20
5	Lock Nut	FP-103026		Fresh Water Pump; 3/8" x 24
2	Lock Nut	FP-103026		Heat Exchanger; 3/8" x 24
1	Water Pump Cover Gasket	FP-5117976		Fresh Water Pump Body
1	Accessory Drive Gasket	FP-23515145		Raw Water Pump Adaptor
1	Gasket	FP-5196513		Raw Water Pump Adaptor
1	Oil Seal	FP-23506248		Fresh Water Pump
1	Oil Seal	FP-5117983		Fresh Water Pump Shaft Bearing
1	Oil Seal	FP-5195101		Raw Water Pump
2	Oil Seal	FP-5132155		Thermostat Seal
6	Bolt	FP-23501660		Adaptor To Pump Body; 3/8" - 16 x 1.00"
5	Bolt	FP-8925603		Fresh Water Pump Cover; 5/16" - 18 x 3/4"; Vibra-Tite®
4	Bolt	FP-8927580		Heat Exchanger; 3/8" - 16 x .875"
4	Bolt	FP-8927581		Heat Exchanger; 3/8" - 16 x 1"
2	Bolt	FP-454992		Heat Exchanger Cover; 1/2" - 13 x 2 1/2
4	Bolt	FP-454992		Heat Exchanger; 1/2" - 13 x 2 1/2
4	Bolt	FP-8927581		Heat Exchanger; 3/8" - 16 x 1"
5	Bolt	FP-23504236		Raw Water Pump Cover; .250" - 20 x .500"; Stainless Steel
4	Bolt	FP-5145092		Raw Water Pump Drive; 3/8" - 24 x 1.20"; Self-Locking
2	Bolt	FP-8927581		Thermostat Housing; 3/8" - 16 x 1"
2	Bolt	FP-8927581		Thermostat Housing; 3/8" - 16 x 1"
1	Pipe Plug	FP-5115214		Fresh Water Pump; 1/2" Square Head
1	Pipe Plug	FP-8923313		Fresh Water Pump; 3/4"
1	Pipe Plug	FP-5142549		Fresh Water Pump; 3/4" - 14 Square Head
1	Pipe Plug	FP-5121182		Heat Exchanger Cover; 1/4" - 18; Hex head
1	Pipe Plug	FP-8924380		Heat Exchanger Cover; 1/8" - 27
1	Pipe Plug	FP-5142549		Heat Exchanger Cover; 3/4" - 14 Square Head
1	Pipe Plug	FP-23511574		Thermostat Housing; 1/2" pipe thread; w/1" Square head
1	Pipe Plug	FP-5115214		Thermostat Housing; 1/2" Square Head
1	Pipe Plug	FP-5121182		Thermostat Housing; 1/4" - 18; Hex head
1	Pipe Plug	FP-8924380		Thermostat Housing; 1/8" - 27
1	Pipe Plug	FP-5142549		Thermostat Housing; 3/4" - 14 Square Head
1	Pipe Plug	FP-5115214		Water Outlet Manifold; 1/2" Square Head
2	Pipe Plug	FP-5142549		Water Outlet Manifold; 3/4" - 14 Square Head
1	Expansion Plug	FP-5154453		Fresh Water Pump Body; 3/8" - 16 Headless Special
2	Expansion Plug	FP-5117186		Heat Exchanger Cover; 2" Dia. Cup; Stainless Steel
1	Dowel Pin	FP-5197597		Raw Water Pump; .184" OD x .375" Length
1	Screw	FP-114366		Raw Water Pump Cam; .250" - 20 x .500"; Brass
1	Slinger, Water Pump	FP-5193676		Raw Water Pump
1	Slinger, Water Pump	FP-5193676		Raw Water Pump Shaft
2	Copper Washer	FP-5152148		Thermostat Housing; 25/64" ID x 9/16" OD x 1/16" Thick; Copper
2	Washer	FP-5197310		Fresh Water Pump; Adhesive, Ceramic Insert

(continued on next page)

Military Standard

39 Military Vehicles 8V-71 (2-Valve Cyl. Head), 8V-71E (4-Valve Cyl. Head), 8V-71N (4-Valve Cyl. Head) Engs. (cont.) 9.3L 568 OHV Diesel V8, 4.25" Bore (Detroit Diesel Eng.)

COOLING SYSTEM (cont.)

QTY	DESCRIPTION	PART NO.	SIZE	DESCRIPTION
WATER PUMP (cont.)				
1	Washer	FP-221436		Fresh Water Pump; Flat
4	Washer	FP-5131978		Heat Exchanger; .53" ID x 1.00" OD x .170" Thick
8	Washer	FP-103325		Heat Exchanger; Lock washer; 5/8"
4	Washer	FP-5125108		Heat Exchanger; 7/16" x 3/4" x 1/16"
1	Washer	FP-103325		Raw Water Pump Drive; Lock washer; 5/8"
1	Washer	FP-5125108		Thermostat Housing; 7/16" x 3/4" x 1/16"
1	Water Pump Lock Ring	FP-274746		Fresh Water Pump
THERMOSTAT				
2	Thermostat	FP-5102112		160 Deg.
2	Thermostat	FP-23503828		165 Deg., Weir Type
2	Thermostat	FP-23503826		170 Deg.
2	Thermostat	FP-5104238		173 Deg.
2	Thermostat	FP-23503825		180 Deg.
2	Thermostat	FP-5104096		180 Deg.
2	Thermostat Gasket	FP-5117786		Thermostat Housing Cover
2	Thermostat Gasket	FP-5117993		Thermostat Housing Cover
1	Thermostat Gasket	FP-5169478		Water By-Pass Tube Elbow
2	Thermostat Gasket	FP-5169478		Water Outlet Manifold Elbow
2	Thermostat Cover Gasket	FP-5100860		Thermostat Housing Cover
1	Thermostat Cover Gasket	FP-5123575		Thermostat Housing Cover
1	Thermostat Cover Gasket	FP-5133450		Thermostat Housing Cover
2	Thermostat Gasket	FP-5117993		Left & Right Bank; Thermostat Housing
2	Thermostat Gasket	FP-5144277		Left & Right Bank; Thermostat Housing
1	Thermostat Gasket	FP-5123716		Left Bank; Thermostat Housing
1	Thermostat Gasket	FP-5123570		Right Bank; Thermostat Housing
1	Thermostat Gasket	FP-5123715		Right Bank; Thermostat Housing
MISCELLANEOUS				
3	Stud	FP-8927270		Fresh Water Pump Body; 3/8" - 16/24" x 1.6875"
16	Stud	FP-8927270		Water Outlet Manifold; 3/8" - 16/24" x 1.6875"
2	Hose Clamp	FP-5186841		Heat Exchanger Raw Water Inlet & Outlet; 1 9/16" - 2.50"
4	Hose Clamp	FP-9139809		Heat Exchanger Raw Water Inlet Tube; 2 1/16" - 3"
4	Hose Clamp	FP-5188036		Heat Exchanger Raw Water Inlet; 2.750" Dia. Hose
1	Hose Clamp	FP-5186841		Interceder By-pass Tube; 1 9/16" - 2.50"
8	Hose Clamp	FP-9139809		Interceder Inlet & Outlet Hose; 2 1/16" - 3"
8	Hose Clamp	FP-5188036		Interceder Inlet & Outlet Hose; 2.750" Dia. Hose
4	Hose Clamp	FP-5186841		Interceder Inlet Hose; 1 9/16" - 2.50"
4	Hose Clamp	FP-5186841		Raw Water Pump Inlet Tube; 1 9/16" - 2.50"
4	Hose Clamp	FP-9139809		Raw Water Pump Outlet Tube; 2 1/16" - 3"
2	Hose Clamp	FP-5186841		Water By-Pass Tube; 1 9/16" - 2.50"
2	Hose Clamp	FP-9139809		Water By-Pass Tube; 2 1/16" - 3"
1	Hose Clamp	FP-9139809		Water Outlet Manifold; 2 1/16" - 3"
2	Hose Clamp	FP-5188036		Water Outlet Manifold; 2.750" Dia. Hose
2	Hose Clamp	FP-5188036		Water Outlet Manifold; 2.750" Dia. Hose
5	Lock Washer	FP-103321		Fresh Water Pump Cover; 3/8"
5	Lock Washer	FP-103321		Fresh Water Pump; 3/8"
4	Lock Washer	FP-103320		Heat Exchanger Inlet Flange; 5/16"
10	Lock Washer	FP-103321		Heat Exchanger Cover; 3/8"
10	Lock Washer	FP-103320		Heat Exchanger; 5/16"
2	Lock Washer	FP-103321		Thermostat Housing; 3/8"
16	Lock Washer	FP-103321		Water Outlet Manifold; 3/8"
2	O-Ring	FP-5167746		Heat Exchanger Seal Ring
1	O-Ring	FP-23514265		Raw Water Pump
1	Water Manifold Gasket	FP-5124029		Heat Exchanger Water Manifold
4	Water Manifold Gasket	FP-23506469		Water Outlet Cover Plate
1	Oil Filler Tube Gasket	FP-5120540		Thermostat Housing Elbow Gasket
1	Oil Cooler Core Inner Gasket	FP-5150155		Heat Exchanger Expansion Tank Cover
ENGINE BLOCK & PARTS				
GASKETS				
1	Front Crankcase Cover Gasket	FP-5121714		Oil Pump to Cyl. Block
2	Expansion Plug	FP-5132410		Cyl. Block; 1 5/8" Dia. Cup; Stainless Steel
2	Pipe Plug	FP-5101033		Cyl. Block; Aftercooler Plug; 2 1/2" Dia. Cup; Special
3	Pipe Plug	FP-8924380		Cyl. Block; W.B.P.; 1/8" - 27
6	Pipe Plug	FP-5115214		Cyl. Block; 1/2" Square Head
1	Pipe Plug	FP-5121182		Cyl. Block; 1/4" - 18; Hex head
2	Pipe Plug	FP-8923847		Cyl. Block; 1/4" x 18 NPTF; Square head
2	Pipe Plug	FP-8924380		Cyl. Block; 1/8" - 27

(continued on next page)

Military Standard

Military Vehicles 8V-71 (2-Valve Cyl. Head), 8V-71E (4-Valve Cyl. Head), 8V-71N (4-Valve Cyl. Head) Engs. (cont.)
9.3L 568 OHV Diesel V8, 4.25" Bore (Detroit Diesel Eng.)

ENGINE BLOCK & PARTS (cont.)

QTY	GASKETS (cont.)	PART NO.	SIZE	DESCRIPTION
4	Pipe Plug	FP-5142549		Cyl. Block; 3/4" - 14 Square Head
1	Flywheel Housing Gasket	FP-5147246		Flywheel Housing Gasket
2	Accessory Drive Gasket	FP-23515145		Flywheel Housing Large Hole Cover
1	Starting Motor Gasket	FP-5130995		Starting Motor Hole Cover
1	Oil Pan Gasket	FP-5150115		Lower Oil Pan
1	Oil Pan Gasket	FP-5150116		Lower Oil Pan
1	Oil Pan Gasket	FP-5117231		Oil Pan to Block; w/Stamped Steel Pan
4	Bolt	FP-8923391		Oil Filter Mounting; 3/8" - 16 x 1.880"
28	Bolt	FP-8927581		Oil Pan; 3/8" - 16 x 1"
2	Bolt	FP-8927580		Oil Pressure Regulator; 3/8" - 16 x .875"
2	Bolt	FP-8927581		Oil Pressure Regulator; 3/8" - 16 x 1"
1	Pin	FP-457008		Oil Pressure Regulator; 3/16" x 1 1/2"
4	Copper Washer	FP-5155596		Oil Filter Mounting; 5/16"; Special copper washer
1	Washer	FP-840277		Oil Pan Drain Plug Gasket; 18MM, Nylon
2	Washer	FP-5131433		Oil Pressure Regulator; .410" x .810" x .1345"
4	Lock Washer	FP-103321		Oil Filter Mounting; 3/8"
4	Lock Washer	FP-103320		Oil Filter Mounting; 5/16"
1	Pipe Plug	FP-8923847		Oil Filter Adaptor; 1/4" x 18 NPTF; Square head
1	Pipe Plug	FP-5142549		Oil Filter Drain Plug; 3/4" - 14 Square Head
1	Pipe Plug	FP-5121182		Oil Filter Housing; 1/4" - 18; Hex head
1	Pipe Plug	FP-5115214		Oil Pan Drain Plug; 1/2" Square Head
1	Pipe Plug	FP-5121182		Oil Pan Drain Plug; 1/4" - 18; Hex head
1	Pipe Plug	FP-8923847		Oil Pan Drain Plug; 1/4" x 18 NPTF; Square head
1	Pipe Plug	FP-8924517		Oil Pan Drain Plug; 3/8" x 18 square head
1	Pipe Plug	FP-5115214		Oil Pan Sump; 1/2" Square Head
1	Pipe Plug	FP-5115214		Oil Pan; 1/2" Square Head
1	Pipe Plug	FP-5142549		Oil Pan; 3/4" - 14 Square Head
2	Crankcase Breather	FP-5130750		Cyl. Block
1	Cyl. Block Water Hole Cvr Gsk	FP-5117734		
2	Hand Hole Cover Gasket	FP-8923791		Cyl. Block; Large
4	Hand Hole Cover Gasket	FP-5117016		Cyl. Block; Non-Turbo
4	Hand Hole Cover Gasket	FP-8923792		Cyl. Block; Small
10	Washer	FP-5133981		Cyl. Block, Main Brg. Bolt; .122" Thick
8	Copper Washer	FP-5155596		Cyl. Block; Dry Block Only; 5/16"; Special copper washer
2	Copper Washer	FP-5152148		Cyl. Block; 25/64" ID x 9/16" OD x 1/16" Thick; Copper
5	Lock Washer	FP-103320		Cyl. Block; 5/16"
4	Bolt	FP-8927580		Cyl. Block; 3/8" - 16 x .875"
5	Bolt	FP-8927581		Cyl. Block; 3/8" - 16 x 1"
14	Stud	FP-5152121		Cyl. Block; 5/16" - 18 x 1 1/2"
QTY	GASKET SETS	PART NO.	SIZE	DESCRIPTION
1	Complete Overhaul Gasket Set	FP-23512680		Crankshaft seals not incl.
1	Complete Overhaul Gasket Set	FP-23512680WS		Includes Seals
QTY	DOWEL PINS	PART NO.	SIZE	DESCRIPTION
4	Dowel Pin	FP-141346		Cyl. Block; .1875" x .500"
QTY	CAM BEARINGS	PART NO.	SIZE	DESCRIPTION
2	Cam Brg.	FP-5117984	STD	Position Front
2	Cam Brg.	FP-5197569	10	Position Front
8	Cam Brg.	FP-5194825	20	Position Front & Rear; .020" U/S, Unfinished; Grooved
8	Cam Brg.	FP-5111423	STD	Position Front & Rear; Grooved
6	Cam Brg.	FP-5196026	STD	Position Inter.; w/o Steel bushing in ctr. hole; Aluminum Blocks only
6	Cam Brg.	FP-5196022	STD	Position Inter.; w/Steel bushing in ctr. hole
2	Cam Brg.	FP-5111422	STD	Position Rear
2	Cam Brg.	FP-5194858	10	Position Rear
QTY	OIL COOLERS & FILTERS	PART NO.	SIZE	DESCRIPTION
1	Oil Cooler	FP-8547553		Twin Plate; 16 Plate
1	Oil Cooler	FP-8547237		Twin Plate; 24 Plate
2	Oil Cooler	FP-8547237		Twin Plate-Dual; 24 Plate
1	Oil Cooler	FP-8547236		12 plate
1	Oil Cooler	FP-8547547		16 plate
1	Oil Cooler	FP-8547195		18 plate
1	Oil Cooler	FP-8547551		8 plate
1	Oil Filter Adapter Gasket	FP-8924412		
3	Oil Filter Adapter Gasket	FP-23501590		Inner; Twin Plate-Dual; Oil Cooler Core
1	Oil Filter Adapter Gasket	FP-5136701		Outer; Tube-Type; Oil Cooler Core
1	Starting Motor Gasket	FP-5130995		Tube-Type; Oil Cooler Cover Bracket to Flywheel Hsg.
4	Lock Nut	FP-103026		Oil Cooler Water Outlet; 3/8" x 24

(continued on next page)

Military Standard

39 Military Vehicles 8V-71 (2-Valve Cyl. Head), 8V-71E (4-Valve Cyl. Head), 8V-71N (4-Valve Cyl. Head) Engs. (cont.) 9.3L 568 OHV Diesel V8, 4.25" Bore (Detroit Diesel Eng.)

ENGINE BLOCK & PARTS (cont.)

QTY	OIL COOLERS & FILTERS (cont.)	PART NO.	SIZE	DESCRIPTION
28	Lock Nut	FP-103026		Tube-Type; Oil Cooler Core; 3/8" x 24
1	Lock Nut	FP-103026		Twin Plate; Oil Cooler Water Elbow; 3/8" x 24
2	Washer	FP-5131433		Oil Cooler Adaptor; .410" x .810" x .1345"
1	Washer	FP-5177773		Oil Cooler By-pass Plug; 18MM x 1.5MM
1	Washer	FP-5131433		Oil Cooler Housing Cover; .410" x .810" x .1345"
2	Washer	FP-5177773		Twin Plate; Oil Cooler By-pass Plug; 18MM x 1.5MM
1	Washer	FP-5131433		Twin Plate; Oil Cooler Housing; .410" x .810" x .1345"
1	Washer	FP-5177773		Twin Plate-Dual; Oil Cooler By-pass Plug; 18MM x 1.5MM
6	Lock Washer	FP-103320		Oil Cooler Core; 5/16"
10	Lock Washer	FP-103320		Oil Cooler Housing Cover; 5/16"
10	Lock Washer	FP-103321		Oil Cooler Water Inlet; 3/8"
1	Lock Washer	FP-103320		Oil Cooler Water Inlet; 5/16"
4	Lock Washer	FP-103321		Oil Cooler Water Outlet; 3/8"
28	Lock Washer	FP-103321		Tube-Type; Oil Cooler Core; 3/8"
4	Lock Washer	FP-103321		Twin Plate; Oil Cooler Housing; 3/8"
6	Lock Washer	FP-103320		Twin Plate; Oil Cooler Housing; 5/16"
2	Lock Washer	FP-103321		Twin Plate; Oil Cooler Water Inlet; 3/8"
8	Lock Washer	FP-103320		Twin Plate-Dual; Oil Cooler Adaptor; 5/16"
8	Lock Washer	FP-103320		Twin Plate-Dual; Oil Cooler Core; 5/16"
4	Lock Washer	FP-103320		Twin Plate-Dual; Oil Cooler Housing Cover; 5/16"
8	Lock Washer	FP-103321		Twin Plate-Dual; Oil Cooler Water Inlet; 3/8"
2	Spacer	FP-5102793		Oil Cooler Adaptor To Block; 5.70" x 1.00" x .012"
2	Spacer	FP-5102793		Twin Plate; Oil Cooler Adaptor to Block; 5.70" x 1.00" x .012"
1	Pipe Plug	FP-8923847		Oil Cooler Core; 1/4" x 18 NPTF; Square head
1	Pipe Plug	FP-8923313		Oil Cooler Core; 3/4"
1	Pipe Plug	FP-5142549		Oil Cooler Core; 3/4" - 14 Square Head
1	Pipe Plug	FP-5121182		Oil Cooler Housing; 1/4" - 18; Hex head
1	Pipe Plug	FP-8923847		Oil Cooler Housing; 1/4" x 18 NPTF; Square head
1	Pipe Plug	FP-8924517		Oil Cooler Housing; 3/8" x 18 square head
1	Pipe Plug	FP-5115214		Oil Cooler Water Inlet Elbow; 1/2" Square Head
1	Pipe Plug	FP-8923847		Oil Cooler Water Inlet Elbow; 1/4" x 18 NPTF; Square head
1	Pipe Plug	FP-8923313		Oil Cooler Water Inlet Elbow; 3/4"
1	Pipe Plug	FP-5142549		Oil Cooler Water Inlet Elbow; 3/4" - 14 Square Head
2	Pipe Plug	FP-8923847		Twin Plate; Oil Cooler Housing; 1/4" x 18 NPTF; Square head
1	Pipe Plug	FP-8923313		Twin Plate; Oil Cooler Water Elbow; 3/4"
1	Pipe Plug	FP-5142549		Twin Plate; Oil Cooler Water Elbow; 3/4" - 14 Square Head
1	Pipe Plug	FP-5115214		Twin Plate; Oil Cooler Water Inlet; 1/2" Square Head
2	Pipe Plug	FP-8923847		Twin Plate; Oil Cooler Water Inlet; 1/4" x 18 NPTF; Square head
1	Pipe Plug	FP-5115214		Twin Plate-Dual; Oil Cooler By-pass; 1/2" Square Head
2	Pipe Plug	FP-8923847		Twin Plate-Dual; Oil Cooler Housing Cover; 1/4" x 18 NPTF; Square head
2	Pipe Plug	FP-5142549		Twin Plate-Dual; Oil Cooler Housing Cover; 3/4" - 14 Square Head
1	Pipe Plug	FP-5142549		Twin Plate-Dual; Oil Cooler Water Elbow; 3/4" - 14 Square Head
1	Pipe Plug	FP-5115214		Twin Plate-Dual; Oil Cooler Water Inlet; 1/2" Square Head
4	Pipe Plug	FP-8923847		Twin Plate-Dual; Oil Cooler Water Inlet; 1/4" x 18 NPTF; Square head
1	Pipe Plug	FP-5142549		Twin Plate-Dual; Oil Cooler Water Inlet; 3/4" - 14 Square Head
1	Oil Cooler Gasket Kit	FP-5149946		Oil Cooler Adaptor Cover
1	Oil Cooler Gasket	FP-8923512		Oil Cooler Adaptor Cover
2	Oil Cooler Gasket	FP-8923512		Oil Cooler Adaptor To Block
1	Oil Cooler Gasket	FP-8923512		Twin Plate; Oil Cooler Adaptor Cover
1	Oil Cooler Gasket	FP-23501587		Twin Plate; Oil Cooler Core, Element to Block
1	Oil Cooler Gasket	FP-23506522		Twin Plate-Dual; Oil Cooler Core Cover
1	Oil Cooler Gasket	FP-8923223		Outer
1	Oil Cooler Gasket	FP-8923223		Outer; Oil Cooler Core
1	Oil Cooler Gasket	FP-23501587		Outer; Twin Plate-Dual; Oil Cooler Core
1	Cyl. Block Water Hole Cvr Gsk	FP-5117734		Oil Cooler Housing Cover
1	Cyl. Block Water Hole Cvr Gsk	FP-5117734		Front; Twin Plate; Oil Cooler Water Elbow
2	O-Ring	FP-5193598		Tube-Type; Oil Cooler By-pass Tube Flange
2	Sealing Ring	FP-5102098		Twin Plate; Oil Cooler Water Outlet Hose; 3.60" OD x .620" Wide
1	Sealing Ring	FP-5102098		Twin Plate-Dual; Oil Cooler Water Outlet Hose; 3.60" OD x .620" Wide
1	Oil Cooler Core Gasket	FP-23501589		Outer; Twin Plate; Oil Cooler Housing Cover
1	Oil Cooler Core Gasket	FP-23501589		Outer; Twin Plate-Dual; Oil Cooler Core
1	Oil Cooler Seal Ring	FP-23501837		Oil Cooler Water Outlet Flange
1	Gasket	FP-5575086		Oil Cooler By-pass Plug

(continued on next page)

Military Standard

Military Vehicles 8V-71 (2-Valve Cyl. Head), 8V-71E (4-Valve Cyl. Head), 8V-71N (4-Valve 39 Cyl. Head) Engs. (cont.)
9.3L 568 OHV Diesel V8, 4.25" Bore (Detroit Diesel Eng.)

ENGINE BLOCK & PARTS (cont.)

QTY	OIL COOLERS & FILTERS (cont.)	PART NO.	SIZE	DESCRIPTION
1	Gasket	FP-5575086		Oil Cooler Housing
1	Gasket	FP-5575086		Twin Plate-Dual; Oil Cooler By-pass Plug
1	Oil Cooler Core Inner Gasket	FP-5150155		
1	Oil Cooler Core Inner Gasket	FP-5150155		
1	Oil Cooler Core Inner Gasket	FP-5150155		Oil Cooler Housing Cover
1	Oil Cooler Core Inner Gasket	FP-23511304		Twin Plate-Dual; Oil Cooler Housing
1	Oil Cooler Core Inner Gasket	FP-5150155		Inner; Tube-Type; Oil Cooler Core
1	Oil Cooler Core Outer Gasket	FP-5102506		
1	Oil Cooler Core Outer Gasket	FP-5102506		Outer; Tube-Type; Oil Cooler Core
3	Oil Cooler Bypass Gasket	FP-5124798		Tube-Type; Oil Cooler By-pass Tube Flange
2	Oil Cooler Cover Gasket	FP-23501584		Twin Plate-Dual; Oil Cooler Housing Cover
1	Oil Cooler Cover Gasket	FP-23501584		Outer; Twin Plate; Oil Cooler Core
1	Oil Cooler Cover Gasket	FP-23501584		Outer; Twin Plate-Dual; Oil Cooler Core
1	Oil Cooler Housing Cover Gskt	FP-5124806		Tube-Type
2	Oil Cooler Housing Cover Gskt	FP-8924623		Twin Plate-Dual; Oil Cooler Housing Cover
1	Oil Cooler Housing Cover Gskt	FP-5124806		Inner; Tube-Type; Oil Cooler Core
1	Oil Cooler Housing Cover Gskt	FP-5124806		Outer; Tube-Type; Oil Cooler Core
1	Oil Cooler Housing Cover Gskt	FP-5126618		Outer; Tube-Type; Oil Cooler Core
2	Oil Cooler Adapter Cover Gskt	FP-5117535		
2	Oil Cooler Adapter Cover Gskt	FP-5117535		Tube-Type; Oil Cooler Inlet & Outlet Tube
1	Oil Cooler Adapter Cover Gskt	FP-23501596		Twin Plate
2	Oil Cooler Adapter Cover Gskt	FP-5117535		Twin Plate
2	Oil Cooler Adapter Cover Gskt	FP-5175882		Twin Plate
2	Oil Cooler Adapter Cover Gskt	FP-5117535		Twin Plate-Dual; Oil Cooler Adaptor-to-Block
1	Oil Cooler Adapter Cover Gskt	FP-5117535		Inner; Tube-Type; Oil Cooler Core
6	Copper Washer	FP-5155596		Oil Cooler Core; 5/16"; Special copper washer
12	Copper Washer	FP-5152148		Oil Cooler Housing Cover; 25/64" ID x 9/16" OD x 1/16" Thick; Copper
10	Copper Washer	FP-5155596		Oil Cooler Housing; 5/16"; Special copper washer
1	Copper Washer	FP-5152148		Oil Cooler Water Inlet; 25/64" ID x 9/16" OD x 1/16" Thick; Copper
6	Copper Washer	FP-5155596		Oil Cooler Water Inlet; 5/16"; Special copper washer
28	Copper Washer	FP-5152148		Tube-Type; Oil Cooler Cover; 25/64" ID x 9/16" OD x 1/16" Thick; Copper
6	Copper Washer	FP-5155596		Twin Plate; Oil Cooler Housing; 5/16"; Special copper washer
1	Copper Washer	FP-5152148		Twin Plate; Oil Cooler Water Elbow; 25/64" ID x 9/16" OD x 1/16" Thick; Copper
8	Copper Washer	FP-5155596		Twin Plate-Dual; Oil Cooler Housing Cover; 5/16"; Special copper washer
4	Copper Washer	FP-5152148		Twin Plate-Dual; Oil Cooler Water Elbow; 25/64" ID x 9/16" OD x 1/16" Thick; Copper
1	Clamp	FP-5143999		Oil Cooler Water Outlet; 3.50" T-Bolt
2	Clamp	FP-5143999		Twin Plate; Oil Cooler Water Outlet; 3.50" T-Bolt
1	Clamp	FP-5143999		Twin Plate-Dual; Oil Cooler Water Outlet Hose; 3.50" T-Bolt
2	Hose Clamp	FP-9139809		Oil Cooler Water Inlet Hose; 2 1/16" - 3"
2	Hose Clamp	FP-5188036		Oil Cooler Water Inlet Hose; 2.750" Dia. Hose
2	Hose Clamp	FP-9139809		Twin Plate; Oil Cooler Water Inlet; 2 1/16" - 3"
2	Hose Clamp	FP-5188036		Twin Plate; Oil Cooler Water Inlet; 2.750" Dia. Hose
2	Hose Clamp	FP-9139809		Twin Plate-Dual; Oil Cooler Water Inlet; 2 1/16" - 3"
1	Hose Clamp	FP-5188036		Twin Plate-Dual; Oil Cooler Water Inlet; 2.750" Dia. Hose
2	Bolt	FP-8923391		Oil Cooler Core; 3/8" - 16 x 1.880"
6	Bolt	FP-8923391		Oil Cooler Housing Cover; 3/8" - 16 x 1.880"
6	Bolt	FP-8927581		Oil Cooler Housing Cover; 3/8" - 16 x 1"
12	Bolt	FP-8927580		Oil Cooler Housing; 3/8" - 16 x .875"
8	Bolt	FP-8927580		Oil Cooler Water Inlet; 3/8" - 16 x .875"
4	Bolt	FP-8927581		Oil Cooler Water Outlet; 3/8" - 16 x 1"
6	Bolt	FP-8927581		Twin Plate; Oil Cooler Housing; 3/8" - 16 x 1"
1	Bolt	FP-8927581		Twin Plate; Oil Cooler Water Elbow; 3/8" - 16 x 1"
6	Bolt	FP-8927580		Twin Plate; Oil Cooler Water Inlet; 3/8" - 16 x .875"
2	Bolt	FP-8927581		Twin Plate; Oil Cooler Water Inlet; 3/8" - 16 x 1"
4	Bolt	FP-8927581		Twin Plate-Dual; Oil Cooler Water Elbow; 3/8" - 16 x 1"
QTY	FREEZE PLUGS	PART NO.	SIZE	DESCRIPTION
1	Pipe Plug	FP-5121182		Oil Dipstick Adaptor; 1/4" - 18; Hex head
1	Pipe Plug	FP-8923847		Oil Filler Tube; 1/4" x 18 NPTF; Square head
QTY	DIPSTICK	PART NO.	SIZE	DESCRIPTION
1	Dipstick	FP-5147185		Marked
1	Dipstick	FP-5102092		21" Length; Marked

(continued on next page)

Military Standard

39 *Military Vehicles 8V-71 (2-Valve Cyl. Head), 8V-71E (4-Valve Cyl. Head), 8V-71N (4-Valve Cyl. Head) Engs.*
 9.3L 568 OHV Diesel V8, 4.25" Bore (Detroit Diesel Eng.)

ENGINE BLOCK & PARTS (cont.)

QTY	DIPSTICK (cont.)	PART NO.	SIZE	DESCRIPTION
1	Dipstick	FP-5101885		25" Length; Marked
1	Dipstick	FP-5162667		26" Length; Marked
1	Dipstick	FP-5146679		61" Length; Unmarked
1	Dipstick	FP-5146680		72" Length; Unmarked
1	Dipstick Guide	FP-5151430		1.50" Length
QTY	MISCELLANEOUS	PART NO.	SIZE	DESCRIPTION
2	Bolt	FP-8927581		Oil Dipstick Adaptor; 3/8" - 16 x 1"
1	Bolt	FP-8927581		Oil Filler Tube; 3/8" - 16 x 1"
2	Screw	FP-5103642		Oil Filler Tube; No. 10 - 24 x .375"
1	Pipe Plug	FP-5121182		Oil Dipstick Adaptor; 1/4" - 18; Hex head
1	Pipe Plug	FP-8923847		Oil Filler Tube; 1/4" x 18 NPTF; Square head
2	Copper Washer	FP-5152148		Oil Dipstick Adaptor; 25/64" ID x 9/16" OD x 1/16" Thick; Copper
2	Lock Washer	FP-103319		Oil Dipstick Adaptor; .250"
1	Lock Washer	FP-103320		Oil Dipstick Adaptor; 5/16"
2	Lock Washer	FP-103321		Oil Filler Tube; 3/8"
1	Lock Nut	FP-103026		Oil Dipstick Adaptor; 3/8" x 24
1	Oil Filler Cap	FP-5107106		1.50" Dia.; Thermos Bottle Style
1	Oil Filler Cap	FP-5117362		2.00" Dia.; Thermos Bottle Style
CRANKSHAFT/OIL PUMP				
QTY	CRANKSHAFT	PART NO.	SIZE	DESCRIPTION
1	Crankshaft	FP-5103264		
10	Bolt	FP-5116353		5/8" - 11 x 6.00"
10	Bolt	FP-5102374		5/8" - 11 x 6.60"
10	Washer	FP-5102373		.694" ID x 1.125" OD x .180" Thick
1	O-Ring	FP-23503769		Vibration Damper Rear Cone
1	Oil Seal	FP-23512418		Vibration Damper Pulley Drive Shaft
2	Woodruff Key	FP-8928545		Crankshaft Key; 3/16" x 7/8" Woodruff
4	Dowel Pin	FP-141346		.1875" x .500"
QTY	SEALS - FRONT CRANK	PART NO.	SIZE	DESCRIPTION
1	Oil Seal	FP-8927746		Front; RH Engine; Double Lip; PTFE Material
1	Oil Seal	FP-8927748		Front; RH Engine; Double Lip, Oversized; PTFE Material
1	Oil Seal	FP-5115454		Front; Single Lip, Std.
1	Redi-Sleeve	99287		Shaft dia. 2.876"
1	Oil Seal Spacer	FP-23507306		Front; 2.50" ID x 2.81" Length
1	Oil Seal	455006N		
1	Oil Seal	FP-5115454		Single Lip, Std.
1	O-Ring	FP-23503769		Front; Use w/Spacers
QTY	SEALS - REAR CRANK	PART NO.	SIZE	DESCRIPTION
1	Oil Seal	FP-5196927		Rear; Non-Directional; Double Lip; O/S Shaft Dia. 4.812"
1	Oil Seal	FP-5127821		Rear; Non-Directional; Double Lip, Std.; Shaft Dia. 4.687"
1	Oil Seal	FP-5197860		Rear; Non-Directional; Single lip; O/S Shaft dia. 4.812"
1	Oil Seal	FP-5114335		Rear; Non-Directional; Single Lip, Std.; Shaft Dia. 4.687"
1	Oil Seal	FP-8927746		Rear; RH Engine; Double Lip; PTFE Material
1	Oil Seal	FP-8927748		Rear; RH Engine; Double Lip, Oversized; PTFE Material
1	Oil Seal	FP-8926761		Rear; RH Engine; Std.; Single lip; R.H. Rotation
1	Oil Seal Spacer	FP-5192496		Rear; For Single Lip Seals Only
1	Oil Seal	455378H		
1	Oil Seal	FP-5114335		Single Lip, Std.; Shaft Dia. 4.687"
1	Oil Seal Kit	5460		
1	Redi-Sleeve	FP-23507225		Rear; For O/S Seals
1	Redi-Sleeve	99468		
QTY	MAIN BEARINGS	PART NO.	SIZE	DESCRIPTION
5	Plain Main Brg.	FP-5149565	STD	Upper brg. w/elongated oil slot (acceptable as replacement for brg. w/11/32" oil hole)
5	Plain Main Brg.	FP-5149566	2	Upper brg. w/elongated oil slot (acceptable as replacement for brg. w/11/32" oil hole)
5	Plain Main Brg.	FP-5149567	10	Upper brg. w/elongated oil slot (acceptable as replacement for brg. w/11/32" oil hole)
5	Plain Main Brg.	FP-5149568	20	Upper brg. w/elongated oil slot (acceptable as replacement for brg. w/11/32" oil hole)
5	Plain Main Brg.	FP-8922118	30	Upper brg. w/elongated oil slot (acceptable as replacement for brg. w/11/32" oil hole)
5	Plain Main Brg.	FP-5149556	STD	Upper brg. w/o elongated oil slot
5	Plain Main Brg.	FP-5149557	2	Upper brg. w/o elongated oil slot
5	Plain Main Brg.	FP-5149559	10	Upper brg. w/o elongated oil slot
5	Plain Main Brg.	FP-5149561	20	Upper brg. w/o elongated oil slot

(continued on next page)

Military Standard

Military Vehicles 8V-71 (2-Valve Cyl. Head), 8V-71E (4-Valve Cyl. Head), 8V-71N (4-Valve Cyl. Head) Engs. (cont.)
 9.3L 568 OHV Diesel V8, 4.25" Bore (Detroit Diesel Eng.)

CRANKSHAFT/OIL PUMP (cont.)

QTY	MAIN BEARINGS (cont.)	PART NO.	SIZE	DESCRIPTION
5	Plain Main Brg.	FP-5149563	30	Upper brg. w/o elongated oil slot
4	Thrust Washer	FP-5117005	STD	
4	Thrust Washer	FP-5196753	5	
4	Thrust Washer	FP-5196754	10	
QTY	OIL PUMP	PART NO.	SIZE	DESCRIPTION
1	Inter. Shaft	FP-5126350		Driven Gear
1	Oil Pump Cover Gasket	FP-29503153		Cover Flange; 2.40" B.C.
1	Oil Pump Cover Gasket	FP-5123235		Cover Flange; 2.44" B.C.
1	Bushing	FP-5123303		Oil Pump Driven Gear
1	Woodruff Key	FP-8928545		Oil Pump Drive Gear; 3/16" x 7/8" Woodruff
2	Bolt	FP-8927580		Oil Pump Cover Flange; 3/8" - 16 x .875"
2	Bolt	FP-8927580		Oil Pump Cover; 3/8" - 16 x .875"
1	Bolt	FP-8927580		Oil Pump Inlet; 3/8" - 16 x .875"
2	Bolt	FP-8927581		Oil Pump Inlet; 3/8" - 16 x 1"
1	Washer	FP-5104439		Oil Pump Cover; 7/16" x 1.250" Dia.; Dished
2	Lock Washer	FP-103321		Oil Pump Cover Flange; 3/8"
2	Lock Washer	FP-103321		Oil Pump Cover; 3/8"
2	Lock Washer	FP-103321		Oil Pump Front Cover; 3/8"
2	Lock Washer	FP-103321		Oil Pump Inlet Pipe Bracket; 3/8"
6	Lock Washer	FP-103321		Oil Pump Inlet Pipe; 3/8"
2	Lock Washer	FP-103320		Oil Pump Inlet Pipe; 5/16"
1	Plastic Cap	FP-5136240		Oil Pump Front Cover; .250" Dia.
1	Pipe Plug	FP-8924517		Oil Pump Body; 3/8" x 18 square head
1	Gasket	FP-5126160		Oil Pump Inlet Pipe; 1.80" B.C.
1	O-Ring	FP-5187316		By-Pass Valve Plug Seal
1	Oil Filter Gasket	FP-5121205		Oil Filter Adaptor
1	Oil Filter Gasket	FP-1595620		Rectangular Section
2	Lo Press. Reg. Body Gasket	FP-5117269		
1	Lo Pressure Regulator Valve	FP-8922740		
1	Gasket	FP-5575086		By-Pass Valve Plug Seal
1	Lock Nut	FP-114498		Oil Filter Mounting; 5/8" - 18, Jam Nut
1	Oil Filter Adapter Gasket	FP-23501590		
1	Oil Filter Adapter Gasket	FP-5122533		
1	Oil Filter Adapter Gasket	FP-5136701		
1	Oil Filter Adapter Gasket	FP-8924412		By-Pass
1	Oil Filter Adapter Gasket	FP-8924413		By-Pass
1	Oil Pump Spring	FP-5126326		Oil Pressure Regulator; .520" Dia., 2.570" Length
2	Oil Pump Spring	FP-5126327		Oil Pressure Regulator; .790" Dia., 2.96" Length
1	Pipe Plug	FP-8923847		Oil Filter Adaptor; 1/4" x 18 NPTF; Square head
1	Pipe Plug	FP-5142549		Oil Filter Drain Plug; 3/4" - 14 Square Head
1	Pipe Plug	FP-5121182		Oil Filter Housing; 1/4" - 18; Hex head
1	Pipe Plug	FP-5115214		Oil Pan Drain Plug; 1/2" Square Head
1	Pipe Plug	FP-5121182		Oil Pan Drain Plug; 1/4" - 18; Hex head
1	Pipe Plug	FP-8923847		Oil Pan Drain Plug; 1/4" x 18 NPTF; Square head
1	Pipe Plug	FP-8924517		Oil Pan Drain Plug; 3/8" x 18 square head
1	Pipe Plug	FP-5115214		Oil Pan Sump; 1/2" Square Head
1	Pipe Plug	FP-5115214		Oil Pan; 1/2" Square Head
1	Pipe Plug	FP-5142549		Oil Pan; 3/4" - 14 Square Head

CYLINDER COMPONENTS

QTY	LINERS	PART NO.	SIZE	DESCRIPTION
8	Liner w/o Sealing Rings	FP-5193732	5	Flanged, 1.050" port length
8	Liner w/o Sealing Rings	FP-5193733	10	Flanged, 1.050" port length
8	Liner w/o Sealing Rings	FP-5193734	20	Flanged, 1.050" port length
8	Liner w/o Sealing Rings	FP-5193735	30	Flanged, 1.050" port length
8	Liner w/o Sealing Rings	FP-23502020	STD	No. 1 Bore; Flanged, 1.050" port length
8	Liner w/o Sealing Rings	FP-23502021	STD	No. 2 Bore; Flanged, 1.050" port length
8	Liner w/o Sealing Rings	FP-23502022	STD	No. 3 Bore; Flanged, 1.050" port length
8	Liner w/o Sealing Rings	FP-23504936	STD	No. 4 Bore; Flanged, 1.050" port length
6	Cylinder Kit Complete	FP-23522951	10	w/Cross Head style piston; 1.050" port length sleeve
6	Cylinder Kit Complete	FP-23522525	20	w/Cross Head style piston; 1.050" port length sleeve
6	Cylinder Kit Complete	FP-5149263	10	w/Trunk style piston; 4 Valve Head; 1.05" port length sleeve
6	Cylinder Kit Complete	FP-5149264	20	w/Trunk style piston; 4 Valve Head; 1.05" port length sleeve
6	Cylinder Kit Complete	FP-20022	STD	No. 1 Bore; w/Cross Head style piston
6	Cylinder Kit Complete	FP-20011	STD	No. 1 Bore; w/Trunk style piston; 4 Valve Head; 1.05" port length sleeve
6	Cylinder Kit Complete	FP-23522949	STD	No. 2 Bore; w/Cross Head style piston; 1.050" port length sleeve

(continued on next page)

Military Standard

39 Military Vehicles 8V-71 (2-Valve Cyl. Head), 8V-71E (4-Valve Cyl. Head), 8V-71N (4-Valve Cyl. Head) Engs. (cont.) 9.3L 568 OHV Diesel V8, 4.25" Bore (Detroit Diesel Eng.)

CYLINDER COMPONENTS (cont.)				
QTY	LINERS (cont.)	PART NO.	SIZE	DESCRIPTION
6	Cylinder Kit Complete	FP-23505305	STD	No. 2 Bore; w/Trunk style piston; 4 Valve Head; 1.05" port length sleeve
6	Cylinder Kit Complete	FP-23522947	STD	No. 3 Bore; w/Cross Head style piston; 1.050" port length sleeve
6	Cylinder Kit Complete	FP-23505306	STD	No. 3 Bore; w/Trunk style piston; 4 Valve Head; 1.05" port length sleeve
6	Cylinder Kit Complete	FP-23522521	STD	No. 4 Bore; w/Cross Head style piston; 1.050" port length sleeve
6	Cylinder Kit Complete	FP-5149261	STD	No. 4 Bore; w/Trunk style piston; 4 Valve Head; 1.05" port length sleeve
8	O-Ring	FP-8922221		w/Cross Head style piston
8	Flange Shim	FP-5199569	2	.002" Thick
8	Cntr. Bore Insert	FP-5199871		.0015" Thicker than std., for .010-.030 O/S sleeves
8	Cntr. Bore Insert	FP-5148399		.0015" Thicker than std., for std.-.005 O/S sleeves
8	Cntr. Bore Insert	FP-5148440		.0015" Thinner than std., for std.-.005 O/S sleeves
8	Cntr. Bore Insert	FP-5194073		.0035 Thinner than std., for std.-.005 O/S sleeves
8	Cntr. Bore Insert	FP-5194163		.0040 Thinner than std., for .010-.030 O/S sleeves
8	Cntr. Bore Insert	FP-5194164		.0080" Thinner than std., for .010-.030 O/S sleeves
8	Cntr. Bore Insert	FP-5193316		Std. thickness (.1795-.1800), for .010-.030 O/S sleeves
8	Cntr. Bore Insert	FP-5184484		Std. thickness (.1795-.1800), for std.-.005 O/S sleeves
QTY	PISTONS	PART NO.	SIZE	DESCRIPTION
8	Piston With Retainers	FP-5149234	STD	18.7:1 C.R.; Trunk style piston; 4 Valve Head
8	Piston Dome Kit	FP-23522535		18.7:1 C.R.; w/Cross Head style piston
8	Crosshead Piston Dome	FP-23522026	STD	18.7:1 C.R.; w/Cross Head style piston
8	Piston Skirt	FP-23522070	STD	
8	Pin	FP-5101120	STD	w/Cross Head style piston
8	Pin	FP-5144744	STD	w/Cross Head style piston; Nut plate type
8	Pin	FP-5188406	STD	w/Trunk style piston
16	Piston Pin Retainer	FP-5180250		w/Cross Head style piston
16	Piston Pin Retainer	FP-5188405		w/Trunk style piston
16	Piston Pin Bolt	FP-5148373		7/16" - 20 x 2.00" Length
16	Piston Pin Bolt Spacer	FP-5144846		w/Cross Head style piston
8	Piston Pin Slipper Bearing	FP-23501687		w/Cross Head style piston; Slipper type design - 1 per cyl.
8	Pin Bushing	FP-5157274		w/.015" extra ID bore stock
16	Pin Bushing	FP-5155839		w/Trunk style piston
8	Pin Bushing	FP-2409Y		w/1.5020" I.D., 1.7510" O.D., .7600" O.A.L.
8	Pin Bushing	2409Y +		w/1.5020" I.D., 1.7510" O.D., .7600" O.A.L.; When depleted use FP-2409Y
QTY	CONNECTING RODS & BRGS.	PART NO.	SIZE	DESCRIPTION
8	Rod Pair	FP-5149572	STD	
8	Rod Pair	FP-5149573	2	
8	Rod Pair	FP-5149575	10	
8	Rod Pair	FP-5149577	20	
8	Rod Pair	FP-5149579	30	
QTY	PISTON RINGS	PART NO.	SIZE	DESCRIPTION
8	Ring Set Single Cylinder	FP-23522955	STD	Cross Head style piston; Std. gap Fire Ring
8	Ring Set Single Cylinder	FP-23514970	STD	Trunk style piston; 4 Valve Head; 4-.084, 2-3/16 (1 cyl. Set)
8	Compression Ring	FP-8924084		Cross Head style piston; Std. gap Fire Ring
16	Compression Ring	FP-8926351		Cross Head style piston; 2nd & 3rd grooves
32	Compression Ring	FP-5102648		Trunk style piston; 4 Valve Head
16	Ring, Oil Control Set	FP-23522534		Cross Head style piston; For one groove
8	Ring, Oil Control Set	FP-23514965		Trunk style piston; 4 Valve Head; Set for one piston
CLUTCH				
QTY	CLUTCH	PART NO.	SIZE	DESCRIPTION
1	Ball Brg.	FP-23503706		Clutch Pilot
1	Ball Brg.	FP-23503707		Clutch Pilot
1	Ball Brg.	FP-23503709		Clutch Pilot
KITS				
QTY	OVERHAUL KIT	PART NO.	SIZE	DESCRIPTION
1	In-Frame Overhaul Kit	FP-8V71XH		w/Cross Head style piston; Valve cover gskts. not incl.
1	In-Frame Overhaul Kit	FP-8V71NA		w/Trunk style piston & 1.050" Port Length Sleeve. Valve cover gskt. not incl.
1	Complete Overhaul Kit	FP-8V71XHOH		w/Cross Head style piston; Valve cover gskts. not incl.
1	Complete Overhaul Kit	FP-8V71NAOH		w/Trunk style piston & 1.050" Port Length Sleeve. Valve cover gskt. not incl.

Military Standard

Military Vehicles EN-672, END-672, END-672S, END-673, END-673A, END-673B, **40**
 END-673C, END-673D, END-673E, END-673P, ENDL-673, ENDL-673P, ENDS-672 Engs.
 11.0L 672 OHV Diesel L6, 4.875" Bore (Mack Eng.)

CYL. HEAD & PARTS				
QTY	VALVE	PART NO.	SIZE	DESCRIPTION
6	Intake	FP-690GC2187B		Chrome plated stem; .137" wide lock groove; Use w/FP-54GC126 keepers
6	Exhaust	FP-688GC337A		
24	Keeper	FP-54GC19		
CAMSHAFT GROUP				
QTY	VALVE SEAT	PART NO.	SIZE	DESCRIPTION
6	Exh.	FP-13GC2247P1	STD	
QTY	VALVE GUIDE	PART NO.	SIZE	DESCRIPTION
12	Guide	FP-714GB210P4		For .4965" Exh. and all Int.
QTY	VALVE SPRING	PART NO.	SIZE	DESCRIPTION
12	Spring	FP-575GC31		Inner; Use w/ or w/o valve stem seal. O.E. No. 575-GC31
12	Spring	FP-575GC1100		Outer
QTY	VALVE MISC.	PART NO.	SIZE	DESCRIPTION
6	Rotocap Assy.	RC-13SA +		When depleted use FP-RC13SA
6	Rotocap	FP-722GC226		
COOLING SYSTEM				
QTY	THERMOSTAT	PART NO.	SIZE	DESCRIPTION
1	Oil Seal	39821		
ENGINE BLOCK & PARTS				
QTY	CAM BEARINGS	PART NO.	SIZE	DESCRIPTION
1	Cam Set	FP-1476M	Std Only	Drive shaft thrust washer
1	Cam Set	1476M +	Std Only	Drive shaft thrust washer; When depleted use FP-1476M
1	Cam Set	FP-1413M	Std Only	Engs. w/cyl. block No. 239GB-5320B. Brg. Nos. 2 through 6 have a 1/4" dia. hole
1	Cam Set	1413M +	Std Only	Engs. w/cyl. block No. 239GB-5320B. Brg. Nos. 2 through 6 have a 1/4" dia. hole; When depleted use FP-1413M
1	Cam Set	FP-1409M	Std Only	Engs. From 4/84 w/2.440" dia. shaft Nos. 1-2-3-4-5-6-7.
1	Cam Set	1409M +	Std Only	Engs. From 4/84 w/2.440" dia. shaft Nos. 1-2-3-4-5-6-7.; When depleted use FP-1409M
1	Cam Set	FP-1274M	Std Only	Engs. To 4/84 w/1.500" groove on brgs. Nos. 2-3-4-5-6.
1	Cam Set	1274M +	Std Only	Engs. To 4/84 w/1.500" groove on brgs. Nos. 2-3-4-5-6.; When depleted use FP-1274M
1	Cam Set	FP-1406M	Std Only	Engs. To 4/84 w/2.00" groove on No. 2 & 5 brgs.
1	Cam Set	1406M +	Std Only	Engs. To 4/84 w/2.00" groove on No. 2 & 5 brgs.; When depleted use FP-1406M
CRANKSHAFT/OIL PUMP				
QTY	SEALS - FRONT CRANK	PART NO.	SIZE	DESCRIPTION
1	Redi-Sleeve	99324		
1	Oil Seal	55563		
QTY	SEALS - REAR CRANK	PART NO.	SIZE	DESCRIPTION
1	Oil Seal	39807		
1	Redi-Sleeve	99599		
QTY	MAIN BEARINGS	PART NO.	SIZE	DESCRIPTION
1	Main Set	FP-6636M	Std-10-20	Late series Engs.; w/1.250" length. inter. brgs.; Incl. thrust washer set.
1	Main Set	6636M +	Std-10	Late series Engs.; w/1.250" length. inter. brgs.; Incl. thrust washer set.; When depleted use FP-6636M
CYLINDER COMPONENTS				
QTY	LINERS	PART NO.	SIZE	DESCRIPTION
6	Liner w/o Sealing Rings	FP-509GC284AP1	STD	For use in engines converted to use Maxidyne style flange with coining bead and Maxidyne style gaskets.
6	Liner w/o Sealing Rings	FP-509GC284AP2	2	For use in engines converted to use Maxidyne style flange with coining bead and Maxidyne style gaskets.
6	Liner w/o Sealing Rings	FP-509GC284AP6	6	For use in engines converted to use Maxidyne style flange with coining bead and Maxidyne style gaskets.
6	Liner w/o Sealing Rings	FP-509GC284AP12	12	For use in engines converted to use Maxidyne style flange with coining bead and Maxidyne style gaskets.

(continued on next page)

+ Superseded Part Number

Military Standard

40 *Military Vehicles* EN-672, END-672, END-672S, END-673, END-673A, END-673B,
(cont.) END-673C, END-673D, END-673E, END-673P, ENDL-673, ENDL-673P, ENDS-672 Engs.
11.0L 672 OHV Diesel L6, 4.875" Bore (Mack Eng.)

CYLINDER COMPONENTS (cont.)

QTY	LINERS (cont.)	PART NO.	SIZE	DESCRIPTION
6	Liner w/o Sealing Rings	FP-509GC284AP20	20	For use in engines converted to use Maxidyne style flange with coining bead and Maxidyne style gaskets.
QTY	PISTONS	PART NO.	SIZE	DESCRIPTION
6	Pin Bushing	1759V +		w/1.625" pin dia. Con. rod No. 367GC-468F; When depleted use FP-1759V
6	Pin Bushing	FP-187GB138		w/2" pin dia.
6	Pin Bushing	FP-1759V		Con. rod No. 367GC-468F
QTY	CONNECTING RODS & BRGS.	PART NO.	SIZE	DESCRIPTION
6	Rod Pair	FP-62GB2393P1	STD	Engs. From late 1985
6	Rod Pair	FP-62GB2393P10	10	Engs. From late 1985
6	Rod Pair	FP-62GB2393P20	20	Engs. From late 1985
6	Rod Pair	FP-62GB2393P30	30	Engs. From late 1985
6	Rod Pair	FP-62GB2382P1	STD	To early 1985
6	Rod Pair	FP-62GB2382P10	10	To early 1985
6	Rod Pair	FP-62GB2382P20	20	To early 1985
6	Rod Pair	FP-62GB2382P30	30	To early 1985
6	Rod Pair	FP-62GB2382P40	40	To early 1985

41 *Military Vehicles*
12.8L 779 OHV L6, 5.25" Bore (Waukesha Eng.)

CYLINDER COMPONENTS

QTY	PISTONS	PART NO.	SIZE	DESCRIPTION
6	Pin Bushing	FP-1759V		
6	Pin Bushing	1759V +		When depleted use FP-1759V
QTY	CONNECTING RODS & BRGS.	PART NO.	SIZE	DESCRIPTION
6	Rod Pair	FP-1300CP	Std-20	
6	Rod Pair	1300CP + Std-20		When depleted use FP-1300CP

42 *Military Vehicles*
13.4L 818 OHV L6, 5.375" Bore (Waukesha Eng.)

CYLINDER COMPONENTS

QTY	PISTONS	PART NO.	SIZE	DESCRIPTION
6	Pin Bushing	FP-1759V		
6	Pin Bushing	1759V +		When depleted use FP-1759V
QTY	CONNECTING RODS & BRGS.	PART NO.	SIZE	DESCRIPTION
6	Rod Pair	FP-1300CP	Std-20	
6	Rod Pair	1300CP + Std-20		When depleted use FP-1300CP

Minneapolis-Moline - See White Farm Mitsubishi Forklift

Engine Finding Index

Engine	Line No.	Engine	Line No.
1.4L 1439cc SOHC L4 73mm Bore (8 Valve).....	1	2.6L 2555cc SOHC L4 91.1mm Bore (8 Valve).....	3
2.0L 1995cc SOHC L4 84mm Bore (8 Valve).....	2		

Engine Code Index

Engine Code	Engine Description	Line No.	Engine Code	Engine Description	Line No.
4G33 ... Forklift.....	1.4L 1439cc SOHC L4 73mm Bore (8 Valve)	1	4G54 ... Forklift.....	2.6L 2555cc SOHC L4 91.1mm Bore (8 Valve).....	3
4G52 ... Forklift.....	2.0L 1995cc SOHC L4 84mm Bore (8 Valve)	2			

Mitsubishi Forklift

Forklift Eng. Code "4G33" 1
1.4L 1439cc SOHC L4 (8 Valve), 73mm Bore

CYL. HEAD & PARTS

QTY	VALVE GUIDE	PART NO.	SIZE	DESCRIPTION
4	Guide	VG-13152		Exh.; w/cir-clip & groove; .002" O/S OD; .3150" ID, 1.8900" O.A.L.
4	Guide	VG-1315		Exh.; w/cir-clip & groove; .3150" ID, 1.8900" O.A.L.
4	Guide	VG-710		Int.; .3155" ID, 1.7280" O.A.L.

CAMSHAFT GROUP

QTY	CAMSHAFT/LIFTER	PART NO.	SIZE	DESCRIPTION
1	Oil Seal	3771		
1	Redi-Sleeve	99139		

CRANKSHAFT/OIL PUMP

QTY	SEALS - FRONT CRANK	PART NO.	SIZE	DESCRIPTION
1	Oil Seal	224460		
QTY	SEALS - REAR CRANK	PART NO.	SIZE	DESCRIPTION
1	Oil Seal	227235		
QTY	MAIN BEARINGS	PART NO.	SIZE	DESCRIPTION
1	Main Set	5103M	Std-.25-.50-.75MM	
QTY	OIL PUMP	PART NO.	SIZE	DESCRIPTION
1	Oil Seal	221710		
1	Redi-Sleeve	99068		

CYLINDER COMPONENTS

QTY	CONNECTING RODS & BRGS.	PART NO.	SIZE	DESCRIPTION
1	Rod Set	4-3485CP	Std-.25-.50-.75MM	

Forklift Eng. Code "4G52" 2
2.0L 1995cc SOHC L4 (8 Valve), 84mm Bore

CYL. HEAD & PARTS

QTY	VALVE GUIDE	PART NO.	SIZE	DESCRIPTION
4	Guide	VG-714		Exh.; .3160" ID, 2.0500" O.A.L.
4	Guide	VG-715		Int.; .3155" ID, 1.8500" O.A.L.

CAMSHAFT GROUP

QTY	TIMING	PART NO.	SIZE	DESCRIPTION
1	Timing Chain	222-3DR102		Double rlr.; 102 Links
1	Timing Chain Tensioner	222-49CT		

CRANKSHAFT/OIL PUMP

QTY	SEALS - FRONT CRANK	PART NO.	SIZE	DESCRIPTION
1	Redi-Sleeve	99189		
1	Oil Seal	224840		
QTY	SEALS - REAR CRANK	PART NO.	SIZE	DESCRIPTION
1	Oil Seal	228005		
1	Redi-Sleeve	99315		
QTY	MAIN BEARINGS	PART NO.	SIZE	DESCRIPTION
1	Main Set	6618M	Std-.25-.50-.75MM	

CYLINDER COMPONENTS

QTY	PISTON RINGS	PART NO.	SIZE	DESCRIPTION
1	Premium Set	E-357KC	Std Only	2-2.00MM, 1-4.00MM
1	Standard Set	E-357X	Std-.50-.75-1.00MM	2-2.00MM, 1-4.00MM
4	Premium Single Cylinder Set	WE-357KC	Std-.50-.75MM	2-2.00MM, 1-4.00MM

Forklift Eng. Code "4G54" 3
2.6L 2555cc SOHC L4 (8 Valve), 91.1mm Bore

CYL. HEAD & PARTS

QTY	VALVE GUIDE	PART NO.	SIZE	DESCRIPTION
4	Guide	VG-714		Exh.; .3160" ID, 2.0500" O.A.L.
4	Guide	VG-715		Int.; .3155" ID, 1.8500" O.A.L.

(continued on next page)

Mitsubishi Forklift

3 Forklift Eng. Code "4G54"
(cont.) 2.6L 2555cc SOHC L4 (8 Valve), 91.1mm Bore

CAMSHAFT GROUP				
QTY	TIMING	PART NO.	SIZE	DESCRIPTION
1	Timing Chain	222-3DR102		Double rlr.; 102 Links
1	Timing Chain Tensioner	222-49CT		
CRANKSHAFT/OIL PUMP				
QTY	SEALS - FRONT CRANK	PART NO.	SIZE	DESCRIPTION
1	Redi-Sleeve	99189		
1	Oil Seal	224840		
QTY	SEALS - REAR CRANK	PART NO.	SIZE	DESCRIPTION
1	Oil Seal	228005		
1	Redi-Sleeve	99315		
QTY	MAIN BEARINGS	PART NO.	SIZE	DESCRIPTION
1	Main Set	6618M	Std-.25-.50-.75MM	
CYLINDER COMPONENTS				
QTY	PISTONS	PART NO.	SIZE	DESCRIPTION
4	Cast Piston	H589P.50MM	.50-.75-1.00-1.50MM	To 4/83; FWD; Use in sets only; Use w/E-425KC or E-425X ring set; Hypereutectic; 2-2.00mm, 1-4.00mm Ring Groove, 1.395" CD, .8662" Pin Dia., Recessed Head .130" deep x 2.670" dia.; Not factory duplicate
QTY	PISTON RINGS	PART NO.	SIZE	DESCRIPTION
1	Premium Set	E-425KC1.00MM	1.00MM	2-2.00MM, 1-4.00MM
1	Standard Set	E-425X1.00MM	1.00MM	2-2.00MM, 1-4.00MM
4	Premium Single Cylinder Set	WE-425KC	Std-.50-.75-1.00MM	2-2.00MM, 1-4.00MM

Nissan Forklift

Engine Finding Index					
Engine	Line No.	Engine	Line No.	Engine	Line No.
1.5L 1483cc OHV L4 78mm Bore (8 Valve)	1	2.4L 2389cc SOHC L4 89mm Bore (8 Valve).....	6		
1.5L 1487cc OHV L4 76mm Bore (8 Valve)	2	3.0L 2974cc OHV L6 87.2mm Bore (12 Valve)	7		
2.0L 1982cc OHV L4 87.2mm Bore (8 Valve)	3	3.2L 3246cc OHV Diesel L6 83mm Bore (12 Valve)	8		
2.0L 1991cc OHV Diesel L4 83mm Bore (8 Valve)	4	3.3L 3298cc OHV Diesel L4 100mm Bore (8 Valve)	9		
2.2L 2164cc OHV Diesel L4 83mm Bore (8 Valve)	5				
Engine Code Index					
Engine Code	Engine Description	Line No.	Engine Code	Engine Description	Line No.
A15 ... Forklift	1.5L 1487cc OHV L4 76mm Bore (8 Valve)	2	J15 ... Forklift	1.5L 1483cc OHV L4 78mm Bore (8 Valve)	1
CN6-33 ... Forklift	3.2L 3246cc OHV Diesel L6 83mm Bore (12 Valve).....	8	SD20 ... Forklift.....	2.0L 1991cc OHV Diesel L4 83mm Bore (8 Valve).....	4
ED33 ... Forklift.....	3.3L 3298cc OHV Diesel L4 100mm Bore (8 Valve).....	9	SD22 ... Forklift.....	2.2L 2164cc OHV Diesel L4 83mm Bore (8 Valve).....	5
H20 ... Forklift	2.0L 1982cc OHV L4 87.2mm Bore (8 Valve)	3	SD33 ... Forklift.....	3.2L 3246cc OHV Diesel L6 83mm Bore (12 Valve).....	8
H30 ... Forklift	3.0L 2974cc OHV L6 87.2mm Bore (12 Valve)	7	Z24 ... Forklift.....	2.4L 2389cc SOHC L4 89mm Bore (8 Valve)	6

1 Forklift Eng. Code "J15"
1.5L 1483cc OHV L4 (8 Valve), 78mm Bore

CRANKSHAFT/OIL PUMP				
QTY	SEALS - FRONT CRANK	PART NO.	SIZE	DESCRIPTION
1	Oil Seal	710196		
QTY	MAIN BEARINGS	PART NO.	SIZE	DESCRIPTION
1	Thrust Washer Set	2056BF	Std Only	Position 2

(continued on next page)

Nissan Forklift

<i>Forklift Eng. Code "J15" 1</i> 1.5L 1483cc OHV L4 (8 Valve), 78mm Bore (cont.)				
CYLINDER COMPONENTS				
QTY	CONNECTING RODS & BRGS.	PART NO.	SIZE	DESCRIPTION
1	Rod Set	4-4245CP Std-.25-.50MM		4-4245CA 1.50MM avail. as unplated & resizeable
QTY	PISTON RINGS	PART NO.	SIZE	DESCRIPTION
1	Premium Set	10137KX Std-.50MM		2-2.00MM, 1-4.00MM
<i>Forklift Eng. Code "A15" 2</i> 1.5L 1487cc OHV L4 (8 Valve), 76mm Bore				
CYL. HEAD & PARTS				
QTY	VALVE	PART NO.	SIZE	DESCRIPTION
16	Keeper	VK-215		
ENGINE BLOCK & PARTS				
QTY	CAM BEARINGS	PART NO.	SIZE	DESCRIPTION
1	Cam Set	1592M Std Only		
CRANKSHAFT/OIL PUMP				
QTY	SEALS - FRONT CRANK	PART NO.	SIZE	DESCRIPTION
1	Redi-Sleeve	99147		
1	Oil Seal	223830		
QTY	SEALS - REAR CRANK	PART NO.	SIZE	DESCRIPTION
1	Oil Seal	712006		
1	Redi-Sleeve	99235		
CYLINDER COMPONENTS				
QTY	CONNECTING RODS & BRGS.	PART NO.	SIZE	DESCRIPTION
1	Rod Set	4-67320CP Std Only		
QTY	PISTON RINGS	PART NO.	SIZE	DESCRIPTION
4	Premium Single Cylinder Set	WE-426KC Std-.75MM		1-1.20MM, 1-2.00MM, 1-4.00MM
<i>Forklift Eng. Code "H20" 3</i> 2.0L 1982cc OHV L4 (8 Valve), 87.2mm Bore				
ENGINE BLOCK & PARTS				
QTY	CAM BEARINGS	PART NO.	SIZE	DESCRIPTION
1	Cam Set	1570M Std Only		
CRANKSHAFT/OIL PUMP				
QTY	SEALS - FRONT CRANK	PART NO.	SIZE	DESCRIPTION
1	Redi-Sleeve	99189		
1	Oil Seal	710313		
QTY	MAIN BEARINGS	PART NO.	SIZE	DESCRIPTION
1	Main Set	7138M Std-.25-.50MM		
CYLINDER COMPONENTS				
QTY	PISTONS	PART NO.	SIZE	DESCRIPTION
4	Cast Piston	12131P Std-.50-.75-1.00-1.50MM		O.E. Nos. 12010-R9001, 12010-74000 & 12010-69200-11; Cast; 1-2.00mm, 1-2.50mm, 1-4.00mm Ring Groove, 41.1mm CD, 22.0mm Pin Dia., Recessed Head 1.60mm deep x 68.00mm dia.
4	Cast Piston - Individual	W12131P Std-.50-.75-1.00-1.50MM		O.E. Nos. 12010-R9001, 12010-74000 & 12010-69200-11; Cast; 1-2.00mm, 1-2.50mm, 1-4.00mm Ring Groove, 41.1mm CD, 22.0mm Pin Dia., Recessed Head 1.60mm deep x 68.00mm dia.
1	Pin Bushing Set	4-67019Y		
QTY	CONNECTING RODS & BRGS.	PART NO.	SIZE	DESCRIPTION
1	Rod Set	4-67015CP Std-.25-.50MM		
QTY	PISTON RINGS	PART NO.	SIZE	DESCRIPTION
1	Standard Set	E-577X Std-.75MM		1-2.00MM, 1-2.50MM, 1-4.00MM

Nissan Forklift

4 Forklift Eng. Code "SD20" 2.0L 1991cc OHV Diesel L4 (8 Valve), 83mm Bore				
ENGINE BLOCK & PARTS				
QTY	CAM BEARINGS	PART NO.	SIZE	DESCRIPTION
1	Cam Set	1570M		Std Only
CRANKSHAFT/OIL PUMP				
QTY	MAIN BEARINGS	PART NO.	SIZE	DESCRIPTION
1	Thrust Washer Set	67261BF		Std Only Position 2
CYLINDER COMPONENTS				
QTY	PISTONS	PART NO.	SIZE	DESCRIPTION
1	Pin Bushing Set	4-67269Y		
QTY	CONNECTING RODS & BRGS.	PART NO.	SIZE	DESCRIPTION
1	Rod Set	4-67260CP		Std-.25MM
5 Forklift Eng. Code "SD22" 2.2L 2164cc OHV Diesel L4 (8 Valve), 83mm Bore				
ENGINE BLOCK & PARTS				
QTY	CAM BEARINGS	PART NO.	SIZE	DESCRIPTION
1	Cam Set	1570M		Std Only
CRANKSHAFT/OIL PUMP				
QTY	SEALS - FRONT CRANK	PART NO.	SIZE	DESCRIPTION
1	Oil Seal	225880		
QTY	MAIN BEARINGS	PART NO.	SIZE	DESCRIPTION
1	Main Set	6765M		Std Only 1963-80
1	Thrust Washer Set	67261BF		Std Only Position 2
CYLINDER COMPONENTS				
QTY	PISTONS	PART NO.	SIZE	DESCRIPTION
1	Pin Bushing Set	4-67264Y		1963-80
1	Pin Bushing Set	4-67269Y		1981-88
QTY	CONNECTING RODS & BRGS.	PART NO.	SIZE	DESCRIPTION
1	Rod Set	4-67260CP		Std-.25MM
6 Forklift Eng. Code "Z24" 2.4L 2389cc SOHC L4 (8 Valve), 89mm Bore				
CYL. HEAD & PARTS				
QTY	VALVE	PART NO.	SIZE	DESCRIPTION
4	Intake	V-2250		Std Only Nitrided stem; 1.6580" Head Dia., .3140" Stem Dia., 4.8900" O.A.L.
4	Exhaust	V-2249		Std Only Nitrided stem; 1.5000" Head Dia., .3125" Stem Dia., 4.9350" O.A.L.
16	Keeper	VK-215		
QTY	VALVE GUIDE	PART NO.	SIZE	DESCRIPTION
4	Guide	VG-760		Exh.; .3154" ID, 2.6600" O.A.L.
CAMSHAFT GROUP				
QTY	TIMING	PART NO.	SIZE	DESCRIPTION
1	Timing Chain Tensioner	222-7CT		
1	Timing Chain Guide	222-122GP		Slack Side
1	Timing Chain Guide	222-121GP		Tension Side
1	Crank Sprocket	223-463		20 Teeth
1	Cam Sprocket	223-462		40 Teeth
CRANKSHAFT/OIL PUMP				
QTY	SEALS - FRONT CRANK	PART NO.	SIZE	DESCRIPTION
1	Redi-Sleeve	99189		
1	Oil Seal	710313		
QTY	SEALS - REAR CRANK	PART NO.	SIZE	DESCRIPTION
1	Oil Seal	228010		
1	Redi-Sleeve	99315		

(continued on next page)

Nissan Forklift

<i>Forklift Eng. Code "Z24" 6</i> 2.4L 2389cc SOHC L4 (8 Valve), 89mm Bore (cont.)				
CYLINDER COMPONENTS				
QTY	CONNECTING RODS & BRGS.	PART NO.	SIZE	DESCRIPTION
1	Rod Set	4-67230CP Std-.25-.50-.75-1.00MM		
QTY	PISTON RINGS	PART NO.	SIZE	DESCRIPTION
1	Premium Set	E-599KC Std-.50-.75-1.00MM		2-1.50MM, 1-4.00MM
<i>Forklift Eng. Code "H30" 7</i> 3.0L 2974cc OHV L6 (12 Valve), 87.2mm Bore				
ENGINE BLOCK & PARTS				
QTY	CAM BEARINGS	PART NO.	SIZE	DESCRIPTION
1	Cam Set	1570M Std Only		
<i>Forklift Eng. Codes "CN6-33", "SD33" 8</i> 3.2L 3246cc OHV Diesel L6 (12 Valve), 83mm Bore				
CRANKSHAFT/OIL PUMP				
QTY	SEALS - FRONT CRANK	PART NO.	SIZE	DESCRIPTION
1	Oil Seal	225880		
QTY	MAIN BEARINGS	PART NO.	SIZE	DESCRIPTION
1	Thrust Washer Set	67261BF Std Only		Position 2
<i>Forklift Eng. Code "ED33" 9</i> 3.3L 3298cc OHV Diesel L4 (8 Valve), 100mm Bore				
CRANKSHAFT/OIL PUMP				
QTY	SEALS - FRONT CRANK	PART NO.	SIZE	DESCRIPTION
1	Oil Seal	226285		
QTY	SEALS - REAR CRANK	PART NO.	SIZE	DESCRIPTION
1	Oil Seal	710349		

Novo Engines

Engine Finding Index			
Engine	Line No.	Engine	Line No.
2.2L 133 L4 3.25" Bore.....	1		
<i>Industrial Applications CW-133 Eng. 1</i> 2.2L 133 L4, 3.25" Bore			
CYLINDER COMPONENTS			
QTY	PISTON RINGS	PART NO.	SIZE DESCRIPTION
1	Standard Set	FP-617X	<i>Std Only</i> 2-1/8, 1-3/16
1	Standard Set	617X + Std Only	2-1/8, 1-3/16; When depleted use FP-617X

**Oliver Tractors - See White Farm., Also See Engine Manufacturer
OMC Marine - Refer to SP1501 Catalog
Onan Engines**

Engine Finding Index			
Engine	Line No.	Engine	Line No.
50 L-HEAD H2 3.25" Bore.....	1		

Onan Engines

Engine Code Index					
Engine Code	Engine Description	Line No.	Engine Code	Engine Description	Line No.
BG ... Industrial Applications	50 L-HEAD H2 3.25" Bore	1	CCKM ... Industrial Applications	50 L-HEAD H2 3.25" Bore	1
CCK ... Industrial Applications	50 L-HEAD H2 3.25" Bore	1	Super CCK ... Industrial Applications	50 L-HEAD H2 3.25" Bore	1
CCKA ... Industrial Applications	50 L-HEAD H2 3.25" Bore	1			
CCKB ... Industrial Applications	50 L-HEAD H2 3.25" Bore	1			

1 Industrial Applications BG, CCK, CCKA, CCKB, CCKM, Super CCK Eng's. 50 L-HEAD H2, 3.25" Bore

CYL. HEAD & PARTS					
QTY	VALVE	PART NO.	SIZE	DESCRIPTION	
8	Keeper	VK-115		CCK Eng's.; 1 groove; Square cut key groove	
8	Keeper	VK-115R		CCK Eng's.; 1 groove; Square cut key groove; Hardened	
8	Keeper, Bulk	VK-115B		CCK Eng's.; 1 groove; Square cut key groove; Carton of 1000	
ENGINE BLOCK & PARTS					
QTY	CAM BEARINGS	PART NO.	SIZE	DESCRIPTION	
1	Cam Set	FP-1481M	Std Only		
1	Cam Set	1481M +	Std Only	When depleted use FP-1481M	
CRANKSHAFT/OIL PUMP					
QTY	MAIN BEARINGS	PART NO.	SIZE	DESCRIPTION	
1	Main Set	FP-5100M	Std-10-20		
1	Main Set	5100M +	Std-10-20	When depleted use FP-5100M	
1	Thrust Washer Set	FP-3181BF	Std Only	Position 1-2	
CYLINDER COMPONENTS					
QTY	CONNECTING RODS & BRGS.	PART NO.	SIZE	DESCRIPTION	
2	Rod Pair	FP-3180SB	Std-10-20-30		
2	Rod Pair	3180SB +	Std-10-20-30	When depleted use FP-3180SB	
QTY	PISTON RINGS	PART NO.	SIZE	DESCRIPTION	
1	Premium Set	FP-5948KX	Std-20-30	2-3/32, 1-3/16 (2 cyl. set)	
1	Premium Set	5948KX +	Std-20-30	2-3/32, 1-3/16 (2 cyl. set); When depleted use FP-5948KX	
2	Premium Single Cylinder Set	W-5948KX	Std Only	2-3/32, 1-3/16 (2 cyl. set)	

Osterlund - See Reo Truck Perkins Diesel

Engine Finding Index			
Engine	Line No.	Engine	Line No.
1.6L 1623cc (99) OHV Diesel L4 3" Bore H/D Truck	1	4.2L 4233cc OHV Diesel L4 103mm Bore	22
1.8L 1760cc (107.4) OHV Diesel L4 3.125" Bore H/D Truck	2	4.7L 4720cc (288) OHV Diesel L6 3.5" Bore H/D Truck	23
1.8L 1760cc (107.4) OHV Diesel L4 3.125" Bore	3	4.7L 4720cc (288) OHV Diesel L6 3.5" Bore	24
2.4L 2360cc (144) OHV Diesel L3 3.5" Bore H/D Truck	4	5.0L 5000cc (305) OHV Diesel L6 3.6" Bore H/D Truck	25
2.4L 2360cc (144) OHV Diesel L3 3.5" Bore	5	5.0L 5000cc (305) OHV Diesel L6 3.6" Bore	26
2.5L 2503cc (152.7) OHV L3 3.6" Bore	6	5.2L 5212cc (318) OHV Diesel L4 4.5" Bore H/D Truck	27
2.5L 2503cc (152.7) OHV Diesel L3 3.6" Bore H/D Truck	7	5.2L 5212cc (318) OHV Diesel L4 4.5" Bore	28
2.5L 2503cc (152.7) OHV Diesel L3 3.6" Bore	8	5.8L 5798cc (354) OHV Diesel L6 3.875" Bore (12 Valve) H/D Truck	29
3.2L 3147cc (192) OHV Diesel L4 3.5" Bore H/D Truck	9	5.8L 5798cc (354) OHV Diesel L6 3.875" Bore (12 Valve)	30
3.2L 3147cc (192) OHV Diesel L4 3.5" Bore	10	5.8L 5798cc (354) OHV Turbo-Diesel L6 3.875" Bore (12 Valve) H/D Truck	31
3.3L 3337cc (203.6) OHV Diesel L4 3.6" Bore H/D Truck	11	5.8L 5798cc (354) OHV Turbo-Diesel L6 3.875" Bore (12 Valve)	32
3.3L 3337cc (203.6) OHV Diesel L4 3.6" Bore	12	6.0L 5985cc OHV Diesel L6 100mm Bore	33
3.5L 3475cc (212) OHV Diesel L4 3.875" Bore H/D Truck	13	6.0L 5985cc OHV Diesel L6 100mm Bore	34
3.5L 3475cc (212) OHV Diesel L4 3.875" Bore	14	6.0L 5985cc OHV Turbo-Diesel L6 100mm Bore	35
3.9L 3866cc (235.9) OHV Diesel L4 3.875" Bore H/D Truck	15	6.0L 5985cc OHV Turbo-Diesel L6 100mm Bore	36
3.9L 3866cc (235.9) OHV Diesel L4 3.875" Bore	16	6.1L 6105cc (372) OHV Diesel L6 3.975" Bore	37
4.0L 3990cc OHV Diesel L4 100mm Bore	17		
4.0L 3990cc OHV Turbo-Diesel L4 100mm Bore	18		
4.0L 3990cc OHV Turbo-Diesel L4 100mm Bore	19		
4.1L 4068cc (248.2) OHV Diesel L4 3.975" Bore H/D Truck	20		
4.1L 4068cc (248.2) OHV Diesel L4 3.975" Bore	21		

Engine Code Index

Engine Code	Engine Description	Line No.	Engine Code	Engine Description	Line No.
AB50388 ... Industrial Applications.....	4.0L 3990cc OHV Turbo-Diesel L4 100mm Bore.....	19	AB80525 ... Industrial Applications.....	4.0L 3990cc OHV Turbo-Diesel L4 100mm Bore.....	19
AB50389 ... Industrial Applications.....	4.0L 3990cc OHV Turbo-Diesel L4 100mm Bore.....	19	AB80532 ... Industrial Applications.....	4.0L 3990cc OHV Turbo-Diesel L4 100mm Bore.....	19
AB50391 ... Industrial Applications.....	4.0L 3990cc OHV Turbo-Diesel L4 100mm Bore.....	19	AB80575 ... Industrial Applications.....	4.0L 3990cc OHV Turbo-Diesel L4 100mm Bore.....	19
AB50396 ... Industrial Applications.....	4.0L 3990cc OHV Turbo-Diesel L4 100mm Bore.....	19	AB80577 ... Industrial Applications.....	4.0L 3990cc OHV Turbo-Diesel L4 100mm Bore.....	19
AB50421 ... Industrial Applications.....	4.0L 3990cc OHV Turbo-Diesel L4 100mm Bore.....	19	AB80581 ... Industrial Applications.....	4.0L 3990cc OHV Turbo-Diesel L4 100mm Bore.....	19
AB60019 ... Industrial Applications.....	4.0L 3990cc OHV Turbo-Diesel L4 100mm Bore.....	19	AB80596 ... Industrial Applications.....	4.0L 3990cc OHV Turbo-Diesel L4 100mm Bore.....	19
AB60020 ... Industrial Applications.....	4.0L 3990cc OHV Turbo-Diesel L4 100mm Bore.....	19	AB80599 ... Industrial Applications.....	4.0L 3990cc OHV Turbo-Diesel L4 100mm Bore.....	19
AB70215 ... Industrial Applications.....	4.0L 3990cc OHV Turbo-Diesel L4 100mm Bore.....	19	AB80600 ... Industrial Applications.....	4.0L 3990cc OHV Turbo-Diesel L4 100mm Bore.....	19
AB70241 ... Industrial Applications.....	4.0L 3990cc OHV Turbo-Diesel L4 100mm Bore.....	19	AB80601 ... Industrial Applications.....	4.0L 3990cc OHV Turbo-Diesel L4 100mm Bore.....	19
AB70242 ... Industrial Applications.....	4.0L 3990cc OHV Turbo-Diesel L4 100mm Bore.....	19	AB80613 ... Industrial Applications.....	4.0L 3990cc OHV Turbo-Diesel L4 100mm Bore.....	19
AB70267 ... Industrial Applications.....	4.0L 3990cc OHV Turbo-Diesel L4 100mm Bore.....	19	AC10000 ... Industrial Applications.....	4.0L 3990cc OHV Turbo-Diesel L4 100mm Bore.....	18
AB80409 ... Industrial Applications.....	4.0L 3990cc OHV Turbo-Diesel L4 100mm Bore.....	19	AC50283 ... Industrial Applications.....	4.0L 3990cc OHV Turbo-Diesel L4 100mm Bore.....	18
AB80421 ... Industrial Applications.....	4.0L 3990cc OHV Turbo-Diesel L4 100mm Bore.....	19	AC50290 ... Industrial Applications.....	4.0L 3990cc OHV Turbo-Diesel L4 100mm Bore.....	18
AB80432 ... Industrial Applications.....	4.0L 3990cc OHV Turbo-Diesel L4 100mm Bore.....	19	AD3.152.....	2.5L 2503cc (152.7) OHV Diesel L3 3.6" Bore H/D Truck	7
AB80434 ... Industrial Applications.....	4.0L 3990cc OHV Turbo-Diesel L4 100mm Bore.....	19	AD3.152 ... Industrial Applications.....	2.5L 2503cc (152.7) OHV Diesel L3 3.6" Bore.....	8
AB80438 ... Industrial Applications.....	4.0L 3990cc OHV Turbo-Diesel L4 100mm Bore.....	19	AD4.203.....	3.3L 3337cc (203.6) OHV Diesel L4 3.6" Bore H/D Truck	11
AB80447 ... Industrial Applications.....	4.0L 3990cc OHV Turbo-Diesel L4 100mm Bore.....	19	AD4.203 ... Industrial Applications.....	3.3L 3337cc (203.6) OHV Diesel L4 3.6" Bore.....	12
AB80468 ... Industrial Applications.....	4.0L 3990cc OHV Turbo-Diesel L4 100mm Bore.....	19	AD4.212.....	3.5L 3475cc (212) OHV Diesel L4 3.875" Bore H/D Truck	13
AB80483 ... Industrial Applications.....	4.0L 3990cc OHV Turbo-Diesel L4 100mm Bore.....	19	AD4.212 ... Industrial Applications.....	3.5L 3475cc (212) OHV Diesel L4 3.875" Bore.....	14
AB80491 ... Industrial Applications.....	4.0L 3990cc OHV Turbo-Diesel L4 100mm Bore.....	19	AR50690 ... Industrial Applications.....	4.2L 4233cc OHV Diesel L4 103mm Bore	22
AB80494 ... Industrial Applications.....	4.0L 3990cc OHV Turbo-Diesel L4 100mm Bore.....	19	A3.152	2.5L 2503cc (152.7) OHV Diesel L3 3.6" Bore H/D Truck	7
AB80495 ... Industrial Applications.....	4.0L 3990cc OHV Turbo-Diesel L4 100mm Bore.....	19	A3.152 ... Industrial Applications.....	2.5L 2503cc (152.7) OHV Diesel L3 3.6" Bore.....	8
AB80503 ... Industrial Applications.....	4.0L 3990cc OHV Turbo-Diesel L4 100mm Bore.....	19	A4.107	1.8L 1760cc (107.4) OHV Diesel L4 3.125" Bore H/D Truck	2
AB80520 ... Industrial Applications.....	4.0L 3990cc OHV Turbo-Diesel L4 100mm Bore.....	19	A4.107 ... Industrial Applications.....	1.8L 1760cc (107.4) OHV Diesel L4 3.125" Bore.....	3
			A4.192	3.2L 3147cc (192) OHV Diesel L4 3.5" Bore H/D Truck	9
			A4.192 ... Industrial Applications.....	3.2L 3147cc (192) OHV Diesel L4 3.5" Bore.....	10

(continued on next page)

Perkins Diesel

Engine Code Index

Engine Code	Engine Description	Line No.	Engine Code	Engine Description	Line No.
A4.203	3.3L 3337cc (203.6) OHV Diesel L4 3.6" Bore H/D Truck	11	T6.354 ... Industrial Applications	5.8L 5798cc (354) OHV Turbo-Diesel L6 3.875" Bore (12 Valve)	32
A4.203 ... Industrial Applications	3.3L 3337cc (203.6) OHV Diesel L4 3.6" Bore	12	T6.354-1	5.8L 5798cc (354) OHV Turbo-Diesel L6 3.875" Bore (12 Valve) H/D Truck	31
A4.212	3.5L 3475cc (212) OHV Diesel L4 3.875" Bore H/D Truck	13	T6.354-1 ... Industrial Applications	5.8L 5798cc (354) OHV Turbo-Diesel L6 3.875" Bore (12 Valve)	32
A4.212 ... Industrial Applications	3.5L 3475cc (212) OHV Diesel L4 3.875" Bore	14	T6.354-3	5.8L 5798cc (354) OHV Turbo-Diesel L6 3.875" Bore (12 Valve) H/D Truck	31
A4.236	3.9L 3866cc (235.9) OHV Diesel L4 3.875" Bore H/D Truck	15	T6.354-3 ... Industrial Applications	5.8L 5798cc (354) OHV Turbo-Diesel L6 3.875" Bore (12 Valve)	32
A4.236 ... Industrial Applications	3.9L 3866cc (235.9) OHV Diesel L4 3.875" Bore	16	T6.354-4	5.8L 5798cc (354) OHV Turbo-Diesel L6 3.875" Bore (12 Valve) H/D Truck	31
A4.248	4.1L 4068cc (248.2) OHV Diesel L4 3.975" Bore H/D Truck	20	T6.354-4 ... Industrial Applications	5.8L 5798cc (354) OHV Turbo-Diesel L6 3.875" Bore (12 Valve)	32
A4.248 ... Industrial Applications	4.1L 4068cc (248.2) OHV Diesel L4 3.975" Bore	21	T6.354-4	5.8L 5798cc (354) OHV Turbo-Diesel L6 3.875" Bore (12 Valve) H/D Truck	31
A6.354	5.8L 5798cc (354) OHV Diesel L6 3.875" Bore (12 Valve) H/D Truck	29	T6.354-4 ... Industrial Applications	5.8L 5798cc (354) OHV Turbo-Diesel L6 3.875" Bore (12 Valve)	32
A6.354 ... Industrial Applications	5.8L 5798cc (354) OHV Diesel L6 3.875" Bore (12 Valve)	30	YA30129 ... Industrial Applications	6.0L 5985cc OHV Diesel L6 100mm Bore	34
C6.354-4	5.8L 5798cc (354) OHV Turbo-Diesel L6 3.875" Bore (12 Valve) H/D Truck	31	YA30159 ... Industrial Applications	6.0L 5985cc OHV Diesel L6 100mm Bore	34
C6.354-4 ... Industrial Applications	5.8L 5798cc (354) OHV Turbo-Diesel L6 3.875" Bore (12 Valve)	32	YA30169 ... Industrial Applications	6.0L 5985cc OHV Diesel L6 100mm Bore	34
D3.152	2.5L 2503cc (152.7) OHV Diesel L3 3.6" Bore H/D Truck	7	YA30600 ... Industrial Applications	6.0L 5985cc OHV Diesel L6 100mm Bore	34
D3.152 ... Industrial Applications	2.5L 2503cc (152.7) OHV Diesel L3 3.6" Bore	8	YA30601 ... Industrial Applications	6.0L 5985cc OHV Diesel L6 100mm Bore	34
D4.203	3.3L 3337cc (203.6) OHV Diesel L4 3.6" Bore H/D Truck	11	YA30602 ... Industrial Applications	6.0L 5985cc OHV Diesel L6 100mm Bore	34
D4.203 ... Industrial Applications	3.3L 3337cc (203.6) OHV Diesel L4 3.6" Bore	12	YA30603 ... Industrial Applications	6.0L 5985cc OHV Diesel L6 100mm Bore	34
HT6.354	5.8L 5798cc (354) OHV Turbo-Diesel L6 3.875" Bore (12 Valve) H/D Truck	31	YA30604 ... Industrial Applications	6.0L 5985cc OHV Diesel L6 100mm Bore	34
HT6.354 ... Industrial Applications	5.8L 5798cc (354) OHV Turbo-Diesel L6 3.875" Bore (12 Valve)	32	YA30605 ... Industrial Applications	6.0L 5985cc OHV Diesel L6 100mm Bore	34
H6.354	5.8L 5798cc (354) OHV Diesel L6 3.875" Bore (12 Valve) H/D Truck	29	YA30606 ... Industrial Applications	6.0L 5985cc OHV Diesel L6 100mm Bore	34
H6.354 ... Industrial Applications	5.8L 5798cc (354) OHV Diesel L6 3.875" Bore (12 Valve)	30	YA30607 ... Industrial Applications	6.0L 5985cc OHV Diesel L6 100mm Bore	34
H6.354-4	5.8L 5798cc (354) OHV Diesel L6 3.875" Bore (12 Valve) H/D Truck	29	YA31230 ... Industrial Applications	6.0L 5985cc OHV Diesel L6 100mm Bore	34
H6.354-4 ... Industrial Applications	5.8L 5798cc (354) OHV Diesel L6 3.875" Bore (12 Valve)	30	YA31232 ... Industrial Applications	6.0L 5985cc OHV Diesel L6 100mm Bore	34
P3.144	2.4L 2360cc (144) OHV Diesel L3 3.5" Bore H/D Truck	4	YA31240 ... Industrial Applications	6.0L 5985cc OHV Diesel L6 100mm Bore	34
P3.144 ... Industrial Applications	2.4L 2360cc (144) OHV Diesel L3 3.5" Bore	5	YA31241 ... Industrial Applications	6.0L 5985cc OHV Diesel L6 100mm Bore	34
T6.354	5.8L 5798cc (354) OHV Turbo-Diesel L6 3.875" Bore (12 Valve) H/D Truck	31	YA31242 ... Industrial Applications	6.0L 5985cc OHV Diesel L6 100mm Bore	34

Engine Code Index					
Engine Code	Engine Description	Line No.	Engine Code	Engine Description	Line No.
YB80602 ... Industrial Applications.....	6.0L 5985cc OHV Turbo-Diesel L6 100mm Bore.....	36	YD50366 ... Industrial Applications.....	6.0L 5985cc OHV Turbo-Diesel L6 100mm Bore.....	35
YB9A040 ... Industrial Applications.....	6.0L 5985cc OHV Turbo-Diesel L6 100mm Bore.....	36	YD50378 ... Industrial Applications.....	6.0L 5985cc OHV Turbo-Diesel L6 100mm Bore.....	35
YD30155 ... Industrial Applications.....	6.0L 5985cc OHV Turbo-Diesel L6 100mm Bore.....	35	YD50383 ... Industrial Applications.....	6.0L 5985cc OHV Turbo-Diesel L6 100mm Bore.....	35
YD30160 ... Industrial Applications.....	6.0L 5985cc OHV Turbo-Diesel L6 100mm Bore.....	35	YD50384 ... Industrial Applications.....	6.0L 5985cc OHV Turbo-Diesel L6 100mm Bore.....	35
YD30182 ... Industrial Applications.....	6.0L 5985cc OHV Turbo-Diesel L6 100mm Bore.....	35	YD50405 ... Industrial Applications.....	6.0L 5985cc OHV Turbo-Diesel L6 100mm Bore.....	35
YD30657 ... Industrial Applications.....	6.0L 5985cc OHV Turbo-Diesel L6 100mm Bore.....	35	YD50406 ... Industrial Applications.....	6.0L 5985cc OHV Turbo-Diesel L6 100mm Bore.....	35
YD30658 ... Industrial Applications.....	6.0L 5985cc OHV Turbo-Diesel L6 100mm Bore.....	35	YD50412 ... Industrial Applications.....	6.0L 5985cc OHV Turbo-Diesel L6 100mm Bore.....	35
YD30659 ... Industrial Applications.....	6.0L 5985cc OHV Turbo-Diesel L6 100mm Bore.....	35	YD50422 ... Industrial Applications.....	6.0L 5985cc OHV Turbo-Diesel L6 100mm Bore.....	35
YD30660 ... Industrial Applications.....	6.0L 5985cc OHV Turbo-Diesel L6 100mm Bore.....	35	YD60017 ... Industrial Applications.....	6.0L 5985cc OHV Turbo-Diesel L6 100mm Bore.....	35
YD30800 ... Industrial Applications.....	6.0L 5985cc OHV Turbo-Diesel L6 100mm Bore.....	35	YD60018 ... Industrial Applications.....	6.0L 5985cc OHV Turbo-Diesel L6 100mm Bore.....	35
YD30801 ... Industrial Applications.....	6.0L 5985cc OHV Turbo-Diesel L6 100mm Bore.....	35	YD70239 ... Industrial Applications.....	6.0L 5985cc OHV Turbo-Diesel L6 100mm Bore.....	35
YD30802 ... Industrial Applications.....	6.0L 5985cc OHV Turbo-Diesel L6 100mm Bore.....	35	YD70265 ... Industrial Applications.....	6.0L 5985cc OHV Turbo-Diesel L6 100mm Bore.....	35
YD30803 ... Industrial Applications.....	6.0L 5985cc OHV Turbo-Diesel L6 100mm Bore.....	35	YD80402 ... Industrial Applications.....	6.0L 5985cc OHV Turbo-Diesel L6 100mm Bore.....	35
YD50232 ... Industrial Applications.....	6.0L 5985cc OHV Turbo-Diesel L6 100mm Bore.....	35	YD80489 ... Industrial Applications.....	6.0L 5985cc OHV Turbo-Diesel L6 100mm Bore.....	35
YD50235 ... Industrial Applications.....	6.0L 5985cc OHV Turbo-Diesel L6 100mm Bore.....	35	YD80505 ... Industrial Applications.....	6.0L 5985cc OHV Turbo-Diesel L6 100mm Bore.....	35
YD50237 ... Industrial Applications.....	6.0L 5985cc OHV Turbo-Diesel L6 100mm Bore.....	35	YD80571 ... Industrial Applications.....	6.0L 5985cc OHV Turbo-Diesel L6 100mm Bore.....	35
YD50243 ... Industrial Applications.....	6.0L 5985cc OHV Turbo-Diesel L6 100mm Bore.....	35	YD80605 ... Industrial Applications.....	6.0L 5985cc OHV Turbo-Diesel L6 100mm Bore.....	35
YD50258 ... Industrial Applications.....	6.0L 5985cc OHV Turbo-Diesel L6 100mm Bore.....	35	YD80612 ... Industrial Applications.....	6.0L 5985cc OHV Turbo-Diesel L6 100mm Bore.....	35
YD50289 ... Industrial Applications.....	6.0L 5985cc OHV Turbo-Diesel L6 100mm Bore.....	35	3.152	2.5L 2503cc (152.7) OHV Diesel L3 3.6" Bore H/D Truck	7
YD50355 ... Industrial Applications.....	6.0L 5985cc OHV Turbo-Diesel L6 100mm Bore.....	35	3.152 ... Industrial Applications.....	2.5L 2503cc (152.7) OHV Diesel L3 3.6" Bore.....	8
YD50356 ... Industrial Applications.....	6.0L 5985cc OHV Turbo-Diesel L6 100mm Bore.....	35	4.107	1.8L 1760cc (107.4) OHV Diesel L4 3.125" Bore H/D Truck	2
YD50357 ... Industrial Applications.....	6.0L 5985cc OHV Turbo-Diesel L6 100mm Bore.....	35	4.107 ... Industrial Applications.....	1.8L 1760cc (107.4) OHV Diesel L4 3.125" Bore.....	3
YD50358 ... Industrial Applications.....	6.0L 5985cc OHV Turbo-Diesel L6 100mm Bore.....	35	4.108	1.8L 1760cc (107.4) OHV Diesel L4 3.125" Bore H/D Truck	2
YD50359 ... Industrial Applications.....	6.0L 5985cc OHV Turbo-Diesel L6 100mm Bore.....	35	4.108 ... Industrial Applications.....	1.8L 1760cc (107.4) OHV Diesel L4 3.125" Bore.....	3
			4.192	3.2L 3147cc (192) OHV Diesel L4 3.5" Bore H/D Truck	9

(continued on next page)

Perkins Diesel

Engine Code Index

Engine Code	Engine Description	Line No.	Engine Code	Engine Description	Line No.
4.192 ... Industrial Applications.....	3.2L 3147cc (192) OHV Diesel L4 3.5" Bore.....	10	6.306	5.0L 5000cc (305) OHV Diesel L6 3.6" Bore H/D Truck	25
4.203	3.3L 3337cc (203.6) OHV Diesel L4 3.6" Bore H/D Truck	11	6.306 ... Industrial Applications.....	5.0L 5000cc (305) OHV Diesel L6 3.6" Bore	26
4.203 ... Industrial Applications.....	3.3L 3337cc (203.6) OHV Diesel L4 3.6" Bore.....	12	6.354	5.8L 5798cc (354) OHV Diesel L6 3.875" Bore (12 Valve) H/D Truck.....	29
4.212	3.5L 3475cc (212) OHV Diesel L4 3.875" Bore H/D Truck	13	6.354 ... Industrial Applications.....	5.8L 5798cc (354) OHV Diesel L6 3.875" Bore (12 Valve)	30
4.212 ... Industrial Applications.....	3.5L 3475cc (212) OHV Diesel L4 3.875" Bore.....	14	6.354-1	5.8L 5798cc (354) OHV Diesel L6 3.875" Bore (12 Valve) H/D Truck.....	29
4.236	3.9L 3866cc (235.9) OHV Diesel L4 3.875" Bore H/D Truck	15	6.354-1 ... Industrial Applications.....	5.8L 5798cc (354) OHV Diesel L6 3.875" Bore (12 Valve)	30
4.236 ... Industrial Applications.....	3.9L 3866cc (235.9) OHV Diesel L4 3.875" Bore.....	16	6.354-2	5.8L 5798cc (354) OHV Diesel L6 3.875" Bore (12 Valve) H/D Truck.....	29
4.248	4.1L 4068cc (248.2) OHV Diesel L4 3.975" Bore H/D Truck	20	6.354-2 ... Industrial Applications.....	5.8L 5798cc (354) OHV Diesel L6 3.875" Bore (12 Valve)	30
4.248 ... Industrial Applications.....	4.1L 4068cc (248.2) OHV Diesel L4 3.975" Bore.....	21	6.354-4	5.8L 5798cc (354) OHV Diesel L6 3.875" Bore (12 Valve) H/D Truck.....	29
4.99	1.6L 1623cc (99) OHV Diesel L4 3" Bore H/D Truck.....	1	6.354-4 ... Industrial Applications.....	5.8L 5798cc (354) OHV Diesel L6 3.875" Bore (12 Valve)	30
6.305	5.0L 5000cc (305) OHV Diesel L6 3.6" Bore H/D Truck	25			
6.305 ... Industrial Applications.....	5.0L 5000cc (305) OHV Diesel L6 3.6" Bore.....	26			

1 H/D Truck 4.99 Eng. 1.6L 1623cc (99) OHV Diesel L4, 3" Bore

CRANKSHAFT/OIL PUMP

QTY	MAIN BEARINGS	PART NO.	SIZE	DESCRIPTION
1	Main Set	FP-5197M	Std Only	
1	Main Set	5197M +	Std Only	When depleted use FP-5197M
1	Thrust Washer Set	FP-2581BFA	Std Only	Position 3
1	Thrust Washer Set	2581BFA +	Std Only	Position 3; When depleted use FP-2581BFA

CYLINDER COMPONENTS

QTY	CONNECTING RODS & BRGS.	PART NO.	SIZE	DESCRIPTION
1	Rod Set	FP-42580CP	Std-10	
1	Rod Set	4-2580CP +	Std-10	When depleted use FP-42580CP

2 H/D Truck A4.107, 4.107, 4.108 Eng. 1.8L 1760cc (107.4) OHV Diesel L4, 3.125" Bore

CYL. HEAD & PARTS

QTY	VALVE	PART NO.	SIZE	DESCRIPTION
16	Keeper	FP-VK222		Exh. & Int.; 4.107 Eng.

ENGINE BLOCK & PARTS

QTY	GASKET SETS	PART NO.	SIZE	DESCRIPTION
1	Kit Gasket Set	FP-2601402		Compl.; timing cover seal not incl.

CRANKSHAFT/OIL PUMP

QTY	MAIN BEARINGS	PART NO.	SIZE	DESCRIPTION
1	Main Set	FP-5197M	Std Only	
1	Main Set	5197M +	Std Only	When depleted use FP-5197M
1	Thrust Washer Set	FP-2581BFA	Std Only	Position 3
1	Thrust Washer Set	2581BFA +	Std Only	Position 3; When depleted use FP-2581BFA

CYLINDER COMPONENTS

QTY	LINERS	PART NO.	SIZE	DESCRIPTION
4	Sleeve Assy.	FP-SL2521	Std Only	4.107, A4.107 Eng.

(continued on next page)

<i>H/D Truck A4.107, 4.107, 4.108 Eng. 2</i> 1.8L 1760cc (107.4) OHV Diesel L4, 3.125" Bore (cont.)				
CYLINDER COMPONENTS (cont.)				
QTY	CONNECTING RODS & BRGS.	PART NO.	SIZE	DESCRIPTION
1	Rod Set	FP-42580CP	Std-10	
1	Rod Set	4-2580CP +	Std-10	When depleted use FP-42580CP
KITS				
QTY	OVERHAUL KIT	PART NO.	SIZE	DESCRIPTION
1	Tractor Overhaul Kit	FP-KST2521A		4.107, A4.107 Eng.s.; Timing Cover seal not incl.
<i>Industrial Applications A4.107, 4.107, 4.108 Eng. 3</i> 1.8L 1760cc (107.4) OHV Diesel L4, 3.125" Bore				
CYL. HEAD & PARTS				
QTY	VALVE	PART NO.	SIZE	DESCRIPTION
16	Keeper	FP-VK222		Exh. & Int.; 4.107 Eng.s.
ENGINE BLOCK & PARTS				
QTY	GASKET SETS	PART NO.	SIZE	DESCRIPTION
1	Kit Gasket Set	FP-2601402		Compl.; timing cover seal not incl.
CRANKSHAFT/OIL PUMP				
QTY	MAIN BEARINGS	PART NO.	SIZE	DESCRIPTION
1	Main Set	FP-5197M	Std Only	
1	Main Set	5197M +	Std Only	When depleted use FP-5197M
1	Thrust Washer Set	FP-2581BFA	Std Only	Position 3
1	Thrust Washer Set	2581BFA +	Std Only	Position 3; When depleted use FP-2581BFA
CYLINDER COMPONENTS				
QTY	LINERS	PART NO.	SIZE	DESCRIPTION
4	Sleeve Assy.	FP-SL2521	Std Only	4.107, A4.107 Eng.s.
QTY	CONNECTING RODS & BRGS.	PART NO.	SIZE	DESCRIPTION
1	Rod Set	FP-42580CP	Std-10	
1	Rod Set	4-2580CP +	Std-10	When depleted use FP-42580CP
KITS				
QTY	OVERHAUL KIT	PART NO.	SIZE	DESCRIPTION
1	Tractor Overhaul Kit	FP-KST2521A		4.107, A4.107 Eng.s.; Timing Cover seal not incl.
<i>H/D Truck P3.144 Eng. 4</i> 2.4L 2360cc (144) OHV Diesel L3, 3.5" Bore				
CRANKSHAFT/OIL PUMP				
QTY	MAIN BEARINGS	PART NO.	SIZE	DESCRIPTION
1	Main Set	FP-4415M	Std-10-20-30	
1	Main Set	4415M +	Std-10-20-30	When depleted use FP-4415M
1	Thrust Washer Set	FP-2783BF	Std Only	Position 4; To Ser. No. 1400249
1	Thrust Washer Set	2783BF +	Std Only	Position 4; To Ser. No. 1400249; When depleted use FP-2783BF
CYLINDER COMPONENTS				
QTY	PISTONS	PART NO.	SIZE	DESCRIPTION
3	Pin Bushing	FP-2019Y20		
3	Pin Bushing	2019Y20 +		When depleted use FP-2019Y20
QTY	CONNECTING RODS & BRGS.	PART NO.	SIZE	DESCRIPTION
3	Rod Pair	FP-2015CPA	Std-10-20-30	
3	Rod Pair	2015CPA +	Std-10-20-30	When depleted use FP-2015CPA
<i>Industrial Applications P3.144 Eng. 5</i> 2.4L 2360cc (144) OHV Diesel L3, 3.5" Bore				
CYL. HEAD & PARTS				
QTY	VALVE SEAL	PART NO.	SIZE	DESCRIPTION
6	Valve Stem Seal	FP-ST2032		Positive type; PTFE
6	Valve Stem Seal	ST-2032 +		Positive type; PTFE; When depleted use FP-ST2032

(continued on next page)

Perkins Diesel

5 Industrial Applications P3.144 Eng. (cont.) 2.4L 2360cc (144) OHV Diesel L3, 3.5" Bore

CRANKSHAFT/OIL PUMP				
QTY	MAIN BEARINGS	PART NO.	SIZE	DESCRIPTION
1	Main Set	FP-4415M	Std-10-20-30	
1	Main Set	4415M +	Std-10-20-30	When depleted use FP-4415M
1	Thrust Washer Set	FP-2783BF	Std Only	Position 4; To Ser. No. 1400249
1	Thrust Washer Set	2783BF +	Std Only	Position 4; To Ser. No. 1400249; When depleted use FP-2783BF
CYLINDER COMPONENTS				
QTY	PISTONS	PART NO.	SIZE	DESCRIPTION
3	Pin Bushing	FP-2019Y20		Bushing w/.171/.174" wall thickness
3	Pin Bushing	2019Y20 +		Bushing w/.171/.174" wall thickness; When depleted use FP-2019Y20
QTY	CONNECTING RODS & BRGS.	PART NO.	SIZE	DESCRIPTION
3	Rod Pair	FP-2015CPA	Std-10-20-30	
3	Rod Pair	2015CPA +	Std-10-20-30	When depleted use FP-2015CPA

6 Industrial Applications 3.152 Eng. 2.5L 2503cc (152.7) OHV L3, 3.6" Bore

CYL. HEAD & PARTS				
QTY	VALVE	PART NO.	SIZE	DESCRIPTION
3	Intake	FP-V2150		O.E. No. 31431281; 1.5340" Head Dia., .3115" Stem Dia., 4.4980" O.A.L.
3	Exhaust	FP-V2149		O.E. No. 31431271; 1.3130" Head Dia., .3115" Stem Dia., 4.5030" O.A.L.
12	Keeper	FP-VK222		Exh. & Int.
QTY	VALVE GUIDE	PART NO.	SIZE	DESCRIPTION
3	Guide	VG-860		Exh. & Int.; .3150" ID, 2.4400" O.A.L.
QTY	VALVE SPRING	PART NO.	SIZE	DESCRIPTION
6	Spring	FP-VS782		Inner; 1.3750" Free Height
6	Spring	FP-VS783		Outer; 1.7820" Free Height
QTY	VALVE SEAL	PART NO.	SIZE	DESCRIPTION
6	Valve Stem Seal	FP-ST2032		Exh. & Int.; Positive type; PTFE
CRANKSHAFT/OIL PUMP				
QTY	MAIN BEARINGS	PART NO.	SIZE	DESCRIPTION
1	Main Set	FP-4415M	Std-10-20-30	
1	Main Set	4415M +	Std-10-20-30	When depleted use FP-4415M
1	Thrust Washer Set	FP-2783BF	Std Only	Position 4; To Ser. No. 1400249
1	Thrust Washer Set	2783BF +	Std Only	Position 4; To Ser. No. 1400249; When depleted use FP-2783BF
CYLINDER COMPONENTS				
QTY	LINERS	PART NO.	SIZE	DESCRIPTION
3	Dry Sleeve	FP-SL375M	Std Only	Flanged sleeve. Early blocks may require machining for flanged sleeve (instructions incl.)
3	Sleeve Assy.	FP-SL2186	Std Only	From Ser. No. 1829891; Do not use in Direct Inj. Eng.s.; Flanged sleeve. Early blocks may require machining for flanged sleeve (instructions incl.)
QTY	PISTONS	PART NO.	SIZE	DESCRIPTION
3	Cast Piston	FP-2186P	Std Only	From Ser. No. 1829891; Do not use in Direct Inj. Eng.s.; Cast; 2-3/32", 1-1/8", 2-1/4" Ring Groove, 2.234" CD, 1.2500" Pin Dia., Flat Head - 17.4:1 C.R.; Repl. O.E. No. 81565
3	Pin Bushing	FP-2019Y20		
QTY	CONNECTING RODS & BRGS.	PART NO.	SIZE	DESCRIPTION
3	Rod Pair	FP-2015CPA	Std-10-20-30	
3	Rod Pair	2015CPA +	Std-10-20-30	When depleted use FP-2015CPA

7 H/D Truck A3.152, AD3.152, D3.152, 3.152 Engs. 2.5L 2503cc (152.7) OHV Diesel L3, 3.6" Bore

CYL. HEAD & PARTS				
QTY	VALVE	PART NO.	SIZE	DESCRIPTION
3	Intake	FP-V2150		1.5340" Head Dia., .3115" Stem Dia., 4.4980" O.A.L.
3	Intake	V-2150 +	Std Only	1.5340" Head Dia., .3115" Stem Dia., 4.4980" O.A.L.; When depleted use FP-V2150

(continued on next page)

H/D Truck **A3.152, AD3.152, D3.152, 3.152 Eng.** **7**
 2.5L 2503cc (152.7) OHV Diesel L3, 3.6" Bore (cont.)

CYL. HEAD & PARTS (cont.)

QTY	VALVE (cont.)	PART NO.	SIZE	DESCRIPTION
3	Exhaust	FP-V2149		1.3130" Head Dia., .3115" Stem Dia., 4.5030" O.A.L.
3	Exhaust	V-2149 +	Std Only	1.3130" Head Dia., .3115" Stem Dia., 4.5030" O.A.L.; When depleted use FP-V2149
12	Keeper	FP-VK222		
12	Keeper	VK-222 +		When depleted use FP-VK222
QTY	VALVE GUIDE	PART NO.	SIZE	DESCRIPTION
6	Guide	VG-860		Exh. & Int.; .3150" ID, 2.4400" O.A.L.
QTY	VALVE SPRING	PART NO.	SIZE	DESCRIPTION
6	Spring	FP-VS782		Inner; 1.3750" Free Height
6	Spring	VS-782 +		Inner; 1.3750" Free Height; When depleted use FP-VS782
6	Spring	FP-VS783		Outer; 1.7820" Free Height
6	Spring	VS-783 +		Outer; 1.7820" Free Height; When depleted use FP-VS783
QTY	VALVE SEAL	PART NO.	SIZE	DESCRIPTION
6	Valve Stem Seal	FP-ST2032		Positive type; PTFE
6	Valve Stem Seal	ST-2032 +		Positive type; PTFE; When depleted use FP-ST2032

ENGINE BLOCK & PARTS

QTY	GASKET SETS	PART NO.	SIZE	DESCRIPTION
1	Kit Gasket Set	FP-2601404		Compl.; Direct Inj. Engs., w/rectangular head gskt.
1	Kit Gasket Set	260-1404 +		Compl.; Direct Inj. Engs., w/rectangular head gskt.; When depleted use FP-2601404
1	Kit Gasket Set	FP-2601403		Compl.; Indirect Inj. Engs., w/notched head gskt.
1	Kit Gasket Set	260-1403		Compl.; Indirect Inj. Engs., w/notched head gskt.

CRANKSHAFT/OIL PUMP

QTY	MAIN BEARINGS	PART NO.	SIZE	DESCRIPTION
1	Main Set	FP-4415M	Std-10-20-30	
1	Main Set	4415M +	Std-10-20-30	When depleted use FP-4415M
1	Thrust Washer Set	FP-2783BF	Std Only	Position 4; To Ser. No. 1400249
1	Thrust Washer Set	2783BF +	Std Only	Position 4; To Ser. No. 1400249; When depleted use FP-2783BF

CYLINDER COMPONENTS

QTY	LINERS	PART NO.	SIZE	DESCRIPTION
3	Dry Sleeve	FP-SL375M	Std Only	Flanged sleeve. Early blocks may require machining for flanged sleeve (instructions incl.)
3	Dry Sleeve	SL-375M +	Std Only	Flanged sleeve. Early blocks may require machining for flanged sleeve (instructions incl.); When depleted use FP-SL375M
3	Sleeve Assy.	FP-SL2186	Std Only	3-152 Engs.; w/Indirect Inj.; Flanged sleeve. Early blocks may require machining for flanged sleeve (instructions incl.)
3	Sleeve Assy.	SL-2186 +	Std Only	3-152 Engs.; w/Indirect Inj.; Flanged sleeve. Early blocks may require machining for flanged sleeve (instructions incl.); When depleted use FP-SL2186
3	Sleeve Assy.	FP-SL2439	Std Only	3AD-152 Engs.; w/Direct Inj.; Flanged sleeve. Early blocks may require machining for flanged sleeve (instructions incl.)
3	Sleeve Assy.	SL-2439 +	Std Only	3AD-152 Engs.; w/Direct Inj.; Flanged sleeve. Early blocks may require machining for flanged sleeve (instructions incl.); When depleted use FP-SL2439
QTY	PISTONS	PART NO.	SIZE	DESCRIPTION
3	Cast Piston	FP-2186P	Std Only	3-152 Engs.; w/Indirect Inj.; Cast; 2-3/32", 1-1/8", 2-1/4" Ring Groove, 2.234" CD, 1.2500" Pin Dia., Flat Head - 17.4:1 C.R.; Repl. O.E. No. 81565
3	Cast Piston	2186P +	Std Only	3-152 Engs.; w/Indirect Inj.; Cast; 2-3/32", 1-1/8", 2-1/4" Ring Groove, 2.234" CD, 1.2500" Pin Dia., Flat Head - 17.4:1 C.R.; Repl. O.E. No. 81565; When depleted use FP-2186P
3	Cast Piston	FP-2439P	Std Only	3AD-152 Engs.; w/Direct Inj.; Cast; 2-3/32", 1-1/8", 2-1/4" Ring Groove, 2.431" CD, 1.2500" Pin Dia., Dish Head .725" deep x 2.200" dia.; Repl. O.E. No. 82111
3	Cast Piston	2439P +	Std Only	3AD-152 Engs.; w/Direct Inj.; Cast; 2-3/32", 1-1/8", 2-1/4" Ring Groove, 2.431" CD, 1.2500" Pin Dia., Dish Head .725" deep x 2.200" dia.; Repl. O.E. No. 82111; When depleted use FP-2439P
3	Pin Bushing	FP-2019Y20		Bushing w/.171/.174" wall thickness
3	Pin Bushing	2019Y20 +		Bushing w/.171/.174" wall thickness; When depleted use FP-2019Y20
QTY	CONNECTING RODS & BRGS.	PART NO.	SIZE	DESCRIPTION
3	Rod Pair	FP-2015CPA	Std-10-20-30	

(continued on next page)

Perkins Diesel

7 H/D Truck A3.152, AD3.152, D3.152, 3.152 Engs. (cont.) 2.5L 2503cc (152.7) OHV Diesel L3, 3.6" Bore

CYLINDER COMPONENTS (cont.)

CONNECTING RODS & BRGS. (cont.)				
QTY		PART NO.	SIZE	DESCRIPTION
3	Rod Pair	2015CPA +	Std-10-20-30	When depleted use FP-2015CPA
PISTON RINGS				
3	Premium Set	FP-5944KX	Std Only	Check piston grooving before supplying ring set; 2-3/32, 1-1/8, 2-1/4 (1 cyl. set); Do not use w/Chrome liners
3	Premium Set	5944KX +	Std Only	Check piston grooving before supplying ring set; 2-3/32, 1-1/8, 2-1/4 (1 cyl. set); Do not use w/Chrome liners; When depleted use FP-5944KX
3	Premium Set	9132KX	Std Only	3-152 Engs.; w/Indirect Inj.; Check piston grooving before supplying ring set; 3-3/32, 2-1/4 (1 cyl. set); Do not use w/Chrome liners
3	Premium Set	FP-9132KX	Std Only	3-152 Engs.; 3-152 Engs.; w/Indirect Inj.; Check piston grooving before supplying ring set; 3-3/32, 2-1/4 (1 cyl. set); Do not use w/Chrome liners
3	Premium Set	FP-10222KX	Std Only	3A-152 Engs.; 2-3/32, 1-1/4 (1 cyl. set)
3	Premium Set	10222KX +	Std Only	3A-152 Engs.; 2-3/32, 1-1/4 (1 cyl. set); When depleted use FP-10222KX
3	Standard Set	FP-5944X	Std Only	Check piston grooving before supplying ring set; 2-3/32, 1-1/8, 2-1/4 (1 cyl. set)
3	Standard Set	5944X +	Std Only	Check piston grooving before supplying ring set; 2-3/32, 1-1/8, 2-1/4 (1 cyl. set); When depleted use FP-5944X
3	Standard Set	9132X +	Std Only	3-152 Engs.; w/Indirect Inj.; Check piston grooving before supplying ring set; 3-3/32, 2-1/4 (1 cyl. set); When depleted use FP-9132X
3	Standard Set	FP-9132X	Std Only	3-152 Engs.; 3-152 Engs.; w/Indirect Inj.; Check piston grooving before supplying ring set; 3-3/32, 2-1/4 (1 cyl. set)
KITS				
QTY	OVERHAUL KIT	PART NO.	SIZE	DESCRIPTION
1	Tractor Overhaul Kit	FP-KST2186A		3A-152 Engs.; w/Indirect inj.; Valve stem seals not incl.
1	Tractor Overhaul Kit	FP-KST2439A		3AD-152 Engs.; w/Direct Inj.; From Ser. No. 1400250; Valve stem seals not incl.

8 Industrial Applications A3.152, AD3.152, D3.152, 3.152 Engs. 2.5L 2503cc (152.7) OHV Diesel L3, 3.6" Bore

CYL. HEAD & PARTS

QTY	VALVE	PART NO.	SIZE	DESCRIPTION
3	Intake	FP-V2150		1.5340" Head Dia., .3115" Stem Dia., 4.4980" O.A.L.
3	Intake	V-2150 +	Std Only	1.5340" Head Dia., .3115" Stem Dia., 4.4980" O.A.L.; When depleted use FP-V2150
3	Exhaust	FP-V2149		1.3130" Head Dia., .3115" Stem Dia., 4.5030" O.A.L.
3	Exhaust	V-2149 +	Std Only	1.3130" Head Dia., .3115" Stem Dia., 4.5030" O.A.L.; When depleted use FP-V2149
12	Keeper	FP-VK222		
12	Keeper	VK-222 +		When depleted use FP-VK222
QTY	VALVE GUIDE	PART NO.	SIZE	DESCRIPTION
6	Guide	VG-860		Exh. & Int.; .3150" ID, 2.4400" O.A.L.
QTY	VALVE SPRING	PART NO.	SIZE	DESCRIPTION
6	Spring	FP-VS782		Inner; 1.3750" Free Height
6	Spring	VS-782 +		Inner; 1.3750" Free Height; When depleted use FP-VS782
6	Spring	FP-VS783		Outer; 1.7820" Free Height
6	Spring	VS-783 +		Outer; 1.7820" Free Height; When depleted use FP-VS783
QTY	VALVE SEAL	PART NO.	SIZE	DESCRIPTION
6	Valve Stem Seal	FP-ST2032		Positive type; PTFE
6	Valve Stem Seal	ST-2032 +		Positive type; PTFE; When depleted use FP-ST2032

ENGINE BLOCK & PARTS

QTY	GASKET SETS	PART NO.	SIZE	DESCRIPTION
1	Kit Gasket Set	FP-2601404		Compl.; Direct Inj. Engs., w/rectangular head gskt.
1	Kit Gasket Set	260-1404 +		Compl.; Direct Inj. Engs., w/rectangular head gskt.; When depleted use FP-2601404
1	Kit Gasket Set	FP-2601403		Compl.; Indirect Inj. Engs., w/notched head gskt.
1	Kit Gasket Set	260-1403		Compl.; Indirect Inj. Engs., w/notched head gskt.

CRANKSHAFT/OIL PUMP

QTY	MAIN BEARINGS	PART NO.	SIZE	DESCRIPTION
1	Main Set	FP-4415M	Std-10-20-30	

(continued on next page)

+ Superseded Part Number

Industrial Applications **A3.152, AD3.152, D3.152, 3.152 Eng. 8**
2.5L 2503cc (152.7) OHV Diesel L3, 3.6" Bore (cont.)

CRANKSHAFT/OIL PUMP (cont.)

QTY	MAIN BEARINGS (cont.)	PART NO.	SIZE	DESCRIPTION
1	Main Set	4415M +	Std-10-20-30	When depleted use FP-4415M
1	Thrust Washer Set	FP-2783BF	Std Only	Position 4; To Ser. No. 1400249
1	Thrust Washer Set	2783BF +	Std Only	Position 4; To Ser. No. 1400249; When depleted use FP-2783BF

CYLINDER COMPONENTS

QTY	LINERS	PART NO.	SIZE	DESCRIPTION
3	Dry Sleeve	FP-SL375M	Std Only	Flanged sleeve. Early blocks may require machining for flanged sleeve (instructions incl.)
3	Dry Sleeve	SL-375M +	Std Only	Flanged sleeve. Early blocks may require machining for flanged sleeve (instructions incl.); When depleted use FP-SL375M
3	Sleeve Assy.	FP-SL2186	Std Only	3-152 Eng.s.; w/Indirect Inj.; Flanged sleeve. Early blocks may require machining for flanged sleeve (instructions incl.)
3	Sleeve Assy.	SL-2186 +	Std Only	3-152 Eng.s.; w/Indirect Inj.; Flanged sleeve. Early blocks may require machining for flanged sleeve (instructions incl.); When depleted use FP-SL2186
3	Sleeve Assy.	FP-SL2439	Std Only	3AD-152 Eng.s.; w/Direct Inj.; Flanged sleeve. Early blocks may require machining for flanged sleeve (instructions incl.)
3	Sleeve Assy.	SL-2439 +	Std Only	3AD-152 Eng.s.; w/Direct Inj.; Flanged sleeve. Early blocks may require machining for flanged sleeve (instructions incl.); When depleted use FP-SL2439

QTY	PISTONS	PART NO.	SIZE	DESCRIPTION
3	Cast Piston	FP-2186P	Std Only	3-152 Eng.s.; w/Indirect Inj.; Cast; 2-3/32", 1-1/8", 2-1/4" Ring Groove, 2.234" CD, 1.2500" Pin Dia., Flat Head - 17.4:1 C.R.; Repl. O.E. No. 81565
3	Cast Piston	2186P +	Std Only	3-152 Eng.s.; w/Indirect Inj.; Cast; 2-3/32", 1-1/8", 2-1/4" Ring Groove, 2.234" CD, 1.2500" Pin Dia., Flat Head - 17.4:1 C.R.; Repl. O.E. No. 81565; When depleted use FP-2186P
3	Cast Piston	FP-2439P	Std Only	3AD-152 Eng.s.; w/Direct Inj.; Cast; 2-3/32", 1-1/8", 2-1/4" Ring Groove, 2.431" CD, 1.2500" Pin Dia., Dish Head .725" deep x 2.200" dia.; Repl. O.E. No. 82111
3	Cast Piston	2439P +	Std Only	3AD-152 Eng.s.; w/Direct Inj.; Cast; 2-3/32", 1-1/8", 2-1/4" Ring Groove, 2.431" CD, 1.2500" Pin Dia., Dish Head .725" deep x 2.200" dia.; Repl. O.E. No. 82111; When depleted use FP-2439P
3	Pin Bushing	FP-2019Y20		Bushing w/.171/.174" wall thickness
3	Pin Bushing	2019Y20 +		Bushing w/.171/.174" wall thickness; When depleted use FP-2019Y20

QTY	CONNECTING RODS & BRGS.	PART NO.	SIZE	DESCRIPTION
3	Rod Pair	FP-2015CPA	Std-10-20-30	
3	Rod Pair	2015CPA +	Std-10-20-30	When depleted use FP-2015CPA

QTY	PISTON RINGS	PART NO.	SIZE	DESCRIPTION
3	Premium Set	FP-5944KX	Std Only	Check piston grooving before supplying ring set; 2-3/32, 1-1/8, 2-1/4 (1 cyl. set); Do not use w/Chrome liners
3	Premium Set	5944KX +	Std Only	Check piston grooving before supplying ring set; 2-3/32, 1-1/8, 2-1/4 (1 cyl. set); Do not use w/Chrome liners; When depleted use FP-5944KX
3	Premium Set	9132KX	Std Only	3-152 Eng.s.; w/Indirect Inj.; Check piston grooving before supplying ring set; 3-3/32, 2-1/4 (1 cyl. set); Do not use w/Chrome liners
3	Premium Set	FP-9132KX	Std Only	3-152 Eng.s.; 3-152 Eng.s.; w/Indirect Inj.; Check piston grooving before supplying ring set; 3-3/32, 2-1/4 (1 cyl. set); Do not use w/Chrome liners
3	Premium Set	FP-10222KX	Std Only	3A-152 Eng.s.; 2-3/32, 1-1/4 (1 cyl. set)
3	Premium Set	10222KX +	Std Only	3A-152 Eng.s.; 2-3/32, 1-1/4 (1 cyl. set); When depleted use FP-10222KX
3	Standard Set	FP-5944X	Std Only	Check piston grooving before supplying ring set; 2-3/32, 1-1/8, 2-1/4 (1 cyl. set)
3	Standard Set	5944X +	Std Only	Check piston grooving before supplying ring set; 2-3/32, 1-1/8, 2-1/4 (1 cyl. set); When depleted use FP-5944X
3	Standard Set	9132X +	Std Only	3-152 Eng.s.; w/Indirect Inj.; Check piston grooving before supplying ring set; 3-3/32, 2-1/4 (1 cyl. set); When depleted use FP-9132X
3	Standard Set	FP-9132X	Std Only	3-152 Eng.s.; 3-152 Eng.s.; w/Indirect Inj.; Check piston grooving before supplying ring set; 3-3/32, 2-1/4 (1 cyl. set)

KITS

QTY	OVERHAUL KIT	PART NO.	SIZE	DESCRIPTION
1	Tractor Overhaul Kit	FP-KST2186A		3A-152 Eng.s.; w/Indirect inj.; Valve stem seals not incl.

(continued on next page)

+ Superseded Part Number

Perkins Diesel

8 Industrial Applications A3.152, AD3.152, D3.152, 3.152 Engs. (cont.) 2.5L 2503cc (152.7) OHV Diesel L3, 3.6" Bore				
KITS (cont.)				
QTY	OVERHAUL KIT (cont.)	PART NO.	SIZE	DESCRIPTION
1	Tractor Overhaul Kit	FP-KST2439A		3AD-152 Engs.; w/Direct Inj.; From Ser. No. 1400250; Valve stem seals not incl.
9 H/D Truck A4.192, 4.192 Engs. 3.2L 3147cc (192) OHV Diesel L4, 3.5" Bore				
CRANKSHAFT/OIL PUMP				
QTY	MAIN BEARINGS	PART NO.	SIZE	DESCRIPTION
1	Main Set	FP-4416M	<i>Std-10</i>	
1	Main Set	4416M +	<i>Std-10</i>	When depleted use FP-4416M
1	Thrust Washer Set	FP-2783BF	<i>Std Only</i>	Position 5; To Ser. No. 2105859
1	Thrust Washer Set	2783BF +	<i>Std Only</i>	Position 5; To Ser. No. 2105859; When depleted use FP-2783BF
CYLINDER COMPONENTS				
QTY	PISTONS	PART NO.	SIZE	DESCRIPTION
4	Pin Bushing	FP-2019Y20		
4	Pin Bushing	2019Y20 +		When depleted use FP-2019Y20
QTY	CONNECTING RODS & BRGS.	PART NO.	SIZE	DESCRIPTION
4	Rod Pair	FP-2015CPA	<i>Std-10-20-30</i>	
4	Rod Pair	2015CPA +	<i>Std-10-20-30</i>	When depleted use FP-2015CPA
10 Industrial Applications A4.192, 4.192 Engs. 3.2L 3147cc (192) OHV Diesel L4, 3.5" Bore				
CRANKSHAFT/OIL PUMP				
QTY	MAIN BEARINGS	PART NO.	SIZE	DESCRIPTION
1	Main Set	FP-4416M	<i>Std-10</i>	
1	Main Set	4416M +	<i>Std-10</i>	When depleted use FP-4416M
1	Thrust Washer Set	FP-2783BF	<i>Std Only</i>	Position 5; To Ser. No. 2105859
1	Thrust Washer Set	2783BF +	<i>Std Only</i>	Position 5; To Ser. No. 2105859; When depleted use FP-2783BF
CYLINDER COMPONENTS				
QTY	CONNECTING RODS & BRGS.	PART NO.	SIZE	DESCRIPTION
4	Rod Pair	FP-2015CPA	<i>Std-10-20-30</i>	
4	Rod Pair	2015CPA +	<i>Std-10-20-30</i>	When depleted use FP-2015CPA
11 H/D Truck A4.203, AD4.203, D4.203, 4.203 Engs. 3.3L 3337cc (203.6) OHV Diesel L4, 3.6" Bore				
CYL. HEAD & PARTS				
QTY	VALVE	PART NO.	SIZE	DESCRIPTION
4	Intake	FP-V2150		1.5340" Head Dia., .3115" Stem Dia., 4.4980" O.A.L.
4	Intake	V-2150 +	<i>Std Only</i>	1.5340" Head Dia., .3115" Stem Dia., 4.4980" O.A.L.; When depleted use FP-V2150
4	Exhaust	FP-V2149		1.3130" Head Dia., .3115" Stem Dia., 4.5030" O.A.L.
4	Exhaust	V-2149 +	<i>Std Only</i>	1.3130" Head Dia., .3115" Stem Dia., 4.5030" O.A.L.; When depleted use FP-V2149
16	Keeper	FP-VK222		4-203 Engs.; w/Indirect Inj.
16	Keeper	VK-222 +		4-203 Engs.; w/Indirect Inj.; When depleted use FP-VK222
QTY	VALVE SPRING	PART NO.	SIZE	DESCRIPTION
8	Spring	FP-VS782		Inner; 4-203 Engs.; w/Indirect Inj.; 1.3750" Free Height
8	Spring	VS-782 +		Inner; 4-203 Engs.; w/Indirect Inj.; 1.3750" Free Height; When depleted use FP-VS782
8	Spring	FP-VS783		Outer; 4-203 Engs.; w/Indirect Inj.; 1.7820" Free Height
8	Spring	VS-783 +		Outer; 4-203 Engs.; w/Indirect Inj.; 1.7820" Free Height; When depleted use FP-VS783
QTY	VALVE SEAL	PART NO.	SIZE	DESCRIPTION
8	Valve Stem Seal	FP-ST2032		4-203 Engs.; w/Indirect Inj.; Positive type; PTFE
8	Valve Stem Seal	ST-2032 +		4-203 Engs.; w/Indirect Inj.; Positive type; PTFE; When depleted use FP-ST2032
ENGINE BLOCK & PARTS				
QTY	GASKET SETS	PART NO.	SIZE	DESCRIPTION
1	Kit Gasket Set	FP-2601407		Compl.; Direct Inj. Engs.; timing cover seal not incl.

(continued on next page)

H/D Truck A4.203, AD4.203, D4.203, 4.203 Engs. 11
 3.3L 3337cc (203.6) OHV Diesel L4, 3.6" Bore (cont.)

ENGINE BLOCK & PARTS (cont.)

QTY		PART NO.	SIZE	DESCRIPTION
1	GASKET SETS (cont.) Kit Gasket Set	260-1407		Compl.; Direct Inj. Engs.; timing cover seal not incl.
CRANKSHAFT/OIL PUMP				
QTY	MAIN BEARINGS	PART NO.	SIZE	DESCRIPTION
1	Main Set	FP-4416M	<i>Std-10</i>	
1	Main Set	4416M +	<i>Std-10</i>	When depleted use FP-4416M
1	Thrust Washer Set	FP-2783BF	<i>Std Only</i>	Position 5; To Ser. No. 2105859
1	Thrust Washer Set	2783BF +	<i>Std Only</i>	Position 5; To Ser. No. 2105859; When depleted use FP-2783BF
QTY	OIL PUMP	PART NO.	SIZE	DESCRIPTION
1	Oil Pump	FP-22443459		
1	Oil Pump	224-43459 +		When depleted use FP-22443459
CYLINDER COMPONENTS				
QTY	LINERS	PART NO.	SIZE	DESCRIPTION
4	Dry Sleeve	FP-SL375M	<i>Std Only</i>	4-203 Engs.; w/Indirect Inj.; Flanged sleeve. Early blocks may require machining for flanged sleeve (instructions incl.)
4	Dry Sleeve	SL-375M +	<i>Std Only</i>	4-203 Engs.; w/Indirect Inj.; Flanged sleeve. Early blocks may require machining for flanged sleeve (instructions incl.); When depleted use FP-SL375M
4	Sleeve Assy.	FP-SL2439	<i>Std Only</i>	D4-203 Engs.; w/Direct Inj.; Flanged sleeve. Early blocks may require machining for flanged sleeve (instructions incl.)
4	Sleeve Assy.	SL-2439 +	<i>Std Only</i>	D4-203 Engs.; w/Direct Inj.; Flanged sleeve. Early blocks may require machining for flanged sleeve (instructions incl.); When depleted use FP-SL2439
4	Sleeve Assy.	FP-SL2186	<i>Std Only</i>	Flanged sleeve. Early blocks may require machining for flanged sleeve (instructions incl.)
4	Sleeve Assy.	SL-2186 +	<i>Std Only</i>	Flanged sleeve. Early blocks may require machining for flanged sleeve (instructions incl.); When depleted use FP-SL2186
QTY	PISTONS	PART NO.	SIZE	DESCRIPTION
4	Cast Piston	FP-2439P	<i>Std Only</i>	D4-203 Engs.; w/Direct Inj.; Cast; 2-3/32", 1-1/8", 2-1/4" Ring Groove, 2.431" CD, 1.2500" Pin Dia., Dish Head .725" deep x 2.200" dia.; Repl. O.E. No. 82111
4	Cast Piston	2439P +	<i>Std Only</i>	D4-203 Engs.; w/Direct Inj.; Cast; 2-3/32", 1-1/8", 2-1/4" Ring Groove, 2.431" CD, 1.2500" Pin Dia., Dish Head .725" deep x 2.200" dia.; Repl. O.E. No. 82111; When depleted use FP-2439P
4	Cast Piston	FP-2186P	<i>Std Only</i>	4-203 Engs.; w/Indirect Inj.; Cast; 2-3/32", 1-1/8", 2-1/4" Ring Groove, 2.234" CD, 1.2500" Pin Dia., Flat Head - 17.4:1 C.R.; Repl. O.E. No. 81565
4	Cast Piston	2186P +	<i>Std Only</i>	4-203 Engs.; w/Indirect Inj.; Cast; 2-3/32", 1-1/8", 2-1/4" Ring Groove, 2.234" CD, 1.2500" Pin Dia., Flat Head - 17.4:1 C.R.; Repl. O.E. No. 81565; When depleted use FP-2186P
4	Pin Bushing	FP-2019Y20		
4	Pin Bushing	2019Y20 +		When depleted use FP-2019Y20
QTY	CONNECTING RODS & BRGS.	PART NO.	SIZE	DESCRIPTION
4	Rod Pair	FP-2015CPA	<i>Std-10-20-30</i>	
4	Rod Pair	2015CPA +	<i>Std-10-20-30</i>	When depleted use FP-2015CPA
QTY	PISTON RINGS	PART NO.	SIZE	DESCRIPTION
4	Premium Set	FP-5944KX	<i>Std Only</i>	Check piston grooving before supplying ring set; 2-3/32, 1-1/8, 2-1/4 (1 cyl. set); Do not use w/Chrome liners
4	Premium Set	5944KX +	<i>Std Only</i>	Check piston grooving before supplying ring set; 2-3/32, 1-1/8, 2-1/4 (1 cyl. set); Do not use w/Chrome liners; When depleted use FP-5944KX
4	Premium Set	9132KX	<i>Std Only</i>	4-203 Engs.; w/Indirect Inj.; Check piston grooving before supplying ring set; 3-3/32, 2-1/4 (1 cyl. set); Do not use w/Chrome liners
4	Premium Set	FP-9132KX	<i>Std Only</i>	4-203 Engs.; 4-203 Engs.; w/Indirect Inj.; Check piston grooving before supplying ring set; 3-3/32, 2-1/4 (1 cyl. set); Do not use w/Chrome liners
4	Standard Set	FP-5944X	<i>Std Only</i>	Check piston grooving before supplying ring set; 2-3/32, 1-1/8, 2-1/4 (1 cyl. set)
4	Standard Set	5944X +	<i>Std Only</i>	Check piston grooving before supplying ring set; 2-3/32, 1-1/8, 2-1/4 (1 cyl. set); When depleted use FP-5944X
4	Standard Set	9132X +	<i>Std Only</i>	4-203 Engs.; w/Indirect Inj.; Check piston grooving before supplying ring set; 3-3/32, 2-1/4 (1 cyl. set); When depleted use FP-9132X

(continued on next page)

Perkins Diesel

11 H/D Truck A4.203, AD4.203, D4.203, 4.203 Engs. (cont.) 3.3L 3337cc (203.6) OHV Diesel L4, 3.6" Bore

CYLINDER COMPONENTS (cont.)

QTY	PISTON RINGS (cont.)	PART NO.	SIZE	DESCRIPTION
4	Standard Set	FP-9132X	Std Only	4-203 Engs.; 4-203 Engs.; w/Indirect Inj.; Check piston grooving before supplying ring set; 3-3/32, 2-1/4 (1 cyl. set)

12 Industrial Applications A4.203, AD4.203, D4.203, 4.203 Engs. 3.3L 3337cc (203.6) OHV Diesel L4, 3.6" Bore

CYL. HEAD & PARTS

QTY	VALVE	PART NO.	SIZE	DESCRIPTION
4	Intake	FP-V2150		1.5340" Head Dia., .3115" Stem Dia., 4.4980" O.A.L.
4	Intake	V-2150 +	Std Only	1.5340" Head Dia., .3115" Stem Dia., 4.4980" O.A.L.; When depleted use FP-V2150
4	Exhaust	FP-V2149		1.3130" Head Dia., .3115" Stem Dia., 4.5030" O.A.L.
4	Exhaust	V-2149 +	Std Only	1.3130" Head Dia., .3115" Stem Dia., 4.5030" O.A.L.; When depleted use FP-V2149
16	Keeper	FP-VK222		4-203 Engs.; w/Indirect Inj.
16	Keeper	VK-222 +		4-203 Engs.; w/Indirect Inj.; When depleted use FP-VK222

QTY	VALVE SPRING	PART NO.	SIZE	DESCRIPTION
8	Spring	FP-VS782		Inner; 4-203 Engs.; w/Indirect Inj.; 1.3750" Free Height
8	Spring	VS-782 +		Inner; 4-203 Engs.; w/Indirect Inj.; 1.3750" Free Height; When depleted use FP-VS782
8	Spring	FP-VS783		Outer; 4-203 Engs.; w/Indirect Inj.; 1.7820" Free Height
8	Spring	VS-783 +		Outer; 4-203 Engs.; w/Indirect Inj.; 1.7820" Free Height; When depleted use FP-VS783

QTY	VALVE SEAL	PART NO.	SIZE	DESCRIPTION
8	Valve Stem Seal	FP-ST2032		4-203 Engs.; w/Indirect Inj.; Positive type; PTFE
8	Valve Stem Seal	ST-2032 +		4-203 Engs.; w/Indirect Inj.; Positive type; PTFE; When depleted use FP-ST2032

ENGINE BLOCK & PARTS

QTY	GASKET SETS	PART NO.	SIZE	DESCRIPTION
1	Kit Gasket Set	FP-2601407		Compl.; Direct Inj. Engs.; timing cover seal not incl.
1	Kit Gasket Set	260-1407		Compl.; Direct Inj. Engs.; timing cover seal not incl.

CRANKSHAFT/OIL PUMP

QTY	MAIN BEARINGS	PART NO.	SIZE	DESCRIPTION
1	Main Set	FP-4416M	Std-10	
1	Main Set	4416M +	Std-10	When depleted use FP-4416M
1	Thrust Washer Set	FP-2783BF	Std Only	Position 5; To Ser. No. 2105859
1	Thrust Washer Set	2783BF +	Std Only	Position 5; To Ser. No. 2105859; When depleted use FP-2783BF

QTY	OIL PUMP	PART NO.	SIZE	DESCRIPTION
1	Oil Pump	FP-22443459		
1	Oil Pump	224-43459 +		When depleted use FP-22443459

CYLINDER COMPONENTS

QTY	LINERS	PART NO.	SIZE	DESCRIPTION
4	Dry Sleeve	FP-SL375M	Std Only	4-203 Engs.; w/Indirect Inj.; Flanged sleeve. Early blocks may require machining for flanged sleeve (instructions incl.)
4	Dry Sleeve	SL-375M +	Std Only	4-203 Engs.; w/Indirect Inj.; Flanged sleeve. Early blocks may require machining for flanged sleeve (instructions incl.); When depleted use FP-SL375M
4	Sleeve Assy.	FP-SL2439	Std Only	D4-203 Engs.; w/Direct Inj.; Flanged sleeve. Early blocks may require machining for flanged sleeve (instructions incl.)
4	Sleeve Assy.	SL-2439 +	Std Only	D4-203 Engs.; w/Direct Inj.; Flanged sleeve. Early blocks may require machining for flanged sleeve (instructions incl.); When depleted use FP-SL2439
4	Sleeve Assy.	FP-SL2186	Std Only	Flanged sleeve. Early blocks may require machining for flanged sleeve (instructions incl.)
4	Sleeve Assy.	SL-2186 +	Std Only	Flanged sleeve. Early blocks may require machining for flanged sleeve (instructions incl.); When depleted use FP-SL2186

QTY	PISTONS	PART NO.	SIZE	DESCRIPTION
4	Cast Piston	FP-2439P	Std Only	D4-203 Engs.; w/Direct Inj.; Cast; 2-3/32", 1-1/8", 2-1/4" Ring Groove, 2.431" CD, 1.2500" Pin Dia., Dish Head .725" deep x 2.200" dia.; Repl. O.E. No. 82111
4	Cast Piston	2439P +	Std Only	D4-203 Engs.; w/Direct Inj.; Cast; 2-3/32", 1-1/8", 2-1/4" Ring Groove, 2.431" CD, 1.2500" Pin Dia., Dish Head .725" deep x 2.200" dia.; Repl. O.E. No. 82111; When depleted use FP-2439P

(continued on next page)

Industrial Applications **A4.203, AD4.203, D4.203, 4.203 Eng.** **12**
3.3L 3337cc (203.6) OHV Diesel L4, 3.6" Bore (cont.)

CYLINDER COMPONENTS (cont.)

QTY	PISTONS (cont.)	PART NO.	SIZE	DESCRIPTION
4	Cast Piston	FP-2186P	<i>Std Only</i>	4-203 Eng.s.; w/Indirect Inj.; Cast; 2-3/32", 1-1/8", 2-1/4" Ring Groove, 2.234" CD, 1.2500" Pin Dia., Flat Head - 17.4:1 C.R.; Repl. O.E. No. 81565
4	Cast Piston	2186P +	<i>Std Only</i>	4-203 Eng.s.; w/Indirect Inj.; Cast; 2-3/32", 1-1/8", 2-1/4" Ring Groove, 2.234" CD, 1.2500" Pin Dia., Flat Head - 17.4:1 C.R.; Repl. O.E. No. 81565; When depleted use FP-2186P
4	Pin Bushing	FP-2019Y20		
4	Pin Bushing	2019Y20 +		When depleted use FP-2019Y20

QTY	CONNECTING RODS & BRGS.	PART NO.	SIZE	DESCRIPTION
4	Rod Pair	FP-2015CPA	<i>Std-10-20-30</i>	
4	Rod Pair	2015CPA +	<i>Std-10-20-30</i>	When depleted use FP-2015CPA

QTY	PISTON RINGS	PART NO.	SIZE	DESCRIPTION
4	Premium Set	FP-5944KX	<i>Std Only</i>	Check piston grooving before supplying ring set; 2-3/32, 1-1/8, 2-1/4 (1 cyl. set); Do not use w/Chrome liners
4	Premium Set	5944KX +	<i>Std Only</i>	Check piston grooving before supplying ring set; 2-3/32, 1-1/8, 2-1/4 (1 cyl. set); Do not use w/Chrome liners; When depleted use FP-5944KX
4	Premium Set	9132KX	<i>Std Only</i>	4-203 Eng.s.; w/Indirect Inj.; Check piston grooving before supplying ring set; 3-3/32, 2-1/4 (1 cyl. set); Do not use w/Chrome liners
4	Premium Set	FP-9132KX	<i>Std Only</i>	4-203 Eng.s.; 4-203 Eng.s.; w/Indirect Inj.; Check piston grooving before supplying ring set; 3-3/32, 2-1/4 (1 cyl. set); Do not use w/Chrome liners
4	Standard Set	FP-5944X	<i>Std Only</i>	Check piston grooving before supplying ring set; 2-3/32, 1-1/8, 2-1/4 (1 cyl. set)
4	Standard Set	5944X +	<i>Std Only</i>	Check piston grooving before supplying ring set; 2-3/32, 1-1/8, 2-1/4 (1 cyl. set); When depleted use FP-5944X
4	Standard Set	9132X +	<i>Std Only</i>	4-203 Eng.s.; w/Indirect Inj.; Check piston grooving before supplying ring set; 3-3/32, 2-1/4 (1 cyl. set); When depleted use FP-9132X
4	Standard Set	FP-9132X	<i>Std Only</i>	4-203 Eng.s.; 4-203 Eng.s.; w/Indirect Inj.; Check piston grooving before supplying ring set; 3-3/32, 2-1/4 (1 cyl. set)

KITS

QTY	OVERHAUL KIT	PART NO.	SIZE	DESCRIPTION
1	Tractor Overhaul Kit	FP-KST2439D		4AD-203 Diesel Eng.s.; w/Direct Inj.; From Ser. No. 2105860; Timing cover seal & valve stem seals not incl.

H/D Truck **A4.212, AD4.212, 4.212 Eng.** **13**
3.5L 3475cc (212) OHV Diesel L4, 3.875" Bore

CRANKSHAFT/OIL PUMP

QTY	MAIN BEARINGS	PART NO.	SIZE	DESCRIPTION
1	Main Set	FP-4353M	<i>Std-10-20</i>	
1	Main Set	4353M +	<i>Std-10-20</i>	When depleted use FP-4353M
1	Thrust Washer Set	FP-3137BFA	<i>Std Only</i>	Position 3; Eng.s. From Ser. No. 4203049
1	Thrust Washer Set	3137BFA +	<i>Std Only</i>	Position 3; Eng.s. From Ser. No. 4203049; When depleted use FP-3137BFA
1	Thrust Washer Set	FP-3137BF	<i>Std Only</i>	Position 3; To Ser. No. 4203048
1	Thrust Washer Set	3137BF +	<i>Std Only</i>	Position 3; To Ser. No. 4203048; When depleted use FP-3137BF

CYLINDER COMPONENTS

QTY	PISTONS	PART NO.	SIZE	DESCRIPTION
4	Pin Bushing	FP-3139Y15		
4	Pin Bushing	3139Y15 +		When depleted use FP-3139Y15

Industrial Applications **A4.212, AD4.212, 4.212 Eng.** **14**
3.5L 3475cc (212) OHV Diesel L4, 3.875" Bore

CRANKSHAFT/OIL PUMP

QTY	MAIN BEARINGS	PART NO.	SIZE	DESCRIPTION
1	Main Set	FP-4353M	<i>Std-10-20</i>	
1	Main Set	4353M +	<i>Std-10-20</i>	When depleted use FP-4353M
1	Thrust Washer Set	FP-3137BFA	<i>Std Only</i>	Position 3; Eng.s. From Ser. No. 4203049
1	Thrust Washer Set	3137BFA +	<i>Std Only</i>	Position 3; Eng.s. From Ser. No. 4203049; When depleted use FP-3137BFA
1	Thrust Washer Set	FP-3137BF	<i>Std Only</i>	Position 3; To Ser. No. 4203048

(continued on next page)

Perkins Diesel

14 Industrial Applications A4.212, AD4.212, 4.212 Engs.

(cont.) 3.5L 3475cc (212) OHV Diesel L4, 3.875" Bore

CRANKSHAFT/OIL PUMP (cont.)

QTY	MAIN BEARINGS (cont.)	PART NO.	SIZE	DESCRIPTION
1	Thrust Washer Set	3137BF +	Std Only	Position 3; To Ser. No. 4203048; When depleted use FP-3137BF

CYLINDER COMPONENTS

QTY	PISTONS	PART NO.	SIZE	DESCRIPTION
4	Pin Bushing	FP-3139Y15		
4	Pin Bushing	3139Y15 +		When depleted use FP-3139Y15
QTY	PISTON RINGS	PART NO.	SIZE	DESCRIPTION
1	Premium Set	FP-5357KX	Std Only	3-3/32, 1-1/4
1	Premium Set	5357KX +	Std Only	3-3/32, 1-1/4; When depleted use FP-5357KX

15 H/D Truck A4.236, 4.236 Engs.

3.9L 3866cc (235.9) OHV Diesel L4, 3.875" Bore

CYL. HEAD & PARTS

QTY	VALVE	PART NO.	SIZE	DESCRIPTION
4	Intake	FP-V1701		1.7440" Head Dia., .3730" Stem Dia., 4.8290" O.A.L.
4	Intake	V-1701 +	Std Only	1.7440" Head Dia., .3730" Stem Dia., 4.8290" O.A.L.; When depleted use FP-V1701
4	Exhaust	FP-V1700		1.4400" Head Dia., .3725" Stem Dia., 4.8570" O.A.L.
4	Exhaust	V-1700 +	Std Only	1.4400" Head Dia., .3725" Stem Dia., 4.8570" O.A.L.; When depleted use FP-V1700
16	Keeper	FP-VK223		
16	Keeper	VK-223 +		When depleted use FP-VK223
QTY	VALVE GUIDE	PART NO.	SIZE	DESCRIPTION
4	Guide	FP-VG619		Exh.; For use in cyl. head w/replaceable guides; .3755" ID, 2.4060" O.A.L.
4	Guide	VG-619 +		Exh.; For use in cyl. head w/replaceable guides; .3755" ID, 2.4060" O.A.L.; When depleted use FP-VG619
4	Guide	FP-VG620		Int.; For use in cyl. head w/replaceable guides; .3755" ID, 2.2810" O.A.L.
4	Guide	VG-620 +		Int.; For use in cyl. head w/replaceable guides; .3755" ID, 2.2810" O.A.L.; When depleted use FP-VG620
QTY	VALVE SPRING	PART NO.	SIZE	DESCRIPTION
8	Spring	FP-VS1432		Single Spring, To Ser. No. 236UA-19816. Outer Spring, From Ser. No. 236AU-19817.; 2.5780" Free Height
8	Spring	VS-1432 +		Single Spring, To Ser. No. 236UA-19816. Outer Spring, From Ser. No. 236AU-19817.; 2.5780" Free Height; When depleted use FP-VS1432
QTY	VALVE SEAL	PART NO.	SIZE	DESCRIPTION
4	Valve Stem Seal	MV-1598C		Int.; To Eng. Ser. No. 4805664.; Umbrella type; Rubber
4	Valve Stem Seal Bulk	MV-1598		Int.; To Eng. Ser. No. 4805664.; Umbrella type; Carton of 100; Rubber

ENGINE BLOCK & PARTS

QTY	GASKET SETS	PART NO.	SIZE	DESCRIPTION
1	Kit Gasket Set	FP-2601334		Compl.; Incl. 2 pc. RMB seal
1	Kit Gasket Set	260-1334		Compl.; Incl. 2 pc. RMB seal

CRANKSHAFT/OIL PUMP

QTY	MAIN BEARINGS	PART NO.	SIZE	DESCRIPTION
1	Main Set	FP-4353M	Std-10-20	
1	Main Set	4353M +	Std-10-20	When depleted use FP-4353M
1	Thrust Washer Set	FP-3137BFA	Std Only	Position 3; Engs. From Ser. No. 4203049
1	Thrust Washer Set	3137BFA +	Std Only	Position 3; Engs. From Ser. No. 4203049; When depleted use FP-3137BFA
1	Thrust Washer Set	FP-3137BF	Std Only	Position 3; To Ser. No. 4203048
1	Thrust Washer Set	3137BF +	Std Only	Position 3; To Ser. No. 4203048; When depleted use FP-3137BF

CYLINDER COMPONENTS

QTY	LINERS	PART NO.	SIZE	DESCRIPTION
4	Dry Sleeve	FP-SL382M	Std Only	4-236 Engs.; Flanged sleeve w/firewall. Early blocks may require machining for flanged sleeve (instructions incl.)
4	Dry Sleeve	SL-382M +	Std Only	4-236 Engs.; Flanged sleeve w/firewall. Early blocks may require machining for flanged sleeve (instructions incl.); When depleted use FP-SL382M
4	Sleeve Assy.	FP-SL2487	Std Only	4-236 Engs.; Flanged sleeve w/firewall. Early blocks may require machining for flanged sleeve (instructions incl.)

(continued on next page)

H/D Truck A4.236, 4.236 Engs. 15
3.9L 3866cc (235.9) OHV Diesel L4, 3.875" Bore (cont.)

CYLINDER COMPONENTS (cont.)

QTY	DESCRIPTION	PART NO.	SIZE	DESCRIPTION	
4	LINERS (cont.) Sleeve Assy.	SL-2487 +	Std Only	4-236 Engs.; Flanged sleeve w/firewall. Early blocks may require machining for flanged sleeve (instructions incl.); When depleted use FP-SL2487	
4	PISTONS Cast Piston	FP-2487P	Std Only	4-236 Engs.; Cast; 3-3/32", 2-1/4" Ring Groove, 2.749" CD, 1.3750" Pin Dia., Cup Head .800" deep x 2.430" dia.; Repl. O.E. Nos. 82878 & 31354042	
4		2487P +	Std Only	4-236 Engs.; Cast; 3-3/32", 2-1/4" Ring Groove, 2.749" CD, 1.3750" Pin Dia., Cup Head .800" deep x 2.430" dia.; Repl. O.E. Nos. 82878 & 31354042; When depleted use FP-2487P	
4		FP-3139Y15		When depleted use FP-3139Y15	
4	Pin Bushing	3139Y15 +			
4	Pin Bushing				
1	PISTON RINGS	FP-5357KX	Std Only	AG4-236 Engs.; 3-3/32, 1-1/4	
1		5357KX +	Std Only	AG4-236 Engs.; 3-3/32, 1-1/4; When depleted use FP-5357KX	
2		FP-9194KX	Std-30	4-236 Engs.; 3-3/32, 2-1/4 (2 cyl. set); Do not use w/Chrome liners	
2		9194KX +	Std-30	4-236 Engs.; 3-3/32, 2-1/4 (2 cyl. set); Do not use w/Chrome liners; When depleted use FP-9194KX	
1		FP-9646KX	Std Only	4-236 Engs.; 3-3/32, 2-1/4; Do not use w/Chrome liners	
1		9646KX +	Std Only	4-236 Engs.; 3-3/32, 2-1/4; Do not use w/Chrome liners; When depleted use FP-9646KX	
2		FP-9596X	Std Only	4-236 Engs.; 3-3/32, 2-1/4 (2 cyl. set)	
2		9596X +	Std Only	4-236 Engs.; 3-3/32, 2-1/4 (2 cyl. set); When depleted use FP-9596X	
4		Premium Single Cylinder Set	W-9194KX	Std Only	4-236 Engs.; 3-3/32, 2-1/4 (2 cyl. set); Do not use w/Chrome liners
4		Standard Single Cylinder Set	W-9596X	Std Only	4-236 Engs.; 3-3/32, 2-1/4 (2 cyl. set)

KITS

QTY	DESCRIPTION	PART NO.	SIZE	DESCRIPTION
1	OVERHAUL KIT Tractor Overhaul Kit	FP-KST2487A		To Ser. No. 4203048

Industrial Applications A4.236, 4.236 Engs. 16
3.9L 3866cc (235.9) OHV Diesel L4, 3.875" Bore

CYL. HEAD & PARTS

QTY	DESCRIPTION	PART NO.	SIZE	DESCRIPTION
4	VALVE Intake	FP-V1701		1.7440" Head Dia., .3730" Stem Dia., 4.8290" O.A.L.
4		V-1701 +	Std Only	1.7440" Head Dia., .3730" Stem Dia., 4.8290" O.A.L.; When depleted use FP-V1701
4	Exhaust	FP-V1700		1.4400" Head Dia., .3725" Stem Dia., 4.8570" O.A.L.
4		V-1700 +	Std Only	1.4400" Head Dia., .3725" Stem Dia., 4.8570" O.A.L.; When depleted use FP-V1700
16	Keeper	FP-VK223		
16		VK-223 +		When depleted use FP-VK223
4	VALVE GUIDE Guide	FP-VG619		Exh.; For use in cyl. head w/replaceable guides; .3755" ID, 2.4060" O.A.L.
4		VG-619 +		Exh.; For use in cyl. head w/replaceable guides; .3755" ID, 2.4060" O.A.L.; When depleted use FP-VG619
4		FP-VG620		Int.; For use in cyl. head w/replaceable guides; .3755" ID, 2.2810" O.A.L.
4		VG-620 +		Int.; For use in cyl. head w/replaceable guides; .3755" ID, 2.2810" O.A.L.; When depleted use FP-VG620
8	VALVE SPRING Spring	FP-VS1432		Single Spring, To Ser. No. 236UA-19816. Outer Spring, From Ser. No. 236AU-19817.; 2.5780" Free Height
8		VS-1432 +		Single Spring, To Ser. No. 236UA-19816. Outer Spring, From Ser. No. 236AU-19817.; 2.5780" Free Height; When depleted use FP-VS1432
4	VALVE SEAL Valve Stem Seal	MV-1598C		Int.; To Eng. Ser. No. 4805664.; Umbrella type; Rubber
4		MV-1598		Int.; To Eng. Ser. No. 4805664.; Umbrella type; Carton of 100; Rubber

(continued on next page)

Perkins Diesel

16 Industrial Applications A4.236, 4.236 Engs. (cont.) 3.9L 3866cc (235.9) OHV Diesel L4, 3.875" Bore

ENGINE BLOCK & PARTS				
QTY	GASKET SETS	PART NO.	SIZE	DESCRIPTION
1	Kit Gasket Set	FP-2601334		Compl.; Incl. 2 pc. RMB seal
1	Kit Gasket Set	260-1334		Compl.; Incl. 2 pc. RMB seal
CRANKSHAFT/OIL PUMP				
QTY	MAIN BEARINGS	PART NO.	SIZE	DESCRIPTION
1	Main Set	FP-4353M	Std-10-20	
1	Main Set	4353M +	Std-10-20	When depleted use FP-4353M
1	Thrust Washer Set	FP-3137BFA	Std Only	Position 3; Engs. From Ser. No. 4203049
1	Thrust Washer Set	3137BFA +	Std Only	Position 3; Engs. From Ser. No. 4203049; When depleted use FP-3137BFA
1	Thrust Washer Set	FP-3137BF	Std Only	Position 3; To Ser. No. 4203048
1	Thrust Washer Set	3137BF +	Std Only	Position 3; To Ser. No. 4203048; When depleted use FP-3137BF
CYLINDER COMPONENTS				
QTY	LINERS	PART NO.	SIZE	DESCRIPTION
4	Dry Sleeve	FP-SL382M	Std Only	4-236 Engs.; Flanged sleeve w/firewall. Early blocks may require machining for flanged sleeve (instructions incl.)
4	Dry Sleeve	SL-382M +	Std Only	4-236 Engs.; Flanged sleeve w/firewall. Early blocks may require machining for flanged sleeve (instructions incl.); When depleted use FP-SL382M
4	Sleeve Assy.	FP-SL2487	Std Only	4-236 Engs.; Flanged sleeve w/firewall. Early blocks may require machining for flanged sleeve (instructions incl.)
4	Sleeve Assy.	SL-2487 +	Std Only	4-236 Engs.; Flanged sleeve w/firewall. Early blocks may require machining for flanged sleeve (instructions incl.); When depleted use FP-SL2487
QTY	PISTONS	PART NO.	SIZE	DESCRIPTION
4	Cast Piston	FP-2487P	Std Only	4-236 Engs.; Cast; 3-3/32", 2-1/4" Ring Groove, 2.749" CD, 1.3750" Pin Dia., Cup Head .800" deep x 2.430" dia.; Repl. O.E. Nos. 82878 & 31354042
4	Cast Piston	2487P +	Std Only	4-236 Engs.; Cast; 3-3/32", 2-1/4" Ring Groove, 2.749" CD, 1.3750" Pin Dia., Cup Head .800" deep x 2.430" dia.; Repl. O.E. Nos. 82878 & 31354042; When depleted use FP-2487P
4	Pin Bushing	FP-3139Y15		
4	Pin Bushing	3139Y15 +		When depleted use FP-3139Y15
QTY	PISTON RINGS	PART NO.	SIZE	DESCRIPTION
1	Premium Set	FP-5357KX	Std Only	AG4-236 Engs.; 3-3/32, 1-1/4
1	Premium Set	5357KX +	Std Only	AG4-236 Engs.; 3-3/32, 1-1/4; When depleted use FP-5357KX
2	Premium Set	FP-9194KX	Std-30	4-236 Engs.; 3-3/32, 2-1/4 (2 cyl. set); Do not use w/Chrome liners
2	Premium Set	9194KX +	Std-30	4-236 Engs.; 3-3/32, 2-1/4 (2 cyl. set); Do not use w/Chrome liners; When depleted use FP-9194KX
1	Premium Set	FP-9646KX	Std Only	4-236 Engs.; 3-3/32, 2-1/4; Do not use w/Chrome liners
1	Premium Set	9646KX +	Std Only	4-236 Engs.; 3-3/32, 2-1/4; Do not use w/Chrome liners; When depleted use FP-9646KX
2	Standard Set	FP-9596X	Std Only	4-236 Engs.; 3-3/32, 2-1/4 (2 cyl. set)
2	Standard Set	9596X +	Std Only	4-236 Engs.; 3-3/32, 2-1/4 (2 cyl. set); When depleted use FP-9596X
4	Premium Single Cylinder Set	W-9194KX	Std Only	4-236 Engs.; 3-3/32, 2-1/4 (2 cyl. set); Do not use w/Chrome liners
4	Standard Single Cylinder Set	W-9596X	Std Only	4-236 Engs.; 3-3/32, 2-1/4 (2 cyl. set)
KITS				
QTY	OVERHAUL KIT	PART NO.	SIZE	DESCRIPTION
1	Tractor Overhaul Kit	FP-KST2487A		To Ser. No. 4203048

17 Industrial Applications 1004-4, 4.40, Phaser 90, Phaser 1004-4 Engs. 4.0L 3990cc OHV Diesel L4, 100mm Bore

CYL. HEAD & PARTS				
QTY	GASKETS	PART NO.	SIZE	DESCRIPTION
1	Head Set	FP-U5LT0178		
ENGINE BLOCK & PARTS				
QTY	GASKET SETS	PART NO.	SIZE	DESCRIPTION
1	Lower Gasket Set	FP-U5LB0151		
CRANKSHAFT/OIL PUMP				
QTY	MAIN BEARINGS	PART NO.	SIZE	DESCRIPTION
1	Main Set	FP-4353M	Std-10-20	

(continued on next page)

Industrial Applications 1004-4, 4.40, Phaser 90, Phaser 1004-4 Eng. 17
4.0L 3990cc OHV Diesel L4, 100mm Bore (cont.)

CRANKSHAFT/OIL PUMP (cont.)

QTY	MAIN BEARINGS (cont.)	PART NO.	SIZE	DESCRIPTION
1	Main Set	FP-4353M10	Std-10-20	
1	Main Set	FP-4353M20	Std-10-20	
1	Thrust Washer Set	FP-31137551	STD	

CYLINDER COMPONENTS

QTY	LINERS	PART NO.	SIZE	DESCRIPTION
4	Liner w/o Sealing Rings	FP-3135X042	STD	

QTY	PISTONS	PART NO.	SIZE	DESCRIPTION
4	Piston w/Pin, Retainer, Rings	FP-U5LL0015	STD	
4	Pin Bushing	FP-3139Y15		

QTY	CONNECTING RODS & BRGS.	PART NO.	SIZE	DESCRIPTION
1	Rod Set	FP-85042	STD	
1	Rod Set	FP-85042A	10	
1	Rod Set	FP-85042B	20	
1	Rod Set	FP-85042C	30	

QTY	PISTON RINGS	PART NO.	SIZE	DESCRIPTION
4	Ring Set Single Cylinder	FP-4181A019		

Industrial Applications 1004-40T, 1004-40TW Eng. 18
4.0L 3990cc OHV Turbo-Diesel L4, 100mm Bore

CRANKSHAFT/OIL PUMP

QTY	MAIN BEARINGS	PART NO.	SIZE	DESCRIPTION
1	Main Set	FP-4353M	Std-10-20	
1	Main Set	FP-4353M10	Std-10-20	
1	Main Set	FP-4353M20	Std-10-20	
1	Thrust Washer Set	FP-31137551	STD	

CYLINDER COMPONENTS

QTY	PISTONS	PART NO.	SIZE	DESCRIPTION
4	Piston w/Pin, Retainer, Rings	FP-U5LP0057	STD	

QTY	CONNECTING RODS & BRGS.	PART NO.	SIZE	DESCRIPTION
1	Rod Set	FP-U5ME0006	STD	
1	Rod Set	FP-U5ME0006A	25MM	
1	Rod Set	FP-U5ME0006B	50MM	

Industrial Applications 1004-4T, 1004-4TW, C4.40, Phaser 110T, Phaser 120Ti, T4.40 Eng. 19
4.0L 3990cc OHV Turbo-Diesel L4, 100mm Bore

CYL. HEAD & PARTS

QTY	GASKETS	PART NO.	SIZE	DESCRIPTION
1	Head Set	FP-U5LT0178		

ENGINE BLOCK & PARTS

QTY	GASKET SETS	PART NO.	SIZE	DESCRIPTION
1	Lower Gasket Set	FP-U5LB0152		

CRANKSHAFT/OIL PUMP

QTY	MAIN BEARINGS	PART NO.	SIZE	DESCRIPTION
1	Main Set	FP-4353M	Std-10-20	
1	Main Set	FP-4353M10	Std-10-20	
1	Main Set	FP-4353M20	Std-10-20	
1	Thrust Washer Set	FP-31137551	STD	

CYLINDER COMPONENTS

QTY	LINERS	PART NO.	SIZE	DESCRIPTION
4	Liner w/o Sealing Rings	FP-3135X042	STD	

QTY	PISTONS	PART NO.	SIZE	DESCRIPTION
4	Piston w/Pin, Retainer, Rings	FP-U5LL0014	STD	

QTY	CONNECTING RODS & BRGS.	PART NO.	SIZE	DESCRIPTION
1	Rod Set	FP-U5ME0006	STD	
1	Rod Set	FP-U5ME0006A	25MM	
1	Rod Set	FP-U5ME0006B	50MM	

(continued on next page)

Perkins Diesel

19 Industrial Applications 1004-4T, 1004-4TW, C4.40, Phaser 110T, Phaser 120Ti, T4.40 Engs. (cont.) 4.0L 3990cc OHV Turbo-Diesel L4, 100mm Bore

CYLINDER COMPONENTS (cont.)

QTY	PISTON RINGS	PART NO.	SIZE	DESCRIPTION
4	Ring Set Single Cylinder	FP-4181A021		

20 H/D Truck A4.248, 4.248 Engs. 4.1L 4068cc (248.2) OHV Diesel L4, 3.975" Bore

CYL. HEAD & PARTS

QTY	VALVE	PART NO.	SIZE	DESCRIPTION
4	Intake	FP-V1701		1.7440" Head Dia., .3730" Stem Dia., 4.8290" O.A.L.
4	Intake	V-1701 + Std Only		1.7440" Head Dia., .3730" Stem Dia., 4.8290" O.A.L.; When depleted use FP-V1701
4	Exhaust	FP-V1700		1.4400" Head Dia., .3725" Stem Dia., 4.8570" O.A.L.
4	Exhaust	V-1700 + Std Only		1.4400" Head Dia., .3725" Stem Dia., 4.8570" O.A.L.; When depleted use FP-V1700
16	Keeper	FP-VK223		
16	Keeper	VK-223 +		When depleted use FP-VK223

QTY	VALVE SEAT	PART NO.	SIZE	DESCRIPTION
4	Int.	245-2018E-1 + Std Only		O.E. replacement for heads w/factory-installed seats; 2.0180" OD, 1.5938" ID, .2813" Depth; When depleted use FP-2452018E1

QTY	VALVE SPRING	PART NO.	SIZE	DESCRIPTION
8	Spring	FP-VS1432		2.5780" Free Height
8	Spring	VS-1432 +		2.5780" Free Height; When depleted use FP-VS1432

CRANKSHAFT/OIL PUMP

QTY	MAIN BEARINGS	PART NO.	SIZE	DESCRIPTION
1	Main Set	FP-4353M	Std-10-20	
1	Main Set	4353M + Std-10-20		When depleted use FP-4353M
1	Thrust Washer Set	FP-3137BFA	Std Only	Position 3; Engs. From Ser. No. 4203049
1	Thrust Washer Set	3137BFA + Std Only		Position 3; Engs. From Ser. No. 4203049; When depleted use FP-3137BFA
1	Thrust Washer Set	FP-3137BF	Std Only	Position 3; To Ser. No. 4203048
1	Thrust Washer Set	3137BF + Std Only		Position 3; To Ser. No. 4203048; When depleted use FP-3137BF

CYLINDER COMPONENTS

QTY	PISTONS	PART NO.	SIZE	DESCRIPTION
4	Pin Bushing	FP-3139Y15		
4	Pin Bushing	3139Y15 +		When depleted use FP-3139Y15

21 Industrial Applications A4.248, 4.248 Engs. 4.1L 4068cc (248.2) OHV Diesel L4, 3.975" Bore

CYL. HEAD & PARTS

QTY	VALVE	PART NO.	SIZE	DESCRIPTION
4	Intake	FP-V1701		1.7440" Head Dia., .3730" Stem Dia., 4.8290" O.A.L.
4	Intake	V-1701 + Std Only		1.7440" Head Dia., .3730" Stem Dia., 4.8290" O.A.L.; When depleted use FP-V1701
4	Exhaust	FP-V1700		1.4400" Head Dia., .3725" Stem Dia., 4.8570" O.A.L.
4	Exhaust	V-1700 + Std Only		1.4400" Head Dia., .3725" Stem Dia., 4.8570" O.A.L.; When depleted use FP-V1700
16	Keeper	FP-VK223		
16	Keeper	VK-223 +		When depleted use FP-VK223

QTY	VALVE SEAT	PART NO.	SIZE	DESCRIPTION
4	Int.	245-2018E-1 + Std Only		O.E. replacement for heads w/factory-installed seats; 2.0180" OD, 1.5938" ID, .2813" Depth; When depleted use FP-2452018E1

QTY	VALVE SPRING	PART NO.	SIZE	DESCRIPTION
8	Spring	FP-VS1432		2.5780" Free Height
8	Spring	VS-1432 +		2.5780" Free Height; When depleted use FP-VS1432

CRANKSHAFT/OIL PUMP

QTY	MAIN BEARINGS	PART NO.	SIZE	DESCRIPTION
1	Main Set	FP-4353M	Std-10-20	
1	Main Set	4353M + Std-10-20		When depleted use FP-4353M
1	Thrust Washer Set	FP-3137BFA	Std Only	Position 3; Engs. From Ser. No. 4203049
1	Thrust Washer Set	3137BFA + Std Only		Position 3; Engs. From Ser. No. 4203049; When depleted use FP-3137BFA
1	Thrust Washer Set	FP-3137BF	Std Only	Position 3; To Ser. No. 4203048

(continued on next page)

<i>Industrial Applications A4.248, 4.248 Eng. 21</i> 4.1L 4068cc (248.2) OHV Diesel L4, 3.975" Bore (cont.)				
CRANKSHAFT/OIL PUMP (cont.)				
QTY	MAIN BEARINGS (cont.)	PART NO.	SIZE	DESCRIPTION
1	Thrust Washer Set	3137BF +	Std Only	Position 3; To Ser. No. 4203048; When depleted use FP-3137BF
CYLINDER COMPONENTS				
QTY	PISTONS	PART NO.	SIZE	DESCRIPTION
4	Pin Bushing	FP-3139Y15		
4	Pin Bushing	3139Y15 +		When depleted use FP-3139Y15
<i>Industrial Applications 1004-42 Eng. 22</i> 4.2L 4233cc OHV Diesel L4, 103mm Bore				
CRANKSHAFT/OIL PUMP				
QTY	MAIN BEARINGS	PART NO.	SIZE	DESCRIPTION
1	Main Set	FP-4353M	Std-10-20	
1	Main Set	FP-4353M10	Std-10-20	
1	Main Set	FP-4353M20	Std-10-20	
1	Thrust Washer Set	FP-31137551	STD	
CYLINDER COMPONENTS				
QTY	PISTONS	PART NO.	SIZE	DESCRIPTION
4	Piston w/Pin, Retainer, Rings	FP-U5LP0058	STD	
4	Piston w/Pin, Retainer, Rings	FP-U5LP0058B	50MM	
4	Piston w/Pin, Retainer, Rings	FP-U5LP0058D	100MM	
QTY	CONNECTING RODS & BRGS.	PART NO.	SIZE	DESCRIPTION
1	Rod Set	FP-85042	STD	
1	Rod Set	FP-85042A	10	
1	Rod Set	FP-85042B	20	
1	Rod Set	FP-85042C	30	
QTY	PISTON RINGS	PART NO.	SIZE	DESCRIPTION
4	Ring Set Single Cylinder	FP-4181A045	STD	
4	Ring Set Single Cylinder	FP-4181A046	50MM	
4	Ring Set Single Cylinder	FP-4181A047	100MM	
<i>H/D Truck P6 Eng. 23</i> 4.7L 4720cc (288) OHV Diesel L6, 3.5" Bore				
CRANKSHAFT/OIL PUMP				
QTY	MAIN BEARINGS	PART NO.	SIZE	DESCRIPTION
1	Thrust Washer Set	FP-2783BF	Std Only	Position 7; To Ser. No. 3294767
1	Thrust Washer Set	2783BF +	Std Only	Position 7; To Ser. No. 3294767; When depleted use FP-2783BF
CYLINDER COMPONENTS				
QTY	PISTONS	PART NO.	SIZE	DESCRIPTION
6	Pin Bushing	FP-2019Y20		
6	Pin Bushing	2019Y20 +		When depleted use FP-2019Y20
QTY	CONNECTING RODS & BRGS.	PART NO.	SIZE	DESCRIPTION
6	Rod Pair	FP-2015CPA	Std-10-20-30	
6	Rod Pair	2015CPA +	Std-10-20-30	When depleted use FP-2015CPA
<i>Industrial Applications P6 Eng. 24</i> 4.7L 4720cc (288) OHV Diesel L6, 3.5" Bore				
CYL. HEAD & PARTS				
QTY	VALVE SEAL	PART NO.	SIZE	DESCRIPTION
12	Valve Stem Seal	FP-ST2032		Positive type; PTFE
12	Valve Stem Seal	ST-2032 +		Positive type; PTFE; When depleted use FP-ST2032
CRANKSHAFT/OIL PUMP				
QTY	MAIN BEARINGS	PART NO.	SIZE	DESCRIPTION
1	Thrust Washer Set	FP-2783BF	Std Only	Position 7; To Ser. No. 3294767
1	Thrust Washer Set	2783BF +	Std Only	Position 7; To Ser. No. 3294767; When depleted use FP-2783BF
CYLINDER COMPONENTS				
QTY	PISTONS	PART NO.	SIZE	DESCRIPTION
6	Pin Bushing	FP-2019Y20		

(continued on next page)

+ Superseded Part Number

Perkins Diesel

24 Industrial Applications P6 Eng.

(cont.) 4.7L 4720cc (288) OHV Diesel L6, 3.5" Bore

CYLINDER COMPONENTS (cont.)

QTY	PISTONS (cont.)	PART NO.	SIZE	DESCRIPTION
6	Pin Bushing	2019Y20 +		When depleted use FP-2019Y20
QTY	CONNECTING RODS & BRGS.	PART NO.	SIZE	DESCRIPTION
6	Rod Pair	FP-2015CPA	Std-10-20-30	When depleted use FP-2015CPA
6	Rod Pair	2015CPA +	Std-10-20-30	

25 H/D Truck 6.305, 6.306 Engs.

5.0L 5000cc (305) OHV Diesel L6, 3.6" Bore

CYL. HEAD & PARTS

QTY	VALVE	PART NO.	SIZE	DESCRIPTION
6	Intake	FP-V2150		1.5340" Head Dia., .3115" Stem Dia., 4.4980" O.A.L.
6	Intake	V-2150 +	Std Only	1.5340" Head Dia., .3115" Stem Dia., 4.4980" O.A.L.; When depleted use FP-V2150
6	Exhaust	FP-V2149		1.3130" Head Dia., .3115" Stem Dia., 4.5030" O.A.L.
6	Exhaust	V-2149 +	Std Only	1.3130" Head Dia., .3115" Stem Dia., 4.5030" O.A.L.; When depleted use FP-V2149
24	Keeper	FP-VK222		When depleted use FP-VK222
24	Keeper	VK-222 +		
QTY	VALVE SPRING	PART NO.	SIZE	DESCRIPTION
12	Spring	FP-VS782		Inner; 1.3750" Free Height
12	Spring	VS-782 +		Inner; 1.3750" Free Height; When depleted use FP-VS782
12	Spring	FP-VS783		Outer; 1.7820" Free Height
12	Spring	VS-783 +		Outer; 1.7820" Free Height; When depleted use FP-VS783
QTY	VALVE SEAL	PART NO.	SIZE	DESCRIPTION
12	Valve Stem Seal	FP-ST2032		Positive type; PTFE
12	Valve Stem Seal	ST-2032 +		Positive type; PTFE; When depleted use FP-ST2032

CRANKSHAFT/OIL PUMP

QTY	MAIN BEARINGS	PART NO.	SIZE	DESCRIPTION
1	Thrust Washer Set	FP-2783BF	Std Only	Position 7; To Ser. No. 3294767
1	Thrust Washer Set	2783BF +	Std Only	Position 7; To Ser. No. 3294767; When depleted use FP-2783BF

CYLINDER COMPONENTS

QTY	LINERS	PART NO.	SIZE	DESCRIPTION
6	Dry Sleeve	FP-SL375M	Std Only	Flanged sleeve. Early blocks may require machining for flanged sleeve (instructions incl.)
6	Dry Sleeve	SL-375M +	Std Only	Flanged sleeve. Early blocks may require machining for flanged sleeve (instructions incl.); When depleted use FP-SL375M
6	Sleeve Assy.	FP-SL2186	Std Only	Flanged sleeve. Early blocks may require machining for flanged sleeve (instructions incl.)
6	Sleeve Assy.	SL-2186 +	Std Only	Flanged sleeve. Early blocks may require machining for flanged sleeve (instructions incl.); When depleted use FP-SL2186
QTY	PISTONS	PART NO.	SIZE	DESCRIPTION
6	Cast Piston	FP-2186P	Std Only	Cast; 2-3/32", 1-1/8", 2-1/4" Ring Groove, 2.234" CD, 1.2500" Pin Dia., Flat Head - 17.4:1 C.R.; Repl. O.E. No. 81565
6	Cast Piston	2186P +	Std Only	Cast; 2-3/32", 1-1/8", 2-1/4" Ring Groove, 2.234" CD, 1.2500" Pin Dia., Flat Head - 17.4:1 C.R.; Repl. O.E. No. 81565; When depleted use FP-2186P
6	Pin Bushing	FP-2019Y20		When depleted use FP-2019Y20
6	Pin Bushing	2019Y20 +		
QTY	CONNECTING RODS & BRGS.	PART NO.	SIZE	DESCRIPTION
6	Rod Pair	FP-2015CPA	Std-10-20-30	When depleted use FP-2015CPA
6	Rod Pair	2015CPA +	Std-10-20-30	
QTY	PISTON RINGS	PART NO.	SIZE	DESCRIPTION
6	Premium Set	FP-5944KX	Std Only	Check piston grooving before supplying ring set; 2-3/32, 1-1/8, 2-1/4 (1 cyl. set); Do not use w/Chrome liners
6	Premium Set	5944KX +	Std Only	Check piston grooving before supplying ring set; 2-3/32, 1-1/8, 2-1/4 (1 cyl. set); Do not use w/Chrome liners; When depleted use FP-5944KX
6	Premium Set	FP-9132KX	Std Only	Check piston grooving before supplying ring set; 3-3/32, 2-1/4 (1 cyl. set); Do not use w/Chrome liners
6	Premium Set	9132KX	Std Only	Check piston grooving before supplying ring set; 3-3/32, 2-1/4 (1 cyl. set); Do not use w/Chrome liners

(continued on next page)

Perkins Diesel

H/D Truck 6.305, 6.306 Engs. 25
5.0L 5000cc (305) OHV Diesel L6, 3.6" Bore (cont.)

CYLINDER COMPONENTS (cont.)

QTY	PISTON RINGS (cont.)	PART NO.	SIZE	DESCRIPTION
6	Standard Set	FP-5944X	Std Only	Check piston grooving before supplying ring set; 2-3/32, 1-1/8, 2-1/4 (1 cyl. set)
6	Standard Set	5944X +	Std Only	Check piston grooving before supplying ring set; 2-3/32, 1-1/8, 2-1/4 (1 cyl. set); When depleted use FP-5944X
6	Standard Set	FP-9132X	Std Only	Check piston grooving before supplying ring set; 3-3/32, 2-1/4 (1 cyl. set)
6	Standard Set	9132X +	Std Only	Check piston grooving before supplying ring set; 3-3/32, 2-1/4 (1 cyl. set); When depleted use FP-9132X

Industrial Applications 6.305, 6.306 Engs. 26
5.0L 5000cc (305) OHV Diesel L6, 3.6" Bore

CYL. HEAD & PARTS

QTY	VALVE	PART NO.	SIZE	DESCRIPTION
6	Intake	FP-V2150		1.5340" Head Dia., .3115" Stem Dia., 4.4980" O.A.L.
6	Intake	V-2150 +	Std Only	1.5340" Head Dia., .3115" Stem Dia., 4.4980" O.A.L.; When depleted use FP-V2150
6	Exhaust	FP-V2149		1.3130" Head Dia., .3115" Stem Dia., 4.5030" O.A.L.
6	Exhaust	V-2149 +	Std Only	1.3130" Head Dia., .3115" Stem Dia., 4.5030" O.A.L.; When depleted use FP-V2149
24	Keeper	FP-VK222		
24	Keeper	VK-222 +		When depleted use FP-VK222
QTY	VALVE SPRING	PART NO.	SIZE	DESCRIPTION
12	Spring	FP-VS782		Inner; 1.3750" Free Height
12	Spring	VS-782 +		Inner; 1.3750" Free Height; When depleted use FP-VS782
12	Spring	FP-VS783		Outer; 1.7820" Free Height
12	Spring	VS-783 +		Outer; 1.7820" Free Height; When depleted use FP-VS783
QTY	VALVE SEAL	PART NO.	SIZE	DESCRIPTION
12	Valve Stem Seal	FP-ST2032		Positive type; PTFE
12	Valve Stem Seal	ST-2032 +		Positive type; PTFE; When depleted use FP-ST2032

CRANKSHAFT/OIL PUMP

QTY	MAIN BEARINGS	PART NO.	SIZE	DESCRIPTION
1	Thrust Washer Set	FP-2783BF	Std Only	Position 7; To Ser. No. 3294767
1	Thrust Washer Set	2783BF +	Std Only	Position 7; To Ser. No. 3294767; When depleted use FP-2783BF

CYLINDER COMPONENTS

QTY	LINERS	PART NO.	SIZE	DESCRIPTION
6	Dry Sleeve	FP-SL375M	Std Only	Flanged sleeve. Early blocks may require machining for flanged sleeve (instructions incl.)
6	Dry Sleeve	SL-375M +	Std Only	Flanged sleeve. Early blocks may require machining for flanged sleeve (instructions incl.); When depleted use FP-SL375M
6	Sleeve Assy.	FP-SL2186	Std Only	Flanged sleeve. Early blocks may require machining for flanged sleeve (instructions incl.)
6	Sleeve Assy.	SL-2186 +	Std Only	Flanged sleeve. Early blocks may require machining for flanged sleeve (instructions incl.); When depleted use FP-SL2186
QTY	PISTONS	PART NO.	SIZE	DESCRIPTION
6	Cast Piston	FP-2186P	Std Only	Cast; 2-3/32", 1-1/8", 2-1/4" Ring Groove, 2.234" CD, 1.2500" Pin Dia., Flat Head - 17.4:1 C.R.; Repl. O.E. No. 81565
6	Cast Piston	2186P +	Std Only	Cast; 2-3/32", 1-1/8", 2-1/4" Ring Groove, 2.234" CD, 1.2500" Pin Dia., Flat Head - 17.4:1 C.R.; Repl. O.E. No. 81565; When depleted use FP-2186P
6	Pin Bushing	FP-2019Y20		
6	Pin Bushing	2019Y20 +		When depleted use FP-2019Y20
QTY	CONNECTING RODS & BRGS.	PART NO.	SIZE	DESCRIPTION
6	Rod Pair	FP-2015CPA	Std-10-20-30	
6	Rod Pair	2015CPA +	Std-10-20-30	When depleted use FP-2015CPA
QTY	PISTON RINGS	PART NO.	SIZE	DESCRIPTION
6	Premium Set	FP-5944KX	Std Only	Check piston grooving before supplying ring set; 2-3/32, 1-1/8, 2-1/4 (1 cyl. set); Do not use w/Chrome liners
6	Premium Set	5944KX +	Std Only	Check piston grooving before supplying ring set; 2-3/32, 1-1/8, 2-1/4 (1 cyl. set); Do not use w/Chrome liners; When depleted use FP-5944KX
6	Premium Set	FP-9132KX	Std Only	Check piston grooving before supplying ring set; 3-3/32, 2-1/4 (1 cyl. set); Do not use w/Chrome liners

(continued on next page)

Perkins Diesel

26 Industrial Applications 6.305, 6.306 Engs. (cont.) 5.0L 5000cc (305) OHV Diesel L6, 3.6" Bore

CYLINDER COMPONENTS (cont.)

QTY	PISTON RINGS (cont.)	PART NO.	SIZE	DESCRIPTION
6	Premium Set	9132KX	Std Only	Check piston grooving before supplying ring set; 3-3/32, 2-1/4 (1 cyl. set); Do not use w/Chrome liners
6	Standard Set	FP-5944X	Std Only	Check piston grooving before supplying ring set; 2-3/32, 1-1/8, 2-1/4 (1 cyl. set)
6	Standard Set	5944X +	Std Only	Check piston grooving before supplying ring set; 2-3/32, 1-1/8, 2-1/4 (1 cyl. set); When depleted use FP-5944X
6	Standard Set	FP-9132X	Std Only	Check piston grooving before supplying ring set; 3-3/32, 2-1/4 (1 cyl. set)
6	Standard Set	9132X +	Std Only	Check piston grooving before supplying ring set; 3-3/32, 2-1/4 (1 cyl. set); When depleted use FP-9132X

27 H/D Truck A4.318, 4.318 Engs. 5.2L 5212cc (318) OHV Diesel L4, 4.5" Bore

CYL. HEAD & PARTS

QTY	VALVE	PART NO.	SIZE	DESCRIPTION
16	Keeper	FP-VK223		Exh. & Int.
QTY	VALVE GUIDE	PART NO.	SIZE	DESCRIPTION
8	Guide	FP-VG865		.3750" ID, 2.6500" O.A.L.
8	Guide	VG-865 +		.3750" ID, 2.6500" O.A.L.; When depleted use FP-VG865
QTY	VALVE SPRING	PART NO.	SIZE	DESCRIPTION
8	Spring	FP-VS1432		Outer; 2.5780" Free Height
8	Spring	VS-1432 +		Outer; 2.5780" Free Height; When depleted use FP-VS1432

CRANKSHAFT/OIL PUMP

QTY	MAIN BEARINGS	PART NO.	SIZE	DESCRIPTION
1	Main Set	FP-4353M	Std-10-20	
1	Main Set	4353M +	Std-10-20	When depleted use FP-4353M
1	Thrust Washer Set	FP-3137BFA	Std Only	Position 3
1	Thrust Washer Set	3137BFA +	Std Only	Position 3; When depleted use FP-3137BFA

28 Industrial Applications A4.318, 4.318 Engs. 5.2L 5212cc (318) OHV Diesel L4, 4.5" Bore

CYL. HEAD & PARTS

QTY	VALVE	PART NO.	SIZE	DESCRIPTION
16	Keeper	FP-VK223		Exh. & Int.
QTY	VALVE GUIDE	PART NO.	SIZE	DESCRIPTION
8	Guide	FP-VG865		.3750" ID, 2.6500" O.A.L.
8	Guide	VG-865 +		.3750" ID, 2.6500" O.A.L.; When depleted use FP-VG865
QTY	VALVE SPRING	PART NO.	SIZE	DESCRIPTION
8	Spring	FP-VS1432		Outer; 2.5780" Free Height
8	Spring	VS-1432 +		Outer; 2.5780" Free Height; When depleted use FP-VS1432

CRANKSHAFT/OIL PUMP

QTY	MAIN BEARINGS	PART NO.	SIZE	DESCRIPTION
1	Main Set	FP-4353M	Std-10-20	
1	Main Set	4353M +	Std-10-20	When depleted use FP-4353M
1	Thrust Washer Set	FP-3137BFA	Std Only	Position 3
1	Thrust Washer Set	3137BFA +	Std Only	Position 3; When depleted use FP-3137BFA

29 H/D Truck A6.354, H6.354, H6.354-4, 6.354, 6.354-1, 6.354-2, 6.354-4 Engs. 5.8L 5798cc (354) OHV Diesel L6 (12 Valve), 3.875" Bore

CYL. HEAD & PARTS

QTY	VALVE	PART NO.	SIZE	DESCRIPTION
6	Intake	FP-V1701		1.7440" Head Dia., .3730" Stem Dia., 4.8290" O.A.L.
6	Intake	V-1701 +	Std Only	1.7440" Head Dia., .3730" Stem Dia., 4.8290" O.A.L.; When depleted use FP-V1701
6	Exhaust	FP-V1700		1.4400" Head Dia., .3725" Stem Dia., 4.8570" O.A.L.
6	Exhaust	V-1700 +	Std Only	1.4400" Head Dia., .3725" Stem Dia., 4.8570" O.A.L.; When depleted use FP-V1700
24	Keeper	FP-VK223		
24	Keeper	VK-223 +		When depleted use FP-VK223

(continued on next page)

H/D Truck A6.354, H6.354, H6.354-4, 6.354, 6.354-1, 6.354-2, 6.354-4 Eng. **29**
5.8L 5798cc (354) OHV Diesel L6 (12 Valve), 3.875" Bore (cont.)

CYL. HEAD & PARTS (cont.)

QTY	VALVE SEAT	PART NO.	SIZE	DESCRIPTION
6	Int.	245-2018E-1 + Std Only		O.E. replacement for heads w/factory-installed seats; 2.0180" OD, 1.5938" ID, .2813" Depth; When depleted use FP-2452018E1
6	Guide	FP-VG619		Exh.; .3755" ID, 2.4060" O.A.L.
6	Guide	VG-619 +		Exh.; .3755" ID, 2.4060" O.A.L.; When depleted use FP-VG619
6	Guide	FP-VG620		Int.; .3755" ID, 2.2810" O.A.L.
6	Guide	VG-620 +		Int.; .3755" ID, 2.2810" O.A.L.; When depleted use FP-VG620
12	Spring	FP-VS1432		Outer; 2.5780" Free Height
12	Spring	VS-1432 +		Outer; 2.5780" Free Height; When depleted use FP-VS1432
12	Valve Stem Seal	ST-2004		Exh.; Positive type; Installation requires valve guide machining; Rubber/PTFE
6	Valve Stem Seal	MV-1598C		Int.; Umbrella type; Rubber
12	Valve Stem Seal Bulk	ST-2004BC		Exh.; Positive type; Installation requires valve guide machining; Carton of 100; Rubber/PTFE
6	Valve Stem Seal Bulk	MV-1598		Int.; Umbrella type; Carton of 100; Rubber

CRANKSHAFT/OIL PUMP

QTY	MAIN BEARINGS	PART NO.	SIZE	DESCRIPTION
1	Main Set	FP-4352M	Std Only	T6-354 & T6-354.2 Engs. Only
1	Main Set	4352M +	Std Only	T6-354 & T6-354.2 Engs. Only; When depleted use FP-4352M
1	Thrust Washer Set	FP-3137BFA	Std Only	Position 4; Engs. From Ser. No. 8504189
1	Thrust Washer Set	3137BFA +	Std Only	Position 4; Engs. From Ser. No. 8504189; When depleted use FP-3137BFA
1	Thrust Washer Set	FP-3137BF	Std Only	Position 4; To Ser. No. 8504188
1	Thrust Washer Set	3137BF +	Std Only	Position 4; To Ser. No. 8504188; When depleted use FP-3137BF
1	Oil Pump	224-43394 +		When depleted use FP-22443394

CYLINDER COMPONENTS

QTY	LINERS	PART NO.	SIZE	DESCRIPTION
6	Dry Sleeve	FP-SL382M	Std Only	6-354 Engs.; Flanged sleeve w/firewall. Early blocks may require machining for flanged sleeve (instructions incl.)
6	Dry Sleeve	SL-382M +	Std Only	6-354 Engs.; Flanged sleeve w/firewall. Early blocks may require machining for flanged sleeve (instructions incl.); When depleted use FP-SL382M
6	Sleeve Assy.	FP-SL2193	Std Only	6-354 Engs.; Flanged sleeve. Early blocks may require machining for flanged sleeve (instructions incl.)
6	Sleeve Assy.	SL-2193 +	Std Only	6-354 Engs.; Flanged sleeve. Early blocks may require machining for flanged sleeve (instructions incl.); When depleted use FP-SL2193
6	Cast Piston	FP-2193PX	Std Only	6-354 Engs.; Cast; 3-3/32", 2-1/4" Ring Groove, 2.757" CD, 1.3750" Pin Dia., Recessed Head 1.00" deep x 2.125" dia. - 16.0:1 C.R.; Repl. O.E. Nos. MF-738871M91, 2236105
6	Cast Piston	2193PX +	Std Only	6-354 Engs.; Cast; 3-3/32", 2-1/4" Ring Groove, 2.757" CD, 1.3750" Pin Dia., Recessed Head 1.00" deep x 2.125" dia. - 16.0:1 C.R.; Repl. O.E. Nos. MF-738871M91, 2236105; When depleted use FP-2193PX
6	Pin Bushing	FP-3139Y15		
6	Pin Bushing	3139Y15 +		When depleted use FP-3139Y15
3	Premium Set	FP-9194KX	Std-30	6-354 Engs.; 3-3/32, 2-1/4 (2 cyl. set); Do not use w/Chrome liners
3	Premium Set	9194KX +	Std-30	6-354 Engs.; 3-3/32, 2-1/4 (2 cyl. set); Do not use w/Chrome liners; When depleted use FP-9194KX
3	Standard Set	FP-9596X	Std Only	6-354 Engs.; 3-3/32, 2-1/4 (2 cyl. set)
3	Standard Set	9596X +	Std Only	6-354 Engs.; 3-3/32, 2-1/4 (2 cyl. set); When depleted use FP-9596X
6	Premium Single Cylinder Set	W-9194KX	Std Only	6-354 Engs.; 3-3/32, 2-1/4 (2 cyl. set); Do not use w/Chrome liners
6	Standard Single Cylinder Set	W-9596X	Std Only	6-354 Engs.; 3-3/32, 2-1/4 (2 cyl. set)

Perkins Diesel

30 Industrial Applications A6.354, H6.354, H6.354-4, 6.354, 6.354-1, 6.354-2, 6.354-4 Engs. 5.8L 5798cc (354) OHV Diesel L6 (12 Valve), 3.875" Bore

CYL. HEAD & PARTS				
QTY	VALVE	PART NO.	SIZE	DESCRIPTION
6	Intake	FP-V1701		1.7440" Head Dia., .3730" Stem Dia., 4.8290" O.A.L.
6	Intake	V-1701 +	Std Only	1.7440" Head Dia., .3730" Stem Dia., 4.8290" O.A.L.; When depleted use FP-V1701
6	Exhaust	FP-V1700		1.4400" Head Dia., .3725" Stem Dia., 4.8570" O.A.L.
6	Exhaust	V-1700 +	Std Only	1.4400" Head Dia., .3725" Stem Dia., 4.8570" O.A.L.; When depleted use FP-V1700
24	Keeper	FP-VK223		
24	Keeper	VK-223 +		When depleted use FP-VK223
QTY	VALVE SEAT	PART NO.	SIZE	DESCRIPTION
6	Int.	245-2018E-1		O.E. replacement for heads w/factory-installed seats; 2.0180" OD, 1.5938" ID, .2813" Depth; When depleted use FP-2452018E1
6	Int.	245-2018E-1		O.E. replacement for heads w/factory-installed seats; 2.0180" OD, 1.5938" ID, .2813" Depth; When depleted use FP-2452018E1
6	Int.	245-2018E-1		O.E. replacement for heads w/factory-installed seats; 2.0180" OD, 1.5938" ID, .2813" Depth; When depleted use FP-2452018E1
6	Int.	245-2018E-1		O.E. replacement for heads w/factory-installed seats; 2.0180" OD, 1.5938" ID, .2813" Depth; When depleted use FP-2452018E1
QTY	VALVE GUIDE	PART NO.	SIZE	DESCRIPTION
6	Guide	FP-VG619		Exh.; .3755" ID, 2.4060" O.A.L.
6	Guide	VG-619 +		Exh.; .3755" ID, 2.4060" O.A.L.; When depleted use FP-VG619
6	Guide	FP-VG620		Int.; .3755" ID, 2.2810" O.A.L.
6	Guide	VG-620 +		Int.; .3755" ID, 2.2810" O.A.L.; When depleted use FP-VG620
QTY	VALVE SPRING	PART NO.	SIZE	DESCRIPTION
12	Spring	FP-VS1432		Outer; 2.5780" Free Height
12	Spring	VS-1432 +		Outer; 2.5780" Free Height; When depleted use FP-VS1432
QTY	VALVE SEAL	PART NO.	SIZE	DESCRIPTION
12	Valve Stem Seal	ST-2004		Exh.; Positive type; Installation requires valve guide machining; Rubber/PTFE
6	Valve Stem Seal	MV-1598C		Int.; Umbrella type; Rubber
12	Valve Stem Seal Bulk	ST-2004BC		Exh.; Positive type; Installation requires valve guide machining; Carton of 100; Rubber/PTFE
6	Valve Stem Seal Bulk	MV-1598		Int.; Umbrella type; Carton of 100; Rubber
CRANKSHAFT/OIL PUMP				
QTY	MAIN BEARINGS	PART NO.	SIZE	DESCRIPTION
1	Main Set	FP-4352M		T6-354 & T6-354.2 Engs. Only
1	Main Set	4352M +		T6-354 & T6-354.2 Engs. Only; When depleted use FP-4352M
1	Thrust Washer Set	FP-3137BFA		Position 4; Engs. From Ser. No. 8504189
1	Thrust Washer Set	3137BFA +		Position 4; Engs. From Ser. No. 8504189; When depleted use FP-3137BFA
1	Thrust Washer Set	FP-3137BF		Position 4; To Ser. No. 8504188
1	Thrust Washer Set	3137BF +		Position 4; To Ser. No. 8504188; When depleted use FP-3137BF
QTY	OIL PUMP	PART NO.	SIZE	DESCRIPTION
1	Oil Pump	224-43394 +		When depleted use FP-22443394
CYLINDER COMPONENTS				
QTY	LINERS	PART NO.	SIZE	DESCRIPTION
6	Dry Sleeve	FP-SL382M		6-354 Engs.; Flanged sleeve w/firewall. Early blocks may require machining for flanged sleeve (instructions incl.)
6	Dry Sleeve	SL-382M +		6-354 Engs.; Flanged sleeve w/firewall. Early blocks may require machining for flanged sleeve (instructions incl.); When depleted use FP-SL382M
6	Sleeve Assy.	FP-SL2193		6-354 Engs.; Flanged sleeve. Early blocks may require machining for flanged sleeve (instructions incl.)
6	Sleeve Assy.	SL-2193 +		6-354 Engs.; Flanged sleeve. Early blocks may require machining for flanged sleeve (instructions incl.); When depleted use FP-SL2193
QTY	PISTONS	PART NO.	SIZE	DESCRIPTION
6	Cast Piston	FP-2193PX		6-354 Engs.; Cast; 3-3/32", 2-1/4" Ring Groove, 2.757" CD, 1.3750" Pin Dia., Recessed Head 1.00" deep x 2.125" dia. - 16.0:1 C.R.; Repl. O.E. Nos. MF-738871M91, 2236105
6	Cast Piston	2193PX +		6-354 Engs.; Cast; 3-3/32", 2-1/4" Ring Groove, 2.757" CD, 1.3750" Pin Dia., Recessed Head 1.00" deep x 2.125" dia. - 16.0:1 C.R.; Repl. O.E. Nos. MF-738871M91, 2236105; When depleted use FP-2193PX
6	Pin Bushing	FP-3139Y15		
6	Pin Bushing	3139Y15 +		When depleted use FP-3139Y15
QTY	PISTON RINGS	PART NO.	SIZE	DESCRIPTION
3	Premium Set	FP-9194KX		6-354 Engs.; 3-3/32, 2-1/4 (2 cyl. set); Do not use w/Chrome liners
3	Premium Set	9194KX +		6-354 Engs.; 3-3/32, 2-1/4 (2 cyl. set); Do not use w/Chrome liners; When depleted use FP-9194KX
3	Standard Set	FP-9596X		6-354 Engs.; 3-3/32, 2-1/4 (2 cyl. set)

(continued on next page)

+ Superseded Part Number

Industrial Applications A6.354, H6.354, H6.354-4, 6.354, 6.354-1, 6.354-2, 6.354-4 Eng. 30
5.8L 5798cc (354) OHV Diesel L6 (12 Valve), 3.875" Bore (cont.)

CYLINDER COMPONENTS (cont.)

QTY	PISTON RINGS (cont.)	PART NO.	SIZE	DESCRIPTION
3	Standard Set	9596X +	Std Only	6-354 Engs.; 3-3/32, 2-1/4 (2 cyl. set); When depleted use FP-9596X
6	Premium Single Cylinder Set	W-9194KX	Std Only	6-354 Engs.; 3-3/32, 2-1/4 (2 cyl. set); Do not use w/Chrome liners
6	Standard Single Cylinder Set	W-9596X	Std Only	6-354 Engs.; 3-3/32, 2-1/4 (2 cyl. set)

H/D Truck C6.354-4, HT6.354, T6.354, T6.354-1, T6.354-3, T6.354-4 Eng. 31
5.8L 5798cc (354) OHV Turbo-Diesel L6 (12 Valve), 3.875" Bore

CYL. HEAD & PARTS

QTY	VALVE	PART NO.	SIZE	DESCRIPTION
6	Intake	FP-V1701		AT6 & T6 Engs.; From Ser. No. 354UA 3357T; 1.7440" Head Dia., .3730" Stem Dia., 4.8290" O.A.L.
6	Intake	V-1701 +	Std Only	AT6 & T6 Engs.; From Ser. No. 354UA 3357T; 1.7440" Head Dia., .3730" Stem Dia., 4.8290" O.A.L.; When depleted use FP-V1701
6	Exhaust	FP-V1700		1.4400" Head Dia., .3725" Stem Dia., 4.8570" O.A.L.
6	Exhaust	V-1700 +	Std Only	1.4400" Head Dia., .3725" Stem Dia., 4.8570" O.A.L.; When depleted use FP-V1700
24	Keeper	FP-VK223		
24	Keeper	VK-223 +		When depleted use FP-VK223

QTY	VALVE SEAT	PART NO.	SIZE	DESCRIPTION
6	Int.	245-2018E-1 +	Std Only	O.E. replacement for heads w/factory-installed seats; 2.0180" OD, 1.5938" ID, .2813" Depth; When depleted use FP-2452018E1

QTY	VALVE GUIDE	PART NO.	SIZE	DESCRIPTION
6	Guide	FP-VG619		Exh.; .3755" ID, 2.4060" O.A.L.
6	Guide	VG-619 +		Exh.; .3755" ID, 2.4060" O.A.L.; When depleted use FP-VG619
6	Guide	FP-VG620		Int.; .3755" ID, 2.2810" O.A.L.
6	Guide	VG-620 +		Int.; .3755" ID, 2.2810" O.A.L.; When depleted use FP-VG620

QTY	VALVE SPRING	PART NO.	SIZE	DESCRIPTION
12	Spring	FP-VS1432		Outer; 2.5780" Free Height
12	Spring	VS-1432 +		Outer; 2.5780" Free Height; When depleted use FP-VS1432

QTY	VALVE SEAL	PART NO.	SIZE	DESCRIPTION
12	Valve Stem Seal	ST-2004		Positive type; Installation requires valve guide machining; Rubber/PTFE
12	Valve Stem Seal Bulk	ST-2004BC		Positive type; Installation requires valve guide machining; Carton of 100; Rubber/PTFE

CRANKSHAFT/OIL PUMP

QTY	MAIN BEARINGS	PART NO.	SIZE	DESCRIPTION
1	Main Set	FP-4352M	Std Only	T6-354 Engs. Only
1	Main Set	4352M +	Std Only	T6-354 Engs. Only; When depleted use FP-4352M
1	Thrust Washer Set	FP-3137BFA	Std Only	Position 4; Engs. From Ser. No. 8504189
1	Thrust Washer Set	3137BFA +	Std Only	Position 4; Engs. From Ser. No. 8504189; When depleted use FP-3137BFA
1	Thrust Washer Set	FP-3137BF	Std Only	Position 4; To Ser. No. 8504188
1	Thrust Washer Set	3137BF +	Std Only	Position 4; To Ser. No. 8504188; When depleted use FP-3137BF

CYLINDER COMPONENTS

QTY	LINERS	PART NO.	SIZE	DESCRIPTION
6	Dry Sleeve	FP-SL382M	Std Only	T6-354 Engs.; Flanged sleeve w/firewall. Early blocks may require machining for flanged sleeve (instructions incl.)
6	Dry Sleeve	SL-382M +	Std Only	T6-354 Engs.; Flanged sleeve w/firewall. Early blocks may require machining for flanged sleeve (instructions incl.); When depleted use FP-SL382M
6	Sleeve Assy.	FP-SL2457	Std Only	T6-354 Engs., Exc. Marine; Flanged sleeve w/firewall. Early blocks may require machining for flanged sleeve (instructions incl.)
6	Sleeve Assy.	SL-2457 +	Std Only	T6-354 Engs., Exc. Marine; Flanged sleeve w/firewall. Early blocks may require machining for flanged sleeve (instructions incl.); When depleted use FP-SL2457

QTY	CONNECTING RODS & BRGS.	PART NO.	SIZE	DESCRIPTION
1	Rod Set	FP-63135CPA	Std-10	
1	Rod Set	6-3135CPA +	Std-10	When depleted use FP-63135CPA

Perkins Diesel

32 Industrial Applications C6.354-4, HT6.354, T6.354, T6.354-1, T6.354-3, T6.354-4 Eng. 5.8L 5798cc (354) OHV Turbo-Diesel L6 (12 Valve), 3.875" Bore

CYL. HEAD & PARTS

QTY	VALVE	PART NO.	SIZE	DESCRIPTION
6	Intake	FP-V1701		AT6 & T6 Engs.; From Ser. No. 354UA 3357T; 1.7440" Head Dia., .3730" Stem Dia., 4.8290" O.A.L.
6	Intake	V-1701 + Std Only		AT6 & T6 Engs.; From Ser. No. 354UA 3357T; 1.7440" Head Dia., .3730" Stem Dia., 4.8290" O.A.L.; When depleted use FP-V1701
6	Exhaust	FP-V1700		1.4400" Head Dia., .3725" Stem Dia., 4.8570" O.A.L.
6	Exhaust	V-1700 + Std Only		1.4400" Head Dia., .3725" Stem Dia., 4.8570" O.A.L.; When depleted use FP-V1700
24	Keeper	FP-VK223		
24	Keeper	VK-223 +		When depleted use FP-VK223
QTY	VALVE SEAT	PART NO.	SIZE	DESCRIPTION
6	Int.	245-2018E-1 + Std Only		O.E. replacement for heads w/factory-installed seats; 2.0180" OD, 1.5938" ID, .2813" Depth; When depleted use FP-2452018E1
QTY	VALVE GUIDE	PART NO.	SIZE	DESCRIPTION
6	Guide	FP-VG619		Exh.; .3755" ID, 2.4060" O.A.L.
6	Guide	VG-619 +		Exh.; .3755" ID, 2.4060" O.A.L.; When depleted use FP-VG619
6	Guide	FP-VG620		Int.; .3755" ID, 2.2810" O.A.L.
6	Guide	VG-620 +		Int.; .3755" ID, 2.2810" O.A.L.; When depleted use FP-VG620
QTY	VALVE SPRING	PART NO.	SIZE	DESCRIPTION
12	Spring	FP-VS1432		Outer; 2.5780" Free Height
12	Spring	VS-1432 +		Outer; 2.5780" Free Height; When depleted use FP-VS1432
QTY	VALVE SEAL	PART NO.	SIZE	DESCRIPTION
12	Valve Stem Seal	ST-2004		Positive type; Installation requires valve guide machining; Rubber/PTFE
12	Valve Stem Seal Bulk	ST-2004BC		Positive type; Installation requires valve guide machining; Carton of 100; Rubber/PTFE

CRANKSHAFT/OIL PUMP

QTY	MAIN BEARINGS	PART NO.	SIZE	DESCRIPTION
1	Main Set	FP-4352M	Std Only	T6-354 Engs. Only
1	Main Set	4352M + Std Only		T6-354 Engs. Only; When depleted use FP-4352M
1	Thrust Washer Set	FP-3137BFA	Std Only	Position 4; Engs. From Ser. No. 8504189
1	Thrust Washer Set	3137BFA + Std Only		Position 4; Engs. From Ser. No. 8504189; When depleted use FP-3137BFA
1	Thrust Washer Set	FP-3137BF	Std Only	Position 4; To Ser. No. 8504188
1	Thrust Washer Set	3137BF + Std Only		Position 4; To Ser. No. 8504188; When depleted use FP-3137BF

CYLINDER COMPONENTS

QTY	LINERS	PART NO.	SIZE	DESCRIPTION
6	Dry Sleeve	FP-SL382M	Std Only	T6-354 Engs.; Flanged sleeve w/firewall. Early blocks may require machining for flanged sleeve (instructions incl.)
6	Dry Sleeve	SL-382M + Std Only		T6-354 Engs.; Flanged sleeve w/firewall. Early blocks may require machining for flanged sleeve (instructions incl.); When depleted use FP-SL382M
6	Sleeve Assy.	FP-SL2457	Std Only	T6-354 Engs., Exc. Marine; Flanged sleeve w/firewall. Early blocks may require machining for flanged sleeve (instructions incl.)
6	Sleeve Assy.	SL-2457 + Std Only		T6-354 Engs., Exc. Marine; Flanged sleeve w/firewall. Early blocks may require machining for flanged sleeve (instructions incl.); When depleted use FP-SL2457

QTY	CONNECTING RODS & BRGS.	PART NO.	SIZE	DESCRIPTION
1	Rod Set	FP-63135CPA	Std-10	
1	Rod Set	6-3135CPA + Std-10		When depleted use FP-63135CPA

33 Industrial Applications 1006-60 Eng. 6.0L 5985cc OHV Diesel L6, 100mm Bore

CRANKSHAFT/OIL PUMP

QTY	MAIN BEARINGS	PART NO.	SIZE	DESCRIPTION
1	Thrust Washer Set	FP-31137551	STD	

CYLINDER COMPONENTS

QTY	PISTONS	PART NO.	SIZE	DESCRIPTION
6	Piston w/Pin, Retainer, Rings	FP-U5LP0057	STD	

(continued on next page)

Industrial Applications 1006-60 Eng. 33
6.0L 5985cc OHV Diesel L6, 100mm Bore (cont.)

CYLINDER COMPONENTS (cont.)

QTY	CONNECTING RODS & BRGS.	PART NO.	SIZE	DESCRIPTION
1	Rod Set	FP-U5ME0003	STD	
1	Rod Set	FP-U5ME0003A	25MM	
1	Rod Set	FP-U5ME0003B	50MM	

Industrial Applications 1006-6, Phaser 125 Eng. 34
6.0L 5985cc OHV Diesel L6, 100mm Bore

CYL. HEAD & PARTS

QTY	GASKETS	PART NO.	SIZE	DESCRIPTION
1	Head Set	FP-U5LT0179		

ENGINE BLOCK & PARTS

QTY	GASKET SETS	PART NO.	SIZE	DESCRIPTION
1	Lower Gasket Set	FP-U5LB0153		

CRANKSHAFT/OIL PUMP

QTY	MAIN BEARINGS	PART NO.	SIZE	DESCRIPTION
1	Main Set	FP-U5MB0007	STD	
1	Main Set	FP-U5MB0007A	25MM	
1	Main Set	FP-U5MB0007B	50MM	
1	Thrust Washer Set	FP-31137551	STD	

CYLINDER COMPONENTS

QTY	LINERS	PART NO.	SIZE	DESCRIPTION
6	Liner w/o Sealing Rings	FP-3135X042	STD	

QTY	PISTONS	PART NO.	SIZE	DESCRIPTION
6	Piston w/Pin, Retainer, Rings	FP-U5LL0015	STD	

QTY	CONNECTING RODS & BRGS.	PART NO.	SIZE	DESCRIPTION
1	Rod Set	FP-85043	STD	
1	Rod Set	FP-85043A	10	
1	Rod Set	FP-85043B	20	

QTY	PISTON RINGS	PART NO.	SIZE	DESCRIPTION
6	Ring Set Single Cylinder	FP-4181A019		

Industrial Applications 1006-60T, 1006-60TA, 1006-60TW Eng. 35
6.0L 5985cc OHV Turbo-Diesel L6, 100mm Bore

CRANKSHAFT/OIL PUMP

QTY	MAIN BEARINGS	PART NO.	SIZE	DESCRIPTION
1	Thrust Washer Set	FP-31137551	STD	

CYLINDER COMPONENTS

QTY	PISTONS	PART NO.	SIZE	DESCRIPTION
6	Piston w/Pin, Retainer, Rings	FP-U5LP0057	STD	

QTY	CONNECTING RODS & BRGS.	PART NO.	SIZE	DESCRIPTION
1	Rod Set	FP-U5ME0003	STD	
1	Rod Set	FP-U5ME0003A	25MM	
1	Rod Set	FP-U5ME0003B	50MM	

Industrial Applications 1006-6T, 1006-6TW, CC6.60, Phaser 180Ti Eng. 36
6.0L 5985cc OHV Turbo-Diesel L6, 100mm Bore

CYL. HEAD & PARTS

QTY	GASKETS	PART NO.	SIZE	DESCRIPTION
1	Head Set	FP-U5LT0179		

ENGINE BLOCK & PARTS

QTY	GASKET SETS	PART NO.	SIZE	DESCRIPTION
1	Lower Gasket Set	FP-U5LB0153		

CRANKSHAFT/OIL PUMP

QTY	MAIN BEARINGS	PART NO.	SIZE	DESCRIPTION
1	Main Set	FP-U5MB0007	STD	
1	Main Set	FP-U5MB0007A	25MM	

(continued on next page)

Perkins Diesel

36 Industrial Applications 1006-6T, 1006-6TW, CC6.60, Phaser 180Ti Engs. (cont.) 6.0L 5985cc OHV Turbo-Diesel L6, 100mm Bore

CRANKSHAFT/OIL PUMP (cont.)				
QTY	MAIN BEARINGS (cont.)	PART NO.	SIZE	DESCRIPTION
1	Main Set	FP-U5MB0007B	50MM	
1	Thrust Washer Set	FP-31137551	STD	
CYLINDER COMPONENTS				
QTY	LINERS	PART NO.	SIZE	DESCRIPTION
6	Liner w/o Sealing Rings	FP-3135X042	STD	
QTY	PISTONS	PART NO.	SIZE	DESCRIPTION
6	Piston w/Pin, Retainer, Rings	FP-U5LL0014	STD	
QTY	CONNECTING RODS & BRGS.	PART NO.	SIZE	DESCRIPTION
1	Rod Set	FP-U5ME0003	STD	
1	Rod Set	FP-U5ME0003A	25MM	
1	Rod Set	FP-U5ME0003B	50MM	
QTY	PISTON RINGS	PART NO.	SIZE	DESCRIPTION
6	Ring Set Single Cylinder	FP-4181A021		

37 Industrial Applications 6.372 Eng. 6.1L 6105cc (372) OHV Diesel L6, 3.975" Bore

CRANKSHAFT/OIL PUMP				
QTY	MAIN BEARINGS	PART NO.	SIZE	DESCRIPTION
1	Main Set	FP-4352M	Std Only	
1	Main Set	4352M +	Std Only	When depleted use FP-4352M
1	Thrust Washer Set	FP-3137BFA	Std Only	Engs. From Ser. No. 8504189
1	Thrust Washer Set	3137BFA +	Std Only	Engs. From Ser. No. 8504189; When depleted use FP-3137BFA
1	Thrust Washer Set	FP-3137BF	Std Only	To Ser. No. 8504188
1	Thrust Washer Set	3137BF +	Std Only	To Ser. No. 8504188; When depleted use FP-3137BF
QTY	OIL PUMP	PART NO.	SIZE	DESCRIPTION
1	Oil Pump	224-43394 +		When depleted use FP-22443394
CYLINDER COMPONENTS				
QTY	PISTONS	PART NO.	SIZE	DESCRIPTION
6	Pin Bushing	FP-3139Y15		
6	Pin Bushing	3139Y15 +		When depleted use FP-3139Y15

REO - Also See Engine Manufacturer

Engine Finding Index					
Engine	Years	Line No.	Engine	Years	Line No.
3.4L 209 L-HEAD L6 3.1875" Bore (Continental)		1	5.4L 331 OHV L6 4.125" Bore		7
3.7L 226 L-HEAD L6 3.3125" Bore (Continental)		2	5.4L 331 OHV L6 4.125" Bore		8
4.2L 255 OHV L6 3.625" Bore		3	5.9L 362 OHV L6 4.25" Bore (Reo Eng.) M/D Truck	1960-67	9
4.8L 292 OHV L6 3.875" Bore (Reo Eng.) M/D Truck	1960-67	4	6.6L 400 OHV L6 4.25" Bore (Reo Eng.) M/D Truck	1963-67	10
4.8L 292 OHV L6 3.875" Bore (Reo Eng.) H/D Truck	1960-70	4	6.6L 400 OHV L6 4.25" Bore (Reo Eng.) H/D Truck	1963-75	10
4.8L 292 OHV L6 3.875" Bore		5			
5.4L 331 OHV L6 4.125" Bore (Reo Eng.) M/D Truck	1960-67	6			
5.4L 331 OHV L6 4.125" Bore (Reo Eng.) H/D Truck	1960-73	6			
Engine Code Index					
Engine Code	Engine Description	Line No.	Engine Code	Engine Description	Line No.
OA110 ... Industrial Applications	4.2L 255 OHV L6 3.625" Bore	3	OA145	5.4L 331 OHV L6 4.125" Bore (Reo Eng.) M/D Truck	6
OA130	4.8L 292 OHV L6 3.875" Bore (Reo Eng.) M/D Truck	4	OA145	5.4L 331 OHV L6 4.125" Bore (Reo Eng.) H/D Truck	6
OA130	4.8L 292 OHV L6 3.875" Bore (Reo Eng.) H/D Truck	4	OA145 ... Industrial Applications	5.4L 331 OHV L6 4.125" Bore	7
OA130 ... Industrial Applications	4.8L 292 OHV L6 3.875" Bore	5	OA255 ... Industrial Applications	4.2L 255 OHV L6 3.625" Bore	3

(continued on next page)

REO - Also See Engine Manufacturer

Engine Code Index					
Engine Code	Engine Description	Line No.	Engine Code	Engine Description	Line No.
OA292	4.8L 292 OHV L6 3.875" Bore (Reo Eng.) M/D Truck	4	OH160 ... Industrial Applications.....	5.4L 331 OHV L6 4.125" Bore.....	7
OA292	4.8L 292 OHV L6 3.875" Bore (Reo Eng.) H/D Truck.....	4	OH170	5.4L 331 OHV L6 4.125" Bore (Reo Eng.) M/D Truck	6
OA292 ... Industrial Applications.....	4.8L 292 OHV L6 3.875" Bore.....	5	OH170	5.4L 331 OHV L6 4.125" Bore (Reo Eng.) H/D Truck.....	6
OA331	5.4L 331 OHV L6 4.125" Bore (Reo Eng.) M/D Truck	6	OH170 ... Industrial Applications.....	5.4L 331 OHV L6 4.125" Bore.....	7
OA331	5.4L 331 OHV L6 4.125" Bore (Reo Eng.) H/D Truck.....	6	OH185	5.9L 362 OHV L6 4.25" Bore (Reo Eng.) M/D Truck	9
OA331 ... Industrial Applications.....	5.4L 331 OHV L6 4.125" Bore.....	7	OH186	5.9L 362 OHV L6 4.25" Bore (Reo Eng.) M/D Truck	9
OH160	5.4L 331 OHV L6 4.125" Bore (Reo Eng.) M/D Truck	6	OH200	6.6L 400 OHV L6 4.25" Bore (Reo Eng.) M/D Truck	10
OH160	5.4L 331 OHV L6 4.125" Bore (Reo Eng.) H/D Truck.....	6	OH200	6.6L 400 OHV L6 4.25" Bore (Reo Eng.) H/D Truck.....	10

Model Index

Model	Engine Description	Line No.	Model	Engine Description	Line No.
AC403.....	5.4L 331 OHV L6 4.125" Bore (Reo Eng.) M/D Truck	6	C202	5.4L 331 OHV L6 4.125" Bore (Reo Eng.) H/D Truck.....	6
AC403.....	5.4L 331 OHV L6 4.125" Bore (Reo Eng.) H/D Truck.....	6	C202	5.9L 362 OHV L6 4.25" Bore (Reo Eng.) M/D Truck	9
AC403.....	5.9L 362 OHV L6 4.25" Bore (Reo Eng.) M/D Truck	9	C203.....	4.8L 292 OHV L6 3.875" Bore (Reo Eng.) M/D Truck	4
AC503.....	5.4L 331 OHV L6 4.125" Bore (Reo Eng.) M/D Truck	6	C203.....	4.8L 292 OHV L6 3.875" Bore (Reo Eng.) H/D Truck.....	4
AC503.....	5.4L 331 OHV L6 4.125" Bore (Reo Eng.) H/D Truck.....	6	C203.....	5.4L 331 OHV L6 4.125" Bore (Reo Eng.) M/D Truck	6
AC503.....	5.9L 362 OHV L6 4.25" Bore (Reo Eng.) M/D Truck	9	C203.....	5.4L 331 OHV L6 4.125" Bore (Reo Eng.) H/D Truck.....	6
A374	5.4L 331 OHV L6 4.125" Bore (Reo Eng.) M/D Truck	6	C203.....	5.9L 362 OHV L6 4.25" Bore (Reo Eng.) M/D Truck	9
A374	5.4L 331 OHV L6 4.125" Bore (Reo Eng.) H/D Truck.....	6	C270G	4.8L 292 OHV L6 3.875" Bore (Reo Eng.) M/D Truck	4
A375	5.4L 331 OHV L6 4.125" Bore (Reo Eng.) M/D Truck	6	C270G	4.8L 292 OHV L6 3.875" Bore (Reo Eng.) H/D Truck.....	4
A375	5.4L 331 OHV L6 4.125" Bore (Reo Eng.) H/D Truck.....	6	C270G	5.4L 331 OHV L6 4.125" Bore (Reo Eng.) M/D Truck	6
A475	5.4L 331 OHV L6 4.125" Bore (Reo Eng.) M/D Truck	6	C270G	5.4L 331 OHV L6 4.125" Bore (Reo Eng.) H/D Truck.....	6
A475	5.4L 331 OHV L6 4.125" Bore (Reo Eng.) H/D Truck.....	6	C270G	5.9L 362 OHV L6 4.25" Bore (Reo Eng.) M/D Truck	9
C200.....	4.8L 292 OHV L6 3.875" Bore (Reo Eng.) M/D Truck	4	C270H	4.8L 292 OHV L6 3.875" Bore (Reo Eng.) M/D Truck	4
C200.....	4.8L 292 OHV L6 3.875" Bore (Reo Eng.) H/D Truck.....	4	C270H	4.8L 292 OHV L6 3.875" Bore (Reo Eng.) H/D Truck.....	4
C200.....	5.4L 331 OHV L6 4.125" Bore (Reo Eng.) M/D Truck	6	C270H	5.4L 331 OHV L6 4.125" Bore (Reo Eng.) M/D Truck	6
C200.....	5.4L 331 OHV L6 4.125" Bore (Reo Eng.) H/D Truck.....	6	C270H	5.4L 331 OHV L6 4.125" Bore (Reo Eng.) H/D Truck.....	6
C200.....	5.9L 362 OHV L6 4.25" Bore (Reo Eng.) M/D Truck	9	C270H	5.9L 362 OHV L6 4.25" Bore (Reo Eng.) M/D Truck	9
C201.....	4.8L 292 OHV L6 3.875" Bore (Reo Eng.) M/D Truck	4	C270J	4.8L 292 OHV L6 3.875" Bore (Reo Eng.) M/D Truck	4
C201.....	4.8L 292 OHV L6 3.875" Bore (Reo Eng.) H/D Truck.....	4	C270J	4.8L 292 OHV L6 3.875" Bore (Reo Eng.) H/D Truck.....	4
C201.....	5.4L 331 OHV L6 4.125" Bore (Reo Eng.) M/D Truck	6	C270J	5.4L 331 OHV L6 4.125" Bore (Reo Eng.) M/D Truck	6
C201.....	5.4L 331 OHV L6 4.125" Bore (Reo Eng.) H/D Truck.....	6	C270J	5.4L 331 OHV L6 4.125" Bore (Reo Eng.) H/D Truck.....	6
C201.....	5.9L 362 OHV L6 4.25" Bore (Reo Eng.) M/D Truck	9	C270J	5.9L 362 OHV L6 4.25" Bore (Reo Eng.) M/D Truck	9
C202.....	4.8L 292 OHV L6 3.875" Bore (Reo Eng.) M/D Truck	4	C270L.....	4.8L 292 OHV L6 3.875" Bore (Reo Eng.) M/D Truck	4
C202.....	4.8L 292 OHV L6 3.875" Bore (Reo Eng.) H/D Truck.....	4	C270L.....	4.8L 292 OHV L6 3.875" Bore (Reo Eng.) H/D Truck.....	4
C202.....	5.4L 331 OHV L6 4.125" Bore (Reo Eng.) M/D Truck	6	C270L.....	5.4L 331 OHV L6 4.125" Bore (Reo Eng.) M/D Truck	6

(continued on next page)

REO - Also See Engine Manufacturer

Model Index					
Model	Engine Description	Line No.	Model	Engine Description	Line No.
C436	4.8L 292 OHV L6 3.875" Bore (Reo Eng.) M/D Truck	4	C478	4.8L 292 OHV L6 3.875" Bore (Reo Eng.) H/D Truck	4
C436	4.8L 292 OHV L6 3.875" Bore (Reo Eng.) H/D Truck	4	C478	5.4L 331 OHV L6 4.125" Bore (Reo Eng.) M/D Truck	6
C436	5.4L 331 OHV L6 4.125" Bore (Reo Eng.) M/D Truck	6	C478	5.4L 331 OHV L6 4.125" Bore (Reo Eng.) H/D Truck	6
C436	5.4L 331 OHV L6 4.125" Bore (Reo Eng.) H/D Truck	6	C478	5.9L 362 OHV L6 4.25" Bore (Reo Eng.) M/D Truck	9
C436	5.9L 362 OHV L6 4.25" Bore (Reo Eng.) M/D Truck	9	C500	4.8L 292 OHV L6 3.875" Bore (Reo Eng.) M/D Truck	4
C436-OH	4.8L 292 OHV L6 3.875" Bore (Reo Eng.) M/D Truck	4	C500	4.8L 292 OHV L6 3.875" Bore (Reo Eng.) H/D Truck	4
C436-OH	4.8L 292 OHV L6 3.875" Bore (Reo Eng.) H/D Truck	4	C500	5.4L 331 OHV L6 4.125" Bore (Reo Eng.) M/D Truck	6
C436-OH	5.4L 331 OHV L6 4.125" Bore (Reo Eng.) M/D Truck	6	C500	5.4L 331 OHV L6 4.125" Bore (Reo Eng.) H/D Truck	6
C436-OH	5.4L 331 OHV L6 4.125" Bore (Reo Eng.) H/D Truck	6	C500	5.9L 362 OHV L6 4.25" Bore (Reo Eng.) M/D Truck	9
C436-OH	5.9L 362 OHV L6 4.25" Bore (Reo Eng.) M/D Truck	9	C501	4.8L 292 OHV L6 3.875" Bore (Reo Eng.) M/D Truck	4
C440	4.8L 292 OHV L6 3.875" Bore (Reo Eng.) M/D Truck	4	C501	4.8L 292 OHV L6 3.875" Bore (Reo Eng.) H/D Truck	4
C440	4.8L 292 OHV L6 3.875" Bore (Reo Eng.) H/D Truck	4	C501	5.4L 331 OHV L6 4.125" Bore (Reo Eng.) M/D Truck	6
C440	5.4L 331 OHV L6 4.125" Bore (Reo Eng.) M/D Truck	6	C501	5.4L 331 OHV L6 4.125" Bore (Reo Eng.) H/D Truck	6
C440	5.4L 331 OHV L6 4.125" Bore (Reo Eng.) H/D Truck	6	C501	5.9L 362 OHV L6 4.25" Bore (Reo Eng.) M/D Truck	9
C440	5.9L 362 OHV L6 4.25" Bore (Reo Eng.) M/D Truck	9	C502M	4.8L 292 OHV L6 3.875" Bore (Reo Eng.) M/D Truck	4
C442	4.8L 292 OHV L6 3.875" Bore (Reo Eng.) M/D Truck	4	C502M	4.8L 292 OHV L6 3.875" Bore (Reo Eng.) H/D Truck	4
C442	4.8L 292 OHV L6 3.875" Bore (Reo Eng.) H/D Truck	4	C502M	5.4L 331 OHV L6 4.125" Bore (Reo Eng.) M/D Truck	6
C442	5.4L 331 OHV L6 4.125" Bore (Reo Eng.) M/D Truck	6	C502M	5.4L 331 OHV L6 4.125" Bore (Reo Eng.) H/D Truck	6
C442	5.4L 331 OHV L6 4.125" Bore (Reo Eng.) H/D Truck	6	C502M	5.9L 362 OHV L6 4.25" Bore (Reo Eng.) M/D Truck	9
C442	5.9L 362 OHV L6 4.25" Bore (Reo Eng.) M/D Truck	9	C503	4.8L 292 OHV L6 3.875" Bore (Reo Eng.) M/D Truck	4
C442-OH	4.8L 292 OHV L6 3.875" Bore (Reo Eng.) M/D Truck	4	C503	4.8L 292 OHV L6 3.875" Bore (Reo Eng.) H/D Truck	4
C442-OH	4.8L 292 OHV L6 3.875" Bore (Reo Eng.) H/D Truck	4	C503	5.4L 331 OHV L6 4.125" Bore (Reo Eng.) M/D Truck	6
C442-OH	5.4L 331 OHV L6 4.125" Bore (Reo Eng.) M/D Truck	6	C503	5.4L 331 OHV L6 4.125" Bore (Reo Eng.) H/D Truck	6
C442-OH	5.4L 331 OHV L6 4.125" Bore (Reo Eng.) H/D Truck	6	C503	5.9L 362 OHV L6 4.25" Bore (Reo Eng.) M/D Truck	9
C442-OH	5.9L 362 OHV L6 4.25" Bore (Reo Eng.) M/D Truck	9	C510	4.8L 292 OHV L6 3.875" Bore (Reo Eng.) M/D Truck	4
C470H	4.8L 292 OHV L6 3.875" Bore (Reo Eng.) M/D Truck	4	C510	4.8L 292 OHV L6 3.875" Bore (Reo Eng.) H/D Truck	4
C470H	4.8L 292 OHV L6 3.875" Bore (Reo Eng.) H/D Truck	4	C510	5.4L 331 OHV L6 4.125" Bore (Reo Eng.) M/D Truck	6
C470H	5.4L 331 OHV L6 4.125" Bore (Reo Eng.) M/D Truck	6	C510	5.4L 331 OHV L6 4.125" Bore (Reo Eng.) H/D Truck	6
C470H	5.4L 331 OHV L6 4.125" Bore (Reo Eng.) H/D Truck	6	C510	5.9L 362 OHV L6 4.25" Bore (Reo Eng.) M/D Truck	9
C470H	5.9L 362 OHV L6 4.25" Bore (Reo Eng.) M/D Truck	9	C530	4.8L 292 OHV L6 3.875" Bore (Reo Eng.) M/D Truck	4
C470J	4.8L 292 OHV L6 3.875" Bore (Reo Eng.) M/D Truck	4	C530	4.8L 292 OHV L6 3.875" Bore (Reo Eng.) H/D Truck	4
C470J	4.8L 292 OHV L6 3.875" Bore (Reo Eng.) H/D Truck	4	C530	5.4L 331 OHV L6 4.125" Bore (Reo Eng.) M/D Truck	6
C470J	5.4L 331 OHV L6 4.125" Bore (Reo Eng.) M/D Truck	6	C530	5.4L 331 OHV L6 4.125" Bore (Reo Eng.) H/D Truck	6
C470J	5.4L 331 OHV L6 4.125" Bore (Reo Eng.) H/D Truck	6	C530	5.9L 362 OHV L6 4.25" Bore (Reo Eng.) M/D Truck	9
C470J	5.9L 362 OHV L6 4.25" Bore (Reo Eng.) M/D Truck	9	C536	4.8L 292 OHV L6 3.875" Bore (Reo Eng.) M/D Truck	4
C478	4.8L 292 OHV L6 3.875" Bore (Reo Eng.) M/D Truck	4	C536	4.8L 292 OHV L6 3.875" Bore (Reo Eng.) H/D Truck	4

(continued on next page)

REO - Also See Engine Manufacturer

Model Index					
Model	Engine Description	Line No.	Model	Engine Description	Line No.
C536	5.4L 331 OHV L6 4.125" Bore (Reo Eng.) M/D Truck	6	DF303	5.9L 362 OHV L6 4.25" Bore (Reo Eng.) M/D Truck	9
C536	5.4L 331 OHV L6 4.125" Bore (Reo Eng.) H/D Truck	6	DF330	5.4L 331 OHV L6 4.125" Bore (Reo Eng.) M/D Truck	6
C536	5.9L 362 OHV L6 4.25" Bore (Reo Eng.) M/D Truck	9	DF330	5.4L 331 OHV L6 4.125" Bore (Reo Eng.) H/D Truck	6
C540	4.8L 292 OHV L6 3.875" Bore (Reo Eng.) M/D Truck	4	DF330	5.9L 362 OHV L6 4.25" Bore (Reo Eng.) M/D Truck	9
C540	4.8L 292 OHV L6 3.875" Bore (Reo Eng.) H/D Truck	4	DF330	6.6L 400 OHV L6 4.25" Bore (Reo Eng.) M/D Truck	10
C540	5.4L 331 OHV L6 4.125" Bore (Reo Eng.) M/D Truck	6	DF330	6.6L 400 OHV L6 4.25" Bore (Reo Eng.) H/D Truck	10
C540	5.4L 331 OHV L6 4.125" Bore (Reo Eng.) H/D Truck	6	DF332	5.4L 331 OHV L6 4.125" Bore (Reo Eng.) M/D Truck	6
C540	5.9L 362 OHV L6 4.25" Bore (Reo Eng.) M/D Truck	9	DF332	5.4L 331 OHV L6 4.125" Bore (Reo Eng.) H/D Truck	6
C578	4.8L 292 OHV L6 3.875" Bore (Reo Eng.) M/D Truck	4	DF332	5.9L 362 OHV L6 4.25" Bore (Reo Eng.) M/D Truck	9
C578	4.8L 292 OHV L6 3.875" Bore (Reo Eng.) H/D Truck	4	DF400	5.4L 331 OHV L6 4.125" Bore (Reo Eng.) M/D Truck	6
C578	5.4L 331 OHV L6 4.125" Bore (Reo Eng.) M/D Truck	6	DF400	5.4L 331 OHV L6 4.125" Bore (Reo Eng.) H/D Truck	6
C578	5.4L 331 OHV L6 4.125" Bore (Reo Eng.) H/D Truck	6	DF400	5.9L 362 OHV L6 4.25" Bore (Reo Eng.) M/D Truck	9
C578	5.9L 362 OHV L6 4.25" Bore (Reo Eng.) M/D Truck	9	DF400	6.6L 400 OHV L6 4.25" Bore (Reo Eng.) M/D Truck	10
C578	6.6L 400 OHV L6 4.25" Bore (Reo Eng.) M/D Truck	10	DF400	6.6L 400 OHV L6 4.25" Bore (Reo Eng.) H/D Truck	10
C578	6.6L 400 OHV L6 4.25" Bore (Reo Eng.) H/D Truck	10	DF401	5.4L 331 OHV L6 4.125" Bore (Reo Eng.) M/D Truck	6
DC403	5.4L 331 OHV L6 4.125" Bore (Reo Eng.) M/D Truck	6	DF401	5.4L 331 OHV L6 4.125" Bore (Reo Eng.) H/D Truck	6
DC403	5.4L 331 OHV L6 4.125" Bore (Reo Eng.) H/D Truck	6	DF401	5.9L 362 OHV L6 4.25" Bore (Reo Eng.) M/D Truck	9
DC403	5.9L 362 OHV L6 4.25" Bore (Reo Eng.) M/D Truck	9	DF402	5.4L 331 OHV L6 4.125" Bore (Reo Eng.) M/D Truck	6
DC403	6.6L 400 OHV L6 4.25" Bore (Reo Eng.) M/D Truck	10	DF402	5.4L 331 OHV L6 4.125" Bore (Reo Eng.) H/D Truck	6
DC403	6.6L 400 OHV L6 4.25" Bore (Reo Eng.) H/D Truck	10	DF402	5.9L 362 OHV L6 4.25" Bore (Reo Eng.) M/D Truck	9
DC503	5.4L 331 OHV L6 4.125" Bore (Reo Eng.) M/D Truck	6	DF403	5.4L 331 OHV L6 4.125" Bore (Reo Eng.) M/D Truck	6
DC503	5.4L 331 OHV L6 4.125" Bore (Reo Eng.) H/D Truck	6	DF403	5.4L 331 OHV L6 4.125" Bore (Reo Eng.) H/D Truck	6
DC503	5.9L 362 OHV L6 4.25" Bore (Reo Eng.) M/D Truck	9	DF403	5.9L 362 OHV L6 4.25" Bore (Reo Eng.) M/D Truck	9
DC503	6.6L 400 OHV L6 4.25" Bore (Reo Eng.) M/D Truck	10	DF430	5.4L 331 OHV L6 4.125" Bore (Reo Eng.) M/D Truck	6
DC503	6.6L 400 OHV L6 4.25" Bore (Reo Eng.) H/D Truck	10	DF430	5.4L 331 OHV L6 4.125" Bore (Reo Eng.) H/D Truck	6
DF300	5.4L 331 OHV L6 4.125" Bore (Reo Eng.) M/D Truck	6	DF430	5.9L 362 OHV L6 4.25" Bore (Reo Eng.) M/D Truck	9
DF300	5.4L 331 OHV L6 4.125" Bore (Reo Eng.) H/D Truck	6	DF430	6.6L 400 OHV L6 4.25" Bore (Reo Eng.) M/D Truck	10
DF300	5.9L 362 OHV L6 4.25" Bore (Reo Eng.) M/D Truck	9	DF430	6.6L 400 OHV L6 4.25" Bore (Reo Eng.) H/D Truck	10
DF301	5.4L 331 OHV L6 4.125" Bore (Reo Eng.) M/D Truck	6	DF432	5.4L 331 OHV L6 4.125" Bore (Reo Eng.) M/D Truck	6
DF301	5.4L 331 OHV L6 4.125" Bore (Reo Eng.) H/D Truck	6	DF432	5.4L 331 OHV L6 4.125" Bore (Reo Eng.) H/D Truck	6
DF301	5.9L 362 OHV L6 4.25" Bore (Reo Eng.) M/D Truck	9	DF432	5.9L 362 OHV L6 4.25" Bore (Reo Eng.) M/D Truck	9
DF302	5.4L 331 OHV L6 4.125" Bore (Reo Eng.) M/D Truck	6	DF500	5.4L 331 OHV L6 4.125" Bore (Reo Eng.) M/D Truck	6
DF302	5.4L 331 OHV L6 4.125" Bore (Reo Eng.) H/D Truck	6	DF500	5.4L 331 OHV L6 4.125" Bore (Reo Eng.) H/D Truck	6
DF302	5.9L 362 OHV L6 4.25" Bore (Reo Eng.) M/D Truck	9	DF500	5.9L 362 OHV L6 4.25" Bore (Reo Eng.) M/D Truck	9
DF303	5.4L 331 OHV L6 4.125" Bore (Reo Eng.) M/D Truck	6	DF500	6.6L 400 OHV L6 4.25" Bore (Reo Eng.) M/D Truck	10
DF303	5.4L 331 OHV L6 4.125" Bore (Reo Eng.) H/D Truck	6	DF500	6.6L 400 OHV L6 4.25" Bore (Reo Eng.) H/D Truck	10

(continued on next page)

REO - Also See Engine Manufacturer

Model Index					
Model	Engine Description	Line No.	Model	Engine Description	Line No.
DF501	5.4L 331 OHV L6 4.125" Bore (Reo Eng.) M/D Truck	6	D303	5.4L 331 OHV L6 4.125" Bore (Reo Eng.) M/D Truck	6
DF501	5.4L 331 OHV L6 4.125" Bore (Reo Eng.) H/D Truck	6	D303	5.4L 331 OHV L6 4.125" Bore (Reo Eng.) H/D Truck	6
DF501	5.9L 362 OHV L6 4.25" Bore (Reo Eng.) M/D Truck	9	D303	6.6L 400 OHV L6 4.25" Bore (Reo Eng.) M/D Truck	10
DF502	5.4L 331 OHV L6 4.125" Bore (Reo Eng.) M/D Truck	6	D303	6.6L 400 OHV L6 4.25" Bore (Reo Eng.) H/D Truck	10
DF502	5.4L 331 OHV L6 4.125" Bore (Reo Eng.) H/D Truck	6	D400	4.8L 292 OHV L6 3.875" Bore (Reo Eng.) M/D Truck	4
DF502	5.9L 362 OHV L6 4.25" Bore (Reo Eng.) M/D Truck	9	D400	4.8L 292 OHV L6 3.875" Bore (Reo Eng.) H/D Truck	4
DF503	5.4L 331 OHV L6 4.125" Bore (Reo Eng.) M/D Truck	6	D400	5.4L 331 OHV L6 4.125" Bore (Reo Eng.) M/D Truck	6
DF503	5.4L 331 OHV L6 4.125" Bore (Reo Eng.) H/D Truck	6	D400	5.4L 331 OHV L6 4.125" Bore (Reo Eng.) H/D Truck	6
DF503	5.9L 362 OHV L6 4.25" Bore (Reo Eng.) M/D Truck	9	D400	5.9L 362 OHV L6 4.25" Bore (Reo Eng.) M/D Truck	9
DF530	5.4L 331 OHV L6 4.125" Bore (Reo Eng.) M/D Truck	6	D400	6.6L 400 OHV L6 4.25" Bore (Reo Eng.) M/D Truck	10
DF530	5.4L 331 OHV L6 4.125" Bore (Reo Eng.) H/D Truck	6	D400	6.6L 400 OHV L6 4.25" Bore (Reo Eng.) H/D Truck	10
DF530	5.9L 362 OHV L6 4.25" Bore (Reo Eng.) M/D Truck	9	D403	4.8L 292 OHV L6 3.875" Bore (Reo Eng.) M/D Truck	4
DF530	6.6L 400 OHV L6 4.25" Bore (Reo Eng.) M/D Truck	10	D403	4.8L 292 OHV L6 3.875" Bore (Reo Eng.) H/D Truck	4
DF530	6.6L 400 OHV L6 4.25" Bore (Reo Eng.) H/D Truck	10	D403	5.4L 331 OHV L6 4.125" Bore (Reo Eng.) M/D Truck	6
DF532	5.4L 331 OHV L6 4.125" Bore (Reo Eng.) M/D Truck	6	D403	5.4L 331 OHV L6 4.125" Bore (Reo Eng.) H/D Truck	6
DF532	5.4L 331 OHV L6 4.125" Bore (Reo Eng.) H/D Truck	6	D403	6.6L 400 OHV L6 4.25" Bore (Reo Eng.) M/D Truck	10
DF532	5.9L 362 OHV L6 4.25" Bore (Reo Eng.) M/D Truck	9	D403	6.6L 400 OHV L6 4.25" Bore (Reo Eng.) H/D Truck	10
DOL435	5.4L 331 OHV L6 4.125" Bore (Reo Eng.) M/D Truck	6	D433	4.8L 292 OHV L6 3.875" Bore (Reo Eng.) M/D Truck	4
DOL435	5.4L 331 OHV L6 4.125" Bore (Reo Eng.) H/D Truck	6	D433	4.8L 292 OHV L6 3.875" Bore (Reo Eng.) H/D Truck	4
DOL435	5.9L 362 OHV L6 4.25" Bore (Reo Eng.) M/D Truck	9	D433	5.4L 331 OHV L6 4.125" Bore (Reo Eng.) M/D Truck	6
DOL436	5.4L 331 OHV L6 4.125" Bore (Reo Eng.) M/D Truck	6	D433	5.4L 331 OHV L6 4.125" Bore (Reo Eng.) H/D Truck	6
DOL436	5.4L 331 OHV L6 4.125" Bore (Reo Eng.) H/D Truck	6	D433	6.6L 400 OHV L6 4.25" Bore (Reo Eng.) M/D Truck	10
DOL536	5.4L 331 OHV L6 4.125" Bore (Reo Eng.) M/D Truck	6	D433	6.6L 400 OHV L6 4.25" Bore (Reo Eng.) H/D Truck	10
DOL536	5.4L 331 OHV L6 4.125" Bore (Reo Eng.) H/D Truck	6	D500	5.4L 331 OHV L6 4.125" Bore (Reo Eng.) M/D Truck	6
DOL536	5.9L 362 OHV L6 4.25" Bore (Reo Eng.) M/D Truck	9	D500	5.4L 331 OHV L6 4.125" Bore (Reo Eng.) H/D Truck	6
DO430	5.4L 331 OHV L6 4.125" Bore (Reo Eng.) M/D Truck	6	D500	5.9L 362 OHV L6 4.25" Bore (Reo Eng.) M/D Truck	9
DO430	5.4L 331 OHV L6 4.125" Bore (Reo Eng.) H/D Truck	6	D500	6.6L 400 OHV L6 4.25" Bore (Reo Eng.) M/D Truck	10
DO430	5.9L 362 OHV L6 4.25" Bore (Reo Eng.) M/D Truck	9	D500	6.6L 400 OHV L6 4.25" Bore (Reo Eng.) H/D Truck	10
DO435	5.4L 331 OHV L6 4.125" Bore (Reo Eng.) M/D Truck	6	D503	5.4L 331 OHV L6 4.125" Bore (Reo Eng.) M/D Truck	6
DO435	5.4L 331 OHV L6 4.125" Bore (Reo Eng.) H/D Truck	6	D503	5.4L 331 OHV L6 4.125" Bore (Reo Eng.) H/D Truck	6
DO435	5.9L 362 OHV L6 4.25" Bore (Reo Eng.) M/D Truck	9	D503	5.9L 362 OHV L6 4.25" Bore (Reo Eng.) M/D Truck	9
DO530	5.4L 331 OHV L6 4.125" Bore (Reo Eng.) M/D Truck	6	D503	6.6L 400 OHV L6 4.25" Bore (Reo Eng.) M/D Truck	10
DO530	5.4L 331 OHV L6 4.125" Bore (Reo Eng.) H/D Truck	6	D503	6.6L 400 OHV L6 4.25" Bore (Reo Eng.) H/D Truck	10
DO530	5.9L 362 OHV L6 4.25" Bore (Reo Eng.) M/D Truck	9	E20	4.8L 292 OHV L6 3.875" Bore (Reo Eng.) M/D Truck	4
D303	4.8L 292 OHV L6 3.875" Bore (Reo Eng.) M/D Truck	4	E20	4.8L 292 OHV L6 3.875" Bore (Reo Eng.) H/D Truck	4
D303	4.8L 292 OHV L6 3.875" Bore (Reo Eng.) H/D Truck	4	E20	5.4L 331 OHV L6 4.125" Bore (Reo Eng.) M/D Truck	6

(continued on next page)

REO - Also See Engine Manufacturer

Model Index					
Model	Engine Description	Line No.	Model	Engine Description	Line No.
E20	5.4L 331 OHV L6 4.125" Bore (Reo Eng.) H/D Truck	6	E22	5.9L 362 OHV L6 4.25" Bore (Reo Eng.) M/D Truck	9
E20	5.9L 362 OHV L6 4.25" Bore (Reo Eng.) M/D Truck	9	E22	6.6L 400 OHV L6 4.25" Bore (Reo Eng.) M/D Truck	10
E20	6.6L 400 OHV L6 4.25" Bore (Reo Eng.) M/D Truck	10	E22	6.6L 400 OHV L6 4.25" Bore (Reo Eng.) H/D Truck	10
E20	6.6L 400 OHV L6 4.25" Bore (Reo Eng.) H/D Truck	10	E22R	4.8L 292 OHV L6 3.875" Bore (Reo Eng.) M/D Truck	4
E200	4.8L 292 OHV L6 3.875" Bore (Reo Eng.) M/D Truck	4	E22R	4.8L 292 OHV L6 3.875" Bore (Reo Eng.) H/D Truck	4
E200	4.8L 292 OHV L6 3.875" Bore (Reo Eng.) H/D Truck	4	E22R	5.4L 331 OHV L6 4.125" Bore (Reo Eng.) M/D Truck	6
E200	5.4L 331 OHV L6 4.125" Bore (Reo Eng.) M/D Truck	6	E22R	5.4L 331 OHV L6 4.125" Bore (Reo Eng.) H/D Truck	6
E200	5.4L 331 OHV L6 4.125" Bore (Reo Eng.) H/D Truck	6	E22R	5.9L 362 OHV L6 4.25" Bore (Reo Eng.) M/D Truck	9
E200	5.9L 362 OHV L6 4.25" Bore (Reo Eng.) M/D Truck	9	E22R	6.6L 400 OHV L6 4.25" Bore (Reo Eng.) M/D Truck	10
E200	6.6L 400 OHV L6 4.25" Bore (Reo Eng.) M/D Truck	10	E22R	6.6L 400 OHV L6 4.25" Bore (Reo Eng.) H/D Truck	10
E200	6.6L 400 OHV L6 4.25" Bore (Reo Eng.) H/D Truck	10	E22S	4.8L 292 OHV L6 3.875" Bore (Reo Eng.) M/D Truck	4
E21	4.8L 292 OHV L6 3.875" Bore (Reo Eng.) M/D Truck	4	E22S	4.8L 292 OHV L6 3.875" Bore (Reo Eng.) H/D Truck	4
E21	4.8L 292 OHV L6 3.875" Bore (Reo Eng.) H/D Truck	4	E22S	5.4L 331 OHV L6 4.125" Bore (Reo Eng.) M/D Truck	6
E21	5.4L 331 OHV L6 4.125" Bore (Reo Eng.) M/D Truck	6	E22S	5.4L 331 OHV L6 4.125" Bore (Reo Eng.) H/D Truck	6
E21	5.4L 331 OHV L6 4.125" Bore (Reo Eng.) H/D Truck	6	E22S	5.9L 362 OHV L6 4.25" Bore (Reo Eng.) M/D Truck	9
E21	5.9L 362 OHV L6 4.25" Bore (Reo Eng.) M/D Truck	9	E22S	6.6L 400 OHV L6 4.25" Bore (Reo Eng.) M/D Truck	10
E21	6.6L 400 OHV L6 4.25" Bore (Reo Eng.) M/D Truck	10	E22S	6.6L 400 OHV L6 4.25" Bore (Reo Eng.) H/D Truck	10
E21	6.6L 400 OHV L6 4.25" Bore (Reo Eng.) H/D Truck	10	E226	4.8L 292 OHV L6 3.875" Bore (Reo Eng.) M/D Truck	4
E21R	4.8L 292 OHV L6 3.875" Bore (Reo Eng.) M/D Truck	4	E226	4.8L 292 OHV L6 3.875" Bore (Reo Eng.) H/D Truck	4
E21R	4.8L 292 OHV L6 3.875" Bore (Reo Eng.) H/D Truck	4	E226	5.4L 331 OHV L6 4.125" Bore (Reo Eng.) M/D Truck	6
E21R	5.4L 331 OHV L6 4.125" Bore (Reo Eng.) M/D Truck	6	E226	5.4L 331 OHV L6 4.125" Bore (Reo Eng.) H/D Truck	6
E21R	5.4L 331 OHV L6 4.125" Bore (Reo Eng.) H/D Truck	6	E226	5.9L 362 OHV L6 4.25" Bore (Reo Eng.) M/D Truck	9
E21R	5.9L 362 OHV L6 4.25" Bore (Reo Eng.) M/D Truck	9	E226	6.6L 400 OHV L6 4.25" Bore (Reo Eng.) M/D Truck	10
E21R	6.6L 400 OHV L6 4.25" Bore (Reo Eng.) M/D Truck	10	E226	6.6L 400 OHV L6 4.25" Bore (Reo Eng.) H/D Truck	10
E21R	6.6L 400 OHV L6 4.25" Bore (Reo Eng.) H/D Truck	10	E300	4.8L 292 OHV L6 3.875" Bore (Reo Eng.) M/D Truck	4
E216	4.8L 292 OHV L6 3.875" Bore (Reo Eng.) M/D Truck	4	E300	4.8L 292 OHV L6 3.875" Bore (Reo Eng.) H/D Truck	4
E216	4.8L 292 OHV L6 3.875" Bore (Reo Eng.) H/D Truck	4	E300	5.4L 331 OHV L6 4.125" Bore (Reo Eng.) M/D Truck	6
E216	5.4L 331 OHV L6 4.125" Bore (Reo Eng.) M/D Truck	6	E300	5.4L 331 OHV L6 4.125" Bore (Reo Eng.) H/D Truck	6
E216	5.4L 331 OHV L6 4.125" Bore (Reo Eng.) H/D Truck	6	E300	5.9L 362 OHV L6 4.25" Bore (Reo Eng.) M/D Truck	9
E216	5.9L 362 OHV L6 4.25" Bore (Reo Eng.) M/D Truck	9	E300	6.6L 400 OHV L6 4.25" Bore (Reo Eng.) M/D Truck	10
E216	6.6L 400 OHV L6 4.25" Bore (Reo Eng.) M/D Truck	10	E300	6.6L 400 OHV L6 4.25" Bore (Reo Eng.) H/D Truck	10
E216	6.6L 400 OHV L6 4.25" Bore (Reo Eng.) H/D Truck	10	E330	4.8L 292 OHV L6 3.875" Bore (Reo Eng.) M/D Truck	4
E22	4.8L 292 OHV L6 3.875" Bore (Reo Eng.) M/D Truck	4	E330	4.8L 292 OHV L6 3.875" Bore (Reo Eng.) H/D Truck	4
E22	4.8L 292 OHV L6 3.875" Bore (Reo Eng.) H/D Truck	4	E330	5.4L 331 OHV L6 4.125" Bore (Reo Eng.) M/D Truck	6
E22	5.4L 331 OHV L6 4.125" Bore (Reo Eng.) M/D Truck	6	E330	5.4L 331 OHV L6 4.125" Bore (Reo Eng.) H/D Truck	6
E22	5.4L 331 OHV L6 4.125" Bore (Reo Eng.) H/D Truck	6	E330	5.9L 362 OHV L6 4.25" Bore (Reo Eng.) M/D Truck	9

(continued on next page)

REO - Also See Engine Manufacturer

Model Index					
Model	Engine Description	Line No.	Model	Engine Description	Line No.
E540	4.8L 292 OHV L6 3.875" Bore (Reo Eng.) M/D Truck	4	F120H	4.8L 292 OHV L6 3.875" Bore (Reo Eng.) M/D Truck	4
E540	4.8L 292 OHV L6 3.875" Bore (Reo Eng.) H/D Truck	4	F120H	4.8L 292 OHV L6 3.875" Bore (Reo Eng.) H/D Truck	4
E540	5.4L 331 OHV L6 4.125" Bore (Reo Eng.) M/D Truck	6	F120H	5.4L 331 OHV L6 4.125" Bore (Reo Eng.) M/D Truck	6
E540	5.4L 331 OHV L6 4.125" Bore (Reo Eng.) H/D Truck	6	F120H	5.4L 331 OHV L6 4.125" Bore (Reo Eng.) H/D Truck	6
E540	5.9L 362 OHV L6 4.25" Bore (Reo Eng.) M/D Truck	9	F120L	4.8L 292 OHV L6 3.875" Bore (Reo Eng.) M/D Truck	4
E540	6.6L 400 OHV L6 4.25" Bore (Reo Eng.) M/D Truck	10	F120L	4.8L 292 OHV L6 3.875" Bore (Reo Eng.) H/D Truck	4
E540	6.6L 400 OHV L6 4.25" Bore (Reo Eng.) H/D Truck	10	F120L	5.4L 331 OHV L6 4.125" Bore (Reo Eng.) M/D Truck	6
E542	4.8L 292 OHV L6 3.875" Bore (Reo Eng.) M/D Truck	4	F120L	5.4L 331 OHV L6 4.125" Bore (Reo Eng.) H/D Truck	6
E542	4.8L 292 OHV L6 3.875" Bore (Reo Eng.) H/D Truck	4	F122H	4.8L 292 OHV L6 3.875" Bore (Reo Eng.) M/D Truck	4
E542	5.4L 331 OHV L6 4.125" Bore (Reo Eng.) M/D Truck	6	F122H	4.8L 292 OHV L6 3.875" Bore (Reo Eng.) H/D Truck	4
E542	5.4L 331 OHV L6 4.125" Bore (Reo Eng.) H/D Truck	6	F122H	5.4L 331 OHV L6 4.125" Bore (Reo Eng.) M/D Truck	6
E542	5.9L 362 OHV L6 4.25" Bore (Reo Eng.) M/D Truck	9	F122H	5.4L 331 OHV L6 4.125" Bore (Reo Eng.) H/D Truck	6
E542	6.6L 400 OHV L6 4.25" Bore (Reo Eng.) M/D Truck	10	F122J	4.8L 292 OHV L6 3.875" Bore (Reo Eng.) M/D Truck	4
E542	6.6L 400 OHV L6 4.25" Bore (Reo Eng.) H/D Truck	10	F122J	4.8L 292 OHV L6 3.875" Bore (Reo Eng.) H/D Truck	4
E556	4.8L 292 OHV L6 3.875" Bore (Reo Eng.) M/D Truck	4	F122J	5.4L 331 OHV L6 4.125" Bore (Reo Eng.) M/D Truck	6
E556	4.8L 292 OHV L6 3.875" Bore (Reo Eng.) H/D Truck	4	F122J	5.4L 331 OHV L6 4.125" Bore (Reo Eng.) H/D Truck	6
E556	5.4L 331 OHV L6 4.125" Bore (Reo Eng.) M/D Truck	6	F20	4.8L 292 OHV L6 3.875" Bore (Reo Eng.) M/D Truck	4
E556	5.4L 331 OHV L6 4.125" Bore (Reo Eng.) H/D Truck	6	F20	4.8L 292 OHV L6 3.875" Bore (Reo Eng.) H/D Truck	4
E556	5.9L 362 OHV L6 4.25" Bore (Reo Eng.) M/D Truck	9	F20	5.4L 331 OHV L6 4.125" Bore (Reo Eng.) M/D Truck	6
E556	6.6L 400 OHV L6 4.25" Bore (Reo Eng.) M/D Truck	10	F20	5.4L 331 OHV L6 4.125" Bore (Reo Eng.) H/D Truck	6
E556	6.6L 400 OHV L6 4.25" Bore (Reo Eng.) H/D Truck	10	F20-1	4.8L 292 OHV L6 3.875" Bore (Reo Eng.) M/D Truck	4
E556-OH	4.8L 292 OHV L6 3.875" Bore (Reo Eng.) M/D Truck	4	F20-1	4.8L 292 OHV L6 3.875" Bore (Reo Eng.) H/D Truck	4
E556-OH	4.8L 292 OHV L6 3.875" Bore (Reo Eng.) H/D Truck	4	F20-1	5.4L 331 OHV L6 4.125" Bore (Reo Eng.) M/D Truck	6
E556-OH	5.4L 331 OHV L6 4.125" Bore (Reo Eng.) M/D Truck	6	F20-1	5.4L 331 OHV L6 4.125" Bore (Reo Eng.) H/D Truck	6
E556-OH	5.4L 331 OHV L6 4.125" Bore (Reo Eng.) H/D Truck	6	F20-2	4.8L 292 OHV L6 3.875" Bore (Reo Eng.) M/D Truck	4
E556-OH	5.9L 362 OHV L6 4.25" Bore (Reo Eng.) M/D Truck	9	F20-2	4.8L 292 OHV L6 3.875" Bore (Reo Eng.) H/D Truck	4
E556-OH	6.6L 400 OHV L6 4.25" Bore (Reo Eng.) M/D Truck	10	F20-2	5.4L 331 OHV L6 4.125" Bore (Reo Eng.) M/D Truck	6
E556-OH	6.6L 400 OHV L6 4.25" Bore (Reo Eng.) H/D Truck	10	F20-2	5.4L 331 OHV L6 4.125" Bore (Reo Eng.) H/D Truck	6
F120	4.8L 292 OHV L6 3.875" Bore (Reo Eng.) M/D Truck	4	F20-3	4.8L 292 OHV L6 3.875" Bore (Reo Eng.) M/D Truck	4
F120	4.8L 292 OHV L6 3.875" Bore (Reo Eng.) H/D Truck	4	F20-3	4.8L 292 OHV L6 3.875" Bore (Reo Eng.) H/D Truck	4
F120	5.4L 331 OHV L6 4.125" Bore (Reo Eng.) M/D Truck	6	F20-3	5.4L 331 OHV L6 4.125" Bore (Reo Eng.) M/D Truck	6
F120	5.4L 331 OHV L6 4.125" Bore (Reo Eng.) H/D Truck	6	F20-3	5.4L 331 OHV L6 4.125" Bore (Reo Eng.) H/D Truck	6
F120G	4.8L 292 OHV L6 3.875" Bore (Reo Eng.) M/D Truck	4	F20T	4.8L 292 OHV L6 3.875" Bore (Reo Eng.) M/D Truck	4
F120G	4.8L 292 OHV L6 3.875" Bore (Reo Eng.) H/D Truck	4	F20T	4.8L 292 OHV L6 3.875" Bore (Reo Eng.) H/D Truck	4
F120G	5.4L 331 OHV L6 4.125" Bore (Reo Eng.) M/D Truck	6	F20T	5.4L 331 OHV L6 4.125" Bore (Reo Eng.) M/D Truck	6
F120G	5.4L 331 OHV L6 4.125" Bore (Reo Eng.) H/D Truck	6	F20T	5.4L 331 OHV L6 4.125" Bore (Reo Eng.) H/D Truck	6

(continued on next page)

REO - Also See Engine Manufacturer

Model Index					
Model	Engine Description	Line No.	Model	Engine Description	Line No.
F206	4.8L 292 OHV L6 3.875" Bore (Reo Eng.) M/D Truck	4	F22R-3	4.8L 292 OHV L6 3.875" Bore (Reo Eng.) M/D Truck	4
F206	4.8L 292 OHV L6 3.875" Bore (Reo Eng.) H/D Truck	4	F22R-3	4.8L 292 OHV L6 3.875" Bore (Reo Eng.) H/D Truck	4
F206	5.4L 331 OHV L6 4.125" Bore (Reo Eng.) M/D Truck	6	F22R-3	5.4L 331 OHV L6 4.125" Bore (Reo Eng.) M/D Truck	6
F206	5.4L 331 OHV L6 4.125" Bore (Reo Eng.) H/D Truck	6	F22R-3	5.4L 331 OHV L6 4.125" Bore (Reo Eng.) H/D Truck	6
F21	4.8L 292 OHV L6 3.875" Bore (Reo Eng.) M/D Truck	4	F22RS	4.8L 292 OHV L6 3.875" Bore (Reo Eng.) M/D Truck	4
F21	4.8L 292 OHV L6 3.875" Bore (Reo Eng.) H/D Truck	4	F22RS	4.8L 292 OHV L6 3.875" Bore (Reo Eng.) H/D Truck	4
F21	5.4L 331 OHV L6 4.125" Bore (Reo Eng.) M/D Truck	6	F22RS	5.4L 331 OHV L6 4.125" Bore (Reo Eng.) M/D Truck	6
F21	5.4L 331 OHV L6 4.125" Bore (Reo Eng.) H/D Truck	6	F22RS	5.4L 331 OHV L6 4.125" Bore (Reo Eng.) H/D Truck	6
F216	4.8L 292 OHV L6 3.875" Bore (Reo Eng.) M/D Truck	4	F22RT	4.8L 292 OHV L6 3.875" Bore (Reo Eng.) M/D Truck	4
F216	4.8L 292 OHV L6 3.875" Bore (Reo Eng.) H/D Truck	4	F22RT	4.8L 292 OHV L6 3.875" Bore (Reo Eng.) H/D Truck	4
F216	5.4L 331 OHV L6 4.125" Bore (Reo Eng.) M/D Truck	6	F22RT	5.4L 331 OHV L6 4.125" Bore (Reo Eng.) M/D Truck	6
F216	5.4L 331 OHV L6 4.125" Bore (Reo Eng.) H/D Truck	6	F22RT	5.4L 331 OHV L6 4.125" Bore (Reo Eng.) H/D Truck	6
F22	4.8L 292 OHV L6 3.875" Bore (Reo Eng.) M/D Truck	4	F22S	4.8L 292 OHV L6 3.875" Bore (Reo Eng.) M/D Truck	4
F22	4.8L 292 OHV L6 3.875" Bore (Reo Eng.) H/D Truck	4	F22S	4.8L 292 OHV L6 3.875" Bore (Reo Eng.) H/D Truck	4
F22	5.4L 331 OHV L6 4.125" Bore (Reo Eng.) M/D Truck	6	F22S	5.4L 331 OHV L6 4.125" Bore (Reo Eng.) M/D Truck	6
F22	5.4L 331 OHV L6 4.125" Bore (Reo Eng.) H/D Truck	6	F22S	5.4L 331 OHV L6 4.125" Bore (Reo Eng.) H/D Truck	6
F22-1	4.8L 292 OHV L6 3.875" Bore (Reo Eng.) M/D Truck	4	F22T	4.8L 292 OHV L6 3.875" Bore (Reo Eng.) M/D Truck	4
F22-1	4.8L 292 OHV L6 3.875" Bore (Reo Eng.) H/D Truck	4	F22T	4.8L 292 OHV L6 3.875" Bore (Reo Eng.) H/D Truck	4
F22-1	5.4L 331 OHV L6 4.125" Bore (Reo Eng.) M/D Truck	6	F22T	5.4L 331 OHV L6 4.125" Bore (Reo Eng.) M/D Truck	6
F22-1	5.4L 331 OHV L6 4.125" Bore (Reo Eng.) H/D Truck	6	F22T	5.4L 331 OHV L6 4.125" Bore (Reo Eng.) H/D Truck	6
F22-2	4.8L 292 OHV L6 3.875" Bore (Reo Eng.) M/D Truck	4	F226	4.8L 292 OHV L6 3.875" Bore (Reo Eng.) M/D Truck	4
F22-2	4.8L 292 OHV L6 3.875" Bore (Reo Eng.) H/D Truck	4	F226	4.8L 292 OHV L6 3.875" Bore (Reo Eng.) H/D Truck	4
F22-2	5.4L 331 OHV L6 4.125" Bore (Reo Eng.) M/D Truck	6	F226	5.4L 331 OHV L6 4.125" Bore (Reo Eng.) M/D Truck	6
F22-2	5.4L 331 OHV L6 4.125" Bore (Reo Eng.) H/D Truck	6	F226	5.4L 331 OHV L6 4.125" Bore (Reo Eng.) H/D Truck	6
F22-3	4.8L 292 OHV L6 3.875" Bore (Reo Eng.) M/D Truck	4	F226M	4.8L 292 OHV L6 3.875" Bore (Reo Eng.) M/D Truck	4
F22-3	4.8L 292 OHV L6 3.875" Bore (Reo Eng.) H/D Truck	4	F226M	4.8L 292 OHV L6 3.875" Bore (Reo Eng.) H/D Truck	4
F22-3	5.4L 331 OHV L6 4.125" Bore (Reo Eng.) M/D Truck	6	F226M	5.4L 331 OHV L6 4.125" Bore (Reo Eng.) M/D Truck	6
F22-3	5.4L 331 OHV L6 4.125" Bore (Reo Eng.) H/D Truck	6	F226M	5.4L 331 OHV L6 4.125" Bore (Reo Eng.) H/D Truck	6
F22R-1	4.8L 292 OHV L6 3.875" Bore (Reo Eng.) M/D Truck	4	F23DT	4.8L 292 OHV L6 3.875" Bore (Reo Eng.) M/D Truck	4
F22R-1	4.8L 292 OHV L6 3.875" Bore (Reo Eng.) H/D Truck	4	F23DT	4.8L 292 OHV L6 3.875" Bore (Reo Eng.) H/D Truck	4
F22R-1	5.4L 331 OHV L6 4.125" Bore (Reo Eng.) M/D Truck	6	F23DT	5.4L 331 OHV L6 4.125" Bore (Reo Eng.) M/D Truck	6
F22R-1	5.4L 331 OHV L6 4.125" Bore (Reo Eng.) H/D Truck	6	F23DT	5.4L 331 OHV L6 4.125" Bore (Reo Eng.) H/D Truck	6
F22R-2	4.8L 292 OHV L6 3.875" Bore (Reo Eng.) M/D Truck	4	F236	4.8L 292 OHV L6 3.875" Bore (Reo Eng.) M/D Truck	4
F22R-2	4.8L 292 OHV L6 3.875" Bore (Reo Eng.) H/D Truck	4	F236	4.8L 292 OHV L6 3.875" Bore (Reo Eng.) H/D Truck	4
F22R-2	5.4L 331 OHV L6 4.125" Bore (Reo Eng.) M/D Truck	6	F236	5.4L 331 OHV L6 4.125" Bore (Reo Eng.) M/D Truck	6
F22R-2	5.4L 331 OHV L6 4.125" Bore (Reo Eng.) H/D Truck	6	F236	5.4L 331 OHV L6 4.125" Bore (Reo Eng.) H/D Truck	6

(continued on next page)

REO - Also See Engine Manufacturer

Model Index					
Model	Engine Description	Line No.	Model	Engine Description	Line No.
F50	4.8L 292 OHV L6 3.875" Bore (Reo Eng.) M/D Truck	4	F506H	4.8L 292 OHV L6 3.875" Bore (Reo Eng.) M/D Truck	4
F50	4.8L 292 OHV L6 3.875" Bore (Reo Eng.) H/D Truck	4	F506H	4.8L 292 OHV L6 3.875" Bore (Reo Eng.) H/D Truck	4
F50	5.4L 331 OHV L6 4.125" Bore (Reo Eng.) M/D Truck	6	F506H	5.4L 331 OHV L6 4.125" Bore (Reo Eng.) M/D Truck	6
F50	5.4L 331 OHV L6 4.125" Bore (Reo Eng.) H/D Truck	6	F506H	5.4L 331 OHV L6 4.125" Bore (Reo Eng.) H/D Truck	6
F50-1	4.8L 292 OHV L6 3.875" Bore (Reo Eng.) M/D Truck	4	F536	4.8L 292 OHV L6 3.875" Bore (Reo Eng.) M/D Truck	4
F50-1	4.8L 292 OHV L6 3.875" Bore (Reo Eng.) H/D Truck	4	F536	4.8L 292 OHV L6 3.875" Bore (Reo Eng.) H/D Truck	4
F50-1	5.4L 331 OHV L6 4.125" Bore (Reo Eng.) M/D Truck	6	F536	5.4L 331 OHV L6 4.125" Bore (Reo Eng.) M/D Truck	6
F50-1	5.4L 331 OHV L6 4.125" Bore (Reo Eng.) H/D Truck	6	F536	5.4L 331 OHV L6 4.125" Bore (Reo Eng.) H/D Truck	6
F50-2	4.8L 292 OHV L6 3.875" Bore (Reo Eng.) M/D Truck	4	F536-OH	4.8L 292 OHV L6 3.875" Bore (Reo Eng.) M/D Truck	4
F50-2	4.8L 292 OHV L6 3.875" Bore (Reo Eng.) H/D Truck	4	F536-OH	4.8L 292 OHV L6 3.875" Bore (Reo Eng.) H/D Truck	4
F50-2	5.4L 331 OHV L6 4.125" Bore (Reo Eng.) M/D Truck	6	F536-OH	5.4L 331 OHV L6 4.125" Bore (Reo Eng.) M/D Truck	6
F50-2	5.4L 331 OHV L6 4.125" Bore (Reo Eng.) H/D Truck	6	F536-OH	5.4L 331 OHV L6 4.125" Bore (Reo Eng.) H/D Truck	6
F50-3	4.8L 292 OHV L6 3.875" Bore (Reo Eng.) M/D Truck	4	F536M	4.8L 292 OHV L6 3.875" Bore (Reo Eng.) M/D Truck	4
F50-3	4.8L 292 OHV L6 3.875" Bore (Reo Eng.) H/D Truck	4	F536M	4.8L 292 OHV L6 3.875" Bore (Reo Eng.) H/D Truck	4
F50-3	5.4L 331 OHV L6 4.125" Bore (Reo Eng.) M/D Truck	6	F536M	5.4L 331 OHV L6 4.125" Bore (Reo Eng.) M/D Truck	6
F50-3	5.4L 331 OHV L6 4.125" Bore (Reo Eng.) H/D Truck	6	F536M	5.4L 331 OHV L6 4.125" Bore (Reo Eng.) H/D Truck	6
F50T	4.8L 292 OHV L6 3.875" Bore (Reo Eng.) M/D Truck	4	122	4.8L 292 OHV L6 3.875" Bore (Reo Eng.) M/D Truck	4
F50T	4.8L 292 OHV L6 3.875" Bore (Reo Eng.) H/D Truck	4	122	4.8L 292 OHV L6 3.875" Bore (Reo Eng.) H/D Truck	4
F50T	5.4L 331 OHV L6 4.125" Bore (Reo Eng.) M/D Truck	6	122	5.4L 331 OHV L6 4.125" Bore (Reo Eng.) M/D Truck	6
F50T	5.4L 331 OHV L6 4.125" Bore (Reo Eng.) H/D Truck	6	122	5.4L 331 OHV L6 4.125" Bore (Reo Eng.) H/D Truck	6

1 Industrial Applications 3.4L 209 L-HEAD L6 (Continental), 3.1875" Bore				
CRANKSHAFT/OIL PUMP				
QTY	MAIN BEARINGS	PART NO.	SIZE	DESCRIPTION
1	Thrust Washer Set	FP-9811BF	<i>Std Only</i>	Position 1
1	Thrust Washer Set	9811BF +		Position 1; When depleted use FP-9811BF
CYLINDER COMPONENTS				
QTY	PISTONS	PART NO.	SIZE	DESCRIPTION
6	Pin Bushing	FP-9324X		Full round bushing
6	Pin Bushing	9324X +		Full round bushing; When depleted use FP-9324X
QTY	CONNECTING RODS & BRGS.	PART NO.	SIZE	DESCRIPTION
3	Rod Pair	FP-9320CPA	<i>Std-2-10-20-30-40</i>	Position 1-3-5
3	Rod Pair	9320CPA +	<i>Std-2-10-20-30-40</i>	Position 1-3-5; When depleted use FP-9320CPA
3	Rod Pair	FP-9320CP	<i>Std-10-20-30-40</i>	Position 2-4-6
3	Rod Pair	9320CP +	<i>Std-10-20-30-40</i>	Position 2-4-6; When depleted use FP-9320CP
2 Industrial Applications 3.7L 226 L-HEAD L6 (Continental), 3.3125" Bore				
CRANKSHAFT/OIL PUMP				
QTY	MAIN BEARINGS	PART NO.	SIZE	DESCRIPTION
1	Thrust Washer Set	FP-9811BF	<i>Std Only</i>	Position 1
1	Thrust Washer Set	9811BF +		Position 1; When depleted use FP-9811BF

(continued on next page)

REO - Also See Engine Manufacturer

<i>Industrial Applications</i> 2					
3.7L 226 L-HEAD L6 (Continental), 3.3125" Bore (cont.)					
CYLINDER COMPONENTS					
QTY	PISTONS		PART NO.	SIZE	DESCRIPTION
6	Pin Bushing		FP-9324X		Full round bushing
6	Pin Bushing		9324X +		Full round bushing; When depleted use FP-9324X
QTY	CONNECTING RODS & BRGS.		PART NO.	SIZE	DESCRIPTION
3	Rod Pair		FP-9320CPA	Std-2-10-20-30-40	Position 1-3-5
3	Rod Pair		9320CPA +	Std-2-10-20-30-40	Position 1-3-5; When depleted use FP-9320CPA
3	Rod Pair		FP-9320CP	Std-10-20-30-40	Position 2-4-6
3	Rod Pair		9320CP +	Std-10-20-30-40	Position 2-4-6; When depleted use FP-9320CP
<i>Industrial Applications</i> OA110, OA255 Engs. 3					
4.2L 255 OHV L6, 3.625" Bore					
CYL. HEAD & PARTS					
QTY	VALVE		PART NO.	SIZE	DESCRIPTION
24	Keeper		VK-140		Exh. & Int.
QTY	VALVE SEAL		PART NO.	SIZE	DESCRIPTION
12	Valve Stem Seal		ST-2007		Exh. & Int.; Positive type; Rubber
CYLINDER COMPONENTS					
QTY	PISTONS		PART NO.	SIZE	DESCRIPTION
6	Pin Bushing		FP-1744Y20		
6	Pin Bushing		1744Y20 +		When depleted use FP-1744Y20
<i>M/D Truck</i> OA130, OA292 Engs. <i>H/D Truck</i> OA130, OA292 Engs. 4					
4.8L 292 OHV L6, 3.875" Bore (Reo Eng.) 1960-70					
CYL. HEAD & PARTS					
QTY	VALVE	YEARS	PART NO.	SIZE	DESCRIPTION
24	Keeper	67-60	VK-140		
QTY	VALVE SEAL	YEARS	PART NO.	SIZE	DESCRIPTION
12	Valve Stem Seal	67-60	ST-2007		Positive type; Rubber
CYLINDER COMPONENTS					
QTY	PISTONS	YEARS	PART NO.	SIZE	DESCRIPTION
6	Pin Bushing	67-60	FP-1744Y20		
6	Pin Bushing	67-60	1744Y20 +		When depleted use FP-1744Y20
<i>Industrial Applications</i> OA130, OA292 Engs. 5					
4.8L 292 OHV L6, 3.875" Bore					
CYL. HEAD & PARTS					
QTY	VALVE		PART NO.	SIZE	DESCRIPTION
24	Keeper		VK-140		Exh. & Int.
QTY	VALVE SEAL		PART NO.	SIZE	DESCRIPTION
12	Valve Stem Seal		ST-2007		Exh. & Int.; Positive type; Rubber
CYLINDER COMPONENTS					
QTY	PISTONS		PART NO.	SIZE	DESCRIPTION
6	Pin Bushing		FP-1744Y20		
6	Pin Bushing		1744Y20 +		When depleted use FP-1744Y20
<i>M/D Truck</i> OA145, OA331, OH160, OH170 Engs. <i>H/D Truck</i> OA145, OA331, OH160, OH170 Engs. 6					
5.4L 331 OHV L6, 4.125" Bore (Reo Eng.) 1960-73					
CYL. HEAD & PARTS					
QTY	VALVE	YEARS	PART NO.	SIZE	DESCRIPTION
24	Keeper	67-60	VK-140		
QTY	VALVE SEAL	YEARS	PART NO.	SIZE	DESCRIPTION
12	Valve Stem Seal	67-60	ST-2007		Positive type; Rubber

(continued on next page)

REO - Also See Engine Manufacturer

6 <i>M/D Truck OA145, OA331, OH160, OH170 Engs. H/D Truck OA145, OA331, OH160, OH170 (cont.) Engs.</i> 5.4L 331 OHV L6, 4.125" Bore (Reo Eng.) 1960-73				
CYLINDER COMPONENTS				
QTY	PISTONS	YEARS	PART NO.	SIZE DESCRIPTION
6	Pin Bushing	67-60	FP-1744Y20	OH160 Engs. Frg. Nos. 1390-A & 1390-A3
6	Pin Bushing	67-60	1744Y20 +	OH160 Engs. Frg. Nos. 1390-A & 1390-A3; When depleted use FP-1744Y20
7 <i>Industrial Applications OA145, OA331, OH160, OH170 Engs.</i> 5.4L 331 OHV L6, 4.125" Bore				
CYL. HEAD & PARTS				
QTY	VALVE		PART NO.	SIZE DESCRIPTION
24	Keeper		VK-140	Exh. & Int.
QTY	VALVE SEAL		PART NO.	SIZE DESCRIPTION
12	Valve Stem Seal		ST-2007	Exh. & Int.; Positive type; Rubber
CYLINDER COMPONENTS				
QTY	PISTONS		PART NO.	SIZE DESCRIPTION
6	Pin Bushing		FP-1744Y20	OH160 Engs. Frg. Nos. 1390-A & 1390-A3
6	Pin Bushing		1744Y20 +	OH160 Engs. Frg. Nos. 1390-A & 1390-A3; When depleted use FP-1744Y20
8 <i>Industrial Applications</i> 5.4L 331 OHV L6, 4.125" Bore				
CYLINDER COMPONENTS				
QTY	PISTONS		PART NO.	SIZE DESCRIPTION
6	Pin Bushing		FP-1744Y20	
6	Pin Bushing		1744Y20 +	When depleted use FP-1744Y20
9 <i>M/D Truck OH185, OH186 Engs.</i> 5.9L 362 OHV L6, 4.25" Bore (Reo Eng.) 1960-67				
CYL. HEAD & PARTS				
QTY	VALVE	YEARS	PART NO.	SIZE DESCRIPTION
24	Keeper	67-60	VK-140	
10 <i>M/D Truck OH200 Eng. H/D Truck OH200 Eng.</i> 6.6L 400 OHV L6, 4.25" Bore (Reo Eng.) 1963-75				
CYL. HEAD & PARTS				
QTY	VALVE	YEARS	PART NO.	SIZE DESCRIPTION
24	Keeper	67-63	VK-140	
QTY	VALVE SEAL	YEARS	PART NO.	SIZE DESCRIPTION
12	Valve Stem Seal	67-63	ST-2007	Positive type; Rubber

Superior Diesel

Engine Finding Index			
Engine	Line No.	Engine	Line No.
6594 OHV NG L8 10" Bore	1	9999 OHV Turbo-NG V16 10" Bore	6
6594 OHV Turbo-NG L8 10" Bore.....	2	81.0L 4945 OHV NG L6 10" Bore	7
9890 OHV NG V12 10" Bore	3	81.0L 4945 OHV Turbo-NG L6 10" Bore.....	8
9890 OHV Turbo-NG V12 10" Bore	4		
9999 OHV NG V16 10" Bore	5		

1 <i>Multi-Purpose Engines 8G825NA Eng.</i> 6594 OHV NG L8, 10" Bore				
CYL. HEAD & PARTS				
QTY	VALVE		PART NO.	SIZE DESCRIPTION
8	Intake		FP-B023972	
QTY	VALVE GUIDE		PART NO.	SIZE DESCRIPTION
16	Guide		FP-022934	Exh. & Int.

(continued on next page)

Superior Diesel

Multi-Purpose Engines **8G825NA Eng. 1**
6594 OHV NG L8, 10" Bore (cont.)

CAMSHAFT GROUP				
QTY	CAMSHAFT/LIFTER	PART NO.	SIZE	DESCRIPTION
2	Camshaft Thrust Washer	FP-B031457		
COOLING SYSTEM				
QTY	THERMOSTAT	PART NO.	SIZE	DESCRIPTION
4	Thermostat	FP-A010681		Early
ENGINE BLOCK & PARTS				
QTY	CAM BEARINGS	PART NO.	SIZE	DESCRIPTION
20	Cam Brg.	FP-B033665		
CRANKSHAFT/OIL PUMP				
QTY	CRANKSHAFT	PART NO.	SIZE	DESCRIPTION
1	Vibration Damper	FP-A118966		
QTY	MAIN BEARINGS	PART NO.	SIZE	DESCRIPTION
17	Main Brg. Half Plain Up/Lower	FP-C027267	STD	Late
CYLINDER COMPONENTS				
QTY	LINERS	PART NO.	SIZE	DESCRIPTION
8	Liner w/o Sealing Rings	FP-C024296		
8	Liner w/o Sealing Rings	FP-C031261		Lean Burn; Nitrided
8	Sealing Ring, Liner	FP-033150001		
24	Sealing Ring, Liner	FP-4A1383A		Bottom
QTY	PISTONS	PART NO.	SIZE	DESCRIPTION
16	Piston Pin Retainer	FP-A024876		
8	Pin Bushing	FP-B024138		
QTY	CONNECTING RODS & BRGS.	PART NO.	SIZE	DESCRIPTION
16	Rod Bearing Half Upper/Lower	FP-B027269	STD	Late
Multi-Purpose Engines 8G825T Eng. 2 6594 OHV Turbo-NG L8, 10" Bore				
CYL. HEAD & PARTS				
QTY	VALVE	PART NO.	SIZE	DESCRIPTION
8	Intake	FP-B023972		
QTY	VALVE GUIDE	PART NO.	SIZE	DESCRIPTION
16	Guide	FP-022934		Exh. & Int.
CAMSHAFT GROUP				
QTY	CAMSHAFT/LIFTER	PART NO.	SIZE	DESCRIPTION
2	Camshaft Thrust Washer	FP-B031457		
COOLING SYSTEM				
QTY	THERMOSTAT	PART NO.	SIZE	DESCRIPTION
4	Thermostat	FP-A010681		Early
ENGINE BLOCK & PARTS				
QTY	CAM BEARINGS	PART NO.	SIZE	DESCRIPTION
20	Cam Brg.	FP-B033665		
CRANKSHAFT/OIL PUMP				
QTY	CRANKSHAFT	PART NO.	SIZE	DESCRIPTION
1	Vibration Damper	FP-A118966		
QTY	MAIN BEARINGS	PART NO.	SIZE	DESCRIPTION
17	Main Brg. Half Plain Up/Lower	FP-C027267	STD	Late
CYLINDER COMPONENTS				
QTY	LINERS	PART NO.	SIZE	DESCRIPTION
8	Liner w/o Sealing Rings	FP-C024296		
8	Liner w/o Sealing Rings	FP-C031261		Lean Burn; Nitrided
8	Sealing Ring, Liner	FP-033150001		
24	Sealing Ring, Liner	FP-4A1383A		Bottom
QTY	PISTONS	PART NO.	SIZE	DESCRIPTION
8	Cast Piston	FP-E029528		8.75:1 C.R.
16	Piston Pin Retainer	FP-A024876		
8	Pin Bushing	FP-B024138		

(continued on next page)

Superior Diesel

2 Multi-Purpose Engines 8G825T Eng. (cont.) 6594 OHV Turbo-NG L8, 10" Bore

CYLINDER COMPONENTS (cont.)

QTY	CONNECTING RODS & BRGS.	PART NO.	SIZE	DESCRIPTION
16	Rod Bearing Half Upper/Lower	FP-B027269	STD	Late

3 Multi-Purpose Engines 12G825NA Eng. 9890 OHV NG V12, 10" Bore

CYL. HEAD & PARTS

QTY	VALVE	PART NO.	SIZE	DESCRIPTION
12	Intake	FP-B023972		
QTY	VALVE GUIDE	PART NO.	SIZE	DESCRIPTION
24	Guide	FP-022934		Exh. & Int.

COOLING SYSTEM

QTY	THERMOSTAT	PART NO.	SIZE	DESCRIPTION
4	Thermostat	FP-A010681		Early

CRANKSHAFT/OIL PUMP

QTY	CRANKSHAFT	PART NO.	SIZE	DESCRIPTION
1	Vibration Damper	FP-H14252C		
QTY	MAIN BEARINGS	PART NO.	SIZE	DESCRIPTION
2	Thrust Washer	FP-005241 *		

CYLINDER COMPONENTS

QTY	LINERS	PART NO.	SIZE	DESCRIPTION
12	Liner w/o Sealing Rings	FP-C030960		Nitrided
12	Sealing Ring, Liner	FP-033150001		
36	Sealing Ring, Liner	FP-4A1383A		Bottom
QTY	PISTONS	PART NO.	SIZE	DESCRIPTION
24	Piston Pin Retainer	FP-A024876		
12	Pin Bushing	FP-B024138		

4 Multi-Purpose Engines 12G825SGT Eng. 9890 OHV Turbo-NG V12, 10" Bore

CYL. HEAD & PARTS

QTY	VALVE	PART NO.	SIZE	DESCRIPTION
12	Intake	FP-B023972		
QTY	VALVE GUIDE	PART NO.	SIZE	DESCRIPTION
24	Guide	FP-022934		Exh. & Int.

COOLING SYSTEM

QTY	THERMOSTAT	PART NO.	SIZE	DESCRIPTION
4	Thermostat	FP-A010681		Early

CRANKSHAFT/OIL PUMP

QTY	CRANKSHAFT	PART NO.	SIZE	DESCRIPTION
1	Vibration Damper	FP-H14252C		
QTY	MAIN BEARINGS	PART NO.	SIZE	DESCRIPTION
2	Thrust Washer	FP-005241 *		

CYLINDER COMPONENTS

QTY	LINERS	PART NO.	SIZE	DESCRIPTION
12	Liner w/o Sealing Rings	FP-C030960		Nitrided
12	Sealing Ring, Liner	FP-033150001		
36	Sealing Ring, Liner	FP-4A1383A		Bottom
QTY	PISTONS	PART NO.	SIZE	DESCRIPTION
12	Cast Piston	FP-E029528		8.75:1 C.R.
12	Pin Bushing	FP-B024138		

5 Multi-Purpose Engines 16G825NA Eng. 9999 OHV NG V16, 10" Bore

CYL. HEAD & PARTS

QTY	VALVE	PART NO.	SIZE	DESCRIPTION
16	Intake	FP-B023972		

(continued on next page)

Superior Diesel

<i>Multi-Purpose Engines 16G825NA Eng. 5</i> 9999 OHV NG V16, 10" Bore (cont.)				
CYL. HEAD & PARTS (cont.)				
QTY	VALVE GUIDE	PART NO.	SIZE	DESCRIPTION
32	Guide	FP-022934		Exh. & Int.
COOLING SYSTEM				
QTY	THERMOSTAT	PART NO.	SIZE	DESCRIPTION
4	Thermostat	FP-A010681		Early
CRANKSHAFT/OIL PUMP				
QTY	CRANKSHAFT	PART NO.	SIZE	DESCRIPTION
1	Vibration Damper	FP-H14252C		
QTY	MAIN BEARINGS	PART NO.	SIZE	DESCRIPTION
2	Thrust Washer	FP-005241 *		
CYLINDER COMPONENTS				
QTY	LINERS	PART NO.	SIZE	DESCRIPTION
16	Liner w/o Sealing Rings	FP-C030960		Nitrided
16	Sealing Ring, Liner	FP-033150001		
48	Sealing Ring, Liner	FP-4A1383A		Bottom
QTY	PISTONS	PART NO.	SIZE	DESCRIPTION
32	Piston Pin Retainer	FP-A024876		
16	Pin Bushing	FP-B024138		
<i>Multi-Purpose Engines 16G825SGT Eng. 6</i> 9999 OHV Turbo-NG V16, 10" Bore				
CYL. HEAD & PARTS				
QTY	VALVE	PART NO.	SIZE	DESCRIPTION
16	Intake	FP-B023972		
QTY	VALVE GUIDE	PART NO.	SIZE	DESCRIPTION
32	Guide	FP-022934		Exh. & Int.
COOLING SYSTEM				
QTY	THERMOSTAT	PART NO.	SIZE	DESCRIPTION
4	Thermostat	FP-A010681		Early
CRANKSHAFT/OIL PUMP				
QTY	CRANKSHAFT	PART NO.	SIZE	DESCRIPTION
1	Vibration Damper	FP-H14252C		
QTY	MAIN BEARINGS	PART NO.	SIZE	DESCRIPTION
2	Thrust Washer	FP-005241 *		
CYLINDER COMPONENTS				
QTY	LINERS	PART NO.	SIZE	DESCRIPTION
16	Liner w/o Sealing Rings	FP-C030960		Nitrided
16	Sealing Ring, Liner	FP-033150001		
48	Sealing Ring, Liner	FP-4A1383A		Bottom
QTY	PISTONS	PART NO.	SIZE	DESCRIPTION
16	Cast Piston	FP-E029528		8.75:1 C.R.
32	Piston Pin Retainer	FP-A024876		
16	Pin Bushing	FP-B024138		
<i>Multi-Purpose Engines 6G825NA Eng. 7</i> 81.0L 4945 OHV NG L6, 10" Bore				
CYL. HEAD & PARTS				
QTY	VALVE	PART NO.	SIZE	DESCRIPTION
6	Intake	FP-B023972		
QTY	VALVE GUIDE	PART NO.	SIZE	DESCRIPTION
12	Guide	FP-022934		Exh. & Int.
CAMSHAFT GROUP				
QTY	CAMSHAFT/LIFTER	PART NO.	SIZE	DESCRIPTION
2	Camshaft Thrust Washer	FP-B031457		
COOLING SYSTEM				
QTY	THERMOSTAT	PART NO.	SIZE	DESCRIPTION
4	Thermostat	FP-A010681		Early

(continued on next page)

* New Item — Check For Availability

Superior Diesel

7 Multi-Purpose Engines 6G825NA Eng. (cont.) 81.0L 4945 OHV NG L6, 10" Bore

ENGINE BLOCK & PARTS				
QTY	CAM BEARINGS	PART NO.	SIZE	DESCRIPTION
16	Cam Brg.	FP-B033665		
CRANKSHAFT/OIL PUMP				
QTY	CRANKSHAFT	PART NO.	SIZE	DESCRIPTION
1	Vibration Damper	FP-A118966		
QTY	MAIN BEARINGS	PART NO.	SIZE	DESCRIPTION
13	Main Brg. Half Plain Up/Lower	FP-C027267	STD	Late
CYLINDER COMPONENTS				
QTY	LINERS	PART NO.	SIZE	DESCRIPTION
6	Liner w/o Sealing Rings	FP-C024296		
6	Liner w/o Sealing Rings	FP-C031261		Lean Burn; Nitrided
6	Sealing Ring, Liner	FP-033150001		
18	Sealing Ring, Liner	FP-4A1383A		Bottom
QTY	PISTONS	PART NO.	SIZE	DESCRIPTION
12	Piston Pin Retainer	FP-A024876		
6	Pin Bushing	FP-B024138		
QTY	CONNECTING RODS & BRGS.	PART NO.	SIZE	DESCRIPTION
12	Rod Bearing Half Upper/Lower	FP-B027269	STD	Late

8 Multi-Purpose Engines 6G825T Eng. 81.0L 4945 OHV Turbo-NG L6, 10" Bore

CYL. HEAD & PARTS				
QTY	VALVE	PART NO.	SIZE	DESCRIPTION
6	Intake	FP-B023972		
QTY	VALVE GUIDE	PART NO.	SIZE	DESCRIPTION
12	Guide	FP-022934		Exh. & Int.
CAMSHAFT GROUP				
QTY	CAMSHAFT/LIFTER	PART NO.	SIZE	DESCRIPTION
2	Camshaft Thrust Washer	FP-B031457		
COOLING SYSTEM				
QTY	THERMOSTAT	PART NO.	SIZE	DESCRIPTION
4	Thermostat	FP-A010681		Early
ENGINE BLOCK & PARTS				
QTY	CAM BEARINGS	PART NO.	SIZE	DESCRIPTION
16	Cam Brg.	FP-B033665		
CRANKSHAFT/OIL PUMP				
QTY	CRANKSHAFT	PART NO.	SIZE	DESCRIPTION
1	Vibration Damper	FP-A118966		
QTY	MAIN BEARINGS	PART NO.	SIZE	DESCRIPTION
13	Main Brg. Half Plain Up/Lower	FP-C027267	STD	Late
CYLINDER COMPONENTS				
QTY	LINERS	PART NO.	SIZE	DESCRIPTION
6	Liner w/o Sealing Rings	FP-C024296		
6	Liner w/o Sealing Rings	FP-C031261		Lean Burn; Nitrided
6	Sealing Ring, Liner	FP-033150001		
18	Sealing Ring, Liner	FP-4A1383A		Bottom
QTY	PISTONS	PART NO.	SIZE	DESCRIPTION
6	Cast Piston	FP-E029528		8.75:1 C.R.
12	Piston Pin Retainer	FP-A024876		
6	Pin Bushing	FP-B024138		
QTY	CONNECTING RODS & BRGS.	PART NO.	SIZE	DESCRIPTION
12	Rod Bearing Half Upper/Lower	FP-B027269	STD	Late

Engine Finding Index					
Engine	Line No.	Engine	Line No.		
2.0L 121.5 (1991cc) OHV Diesel L4 83mm Bore (8 Valve) (Isuzu Eng.).....	1				
2.2L 136.5 (2238cc) OHV Diesel L4 88mm Bore (8 Valve) (Isuzu Eng.).....	2				
Engine Code Index					
Engine Code	Engine Description	Line No.	Engine Code	Engine Description	Line No.
C201 ... Industrial Applications.....	2.0L 121.5 (1991cc) OHV Diesel L4 83mm Bore (8 Valve) (Isuzu Eng.) . 1		Direct Injection ... Industrial Applications.....	2.2L 136.5 (2238cc) OHV Diesel L4 88mm Bore (8 Valve) (Isuzu Eng.) . 2	
C223 ... Industrial Applications.....	2.2L 136.5 (2238cc) OHV Diesel L4 88mm Bore (8 Valve) (Isuzu Eng.) . 2				
Industrial Applications Eng. Code "C201" (Refrigeration Unit) 1					
2.0L 121.5 (1991cc) OHV Diesel L4 (8 Valve), 83mm Bore (Isuzu Eng.)					
CYL. HEAD & PARTS					
QTY	VALVE	PART NO.	SIZE	DESCRIPTION	
4	Intake	FP-V2306		1.5000" Head Dia., .2500" Stem Dia., 4.5600" O.A.L.	
4	Intake	V-2306 +	Std Only	1.5000" Head Dia., .2500" Stem Dia., 4.5600" O.A.L.; When depleted use FP-V2306	
4	Exhaust	V-2305X	Std Only	1.2600" Head Dia., .3121" Stem Dia., 4.5600" O.A.L.	
QTY	VALVE GUIDE	PART NO.	SIZE	DESCRIPTION	
4	Guide	FP-VG739		Exh.; .3154" ID, 2.1650" O.A.L.	
4	Guide	VG-739 +		Exh.; .3154" ID, 2.1650" O.A.L.; When depleted use FP-VG739	
CAMSHAFT GROUP					
QTY	CAMSHAFT/LIFTER	PART NO.	SIZE	DESCRIPTION	
8	Lifter	FP-AT2214		Mech.	
8	Lifter	AT-2214 +	Std Only	Mech.; When depleted use FP-AT2214	
1	Prelube	55-400		4 oz. bottle; 1.5 oz. packet No. 55-403 also avail.	
CYLINDER COMPONENTS					
QTY	PISTONS	PART NO.	SIZE	DESCRIPTION	
4	Pin Bushing	FP-67329YA			
4	Pin Bushing	67329YA +		When depleted use FP-67329YA	
QTY	CONNECTING RODS & BRGS.	PART NO.	SIZE	DESCRIPTION	
1	Rod Set	4-4000CP	Std-.25-.50-.75MM		
Industrial Applications Eng. Code "C223" (Refrigeration Unit) 2					
2.2L 136.5 (2238cc) OHV Diesel L4 (8 Valve), 88mm Bore (Isuzu Eng.)					
CYL. HEAD & PARTS					
QTY	VALVE	PART NO.	SIZE	DESCRIPTION	
4	Intake	FP-V2306		1.5000" Head Dia., .2500" Stem Dia., 4.5600" O.A.L.	
4	Intake	V-2306 +	Std Only	1.5000" Head Dia., .2500" Stem Dia., 4.5600" O.A.L.; When depleted use FP-V2306	
4	Exhaust	V-2305X	Std Only	1.2600" Head Dia., .3121" Stem Dia., 4.5600" O.A.L.	
ENGINE BLOCK & PARTS					
QTY	CAM BEARINGS	PART NO.	SIZE	DESCRIPTION	
1	Cam Set	1746M	Std Only		
CRANKSHAFT/OIL PUMP					
QTY	MAIN BEARINGS	PART NO.	SIZE	DESCRIPTION	
1	Main Set	7094M	Std-.25MM		
1	Thrust Washer Set	67006BF	Std Only	Position 3	
CYLINDER COMPONENTS					
QTY	CONNECTING RODS & BRGS.	PART NO.	SIZE	DESCRIPTION	
1	Rod Set	4-4000CP	Std-.25-.50-.75MM		

Toyota Forklift

Engine Finding Index

Engine	Line No.	Engine	Line No.
1.5L 1490cc OHV L4 78mm Bore (8 Valve)	1	3.6L 3576cc OHV Diesel L6 88mm Bore (12 Valve)	6
2.0L 1994cc OHV L4 88mm Bore (8 Valve)	2	3.9L 3878cc OHV L6 90mm Bore (12 Valve)	7
2.2L 2237cc OHV L4 91mm Bore (8 Valve)	3	4.0L 3980cc OHV Diesel L6 91mm Bore (12 Valve)	8
2.5L 2481cc OHV Diesel L4 88mm Bore (8 Valve)	4	4.2L 4230cc OHV L6 94mm Bore (12 Valve)	9
2.8L 2771cc OHV L4 93mm Bore (8 Valve)	5		

Engine Code Index

Engine Code	Engine Description	Line No.	Engine Code	Engine Description	Line No.
H ... Forklift	3.6L 3576cc OHV Diesel L6 88mm Bore (12 Valve).....	6	2R ... Forklift	1.5L 1490cc OHV L4 78mm Bore (8 Valve)	1
1F ... Forklift.....	3.9L 3878cc OHV L6 90mm Bore (12 Valve)	7	4Y ... Forklift	2.2L 2237cc OHV L4 91mm Bore (8 Valve)	3
2F ... Forklift.....	4.2L 4230cc OHV L6 94mm Bore (12 Valve)	9	5P ... Forklift	2.8L 2771cc OHV L4 93mm Bore (8 Valve)	5
2H ... Forklift	4.0L 3980cc OHV Diesel L6 91mm Bore (12 Valve).....	8	5R ... Forklift	2.0L 1994cc OHV L4 88mm Bore (8 Valve)	2
2J ... Forklift	2.5L 2481cc OHV Diesel L4 88mm Bore (8 Valve).....	4			

1 Forklift Eng. Code "2R" 1.5L 1490cc OHV L4 (8 Valve), 78mm Bore

CYL. HEAD & PARTS

QTY	VALVE	PART NO.	SIZE	DESCRIPTION
16	Keeper	VK-210		2 groove

CRANKSHAFT/OIL PUMP

QTY	SEALS - FRONT CRANK	PART NO.	SIZE	DESCRIPTION
1	Oil Seal	710318		

2 Forklift Eng. Code "5R" 2.0L 1994cc OHV L4 (8 Valve), 88mm Bore

CYL. HEAD & PARTS

QTY	VALVE	PART NO.	SIZE	DESCRIPTION
16	Keeper	VK-210		2 groove

QTY	VALVE GUIDE	PART NO.	SIZE	DESCRIPTION
4	Guide	VG-670		Int.; Early Eng.s.; .3552" ID, 2.4020" O.A.L.

CRANKSHAFT/OIL PUMP

QTY	SEALS - FRONT CRANK	PART NO.	SIZE	DESCRIPTION
1	Redi-Sleeve	99177		
1	Oil Seal	710345		

QTY	SEALS - REAR CRANK	PART NO.	SIZE	DESCRIPTION
1	Oil Seal	228013		
1	Redi-Sleeve	99315		

QTY	MAIN BEARINGS	PART NO.	SIZE	DESCRIPTION
1	Thrust Washer Set	67332AF	Std-.25MM	Position 2

CYLINDER COMPONENTS

QTY	PISTON RINGS	PART NO.	SIZE	DESCRIPTION
1	Premium Set	FP-10581KX	Std-1.00MM	1-2.00MM, 1-2.50MM, 1-4.00MM

3 Forklift Eng. Code "4Y" 2.2L 2237cc OHV L4 (8 Valve), 91mm Bore

CYL. HEAD & PARTS

QTY	VALVE	PART NO.	SIZE	DESCRIPTION
4	Intake	V-2497	Std Only	Chrome plated stem; 1.5800" Head Dia., .3140" Stem Dia., 4.2620" O.A.L.
4	Exhaust	V-2496	Std Only	Nitrided stem; 1.4160" Head Dia., .3140" Stem Dia., 4.2680" O.A.L.
16	Keeper	VK-241		

(continued on next page)

Toyota Forklift

<i>Forklift Eng. Code "4Y" 3</i> 2.2L 2237cc OHV L4 (8 Valve), 91mm Bore (cont.)				
CAMSHAFT GROUP				
QTY	CAMSHAFT/LIFTER	PART NO.	SIZE	DESCRIPTION
8	Lifter	HT-6005	Std Only	Hyd.
ENGINE BLOCK & PARTS				
QTY	CAM BEARINGS	PART NO.	SIZE	DESCRIPTION
1	Cam Set	1771M	Std Only	
CRANKSHAFT/OIL PUMP				
QTY	SEALS - FRONT CRANK	PART NO.	SIZE	DESCRIPTION
1	Redi-Sleeve	99169		
1	Oil Seal	2025		
QTY	SEALS - REAR CRANK	PART NO.	SIZE	DESCRIPTION
1	Oil Seal	716102		
1	Redi-Sleeve	99333		
QTY	MAIN BEARINGS	PART NO.	SIZE	DESCRIPTION
1	Main Set	6650MA	Std-.25-.50MM	A-Series aluminum bearings
1	Thrust Washer Set	67277BF	Std Only	Position 3
CYLINDER COMPONENTS				
QTY	CONNECTING RODS & BRGS.	PART NO.	SIZE	DESCRIPTION
1	Rod Set	4-3980RA	Std-.25-.50MM	
QTY	PISTON RINGS	PART NO.	SIZE	DESCRIPTION
1	Premium Set	E-611KC	Std-.50-.75MM	2-1.50MM, 1-4.00MM
1	Standard Set	E-611X	Std Only	2-1.50MM, 1-4.00MM
4	Premium Single Cylinder Set	WE-611KC	Std Only	2-1.50MM, 1-4.00MM
<i>Forklift Eng. Code "2J" 4</i> 2.5L 2481cc OHV Diesel L4 (8 Valve), 88mm Bore				
CRANKSHAFT/OIL PUMP				
QTY	SEALS - FRONT CRANK	PART NO.	SIZE	DESCRIPTION
1	Redi-Sleeve	99196		
1	Oil Seal	225040		
QTY	SEALS - REAR CRANK	PART NO.	SIZE	DESCRIPTION
1	Oil Seal	4359V		(Gkt. & Viton® Seal)
1	Oil Seal Kit	5274		PTFE Rubber
1	Redi-Sleeve	99374		
<i>Forklift Eng. Code "5P" 5</i> 2.8L 2771cc OHV L4 (8 Valve), 93mm Bore				
CYLINDER COMPONENTS				
QTY	PISTONS	PART NO.	SIZE	DESCRIPTION
1	Pin Bushing Set	4-67304Y		
<i>Forklift Eng. Code "H" 6</i> 3.6L 3576cc OHV Diesel L6 (12 Valve), 88mm Bore				
CRANKSHAFT/OIL PUMP				
QTY	SEALS - FRONT CRANK	PART NO.	SIZE	DESCRIPTION
1	Redi-Sleeve	99196		
1	Oil Seal	225040		
QTY	SEALS - REAR CRANK	PART NO.	SIZE	DESCRIPTION
1	Oil Seal	4359V		(Gkt. & Viton® Seal)
1	Oil Seal Kit	5274		PTFE Rubber
1	Redi-Sleeve	99374		
<i>Forklift Eng. Code "1F" 7</i> 3.9L 3878cc OHV L6 (12 Valve), 90mm Bore				
CYL. HEAD & PARTS				
QTY	VALVE	PART NO.	SIZE	DESCRIPTION
6	Intake	V-2258	Std Only	Chrome plated stem; 1.8110" Head Dia., .3142" Stem Dia., 4.9170" O.A.L.

(continued on next page)

Toyota Forklift

7 Forklift Eng. Code "1F"				
(cont.) 3.9L 3878cc OHV L6 (12 Valve), 90mm Bore				
CYL. HEAD & PARTS (cont.)				
QTY	VALVE (cont.)	PART NO.	SIZE	DESCRIPTION
6	Exhaust	V-2257	Std Only	Chrome plated stem; 1.4780" Head Dia., .3142" Stem Dia., 4.9220" O.A.L.
24	Keeper	VK-219		
QTY	VALVE GUIDE	PART NO.	SIZE	DESCRIPTION
6	Guide	VG-675		Exh.; .3159" ID, 2.3230" O.A.L. Int.; .3153" ID, 2.1260" O.A.L.
6	Guide	VG-676		
QTY	VALVE SPRING	PART NO.	SIZE	DESCRIPTION
12	Spring	VS-789		2.0150" Free Height
CAMSHAFT GROUP				
QTY	CAMSHAFT/LIFTER	PART NO.	SIZE	DESCRIPTION
1	Camshaft	CS-803		4 oz. bottle; 1.5 oz. packet No. 55-403 also avail.
1	Prelube	55-400		
ENGINE BLOCK & PARTS				
QTY	CAM BEARINGS	PART NO.	SIZE	DESCRIPTION
1	Cam Set	1735M	Std Only	
CRANKSHAFT/OIL PUMP				
QTY	SEALS - FRONT CRANK	PART NO.	SIZE	DESCRIPTION
1	Redi-Sleeve	99177		
1	Oil Seal	710345		
QTY	SEALS - REAR CRANK	PART NO.	SIZE	DESCRIPTION
1	Oil Seal	231004		PTFE Rubber
1	Oil Seal Kit	5274		
1	Redi-Sleeve	99393		
CYLINDER COMPONENTS				
QTY	CONNECTING RODS & BRGS.	PART NO.	SIZE	DESCRIPTION
1	Rod Set	6-67035P	Std-.25-.50-.75-1.00MM	
8 Forklift Eng. Code "2H"				
4.0L 3980cc OHV Diesel L6 (12 Valve), 91mm Bore				
CRANKSHAFT/OIL PUMP				
QTY	SEALS - FRONT CRANK	PART NO.	SIZE	DESCRIPTION
1	Redi-Sleeve	99196		
1	Oil Seal	225040		
QTY	SEALS - REAR CRANK	PART NO.	SIZE	DESCRIPTION
1	Oil Seal	4359V		(Gkt. & Viton® Seal)
1	Redi-Sleeve	99374		
CYLINDER COMPONENTS				
QTY	PISTONS	PART NO.	SIZE	DESCRIPTION
1	Pin Bushing Set	6-1059Y		From 3/82
QTY	CONNECTING RODS & BRGS.	PART NO.	SIZE	DESCRIPTION
1	Rod Set	6-67035P	Std-.25-.50-.75-1.00MM	For 2.2366" dia. housing bore
9 Forklift Eng. Code "2F"				
4.2L 4230cc OHV L6 (12 Valve), 94mm Bore				
CYL. HEAD & PARTS				
QTY	VALVE	PART NO.	SIZE	DESCRIPTION
6	Intake	V-2258	Std Only	Chrome plated stem; 1.8110" Head Dia., .3142" Stem Dia., 4.9170" O.A.L.
6	Exhaust	V-2257	Std Only	
24	Keeper	VK-219		Chrome plated stem; 1.4780" Head Dia., .3142" Stem Dia., 4.9220" O.A.L.
QTY	VALVE GUIDE	PART NO.	SIZE	DESCRIPTION
6	Guide	VG-675		Exh.; .3159" ID, 2.3230" O.A.L. Int.; .3153" ID, 2.1260" O.A.L.
6	Guide	VG-676		

(continued on next page)

Toyota Forklift

Forklift Eng. Code "2F" 9
4.2L 4230cc OHV L6 (12 Valve), 94mm Bore (cont.)

CYL. HEAD & PARTS (cont.)				
QTY	VALVE SPRING	PART NO.	SIZE	DESCRIPTION
12	Spring	VS-789		2.0150" Free Height
CAMSHAFT GROUP				
QTY	CAMSHAFT/LIFTER	PART NO.	SIZE	DESCRIPTION
1	Camshaft	CS-803		
1	Prelube	55-400		4 oz. bottle; 1.5 oz. packet No. 55-403 also avail.
ENGINE BLOCK & PARTS				
QTY	CAM BEARINGS	PART NO.	SIZE	DESCRIPTION
1	Cam Set	1735M		Std Only
CRANKSHAFT/OIL PUMP				
QTY	SEALS - FRONT CRANK	PART NO.	SIZE	DESCRIPTION
1	Redi-Sleeve	99177		
1	Oil Seal	710345		
QTY	SEALS - REAR CRANK	PART NO.	SIZE	DESCRIPTION
1	Oil Seal	231004		
1	Redi-Sleeve	99393		
QTY	MAIN BEARINGS	PART NO.	SIZE	DESCRIPTION
1	Main Set	7145M		Std-.25-.50-.75MM
CYLINDER COMPONENTS				
QTY	PISTONS	PART NO.	SIZE	DESCRIPTION
6	Cast Piston	12139P		Std-.50-.75-1.00MM O.E. No. 13101-61010; Cast; 1-2.00mm, 1-2.50mm, 1-4.00mm Ring Groove, 47.9mm CD, 25.2mm Pin Dia., Flat Head w/0.30mm step rim
6	Cast Piston	12217P.50MM		.50-.75-1.00MM O.E. No. 13101-61020; Cast; 1-2.00mm, 1-2.50mm, 1-4.00mm Ring Groove, 47.6mm plus 6.50mm dome" CD, 25.2mm Pin Dia., Domed Head 6.50mm high x 75.00mm dia. - 8.3:1 C.R.
6	Cast Piston - Individual	W12139P		Std-.50-.75-1.00MM O.E. No. 13101-61010; Cast; 1-2.00mm, 1-2.50mm, 1-4.00mm Ring Groove, 47.9mm CD, 25.2mm Pin Dia., Flat Head w/0.30mm step rim
6	Cast Piston - Individual	W12217P.50MM		.50-.75-1.00MM O.E. No. 13101-61020; Cast; 1-2.00mm, 1-2.50mm, 1-4.00mm Ring Groove, 47.6mm plus 6.50mm dome" CD, 25.2mm Pin Dia., Domed Head 6.50mm high x 75.00mm dia. - 8.3:1 C.R.
QTY	CONNECTING RODS & BRGS.	PART NO.	SIZE	DESCRIPTION
1	Rod Set	6-67035P		Std-.25-.50-.75-1.00MM
QTY	PISTON RINGS	PART NO.	SIZE	DESCRIPTION
1	Premium Set	E-393KC		Std-.50-.75-1.00-1.50MM 1-2.00MM, 1-2.50MM, 1-4.00MM
1	Standard Set	E-393X		Std-.50-.75-1.00MM 1-2.00MM, 1-2.50MM, 1-4.00MM
6	Premium Single Cylinder Set	WE-393KC		Std-.50-.75-1.00MM 1-2.00MM, 1-2.50MM, 1-4.00MM
6	Standard Single Cylinder Set	WE-393X		Std-.50-.75-1.00MM 1-2.00MM, 1-2.50MM, 1-4.00MM

Volvo Marine - Refer to SP1501 Catalog Volvo Truck - M/D & H/D

Engine Finding Index					
Engine	Years	Line No.	Engine	Years	Line No.
12.0L 11977cc OHV Turbo-Diesel L6 130.17mm Bore (12 Valve) H/D Truck.....	1985-88 1			
Engine Code Index					
Engine Code	Engine Description	Line No.	Engine Code	Engine Description	Line No.
D120.....	12.0L 11977cc OHV Turbo-Diesel L6 130.17mm Bore (12 Valve) H/D Truck.....	1	TD-120A	12.0L 11977cc OHV Turbo-Diesel L6 130.17mm Bore (12 Valve) H/D Truck.....	1

(continued on next page)

Volvo Truck - M/D & H/D

Engine Code Index					
Engine Code	Engine Description	Line No.	Engine Code	Engine Description	Line No.
TD-120B	12.0L 11977cc OHV Turbo-Diesel L6 130.17mm Bore (12 Valve) H/D Truck.....	1	TD121FB	12.0L 11977cc OHV Turbo-Diesel L6 130.17mm Bore (12 Valve) H/D Truck.....	1
TD120 Engs.....	12.0L 11977cc OHV Turbo-Diesel L6 130.17mm Bore (12 Valve) H/D Truck.....	1	TD121FC	12.0L 11977cc OHV Turbo-Diesel L6 130.17mm Bore (12 Valve) H/D Truck.....	1

1 H/D Truck Eng. Codes "D120", "TD120", "TD120A", "TD120B", "TD121FB", "TD121FC", "TD121FE"
12.0L 11977cc OHV Turbo-Diesel L6 (12 Valve), 130.17mm Bore 1985-88

CYLINDER COMPONENTS					
QTY	PISTON RINGS	YEARS	PART NO.	SIZE	DESCRIPTION
1	Premium Set	88-85	FP-10242KX	Std Only	TD-120A, TD-120B Engs.; 1-3/32, 1-1/8, 1-3/16
1	Premium Set	88-85	10242KX +	Std Only	TD-120A, TD-120B Engs.; 1-3/32, 1-1/8, 1-3/16; When depleted use FP-10242KX

Waukesha

Engine Finding Index					
Engine	Line No.	Engine	Line No.	Engine	Line No.
1.0L 61 L4 2.5" Bore.....	1	3.8L 232 OHV Diesel L6 3.625" Bore.....	24		
1.8L 113 L4 3" Bore.....	2	4.0L 245 L6 3.5" Bore.....	25		
2.0L 121 OHV L4 3.3125" Bore.....	3	4.3L 263 L6 3.625" Bore.....	26		
2.0L 125 OHV L4 3.25" Bore (Mil-Std)	4	4.3L 265 OHV L6 3.75" Bore.....	27		
2.1L 129 OHV L4 3.3125" Bore.....	5	4.3L 265 OHV Diesel L6 3.75" Bore.....	28		
2.1L 129 OHV Diesel L4 3.3125" Bore.....	6	4.6L 282 L6 3.75" Bore.....	29		
2.2L 133 L-HEAD L4 3.25" Bore (Early).....	7	4.6L 283 OHV L6 3.875" Bore.....	30		
2.2L 133 L4 3.25" Bore.....	8	4.6L 283 OHV Diesel L6 3.875" Bore.....	31		
2.2L 133 OHV L4 3.25" Bore (Mil-Std)	9	4.9L 299 OHV L6 3.3125" Bore.....	32		
2.3L 139 OHV L4 3.4375" Bore.....	10	4.9L 302 OHV L6 4" Bore.....	33		
2.4L 144 OHV L4 3.5" Bore.....	11	4.9L 302 OHV Diesel L6 4" Bore.....	34		
2.4L 144 OHV Diesel L4 3.5" Bore.....	12	5.1L 310 OHV L6 3.875" Bore.....	35		
2.5L 155 OHV L4 3.625" Bore.....	13	5.1L 310 OHV Diesel L6 3.875" Bore.....	36		
2.5L 155 OHV Diesel L4 3.625" Bore.....	14	5.2L 320 L6 4.125" Bore.....	37		
2.9L 176 L4 3.625" Bore.....	15	5.4L 334 L4 4.5" Bore.....	38		
3.0L 186 OHV L6 3.25" Bore (Mil-Std)	16	8.2L 501 L6 4.5" Bore.....	39		
3.2L 194 OHV L6 3.3125" Bore.....	17	8.6L 525 L6 4.5" Bore.....	40		
3.2L 194 OHV Diesel L6 3.3125" Bore.....	18	10.5L 638 L6 4.75" Bore.....	41		
3.4L 209 OHV L6 3.4375" Bore (Mil-Std)	19	12.8L 779 OHV L6 5.25" Bore.....	42		
3.5L 216 OHV L6 3.5" Bore.....	20	13.4L 818 OHV L6 5.375" Bore.....	43		
3.5L 216 OHV Diesel L6 3.5" Bore.....	21	7042 OHV NG L12 9.375" Bore.....	44		
3.7L 228 L6 3.375" Bore.....	22	7042 OHV Turbo-NG L12 9.375" Bore.....	45		
3.8L 232 OHV L6 3.625" Bore.....	23				

Engine Code Index					
Engine Code	Engine Description	Line No.	Engine Code	Engine Description	Line No.
'V' ... Industrial Applications..	8.2L 501 L6 4.5" Bore.....	39	FK ... Industrial Applications..	2.2L 133 L4 3.25" Bore.....	8
D155D ... Industrial Applications.....	2.5L 155 OHV Diesel L4 3.625" Bore.....	14	FKJ ... Industrial Applications.....	2.2L 133 L-HEAD L4 3.25" Bore (Early).....	7
D155G ... Industrial Applications.....	2.5L 155 OHV L4 3.625" Bore.....	13	FKJ ... Industrial Applications.....	2.2L 133 L4 3.25" Bore.....	8
D176G ... Industrial Applications.....	2.9L 176 L4 3.625" Bore.....	15	FL ... Industrial Applications..	1.8L 113 L4 3" Bore.....	2
FC ... Industrial Applications..	2.2L 133 L-HEAD L4 3.25" Bore (Early).....	7	FLJ ... Industrial Applications.....	1.8L 113 L4 3" Bore.....	2
FC ... Industrial Applications..	2.2L 133 L4 3.25" Bore.....	8	F283G ... Industrial Applications.....	4.6L 283 OHV L6 3.875" Bore.....	30
FCB-4 ... Industrial Applications.....	2.2L 133 OHV L4 3.25" Bore (Mil-Std).....	9	F310G ... Industrial Applications.....	5.1L 310 OHV L6 3.875" Bore.....	35
FCL ... Industrial Applications.....	1.8L 113 L4 3" Bore.....	2	F817G ... Industrial Applications.....	13.4L 818 OHV L6 5.375" Bore.....	43
FK ... Industrial Applications..	2.2L 133 L-HEAD L4 3.25" Bore (Early).....	7	G155 ... Industrial Applications.....	2.5L 155 OHV L4 3.625" Bore.....	13

(continued on next page)

Engine Code Index

Engine Code	Engine Description	Line No.	Engine Code	Engine Description	Line No.
G176 ... Industrial Applications.....	2.9L 176 L4 3.625" Bore.....	15	180DY ... Industrial Applications.....	2.4L 144 OHV Diesel L4 3.5" Bore.....	12
ICK ... Industrial Applications.....	1.0L 61 L4 2.5" Bore.....	1	180GA ... Industrial Applications.....	2.1L 129 OHV L4 3.3125" Bore.....	5
VIK ... Industrial Applications.....	5.4L 334 L4 4.5" Bore.....	38	180GA ... Industrial Applications.....	2.4L 144 OHV L4 3.5" Bore.....	11
VRD155 ... Industrial Applications.....	2.5L 155 OHV Diesel L4 3.625" Bore.....	14	180GB ... Industrial Applications.....	2.0L 125 OHV L4 3.25" Bore (Mil-Std).....	4
VRD232 ... Industrial Applications.....	3.8L 232 OHV Diesel L6 3.625" Bore.....	24	180GB ... Industrial Applications.....	2.1L 129 OHV L4 3.3125" Bore.....	5
VRD283 ... Industrial Applications.....	4.6L 283 OHV Diesel L6 3.875" Bore.....	31	180GB ... Industrial Applications.....	2.4L 144 OHV L4 3.5" Bore.....	11
VRD310 ... Industrial Applications.....	5.1L 310 OHV Diesel L6 3.875" Bore.....	36	180GKB ... Industrial Applications.....	2.1L 129 OHV L4 3.3125" Bore.....	5
VRG155 ... Industrial Applications.....	2.5L 155 OHV L4 3.625" Bore.....	13	180GKB ... Industrial Applications.....	2.4L 144 OHV L4 3.5" Bore.....	11
VRG176 ... Industrial Applications.....	2.9L 176 L4 3.625" Bore.....	15	180GL ... Industrial Applications.....	2.1L 129 OHV L4 3.3125" Bore.....	5
VRG232 ... Industrial Applications.....	3.8L 232 OHV L6 3.625" Bore.....	23	180GL ... Industrial Applications.....	2.4L 144 OHV L4 3.5" Bore.....	11
VRG283 ... Industrial Applications.....	4.6L 283 OHV L6 3.875" Bore.....	30	180GLB ... Industrial Applications.....	2.1L 129 OHV L4 3.3125" Bore.....	5
VRG310 ... Industrial Applications.....	5.1L 310 OHV L6 3.875" Bore.....	35	180GLB ... Industrial Applications.....	2.4L 144 OHV L4 3.5" Bore.....	11
140GK ... Industrial Applications.....	8.6L 525 L6 4.5" Bore.....	40	180GLC ... Industrial Applications.....	2.1L 129 OHV L4 3.3125" Bore.....	5
140GKB ... Industrial Applications.....	8.6L 525 L6 4.5" Bore.....	40	180GLC ... Industrial Applications.....	2.4L 144 OHV L4 3.5" Bore.....	11
140GS ... Industrial Applications.....	8.6L 525 L6 4.5" Bore.....	40	180GM ... Industrial Applications.....	2.3L 139 OHV L4 3.4375" Bore.....	10
140HK ... Industrial Applications.....	8.6L 525 L6 4.5" Bore.....	40	180GS ... Industrial Applications.....	2.1L 129 OHV L4 3.3125" Bore.....	5
145GK ... Industrial Applications.....	12.8L 779 OHV L6 5.25" Bore.....	42	180GS ... Industrial Applications.....	2.4L 144 OHV L4 3.5" Bore.....	11
145GKB ... Industrial Applications.....	12.8L 779 OHV L6 5.25" Bore.....	42	180KL ... Industrial Applications.....	2.1L 129 OHV L4 3.3125" Bore.....	5
145GS ... Industrial Applications.....	10.5L 638 L6 4.75" Bore.....	41	180KL ... Industrial Applications.....	2.4L 144 OHV L4 3.5" Bore.....	11
145GZ ... Industrial Applications.....	13.4L 818 OHV L6 5.375" Bore.....	43	180LB ... Industrial Applications.....	2.1L 129 OHV L4 3.3125" Bore.....	5
145GZB ... Industrial Applications.....	13.4L 818 OHV L6 5.375" Bore.....	43	180LB ... Industrial Applications.....	2.4L 144 OHV L4 3.5" Bore.....	11
145HK ... Industrial Applications.....	12.8L 779 OHV L6 5.25" Bore.....	42	185DAB ... Industrial Applications.....	3.2L 194 OHV Diesel L6 3.3125" Bore.....	18
145HS ... Industrial Applications.....	10.5L 638 L6 4.75" Bore.....	41	185DAC ... Industrial Applications.....	3.2L 194 OHV Diesel L6 3.3125" Bore.....	18
180DAB ... Industrial Applications.....	2.1L 129 OHV Diesel L4 3.3125" Bore.....	6	185DLB ... Industrial Applications.....	3.2L 194 OHV Diesel L6 3.3125" Bore.....	18
180DAB ... Industrial Applications.....	2.4L 144 OHV Diesel L4 3.5" Bore.....	12	185DLC ... Industrial Applications.....	3.5L 216 OHV Diesel L6 3.5" Bore.....	21
180DLB ... Industrial Applications.....	2.1L 129 OHV Diesel L4 3.3125" Bore.....	6	185DSB ... Industrial Applications.....	3.2L 194 OHV Diesel L6 3.3125" Bore.....	18
180DLB ... Industrial Applications.....	2.4L 144 OHV Diesel L4 3.5" Bore.....	12	185DY ... Industrial Applications.....	3.2L 194 OHV Diesel L6 3.3125" Bore.....	18
180DSB ... Industrial Applications.....	2.1L 129 OHV Diesel L4 3.3125" Bore.....	6	185GA ... Industrial Applications.....	3.2L 194 OHV L6 3.3125" Bore.....	17
180DSB ... Industrial Applications.....	2.4L 144 OHV Diesel L4 3.5" Bore.....	12	185GB ... Industrial Applications.....	3.0L 186 OHV L6 3.25" Bore (Mil-Std).....	16
180DY ... Industrial Applications.....	2.1L 129 OHV Diesel L4 3.3125" Bore.....	6	185GL ... Industrial Applications.....	3.5L 216 OHV L6 3.5" Bore.....	20
			185GLB ... Industrial Applications.....	3.5L 216 OHV L6 3.5" Bore.....	20

(continued on next page)

Waukesha

Engine Code Index

Engine Code	Engine Description	Line No.	Engine Code	Engine Description	Line No.
185GM ... Industrial Applications.....	3.4L 209 OHV L6 3.4375" Bore (Mil-Std).....	19	190GLC ... Industrial Applications.....	4.3L 265 OHV L6 3.75" Bore.....	27
185GS ... Industrial Applications.....	3.5L 216 OHV L6 3.5" Bore.....	20	190GS ... Industrial Applications.....	3.5L 216 OHV L6 3.5" Bore.....	20
185KL ... Industrial Applications.....	3.5L 216 OHV L6 3.5" Bore.....	20	190GS ... Industrial Applications.....	4.3L 265 OHV L6 3.75" Bore.....	27
190DCB ... Industrial Applications.....	4.3L 265 OHV Diesel L6 3.75" Bore.....	28	190KL ... Industrial Applications.....	4.3L 265 OHV L6 3.75" Bore.....	27
190DLA ... Industrial Applications.....	4.3L 265 OHV Diesel L6 3.75" Bore.....	28	195DLC ... Industrial Applications.....	4.9L 302 OHV Diesel L6 4" Bore..	34
190DLB ... Industrial Applications.....	4.3L 265 OHV Diesel L6 3.75" Bore.....	28	195GK ... Industrial Applications.....	5.2L 320 L6 4.125" Bore.....	37
190DLC ... Industrial Applications.....	4.3L 265 OHV Diesel L6 3.75" Bore.....	28	195GKA ... Industrial Applications.....	5.2L 320 L6 4.125" Bore.....	37
190DSB ... Industrial Applications.....	4.3L 265 OHV Diesel L6 3.75" Bore.....	28	195GKU ... Industrial Applications.....	5.2L 320 L6 4.125" Bore.....	37
190GL ... Industrial Applications.....	4.3L 265 OHV L6 3.75" Bore.....	27	195GL ... Industrial Applications.....	4.9L 302 OHV L6 4" Bore.....	33
190GLB ... Industrial Applications.....	4.3L 265 OHV L6 3.75" Bore.....	27	197DLC ... Industrial Applications.....	4.9L 302 OHV Diesel L6 4" Bore..	34
			4-160 ... Industrial Applications.....	2.0L 121 OHV L4 3.3125" Bore.....	3
			6BL ... Industrial Applications.....	4.0L 245 L6 3.5" Bore.....	25
			6XL ... Industrial Applications.....	4.0L 245 L6 3.5" Bore.....	25

1 Industrial Applications ICK, ICL Engs. 1.0L 61 L4, 2.5" Bore

CYL. HEAD & PARTS

QTY	VALVE	PART NO.	SIZE	DESCRIPTION
16	Keeper	FP-VK123		
16	Keeper	VK-123 +		When depleted use FP-VK123

CRANKSHAFT/OIL PUMP

QTY	MAIN BEARINGS	PART NO.	SIZE	DESCRIPTION
2	Ball Brg.	207-SS		Ball brg.

2 Industrial Applications FCX Eng. 1.8L 113 L4, 3" Bore

CYL. HEAD & PARTS

QTY	VALVE	PART NO.	SIZE	DESCRIPTION
4	Exhaust	FP-V713		1.3490" Head Dia., .3095" Stem Dia., 4.4690" O.A.L.
4	Exhaust	V-713 + Std Only		1.3490" Head Dia., .3095" Stem Dia., 4.4690" O.A.L.; When depleted use FP-V713
16	Keeper	FP-VK123		
16	Keeper	VK-123 +		When depleted use FP-VK123

QTY	VALVE GUIDE	PART NO.	SIZE	DESCRIPTION
8	Guide	FP-VG296		.3135" ID, 2.5000" O.A.L.
8	Guide	VG-296 +		.3135" ID, 2.5000" O.A.L.; When depleted use FP-VG296

CYLINDER COMPONENTS

QTY	PISTONS	PART NO.	SIZE	DESCRIPTION
4	Pin Bushing	FP-9629X		Bushing w/1/16" dia. oil hole
4	Pin Bushing	9629X +		Bushing w/1/16" dia. oil hole; When depleted use FP-9629X
QTY	PISTON RINGS	PART NO.	SIZE	DESCRIPTION
1	Premium Set	FP-974KX	Std Only	3-3/32, 1-3/16
1	Premium Set	974KX + Std Only		3-3/32, 1-3/16; When depleted use FP-974KX

3 Industrial Applications 4-160 Eng. 2.0L 121 OHV L4, 3.3125" Bore

ENGINE BLOCK & PARTS

QTY	CAM BEARINGS	PART NO.	SIZE	DESCRIPTION
1	Cam Set	FP-1137M	Std Only	
1	Cam Set	1137M + Std Only		When depleted use FP-1137M

(continued on next page)

Industrial Applications 4-160 Eng. 3
2.0L 121 OHV L4, 3.3125" Bore (cont.)

CYLINDER COMPONENTS

QTY	PISTONS	PART NO.	SIZE	DESCRIPTION
8	Pin Bushing	FP-1884Y20		2 req'd. per rod
8	Pin Bushing	1884Y20 +		2 req'd. per rod; When depleted use FP-1884Y20
QTY	CONNECTING RODS & BRGS.	PART NO.	SIZE	DESCRIPTION
4	Rod Pair	FP-1435SB	Std-10	
4	Rod Pair	1435SB +	Std-10	When depleted use FP-1435SB

Industrial Applications 180GB Eng. 4
2.0L 125 OHV L4 (Mil-Std), 3.25" Bore

ENGINE BLOCK & PARTS

QTY	CAM BEARINGS	PART NO.	SIZE	DESCRIPTION
1	Cam Set	FP-1137M	Std Only	
1	Cam Set	1137M +	Std Only	When depleted use FP-1137M

CYLINDER COMPONENTS

QTY	CONNECTING RODS & BRGS.	PART NO.	SIZE	DESCRIPTION
4	Rod Pair	FP-3220CP	Std-10-20-30	w/2.1232-2.1240" std. shaft size
4	Rod Pair	3220CP +	Std-10-20-30	w/2.1232-2.1240" std. shaft size; When depleted use FP-3220CP

Industrial Applications 180GA, 180GB, 180GKB, 180GL, 180GLB, 180GLC, 180GS, 180KL, 180LB Eng. 5
2.1L 129 OHV L4, 3.3125" Bore

ENGINE BLOCK & PARTS

QTY	CAM BEARINGS	PART NO.	SIZE	DESCRIPTION
1	Cam Set	FP-1137M	Std Only	
1	Cam Set	1137M +	Std Only	When depleted use FP-1137M

CRANKSHAFT/OIL PUMP

QTY	MAIN BEARINGS	PART NO.	SIZE	DESCRIPTION
1	Main Set	FP-903M	Std-10	
1	Main Set	903M +	Std-10	When depleted use FP-903M

CYLINDER COMPONENTS

QTY	PISTONS	PART NO.	SIZE	DESCRIPTION
8	Pin Bushing	FP-1884Y20		2 req'd. per rod
8	Pin Bushing	1884Y20 +		2 req'd. per rod; When depleted use FP-1884Y20
QTY	CONNECTING RODS & BRGS.	PART NO.	SIZE	DESCRIPTION
4	Rod Pair	FP-1865CP	Std-10-20	W/2.00" crankpin; O.A.L. 1.109"
4	Rod Pair	1865CP +	Std-10-20	W/2.00" crankpin; O.A.L. 1.109"; When depleted use FP-1865CP
4	Rod Pair	FP-1880CP	Std-10-20-30	W/2.25" crankpin
4	Rod Pair	1880CP +	Std-10-20-30	W/2.25" crankpin; When depleted use FP-1880CP

Industrial Applications 180DAB, 180DLB, 180DSB, 180DY Eng. 6
2.1L 129 OHV Diesel L4, 3.3125" Bore

ENGINE BLOCK & PARTS

QTY	CAM BEARINGS	PART NO.	SIZE	DESCRIPTION
1	Cam Set	FP-1137M	Std Only	
1	Cam Set	1137M +	Std Only	When depleted use FP-1137M

CRANKSHAFT/OIL PUMP

QTY	MAIN BEARINGS	PART NO.	SIZE	DESCRIPTION
1	Main Set	FP-903M	Std-10	
1	Main Set	903M +	Std-10	When depleted use FP-903M

CYLINDER COMPONENTS

QTY	PISTONS	PART NO.	SIZE	DESCRIPTION
8	Pin Bushing	FP-1884Y20		2 req'd. per rod
8	Pin Bushing	1884Y20 +		2 req'd. per rod; When depleted use FP-1884Y20

(continued on next page)

Waukesha

6 Industrial Applications 180DAB, 180DLB, 180DSB, 180DY Engs. (cont.) 2.1L 129 OHV Diesel L4, 3.3125" Bore

CYLINDER COMPONENTS (cont.)

QTY	CONNECTING RODS & BRGS.	PART NO.	SIZE	DESCRIPTION
4	Rod Pair	FP-1865CP	Std-10-20	W/2.00" crankpin; O.A.L. 1.109"
4	Rod Pair	1865CP +	Std-10-20	W/2.00" crankpin; O.A.L. 1.109"; When depleted use FP-1865CP
4	Rod Pair	FP-1880CP	Std-10-20-30	W/2.25" crankpin
4	Rod Pair	1880CP +	Std-10-20-30	W/2.25" crankpin; When depleted use FP-1880CP

30

7 Industrial Applications FC, FCS, FK, FKJ, FKL, FL, FLJ, FS Engs. 2.2L 133 L-HEAD L4 (Early), 3.25" Bore

CYL. HEAD & PARTS

QTY	VALVE	PART NO.	SIZE	DESCRIPTION
4	Exhaust	FP-V713		1.3490" Head Dia., .3095" Stem Dia., 4.4690" O.A.L.
4	Exhaust	V-713 +	Std Only	1.3490" Head Dia., .3095" Stem Dia., 4.4690" O.A.L.; When depleted use FP-V713
16	Keeper	FP-VK123		
16	Keeper	VK-123 +		When depleted use FP-VK123
QTY	VALVE GUIDE	PART NO.	SIZE	DESCRIPTION
8	Guide	FP-VG296		.3135" ID, 2.5000" O.A.L.
8	Guide	VG-296 +		.3135" ID, 2.5000" O.A.L.; When depleted use FP-VG296

CYLINDER COMPONENTS

QTY	LINERS	PART NO.	SIZE	DESCRIPTION
4	Repair Sleeve	FP-SL11M	Std Only	3/32" wall, must be cut to correct length
4	Repair Sleeve	SL-11M +	Std Only	3/32" wall, must be cut to correct length; When depleted use FP-SL11M
QTY	PISTONS	PART NO.	SIZE	DESCRIPTION
4	Cast Piston	FP-C1549P40	40	Cast; 3-3/32", 1-3/16" Ring Groove, 1.750" CD, .8750" Pin Dia., Flat Head - 6.5:1 C.R.; Cast iron 4 ring piston; Repl. O.E. Nos. alum. pistons 68304A, 68304B; Use in sets only
4	Pin Bushing	FP-9629X		Bushing w/1/16" dia. oil hole
4	Pin Bushing	9629X +		Bushing w/1/16" dia. oil hole; When depleted use FP-9629X
QTY	PISTON RINGS	PART NO.	SIZE	DESCRIPTION
1	Premium Set	FP-5051KX	Std-20-30-40-60	Check piston grooving before supplying ring set; 3-3/32, 1-3/16
1	Premium Set	5051KX +	Std-20-30-40-60	Check piston grooving before supplying ring set; 3-3/32, 1-3/16; When depleted use FP-5051KX
1	Standard Set	FP-617X	Std Only	Check piston grooving before supplying ring set; 2-1/8, 1-3/16
1	Standard Set	617X +	Std Only	Check piston grooving before supplying ring set; 2-1/8, 1-3/16; When depleted use FP-617X
1	Standard Set	FP-5051X	Std-20-30-40-60	Check piston grooving before supplying ring set; 3-3/32, 1-3/16
1	Standard Set	5051X +	Std-20-30-40-60	Check piston grooving before supplying ring set; 3-3/32, 1-3/16; When depleted use FP-5051X
4	Premium Single Cylinder Set	W-5051KX20	20-30-60	Check piston grooving before supplying ring set; 3-3/32, 1-3/16
4	Standard Single Cylinder Set	W-5051X	Std-30	Check piston grooving before supplying ring set; 3-3/32, 1-3/16

8 Industrial Applications FC, FCL, FCS, FK, FKJ, FKL, FL, FLJ, FLS, FS, FWJ Engs. 2.2L 133 L4, 3.25" Bore

CYL. HEAD & PARTS

QTY	VALVE	PART NO.	SIZE	DESCRIPTION
4	Exhaust	FP-V713		1.3490" Head Dia., .3095" Stem Dia., 4.4690" O.A.L.
4	Exhaust	V-713 +	Std Only	1.3490" Head Dia., .3095" Stem Dia., 4.4690" O.A.L.; When depleted use FP-V713
16	Keeper	FP-VK123		
16	Keeper	VK-123 +		When depleted use FP-VK123
QTY	VALVE GUIDE	PART NO.	SIZE	DESCRIPTION
8	Guide	FP-VG296		.3135" ID, 2.5000" O.A.L.
8	Guide	VG-296 +		.3135" ID, 2.5000" O.A.L.; When depleted use FP-VG296

CYLINDER COMPONENTS

QTY	LINERS	PART NO.	SIZE	DESCRIPTION
4	Repair Sleeve	FP-SL11M	Std Only	3/32" wall, must be cut to correct length
4	Repair Sleeve	SL-11M +	Std Only	3/32" wall, must be cut to correct length; When depleted use FP-SL11M

(continued on next page)

Industrial Applications FC, FCL, FCS, FK, FKJ, FKL, FL, FLJ, FLS, FS, FWJ Engs. 8
2.2L 133 L4, 3.25" Bore (cont.)

CYLINDER COMPONENTS (cont.)

QTY	PISTONS	PART NO.	SIZE	DESCRIPTION
4	Cast Piston	FP-C1549P40	40	Cast; 3-3/32", 1-3/16" Ring Groove, 1.750" CD, .8750" Pin Dia., Flat Head - 6.5:1 C.R.; Cast iron 4 ring piston; Repl. O.E. Nos. alum. pistons 68304A, 68304B; Use in sets only
4	Pin Bushing	FP-9629X		Bushing w/1/16" dia. oil hole
4	Pin Bushing	9629X +		Bushing w/1/16" dia. oil hole; When depleted use FP-9629X
QTY	PISTON RINGS	PART NO.	SIZE	DESCRIPTION
1	Premium Set	FP-5051KX	Std-20-30-40-60	Check piston grooving before supplying ring set; 3-3/32, 1-3/16
1	Premium Set	5051KX +	Std-20-30-40-60	Check piston grooving before supplying ring set; 3-3/32, 1-3/16; When depleted use FP-5051KX
1	Standard Set	FP-617X	Std Only	Check piston grooving before supplying ring set; 2-1/8, 1-3/16
1	Standard Set	617X +	Std Only	Check piston grooving before supplying ring set; 2-1/8, 1-3/16; When depleted use FP-617X
1	Standard Set	FP-5051X	Std-20-30-40-60	Check piston grooving before supplying ring set; 3-3/32, 1-3/16
1	Standard Set	5051X +	Std-20-30-40-60	Check piston grooving before supplying ring set; 3-3/32, 1-3/16; When depleted use FP-5051X
4	Premium Single Cylinder Set	W-5051KX20	20-30-60	Check piston grooving before supplying ring set; 3-3/32, 1-3/16
4	Standard Single Cylinder Set	W-5051X	Std-30	Check piston grooving before supplying ring set; 3-3/32, 1-3/16

Industrial Applications FCB-4 Eng. 9
2.2L 133 OHV L4 (Mil-Std), 3.25" Bore

CYLINDER COMPONENTS

QTY	CONNECTING RODS & BRGS.	PART NO.	SIZE	DESCRIPTION
4	Rod Pair	FP-2425CP	Std-10-20-30	
4	Rod Pair	2425CP +	Std-10-20-30	When depleted use FP-2425CP

Industrial Applications 180GM Eng. 10
2.3L 139 OHV L4, 3.4375" Bore

ENGINE BLOCK & PARTS

QTY	CAM BEARINGS	PART NO.	SIZE	DESCRIPTION
1	Cam Set	FP-1137M	Std Only	
1	Cam Set	1137M +	Std Only	When depleted use FP-1137M

CYLINDER COMPONENTS

QTY	CONNECTING RODS & BRGS.	PART NO.	SIZE	DESCRIPTION
4	Rod Pair	FP-3220CP	Std-10-20-30	w/2.1232-2.1240" std. shaft size
4	Rod Pair	3220CP +	Std-10-20-30	w/2.1232-2.1240" std. shaft size; When depleted use FP-3220CP

Industrial Applications 180GA, 180GB, 180GKB, 180GL, 180GLB, 180GLC, 180GS, 180KL, 180LB Engs. 11
2.4L 144 OHV L4, 3.5" Bore

CYL. HEAD & PARTS

QTY	VALVE	PART NO.	SIZE	DESCRIPTION
4	Intake	FP-V1472		180GKB Engs.; 1.4550" Head Dia., .3725" Stem Dia., 4.9840" O.A.L.
4	Intake	V-1472 +	Std Only	180GKB Engs.; 1.4550" Head Dia., .3725" Stem Dia., 4.9840" O.A.L.; When depleted use FP-V1472
4	Intake	FP-V1055		180GLB Engs.; From Ser. No. 6503; 1.3957" Head Dia., .3724" Stem Dia., 5.0433" O.A.L.
4	Intake	FP-V1055		180GLB Engs.; From Ser. No. 6503; 1.3957" Head Dia., .3724" Stem Dia., 5.0433" O.A.L.
4	Intake	V-1055 +	Std Only	180GLB Engs.; From Ser. No. 6503; 1.3957" Head Dia., .3724" Stem Dia., 5.0433" O.A.L.; When depleted use FP-V1055
4	Intake	FP-V1472		180GLB Engs.; To Ser. No. 6502; 1.4550" Head Dia., .3725" Stem Dia., 4.9840" O.A.L.
4	Intake	V-1472 +	Std Only	180GLB Engs.; To Ser. No. 6502; 1.4550" Head Dia., .3725" Stem Dia., 4.9840" O.A.L.; When depleted use FP-V1472
4	Exhaust	FP-V1471		180GKB Engs.; 1.3950" Head Dia., .3715" Stem Dia., 4.9840" O.A.L.
4	Exhaust	V-1471 +	Std Only	180GKB Engs.; 1.3950" Head Dia., .3715" Stem Dia., 4.9840" O.A.L.; When depleted use FP-V1471

(continued on next page)

Waukesha

11 Industrial Applications 180GA, 180GB, 180GKB, 180GL, 180GLB, 180GLC, 180GS, 180KL, (cont.) 180LB Engs. 2.4L 144 OHV L4, 3.5" Bore

CYL. HEAD & PARTS (cont.)

QTY	VALVE (cont.)	PART NO.	SIZE	DESCRIPTION
4	Exhaust	FP-V1054		180GLB Engs.; From Ser. No. 6503; 1.2559" Head Dia., .3715" Stem Dia., 5.0492" O.A.L.
4	Exhaust	FP-V1054		180GLB Engs.; From Ser. No. 6503; 1.2559" Head Dia., .3715" Stem Dia., 5.0492" O.A.L.
4	Exhaust	V-1054 +	Std Only	180GLB Engs.; From Ser. No. 6503; 1.2559" Head Dia., .3715" Stem Dia., 5.0492" O.A.L.; When depleted use FP-V1054
4	Exhaust	FP-V1471		180GLB Engs.; To Ser. No. 6502; 1.3950" Head Dia., .3715" Stem Dia., 4.9840" O.A.L.
4	Exhaust	V-1471 +	Std Only	180GLB Engs.; To Ser. No. 6502; 1.3950" Head Dia., .3715" Stem Dia., 4.9840" O.A.L.; When depleted use FP-V1471
QTY	VALVE GUIDE	PART NO.	SIZE	DESCRIPTION
8	Guide	FP-VG857		.3745" ID, 2.5000" O.A.L.
8	Guide	VG-857 +		.3745" ID, 2.5000" O.A.L.; When depleted use FP-VG857
QTY	VALVE SPRING	PART NO.	SIZE	DESCRIPTION
4	Spring	FP-VS400		Int.; 2.8130" Free Height
4	Spring	VS-400 +		Int.; 2.8130" Free Height; When depleted use FP-VS400
QTY	VALVE MISC.	PART NO.	SIZE	DESCRIPTION
4	Rotocap	RC-58		Exh.

ENGINE BLOCK & PARTS

QTY	CAM BEARINGS	PART NO.	SIZE	DESCRIPTION
1	Cam Set	FP-1137M	Std Only	
1	Cam Set	1137M +	Std Only	When depleted use FP-1137M

CRANKSHAFT/OIL PUMP

QTY	MAIN BEARINGS	PART NO.	SIZE	DESCRIPTION
1	Main Set	FP-903M	Std-10	Later Engs.
1	Main Set	903M +	Std-10	Later Engs.; When depleted use FP-903M

CYLINDER COMPONENTS

QTY	LINERS	PART NO.	SIZE	DESCRIPTION
4	Liner w/Sealing Rings	FP-SO1982	Std Only	OVERBORE To 3.625"; Incl. (2) FP-SLR1640 sealing rings
4	Liner w/Sealing Rings	SO-1982 +	Std Only	OVERBORE To 3.625"; Incl. (2) SLR-1640 sealing rings; When depleted use FP-SO1982
4	Sleeve Assy.	FP-SL1982	Std Only	OVERBORE To 3.625"
4	Sleeve Assy.	SL-1982 +	Std Only	OVERBORE To 3.625"; When depleted use FP-SL1982

QTY	PISTONS	PART NO.	SIZE	DESCRIPTION
4	Cast Piston	FP-1982PX	Std Only	OVERBORE To 3.625"; Cast; 3-3/32", 1-3/16" Ring Groove, 2.312" CD, 1.2500" Pin Dia., Flat Head; Repl. O.E. No. 183004
4	Cast Piston	1982PX +	Std Only	OVERBORE To 3.625"; Cast; 3-3/32", 1-3/16" Ring Groove, 2.312" CD, 1.2500" Pin Dia., Flat Head; Repl. O.E. No. 183004; When depleted use FP-1982PX
8	Pin Bushing	FP-1884Y20		2 req'd. per rod
8	Pin Bushing	1884Y20 +		2 req'd. per rod; When depleted use FP-1884Y20

QTY	CONNECTING RODS & BRGS.	PART NO.	SIZE	DESCRIPTION
4	Rod Pair	FP-1435SB	Std-10	Early Engs.
4	Rod Pair	1435SB +	Std-10	Early Engs.; When depleted use FP-1435SB
4	Rod Pair	FP-1865CP	Std-10-20	Later Engs.; w/2.00" crankpin; O.A.L. 1.109"
4	Rod Pair	1865CP +	Std-10-20	Later Engs.; w/2.00" crankpin; O.A.L. 1.109"; When depleted use FP-1865CP
4	Rod Pair	FP-1880CP	Std-10-20-30	Later Engs.; w/2.25" crankpin
4	Rod Pair	1880CP +	Std-10-20-30	Later Engs.; w/2.25" crankpin; When depleted use FP-1880CP

QTY	PISTON RINGS	PART NO.	SIZE	DESCRIPTION
1	Premium Set	FP-934KX	Std-20-30-60	Check piston grooving before supplying ring set; 3-1/8, 1-3/16
1	Premium Set	934KX +	Std-20-30-60	Check piston grooving before supplying ring set; 3-1/8, 1-3/16; When depleted use FP-934KX
1	Premium Set	FP-5923KX	Std Only	OVERBORE To 3.625"; 2-3/32, 1-3/16
1	Premium Set	5923KX +	Std Only	OVERBORE To 3.625"; 2-3/32, 1-3/16; When depleted use FP-5923KX
1	Premium Set	FP-5504KX	Std Only	OVERBORE To 3.625"; 3-3/32, 1-3/16
1	Premium Set	5504KX +	Std Only	OVERBORE To 3.625"; 3-3/32, 1-3/16; When depleted use FP-5504KX
1	Standard Set	FP-934X	Std Only	Check piston grooving before supplying ring set; 3-1/8, 1-3/16
1	Standard Set	934X +	Std Only	Check piston grooving before supplying ring set; 3-1/8, 1-3/16; When depleted use FP-934X

(continued on next page)

+ Superseded Part Number

Industrial Applications 180GA, 180GB, 180GKB, 180GL, 180GLB, 180GLC, 180GS, 180KL, 11 180LB Eng. (cont.)
2.4L 144 OHV L4, 3.5" Bore

CYLINDER COMPONENTS (cont.)

QTY	PISTON RINGS (cont.)	PART NO.	SIZE	DESCRIPTION
1	Standard Set	FP-5504X	<i>Std Only</i>	OVERBORE To 3.625"; 3-3/32, 1-3/16
1	Standard Set	5504X +	<i>Std Only</i>	OVERBORE To 3.625"; 3-3/32, 1-3/16; When depleted use FP-5504X
4	Premium Single Cylinder Set	W-934KX	<i>Std Only</i>	Check piston grooving before supplying ring set; 3-1/8, 1-3/16
4	Premium Single Cylinder Set	W-5923KX	<i>Std Only</i>	OVERBORE To 3.625"; 2-3/32, 1-3/16
4	Premium Single Cylinder Set	W-5504KX	<i>Std Only</i>	OVERBORE To 3.625"; 3-3/32, 1-3/16
4	Standard Single Cylinder Set	W-934X	<i>Std Only</i>	Check piston grooving before supplying ring set; 3-1/8, 1-3/16

Industrial Applications 180DAB, 180DLB, 180DSB, 180DY Eng. 12
2.4L 144 OHV Diesel L4, 3.5" Bore

CYL. HEAD & PARTS

QTY	VALVE SPRING	PART NO.	SIZE	DESCRIPTION
4	Spring	FP-VS400		Int.; 2.8130" Free Height
4	Spring	VS-400 +		Int.; 2.8130" Free Height; When depleted use FP-VS400

ENGINE BLOCK & PARTS

QTY	CAM BEARINGS	PART NO.	SIZE	DESCRIPTION
1	Cam Set	FP-1137M	<i>Std Only</i>	
1	Cam Set	1137M +	<i>Std Only</i>	When depleted use FP-1137M

CRANKSHAFT/OIL PUMP

QTY	MAIN BEARINGS	PART NO.	SIZE	DESCRIPTION
1	Main Set	FP-903M	<i>Std-10</i>	Later Eng.
1	Main Set	903M +	<i>Std-10</i>	Later Eng.; When depleted use FP-903M

CYLINDER COMPONENTS

QTY	LINERS	PART NO.	SIZE	DESCRIPTION
4	Liner w/Sealing Rings	FP-SO1982	<i>Std Only</i>	OVERBORE To 3.625"; Incl. (2) FP-SLR1640 sealing rings
4	Liner w/Sealing Rings	SO-1982 +	<i>Std Only</i>	OVERBORE To 3.625"; Incl. (2) SLR-1640 sealing rings; When depleted use FP-SO1982
4	Sleeve Assy.	FP-SL1982	<i>Std Only</i>	OVERBORE To 3.625"
4	Sleeve Assy.	SL-1982 +	<i>Std Only</i>	OVERBORE To 3.625"; When depleted use FP-SL1982

QTY	PISTONS	PART NO.	SIZE	DESCRIPTION
4	Cast Piston	FP-1982PX	<i>Std Only</i>	OVERBORE To 3.625"; Cast; 3-3/32", 1-3/16" Ring Groove, 2.312" CD, 1.2500" Pin Dia., Flat Head; Repl. O.E. No. 183004
4	Cast Piston	1982PX +	<i>Std Only</i>	OVERBORE To 3.625"; Cast; 3-3/32", 1-3/16" Ring Groove, 2.312" CD, 1.2500" Pin Dia., Flat Head; Repl. O.E. No. 183004; When depleted use FP-1982PX
8	Pin Bushing	FP-1884Y20		2 req'd. per rod
8	Pin Bushing	1884Y20 +		2 req'd. per rod; When depleted use FP-1884Y20

QTY	CONNECTING RODS & BRGS.	PART NO.	SIZE	DESCRIPTION
4	Rod Pair	FP-1435SB	<i>Std-10</i>	Early Eng.
4	Rod Pair	1435SB +	<i>Std-10</i>	Early Eng.; When depleted use FP-1435SB
4	Rod Pair	FP-1865CP	<i>Std-10-20</i>	Later Eng.; w/2.00" crankpin; O.A.L. 1.109"
4	Rod Pair	1865CP +	<i>Std-10-20</i>	Later Eng.; w/2.00" crankpin; O.A.L. 1.109"; When depleted use FP-1865CP
4	Rod Pair	FP-1880CP	<i>Std-10-20-30</i>	Later Eng.; w/2.25" crankpin
4	Rod Pair	1880CP +	<i>Std-10-20-30</i>	Later Eng.; w/2.25" crankpin; When depleted use FP-1880CP

QTY	PISTON RINGS	PART NO.	SIZE	DESCRIPTION
1	Premium Set	FP-934KX	<i>Std-20-30-60</i>	Check piston grooving before supplying ring set; 3-1/8, 1-3/16
1	Premium Set	934KX +	<i>Std-20-30-60</i>	Check piston grooving before supplying ring set; 3-1/8, 1-3/16; When depleted use FP-934KX
1	Premium Set	FP-5923KX	<i>Std Only</i>	OVERBORE To 3.625"; 2-3/32, 1-3/16
1	Premium Set	5923KX +	<i>Std Only</i>	OVERBORE To 3.625"; 2-3/32, 1-3/16; When depleted use FP-5923KX
1	Premium Set	FP-5504KX	<i>Std Only</i>	OVERBORE To 3.625"; 3-3/32, 1-3/16
1	Premium Set	5504KX +	<i>Std Only</i>	OVERBORE To 3.625"; 3-3/32, 1-3/16; When depleted use FP-5504KX
1	Standard Set	FP-934X	<i>Std Only</i>	Check piston grooving before supplying ring set; 3-1/8, 1-3/16
1	Standard Set	934X +	<i>Std Only</i>	Check piston grooving before supplying ring set; 3-1/8, 1-3/16; When depleted use FP-934X
1	Standard Set	FP-5504X	<i>Std Only</i>	OVERBORE To 3.625"; 3-3/32, 1-3/16
1	Standard Set	5504X +	<i>Std Only</i>	OVERBORE To 3.625"; 3-3/32, 1-3/16; When depleted use FP-5504X

(continued on next page)

Waukesha

12 Industrial Applications 180DAB, 180DLB, 180DSB, 180DY Engs.

(cont.) 2.4L 144 OHV Diesel L4, 3.5" Bore

CYLINDER COMPONENTS (cont.)

QTY	PISTON RINGS (cont.)	PART NO.	SIZE	DESCRIPTION
4	Premium Single Cylinder Set	W-934KX	Std Only	Check piston grooving before supplying ring set; 3-1/8, 1-3/16
4	Premium Single Cylinder Set	W-5923KX	Std Only	OVERBORE To 3.625"; 2-3/32, 1-3/16
4	Premium Single Cylinder Set	W-5504KX	Std Only	OVERBORE To 3.625"; 3-3/32, 1-3/16
4	Standard Single Cylinder Set	W-934X	Std Only	Check piston grooving before supplying ring set; 3-1/8, 1-3/16

13 Industrial Applications D155G, G155, VRG155 Engs.

2.5L 155 OHV L4, 3.625" Bore

CYL. HEAD & PARTS

QTY	VALVE	PART NO.	SIZE	DESCRIPTION
4	Intake	FP-V1472		D155G Engs.; 1.4550" Head Dia., .3725" Stem Dia., 4.9840" O.A.L.
4	Intake	V-1472 +	Std Only	D155G Engs.; 1.4550" Head Dia., .3725" Stem Dia., 4.9840" O.A.L.; When depleted use FP-V1472
4	Exhaust	FP-V1471		D155G Engs.; 1.3950" Head Dia., .3715" Stem Dia., 4.9840" O.A.L.
4	Exhaust	V-1471 +	Std Only	D155G Engs.; 1.3950" Head Dia., .3715" Stem Dia., 4.9840" O.A.L.; When depleted use FP-V1471
16	Keeper	VK-66		2 groove
16	Keeper	VK-66R		2 groove; Hardened
QTY	VALVE GUIDE	PART NO.	SIZE	DESCRIPTION
4	Guide	FP-VG859		Exh.; .3695" ID, 2.3100" O.A.L.
4	Guide	VG-859 +		Exh.; .3695" ID, 2.3100" O.A.L.; When depleted use FP-VG859
4	Guide	FP-VG615		Int.; .3695" ID, 2.4100" O.A.L.
4	Guide	VG-615 +		Int.; .3695" ID, 2.4100" O.A.L.; When depleted use FP-VG615
QTY	VALVE SPRING	PART NO.	SIZE	DESCRIPTION
4	Spring	FP-VS400		Int.; 2.8130" Free Height
4	Spring	VS-400 +		Int.; 2.8130" Free Height; When depleted use FP-VS400
QTY	VALVE MISC.	PART NO.	SIZE	DESCRIPTION
4	Rotocap	RC-58		Exh.
QTY	VALVE SEAL	PART NO.	SIZE	DESCRIPTION
4	Valve Stem Seal	ST-2004		Int.; Positive type; Installation requires valve guide machining; Rubber/PTFE
4	Valve Stem Seal Bulk	ST-2004BC		Int.; Positive type; Installation requires valve guide machining; Carton of 100; Rubber/PTFE

ENGINE BLOCK & PARTS

QTY	GASKET SETS	PART NO.	SIZE	DESCRIPTION
1	Kit Gasket Set	FP-2601352		Compl.
1	Kit Gasket Set	260-1352 +		Compl.; When depleted use FP-2601352
QTY	CAM BEARINGS	PART NO.	SIZE	DESCRIPTION
1	Cam Set	FP-1137M	Std Only	
1	Cam Set	1137M +	Std Only	When depleted use FP-1137M

CRANKSHAFT/OIL PUMP

QTY	MAIN BEARINGS	PART NO.	SIZE	DESCRIPTION
1	Main Set	FP-5102M	Std-10-30	D155D & D155G Engs.
1	Main Set	5102M +	Std-10-30	D155D & D155G Engs.; When depleted use FP-5102M
1	Main Set	FP-903M	Std-10	VRG155 Engs.
1	Main Set	903M +	Std-10	VRG155 Engs.; When depleted use FP-903M

CYLINDER COMPONENTS

QTY	LINERS	PART NO.	SIZE	DESCRIPTION
4	Liner w/Sealing Rings	FP-SO1982	Std Only	Incl. (2) FP-SLR1640 sealing rings
4	Liner w/Sealing Rings	SO-1982 +	Std Only	Incl. (2) SLR-1640 sealing rings; When depleted use FP-SO1982
4	Sleeve Assy.	FP-SL1982	Std Only	
4	Sleeve Assy.	SL-1982 +	Std Only	When depleted use FP-SL1982
QTY	PISTONS	PART NO.	SIZE	DESCRIPTION
4	Cast Piston	FP-1982PX	Std Only	Cast; 3-3/32", 1-3/16" Ring Groove, 2.312" CD, 1.2500" Pin Dia., Flat Head; Repl. O.E. No. 183004
4	Cast Piston	1982PX +	Std Only	Cast; 3-3/32", 1-3/16" Ring Groove, 2.312" CD, 1.2500" Pin Dia., Flat Head; Repl. O.E. No. 183004; When depleted use FP-1982PX
8	Pin Bushing	FP-1884Y20		2 req'd. per rod
8	Pin Bushing	1884Y20 +		2 req'd. per rod; When depleted use FP-1884Y20

(continued on next page)

Industrial Applications D155G, G155, VRG155 Engs. 13
2.5L 155 OHV L4, 3.625" Bore (cont.)

CYLINDER COMPONENTS (cont.)

QTY	CONNECTING RODS & BRGS.	PART NO.	SIZE	DESCRIPTION
4	Rod Pair	FP-1865CP	<i>Std-10-20</i>	D155G & VRG155 Engs.; w/2.00" crankpin; O.A.L. 1.109"
4	Rod Pair	1865CP +	<i>Std-10-20</i>	D155G & VRG155 Engs.; w/2.00" crankpin; O.A.L. 1.109"; When depleted use FP-1865CP
4	Rod Pair	FP-1880CP	<i>Std-10-20-30</i>	D155G & VRG155 Engs.; w/2.25" crankpin
4	Rod Pair	1880CP +	<i>Std-10-20-30</i>	D155G & VRG155 Engs.; w/2.25" crankpin; When depleted use FP-1880CP
4	Rod Pair	FP-3880CP	<i>Std-10-20-30-40</i>	D155G Engs. w/1.75" crankpin
4	Rod Pair	3880CP +	<i>Std-10-20-30</i>	D155G Engs. w/1.75" crankpin; When depleted use FP-3880CP
QTY	PISTON RINGS	PART NO.	SIZE	DESCRIPTION
1	Premium Set	FP-5504KX	<i>Std Only</i>	3-3/32, 1-3/16
1	Premium Set	5504KX +	<i>Std Only</i>	3-3/32, 1-3/16; When depleted use FP-5504KX
1	Standard Set	FP-5504X	<i>Std Only</i>	3-3/32, 1-3/16
1	Standard Set	5504X +	<i>Std Only</i>	3-3/32, 1-3/16; When depleted use FP-5504X
4	Premium Single Cylinder Set	W-5504KX	<i>Std Only</i>	3-3/32, 1-3/16

KITS

QTY	OVERHAUL KIT	PART NO.	SIZE	DESCRIPTION
1	Tractor Overhaul Kit	FP-KST1982L		W/2.25" crankpin

Industrial Applications D155D, VRD155 Engs. 14
2.5L 155 OHV Diesel L4, 3.625" Bore

CYL. HEAD & PARTS

QTY	VALVE	PART NO.	SIZE	DESCRIPTION
16	Keeper	VK-138R		1 groove; Square cut key groove; Hardened
QTY	VALVE GUIDE	PART NO.	SIZE	DESCRIPTION
4	Guide	FP-VG859		Exh.; .3695" ID, 2.3100" O.A.L.
4	Guide	VG-859 +		Exh.; .3695" ID, 2.3100" O.A.L.; When depleted use FP-VG859

ENGINE BLOCK & PARTS

QTY	CAM BEARINGS	PART NO.	SIZE	DESCRIPTION
1	Cam Set	FP-1137M	<i>Std Only</i>	
1	Cam Set	1137M +	<i>Std Only</i>	When depleted use FP-1137M

CRANKSHAFT/OIL PUMP

QTY	MAIN BEARINGS	PART NO.	SIZE	DESCRIPTION
1	Main Set	FP-5102M	<i>Std-10-30</i>	
1	Main Set	5102M +	<i>Std-10-30</i>	When depleted use FP-5102M

CYLINDER COMPONENTS

QTY	LINERS	PART NO.	SIZE	DESCRIPTION
4	Liner w/Sealing Rings	FP-SO1982	<i>Std Only</i>	Incl. (2) FP-SLR1640 sealing rings
4	Liner w/Sealing Rings	SO-1982 +	<i>Std Only</i>	Incl. (2) SLR-1640 sealing rings; When depleted use FP-SO1982
4	Sleeve Assy.	FP-SL1982	<i>Std Only</i>	
4	Sleeve Assy.	SL-1982 +	<i>Std Only</i>	When depleted use FP-SL1982
QTY	PISTONS	PART NO.	SIZE	DESCRIPTION
4	Cast Piston	FP-1982PX	<i>Std Only</i>	Cast; 3-3/32", 1-3/16" Ring Groove, 2.312" CD, 1.2500" Pin Dia., Flat Head; Repl. O.E. No. 183004
4	Cast Piston	1982PX +	<i>Std Only</i>	Cast; 3-3/32", 1-3/16" Ring Groove, 2.312" CD, 1.2500" Pin Dia., Flat Head; Repl. O.E. No. 183004; When depleted use FP-1982PX
8	Pin Bushing	FP-1884Y20		2 req'd. per rod
8	Pin Bushing	1884Y20 +		2 req'd. per rod; When depleted use FP-1884Y20
QTY	CONNECTING RODS & BRGS.	PART NO.	SIZE	DESCRIPTION
4	Rod Pair	FP-3880CP	<i>Std-10-20-30-40</i>	W/1.750" crankpin
4	Rod Pair	3880CP +	<i>Std-10-20-30</i>	W/1.750" crankpin; When depleted use FP-3880CP
4	Rod Pair	FP-1865CP	<i>Std-10-20</i>	W/2.00" crankpin; O.A.L. 1.109"
4	Rod Pair	1865CP +	<i>Std-10-20</i>	W/2.00" crankpin; O.A.L. 1.109"; When depleted use FP-1865CP
4	Rod Pair	FP-1880CP	<i>Std-10-20-30</i>	W/2.25" crankpin
4	Rod Pair	1880CP +	<i>Std-10-20-30</i>	W/2.25" crankpin; When depleted use FP-1880CP
QTY	PISTON RINGS	PART NO.	SIZE	DESCRIPTION
1	Premium Set	FP-5504KX	<i>Std Only</i>	3-3/32, 1-3/16
1	Premium Set	5504KX +	<i>Std Only</i>	3-3/32, 1-3/16; When depleted use FP-5504KX

(continued on next page)
+ Superseded Part Number

Waukesha

14 Industrial Applications D155D, VRD155 Engs.

(cont.) 2.5L 155 OHV Diesel L4, 3.625" Bore

CYLINDER COMPONENTS (cont.)

QTY	PISTON RINGS (cont.)	PART NO.	SIZE	DESCRIPTION
1	Standard Set	FP-5504X	Std Only	3-3/32, 1-3/16
1	Standard Set	5504X +	Std Only	3-3/32, 1-3/16; When depleted use FP-5504X
4	Premium Single Cylinder Set	W-5504KX	Std Only	3-3/32, 1-3/16

15 Industrial Applications D176G, G176, VRG176 Engs.

2.9L 176 L4, 3.625" Bore

ENGINE BLOCK & PARTS

QTY	GASKET SETS	PART NO.	SIZE	DESCRIPTION
1	Kit Gasket Set	FP-2601352		Compl.
1	Kit Gasket Set	260-1352 +		Compl.; When depleted use FP-2601352

QTY	CAM BEARINGS	PART NO.	SIZE	DESCRIPTION
1	Cam Set	FP-1137M	Std Only	
1	Cam Set	1137M +	Std Only	When depleted use FP-1137M

CRANKSHAFT/OIL PUMP

QTY	MAIN BEARINGS	PART NO.	SIZE	DESCRIPTION
1	Main Set	FP-5102M	Std-10-30	
1	Main Set	5102M +	Std-10-30	When depleted use FP-5102M

CYLINDER COMPONENTS

QTY	LINERS	PART NO.	SIZE	DESCRIPTION
4	Liner w/Sealing Rings	FP-SO1982	Std Only	Incl. (2) FP-SLR1640 sealing rings
4	Liner w/Sealing Rings	SO-1982 +	Std Only	Incl. (2) SLR-1640 sealing rings; When depleted use FP-SO1982
4	Sleeve Assy.	FP-SL2650	Std Only	
4	Sleeve Assy.	SL-2650 +	Std Only	When depleted use FP-SL2650

QTY	CONNECTING RODS & BRGS.	PART NO.	SIZE	DESCRIPTION
4	Rod Pair	FP-3880CP	Std-10-20-30-40	W/1.750" crankpin
4	Rod Pair	3880CP +	Std-10-20-30	W/1.750" crankpin; When depleted use FP-3880CP
4	Rod Pair	FP-1865CP	Std-10-20	W/2.00" crankpin; O.A.L. 1.109"
4	Rod Pair	1865CP +	Std-10-20	W/2.00" crankpin; O.A.L. 1.109"; When depleted use FP-1865CP
4	Rod Pair	FP-1880CP	Std-10-20-30	W/2.25" crankpin
4	Rod Pair	1880CP +	Std-10-20-30	W/2.25" crankpin; When depleted use FP-1880CP

QTY	PISTON RINGS	PART NO.	SIZE	DESCRIPTION
1	Premium Set	FP-5923KX	Std Only	2-3/32, 1-3/16
1	Premium Set	5923KX +	Std Only	2-3/32, 1-3/16; When depleted use FP-5923KX
4	Premium Single Cylinder Set	W-5923KX	Std Only	2-3/32, 1-3/16

KITS

QTY	OVERHAUL KIT	PART NO.	SIZE	DESCRIPTION
1	Tractor Overhaul Kit	FP-KST2650A		W/1.750" crankpin

16 Industrial Applications 185GB Eng.

3.0L 186 OHV L6 (Mil-Std), 3.25" Bore

ENGINE BLOCK & PARTS

QTY	CAM BEARINGS	PART NO.	SIZE	DESCRIPTION
1	Cam Set	FP-1137M	Std Only	
1	Cam Set	1137M +	Std Only	When depleted use FP-1137M

CYLINDER COMPONENTS

QTY	PISTONS	PART NO.	SIZE	DESCRIPTION
6	Pin Bushing	FP-8944X		Bushing w/1.167" OD
6	Pin Bushing	8944X +		Bushing w/1.167" OD; When depleted use FP-8944X

QTY	CONNECTING RODS & BRGS.	PART NO.	SIZE	DESCRIPTION
6	Rod Pair	FP-3220CP	Std-10-20-30	w/2.1232-2.1240" std. shaft size
6	Rod Pair	3220CP +	Std-10-20-30	w/2.1232-2.1240" std. shaft size; When depleted use FP-3220CP

Industrial Applications 185GA Eng. 17
3.2L 194 OHV L6, 3.3125" Bore

ENGINE BLOCK & PARTS

QTY	CAM BEARINGS	PART NO.	SIZE	DESCRIPTION
1	Cam Set	FP-1137M	Std Only	
1	Cam Set	1137M +	Std Only	When depleted use FP-1137M

CYLINDER COMPONENTS

QTY	PISTONS	PART NO.	SIZE	DESCRIPTION
12	Pin Bushing	FP-1884Y20		2 req'd. per rod
12	Pin Bushing	1884Y20 +		2 req'd. per rod; When depleted use FP-1884Y20

QTY	CONNECTING RODS & BRGS.	PART NO.	SIZE	DESCRIPTION
6	Rod Pair	FP-1865CP	Std-10-20	W/Vaned oil pump & 2.00" crankpin; O.A.L. 1.109"
6	Rod Pair	1865CP +	Std-10-20	W/Vaned oil pump & 2.00" crankpin; O.A.L. 1.109"; When depleted use FP-1865CP
6	Rod Pair	FP-1880CP	Std-10-20-30	W/2.25" crankpin
6	Rod Pair	1880CP +	Std-10-20-30	W/2.25" crankpin; When depleted use FP-1880CP

Industrial Applications 185DAB, 185DAC, 185DLB, 185DSB, 185DY Engs. 18
3.2L 194 OHV Diesel L6, 3.3125" Bore

ENGINE BLOCK & PARTS

QTY	CAM BEARINGS	PART NO.	SIZE	DESCRIPTION
1	Cam Set	FP-1137M	Std Only	
1	Cam Set	1137M +	Std Only	When depleted use FP-1137M

CYLINDER COMPONENTS

QTY	PISTONS	PART NO.	SIZE	DESCRIPTION
12	Pin Bushing	FP-1884Y20		2 req'd. per rod
12	Pin Bushing	1884Y20 +		2 req'd. per rod; When depleted use FP-1884Y20

QTY	CONNECTING RODS & BRGS.	PART NO.	SIZE	DESCRIPTION
6	Rod Pair	FP-1865CP	Std-10-20	W/Vaned oil pump & 2.00" crankpin; O.A.L. 1.109"
6	Rod Pair	1865CP +	Std-10-20	W/Vaned oil pump & 2.00" crankpin; O.A.L. 1.109"; When depleted use FP-1865CP
6	Rod Pair	FP-1880CP	Std-10-20-30	W/2.25" crankpin
6	Rod Pair	1880CP +	Std-10-20-30	W/2.25" crankpin; When depleted use FP-1880CP

Industrial Applications 185GM Eng. 19
3.4L 209 OHV L6 (Mil-Std), 3.4375" Bore

ENGINE BLOCK & PARTS

QTY	CAM BEARINGS	PART NO.	SIZE	DESCRIPTION
1	Cam Set	FP-1137M	Std Only	
1	Cam Set	1137M +	Std Only	When depleted use FP-1137M

CYLINDER COMPONENTS

QTY	CONNECTING RODS & BRGS.	PART NO.	SIZE	DESCRIPTION
6	Rod Pair	FP-3220CP	Std-10-20-30	w/2.1232-2.1240" std. shaft size
6	Rod Pair	3220CP +	Std-10-20-30	w/2.1232-2.1240" std. shaft size; When depleted use FP-3220CP

Industrial Applications 185GL, 185GLB, 185GS, 185KL, 190GS Engs. 20
3.5L 216 OHV L6, 3.5" Bore

CYL. HEAD & PARTS

QTY	VALVE	PART NO.	SIZE	DESCRIPTION
6	Intake	FP-V1055		1.3957" Head Dia., .3724" Stem Dia., 5.0433" O.A.L.
6	Intake	V-1055 +	Std Only	1.3957" Head Dia., .3724" Stem Dia., 5.0433" O.A.L.; When depleted use FP-V1055
6	Exhaust	FP-V1054		1.2559" Head Dia., .3715" Stem Dia., 5.0492" O.A.L.
6	Exhaust	V-1054 +	Std Only	1.2559" Head Dia., .3715" Stem Dia., 5.0492" O.A.L.; When depleted use FP-V1054
24	Keeper	VK-66		190GS Engs.; 2 groove
24	Keeper	VK-66R		190GS Engs.; 2 groove; Hardened
QTY	VALVE GUIDE	PART NO.	SIZE	DESCRIPTION
8	Guide	FP-VG615		190GS Engs.; Plain; .3695" ID, 2.4100" O.A.L.

(continued on next page)

Waukesha

20 Industrial Applications 185GL, 185GLB, 185GS, 185KL, 190GS Engs. (cont.) 3.5L 216 OHV L6, 3.5" Bore

CYL. HEAD & PARTS (cont.)				
QTY	VALVE GUIDE (cont.)	PART NO.	SIZE	DESCRIPTION
8	Guide	VG-615 +		190GS Engs.; Plain; .3695" ID, 2.4100" O.A.L.; When depleted use FP-VG615
8	Guide	FP-VG459		190GS Engs.; Flg.; .3750" ID, 2.5000" O.A.L.
8	Guide	VG-459 +		190GS Engs.; Flg.; .3750" ID, 2.5000" O.A.L.; When depleted use FP-VG459
QTY	VALVE SPRING	PART NO.	SIZE	DESCRIPTION
8	Spring	FP-VS400		190GS Engs.; 2.8130" Free Height
8	Spring	VS-400 +		190GS Engs.; 2.8130" Free Height; When depleted use FP-VS400
ENGINE BLOCK & PARTS				
QTY	CAM BEARINGS	PART NO.	SIZE	DESCRIPTION
1	Cam Set	FP-1137M	Std Only	
1	Cam Set	1137M +	Std Only	When depleted use FP-1137M
CRANKSHAFT/OIL PUMP				
QTY	MAIN BEARINGS	PART NO.	SIZE	DESCRIPTION
1	Main Set	FP-905M	Std-10-20	190GS Engs.; w/crankshaft Frg. No. 190111 & vaned oil pump.
1	Main Set	905M +	Std-10-20	190GS Engs.; w/crankshaft Frg. No. 190111 & vaned oil pump.; When depleted use FP-905M
CYLINDER COMPONENTS				
QTY	LINERS	PART NO.	SIZE	DESCRIPTION
6	Liner w/Sealing Rings	FP-SO1982	Std Only	OVERBORE To 3.625"; 185GLB Engs.; Incl. (2) FP-SLR1640 sealing rings
6	Liner w/Sealing Rings	SO-1982 +	Std Only	OVERBORE To 3.625"; 185GLB Engs.; Incl. (2) SLR-1640 sealing rings; When depleted use FP-SO1982
6	Sleeve Assy.	FP-SL1982	Std Only	OVERBORE To 3.625"; 185GLB Engs.
6	Sleeve Assy.	SL-1982 +	Std Only	OVERBORE To 3.625"; 185GLB Engs.; When depleted use FP-SL1982
QTY	PISTONS	PART NO.	SIZE	DESCRIPTION
6	Cast Piston	FP-1982PX	Std Only	OVERBORE To 3.625"; 185GLB Engs.; Cast; 3-3/32", 1-3/16" Ring Groove, 2.312" CD, 1.2500" Pin Dia., Flat Head; Repl. O.E. No. 183004
6	Cast Piston	1982PX +	Std Only	OVERBORE To 3.625"; 185GLB Engs.; Cast; 3-3/32", 1-3/16" Ring Groove, 2.312" CD, 1.2500" Pin Dia., Flat Head; Repl. O.E. No. 183004; When depleted use FP-1982PX
12	Pin Bushing	FP-1884Y20		2 req'd. per rod
12	Pin Bushing	1884Y20 +		2 req'd. per rod; When depleted use FP-1884Y20
QTY	CONNECTING RODS & BRGS.	PART NO.	SIZE	DESCRIPTION
12	Rod Pair	FP-2215CPA	Std-10-20	W/2.44" crankpin
12	Rod Pair	2215CPA +	Std-10-20	W/2.44" crankpin; When depleted use FP-2215CPA
6	Rod Pair	FP-1865CP	Std-10-20	185GL & 185GLB Engs.; w/vaned oil pump & 2.00" crankpin; O.A.L. 1.109"
6	Rod Pair	1865CP +	Std-10-20	185GL & 185GLB Engs.; w/vaned oil pump & 2.00" crankpin; O.A.L. 1.109"; When depleted use FP-1865CP
6	Rod Pair	FP-1880CP	Std-10-20-30	185GL, 185GLB & 190GS Engs.; w/2.250" crankpin
6	Rod Pair	1880CP +	Std-10-20-30	185GL, 185GLB & 190GS Engs.; w/2.250" crankpin; When depleted use FP-1880CP
QTY	PISTON RINGS	PART NO.	SIZE	DESCRIPTION
1	Premium Set	FP-5444KX	Std Only	OVERBORE To 3.625"; 185GLB Engs.; 3-3/32, 1-3/16
1	Premium Set	5444KX +	Std Only	OVERBORE To 3.625"; 185GLB Engs.; 3-3/32, 1-3/16; When depleted use FP-5444KX

21 Industrial Applications 185DLC Eng. 3.5L 216 OHV Diesel L6, 3.5" Bore

ENGINE BLOCK & PARTS				
QTY	CAM BEARINGS	PART NO.	SIZE	DESCRIPTION
1	Cam Set	FP-1137M	Std Only	
1	Cam Set	1137M +	Std Only	When depleted use FP-1137M
CYLINDER COMPONENTS				
QTY	PISTONS	PART NO.	SIZE	DESCRIPTION
12	Pin Bushing	FP-1884Y20		2 req'd. per rod
12	Pin Bushing	1884Y20 +		2 req'd. per rod; When depleted use FP-1884Y20

(continued on next page)

Industrial Applications 185DLC Eng. 21
3.5L 216 OHV Diesel L6, 3.5" Bore (cont.)

CYLINDER COMPONENTS (cont.)

QTY	CONNECTING RODS & BRGS.	PART NO.	SIZE	DESCRIPTION
6	Rod Pair	FP-1865CP	Std-10-20	W/Varied oil pump & 2.00" crankpin; O.A.L. 1.109"
6	Rod Pair	1865CP +	Std-10-20	W/Varied oil pump & 2.00" crankpin; O.A.L. 1.109"; When depleted use FP-1865CP
6	Rod Pair	FP-1880CP	Std-10-20-30	W/2.25" crankpin
6	Rod Pair	1880CP +	Std-10-20-30	W/2.25" crankpin; When depleted use FP-1880CP

Industrial Applications 6BA Eng. 22
3.7L 228 L6, 3.375" Bore

CYLINDER COMPONENTS

QTY	PISTONS	PART NO.	SIZE	DESCRIPTION
6	Pin Bushing	FP-8944X		Bushing w/1.167" OD
6	Pin Bushing	8944X +		Bushing w/1.167" OD; When depleted use FP-8944X

Industrial Applications VRG232 Eng. 23
3.8L 232 OHV L6, 3.625" Bore

CYL. HEAD & PARTS

QTY	VALVE	PART NO.	SIZE	DESCRIPTION
6	Intake	FP-V1055		1.3957" Head Dia., .3724" Stem Dia., 5.0433" O.A.L.
6	Intake	V-1055 +	Std Only	1.3957" Head Dia., .3724" Stem Dia., 5.0433" O.A.L.; When depleted use FP-V1055
24	Keeper	VK-66		2 groove
24	Keeper	VK-66R		2 groove; Hardened
QTY	VALVE GUIDE	PART NO.	SIZE	DESCRIPTION
6	Guide	FP-VG857		Exh.; .3745" ID, 2.5000" O.A.L.
6	Guide	VG-857 +		Exh.; .3745" ID, 2.5000" O.A.L.; When depleted use FP-VG857
6	Guide	FP-VG615		Int.; .3695" ID, 2.4100" O.A.L.
6	Guide	VG-615 +		Int.; .3695" ID, 2.4100" O.A.L.; When depleted use FP-VG615
QTY	VALVE SEAL	PART NO.	SIZE	DESCRIPTION
6	Valve Stem Seal	ST-2004		Int.; Positive type; Installation requires valve guide machining; Rubber/PTFE
6	Valve Stem Seal Bulk	ST-2004BC		Int.; Positive type; Installation requires valve guide machining; Carton of 100; Rubber/PTFE

ENGINE BLOCK & PARTS

QTY	CAM BEARINGS	PART NO.	SIZE	DESCRIPTION
1	Cam Set	FP-1137M	Std Only	
1	Cam Set	1137M +	Std Only	When depleted use FP-1137M

CYLINDER COMPONENTS

QTY	LINERS	PART NO.	SIZE	DESCRIPTION
6	Liner w/Sealing Rings	FP-SO1982	Std Only	Incl. (2) FP-SLR1640 sealing rings
6	Liner w/Sealing Rings	SO-1982 +	Std Only	Incl. (2) SLR-1640 sealing rings; When depleted use FP-SO1982
6	Sleeve Assy.	FP-SL1982	Std Only	
6	Sleeve Assy.	SL-1982 +	Std Only	When depleted use FP-SL1982
QTY	PISTONS	PART NO.	SIZE	DESCRIPTION
6	Cast Piston	FP-1982PX	Std Only	Cast; 3-3/32", 1-3/16" Ring Groove, 2.312" CD, 1.2500" Pin Dia., Flat Head; Repl. O.E. No. 183004
6	Cast Piston	1982PX +	Std Only	Cast; 3-3/32", 1-3/16" Ring Groove, 2.312" CD, 1.2500" Pin Dia., Flat Head; Repl. O.E. No. 183004; When depleted use FP-1982PX
12	Pin Bushing	FP-1884Y20		2 req'd. per rod
12	Pin Bushing	1884Y20 +		2 req'd. per rod; When depleted use FP-1884Y20
QTY	CONNECTING RODS & BRGS.	PART NO.	SIZE	DESCRIPTION
6	Rod Pair	FP-1865CP	Std-10-20	W/Varied oil pump & 2.00" crankpin; O.A.L. 1.109"
6	Rod Pair	1865CP +	Std-10-20	W/Varied oil pump & 2.00" crankpin; O.A.L. 1.109"; When depleted use FP-1865CP
6	Rod Pair	FP-1880CP	Std-10-20-30	W/2.25" crankpin
6	Rod Pair	1880CP +	Std-10-20-30	W/2.25" crankpin; When depleted use FP-1880CP
QTY	PISTON RINGS	PART NO.	SIZE	DESCRIPTION
1	Premium Set	FP-5444KX	Std Only	3-3/32, 1-3/16
1	Premium Set	5444KX +	Std Only	3-3/32, 1-3/16; When depleted use FP-5444KX

Waukesha

24 Industrial Applications VRD232 Eng. 3.8L 232 OHV Diesel L6, 3.625" Bore

CYL. HEAD & PARTS

QTY	VALVE	PART NO.	SIZE	DESCRIPTION
24	Keeper	VK-138R		1 groove; Square cut key groove; Hardened
QTY	VALVE GUIDE	PART NO.	SIZE	DESCRIPTION
6	Guide	FP-VG859		Exh.; .3695" ID, 2.3100" O.A.L.
6	Guide	VG-859 +		Exh.; .3695" ID, 2.3100" O.A.L.; When depleted use FP-VG859

ENGINE BLOCK & PARTS

QTY	CAM BEARINGS	PART NO.	SIZE	DESCRIPTION
1	Cam Set	FP-1137M	Std Only	
1	Cam Set	1137M +	Std Only	When depleted use FP-1137M

CYLINDER COMPONENTS

QTY	LINERS	PART NO.	SIZE	DESCRIPTION
6	Liner w/Sealing Rings	FP-SO1982	Std Only	Incl. (2) FP-SLR1640 sealing rings
6	Liner w/Sealing Rings	SO-1982 +	Std Only	Incl. (2) SLR-1640 sealing rings; When depleted use FP-SO1982
6	Sleeve Assy.	FP-SL1982	Std Only	
6	Sleeve Assy.	SL-1982 +	Std Only	When depleted use FP-SL1982
QTY	PISTONS	PART NO.	SIZE	DESCRIPTION
6	Cast Piston	FP-1982PX	Std Only	Cast; 3-3/32", 1-3/16" Ring Groove, 2.312" CD, 1.2500" Pin Dia., Flat Head; Repl. O.E. No. 183004
6	Cast Piston	1982PX +	Std Only	Cast; 3-3/32", 1-3/16" Ring Groove, 2.312" CD, 1.2500" Pin Dia., Flat Head; Repl. O.E. No. 183004; When depleted use FP-1982PX
12	Pin Bushing	FP-1884Y20		2 req'd. per rod
12	Pin Bushing	1884Y20 +		2 req'd. per rod; When depleted use FP-1884Y20
QTY	CONNECTING RODS & BRGS.	PART NO.	SIZE	DESCRIPTION
6	Rod Pair	FP-1865CP	Std-10-20	W/Vaned oil pump & 2.00" crankpin; O.A.L. 1.109"
6	Rod Pair	1865CP +	Std-10-20	W/Vaned oil pump & 2.00" crankpin; O.A.L. 1.109"; When depleted use FP-1865CP
6	Rod Pair	FP-1880CP	Std-10-20-30	W/2.25" crankpin
6	Rod Pair	1880CP +	Std-10-20-30	W/2.25" crankpin; When depleted use FP-1880CP
QTY	PISTON RINGS	PART NO.	SIZE	DESCRIPTION
1	Premium Set	FP-5444KX	Std Only	3-3/32, 1-3/16
1	Premium Set	5444KX +	Std Only	3-3/32, 1-3/16; When depleted use FP-5444KX

25 Industrial Applications 6BK Eng. 4.0L 245 L6, 3.5" Bore

CYLINDER COMPONENTS

QTY	PISTONS	PART NO.	SIZE	DESCRIPTION
6	Pin Bushing	FP-8944X		Bushing w/1.167" OD
6	Pin Bushing	8944X +		Bushing w/1.167" OD; When depleted use FP-8944X

26 Industrial Applications 6BL Eng. 4.3L 263 L6, 3.625" Bore

CYLINDER COMPONENTS

QTY	PISTONS	PART NO.	SIZE	DESCRIPTION
6	Pin Bushing	FP-8944X		Bushing w/1.167" OD
6	Pin Bushing	8944X +		Bushing w/1.167" OD; When depleted use FP-8944X

27 Industrial Applications 190GL, 190GLB, 190GLC, 190GS, 190KL Eng. 4.3L 265 OHV L6, 3.75" Bore

CYL. HEAD & PARTS

QTY	VALVE	PART NO.	SIZE	DESCRIPTION
6	Intake	FP-V1055		1.3957" Head Dia., .3724" Stem Dia., 5.0433" O.A.L.
6	Intake	V-1055 +	Std Only	1.3957" Head Dia., .3724" Stem Dia., 5.0433" O.A.L.; When depleted use FP-V1055
6	Exhaust	FP-V1054		1.2559" Head Dia., .3715" Stem Dia., 5.0492" O.A.L.
6	Exhaust	V-1054 +	Std Only	1.2559" Head Dia., .3715" Stem Dia., 5.0492" O.A.L.; When depleted use FP-V1054
6	Exhaust	FP-V1471		1.3950" Head Dia., .3715" Stem Dia., 4.9840" O.A.L.
6	Exhaust	V-1471 +	Std Only	1.3950" Head Dia., .3715" Stem Dia., 4.9840" O.A.L.; When depleted use FP-V1471
24	Keeper	VK-66		2 groove

(continued on next page)

Industrial Applications 190GL, 190GLB, 190GLC, 190GS, 190KL Engs. 27
4.3L 265 OHV L6, 3.75" Bore (cont.)

CYL. HEAD & PARTS (cont.)

QTY	VALVE (cont.)	PART NO.	SIZE	DESCRIPTION
24	Keeper	VK-66R		2 groove; Hardened
12	Guide	FP-VG459		Fig.; .3750" ID, 2.5000" O.A.L.
12	Guide	VG-459 +		Fig.; .3750" ID, 2.5000" O.A.L.; When depleted use FP-VG459
12	Guide	FP-VG615		Plain; .3695" ID, 2.4100" O.A.L.
12	Guide	VG-615 +		Plain; .3695" ID, 2.4100" O.A.L.; When depleted use FP-VG615
6	Spring	FP-VS400		Int.; 2.8130" Free Height
6	Spring	VS-400 +		Int.; 2.8130" Free Height; When depleted use FP-VS400
6	Rotocap	RC-58		Exh.

ENGINE BLOCK & PARTS

QTY	CAM BEARINGS	PART NO.	SIZE	DESCRIPTION
1	Cam Set	FP-1137M	Std Only	
1	Cam Set	1137M +	Std Only	When depleted use FP-1137M

CRANKSHAFT/OIL PUMP

QTY	MAIN BEARINGS	PART NO.	SIZE	DESCRIPTION
1	Main Set	FP-905M	Std-10-20	W/190111 crankshaft & vaned oil pump.
1	Main Set	905M +	Std-10-20	W/190111 crankshaft & vaned oil pump.; When depleted use FP-905M

CYLINDER COMPONENTS

QTY	PISTONS	PART NO.	SIZE	DESCRIPTION
12	Pin Bushing	FP-1884Y20		Exc. 190GLB Engs.; 2 req'd. per rod
12	Pin Bushing	1884Y20 +		Exc. 190GLB Engs.; 2 req'd. per rod; When depleted use FP-1884Y20
6	Rod Pair	FP-1880CP	Std-10-20-30	W/2.25" crankpin
6	Rod Pair	1880CP +	Std-10-20-30	W/2.25" crankpin; When depleted use FP-1880CP
6	Rod Pair	FP-2215CPA	Std-10-20	W/2.44" crankpin
6	Rod Pair	2215CPA +	Std-10-20	W/2.44" crankpin; When depleted use FP-2215CPA
1	Premium Set	FP-645KX	Std Only	3-1/8, 1-3/16
1	Premium Set	645KX +	Std Only	3-1/8, 1-3/16; When depleted use FP-645KX
6	Premium Single Cylinder Set	W-645KX	Std Only	3-1/8, 1-3/16

Industrial Applications 190DCB, 190DLA, 190DLB, 190DLC, 190DSB Engs. 28
4.3L 265 OHV Diesel L6, 3.75" Bore

ENGINE BLOCK & PARTS

QTY	CAM BEARINGS	PART NO.	SIZE	DESCRIPTION
1	Cam Set	FP-1137M	Std Only	
1	Cam Set	1137M +	Std Only	When depleted use FP-1137M

CRANKSHAFT/OIL PUMP

QTY	MAIN BEARINGS	PART NO.	SIZE	DESCRIPTION
1	Main Set	FP-905M	Std-10-20	W/190111 crankshaft & vaned oil pump.
1	Main Set	905M +	Std-10-20	W/190111 crankshaft & vaned oil pump.; When depleted use FP-905M

CYLINDER COMPONENTS

QTY	PISTONS	PART NO.	SIZE	DESCRIPTION
12	Pin Bushing	FP-1884Y20		190DLA, 190DLCA & 190DSB Engs.; 2 req'd. per rod
12	Pin Bushing	1884Y20 +		190DLA, 190DLCA & 190DSB Engs.; 2 req'd. per rod; When depleted use FP-1884Y20
6	Rod Pair	FP-1880CP	Std-10-20-30	W/2.25" crankpin
6	Rod Pair	1880CP +	Std-10-20-30	W/2.25" crankpin; When depleted use FP-1880CP
6	Rod Pair	FP-2215CPA	Std-10-20	W/2.44" crankpin
6	Rod Pair	2215CPA +	Std-10-20	W/2.44" crankpin; When depleted use FP-2215CPA

Waukesha

29 Industrial Applications 6BM Eng. 4.6L 282 L6, 3.75" Bore

CYLINDER COMPONENTS

QTY	PISTONS	PART NO.	SIZE	DESCRIPTION
6	Pin Bushing	FP-8944X		Bushing w/1.167" OD
6	Pin Bushing	8944X +		Bushing w/1.167" OD; When depleted use FP-8944X

30 Industrial Applications F283G, VRG283 Engs. 4.6L 283 OHV L6, 3.875" Bore

CYL. HEAD & PARTS

QTY	VALVE	PART NO.	SIZE	DESCRIPTION
6	Intake	FP-V4216		1.6250" Head Dia., .3725" Stem Dia., 5.4060" O.A.L.
6	Intake	V-4216 +	Std Only	1.6250" Head Dia., .3725" Stem Dia., 5.4060" O.A.L.; When depleted use FP-V4216
24	Keeper	VK-138R		1 groove; Square cut key groove; Hardened
QTY	VALVE GUIDE	PART NO.	SIZE	DESCRIPTION
6	Guide	FP-VG615		Int.; .3695" ID, 2.4100" O.A.L.
6	Guide	VG-615 +		Int.; .3695" ID, 2.4100" O.A.L.; When depleted use FP-VG615
QTY	VALVE SEAL	PART NO.	SIZE	DESCRIPTION
6	Valve Stem Seal	ST-2004		Int.; Positive type; Installation requires valve guide machining; Rubber/PTFE
6	Valve Stem Seal Bulk	ST-2004BC		Int.; Positive type; Installation requires valve guide machining; Carton of 100; Rubber/PTFE

ENGINE BLOCK & PARTS

QTY	CAM BEARINGS	PART NO.	SIZE	DESCRIPTION
1	Cam Set	FP-1275M	Std Only	
1	Cam Set	1275M +	Std Only	When depleted use FP-1275M

CRANKSHAFT/OIL PUMP

QTY	MAIN BEARINGS	PART NO.	SIZE	DESCRIPTION
1	Main Set	FP-4671M	Std-20-40	
1	Main Set	4671M +	Std-20-40	When depleted use FP-4671M

CYLINDER COMPONENTS

QTY	LINERS	PART NO.	SIZE	DESCRIPTION
6	Liner w/Sealing Rings	FP-SO2523	Std Only	Incl. (2) FP-SLR2028 sealing rings
6	Liner w/Sealing Rings	SO-2523 +	Std Only	Incl. (2) SLR-2028 sealing rings; When depleted use FP-SO2523
QTY	PISTONS	PART NO.	SIZE	DESCRIPTION
12	Pin Bushing	FP-1884Y20		2 req'd. per rod
12	Pin Bushing	1884Y20 +		2 req'd. per rod; When depleted use FP-1884Y20
QTY	CONNECTING RODS & BRGS.	PART NO.	SIZE	DESCRIPTION
6	Rod Pair	FP-3715CP	Std-10-20-30	
6	Rod Pair	3715CP +	Std-10-20-30	When depleted use FP-3715CP
QTY	PISTON RINGS	PART NO.	SIZE	DESCRIPTION
1	Premium Set	FP-9739KX	Std Only	2-3/32, 1-3/16
1	Premium Set	9739KX +	Std Only	2-3/32, 1-3/16; When depleted use FP-9739KX
6	Premium Single Cylinder Set	W-9739KX	Std Only	2-3/32, 1-3/16

31 Industrial Applications VRD283 Eng. 4.6L 283 OHV Diesel L6, 3.875" Bore

CYL. HEAD & PARTS

QTY	VALVE	PART NO.	SIZE	DESCRIPTION
24	Keeper	VK-138R		1 groove; Square cut key groove; Hardened

ENGINE BLOCK & PARTS

QTY	CAM BEARINGS	PART NO.	SIZE	DESCRIPTION
1	Cam Set	FP-1275M	Std Only	
1	Cam Set	1275M +	Std Only	When depleted use FP-1275M

CRANKSHAFT/OIL PUMP

QTY	MAIN BEARINGS	PART NO.	SIZE	DESCRIPTION
1	Main Set	FP-4671M	Std-20-40	
1	Main Set	4671M +	Std-20-40	When depleted use FP-4671M

(continued on next page)

Industrial Applications VRD283 Eng. 31
4.6L 283 OHV Diesel L6, 3.875" Bore (cont.)

CYLINDER COMPONENTS

QTY	LINERS	PART NO.	SIZE	DESCRIPTION
6	Liner w/Sealing Rings	FP-SO2523	Std Only	Incl. (2) FP-SLR2028 sealing rings
6	Liner w/Sealing Rings	SO-2523 +	Std Only	Incl. (2) SLR-2028 sealing rings; When depleted use FP-SO2523
6	Sleeve Assy.	FP-SL2527	Std Only	
6	Sleeve Assy.	SL2527 +	Std Only	When depleted use FP-SL2527
QTY	PISTONS	PART NO.	SIZE	DESCRIPTION
12	Pin Bushing	FP-1884Y20		2 req'd. per rod
12	Pin Bushing	1884Y20 +		2 req'd. per rod; When depleted use FP-1884Y20
QTY	CONNECTING RODS & BRGS.	PART NO.	SIZE	DESCRIPTION
6	Rod Pair	FP-3715CP	Std-10-20-30	
6	Rod Pair	3715CP +	Std-10-20-30	When depleted use FP-3715CP
QTY	PISTON RINGS	PART NO.	SIZE	DESCRIPTION
1	Premium Set	FP-9739KX	Std Only	2-3/32, 1-3/16
1	Premium Set	9739KX +	Std Only	2-3/32, 1-3/16; When depleted use FP-9739KX
6	Premium Single Cylinder Set	W-9739KX	Std Only	2-3/32, 1-3/16

Industrial Applications 32
4.9L 299 OHV L6, 3.3125" Bore

ENGINE BLOCK & PARTS

QTY	CAM BEARINGS	PART NO.	SIZE	DESCRIPTION
1	Cam Set	FP-1137M	Std Only	
1	Cam Set	1137M +	Std Only	When depleted use FP-1137M

CYLINDER COMPONENTS

QTY	PISTONS	PART NO.	SIZE	DESCRIPTION
12	Pin Bushing	FP-1884Y20		2 req'd. per rod
12	Pin Bushing	1884Y20 +		2 req'd. per rod; When depleted use FP-1884Y20
QTY	CONNECTING RODS & BRGS.	PART NO.	SIZE	DESCRIPTION
6	Rod Pair	FP-1435SB	Std-10	
6	Rod Pair	1435SB +	Std-10	When depleted use FP-1435SB

Industrial Applications 195GL Eng. 33
4.9L 302 OHV L6, 4" Bore

ENGINE BLOCK & PARTS

QTY	CAM BEARINGS	PART NO.	SIZE	DESCRIPTION
1	Cam Set	FP-1137M	Std Only	
1	Cam Set	1137M +	Std Only	When depleted use FP-1137M

CYLINDER COMPONENTS

QTY	PISTONS	PART NO.	SIZE	DESCRIPTION
12	Pin Bushing	FP-1884Y20		2 req'd. per rod
12	Pin Bushing	1884Y20 +		2 req'd. per rod; When depleted use FP-1884Y20
QTY	CONNECTING RODS & BRGS.	PART NO.	SIZE	DESCRIPTION
6	Rod Pair	FP-1880CP	Std-10-20-30	W/2.25" crankpin
6	Rod Pair	1880CP +	Std-10-20-30	W/2.25" crankpin; When depleted use FP-1880CP
6	Rod Pair	FP-2215CPA	Std-10-20	W/2.44" crankpin
6	Rod Pair	2215CPA +	Std-10-20	W/2.44" crankpin; When depleted use FP-2215CPA

Industrial Applications 195DLC, 197DLC Eng. 34
4.9L 302 OHV Diesel L6, 4" Bore

ENGINE BLOCK & PARTS

QTY	CAM BEARINGS	PART NO.	SIZE	DESCRIPTION
1	Cam Set	FP-1137M	Std Only	
1	Cam Set	1137M +	Std Only	When depleted use FP-1137M

Waukesha

35 Industrial Applications F310G, VRG310 Engs. 5.1L 310 OHV L6, 3.875" Bore

CYL. HEAD & PARTS				
QTY	VALVE	PART NO.	SIZE	DESCRIPTION
6	Intake	FP-V4216		1.6250" Head Dia., .3725" Stem Dia., 5.4060" O.A.L.
6	Intake	V-4216 +	Std Only	1.6250" Head Dia., .3725" Stem Dia., 5.4060" O.A.L.; When depleted use FP-V4216
24	Keeper	VK-138R		1 groove; Square cut key groove; Hardened
QTY	VALVE GUIDE	PART NO.	SIZE	DESCRIPTION
6	Guide	FP-VG615		Int.; .3695" ID, 2.4100" O.A.L.
6	Guide	VG-615 +		Int.; .3695" ID, 2.4100" O.A.L.; When depleted use FP-VG615
QTY	VALVE SEAL	PART NO.	SIZE	DESCRIPTION
6	Valve Stem Seal	ST-2004		Int.; Positive type; Installation requires valve guide machining; Rubber/PTFE
6	Valve Stem Seal Bulk	ST-2004BC		Int.; Positive type; Installation requires valve guide machining; Carton of 100; Rubber/PTFE
ENGINE BLOCK & PARTS				
QTY	CAM BEARINGS	PART NO.	SIZE	DESCRIPTION
1	Cam Set	FP-1275M	Std Only	
1	Cam Set	1275M +	Std Only	When depleted use FP-1275M
CRANKSHAFT/OIL PUMP				
QTY	MAIN BEARINGS	PART NO.	SIZE	DESCRIPTION
1	Main Set	FP-4671M	Std-20-40	
1	Main Set	4671M +	Std-20-40	When depleted use FP-4671M
CYLINDER COMPONENTS				
QTY	LINERS	PART NO.	SIZE	DESCRIPTION
6	Liner w/Sealing Rings	FP-SO2523	Std Only	Incl. (2) FP-SLR2028 sealing rings
6	Liner w/Sealing Rings	SO-2523 +	Std Only	Incl. (2) SLR-2028 sealing rings; When depleted use FP-SO2523
6	Sleeve Assy.	FP-SL2541	Std Only	
6	Sleeve Assy.	SL-2541 +	Std Only	When depleted use FP-SL2541
QTY	PISTONS	PART NO.	SIZE	DESCRIPTION
6	Cast Piston	FP-2541P	Std Only	8.5:1 C.R.; Cast; 2-3/32", 1-3/16" Ring Groove, 2.363" CD, 1.2500" Pin Dia., Dish Head .580" deep; Repl. O.E. No. 222404
6	Cast Piston	2541P +	Std Only	8.5:1 C.R.; Cast; 2-3/32", 1-3/16" Ring Groove, 2.363" CD, 1.2500" Pin Dia., Dish Head .580" deep; Repl. O.E. No. 222404; When depleted use FP-2541P
12	Pin Bushing	FP-1884Y20		2 req'd. per rod
12	Pin Bushing	1884Y20 +		2 req'd. per rod; When depleted use FP-1884Y20
QTY	CONNECTING RODS & BRGS.	PART NO.	SIZE	DESCRIPTION
6	Rod Pair	FP-3715CP	Std-10-20-30	
6	Rod Pair	3715CP +	Std-10-20-30	When depleted use FP-3715CP
QTY	PISTON RINGS	PART NO.	SIZE	DESCRIPTION
1	Premium Set	FP-9739KX	Std Only	2-3/32, 1-3/16
1	Premium Set	9739KX +	Std Only	2-3/32, 1-3/16; When depleted use FP-9739KX
6	Premium Single Cylinder Set	W-9739KX	Std Only	2-3/32, 1-3/16

36 Industrial Applications VRD310 Eng. 5.1L 310 OHV Diesel L6, 3.875" Bore

CYL. HEAD & PARTS				
QTY	VALVE	PART NO.	SIZE	DESCRIPTION
24	Keeper	VK-138R		1 groove; Square cut key groove; Hardened
ENGINE BLOCK & PARTS				
QTY	CAM BEARINGS	PART NO.	SIZE	DESCRIPTION
1	Cam Set	FP-1275M	Std Only	
1	Cam Set	1275M +	Std Only	When depleted use FP-1275M
CRANKSHAFT/OIL PUMP				
QTY	MAIN BEARINGS	PART NO.	SIZE	DESCRIPTION
1	Main Set	FP-4671M	Std-20-40	
1	Main Set	4671M +	Std-20-40	When depleted use FP-4671M
CYLINDER COMPONENTS				
QTY	LINERS	PART NO.	SIZE	DESCRIPTION
6	Liner w/Sealing Rings	FP-SO2523	Std Only	Incl. (2) FP-SLR2028 sealing rings

(continued on next page)

Industrial Applications VRD310 Eng. 36
5.1L 310 OHV Diesel L6, 3.875" Bore (cont.)

CYLINDER COMPONENTS (cont.)

QTY	LINERS (cont.)	PART NO.	SIZE	DESCRIPTION
6	Liner w/Sealing Rings	SO-2523 +	Std Only	Incl. (2) SLR-2028 sealing rings; When depleted use FP-SO2523
6	Sleeve Assy.	FP-SL2523	Std Only	
6	Sleeve Assy.	SL-2523 +	Std Only	When depleted use FP-SL2523
QTY	PISTONS	PART NO.	SIZE	DESCRIPTION
12	Pin Bushing	FP-1884Y20		2 req'd. per rod
12	Pin Bushing	1884Y20 +		2 req'd. per rod; When depleted use FP-1884Y20
QTY	CONNECTING RODS & BRGS.	PART NO.	SIZE	DESCRIPTION
6	Rod Pair	FP-3715CP	Std-10-20-30	
6	Rod Pair	3715CP +	Std-10-20-30	When depleted use FP-3715CP
QTY	PISTON RINGS	PART NO.	SIZE	DESCRIPTION
1	Premium Set	FP-9739KX	Std Only	2-3/32, 1-3/16
1	Premium Set	9739KX +	Std Only	2-3/32, 1-3/16; When depleted use FP-9739KX
6	Premium Single Cylinder Set	W-9739KX	Std Only	2-3/32, 1-3/16

Industrial Applications 195GK, 195GKA, 195GKU Engs. 37
5.2L 320 L6, 4.125" Bore

CYL. HEAD & PARTS

QTY	VALVE	PART NO.	SIZE	DESCRIPTION
24	Keeper	VK-66		2 groove
24	Keeper	VK-66R		2 groove; Hardened

ENGINE BLOCK & PARTS

QTY	CAM BEARINGS	PART NO.	SIZE	DESCRIPTION
1	Cam Set	FP-1137M	Std Only	
1	Cam Set	1137M +	Std Only	When depleted use FP-1137M

CRANKSHAFT/OIL PUMP

QTY	MAIN BEARINGS	PART NO.	SIZE	DESCRIPTION
1	Main Set	FP-905M	Std-10-20	W/190111 crankshaft & vaned oil pump.
1	Main Set	905M +	Std-10-20	W/190111 crankshaft & vaned oil pump.; When depleted use FP-905M

CYLINDER COMPONENTS

QTY	LINERS	PART NO.	SIZE	DESCRIPTION
6	Repair Sleeve	SL-23Y	Std Only	1/8" wall, must be cut to correct length
6	Repair Sleeve	SL-23M	Std Only	3/32" wall, must be cut to correct length
QTY	PISTONS	PART NO.	SIZE	DESCRIPTION
12	Pin Bushing	FP-1884Y20		2 req'd. per rod
12	Pin Bushing	1884Y20 +		2 req'd. per rod; When depleted use FP-1884Y20
QTY	CONNECTING RODS & BRGS.	PART NO.	SIZE	DESCRIPTION
6	Rod Pair	FP-1880CP	Std-10-20-30	W/2.25" crankpin
6	Rod Pair	1880CP +	Std-10-20-30	W/2.25" crankpin; When depleted use FP-1880CP
6	Rod Pair	FP-2215CPA	Std-10-20	W/2.44" crankpin
6	Rod Pair	2215CPA +	Std-10-20	W/2.44" crankpin; When depleted use FP-2215CPA

Industrial Applications VIK Eng. 38
5.4L 334 L4, 4.5" Bore

CYLINDER COMPONENTS

QTY	PISTON RINGS	PART NO.	SIZE	DESCRIPTION
2	Standard Set	FP-5080C	Std Only	3-3/16, 1-3/16 (2 cyl. set)
2	Standard Set	5080C +	Std Only	3-3/16, 1-3/16 (2 cyl. set); When depleted use FP-5080C

Industrial Applications V Eng. 39
8.2L 501 L6, 4.5" Bore

CYLINDER COMPONENTS

QTY	PISTONS	PART NO.	SIZE	DESCRIPTION
6	Pin Bushing	FP-1759V		
6	Pin Bushing	1759V +		When depleted use FP-1759V

(continued on next page)

Waukesha

39 Industrial Applications V Eng. (cont.) 8.2L 501 L6, 4.5" Bore				
CYLINDER COMPONENTS (cont.)				
QTY	CONNECTING RODS & BRGS.	PART NO.	SIZE	DESCRIPTION
6	Rod Pair	FP-1300CP	Std-20	
6	Rod Pair	1300CP +	Std-20	When depleted use FP-1300CP
40 Industrial Applications 140GK, 140GKB, 140GS, 140HK Eng. 8.6L 525 L6, 4.5" Bore				
CYL. HEAD & PARTS				
QTY	VALVE SEAL	PART NO.	SIZE	DESCRIPTION
12	Valve Stem Seal	ST-2007		Positive type; Rubber
41 Industrial Applications 145GS, 145HS Eng. 10.5L 638 L6, 4.75" Bore				
CYLINDER COMPONENTS				
QTY	PISTONS	PART NO.	SIZE	DESCRIPTION
6	Pin Bushing	FP-1759V		
6	Pin Bushing	1759V +		When depleted use FP-1759V
QTY	CONNECTING RODS & BRGS.	PART NO.	SIZE	DESCRIPTION
6	Rod Pair	FP-1300CP	Std-20	
6	Rod Pair	1300CP +	Std-20	When depleted use FP-1300CP
42 Industrial Applications 145GK, 145GKB, 145HK Eng. 12.8L 779 OHV L6, 5.25" Bore				
CYLINDER COMPONENTS				
QTY	PISTONS	PART NO.	SIZE	DESCRIPTION
6	Pin Bushing	FP-1759V		
6	Pin Bushing	1759V +		When depleted use FP-1759V
QTY	CONNECTING RODS & BRGS.	PART NO.	SIZE	DESCRIPTION
6	Rod Pair	FP-1300CP	Std-20	
6	Rod Pair	1300CP +	Std-20	When depleted use FP-1300CP
43 Industrial Applications 145GZ, 145GZB, F817G Eng. (Gasoline or Natural Gas or Butane) 13.4L 818 OHV L6, 5.375" Bore				
CYLINDER COMPONENTS				
QTY	PISTONS	PART NO.	SIZE	DESCRIPTION
6	Pin Bushing	FP-1759V		Exc. F817G
6	Pin Bushing	1759V +		Exc. F817G; When depleted use FP-1759V
QTY	CONNECTING RODS & BRGS.	PART NO.	SIZE	DESCRIPTION
6	Rod Pair	FP-1300CP	Std-20	Exc. F817G
6	Rod Pair	1300CP +	Std-20	Exc. F817G; When depleted use FP-1300CP
44 Industrial Applications L7042G Eng. (Natural Gas) 7042 OHV NG L12, 9.375" Bore				
CYL. HEAD & PARTS				
QTY	GASKETS	PART NO.	SIZE	DESCRIPTION
12	Head Gasket	FP-205000L		
1	Head Set	FP-G979266		w/Multi. Cyl. Head
1	Camshaft Hole Cover Gasket	FP-153092A		Pump Cover to Cam Gear Cover
1	Gasket	FP-153038		Camshaft Cover Plate
12	Valve Cover Gasket	FP-153894B		
QTY	VALVE	PART NO.	SIZE	DESCRIPTION
24	Intake	FP-204236K		30 Degree
24	Intake	FP-204036T		45 Degree
24	Exhaust	FP-204236M		Exc. Lean Burn; 30 Degree
24	Exhaust	FP-204236L		Lean Burn; 20 Degree
24	Exhaust	FP-204236N		30 Degree
24	Exhaust	FP-204036S		45 Degree
QTY	VALVE SEAT	PART NO.	SIZE	DESCRIPTION
24	Exh.	FP-176352K		30 Degree

(continued on next page)

Industrial Applications L7042G Eng. (Natural Gas) 44
7042 OHV NG L12, 9.375" Bore (cont.)

CYL. HEAD & PARTS (cont.)				
QTY	VALVE SEAT (cont.)	PART NO.	SIZE	DESCRIPTION
24	Int.	FP-176352P		Exc. Lean Burn; 30 Degree
QTY	VALVE SPRING	PART NO.	SIZE	DESCRIPTION
24	Spring	FP-204035		Exh. Inner; 3.8300" Free Height
24	Spring	FP-204135		Exh. Outer; 4.2860" Free Height
24	Spring	FP-204035A		Int. Inner; 3.7810" Free Height
24	Spring	FP-204135A		Int. Outer; 4.1560" Free Height
QTY	VALVE MISC.	PART NO.	SIZE	DESCRIPTION
72	O-Ring	FP-211196		Push Rod Spring seal; 1.25" x 1.50" x 0.12"
QTY	ROCKER PARTS	PART NO.	SIZE	DESCRIPTION
24	O-Ring	FP-166580M		Rocker Arm Oil Tube
ELECTRICAL				
QTY	ELECTRICAL	PART NO.	SIZE	DESCRIPTION
1	Governor Gasket	FP-153102A		Magneto Drive Housing Cover gasket
INT & EXH MANIFOLDS				
QTY	INT. & EXH. MANIFOLDS	PART NO.	SIZE	DESCRIPTION
12	Exhaust Manifold Gasket	FP-153896A		
12	Intake Manifold Gasket	FP-153895A		
2	Gasket	FP-118878A		Exh. Connection; Exc. Turbo & Lean Burn
4	Oil Seal	FP-153291B		Butterfly Shaft; Turbo & Lean Burn
4	Oil Seal	FP-153990A		Butterfly Valve Shaft; Exc. Lean Burn
24	Oil Seal	FP-176883		Exh. Manifold Elbow
CAMSHAFT GROUP				
QTY	TIMING	PART NO.	SIZE	DESCRIPTION
1	Ball Brg.	FP-78390		Inner; Idler Gear Brg.
1	Ball Brg.	FP-78391		Outer; Idler Gear Brg.
QTY	CAMSHAFT/LIFTER	PART NO.	SIZE	DESCRIPTION
7	O-Ring	FP-118013N		Camshaft Bearing Cap
FUEL SYSTEM & PARTS				
QTY	TURBOCHARGER	PART NO.	SIZE	DESCRIPTION
2	Air Intake Elbow Gasket	FP-207827		
2	Turbocharger Gasket	FP-207806		Turbo Inlet; Lean Burn
GOVERNOR				
QTY	GOVERNOR	PART NO.	SIZE	DESCRIPTION
1	Governor Gasket	FP-153102A		Overspeed Governor
1	Gasket	FP-168349		Gov. Drive Housing
COOLING SYSTEM				
QTY	WATER PUMP	PART NO.	SIZE	DESCRIPTION
2	Water Pump Gasket	FP-B2793D		Pump Inlet Gasket
1	Water Pump Cover Gasket	FP-159580		
6	Oil Seal	FP-153610		Thermostat Seal
1	O-Ring	FP-176883D		Water Pump Flange to Elbow
2	Oil Seal	FP-153610		Thermostat Seal
2	Gasket	FP-153139A		Water Inlet Flange
QTY	THERMOSTAT	PART NO.	SIZE	DESCRIPTION
1	Thermostat	FP-211887D		
1	Thermostat	FP-211887E		
1	Thermostat	FP-211887F		
1	Thermostat	FP-211887G		
1	Thermostat	FP-211887		160 Degree
1	Thermostat	FP-211887A		165 Degree
1	Thermostat	FP-211887B		170 Degree
1	Thermostat	FP-211887C		175 Degree
QTY	MISCELLANEOUS	PART NO.	SIZE	DESCRIPTION
2	Water Manifold Gasket	FP-208943		Upper By-Pass Tube
ENGINE BLOCK & PARTS				
QTY	GASKETS	PART NO.	SIZE	DESCRIPTION
1	Oil Seal	FP-153097A		Front Cover
1	Gasket	FP-153095A		Cover Plate Gasket
1	Gasket	FP-153137A		Cover Plate Gasket
1	Gasket	FP-163211		Gear Cover Gasket

(continued on next page)

Waukesha

44 Industrial Applications L7042G Eng. (Natural Gas)

(cont.) 7042 OHV NG L12, 9.375" Bore

ENGINE BLOCK & PARTS (cont.)				
QTY	GASKETS (cont.)	PART NO.	SIZE	DESCRIPTION
1	Gasket	FP-163212B		Gear Hsg. Gasket
CRANKSHAFT/OIL PUMP				
QTY	CRANKSHAFT	PART NO.	SIZE	DESCRIPTION
1	Vibration Damper	FP-153807		Position Front; Nat. Aspirated; 24"
1	O-Ring	FP-118013Z		Vibration Damper Spacer
QTY	SEALS - FRONT CRANK	PART NO.	SIZE	DESCRIPTION
1	Oil Seal	FP-153097A		Front
QTY	SEALS - REAR CRANK	PART NO.	SIZE	DESCRIPTION
1	Oil Seal	FP-153554A		Rear; Rear Crankshaft Support
1	Gasket	FP-153024		Rear; Oil Seal Retainer
QTY	MAIN BEARINGS	PART NO.	SIZE	DESCRIPTION
3	Main Set	FP-A200122E	STD	Position 1-4-7; Incl. Upper & Lower, for Angle-Drilled crankshafts
3	Main Set	FP-A200122	STD	Position 1-4-7; Incl. Upper & Lower, for Tee-Drilled crankshafts; Wide
4	Main Set	FP-A200125C	STD	Position 2-3-5-6; Incl. Upper & Lower, for Angle-Drilled crankshafts
4	Main Set	FP-A200125B	STD	Position 2-3-5-6; Incl. Upper & Lower, for Tee-Drilled crankshafts; Narrow
QTY	OIL PUMP	PART NO.	SIZE	DESCRIPTION
2	O-Ring	FP-118013N		Oil Gauge Tube
2	Gasket	FP-153142A		Oil Gauge Support
2	Gasket	FP-158405		R.H.; Cover Plate
1	Oil Seal	FP-166192C		Oil Pan Seal
1	Oil Suction Tube Gasket	FP-153127A		Oil Tube Flange
6	Oil Suction Tube Gasket	FP-153127A		Pickup Tube Flange
CYLINDER COMPONENTS				
QTY	LINERS	PART NO.	SIZE	DESCRIPTION
12	Liner w/o Sealing Rings	FP-205130P		Exc. Lean Burn; Wide flange, .566" thick
12	Liner w/o Sealing Rings	FP-205130N		Lean Burn; Nitrided & Chromed O.D.
12	Sealing Ring, Liner	FP-119397E		1 Per Cylinder
24	Sealing Ring, Liner	FP-119397G		2 Per Cylinder
QTY	PISTONS	PART NO.	SIZE	DESCRIPTION
12	Piston Body w/o Pin	FP-205504P		Exc. Lean Burn; 8.0:1 C.R.; O.E. 205404H, 205504F, 205504P
12	Pin	FP-10006		
24	Piston Pin Retainer	FP-44999C		
24	Pin Bushing	FP-47108F		
QTY	CONNECTING RODS & BRGS.	PART NO.	SIZE	DESCRIPTION
12	Rod Pair	FP-A205010X	STD	Use w/early off-center Con. Rod 205007, Angle-Drilled crankshafts
12	Rod Pair	FP-A205010P	STD	Use w/late on-center Con. Rod 205507, Tee-Drilled double fillet crankshafts
12	Rod Pair	FP-C205010X	STD	Use w/off-center Con. Rod 205407H, Tee-Drilled, single fillet crankshafts
QTY	PISTON RINGS	PART NO.	SIZE	DESCRIPTION
12	Ring Set Single Cylinder	FP-G907147		

45 Industrial Applications L7042G Eng. (Turbo Natural Gas)

7042 OHV Turbo-NG L12, 9.375" Bore

CYL. HEAD & PARTS				
QTY	GASKETS	PART NO.	SIZE	DESCRIPTION
12	Head Gasket	FP-205000L		
1	Head Set	FP-G979266		w/Multi. Cyl. Head
1	Camshaft Hole Cover Gasket	FP-153092A		Pump Cover to Cam Gear Cover
1	Gasket	FP-153038		Camshaft Cover Plate
12	Valve Cover Gasket	FP-153894B		
QTY	VALVE	PART NO.	SIZE	DESCRIPTION
24	Intake	FP-204236K		30 Degree
24	Intake	FP-204036T		45 Degree
24	Exhaust	FP-204236M		30 Degree
24	Exhaust	FP-204236N		30 Degree
24	Exhaust	FP-204036S		45 Degree

(continued on next page)

Industrial Applications L7042G Eng. (Turbo Natural Gas) 45
7042 OHV Turbo-NG L12, 9.375" Bore (cont.)

CYL. HEAD & PARTS (cont.)				
QTY	VALVE SEAT	PART NO.	SIZE	DESCRIPTION
24	Exh.	FP-176352K		30 Degree
24	Int.	FP-176352P		30 Degree
QTY	VALVE SPRING	PART NO.	SIZE	DESCRIPTION
24	Spring	FP-204035		Exh. Inner; 3.8300" Free Height
24	Spring	FP-204135		Exh. Outer; 4.2860" Free Height
24	Spring	FP-204035A		Int. Inner; 3.7810" Free Height
24	Spring	FP-204135A		Int. Outer; 4.1560" Free Height
QTY	VALVE MISC.	PART NO.	SIZE	DESCRIPTION
72	O-Ring	FP-211196		Push Rod Spring seal; 1.25" x 1.50" x 0.12"
QTY	ROCKER PARTS	PART NO.	SIZE	DESCRIPTION
24	O-Ring	FP-166580M		Rocker Arm Oil Tube
ELECTRICAL				
QTY	ELECTRICAL	PART NO.	SIZE	DESCRIPTION
1	Governor Gasket	FP-153102A		Magneto Drive Housing Cover gasket
INT & EXH MANIFOLDS				
QTY	INT. & EXH. MANIFOLDS	PART NO.	SIZE	DESCRIPTION
12	Exhaust Manifold Gasket	FP-153896A		
12	Intake Manifold Gasket	FP-153895A		
4	Oil Seal	FP-153291B		Butterfly Shaft
4	Oil Seal	FP-153990A		Butterfly Valve Shaft
24	Oil Seal	FP-176883		Exh. Manifold Elbow
CAMSHAFT GROUP				
QTY	TIMING	PART NO.	SIZE	DESCRIPTION
1	Ball Brg.	FP-78390		Inner; Idler Gear Brg.
1	Ball Brg.	FP-78391		Outer; Idler Gear Brg.
QTY	CAMSHAFT/LIFTER	PART NO.	SIZE	DESCRIPTION
7	O-Ring	FP-118013N		Camshaft Bearing Cap
FUEL SYSTEM & PARTS				
QTY	TURBOCHARGER	PART NO.	SIZE	DESCRIPTION
2	Air Intake Elbow Gasket	FP-207827		
GOVERNOR				
QTY	GOVERNOR	PART NO.	SIZE	DESCRIPTION
1	Governor Gasket	FP-153102A		Overspeed Governor
1	Gasket	FP-168349		Gov. Drive Housing
COOLING SYSTEM				
QTY	WATER PUMP	PART NO.	SIZE	DESCRIPTION
2	Water Pump Gasket	FP-B2793D		Pump Inlet Gasket
1	Water Pump Cover Gasket	FP-159580		
6	Oil Seal	FP-153610		Thermostat Seal
1	O-Ring	FP-176883D		Water Pump Flange to Elbow
2	Oil Seal	FP-153610		Thermostat Seal
2	Gasket	FP-153139A		Water Inlet Flange
QTY	THERMOSTAT	PART NO.	SIZE	DESCRIPTION
1	Thermostat	FP-211887D		
1	Thermostat	FP-211887E		
1	Thermostat	FP-211887F		
1	Thermostat	FP-211887G		
1	Thermostat	FP-211887		160 Degree
1	Thermostat	FP-211887A		165 Degree
1	Thermostat	FP-211887B		170 Degree
1	Thermostat	FP-211887C		175 Degree
QTY	MISCELLANEOUS	PART NO.	SIZE	DESCRIPTION
2	Water Manifold Gasket	FP-208943		Upper By-Pass Tube
ENGINE BLOCK & PARTS				
QTY	GASKETS	PART NO.	SIZE	DESCRIPTION
1	Oil Seal	FP-153097A		Front Cover
1	Gasket	FP-153095A		Cover Plate Gasket
1	Gasket	FP-153137A		Cover Plate Gasket
1	Gasket	FP-163211		Gear Cover Gasket

(continued on next page)

Waukesha

45 Industrial Applications L7042G Eng. (Turbo Natural Gas) (cont.) 7042 OHV Turbo-NG L12, 9.375" Bore				
ENGINE BLOCK & PARTS (cont.)				
QTY	GASKETS (cont.)	PART NO.	SIZE	DESCRIPTION
1	Gasket	FP-163212B		Gear Hsg. Gasket
CRANKSHAFT/OIL PUMP				
QTY	CRANKSHAFT	PART NO.	SIZE	DESCRIPTION
1	O-Ring	FP-118013Z		Vibration Damper Spacer
QTY	SEALS - FRONT CRANK	PART NO.	SIZE	DESCRIPTION
1	Oil Seal	FP-153097A		Front
QTY	SEALS - REAR CRANK	PART NO.	SIZE	DESCRIPTION
1	Oil Seal	FP-153554A		Rear; Rear Crankshaft Support
1	Gasket	FP-153024		Rear; Oil Seal Retainer
QTY	MAIN BEARINGS	PART NO.	SIZE	DESCRIPTION
3	Main Set	FP-A200122E	STD	Position 1-4-7; Incl. Upper & Lower, for Angle-Drilled crankshafts
3	Main Set	FP-A200122	STD	Position 1-4-7; Incl. Upper & Lower, for Tee-Drilled crankshafts; Wide
4	Main Set	FP-A200125C	STD	Position 2-3-5-6; Incl. Upper & Lower, for Angle-Drilled crankshafts
4	Main Set	FP-A200125B	STD	Position 2-3-5-6; Incl. Upper & Lower, for Tee-Drilled crankshafts; Narrow
QTY	OIL PUMP	PART NO.	SIZE	DESCRIPTION
2	O-Ring	FP-118013N		Oil Gauge Tube
2	Gasket	FP-153142A		Oil Gauge Support
2	Gasket	FP-158405		R.H.; Cover Plate
1	Oil Seal	FP-166192C		Oil Pan Seal
1	Oil Suction Tube Gasket	FP-153127A		Oil Tube Flange
6	Oil Suction Tube Gasket	FP-153127A		Pickup Tube Flange
CYLINDER COMPONENTS				
QTY	LINERS	PART NO.	SIZE	DESCRIPTION
12	Liner w/o Sealing Rings	FP-205130P		Wide flange, .566" thick
12	Sealing Ring, Liner	FP-119397E		1 Per Cylinder
24	Sealing Ring, Liner	FP-119397G		2 Per Cylinder
QTY	PISTONS	PART NO.	SIZE	DESCRIPTION
12	Piston Body w/o Pin	FP-205504P		8.0:1 C.R.; O.E. 205404H, 205504F, 205504P
12	Pin	FP-10006		
24	Piston Pin Retainer	FP-44999C		
24	Pin Bushing	FP-47108F		
QTY	CONNECTING RODS & BRGS.	PART NO.	SIZE	DESCRIPTION
12	Rod Pair	FP-A205010X	STD	Use w/early off-center Con. Rod 205007, Angle-Drilled crankshafts
12	Rod Pair	FP-A205010P	STD	Use w/late on-center Con. Rod 205507, Tee-Drilled double fillet crankshafts
12	Rod Pair	FP-C205010X	STD	Use w/off-center Con. Rod 205407H, Tee-Drilled, single fillet crankshafts
QTY	PISTON RINGS	PART NO.	SIZE	DESCRIPTION
12	Ring Set Single Cylinder	FP-G907147		

White Farm (Includes Oliver, Minneapolis-Moline)

Engine Finding Index					
Engine	Years	Line No.	Engine	Years	Line No.
.9L 53.9 L-HEAD L2 3.25" Bore (Wisconsin Eng.)		1	2.2L 132.7 L-HEAD V4 3.25" Bore (Wisconsin Eng.)		15
.9L 53.9 L-HEAD L2 3.25" Bore (Wisconsin Eng.)		2	2.2L 132.7 L-HEAD V4 3.25" Bore (Wisconsin Eng.)		16
1.5L 91 L-HEAD L4 2.875" Bore (Continental Eng.)		3	2.2L 133 L-HEAD L4 3.25" Bore (Hercules Eng.)		17
1.5L 91.9 L-HEAD V4 3" Bore (Wisconsin Eng.)		4	2.2L 133 L-HEAD L4 3.25" Bore (Hercules Eng.)		18
1.5L 91.9 L-HEAD V4 3" Bore (Wisconsin Eng.)		5	2.3L 140 L-HEAD L4 3.1875" Bore (Continental Eng.)		19
1.8L 108 L-HEAD V4 3.25" Bore (Wisconsin Eng.)		6	2.4L 144 OHV L4 3.5" Bore (Waukesha)		20
1.8L 108 L-HEAD V4 3.25" Bore (Wisconsin Eng.)		7	2.4L 144 OHV Diesel L4 3.5" Bore (Waukesha)		21
1.9L 113 L-HEAD L4 3" Bore (Hercules Eng.)		8	2.4L 144 OHV Distillate L4 3.5" Bore (Waukesha)		22
1.9L 113 L-HEAD L4 3" Bore (Hercules Eng.)		9	2.4L 144 OHV LPG L4 3.5" Bore (Waukesha)		23
2.0L 123 L-HEAD L4 3.125" Bore (Hercules Eng.)		10	2.5L 155 OHV L4 3.625" Bore (Waukesha)		24
2.1L 129 OHV L4 3.3125" Bore (Waukesha)		11	2.6L 162 L-HEAD L4 3.4375" Bore (Continental Eng.)		25
2.1L 129 OHV Diesel L4 3.3125" Bore (Waukesha)		12	2.6L 162 L-HEAD L4 3.4375" Bore (Continental Eng.)		26
2.1L 130 OHV L3 3.5" Bore (Hercules Eng.)		13	2.7L 165 L4 3.625" Bore		27
2.1L 130 OHV Diesel L3 3.5" Bore (Hercules Eng.)		14	3.0L 186 L4 3.625" Bore		28

White Farm (Includes Oliver, Minneapolis-Moline)

Engine Finding Index					
Engine	Years	Line No.	Engine	Years	Line No.
3.0L 186 L4 3.625" Bore (RE Engine)		29	4.6L 283 OHV LPG L6 3.875" Bore (Waukesha)		69
3.2L 194 OHV L6 3.3125" Bore (Waukesha)		30	4.6L 283 L4 4.25" Bore		70
3.2L 194 OHV Diesel L6 3.3125" Bore (Waukesha)		31	4.6L 283 Diesel L4 4.25" Bore		71
3.2L 194 OHV Distillate L6 3.3125" Bore (Waukesha)		32	4.9L 302 OHV L6 4" Bore (Waukesha)		72
3.2L 194 OHV LPG L6 3.3125" Bore (Waukesha)		33	4.9L 302 OHV Diesel L6 4" Bore (Waukesha)		73
3.2L 198 OHV Diesel L4 3.75" Bore (Hercules Eng.)		34	5.1L 310 OHV Diesel L6 3.875" Bore (Waukesha)		74
3.3L 202 L-HEAD L6 3.125" Bore (Continental Eng.)		35	5.2L 318 OHV V8 3.9063" Bore (Chrysler Eng.)	1967-89	75
3.4L 205 L-HEAD L6 3.25" Bore (Hercules Eng.)		36	5.2L 318 OHV V8 3.9063" Bore (Chrysler Eng.)	1967-89	76
3.4L 206 L4 3.625" Bore		37	5.2L 320 L-HEAD L6 4" Bore (Hercules Eng.)		77
3.4L 206 Diesel L4 3.625" Bore		38	5.3L 322 OHV Diesel L6 4.125" Bore		78
3.4L 209 L-HEAD L6 3.1875" Bore (Continental Eng.)		39	5.5L 336 L4 4.625" Bore		79
3.5L 212 OHV Diesel L4 3.875" Bore (Detroit Diesel Eng.)		40	5.5L 336 Diesel L4 4.625" Bore		80
3.5L 213 OHV Diesel L3 4.25" Bore (3-71) (Detroit Diesel Eng.)	1977-86	41	5.6L 339 OHV L6 4" Bore (Hercules Eng.)		81
3.5L 216 OHV L6 3.5" Bore (Waukesha)		42	5.8L 354 OHV Diesel L6 3.875" Bore (12 Valve) (Perkins Eng.)		82
3.5L 216 OHV Diesel L6 3.5" Bore (Waukesha)		43	5.8L 354 OHV Diesel L6 3.875" Bore (12 Valve) (Perkins Eng.)		83
3.5L 216 OHV Distillate L6 3.5" Bore (Waukesha)		44	5.8L 354 OHV Turbo-Diesel L6 3.875" Bore (12 Valve) (Perkins Eng.)		84
3.5L 216 OHV LPG L6 3.5" Bore (Waukesha)		45	6.6L 403 L4 4.625" Bore		85
3.6L 220 L4 3.75" Bore		46	7.0L 425 L6 4.25" Bore		86
3.6L 220 Diesel L4 3.75" Bore		47	7.0L 425 Diesel L6 4.25" Bore		87
3.7L 226 OHV L6 3.3125" Bore (12 Valve) (Continental Eng.)		48	7.4L 451 Diesel L6 4.375" Bore		88
3.7L 226 OHV L6 3.3125" Bore (12 Valve) (Continental Eng.)		49	7.8L 478 OHV Diesel L6 4.5625" Bore (Hercules Eng.)		89
3.7L 226 OHV L4 4" Bore (Hercules Eng.)		50	8.3L 504 L6 4.625" Bore		90
3.7L 228 L-HEAD L6 3.375" Bore (Hercules Eng.)		51	8.3L 504 Diesel L6 4.625" Bore		91
3.8L 231 OHV L6 3.5" Bore (Waukesha)		52	8.3L 504 LPG L6 4.625" Bore		92
3.8L 231 OHV Diesel L6 3.5" Bore (Waukesha)		53	8.3L 504 LPG L6 4.625" Bore (Minneapolis-Moline Eng.)		93
3.8L 231 OHV LPG L6 3.5" Bore (Waukesha)		54	9.4L 573 OHV Diesel V8 4.5" Bore (Caterpillar Eng.)	1968-75	94
3.8L 232 OHV L6 3.625" Bore (Waukesha)		55	9.6L 585 OHV Diesel L6 4.75" Bore (Oliver Eng.)		95
3.8L 232 OHV Diesel L6 3.625" Bore (Waukesha)		56	9.6L 585 OHV Diesel L6 4.75" Bore		96
4.0L 244 L-HEAD L6 3.4375" Bore (Continental Eng.)		57	9.9L 605 L6 4.625" Bore		97
4.0L 244 L-HEAD L6 3.4375" Bore (Continental Eng.)		58	13.1L 800 L6 5.3125" Bore		98
4.1L 250 L-HEAD L6 3.4375" Bore		59	13.1L 800 L6 5.3125" Bore		99
4.1L 251 L-HEAD L6 3.4375" Bore (Chrysler) (Chrysler Eng.)		60	13.1L 800 LPG L6 5.3125" Bore		100
4.1L 251 L-HEAD L6 3.4375" Bore (Chrysler) (Chrysler Eng.)		61	13.1L 800 LPG L6 5.3125" Bore		101
4.3L 263 L-HEAD L6 3.625" Bore (Hercules Eng.)		62	13.1L 800 NG L6 5.3125" Bore		102
4.3L 265 L-HEAD L6 3.4375" Bore (Chrysler) (Chrysler Eng.)		63	13.1L 800 NG L6 5.3125" Bore		103
4.3L 265 L-HEAD L6 3.4375" Bore (Chrysler) (Chrysler Eng.)		64	14.0L 852 OHV L12 4.25" Bore		104
4.3L 265 OHV L6 3.75" Bore (Waukesha)		65	19.8L 1210 L12 4.625" Bore		105
4.3L 265 OHV LPG L6 3.75" Bore (Waukesha)		66	26.2L 1600 L12 5.3125" Bore		106
4.6L 283 OHV L6 3.875" Bore (Waukesha)		67			
4.6L 283 OHV Diesel L6 3.875" Bore (Waukesha)		68			

Engine Code Index					
Engine Code	Engine Description	Line No.	Engine Code	Engine Description	Line No.
A6.354 ... Combine	5.8L 354 OHV Diesel L6 3.875" Bore (12 Valve) (Perkins Eng.)	82	D504A-6 ... Wheel Tractor	8.3L 504 Diesel L6 4.625" Bore	91
A6.354 ... Combine	5.8L 354 OHV Diesel L6 3.875" Bore (12 Valve) (Perkins Eng.)	83	D585-6 ... Wheel Tractor	9.6L 585 OHV Diesel L6 4.75" Bore	96
A6.354 ... Wheel Tractor	5.8L 354 OHV Diesel L6 3.875" Bore (12 Valve) (Perkins Eng.)	83	D6202 ... Wheel Tractor	3.3L 202 L-HEAD L6 3.125" Bore (Continental Eng.)	35
DHD504-6A ... Wheel Tractor	8.3L 504 Diesel L6 4.625" Bore	91	EE ... Wheel Tractor	2.7L 165 L4 3.625" Bore	27
D206 ... Wheel Tractor	3.4L 206 Diesel L4 3.625" Bore	38	EE165 ... Wheel Tractor	2.7L 165 L4 3.625" Bore	27
D206-4 ... Wheel Tractor	3.4L 206 Diesel L4 3.625" Bore	38	F140 ... Wheel Tractor	2.3L 140 L-HEAD L4 3.1875" Bore (Continental Eng.)	19
D206-4A ... Wheel Tractor	3.4L 206 Diesel L4 3.625" Bore	38	F162 ... Wheel Tractor	2.6L 162 L-HEAD L4 3.4375" Bore (Continental Eng.)	25
D206B ... Wheel Tractor	3.4L 206 Diesel L4 3.625" Bore	38	F209 ... Combine	3.4L 209 L-HEAD L6 3.1875" Bore (Continental Eng.)	39
D206B-4 ... Wheel Tractor	3.4L 206 Diesel L4 3.625" Bore	38	F226 ... Combine	3.7L 226 OHV L6 3.3125" Bore (12 Valve) (Continental Eng.)	48
D283 ... Wheel Tractor	4.6L 283 Diesel L4 4.25" Bore	71	F226 ... Combine	3.7L 226 OHV L6 3.3125" Bore (12 Valve) (Continental Eng.)	49
D283-4 ... Wheel Tractor	4.6L 283 Diesel L4 4.25" Bore	71	F226 ... Wheel Tractor	3.7L 226 OHV L6 3.3125" Bore (12 Valve) (Continental Eng.)	48
D283-4A ... Wheel Tractor	4.6L 283 Diesel L4 4.25" Bore	71	F226 ... Wheel Tractor	3.7L 226 OHV L6 3.3125" Bore (12 Valve) (Continental Eng.)	49
D336 ... Wheel Tractor	5.5L 336 Diesel L4 4.625" Bore	80	F244 ... Combine	4.0L 244 L-HEAD L6 3.4375" Bore (Continental Eng.)	57
D336-4 ... Wheel Tractor	5.5L 336 Diesel L4 4.625" Bore	80	F244 ... Combine	4.0L 244 L-HEAD L6 3.4375" Bore (Continental Eng.)	58
D336-4A ... Wheel Tractor	5.5L 336 Diesel L4 4.625" Bore	80			
D336A ... Wheel Tractor	5.5L 336 Diesel L4 4.625" Bore	80			
D336A-4 ... Wheel Tractor	5.5L 336 Diesel L4 4.625" Bore	80			
D336A-4A ... Wheel Tractor	5.5L 336 Diesel L4 4.625" Bore	80			
D425-6 ... Wheel Tractor	7.0L 425 Diesel L6 4.25" Bore	87			
D425-6A ... Wheel Tractor	7.0L 425 Diesel L6 4.25" Bore	87			
D451-6 ... Wheel Tractor	7.4L 451 Diesel L6 4.375" Bore	88			
D504-6 ... Wheel Tractor	8.3L 504 Diesel L6 4.625" Bore	91			

(continued on next page)

White Farm (Includes Oliver, Minneapolis-Moline)

Engine Code Index

Engine Code	Engine Description	Line No.	Engine Code	Engine Description	Line No.
F4162 ... Combine	2.6L 162 L-HEAD L4 3.4375" Bore (Continental Eng.)	26	KEA ... Wheel Tractor	4.6L 283 L4 4.25" Bore	70
GE ... Wheel Tractor	4.6L 283 L4 4.25" Bore	70	LE ... Wheel Tractor	6.6L 403 L4 4.625" Bore	85
GE ... Wheel Tractor	6.6L 403 L4 4.625" Bore	85	LH-318 ... Combine	5.2L 318 OHV V8 3.9063" Bore (Chrysler Eng.)	75
H-318 ... Combine	5.2L 318 OHV V8 3.9063" Bore (Chrysler Eng.)	75	LH-318 ... Combine	5.2L 318 OHV V8 3.9063" Bore (Chrysler Eng.)	76
H-318 ... Combine	5.2L 318 OHV V8 3.9063" Bore (Chrysler Eng.)	76	LH-318 ... Wheel Tractor	5.2L 318 OHV V8 3.9063" Bore (Chrysler Eng.)	76
H-318 ... Wheel Tractor	5.2L 318 OHV V8 3.9063" Bore (Chrysler Eng.)	76	OOC ... Combine	3.7L 226 OHV L4 4" Bore (Hercules Eng.)	50
HD220-4A ... Wheel Tractor	3.6L 220 Diesel L4 3.75" Bore	47	Priarie B ... Combine	3.7L 226 OHV L4 4" Bore (Hercules Eng.)	50
HD425-6A ... Wheel Tractor	7.0L 425 Diesel L6 4.25" Bore	87	Priarie D ... Combine	3.7L 226 OHV L4 4" Bore (Hercules Eng.)	50
HD504-6A ... Wheel Tractor	8.3L 504 Diesel L6 4.625" Bore	91	QXB ... Combine	3.4L 205 L-HEAD L6 3.25" Bore (Hercules Eng.)	36
HD504A-6A ... Wheel Tractor	8.3L 504 Diesel L6 4.625" Bore	91	RE206 ... Combine	3.0L 186 L4 3.625" Bore (RE Engine)	29
HD605-6A ... Wheel Tractor	9.9L 605 L6 4.625" Bore	97	RE206 ... Wheel Tractor	3.0L 186 L4 3.625" Bore (RE Engine)	29
HD800-6A ... Power Unit	13.1L 800 L6 5.3125" Bore	98	RE206A ... Wheel Tractor	3.0L 186 L4 3.625" Bore (RE Engine)	29
HD800-6A ... Industrial Applications	13.1L 800 L6 5.3125" Bore	99	RE206B ... Wheel Tractor	3.0L 186 L4 3.625" Bore (RE Engine)	29
HD800-6A LPG ... Power Unit	13.1L 800 LPG L6 5.3125" Bore	100	RE206G ... Wheel Tractor	3.0L 186 L4 3.625" Bore (RE Engine)	29
HD800-6A LPG ... Industrial Applications	13.1L 800 LPG L6 5.3125" Bore	101	TF ... Hay Baler	.9L 53.9 L-HEAD L2 3.25" Bore (Wisconsin Eng.)	1
HD800-6A Natural Gas ... Power Unit	13.1L 800 NG L6 5.3125" Bore	102	TF ... Hay Baler	.9L 53.9 L-HEAD L2 3.25" Bore (Wisconsin Eng.)	2
HD800-6A Natural Gas ... Industrial Applications	13.1L 800 NG L6 5.3125" Bore	103	TFD ... Hay Baler	.9L 53.9 L-HEAD L2 3.25" Bore (Wisconsin Eng.)	1
HD800A-6A ... Power Unit	13.1L 800 L6 5.3125" Bore	98	TFD ... Hay Baler	.9L 53.9 L-HEAD L2 3.25" Bore (Wisconsin Eng.)	2
HD800A-6A ... Industrial Applications	13.1L 800 L6 5.3125" Bore	99	TH ... Hay Baler	.9L 53.9 L-HEAD L2 3.25" Bore (Wisconsin Eng.)	1
HD800A-6A LPG ... Power Unit	13.1L 800 LPG L6 5.3125" Bore	100	TH ... Hay Baler	.9L 53.9 L-HEAD L2 3.25" Bore (Wisconsin Eng.)	2
HD800A-6A LPG ... Industrial Applications	13.1L 800 LPG L6 5.3125" Bore	101	THD ... Hay Baler	.9L 53.9 L-HEAD L2 3.25" Bore (Wisconsin Eng.)	1
HD800A-6A Natural Gas ... Power Unit	13.1L 800 NG L6 5.3125" Bore	102	THD ... Hay Baler	.9L 53.9 L-HEAD L2 3.25" Bore (Wisconsin Eng.)	2
HD800A-6A Natural Gas ... Industrial Applications	13.1L 800 NG L6 5.3125" Bore	103	TJD ... Hay Baler	.9L 53.9 L-HEAD L2 3.25" Bore (Wisconsin Eng.)	1
HE605 ... Wheel Tractor	9.9L 605 L6 4.625" Bore	97	TJD ... Hay Baler	.9L 53.9 L-HEAD L2 3.25" Bore (Wisconsin Eng.)	2
H6.354 ... Combine	5.8L 354 OHV Diesel L6 3.875" Bore (12 Valve) (Perkins Eng.)	82	T6.354 ... Combine	5.8L 354 OHV Turbo-Diesel L6 3.875" Bore (12 Valve) (Perkins Eng.)	84
H6.354 ... Combine	5.8L 354 OHV Diesel L6 3.875" Bore (12 Valve) (Perkins Eng.)	83	T6.354-3 ... Combine	5.8L 354 OHV Turbo-Diesel L6 3.875" Bore (12 Valve) (Perkins Eng.)	84
H6.354 ... Wheel Tractor	5.8L 354 OHV Diesel L6 3.875" Bore (12 Valve) (Perkins Eng.)	83	VE4 ... Hay Baler	1.5L 91.9 L-HEAD V4 3" Bore (Wisconsin Eng.)	5
IXA ... Combine	1.9L 113 L-HEAD L4 3" Bore (Hercules Eng.)	8	VE4 ... Combine	1.5L 91.9 L-HEAD V4 3" Bore (Wisconsin Eng.)	4
IXA ... Combine	1.9L 113 L-HEAD L4 3" Bore (Hercules Eng.)	9	VE4 ... Wheel Tractor	1.5L 91.9 L-HEAD V4 3" Bore (Wisconsin Eng.)	4
IXA ... Wheel Tractor	1.9L 113 L-HEAD L4 3" Bore (Hercules Eng.)	9	VE4 ... Wheel Tractor	1.5L 91.9 L-HEAD V4 3" Bore (Wisconsin Eng.)	5
IXB ... Combine	2.2L 133 L-HEAD L4 3.25" Bore (Hercules Eng.)	18	VE4D ... Hay Baler	1.5L 91.9 L-HEAD V4 3" Bore (Wisconsin Eng.)	5
IXB ... Wheel Tractor	2.2L 133 L-HEAD L4 3.25" Bore (Hercules Eng.)	17	VE4D ... Combine	1.5L 91.9 L-HEAD V4 3" Bore (Wisconsin Eng.)	4
IXB3 ... Wheel Tractor	2.2L 133 L-HEAD L4 3.25" Bore (Hercules Eng.)	17	VE4D ... Wheel Tractor	1.5L 91.9 L-HEAD V4 3" Bore (Wisconsin Eng.)	4
IXB3 ... Wheel Tractor	2.2L 133 L-HEAD L4 3.25" Bore (Hercules Eng.)	18	VE4D ... Wheel Tractor	1.5L 91.9 L-HEAD V4 3" Bore (Wisconsin Eng.)	5
IXK3 ... Wheel Tractor	2.0L 123 L-HEAD L4 3.125" Bore (Hercules Eng.)	10	VE41 ... Hay Baler	1.5L 91.9 L-HEAD V4 3" Bore (Wisconsin Eng.)	5
JXA ... Combine	3.7L 228 L-HEAD L6 3.375" Bore (Hercules Eng.)	51	VE41 ... Combine	1.5L 91.9 L-HEAD V4 3" Bore (Wisconsin Eng.)	4
JXB ... Wheel Tractor	4.3L 263 L-HEAD L6 3.625" Bore (Hercules Eng.)	62			
JXD ... Wheel Tractor	5.2L 320 L-HEAD L6 4" Bore (Hercules Eng.)	77			
JXLD ... Wheel Tractor	5.6L 339 OHV L6 4" Bore (Hercules Eng.)	81			

White Farm (Includes Oliver, Minneapolis-Moline)

Engine Code Index					
Engine Code	Engine Description	Line No.	Engine Code	Engine Description	Line No.
VE41 ... Wheel Tractor	1.5L 91.9 L-HEAD V4 3" Bore (Wisconsin Eng.)	4	VH4D ... Combine	1.8L 108 L-HEAD V4 3.25" Bore (Wisconsin Eng.)	6
VE41 ... Wheel Tractor	1.5L 91.9 L-HEAD V4 3" Bore (Wisconsin Eng.)	5	VH4D ... Combine	1.8L 108 L-HEAD V4 3.25" Bore (Wisconsin Eng.)	7
VF4 ... Hay Baler	1.8L 108 L-HEAD V4 3.25" Bore (Wisconsin Eng.)	6	VH4D ... Forklift	1.8L 108 L-HEAD V4 3.25" Bore (Wisconsin Eng.)	6
VF4 ... Hay Baler	1.8L 108 L-HEAD V4 3.25" Bore (Wisconsin Eng.)	7	VH4D ... Wheel Tractor	1.8L 108 L-HEAD V4 3.25" Bore (Wisconsin Eng.)	6
VF4 ... Combine	1.8L 108 L-HEAD V4 3.25" Bore (Wisconsin Eng.)	6	VH4D ... Windrower	1.8L 108 L-HEAD V4 3.25" Bore (Wisconsin Eng.)	6
VF4 ... Combine	1.8L 108 L-HEAD V4 3.25" Bore (Wisconsin Eng.)	7	VH4D ... Windrower	1.8L 108 L-HEAD V4 3.25" Bore (Wisconsin Eng.)	7
VF4 ... Forklift	1.8L 108 L-HEAD V4 3.25" Bore (Wisconsin Eng.)	6	VH4DM ... Hay Baler	1.8L 108 L-HEAD V4 3.25" Bore (Wisconsin Eng.)	6
VF4 ... Wheel Tractor	1.8L 108 L-HEAD V4 3.25" Bore (Wisconsin Eng.)	6	VH4DM ... Hay Baler	1.8L 108 L-HEAD V4 3.25" Bore (Wisconsin Eng.)	7
VF4 ... Windrower	1.8L 108 L-HEAD V4 3.25" Bore (Wisconsin Eng.)	6	VH4DM ... Combine	1.8L 108 L-HEAD V4 3.25" Bore (Wisconsin Eng.)	6
VF4 ... Windrower	1.8L 108 L-HEAD V4 3.25" Bore (Wisconsin Eng.)	7	VH4DM ... Combine	1.8L 108 L-HEAD V4 3.25" Bore (Wisconsin Eng.)	7
VF4D ... Hay Baler	1.8L 108 L-HEAD V4 3.25" Bore (Wisconsin Eng.)	6	VH4DM ... Forklift	1.8L 108 L-HEAD V4 3.25" Bore (Wisconsin Eng.)	6
VF4D ... Hay Baler	1.8L 108 L-HEAD V4 3.25" Bore (Wisconsin Eng.)	7	VH4DM ... Wheel Tractor	1.8L 108 L-HEAD V4 3.25" Bore (Wisconsin Eng.)	6
VF4D ... Combine	1.8L 108 L-HEAD V4 3.25" Bore (Wisconsin Eng.)	6	VH4DM ... Windrower	1.8L 108 L-HEAD V4 3.25" Bore (Wisconsin Eng.)	6
VF4D ... Combine	1.8L 108 L-HEAD V4 3.25" Bore (Wisconsin Eng.)	7	VH4DM ... Windrower	1.8L 108 L-HEAD V4 3.25" Bore (Wisconsin Eng.)	7
VF4D ... Forklift	1.8L 108 L-HEAD V4 3.25" Bore (Wisconsin Eng.)	6	VM4 ... Hay Baler	2.2L 132.7 L-HEAD V4 3.25" Bore (Wisconsin Eng.)	16
VF4D ... Wheel Tractor	1.8L 108 L-HEAD V4 3.25" Bore (Wisconsin Eng.)	6	VM4 ... Combine	2.2L 132.7 L-HEAD V4 3.25" Bore (Wisconsin Eng.)	15
VF4D ... Windrower	1.8L 108 L-HEAD V4 3.25" Bore (Wisconsin Eng.)	6	VM4 ... Windrower	2.2L 132.7 L-HEAD V4 3.25" Bore (Wisconsin Eng.)	15
VF4D ... Windrower	1.8L 108 L-HEAD V4 3.25" Bore (Wisconsin Eng.)	7	VM4 ... Windrower	2.2L 132.7 L-HEAD V4 3.25" Bore (Wisconsin Eng.)	16
VF41 ... Hay Baler	1.8L 108 L-HEAD V4 3.25" Bore (Wisconsin Eng.)	6	V206 ... Combine	3.4L 206 L4 3.625" Bore	37
VF41 ... Hay Baler	1.8L 108 L-HEAD V4 3.25" Bore (Wisconsin Eng.)	7	V206 ... Corn Picker	3.4L 206 L4 3.625" Bore	37
VF41 ... Combine	1.8L 108 L-HEAD V4 3.25" Bore (Wisconsin Eng.)	6	V206 ... Harvester	3.4L 206 L4 3.625" Bore	37
VF41 ... Combine	1.8L 108 L-HEAD V4 3.25" Bore (Wisconsin Eng.)	7	V206 ... Wheel Tractor	3.4L 206 L4 3.625" Bore	37
VF41 ... Forklift	1.8L 108 L-HEAD V4 3.25" Bore (Wisconsin Eng.)	6	V206B ... Combine	3.4L 206 L4 3.625" Bore	37
VF41 ... Wheel Tractor	1.8L 108 L-HEAD V4 3.25" Bore (Wisconsin Eng.)	6	V206B ... Corn Picker	3.4L 206 L4 3.625" Bore	37
VF41 ... Windrower	1.8L 108 L-HEAD V4 3.25" Bore (Wisconsin Eng.)	6	V206B ... Harvester	3.4L 206 L4 3.625" Bore	37
VF41 ... Windrower	1.8L 108 L-HEAD V4 3.25" Bore (Wisconsin Eng.)	7	V206B ... Wheel Tractor	3.4L 206 L4 3.625" Bore	37
VH4 ... Hay Baler	1.8L 108 L-HEAD V4 3.25" Bore (Wisconsin Eng.)	6	V206B-4 ... Combine	3.4L 206 L4 3.625" Bore	37
VH4 ... Hay Baler	1.8L 108 L-HEAD V4 3.25" Bore (Wisconsin Eng.)	7	V206B-4 ... Corn Picker	3.4L 206 L4 3.625" Bore	37
VH4 ... Combine	1.8L 108 L-HEAD V4 3.25" Bore (Wisconsin Eng.)	6	V206B-4 ... Harvester	3.4L 206 L4 3.625" Bore	37
VH4 ... Combine	1.8L 108 L-HEAD V4 3.25" Bore (Wisconsin Eng.)	7	V206B-4 ... Wheel Tractor	3.4L 206 L4 3.625" Bore	37
VH4 ... Forklift	1.8L 108 L-HEAD V4 3.25" Bore (Wisconsin Eng.)	6	Y4091 ... Combine	1.5L 91 L-HEAD L4 2.875" Bore (Continental Eng.)	3
VH4 ... Wheel Tractor	1.8L 108 L-HEAD V4 3.25" Bore (Wisconsin Eng.)	6	Y91 ... Combine	1.5L 91 L-HEAD L4 2.875" Bore (Continental Eng.)	3
VH4 ... Windrower	1.8L 108 L-HEAD V4 3.25" Bore (Wisconsin Eng.)	6	100A ... Heavy Duty Applications	4.1L 250 L-HEAD L6 3.4375" Bore	59
VH4 ... Windrower	1.8L 108 L-HEAD V4 3.25" Bore (Wisconsin Eng.)	7	1210 ... Wheel Tractor	19.8L 1210 L12 4.625" Bore	105
VH4D ... Hay Baler	1.8L 108 L-HEAD V4 3.25" Bore (Wisconsin Eng.)	6	1550 ... Wheel Tractor	3.8L 232 OHV L6 3.625" Bore (Waukesha)	55
VH4D ... Hay Baler	1.8L 108 L-HEAD V4 3.25" Bore (Wisconsin Eng.)	7	1550 ... Wheel Tractor	3.8L 232 OHV Diesel L6 3.625" Bore (Waukesha)	56
			1555 ... Wheel Tractor	3.8L 232 OHV L6 3.625" Bore (Waukesha)	55
			1555 ... Wheel Tractor	3.8L 232 OHV Diesel L6 3.625" Bore (Waukesha)	56
			16 ... Combine	4.3L 265 L-HEAD L6 3.4375" Bore (Chrysler) (Chrysler Eng.)	63
			16 ... Combine	4.3L 265 L-HEAD L6 3.4375" Bore (Chrysler) (Chrysler Eng.)	64
			16 ... Wheel Tractor	4.3L 265 L-HEAD L6 3.4375" Bore (Chrysler) (Chrysler Eng.)	64
			16A ... Combine	4.3L 265 L-HEAD L6 3.4375" Bore (Chrysler) (Chrysler Eng.)	63

(continued on next page)

White Farm (Includes Oliver, Minneapolis-Moline)

Engine Code Index					
Engine Code	Engine Description	Line No.	Engine Code	Engine Description	Line No.
16A ... Combine	4.3L 265 L-HEAD L6 3.4375" Bore (Chrysler) (Chrysler Eng.)	64	1755 ... Wheel Tractor	4.6L 283 OHV Diesel L6 3.875" Bore (Waukesha)	68
16A ... Wheel Tractor	4.3L 265 L-HEAD L6 3.4375" Bore (Chrysler) (Chrysler Eng.)	64	1755 ... Wheel Tractor	5.1L 310 OHV Diesel L6 3.875" Bore (Waukesha)	74
1600 ... Wheel Tractor	26.2L 1600 L12 5.3125" Bore	106	177 ... Wheel Tractor	3.2L 194 OHV L6 3.3125" Bore (Waukesha)	30
1600 ... Wheel Tractor	3.8L 231 OHV L6 3.5" Bore (Waukesha)	52	177 ... Wheel Tractor	3.2L 194 OHV Diesel L6 3.3125" Bore (Waukesha)	31
1600 ... Wheel Tractor	3.8L 231 OHV Diesel L6 3.5" Bore (Waukesha)	53	177 ... Wheel Tractor	3.5L 216 OHV L6 3.5" Bore (Waukesha)	42
165A ... Wheel Tractor	3.4L 206 L4 3.625" Bore	37	177 ... Wheel Tractor	3.5L 216 OHV Diesel L6 3.5" Bore (Waukesha)	43
1650 ... Wheel Tractor	4.3L 265 OHV L6 3.75" Bore (Waukesha)	65	177 LPG ... Wheel Tractor	3.2L 194 OHV LPG L6 3.3125" Bore (Waukesha)	33
1650 LPG ... Wheel Tractor	4.3L 265 OHV LPG L6 3.75" Bore (Waukesha)	66	177 LPG ... Wheel Tractor	3.5L 216 OHV LPG L6 3.5" Bore (Waukesha)	45
1655 ... Wheel Tractor	4.6L 283 OHV L6 3.875" Bore (Waukesha)	67	177 Super ... Wheel Tractor	3.2L 194 OHV L6 3.3125" Bore (Waukesha)	30
1655 ... Wheel Tractor	4.6L 283 OHV Diesel L6 3.875" Bore (Waukesha)	68	177 Super ... Wheel Tractor	3.2L 194 OHV Diesel L6 3.3125" Bore (Waukesha)	31
1655 ... Wheel Tractor	5.1L 310 OHV Diesel L6 3.875" Bore (Waukesha)	74	177 Super ... Wheel Tractor	3.5L 216 OHV L6 3.5" Bore (Waukesha)	42
1655 LPG ... Wheel Tractor	4.6L 283 OHV LPG L6 3.875" Bore (Waukesha)	69	177 Super ... Wheel Tractor	3.5L 216 OHV Diesel L6 3.5" Bore (Waukesha)	43
166 ... Wheel Tractor	2.1L 129 OHV L4 3.3125" Bore (Waukesha)	11	177 Super LPG ... Wheel Tractor	3.2L 194 OHV LPG L6 3.3125" Bore (Waukesha)	33
166 ... Wheel Tractor	2.1L 129 OHV Diesel L4 3.3125" Bore (Waukesha)	12	177 Super LPG ... Wheel Tractor	3.5L 216 OHV LPG L6 3.5" Bore (Waukesha)	45
166 ... Wheel Tractor	2.4L 144 OHV L4 3.5" Bore (Waukesha)	20	177D ... Wheel Tractor	3.2L 194 OHV L6 3.3125" Bore (Waukesha)	30
166 ... Wheel Tractor	2.4L 144 OHV Diesel L4 3.5" Bore (Waukesha)	21	177D ... Wheel Tractor	3.2L 194 OHV Diesel L6 3.3125" Bore (Waukesha)	31
166 ... Wheel Tractor	2.5L 155 OHV L4 3.625" Bore (Waukesha)	24	177D ... Wheel Tractor	3.5L 216 OHV L6 3.5" Bore (Waukesha)	42
166 LPG ... Wheel Tractor	2.4L 144 OHV LPG L4 3.5" Bore (Waukesha)	23	177D ... Wheel Tractor	3.5L 216 OHV Diesel L6 3.5" Bore (Waukesha)	43
166 Super ... Wheel Tractor	2.1L 129 OHV L4 3.3125" Bore (Waukesha)	11	177D Distillate ... Wheel Tractor	3.2L 194 OHV Distillate L6 3.3125" Bore (Waukesha)	32
166 Super ... Wheel Tractor	2.1L 129 OHV Diesel L4 3.3125" Bore (Waukesha)	12	177D Distillate ... Wheel Tractor	3.5L 216 OHV Distillate L6 3.5" Bore (Waukesha)	44
166 Super ... Wheel Tractor	2.4L 144 OHV L4 3.5" Bore (Waukesha)	20	177HC ... Wheel Tractor	3.2L 194 OHV L6 3.3125" Bore (Waukesha)	30
166 Super ... Wheel Tractor	2.4L 144 OHV Diesel L4 3.5" Bore (Waukesha)	21	177HC ... Wheel Tractor	3.2L 194 OHV Diesel L6 3.3125" Bore (Waukesha)	31
166 Super ... Wheel Tractor	2.5L 155 OHV L4 3.625" Bore (Waukesha)	24	177HC ... Wheel Tractor	3.5L 216 OHV L6 3.5" Bore (Waukesha)	42
166 Super LPG ... Wheel Tractor	2.4L 144 OHV LPG L4 3.5" Bore (Waukesha)	23	177HC ... Wheel Tractor	3.5L 216 OHV Diesel L6 3.5" Bore (Waukesha)	43
166D ... Wheel Tractor	3.8L 231 OHV L6 3.5" Bore (Waukesha)	52	1800 ... Wheel Tractor	4.6L 283 OHV L6 3.875" Bore (Waukesha)	67
166D ... Wheel Tractor	3.8L 231 OHV Diesel L6 3.5" Bore (Waukesha)	53	1800 ... Wheel Tractor	4.6L 283 OHV Diesel L6 3.875" Bore (Waukesha)	68
166D ... Wheel Tractor	4.3L 265 OHV L6 3.75" Bore (Waukesha)	65	1800 ... Wheel Tractor	5.1L 310 OHV Diesel L6 3.875" Bore (Waukesha)	74
166D LPG ... Wheel Tractor	3.8L 231 OHV LPG L6 3.5" Bore (Waukesha)	54	1850 ... Wheel Tractor	4.6L 283 OHV L6 3.875" Bore (Waukesha)	67
166D LPG ... Wheel Tractor	4.3L 265 OHV LPG L6 3.75" Bore (Waukesha)	66	1850 LPG ... Wheel Tractor	4.6L 283 OHV LPG L6 3.875" Bore (Waukesha)	69
166HC ... Wheel Tractor	3.2L 194 OHV L6 3.3125" Bore (Waukesha)	30	1855 ... Wheel Tractor	4.6L 283 OHV L6 3.875" Bore (Waukesha)	67
166HC ... Wheel Tractor	3.2L 194 OHV Diesel L6 3.3125" Bore (Waukesha)	31	1855 ... Wheel Tractor	4.6L 283 OHV Diesel L6 3.875" Bore (Waukesha)	68
166HC ... Wheel Tractor	3.5L 216 OHV L6 3.5" Bore (Waukesha)	42	1855 ... Wheel Tractor	5.1L 310 OHV Diesel L6 3.875" Bore (Waukesha)	74
166HC ... Wheel Tractor	3.5L 216 OHV Diesel L6 3.5" Bore (Waukesha)	43	188 ... Wheel Tractor	3.8L 231 OHV L6 3.5" Bore (Waukesha)	52
1750 ... Wheel Tractor	4.6L 283 OHV L6 3.875" Bore (Waukesha)	67	188 ... Wheel Tractor	3.8L 231 OHV Diesel L6 3.5" Bore (Waukesha)	53
1750 ... Wheel Tractor	4.6L 283 OHV Diesel L6 3.875" Bore (Waukesha)	68			
1750 ... Wheel Tractor	5.1L 310 OHV Diesel L6 3.875" Bore (Waukesha)	74			
1755 ... Wheel Tractor	4.6L 283 OHV L6 3.875" Bore (Waukesha)	67			

White Farm (Includes Oliver, Minneapolis-Moline)

Engine Code Index					
Engine Code	Engine Description	Line No.	Engine Code	Engine Description	Line No.
188 ... Wheel Tractor	4.3L 265 OHV L6 3.75" Bore (Waukesha)	65	283C-4 ... Wheel Tractor	4.6L 283 L4 4.25" Bore	70
188 LPG ... Wheel Tractor	3.8L 231 OHV LPG L6 3.5" Bore (Waukesha)	54	283E ... Wheel Tractor	4.6L 283 L4 4.25" Bore	70
188 LPG ... Wheel Tractor	4.3L 265 OHV LPG L6 3.75" Bore (Waukesha)	66	3-71 ... Wheel Tractor	3.5L 213 OHV Diesel L3 4.25" Bore (3-71) (Detroit Diesel Eng.)	41
188 Super ... Wheel Tractor	3.8L 231 OHV L6 3.5" Bore (Waukesha)	52	3-71E ... Wheel Tractor	3.5L 213 OHV Diesel L3 4.25" Bore (3-71) (Detroit Diesel Eng.)	41
188 Super ... Wheel Tractor	3.8L 231 OHV Diesel L6 3.5" Bore (Waukesha)	53	3-71N ... Wheel Tractor	3.5L 213 OHV Diesel L3 4.25" Bore (3-71) (Detroit Diesel Eng.)	41
188 Super ... Wheel Tractor	4.3L 265 OHV L6 3.75" Bore (Waukesha)	65	302D ... Wheel Tractor	4.9L 302 OHV Diesel L6 4" Bore (Waukesha)	73
188 Super LPG ... Wheel Tractor	3.8L 231 OHV LPG L6 3.5" Bore (Waukesha)	54	3150 ... Wheel Tractor	9.4L 573 OHV Diesel V8 4.5" Bore (Caterpillar Eng.)	94
188 Super LPG ... Wheel Tractor	4.3L 265 OHV LPG L6 3.75" Bore (Waukesha)	66	32 ... Combine	4.3L 265 L-HEAD L6 3.4375" Bore (Chrysler) (Chrysler Eng.)	63
188D ... Wheel Tractor	3.8L 231 OHV L6 3.5" Bore (Waukesha)	52	32 ... Combine	4.3L 265 L-HEAD L6 3.4375" Bore (Chrysler) (Chrysler Eng.)	64
188D ... Wheel Tractor	3.8L 231 OHV Diesel L6 3.5" Bore (Waukesha)	53	32 ... Wheel Tractor	4.3L 265 L-HEAD L6 3.4375" Bore (Chrysler) (Chrysler Eng.)	64
188D ... Wheel Tractor	4.3L 265 OHV L6 3.75" Bore (Waukesha)	65	33 ... Combine	4.3L 265 L-HEAD L6 3.4375" Bore (Chrysler) (Chrysler Eng.)	63
188D LPG ... Wheel Tractor	3.8L 231 OHV LPG L6 3.5" Bore (Waukesha)	54	33 ... Combine	4.3L 265 L-HEAD L6 3.4375" Bore (Chrysler) (Chrysler Eng.)	64
188D LPG ... Wheel Tractor	4.3L 265 OHV LPG L6 3.75" Bore (Waukesha)	66	33 ... Wheel Tractor	4.3L 265 L-HEAD L6 3.4375" Bore (Chrysler) (Chrysler Eng.)	64
188HC ... Wheel Tractor	3.8L 231 OHV L6 3.5" Bore (Waukesha)	52	336-4 ... Wheel Tractor	5.5L 336 L4 4.625" Bore	79
188HC ... Wheel Tractor	3.8L 231 OHV Diesel L6 3.5" Bore (Waukesha)	53	336-4A ... Wheel Tractor	5.5L 336 L4 4.625" Bore	79
188HC ... Wheel Tractor	4.3L 265 OHV L6 3.75" Bore (Waukesha)	65	336A-4 ... Wheel Tractor	5.5L 336 L4 4.625" Bore	79
188HC LPG ... Wheel Tractor	4.3L 265 OHV LPG L6 3.75" Bore (Waukesha)	66	336A-4A ... Wheel Tractor	5.5L 336 L4 4.625" Bore	79
206 ... Combine	3.4L 206 L4 3.625" Bore	37	340 ... Wheel Tractor	4.6L 283 L4 4.25" Bore	70
206 ... Harvester	3.4L 206 L4 3.625" Bore	37	340-4 ... Wheel Tractor	4.6L 283 L4 4.25" Bore	70
206 ... Wheel Tractor	3.4L 206 L4 3.625" Bore	37	340A ... Wheel Tractor	4.6L 283 L4 4.25" Bore	70
206-4 ... Combine	3.0L 186 L4 3.625" Bore	28	340A-4 ... Wheel Tractor	4.6L 283 L4 4.25" Bore	70
206-4 ... Wheel Tractor	3.0L 186 L4 3.625" Bore	28	4-53 ... Wheel Tractor	3.5L 212 OHV Diesel L4 3.875" Bore (Detroit Diesel Eng.)	40
206-4A ... Combine	3.4L 206 L4 3.625" Bore	37	4-53N ... Wheel Tractor	3.5L 212 OHV Diesel L4 3.875" Bore (Detroit Diesel Eng.)	40
206-4A ... Harvester	3.4L 206 L4 3.625" Bore	37	403-4 ... Wheel Tractor	6.6L 403 L4 4.625" Bore	85
206-4A ... Wheel Tractor	3.4L 206 L4 3.625" Bore	37	403-4A ... Wheel Tractor	6.6L 403 L4 4.625" Bore	85
206A ... Combine	3.4L 206 L4 3.625" Bore	37	403A ... Wheel Tractor	6.6L 403 L4 4.625" Bore	85
206A ... Harvester	3.4L 206 L4 3.625" Bore	37	403A-4 ... Wheel Tractor	6.6L 403 L4 4.625" Bore	85
206A ... Wheel Tractor	3.4L 206 L4 3.625" Bore	37	403C ... Wheel Tractor	6.6L 403 L4 4.625" Bore	85
206A-4 ... Combine	3.4L 206 L4 3.625" Bore	37	403C-4 ... Wheel Tractor	6.6L 403 L4 4.625" Bore	85
206A-4 ... Harvester	3.4L 206 L4 3.625" Bore	37	405-6 ... Wheel Tractor	7.9L 605 L6 4.625" Bore	97
206A-4 ... Wheel Tractor	3.4L 206 L4 3.625" Bore	37	425-6 ... Power Unit	9.0L 425 L6 4.25" Bore	86
206B ... Combine	3.4L 206 L4 3.625" Bore	37	425-6 ... Wheel Tractor	7.0L 425 L6 4.25" Bore	86
206B ... Harvester	3.4L 206 L4 3.625" Bore	37	425-6A ... Power Unit	7.0L 425 L6 4.25" Bore	86
206B ... Wheel Tractor	3.4L 206 L4 3.625" Bore	37	425-6A ... Wheel Tractor	7.0L 425 L6 4.25" Bore	86
206B-4 ... Combine	3.4L 206 L4 3.625" Bore	37	425C-6 ... Wheel Tractor	7.0L 425 L6 4.25" Bore	86
206B-4 ... Harvester	3.4L 206 L4 3.625" Bore	37	504-6 ... Wheel Tractor	8.3L 504 L6 4.625" Bore	90
206B-4 ... Wheel Tractor	3.4L 206 L4 3.625" Bore	37	504-6 LPG ... Wheel Tractor	8.3L 504 LPG L6 4.625" Bore	92
206H ... Wheel Tractor	3.4L 206 L4 3.625" Bore	37	504-6 LPG ... Wheel Tractor	8.3L 504 LPG L6 4.625" Bore (Minneapolis-Moline Eng.)	93
206H-4A ... Wheel Tractor	3.4L 206 L4 3.625" Bore	37	504A-6 LPG ... Wheel Tractor	8.3L 504 LPG L6 4.625" Bore	92
206H-4B ... Wheel Tractor	3.4L 206 L4 3.625" Bore	37	504A-6 LPG ... Wheel Tractor	8.3L 504 LPG L6 4.625" Bore (Minneapolis-Moline Eng.)	93
206K ... Wheel Tractor	3.4L 206 L4 3.625" Bore	37	504B-6 ... Wheel Tractor	8.3L 504 L6 4.625" Bore	90
206K-4 ... Wheel Tractor	3.4L 206 L4 3.625" Bore	37	55 ... Wheel Tractor	2.1L 129 OHV L4 3.3125" Bore (Waukesha)	11
206L ... Wheel Tractor	3.4L 206 L4 3.625" Bore	37	55 ... Wheel Tractor	2.1L 129 OHV Diesel L4 3.3125" Bore (Waukesha)	12
206L ... Wheel Tractor	3.4L 206 L4 3.625" Bore	37	55 ... Wheel Tractor	2.4L 144 OHV L4 3.5" Bore (Waukesha)	20
206N-4 ... Wheel Tractor	3.4L 206 L4 3.625" Bore	37	55 ... Wheel Tractor	2.4L 144 OHV Diesel L4 3.5" Bore (Waukesha)	21
220-4A ... Wheel Tractor	3.6L 220 L4 3.75" Bore	46	55 ... Wheel Tractor	2.5L 155 OHV L4 3.625" Bore (Waukesha)	24
2204 ... Wheel Tractor	3.6L 220 L4 3.75" Bore	46	55 Super ... Wheel Tractor	2.1L 129 OHV L4 3.3125" Bore (Waukesha)	11
283 ... Wheel Tractor	4.6L 283 L4 4.25" Bore	70	55 Super ... Wheel Tractor	2.1L 129 OHV Diesel L4 3.3125" Bore (Waukesha)	12
283-4A ... Wheel Tractor	4.6L 283 L4 4.25" Bore	70			
283A ... Wheel Tractor	4.6L 283 L4 4.25" Bore	70			
283A-4 ... Wheel Tractor	4.6L 283 L4 4.25" Bore	70			
283B ... Wheel Tractor	4.6L 283 L4 4.25" Bore	70			
283C ... Wheel Tractor	4.6L 283 L4 4.25" Bore	70			

(continued on next page)

White Farm (Includes Oliver, Minneapolis-Moline)

Engine Code Index					
Engine Code	Engine Description	Line No.	Engine Code	Engine Description	Line No.
55 Super ... Wheel Tractor	2.4L 144 OHV L4 3.5" Bore (Waukesha)	20	660 LPG ... Wheel Tractor	2.4L 144 OHV LPG L4 3.5" Bore (Waukesha)	23
55 Super ... Wheel Tractor	2.4L 144 OHV Diesel L4 3.5" Bore (Waukesha)	21	77 ... Wheel Tractor	3.2L 194 OHV L6 3.3125" Bore (Waukesha)	30
55 Super ... Wheel Tractor	2.5L 155 OHV L4 3.625" Bore (Waukesha)	24	77 ... Wheel Tractor	3.2L 194 OHV Diesel L6 3.3125" Bore (Waukesha)	31
550 ... Wheel Tractor	2.1L 129 OHV L4 3.3125" Bore (Waukesha)	11	77 ... Wheel Tractor	3.5L 216 OHV L6 3.5" Bore (Waukesha)	42
550 ... Wheel Tractor	2.1L 129 OHV Diesel L4 3.3125" Bore (Waukesha)	12	77 ... Wheel Tractor	3.5L 216 OHV Diesel L6 3.5" Bore (Waukesha)	43
550 ... Wheel Tractor	2.4L 144 OHV L4 3.5" Bore (Waukesha)	20	77 Distillate ... Wheel Tractor	3.2L 194 OHV Distillate L6 3.3125" Bore (Waukesha)	32
550 ... Wheel Tractor	2.4L 144 OHV Diesel L4 3.5" Bore (Waukesha)	21	77 Distillate ... Wheel Tractor	3.5L 216 OHV Distillate L6 3.5" Bore (Waukesha)	44
550 ... Wheel Tractor	2.5L 155 OHV L4 3.625" Bore (Waukesha)	24	77 LPG ... Wheel Tractor	3.2L 194 OHV LPG L6 3.3125" Bore (Waukesha)	33
6.354 ... Combine	5.8L 354 OHV Diesel L6 3.875" Bore (12 Valve) (Perkins Eng.)	82	77 LPG ... Wheel Tractor	3.5L 216 OHV LPG L6 3.5" Bore (Waukesha)	45
6.354 ... Combine	5.8L 354 OHV Diesel L6 3.875" Bore (12 Valve) (Perkins Eng.)	83	77 Super ... Wheel Tractor	3.2L 194 OHV L6 3.3125" Bore (Waukesha)	30
6.354 ... Wheel Tractor	5.8L 354 OHV Diesel L6 3.875" Bore (12 Valve) (Perkins Eng.)	83	77 Super ... Wheel Tractor	3.2L 194 OHV Diesel L6 3.3125" Bore (Waukesha)	31
605-6 ... Wheel Tractor	9.9L 605 L6 4.625" Bore	97	77 Super ... Wheel Tractor	3.5L 216 OHV L6 3.5" Bore (Waukesha)	42
605-6A ... Wheel Tractor	9.9L 605 L6 4.625" Bore	97	77 Super ... Wheel Tractor	3.5L 216 OHV Diesel L6 3.5" Bore (Waukesha)	43
605A ... Wheel Tractor	9.9L 605 L6 4.625" Bore	97	77 Super Distillate ... Wheel Tractor	3.2L 194 OHV Distillate L6 3.3125" Bore (Waukesha)	32
605A-6 ... Wheel Tractor	9.9L 605 L6 4.625" Bore	97	77 Super Distillate ... Wheel Tractor	3.5L 216 OHV Distillate L6 3.5" Bore (Waukesha)	44
605A-6A ... Wheel Tractor	9.9L 605 L6 4.625" Bore	97	77 Super LPG ... Wheel Tractor	3.2L 194 OHV LPG L6 3.3125" Bore (Waukesha)	33
605B-6A ... Wheel Tractor	9.9L 605 L6 4.625" Bore	97	77 Super LPG ... Wheel Tractor	3.5L 216 OHV LPG L6 3.5" Bore (Waukesha)	45
66 ... Wheel Tractor	2.1L 129 OHV L4 3.3125" Bore (Waukesha)	11	770 ... Wheel Tractor	3.2L 194 OHV L6 3.3125" Bore (Waukesha)	30
66 ... Wheel Tractor	2.1L 129 OHV Diesel L4 3.3125" Bore (Waukesha)	12	770 ... Wheel Tractor	3.2L 194 OHV Diesel L6 3.3125" Bore (Waukesha)	31
66 ... Wheel Tractor	2.4L 144 OHV L4 3.5" Bore (Waukesha)	20	770 ... Wheel Tractor	3.5L 216 OHV L6 3.5" Bore (Waukesha)	42
66 ... Wheel Tractor	2.4L 144 OHV Diesel L4 3.5" Bore (Waukesha)	21	770 ... Wheel Tractor	3.5L 216 OHV Diesel L6 3.5" Bore (Waukesha)	43
66 ... Wheel Tractor	2.5L 155 OHV L4 3.625" Bore (Waukesha)	24	770 LPG ... Wheel Tractor	3.2L 194 OHV LPG L6 3.3125" Bore (Waukesha)	33
66 Distillate ... Wheel Tractor	2.4L 144 OHV Distillate L4 3.5" Bore (Waukesha)	22	770 Super ... Wheel Tractor	3.5L 216 OHV LPG L6 3.5" Bore (Waukesha)	45
66 LPG ... Wheel Tractor	2.4L 144 OHV LPG L4 3.5" Bore (Waukesha)	23	8 ... Combine	4.1L 251 L-HEAD L6 3.4375" Bore (Chrysler) (Chrysler Eng.)	60
66 Super ... Wheel Tractor	2.1L 129 OHV L4 3.3125" Bore (Waukesha)	11	8 ... Combine	4.1L 251 L-HEAD L6 3.4375" Bore (Chrysler) (Chrysler Eng.)	61
66 Super ... Wheel Tractor	2.1L 129 OHV Diesel L4 3.3125" Bore (Waukesha)	12	8 ... Wheel Tractor	4.1L 251 L-HEAD L6 3.4375" Bore (Chrysler) (Chrysler Eng.)	61
66 Super ... Wheel Tractor	2.4L 144 OHV L4 3.5" Bore (Waukesha)	20	8-213 ... Combine	4.1L 251 L-HEAD L6 3.4375" Bore (Chrysler) (Chrysler Eng.)	60
66 Super ... Wheel Tractor	2.4L 144 OHV Diesel L4 3.5" Bore (Waukesha)	21	8-213 ... Combine	4.1L 251 L-HEAD L6 3.4375" Bore (Chrysler) (Chrysler Eng.)	61
66 Super ... Wheel Tractor	2.5L 155 OHV L4 3.625" Bore (Waukesha)	24	8-213 ... Wheel Tractor	4.1L 251 L-HEAD L6 3.4375" Bore (Chrysler) (Chrysler Eng.)	61
66 Super Distillate ... Wheel Tractor	2.4L 144 OHV Distillate L4 3.5" Bore (Waukesha)	22	8-213 ... Wheel Tractor	4.1L 251 L-HEAD L6 3.4375" Bore (Chrysler) (Chrysler Eng.)	61
66 Super LPG ... Wheel Tractor	2.4L 144 OHV LPG L4 3.5" Bore (Waukesha)	23	8-231 ... Combine	4.1L 251 L-HEAD L6 3.4375" Bore (Chrysler) (Chrysler Eng.)	60
660 ... Wheel Tractor	2.1L 129 OHV L4 3.3125" Bore (Waukesha)	11	8-231 ... Combine	4.1L 251 L-HEAD L6 3.4375" Bore (Chrysler) (Chrysler Eng.)	61
660 ... Wheel Tractor	2.1L 129 OHV Diesel L4 3.3125" Bore (Waukesha)	12	8-231 ... Wheel Tractor	4.1L 251 L-HEAD L6 3.4375" Bore (Chrysler) (Chrysler Eng.)	61
660 ... Wheel Tractor	2.4L 144 OHV L4 3.5" Bore (Waukesha)	20	8A ... Combine	4.1L 251 L-HEAD L6 3.4375" Bore (Chrysler) (Chrysler Eng.)	60
660 ... Wheel Tractor	2.4L 144 OHV Diesel L4 3.5" Bore (Waukesha)	21			
660 ... Wheel Tractor	2.5L 155 OHV L4 3.625" Bore (Waukesha)	24			
660 Distillate ... Wheel Tractor	2.4L 144 OHV Distillate L4 3.5" Bore (Waukesha)	22			

(continued on next page)

White Farm (Includes Oliver, Minneapolis-Moline)

Engine Code Index					
Engine Code	Engine Description	Line No.	Engine Code	Engine Description	Line No.
8A ... Combine.....	4.1L 251 L-HEAD L6 3.4375" Bore (Chrysler) (Chrysler Eng.).....	61	816 LPG ... Industrial Applications.....	13.1L 800 LPG L6 5.3125" Bore.....	101
8A ... Wheel Tractor.....	4.1L 251 L-HEAD L6 3.4375" Bore (Chrysler) (Chrysler Eng.).....	61	816 Natural Gas ... Power Unit.....	13.1L 800 NG L6 5.3125" Bore ..	102
800 ... Power Unit.....	13.1L 800 L6 5.3125" Bore.....	98	816 Natural Gas ... Industrial Applications.....	13.1L 800 NG L6 5.3125" Bore ..	103
800 ... Industrial Applications.....	13.1L 800 L6 5.3125" Bore.....	99	88 ... Wheel Tractor.....	3.8L 231 OHV L6 3.5" Bore (Waukesha).....	52
800 LPG ... Power Unit.....	13.1L 800 LPG L6 5.3125" Bore.....	100	88 ... Wheel Tractor.....	3.8L 231 OHV Diesel L6 3.5" Bore (Waukesha).....	53
800 LPG ... Industrial Applications.....	13.1L 800 LPG L6 5.3125" Bore.....	101	88 ... Wheel Tractor.....	4.3L 265 OHV L6 3.75" Bore (Waukesha).....	65
800 Natural Gas ... Power Unit.....	13.1L 800 NG L6 5.3125" Bore ..	102	88 LPG ... Wheel Tractor.....	3.8L 231 OHV LPG L6 3.5" Bore (Waukesha).....	54
800 Natural Gas ... Industrial Applications.....	13.1L 800 NG L6 5.3125" Bore ..	103	88 LPG ... Wheel Tractor.....	4.3L 265 OHV LPG L6 3.75" Bore (Waukesha).....	66
800-6 ... Industrial Applications.....	13.1L 800 L6 5.3125" Bore.....	99	88 Super ... Wheel Tractor ...	3.8L 231 OHV L6 3.5" Bore (Waukesha).....	52
800-6 LPG ... Power Unit.....	13.1L 800 LPG L6 5.3125" Bore.....	100	88 Super ... Wheel Tractor ...	3.8L 231 OHV Diesel L6 3.5" Bore (Waukesha).....	53
800-6 LPG ... Industrial Applications.....	13.1L 800 LPG L6 5.3125" Bore.....	101	88 Super ... Wheel Tractor ...	4.3L 265 OHV L6 3.75" Bore (Waukesha).....	65
800-6 Natural Gas ... Power Unit.....	13.1L 800 NG L6 5.3125" Bore ..	102	88 Super LPG ... Wheel Tractor.....	3.8L 231 OHV LPG L6 3.5" Bore (Waukesha).....	54
800-6 Natural Gas ... Industrial Applications.....	13.1L 800 NG L6 5.3125" Bore ..	103	88 Super LPG ... Wheel Tractor.....	4.3L 265 OHV LPG L6 3.75" Bore (Waukesha).....	66
800-6A ... Power Unit	13.1L 800 L6 5.3125" Bore.....	98	880 ... Wheel Tractor	3.8L 231 OHV L6 3.5" Bore (Waukesha).....	52
800-6A ... Industrial Applications.....	13.1L 800 L6 5.3125" Bore.....	99	880 ... Wheel Tractor	3.8L 231 OHV Diesel L6 3.5" Bore (Waukesha).....	53
800-6A LPG ... Power Unit	13.1L 800 LPG L6 5.3125" Bore.....	100	880 ... Wheel Tractor	4.3L 265 OHV L6 3.75" Bore (Waukesha).....	65
800-6A LPG ... Industrial Applications.....	13.1L 800 LPG L6 5.3125" Bore.....	101	880 LPG ... Wheel Tractor.....	3.8L 231 OHV LPG L6 3.5" Bore (Waukesha).....	54
800-6A Natural Gas ... Power Unit	13.1L 800 NG L6 5.3125" Bore ..	102	880 LPG ... Wheel Tractor.....	4.3L 265 OHV LPG L6 3.75" Bore (Waukesha).....	66
800-6A Natural Gas ... Industrial Applications.....	13.1L 800 NG L6 5.3125" Bore ..	103	950D ... Wheel Tractor	5.3L 322 OHV Diesel L6 4.125" Bore	78
816 ... Power Unit.....	13.1L 800 L6 5.3125" Bore.....	98	99D ... Wheel Tractor	5.3L 322 OHV Diesel L6 4.125" Bore	78
816 ... Industrial Applications.....	13.1L 800 L6 5.3125" Bore.....	99			
816 LPG ... Power Unit.....	13.1L 800 LPG L6 5.3125" Bore.....	100			

Model Index

Model	Engine Description	Line No.	Model	Engine Description	Line No.
A ... Wheel Tractor.....	2.2L 133 L-HEAD L4 3.25" Bore (Hercules Eng.).....	17	A4T1600 ... Wheel Tractor ...	8.3L 504 Diesel L6 4.625" Bore....	91
AD6 ... Wheel Tractor	3.7L 226 OHV L6 3.3125" Bore (12 Valve) (Continental Eng.).....	49	Bale-O-Matic ... Hay Baler.....	1.8L 108 L-HEAD V4 3.25" Bore (Wisconsin Eng.)	7
AG ... Wheel Tractor.....	3.7L 226 OHV L6 3.3125" Bore (12 Valve) (Continental Eng.).....	49	Baler ... Hay Baler	3.9L 53.9 L-HEAD L2 3.25" Bore (Wisconsin Eng.)	1
AGH6 ... Wheel Tractor	3.7L 226 OHV L6 3.3125" Bore (12 Valve) (Continental Eng.).....	49	BF ... Wheel Tractor	2.2L 133 L-HEAD L4 3.25" Bore (Hercules Eng.).....	17
AG15 ... Wheel Tractor.....	3.7L 226 OHV L6 3.3125" Bore (12 Valve) (Continental Eng.).....	49	BFH ... Wheel Tractor.....	2.2L 133 L-HEAD L4 3.25" Bore (Hercules Eng.).....	17
AG20 ... Wheel Tractor.....	3.7L 226 OHV L6 3.3125" Bore (12 Valve) (Continental Eng.).....	49	BFS ... Wheel Tractor	2.2L 133 L-HEAD L4 3.25" Bore (Hercules Eng.).....	17
AG6 ... Wheel Tractor.....	3.7L 226 OHV L6 3.3125" Bore (12 Valve) (Continental Eng.).....	49	BFW ... Wheel Tractor.....	2.2L 133 L-HEAD L4 3.25" Bore (Hercules Eng.).....	17
Auto Baler 8 ... Hay Baler.....	1.5L 91.9 L-HEAD V4 3" Bore (Wisconsin Eng.)	5	BG ... Wheel Tractor.....	2.2L 133 L-HEAD L4 3.25" Bore (Hercules Eng.).....	17
A21 ... Wheel Tractor.....	2.2L 133 L-HEAD L4 3.25" Bore (Hercules Eng.).....	17	BG ... Wheel Tractor.....	4.3L 263 L-HEAD L6 3.625" Bore (Hercules Eng.).....	62
A4T ... Wheel Tractor	8.3L 504 L6 4.625" Bore.....	90	BG ... Wheel Tractor.....	5.2L 320 L-HEAD L6 4" Bore (Hercules Eng.).....	77
A4T ... Wheel Tractor	8.3L 504 Diesel L6 4.625" Bore....	91	BGS ... Wheel Tractor	4.3L 263 L-HEAD L6 3.625" Bore (Hercules Eng.).....	62
A4T1400 ... Wheel Tractor ...	8.3L 504 L6 4.625" Bore.....	90	BGS ... Wheel Tractor	5.2L 320 L-HEAD L6 4" Bore (Hercules Eng.).....	77
A4T1400 ... Wheel Tractor ...	8.3L 504 Diesel L6 4.625" Bore....	91			
A4T1600 ... Wheel Tractor ...	8.3L 504 L6 4.625" Bore.....	90			

(continued on next page)

White Farm (Includes Oliver, Minneapolis-Moline)

Model Index					
Model	Engine Description	Line No.	Model	Engine Description	Line No.
Big Mo 400 ... Wheel Tractor.....	3.4L 206 L4 3.625" Bore.....	37	G1000 ... Wheel Tractor.....	8.3L 504 Diesel L6 4.625" Bore....	91
Big Mo 500 ... Wheel Tractor.....	3.4L 206 L4 3.625" Bore.....	37	G1000 ... Wheel Tractor.....	8.3L 504 LPG L6 4.625" Bore	92
Big Mo 500 ... Wheel Tractor.....	3.4L 206 Diesel L4 3.625" Bore....	38	G1000 Vista ... Wheel Tractor.....	8.3L 504 L6 4.625" Bore.....	90
Big Mo 600 ... Wheel Tractor.....	3.4L 206 L4 3.625" Bore.....	37	G1000 Vista ... Wheel Tractor.....	8.3L 504 Diesel L6 4.625" Bore....	91
Big Mo 600 ... Wheel Tractor.....	3.4L 206 Diesel L4 3.625" Bore....	38	G1020 ... Wheel Tractor	8.3L 504 LPG L6 4.625" Bore	92
CF ... Harvester.....	3.4L 206 L4 3.625" Bore.....	37	G1050 ... Wheel Tractor	5.5L 336 Diesel L4 4.625" Bore....	80
E ... Wheel Tractor.....	3.7L 226 OHV L6 3.3125" Bore (12 Valve) (Continental Eng.)	49	G1050 ... Wheel Tractor	8.3L 504 L6 4.625" Bore.....	90
EG ... Wheel Tractor.....	3.7L 226 OHV L6 3.3125" Bore (12 Valve) (Continental Eng.)	49	G1050 ... Wheel Tractor	8.3L 504 Diesel L6 4.625" Bore....	91
EH ... Wheel Tractor	3.7L 226 OHV L6 3.3125" Bore (12 Valve) (Continental Eng.)	49	G1050 ... Wheel Tractor	8.3L 504 LPG L6 4.625" Bore	92
EHG ... Wheel Tractor	3.7L 226 OHV L6 3.3125" Bore (12 Valve) (Continental Eng.)	49	G12 ... Combine	2.2L 132.7 L-HEAD V4 3.25" Bore (Wisconsin Eng.)	15
EN ... Wheel Tractor	3.7L 226 OHV L6 3.3125" Bore (12 Valve) (Continental Eng.)	49	G1350 ... Wheel Tractor	8.3L 504 L6 4.625" Bore.....	90
E31 ... Wheel Tractor.....	3.7L 226 OHV L6 3.3125" Bore (12 Valve) (Continental Eng.)	49	G1350 ... Wheel Tractor	8.3L 504 LPG L6 4.625" Bore	92
E42 ... Wheel Tractor.....	3.7L 226 OHV L6 3.3125" Bore (12 Valve) (Continental Eng.)	49	G144 ... Combine	3.4L 206 L4 3.625" Bore.....	37
FTA ... Wheel Tractor	6.6L 403 L4 4.625" Bore.....	85	G4 ... Combine	3.0L 186 L4 3.625" Bore (RE Engine).....	29
G ... Wheel Tractor	4.3L 263 L-HEAD L6 3.625" Bore (Hercules Eng.).....	62	G4 ... Combine	3.4L 206 L4 3.625" Bore.....	37
GB ... Wheel Tractor.....	6.6L 403 L4 4.625" Bore.....	85	G701 ... Wheel Tractor	7.0L 425 Diesel L6 4.25" Bore....	87
GB ... Wheel Tractor.....	7.0L 425 Diesel L6 4.25" Bore.....	87	G701 ... Wheel Tractor	7.4L 451 Diesel L6 4.375" Bore....	88
GBD ... Wheel Tractor	6.6L 403 L4 4.625" Bore.....	85	G705 ... Wheel Tractor	8.3L 504 L6 4.625" Bore.....	90
GBD ... Wheel Tractor	7.0L 425 Diesel L6 4.25" Bore.....	87	G705 ... Wheel Tractor	8.3L 504 Diesel L6 4.625" Bore....	91
GBLP ... Wheel Tractor	6.6L 403 L4 4.625" Bore.....	85	G705 ... Wheel Tractor	8.3L 504 LPG L6 4.625" Bore	92
GBLP ... Wheel Tractor	7.0L 425 Diesel L6 4.25" Bore.....	87	G706 ... Wheel Tractor	8.3L 504 L6 4.625" Bore.....	90
GG ... Wheel Tractor	1.9L 113 L-HEAD L4 3" Bore (Hercules Eng.).....	9	G706 ... Wheel Tractor	8.3L 504 Diesel L6 4.625" Bore....	91
GG ... Wheel Tractor	2.0L 123 L-HEAD L4 3.125" Bore (Hercules Eng.).....	10	G706 ... Wheel Tractor	8.3L 504 LPG L6 4.625" Bore	92
GG ... Wheel Tractor	2.2L 133 L-HEAD L4 3.25" Bore (Hercules Eng.).....	18	G707 ... Wheel Tractor	8.3L 504 L6 4.625" Bore.....	90
GMTC ... Wheel Tractor	3.5L 213 OHV Diesel L3 4.25" Bore (3-71) (Detroit Diesel Eng.).....	41	G707 ... Wheel Tractor	8.3L 504 Diesel L6 4.625" Bore....	91
Grainmaster 10 ... Combine ..	2.6L 162 L-HEAD L4 3.4375" Bore (Continental Eng.).....	26	G707 ... Wheel Tractor	8.3L 504 LPG L6 4.625" Bore	92
Grainmaster 12 ... Combine ..	2.6L 162 L-HEAD L4 3.4375" Bore (Continental Eng.).....	26	G707 ... Wheel Tractor	8.3L 504 Diesel L6 4.625" Bore....	91
Grainmaster 20 ... Combine ..	1.9L 113 L-HEAD L4 3" Bore (Hercules Eng.).....	9	G708 ... Wheel Tractor	8.3L 504 L6 4.625" Bore.....	90
Grainmaster 20 ... Combine ..	3.7L 228 L-HEAD L6 3.375" Bore (Hercules Eng.).....	51	G708 ... Wheel Tractor	8.3L 504 Diesel L6 4.625" Bore....	91
Grainmaster 30 ... Combine ..	3.4L 205 L-HEAD L6 3.25" Bore (Hercules Eng.).....	36	G708 ... Wheel Tractor	8.3L 504 LPG L6 4.625" Bore	92
Grainmaster 6 ... Combine	1.5L 91 L-HEAD L4 2.875" Bore (Continental Eng.).....	3	G709 ... Wheel Tractor	8.3L 504 L6 4.625" Bore.....	90
Grainmaster 8 ... Combine	1.5L 91 L-HEAD L4 2.875" Bore (Continental Eng.).....	3	G709 ... Wheel Tractor	8.3L 504 Diesel L6 4.625" Bore....	91
GT ... Wheel Tractor	6.6L 403 L4 4.625" Bore.....	85	G900 ... Wheel Tractor	7.0L 425 L6 4.25" Bore.....	86
GTA ... Wheel Tractor.....	6.6L 403 L4 4.625" Bore.....	85	G900 ... Wheel Tractor	7.0L 425 Diesel L6 4.25" Bore....	87
GTB ... Wheel Tractor.....	6.6L 403 L4 4.625" Bore.....	85	G900 ... Wheel Tractor	7.4L 451 Diesel L6 4.375" Bore....	88
GTB ... Wheel Tractor.....	7.0L 425 Diesel L6 4.25" Bore.....	87	G900 ... Wheel Tractor	7.0L 425 L6 4.25" Bore.....	86
GTBD ... Wheel Tractor.....	6.6L 403 L4 4.625" Bore.....	85	G900 ... Wheel Tractor	7.0L 425 Diesel L6 4.25" Bore....	87
GTBD ... Wheel Tractor.....	7.0L 425 L6 4.25" Bore.....	86	G900 ... Wheel Tractor	7.4L 451 Diesel L6 4.375" Bore....	88
GTBD ... Wheel Tractor.....	7.0L 425 Diesel L6 4.25" Bore.....	87	G950 ... Wheel Tractor	7.0L 425 L6 4.25" Bore.....	86
GTC ... Wheel Tractor	4.6L 283 L4 4.25" Bore.....	70	G950 ... Wheel Tractor	7.0L 425 Diesel L6 4.25" Bore....	87
GTC ... Wheel Tractor	6.6L 403 L4 4.625" Bore.....	85	G950 ... Wheel Tractor	7.4L 451 Diesel L6 4.375" Bore....	88
GTD ... Wheel Tractor	6.6L 403 L4 4.625" Bore.....	85	G955 ... Wheel Tractor	7.0L 425 Diesel L6 4.25" Bore....	87
GTD ... Wheel Tractor	6.6L 403 L4 4.625" Bore.....	85	Harvester G14S ... Combine ..	3.7L 226 OHV L6 3.3125" Bore (12 Valve) (Continental Eng.)	48
GTI ... Wheel Tractor	6.6L 403 L4 4.625" Bore.....	85	Harvester G3 ... Combine.....	3.0L 186 L4 3.625" Bore (RE Engine).....	29
GTX ... Wheel Tractor.....	9.9L 605 L6 4.625" Bore.....	97	Harvester G4 ... Combine.....	3.0L 186 L4 3.625" Bore (RE Engine).....	29
GTX ... Wheel Tractor.....	14.0L 852 OHV L12 4.25" Bore..	104	Harvester Jr. ... Wheel Tractor.....	2.2L 133 L-HEAD L4 3.25" Bore (Hercules Eng.).....	17
GVI ... Wheel Tractor.....	4.6L 283 Diesel L4 4.25" Bore.....	71	Harvester J2 ... Combine.....	1.8L 108 L-HEAD V4 3.25" Bore (Wisconsin Eng.).....	6
GVI ... Wheel Tractor	7.0L 425 L6 4.25" Bore.....	86	Harvester 69 ... Combine.....	1.5L 91.9 L-HEAD V4 3" Bore (Wisconsin Eng.)	4
GVI ... Wheel Tractor	7.0L 425 Diesel L6 4.25" Bore....	87	HC ... Wheel Tractor.....	4.3L 265 OHV L6 3.75" Bore (Waukesha)	65
G1000 ... Wheel Tractor	8.3L 504 L6 4.625" Bore.....	90	HD800-6A ... Power Unit	13.1L 800 L6 5.3125" Bore.....	98
			HD800-6A ... Power Unit	13.1L 800 LPG L6 5.3125" Bore.....	100
			HD800-6A ... Power Unit	13.1L 800 NG L6 5.3125" Bore ..	102
			HD800A-6A ... Power Unit.....	13.1L 800 L6 5.3125" Bore.....	98
			HD800A-6A ... Power Unit.....	13.1L 800 LPG L6 5.3125" Bore	100
			HD800A-6A ... Power Unit.....	13.1L 800 NG L6 5.3125" Bore ..	102
			HG ... Wheel Tractor.....	1.9L 113 L-HEAD L4 3" Bore (Hercules Eng.).....	9
			HG ... Wheel Tractor.....	2.0L 123 L-HEAD L4 3.125" Bore (Hercules Eng.).....	10
			HGH ... Wheel Tractor.....	1.9L 113 L-HEAD L4 3" Bore (Hercules Eng.).....	9

White Farm (Includes Oliver, Minneapolis-Moline)

Model Index					
Model	Engine Description	Line No.	Model	Engine Description	Line No.
HGH ... Wheel Tractor	2.0L 123 L-HEAD L4 3.125" Bore (Hercules Eng.)	10	OC4 (Except Series B) ... Wheel Tractor	2.2L 133 L-HEAD L4 3.25" Bore (Hercules Eng.)	18
HGH ... Wheel Tractor	2.2L 133 L-HEAD L4 3.25" Bore (Hercules Eng.)	18	OC6 ... Wheel Tractor	3.2L 194 OHV Diesel L6 3.3125" Bore (Waukesha)	31
HG31 ... Wheel Tractor	1.9L 113 L-HEAD L4 3" Bore (Hercules Eng.)	9	OC6 ... Wheel Tractor	3.5L 216 OHV L6 3.5" Bore (Waukesha)	42
HG31 ... Wheel Tractor	2.0L 123 L-HEAD L4 3.125" Bore (Hercules Eng.)	10	Orchard ... Wheel Tractor	3.4L 206 Diesel L4 3.625" Bore	38
HG31 ... Wheel Tractor	2.2L 133 L-HEAD L4 3.25" Bore (Hercules Eng.)	18	Prairie B ... Combine	3.7L 226 OHV L4 4" Bore (Hercules Eng.)	50
IND 400 ... Wheel Tractor	3.4L 206 L4 3.625" Bore	37	Prairie D ... Combine	3.7L 226 OHV L4 4" Bore (Hercules Eng.)	50
IND 500 ... Wheel Tractor	3.4L 206 L4 3.625" Bore	37	R ... Wheel Tractor	2.7L 165 L4 3.625" Bore	27
J ... Combine	1.9L 113 L-HEAD L4 3" Bore (Hercules Eng.)	8	RN ... Wheel Tractor	2.7L 165 L4 3.625" Bore	27
J ... Wheel Tractor	2.2L 133 L-HEAD L4 3.25" Bore (Hercules Eng.)	17	RT ... Wheel Tractor	2.7L 165 L4 3.625" Bore	27
Jet Star ... Wheel Tractor	3.4L 206 L4 3.625" Bore	37	RTE ... Wheel Tractor	2.7L 165 L4 3.625" Bore	27
Jet Star ... Wheel Tractor	3.4L 206 Diesel L4 3.625" Bore	38	RTI ... Wheel Tractor	2.7L 165 L4 3.625" Bore	27
Jet Star 3 ... Wheel Tractor	3.4L 206 L4 3.625" Bore	37	RTM ... Wheel Tractor	2.7L 165 L4 3.625" Bore	27
Jet Star 3 ... Wheel Tractor	3.4L 206 Diesel L4 3.625" Bore	38	RTN ... Wheel Tractor	2.7L 165 L4 3.625" Bore	27
Jr. Harvester ... Combine	2.2L 133 L-HEAD L4 3.25" Bore (Hercules Eng.)	18	RTS ... Wheel Tractor	2.7L 165 L4 3.625" Bore	27
K3 ... Hay Baler	1.8L 108 L-HEAD V4 3.25" Bore (Wisconsin Eng.)	6	RTU ... Wheel Tractor	2.7L 165 L4 3.625" Bore	27
K3 ... Wheel Tractor	1.8L 108 L-HEAD V4 3.25" Bore (Wisconsin Eng.)	6	S ... Combine	3.7L 226 OHV L6 3.3125" Bore (12 Valve) (Continental Eng.)	48
K4 ... Hay Baler	1.8L 108 L-HEAD V4 3.25" Bore (Wisconsin Eng.)	6	S ... Combine	3.7L 226 OHV L6 3.3125" Bore (12 Valve) (Continental Eng.)	49
L ... Combine	3.4L 206 L4 3.625" Bore	37	S ... Wheel Tractor	3.7L 226 OHV L6 3.3125" Bore (12 Valve) (Continental Eng.)	48
L-Uni Tractor ... Wheel Tractor	3.4L 206 L4 3.625" Bore	37	S ... Combine	4.0L 244 L-HEAD L6 3.4375" Bore (Continental Eng.)	57
LA ... Combine	3.4L 206 L4 3.625" Bore	37	SP ... Combine	3.4L 206 L4 3.625" Bore	37
LB ... Combine	3.4L 206 L4 3.625" Bore	37	SPR168 ... Combine	3.7L 226 OHV L6 3.3125" Bore (12 Valve) (Continental Eng.)	48
LB ... Corn Picker	3.4L 206 L4 3.625" Bore	37	SPR168 ... Combine	4.0L 244 L-HEAD L6 3.4375" Bore (Continental Eng.)	57
LC ... Combine	3.4L 206 L4 3.625" Bore	37	SP168 ... Combine	3.7L 226 OHV L6 3.3125" Bore (12 Valve) (Continental Eng.)	48
LC ... Corn Picker	3.4L 206 L4 3.625" Bore	37	SP168 Rice ... Combine	3.4L 206 L4 3.625" Bore	37
LD ... Combine	3.4L 206 L4 3.625" Bore	37	SP168-SR ... Combine	3.7L 226 OHV L6 3.3125" Bore (12 Valve) (Continental Eng.)	48
LD ... Corn Picker	3.4L 206 L4 3.625" Bore	37	SP168-SR ... Combine	4.0L 244 L-HEAD L6 3.4375" Bore (Continental Eng.)	57
LF ... Harvester	3.4L 206 L4 3.625" Bore	37	SR ... Combine	3.7L 226 OHV L6 3.3125" Bore (12 Valve) (Continental Eng.)	48
MA30 ... Wheel Tractor	2.6L 162 L-HEAD L4 3.4375" Bore (Continental Eng.)	25	SR ... Wheel Tractor	3.7L 226 OHV L6 3.3125" Bore (12 Valve) (Continental Eng.)	48
MA40 ... Wheel Tractor	2.6L 162 L-HEAD L4 3.4375" Bore (Continental Eng.)	25	SR ... Combine	4.0L 244 L-HEAD L6 3.4375" Bore (Continental Eng.)	57
MA50 ... Wheel Tractor	2.6L 162 L-HEAD L4 3.4375" Bore (Continental Eng.)	25	Super ... Wheel Tractor	3.4L 206 Diesel L4 3.625" Bore	38
MD400 ... Wheel Tractor	3.4L 206 Diesel L4 3.625" Bore	38	Super 90 ... Wheel Tractor	2.6L 162 L-HEAD L4 3.4375" Bore (Continental Eng.)	25
MD500 ... Wheel Tractor	3.4L 206 Diesel L4 3.625" Bore	38	Super 99 ... Wheel Tractor	4.9L 302 OHV L6 4" Bore (Waukesha)	72
Motrac ... Wheel Tractor	3.4L 206 L4 3.625" Bore	37	Super 99HC ... Wheel Tractor	4.9L 302 OHV L6 4" Bore (Waukesha)	72
MSA Series ... Forklift	1.8L 108 L-HEAD V4 3.25" Bore (Wisconsin Eng.)	6	S24 ... Combine	3.0L 186 L4 3.625" Bore	28
M5 ... Wheel Tractor	5.5L 336 L4 4.625" Bore	79	S24 ... Combine	3.4L 206 L4 3.625" Bore	37
M5 ... Wheel Tractor	5.5L 336 Diesel L4 4.625" Bore	80	Twin City ... Wheel Tractor	4.6L 283 L4 4.25" Bore	70
M504 ... Wheel Tractor	5.5L 336 L4 4.625" Bore	79	U ... Wheel Tractor	4.6L 283 L4 4.25" Bore	70
M504 ... Wheel Tractor	5.5L 336 Diesel L4 4.625" Bore	80	U (Type S) ... Wheel Tractor	4.6L 283 L4 4.25" Bore	70
M602 ... Wheel Tractor	5.5L 336 L4 4.625" Bore	79	UB ... Wheel Tractor	4.6L 283 L4 4.25" Bore	70
M602 ... Wheel Tractor	5.5L 336 Diesel L4 4.625" Bore	80	UB ... Wheel Tractor	4.6L 283 Diesel L4 4.25" Bore	71
M604 ... Wheel Tractor	5.5L 336 L4 4.625" Bore	79	UB ... Wheel Tractor	5.5L 336 Diesel L4 4.625" Bore	80
M604 ... Wheel Tractor	5.5L 336 Diesel L4 4.625" Bore	80	UB Special ... Wheel Tractor	4.6L 283 L4 4.25" Bore	70
M670 ... Wheel Tractor	5.5L 336 L4 4.625" Bore	79	UBD ... Wheel Tractor	4.6L 283 Diesel L4 4.25" Bore	71
M670 ... Wheel Tractor	5.5L 336 Diesel L4 4.625" Bore	80	UBE ... Wheel Tractor	4.6L 283 L4 4.25" Bore	70
M670 Super ... Wheel Tractor	5.5L 336 L4 4.625" Bore	79	UBE ... Wheel Tractor	4.6L 283 Diesel L4 4.25" Bore	71
M670 Super ... Wheel Tractor	5.5L 336 Diesel L4 4.625" Bore	80	UBE ... Wheel Tractor	5.5L 336 Diesel L4 4.625" Bore	80
OC12 ... Wheel Tractor	5.6L 339 OHV L6 4" Bore (Hercules Eng.)	81	UBED ... Wheel Tractor	4.6L 283 L4 4.25" Bore	70
OC3 ... Wheel Tractor	1.9L 113 L-HEAD L4 3" Bore (Hercules Eng.)	9	UBED ... Wheel Tractor	4.6L 283 Diesel L4 4.25" Bore	71
OC3 ... Wheel Tractor	2.0L 123 L-HEAD L4 3.125" Bore (Hercules Eng.)	10	UBN ... Wheel Tractor	4.6L 283 L4 4.25" Bore	70
OC3 ... Wheel Tractor	2.2L 133 L-HEAD L4 3.25" Bore (Hercules Eng.)	18	UBN ... Wheel Tractor	4.6L 283 Diesel L4 4.25" Bore	71

(continued on next page)

White Farm (Includes Oliver, Minneapolis-Moline)

Model Index					
Model	Engine Description	Line No.	Model	Engine Description	Line No.
UBN ... Wheel Tractor	5.5L 336 Diesel L4 4.625" Bore	80	ZBU ... Wheel Tractor	3.0L 186 L4 3.625" Bore (RE Engine)	29
UBND ... Wheel Tractor	4.6L 283 L4 4.25" Bore	70	ZBU ... Wheel Tractor	3.4L 206 L4 3.625" Bore	37
UBND ... Wheel Tractor	4.6L 283 Diesel L4 4.25" Bore	71	ZM ... Wheel Tractor	3.4L 206 L4 3.625" Bore	37
UBU ... Wheel Tractor	4.6L 283 L4 4.25" Bore	70	ZN ... Wheel Tractor	3.0L 186 L4 3.625" Bore (RE Engine)	29
UBU ... Wheel Tractor	4.6L 283 Diesel L4 4.25" Bore	71	ZN ... Wheel Tractor	3.4L 206 L4 3.625" Bore	37
UBU ... Wheel Tractor	5.5L 336 Diesel L4 4.625" Bore	80	ZT ... Wheel Tractor	3.0L 186 L4 3.625" Bore (RE Engine)	29
UBUD ... Wheel Tractor	4.6L 283 L4 4.25" Bore	70	ZT ... Wheel Tractor	3.4L 206 L4 3.625" Bore	37
UBUD ... Wheel Tractor	4.6L 283 Diesel L4 4.25" Bore	71	ZTE ... Wheel Tractor	3.0L 186 L4 3.625" Bore (RE Engine)	29
UDS ... Wheel Tractor	4.6L 283 Diesel L4 4.25" Bore	71	ZTE ... Wheel Tractor	3.4L 206 L4 3.625" Bore	37
UDU ... Wheel Tractor	4.6L 283 Diesel L4 4.25" Bore	71	ZTI ... Wheel Tractor	3.0L 186 L4 3.625" Bore	28
UMIL ... Wheel Tractor	4.6L 283 L4 4.25" Bore	70	ZTN ... Wheel Tractor	3.0L 186 L4 3.625" Bore (RE Engine)	29
Uni ... Wheel Tractor	3.4L 206 L4 3.625" Bore	37	ZTN ... Wheel Tractor	3.4L 206 L4 3.625" Bore	37
Uni-Harvester ... Combine	3.4L 206 L4 3.625" Bore	37	ZTS ... Wheel Tractor	3.0L 186 L4 3.625" Bore (RE Engine)	29
Uni-Husker ... Corn Picker	3.4L 206 L4 3.625" Bore	37	ZTS ... Wheel Tractor	3.4L 206 L4 3.625" Bore	37
Uni-Tractor ... Wheel Tractor	3.4L 206 L4 3.625" Bore	37	ZTU ... Wheel Tractor	3.0L 186 L4 3.625" Bore (RE Engine)	29
Universal ... Wheel Tractor	4.6L 283 L4 4.25" Bore	70	ZTU ... Wheel Tractor	3.4L 206 L4 3.625" Bore	37
Universal M ... Wheel Tractor	4.6L 283 L4 4.25" Bore	70	10 ... Combine	2.6L 162 L-HEAD L4 3.4375" Bore (Continental Eng.)	26
Universal MTA ... Wheel Tractor	4.6L 283 L4 4.25" Bore	70	100 ... Hay Baler	1.8L 108 L-HEAD V4 3.25" Bore (Wisconsin Eng.)	7
URU ... Wheel Tractor	4.6L 283 L4 4.25" Bore	70	100 ... Windrower	1.8L 108 L-HEAD V4 3.25" Bore (Wisconsin Eng.)	6
URU ... Wheel Tractor	4.6L 283 Diesel L4 4.25" Bore	71	100 ... Windrower	2.2L 132.7 L-HEAD V4 3.25" Bore (Wisconsin Eng.)	15
UT ... Wheel Tractor	4.6L 283 L4 4.25" Bore	70	100 ... Hay Baler	1.5L 91.9 L-HEAD V4 3" Bore (Wisconsin Eng.)	5
UTC ... Wheel Tractor	4.6L 283 L4 4.25" Bore	70	101 ... Hay Baler	2.2L 132.7 L-HEAD V4 3.25" Bore (Wisconsin Eng.)	16
UTE ... Wheel Tractor	4.6L 283 L4 4.25" Bore	70	102 ... Hay Baler	2.2L 132.7 L-HEAD V4 3.25" Bore (Wisconsin Eng.)	16
UTI ... Wheel Tractor	4.6L 283 L4 4.25" Bore	70	103 ... Hay Baler	2.2L 132.7 L-HEAD V4 3.25" Bore (Wisconsin Eng.)	16
UTI ... Wheel Tractor	6.6L 403 L4 4.625" Bore	85	12 ... Combine	2.6L 162 L-HEAD L4 3.4375" Bore (Continental Eng.)	26
UTIL ... Wheel Tractor	4.6L 283 L4 4.25" Bore	70	120 ... Combine	3.4L 206 L4 3.625" Bore	37
UTIL ... Wheel Tractor	6.6L 403 L4 4.625" Bore	85	1210-12A ... Wheel Tractor	19.8L 1210 L12 4.625" Bore	105
UTLX ... Wheel Tractor	4.6L 283 L4 4.25" Bore	70	1210-15 ... Wheel Tractor	9.9L 605 L6 4.625" Bore	97
UTN ... Wheel Tractor	4.6L 283 L4 4.25" Bore	70	15 ... Combine	1.8L 108 L-HEAD V4 3.25" Bore (Wisconsin Eng.)	7
UTS ... Wheel Tractor	4.6L 283 L4 4.25" Bore	70	15 ... Wheel Tractor	3.7L 226 OHV L6 3.3125" Bore (12 Valve) (Continental Eng.)	49
UTS ... Wheel Tractor	4.6L 283 Diesel L4 4.25" Bore	71	15 ... Combine	1.5L 91 L-HEAD L4 2.875" Bore (Continental Eng.)	3
UTS ... Wheel Tractor	5.5L 336 Diesel L4 4.625" Bore	80	1550 ... Wheel Tractor	3.8L 232 OHV L6 3.625" Bore (Waukesha)	55
UTS Special ... Wheel Tractor	4.6L 283 L4 4.25" Bore	70	1550 ... Wheel Tractor	3.8L 232 OHV Diesel L6 3.625" Bore (Waukesha)	56
UTS Special ... Wheel Tractor	4.6L 283 Diesel L4 4.25" Bore	71	1555 ... Wheel Tractor	3.8L 232 OHV L6 3.625" Bore (Waukesha)	55
UTSD ... Wheel Tractor	4.6L 283 Diesel L4 4.25" Bore	71	1555 ... Wheel Tractor	3.8L 232 OHV Diesel L6 3.625" Bore (Waukesha)	56
UTU ... Wheel Tractor	4.6L 283 L4 4.25" Bore	70	1600 ... Wheel Tractor	3.8L 231 OHV L6 3.5" Bore (Waukesha)	52
W-4 Uni-Combine ... Combine	3.4L 206 L4 3.625" Bore	37	1600 ... Wheel Tractor	3.8L 231 OHV Diesel L6 3.5" Bore (Waukesha)	53
Z ... Wheel Tractor	3.0L 186 L4 3.625" Bore (RE Engine)	29	1600 (4WD) ... Wheel Tractor	3.8L 231 OHV L6 3.5" Bore (Waukesha)	52
Z ... Wheel Tractor	3.4L 206 L4 3.625" Bore	37	1600 (4WD) ... Wheel Tractor	3.8L 231 OHV Diesel L6 3.5" Bore (Waukesha)	53
ZA ... Wheel Tractor	3.0L 186 L4 3.625" Bore (RE Engine)	29	1600-12A ... Wheel Tractor	26.2L 1600 L12 5.3125" Bore	106
ZA ... Wheel Tractor	3.4L 206 L4 3.625" Bore	37	1650 ... Wheel Tractor	4.3L 265 OHV L6 3.75" Bore (Waukesha)	65
ZAE ... Wheel Tractor	3.0L 186 L4 3.625" Bore (RE Engine)	29	1650 ... Wheel Tractor	4.3L 265 OHV LPG L6 3.75" Bore (Waukesha)	66
ZAE ... Wheel Tractor	3.4L 206 L4 3.625" Bore	37			
ZAN ... Wheel Tractor	3.0L 186 L4 3.625" Bore (RE Engine)	29			
ZAN ... Wheel Tractor	3.4L 206 L4 3.625" Bore	37			
ZAS ... Wheel Tractor	3.0L 186 L4 3.625" Bore (RE Engine)	29			
ZAS ... Wheel Tractor	3.4L 206 L4 3.625" Bore	37			
ZASI ... Wheel Tractor	3.0L 186 L4 3.625" Bore (RE Engine)	29			
ZAU ... Wheel Tractor	3.0L 186 L4 3.625" Bore (RE Engine)	29			
ZAU ... Wheel Tractor	3.4L 206 L4 3.625" Bore	37			
ZB ... Wheel Tractor	3.0L 186 L4 3.625" Bore (RE Engine)	29			
ZB ... Wheel Tractor	3.4L 206 L4 3.625" Bore	37			
ZBE ... Wheel Tractor	3.0L 186 L4 3.625" Bore (RE Engine)	29			
ZBE ... Wheel Tractor	3.4L 206 L4 3.625" Bore	37			
ZBN ... Wheel Tractor	3.0L 186 L4 3.625" Bore (RE Engine)	29			
ZBN ... Wheel Tractor	3.4L 206 L4 3.625" Bore	37			

White Farm (Includes Oliver, Minneapolis-Moline)

Model Index					
Model	Engine Description	Line No.	Model	Engine Description	Line No.
1650 (4WD) ... Wheel Tractor.....	4.3L 265 OHV L6 3.75" Bore (Waukesha)	65	1750 ... Wheel Tractor.....	5.1L 310 OHV Diesel L6 3.875" Bore (Waukesha).....	74
1650 (4WD) ... Wheel Tractor.....	4.3L 265 OHV LPG L6 3.75" Bore (Waukesha)	66	1755 ... Wheel Tractor.....	4.6L 283 OHV L6 3.875" Bore (Waukesha)	67
1655 ... Wheel Tractor.....	4.6L 283 OHV L6 3.875" Bore (Waukesha)	67	1755 ... Wheel Tractor.....	4.6L 283 OHV Diesel L6 3.875" Bore (Waukesha).....	68
1655 ... Wheel Tractor.....	4.6L 283 OHV Diesel L6 3.875" Bore (Waukesha).....	68	1755 ... Wheel Tractor.....	5.1L 310 OHV Diesel L6 3.875" Bore (Waukesha).....	74
1655 ... Wheel Tractor.....	4.6L 283 OHV LPG L6 3.875" Bore (Waukesha)	69	177 ... Wheel Tractor.....	3.2L 194 OHV L6 3.3125" Bore (Waukesha).....	30
1655 ... Wheel Tractor.....	5.1L 310 OHV Diesel L6 3.875" Bore (Waukesha).....	74	177 ... Wheel Tractor.....	3.2L 194 OHV Diesel L6 3.3125" Bore (Waukesha).....	31
166 ... Wheel Tractor.....	2.1L 129 OHV L4 3.3125" Bore (Waukesha)	11	177 ... Wheel Tractor.....	3.2L 194 OHV LPG L6 3.3125" Bore (Waukesha)	33
166 ... Wheel Tractor.....	2.1L 129 OHV Diesel L4 3.3125" Bore (Waukesha).....	12	177 ... Wheel Tractor.....	3.5L 216 OHV L6 3.5" Bore (Waukesha)	42
166 ... Wheel Tractor.....	2.4L 144 OHV L4 3.5" Bore (Waukesha)	20	177 ... Wheel Tractor.....	3.5L 216 OHV Diesel L6 3.5" Bore (Waukesha)	43
166 ... Wheel Tractor.....	2.4L 144 OHV Diesel L4 3.5" Bore (Waukesha)	21	177 ... Wheel Tractor.....	3.5L 216 OHV LPG L6 3.5" Bore (Waukesha)	45
166 ... Wheel Tractor.....	2.4L 144 OHV LPG L4 3.5" Bore (Waukesha)	23	177 Super ... Wheel Tractor ..	3.2L 194 OHV L6 3.3125" Bore (Waukesha)	30
166 ... Wheel Tractor.....	2.5L 155 OHV L4 3.625" Bore (Waukesha)	24	177 Super ... Wheel Tractor ..	3.2L 194 OHV Diesel L6 3.3125" Bore (Waukesha).....	31
166 Super ... Wheel Tractor ..	2.1L 129 OHV L4 3.3125" Bore (Waukesha)	11	177 Super ... Wheel Tractor ..	3.2L 194 OHV LPG L6 3.3125" Bore (Waukesha)	33
166 Super ... Wheel Tractor ..	2.1L 129 OHV Diesel L4 3.3125" Bore (Waukesha).....	12	177 Super ... Wheel Tractor ..	3.5L 216 OHV L6 3.5" Bore (Waukesha)	42
166 Super ... Wheel Tractor ..	2.4L 144 OHV L4 3.5" Bore (Waukesha)	20	177 Super ... Wheel Tractor ..	3.5L 216 OHV Diesel L6 3.5" Bore (Waukesha)	43
166 Super ... Wheel Tractor ..	2.4L 144 OHV Diesel L4 3.5" Bore (Waukesha)	21	177 Super ... Wheel Tractor ..	3.5L 216 OHV LPG L6 3.5" Bore (Waukesha)	45
166 Super ... Wheel Tractor ..	2.4L 144 OHV LPG L4 3.5" Bore (Waukesha)	23	177D Industrial ... Wheel Tractor.....	3.2L 194 OHV L6 3.3125" Bore (Waukesha)	30
166 Super ... Wheel Tractor ..	2.5L 155 OHV L4 3.625" Bore (Waukesha)	24	177D Industrial ... Wheel Tractor.....	3.2L 194 OHV Diesel L6 3.3125" Bore (Waukesha).....	31
166D Industrial ... Wheel Tractor.....	3.2L 194 OHV Diesel L6 3.3125" Bore (Waukesha).....	31	177D Industrial ... Wheel Tractor.....	3.2L 194 OHV Distillate L6 3.3125" Bore (Waukesha).....	32
166D Industrial ... Wheel Tractor.....	3.5L 216 OHV Diesel L6 3.5" Bore (Waukesha)	43	177D Industrial ... Wheel Tractor.....	3.5L 216 OHV L6 3.5" Bore (Waukesha)	42
166D Industrial ... Wheel Tractor.....	3.8L 231 OHV L6 3.5" Bore (Waukesha)	52	177D Industrial ... Wheel Tractor.....	3.5L 216 OHV Diesel L6 3.5" Bore (Waukesha)	43
166D Industrial ... Wheel Tractor.....	3.8L 231 OHV Diesel L6 3.5" Bore (Waukesha)	53	177D Industrial ... Wheel Tractor.....	3.5L 216 OHV Distillate L6 3.5" Bore (Waukesha).....	44
166D Industrial ... Wheel Tractor.....	3.8L 231 OHV LPG L6 3.5" Bore (Waukesha)	54	177HC Industrial ... Wheel Tractor.....	3.2L 194 OHV L6 3.3125" Bore (Waukesha)	30
166D Industrial ... Wheel Tractor.....	4.3L 265 OHV L6 3.75" Bore (Waukesha)	65	177HC Industrial ... Wheel Tractor.....	3.2L 194 OHV Diesel L6 3.3125" Bore (Waukesha).....	31
166D Industrial ... Wheel Tractor.....	4.3L 265 OHV LPG L6 3.75" Bore (Waukesha)	66	177HC Industrial ... Wheel Tractor.....	3.2L 194 OHV Distillate L6 3.3125" Bore (Waukesha).....	32
166HC Industrial ... Wheel Tractor.....	3.2L 194 OHV L6 3.3125" Bore (Waukesha)	30	177HC Industrial ... Wheel Tractor.....	3.5L 216 OHV L6 3.5" Bore (Waukesha)	42
166HC Industrial ... Wheel Tractor.....	3.2L 194 OHV Diesel L6 3.3125" Bore (Waukesha).....	31	177HC Industrial ... Wheel Tractor.....	3.5L 216 OHV Diesel L6 3.5" Bore (Waukesha)	43
166HC Industrial ... Wheel Tractor.....	3.5L 216 OHV L6 3.5" Bore (Waukesha)	42	18 ... Combine	1.8L 108 L-HEAD V4 3.25" Bore (Wisconsin Eng.)	7
1750 ... Wheel Tractor.....	4.6L 283 OHV L6 3.875" Bore (Waukesha)	67	1800 ... Wheel Tractor.....	4.6L 283 OHV L6 3.875" Bore (Waukesha)	67
1750 ... Wheel Tractor.....	4.6L 283 OHV Diesel L6 3.875" Bore (Waukesha).....	68	1800 ... Wheel Tractor.....	4.6L 283 OHV Diesel L6 3.875" Bore (Waukesha).....	68
			1800 ... Wheel Tractor.....	5.1L 310 OHV Diesel L6 3.875" Bore (Waukesha).....	74

(continued on next page)

White Farm (Includes Oliver, Minneapolis-Moline)

Model Index					
Model	Engine Description	Line No.	Model	Engine Description	Line No.
1850 ... Wheel Tractor	4.6L 283 OHV L6 3.875" Bore (Waukesha)	67	1900 (4WD) ... Wheel Tractor	3.5L 212 OHV Diesel L4 3.875" Bore (Detroit Diesel Eng.)	40
1850 ... Wheel Tractor	4.6L 283 OHV LPG L6 3.875" Bore (Waukesha)	69	1950 ... Wheel Tractor	3.5L 212 OHV Diesel L4 3.875" Bore (Detroit Diesel Eng.)	40
1850 ... Wheel Tractor	5.8L 354 OHV Diesel L6 3.875" Bore (12 Valve) (Perkins Eng.)	83	1950 ... Wheel Tractor	5.8L 354 OHV Diesel L6 3.875" Bore (12 Valve) (Perkins Eng.)	83
1850 (4WD) ... Wheel Tractor	4.6L 283 OHV L6 3.875" Bore (Waukesha)	67	1950 (4WD) ... Wheel Tractor	3.5L 212 OHV Diesel L4 3.875" Bore (Detroit Diesel Eng.)	40
1850 (4WD) ... Wheel Tractor	4.6L 283 OHV LPG L6 3.875" Bore (Waukesha)	69	1950T ... Wheel Tractor	4.6L 283 OHV L6 3.875" Bore (Waukesha)	67
1850 (4WD) ... Wheel Tractor	5.8L 354 OHV Diesel L6 3.875" Bore (12 Valve) (Perkins Eng.)	83	1950T ... Wheel Tractor	5.1L 310 OHV Diesel L6 3.875" Bore (Waukesha)	74
1855 ... Wheel Tractor	4.6L 283 OHV L6 3.875" Bore (Waukesha)	67	1955 ... Wheel Tractor	4.6L 283 OHV L6 3.875" Bore (Waukesha)	67
1855 ... Wheel Tractor	4.6L 283 OHV Diesel L6 3.875" Bore (Waukesha)	68	1955T ... Wheel Tractor	5.1L 310 OHV Diesel L6 3.875" Bore (Waukesha)	74
1855 ... Wheel Tractor	5.1L 310 OHV Diesel L6 3.875" Bore (Waukesha)	74	2-105 ... Wheel Tractor	4.6L 283 OHV L6 3.875" Bore (Waukesha)	67
188 ... Wheel Tractor	3.8L 231 OHV L6 3.5" Bore (Waukesha)	52	2-105 ... Wheel Tractor	5.8L 354 OHV Diesel L6 3.875" Bore (12 Valve) (Perkins Eng.)	83
188 ... Wheel Tractor	3.8L 231 OHV Diesel L6 3.5" Bore (Waukesha)	53	2-115 ... Wheel Tractor	3.5L 212 OHV Diesel L4 3.875" Bore (Detroit Diesel Eng.)	40
188 ... Wheel Tractor	3.8L 231 OHV LPG L6 3.5" Bore (Waukesha)	54	2-44 ... Wheel Tractor	2.1L 129 OHV L4 3.3125" Bore (Waukesha)	11
188 ... Wheel Tractor	4.3L 265 OHV L6 3.75" Bore (Waukesha)	65	2-44 ... Wheel Tractor	2.4L 144 OHV L4 3.5" Bore (Waukesha)	20
188 ... Wheel Tractor	4.3L 265 OHV LPG L6 3.75" Bore (Waukesha)	66	2-44 ... Wheel Tractor	2.5L 155 OHV L4 3.625" Bore (Waukesha)	24
188 Super ... Wheel Tractor	3.8L 231 OHV L6 3.5" Bore (Waukesha)	52	2-62 ... Wheel Tractor	3.8L 232 OHV L6 3.625" Bore (Waukesha)	55
188 Super ... Wheel Tractor	3.8L 231 OHV Diesel L6 3.5" Bore (Waukesha)	53	2-78 ... Wheel Tractor	3.8L 231 OHV L6 3.5" Bore (Waukesha)	52
188 Super ... Wheel Tractor	3.8L 231 OHV LPG L6 3.5" Bore (Waukesha)	54	2-78 ... Wheel Tractor	4.3L 265 OHV L6 3.75" Bore (Waukesha)	65
188 Super ... Wheel Tractor	4.3L 265 OHV L6 3.75" Bore (Waukesha)	65	2-78 ... Wheel Tractor	4.6L 283 OHV Diesel L6 3.875" Bore (Waukesha)	68
188 Super ... Wheel Tractor	4.3L 265 OHV LPG L6 3.75" Bore (Waukesha)	66	2-78 ... Wheel Tractor	5.1L 310 OHV Diesel L6 3.875" Bore (Waukesha)	74
188D Industrial ... Wheel Tractor	3.8L 231 OHV L6 3.5" Bore (Waukesha)	52	2-85 ... Wheel Tractor	5.8L 354 OHV Diesel L6 3.875" Bore (12 Valve) (Perkins Eng.)	83
188D Industrial ... Wheel Tractor	3.8L 231 OHV Diesel L6 3.5" Bore (Waukesha)	53	20 ... Combine	1.9L 113 L-HEAD L4 3" Bore (Hercules Eng.)	9
188D Industrial ... Wheel Tractor	3.8L 231 OHV LPG L6 3.5" Bore (Waukesha)	54	20 ... Wheel Tractor	3.7L 226 OHV L6 3.3125" Bore (12 Valve) (Continental Eng.)	49
188D Industrial ... Wheel Tractor	4.3L 265 OHV L6 3.75" Bore (Waukesha)	65	20 ... Combine	3.7L 228 L-HEAD L6 3.375" Bore (Hercules Eng.)	51
188D Industrial ... Wheel Tractor	4.3L 265 OHV LPG L6 3.75" Bore (Waukesha)	66	2155 ... Wheel Tractor	8.3L 504 LPG L6 4.625" Bore	92
188HC Industrial ... Wheel Tractor	3.8L 231 OHV L6 3.5" Bore (Waukesha)	52	2155 ... Wheel Tractor	8.3L 504 LPG L6 4.625" Bore (Minneapolis-Moline Eng.)	93
188HC Industrial ... Wheel Tractor	3.8L 231 OHV Diesel L6 3.5" Bore (Waukesha)	53	22 ... Combine	1.9L 113 L-HEAD L4 3" Bore (Hercules Eng.)	9
188HC Industrial ... Wheel Tractor	3.8L 231 OHV LPG L6 3.5" Bore (Waukesha)	54	2255 ... Wheel Tractor	9.4L 573 OHV Diesel V8 4.5" Bore (Caterpillar Eng.)	94
188HC Industrial ... Wheel Tractor	4.3L 265 OHV L6 3.75" Bore (Waukesha)	65	25 ... Combine	3.7L 226 OHV L6 3.3125" Bore (12 Valve) (Continental Eng.)	49
188HC Industrial ... Wheel Tractor	4.3L 265 OHV LPG L6 3.75" Bore (Waukesha)	66	25 ... Wheel Tractor	4.3L 263 L-HEAD L6 3.625" Bore (Hercules Eng.)	62
1900 ... Wheel Tractor	3.5L 212 OHV Diesel L4 3.875" Bore (Detroit Diesel Eng.)	40	25 ... Wheel Tractor	5.2L 320 L-HEAD L6 4" Bore (Hercules Eng.)	77
			2655 ... Wheel Tractor	8.3L 504 LPG L6 4.625" Bore (Minneapolis-Moline Eng.)	93
			2890 ... Combine	4.1L 251 L-HEAD L6 3.4375" Bore (Chrysler) (Chrysler Eng.)	60
			2890 ... Combine	4.3L 265 L-HEAD L6 3.4375" Bore (Chrysler) (Chrysler Eng.)	63
			3 ... Wheel Tractor	3.4L 206 Diesel L4 3.625" Bore	38
			30 ... Combine	3.4L 209 L-HEAD L6 3.1875" Bore (Continental Eng.)	39
			30 ... Wheel Tractor	4.3L 263 L-HEAD L6 3.625" Bore (Hercules Eng.)	62

White Farm (Includes Oliver, Minneapolis-Moline)

Model Index					
Model	Engine Description	Line No.	Model	Engine Description	Line No.
30 ... Wheel Tractor.....	5.2L 320 L-HEAD L6 4" Bore (Hercules Eng.).....	77	4293 ... Combine	5.2L 318 OHV V8 3.9063" Bore (Chrysler Eng.).....	75
31 ... Wheel Tractor.....	3.7L 226 OHV L6 3.3125" Bore (12 Valve) (Continental Eng.)	49	4293 ... Combine	5.8L 354 OHV Diesel L6 3.875" Bore (12 Valve) (Perkins Eng.).....	82
33 ... Combine	3.4L 209 L-HEAD L6 3.1875" Bore (Continental Eng.).....	39	4296 ... Combine	4.1L 251 L-HEAD L6 3.4375" Bore (Chrysler) (Chrysler Eng.).....	60
33 ... Combine	3.7L 226 OHV L6 3.3125" Bore (12 Valve) (Continental Eng.)	49	4296 ... Combine	4.3L 265 L-HEAD L6 3.4375" Bore (Chrysler) (Chrysler Eng.).....	63
33SP ... Combine	3.4L 209 L-HEAD L6 3.1875" Bore (Continental Eng.).....	39	4296 ... Combine	5.2L 318 OHV V8 3.9063" Bore (Chrysler Eng.)	75
33SP ... Combine	3.7L 226 OHV L6 3.3125" Bore (12 Valve) (Continental Eng.)	49	4296 ... Combine	5.8L 354 OHV Diesel L6 3.875" Bore (12 Valve) (Perkins Eng.).....	82
3490 ... Combine	4.1L 251 L-HEAD L6 3.4375" Bore (Chrysler) (Chrysler Eng.).....	60	4296R Rice ... Combine	4.1L 251 L-HEAD L6 3.4375" Bore (Chrysler) (Chrysler Eng.).....	60
3490 ... Combine	4.3L 265 L-HEAD L6 3.4375" Bore (Chrysler) (Chrysler Eng.).....	63	4296R Rice ... Combine	4.3L 265 L-HEAD L6 3.4375" Bore (Chrysler) (Chrysler Eng.).....	63
3496 ... Combine	4.1L 251 L-HEAD L6 3.4375" Bore (Chrysler) (Chrysler Eng.).....	60	430 ... Combine	4.3L 265 L-HEAD L6 3.4375" Bore (Chrysler) (Chrysler Eng.).....	64
3496 ... Combine	4.3L 265 L-HEAD L6 3.4375" Bore (Chrysler) (Chrysler Eng.).....	63	431 ... Combine	4.3L 265 L-HEAD L6 3.4375" Bore (Chrysler) (Chrysler Eng.).....	64
3496 ... Combine	5.8L 354 OHV Diesel L6 3.875" Bore (12 Valve) (Perkins Eng.).....	82	44 Super ... Wheel Tractor ...	2.3L 140 L-HEAD L4 3.1875" Bore (Continental Eng.).....	19
3496 Rice ... Combine	4.1L 251 L-HEAD L6 3.4375" Bore (Chrysler) (Chrysler Eng.).....	60	44 Super ... Combine.....	2.6L 162 L-HEAD L4 3.4375" Bore (Continental Eng.).....	26
3496 Rice ... Combine	4.3L 265 L-HEAD L6 3.4375" Bore (Chrysler) (Chrysler Eng.).....	63	44 Super ... Combine.....	4.0L 244 L-HEAD L6 3.4375" Bore (Continental Eng.).....	57
35 ... Wheel Tractor.....	2.7L 165 L4 3.625" Bore.....	27	44HC ... Wheel Tractor.....	2.3L 140 L-HEAD L4 3.1875" Bore (Continental Eng.).....	19
35 ... Wheel Tractor.....	3.4L 206 L4 3.625" Bore.....	37	44HC ... Combine.....	2.6L 162 L-HEAD L4 3.4375" Bore (Continental Eng.).....	26
35 ... Combine	3.7L 226 OHV L6 3.3125" Bore (12 Valve) (Continental Eng.)	49	440 ... Wheel Tractor.....	3.7L 226 OHV L6 3.3125" Bore (12 Valve) (Continental Eng.)	49
35 ... Combine	4.0L 244 L-HEAD L6 3.4375" Bore (Continental Eng.).....	58	440 Super ... Wheel Tractor ...	2.3L 140 L-HEAD L4 3.1875" Bore (Continental Eng.).....	19
35SP ... Combine	3.7L 226 OHV L6 3.3125" Bore (12 Valve) (Continental Eng.)	49	445 ... Wheel Tractor	3.4L 206 L4 3.625" Bore.....	37
35SP ... Combine	4.0L 244 L-HEAD L6 3.4375" Bore (Continental Eng.).....	58	5 Star ... Wheel Tractor	4.6L 283 L4 4.25" Bore.....	70
4 Star ... Wheel Tractor	3.4L 206 Diesel L4 3.625" Bore....	38	5 Star ... Wheel Tractor	4.6L 283 Diesel L4 4.25" Bore.....	71
4 Star Super ... Wheel Tractor.....	3.4L 206 Diesel L4 3.625" Bore....	38	5 Star ... Wheel Tractor	5.5L 336 Diesel L4 4.625" Bore....	80
4-105 ... Wheel Tractor.....	4.6L 283 OHV L6 3.875" Bore (Waukesha)	67	50 ... Hay Baler.....	.9L 53.9 L-HEAD L2 3.25" Bore (Wisconsin Eng.)	2
4-115 ... Wheel Tractor.....	3.5L 212 OHV Diesel L4 3.875" Bore (Detroit Diesel Eng.).....	40	502 ... Windrower	2.2L 132.7 L-HEAD V4 3.25" Bore (Wisconsin Eng.)	16
4-78 ... Wheel Tractor.....	3.8L 231 OHV L6 3.5" Bore (Waukesha)	52	503 ... Windrower	2.2L 132.7 L-HEAD V4 3.25" Bore (Wisconsin Eng.)	16
4-78 ... Wheel Tractor.....	3.8L 231 OHV Diesel L6 3.5" Bore (Waukesha)	53	520 ... Hay Baler.....	.9L 53.9 L-HEAD L2 3.25" Bore (Wisconsin Eng.)	2
4-78 ... Wheel Tractor.....	4.6L 283 OHV Diesel L6 3.875" Bore (Waukesha).....	68	525 ... Combine	4.1L 251 L-HEAD L6 3.4375" Bore (Chrysler) (Chrysler Eng.).....	60
4-78 ... Wheel Tractor.....	5.1L 310 OHV Diesel L6 3.875" Bore (Waukesha).....	74	525 ... Combine	4.1L 251 L-HEAD L6 3.4375" Bore (Chrysler) (Chrysler Eng.).....	61
40 ... Combine	3.7L 226 OHV L6 3.3125" Bore (12 Valve) (Continental Eng.)	49	525 ... Wheel Tractor	4.1L 251 L-HEAD L6 3.4375" Bore (Chrysler) (Chrysler Eng.).....	61
40 ... Combine	4.0L 244 L-HEAD L6 3.4375" Bore (Continental Eng.).....	58	525 ... Combine	4.3L 265 L-HEAD L6 3.4375" Bore (Chrysler) (Chrysler Eng.).....	63
425-6 ... Power Unit.....	7.0L 425 L6 4.25" Bore.....	86	525 ... Combine	4.3L 265 L-HEAD L6 3.4375" Bore (Chrysler) (Chrysler Eng.).....	64
425-6A ... Power Unit	7.0L 425 L6 4.25" Bore.....	86	525 ... Wheel Tractor	4.3L 265 L-HEAD L6 3.4375" Bore (Chrysler) (Chrysler Eng.).....	64
4290 ... Combine	4.1L 251 L-HEAD L6 3.4375" Bore (Chrysler) (Chrysler Eng.).....	60	525 ... Combine	5.2L 318 OHV V8 3.9063" Bore (Chrysler Eng.)	75
4290 ... Combine	4.3L 265 L-HEAD L6 3.4375" Bore (Chrysler) (Chrysler Eng.).....	63	525 ... Combine	5.2L 318 OHV V8 3.9063" Bore (Chrysler Eng.)	76
4290 Rice ... Combine	4.1L 251 L-HEAD L6 3.4375" Bore (Chrysler) (Chrysler Eng.).....	60	525 Edible Bean ... Combine.....	4.1L 251 L-HEAD L6 3.4375" Bore (Chrysler) (Chrysler Eng.).....	60
4290 Rice ... Combine	4.3L 265 L-HEAD L6 3.4375" Bore (Chrysler) (Chrysler Eng.).....	63	525 Edible Bean ... Combine.....	4.3L 265 L-HEAD L6 3.4375" Bore (Chrysler) (Chrysler Eng.).....	63
4292 ... Combine	4.1L 251 L-HEAD L6 3.4375" Bore (Chrysler) (Chrysler Eng.).....	60	525 Edible Bean ... Combine.....	5.2L 318 OHV V8 3.9063" Bore (Chrysler Eng.)	75
4292 ... Combine	4.3L 265 L-HEAD L6 3.4375" Bore (Chrysler) (Chrysler Eng.).....	63	5297 ... Combine	5.2L 318 OHV V8 3.9063" Bore (Chrysler Eng.)	75
4293 ... Combine	4.1L 251 L-HEAD L6 3.4375" Bore (Chrysler) (Chrysler Eng.).....	60			
4293 ... Combine	4.3L 265 L-HEAD L6 3.4375" Bore (Chrysler) (Chrysler Eng.).....	63			

(continued on next page)

White Farm (Includes Oliver, Minneapolis-Moline)

Model Index					
Model	Engine Description	Line No.	Model	Engine Description	Line No.
535 ... Combine	4.1L 251 L-HEAD L6 3.4375" Bore (Chrysler) (Chrysler Eng.)	60	550 ... Wheel Tractor	2.4L 144 OHV Diesel L4 3.5" Bore (Waukesha)	21
535 ... Combine	4.1L 251 L-HEAD L6 3.4375" Bore (Chrysler) (Chrysler Eng.)	61	550 ... Wheel Tractor	2.5L 155 OHV L4 3.625" Bore (Waukesha)	24
535 ... Combine	4.3L 265 L-HEAD L6 3.4375" Bore (Chrysler) (Chrysler Eng.)	63	5542 ... Combine	4.3L 265 L-HEAD L6 3.4375" Bore (Chrysler) (Chrysler Eng.)	63
535 ... Combine	4.3L 265 L-HEAD L6 3.4375" Bore (Chrysler) (Chrysler Eng.)	64	5542 ... Combine	4.3L 265 L-HEAD L6 3.4375" Bore (Chrysler) (Chrysler Eng.)	64
535 ... Wheel Tractor	4.3L 265 L-HEAD L6 3.4375" Bore (Chrysler) (Chrysler Eng.)	64	5542 ... Combine	5.2L 318 OHV V8 3.9063" Bore (Chrysler Eng.)	75
535 ... Combine	5.2L 318 OHV V8 3.9063" Bore (Chrysler Eng.)	75	5542 ... Combine	5.2L 318 OHV V8 3.9063" Bore (Chrysler Eng.)	76
535 ... Combine	5.2L 318 OHV V8 3.9063" Bore (Chrysler Eng.)	76	5542 ... Combine	5.8L 354 OHV Diesel L6 3.875" Bore (12 Valve) (Perkins Eng.)	83
535 ... Combine	5.8L 354 OHV Diesel L6 3.875" Bore (12 Valve) (Perkins Eng.)	83	555 ... Wheel Tractor	3.8L 232 OHV L6 3.625" Bore (Waukesha)	55
535 Rice ... Combine	4.1L 251 L-HEAD L6 3.4375" Bore (Chrysler) (Chrysler Eng.)	60	555 ... Wheel Tractor	3.8L 232 OHV Diesel L6 3.625" Bore (Waukesha)	56
535 Rice ... Combine	4.3L 265 L-HEAD L6 3.4375" Bore (Chrysler) (Chrysler Eng.)	63	5555 ... Combine	4.3L 265 L-HEAD L6 3.4375" Bore (Chrysler) (Chrysler Eng.)	63
535 Rice ... Combine	5.2L 318 OHV V8 3.9063" Bore (Chrysler Eng.)	75	5555 ... Combine	5.2L 318 OHV V8 3.9063" Bore (Chrysler Eng.)	75
542 ... Combine	4.1L 251 L-HEAD L6 3.4375" Bore (Chrysler) (Chrysler Eng.)	61	5555 ... Combine	5.2L 318 OHV V8 3.9063" Bore (Chrysler Eng.)	76
542 ... Combine	4.3L 265 L-HEAD L6 3.4375" Bore (Chrysler) (Chrysler Eng.)	64	570 ... Combine	3.7L 226 OHV L6 3.3125" Bore (12 Valve) (Continental Eng.)	48
542 ... Combine	5.2L 318 OHV V8 3.9063" Bore (Chrysler Eng.)	76	6 ... Combine	1.5L 91 L-HEAD L4 2.875" Bore (Continental Eng.)	3
545 ... Combine	4.1L 251 L-HEAD L6 3.4375" Bore (Chrysler) (Chrysler Eng.)	60	60T ... Hay Baler	.9L 53.9 L-HEAD L2 3.25" Bore (Wisconsin Eng.)	2
545 ... Combine	4.1L 251 L-HEAD L6 3.4375" Bore (Chrysler) (Chrysler Eng.)	61	60W ... Hay Baler	.9L 53.9 L-HEAD L2 3.25" Bore (Wisconsin Eng.)	2
545 ... Combine	4.3L 265 L-HEAD L6 3.4375" Bore (Chrysler) (Chrysler Eng.)	63	62T ... Hay Baler	2.2L 132.7 L-HEAD V4 3.25" Bore (Wisconsin Eng.)	16
545 ... Combine	4.3L 265 L-HEAD L6 3.4375" Bore (Chrysler) (Chrysler Eng.)	64	62W ... Hay Baler	2.2L 132.7 L-HEAD V4 3.25" Bore (Wisconsin Eng.)	16
545 ... Wheel Tractor	4.3L 265 L-HEAD L6 3.4375" Bore (Chrysler) (Chrysler Eng.)	64	620 ... Hay Baler	1.8L 108 L-HEAD V4 3.25" Bore (Wisconsin Eng.)	7
545 ... Combine	5.2L 318 OHV V8 3.9063" Bore (Chrysler Eng.)	75	620 ... Hay Baler	2.2L 132.7 L-HEAD V4 3.25" Bore (Wisconsin Eng.)	16
545 ... Combine	5.2L 318 OHV V8 3.9063" Bore (Chrysler Eng.)	76	620 ... Hay Baler	.9L 53.9 L-HEAD L2 3.25" Bore (Wisconsin Eng.)	2
545 ... Wheel Tractor	5.2L 318 OHV V8 3.9063" Bore (Chrysler Eng.)	76	630 ... Hay Baler	1.8L 108 L-HEAD V4 3.25" Bore (Wisconsin Eng.)	7
545 ... Combine	5.8L 354 OHV Diesel L6 3.875" Bore (12 Valve) (Perkins Eng.)	83	64 ... Combine	3.4L 206 L4 3.625" Bore	37
55 ... Wheel Tractor	2.1L 129 OHV L4 3.3125" Bore (Waukesha)	11	66 ... Wheel Tractor	2.1L 129 OHV L4 3.3125" Bore (Waukesha)	11
55 ... Wheel Tractor	2.1L 129 OHV Diesel L4 3.3125" Bore (Waukesha)	12	66 ... Wheel Tractor	2.1L 129 OHV Diesel L4 3.3125" Bore (Waukesha)	12
55 ... Wheel Tractor	2.4L 144 OHV L4 3.5" Bore (Waukesha)	20	66 ... Wheel Tractor	2.4L 144 OHV L4 3.5" Bore (Waukesha)	20
55 ... Wheel Tractor	2.4L 144 OHV Diesel L4 3.5" Bore (Waukesha)	21	66 ... Wheel Tractor	2.4L 144 OHV Diesel L4 3.5" Bore (Waukesha)	21
55 ... Wheel Tractor	2.5L 155 OHV L4 3.625" Bore (Waukesha)	24	66 ... Wheel Tractor	2.4L 144 OHV Distillate L4 3.5" Bore (Waukesha)	22
55 Super ... Wheel Tractor	2.1L 129 OHV L4 3.3125" Bore (Waukesha)	11	66 ... Wheel Tractor	2.4L 144 OHV LPG L4 3.5" Bore (Waukesha)	23
55 Super ... Wheel Tractor	2.1L 129 OHV Diesel L4 3.3125" Bore (Waukesha)	12	66 ... Wheel Tractor	2.5L 155 OHV L4 3.625" Bore (Waukesha)	24
55 Super ... Wheel Tractor	2.4L 144 OHV L4 3.5" Bore (Waukesha)	20	66 Super ... Wheel Tractor	2.1L 129 OHV L4 3.3125" Bore (Waukesha)	11
55 Super ... Wheel Tractor	2.4L 144 OHV Diesel L4 3.5" Bore (Waukesha)	21	66 Super ... Wheel Tractor	2.1L 129 OHV Diesel L4 3.3125" Bore (Waukesha)	12
55 Super ... Wheel Tractor	2.5L 155 OHV L4 3.625" Bore (Waukesha)	24	66 Super ... Wheel Tractor	2.4L 144 OHV L4 3.5" Bore (Waukesha)	20
550 ... Wheel Tractor	2.1L 129 OHV L4 3.3125" Bore (Waukesha)	11	66 Super ... Wheel Tractor	2.4L 144 OHV Diesel L4 3.5" Bore (Waukesha)	21
550 ... Wheel Tractor	2.1L 129 OHV Diesel L4 3.3125" Bore (Waukesha)	12	66 Super ... Wheel Tractor	2.4L 144 OHV Distillate L4 3.5" Bore (Waukesha)	22
550 ... Wheel Tractor	2.4L 144 OHV L4 3.5" Bore (Waukesha)	20	66 Super ... Wheel Tractor	2.4L 144 OHV LPG L4 3.5" Bore (Waukesha)	23
			66 Super ... Wheel Tractor	2.5L 155 OHV L4 3.625" Bore (Waukesha)	24

White Farm (Includes Oliver, Minneapolis-Moline)

Model Index					
Model	Engine Description	Line No.	Model	Engine Description	Line No.
660 ... Wheel Tractor	2.1L 129 OHV L4 3.3125" Bore (Waukesha)	11	770 ... Wheel Tractor	3.2L 194 OHV L6 3.3125" Bore (Waukesha)	30
660 ... Wheel Tractor	2.1L 129 OHV Diesel L4 3.3125" Bore (Waukesha)	12	770 ... Wheel Tractor	3.2L 194 OHV Diesel L6 3.3125" Bore (Waukesha)	31
660 ... Wheel Tractor	2.4L 144 OHV L4 3.5" Bore (Waukesha)	20	770 ... Wheel Tractor	3.2L 194 OHV LPG L6 3.3125" Bore (Waukesha)	33
660 ... Wheel Tractor	2.4L 144 OHV Diesel L4 3.5" Bore (Waukesha)	21	770 ... Wheel Tractor	3.5L 216 OHV L6 3.5" Bore (Waukesha)	42
660 ... Wheel Tractor	2.4L 144 OHV Distillate L4 3.5" Bore (Waukesha)	22	770 ... Wheel Tractor	3.5L 216 OHV Diesel L6 3.5" Bore (Waukesha)	43
660 ... Wheel Tractor	2.4L 144 OHV LPG L4 3.5" Bore (Waukesha)	23	770 ... Wheel Tractor	3.5L 216 OHV LPG L6 3.5" Bore (Waukesha)	45
660 ... Wheel Tractor	2.5L 155 OHV L4 3.625" Bore (Waukesha)	24	7800 ... Combine	4.3L 265 L-HEAD L6 3.4375" Bore (Chrysler) (Chrysler Eng.)	63
69 ... Combine	1.8L 108 L-HEAD V4 3.25" Bore (Wisconsin Eng.)	6	7800 ... Combine	5.2L 318 OHV V8 3.9063" Bore (Chrysler Eng.)	75
69 ... Combine	1.5L 91.9 L-HEAD V4 3" Bore (Wisconsin Eng.)	4	7800 ... Combine	5.8L 354 OHV Turbo-Diesel L6 3.875" Bore (12 Valve) (Perkins Eng.)	84
69 ... Wheel Tractor	1.5L 91.9 L-HEAD V4 3" Bore (Wisconsin Eng.)	4	8 ... Combine	1.5L 91 L-HEAD L4 2.875" Bore (Continental Eng.)	3
70 ... Wheel Tractor	3.3L 202 L-HEAD L6 3.125" Bore (Continental Eng.)	35	8 Auto ... Wheel Tractor	1.5L 91.9 L-HEAD V4 3" Bore (Wisconsin Eng.)	5
70HC ... Wheel Tractor	3.3L 202 L-HEAD L6 3.125" Bore (Continental Eng.)	35	800 ... Power Unit	13.1L 800 L6 5.3125" Bore	98
70KD ... Combine	2.6L 162 L-HEAD L4 3.4375" Bore (Continental Eng.)	26	800 ... Power Unit	13.1L 800 LPG L6 5.3125" Bore	100
720 ... Hay Baler	1.8L 108 L-HEAD V4 3.25" Bore (Wisconsin Eng.)	7	800 ... Power Unit	13.1L 800 NG L6 5.3125" Bore	102
7300 ... Combine	4.3L 265 L-HEAD L6 3.4375" Bore (Chrysler) (Chrysler Eng.)	63	800-6 ... Power Unit	13.1L 800 NG L6 5.3125" Bore	102
7300 ... Combine	5.2L 318 OHV V8 3.9063" Bore (Chrysler Eng.)	75	800-6A ... Power Unit	13.1L 800 L6 5.3125" Bore	98
7300 ... Combine	5.8L 354 OHV Diesel L6 3.875" Bore (12 Valve) (Perkins Eng.)	83	800-6A ... Power Unit	13.1L 800 NG L6 5.3125" Bore	102
7600 ... Combine	4.3L 265 L-HEAD L6 3.4375" Bore (Chrysler) (Chrysler Eng.)	63	816 ... Power Unit	13.1L 800 L6 5.3125" Bore	98
7600 ... Combine	5.2L 318 OHV V8 3.9063" Bore (Chrysler Eng.)	75	816 ... Power Unit	13.1L 800 NG L6 5.3125" Bore	102
7600 ... Combine	5.8L 354 OHV Diesel L6 3.875" Bore (12 Valve) (Perkins Eng.)	83	85 10 Ft. ... Windrower	1.8L 108 L-HEAD V4 3.25" Bore (Wisconsin Eng.)	7
77 ... Wheel Tractor	3.2L 194 OHV L6 3.3125" Bore (Waukesha)	30	85 12 Ft. ... Windrower	1.8L 108 L-HEAD V4 3.25" Bore (Wisconsin Eng.)	7
77 ... Wheel Tractor	3.2L 194 OHV Diesel L6 3.3125" Bore (Waukesha)	31	85 14 Ft. ... Windrower	1.8L 108 L-HEAD V4 3.25" Bore (Wisconsin Eng.)	7
77 ... Wheel Tractor	3.2L 194 OHV Distillate L6 3.3125" Bore (Waukesha)	32	86 ... Windrower	1.8L 108 L-HEAD V4 3.25" Bore (Wisconsin Eng.)	7
77 ... Wheel Tractor	3.2L 194 OHV LPG L6 3.3125" Bore (Waukesha)	33	88 ... Wheel Tractor	3.8L 231 OHV L6 3.5" Bore (Waukesha)	52
77 ... Wheel Tractor	3.5L 216 OHV L6 3.5" Bore (Waukesha)	42	88 ... Wheel Tractor	3.8L 231 OHV Diesel L6 3.5" Bore (Waukesha)	53
77 ... Wheel Tractor	3.5L 216 OHV Diesel L6 3.5" Bore (Waukesha)	43	88 ... Wheel Tractor	3.8L 231 OHV LPG L6 3.5" Bore (Waukesha)	54
77 ... Wheel Tractor	3.5L 216 OHV Distillate L6 3.5" Bore (Waukesha)	44	88 ... Wheel Tractor	4.3L 265 OHV L6 3.75" Bore (Waukesha)	65
77 ... Wheel Tractor	3.5L 216 OHV LPG L6 3.5" Bore (Waukesha)	45	88 ... Wheel Tractor	4.3L 265 OHV LPG L6 3.75" Bore (Waukesha)	66
77 Super ... Wheel Tractor	3.2L 194 OHV L6 3.3125" Bore (Waukesha)	30	88 ... Combine	1.5L 91.9 L-HEAD V4 3" Bore (Wisconsin Eng.)	4
77 Super ... Wheel Tractor	3.2L 194 OHV Diesel L6 3.3125" Bore (Waukesha)	31	88 Super ... Wheel Tractor	3.8L 231 OHV L6 3.5" Bore (Waukesha)	52
77 Super ... Wheel Tractor	3.2L 194 OHV Distillate L6 3.3125" Bore (Waukesha)	32	88 Super ... Wheel Tractor	3.8L 231 OHV Diesel L6 3.5" Bore (Waukesha)	53
77 Super ... Wheel Tractor	3.2L 194 OHV LPG L6 3.3125" Bore (Waukesha)	33	88 Super ... Wheel Tractor	3.8L 231 OHV LPG L6 3.5" Bore (Waukesha)	54
77 Super ... Wheel Tractor	3.5L 216 OHV L6 3.5" Bore (Waukesha)	42	88 Super ... Wheel Tractor	4.3L 265 OHV L6 3.75" Bore (Waukesha)	65
77 Super ... Wheel Tractor	3.5L 216 OHV Diesel L6 3.5" Bore (Waukesha)	43	88 Super ... Wheel Tractor	4.3L 265 OHV LPG L6 3.75" Bore (Waukesha)	66
77 Super ... Wheel Tractor	3.5L 216 OHV Distillate L6 3.5" Bore (Waukesha)	44	88HC ... Wheel Tractor	3.8L 231 OHV L6 3.5" Bore (Waukesha)	52
77 Super ... Wheel Tractor	3.5L 216 OHV LPG L6 3.5" Bore (Waukesha)	45	88HC ... Wheel Tractor	3.8L 231 OHV Diesel L6 3.5" Bore (Waukesha)	53
			88HC ... Wheel Tractor	3.8L 231 OHV LPG L6 3.5" Bore (Waukesha)	54
			88HC ... Wheel Tractor	4.3L 265 OHV L6 3.75" Bore (Waukesha)	65
			88HC ... Wheel Tractor	4.3L 265 OHV LPG L6 3.75" Bore (Waukesha)	66

(continued on next page)

White Farm (Includes Oliver, Minneapolis-Moline)

Model Index					
Model	Engine Description	Line No.	Model	Engine Description	Line No.
88LP ... Wheel Tractor.....	3.8L 231 OHV LPG L6 3.5" Bore (Waukesha)	54	950 ... Wheel Tractor.....	4.9L 302 OHV Diesel L6 4" Bore (Waukesha)	73
880 ... Wheel Tractor.....	3.8L 231 OHV L6 3.5" Bore (Waukesha)	52	950HC ... Wheel Tractor.....	4.9L 302 OHV L6 4" Bore (Waukesha)	72
880 ... Wheel Tractor.....	3.8L 231 OHV Diesel L6 3.5" Bore (Waukesha)	53	96 ... Windrower	2.2L 132.7 L-HEAD V4 3.25" Bore (Wisconsin Eng.)	16
880 ... Wheel Tractor.....	3.8L 231 OHV LPG L6 3.5" Bore (Waukesha)	54	99 Super ... Wheel Tractor ...	3.5L 213 OHV Diesel L3 4.25" Bore (3-71) (Detroit Diesel Eng.).....	41
880 ... Wheel Tractor.....	4.3L 265 OHV L6 3.75" Bore (Waukesha)	65	990GM ... Wheel Tractor	3.5L 213 OHV Diesel L3 4.25" Bore (3-71) (Detroit Diesel Eng.).....	41
880 ... Wheel Tractor.....	4.3L 265 OHV LPG L6 3.75" Bore (Waukesha)	66	995GM ... Wheel Tractor.....	3.5L 213 OHV Diesel L3 4.25" Bore (3-71) (Detroit Diesel Eng.).....	41
950 ... Wheel Tractor.....	3.5L 213 OHV Diesel L3 4.25" Bore (3-71) (Detroit Diesel Eng.).....	41			

1 Hay Baler TF, TFD, TH, THD, TJD Engs.
.9L 53.9 L-HEAD L2, 3.25" Bore (Wisconsin Eng.)

CYL. HEAD & PARTS

QTY	VALVE	PART NO.	SIZE	DESCRIPTION
4	Intake	FP-V816		TF & TH Engs.; 1.3130" Head Dia., .3085" Stem Dia., 4.7660" O.A.L.
4	Intake	V-816 + Std Only		TF & TH Engs.; 1.3130" Head Dia., .3085" Stem Dia., 4.7660" O.A.L.; When depleted use FP-V816
2	Intake	FP-V816		TFD & THD Engs.; 1.3130" Head Dia., .3085" Stem Dia., 4.7660" O.A.L.
2	Intake	V-816 + Std Only		TFD & THD Engs.; 1.3130" Head Dia., .3085" Stem Dia., 4.7660" O.A.L.; When depleted use FP-V816
4	Exhaust	FP-V1326X		Optional-H/D; TF & TH Engs.; 1.2500" Head Dia., .3085" Stem Dia., 4.7710" O.A.L.
4	Exhaust	V-1326X + Std Only		Optional-H/D; TF & TH Engs.; 1.2500" Head Dia., .3085" Stem Dia., 4.7710" O.A.L.; When depleted use FP-V1326X
2	Exhaust	FP-V1326X		TFD & THD Engs.; 1.2500" Head Dia., .3085" Stem Dia., 4.7710" O.A.L.
2	Exhaust	V-1326X + Std Only		TFD & THD Engs.; 1.2500" Head Dia., .3085" Stem Dia., 4.7710" O.A.L.; When depleted use FP-V1326X
8	Keeper	VK-144		1 groove; Square cut key groove
8	Keeper	VK-144R		1 groove; Square cut key groove; Hardened

QTY	VALVE SEAT	PART NO.	SIZE	DESCRIPTION
2	Exh.	FP-24513755		1.3795" OD, 1.1250" ID, .2636" Depth
2	Exh.	245-1375-5 + Std Only		1.3795" OD, 1.1250" ID, .2636" Depth; When depleted use FP-24513755

QTY	VALVE GUIDE	PART NO.	SIZE	DESCRIPTION
4	Guide	FP-VG635		.3155" ID, 2.5000" O.A.L.
4	Guide	VG-635 +		.3155" ID, 2.5000" O.A.L.; When depleted use FP-VG635
4	Guide	FP-VG681		.439" x 1.812"; .3133" ID, 1.8100" O.A.L.
4	Guide	VG-681 +		.439" x 1.812"; .3133" ID, 1.8100" O.A.L.; When depleted use FP-VG681

QTY	VALVE SPRING	PART NO.	SIZE	DESCRIPTION
4	Spring	FP-VS793		Exh.; Use w/FP-RC45 rotocap; 1.9700" Free Height
4	Spring	VS-793 +		Exh.; Use w/RC-45 rotocap; 1.9700" Free Height; When depleted use FP-VS793
4	Spring	FP-VS468		Exh. & Int.; TF & TH Engs.; 2.3120" Free Height
4	Spring	VS-468 +		Exh. & Int.; TF & TH Engs.; 2.3120" Free Height; When depleted use FP-VS468
2	Spring	FP-VS468		Int.; TFD & THD Engs.; 2.3120" Free Height
2	Spring	VS-468 +		Int.; TFD & THD Engs.; 2.3120" Free Height; When depleted use FP-VS468

QTY	VALVE MISC.	PART NO.	SIZE	DESCRIPTION
2	Rotocap	FP-RC45		Use w/VS-793 valve spring.; VF Series Engs.
2	Rotocap	RC-45 +		Use w/VS-793 valve spring.; VF Series Engs.; When depleted use FP-RC45

CYLINDER COMPONENTS

QTY	LINERS	PART NO.	SIZE	DESCRIPTION
2	Repair Sleeve	FP-SL11M	Std Only	3/32" wall, must be cut to correct length
2	Repair Sleeve	SL-11M + Std Only		3/32" wall, must be cut to correct length; When depleted use FP-SL11M

(continued on next page)

White Farm (Includes Oliver, Minneapolis-Moline)

Hay Baler TF, TFD, TH, THD, TJD Engs. 1
.9L 53.9 L-HEAD L2, 3.25" Bore (Wisconsin Eng.) (cont.)

CYLINDER COMPONENTS (cont.)

QTY	PISTONS	PART NO.	SIZE	DESCRIPTION
2	Cast Piston	FP-1115CP	<i>Std-20-30-40-60</i>	Cast; 2-3/32", 1-3/16" Ring Groove, 1.500" CD, .7500" Pin Dia., Recessed Head .010" deep; Piston length 2.870"; Repl. 3 ring piston in sets only
2	Cast Piston	1115CP +	<i>Std-20-30-40-60</i>	Cast; 2-3/32", 1-3/16" Ring Groove, 1.500" CD, .7500" Pin Dia., Recessed Head .010" deep; Piston length 2.870"; Repl. 3 ring piston in sets only; When depleted use FP-1115CP
2	Cast Piston	FP-628CP	<i>Std-20-30-40-60</i>	Cast; 2-3/32", 1-3/16" Ring Groove, 1.500" CD, .7503" Pin Dia., Recessed Head .010" deep; Piston length 2.870"; Repl. 3 ring piston in sets only
2	Cast Piston - Individual	FP-W1115CP	<i>Std-20-30-40-60</i>	Cast; 2-3/32", 1-3/16" Ring Groove, 1.500" CD, .7500" Pin Dia., Recessed Head .010" deep; Piston length 2.870"; Repl. 3 ring piston in sets only
2	Cast Piston - Individual	FP-W628CP	<i>Std-20-30-40-60</i>	Cast; 2-3/32", 1-3/16" Ring Groove, 1.500" CD, .7500" Pin Dia., Recessed Head .010" deep; Piston length 2.870"; Repl. 3 ring piston in sets only
2	Cast Piston - Individual	W1115CP +	<i>Std-20-30-40-60</i>	Cast; 2-3/32", 1-3/16" Ring Groove, 1.500" CD, .7500" Pin Dia., Recessed Head .010" deep; Piston length 2.870"; Repl. 3 ring piston in sets only; When depleted use FP-W1115CP
2	Cast Piston - Individual	W628CP +	<i>Std-20-30-40-60</i>	Cast; 2-3/32", 1-3/16" Ring Groove, 1.500" CD, .7500" Pin Dia., Recessed Head .010" deep; Piston length 2.870"; Repl. 3 ring piston in sets only; When depleted use FP-W628CP
2	Pin Bushing	1394		1.000" max. length

QTY	CONNECTING RODS & BRGS.	PART NO.	SIZE	DESCRIPTION
2	Rod Pair	FP-3520CP	<i>Std-10-20</i>	
2	Rod Pair	FP-3645CP	<i>Std-10-20</i>	TJD Engs.

QTY	PISTON RINGS	PART NO.	SIZE	DESCRIPTION
1	Premium Set	FP-5809KX	<i>Std-20-30-40-60</i>	TF, TFD, TH & THD Engs.; 3-3/32, 1-3/16
1	Premium Set	5809KX +	<i>Std-20-30-40-60</i>	TF, TFD, TH & THD Engs.; 3-3/32, 1-3/16; When depleted use FP-5809KX
1	Premium Set	FP-9981KX	<i>Std Only</i>	TJD Engs.; 2-5/64, 1-3/16
1	Premium Set	9981KX +	<i>Std Only</i>	TJD Engs.; 2-5/64, 1-3/16; When depleted use FP-9981KX
1	Standard Set	FP-7079X	<i>Std-30-40</i>	TF, TFD, TH & THD Engs.; 3-3/32, 1-3/16
2	Premium Single Cylinder Set	W-5809KX	<i>Std Only</i>	TF, TFD, TH & THD Engs.; 3-3/32, 1-3/16

Hay Baler TF, TFD, TH, THD, TJD Engs. 2
.9L 53.9 L-HEAD L2, 3.25" Bore (Wisconsin Eng.)

CYL. HEAD & PARTS

QTY	VALVE	PART NO.	SIZE	DESCRIPTION
4	Intake	FP-V816		TF & TH Engs.; 1.3130" Head Dia., .3085" Stem Dia., 4.7660" O.A.L.
4	Intake	V-816 +	<i>Std Only</i>	TF & TH Engs.; 1.3130" Head Dia., .3085" Stem Dia., 4.7660" O.A.L.; When depleted use FP-V816
2	Intake	FP-V816		TFD & THD Engs.; 1.3130" Head Dia., .3085" Stem Dia., 4.7660" O.A.L.
2	Intake	V-816 +	<i>Std Only</i>	TFD & THD Engs.; 1.3130" Head Dia., .3085" Stem Dia., 4.7660" O.A.L.; When depleted use FP-V816
4	Exhaust	FP-V1326X		Optional-H/D; TF & TH Engs.; 1.2500" Head Dia., .3085" Stem Dia., 4.7710" O.A.L.
4	Exhaust	V-1326X +	<i>Std Only</i>	Optional-H/D; TF & TH Engs.; 1.2500" Head Dia., .3085" Stem Dia., 4.7710" O.A.L.; When depleted use FP-V1326X
2	Exhaust	FP-V1326X		TFD & THD Engs.; 1.2500" Head Dia., .3085" Stem Dia., 4.7710" O.A.L.
2	Exhaust	V-1326X +	<i>Std Only</i>	TFD & THD Engs.; 1.2500" Head Dia., .3085" Stem Dia., 4.7710" O.A.L.; When depleted use FP-V1326X
8	Keeper	VK-144		1 groove; Square cut key groove
8	Keeper	VK-144R		1 groove; Square cut key groove; Hardened

QTY	VALVE SEAT	PART NO.	SIZE	DESCRIPTION
2	Exh.	FP-24513755		1.3795" OD, 1.1250" ID, .2636" Depth
2	Exh.	245-1375-5 +	<i>Std Only</i>	1.3795" OD, 1.1250" ID, .2636" Depth; When depleted use FP-24513755

QTY	VALVE GUIDE	PART NO.	SIZE	DESCRIPTION
4	Guide	FP-VG635		.3155" ID, 2.5000" O.A.L.
4	Guide	VG-635 +		.3155" ID, 2.5000" O.A.L.; When depleted use FP-VG635
4	Guide	FP-VG681		.439" x 1.812"; .3133" ID, 1.8100" O.A.L.
4	Guide	VG-681 +		.439" x 1.812"; .3133" ID, 1.8100" O.A.L.; When depleted use FP-VG681

(continued on next page)

White Farm (Includes Oliver, Minneapolis-Moline)

2 Hay Baler TF, TFD, TH, THD, TJD Engs. (cont.) .9L 53.9 L-HEAD L2, 3.25" Bore (Wisconsin Eng.)

CYL. HEAD & PARTS (cont.)				
QTY	VALVE SPRING	PART NO.	SIZE	DESCRIPTION
4	Spring	FP-VS793		Exh.; Use w/FP-RC45 rotocap; 1.9700" Free Height
4	Spring	VS-793 +		Exh.; Use w/RC-45 rotocap; 1.9700" Free Height; When depleted use FP-VS793
4	Spring	FP-VS468		Exh. & Int.; TF & TH Engs.; 2.3120" Free Height
4	Spring	VS-468 +		Exh. & Int.; TF & TH Engs.; 2.3120" Free Height; When depleted use FP-VS468
2	Spring	FP-VS468		Int.; TFD & THD Engs.; 2.3120" Free Height
2	Spring	VS-468 +		Int.; TFD & THD Engs.; 2.3120" Free Height; When depleted use FP-VS468
QTY	VALVE MISC.	PART NO.	SIZE	DESCRIPTION
2	Rotocap	FP-RC45		Use w/VS-793 valve spring.; VF Series Engs.
2	Rotocap	RC-45 +		Use w/VS-793 valve spring.; VF Series Engs.; When depleted use FP-RC45

CYLINDER COMPONENTS				
QTY	LINERS	PART NO.	SIZE	DESCRIPTION
2	Repair Sleeve	FP-SL11M	Std Only	3/32" wall, must be cut to correct length
2	Repair Sleeve	SL-11M +	Std Only	3/32" wall, must be cut to correct length; When depleted use FP-SL11M
QTY	PISTONS	PART NO.	SIZE	DESCRIPTION
2	Cast Piston	FP-1115CP	Std-20-30-40-60	Cast; 2-3/32", 1-3/16" Ring Groove, 1.500" CD, .7500" Pin Dia., Recessed Head .010" deep; Piston length 2.870"; Repl. 3 ring piston in sets only
2	Cast Piston	1115CP +	Std-20-30-40-60	Cast; 2-3/32", 1-3/16" Ring Groove, 1.500" CD, .7500" Pin Dia., Recessed Head .010" deep; Piston length 2.870"; Repl. 3 ring piston in sets only; When depleted use FP-1115CP
2	Cast Piston	FP-628CP	Std-20-30-40-60	Cast; 2-3/32", 1-3/16" Ring Groove, 1.500" CD, .7503" Pin Dia., Recessed Head .010" deep; Piston length 2.870"; Repl. 3 ring piston in sets only
2	Cast Piston - Individual	FP-W1115CP	Std-20-30-40-60	Cast; 2-3/32", 1-3/16" Ring Groove, 1.500" CD, .7500" Pin Dia., Recessed Head .010" deep; Piston length 2.870"; Repl. 3 ring piston in sets only
2	Cast Piston - Individual	FP-W628CP	Std-20-30-40-60	Cast; 2-3/32", 1-3/16" Ring Groove, 1.500" CD, .7500" Pin Dia., Recessed Head .010" deep; Piston length 2.870"; Repl. 3 ring piston in sets only
2	Cast Piston - Individual	W1115CP +	Std-20-30-40-60	Cast; 2-3/32", 1-3/16" Ring Groove, 1.500" CD, .7500" Pin Dia., Recessed Head .010" deep; Piston length 2.870"; Repl. 3 ring piston in sets only; When depleted use FP-W1115CP
2	Cast Piston - Individual	W628CP +	Std-20-30-40-60	Cast; 2-3/32", 1-3/16" Ring Groove, 1.500" CD, .7500" Pin Dia., Recessed Head .010" deep; Piston length 2.870"; Repl. 3 ring piston in sets only; When depleted use FP-W628CP
2	Pin Bushing	1394		1.000" max. length
QTY	CONNECTING RODS & BRGS.	PART NO.	SIZE	DESCRIPTION
2	Rod Pair	FP-3520CP	Std-10-20	
2	Rod Pair	FP-3645CP	Std-10-20	TJD Engs.
QTY	PISTON RINGS	PART NO.	SIZE	DESCRIPTION
1	Premium Set	FP-5809KX	Std-20-30-40-60	TF, TFD, TH & THD Engs.; 3-3/32, 1-3/16
1	Premium Set	5809KX +	Std-20-30-40-60	TF, TFD, TH & THD Engs.; 3-3/32, 1-3/16; When depleted use FP-5809KX
1	Premium Set	FP-9981KX	Std Only	TJD Engs.; 2-5/64, 1-3/16
1	Premium Set	9981KX +	Std Only	TJD Engs.; 2-5/64, 1-3/16; When depleted use FP-9981KX
1	Standard Set	FP-7079X	Std-30-40	TF, TFD, TH & THD Engs.; 3-3/32, 1-3/16
2	Premium Single Cylinder Set	W-5809KX	Std Only	TF, TFD, TH & THD Engs.; 3-3/32, 1-3/16

3 Combine Y91, Y4091 Engs. 1.5L 91 L-HEAD L4, 2.875" Bore (Continental Eng.)

CYL. HEAD & PARTS				
QTY	VALVE	PART NO.	SIZE	DESCRIPTION
4	Intake	FP-V1019		Drilled stem; use w/VG437 guide & VK142 locks; 1.2030" Head Dia., .3144" Stem Dia., 4.0140" O.A.L.
4	Intake	V-1019 +	Std Only	Drilled stem; use w/VG437 guide & VK142 locks; 1.2030" Head Dia., .3144" Stem Dia., 4.0140" O.A.L.; When depleted use FP-V1019
4	Exhaust	FP-V1018		Drilled stem; use w/VG437 guide & VK142 locks; 1.0150" Head Dia., .3128" Stem Dia., 4.0610" O.A.L.

(continued on next page)

White Farm (Includes Oliver, Minneapolis-Moline)

Combine Y91, Y4091 Engs. 3
1.5L 91 L-HEAD L4, 2.875" Bore (Continental Eng.) (cont.)

CYL. HEAD & PARTS (cont.)				
QTY	VALVE (cont.)	PART NO.	SIZE	DESCRIPTION
4	Exhaust	V-1018 +	Std Only	Drilled stem; use w/VG437 guide & VK142 locks; 1.0150" Head Dia., .3128" Stem Dia., 4.0610" O.A.L.; When depleted use FP-V1018
4	Exhaust	FP-V1421		Single groove stem, use w/VG437 guide & VK144 locks; 1.0150" Head Dia., .3128" Stem Dia., 4.0770" O.A.L.
4	Exhaust	V-1421 +	Std Only	Single groove stem, use w/VG437 guide & VK144 locks; 1.0150" Head Dia., .3128" Stem Dia., 4.0770" O.A.L.; When depleted use FP-V1421
8	Keeper	FP-VK142		For drilled stem
8	Keeper	VK-142 +		For drilled stem; When depleted use FP-VK142
16	Keeper	FP-VK144		1 groove; Square cut key groove
16	Keeper	VK-144R		1 groove; Square cut key groove; Hardened
16	Keeper, Bulk	FP-VK144B		1 groove; Square cut key groove; Carton of 1000
CYL. HEAD & PARTS (cont.)				
QTY	VALVE SEAT	PART NO.	SIZE	DESCRIPTION
4	Int.	FP-24513121		1.3170" OD, 1.0625" ID, .1855" Depth
4	Int.	245-1312-1	Std Only	1.3170" OD, 1.0625" ID, .1855" Depth
CYL. HEAD & PARTS (cont.)				
QTY	VALVE GUIDE	PART NO.	SIZE	DESCRIPTION
8	Guide	FP-VG437		Use w/4.031" O.A.L. valves FP-V1018, FP-V1019 & FP-V1421; .3163" ID, 2.2810" O.A.L.
8	Guide	VG-437 +		Use w/4.031" O.A.L. valves V-1018, V-1019 & V-1421; .3163" ID, 2.2810" O.A.L.; When depleted use FP-VG437
CYL. HEAD & PARTS (cont.)				
QTY	VALVE SPRING	PART NO.	SIZE	DESCRIPTION
8	Spring	FP-VS356		2.0000" Free Height
8	Spring	VS-356 +		2.0000" Free Height; When depleted use FP-VS356
ENGINE BLOCK & PARTS				
QTY	CAM BEARINGS	PART NO.	SIZE	DESCRIPTION
1	Cam Set	FP-1093M	Std Only	
CRANKSHAFT/OIL PUMP				
QTY	MAIN BEARINGS	PART NO.	SIZE	DESCRIPTION
1	Main Set	FP-5142M	Std-10-20	Later Engs.; w/flanged upper half front brg.
1	Main Set	FP-836M	Std-10-20	Later Engs.; w/straight shell front brg.; Thrust Washer not incl.
CRANKSHAFT/OIL PUMP				
QTY	OIL PUMP	PART NO.	SIZE	DESCRIPTION
1	Oil Pump	224-4130 +		Y91 Engs.; Iron drive gear - use only w/iron cams. 5-13/16" flange to end of shaft. Incl. screen.; When depleted use FP-2244130
1	Oil Pump	FP-2244130		Y91 Engs.; Iron drive gear - use w/iron cams. 5-13/16" flange to end of shaft. Incl. screen.
CYLINDER COMPONENTS				
QTY	PISTONS	PART NO.	SIZE	DESCRIPTION
4	Pin Bushing	FP-1214VA		Split type, thin wall bushing w/.7625" OD
4	Pin Bushing	1214VA +		Split type, thin wall bushing w/.7625" OD; When depleted use FP-1214VA
CYLINDER COMPONENTS				
QTY	CONNECTING RODS & BRGS.	PART NO.	SIZE	DESCRIPTION
2	Rod Pair	FP-9885CP	Std-10-20-30	Position 1-3
2	Rod Pair	FP-9885CPA	Std-10-20	Position 2-4
<i>Combine VE4, VE4D, VE41 Engs. Wheel Tractor VE4, VE4D, VE41 Engs. 4</i> 1.5L 91.9 L-HEAD V4, 3" Bore (Wisconsin Eng.)				
CYL. HEAD & PARTS				
QTY	VALVE	PART NO.	SIZE	DESCRIPTION
8	Intake	FP-V816		Exh. & Int.; 1.3130" Head Dia., .3085" Stem Dia., 4.7660" O.A.L.
8	Intake	V-816 +	Std Only	Exh. & Int.; 1.3130" Head Dia., .3085" Stem Dia., 4.7660" O.A.L.; When depleted use FP-V816
8	Exhaust	FP-V1326X		Optional-H/D; 1.2500" Head Dia., .3085" Stem Dia., 4.7710" O.A.L.
8	Exhaust	V-1326X +	Std Only	Optional-H/D; 1.2500" Head Dia., .3085" Stem Dia., 4.7710" O.A.L.; When depleted use FP-V1326X
16	Keeper	VK-144		1 groove; Square cut key groove
16	Keeper	VK-144R		1 groove; Square cut key groove; Hardened
CYL. HEAD & PARTS				
QTY	VALVE SEAT	PART NO.	SIZE	DESCRIPTION
4	Exh.	FP-24513755		1.3795" OD, 1.1250" ID, .2636" Depth

(continued on next page)

White Farm (Includes Oliver, Minneapolis-Moline)

4 Combine VE4, VE4D, VE41 Engs. Wheel Tractor VE4, VE4D, VE41 Engs.				
(cont.) 1.5L 91.9 L-HEAD V4, 3" Bore (Wisconsin Eng.)				
CYL. HEAD & PARTS (cont.)				
QTY	VALVE SEAT (cont.)	PART NO.	SIZE	DESCRIPTION
4	Exh.	245-1375-5 + Std Only		1.3795" OD, 1.1250" ID, .2636" Depth; When depleted use FP-24513755
QTY	VALVE GUIDE	PART NO.	SIZE	DESCRIPTION
8	Guide	FP-VG681		.439" x 1.812"; .3133" ID, 1.8100" O.A.L.
8	Guide	VG-681 +		.439" x 1.812"; .3133" ID, 1.8100" O.A.L.; When depleted use FP-VG681
QTY	VALVE SPRING	PART NO.	SIZE	DESCRIPTION
8	Spring	FP-VS793		Use w/FP-RC45 rotocap; 1.9700" Free Height
8	Spring	VS-793 +		Use w/RC-45 rotocap; 1.9700" Free Height; When depleted use FP-VS793
8	Spring	FP-VS468		2.3120" Free Height
8	Spring	VS-468 +		2.3120" Free Height; When depleted use FP-VS468
QTY	VALVE MISC.	PART NO.	SIZE	DESCRIPTION
8	Rotocap	FP-RC45		Use w/VS-793 valve spring.; VF Series Engs.
8	Rotocap	RC-45 +		Use w/VS-793 valve spring.; VF Series Engs.; When depleted use FP-RC45
CYLINDER COMPONENTS				
QTY	LINERS	PART NO.	SIZE	DESCRIPTION
1	Repair Sleeve	FP-SL7M	Std Only	3/32" wall, must be cut to correct length
1	Repair Sleeve	SL-7M + Std Only		3/32" wall, must be cut to correct length; When depleted use FP-SL7M
QTY	PISTONS	PART NO.	SIZE	DESCRIPTION
4	Pin Bushing	1394		1.000" max. length
QTY	CONNECTING RODS & BRGS.	PART NO.	SIZE	DESCRIPTION
4	Rod Pair	FP-3520CP	Std-10-20	
4	Rod Pair	3520CP + Std-10-20		When depleted use FP-3520CP
QTY	PISTON RINGS	PART NO.	SIZE	DESCRIPTION
4	Premium Set	FP-5090KX	Std-20-30	3-3/32, 1-3/16 (1 cyl. set)
4	Premium Set	5090KX Std-20-30		3-3/32, 1-3/16 (1 cyl. set)
1	Standard Set	FP-968X	Std Only	3-3/32, 1-3/16
4	Standard Set	FP-5090X	Std Only	3-3/32, 1-3/16 (1 cyl. set)
4	Standard Set	5090X + Std Only		3-3/32, 1-3/16 (1 cyl. set); When depleted use FP-5090X
1	Standard Set	968X + Std Only		3-3/32, 1-3/16; When depleted use FP-968X
5 Hay Baler VE4, VE4D, VE41 Engs. Wheel Tractor VE4, VE4D, VE41 Engs.				
1.5L 91.9 L-HEAD V4, 3" Bore (Wisconsin Eng.)				
CYL. HEAD & PARTS				
QTY	VALVE	PART NO.	SIZE	DESCRIPTION
8	Intake	FP-V816		Exh. & Int.; 1.3130" Head Dia., .3085" Stem Dia., 4.7660" O.A.L.
8	Intake	V-816 + Std Only		Exh. & Int.; 1.3130" Head Dia., .3085" Stem Dia., 4.7660" O.A.L.; When depleted use FP-V816
8	Exhaust	FP-V1326X		Optional-H/D; 1.2500" Head Dia., .3085" Stem Dia., 4.7710" O.A.L.
8	Exhaust	V-1326X + Std Only		Optional-H/D; 1.2500" Head Dia., .3085" Stem Dia., 4.7710" O.A.L.; When depleted use FP-V1326X
16	Keeper	VK-144		1 groove; Square cut key groove
16	Keeper	VK-144R		1 groove; Square cut key groove; Hardened
QTY	VALVE SEAT	PART NO.	SIZE	DESCRIPTION
4	Exh.	FP-24513755		1.3795" OD, 1.1250" ID, .2636" Depth
4	Exh.	245-1375-5 + Std Only		1.3795" OD, 1.1250" ID, .2636" Depth; When depleted use FP-24513755
QTY	VALVE GUIDE	PART NO.	SIZE	DESCRIPTION
8	Guide	FP-VG681		.439" x 1.812"; .3133" ID, 1.8100" O.A.L.
8	Guide	VG-681 +		.439" x 1.812"; .3133" ID, 1.8100" O.A.L.; When depleted use FP-VG681
QTY	VALVE SPRING	PART NO.	SIZE	DESCRIPTION
8	Spring	FP-VS793		Use w/FP-RC45 rotocap; 1.9700" Free Height
8	Spring	VS-793 +		Use w/RC-45 rotocap; 1.9700" Free Height; When depleted use FP-VS793
8	Spring	FP-VS468		2.3120" Free Height
8	Spring	VS-468 +		2.3120" Free Height; When depleted use FP-VS468
QTY	VALVE MISC.	PART NO.	SIZE	DESCRIPTION
8	Rotocap	FP-RC45		Use w/VS-793 valve spring.; VF Series Engs.

(continued on next page)

White Farm (Includes Oliver, Minneapolis-Moline)

Hay Baler VE4, VE4D, VE41 Engs. Wheel Tractor VE4, VE4D, VE41 Engs. 5
1.5L 91.9 L-HEAD V4, 3" Bore (Wisconsin Eng.) (cont.)

CYL. HEAD & PARTS (cont.)

QTY	VALVE MISC. (cont.)	PART NO.	SIZE	DESCRIPTION
8	Rotocap	RC-45 +		Use w/VS-793 valve spring.; VF Series Engs.; When depleted use FP-RC45

CYLINDER COMPONENTS

QTY	LINERS	PART NO.	SIZE	DESCRIPTION
1	Repair Sleeve	FP-SL7M	Std Only	3/32" wall, must be cut to correct length
1	Repair Sleeve	SL-7M +	Std Only	3/32" wall, must be cut to correct length; When depleted use FP-SL7M
QTY	PISTONS	PART NO.	SIZE	DESCRIPTION
4	Pin Bushing	1394		1.000" max. length
QTY	CONNECTING RODS & BRGS.	PART NO.	SIZE	DESCRIPTION
4	Rod Pair	FP-3520CP	Std-10-20	
4	Rod Pair	3520CP +	Std-10-20	When depleted use FP-3520CP
QTY	PISTON RINGS	PART NO.	SIZE	DESCRIPTION
4	Premium Set	FP-5090KX	Std-20-30	3-3/32, 1-3/16 (1 cyl. set)
4	Premium Set	5090KX	Std-20-30	3-3/32, 1-3/16 (1 cyl. set)
1	Standard Set	FP-968X	Std Only	3-3/32, 1-3/16
4	Standard Set	FP-5090X	Std Only	3-3/32, 1-3/16 (1 cyl. set)
4	Standard Set	5090X +	Std Only	3-3/32, 1-3/16 (1 cyl. set); When depleted use FP-5090X
1	Standard Set	968X +	Std Only	3-3/32, 1-3/16; When depleted use FP-968X

Hay Baler VF4, VF4D, VF41, VH4, VH4D, VH4DM Engs. Combine VF4, VF4D, VF41, VH4, VH4D, VH4DM Engs. Forklift VF4, VF4D, VF41, VH4, VH4D, VH4DM Engs. Wheel Tractor VF4, VF4D, VF41, VH4, VH4D, VH4DM Engs. Windrower VF4, VF4D, VF41, VH4, VH4D, VH4DM Engs. 6
1.8L 108 L-HEAD V4, 3.25" Bore (Wisconsin Eng.)

CYL. HEAD & PARTS

QTY	VALVE	PART NO.	SIZE	DESCRIPTION
8	Intake	FP-V816		Exh. & Int.; 1.3130" Head Dia., .3085" Stem Dia., 4.7660" O.A.L.
8	Intake	V-816 +	Std Only	Exh. & Int.; 1.3130" Head Dia., .3085" Stem Dia., 4.7660" O.A.L.; When depleted use FP-V816
4	Exhaust	FP-V1326X		Optional-H/D; 1.2500" Head Dia., .3085" Stem Dia., 4.7710" O.A.L.
4	Exhaust	V-1326X +	Std Only	Optional-H/D; 1.2500" Head Dia., .3085" Stem Dia., 4.7710" O.A.L.; When depleted use FP-V1326X
16	Keeper	VK-144		1 groove; Square cut key groove
16	Keeper	VK-144R		1 groove; Square cut key groove; Hardened
QTY	VALVE SEAT	PART NO.	SIZE	DESCRIPTION
8	Exh. & Int.	FP-24513755		1.3795" OD, 1.1250" ID, .2636" Depth
8	Exh. & Int.	245-1375-5 +	Std Only	1.3795" OD, 1.1250" ID, .2636" Depth; When depleted use FP-24513755
QTY	VALVE GUIDE	PART NO.	SIZE	DESCRIPTION
8	Guide	FP-VG635		.3155" ID, 2.5000" O.A.L.
8	Guide	VG-635 +		.3155" ID, 2.5000" O.A.L.; When depleted use FP-VG635
8	Guide	FP-VG681		VF Series Engs.; .439" x 1.812"; .3133" ID, 1.8100" O.A.L.
8	Guide	VG-681 +		VF Series Engs.; .439" x 1.812"; .3133" ID, 1.8100" O.A.L.; When depleted use FP-VG681
QTY	VALVE SPRING	PART NO.	SIZE	DESCRIPTION
8	Spring	FP-VS793		Use w/FP-RC45 rotocap; VF Series Engs.; 1.9700" Free Height
8	Spring	VS-793 +		Use w/RC-45 rotocap; VF Series Engs.; 1.9700" Free Height; When depleted use FP-VS793
8	Spring	FP-VS468		2.3120" Free Height
8	Spring	VS-468 +		2.3120" Free Height; When depleted use FP-VS468
QTY	VALVE MISC.	PART NO.	SIZE	DESCRIPTION
8	Rotocap	FP-RC45		Use w/VS-793 valve spring.; VF Series Engs.
8	Rotocap	RC-45 +		Use w/VS-793 valve spring.; VF Series Engs.; When depleted use FP-RC45

CYLINDER COMPONENTS

QTY	LINERS	PART NO.	SIZE	DESCRIPTION
4	Repair Sleeve	FP-SL11M	Std Only	3/32" wall, must be cut to correct length
4	Repair Sleeve	SL-11M +	Std Only	3/32" wall, must be cut to correct length; When depleted use FP-SL11M

(continued on next page)

White Farm (Includes Oliver, Minneapolis-Moline)

6 Hay Baler VF4, VF4D, VF41, VH4, VH4D, VH4DM Engs. Combine VF4, VF4D, VF41, VH4, (cont.) VH4D, VH4DM Engs. Forklift VF4, VF4D, VF41, VH4, VH4D, VH4DM Engs. Wheel Tractor VF4, VF4D, VF41, VH4, VH4D, VH4DM Engs. Windrower VF4, VF4D, VF41, VH4, VH4D, VH4DM Engs.
1.8L 108 L-HEAD V4, 3.25" Bore (Wisconsin Eng.)

CYLINDER COMPONENTS (cont.)

QTY	PISTONS	PART NO.	SIZE	DESCRIPTION
4	Cast Piston	FP-628CP	Std-20-30-40-60	Cast; 2-3/32", 1-3/16" Ring Groove, 1.500" CD, .7503" Pin Dia., Recessed Head .010" deep; Piston length 2.870"; Repl. 3 ring piston in sets only
4	Cast Piston - Individual	FP-W628CP	Std-20-30-40-60	Cast; 2-3/32", 1-3/16" Ring Groove, 1.500" CD, .7500" Pin Dia., Recessed Head .010" deep; Piston length 2.870"; Repl. 3 ring piston in sets only
4	Cast Piston - Individual	W628CP +	Std-20-30-40-60	Cast; 2-3/32", 1-3/16" Ring Groove, 1.500" CD, .7500" Pin Dia., Recessed Head .010" deep; Piston length 2.870"; Repl. 3 ring piston in sets only; When depleted use FP-W628CP
4	Pin Bushing	1394		1.000" max. length
QTY	CONNECTING RODS & BRGS.	PART NO.	SIZE	DESCRIPTION
4	Rod Pair	FP-3520CP	Std-10-20	VF4, VF4D Engs.
4	Rod Pair	3520CP +	Std-10-20	VF4, VF4D Engs.; When depleted use FP-3520CP
4	Rod Pair	FP-3645CP	Std-10-20	VH4, VH4D, VH4DM Engs.
4	Rod Pair	3645CP +	Std-10-20	VH4, VH4D, VH4DM Engs.; When depleted use FP-3645CP
QTY	PISTON RINGS	PART NO.	SIZE	DESCRIPTION
1	Premium Set	FP-5051KX	Std-20-30-40-60	3-3/32, 1-3/16
1	Premium Set	5051KX +	Std-20-30-40-60	3-3/32, 1-3/16; When depleted use FP-5051KX
1	Standard Set	FP-10366X	Std Only	VF4D Engs.; 3-5/64, 1-3/16
1	Standard Set	10366X +	Std Only	VF4D Engs.; 3-5/64, 1-3/16; When depleted use FP-10366X
1	Standard Set	FP-5051X	Std-20-30-40-60	3-3/32, 1-3/16
1	Standard Set	5051X +	Std-20-30-40-60	3-3/32, 1-3/16; When depleted use FP-5051X
4	Premium Single Cylinder Set	W-5051KX20	20-30-60	3-3/32, 1-3/16
4	Standard Single Cylinder Set	W-5051X	Std-30	3-3/32, 1-3/16

7 Hay Baler VF4, VF4D, VF41, VH4, VH4D, VH4DM Engs. Combine VF4, VF4D, VF41, VH4, VH4D, VH4DM Engs. Windrower VF4, VF4D, VF41, VH4, VH4D, VH4DM Engs.
1.8L 108 L-HEAD V4, 3.25" Bore (Wisconsin Eng.)

CYL. HEAD & PARTS

QTY	VALVE	PART NO.	SIZE	DESCRIPTION
8	Intake	FP-V816		Exh. & Int.; 1.3130" Head Dia., .3085" Stem Dia., 4.7660" O.A.L.
8	Intake	V-816 +	Std Only	Exh. & Int.; 1.3130" Head Dia., .3085" Stem Dia., 4.7660" O.A.L.; When depleted use FP-V816
4	Exhaust	FP-V1326X		Optional-H/D; 1.2500" Head Dia., .3085" Stem Dia., 4.7710" O.A.L.
4	Exhaust	V-1326X +	Std Only	Optional-H/D; 1.2500" Head Dia., .3085" Stem Dia., 4.7710" O.A.L.; When depleted use FP-V1326X
16	Keeper	VK-144		1 groove; Square cut key groove
16	Keeper	VK-144R		1 groove; Square cut key groove; Hardened
QTY	VALVE SEAT	PART NO.	SIZE	DESCRIPTION
8	Exh. & Int.	FP-24513755		1.3795" OD, 1.1250" ID, .2636" Depth
8	Exh. & Int.	245-1375-5 +	Std Only	1.3795" OD, 1.1250" ID, .2636" Depth; When depleted use FP-24513755
QTY	VALVE GUIDE	PART NO.	SIZE	DESCRIPTION
8	Guide	FP-VG635		.3155" ID, 2.5000" O.A.L.
8	Guide	VG-635 +		.3155" ID, 2.5000" O.A.L.; When depleted use FP-VG635
8	Guide	FP-VG681		VF Series Engs.; .439" x 1.812"; .3133" ID, 1.8100" O.A.L.
8	Guide	VG-681 +		VF Series Engs.; .439" x 1.812"; .3133" ID, 1.8100" O.A.L.; When depleted use FP-VG681
QTY	VALVE SPRING	PART NO.	SIZE	DESCRIPTION
8	Spring	FP-VS793		Use w/FP-RC45 rotocap; VF Series Engs.; 1.9700" Free Height
8	Spring	VS-793 +		Use w/RC-45 rotocap; VF Series Engs.; 1.9700" Free Height; When depleted use FP-VS793
8	Spring	FP-VS468		2.3120" Free Height
8	Spring	VS-468 +		2.3120" Free Height; When depleted use FP-VS468
QTY	VALVE MISC.	PART NO.	SIZE	DESCRIPTION
8	Rotocap	FP-RC45		Use w/VS-793 valve spring.; VF Series Engs.

(continued on next page)

White Farm (Includes Oliver, Minneapolis-Moline)

*Hay Baler VF4, VF4D, VF41, VH4, VH4D, VH4DM Engs. Combine VF4, VF4D, VF41, VH4, 7
VH4D, VH4DM Engs. Windrower VF4, VF4D, VF41, VH4, VH4D, VH4DM Engs. (cont.)*
1.8L 108 L-HEAD V4, 3.25" Bore (Wisconsin Eng.)

CYL. HEAD & PARTS (cont.)

QTY	VALVE MISC. (cont.)	PART NO.	SIZE	DESCRIPTION
8	Rotocap	RC-45 +		Use w/VS-793 valve spring.; VF Series Engs.; When depleted use FP-RC45

CAMSHAFT GROUP

QTY	TIMING	PART NO.	SIZE	DESCRIPTION
1	Cam Gear	FP-2214108		48 Teeth

CYLINDER COMPONENTS

QTY	LINERS	PART NO.	SIZE	DESCRIPTION
4	Repair Sleeve	FP-SL11M	Std Only	3/32" wall, must be cut to correct length
4	Repair Sleeve	SL-11M +	Std Only	3/32" wall, must be cut to correct length; When depleted use FP-SL11M
QTY	PISTONS	PART NO.	SIZE	DESCRIPTION
4	Cast Piston	FP-628CP	Std-20-30-40-60	Cast; 2-3/32", 1-3/16" Ring Groove, 1.500" CD, .7503" Pin Dia., Recessed Head .010" deep; Piston length 2.870"; Repl. 3 ring piston in sets only
4	Cast Piston - Individual	FP-W628CP	Std-20-30-40-60	Cast; 2-3/32", 1-3/16" Ring Groove, 1.500" CD, .7500" Pin Dia., Recessed Head .010" deep; Piston length 2.870"; Repl. 3 ring piston in sets only
4	Cast Piston - Individual	W628CP +	Std-20-30-40-60	Cast; 2-3/32", 1-3/16" Ring Groove, 1.500" CD, .7500" Pin Dia., Recessed Head .010" deep; Piston length 2.870"; Repl. 3 ring piston in sets only; When depleted use FP-W628CP
4	Pin Bushing	1394		1.000" max. length

QTY	CONNECTING RODS & BRGS.	PART NO.	SIZE	DESCRIPTION
4	Rod Pair	FP-3520CP	Std-10-20	VF4, VF4D Engs.
4	Rod Pair	FP-3645CP	Std-10-20	VH4, VH4D, VH4DM Engs.

QTY	PISTON RINGS	PART NO.	SIZE	DESCRIPTION
1	Premium Set	FP-5051KX	Std-20-30-40-60	3-3/32, 1-3/16
1	Premium Set	5051KX +	Std-20-30-40-60	3-3/32, 1-3/16; When depleted use FP-5051KX
1	Standard Set	FP-10366X	Std Only	VF4D Engs.; 3-5/64, 1-3/16
1	Standard Set	10366X +	Std Only	VF4D Engs.; 3-5/64, 1-3/16; When depleted use FP-10366X
1	Standard Set	FP-5051X	Std-20-30-40-60	3-3/32, 1-3/16
1	Standard Set	5051X +	Std-20-30-40-60	3-3/32, 1-3/16; When depleted use FP-5051X
4	Premium Single Cylinder Set	W-5051KX20	20-30-60	3-3/32, 1-3/16
4	Standard Single Cylinder Set	W-5051X	Std-30	3-3/32, 1-3/16

Combine IXA Eng. 8
1.9L 113 L-HEAD L4, 3" Bore (Hercules Eng.)

CYL. HEAD & PARTS

QTY	VALVE	PART NO.	SIZE	DESCRIPTION
4	Intake	FP-V429		1.4840" Head Dia., .3100" Stem Dia., 3.9260" O.A.L.
4	Exhaust	FP-V428		1.3583" Head Dia., .3100" Stem Dia., 3.9213" O.A.L.
QTY	VALVE GUIDE	PART NO.	SIZE	DESCRIPTION
8	Guide	FP-VG930		Exh. & Int.; .485" OD; 3/8" Counterbore; .3120" ID, 2.0940" O.A.L.
8	Guide	FP-VG456		Exh. & Int.; .532" OD; .3120" ID, 2.0940" O.A.L.
QTY	VALVE SPRING	PART NO.	SIZE	DESCRIPTION
8	Spring	FP-VS622		Exh. & Int.; 1.7650" Free Height

CYLINDER COMPONENTS

QTY	CONNECTING RODS & BRGS.	PART NO.	SIZE	DESCRIPTION
4	Rod Pair	FP-1450SB	Std-10-20-30	

Combine IXA Eng. Wheel Tractor IXA Eng. 9
1.9L 113 L-HEAD L4, 3" Bore (Hercules Eng.)

CYL. HEAD & PARTS

QTY	VALVE	PART NO.	SIZE	DESCRIPTION
4	Intake	FP-V429		1.4840" Head Dia., .3100" Stem Dia., 3.9260" O.A.L.
4	Exhaust	FP-V428		1.3583" Head Dia., .3100" Stem Dia., 3.9213" O.A.L.

(continued on next page)

+ Superseded Part Number

White Farm (Includes Oliver, Minneapolis-Moline)

9 Combine IXA Eng. Wheel Tractor IXA Eng. (cont.) 1.9L 113 L-HEAD L4, 3" Bore (Hercules Eng.)				
CYL. HEAD & PARTS (cont.)				
QTY	VALVE GUIDE	PART NO.	SIZE	DESCRIPTION
8	Guide	FP-VG930		Exh. & Int.; .485" OD; 3/8" Counterbore; .3120" ID, 2.0940" O.A.L.
8	Guide	FP-VG456		Exh. & Int.; .532" OD; .3120" ID, 2.0940" O.A.L.
QTY	VALVE SPRING	PART NO.	SIZE	DESCRIPTION
8	Spring	FP-VS622		Exh. & Int.; 1.7650" Free Height
CYLINDER COMPONENTS				
QTY	CONNECTING RODS & BRGS.	PART NO.	SIZE	DESCRIPTION
4	Rod Pair	FP-1450SB	Std-10-20-30	
4	Rod Pair	1450SB +	Std-10-20-30	When depleted use FP-1450SB
10 Wheel Tractor IXK3 Eng. 2.0L 123 L-HEAD L4, 3.125" Bore (Hercules Eng.)				
CYL. HEAD & PARTS				
QTY	VALVE	PART NO.	SIZE	DESCRIPTION
4	Intake	FP-V429		1.4840" Head Dia., .3100" Stem Dia., 3.9260" O.A.L.
4	Exhaust	FP-V428		1.3583" Head Dia., .3100" Stem Dia., 3.9213" O.A.L.
QTY	VALVE GUIDE	PART NO.	SIZE	DESCRIPTION
8	Guide	FP-VG930		Exh. & Int.; .485" OD; 3/8" Counterbore; .3120" ID, 2.0940" O.A.L.
8	Guide	FP-VG456		Exh. & Int.; .532" OD; .3120" ID, 2.0940" O.A.L.
QTY	VALVE SPRING	PART NO.	SIZE	DESCRIPTION
8	Spring	FP-VS622		Exh. & Int.; 1.7650" Free Height
CYLINDER COMPONENTS				
QTY	CONNECTING RODS & BRGS.	PART NO.	SIZE	DESCRIPTION
4	Rod Pair	FP-1450SB	Std-10-20-30	
4	Rod Pair	1450SB +	Std-10-20-30	When depleted use FP-1450SB
11 Wheel Tractor 55, 55 Super, 66, 66 Super, 166, 166 Super, 550, 660 Eng. 2.1L 129 OHV L4 (Waukesha), 3.3125" Bore				
CYL. HEAD & PARTS				
QTY	VALVE	PART NO.	SIZE	DESCRIPTION
4	Intake	FP-V1057		1.3130" Head Dia., .3725" Stem Dia., 5.1610" O.A.L.
4	Intake	V-1057 +	Std Only	1.3130" Head Dia., .3725" Stem Dia., 5.1610" O.A.L.; When depleted use FP-V1057
4	Exhaust	FP-V1056		1.1250" Head Dia., .3715" Stem Dia., 5.1560" O.A.L.
4	Exhaust	V-1056 +	Std Only	1.1250" Head Dia., .3715" Stem Dia., 5.1560" O.A.L.; When depleted use FP-V1056
16	Keeper	VK-66		2 groove
16	Keeper	VK-66R		2 groove; Hardened
QTY	VALVE GUIDE	PART NO.	SIZE	DESCRIPTION
8	Guide	FP-VG857		.3745" ID, 2.5000" O.A.L.
8	Guide	VG-857 +		.3745" ID, 2.5000" O.A.L.; When depleted use FP-VG857
QTY	VALVE SPRING	PART NO.	SIZE	DESCRIPTION
8	Spring	FP-VS400		2.8130" Free Height
8	Spring	VS-400 +		2.8130" Free Height; When depleted use FP-VS400
QTY	VALVE MISC.	PART NO.	SIZE	DESCRIPTION
4	Rotocap	RC-58		Exh.
ENGINE BLOCK & PARTS				
QTY	CAM BEARINGS	PART NO.	SIZE	DESCRIPTION
1	Cam Set	FP-1137M	Std Only	
1	Cam Set	1137M +	Std Only	When depleted use FP-1137M
CRANKSHAFT/OIL PUMP				
QTY	MAIN BEARINGS	PART NO.	SIZE	DESCRIPTION
1	Main Set	FP-903M	Std-10	Later Eng.
1	Main Set	903M +	Std-10	Later Eng.; When depleted use FP-903M

(continued on next page)

White Farm (Includes Oliver, Minneapolis-Moline)

Wheel Tractor 55, 55 Super, 66, 66 Super, 166, 166 Super, 550, 660 Eng. **11**
2.1L 129 OHV L4 (Waukesha), 3.3125" Bore (cont.)

CYLINDER COMPONENTS

QTY	PISTONS	PART NO.	SIZE	DESCRIPTION
8	Pin Bushing	FP-1884Y20		2 req'd. per rod
8	Pin Bushing	1884Y20 +		2 req'd. per rod; When depleted use FP-1884Y20
QTY	CONNECTING RODS & BRGS.	PART NO.	SIZE	DESCRIPTION
4	Rod Pair	FP-1880CP	Std-10-20-30	Models From Ser. No. 6503
4	Rod Pair	1880CP +	Std-10-20-30	Models From Ser. No. 6503; When depleted use FP-1880CP
4	Rod Pair	FP-1435SB	Std-10	Models To Ser. No. 6502; Early Eng.
4	Rod Pair	1435SB +	Std-10	Models To Ser. No. 6502; Early Eng.; When depleted use FP-1435SB
4	Rod Pair	FP-1865CP	Std-10-20	Models To Ser. No. 6502; Later Eng.; O.A.L. 1.109"
4	Rod Pair	1865CP +	Std-10-20	Models To Ser. No. 6502; Later Eng.; O.A.L. 1.109"; When depleted use FP-1865CP

Wheel Tractor 55, 55 Super, 66, 66 Super, 166, 166 Super, 550, 660 Eng. **12**
2.1L 129 OHV Diesel L4 (Waukesha), 3.3125" Bore

ENGINE BLOCK & PARTS

QTY	CAM BEARINGS	PART NO.	SIZE	DESCRIPTION
1	Cam Set	FP-1137M	Std Only	
1	Cam Set	1137M +	Std Only	When depleted use FP-1137M

CRANKSHAFT/OIL PUMP

QTY	MAIN BEARINGS	PART NO.	SIZE	DESCRIPTION
1	Main Set	FP-903M	Std-10	
1	Main Set	903M +	Std-10	When depleted use FP-903M

CYLINDER COMPONENTS

QTY	PISTONS	PART NO.	SIZE	DESCRIPTION
8	Pin Bushing	FP-1884Y20		2 req'd. per rod
8	Pin Bushing	1884Y20 +		2 req'd. per rod; When depleted use FP-1884Y20
QTY	CONNECTING RODS & BRGS.	PART NO.	SIZE	DESCRIPTION
4	Rod Pair	FP-1880CP	Std-10-20-30	Models From Ser. No. 6503
4	Rod Pair	1880CP +	Std-10-20-30	Models From Ser. No. 6503; When depleted use FP-1880CP
4	Rod Pair	FP-1865CP	Std-10-20	Models To Ser. No. 6502; O.A.L. 1.109"
4	Rod Pair	1865CP +	Std-10-20	Models To Ser. No. 6502; O.A.L. 1.109"; When depleted use FP-1865CP

Wheel Tractor GO130 Eng. **13**
2.1L 130 OHV L3, 3.5" Bore (Hercules Eng.)

CYL. HEAD & PARTS

QTY	VALVE	PART NO.	SIZE	DESCRIPTION
3	Exhaust	FP-V1460		1.5000" Head Dia., .3730" Stem Dia., 5.3660" O.A.L.
12	Keeper	FP-41339		Exh. & Int.; 1 groove; Square cut key groove
QTY	VALVE GUIDE	PART NO.	SIZE	DESCRIPTION
3	Guide	FP-VG552		Exh.; .3755" ID, 2.9400" O.A.L.
3	Guide	FP-VG553		Int.; .3745" ID, 2.9370" O.A.L.

CYLINDER COMPONENTS

QTY	CONNECTING RODS & BRGS.	PART NO.	SIZE	DESCRIPTION
3	Rod Pair	FP-1420CP	Std-10-20-30-40	w/1.9870-1.9880" std. shaft size
3	Rod Pair	3160CP	Std-10	w/2.3730-2.3740" std. shaft size

Wheel Tractor DD130 Eng. **14**
2.1L 130 OHV Diesel L3, 3.5" Bore (Hercules Eng.)

CYL. HEAD & PARTS

QTY	VALVE	PART NO.	SIZE	DESCRIPTION
3	Exhaust	FP-V1460		1.5000" Head Dia., .3730" Stem Dia., 5.3660" O.A.L.
12	Keeper	FP-41339		Exh. & Int.; 1 groove; Square cut key groove
QTY	VALVE GUIDE	PART NO.	SIZE	DESCRIPTION
3	Guide	FP-VG552		Exh.; .3755" ID, 2.9400" O.A.L.
3	Guide	FP-VG553		Int.; .3745" ID, 2.9370" O.A.L.

(continued on next page)

White Farm (Includes Oliver, Minneapolis-Moline)

14 Wheel Tractor DD130 Eng.

(cont.) 2.1L 130 OHV Diesel L3, 3.5" Bore (Hercules Eng.)

CYLINDER COMPONENTS

QTY	CONNECTING RODS & BRGS.	PART NO.	SIZE	DESCRIPTION
3	Rod Pair	FP-1420CP	Std-10-20-30-40	w/1.9870-1.9880" std. shaft size
3	Rod Pair	3160CP	Std-10	w/2.3730-2.3740" std. shaft size

15 Combine VM4 Eng. Windrower VM4 Eng.

2.2L 132.7 L-HEAD V4, 3.25" Bore (Wisconsin Eng.)

CYL. HEAD & PARTS

QTY	VALVE	PART NO.	SIZE	DESCRIPTION
8	Intake	FP-V818		Exh. & Int.; 1.5630" Head Dia., .3089" Stem Dia., 6.3346" O.A.L.
8	Intake	V-818 +	Std Only	Exh. & Int.; 1.5630" Head Dia., .3089" Stem Dia., 6.3346" O.A.L.; When depleted use FP-V818
4	Exhaust	FP-V1676X		Optional; 1.5570" Head Dia., .3085" Stem Dia., 6.3330" O.A.L.
4	Exhaust	V-1676X +	Std Only	Optional; 1.5570" Head Dia., .3085" Stem Dia., 6.3330" O.A.L.; When depleted use FP-V1676X
16	Keeper	VK-144		1 groove; Square cut key groove
16	Keeper	VK-144R		1 groove; Square cut key groove; Hardened

CRANKSHAFT/OIL PUMP

QTY	MAIN BEARINGS	PART NO.	SIZE	DESCRIPTION
2	Cone Taper Brg.	455S		Position 1-2; Tapered roller brg. cone
2	Cup Taper Brg.	453A		Position 1-2; Tapered roller brg. cup

CYLINDER COMPONENTS

QTY	PISTONS	PART NO.	SIZE	DESCRIPTION
4	Pin Bushing	1394		1.000" max. length

16 Hay Baler VM4 Eng. Windrower VM4 Eng.

2.2L 132.7 L-HEAD V4, 3.25" Bore (Wisconsin Eng.)

CYL. HEAD & PARTS

QTY	VALVE	PART NO.	SIZE	DESCRIPTION
8	Intake	FP-V818		Exh. & Int.; 1.5630" Head Dia., .3089" Stem Dia., 6.3346" O.A.L.
8	Intake	V-818 +	Std Only	Exh. & Int.; 1.5630" Head Dia., .3089" Stem Dia., 6.3346" O.A.L.; When depleted use FP-V818
4	Exhaust	FP-V1676X		Optional; 1.5570" Head Dia., .3085" Stem Dia., 6.3330" O.A.L.
4	Exhaust	V-1676X +	Std Only	Optional; 1.5570" Head Dia., .3085" Stem Dia., 6.3330" O.A.L.; When depleted use FP-V1676X
16	Keeper	VK-144		1 groove; Square cut key groove
16	Keeper	VK-144R		1 groove; Square cut key groove; Hardened

CRANKSHAFT/OIL PUMP

QTY	MAIN BEARINGS	PART NO.	SIZE	DESCRIPTION
2	Cone Taper Brg.	455S		Position 1-2; Tapered roller brg. cone
2	Cup Taper Brg.	453A		Position 1-2; Tapered roller brg. cup

CYLINDER COMPONENTS

QTY	PISTONS	PART NO.	SIZE	DESCRIPTION
4	Pin Bushing	1394		1.000" max. length

17 Wheel Tractor IXB, IXB3 Eng.

2.2L 133 L-HEAD L4, 3.25" Bore (Hercules Eng.)

CYL. HEAD & PARTS

QTY	VALVE	PART NO.	SIZE	DESCRIPTION
4	Intake	FP-V429		1.4840" Head Dia., .3100" Stem Dia., 3.9260" O.A.L.
4	Exhaust	FP-V428		1.3583" Head Dia., .3100" Stem Dia., 3.9213" O.A.L.
QTY	VALVE GUIDE	PART NO.	SIZE	DESCRIPTION
8	Guide	FP-VG930		Exh. & Int.; .485" OD; 3/8" Counterbore; .3120" ID, 2.0940" O.A.L.
8	Guide	FP-VG456		Exh. & Int.; .532" OD; .3120" ID, 2.0940" O.A.L.
QTY	VALVE SPRING	PART NO.	SIZE	DESCRIPTION
8	Spring	FP-VS622		Exh. & Int.; 1.7650" Free Height

CYLINDER COMPONENTS

QTY	CONNECTING RODS & BRGS.	PART NO.	SIZE	DESCRIPTION
4	Rod Pair	FP-1450SB	Std-10-20-30	

(continued on next page)

White Farm (Includes Oliver, Minneapolis-Moline)

Wheel Tractor IXB, IXB3 Engs. 17
2.2L 133 L-HEAD L4, 3.25" Bore (Hercules Eng.) (cont.)

CYLINDER COMPONENTS (cont.)

QTY	CONNECTING RODS & BRGS. (cont.)	PART NO.	SIZE	DESCRIPTION
4	Rod Pair	1450SB +	Std-10-20-30	When depleted use FP-1450SB
QTY	PISTON RINGS	PART NO.	SIZE	DESCRIPTION
1	Standard Set	FP-617X	Std Only	2-1/8, 1-3/16

Combine IXB Eng. Wheel Tractor IXB3 Eng. 18
2.2L 133 L-HEAD L4, 3.25" Bore (Hercules Eng.)

CYL. HEAD & PARTS

QTY	VALVE	PART NO.	SIZE	DESCRIPTION
4	Intake	FP-V429		1.4840" Head Dia., .3100" Stem Dia., 3.9260" O.A.L.
4	Exhaust	FP-V428		1.3583" Head Dia., .3100" Stem Dia., 3.9213" O.A.L.
QTY	VALVE GUIDE	PART NO.	SIZE	DESCRIPTION
8	Guide	FP-VG930		Exh. & Int.; .485" OD; 3/8" Counterbore; .3120" ID, 2.0940" O.A.L.
8	Guide	FP-VG456		Exh. & Int.; .532" OD; .3120" ID, 2.0940" O.A.L.
QTY	VALVE SPRING	PART NO.	SIZE	DESCRIPTION
8	Spring	FP-VS622		Exh. & Int.; 1.7650" Free Height

CYLINDER COMPONENTS

QTY	CONNECTING RODS & BRGS.	PART NO.	SIZE	DESCRIPTION
4	Rod Pair	FP-1450SB	Std-10-20-30	
4	Rod Pair	1450SB +	Std-10-20-30	When depleted use FP-1450SB
QTY	PISTON RINGS	PART NO.	SIZE	DESCRIPTION
1	Standard Set	FP-617X	Std Only	2-1/8, 1-3/16

Wheel Tractor F140 Eng. 19
2.3L 140 L-HEAD L4, 3.1875" Bore (Continental Eng.)

CYL. HEAD & PARTS

QTY	VALVE	PART NO.	SIZE	DESCRIPTION
4	Intake	FP-V801		Drilled stem; 1.5200" Head Dia., .3411" Stem Dia., 5.1760" O.A.L.
4	Intake	V-801 +	Std Only	Drilled stem; 1.5200" Head Dia., .3411" Stem Dia., 5.1760" O.A.L.; When depleted use FP-V801
4	Intake	FP-V1748		Single groove stem; 1.5160" Head Dia., .3410" Stem Dia., 5.1570" O.A.L.
4	Intake	V-1748 +	Std Only	Single groove stem; 1.5160" Head Dia., .3410" Stem Dia., 5.1570" O.A.L.; When depleted use FP-V1748
4	Exhaust	FP-V800		Drilled stem; 1.2030" Head Dia., .3381" Stem Dia., 5.1520" O.A.L.
4	Exhaust	V-800 +	Std Only	Drilled stem; 1.2030" Head Dia., .3381" Stem Dia., 5.1520" O.A.L.; When depleted use FP-V800
4	Exhaust	FP-V954		Drilled stem; 1.3280" Head Dia., .3386" Stem Dia., 5.1950" O.A.L.
4	Exhaust	V-954 +	Std Only	Drilled stem; 1.3280" Head Dia., .3386" Stem Dia., 5.1950" O.A.L.; When depleted use FP-V954
4	Exhaust	FP-V1684		Single groove stem; 1.2030" Head Dia., .3392" Stem Dia., 5.1890" O.A.L.
4	Exhaust	V-1684 +	Std Only	Single groove stem; 1.2030" Head Dia., .3392" Stem Dia., 5.1890" O.A.L.; When depleted use FP-V1684
8	Keeper	FP-VK142		For drilled stem
8	Keeper	VK-142 +		For drilled stem; When depleted use FP-VK142
16	Keeper	FP-VK144		1 groove; Square cut key groove
16	Keeper	VK-144R		1 groove; Square cut key groove; Hardened
16	Keeper, Bulk	FP-VK144B		1 groove; Square cut key groove; Carton of 1000
QTY	VALVE SEAT	PART NO.	SIZE	DESCRIPTION
4	Exh.	245-1437-3N	Std Only	Premium Material; 1.4425" OD, 1.1880" ID, .2160" Depth
4	Exh.	FP-24513753		1.3795" OD, 1.0625" ID, .1855" Depth
4	Exh.	245-1375-3 +	Std Only	1.3795" OD, 1.0625" ID, .1855" Depth; When depleted use FP-24513753
4	Exh.	245-1437-3	Std Only	1.4425" OD, 1.1880" ID, .2160" Depth
4	Int.	245-1625-1N	Std Only	Premium Material; 1.6300" OD, 1.3750" ID, .2160" Depth
4	Int.	FP-2451348E1N		1.3480" OD, 1.0870" ID, .2005" Depth

(continued on next page)

White Farm (Includes Oliver, Minneapolis-Moline)

19 Wheel Tractor F140 Eng.				
(cont.) 2.3L 140 L-HEAD L4, 3.1875" Bore (Continental Eng.)				
CYL. HEAD & PARTS (cont.)				
QTY	VALVE SEAT (cont.)	PART NO.	SIZE	DESCRIPTION
4	Int.	245-1348-E1N + Std Only		1.3480" OD, 1.0870" ID, .2005" Depth; When depleted use FP-2451348E1N
4	Int.	245-1625-1 Std Only		1.6300" OD, 1.3750" ID, .2160" Depth
QTY	VALVE GUIDE	PART NO.	SIZE	DESCRIPTION
8	Guide	FP-VG418		Exc. Rototype; .3425" ID, 2.3100" O.A.L.
8	Guide	VG-418 +		Exc. Rototype; .3425" ID, 2.3100" O.A.L.; When depleted use FP-VG418
QTY	VALVE SPRING	PART NO.	SIZE	DESCRIPTION
8	Spring	FP-VS356		2.0000" Free Height
8	Spring	VS-356 +		2.0000" Free Height; When depleted use FP-VS356
CAMSHAFT GROUP				
QTY	TIMING	PART NO.	SIZE	DESCRIPTION
1	Cam Gear	FP-2212601		F140, & F4140 Eng.s.; Governor Type; 48 Teeth
1	Cam Gear	221-2601		F140, & F4140 Eng.s.; Governor Type; 48 Teeth
1	Cam Gear	FP-2212600		F140, & F4140 Eng.s.; Replacement O.E. No. F400H310; 48 Teeth
1	Cam Gear	221-2600 +		F140, & F4140 Eng.s.; Replacement O.E. No. F400H310; 48 Teeth; When depleted use FP-2212600
ENGINE BLOCK & PARTS				
QTY	GASKET SETS	PART NO.	SIZE	DESCRIPTION
1	Kit Gasket Set	FP-2601355		Compl.; Timing cover gskt. & seal not incl.
1	Kit Gasket Set	260-1355		Compl.; Timing cover gskt. & seal not incl.
QTY	CAM BEARINGS	PART NO.	SIZE	DESCRIPTION
1	Cam Set	FP-1158M	Std Only	
1	Cam Set	1158M + Std Only		When depleted use FP-1158M
CRANKSHAFT/OIL PUMP				
QTY	CRANKSHAFT	PART NO.	SIZE	DESCRIPTION
1	Crank Gear	FP-2212603A		F140, & F4140 Eng.s.; Repl. O.E. No. F400H326; 24 Teeth
1	Crank Gear	221-2603A		F140, & F4140 Eng.s.; Repl. O.E. No. F400H326; 24 Teeth
QTY	MAIN BEARINGS	PART NO.	SIZE	DESCRIPTION
1	Main Set	FP-4004M	Std-10-20	W/Single flanged front brg.
1	Main Set	4004M + Std-10-20		W/Single flanged front brg.; When depleted use FP-4004M
1	Main Set	FP-4005M	Std-10-20	W/Straight shell front brg.
1	Main Set	FP-6632M	Std-10-20-30	W/Straight shell front brg. & thrust washer
1	Main Set	6632M + Std-10-20-30		W/Straight shell front brg. & thrust washer; When depleted use FP-6632M
1	Main Set	4005M + Std-10-20		W/Straight shell front brg.; When depleted use FP-4005M
1	Thrust Washer Set	FP-9811BFA	Std Only	Position 1; Use w/straight shell main brg. set
1	Thrust Washer Set	9811BFA + Std Only		Position 1; Use w/straight shell main brg. set; When depleted use FP-9811BFA
1	Thrust Washer Set	FP-9811BF	Std Only	Position 1; Use w/Flanged main brg.
1	Thrust Washer Set	9811BF + Std Only		Position 1; Use w/Flanged main brg.; When depleted use FP-9811BF
CYLINDER COMPONENTS				
QTY	PISTONS	PART NO.	SIZE	DESCRIPTION
4	Pin Bushing	8649XAS		Forging No. F400D-502; Full round, thin wall .0055" O/S OD bushing
4	Pin Bushing	8649XA		Forging No. F400D-502; Full round, thin wall bushing w/.9150" OD
4	Pin Bushing	8649V		Forging No. F400D-502; Split type, thin wall bushing w/.9135" OD
4	Pin Bushing	8649V20		Forging No. F400D-502; Split type, thin wall bushing w/.9135" OD & .020" extra bore stock
4	Pin Bushing	FP-9324X		Full round, heavy wall bushing w/1.0625" OD; Forging No. F400D-500
4	Pin Bushing	9324X +		Full round, heavy wall bushing w/1.0625" OD; Forging No. F400D-500; When depleted use FP-9324X
QTY	CONNECTING RODS & BRGS.	PART NO.	SIZE	DESCRIPTION
2	Rod Pair	FP-9320CPA	Std-2-10-20-30-40	Position 1-3
2	Rod Pair	9320CPA + Std-2-10-20-30-40		Position 1-3; When depleted use FP-9320CPA
2	Rod Pair	FP-9320CP	Std-10-20-30-40	Position 2-4

(continued on next page)

White Farm (Includes Oliver, Minneapolis-Moline)

Wheel Tractor F140 Eng. 19

2.3L 140 L-HEAD L4, 3.1875" Bore (Continental Eng.) (cont.)

CYLINDER COMPONENTS (cont.)

QTY	CONNECTING RODS & BRGS. (cont.)	PART NO.	SIZE	DESCRIPTION
2	Rod Pair	9320CP +	Std-10-20-30-40	Position 2-4; When depleted use FP-9320CP
1	Standard Set	FP-948X	<i>Std Only</i>	Check piston grooving before supplying ring set; 3-1/8, 1-1/4
1	Standard Set	948X +	Std Only	Check piston grooving before supplying ring set; 3-1/8, 1-1/4; When depleted use FP-948X
1	Standard Set	FP-5036X	<i>Std Only</i>	Check piston grooving before supplying ring set; 3-1/8, 1-3/16
1	Standard Set	5036X +	Std Only	Check piston grooving before supplying ring set; 3-1/8, 1-3/16; When depleted use FP-5036X

Wheel Tractor 55, 55 Super, 66, 66 Super, 166, 166 Super, 550, 660 Eng. 20

2.4L 144 OHV L4 (Waukesha), 3.5" Bore

CYL. HEAD & PARTS

QTY	VALVE	PART NO.	SIZE	DESCRIPTION
4	Intake	FP-V1057		Super 66HC & Super 66KD; 1.3130" Head Dia., .3725" Stem Dia., 5.1610" O.A.L.
4	Intake	V-1057 +	Std Only	Super 66HC & Super 66KD; 1.3130" Head Dia., .3725" Stem Dia., 5.1610" O.A.L.; When depleted use FP-V1057
4	Intake	FP-V1055		55HC & Super 55HC; 1.3957" Head Dia., .3724" Stem Dia., 5.0433" O.A.L.
4	Intake	V-1055 +	Std Only	55HC & Super 55HC; 1.3957" Head Dia., .3724" Stem Dia., 5.0433" O.A.L.; When depleted use FP-V1055
4	Exhaust	FP-V1056		Super 66HC & Super 66KD; 1.1250" Head Dia., .3715" Stem Dia., 5.1560" O.A.L.
4	Exhaust	V-1056 +	Std Only	Super 66HC & Super 66KD; 1.1250" Head Dia., .3715" Stem Dia., 5.1560" O.A.L.; When depleted use FP-V1056
4	Exhaust	FP-V1054		55HC & Super 55HC; 1.2559" Head Dia., .3715" Stem Dia., 5.0492" O.A.L.
4	Exhaust	V-1054 +	Std Only	55HC & Super 55HC; 1.2559" Head Dia., .3715" Stem Dia., 5.0492" O.A.L.; When depleted use FP-V1054
16	Keeper	VK-66		2 groove
16	Keeper	VK-66R		2 groove; Hardened
8	Guide	FP-VG857		.3745" ID, 2.5000" O.A.L.
8	Guide	VG-857 +		.3745" ID, 2.5000" O.A.L.; When depleted use FP-VG857
4	Spring	FP-VS1579		Exh.; 2.3140" Free Height
4	Spring	VS-1579 +		Exh.; 2.3140" Free Height; When depleted use FP-VS1579
4	Spring	FP-VS400		Int.; 2.8130" Free Height
4	Spring	VS-400 +		Int.; 2.8130" Free Height; When depleted use FP-VS400
4	Rotocap	RC-58		Exh.

ENGINE BLOCK & PARTS

QTY	CAM BEARINGS	PART NO.	SIZE	DESCRIPTION
1	Cam Set	FP-1137M	<i>Std Only</i>	
1	Cam Set	1137M +	Std Only	When depleted use FP-1137M

CYLINDER COMPONENTS

QTY	LINERS	PART NO.	SIZE	DESCRIPTION
4	Liner w/Sealing Rings	FP-SO1982	<i>Std Only</i>	OVERBORE To 3.625"; Incl. (2) FP-SLR1640 sealing rings
4	Liner w/Sealing Rings	SO-1982 +	Std Only	OVERBORE To 3.625"; Incl. (2) SLR-1640 sealing rings; When depleted use FP-SO1982
4	Sleeve Assy.	FP-SL1982	<i>Std Only</i>	OVERBORE To 3.625"
4	Sleeve Assy.	SL-1982 +	Std Only	OVERBORE To 3.625"; When depleted use FP-SL1982
4	Cast Piston	FP-1982PX	<i>Std Only</i>	OVERBORE To 3.625"; Cast; 3-3/32", 1-3/16" Ring Groove, 2.312" CD, 1.2500" Pin Dia., Flat Head; Repl. O.E. No. 183004
4	Cast Piston	1982PX +	Std Only	OVERBORE To 3.625"; Cast; 3-3/32", 1-3/16" Ring Groove, 2.312" CD, 1.2500" Pin Dia., Flat Head; Repl. O.E. No. 183004; When depleted use FP-1982PX
12	Pin Bushing	FP-1884Y20		2 req'd. per rod
12	Pin Bushing	1884Y20 +		2 req'd. per rod; When depleted use FP-1884Y20
4	CONNECTING RODS & BRGS.	FP-1880CP	<i>Std-10-20-30</i>	Models From Ser. No. 6503

(continued on next page)

+ Superseded Part Number

White Farm (Includes Oliver, Minneapolis-Moline)

20 Wheel Tractor 55, 55 Super, 66, 66 Super, 166, 166 Super, 550, 660 Engs.
(cont.) 2.4L 144 OHV L4 (Waukesha), 3.5" Bore

CYLINDER COMPONENTS (cont.)

CONNECTING RODS & BRGS. (cont.)				
QTY		PART NO.	SIZE	DESCRIPTION
4	Rod Pair	1880CP +	Std-10-20-30	Models From Ser. No. 6503; When depleted use FP-1880CP
4	Rod Pair	FP-1435SB	Std-10	Models To Ser. No. 6502; Early Engs.
4	Rod Pair	1435SB +	Std-10	Models To Ser. No. 6502; Early Engs.; When depleted use FP-1435SB
4	Rod Pair	FP-1865CP	Std-10-20	Models To Ser. No. 6502; Later Engs.; O.A.L. 1.109"
4	Rod Pair	1865CP +	Std-10-20	Models To Ser. No. 6502; Later Engs.; O.A.L. 1.109"; When depleted use FP-1865CP
PISTON RINGS				
QTY		PART NO.	SIZE	DESCRIPTION
1	Premium Set	FP-5923KX	Std Only	OVERBORE To 3.625"; 2-3/32, 1-3/16
1	Premium Set	5923KX +	Std Only	OVERBORE To 3.625"; 2-3/32, 1-3/16; When depleted use FP-5923KX
1	Premium Set	FP-5504KX	Std Only	OVERBORE To 3.625"; 3-3/32, 1-3/16
1	Premium Set	5504KX +	Std Only	OVERBORE To 3.625"; 3-3/32, 1-3/16; When depleted use FP-5504KX
1	Premium Set	FP-934KX	Std-20-30-60	3-1/8, 1-3/16
1	Premium Set	934KX +	Std-20-30-60	3-1/8, 1-3/16; When depleted use FP-934KX
1	Standard Set	FP-5504X	Std Only	OVERBORE To 3.625"; 3-3/32, 1-3/16
1	Standard Set	5504X +	Std Only	OVERBORE To 3.625"; 3-3/32, 1-3/16; When depleted use FP-5504X
1	Standard Set	FP-934X	Std Only	3-1/8, 1-3/16
1	Standard Set	934X +	Std Only	3-1/8, 1-3/16; When depleted use FP-934X
4	Premium Single Cylinder Set	W-5923KX	Std Only	OVERBORE To 3.625"; 2-3/32, 1-3/16
4	Premium Single Cylinder Set	W-5504KX	Std Only	OVERBORE To 3.625"; 3-3/32, 1-3/16
4	Premium Single Cylinder Set	W-934KX	Std Only	3-1/8, 1-3/16
4	Standard Single Cylinder Set	W-934X	Std Only	3-1/8, 1-3/16

KITS

QTY		PART NO.	SIZE	DESCRIPTION
1	Tractor Overhaul Kit	FP-KST1982D		OVERBORE To 3.625"; From Ser. No. 6503 w/2.250" rod brg. journals; Gasket set not available
1	Tractor Overhaul Kit	FP-KST1982C		OVERBORE To 3.625"; To Ser. No. 6502 w/2.000" rod brg. journals & 1.109" overall rod brg. length; Gasket set not available

21 Wheel Tractor 55, 55 Super, 66, 66 Super, 166, 166 Super, 550, 660 Engs.
2.4L 144 OHV Diesel L4 (Waukesha), 3.5" Bore

CYL. HEAD & PARTS

QTY		PART NO.	SIZE	DESCRIPTION
16	Keeper	VK-138R		1 groove; Square cut key groove; Hardened
16	Keeper	VK-66		2 groove
16	Keeper	VK-66R		2 groove; Hardened
QTY		PART NO.	SIZE	DESCRIPTION
8	Guide	FP-VG859		.3695" ID, 2.3100" O.A.L.
8	Guide	VG-859 +		.3695" ID, 2.3100" O.A.L.; When depleted use FP-VG859
QTY		PART NO.	SIZE	DESCRIPTION
8	Valve Stem Seal	ST-2004		Positive type; Installation requires valve guide machining; Rubber/PTFE
8	Valve Stem Seal Bulk	ST-2004BC		Positive type; Installation requires valve guide machining; Carton of 100; Rubber/PTFE

ENGINE BLOCK & PARTS

QTY		PART NO.	SIZE	DESCRIPTION
1	Cam Set	FP-1137M	Std Only	
1	Cam Set	1137M +	Std Only	When depleted use FP-1137M

CRANKSHAFT/OIL PUMP

QTY		PART NO.	SIZE	DESCRIPTION
1	Main Set	FP-903M	Std-10	
1	Main Set	903M +	Std-10	When depleted use FP-903M

CYLINDER COMPONENTS

QTY		PART NO.	SIZE	DESCRIPTION
4	Liner w/Sealing Rings	FP-SO1982	Std Only	OVERBORE To 3.625"; Incl. (2) FP-SLR1640 sealing rings
4	Liner w/Sealing Rings	SO-1982 +	Std Only	OVERBORE To 3.625"; Incl. (2) SLR-1640 sealing rings; When depleted use FP-SO1982
4	Sleeve Assy.	FP-SL1982	Std Only	OVERBORE To 3.625"

(continued on next page)

+ Superseded Part Number

White Farm (Includes Oliver, Minneapolis-Moline)

Wheel Tractor 55, 55 Super, 66, 66 Super, 166, 166 Super, 550, 660 Engs. 21
2.4L 144 OHV Diesel L4 (Waukesha), 3.5" Bore (cont.)

CYLINDER COMPONENTS (cont.)

QTY	LINERS (cont.)	PART NO.	SIZE	DESCRIPTION
4	Sleeve Assy.	SL-1982 +	Std Only	OVERBORE To 3.625"; When depleted use FP-SL1982
QTY	PISTONS	PART NO.	SIZE	DESCRIPTION
4	Cast Piston	FP-1982PX	Std Only	OVERBORE To 3.625"; Cast; 3-3/32", 1-3/16" Ring Groove, 2.312" CD, 1.2500" Pin Dia., Flat Head; Repl. O.E. No. 183004
4	Cast Piston	1982PX +	Std Only	OVERBORE To 3.625"; Cast; 3-3/32", 1-3/16" Ring Groove, 2.312" CD, 1.2500" Pin Dia., Flat Head; Repl. O.E. No. 183004; When depleted use FP-1982PX
8	Pin Bushing	FP-1884Y20		2 req'd. per rod
8	Pin Bushing	1884Y20 +		2 req'd. per rod; When depleted use FP-1884Y20
QTY	CONNECTING RODS & BRGS.	PART NO.	SIZE	DESCRIPTION
4	Rod Pair	FP-1880CP	Std-10-20-30	Models From Ser. No. 6503
4	Rod Pair	1880CP +	Std-10-20-30	Models From Ser. No. 6503; When depleted use FP-1880CP
4	Rod Pair	FP-1865CP	Std-10-20	Models To Ser. No. 6502; O.A.L. 1.109"
4	Rod Pair	1865CP +	Std-10-20	Models To Ser. No. 6502; O.A.L. 1.109"; When depleted use FP-1865CP
QTY	PISTON RINGS	PART NO.	SIZE	DESCRIPTION
1	Premium Set	FP-934KX	Std-20-30-60	Check piston grooving before supplying ring set; 3-1/8, 1-3/16
1	Premium Set	934KX +	Std-20-30-60	Check piston grooving before supplying ring set; 3-1/8, 1-3/16; When depleted use FP-934KX
1	Premium Set	FP-5923KX	Std Only	OVERBORE To 3.625"; Check piston grooving before supplying ring set; 2-3/32, 1-3/16
1	Premium Set	5923KX +	Std Only	OVERBORE To 3.625"; Check piston grooving before supplying ring set; 2-3/32, 1-3/16; When depleted use FP-5923KX
1	Premium Set	FP-5504KX	Std Only	OVERBORE To 3.625"; Check piston grooving before supplying ring sets; 3-3/32, 1-3/16
1	Premium Set	5504KX +	Std Only	OVERBORE To 3.625"; Check piston grooving before supplying ring sets; 3-3/32, 1-3/16; When depleted use FP-5504KX
1	Standard Set	FP-934X	Std Only	Check piston grooving before supplying ring set; 3-1/8, 1-3/16
1	Standard Set	934X +	Std Only	Check piston grooving before supplying ring set; 3-1/8, 1-3/16; When depleted use FP-934X
1	Standard Set	FP-5504X	Std Only	OVERBORE To 3.625"; Check piston grooving before supplying ring set; 3-3/32, 1-3/16
1	Standard Set	5504X +	Std Only	OVERBORE To 3.625"; Check piston grooving before supplying ring set; 3-3/32, 1-3/16; When depleted use FP-5504X
4	Premium Single Cylinder Set	W-934KX	Std Only	Check piston grooving before supplying ring set; 3-1/8, 1-3/16
4	Premium Single Cylinder Set	W-5504KX	Std Only	OVERBORE To 3.625"; Check piston grooving before supplying ring set; 3-3/32, 1-3/16
4	Premium Single Cylinder Set	W-5923KX	Std Only	OVERBORE To 3.625"; 2-3/32, 1-3/16
4	Standard Single Cylinder Set	W-934X	Std Only	Check piston grooving before supplying ring set; 3-1/8, 1-3/16
KITS				
QTY	OVERHAUL KIT	PART NO.	SIZE	DESCRIPTION
1	Tractor Overhaul Kit	FP-KST1982C		OVERBORE To 3.625"; To Ser. No. 6502 w/2.000" rod brg. journals & 1.109" overall rod brg. length; Gasket set not available

Wheel Tractor 66, 66 Super, 660 Engs. (Distillate) 22
2.4L 144 OHV Distillate L4 (Waukesha), 3.5" Bore

CYL. HEAD & PARTS

QTY	VALVE	PART NO.	SIZE	DESCRIPTION
4	Intake	FP-V1057		Super 66HC & Super 66KD; 1.3130" Head Dia., .3725" Stem Dia., 5.1610" O.A.L.
4	Intake	V-1057 +	Std Only	Super 66HC & Super 66KD; 1.3130" Head Dia., .3725" Stem Dia., 5.1610" O.A.L.; When depleted use FP-V1057
4	Intake	FP-V1055		55HC & Super 55HC; 1.3957" Head Dia., .3724" Stem Dia., 5.0433" O.A.L.
4	Intake	V-1055 +	Std Only	55HC & Super 55HC; 1.3957" Head Dia., .3724" Stem Dia., 5.0433" O.A.L.; When depleted use FP-V1055
4	Exhaust	FP-V1056		Super 66HC & Super 66KD; 1.1250" Head Dia., .3715" Stem Dia., 5.1560" O.A.L.
4	Exhaust	V-1056 +	Std Only	Super 66HC & Super 66KD; 1.1250" Head Dia., .3715" Stem Dia., 5.1560" O.A.L.; When depleted use FP-V1056
4	Exhaust	FP-V1054		55HC & Super 55HC; 1.2559" Head Dia., .3715" Stem Dia., 5.0492" O.A.L.
4	Exhaust	V-1054 +	Std Only	55HC & Super 55HC; 1.2559" Head Dia., .3715" Stem Dia., 5.0492" O.A.L.; When depleted use FP-V1054

(continued on next page)

+ Superseded Part Number

White Farm (Includes Oliver, Minneapolis-Moline)

22 Wheel Tractor 66, 66 Super, 660 Engs. (Distillate) (cont.) 2.4L 144 OHV Distillate L4 (Waukesha), 3.5" Bore

CYL. HEAD & PARTS (cont.)				
QTY	VALVE (cont.)	PART NO.	SIZE	DESCRIPTION
16	Keeper	VK-66		2 groove
16	Keeper	VK-66R		2 groove; Hardened
QTY	VALVE GUIDE	PART NO.	SIZE	DESCRIPTION
8	Guide	FP-VG857		.3745" ID, 2.5000" O.A.L.
8	Guide	VG-857 +		.3745" ID, 2.5000" O.A.L.; When depleted use FP-VG857
QTY	VALVE SPRING	PART NO.	SIZE	DESCRIPTION
4	Spring	FP-VS1579		Exh.; 2.3140" Free Height
4	Spring	VS-1579 +		Exh.; 2.3140" Free Height; When depleted use FP-VS1579
4	Spring	FP-VS400		Int.; 2.8130" Free Height
4	Spring	VS-400 +		Int.; 2.8130" Free Height; When depleted use FP-VS400
QTY	VALVE MISC.	PART NO.	SIZE	DESCRIPTION
4	Rotocap	RC-58		Exh.
CYLINDER COMPONENTS				
QTY	PISTONS	PART NO.	SIZE	DESCRIPTION
12	Pin Bushing	FP-1884Y20		2 req'd. per rod
12	Pin Bushing	1884Y20 +		2 req'd. per rod; When depleted use FP-1884Y20

23 Wheel Tractor 66, 66 Super, 166, 166 Super, 660 Engs. (LPG) 2.4L 144 OHV LPG L4 (Waukesha), 3.5" Bore

CYL. HEAD & PARTS				
QTY	VALVE	PART NO.	SIZE	DESCRIPTION
16	Keeper	VK-66		2 groove
16	Keeper	VK-66R		2 groove; Hardened
QTY	VALVE GUIDE	PART NO.	SIZE	DESCRIPTION
8	Guide	FP-VG857		.3745" ID, 2.5000" O.A.L.
8	Guide	VG-857 +		.3745" ID, 2.5000" O.A.L.; When depleted use FP-VG857
QTY	VALVE SPRING	PART NO.	SIZE	DESCRIPTION
4	Spring	FP-VS1579		Exh.; 2.3140" Free Height
4	Spring	VS-1579 +		Exh.; 2.3140" Free Height; When depleted use FP-VS1579
4	Spring	FP-VS400		Int.; 2.8130" Free Height
4	Spring	VS-400 +		Int.; 2.8130" Free Height; When depleted use FP-VS400
ENGINE BLOCK & PARTS				
QTY	CAM BEARINGS	PART NO.	SIZE	DESCRIPTION
1	Cam Set	FP-1137M	Std Only	
1	Cam Set	1137M + Std Only		When depleted use FP-1137M
CYLINDER COMPONENTS				
QTY	LINERS	PART NO.	SIZE	DESCRIPTION
4	Liner w/Sealing Rings	FP-SO1982	Std Only	OVERBORE To 3.625"; Incl. (2) FP-SLR1640 sealing rings
4	Liner w/Sealing Rings	SO-1982 + Std Only		OVERBORE To 3.625"; Incl. (2) SLR-1640 sealing rings; When depleted use FP-SO1982
4	Sleeve Assy.	FP-SL1982	Std Only	OVERBORE To 3.625"
4	Sleeve Assy.	SL-1982 + Std Only		OVERBORE To 3.625"; When depleted use FP-SL1982
QTY	PISTONS	PART NO.	SIZE	DESCRIPTION
4	Cast Piston	FP-1982PX	Std Only	OVERBORE To 3.625"; Cast; 3-3/32", 1-3/16" Ring Groove, 2.312" CD, 1.2500" Pin Dia., Flat Head; Repl. O.E. No. 183004
4	Cast Piston	1982PX + Std Only		OVERBORE To 3.625"; Cast; 3-3/32", 1-3/16" Ring Groove, 2.312" CD, 1.2500" Pin Dia., Flat Head; Repl. O.E. No. 183004; When depleted use FP-1982PX
8	Pin Bushing	FP-1884Y20		2 req'd. per rod
8	Pin Bushing	1884Y20 +		2 req'd. per rod; When depleted use FP-1884Y20
QTY	CONNECTING RODS & BRGS.	PART NO.	SIZE	DESCRIPTION
4	Rod Pair	FP-1880CP	Std-10-20-30	Models From Ser. No. 6503
4	Rod Pair	1880CP + Std-10-20-30		Models From Ser. No. 6503; When depleted use FP-1880CP
4	Rod Pair	FP-1435SB	Std-10	Models To Ser. No. 6502; Early Engs.
4	Rod Pair	1435SB + Std-10		Models To Ser. No. 6502; Early Engs.; When depleted use FP-1435SB
QTY	PISTON RINGS	PART NO.	SIZE	DESCRIPTION
1	Premium Set	FP-5923KX	Std Only	OVERBORE To 3.625"; 2-3/32, 1-3/16
1	Premium Set	5923KX + Std Only		OVERBORE To 3.625"; 2-3/32, 1-3/16; When depleted use FP-5923KX

(continued on next page)

White Farm (Includes Oliver, Minneapolis-Moline)

Wheel Tractor 66, 66 Super, 166, 166 Super, 660 Eng. (LPG) 23
2.4L 144 OHV LPG L4 (Waukesha), 3.5" Bore (cont.)

CYLINDER COMPONENTS (cont.)

QTY	PISTON RINGS (cont.)	PART NO.	SIZE	DESCRIPTION
1	Premium Set	FP-5504KX	<i>Std Only</i>	OVERBORE To 3.625"; 3-3/32, 1-3/16
1	Premium Set	5504KX +	<i>Std Only</i>	OVERBORE To 3.625"; 3-3/32, 1-3/16; When depleted use FP-5504KX
1	Premium Set	FP-934KX	<i>Std-20-30-60</i>	3-1/8, 1-3/16
1	Premium Set	934KX +	<i>Std-20-30-60</i>	3-1/8, 1-3/16; When depleted use FP-934KX
1	Standard Set	FP-5504X	<i>Std Only</i>	OVERBORE To 3.625"; 3-3/32, 1-3/16
1	Standard Set	5504X +	<i>Std Only</i>	OVERBORE To 3.625"; 3-3/32, 1-3/16; When depleted use FP-5504X
1	Standard Set	FP-934X	<i>Std Only</i>	3-1/8, 1-3/16
1	Standard Set	934X +	<i>Std Only</i>	3-1/8, 1-3/16; When depleted use FP-934X
4	Premium Single Cylinder Set	W-5923KX	<i>Std Only</i>	OVERBORE To 3.625"; 2-3/32, 1-3/16
4	Premium Single Cylinder Set	W-5504KX	<i>Std Only</i>	OVERBORE To 3.625"; 3-3/32, 1-3/16
4	Premium Single Cylinder Set	W-934KX	<i>Std Only</i>	3-1/8, 1-3/16
4	Standard Single Cylinder Set	W-934X	<i>Std Only</i>	3-1/8, 1-3/16

Wheel Tractor 55, 55 Super, 66, 66 Super, 166, 166 Super, 550, 660 Eng. 24
2.5L 155 OHV L4 (Waukesha), 3.625" Bore

ENGINE BLOCK & PARTS

QTY	CAM BEARINGS	PART NO.	SIZE	DESCRIPTION
1	Cam Set	FP-1137M	<i>Std Only</i>	
1	Cam Set	1137M +	<i>Std Only</i>	When depleted use FP-1137M

CRANKSHAFT/OIL PUMP

QTY	MAIN BEARINGS	PART NO.	SIZE	DESCRIPTION
1	Main Set	FP-903M	<i>Std-10</i>	Later Eng.
1	Main Set	903M +	<i>Std-10</i>	Later Eng.; When depleted use FP-903M

CYLINDER COMPONENTS

QTY	PISTONS	PART NO.	SIZE	DESCRIPTION
8	Pin Bushing	FP-1884Y20		2 req'd. per rod
8	Pin Bushing	1884Y20 +		2 req'd. per rod; When depleted use FP-1884Y20
CONNECTING RODS & BRGS.				
QTY		PART NO.	SIZE	DESCRIPTION
4	Rod Pair	FP-1880CP	<i>Std-10-20-30</i>	Models From Ser. No. 6502
4	Rod Pair	1880CP +	<i>Std-10-20-30</i>	Models From Ser. No. 6502; When depleted use FP-1880CP
4	Rod Pair	FP-1435SB	<i>Std-10</i>	Models To Ser. No. 6502; Early Eng.
4	Rod Pair	1435SB +	<i>Std-10</i>	Models To Ser. No. 6502; Early Eng.; When depleted use FP-1435SB
4	Rod Pair	FP-1865CP	<i>Std-10-20</i>	Models To Ser. No. 6502; Later Eng.; O.A.L. 1.109"
4	Rod Pair	1865CP +	<i>Std-10-20</i>	Models To Ser. No. 6502; Later Eng.; O.A.L. 1.109"; When depleted use FP-1865CP

Wheel Tractor F162 Eng. 25
2.6L 162 L-HEAD L4, 3.4375" Bore (Continental Eng.)

CYL. HEAD & PARTS

QTY	VALVE	PART NO.	SIZE	DESCRIPTION
4	Intake	FP-V801		Drilled stem; 1.5200" Head Dia., .3411" Stem Dia., 5.1760" O.A.L.
4	Intake	V-801 +	<i>Std Only</i>	Drilled stem; 1.5200" Head Dia., .3411" Stem Dia., 5.1760" O.A.L.; When depleted use FP-V801
4	Intake	FP-V1748		Single groove stem; 1.5160" Head Dia., .3410" Stem Dia., 5.1570" O.A.L.
4	Intake	V-1748 +	<i>Std Only</i>	Single groove stem; 1.5160" Head Dia., .3410" Stem Dia., 5.1570" O.A.L.; When depleted use FP-V1748
4	Exhaust	FP-V800		Drilled stem; 1.2030" Head Dia., .3381" Stem Dia., 5.1520" O.A.L.
4	Exhaust	V-800 +	<i>Std Only</i>	Drilled stem; 1.2030" Head Dia., .3381" Stem Dia., 5.1520" O.A.L.; When depleted use FP-V800
4	Exhaust	FP-V954		Drilled stem; 1.3280" Head Dia., .3386" Stem Dia., 5.1950" O.A.L.
4	Exhaust	V-954 +	<i>Std Only</i>	Drilled stem; 1.3280" Head Dia., .3386" Stem Dia., 5.1950" O.A.L.; When depleted use FP-V954
4	Exhaust	FP-V1684		Single groove stem; 1.2030" Head Dia., .3392" Stem Dia., 5.1890" O.A.L.
4	Exhaust	V-1684 +	<i>Std Only</i>	Single groove stem; 1.2030" Head Dia., .3392" Stem Dia., 5.1890" O.A.L.; When depleted use FP-V1684

(continued on next page)

White Farm (Includes Oliver, Minneapolis-Moline)

25 Wheel Tractor F162 Eng.
(cont.) 2.6L 162 L-HEAD L4, 3.4375" Bore (Continental Eng.)

CYL. HEAD & PARTS (cont.)				
QTY	VALVE (cont.)	PART NO.	SIZE	DESCRIPTION
8	Keeper	FP-VK142		For drilled stem
8	Keeper	VK-142 +		For drilled stem; When depleted use FP-VK142
16	Keeper	FP-VK144		1 groove; Square cut key groove
16	Keeper	VK-144R		1 groove; Square cut key groove; Hardened
16	Keeper, Bulk	FP-VK144B		1 groove; Square cut key groove; Carton of 1000
QTY	VALVE SEAT	PART NO.	SIZE	DESCRIPTION
4	Exh.	245-1437-3N Std Only		Premium Material; 1.4425" OD, 1.1880" ID, .2160" Depth
4	Exh.	FP-24513753		1.3795" OD, 1.0625" ID, .1855" Depth
4	Exh.	245-1375-3 + Std Only		1.3795" OD, 1.0625" ID, .1855" Depth; When depleted use FP-24513753
4	Exh.	245-1437-3 Std Only		1.4425" OD, 1.1880" ID, .2160" Depth
4	Int.	245-1625-1N Std Only		Premium Material; 1.6300" OD, 1.3750" ID, .2160" Depth
4	Int.	FP-2451348E1N		1.3480" OD, 1.0870" ID, .2005" Depth
4	Int.	245-1348-E1N + Std Only		1.3480" OD, 1.0870" ID, .2005" Depth; When depleted use FP-2451348E1N
4	Int.	245-1625-1 Std Only		1.6300" OD, 1.3750" ID, .2160" Depth
QTY	VALVE GUIDE	PART NO.	SIZE	DESCRIPTION
8	Guide	FP-VG418		Exc. Rototype; .3425" ID, 2.3100" O.A.L.
8	Guide	VG-418 +		Exc. Rototype; .3425" ID, 2.3100" O.A.L.; When depleted use FP-VG418
QTY	VALVE SPRING	PART NO.	SIZE	DESCRIPTION
8	Spring	FP-VS356		2.0000" Free Height
8	Spring	VS-356 +		2.0000" Free Height; When depleted use FP-VS356
CAMSHAFT GROUP				
QTY	TIMING	PART NO.	SIZE	DESCRIPTION
1	Cam Gear	FP-2212601		Governor type; 48 Teeth
1	Cam Gear	221-2601		Governor type; 48 Teeth
1	Cam Gear	FP-2212600		Replacement O.E. No. F400H310; 48 Teeth
1	Cam Gear	221-2600 +		Replacement O.E. No. F400H310; 48 Teeth; When depleted use FP-2212600
ENGINE BLOCK & PARTS				
QTY	GASKET SETS	PART NO.	SIZE	DESCRIPTION
1	Kit Gasket Set	FP-2601355		Compl.; Timing cover gskt. & seal not incl.
1	Kit Gasket Set	260-1355		Compl.; Timing cover gskt. & seal not incl.
QTY	CAM BEARINGS	PART NO.	SIZE	DESCRIPTION
1	Cam Set	FP-1158M	Std Only	
1	Cam Set	1158M + Std Only		When depleted use FP-1158M
CRANKSHAFT/OIL PUMP				
QTY	CRANKSHAFT	PART NO.	SIZE	DESCRIPTION
1	Crank Gear	FP-2212603A		Repl. O.E. No. F400H326; 24 Teeth
1	Crank Gear	221-2603A		Repl. O.E. No. F400H326; 24 Teeth
QTY	MAIN BEARINGS	PART NO.	SIZE	DESCRIPTION
1	Main Set	FP-4004M	Std-10-20	W/Single flanged front brg.
1	Main Set	4004M + Std-10-20		W/Single flanged front brg.; When depleted use FP-4004M
1	Main Set	FP-4005M	Std-10-20	W/Straight shell front brg.
1	Main Set	FP-6632M	Std-10-20-30	W/Straight shell front brg. & thrust washer
1	Main Set	6632M + Std-10-20-30		W/Straight shell front brg. & thrust washer; When depleted use FP-6632M
1	Main Set	4005M + Std-10-20		W/Straight shell front brg.; When depleted use FP-4005M
1	Thrust Washer Set	FP-9811BFA	Std Only	Position 1; Use w/straight shell main brg. set
1	Thrust Washer Set	9811BFA + Std Only		Position 1; Use w/straight shell main brg. set; When depleted use FP-9811BFA
1	Thrust Washer Set	FP-9811BF	Std Only	Position 1; Use w/Flanged main brg.
1	Thrust Washer Set	9811BF + Std Only		Position 1; Use w/Flanged main brg.; When depleted use FP-9811BF
QTY	OIL PUMP	PART NO.	SIZE	DESCRIPTION
1	Oil Pump	FP-2244132		Cast Iron drive gear; Use w/Cast Iron cams; 7 1/8" from flange to end of shaft; Incl. screen
1	Oil Pump	224-4132 +		Cast Iron drive gear; Use w/Cast Iron cams; 7 1/8" from flange to end of shaft; Incl. screen; When depleted use FP-2244132
1	Oil Pump	FP-2244137		Steel drive gear w/groove at pin; Use w/Steel cams; 7-1/8" from flange to end of shaft; Incl. pin
1	Oil Pump	224-4137 +		Steel drive gear w/groove at pin; Use w/Steel cams; 7-1/8" from flange to end of shaft; Incl. pin; When depleted use FP-2244137

(continued on next page)

White Farm (Includes Oliver, Minneapolis-Moline)

Wheel Tractor F162 Eng. 25
2.6L 162 L-HEAD L4, 3.4375" Bore (Continental Eng.) (cont.)

CYLINDER COMPONENTS

QTY	LINERS	PART NO.	SIZE	DESCRIPTION
1	Repair Sleeve	SL-14M	Std Only	3/32" wall, must be cut to correct length
QTY	PISTONS	PART NO.	SIZE	DESCRIPTION
4	Cast Piston	FP-1102P	Std-20-30-40-60	Cast; 1-5/64", 2-3/32", 1-1/4" Ring Groove, 2.000" CD, .8592" Pin Dia., Flat Head
4	Cast Piston	1102P +	Std-20-30-40-60	Cast; 1-5/64", 2-3/32", 1-1/4" Ring Groove, 2.000" CD, .8592" Pin Dia., Flat Head; When depleted use FP-1102P
4	Cast Piston - Individual	FP-W1102P	Std-20-30-40-60	Cast; 1-5/64", 2-3/32", 1-1/4" Ring Groove, 2.000" CD, .8592" Pin Dia., Flat Head
4	Cast Piston - Individual	W1102P +	Std-20-30-40-60	Cast; 1-5/64", 2-3/32", 1-1/4" Ring Groove, 2.000" CD, .8592" Pin Dia., Flat Head; When depleted use FP-W1102P
4	Pin Bushing	8649XAS		Forging No. F400D-502; Full round, thin wall .0055" O/S OD bushing
4	Pin Bushing	8649XA		Forging No. F400D-502; Full round, thin wall bushing w/.9150" OD
4	Pin Bushing	8649V		Forging No. F400D-502; Split type, thin wall bushing w/.9135" OD
4	Pin Bushing	8649V20		Forging No. F400D-502; Split type, thin wall bushing w/.9135" OD & .020" extra bore stock
4	Pin Bushing	FP-9324X		Full round, heavy wall bushing w/1.0625" OD; Forging No. F400D-500
4	Pin Bushing	9324X +		Full round, heavy wall bushing w/1.0625" OD; Forging No. F400D-500; When depleted use FP-9324X
QTY	CONNECTING RODS & BRGS.	PART NO.	SIZE	DESCRIPTION
2	Rod Pair	FP-9320CPA	Std-2-10-20-30-40	Position 1-3
2	Rod Pair	9320CPA +	Std-2-10-20-30-40	Position 1-3; When depleted use FP-9320CPA
2	Rod Pair	FP-9320CP	Std-10-20-30-40	Position 2-4
2	Rod Pair	9320CP +	Std-10-20-30-40	Position 2-4; When depleted use FP-9320CP
QTY	PISTON RINGS	PART NO.	SIZE	DESCRIPTION
1	Premium Set	FP-E323KC	Std-20-30-40-60	Check piston grooving before supplying ring set; 1-5/64, 2-3/32, 1-1/4
1	Premium Set	E-323KC +	Std-20-30-40-60	Check piston grooving before supplying ring set; 1-5/64, 2-3/32, 1-1/4; When depleted use FP-E323KC
1	Premium Set	FP-926KX	Std Only	Check piston grooving before supplying ring set; 3-1/8, 1-1/4
1	Premium Set	926KX +	Std Only	Check piston grooving before supplying ring set; 3-1/8, 1-1/4; When depleted use FP-926KX
1	Premium Set	FP-5039KX	Std Only	Check piston grooving before supplying ring set; 3-1/8, 1-3/16
1	Premium Set	5039KX +	Std Only	Check piston grooving before supplying ring set; 3-1/8, 1-3/16; When depleted use FP-5039KX
1	Premium Set	FP-5607KX	Std Only	Check piston grooving before supplying ring set; 3-3/32, 1-1/4
1	Premium Set	5607KX +	Std Only	Check piston grooving before supplying ring set; 3-3/32, 1-1/4; When depleted use FP-5607KX
1	Standard Set	FP-E323X	Std-20-30-40-60	Check piston grooving before supplying ring set; 1-5/64, 2-3/32, 1-1/4
1	Standard Set	E-323X +	Std-20-30-40-60	Check piston grooving before supplying ring set; 1-5/64, 2-3/32, 1-1/4; When depleted use FP-E323X
1	Standard Set	FP-926X	Std Only	Check piston grooving before supplying ring set; 3-1/8, 1-1/4
1	Standard Set	926X +	Std Only	Check piston grooving before supplying ring set; 3-1/8, 1-1/4; When depleted use FP-926X
4	Premium Single Cylinder Set	WE-323KC	Std-20-30-40-60	Check piston grooving before supplying ring set; 1-5/64, 2-3/32, 1-1/4
4	Premium Single Cylinder Set	W-5039KX	Std Only	Check piston grooving before supplying ring set; 3-1/8, 1-3/16
4	Standard Single Cylinder Set	WE-323X	Std-20-30-40-60	Check piston grooving before supplying ring set; 1-5/64, 2-3/32, 1-1/4

Combine F4162 Eng. 26
2.6L 162 L-HEAD L4, 3.4375" Bore (Continental Eng.)

CYL. HEAD & PARTS

QTY	VALVE	PART NO.	SIZE	DESCRIPTION
4	Intake	FP-V801		Drilled stem; 1.5200" Head Dia., .3411" Stem Dia., 5.1760" O.A.L.
4	Intake	V-801 +	Std Only	Drilled stem; 1.5200" Head Dia., .3411" Stem Dia., 5.1760" O.A.L.; When depleted use FP-V801
4	Intake	FP-V1748		Single groove stem; 1.5160" Head Dia., .3410" Stem Dia., 5.1570" O.A.L.
4	Intake	V-1748 +	Std Only	Single groove stem; 1.5160" Head Dia., .3410" Stem Dia., 5.1570" O.A.L.; When depleted use FP-V1748

(continued on next page)
+ Superseded Part Number

White Farm (Includes Oliver, Minneapolis-Moline)

26 Combine F4162 Eng.

(cont.) 2.6L 162 L-HEAD L4, 3.4375" Bore (Continental Eng.)

CYL. HEAD & PARTS (cont.)				
QTY	VALVE (cont.)	PART NO.	SIZE	DESCRIPTION
4	Exhaust	FP-V800		Drilled stem; 1.2030" Head Dia., .3381" Stem Dia., 5.1520" O.A.L.
4	Exhaust	V-800 +	Std Only	Drilled stem; 1.2030" Head Dia., .3381" Stem Dia., 5.1520" O.A.L.; When depleted use FP-V800
4	Exhaust	FP-V954		Drilled stem; 1.3280" Head Dia., .3386" Stem Dia., 5.1950" O.A.L.
4	Exhaust	V-954 +	Std Only	Drilled stem; 1.3280" Head Dia., .3386" Stem Dia., 5.1950" O.A.L.; When depleted use FP-V954
4	Exhaust	FP-V1684		Single groove stem; 1.2030" Head Dia., .3392" Stem Dia., 5.1890" O.A.L.
4	Exhaust	V-1684 +	Std Only	Single groove stem; 1.2030" Head Dia., .3392" Stem Dia., 5.1890" O.A.L.; When depleted use FP-V1684
8	Keeper	FP-VK142		For drilled stem
8	Keeper	VK-142 +		For drilled stem; When depleted use FP-VK142
16	Keeper	FP-VK144		1 groove; Square cut key groove
16	Keeper	VK-144R		1 groove; Square cut key groove; Hardened
16	Keeper, Bulk	FP-VK144B		1 groove; Square cut key groove; Carton of 1000
QTY	VALVE SEAT	PART NO.	SIZE	DESCRIPTION
4	Exh.	245-1437-3N	Std Only	Premium Material; 1.4425" OD, 1.1880" ID, .2160" Depth
4	Exh.	FP-24513753		1.3795" OD, 1.0625" ID, .1855" Depth
4	Exh.	245-1375-3 +	Std Only	1.3795" OD, 1.0625" ID, .1855" Depth; When depleted use FP-24513753
4	Exh.	245-1437-3	Std Only	1.4425" OD, 1.1880" ID, .2160" Depth
4	Int.	245-1625-1N	Std Only	Premium Material; 1.6300" OD, 1.3750" ID, .2160" Depth
4	Int.	FP-2451348E1N		1.3480" OD, 1.0870" ID, .2005" Depth
4	Int.	245-1348-E1N +	Std Only	1.3480" OD, 1.0870" ID, .2005" Depth; When depleted use FP-2451348E1N
4	Int.	245-1625-1	Std Only	1.6300" OD, 1.3750" ID, .2160" Depth
QTY	VALVE GUIDE	PART NO.	SIZE	DESCRIPTION
8	Guide	FP-VG418		Exc. Rototype; .3425" ID, 2.3100" O.A.L.
8	Guide	VG-418 +		Exc. Rototype; .3425" ID, 2.3100" O.A.L.; When depleted use FP-VG418
QTY	VALVE SPRING	PART NO.	SIZE	DESCRIPTION
8	Spring	FP-VS356		2.0000" Free Height
8	Spring	VS-356 +		2.0000" Free Height; When depleted use FP-VS356
CAMSHAFT GROUP				
QTY	TIMING	PART NO.	SIZE	DESCRIPTION
1	Cam Gear	FP-2212601		Governor type; 48 Teeth
1	Cam Gear	221-2601		Governor type; 48 Teeth
1	Cam Gear	FP-2212600		Replacement O.E. No. F400H310; 48 Teeth
1	Cam Gear	221-2600 +		Replacement O.E. No. F400H310; 48 Teeth; When depleted use FP-2212600
ENGINE BLOCK & PARTS				
QTY	GASKET SETS	PART NO.	SIZE	DESCRIPTION
1	Kit Gasket Set	FP-2601355		Compl.; Timing cover gskt. & seal not incl.
1	Kit Gasket Set	260-1355		Compl.; Timing cover gskt. & seal not incl.
QTY	CAM BEARINGS	PART NO.	SIZE	DESCRIPTION
1	Cam Set	FP-1158M	Std Only	
1	Cam Set	1158M +	Std Only	When depleted use FP-1158M
CRANKSHAFT/OIL PUMP				
QTY	CRANKSHAFT	PART NO.	SIZE	DESCRIPTION
1	Crank Gear	FP-2212603A		Repl. O.E. No. F400H326; 24 Teeth
1	Crank Gear	221-2603A		Repl. O.E. No. F400H326; 24 Teeth
QTY	MAIN BEARINGS	PART NO.	SIZE	DESCRIPTION
1	Main Set	FP-4004M	Std-10-20	W/Single flanged front brg.
1	Main Set	4004M +	Std-10-20	W/Single flanged front brg.; When depleted use FP-4004M
1	Main Set	FP-4005M	Std-10-20	W/Straight shell front brg.
1	Main Set	FP-6632M	Std-10-20-30	W/Straight shell front brg. & thrust washer
1	Main Set	6632M +	Std-10-20-30	W/Straight shell front brg. & thrust washer; When depleted use FP-6632M
1	Main Set	4005M +	Std-10-20	W/Straight shell front brg.; When depleted use FP-4005M
1	Thrust Washer Set	FP-9811BFA	Std Only	Position 1; Use w/straight shell main brg. set
1	Thrust Washer Set	9811BFA +	Std Only	Position 1; Use w/straight shell main brg. set; When depleted use FP-9811BFA
1	Thrust Washer Set	FP-9811BF	Std Only	Position 1; Use w/Flanged main brg.

(continued on next page)

White Farm (Includes Oliver, Minneapolis-Moline)

Combine F4162 Eng. 26

2.6L 162 L-HEAD L4, 3.4375" Bore (Continental Eng.) (cont.)

CRANKSHAFT/OIL PUMP (cont.)

QTY	MAIN BEARINGS (cont.)	PART NO.	SIZE	DESCRIPTION
1	Thrust Washer Set	9811BF +	Std Only	Position 1; Use w/Flanged main brg.; When depleted use FP-9811BF

CYLINDER COMPONENTS

QTY	LINERS	PART NO.	SIZE	DESCRIPTION
1	Repair Sleeve	SL-14M	Std Only	3/32" wall, must be cut to correct length

QTY	PISTONS	PART NO.	SIZE	DESCRIPTION
4	Cast Piston	FP-1102P	Std-20-30-40-60	Cast; 1-5/64", 2-3/32", 1-1/4" Ring Groove, 2.000" CD, .8592" Pin Dia., Flat Head
4	Cast Piston	1102P +	Std-20-30-40-60	Cast; 1-5/64", 2-3/32", 1-1/4" Ring Groove, 2.000" CD, .8592" Pin Dia., Flat Head; When depleted use FP-1102P
4	Cast Piston - Individual	FP-W1102P	Std-20-30-40-60	Cast; 1-5/64", 2-3/32", 1-1/4" Ring Groove, 2.000" CD, .8592" Pin Dia., Flat Head
4	Cast Piston - Individual	W1102P +	Std-20-30-40-60	Cast; 1-5/64", 2-3/32", 1-1/4" Ring Groove, 2.000" CD, .8592" Pin Dia., Flat Head; When depleted use FP-W1102P
4	Pin Bushing	8649XAS		Forging No. F400D-502; Full round, thin wall .0055" O/S OD bushing
4	Pin Bushing	8649XA		Forging No. F400D-502; Full round, thin wall bushing w/.9150" OD
4	Pin Bushing	8649V		Forging No. F400D-502; Split type, thin wall bushing w/.9135" OD
4	Pin Bushing	8649V20		Forging No. F400D-502; Split type, thin wall bushing w/.9135" OD & .020" extra bore stock
4	Pin Bushing	FP-9324X		Full round, heavy wall bushing w/1.0625" OD; Forging No. F400D-500
4	Pin Bushing	9324X +		Full round, heavy wall bushing w/1.0625" OD; Forging No. F400D-500; When depleted use FP-9324X

QTY	CONNECTING RODS & BRGS.	PART NO.	SIZE	DESCRIPTION
2	Rod Pair	FP-9320CPA	Std-2-10-20-30-40	Position 1-3
2	Rod Pair	9320CPA +	Std-2-10-20-30-40	Position 1-3; When depleted use FP-9320CPA
2	Rod Pair	FP-9320CP	Std-10-20-30-40	Position 2-4
2	Rod Pair	9320CP +	Std-10-20-30-40	Position 2-4; When depleted use FP-9320CP

QTY	PISTON RINGS	PART NO.	SIZE	DESCRIPTION
1	Premium Set	FP-E323KC	Std-20-30-40-60	Check piston grooving before supplying ring set; 1-5/64, 2-3/32, 1-1/4
1	Premium Set	E-323KC +	Std-20-30-40-60	Check piston grooving before supplying ring set; 1-5/64, 2-3/32, 1-1/4; When depleted use FP-E323KC
1	Premium Set	FP-926KX	Std Only	Check piston grooving before supplying ring set; 3-1/8, 1-1/4
1	Premium Set	926KX +	Std Only	Check piston grooving before supplying ring set; 3-1/8, 1-1/4; When depleted use FP-926KX
1	Premium Set	FP-5039KX	Std Only	Check piston grooving before supplying ring set; 3-1/8, 1-3/16
1	Premium Set	5039KX +	Std Only	Check piston grooving before supplying ring set; 3-1/8, 1-3/16; When depleted use FP-5039KX
1	Premium Set	FP-5607KX	Std Only	Check piston grooving before supplying ring set; 3-3/32, 1-1/4
1	Premium Set	5607KX +	Std Only	Check piston grooving before supplying ring set; 3-3/32, 1-1/4; When depleted use FP-5607KX
1	Standard Set	FP-E323X	Std-20-30-40-60	Check piston grooving before supplying ring set; 1-5/64, 2-3/32, 1-1/4
1	Standard Set	E-323X +	Std-20-30-40-60	Check piston grooving before supplying ring set; 1-5/64, 2-3/32, 1-1/4; When depleted use FP-E323X
1	Standard Set	FP-926X	Std Only	Check piston grooving before supplying ring set; 3-1/8, 1-1/4
1	Standard Set	926X +	Std Only	Check piston grooving before supplying ring set; 3-1/8, 1-1/4; When depleted use FP-926X
4	Premium Single Cylinder Set	WE-323KC	Std-20-30-40-60	Check piston grooving before supplying ring set; 1-5/64, 2-3/32, 1-1/4
4	Premium Single Cylinder Set	W-5039KX	Std Only	Check piston grooving before supplying ring set; 3-1/8, 1-3/16
4	Standard Single Cylinder Set	WE-323X	Std-20-30-40-60	Check piston grooving before supplying ring set; 1-5/64, 2-3/32, 1-1/4

Wheel Tractor EE, EE165 Engs. 27

2.7L 165 L4, 3.625" Bore

CYL. HEAD & PARTS

QTY	VALVE	PART NO.	SIZE	DESCRIPTION
4	Intake	FP-V429		1.4840" Head Dia., .3100" Stem Dia., 3.9260" O.A.L.

(continued on next page)

White Farm (Includes Oliver, Minneapolis-Moline)

27 Wheel Tractor EE, EE165 Engs. (cont.) 2.7L 165 L4, 3.625" Bore

CYL. HEAD & PARTS (cont.)				
QTY	VALVE (cont.)	PART NO.	SIZE	DESCRIPTION
4	Intake	V-429 +	Std Only	1.4840" Head Dia., .3100" Stem Dia., 3.9260" O.A.L.; When depleted use FP-V429
16	Keeper	VK-115		1 groove; Square cut key groove
16	Keeper	VK-115R		1 groove; Square cut key groove; Hardened
16	Keeper, Bulk	VK-115B		1 groove; Square cut key groove; Carton of 1000
QTY	VALVE GUIDE	PART NO.	SIZE	DESCRIPTION
8	Guide	FP-VG453		.3435" ID, 2.2500" O.A.L.
8	Guide	VG-453 +		.3435" ID, 2.2500" O.A.L.; When depleted use FP-VG453
QTY	VALVE SEAL	PART NO.	SIZE	DESCRIPTION
8	Valve Stem Seal	ST-2001		Positive type; Installation requires valve guide machining; Rubber/PTFE
8	Valve Stem Seal Bulk	ST-2001BC		Positive type; Installation requires valve guide machining; Carton of 100; Rubber/PTFE
CRANKSHAFT/OIL PUMP				
QTY	MAIN BEARINGS	PART NO.	SIZE	DESCRIPTION
1	Cylindrical Brg.	MA-1212-EL		Position 1; Cylindrical roller brg.
CYLINDER COMPONENTS				
QTY	CONNECTING RODS & BRGS.	PART NO.	SIZE	DESCRIPTION
4	Rod Pair	FP-9785SB	Std-10-20	
4	Rod Pair	9785SB +	Std-10-20	When depleted use FP-9785SB
QTY	PISTON RINGS	PART NO.	SIZE	DESCRIPTION
1	Premium Set	FP-914KX	Std Only	3-1/8, 1-3/16
1	Premium Set	914KX +	Std Only	3-1/8, 1-3/16; When depleted use FP-914KX

28 Combine 206-4 Eng. Wheel Tractor 206-4 Eng. 3.0L 186 L4, 3.625" Bore

CRANKSHAFT/OIL PUMP				
QTY	MAIN BEARINGS	PART NO.	SIZE	DESCRIPTION
1	Cylindrical Brg.	MA-1212-EL		Position 1; Cylindrical roller brg.
CYLINDER COMPONENTS				
QTY	CONNECTING RODS & BRGS.	PART NO.	SIZE	DESCRIPTION
4	Rod Pair	FP-9785SB	Std-10-20	
4	Rod Pair	9785SB +	Std-10-20	When depleted use FP-9785SB

29 Combine RE206, RE206A, RE206B, RE206G Engs. Wheel Tractor RE206, RE206A, RE206B, RE206G Engs. 3.0L 186 L4 (RE Engine), 3.625" Bore

CYL. HEAD & PARTS				
QTY	VALVE	PART NO.	SIZE	DESCRIPTION
4	Intake	FP-V429		1.4840" Head Dia., .3100" Stem Dia., 3.9260" O.A.L.
4	Intake	V-429 +	Std Only	1.4840" Head Dia., .3100" Stem Dia., 3.9260" O.A.L.; When depleted use FP-V429
16	Keeper	VK-115		1 groove; Square cut key groove
16	Keeper	VK-115R		1 groove; Square cut key groove; Hardened
16	Keeper, Bulk	VK-115B		1 groove; Square cut key groove; Carton of 1000
QTY	VALVE GUIDE	PART NO.	SIZE	DESCRIPTION
8	Guide	FP-VG453		.3435" ID, 2.2500" O.A.L.
8	Guide	VG-453 +		.3435" ID, 2.2500" O.A.L.; When depleted use FP-VG453
QTY	VALVE SEAL	PART NO.	SIZE	DESCRIPTION
8	Valve Stem Seal	ST-2001		Positive type; Installation requires valve guide machining; Rubber/PTFE
8	Valve Stem Seal Bulk	ST-2001BC		Positive type; Installation requires valve guide machining; Carton of 100; Rubber/PTFE
CYLINDER COMPONENTS				
QTY	CONNECTING RODS & BRGS.	PART NO.	SIZE	DESCRIPTION
4	Rod Pair	FP-9785SB	Std-10-20	
4	Rod Pair	9785SB +	Std-10-20	When depleted use FP-9785SB

(continued on next page)

White Farm (Includes Oliver, Minneapolis-Moline)

Combine RE206, RE206A, RE206B, RE206G Engs. Wheel Tractor RE206, RE206A, 29 RE206B, RE206G Engs. (cont.) 3.0L 186 L4 (RE Engine), 3.625" Bore				
CYLINDER COMPONENTS (cont.)				
QTY	PISTON RINGS	PART NO.	SIZE	DESCRIPTION
1	Premium Set	FP-914KX	Std Only	3-1/8, 1-3/16
1	Premium Set	914KX +	Std Only	3-1/8, 1-3/16; When depleted use FP-914KX
Wheel Tractor 77, 77 Super, 166HC, 177, 177 Super, 177D, 177HC, 770 Engs. 30 3.2L 194 OHV L6 (Waukesha), 3.3125" Bore				
CYL. HEAD & PARTS				
QTY	VALVE	PART NO.	SIZE	DESCRIPTION
4	Intake	FP-V1055		1.3957" Head Dia., .3724" Stem Dia., 5.0433" O.A.L.
4	Intake	V-1055 +	Std Only	1.3957" Head Dia., .3724" Stem Dia., 5.0433" O.A.L.; When depleted use FP-V1055
4	Exhaust	FP-V1054		1.2559" Head Dia., .3715" Stem Dia., 5.0492" O.A.L.
4	Exhaust	V-1054 +	Std Only	1.2559" Head Dia., .3715" Stem Dia., 5.0492" O.A.L.; When depleted use FP-V1054
24	Keeper	VK-66		2 groove
24	Keeper	VK-66R		2 groove; Hardened
QTY	VALVE GUIDE	PART NO.	SIZE	DESCRIPTION
8	Guide	FP-VG459		Flg.; .3750" ID, 2.5000" O.A.L.
8	Guide	VG-459 +		Flg.; .3750" ID, 2.5000" O.A.L.; When depleted use FP-VG459
8	Guide	FP-VG857		Plain; .3745" ID, 2.5000" O.A.L.
8	Guide	VG-857 +		Plain; .3745" ID, 2.5000" O.A.L.; When depleted use FP-VG857
QTY	VALVE SPRING	PART NO.	SIZE	DESCRIPTION
8	Spring	FP-VS400		Int.; 2.8130" Free Height
8	Spring	VS-400 +		Int.; 2.8130" Free Height; When depleted use FP-VS400
QTY	VALVE MISC.	PART NO.	SIZE	DESCRIPTION
4	Rotocap	RC-58		Exh.
ENGINE BLOCK & PARTS				
QTY	CAM BEARINGS	PART NO.	SIZE	DESCRIPTION
1	Cam Set	FP-1137M	Std Only	
1	Cam Set	1137M +	Std Only	When depleted use FP-1137M
CYLINDER COMPONENTS				
QTY	PISTONS	PART NO.	SIZE	DESCRIPTION
12	Pin Bushing	FP-1884Y20		2 req'd. per rod
12	Pin Bushing	1884Y20 +		2 req'd. per rod; When depleted use FP-1884Y20
QTY	CONNECTING RODS & BRGS.	PART NO.	SIZE	DESCRIPTION
6	Rod Pair	FP-1880CP	Std-10-20-30	Models From Ser. No. 6503
6	Rod Pair	1880CP +	Std-10-20-30	Models From Ser. No. 6503; When depleted use FP-1880CP
6	Rod Pair	FP-1435SB	Std-10	Models To Ser. No. 6502
6	Rod Pair	1435SB +	Std-10	Models To Ser. No. 6502; When depleted use FP-1435SB
QTY	PISTON RINGS	PART NO.	SIZE	DESCRIPTION
1	Standard Set	FP-965X	Std Only	3-1/8, 1-1/4
1	Standard Set	965X +	Std Only	3-1/8, 1-1/4; When depleted use FP-965X
Wheel Tractor 77, 77 Super, 166HC, 177, 177 Super, 177D, 177HC, 770 Engs. 31 3.2L 194 OHV Diesel L6 (Waukesha), 3.3125" Bore				
CYL. HEAD & PARTS				
QTY	VALVE	PART NO.	SIZE	DESCRIPTION
6	Intake	FP-V1057		1.3130" Head Dia., .3725" Stem Dia., 5.1610" O.A.L.
6	Intake	V-1057 +	Std Only	1.3130" Head Dia., .3725" Stem Dia., 5.1610" O.A.L.; When depleted use FP-V1057
6	Exhaust	FP-V1056		1.1250" Head Dia., .3715" Stem Dia., 5.1560" O.A.L.
6	Exhaust	V-1056 +	Std Only	1.1250" Head Dia., .3715" Stem Dia., 5.1560" O.A.L.; When depleted use FP-V1056
24	Keeper	VK-66		2 groove
24	Keeper	VK-66R		2 groove; Hardened
QTY	VALVE GUIDE	PART NO.	SIZE	DESCRIPTION
12	Guide	FP-VG459		Flg.; .3750" ID, 2.5000" O.A.L.
12	Guide	VG-459 +		Flg.; .3750" ID, 2.5000" O.A.L.; When depleted use FP-VG459
12	Guide	FP-VG857		Plain; .3745" ID, 2.5000" O.A.L.
12	Guide	VG-857 +		Plain; .3745" ID, 2.5000" O.A.L.; When depleted use FP-VG857

(continued on next page)

White Farm (Includes Oliver, Minneapolis-Moline)

31 Wheel Tractor 77, 77 Super, 166HC, 177, 177 Super, 177D, 177HC, 770 Engs.				
(cont.) 3.2L 194 OHV Diesel L6 (Waukesha), 3.3125" Bore				
CYL. HEAD & PARTS (cont.)				
QTY	VALVE SPRING	PART NO.	SIZE	DESCRIPTION
12	Spring	FP-VS400		Exh. & Int.; 2.8130" Free Height
12	Spring	VS-400 +		Exh. & Int.; 2.8130" Free Height; When depleted use FP-VS400
ENGINE BLOCK & PARTS				
QTY	CAM BEARINGS	PART NO.	SIZE	DESCRIPTION
1	Cam Set	FP-1137M	Std Only	
1	Cam Set	1137M +	Std Only	When depleted use FP-1137M
CYLINDER COMPONENTS				
QTY	PISTONS	PART NO.	SIZE	DESCRIPTION
12	Pin Bushing	FP-1884Y20		2 req'd. per rod
12	Pin Bushing	1884Y20 +		2 req'd. per rod; When depleted use FP-1884Y20
QTY	CONNECTING RODS & BRGS.	PART NO.	SIZE	DESCRIPTION
6	Rod Pair	FP-1880CP	Std-10-20-30	From Ser. No. 6503
6	Rod Pair	1880CP +	Std-10-20-30	From Ser. No. 6503; When depleted use FP-1880CP
6	Rod Pair	FP-1865CP	Std-10-20	Models To Ser. No. 6502; O.A.L. 1.109"
6	Rod Pair	1865CP +	Std-10-20	Models To Ser. No. 6502; O.A.L. 1.109"; When depleted use FP-1865CP
QTY	PISTON RINGS	PART NO.	SIZE	DESCRIPTION
1	Standard Set	FP-965X	Std Only	3-1/8, 1-1/4
1	Standard Set	965X +	Std Only	3-1/8, 1-1/4; When depleted use FP-965X
32 Wheel Tractor 77, 77 Super, 177D Engs. (Distillate)				
3.2L 194 OHV Distillate L6 (Waukesha), 3.3125" Bore				
CYL. HEAD & PARTS				
QTY	VALVE	PART NO.	SIZE	DESCRIPTION
6	Intake	FP-V1057		1.3130" Head Dia., .3725" Stem Dia., 5.1610" O.A.L.
6	Intake	V-1057 +	Std Only	1.3130" Head Dia., .3725" Stem Dia., 5.1610" O.A.L.; When depleted use FP-V1057
6	Exhaust	FP-V1056		1.1250" Head Dia., .3715" Stem Dia., 5.1560" O.A.L.
6	Exhaust	V-1056 +	Std Only	1.1250" Head Dia., .3715" Stem Dia., 5.1560" O.A.L.; When depleted use FP-V1056
24	Keeper	VK-66		2 groove
24	Keeper	VK-66R		2 groove; Hardened
QTY	VALVE GUIDE	PART NO.	SIZE	DESCRIPTION
12	Guide	FP-VG459		Fig.; .3750" ID, 2.5000" O.A.L.
12	Guide	VG-459 +		Fig.; .3750" ID, 2.5000" O.A.L.; When depleted use FP-VG459
12	Guide	FP-VG857		Plain; .3745" ID, 2.5000" O.A.L.
12	Guide	VG-857 +		Plain; .3745" ID, 2.5000" O.A.L.; When depleted use FP-VG857
QTY	VALVE SPRING	PART NO.	SIZE	DESCRIPTION
12	Spring	FP-VS400		Exh. & Int.; 2.8130" Free Height
12	Spring	VS-400 +		Exh. & Int.; 2.8130" Free Height; When depleted use FP-VS400
ENGINE BLOCK & PARTS				
QTY	CAM BEARINGS	PART NO.	SIZE	DESCRIPTION
1	Cam Set	FP-1137M	Std Only	
1	Cam Set	1137M +	Std Only	When depleted use FP-1137M
CYLINDER COMPONENTS				
QTY	PISTONS	PART NO.	SIZE	DESCRIPTION
12	Pin Bushing	FP-1884Y20		2 req'd. per rod
12	Pin Bushing	1884Y20 +		2 req'd. per rod; When depleted use FP-1884Y20
QTY	CONNECTING RODS & BRGS.	PART NO.	SIZE	DESCRIPTION
6	Rod Pair	FP-1880CP	Std-10-20-30	Models From Ser. No. 6503
6	Rod Pair	1880CP +	Std-10-20-30	Models From Ser. No. 6503; When depleted use FP-1880CP
6	Rod Pair	FP-1435SB	Std-10	Models To Ser. No. 6502
6	Rod Pair	1435SB +	Std-10	Models To Ser. No. 6502; When depleted use FP-1435SB
QTY	PISTON RINGS	PART NO.	SIZE	DESCRIPTION
1	Standard Set	FP-965X	Std Only	3-1/8, 1-1/4
1	Standard Set	965X +	Std Only	3-1/8, 1-1/4; When depleted use FP-965X

White Farm (Includes Oliver, Minneapolis-Moline)

Wheel Tractor 77, 77 Super, 177, 177 Super, 770 Engs. (LPG) 33 3.2L 194 OHV LPG L6 (Waukesha), 3.3125" Bore				
CYL. HEAD & PARTS				
QTY	VALVE	PART NO.	SIZE	DESCRIPTION
4	Intake	FP-V1055		1.3957" Head Dia., .3724" Stem Dia., 5.0433" O.A.L.
4	Intake	V-1055 +	Std Only	1.3957" Head Dia., .3724" Stem Dia., 5.0433" O.A.L.; When depleted use FP-V1055
4	Exhaust	FP-V1054		1.2559" Head Dia., .3715" Stem Dia., 5.0492" O.A.L.
4	Exhaust	V-1054 +	Std Only	1.2559" Head Dia., .3715" Stem Dia., 5.0492" O.A.L.; When depleted use FP-V1054
24	Keeper	VK-66		2 groove
24	Keeper	VK-66R		2 groove; Hardened
QTY	VALVE GUIDE	PART NO.	SIZE	DESCRIPTION
8	Guide	FP-VG459		Flg.; .3750" ID, 2.5000" O.A.L.
8	Guide	VG-459 +		Flg.; .3750" ID, 2.5000" O.A.L.; When depleted use FP-VG459
8	Guide	FP-VG857		Plain; .3745" ID, 2.5000" O.A.L.
8	Guide	VG-857 +		Plain; .3745" ID, 2.5000" O.A.L.; When depleted use FP-VG857
QTY	VALVE SPRING	PART NO.	SIZE	DESCRIPTION
8	Spring	FP-VS400		Int.; 2.8130" Free Height
8	Spring	VS-400 +		Int.; 2.8130" Free Height; When depleted use FP-VS400
ENGINE BLOCK & PARTS				
QTY	CAM BEARINGS	PART NO.	SIZE	DESCRIPTION
1	Cam Set	FP-1137M	Std Only	
1	Cam Set	1137M +	Std Only	When depleted use FP-1137M
CYLINDER COMPONENTS				
QTY	PISTONS	PART NO.	SIZE	DESCRIPTION
12	Pin Bushing	FP-1884Y20		2 req'd. per rod
12	Pin Bushing	1884Y20 +		2 req'd. per rod; When depleted use FP-1884Y20
QTY	CONNECTING RODS & BRGS.	PART NO.	SIZE	DESCRIPTION
6	Rod Pair	FP-1880CP	Std-10-20-30	Models From Ser. No. 6503
6	Rod Pair	1880CP +	Std-10-20-30	Models From Ser. No. 6503; When depleted use FP-1880CP
6	Rod Pair	FP-1435SB	Std-10	Models To Ser. No. 6502
6	Rod Pair	1435SB +	Std-10	Models To Ser. No. 6502; When depleted use FP-1435SB
Wheel Tractor D2000, DD198 Engs. 34 3.2L 198 OHV Diesel L4, 3.75" Bore (Hercules Eng.)				
CYL. HEAD & PARTS				
QTY	VALVE	PART NO.	SIZE	DESCRIPTION
4	Exhaust	FP-V1460		DD198 Eng.; 1.5000" Head Dia., .3730" Stem Dia., 5.3660" O.A.L.
QTY	VALVE GUIDE	PART NO.	SIZE	DESCRIPTION
4	Guide	FP-VG552		Exh.; DD198 Eng.; .3755" ID, 2.9400" O.A.L.
4	Guide	FP-VG553		Int.; DD198 Eng.; .3745" ID, 2.9370" O.A.L.
ENGINE BLOCK & PARTS				
QTY	CAM BEARINGS	PART NO.	SIZE	DESCRIPTION
1	Cam Set	FP-1226M	Std Only	
1	Cam Set	1226M +	Std Only	When depleted use FP-1226M
CYLINDER COMPONENTS				
QTY	CONNECTING RODS & BRGS.	PART NO.	SIZE	DESCRIPTION
4	Rod Pair	3160CP	Std-10	D2000 & D2120 Engs.; w/2.3730-2.3740" std. shaft size
4	Rod Pair	FP-1420CP	Std-10-20-30-40	Early DD198 Engs.; w/1.9870-1.9880" std. shaft size
4	Rod Pair	1420CP +	Std-10-20-30	Early DD198 Engs.; w/1.9870-1.9880" std. shaft size; When depleted use FP-1420CP
Wheel Tractor D6202 Eng. 35 3.3L 202 L-HEAD L6, 3.125" Bore (Continental Eng.)				
CYL. HEAD & PARTS				
QTY	VALVE	PART NO.	SIZE	DESCRIPTION
24	Keeper	VK-66		2 groove
24	Keeper	VK-66R		2 groove; Hardened
QTY	VALVE SEAT	PART NO.	SIZE	DESCRIPTION
6	Int.	245-1625-1	Std Only	1.6300" OD, 1.3750" ID, .2160" Depth

(continued on next page)

+ Superseded Part Number

White Farm (Includes Oliver, Minneapolis-Moline)

35 Wheel Tractor D6202 Eng.				
(cont.) 3.3L 202 L-HEAD L6, 3.125" Bore (Continental Eng.)				
CYL. HEAD & PARTS (cont.)				
QTY	VALVE SEAL	PART NO.	SIZE	DESCRIPTION
12	Valve Stem Seal	ST-2002		Installation requires valve guide machining; Polyacrylate
12	Valve Stem Seal Bulk	ST-2002BC		Positive type; Installation requires valve guide machining; Carton of 100; Polyacrylate
ENGINE BLOCK & PARTS				
QTY	CAM BEARINGS	PART NO.	SIZE	DESCRIPTION
1	Cam Set	FP-1088M		
CRANKSHAFT/OIL PUMP				
QTY	MAIN BEARINGS	PART NO.	SIZE	DESCRIPTION
1	Thrust Washer Set	FP-9811BFA	<i>Std Only</i>	Position 1
1	Thrust Washer Set	FP-9811BF	<i>Std Only</i>	Position 1; Use w/Flanged main brg.
1	Thrust Washer Set	9811BF +	<i>Std Only</i>	Position 1; Use w/Flanged main brg.; When depleted use FP-9811BF
1	Thrust Washer Set	9811BFA +	<i>Std Only</i>	Position 1; When depleted use FP-9811BFA
CYLINDER COMPONENTS				
QTY	PISTONS	PART NO.	SIZE	DESCRIPTION
6	Pin Bushing	8649XAS		Forging No. F400D-502; Full round, thin wall .0055" O/S OD bushing
6	Pin Bushing	8649XA		Forging No. F400D-502; Full round, thin wall bushing w/.9150" OD
6	Pin Bushing	8649V		Forging No. F400D-502; Split type, thin wall bushing w/.9135" OD
6	Pin Bushing	8649V20		Forging No. F400D-502; Split type, thin wall bushing w/.9135" OD & .020" extra bore stock
6	Pin Bushing	FP-9324X		Full round, heavy wall bushing w/1.0625" OD; Forging Nos. D600D-500 & F600D-500
6	Pin Bushing	9324X +		Full round, heavy wall bushing w/1.0625" OD; Forging Nos. D600D-500 & F600D-500; When depleted use FP-9324X
QTY	CONNECTING RODS & BRGS.	PART NO.	SIZE	DESCRIPTION
3	Rod Pair	FP-9320CPA	<i>Std-2-10-20-30-40</i>	Position 1-3-5
3	Rod Pair	9320CPA +	<i>Std-2-10-20-30-40</i>	Position 1-3-5; When depleted use FP-9320CPA
3	Rod Pair	FP-9320CP	<i>Std-10-20-30-40</i>	Position 2-4-6
3	Rod Pair	9320CP +	<i>Std-10-20-30-40</i>	Position 2-4-6; When depleted use FP-9320CP
QTY	PISTON RINGS	PART NO.	SIZE	DESCRIPTION
1	Premium Set	E-108KC	<i>Std-30-60</i>	OVERBORE To 3.250"; 2-3/32, 2-5/32
1	Standard Set	E-108X	<i>Std-30-40-60</i>	OVERBORE To 3.250"; 2-3/32, 2-5/32
6	Standard Single Cylinder Set	WE-108X	<i>Std-30</i>	OVERBORE To 3.250"; 2-3/32, 2-5/32
36 Combine QXB, QXB3 Engs.				
3.4L 205 L-HEAD L6, 3.25" Bore (Hercules Eng.)				
CYL. HEAD & PARTS				
QTY	VALVE	PART NO.	SIZE	DESCRIPTION
6	Intake	FP-V429		1.4840" Head Dia., .3100" Stem Dia., 3.9260" O.A.L.
6	Intake	V-429 +	<i>Std Only</i>	1.4840" Head Dia., .3100" Stem Dia., 3.9260" O.A.L.; When depleted use FP-V429
6	Exhaust	FP-V428		1.3583" Head Dia., .3100" Stem Dia., 3.9213" O.A.L.
6	Exhaust	V-428 +	<i>Std Only</i>	1.3583" Head Dia., .3100" Stem Dia., 3.9213" O.A.L.; When depleted use FP-V428
QTY	VALVE GUIDE	PART NO.	SIZE	DESCRIPTION
12	Guide	VG-930 +		.485" OD; .3120" ID, 2.0940" O.A.L.; When depleted use FP-VG930
12	Guide	FP-VG930		.485" OD; 3/8" Counterbore; .3120" ID, 2.0940" O.A.L.
12	Guide	FP-VG456		.532" OD; .3120" ID, 2.0940" O.A.L.
ENGINE BLOCK & PARTS				
QTY	CAM BEARINGS	PART NO.	SIZE	DESCRIPTION
1	Cam Set	FP-1142M	<i>Std Only</i>	
1	Cam Set	1142M +	<i>Std Only</i>	When depleted use FP-1142M
CRANKSHAFT/OIL PUMP				
QTY	MAIN BEARINGS	PART NO.	SIZE	DESCRIPTION
1	Plain Main Brg.	FP-2241CP10	10	Position 1
1	Plain Main Brg.	FP-2241CP20	20	Position 1

(continued on next page)

+ Superseded Part Number

White Farm (Includes Oliver, Minneapolis-Moline)

Combine QXB, QXB3 Engs. 36
3.4L 205 L-HEAD L6, 3.25" Bore (Hercules Eng.) (cont.)

CRANKSHAFT/OIL PUMP (cont.)

QTY	MAIN BEARINGS (cont.)	PART NO.	SIZE	DESCRIPTION
1	Plain Main Brg.	FP-2241CP30	30	Position 1
4	Plain Main Brg.	FP-2243CP10	10	Position 2-3-5-6
4	Plain Main Brg.	FP-2243CP20	20	Position 2-3-5-6
4	Plain Main Brg.	FP-2243CP30	30	Position 2-3-5-6
1	Plain Main Brg.	FP-2244CP10	10	Position 4
1	Plain Main Brg.	FP-2244CP20	20	Position 4
1	Plain Main Brg.	FP-2244CP30	30	Position 4
1	Plain Main Brg.	FP-9624CPA10	10	Position 7
1	Plain Main Brg.	FP-9624CPA20	20	Position 7
1	Plain Main Brg.	FP-9624CPA30	30	Position 7

CYLINDER COMPONENTS

QTY	PISTONS	PART NO.	SIZE	DESCRIPTION
6	Pin Bushing	FP-9624X		Full round bushing
6	Pin Bushing	9624X +		Full round bushing; When depleted use FP-9624X

QTY	CONNECTING RODS & BRGS.	PART NO.	SIZE	DESCRIPTION
6	Rod Pair	FP-9620CPA	Std-10-20-30	
6	Rod Pair	9620CPA +	Std-10-20-30	When depleted use FP-9620CPA

Combine V206, V206B, V206B-4, 206, 206-4A, 206A, 206A-4A, 206B, 206B-4 Engs. Corn Picker V206, V206B, V206B-4 Engs. Harvester V206, V206B, V206B-4, 206, 206-4A, 206A, 206A-4A, 206B, 206B-4 Engs. Wheel Tractor V206, V206B, V206B-4, 165A, 206, 206-4A, 206A, 206A-4A, 206B, 206B-4, 206H, 206H-4A, 206H-4B, 206K, 206K-4, 206L, 206N, 206N-4 Engs. **37**
3.4L 206 L4, 3.625" Bore

CYL. HEAD & PARTS

QTY	VALVE	PART NO.	SIZE	DESCRIPTION
16	Keeper	VK-115		1 groove; Square cut key groove
16	Keeper	VK-115R		1 groove; Square cut key groove; Hardened
16	Keeper, Bulk	VK-115B		1 groove; Square cut key groove; Carton of 1000

QTY	VALVE SEAL	PART NO.	SIZE	DESCRIPTION
8	Valve Stem Seal	ST-2001		Positive type; Installation requires valve guide machining; Rubber/PTFE
8	Valve Stem Seal Bulk	ST-2001BC		Positive type; Installation requires valve guide machining; Carton of 100; Rubber/PTFE

CRANKSHAFT/OIL PUMP

QTY	MAIN BEARINGS	PART NO.	SIZE	DESCRIPTION
1	Cylindrical Brg.	MA-1212-EL		Position 1; Cylindrical roller brg. main

CYLINDER COMPONENTS

QTY	CONNECTING RODS & BRGS.	PART NO.	SIZE	DESCRIPTION
4	Rod Pair	FP-2185CP	Std-10-20-30	
4	Rod Pair	FP-9785SB	Std-10-20	V206-B engines only
4	Rod Pair	9785SB +	Std-10-20	V206-B engines only; When depleted use FP-9785SB
4	Rod Pair	2185CP +	Std-10-20-30	When depleted use FP-2185CP

QTY	PISTON RINGS	PART NO.	SIZE	DESCRIPTION
1	Premium Set	FP-914KX	Std Only	3-1/8, 1-3/16
1	Premium Set	914KX +	Std Only	3-1/8, 1-3/16; When depleted use FP-914KX
1	Premium Set	FP-5504KX	Std Only	3-3/32, 1-3/16
1	Premium Set	5504KX +	Std Only	3-3/32, 1-3/16; When depleted use FP-5504KX
1	Standard Set	FP-5504X	Std Only	3-3/32, 1-3/16
1	Standard Set	5504X +	Std Only	3-3/32, 1-3/16; When depleted use FP-5504X
4	Premium Single Cylinder Set	W-5504KX	Std Only	3-3/32, 1-3/16

Wheel Tractor D206, D206-4, D206-4A, D206B, D206B-4 Engs. **38**
3.4L 206 Diesel L4, 3.625" Bore

CYL. HEAD & PARTS

QTY	VALVE GUIDE	PART NO.	SIZE	DESCRIPTION
8	Guide	VG-1380		.3435" ID, 2.3100" O.A.L.

(continued on next page)

White Farm (Includes Oliver, Minneapolis-Moline)

38 Wheel Tractor D206, D206-4, D206-4A, D206B, D206B-4 Engs. (cont.) 3.4L 206 Diesel L4, 3.625" Bore				
CRANKSHAFT/OIL PUMP				
QTY	MAIN BEARINGS	PART NO.	SIZE	DESCRIPTION
1	Main Set	FP-4176M10	10-20-30	
1	Main Set	4176M10 +	10-20-30	When depleted use FP-4176M10
CYLINDER COMPONENTS				
QTY	CONNECTING RODS & BRGS.	PART NO.	SIZE	DESCRIPTION
4	Rod Pair	FP-2185CP	Std-10-20-30	
4	Rod Pair	2185CP +	Std-10-20-30	When depleted use FP-2185CP
39 Combine F209 Eng. 3.4L 209 L-HEAD L6, 3.1875" Bore (Continental Eng.)				
ENGINE BLOCK & PARTS				
QTY	CAM BEARINGS	PART NO.	SIZE	DESCRIPTION
1	Cam Set	FP-1088M		
CRANKSHAFT/OIL PUMP				
QTY	MAIN BEARINGS	PART NO.	SIZE	DESCRIPTION
1	Main Set	FP-4247M		F209, F6209 Dynatork, & 24B 4th Ser.
1	Thrust Washer Set	FP-9811BFA	Std Only	Use w/straight shell main brg. set
1	Thrust Washer Set	9811BFA +	Std Only	Use w/straight shell main brg. set; When depleted use FP-9811BFA
1	Thrust Washer Set	FP-9811BF	Std Only	Use w/Flanged main brg.
1	Thrust Washer Set	9811BF +	Std Only	Use w/Flanged main brg.; When depleted use FP-9811BF
CYLINDER COMPONENTS				
QTY	PISTONS	PART NO.	SIZE	DESCRIPTION
6	Pin Bushing	8649XAS		Forging No. F400D-502; Full round, thin wall .0055" O/S OD bushing
6	Pin Bushing	8649XA		Forging No. F400D-502; Full round, thin wall bushing w/.9150" OD
6	Pin Bushing	8649V		Forging No. F400D-502; Split type, thin wall bushing w/.9135" OD
6	Pin Bushing	8649V20		Forging No. F400D-502; Split type, thin wall bushing w/.9135" OD & .020" extra bore stock
6	Pin Bushing	FP-9324X		Full round, heavy wall bushing w/1.0625" OD; Frg. Nos. D600D-500 & F600D-500. Except F209 4th series, F6209 Dynatork & 24B 4th series Eng.
6	Pin Bushing	9324X +		Full round, heavy wall bushing w/1.0625" OD; Frg. Nos. D600D-500 & F600D-500. Except F209 4th series, F6209 Dynatork & 24B 4th series Eng.; When depleted use FP-9324X
QTY	CONNECTING RODS & BRGS.	PART NO.	SIZE	DESCRIPTION
3	Rod Pair	FP-1995CPA	STD	Position 1-3-5; F209 4th series, F6209 Dynatork & 24B 4th series Eng.
3	Rod Pair	FP-9320CPA	Std-2-10-20-30-40	Position 1-3-5; F209, PF209, F6209 & 24B 1st, 2nd, 3rd series Eng.
3	Rod Pair	9320CPA +	Std-2-10-20-30-40	Position 1-3-5; F209, PF209, F6209 & 24B 1st, 2nd, 3rd series Eng.; When depleted use FP-9320CPA
3	Rod Pair	FP-1995CP	STD	Position 2-4-6; F209 4th series, F6209 Dynatork & 24B 4th series Eng.
3	Rod Pair	FP-9320CP	Std-10-20-30-40	Position 2-4-6; F209, PF209, F6209 & 24B 1st, 2nd, 3rd series Eng.
3	Rod Pair	9320CP +	Std-10-20-30-40	Position 2-4-6; F209, PF209, F6209 & 24B 1st, 2nd, 3rd series Eng.; When depleted use FP-9320CP
40 Wheel Tractor 4-53 (2-Valve Cyl. Head), 4-53N (4-Valve Cyl. Head) Eng. 3.5L 212 OHV Diesel L4, 3.875" Bore (Detroit Diesel Eng.)				
CYL. HEAD & PARTS				
QTY	GASKETS	PART NO.	SIZE	DESCRIPTION
1	Valve Cover Gasket	FP-8925274		w/Cast Alum. valve cover
1	Valve Cover Gasket	FP-5147506		w/Stamped Steel valve cover
4	Head Gasket	FP-5121254		
1	Head Set	FP-5199812		
2	O-Ring	FP-5116122		Oil Hole seal
8	Bolt	FP-8927580		3/8" - 16 x .875"
2	Bolt	FP-8927581		3/8" - 16 x 1"
10	Bolt	FP-5121263		5/8" - 11 x 6.250", 12 Pt. Head

(continued on next page)

White Farm (Includes Oliver, Minneapolis-Moline)

Wheel Tractor 4-53 (2-Valve Cyl. Head), 4-53N (4-Valve Cyl. Head) Engs. 40
3.5L 212 OHV Diesel L4, 3.875" Bore (Detroit Diesel Eng.) (cont.)

CYL. HEAD & PARTS (cont.)

QTY	GASKETS (cont.)	PART NO.	SIZE	DESCRIPTION
2	Lock Washer	FP-103321		3/8"
2	Isolator Bushing	FP-5104515		Rocker cover bolt
QTY	HEAD BOLTS	PART NO.	SIZE	DESCRIPTION
2	Washer	FP-5104514		Rocker cover bolt; .47" x 2.00" x .20"
QTY	MISCELLANEOUS	PART NO.	SIZE	DESCRIPTION
6	Pipe Plug	FP-5121182		1/4" - 18; Hex head
6	Pipe Plug	FP-8923847		1/4" x 18 NPTF; Square head
2	Pipe Plug	FP-8924380		1/8" - 27
8	Bolt	FP-443603		.250" x 20 x .750"
QTY	FREEZE PLUGS	PART NO.	SIZE	DESCRIPTION
6	Pipe Plug	FP-5121182		1/4" - 18; Hex head
6	Pipe Plug	FP-8923847		1/4" x 18 NPTF; Square head
2	Pipe Plug	FP-8924380		1/8" - 27
3	Expansion Plug	FP-5151449		.8125" Dia.
5	Expansion Plug	FP-5139997		.875" Dia.
4	Expansion Plug	FP-5154453		Cyl. head; 3/8" - 16 Headless Special
1	Expansion Plug	FP-8926347		Fuse Cyl. head
QTY	VALVE	PART NO.	SIZE	DESCRIPTION
8	Exhaust Valve Kit	FP-5195948		2 Valve Head; 30 Deg.
16	Exhaust Valve Kit	FP-5199323		4 Valve Head; 30 Deg.
16	Keeper	FP-5111337		2 Valve Head; 1 groove; Square cut key groove
32	Keeper	FP-5116341		4 Valve Head
QTY	VALVE SEAT	PART NO.	SIZE	DESCRIPTION
8	Exh. & Int.	FP-5116196	STD	2 Valve Head
16	Exh. & Int.	FP-5196752	10	4 Valve Head; 30 Deg. seat; .010" O/S; 1.1710" OD, .0910" ID, .2220" Depth
16	Exh. & Int.	FP-8921501	STD	4 Valve Head; 30 Deg. seat; 1.1610" OD, .0910" ID, .2220" Depth
QTY	VALVE GUIDE	PART NO.	SIZE	DESCRIPTION
16	Guide	FP-5129919		Exh.; 2 Valve Head; 2 3/8" length; .3130" ID, 2.3800" O.A.L.
12	Guide	FP-5131961		Exh. & Int.; 4 Valve Head
QTY	VALVE SPRING	PART NO.	SIZE	DESCRIPTION
8	Spring	FP-5116140		Exh.; 2 Valve Head
16	Spring	FP-5144019		Exh.; 4 Valve Head; .135" Wire Dia.
16	Spring	FP-5147424		Exh.; 4 Valve Head; Stamped "V7L"; .148" Wire Dia.
16	Spring Insert	FP-5111467		Exh. & Int.; 4 Valve Head
16	Spring Cap	FP-5123330		Exh.; 4 Valve Head
QTY	PUSH RODS	PART NO.	SIZE	DESCRIPTION
12	Push Rod	FP-5128640		
12	Push Rod Seat	FP-5123250		Lower
12	Push Rod Seat	FP-5108919		Upper; Cup type
12	Push Rod Seat	FP-5150302		Upper; Flange type
12	Push Rod Spring	FP-5186858		.177" Wire diameter
12	Push Rod Spring	FP-5108918		.192" Wire diameter
12	Push Rod Retainer	FP-5150303		
12	Lock Nut	FP-5151601		5/16" - 24
QTY	VALVE SEAL	PART NO.	SIZE	DESCRIPTION
8	Valve Stem Seal	FP-8921209		Exh.; 2 Valve Head
16	Valve Stem Seal	FP-8921741		Exh.; 4 Valve Head
QTY	ROCKER PARTS	PART NO.	SIZE	DESCRIPTION
4	Arm Assy.	FP-8923554		Injector Rocker; 4 Valve Head
4	Arm Assy.	FP-5135267		LH; 4 Valve Head
4	Arm Assy.	FP-5135268		RH; 4 Valve Head
4	Rocker Shaft	FP-5116072		
8	Arm Support	FP-5116128		
4	Rocker Bushing	FP-8924355		Injector Rocker; Large
4	Rocker Bushing	FP-8924354		Injector Rocker; Small
20	Rocker Bushing	FP-5123700		Rocker Arm Clevis; .5625" OD
12	Follower Assy.	FP-8924439		
4	Follower Guide	FP-5116125		
12	Cam Follower Roller Set	FP-8923814		Incl. pin & roller
8	Valve Bridge	FP-5135262		
12	Rocker Arm Clevis Pin	FP-5150314		
8	Lock Washer	FP-103319		.250"

(continued on next page)

White Farm (Includes Oliver, Minneapolis-Moline)

40 Wheel Tractor 4-53 (2-Valve Cyl. Head), 4-53N (4-Valve Cyl. Head) Engs.
 (cont.) 3.5L 212 OHV Diesel L4, 3.875" Bore (Detroit Diesel Eng.)

INT & EXH MANIFOLDS				
QTY	INT. & EXH. MANIFOLDS	PART NO.	SIZE	DESCRIPTION
1	Stud	FP-8925804		Exh. Manifold; 7/16" - 14/20" x 2 3/32"
5	Lock Washer	FP-103321		Exh. Manifold; 3/8"
1	Exhaust Manifold Gasket	FP-5119006		
1	Gasket	FP-5113412		Exh. Manifold Cover Plate
2	Pipe Plug	FP-5121182		Exh. Manifold; 1/4" - 18; Hex head
1	Pipe Plug	FP-8924380		Exh. Manifold; 1/8" - 27
5	Washer	FP-5104439		Exh. Manifold; 7/16" x 1.250" Dia.; Dished
1	Clamp	FP-23506306		Exh. Manifold; 4.55" Dia.
QTY	AIR INTAKE	PART NO.	SIZE	DESCRIPTION
1	Air Intake Housing Gasket	FP-5124405		
1	Bolt	FP-5103534		Air Inlet Housing; 5/16" - 24 x 1/2"
2	Washer	FP-5159714		Air Silencer; 11/16" x 1/8"
2	Lock Washer	FP-103319		Air Inlet Housing; .250"
4	Lock Washer	FP-103321		Air Inlet Housing; 3/8"
2	Lock Washer	FP-103320		Air Silencer; 5/16"
1	Retainer	FP-142583		Air Inlet Spring Retainer; 13/64" Spring
2	O-Ring	FP-5182977		Air Inlet Housing Shutdown Valve Shaft
CAMSHAFT GROUP				
QTY	TIMING	PART NO.	SIZE	DESCRIPTION
1	Idler Gear Hub Assembly	FP-5124458		
1	Ball Brg.	FP-5196793		Idler Gear
QTY	CAMSHAFT TIMING	PART NO.	SIZE	DESCRIPTION
2	Camshaft Pulley Spacer	FP-5106360		Front
2	Camshaft Pulley Spacer	FP-5121071		Front
QTY	CAMSHAFT/LIFTER	PART NO.	SIZE	DESCRIPTION
1	Camshaft	FP-5149095		Stamped FP-5101273; V7L; Use w/FP-5147424 Spring on 4 Valve Head; Types 137, 138, 139, 140, 141, 153, 182, 219, 269, 270, 271, 274, 275, 308, 309, 311, 427, 556
1	Camshaft	FP-5126932		Stamped FP-5126748; V7; Use w/FP-5144019 Spring on 4 Valve Head; Types 34, 51, 55, 77, 78, 85, 272
2	Oil Seal	FP-23516871		Front
2	Camshaft Plug	FP-5151277		.500" Drive; 15/32" x 1/2"
2	Woodruff Key	FP-8926248		.1875" x .625"
ACCESSORY DRIVE				
QTY	ACCESSORY DRIVE	PART NO.	SIZE	DESCRIPTION
1	Accessory Drive Gasket	FP-23515145		
1	Oil Seal	FP-5131329		Accessory drive; Accessory drive assy.
1	Ball Brg.	FP-23504528		Accessory drive; Accessory drive assy.
1	Hydraulic Pump Gasket	FP-5188755		Accessory Drive
1	Washer	FP-5150568		7/16" x 3/4" x 1/16"; Copper
3	Lock Washer	FP-103320		Gov. Spring Housing; 5/16"
1	Redi-Sleeve	99149		
FUEL SYSTEM & PARTS				
QTY	FUEL INJECTION	PART NO.	SIZE	DESCRIPTION
4	Fuel Injector Seal Ring	FP-5234281		
4	Fuel Injector Seal Ring	FP-5104701		Viton®
4	Injector Hole Tube Kit	FP-8925981		Viton®
4	Washer	FP-5150250		
4	Clamp	FP-5121259		
4	Fuel Injector	FP-5229345		Injector Assembly C45
4	Fuel Injector Repair Kit	FP-5229649		
4	Fuel Injection Valve Cage	FP-5228696		
4	Fuel Injection Spring Seat	FP-5228766		
4	Fuel Injector Valve Spring	FP-5228596		
4	Fuel Injector Check Valve	FP-5228694		
4	Fuel Pump Check Valve	FP-5226411		
4	Fuel Pump Check Valve	FP-5228308		Incl. injector valve & 5228106 seat
4	Injector Plunger & Bushing	FP-5229342		For Inj. Assembly C40
4	Injector Plunger & Bushing	FP-5229346		For Inj. Assembly C45
4	Injector Plunger & Bushing	FP-5229354		For Inj. Assembly C50
4	Injector Plunger & Bushing	FP-5228684		For Inj. Assembly N45, 5N45
4	Injector Plunger & Bushing	FP-5228749		For Inj. Assembly N50
4	Injector Plunger & Bushing	FP-5228495		For Inj. Assembly S45
4	Injector Plunger & Bushing	FP-5228656		For Inj. Assembly 5A60
4	Fuel Injector Tip Kit	FP-5228491		

(continued on next page)

White Farm (Includes Oliver, Minneapolis-Moline)

Wheel Tractor 4-53 (2-Valve Cyl. Head), 4-53N (4-Valve Cyl. Head) Engs. 40
3.5L 212 OHV Diesel L4, 3.875" Bore (Detroit Diesel Eng.) (cont.)

FUEL SYSTEM & PARTS (cont.)

QTY	FUEL INJECTION (cont.)	PART NO.	SIZE	DESCRIPTION
4	Fuel Injector Tip Kit	FP-5229034		For Inj. Assembly N35, N40, N45, N50, C40, C45, C50
4	Fuel Injector Tip Kit	FP-5229030		For Inj. Assembly 5A50, 5A55, 5A60
4	Fuel Injector Tip Kit	FP-5229026		For Inj. Assembly 5N45
4	Nut	FP-5228601		NV
4	Fuel Injector Valve Kit	FP-5228313		
4	Fuel Injector Valve Kit	FP-5228769		
4	Fuel Injector Roller Pin	FP-5228608		
QTY	FUEL FILTERS & PUMP	PART NO.	SIZE	DESCRIPTION
1	Mechanical Fuel Pump	FP-5199735		LH; High Output; High output; w/.375" Gear
1	Mechanical Fuel Pump	FP-5199560		LH; Standard Output; Std. output; w/.250" Gear
1	Mechanical Fuel Pump	FP-5199734		RH; High Output; High output
1	Mechanical Fuel Pump	FP-5199561		RH; Standard Output
1	Fuel Pump Shaft & Gear	FP-5146705		High Output; Fuel Pump Drive; 3.09" Length; High Output
1	Fuel Pump Shaft & Gear	FP-5100313		High Output; Fuel Pump Drive; .963" Length; High Output
1	Fuel Pump Shaft & Gear	FP-5181746		Standard Output; Fuel Pump Drive; 3.09" Length; Std. Output
1	Fuel Pump Shaft & Gear	FP-5181747		Standard Output; Fuel Pump Drive; .838" Length; Std. Output
1	Fuel Pump Valve	FP-5174973		
1	Fuel Pump Gear	FP-5107088		Fuel Pump Drive; LH Helix
1	Fuel Pump Gear	FP-5118915		High Output; Fuel Pump Drive; .374" Width; High Output
1	Fuel Pump Gear	FP-5128217		High Output; Fuel Pump Drive; .374" Width; High Output
1	Fuel Pump Gear	FP-5174975		Standard Output; Fuel Pump Drive; .294" Width; Std. Output
1	Fuel Pump Gear	FP-5181748		Standard Output; Fuel Pump Drive; .294" Width; Std. Output
1	Fuel Pump Drive Shaft	FP-5100312		High Output; Fuel Pump Drive; .963" Length; High Output
1	Fuel Pump Drive Shaft	FP-5178700		Standard & High Output; Fuel Pump Drive; 3.09" Length
1	Fuel Pump Drive Shaft	FP-5181749		Standard Output; Fuel Pump Drive; .838" Length; Std. Output
1	Fuel Pump Check Valve	FP-5174924		1/4" Swing type
1	Fuel Pump Check Valve	FP-5135308		3/8" Swing type
6	Fuel Line Connector	FP-8926992		Fuel Pipe
1	Fuel Pump Relief Valve Spring	FP-5184530		
1	O-Ring	FP-5179232		.424" x .103"
1	O-Ring	FP-5179232		Check Valve Seal Ring; .424" x .103"
2	Oil Seal	FP-23512243		Fuel pump
1	Fuel Pump Valve Plug Gasket	FP-5161003		Fuel pump
3	Bolt	FP-8925603		Fuel pump mounting; 5/16" - 18 x 3/4"; Vibra-Tite®
1	Fuel Pump Repair Part	FP-5174971		Fuel Pump Valve; .500" x 20 plug
1	Fuel Pump Drive Adapter Gskt.	FP-5150193		Fuel pump mounting; w/Limiting Speed Gov.
1	Fuel Pump Repair Kit	FP-5149599		High Output; High output; Short Shaft
1	Fuel Pump Repair Kit	FP-5195078		Standard Output; Std. output
1	Pipe Plug	FP-5121182		Fuel Pump; 1/4" - 18; Hex head
2	Pipe Plug	FP-8924380		1/8" - 27
2	Plastic Cap	FP-5136240		Fuel pump body; .250" Dia.
1	Plastic Cap	FP-5136241		Fuel pump body; .780" Dia., 3/8" NPTF
1	Dowel Pin	FP-103709		5/32" x 1" straight
1	Ball Brg.	FP-147481		Fuel Pump Shaft; .125" Dia. Steel
1	Bushing	FP-5198558		3/8" x 1/4"
1	Accessory Drive Gasket	FP-23515145		Fuel Pump Mounting Plate
6	Copper Washer	FP-5152148		25/64" ID x 9/16" OD x 1/16" Thick; Copper
6	Washer	FP-8925644		Fuel Pipe Connector
6	Washer	FP-5150568		7/16" x 3/4" x 1/16"; Copper

BLOWER

QTY	BLOWER	PART NO.	SIZE	DESCRIPTION
1	Governor to Cyl. Block Gasket	FP-5116336		
4	Oil Seal	FP-5199366		Blower End Plate; Use w/FP5199368 Sleeve
4	Oil Seal	FP-5142266		Blower End Plate; Use w/New Counterbored End Plates
4	Wear Sleeve	FP-5199368		Blower Rotor Shaft; Use w/FP5199366 Seal
1	Gasket	FP-124546		Woodruff Key; Woodruff Key; 5/32" x 5/8"
1	O-Ring	FP-8923959		Blower By-pass Valve
2	Pipe Plug	FP-8924380		Blower End Plate; 1/8" - 27
1	Clamp	FP-5144768		Blower Drive Cover
1	Washer	FP-5116316		Blower Rotor Gear
1	Washer	FP-5116316		Blower Rotor Gear
2	Washer	FP-5121403		Blower Rotor Gear
2	Washer	FP-5127077		Thrust Blower Shaft
2	Copper Washer	FP-5152148		Blower Drive Coupling; 25/64" ID x 9/16" OD x 1/16" Thick; Copper
2	Lock Washer	FP-103321		Blower Drive Coupling; 3/8"
3	Shim	FP-5116165		Blower Rotor Gear
3	Shim	FP-5116166		Blower Rotor Gear

(continued on next page)

White Farm (Includes Oliver, Minneapolis-Moline)

40 Wheel Tractor 4-53 (2-Valve Cyl. Head), 4-53N (4-Valve Cyl. Head) Engs.
 (cont.) 3.5L 212 OHV Diesel L4, 3.875" Bore (Detroit Diesel Eng.)

BLOWER (cont.)				
QTY	BLOWER (cont.)	PART NO.	SIZE	DESCRIPTION
3	Shim	FP-5116167		Blower Rotor Gear
3	Shim	FP-5116164		Blower Rotor Gear; .002"
COOLING SYSTEM				
QTY	WATER PUMP	PART NO.	SIZE	DESCRIPTION
1	Ball Brg.	FP-23503796		Inner Fan Shaft
1	Ball Brg.	FP-23503535		Outer Fan Shaft
1	Ball Brg.	FP-9415132		Front; Outer Fan Shaft
1	Ball Brg.	FP-7450630		Rear; Inner Fan Shaft
1	Oil Pump Intake Gasket	FP-5126473		Thermostat Housing Cover
1	Oil Seal	FP-5103951		Fan Shaft
1	Oil Seal	FP-5108219		Fan Shaft; Felt
1	Oil Seal	FP-5100408		Fan Shaft; Rubber Lip
1	Bolt	FP-9409060		Thermostat Housing; 1/2" - 20 x 1.500"
4	Bolt	FP-8927581		Thermostat Housing; 3/8" - 16 x 1"
3	Pipe Plug	FP-5115214		Thermostat Housing; 1/2" Square Head
2	Pipe Plug	FP-8923847		Thermostat Housing; 1/4" x 18 NPTF; Square head
2	Pipe Plug	FP-8924517		Thermostat Housing; 3/8" x 18 square head
1	Shaft & Bearing Assembly	FP-8922500		
1	Gasket	FP-5196513		Raw Water Pump Housing
1	Gasket	FP-5116357		Water By-pass Tube
1	Water Pump Lock Ring	FP-274746		Fan Shaft
QTY	THERMOSTAT	PART NO.	SIZE	DESCRIPTION
1	Thermostat	FP-5143210		170 Deg.
1	Thermostat	FP-8927465		170 Deg.
1	Thermostat	FP-8927466		180 Deg.; w/Rapid Start Up
QTY	MISCELLANEOUS	PART NO.	SIZE	DESCRIPTION
2	Lock Washer	FP-103321		Thermostat Housing; 3/8"
2	Lock Washer	FP-103320		Thermostat Housing; 5/16"
1	Accessory Drive Gasket	FP-23515145		Raw Water Pump
ENGINE BLOCK & PARTS				
QTY	GASKETS	PART NO.	SIZE	DESCRIPTION
1	Front Cover Gasket	FP-5116386		Lower
1	Front Cover Gasket	FP-5121082		Upper
1	Governor to Cyl. Block Gasket	FP-5116336		Front; Governor hole
1	Oil Pan Gasket	FP-5196060		w/Cast Iron Pan
1	Oil Pan Gasket	FP-5116257		w/Stamped Steel Pan
2	Copper Washer	FP-5155596		Oil Pan; 5/16"; Special copper washer
1	Washer	FP-840277		Oil Pan; 18MM, Nylon
5	Pipe Plug	FP-5115214		Oil Pan; 1/2" Square Head
2	Pipe Plug	FP-5121182		Oil Pan; 1/4" - 18; Hex head
1	Pipe Plug	FP-5142549		Oil Pan; 3/4" - 14 Square Head
1	Cylinder Cover Gasket	FP-5116354		Front
1	Gasket	FP-5116357		Water Hole Gasket
8	Copper Washer	FP-5152148		Fuel stand pipe; 25/64" ID x 9/16" OD x 1/16" Thick; Copper
15	Lock Washer	FP-103321		3/8"
QTY	GASKET SETS	PART NO.	SIZE	DESCRIPTION
1	Complete Overhaul Gasket Set	FP-23517624		Crankshaft seals not incl.
1	Complete Overhaul Gasket Set	FP-23517624WS		Incl. Front & Rear Seals
QTY	DOWEL PINS	PART NO.	SIZE	DESCRIPTION
4	Dowel Pin	FP-141346		.1875" x .500"
QTY	CAM BEARINGS	PART NO.	SIZE	DESCRIPTION
1	Cam Set	FP-5198984	STD	
1	Cam Set	FP-5198978	10	
1	Cam Set	FP-5198981	20	
QTY	OIL COOLERS & FILTERS	PART NO.	SIZE	DESCRIPTION
1	Oil Cooler	FP-8547236		12 plate
1	Oil Cooler	FP-8547581		13 plate
1	Oil Cooler	FP-8547194		4 plate
1	Oil Cooler	FP-8547563		8 plate
1	Oil Filter Gasket	FP-5121205		
4	Lock Washer	FP-103321		Oil Cooler; 3/8"
8	Lock Washer	FP-103320		Oil Cooler; 5/16"
2	Pipe Plug	FP-5121182		Oil Cooler; 1/4" - 18; Hex head
2	Pipe Plug	FP-5142549		Oil Cooler; 3/4" - 14 Square Head
1	Oil Cooler Gasket Kit	FP-PG3453OC		

(continued on next page)

White Farm (Includes Oliver, Minneapolis-Moline)

Wheel Tractor 4-53 (2-Valve Cyl. Head), 4-53N (4-Valve Cyl. Head) Engs. 40
 3.5L 212 OHV Diesel L4, 3.875" Bore (Detroit Diesel Eng.) (cont.)

ENGINE BLOCK & PARTS (cont.)

QTY	OIL COOLERS & FILTERS (cont.)	PART NO.	SIZE	DESCRIPTION
1	Oil Cooler Gasket	FP-8923223		Outlet
1	Gasket	FP-5116357		Oil Cooler Housing to Block
1	Oil Cooler Core Inner Gasket	FP-5150155		Inlet
2	Oil Cooler Core Outer Gasket	FP-5102506		Outlet
1	Oil Cooler Adapter Gasket Set	FP-5103906		
4	Oil Cooler Adapter Cover Gskt	FP-5175882		
4	Bolt	FP-8927581		Oil Cooler; 3/8" - 16 x 1"
QTY	FREEZE PLUGS	PART NO.	SIZE	DESCRIPTION
2	Pipe Plug	FP-5121182		1/4" - 18; Hex head
8	Pipe Plug	FP-8924380		1/8" - 27
QTY	DIPSTICK	PART NO.	SIZE	DESCRIPTION
1	Dipstick	FP-5146679		61" Length; Unmarked
1	Dipstick	FP-5146680		72" Length; Unmarked
1	Dipstick Guide	FP-5151430		1.50" Length
QTY	MISCELLANEOUS	PART NO.	SIZE	DESCRIPTION
2	Pipe Plug	FP-5121182		1/4" - 18; Hex head
8	Pipe Plug	FP-8924380		1/8" - 27
4	Fuel Drain Tube	FP-5135662		.299"
4	Fuel Drain Tube	FP-5135547		.434"
1	Accessory Drive Gasket	FP-23515145		Oil Filler Tube
1	Oil Filler Cap	FP-5108474		Twist Type
1	Oil Filler Cap	FP-5107106		1.50" Dia.; Thermos Bottle Style
1	Oil Filler Cap	FP-5120098		1.75" Dia.; Thermos Bottle Style
CRANKSHAFT/OIL PUMP				
QTY	CRANKSHAFT	PART NO.	SIZE	DESCRIPTION
13	Lock Washer	FP-103321		3/8"
1	Woodruff Key	FP-8926247		.250" x .750"
4	Dowel Pin	FP-141346		.1875" x .500"
1	Harmonic Balancer Sleeve	88187		
QTY	SEALS - FRONT CRANK	PART NO.	SIZE	DESCRIPTION
1	Oil Seal	FP-5148314		
1	Oil Seal	FP-5198503		Single lip O/S ID
1	Wear Sleeve	FP-5198502		
QTY	SEALS - REAR CRANK	PART NO.	SIZE	DESCRIPTION
1	Oil Seal	FP-5128917		Double lip; Wet only; Double Lip
1	Oil Seal	FP-5116229		Single lip
1	Oil Seal	FP-5196852		Single lip O/S ID
1	Wear Sleeve	FP-23516636		Use w/O/S Seals only
10	Washer	FP-5133981		Main bearing cap; .122" Thick
QTY	MAIN BEARINGS	PART NO.	SIZE	DESCRIPTION
5	Plain Main Brg.	FP-8924357	STD	
5	Plain Main Brg.	FP-8924358	2	
5	Plain Main Brg.	FP-8924359	10	
5	Plain Main Brg.	FP-8924360	20	
5	Plain Main Brg.	FP-8924361	30	
1	Thrust Washer Set	FP-5116197S	STD	
1	Thrust Washer Set	2611AF	Std Only	Position Rear
4	Thrust Washer	FP-5116197	STD	
4	Thrust Washer	FP-5196755	5	
4	Thrust Washer	FP-5196756	10	
QTY	OIL PUMP	PART NO.	SIZE	DESCRIPTION
1	Oil Pump	FP-5121042		Option Type 50, 52, 170, 171, 172, 173
1	Oil Pump Seal Ring	FP-5127175		Pump Inlet
1	Woodruff Key	FP-8928540		1/8" x 5/8"
2	Screw	FP-145067		Oil Pump Cover
2	Washer	FP-5177773		Oil Pump Relief Valve; 18MM x 1.5MM
2	Lock Washer	FP-103321		Oil Pump Inlet; 3/8"
2	Lock Washer	FP-103320		Oil Pump Inlet; 5/16"
6	Lock Washer	FP-103320		Oil Pump Mount; 5/16"
1	Oil Filter Gasket	FP-5121205		Filter Cover Adaptor
1	Oil Filter Gasket	FP-5121205		Oil Filter Adaptor
1	Lock Nut	FP-114498		Oil Filter Cover; 5/8" - 18, Jam Nut
1	Front Cover Gasket	FP-5116386		Oil Pump to Block
1	Oil Filter Adapter Gasket	FP-8924412		
5	Pipe Plug	FP-5115214		Oil Pan; 1/2" Square Head

(continued on next page)

White Farm (Includes Oliver, Minneapolis-Moline)

40 Wheel Tractor 4-53 (2-Valve Cyl. Head), 4-53N (4-Valve Cyl. Head) Engs.
 (cont.) 3.5L 212 OHV Diesel L4, 3.875" Bore (Detroit Diesel Eng.)

CRANKSHAFT/OIL PUMP (cont.)

QTY	OIL PUMP (cont.)	PART NO.	SIZE	DESCRIPTION
2	Pipe Plug	FP-5121182		Oil Pan; 1/4" - 18; Hex head
1	Pipe Plug	FP-5142549		Oil Pan; 3/4" - 14 Square Head

CYLINDER COMPONENTS

QTY	LINERS	PART NO.	SIZE	DESCRIPTION
4	Liner w/o Sealing Rings	FP-5132803	STD	.840" Port Height
4	Liner w/o Sealing Rings	FP-5101016	10	.840" Port Height
4	Liner w/o Sealing Rings	FP-5149944	20	.840" Port Height
4	Cylinder Kit Complete	FP-5198903	STD	Opt. 25,26,27,29,35,60,83; Trunk style piston; 17:1 C.R.
4	Cylinder Kit Complete	FP-519890310	10	Opt. 25,26,27,29,35,60,83; Trunk style piston; 17:1 C.R.
4	Cylinder Kit Complete	FP-519890320	20	Opt. 25,26,27,29,35,60,83; Trunk style piston; 17:1 C.R.
4	Cylinder Kit Complete	FP-5198904	STD	Opt. 53,56,65,66,77,236,249; Trunk style piston; 21:1 C.R.
4	Cylinder Kit Complete	FP-519890410	10	Opt. 53,56,65,66,77,236,249; Trunk style piston; 21:1 C.R.
4	Cylinder Kit Complete	FP-519890420	20	Opt. 53,56,65,66,77,236,249; Trunk style piston; 21:1 C.R.
4	Cylinder Kit Complete	FP-5198899	STD	Opt. 61,62,64,68,96,97,98,118,238,241; Trunk style piston; 21:1 C.R.
4	Cylinder Kit Complete	FP-519889910	10	Opt. 61,62,64,68,96,97,98,118,238,241; Trunk style piston; 21:1 C.R.
4	Cylinder Kit Complete	FP-519889920	20	Opt. 61,62,64,68,96,97,98,118,238,241; Trunk style piston; 21:1 C.R.
4	Liner Kit w/o Sleeve	FP-LCK8899		
4	Liner Kit w/o Sleeve	FP-LCK8903		
4	Liner Kit w/o Sleeve	FP-LCK8904		
8	Sealing Ring, Liner	FP-5121256		.010 O/S
8	Sealing Ring, Liner	FP-5149945		.020 O/S
4	Flange Shim	FP-29610	1	.001"
4	Flange Shim	FP-29611	2	.002"

QTY	PISTONS	PART NO.	SIZE	DESCRIPTION
4	Piston With Retainers	FP-5195931		2 Valve Head; Trunk style piston
4	Piston With Retainers	FP-5198877		4 Valve Head; Trunk style piston
4	Piston Skirt	FP-8924002		
4	Pin	FP-5116189		w/Trunk style piston
8	Piston Pin Retainer	FP-5108131		w/Trunk style piston; 1.38" Dia.
8	Piston Pin Bolt Spacer	FP-8924732		w/Crosshead piston
16	Pin Bushing	FP-5116181		w/Trunk style piston; 2 req'd. per rod
4	Pin Bushing	2619Y20 +		2 req'd. per rod; O.E. No. 5116181; When depleted use FP-5116181

QTY	CONNECTING RODS & BRGS.	PART NO.	SIZE	DESCRIPTION
4	Rod Pair	FP-5149452	STD	
4	Rod Pair	FP-5149454	10	
4	Rod Pair	FP-5149455	20	
4	Rod Pair	FP-5149456	30	
4	Rod Pair	2610CPA + Std-10-20-30-40		When depleted use FP-5149452

QTY	PISTON RINGS	PART NO.	SIZE	DESCRIPTION
4	Ring Set Single Cylinder	FP-23501520	STD	High Sulfur; Trunk type
4	Ring Set Single Cylinder	FP-23501521	STD	High Sulfur; Trunk type
4	Ring Set Single Cylinder	FP-5198902		Trunk type
4	Ring Set Single Cylinder	FP-5198822	STD	2 Valve Head; 1-.082, 3-3/32, 2-3/16 (1 cyl. set)
4	Ring Set Single Cylinder	FP-5149942	STD	4 Valve Head
4	Compression Ring	FP-5103382		Pos. 1; High Sulfur; Trunk type
4	Compression Ring	FP-8923328		Pos. 1; High Sulfur; Trunk type
4	Compression Ring	FP-5103382		Pos. 1; Trunk type
4	Compression Ring	FP-5103382		Pos. 1; 2 Valve Head
4	Compression Ring	FP-8923328		Pos. 1; 4 Valve Head
12	Compression Ring	FP-5116184		Pos. 2; Trunk type
12	Compression Ring	FP-8925779		Pos. 2, 3, 4; High Sulfur; Trunk type
12	Compression Ring	FP-8925779		Pos. 2, 3, 4; High Sulfur; Trunk type
12	Compression Ring	FP-5116184		Pos. 2, 3, 4; 2 Valve Head
12	Compression Ring	FP-5116184		Pos. 2, 3, 4; 4 Valve Head
8	Compression Ring	FP-5127147		Pos. 3, 4; Trunk type
8	Ring, Oil Control Set	FP-5195933		Trunk type
8	Ring, Oil Control Set	FP-5195933		2 Valve Head
8	Ring, Oil Control Set	FP-5195933		4 Valve Head

(continued on next page)

White Farm (Includes Oliver, Minneapolis-Moline)

Wheel Tractor 4-53 (2-Valve Cyl. Head), 4-53N (4-Valve Cyl. Head) Engs. 40
3.5L 212 OHV Diesel L4, 3.875" Bore (Detroit Diesel Eng.) (cont.)

CLUTCH

QTY	CLUTCH	PART NO.	SIZE	DESCRIPTION
1	Ball Brg.	FP-23503707		Clutch Pilot; Clutch Pilot
1	Ball Brg.	FP-23504892		Clutch Pilot; Clutch Pilot; Repl. FP-904983

KITS

QTY	OVERHAUL KIT	PART NO.	SIZE	DESCRIPTION
1	In-Frame Overhaul Kit	FP-453		4-53 & 4-53N Engs.
1	Complete Overhaul Kit	FP-453OH		4-53 & 4-53N Engs.

Wheel Tractor 3-71 (2-Valve Cyl. Head), 3-71E (4-Valve Cyl. Head), 3-71N (4-Valve Cyl. Head) Engs. 41
3.5L 213 OHV Diesel L3 (3-71), 4.25" Bore (Detroit Diesel Eng.) 1977-86

CYL. HEAD & PARTS

QTY	GASKETS	YEARS	PART NO.	SIZE	DESCRIPTION
1	Accessory Drive Gasket		FP-23515145		Breather Body/Separator
1	Governor Hole Gasket		FP-5123812		Breather Pipe
1	Crankcase Breather		FP-5130750		Breather Oil Separator Pad
1	Crankcase Breather		FP-5101760		Oil Separator Filter Unit; 4"
1	Crankcase Breather		FP-5101760		4"
1	Valve Cover Gasket		FP-5143405		Neoprene
1	Valve Cover Gasket		FP-5104018		Silicone
1	Lo Filter Adapter Gasket		FP-5173482		Breather Pipe/Body/Shell Cover, A/R
1	Washer		FP-5150568		Breather Pipe; 7/16" x 3/4" x 1/16"; Copper
1	Hose Clamp		FP-5186840		Breather Body; For 1 5/8" Hose Dia.; 13/16" - 1 1/2" Clamping Range
1	Bolt		FP-8927580		Breather Pipe; 3/8" - 16 x .875"
1	Bolt		FP-5103635		Throttle Delay; 3/8" - 16 x 2.90"
2	Stud		FP-5148504		Rocker Cover; 3/8" - 16 x 4.32"
1	Screw		FP-5103642		Breather Shell Cover; No. 10 - 24 x .375"
3	Screw		FP-5103642		Oil Filler Tube; No. 10 - 24 x .375"
1	Lock Washer		FP-103321		Breather Pipe; 3/8"
2	Lock Washer		FP-103320		Breather Pipe; 5/16"
2	Isolator Bushing		FP-5104515		Rocker Cover Bolt

QTY	VALVE	YEARS	PART NO.	SIZE	DESCRIPTION
6	Exhaust Valve Kit		FP-5192718		w/Locks; 2 Valve Head; Contains (1) FP-5178472 & (2) FP-23507238; 45 Degree
6	Exhaust Valve Kit		FP-5193197		w/Locks; 2 Valve Head; Contains (1) FP-5185327 & (2) FP-23507238; 30 Degree
6	Exhaust Valve Kit		FP-5194829		w/Locks; 2 Valve Head; Jet Blade; Contains (1) FP-5178501 & (2) FP-23507238; 45 Degree
6	Exhaust Valve Kit		FP-5193666		w/Locks; 2 Valve Head; Jet Blade; Contains (1) FP-5186381 & (2) FP-23507238; 30 Degree
12	Exhaust Valve Kit		FP-5149386		w/Locks; 4 Valve Head; Hi-Output Engs.; Contains (1) FP-5104280 & (2) FP-5111337
12	Exhaust Valve Kit		FP-23500501		w/Locks; 4 Valve Head; N & T Engs.; Contains (1) FP-8922516 & (2) FP-5111337
6	Valve Guide Cap		FP-5199914		Exh.; 2 Valve Head; Seal installer; Clear
12	Keeper		FP-23507238		2 Valve Head; 1 groove; Square cut key groove
24	Keeper		FP-5111337		4 Valve Head; 1 groove; Square cut key groove

QTY	VALVE SEAT	YEARS	PART NO.	SIZE	DESCRIPTION
6	Exh.		FP-5198230	10	2 Valve Head; 30 Deg. seat; .010" O/S; 1.6380" OD, 1.3440" ID, .2485" Depth
6	Exh.		FP-8927920	STD	2 Valve Head; 30 Deg. seat; 1.6280" OD, 1.3440" ID, .2485" Depth
12	Exh.		FP-5197167	10	4 Valve Head; 30 Deg. seat; .010" O/S; 1.2720" OD, .9770" ID, .2355" Depth
12	Exh.		FP-5101101	STD	4 Valve Head; 30 Deg. seat; 1.2620" OD, .9770" ID, .2490" Depth

QTY	VALVE GUIDE	YEARS	PART NO.	SIZE	DESCRIPTION
6	Guide		FP-5120930		Exh.; 2 Valve Head
6	Guide		FP-5192717		Exh.; 2 Valve Head; .0162" O/S
12	Guide		FP-5129919		Exh.; 4 Valve Head; 2 3/8" length; .3130" ID, 2.3800" O.A.L.

QTY	VALVE SPRING	YEARS	PART NO.	SIZE	DESCRIPTION
6	Spring		FP-5150289		Exh.; 2 Valve Head; .177" Wire dia.
12	Spring		FP-5111339		Exh.; 4 Valve Head; .135" Wire dia.
12	Spring		FP-5147347		Exh.; 4 Valve Head; .148" Wire dia.
6	Valve Spring Seat		FP-5150292		Exh.; 2 Valve Head
12	Valve Spring Seat		FP-5117562		Exh.; 4 Valve Head
6	Spring Cap		FP-5150291		Exh.; 2 Valve Head

(continued on next page)

White Farm (Includes Oliver, Minneapolis-Moline)

41 Wheel Tractor 3-71 (2-Valve Cyl. Head), 3-71E (4-Valve Cyl. Head), 3-71N (4-Valve Cyl. Head) Engs.
3.5L 213 OHV Diesel L3 (3-71), 4.25" Bore (Detroit Diesel Eng.) 1977-86

CYL. HEAD & PARTS (cont.)

QTY	VALVE SPRING (cont.)	YEARS	PART NO.	SIZE	DESCRIPTION
12	Spring Cap		FP-5117563		Exh.; 4 Valve Head
QTY	PUSH RODS	YEARS	PART NO.	SIZE	DESCRIPTION
9	Push Rod		FP-5128640		
9	Push Rod Seat		FP-5123250		Lower
9	Push Rod Seat		FP-5150302		Upper; Flange type
9	Push Rod Spring		FP-5186858		.177" Wire diameter
9	Push Rod Retainer		FP-5150303		
9	Lock Nut		FP-5151601		5/16" - 24
QTY	VALVE MISC.	YEARS	PART NO.	SIZE	DESCRIPTION
6	Bolt		FP-443603		.250" x 20 x .750"
6	Lock Nut		FP-5151601		5/16" - 24
6	Lock Washer		FP-103319		Cam Follower; .250"
6	Lock Washer		FP-103320		Cam Follower; 5/16"
QTY	VALVE SEAL	YEARS	PART NO.	SIZE	DESCRIPTION
6	Valve Stem Seal		FP-23500480		Exh.; 2 Valve Head
12	Valve Stem Seal		FP-8921209		Exh.; 4 Valve Head
12	Tools		FP-5199913		Exh.; 4 Valve Head; Seal installer; Green Stripe
QTY	ROCKER PARTS	YEARS	PART NO.	SIZE	DESCRIPTION
3	Arm Assy.		FP-5148472		Exh. Left
3	Arm Assy.		FP-5148475		Exh. Right
3	Arm Assy.		FP-8923554		Injector; Unbushed Clevis
3	Rocker Shaft		FP-23500714		
6	Rocker Shaft Bracket Bolt		FP-5150325		1/2" - 13 x 4.250"
6	Arm Support		FP-5103903		
3	Rocker Bushing		FP-8924355		Large
6	Rocker Bushing		FP-5123700		Exh.; Exh. Valve Clevis; .5625" OD
6	Rocker Bushing		FP-23517217		Exh.; Large; .8755" ID, .9475" OD, .840" Length, .0360" Wall thickness
6	Rocker Bushing		FP-8924354		Exh.; Small
9	Follower Assy.		FP-8924439		
9	Cam Follower Roller Set		FP-8923814		Incl. pin & roller
6	Valve Bridge Adj. Screw		FP-5129101		5/16" - 24 x 1"
6	Valve Bridge		FP-5117565		Exh.
6	Valve Bridge Guide		FP-5117564		Exh.; Press fit
6	Valve Bridge Guide		FP-51175646		Exh.; Press fit w/.006" O/S
6	Valve Bridge Guide		FP-5196843		Exh.; Threaded
6	Rocker Arm Clevis Pin		FP-5150314		
6	Bushing		FP-5122445 +		Exh.; Large; When depleted use FP-23517217
ELECTRICAL					
QTY	ELECTRICAL	YEARS	PART NO.	SIZE	DESCRIPTION
1	Starting Motor Gasket		FP-5130995		Starting Motor Hole Cover
METERS					
QTY	METERS	YEARS	PART NO.	SIZE	DESCRIPTION
1	Tachometer Drive Shaft		FP-5135936		
1	Tachometer Drive Shaft		FP-3224992		.061" Key
1	Accessory Drive Gasket		FP-23515145		Tach. Drive Cover
1	Bolt		FP-443603		.250" x 20 x .750"
1	Bolt		FP-179803		1/4" x 20 x 1.750"
1	Washer		FP-5150568		Tach. Drive Cover; 7/16" x 3/4" x 1/16"; Copper
4	Lock Washer		FP-103319		.250"
1	Lock Washer		FP-103319		Tach. Drive Adaptor; .250"
2	Lock Washer		FP-103320		Tach. Drive Adaptor; 5/16"
2	Lock Washer		FP-103320		Water Temp. Switch; 5/16"
1	Gasket		FP-5113412		Water Temp. Switch
1	Oil Seal		FP-5135820		Tach. Drive Adaptor
2	Oil Seal		FP-3202615		Tach. Drive Cover
1	Pipe Plug		FP-5121182		Water Temp. Switch; 1/4" - 18; Hex head
2	Pipe Plug		FP-8923847		Water Temp. Switch; 1/4" x 18 NPTF; Square head
INT & EXH MANIFOLDS					
QTY	INT. & EXH. MANIFOLDS	YEARS	PART NO.	SIZE	DESCRIPTION
1	Exhaust Manifold Gasket		FP-5163811		Exh. Outlet; 4.375" I.D.
4	Exhaust Manifold Gasket		FP-5156319		Manifold Cover Plate
1	Exhaust Manifold Gasket		FP-5156319		Water Outlet Flange

(continued on next page)

White Farm (Includes Oliver, Minneapolis-Moline)

Wheel Tractor 3-71 (2-Valve Cyl. Head), 3-71E (4-Valve Cyl. Head), 3-71N (4-Valve Cyl. Head) Engs. (cont.)
 3.5L 213 OHV Diesel L3 (3-71), 4.25" Bore (Detroit Diesel Eng.) 1977-86

INT & EXH MANIFOLDS (cont.)

QTY	INT. & EXH. MANIFOLDS (cont.)	YEARS	PART NO.	SIZE	DESCRIPTION
1	Exhaust Manifold Gasket		FP-5150194		3 Ports, Composition
QTY	AIR INTAKE	YEARS	PART NO.	SIZE	DESCRIPTION
2	Air Intake Housing Gasket		FP-5124405		
1	Air Intake Gasket		FP-3290577		Housing Striker Plate
2	Lock Washer		FP-103319		Air Inlet Housing Shutdown Valve Shaft; .250"
4	Lock Washer		FP-103321		Air Silencer; 3/8"
6	Lock Washer		FP-103320		Air Silencer; 5/16"
2	O-Ring		FP-5182977		Air Inlet Housing Shutdown Valve Shaft

ACCESSORY DRIVE

QTY	ACCESSORY DRIVE	YEARS	PART NO.	SIZE	DESCRIPTION
1	Accessory Drive Gasket		FP-23515145		
1	Oil Seal		FP-5131329		Accessory Drive
1	Oil Seal		FP-5138710		Accessory Drive
1	Oil Seal Kit		FP-5198175		Accessory Drive
1	Ball Brg.		FP-23503727		Accessory Drive
1	Ball Brg.		FP-23504528		Accessory Drive
1	Ball Brg.		FP-23504528		Accessory Drive
1	Drive Coupling		FP-5141773		Accessory Drive
1	Water Pump Retainer Ring		FP-9415285		Accessory Drive; Large; External
10	Bolt		FP-8927580		Accessory Drive; w/Seal Patch; 3/8" - 16 x .875"
3	Bolt		FP-8927581		Accessory Drive; w/Seal Patch; 3/8" - 16 x 1"
4	Bolt		FP-5145092		Accessory Drive; 3/8" - 24 x 1.20", Self-Locking
1	Stud		FP-8927270		Accessory Drive; 3/8" - 16/24" x 1.6875"
4	Stud		FP-8925804		Balance Weight Cover; 7/16" - 14/20" x 2 3/32"
1	Hydraulic Pump Gasket		FP-5188755		Accessory Drive
1	Pipe Plug		FP-5121182		Accessory Drive; 1/4" - 18; Hex head
5	Washer		FP-5150568		Accessory Drive; 7/16" x 3/4" x 1/16"; Copper
13	Copper Washer		FP-5152148		Accessory Drive; 25/64" ID x 9/16" OD x 1/16" Thick; Copper
13	Lock Washer		FP-103321		Accessory Drive; 3/8"
4	Lock Washer		FP-103321		Accessory Drive; 3/8"
4	Lock Washer		FP-103320		Accessory Drive; 5/16"
2	Lock Washer		FP-103321		Balance Weight Cover; 3/8"
20	Lock Washer		FP-103320		Balance Weight Cover; 5/16"
1	Lock Nut	86-77	FP-103026		Accessory Drive; 3/8" x 24
13	Lock Nut		FP-103026		Accessory Drive; 3/8" x 24
20	Lock Nut		FP-103026		Balance Weight Cover; 3/8" x 24

FUEL SYSTEM & PARTS

QTY	FUEL INJECTION	YEARS	PART NO.	SIZE	DESCRIPTION
4	Fuel Injector Nozzle		FP-5172874		Water Nozzle; Single Outlet; Single Outlet
3	Fuel Injector Seal Ring		FP-5234281		
3	Fuel Injector Seal Ring		FP-5104701		Viton®
3	Injector Hole Tube Kit		FP-8925981		Incl. Seal Ring; Viton®
3	Clamp		FP-5121259		
3	Fuel Injector		FP-5229355		Option Type 111; Injector Assembly C55
3	Fuel Injector		FP-5229360		Option Type 113; Injector Assembly C60
3	Fuel Injector		FP-5229365		Option Type 115; Injector Assembly C65
3	Fuel Injector		FP-5228780		Option Type 14, 54, 82; Injector Assembly N80
3	Fuel Injector		FP-5229695		Option Type 153; Injector Assembly 7C75
3	Fuel Injector		FP-5229790		Option Type 163; Injector Assembly 7E55
3	Fuel Injector		FP-5229795		Option Type 164; Injector Assembly 7E60
3	Fuel Injector		FP-5229800		Option Type 165; Injector Assembly 7E65
3	Fuel Injector		FP-5229895		Option Type 180; Injector Assembly 7G65
3	Fuel Injector		FP-5226440		Option Type 242; Injector Assembly 7N65
3	Fuel Injector		FP-5228760		Option Type 53, 78; Injector Assembly N60
3	Fuel Injector		FP-5228770		Option Type 57, 80; Injector Assembly N70
3	Fuel Injector		FP-5228785		Option Type 60, 77; Injector Assembly N55
3	Fuel Injector		FP-5228777		Option Type 81; Injector Assembly N75
3	Fuel Injector		FP-5228900		Option Type 97; BT; Injector Assembly N65
6	Fuel Injector Repair Kit		FP-5229649		
3	Fuel Injection Valve Cage		FP-5228696		Check Valve
3	Fuel Injection Spring Seat		FP-5228766		
3	Fuel Injector Valve Spring		FP-5228596		
3	Fuel Injector Check Valve		FP-5228694		
3	Fuel Pump Check Valve		FP-5226411		

(continued on next page)

White Farm (Includes Oliver, Minneapolis-Moline)

41 Wheel Tractor 3-71 (2-Valve Cyl. Head), 3-71E (4-Valve Cyl. Head), 3-71N (4-Valve Cyl. Head) Engs.
 (cont.) 3.5L 213 OHV Diesel L3 (3-71), 4.25" Bore (Detroit Diesel Eng.) 1977-86

FUEL SYSTEM & PARTS (cont.)

QTY	FUEL INJECTION (cont.)	YEARS	PART NO.	SIZE	DESCRIPTION
3	Fuel Pump Check Valve		FP-5228308		HV7, HV8, HV9, S70, S80, S90; Incl. injector valve & 5228106 seat
3	Fuel Pump Check Valve		FP-5228308		S55, S60, S65; Incl. injector valve & 5228106 seat
3	Injector Plunger & Bushing		FP-5229356		C55
3	Injector Plunger & Bushing		FP-5229362		C60
3	Injector Plunger & Bushing		FP-5229366		C65
3	Injector Plunger & Bushing		FP-5229372		C70
3	Injector Plunger & Bushing		FP-5228306		HV6
3	Injector Plunger & Bushing		FP-5228304		HV7
3	Injector Plunger & Bushing		FP-5228804		M95
3	Injector Plunger & Bushing		FP-5228668		N55
3	Injector Plunger & Bushing		FP-5228656		N60; For Inj. Assembly 5A60
3	Injector Plunger & Bushing		FP-5228928		N65 BT
3	Injector Plunger & Bushing		FP-5228658		N65 WT, N75, 7C75
3	Injector Plunger & Bushing		FP-5228682		N70, 7C70
3	Injector Plunger & Bushing		FP-5228661		N80
3	Injector Plunger & Bushing		FP-5228878		N90
3	Injector Plunger & Bushing		FP-5229823		7E55
3	Injector Plunger & Bushing		FP-5229814		7E60
3	Injector Plunger & Bushing		FP-5229808		7E75, 7G75
3	Injector Plunger & Bushing		FP-5229916		7G65
3	Injector Plunger & Bushing		FP-5229912		7G70
3	Injector Plunger & Bushing		FP-5229354		71C5; For Inj. Assembly C50
3	Fuel Injector Tip Kit		FP-5229026		C55, C60, 71C5, 7E55, 7E60; For Inj. Assembly 5N45
3	Fuel Injector Tip Kit		FP-5229192		C65, C70, N70, N75, 7N65
3	Fuel Injector Tip Kit		FP-5228312		HV7, HV8, HV9, S70, S80, S90
3	Fuel Injector Tip Kit		FP-5228554		HV7, HV8, HV9, S70, S80, S90
3	Fuel Injector Tip Kit		FP-5229256		M95, N80, N90
3	Fuel Injector Tip Kit		FP-5229026		N55, N60, N65 WT; For Inj. Assembly 5N45
3	Fuel Injector Tip Kit		FP-5229030		N65 BT; For Inj. Assembly 5A50, 5A55, 5A60
3	Fuel Injector Tip Kit		FP-5228491		S55, S60, S65
3	Fuel Injector Tip Kit		FP-5229030		7E65; For Inj. Assembly 5A50, 5A55, 5A60
3	Nut		FP-5228601		Inj. Valve; NV
3	Fuel Injector Valve Kit		FP-5228313		
3	Fuel Injector Valve Kit		FP-5228769		
3	Fuel Injector Roller Pin		FP-5228608		
QTY	FUEL FILTERS & PUMP	YEARS	PART NO.	SIZE	DESCRIPTION
1	Mechanical Fuel Pump		FP-5199735		LH; High Output; High output; w/.375" Gear
1	Mechanical Fuel Pump		FP-5199560		LH; Std. Output; Std. output; w/.250" Gear
1	Mechanical Fuel Pump		FP-5199734		RH; High Output; High output
1	Mechanical Fuel Pump		FP-5199561		RH; Std. Output
1	Fuel Pump Shaft & Gear		FP-5100313		High Output; .963" Length; High Output
1	Fuel Pump Shaft & Gear		FP-5146705		High Output; 3.09" Length; High Output
1	Fuel Pump Shaft & Gear		FP-5181747		Std. Output; .838" Length; Std. Output
1	Fuel Pump Shaft & Gear		FP-5181746		Std. Output; 3.09" Length; Std. Output
1	Fuel Pump Valve		FP-5174973		
1	Fuel Pump Gear		FP-5118915		High Output; .374" Width; High Output
1	Fuel Pump Gear		FP-5128217		High Output; .374" Width; High Output
1	Fuel Pump Gear		FP-5174975		Std. Output; .294" Width; Std. Output
1	Fuel Pump Gear		FP-5181748		Std. Output; .294" Width; Std. Output
1	Fuel Pump Drive Shaft		FP-5100312		High Output; .963" Length; High Output
1	Fuel Pump Drive Shaft		FP-5178700		Std. & High Output; 3.09" Length
1	Fuel Pump Drive Shaft		FP-5181749		Std. Output; .838" Length; Std. Output
1	Fuel Pump Check Valve		FP-5174924		1/4" Swing type
1	Fuel Pump Check Valve		FP-5135308		3/8" Swing type
6	Fuel Line Connector		FP-5117369		
1	Fuel Pump Relief Valve Spring		FP-5184530		
2	Oil Seal		FP-23512243		Fuel pump
1	Fuel Pump Valve Plug Gasket		FP-5161003		Fuel pump
1	Fuel Pump Repair Part		FP-5174971		Fuel pump valve plug; .500" x 20 plug
1	Fuel Pump Drive Adapter Gskt.		FP-5150193		
1	Fuel Pump Repair Kit		FP-5149599		High Output; High output; Short Shaft
1	Fuel Pump Repair Kit		FP-5195078		Std. Output; Std. output
1	Pipe Plug		FP-5121182		Fuel pump pipe; 1/4" - 18; Hex head
2	Plastic Cap		FP-5136240		Fuel pump body; .250" Dia.
1	Plastic Cap		FP-5136241		Fuel pump body; .780" Dia., 3/8" NPTF
1	Dowel Pin		FP-103709		5/32" x 1" straight
1	Ball Brg.		FP-147481		Fuel pump shaft; .125" Dia. Steel

(continued on next page)

White Farm (Includes Oliver, Minneapolis-Moline)

Wheel Tractor 3-71 (2-Valve Cyl. Head), 3-71E (4-Valve Cyl. Head), 3-71N (4-Valve Cyl. Head) Engs. (cont.)
 3.5L 213 OHV Diesel L3 (3-71), 4.25" Bore (Detroit Diesel Eng.) 1977-86

FUEL SYSTEM & PARTS (cont.)

QTY	FUEL FILTERS & PUMP (cont.)	YEARS	PART NO.	SIZE	DESCRIPTION
6	Washer		FP-5125108		Fuel pump pipe assy.; 7/16" x 3/4" x 1/16"

GOVERNOR

QTY	GOVERNOR	YEARS	PART NO.	SIZE	DESCRIPTION
1	Copper Washer		FP-5155596		w/Limiting Speed Gov.; 5/16"; Special copper washer
2	Washer		FP-5179709		w/Limiting Speed Gov.; .250" Copper
3	Lock Washer		FP-103319		Throttle Shaft; w/Limiting Speed Gov.; .250"
3	Screw		FP-9417926		Gov. cover; w/Limiting Speed Gov.; 1/4" -20 x 3/4"
1	Governor Hole Gasket		FP-5123812		Gov. to Cyl. Head; w/Limiting Speed Gov.
1	Governor Cover Gasket		FP-5150889		w/Limiting Speed Gov.

COOLING SYSTEM

QTY	WATER PUMP	YEARS	PART NO.	SIZE	DESCRIPTION
1	Water Pump - Heavy Duty		FP-23507971		Raw Water; Option Type 1, 2, 3, 28, 31, 62, 69, 70, 71, 72, 73, 75, 76, 77, 78, 80, 83
1	Water Pump - Heavy Duty		FP-5186250		Raw Water; Option Type 13
1	Water Pump - Heavy Duty		FP-23506704		L.H.; Fresh Water; High Capacity
1	Water Pump - Heavy Duty		FP-8924839		L.H.; Fresh Water; Std. Capacity
1	Water Pump - Heavy Duty		FP-23506711		R.H.; Fresh Water; High Capacity
1	Water Pump - Heavy Duty		FP-23506735		R.H.; Fresh Water; Std. Capacity
1	Water Pump Shaft		FP-5193552		Raw Water; For Pump FP-5186250
1	Water Pump Shaft		FP-5193552		Raw Water; For Pumps FP-5115800, FP-5187140, FP-23507971
1	Water Pump Impeller		FP-23505997		Fresh Water
1	Water Pump Impeller		FP-5126911		Fresh Water
1	Water Pump Impeller		FP-23505998		Fresh Water; High Capacity
1	Water Pump Impeller		FP-8924839		Raw Water; For Pump FP-5122599
1	Water Pump Impeller		FP-8924838		Raw Water; For Pump FP-5186250
1	Water Pump Impeller		FP-8924838		Raw Water; For Pumps FP-23507971, FP-5186250
1	Water Pump Impeller		FP-8924838		Raw Water; For Pumps FP-5115800, FP-5187140, FP-23507971
1	Water Pump Impeller		FP-5193602		Raw Water; Option Type 14; For Obsolete Pump; Synthetic
1	Water Pump Repair/Rebuild Kit		FP-23506870		Fresh Water Recon. Kit; High Capacity; Incl. Impeller Assy.
1	Water Pump Repair/Rebuild Kit		FP-23506851		Fresh Water Recon. Kit; Std. Capacity; Ceramic Insert; Incl. Impeller Assy.
1	Water Pump Repair/Rebuild Kit		FP-5198307		Fresh Water Recon. Kit; Std. Capacity; Incl. Impeller Assy.
1	Water Pump Repair/Rebuild Kit		FP-5149918		Fresh Water Seals & Bearing Kit; High Capacity; Ceramic Insert
1	Water Pump Repair/Rebuild Kit		FP-23506858		Fresh Water Seals & Bearing Kit; Std. Capacity
1	Water Pump Repair/Rebuild Kit		FP-5197224		Recon. Kit; Raw Water; For Pump FP-5186250
1	Water Pump Repair/Rebuild Kit		FP-5197223		Recon. Kit; Raw Water; For Pumps FP-5115800, FP-5187140, FP-23507971
1	Water Pump Cover		FP-5193555		Raw Water Pump, End; For Pump FP-5186250
1	Water Pump Cover		FP-5193555		Raw Water Pump, End; For Pumps FP-5115800, FP-5187140, FP-23507971
1	Water Pump Gasket		FP-5178273		Fresh Water; High Capacity
1	Water Pump Retainer Ring		FP-9415285		Raw Water; For Pump FP-5186250; Large; External
1	Water Pump Retainer Ring		FP-5193569		Raw Water; For Pump FP-5186250; Small; Small
1	Water Pump Retainer Ring		FP-9415285		Raw Water; For Pumps FP-5115800, FP-5187140, FP-23507971; Large; Large; External
1	Water Pump Retainer Ring		FP-5193569		Raw Water; For Pumps FP-5115800, FP-5187140, FP-23507971; Small; Small
1	Water Pump Mech. Shaft Seal		FP-8924297		Fresh Water
1	Water Pump Mech. Shaft Seal		FP-5186571		Fresh Water; Seal & Spring
1	Water Pump Mech. Shaft Seal		FP-5198419		Raw Water; For Pump FP-5186250
1	Water Pump Mech. Shaft Seal		FP-5198419		Raw Water; For Pumps FP-23507971, FP-5186250, FP-5122599
1	Water Pump Mech. Shaft Seal		FP-5198419		Raw Water; For Pumps FP-5115800, FP-5187140, FP-23507971
1	Water Pump Mech. Shaft Seal		FP-5193684		Raw Water; For Pumps FP-5115800, FP-5187140, FP-23507971; Outboard
1	Ball Brg.		FP-23504426		Raw Water Pump; For Pump FP-5186250
1	Ball Brg.		FP-23504426		Raw Water Pump; For Pumps FP-5115800, FP-5187140, FP-23507971
1	Ball Brg.		FP-23503821		Inner; Fan Shaft
1	Ball Brg.		FP-903205		Inner; Fan Shaft
1	Ball Brg.		FP-9415132		Inner; Fan Shaft
1	Ball Brg.		FP-23503535		Outer; Fan Shaft
1	Oil Pump Intake Gasket		FP-5153902		Lower; Water By-Pass Tube; 2 1/4" B.C.
1	Fuel Pump Drive Adapter Gskt.		FP-5150193		Fresh Water Pump to Eng.
1	Accessory Drive Gasket		FP-23515145		Raw Water Pump Drive Gasket
1	Oil Seal		FP-5103951		Fan Shaft
1	Oil Seal		FP-5108219		Fan Shaft; Felt

(continued on next page)

White Farm (Includes Oliver, Minneapolis-Moline)

41 Wheel Tractor 3-71 (2-Valve Cyl. Head), 3-71E (4-Valve Cyl. Head), 3-71N (4-Valve Cyl. Head) Engs.

3.5L 213 OHV Diesel L3 (3-71), 4.25" Bore (Detroit Diesel Eng.) 1977-86

COOLING SYSTEM (cont.)

QTY	WATER PUMP (cont.)	YEARS	PART NO.	SIZE	DESCRIPTION
1	Oil Seal		FP-23506248		Fresh Water Pump
1	Oil Seal		FP-5195101		Raw Water Pump; For Pump FP-5186250
1	Oil Seal		FP-5195101		Raw Water Pump; For Pumps FP-5115800, FP-5187140, FP-23507971
1	Oil Seal		FP-5132155		Thermostat Seal
1	Bolt		FP-454992		Fan Hub Mount; 1/2" - 13 x 2 1/2
3	Bolt		FP-8927581		Fan Hub Mount; 3/8" - 16 x 1"
4	Bolt		FP-8921930		Fresh Water Pump Body; 1/4" - 20 x 3/4"
4	Bolt		FP-443603		Heat Exchanger; .250" x 20 x .750"
1	Bolt		FP-454992		Heat Exchanger; 1/2" - 13 x 2 1/2
2	Bolt		FP-8927580		Heat Exchanger; 3/8" - 16 x .875"
5	Bolt		FP-23504236		Raw Water Pump Cover; For Pump FP-5186250; .250" - 20 x .500"; Stainless Steel
5	Bolt		FP-23504236		Raw Water Pump Cover; For Pumps FP-5115800, FP-5187140, FP-23507971; .250" - 20 x .500"; Stainless Steel
4	Bolt		FP-5145092		Raw Water Pump Drive; 3/8" - 24 x 1.20", Self-Locking
1	Pipe Plug		FP-8924380		Fan Hub; 1/8" - 27
1	Pipe Plug		FP-5121182		Heat Exchanger; 1/4" - 18; Hex head
1	Pipe Plug		FP-8924380		Heat Exchanger; 1/8" - 27
2	Pipe Plug		FP-5142549		Heat Exchanger; 3/4" - 14 Square Head
2	Pipe Plug		FP-8924517		Thermostat Housing Cover; 3/8" x 18 square head
1	Pipe Plug		FP-5115214		Thermostat Housing; 1/2" Square Head
1	Pipe Plug		FP-5121182		Thermostat Housing; 1/4" - 18; Hex head
1	Pipe Plug		FP-8924380		Thermostat Housing; 1/8" - 27
1	Pipe Plug		FP-5142549		Thermostat Housing; 3/4" - 14 Square Head
1	Pipe Plug		FP-5115214		Water Outlet Manifold Elbow; 1/2" Square Head
1	Pipe Plug		FP-5121182		Water Outlet Manifold Elbow; 1/4" - 18; Hex head
1	Pipe Plug		FP-5142549		Water Outlet Manifold Elbow; 3/4" - 14 Square Head
1	Pipe Plug		FP-8924517		Water Pump; 3/4" - 14 Square Head
1	Pipe Plug		FP-8924517		Water Pump; 3/8" x 18 square head
1	Expansion Plug		FP-5117186		Heat Exchanger; 2" Dia. Cup; Stainless Steel
1	Shaft & Bearing Assembly		FP-5136671		Fresh Water
1	Shaft & Bearing Assembly		FP-908337		Fresh Water
1	Dowel Pin		FP-5197597		Raw Water Pump; Wear Plate Locating Pin; .184" OD x .375" Length
1	Screw		FP-114366		Raw Water Pump Cam; For Pump FP-5186250; .250" - 20 x .500"; Brass
1	Screw		FP-114366		Raw Water Pump Cam; For Pumps FP-5115800, FP-5187140, FP-23507971; .250" - 20 x .500"; Brass
1	Slinger, Water Pump		FP-5114011		Fresh Water
1	Slinger, Water Pump		FP-5193676		Raw Water Pump Shaft; For Pump FP-5186250
1	Slinger, Water Pump		FP-5193676		Raw Water; For Pumps FP-5115800, FP-5187140, FP-23507971
3	Copper Washer		FP-5155596		Water Pump Mounting; 5/16"; Special copper washer
2	Washer		FP-5197310		Adhesive Washer; Fresh Water Pump; Adhesive, Ceramic Insert
1	Washer		FP-103325		Raw Water Pump Drive Gear; Lock washer; 5/8"
QTY	THERMOSTAT	YEARS	PART NO.	SIZE	DESCRIPTION
1	Thermostat		FP-3041379		Vent Hole Design; 170 Deg.
2	Thermostat		FP-23503827		160 Deg.
2	Thermostat		FP-23503826		170 Deg.
2	Thermostat		FP-5172141		170 Deg.
1	Thermostat Gasket		FP-5167761		Thermostat Housing
2	Thermostat Gasket		FP-5169478		Water By-Pass Tube Elbow
2	Thermostat Gasket		FP-5169478		Upper; Thermostat Housing
1	Thermostat Gasket		FP-5167761		Heat Exchanger
2	Exhaust Manifold Gasket		FP-5156319		Water By-Pass Tube to Exh. Manifold
QTY	MISCELLANEOUS	YEARS	PART NO.	SIZE	DESCRIPTION
6	Stud		FP-8927270		Water Outlet Manifold; 3/8" - 16/24" x 1.6875"
4	Hose Clamp		FP-5186841		Raw Water Pump Inlet Tube; 1 9/16" - 2.50"
2	Hose Clamp		FP-5186840		Thermostat Housing; 13/16" - 1 1/2" Clamping Range
2	Hose Clamp		FP-5186840		Water By-pass Tube Connecting Hose; 13/16" - 1 1/2" Clamping Range
1	Hose Clamp		FP-9139809		Water Outlet Manifold; 2 1/16" - 3"
1	Hose Clamp		FP-5188036		Water Outlet Manifold; 2.750" Dia. Hose
3	Lock Washer		FP-103320		Fan Hub Mount; 5/16"
1	Lock Washer		FP-103321		Heat Exchanger; 3/8"
2	Lock Washer		FP-103320		Water Outlet Manifold Elbow; 5/16"
6	Lock Washer		FP-103321		Water Outlet Manifold; 3/8"
20	Lock Washer		FP-103320		Inlet; Heat Exchanger; 5/16"

(continued on next page)

White Farm (Includes Oliver, Minneapolis-Moline)

Wheel Tractor 3-71 (2-Valve Cyl. Head), 3-71E (4-Valve Cyl. Head), 3-71N (4-Valve Cyl. Head) Engs. (cont.)
 3.5L 213 OHV Diesel L3 (3-71), 4.25" Bore (Detroit Diesel Eng.) 1977-86

COOLING SYSTEM (cont.)

QTY	MISCELLANEOUS (cont.)	YEARS	PART NO.	SIZE	DESCRIPTION
1	Sealing Ring		FP-5159457		Water Pump Inlet
1	Sealing Ring		FP-5153560		Water Pump Inlet; 2.1875" OD
1	O-Ring		FP-5150191		Fresh Water Pump Outlet
2	O-Ring		FP-5167746		Heat Exchanger
1	O-Ring		FP-23514265		Raw Water Pump; For Pump FP-5186250
1	O-Ring		FP-23514265		Raw Water Pump; For Pumps FP-5115800, FP-5187140, FP-23507971
1	Exhaust Manifold Gasket		FP-5156319		Heat Exchanger; Cover Plate
3	Water Manifold Gasket		FP-23506469		Water Outlet Cover Plate
2	Hose Clamp		FP-5186840		Upper; Hose to Thermostat Housing; 13/16" - 1 1/2" Clamping Range
2	Oil Cooler Gasket		FP-5112401		Heat Exchanger
1	Oil Cooler Core Outer Gasket		FP-5102506		Heat Exchanger; Oil Cooler Outlet
1	Oil Cooler Cover Gasket		FP-23501591		Heat Exchanger
1	Oil Cooler Cover Gasket		FP-23501591		Heat Exchanger; Expansion Tank Cover

ENGINE BLOCK & PARTS

QTY	GASKETS	YEARS	PART NO.	SIZE	DESCRIPTION
1	Pipe Plug		FP-5121182		Cyl. Block; 1/4" - 18; Hex head
2	Flywheel Housing Gasket		FP-5150055		
1	Flywheel Housing Gasket		FP-8928967		
2	Accessory Drive Gasket		FP-23515145		Flywheel Housing Large Hole Cover
2	Bolt		FP-8927580		Flywheel Housing; 3/8" - 16 x .875"
2	Washer		FP-5125108		Flywheel Housing; 7/16" x 3/4" x 1/16"
2	Copper Washer		FP-5152148		Flywheel Housing; 25/64" ID x 9/16" OD x 1/16" Thick; Copper
1	Oil Pan Gasket		FP-5150115		
4	Bolt		FP-8927580		Oil Filter; 3/8" - 16 x .875"
1	Washer		FP-5177773		Filter By-pass Valve Plug; 18MM x 1.5MM
1	Washer		FP-840277		Oil Pan Drain Plug; 18MM, Nylon
1	Washer		FP-5150568		Oil Strainer Center Stud; 7/16" x 3/4" x 1/16"; Copper
4	Lock Washer		FP-103321		Oil Filter; 3/8"
22	Lock Washer		FP-103320		Oil Pan; 5/16"
2	Lock Washer		FP-103320		Oil Pressure Regulator; 5/16"
1	Pipe Plug		FP-5115214		Oil Cooler Water Inlet; 1/2" Square Head
2	Pipe Plug		FP-8924517		Oil Cooler Water Inlet; 3/8" x 18 square head
2	Pipe Plug		FP-5121182		Oil Filter; 1/4" - 18; Hex head
1	Pipe Plug		FP-5115214		Oil Pan Drain; 1/2" Square Head
1	Pipe Plug		FP-5121182		Oil Pan Drain; 1/4" - 18; Hex head
1	Pipe Plug		FP-5142549		Oil Pan Drain; 3/4" - 14 Square Head
1	Pipe Plug		FP-8924517		Oil Pan Drain; 3/8" x 18 square head
1	Pipe Plug		FP-5115214		Oil Pan; 1/2" Square Head
1	Pipe Plug		FP-5121182		Oil Pan; 1/4" - 18; Hex head
1	Pipe Plug		FP-8923313		Oil Pan; 3/4"
1	Pipe Plug		FP-5142549		Oil Pan; 3/4" - 14 Square Head
2	Cylinder Cover Gasket		FP-23505518		Front & Rear; Cyl. Block End Plate
1	Gasket		FP-5116357		Cyl. Block Water Hole Cover
4	Gasket		FP-23505525		Cyl. Block; 3/8" Copper
4	Hand Hole Cover Gasket		FP-5132117		
6	Copper Washer		FP-5152148		Cyl. Block; 25/64" ID x 9/16" OD x 1/16" Thick; Copper
6	Lock Washer		FP-103321		Cyl. Block; 3/8"

QTY	GASKET SETS	YEARS	PART NO.	SIZE	DESCRIPTION
1	Complete Overhaul Gasket Set		FP-23512674WS		High Block; w/Seals
1	Complete Overhaul Gasket Set		FP-23512674		High Block; Crankshaft seals not incl.
1	Complete Overhaul Gasket Set		FP-5192921		Low Block

QTY	CAM BEARINGS	YEARS	PART NO.	SIZE	DESCRIPTION
4	Cam Brg.		FP-5111422	STD	
4	Cam Brg.		FP-5194858	10	
8	Cam Brg.		FP-5111423	STD	Position Front & Rear; Cam & Balance shaft brg.; Grooved
8	Cam Brg.		FP-5194825	20	Position Front & Rear; Cam & Balance Shaft brg.; .020" U/S, Unfinished; Grooved
2	Cam Brg.		FP-5196022	STD	Position Inter.; w/Steel bushing in ctr. hole
2	Cam Brg.		FP-5196023	10	Position Inter.; w/Steel bushing in ctr. hole; .010" U/S ID
2	Cam Brg.		FP-5196024	20	Position Inter.; w/Steel bushing in ctr. hole; .020" U/S ID

QTY	OIL COOLERS & FILTERS	YEARS	PART NO.	SIZE	DESCRIPTION
1	Lock Washer		FP-103321		Oil Cooler Adaptor to Block; 3/8"
2	Oil Cooler Gasket		FP-5112401		Oil Cooler Adaptor to Block
1	Oil Cooler Gasket		FP-5112401		Oil Cooler Housing Pad Cover

(continued on next page)

White Farm (Includes Oliver, Minneapolis-Moline)

41 Wheel Tractor 3-71 (2-Valve Cyl. Head), 3-71E (4-Valve Cyl. Head), 3-71N (4-Valve Cyl. Head) Engs.

3.5L 213 OHV Diesel L3 (3-71), 4.25" Bore (Detroit Diesel Eng.) 1977-86

ENGINE BLOCK & PARTS (cont.)

QTY	OIL COOLERS & FILTERS (cont.)	YEARS	PART NO.	SIZE	DESCRIPTION
1	Oil Cooler Gasket		FP-8923223		Outer
1	Oil Cooler Core Gasket		FP-23501589		Outer
1	Gasket		FP-5575086		Oil Cooler By-pass Plug
1	Oil Cooler Core Inner Gasket		FP-5150155		
1	Oil Cooler Core Outer Gasket		FP-5102506		
2	Oil Cooler Adapter Gasket Set		FP-5150154		
1	Oil Cooler Adapter Cover Gskt		FP-5175882		Spacer
1	Oil Pump Intake Gasket		FP-5153902		Oil Cooler Housing Pad Cover; 2 1/4" B.C.
1	Copper Washer		FP-5152148		Oil Cooler Adaptor to Block; 25/64" ID x 9/16" OD x 1/16" Thick; Copper
QTY	FREEZE PLUGS	YEARS	PART NO.	SIZE	DESCRIPTION
2	Pipe Plug		FP-5115214		Cyl. Block; 1/2" Square Head
1	Pipe Plug		FP-5121182		Cyl. Block; 1/4" - 18; Hex head
2	Pipe Plug		FP-8924380		Cyl. Block; 1/8" - 27
2	Pipe Plug		FP-5115214		Flywheel Housing; 1/2" Square Head
1	Pipe Plug		FP-5142549		Flywheel Housing; 3/4" - 14 Square Head
1	Pipe Plug		FP-8923847		Oil Filler; 1/4" x 18 NPTF; Square head
QTY	DIPSTICK	YEARS	PART NO.	SIZE	DESCRIPTION
1	Dipstick		FP-5115162		18.88" Length
1	Dipstick		FP-5101884		24" x 1.38"
1	Dipstick		FP-5108895		26.32" x 1.46"
1	Dipstick		FP-5146679		61" Length; Unmarked
1	Dipstick		FP-5146680		72" Length; Unmarked
1	Dipstick Guide		FP-5151430		1.50" Length
QTY	MISCELLANEOUS	YEARS	PART NO.	SIZE	DESCRIPTION
6	Bolt		FP-8927581		Cyl. Block; w/Seal patch; 3/8" - 16 x 1"
6	Bolt		FP-8927581		Flywheel Housing; 3/8" - 16 x 1"
6	Bolt		FP-9410925		Flywheel Housing; 9/16" - 18 x 2.250"
6	Bolt		FP-9412015		Flywheel Housing; 9/16" - 18 x 2.500"
1	Bolt		FP-5103534		Oil Filler; 5/16" - 24 x 1/2"
2	Pipe Plug		FP-5115214		Cyl. Block; 1/2" Square Head
1	Pipe Plug		FP-5121182		Cyl. Block; 1/4" - 18; Hex head
2	Pipe Plug		FP-8924380		Cyl. Block; 1/8" - 27
2	Pipe Plug		FP-5115214		Flywheel Housing; 1/2" Square Head
1	Pipe Plug		FP-5142549		Flywheel Housing; 3/4" - 14 Square Head
1	Pipe Plug		FP-8923847		Oil Filler; 1/4" x 18 NPTF; Square head
4	Gasket		FP-5178997		Cyl. Block Core Plug
1	Washer		FP-5131755		Flywheel Housing; 17/32" x .88" x .1345"
6	Washer		FP-5138619		Flywheel Housing; 25/64" x 3/4" x .083"
1	Copper Washer		FP-5155596		Oil Filler; 5/16"; Special copper washer
2	Lock Washer		FP-103320		Cyl. Block; w/Lock Washer; 5/16"
16	Lock Washer		FP-103321		Flywheel Housing; 3/8"
2	Lock Washer		FP-103321		Oil Filler; 3/8"
1	Oil Filler Cap		FP-5117362		2.00" Dia.; Thermos Bottle Style
CRANKSHAFT/OIL PUMP					
QTY	CRANKSHAFT	YEARS	PART NO.	SIZE	DESCRIPTION
1	Bolt		FP-23501143		Crankshaft Hub; 1" - 14 X 2.750" (1.500" Hex head)
8	Washer		FP-103325		Lock washer; 5/8"
2	Woodruff Key		FP-5131724		Position Front; Crankshaft Pulley; .375" x 1.250"
4	Dowel Pin		FP-141346		.1875" x .500"
QTY	SEALS - FRONT CRANK	YEARS	PART NO.	SIZE	DESCRIPTION
1	Oil Seal		FP-5115454		Single Lip, Std.
QTY	SEALS - REAR CRANK	YEARS	PART NO.	SIZE	DESCRIPTION
1	Oil Seal		FP-5127821		Double Lip; Double Lip, Std.; Shaft Dia. 4.687"
1	Oil Seal		FP-5196927		Double Lip; O/S Seal; Double Lip; O/S Shaft Dia. 4.812"
1	Oil Seal		FP-5197860		Single Lip; O/S Seal; Single lip; O/S Shaft dia. 4.812"
1	Oil Seal		FP-5114335		Single Lip; Single Lip, Std.; Shaft Dia. 4.687"
1	Oil Seal Spacer		FP-5192496		Rear Crank Spacer; Exc. Double Lip Seal
1	Redi-Sleeve		FP-23507225		Rear Crank Sleeve; O/S Seal only
QTY	MAIN BEARINGS	YEARS	PART NO.	SIZE	DESCRIPTION
4	Plain Main Brg.		FP-5192874	STD	
4	Plain Main Brg.		FP-5192875	2	
4	Plain Main Brg.		FP-5192876	10	
4	Plain Main Brg.		FP-5192877	20	

(continued on next page)

White Farm (Includes Oliver, Minneapolis-Moline)

Wheel Tractor 3-71 (2-Valve Cyl. Head), 3-71E (4-Valve Cyl. Head), 3-71N (4-Valve Cyl. Head) Engs. (cont.)
 3.5L 213 OHV Diesel L3 (3-71), 4.25" Bore (Detroit Diesel Eng.) 1977-86

CRANKSHAFT/OIL PUMP (cont.)

QTY	MAIN BEARINGS (cont.)	YEARS	PART NO.	SIZE	DESCRIPTION
4	Plain Main Brg.		FP-5192878	30	
4	Plain Main Brg.		FP-5193738	40	
4	Plain Main Brg.		FP-5193739	50	
1	Thrust Washer Set		FP-5159353S	STD	
4	Thrust Washer		FP-5159353	STD	
4	Thrust Washer		FP-5160542	5	
4	Thrust Washer		FP-5192111	10	

QTY	OIL PUMP	YEARS	PART NO.	SIZE	DESCRIPTION
1	Pump Repair Kit		FP-5194800		
1	Inter. Shaft		FP-5153309		Oil Pump Drive; 8 31/32" Length
1	Inter. Shaft		FP-5153310		Oil Pump Driven Gear; 3 7/32" Length
2	Bushing		FP-5153147		Oil Pump Body
2	Bushing		FP-5166840		Oil Pump Driven Gear
1	Bushing		FP-5153154		Oil Pump Shaft & Gear
1	Oil Pump Spring		FP-5155765		Oil Pump Relief Valve
3	Woodruff Key		FP-8928540		Oil Pump Shaft; 1/8" x 5/8"
1	Washer		FP-5175944		Oil Pump Idler; Small
4	Lock Washer		FP-103321		Oil Pump Body; 3/8"
4	Lock Washer		FP-103320		Oil Pump Body; 5/16"
2	Gasket		FP-105456		Oil Pump Relief Valve; 7/8" Copper
1	O-Ring		FP-5187316		Filter By-pass Valve Plug
2	Governor Hole Gasket		FP-5123812		Oil Drain Tube; Inclined Engines
1	Oil Filter Gasket		FP-1595620		Rectangular Section
1	Lo Press. Reg. Body Gasket		FP-5104381		Type No. 1, 2, 21, 23
1	Lo Press. Reg. Body Gasket		FP-5156831		Type No. 3
1	Gasket		FP-5575086		Filter By-pass Valve Plug
1	Lock Nut		FP-114498		Oil Filter Cover; 5/8" - 18, Jam Nut
1	Oil Pressure Regulator Valve		FP-5153247		Oil Pump Relief
1	Oil Filter Adapter Gasket		FP-5152413		Filter to Oil Cooler
2	Oil Filter Adapter Gasket		FP-5188028		Filter to Oil Cooler
1	Oil Pump Spring		FP-5156815		Oil Press. Regulator
1	Pipe Plug		FP-5115214		Oil Cooler Water Inlet; 1/2" Square Head
2	Pipe Plug		FP-8924517		Oil Cooler Water Inlet; 3/8" x 18 square head
2	Pipe Plug		FP-5121182		Oil Filter; 1/4" - 18; Hex head
1	Pipe Plug		FP-5115214		Oil Pan Drain; 1/2" Square Head
1	Pipe Plug		FP-5121182		Oil Pan Drain; 1/4" - 18; Hex head
1	Pipe Plug		FP-5142549		Oil Pan Drain; 3/4" - 14 Square Head
1	Pipe Plug		FP-8924517		Oil Pan Drain; 3/8" x 18 square head
1	Pipe Plug		FP-5115214		Oil Pan; 1/2" Square Head
1	Pipe Plug		FP-5121182		Oil Pan; 1/4" - 18; Hex head
1	Pipe Plug		FP-8923313		Oil Pan; 3/4"
1	Pipe Plug		FP-5142549		Oil Pan; 3/4" - 14 Square Head

CYLINDER COMPONENTS

QTY	LINERS	YEARS	PART NO.	SIZE	DESCRIPTION
3	Liner w/o Sealing Rings		FP-5102316	5	Flanged, .810" port length
3	Liner w/o Sealing Rings		FP-5102317	10	Flanged, .810" port length
3	Liner w/o Sealing Rings		FP-5102318	20	Flanged, .810" port length
3	Liner w/o Sealing Rings		FP-5102319	30	Flanged, .810" port length
3	Liner w/o Sealing Rings		FP-5107448	5	Flanged, .950" port length
3	Liner w/o Sealing Rings		FP-5107449	10	Flanged, .950" port length
3	Liner w/o Sealing Rings		FP-5107450	20	Flanged, .950" port length
3	Liner w/o Sealing Rings		FP-5193732	5	Flanged, 1.050" port length
3	Liner w/o Sealing Rings		FP-5193733	10	Flanged, 1.050" port length
3	Liner w/o Sealing Rings		FP-5193734	20	Flanged, 1.050" port length
3	Liner w/o Sealing Rings		FP-5193735	30	Flanged, 1.050" port length
3	Liner w/o Sealing Rings		FP-23504931	STD	No. 1 Bore; Flanged, .810" port length
3	Liner w/o Sealing Rings		FP-23502023	STD	No. 1 Bore; Flanged, .950" port length
3	Liner w/o Sealing Rings		FP-23502020	STD	No. 1 Bore; Flanged, 1.050" port length
3	Liner w/o Sealing Rings		FP-23504932	STD	No. 2 Bore; Flanged, .810" port length
3	Liner w/o Sealing Rings		FP-23502024	STD	No. 2 Bore; Flanged, .950" port length
3	Liner w/o Sealing Rings		FP-23502021	STD	No. 2 Bore; Flanged, 1.050" port length
3	Liner w/o Sealing Rings		FP-23504933	STD	No. 3 Bore; Flanged, .810" port length
3	Liner w/o Sealing Rings		FP-23502025	STD	No. 3 Bore; Flanged, .950" port length
3	Liner w/o Sealing Rings		FP-23502022	STD	No. 3 Bore; Flanged, 1.050" port length
3	Liner w/o Sealing Rings		FP-23504934	STD	No. 4 Bore; Flanged, .810" port length
3	Liner w/o Sealing Rings		FP-23504935	STD	No. 4 Bore; Flanged, .950" port length
3	Liner w/o Sealing Rings		FP-23504936	STD	No. 4 Bore; Flanged, 1.050" port length

(continued on next page)

White Farm (Includes Oliver, Minneapolis-Moline)

41 Wheel Tractor 3-71 (2-Valve Cyl. Head), 3-71E (4-Valve Cyl. Head), 3-71N (4-Valve Cyl. Head) Engs.
 (cont.) 3.5L 213 OHV Diesel L3 (3-71), 4.25" Bore (Detroit Diesel Eng.) 1977-86

CYLINDER COMPONENTS (cont.)

QTY	LINERS (cont.)	YEARS	PART NO.	SIZE	DESCRIPTION
3	Cylinder Kit Complete		FP-23522951	10	w/Cross Head style piston; 1.050" port length sleeve
3	Cylinder Kit Complete		FP-23522525	20	w/Cross Head style piston; 1.050" port length sleeve
3	Cylinder Kit Complete		FP-5149263	10	w/Trunk style piston; 4 Valve Head; 1.05" port length sleeve
3	Cylinder Kit Complete		FP-5149264	20	w/Trunk style piston; 4 Valve Head; 1.05" port length sleeve
3	Cylinder Kit Complete		FP-20022	STD	No. 1 Bore; w/Cross Head style piston
3	Cylinder Kit Complete		FP-20014	STD	No. 1 Bore; w/Trunk style piston; 2 Valve Head
3	Cylinder Kit Complete		FP-20011	STD	No. 1 Bore; w/Trunk style piston; 4 Valve Head; 1.05" port length sleeve
3	Cylinder Kit Complete		FP-23522949	STD	No. 2 Bore; w/Cross Head style piston; 1.050" port length sleeve
3	Cylinder Kit Complete		FP-23505308	STD	No. 2 Bore; w/Trunk style piston; 2 Valve Head; .810" port length sleeve
3	Cylinder Kit Complete		FP-23505305	STD	No. 2 Bore; w/Trunk style piston; 4 Valve Head; 1.05" port length sleeve
3	Cylinder Kit Complete		FP-23522947	STD	No. 3 Bore; w/Cross Head style piston; 1.050" port length sleeve
3	Cylinder Kit Complete		FP-23505309	STD	No. 3 Bore; w/Trunk style piston; 2 Valve Head
3	Cylinder Kit Complete		FP-23505306	STD	No. 3 Bore; w/Trunk style piston; 4 Valve Head; 1.05" port length sleeve
3	Cylinder Kit Complete		FP-23522521	STD	No. 4 Bore; w/Cross Head style piston; 1.050" port length sleeve
3	Cylinder Kit Complete		FP-5149261	STD	No. 4 Bore; w/Trunk style piston; 4 Valve Head; 1.05" port length sleeve
3	Liner Kit w/o Sleeve		FP-LCK22507		w/Cross Head style piston
3	Liner Kit w/o Sleeve		FP-LCK22949		w/Cross Head style piston
3	Liner Kit w/o Sleeve		FP-LCK5309		w/Trunk style piston; 2 Valve Head
3	Liner Kit w/o Sleeve		FP-LCK5306		w/Trunk style piston; 4 Valve Head
3	O-Ring		FP-8922221		w/Cross Head style piston
3	Flange Shim		FP-5199569	2	High Block; .002" Thick
3	Flange Shim		FP-2190595	.0015	Low Block; .002" Thick
3	Flange Shim		FP-5192226	3	Low Block; .003" Thick
3	Cntr. Bore Insert		FP-5199871		.0015" Thicker than std., for .010-.030 O/S sleeves
3	Cntr. Bore Insert		FP-5148399		.0015" Thicker than std., for std.-.005 O/S sleeves
3	Cntr. Bore Insert		FP-5148440		.0015" Thinner than std., for std.-.005 O/S sleeves
3	Cntr. Bore Insert		FP-5194073		.0035 Thinner than std., for std.-.005 O/S sleeves
3	Cntr. Bore Insert		FP-5194163		.0040 Thinner than std., for .010-.030 O/S sleeves
3	Cntr. Bore Insert		FP-5194164		.0080" Thinner than std., for .010-.030 O/S sleeves
3	Cntr. Bore Insert		FP-5193316		Std. thickness (.1795-.1800), for .010-.030 O/S sleeves
3	Cntr. Bore Insert		FP-5184484		Std. thickness (.1795-.1800), for std.-.005 O/S sleeves
QTY	PISTONS	YEARS	PART NO.	SIZE	DESCRIPTION
3	Piston With Retainers		FP-5189054	STD	17.5:1 C.R.; Trunk style piston; 2 Valve Head; Dish Head, Cast Iron; 4-1/8, 2-3/16 Ring Groove
3	Piston With Retainers		FP-5149234	STD	18.7:1 C.R.; Trunk style piston; 4 Valve Head
3	Piston Dome Kit		FP-23522475		17.0:1 C.R.; w/Cross Head style piston
3	Piston Dome Kit		FP-23522535		18.7:1 C.R.; w/Cross Head style piston
3	Crosshead Piston Dome		FP-23521992	STD	17.0:1 C.R.; Cross Head style piston
3	Crosshead Piston Dome		FP-23522026	STD	18.7:1 C.R.; w/Cross Head style piston
3	Piston Skirt		FP-23522070	STD	w/Cross Head style piston
3	Pin		FP-5101120	STD	w/Cross Head style piston
3	Pin		FP-5144744	STD	w/Cross Head style piston; Nut plate type
3	Pin		FP-5188406	STD	w/Trunk style piston
6	Piston Pin Retainer		FP-5180250		w/Cross Head style piston
6	Piston Pin Retainer		FP-5188405		w/Trunk style piston
6	Piston Pin Bolt		FP-5148373		7/16" - 20 x 2.00" Length
6	Piston Pin Bolt Spacer		FP-5144846		w/Cross Head style piston
3	Piston Pin Slipper Bearing		FP-23501687		w/Cross Head style piston; Slipper type design - 1 per cyl.
6	Pin Bushing		FP-5155839		w/Trunk style piston (In piston)
3	Pin Bushing		FP-5157274		w/Trunk style piston; w/.015" extra ID bore stock
3	Pin Bushing		FP-2409Y		w/1.5020" I.D., 1.7510" O.D., .7600" O.A.L.
3	Pin Bushing		2409Y +		w/1.5020" I.D., 1.7510" O.D., .7600" O.A.L.; When depleted use FP-2409Y
QTY	CONNECTING RODS & BRGS.	YEARS	PART NO.	SIZE	DESCRIPTION
6	Con. Rod Bolt		FP-5132383		.4375" x 20 x 3.52"
6	Con. Rod Nut		FP-5117629		.4375" x 20
3	Rod Pair		FP-23511129	STD	Late design-upper brg. w/2 oil slots
3	Rod Pair		FP-23511131	2	Late design-upper brg. w/2 oil slots
3	Rod Pair		FP-23511133	10	Late design-upper brg. w/2 oil slots
3	Rod Pair		FP-23511135	20	Late design-upper brg. w/2 oil slots
3	Rod Pair		FP-23511137	30	Late design-upper brg. w/2 oil slots

(continued on next page)

White Farm (Includes Oliver, Minneapolis-Moline)

Wheel Tractor 3-71 (2-Valve Cyl. Head), 3-71E (4-Valve Cyl. Head), 3-71N (4-Valve Cyl. Head) Engs. (cont.) **41**
 3.5L 213 OHV Diesel L3 (3-71), 4.25" Bore (Detroit Diesel Eng.) 1977-86

CYLINDER COMPONENTS (cont.)

QTY	CONNECTING RODS & BRGS. (cont.)	YEARS	PART NO.	SIZE	DESCRIPTION
3	Rod Pair		FP-5193741	40	Late design-upper brg. w/2 oil slots
QTY	PISTON RINGS	YEARS	PART NO.	SIZE	DESCRIPTION
1	Ring Set Single Cylinder		FP-5193477	STD	4-1/8, 2-3/16 (1 cyl. set w/4 Chrome rings)
CLUTCH					
QTY	CLUTCH	YEARS	PART NO.	SIZE	DESCRIPTION
1	Ball Brg.		FP-23503707		Clutch Pilot
1	Ball Brg.		FP-23503709		Clutch Pilot
1	Ball Brg.		FP-23504892		Clutch Pilot
KITS					
QTY	OVERHAUL KIT	YEARS	PART NO.	SIZE	DESCRIPTION
1	In-Frame Overhaul Kit		FP-IFK371XH		Cross Head style piston
1	In-Frame Overhaul Kit		FP-371XH		Cross Head style piston
1	In-Frame Overhaul Kit		FP-IFK3712V		Trunk style piston; 2 Valve Head
1	In-Frame Overhaul Kit		FP-3712V		Trunk style piston; 2 Valve Head
1	In-Frame Overhaul Kit		FP-IFK371NA		Trunk style piston; 4 Valve Head
1	In-Frame Overhaul Kit		FP-371NA		Trunk style piston; 4 Valve Head
1	Complete Overhaul Kit		FP-OH371XH		Cross Head style piston
1	Complete Overhaul Kit		FP-371XHOH		Cross Head style piston
1	Complete Overhaul Kit		FP-OH3712V		Trunk style piston; 2 Valve Head
1	Complete Overhaul Kit		FP-3712VOH		Trunk style piston; 2 Valve Head
1	Complete Overhaul Kit		FP-OH371NA		Trunk style piston; 4 Valve Head
1	Complete Overhaul Kit		FP-371NAOH		Trunk style piston; 4 Valve Head

Wheel Tractor 77, 77 Super, 166HC, 177, 177 Super, 177D, 177HC, 770 Engs. (cont.) **42**
 3.5L 216 OHV L6 (Waukesha), 3.5" Bore

CYL. HEAD & PARTS

QTY	VALVE	PART NO.	SIZE	DESCRIPTION
6	Intake	FP-V1057		1.3130" Head Dia., .3725" Stem Dia., 5.1610" O.A.L.
6	Intake	V-1057 +	Std Only	1.3130" Head Dia., .3725" Stem Dia., 5.1610" O.A.L.; When depleted use FP-V1057
6	Intake	FP-V1055		1.3957" Head Dia., .3724" Stem Dia., 5.0433" O.A.L.
6	Intake	V-1055 +	Std Only	1.3957" Head Dia., .3724" Stem Dia., 5.0433" O.A.L.; When depleted use FP-V1055
6	Exhaust	FP-V1056		1.1250" Head Dia., .3715" Stem Dia., 5.1560" O.A.L.
6	Exhaust	V-1056 +	Std Only	1.1250" Head Dia., .3715" Stem Dia., 5.1560" O.A.L.; When depleted use FP-V1056
6	Exhaust	FP-V1054		1.2559" Head Dia., .3715" Stem Dia., 5.0492" O.A.L.
6	Exhaust	V-1054 +	Std Only	1.2559" Head Dia., .3715" Stem Dia., 5.0492" O.A.L.; When depleted use FP-V1054
24	Keeper	VK-66		2 groove
24	Keeper	VK-66R		2 groove; Hardened
QTY	VALVE GUIDE	PART NO.	SIZE	DESCRIPTION
12	Guide	FP-VG857		.3745" ID, 2.5000" O.A.L.
12	Guide	VG-857 +		.3745" ID, 2.5000" O.A.L.; When depleted use FP-VG857
QTY	VALVE SPRING	PART NO.	SIZE	DESCRIPTION
12	Spring	FP-VS400		2.8130" Free Height
12	Spring	VS-400 +		2.8130" Free Height; When depleted use FP-VS400
QTY	VALVE MISC.	PART NO.	SIZE	DESCRIPTION
6	Rotocap	RC-58		Exh.
QTY	VALVE SEAL	PART NO.	SIZE	DESCRIPTION
12	Valve Stem Seal	ST-2004		Positive type; Installation requires valve guide machining; Rubber/PTFE
12	Valve Stem Seal Bulk	ST-2004BC		Positive type; Installation requires valve guide machining; Carton of 100; Rubber/PTFE

ENGINE BLOCK & PARTS

QTY	CAM BEARINGS	PART NO.	SIZE	DESCRIPTION
1	Cam Set	FP-1137M	Std Only	
1	Cam Set	1137M +	Std Only	When depleted use FP-1137M

(continued on next page)

White Farm (Includes Oliver, Minneapolis-Moline)

42 Wheel Tractor 77, 77 Super, 166HC, 177, 177 Super, 177D, 177HC, 770 Engs.
(cont.) 3.5L 216 OHV L6 (Waukesha), 3.5" Bore

CYLINDER COMPONENTS				
QTY	LINERS	PART NO.	SIZE	DESCRIPTION
6	Liner w/Sealing Rings	FP-SO1982	Std Only	OVERBORE To 3.625"; Incl. (2) FP-SLR1640 sealing rings
6	Liner w/Sealing Rings	SO-1982 +	Std Only	OVERBORE To 3.625"; Incl. (2) SLR-1640 sealing rings; When depleted use FP-SO1982
6	Sleeve Assy.	FP-SL1982	Std Only	OVERBORE To 3.625"
6	Sleeve Assy.	SL-1982 +	Std Only	OVERBORE To 3.625"; When depleted use FP-SL1982
QTY	PISTONS	PART NO.	SIZE	DESCRIPTION
6	Cast Piston	FP-1982PX	Std Only	OVERBORE To 3.625"; Use w/5444KX ring set; Cast; 3-3/32", 1-3/16" Ring Groove, 2.312" CD, 1.2500" Pin Dia., Flat Head; Repl. O.E. No. 183004
6	Cast Piston	1982PX +	Std Only	OVERBORE To 3.625"; Use w/5444KX ring set; Cast; 3-3/32", 1-3/16" Ring Groove, 2.312" CD, 1.2500" Pin Dia., Flat Head; Repl. O.E. No. 183004; When depleted use FP-1982PX
12	Pin Bushing	FP-1884Y20		2 req'd. per rod
12	Pin Bushing	1884Y20 +		2 req'd. per rod; When depleted use FP-1884Y20
QTY	CONNECTING RODS & BRGS.	PART NO.	SIZE	DESCRIPTION
6	Rod Pair	FP-1880CP	Std-10-20-30	Models From Ser. No. 6503
6	Rod Pair	1880CP +	Std-10-20-30	Models From Ser. No. 6503; When depleted use FP-1880CP
6	Rod Pair	FP-1435SB	Std-10	Models To Ser. No. 6502
6	Rod Pair	1435SB +	Std-10	Models To Ser. No. 6502; When depleted use FP-1435SB
QTY	PISTON RINGS	PART NO.	SIZE	DESCRIPTION
1	Premium Set	FP-5666KX	Std Only	OVERBORE To 3.625"; 2-3/32, 1-3/16
1	Premium Set	5666KX +	Std Only	OVERBORE To 3.625"; 2-3/32, 1-3/16; When depleted use FP-5666KX
1	Premium Set	FP-5444KX	Std Only	OVERBORE To 3.625"; 3-3/32, 1-3/16
1	Premium Set	5444KX +	Std Only	OVERBORE To 3.625"; 3-3/32, 1-3/16; When depleted use FP-5444KX
1	Premium Set	FP-645KX	Std Only	OVERBORE To 3.750"; Check piston grooving before supplying ring set; 3-1/8, 1-3/16
1	Premium Set	645KX +	Std Only	OVERBORE To 3.750"; Check piston grooving before supplying ring set; 3-1/8, 1-3/16; When depleted use FP-645KX
6	Premium Single Cylinder Set	W-645KX	Std Only	OVERBORE To 3.750"; Check piston grooving before supplying ring set; 3-1/8, 1-3/16

43 Wheel Tractor 77, 77 Super, 166HC, 177, 177 Super, 177D, 177HC, 770 Engs.
3.5L 216 OHV Diesel L6 (Waukesha), 3.5" Bore

CYL. HEAD & PARTS				
QTY	VALVE	PART NO.	SIZE	DESCRIPTION
12	Keeper	VK-138		1 groove; Square cut key groove
12	Keeper	VK-138R		1 groove; Square cut key groove; Hardened
12	Keeper	VK-66		2 groove
12	Keeper	VK-66R		2 groove; Hardened
12	Keeper, Bulk	VK-138B		1 groove; Square cut key groove; Carton of 1000
QTY	VALVE GUIDE	PART NO.	SIZE	DESCRIPTION
12	Guide	FP-VG859		.3695" ID, 2.3100" O.A.L.
12	Guide	VG-859 +		.3695" ID, 2.3100" O.A.L.; When depleted use FP-VG859
QTY	VALVE SPRING	PART NO.	SIZE	DESCRIPTION
12	Spring	FP-VS400		2.8130" Free Height
12	Spring	VS-400 +		2.8130" Free Height; When depleted use FP-VS400
QTY	VALVE SEAL	PART NO.	SIZE	DESCRIPTION
12	Valve Stem Seal	ST-2004		Positive type; Installation requires valve guide machining; Rubber/PTFE
12	Valve Stem Seal Bulk	ST-2004BC		Positive type; Installation requires valve guide machining; Carton of 100; Rubber/PTFE

ENGINE BLOCK & PARTS				
QTY	CAM BEARINGS	PART NO.	SIZE	DESCRIPTION
1	Cam Set	FP-1137M	Std Only	
1	Cam Set	1137M +	Std Only	When depleted use FP-1137M

CYLINDER COMPONENTS				
QTY	LINERS	PART NO.	SIZE	DESCRIPTION
6	Liner w/Sealing Rings	FP-SO1982	Std Only	OVERBORE To 3.625"; Incl. (2) FP-SLR1640 sealing rings
6	Liner w/Sealing Rings	SO-1982 +	Std Only	OVERBORE To 3.625"; Incl. (2) SLR-1640 sealing rings; When depleted use FP-SO1982
6	Sleeve Assy.	FP-SL1982	Std Only	OVERBORE To 3.625"

(continued on next page)

+ Superseded Part Number

White Farm (Includes Oliver, Minneapolis-Moline)

Wheel Tractor 77, 77 Super, 166HC, 177, 177 Super, 177D, 177HC, 770 Eng. **43**
3.5L 216 OHV Diesel L6 (Waukesha), 3.5" Bore (cont.)

CYLINDER COMPONENTS (cont.)

QTY	LINERS (cont.)	PART NO.	SIZE	DESCRIPTION
6	Sleeve Assy.	SL-1982 +	Std Only	OVERBORE To 3.625"; When depleted use FP-SL1982
QTY	PISTONS	PART NO.	SIZE	DESCRIPTION
6	Cast Piston	FP-1982PX	Std Only	OVERBORE To 3.625"; Cast; 3-3/32", 1-3/16" Ring Groove, 2.312" CD, 1.2500" Pin Dia., Flat Head; Repl. O.E. No. 183004
6	Cast Piston	1982PX +	Std Only	OVERBORE To 3.625"; Cast; 3-3/32", 1-3/16" Ring Groove, 2.312" CD, 1.2500" Pin Dia., Flat Head; Repl. O.E. No. 183004; When depleted use FP-1982PX
12	Pin Bushing	FP-1884Y20		2 req'd. per rod
12	Pin Bushing	1884Y20 +		2 req'd. per rod; When depleted use FP-1884Y20
QTY	CONNECTING RODS & BRGS.	PART NO.	SIZE	DESCRIPTION
6	Rod Pair	FP-1865CP	Std-10-20	O.A.L. 1.109"
6	Rod Pair	1865CP +	Std-10-20	O.A.L. 1.109"; When depleted use FP-1865CP
QTY	PISTON RINGS	PART NO.	SIZE	DESCRIPTION
1	Premium Set	FP-5444KX	Std Only	OVERBORE To 3.625"; Check piston grooving before supplying ring set; 3-3/32, 1-3/16
1	Premium Set	5444KX +	Std Only	OVERBORE To 3.625"; Check piston grooving before supplying ring set; 3-3/32, 1-3/16; When depleted use FP-5444KX

Wheel Tractor 77, 77 Super, 177D Eng. (Distillate) **44**
3.5L 216 OHV Distillate L6 (Waukesha), 3.5" Bore

CYL. HEAD & PARTS

QTY	VALVE	PART NO.	SIZE	DESCRIPTION
6	Intake	FP-V1055		Super 77HC & Super 77KD From Ser. No. 6503; 770HC From Ser. No. 60500; 1.3957" Head Dia., .3724" Stem Dia., 5.0433" O.A.L.
6	Intake	V-1055 +	Std Only	Super 77HC & Super 77KD From Ser. No. 6503; 770HC From Ser. No. 60500; 1.3957" Head Dia., .3724" Stem Dia., 5.0433" O.A.L.; When depleted use FP-V1055
6	Intake	FP-V1057		Super 77HC & Super 77KD To Ser. No. 6502; 1.3130" Head Dia., .3725" Stem Dia., 5.1610" O.A.L.
6	Intake	V-1057 +	Std Only	Super 77HC & Super 77KD To Ser. No. 6502; 1.3130" Head Dia., .3725" Stem Dia., 5.1610" O.A.L.; When depleted use FP-V1057
6	Exhaust	FP-V1054		Super 77HC & Super 77KD From Ser. No. 6503; 770HC From Ser. No. 60500; 1.2559" Head Dia., .3715" Stem Dia., 5.0492" O.A.L.
6	Exhaust	V-1054 +	Std Only	Super 77HC & Super 77KD From Ser. No. 6503; 770HC From Ser. No. 60500; 1.2559" Head Dia., .3715" Stem Dia., 5.0492" O.A.L.; When depleted use FP-V1054
6	Exhaust	FP-V1056		Super 77HC & Super 77KD To Ser. No. 6502; 1.1250" Head Dia., .3715" Stem Dia., 5.1560" O.A.L.
6	Exhaust	V-1056 +	Std Only	Super 77HC & Super 77KD To Ser. No. 6502; 1.1250" Head Dia., .3715" Stem Dia., 5.1560" O.A.L.; When depleted use FP-V1056
24	Keeper	VK-66		2 groove
24	Keeper	VK-66R		2 groove; Hardened
QTY	VALVE GUIDE	PART NO.	SIZE	DESCRIPTION
12	Guide	FP-VG857		.3745" ID, 2.5000" O.A.L.
12	Guide	VG-857 +		.3745" ID, 2.5000" O.A.L.; When depleted use FP-VG857
QTY	VALVE SPRING	PART NO.	SIZE	DESCRIPTION
12	Spring	FP-VS400		2.8130" Free Height
12	Spring	VS-400 +		2.8130" Free Height; When depleted use FP-VS400
QTY	VALVE MISC.	PART NO.	SIZE	DESCRIPTION
6	Rotocap	RC-58		Exh.
QTY	VALVE SEAL	PART NO.	SIZE	DESCRIPTION
12	Valve Stem Seal	ST-2004		Positive type; Installation requires valve guide machining; Rubber/PTFE
12	Valve Stem Seal Bulk	ST-2004BC		Positive type; Installation requires valve guide machining; Carton of 100; Rubber/PTFE

ENGINE BLOCK & PARTS

QTY	CAM BEARINGS	PART NO.	SIZE	DESCRIPTION
1	Cam Set	FP-1137M	Std Only	
1	Cam Set	1137M +	Std Only	When depleted use FP-1137M

(continued on next page)

White Farm (Includes Oliver, Minneapolis-Moline)

44 Wheel Tractor 77, 77 Super, 177D Engs. (Distillate) (cont.) 3.5L 216 OHV Distillate L6 (Waukesha), 3.5" Bore				
CYLINDER COMPONENTS				
QTY	PISTONS	PART NO.	SIZE	DESCRIPTION
12	Pin Bushing	FP-1884Y20		2 req'd. per rod
12	Pin Bushing	1884Y20 +		2 req'd. per rod; When depleted use FP-1884Y20
QTY	CONNECTING RODS & BRGS.	PART NO.	SIZE	DESCRIPTION
6	Rod Pair	FP-1880CP	<i>Std-10-20-30</i>	Models From Ser. No. 6503
6	Rod Pair	1880CP +	<i>Std-10-20-30</i>	Models From Ser. No. 6503; When depleted use FP-1880CP
6	Rod Pair	FP-1435SB	<i>Std-10</i>	Models To Ser. No. 6502
6	Rod Pair	1435SB +	<i>Std-10</i>	Models To Ser. No. 6502; When depleted use FP-1435SB
45 Wheel Tractor 77, 77 Super, 177, 177 Super, 770 Engs. (LPG) 3.5L 216 OHV LPG L6 (Waukesha), 3.5" Bore				
CYL. HEAD & PARTS				
QTY	VALVE	PART NO.	SIZE	DESCRIPTION
24	Keeper	VK-66		2 groove
24	Keeper	VK-66R		2 groove; Hardened
QTY	VALVE GUIDE	PART NO.	SIZE	DESCRIPTION
12	Guide	FP-VG857		.3745" ID, 2.5000" O.A.L.
12	Guide	VG-857 +		.3745" ID, 2.5000" O.A.L.; When depleted use FP-VG857
QTY	VALVE SPRING	PART NO.	SIZE	DESCRIPTION
12	Spring	FP-VS400		2.8130" Free Height
12	Spring	VS-400 +		2.8130" Free Height; When depleted use FP-VS400
QTY	VALVE SEAL	PART NO.	SIZE	DESCRIPTION
12	Valve Stem Seal	ST-2004		Positive type; Installation requires valve guide machining; Rubber/PTFE
12	Valve Stem Seal Bulk	ST-2004BC		Positive type; Installation requires valve guide machining; Carton of 100; Rubber/PTFE
ENGINE BLOCK & PARTS				
QTY	CAM BEARINGS	PART NO.	SIZE	DESCRIPTION
1	Cam Set	FP-1137M	<i>Std Only</i>	
1	Cam Set	1137M +	<i>Std Only</i>	When depleted use FP-1137M
CYLINDER COMPONENTS				
QTY	LINERS	PART NO.	SIZE	DESCRIPTION
6	Liner w/Sealing Rings	FP-SO1982	<i>Std Only</i>	OVERBORE To 3.625"; Incl. (2) FP-SLR1640 sealing rings
6	Liner w/Sealing Rings	SO-1982 +	<i>Std Only</i>	OVERBORE To 3.625"; Incl. (2) SLR-1640 sealing rings; When depleted use FP-SO1982
6	Sleeve Assy.	FP-SL1982	<i>Std Only</i>	OVERBORE To 3.625"
6	Sleeve Assy.	SL-1982 +	<i>Std Only</i>	OVERBORE To 3.625"; When depleted use FP-SL1982
QTY	PISTONS	PART NO.	SIZE	DESCRIPTION
6	Cast Piston	FP-1982PX	<i>Std Only</i>	OVERBORE To 3.625"; Cast; 3-3/32", 1-3/16" Ring Groove, 2.312" CD, 1.2500" Pin Dia., Flat Head; Repl. O.E. No. 183004
6	Cast Piston	1982PX +	<i>Std Only</i>	OVERBORE To 3.625"; Cast; 3-3/32", 1-3/16" Ring Groove, 2.312" CD, 1.2500" Pin Dia., Flat Head; Repl. O.E. No. 183004; When depleted use FP-1982PX
12	Pin Bushing	FP-1884Y20		2 req'd. per rod
12	Pin Bushing	1884Y20 +		2 req'd. per rod; When depleted use FP-1884Y20
QTY	CONNECTING RODS & BRGS.	PART NO.	SIZE	DESCRIPTION
6	Rod Pair	FP-1880CP	<i>Std-10-20-30</i>	Models From Ser. No. 6503
6	Rod Pair	1880CP +	<i>Std-10-20-30</i>	Models From Ser. No. 6503; When depleted use FP-1880CP
6	Rod Pair	FP-1435SB	<i>Std-10</i>	Models To Ser. No. 6502
6	Rod Pair	1435SB +	<i>Std-10</i>	Models To Ser. No. 6502; When depleted use FP-1435SB
QTY	PISTON RINGS	PART NO.	SIZE	DESCRIPTION
1	Premium Set	FP-5666KX	<i>Std Only</i>	OVERBORE To 3.625"; 2-3/32, 1-3/16
1	Premium Set	5666KX +	<i>Std Only</i>	OVERBORE To 3.625"; 2-3/32, 1-3/16; When depleted use FP-5666KX

White Farm (Includes Oliver, Minneapolis-Moline)

Forklift M220B-4, 165A-4, 220-4, 220-4A, 220A-4 Engs. Wheel Tractor M220B-4, 165A-4, 46 220-4, 220-4A, 220A-4 Engs. 3.6L 220 L4, 3.75" Bore				
CYL. HEAD & PARTS				
QTY	VALVE GUIDE	PART NO.	SIZE	DESCRIPTION
8	Guide	VG-1380		.3435" ID, 2.3100" O.A.L.
CRANKSHAFT/OIL PUMP				
QTY	MAIN BEARINGS	PART NO.	SIZE	DESCRIPTION
1	Main Set	FP-4176M10	10-20-30	
1	Main Set	4176M10 +	10-20-30	When depleted use FP-4176M10
CYLINDER COMPONENTS				
QTY	CONNECTING RODS & BRGS.	PART NO.	SIZE	DESCRIPTION
4	Rod Pair	FP-2185CP	Std-10-20-30	
4	Rod Pair	2185CP +	Std-10-20-30	When depleted use FP-2185CP
30				
Forklift HD220-4A Eng. Wheel Tractor HD220-4A Eng. 47 3.6L 220 Diesel L4, 3.75" Bore				
CYL. HEAD & PARTS				
QTY	VALVE GUIDE	PART NO.	SIZE	DESCRIPTION
8	Guide	VG-1380		.3435" ID, 2.3100" O.A.L.
CRANKSHAFT/OIL PUMP				
QTY	MAIN BEARINGS	PART NO.	SIZE	DESCRIPTION
1	Main Set	FP-4176M10	10-20-30	
1	Main Set	4176M10 +	10-20-30	When depleted use FP-4176M10
CYLINDER COMPONENTS				
QTY	CONNECTING RODS & BRGS.	PART NO.	SIZE	DESCRIPTION
4	Rod Pair	FP-2185CP	Std-10-20-30	
4	Rod Pair	2185CP +	Std-10-20-30	When depleted use FP-2185CP
30				
Combine F226 Eng. Wheel Tractor F226 Eng. 48 3.7L 226 OHV L6 (12 Valve), 3.3125" Bore (Continental Eng.)				
CYL. HEAD & PARTS				
QTY	VALVE	PART NO.	SIZE	DESCRIPTION
6	Intake	FP-V801		Drilled stem; 1.5200" Head Dia., .3411" Stem Dia., 5.1760" O.A.L.
6	Intake	V-801 +	Std Only	Drilled stem; 1.5200" Head Dia., .3411" Stem Dia., 5.1760" O.A.L.; When depleted use FP-V801
6	Intake	FP-V1203		Single groove stem; Use w/rotocap; 1.5200" Head Dia., .3405" Stem Dia., 5.1820" O.A.L.
6	Intake	FP-V1748		Single groove stem; 1.5160" Head Dia., .3410" Stem Dia., 5.1570" O.A.L.
6	Intake	V-1748 +	Std Only	Single groove stem; 1.5160" Head Dia., .3410" Stem Dia., 5.1570" O.A.L.; When depleted use FP-V1748
6	Exhaust	FP-V800		Drilled stem; 1.2030" Head Dia., .3381" Stem Dia., 5.1520" O.A.L.
6	Exhaust	V-800 +	Std Only	Drilled stem; 1.2030" Head Dia., .3381" Stem Dia., 5.1520" O.A.L.; When depleted use FP-V800
6	Exhaust	FP-V954		Drilled stem; 1.3280" Head Dia., .3386" Stem Dia., 5.1950" O.A.L.
6	Exhaust	V-954 +	Std Only	Drilled stem; 1.3280" Head Dia., .3386" Stem Dia., 5.1950" O.A.L.; When depleted use FP-V954
6	Exhaust	FP-V959		Single groove stem; Use w/Rotocaps; 1.3230" Head Dia., .3382" Stem Dia., 5.1100" O.A.L.
6	Keeper	FP-VK142		For drilled stem
6	Keeper	VK-142 +		For drilled stem; When depleted use FP-VK142
12	Keeper	VK-115		Use w/Rotocaps; 1 groove; Square cut key groove
12	Keeper	VK-115R		Use w/Rotocaps; 1 groove; Square cut key groove; Hardened
12	Keeper	FP-VK144		1 groove; Square cut key groove
12	Keeper	VK-144R		1 groove; Square cut key groove; Hardened
12	Keeper, Bulk	VK-115B		Use w/Rotocaps; 1 groove; Square cut key groove; Carton of 1000
12	Keeper, Bulk	FP-VK144B		1 groove; Square cut key groove; Carton of 1000

(continued on next page)

White Farm (Includes Oliver, Minneapolis-Moline)

48 Combine F226 Eng. Wheel Tractor F226 Eng.				
(cont.) 3.7L 226 OHV L6 (12 Valve), 3.3125" Bore (Continental Eng.)				
CYL. HEAD & PARTS (cont.)				
QTY	VALVE SEAT	PART NO.	SIZE	DESCRIPTION
6	Exh.	FP-24513753		1.3795" OD, 1.0625" ID, .1855" Depth
6	Exh.	245-1375-3 + Std Only		1.3795" OD, 1.0625" ID, .1855" Depth; When depleted use FP-24513753
6	Int.	245-1625-1N Std Only		Premium Material; 1.6300" OD, 1.3750" ID, .2160" Depth
6	Int.	245-1625-1 Std Only		1.6300" OD, 1.3750" ID, .2160" Depth
QTY	VALVE GUIDE	PART NO.	SIZE	DESCRIPTION
6	Guide	FP-VG336		.3427" ID, 2.5600" O.A.L.
QTY	VALVE SPRING	PART NO.	SIZE	DESCRIPTION
6	Spring	FP-VS310		1.9690" Free Height
CAMSHAFT GROUP				
QTY	TIMING	PART NO.	SIZE	DESCRIPTION
1	Cam Gear	FP-2212601		Governor type; 48 Teeth
1	Cam Gear	221-2601		Governor type; 48 Teeth
1	Cam Gear	FP-2212600		Replacement O.E. No. F400H310; 48 Teeth
1	Cam Gear	221-2600 +		Replacement O.E. No. F400H310; 48 Teeth; When depleted use FP-2212600
ENGINE BLOCK & PARTS				
QTY	GASKET SETS	PART NO.	SIZE	DESCRIPTION
1	Kit Gasket Set	FP-2601351		Compl.
1	Kit Gasket Set	260-1351 +		Compl.; When depleted use FP-2601351
QTY	CAM BEARINGS	PART NO.	SIZE	DESCRIPTION
1	Cam Set	FP-1088M		
CRANKSHAFT/OIL PUMP				
QTY	CRANKSHAFT	PART NO.	SIZE	DESCRIPTION
1	Crank Gear	FP-2212603A		Repl. O.E. No. F400H326; 24 Teeth
1	Crank Gear	221-2603A		Repl. O.E. No. F400H326; 24 Teeth
QTY	MAIN BEARINGS	PART NO.	SIZE	DESCRIPTION
1	Main Set	FP-4247M		
CYLINDER COMPONENTS				
QTY	LINERS	PART NO.	SIZE	DESCRIPTION
1	Repair Sleeve	SL-12M Std Only		3/32" wall, must be cut to correct length
QTY	PISTONS	PART NO.	SIZE	DESCRIPTION
6	Pin Bushing	8649XAS		Full round, thin wall .0055" O/S OD bushing
6	Pin Bushing	8649XA		Full round, thin wall bushing w/.9150" OD
6	Pin Bushing	8649V		Split type, thin wall bushing w/.9135" OD
6	Pin Bushing	8649V20		Split type, thin wall bushing w/.9135" OD & .020" extra bore stock
QTY	CONNECTING RODS & BRGS.	PART NO.	SIZE	DESCRIPTION
3	Rod Pair	FP-1995CPA	<i>STD</i>	Position 1-3-5; Use on all 6 positions if rod Forging No. ends in 402
3	Rod Pair	FP-1995CP	<i>STD</i>	Position 2-4-6
QTY	PISTON RINGS	PART NO.	SIZE	DESCRIPTION
1	Standard Set	FP-965X	<i>Std Only</i>	3-1/8, 1-1/4
1	Standard Set	965X + Std Only		3-1/8, 1-1/4; When depleted use FP-965X
49 Combine F226 Eng. Wheel Tractor F226 Eng.				
3.7L 226 OHV L6 (12 Valve), 3.3125" Bore (Continental Eng.)				
CYL. HEAD & PARTS				
QTY	VALVE	PART NO.	SIZE	DESCRIPTION
6	Intake	FP-V801		Drilled stem; 1.5200" Head Dia., .3411" Stem Dia., 5.1760" O.A.L.
6	Intake	V-801 + Std Only		Drilled stem; 1.5200" Head Dia., .3411" Stem Dia., 5.1760" O.A.L.; When depleted use FP-V801
6	Intake	FP-V1203		Single groove stem; Use w/rotocap; 1.5200" Head Dia., .3405" Stem Dia., 5.1820" O.A.L.
6	Intake	FP-V1748		Single groove stem; 1.5160" Head Dia., .3410" Stem Dia., 5.1570" O.A.L.
6	Intake	V-1748 + Std Only		Single groove stem; 1.5160" Head Dia., .3410" Stem Dia., 5.1570" O.A.L.; When depleted use FP-V1748
6	Exhaust	FP-V800		Drilled stem; 1.2030" Head Dia., .3381" Stem Dia., 5.1520" O.A.L.

(continued on next page)

White Farm (Includes Oliver, Minneapolis-Moline)

Combine F226 Eng. Wheel Tractor F226 Eng. 49
3.7L 226 OHV L6 (12 Valve), 3.3125" Bore (Continental Eng.) (cont.)

CYL. HEAD & PARTS (cont.)				
QTY	VALVE (cont.)	PART NO.	SIZE	DESCRIPTION
6	Exhaust	V-800 + Std Only		Drilled stem; 1.2030" Head Dia., .3381" Stem Dia., 5.1520" O.A.L.; When depleted use FP-V800
6	Exhaust	FP-V954		Drilled stem; 1.3280" Head Dia., .3386" Stem Dia., 5.1950" O.A.L.
6	Exhaust	V-954 + Std Only		Drilled stem; 1.3280" Head Dia., .3386" Stem Dia., 5.1950" O.A.L.; When depleted use FP-V954
6	Exhaust	FP-V959		Single groove stem; Use w/Rotocaps; 1.3230" Head Dia., .3382" Stem Dia., 5.1100" O.A.L.
6	Keeper	FP-VK142		For drilled stem
6	Keeper	VK-142 +		For drilled stem; When depleted use FP-VK142
12	Keeper	VK-115		Use w/Rotocaps; 1 groove; Square cut key groove
12	Keeper	VK-115R		Use w/Rotocaps; 1 groove; Square cut key groove; Hardened
12	Keeper	FP-VK144		1 groove; Square cut key groove
12	Keeper	VK-144R		1 groove; Square cut key groove; Hardened
12	Keeper, Bulk	VK-115B		Use w/Rotocaps; 1 groove; Square cut key groove; Carton of 1000
12	Keeper, Bulk	FP-VK144B		1 groove; Square cut key groove; Carton of 1000
VALVE SEAT				
6	Exh.	FP-24513753		1.3795" OD, 1.0625" ID, .1855" Depth
6	Exh.	245-1375-3 + Std Only		1.3795" OD, 1.0625" ID, .1855" Depth; When depleted use FP-24513753
6	Int.	245-1625-1N Std Only		Premium Material; 1.6300" OD, 1.3750" ID, .2160" Depth
6	Int.	245-1625-1 Std Only		1.6300" OD, 1.3750" ID, .2160" Depth
VALVE GUIDE				
6	Guide	FP-VG336		.3427" ID, 2.5600" O.A.L.
VALVE SPRING				
6	Spring	FP-VS310		1.9690" Free Height
CAMSHAFT GROUP				
TIMING				
1	Cam Gear	FP-2212601		Governor type; 48 Teeth
1	Cam Gear	221-2601		Governor type; 48 Teeth
1	Cam Gear	FP-2212600		Replacement O.E. No. F400H310; 48 Teeth
1	Cam Gear	221-2600 +		Replacement O.E. No. F400H310; 48 Teeth; When depleted use FP-2212600
ENGINE BLOCK & PARTS				
GASKET SETS				
1	Kit Gasket Set	FP-2601351		Compl.
1	Kit Gasket Set	260-1351 +		Compl.; When depleted use FP-2601351
CAM BEARINGS				
1	Cam Set	FP-1088M		
CRANKSHAFT/OIL PUMP				
CRANKSHAFT				
1	Crank Gear	FP-2212603A		Repl. O.E. No. F400H326; 24 Teeth
1	Crank Gear	221-2603A		Repl. O.E. No. F400H326; 24 Teeth
MAIN BEARINGS				
1	Main Set	FP-4247M		
CYLINDER COMPONENTS				
LINERS				
1	Repair Sleeve	SL-12M Std Only		3/32" wall, must be cut to correct length
PISTONS				
6	Pin Bushing	8649XAS		Full round, thin wall .0055" O/S OD bushing
6	Pin Bushing	8649XA		Full round, thin wall bushing w/.9150" OD
6	Pin Bushing	8649V		Split type, thin wall bushing w/.9135" OD
6	Pin Bushing	8649V20		Split type, thin wall bushing w/.9135" OD & .020" extra bore stock
CONNECTING RODS & BRGS.				
3	Rod Pair	FP-1995CPA	STD	Position 1-3-5; Use on all 6 positions if rod Forging No. ends in 402
3	Rod Pair	FP-1995CP	STD	Position 2-4-6
PISTON RINGS				
1	Standard Set	FP-965X	Std Only	3-1/8, 1-1/4
1	Standard Set	965X + Std Only		3-1/8, 1-1/4; When depleted use FP-965X

White Farm (Includes Oliver, Minneapolis-Moline)

50 Combine OOC Eng.
3.7L 226 OHV L4, 4" Bore (Hercules Eng.)

ENGINE BLOCK & PARTS

QTY	CAM BEARINGS	PART NO.	SIZE	DESCRIPTION
1	Cam Set	FP-1090M	Std Only	
1	Cam Set	1090M +	Std Only	When depleted use FP-1090M
CYLINDER COMPONENTS				
QTY	PISTONS	PART NO.	SIZE	DESCRIPTION
4	Pin Bushing	FP-1424X		Drilled rod type bushing
4	Pin Bushing	1424X +		Drilled rod type bushing; When depleted use FP-1424X
QTY	CONNECTING RODS & BRGS.	PART NO.	SIZE	DESCRIPTION
4	Rod Pair	FP-1420CP	Std-10-20-30-40	w/1.9870-1.9880" std. shaft size
4	Rod Pair	1420CP +	Std-10-20-30	w/1.9870-1.9880" std. shaft size; When depleted use FP-1420CP
4	Rod Pair	FP-3220CP	Std-10-20-30	w/2.1232-2.1240" std. shaft size
4	Rod Pair	3220CP +	Std-10-20-30	w/2.1232-2.1240" std. shaft size; When depleted use FP-3220CP
4	Rod Pair	3160CP	Std-10	w/2.3730-2.3740" std. shaft size
QTY	PISTON RINGS	PART NO.	SIZE	DESCRIPTION
1	Premium Set	FP-920KX	Std Only	3-1/8, 1-3/16
1	Premium Set	920KX +	Std Only	3-1/8, 1-3/16; When depleted use FP-920KX
1	Standard Set	FP-920X	Std Only	3-1/8, 1-3/16
1	Standard Set	920X +	Std Only	3-1/8, 1-3/16; When depleted use FP-920X
4	Premium Single Cylinder Set	W-920KX	Std Only	3-1/8, 1-3/16
4	Standard Single Cylinder Set	W-920X	Std Only	3-1/8, 1-3/16

51 Combine JXA Eng.
3.7L 228 L-HEAD L6, 3.375" Bore (Hercules Eng.)

CYL. HEAD & PARTS

QTY	VALVE	PART NO.	SIZE	DESCRIPTION
6	Intake	FP-V318		1.6930" Head Dia., .3725" Stem Dia., 5.1150" O.A.L.
QTY	VALVE GUIDE	PART NO.	SIZE	DESCRIPTION
12	Guide	FP-VG414		Exh. & Int.; .3745" ID, 2.3600" O.A.L.

ENGINE BLOCK & PARTS

QTY	CAM BEARINGS	PART NO.	SIZE	DESCRIPTION
1	Cam Set	FP-1090M	Std Only	
1	Cam Set	1090M +	Std Only	When depleted use FP-1090M
CRANKSHAFT/OIL PUMP				
QTY	MAIN BEARINGS	PART NO.	SIZE	DESCRIPTION
1	Plain Main Brg.	FP-2241CP10	10	Position 1
1	Plain Main Brg.	FP-2241CP20	20	Position 1
1	Plain Main Brg.	FP-2241CP30	30	Position 1
4	Plain Main Brg.	FP-2243CP10	10	Position 2-3-5-6
4	Plain Main Brg.	FP-2243CP20	20	Position 2-3-5-6
4	Plain Main Brg.	FP-2243CP30	30	Position 2-3-5-6
1	Plain Main Brg.	FP-2242CP10	10	Position 4
1	Plain Main Brg.	FP-2242CP20	20	Position 4
1	Plain Main Brg.	FP-2242CP30	30	Position 4
1	Plain Main Brg.	FP-2244CP10	10	Position 7
1	Plain Main Brg.	FP-2244CP20	20	Position 7
1	Plain Main Brg.	FP-2244CP30	30	Position 7
CYLINDER COMPONENTS				
QTY	PISTONS	PART NO.	SIZE	DESCRIPTION
6	Pin Bushing	FP-1424X		Drilled rod type bushing
6	Pin Bushing	1424X +		Drilled rod type bushing; When depleted use FP-1424X
QTY	CONNECTING RODS & BRGS.	PART NO.	SIZE	DESCRIPTION
6	Rod Pair	FP-1420CP	Std-10-20-30-40	w/1.9870-1.9880" std. shaft size
6	Rod Pair	1420CP +	Std-10-20-30	w/1.9870-1.9880" std. shaft size; When depleted use FP-1420CP

White Farm (Includes Oliver, Minneapolis-Moline)

Wheel Tractor 88, 88 Super, 166D, 188, 188 Super, 188D, 188HC, 880, 1600 Engs. 52
3.8L 231 OHV L6 (Waukesha), 3.5" Bore

CYL. HEAD & PARTS

QTY	VALVE	PART NO.	SIZE	DESCRIPTION
6	Intake	FP-V1055		88HC & 88KD; 1.3957" Head Dia., .3724" Stem Dia., 5.0433" O.A.L.
6	Intake	V-1055 +	Std Only	88HC & 88KD; 1.3957" Head Dia., .3724" Stem Dia., 5.0433" O.A.L.; When depleted use FP-V1055
6	Exhaust	FP-V1471		Super 88HC & 880HC; 1.3950" Head Dia., .3715" Stem Dia., 4.9840" O.A.L.
6	Exhaust	V-1471 +	Std Only	Super 88HC & 880HC; 1.3950" Head Dia., .3715" Stem Dia., 4.9840" O.A.L.; When depleted use FP-V1471
6	Exhaust	FP-V1054		88HC & 88KD; 1.2559" Head Dia., .3715" Stem Dia., 5.0492" O.A.L.
6	Exhaust	V-1054 +	Std Only	88HC & 88KD; 1.2559" Head Dia., .3715" Stem Dia., 5.0492" O.A.L.; When depleted use FP-V1054
24	Keeper	VK-138		1 groove; Square cut key groove
24	Keeper	VK-138R		1 groove; Square cut key groove; Hardened
24	Keeper	VK-66		2 groove
24	Keeper	VK-66R		2 groove; Hardened
24	Keeper, Bulk	VK-138B		1 groove; Square cut key groove; Carton of 1000
QTY	VALVE GUIDE	PART NO.	SIZE	DESCRIPTION
12	Guide	FP-VG459		88D, Super 88D & 88KD; Flg.; .3750" ID, 2.5000" O.A.L.
12	Guide	VG-459 +		88D, Super 88D & 88KD; Flg.; .3750" ID, 2.5000" O.A.L.; When depleted use FP-VG459
12	Guide	FP-VG859		88D, Super 88D & 88KD; Plain; .3695" ID, 2.3100" O.A.L.
12	Guide	VG-859 +		88D, Super 88D & 88KD; Plain; .3695" ID, 2.3100" O.A.L.; When depleted use FP-VG859
12	Guide	FP-VG857		88D, Super 88D, 88KD; .3745" ID, 2.5000" O.A.L.
12	Guide	VG-857 +		88D, Super 88D, 88KD; .3745" ID, 2.5000" O.A.L.; When depleted use FP-VG857
QTY	VALVE SPRING	PART NO.	SIZE	DESCRIPTION
12	Spring	FP-VS400		Exc. 1600; 2.8130" Free Height
12	Spring	VS-400 +		Exc. 1600; 2.8130" Free Height; When depleted use FP-VS400
QTY	VALVE MISC.	PART NO.	SIZE	DESCRIPTION
6	Rotocap	RC-58		Exh.
QTY	VALVE SEAL	PART NO.	SIZE	DESCRIPTION
12	Valve Stem Seal	ST-2004		Positive type; Installation requires valve guide machining; Rubber/PTFE
6	Valve Stem Seal	MV-1233C		Int.; 160; From Ser. No. 124420 To 14758; O-Ring; Rubber
12	Valve Stem Seal Bulk	ST-2004BC		Positive type; Installation requires valve guide machining; Carton of 100; Rubber/PTFE
6	Valve Stem Seal Bulk	MV-1233		Int.; 160; From Ser. No. 124420 To 14758; O-Ring; Carton of 100; Rubber
ENGINE BLOCK & PARTS				
QTY	CAM BEARINGS	PART NO.	SIZE	DESCRIPTION
1	Cam Set	FP-1137M	Std Only	Early Engs.
1	Cam Set	1137M +	Std Only	Early Engs.; When depleted use FP-1137M
1	Cam Set	FP-1275M	Std Only	Later Engs.
1	Cam Set	1275M +	Std Only	Later Engs.; When depleted use FP-1275M
CRANKSHAFT/OIL PUMP				
QTY	MAIN BEARINGS	PART NO.	SIZE	DESCRIPTION
1	Main Set	FP-905M	Std-10-20	Later Engs.
1	Main Set	905M +	Std-10-20	Later Engs.; When depleted use FP-905M
CYLINDER COMPONENTS				
QTY	PISTONS	PART NO.	SIZE	DESCRIPTION
12	Pin Bushing	FP-1884Y20		2 req'd. per rod
12	Pin Bushing	1884Y20 +		2 req'd. per rod; When depleted use FP-1884Y20
QTY	CONNECTING RODS & BRGS.	PART NO.	SIZE	DESCRIPTION
6	Rod Pair	FP-2215CPA	Std-10-20	Models From Ser. No. 6503 w/non-drilled rods & brgs. with 2 oil holes
6	Rod Pair	2215CPA +	Std-10-20	Models From Ser. No. 6503 w/non-drilled rods & brgs. with 2 oil holes; When depleted use FP-2215CPA
6	Rod Pair	FP-1880CP	Std-10-20-30	Models To Ser. No. 6502
6	Rod Pair	1880CP +	Std-10-20-30	Models To Ser. No. 6502; When depleted use FP-1880CP

(continued on next page)

White Farm (Includes Oliver, Minneapolis-Moline)

52 Wheel Tractor 88, 88 Super, 166D, 188, 188 Super, 188D, 188HC, 880, 1600 Engs.
(cont.) 3.8L 231 OHV L6 (Waukesha), 3.5" Bore

CYLINDER COMPONENTS (cont.)

QTY	PISTON RINGS	PART NO.	SIZE	DESCRIPTION
1	Premium Set	FP-645KX	Std Only	OVERBORE To 3.750"; Check piston grooving before supplying ring set; 3-1/8, 1-3/16
1	Premium Set	645KX +	Std Only	OVERBORE To 3.750"; Check piston grooving before supplying ring set; 3-1/8, 1-3/16; When depleted use FP-645KX
6	Premium Single Cylinder Set	W-645KX	Std Only	OVERBORE To 3.750"; Check piston grooving before supplying ring set; 3-1/8, 1-3/16

53 Wheel Tractor 88, 88 Super, 166D, 188, 188 Super, 188D, 188HC, 880, 1600 Engs.
3.8L 231 OHV Diesel L6 (Waukesha), 3.5" Bore

CYL. HEAD & PARTS

QTY	VALVE	PART NO.	SIZE	DESCRIPTION
24	Keeper	VK-138		1 groove; Square cut key groove
24	Keeper	VK-138R		1 groove; Square cut key groove; Hardened
24	Keeper, Bulk	VK-138B		1 groove; Square cut key groove; Carton of 1000
QTY	VALVE GUIDE	PART NO.	SIZE	DESCRIPTION
6	Guide	FP-VG859		Exh.; 1600; From Ser. No. 124420 To Ser. No. 147568; .3695" ID, 2.3100" O.A.L.
6	Guide	VG-859 +		Exh.; 1600; From Ser. No. 124420 To Ser. No. 147568; .3695" ID, 2.3100" O.A.L.; When depleted use FP-VG859
QTY	VALVE SPRING	PART NO.	SIZE	DESCRIPTION
12	Spring	FP-VS400		2.8130" Free Height
12	Spring	VS-400 +		2.8130" Free Height; When depleted use FP-VS400
QTY	VALVE SEAL	PART NO.	SIZE	DESCRIPTION
12	Valve Stem Seal	ST-2004		Positive type; Installation requires valve guide machining; Rubber/PTFE
12	Valve Stem Seal Bulk	ST-2004BC		Positive type; Installation requires valve guide machining; Carton of 100; Rubber/PTFE

ENGINE BLOCK & PARTS

QTY	CAM BEARINGS	PART NO.	SIZE	DESCRIPTION
1	Cam Set	FP-1137M	Std Only	
1	Cam Set	1137M +	Std Only	When depleted use FP-1137M

CRANKSHAFT/OIL PUMP

QTY	MAIN BEARINGS	PART NO.	SIZE	DESCRIPTION
1	Main Set	FP-905M	Std-10-20	
1	Main Set	905M +	Std-10-20	When depleted use FP-905M

CYLINDER COMPONENTS

QTY	PISTONS	PART NO.	SIZE	DESCRIPTION
12	Pin Bushing	FP-1884Y20		2 req'd. per rod
12	Pin Bushing	1884Y20 +		2 req'd. per rod; When depleted use FP-1884Y20
QTY	CONNECTING RODS & BRGS.	PART NO.	SIZE	DESCRIPTION
6	Rod Pair	FP-2215CPA	Std-10-20	Models From Ser. No. 6503
6	Rod Pair	2215CPA +	Std-10-20	Models From Ser. No. 6503; When depleted use FP-2215CPA
6	Rod Pair	FP-1880CP	Std-10-20-30	Models To Ser. No. 6502
6	Rod Pair	1880CP +	Std-10-20-30	Models To Ser. No. 6502; When depleted use FP-1880CP
QTY	PISTON RINGS	PART NO.	SIZE	DESCRIPTION
1	Premium Set	FP-645KX	Std Only	OVERBORE To 3.750"; 3-1/8, 1-3/16
1	Premium Set	645KX +	Std Only	OVERBORE To 3.750"; 3-1/8, 1-3/16; When depleted use FP-645KX
6	Premium Single Cylinder Set	W-645KX	Std Only	OVERBORE To 3.750"; 3-1/8, 1-3/16

54 Wheel Tractor 88, 88 Super, 166D, 188, 188 Super, 188D, 188HC, 880 Engs. (LPG)
3.8L 231 OHV LPG L6 (Waukesha), 3.5" Bore

CYL. HEAD & PARTS

QTY	VALVE	PART NO.	SIZE	DESCRIPTION
24	Keeper	VK-138		1 groove; Square cut key groove
24	Keeper	VK-138R		1 groove; Square cut key groove; Hardened
24	Keeper, Bulk	VK-138B		1 groove; Square cut key groove; Carton of 1000
QTY	VALVE SEAL	PART NO.	SIZE	DESCRIPTION
12	Valve Stem Seal	ST-2004		Positive type; Installation requires valve guide machining; Rubber/PTFE

(continued on next page)

White Farm (Includes Oliver, Minneapolis-Moline)

Wheel Tractor 88, 88 Super, 166D, 188, 188 Super, 188D, 188HC, 880 Engs. (LPG) 54 3.8L 231 OHV LPG L6 (Waukesha), 3.5" Bore (cont.)				
CYL. HEAD & PARTS (cont.)				
QTY	VALVE SEAL (cont.)	PART NO.	SIZE	DESCRIPTION
6	Valve Stem Seal	MV-1233C		Int.; O-Ring; Rubber
12	Valve Stem Seal Bulk	ST-2004BC		Positive type; Installation requires valve guide machining; Carton of 100; Rubber/PTFE
6	Valve Stem Seal Bulk	MV-1233		Int.; O-Ring; Carton of 100; Rubber
ENGINE BLOCK & PARTS				
QTY	CAM BEARINGS	PART NO.	SIZE	DESCRIPTION
1	Cam Set	FP-1137M	Std Only	Early Engs.
1	Cam Set	1137M +	Std Only	Early Engs.; When depleted use FP-1137M
1	Cam Set	FP-1275M	Std Only	Later Engs.
1	Cam Set	1275M +	Std Only	Later Engs.; When depleted use FP-1275M
CRANKSHAFT/OIL PUMP				
QTY	MAIN BEARINGS	PART NO.	SIZE	DESCRIPTION
1	Main Set	FP-905M	Std-10-20	Later Engs.
1	Main Set	905M +	Std-10-20	Later Engs.; When depleted use FP-905M
CYLINDER COMPONENTS				
QTY	PISTONS	PART NO.	SIZE	DESCRIPTION
12	Pin Bushing	FP-1884Y20		2 req'd. per rod
12	Pin Bushing	1884Y20 +		2 req'd. per rod; When depleted use FP-1884Y20
QTY	CONNECTING RODS & BRGS.	PART NO.	SIZE	DESCRIPTION
6	Rod Pair	FP-2215CPA	Std-10-20	Models From Ser. No. 6503 w/non-drilled rods & brgs. with 2 oil holes
6	Rod Pair	2215CPA +	Std-10-20	Models From Ser. No. 6503 w/non-drilled rods & brgs. with 2 oil holes; When depleted use FP-2215CPA
6	Rod Pair	FP-1880CP	Std-10-20-30	Models To Ser. No. 6502
6	Rod Pair	1880CP +	Std-10-20-30	Models To Ser. No. 6502; When depleted use FP-1880CP
QTY	PISTON RINGS	PART NO.	SIZE	DESCRIPTION
1	Premium Set	FP-645KX	Std Only	OVERBORE To 3.750"; 3-1/8, 1-3/16
1	Premium Set	645KX +	Std Only	OVERBORE To 3.750"; 3-1/8, 1-3/16; When depleted use FP-645KX
6	Premium Single Cylinder Set	W-645KX	Std Only	OVERBORE To 3.750"; 3-1/8, 1-3/16
Wheel Tractor 1550, 1555 Engs. 55 3.8L 232 OHV L6 (Waukesha), 3.625" Bore				
CYL. HEAD & PARTS				
QTY	VALVE	PART NO.	SIZE	DESCRIPTION
6	Intake	FP-V1055		1.3957" Head Dia., .3724" Stem Dia., 5.0433" O.A.L.
6	Intake	V-1055 +	Std Only	1.3957" Head Dia., .3724" Stem Dia., 5.0433" O.A.L.; When depleted use FP-V1055
6	Exhaust	FP-V1054		1.2559" Head Dia., .3715" Stem Dia., 5.0492" O.A.L.
6	Exhaust	V-1054 +	Std Only	1.2559" Head Dia., .3715" Stem Dia., 5.0492" O.A.L.; When depleted use FP-V1054
24	Keeper	VK-66		2 groove
24	Keeper	VK-66R		2 groove; Hardened
QTY	VALVE GUIDE	PART NO.	SIZE	DESCRIPTION
6	Guide	FP-VG615		Exh.; .3695" ID, 2.4100" O.A.L.
6	Guide	VG-615 +		Exh.; .3695" ID, 2.4100" O.A.L.; When depleted use FP-VG615
ENGINE BLOCK & PARTS				
QTY	CAM BEARINGS	PART NO.	SIZE	DESCRIPTION
1	Cam Set	FP-1137M	Std Only	
1	Cam Set	1137M +	Std Only	When depleted use FP-1137M
CYLINDER COMPONENTS				
QTY	LINERS	PART NO.	SIZE	DESCRIPTION
6	Liner w/Sealing Rings	FP-SO1982	Std Only	Incl. (2) FP-SLR1640 sealing rings
6	Liner w/Sealing Rings	SO-1982 +	Std Only	Incl. (2) SLR-1640 sealing rings; When depleted use FP-SO1982
6	Sleeve Assy.	FP-SL1982	Std Only	
6	Sleeve Assy.	SL-1982 +	Std Only	When depleted use FP-SL1982
QTY	PISTONS	PART NO.	SIZE	DESCRIPTION
6	Cast Piston	FP-1982PX	Std Only	Cast; 3-3/32", 1-3/16" Ring Groove, 2.312" CD, 1.2500" Pin Dia., Flat Head; Repl. O.E. No. 183004

(continued on next page)

White Farm (Includes Oliver, Minneapolis-Moline)

55 Wheel Tractor 1550, 1555 Engs. (cont.) 3.8L 232 OHV L6 (Waukesha), 3.625" Bore

CYLINDER COMPONENTS (cont.)				
QTY	PISTONS (cont.)	PART NO.	SIZE	DESCRIPTION
6	Cast Piston	1982PX +	Std Only	Cast; 3-3/32", 1-3/16" Ring Groove, 2.312" CD, 1.2500" Pin Dia., Flat Head; Repl. O.E. No. 183004; When depleted use FP-1982PX
8	Pin Bushing	FP-1884Y20		2 req'd. per rod
8	Pin Bushing	1884Y20 +		2 req'd. per rod; When depleted use FP-1884Y20
CONNECTING RODS & BRGS.				
QTY		PART NO.	SIZE	DESCRIPTION
6	Rod Pair	FP-1880CP	Std-10-20-30	Models From Ser. No. 6503
6	Rod Pair	1880CP +	Std-10-20-30	Models From Ser. No. 6503; When depleted use FP-1880CP
6	Rod Pair	FP-1865CP	Std-10-20	Models To Ser. No. 6502; O.A.L. 1.109"
6	Rod Pair	1865CP +	Std-10-20	Models To Ser. No. 6502; O.A.L. 1.109"; When depleted use FP-1865CP
PISTON RINGS				
QTY		PART NO.	SIZE	DESCRIPTION
1	Premium Set	FP-5444KX	Std Only	3-3/32, 1-3/16
1	Premium Set	5444KX +	Std Only	3-3/32, 1-3/16; When depleted use FP-5444KX

56 Wheel Tractor 1550, 1555 Engs. 3.8L 232 OHV Diesel L6 (Waukesha), 3.625" Bore

CYL. HEAD & PARTS				
QTY	VALVE	PART NO.	SIZE	DESCRIPTION
24	Keeper	VK-138		1 groove; Square cut key groove
24	Keeper	VK-138R		1 groove; Square cut key groove; Hardened
24	Keeper, Bulk	VK-138B		1 groove; Square cut key groove; Carton of 1000
ENGINE BLOCK & PARTS				
CAM BEARINGS				
QTY		PART NO.	SIZE	DESCRIPTION
1	Cam Set	FP-1137M	Std Only	
1	Cam Set	1137M +	Std Only	When depleted use FP-1137M
CYLINDER COMPONENTS				
LINERS				
QTY		PART NO.	SIZE	DESCRIPTION
6	Liner w/Sealing Rings	FP-SO1982	Std Only	Incl. (2) FP-SLR1640 sealing rings
6	Liner w/Sealing Rings	SO-1982 +	Std Only	Incl. (2) SLR-1640 sealing rings; When depleted use FP-SO1982
6	Sleeve Assy.	FP-SL1982	Std Only	
6	Sleeve Assy.	SL-1982 +	Std Only	When depleted use FP-SL1982
PISTONS				
QTY		PART NO.	SIZE	DESCRIPTION
6	Cast Piston	FP-1982PX	Std Only	Cast; 3-3/32", 1-3/16" Ring Groove, 2.312" CD, 1.2500" Pin Dia., Flat Head; Repl. O.E. No. 183004
6	Cast Piston	1982PX +	Std Only	Cast; 3-3/32", 1-3/16" Ring Groove, 2.312" CD, 1.2500" Pin Dia., Flat Head; Repl. O.E. No. 183004; When depleted use FP-1982PX
8	Pin Bushing	FP-1884Y20		2 req'd. per rod
8	Pin Bushing	1884Y20 +		2 req'd. per rod; When depleted use FP-1884Y20
CONNECTING RODS & BRGS.				
QTY		PART NO.	SIZE	DESCRIPTION
6	Rod Pair	FP-1880CP	Std-10-20-30	Models From Ser. No. 6503
6	Rod Pair	1880CP +	Std-10-20-30	Models From Ser. No. 6503; When depleted use FP-1880CP
6	Rod Pair	FP-1865CP	Std-10-20	Models To Ser. No. 6502; O.A.L. 1.109"
6	Rod Pair	1865CP +	Std-10-20	Models To Ser. No. 6502; O.A.L. 1.109"; When depleted use FP-1865CP
PISTON RINGS				
QTY		PART NO.	SIZE	DESCRIPTION
1	Premium Set	FP-5444KX	Std Only	3-3/32, 1-3/16
1	Premium Set	5444KX +	Std Only	3-3/32, 1-3/16; When depleted use FP-5444KX

57 Combine F244 Eng. 4.0L 244 L-HEAD L6, 3.4375" Bore (Continental Eng.)

ENGINE BLOCK & PARTS				
CAM BEARINGS				
QTY		PART NO.	SIZE	DESCRIPTION
1	Cam Set	FP-1088M		
CRANKSHAFT/OIL PUMP				
MAIN BEARINGS				
QTY		PART NO.	SIZE	DESCRIPTION
1	Main Set	FP-4247M		

(continued on next page)

White Farm (Includes Oliver, Minneapolis-Moline)

Combine F244 Eng. 57
4.0L 244 L-HEAD L6, 3.4375" Bore (Continental Eng.) (cont.)

CYLINDER COMPONENTS				
QTY	PISTONS	PART NO.	SIZE	DESCRIPTION
6	Cast Piston	FP-1080P	<i>Std-20-30-40-60</i>	F244, F6244, F245 Eng.s.; w/full skirt; Cast; 1-5/64", 2-3/32", 1-1/4" Ring Groove, 2.000" CD, .8592" Pin Dia., Flat Head
6	Cast Piston	1080P +	<i>Std-20-30-40-60</i>	F244, F6244, F245 Eng.s.; w/full skirt; Cast; 1-5/64", 2-3/32", 1-1/4" Ring Groove, 2.000" CD, .8592" Pin Dia., Flat Head; When depleted use FP-1080P
6	Cast Piston - Individual	FP-W1080P	<i>Std-20-30-40-60</i>	F244, F6244, F245 Eng.s.; w/full skirt; Cast; 1-5/64", 2-3/32", 1-1/4" Ring Groove, 2.000" CD, .8592" Pin Dia., Flat Head
6	Cast Piston - Individual	W1080P +	<i>Std-20-30-40-60</i>	F244, F6244, F245 Eng.s.; w/full skirt; Cast; 1-5/64", 2-3/32", 1-1/4" Ring Groove, 2.000" CD, .8592" Pin Dia., Flat Head; When depleted use FP-W1080P
6	Pin Bushing	8649XAS		Full round, thin wall .0055" O/S OD bushing
6	Pin Bushing	8649XA		Full round, thin wall bushing w/.9150" OD
6	Pin Bushing	8649V		Split type, thin wall bushing w/.9135" OD
6	Pin Bushing	8649V20		Split type, thin wall bushing w/.9135" OD & .020" extra bore stock
CONNECTING RODS & BRGS.				
QTY	ROD PAIR	PART NO.	SIZE	DESCRIPTION
3	Rod Pair	FP-1995CPA	<i>STD</i>	Position 1-3-5
3	Rod Pair	FP-1995CP	<i>STD</i>	Position 2-4-6
PISTON RINGS				
QTY	SET	PART NO.	SIZE	DESCRIPTION
1	Premium Set	FP-E324KC	<i>Std-20-30-40-60</i>	1-5/64, 2-3/32, 1-1/4
1	Premium Set	E-324KC +	<i>Std-20-30-40-60</i>	1-5/64, 2-3/32, 1-1/4; When depleted use FP-E324KC
1	Standard Set	FP-E324X	<i>Std-30-60</i>	1-5/64, 2-3/32, 1-1/4
1	Standard Set	E-324X +	<i>Std-30-60</i>	1-5/64, 2-3/32, 1-1/4; When depleted use FP-E324X
6	Premium Single Cylinder Set	WE-324KC	<i>Std Only</i>	1-5/64, 2-3/32, 1-1/4

Combine F244 Eng. 58
4.0L 244 L-HEAD L6, 3.4375" Bore (Continental Eng.)

ENGINE BLOCK & PARTS				
QTY	CAM BEARINGS	PART NO.	SIZE	DESCRIPTION
1	Cam Set	FP-1088M		
CRANKSHAFT/OIL PUMP				
QTY	MAIN BEARINGS	PART NO.	SIZE	DESCRIPTION
1	Main Set	FP-4247M		
CYLINDER COMPONENTS				
QTY	PISTONS	PART NO.	SIZE	DESCRIPTION
6	Cast Piston	FP-1080P	<i>Std-20-30-40-60</i>	F244, F6244, F245 Eng.s.; w/full skirt; Cast; 1-5/64", 2-3/32", 1-1/4" Ring Groove, 2.000" CD, .8592" Pin Dia., Flat Head
6	Cast Piston	1080P +	<i>Std-20-30-40-60</i>	F244, F6244, F245 Eng.s.; w/full skirt; Cast; 1-5/64", 2-3/32", 1-1/4" Ring Groove, 2.000" CD, .8592" Pin Dia., Flat Head; When depleted use FP-1080P
6	Cast Piston - Individual	FP-W1080P	<i>Std-20-30-40-60</i>	F244, F6244, F245 Eng.s.; w/full skirt; Cast; 1-5/64", 2-3/32", 1-1/4" Ring Groove, 2.000" CD, .8592" Pin Dia., Flat Head
6	Cast Piston - Individual	W1080P +	<i>Std-20-30-40-60</i>	F244, F6244, F245 Eng.s.; w/full skirt; Cast; 1-5/64", 2-3/32", 1-1/4" Ring Groove, 2.000" CD, .8592" Pin Dia., Flat Head; When depleted use FP-W1080P
6	Pin Bushing	8649XAS		Full round, thin wall .0055" O/S OD bushing
6	Pin Bushing	8649XA		Full round, thin wall bushing w/.9150" OD
6	Pin Bushing	8649V		Split type, thin wall bushing w/.9135" OD
6	Pin Bushing	8649V20		Split type, thin wall bushing w/.9135" OD & .020" extra bore stock
CONNECTING RODS & BRGS.				
QTY	ROD PAIR	PART NO.	SIZE	DESCRIPTION
3	Rod Pair	FP-1995CPA	<i>STD</i>	Position 1-3-5
3	Rod Pair	FP-1995CP	<i>STD</i>	Position 2-4-6
PISTON RINGS				
QTY	SET	PART NO.	SIZE	DESCRIPTION
1	Premium Set	FP-E324KC	<i>Std-20-30-40-60</i>	1-5/64, 2-3/32, 1-1/4
1	Premium Set	E-324KC +	<i>Std-20-30-40-60</i>	1-5/64, 2-3/32, 1-1/4; When depleted use FP-E324KC
1	Standard Set	FP-E324X	<i>Std-30-60</i>	1-5/64, 2-3/32, 1-1/4
1	Standard Set	E-324X +	<i>Std-30-60</i>	1-5/64, 2-3/32, 1-1/4; When depleted use FP-E324X
6	Premium Single Cylinder Set	WE-324KC	<i>Std Only</i>	1-5/64, 2-3/32, 1-1/4

White Farm (Includes Oliver, Minneapolis-Moline)

59 Heavy Duty Applications 100A Eng. 4.1L 250 L-HEAD L6, 3.4375" Bore

CYLINDER COMPONENTS

QTY	PISTONS	PART NO.	SIZE	DESCRIPTION
6	Pin Bushing	FP-1884Y20		Split type bushing with .020" extra bore stock.; 2 req'd. per rod
6	Pin Bushing	1884Y20 +		Split type bushing with .020" extra bore stock.; 2 req'd. per rod; When depleted use FP-1884Y20

60 Combine 8, 8A, 8-213, 8-231 Engs. 4.1L 251 L-HEAD L6 (Chrysler), 3.4375" Bore (Chrysler Eng.)

ENGINE BLOCK & PARTS

QTY	CAM BEARINGS	PART NO.	SIZE	DESCRIPTION
1	Cam Set	1011M		Std Only

CRANKSHAFT/OIL PUMP

QTY	MAIN BEARINGS	PART NO.	SIZE	DESCRIPTION
1	Main Set	485M		Std-10-20-30-40

CYLINDER COMPONENTS

QTY	PISTONS	PART NO.	SIZE	DESCRIPTION
6	Pin Bushing	8649XAS		Full round, thin wall .0055" O/S OD bushing
6	Pin Bushing	8649XA		Full round, thin wall bushing w/.9150" OD
6	Pin Bushing	8649V		Split type, thin wall bushing w/.9135" OD
6	Pin Bushing	8649V20		Split type, thin wall bushing w/.9135" OD & .020" extra bore stock

QTY	CONNECTING RODS & BRGS.	PART NO.	SIZE	DESCRIPTION
6	Rod Pair	9560CPA		Std-10-20-30-40-50

61 Combine 8, 8A, 8-213, 8-231 Engs. Wheel Tractor 8, 8A, 8-213, 8-231 Engs. 4.1L 251 L-HEAD L6 (Chrysler), 3.4375" Bore (Chrysler Eng.)

ENGINE BLOCK & PARTS

QTY	CAM BEARINGS	PART NO.	SIZE	DESCRIPTION
1	Cam Set	1011M		Std Only

CRANKSHAFT/OIL PUMP

QTY	MAIN BEARINGS	PART NO.	SIZE	DESCRIPTION
1	Main Set	485M		Std-10-20-30-40

CYLINDER COMPONENTS

QTY	PISTONS	PART NO.	SIZE	DESCRIPTION
6	Pin Bushing	8649XAS		Full round, thin wall .0055" O/S OD bushing
6	Pin Bushing	8649XA		Full round, thin wall bushing w/.9150" OD
6	Pin Bushing	8649V		Split type, thin wall bushing w/.9135" OD
6	Pin Bushing	8649V20		Split type, thin wall bushing w/.9135" OD & .020" extra bore stock

QTY	CONNECTING RODS & BRGS.	PART NO.	SIZE	DESCRIPTION
6	Rod Pair	9560CPA		Std-10-20-30-40-50

62 Wheel Tractor JXB Eng. 4.3L 263 L-HEAD L6, 3.625" Bore (Hercules Eng.)

CYL. HEAD & PARTS

QTY	VALVE	PART NO.	SIZE	DESCRIPTION
6	Intake	FP-V318		1.6930" Head Dia., .3725" Stem Dia., 5.1150" O.A.L.

QTY	VALVE GUIDE	PART NO.	SIZE	DESCRIPTION
12	Guide	FP-VG414		Exh. & Int.; .3745" ID, 2.3600" O.A.L.

ENGINE BLOCK & PARTS

QTY	CAM BEARINGS	PART NO.	SIZE	DESCRIPTION
1	Cam Set	FP-1090M		Std Only
1	Cam Set	1090M +		Std Only When depleted use FP-1090M

CRANKSHAFT/OIL PUMP

QTY	MAIN BEARINGS	PART NO.	SIZE	DESCRIPTION
1	Plain Main Brg.	FP-2241CP10	10	Position 1
1	Plain Main Brg.	FP-2241CP20	20	Position 1
1	Plain Main Brg.	FP-2241CP30	30	Position 1
4	Plain Main Brg.	FP-2243CP10	10	Position 2-3-5-6

(continued on next page)

+ Superseded Part Number

White Farm (Includes Oliver, Minneapolis-Moline)

<i>Wheel Tractor JXB Eng. 62</i> 4.3L 263 L-HEAD L6, 3.625" Bore (Hercules Eng.) (cont.)				
CRANKSHAFT/OIL PUMP (cont.)				
QTY	MAIN BEARINGS (cont.)	PART NO.	SIZE	DESCRIPTION
4	Plain Main Brg.	FP-2243CP20	20	Position 2-3-5-6
4	Plain Main Brg.	FP-2243CP30	30	Position 2-3-5-6
1	Plain Main Brg.	FP-2242CP10	10	Position 4
1	Plain Main Brg.	FP-2242CP20	20	Position 4
1	Plain Main Brg.	FP-2242CP30	30	Position 4
1	Plain Main Brg.	FP-2244CP10	10	Position 7
1	Plain Main Brg.	FP-2244CP20	20	Position 7
1	Plain Main Brg.	FP-2244CP30	30	Position 7
CYLINDER COMPONENTS				
QTY	PISTONS	PART NO.	SIZE	DESCRIPTION
6	Pin Bushing	FP-1424X		Drilled rod type bushing
6	Pin Bushing	1424X +		Drilled rod type bushing; When depleted use FP-1424X
QTY	CONNECTING RODS & BRGS.	PART NO.	SIZE	DESCRIPTION
6	Rod Pair	FP-1420CP	Std-10-20-30-40	w/1.9870-1.9880" std. shaft size
6	Rod Pair	1420CP +	Std-10-20-30	w/1.9870-1.9880" std. shaft size; When depleted use FP-1420CP
<i>Combine 16, 16A, 32, 33 Eng. 63</i> 4.3L 265 L-HEAD L6 (Chrysler), 3.4375" Bore (Chrysler Eng.)				
ENGINE BLOCK & PARTS				
QTY	CAM BEARINGS	PART NO.	SIZE	DESCRIPTION
1	Cam Set	1011M	Std Only	
CRANKSHAFT/OIL PUMP				
QTY	MAIN BEARINGS	PART NO.	SIZE	DESCRIPTION
1	Main Set	485M	Std-10-20-30-40	
CYLINDER COMPONENTS				
QTY	PISTONS	PART NO.	SIZE	DESCRIPTION
6	Pin Bushing	8649XAS		Full round, thin wall .0055" O/S OD bushing
6	Pin Bushing	8649XA		Full round, thin wall bushing w/.9150" OD
6	Pin Bushing	8649V		Split type, thin wall bushing w/.9135" OD
6	Pin Bushing	8649V20		Split type, thin wall bushing w/.9135" OD & .020" extra bore stock
QTY	CONNECTING RODS & BRGS.	PART NO.	SIZE	DESCRIPTION
6	Rod Pair	9560CPA	Std-10-20-30-40-50	
<i>Combine 16, 16A, 32, 33 Eng. Wheel Tractor 16, 16A, 32, 33 Eng. 64</i> 4.3L 265 L-HEAD L6 (Chrysler), 3.4375" Bore (Chrysler Eng.)				
ENGINE BLOCK & PARTS				
QTY	CAM BEARINGS	PART NO.	SIZE	DESCRIPTION
1	Cam Set	1011M	Std Only	
CRANKSHAFT/OIL PUMP				
QTY	MAIN BEARINGS	PART NO.	SIZE	DESCRIPTION
1	Main Set	485M	Std-10-20-30-40	
CYLINDER COMPONENTS				
QTY	PISTONS	PART NO.	SIZE	DESCRIPTION
6	Pin Bushing	8649XAS		Full round, thin wall .0055" O/S OD bushing
6	Pin Bushing	8649XA		Full round, thin wall bushing w/.9150" OD
6	Pin Bushing	8649V		Split type, thin wall bushing w/.9135" OD
6	Pin Bushing	8649V20		Split type, thin wall bushing w/.9135" OD & .020" extra bore stock
QTY	CONNECTING RODS & BRGS.	PART NO.	SIZE	DESCRIPTION
6	Rod Pair	9560CPA	Std-10-20-30-40-50	

White Farm (Includes Oliver, Minneapolis-Moline)

65 Wheel Tractor 88, 88 Super, 166D, 188, 188 Super, 188D, 188HC, 880, 1650 Engs.
4.3L 265 OHV L6 (Waukesha), 3.75" Bore

CYL. HEAD & PARTS

QTY	VALVE	PART NO.	SIZE	DESCRIPTION
6	Intake	FP-V1055		88KD, Super 88KD; To Ser. No. 6502; 1.3957" Head Dia., .3724" Stem Dia., 5.0433" O.A.L.
6	Intake	V-1055 +	Std Only	88KD, Super 88KD; To Ser. No. 6502; 1.3957" Head Dia., .3724" Stem Dia., 5.0433" O.A.L.; When depleted use FP-V1055
6	Exhaust	FP-V1054		88KD, Super 88KD; To Ser. No. 6502; 1.2559" Head Dia., .3715" Stem Dia., 5.0492" O.A.L.
6	Exhaust	V-1054 +	Std Only	88KD, Super 88KD; To Ser. No. 6502; 1.2559" Head Dia., .3715" Stem Dia., 5.0492" O.A.L.; When depleted use FP-V1054
24	Keeper	VK-138		1 groove; Square cut key groove
24	Keeper	VK-138R		1 groove; Square cut key groove; Hardened
24	Keeper	VK-66		2 groove
24	Keeper	VK-66R		2 groove; Hardened
24	Keeper, Bulk	VK-138B		1 groove; Square cut key groove; Carton of 1000
QTY	VALVE GUIDE	PART NO.	SIZE	DESCRIPTION
6	Guide	FP-VG859		Exh.; 88D, Super 88D From Ser. No. 6503; .3695" ID, 2.3100" O.A.L.
6	Guide	VG-859 +		Exh.; 88D, Super 88D From Ser. No. 6503; .3695" ID, 2.3100" O.A.L.; When depleted use FP-VG859
6	Guide	FP-VG857		Exh.; 88HC, Super 88HC From Ser. No. 6503; .3745" ID, 2.5000" O.A.L.
6	Guide	VG-857 +		Exh.; 88HC, Super 88HC From Ser. No. 6503; .3745" ID, 2.5000" O.A.L.; When depleted use FP-VG857
6	Guide	FP-VG857		Exh.; 88KD, Super 88KD To Ser. No. 6502; .3745" ID, 2.5000" O.A.L.
6	Guide	VG-857 +		Exh.; 88KD, Super 88KD To Ser. No. 6502; .3745" ID, 2.5000" O.A.L.; When depleted use FP-VG857
6	Guide	FP-VG859		Exh.; 880 From Ser. No. 650501; .3695" ID, 2.3100" O.A.L.
6	Guide	VG-859 +		Exh.; 880 From Ser. No. 650501; .3695" ID, 2.3100" O.A.L.; When depleted use FP-VG859
QTY	VALVE SPRING	PART NO.	SIZE	DESCRIPTION
12	Spring	FP-VS400		Exc. 1650; From Ser. No. 147569; 2.8130" Free Height
12	Spring	VS-400 +		Exc. 1650; From Ser. No. 147569; 2.8130" Free Height; When depleted use FP-VS400
QTY	VALVE MISC.	PART NO.	SIZE	DESCRIPTION
6	Rotocap	RC-58		Exh.; Exc. 1650; From Ser. No. 147569

ENGINE BLOCK & PARTS

QTY	CAM BEARINGS	PART NO.	SIZE	DESCRIPTION
1	Cam Set	FP-1137M	Std Only	Early Engs.
1	Cam Set	1137M +	Std Only	Early Engs.; When depleted use FP-1137M
1	Cam Set	FP-1275M	Std Only	Later Engs.
1	Cam Set	1275M +	Std Only	Later Engs.; When depleted use FP-1275M

CYLINDER COMPONENTS

QTY	PISTONS	PART NO.	SIZE	DESCRIPTION
12	Pin Bushing	FP-1884Y20		2 req'd. per rod
12	Pin Bushing	1884Y20 +		2 req'd. per rod; When depleted use FP-1884Y20
QTY	CONNECTING RODS & BRGS.	PART NO.	SIZE	DESCRIPTION
6	Rod Pair	FP-2215CPA	Std-10-20	Models From Ser. No. 6503 w/non-drilled rods & brgs. with 2 oil holes
6	Rod Pair	2215CPA +	Std-10-20	Models From Ser. No. 6503 w/non-drilled rods & brgs. with 2 oil holes; When depleted use FP-2215CPA
6	Rod Pair	FP-1880CP	Std-10-20-30	Models To Ser. No. 6502
6	Rod Pair	1880CP +	Std-10-20-30	Models To Ser. No. 6502; When depleted use FP-1880CP
QTY	PISTON RINGS	PART NO.	SIZE	DESCRIPTION
1	Standard Set	5412X	Std-30	2-3/32, 1-3/16

66 Wheel Tractor 88, 88 Super, 166D, 188, 188 Super, 188D, 188HC, 880, 1650 Engs. (LPG)
4.3L 265 OHV LPG L6 (Waukesha), 3.75" Bore

CYL. HEAD & PARTS

QTY	VALVE	PART NO.	SIZE	DESCRIPTION
6	Intake	FP-V4216		Model 1800; 1.6250" Head Dia., .3725" Stem Dia., 5.4060" O.A.L.
6	Intake	V-4216 +	Std Only	Model 1800; 1.6250" Head Dia., .3725" Stem Dia., 5.4060" O.A.L.; When depleted use FP-V4216

(continued on next page)

White Farm (Includes Oliver, Minneapolis-Moline)

Wheel Tractor 88, 88 Super, 166D, 188, 188 Super, 188D, 188HC, 880, 1650 Engs. (LPG) 66 4.3L 265 OHV LPG L6 (Waukesha), 3.75" Bore (cont.)				
CYL. HEAD & PARTS (cont.)				
QTY	VALVE (cont.)	PART NO.	SIZE	DESCRIPTION
24	Keeper	VK-138		1650 From Ser. No. 147569; 1800; 1 groove; Square cut key groove
24	Keeper	VK-138R		1650 From Ser. No. 147569; 1800; 1 groove; Square cut key groove; Hardened
24	Keeper	VK-66		880 From Ser. No. 60501; 2 groove
24	Keeper	VK-66R		880 From Ser. No. 60501; 2 groove; Hardened
24	Keeper, Bulk	VK-138B		1650 From Ser. No. 147569; 1800; 1 groove; Square cut key groove; Carton of 1000
QTY	VALVE GUIDE	PART NO.	SIZE	DESCRIPTION
12	Guide	FP-VG857		880 From Ser. No. 60501; .3745" ID, 2.5000" O.A.L.
12	Guide	VG-857 +		880 From Ser. No. 60501; .3745" ID, 2.5000" O.A.L.; When depleted use FP-VG857
6	Guide	FP-VG857		Int.; 1800; .3745" ID, 2.5000" O.A.L.
6	Guide	VG-857 +		Int.; 1800; .3745" ID, 2.5000" O.A.L.; When depleted use FP-VG857
QTY	VALVE SPRING	PART NO.	SIZE	DESCRIPTION
6	Spring	FP-VS400		1800; 2.8130" Free Height
6	Spring	VS-400 +		1800; 2.8130" Free Height; When depleted use FP-VS400
6	Spring	FP-VS400		Int.; 880 From Ser. No. 60501; 2.8130" Free Height
6	Spring	VS-400 +		Int.; 880 From Ser. No. 60501; 2.8130" Free Height; When depleted use FP-VS400
QTY	VALVE SEAL	PART NO.	SIZE	DESCRIPTION
6	Valve Stem Seal	MV-1233C		Int.; 1650 From Ser. No. 147569; 1800; O-Ring; Rubber
6	Valve Stem Seal Bulk	MV-1233		Int.; 1650 From Ser. No. 147569; 1800; O-Ring; Carton of 100; Rubber
ENGINE BLOCK & PARTS				
QTY	CAM BEARINGS	PART NO.	SIZE	DESCRIPTION
1	Cam Set	FP-1137M	Std Only	Early Engs.
1	Cam Set	1137M +	Std Only	Early Engs.; When depleted use FP-1137M
1	Cam Set	FP-1275M	Std Only	Later Engs.
1	Cam Set	1275M +	Std Only	Later Engs.; When depleted use FP-1275M
CYLINDER COMPONENTS				
QTY	PISTONS	PART NO.	SIZE	DESCRIPTION
12	Pin Bushing	FP-1884Y20		2 req'd. per rod
12	Pin Bushing	1884Y20 +		2 req'd. per rod; When depleted use FP-1884Y20
QTY	CONNECTING RODS & BRGS.	PART NO.	SIZE	DESCRIPTION
6	Rod Pair	FP-2215CPA	Std-10-20	Models From Ser. No. 6503 w/non-drilled rods & brgs. with 2 oil holes
6	Rod Pair	2215CPA +	Std-10-20	Models From Ser. No. 6503 w/non-drilled rods & brgs. with 2 oil holes; When depleted use FP-2215CPA
6	Rod Pair	FP-1880CP	Std-10-20-30	Models To Ser. No. 6502
6	Rod Pair	1880CP +	Std-10-20-30	Models To Ser. No. 6502; When depleted use FP-1880CP
QTY	PISTON RINGS	PART NO.	SIZE	DESCRIPTION
1	Standard Set	5412X	Std-30	2-3/32, 1-3/16
Wheel Tractor 1655, 1750, 1755, 1800, 1850, 1855 Engs. 67 4.6L 283 OHV L6 (Waukesha), 3.875" Bore				
CYL. HEAD & PARTS				
QTY	VALVE	PART NO.	SIZE	DESCRIPTION
6	Intake	FP-V4216		1.6250" Head Dia., .3725" Stem Dia., 5.4060" O.A.L.
6	Intake	V-4216 +	Std Only	1.6250" Head Dia., .3725" Stem Dia., 5.4060" O.A.L.; When depleted use FP-V4216
24	Keeper	VK-138		1 groove; Square cut key groove
24	Keeper	VK-138R		1 groove; Square cut key groove; Hardened
24	Keeper, Bulk	VK-138B		1 groove; Square cut key groove; Carton of 1000
QTY	VALVE GUIDE	PART NO.	SIZE	DESCRIPTION
6	Guide	FP-VG857		Int.; 2 1/2" length; .3745" ID, 2.5000" O.A.L.
6	Guide	VG-857 +		Int.; 2 1/2" length; .3745" ID, 2.5000" O.A.L.; When depleted use FP-VG857
6	Guide	FP-VG615		Int.; 2 13/32" length; .3695" ID, 2.4100" O.A.L.
6	Guide	VG-615 +		Int.; 2 13/32" length; .3695" ID, 2.4100" O.A.L.; When depleted use FP-VG615

(continued on next page)

White Farm (Includes Oliver, Minneapolis-Moline)

67 Wheel Tractor 1655, 1750, 1755, 1800, 1850, 1855 Engs.				
(cont.) 4.6L 283 OHV L6 (Waukesha), 3.875" Bore				
CYL. HEAD & PARTS (cont.)				
QTY	VALVE SPRING	PART NO.	SIZE	DESCRIPTION
6	Spring	FP-VS400		Int.; 1800; To Ser. No. 124395; 2.8130" Free Height
6	Spring	VS-400 +		Int.; 1800; To Ser. No. 124395; 2.8130" Free Height; When depleted use FP-VS400
QTY	VALVE MISC.	PART NO.	SIZE	DESCRIPTION
6	Rotocap	RC-58		Exh.; To Ser. No. 124395
QTY	VALVE SEAL	PART NO.	SIZE	DESCRIPTION
12	Valve Stem Seal	ST-2004		Positive type; Installation requires valve guide machining; Rubber/PTFE
6	Valve Stem Seal	MV-1233C		Int.; O-Ring; Rubber
12	Valve Stem Seal Bulk	ST-2004BC		Positive type; Installation requires valve guide machining; Carton of 100; Rubber/PTFE
6	Valve Stem Seal Bulk	MV-1233		Int.; O-Ring; Carton of 100; Rubber
ENGINE BLOCK & PARTS				
QTY	CAM BEARINGS	PART NO.	SIZE	DESCRIPTION
1	Cam Set	FP-1275M	Std Only	
1	Cam Set	1275M +	Std Only	When depleted use FP-1275M
CRANKSHAFT/OIL PUMP				
QTY	MAIN BEARINGS	PART NO.	SIZE	DESCRIPTION
1	Main Set	FP-4671M	Std-20-40	
1	Main Set	4671M +	Std-20-40	When depleted use FP-4671M
CYLINDER COMPONENTS				
QTY	LINERS	PART NO.	SIZE	DESCRIPTION
6	Liner w/Sealing Rings	FP-SO2523	Std Only	Incl. (2) FP-SLR2028 sealing rings
6	Liner w/Sealing Rings	SO-2523 +	Std Only	Incl. (2) SLR-2028 sealing rings; When depleted use FP-SO2523
6	Sleeve Assy.	FP-SL2541	Std Only	
6	Sleeve Assy.	SL-2541 +	Std Only	When depleted use FP-SL2541
QTY	PISTONS	PART NO.	SIZE	DESCRIPTION
6	Cast Piston	FP-2541P	Std Only	8.5:1 C.R.; Cast; 2-3/32", 1-3/16" Ring Groove, 2.363" CD, 1.2500" Pin Dia., Dish Head .580" deep; Repl. O.E. No. 222404
6	Cast Piston	2541P +	Std Only	8.5:1 C.R.; Cast; 2-3/32", 1-3/16" Ring Groove, 2.363" CD, 1.2500" Pin Dia., Dish Head .580" deep; Repl. O.E. No. 222404; When depleted use FP-2541P
12	Pin Bushing	FP-1884Y20		2 req'd. per rod
12	Pin Bushing	1884Y20 +		2 req'd. per rod; When depleted use FP-1884Y20
QTY	CONNECTING RODS & BRGS.	PART NO.	SIZE	DESCRIPTION
6	Rod Pair	FP-2215CPA	Std-10-20	Early Engs.
6	Rod Pair	2215CPA +	Std-10-20	Early Engs.; When depleted use FP-2215CPA
6	Rod Pair	FP-3715CP	Std-10-20-30	Later Engs.
6	Rod Pair	3715CP +	Std-10-20-30	Later Engs.; When depleted use FP-3715CP
QTY	PISTON RINGS	PART NO.	SIZE	DESCRIPTION
1	Premium Set	FP-9534KX	Std Only	1-1/8, 1-3/32, 1-3/16
1	Premium Set	9534KX +	Std Only	1-1/8, 1-3/32, 1-3/16; When depleted use FP-9534KX
1	Premium Set	FP-9739KX	Std Only	2-3/32, 1-3/16
1	Premium Set	9739KX +	Std Only	2-3/32, 1-3/16; When depleted use FP-9739KX
6	Premium Single Cylinder Set	W-9534KX	Std Only	1-1/8, 1-3/32, 1-3/16
6	Premium Single Cylinder Set	W-9739KX	Std Only	2-3/32, 1-3/16
KITS				
QTY	OVERHAUL KIT	PART NO.	SIZE	DESCRIPTION
1	Tractor Overhaul Kit	FP-KST2541A		Later Engs.; Gasket set not available
68 Wheel Tractor 1655, 1750, 1755, 1800, 1855 Engs.				
4.6L 283 OHV Diesel L6 (Waukesha), 3.875" Bore				
CYL. HEAD & PARTS				
QTY	VALVE	PART NO.	SIZE	DESCRIPTION
24	Keeper	VK-138		1 groove; Square cut key groove
24	Keeper	VK-138R		1 groove; Square cut key groove; Hardened
24	Keeper, Bulk	VK-138B		1 groove; Square cut key groove; Carton of 1000
QTY	VALVE SEAT	PART NO.	SIZE	DESCRIPTION
6	Int.	245-1750-2	Std Only	1800; 1650 & 1655; From Ser. No. 147569 To Ser. No. 187585; 1.7550" OD, 1.5000" ID, .2160" Depth

(continued on next page)

White Farm (Includes Oliver, Minneapolis-Moline)

<i>Wheel Tractor 1655, 1750, 1755, 1800, 1855 Engs. 68</i> 4.6L 283 OHV Diesel L6 (Waukesha), 3.875" Bore (cont.)				
CYL. HEAD & PARTS (cont.)				
QTY	VALVE SPRING	PART NO.	SIZE	DESCRIPTION
12	Spring	FP-VS1579		Eng. 6841 to 29466; 2.3140" Free Height
12	Spring	VS-1579 +		Eng. 6841 to 29466; 2.3140" Free Height; When depleted use FP-VS1579
12	Spring	FP-VS400		To Eng. 1115824; 2.8130" Free Height
12	Spring	VS-400 +		To Eng. 1115824; 2.8130" Free Height; When depleted use FP-VS400
QTY	VALVE SEAL	PART NO.	SIZE	DESCRIPTION
12	Valve Stem Seal	ST-2004		Positive type; Installation requires valve guide machining; Rubber/PTFE
6	Valve Stem Seal	MV-1233C		Int.; O-Ring; Rubber
12	Valve Stem Seal Bulk	ST-2004BC		Positive type; Installation requires valve guide machining; Carton of 100; Rubber/PTFE
6	Valve Stem Seal Bulk	MV-1233		Int.; O-Ring; Carton of 100; Rubber
ENGINE BLOCK & PARTS				
QTY	CAM BEARINGS	PART NO.	SIZE	DESCRIPTION
1	Cam Set	FP-1275M	<i>Std Only</i>	
1	Cam Set	1275M +	<i>Std Only</i>	When depleted use FP-1275M
CRANKSHAFT/OIL PUMP				
QTY	MAIN BEARINGS	PART NO.	SIZE	DESCRIPTION
1	Main Set	FP-4671M	<i>Std-20-40</i>	
1	Main Set	4671M +	<i>Std-20-40</i>	When depleted use FP-4671M
CYLINDER COMPONENTS				
QTY	LINERS	PART NO.	SIZE	DESCRIPTION
6	Liner w/Sealing Rings	FP-SO2523	<i>Std Only</i>	Incl. (2) FP-SLR2028 sealing rings
6	Liner w/Sealing Rings	SO-2523 +	<i>Std Only</i>	Incl. (2) SLR-2028 sealing rings; When depleted use FP-SO2523
6	Sleeve Assy.	FP-SL2583	<i>Std Only</i>	1650 & 1800 Models
6	Sleeve Assy.	SL-2583 +	<i>Std Only</i>	1650 & 1800 Models; When depleted use FP-SL2583
QTY	PISTONS	PART NO.	SIZE	DESCRIPTION
12	Pin Bushing	FP-1884Y20		2 req'd. per rod
12	Pin Bushing	1884Y20 +		2 req'd. per rod; When depleted use FP-1884Y20
QTY	CONNECTING RODS & BRGS.	PART NO.	SIZE	DESCRIPTION
6	Rod Pair	FP-2215CPA	<i>Std-10-20</i>	Early Engs.
6	Rod Pair	2215CPA +	<i>Std-10-20</i>	Early Engs.; When depleted use FP-2215CPA
6	Rod Pair	FP-3715CP	<i>Std-10-20-30</i>	Later Engs.
6	Rod Pair	3715CP +	<i>Std-10-20-30</i>	Later Engs.; When depleted use FP-3715CP
KITS				
QTY	OVERHAUL KIT	PART NO.	SIZE	DESCRIPTION
1	Tractor Overhaul Kit	FP-KST2583A		Model 1800; Gasket set not available
<i>Wheel Tractor 1655, 1850 Engs. (LPG) 69</i> 4.6L 283 OHV LPG L6 (Waukesha), 3.875" Bore				
CYL. HEAD & PARTS				
QTY	VALVE	PART NO.	SIZE	DESCRIPTION
6	Intake	FP-V4216		1.6250" Head Dia., .3725" Stem Dia., 5.4060" O.A.L.
6	Intake	V-4216 +	<i>Std Only</i>	1.6250" Head Dia., .3725" Stem Dia., 5.4060" O.A.L.; When depleted use FP-V4216
24	Keeper	VK-138		1 groove; Square cut key groove
24	Keeper	VK-138R		1 groove; Square cut key groove; Hardened
24	Keeper, Bulk	VK-138B		1 groove; Square cut key groove; Carton of 1000
QTY	VALVE GUIDE	PART NO.	SIZE	DESCRIPTION
6	Guide	FP-VG857		Int.; .3745" ID, 2.5000" O.A.L.
6	Guide	VG-857 +		Int.; .3745" ID, 2.5000" O.A.L.; When depleted use FP-VG857
QTY	VALVE SEAL	PART NO.	SIZE	DESCRIPTION
12	Valve Stem Seal	ST-2004		Positive type; Installation requires valve guide machining; Rubber/PTFE
6	Valve Stem Seal	MV-1233C		Int.; O-Ring; Rubber
12	Valve Stem Seal Bulk	ST-2004BC		Positive type; Installation requires valve guide machining; Carton of 100; Rubber/PTFE
6	Valve Stem Seal Bulk	MV-1233		Int.; O-Ring; Carton of 100; Rubber

(continued on next page)

White Farm (Includes Oliver, Minneapolis-Moline)

69 Wheel Tractor 1655, 1850 Engs. (LPG) (cont.) 4.6L 283 OHV LPG L6 (Waukesha), 3.875" Bore				
ENGINE BLOCK & PARTS				
QTY	CAM BEARINGS	PART NO.	SIZE	DESCRIPTION
1	Cam Set	FP-1275M	Std Only	
1	Cam Set	1275M +	Std Only	When depleted use FP-1275M
CRANKSHAFT/OIL PUMP				
QTY	MAIN BEARINGS	PART NO.	SIZE	DESCRIPTION
1	Main Set	FP-4671M	Std-20-40	
1	Main Set	4671M +	Std-20-40	When depleted use FP-4671M
CYLINDER COMPONENTS				
QTY	LINERS	PART NO.	SIZE	DESCRIPTION
6	Liner w/Sealing Rings	FP-SO2523	Std Only	Incl. (2) FP-SLR2028 sealing rings
6	Liner w/Sealing Rings	SO-2523 +	Std Only	Incl. (2) SLR-2028 sealing rings; When depleted use FP-SO2523
6	Sleeve Assy.	FP-SL2541	Std Only	
6	Sleeve Assy.	SL-2541 +	Std Only	When depleted use FP-SL2541
QTY	PISTONS	PART NO.	SIZE	DESCRIPTION
6	Cast Piston	FP-2541P	Std Only	9.0:1 C.R.; Cast; 2-3/32", 1-3/16" Ring Groove, 2.363" CD, 1.2500" Pin Dia., Dish Head .580" deep; Repl. O.E. No. 222404
6	Cast Piston	2541P +	Std Only	9.0:1 C.R.; Cast; 2-3/32", 1-3/16" Ring Groove, 2.363" CD, 1.2500" Pin Dia., Dish Head .580" deep; Repl. O.E. No. 222404; When depleted use FP-2541P
12	Pin Bushing	FP-1884Y20		2 req'd. per rod
12	Pin Bushing	1884Y20 +		2 req'd. per rod; When depleted use FP-1884Y20
QTY	CONNECTING RODS & BRGS.	PART NO.	SIZE	DESCRIPTION
6	Rod Pair	FP-2215CPA	Std-10-20	Early Engs.
6	Rod Pair	2215CPA +	Std-10-20	Early Engs.; When depleted use FP-2215CPA
6	Rod Pair	FP-3715CP	Std-10-20-30	Later Engs.
6	Rod Pair	3715CP +	Std-10-20-30	Later Engs.; When depleted use FP-3715CP
QTY	PISTON RINGS	PART NO.	SIZE	DESCRIPTION
1	Premium Set	FP-9739KX	Std Only	2-3/32, 1-3/16
1	Premium Set	9739KX +	Std Only	2-3/32, 1-3/16; When depleted use FP-9739KX
6	Premium Single Cylinder Set	W-9739KX	Std Only	2-3/32, 1-3/16
70 Wheel Tractor GE, KEA, 283, 283-4A, 283A, 283A-4, 283B, 283C, 283C-4, 283E, 340, 340-4, 340A, 340A-4 Engs. (Gas or LPG) 4.6L 283 L4, 4.25" Bore				
CYL. HEAD & PARTS				
QTY	VALVE	PART NO.	SIZE	DESCRIPTION
4	Intake	FP-V1051		1.7165" Head Dia., .4339" Stem Dia., 6.6693" O.A.L.
4	Intake	V-1051 +	Std Only	1.7165" Head Dia., .4339" Stem Dia., 6.6693" O.A.L.; When depleted use FP-V1051
4	Exhaust	FP-V1050		1.5940" Head Dia., .4340" Stem Dia., 6.7000" O.A.L.
4	Exhaust	V-1050 +	Std Only	1.5940" Head Dia., .4340" Stem Dia., 6.7000" O.A.L.; When depleted use FP-V1050
16	Keeper	FP-127554		
QTY	VALVE SEAT	PART NO.	SIZE	DESCRIPTION
4	Exh.	245-1625-1	Std Only	1.6300" OD, 1.3750" ID, .2160" Depth
QTY	VALVE SEAL	PART NO.	SIZE	DESCRIPTION
8	Valve Stem Seal	ST-2007		Positive type; Rubber
CRANKSHAFT/OIL PUMP				
QTY	MAIN BEARINGS	PART NO.	SIZE	DESCRIPTION
1	Main Set	FP-4163M	Std-10-20	
1	Main Set	4163M +	Std-10-20	When depleted use FP-4163M
CYLINDER COMPONENTS				
QTY	CONNECTING RODS & BRGS.	PART NO.	SIZE	DESCRIPTION
4	Rod Pair	FP-1545AP	Std-10	Early Engs.
4	Rod Pair	1545AP +	Std-10	Early Engs.; When depleted use FP-1545AP
4	Rod Pair	FP-1780AP	Std-10-20-30	Later Engs.
4	Rod Pair	1780AP +	Std-10-20-30	Later Engs.; When depleted use FP-1780AP

White Farm (Includes Oliver, Minneapolis-Moline)

<i>Wheel Tractor D283, D283-4, D283-4A Engs. 71</i> 4.6L 283 Diesel L4, 4.25" Bore				
CRANKSHAFT/OIL PUMP				
QTY	MAIN BEARINGS	PART NO.	SIZE	DESCRIPTION
1	Main Set	FP-4163M	Std-10-20	
1	Main Set	4163M +	Std-10-20	When depleted use FP-4163M
CYLINDER COMPONENTS				
QTY	PISTONS	PART NO.	SIZE	DESCRIPTION
4	Pin Bushing	FP-1549Y		
4	Pin Bushing	1549Y +		When depleted use FP-1549Y
QTY	CONNECTING RODS & BRGS.	PART NO.	SIZE	DESCRIPTION
4	Rod Pair	FP-2750AP	Std-10-20-30	
4	Rod Pair	2750AP +	Std-10-20-30	When depleted use FP-2750AP
<i>Wheel Tractor 99, 99 Super, 99HC, 199, 199 Super, 199HC, 950HC Engs. 72</i> 4.9L 302 OHV L6 (Waukesha), 4" Bore				
CYL. HEAD & PARTS				
QTY	VALVE	PART NO.	SIZE	DESCRIPTION
24	Keeper	VK-66		2 groove
24	Keeper	VK-66R		2 groove; Hardened
QTY	VALVE SEAT	PART NO.	SIZE	DESCRIPTION
6	Exh.	245-1687-2	Std Only	1.6925" OD, 1.4375" ID, .2160" Depth
QTY	VALVE SEAL	PART NO.	SIZE	DESCRIPTION
12	Valve Stem Seal	ST-2007		Positive type; Rubber
ENGINE BLOCK & PARTS				
QTY	CAM BEARINGS	PART NO.	SIZE	DESCRIPTION
1	Cam Set	FP-1137M	Std Only	Early Engs.
1	Cam Set	1137M +	Std Only	Early Engs.; When depleted use FP-1137M
1	Cam Set	FP-1275M	Std Only	Later Engs.
1	Cam Set	1275M +	Std Only	Later Engs.; When depleted use FP-1275M
CYLINDER COMPONENTS				
QTY	PISTONS	PART NO.	SIZE	DESCRIPTION
12	Pin Bushing	FP-1884Y20		2 req'd. per rod
12	Pin Bushing	1884Y20 +		2 req'd. per rod; When depleted use FP-1884Y20
QTY	CONNECTING RODS & BRGS.	PART NO.	SIZE	DESCRIPTION
6	Rod Pair	FP-2215CPA	Std-10-20	Models From Ser. No. 6503 w/non-drilled rods & brgs. with 2 oil holes
6	Rod Pair	2215CPA +	Std-10-20	Models From Ser. No. 6503 w/non-drilled rods & brgs. with 2 oil holes; When depleted use FP-2215CPA
6	Rod Pair	FP-1880CP	Std-10-20-30	Models To Ser. No. 6502
6	Rod Pair	1880CP +	Std-10-20-30	Models To Ser. No. 6502; When depleted use FP-1880CP
<i>Wheel Tractor 99, 99 Super, 99HC, 199, 199 Super, 199HC, 950 Engs. 73</i> 4.9L 302 OHV Diesel L6 (Waukesha), 4" Bore				
CYL. HEAD & PARTS				
QTY	VALVE	PART NO.	SIZE	DESCRIPTION
12	Keeper	VK-66		Exh.; 2 groove
12	Keeper	VK-66R		Exh.; 2 groove; Hardened
12	Keeper	VK-138		Int.; 1 groove; Square cut key groove
12	Keeper	VK-138R		Int.; 1 groove; Square cut key groove; Hardened
12	Keeper, Bulk	VK-138B		Int.; 1 groove; Square cut key groove; Carton of 1000
QTY	VALVE SEAT	PART NO.	SIZE	DESCRIPTION
6	Exh.	245-1687-2	Std Only	1.6925" OD, 1.4375" ID, .2160" Depth
QTY	VALVE GUIDE	PART NO.	SIZE	DESCRIPTION
6	Guide	FP-VG859		Exh.; .3695" ID, 2.3100" O.A.L.
6	Guide	VG-859 +		Exh.; .3695" ID, 2.3100" O.A.L.; When depleted use FP-VG859
QTY	VALVE SPRING	PART NO.	SIZE	DESCRIPTION
12	Spring	FP-VS400		2.8130" Free Height
12	Spring	VS-400 +		2.8130" Free Height; When depleted use FP-VS400
QTY	VALVE SEAL	PART NO.	SIZE	DESCRIPTION
12	Valve Stem Seal	ST-2007		Positive type; Rubber

(continued on next page)

+ Superseded Part Number

White Farm (Includes Oliver, Minneapolis-Moline)

73 Wheel Tractor 99, 99 Super, 99HC, 199, 199 Super, 199HC, 950 Engs.
(cont.) 4.9L 302 OHV Diesel L6 (Waukesha), 4" Bore

ENGINE BLOCK & PARTS

QTY	CAM BEARINGS	PART NO.	SIZE	DESCRIPTION
1	Cam Set	FP-1137M	Std Only	
1	Cam Set	1137M +	Std Only	When depleted use FP-1137M

CYLINDER COMPONENTS

QTY	PISTONS	PART NO.	SIZE	DESCRIPTION
12	Pin Bushing	FP-1884Y20		2 req'd. per rod
12	Pin Bushing	1884Y20 +		2 req'd. per rod; When depleted use FP-1884Y20

74 Wheel Tractor 1655, 1750, 1755, 1800, 1855 Engs.
5.1L 310 OHV Diesel L6 (Waukesha), 3.875" Bore

CYL. HEAD & PARTS

QTY	VALVE	PART NO.	SIZE	DESCRIPTION
24	Keeper	VK-138		1 groove; Square cut key groove
24	Keeper	VK-138R		1 groove; Square cut key groove; Hardened
24	Keeper, Bulk	VK-138B		1 groove; Square cut key groove; Carton of 1000

QTY	VALVE SEAL	PART NO.	SIZE	DESCRIPTION
6	Valve Stem Seal	MV-1233C		Int.; O-Ring; Rubber
6	Valve Stem Seal Bulk	MV-1233		Int.; O-Ring; Carton of 100; Rubber

ENGINE BLOCK & PARTS

QTY	CAM BEARINGS	PART NO.	SIZE	DESCRIPTION
1	Cam Set	FP-1275M	Std Only	
1	Cam Set	1275M +	Std Only	When depleted use FP-1275M

CRANKSHAFT/OIL PUMP

QTY	MAIN BEARINGS	PART NO.	SIZE	DESCRIPTION
1	Main Set	FP-4671M	Std-20-40	
1	Main Set	4671M +	Std-20-40	When depleted use FP-4671M

CYLINDER COMPONENTS

QTY	LINERS	PART NO.	SIZE	DESCRIPTION
6	Liner w/Sealing Rings	FP-SO2523	Std Only	Incl. (2) FP-SLR2028 sealing rings
6	Liner w/Sealing Rings	SO-2523 +	Std Only	Incl. (2) SLR-2028 sealing rings; When depleted use FP-SO2523
6	Sleeve Assy.	FP-SL2527	Std Only	Models 1650, 1655, 2-70, 2-78, 4-78 & G750 Tractors
6	Sleeve Assy.	SL2527 +	Std Only	Models 1650, 1655, 2-70, 2-78, 4-78 & G750 Tractors; When depleted use FP-SL2527
6	Sleeve Assy.	FP-SL2523	Std Only	Models 1750 & 1755 Tractors
6	Sleeve Assy.	SL-2523 +	Std Only	Models 1750 & 1755 Tractors; When depleted use FP-SL2523
6	Sleeve Assy.	FP-SL2691	Std Only	Models 1855T, 1950T & 1955T Tractors
6	Sleeve Assy.	SL-2691 +	Std Only	Models 1855T, 1950T & 1955T Tractors; When depleted use FP-SL2691

QTY	PISTONS	PART NO.	SIZE	DESCRIPTION
12	Pin Bushing	FP-1884Y20		2 req'd. per rod
12	Pin Bushing	1884Y20 +		2 req'd. per rod; When depleted use FP-1884Y20

CONNECTING RODS & BRGS.

QTY	ROD PAIR	PART NO.	SIZE	DESCRIPTION
6	Rod Pair	FP-2215CPA	Std-10-20	Early Engs.
6	Rod Pair	2215CPA +	Std-10-20	Early Engs.; When depleted use FP-2215CPA
6	Rod Pair	FP-3715CP	Std-10-20-30	Later Engs.
6	Rod Pair	3715CP +	Std-10-20-30	Later Engs.; When depleted use FP-3715CP

QTY	PISTON RINGS	PART NO.	SIZE	DESCRIPTION
1	Premium Set	FP-9534KX	Std Only	1-1/8, 1-3/32, 1-3/16
6	Premium Set	FP-10579KX	Std Only	1-1/8, 1-3/32, 1-3/16 (1 cyl. set)
6	Premium Set	10579KX +	Std Only	1-1/8, 1-3/32, 1-3/16 (1 cyl. set); When depleted use FP-10579KX
1	Premium Set	9534KX +	Std Only	1-1/8, 1-3/32, 1-3/16; When depleted use FP-9534KX
1	Premium Set	FP-9739KX	Std Only	2-3/32, 1-3/16
1	Premium Set	9739KX +	Std Only	2-3/32, 1-3/16; When depleted use FP-9739KX
6	Premium Single Cylinder Set	W-9534KX	Std Only	1-1/8, 1-3/32, 1-3/16
6	Premium Single Cylinder Set	W-9739KX	Std Only	2-3/32, 1-3/16

KITS

QTY	OVERHAUL KIT	PART NO.	SIZE	DESCRIPTION
1	Tractor Overhaul Kit	FP-KST2523A		Model 1750; Gasket set not available
1	Tractor Overhaul Kit	FP-KST2523C		Model 1755; Gasket set not available

(continued on next page)

White Farm (Includes Oliver, Minneapolis-Moline)

Wheel Tractor 1655, 1750, 1755, 1800, 1855 Engs. 74 5.1L 310 OHV Diesel L6 (Waukesha), 3.875" Bore (cont.)					
KITS (cont.)					
QTY	OVERHAUL KIT (cont.)	PART NO.	SIZE	DESCRIPTION	
1	Tractor Overhaul Kit	FP-KST2527A		Models 1650 & 1655 From Ser. No. 187586, 2-70, 2-78 & 4-78 From Ser. No. 187586, G-750; Gskt. set not available	
1	Tractor Overhaul Kit	FP-KST2691A		Wheel Tractor models 1855T, 1950T & 1955T; Gasket set not available	
Combine H-318, LH-318 Engs. 75 5.2L 318 OHV V8, 3.9063" Bore (Chrysler Eng.) 1967-89					
CYL. HEAD & PARTS					
QTY	VALVE SEAL	YEARS	PART NO.	SIZE	DESCRIPTION
8	Valve Stem Seal	89-67	ST-2048		Int.; OEM Style; Positive type; Viton®
ENGINE BLOCK & PARTS					
QTY	CAM BEARINGS	YEARS	PART NO.	SIZE	DESCRIPTION
1	Cam Set		1484M	Std Only	
1	Cam Set		1451M	Std Only	.760" length ctr. brg.
CRANKSHAFT/OIL PUMP					
QTY	MAIN BEARINGS	YEARS	PART NO.	SIZE	DESCRIPTION
1	Main Set		7381MA10X20	10X20	A-Series aluminum bearings; Use in .020" O/S OD
1	Main Set		5095MA	Std-10-20-30	A-Series aluminum bearings; 3.530" max. flange OD; Pos. 1 bearing full grooved
1	Main Set		5024MA	Std-1-10-20-30	A-Series aluminum bearings; 3.530" max. flange OD; Pos. 1 upper brg. grooved
1	Main Set		4923MA	Std-1-10-20-30-40-50-60	W/3.374" max. flange OD.; A-Series aluminum bearings
CYLINDER COMPONENTS					
QTY	PISTONS	YEARS	PART NO.	SIZE	DESCRIPTION
8	Pin Bushing		2134Y		
8	Pin Bushing		2134Y20		w/.020" extra bore stock
QTY	CONNECTING RODS & BRGS.	YEARS	PART NO.	SIZE	DESCRIPTION
1	Rod Set		8-2130CP10X2	10X2-20X2	Use in .002" O/S Rod Bore
1	Rod Set		8-2130CP	Std-1-10-20-30-40-50	8-2130CA 60 avail. as unplated & resizeable
1	Rod Set		8-2130CA60	60	Unplated & resizeable
8	Rod Pair		2130CP	Std-1-2-10-20-30-40-50	
Combine H-318, LH-318 Engs. Wheel Tractor H-318, LH-318 Engs. 76 5.2L 318 OHV V8, 3.9063" Bore (Chrysler Eng.) 1967-89					
CYL. HEAD & PARTS					
QTY	VALVE SEAL	YEARS	PART NO.	SIZE	DESCRIPTION
8	Valve Stem Seal	89-67	ST-2048		Int.; OEM Style; Positive type; Viton®
ENGINE BLOCK & PARTS					
QTY	CAM BEARINGS	YEARS	PART NO.	SIZE	DESCRIPTION
1	Cam Set		1484M	Std Only	
1	Cam Set		1451M	Std Only	.760" length ctr. brg.
CRANKSHAFT/OIL PUMP					
QTY	MAIN BEARINGS	YEARS	PART NO.	SIZE	DESCRIPTION
1	Main Set		7381MA10X20	10X20	A-Series aluminum bearings; Use in .020" O/S OD
1	Main Set		5095MA	Std-10-20-30	A-Series aluminum bearings; 3.530" max. flange OD; Pos. 1 bearing full grooved
1	Main Set		5024MA	Std-1-10-20-30	A-Series aluminum bearings; 3.530" max. flange OD; Pos. 1 upper brg. grooved
1	Main Set		4923MA	Std-1-10-20-30-40-50-60	W/3.374" max. flange OD.; A-Series aluminum bearings
CYLINDER COMPONENTS					
QTY	PISTONS	YEARS	PART NO.	SIZE	DESCRIPTION
8	Pin Bushing		2134Y		
8	Pin Bushing		2134Y20		w/.020" extra bore stock

(continued on next page)

White Farm (Includes Oliver, Minneapolis-Moline)

76 Combine H-318, LH-318 Engs. Wheel Tractor H-318, LH-318 Engs.
(cont.) 5.2L 318 OHV V8, 3.9063" Bore (Chrysler Eng.) 1967-89

CYLINDER COMPONENTS (cont.)

QTY	CONNECTING RODS & BRGS.	YEARS	PART NO.	SIZE	DESCRIPTION
1	Rod Set		8-2130CP10X2	10X2-20X2	Use in .002" O/S Rod Bore
1	Rod Set		8-2130CP	Std-1-10-20-30-40-50	8-2130CA 60 avail. as unplated & resizeable
1	Rod Set		8-2130CA60	60	Unplated & resizeable
8	Rod Pair		2130CP	Std-1-2-10-20-30-40-50	

77 Wheel Tractor JXD Eng.
5.2L 320 L-HEAD L6, 4" Bore (Hercules Eng.)

CYL. HEAD & PARTS

QTY	VALVE	PART NO.	SIZE	DESCRIPTION
6	Intake	FP-V318		1.6930" Head Dia., .3725" Stem Dia., 5.1150" O.A.L.
QTY	VALVE GUIDE	PART NO.	SIZE	DESCRIPTION
12	Guide	FP-VG414		Exh. & Int.; .3745" ID, 2.3600" O.A.L.

ENGINE BLOCK & PARTS

QTY	CAM BEARINGS	PART NO.	SIZE	DESCRIPTION
1	Cam Set	FP-1090M	Std Only	
1	Cam Set	1090M +	Std Only	When depleted use FP-1090M

CRANKSHAFT/OIL PUMP

QTY	MAIN BEARINGS	PART NO.	SIZE	DESCRIPTION
1	Plain Main Brg.	FP-2241CP10	10	Position 1
1	Plain Main Brg.	FP-2241CP20	20	Position 1
1	Plain Main Brg.	FP-2241CP30	30	Position 1
4	Plain Main Brg.	FP-2243CP10	10	Position 2-3-5-6
4	Plain Main Brg.	FP-2243CP20	20	Position 2-3-5-6
4	Plain Main Brg.	FP-2243CP30	30	Position 2-3-5-6
1	Plain Main Brg.	FP-2242CP10	10	Position 4
1	Plain Main Brg.	FP-2242CP20	20	Position 4
1	Plain Main Brg.	FP-2242CP30	30	Position 4
1	Plain Main Brg.	FP-2244CP10	10	Position 7
1	Plain Main Brg.	FP-2244CP20	20	Position 7
1	Plain Main Brg.	FP-2244CP30	30	Position 7

CYLINDER COMPONENTS

QTY	PISTONS	PART NO.	SIZE	DESCRIPTION
6	Pin Bushing	FP-1424X		Drilled rod type bushing
6	Pin Bushing	1424X +		Drilled rod type bushing; When depleted use FP-1424X
QTY	CONNECTING RODS & BRGS.	PART NO.	SIZE	DESCRIPTION
6	Rod Pair	FP-1420CP	Std-10-20-30-40	w/1.9870-1.9880" std. shaft size
6	Rod Pair	1420CP +	Std-10-20-30	w/1.9870-1.9880" std. shaft size; When depleted use FP-1420CP

78 Wheel Tractor 99, 99 Super, 950 Engs.
5.3L 322 OHV Diesel L6, 4.125" Bore

ENGINE BLOCK & PARTS

QTY	CAM BEARINGS	PART NO.	SIZE	DESCRIPTION
1	Cam Set	FP-1137M	Std Only	
1	Cam Set	1137M +	Std Only	When depleted use FP-1137M

CYLINDER COMPONENTS

QTY	PISTONS	PART NO.	SIZE	DESCRIPTION
12	Pin Bushing	FP-1884Y20		2 req'd. per rod
12	Pin Bushing	1884Y20 +		2 req'd. per rod; When depleted use FP-1884Y20

79 Wheel Tractor 336-4, 336-4A, 336A-4, 336A-4A Engs.
5.5L 336 L4, 4.625" Bore

CYL. HEAD & PARTS

QTY	VALVE	PART NO.	SIZE	DESCRIPTION
4	Intake	FP-V1051		1.7165" Head Dia., .4339" Stem Dia., 6.6693" O.A.L.

(continued on next page)

White Farm (Includes Oliver, Minneapolis-Moline)

Wheel Tractor 336-4, 336-4A, 336A-4, 336A-4A Eng. 79 5.5L 336 L4, 4.625" Bore (cont.)				
CYL. HEAD & PARTS (cont.)				
QTY	VALVE (cont.)	PART NO.	SIZE	DESCRIPTION
4	Intake	V-1051 +	Std Only	1.7165" Head Dia., .4339" Stem Dia., 6.6693" O.A.L.; When depleted use FP-V1051
4	Exhaust	FP-V1050		1.5940" Head Dia., .4340" Stem Dia., 6.7000" O.A.L.
4	Exhaust	V-1050 +	Std Only	1.5940" Head Dia., .4340" Stem Dia., 6.7000" O.A.L.; When depleted use FP-V1050
16	Keeper	FP-127554		
QTY	VALVE GUIDE	PART NO.	SIZE	DESCRIPTION
8	Guide	FP-VG626		.4370" ID, 3.1200" O.A.L.
8	Guide	VG-626 +		.4370" ID, 3.1200" O.A.L.; When depleted use FP-VG626
8	Guide	FP-VG735		Cut for seal; .4365" ID, 3.0000" O.A.L.
8	Guide	VG-735 +		Cut for seal; .4365" ID, 3.0000" O.A.L.; When depleted use FP-VG735
CRANKSHAFT/OIL PUMP				
QTY	MAIN BEARINGS	PART NO.	SIZE	DESCRIPTION
1	Main Set	FP-4163M	Std-10-20	
1	Main Set	4163M +	Std-10-20	When depleted use FP-4163M
CYLINDER COMPONENTS				
QTY	PISTONS	PART NO.	SIZE	DESCRIPTION
4	Cast Piston	FP-2103P	Std-20-30-40-60	Cast; 3-3/32", 1-3/16" Ring Groove, 2.843" CD, 1.2500" Pin Dia., Flat Head; Repl. O.E. No. 10A18900
4	Cast Piston	2103P +	Std-20-30-40-60	Cast; 3-3/32", 1-3/16" Ring Groove, 2.843" CD, 1.2500" Pin Dia., Flat Head; Repl. O.E. No. 10A18900; When depleted use FP-2103P
QTY	CONNECTING RODS & BRGS.	PART NO.	SIZE	DESCRIPTION
4	Rod Pair	FP-2750AP	Std-10-20-30	
4	Rod Pair	2750AP +	Std-10-20-30	When depleted use FP-2750AP
QTY	PISTON RINGS	PART NO.	SIZE	DESCRIPTION
2	Premium Set	FP-10304KX	Std-30	3-3/32, 1-3/16 (2 cyl. set)
2	Premium Set	10304KX +	Std-30	3-3/32, 1-3/16 (2 cyl. set); When depleted use FP-10304KX
2	Standard Set	FP-10304X	Std Only	3-3/32, 1-3/16 (2 cyl. set)
2	Standard Set	10304X +	Std Only	3-3/32, 1-3/16 (2 cyl. set); When depleted use FP-10304X
Wheel Tractor D336, D336-4, D336-4A, D336A, D336A-4, D336A-4A Eng. 80 5.5L 336 Diesel L4, 4.625" Bore				
CRANKSHAFT/OIL PUMP				
QTY	MAIN BEARINGS	PART NO.	SIZE	DESCRIPTION
1	Main Set	FP-4163M	Std-10-20	
1	Main Set	4163M +	Std-10-20	When depleted use FP-4163M
CYLINDER COMPONENTS				
QTY	PISTONS	PART NO.	SIZE	DESCRIPTION
4	Pin Bushing	FP-1549Y		
4	Pin Bushing	1549Y +		When depleted use FP-1549Y
QTY	CONNECTING RODS & BRGS.	PART NO.	SIZE	DESCRIPTION
4	Rod Pair	FP-2750AP	Std-10-20-30	
4	Rod Pair	2750AP +	Std-10-20-30	When depleted use FP-2750AP
QTY	PISTON RINGS	PART NO.	SIZE	DESCRIPTION
2	Premium Set	FP-10304KX	Std-30	3-3/32, 1-3/16 (2 cyl. set)
2	Premium Set	10304KX +	Std-30	3-3/32, 1-3/16 (2 cyl. set); When depleted use FP-10304KX
2	Standard Set	FP-10304X	Std Only	3-3/32, 1-3/16 (2 cyl. set)
2	Standard Set	10304X +	Std Only	3-3/32, 1-3/16 (2 cyl. set); When depleted use FP-10304X
Wheel Tractor JXLD Eng. 81 5.6L 339 OHV L6, 4" Bore (Hercules Eng.)				
CYL. HEAD & PARTS				
QTY	VALVE	PART NO.	SIZE	DESCRIPTION
12	Keeper	FP-2A4429		Int.
QTY	VALVE GUIDE	PART NO.	SIZE	DESCRIPTION
6	Guide	FP-VG414		Exh. & Int.; .3745" ID, 2.3600" O.A.L.

(continued on next page)

+ Superseded Part Number

White Farm (Includes Oliver, Minneapolis-Moline)

81 Wheel Tractor JXLD Eng.

(cont.) 5.6L 339 OHV L6, 4" Bore (Hercules Eng.)

ENGINE BLOCK & PARTS

QTY	CAM BEARINGS	PART NO.	SIZE	DESCRIPTION
1	Cam Set	FP-1226M	Std Only	W/1.057" length on No. 1 & 4 positions
1	Cam Set	1226M +	Std Only	W/1.057" length on No. 1 & 4 positions; When depleted use FP-1226M
1	Cam Set	FP-1090M	Std Only	W/1.125" length on No. 1 & 4 positions
1	Cam Set	1090M +	Std Only	W/1.125" length on No. 1 & 4 positions; When depleted use FP-1090M

CRANKSHAFT/OIL PUMP

QTY	MAIN BEARINGS	PART NO.	SIZE	DESCRIPTION
1	Plain Main Brg.	FP-2241CP10	10	Position 1
1	Plain Main Brg.	FP-2241CP20	20	Position 1
1	Plain Main Brg.	FP-2241CP30	30	Position 1
4	Plain Main Brg.	FP-2243CP10	10	Position 2-3-5-6
4	Plain Main Brg.	FP-2243CP20	20	Position 2-3-5-6
4	Plain Main Brg.	FP-2243CP30	30	Position 2-3-5-6
1	Plain Main Brg.	FP-2242CP10	10	Position 4
1	Plain Main Brg.	FP-2242CP20	20	Position 4
1	Plain Main Brg.	FP-2242CP30	30	Position 4
1	Plain Main Brg.	FP-2244CP10	10	Position 7
1	Plain Main Brg.	FP-2244CP20	20	Position 7
1	Plain Main Brg.	FP-2244CP30	30	Position 7

CYLINDER COMPONENTS

QTY	PISTONS	PART NO.	SIZE	DESCRIPTION
6	Pin Bushing	FP-1424X		Drilled rod type bushing
6	Pin Bushing	1424X +		Drilled rod type bushing; When depleted use FP-1424X
QTY	CONNECTING RODS & BRGS.	PART NO.	SIZE	DESCRIPTION
6	Rod Pair	FP-1420CP	Std-10-20-30-40	w/1.9870-1.9880" std. shaft size
6	Rod Pair	1420CP +	Std-10-20-30	w/1.9870-1.9880" std. shaft size; When depleted use FP-1420CP
6	Rod Pair	FP-3220CP	Std-10-20-30	w/2.1232-2.1240" std. shaft size
6	Rod Pair	3220CP +	Std-10-20-30	w/2.1232-2.1240" std. shaft size; When depleted use FP-3220CP
6	Rod Pair	3160CP	Std-10	w/2.3730-2.3740" std. shaft size
QTY	PISTON RINGS	PART NO.	SIZE	DESCRIPTION
1	Premium Set	FP-5647KX	Std Only	w/1.50" Dia. full floating pin; 1-3/32, 1-1/8, 2-3/16 (1 cyl. set)

82 Combine A6.354, H6.354, 6.354 Engs.

5.8L 354 OHV Diesel L6 (12 Valve), 3.875" Bore (Perkins Eng.)

CYL. HEAD & PARTS

QTY	VALVE	PART NO.	SIZE	DESCRIPTION
6	Intake	FP-V1701		1.7440" Head Dia., .3730" Stem Dia., 4.8290" O.A.L.
6	Intake	V-1701 +	Std Only	1.7440" Head Dia., .3730" Stem Dia., 4.8290" O.A.L.; When depleted use FP-V1701
6	Exhaust	FP-V1700		1.4400" Head Dia., .3725" Stem Dia., 4.8570" O.A.L.
6	Exhaust	V-1700 +	Std Only	1.4400" Head Dia., .3725" Stem Dia., 4.8570" O.A.L.; When depleted use FP-V1700
24	Keeper	FP-VK223		
24	Keeper	VK-223 +		When depleted use FP-VK223
QTY	VALVE GUIDE	PART NO.	SIZE	DESCRIPTION
6	Guide	FP-VG619		Exh.; .3755" ID, 2.4060" O.A.L.
6	Guide	VG-619 +		Exh.; .3755" ID, 2.4060" O.A.L.; When depleted use FP-VG619
6	Guide	FP-VG620		Int.; .3755" ID, 2.2810" O.A.L.
6	Guide	VG-620 +		Int.; .3755" ID, 2.2810" O.A.L.; When depleted use FP-VG620
QTY	VALVE SPRING	PART NO.	SIZE	DESCRIPTION
12	Spring	FP-VS1432		Outer; 2.5780" Free Height
12	Spring	VS-1432 +		Outer; 2.5780" Free Height; When depleted use FP-VS1432
QTY	VALVE SEAL	PART NO.	SIZE	DESCRIPTION
12	Valve Stem Seal	ST-2004		Positive type; Installation requires valve guide machining; Rubber/PTFE
12	Valve Stem Seal	MV-1598C		Umbrella type; Rubber
12	Valve Stem Seal Bulk	ST-2004BC		Positive type; Installation requires valve guide machining; Carton of 100; Rubber/PTFE
12	Valve Stem Seal Bulk	MV-1598		Umbrella type; Carton of 100; Rubber

(continued on next page)

White Farm (Includes Oliver, Minneapolis-Moline)

Combine A6.354, H6.354, 6.354 Eng. 82
5.8L 354 OHV Diesel L6 (12 Valve), 3.875" Bore (Perkins Eng.) (cont.)

CRANKSHAFT/OIL PUMP

QTY	MAIN BEARINGS	PART NO.	SIZE	DESCRIPTION
1	Main Set	FP-4352M	Std Only	
1	Main Set	4352M +	Std Only	When depleted use FP-4352M
1	Thrust Washer Set	FP-3137BFA	Std Only	Position 4; Eng. From Ser. No. 8504189
1	Thrust Washer Set	3137BFA +	Std Only	Position 4; Eng. From Ser. No. 8504189; When depleted use FP-3137BFA
1	Thrust Washer Set	FP-3137BF	Std Only	Position 4; To Ser. No. 8504188
1	Thrust Washer Set	3137BF +	Std Only	Position 4; To Ser. No. 8504188; When depleted use FP-3137BF

CYLINDER COMPONENTS

QTY	LINERS	PART NO.	SIZE	DESCRIPTION
6	Dry Sleeve	FP-SL382M	Std Only	Flanged sleeve w/firewall. Early blocks may require machining for flanged sleeve (instructions incl.)
6	Dry Sleeve	SL-382M +	Std Only	Flanged sleeve w/firewall. Early blocks may require machining for flanged sleeve (instructions incl.); When depleted use FP-SL382M
6	Sleeve Assy.	FP-SL2193	Std Only	Flanged sleeve. Early blocks may require machining for flanged sleeve (instructions incl.)
6	Sleeve Assy.	SL-2193 +	Std Only	Flanged sleeve. Early blocks may require machining for flanged sleeve (instructions incl.); When depleted use FP-SL2193
QTY	PISTONS	PART NO.	SIZE	DESCRIPTION
6	Cast Piston	FP-2193PX	Std Only	Cast; 3-3/32", 2-1/4" Ring Groove, 2.757" CD, 1.3750" Pin Dia., Recessed Head 1.00" deep x 2.125" dia. - 16.0:1 C.R.; Repl. O.E. Nos. MF-738871M91, 2236105
6	Cast Piston	2193PX +	Std Only	Cast; 3-3/32", 2-1/4" Ring Groove, 2.757" CD, 1.3750" Pin Dia., Recessed Head 1.00" deep x 2.125" dia. - 16.0:1 C.R.; Repl. O.E. Nos. MF-738871M91, 2236105; When depleted use FP-2193PX
6	Pin Bushing	FP-3139Y15		
6	Pin Bushing	3139Y15 +		When depleted use FP-3139Y15
QTY	PISTON RINGS	PART NO.	SIZE	DESCRIPTION
3	Premium Set	FP-9194KX	Std-30	3-3/32, 2-1/4 (2 cyl. set); Do not use w/Chrome liners
3	Premium Set	9194KX +	Std-30	3-3/32, 2-1/4 (2 cyl. set); Do not use w/Chrome liners; When depleted use FP-9194KX
6	Premium Single Cylinder Set	W-9194KX	Std Only	3-3/32, 2-1/4 (2 cyl. set); Do not use w/Chrome liners

Combine A6.354, H6.354, 6.354 Eng. Wheel Tractor A6.354, H6.354, 6.354 Eng. 83
5.8L 354 OHV Diesel L6 (12 Valve), 3.875" Bore (Perkins Eng.)

CYL. HEAD & PARTS

QTY	VALVE	PART NO.	SIZE	DESCRIPTION
6	Intake	FP-V1701		1.7440" Head Dia., .3730" Stem Dia., 4.8290" O.A.L.
6	Intake	V-1701 +	Std Only	1.7440" Head Dia., .3730" Stem Dia., 4.8290" O.A.L.; When depleted use FP-V1701
6	Exhaust	FP-V1700		1.4400" Head Dia., .3725" Stem Dia., 4.8570" O.A.L.
6	Exhaust	V-1700 +	Std Only	1.4400" Head Dia., .3725" Stem Dia., 4.8570" O.A.L.; When depleted use FP-V1700
24	Keeper	FP-VK223		
24	Keeper	VK-223 +		When depleted use FP-VK223
QTY	VALVE GUIDE	PART NO.	SIZE	DESCRIPTION
6	Guide	FP-VG619		Exh.; .3755" ID, 2.4060" O.A.L.
6	Guide	VG-619 +		Exh.; .3755" ID, 2.4060" O.A.L.; When depleted use FP-VG619
6	Guide	FP-VG620		Int.; .3755" ID, 2.2810" O.A.L.
6	Guide	VG-620 +		Int.; .3755" ID, 2.2810" O.A.L.; When depleted use FP-VG620
QTY	VALVE SPRING	PART NO.	SIZE	DESCRIPTION
12	Spring	FP-VS1432		Outer; 2.5780" Free Height
12	Spring	VS-1432 +		Outer; 2.5780" Free Height; When depleted use FP-VS1432
QTY	VALVE SEAL	PART NO.	SIZE	DESCRIPTION
12	Valve Stem Seal	ST-2004		Positive type; Installation requires valve guide machining; Rubber/PTFE
12	Valve Stem Seal	MV-1598C		Umbrella type; Rubber
12	Valve Stem Seal Bulk	ST-2004BC		Positive type; Installation requires valve guide machining; Carton of 100; Rubber/PTFE
12	Valve Stem Seal Bulk	MV-1598		Umbrella type; Carton of 100; Rubber

CRANKSHAFT/OIL PUMP

QTY	MAIN BEARINGS	PART NO.	SIZE	DESCRIPTION
1	Main Set	FP-4352M	Std Only	
1	Main Set	4352M +	Std Only	When depleted use FP-4352M

(continued on next page)

+ Superseded Part Number

White Farm (Includes Oliver, Minneapolis-Moline)

83 Combine A6.354, H6.354, 6.354 Engs. Wheel Tractor A6.354, H6.354, 6.354 Engs.
 (cont.) 5.8L 354 OHV Diesel L6 (12 Valve), 3.875" Bore (Perkins Eng.)

CRANKSHAFT/OIL PUMP (cont.)

QTY	MAIN BEARINGS (cont.)	PART NO.	SIZE	DESCRIPTION
1	Thrust Washer Set	FP-3137BFA	Std Only	Position 4; Engs. From Ser. No. 8504189
1	Thrust Washer Set	3137BFA +	Std Only	Position 4; Engs. From Ser. No. 8504189; When depleted use FP-3137BFA
1	Thrust Washer Set	FP-3137BF	Std Only	Position 4; To Ser. No. 8504188
1	Thrust Washer Set	3137BF +	Std Only	Position 4; To Ser. No. 8504188; When depleted use FP-3137BF

CYLINDER COMPONENTS

QTY	LINERS	PART NO.	SIZE	DESCRIPTION
6	Dry Sleeve	FP-SL382M	Std Only	Flanged sleeve w/firewall. Early blocks may require machining for flanged sleeve (instructions incl.)
6	Dry Sleeve	SL-382M +	Std Only	Flanged sleeve w/firewall. Early blocks may require machining for flanged sleeve (instructions incl.); When depleted use FP-SL382M
6	Sleeve Assy.	FP-SL2193	Std Only	Flanged sleeve. Early blocks may require machining for flanged sleeve (instructions incl.)
6	Sleeve Assy.	SL-2193 +	Std Only	Flanged sleeve. Early blocks may require machining for flanged sleeve (instructions incl.); When depleted use FP-SL2193
QTY	PISTONS	PART NO.	SIZE	DESCRIPTION
6	Cast Piston	FP-2193PX	Std Only	Cast; 3-3/32", 2-1/4" Ring Groove, 2.757" CD, 1.3750" Pin Dia., Recessed Head 1.00" deep x 2.125" dia. - 16.0:1 C.R.; Repl. O.E. Nos. MF-738871M91, 2236105
6	Cast Piston	2193PX +	Std Only	Cast; 3-3/32", 2-1/4" Ring Groove, 2.757" CD, 1.3750" Pin Dia., Recessed Head 1.00" deep x 2.125" dia. - 16.0:1 C.R.; Repl. O.E. Nos. MF-738871M91, 2236105; When depleted use FP-2193PX
6	Pin Bushing	FP-3139Y15		
6	Pin Bushing	3139Y15 +		When depleted use FP-3139Y15
QTY	PISTON RINGS	PART NO.	SIZE	DESCRIPTION
3	Premium Set	FP-9194KX	Std-30	3-3/32, 2-1/4 (2 cyl. set); Do not use w/Chrome liners
3	Premium Set	9194KX +	Std-30	3-3/32, 2-1/4 (2 cyl. set); Do not use w/Chrome liners; When depleted use FP-9194KX
6	Premium Single Cylinder Set	W-9194KX	Std Only	3-3/32, 2-1/4 (2 cyl. set); Do not use w/Chrome liners

84 Combine T6.354, T6.354-3 Engs.
 5.8L 354 OHV Turbo-Diesel L6 (12 Valve), 3.875" Bore (Perkins Eng.)

CYL. HEAD & PARTS

QTY	VALVE	PART NO.	SIZE	DESCRIPTION
6	Intake	FP-V1701		1.7440" Head Dia., .3730" Stem Dia., 4.8290" O.A.L.
6	Intake	V-1701 +	Std Only	1.7440" Head Dia., .3730" Stem Dia., 4.8290" O.A.L.; When depleted use FP-V1701
6	Exhaust	FP-V1700		1.4400" Head Dia., .3725" Stem Dia., 4.8570" O.A.L.
6	Exhaust	V-1700 +	Std Only	1.4400" Head Dia., .3725" Stem Dia., 4.8570" O.A.L.; When depleted use FP-V1700
24	Keeper	FP-VK223		
24	Keeper	VK-223 +		When depleted use FP-VK223
QTY	VALVE GUIDE	PART NO.	SIZE	DESCRIPTION
6	Guide	FP-VG619		Exh.; .3755" ID, 2.4060" O.A.L.
6	Guide	VG-619 +		Exh.; .3755" ID, 2.4060" O.A.L.; When depleted use FP-VG619
6	Guide	FP-VG620		Int.; .3755" ID, 2.2810" O.A.L.
6	Guide	VG-620 +		Int.; .3755" ID, 2.2810" O.A.L.; When depleted use FP-VG620
QTY	VALVE SPRING	PART NO.	SIZE	DESCRIPTION
12	Spring	FP-VS1432		Outer; 2.5780" Free Height
12	Spring	VS-1432 +		Outer; 2.5780" Free Height; When depleted use FP-VS1432
QTY	VALVE SEAL	PART NO.	SIZE	DESCRIPTION
12	Valve Stem Seal	ST-2004		Positive type; Installation requires valve guide machining; Rubber/PTFE
12	Valve Stem Seal	MV-1598C		Umbrella type; Rubber
12	Valve Stem Seal Bulk	ST-2004BC		Positive type; Installation requires valve guide machining; Carton of 100; Rubber/PTFE
12	Valve Stem Seal Bulk	MV-1598		Umbrella type; Carton of 100; Rubber

CRANKSHAFT/OIL PUMP

QTY	MAIN BEARINGS	PART NO.	SIZE	DESCRIPTION
1	Main Set	FP-4352M	Std Only	T6-354 Engs. Only
1	Main Set	4352M +	Std Only	T6-354 Engs. Only; When depleted use FP-4352M
1	Thrust Washer Set	FP-3137BFA	Std Only	Position 4; Engs. From Ser. No. 8504189

(continued on next page)

White Farm (Includes Oliver, Minneapolis-Moline)

<i>Combine T6.354, T6.354-3 Eng. 84</i> 5.8L 354 OHV Turbo-Diesel L6 (12 Valve), 3.875" Bore (Perkins Eng.) (cont.)				
CRANKSHAFT/OIL PUMP (cont.)				
QTY	MAIN BEARINGS (cont.)	PART NO.	SIZE	DESCRIPTION
1	Thrust Washer Set	3137BFA +	Std Only	Position 4; Engs. From Ser. No. 8504189; When depleted use FP-3137BFA
1	Thrust Washer Set	FP-3137BF	Std Only	Position 4; To Ser. No. 8504188
1	Thrust Washer Set	3137BF +	Std Only	Position 4; To Ser. No. 8504188; When depleted use FP-3137BF
CYLINDER COMPONENTS				
QTY	LINERS	PART NO.	SIZE	DESCRIPTION
6	Dry Sleeve	FP-SL382M	Std Only	Flanged sleeve w/firewall. Early blocks may require machining for flanged sleeve (instructions incl.)
6	Dry Sleeve	SL-382M +	Std Only	Flanged sleeve w/firewall. Early blocks may require machining for flanged sleeve (instructions incl.); When depleted use FP-SL382M
6	Sleeve Assy.	FP-SL2457	Std Only	Flanged sleeve w/firewall. Early blocks may require machining for flanged sleeve (instructions incl.)
6	Sleeve Assy.	SL-2457 +	Std Only	Flanged sleeve w/firewall. Early blocks may require machining for flanged sleeve (instructions incl.); When depleted use FP-SL2457
CONNECTING RODS & BRGS.				
QTY	ROD SET	PART NO.	SIZE	DESCRIPTION
1	Rod Set	FP-63135CPA	Std-10	
1	Rod Set	6-3135CPA +	Std-10	When depleted use FP-63135CPA
<i>Wheel Tractor GE, LE, 403-4, 403-4A, 403A, 403A-4, 403C, 403C-4 Eng. 85</i> 6.6L 403 L4, 4.625" Bore				
CYL. HEAD & PARTS				
QTY	VALVE	PART NO.	SIZE	DESCRIPTION
4	Intake	FP-V1051		1.7165" Head Dia., .4339" Stem Dia., 6.6693" O.A.L.
4	Intake	V-1051 +	Std Only	1.7165" Head Dia., .4339" Stem Dia., 6.6693" O.A.L.; When depleted use FP-V1051
4	Exhaust	FP-V1050		1.5940" Head Dia., .4340" Stem Dia., 6.7000" O.A.L.
4	Exhaust	V-1050 +	Std Only	1.5940" Head Dia., .4340" Stem Dia., 6.7000" O.A.L.; When depleted use FP-V1050
16	Keeper	FP-127554		
QTY	VALVE SEAT	PART NO.	SIZE	DESCRIPTION
4	Exh.	245-1625-1	Std Only	1.6300" OD, 1.3750" ID, .2160" Depth
QTY	VALVE GUIDE	PART NO.	SIZE	DESCRIPTION
8	Guide	FP-VG735		Cut for seal; Use w/Cyl. head Nos GE30E, GE30K, GE30N, GE30P & GE30T; .4365" ID, 3.0000" O.A.L.
8	Guide	VG-735 +		Cut for seal; Use w/Cyl. head Nos. GE30E, GE30K, GE30N, GE30P & GE30T; .4365" ID, 3.0000" O.A.L.; When depleted use FP-VG735
8	Guide	FP-VG626		Use w/Cyl. head Nos. GE30E, GE30K, GE30N, GE30P & GE30T; .4370" ID, 3.1200" O.A.L.
8	Guide	VG-626 +		Use w/Cyl. head Nos. GE30E, GE30K, GE30N, GE30P & GE30T; .4370" ID, 3.1200" O.A.L.; When depleted use FP-VG626
QTY	VALVE SEAL	PART NO.	SIZE	DESCRIPTION
8	Valve Stem Seal	ST-2007		Positive type; Rubber
CRANKSHAFT/OIL PUMP				
QTY	MAIN BEARINGS	PART NO.	SIZE	DESCRIPTION
1	Main Set	FP-4163M	Std-10-20	
1	Main Set	4163M +	Std-10-20	When depleted use FP-4163M
CYLINDER COMPONENTS				
QTY	PISTONS	PART NO.	SIZE	DESCRIPTION
4	Cast Piston	FP-2103P	Std-20-30-40-60	Cast; 3-3/32", 1-3/16" Ring Groove, 2.843" CD, 1.2500" Pin Dia., Flat Head; Repl. O.E. No. 10A18900
4	Cast Piston	2103P +	Std-20-30-40-60	Cast; 3-3/32", 1-3/16" Ring Groove, 2.843" CD, 1.2500" Pin Dia., Flat Head; Repl. O.E. No. 10A18900; When depleted use FP-2103P
CONNECTING RODS & BRGS.				
QTY	ROD PAIR	PART NO.	SIZE	DESCRIPTION
4	Rod Pair	FP-1545AP	Std-10	Early Engs.
4	Rod Pair	1545AP +	Std-10	Early Engs.; When depleted use FP-1545AP
4	Rod Pair	FP-1780AP	Std-10-20-30	Later Engs.

(continued on next page)

White Farm (Includes Oliver, Minneapolis-Moline)

85 Wheel Tractor GE, LE, 403-4, 403-4A, 403A, 403A-4, 403C, 403C-4 Engs.
(cont.) 6.6L 403 L4, 4.625" Bore

CYLINDER COMPONENTS (cont.)

QTY	CONNECTING RODS & BRGS. (cont.)	PART NO.	SIZE	DESCRIPTION
4	Rod Pair	1780AP + Std-10-20-30		Later Engs.; When depleted use FP-1780AP
QTY	PISTON RINGS	PART NO.	SIZE	DESCRIPTION
2	Premium Set	FP-10304KX	Std-30	3-3/32, 1-3/16 (2 cyl. set)
2	Premium Set	10304KX + Std-30		3-3/32, 1-3/16 (2 cyl. set); When depleted use FP-10304KX
2	Standard Set	FP-10304X	Std Only	3-3/32, 1-3/16 (2 cyl. set)
2	Standard Set	10304X + Std Only		3-3/32, 1-3/16 (2 cyl. set); When depleted use FP-10304X

86 Power Unit 425-6, 425-6A Engs. Wheel Tractor 425-6, 425-6A, 425C-6 Engs.
7.0L 425 L6, 4.25" Bore

CYL. HEAD & PARTS

QTY	VALVE	PART NO.	SIZE	DESCRIPTION
6	Intake	FP-V1051		1.7165" Head Dia., .4339" Stem Dia., 6.6693" O.A.L.
6	Intake	V-1051 + Std Only		1.7165" Head Dia., .4339" Stem Dia., 6.6693" O.A.L.; When depleted use FP-V1051
6	Exhaust	FP-V1050		1.5940" Head Dia., .4340" Stem Dia., 6.7000" O.A.L.
6	Exhaust	V-1050 + Std Only		1.5940" Head Dia., .4340" Stem Dia., 6.7000" O.A.L.; When depleted use FP-V1050
24	Keeper	FP-127554		
QTY	VALVE GUIDE	PART NO.	SIZE	DESCRIPTION
12	Guide	FP-VG626		.4370" ID, 3.1200" O.A.L.
12	Guide	VG-626 +		.4370" ID, 3.1200" O.A.L.; When depleted use FP-VG626
12	Guide	FP-VG735		Cut for seal; .4365" ID, 3.0000" O.A.L.
12	Guide	VG-735 +		Cut for seal; .4365" ID, 3.0000" O.A.L.; When depleted use FP-VG735
QTY	VALVE SEAL	PART NO.	SIZE	DESCRIPTION
12	Valve Stem Seal	ST-2007		Positive type; Rubber

CRANKSHAFT/OIL PUMP

QTY	MAIN BEARINGS	PART NO.	SIZE	DESCRIPTION
1	Main Set	FP-4162M	Std-10-20	
1	Main Set	4162M + Std-10-20		When depleted use FP-4162M

CYLINDER COMPONENTS

QTY	CONNECTING RODS & BRGS.	PART NO.	SIZE	DESCRIPTION
6	Rod Pair	FP-1545AP	Std-10	
6	Rod Pair	1545AP + Std-10		When depleted use FP-1545AP
6	Rod Pair	FP-1780AP	Std-10-20-30	425B-6 Model Engs.
6	Rod Pair	1780AP + Std-10-20-30		425B-6 Model Engs.; When depleted use FP-1780AP
QTY	PISTON RINGS	PART NO.	SIZE	DESCRIPTION
1	Premium Set	5659KX	Std-30-40-60	3-3/32, 1-3/16

87 Wheel Tractor D425-6, D425-6A, HD425-6A Engs.
7.0L 425 Diesel L6, 4.25" Bore

ENGINE BLOCK & PARTS

QTY	CAM BEARINGS	PART NO.	SIZE	DESCRIPTION
1	Cam Set	FP-1456M	Std Only	G900 & G950 Tractors
1	Cam Set	1456M + Std Only		G900 & G950 Tractors; When depleted use FP-1456M

CRANKSHAFT/OIL PUMP

QTY	MAIN BEARINGS	PART NO.	SIZE	DESCRIPTION
1	Main Set	FP-4162M	Std-10-20	
1	Main Set	4162M + Std-10-20		When depleted use FP-4162M

CYLINDER COMPONENTS

QTY	PISTONS	PART NO.	SIZE	DESCRIPTION
6	Pin Bushing	FP-1549Y		
6	Pin Bushing	1549Y +		When depleted use FP-1549Y
QTY	CONNECTING RODS & BRGS.	PART NO.	SIZE	DESCRIPTION
6	Rod Pair	FP-1545AP	Std-10	Early Engs.; To Ser. No. 06700858

(continued on next page)

White Farm (Includes Oliver, Minneapolis-Moline)

<i>Wheel Tractor D425-6, D425-6A, HD425-6A Engs. 87</i> 7.0L 425 Diesel L6, 4.25" Bore (cont.)				
CYLINDER COMPONENTS (cont.)				
QTY	CONNECTING RODS & BRGS. (cont.)	PART NO.	SIZE	DESCRIPTION
6	Rod Pair	1545AP +	Std-10	Early Engs.; To Ser. No. 06700858; When depleted use FP-1545AP
6	Rod Pair	FP-2750AP	Std-10-20-30	Later Engs.; From Ser. No. 06700859
6	Rod Pair	2750AP +	Std-10-20-30	Later Engs.; From Ser. No. 06700859; When depleted use FP-2750AP
<i>Wheel Tractor D451-6 Eng. 88</i> 7.4L 451 Diesel L6, 4.375" Bore				
ENGINE BLOCK & PARTS				
QTY	CAM BEARINGS	PART NO.	SIZE	DESCRIPTION
1	Cam Set	FP-1456M	Std Only	
1	Cam Set	1456M +	Std Only	When depleted use FP-1456M
CRANKSHAFT/OIL PUMP				
QTY	MAIN BEARINGS	PART NO.	SIZE	DESCRIPTION
1	Main Set	FP-4162M	Std-10-20	
1	Main Set	4162M +	Std-10-20	When depleted use FP-4162M
CYLINDER COMPONENTS				
QTY	PISTONS	PART NO.	SIZE	DESCRIPTION
6	Pin Bushing	FP-1549Y		
6	Pin Bushing	1549Y +		When depleted use FP-1549Y
QTY	CONNECTING RODS & BRGS.	PART NO.	SIZE	DESCRIPTION
6	Rod Pair	FP-2750AP	Std-10-20-30	
6	Rod Pair	2750AP +	Std-10-20-30	When depleted use FP-2750AP
<i>Wheel Tractor D4800 Eng. 89</i> 7.8L 478 OHV Diesel L6, 4.5625" Bore (Hercules Eng.)				
CRANKSHAFT/OIL PUMP				
QTY	MAIN BEARINGS	PART NO.	SIZE	DESCRIPTION
1	Main Set	FP-4910M	Std-10	
CYLINDER COMPONENTS				
QTY	CONNECTING RODS & BRGS.	PART NO.	SIZE	DESCRIPTION
6	Rod Pair	FP-3355CP	Std-10	
6	Rod Pair	3355CP +	Std-10	When depleted use FP-3355CP
<i>Wheel Tractor 504-6, 504B-6 Engs. 90</i> 8.3L 504 L6, 4.625" Bore				
CYL. HEAD & PARTS				
QTY	VALVE	PART NO.	SIZE	DESCRIPTION
4	Intake	FP-V1051		1.7165" Head Dia., .4339" Stem Dia., 6.6693" O.A.L.
4	Intake	V-1051 +	Std Only	1.7165" Head Dia., .4339" Stem Dia., 6.6693" O.A.L.; When depleted use FP-V1051
4	Exhaust	FP-V1050		1.5940" Head Dia., .4340" Stem Dia., 6.7000" O.A.L.
4	Exhaust	V-1050 +	Std Only	1.5940" Head Dia., .4340" Stem Dia., 6.7000" O.A.L.; When depleted use FP-V1050
24	Keeper	FP-127554		
QTY	VALVE GUIDE	PART NO.	SIZE	DESCRIPTION
12	Guide	FP-VG626		.4370" ID, 3.1200" O.A.L.
12	Guide	VG-626 +		.4370" ID, 3.1200" O.A.L.; When depleted use FP-VG626
12	Guide	FP-VG735		Cut for seal; .4365" ID, 3.0000" O.A.L.
12	Guide	VG-735 +		Cut for seal; .4365" ID, 3.0000" O.A.L.; When depleted use FP-VG735
ENGINE BLOCK & PARTS				
QTY	CAM BEARINGS	PART NO.	SIZE	DESCRIPTION
1	Cam Set	FP-1456M	Std Only	Exc. G1000 & G1000 Vista
1	Cam Set	1456M +	Std Only	Exc. G1000 & G1000 Vista; When depleted use FP-1456M

(continued on next page)

White Farm (Includes Oliver, Minneapolis-Moline)

90 Wheel Tractor 504-6, 504B-6 Engs. (cont.) 8.3L 504 L6, 4.625" Bore				
CRANKSHAFT/OIL PUMP				
QTY	MAIN BEARINGS	PART NO.	SIZE	DESCRIPTION
1	Main Set	FP-4162M	Std-10-20	
1	Main Set	4162M +	Std-10-20	When depleted use FP-4162M
CYLINDER COMPONENTS				
QTY	PISTONS	PART NO.	SIZE	DESCRIPTION
6	Cast Piston	FP-2103P	Std-20-30-40-60	Cast; 3-3/32", 1-3/16" Ring Groove, 2.843" CD, 1.2500" Pin Dia., Flat Head; Repl. O.E. No. 10A18900
6	Cast Piston	2103P +	Std-20-30-40-60	Cast; 3-3/32", 1-3/16" Ring Groove, 2.843" CD, 1.2500" Pin Dia., Flat Head; Repl. O.E. No. 10A18900; When depleted use FP-2103P
QTY	CONNECTING RODS & BRGS.	PART NO.	SIZE	DESCRIPTION
6	Rod Pair	FP-2750AP	Std-10-20-30	
6	Rod Pair	2750AP +	Std-10-20-30	When depleted use FP-2750AP
QTY	PISTON RINGS	PART NO.	SIZE	DESCRIPTION
3	Premium Set	FP-10304KX	Std-30	3-3/32, 1-3/16 (2 cyl. set)
3	Premium Set	10304KX +	Std-30	3-3/32, 1-3/16 (2 cyl. set); When depleted use FP-10304KX
3	Standard Set	FP-10304X	Std Only	3-3/32, 1-3/16 (2 cyl. set)
3	Standard Set	10304X +	Std Only	3-3/32, 1-3/16 (2 cyl. set); When depleted use FP-10304X
91 Wheel Tractor D504-6, D504A-6, DHD504-6A, HD504-6A, HD504A-6A Engs. 8.3L 504 Diesel L6, 4.625" Bore				
ENGINE BLOCK & PARTS				
QTY	CAM BEARINGS	PART NO.	SIZE	DESCRIPTION
1	Cam Set	FP-1456M	Std Only	HD-504-6A Engs.; Exc. G1350
1	Cam Set	1456M +	Std Only	HD-504-6A Engs.; Exc. G1350; When depleted use FP-1456M
CRANKSHAFT/OIL PUMP				
QTY	MAIN BEARINGS	PART NO.	SIZE	DESCRIPTION
1	Main Set	FP-4162M	Std-10-20	
1	Main Set	4162M +	Std-10-20	When depleted use FP-4162M
CYLINDER COMPONENTS				
QTY	PISTONS	PART NO.	SIZE	DESCRIPTION
6	Pin Bushing	FP-1549Y		
6	Pin Bushing	1549Y +		When depleted use FP-1549Y
QTY	CONNECTING RODS & BRGS.	PART NO.	SIZE	DESCRIPTION
6	Rod Pair	FP-2750AP	Std-10-20-30	
6	Rod Pair	2750AP +	Std-10-20-30	When depleted use FP-2750AP
QTY	PISTON RINGS	PART NO.	SIZE	DESCRIPTION
3	Premium Set	FP-10304KX	Std-30	3-3/32, 1-3/16 (2 cyl. set)
3	Premium Set	10304KX +	Std-30	3-3/32, 1-3/16 (2 cyl. set); When depleted use FP-10304KX
3	Standard Set	FP-10304X	Std Only	3-3/32, 1-3/16 (2 cyl. set)
3	Standard Set	10304X +	Std Only	3-3/32, 1-3/16 (2 cyl. set); When depleted use FP-10304X
92 Wheel Tractor 504-6, 504A-6 Engs. (LPG) 8.3L 504 LPG L6, 4.625" Bore				
CRANKSHAFT/OIL PUMP				
QTY	MAIN BEARINGS	PART NO.	SIZE	DESCRIPTION
1	Main Set	FP-4162M	Std-10-20	
1	Main Set	4162M +	Std-10-20	When depleted use FP-4162M
CYLINDER COMPONENTS				
QTY	PISTONS	PART NO.	SIZE	DESCRIPTION
6	Pin Bushing	FP-1549Y		
6	Pin Bushing	1549Y +		When depleted use FP-1549Y
QTY	CONNECTING RODS & BRGS.	PART NO.	SIZE	DESCRIPTION
6	Rod Pair	FP-2750AP	Std-10-20-30	
6	Rod Pair	2750AP +	Std-10-20-30	When depleted use FP-2750AP

White Farm (Includes Oliver, Minneapolis-Moline)

<i>Wheel Tractor 504-6, 504A-6 Engs. (LPG) 93</i> 8.3L 504 LPG L6, 4.625" Bore (Minneapolis-Moline Eng.)					
CRANKSHAFT/OIL PUMP					
QTY	MAIN BEARINGS		PART NO.	SIZE	DESCRIPTION
1	Main Set		FP-4162M	Std-10-20	
1	Main Set		4162M +	Std-10-20	When depleted use FP-4162M
CYLINDER COMPONENTS					
QTY	PISTONS		PART NO.	SIZE	DESCRIPTION
6	Pin Bushing		FP-1549Y		
6	Pin Bushing		1549Y +		When depleted use FP-1549Y
QTY	CONNECTING RODS & BRGS.		PART NO.	SIZE	DESCRIPTION
6	Rod Pair		FP-2750AP	Std-10-20-30	
6	Rod Pair		2750AP +	Std-10-20-30	When depleted use FP-2750AP
30					
<i>Wheel Tractor 3150 Eng. 94</i> 9.4L 573 OHV Diesel V8, 4.5" Bore (Caterpillar Eng.) 1968-75					
CYL. HEAD & PARTS					
QTY	GASKETS	YEARS	PART NO.	SIZE	DESCRIPTION
1	Multiple Cyl. Head Gskt. Set		FP-5P8539		
QTY	VALVE	YEARS	PART NO.	SIZE	DESCRIPTION
8	Intake		FP-9L7682		2.0900" Head Dia., 5.7000" O.A.L.
8	Exhaust		FP-9L7683		1.8000" Head Dia., 5.6800" O.A.L.
32	Keeper		FP-2A4429		Exh. & Int.
QTY	VALVE SEAT	YEARS	PART NO.	SIZE	DESCRIPTION
8	Exh.		FP-9N2837		
8	Int.		FP-2N8943		
QTY	VALVE GUIDE	YEARS	PART NO.	SIZE	DESCRIPTION
16	Guide		FP-6I2864		Exh. & Int.; .3740" ID, 2.5500" O.A.L.
QTY	VALVE SPRING	YEARS	PART NO.	SIZE	DESCRIPTION
16	Spring		FP-9N3617		Exh. & Int.
CAMSHAFT GROUP					
QTY	CAMSHAFT/LIFTER	YEARS	PART NO.	SIZE	DESCRIPTION
1	Camshaft		FP-2W4197		
16	Lifter		FP-9N5786		Exh. & Int.; Dumbbell shaped mech.
COOLING SYSTEM					
QTY	WATER PUMP	YEARS	PART NO.	SIZE	DESCRIPTION
1	Water Pump Repair/Rebuild Kit		FP-9N3139		Incl. gaskets, shaft, bearing & seal assy.
ENGINE BLOCK & PARTS					
QTY	GASKET SETS	YEARS	PART NO.	SIZE	DESCRIPTION
1	Cyl. Block & Oil Pan Gskt Set		FP-5P9391		
QTY	CAM BEARINGS	YEARS	PART NO.	SIZE	DESCRIPTION
1	Cam Set		FP-9N5246S		
CRANKSHAFT/OIL PUMP					
QTY	SEALS - FRONT CRANK	YEARS	PART NO.	SIZE	DESCRIPTION
1	Oil Seal		FP-9L7735		Front
QTY	SEALS - REAR CRANK	YEARS	PART NO.	SIZE	DESCRIPTION
1	Oil Seal		FP-7W3200		Rear
QTY	MAIN BEARINGS	YEARS	PART NO.	SIZE	DESCRIPTION
1	Main Set		FP-5034M	Std-10-20-30	W/Crankshaft Frg. Nos. 9L-9230, 9L-9231 & 9L-9232 & 1.253" length on No. 4 brg.
1	Main Set		5034M +	Std-10-20-30	W/Crankshaft Frg. Nos. 9L-9230, 9L-9231 & 9L-9232 & 1.253" length on No. 4 brg.; When depleted use FP-5034M
CYLINDER COMPONENTS					
QTY	LINERS	YEARS	PART NO.	SIZE	DESCRIPTION
8	Repair Sleeve		FP-9N6275	STD	Press-in Dry Wall Liner; 3/32" wall, cut to length, press fit sleeve
QTY	PISTONS	YEARS	PART NO.	SIZE	DESCRIPTION
8	Piston Body w/o Pin	75-68	FP-9L9318	STD	w/Straight Rod Eng.
8	Piston Body w/o Pin	75-68	FP-9L9668	20	w/Straight Rod Eng.
8	Piston Body w/o Pin	75-68	FP-9L9321	40	w/Straight Rod Eng.
8	Piston w/Pin, Retainer, Rings	75-68	FP-PK9318	STD	w/Straight Rod Eng.
8	Piston w/Pin, Retainer, Rings	75-68	FP-PK9321	40	w/Straight Rod Eng.

(continued on next page)

+ Superseded Part Number

White Farm (Includes Oliver, Minneapolis-Moline)

94 Wheel Tractor 3150 Eng.

(cont.) 9.4L 573 OHV Diesel V8, 4.5" Bore (Caterpillar Eng.) 1968-75

CYLINDER COMPONENTS (cont.)

QTY	PISTONS (cont.)	YEARS	PART NO.	SIZE	DESCRIPTION
8	Pin		FP-7N9803	STD	
16	Piston Pin Retainer		FP-8N7294		
8	Pin Bushing		FP-8N0701		
QTY	CONNECTING RODS & BRGS.	YEARS	PART NO.	SIZE	DESCRIPTION
8	Rod Pair		FP-9N5923	STD	
8	Rod Pair		FP-9N5924	10	
8	Rod Pair		FP-9N5925	20	
8	Rod Pair		FP-9N592330	30	
8	Rod Pair		FP-9N5926	50	
QTY	PISTON RINGS	YEARS	PART NO.	SIZE	DESCRIPTION
1	Ring Set Single Cylinder	75-68	FP-2W8265	STD	Use w/FP-9L9318 Piston; 1-1/8, 1-7/64
8	Ring Set Single Cylinder	75-68	FP-2W8647	40	Use w/FP-9L9321 Piston; 1-1/8, 1-7/64
8	Ring Set Single Cylinder	75-68	FP-2W8646	20	Use w/FP-9L9668 Piston; 1-1/8, 1-7/64
8	Premium Set	75-68	FP-2W8265S	STD	Use w/FP-9L9318 Piston; 1-1/8, 1-7/64
1	Premium Set	75-68	FP-2W8647S	40	Use w/FP-9L9321 Piston; 1-1/8, 1-7/64
1	Premium Set	75-68	FP-2W8646S	20	Use w/FP-9L9668 Piston; 1-1/8, 1-7/64

95 Wheel Tractor D585-6 Eng.

9.6L 585 OHV Diesel L6, 4.75" Bore (Oliver Eng.)

CRANKSHAFT/OIL PUMP

QTY	MAIN BEARINGS	PART NO.	SIZE	DESCRIPTION
1	Main Set	FP-5080M	Std-10-20-30	
1	Main Set	5080M +	Std-10-20-30	When depleted use FP-5080M

CYLINDER COMPONENTS

QTY	CONNECTING RODS & BRGS.	PART NO.	SIZE	DESCRIPTION
6	Rod Pair	FP-3705CP	Std Only	
6	Rod Pair	3705CP +	Std Only	When depleted use FP-3705CP

96 Wheel Tractor D585-6 Eng.

9.6L 585 OHV Diesel L6, 4.75" Bore

CRANKSHAFT/OIL PUMP

QTY	MAIN BEARINGS	PART NO.	SIZE	DESCRIPTION
1	Main Set	FP-5080M	Std-10-20-30	
1	Main Set	5080M +	Std-10-20-30	When depleted use FP-5080M

CYLINDER COMPONENTS

QTY	CONNECTING RODS & BRGS.	PART NO.	SIZE	DESCRIPTION
6	Rod Pair	FP-3705CP	Std Only	
6	Rod Pair	3705CP +	Std Only	When depleted use FP-3705CP

97 Wheel Tractor HD605-6A, HE605, 405-6, 605-6, 605-6A, 605A, 605A-6, 605A-6A, 605B-6A Engs.

9.9L 605 L6, 4.625" Bore

CYL. HEAD & PARTS

QTY	VALVE	PART NO.	SIZE	DESCRIPTION
6	Intake	FP-V1051		1.7165" Head Dia., .4339" Stem Dia., 6.6693" O.A.L.
6	Intake	V-1051 +	Std Only	1.7165" Head Dia., .4339" Stem Dia., 6.6693" O.A.L.; When depleted use FP-V1051
6	Exhaust	FP-V1050		1.5940" Head Dia., .4340" Stem Dia., 6.7000" O.A.L.
6	Exhaust	V-1050 +	Std Only	1.5940" Head Dia., .4340" Stem Dia., 6.7000" O.A.L.; When depleted use FP-V1050
24	Keeper	FP-127554		
QTY	VALVE GUIDE	PART NO.	SIZE	DESCRIPTION
12	Guide	FP-VG735		Cut for valve seal; Use w/Cyl. head No. GE30F; .4365" ID, 3.0000" O.A.L.
12	Guide	VG-735 +		Cut for valve seal; Use w/Cyl. head No. GE30F; .4365" ID, 3.0000" O.A.L.; When depleted use FP-VG735
12	Guide	FP-VG626		Use w/Cyl. head No. GE30F; .4370" ID, 3.1200" O.A.L.
12	Guide	VG-626 +		Use w/Cyl. head No. GE30F; .4370" ID, 3.1200" O.A.L.; When depleted use FP-VG626

(continued on next page)

White Farm (Includes Oliver, Minneapolis-Moline)

Wheel Tractor **HD605-6A, HE605, 405-6, 605-6, 605-6A, 605A, 605A-6, 605A-6A, 605B-6A 97**
Engs. (cont.)
 9.9L 605 L6, 4.625" Bore

CRANKSHAFT/OIL PUMP

QTY	MAIN BEARINGS	PART NO.	SIZE	DESCRIPTION
1	Main Set	FP-4162M	<i>Std-10-20</i>	
1	Main Set	4162M +	<i>Std-10-20</i>	When depleted use FP-4162M

CYLINDER COMPONENTS

QTY	PISTONS	PART NO.	SIZE	DESCRIPTION
6	Cast Piston	FP-2103P	<i>Std-20-30-40-60</i>	Cast; 3-3/32", 1-3/16" Ring Groove, 2.843" CD, 1.2500" Pin Dia., Flat Head; Repl. O.E. No. 10A18900
6	Cast Piston	2103P +	<i>Std-20-30-40-60</i>	Cast; 3-3/32", 1-3/16" Ring Groove, 2.843" CD, 1.2500" Pin Dia., Flat Head; Repl. O.E. No. 10A18900; When depleted use FP-2103P

QTY	CONNECTING RODS & BRGS.	PART NO.	SIZE	DESCRIPTION
6	Rod Pair	FP-1780AP	<i>Std-10-20-30</i>	
6	Rod Pair	1780AP +	<i>Std-10-20-30</i>	When depleted use FP-1780AP

QTY	PISTON RINGS	PART NO.	SIZE	DESCRIPTION
3	Premium Set	FP-10304KX	<i>Std-30</i>	3-3/32, 1-3/16 (2 cyl. set)
3	Premium Set	10304KX +	<i>Std-30</i>	3-3/32, 1-3/16 (2 cyl. set); When depleted use FP-10304KX
3	Standard Set	FP-10304X	<i>Std Only</i>	3-3/32, 1-3/16 (2 cyl. set)
3	Standard Set	10304X +	<i>Std Only</i>	3-3/32, 1-3/16 (2 cyl. set); When depleted use FP-10304X

Power Unit **HD800-6A, HD800A-6A, 800, 800-6, 800-6A, 816 Engs. 98**
 13.1L 800 L6, 5.3125" Bore

CYL. HEAD & PARTS

QTY	VALVE	PART NO.	SIZE	DESCRIPTION
6	Intake	FP-V1948		HD800-6A Engs.; 2.3750" Head Dia., .4965" Stem Dia., 7.8620" O.A.L.
6	Intake	V-1948 +	<i>Std Only</i>	HD800-6A Engs.; 2.3750" Head Dia., .4965" Stem Dia., 7.8620" O.A.L.; When depleted use FP-V1948
6	Intake	FP-V1051		800-6A Engs.; 1.7165" Head Dia., .4339" Stem Dia., 6.6693" O.A.L.
6	Intake	V-1051 +	<i>Std Only</i>	800-6A Engs.; 1.7165" Head Dia., .4339" Stem Dia., 6.6693" O.A.L.; When depleted use FP-V1051
6	Exhaust	FP-V1947X		HD800-6A Engs.; 45 deg. seat; Chrome plated stem; 2.0000" Head Dia., .4969" Stem Dia., 7.8622" O.A.L.
6	Exhaust	V-1947X +	<i>Std Only</i>	HD800-6A Engs.; 45 deg. seat; Chrome plated stem; 2.0000" Head Dia., .4969" Stem Dia., 7.8622" O.A.L.; When depleted use FP-V1947X
12	Keeper	FP-127554		Int.; 800-6A Engs.

QTY	VALVE GUIDE	PART NO.	SIZE	DESCRIPTION
12	Guide	FP-VG664		HD800-6A Engs.; .4995" ID, 3.5000" O.A.L.
12	Guide	VG-664 +		HD800-6A Engs.; .4995" ID, 3.5000" O.A.L.; When depleted use FP-VG664

QTY	VALVE SPRING	PART NO.	SIZE	DESCRIPTION
12	Spring	FP-VS781		HD800-6A Engs.; 3.1100" Free Height
12	Spring	VS-781 +		HD800-6A Engs.; 3.1100" Free Height; When depleted use FP-VS781

CRANKSHAFT/OIL PUMP

QTY	MAIN BEARINGS	PART NO.	SIZE	DESCRIPTION
1	Main Set	FP-5080M	<i>Std-10-20-30</i>	
1	Main Set	5080M +	<i>Std-10-20-30</i>	When depleted use FP-5080M

CYLINDER COMPONENTS

QTY	PISTONS	PART NO.	SIZE	DESCRIPTION
6	Pin Bushing	FP-2554Y20		
6	Pin Bushing	2554Y20 +		When depleted use FP-2554Y20

QTY	CONNECTING RODS & BRGS.	PART NO.	SIZE	DESCRIPTION
6	Rod Pair	FP-2550P	<i>Std-10-20-30-40</i>	
6	Rod Pair	2550P +	<i>Std-10-20-30-40</i>	When depleted use FP-2550P

White Farm (Includes Oliver, Minneapolis-Moline)

99 Industrial Applications HD800-6A, HD800A-6A, 800, 800-6, 800-6A, 816 Engs.
13.1L 800 L6, 5.3125" Bore

CYL. HEAD & PARTS

QTY	VALVE	PART NO.	SIZE	DESCRIPTION
6	Intake	FP-V1948		HD800-6A Engs.; 2.3750" Head Dia., .4965" Stem Dia., 7.8620" O.A.L.
6	Intake	V-1948 +	Std Only	HD800-6A Engs.; 2.3750" Head Dia., .4965" Stem Dia., 7.8620" O.A.L.; When depleted use FP-V1948
6	Intake	FP-V1051		800-6A Engs.; 1.7165" Head Dia., .4339" Stem Dia., 6.6693" O.A.L.
6	Intake	V-1051 +	Std Only	800-6A Engs.; 1.7165" Head Dia., .4339" Stem Dia., 6.6693" O.A.L.; When depleted use FP-V1051
6	Exhaust	FP-V1947X		HD800-6A Engs.; 45 deg. seat; Chrome plated stem; 2.0000" Head Dia., .4969" Stem Dia., 7.8622" O.A.L.
6	Exhaust	V-1947X +	Std Only	HD800-6A Engs.; 45 deg. seat; Chrome plated stem; 2.0000" Head Dia., .4969" Stem Dia., 7.8622" O.A.L.; When depleted use FP-V1947X
12	Keeper	FP-127554		Int.; 800-6A Engs.

QTY	VALVE GUIDE	PART NO.	SIZE	DESCRIPTION
12	Guide	FP-VG664		HD800-6A Engs.; .4995" ID, 3.5000" O.A.L.
12	Guide	VG-664 +		HD800-6A Engs.; .4995" ID, 3.5000" O.A.L.; When depleted use FP-VG664

QTY	VALVE SPRING	PART NO.	SIZE	DESCRIPTION
12	Spring	FP-VS781		HD800-6A Engs.; 3.1100" Free Height
12	Spring	VS-781 +		HD800-6A Engs.; 3.1100" Free Height; When depleted use FP-VS781

CRANKSHAFT/OIL PUMP

QTY	MAIN BEARINGS	PART NO.	SIZE	DESCRIPTION
1	Main Set	FP-5080M	Std-10-20-30	
1	Main Set	5080M +	Std-10-20-30	When depleted use FP-5080M

CYLINDER COMPONENTS

QTY	PISTONS	PART NO.	SIZE	DESCRIPTION
6	Cast Piston	FP-10A28938	STD	HD800-6A Engs.
6	Cast Piston	FP-10A2893830	30	HD800-6A Engs.
6	Cast Piston	FP-10A2893840	40	HD800-6A Engs.
6	Cast Piston	FP-2373P +	Std-20-30-40-60	HD800-6A Engs.; Cast; 3-3/32", 1-3/16" Ring Groove, 3.537" CD, 1.7500" Pin Dia., Flat Head; Repl. O.E. No. 10A-28938; When depleted use FP-10A28938
6	Cast Piston	2373P +	Std-20-30-40-60	HD800-6A Engs.; Cast; 3-3/32", 1-3/16" Ring Groove, 3.537" CD, 1.7500" Pin Dia., Flat Head; Repl. O.E. No. 10A-28938; When depleted use FP-2373P
6	Pin Bushing	FP-2554Y20		
6	Pin Bushing	2554Y20 +		When depleted use FP-2554Y20

QTY	CONNECTING RODS & BRGS.	PART NO.	SIZE	DESCRIPTION
6	Rod Pair	FP-2550P	Std-10-20-30-40	
6	Rod Pair	2550P +	Std-10-20-30-40	When depleted use FP-2550P

QTY	PISTON RINGS	PART NO.	SIZE	DESCRIPTION
1	Standard Set	FP-9433X	Std-20-30-40-60	Check piston grooving before supplying ring set; 3-3/32, 1-3/16
1	Standard Set	9433X +	Std-20-30-40-60	Check piston grooving before supplying ring set; 3-3/32, 1-3/16; When depleted use FP-9433X

100 Power Unit HD800-6A, HD800A-6A, 800, 800-6, 800-6A, 816 Engs. (LPG)
13.1L 800 LPG L6, 5.3125" Bore

CYL. HEAD & PARTS

QTY	VALVE	PART NO.	SIZE	DESCRIPTION
6	Intake	FP-V1948		HD800-6A Engs.; 2.3750" Head Dia., .4965" Stem Dia., 7.8620" O.A.L.
6	Intake	V-1948 +	Std Only	HD800-6A Engs.; 2.3750" Head Dia., .4965" Stem Dia., 7.8620" O.A.L.; When depleted use FP-V1948
6	Intake	FP-V1051		800-6A Engs.; 1.7165" Head Dia., .4339" Stem Dia., 6.6693" O.A.L.
6	Intake	V-1051 +	Std Only	800-6A Engs.; 1.7165" Head Dia., .4339" Stem Dia., 6.6693" O.A.L.; When depleted use FP-V1051
6	Exhaust	FP-V1947X		HD800-6A Engs.; 45 deg. seat; Chrome plated stem; 2.0000" Head Dia., .4969" Stem Dia., 7.8622" O.A.L.
6	Exhaust	V-1947X +	Std Only	HD800-6A Engs.; 45 deg. seat; Chrome plated stem; 2.0000" Head Dia., .4969" Stem Dia., 7.8622" O.A.L.; When depleted use FP-V1947X

(continued on next page)

White Farm (Includes Oliver, Minneapolis-Moline)

Power Unit **HD800-6A, HD800A-6A, 800, 800-6, 800-6A, 816 Engs. (LPG) 100**
13.1L 800 LPG L6, 5.3125" Bore (cont.)

CYL. HEAD & PARTS (cont.)

QTY	VALVE (cont.)	PART NO.	SIZE	DESCRIPTION
12	Keeper	FP-127554		Int.; 800-6A Engs.
QTY	VALVE GUIDE	PART NO.	SIZE	DESCRIPTION
12	Guide	FP-VG664		HD800-6A Engs.; .4995" ID, 3.5000" O.A.L.
12	Guide	VG-664 +		HD800-6A Engs.; .4995" ID, 3.5000" O.A.L.; When depleted use FP-VG664
12	Guide	FP-VG626		800-6A Engs.; .4370" ID, 3.1200" O.A.L.
12	Guide	VG-626 +		800-6A Engs.; .4370" ID, 3.1200" O.A.L.; When depleted use FP-VG626
12	Guide	FP-VG735		800-6A Engs.; Cut for seal; .4365" ID, 3.0000" O.A.L.
12	Guide	VG-735 +		800-6A Engs.; Cut for seal; .4365" ID, 3.0000" O.A.L.; When depleted use FP-VG735
QTY	VALVE SPRING	PART NO.	SIZE	DESCRIPTION
12	Spring	FP-VS781		HD800-6A Engs.; 3.1100" Free Height
12	Spring	VS-781 +		HD800-6A Engs.; 3.1100" Free Height; When depleted use FP-VS781

CRANKSHAFT/OIL PUMP

QTY	MAIN BEARINGS	PART NO.	SIZE	DESCRIPTION
1	Main Set	FP-5080M	Std-10-20-30	
1	Main Set	5080M +	Std-10-20-30	When depleted use FP-5080M

CYLINDER COMPONENTS

QTY	PISTONS	PART NO.	SIZE	DESCRIPTION
6	Pin Bushing	FP-2554Y20		
6	Pin Bushing	2554Y20 +		When depleted use FP-2554Y20
QTY	CONNECTING RODS & BRGS.	PART NO.	SIZE	DESCRIPTION
6	Rod Pair	FP-2550P	Std-10-20-30-40	
6	Rod Pair	2550P +	Std-10-20-30-40	When depleted use FP-2550P

Industrial Applications **HD800-6A, HD800A-6A, 800, 800-6, 800-6A, 816 Engs. (LPG) 101**
13.1L 800 LPG L6, 5.3125" Bore

CYL. HEAD & PARTS

QTY	VALVE	PART NO.	SIZE	DESCRIPTION
6	Intake	FP-V1948		HD800-6A Engs.; 2.3750" Head Dia., .4965" Stem Dia., 7.8620" O.A.L.
6	Intake	V-1948 +	Std Only	HD800-6A Engs.; 2.3750" Head Dia., .4965" Stem Dia., 7.8620" O.A.L.; When depleted use FP-V1948
6	Intake	FP-V1051		800-6A Engs.; 1.7165" Head Dia., .4339" Stem Dia., 6.6693" O.A.L.
6	Intake	V-1051 +	Std Only	800-6A Engs.; 1.7165" Head Dia., .4339" Stem Dia., 6.6693" O.A.L.; When depleted use FP-V1051
6	Exhaust	FP-V1947X		HD800-6A Engs.; 45 deg. seat; Chrome plated stem; 2.0000" Head Dia., .4969" Stem Dia., 7.8622" O.A.L.
6	Exhaust	V-1947X +	Std Only	HD800-6A Engs.; 45 deg. seat; Chrome plated stem; 2.0000" Head Dia., .4969" Stem Dia., 7.8622" O.A.L.; When depleted use FP-V1947X
12	Keeper	FP-127554		Int.; 800-6A Engs.
QTY	VALVE GUIDE	PART NO.	SIZE	DESCRIPTION
12	Guide	FP-VG664		HD800-6A Engs.; .4995" ID, 3.5000" O.A.L.
12	Guide	VG-664 +		HD800-6A Engs.; .4995" ID, 3.5000" O.A.L.; When depleted use FP-VG664
12	Guide	FP-VG626		800-6A Engs.; .4370" ID, 3.1200" O.A.L.
12	Guide	VG-626 +		800-6A Engs.; .4370" ID, 3.1200" O.A.L.; When depleted use FP-VG626
12	Guide	FP-VG735		800-6A Engs.; Cut for seal; .4365" ID, 3.0000" O.A.L.
12	Guide	VG-735 +		800-6A Engs.; Cut for seal; .4365" ID, 3.0000" O.A.L.; When depleted use FP-VG735
QTY	VALVE SPRING	PART NO.	SIZE	DESCRIPTION
12	Spring	FP-VS781		HD800-6A Engs.; 3.1100" Free Height
12	Spring	VS-781 +		HD800-6A Engs.; 3.1100" Free Height; When depleted use FP-VS781

CRANKSHAFT/OIL PUMP

QTY	MAIN BEARINGS	PART NO.	SIZE	DESCRIPTION
1	Main Set	FP-5080M	Std-10-20-30	

(continued on next page)

+ Superseded Part Number

White Farm (Includes Oliver, Minneapolis-Moline)

101 Industrial Applications HD800-6A, HD800A-6A, 800, 800-6, 800-6A, 816 Eng. (LPG) (cont.) 13.1L 800 LPG L6, 5.3125" Bore

CRANKSHAFT/OIL PUMP (cont.)

QTY	MAIN BEARINGS (cont.)	PART NO.	SIZE	DESCRIPTION
1	Main Set	5080M +	Std-10-20-30	When depleted use FP-5080M
CYLINDER COMPONENTS				
QTY	PISTONS	PART NO.	SIZE	DESCRIPTION
6	Cast Piston	FP-10A28938	STD	HD800-6A Eng.
6	Cast Piston	FP-10A2893830	30	HD800-6A Eng.
6	Cast Piston	FP-10A2893840	40	HD800-6A Eng.
6	Cast Piston	FP-2373P +	Std-20-30-40-60	HD800-6A Eng.; Cast; 3-3/32", 1-3/16" Ring Groove, 3.537" CD, 1.7500" Pin Dia., Flat Head; Repl. O.E. No. 10A-28938; When depleted use FP-10A28938
6	Cast Piston	2373P +	Std-20-30-40-60	HD800-6A Eng.; Cast; 3-3/32", 1-3/16" Ring Groove, 3.537" CD, 1.7500" Pin Dia., Flat Head; Repl. O.E. No. 10A-28938; When depleted use FP-2373P
6	Pin Bushing	FP-2554Y20		
6	Pin Bushing	2554Y20 +		When depleted use FP-2554Y20
QTY	CONNECTING RODS & BRGS.	PART NO.	SIZE	DESCRIPTION
6	Rod Pair	FP-2550P	Std-10-20-30-40	
6	Rod Pair	2550P +	Std-10-20-30-40	When depleted use FP-2550P
QTY	PISTON RINGS	PART NO.	SIZE	DESCRIPTION
1	Standard Set	FP-9433X	Std-20-30-40-60	Check piston grooving before supplying ring set; 3-3/32, 1-3/16
1	Standard Set	9433X +	Std-20-30-40-60	Check piston grooving before supplying ring set; 3-3/32, 1-3/16; When depleted use FP-9433X

102 Power Unit HD800-6A, HD800A-6A, 800, 800-6, 800-6A, 816 Eng. (Natural Gas) 13.1L 800 NG L6, 5.3125" Bore

CYL. HEAD & PARTS

QTY	VALVE	PART NO.	SIZE	DESCRIPTION
6	Intake	FP-V1948		HD800-6A Eng.; 2.3750" Head Dia., .4965" Stem Dia., 7.8620" O.A.L.
6	Intake	V-1948 +	Std Only	HD800-6A Eng.; 2.3750" Head Dia., .4965" Stem Dia., 7.8620" O.A.L.; When depleted use FP-V1948
6	Intake	FP-V1051		800-6A Eng.; 1.7165" Head Dia., .4339" Stem Dia., 6.6693" O.A.L.
6	Intake	V-1051 +	Std Only	800-6A Eng.; 1.7165" Head Dia., .4339" Stem Dia., 6.6693" O.A.L.; When depleted use FP-V1051
6	Exhaust	FP-V1947X		HD800-6A Eng.; 45 deg. seat; Chrome plated stem; 2.0000" Head Dia., .4969" Stem Dia., 7.8622" O.A.L.
6	Exhaust	V-1947X +	Std Only	HD800-6A Eng.; 45 deg. seat; Chrome plated stem; 2.0000" Head Dia., .4969" Stem Dia., 7.8622" O.A.L.; When depleted use FP-V1947X
12	Keeper	FP-127554		Int.; 800-6A Eng.
QTY	VALVE GUIDE	PART NO.	SIZE	DESCRIPTION
12	Guide	FP-VG664		HD800-6A Eng.; .4995" ID, 3.5000" O.A.L.
12	Guide	VG-664 +		HD800-6A Eng.; .4995" ID, 3.5000" O.A.L.; When depleted use FP-VG664
12	Guide	FP-VG626		800-6A Eng.; .4370" ID, 3.1200" O.A.L.
12	Guide	VG-626 +		800-6A Eng.; .4370" ID, 3.1200" O.A.L.; When depleted use FP-VG626
12	Guide	FP-VG735		800-6A Eng.; Cut for seal; .4365" ID, 3.0000" O.A.L.
12	Guide	VG-735 +		800-6A Eng.; Cut for seal; .4365" ID, 3.0000" O.A.L.; When depleted use FP-VG735
QTY	VALVE SPRING	PART NO.	SIZE	DESCRIPTION
12	Spring	FP-VS781		HD800-6A Eng.; 3.1100" Free Height
12	Spring	VS-781 +		HD800-6A Eng.; 3.1100" Free Height; When depleted use FP-VS781

CRANKSHAFT/OIL PUMP

QTY	MAIN BEARINGS	PART NO.	SIZE	DESCRIPTION
1	Main Set	FP-5080M	Std-10-20-30	
1	Main Set	5080M +	Std-10-20-30	When depleted use FP-5080M
CYLINDER COMPONENTS				
QTY	PISTONS	PART NO.	SIZE	DESCRIPTION
6	Pin Bushing	FP-2554Y20		
6	Pin Bushing	2554Y20 +		When depleted use FP-2554Y20

(continued on next page)

White Farm (Includes Oliver, Minneapolis-Moline)

Power Unit HD800-6A, HD800A-6A, 800, 800-6, 800-6A, 816 Engs. (Natural Gas) 102
13.1L 800 NG L6, 5.3125" Bore (cont.)

CYLINDER COMPONENTS (cont.)

QTY	CONNECTING RODS & BRGS.	PART NO.	SIZE	DESCRIPTION
6	Rod Pair	FP-2550P	Std-10-20-30-40	
6	Rod Pair	2550P +	Std-10-20-30-40	When depleted use FP-2550P

Industrial Applications HD800-6A, HD800A-6A, 800, 800-6, 800-6A, 816 Engs. (Natural Gas) 103
13.1L 800 NG L6, 5.3125" Bore

CYL. HEAD & PARTS

QTY	VALVE	PART NO.	SIZE	DESCRIPTION
6	Intake	FP-V1948		HD800-6A Engs.; 2.3750" Head Dia., .4965" Stem Dia., 7.8620" O.A.L.
6	Intake	V-1948 +	Std Only	HD800-6A Engs.; 2.3750" Head Dia., .4965" Stem Dia., 7.8620" O.A.L.; When depleted use FP-V1948
6	Intake	FP-V1051		800-6A Engs.; 1.7165" Head Dia., .4339" Stem Dia., 6.6693" O.A.L.
6	Intake	V-1051 +	Std Only	800-6A Engs.; 1.7165" Head Dia., .4339" Stem Dia., 6.6693" O.A.L.; When depleted use FP-V1051
6	Exhaust	FP-V1947X		HD800-6A Engs.; 45 deg. seat; Chrome plated stem; 2.0000" Head Dia., .4969" Stem Dia., 7.8622" O.A.L.
6	Exhaust	V-1947X +	Std Only	HD800-6A Engs.; 45 deg. seat; Chrome plated stem; 2.0000" Head Dia., .4969" Stem Dia., 7.8622" O.A.L.; When depleted use FP-V1947X
12	Keeper	FP-127554		Int.; 800-6A Engs.

QTY	VALVE GUIDE	PART NO.	SIZE	DESCRIPTION
12	Guide	FP-VG664		HD800-6A Engs.; .4995" ID, 3.5000" O.A.L.
12	Guide	VG-664 +		HD800-6A Engs.; .4995" ID, 3.5000" O.A.L.; When depleted use FP-VG664
12	Guide	FP-VG626		800-6A Engs.; .4370" ID, 3.1200" O.A.L.
12	Guide	VG-626 +		800-6A Engs.; .4370" ID, 3.1200" O.A.L.; When depleted use FP-VG626
12	Guide	FP-VG735		800-6A Engs.; Cut for seal; .4365" ID, 3.0000" O.A.L.
12	Guide	VG-735 +		800-6A Engs.; Cut for seal; .4365" ID, 3.0000" O.A.L.; When depleted use FP-VG735

QTY	VALVE SPRING	PART NO.	SIZE	DESCRIPTION
12	Spring	FP-VS781		HD800-6A Engs.; 3.1100" Free Height
12	Spring	VS-781 +		HD800-6A Engs.; 3.1100" Free Height; When depleted use FP-VS781

CRANKSHAFT/OIL PUMP

QTY	MAIN BEARINGS	PART NO.	SIZE	DESCRIPTION
1	Main Set	FP-5080M	Std-10-20-30	
1	Main Set	5080M +	Std-10-20-30	When depleted use FP-5080M

CYLINDER COMPONENTS

QTY	PISTONS	PART NO.	SIZE	DESCRIPTION
6	Cast Piston	FP-10A28938	STD	HD800-6A Engs.
6	Cast Piston	FP-10A2893830	30	HD800-6A Engs.
6	Cast Piston	FP-10A2893840	40	HD800-6A Engs.
6	Cast Piston	FP-2373P +	Std-20-30-40-60	HD800-6A Engs.; Cast; 3-3/32", 1-3/16" Ring Groove, 3.537" CD, 1.7500" Pin Dia., Flat Head; Repl. O.E. No. 10A-28938; When depleted use FP-10A28938
6	Cast Piston	2373P +	Std-20-30-40-60	HD800-6A Engs.; Cast; 3-3/32", 1-3/16" Ring Groove, 3.537" CD, 1.7500" Pin Dia., Flat Head; Repl. O.E. No. 10A-28938; When depleted use FP-2373P
6	Pin Bushing	FP-2554Y20		
6	Pin Bushing	2554Y20 +		When depleted use FP-2554Y20

QTY	CONNECTING RODS & BRGS.	PART NO.	SIZE	DESCRIPTION
6	Rod Pair	FP-2550P	Std-10-20-30-40	
6	Rod Pair	2550P +	Std-10-20-30-40	When depleted use FP-2550P

QTY	PISTON RINGS	PART NO.	SIZE	DESCRIPTION
1	Standard Set	FP-9433X	Std-20-30-40-60	Check piston grooving before supplying ring set; 3-3/32, 1-3/16
1	Standard Set	9433X +	Std-20-30-40-60	Check piston grooving before supplying ring set; 3-3/32, 1-3/16; When depleted use FP-9433X

White Farm (Includes Oliver, Minneapolis-Moline)

104 Wheel Tractor GTX Eng. 14.0L 852 OHV L12, 4.25" Bore				
CRANKSHAFT/OIL PUMP				
QTY	MAIN BEARINGS	PART NO.	SIZE	DESCRIPTION
2	Main Set	FP-4162M	<i>Std-10-20</i>	
2	Main Set	4162M +	<i>Std-10-20</i>	When depleted use FP-4162M
CYLINDER COMPONENTS				
QTY	CONNECTING RODS & BRGS.	PART NO.	SIZE	DESCRIPTION
12	Rod Pair	FP-1780AP	<i>Std-10-20-30</i>	
12	Rod Pair	1780AP +	<i>Std-10-20-30</i>	When depleted use FP-1780AP
105 Wheel Tractor 1210 Eng. 19.8L 1210 L12, 4.625" Bore				
CRANKSHAFT/OIL PUMP				
QTY	MAIN BEARINGS	PART NO.	SIZE	DESCRIPTION
2	Main Set	FP-4162M	<i>Std-10-20</i>	
2	Main Set	4162M +	<i>Std-10-20</i>	When depleted use FP-4162M
CYLINDER COMPONENTS				
QTY	CONNECTING RODS & BRGS.	PART NO.	SIZE	DESCRIPTION
12	Rod Pair	FP-1780AP	<i>Std-10-20-30</i>	
12	Rod Pair	1780AP +	<i>Std-10-20-30</i>	When depleted use FP-1780AP
106 Wheel Tractor 1600 Eng. 26.2L 1600 L12, 5.3125" Bore				
CRANKSHAFT/OIL PUMP				
QTY	MAIN BEARINGS	PART NO.	SIZE	DESCRIPTION
1	Main Set	FP-5080M	<i>Std-10-20-30</i>	
1	Main Set	5080M +	<i>Std-10-20-30</i>	When depleted use FP-5080M
CYLINDER COMPONENTS				
QTY	CONNECTING RODS & BRGS.	PART NO.	SIZE	DESCRIPTION
12	Rod Pair	FP-2550P	<i>Std-10-20-30-40</i>	
12	Rod Pair	2550P +	<i>Std-10-20-30-40</i>	When depleted use FP-2550P

Wisconsin

Engine Finding Index				
Engine	Line No.	Engine	Line No.	
.2L 10.9 L-HEAD L1 2.25" Bore	1	.8L 45.9 L-HEAD L2 3" Bore	17	
.2L 13.5 L-HEAD L1 2.5" Bore	2	.9L 53.9 L-HEAD L2 3.25" Bore	18	
.2L 14.9 L-HEAD L1 2.625" Bore	3	.9L 53.9 L-HEAD L2 3.25" Bore	19	
.3L 17.8 L-HEAD L1 2.875" Bore	4	.9L 53.9 L-HEAD L2 3.25" Bore (Mil-Std)	20	
.3L 18.6 L-HEAD L1 3" Bore	5	1.5L 91.9 L-HEAD V4 3" Bore	21	
.3L 19.3 L-HEAD L1 2.75" Bore	6	1.8L 108 L-HEAD V4 3.25" Bore	22	
.3L 20.2 L-HEAD L1 3.125" Bore	7	1.8L 108 L-HEAD V4 3.25" Bore (Mil-Std)	23	
.4L 22 L-HEAD L1 3.125" Bore	8	2.2L 132.7 L-HEAD V4 3.25" Bore	24	
.4L 23 L-HEAD L1 3" Bore	9	2.2L 133.2 OHV L4 3.25" Bore	25	
.4L 24.9 L-HEAD L1 3.25" Bore	10	2.4L 149 L-HEAD V4 3.4375" Bore	26	
.5L 27.6 L-HEAD L1 3.5" Bore	11	2.4L 149 L-HEAD V4 3.4375" Bore (Mil-Std)	27	
.5L 28.9 L-HEAD L1 3.5" Bore	12	2.5L 154 L-HEAD V4 3.5" Bore	28	
.5L 33.1 L-HEAD L1 3.75" Bore	13	2.9L 177 L-HEAD V4 3.75" Bore	29	
.5L 33.2 L-HEAD L1 3.25" Bore	14	4.2L 255 L-HEAD V4 4.25" Bore	30	
.6L 38.5 L-HEAD L1 3.5" Bore	15			
.7L 41.3 L-HEAD L1 3.625" Bore	16			
Engine Code Index				
Engine Code	Engine Description	Line No.	Engine Code	Engine Description
AA ... Industrial Applications...	.2L 10.9 L-HEAD L1 2.25" Bore	1	ABN ... Industrial Applications.....	.2L 13.5 L-HEAD L1 2.5" Bore
AB ... Industrial Applications...	.2L 13.5 L-HEAD L1 2.5" Bore	2		

Engine Code Index

Engine Code	Engine Description	Line No.	Engine Code	Engine Description	Line No.
ABS ... Industrial Applications.....	.2L 13.5 L-HEAD L1 2.5" Bore	2	HACN ... Industrial Applications.....	.2L 14.9 L-HEAD L1 2.625" Bore ...	3
ACN ... Industrial Applications.....	.2L 14.9 L-HEAD L1 2.625" Bore ...	3	HACND ... Industrial Applications.....	.2L 14.9 L-HEAD L1 2.625" Bore ...	3
ACND ... Industrial Applications.....	.2L 14.9 L-HEAD L1 2.625" Bore ...	3	HAENL ... Industrial Applications.....	.4L 23 L-HEAD L1 3" Bore	9
AD ... Industrial Applications..	.3L 19.3 L-HEAD L1 2.75" Bore	6	HBKN ... Industrial Applications.....	.3L 17.8 L-HEAD L1 2.875" Bore ...	4
ADH ... Industrial Applications.....	.3L 19.3 L-HEAD L1 2.75" Bore	6	HBKND ... Industrial Applications.....	.3L 17.8 L-HEAD L1 2.875" Bore ...	4
ADM ... Industrial Applications.....	.3L 19.3 L-HEAD L1 2.75" Bore	6	HS7D ... Industrial Applications.....	.3L 18.6 L-HEAD L1 3" Bore	5
AE ... Industrial Applications..	.4L 23 L-HEAD L1 3" Bore	9	HS8D ... Industrial Applications.....	.3L 20.2 L-HEAD L1 3.125" Bore ...	7
AEH ... Industrial Applications.....	.4L 23 L-HEAD L1 3" Bore	9	MTHD ... Industrial Applications.....	.9L 53.9 L-HEAD L2 3.25" Bore ...	19
AEHS ... Industrial Applications.....	.4L 23 L-HEAD L1 3" Bore	9	MVF4D ... Industrial Applications.....	1.8L 108 L-HEAD V4 3.25" Bore (Mil-Std).....	23
AEM ... Industrial Applications.....	.4L 23 L-HEAD L1 3" Bore	9	MVG4D ... Industrial Applications.....	2.4L 149 L-HEAD V4 3.4375" Bore	26
AEN ... Industrial Applications.....	.4L 23 L-HEAD L1 3" Bore	9	MVH4D ... Industrial Applications.....	1.8L 108 L-HEAD V4 3.25" Bore (Mil-Std).....	23
AEND ... Industrial Applications.....	.4L 23 L-HEAD L1 3" Bore	9	S10D ... Industrial Applications.....	.4L 24.9 L-HEAD L1 3.25" Bore ...	10
AENL ... Industrial Applications.....	.4L 23 L-HEAD L1 3" Bore	9	S12D ... Industrial Applications.....	.5L 28.9 L-HEAD L1 3.5" Bore	12
AENLD ... Industrial Applications.....	.4L 23 L-HEAD L1 3" Bore	9	S14D ... Industrial Applications.....	.5L 33.1 L-HEAD L1 3.75" Bore ...	13
AENS ... Industrial Applications.....	.4L 23 L-HEAD L1 3" Bore	9	S7D ... Industrial Applications.....	.3L 18.6 L-HEAD L1 3" Bore	5
AES ... Industrial Applications.....	.4L 23 L-HEAD L1 3" Bore	9	S8D ... Industrial Applications.....	.3L 20.2 L-HEAD L1 3.125" Bore ...	7
AF ... Industrial Applications..	.5L 33.2 L-HEAD L1 3.25" Bore ...	14	TE ... Industrial Applications..	.8L 45.9 L-HEAD L2 3" Bore	17
AFH ... Industrial Applications.....	.5L 33.2 L-HEAD L1 3.25" Bore ...	14	TED ... Industrial Applications.....	.8L 45.9 L-HEAD L2 3" Bore	17
AFM ... Industrial Applications.....	.5L 33.2 L-HEAD L1 3.25" Bore ...	14	TF ... Industrial Applications..	.9L 53.9 L-HEAD L2 3.25" Bore ...	18
AG ... Industrial Applications..	.6L 38.5 L-HEAD L1 3.5" Bore	15	TFD ... Industrial Applications.....	.9L 53.9 L-HEAD L2 3.25" Bore ...	18
AGH ... Industrial Applications.....	.6L 38.5 L-HEAD L1 3.5" Bore	15	TH ... Industrial Applications..	.9L 53.9 L-HEAD L2 3.25" Bore ...	18
AGM ... Industrial Applications.....	.6L 38.5 L-HEAD L1 3.5" Bore	15	THD ... Industrial Applications.....	.9L 53.9 L-HEAD L2 3.25" Bore ...	18
AGN ... Industrial Applications.....	.6L 38.5 L-HEAD L1 3.5" Bore	15	TJD ... Industrial Applications.....	.9L 53.9 L-HEAD L2 3.25" Bore ...	18
AGND ... Industrial Applications.....	.6L 38.5 L-HEAD L1 3.5" Bore	15	TRA10A ... Industrial Applications.....	.4L 22 L-HEAD L1 3.125" Bore	8
AH ... Industrial Applications..	.7L 41.3 L-HEAD L1 3.625" Bore .	16	TRA10D ... Industrial Applications.....	.3L 20.2 L-HEAD L1 3.125" Bore ...	7
AHH ... Industrial Applications.....	.7L 41.3 L-HEAD L1 3.625" Bore .	16	TRA10D ... Industrial Applications.....	.4L 22 L-HEAD L1 3.125" Bore	8
AHM ... Industrial Applications.....	.7L 41.3 L-HEAD L1 3.625" Bore .	16	TRA12D ... Industrial Applications.....	.5L 28.9 L-HEAD L1 3.5" Bore	12
AK ... Industrial Applications..	.3L 17.8 L-HEAD L1 2.875" Bore ...	4	TR10A ... Industrial Applications.....	.4L 22 L-HEAD L1 3.125" Bore	8
AKM ... Industrial Applications.....	.3L 17.8 L-HEAD L1 2.875" Bore ...	4	TR10D ... Industrial Applications.....	.4L 22 L-HEAD L1 3.125" Bore	8
AKN ... Industrial Applications.....	.3L 17.8 L-HEAD L1 2.875" Bore ...	4	VE4 ... Industrial Applications.....	1.5L 91.9 L-HEAD V4 3" Bore	21
AKS ... Industrial Applications.....	.3L 17.8 L-HEAD L1 2.875" Bore ...	4	VE4D ... Industrial Applications.....	1.5L 91.9 L-HEAD V4 3" Bore	21
AM4 ... Industrial Applications.....	2.2L 133.2 OHV L4 3.25" Bore.....	25	VE41 ... Industrial Applications.....	1.5L 91.9 L-HEAD V4 3" Bore	21
AP4 ... Industrial Applications.....	2.5L 154 L-HEAD V4 3.5" Bore	28	VF4 ... Industrial Applications.....	1.8L 108 L-HEAD V4 3.25" Bore ..	22
AP41 ... Industrial Applications.....	2.5L 154 L-HEAD V4 3.5" Bore	28	VF4D ... Industrial Applications.....	1.8L 108 L-HEAD V4 3.25" Bore ..	22
A1 ... Industrial Applications..	.3L 19.3 L-HEAD L1 2.75" Bore	6	VF41 ... Industrial Applications.....	1.8L 108 L-HEAD V4 3.25" Bore ..	22
A1 1/2 ... Industrial Applications.....	.3L 19.3 L-HEAD L1 2.75" Bore	6	VG4D ... Industrial Applications.....	2.5L 154 L-HEAD V4 3.5" Bore	28
A2 ... Industrial Applications..	.4L 23 L-HEAD L1 3" Bore	9			
A3 ... Industrial Applications..	.5L 33.2 L-HEAD L1 3.25" Bore ...	14			
A4 ... Industrial Applications..	.6L 38.5 L-HEAD L1 3.5" Bore	15			
A5 ... Industrial Applications..	.6L 38.5 L-HEAD L1 3.5" Bore	15			
BKN ... Industrial Applications.....	.3L 17.8 L-HEAD L1 2.875" Bore ...	4			
BKND ... Industrial Applications.....	.3L 17.8 L-HEAD L1 2.875" Bore ...	4			

(continued on next page)

Wisconsin

Engine Code Index

Engine Code	Engine Description	Line No.	Engine Code	Engine Description	Line No.
VH4 ... Industrial Applications.....	1.8L 108 L-HEAD V4 3.25" Bore ..	22	VP4D ... Industrial Applications.....	2.5L 154 L-HEAD V4 3.5" Bore	28
VH4D ... Industrial Applications.....	1.8L 108 L-HEAD V4 3.25" Bore ..	22	VR4D ... Industrial Applications.....	4.2L 255 L-HEAD V4 4.25" Bore ..	30
VH4DM ... Industrial Applications.....	1.8L 108 L-HEAD V4 3.25" Bore ..	22	V460D ... Industrial Applications.....	2.5L 154 L-HEAD V4 3.5" Bore	28
VM4 ... Industrial Applications.....	2.2L 132.7 L-HEAD V4 3.25" Bore	24	V461D ... Industrial Applications.....	2.5L 154 L-HEAD V4 3.5" Bore	28
VP4 ... Industrial Applications.....	2.5L 154 L-HEAD V4 3.5" Bore	28	V465D ... Industrial Applications.....	2.9L 177 L-HEAD V4 3.75" Bore ..	29

1 Industrial Applications AA Eng.

.2L 10.9 L-HEAD L1, 2.25" Bore

CRANKSHAFT/OIL PUMP

QTY	MAIN BEARINGS	PART NO.	SIZE	DESCRIPTION
2	Cone Taper Brg.	15118		Position 1-2; Tapered roller brg. cone
2	Cup Taper Brg.	15250X		Position 1-2; Tapered roller brg. cup

2 Industrial Applications AB, ABN, ABS Eng.

.2L 13.5 L-HEAD L1, 2.5" Bore

CRANKSHAFT/OIL PUMP

QTY	MAIN BEARINGS	PART NO.	SIZE	DESCRIPTION
2	Cone Taper Brg.	15118		Position 1-2; Tapered roller brg. cone
2	Cup Taper Brg.	15250X		Position 1-2; Tapered roller brg. cup

3 Industrial Applications ACN, ACND, HACN, HACND Eng.

.2L 14.9 L-HEAD L1, 2.625" Bore

CYL. HEAD & PARTS

QTY	VALVE	PART NO.	SIZE	DESCRIPTION
4	Keeper	VK-144		1 groove; Square cut key groove
4	Keeper	VK-144R		1 groove; Square cut key groove; Hardened
QTY	VALVE SEAT	PART NO.	SIZE	DESCRIPTION
2	Exh. & Int.	FP-24513755		1.3795" OD, 1.1250" ID, .2636" Depth
2	Exh. & Int.	245-1375-5 + Std Only		1.3795" OD, 1.1250" ID, .2636" Depth; When depleted use FP-24513755
QTY	VALVE GUIDE	PART NO.	SIZE	DESCRIPTION
2	Guide	FP-VG681		.439" x 1.812"; .3133" ID, 1.8100" O.A.L.
2	Guide	VG-681 +		.439" x 1.812"; .3133" ID, 1.8100" O.A.L.; When depleted use FP-VG681

CRANKSHAFT/OIL PUMP

QTY	MAIN BEARINGS	PART NO.	SIZE	DESCRIPTION
2	Cone Taper Brg.	15118		Position 1-2; Tapered roller brg. cone
2	Cup Taper Brg.	15250X		Position 1-2; Tapered roller brg. cup

4 Industrial Applications AK, AKM, AKN, AKS, BKN, BKND, HBKN, HBKND Eng.

.3L 17.8 L-HEAD L1, 2.875" Bore

CYL. HEAD & PARTS

QTY	VALVE	PART NO.	SIZE	DESCRIPTION
4	Keeper	VK-144		1 groove; Square cut key groove
4	Keeper	VK-144R		1 groove; Square cut key groove; Hardened
QTY	VALVE SEAT	PART NO.	SIZE	DESCRIPTION
2	Exh. & Int.	FP-24513755		1.3795" OD, 1.1250" ID, .2636" Depth
2	Exh. & Int.	245-1375-5 + Std Only		1.3795" OD, 1.1250" ID, .2636" Depth; When depleted use FP-24513755
QTY	VALVE GUIDE	PART NO.	SIZE	DESCRIPTION
2	Guide	FP-VG681		.439" x 1.812"; .3133" ID, 1.8100" O.A.L.
2	Guide	VG-681 +		.439" x 1.812"; .3133" ID, 1.8100" O.A.L.; When depleted use FP-VG681

CRANKSHAFT/OIL PUMP

QTY	MAIN BEARINGS	PART NO.	SIZE	DESCRIPTION
2	Cone Taper Brg.	15118		Position 1-2; Tapered roller brg. cone

(continued on next page)

+ Superseded Part Number

Industrial Applications AK, AKM, AKN, AKS, BKN, BKND, HBKN, HBKND Engs. 4 .3L 17.8 L-HEAD L1, 2.875" Bore (cont.)				
CRANKSHAFT/OIL PUMP (cont.)				
QTY	MAIN BEARINGS (cont.)	PART NO.	SIZE	DESCRIPTION
2	Cup Taper Brg.	15250X		Position 1-2; Tapered roller brg. cup
Industrial Applications HS7D, S7D Engs. 5 .3L 18.6 L-HEAD L1, 3" Bore				
CRANKSHAFT/OIL PUMP				
QTY	MAIN BEARINGS	PART NO.	SIZE	DESCRIPTION
2	Cone Taper Brg.	LM67048		Position 1-2; Tapered roller brg. cone
2	Cup Taper Brg.	LM67010		Position 1-2; Tapered roller brg. cup
Industrial Applications A1, A1 1/2, AD, ADH, ADM Engs. 6 .3L 19.3 L-HEAD L1, 2.75" Bore				
CYL. HEAD & PARTS				
QTY	VALVE	PART NO.	SIZE	DESCRIPTION
2	Intake	FP-V816		Exh. & Int.; 1.3130" Head Dia., .3085" Stem Dia., 4.7660" O.A.L.
2	Intake	V-816 + Std Only		Exh. & Int.; 1.3130" Head Dia., .3085" Stem Dia., 4.7660" O.A.L.; When depleted use FP-V816
2	Exhaust	FP-V1326X		Optional-H/D; 1.2500" Head Dia., .3085" Stem Dia., 4.7710" O.A.L.
2	Exhaust	V-1326X + Std Only		Optional-H/D; 1.2500" Head Dia., .3085" Stem Dia., 4.7710" O.A.L.; When depleted use FP-V1326X
4	Keeper	VK-144		Exh. & Int.; 1 groove; Square cut key groove
4	Keeper	VK-144R		Exh. & Int.; 1 groove; Square cut key groove; Hardened
QTY	VALVE SEAT	PART NO.	SIZE	DESCRIPTION
2	Exh. & Int.	FP-24513755		1.3795" OD, 1.1250" ID, .2636" Depth
2	Exh. & Int.	245-1375-5 + Std Only		1.3795" OD, 1.1250" ID, .2636" Depth; When depleted use FP-24513755
QTY	VALVE SPRING	PART NO.	SIZE	DESCRIPTION
2	Spring	FP-VS793		Use w/FP-RC45 rotocap; 1.9700" Free Height
2	Spring	VS-793 +		Use w/RC-45 rotocap; 1.9700" Free Height; When depleted use FP-VS793
2	Spring	FP-VS468		2.3120" Free Height
2	Spring	VS-468 +		2.3120" Free Height; When depleted use FP-VS468
QTY	VALVE MISC.	PART NO.	SIZE	DESCRIPTION
2	Rotocap	FP-RC45		Use w/VS-793 valve spring.; VF Series Engs.
2	Rotocap	RC-45 +		Use w/VS-793 valve spring.; VF Series Engs.; When depleted use FP-RC45
CRANKSHAFT/OIL PUMP				
QTY	MAIN BEARINGS	PART NO.	SIZE	DESCRIPTION
2	Cone Taper Brg.	14130		Position 1-2; Tapered roller brg. cone
2	Cup Taper Brg.	14276		Position 1-2; Tapered roller brg. cup
CYLINDER COMPONENTS				
QTY	CONNECTING RODS & BRGS.	PART NO.	SIZE	DESCRIPTION
1	Rod Pair	FP-3600SB	Std-10-20-30-40	
1	Rod Pair	3600SB +	Std-10-20-30-40	When depleted use FP-3600SB
Industrial Applications HS8D, S8D Engs. 7 .3L 20.2 L-HEAD L1, 3.125" Bore				
CRANKSHAFT/OIL PUMP				
QTY	MAIN BEARINGS	PART NO.	SIZE	DESCRIPTION
2	Cone Taper Brg.	LM67048		Position 1-2; Tapered roller brg. cone
2	Cup Taper Brg.	LM67010		Position 1-2; Tapered roller brg. cup
Industrial Applications TR10A, TR10D, TRA10A, TRA10D Engs. 8 .4L 22 L-HEAD L1, 3.125" Bore				
CRANKSHAFT/OIL PUMP				
QTY	MAIN BEARINGS	PART NO.	SIZE	DESCRIPTION
2	Cone Taper Brg.	LM67048		Tapered roller brg. cone
2	Cup Taper Brg.	LM67010		Tapered roller brg. cup

Wisconsin

9 Industrial Applications A2, AE, AEH, AEHS, AEM, AEN, AEND, AENL, AENLD, AENS, AES, HAENL Engs. .4L 23 L-HEAD L1, 3" Bore

CYL. HEAD & PARTS

QTY	VALVE	PART NO.	SIZE	DESCRIPTION
2	Intake	FP-V816		AEND Engs.; 1.3130" Head Dia., .3085" Stem Dia., 4.7660" O.A.L.
2	Intake	V-816 + Std Only		AEND Engs.; 1.3130" Head Dia., .3085" Stem Dia., 4.7660" O.A.L.; When depleted use FP-V816
2	Intake	FP-V816		Exh. & Int.; Exc. AEND Engs.; 1.3130" Head Dia., .3085" Stem Dia., 4.7660" O.A.L.
2	Intake	V-816 + Std Only		Exh. & Int.; Exc. AEND Engs.; 1.3130" Head Dia., .3085" Stem Dia., 4.7660" O.A.L.; When depleted use FP-V816
2	Exhaust	FP-V1326X		AEND Engs.; 1.2500" Head Dia., .3085" Stem Dia., 4.7710" O.A.L.
2	Exhaust	V-1326X + Std Only		AEND Engs.; 1.2500" Head Dia., .3085" Stem Dia., 4.7710" O.A.L.; When depleted use FP-V1326X
2	Exhaust	FP-V1326X		Optional-H/D; Exc. AEND Engs.; 1.2500" Head Dia., .3085" Stem Dia., 4.7710" O.A.L.
2	Exhaust	V-1326X + Std Only		Optional-H/D; Exc. AEND Engs.; 1.2500" Head Dia., .3085" Stem Dia., 4.7710" O.A.L.; When depleted use FP-V1326X
4	Keeper	VK-144		1 groove; Square cut key groove
4	Keeper	VK-144R		1 groove; Square cut key groove; Hardened
QTY	VALVE SEAT	PART NO.	SIZE	DESCRIPTION
2	Exh.	FP-24513755		1.3795" OD, 1.1250" ID, .2636" Depth
2	Exh.	245-1375-5 + Std Only		1.3795" OD, 1.1250" ID, .2636" Depth; When depleted use FP-24513755
QTY	VALVE GUIDE	PART NO.	SIZE	DESCRIPTION
2	Guide	FP-VG635		Exc. AEND Engs.; .3155" ID, 2.5000" O.A.L.
2	Guide	VG-635 +		Exc. AEND Engs.; .3155" ID, 2.5000" O.A.L.; When depleted use FP-VG635
QTY	VALVE SPRING	PART NO.	SIZE	DESCRIPTION
2	Spring	FP-VS793		Use w/FP-RC45 rotocap; 1.9700" Free Height
2	Spring	VS-793 +		Use w/RC-45 rotocap; 1.9700" Free Height; When depleted use FP-VS793
2	Spring	FP-VS468		2.3120" Free Height
2	Spring	VS-468 +		2.3120" Free Height; When depleted use FP-VS468
QTY	VALVE MISC.	PART NO.	SIZE	DESCRIPTION
2	Rotocap	FP-RC45		Use w/VS-793 valve spring.; VF Series Engs.
2	Rotocap	RC-45 +		Use w/VS-793 valve spring.; VF Series Engs.; When depleted use FP-RC45

CRANKSHAFT/OIL PUMP

QTY	MAIN BEARINGS	PART NO.	SIZE	DESCRIPTION
2	Cone Taper Brg.	14130		Position 1-2; Tapered roller brg. cone
2	Cup Taper Brg.	14276		Position 1-2; Tapered roller brg. cup

CYLINDER COMPONENTS

QTY	LINERS	PART NO.	SIZE	DESCRIPTION
1	Repair Sleeve	FP-SL7M	Std Only	3/32" wall, must be cut to correct length
1	Repair Sleeve	SL-7M + Std Only		3/32" wall, must be cut to correct length; When depleted use FP-SL7M
QTY	CONNECTING RODS & BRGS.	PART NO.	SIZE	DESCRIPTION
1	Rod Pair	FP-3600SB	Std-10-20-30-40	
1	Rod Pair	3600SB + Std-10-20-30-40		When depleted use FP-3600SB
QTY	PISTON RINGS	PART NO.	SIZE	DESCRIPTION
1	Premium Set	FP-5090KX	Std-20-30	3-3/32, 1-3/16 (1 cyl. set)
1	Premium Set	5090KX	Std-20-30	3-3/32, 1-3/16 (1 cyl. set)
1	Standard Set	FP-5090X	Std Only	3-3/32, 1-3/16 (1 cyl. set)
1	Standard Set	5090X + Std Only		3-3/32, 1-3/16 (1 cyl. set); When depleted use FP-5090X

10 Industrial Applications S10D Eng. .4L 24.9 L-HEAD L1, 3.25" Bore

CRANKSHAFT/OIL PUMP

QTY	MAIN BEARINGS	PART NO.	SIZE	DESCRIPTION
2	Cone Taper Brg.	LM29749		Position 1-2; Tapered roller brg. cone
2	Cup Taper Brg.	LM29710		Position 1-2; Tapered roller brg. cup

(continued on next page)

Industrial Applications S10D Eng. 10
.4L 24.9 L-HEAD L1, 3.25" Bore (cont.)

CYLINDER COMPONENTS

QTY	PISTON RINGS	PART NO.	SIZE	DESCRIPTION
1	Premium Set	FP-5948KX	Std-20-30	Check piston grooving before supplying ring set; 2-3/32, 1-3/16 (2 cyl. set)
1	Premium Set	5948KX +	Std-20-30	Check piston grooving before supplying ring set; 2-3/32, 1-3/16 (2 cyl. set); When depleted use FP-5948KX
1	Premium Single Cylinder Set	W-5948KX	Std Only	Check piston grooving before supplying ring set; 2-3/32, 1-3/16 (2 cyl. set)

Industrial Applications S8D Eng. 11
.5L 27.6 L-HEAD L1, 3.5" Bore

CRANKSHAFT/OIL PUMP

QTY	MAIN BEARINGS	PART NO.	SIZE	DESCRIPTION
2	Cone Taper Brg.	LM67048		Position 1-2; Tapered roller brg. cone
2	Cup Taper Brg.	LM67010		Position 1-2; Tapered roller brg. cup

Industrial Applications S12D, TRA12D Eng. 12
.5L 28.9 L-HEAD L1, 3.5" Bore

CRANKSHAFT/OIL PUMP

QTY	MAIN BEARINGS	PART NO.	SIZE	DESCRIPTION
2	Cone Taper Brg.	LM29749		Position 1-2; Tapered roller brg. cone
2	Cup Taper Brg.	LM29710		Position 1-2; Tapered roller brg. cup

Industrial Applications S14D Eng. 13
.5L 33.1 L-HEAD L1, 3.75" Bore

CRANKSHAFT/OIL PUMP

QTY	MAIN BEARINGS	PART NO.	SIZE	DESCRIPTION
2	Cone Taper Brg.	LM29749		Position 1-2; Tapered roller brg. cone
2	Cup Taper Brg.	LM29710		Position 1-2; Tapered roller brg. cup

Industrial Applications A3, AF, AFH, AFM Eng. 14
.5L 33.2 L-HEAD L1, 3.25" Bore

CYL. HEAD & PARTS

QTY	VALVE	PART NO.	SIZE	DESCRIPTION
2	Intake	FP-V818		Exh. & Int.; 1.5630" Head Dia., .3089" Stem Dia., 6.3346" O.A.L.
2	Intake	V-818 +	Std Only	Exh. & Int.; 1.5630" Head Dia., .3089" Stem Dia., 6.3346" O.A.L.; When depleted use FP-V818
1	Exhaust	FP-V1676X		Optional-H/D; 1.5570" Head Dia., .3085" Stem Dia., 6.3330" O.A.L.
1	Exhaust	V-1676X +	Std Only	Optional-H/D; 1.5570" Head Dia., .3085" Stem Dia., 6.3330" O.A.L.; When depleted use FP-V1676X
4	Keeper	VK-144		1 groove; Square cut key groove
4	Keeper	VK-144R		1 groove; Square cut key groove; Hardened

CYLINDER COMPONENTS

QTY	PISTONS	PART NO.	SIZE	DESCRIPTION
1	Pin Bushing	1449		
QTY	CONNECTING RODS & BRGS.	PART NO.	SIZE	DESCRIPTION
1	Rod Pair	FP-3600SB	Std-10-20-30-40	
1	Rod Pair	3600SB +	Std-10-20-30-40	When depleted use FP-3600SB

Industrial Applications A4, A5, AG, AGH, AGM, AGN, AGND Eng. 15
.6L 38.5 L-HEAD L1, 3.5" Bore

CYL. HEAD & PARTS

QTY	VALVE	PART NO.	SIZE	DESCRIPTION
2	Intake	FP-V818		Exh. & Int.; 1.5630" Head Dia., .3089" Stem Dia., 6.3346" O.A.L.
2	Intake	V-818 +	Std Only	Exh. & Int.; 1.5630" Head Dia., .3089" Stem Dia., 6.3346" O.A.L.; When depleted use FP-V818
4	Keeper	VK-144		1 groove; Square cut key groove
4	Keeper	VK-144R		1 groove; Square cut key groove; Hardened
QTY	VALVE GUIDE	PART NO.	SIZE	DESCRIPTION
2	Guide	VG-855		.3130" ID, 2.5000" O.A.L.

(continued on next page)

Wisconsin

15 Industrial Applications A4, A5, AG, AGH, AGM, AGN, AGND Engs. (cont.) .6L 38.5 L-HEAD L1, 3.5" Bore

CRANKSHAFT/OIL PUMP				
QTY	MAIN BEARINGS	PART NO.	SIZE	DESCRIPTION
2	Cone Taper Brg.	14130		Position 1-2; Tapered roller brg. cone
2	Cup Taper Brg.	14276		Position 1-2; Tapered roller brg. cup
CYLINDER COMPONENTS				
QTY	CONNECTING RODS & BRGS.	PART NO.	SIZE	DESCRIPTION
1	Rod Pair	FP-3600SB	Std-10-20-30-40	
1	Rod Pair	3600SB +	Std-10-20-30-40	When depleted use FP-3600SB
QTY	PISTON RINGS	PART NO.	SIZE	DESCRIPTION
1	Premium Set	FP-5091KX	Std-30	3-1/8, 1-3/16 (1 cyl. set)
1	Premium Set	5091KX +	Std-30	3-1/8, 1-3/16 (1 cyl. set); When depleted use FP-5091KX

16 Industrial Applications AH, AHH, AHM Engs. .7L 41.3 L-HEAD L1, 3.625" Bore

CYL. HEAD & PARTS				
QTY	VALVE	PART NO.	SIZE	DESCRIPTION
2	Intake	FP-V818		Exh. & Int.; 1.5630" Head Dia., .3089" Stem Dia., 6.3346" O.A.L.
2	Intake	V-818 +	Std Only	Exh. & Int.; 1.5630" Head Dia., .3089" Stem Dia., 6.3346" O.A.L.; When depleted use FP-V818
1	Exhaust	FP-V1676X		Optional-H/D; 1.5570" Head Dia., .3085" Stem Dia., 6.3330" O.A.L.
1	Exhaust	V-1676X +	Std Only	Optional-H/D; 1.5570" Head Dia., .3085" Stem Dia., 6.3330" O.A.L.; When depleted use FP-V1676X
4	Keeper	VK-144		1 groove; Square cut key groove
4	Keeper	VK-144R		1 groove; Square cut key groove; Hardened
CYLINDER COMPONENTS				
QTY	PISTONS	PART NO.	SIZE	DESCRIPTION
1	Pin Bushing	1449		
QTY	CONNECTING RODS & BRGS.	PART NO.	SIZE	DESCRIPTION
1	Rod Pair	FP-3600SB	Std-10-20-30-40	
1	Rod Pair	3600SB +	Std-10-20-30-40	When depleted use FP-3600SB

17 Industrial Applications TE, TED Engs. .8L 45.9 L-HEAD L2, 3" Bore

CYL. HEAD & PARTS				
QTY	VALVE	PART NO.	SIZE	DESCRIPTION
2	Intake	FP-V816		TED Engs.; 1.3130" Head Dia., .3085" Stem Dia., 4.7660" O.A.L.
2	Intake	V-816 +	Std Only	TED Engs.; 1.3130" Head Dia., .3085" Stem Dia., 4.7660" O.A.L.; When depleted use FP-V816
4	Intake	FP-V816		Exh. & Int.; TE Engs.; 1.3130" Head Dia., .3085" Stem Dia., 4.7660" O.A.L.
4	Intake	V-816 +	Std Only	Exh. & Int.; TE Engs.; 1.3130" Head Dia., .3085" Stem Dia., 4.7660" O.A.L.; When depleted use FP-V816
2	Exhaust	FP-V1326X		TED Engs.; 1.2500" Head Dia., .3085" Stem Dia., 4.7710" O.A.L.
2	Exhaust	V-1326X +	Std Only	TED Engs.; 1.2500" Head Dia., .3085" Stem Dia., 4.7710" O.A.L.; When depleted use FP-V1326X
4	Exhaust	FP-V1326X		Exh. & Int.; Optional-H/D; For TE Engs.; 1.2500" Head Dia., .3085" Stem Dia., 4.7710" O.A.L.
4	Exhaust	V-1326X +	Std Only	Exh. & Int.; Optional-H/D; For TE Engs.; 1.2500" Head Dia., .3085" Stem Dia., 4.7710" O.A.L.; When depleted use FP-V1326X
8	Keeper	VK-144		1 groove; Square cut key groove
8	Keeper	VK-144R		1 groove; Square cut key groove; Hardened
QTY	VALVE SEAT	PART NO.	SIZE	DESCRIPTION
2	Exh.	FP-24513755		1.3795" OD, 1.1250" ID, .2636" Depth
2	Exh.	245-1375-5 +	Std Only	1.3795" OD, 1.1250" ID, .2636" Depth; When depleted use FP-24513755
QTY	VALVE GUIDE	PART NO.	SIZE	DESCRIPTION
4	Guide	FP-VG681		Exh. & Int.; .439" x 1.812"; .3133" ID, 1.8100" O.A.L.
4	Guide	VG-681 +		Exh. & Int.; .439" x 1.812"; .3133" ID, 1.8100" O.A.L.; When depleted use FP-VG681

(continued on next page)

Industrial Applications **TE, TED Engs. 17**
.8L 45.9 L-HEAD L2, 3" Bore (cont.)

CYL. HEAD & PARTS (cont.)				
QTY	VALVE SPRING	PART NO.	SIZE	DESCRIPTION
4	Spring	FP-VS793		Use w/FP-RC45 rotocap; 1.9700" Free Height
4	Spring	VS-793 +		Use w/RC-45 rotocap; 1.9700" Free Height; When depleted use FP-VS793
4	Spring	FP-VS468		2.3120" Free Height
4	Spring	VS-468 +		2.3120" Free Height; When depleted use FP-VS468
QTY	VALVE MISC.	PART NO.	SIZE	DESCRIPTION
4	Rotocap	FP-RC45		Use w/VS-793 valve spring.; VF Series Engs.
4	Rotocap	RC-45 +		Use w/VS-793 valve spring.; VF Series Engs.; When depleted use FP-RC45
CYLINDER COMPONENTS				
QTY	LINERS	PART NO.	SIZE	DESCRIPTION
1	Repair Sleeve	FP-SL7M	<i>Std Only</i>	3/32" wall, must be cut to correct length
1	Repair Sleeve	SL-7M +	<i>Std Only</i>	3/32" wall, must be cut to correct length; When depleted use FP-SL7M
QTY	PISTONS	PART NO.	SIZE	DESCRIPTION
2	Pin Bushing	1394		1.000" max. length
QTY	CONNECTING RODS & BRGS.	PART NO.	SIZE	DESCRIPTION
2	Rod Pair	FP-3520CP	<i>Std-10-20</i>	
2	Rod Pair	3520CP +	<i>Std-10-20</i>	When depleted use FP-3520CP
QTY	PISTON RINGS	PART NO.	SIZE	DESCRIPTION
2	Premium Set	FP-5090KX	<i>Std-20-30</i>	3-3/32, 1-3/16 (1 cyl. set)
2	Premium Set	5090KX	<i>Std-20-30</i>	3-3/32, 1-3/16 (1 cyl. set)
2	Standard Set	FP-5090X	<i>Std Only</i>	3-3/32, 1-3/16 (1 cyl. set)
2	Standard Set	5090X +	<i>Std Only</i>	3-3/32, 1-3/16 (1 cyl. set); When depleted use FP-5090X

Industrial Applications **TF, TFD, TH, THD, TJD Engs. 18**
.9L 53.9 L-HEAD L2, 3.25" Bore

CYL. HEAD & PARTS				
QTY	VALVE	PART NO.	SIZE	DESCRIPTION
4	Intake	FP-V816		TF & TH Engs.; 1.3130" Head Dia., .3085" Stem Dia., 4.7660" O.A.L.
4	Intake	V-816 +	<i>Std Only</i>	TF & TH Engs.; 1.3130" Head Dia., .3085" Stem Dia., 4.7660" O.A.L.; When depleted use FP-V816
2	Intake	FP-V816		TFD & THD Engs.; 1.3130" Head Dia., .3085" Stem Dia., 4.7660" O.A.L.
2	Intake	V-816 +	<i>Std Only</i>	TFD & THD Engs.; 1.3130" Head Dia., .3085" Stem Dia., 4.7660" O.A.L.; When depleted use FP-V816
4	Exhaust	FP-V1326X		Optional-H/D; TF & TH Engs.; 1.2500" Head Dia., .3085" Stem Dia., 4.7710" O.A.L.
4	Exhaust	V-1326X +	<i>Std Only</i>	Optional-H/D; TF & TH Engs.; 1.2500" Head Dia., .3085" Stem Dia., 4.7710" O.A.L.; When depleted use FP-V1326X
2	Exhaust	FP-V1326X		TFD & THD Engs.; 1.2500" Head Dia., .3085" Stem Dia., 4.7710" O.A.L.
2	Exhaust	V-1326X +	<i>Std Only</i>	TFD & THD Engs.; 1.2500" Head Dia., .3085" Stem Dia., 4.7710" O.A.L.; When depleted use FP-V1326X
8	Keeper	VK-144		1 groove; Square cut key groove
8	Keeper	VK-144R		1 groove; Square cut key groove; Hardened
QTY	VALVE SEAT	PART NO.	SIZE	DESCRIPTION
2	Exh.	FP-24513755		1.3795" OD, 1.1250" ID, .2636" Depth
2	Exh.	245-1375-5 +	<i>Std Only</i>	1.3795" OD, 1.1250" ID, .2636" Depth; When depleted use FP-24513755
QTY	VALVE GUIDE	PART NO.	SIZE	DESCRIPTION
4	Guide	FP-VG635		.3155" ID, 2.5000" O.A.L.
4	Guide	VG-635 +		.3155" ID, 2.5000" O.A.L.; When depleted use FP-VG635
4	Guide	FP-VG681		.439" x 1.812"; .3133" ID, 1.8100" O.A.L.
4	Guide	VG-681 +		.439" x 1.812"; .3133" ID, 1.8100" O.A.L.; When depleted use FP-VG681
QTY	VALVE SPRING	PART NO.	SIZE	DESCRIPTION
4	Spring	FP-VS793		Exh.; Use w/FP-RC45 rotocap; 1.9700" Free Height
4	Spring	VS-793 +		Exh.; Use w/RC-45 rotocap; 1.9700" Free Height; When depleted use FP-VS793
4	Spring	FP-VS468		Exh. & Int.; TF & TH Engs.; 2.3120" Free Height
4	Spring	VS-468 +		Exh. & Int.; TF & TH Engs.; 2.3120" Free Height; When depleted use FP-VS468

(continued on next page)

Wisconsin

18 Industrial Applications TF, TFD, TH, THD, TJD Engs.

(cont.) .9L 53.9 L-HEAD L2, 3.25" Bore

CYL. HEAD & PARTS (cont.)				
QTY	VALVE SPRING (cont.)	PART NO.	SIZE	DESCRIPTION
2	Spring	FP-VS468		Int.; TFD & THD Engs.; 2.3120" Free Height
2	Spring	VS-468 +		Int.; TFD & THD Engs.; 2.3120" Free Height; When depleted use FP-VS468
QTY	VALVE MISC.	PART NO.	SIZE	DESCRIPTION
2	Rotocap	FP-RC45		Use w/VS-793 valve spring.; VF Series Engs.
2	Rotocap	RC-45 +		Use w/VS-793 valve spring.; VF Series Engs.; When depleted use FP-RC45
CAMSHAFT GROUP				
QTY	TIMING	PART NO.	SIZE	DESCRIPTION
1	Cam Gear	FP-2214108		TH & THD Engs.; 48 Teeth
CYLINDER COMPONENTS				
QTY	LINERS	PART NO.	SIZE	DESCRIPTION
2	Repair Sleeve	FP-SL11M	Std Only	3/32" wall, must be cut to correct length
2	Repair Sleeve	SL-11M +	Std Only	3/32" wall, must be cut to correct length; When depleted use FP-SL11M
QTY	PISTONS	PART NO.	SIZE	DESCRIPTION
2	Cast Piston	FP-1115CP	Std-20-30-40-60	Cast; 2-3/32", 1-3/16" Ring Groove, 1.500" CD, .7500" Pin Dia., Recessed Head .010" deep; Piston length 2.870"; Repl. 3 ring piston in sets only
2	Cast Piston	1115CP +	Std-20-30-40-60	Cast; 2-3/32", 1-3/16" Ring Groove, 1.500" CD, .7500" Pin Dia., Recessed Head .010" deep; Piston length 2.870"; Repl. 3 ring piston in sets only; When depleted use FP-1115CP
2	Cast Piston	FP-628CP	Std-20-30-40-60	Cast; 2-3/32", 1-3/16" Ring Groove, 1.500" CD, .7503" Pin Dia., Recessed Head .010" deep; Piston length 2.870"; Repl. 3 ring piston in sets only
2	Cast Piston - Individual	FP-W1115CP	Std-20-30-40-60	Cast; 2-3/32", 1-3/16" Ring Groove, 1.500" CD, .7500" Pin Dia., Recessed Head .010" deep; Piston length 2.870"; Repl. 3 ring piston in sets only
2	Cast Piston - Individual	FP-W628CP	Std-20-30-40-60	Cast; 2-3/32", 1-3/16" Ring Groove, 1.500" CD, .7500" Pin Dia., Recessed Head .010" deep; Piston length 2.870"; Repl. 3 ring piston in sets only
2	Cast Piston - Individual	W1115CP +	Std-20-30-40-60	Cast; 2-3/32", 1-3/16" Ring Groove, 1.500" CD, .7500" Pin Dia., Recessed Head .010" deep; Piston length 2.870"; Repl. 3 ring piston in sets only; When depleted use FP-W1115CP
2	Cast Piston - Individual	W628CP +	Std-20-30-40-60	Cast; 2-3/32", 1-3/16" Ring Groove, 1.500" CD, .7500" Pin Dia., Recessed Head .010" deep; Piston length 2.870"; Repl. 3 ring piston in sets only; When depleted use FP-W628CP
2	Pin Bushing	1394		TF & TH Engs.; 1.000" max. length
QTY	CONNECTING RODS & BRGS.	PART NO.	SIZE	DESCRIPTION
2	Rod Pair	FP-3520CP	Std-10-20	
2	Rod Pair	FP-3645CP	Std-10-20	TJD Engs.
QTY	PISTON RINGS	PART NO.	SIZE	DESCRIPTION
1	Premium Set	FP-5809KX	Std-20-30-40-60	TF, TFD, TH & THD Engs.; 3-3/32, 1-3/16
1	Premium Set	5809KX +	Std-20-30-40-60	TF, TFD, TH & THD Engs.; 3-3/32, 1-3/16; When depleted use FP-5809KX
1	Premium Set	FP-9981KX	Std Only	TJD Engs.; 2-5/64, 1-3/16
1	Premium Set	9981KX +	Std Only	TJD Engs.; 2-5/64, 1-3/16; When depleted use FP-9981KX
1	Standard Set	FP-7079X	Std-30-40	TF, TFD, TH & THD Engs.; 3-3/32, 1-3/16
2	Premium Single Cylinder Set	W-5809KX	Std Only	TF, TFD, TH & THD Engs.; 3-3/32, 1-3/16

19 Industrial Applications MTHD Eng.

.9L 53.9 L-HEAD L2, 3.25" Bore

CRANKSHAFT/OIL PUMP				
QTY	MAIN BEARINGS	PART NO.	SIZE	DESCRIPTION
1	Cone Taper Brg.	420		Position Fan End; Tapered roller brg. cone
1	Cup Taper Brg.	414		Position Fan End; Tapered roller brg. cup
CYLINDER COMPONENTS				
QTY	CONNECTING RODS & BRGS.	PART NO.	SIZE	DESCRIPTION
2	Rod Pair	FP-2425CP	Std-10-20-30	
2	Rod Pair	2425CP +	Std-10-20-30	When depleted use FP-2425CP

Industrial Applications MTHD Eng. 20
 .9L 53.9 L-HEAD L2 (Mil-Std), 3.25" Bore

CRANKSHAFT/OIL PUMP

QTY	MAIN BEARINGS	PART NO.	SIZE	DESCRIPTION
1	Cone Taper Brg.	420		Position Fan End; Tapered roller brg. cone
1	Cup Taper Brg.	414		Position Fan End; Tapered roller brg. cup

CYLINDER COMPONENTS

QTY	CONNECTING RODS & BRGS.	PART NO.	SIZE	DESCRIPTION
2	Rod Pair	FP-2425CP	Std-10-20-30	
2	Rod Pair	2425CP +	Std-10-20-30	When depleted use FP-2425CP

Industrial Applications VE4, VE4D, VE41 Eng. 21
 1.5L 91.9 L-HEAD V4, 3" Bore

CYL. HEAD & PARTS

QTY	VALVE	PART NO.	SIZE	DESCRIPTION
8	Intake	FP-V816		Exh. & Int.; 1.3130" Head Dia., .3085" Stem Dia., 4.7660" O.A.L.
8	Intake	V-816 +	Std Only	Exh. & Int.; 1.3130" Head Dia., .3085" Stem Dia., 4.7660" O.A.L.; When depleted use FP-V816
8	Exhaust	FP-V1326X		Optional-H/D; 1.2500" Head Dia., .3085" Stem Dia., 4.7710" O.A.L.
8	Exhaust	V-1326X +	Std Only	Optional-H/D; 1.2500" Head Dia., .3085" Stem Dia., 4.7710" O.A.L.; When depleted use FP-V1326X
16	Keeper	VK-144		1 groove; Square cut key groove
16	Keeper	VK-144R		1 groove; Square cut key groove; Hardened

QTY	VALVE SEAT	PART NO.	SIZE	DESCRIPTION
4	Exh.	FP-24513755		1.3795" OD, 1.1250" ID, .2636" Depth
4	Exh.	245-1375-5 +	Std Only	1.3795" OD, 1.1250" ID, .2636" Depth; When depleted use FP-24513755

QTY	VALVE GUIDE	PART NO.	SIZE	DESCRIPTION
8	Guide	FP-VG681		.439" x 1.812"; .3133" ID, 1.8100" O.A.L.
8	Guide	VG-681 +		.439" x 1.812"; .3133" ID, 1.8100" O.A.L.; When depleted use FP-VG681

QTY	VALVE SPRING	PART NO.	SIZE	DESCRIPTION
8	Spring	FP-VS793		Use w/FP-RC45 rotocap; 1.9700" Free Height
8	Spring	VS-793 +		Use w/RC-45 rotocap; 1.9700" Free Height; When depleted use FP-VS793
8	Spring	FP-VS468		2.3120" Free Height
8	Spring	VS-468 +		2.3120" Free Height; When depleted use FP-VS468

QTY	VALVE MISC.	PART NO.	SIZE	DESCRIPTION
8	Rotocap	FP-RC45		Use w/VS-793 valve spring.; VF Series Eng.
8	Rotocap	RC-45 +		Use w/VS-793 valve spring.; VF Series Eng.; When depleted use FP-RC45

CAMSHAFT GROUP

QTY	TIMING	PART NO.	SIZE	DESCRIPTION
1	Cam Gear	FP-2214108		VE4 Eng.; 48 Teeth

CYLINDER COMPONENTS

QTY	LINERS	PART NO.	SIZE	DESCRIPTION
1	Repair Sleeve	FP-SL7M	Std Only	3/32" wall, must be cut to correct length
1	Repair Sleeve	SL-7M +	Std Only	3/32" wall, must be cut to correct length; When depleted use FP-SL7M

QTY	PISTONS	PART NO.	SIZE	DESCRIPTION
4	Pin Bushing	1394		1.000" max. length

QTY	CONNECTING RODS & BRGS.	PART NO.	SIZE	DESCRIPTION
4	Rod Pair	FP-3520CP	Std-10-20	

QTY	PISTON RINGS	PART NO.	SIZE	DESCRIPTION
4	Premium Set	FP-5090KX	Std-20-30	3-3/32, 1-3/16 (1 cyl. set)
4	Premium Set	5090KX	Std-20-30	3-3/32, 1-3/16 (1 cyl. set)
1	Standard Set	FP-968X	Std Only	3-3/32, 1-3/16
4	Standard Set	FP-5090X	Std Only	3-3/32, 1-3/16 (1 cyl. set)
4	Standard Set	5090X +	Std Only	3-3/32, 1-3/16 (1 cyl. set); When depleted use FP-5090X
1	Standard Set	968X +	Std Only	3-3/32, 1-3/16; When depleted use FP-968X

Wisconsin

22 Industrial Applications VF4, VF4D, VF41, VH4, VH4D, VH4DM Engs. 1.8L 108 L-HEAD V4, 3.25" Bore

CYL. HEAD & PARTS				
QTY	VALVE	PART NO.	SIZE	DESCRIPTION
8	Intake	FP-V816		Exh. & Int.; 1.3130" Head Dia., .3085" Stem Dia., 4.7660" O.A.L.
8	Intake	V-816 +	Std Only	Exh. & Int.; 1.3130" Head Dia., .3085" Stem Dia., 4.7660" O.A.L.; When depleted use FP-V816
4	Exhaust	FP-V1326X		Optional-H/D; 1.2500" Head Dia., .3085" Stem Dia., 4.7710" O.A.L.
4	Exhaust	V-1326X +	Std Only	Optional-H/D; 1.2500" Head Dia., .3085" Stem Dia., 4.7710" O.A.L.; When depleted use FP-V1326X
16	Keeper	VK-144		1 groove; Square cut key groove
16	Keeper	VK-144R		1 groove; Square cut key groove; Hardened
QTY	VALVE SEAT	PART NO.	SIZE	DESCRIPTION
8	Exh. & Int.	FP-24513755		1.3795" OD, 1.1250" ID, .2636" Depth
8	Exh. & Int.	245-1375-5 +	Std Only	1.3795" OD, 1.1250" ID, .2636" Depth; When depleted use FP-24513755
QTY	VALVE GUIDE	PART NO.	SIZE	DESCRIPTION
8	Guide	FP-VG635		.3155" ID, 2.5000" O.A.L.
8	Guide	VG-635 +		.3155" ID, 2.5000" O.A.L.; When depleted use FP-VG635
8	Guide	FP-VG681		VF Series Engs.; .439" x 1.812"; .3133" ID, 1.8100" O.A.L.
8	Guide	VG-681 +		VF Series Engs.; .439" x 1.812"; .3133" ID, 1.8100" O.A.L.; When depleted use FP-VG681
QTY	VALVE SPRING	PART NO.	SIZE	DESCRIPTION
8	Spring	FP-VS793		Use w/FP-RC45 rotocap; VF Series Engs.; 1.9700" Free Height
8	Spring	VS-793 +		Use w/RC-45 rotocap; VF Series Engs.; 1.9700" Free Height; When depleted use FP-VS793
8	Spring	FP-VS468		2.3120" Free Height
8	Spring	VS-468 +		2.3120" Free Height; When depleted use FP-VS468
QTY	VALVE MISC.	PART NO.	SIZE	DESCRIPTION
8	Rotocap	FP-RC45		Use w/VS-793 valve spring.; VF Series Engs.
8	Rotocap	RC-45 +		Use w/VS-793 valve spring.; VF Series Engs.; When depleted use FP-RC45
CAMSHAFT GROUP				
QTY	TIMING	PART NO.	SIZE	DESCRIPTION
1	Cam Gear	FP-2214108		VF4 & VH4D Engs.; 48 Teeth
CYLINDER COMPONENTS				
QTY	LINERS	PART NO.	SIZE	DESCRIPTION
4	Repair Sleeve	FP-SL11M	Std Only	3/32" wall, must be cut to correct length
4	Repair Sleeve	SL-11M +	Std Only	3/32" wall, must be cut to correct length; When depleted use FP-SL11M
QTY	PISTONS	PART NO.	SIZE	DESCRIPTION
4	Cast Piston	FP-628CP	Std-20-30-40-60	Cast; 2-3/32", 1-3/16" Ring Groove, 1.500" CD, .7503" Pin Dia., Recessed Head .010" deep; Piston length 2.870"; Repl. 3 ring piston in sets only
4	Cast Piston - Individual	FP-W628CP	Std-20-30-40-60	Cast; 2-3/32", 1-3/16" Ring Groove, 1.500" CD, .7500" Pin Dia., Recessed Head .010" deep; Piston length 2.870"; Repl. 3 ring piston in sets only
4	Cast Piston - Individual	W628CP +	Std-20-30-40-60	Cast; 2-3/32", 1-3/16" Ring Groove, 1.500" CD, .7500" Pin Dia., Recessed Head .010" deep; Piston length 2.870"; Repl. 3 ring piston in sets only; When depleted use FP-W628CP
4	Pin Bushing	1394		1.000" max. length
QTY	CONNECTING RODS & BRGS.	PART NO.	SIZE	DESCRIPTION
4	Rod Pair	FP-3520CP	Std-10-20	VF4, VF4D Engs.
4	Rod Pair	FP-3645CP	Std-10-20	VH4, VH4D, VH4DM Engs.
QTY	PISTON RINGS	PART NO.	SIZE	DESCRIPTION
1	Premium Set	FP-5051KX	Std-20-30-40-60	3-3/32, 1-3/16
1	Premium Set	5051KX +	Std-20-30-40-60	3-3/32, 1-3/16; When depleted use FP-5051KX
1	Standard Set	FP-10366X	Std Only	VF4D Engs.; 3-5/64, 1-3/16
1	Standard Set	10366X +	Std Only	VF4D Engs.; 3-5/64, 1-3/16; When depleted use FP-10366X
1	Standard Set	FP-5051X	Std-20-30-40-60	3-3/32, 1-3/16
1	Standard Set	5051X +	Std-20-30-40-60	3-3/32, 1-3/16; When depleted use FP-5051X
4	Premium Single Cylinder Set	W-5051KX20	20-30-60	3-3/32, 1-3/16
4	Standard Single Cylinder Set	W-5051X	Std-30	3-3/32, 1-3/16

Industrial Applications MVF4D, MVH4D Engs. 23
1.8L 108 L-HEAD V4 (Mil-Std), 3.25" Bore

CRANKSHAFT/OIL PUMP

QTY	MAIN BEARINGS	PART NO.	SIZE	DESCRIPTION
1	Cone Taper Brg.	420		Position Fan End; Tapered roller brg. cone
1	Cup Taper Brg.	414		Position Fan End; Tapered roller brg. cup

CYLINDER COMPONENTS

QTY	CONNECTING RODS & BRGS.	PART NO.	SIZE	DESCRIPTION
4	Rod Pair	FP-2425CP	Std-10-20-30	
4	Rod Pair	2425CP +	Std-10-20-30	When depleted use FP-2425CP

Industrial Applications VM4 Eng. 24
2.2L 132.7 L-HEAD V4, 3.25" Bore

CYL. HEAD & PARTS

QTY	VALVE	PART NO.	SIZE	DESCRIPTION
8	Intake	FP-V818		Exh. & Int.; 1.5630" Head Dia., .3089" Stem Dia., 6.3346" O.A.L.
8	Intake	V-818 +	Std Only	Exh. & Int.; 1.5630" Head Dia., .3089" Stem Dia., 6.3346" O.A.L.; When depleted use FP-V818
4	Exhaust	FP-V1676X		Optional; 1.5570" Head Dia., .3085" Stem Dia., 6.3330" O.A.L.
4	Exhaust	V-1676X +	Std Only	Optional; 1.5570" Head Dia., .3085" Stem Dia., 6.3330" O.A.L.; When depleted use FP-V1676X
16	Keeper	VK-144		1 groove; Square cut key groove
16	Keeper	VK-144R		1 groove; Square cut key groove; Hardened

CRANKSHAFT/OIL PUMP

QTY	MAIN BEARINGS	PART NO.	SIZE	DESCRIPTION
2	Cone Taper Brg.	455S		Position 1-2; Tapered roller brg. cone
2	Cup Taper Brg.	453A		Position 1-2; Tapered roller brg. cup

CYLINDER COMPONENTS

QTY	PISTONS	PART NO.	SIZE	DESCRIPTION
4	Pin Bushing	1394		1.000" max. length

Industrial Applications AM4, AM41 Engs. 25
2.2L 133.2 OHV L4, 3.25" Bore

CYL. HEAD & PARTS

QTY	VALVE	PART NO.	SIZE	DESCRIPTION
8	Keeper	VK-144		1 groove; Square cut key groove
8	Keeper	VK-144R		1 groove; Square cut key groove; Hardened
QTY	VALVE SPRING	PART NO.	SIZE	DESCRIPTION
8	Spring	FP-VS468		2.3120" Free Height
8	Spring	VS-468 +		2.3120" Free Height; When depleted use FP-VS468

CRANKSHAFT/OIL PUMP

QTY	MAIN BEARINGS	PART NO.	SIZE	DESCRIPTION
2	Cone Taper Brg.	455S		Position 1-2; Tapered roller brg. cone
2	Cup Taper Brg.	453A		Position 1-2; Tapered roller brg. cup

Industrial Applications MVG4D Eng. 26
2.4L 149 L-HEAD V4, 3.4375" Bore

CRANKSHAFT/OIL PUMP

QTY	MAIN BEARINGS	PART NO.	SIZE	DESCRIPTION
1	Plain Main Brg.	FP-3224CP	Std-10	Position Center
1	Plain Main Brg.	3224CP +	Std-10	Position Center; When depleted use FP-3224CP
2	Cone Taper Brg.	455S		Position 1-2; Tapered roller brg. cone
2	Cup Taper Brg.	453A		Position 1-2; Tapered roller brg. cup

CYLINDER COMPONENTS

QTY	CONNECTING RODS & BRGS.	PART NO.	SIZE	DESCRIPTION
4	Rod Pair	FP-3220CP	Std-10-20-30	w/2.1232-2.1240" std. shaft size
4	Rod Pair	3220CP +	Std-10-20-30	w/2.1232-2.1240" std. shaft size; When depleted use FP-3220CP

Wisconsin

27 Industrial Applications MVG4D Eng. 2.4L 149 L-HEAD V4 (Mil-Std), 3.4375" Bore

CRANKSHAFT/OIL PUMP

QTY	MAIN BEARINGS	PART NO.	SIZE	DESCRIPTION
1	Plain Main Brg.	FP-3224CP	Std-10	Position Center
1	Plain Main Brg.	3224CP + Std-10		Position Center; When depleted use FP-3224CP
2	Cone Taper Brg.	455S		Position 1-2; Tapered roller brg. cone
2	Cup Taper Brg.	453A		Position 1-2; Tapered roller brg. cup

CYLINDER COMPONENTS

QTY	CONNECTING RODS & BRGS.	PART NO.	SIZE	DESCRIPTION
4	Rod Pair	FP-3220CP	Std-10-20-30	w/2.1232-2.1240" std. shaft size
4	Rod Pair	3220CP + Std-10-20-30		w/2.1232-2.1240" std. shaft size; When depleted use FP-3220CP

28 Industrial Applications AP4, AP41, V460D, V461D, VG4D, VP4, VP4D Eng. 2.5L 154 L-HEAD V4, 3.5" Bore

CYL. HEAD & PARTS

QTY	VALVE	PART NO.	SIZE	DESCRIPTION
4	Intake	FP-V818		VG4D & VP4D Engs.; 1.5630" Head Dia., .3089" Stem Dia., 6.3346" O.A.L.
4	Intake	V-818 + Std Only		VG4D & VP4D Engs.; 1.5630" Head Dia., .3089" Stem Dia., 6.3346" O.A.L.; When depleted use FP-V818
4	Exhaust	FP-V1676X		VG4D & VP4D Engs.; 1.5570" Head Dia., .3085" Stem Dia., 6.3330" O.A.L.
4	Exhaust	V-1676X + Std Only		VG4D & VP4D Engs.; 1.5570" Head Dia., .3085" Stem Dia., 6.3330" O.A.L.; When depleted use FP-V1676X
16	Keeper	VK-144		Exc. V460D, V461D Engs.; 1 groove; Square cut key groove
16	Keeper	VK-144R		Exc. V460D, V461D Engs.; 1 groove; Square cut key groove; Hardened
16	Keeper	VK-115		V460D, V461D Engs.; 1 groove; Square cut key groove
16	Keeper	VK-115R		V460D, V461D Engs.; 1 groove; Square cut key groove; Hardened
16	Keeper, Bulk	VK-115B		V460D, V461D Engs.; 1 groove; Square cut key groove; Carton of 1000
QTY	VALVE GUIDE	PART NO.	SIZE	DESCRIPTION
8	Guide	VG-855		VG4D & VP4D Engs.; .3130" ID, 2.5000" O.A.L.
QTY	VALVE SPRING	PART NO.	SIZE	DESCRIPTION
8	Spring	FP-VS468		AP4 Engs.; 2.3120" Free Height
8	Spring	VS-468 +		AP4 Engs.; 2.3120" Free Height; When depleted use FP-VS468

CRANKSHAFT/OIL PUMP

QTY	MAIN BEARINGS	PART NO.	SIZE	DESCRIPTION
1	Plain Main Brg.	FP-3224CP	Std-10	Position Center; V-460D & V-461D Engs.
1	Plain Main Brg.	3224CP + Std-10		Position Center; V-460D & V-461D Engs.; When depleted use FP-3224CP
2	Cone Taper Brg.	39590		Position Ends; V-460D & V-461D Engs. Tapered roller brg. cone
2	Cone Taper Brg.	455S		Position 1-2; AP-4, AP-41, VG4D, VM4 & VP4 Engs. Tapered roller brg. cone
2	Cup Taper Brg.	39520		Position Ends; V-460D & V-461D Engs. Tapered roller brg. cup
2	Cup Taper Brg.	453A		Position 1-2; AP-4, AP-41, VG4D, VM4 & VP4 Engs. Tapered roller brg. cup

CYLINDER COMPONENTS

QTY	LINERS	PART NO.	SIZE	DESCRIPTION
1	Repair Sleeve	SL-15M Std Only		3/32" wall, Must be cut to correct length
QTY	PISTONS	PART NO.	SIZE	DESCRIPTION
4	Pin Bushing	1394		1.000" max. length
QTY	CONNECTING RODS & BRGS.	PART NO.	SIZE	DESCRIPTION
4	Rod Pair	FP-3220CP	Std-10-20-30	V-460D & V-461D Engs.; w/2.1232-2.1240" std. shaft size
4	Rod Pair	3220CP + Std-10-20-30		V-460D & V-461D Engs.; w/2.1232-2.1240" std. shaft size; When depleted use FP-3220CP
4	Rod Pair	FP-3605SB	Std-10-20	VG4D & VP4 Engs.
4	Rod Pair	3605SB + Std-10-20		VG4D & VP4 Engs.; When depleted use FP-3605SB
QTY	PISTON RINGS	PART NO.	SIZE	DESCRIPTION
4	Premium Set	FP-5091KX	Std-30	AP4, AP41, VG4D, VP4, VP4D Engs.; 3-1/8, 1-3/16 (1 cyl. set)
4	Premium Set	5091KX + Std-30		AP4, AP41, VG4D, VP4, VP4D Engs.; 3-1/8, 1-3/16 (1 cyl. set); When depleted use FP-5091KX
1	Premium Set	FP-934KX	Std-20-30-60	AP4, VG4D, VP4, VP4D Engs.; 3-1/8, 1-3/16

(continued on next page)

Industrial Applications AP4, AP41, V460D, V461D, VG4D, VP4, VP4D Engs. 28
2.5L 154 L-HEAD V4, 3.5" Bore (cont.)

CYLINDER COMPONENTS (cont.)

QTY	PISTON RINGS (cont.)	PART NO.	SIZE	DESCRIPTION
1	Premium Set	934KX +	Std-20-30-60	AP4, VG4D, VP4, VP4D Engs.; 3-1/8, 1-3/16; When depleted use FP-934KX
1	Standard Set	FP-934X	Std Only	AP4, VG4D, VP4, VP4D Engs.; 3-1/8, 1-3/16
1	Standard Set	934X +	Std Only	AP4, VG4D, VP4, VP4D Engs.; 3-1/8, 1-3/16; When depleted use FP-934X
4	Premium Single Cylinder Set	W-934KX	Std Only	AP4, VG4D, VP4, VP4D Engs.; 3-1/8, 1-3/16
4	Standard Single Cylinder Set	W-934X	Std Only	AP4, VG4D, VP4, VP4D Engs.; 3-1/8, 1-3/16

Industrial Applications V465D Eng. 29
2.9L 177 L-HEAD V4, 3.75" Bore

CYL. HEAD & PARTS

QTY	VALVE	PART NO.	SIZE	DESCRIPTION
16	Keeper	VK-115		1 groove; Square cut key groove
16	Keeper	VK-115R		1 groove; Square cut key groove; Hardened
16	Keeper, Bulk	VK-115B		1 groove; Square cut key groove; Carton of 1000

CRANKSHAFT/OIL PUMP

QTY	MAIN BEARINGS	PART NO.	SIZE	DESCRIPTION
1	Plain Main Brg.	FP-3224CP	Std-10	Position Center
1	Plain Main Brg.	3224CP +	Std-10	Position Center; When depleted use FP-3224CP
2	Cone Taper Brg.	39590		Position Ends; Tapered roller brg. cone
2	Cup Taper Brg.	39520		Position Ends; Tapered roller brg. cup

CYLINDER COMPONENTS

QTY	LINERS	PART NO.	SIZE	DESCRIPTION
4	Repair Sleeve	SL-19M	Std Only	3/32" wall, must be cut to correct length

QTY	CONNECTING RODS & BRGS.	PART NO.	SIZE	DESCRIPTION
4	Rod Pair	FP-3220CP	Std-10-20-30	w/2.1232-2.1240" std. shaft size
4	Rod Pair	3220CP +	Std-10-20-30	w/2.1232-2.1240" std. shaft size; When depleted use FP-3220CP

QTY	PISTON RINGS	PART NO.	SIZE	DESCRIPTION
1	Premium Set	FP-9608KX	Std-20-30	3-3/32, 1-3/16
1	Premium Set	9608KX +	Std-20-30	3-3/32, 1-3/16; When depleted use FP-9608KX

Industrial Applications VR4D Eng. 30
4.2L 255 L-HEAD V4, 4.25" Bore

CRANKSHAFT/OIL PUMP

QTY	MAIN BEARINGS	PART NO.	SIZE	DESCRIPTION
2	Cone Taper Brg.	39581		Position 1-2; Tapered roller brg. cone
2	Cup Taper Brg.	39520		Position 1-2; Tapered roller brg. cup

CYLINDER COMPONENTS

QTY	PISTONS	PART NO.	SIZE	DESCRIPTION
4	Pin Bushing	1394		Bushing w/.875" OD; Frg. Nos. DA-62, DA-68; 1.000" max. length
4	Pin Bushing	1449		Bushing w/1.0625" OD; Frg. No. DA-66-A

Engine Finding Index

Engine	Line No.	Engine	Line No.
L1 5" Bore.....	1		
L1 6" Bore.....	2		

Engine Code Index

Engine Code	Engine Description	Line No.	Engine Code	Engine Description	Line No.
B ...	Industrial Applications L1 5" Bore.....	1	CT ...	Industrial Applications.. L1 6" Bore.....	2
C ...	Industrial Applications L1 6" Bore.....	2	MD ...	Industrial Applications..... L1 5" Bore.....	1
CD ...	Industrial Applications . L1 5" Bore.....	1			

Witte

1 Industrial Applications B, CD, MD Engs.				
L1, 5" Bore				
CYL. HEAD & PARTS				
QTY	VALVE	PART NO.	SIZE	DESCRIPTION
16	Keeper	VK-66		2 groove
16	Keeper	VK-66R		2 groove; Hardened
CYLINDER COMPONENTS				
QTY	PISTON RINGS	PART NO.	SIZE	DESCRIPTION
1	Standard Set	FP-5838X	<i>Std Only</i>	4-3/16, 2-1/4
1	Standard Set	5838X +	<i>Std Only</i>	4-3/16, 2-1/4; When depleted use FP-5838X
2 Industrial Applications C, CT Engs.				
L1, 6" Bore				
CYL. HEAD & PARTS				
QTY	VALVE	PART NO.	SIZE	DESCRIPTION
4	Keeper	FP-127554		Exh.
4	Keeper	VK-66		Int.; 2 groove
4	Keeper	VK-66R		Int.; 2 groove; Hardened

Engine Kit Bill of Material

Qty.	Part No.	Description	Qty.	Part No.	Description	Qty.	Part No.	Description	Qty.	Part No.	Description
BK-6096			FP-IFKDT466OH (cont'd.)			FP-IFKOM904 (cont'd.)			FP-IFK12V71NA (cont'd.)		
(1)	1496M	Camshaft Bearing Set	(6)	FP-1808060	Connecting Rod Bearing Pair	(4)	FP-9040300024	Piston w/Pin, Retainer & Rings	(12)	FP-5149575	Connecting Rod Bearing Pair
(1)	260-1772	Gasket Kit	(6)	FP-1808061	Connecting Rod Bearing Pair	(1)	FP-9040301160	Connecting Rod Bearing Set	(12)	FP-5149577	Connecting Rod Bearing Pair
(1)	7370M	Main Bearing Set	(6)	FP-1808062	Connecting Rod Bearing Pair	(1)	FP-90425MM	Connecting Rod Bearing Set	(12)	FP-5149579	Connecting Rod Bearing Pair
(1)	E-626K	Premium Piston Ring Set	(6)	FP-681314	Connecting Rod Bearing Pair	(1)	FP-90450MM	Connecting Rod Bearing Set	(7)	FP-5149556	Main Bearing, Plain
(8)	2773PNA	Cast Piston	(6)	FP-681315	Connecting Rod Bearing Pair	(4)	FP-0030309724	Ring Set, Single Cylinder	(7)	FP-5149557	Main Bearing, Plain
(1)	8-3860P	Connecting Rod Bearing Set	(6)	FP-681316	Connecting Rod Bearing Pair	(1)	FP-9040300040	Main Bearing Set	(7)	FP-5149559	Main Bearing, Plain
(1)	EKSA2	Miscellaneous Service Items	(6)	FP-681316	Connecting Rod Bearing Pair	(1)	FP-9040300040	Main Bearing Set	(7)	FP-5149561	Main Bearing, Plain
BK-6097			(6)	FP-681316	Connecting Rod Bearing Pair	(1)	FP-9040300240	Main Bearing Set	(7)	FP-5149563	Main Bearing, Plain
(1)	1496M	Camshaft Bearing Set	(6)	FP-681316	Connecting Rod Bearing Pair	(1)	FP-9040300240	Main Bearing Set	(7)	FP-5149565	Main Bearing, Plain
(1)	260-1773	Gasket Kit	(6)	FP-681316	Connecting Rod Bearing Pair	(1)	FP-9040101921	Head Gasket Set	(7)	FP-5149566	Main Bearing, Plain
(1)	7370M	Main Bearing Set	(1)	FP-1823843	Main Bearing Set	(1)	FP-9040102220	Head Gasket Set	(7)	FP-5149567	Main Bearing, Plain
(1)	E-626K	Premium Piston Ring Set	(1)	FP-1823844	Main Bearing Set	(1)	FP-9060140422	Oil Pan Gasket	(7)	FP-5149568	Main Bearing, Plain
(8)	2773PNA	Cast Piston	(1)	FP-1823845	Main Bearing Set	(6)	FP-9060303217	Piston w/Pin, Retainer & Rings	(7)	FP-8922118	Main Bearing, Plain
(1)	8-3860P	Connecting Rod Bearing Set	(1)	FP-1823846	Main Bearing Set	(1)	FP-9060380711	Connecting Rod Bearing Set	(4)	FP-5117005	Thrust Washer
(1)	EKSA2	Miscellaneous Service Items	(1)	FP-1823847	Main Bearing Set	(1)	FP-9060380811	Connecting Rod Bearing Set	(2)	FP-5196382	Head Gasket Set
BKP-6096			(1)	FP-1823849	Main Bearing Set	(1)	FP-9060380911	Connecting Rod Bearing Set	(2)	FP-5104019	Valve Cover Gasket
(1)	1496M	Camshaft Bearing Set	(1)	FP-1823850	Main Bearing Set	(1)	FP-9060105521	Head Gasket Set	(2)	FP-5143407	Valve Cover Gasket
(1)	260-1772	Gasket Kit	(1)	FP-PGN466C	Complete Overhaul Gasket Set	FP-IFKOM906			FP-IFK12V71XH		
(1)	7370M	Main Bearing Set	FP-IFKDT4664R			(6)	FP-0030309724	Ring Set, Single Cylinder	(1)	FP-5109915	Oil Pan Gasket
(1)	E-626K	Premium Piston Ring Set	(6)	FP-18103594R	Cylinder Kit Complete	(1)	FP-9060330702	Main Bearing Set	(12)	FP-20019	Cylinder Kit Complete
(8)	2773PNA	Cast Piston	(6)	FP-1808059	Connecting Rod Bearing Pair	(1)	FP-9060330801	Main Bearing Set	(12)	FP-20020	Cylinder Kit Complete
(1)	8-3860P	Connecting Rod Bearing Set	(6)	FP-1808060	Connecting Rod Bearing Pair	(1)	FP-9060330902	Main Bearing Set	(12)	FP-20021	Cylinder Kit Complete
(1)	224-43424	Oil Pump	(6)	FP-1808061	Connecting Rod Bearing Pair	(1)	FP-9060103720	Head Gasket Set	(12)	FP-20022	Cylinder Kit Complete
(1)	381-8057	Brass Expansion Plug Kit	(6)	FP-1808062	Connecting Rod Bearing Pair	(1)	FP-9060105521	Head Gasket Set	(12)	FP-23522473	Cylinder Kit Complete
(1)	EKSA2	Miscellaneous Service Items	(6)	FP-1808062	Connecting Rod Bearing Pair	FP-IFK1160			(12)	FP-235224735	Cylinder Kit Complete
BKP-6097			(6)	FP-681314	Connecting Rod Bearing Pair	(8)	FP-2W4831	Piston Body w/o Pin	(12)	FP-23522477	Cylinder Kit Complete
(1)	1496M	Camshaft Bearing Set	(6)	FP-681314	Connecting Rod Bearing Pair	(8)	FP-2W8410	Piston Body w/o Pin	(12)	FP-23522485	Cylinder Kit Complete
(1)	260-1773	Gasket Kit	(6)	FP-681315	Connecting Rod Bearing Pair	(8)	FP-2W8411	Piston Body w/o Pin	(12)	FP-2352248530	Cylinder Kit Complete
(1)	7370M	Main Bearing Set	(6)	FP-681315	Connecting Rod Bearing Pair	(8)	FP-9L7737	Piston Body w/o Pin	(12)	FP-235224855	Cylinder Kit Complete
(1)	E-626K	Premium Piston Ring Set	(6)	FP-681316	Connecting Rod Bearing Pair	(8)	FP-9L77373R	Piston Body w/o Pin	(12)	FP-23522489	Cylinder Kit Complete
(8)	2773PNA	Cast Piston	(6)	FP-681316	Connecting Rod Bearing Pair	(8)	FP-9L7827	Piston Body w/o Pin	(12)	FP-23522491	Cylinder Kit Complete
(1)	8-3860P	Connecting Rod Bearing Set	(6)	FP-681316	Connecting Rod Bearing Pair	(8)	FP-9L78273R	Piston Body w/o Pin	(12)	FP-23522493	Cylinder Kit Complete
(1)	224-43424	Oil Pump	(6)	FP-681316	Connecting Rod Bearing Pair	(8)	FP-9L7828	Piston Body w/o Pin	(12)	FP-23522507	Cylinder Kit Complete
(1)	381-8057	Brass Expansion Plug Kit	(6)	FP-681316	Connecting Rod Bearing Pair	(8)	FP-9L7828	Piston Body w/o Pin	(12)	FP-235225075	Cylinder Kit Complete
(1)	EKSA2	Miscellaneous Service Items	(6)	FP-681316	Connecting Rod Bearing Pair	(8)	FP-7N9803	Piston Pin	(12)	FP-23522509	Cylinder Kit Complete
FP-IFKDT466			(6)	FP-681314	Connecting Rod Bearing Pair	(16)	FP-8N7294	Piston Pin Retainer	(12)	FP-23522511	Cylinder Kit Complete
(6)	FP-1817189	Cylinder Kit Complete	(6)	FP-681315	Connecting Rod Bearing Pair	(8)	FP-2W8265	Ring Set, Single Cylinder	(12)	FP-23522513	Cylinder Kit Complete
(6)	FP-1817645	Cylinder Kit Complete	(6)	FP-681315	Connecting Rod Bearing Pair	(8)	FP-2W82653R	Ring Set, Single Cylinder	(12)	FP-23522515	Cylinder Kit Complete
(6)	FP-687432	Cylinder Kit Complete	(6)	FP-681315	Connecting Rod Bearing Pair	(8)	FP-2W8646	Ring Set, Single Cylinder	(12)	FP-23522521	Cylinder Kit Complete
(6)	FP-1808059	Connecting Rod Bearing Pair	(6)	FP-681316	Connecting Rod Bearing Pair	(8)	FP-2W86463R	Ring Set, Single Cylinder	(12)	FP-23522525	Cylinder Kit Complete
(6)	FP-1808060	Connecting Rod Bearing Pair	(6)	FP-681316	Connecting Rod Bearing Pair	(8)	FP-2W8647	Ring Set, Single Cylinder	(12)	FP-2352252525	Cylinder Kit Complete
(6)	FP-1808061	Connecting Rod Bearing Pair	(6)	FP-681316	Connecting Rod Bearing Pair	(8)	FP-9N5923	Connecting Rod Bearing Pair	(12)	FP-23522946	Cylinder Kit Complete
(6)	FP-1808062	Connecting Rod Bearing Pair	(6)	FP-681316	Connecting Rod Bearing Pair	(8)	FP-9N5924	Connecting Rod Bearing Pair	(12)	FP-23522947	Cylinder Kit Complete
(6)	FP-681314	Connecting Rod Bearing Pair	(6)	FP-681316	Connecting Rod Bearing Pair	(8)	FP-9N5924	Connecting Rod Bearing Pair	(12)	FP-23522948	Cylinder Kit Complete
(6)	FP-681315	Connecting Rod Bearing Pair	(6)	FP-681316	Connecting Rod Bearing Pair	(8)	FP-9N5925	Connecting Rod Bearing Pair	(12)	FP-23522949	Cylinder Kit Complete
(6)	FP-681316	Connecting Rod Bearing Pair	(6)	FP-681316	Connecting Rod Bearing Pair	(8)	FP-9N5925	Connecting Rod Bearing Pair	(12)	FP-2352294930	Cylinder Kit Complete
(6)	FP-687382	Connecting Rod Bearing Pair	(6)	FP-681316	Connecting Rod Bearing Pair	(8)	FP-9N5926	Connecting Rod Bearing Pair	(12)	FP-235229495	Cylinder Kit Complete
(1)	FP-1823843	Main Bearing Set	(6)	FP-681316	Connecting Rod Bearing Pair	(1)	FP-00029	Main Bearing Set	(12)	FP-23522950	Cylinder Kit Complete
(1)	FP-1823844	Main Bearing Set	(6)	FP-681316	Connecting Rod Bearing Pair	(1)	FP-00030	Main Bearing Set	(12)	FP-23522951	Cylinder Kit Complete
(1)	FP-1823845	Main Bearing Set	(6)	FP-681316	Connecting Rod Bearing Pair	(1)	FP-00031	Main Bearing Set	(12)	FP-23522952	Cylinder Kit Complete
(1)	FP-1823846	Main Bearing Set	(6)	FP-681316	Connecting Rod Bearing Pair	(1)	FP-00032	Main Bearing Set	(12)	FP-23522953	Cylinder Kit Complete
(1)	FP-1823847	Main Bearing Set	(6)	FP-681316	Connecting Rod Bearing Pair	(1)	FP-00033	Main Bearing Set	(12)	FP-5149572	Connecting Rod Bearing Pair
(1)	FP-1823848	Main Bearing Set	(6)	FP-681316	Connecting Rod Bearing Pair	(1)	FP-4W8001DM	Main Bearing Set	(12)	FP-5149575	Connecting Rod Bearing Pair
(1)	FP-1823849	Main Bearing Set	(6)	FP-681316	Connecting Rod Bearing Pair	(1)	FP-4W8020DM	Main Bearing Set	(12)	FP-5149577	Connecting Rod Bearing Pair
(1)	FP-1823850	Main Bearing Set	(6)	FP-681316	Connecting Rod Bearing Pair	(1)	FP-4W8031DM	Main Bearing Set	(12)	FP-5149579	Connecting Rod Bearing Pair
(1)	FP-PGN466IF	In-Frame Gasket Set	(6)	FP-681316	Connecting Rod Bearing Pair	(1)	FP-4W8032DM	Main Bearing Set	(7)	FP-5149556	Main Bearing, Plain
FP-IFKDT466OH			(6)	FP-681316	Connecting Rod Bearing Pair	(1)	FP-4W8033DM	Main Bearing Set	(7)	FP-5149557	Main Bearing, Plain
(6)	FP-1817189	Cylinder Kit Complete	(6)	FP-681316	Connecting Rod Bearing Pair	(1)	FP-4W8035DM	Main Bearing Set	(7)	FP-5149559	Main Bearing, Plain
(6)	FP-1817645	Cylinder Kit Complete	(6)	FP-681316	Connecting Rod Bearing Pair	(1)	FP-4W8035DM	Main Bearing Set	(7)	FP-5149561	Main Bearing, Plain
(6)	FP-687432	Cylinder Kit Complete	(6)	FP-681316	Connecting Rod Bearing Pair	(1)	FP-9Y6202	Main Bearing Set	(7)	FP-5149563	Main Bearing, Plain
(6)	FP-1808059	Connecting Rod Bearing Pair	(6)	FP-681316	Connecting Rod Bearing Pair	(1)	FP-5P8539	Multiple Cyl. Head Gskt. Set	(7)	FP-5149565	Main Bearing, Plain
(cont'd. next column)			(6)	FP-681316	Connecting Rod Bearing Pair	(1)	FP-8S1963	Miscellaneous Gasket	(7)	FP-5149566	Main Bearing, Plain
FP-IFKDT466OH			(1)	FP-1823843	Main Bearing Set	(1)	FP-9L8016	Miscellaneous Gasket	(7)	FP-5149567	Main Bearing, Plain
(6)	FP-1817189	Cylinder Kit Complete	(1)	FP-1823844	Main Bearing Set	FP-IFK12V71NA			(7)	FP-5149568	Main Bearing, Plain
(6)	FP-1817645	Cylinder Kit Complete	(1)	FP-1823844	Main Bearing Set	(1)	FP-5109915	Oil Pan Gasket	(7)	FP-8922118	Main Bearing, Plain
(6)	FP-687432	Cylinder Kit Complete	(1)	FP-1823845	Main Bearing Set	(12)	FP-23505305	Cylinder Kit Complete	(4)	FP-5117005	Thrust Washer
(6)	FP-1808059	Connecting Rod Bearing Pair	(1)	FP-1823846	Main Bearing Set	(12)	FP-23505306	Cylinder Kit Complete	(2)	FP-5196382	Head Gasket Set
(cont'd. next column)			(1)	FP-1823847	Main Bearing Set	(12)	FP-2350530630	Cylinder Kit Complete	(2)	FP-5104019	Valve Cover Gasket
FP-IFKDT466OH			(1)	FP-1823848	Main Bearing Set	(12)	FP-235053065	Cylinder Kit Complete	(2)	FP-5143407	Valve Cover Gasket
(6)	FP-1817189	Cylinder Kit Complete	(1)	FP-1823849	Main Bearing Set	(12)	FP-5149261	Cylinder Kit Complete	FP-IFK188E		
(6)	FP-1817645	Cylinder Kit Complete	(1)	FP-1823849	Main Bearing Set	(12)	FP-5149263	Cylinder Kit Complete	(4)	FP-A37769	Cylinder Kit Complete
(6)	FP-687432	Cylinder Kit Complete	(1)	FP-1823850	Main Bearing Set	(12)	FP-5149264	Cylinder Kit Complete	(cont'd. next page)		
(6)	FP-1808059	Connecting Rod Bearing Pair	(1)	FP-PGN466C	Complete Overhaul Gasket Set	(12)	FP-5149572	Connecting Rod Bearing Pair	(cont'd. next column)		
(cont'd. next column)			FP-IFKOM904			FP-IFK12V71NA			FP-IFK188E		
(cont'd. next column)			(1)	FP-9040140622	Oil Pan Gasket	(1)	FP-5109915	Oil Pan Gasket	(4)	FP-A37769	Cylinder Kit Complete
(cont'd. next column)			(1)	FP-9040140722	Oil Pan Gasket	(12)	FP-23505305	Cylinder Kit Complete	(cont'd. next page)		
(cont'd. next column)			(cont'd. next column)			(cont'd. next column)			(cont'd. next page)		

Engine Kit Bill of Material

Qty.	Part No.	Description	Qty.	Part No.	Description	Qty.	Part No.	Description	Qty.	Part No.	Description
FP-IFK188E (cont'd.)			FP-IFK267E (cont'd.)			FP-IFK3208 (cont'd.)			FP-IFK3306OH (cont'd.)		
(4)	FP-A46050	Connecting Rod Bearing Pair	(1)	FP-A62573S	Thrust Washer Set	(8)	FP-7E7894	Connecting Rod Bearing Pair	(6)	FP-8N8222	Connecting Rod Bearing Pair
(4)	FP-A46052	Connecting Rod Bearing Pair	(1)	FP-PGE267EC	Complete Overhaul Gasket Set	(8)	FP-7E789430	Connecting Rod Bearing Pair	(6)	FP-8N8223	Connecting Rod Bearing Pair
(4)	FP-A46053	Connecting Rod Bearing Pair	FP-IFK301E			(8)	FP-7E789440	Connecting Rod Bearing Pair	(7)	FP-2323233	Main Bearing, Plain
(4)	FP-A46054	Connecting Rod Bearing Pair	(4)	FP-A429951	Cylinder Kit Complete	(8)	FP-9N5920	Connecting Rod Bearing Pair	(7)	FP-8N8225	Main Bearing, Plain
(1)	FP-4397M	Main Bearing Set	(4)	FP-A43173	Connecting Rod Bearing Pair	(8)	FP-9N5921	Connecting Rod Bearing Pair	(7)	FP-8N8226	Main Bearing, Plain
(1)	FP-4397M10	Main Bearing Set	(4)	FP-A4317340	Connecting Rod Bearing Pair	(8)	FP-9N5922	Connecting Rod Bearing Pair	(7)	FP-8N8227	Main Bearing, Plain
(1)	FP-4397M20	Main Bearing Set	(4)	FP-A43174	Connecting Rod Bearing Pair	(8)	FP-9N5923	Connecting Rod Bearing Pair	(2)	FP-1003652	Thrust Washer
(1)	FP-4397M30	Main Bearing Set	(4)	FP-A43175	Connecting Rod Bearing Pair	(8)	FP-9N5924	Connecting Rod Bearing Pair	(2)	FP-6N8940	Thrust Washer
(1)	FP-PGE188EC	Complete Overhaul Gasket Set	(4)	FP-A43176	Connecting Rod Bearing Pair	(8)	FP-9N5925	Connecting Rod Bearing Pair	(2)	FP-9S3037	Thrust Washer
(1)	FP-A189524	Oil Pan Gasket Set	(4)	FP-A43177	Connecting Rod Bearing Pair	(8)	FP-9N5926	Connecting Rod Bearing Pair	(1)	FP-PGE0301	Complete Overhaul Gasket Set
FP-IFK188L			FP-IFK301L			FP-IFK3306			FP-IFK336E		
(4)	FP-A151995	Cylinder Kit Complete	(4)	FP-A460221	Cylinder Kit Complete	(1)	FP-00029	Main Bearing Set	(4)	FP-A460251	Cylinder Kit Complete
(4)	FP-A46050	Connecting Rod Bearing Pair	(4)	FP-A43173	Connecting Rod Bearing Pair	(1)	FP-00030	Main Bearing Set	(4)	FP-CK24852185	Cylinder Kit Complete
(4)	FP-A46052	Connecting Rod Bearing Pair	(4)	FP-A43174	Connecting Rod Bearing Pair	(1)	FP-00031	Main Bearing Set	(4)	FP-CK61222185	Cylinder Kit Complete
(4)	FP-A46053	Connecting Rod Bearing Pair	(4)	FP-A43175	Connecting Rod Bearing Pair	(1)	FP-00032	Main Bearing Set	(4)	FP-A41758	Connecting Rod Bearing Pair
(4)	FP-A46054	Connecting Rod Bearing Pair	(4)	FP-A43176	Connecting Rod Bearing Pair	(1)	FP-00033	Main Bearing Set	(4)	FP-A41900	Connecting Rod Bearing Pair
(1)	FP-4397M	Main Bearing Set	(1)	FP-7039M	Main Bearing Set	(1)	FP-4W8001DM	Main Bearing Set	(4)	FP-A41901	Connecting Rod Bearing Pair
(1)	FP-4397M10	Main Bearing Set	(1)	FP-7039M10	Main Bearing Set	(1)	FP-4W8020DM	Main Bearing Set	(4)	FP-A41902	Connecting Rod Bearing Pair
(1)	FP-4397M20	Main Bearing Set	(1)	FP-7039M20	Main Bearing Set	(1)	FP-4W8030DM	Main Bearing Set	(4)	FP-A41902	Connecting Rod Bearing Pair
(1)	FP-4397M30	Main Bearing Set	(1)	FP-A62572	Thrust Washer Component	(1)	FP-4W8031DM	Main Bearing Set	(4)	FP-A43173	Connecting Rod Bearing Pair
(1)	PGE207C	Complete Overhaul Gasket Set	(1)	FP-A62573	Thrust Washer Component	(1)	FP-4W8032DM	Main Bearing Set	(4)	FP-A4317340	Connecting Rod Bearing Pair
(1)	FP-A189524	Oil Pan Gasket Set	(1)	FP-PGE301EC	Complete Overhaul Gasket Set	(1)	FP-4W8033DM	Main Bearing Set	(4)	FP-A43174	Connecting Rod Bearing Pair
FP-IFK207E			FP-IFK3208			FP-IFK3306L			FP-IFK336L		
(4)	FP-A151991	Cylinder Kit Complete	(8)	FP-PK3846	Piston w/Pin, Retainer & Rings	(1)	FP-1694199	Oil Pan Gasket	(1)	FP-7039M	Main Bearing Set
(4)	FP-A50975	Connecting Rod Bearing Pair	(8)	FP-PK4831	Piston w/Pin, Retainer & Rings	(1)	FP-1694200	Oil Pan Gasket	(1)	FP-7039M10	Main Bearing Set
(4)	FP-A50977	Connecting Rod Bearing Pair	(8)	FP-PK7737	Piston w/Pin, Retainer & Rings	(6)	FP-LK1073565	Cylinder Kit Complete	(1)	FP-7039M20	Main Bearing Set
(4)	FP-A50978	Connecting Rod Bearing Pair	(8)	FP-PK77373R	Piston w/Pin, Retainer & Rings	(6)	FP-LK1290358	Cylinder Kit Complete	(2)	FP-A62572	Thrust Washer Component
(4)	FP-A50979	Connecting Rod Bearing Pair	(8)	FP-PK7827	Piston w/Pin, Retainer & Rings	(6)	FP-LK1548087	Cylinder Kit Complete	(2)	FP-A62573	Thrust Washer Component
(1)	FP-4397M	Main Bearing Set	(8)	FP-PK78273R	Piston w/Pin, Retainer & Rings	(6)	FP-LK1654262	Cylinder Kit Complete	(1)	FP-PGE336EC	Complete Overhaul Gasket Set
(1)	FP-4397M10	Main Bearing Set	(8)	FP-PK7828	Piston w/Pin, Retainer & Rings	(6)	FP-LK3180	Cylinder Kit Complete	FP-IFK336L		
(1)	FP-4397M20	Main Bearing Set	(8)	FP-PK78283R	Piston w/Pin, Retainer & Rings	(6)	FP-LK3182	Cylinder Kit Complete	(4)	FP-A1521771	Cylinder Kit Complete
(1)	FP-4397M30	Main Bearing Set	(8)	FP-PK78303R	Piston w/Pin, Retainer & Rings	(6)	FP-LK3184	Cylinder Kit Complete	(4)	FP-A166134	Cylinder Kit Complete
(1)	FP-PGE207C	Complete Overhaul Gasket Set	(8)	FP-PK8410	Piston w/Pin, Retainer & Rings	(6)	FP-LK5250	Cylinder Kit Complete	(4)	FP-CK51233638	Cylinder Kit Complete
(1)	FP-A189524	Oil Pan Gasket Set	(8)	FP-PK8411	Piston w/Pin, Retainer & Rings	(6)	FP-LK5403	Cylinder Kit Complete	(4)	FP-A41758	Connecting Rod Bearing Pair
FP-IFK207L			FP-IFK3208			FP-IFK3306			FP-IFK336L		
(4)	FP-A46382	Cylinder Kit Complete	(8)	FP-PK8412	Piston w/Pin, Retainer & Rings	(6)	FP-4W5739	Connecting Rod Bearing Pair	(4)	FP-A41900	Connecting Rod Bearing Pair
(4)	FP-A50975	Connecting Rod Bearing Pair	(8)	FP-PK84123R	Piston w/Pin, Retainer & Rings	(6)	FP-8N8221	Connecting Rod Bearing Pair	(4)	FP-A41901	Connecting Rod Bearing Pair
(4)	FP-A50977	Connecting Rod Bearing Pair	(8)	FP-PK8414	Piston w/Pin, Retainer & Rings	(6)	FP-8N8222	Connecting Rod Bearing Pair	(4)	FP-A41902	Connecting Rod Bearing Pair
(4)	FP-A50978	Connecting Rod Bearing Pair	(8)	FP-PK84143R	Piston w/Pin, Retainer & Rings	(7)	FP-8N8223	Connecting Rod Bearing Pair	(4)	FP-A41902	Connecting Rod Bearing Pair
(4)	FP-A50979	Connecting Rod Bearing Pair	(8)	FP-PK8415	Piston w/Pin, Retainer & Rings	(7)	FP-2323233	Main Bearing, Plain	(4)	FP-A43173	Connecting Rod Bearing Pair
(1)	FP-4397M	Main Bearing Set	(8)	FP-PK84153R	Piston w/Pin, Retainer & Rings	(7)	FP-8N8225	Main Bearing, Plain	(4)	FP-A4317340	Connecting Rod Bearing Pair
(1)	FP-4397M10	Main Bearing Set	FP-IFK3208			(7)	FP-8N8226	Main Bearing, Plain	(4)	FP-A43174	Connecting Rod Bearing Pair
(1)	FP-4397M20	Main Bearing Set	(8)	FP-PK8410	Piston w/Pin, Retainer & Rings	(7)	FP-8N8227	Main Bearing, Plain	(4)	FP-A43175	Connecting Rod Bearing Pair
(1)	FP-4397M30	Main Bearing Set	(8)	FP-PK8411	Piston w/Pin, Retainer & Rings	(2)	FP-1003652	Thrust Washer	(4)	FP-A43176	Connecting Rod Bearing Pair
(1)	FP-PGE207C	Complete Overhaul Gasket Set	(8)	FP-PK8412	Piston w/Pin, Retainer & Rings	(2)	FP-6N8940	Thrust Washer	(4)	FP-A43177	Connecting Rod Bearing Pair
(1)	FP-A189524	Oil Pan Gasket Set	(8)	FP-PK8414	Piston w/Pin, Retainer & Rings	(2)	FP-9S3037	Thrust Washer	(4)	FP-7039M	Main Bearing Set
FP-IFK267E			FP-IFK3208			FP-IFK3306OH			FP-IFK336L		
(4)	FP-A404791	Cylinder Kit Complete	(8)	FP-PK8415	Piston w/Pin, Retainer & Rings	(1)	FP-PGB3306	Head Gasket Set	(1)	FP-7039M10	Main Bearing Set
(4)	FP-A418211	Cylinder Kit Complete	(8)	FP-PK8416	Piston w/Pin, Retainer & Rings	(1)	FP-PGB3307	Head Gasket Set	(1)	FP-7039M20	Main Bearing Set
(4)	FP-A43173	Connecting Rod Bearing Pair	(8)	FP-PK8417	Piston w/Pin, Retainer & Rings	(1)	FP-8S1963	Miscellaneous Gasket	(2)	FP-A62572	Thrust Washer Component
(4)	FP-A43175	Connecting Rod Bearing Pair	(8)	FP-PK8418	Piston w/Pin, Retainer & Rings	(6)	FP-LK1073565	Cylinder Kit Complete	(2)	FP-A62573	Thrust Washer Component
(4)	FP-A43176	Connecting Rod Bearing Pair	(8)	FP-PK8419	Piston w/Pin, Retainer & Rings	(6)	FP-LK1290358	Cylinder Kit Complete	(1)	FP-PGE336LC	Complete Overhaul Gasket Set
(4)	FP-A43177	Connecting Rod Bearing Pair	(8)	FP-PK8420	Piston w/Pin, Retainer & Rings	(6)	FP-LK1548087	Cylinder Kit Complete	FP-IFK3406		
(1)	FP-7039M	Main Bearing Set	(8)	FP-PK8421	Piston w/Pin, Retainer & Rings	(6)	FP-LK1654262	Cylinder Kit Complete	(6)	FP-LK0292	Cylinder Kit Complete
(1)	FP-7039M10	Main Bearing Set	(8)	FP-PK8422	Piston w/Pin, Retainer & Rings	(6)	FP-LK3180	Cylinder Kit Complete	(6)	FP-LK0539	Cylinder Kit Complete
(1)	FP-7039M20	Main Bearing Set	(8)	FP-PK8423	Piston w/Pin, Retainer & Rings	(6)	FP-LK3182	Cylinder Kit Complete	(6)	FP-LK0931	Cylinder Kit Complete
(1)	FP-A62572S	Thrust Washer Set (cont'd. next column)	(8)	FP-PK8424	Piston w/Pin, Retainer & Rings	(6)	FP-LK3184	Cylinder Kit Complete	(6)	FP-LK1010016	Cylinder Kit Complete
			FP-IFK3208			FP-IFK3306OH			FP-IFK336L		
			(8)	FP-PK3846	Piston w/Pin, Retainer & Rings	(6)	FP-LK5250	Cylinder Kit Complete	FP-IFK3406		
			(8)	FP-PK4831	Piston w/Pin, Retainer & Rings	(6)	FP-LK5403	Cylinder Kit Complete	(6)	FP-LK0292	Cylinder Kit Complete
			(8)	FP-PK7737	Piston w/Pin, Retainer & Rings	(6)	FP-4W5739	Connecting Rod Bearing Pair	(6)	FP-LK0539	Cylinder Kit Complete
			(8)	FP-PK77373R	Piston w/Pin, Retainer & Rings	(6)	FP-8N8221	Connecting Rod Bearing Pair	(6)	FP-LK0931	Cylinder Kit Complete
			(8)	FP-PK7827	Piston w/Pin, Retainer & Rings	FP-IFK3306L			(6)	FP-LK1010016	Cylinder Kit Complete
			(8)	FP-PK78273R	Piston w/Pin, Retainer & Rings				FP-IFK3406		
			(8)	FP-PK7828	Piston w/Pin, Retainer & Rings						
			(8)	FP-PK78283R	Piston w/Pin, Retainer & Rings						
			(8)	FP-PK78303R	Piston w/Pin, Retainer & Rings						
			(8)	FP-PK8410	Piston w/Pin, Retainer & Rings						
			(8)	FP-PK8411	Piston w/Pin, Retainer & Rings						
			(8)	FP-PK8412	Piston w/Pin, Retainer & Rings						
			(8)	FP-PK84123R	Piston w/Pin, Retainer & Rings						
			(8)	FP-PK8414	Piston w/Pin, Retainer & Rings						
			(8)	FP-PK84143R	Piston w/Pin, Retainer & Rings						
			(8)	FP-PK8415	Piston w/Pin, Retainer & Rings						
			(8)	FP-PK84153R	Piston w/Pin, Retainer & Rings						

Engine Kit Bill of Material

Qty.	Part No.	Description	Qty.	Part No.	Description	Qty.	Part No.	Description	Qty.	Part No.	Description
FP-IFK451L (cont'd.)			FP-IFK471XH (cont'd.)			FP-IFK504L (cont'd.)			FP-KST2444A		
(6)	FP-A43174	Connecting Rod Bearing Pair	(4)	FP-23511129	Connecting Rod Bearing Pair	(6)	FP-A166134	Cylinder Kit Complete	(8)	FP-SL2444	Sleeve Assembly
(6)	FP-A43175	Connecting Rod Bearing Pair	(4)	FP-23511131	Connecting Rod Bearing Pair	(6)	FP-CK51233638	Cylinder Kit Complete	(8)	FP-3210CP	Connecting Rod Bearing Pair
(6)	FP-A43176	Connecting Rod Bearing Pair	(4)	FP-23511133	Connecting Rod Bearing Pair	(6)	FP-CK82353638	Cylinder Kit Complete	(1)	FP-5084M	Main Bearing Set
(6)	FP-A43177	Connecting Rod Bearing Pair	(4)	FP-23511135	Connecting Rod Bearing Pair	(6)	FP-A41900	Connecting Rod Bearing Pair	FP-KST2470A		
(1)	FP-5045M	Main Bearing Set	(4)	FP-23511137	Connecting Rod Bearing Pair	(6)	FP-A41901	Connecting Rod Bearing Pair	(4)	FP-1102P	Cast Piston
(1)	FP-5045M10	Main Bearing Set	(5)	FP-5192874	Main Bearing, Plain	(6)	FP-A41902	Connecting Rod Bearing Pair	(1)	FP-E323KC	Premium Piston Ring Set
(1)	FP-5045M20	Main Bearing Set	(5)	FP-5192875	Main Bearing, Plain	(6)	FP-A43173	Connecting Rod Bearing Pair	(2)	FP-1995CP	Connecting Rod Bearing Pair
(1)	FP-5047M	Main Bearing Set	(5)	FP-5192876	Main Bearing, Plain	(6)	FP-A43174	Connecting Rod Bearing Pair	(2)	FP-1995CPA	Connecting Rod Bearing Pair
(1)	FP-5047M10	Main Bearing Set	(5)	FP-5192877	Main Bearing, Plain	(6)	FP-A43175	Connecting Rod Bearing Pair	(1)	FP-4918M	Main Bearing Set
(1)	FP-5047M20	Main Bearing Set	(5)	FP-5192878	Main Bearing, Plain	(6)	FP-A43176	Connecting Rod Bearing Pair	(1)	FP-2601355	Gasket Kit
(1)	FP-PGE451LC	Complete Overhaul Gasket Set	(4)	FP-5159353	Thrust Washer	(6)	FP-A43177	Connecting Rod Bearing Pair	FP-KST2558C		
(1)	FP-A189521	Oil Pan Gasket Set	(1)	FP-5198676	Head Gasket Set	(6)	FP-A43176	Connecting Rod Bearing Pair	(6)	2410CP	Connecting Rod Bearing Pair
FP-IFK471NA			(1)	FP-5104081	Valve Cover Gasket	(6)	FP-A43175	Connecting Rod Bearing Pair	(1)	FP-4933M	Main Bearing Set
(1)	FP-5150116	Oil Pan Gasket	(1)	FP-5143406	Valve Cover Gasket	(6)	FP-A43176	Connecting Rod Bearing Pair	(6)	FP-SL2558	Cylinder Kit Complete
(4)	FP-23505305	Cylinder Kit Complete	FP-IFK4712V			(6)	FP-A43177	Connecting Rod Bearing Pair	(1)	FP-2601374	Gasket Kit
(4)	FP-23505306	Cylinder Kit Complete	(1)	FP-5150116	Oil Pan Gasket	(1)	FP-5049M	Main Bearing Set	FP-KST2558D		
(4)	FP-2350530630	Cylinder Kit Complete	(4)	FP-23505308	Cylinder Kit Complete	(1)	FP-5049M10	Main Bearing Set	(6)	2410CP	Connecting Rod Bearing Pair
(4)	FP-235053065	Cylinder Kit Complete	(4)	FP-23505309	Cylinder Kit Complete	(1)	FP-5049M20	Main Bearing Set	(1)	FP-4082M	Main Bearing Set
(4)	FP-5149261	Cylinder Kit Complete	(4)	FP-2350530910	Cylinder Kit Complete	(1)	FP-5049M30	Main Bearing Set	(6)	FP-SL2558	Cylinder Kit Complete
(4)	FP-5149263	Cylinder Kit Complete	(4)	FP-2350530920	Cylinder Kit Complete	(1)	FP-7040M	Main Bearing Set	(6)	FP-2601374	Gasket Kit
(4)	FP-5149264	Cylinder Kit Complete	(4)	FP-2350530930	Cylinder Kit Complete	(1)	FP-7040M10	Main Bearing Set	FP-KST2584A		
(4)	FP-23511129	Connecting Rod Bearing Pair	(4)	FP-235053095	Cylinder Kit Complete	(1)	FP-7040M20	Main Bearing Set	(6)	FP-SL2584G	Sleeve Assembly
(4)	FP-23511131	Connecting Rod Bearing Pair	(4)	FP-23511129	Connecting Rod Bearing Pair	(2)	FP-A62572	Thrust Washer Component	(6)	FP-3470CPA	Connecting Rod Bearing Pair
(4)	FP-23511133	Connecting Rod Bearing Pair	(4)	FP-23511131	Connecting Rod Bearing Pair	(2)	FP-A62573	Thrust Washer Component	(1)	FP-5062M	Main Bearing Set
(4)	FP-23511135	Connecting Rod Bearing Pair	(4)	FP-23511133	Connecting Rod Bearing Pair	(1)	FP-PGE504LC	Complete Overhaul Gasket Set	(1)	FP-2601337	Gasket Kit
(4)	FP-23511137	Connecting Rod Bearing Pair	(4)	FP-23511135	Connecting Rod Bearing Pair	FP-IFK6V53			FP-KST2692B		
(5)	FP-5192874	Main Bearing, Plain	(4)	FP-23511137	Connecting Rod Bearing Pair	(1)	FP-5119266	Oil Pan Gasket	(6)	FP-2692PN	Cast Piston
(5)	FP-5192875	Main Bearing, Plain	(5)	FP-5192874	Main Bearing, Plain	(6)	FP-5198899	Cylinder Kit Complete	(3)	FP-E505KC	Premium Piston Ring Set
(5)	FP-5192876	Main Bearing, Plain	(5)	FP-5192875	Main Bearing, Plain	(6)	FP-519889910	Cylinder Kit Complete	(6)	FP-3105CPA	Connecting Rod Bearing Pair
(5)	FP-5192877	Main Bearing, Plain	(5)	FP-5192876	Main Bearing, Plain	(6)	FP-5197975	Connecting Rod Bearing Pair	(1)	FP-7214M	Main Bearing Set
(5)	FP-5192878	Main Bearing, Plain	(5)	FP-5192877	Main Bearing, Plain	(6)	FP-5197977	Connecting Rod Bearing Pair	(1)	FP-2601366	Gasket Kit
(4)	FP-5159353	Thrust Washer	(5)	FP-5192878	Main Bearing, Plain	(6)	FP-5197978	Connecting Rod Bearing Pair	FP-KST2729C		
(1)	FP-5198676	Head Gasket Set	(5)	FP-5192877	Main Bearing, Plain	(6)	FP-5197979	Connecting Rod Bearing Pair	(6)	FP-SL2729G	Sleeve Assembly
(1)	FP-5104081	Valve Cover Gasket	(4)	FP-5159353	Thrust Washer	(6)	FP-5198410	Main Bearing, Plain	(6)	FP-3465CPA	Connecting Rod Bearing Pair
(1)	FP-5143406	Valve Cover Gasket	(1)	FP-5192925	Head Gasket Set	(4)	FP-5198412	Main Bearing, Plain	(1)	FP-5097M	Main Bearing Set
FP-IFK471XH			(1)	FP-5198676	Head Gasket Set	(4)	FP-5198414	Main Bearing, Plain	FP-KST2730A		
(1)	FP-5150116	Oil Pan Gasket	(1)	FP-5104081	Valve Cover Gasket	(4)	FP-5198413	Main Bearing, Plain	(6)	FP-SL2730G	Sleeve Assembly
(4)	FP-20019	Cylinder Kit Complete	(1)	FP-5143406	Valve Cover Gasket	(4)	FP-5198414	Main Bearing, Plain	(6)	FP-3470CPA	Connecting Rod Bearing Pair
(4)	FP-20020	Cylinder Kit Complete	FP-IFK504E			(4)	FP-5198413	Main Bearing, Plain	(1)	FP-5062M	Main Bearing Set
(4)	FP-20021	Cylinder Kit Complete	(6)	FP-A460251	Cylinder Kit Complete	(4)	FP-5198414	Main Bearing, Plain	(1)	FP-2601337	Gasket Kit
(4)	FP-20022	Cylinder Kit Complete	(6)	FP-CK24852185	Cylinder Kit Complete	(4)	FP-5159353	Thrust Washer	FP-L10PREM		
(4)	FP-23522473	Cylinder Kit Complete	(6)	FP-CK61222185	Cylinder Kit Complete	(2)	FP-5199811	Head Gasket Set	(1)	FP-3882433PS	Oil Pan Gasket Set
(4)	FP-235224735	Cylinder Kit Complete	(6)	FP-A41758	Connecting Rod Bearing Pair	(2)	FP-5147994	Valve Cover Gasket	(1)	FP-3882733PS	Oil Pan Gasket Set
(4)	FP-23522477	Cylinder Kit Complete	(6)	FP-A41900	Connecting Rod Bearing Pair	(2)	FP-8925273	Valve Cover Gasket	(6)	FP-3800800	Cylinder Kit Complete
(4)	FP-23522479	Cylinder Kit Complete	(6)	FP-A41901	Connecting Rod Bearing Pair	FP-KST2059C			(6)	FP-3800801	Cylinder Kit Complete
(4)	FP-23522481	Cylinder Kit Complete	(6)	FP-A41902	Connecting Rod Bearing Pair	(6)	FP-SL2059	Sleeve Assembly	(6)	FP-3803974	Cylinder Kit Complete
(4)	FP-23522483	Cylinder Kit Complete	(6)	FP-A43173	Connecting Rod Bearing Pair	(6)	2410CP	Connecting Rod Bearing Pair	(6)	FP-3803974	Cylinder Kit Complete
(4)	FP-23522485	Cylinder Kit Complete	(6)	FP-A43174	Connecting Rod Bearing Pair	(1)	FP-4082M	Main Bearing Set	(12)	FP-3016760	Rod Bearing Half Upper/Lower
(4)	FP-2352248530	Cylinder Kit Complete	(6)	FP-A43175	Connecting Rod Bearing Pair	(1)	FP-2601371	Gasket Kit	(12)	FP-3016761	Rod Bearing Half Upper/Lower
(4)	FP-235224855	Cylinder Kit Complete	(6)	FP-A43176	Connecting Rod Bearing Pair	FP-KST2137A			(12)	FP-3016762	Rod Bearing Half Upper/Lower
(4)	FP-23522489	Cylinder Kit Complete	(6)	FP-A43177	Connecting Rod Bearing Pair	(4)	FP-SL2137	Sleeve Assembly	(12)	FP-3016763	Rod Bearing Half Upper/Lower
(4)	FP-23522491	Cylinder Kit Complete	(1)	FP-7040M	Main Bearing Set	(4)	FP-2425CP	Connecting Rod Bearing Pair	(1)	FP-4025120	Main Bearing Set
(4)	FP-23522493	Cylinder Kit Complete	(1)	FP-7040M10	Main Bearing Set	(4)	FP-4083M	Main Bearing Set	(1)	FP-4025121	Main Bearing Set
(4)	FP-23522507	Cylinder Kit Complete	(1)	FP-7040M20	Main Bearing Set	(1)	FP-2601368	Gasket Kit	(1)	FP-4025122	Main Bearing Set
(4)	FP-235225075	Cylinder Kit Complete	(2)	FP-A62572	Thrust Washer Component	FP-KST2263A			(1)	FP-4025123	Main Bearing Set
(4)	FP-23522509	Cylinder Kit Complete	(2)	FP-A62573	Thrust Washer Component	(6)	FP-SL2263G	Sleeve Assembly	(1)	FP-4025125	Main Bearing Set
(4)	FP-23522511	Cylinder Kit Complete	(1)	FP-PGE504EC	Complete Overhaul Gasket Set	(6)	FP-3465CPA	Connecting Rod Bearing Pair	(1)	FP-4025126	Main Bearing Set
(4)	FP-23522513	Cylinder Kit Complete	FP-IFK504L			(1)	FP-5136M	Main Bearing Set	(1)	FP-4025127	Main Bearing Set
(4)	FP-23522515	Cylinder Kit Complete	(6)	FP-A1521771	Cylinder Kit Complete	(1)	FP-2601333	Gasket Kit	(1)	FP-4025128	Main Bearing Set
(4)	FP-23522521	Cylinder Kit Complete	(cont'd. next column)			FP-KST2263C			(1)	FP-4025155	Head Gasket Set
(4)	FP-23522525	Cylinder Kit Complete	(cont'd. next column)			(6)	FP-SL2263G	Sleeve Assembly	(1)	FP-4089478	Head Gasket Set
(4)	FP-2352252525	Cylinder Kit Complete	(cont'd. next column)			(6)	FP-3465CPA	Connecting Rod Bearing Pair			
(4)	FP-2352252946	Cylinder Kit Complete	(cont'd. next column)			(1)	FP-5097M	Main Bearing Set			
(4)	FP-23522947	Cylinder Kit Complete	(cont'd. next column)			(1)	FP-2601333	Gasket Kit			
(4)	FP-23522948	Cylinder Kit Complete	(cont'd. next column)			FP-KST2263C					
(4)	FP-23522949	Cylinder Kit Complete	(cont'd. next column)			(6)	FP-SL2263G	Sleeve Assembly			
(4)	FP-2352294930	Cylinder Kit Complete	(cont'd. next column)			(6)	FP-3465CPA	Connecting Rod Bearing Pair			
(4)	FP-235229495	Cylinder Kit Complete	(cont'd. next column)			(1)	FP-5097M	Main Bearing Set			
(4)	FP-23522950	Cylinder Kit Complete	(cont'd. next column)			(1)	FP-2601333	Gasket Kit			
(4)	FP-23522951	Cylinder Kit Complete	(cont'd. next column)			FP-KST2263C					
(4)	FP-23522952	Cylinder Kit Complete	(cont'd. next column)			(6)	FP-SL2263G	Sleeve Assembly			
(4)	FP-23522953	Cylinder Kit Complete	(cont'd. next column)			(6)	FP-3465CPA	Connecting Rod Bearing Pair			

Engine Kit Bill of Material

Qty.	Part No.	Description	Qty.	Part No.	Description	Qty.	Part No.	Description	Qty.	Part No.	Description
FP-L10PREMOH			FP-OH12V71XH (cont'd.)			FP-OH3712V			FP-OH471XH (cont'd.)		
(6)	FP-3800800	Cylinder Kit Complete	(12)	FP-235229495	Cylinder Kit Complete	(3)	FP-23505308	Cylinder Kit Complete	(4)	FP-23522525	Cylinder Kit Complete
(6)	FP-3800801	Cylinder Kit Complete	(12)	FP-23522950	Cylinder Kit Complete	(3)	FP-23505309	Cylinder Kit Complete	(4)	FP-23522946	Cylinder Kit Complete
(6)	FP-3803974	Cylinder Kit Complete	(12)	FP-23522951	Cylinder Kit Complete	(3)	FP-235053091	Cylinder Kit Complete	(4)	FP-23522947	Cylinder Kit Complete
(12)	FP-3016760	Rod Bearing Half Upper/Lower	(12)	FP-23522952	Cylinder Kit Complete	(3)	FP-2350530910	Cylinder Kit Complete	(4)	FP-23522948	Cylinder Kit Complete
(12)	FP-3016761	Rod Bearing Half Upper/Lower	(12)	FP-23522953	Cylinder Kit Complete	(3)	FP-2350530920	Cylinder Kit Complete	(4)	FP-23522949	Cylinder Kit Complete
(12)	FP-3016762	Rod Bearing Half Upper/Lower	(12)	FP-5149572	Connecting Rod Bearing Pair	(3)	FP-2350530930	Cylinder Kit Complete	(4)	FP-2352294930	Cylinder Kit Complete
(12)	FP-3016763	Rod Bearing Half Upper/Lower	(12)	FP-5149575	Connecting Rod Bearing Pair	(3)	FP-235053095	Cylinder Kit Complete	(4)	FP-235229495	Cylinder Kit Complete
(1)	FP-4025120	Main Bearing Set	(12)	FP-5149577	Connecting Rod Bearing Pair	(3)	FP-23511129	Connecting Rod Bearing Pair	(4)	FP-23522950	Cylinder Kit Complete
(1)	FP-4025121	Main Bearing Set	(12)	FP-5149579	Connecting Rod Bearing Pair	(3)	FP-23511131	Connecting Rod Bearing Pair	(4)	FP-23522951	Cylinder Kit Complete
(1)	FP-4025122	Main Bearing Set	(7)	FP-5149556	Main Bearing, Plain	(3)	FP-23511133	Connecting Rod Bearing Pair	(4)	FP-23522952	Cylinder Kit Complete
(1)	FP-4025123	Main Bearing Set	(7)	FP-5149559	Main Bearing, Plain	(3)	FP-23511135	Connecting Rod Bearing Pair	(4)	FP-23522953	Cylinder Kit Complete
(1)	FP-4025125	Main Bearing Set	(7)	FP-5149561	Main Bearing, Plain	(3)	FP-23511137	Connecting Rod Bearing Pair	(4)	FP-23511129	Connecting Rod Bearing Pair
(1)	FP-4025126	Main Bearing Set	(7)	FP-5149563	Main Bearing, Plain	(4)	FP-5192874	Main Bearing, Plain	(4)	FP-23511131	Connecting Rod Bearing Pair
(1)	FP-4025127	Main Bearing Set	(7)	FP-5149565	Main Bearing, Plain	(4)	FP-5192875	Main Bearing, Plain	(4)	FP-23511133	Connecting Rod Bearing Pair
(1)	FP-4025128	Main Bearing Set	(7)	FP-5149567	Main Bearing, Plain	(4)	FP-5192876	Main Bearing, Plain	(4)	FP-23511135	Connecting Rod Bearing Pair
(1)	FP-4025155	Head Gasket Set	(7)	FP-5149568	Main Bearing, Plain	(4)	FP-5192877	Main Bearing, Plain	(5)	FP-5192874	Main Bearing, Plain
(1)	FP-4089478	Head Gasket Set	(7)	FP-8922118	Main Bearing, Plain	(4)	FP-5192877	Main Bearing, Plain	(5)	FP-5192875	Main Bearing, Plain
(1)	FP-3803404	Conversion Gasket Set	(4)	FP-5117005	Thrust Washer	(4)	FP-5192878	Main Bearing, Plain	(5)	FP-5192876	Main Bearing, Plain
(1)	FP-3882733PS	Oil Pan Gasket Set	(1)	FP-23512681	Complete Overhaul Gasket Set	(4)	FP-5192878	Main Bearing, Plain	(5)	FP-5192877	Main Bearing, Plain
(1)	FP-3803894	Oil Seal Kit	(2)	FP-5104019	Valve Cover Gasket	(4)	FP-5159353	Thrust Washer	(5)	FP-5192878	Main Bearing, Plain
(1)	FP-3804304	Oil Seal Kit	(2)	FP-5143407	Valve Cover Gasket	(1)	FP-23512674	Complete Overhaul Gasket Set	(5)	FP-5159353	Thrust Washer
(1)	FP-3804744	Oil Seal Kit			(1)	FP-5192921	Complete Overhaul Gasket Set	(1)	FP-519353	Thrust Washer	
					(1)	FP-5104018	Valve Cover Gasket	(1)	FP-23512675	Complete Overhaul Gasket Set	
					(1)	FP-5143405	Valve Cover Gasket	(1)	FP-5104081	Valve Cover Gasket	
								(1)	FP-5143406	Valve Cover Gasket	
FP-OH12V71NA			FP-OH371NA			FP-OH471NA			FP-OH4712V		
(12)	FP-23505305	Cylinder Kit Complete	(3)	FP-23505305	Cylinder Kit Complete	(4)	FP-23505305	Cylinder Kit Complete	(4)	FP-23505308	Cylinder Kit Complete
(12)	FP-23505306	Cylinder Kit Complete	(3)	FP-23505306	Cylinder Kit Complete	(4)	FP-23505306	Cylinder Kit Complete	(4)	FP-23505309	Cylinder Kit Complete
(12)	FP-2350530630	Cylinder Kit Complete	(3)	FP-2350530630	Cylinder Kit Complete	(4)	FP-2350530630	Cylinder Kit Complete	(4)	FP-235053091	Cylinder Kit Complete
(12)	FP-235053065	Cylinder Kit Complete	(3)	FP-235053065	Cylinder Kit Complete	(4)	FP-235053065	Cylinder Kit Complete	(4)	FP-2350530910	Cylinder Kit Complete
(12)	FP-5149261	Cylinder Kit Complete	(3)	FP-5149261	Cylinder Kit Complete	(4)	FP-5149261	Cylinder Kit Complete	(4)	FP-2350530920	Cylinder Kit Complete
(12)	FP-5149263	Cylinder Kit Complete	(3)	FP-5149263	Cylinder Kit Complete	(4)	FP-5149263	Cylinder Kit Complete	(4)	FP-2350530930	Cylinder Kit Complete
(12)	FP-5149264	Cylinder Kit Complete	(3)	FP-5149264	Cylinder Kit Complete	(4)	FP-5149264	Cylinder Kit Complete	(4)	FP-235053095	Cylinder Kit Complete
(12)	FP-5149572	Connecting Rod Bearing Pair	(3)	FP-23511129	Connecting Rod Bearing Pair	(4)	FP-23511129	Connecting Rod Bearing Pair	(4)	FP-23511129	Connecting Rod Bearing Pair
(12)	FP-5149575	Connecting Rod Bearing Pair	(3)	FP-23511131	Connecting Rod Bearing Pair	(4)	FP-23511131	Connecting Rod Bearing Pair	(4)	FP-23511131	Connecting Rod Bearing Pair
(12)	FP-5149577	Connecting Rod Bearing Pair	(3)	FP-23511133	Connecting Rod Bearing Pair	(4)	FP-23511133	Connecting Rod Bearing Pair	(4)	FP-23511133	Connecting Rod Bearing Pair
(12)	FP-5149579	Connecting Rod Bearing Pair	(3)	FP-23511135	Connecting Rod Bearing Pair	(4)	FP-23511135	Connecting Rod Bearing Pair	(4)	FP-23511135	Connecting Rod Bearing Pair
(7)	FP-5149556	Main Bearing, Plain	(3)	FP-23511137	Connecting Rod Bearing Pair	(4)	FP-23511137	Connecting Rod Bearing Pair	(4)	FP-23511137	Connecting Rod Bearing Pair
(7)	FP-5149559	Main Bearing, Plain	(4)	FP-5192874	Main Bearing, Plain	(4)	FP-23511135	Connecting Rod Bearing Pair	(4)	FP-23511133	Connecting Rod Bearing Pair
(7)	FP-5149561	Main Bearing, Plain	(4)	FP-5192875	Main Bearing, Plain	(4)	FP-23511137	Connecting Rod Bearing Pair	(4)	FP-23511135	Connecting Rod Bearing Pair
(7)	FP-5149563	Main Bearing, Plain	(4)	FP-5192876	Main Bearing, Plain	(4)	FP-23511137	Connecting Rod Bearing Pair	(4)	FP-23511137	Connecting Rod Bearing Pair
(4)	FP-5117005	Thrust Washer	(4)	FP-5192877	Main Bearing, Plain	(5)	FP-5192874	Main Bearing, Plain	(5)	FP-5192874	Main Bearing, Plain
(1)	FP-23512681	Complete Overhaul Gasket Set	(4)	FP-5192877	Main Bearing, Plain	(5)	FP-5192875	Main Bearing, Plain	(5)	FP-5192875	Main Bearing, Plain
(2)	FP-5104019	Valve Cover Gasket	(4)	FP-5192878	Main Bearing, Plain	(5)	FP-5192876	Main Bearing, Plain	(5)	FP-5192876	Main Bearing, Plain
(2)	FP-5143407	Valve Cover Gasket	(4)	FP-5193533	Thrust Washer	(5)	FP-5192877	Main Bearing, Plain	(5)	FP-5192877	Main Bearing, Plain
			(1)	FP-23512674	Complete Overhaul Gasket Set	(5)	FP-5192878	Main Bearing, Plain	(5)	FP-5192878	Main Bearing, Plain
			(1)	FP-5104018	Valve Cover Gasket	(4)	FP-5159353	Thrust Washer	(5)	FP-5159353	Thrust Washer
			(1)	FP-5143405	Valve Cover Gasket	(1)	FP-23512675	Complete Overhaul Gasket Set	(1)	FP-23512675	Complete Overhaul Gasket Set
					(1)	FP-5104081	Valve Cover Gasket	(1)	FP-5192922	Complete Overhaul Gasket Set	
					(1)	FP-5143406	Valve Cover Gasket	(1)	FP-5104081	Valve Cover Gasket	
								(1)	FP-5143406	Valve Cover Gasket	
FP-OH12V71XH			FP-OH371XH			FP-OH471XH			FP-OH6B59T		
(12)	FP-20019	Cylinder Kit Complete	(3)	FP-23522521	Cylinder Kit Complete	(4)	FP-20019	Cylinder Kit Complete	(6)	FP-3907163WP	Piston Kit w/Pin & Retainers
(12)	FP-20020	Cylinder Kit Complete	(3)	FP-23522525	Cylinder Kit Complete	(4)	FP-20020	Cylinder Kit Complete	(6)	FP-3908815WP	Piston Kit w/Pin & Retainers
(12)	FP-20021	Cylinder Kit Complete	(3)	FP-23522947	Cylinder Kit Complete	(4)	FP-20021	Cylinder Kit Complete	(6)	FP-3908816WP	Piston Kit w/Pin & Retainers
(12)	FP-20022	Cylinder Kit Complete	(3)	FP-23522949	Cylinder Kit Complete	(4)	FP-20022	Cylinder Kit Complete	(6)	FP-3802230	Ring Set, Single Cylinder
(12)	FP-23522473	Cylinder Kit Complete	(3)	FP-2352294930	Cylinder Kit Complete	(4)	FP-23522473	Cylinder Kit Complete	(6)	FP-3802232	Ring Set, Single Cylinder
(12)	FP-23522477	Cylinder Kit Complete	(3)	FP-235229495	Cylinder Kit Complete	(4)	FP-23522479	Cylinder Kit Complete	(12)	FP-3802234	Ring Set, Single Cylinder
(12)	FP-23522479	Cylinder Kit Complete	(3)	FP-23522951	Cylinder Kit Complete	(4)	FP-23522481	Cylinder Kit Complete	(12)	FP-3901172	Rod Bearing Half Upper/Lower
(12)	FP-23522481	Cylinder Kit Complete	(3)	FP-23522952	Connecting Rod Bearing Pair	(4)	FP-23522483	Cylinder Kit Complete	(12)	FP-3901173	Rod Bearing Half Upper/Lower
(12)	FP-23522483	Cylinder Kit Complete	(3)	FP-23511129	Connecting Rod Bearing Pair	(4)	FP-23522485	Cylinder Kit Complete	(12)	FP-3901174	Rod Bearing Half Upper/Lower
(12)	FP-23522485	Cylinder Kit Complete	(3)	FP-23511133	Connecting Rod Bearing Pair	(4)	FP-23522485	Cylinder Kit Complete	(12)	FP-3901177	Rod Bearing Half Upper/Lower
(12)	FP-2352248530	Cylinder Kit Complete	(3)	FP-23511135	Connecting Rod Bearing Pair	(4)	FP-23522489	Cylinder Kit Complete	(12)	FP-3901178	Rod Bearing Half Upper/Lower
(12)	FP-235224855	Cylinder Kit Complete	(3)	FP-23511137	Connecting Rod Bearing Pair	(4)	FP-23522491	Cylinder Kit Complete	(12)	FP-3901179	Rod Bearing Half Upper/Lower
(12)	FP-23522489	Cylinder Kit Complete	(4)	FP-5192874	Main Bearing, Plain	(4)	FP-23522493	Cylinder Kit Complete	(12)	FP-3901180	Rod Bearing Half Upper/Lower
(12)	FP-23522489	Cylinder Kit Complete	(4)	FP-5192875	Main Bearing, Plain	(4)	FP-23522507	Cylinder Kit Complete	(12)	FP-3901181	Rod Bearing Half Upper/Lower
(12)	FP-23522491	Cylinder Kit Complete	(4)	FP-5192876	Main Bearing, Plain	(4)	FP-23522509	Cylinder Kit Complete	(12)	FP-3901182	Rod Bearing Half Upper/Lower
(12)	FP-23522493	Cylinder Kit Complete	(4)	FP-5192877	Main Bearing, Plain	(4)	FP-23522511	Cylinder Kit Complete	(12)	FP-3901183	Rod Bearing Half Upper/Lower
(12)	FP-23522507	Cylinder Kit Complete	(4)	FP-5192878	Main Bearing, Plain	(4)	FP-23522513	Cylinder Kit Complete	(12)	FP-3901184	Rod Bearing Half Upper/Lower
(12)	FP-23522509	Cylinder Kit Complete	(4)	FP-5192878	Main Bearing, Plain	(4)	FP-23522515	Cylinder Kit Complete	(12)	FP-3901185	Rod Bearing Half Upper/Lower
(12)	FP-23522511	Cylinder Kit Complete	(4)	FP-5159353	Thrust Washer	(4)	FP-23522521	Cylinder Kit Complete	(12)	FP-3901186	Rod Bearing Half Upper/Lower
(12)	FP-23522513	Cylinder Kit Complete	(1)	FP-23512674	Complete Overhaul Gasket Set	(4)	FP-23522513	Cylinder Kit Complete	(12)	FP-3901187	Rod Bearing Half Upper/Lower
(12)	FP-23522515	Cylinder Kit Complete	(1)	FP-5104018	Valve Cover Gasket	(4)	FP-23522515	Cylinder Kit Complete	(12)	FP-3901188	Rod Bearing Half Upper/Lower
(12)	FP-23522521	Cylinder Kit Complete	(1)	FP-5143405	Valve Cover Gasket	(4)	FP-23522521	Cylinder Kit Complete	(12)	FP-3901189	Rod Bearing Half Upper/Lower
(12)	FP-23522525	Cylinder Kit Complete			(4)	FP-23522525	Cylinder Kit Complete	(12)	FP-3901190	Rod Bearing Half Upper/Lower	
(12)	FP-23522946	Cylinder Kit Complete						(12)	FP-3901191	Rod Bearing Half Upper/Lower	
(12)	FP-23522947	Cylinder Kit Complete						(12)	FP-3901192	Rod Bearing Half Upper/Lower	
(12)	FP-23522948	Cylinder Kit Complete						(12)	FP-3901193	Rod Bearing Half Upper/Lower	
(12)	FP-23522949	Cylinder Kit Complete						(12)	FP-3901194	Rod Bearing Half Upper/Lower	
(12)	FP-2352294930	Cylinder Kit Complete						(12)	FP-3901195	Rod Bearing Half Upper/Lower	
		(cont'd. next column)					(cont'd. next column)				(cont'd. next page)

Engine Kit Bill of Material

Qty.	Part No.	Description	Qty.	Part No.	Description	Qty.	Part No.	Description	Qty.	Part No.	Description						
FP-OH6B59T (cont'd.)			FP-PK12692A (cont'd.)			FP-S60 (cont'd.)			FP-S60HRR								
(1)	FP-3802071	Main Bearing Set	(6)	FP-2692PN	Cast Piston	(6)	FP-8929671A	Main Bearing, Plain	(1)	FP-23522279	Oil Pan Gasket						
(1)	FP-3802072	Main Bearing Set	FP-PK22357A			(6)	FP-8929672A	Main Bearing, Plain	(1)	FP-8929102	Oil Pan Gasket						
(1)	FP-3802073	Main Bearing Set				(1)	FP-5187M	Main Bearing Set	(6)	FP-8929673A	Main Bearing, Plain	(6)	FP-23515581	Connecting Rod Bearing Pair			
(1)	FP-3802074	Main Bearing Set				(3)	FP-E502KC	Premium Piston Ring Set	(2)	FP-8929085	Thrust Washer	(6)	FP-23515582	Connecting Rod Bearing Pair			
(1)	FP-3802363S	In-Frame Gasket Set	(3)	FP-2357PN	Cast Piston	(2)	FP-8929697	Thrust Washer	(6)	FP-23515583	Connecting Rod Bearing Pair						
FP-OH6B59TA			(3)	FP-3105P	Connecting Rod Bearing Pair	(2)	FP-8929698	Thrust Washer	(6)	FP-23515584	Connecting Rod Bearing Pair						
(6)	FP-3907156WP	Piston Kit w/Pin & Retainers	FP-PK22359C			FP-S60IFKRR			(6)	FP-23515585	Connecting Rod Bearing Pair						
(6)	FP-3907157WP	Piston Kit w/Pin & Retainers							(1)	FP-7214M	Main Bearing Set	(1)	FP-23522279	Oil Pan Gasket	(6)	FP-23526142	Connecting Rod Bearing Pair
(6)	FP-3907158WP	Piston Kit w/Pin & Retainers							(1)	FP-8929102	Oil Pan Gasket	(6)	FP-8929102	Oil Pan Gasket	(6)	FP-23527065	Connecting Rod Bearing Pair
(6)	FP-3802230	Ring Set, Single Cylinder	(6)	FP-E504KC	Premium Piston Ring Set	(6)	FP-23515581	Connecting Rod Bearing Pair	(6)	FP-23527066	Connecting Rod Bearing Pair						
(6)	FP-3802232	Ring Set, Single Cylinder	(6)	FP-2359PN	Cast Piston	(6)	FP-23515582	Connecting Rod Bearing Pair	(6)	FP-23527067	Connecting Rod Bearing Pair						
(6)	FP-3802234	Ring Set, Single Cylinder	(6)	FP-3105P	Connecting Rod Bearing Pair	(6)	FP-23515583	Connecting Rod Bearing Pair	(6)	FP-23527068	Connecting Rod Bearing Pair						
(12)	FP-3901171	Rod Bearing Half Upper/Lower	FP-PK22359D			(6)	FP-23515584	Connecting Rod Bearing Pair	(6)	FP-23527069	Connecting Rod Bearing Pair						
(12)	FP-3901172	Rod Bearing Half Upper/Lower				(1)	FP-5187M	Main Bearing Set	(6)	FP-23515585	Connecting Rod Bearing Pair	(1)	FP-8929680	Main Bearing, Flanged			
(12)	FP-3901173	Rod Bearing Half Upper/Lower				(1)	FP-E504KC	Premium Piston Ring Set	(6)	FP-23526142	Connecting Rod Bearing Pair	(1)	FP-8929681	Main Bearing, Flanged			
(12)	FP-3901174	Rod Bearing Half Upper/Lower	(3)	FP-2359PN	Cast Piston	(6)	FP-23527065	Connecting Rod Bearing Pair	(1)	FP-8929682	Main Bearing, Flanged						
(12)	FP-3939859	Rod Bearing Half Upper/Lower	(3)	FP-3105P	Connecting Rod Bearing Pair	(6)	FP-23527066	Connecting Rod Bearing Pair	(1)	FP-8929683	Main Bearing, Flanged						
(1)	FP-3802070	Main Bearing Set	FP-PK22631A			(6)	FP-23527067	Connecting Rod Bearing Pair	(6)	FP-8929670A	Main Bearing, Plain						
(1)	FP-3802071	Main Bearing Set				(1)	FP-5122M	Main Bearing Set	(6)	FP-23527067	Connecting Rod Bearing Pair	(6)	FP-8929671A	Main Bearing, Plain			
(1)	FP-3802072	Main Bearing Set				(2)	FP-E506KC	Premium Piston Ring Set	(6)	FP-23527067	Connecting Rod Bearing Pair	(6)	FP-8929672A	Main Bearing, Plain			
(1)	FP-3802073	Main Bearing Set	(4)	FP-2631PN	Cast Piston	(6)	FP-23527067	Connecting Rod Bearing Pair	(6)	FP-8929673A	Main Bearing, Plain						
(1)	FP-3802074	Main Bearing Set	(4)	FP-3105P	Connecting Rod Bearing Pair	(1)	FP-23532333	Head Gasket Set	(1)	FP-23532332	Complete Overhaul Gasket Set						
(1)	FP-3802363S	In-Frame Gasket Set	FP-PK22666			(1)	FP-8929680	Main Bearing, Flanged	(1)	FP-S60KIT	Pre-Pack Kit						
(1)	FP-3802071	Main Bearing Set				(1)	FP-5099M	Main Bearing Set	(1)	FP-8929681	Main Bearing, Flanged	(2)	FP-23521781	Piston Pin Retainer			
(1)	FP-3802072	Main Bearing Set				(1)	FP-8921722S	Premium Piston Ring Set	(1)	FP-8929682	Main Bearing, Flanged	(6)	FP-23521802	Piston Skirt			
(1)	FP-3802073	Main Bearing Set	(8)	FP-PK8921605	Piston Kit w/Pin & Retainers	(1)	FP-8929683	Main Bearing, Flanged	(6)	FP-23503747	Ring Set, Single Cylinder						
(1)	FP-3802074	Main Bearing Set	(8)	FP-8921714	Connecting Rod Bearing Pair	(6)	FP-8929680A	Main Bearing, Plain	(6)	FP-23531249	Liner w/Sealing Rings						
(1)	FP-3802363S	In-Frame Gasket Set	FP-PK22667			(6)	FP-8929671A	Main Bearing, Plain	(2)	FP-8929085	Thrust Washer						
(6)	FP-5198899	Cylinder Kit Complete				(1)	FP-5099M	Main Bearing Set	(6)	FP-8929672A	Main Bearing, Plain	(1)	55-403B	Prelube			
(6)	FP-519889910	Cylinder Kit Complete				(1)	FP-8921722S	Premium Piston Ring Set	(6)	FP-8929673A	Main Bearing, Plain	FP-S60TLC					
(6)	FP-519889920	Cylinder Kit Complete	(8)	FP-PK8925818	Piston Kit w/Pin & Retainers	(1)	FP-S60KIT	Pre-Pack Kit	(1)	FP-23522279	Oil Pan Gasket						
(6)	FP-5197975	Connecting Rod Bearing Pair	(8)	FP-8921714	Connecting Rod Bearing Pair	(2)	FP-23521781	Piston Pin Retainer	(1)	FP-8929102	Oil Pan Gasket						
(6)	FP-5197977	Connecting Rod Bearing Pair	FP-PK22692A			(6)	FP-23521802	Piston Skirt	(6)	FP-23532555	Cylinder Kit Complete						
(6)	FP-5197978	Connecting Rod Bearing Pair				(1)	FP-7214M	Main Bearing Set	(6)	FP-23503747	Ring Set, Single Cylinder	(6)	FP-23532556	Cylinder Kit Complete			
(6)	FP-5197979	Connecting Rod Bearing Pair				(1)	FP-8921722S	Premium Piston Ring Set	(6)	FP-23531249	Liner w/Sealing Rings	(6)	FP-23532557	Cylinder Kit Complete			
(4)	FP-5198410	Main Bearing, Plain	(8)	FP-PK8925818	Piston Kit w/Pin & Retainers	(8)	FP-8929085	Thrust Washer	(6)	FP-23532558	Cylinder Kit Complete						
(4)	FP-5198412	Main Bearing, Plain	FP-S60			(8)	FP-8921714	Connecting Rod Bearing Pair	(1)	FP-S60KIT	Pre-Pack Kit						
(4)	FP-5198413	Main Bearing, Plain				(1)	FP-23522279	Oil Pan Gasket	(6)	FP-23515582	Connecting Rod Bearing Pair	(6)	FP-23515581	Connecting Rod Bearing Pair			
(4)	FP-5198414	Main Bearing, Plain				(1)	FP-8929102	Oil Pan Gasket	(6)	FP-23515583	Connecting Rod Bearing Pair	(6)	FP-23515582	Connecting Rod Bearing Pair			
(4)	FP-5159353	Thrust Washer	(6)	FP-23519637	Cylinder Kit Complete	(6)	FP-23515584	Connecting Rod Bearing Pair	(6)	FP-8929710	Connecting Rod Bearing Pair						
(1)	FP-23512690	Complete Overhaul Gasket Set	(6)	FP-23532555	Cylinder Kit Complete	(6)	FP-8929710	Connecting Rod Bearing Pair	(6)	FP-23515583	Connecting Rod Bearing Pair						
(2)	FP-5147994	Valve Cover Gasket	(6)	FP-23532556	Cylinder Kit Complete	(6)	FP-8929711	Connecting Rod Bearing Pair	(6)	FP-23515584	Connecting Rod Bearing Pair						
(2)	FP-8925273	Valve Cover Gasket	(6)	FP-23532557	Cylinder Kit Complete	(6)	FP-8929712	Connecting Rod Bearing Pair	(6)	FP-8929711	Connecting Rod Bearing Pair						
FP-PK12357A			(6)	FP-23532590	Cylinder Kit Complete	(6)	FP-8929713	Connecting Rod Bearing Pair	(1)	FP-8929680	Main Bearing, Flanged						
(3)	FP-E502KC	Premium Piston Ring Set	(6)	FP-23532591	Cylinder Kit Complete	(6)	FP-8929713	Connecting Rod Bearing Pair	(1)	FP-8929681	Main Bearing, Flanged						
(3)	FP-2357PN	Cast Piston	(1)	FP-S60KIT	Pre-Pack Kit	(6)	FP-8929713	Connecting Rod Bearing Pair	(1)	FP-8929682	Main Bearing, Flanged						
FP-PK12359C			(6)	FP-23515581	Connecting Rod Bearing Pair	(6)	FP-8929713	Connecting Rod Bearing Pair	(1)	FP-8929683	Main Bearing, Flanged						
(2)	FP-E504KC	Premium Piston Ring Set	(6)	FP-23515582	Connecting Rod Bearing Pair	(1)	FP-8929680	Main Bearing, Flanged	(6)	FP-8929670A	Main Bearing, Plain						
(6)	FP-2359PN	Cast Piston	(6)	FP-23515583	Connecting Rod Bearing Pair	(1)	FP-8929671A	Main Bearing, Plain	(6)	FP-8929671A	Main Bearing, Plain						
FP-PK12359D			(6)	FP-23515584	Connecting Rod Bearing Pair	(1)	FP-8929672A	Main Bearing, Plain	(6)	FP-8929672A	Main Bearing, Plain						
(1)	FP-E504KC	Premium Piston Ring Set	(6)	FP-23515585	Connecting Rod Bearing Pair	(1)	FP-8929673A	Main Bearing, Plain	(6)	FP-8929673A	Main Bearing, Plain						
(3)	FP-2359PN	Cast Piston	(6)	FP-23515586	Connecting Rod Bearing Pair	(1)	FP-8929085	Thrust Washer	(2)	FP-8929085	Thrust Washer						
FP-PK12631A			(6)	FP-8929710	Connecting Rod Bearing Pair	(1)	FP-8929697	Thrust Washer	(2)	FP-8929698	Thrust Washer						
(2)	FP-E506KC	Premium Piston Ring Set	(6)	FP-8929711	Connecting Rod Bearing Pair	(1)	FP-8929698	Thrust Washer	(1)	FP-23532333	Head Gasket Set						
(4)	FP-2631PN	Cast Piston	(6)	FP-8929712	Connecting Rod Bearing Pair	(1)	FP-8929697	Thrust Washer	FP-S60TLCOH								
FP-PK12666			(6)	FP-8929713	Connecting Rod Bearing Pair	(2)	FP-8929698	Thrust Washer				(6)	FP-23532555	Cylinder Kit Complete			
(1)	FP-8921721S	Premium Piston Ring Set	(6)	FP-8929713	Connecting Rod Bearing Pair	(2)	FP-8929697	Thrust Washer				(6)	FP-23532556	Cylinder Kit Complete			
(8)	FP-PK8921605	Piston Kit w/Pin & Retainers	(6)	FP-8929714	Connecting Rod Bearing Pair	(1)	FP-8929698	Thrust Washer	(6)	FP-23532557	Cylinder Kit Complete						
FP-PK12667			(6)	FP-8929715	Connecting Rod Bearing Pair	(1)	FP-23532332	Complete Overhaul Gasket Set	(6)	FP-23532558	Cylinder Kit Complete						
(1)	FP-8921722S	Premium Piston Ring Set	(6)	FP-8929716	Connecting Rod Bearing Pair	(1)	FP-23532333	Complete Overhaul Gasket Set	(6)	FP-23515581	Connecting Rod Bearing Pair						
(8)	FP-PK8925818	Piston Kit w/Pin & Retainers	(6)	FP-8929717	Connecting Rod Bearing Pair	(1)	FP-23522279	Oil Pan Gasket	(6)	FP-23515582	Connecting Rod Bearing Pair						
FP-PK12692A			(6)	FP-8929718	Connecting Rod Bearing Pair	(1)	FP-8929102	Oil Pan Gasket	(6)	FP-23515583	Connecting Rod Bearing Pair						
(3)	FP-E505KC	Premium Piston Ring Set	(6)	FP-8929719	Connecting Rod Bearing Pair	(1)	FP-S60KIT	Pre-Pack Kit	(6)	FP-23515584	Connecting Rod Bearing Pair						
(cont'd. next column)			(6)	FP-8929720	Connecting Rod Bearing Pair	(1)	FP-8929680	Main Bearing, Flanged	(cont'd. next page)								
(cont'd. next column)			(6)	FP-8929721	Connecting Rod Bearing Pair	(1)	FP-8929681	Main Bearing, Flanged									
(cont'd. next column)			(6)	FP-8929722	Connecting Rod Bearing Pair	(1)	FP-8929682	Main Bearing, Flanged									
(cont'd. next column)			(6)	FP-8929723	Connecting Rod Bearing Pair	(1)	FP-8929683	Main Bearing, Flanged									
(cont'd. next column)			(6)	FP-8929724	Connecting Rod Bearing Pair	(1)	FP-8929670A	Main Bearing, Plain									
(cont'd. next column)			(6)	FP-8929725	Connecting Rod Bearing Pair	(1)	FP-8929671A	Main Bearing, Plain									
(cont'd. next column)			(6)	FP-8929726	Connecting Rod Bearing Pair	(1)	FP-8929672A	Main Bearing, Plain									
(cont'd. next column)			(6)	FP-8929727	Connecting Rod Bearing Pair	(1)	FP-8929673A	Main Bearing, Plain									
(cont'd. next column)			(6)	FP-8929728	Connecting Rod Bearing Pair	(2)	FP-8929085	Thrust Washer									
(cont'd. next column)			(6)	FP-8929729	Connecting Rod Bearing Pair	(2)	FP-8929697	Thrust Washer									
(cont'd. next column)			(6)	FP-8929730	Connecting Rod Bearing Pair	(2)	FP-8929698	Thrust Washer									
(cont'd. next column)			(6)	FP-8929731	Connecting Rod Bearing Pair	(1)	FP-23532332	Complete Overhaul Gasket Set									
(cont'd. next column)			(6)	FP-8929732	Connecting Rod Bearing Pair	(1)	FP-23522279	Oil Pan Gasket									
(cont'd. next column)			(6)	FP-8929733	Connecting Rod Bearing Pair	(1)	FP-8929102	Oil Pan Gasket									
(cont'd. next column)			(6)	FP-8929734	Connecting Rod Bearing Pair	(1)	FP-S60KIT	Pre-Pack Kit									
(cont'd. next column)			(6)	FP-8929735	Connecting Rod Bearing Pair												

Engine Kit Bill of Material

Qty.	Part No.	Description	Qty.	Part No.	Description	Qty.	Part No.	Description	Qty.	Part No.	Description
FP-S60TLCOH (cont'd.)			FP-12V71XH			FP-12V71XHOH (cont'd.)			FP-253OH (cont'd.)		
(6)	FP-23515584	Connecting Rod Bearing Pair	(1)	FP-5109915	Oil Pan Gasket	(12)	FP-23522525	Cylinder Kit Complete	(1)	FP-23517625	Complete Overhaul Gasket Set
(6)	FP-8929710	Connecting Rod Bearing Pair	(12)	FP-20019	Cylinder Kit Complete	(12)	FP-23522946	Cylinder Kit Complete	(1)	FP-5147993	Valve Cover Gasket
(6)	FP-8929711	Connecting Rod Bearing Pair	(12)	FP-20020	Cylinder Kit Complete	(12)	FP-23522947	Cylinder Kit Complete	FP-2712V		
(6)	FP-8929712	Connecting Rod Bearing Pair	(12)	FP-20021	Cylinder Kit Complete	(12)	FP-23522948	Cylinder Kit Complete			
(6)	FP-8929713	Connecting Rod Bearing Pair	(12)	FP-20022	Cylinder Kit Complete	(12)	FP-23522949	Cylinder Kit Complete	(2)	FP-23505308	Cylinder Kit Complete
(1)	FP-8929680	Main Bearing, Flanged	(12)	FP-23522473	Cylinder Kit Complete	(12)	FP-23522950	Cylinder Kit Complete	(2)	FP-23505309	Cylinder Kit Complete
(1)	FP-8929681	Main Bearing, Flanged	(12)	FP-23522477	Cylinder Kit Complete	(12)	FP-23522951	Cylinder Kit Complete	(2)	FP-235053091	Cylinder Kit Complete
(1)	FP-8929682	Main Bearing, Flanged	(12)	FP-23522479	Cylinder Kit Complete	(12)	FP-23522952	Cylinder Kit Complete	(2)	FP-235053092	Cylinder Kit Complete
(1)	FP-8929683	Main Bearing, Flanged	(12)	FP-23522481	Cylinder Kit Complete	(12)	FP-23522953	Cylinder Kit Complete	(2)	FP-235053093	Cylinder Kit Complete
(6)	FP-8929670A	Main Bearing, Plain	(12)	FP-23522483	Cylinder Kit Complete	(12)	FP-5149572	Connecting Rod Bearing Pair	(2)	FP-235053095	Cylinder Kit Complete
(6)	FP-8929671A	Main Bearing, Plain	(12)	FP-23522485	Cylinder Kit Complete	(12)	FP-5149575	Connecting Rod Bearing Pair	(2)	FP-23511129	Connecting Rod Bearing Pair
(6)	FP-8929672A	Main Bearing, Plain	(12)	FP-23522488	Cylinder Kit Complete	(12)	FP-5149577	Connecting Rod Bearing Pair	(2)	FP-23511133	Connecting Rod Bearing Pair
(6)	FP-8929673A	Main Bearing, Plain	(12)	FP-23522491	Cylinder Kit Complete	(12)	FP-5149579	Connecting Rod Bearing Pair	(2)	FP-23511135	Connecting Rod Bearing Pair
(2)	FP-8929085	Thrust Washer	(12)	FP-23522493	Cylinder Kit Complete	(7)	FP-5149556	Main Bearing, Plain	(2)	FP-23511137	Connecting Rod Bearing Pair
(2)	FP-8929697	Thrust Washer	(12)	FP-23522507	Cylinder Kit Complete	(7)	FP-5149559	Main Bearing, Plain	(3)	FP-5192874	Main Bearing, Plain
(2)	FP-8929698	Thrust Washer	(12)	FP-23522509	Cylinder Kit Complete	(7)	FP-5149561	Main Bearing, Plain	(3)	FP-5192875	Main Bearing, Plain
(1)	FP-23532332	Complete Overhaul Gasket Set	(12)	FP-23522511	Cylinder Kit Complete	(7)	FP-5149563	Main Bearing, Plain	(3)	FP-5192876	Main Bearing, Plain
(1)	FP-23522279	Oil Pan Gasket	(12)	FP-23522513	Cylinder Kit Complete	(7)	FP-5149565	Main Bearing, Plain	(3)	FP-5192877	Main Bearing, Plain
(1)	FP-8929102	Oil Pan Gasket	(12)	FP-23522515	Cylinder Kit Complete	(7)	FP-5149566	Main Bearing, Plain	(3)	FP-5192878	Main Bearing, Plain
FP-12V71NA			(12)	FP-23522521	Cylinder Kit Complete	(7)	FP-5149568	Main Bearing, Plain	(4)	FP-5192878	Main Bearing, Plain
(1)	FP-5109915	Oil Pan Gasket	(12)	FP-23522525	Cylinder Kit Complete	(7)	FP-8922118	Main Bearing, Plain	(4)	FP-5159353	Thrust Washer
(12)	FP-23505305	Cylinder Kit Complete	(12)	FP-23522946	Cylinder Kit Complete	(4)	FP-5117005	Thrust Washer	(1)	FP-5192434	Complete Overhaul Gasket Set
(12)	FP-23505306	Cylinder Kit Complete	(12)	FP-23522947	Cylinder Kit Complete	(1)	FP-23512681	Complete Overhaul Gasket Set	FP-353		
(12)	FP-2350530630	Cylinder Kit Complete	(12)	FP-23522948	Cylinder Kit Complete	(2)	FP-5104019	Valve Cover Gasket			
(12)	FP-235053065	Cylinder Kit Complete	(12)	FP-23522949	Cylinder Kit Complete	(2)	FP-5143407	Valve Cover Gasket	(1)	FP-5116256	Oil Pan Gasket
(12)	FP-5149261	Cylinder Kit Complete	(12)	FP-235229930	Cylinder Kit Complete	(8)	FP-3730CP	Connecting Rod Bearing Pair	(3)	FP-5198899	Cylinder Kit Complete
(12)	FP-5149263	Cylinder Kit Complete	(12)	FP-235229495	Cylinder Kit Complete	(1)	260-1117	Gasket Kit	(3)	FP-51988910	Cylinder Kit Complete
(12)	FP-5149264	Cylinder Kit Complete	(12)	FP-23522951	Cylinder Kit Complete	(1)	55-403B	Prelube	(3)	FP-51988920	Cylinder Kit Complete
(12)	FP-5149264	Cylinder Kit Complete	(12)	FP-23522952	Cylinder Kit Complete	FP-205205			(3)	FP-5198903	Cylinder Kit Complete
(12)	FP-5149572	Connecting Rod Bearing Pair	(12)	FP-23522953	Cylinder Kit Complete	FP-253			(3)	FP-519890310	Cylinder Kit Complete
(12)	FP-5149575	Connecting Rod Bearing Pair	(12)	FP-5149572	Connecting Rod Bearing Pair				(1)	FP-519890320	Cylinder Kit Complete
(12)	FP-5149575	Connecting Rod Bearing Pair	(12)	FP-5149575	Connecting Rod Bearing Pair	(2)	FP-5149452	Connecting Rod Bearing Pair	(4)	FP-8924359	Main Bearing, Plain
(12)	FP-5149577	Connecting Rod Bearing Pair	(12)	FP-5149577	Connecting Rod Bearing Pair	(2)	FP-5149454	Connecting Rod Bearing Pair	(4)	FP-8924360	Main Bearing, Plain
(12)	FP-5149579	Connecting Rod Bearing Pair	(12)	FP-5149579	Connecting Rod Bearing Pair	(2)	FP-5149455	Connecting Rod Bearing Pair	(4)	FP-8924361	Main Bearing, Plain
(7)	FP-5149556	Main Bearing, Plain	(7)	FP-5149556	Main Bearing, Plain	(3)	FP-8924357	Main Bearing, Plain	(4)	FP-5116197	Thrust Washer
(7)	FP-5149557	Main Bearing, Plain	(7)	FP-5149557	Main Bearing, Plain	(3)	FP-8924359	Main Bearing, Plain	(1)	FP-5199811	Head Gasket Set
(7)	FP-5149559	Main Bearing, Plain	(7)	FP-5149559	Main Bearing, Plain	(3)	FP-8924360	Main Bearing, Plain	(1)	FP-5147994	Valve Cover Gasket
(7)	FP-5149561	Main Bearing, Plain	(7)	FP-5149561	Main Bearing, Plain	(3)	FP-8924361	Main Bearing, Plain	(1)	FP-8925273	Valve Cover Gasket
(7)	FP-5149563	Main Bearing, Plain	(7)	FP-5149563	Main Bearing, Plain	(4)	FP-8924360	Main Bearing, Plain	FP-353OH		
(7)	FP-5149565	Main Bearing, Plain	(7)	FP-5149565	Main Bearing, Plain	(4)	FP-8924361	Main Bearing, Plain			
(7)	FP-5149566	Main Bearing, Plain	(7)	FP-5149566	Main Bearing, Plain	(4)	FP-5116197	Thrust Washer	(3)	FP-5198899	Cylinder Kit Complete
(7)	FP-5149567	Main Bearing, Plain	(7)	FP-5149567	Main Bearing, Plain	(3)	FP-51988910	Cylinder Kit Complete	(3)	FP-51988920	Cylinder Kit Complete
(7)	FP-5149568	Main Bearing, Plain	(7)	FP-5149568	Main Bearing, Plain	(3)	FP-8924360	Main Bearing, Plain	(3)	FP-5198903	Cylinder Kit Complete
(7)	FP-8922118	Main Bearing, Plain	(7)	FP-8922118	Main Bearing, Plain	(3)	FP-519890310	Cylinder Kit Complete	(3)	FP-5149452	Connecting Rod Bearing Pair
(4)	FP-5117005	Thrust Washer	(4)	FP-5117005	Thrust Washer	(2)	FP-519890320	Cylinder Kit Complete	(3)	FP-5198903	Cylinder Kit Complete
(2)	FP-5196382	Head Gasket Set	(2)	FP-5196382	Head Gasket Set	(2)	FP-519890320	Cylinder Kit Complete	(3)	FP-5149452	Connecting Rod Bearing Pair
(2)	FP-5104019	Valve Cover Gasket	(2)	FP-5104019	Valve Cover Gasket	(2)	FP-5149454	Connecting Rod Bearing Pair	(3)	FP-519890310	Cylinder Kit Complete
(2)	FP-5143407	Valve Cover Gasket	(2)	FP-5143407	Valve Cover Gasket	(2)	FP-5149455	Connecting Rod Bearing Pair	(4)	FP-8924361	Main Bearing, Plain
FP-12V71NAOH			FP-12V71XHOH			FP-253OH			FP-353OH		
(12)	FP-23505305	Cylinder Kit Complete	(12)	FP-20019	Cylinder Kit Complete	(2)	FP-5198899	Cylinder Kit Complete	(3)	FP-5198899	Cylinder Kit Complete
(12)	FP-23505306	Cylinder Kit Complete	(12)	FP-20020	Cylinder Kit Complete	(2)	FP-519889910	Cylinder Kit Complete	(3)	FP-51988910	Cylinder Kit Complete
(12)	FP-2350530630	Cylinder Kit Complete	(12)	FP-20021	Cylinder Kit Complete	(2)	FP-519889920	Cylinder Kit Complete	(3)	FP-51988920	Cylinder Kit Complete
(12)	FP-235053065	Cylinder Kit Complete	(12)	FP-20022	Cylinder Kit Complete	(2)	FP-5198903	Cylinder Kit Complete	(3)	FP-5198903	Cylinder Kit Complete
(12)	FP-5149261	Cylinder Kit Complete	(12)	FP-20022	Cylinder Kit Complete	(2)	FP-519890310	Cylinder Kit Complete	(3)	FP-5198903	Cylinder Kit Complete
(12)	FP-5149263	Cylinder Kit Complete	(12)	FP-23522473	Cylinder Kit Complete	(2)	FP-519890320	Cylinder Kit Complete	(3)	FP-5149452	Connecting Rod Bearing Pair
(12)	FP-5149264	Cylinder Kit Complete	(12)	FP-235224735	Cylinder Kit Complete	(2)	FP-519890320	Cylinder Kit Complete	(3)	FP-5149454	Connecting Rod Bearing Pair
(12)	FP-5149572	Connecting Rod Bearing Pair	(12)	FP-23522477	Cylinder Kit Complete	(2)	FP-519890320	Cylinder Kit Complete	(3)	FP-5198903	Cylinder Kit Complete
(12)	FP-5149575	Connecting Rod Bearing Pair	(12)	FP-23522479	Cylinder Kit Complete	(2)	FP-5149454	Connecting Rod Bearing Pair	(3)	FP-5149454	Connecting Rod Bearing Pair
(12)	FP-5149577	Connecting Rod Bearing Pair	(12)	FP-23522481	Cylinder Kit Complete	(2)	FP-5149455	Connecting Rod Bearing Pair	(3)	FP-5149455	Connecting Rod Bearing Pair
(12)	FP-5149579	Connecting Rod Bearing Pair	(12)	FP-23522483	Cylinder Kit Complete	(2)	FP-5149456	Connecting Rod Bearing Pair	(4)	FP-8924357	Main Bearing, Plain
(7)	FP-5149556	Main Bearing, Plain	(12)	FP-23522485	Cylinder Kit Complete	(2)	FP-5149456	Connecting Rod Bearing Pair	(4)	FP-8924359	Main Bearing, Plain
(7)	FP-5149559	Main Bearing, Plain	(12)	FP-23522488	Cylinder Kit Complete	(2)	FP-5149456	Connecting Rod Bearing Pair	(4)	FP-8924360	Main Bearing, Plain
(7)	FP-5149561	Main Bearing, Plain	(12)	FP-23522491	Cylinder Kit Complete	(2)	FP-5149456	Connecting Rod Bearing Pair	(4)	FP-8924361	Main Bearing, Plain
(7)	FP-5149563	Main Bearing, Plain	(12)	FP-23522493	Cylinder Kit Complete	(2)	FP-5149456	Connecting Rod Bearing Pair	(4)	FP-5116197	Thrust Washer
(7)	FP-5149565	Main Bearing, Plain	(12)	FP-23522507	Cylinder Kit Complete	(2)	FP-5149456	Connecting Rod Bearing Pair	(1)	FP-23517623	Complete Overhaul Gasket Set
(4)	FP-5117005	Thrust Washer	(12)	FP-23522509	Cylinder Kit Complete	(2)	FP-5149454	Connecting Rod Bearing Pair	(1)	FP-5147994	Valve Cover Gasket
(1)	FP-23512681	Complete Overhaul Gasket Set	(12)	FP-23522511	Cylinder Kit Complete	(2)	FP-5149455	Connecting Rod Bearing Pair	(1)	FP-8925273	Valve Cover Gasket
(2)	FP-5104019	Valve Cover Gasket	(12)	FP-23522513	Cylinder Kit Complete	(3)	FP-8924357	Main Bearing, Plain	FP-371NA		
(2)	FP-5143407	Valve Cover Gasket	(12)	FP-23522515	Cylinder Kit Complete	(3)	FP-8924359	Main Bearing, Plain			
			(12)	FP-23522521	Cylinder Kit Complete	(3)	FP-8924360	Main Bearing, Plain	(1)	FP-5150115	Oil Pan Gasket
			(cont'd. next column)			(3)	FP-8924361	Main Bearing, Plain	(1)	FP-23505305	Cylinder Kit Complete
						(4)	FP-5116197	Thrust Washer	(3)	FP-23505306	Cylinder Kit Complete
						(cont'd. next column)			(3)	FP-2350530630	Cylinder Kit Complete
									(3)	FP-235053065	Cylinder Kit Complete
									(3)	FP-5149261	Cylinder Kit Complete
									(cont'd. next page)		

Engine Kit Bill of Material

Qty.	Part No.	Description	Qty.	Part No.	Description	Qty.	Part No.	Description	Qty.	Part No.	Description
FP-471XH (cont'd.)			FP-471XHOH (cont'd.)			FP-504PREM (cont'd.)			FP-6C83PREMOH (cont'd.)		
(4)	FP-23522489	Cylinder Kit Complete	(4)	FP-23511135	Connecting Rod Bearing Pair	(16)	FP-157622	Rod Bearing Half Upper/Lower	(6)	FP-3802404	Cylinder Kit Complete
(4)	FP-23522491	Cylinder Kit Complete	(4)	FP-23511137	Connecting Rod Bearing Pair	(16)	FP-157623	Rod Bearing Half Upper/Lower	(6)	FP-3802406	Cylinder Kit Complete
(4)	FP-23522493	Cylinder Kit Complete	(5)	FP-5192874	Main Bearing, Plain	(16)	FP-3012360	Rod Bearing Half Upper/Lower	(6)	FP-3802609	Cylinder Kit Complete
(4)	FP-23522507	Cylinder Kit Complete	(5)	FP-5192875	Main Bearing, Plain	(16)	FP-3012361	Rod Bearing Half Upper/Lower	(6)	FP-3802610	Cylinder Kit Complete
(4)	FP-235225075	Cylinder Kit Complete	(5)	FP-5192876	Main Bearing, Plain	(16)	FP-3012362	Rod Bearing Half Upper/Lower	(6)	FP-3802743	Cylinder Kit Complete
(4)	FP-23522509	Cylinder Kit Complete	(5)	FP-5192877	Main Bearing, Plain	(16)	FP-3012363	Rod Bearing Half Upper/Lower	(6)	FP-3802811	Cylinder Kit Complete
(4)	FP-23522511	Cylinder Kit Complete	(5)	FP-5192878	Main Bearing, Plain	(16)	FP-3012365	Rod Bearing Half Upper/Lower	(6)	FP-3802811	Cylinder Kit Complete
(4)	FP-23522513	Cylinder Kit Complete	(5)	FP-5192878	Main Bearing, Plain	(16)	FP-3012366	Rod Bearing Half Upper/Lower	(6)	FP-3934588	Cylinder Kit Complete
(4)	FP-23522515	Cylinder Kit Complete	(5)	FP-5192878	Main Bearing, Plain	(16)	FP-3012363	Rod Bearing Half Upper/Lower	(6)	FP-4020061	Cylinder Kit Complete
(4)	FP-23522521	Cylinder Kit Complete	(4)	FP-5159353	Thrust Washer	(16)	FP-3012363	Rod Bearing Half Upper/Lower	(6)	FP-4020062	Cylinder Kit Complete
(4)	FP-23522525	Cylinder Kit Complete	(1)	FP-23512675	Complete Overhaul Gasket Set	(16)	FP-3012363	Rod Bearing Half Upper/Lower	(12)	FP-3901430	Rod Bearing Half Upper/Lower
(4)	FP-23522946	Cylinder Kit Complete	(1)	FP-5104081	Valve Cover Gasket	(1)	FP-BM99820	Main Bearing Set	(12)	FP-3901431	Rod Bearing Half Upper/Lower
(4)	FP-23522947	Cylinder Kit Complete	(1)	FP-5143406	Valve Cover Gasket	(1)	FP-BM99821	Main Bearing Set	(12)	FP-3901432	Rod Bearing Half Upper/Lower
(4)	FP-23522948	Cylinder Kit Complete	FP-4712V			(1)	FP-BM99822	Main Bearing Set	(12)	FP-3901433	Rod Bearing Half Upper/Lower
(4)	FP-23522949	Cylinder Kit Complete	(1)	FP-5150116	Oil Pan Gasket	(1)	FP-BM99823	Main Bearing Set	(12)	FP-3901433	Rod Bearing Half Upper/Lower
(4)	FP-2352294930	Cylinder Kit Complete	(4)	FP-23505308	Cylinder Kit Complete	(8)	FP-3277626	Cylinder Kit Complete	(12)	FP-3901434	Rod Bearing Half Upper/Lower
(4)	FP-235229495	Cylinder Kit Complete	(4)	FP-23505309	Cylinder Kit Complete	(8)	FP-3277634	Cylinder Kit Complete	(1)	FP-3802210	Main Bearing Set
(4)	FP-23522950	Cylinder Kit Complete	(4)	FP-2350530910	Cylinder Kit Complete	(16)	FP-556350	Rod Bearing Half Upper/Lower	(1)	FP-3802212	Main Bearing Set
(4)	FP-23522951	Cylinder Kit Complete	(4)	FP-2350530920	Cylinder Kit Complete	(16)	FP-556351	Rod Bearing Half Upper/Lower	(1)	FP-3945917	Main Bearing Set
(4)	FP-23522952	Cylinder Kit Complete	(4)	FP-2350530930	Cylinder Kit Complete	(16)	FP-556352	Rod Bearing Half Upper/Lower	(1)	FP-3945918	Main Bearing Set
(4)	FP-23522953	Cylinder Kit Complete	(4)	FP-235053095	Cylinder Kit Complete	(16)	FP-556353	Rod Bearing Half Upper/Lower	(1)	FP-3945919	Main Bearing Set
(4)	FP-23511129	Connecting Rod Bearing Pair	(4)	FP-23511129	Connecting Rod Bearing Pair	(16)	FP-556352	Rod Bearing Half Upper/Lower	(1)	FP-4025271	Head Gasket Set
(4)	FP-23511131	Connecting Rod Bearing Pair	(4)	FP-23511131	Connecting Rod Bearing Pair	(16)	FP-556353	Rod Bearing Half Upper/Lower	(1)	FP-3802389	Conversion Gasket Set
(4)	FP-23511133	Connecting Rod Bearing Pair	(4)	FP-23511133	Connecting Rod Bearing Pair	(1)	FP-BM99820	Main Bearing Set	(1)	FP-3802210	Main Bearing Set
(4)	FP-23511135	Connecting Rod Bearing Pair	(4)	FP-23511135	Connecting Rod Bearing Pair	(1)	FP-BM99821	Main Bearing Set	(1)	FP-3802212	Main Bearing Set
(4)	FP-23511137	Connecting Rod Bearing Pair	(4)	FP-23511137	Connecting Rod Bearing Pair	(1)	FP-BM99822	Main Bearing Set	(1)	FP-3945917	Main Bearing Set
(5)	FP-5192874	Main Bearing, Plain	(4)	FP-23511137	Connecting Rod Bearing Pair	(1)	FP-BM99823	Main Bearing Set	(1)	FP-3945918	Main Bearing Set
(5)	FP-5192875	Main Bearing, Plain	(5)	FP-5192874	Main Bearing, Plain	(1)	FP-AR63520	Head Gasket Set	(1)	FP-3945919	Main Bearing Set
(5)	FP-5192876	Main Bearing, Plain	(5)	FP-5192875	Main Bearing, Plain	(1)	FP-3801659	Conversion Gasket Set	(1)	FP-4025271	Head Gasket Set
(5)	FP-5192877	Main Bearing, Plain	(5)	FP-5192876	Main Bearing, Plain	(16)	FP-556353	Rod Bearing Half Upper/Lower	(1)	FP-3802389	Conversion Gasket Set
(5)	FP-5192878	Main Bearing, Plain	(5)	FP-5192877	Main Bearing, Plain	(16)	FP-556353	Rod Bearing Half Upper/Lower	(6)	FP-519266	Oil Pan Gasket
(4)	FP-5159353	Thrust Washer	(5)	FP-5192878	Main Bearing, Plain	(6)	FP-BM99820	Main Bearing Set	(6)	FP-5198899	Cylinder Kit Complete
(1)	FP-5198676	Head Gasket Set	(5)	FP-5192878	Main Bearing, Plain	(6)	FP-BM99821	Main Bearing Set	(6)	FP-51988910	Cylinder Kit Complete
(1)	FP-5104081	Valve Cover Gasket	(4)	FP-5159353	Thrust Washer	(6)	FP-BM99822	Main Bearing Set	(6)	FP-51988920	Cylinder Kit Complete
(1)	FP-5143406	Valve Cover Gasket	(1)	FP-5192925	Head Gasket Set	(6)	FP-AR63520	Head Gasket Set	(6)	FP-5197975	Connecting Rod Bearing Pair
FP-471XHOH			(1)	FP-5198676	Head Gasket Set	(6)	FP-3801659	Conversion Gasket Set	(6)	FP-5197977	Connecting Rod Bearing Pair
(4)	FP-20019	Cylinder Kit Complete	(1)	FP-5104081	Valve Cover Gasket	(6)	FP-3801659	Conversion Gasket Set	(6)	FP-5197978	Connecting Rod Bearing Pair
(4)	FP-20020	Cylinder Kit Complete	(1)	FP-5143406	Valve Cover Gasket	(6)	FP-LK92477792	Cylinder Kit Complete	(6)	FP-5197979	Connecting Rod Bearing Pair
(4)	FP-20021	Cylinder Kit Complete	FP-4712VOH			(6)	FP-LK92479937	Cylinder Kit Complete	(6)	FP-5197979	Connecting Rod Bearing Pair
(4)	FP-20022	Cylinder Kit Complete	(4)	FP-23505308	Cylinder Kit Complete	(6)	FP-3802372	Cylinder Kit Complete	(4)	FP-5198410	Main Bearing, Plain
(4)	FP-23522473	Cylinder Kit Complete	(4)	FP-23505309	Cylinder Kit Complete	(6)	FP-3802388	Cylinder Kit Complete	(4)	FP-5198412	Main Bearing, Plain
(4)	FP-235224735	Cylinder Kit Complete	(4)	FP-2350530910	Cylinder Kit Complete	(6)	FP-3802399	Cylinder Kit Complete	(4)	FP-5198413	Main Bearing, Plain
(4)	FP-23522477	Cylinder Kit Complete	(4)	FP-2350530920	Cylinder Kit Complete	(6)	FP-3802400	Cylinder Kit Complete	(4)	FP-5198414	Main Bearing, Plain
(4)	FP-23522479	Cylinder Kit Complete	(4)	FP-2350530930	Cylinder Kit Complete	(6)	FP-3802401	Cylinder Kit Complete	(4)	FP-5198414	Main Bearing, Plain
(4)	FP-23522481	Cylinder Kit Complete	(4)	FP-235053095	Cylinder Kit Complete	(6)	FP-3802402	Cylinder Kit Complete	(4)	FP-5159353	Thrust Washer
(4)	FP-23522483	Cylinder Kit Complete	(4)	FP-23511129	Connecting Rod Bearing Pair	(6)	FP-3802403	Cylinder Kit Complete	(2)	FP-5199811	Head Gasket Set
(4)	FP-23522485	Cylinder Kit Complete	(4)	FP-23511131	Connecting Rod Bearing Pair	(6)	FP-3802404	Cylinder Kit Complete	(2)	FP-5147994	Valve Cover Gasket
(4)	FP-2352248530	Cylinder Kit Complete	(4)	FP-23511133	Connecting Rod Bearing Pair	(6)	FP-3802406	Cylinder Kit Complete	(2)	FP-8925273	Valve Cover Gasket
(4)	FP-235224855	Cylinder Kit Complete	(4)	FP-23511135	Connecting Rod Bearing Pair	(6)	FP-3802609	Cylinder Kit Complete	FP-6V53OH		
(4)	FP-23522489	Cylinder Kit Complete	(4)	FP-23511137	Connecting Rod Bearing Pair	(12)	FP-3802610	Cylinder Kit Complete	(6)	FP-5198899	Cylinder Kit Complete
(4)	FP-23522491	Cylinder Kit Complete	(4)	FP-23511135	Connecting Rod Bearing Pair	(12)	FP-3802743	Cylinder Kit Complete	(6)	FP-51988910	Cylinder Kit Complete
(4)	FP-23522493	Cylinder Kit Complete	(4)	FP-23511137	Connecting Rod Bearing Pair	(12)	FP-3802811	Cylinder Kit Complete	(6)	FP-51988920	Cylinder Kit Complete
(4)	FP-23522507	Cylinder Kit Complete	(5)	FP-5192874	Main Bearing, Plain	(12)	FP-3802811	Cylinder Kit Complete	(6)	FP-5197975	Connecting Rod Bearing Pair
(4)	FP-23522509	Cylinder Kit Complete	(5)	FP-5192875	Main Bearing, Plain	(12)	FP-3934588	Cylinder Kit Complete	(6)	FP-5197977	Connecting Rod Bearing Pair
(4)	FP-23522511	Cylinder Kit Complete	(5)	FP-5192876	Main Bearing, Plain	(12)	FP-4020061	Cylinder Kit Complete	(6)	FP-5197978	Connecting Rod Bearing Pair
(4)	FP-23522513	Cylinder Kit Complete	(5)	FP-5192877	Main Bearing, Plain	(12)	FP-4020062	Cylinder Kit Complete	(6)	FP-5197979	Connecting Rod Bearing Pair
(4)	FP-23522515	Cylinder Kit Complete	(4)	FP-5159353	Thrust Washer	(12)	FP-3901430	Rod Bearing Half Upper/Lower	(6)	FP-5197979	Connecting Rod Bearing Pair
(4)	FP-23522521	Cylinder Kit Complete	(1)	FP-23512675	Complete Overhaul Gasket Set	(12)	FP-3901431	Rod Bearing Half Upper/Lower	(6)	FP-5197979	Connecting Rod Bearing Pair
(4)	FP-23522525	Cylinder Kit Complete	(1)	FP-5104081	Valve Cover Gasket	(12)	FP-3901432	Rod Bearing Half Upper/Lower	(6)	FP-5197979	Connecting Rod Bearing Pair
(4)	FP-23522946	Cylinder Kit Complete	(1)	FP-5143406	Valve Cover Gasket	(12)	FP-3901433	Rod Bearing Half Upper/Lower	(6)	FP-5197979	Connecting Rod Bearing Pair
(4)	FP-23522947	Cylinder Kit Complete	(5)	FP-5192874	Main Bearing, Plain	(12)	FP-3901433	Rod Bearing Half Upper/Lower	(4)	FP-5198410	Main Bearing, Plain
(4)	FP-23522948	Cylinder Kit Complete	(5)	FP-5192875	Main Bearing, Plain	(12)	FP-3901434	Rod Bearing Half Upper/Lower	(4)	FP-5198412	Main Bearing, Plain
(4)	FP-23522949	Cylinder Kit Complete	(5)	FP-5192876	Main Bearing, Plain	(1)	FP-3802210	Main Bearing Set	(4)	FP-5198413	Main Bearing, Plain
(4)	FP-2352294930	Cylinder Kit Complete	(5)	FP-5192877	Main Bearing, Plain	(1)	FP-3802211	Main Bearing Set	(4)	FP-5198414	Main Bearing, Plain
(4)	FP-235229495	Cylinder Kit Complete	(5)	FP-5192878	Main Bearing, Plain	(1)	FP-3802212	Main Bearing Set	(4)	FP-5159353	Thrust Washer
(4)	FP-23522950	Cylinder Kit Complete	(4)	FP-5159353	Thrust Washer	(1)	FP-3945917	Main Bearing Set	(4)	FP-5199811	Head Gasket Set
(4)	FP-23522951	Cylinder Kit Complete	(1)	FP-23512675	Complete Overhaul Gasket Set	(1)	FP-3945918	Main Bearing Set	(2)	FP-5147994	Valve Cover Gasket
(4)	FP-23522952	Cylinder Kit Complete	(1)	FP-5192922	Complete Overhaul Gasket Set	(1)	FP-3945919	Main Bearing Set	(2)	FP-8925273	Valve Cover Gasket
(4)	FP-23522953	Cylinder Kit Complete	(1)	FP-5104081	Valve Cover Gasket	(1)	FP-4025271S	In-Frame Gasket Set	FP-6V71NAOH		
(4)	FP-23522953	Cylinder Kit Complete	(1)	FP-5143406	Valve Cover Gasket	(6)	FP-LK92477792	Cylinder Kit Complete	(6)	FP-23505305	Cylinder Kit Complete
(4)	FP-23511129	Connecting Rod Bearing Pair	FP-504PREM			(6)	FP-LK92479937	Cylinder Kit Complete	(6)	FP-2350530630	Cylinder Kit Complete
(4)	FP-23511131	Connecting Rod Bearing Pair	(8)	FP-AR61504	Cylinder Kit Complete	(6)	FP-3802372	Cylinder Kit Complete	(6)	FP-235053065	Cylinder Kit Complete
(4)	FP-23511133	Connecting Rod Bearing Pair	(8)	FP-3277991	Cylinder Kit Complete	(6)	FP-3802388	Cylinder Kit Complete	(6)	FP-5149261	Cylinder Kit Complete
(4)	FP-23511135	Connecting Rod Bearing Pair	(16)	FP-157620	Rod Bearing Half Upper/Lower	(6)	FP-3802399	Cylinder Kit Complete	(6)	FP-5149263	Cylinder Kit Complete
(4)	FP-23511137	Connecting Rod Bearing Pair	(16)	FP-157621	Rod Bearing Half Upper/Lower	(6)	FP-3802400	Cylinder Kit Complete	(6)	FP-5149264	Cylinder Kit Complete
(cont'd. next column)			(cont'd. next column)			(cont'd. next column)			(cont'd. next page)		

Engine Kit Bill of Material

Qty.	Part No.	Description	Qty.	Part No.	Description	Qty.	Part No.	Description	Qty.	Part No.	Description
FP-6V71NAOH (cont'd.)			FP-671NA			FP-671XH (cont'd.)			FP-8V71NA		
(6)	FP-5149577	Connecting Rod Bearing Pair	(1)	FP-5150117	Oil Pan Gasket	(6)	FP-2352294930	Cylinder Kit Complete	(1)	FP-5117231	Oil Pan Gasket
(6)	FP-5149579	Connecting Rod Bearing Pair	(6)	FP-23505305	Cylinder Kit Complete	(6)	FP-235229495	Cylinder Kit Complete	(8)	FP-23505305	Cylinder Kit Complete
(4)	FP-5149556	Main Bearing, Plain	(6)	FP-23505306	Cylinder Kit Complete	(6)	FP-23522950	Cylinder Kit Complete	(8)	FP-23505306	Cylinder Kit Complete
(4)	FP-5149559	Main Bearing, Plain	(6)	FP-2350530630	Cylinder Kit Complete	(6)	FP-23522951	Cylinder Kit Complete	(8)	FP-2350530630	Cylinder Kit Complete
(4)	FP-5149561	Main Bearing, Plain	(6)	FP-235053065	Cylinder Kit Complete	(6)	FP-23522952	Cylinder Kit Complete	(8)	FP-235053065	Cylinder Kit Complete
(4)	FP-5149563	Main Bearing, Plain	(6)	FP-5149261	Cylinder Kit Complete	(6)	FP-23522953	Cylinder Kit Complete	(8)	FP-5149261	Cylinder Kit Complete
(4)	FP-5117005	Thrust Washer	(6)	FP-5149263	Cylinder Kit Complete	(6)	FP-23511129	Connecting Rod Bearing Pair	(8)	FP-5149263	Cylinder Kit Complete
(1)	FP-23512678	Complete Overhaul Gasket Set	(6)	FP-5149264	Cylinder Kit Complete	(6)	FP-23511131	Connecting Rod Bearing Pair	(8)	FP-5149264	Cylinder Kit Complete
(2)	FP-5104018	Valve Cover Gasket	(6)	FP-23511129	Connecting Rod Bearing Pair	(6)	FP-23511133	Connecting Rod Bearing Pair	(8)	FP-5149572	Connecting Rod Bearing Pair
(2)	FP-5143405	Valve Cover Gasket	(6)	FP-23511133	Connecting Rod Bearing Pair	(6)	FP-23511133	Connecting Rod Bearing Pair	(8)	FP-5149575	Connecting Rod Bearing Pair
FP-6V92			(6)	FP-23511135	Connecting Rod Bearing Pair	(6)	FP-23511135	Connecting Rod Bearing Pair	(8)	FP-5149577	Connecting Rod Bearing Pair
(1)	FP-23503588	Oil Pan Gasket	(6)	FP-23511137	Connecting Rod Bearing Pair	(6)	FP-23511137	Connecting Rod Bearing Pair	(8)	FP-5149579	Connecting Rod Bearing Pair
(6)	FP-23522161	Cylinder Kit Complete	(7)	FP-5192874	Main Bearing, Plain	(7)	FP-5192874	Main Bearing, Plain	(5)	FP-5149556	Main Bearing, Plain
(6)	FP-23523100	Cylinder Kit Complete	(7)	FP-5192875	Main Bearing, Plain	(7)	FP-5192875	Main Bearing, Plain	(5)	FP-5149557	Main Bearing, Plain
(6)	FP-23523101	Cylinder Kit Complete	(7)	FP-5192876	Main Bearing, Plain	(7)	FP-5192876	Main Bearing, Plain	(5)	FP-5149559	Main Bearing, Plain
(6)	FP-23524337	Cylinder Kit Complete	(7)	FP-5192877	Main Bearing, Plain	(7)	FP-5192877	Main Bearing, Plain	(5)	FP-5149561	Main Bearing, Plain
(6)	FP-23524339	Cylinder Kit Complete	(7)	FP-5192878	Main Bearing, Plain	(7)	FP-5192878	Main Bearing, Plain	(5)	FP-5149563	Main Bearing, Plain
(6)	FP-23524340	Cylinder Kit Complete	(4)	FP-5159353	Thrust Washer	(4)	FP-5159353	Thrust Washer	(5)	FP-5149565	Main Bearing, Plain
(6)	FP-23524341	Cylinder Kit Complete	(1)	FP-5195742	Head Gasket Set	(1)	FP-5195742	Head Gasket Set	(5)	FP-5149566	Main Bearing, Plain
(6)	FP-23524342	Cylinder Kit Complete	(1)	FP-5104019	Valve Cover Gasket	(1)	FP-5104019	Valve Cover Gasket	(5)	FP-5149567	Main Bearing, Plain
(6)	FP-23524343	Cylinder Kit Complete	(1)	FP-5143407	Valve Cover Gasket	(1)	FP-5143407	Valve Cover Gasket	(5)	FP-5149568	Main Bearing, Plain
(6)	FP-23524344	Cylinder Kit Complete	FP-671NAOH			FP-671XHOH			(5)	FP-8922118	Main Bearing, Plain
(6)	FP-23524345	Cylinder Kit Complete	(6)	FP-23505305	Cylinder Kit Complete	(6)	FP-20019	Cylinder Kit Complete	(4)	FP-5117005	Thrust Washer
(6)	FP-23524346	Cylinder Kit Complete	(6)	FP-23505306	Cylinder Kit Complete	(6)	FP-20020	Cylinder Kit Complete	(2)	FP-5196381	Head Gasket Set
(6)	FP-23524494	Cylinder Kit Complete	(6)	FP-2350530630	Cylinder Kit Complete	(6)	FP-20021	Cylinder Kit Complete	(2)	FP-5104081	Valve Cover Gasket
(6)	FP-5149572	Connecting Rod Bearing Pair	(6)	FP-235053065	Cylinder Kit Complete	(6)	FP-20022	Cylinder Kit Complete	(2)	FP-5143406	Valve Cover Gasket
(6)	FP-5149573	Connecting Rod Bearing Pair	(6)	FP-5149261	Cylinder Kit Complete	(6)	FP-23522473	Cylinder Kit Complete	FP-8V71NAOH		
(6)	FP-5149575	Connecting Rod Bearing Pair	(6)	FP-5149263	Cylinder Kit Complete	(6)	FP-235224735	Cylinder Kit Complete	(8)	FP-23505305	Cylinder Kit Complete
(6)	FP-5149577	Connecting Rod Bearing Pair	(6)	FP-5149264	Cylinder Kit Complete	(6)	FP-23522477	Cylinder Kit Complete	(8)	FP-23505306	Cylinder Kit Complete
(6)	FP-5149579	Connecting Rod Bearing Pair	(6)	FP-23511129	Connecting Rod Bearing Pair	(6)	FP-23522479	Cylinder Kit Complete	(8)	FP-2350530630	Cylinder Kit Complete
(4)	FP-5149565	Main Bearing, Plain	(6)	FP-23511133	Connecting Rod Bearing Pair	(6)	FP-23522481	Cylinder Kit Complete	(8)	FP-235053065	Cylinder Kit Complete
(4)	FP-5149566	Main Bearing, Plain	(6)	FP-23511135	Connecting Rod Bearing Pair	(6)	FP-23522483	Cylinder Kit Complete	(8)	FP-5149261	Cylinder Kit Complete
(4)	FP-5149567	Main Bearing, Plain	(6)	FP-23511137	Connecting Rod Bearing Pair	(6)	FP-23522485	Cylinder Kit Complete	(8)	FP-5149263	Cylinder Kit Complete
(4)	FP-5149568	Main Bearing, Plain	(6)	FP-23511133	Connecting Rod Bearing Pair	(6)	FP-23522489	Cylinder Kit Complete	(8)	FP-5149264	Cylinder Kit Complete
(4)	FP-8922118	Main Bearing, Plain	(7)	FP-5192874	Main Bearing, Plain	(6)	FP-23522491	Cylinder Kit Complete	(8)	FP-5149266	Cylinder Kit Complete
(4)	FP-5117005	Thrust Washer	(7)	FP-5192875	Main Bearing, Plain	(6)	FP-23522493	Cylinder Kit Complete	(8)	FP-5149572	Connecting Rod Bearing Pair
(2)	FP-5199673	Head Gasket Set	(7)	FP-5192876	Main Bearing, Plain	(6)	FP-23522499	Cylinder Kit Complete	(8)	FP-5149575	Connecting Rod Bearing Pair
(2)	FP-5104018	Valve Cover Gasket	(7)	FP-5192877	Main Bearing, Plain	(6)	FP-23522485	Cylinder Kit Complete	(8)	FP-5149577	Connecting Rod Bearing Pair
FP-6V92OH			(7)	FP-5192878	Main Bearing, Plain	(6)	FP-23522499	Cylinder Kit Complete	(8)	FP-5149579	Connecting Rod Bearing Pair
(6)	FP-23522161	Cylinder Kit Complete	(4)	FP-5159353	Thrust Washer	(6)	FP-23522507	Cylinder Kit Complete	(5)	FP-5149556	Main Bearing, Plain
(6)	FP-23523100	Cylinder Kit Complete	(1)	FP-23512676	Complete Overhaul Gasket Set	(6)	FP-235225075	Cylinder Kit Complete	(5)	FP-5149557	Main Bearing, Plain
(6)	FP-23523101	Cylinder Kit Complete	(1)	FP-5104019	Valve Cover Gasket	(6)	FP-23522509	Cylinder Kit Complete	(5)	FP-5149559	Main Bearing, Plain
(6)	FP-23524337	Cylinder Kit Complete	(1)	FP-5143407	Valve Cover Gasket	(6)	FP-23522511	Cylinder Kit Complete	(5)	FP-5149561	Main Bearing, Plain
(6)	FP-23524339	Cylinder Kit Complete	FP-671XH			(6)	FP-23522513	Cylinder Kit Complete	(5)	FP-5149563	Main Bearing, Plain
(6)	FP-23524340	Cylinder Kit Complete	(1)	FP-5150117	Oil Pan Gasket	(6)	FP-23522515	Cylinder Kit Complete	(5)	FP-5149565	Main Bearing, Plain
(6)	FP-23524341	Cylinder Kit Complete	(6)	FP-20019	Cylinder Kit Complete	(6)	FP-23522515	Cylinder Kit Complete	(5)	FP-5149566	Main Bearing, Plain
(6)	FP-23524342	Cylinder Kit Complete	(6)	FP-20020	Cylinder Kit Complete	(6)	FP-23522521	Cylinder Kit Complete	(5)	FP-5149567	Main Bearing, Plain
(6)	FP-23524343	Cylinder Kit Complete	(6)	FP-20021	Cylinder Kit Complete	(6)	FP-23522525	Cylinder Kit Complete	(5)	FP-5149568	Main Bearing, Plain
(6)	FP-23524344	Cylinder Kit Complete	(6)	FP-20022	Cylinder Kit Complete	(6)	FP-23522946	Cylinder Kit Complete	(5)	FP-8922118	Main Bearing, Plain
(6)	FP-23524345	Cylinder Kit Complete	(6)	FP-23522473	Cylinder Kit Complete	(6)	FP-23522947	Cylinder Kit Complete	(4)	FP-5117005	Thrust Washer
(6)	FP-23524346	Cylinder Kit Complete	(6)	FP-235224735	Cylinder Kit Complete	(6)	FP-23522949	Cylinder Kit Complete	(1)	FP-23512679	Complete Overhaul Gasket Set
(6)	FP-23524494	Cylinder Kit Complete	(6)	FP-23522477	Cylinder Kit Complete	(6)	FP-2352294930	Cylinder Kit Complete	(1)	FP-23512680	Complete Overhaul Gasket Set
(6)	FP-5149572	Connecting Rod Bearing Pair	(6)	FP-23522481	Cylinder Kit Complete	(6)	FP-235229495	Cylinder Kit Complete	(2)	FP-5104081	Valve Cover Gasket
(6)	FP-5149573	Connecting Rod Bearing Pair	(6)	FP-23522483	Cylinder Kit Complete	(6)	FP-23522950	Cylinder Kit Complete	(2)	FP-5143406	Valve Cover Gasket
(6)	FP-5149575	Connecting Rod Bearing Pair	(6)	FP-23522485	Cylinder Kit Complete	(6)	FP-23522951	Cylinder Kit Complete	FP-8V71XH		
(6)	FP-5149577	Connecting Rod Bearing Pair	(6)	FP-23522489	Cylinder Kit Complete	(6)	FP-23522952	Cylinder Kit Complete	(1)	FP-5117231	Oil Pan Gasket
(6)	FP-5149579	Connecting Rod Bearing Pair	(6)	FP-23522491	Cylinder Kit Complete	(6)	FP-23522953	Cylinder Kit Complete	(8)	FP-20019	Cylinder Kit Complete
(4)	FP-5149565	Main Bearing, Plain	(6)	FP-23522493	Cylinder Kit Complete	(6)	FP-23511129	Connecting Rod Bearing Pair	(8)	FP-20020	Cylinder Kit Complete
(4)	FP-5149566	Main Bearing, Plain	(6)	FP-23522499	Cylinder Kit Complete	(6)	FP-23511131	Connecting Rod Bearing Pair	(8)	FP-20021	Cylinder Kit Complete
(4)	FP-5149567	Main Bearing, Plain	(6)	FP-23522481	Cylinder Kit Complete	(6)	FP-23511133	Connecting Rod Bearing Pair	(8)	FP-20022	Cylinder Kit Complete
(4)	FP-5149568	Main Bearing, Plain	(6)	FP-23522483	Cylinder Kit Complete	(7)	FP-5192874	Main Bearing, Plain	(8)	FP-23522473	Cylinder Kit Complete
(4)	FP-8922118	Main Bearing, Plain	(6)	FP-23522485	Cylinder Kit Complete	(7)	FP-5192875	Main Bearing, Plain	(8)	FP-235224735	Cylinder Kit Complete
(4)	FP-5117005	Thrust Washer	(6)	FP-23522489	Cylinder Kit Complete	(7)	FP-5192876	Main Bearing, Plain	(8)	FP-23522477	Cylinder Kit Complete
(1)	FP-23512683	Complete Overhaul Gasket Set	(6)	FP-23522491	Cylinder Kit Complete	(7)	FP-5192877	Main Bearing, Plain	(8)	FP-23522479	Cylinder Kit Complete
(1)	FP-23512684	Complete Overhaul Gasket Set	(6)	FP-23522493	Cylinder Kit Complete	(7)	FP-5192878	Main Bearing, Plain	(8)	FP-23522481	Cylinder Kit Complete
(2)	FP-5104018	Valve Cover Gasket	(6)	FP-23522499	Cylinder Kit Complete	(4)	FP-5159353	Thrust Washer	(8)	FP-23522483	Cylinder Kit Complete
			(6)	FP-23522521	Cylinder Kit Complete	(1)	FP-23512676	Complete Overhaul Gasket Set	(8)	FP-23522485	Cylinder Kit Complete
			(6)	FP-23522525	Cylinder Kit Complete	(1)	FP-5104019	Valve Cover Gasket	(8)	FP-23522489	Cylinder Kit Complete
			(6)	FP-23522946	Cylinder Kit Complete	(1)	FP-5143407	Valve Cover Gasket	(8)	FP-23522491	Cylinder Kit Complete
			(6)	FP-23522947	Cylinder Kit Complete				(8)	FP-23522493	Cylinder Kit Complete
			(6)	FP-23522948	Cylinder Kit Complete						
			(6)	FP-23522949	Cylinder Kit Complete						

Engine Kit Bill of Material

Qty.	Part No.	Description	Qty.	Part No.	Description	Qty.	Part No.	Description	Qty.	Part No.	Description
	FP-8V71XH	(cont'd.)									
(8)	FP-23522507	Cylinder Kit Complete									
(8)	FP-235225075	Cylinder Kit Complete									
(8)	FP-23522509	Cylinder Kit Complete									
(8)	FP-23522511	Cylinder Kit Complete									
(8)	FP-23522513	Cylinder Kit Complete									
(8)	FP-23522515	Cylinder Kit Complete									
(8)	FP-23522521	Cylinder Kit Complete									
(8)	FP-23522525	Cylinder Kit Complete									
(8)	FP-23522946	Cylinder Kit Complete									
(8)	FP-23522947	Cylinder Kit Complete									
(8)	FP-23522948	Cylinder Kit Complete									
(8)	FP-23522949	Cylinder Kit Complete									
(8)	FP-2352294930	Cylinder Kit Complete									
(8)	FP-235229495	Cylinder Kit Complete									
(8)	FP-23522950	Cylinder Kit Complete									
(8)	FP-23522951	Cylinder Kit Complete									
(8)	FP-23522952	Cylinder Kit Complete									
(8)	FP-23522953	Cylinder Kit Complete									
(8)	FP-5149572	Connecting Rod Bearing Pair									
(8)	FP-5149575	Connecting Rod Bearing Pair									
(8)	FP-5149577	Connecting Rod Bearing Pair									
(8)	FP-5149579	Connecting Rod Bearing Pair									
(5)	FP-5149556	Main Bearing, Plain									
(5)	FP-5149557	Main Bearing, Plain									
(5)	FP-5149559	Main Bearing, Plain									
(5)	FP-5149561	Main Bearing, Plain									
(5)	FP-5149563	Main Bearing, Plain									
(5)	FP-5149565	Main Bearing, Plain									
(5)	FP-5149566	Main Bearing, Plain									
(5)	FP-5149567	Main Bearing, Plain									
(5)	FP-5149568	Main Bearing, Plain									
(4)	FP-8922118	Main Bearing, Plain Thrust Washer									
(2)	FP-5196381	Head Gasket Set									
(2)	FP-5104081	Valve Cover Gasket									
(2)	FP-5143406	Valve Cover Gasket									
	FP-8V71XHOH										
(8)	FP-20019	Cylinder Kit Complete									
(8)	FP-20020	Cylinder Kit Complete									
(8)	FP-20021	Cylinder Kit Complete									
(8)	FP-20022	Cylinder Kit Complete									
(8)	FP-23522473	Cylinder Kit Complete									
(8)	FP-235224735	Cylinder Kit Complete									
(8)	FP-23522477	Cylinder Kit Complete									
(8)	FP-23522479	Cylinder Kit Complete									
(8)	FP-23522481	Cylinder Kit Complete									
(8)	FP-23522483	Cylinder Kit Complete									
(8)	FP-23522485	Cylinder Kit Complete									
(8)	FP-2352248530	Cylinder Kit Complete									
(8)	FP-235224855	Cylinder Kit Complete									
(8)	FP-23522489	Cylinder Kit Complete									
(8)	FP-23522491	Cylinder Kit Complete									
(8)	FP-23522493	Cylinder Kit Complete									
(8)	FP-23522507	Cylinder Kit Complete									
(8)	FP-235225075	Cylinder Kit Complete									
(8)	FP-23522509	Cylinder Kit Complete									
(8)	FP-23522511	Cylinder Kit Complete									
(8)	FP-23522513	Cylinder Kit Complete									
(8)	FP-23522515	Cylinder Kit Complete									
(8)	FP-23522521	Cylinder Kit Complete									
(8)	FP-23522525	Cylinder Kit Complete									
(8)	FP-23522946	Cylinder Kit Complete									
(8)	FP-23522947	Cylinder Kit Complete									
(8)	FP-23522948	Cylinder Kit Complete									
(8)	FP-23522949	Cylinder Kit Complete									
(8)	FP-2352294930	Cylinder Kit Complete									
(8)	FP-235229495	Cylinder Kit Complete									
(8)	FP-23522950	Cylinder Kit Complete									
(8)	FP-23522951	Cylinder Kit Complete									
(8)	FP-23522952	Cylinder Kit Complete									
(8)	FP-23522953	Cylinder Kit Complete									
(8)	FP-5149572	Connecting Rod Bearing Pair									
(8)	FP-5149575	Connecting Rod Bearing Pair									
(8)	FP-5149577	Connecting Rod Bearing Pair									
(8)	FP-5149579	Connecting Rod Bearing Pair									
(5)	FP-5149556	Main Bearing, Plain									
(5)	FP-5149557	Main Bearing, Plain									
(5)	FP-5149567	Main Bearing, Plain									
(5)	FP-5149568	Main Bearing, Plain									
(5)	FP-8922118	Main Bearing, Plain									
	FP-8V92OH	(cont'd.)									
(8)	FP-5149579	Connecting Rod Bearing Pair									
(5)	FP-5149556	Main Bearing, Plain									
(5)	FP-5149557	Main Bearing, Plain									
(5)	FP-5149559	Main Bearing, Plain									
(5)	FP-5149561	Main Bearing, Plain									
(5)	FP-5149563	Main Bearing, Plain									
(5)	FP-5149565	Main Bearing, Plain									
(5)	FP-5149566	Main Bearing, Plain									
(5)	FP-5149567	Main Bearing, Plain									
(5)	FP-5149568	Main Bearing, Plain									
(5)	FP-8922118	Main Bearing, Plain									
(4)	FP-5117005	Thrust Washer									
(1)	FP-23512679	Complete Overhaul Gasket Set									
(1)	FP-23512680	Complete Overhaul Gasket Set									
(2)	FP-5104081	Valve Cover Gasket									
(2)	FP-5143406	Valve Cover Gasket									
	FP-8V92										
(1)	FP-5117231	Oil Pan Gasket									
(8)	FP-23522161	Cylinder Kit Complete									
(8)	FP-23523100	Cylinder Kit Complete									
(8)	FP-23523101	Cylinder Kit Complete									
(8)	FP-23524337	Cylinder Kit Complete									
(8)	FP-23524339	Cylinder Kit Complete									
(8)	FP-23524340	Cylinder Kit Complete									
(8)	FP-23524341	Cylinder Kit Complete									
(8)	FP-23524342	Cylinder Kit Complete									
(8)	FP-23524343	Cylinder Kit Complete									
(8)	FP-23524344	Cylinder Kit Complete									
(8)	FP-23524345	Cylinder Kit Complete									
(8)	FP-23524346	Cylinder Kit Complete									
(8)	FP-23524494	Cylinder Kit Complete									
(8)	FP-5149572	Connecting Rod Bearing Pair									
(8)	FP-5149573	Connecting Rod Bearing Pair									
(8)	FP-5149575	Connecting Rod Bearing Pair									
(8)	FP-5149577	Connecting Rod Bearing Pair									
(8)	FP-5149579	Connecting Rod Bearing Pair									
(5)	FP-5149556	Main Bearing, Plain									
(5)	FP-5149566	Main Bearing, Plain									
(5)	FP-5149567	Main Bearing, Plain									
(5)	FP-5149568	Main Bearing, Plain									
(5)	FP-8922118	Main Bearing, Plain									
(4)	FP-5117005	Thrust Washer									
(2)	FP-5199674	Head Gasket Set									
(2)	FP-5104081	Valve Cover Gasket									
	FP-8V92OH										
(8)	FP-23522161	Cylinder Kit Complete									
(8)	FP-23523100	Cylinder Kit Complete									
(8)	FP-23523101	Cylinder Kit Complete									
(8)	FP-23524337	Cylinder Kit Complete									
(8)	FP-23524339	Cylinder Kit Complete									
(8)	FP-23524340	Cylinder Kit Complete									
(8)	FP-23524341	Cylinder Kit Complete									
(8)	FP-23524342	Cylinder Kit Complete									
(8)	FP-23524343	Cylinder Kit Complete									
(8)	FP-23524344	Cylinder Kit Complete									
(8)	FP-23524345	Cylinder Kit Complete									
(8)	FP-23524346	Cylinder Kit Complete									
(8)	FP-23524494	Cylinder Kit Complete									
(8)	FP-5149572	Connecting Rod Bearing Pair									
(8)	FP-5149573	Connecting Rod Bearing Pair									
(8)	FP-5149575	Connecting Rod Bearing Pair									
(8)	FP-5149577	Connecting Rod Bearing Pair									
(8)	FP-5149579	Connecting Rod Bearing Pair									
(5)	FP-5149556	Main Bearing, Plain									
(5)	FP-5149566	Main Bearing, Plain									
(5)	FP-5149567	Main Bearing, Plain									
(5)	FP-5149568	Main Bearing, Plain									
(5)	FP-8922118	Main Bearing, Plain									
	FP-8V92OH	(cont'd.)									
(4)	FP-5117005	Thrust Washer									
(1)	FP-23512685	Complete Overhaul Gasket Set									
(2)	FP-5104081	Valve Cover Gasket									
	FP-82NA										
(1)	FP-5149728	Oil Pan Gasket Kit									
(8)	FP-8921605	Piston Body w/o Pin									
(8)	FP-8922234	Piston Body w/o Pin									
(8)	FP-8922236	Piston Body w/o Pin									
(8)	FP-8922452	Piston Body w/o Pin									
(8)	FP-8922453	Piston Body w/o Pin									
(8)	FP-8928520	Piston Body w/o Pin									
(8)	FP-8925717	Piston Pin									
(16)	FP-8922977	Piston Pin Retainer									
(8)	FP-8921721	Ring Set, Single Cylinder									
(8)	FP-8923779	Ring Set, Single Cylinder									
(8)	FP-8923917	Ring Set, Single Cylinder									
(8)	FP-8923919	Ring Set, Single Cylinder									
(8)	FP-8921714	Connecting Rod Bearing Pair									
(8)	FP-8924703	Connecting Rod Bearing Pair									
(1)	FP-5099M	Main Bearing Set									
(1)	FP-5099M25MM	Main Bearing Set									

Engine Kit Bill of Material

Qty.	Part No.	Description	Qty.	Part No.	Description	Qty.	Part No.	Description	Qty.	Part No.	Description
FP-855PREMOH (cont'd.)			FP-855PREMP (cont'd.)			FP-855PREMPDNOH (cont'd.)			FP-855PREMPOH (cont'd.)		
(6)	FP-CK55165099	Cylinder Kit Complete	(12)	FP-203661	Rod Bearing Half Upper/Lower	(6)	FP-3803215	Cylinder Kit Complete	(12)	FP-203663	Rod Bearing Half Upper/Lower
(6)	FP-CK55165405	Cylinder Kit Complete	(12)	FP-203662	Rod Bearing Half Upper/Lower	(6)	FP-3803216	Cylinder Kit Complete	(12)	FP-203664	Rod Bearing Half Upper/Lower
(6)	FP-CK73485405	Cylinder Kit Complete	(12)	FP-203663	Rod Bearing Half Upper/Lower	(6)	FP-3803217	Cylinder Kit Complete	(12)	FP-214950	Rod Bearing Half Upper/Lower
(6)	FP-CK73495405	Cylinder Kit Complete	(12)	FP-203664	Rod Bearing Half Upper/Lower	(6)	FP-3803233	Cylinder Kit Complete	(12)	FP-214951	Rod Bearing Half Upper/Lower
(6)	FP-CK86505405	Cylinder Kit Complete	(12)	FP-214950	Rod Bearing Half Upper/Lower	(6)	FP-3803346	Cylinder Kit Complete	(12)	FP-214952	Rod Bearing Half Upper/Lower
(6)	FP-3801764	Cylinder Kit Complete	(12)	FP-214951	Rod Bearing Half Upper/Lower	(6)	FP-3803545	Cylinder Kit Complete	(12)	FP-214952	Rod Bearing Half Upper/Lower
(6)	FP-3801774	Cylinder Kit Complete	(12)	FP-214952	Rod Bearing Half Upper/Lower	(6)	FP-3803547	Cylinder Kit Complete	(12)	FP-214953	Rod Bearing Half Upper/Lower
(6)	FP-3801776	Cylinder Kit Complete	(12)	FP-214953	Rod Bearing Half Upper/Lower	(12)	FP-203660	Rod Bearing Half Upper/Lower	(12)	FP-214954	Rod Bearing Half Upper/Lower
(6)	FP-3801779	Cylinder Kit Complete	(12)	FP-214954	Rod Bearing Half Upper/Lower	(12)	FP-203661	Rod Bearing Half Upper/Lower	(12)	FP-214954	Rod Bearing Half Upper/Lower
(6)	FP-3801780	Cylinder Kit Complete	(1)	FP-3801260	Main Bearing Set	(12)	FP-203662	Rod Bearing Half Upper/Lower	(1)	FP-3801260	Main Bearing Set
(6)	FP-3801781	Cylinder Kit Complete	(1)	FP-3801261	Main Bearing Set	(1)	FP-203663	Rod Bearing Half Upper/Lower	(1)	FP-3801261	Main Bearing Set
(6)	FP-3801785	Cylinder Kit Complete	(1)	FP-3801262	Main Bearing Set	(1)	FP-203664	Rod Bearing Half Upper/Lower	(1)	FP-3801262	Main Bearing Set
(6)	FP-3801792	Cylinder Kit Complete	(1)	FP-3801263	Main Bearing Set	(12)	FP-203666	Rod Bearing Half Upper/Lower	(1)	FP-3801263	Main Bearing Set
(6)	FP-3801874	Cylinder Kit Complete	(1)	FP-3801264	Main Bearing Set	(12)	FP-203666	Rod Bearing Half Upper/Lower	(1)	FP-3801264	Main Bearing Set
(12)	FP-203660	Rod Bearing Half Upper/Lower	(1)	FP-3801264	Main Bearing Set	(12)	FP-203666	Rod Bearing Half Upper/Lower	(1)	FP-3801332	Head Gasket Set
(12)	FP-203661	Rod Bearing Half Upper/Lower	(1)	FP-3801332S	In-Frame Gasket Set	(12)	FP-203666	Rod Bearing Half Upper/Lower	(1)	FP-3801348	Head Gasket Set
(12)	FP-203662	Rod Bearing Half Upper/Lower	(1)	FP-3801348S	In-Frame Gasket Set	(12)	FP-203666	Rod Bearing Half Upper/Lower	(1)	FP-3801451	Head Gasket Set
(12)	FP-203663	Rod Bearing Half Upper/Lower	(1)	FP-3801451S	In-Frame Gasket Set	(12)	FP-203666	Rod Bearing Half Upper/Lower	(1)	FP-380145110	Head Gasket Set
(12)	FP-203664	Rod Bearing Half Upper/Lower	(1)	FP-3801754S	In-Frame Gasket Set	(12)	FP-203666	Rod Bearing Half Upper/Lower	(1)	FP-3801464	Conversion Gasket Set
(12)	FP-214950	Rod Bearing Half Upper/Lower	(1)	FP-3803040S	In-Frame Gasket Set	(12)	FP-203666	Rod Bearing Half Upper/Lower	(1)	FP-3801468	Conversion Gasket Set
(12)	FP-214951	Rod Bearing Half Upper/Lower	(1)	FP-3804276IF	In-Frame Gasket Set	(12)	FP-203666	Rod Bearing Half Upper/Lower	(1)	FP-3801529	Conversion Gasket Set
(12)	FP-214952	Rod Bearing Half Upper/Lower	FP-855PREMPDN			(12)	FP-203666	Rod Bearing Half Upper/Lower	(1)	FP-3803041	Conversion Gasket Set
(12)	FP-214953	Rod Bearing Half Upper/Lower	(6)	FP-CK33465405	Cylinder Kit Complete	(12)	FP-203666	Rod Bearing Half Upper/Lower	(1)	FP-3014459	Conversion Gasket Set
(12)	FP-214954	Rod Bearing Half Upper/Lower	(6)	FP-3801746	Cylinder Kit Complete	(12)	FP-203666	Rod Bearing Half Upper/Lower	(1)	FP-3801235	Conversion Gasket Set
(1)	FP-3801260	Main Bearing Set	(6)	FP-3801817	Cylinder Kit Complete	(12)	FP-203666	Rod Bearing Half Upper/Lower	(1)	FP-3801454	Conversion Gasket Set
(1)	FP-3801261	Main Bearing Set	(6)	FP-3801822	Cylinder Kit Complete	(12)	FP-203666	Rod Bearing Half Upper/Lower	(1)	FP-3801468	Conversion Gasket Set
(1)	FP-3801262	Main Bearing Set	(6)	FP-3801823	Cylinder Kit Complete	(12)	FP-203666	Rod Bearing Half Upper/Lower	(1)	FP-3801469	Conversion Gasket Set
(1)	FP-3801263	Main Bearing Set	(6)	FP-3801824	Cylinder Kit Complete	(12)	FP-203666	Rod Bearing Half Upper/Lower	(1)	FP-3801529	Conversion Gasket Set
(1)	FP-3801264	Main Bearing Set	(6)	FP-3801956	Cylinder Kit Complete	(12)	FP-203666	Rod Bearing Half Upper/Lower	(1)	FP-3803041	Conversion Gasket Set
(1)	FP-3801332	Head Gasket Set	(6)	FP-3803215	Cylinder Kit Complete	(12)	FP-203666	Rod Bearing Half Upper/Lower	(1)	FP-3804276	Head Gasket Set
(1)	FP-3801348	Head Gasket Set	(6)	FP-3803216	Cylinder Kit Complete	(12)	FP-203666	Rod Bearing Half Upper/Lower	(1)	FP-3014459	Conversion Gasket Set
(1)	FP-3804276	Head Gasket Set	(6)	FP-3803217	Cylinder Kit Complete	(12)	FP-203666	Rod Bearing Half Upper/Lower	(1)	FP-3801235	Conversion Gasket Set
(1)	FP-3014459	Conversion Gasket Set	(6)	FP-3803218	Cylinder Kit Complete	(12)	FP-203666	Rod Bearing Half Upper/Lower	(1)	FP-3801454	Conversion Gasket Set
(1)	FP-3801235	Conversion Gasket Set	(6)	FP-3803218	Cylinder Kit Complete	(12)	FP-203666	Rod Bearing Half Upper/Lower	(1)	FP-3801468	Conversion Gasket Set
(1)	FP-3801463	Conversion Gasket Set	(6)	FP-3803233	Cylinder Kit Complete	(12)	FP-203666	Rod Bearing Half Upper/Lower	(1)	FP-3801469	Conversion Gasket Set
(1)	FP-3801464	Conversion Gasket Set	(6)	FP-3803346	Cylinder Kit Complete	(12)	FP-203666	Rod Bearing Half Upper/Lower	(1)	FP-3801529	Conversion Gasket Set
(1)	FP-3801468	Conversion Gasket Set	(6)	FP-3803545	Cylinder Kit Complete	(12)	FP-203666	Rod Bearing Half Upper/Lower	(1)	FP-3803041	Conversion Gasket Set
(1)	FP-3801469	Conversion Gasket Set	(6)	FP-3803547	Cylinder Kit Complete	(12)	FP-203666	Rod Bearing Half Upper/Lower	(1)	FP-3803041	Conversion Gasket Set
(1)	FP-3801469	Conversion Gasket Set	(12)	FP-203660	Rod Bearing Half Upper/Lower	(12)	FP-203666	Rod Bearing Half Upper/Lower	(1)	FP-3803041	Conversion Gasket Set
FP-855PREMP			(12)	FP-203661	Rod Bearing Half Upper/Lower	FP-855PREMPOH			(8)	FP-3277626	Cylinder Kit Complete
(6)	FP-3801230	Cylinder Kit Complete	(12)	FP-203662	Rod Bearing Half Upper/Lower	(6)	FP-3801230	Cylinder Kit Complete	(8)	FP-556350PPR	Connecting Rod Bearing Pair
(6)	FP-3801232	Cylinder Kit Complete	(12)	FP-203663	Rod Bearing Half Upper/Lower	(6)	FP-3801232	Cylinder Kit Complete	(1)	FP-BM99820	Main Bearing Set
(6)	FP-3801765	Cylinder Kit Complete	(12)	FP-203664	Rod Bearing Half Upper/Lower	(6)	FP-3801232	Cylinder Kit Complete	(1)	FP-2601543	Gasket Kit
(6)	FP-3801767	Cylinder Kit Complete	(12)	FP-214950	Rod Bearing Half Upper/Lower	(6)	FP-3801232	Cylinder Kit Complete	KS2-2423A		
(6)	FP-3801768	Cylinder Kit Complete	(12)	FP-214951	Rod Bearing Half Upper/Lower	(6)	FP-3801232	Cylinder Kit Complete	(6)	FP-AR61504	Cylinder Kit Complete
(6)	FP-3801769	Cylinder Kit Complete	(12)	FP-214952	Rod Bearing Half Upper/Lower	(6)	FP-3801232	Cylinder Kit Complete	(6)	FP-3012360PR	Connecting Rod Bearing Pair
(6)	FP-3801771	Cylinder Kit Complete	(12)	FP-214953	Rod Bearing Half Upper/Lower	(6)	FP-3801232	Cylinder Kit Complete	(1)	FP-BM99820	Main Bearing Set
(6)	FP-3801772	Cylinder Kit Complete	(12)	FP-214954	Rod Bearing Half Upper/Lower	(6)	FP-3801232	Cylinder Kit Complete	(1)	FP-2601543	Gasket Kit
(6)	FP-3801775	Cylinder Kit Complete	(1)	FP-3801260	Main Bearing Set	(6)	FP-3801232	Cylinder Kit Complete	KS2-2506A		
(6)	FP-3801777	Cylinder Kit Complete	(1)	FP-3801261	Main Bearing Set	(6)	FP-3801232	Cylinder Kit Complete	(8)	FP-3277626	Cylinder Kit Complete
(6)	FP-3801778	Cylinder Kit Complete	(1)	FP-3801262	Main Bearing Set	(6)	FP-3801232	Cylinder Kit Complete	(8)	FP-556350PPR	Connecting Rod Bearing Pair
(6)	FP-3801782	Cylinder Kit Complete	(1)	FP-3801263	Main Bearing Set	(6)	FP-3801232	Cylinder Kit Complete	(1)	FP-BM99820	Main Bearing Set
(6)	FP-3801783	Cylinder Kit Complete	(1)	FP-3801264	Main Bearing Set	(6)	FP-3801232	Cylinder Kit Complete	(1)	FP-2601543	Gasket Kit
(6)	FP-3801796	Cylinder Kit Complete	(1)	FP-3801348S	In-Frame Gasket Set	(6)	FP-3801232	Cylinder Kit Complete	MK-101M		
(6)	FP-3801797	Cylinder Kit Complete	(1)	FP-3801451S	In-Frame Gasket Set	(6)	FP-3801232	Cylinder Kit Complete	(1)	E-180X	Standard Piston Ring Set
(6)	FP-3801798	Cylinder Kit Complete	(1)	FP-3801451S10	In-Frame Gasket Set	(6)	FP-3801232	Cylinder Kit Complete	(1)	8-3230CP	Connecting Rod Bearing Set
(6)	FP-3801811	Cylinder Kit Complete	(1)	FP-3801754S	In-Frame Gasket Set	(6)	FP-3801232	Cylinder Kit Complete	(1)	260-1035	Gasket Kit
(6)	FP-3801873	Cylinder Kit Complete	(1)	FP-3801754S10	In-Frame Gasket Set	(6)	FP-3801232	Cylinder Kit Complete	(1)	4261M	Main Bearing Set
(6)	FP-3801875	Cylinder Kit Complete	(1)	FP-3803040S	In-Frame Gasket Set	(6)	FP-3801232	Cylinder Kit Complete	(1)	1445M	Camshaft Bearing Set
(6)	FP-3801920	Cylinder Kit Complete	(1)	FP-3803040S10	In-Frame Gasket Set	(6)	FP-3801232	Cylinder Kit Complete	(1)	KC-643	Cam & Lifter Kit
(6)	FP-3803209	Cylinder Kit Complete	(1)	FP-3804276IF	In-Frame Gasket Set	(6)	FP-3801232	Cylinder Kit Complete	(1)	KT3-494SA3	Timing Set - 3 Pc.
(6)	FP-3803210	Cylinder Kit Complete	FP-855PREMPDNOH			(6)	FP-3801232	Cylinder Kit Complete	(1)	224-41173	Oil Pump
(6)	FP-3803212	Cylinder Kit Complete	(6)	FP-CK33465405	Cylinder Kit Complete	(6)	FP-3801232	Cylinder Kit Complete	(1)	381-8017	Brass Expansion Plug Kit
(6)	FP-3803213	Cylinder Kit Complete	(6)	FP-3801746	Cylinder Kit Complete	(6)	FP-3801232	Cylinder Kit Complete	(1)	EKSA2	Miscellaneous Service Items
(6)	FP-3803214	Cylinder Kit Complete	(6)	FP-3801817	Cylinder Kit Complete	(6)	FP-3801232	Cylinder Kit Complete	MK-102A		
(6)	FP-3803221	Cylinder Kit Complete	(6)	FP-3801822	Cylinder Kit Complete	(6)	FP-3801232	Cylinder Kit Complete	(1)	E-196X	Standard Piston Ring Set
(6)	FP-3803222	Cylinder Kit Complete	(6)	FP-3801823	Cylinder Kit Complete	(6)	FP-3801232	Cylinder Kit Complete	(1)	6-2375CP	Connecting Rod Bearing Set
(6)	FP-3803228	Rod Bearing Half Upper/Lower	(6)	FP-3801824	Cylinder Kit Complete	(6)	FP-3801232	Cylinder Kit Complete	(1)	260-1004	Gasket Kit
(12)	FP-203660	Rod Bearing Half Upper/Lower	(6)	FP-3801956	Cylinder Kit Complete	(6)	FP-3801232	Cylinder Kit Complete	(1)	4092M	Main Bearing Set
		(cont'd. next column)			(cont'd. next column)				(1)	1454M	Camshaft Bearing Set
									(1)	KC-380	Cam & Lifter Kit
									(1)	KT3-495SA	Timing Set - 3 Pc.
									(1)	224-4165C	Oil Pump
									(1)	381-8012	Brass Expansion Plug Kit
									(1)	EKSA2	Miscellaneous Service Items
									MK-1036A		
									(1)	E-217X	Standard Piston Ring Set
											(cont'd. next page)

Engine Kit Bill of Material

Qty.	Part No.	Description	Qty.	Part No.	Description	Qty.	Part No.	Description	Qty.	Part No.	Description
MK-1036A (cont'd.)			MK-112C			MK-119C			MK-130F		
(1)	6-2555A	Connecting Rod Bearing Set	(1)	E-229X	Standard Piston Ring Set	(1)	E-245X	Standard Piston Ring Set	(1)	E-251X	Standard Piston Ring Set
(1)	260-1267	Gasket Kit	(1)	6-3150CPA	Connecting Rod Bearing Set	(1)	8-2020CP	Connecting Rod Bearing Set	(1)	8-2555A	Connecting Rod Bearing Set
(1)	4124MA	Main Bearing Set	(1)	260-1006	Gasket Kit	(1)	260-1000	Gasket Kit	(1)	260-1000	Gasket Kit
(1)	1557M	Camshaft Bearing Set	(1)	4916M	Main Bearing Set	(1)	994M	Main Bearing Set	(1)	4663MA	Main Bearing Set
(1)	KC-551	Cam & Lifter Kit	(1)	1450M	Camshaft Bearing Set	(1)	1145M	Camshaft Bearing Set	(1)	1235M	Camshaft Bearing Set
(1)	221-2528S	Timing Gear Set	(1)	KC-1230	Cam & Lifter Kit	(1)	KC-273	Cam & Lifter Kit	(1)	KC-274	Cam & Lifter Kit
(1)	224-4147	Oil Pump	(1)	221-2750LS	Timing Gear Set	(1)	KT3-489S	Timing Set - 3 Pc.	(1)	KT3-163S	Timing Set - 3 Pc.
(1)	381-8006	Brass Expansion Plug Kit	(1)	224-41124	Oil Pump	(1)	224-4146	Oil Pump	(1)	224-4146	Oil Pump
(1)	EKSA2	Miscellaneous Service Items	(1)	381-8014	Brass Expansion Plug Kit	(1)	381-8007	Brass Expansion Plug Kit	(1)	381-8007	Brass Expansion Plug Kit
			(1)	EKSA2	Miscellaneous Service Items	(1)	EKSA2	Miscellaneous Service Items	(1)	EKSA2	Miscellaneous Service Items
MK-1037C			MK-112E			MK-119D			MK-137E		
(1)	E-251X	Standard Piston Ring Set	(1)	E-229X	Standard Piston Ring Set	(1)	E-245X	Standard Piston Ring Set	(1)	E-296X	Standard Piston Ring Set
(1)	8-2555A	Connecting Rod Bearing Set	(1)	6-3150CPA	Connecting Rod Bearing Set	(1)	8-2020CP	Connecting Rod Bearing Set	(1)	8-3360CPA	Connecting Rod Bearing Set
(1)	260-1268	Gasket Kit	(1)	260-1006	Gasket Kit	(1)	260-1000	Gasket Kit	(1)	260-1013	Gasket Kit
(1)	4663MA	Main Bearing Set	(1)	4916M	Main Bearing Set	(1)	994M	Main Bearing Set	(1)	4907M	Main Bearing Set
(1)	1235M	Camshaft Bearing Set	(1)	1450M	Camshaft Bearing Set	(1)	1235M	Camshaft Bearing Set	(1)	1414M	Camshaft Bearing Set
(1)	KC-274	Cam & Lifter Kit	(1)	KC-1230	Cam & Lifter Kit	(1)	KC-274	Cam & Lifter Kit	(1)	KC-648	Cam & Lifter Kit
(1)	KT3-163S	Timing Set - 3 Pc.	(1)	221-2764S	Timing Gear Set	(1)	KT3-489S	Timing Set - 3 Pc.	(1)	KT3-491S	Timing Set - 3 Pc.
(1)	224-4146	Oil Pump	(1)	224-41124	Oil Pump	(1)	224-4146	Oil Pump	(1)	224-41139	Oil Pump
(1)	381-8059	Brass Expansion Plug Kit	(1)	381-8014	Brass Expansion Plug Kit	(1)	381-8007	Brass Expansion Plug Kit	(1)	381-8018	Brass Expansion Plug Kit
(1)	EKSA2	Miscellaneous Service Items	(1)	EKSA2	Miscellaneous Service Items	(1)	EKSA2	Miscellaneous Service Items	(1)	EKSA2	Miscellaneous Service Items
MK-106A			MK-113E			MK-119F			MK-142A		
(1)	E-217X	Standard Piston Ring Set	(1)	E-233X	Standard Piston Ring Set	(1)	E-245X	Standard Piston Ring Set	(1)	E-318X	Standard Piston Ring Set
(1)	6-2555A	Connecting Rod Bearing Set	(1)	8-3190A	Connecting Rod Bearing Set	(1)	8-2020CP	Connecting Rod Bearing Set	(1)	8-2320CP	Connecting Rod Bearing Set
(1)	260-1005	Gasket Kit	(1)	260-1009	Gasket Kit	(1)	260-1000	Gasket Kit	(1)	260-1001	Gasket Kit
(1)	4124MA	Main Bearing Set	(1)	4400MA	Main Bearing Set	(1)	994M	Main Bearing Set	(1)	4094M	Main Bearing Set
(1)	1203M	Camshaft Bearing Set	(1)	1404M	Camshaft Bearing Set	(1)	1235M	Camshaft Bearing Set	(1)	1453M	Camshaft Bearing Set
(1)	KC-551	Cam & Lifter Kit	(1)	KC-774	Cam & Lifter Kit	(1)	KC-274	Cam & Lifter Kit	(1)	KC-327	Cam & Lifter Kit
(1)	221-2528S	Timing Gear Set	(1)	KT3-501SA	Timing Set - 3 Pc.	(1)	KT3-499S	Timing Set - 3 Pc.	(1)	KT3-501S	Timing Set - 3 Pc.
(1)	224-4147	Oil Pump	(1)	224-4154	Oil Pump	(1)	224-4146	Oil Pump	(1)	224-4174	Oil Pump
(1)	381-8006	Brass Expansion Plug Kit	(1)	381-8009	Brass Expansion Plug Kit	(1)	381-8007	Brass Expansion Plug Kit	(1)	381-8011	Brass Expansion Plug Kit
(1)	EKSA2	Miscellaneous Service Items	(1)	EKSA2	Miscellaneous Service Items	(1)	EKSA2	Miscellaneous Service Items	(1)	EKSA2	Miscellaneous Service Items
MK-106C			MK-114C			MK-120B			MK-155A		
(1)	E-217X	Standard Piston Ring Set	(1)	E-234X	Standard Piston Ring Set	(1)	E-245X	Standard Piston Ring Set	(1)	E-318X	Standard Piston Ring Set
(1)	6-2555A	Connecting Rod Bearing Set	(1)	6-2020CP	Connecting Rod Bearing Set	(1)	8-2555A	Connecting Rod Bearing Set	(1)	8-2320CP	Connecting Rod Bearing Set
(1)	260-1005	Gasket Kit	(1)	260-1005	Gasket Kit	(1)	260-1000	Gasket Kit	(1)	260-1043	Gasket Kit
(1)	4124MA	Main Bearing Set	(1)	4124MA	Main Bearing Set	(1)	4663MA	Main Bearing Set	(1)	4094M	Main Bearing Set
(1)	1557M	Camshaft Bearing Set	(1)	1557M	Camshaft Bearing Set	(1)	1235M	Camshaft Bearing Set	(1)	1453M	Camshaft Bearing Set
(1)	KC-551	Cam & Lifter Kit	(1)	KC-633	Cam & Lifter Kit	(1)	KC-274	Cam & Lifter Kit	(1)	KC-327	Cam & Lifter Kit
(1)	221-2528S	Timing Gear Set	(1)	221-2528S	Timing Gear Set	(1)	KT3-499S	Timing Set - 3 Pc.	(1)	KT3-501S	Timing Set - 3 Pc.
(1)	224-4147	Oil Pump	(1)	224-4147	Oil Pump	(1)	224-4146	Oil Pump	(1)	224-4174	Oil Pump
(1)	381-8006	Brass Expansion Plug Kit	(1)	381-8006	Brass Expansion Plug Kit	(1)	381-8007	Brass Expansion Plug Kit	(1)	381-8011	Brass Expansion Plug Kit
(1)	EKSA2	Miscellaneous Service Items	(1)	EKSA2	Miscellaneous Service Items	(1)	EKSA2	Miscellaneous Service Items	(1)	EKSA2	Miscellaneous Service Items
MK-107A			MK-114D			MK-122C			MK-156A		
(1)	E-217X	Standard Piston Ring Set	(1)	E-234X	Standard Piston Ring Set	(1)	E-251X	Standard Piston Ring Set	(1)	E-424X	Standard Piston Ring Set
(1)	6-2555A	Connecting Rod Bearing Set	(1)	6-2020CP	Connecting Rod Bearing Set	(1)	8-2130CP	Connecting Rod Bearing Set	(1)	8-2320CP	Connecting Rod Bearing Set
(1)	260-1044	Gasket Kit	(1)	260-1005	Gasket Kit	(1)	260-1033	Gasket Kit	(1)	260-1043	Gasket Kit
(1)	4124MA	Main Bearing Set	(1)	4124MA	Main Bearing Set	(1)	4999MA	Main Bearing Set	(1)	5025MA	Main Bearing Set
(1)	1557M	Camshaft Bearing Set	(1)	1203M	Camshaft Bearing Set	(1)	1484M	Camshaft Bearing Set	(1)	1453M	Camshaft Bearing Set
(1)	KC-551	Cam & Lifter Kit	(1)	KC-633	Cam & Lifter Kit	(1)	KC-665	Cam & Lifter Kit	(1)	KC-327	Cam & Lifter Kit
(1)	221-2528S	Timing Gear Set	(1)	221-2525S	Timing Gear Set	(1)	KT3-361S	Timing Set - 3 Pc.	(1)	KT3-501S	Timing Set - 3 Pc.
(1)	224-4147	Oil Pump	(1)	224-4147	Oil Pump	(1)	224-4166	Oil Pump	(1)	224-4174	Oil Pump
(1)	381-8006	Brass Expansion Plug Kit	(1)	381-8006	Brass Expansion Plug Kit	(1)	381-8010	Brass Expansion Plug Kit	(1)	381-8011	Brass Expansion Plug Kit
(1)	EKSA2	Miscellaneous Service Items	(1)	EKSA2	Miscellaneous Service Items	(1)	EKSA2	Miscellaneous Service Items	(1)	EKSA2	Miscellaneous Service Items
MK-1088A			MK-119A			MK-130C			MK-158C		
(1)	E-339X	Standard Piston Ring Set	(1)	E-245X	Standard Piston Ring Set	(1)	E-251X	Standard Piston Ring Set	(1)	E-251X	Standard Piston Ring Set
(1)	8-3360CPA	Connecting Rod Bearing Set	(1)	8-2020CP	Connecting Rod Bearing Set	(1)	8-2555A	Connecting Rod Bearing Set	(1)	8-2555A	Connecting Rod Bearing Set
(1)	260-1421	Gasket Kit	(1)	260-1000	Gasket Kit	(1)	260-1000	Gasket Kit	(1)	260-1045	Gasket Kit
(1)	4907M	Main Bearing Set	(1)	994M	Main Bearing Set	(1)	4663MA	Main Bearing Set	(1)	4663MA	Main Bearing Set
(1)	1414M	Camshaft Bearing Set	(1)	1145M	Camshaft Bearing Set	(1)	1235M	Camshaft Bearing Set	(1)	1235M	Camshaft Bearing Set
(1)	KC-648	Cam & Lifter Kit	(1)	1145M	Cam & Lifter Kit	(1)	KC-274	Cam & Lifter Kit	(1)	KC-274	Cam & Lifter Kit
(1)	KT3-168SA1	Timing Set - 3 Pc.	(1)	KC-274	Cam & Lifter Kit	(1)	KT3-499S	Timing Set - 3 Pc.	(1)	KT3-163S	Timing Set - 3 Pc.
(1)	224-41144	Oil Pump	(1)	KT3-489S	Timing Set - 3 Pc.	(1)	224-4146	Oil Pump	(1)	224-4146	Oil Pump
(1)	381-8018	Brass Expansion Plug Kit	(1)	224-4146	Oil Pump	(1)	381-8007	Brass Expansion Plug Kit	(1)	381-8007	Brass Expansion Plug Kit
(1)	EKSA2	Miscellaneous Service Items	(1)	381-8007	Brass Expansion Plug Kit	(1)	EKSA2	Miscellaneous Service Items	(1)	EKSA2	Miscellaneous Service Items

Engine Kit Bill of Material

Qty.	Part No.	Description	Qty.	Part No.	Description	Qty.	Part No.	Description	Qty.	Part No.	Description
MK-162H			MK-243A			MK-6039A			MK-6088A		
(1)	E-251X	Standard Piston Ring Set	(1)	E-178X	Standard Piston Ring Set	(1)	E-259K	Premium Piston Ring Set	(1)	E-339K	Premium Piston Ring Set
(1)	8-2020CP	Connecting Rod Bearing Set	(1)	8-2130CP	Connecting Rod Bearing Set	(1)	8-3190A	Connecting Rod Bearing Set	(1)	8-3360CPA	Connecting Rod Bearing Set
(1)	260-1000	Gasket Kit	(1)	260-1121	Gasket Kit	(1)	260-1270	Gasket Kit	(1)	260-1421	Gasket Kit
(1)	994M	Main Bearing Set	(1)	5024MA	Main Bearing Set	(1)	4400MA	Main Bearing Set	(1)	4907M	Main Bearing Set
(1)	1235M	Camshaft Bearing Set	(1)	1484M	Camshaft Bearing Set	(1)	1404M	Camshaft Bearing Set	(1)	1414M	Camshaft Bearing Set
(1)	KC-274	Cam & Lifter Kit	(1)	KC-645	Cam & Lifter Kit	(1)	KC-669	Cam & Lifter Kit	(1)	KC-648	Cam & Lifter Kit
(1)	KT3-163S	Timing Set - 3 Pc.	(1)	KT3-361S	Timing Set - 3 Pc.	(1)	KT3-171S	Timing Set - 3 Pc.	(1)	KT3-168SA1	Timing Set - 3 Pc.
(1)	224-4146	Oil Pump	(1)	224-4166	Oil Pump	(1)	224-4154G	Oil Pump	(1)	224-41144	Oil Pump
(1)	381-8007	Brass Expansion Plug Kit	(1)	381-8010	Brass Expansion Plug Kit	(1)	381-8009	Brass Expansion Plug Kit	(1)	381-8018	Brass Expansion Plug Kit
(1)	EKSA2	Miscellaneous Service Items	(1)	EKSA2	Miscellaneous Service Items	(1)	EKSA2	Miscellaneous Service Items	(1)	EKSA2	Miscellaneous Service Items
MK-162J			MK-244C			MK-606A			MK-6089A		
(1)	E-251X	Standard Piston Ring Set	(1)	E-178X	Standard Piston Ring Set	(1)	E-217K	Premium Piston Ring Set	(1)	E-353K	Premium Piston Ring Set
(1)	8-2020CP	Connecting Rod Bearing Set	(1)	8-2130CP	Connecting Rod Bearing Set	(1)	6-2555A	Connecting Rod Bearing Set	(1)	8-3360CPA	Connecting Rod Bearing Set
(1)	260-1000	Gasket Kit	(1)	260-1154	Gasket Kit	(1)	260-1005	Gasket Kit	(1)	260-1421	Gasket Kit
(1)	994M	Main Bearing Set	(1)	5024MA	Main Bearing Set	(1)	4124MA	Main Bearing Set	(1)	4907M	Main Bearing Set
(1)	1235M	Camshaft Bearing Set	(1)	1484M	Camshaft Bearing Set	(1)	1203M	Camshaft Bearing Set	(1)	1414M	Camshaft Bearing Set
(1)	KC-274	Cam & Lifter Kit	(1)	KC-645	Cam & Lifter Kit	(1)	KC-551	Cam & Lifter Kit	(1)	KC-648	Cam & Lifter Kit
(1)	KT3-499S	Timing Set - 3 Pc.	(1)	KT3-361S	Timing Set - 3 Pc.	(1)	221-2528S	Timing Gear Set	(1)	KT3-168SA1	Timing Set - 3 Pc.
(1)	224-4146	Oil Pump	(1)	224-4166	Oil Pump	(1)	224-4147	Oil Pump	(1)	224-41144	Oil Pump
(1)	381-8007	Brass Expansion Plug Kit	(1)	381-8010	Brass Expansion Plug Kit	(1)	381-8006	Brass Expansion Plug Kit	(1)	381-8018	Brass Expansion Plug Kit
(1)	EKSA2	Miscellaneous Service Items	(1)	EKSA2	Miscellaneous Service Items	(1)	EKSA2	Miscellaneous Service Items	(1)	EKSA2	Miscellaneous Service Items
MK-167E			MK-601M			MK-606C			MK-6090C		
(1)	E-233X	Standard Piston Ring Set	(1)	E-180K	Premium Piston Ring Set	(1)	E-217K	Premium Piston Ring Set	(1)	E-372K	Premium Piston Ring Set
(1)	8-2320CP	Connecting Rod Bearing Set	(1)	8-3230CP	Connecting Rod Bearing Set	(1)	6-2555A	Connecting Rod Bearing Set	(1)	8-3360CPA	Connecting Rod Bearing Set
(1)	260-1001	Gasket Kit	(1)	260-1035	Gasket Kit	(1)	260-1005	Gasket Kit	(1)	260-1422	Gasket Kit
(1)	4094M	Main Bearing Set	(1)	4261M	Main Bearing Set	(1)	4124MA	Main Bearing Set	(1)	4907M	Main Bearing Set
(1)	1453M	Camshaft Bearing Set	(1)	1445M	Camshaft Bearing Set	(1)	1557M	Camshaft Bearing Set	(1)	1414M	Camshaft Bearing Set
(1)	KC-327	Cam & Lifter Kit	(1)	KC-643	Cam & Lifter Kit	(1)	KC-551	Cam & Lifter Kit	(1)	KC-648	Cam & Lifter Kit
(1)	KT3-501S	Timing Set - 3 Pc.	(1)	KT3-494SA3	Timing Set - 3 Pc.	(1)	221-2528S	Timing Gear Set	(1)	KT3-168SA1	Timing Set - 3 Pc.
(1)	224-4174	Oil Pump	(1)	224-41173	Oil Pump	(1)	224-4147	Oil Pump	(1)	224-41144	Oil Pump
(1)	381-8011	Brass Expansion Plug Kit	(1)	381-8017	Brass Expansion Plug Kit	(1)	381-8006	Brass Expansion Plug Kit	(1)	381-8018	Brass Expansion Plug Kit
(1)	EKSA2	Miscellaneous Service Items	(1)	EKSA2	Miscellaneous Service Items	(1)	EKSA2	Miscellaneous Service Items	(1)	EKSA2	Miscellaneous Service Items
MK-183C			MK-602A			MK-607A			MK-611A		
(1)	E-251X	Standard Piston Ring Set	(1)	E-196K	Premium Piston Ring Set	(1)	E-217K	Premium Piston Ring Set	(1)	E-224K	Premium Piston Ring Set
(1)	8-2130CP	Connecting Rod Bearing Set	(1)	6-2375CP	Connecting Rod Bearing Set	(1)	6-2555A	Connecting Rod Bearing Set	(1)	8-3230CP	Connecting Rod Bearing Set
(1)	260-1095	Gasket Kit	(1)	260-1004	Gasket Kit	(1)	260-1044	Gasket Kit	(1)	260-1039	Gasket Kit
(1)	4999MA	Main Bearing Set	(1)	4092M	Main Bearing Set	(1)	4124MA	Main Bearing Set	(1)	4261M	Main Bearing Set
(1)	1484M	Camshaft Bearing Set	(1)	1454M	Camshaft Bearing Set	(1)	1557M	Camshaft Bearing Set	(1)	1445M	Camshaft Bearing Set
(1)	KC-665	Cam & Lifter Kit	(1)	KC-380	Cam & Lifter Kit	(1)	KC-551	Cam & Lifter Kit	(1)	KC-619	Cam & Lifter Kit
(1)	KT3-160S	Timing Set - 3 Pc.	(1)	KT3-495SA	Timing Set - 3 Pc.	(1)	221-2528S	Timing Gear Set	(1)	KT3-169SA1	Timing Set - 3 Pc.
(1)	224-4166	Oil Pump	(1)	224-4165C	Oil Pump	(1)	224-4147	Oil Pump	(1)	224-41173	Oil Pump
(1)	381-8010	Brass Expansion Plug Kit	(1)	381-8012	Brass Expansion Plug Kit	(1)	381-8006	Brass Expansion Plug Kit	(1)	381-8017	Brass Expansion Plug Kit
(1)	EKSA2	Miscellaneous Service Items	(1)	EKSA2	Miscellaneous Service Items	(1)	EKSA2	Miscellaneous Service Items	(1)	EKSA2	Miscellaneous Service Items
MK-187A			MK-6036A			MK-6085A			MK-611C		
(1)	E-339X	Standard Piston Ring Set	(1)	E-217K	Premium Piston Ring Set	(1)	E-292K	Premium Piston Ring Set	(1)	E-224K	Premium Piston Ring Set
(1)	8-3360CPA	Connecting Rod Bearing Set	(1)	6-2555A	Connecting Rod Bearing Set	(1)	8-3190A	Connecting Rod Bearing Set	(8)	3230CP	Connecting Rod Bearing Pair
(1)	260-1098	Gasket Kit	(1)	260-1267	Gasket Kit	(1)	260-1418	Gasket Kit	(1)	260-1039	Gasket Kit
(1)	4907M	Main Bearing Set	(1)	4124MA	Main Bearing Set	(1)	4400MA	Main Bearing Set	(1)	4261M	Main Bearing Set
(1)	1414M	Camshaft Bearing Set	(1)	1557M	Camshaft Bearing Set	(1)	1404M	Camshaft Bearing Set	(1)	1445M	Camshaft Bearing Set
(1)	KC-648	Cam & Lifter Kit	(1)	KC-551	Cam & Lifter Kit	(1)	KC-774	Cam & Lifter Kit	(1)	KC-619	Cam & Lifter Kit
(1)	KT3-168SA1	Timing Set - 3 Pc.	(1)	221-2528S	Timing Gear Set	(1)	KT3-171S	Timing Set - 3 Pc.	(1)	KT3-169SA2	Timing Set - 3 Pc.
(1)	224-41144	Oil Pump	(1)	224-4147	Oil Pump	(1)	224-4154G	Oil Pump	(1)	224-41176	Oil Pump
(1)	381-8018	Brass Expansion Plug Kit	(1)	381-8006	Brass Expansion Plug Kit	(1)	381-8009	Brass Expansion Plug Kit	(1)	381-8017	Brass Expansion Plug Kit
(1)	EKSA2	Miscellaneous Service Items	(1)	EKSA2	Miscellaneous Service Items	(1)	EKSA2	Miscellaneous Service Items	(1)	EKSA2	Miscellaneous Service Items
MK-218A			MK-6037C			MK-6085C			MK-612C		
(1)	E-178X	Standard Piston Ring Set	(1)	E-251K	Premium Piston Ring Set	(1)	E-292K	Premium Piston Ring Set	(1)	E-229K	Premium Piston Ring Set
(1)	8-2130CP	Connecting Rod Bearing Set	(1)	8-2555A	Connecting Rod Bearing Set	(8)	3190A	Connecting Rod Bearing Pair	(1)	6-3150CPA	Connecting Rod Bearing Set
(1)	260-1152	Gasket Kit	(1)	260-1268	Gasket Kit	(1)	260-1418	Gasket Kit	(1)	260-1006	Gasket Kit
(1)	5024MA	Main Bearing Set	(1)	4663MA	Main Bearing Set	(1)	4400MA	Main Bearing Set	(1)	4916M	Main Bearing Set
(1)	1484M	Camshaft Bearing Set	(1)	1235M	Camshaft Bearing Set	(1)	1404M	Camshaft Bearing Set	(1)	1450M	Camshaft Bearing Set
(1)	KC-645	Cam & Lifter Kit	(1)	KC-274	Cam & Lifter Kit	(1)	KC-774	Cam & Lifter Kit	(1)	KC-1230	Cam & Lifter Kit
(1)	KT3-160S	Timing Set - 3 Pc.	(1)	KT3-163S	Timing Set - 3 Pc.	(1)	KT3-171S	Timing Set - 3 Pc.	(1)	221-2750LS	Timing Gear Set
(1)	224-4166	Oil Pump	(1)	224-4146	Oil Pump	(1)	224-4154G	Oil Pump	(1)	224-41124	Oil Pump
(1)	381-8010	Brass Expansion Plug Kit	(1)	381-8059	Brass Expansion Plug Kit	(1)	381-8009	Brass Expansion Plug Kit	(1)	381-8014	Brass Expansion Plug Kit
(1)	EKSA2	Miscellaneous Service Items	(1)	EKSA2	Miscellaneous Service Items	(1)	EKSA2	Miscellaneous Service Items	(1)	EKSA2	Miscellaneous Service Items

Engine Kit Bill of Material

Qty.	Part No.	Description	Qty.	Part No.	Description	Qty.	Part No.	Description	Qty.	Part No.	Description
MK-612E			MK-619A			MK-6191C			MK-630F		
(1)	E-229K	Premium Piston Ring Set	(1)	E-245K	Premium Piston Ring Set	(1)	E-373K	Premium Piston Ring Set	(1)	E-251K	Premium Piston Ring Set
(1)	6-3150CPA	Connecting Rod Bearing Set	(1)	8-2020CP	Connecting Rod Bearing Set	(1)	8-3360CPA	Connecting Rod Bearing Set	(1)	8-2555A	Connecting Rod Bearing Set
(1)	260-1006	Gasket Kit	(1)	260-1000	Gasket Kit	(1)	260-1529	Gasket Kit	(1)	260-1000	Gasket Kit
(1)	4916M	Main Bearing Set	(1)	994M	Main Bearing Set	(1)	4907M	Main Bearing Set	(1)	4663MA	Main Bearing Set
(1)	1450M	Camshaft Bearing Set	(1)	1145M	Camshaft Bearing Set	(1)	1414M	Camshaft Bearing Set	(1)	1235M	Camshaft Bearing Set
(1)	KC-1230	Cam & Lifter Kit	(1)	KC-274	Cam & Lifter Kit	(1)	KC-1524	Cam & Lifter Kit	(1)	KC-274	Cam & Lifter Kit
(1)	221-2764S	Timing Gear Set	(1)	KT3-489S	Timing Set - 3 Pc.	(1)	KT3-168SA1	Timing Set - 3 Pc.	(1)	KT3-163S	Timing Set - 3 Pc.
(1)	224-41124	Oil Pump	(1)	224-4146	Oil Pump	(1)	224-41144	Oil Pump	(1)	224-4146	Oil Pump
(1)	381-8014	Brass Expansion Plug Kit	(1)	381-8007	Brass Expansion Plug Kit	(1)	381-8018	Brass Expansion Plug Kit	(1)	381-8007	Brass Expansion Plug Kit
(1)	EKSA2	Miscellaneous Service Items	(1)	EKSA2	Miscellaneous Service Items	(1)	EKSA2	Miscellaneous Service Items	(1)	EKSA2	Miscellaneous Service Items
MK-6122C			MK-619C			MK-6192C			MK-631D		
(1)	E-373K	Premium Piston Ring Set	(1)	E-245K	Premium Piston Ring Set	(1)	E-373K	Premium Piston Ring Set	(1)	E-259K	Premium Piston Ring Set
(1)	8-3360CPA	Connecting Rod Bearing Set	(1)	8-2020CP	Connecting Rod Bearing Set	(1)	8-3360CPA	Connecting Rod Bearing Set	(1)	8-3190A	Connecting Rod Bearing Set
(1)	260-1422	Gasket Kit	(1)	260-1000	Gasket Kit	(1)	260-1530	Gasket Kit	(1)	260-1009	Gasket Kit
(1)	4907M	Main Bearing Set	(1)	994M	Main Bearing Set	(1)	4907M	Main Bearing Set	(1)	4400MA	Main Bearing Set
(1)	1414M	Camshaft Bearing Set	(1)	1145M	Camshaft Bearing Set	(1)	1414M	Camshaft Bearing Set	(1)	1404M	Camshaft Bearing Set
(1)	KC-648	Cam & Lifter Kit	(1)	KC-273	Cam & Lifter Kit	(1)	KC-1524	Cam & Lifter Kit	(1)	KC-636	Cam & Lifter Kit
(1)	KT3-168SA1	Timing Set - 3 Pc.	(1)	KT3-489S	Timing Set - 3 Pc.	(1)	KT3-168SA1	Timing Set - 3 Pc.	(1)	KT3-171S	Timing Set - 3 Pc.
(1)	224-41144	Oil Pump	(1)	224-4146	Oil Pump	(1)	224-41144	Oil Pump	(1)	224-4154	Oil Pump
(1)	381-8018	Brass Expansion Plug Kit	(1)	381-8007	Brass Expansion Plug Kit	(1)	381-8018	Brass Expansion Plug Kit	(1)	381-8009	Brass Expansion Plug Kit
(1)	EKSA2	Miscellaneous Service Items	(1)	EKSA2	Miscellaneous Service Items	(1)	EKSA2	Miscellaneous Service Items	(1)	EKSA2	Miscellaneous Service Items
MK-613E			MK-619D			MK-6192D			MK-631E		
(1)	E-233K	Premium Piston Ring Set	(1)	E-245K	Premium Piston Ring Set	(1)	E-373K	Premium Piston Ring Set	(1)	E-259K	Premium Piston Ring Set
(1)	8-3190A	Connecting Rod Bearing Set	(1)	8-2020CP	Connecting Rod Bearing Set	(1)	8-3360CPA	Connecting Rod Bearing Set	(1)	8-3190A	Connecting Rod Bearing Set
(1)	260-1009	Gasket Kit	(1)	260-1000	Gasket Kit	(1)	260-1651	Gasket Kit	(1)	260-1009	Gasket Kit
(1)	4400MA	Main Bearing Set	(1)	994M	Main Bearing Set	(1)	4907M	Main Bearing Set	(1)	4400MA	Main Bearing Set
(1)	1404M	Camshaft Bearing Set	(1)	1235M	Camshaft Bearing Set	(1)	1414M	Camshaft Bearing Set	(1)	1404M	Camshaft Bearing Set
(1)	KC-774	Cam & Lifter Kit	(1)	KC-274	Cam & Lifter Kit	(1)	KC-1524	Cam & Lifter Kit	(1)	KC-669	Cam & Lifter Kit
(1)	KT3-501SA	Timing Set - 3 Pc.	(1)	KT3-489S	Timing Set - 3 Pc.	(1)	KT3-168SA1	Timing Set - 3 Pc.	(1)	KT3-171S	Timing Set - 3 Pc.
(1)	224-4154	Oil Pump	(1)	224-4146	Oil Pump	(1)	224-41144	Oil Pump	(1)	224-4154	Oil Pump
(1)	381-8009	Brass Expansion Plug Kit	(1)	381-8007	Brass Expansion Plug Kit	(1)	381-8018	Brass Expansion Plug Kit	(1)	381-8009	Brass Expansion Plug Kit
(1)	EKSA2	Miscellaneous Service Items	(1)	EKSA2	Miscellaneous Service Items	(1)	EKSA2	Miscellaneous Service Items	(1)	EKSA2	Miscellaneous Service Items
MK-614C			MK-619F			MK-620B			MK-631F		
(1)	E-234K	Premium Piston Ring Set	(1)	E-245K	Premium Piston Ring Set	(1)	E-245K	Premium Piston Ring Set	(1)	E-259K	Premium Piston Ring Set
(1)	6-2020CP	Connecting Rod Bearing Set	(1)	8-2020CP	Connecting Rod Bearing Set	(1)	8-2555A	Connecting Rod Bearing Set	(1)	8-3190A	Connecting Rod Bearing Set
(1)	260-1005	Gasket Kit	(1)	260-1000	Gasket Kit	(1)	260-1000	Gasket Kit	(1)	260-1009	Gasket Kit
(1)	4124MA	Main Bearing Set	(1)	994M	Main Bearing Set	(1)	4663MA	Main Bearing Set	(1)	4400MA	Main Bearing Set
(1)	1557M	Camshaft Bearing Set	(1)	1235M	Camshaft Bearing Set	(1)	1235M	Camshaft Bearing Set	(1)	1404M	Camshaft Bearing Set
(1)	KC-633	Cam & Lifter Kit	(1)	KC-274	Cam & Lifter Kit	(1)	KC-274	Cam & Lifter Kit	(1)	KC-669	Cam & Lifter Kit
(1)	221-2528S	Timing Gear Set	(1)	KT3-499S	Timing Set - 3 Pc.	(1)	KT3-499S	Timing Set - 3 Pc.	(1)	KT3-171S	Timing Set - 3 Pc.
(1)	224-4147	Oil Pump	(1)	224-4146	Oil Pump	(1)	224-4146	Oil Pump	(1)	224-4154G	Oil Pump
(1)	381-8006	Brass Expansion Plug Kit	(1)	381-8007	Brass Expansion Plug Kit	(1)	381-8007	Brass Expansion Plug Kit	(1)	381-8009	Brass Expansion Plug Kit
(1)	EKSA2	Miscellaneous Service Items	(1)	EKSA2	Miscellaneous Service Items	(1)	EKSA2	Miscellaneous Service Items	(1)	EKSA2	Miscellaneous Service Items
MK-614D			MK-6190C			MK-622C			MK-636C		
(1)	E-234K	Premium Piston Ring Set	(1)	E-372K	Premium Piston Ring Set	(1)	E-251K	Premium Piston Ring Set	(1)	E-292K	Premium Piston Ring Set
(1)	6-2020CP	Connecting Rod Bearing Set	(1)	8-3360CPA	Connecting Rod Bearing Set	(1)	8-2130CP	Connecting Rod Bearing Set	(1)	8-3190A	Connecting Rod Bearing Set
(1)	260-1005	Gasket Kit	(1)	260-1530	Gasket Kit	(1)	260-1033	Gasket Kit	(1)	260-1009	Gasket Kit
(1)	4124MA	Main Bearing Set	(1)	4907M	Main Bearing Set	(1)	4999MA	Main Bearing Set	(1)	4400MA	Main Bearing Set
(1)	1203M	Camshaft Bearing Set	(1)	1414M	Camshaft Bearing Set	(1)	1484M	Camshaft Bearing Set	(1)	1404M	Camshaft Bearing Set
(1)	KC-633	Cam & Lifter Kit	(1)	KC-1524	Cam & Lifter Kit	(1)	KC-665	Cam & Lifter Kit	(1)	KC-636	Cam & Lifter Kit
(1)	221-2525S	Timing Gear Set	(1)	KT3-168SA1	Timing Set - 3 Pc.	(1)	KT3-361S	Timing Set - 3 Pc.	(1)	KT3-171S	Timing Set - 3 Pc.
(1)	224-4147	Oil Pump	(1)	224-41144	Oil Pump	(1)	224-4166	Oil Pump	(1)	224-4154	Oil Pump
(1)	381-8006	Brass Expansion Plug Kit	(1)	381-8018	Brass Expansion Plug Kit	(1)	381-8010	Brass Expansion Plug Kit	(1)	381-8009	Brass Expansion Plug Kit
(1)	EKSA2	Miscellaneous Service Items	(1)	EKSA2	Miscellaneous Service Items	(1)	EKSA2	Miscellaneous Service Items	(1)	EKSA2	Miscellaneous Service Items
MK-6189C			MK-6190D			MK-630C			MK-636D		
(1)	E-372K	Premium Piston Ring Set	(1)	E-372K	Premium Piston Ring Set	(1)	E-251K	Premium Piston Ring Set	(1)	E-292K	Premium Piston Ring Set
(1)	8-3360CPA	Connecting Rod Bearing Set	(1)	8-3360CPA	Connecting Rod Bearing Set	(1)	8-2555A	Connecting Rod Bearing Set	(1)	8-3190A	Connecting Rod Bearing Set
(1)	260-1529	Gasket Kit	(1)	260-1651	Gasket Kit	(1)	260-1000	Gasket Kit	(1)	260-1009	Gasket Kit
(1)	4907M	Main Bearing Set	(1)	4907M	Main Bearing Set	(1)	4663MA	Main Bearing Set	(1)	4400MA	Main Bearing Set
(1)	1414M	Camshaft Bearing Set	(1)	1414M	Camshaft Bearing Set	(1)	1235M	Camshaft Bearing Set	(1)	1404M	Camshaft Bearing Set
(1)	KC-1524	Cam & Lifter Kit	(1)	KC-1524	Cam & Lifter Kit	(1)	KC-274	Cam & Lifter Kit	(1)	KC-669	Cam & Lifter Kit
(1)	KT3-168SA1	Timing Set - 3 Pc.	(1)	KT3-168SA1	Timing Set - 3 Pc.	(1)	KT3-499S	Timing Set - 3 Pc.	(1)	KT3-171S	Timing Set - 3 Pc.
(1)	224-41144	Oil Pump	(1)	224-41144	Oil Pump	(1)	224-4146	Oil Pump	(1)	224-4154	Oil Pump
(1)	381-8018	Brass Expansion Plug Kit	(1)	381-8018	Brass Expansion Plug Kit	(1)	381-8007	Brass Expansion Plug Kit	(1)	381-8009	Brass Expansion Plug Kit
(1)	EKSA2	Miscellaneous Service Items	(1)	EKSA2	Miscellaneous Service Items	(1)	EKSA2	Miscellaneous Service Items	(1)	EKSA2	Miscellaneous Service Items

Engine Kit Bill of Material

Qty.	Part No.	Description	Qty.	Part No.	Description	Qty.	Part No.	Description	Qty.	Part No.	Description
MK-637E			MK-658C			MK-667E			MK-7025		
(1)	E-296K	Premium Piston Ring Set	(1)	E-251K	Premium Piston Ring Set	(1)	E-233K	Premium Piston Ring Set	(1)	E-626K	Premium Piston Ring Set
(1)	8-3360CPA	Connecting Rod Bearing Set	(1)	8-2555A	Connecting Rod Bearing Set	(1)	8-2320CP	Connecting Rod Bearing Set	(1)	8-3860P	Connecting Rod Bearing Set
(1)	260-1013	Gasket Kit	(1)	260-1045	Gasket Kit	(1)	260-1001	Gasket Kit	(1)	260-1772	Gasket Kit
(1)	4907M	Main Bearing Set	(1)	4663MA	Main Bearing Set	(1)	4094M	Main Bearing Set	(1)	7370M	Main Bearing Set
(1)	1414M	Camshaft Bearing Set	(1)	1235M	Camshaft Bearing Set	(1)	1453M	Camshaft Bearing Set	(1)	1496M	Camshaft Bearing Set
(1)	KC-648	Cam & Lifter Kit	(1)	KC-274	Cam & Lifter Kit	(1)	KC-327	Cam & Lifter Kit	(1)	KC-770	Cam & Lifter Kit
(1)	KT3-491S	Timing Set - 3 Pc.	(1)	KT3-163S	Timing Set - 3 Pc.	(1)	KT3-501S	Timing Set - 3 Pc.	(1)	KT3-181SA	Timing Set - 3 Pc.
(1)	224-41139	Oil Pump	(1)	224-4146	Oil Pump	(1)	224-4174	Oil Pump	(1)	224-43621	Oil Pump
(1)	381-8018	Brass Expansion Plug Kit	(1)	381-8007	Brass Expansion Plug Kit	(1)	381-8011	Brass Expansion Plug Kit	(1)	381-8057	Brass Expansion Plug Kit
(1)	EKSA2	Miscellaneous Service Items	(1)	EKSA2	Miscellaneous Service Items	(1)	EKSA2	Miscellaneous Service Items	(1)	EKSA2	Miscellaneous Service Items
MK-643C			MK-659A			MK-683C			MK-7026		
(1)	E-339K	Premium Piston Ring Set	(1)	E-292K	Premium Piston Ring Set	(1)	E-251K	Premium Piston Ring Set	(1)	E-626K	Premium Piston Ring Set
(1)	8-3230CP	Connecting Rod Bearing Set	(1)	8-3190A	Connecting Rod Bearing Set	(1)	8-2130CP	Connecting Rod Bearing Set	(1)	8-3860P	Connecting Rod Bearing Set
(1)	260-1039	Gasket Kit	(1)	260-1046	Gasket Kit	(1)	260-1095	Gasket Kit	(1)	260-1772	Gasket Kit
(1)	4261M	Main Bearing Set	(1)	4400MA	Main Bearing Set	(1)	4999MA	Main Bearing Set	(1)	7370M	Main Bearing Set
(1)	1445M	Camshaft Bearing Set	(1)	1404M	Camshaft Bearing Set	(1)	1484M	Camshaft Bearing Set	(1)	1496M	Camshaft Bearing Set
(1)	KC-619	Cam & Lifter Kit	(1)	KC-669	Cam & Lifter Kit	(1)	KC-665	Cam & Lifter Kit	(1)	KC-770	Cam & Lifter Kit
(1)	KT3-169SA2	Timing Set - 3 Pc.	(1)	KT3-171S	Timing Set - 3 Pc.	(1)	KT3-160S	Timing Set - 3 Pc.	(1)	KT3-181SA	Timing Set - 3 Pc.
(1)	224-41176	Oil Pump	(1)	224-4154	Oil Pump	(1)	224-4166	Oil Pump	(1)	224-43424	Oil Pump
(1)	381-8017	Brass Expansion Plug Kit	(1)	381-8009	Brass Expansion Plug Kit	(1)	381-8010	Brass Expansion Plug Kit	(1)	381-8057	Brass Expansion Plug Kit
(1)	EKSA2	Miscellaneous Service Items	(1)	EKSA2	Miscellaneous Service Items	(1)	EKSA2	Miscellaneous Service Items	(1)	EKSA2	Miscellaneous Service Items
MK-643E			MK-659C			MK-687A			MK-718A		
(1)	E-339K	Premium Piston Ring Set	(1)	E-292K	Premium Piston Ring Set	(1)	E-339K	Premium Piston Ring Set	(1)	E-178K	Premium Piston Ring Set
(1)	8-3230CP	Connecting Rod Bearing Set	(1)	8-3190A	Connecting Rod Bearing Set	(1)	8-3360CPA	Connecting Rod Bearing Set	(1)	8-2130CP	Connecting Rod Bearing Set
(1)	260-1039	Gasket Kit	(1)	260-1046	Gasket Kit	(1)	260-1098	Gasket Kit	(1)	260-1152	Gasket Kit
(1)	4261M	Main Bearing Set	(1)	4400MA	Main Bearing Set	(1)	4907M	Main Bearing Set	(1)	5024MA	Main Bearing Set
(1)	1445M	Camshaft Bearing Set	(1)	1404M	Camshaft Bearing Set	(1)	1414M	Camshaft Bearing Set	(1)	1484M	Camshaft Bearing Set
(1)	KC-619	Cam & Lifter Kit	(1)	KC-669	Cam & Lifter Kit	(1)	KC-648	Cam & Lifter Kit	(1)	KC-645	Cam & Lifter Kit
(1)	KT3-169SA2	Timing Set - 3 Pc.	(1)	KT3-171S	Timing Set - 3 Pc.	(1)	KT3-168SA1	Timing Set - 3 Pc.	(1)	KT3-160S	Timing Set - 3 Pc.
(1)	224-41176	Oil Pump	(1)	224-4154G	Oil Pump	(1)	224-41144	Oil Pump	(1)	224-4166	Oil Pump
(1)	EKSA2	Miscellaneous Service Items	(1)	381-8009	Brass Expansion Plug Kit	(1)	381-8018	Brass Expansion Plug Kit	(1)	381-8010	Brass Expansion Plug Kit
			(1)	EKSA2	Miscellaneous Service Items	(1)	EKSA2	Miscellaneous Service Items	(1)	EKSA2	Miscellaneous Service Items
MK-654A			MK-659D			MK-688A			MK-743A		
(1)	E-224K	Premium Piston Ring Set	(1)	E-292K	Premium Piston Ring Set	(1)	E-353K	Premium Piston Ring Set	(1)	E-178K	Premium Piston Ring Set
(1)	8-3230CP	Connecting Rod Bearing Set	(1)	8-3190A	Connecting Rod Bearing Set	(1)	8-3360CPA	Connecting Rod Bearing Set	(1)	8-2130CP	Connecting Rod Bearing Set
(1)	260-1042	Gasket Kit	(1)	260-1046	Gasket Kit	(1)	260-1098	Gasket Kit	(1)	260-1121	Gasket Kit
(1)	4261M	Main Bearing Set	(1)	4400MA	Main Bearing Set	(1)	4907M	Main Bearing Set	(1)	5024MA	Main Bearing Set
(1)	1445M	Camshaft Bearing Set	(1)	1404M	Camshaft Bearing Set	(1)	1414M	Camshaft Bearing Set	(1)	1484M	Camshaft Bearing Set
(1)	KC-619	Cam & Lifter Kit	(1)	KC-774	Cam & Lifter Kit	(1)	KC-648	Cam & Lifter Kit	(1)	KC-645	Cam & Lifter Kit
(1)	KT3-169SA1	Timing Set - 3 Pc.	(1)	KT3-171S	Timing Set - 3 Pc.	(1)	KT3-168SA1	Timing Set - 3 Pc.	(1)	KT3-361S	Timing Set - 3 Pc.
(1)	224-41173	Oil Pump	(1)	224-4154G	Oil Pump	(1)	224-41144	Oil Pump	(1)	224-4166	Oil Pump
(1)	381-8017	Brass Expansion Plug Kit	(1)	381-8009	Brass Expansion Plug Kit	(1)	381-8018	Brass Expansion Plug Kit	(1)	381-8010	Brass Expansion Plug Kit
(1)	EKSA2	Miscellaneous Service Items	(1)	EKSA2	Miscellaneous Service Items	(1)	EKSA2	Miscellaneous Service Items	(1)	EKSA2	Miscellaneous Service Items
MK-655A			MK-662H			MK-689A			MK-744C		
(1)	E-318K	Premium Piston Ring Set	(1)	E-251K	Premium Piston Ring Set	(1)	E-372K	Premium Piston Ring Set	(1)	E-178K	Premium Piston Ring Set
(1)	8-2320CP	Connecting Rod Bearing Set	(1)	8-2020CP	Connecting Rod Bearing Set	(1)	8-3360CPA	Connecting Rod Bearing Set	(1)	8-2130CP	Connecting Rod Bearing Set
(1)	260-1043	Gasket Kit	(1)	260-1000	Gasket Kit	(1)	260-1099	Gasket Kit	(1)	260-1154	Gasket Kit
(1)	4094M	Main Bearing Set	(1)	994M	Main Bearing Set	(1)	4907M	Main Bearing Set	(1)	5024MA	Main Bearing Set
(1)	1453M	Camshaft Bearing Set	(1)	1235M	Camshaft Bearing Set	(1)	1414M	Camshaft Bearing Set	(1)	1484M	Camshaft Bearing Set
(1)	KC-327	Cam & Lifter Kit	(1)	KC-274	Cam & Lifter Kit	(1)	KC-648	Cam & Lifter Kit	(1)	KC-645	Cam & Lifter Kit
(1)	KT3-501S	Timing Set - 3 Pc.	(1)	KT3-163S	Timing Set - 3 Pc.	(1)	KT3-168SA1	Timing Set - 3 Pc.	(1)	KT3-361S	Timing Set - 3 Pc.
(1)	224-4174	Oil Pump	(1)	224-4146	Oil Pump	(1)	224-41144	Oil Pump	(1)	224-4166	Oil Pump
(1)	381-8011	Brass Expansion Plug Kit	(1)	381-8007	Brass Expansion Plug Kit	(1)	381-8018	Brass Expansion Plug Kit	(1)	381-8010	Brass Expansion Plug Kit
(1)	EKSA2	Miscellaneous Service Items	(1)	EKSA2	Miscellaneous Service Items	(1)	EKSA2	Miscellaneous Service Items	(1)	EKSA2	Miscellaneous Service Items
MK-656A			MK-662J			MK-690A			MKP-101M		
(1)	E-424K	Premium Piston Ring Set	(1)	E-251K	Premium Piston Ring Set	(1)	E-373K	Premium Piston Ring Set	(1)	E-180X	Standard Piston Ring Set
(1)	8-2320CP	Connecting Rod Bearing Set	(1)	8-2020CP	Connecting Rod Bearing Set	(1)	8-3360CPA	Connecting Rod Bearing Set	(1)	8-3230CP	Connecting Rod Bearing Set
(1)	260-1043	Gasket Kit	(1)	260-1000	Gasket Kit	(1)	260-1099	Gasket Kit	(1)	260-1035	Gasket Kit
(1)	5025MA	Main Bearing Set	(1)	994M	Main Bearing Set	(1)	4907M	Main Bearing Set	(1)	4261M	Main Bearing Set
(1)	1453M	Camshaft Bearing Set	(1)	1235M	Camshaft Bearing Set	(1)	1414M	Camshaft Bearing Set	(1)	1445M	Camshaft Bearing Set
(1)	KC-327	Cam & Lifter Kit	(1)	KC-274	Cam & Lifter Kit	(1)	KC-648	Cam & Lifter Kit	(1)	KC-643	Cam & Lifter Kit
(1)	KT3-501S	Timing Set - 3 Pc.	(1)	KT3-499S	Timing Set - 3 Pc.	(1)	KT3-168SA1	Timing Set - 3 Pc.	(1)	KT3-494SA3	Timing Set - 3 Pc.
(1)	224-4174	Oil Pump	(1)	224-4146	Oil Pump	(1)	224-41144	Oil Pump	(1)	224-41173	Oil Pump
(1)	381-8011	Brass Expansion Plug Kit	(1)	381-8007	Brass Expansion Plug Kit	(1)	381-8018	Brass Expansion Plug Kit	(8)	381NP	Cast Piston
(1)	EKSA2	Miscellaneous Service Items	(1)	EKSA2	Miscellaneous Service Items	(1)	EKSA2	Miscellaneous Service Items	(1)	381-8017	Brass Expansion Plug Kit
									(1)	EKSA2	Miscellaneous Service Items

Engine Kit Bill of Material

Qty.	Part No.	Description	Qty.	Part No.	Description	Qty.	Part No.	Description	Qty.	Part No.	Description									
MKP-101P			MKP-107A (cont'd.)			MKP-119A (cont'd.)			MKP-122C (cont'd.)											
(1)	E-180X	Standard Piston Ring Set	(1)	224-4147	Oil Pump	(1)	8-2020CP	Connecting Rod Bearing Set	(8)	405P	Cast Piston									
(1)	8-3230CP	Connecting Rod Bearing Set	(6)	H909P	Cast Piston	(1)	260-1000	Gasket Kit	(1)	381-8010	Brass Expansion Plug Kit									
(1)	260-1035	Gasket Kit	(1)	381-8006	Brass Expansion Plug Kit	(1)	994M	Main Bearing Set	(1)	EKSA2	Miscellaneous Service Items									
(1)	4261M	Main Bearing Set	(1)	EKSA2	Miscellaneous Service Items	(1)	1145M	Camshaft Bearing Set	MKP-130L											
(1)	1445M	Camshaft Bearing Set	MKP-1088A			(1)	KC-274	Cam & Lifter Kit												
(1)	KC-643	Cam & Lifter Kit				(1)	E-339X	Standard Piston Ring Set				(1)	KT3-489S	Timing Set - 3 Pc.						
(1)	KT3-494SA3	Timing Set - 3 Pc.				(1)	8-3360CPA	Connecting Rod Bearing Set				(1)	224-4146	Oil Pump						
(1)	224-41173	Oil Pump				(1)	260-1421	Gasket Kit				(8)	235NP	Cast Piston						
(8)	H395P	Cast Piston				(1)	4907M	Main Bearing Set				(1)	381-8007	Brass Expansion Plug Kit						
(1)	381-8017	Brass Expansion Plug Kit				(1)	1414M	Camshaft Bearing Set				(1)	EKSA2	Miscellaneous Service Items						
(1)	EKSA2	Miscellaneous Service Items				(1)	KC-648	Cam & Lifter Kit				MKP-119C								
MKP-102A						(1)	KT3-168SA1	Timing Set - 3 Pc.							(1)	E-245X	Standard Piston Ring Set			
						(1)	260-1004	Gasket Kit							(1)	8-2020CP	Connecting Rod Bearing Set			
						(1)	4092M	Main Bearing Set	(1)	260-1000	Gasket Kit									
			(1)	1454M	Camshaft Bearing Set	(1)	994M	Main Bearing Set												
			(1)	KC-380	Cam & Lifter Kit	(1)	1145M	Camshaft Bearing Set												
			(1)	KT3-495SA	Timing Set - 3 Pc.	(1)	KC-273	Cam & Lifter Kit												
			(1)	224-4165C	Oil Pump	(1)	KT3-489S	Timing Set - 3 Pc.												
			(6)	244NP	Cast Piston	(1)	224-4146	Oil Pump												
			(1)	381-8012	Brass Expansion Plug Kit	(8)	235NP	Cast Piston												
			(1)	EKSA2	Miscellaneous Service Items	(1)	381-8007	Brass Expansion Plug Kit												
(1)	E-196X	Standard Piston Ring Set	MKP-112D			(1)	EKSA2	Miscellaneous Service Items	MKP-137E											
(1)	6-2375CP	Connecting Rod Bearing Set				(1)	E-229X	Standard Piston Ring Set				(1)	8-3360CPA	Connecting Rod Bearing Set						
(1)	260-1004	Gasket Kit				(1)	6-3150CPA	Connecting Rod Bearing Set				(1)	260-1013	Gasket Kit						
(1)	4092M	Main Bearing Set				(1)	260-1006	Gasket Kit				(1)	4907M	Main Bearing Set						
(1)	1454M	Camshaft Bearing Set				(1)	4916M	Main Bearing Set				(1)	1414M	Camshaft Bearing Set						
(1)	KC-380	Cam & Lifter Kit				(1)	1450M	Camshaft Bearing Set				(1)	KC-648	Cam & Lifter Kit						
(1)	KT3-495SA	Timing Set - 3 Pc.				(1)	KC-1230	Cam & Lifter Kit				(1)	KT3-491S	Timing Set - 3 Pc.						
(1)	224-4165C	Oil Pump				(1)	221-2750LS	Timing Gear Set				(1)	224-41139	Oil Pump						
(6)	244NP	Cast Piston				(1)	224-41124	Oil Pump				(8)	H418P	Cast Piston						
(1)	381-8012	Brass Expansion Plug Kit				(6)	1109P	Cast Piston				(1)	381-8018	Brass Expansion Plug Kit						
(1)	EKSA2	Miscellaneous Service Items	(1)	381-8014	Brass Expansion Plug Kit	(1)	EKSA2	Miscellaneous Service Items												
MKP-1036A			MKP-112J			MKP-119D			MKP-142A											
												(1)	E-217X	Standard Piston Ring Set	(1)	E-229X	Standard Piston Ring Set	(1)	E-245X	Standard Piston Ring Set
												(1)	6-2555A	Connecting Rod Bearing Set	(1)	6-3150CPA	Connecting Rod Bearing Set	(1)	8-2020CP	Connecting Rod Bearing Set
												(1)	260-1267	Gasket Kit	(1)	260-1006	Gasket Kit	(1)	260-1000	Gasket Kit
												(1)	4124MA	Main Bearing Set	(1)	4916M	Main Bearing Set	(1)	994M	Main Bearing Set
												(1)	1557M	Camshaft Bearing Set	(1)	1450M	Camshaft Bearing Set	(1)	1235M	Camshaft Bearing Set
												(1)	KC-551	Cam & Lifter Kit	(1)	KC-1230	Cam & Lifter Kit	(1)	KC-274	Cam & Lifter Kit
												(1)	221-2528S	Timing Gear Set	(1)	221-2764S	Timing Gear Set	(1)	KT3-489S	Timing Set - 3 Pc.
												(1)	224-4147	Oil Pump	(1)	224-41124	Oil Pump	(1)	224-4146	Oil Pump
												(6)	H909P	Cast Piston	(6)	1109P	Cast Piston	(8)	235NP	Cast Piston
(1)	381-8006	Brass Expansion Plug Kit	(1)	381-8014	Brass Expansion Plug Kit	(1)	381-8007	Brass Expansion Plug Kit												
(1)	EKSA2	Miscellaneous Service Items	(1)	EKSA2	Miscellaneous Service Items	(1)	EKSA2	Miscellaneous Service Items												
MKP-106A			MKP-113E			MKP-119F			MKP-155A											
												(1)	E-217X	Standard Piston Ring Set	(1)	E-233X	Standard Piston Ring Set	(1)	E-318X	Standard Piston Ring Set
												(1)	6-2555A	Connecting Rod Bearing Set	(1)	8-3190A	Connecting Rod Bearing Set	(1)	8-2320CP	Connecting Rod Bearing Set
												(1)	260-1005	Gasket Kit	(1)	260-1009	Gasket Kit	(1)	260-1043	Gasket Kit
												(1)	4124MA	Main Bearing Set	(1)	4400MA	Main Bearing Set	(1)	4094M	Main Bearing Set
												(1)	1203M	Camshaft Bearing Set	(1)	1404M	Camshaft Bearing Set	(1)	1453M	Camshaft Bearing Set
												(1)	KC-551	Cam & Lifter Kit	(1)	KC-774	Cam & Lifter Kit	(1)	KC-327	Cam & Lifter Kit
												(1)	221-2528S	Timing Gear Set	(1)	KT3-501SA	Timing Set - 3 Pc.	(1)	KT3-501S	Timing Set - 3 Pc.
												(1)	224-4147	Oil Pump	(1)	224-4154	Oil Pump	(1)	224-4174	Oil Pump
												(6)	H909P	Cast Piston	(8)	H661CP	Cast Piston	(8)	406AP	Cast Piston
(1)	381-8006	Brass Expansion Plug Kit	(1)	381-8009	Brass Expansion Plug Kit	(1)	381-8011	Brass Expansion Plug Kit												
(1)	EKSA2	Miscellaneous Service Items	(1)	EKSA2	Miscellaneous Service Items	(1)	EKSA2	Miscellaneous Service Items												
MKP-106C			MKP-114D			MKP-120B			MKP-156A											
												(1)	E-217X	Standard Piston Ring Set	(1)	E-234X	Standard Piston Ring Set	(1)	E-424X	Standard Piston Ring Set
												(1)	6-2555A	Connecting Rod Bearing Set	(1)	6-2020CP	Connecting Rod Bearing Set	(1)	8-2320CP	Connecting Rod Bearing Set
												(1)	260-1005	Gasket Kit	(1)	260-1005	Gasket Kit	(1)	260-1043	Gasket Kit
												(1)	4124MA	Main Bearing Set	(1)	4124MA	Main Bearing Set	(1)	5025MA	Main Bearing Set
												(1)	1557M	Camshaft Bearing Set	(1)	1203M	Camshaft Bearing Set	(1)	1453M	Camshaft Bearing Set
												(1)	KC-551	Cam & Lifter Kit	(1)	KC-633	Cam & Lifter Kit	(1)	KC-327	Cam & Lifter Kit
												(1)	221-2528S	Timing Gear Set	(1)	221-2525S	Timing Gear Set	(1)	KT3-501S	Timing Set - 3 Pc.
												(1)	224-4147	Oil Pump	(1)	224-4147	Oil Pump	(1)	224-4174	Oil Pump
												(6)	H909P	Cast Piston	(6)	1107NP	Cast Piston	(8)	424NP	Cast Piston
(1)	381-8006	Brass Expansion Plug Kit	(1)	381-8006	Brass Expansion Plug Kit	(1)	381-8011	Brass Expansion Plug Kit												
(1)	EKSA2	Miscellaneous Service Items	(1)	EKSA2	Miscellaneous Service Items	(1)	EKSA2	Miscellaneous Service Items												
MKP-107A			MKP-119A			MKP-122C			MKP-162H											
												(1)	E-217X	Standard Piston Ring Set	(1)	E-245X	Standard Piston Ring Set	(1)	E-251X	Standard Piston Ring Set
												(1)	6-2555A	Connecting Rod Bearing Set	(1)	8-2130CP	Connecting Rod Bearing Set	(1)	8-2320CP	Connecting Rod Bearing Set
												(1)	260-1044	Gasket Kit	(1)	260-1033	Gasket Kit	(1)	260-1043	Gasket Kit
												(1)	4124MA	Main Bearing Set	(1)	4999MA	Main Bearing Set	(1)	5025MA	Main Bearing Set
												(1)	1557M	Camshaft Bearing Set	(1)	1484M	Camshaft Bearing Set	(1)	1453M	Camshaft Bearing Set
												(1)	KC-551	Cam & Lifter Kit	(1)	KC-665	Cam & Lifter Kit	(1)	KC-327	Cam & Lifter Kit
												(1)	221-2528S	Timing Gear Set	(1)	KT3-361S	Timing Set - 3 Pc.	(1)	KT3-501S	Timing Set - 3 Pc.
												(1)	E-217X	Standard Piston Ring Set	(1)	224-4166	Oil Pump	(1)	224-4174	Oil Pump
												(1)	6-2555A	Connecting Rod Bearing Set	(1)	E-251X	Standard Piston Ring Set	(8)	424NP	Cast Piston
(1)	260-1044	Gasket Kit	(1)	8-2130CP	Connecting Rod Bearing Set	(1)	381-8011	Brass Expansion Plug Kit												
(1)	4124MA	Main Bearing Set	(1)	260-1033	Gasket Kit	(1)	EKSA2	Miscellaneous Service Items												
(1)	1557M	Camshaft Bearing Set	(1)	4999MA	Main Bearing Set	MKP-162H														
(1)	KC-551	Cam & Lifter Kit	(1)	1484M	Camshaft Bearing Set															
(1)	221-2528S	Timing Gear Set	(1)	KC-665	Cam & Lifter Kit															
(cont'd. next column)			(1)	KT3-361S	Timing Set - 3 Pc.															
			(1)	224-4166	Oil Pump															
			(1)	E-251X	Standard Piston Ring Set															
			(8)	424NP	Cast Piston															
			(1)	381-8011	Brass Expansion Plug Kit															
			(1)	EKSA2	Miscellaneous Service Items															
			(1)	E-251X	Standard Piston Ring Set															
			(1)	E-251X	Standard Piston Ring Set															

Engine Kit Bill of Material

Qty.	Part No.	Description	Qty.	Part No.	Description	Qty.	Part No.	Description	Qty.	Part No.	Description
MKP-162H (cont'd.)			MKP-218A (cont'd.)			MKP-6036A (cont'd.)			MKP-6085A (cont'd.)		
(1)	8-2020CP	Connecting Rod Bearing Set	(8)	285NP	Cast Piston	(1)	6-2555A	Connecting Rod Bearing Set	(8)	H989CP	Cast Piston
(1)	260-1000	Gasket Kit	(1)	381-8010	Brass Expansion Plug Kit	(1)	260-1267	Gasket Kit	(1)	381-8009	Brass Expansion Plug Kit
(1)	994M	Main Bearing Set	(1)	EKSA2	Miscellaneous Service Items	(1)	4124MA	Main Bearing Set	(1)	EKSA2	Miscellaneous Service Items
(1)	1235M	Camshaft Bearing Set	MKP-243A			(1)	1557M	Camshaft Bearing Set	MKP-6088A		
(1)	KC-274	Cam & Lifter Kit	(1)	E-178X	Standard Piston Ring Set	(1)	KC-551	Cam & Lifter Kit	(1)	E-339K	Premium Piston Ring Set
(1)	KT3-163S	Timing Set - 3 Pc.	(1)	8-2130CP	Connecting Rod Bearing Set	(1)	221-2528S	Timing Gear Set	(1)	8-3360CPA	Connecting Rod Bearing Set
(1)	224-4146	Oil Pump	(1)	260-1121	Gasket Kit	(1)	224-4147	Oil Pump	(1)	260-1421	Gasket Kit
(8)	H951P 30	Cast Piston	(1)	5024MA	Main Bearing Set	(6)	H909P	Cast Piston	(1)	4907M	Main Bearing Set
(1)	381-8007	Brass Expansion Plug Kit	(1)	1451M	Camshaft Bearing Set	(1)	381-8006	Brass Expansion Plug Kit	(1)	1414M	Camshaft Bearing Set
(1)	EKSA2	Miscellaneous Service Items	(1)	KC-645	Cam & Lifter Kit	(1)	EKSA2	Miscellaneous Service Items	(1)	KC-648	Cam & Lifter Kit
MKP-162J			(1)	KT3-361S	Timing Set - 3 Pc.	MKP-6039A			(1)	KT3-168SA1	Timing Set - 3 Pc.
(1)	E-251X	Standard Piston Ring Set	(1)	224-4166	Oil Pump	(1)	E-259K	Premium Piston Ring Set	(1)	224-41144	Oil Pump
(1)	8-2020CP	Connecting Rod Bearing Set	(8)	285NP	Cast Piston	(1)	8-3190A	Connecting Rod Bearing Set	(8)	H707P	Cast Piston
(1)	260-1000	Gasket Kit	(1)	381-8010	Brass Expansion Plug Kit	(1)	260-1270	Gasket Kit	(1)	381-8018	Brass Expansion Plug Kit
(1)	994M	Main Bearing Set	(1)	EKSA2	Miscellaneous Service Items	(1)	4400MA	Main Bearing Set	(1)	EKSA2	Miscellaneous Service Items
(1)	1235M	Camshaft Bearing Set	MKP-244C			(1)	1404M	Camshaft Bearing Set	MKP-6089A		
(1)	KC-274	Cam & Lifter Kit	(1)	E-178X	Standard Piston Ring Set	(1)	KC-669	Cam & Lifter Kit	(1)	E-353K	Premium Piston Ring Set
(1)	KT3-499S	Timing Set - 3 Pc.	(1)	8-2130CP	Connecting Rod Bearing Set	(1)	KT3-171S	Timing Set - 3 Pc.	(1)	8-3360CPA	Connecting Rod Bearing Set
(1)	224-4146	Oil Pump	(1)	260-1154	Gasket Kit	(1)	224-4154G	Oil Pump	(1)	260-1421	Gasket Kit
(8)	H951P 30	Cast Piston	(1)	5024MA	Main Bearing Set	(8)	H721CP	Cast Piston	(1)	4907M	Main Bearing Set
(1)	381-8007	Brass Expansion Plug Kit	(1)	1484M	Camshaft Bearing Set	(1)	381-8009	Brass Expansion Plug Kit	(1)	1414M	Camshaft Bearing Set
(1)	EKSA2	Miscellaneous Service Items	(1)	KC-645	Cam & Lifter Kit	(1)	EKSA2	Miscellaneous Service Items	(1)	KC-648	Cam & Lifter Kit
MKP-167E			(1)	KT3-361S	Timing Set - 3 Pc.	MKP-606A			(1)	KT3-168SA1	Timing Set - 3 Pc.
(1)	E-233X	Standard Piston Ring Set	(1)	224-4166	Oil Pump	(1)	E-217K	Premium Piston Ring Set	(1)	224-41144	Oil Pump
(1)	8-2320CP	Connecting Rod Bearing Set	(8)	285NP	Cast Piston	(1)	6-2555A	Connecting Rod Bearing Set	(8)	H707P	Cast Piston
(1)	260-1001	Gasket Kit	(1)	381-8010	Brass Expansion Plug Kit	(1)	260-1005	Gasket Kit	(1)	381-8018	Brass Expansion Plug Kit
(1)	4094M	Main Bearing Set	(1)	EKSA2	Miscellaneous Service Items	(1)	4124MA	Main Bearing Set	(1)	EKSA2	Miscellaneous Service Items
(1)	1453M	Camshaft Bearing Set	MKP-601M			(1)	1203M	Camshaft Bearing Set	MKP-6090C		
(1)	KC-327	Cam & Lifter Kit	(1)	E-180K	Premium Piston Ring Set	(1)	KC-551	Cam & Lifter Kit	(1)	E-372K	Premium Piston Ring Set
(1)	KT3-501S	Timing Set - 3 Pc.	(1)	8-3230CP	Connecting Rod Bearing Set	(1)	221-2528S	Timing Gear Set	(1)	8-3360CPA	Connecting Rod Bearing Set
(1)	224-4174	Oil Pump	(1)	260-1035	Gasket Kit	(1)	224-4147	Oil Pump	(1)	260-1422	Gasket Kit
(8)	366NP	Cast Piston	(1)	4261M	Main Bearing Set	(6)	H909P	Cast Piston	(1)	4907M	Main Bearing Set
(1)	381-8011	Brass Expansion Plug Kit	(1)	1445M	Camshaft Bearing Set	(1)	381-8006	Brass Expansion Plug Kit	(1)	1414M	Camshaft Bearing Set
(1)	EKSA2	Miscellaneous Service Items	(1)	KC-643	Cam & Lifter Kit	(1)	EKSA2	Miscellaneous Service Items	(1)	KC-648	Cam & Lifter Kit
MKP-183C			(1)	KT3-494SA3	Timing Set - 3 Pc.	MKP-606C			(1)	KT3-168SA1	Timing Set - 3 Pc.
(1)	E-251X	Standard Piston Ring Set	(1)	224-41173	Oil Pump	(1)	E-217K	Premium Piston Ring Set	(1)	224-41144	Oil Pump
(1)	8-2130CP	Connecting Rod Bearing Set	(8)	381NP	Cast Piston	(1)	6-2555A	Connecting Rod Bearing Set	(8)	H723P	Cast Piston
(1)	260-1095	Gasket Kit	(1)	381-8017	Brass Expansion Plug Kit	(1)	260-1005	Gasket Kit	(1)	381-8018	Brass Expansion Plug Kit
(1)	4999MA	Main Bearing Set	(1)	EKSA2	Miscellaneous Service Items	(1)	4124MA	Main Bearing Set	(1)	EKSA2	Miscellaneous Service Items
(1)	1484M	Camshaft Bearing Set	MKP-601P			(1)	1557M	Camshaft Bearing Set	MKP-611A		
(1)	KC-665	Cam & Lifter Kit	(1)	E-180K	Premium Piston Ring Set	(1)	KC-551	Cam & Lifter Kit	(1)	E-224K	Premium Piston Ring Set
(1)	KT3-160S	Timing Set - 3 Pc.	(1)	8-3230CP	Connecting Rod Bearing Set	(1)	221-2528S	Timing Gear Set	(1)	8-3230CP	Connecting Rod Bearing Set
(1)	224-4166	Oil Pump	(1)	260-1035	Gasket Kit	(1)	224-4147	Oil Pump	(1)	260-1039	Gasket Kit
(8)	405P	Cast Piston	(1)	4261M	Main Bearing Set	(6)	H909P	Cast Piston	(1)	4261M	Main Bearing Set
(1)	381-8010	Brass Expansion Plug Kit	(1)	1445M	Camshaft Bearing Set	(1)	381-8006	Brass Expansion Plug Kit	(1)	1414M	Camshaft Bearing Set
(1)	EKSA2	Miscellaneous Service Items	(1)	KC-643	Cam & Lifter Kit	(1)	EKSA2	Miscellaneous Service Items	(1)	KC-619	Cam & Lifter Kit
MKP-187A			(1)	KT3-494SA3	Timing Set - 3 Pc.	MKP-607A			(1)	KT3-169SA1	Timing Set - 3 Pc.
(1)	E-339X	Standard Piston Ring Set	(1)	224-41173	Oil Pump	(1)	E-217K	Premium Piston Ring Set	(1)	224-41173	Oil Pump
(1)	8-3360CPA	Connecting Rod Bearing Set	(8)	H395P	Cast Piston	(1)	6-2555A	Connecting Rod Bearing Set	(8)	329NP	Cast Piston
(1)	260-1098	Gasket Kit	(1)	381-8017	Brass Expansion Plug Kit	(1)	260-1044	Gasket Kit	(1)	381-8017	Brass Expansion Plug Kit
(1)	4907M	Main Bearing Set	(1)	EKSA2	Miscellaneous Service Items	(1)	4124MA	Main Bearing Set	(1)	EKSA2	Miscellaneous Service Items
(1)	1414M	Camshaft Bearing Set	MKP-602A			(1)	1557M	Camshaft Bearing Set	MKP-612D		
(1)	KC-648	Cam & Lifter Kit	(1)	E-196K	Premium Piston Ring Set	(1)	KC-551	Cam & Lifter Kit	(1)	E-229K	Premium Piston Ring Set
(1)	KT3-168SA1	Timing Set - 3 Pc.	(1)	6-2375CP	Connecting Rod Bearing Set	(1)	221-2528S	Timing Gear Set	(1)	6-3150CPA	Connecting Rod Bearing Set
(1)	224-41144	Oil Pump	(1)	260-1004	Gasket Kit	(1)	224-4147	Oil Pump	(1)	260-1006	Gasket Kit
(8)	H707P	Cast Piston	(1)	4092M	Main Bearing Set	(6)	H909P	Cast Piston	(1)	4916M	Main Bearing Set
(1)	381-8018	Brass Expansion Plug Kit	(1)	1454M	Camshaft Bearing Set	(1)	381-8006	Brass Expansion Plug Kit	(1)	1450M	Camshaft Bearing Set
(1)	EKSA2	Miscellaneous Service Items	(1)	KC-380	Cam & Lifter Kit	(1)	EKSA2	Miscellaneous Service Items	(1)	KC-1230	Cam & Lifter Kit
MKP-218A			(1)	KT3-495SA	Timing Set - 3 Pc.	MKP-6085A			(1)	221-2750LS	Timing Gear Set
(1)	E-178X	Standard Piston Ring Set	(1)	224-4165C	Oil Pump	(1)	E-292K	Premium Piston Ring Set	(1)	224-41124	Oil Pump
(1)	8-2130CP	Connecting Rod Bearing Set	(6)	24ANP	Cast Piston	(1)	8-3190A	Connecting Rod Bearing Set	(6)	1109P	Cast Piston
(1)	260-1152	Gasket Kit	(1)	381-8012	Brass Expansion Plug Kit	(1)	260-1418	Gasket Kit	(1)	381-8014	Brass Expansion Plug Kit
(1)	5024MA	Main Bearing Set	(1)	EKSA2	Miscellaneous Service Items	(1)	4400MA	Main Bearing Set	(1)	EKSA2	Miscellaneous Service Items
(1)	1484M	Camshaft Bearing Set	MKP-6036A			(1)	1404M	Camshaft Bearing Set	MKP-612J		
(1)	KC-645	Cam & Lifter Kit	(1)	E-217K	Premium Piston Ring Set	(1)	KC-774	Cam & Lifter Kit	(1)	E-229K	Premium Piston Ring Set
(1)	KT3-160S	Timing Set - 3 Pc.	(1)	260-1418	Gasket Kit	(1)	KT3-171S	Timing Set - 3 Pc.	(1)	6-3150CPA	Connecting Rod Bearing Set
(1)	224-4166	Oil Pump	(1)	4400MA	Main Bearing Set	(1)	224-4154G	Oil Pump	(1)	260-1006	Gasket Kit
(cont'd. next column)			(1)	1404M	Camshaft Bearing Set	(1)	260-1044	Gasket Kit	(1)	4916M	Main Bearing Set
			(1)	KC-380	Cam & Lifter Kit	(1)	4124MA	Main Bearing Set	(1)	1450M	Camshaft Bearing Set
			(1)	KT3-495SA	Timing Set - 3 Pc.	(1)	1557M	Camshaft Bearing Set	(1)	KC-1230	Cam & Lifter Kit
			(1)	224-4165C	Oil Pump	(1)	KC-551	Cam & Lifter Kit	(1)	221-2750LS	Timing Gear Set
			(6)	24ANP	Cast Piston	(1)	221-2528S	Timing Gear Set	(1)	224-41124	Oil Pump
			(1)	381-8012	Brass Expansion Plug Kit	(1)	224-4147	Oil Pump	(1)	1109P	Cast Piston
			(1)	EKSA2	Miscellaneous Service Items	(6)	H909P	Cast Piston	(1)	381-8014	Brass Expansion Plug Kit
			(1)	260-1004	Gasket Kit	(1)	381-8006	Brass Expansion Plug Kit	(1)	EKSA2	Miscellaneous Service Items
			(1)	4092M	Main Bearing Set	(1)	EKSA2	Miscellaneous Service Items	MKP-612J		
			(1)	1454M	Camshaft Bearing Set	(1)	260-1418	Gasket Kit	(1)	E-229K	Premium Piston Ring Set
			(1)	KC-380	Cam & Lifter Kit	(1)	4400MA	Main Bearing Set	(cont'd. next page)		
			(1)	KT3-495SA	Timing Set - 3 Pc.	(1)	1404M	Camshaft Bearing Set			
			(1)	224-4165C	Oil Pump	(1)	KC-774	Cam & Lifter Kit			
			(6)	24ANP	Cast Piston	(1)	KT3-171S	Timing Set - 3 Pc.			
			(1)	381-8012	Brass Expansion Plug Kit	(1)	224-4154G	Oil Pump			
			(1)	EKSA2	Miscellaneous Service Items	(1)	260-1044	Gasket Kit			
			(1)	4092M	Main Bearing Set	(1)	4124MA	Main Bearing Set			
			(1)	1454M	Camshaft Bearing Set	(1)	1557M	Camshaft Bearing Set			
			(1)	KC-380	Cam & Lifter Kit	(1)	KC-551	Cam & Lifter Kit			
			(1)	KT3-495SA	Timing Set - 3 Pc.	(1)	221-2528S	Timing Gear Set			
			(1)	224-4165C	Oil Pump	(1)	224-4147	Oil Pump			
			(6)	24ANP	Cast Piston	(6)	H909P	Cast Piston			
			(1)	381-8012	Brass Expansion Plug Kit	(1)	381-8006	Brass Expansion Plug Kit			
			(1)	EKSA2	Miscellaneous Service Items	(1)	EKSA2	Miscellaneous Service Items			
			(1)	260-1004	Gasket Kit	(1)	260-1044	Gasket Kit			
			(1)	4092M	Main Bearing Set	(1)	4124MA	Main Bearing Set			
			(1)	1454M	Camshaft Bearing Set	(1)	1557M	Camshaft Bearing Set			
			(1)	KC-380	Cam & Lifter Kit	(1)	KC-551	Cam & Lifter Kit			
			(1)	KT3-495SA	Timing Set - 3 Pc.	(1)	221-2528S	Timing Gear Set			
			(1)	224-4165C	Oil Pump	(1)	224-4147	Oil Pump			
			(6)	24ANP	Cast Piston	(6)	H909P	Cast Piston			
			(1)	381-8012	Brass Expansion Plug Kit	(1)	381-8006	Brass Expansion Plug Kit			
			(1)	EKSA2	Miscellaneous Service Items	(1)	EKSA2	Miscellaneous Service Items			

Engine Kit Bill of Material

Qty.	Part No.	Description	Qty.	Part No.	Description	Qty.	Part No.	Description	Qty.	Part No.	Description
MKP-612J (cont'd.)			MKP-619A (cont'd.)			MKP-6191C (cont'd.)			MKP-630L (cont'd.)		
(1)	6-3150CPA	Connecting Rod Bearing Set	(8)	235NP	Cast Piston	(1)	8-3360CPA	Connecting Rod Bearing Set	(8)	H951P 30	Cast Piston
(1)	260-1006	Gasket Kit	(1)	381-8007	Brass Expansion Plug Kit	(1)	260-1529	Gasket Kit	(1)	381-8007	Brass Expansion Plug Kit
(1)	4916M	Main Bearing Set	(1)	EKSA2	Miscellaneous Service Items	(1)	4907M	Main Bearing Set	(1)	EKSA2	Miscellaneous Service Items
(1)	1450M	Camshaft Bearing Set	MKP-619C			(1)	1414M	Camshaft Bearing Set	MKP-631D		
(1)	KC-1230	Cam & Lifter Kit	(1)	E-245K	Premium Piston Ring Set	(1)	KC-1524	Cam & Lifter Kit	(1)	E-259K	Premium Piston Ring Set
(1)	221-2764S	Timing Gear Set	(1)	8-2020CP	Connecting Rod Bearing Set	(1)	KT3-168SA1	Timing Set - 3 Pc.	(1)	8-3190A	Connecting Rod Bearing Set
(1)	224-41124	Oil Pump	(1)	260-1000	Gasket Kit	(1)	224-41144	Oil Pump	(1)	260-1009	Gasket Kit
(6)	H554CP	Cast Piston	(1)	994M	Main Bearing Set	(1)	H723P	Cast Piston	(1)	4400MA	Main Bearing Set
(1)	381-8014	Brass Expansion Plug Kit	(1)	1145M	Camshaft Bearing Set	(1)	381-8018	Brass Expansion Plug Kit	(1)	1404M	Camshaft Bearing Set
(1)	EKSA2	Miscellaneous Service Items	(1)	KC-273	Cam & Lifter Kit	(1)	EKSA2	Miscellaneous Service Items	(1)	KC-636	Cam & Lifter Kit
MKP-6122C			MKP-619D			MKP-6192C			MKP-631E		
(1)	E-373K	Premium Piston Ring Set	(1)	E-245K	Premium Piston Ring Set	(1)	E-373K	Premium Piston Ring Set	(1)	E-259K	Premium Piston Ring Set
(1)	8-3360CPA	Connecting Rod Bearing Set	(1)	8-2020CP	Connecting Rod Bearing Set	(1)	8-3360CPA	Connecting Rod Bearing Set	(1)	8-3190A	Connecting Rod Bearing Set
(1)	260-1422	Gasket Kit	(1)	260-1000	Gasket Kit	(1)	260-1530	Gasket Kit	(1)	260-1009	Gasket Kit
(1)	4907M	Main Bearing Set	(1)	994M	Main Bearing Set	(1)	4907M	Main Bearing Set	(1)	4400MA	Main Bearing Set
(1)	1414M	Camshaft Bearing Set	(1)	1235M	Camshaft Bearing Set	(1)	1414M	Camshaft Bearing Set	(1)	1404M	Camshaft Bearing Set
(1)	KC-648	Cam & Lifter Kit	(1)	KC-274	Cam & Lifter Kit	(1)	KC-1524	Cam & Lifter Kit	(1)	KC-669	Cam & Lifter Kit
(1)	KT3-168SA1	Timing Set - 3 Pc.	(1)	KT3-489S	Timing Set - 3 Pc.	(1)	KT3-168SA1	Timing Set - 3 Pc.	(1)	KT3-171S	Timing Set - 3 Pc.
(1)	224-41144	Oil Pump	(1)	224-4146	Oil Pump	(1)	224-41144	Oil Pump	(1)	224-4154	Oil Pump
(8)	H723P	Cast Piston	(1)	235NP	Cast Piston	(1)	H723P	Cast Piston	(1)	H958CP	Cast Piston
(1)	381-8018	Brass Expansion Plug Kit	(1)	381-8007	Brass Expansion Plug Kit	(1)	381-8018	Brass Expansion Plug Kit	(1)	381-8009	Brass Expansion Plug Kit
(1)	EKSA2	Miscellaneous Service Items	(1)	EKSA2	Miscellaneous Service Items	(1)	EKSA2	Miscellaneous Service Items	(1)	EKSA2	Miscellaneous Service Items
MKP-613E			MKP-619F			MKP-6192D			MKP-631F		
(1)	E-233K	Premium Piston Ring Set	(1)	E-245K	Premium Piston Ring Set	(1)	E-373K	Premium Piston Ring Set	(1)	E-259K	Premium Piston Ring Set
(1)	8-3190A	Connecting Rod Bearing Set	(1)	8-2020CP	Connecting Rod Bearing Set	(1)	8-3360CPA	Connecting Rod Bearing Set	(1)	8-3190A	Connecting Rod Bearing Set
(1)	260-1009	Gasket Kit	(1)	260-1000	Gasket Kit	(1)	260-1651	Gasket Kit	(1)	260-1009	Gasket Kit
(1)	4400MA	Main Bearing Set	(1)	994M	Main Bearing Set	(1)	4907M	Main Bearing Set	(1)	4400MA	Main Bearing Set
(1)	1404M	Camshaft Bearing Set	(1)	1235M	Camshaft Bearing Set	(1)	1414M	Camshaft Bearing Set	(1)	1404M	Camshaft Bearing Set
(1)	KC-774	Cam & Lifter Kit	(1)	KC-274	Cam & Lifter Kit	(1)	KC-1524	Cam & Lifter Kit	(1)	KC-669	Cam & Lifter Kit
(1)	KT3-501SA	Timing Set - 3 Pc.	(1)	KT3-499S	Timing Set - 3 Pc.	(1)	KT3-168SA1	Timing Set - 3 Pc.	(1)	KT3-171S	Timing Set - 3 Pc.
(1)	224-4154	Oil Pump	(1)	224-4146	Oil Pump	(1)	224-41144	Oil Pump	(1)	224-4154	Oil Pump
(8)	H661CP	Cast Piston	(1)	235NP	Cast Piston	(1)	H723P	Cast Piston	(1)	H958CP	Cast Piston
(1)	381-8009	Brass Expansion Plug Kit	(1)	381-8007	Brass Expansion Plug Kit	(1)	381-8018	Brass Expansion Plug Kit	(1)	381-8009	Brass Expansion Plug Kit
(1)	EKSA2	Miscellaneous Service Items	(1)	EKSA2	Miscellaneous Service Items	(1)	EKSA2	Miscellaneous Service Items	(1)	EKSA2	Miscellaneous Service Items
MKP-614D			MKP-6190C			MKP-620B			MKP-6359A		
(1)	E-234K	Premium Piston Ring Set	(1)	E-372K	Premium Piston Ring Set	(1)	E-245K	Premium Piston Ring Set	(1)	E-626K	Premium Piston Ring Set
(1)	6-2020CP	Connecting Rod Bearing Set	(1)	8-3360CPA	Connecting Rod Bearing Set	(1)	8-2555A	Connecting Rod Bearing Set	(1)	8-3860P	Connecting Rod Bearing Set
(1)	260-1005	Gasket Kit	(1)	260-1530	Gasket Kit	(1)	260-1000	Gasket Kit	(1)	260-1772	Gasket Kit
(1)	4124MA	Main Bearing Set	(1)	4907M	Main Bearing Set	(1)	4663MA	Main Bearing Set	(1)	7370M	Main Bearing Set
(1)	1203M	Camshaft Bearing Set	(1)	1414M	Camshaft Bearing Set	(1)	1235M	Camshaft Bearing Set	(1)	1496M	Camshaft Bearing Set
(1)	KC-633	Cam & Lifter Kit	(1)	KC-1524	Cam & Lifter Kit	(1)	KC-274	Cam & Lifter Kit	(1)	KC-770	Cam & Lifter Kit
(1)	221-2525S	Timing Gear Set	(1)	KT3-168SA1	Timing Set - 3 Pc.	(1)	KT3-499S	Timing Set - 3 Pc.	(1)	KT3-181SA	Timing Set - 3 Pc.
(1)	224-4147	Oil Pump	(1)	224-41144	Oil Pump	(1)	224-4146	Oil Pump	(1)	224-43424	Oil Pump
(6)	1107NP	Cast Piston	(1)	H723P	Cast Piston	(1)	295P	Cast Piston	(1)	2773PNA	Cast Piston
(1)	381-8006	Brass Expansion Plug Kit	(1)	381-8018	Brass Expansion Plug Kit	(1)	381-8007	Brass Expansion Plug Kit	(1)	381-8057	Brass Expansion Plug Kit
(1)	EKSA2	Miscellaneous Service Items	(1)	EKSA2	Miscellaneous Service Items	(1)	EKSA2	Miscellaneous Service Items	(1)	EKSA2	Miscellaneous Service Items
MKP-6189C			MKP-6190D			MKP-622C			MKP-636C		
(1)	E-372K	Premium Piston Ring Set	(1)	E-372K	Premium Piston Ring Set	(1)	E-251K	Premium Piston Ring Set	(1)	E-292K	Premium Piston Ring Set
(1)	8-3360CPA	Connecting Rod Bearing Set	(1)	8-3360CPA	Connecting Rod Bearing Set	(1)	8-2130CP	Connecting Rod Bearing Set	(1)	8-3190A	Connecting Rod Bearing Set
(1)	260-1529	Gasket Kit	(1)	260-1651	Gasket Kit	(1)	260-1033	Gasket Kit	(1)	260-1009	Gasket Kit
(1)	4907M	Main Bearing Set	(1)	4907M	Main Bearing Set	(1)	4999MA	Main Bearing Set	(1)	4400MA	Main Bearing Set
(1)	1414M	Camshaft Bearing Set	(1)	1414M	Camshaft Bearing Set	(1)	1484M	Camshaft Bearing Set	(1)	1404M	Camshaft Bearing Set
(1)	KC-1524	Cam & Lifter Kit	(1)	KC-1524	Cam & Lifter Kit	(1)	KC-665	Cam & Lifter Kit	(1)	KC-636	Cam & Lifter Kit
(1)	KT3-168SA1	Timing Set - 3 Pc.	(1)	KT3-168SA1	Timing Set - 3 Pc.	(1)	KT3-361S	Timing Set - 3 Pc.	(1)	KT3-171S	Timing Set - 3 Pc.
(1)	224-41144	Oil Pump	(1)	224-41144	Oil Pump	(1)	224-4166	Oil Pump	(1)	224-4154	Oil Pump
(8)	H723P	Cast Piston	(1)	H723P	Cast Piston	(1)	405P	Cast Piston	(1)	H989CP	Cast Piston
(1)	381-8018	Brass Expansion Plug Kit	(1)	381-8018	Brass Expansion Plug Kit	(1)	381-8010	Brass Expansion Plug Kit	(1)	381-8009	Brass Expansion Plug Kit
(1)	EKSA2	Miscellaneous Service Items	(1)	EKSA2	Miscellaneous Service Items	(1)	EKSA2	Miscellaneous Service Items	(1)	EKSA2	Miscellaneous Service Items
MKP-619A			MKP-6191C			MKP-630L			MKP-636D		
(1)	E-245K	Premium Piston Ring Set	(1)	E-373K	Premium Piston Ring Set	(1)	E-251K	Premium Piston Ring Set	(1)	E-292K	Premium Piston Ring Set
(1)	8-2020CP	Connecting Rod Bearing Set	(1)	8-2020CP	Connecting Rod Bearing Set	(1)	8-2555A	Connecting Rod Bearing Set	(1)	8-3190A	Connecting Rod Bearing Set
(1)	260-1000	Gasket Kit	(1)	260-1000	Gasket Kit	(1)	260-1000	Gasket Kit	(1)	260-1009	Gasket Kit
(1)	994M	Main Bearing Set	(1)	994M	Main Bearing Set	(1)	4663MA	Main Bearing Set	(1)	4400MA	Main Bearing Set
(1)	1145M	Camshaft Bearing Set	(1)	1145M	Camshaft Bearing Set	(1)	1235M	Camshaft Bearing Set	(1)	1404M	Camshaft Bearing Set
(1)	KC-274	Cam & Lifter Kit	(1)	KC-274	Cam & Lifter Kit	(1)	KC-274	Cam & Lifter Kit	(1)	KC-636	Cam & Lifter Kit
(1)	KT3-489S	Timing Set - 3 Pc.	(1)	KT3-489S	Timing Set - 3 Pc.	(1)	KT3-499S	Timing Set - 3 Pc.	(1)	KT3-171S	Timing Set - 3 Pc.
(1)	224-4146	Oil Pump	(1)	224-4146	Oil Pump	(1)	224-4146	Oil Pump	(1)	224-4154	Oil Pump
(1)	381-8018	Brass Expansion Plug Kit	(1)	381-8018	Brass Expansion Plug Kit	(1)	381-8018	Brass Expansion Plug Kit	(1)	H989CP	Cast Piston
(1)	EKSA2	Miscellaneous Service Items	(1)	EKSA2	Miscellaneous Service Items	(1)	EKSA2	Miscellaneous Service Items	(1)	381-8009	Brass Expansion Plug Kit
		(cont'd. next column)			(cont'd. next column)			(cont'd. next column)			(cont'd. next page)

Engine Kit Bill of Material

Qty.	Part No.	Description	Qty.	Part No.	Description	Qty.	Part No.	Description	Qty.	Part No.	Description
MKP-636D (cont'd.)			MKP-643E (cont'd.)			MKP-659D (cont'd.)			MKP-687A (cont'd.)		
(1)	8-3190A	Connecting Rod Bearing Set	(8)	H995P	Cast Piston	(1)	260-1046	Gasket Kit	(1)	EKSA2	Miscellaneous Service Items
(1)	260-1009	Gasket Kit	(1)	EKSA2	Miscellaneous Service Items	(1)	4400MA	Main Bearing Set			
(1)	4400MA	Main Bearing Set	MKP-654A			(1)	1404M	Camshaft Bearing Set	MKP-688A		
(1)	1404M	Camshaft Bearing Set	(1)	E-224K	Premium Piston Ring Set	(1)	KC-774	Cam & Lifter Kit	(1)	E-353K	Premium Piston Ring Set
(1)	KC-669	Cam & Lifter Kit	(1)	8-3230CP	Connecting Rod Bearing Set	(1)	KT3-171S	Timing Set - 3 Pc.	(1)	8-3360CPA	Connecting Rod Bearing Set
(1)	KT3-171S	Timing Set - 3 Pc.	(1)	260-1042	Gasket Kit	(1)	224-4154G	Oil Pump	(1)	260-1098	Gasket Kit
(1)	224-4154	Oil Pump	(1)	4261M	Main Bearing Set	(8)	H989CP	Cast Piston	(1)	4907M	Main Bearing Set
(8)	H989CP	Cast Piston	(1)	1445M	Camshaft Bearing Set	(1)	381-8009	Brass Expansion Plug Kit	(1)	1414M	Camshaft Bearing Set
(1)	381-8009	Brass Expansion Plug Kit	(1)	KC-619	Cam & Lifter Kit	(1)	EKSA2	Miscellaneous Service Items	(1)	KC-648	Cam & Lifter Kit
(1)	EKSA2	Miscellaneous Service Items	(1)	KT3-169SA1	Cam & Lifter Kit	MKP-662H			(1)	KT3-168SA1	Timing Set - 3 Pc.
MKP-637E			(1)	224-41173	Oil Pump	(1)	E-251K	Premium Piston Ring Set	(1)	224-41144	Oil Pump
(1)	E-296K	Premium Piston Ring Set	(8)	329NP	Cast Piston	(1)	8-2020CP	Connecting Rod Bearing Set	(8)	H707P	Cast Piston
(1)	8-3360CPA	Connecting Rod Bearing Set	(1)	381-8017	Brass Expansion Plug Kit	(1)	260-1000	Gasket Kit	(1)	381-8018	Brass Expansion Plug Kit
(1)	260-1013	Gasket Kit	(1)	EKSA2	Miscellaneous Service Items	(1)	994M	Main Bearing Set	(1)	EKSA2	Miscellaneous Service Items
(1)	4907M	Main Bearing Set	MKP-655A			(1)	1235M	Camshaft Bearing Set	MKP-689A		
(1)	1414M	Camshaft Bearing Set	(1)	E-318K	Premium Piston Ring Set	(1)	KC-274	Cam & Lifter Kit	(1)	E-372K	Premium Piston Ring Set
(1)	KC-648	Cam & Lifter Kit	(1)	8-2320CP	Connecting Rod Bearing Set	(1)	KT3-163S	Timing Set - 3 Pc.	(1)	8-3360CPA	Connecting Rod Bearing Set
(1)	KT3-491S	Timing Set - 3 Pc.	(1)	260-1043	Gasket Kit	(1)	224-4146	Oil Pump	(1)	260-1099	Gasket Kit
(1)	224-41139	Oil Pump	(1)	4094M	Main Bearing Set	(8)	H951P 30	Cast Piston	(1)	4907M	Main Bearing Set
(8)	H418P	Cast Piston	(1)	1453M	Camshaft Bearing Set	(1)	381-8007	Brass Expansion Plug Kit	(1)	1414M	Camshaft Bearing Set
(1)	381-8018	Brass Expansion Plug Kit	(1)	KC-327	Cam & Lifter Kit	(1)	EKSA2	Miscellaneous Service Items	(1)	KC-648	Cam & Lifter Kit
(1)	EKSA2	Miscellaneous Service Items	(1)	KT3-501S	Timing Set - 3 Pc.	MKP-662J			(1)	KT3-168SA1	Timing Set - 3 Pc.
MKP-6396A			(1)	224-4174	Oil Pump	(1)	E-251K	Premium Piston Ring Set	(1)	224-41144	Oil Pump
(1)	E-553K	Premium Piston Ring Set	(8)	406AP	Cast Piston	(1)	8-2020CP	Connecting Rod Bearing Set	(8)	H723P	Cast Piston
(1)	8-3190A	Connecting Rod Bearing Set	(1)	381-8011	Brass Expansion Plug Kit	(1)	260-1000	Gasket Kit	(1)	381-8018	Brass Expansion Plug Kit
(1)	260-1635	Gasket Kit	(1)	EKSA2	Miscellaneous Service Items	(1)	994M	Main Bearing Set	(1)	EKSA2	Miscellaneous Service Items
(1)	4400MA	Main Bearing Set	MKP-656A			(1)	1235M	Camshaft Bearing Set	MKP-690A		
(1)	1404M	Camshaft Bearing Set	(1)	E-424K	Premium Piston Ring Set	(1)	KC-274	Cam & Lifter Kit	(1)	E-373K	Premium Piston Ring Set
(1)	KC-636A	Cam & Lifter Kit	(1)	8-2320CP	Connecting Rod Bearing Set	(1)	KT3-499S	Timing Set - 3 Pc.	(1)	8-3360CPA	Connecting Rod Bearing Set
(1)	KT3-507S	Timing Set - 3 Pc.	(1)	260-1043	Gasket Kit	(1)	224-4146	Oil Pump	(1)	260-1099	Gasket Kit
(1)	224-4154G	Oil Pump	(1)	5025MA	Main Bearing Set	(8)	H951P 30	Cast Piston	(1)	4907M	Main Bearing Set
(8)	H727CP	Cast Piston	(1)	1453M	Camshaft Bearing Set	(1)	381-8007	Brass Expansion Plug Kit	(1)	1414M	Camshaft Bearing Set
(1)	381-8009	Brass Expansion Plug Kit	(1)	KC-327	Cam & Lifter Kit	(1)	EKSA2	Miscellaneous Service Items	(1)	KC-648	Cam & Lifter Kit
(1)	EKSA2	Miscellaneous Service Items	(1)	KT3-501S	Timing Set - 3 Pc.	MKP-667E			(1)	KT3-168SA1	Timing Set - 3 Pc.
MKP-642A			(1)	224-4174	Oil Pump	(1)	E-233K	Premium Piston Ring Set	(1)	224-41144	Oil Pump
(1)	E-318K	Premium Piston Ring Set	(8)	424NP	Cast Piston	(1)	8-2320CP	Connecting Rod Bearing Set	(8)	H723P	Cast Piston
(1)	8-2320CP	Connecting Rod Bearing Set	(1)	381-8011	Brass Expansion Plug Kit	(1)	260-1001	Gasket Kit	(1)	381-8018	Brass Expansion Plug Kit
(1)	260-1001	Gasket Kit	(1)	EKSA2	Miscellaneous Service Items	(1)	4094M	Main Bearing Set	(1)	EKSA2	Miscellaneous Service Items
(1)	4094M	Main Bearing Set	MKP-659A			(1)	1453M	Camshaft Bearing Set	MKP-7025		
(1)	1453M	Camshaft Bearing Set	(1)	E-292K	Premium Piston Ring Set	(1)	KC-327	Cam & Lifter Kit	(1)	E-626K	Premium Piston Ring Set
(1)	KC-327	Cam & Lifter Kit	(1)	8-3190A	Connecting Rod Bearing Set	(1)	KT3-501S	Timing Set - 3 Pc.	(1)	8-3860P	Connecting Rod Bearing Set
(1)	KT3-501S	Timing Set - 3 Pc.	(1)	260-1046	Gasket Kit	(1)	224-4174	Oil Pump	(1)	260-1772	Gasket Kit
(1)	224-4174	Oil Pump	(1)	4400MA	Main Bearing Set	(8)	366NP	Cast Piston	(1)	7370M	Main Bearing Set
(8)	406AP	Cast Piston	(1)	1404M	Camshaft Bearing Set	(1)	381-8011	Brass Expansion Plug Kit	(1)	1496M	Camshaft Bearing Set
(1)	381-8011	Brass Expansion Plug Kit	(1)	KC-669	Cam & Lifter Kit	(1)	EKSA2	Miscellaneous Service Items	(1)	KC-770	Cam & Lifter Kit
(1)	EKSA2	Miscellaneous Service Items	(1)	KT3-171S	Cam & Lifter Kit	MKP-683C			(1)	KT3-181SA	Timing Set - 3 Pc.
MKP-643C			(1)	KT3-171S	Timing Set - 3 Pc.	(1)	E-251K	Premium Piston Ring Set	(1)	224-43621	Oil Pump
(1)	E-339K	Premium Piston Ring Set	(1)	224-4154	Oil Pump	(1)	8-2130CP	Connecting Rod Bearing Set	(8)	2773PNA	Cast Piston
(1)	8-3230CP	Connecting Rod Bearing Set	(8)	H989CP	Cast Piston	(1)	260-1095	Gasket Kit	(1)	381-8057	Brass Expansion Plug Kit
(1)	260-1039	Gasket Kit	(1)	381-8009	Brass Expansion Plug Kit	(1)	4999MA	Main Bearing Set	(1)	EKSA2	Miscellaneous Service Items
(1)	4261M	Main Bearing Set	(1)	EKSA2	Miscellaneous Service Items	(1)	1484M	Camshaft Bearing Set	MKP-7026		
(1)	1445M	Camshaft Bearing Set	MKP-659C			(1)	KC-665	Cam & Lifter Kit	(1)	E-626K	Premium Piston Ring Set
(1)	KC-619	Cam & Lifter Kit	(1)	E-292K	Premium Piston Ring Set	(1)	KT3-160S	Timing Set - 3 Pc.	(1)	8-3860P	Connecting Rod Bearing Set
(1)	KT3-169SA2	Timing Set - 3 Pc.	(1)	8-3190A	Connecting Rod Bearing Set	(1)	224-4166	Oil Pump	(1)	260-1772	Gasket Kit
(1)	224-41176	Oil Pump	(1)	260-1046	Gasket Kit	(8)	405P	Cast Piston	(1)	7370M	Main Bearing Set
(8)	H994P	Cast Piston	(1)	4400MA	Main Bearing Set	(1)	381-8010	Brass Expansion Plug Kit	(1)	1496M	Camshaft Bearing Set
(1)	381-8017	Brass Expansion Plug Kit	(1)	1404M	Camshaft Bearing Set	(1)	EKSA2	Miscellaneous Service Items	(1)	KC-770	Cam & Lifter Kit
(1)	EKSA2	Miscellaneous Service Items	(1)	KC-669	Cam & Lifter Kit	MKP-687A			(1)	KT3-181SA	Timing Set - 3 Pc.
MKP-643E			(1)	KT3-171S	Timing Set - 3 Pc.	(1)	E-339K	Premium Piston Ring Set	(1)	224-43424	Oil Pump
(1)	E-339K	Premium Piston Ring Set	(1)	224-4154G	Oil Pump	(1)	8-3360CPA	Connecting Rod Bearing Set	(8)	2773PNA	Cast Piston
(1)	8-3230CP	Connecting Rod Bearing Set	(8)	H989CP	Cast Piston	(1)	260-1098	Gasket Kit	(1)	381-8057	Brass Expansion Plug Kit
(1)	260-1039	Gasket Kit	(1)	381-8009	Brass Expansion Plug Kit	(1)	4907M	Main Bearing Set	(1)	EKSA2	Miscellaneous Service Items
(1)	4261M	Main Bearing Set	(1)	EKSA2	Miscellaneous Service Items	(1)	1414M	Camshaft Bearing Set	MKP-718A		
(1)	1445M	Camshaft Bearing Set	MKP-659D			(1)	KC-648	Cam & Lifter Kit	(1)	E-178K	Premium Piston Ring Set
(1)	KC-619	Cam & Lifter Kit	(1)	E-292K	Premium Piston Ring Set	(1)	KT3-168SA1	Timing Set - 3 Pc.	(1)	8-2130CP	Connecting Rod Bearing Set
(1)	KT3-169SA2	Timing Set - 3 Pc.	(1)	8-3190A	Connecting Rod Bearing Set	(1)	224-41144	Oil Pump	(1)	260-1152	Gasket Kit
(1)	224-41176	Oil Pump	(1)	EKSA2	Miscellaneous Service Items	(8)	H707P	Cast Piston	MKP-718A		
MKP-643E			(1)	E-292K	Premium Piston Ring Set	(1)	381-8018	Brass Expansion Plug Kit	(1)	E-178K	Premium Piston Ring Set
(1)	E-339K	Premium Piston Ring Set	(1)	8-3190A	Connecting Rod Bearing Set	MKP-687A			(1)	8-2130CP	Connecting Rod Bearing Set
(1)	8-3230CP	Connecting Rod Bearing Set	MKP-659D			(1)	E-339K	Premium Piston Ring Set	(1)	260-1152	Gasket Kit
(1)	260-1039	Gasket Kit	(1)	E-292K	Premium Piston Ring Set	(1)	8-3360CPA	Connecting Rod Bearing Set	MKP-718A		
(1)	4261M	Main Bearing Set	(1)	8-3190A	Connecting Rod Bearing Set	(1)	260-1098	Gasket Kit	(1)	E-178K	Premium Piston Ring Set
(1)	1445M	Camshaft Bearing Set	(1)	EKSA2	Miscellaneous Service Items	(1)	4907M	Main Bearing Set	(1)	8-2130CP	Connecting Rod Bearing Set
(1)	KC-619	Cam & Lifter Kit	MKP-659D			(1)	1414M	Camshaft Bearing Set	(1)	260-1152	Gasket Kit
(1)	KT3-169SA2	Timing Set - 3 Pc.	(1)	E-292K	Premium Piston Ring Set	(1)	KT3-168SA1	Timing Set - 3 Pc.	MKP-718A		
(1)	224-41176	Oil Pump	(1)	8-3190A	Connecting Rod Bearing Set	(8)	H707P	Cast Piston	(1)	E-178K	Premium Piston Ring Set
MKP-643E			(1)	E-292K	Premium Piston Ring Set	(1)	381-8018	Brass Expansion Plug Kit	(1)	8-2130CP	Connecting Rod Bearing Set
(1)	E-339K	Premium Piston Ring Set	(1)	8-3190A	Connecting Rod Bearing Set	MKP-687A			(1)	260-1152	Gasket Kit
(1)	8-3230CP	Connecting Rod Bearing Set	MKP-659D			(1)	E-339K	Premium Piston Ring Set	MKP-718A		
(1)	260-1039	Gasket Kit	(1)	E-292K	Premium Piston Ring Set	(1)	8-3360CPA	Connecting Rod Bearing Set	(1)	E-178K	Premium Piston Ring Set
(1)	4261M	Main Bearing Set	(1)	8-3190A	Connecting Rod Bearing Set	(1)	260-1098	Gasket Kit	(1)	8-2130CP	Connecting Rod Bearing Set
(1)	1445M	Camshaft Bearing Set	(1)	EKSA2	Miscellaneous Service Items	(1)	4907M	Main Bearing Set	(1)	260-1152	Gasket Kit
(1)	KC-619	Cam & Lifter Kit	MKP-659D			(1)	1414M	Camshaft Bearing Set	MKP-718A		
(1)	KT3-169SA2	Timing Set - 3 Pc.	(1)	E-292K	Premium Piston Ring Set	(1)	KT3-168SA1	Timing Set - 3 Pc.	(1)	E-178K	Premium Piston Ring Set
(1)	224-41176	Oil Pump	(1)	8-3190A	Connecting Rod Bearing Set	(8)	H707P	Cast Piston	(1)	8-2130CP	Connecting Rod Bearing Set
MKP-643E			(1)	E-292K	Premium Piston Ring Set	(1)	381-8018	Brass Expansion Plug Kit	(1)	260-1152	Gasket Kit
(1)	E-339K	Premium Piston Ring Set	(1)	8-3190A	Connecting Rod Bearing Set	MKP-687A			MKP-718A		
(1)	8-3230CP	Connecting Rod Bearing Set	MKP-659D			(1)	E-339K	Premium Piston Ring Set	MKP-718A		
(1)	260-1039	Gasket Kit	(1)	E-292K	Premium Piston Ring Set	(1)	8-3360CPA	Connecting Rod Bearing Set	MKP-718A		
(1)	4261M	Main Bearing Set	(1)	8-3190A	Connecting Rod Bearing Set	(1)	260-1098	Gasket Kit	MKP-718A		
(1)	1445M	Camshaft Bearing Set	(1)	EKSA2	Miscellaneous Service Items	(1)	4907M	Main Bearing Set	MKP-718A		
(1)	KC-619	Cam & Lifter Kit	MKP-659D			(1)	1414M	Camshaft Bearing Set	MKP-718A		
(1)	KT3-169SA2	Timing Set - 3 Pc.	(1)	E-292K	Premium Piston Ring Set	(1)	KT3-168SA1	Timing Set - 3 Pc.	MKP-718A		
(1)	224-41176	Oil Pump	(1)	8-3190A	Connecting Rod Bearing Set	(8)	H707P	Cast Piston	MKP-718A		
MKP-643E			(1)	E-292K	Premium Piston Ring Set	(1)	381-8018	Brass Expansion Plug Kit	MKP-718A		
(1)	E-339K	Premium Piston Ring Set	(1)	8-3190A	Connecting Rod Bearing Set	MKP-687A			MKP-718A		
(1)	8-3230CP	Connecting Rod Bearing Set	MKP-659D			(1)	E-339K	Premium Piston Ring Set	MKP-718A		
(1)	260-1039	Gasket Kit	(1)	E-292K	Premium Piston Ring Set	(1)	8-3360CPA	Connecting Rod Bearing Set	MKP-718A		
(1)	4261M	Main Bearing Set	(1)	8-3190A	Connecting Rod Bearing Set	(1)	260-1098	Gasket Kit	MKP-718A		
(1)	1445M	Camshaft Bearing Set	(1)	EKSA2	Miscellaneous Service Items	(1)	4907M	Main Bearing Set	MKP-718A		
(1)	KC-619	Cam & Lifter Kit	MKP-659D			(1)	1414M	Camshaft Bearing Set	MKP-718A		
(1)	KT3-169SA2	Timing Set - 3 Pc.	(1)	E-292K	Premium Piston Ring Set	(1)	KT3-168SA1	Timing Set - 3 Pc.	MKP-718A		
(1)	224-41176	Oil Pump	(1)	8-3190A	Connecting Rod Bearing Set	(8)	H707P	Cast Piston	MKP-718A		
MKP-643											

Engine Kit Bill of Material

Qty.	Part No.	Description	Qty.	Part No.	Description	Qty.	Part No.	Description			
MKP-718A (cont'd.) (1) 5024MA Main Bearing Set (1) 1484M Camshaft Bearing Set (1) KC-645 Cam & Lifter Kit (1) KT3-160S Timing Set - 3 Pc. (1) 224-4166 Oil Pump (8) 285NP Cast Piston (1) 381-8010 Brass Expansion Plug Kit (1) EKSA2 Miscellaneous Service Items			PK2-2631A (cont'd.) (2) E-506KC Premium Piston Ring Set (4) 3105P Connecting Rod Bearing Pair (1) FP-5122M Main Bearing Set			205-1088 (cont'd.) (1) 8-3360CPA Connecting Rod Bearing Set (1) 260-1421 Gasket Kit (1) 55-403B Prelube			205-122A (cont'd.) (1) 8-2130CP Connecting Rod Bearing Set (1) 260-1033 Gasket Kit (1) 55-403B Prelube		
MKP-743A (1) E-178K Premium Piston Ring Set (1) 8-2130CP Connecting Rod Bearing Set (1) 260-1121 Gasket Kit (1) 5024MA Main Bearing Set (1) 1484M Camshaft Bearing Set (1) KC-645 Cam & Lifter Kit (1) KT3-361S Timing Set - 3 Pc. (1) 224-4166 Oil Pump (8) 285NP Cast Piston (1) 381-8010 Brass Expansion Plug Kit (1) EKSA2 Miscellaneous Service Items			PK2-2666 (1) FP-8921721S Premium Piston Ring Set (8) FP-8921714 Connecting Rod Bearing Pair (1) FP-5099M Main Bearing Set (8) FP-PK8921605 Piston Kit w/ Pin & Retainers			205-112 (1) E-229X Standard Piston Ring Set (1) 6-3150CPA Connecting Rod Bearing Set (1) 260-1006 Gasket Kit (1) 55-403B Prelube			205-122AM (1) E-251X Standard Piston Ring Set (1) 8-2130CP Connecting Rod Bearing Set (1) 260-1033 Gasket Kit (1) 4999MA Main Bearing Set (1) 55-403B Prelube		
MKP-744C (1) E-178K Premium Piston Ring Set (1) 8-2130CP Connecting Rod Bearing Set (1) 260-1154 Gasket Kit (1) 5024MA Main Bearing Set (1) 1484M Camshaft Bearing Set (1) KC-645 Cam & Lifter Kit (1) KT3-361S Timing Set - 3 Pc. (1) 224-4166 Oil Pump (8) 285NP Cast Piston (1) 381-8010 Brass Expansion Plug Kit (1) EKSA2 Miscellaneous Service Items			PK2-2667 (1) FP-8921722S Premium Piston Ring Set (8) FP-8921714 Connecting Rod Bearing Pair (1) FP-5099M Main Bearing Set (8) FP-PK8925818 Piston Kit w/ Pin & Retainers			205-112M (1) E-229X Standard Piston Ring Set (1) 6-3150CPA Connecting Rod Bearing Set (1) 260-1006 Gasket Kit (1) 4916M Main Bearing Set (1) 55-403B Prelube			205-1264 (1) E-217X Standard Piston Ring Set (1) 6-3055CP Connecting Rod Bearing Set (1) 260-1267 Gasket Kit (1) 55-403B Prelube		
MKP-744C (1) E-178K Premium Piston Ring Set (1) 8-2130CP Connecting Rod Bearing Set (1) 260-1154 Gasket Kit (1) 5024MA Main Bearing Set (1) 1484M Camshaft Bearing Set (1) KC-645 Cam & Lifter Kit (1) KT3-361S Timing Set - 3 Pc. (1) 224-4166 Oil Pump (8) 285NP Cast Piston (1) 381-8010 Brass Expansion Plug Kit (1) EKSA2 Miscellaneous Service Items			205-101 (1) E-180X Standard Piston Ring Set (1) 8-3230CP Connecting Rod Bearing Set (1) 260-1035 Gasket Kit (1) 55-403B Prelube			205-113 (1) E-233X Standard Piston Ring Set (1) 8-3190A Connecting Rod Bearing Set (1) 260-1009 Gasket Kit (1) 55-403B Prelube			205-1264M (1) E-217X Standard Piston Ring Set (1) 6-3055CP Connecting Rod Bearing Set (1) 260-1267 Gasket Kit (1) 4124MA Main Bearing Set (1) 55-403B Prelube		
MKP-744C (1) E-178K Premium Piston Ring Set (1) 8-2130CP Connecting Rod Bearing Set (1) 260-1154 Gasket Kit (1) 5024MA Main Bearing Set (1) 1484M Camshaft Bearing Set (1) KC-645 Cam & Lifter Kit (1) KT3-361S Timing Set - 3 Pc. (1) 224-4166 Oil Pump (8) 285NP Cast Piston (1) 381-8010 Brass Expansion Plug Kit (1) EKSA2 Miscellaneous Service Items			205-101M (1) E-180X Standard Piston Ring Set (1) 8-3230CP Connecting Rod Bearing Set (1) 260-1035 Gasket Kit (1) 4261M Main Bearing Set (1) 55-403B Prelube			205-113M (1) E-233X Standard Piston Ring Set (1) 8-3190A Connecting Rod Bearing Set (1) 260-1009 Gasket Kit (1) 4400MA Main Bearing Set (1) 55-403B Prelube			205-1265 (1) E-217X Standard Piston Ring Set (1) 6-2555A Connecting Rod Bearing Set (1) 260-1005 Gasket Kit (1) 55-403B Prelube		
PK1-2359C (6) 2359PN Cast Piston (2) E-504KC Premium Piston Ring Set			205-102 (1) E-196X Standard Piston Ring Set (1) 6-2375CP Connecting Rod Bearing Set (1) 260-1004 Gasket Kit (1) 55-403B Prelube			205-114 (1) E-234X Standard Piston Ring Set (1) 6-2020CP Connecting Rod Bearing Set (1) 260-1005 Gasket Kit (1) 55-403B Prelube			205-1265M (1) E-217X Standard Piston Ring Set (1) 6-2555A Connecting Rod Bearing Set (1) 260-1005 Gasket Kit (1) 4124MA Main Bearing Set (1) 55-403B Prelube		
PK1-2359D (3) 2359PN Cast Piston (1) E-504KC Premium Piston Ring Set			205-102M (1) E-196X Standard Piston Ring Set (1) 6-2375CP Connecting Rod Bearing Set (1) 260-1004 Gasket Kit (1) 4092M Main Bearing Set (1) 55-403B Prelube			205-114M (1) E-234X Standard Piston Ring Set (1) 6-2020CP Connecting Rod Bearing Set (1) 260-1005 Gasket Kit (1) 4124MA Main Bearing Set (1) 55-403B Prelube			205-1266 (1) E-217X Standard Piston Ring Set (6) 2555A Connecting Rod Bearing Pair (1) 260-1044 Gasket Kit (1) 55-403B Prelube		
PK1-2631A (4) 2631PN Cast Piston (2) E-506KC Premium Piston Ring Set			205-1036 (1) E-217X Standard Piston Ring Set (1) 6-2555A Connecting Rod Bearing Set (1) 260-1267 Gasket Kit (1) 55-403B Prelube			205-1153 (1) E-377X Standard Piston Ring Set (1) 8-2555A Connecting Rod Bearing Set (1) 260-1268 Gasket Kit (1) 55-403B Prelube			205-1266M (1) E-217X Standard Piston Ring Set (6) 2555A Connecting Rod Bearing Pair (1) 260-1044 Gasket Kit (1) 4124MA Main Bearing Set (1) 55-403B Prelube		
PK1-2666 (1) FP-8921721S Premium Piston Ring Set (8) FP-PK8921605 Piston Kit w/ Pin & Retainers			205-1036M (1) E-217X Standard Piston Ring Set (1) 6-2555A Connecting Rod Bearing Set (1) 260-1267 Gasket Kit (1) 4124MA Main Bearing Set (1) 55-403B Prelube			205-1153M (1) E-377X Standard Piston Ring Set (1) 8-2555A Connecting Rod Bearing Set (1) 260-1268 Gasket Kit (1) 4663MA Main Bearing Set (1) 55-403B Prelube			205-1283 (1) E-245X Standard Piston Ring Set (8) 2555A Connecting Rod Bearing Pair (1) 260-1000 Gasket Kit (1) 55-403B Prelube		
PK1-2667 (1) FP-8921722S Premium Piston Ring Set (8) FP-PK8925818 Piston Kit w/ Pin & Retainers			205-1037 (1) E-251X Standard Piston Ring Set (1) 8-2555A Connecting Rod Bearing Set (1) 260-1268 Gasket Kit (1) 55-403B Prelube			205-119 (1) E-245X Standard Piston Ring Set (1) 8-2020CP Connecting Rod Bearing Set (1) 260-1000 Gasket Kit (1) 55-403B Prelube			205-1283M (1) E-245X Standard Piston Ring Set (8) 2555A Connecting Rod Bearing Pair (1) 260-1000 Gasket Kit (1) 4663MA Main Bearing Set (1) 55-403B Prelube		
PK1-2692A (6) 2692PN Cast Piston (3) E-505KC Premium Piston Ring Set			205-1037M (1) E-251X Standard Piston Ring Set (1) 8-2555A Connecting Rod Bearing Set (1) 260-1268 Gasket Kit (1) 4663MA Main Bearing Set (1) 55-403B Prelube			205-119M (1) E-245X Standard Piston Ring Set (1) 8-2020CP Connecting Rod Bearing Set (1) 260-1000 Gasket Kit (1) 994M Main Bearing Set (1) 55-403B Prelube			205-130 (1) E-251X Standard Piston Ring Set (1) 8-2555A Connecting Rod Bearing Set (1) 260-1000 Gasket Kit (1) 55-403B Prelube		
PK2-2359C (6) 2359PN Cast Piston (2) E-504KC Premium Piston Ring Set (6) 3105P Connecting Rod Bearing Pair (1) 7214M Main Bearing Set			205-1088 (1) E-339X Standard Piston Ring Set			205-122A (1) E-251X Standard Piston Ring Set			205-130M (1) E-251X Standard Piston Ring Set		
PK2-2359D (3) 2359PN Cast Piston (1) E-504KC Premium Piston Ring Set (3) 3105P Connecting Rod Bearing Pair (1) 5187M Main Bearing Set			(cont'd. next column)			(cont'd. next column)			(cont'd. next page)		

Engine Kit Bill of Material

Qty.	Part No.	Description	Qty.	Part No.	Description	Qty.	Part No.	Description	Qty.	Part No.	Description
205-130M (cont'd.)			205-162M (cont'd.)			205-243M			205-6037M		
(1)	8-2555A	Connecting Rod Bearing Set	(1)	260-1000	Gasket Kit	(1)	E-178X	Standard Piston Ring Set	(1)	E-251K	Premium Piston Ring Set
(1)	260-1000	Gasket Kit	(1)	994M	Main Bearing Set	(1)	8-2130CP	Connecting Rod Bearing Set	(1)	8-2555A	Connecting Rod Bearing Set
(1)	4663MA	Main Bearing Set	(1)	55-403B	Prelube	(1)	260-1121	Gasket Kit	(1)	260-1268	Gasket Kit
(1)	55-403B	Prelube	205-167			(1)	5024MA	Main Bearing Set	(1)	4663MA	Main Bearing Set
205-132A			(1)	E-233X	Standard Piston Ring Set	(1)	55-403B	Prelube	(1)	55-403B	Prelube
(1)	E-424X	Standard Piston Ring Set	(1)	8-2320CP	Connecting Rod Bearing Set	205-244A			205-6039		
(1)	8-2320CP	Connecting Rod Bearing Set	(1)	260-1001	Gasket Kit	(1)	E-178X	Standard Piston Ring Set	(1)	E-259K	Premium Piston Ring Set
(1)	260-1001	Gasket Kit	(1)	55-403B	Prelube	(1)	8-2130CP	Connecting Rod Bearing Set	(1)	8-3190A	Connecting Rod Bearing Set
(1)	55-403B	Prelube	205-170			(1)	260-1154	Gasket Kit	(1)	260-1270	Gasket Kit
205-137			(1)	E-270X	Standard Piston Ring Set	(1)	55-403B	Prelube	(1)	55-403B	Prelube
(1)	E-296X	Standard Piston Ring Set	(1)	8-2410CP	Connecting Rod Bearing Set	205-244AM			205-6039M		
(1)	8-3360CPA	Connecting Rod Bearing Set	(1)	260-1075	Gasket Kit	(1)	E-178X	Standard Piston Ring Set	(1)	E-259K	Premium Piston Ring Set
(1)	260-1013	Gasket Kit	(1)	55-403B	Prelube	(1)	8-2130CP	Connecting Rod Bearing Set	(1)	8-3190A	Connecting Rod Bearing Set
(1)	55-403B	Prelube	205-170M			(1)	260-1154	Gasket Kit	(1)	260-1270	Gasket Kit
205-137M			(1)	E-270X	Standard Piston Ring Set	(1)	5024MA	Main Bearing Set	(1)	4400MA	Main Bearing Set
(1)	E-296X	Standard Piston Ring Set	(1)	8-2410CP	Connecting Rod Bearing Set	(1)	55-403B	Prelube	(1)	55-403B	Prelube
(1)	8-3360CPA	Connecting Rod Bearing Set	(1)	260-1075	Gasket Kit	205-244M			205-6085		
(1)	260-1013	Gasket Kit	(1)	4070M	Main Bearing Set	(1)	E-178X	Standard Piston Ring Set	(1)	E-292K	Premium Piston Ring Set
(1)	4907M	Main Bearing Set	(1)	55-403B	Prelube	(1)	8-2130CP	Connecting Rod Bearing Set	(1)	8-3190A	Connecting Rod Bearing Set
(1)	55-403B	Prelube	205-183A			(1)	260-1154	Gasket Kit	(1)	260-1418	Gasket Kit
205-142			(1)	E-251X	Standard Piston Ring Set	(1)	4923MA	Main Bearing Set	(1)	55-403B	Prelube
(1)	E-318X	Standard Piston Ring Set	(1)	8-2130CP	Connecting Rod Bearing Set	(1)	55-403B	Prelube	205-6085M		
(1)	8-2320CP	Connecting Rod Bearing Set	(1)	260-1095	Gasket Kit	(1)	E-180K	Premium Piston Ring Set	(1)	E-292K	Premium Piston Ring Set
(1)	260-1001	Gasket Kit	(1)	55-403B	Prelube	(1)	8-3230CP	Connecting Rod Bearing Set	(1)	8-3190A	Connecting Rod Bearing Set
(1)	55-403B	Prelube	205-183AM			(1)	260-1035	Gasket Kit	(1)	260-1418	Gasket Kit
205-155			(1)	E-251X	Standard Piston Ring Set	(1)	55-403B	Prelube	(1)	4400MA	Main Bearing Set
(1)	E-318X	Standard Piston Ring Set	(1)	8-2130CP	Connecting Rod Bearing Set	205-601			(1)	55-403B	Prelube
(1)	8-2320CP	Connecting Rod Bearing Set	(1)	260-1095	Gasket Kit	(1)	E-180K	Premium Piston Ring Set	(1)	8-3190A	Connecting Rod Bearing Set
(1)	260-1043	Gasket Kit	(1)	4999MA	Main Bearing Set	(1)	8-3230CP	Connecting Rod Bearing Set	(1)	260-1418	Gasket Kit
(1)	55-403B	Prelube	(1)	55-403B	Prelube	(1)	260-1035	Gasket Kit	(1)	4400MA	Main Bearing Set
205-156			205-187			(1)	55-403B	Prelube	(1)	55-403B	Prelube
(1)	E-424X	Standard Piston Ring Set	(1)	E-339X	Standard Piston Ring Set	205-601M			205-6088		
(1)	8-2320CP	Connecting Rod Bearing Set	(1)	8-3360CPA	Connecting Rod Bearing Set	(1)	E-180K	Premium Piston Ring Set	(1)	E-339K	Premium Piston Ring Set
(1)	260-1043	Gasket Kit	(1)	260-1098	Gasket Kit	(1)	8-3230CP	Connecting Rod Bearing Set	(1)	8-3360CPA	Connecting Rod Bearing Set
(1)	55-403B	Prelube	(1)	55-403B	Prelube	(1)	260-1035	Gasket Kit	(1)	260-1421	Gasket Kit
205-156M			205-204			(1)	4261M	Main Bearing Set	(1)	55-403B	Prelube
(1)	E-424X	Standard Piston Ring Set	(1)	FP-E421X	Standard Piston Ring Set	205-602			205-6089		
(1)	8-2320CP	Connecting Rod Bearing Set	(8)	2470CP	Connecting Rod Bearing Pair	(1)	E-196K	Premium Piston Ring Set	(1)	E-353K	Premium Piston Ring Set
(1)	260-1043	Gasket Kit	(1)	260-1116	Gasket Kit	(1)	6-2375CP	Connecting Rod Bearing Set	(1)	8-3360CPA	Connecting Rod Bearing Set
(1)	5025MA	Main Bearing Set	(1)	55-403B	Prelube	(1)	260-1004	Gasket Kit	(1)	260-1421	Gasket Kit
(1)	55-403B	Prelube	205-205			(1)	55-403B	Prelube	(1)	55-403B	Prelube
205-158			(1)	E-422X 30	Standard Piston Ring Set	205-602M			205-6090		
(1)	E-251X	Standard Piston Ring Set	(1)	8-3730CP	Connecting Rod Bearing Set	(1)	E-196K	Premium Piston Ring Set	(1)	E-372K	Premium Piston Ring Set
(1)	8-2555A	Connecting Rod Bearing Set	(1)	260-1117	Gasket Kit	(1)	6-2375CP	Connecting Rod Bearing Set	(1)	8-3360CPA	Connecting Rod Bearing Set
(1)	260-1045	Gasket Kit	(1)	55-403B	Prelube	(1)	260-1004	Gasket Kit	(1)	260-1422	Gasket Kit
(1)	55-403B	Prelube	205-218A			(1)	4092M	Main Bearing Set	(1)	55-403B	Prelube
205-158M			(1)	E-178X	Standard Piston Ring Set	205-6036			205-611		
(1)	E-251X	Standard Piston Ring Set	(1)	8-2130CP	Connecting Rod Bearing Set	(1)	E-217K	Premium Piston Ring Set	(1)	E-224K	Premium Piston Ring Set
(1)	8-2555A	Connecting Rod Bearing Set	(1)	260-1152	Gasket Kit	(1)	6-2555A	Connecting Rod Bearing Set	(1)	8-3230CP	Connecting Rod Bearing Set
(1)	260-1045	Gasket Kit	(1)	55-403B	Prelube	(1)	260-1267	Gasket Kit	(1)	260-1039	Gasket Kit
(1)	4663MA	Main Bearing Set	205-218M			(1)	55-403B	Prelube	(1)	55-403B	Prelube
(1)	55-403B	Prelube	(1)	E-178X	Standard Piston Ring Set	205-6036M			205-612		
205-162			(1)	8-2130CP	Connecting Rod Bearing Set	(1)	E-217K	Premium Piston Ring Set	(1)	E-229K	Premium Piston Ring Set
(1)	E-251X	Standard Piston Ring Set	(1)	260-1152	Gasket Kit	(1)	6-2555A	Connecting Rod Bearing Set	(1)	6-3150CPA	Connecting Rod Bearing Set
(1)	8-2020CP	Connecting Rod Bearing Set	(1)	5024MA	Main Bearing Set	(1)	260-1267	Gasket Kit	(1)	260-1006	Gasket Kit
(1)	260-1000	Gasket Kit	(1)	55-403B	Prelube	(1)	4124MA	Main Bearing Set	(1)	55-403B	Prelube
(1)	55-403B	Prelube	205-243			(1)	55-403B	Prelube	205-612M		
205-162M			(1)	E-178X	Standard Piston Ring Set	205-6037			(1)	E-229K	Premium Piston Ring Set
(1)	E-251X	Standard Piston Ring Set	(1)	8-2130CP	Connecting Rod Bearing Set	(1)	E-251K	Premium Piston Ring Set	(1)	6-3150CPA	Connecting Rod Bearing Set
(1)	8-2020CP	Connecting Rod Bearing Set	(1)	260-1121	Gasket Kit	(1)	8-2555A	Connecting Rod Bearing Set	(1)	260-1006	Gasket Kit
		(cont'd. next column)	(1)	55-403B	Prelube	(1)	260-1268	Gasket Kit	(1)	4916M	Main Bearing Set
						(1)	55-403B	Prelube	(1)	55-403B	Prelube
						205-6122			205-6122		
						(1)	E-373K	Premium Piston Ring Set	(1)	E-373K	Premium Piston Ring Set

(cont'd. next page)

Engine Kit Bill of Material

Qty.	Part No.	Description	Qty.	Part No.	Description	Qty.	Part No.	Description			
205-6122 (cont'd.) (1) 8-3360CPA Connecting Rod Bearing Set (1) 260-1422 Gasket Kit (1) 55-403B Prelube			205-6191 (cont'd.) (1) 260-1529 Gasket Kit (1) 55-403B Prelube			205-630 (cont'd.) (1) 55-403B Prelube			205-655 (1) E-318K Premium Piston Ring Set (1) 8-2320CP Connecting Rod Bearing Set (1) 260-1043 Gasket Kit (1) 55-403B Prelube		
205-613 (1) E-233K Premium Piston Ring Set (1) 8-3190A Connecting Rod Bearing Set (1) 260-1009 Gasket Kit (1) 55-403B Prelube			205-6192 (1) E-373K Premium Piston Ring Set (1) 8-3360CPA Connecting Rod Bearing Set (1) 260-1530 Gasket Kit (1) 55-403B Prelube			205-630M (1) E-251K Premium Piston Ring Set (1) 8-2555A Connecting Rod Bearing Set (1) 260-1000 Gasket Kit (1) 4663MA Main Bearing Set (1) 55-403B Prelube			205-656 (1) E-424K Premium Piston Ring Set (1) 8-2320CP Connecting Rod Bearing Set (1) 260-1043 Gasket Kit (1) 55-403B Prelube		
205-613M (1) E-233K Premium Piston Ring Set (1) 8-3190A Connecting Rod Bearing Set (1) 260-1009 Gasket Kit (1) 4400MA Main Bearing Set (1) 55-403B Prelube			205-622A (1) E-251K Premium Piston Ring Set (1) 8-2130CP Connecting Rod Bearing Set (1) 260-1033 Gasket Kit (1) 55-403B Prelube			205-631 (1) E-259K Premium Piston Ring Set (1) 8-3190A Connecting Rod Bearing Set (1) 260-1009 Gasket Kit (1) 55-403B Prelube			205-656M (1) E-424K Premium Piston Ring Set (1) 8-2320CP Connecting Rod Bearing Set (1) 260-1043 Gasket Kit (1) 5025MA Main Bearing Set (1) 55-403B Prelube		
205-614 (1) E-234K Premium Piston Ring Set (1) 6-2020CP Connecting Rod Bearing Set (1) 260-1005 Gasket Kit (1) 55-403B Prelube			205-622AM (1) E-251K Premium Piston Ring Set (1) 8-2130CP Connecting Rod Bearing Set (1) 260-1033 Gasket Kit (1) 4999MA Main Bearing Set (1) 55-403B Prelube			205-631M (1) E-259K Premium Piston Ring Set (1) 8-3190A Connecting Rod Bearing Set (1) 260-1009 Gasket Kit (1) 4400MA Main Bearing Set (1) 55-403B Prelube			205-658 (1) E-251K Premium Piston Ring Set (1) 8-2555A Connecting Rod Bearing Set (1) 260-1045 Gasket Kit (1) 55-403B Prelube		
205-614M (1) E-234K Premium Piston Ring Set (1) 6-2020CP Connecting Rod Bearing Set (1) 260-1005 Gasket Kit (1) 4124MA Main Bearing Set (1) 55-403B Prelube			205-6264M (1) E-217K Premium Piston Ring Set (1) 6-3055CP Connecting Rod Bearing Set (1) 260-1267 Gasket Kit (1) 4124MA Main Bearing Set (1) 55-403B Prelube			205-632A (1) E-424K Premium Piston Ring Set (1) 8-2320CP Connecting Rod Bearing Set (1) 260-1001 Gasket Kit (1) 55-403B Prelube			205-658M (1) E-251K Premium Piston Ring Set (1) 8-2555A Connecting Rod Bearing Set (1) 260-1045 Gasket Kit (1) 55-403B Prelube		
205-6153 (1) E-377K Premium Piston Ring Set (1) 8-2555A Connecting Rod Bearing Set (1) 260-1268 Gasket Kit (1) 55-403B Prelube			205-6265 (1) E-217K Premium Piston Ring Set (6) 2555A Connecting Rod Bearing Pair (1) 260-1005 Gasket Kit (1) 55-403B Prelube			205-636 (1) E-292K Premium Piston Ring Set (1) 8-3190A Connecting Rod Bearing Set (1) 260-1009 Gasket Kit (1) 55-403B Prelube			205-659 (1) E-292K Premium Piston Ring Set (1) 8-3190A Connecting Rod Bearing Set (1) 260-1046 Gasket Kit (1) 55-403B Prelube		
205-6153M (1) E-377K Premium Piston Ring Set (1) 8-2555A Connecting Rod Bearing Set (1) 260-1268 Gasket Kit (1) 4663MA Main Bearing Set (1) 55-403B Prelube			205-6265M (1) E-217K Premium Piston Ring Set (6) 2555A Connecting Rod Bearing Pair (1) 260-1005 Gasket Kit (1) 4124MA Main Bearing Set (1) 55-403B Prelube			205-636M (1) E-292K Premium Piston Ring Set (1) 8-3190A Connecting Rod Bearing Set (1) 260-1009 Gasket Kit (1) 4400MA Main Bearing Set (1) 55-403B Prelube			205-659M (1) E-292K Premium Piston Ring Set (1) 8-3190A Connecting Rod Bearing Set (1) 260-1046 Gasket Kit (1) 4400MA Main Bearing Set (1) 55-403B Prelube		
205-6189 (1) E-372K Premium Piston Ring Set (1) 8-3360CPA Connecting Rod Bearing Set (1) 260-1529 Gasket Kit (1) 55-403B Prelube			205-6266 (1) E-217K Premium Piston Ring Set (6) 2555A Connecting Rod Bearing Pair (1) 260-1044 Gasket Kit (1) 55-403B Prelube			205-637 (1) E-296K Premium Piston Ring Set (1) 8-3360CPA Connecting Rod Bearing Set (1) 260-1013 Gasket Kit (1) 55-403B Prelube			205-662 (1) E-251K Premium Piston Ring Set (1) 8-2020CP Connecting Rod Bearing Set (1) 260-1000 Gasket Kit (1) 55-403B Prelube		
205-619 (1) E-245K Premium Piston Ring Set (1) 8-2020CP Connecting Rod Bearing Set (1) 260-1000 Gasket Kit (1) 55-403B Prelube			205-6266M (1) E-217K Premium Piston Ring Set (6) 2555A Connecting Rod Bearing Pair (1) 260-1044 Gasket Kit (1) 4124MA Main Bearing Set (1) 55-403B Prelube			205-637M (1) E-296K Premium Piston Ring Set (1) 8-3360CPA Connecting Rod Bearing Set (1) 260-1013 Gasket Kit (1) 4907M Main Bearing Set (1) 55-403B Prelube			205-662M (1) E-251K Premium Piston Ring Set (1) 8-2020CP Connecting Rod Bearing Set (1) 260-1000 Gasket Kit (1) 994M Main Bearing Set (1) 55-403B Prelube		
205-619M (1) E-245K Premium Piston Ring Set (1) 8-2020CP Connecting Rod Bearing Set (1) 260-1000 Gasket Kit (1) 994M Main Bearing Set (1) 55-403B Prelube			205-6283 (1) E-245K Premium Piston Ring Set (8) 2555A Connecting Rod Bearing Pair (1) 260-1000 Gasket Kit (1) 55-403B Prelube			205-642 (1) E-318K Premium Piston Ring Set (1) 8-2320CP Connecting Rod Bearing Set (1) 260-1001 Gasket Kit (1) 55-403B Prelube			205-667 (1) E-233K Premium Piston Ring Set (1) 8-2320CP Connecting Rod Bearing Set (1) 260-1001 Gasket Kit (1) 55-403B Prelube		
205-6190 (1) E-372K Premium Piston Ring Set (1) 8-3360CPA Connecting Rod Bearing Set (1) 260-1530 Gasket Kit (1) 55-403B Prelube			205-6283M (1) E-245K Premium Piston Ring Set (8) 2555A Connecting Rod Bearing Pair (1) 260-1000 Gasket Kit (1) 4663MA Main Bearing Set (1) 55-403B Prelube			205-643 (1) E-339K Premium Piston Ring Set (1) 8-3230CP Connecting Rod Bearing Set (1) 260-1039 Gasket Kit (1) 55-403B Prelube			205-670 (1) E-270K Premium Piston Ring Set (1) 8-2410CP Connecting Rod Bearing Set (1) 260-1075 Gasket Kit (1) 55-403B Prelube		
205-6191 (1) E-373K Premium Piston Ring Set (1) 8-3360CPA Connecting Rod Bearing Set (cont'd. next column)			205-630 (1) E-251K Premium Piston Ring Set (1) 8-2555A Connecting Rod Bearing Set (1) 260-1000 Gasket Kit (cont'd. next column)			205-654 (1) E-224K Premium Piston Ring Set (1) 8-3230CP Connecting Rod Bearing Set (1) 260-1042 Gasket Kit (1) 55-403B Prelube			205-670M (1) E-270K Premium Piston Ring Set (cont'd. next page)		

Engine Kit Bill of Material

Qty.	Part No.	Description	Qty.	Part No.	Description	Qty.	Part No.	Description	Qty.	Part No.	Description
205-670M (cont'd.)			205-689 (cont'd.)			505-102A (cont'd.)			505-113E (cont'd.)		
(1)	8-2410CP	Connecting Rod Bearing Set	(1)	55-403B	Prelube	(1)	224-4165C	Oil Pump	(1)	KC-774	Cam & Lifter Kit
(1)	260-1075	Gasket Kit	205-690			(6)	244NP	Cast Piston	(1)	KT3-501SA	Timing Set - 3 Pc.
(1)	4070M	Main Bearing Set	(1)	E-373K	Premium Piston Ring Set	(1)	381-8012	Brass Expansion Plug Kit	(1)	224-4154	Oil Pump
(1)	55-403B	Prelube	(1)	8-3360CPA	Connecting Rod Bearing Set	(1)	EKSA2	Miscellaneous Service Items	(8)	H661CP	Cast Piston
205-671			(1)	260-1099	Gasket Kit	505-1036A			(1)	381-8009	Brass Expansion Plug Kit
(1)	E-404K	Premium Piston Ring Set	(1)	55-403B	Prelube	(1)	E-217X	Standard Piston Ring Set	(1)	EKSA2	Miscellaneous Service Items
(1)	8-2410CP	Connecting Rod Bearing Set	205-6934			(1)	260-1267	Gasket Kit	505-114D		
(1)	260-1076	Gasket Kit	(1)	E-626K	Premium Piston Ring Set	(1)	1557M	Camshaft Bearing Set	(1)	E-234X	Standard Piston Ring Set
(1)	55-403B	Prelube	(1)	8-3860P	Connecting Rod Bearing Set	(1)	KC-551	Cam & Lifter Kit	(1)	260-1005	Gasket Kit
205-673			(1)	260-1773	Gasket Kit	(1)	221-2528S	Timing Gear Set	(1)	1203M	Camshaft Bearing Set
(1)	E-404K	Premium Piston Ring Set	(1)	55-403B	Prelube	(1)	224-4147	Oil Pump	(1)	KC-633	Cam & Lifter Kit
(1)	8-2410CP	Connecting Rod Bearing Set	205-6934M			(6)	H909P	Cast Piston	(1)	221-2525S	Timing Gear Set
(1)	260-1050	Gasket Kit	(1)	E-626K	Premium Piston Ring Set	(1)	381-8006	Brass Expansion Plug Kit	(1)	224-4147	Oil Pump
(1)	55-403B	Prelube	(1)	8-3860P	Connecting Rod Bearing Set	(1)	EKSA2	Miscellaneous Service Items	(6)	1107NP	Cast Piston
205-675			(1)	260-1773	Gasket Kit	505-106A			(1)	381-8006	Brass Expansion Plug Kit
(1)	E-273K	Premium Piston Ring Set	(1)	7370M	Main Bearing Set	(1)	E-217X	Standard Piston Ring Set	(1)	EKSA2	Miscellaneous Service Items
(1)	8-2410CP	Connecting Rod Bearing Set	(1)	55-403B	Prelube	(1)	260-1005	Gasket Kit	505-119A		
(1)	260-1076	Gasket Kit	205-718			(1)	1203M	Camshaft Bearing Set	(1)	E-245X	Standard Piston Ring Set
(1)	55-403B	Prelube	(1)	E-178K	Premium Piston Ring Set	(1)	KC-551	Cam & Lifter Kit	(1)	260-1000	Gasket Kit
205-676			(1)	8-2130CP	Connecting Rod Bearing Set	(1)	221-2528S	Timing Gear Set	(1)	1145M	Camshaft Bearing Set
(1)	E-273K	Premium Piston Ring Set	(1)	260-1152	Gasket Kit	(1)	224-4147	Oil Pump	(1)	KC-274	Cam & Lifter Kit
(1)	8-2410CP	Connecting Rod Bearing Set	(1)	55-403B	Prelube	(1)	H909P	Cast Piston	(1)	KT3-489S	Timing Set - 3 Pc.
(1)	260-1050	Gasket Kit	205-718M			(1)	381-8006	Brass Expansion Plug Kit	(1)	224-4146	Oil Pump
(1)	55-403B	Prelube	(1)	E-178K	Premium Piston Ring Set	(1)	EKSA2	Miscellaneous Service Items	(8)	235NP	Cast Piston
205-683A			(1)	8-2130CP	Connecting Rod Bearing Set	505-106C			(1)	381-8007	Brass Expansion Plug Kit
(1)	E-251K	Premium Piston Ring Set	(1)	260-1121	Gasket Kit	(1)	E-217X	Standard Piston Ring Set	(1)	EKSA2	Miscellaneous Service Items
(1)	8-2130CP	Connecting Rod Bearing Set	(1)	55-403B	Prelube	(1)	260-1044	Gasket Kit	505-119C		
(1)	260-1095	Gasket Kit	205-743			(1)	1557M	Camshaft Bearing Set	(1)	E-245X	Standard Piston Ring Set
(1)	55-403B	Prelube	(1)	E-178K	Premium Piston Ring Set	(1)	KC-551	Cam & Lifter Kit	(1)	260-1000	Gasket Kit
205-683AM			(1)	8-2130CP	Connecting Rod Bearing Set	(1)	221-2528S	Timing Gear Set	(1)	1145M	Camshaft Bearing Set
(1)	E-251K	Premium Piston Ring Set	(1)	260-1121	Gasket Kit	(1)	224-4147	Oil Pump	(1)	KC-273	Cam & Lifter Kit
(1)	8-2130CP	Connecting Rod Bearing Set	(1)	5024MA	Main Bearing Set	(6)	H909P	Cast Piston	(1)	KT3-489S	Timing Set - 3 Pc.
(1)	260-1095	Gasket Kit	(1)	55-403B	Prelube	(1)	381-8006	Brass Expansion Plug Kit	(1)	224-4146	Oil Pump
(1)	4999MA	Main Bearing Set	205-743M			(1)	EKSA2	Miscellaneous Service Items	(8)	235NP	Cast Piston
(1)	55-403B	Prelube	(1)	E-178K	Premium Piston Ring Set	(1)	505-107A	Standard Piston Ring Set	(1)	381-8007	Brass Expansion Plug Kit
205-6866			(1)	8-2130CP	Connecting Rod Bearing Set	(1)	E-217X	Standard Piston Ring Set	(1)	EKSA2	Miscellaneous Service Items
(1)	E-626K	Premium Piston Ring Set	(1)	260-1121	Gasket Kit	(1)	260-1044	Gasket Kit	505-119D		
(1)	8-3860P	Connecting Rod Bearing Set	(1)	5024MA	Main Bearing Set	(1)	1557M	Camshaft Bearing Set	(1)	E-245X	Standard Piston Ring Set
(1)	260-1772	Gasket Kit	(1)	55-403B	Prelube	(1)	KC-551	Cam & Lifter Kit	(1)	260-1000	Gasket Kit
(1)	55-403B	Prelube	205-744A			(1)	221-2528S	Timing Gear Set	(1)	1235M	Camshaft Bearing Set
205-6866M			(1)	E-178K	Premium Piston Ring Set	(1)	224-4147	Oil Pump	(1)	KC-274	Cam & Lifter Kit
(1)	E-626K	Premium Piston Ring Set	(1)	8-2130CP	Connecting Rod Bearing Set	(6)	H909P	Cast Piston	(1)	KT3-489S	Timing Set - 3 Pc.
(1)	8-3860P	Connecting Rod Bearing Set	(1)	260-1154	Gasket Kit	(1)	381-8006	Brass Expansion Plug Kit	(1)	224-4146	Oil Pump
(1)	260-1772	Gasket Kit	(1)	55-403B	Prelube	(1)	EKSA2	Miscellaneous Service Items	(8)	235NP	Cast Piston
(1)	7370M	Main Bearing Set	205-744M			(1)	505-112D	Standard Piston Ring Set	(1)	381-8007	Brass Expansion Plug Kit
(1)	55-403B	Prelube	(1)	E-178K	Premium Piston Ring Set	(1)	E-229X	Standard Piston Ring Set	(1)	EKSA2	Miscellaneous Service Items
205-688			(1)	8-2130CP	Connecting Rod Bearing Set	(1)	260-1006	Gasket Kit	505-119F		
(1)	E-353K	Premium Piston Ring Set	(1)	260-1154	Gasket Kit	(1)	1450M	Camshaft Bearing Set	(1)	E-245X	Standard Piston Ring Set
(1)	8-3360CPA	Connecting Rod Bearing Set	(1)	55-403B	Prelube	(1)	KC-1230	Cam & Lifter Kit	(1)	260-1000	Gasket Kit
(1)	260-1098	Gasket Kit	205-744A			(1)	221-2750LS	Timing Gear Set	(1)	1235M	Camshaft Bearing Set
(1)	55-403B	Prelube	(1)	E-178K	Premium Piston Ring Set	(1)	224-41124	Oil Pump	(1)	KC-274	Cam & Lifter Kit
205-687			(1)	8-2130CP	Connecting Rod Bearing Set	(6)	1109P	Cast Piston	(1)	KT3-499S	Timing Set - 3 Pc.
(1)	E-339K	Premium Piston Ring Set	(1)	260-1154	Gasket Kit	(1)	381-8014	Brass Expansion Plug Kit	(1)	224-4146	Oil Pump
(1)	8-3360CPA	Connecting Rod Bearing Set	(1)	5024MA	Main Bearing Set	(1)	EKSA2	Miscellaneous Service Items	(8)	235NP	Cast Piston
(1)	260-1098	Gasket Kit	(1)	55-403B	Prelube	505-112J			(1)	381-8007	Brass Expansion Plug Kit
(1)	55-403B	Prelube	205-744M			(1)	E-229X	Standard Piston Ring Set	(1)	EKSA2	Miscellaneous Service Items
205-688			(1)	E-178K	Premium Piston Ring Set	(1)	260-1006	Gasket Kit	505-119G		
(1)	E-353K	Premium Piston Ring Set	(1)	8-2130CP	Connecting Rod Bearing Set	(1)	1450M	Camshaft Bearing Set	(1)	E-245X	Standard Piston Ring Set
(1)	8-3360CPA	Connecting Rod Bearing Set	(1)	260-1154	Gasket Kit	(1)	KC-1230	Cam & Lifter Kit	(1)	260-1000	Gasket Kit
(1)	260-1098	Gasket Kit	(1)	55-403B	Prelube	(1)	221-2764S	Timing Gear Set	(1)	1235M	Camshaft Bearing Set
(1)	55-403B	Prelube	505-102A			(1)	224-41124	Oil Pump	(1)	KC-274	Cam & Lifter Kit
205-689			(1)	E-196X	Standard Piston Ring Set	(6)	H554CP	Cast Piston	(1)	KT3-499S	Timing Set - 3 Pc.
(1)	E-372K	Premium Piston Ring Set	(1)	260-1004	Gasket Kit	(1)	381-8014	Brass Expansion Plug Kit	(1)	224-4146	Oil Pump
(1)	8-3360CPA	Connecting Rod Bearing Set	(1)	1454M	Camshaft Bearing Set	(1)	EKSA2	Miscellaneous Service Items	(8)	295P	Cast Piston
(1)	260-1099	Gasket Kit	(1)	KC-380	Cam & Lifter Kit	505-113E			(1)	381-8007	Brass Expansion Plug Kit
(cont'd. next column)	(1)	KT3-495SA	(1)	KT3-495SA	Timing Set - 3 Pc.	(1)	E-233X	Standard Piston Ring Set	(1)	EKSA2	Miscellaneous Service Items
			(1)	260-1099	Gasket Kit	(1)	260-1009	Gasket Kit	505-120A		
			(1)	260-1099	Gasket Kit	(1)	1404M	Camshaft Bearing Set	(1)	E-245X	Standard Piston Ring Set
			(cont'd. next column)	(cont'd. next column)	(cont'd. next column)				(1)	260-1000	Gasket Kit
									(1)	1235M	Camshaft Bearing Set
									(1)	KC-274	Cam & Lifter Kit
									(1)	KT3-499S	Timing Set - 3 Pc.
									(1)	224-4146	Oil Pump
									(8)	295P	Cast Piston
									(1)	381-8007	Brass Expansion Plug Kit
									(1)	EKSA2	Miscellaneous Service Items
									505-122C		
									(1)	E-251X	Standard Piston Ring Set
											(cont'd. next page)

Engine Kit Bill of Material

Qty.	Part No.	Description	Qty.	Part No.	Description	Qty.	Part No.	Description	Qty.	Part No.	Description
505-122C (cont'd.)			505-243A			505-607A			505-619C		
(1)	260-1033	Gasket Kit	(1)	E-178X	Standard Piston Ring Set	(1)	E-217K	Premium Piston Ring Set	(1)	E-245K	Premium Piston Ring Set
(1)	1484M	Camshaft Bearing Set	(1)	260-1121	Gasket Kit	(1)	260-1044	Gasket Kit	(1)	260-1000	Gasket Kit
(1)	KC-665	Cam & Lifter Kit	(1)	1484M	Camshaft Bearing Set	(1)	1557M	Camshaft Bearing Set	(1)	1145M	Camshaft Bearing Set
(1)	KT3-361S	Timing Set - 3 Pc.	(1)	KC-645	Cam & Lifter Kit	(1)	KC-551	Cam & Lifter Kit	(1)	KC-273	Cam & Lifter Kit
(1)	224-4166	Oil Pump	(1)	KT3-361S	Timing Set - 3 Pc.	(1)	221-2528S	Timing Gear Set	(1)	KT3-489S	Timing Set - 3 Pc.
(8)	405P	Cast Piston	(1)	224-4166	Oil Pump	(1)	224-4147	Oil Pump	(1)	224-4146	Oil Pump
(1)	381-8010	Brass Expansion Plug Kit	(8)	285NP	Cast Piston	(6)	H909P	Cast Piston	(8)	235NP	Cast Piston
(1)	EKSA2	Miscellaneous Service Items	(1)	381-8010	Brass Expansion Plug Kit	(1)	381-8006	Brass Expansion Plug Kit	(1)	381-8007	Brass Expansion Plug Kit
			(1)	EKSA2	Miscellaneous Service Items	(1)	EKSA2	Miscellaneous Service Items	(1)	EKSA2	Miscellaneous Service Items
505-130E			505-244C			505-6085A			505-619D		
(1)	E-251X	Standard Piston Ring Set	(1)	E-178X	Standard Piston Ring Set	(1)	E-292K	Premium Piston Ring Set	(1)	E-245K	Premium Piston Ring Set
(1)	260-1000	Gasket Kit	(1)	260-1154	Gasket Kit	(1)	260-1418	Gasket Kit	(1)	260-1000	Gasket Kit
(1)	1235M	Camshaft Bearing Set	(1)	1484M	Camshaft Bearing Set	(1)	1404M	Camshaft Bearing Set	(1)	1235M	Camshaft Bearing Set
(1)	KC-274	Cam & Lifter Kit	(1)	KC-645	Cam & Lifter Kit	(1)	KC-774	Cam & Lifter Kit	(1)	KC-274	Cam & Lifter Kit
(1)	KT3-499S	Timing Set - 3 Pc.	(1)	KT3-361S	Timing Set - 3 Pc.	(1)	KT3-171S	Timing Set - 3 Pc.	(1)	KT3-489S	Timing Set - 3 Pc.
(1)	224-4146	Oil Pump	(1)	224-4166	Oil Pump	(1)	224-4154G	Oil Pump	(1)	224-4146	Oil Pump
(8)	H951P 30	Cast Piston	(8)	285NP	Cast Piston	(8)	H989CP	Cast Piston	(8)	235NP	Cast Piston
(1)	381-8007	Brass Expansion Plug Kit	(1)	381-8010	Brass Expansion Plug Kit	(1)	381-8009	Brass Expansion Plug Kit	(1)	381-8007	Brass Expansion Plug Kit
(1)	EKSA2	Miscellaneous Service Items	(1)	EKSA2	Miscellaneous Service Items	(1)	EKSA2	Miscellaneous Service Items	(1)	EKSA2	Miscellaneous Service Items
505-137E			505-602A			505-612D			505-619F		
(1)	E-296X	Standard Piston Ring Set	(1)	E-196K	Premium Piston Ring Set	(1)	E-229K	Premium Piston Ring Set	(1)	E-245K	Premium Piston Ring Set
(1)	260-1013	Gasket Kit	(1)	260-1004	Gasket Kit	(1)	260-1006	Gasket Kit	(1)	260-1000	Gasket Kit
(1)	1414M	Camshaft Bearing Set	(1)	1454M	Camshaft Bearing Set	(1)	1450M	Camshaft Bearing Set	(1)	1235M	Camshaft Bearing Set
(1)	KC-648	Cam & Lifter Kit	(1)	KC-380	Cam & Lifter Kit	(1)	KC-1230	Cam & Lifter Kit	(1)	KC-274	Cam & Lifter Kit
(1)	KT3-491S	Timing Set - 3 Pc.	(1)	KT3-495SA	Timing Set - 3 Pc.	(1)	221-2750LS	Timing Gear Set	(1)	KT3-499S	Timing Set - 3 Pc.
(1)	224-41139	Oil Pump	(1)	224-4165C	Oil Pump	(1)	224-41124	Oil Pump	(1)	224-4146	Oil Pump
(8)	H418P	Cast Piston	(6)	244NP	Cast Piston	(6)	1109P	Cast Piston	(8)	235NP	Cast Piston
(1)	381-8018	Brass Expansion Plug Kit	(1)	381-8012	Brass Expansion Plug Kit	(1)	381-8014	Brass Expansion Plug Kit	(1)	381-8007	Brass Expansion Plug Kit
(1)	EKSA2	Miscellaneous Service Items	(1)	EKSA2	Miscellaneous Service Items	(1)	EKSA2	Miscellaneous Service Items	(1)	EKSA2	Miscellaneous Service Items
505-156A			505-6036A			505-612J			505-620A		
(1)	E-424X	Standard Piston Ring Set	(1)	E-217K	Premium Piston Ring Set	(1)	E-229K	Premium Piston Ring Set	(1)	E-245K	Premium Piston Ring Set
(1)	260-1043	Gasket Kit	(1)	260-1267	Gasket Kit	(1)	260-1006	Gasket Kit	(1)	260-1000	Gasket Kit
(1)	1453M	Camshaft Bearing Set	(1)	1557M	Camshaft Bearing Set	(1)	1450M	Camshaft Bearing Set	(1)	1235M	Camshaft Bearing Set
(1)	KC-327	Cam & Lifter Kit	(1)	KC-551	Cam & Lifter Kit	(1)	KC-1230	Cam & Lifter Kit	(1)	KC-274	Cam & Lifter Kit
(1)	KT3-501S	Timing Set - 3 Pc.	(1)	221-2528S	Timing Gear Set	(1)	221-2764S	Timing Gear Set	(1)	KT3-499S	Timing Set - 3 Pc.
(1)	224-4174	Oil Pump	(1)	224-4147	Oil Pump	(1)	224-41124	Oil Pump	(1)	224-4146	Oil Pump
(8)	424NP	Cast Piston	(6)	H909P	Cast Piston	(6)	H554CP	Cast Piston	(8)	295P	Cast Piston
(1)	381-8011	Brass Expansion Plug Kit	(1)	381-8006	Brass Expansion Plug Kit	(1)	381-8014	Brass Expansion Plug Kit	(1)	381-8007	Brass Expansion Plug Kit
(1)	EKSA2	Miscellaneous Service Items	(1)	EKSA2	Miscellaneous Service Items	(1)	EKSA2	Miscellaneous Service Items	(1)	EKSA2	Miscellaneous Service Items
505-162H			505-6039A			505-613E			505-622C		
(1)	E-251X	Standard Piston Ring Set	(1)	E-259K	Premium Piston Ring Set	(1)	E-233K	Premium Piston Ring Set	(1)	E-251K	Premium Piston Ring Set
(1)	260-1000	Gasket Kit	(1)	260-1270	Gasket Kit	(1)	260-1009	Gasket Kit	(1)	260-1033	Gasket Kit
(1)	1235M	Camshaft Bearing Set	(1)	1404M	Camshaft Bearing Set	(1)	1404M	Camshaft Bearing Set	(1)	1484M	Camshaft Bearing Set
(1)	KC-274	Cam & Lifter Kit	(1)	KC-669	Cam & Lifter Kit	(1)	KC-774	Cam & Lifter Kit	(1)	KC-665	Cam & Lifter Kit
(1)	KT3-163S	Timing Set - 3 Pc.	(1)	KT3-171S	Timing Set - 3 Pc.	(1)	KT3-501SA	Timing Set - 3 Pc.	(1)	KT3-361S	Timing Set - 3 Pc.
(1)	224-4146	Oil Pump	(1)	224-4154G	Oil Pump	(1)	224-4154	Oil Pump	(1)	224-4166	Oil Pump
(8)	H951P 30	Cast Piston	(8)	H721CP	Cast Piston	(8)	H661CP	Cast Piston	(8)	405P	Cast Piston
(1)	381-8007	Brass Expansion Plug Kit	(1)	381-8006	Brass Expansion Plug Kit	(1)	381-8009	Brass Expansion Plug Kit	(1)	381-8010	Brass Expansion Plug Kit
(1)	EKSA2	Miscellaneous Service Items	(1)	EKSA2	Miscellaneous Service Items	(1)	EKSA2	Miscellaneous Service Items	(1)	EKSA2	Miscellaneous Service Items
505-183C			505-606A			505-614D			505-630E		
(1)	E-251X	Standard Piston Ring Set	(1)	E-217K	Premium Piston Ring Set	(1)	E-234K	Premium Piston Ring Set	(1)	E-251K	Premium Piston Ring Set
(1)	260-1095	Gasket Kit	(1)	260-1005	Gasket Kit	(1)	260-1005	Gasket Kit	(1)	260-1000	Gasket Kit
(1)	1484M	Camshaft Bearing Set	(1)	1203M	Camshaft Bearing Set	(1)	1203M	Camshaft Bearing Set	(1)	1235M	Camshaft Bearing Set
(1)	KC-665	Cam & Lifter Kit	(1)	KC-551	Cam & Lifter Kit	(1)	KC-633	Cam & Lifter Kit	(1)	KC-274	Cam & Lifter Kit
(1)	KT3-160S	Timing Set - 3 Pc.	(1)	221-2528S	Timing Gear Set	(1)	221-2525S	Timing Gear Set	(1)	KT3-499S	Timing Set - 3 Pc.
(1)	224-4166	Oil Pump	(1)	224-4147	Oil Pump	(1)	224-4147	Oil Pump	(1)	224-4146	Oil Pump
(8)	405P	Cast Piston	(6)	H909P	Cast Piston	(6)	1107NP	Cast Piston	(8)	H951P 30	Cast Piston
(1)	381-8010	Brass Expansion Plug Kit	(1)	381-8006	Brass Expansion Plug Kit	(1)	381-8006	Brass Expansion Plug Kit	(1)	381-8007	Brass Expansion Plug Kit
(1)	EKSA2	Miscellaneous Service Items	(1)	EKSA2	Miscellaneous Service Items	(1)	EKSA2	Miscellaneous Service Items	(1)	EKSA2	Miscellaneous Service Items
505-218A			505-606C			505-619A			505-631D		
(1)	E-178X	Standard Piston Ring Set	(1)	E-217K	Premium Piston Ring Set	(1)	E-245K	Premium Piston Ring Set	(1)	E-259K	Premium Piston Ring Set
(1)	260-1152	Gasket Kit	(1)	260-1005	Gasket Kit	(1)	260-1000	Gasket Kit	(1)	260-1009	Gasket Kit
(1)	1484M	Camshaft Bearing Set	(1)	1557M	Camshaft Bearing Set	(1)	1145M	Camshaft Bearing Set	(1)	1404M	Camshaft Bearing Set
(1)	KC-645	Cam & Lifter Kit	(1)	KC-551	Cam & Lifter Kit	(1)	KC-274	Cam & Lifter Kit	(1)	KC-636	Cam & Lifter Kit
(1)	KT3-361S	Timing Set - 3 Pc.	(1)	221-2528S	Timing Gear Set	(1)	KT3-489S	Timing Set - 3 Pc.	(1)	KT3-171S	Timing Set - 3 Pc.
(1)	224-4166	Oil Pump	(1)	224-4147	Oil Pump	(1)	224-4146	Oil Pump	(1)	224-4154	Oil Pump
(8)	285NP	Cast Piston	(6)	H909P	Cast Piston	(8)	235NP	Cast Piston	(8)	H958CP	Cast Piston
(1)	381-8010	Brass Expansion Plug Kit	(1)	381-8006	Brass Expansion Plug Kit	(1)	381-8007	Brass Expansion Plug Kit	(1)	381-8009	Brass Expansion Plug Kit
(1)	EKSA2	Miscellaneous Service Items	(1)	EKSA2	Miscellaneous Service Items	(1)	EKSA2	Miscellaneous Service Items	(1)	EKSA2	Miscellaneous Service Items

Engine Kit Bill of Material

Qty.	Part No.	Description	Qty.	Part No.	Description	Qty.	Part No.	Description	Qty.	Part No.	Description
505-631E			505-659C			505-743A					
(1)	E-259K	Premium Piston Ring Set	(1)	E-292K	Premium Piston Ring Set	(1)	E-178K	Premium Piston Ring Set			
(1)	260-1009	Gasket Kit	(1)	260-1046	Gasket Kit	(1)	260-1121	Gasket Kit			
(1)	1404M	Camshaft Bearing Set	(1)	1404M	Camshaft Bearing Set	(1)	1484M	Camshaft Bearing Set			
(1)	KC-669	Cam & Lifter Kit	(1)	KC-669	Cam & Lifter Kit	(1)	KC-645	Cam & Lifter Kit			
(1)	KT3-171S	Timing Set - 3 Pc.	(1)	KT3-171S	Timing Set - 3 Pc.	(1)	KT3-361S	Timing Set - 3 Pc.			
(1)	224-4154	Oil Pump	(1)	224-4154G	Oil Pump	(1)	224-4166	Oil Pump			
(8)	H958CP	Cast Piston	(8)	H989CP	Cast Piston	(8)	285NP	Cast Piston			
(1)	381-8009	Brass Expansion Plug Kit	(1)	381-8009	Brass Expansion Plug Kit	(1)	381-8010	Brass Expansion Plug Kit			
(1)	EKSA2	Miscellaneous Service Items	(1)	EKSA2	Miscellaneous Service Items	(1)	EKSA2	Miscellaneous Service Items			
505-631F			505-659D			505-744C					
(1)	E-259K	Premium Piston Ring Set	(1)	E-292K	Premium Piston Ring Set	(1)	E-178K	Premium Piston Ring Set			
(1)	260-1009	Gasket Kit	(1)	260-1046	Gasket Kit	(1)	260-1154	Gasket Kit			
(1)	1404M	Camshaft Bearing Set	(1)	1404M	Camshaft Bearing Set	(1)	1484M	Camshaft Bearing Set			
(1)	KC-669	Cam & Lifter Kit	(1)	KC-774	Cam & Lifter Kit	(1)	KC-645	Cam & Lifter Kit			
(1)	KT3-171S	Timing Set - 3 Pc.	(1)	KT3-171S	Timing Set - 3 Pc.	(1)	KT3-361S	Timing Set - 3 Pc.			
(1)	224-4154G	Oil Pump	(1)	224-4154G	Oil Pump	(1)	224-4166	Oil Pump			
(8)	H958CP	Cast Piston	(8)	H989CP	Cast Piston	(8)	285NP	Cast Piston			
(1)	381-8009	Brass Expansion Plug Kit	(1)	381-8009	Brass Expansion Plug Kit	(1)	381-8010	Brass Expansion Plug Kit			
(1)	EKSA2	Miscellaneous Service Items	(1)	EKSA2	Miscellaneous Service Items	(1)	EKSA2	Miscellaneous Service Items			
505-636C			505-662H								
(1)	E-292K	Premium Piston Ring Set	(1)	E-251K	Premium Piston Ring Set						
(1)	260-1009	Gasket Kit	(1)	260-1000	Gasket Kit						
(1)	1404M	Camshaft Bearing Set	(1)	1235M	Camshaft Bearing Set						
(1)	KC-636	Cam & Lifter Kit	(1)	KC-274	Cam & Lifter Kit						
(1)	KT3-171S	Timing Set - 3 Pc.	(1)	KT3-163S	Timing Set - 3 Pc.						
(1)	224-4154	Oil Pump	(1)	224-4146	Oil Pump						
(8)	H989CP	Cast Piston	(8)	H951P 30	Cast Piston						
(1)	381-8009	Brass Expansion Plug Kit	(1)	381-8007	Brass Expansion Plug Kit						
(1)	EKSA2	Miscellaneous Service Items	(1)	EKSA2	Miscellaneous Service Items						
505-636D			505-683C								
(1)	E-292K	Premium Piston Ring Set	(1)	E-251K	Premium Piston Ring Set						
(1)	260-1009	Gasket Kit	(1)	260-1095	Gasket Kit						
(1)	1404M	Camshaft Bearing Set	(1)	1484M	Camshaft Bearing Set						
(1)	KC-669	Cam & Lifter Kit	(1)	KC-665	Cam & Lifter Kit						
(1)	KT3-171S	Timing Set - 3 Pc.	(1)	KT3-160S	Timing Set - 3 Pc.						
(1)	224-4154	Oil Pump	(1)	224-4166	Oil Pump						
(8)	H989CP	Cast Piston	(8)	405P	Cast Piston						
(1)	381-8009	Brass Expansion Plug Kit	(1)	381-8010	Brass Expansion Plug Kit						
(1)	EKSA2	Miscellaneous Service Items	(1)	EKSA2	Miscellaneous Service Items						
505-637E			505-7025								
(1)	E-296K	Premium Piston Ring Set	(1)	E-626K	Premium Piston Ring Set						
(1)	260-1013	Gasket Kit	(1)	260-1772	Gasket Kit						
(1)	1414M	Camshaft Bearing Set	(1)	1496M	Camshaft Bearing Set						
(1)	KC-648	Cam & Lifter Kit	(1)	KC-770	Cam & Lifter Kit						
(1)	KT3-491S	Timing Set - 3 Pc.	(1)	KT3-181SA	Timing Set - 3 Pc.						
(1)	224-41139	Oil Pump	(1)	224-43621	Oil Pump						
(8)	H418P	Cast Piston	(8)	2773PNA	Cast Piston						
(1)	381-8018	Brass Expansion Plug Kit	(1)	381-8057	Brass Expansion Plug Kit						
(1)	EKSA2	Miscellaneous Service Items	(1)	EKSA2	Miscellaneous Service Items						
505-656A			505-7026								
(1)	E-424K	Premium Piston Ring Set	(1)	E-626K	Premium Piston Ring Set						
(1)	260-1043	Gasket Kit	(1)	260-1772	Gasket Kit						
(1)	1453M	Camshaft Bearing Set	(1)	1496M	Camshaft Bearing Set						
(1)	KC-327	Cam & Lifter Kit	(1)	KC-770	Cam & Lifter Kit						
(1)	KT3-501S	Timing Set - 3 Pc.	(1)	KT3-181SA	Timing Set - 3 Pc.						
(1)	224-4174	Oil Pump	(1)	224-43424	Oil Pump						
(8)	424NP	Cast Piston	(8)	2773PNA	Cast Piston						
(1)	381-8011	Brass Expansion Plug Kit	(1)	381-8057	Brass Expansion Plug Kit						
(1)	EKSA2	Miscellaneous Service Items	(1)	EKSA2	Miscellaneous Service Items						
505-659A			505-718A								
(1)	E-292K	Premium Piston Ring Set	(1)	E-178K	Premium Piston Ring Set						
(1)	260-1046	Gasket Kit	(1)	260-1152	Gasket Kit						
(1)	1404M	Camshaft Bearing Set	(1)	1484M	Camshaft Bearing Set						
(1)	KC-669	Cam & Lifter Kit	(1)	KC-645	Cam & Lifter Kit						
(1)	KT3-171S	Timing Set - 3 Pc.	(1)	KT3-160S	Timing Set - 3 Pc.						
(1)	224-4154	Oil Pump	(1)	224-4166	Oil Pump						
(8)	H989CP	Cast Piston	(8)	285NP	Cast Piston						
(1)	381-8009	Brass Expansion Plug Kit	(1)	381-8010	Brass Expansion Plug Kit						
(1)	EKSA2	Miscellaneous Service Items	(1)	EKSA2	Miscellaneous Service Items						



Application Codes

Global Technology Behind Every Part

AC	Allis-Chalmers	KOH	Kohler
AUC	Austin-Compressor	LAU	Lauson Engines
BEW	Bendix-Westinghouse	LER	LeRoi
BRI	Briggs & Stratton	MAF	Mazda Forklift
BUD	Buda	MB	Mercedes Benz Truck
CAS	Case Co., J.I.	MF	Massey-Ferguson
CHR	Chrysler Industrial	MID	Midland Ross Compressor
CLI	Climax	MIF	Mitsubishi Forklift
CLK	Clark	MIL	Military Standard
CLN	Clinton Engines	NIF	Nissan Forklift
CON	Continental	NOV	Novo Engines
DAB	David Brown	ONA	Onan Engines
DOD	Dodge Trucks	PER	Perkins Diesel
FAI	Fairbanks-Morse	REO	REO Truck
FAB	Fordson Tractor	SUP	Superior Diesel
FOR	Ford Truck	THE	Thermo-King
FRD	Ford Industrial	TOF	Toyota Forklift
FRT	Ford Tractor	VOT	Volvo Truck
GMC	GMC Truck	WAU	Waukesha
GMI	GM Industrial	WHF	White Farm (including Oliver, Minneapolis-Moline)
HER	Hercules	WIS	Wisconsin
INT	IHC Tractor	WIT	Witte
ISF	Isuzu Forklift		
KHD	KHD		

Numerical List

Part No.	Manufacturer and Line No.	Part No.	Manufacturer and Line No.	Part No.	Manufacturer and Line No.
AT-2041	INT 21, 23, 24, 26, 30, 33, 37, 43, 48, 52, 55-57, 59, 60, 63, 70, 78, 80-82, 86, 87	E-135X	GMC 7, INT 37, 38, 45	E-421X+	FOR 43, 45, 46, 54, 55, FRD 52, 53, INT 90
AT-2084	CAS 25, 38, CHR 4, 14, DOD 1, 2, MF 31	E-156X	FOR 3, FRD 17	E-422X 30	CHR 17, DOD 9, 13, INT 75
AT-2084B	CAS 25, 38, CHR 4, 14, DOD 1, 2, MF 31	E-178K	CAS 38, CHR 14, DOD 6	E-424K	CHR 21, DOD 12
AT-2214+	ISF 2, THE 1	E-178X	CAS 38, CHR 14, DOD 6	E-424X	CHR 21, DOD 12
AT-770	AC 6, FOR 4, FRT 3	E-180K	FOR 26, 32	E-425KC 1.00MM	MIF 3
AT-872	FOR 11, 17, 23, 34, 35, 43, 45, 46, 54, 55, FRD 39, 45, 52, 53	E-180X	FOR 26, 32	E-425X 1.00MM	MIF 3
AT-872B	FOR 11, 17, 23, 34, 35, 43, 45, 46, 54, 55, FRD 39, 45, 52, 53	E-196K	CAS 25, CHR 1, 4, DOD 1, 2, MF 31	E-464KC	FOR 5, 15, 16, FRD 21
AT-874	GMC 7, 12, 18, 25, 31, 36, 42, 44	E-196X	CAS 25, CHR 1, 4, DOD 1, 2, MF 31	E-502KC+	FRD 5, FRT 10, 12-14, 30, 32
AT-887	GMC 5, 7, 9, 12, 14, 17	E-197K	FRD 7	E-503KC+	FRD 6, 10, FRT 11, 17, 31
AT-892	AC 17, FOR 3, 6, 8-10, 13, 14, FRD 2, 3, 8, 9, 11, 12, 17, 26, 29, FRT 4-6, 15, 16, 29, 35	E-197X	FRD 7	E-504KC+	FRD 14, 46, FRT 24, 26, 45
AT-937	DOD 6	E-217K	GMC 16, MF 48	E-505KC+	FRD 14, FRT 25, 38, 46
A-9171KX	AC 55	E-217K	GMC 16, MF 48	E-506KC+	FRB 10, FRT 36, 37
BKP-6096	GMC 32	E-217X	GMC 16, MF 48	E-542K	MAF 3
BKP-6097	GMC 32	E-217K	GMC 16, MF 48	E-542KC	MAF 3
BK-6096	GMC 32	E-217X	GMC 16, MF 48	E-542X	MAF 3
BK-6097	GMC 32	E-219K	FRD 13	E-577X	NIF 3
BRP-3028	GMC 22, 37	E-219X	FRD 13	E-599KC	NIF 6
BRP-3093	GMC 13, 15, 19, 21, 23, 24, MF 50	E-224K	FOR 20, 21, FRD 35	E-611KC	TOF 3
BRP-3102	GMC 22, 37	E-229K	FOR 5, 15, 16, FRD 21, 30	E-611X	TOF 3
BRP-3160	FOR 29, 38-40, FRD 50	E-229X	FOR 5, 15, 16, 38, FRD 21, 30	E-623KC	FOR 24, MB 2
BRP-3172	FOR 20, 21, 25-27, 31-33, FRD 35, 36, 42, 44, 48	E-233K	CHR 18	E-625K	GMC 28
BRP-3172B	FOR 20, 21, 25-27, 31-33, FRD 35, 36, 42, 44, 48	E-233X	CHR 18	E-626K	GMC 32, 33
BRP-3176	FRD 13	E-234K	GMC 6, 10	E-816KC+	DOD 7
BRP-3180	GMC 6, 10, GMI 1	E-234X	GMC 6, 10	E-897K	FOR 38
BRP-3183	FOR 5, 15, 16, FRD 21, 30	E-237KC	FRD 15, GMC 7	E-900KC+	FOR 36, 44, FRD 51, FRT 46
BRP-3188	GMC 16, MF 48	E-237X	FRD 15, GMC 7	E-940K	GMC 28
BRP-3193	CHR 21, DOD 12	E-239K	CHR 11, 12	FP-AR10172	DOD 24-26, FOR 75-77, GMC 60, 61, INT 99
BRP-3194	CAS 38, CHR 14, DOD 6, 8	E-239X	CHR 11, 12	FP-AR11909	FOR 80, GMC 63
BRP-3203	GMC 28, 41, 43	E-240X	FOR 13, 14, FRD 29, GMC 13	FP-AR12098	AC 54, DOD 23, FOR 70, 73, INT 96
BRP-3204+	GMC 28, 41, 43	E-243K	CHR 17, DOD 9, GMC 22	FP-AR12270	FOR 82, 83, MB 8
BRP-3212R	GMC 13, 15, 19, 21, 23, 24	E-243X	CHR 17, DOD 9, GMC 22	FP-AR12271	FOR 82, 83, MB 8
BRP-3212R 100	GMC 13, 15, 19, 21, 23, 24	E-245K	GMC 15, 19	FP-AR12273	FOR 82, 83, MB 8
BRP-3260	FOR 15, 16	E-245X	GMC 15, 19	FP-AR2883	FOR 70
BRP-3288	FOR 29, 38-40	E-247KC 30	FOR 4, FRD 20	FP-AR3640	FOR 80, GMC 63
CLR-81-008+	AC 10, DOD 21, FOR 64, GMC 50, 51	E-247X	FOR 4, FRD 20	FP-AR3641	FOR 80, GMC 63
CS-1230	FOR 5, 15, 16, FRD 21, 30	E-248K	GMC 30	FP-AR3642	FOR 80, GMC 63
CS-1524	FOR 38	E-248X	GMC 30	FP-AR3643	FOR 80, GMC 63
CS-171	GMC 22, 37	E-251K	DOD 8, FRD 32, GMC 21, 23, 24, MF 50	FP-AR4920	FOR 42
CS-210	FOR 10, 13, 14, FRD 29	E-251KC	DOD 8, FRD 32, GMC 21, 23, MF 50	FP-AR51477+	INT 99
CS-218	DOD 15, 18, INT 90	E-251X	DOD 8, FRD 32, GMC 21, 23, 24, MF 50	FP-AR60740	DOD 16
CS-251	GMC 7	E-252X	CHR 16	FP-AR61504	DOD 16
CS-273	GMC 13, 15	E-259K	GMC 28, 29	FP-AR62258	DOD 14
CS-274	GMC 15, 19, 21, 23, 24, MF 50	E-261K	FRD 48	FP-AR63520	AC 52, DOD 19, 20, FOR 59-61
CS-293	GMC 7, 12	E-261X	FRD 48	FP-AR73308	FOR 82, 83, MB 8
CS-327	CHR 17-21, DOD 9, 10, 12	E-270K	INT 61, 66	FP-AR7375	AC 54, FOR 70, INT 96
CS-338	GMC 5, 7	E-270X	INT 61, 66	FP-AR7383	DOD 23, FOR 73
CS-380	CAS 25, CHR 4, DOD 1, 2, MF 31	E-273K	CHR 17, DOD 9, 13	FP-AR7399	AC 54
CS-415	INT 61, 66, 75	E-287X	CHR 20	FP-AR7420	AC 54, FOR 70, INT 96
CS-448	FRD 13	E-288K	FRD 34	FP-AR7440	AC 54
CS-551	GMC 16, MF 48	E-288KC 20	FRD 34	FP-AR7510	DOD 23, FOR 73
CS-619	FOR 20, 21, 25, 27, 31, 33, FRD 35, 36, 42, 44, 48	E-289K	FRD 34	FP-AR8069	FOR 80, GMC 63
CS-633	GMC 6, 10	E-289X	GMC 37	FP-AT2214	ISF 2, THE 1
CS-636	GMC 28, 41	E-292K	GMC 41, 43	FP-A010681	SUP 1-8
CS-643	FOR 26, 32	E-296K	FOR 38, 40, FRD 50	FP-A024876	SUP 1-3, 5-8
CS-645	CAS 38, CHR 14, DOD 6	E-296X	FOR 38, 40, FRD 50	FP-A11101WP	CAS 30, 45
CS-648	FOR 29, 38, 40, FRD 50	E-308K+	DOD 15, 18, INT 90	FP-A11801	CAS 30, 45
CS-660	GMC 43	E-317K 30	FOR 43, 45, 46, 54, 55, FRD 52, 53	FP-A11802	CAS 30, 45
CS-665	DOD 8	E-318K	CHR 19, DOD 10	FP-A11803	CAS 30, 37, 39, 40, 45-50
CS-669	GMC 28, 29, 41	E-318X	CHR 19, DOD 10	FP-A118966	SUP 1, 2, 7, 8
CS-747+	INT 94	E-321K	CHR 20, DOD 11	FP-A138235WP	CAS 50
CS-770	GMC 32, 33	E-323KC+	CON 25, 26, 31, 32, MF 20, WHF 25, 26	FP-A146697WP	CAS 40
CS-774	GMC 28, 41	E-323X+	CON 25, 26, 31, 32, MF 20, WHF 25, 26	FP-A1481351	CAS 30, 45, 46
CS-803	TOF 7, 9	E-324K+	CLK 11, CON 69, 70, WHF 57, 58	FP-A148203WS	CAS 36, 37, 47, 48
CTS-3002	DOD 8	E-324X+	CLK 11, CON 69, 70, WHF 57, 58	FP-A151075	CAS 22, 23
C-1660P+	INT 2	E-339K	FOR 25, 27, 29, 31, 33, FRD 42, 44	FP-A1514081	CAS 48
E-103X	GMC 5	E-339X	FOR 25, 27, 29, 31, 33	FP-A151892	CAS 23, HER 29
E-107X	CHR 7, 9, 10, CON 70, DOD 4, 5, MF 38	E-353K	FOR 25, 27, 29, 31, 33, FRD 42, 44	FP-A151892S	CAS 23, HER 29
E-108KC	CHR 3, 6, CLK 8, CON 49, 50, 55, 56, DOD 3, MF 29, 34, WHF 35	E-357KC	MIF 2	FP-A151991	CAS 23
E-108X	CHR 3, 6, CLK 8, CON 49, 50, 55, 56, DOD 3, MF 29, 34, WHF 35	E-357X	MIF 2	FP-A151995	CAS 22
		E-362X 1.00MM	MAF 1	FP-A1521771	CAS 40, 50
		E-372K	FOR 38	FP-A152485WP	CAS 40, 50
		E-373K	FOR 38	FP-A153638WS	CAS 39, 40, 49, 50
		E-377K	GMC 23	FP-A166122WP	CAS 39, 49
		E-377X	GMC 23	FP-A166134	CAS 39, 49
		E-381K	GMI 1, HER 14	FP-A182172	CAS 39, 40, 49, 50
		E-381X	GMI 1, HER 14	FP-A182173	CAS 39, 40, 49, 50
		E-393KC	TOF 9	FP-A182185WS	CAS 39, 40, 49, 50
		E-393X	TOF 9	FP-A182186WS	CAS 30, 45, 46
		E-404K	DOD 9, 13, INT 75	FP-A200122	WAU 44, 45
				FP-A200122E	WAU 44, 45

Numerical List

Part No.	Manufacturer and Line No.	Part No.	Manufacturer and Line No.	Part No.	Manufacturer and Line No.
FP-A200125B	WAU 44, 45	FP-BM99821	AC 52, DOD 14, 16, 19, 20, FOR 59-61	FP-IFK371NA	AC 26, MF 28, WHF 41
FP-A200125C	WAU 44, 45	FP-BM99822	AC 52, DOD 16, 19, 20, FOR 59-61	FP-IFK371XH	AC 26, MF 28, WHF 41
FP-A205010P	WAU 44, 45	FP-BM99823	AC 52, DOD 16, 19, 20, FOR 59-61	FP-IFK3712V	AC 26, MF 28, WHF 41
FP-A205010X	WAU 44, 45	FP-BM99824	FOR 59	FP-IFK401E	CAS 45
FP-A21076	CAS 34, 37, 42, 45, 47	FP-B023972	SUP 1-8	FP-IFK401L	CAS 45, 46
FP-A23544	CAS 42-50	FP-B024138	SUP 1-8	FP-IFK414	INT 78, 79
FP-A23577	CAS 26, 27, 30, 34, 36, 37, 39, 40	FP-B027269	SUP 1, 2, 7, 8	FP-IFK414OH	INT 78, 79
FP-A23658WS	CAS 30, 45	FP-B031457	SUP 1, 2, 7, 8	FP-IFK436	INT 82
FP-A23660WS	CAS 37, 47	FP-B033665	SUP 1, 2, 7, 8	FP-IFK436OH	INT 81, 82
FP-A24488WP	CAS 30, 45	FP-B2793D	WAU 44, 45	FP-IFK451E	CAS 47
FP-A26294	CAS 26, 27, 30, 37, 44, 45, 47, 48	FP-CK15535405	DOD 24-26, FOR 76, 77	FP-IFK451L	CAS 47, 48
FP-A27846	CAS 26, 30, 34, 36, 42-46	FP-CK24852185	CAS 40, 50	FP-IFK471NA	AC 40, MF 45
FP-A27872	CAS 26, 30, 34, 36, 37, 39, 40, 45-50	FP-CK31025099	DOD 24, 25	FP-IFK471XH	AC 40, MF 45
FP-A30025	CAS 6, 7, 12, 13, 19, 21-23, 29, 32, CON 49, 50, 74-92, 97-100, MF 39, 40, 42, 43, 47, 51	FP-CK31025405	DOD 24, 25	FP-IFK4712V	AC 40, MF 45
FP-A37769	CAS 22	FP-CK33465405	DOD 24, 25	FP-IFK504E	CAS 49, 50
FP-A38422	CAS 22, 23	FP-CK51233638	CAS 39, 49	FP-IFK504L	CAS 49, 50
FP-A38423	CAS 22, 23	FP-CK55165099	DOD 24, 25	FP-IFK6V53	FOR 19, GMC 20, MIL 31
FP-A38424WP	CAS 22	FP-CK55165405	DOD 24, 25	FP-KST1533A	AC 25
FP-A39006WS	CAS 22	FP-CK61222185	CAS 49	FP-KST1624A	AC 6, FRT 3
FP-A40364	CAS 30, INT 49, 51, 54	FP-CK82353638	CAS 50	FP-KST1660A	INT 2
FP-A40364S	CAS 30, INT 49, 51, 54	FP-CLR81008	AC 10, 26, 40, 48, DOD 21, FOR 64, GMC 50, 51, MIL 35	FP-KST1660C	INT 2
FP-A40367	CAS 30, 34	FP-CS747	INT 94	FP-KST1695A	INT 15
FP-A40367S	CAS 30, 34	FP-CWB008	FOR 75, GMC 60, 61	FP-KST1695C	INT 15
FP-A404791	CAS 30, 45	FP-C024296	SUP 1, 2, 7, 8	FP-KST1696A	INT 46
FP-A41232	CAS 22	FP-C027267	SUP 1, 2, 7, 8	FP-KST1696C	INT 46
FP-A41758	CAS 39, 40, 49, 50	FP-C030960	SUP 3-6	FP-KST1709A	AC 6, FRT 3
FP-A41783	CAS 49, 50	FP-C031261	SUP 1, 2, 7, 8	FP-KST1746A	FRT 4
FP-A418211	CAS 30, 45	FP-C1549P40	AC 8, CAS 9, 10, KOH 3, WAU 7, 8	FP-KST1779A	INT 6
FP-A41900	CAS 39, 40, 49, 50	FP-C205010X	WAU 44, 45	FP-KST1779C	INT 7
FP-A41901	CAS 39, 40, 49, 50	FP-E029528	SUP 2, 4, 6, 8	FP-KST1814A	INT 6
FP-A41902	CAS 39, 40, 49, 50	FP-E308K	DOD 15, 18, INT 90	FP-KST1814C	INT 7
FP-A41967	CAS 30, 45, 46	FP-E323KC	CON 25, 26, 31, 32, MF 20, WHF 25, 26	FP-KST1982C	WHF 20, 21
FP-A41967S	CAS 30, 45, 46	FP-E323X	CON 25, 26, 31, 32, MF 20, WHF 25, 26	FP-KST1982D	WHF 20
FP-A42988	CAS 39, 49	FP-E324KC	CLK 11, CON 69, 70, WHF 57, 58	FP-KST1982L	CLK 4, WAU 13
FP-A42988S	CAS 39, 49	FP-E324X	CLK 11, CON 69, 70, WHF 57, 58	FP-KST1992A	AC 9, 11
FP-A429951	CAS 37, 47	FP-E421X	FOR 43, 45, 46, 54, 55, FRD 52, 53, INT 90	FP-KST2059A	INT 37
FP-A42996	CAS 37, 47	FP-E502KC	FRD 5, FRT 10, 12-14, 30, 32	FP-KST2059C	INT 37
FP-A42996S	CAS 37	FP-E503KC	FRD 6, 10, FRT 11, 17, 31	FP-KST2060A	INT 48
FP-A43009WS	CAS 22	FP-E504KC	FRD 14, 46, FRT 24, 26, 45	FP-KST2060C	INT 48
FP-A43028	CAS 37, 47	FP-E505KC	FRD 14, 47, FRT 25, 38, 46	FP-KST2076A	INT 24
FP-A43028S	CAS 37, 47	FP-E506KC	FRB 10, FRD 25, FRT 36, 37	FP-KST2079A	INT 43
FP-A43173	CAS 26, 27, 30, 34, 36, 37, 42-48	FP-E816KC	DOD 7	FP-KST2079C	INT 43
FP-A43174	CAS 26, 27, 30, 34, 36, 37, 42-48	FP-E900KC	FOR 36, 44, FRD 51, FRT 46	FP-KST2080C	INT 56
FP-A43175	CAS 26, 27, 30, 34, 36, 37, 42-48	FP-FSM118S	AC 25, 27, LER 2-4	FP-KST2080D	INT 56
FP-A43176	CAS 26, 27, 30, 34, 36, 37, 42-48	FP-FSM119S	AC 25, 27, LER 2-4	FP-KST2137A	INT 10
FP-A43177	CAS 26, 27, 30, 34, 36, 37, 42-48	FP-G2068	CAS 22	FP-KST2170A	FRT 16
FP-A44038	CAS 22	FP-G2069	CAS 21, 22	FP-KST2186A	AC 12, MF 18, PER 7, 8
FP-A44054	CAS 40, 50	FP-G37075	CAS 22	FP-KST2216A	AC 28
FP-A44054S	CAS 40, 50	FP-G49659	CAS 22	FP-KST2263A	AC 42
FP-A460221	CAS 37, 47	FP-G907147	WAU 44, 45	FP-KST2263C	AC 42
FP-A460251	CAS 49	FP-G979266	WAU 44, 45	FP-KST2314C	CON 13, 14, MF 14
FP-A46050	CAS 13, 17, 19, 21, 22	FP-HBS002	FOR 71, 74	FP-KST2335A	AC 6, FRT 3
FP-A46052	CAS 13, 17, 19, 21, 22	FP-HT886	DOD 15, INT 94	FP-KST2357A	FRT 10, 12, 13
FP-A46053	CAS 13, 17, 19, 21, 22	FP-H14252C	SUP 3-6	FP-KST2359A	FRD 14, FRT 24, 26
FP-A46054	CAS 13, 17, 19, 21, 22	FP-H720P20	INT 94	FP-KST2359D	FRD 14, FRT 24, 26
FP-A46382	CAS 23	FP-IFKDT466	INT 81, 87	FP-KST2359E	FRD 46, FRT 45
FP-A48320	CAS 39, 49	FP-IFKDT466OH	INT 87	FP-KST2412A	INT 71
FP-A48320S	CAS 39, 49	FP-IFKDT4664R	INT 87	FP-KST2417A	FRT 17
FP-A50975	CAS 23	FP-IFKDT4664ROH	INT 87	FP-KST2417C	FRT 31
FP-A50977	CAS 23	FP-IFKOM904*	MB 1	FP-KST2435A	INT 72
FP-A50978	CAS 23	FP-IFKOM906*	MB 4	FP-KST2439A	AC 12, MF 18, PER 7, 8
FP-A50979	CAS 23	FP-IFK1160	FOR 67, 68, MF 59	FP-KST2439D	MF 25, PER 12
FP-A57139WP	CAS 37, 47	FP-IFK12V71NA	GMC 59	FP-KST2442A	INT 49, 51
FP-A58580	CAS 39, 40, 49, 50	FP-IFK12V71XH	GMC 59	FP-KST2444A	INT 93
FP-A58626	CAS 39, 40, 49, 50	FP-IFK188E	CAS 22	FP-KST2468A	INT 48
FP-A58628	CAS 26, 30, 36, 37, 39, 40, 42, 44-50	FP-IFK188L	CAS 22	FP-KST2468C	INT 48
FP-A58869	CAS 47, 48	FP-IFK207E	CAS 23	FP-KST2470A	CON 31, 32
FP-A58870	CAS 47, 48	FP-IFK207L	CAS 23	FP-KST2470C	CON 70
FP-A62572S	CAS 26, 27, 30, 34, 36, 37, 42, 44-48	FP-IFK267E	CAS 30	FP-KST2487A	AC 32, MF 35, PER 15, 16
FP-A62573S	CAS 26, 27, 30, 43, 45-48	FP-IFK301E	CAS 37	FP-KST2487C	AC 32
FP-A64766WP	CAS 37, 47	FP-IFK301L	CAS 37	FP-KST2488A	CON 23, 24, MF 17
FP-A65123WP	CAS 39, 49	FP-IFK3208	FOR 67, 68, GMC 53, MF 59	FP-KST2521A	MF 5, PER 2, 3
FP-A65127WP	CAS 30, 45, 46	FP-IFK3306	FOR 69	FP-KST2523A	WHF 74
FP-A66336	CAS 26, 36, 39, 40, 47-50	FP-IFK3306OH	FOR 69	FP-KST2523C	WHF 74
FP-A66444	CAS 26, 30, 36, 39, 40, 45-50	FP-IFK336E	CAS 40	FP-KST2527A	WHF 74
FP-A9171KX	AC 55	FP-IFK336L	CAS 39, 40	FP-KST2537A	INT 70
FP-BM27253	AC 54, DOD 22-27, FOR 70, 73, 75-77, 81, GMC 60, 61, INT 96	FP-IFK3406	FOR 78, 79, GMC 62	FP-KST2538A	INT 76, 77
FP-BM98224	DOD 23, FOR 73	FP-IFK3406OH	FOR 78, 79, GMC 62	FP-KST2541A	WHF 67
FP-BM99820	AC 52, DOD 14, 16, 19, 20, FOR 59-61			FP-KST2547A	INT 37
				FP-KST2547C	INT 37
				FP-KST2557A	INT 43
				FP-KST2557C	INT 43
				FP-KST2558C	INT 56

Numerical List

Part No.	Manufacturer and Line No.	Part No.	Manufacturer and Line No.	Part No.	Manufacturer and Line No.
FP-KST2558D	INT 56	FP-PGE451EC	CAS 47	FP-PK9161	FOR 49, 50, MB 5, 6
FP-KST2583A	WHF 68	FP-PGE451LC	CAS 47, 48	FP-PK9247	FOR 49, 50, MB 5, 6
FP-KST2584A	AC 47	FP-PGE504EC	CAS 49	FP-PK9317	DOD 17, FOR 51, 52, 67, 68, MF 59
FP-KST2586A	INT 77	FP-PGE504LC	CAS 49, 50	FP-PK9318	FOR 65, 67, 68, MF 58, 59, WHF 94
FP-KST2631A	FRD 25, FRT 37	FP-PGJ10	DOD 26, FOR 76, 77	FP-PK9321	FOR 65, 67, 68, MF 58, 59, WHF 94
FP-KST2650A	CLK 5, WAU 15	FP-PGN466C	INT 78, 79, 81, 82, 87	FP-PK9566	FOR 50
FP-KST2684A	CAS 12	FP-PGN466F	INT 78, 79, 81, 82, 87	FP-PK9667	DOD 17, FOR 51, 52, 67, 68, MF 59
FP-KST2684C	CAS 13	FP-PGN466PS	INT 87	FP-RBL002	DOD 24-26, FOR 76, 77
FP-KST2691A	WHF 74	FP-PGN4661	INT 86, 87	FP-RBU001	DOD 24-26, FOR 76, 77
FP-KST2692B	FRT 46	FP-PG3453OC	FOR 1, GMC 2-4, WHF 40	FP-RC117A	CAS 6, 7, 17, 21, 22
FP-KST2710A	INT 10, 11	FP-PK0187	FOR 24, MB 2	FP-RC122A	CON 35, 36, 51, 52, 58, 59, MF 21, 26, 30, 36
FP-KST2711A	INT 57	FP-PK0188	FOR 24, MB 2	FP-RC126SA	DOD 13, 15, 18, INT 61, 66, 75, 90, 94
FP-KST2711C	INT 57	FP-PK0189	FOR 24, MB 2	FP-RC139A	CLK 9, CON 15, 16, 31, 32, 62
FP-KST2729C	AC 43	FP-PK12357A	FRT 10, 12, 13	FP-RC154	AC 47
FP-KST2730A	AC 49	FP-PK12359C	FRD 46, FRT 45	FP-RC45	AC 3, CAS 1, 2, 4, INT 4, MF 1, 6, WHF 1, 2, 4-7, WIS 6, 9, 17, 18, 21, 22
FP-LCK22507	AC 26, 40, 48, FOR 37, GMC 38-40, 59, 64, MF 28, 45, MIL 35, WHF 41	FP-PK12359D	FRD 14, FRT 24, 26	FP-RN26EG*	MID 3
FP-LCK22949	AC 26, 40, 48, FOR 37, GMC 38-40, 59, 64, MF 28, 45, MIL 35, WHF 41	FP-PK12631A	FRD 25, FRT 37	FP-RN26EH*	MID 3
FP-LCK24337	GMC 58	FP-PK12666	FOR 47, GMC 46	FP-RN26EJ*	MID 3
FP-LCK24340	GMC 58	FP-PK12667	FOR 48, GMC 47	FP-RP3127	INT 21, 23, 26, 30, 33, 37, 43, 48, 55-57, 59, 60
FP-LCK24342	GMC 58	FP-PK12692A	FRT 46	FP-R35431	DOD 15
FP-LCK5306	AC 26, 40, 48, FOR 37, GMC 38-40, 59, 64, MF 28, 45, MIL 35, WHF 41	FP-PK1400	FOR 24, MB 2	FP-SLG237710	DOD 24-27, FOR 76, 77
FP-LCK5309	AC 10, 26, 40, 48, FOR 37, GMC 38-40, MF 28, 45, MIL 35, WHF 41	FP-PK2049	FOR 24, MB 2	FP-SLG23773	DOD 24-27, FOR 76, 77
FP-LCK8899	FOR 1, GMC 1-3, WHF 40	FP-PK2050	FOR 24, MB 2	FP-SLG23775	DOD 24-27, FOR 76, 77
FP-LCK8903	FOR 1, GMC 1-3, WHF 40	FP-PK22357A	FRT 10, 12, 13	FP-SL10M	CON 5, INT 5, MF 15
FP-LCK8904	FOR 1, GMC 1-3, WHF 40	FP-PK22359D	FRD 14, FRT 24, 26	FP-SL10Y	CON 5, INT 5, MF 15
FP-LCK9116	FOR 1, GMC 2	FP-PK22631A	FRD 25, FRT 37	FP-SL11M	AC 3, CAS 4, 9, 10, INT 4, KOH 3, MF 1, 6, 12, 13, WAU 7, 8, WHF 1, 2, 6, 7, WIS 18, 22
FP-LCK9315	GMC 4	FP-PK22666	FOR 47, GMC 46	FP-SL147M	AC 6, FRT 3
FP-LCK9734	GMC 4	FP-PK22667	FOR 48, GMC 47	FP-SL148M	INT 15
FP-LK1073565	FOR 69	FP-PK22692A	FRT 46	FP-SL149M	INT 46
FP-LK1548087	FOR 69	FP-PK2571	FOR 24, MB 2	FP-SL151M	AC 6, FRT 3
FP-LK1684531	FOR 69	FP-PK2572	FOR 24, MB 2	FP-SL1533	AC 25, LER 3, 4
FP-LK5558	FOR 53	FP-PK2573	FOR 24, MB 2	FP-SL1590	AC 7
FP-LK9247792	FOR 49, 50, MB 5, 6	FP-PK2574	FOR 24, MB 2	FP-SL1624	AC 6, FRT 3
FP-LK92479937	FOR 49, 50, MB 5, 6	FP-PK2575	FOR 24, MB 2	FP-SL167M	FRD 2, FRT 4
FP-L10PREM	FOR 66, GMC 52, MB 7	FP-PK3164	FOR 49, 50, MB 5, 6	FP-SL1695	INT 15
FP-L10PREMOH	FOR 66, GMC 52, MB 7	FP-PK3579	FOR 24, MB 2	FP-SL1696A	INT 46
FP-L2031F	CON 11-14, MF 10, 14	FP-PK3655	FOR 24, MB 2	FP-SL17Y	INT 52, 55
FP-L2098F	AC 17, FRD 8, FRT 15	FP-PK3656	FOR 24, MB 2	FP-SL1709	AC 6, FRT 3
FP-L2461F	FRD 12	FP-PK4831	FOR 67, 68, GMC 53, MF 59	FP-SL173M	AC 17, FRD 8, 9, FRT 15, 16
FP-MV1902	INT 10, 11, 14, 16, 21, 26, 33, 37, 48, 55, 57, 59	FP-PK5878	FOR 49, 50, MB 5, 6	FP-SL1746	FRD 2, FRT 4
FP-OH1160	FOR 67, 68, MF 59	FP-PK5879	FOR 49, 50, MB 5, 6	FP-SL1776	CAS 6
FP-OH12V71NA	GMC 59	FP-PK6208	FOR 24, MB 2	FP-SL1779	INT 6, 7
FP-OH12V71XH	GMC 59	FP-PK6209	FOR 24, MB 2	FP-SL1814	INT 6, 7
FP-OH3208	FOR 67, 68, GMC 53, MF 59	FP-PK6223	FOR 24, MB 2	FP-SL1844	BUD 4, 11
FP-OH371NA	AC 26, MF 28, WHF 41	FP-PK6223	FOR 24, MB 2	FP-SL1853	AC 17, FRD 8, FRT 15
FP-OH371XH	AC 26, MF 28, WHF 41	FP-PK6631	FOR 24, MB 2	FP-SL186M	INT 37, 48
FP-OH3712V	AC 26, MF 28, WHF 41	FP-PK6632	FOR 24, MB 2	FP-SL188M	INT 24, 26
FP-OH471NA	AC 40, MF 45	FP-PK6633	FOR 24, MB 2	FP-SL189M	INT 23, 30, 43, 56
FP-OH471XH	AC 40, MF 45	FP-PK6634	FOR 24, MB 2	FP-SL1982	CLK 4, WAU 11-14, 20, 23, 24, WHF 20, 21, 23, 42, 43, 45, 55, 56
FP-OH4712V	AC 40, MF 45	FP-PK6635	FOR 24, MB 2	FP-SL1992	AC 9, 11
FP-OH6B59T*	FOR 24, MB 2	FP-PK7157	FOR 24, MB 2	FP-SL2059	INT 37
FP-OH6B59TA*	FOR 24, MB 2	FP-PK7158	FOR 24, MB 2	FP-SL2060	INT 48
FP-OH6V53	FOR 19, GMC 20, MIL 31	FP-PK7619	FOR 24, MB 2	FP-SL2076	INT 24, 26
FP-PGC100	DOD 24, 25	FP-PK7707	FOR 49, 50, MB 5, 6	FP-SL2079	INT 43
FP-PGC101	DOD 24, 25	FP-PK7737	FOR 67, 68, GMC 53, MF 59	FP-SL2080	INT 23, 30, 56
FP-PGC20	DOD 24, 25	FP-PK7737R	FOR 67, 68, GMC 53, MF 59	FP-SL2137	INT 10
FP-PGC206	INT 99	FP-PK7827	FOR 67, 68, GMC 53, MF 59	FP-SL2170	FRD 9, FRT 16
FP-PGC300	DOD 24, 25, INT 99	FP-PK7827R	FOR 67, 68, GMC 53, MF 59	FP-SL2186	AC 12, FRT 8, MF 18, 25, PER 6-8, 11, 12, 25, 26
FP-PGE0050	FOR 67, 68, MF 59	FP-PK7828	FOR 67, 68, GMC 53, MF 59	FP-SL2193	CAS 41, MF 53, PER 29, 30, WHF 82, 83
FP-PGE0051	FOR 67, 68, GMC 53, MF 59	FP-PK7828R	FOR 67, 68, GMC 53, MF 59	FP-SL2216	AC 13, 28
FP-PGE0053	FOR 67, 68, GMC 53, MF 59	FP-PK8410	FOR 67, 68, GMC 53, MF 59	FP-SL2263G	AC 23, 42
FP-PGE0054	FOR 67, 68, GMC 53, MF 59	FP-PK8411	FOR 67, 68, GMC 53, MF 59	FP-SL2271G	DOD 23
FP-PGE0081	FOR 78, 79, GMC 62	FP-PK8412	FOR 67, 68, GMC 53, MF 59	FP-SL2274	AC 18, 36
FP-PGE0082	FOR 78, 79, GMC 62	FP-PK84123R	FOR 67, 68, GMC 53, MF 59	FP-SL2314	CON 11-14, MF 10, 14
FP-PGE0084	FOR 78, 79, GMC 62	FP-PK84143R	FOR 67, 68, GMC 53, MF 59	FP-SL2335	AC 6, FRT 3
FP-PGE0085	FOR 78, 79, GMC 62	FP-PK84153R	FOR 67, 68, GMC 53, MF 59	FP-SL2412	INT 71
FP-PGE207C	CAS 22, 23	FP-PK8815	FOR 24, MB 2	FP-SL2419	CON 35, 36, MF 21
FP-PGE267EC	CAS 30	FP-PK8816	FOR 24, MB 2	FP-SL2435	INT 72
FP-PGE301EC	CAS 37	FP-PK8921605	FOR 47, GMC 46	FP-SL2439	AC 12, FRT 8, MF 18, 25, PER 7, 8, 11, 12
FP-PGE301LC	CAS 37	FP-PK892160530	FOR 47, GMC 46	FP-SL2442	INT 49, 51
FP-PGE336EC	CAS 39, 40	FP-PK8922452	FOR 47, GMC 46	FP-SL2444	INT 93
FP-PGE336LC	CAS 39, 40	FP-PK8922453	FOR 47, GMC 46	FP-SL2457	MF 54, PER 31, 32, WHF 84
FP-PGE401DM	CAS 45	FP-PK8925816	FOR 48, GMC 47		
FP-PGE401LC	CAS 45, 46	FP-PK8925817	FOR 48, GMC 47		
FP-PGE4126	FOR 47, 48, GMC 46, 47	FP-PK8925818	FOR 48, GMC 47		
FP-PGE4126C10	FOR 47, 48, GMC 46, 47	FP-PK8925819	FOR 48, GMC 47		
FP-PGE4127IF	FOR 47, 48, GMC 46, 47	FP-PK9001	FOR 24, MB 2		
FP-PGE4127IF10	FOR 47, 48, GMC 46, 47	FP-PK9004	FOR 24, MB 2		
		FP-PK9045	FOR 24, MB 2		
		FP-PK9047	FOR 24, MB 2		
		FP-PK9048	FOR 24, MB 2		

Numerical List

Part No.	Manufacturer and Line No.	Part No.	Manufacturer and Line No.	Part No.	Manufacturer and Line No.
FP-SL2468	INT 48	FP-S962E	FOR 82, 83, MB 8	FP-VG639	INT 71, 72, 76, 77
FP-SL2487	AC 32, MF 35, PER 15, 16	FP-S965E	FOR 82, 83, MB 8	FP-VG658	AC 13, 28, 35
FP-SL2488	CON 23, 24, MF 17	FP-U5LB0151*	PER 17	FP-VG659	AC 13, 28, 35
FP-SL2519	INT 79	FP-U5LB0152*	PER 19	FP-VG664	WHF 98-103
FP-SL2521	MF 5, PER 2, 3	FP-U5LB0153*	PER 34, 36	FP-VG681	AC 3, CAS 2, 4, INT 4, MF 1, 6, WHF 1, 2, 4-7, WIS 3, 4, 17, 18, 21, 22
FP-SL2523	WAU 36, WHF 74	FP-U5LL0014*	PER 19, 36	FP-VG694	INT 80, 93
FP-SL2525	INT 82	FP-U5LL0015*	PER 17, 34	FP-VG696	CON 41, 42, MF 23
FP-SL2526	INT 78	FP-U5LP0057*	PER 18, 33, 35	FP-VG735	MF 55, WHF 79, 85, 86, 90, 97, 100-103
FP-SL2527	WAU 31, WHF 74	FP-U5LP0058*	PER 22	FP-VG738	AC 24, 41-43, 47, 49
FP-SL2537	INT 70	FP-U5LP0058D*	PER 22	FP-VG739	ISF 2, THE 1
FP-SL2538	INT 76, 77	FP-U5LT0178*	PER 17, 19	FP-VG840	INT 6, 7
FP-SL2541	WAU 35, WHF 67, 69	FP-U5LT0179*	PER 34, 36	FP-VG842	CAS 7, 17, 19
FP-SL2547	INT 37	FP-U5MB0007*	PER 34, 36	FP-VG857	WAU 11, 23, WHF 11, 20, 22, 23, 30-33, 42, 44, 45, 52, 65-67, 69
FP-SL2557	INT 43	FP-U5MB0007A*	PER 34, 36	FP-VG859	CLK 4, WAU 13, 14, 24, WHF 21, 43, 52, 53, 65, 73
FP-SL2558	INT 23, 30, 56	FP-U5MB0007B*	PER 34, 36	FP-VG862	INT 21, 26, 33, 37, 48, 55, 57, 59
FP-SL2583	WHF 68	FP-U5ME0003*	PER 33, 35, 36	FP-VG865	MF 49, PER 27, 28
FP-SL2584G	AC 47	FP-U5ME0003A*	PER 33, 35, 36	FP-VG867	INT 2
FP-SL2586	INT 77	FP-U5ME0003B*	PER 33, 35, 36	FP-VG930	HER 1, 3, 6, 7, 10, MF 7, 11, WHF 8-10, 17, 18, 36
FP-SL26M	CON 104, FOR 43, 45, 46, 54, 55	FP-U5ME0006*	PER 18, 19	FP-VK123	AC 1, 4, 8, 33, BUD 3, CAS 9, 10, 14, FOR 42, HER 21, 24, 27, 31, 33, KOH 3, MF 12, WAU 1, 2, 7, 8
FP-SL26Y	CON 104, DOD 15, FOR 43, 45, 46, 54, 55	FP-U5ME0006B*	PER 18, 19	FP-VK142	AC 2, CAS 5, 11, CLK 1-3, 7, CON 2-5, 7, 9-14, 17, 18, 25, 26, 39, 40, 70, INT 3, 5, MF 2, 3, 8-10, 14, 15, 17, 20, 32, WHF 3, 19, 25, 26, 48, 49
FP-SL2610	INT 98	FP-VG226	AC 25, 27, INT 46, LER 2-4	FP-VK144	AC 14, 15, 18-21, 30, 36, 38, 39, 53, BUD 4, 5, 10-12, 15, 16, CAS 4, 8, 11, 15, CLK 1, 3, 7, CON 3, 4, 7, 9-14, 17, 18, 23-26, 39, 40, 70, INT 3, 5, MF 3, 8-10, 14, 15, 17, 20, 32, MIL 14, WHF 3, 19, 25, 26, 48, 49
FP-SL2650	CLK 5, WAU 15	FP-VG296	AC 4, 8, CAS 9, 10, KOH 3, MF 12, WAU 2, 7, 8	FP-VK144B	AC 14, 15, 18-21, 30, 36, 38, 39, 53, BUD 4, 5, 10-12, 15, 16, CAS 4, 11, 15, CLK 1, 3, 7, CON 3, 4, 7, 9-14, 17, 18, 23-26, 39, 40, 70, INT 3, 5, MF 3, 8-10, 14, 15, 17, 20, 32, MIL 14, WHF 3, 19, 25, 26, 48, 49
FP-SL2684	CAS 12, 13	FP-VG336	CAS 5, 24, CLK 7, CON 39, 40, 53, 54, 60, 61, MF 32, WHF 48, 49	FP-VK199	FAI 1, 2
FP-SL2687	INT 62	FP-VG354	AC 25, 27, LER 2-4	FP-VK201	FAI 3, 4
FP-SL2691	WHF 74	FP-VG361	INT 15, 22, 24, 27	FP-VK202	FAI 3-5
FP-SL2693G	AC 45, 50	FP-VG362	INT 46, 49, 51, 54	FP-VK222	AC 12, FRT 8, MF 5, 18, 25, PER 2, 3, 6-8, 11, 12, 25, 26
FP-SL2694G	AC 45, 50	FP-VG380	INT 15	FP-VK223	AC 32, 34, CAS 41, DOD 7, MF 35, 37, 49, 53, 54, PER 15, 16, 20, 21, 27-32, WHF 82-84
FP-SL27Y	CON 105	FP-VG386	CAS 14	FP-VK27	CAS 24, CLK 7, CON 39, 40, 53, 54, 60, 61, MF 32
FP-SL2710	INT 10, 11	FP-VG414	AC 44, CAS 33, 35, HER 14, 15, 20, 26, 30, 34, 37-39, 41, 42, MF 44, 52, WHF 51, 62, 77, 81	FP-VS1426	AC 5, 7, 9, 11, 16, 25, 27, LER 2-4
FP-SL2711	INT 57	FP-VG414	AC 44, CAS 33, 35, HER 14, 15, 20, 26, 30, 34, 37-39, 41, 42, MF 44, 52, WHF 51, 62, 77, 81	FP-VS1432	AC 32, 34, CAS 41, MF 35, 37, 49, 53, 54, PER 15, 16, 20, 21, 27-32, WHF 82-84
FP-SL2729G	AC 24, 43	FP-VG414	AC 44, CAS 33, 35, HER 14, 15, 20, 26, 30, 34, 37-39, 41, 42, MF 44, 52, WHF 51, 62, 77, 81	FP-VS1576	INT 7, 10, 11, 14, 16
FP-SL2730G	AC 49	FP-VG414	AC 44, CAS 33, 35, HER 14, 15, 20, 26, 30, 34, 37-39, 41, 42, MF 44, 52, WHF 51, 62, 77, 81	FP-VS1577	AC 14, 15, 18-21, 30, 36, 38, BUD 4, 5, 9-12, 15, 16
FP-SL375M	AC 12, FRT 8, MF 18, 25, PER 6-8, 11, 12, 25, 26	FP-VG414	AC 44, CAS 33, 35, HER 14, 15, 20, 26, 30, 34, 37-39, 41, 42, MF 44, 52, WHF 51, 62, 77, 81	FP-VS1578	AC 13, 28, 35
FP-SL379M	FRT 10-14, 17, 30-33	FP-VG414	AC 44, CAS 33, 35, HER 14, 15, 20, 26, 30, 34, 37-39, 41, 42, MF 44, 52, WHF 51, 62, 77, 81	FP-VS1579	WHF 20, 22, 23, 68
FP-SL382M	AC 32, CAS 41, MF 35, 53, 54, PER 15, 16, 29-32, WHF 82-84	FP-VG414	AC 44, CAS 33, 35, HER 14, 15, 20, 26, 30, 34, 37-39, 41, 42, MF 44, 52, WHF 51, 62, 77, 81	FP-VS242	INT 6, 7, 15
FP-SL401M	FRD 14, 25, 46, 47, FRT 23-26, 37, 38, 45, 46	FP-VG414	AC 44, CAS 33, 35, HER 14, 15, 20, 26, 30, 34, 37-39, 41, 42, MF 44, 52, WHF 51, 62, 77, 81	FP-VS286	AC 33, HER 21, 24, 27, 31, 33
FP-SL414M10	INT 76, 77	FP-VG414	AC 44, CAS 33, 35, HER 14, 15, 20, 26, 30, 34, 37-39, 41, 42, MF 44, 52, WHF 51, 62, 77, 81	FP-VS310	CAS 24, CLK 7, CON 39, 40, 47, 48, 53, 54, 60, 61, MF 24, 32, WHF 48, 49
FP-SL416M	INT 23, 30, 43, 56	FP-VG414	AC 44, CAS 33, 35, HER 14, 15, 20, 26, 30, 34, 37-39, 41, 42, MF 44, 52, WHF 51, 62, 77, 81	FP-VS325	AC 6, FRT 3
FP-SL7M	CAS 2, CON 9, 10, 39, 40, MF 9, WHF 4, 5, WIS 9, 17, 21	FP-VG414	AC 44, CAS 33, 35, HER 14, 15, 20, 26, 30, 34, 37-39, 41, 42, MF 44, 52, WHF 51, 62, 77, 81	FP-VS332	CAS 14
FP-SO1154	AC 25, LER 2-4	FP-VG414	AC 44, CAS 33, 35, HER 14, 15, 20, 26, 30, 34, 37-39, 41, 42, MF 44, 52, WHF 51, 62, 77, 81	FP-VS356	CAS 5, 11, CLK 1-3, 9, CON 3-5, 7, 9-18, 23-26, 31, 32, 62, 70, INT 3, 5, MF 3, 8-10, 14, 15, 17, 20, WHF 3, 19, 25, 26
FP-SO1407	AC 7	FP-VG414	AC 44, CAS 33, 35, HER 14, 15, 20, 26, 30, 34, 37-39, 41, 42, MF 44, 52, WHF 51, 62, 77, 81	FP-VS378	INT 2
FP-SO1762	CON 11-14, MF 10, 14	FP-VG414	AC 44, CAS 33, 35, HER 14, 15, 20, 26, 30, 34, 37-39, 41, 42, MF 44, 52, WHF 51, 62, 77, 81	FP-VS386	AC 6, FRT 3
FP-SO1776	CAS 6, 12, 13	FP-VG414	AC 44, CAS 33, 35, HER 14, 15, 20, 26, 30, 34, 37-39, 41, 42, MF 44, 52, WHF 51, 62, 77, 81	FP-VS400	CLK 4, WAU 11-13, 20, 27, WHF 11, 20, 22, 23, 30-33, 42-45, 52, 53, 65-68, 73
FP-SO1779	INT 6, 7	FP-VG414	AC 44, CAS 33, 35, HER 14, 15, 20, 26, 30, 34, 37-39, 41, 42, MF 44, 52, WHF 51, 62, 77, 81	FP-VS402	AC 2, CON 2, MF 2
FP-SO1814	INT 6, 7	FP-VG414	AC 44, CAS 33, 35, HER 14, 15, 20, 26, 30, 34, 37-39, 41, 42, MF 44, 52, WHF 51, 62, 77, 81	FP-VS425	INT 46, 49, 51, 54
FP-SO1844	BUD 4, 11	FP-VG414	AC 44, CAS 33, 35, HER 14, 15, 20, 26, 30, 34, 37-39, 41, 42, MF 44, 52, WHF 51, 62, 77, 81	FP-VS468	AC 3, CAS 1, 2, 4, 15, INT 4, 18, MF 1, 6, 19, WHF 1, 2, 4-7, WIS 6, 9, 17, 18, 21, 22, 25, 28
FP-SO1982	CLK 4, 5, WAU 11-15, 20, 23, 24, WHF 20, 21, 23, 42, 43, 45, 55, 56	FP-VG414	AC 44, CAS 33, 35, HER 14, 15, 20, 26, 30, 34, 37-39, 41, 42, MF 44, 52, WHF 51, 62, 77, 81	FP-VS469	INT 22, 24, 26, 27
FP-SO1992	AC 9, 11	FP-VG414	AC 44, CAS 33, 35, HER 14, 15, 20, 26, 30, 34, 37-39, 41, 42, MF 44, 52, WHF 51, 62, 77, 81	FP-VS581	CAS 12, 13, 27
FP-SO1993	AC 18, 35, 36	FP-VG414	AC 44, CAS 33, 35, HER 14, 15, 20, 26, 30, 34, 37-39, 41, 42, MF 44, 52, WHF 51, 62, 77, 81		
FP-SO2263G	AC 23, 24, 41-43	FP-VG414	AC 44, CAS 33, 35, HER 14, 15, 20, 26, 30, 34, 37-39, 41, 42, MF 44, 52, WHF 51, 62, 77, 81		
FP-SO2443	INT 80, 93	FP-VG414	AC 44, CAS 33, 35, HER 14, 15, 20, 26, 30, 34, 37-39, 41, 42, MF 44, 52, WHF 51, 62, 77, 81		
FP-SO2488	CON 23, 24, MF 17	FP-VG414	AC 44, CAS 33, 35, HER 14, 15, 20, 26, 30, 34, 37-39, 41, 42, MF 44, 52, WHF 51, 62, 77, 81		
FP-SO2523	WAU 30, 31, 35, 36, WHF 67-69, 74	FP-VG414	AC 44, CAS 33, 35, HER 14, 15, 20, 26, 30, 34, 37-39, 41, 42, MF 44, 52, WHF 51, 62, 77, 81		
FP-SO2537	INT 63, 70	FP-VG414	AC 44, CAS 33, 35, HER 14, 15, 20, 26, 30, 34, 37-39, 41, 42, MF 44, 52, WHF 51, 62, 77, 81		
FP-SO2539	INT 98	FP-VG414	AC 44, CAS 33, 35, HER 14, 15, 20, 26, 30, 34, 37-39, 41, 42, MF 44, 52, WHF 51, 62, 77, 81		
FP-SO2584G	AC 47, 49	FP-VG414	AC 44, CAS 33, 35, HER 14, 15, 20, 26, 30, 34, 37-39, 41, 42, MF 44, 52, WHF 51, 62, 77, 81		
FP-SO2693G	AC 45, 50	FP-VG414	AC 44, CAS 33, 35, HER 14, 15, 20, 26, 30, 34, 37-39, 41, 42, MF 44, 52, WHF 51, 62, 77, 81		
FP-ST2005	AC 53, FRD 13	FP-VG414	AC 44, CAS 33, 35, HER 14, 15, 20, 26, 30, 34, 37-39, 41, 42, MF 44, 52, WHF 51, 62, 77, 81		
FP-ST2032	AC 12, FRT 8, MF 18, 25, PER 5-8, 11, 12, 24-26	FP-VG414	AC 44, CAS 33, 35, HER 14, 15, 20, 26, 30, 34, 37-39, 41, 42, MF 44, 52, WHF 51, 62, 77, 81		
FP-S16002	FOR 66, 82, 83, GMC 52, MB 7, 8	FP-VG414	AC 44, CAS 33, 35, HER 14, 15, 20, 26, 30, 34, 37-39, 41, 42, MF 44, 52, WHF 51, 62, 77, 81		
FP-S16052	FOR 66, 82, 83, GMC 52, MB 7, 8	FP-VG414	AC 44, CAS 33, 35, HER 14, 15, 20, 26, 30, 34, 37-39, 41, 42, MF 44, 52, WHF 51, 62, 77, 81		
FP-S16054	FOR 66, GMC 52, MB 7	FP-VG414	AC 44, CAS 33, 35, HER 14, 15, 20, 26, 30, 34, 37-39, 41, 42, MF 44, 52, WHF 51, 62, 77, 81		
FP-S16069	FOR 82, 83, MB 8	FP-VG414	AC 44, CAS 33, 35, HER 14, 15, 20, 26, 30, 34, 37-39, 41, 42, MF 44, 52, WHF 51, 62, 77, 81		
FP-S16256	DOD 19, 20, FOR 59-61	FP-VG414	AC 44, CAS 33, 35, HER 14, 15, 20, 26, 30, 34, 37-39, 41, 42, MF 44, 52, WHF 51, 62, 77, 81		
FP-S2037	AC 54, DOD 22, 23, FOR 73	FP-VG414	AC 44, CAS 33, 35, HER 14, 15, 20, 26, 30, 34, 37-39, 41, 42, MF 44, 52, WHF 51, 62, 77, 81		
FP-S212	FOR 59, 75, 82, 83, GMC 60, 61, INT 99, MB 8	FP-VG414	AC 44, CAS 33, 35, HER 14, 15, 20, 26, 30, 34, 37-39, 41, 42, MF 44, 52, WHF 51, 62, 77, 81		
FP-S2286	FOR 82, 83, MB 8	FP-VG414	AC 44, CAS 33, 35, HER 14, 15, 20, 26, 30, 34, 37-39, 41, 42, MF 44, 52, WHF 51, 62, 77, 81		
FP-S60	FOR 71, 74	FP-VG414	AC 44, CAS 33, 35, HER 14, 15, 20, 26, 30, 34, 37-39, 41, 42, MF 44, 52, WHF 51, 62, 77, 81		
FP-S60IFKRR	FOR 71, 74	FP-VG414	AC 44, CAS 33, 35, HER 14, 15, 20, 26, 30, 34, 37-39, 41, 42, MF 44, 52, WHF 51, 62, 77, 81		
FP-S60OH	FOR 71, 74	FP-VG414	AC 44, CAS 33, 35, HER 14, 15, 20, 26, 30, 34, 37-39, 41, 42, MF 44, 52, WHF 51, 62, 77, 81		
FP-S60OHRR	FOR 71, 74	FP-VG414	AC 44, CAS 33, 35, HER 14, 15, 20, 26, 30, 34, 37-39, 41, 42, MF 44, 52, WHF 51, 62, 77, 81		
FP-S60TLC	FOR 71	FP-VG414	AC 44, CAS 33, 35, HER 14, 15, 20, 26, 30, 34, 37-39, 41, 42, MF 44, 52, WHF 51, 62, 77, 81		
FP-S60TLCOH	FOR 71	FP-VG414	AC 44, CAS 33, 35, HER 14, 15, 20, 26, 30, 34, 37-39, 41, 42, MF 44, 52, WHF 51, 62, 77, 81		
FP-S631	FOR 82, 83, MB 8	FP-VG414	AC 44, CAS 33, 35, HER 14, 15, 20, 26, 30, 34, 37-39, 41, 42, MF 44, 52, WHF 51, 62, 77, 81		
FP-S915A	FOR 82, 83, MB 8	FP-VG414	AC 44, CAS 33, 35, HER 14, 15, 20, 26, 30, 34, 37-39, 41, 42, MF 44, 52, WHF 51, 62, 77, 81		
FP-S962E	FOR 82, 83, MB 8	FP-VG414	AC 44, CAS 33, 35, HER 14, 15, 20, 26, 30, 34, 37-39, 41, 42, MF 44, 52, WHF 51, 62, 77, 81		
FP-S965E	FOR 82, 83, MB 8	FP-VG414	AC 44, CAS 33, 35, HER 14, 15, 20, 26, 30, 34, 37-39, 41, 42, MF 44, 52, WHF 51, 62, 77, 81		
FP-U5LB0151*	PER 17	FP-VG414	AC 44, CAS 33, 35, HER 14, 15, 20, 26, 30, 34, 37-39, 41, 42, MF 44, 52, WHF 51, 62, 77, 81		
FP-U5LB0152*	PER 19	FP-VG414	AC 44, CAS 33, 35, HER 14, 15, 20, 26, 30, 34, 37-39, 41, 42, MF 44, 52, WHF 51, 62, 77, 81		
FP-U5LB0153*	PER 34, 36	FP-VG414	AC 44, CAS 33, 35, HER 14, 15, 20, 26, 30, 34, 37-39, 41, 42, MF 44, 52, WHF 51, 62, 77, 81		
FP-U5LL0014*	PER 19, 36	FP-VG414	AC 44, CAS 33, 35, HER 14, 15, 20, 26, 30, 34, 37-39, 41, 42, MF 44, 52, WHF 51, 62, 77, 81		
FP-U5LL0015*	PER 17, 34	FP-VG			

Numerical List

Part No.	Manufacturer and Line No.	Part No.	Manufacturer and Line No.	Part No.	Manufacturer and Line No.
FP-VS583	CON 35, 36, 51, 52, 58, 59, MF 21, 22, 26, 30, 36	FP-V1701	AC 32, 34, CAS 41, DOD 7, MF 35, 37, 53, 54, PER 15, 16, 20, 21, 29-32, WHF 82-84	FP-V818	CAS 8, 15, INT 18, MF 19, WHF 15, 16, WIS 14-16, 24, 28
FP-VS596	INT 21, 23, 26, 30, 33, 37, 43, 48, 55-57, 59	FP-V1748	CAS 11, 24, CLK 3, 7, CON 9, 10, 17, 18, 25, 26, 39, 40, 53, 54, 60, 61, 70, MF 9, 15, 20, 32, WHF 19, 25, 26, 48, 49	FP-V839	INT 6
FP-VS601	FAI 2			FP-V840	INT 6
FP-VS606	FAI 3, 4			FP-V841	INT 15, 22
FP-VS619	FAI 1-5			FP-V842	INT 15, 22
FP-VS620	FAI 1, 2	FP-V1769	FOR 21, 27, 33, FRD 36, 42, 44, 48	FP-V843	INT 46, 49, 51
FP-VS622	HER 1, 3, 6, 7, 10, MF 7, 11, WHF 8-10, 17, 18	FP-V1836	AC 13, 28, 35	FP-V844	INT 46, 49, 51
FP-VS781	WHF 98-103	FP-V1837	AC 13, 28	FP-V868	AC 25, 27, LER 2-4
FP-VS782	AC 12, FRT 8, MF 18, 25, PER 6-8, 11, 12, 25, 26	FP-V1840	AC 18, 36	FP-V869	AC 25, 27, LER 2-4
FP-VS783	AC 12, FRT 8, MF 18, 25, PER 6-8, 11, 12, 25, 26	FP-V1854	CLK 9, 11, CON 15, 16, 31, 32, 62, 70	FP-V909	INT 15, 22
FP-VS793	AC 3, CAS 1, 2, 4, INT 4, MF 1, 6, WHF 1, 2, 4-7, WIS 6, 9, 17, 18, 21, 22	FP-V1855	CLK 9, 11, CON 15, 16, 31, 32, 62, 70	FP-V913	INT 46
FP-VS796	CON 41, 42, MF 23	FP-V1898	INT 98	FP-V954	CAS 5, 11, 24, CLK 3, 7, CON 9, 10, 17, 18, 25, 26, 39, 40, 53, 54, 60, 61, MF 9, 15, 20, 32, WHF 19, 25, 26, 48, 49
FP-VS856	AC 24, 42, 43, 47, 49	FP-V1947X	WHF 98-103		
FP-V1012	INT 2	FP-V1948	WHF 98-103	FP-V956	AC 33, HER 27, 31, 33
FP-V1013	INT 6, 7	FP-V1957	AC 52, DOD 14, 16, 19, 20, FOR 60, 61	FP-V959	CAS 24, CLK 7, CON 53, 54, 60, 61, MF 32, WHF 48, 49
FP-V1017	CON 7, MF 8	FP-V2007	INT 48		
FP-V1018	CLK 1, 2, CON 3-5, INT 3, 5, MF 3, WHF 3	FP-V2021X	DOD 15, 18, INT 90	FP-V999	AC 6, FRT 3
FP-V1019	CLK 1, 2, CON 3-5, INT 3, 5, MF 3, WHF 3	FP-V2072X	FRD 50	FP-WE504KC	FRD 14, 46
FP-V1050	MF 55, WHF 70, 79, 85, 86, 90, 97	FP-V2086	FRD 9, 11, FRT 16, 18	FP-WE505KC	FRD 14, 47
FP-V1051	MF 55, WHF 70, 79, 85, 86, 90, 97-103	FP-V2087	FRD 9, 11, FRT 16, 18	FP-WE506KC	FRD 25
FP-V1052	CAS 6, 7, 12, 13, 19	FP-V2100	INT 30, 42, 43, 56, 60	FP-WH720P20	INT 94
FP-V1053	CAS 6, 7, 12, 13	FP-V2101	INT 30, 42, 43, 56, 60	FP-WL2031F	CON 11-14, MF 10, 14
FP-V1054	WAU 11, 20, 27, WHF 20, 22, 30, 33, 42, 44, 52, 55, 65	FP-V2114X	INT 94	FP-WL2098F	AC 17, FRD 8, FRT 15
FP-V1055	WAU 11, 20, 23, 27, WHF 20, 22, 30, 33, 42, 44, 52, 55, 65	FP-V2115	INT 94	FP-WL2461F	FRD 12
FP-V1056	WHF 11, 20, 22, 31, 32, 42, 44	FP-V2149	AC 12, FRT 8, MF 18, 25, PER 6-8, 11, 12, 25, 26	FP-W1027P	FRD 2, FRT 4
FP-V1057	WHF 11, 20, 22, 31, 32, 42, 44	FP-V2150	AC 12, FRT 8, MF 18, 25, PER 6-8, 11, 12, 25, 26	FP-W1080P	CLK 11, CON 69, 70, WHF 57, 58
FP-V1062	AC 2, CON 2, MF 2			FP-W1102P	CON 25, 26, 31, 32, MF 20, WHF 25, 26
FP-V1095	AC 6, FRT 3	FP-V2158X	INT 80, 93	FP-W1105P30	CON 7, MF 8
FP-V1102	CON 11-14, 23, 24, MF 10, 14, 17	FP-V2164	INT 71, 72, 76, 77	FP-W1115CP	MF 1, WHF 1, 2, WIS 18
FP-V1173	AC 19, BUD 4, 9, 11, 15	FP-V2165	INT 71, 72, 76, 77	FP-W382P	AC 17, FRT 15
FP-V1178	AC 17, FRD 2, 8, 12, FRT 4, 15, 19	FP-V2192	INT 63, 70	FP-W628CP	AC 3, CAS 4, INT 4, MF 1, 6, WHF 1, 2, 6, 7, WIS 18, 22
FP-V1203	CON 60, 61, MF 32, WHF 48, 49	FP-V2193	INT 63, 70		
FP-V1218X	INT 49, 51, 54	FP-V2213X	AC 24, 42, 43	FP-W704P	CLK 9, CON 60-62
FP-V1219	INT 49, 51, 54	FP-V2214	AC 24, 42, 43	FP-W8PS	AC 6, FRT 3
FP-V1229X	INT 24, 26, 27, 37	FP-V2215X	AC 47, 49	FP-W993P	FOR 20, 21, FRD 36
FP-V1230	INT 24, 26, 27	FP-V2216	AC 47, 49	FP-0030309724*	MB 1, 4
FP-V1326X	AC 3, CAS 1, 2, 4, INT 4, MF 1, 6, WHF 1, 2, 4-7, WIS 6, 9, 17, 18, 21, 22	FP-V2219	CON 41, 42, MF 23	FP-005241*	SUP 3-6
		FP-V2220	CON 41, 42, MF 23	FP-022934	SUP 1-8
FP-V1421	CLK 1, 2, CON 3-5, 7, INT 3, 5, MF 3, 8, WHF 3	FP-V2284	INT 94	FP-033150001	SUP 1-8
FP-V1422	CON 11-14, 23, 24, MF 10, 14, 17	FP-V2306	ISF 2, THE 1, 2	FP-1M6107	GMC 62
FP-V1460	HER 8, 9, 12, 13, 16-19, 22, 23, 28, 29, 35, 36, 40, 43, WHF 13, 14, 34	FP-V2307	AC 35	FP-1S9543	FOR 69
FP-V1471	CLK 4, WAU 11, 13, 27, WHF 52	FP-V2422X	CAS 39, 40, 49, 50	FP-1W3010	FOR 67, 68, GMC 53, MF 59
FP-V1472	CLK 4, WAU 11, 13	FP-V2494	FRD 14, FRT 10-14, 17, 23-26, 30-32, 36, 37, 45	FP-1W5283	FOR 78, 79, GMC 62
FP-V1507X	CON 35, 36, MF 21, 22	FP-V318	CAS 33, 35, HER 14, 15, 20, 26, 30, 34, 37-39, 41, MF 44, WHF 51, 62, 77	FP-1W5300	FOR 69
FP-V1508	CON 35, 36, MF 21	FP-V3921	INT 6, 7	FP-1W5321	FOR 53
FP-V1543	INT 21, 26, 33, 37, 48, 52, 55, 57, 59	FP-V3924	AC 18, 36	FP-1W6760	FOR 67, 68, MF 59
FP-V1573	INT 23, 30, 42, 43, 56	FP-V3924X	INT 21, 26, 33, 37, 48, 55, 57, 59	FP-1W8922	FOR 78, 79, GMC 62
FP-V1574	INT 23, 30, 42, 43, 56	FP-V3928X	FRD 14, FRT 10-14, 17, 23-26, 30-32, 36, 37, 45	FP-10A28938*	WHF 99, 101, 103
FP-V1577	INT 7, 10, 11, 14, 16	FP-V3945	INT 15, 22	FP-10A2893830*	WHF 99, 101, 103
FP-V1578	INT 7, 10, 11, 14, 16			FP-10A2893840*	WHF 99, 101, 103
FP-V1581	FAI 2	FP-V3955	INT 15, 22	FP-10006	WAU 44, 45
FP-V1581K	FAI 2	FP-V3958	DOD 15, 18, INT 90	FP-100099	FOR 82, 83, MB 8
FP-V1582	FAI 2-5	FP-V4075	CAS 17	FP-100215	FOR 59, 66, 82, 83, GMC 52, MB 7, 8
FP-V1586	FAI 4	FP-V4088X	CON 11-14, MF 10, 14, 17	FP-100216	FOR 82, 83, MB 8
FP-V1594	CLI 2	FP-V4097	CAS 17	FP-1003652S	FOR 53, 69
FP-V1595	CLI 2	FP-V4216	WAU 30, 35, WHF 66, 67, 69	FP-100478	FOR 82, 83, MB 8
FP-V1596	CLI 3	FP-V4238	AC 5, 7, 9, 11, 16	FP-100673S	FOR 42
FP-V1676X	CAS 8, 15, INT 18, MF 19, WHF 15, 16, WIS 14, 16, 24, 28	FP-V428	HER 1, 3, 6, 7, 10, MF 7, 11, WHF 8-10, 17, 18, 36	FP-1007860	FOR 69
FP-V1684	CAS 5, 11, 24, CLK 3, 7, CON 9, 10, 17, 18, 25, 26, 39, 40, 53, 54, 60, 61, MF 9, 15, 20, WHF 19, 25, 26	FP-V429	HER 1, 3, 6, 7, 10, MF 7, 11, WHF 8-10, 17, 18, 29, 36	FP-101322	FOR 49, 50, 66, MB 5-7
FP-V1696	INT 2			FP-1017M	AC 25, 27, LER 2-5
FP-V1700	AC 32, 34, CAS 41, DOD 7, MF 35, 37, 53, 54, PER 15, 16, 20, 21, 29-32, WHF 82-84	FP-V713	AC 4, 8, CAS 9, 10, KOH 3, MF 12, WAU 2, 7, 8	FP-10222KX	AC 12, FRT 8, MF 18, PER 7, 8
				FP-10223X	MID 3
		FP-V748	AC 33, HER 21, 24, 27, 31, 33	FP-10224KX	KHD 1
		FP-V773	CAS 28	FP-10242KX	VOT 1
		FP-V795	AC 5, 7, 9, 11, 16	FP-102522	FOR 75, 77, GMC 60, 61, INT 99
		FP-V796	AC 5, 7, 9, 11, 16	FP-1027P	FRD 2, FRT 4
		FP-V800	CAS 5, 11, 24, CLK 3, 7, CON 9, 10, 17, 18, 25, 26, 39, 40, 53, 54, 60, 61, MF 9, 15, 20, 32, WHF 19, 25, 26, 48, 49	FP-10276X	BEW 3
				FP-103026	AC 10, 26, 40, 48, FOR 19, 37, 57, 58, 62, 63, GMC 4, 38-40, 48, 49, 57-59, 64, 65, MF 28, 45, MIL 35, 39, WHF 41
		FP-V801	CAS 5, 11, 24, CLK 3, 7, CON 9, 10, 17, 18, 25, 26, 39, 40, 53, 54, 60, 61, 70, MF 9, 15, 20, 32, WHF 19, 25, 26, 48, 49	FP-10304KX	MF 57, WHF 79, 80, 85, 90, 91, 97
				FP-10304X	MF 57, WHF 79, 80, 85, 90, 91, 97
		FP-V816	AC 3, CAS 1, 2, 4, INT 4, MF 1, 6, WHF 1, 2, 4-7, WIS 6, 9, 17, 18, 21, 22	FP-103319	AC 10, 26, 40, 48, FOR 1, 19, 37, 57, 58, 62, 63, GMC 1-4, 20, 38-40, 48, 49, 57-59, 64, 65, MF 28, 45, MIL 31, 35, 39, WHF 40, 41

Numerical List

Part No.	Manufacturer and Line No.	Part No.	Manufacturer and Line No.	Part No.	Manufacturer and Line No.
FP-103320	AC 10, 26, 40, 48, FOR 1, 19, 37, 57, 58, 62, 63, GMC 1-4, 20, 38-40, 48, 49, 57-59, 64, 65, MF 28, 45, MIL 31, 35, 39, WHF 40, 41	FP-114498	AC 26, 40, 48, FOR 1, 19, 37, 62, 63, GMC 2-4, 20, 38-40, 59, 64, MF 28, 45, MIL 31, 35, 39, WHF 40, 41	FP-1409M*	MIL 40
FP-103321	AC 10, 26, 40, 48, FOR 1, 19, 37, 57, 58, 62, 63, GMC 1-4, 20, 38-40, 48, 49, 57-59, 64, 65, MF 28, 45, MIL 31, 35, 39, WHF 40, 41	FP-11504571	FOR 71, 74	FP-141195	AC 10, 26, 40, FOR 37, 47, 48, GMC 38-40, 46-48, 57, 58, 65, MF 28, 45
FP-103325	AC 10, 26, 40, 48, FOR 1, 19, 37, 57, 58, 62, 63, GMC 2, 20, 38-40, 48, 49, 57-59, 64, 65, MF 28, 45, MIL 31, 35, 39, WHF 41	FP-11504822	FOR 47, 48, 71, 74, GMC 46, 47	FP-1413M	MIL 40
FP-103462	AC 48, FOR 37, 62, 63, GMC 38-40, MIL 35, 39	FP-11509584	FOR 71, 74	FP-141346	AC 10, 26, 40, 48, FOR 1, 19, 37, 57, 58, 62, 63, GMC 1-4, 20, 38-40, 48, 49, 57-59, 64, 65, MF 28, 45, MIL 31, 35, 39, WHF 40, 41
FP-10366X	AC 3, CAS 4, INT 4, MF 6, WHF 6, 7, WIS 22	FP-1151M	AC 13-15, 18-21, 28-31, 33, 35, 36, 38, 39, BUD 4-6, 8-16, HER 33, MIL 13, 23, 24	FP-1420CP	AC 44, CAS 33, 35, HER 8, 9, 12-20, 22, 23, 26, 28-30, 32, 34-43, MF 33, 44, 52, WHF 13, 14, 34, 50, 51, 62, 77, 81
FP-103709	AC 10, 26, 40, 48, FOR 1, 19, 37, 47, 48, 62, 63, GMC 1-4, 20, 38-40, 46-48, 57-59, 64, 65, MF 28, 45, MIL 31, 35, 39, WHF 40, 41	FP-1152367	FOR 78, 79, GMC 62	FP-1424M	AC 37, 41-43
FP-10380KX	AC 45, 50	FP-1152368	FOR 78, 79, GMC 62	FP-1424X	AC 44, CAS 33, HER 15, 18-20, 22, 26, 28-30, 32, 34, 37, 38, 41-43, MF 33, 44, 52, WHF 50, 51, 62, 77, 81
FP-10456X	CAS 23	FP-1158M	CAS 5, 11, 18, CLK 3, CON 9, 10, 15-22, 25-32, MF 9, 15, 20, MIL 10, 15, WHF 19, 25, 26	FP-142583	AC 10, 26, 40, FOR 1, 19, 37, 47, 48, 62, 63, GMC 1-4, 20, 38-40, 46, 47, 57-59, 64, 65, MF 28, 45, MIL 39, WHF 40
FP-10457N	BEW 7	FP-116337	FOR 19, 62, 63, GMC 20	FP-1425867	FOR 78, 79, GMC 62
FP-105456	AC 26, 40, 48, FOR 37, GMC 38-40, MF 28, 45, MIL 35, WHF 41	FP-116391	DOD 24-26, FOR 75-77, 82, 83, GMC 60, 61, INT 99	FP-1425868	FOR 78, 79, GMC 62
FP-1055CP	AC 6, FRD 1, FRT 3	FP-118013N	WAU 44, 45	FP-142608	DOD 24-26, FOR 76, 77
FP-10579KX	INT 28, 44, 63, 69, 70, WHF 74	FP-118013Z	WAU 44, 45	FP-1426217	FOR 78, 79, GMC 62
FP-10581KX	TOF 2	FP-118377	FOR 75, GMC 60, 61, INT 99	FP-1427072	FOR 78, 79, GMC 62
FP-105984	AC 54, FOR 70, INT 96	FP-118378	FOR 75, GMC 60, 61, INT 99	FP-1428M	AC 47, 49
FP-106261	FOR 57, 58, 62, 63, GMC 48, 49, 57-59, 64, 65, MIL 39	FP-118878A	WAU 44	FP-1435SB	WAU 3, 11, 12, 32, WHF 11, 20, 23, 24, 30, 32, 33, 42, 44, 45
FP-1070265	FOR 69	FP-118939	FOR 75, GMC 60, 61, INT 99	FP-144178	FOR 82, 83, MB 8
FP-1070268	FOR 69	FP-119363	FOR 59, 66, 82, 83, GMC 52, MB 7, 8	FP-1449M	FOR 80, GMC 63
FP-1073565	FOR 69	FP-119364	FOR 66, GMC 52, MB 7	FP-144911	AC 54, DOD 22, 23, FOR 73, INT 96
FP-1073565WP	FOR 69	FP-119397E	WAU 44, 45	FP-1450SB	CAS 3, HER 1, 3-7, 10, 11, MF 7, 11, WHF 8-10, 17, 18
FP-107738	FOR 59, 82, 83, MB 8	FP-119397G	WAU 44, 45	FP-145067	FOR 1, 19, GMC 1-4, 20, MIL 31, WHF 40
FP-107981	FOR 82, 83, MB 8	FP-1196772	DOD 17	FP-1455CP	INT 2
FP-1080P	CLK 11, CON 69, 70, WHF 57, 58	FP-12V71NA	GMC 59	FP-145504	FOR 82, 83, MB 8
FP-108186	FOR 59	FP-12V71NAOH	GMC 59	FP-145505	FOR 82, 83, MB 8
FP-1088M	CAS 24, CLK 7, 9, 11, CON 33, 34, 37-40, 45, 46, 49, 50, 53-57, 60-62, 69-71, MF 32, MIL 19, 26, WHF 35, 39, 48, 49, 57, 58	FP-12V71XH	GMC 59	FP-1456M	MF 56, WHF 87, 88, 90, 91
FP-1090M	AC 44, CAS 33, HER 14, 15, 18-20, 22, 23, 26, 28-30, 32, 34, 37, 38, 41-43, MF 33, 44, 52, MIL 20, 33, WHF 50, 51, 62, 77, 81	FP-12V71XHOH	GMC 59	FP-145623	FOR 82, 83, MB 8
FP-1093M	CLK 1, 2, CON 3-5, INT 3, 5, MF 3, WHF 3	FP-120819	FOR 75, GMC 60, 61, INT 99	FP-145701	DOD 24-27, FOR 76, 77, 81
FP-109333	DOD 24-26, FOR 76, 77	FP-1209M	INT 37, 38, 42, 43, 45, 48, 52, 55-57, 59, 60	FP-1459V	INT 2
FP-109557	FOR 82, 83, MB 8	FP-1214M	AC 11	FP-146076	FOR 75, 77, GMC 60, 61, INT 99
FP-1100CP	INT 46	FP-1214VA	CLK 1, 2, CON 3-5, INT 3, 5, MF 3, WHF 3	FP-146483	FOR 82, 83, MB 8
FP-1102P	CON 25, 26, 31, 32, MF 20, WHF 25, 26	FP-1215CPA	CON 93, 94, 97-101	FP-146731	FOR 80, GMC 63
FP-1102220	FOR 78, 79, GMC 62	FP-1223821	FOR 78, 79, GMC 62	FP-146732	FOR 80, GMC 63
FP-1105P30	CON 7, MF 8	FP-1226M	AC 44, CAS 35, HER 18, 19, 22, 23, 25, 35, 36, 39, 40, 42, 43, MF 52, WHF 34, 81	FP-147100	FOR 75, GMC 60, 61, INT 99
FP-1105SB	INT 15	FP-1227M	CAS 6, 7, 12, 13, 17, 19, CON 8	FP-147389	FOR 82, 83, MB 8
FP-1105800	FOR 69	FP-1228M	INT 15, 22, 24-27	FP-147474M	CON 41-44, INT 32, MF 23
FP-1106M	INT 46, 49, 51, 54	FP-123390	FOR 1, 19, GMC 2, 20	FP-147481	AC 10, 26, 40, 48, FOR 1, 19, 37, 47, 48, 62, 63, GMC 1-4, 20, 38-40, 46-48, 57-59, 64, 65, MF 28, 45, MIL 31, 35, 39, WHF 40, 41
FP-110827	DOD 24-26, FOR 76, 77	FP-123558	DOD 24-26, FOR 73, 75-77, GMC 60, 61, INT 99	FP-1476M	MIL 40
FP-110848	AC 54, DOD 16, 23-26, FOR 73, 76, 77, INT 96	FP-1239V20	INT 28, 46, 47, 49, 51, 54	FP-1477M	FRB 1-3, 5, FRD 14, FRT 10-14, 17, 20, 21, 23-26
FP-110855	FOR 59, 82, 83, MB 8	FP-124546	FOR 19, GMC 3, 4, 20, WHF 40	FP-1478M	FRB 8-10, FRD 25, 46, FRT 30-33, 36-41, 45, 46
FP-111024	INT 61, 66, 74, 83, 90, 91	FP-1274M	MIL 40	FP-1479M	DOD 15, INT 90, 94
FP-111272	DOD 14, FOR 59	FP-1275M	WAU 30, 31, 35, 36, WHF 52, 54, 65-69, 72, 74	FP-1481AF	KHD 3-12
FP-111446	AC 54, DOD 22, FOR 73	FP-127554	DOD 24-27, FOR 75-77, 81, GMC 60, 61, INT 71, 72, 76, 77, 84, 85, 95, 99, MF 55, WHF 70, 79, 85, 86, 90, 97-103, WIT 2	FP-1481M	ONA 1
FP-1115CP	MF 1, WHF 1, 2, WIS 18	FP-127730PR	FOR 42	FP-148402	AC 10, 26, 40, FOR 1, 19, 37, 47, 48, 62, 63, GMC 2, 20, 38-40, 46, 47, MF 28, 45
FP-1119M	AC 5, 7	FP-127731PR	FOR 42	FP-148403	AC 26, 40, FOR 37, GMC 38-40, MF 28, 45
FP-112302	FOR 66, GMC 52, MB 7	FP-127732PR	FOR 42	FP-1487425	FOR 69
FP-112847	FOR 42	FP-127936	FOR 82, 83, MB 8	FP-1487455	FOR 69
FP-112851	FOR 42	FP-127950	FOR 82, 83, MB 8	FP-151770	DOD 14, 16
FP-1137M	CLK 4, 5, MIL 3, 7, 16, 17, WAU 3-6, 10-21, 23, 24, 27, 28, 32-34, 37, WHF 11, 12, 20, 21, 23, 24, 30-33, 42-45, 52-56, 65, 66, 72, 73, 78	FP-128085	FOR 82, 83, MB 8	FP-151900	FOR 82, 83, MB 8
FP-1142M	AC 33, HER 21, 24, 27, 31, 33, WHF 36	FP-128086	FOR 82, 83, MB 8	FP-152838	DOD 14
FP-114223	FOR 59	FP-129888	FOR 82, 83, MB 8	FP-152936	FOR 59
FP-114366	AC 26, 40, 48, FOR 19, 37, 57, 58, 62, 63, GMC 20, 38-40, 48, 49, MF 28, 45, MIL 31, 35, 39, WHF 41	FP-13GC2247P1	MIL 40	FP-152937	FOR 59
		FP-1300CP	MIL 41, 42, WAU 39, 41-43	FP-153024	WAU 44, 45
		FP-1307368	AC 10	FP-153038	WAU 44, 45
		FP-1307479	AC 10	FP-153092A	WAU 44, 45
		FP-131026	FOR 75, GMC 60, 61, INT 99	FP-153095A	WAU 44, 45
		FP-132770	DOD 24-26, FOR 75-77, 82, 83, GMC 60, 61, INT 99, MB 8	FP-153097A	WAU 44, 45
		FP-1328593	FOR 67	FP-153102A	WAU 44, 45
		FP-1334AFA+	DOD 22, 23, 27, FOR 70, 73, 76, 77, 81, GMC 60, 61, INT 96, 99	FP-153127A	WAU 44, 45
		FP-135675	FOR 75, 77, GMC 60, 61, INT 99	FP-153137A	WAU 44, 45
		FP-135957	DOD 24-27, FOR 76, 77, 81, INT 99	FP-153139A	WAU 44, 45
		FP-138887	FOR 80, GMC 63	FP-153142A	WAU 44, 45
		FP-138937	FOR 80, GMC 63		
		FP-139988	FOR 82, 83, MB 8		
		FP-1402M	INT 71, 72, 76, 77		
		FP-140330	FOR 75, GMC 60, 61, INT 99		
		FP-1406M	MIL 40		

Numerical List

Part No.	Manufacturer and Line No.	Part No.	Manufacturer and Line No.	Part No.	Manufacturer and Line No.
FP-153291B	WAU 44, 45	FP-175755	AC 54, DOD 23, FOR 70, 73, 81, INT 96, 99	FP-1822097WP	INT 87
FP-153518	FOR 82, 83, MB 8	FP-175830	FOR 82, 83	FP-1822120	INT 87
FP-153554A	WAU 44, 45	FP-175831	FOR 82, 83	FP-1822321	INT 87
FP-153610	WAU 44, 45	FP-1759V	MIL 40-42, WAU 39, 41-43	FP-1822322	INT 87
FP-153679	DOD 14, FOR 59	FP-176027	FOR 82, 83, MB 8	FP-1822340	INT 87
FP-153807	WAU 44	FP-176352K	WAU 44, 45	FP-1822379	INT 87
FP-153894B	WAU 44, 45	FP-176352P	WAU 44, 45	FP-1822389	INT 87
FP-153895A	WAU 44, 45	FP-1765CP	INT 64, 65, 67, 68, 73, 88, 89, 92	FP-1822486	INT 87
FP-153896A	WAU 44, 45	FP-1765CP10	INT 92	FP-1822487	INT 87
FP-153990A	WAU 44, 45	FP-1765CP20	INT 92	FP-1822490	INT 87
FP-154018	FOR 82, 83, MB 8	FP-176883	WAU 44, 45	FP-1822491	INT 87
FP-154087	FOR 82, 83, MB 8	FP-176883D	WAU 44, 45	FP-1822492	INT 87
FP-154390	AC 52, FOR 59	FP-1769V20	INT 64, 65, 67, 68, 88, 89	FP-1822494	INT 87
FP-1545AP	MF 55, 56, WHF 70, 85-87	FP-1776P	CAS 6	FP-1822495	INT 87
FP-154571	DOD 14, FOR 59	FP-1779P	INT 6, 7	FP-1822496	INT 87
FP-1548087	FOR 69	FP-1780AP	MF 55, WHF 70, 85, 86, 97, 104, 105	FP-1823843	INT 87
FP-1548087WP	FOR 69	FP-1784M	FOR 36, 44, FRD 47	FP-1823844	INT 87
FP-1549Y	MF 56, 57, WHF 71, 80, 87, 88, 91-93	FP-1795CP	INT 6, 7, 9	FP-1823845	INT 87
FP-155267	FOR 80, GMC 63	FP-179803	AC 10, 26, 40, 48, FOR 37, 57, 58, 62, 63, GMC 48, 49, 57-59, 64, 65, MF 28, 45, MIL 35, 39, WHF 41	FP-1823846	INT 87
FP-156541	AC 25, 27, 52, DOD 13, 16, 19, 20, 26, FOR 59-61, 75-77, GMC 60, 61, INT 38, 87, 99	FP-1799V	FOR 75, 77, GMC 60, 61, INT 99	FP-1823847	INT 78, 79, 81, 82, 86, 87
FP-157088	FOR 82, 83, MB 8	FP-179901	FOR 75, 77, GMC 60, 61, INT 99	FP-1823848	INT 78, 79, 81, 82, 86, 87
FP-157098	FOR 75, 77, GMC 60, 61, INT 99	FP-1801191	INT 87	FP-1823849	INT 78, 79, 81, 82, 86, 87
FP-157551	INT 99	FP-1802337	INT 78, 79, 81, 82, 87	FP-1823850	INT 78, 79, 81, 82, 86, 87
FP-157978	DOD 16	FP-1802337WL	INT 87	FP-1823930	INT 87
FP-158405	WAU 44, 45	FP-1802340	INT 87	FP-1824642	INT 87
FP-1591M	INT 12, 13, 17, 19	FP-1802580	INT 86, 87	FP-1824644	INT 87
FP-1595620	AC 26, 40, 48, FOR 37, 62, 63, GMC 38-40, MF 28, 45, MIL 35, 39, WHF 41	FP-18025814R	INT 87	FP-1824646	INT 87
FP-159580	WAU 44, 45	FP-1802867	INT 87	FP-1824680	INT 87
FP-160586	FOR 66, GMC 52, MB 7	FP-1804009	DOD 13	FP-1824683	INT 87
FP-1609874	FOR 78, 79, GMC 62	FP-1804475	DOD 13	FP-1824810WP	INT 87
FP-1614112	FOR 78, 79, GMC 62	FP-1805250	FRT 23-26, 36-38	FP-1824820	INT 87
FP-1615CP	AC 13-15, 18-21, 28-31, 35, 36, 38, 39, BUD 1, 4, 5, 8-12, 14-16	FP-1808059	INT 87	FP-1824823	INT 87
FP-1621589	FOR 69	FP-1808060	INT 87	FP-1824838	INT 87
FP-163037	AC 52, DOD 14, 16, 19, 20, FOR 59-61	FP-1808061	INT 87	FP-1824842	INT 87
FP-163211	WAU 44, 45	FP-1808062	INT 87	FP-1825436	INT 87
FP-163212B	WAU 44, 45	FP-1808069	INT 87	FP-1825461	INT 87
FP-163944	FOR 66, 82, 83, GMC 52, MB 7, 8	FP-1808070	INT 87	FP-1825540	INT 87
FP-1650CP	AC 55, BUD 20-25	FP-1808071	INT 87	FP-183014	FOR 59
FP-1660CA60	CON 1	FP-1808072	INT 87	FP-1839V	FRD 9, FRT 16
FP-1660CP	AC 2, CON 1, 2, MF 2	FP-1808075	DOD 13	FP-184400	AC 54, DOD 23, FOR 73
FP-166009	FOR 59, 66, GMC 52, MB 7	FP-1808973	INT 86, 87	FP-184420	FOR 70, INT 96
FP-166192C	WAU 44, 45	FP-18096834R	INT 87	FP-185138	FOR 66, GMC 52, MB 7
FP-1664V	AC 2, CON 1, 2, MF 2	FP-1809964	INT 86, 87, 93	FP-185848	FOR 82, 83, MB 8
FP-1665SB	CLK 10, CON 63, 64, 67, 68, 74, 75, 81, 82, MF 39, 42	FP-1810358	INT 87	FP-1865CP	CLK 4, 5, WAU 5, 6, 11-15, 17, 18, 20, 21, 23, 24, WHF 11, 12, 20, 21, 24, 31, 43, 55, 56
FP-166580M	WAU 44, 45	FP-18103584R	INT 87	FP-186780	DOD 16, 19, 20, 22-25, FOR 60, 61, 75, 82, 83, GMC 60, 61, INT 99, MB 8
FP-166772	AC 52, DOD 14, 16, 19, 20, FOR 60, 61	FP-18103594R	INT 87	FP-187GB138	MIL 40
FP-1669Y20	CAS 29, 32, CLK 10, CON 63, 67, 74-77, 81-84, MF 39, 40, 42, 43	FP-1810504	INT 78, 79, 81, 82, 87	FP-187420	AC 54, DOD 23-27, FOR 75-77, 81, GMC 60, 61, INT 99
FP-1670SB	CON 6, 7, 11-14, 23, 24, MF 8, 10, 14, 17	FP-1810510	INT 87	FP-1880CP	CLK 4, 5, WAU 5, 6, 11-15, 17, 18, 20, 21, 23, 24, 27, 28, 33, 37, WHF 11, 12, 20, 21, 23, 24, 30-33, 42, 44, 45, 52-56, 65, 66, 72
FP-167157	FOR 66, 82, 83, GMC 52, MB 7, 8	FP-1810744	INT 87	FP-1884Y20	CLK 4, WAU 3, 5, 6, 11-14, 17, 18, 20, 21, 23, 24, 27, 28, 30-33, 35-37, WHF 11, 12, 20-24, 30-33, 42-45, 52-56, 59, 65-69, 72-74, 78
FP-168306	FOR 59, 75, 82, 83, GMC 60, 61, INT 99, MB 8	FP-1810944	INT 87	FP-189763	FOR 80, GMC 63
FP-168349	WAU 44, 45	FP-1811581	INT 63, 70, 78, 79, 81, 82, 86, 87	FP-189770PR	FOR 80, GMC 63
FP-1684531	FOR 69	FP-181213	FOR 75, GMC 60, 61, INT 99	FP-189771PR	FOR 80, GMC 63
FP-1684531WP	FOR 69	FP-1813933	INT 87	FP-189772PR	FOR 80, GMC 63
FP-169154	DOD 14, FOR 59	FP-181449	DOD 23, FOR 70, 73, INT 96	FP-190397	DOD 22-25, FOR 82, 83, INT 99
FP-1694200	FOR 53	FP-1815264	INT 87	FP-190876	FOR 82, 83, MB 8
FP-1695P	INT 15	FP-1815374	INT 86, 87	FP-191970	FOR 75, 81, INT 99
FP-169630	DOD 14, FOR 59	FP-1815538	INT 87	FP-193736	FOR 59, 82, 83, INT 99, MB 8
FP-170296	DOD 26, FOR 75-77, GMC 60, 61, INT 99	FP-1815668	INT 87	FP-194037	FOR 59, 75, 82, 83, GMC 60, 61, INT 99, MB 8
FP-170664	FOR 82, 83	FP-1815674	INT 87	FP-195000	AC 52, DOD 14, FOR 59
FP-170942	FOR 82, 83, MB 8	FP-1816569	INT 61, 66, 75	FP-195952	INT 99
FP-171028	FOR 80, GMC 63	FP-1816593	INT 87	FP-1979322	FOR 78, 79, GMC 62
FP-172648	FOR 82, 83, MB 8	FP-1817188	INT 87	FP-1979322WS	FOR 78, 79, GMC 62
FP-173287	AC 52, DOD 19, 20, FOR 59-61	FP-1817188WP	INT 87	FP-1982PX	CLK 4, WAU 11-14, 20, 23, 24, WHF 20, 21, 23, 42, 43, 45, 55, 56
FP-173640S	DOD 14, 16, 19, 20, FOR 60, 61	FP-1817189	INT 87	FP-1992PX	AC 9, 11
FP-1737188	FOR 78, 79, GMC 62	FP-1817247	INT 87	FP-199347	FOR 82, 83, MB 8
FP-174316	FOR 42	FP-1817339	INT 87	FP-1995CP	CAS 24, CLK 7, 9, 11, CON 15, 16, 29-32, 53, 54, 60-62, 69, 70, MF 32, WHF 39, 48, 49, 57, 58
FP-1744Y20	INT 23, 30, 42, 43, 55, 56, 60, MIL 32, REO 3-8	FP-1817520	INT 87		
FP-1753M	AC 52, DOD 14, 16, 19, 20, FOR 59-61	FP-1817520WP	INT 87		
FP-175727	DOD 14, FOR 59	FP-1817562	INT 87		
		FP-1817645	INT 87		
		FP-1817646	INT 87		
		FP-1817661	INT 87		
		FP-1817687	INT 87		
		FP-1818446	INT 87		
		FP-1818552	INT 87		
		FP-1818580	INT 87		
		FP-1818702	INT 87		
		FP-1819547	INT 86, 87		
		FP-1822097	INT 87		

Numerical List

Part No.	Manufacturer and Line No.	Part No.	Manufacturer and Line No.	Part No.	Manufacturer and Line No.
FP-1995CPA	CAS 24, CLK 7, 9, 11, CON 15, 16, 29-32, 53, 54, 60-62, 69, 70, MF 32, WHF 39, 48, 49, 57, 58	FP-203170	FOR 80, GMC 63	FP-211059210	FOR 78, 79
FP-199821	FOR 73	FP-203426	FOR 66, 82, 83, GMC 52, MB 7, 8	FP-211196	WAU 44, 45
FP-2A4429	DOD 17, FOR 51-53, 65, 67-69, 78, 79, GMC 53, 62, MF 58, 59, WHF 81, 94	FP-203660PR	DOD 24-26, FOR 75-77, GMC 60, 61	FP-211315	FOR 82, 83, MB 8
FP-2M5558	FOR 53	FP-203661PR	DOD 24-26, FOR 75-77, GMC 60, 61	FP-211635	FOR 82, 83
FP-2N8943	DOD 17, FOR 51, 52, 65, 67, 68, GMC 53, MF 58, 59, WHF 94	FP-203662PR	DOD 24-26, FOR 75-77, GMC 60, 61	FP-211887	WAU 44, 45
FP-2S2251	FOR 78, 79	FP-203670PR	AC 54, DOD 22-26, FOR 70, 73, GMC 60, 61, INT 96	FP-211887A	WAU 44, 45
FP-2W0712	FOR 67, 68, GMC 53, MF 59	FP-203671PR	AC 54, DOD 22-26, FOR 70, 73, GMC 60, 61, INT 96	FP-211887B	WAU 44, 45
FP-2W1225	FOR 67, 68, GMC 53, MF 59	FP-203672PR	AC 54, DOD 22-26, FOR 70, 73, GMC 60, 61, INT 96	FP-211887C	WAU 44, 45
FP-2W1709	FOR 69	FP-203673PR	AC 54, DOD 22-26, FOR 70, 73, GMC 60, 61, INT 96	FP-211887E	WAU 44, 45
FP-2W3535	FOR 67, 68, GMC 53, MF 59	FP-203933	FOR 82, 83, MB 8	FP-211887F	WAU 44, 45
FP-2W4197	DOD 17, FOR 51, 52, 65, 67, 68, GMC 53, MF 58, 59, WHF 94	FP-204035	WAU 44, 45	FP-211887G	WAU 44, 45
FP-2W4390	FOR 51, 52, 67, 68, MF 59	FP-204035A	WAU 44, 45	FP-211915	FOR 75
FP-2W4831	FOR 67, 68, GMC 53, MF 59	FP-204036S	WAU 44, 45	FP-211999	DOD 24-27, FOR 75-77, 81, GMC 60, 61, INT 99
FP-2W483130	FOR 67, 68, GMC 53, MF 59	FP-204036T	WAU 44, 45	FP-212161	FOR 75, 82, 83, GMC 60, 61, INT 99, MB 8
FP-2W6134	FOR 69	FP-204135	WAU 44, 45	FP-212224	FOR 80, GMC 63
FP-2W8265	DOD 17, FOR 51, 52, 65, 67, 68, GMC 53, MF 58, 59, WHF 94	FP-204135A	WAU 44, 45	FP-212601	FOR 66, 82, 83, GMC 52, MB 7, 8
FP-2W8265S	DOD 17, FOR 51, 52, 65, 67, 68, GMC 53, MF 58, 59, WHF 94	FP-204165	FOR 75, GMC 60, 61, INT 99	FP-212603	FOR 82, 83, MB 8
FP-2W8265S10	DOD 17, FOR 51, 52, 67, 68, GMC 53, MF 58, 59	FP-204236K	WAU 44, 45	FP-213394	FOR 75, GMC 60, 61
FP-2W8265S30	DOD 17, FOR 51, 52, 67, 68, GMC 53, MF 58, 59	FP-204236L	WAU 44, 45	FP-213395	FOR 75, GMC 60, 61
FP-2W826510	FOR 67, 68, GMC 53, MF 59	FP-204236M	WAU 44, 45	FP-213485	FOR 75, 77, GMC 60, 61, INT 99
FP-2W82653R	FOR 67, 68, GMC 53, MF 59	FP-204236N	WAU 44, 45	FP-2137P	INT 10
FP-2W82653RS	DOD 17, FOR 67, 68, GMC 53, MF 59	FP-204586	FOR 75, 77, 82, 83, GMC 60, 61, INT 99, MB 8	FP-213768	FOR 82, 83, MB 8
FP-2W826530	DOD 17, FOR 51, 52, 67, 68, GMC 53, MF 58, 59	FP-20500L	WAU 44, 45	FP-214144	FOR 82, 83, MB 8
FP-2W8410	FOR 67, 68, GMC 53, MF 59	FP-205068	FOR 82, 83, MB 8	FP-214836	DOD 24-26, FOR 76, 77
FP-2W8411	FOR 67, 68, GMC 53, MF 59	FP-205071	FOR 82, 83, MB 8	FP-214950PR	DOD 24-26, FOR 75-77, GMC 60, 61, INT 99
FP-2W8412	FOR 67, 68, GMC 53, MF 59	FP-205091	FOR 82, 83, MB 8	FP-214951PR	DOD 24-26, FOR 75-77, GMC 60, 61, INT 99
FP-2W84123R	FOR 67, 68, GMC 53, MF 59	FP-205093	FOR 82, 83, MB 8	FP-214952PR	DOD 24-26, FOR 75-77, GMC 60, 61, INT 99
FP-2W8414	FOR 67, 68, GMC 53, MF 59	FP-205112	FOR 82, 83, MB 8	FP-214953	INT 99
FP-2W84143R	FOR 67, 68, GMC 53, MF 59	FP-205112S	FOR 82, 83, MB 8	FP-214954	INT 99
FP-2W8415	FOR 67, 68, GMC 53, MF 59	FP-205130N	WAU 44, 45	FP-215090	FOR 75, GMC 60, 61, INT 99
FP-2W84153R	FOR 67, 68, GMC 53, MF 59	FP-205130P	WAU 44, 45	FP-215233	INT 99
FP-2W8646	DOD 17, FOR 51, 52, 65, 67, 68, GMC 53, MF 58, 59, WHF 94	FP-205169	FOR 82, 83, MB 8	FP-215390	FOR 80, GMC 63
FP-2W8646S	DOD 17, FOR 51, 52, 65, 67, 68, GMC 53, MF 58, 59, WHF 94	FP-205216	FOR 82, 83, MB 8	FP-215966	DOD 24-26, FOR 76, 77, GMC 61, INT 99
FP-2W86463R	FOR 67, 68, GMC 53, MF 59	FP-205241	FOR 82, 83, MB 8	FP-215983	DOD 23, FOR 70, 73, INT 96
FP-2W86463RS	DOD 17, FOR 67, 68, GMC 53, MF 59	FP-205247	FOR 82, 83, MB 8	FP-216283	DOD 14, 16, 19, 20, FOR 59-61
FP-2W8647	DOD 17, FOR 51, 52, 65, 67, 68, GMC 53, MF 58, 59, WHF 94	FP-205258	FOR 82, 83, MB 8	FP-216284	DOD 14, 16, 19, 20, FOR 59-61
FP-2W8647S	DOD 17, FOR 51, 52, 65, 67, 68, GMC 53, MF 58, 59, WHF 94	FP-205269	FOR 82, 83, MB 8	FP-216484	FOR 66, GMC 52, MB 7
FP-2W86473R	FOR 67, 68, GMC 53, MF 59	FP-205289	FOR 82, 83, MB 8	FP-216486	INT 99
FP-20011	AC 26, 40, 48, FOR 37, 62, 63, GMC 38-40, 59, 64, MF 28, 45, MIL 35, 39, WHF 41	FP-205401	FOR 82, 83, MB 8	FP-216524	FOR 75, GMC 60, 61
FP-20014	AC 10, 26, 40, 48, FOR 37, GMC 38-40, MF 28, 45, MIL 35, WHF 41	FP-205462	FOR 82, 83, MB 8	FP-216879	DOD 23, FOR 70, 73, INT 96
FP-20022	AC 26, 40, 48, FOR 37, 62, 63, GMC 38-40, 59, 64, MF 28, 45, MIL 35, 39, WHF 41	FP-205463	FOR 82, 83, MB 8	FP-2170P	FRD 9, FRT 16
FP-200307	DOD 16, 19, 20, 22, 23, 25, FOR 60, 61	FP-205492	FOR 82, 83, MB 8	FP-217321	FOR 75
FP-20042	FOR 71, 74	FP-205504P	WAU 44, 45	FP-217322	FOR 82, 83, MB 8
FP-20044	FOR 71	FP-205671	INT 75	FP-217323	FOR 75, INT 99
FP-20045	FOR 71	FP-205673	INT 75	FP-217638	INT 99
FP-200680	AC 54, FOR 70, INT 96	FP-205840	FOR 82, 83, MB 8	FP-218153	FOR 75, GMC 60, 61, INT 99
FP-200710	AC 54	FP-205841	FOR 82, 83, MB 8	FP-218211	INT 86, 87
FP-2007105	AC 10	FP-205842	FOR 82, 83, MB 8	FP-2185CP	WHF 37, 38, 46, 47
FP-200780	FOR 80, GMC 63	FP-205843	FOR 82, 83, MB 8	FP-2186P	AC 12, MF 18, 25, PER 6-8, 11, 12, 25, 26
FP-200790	FOR 80, GMC 63	FP-2059P	INT 37	FP-2190595	AC 10, 26, 40, 48, FOR 37, GMC 38-40, MF 28, 45, MIL 35, WHF 41
FP-200800	DOD 16	FP-2060P	INT 48	FP-219153	DOD 24-26, FOR 76, 77, INT 99
FP-200861	FOR 75, 82, 83, GMC 60, 61, MB 8	FP-206021	FOR 82, 83, MB 8	FP-2193PX	CAS 41, MF 53, PER 29, 30, WHF 82, 83
FP-200998	FOR 82, 83, MB 8	FP-206224	FOR 82, 83, MB 8	FP-2195CP	DOD 15, 18, INT 90
FP-2015CPA	AC 12, FRT 7, 8, MF 16, 18, 25, 46, PER 4-12, 23-26	FP-206576	FOR 82, 83, MB 8	FP-2206783	FOR 1, 19, GMC 2, 20, 59, 64, 65, MIL 31
FP-201745	FOR 82, 83, MB 8	FP-206808	FOR 82, 83, MB 8	FP-2212600	CAS 5, 11, 24, CLK 3, 10, CON 8-10, 17, 18, 25, 26, 31, 32, 39, 40, 53, 54, 60-62, 64, 70, MF 9, 15, 20, 32, WHF 19, 25, 26, 48, 49
FP-2019Y20	AC 12, FRT 7, 8, MF 16, 18, 25, 46, PER 4-9, 11, 12, 23-26	FP-206948	FOR 82, 83, MB 8	FP-2212601	CAS 11, 24, CLK 3, 10, CON 8-10, 17, 18, 25, 26, 31, 32, 53, 54, 60-62, 64, 70, MF 9, 15, 20, 32, WHF 19, 25, 26, 48, 49
FP-201950	FOR 59	FP-206973	FOR 82, 83, MB 8	FP-2212603A	CAS 5, 11, 24, CLK 3, 10, CON 8-10, 17, 18, 25, 26, 31, 32, 39, 40, 53, 54, 60-62, 64, 70, MF 9, 15, 20, 32, WHF 19, 25, 26, 48, 49
FP-2030SB	INT 46, 49, 51, 54	FP-207117	FOR 82, 83, MB 8	FP-221410	AC 3, CAS 2, 4, WHF 7, WIS 18, 21, 22
FP-203070	AC 54, DOD 23, FOR 70, 73, INT 96	FP-207244	FOR 82, 83, MB 8	FP-221436	FOR 57, 58, 62, 63, GMC 48, 49, MIL 39
FP-203131	FOR 24, 49, 50, 82, 83, MB 2, 5, 6, 8	FP-207245	FOR 82, 83, MB 8	FP-2214701	AC 17, FRD 2, 8, 9, FRT 4-6, 15, 16
		FP-207448	FOR 82, 83, MB 8	FP-2214703	CON 7, 11, 12, MF 8, 10
		FP-207806	WAU 44, 45		
		FP-207827	WAU 44, 45		
		FP-2079P	INT 43		
		FP-2080P	INT 23, 30, 56		
		FP-208084	FOR 82, 83, MB 8		
		FP-208128	FOR 75, GMC 60, 61, INT 99		
		FP-2082031	AC 10		
		FP-2082032	AC 10		
		FP-208943	WAU 44, 45		
		FP-209700	FOR 75, GMC 60, 61, INT 99		
		FP-2103P	WHF 79, 85, 90, 97		
		FP-2104593	AC 10		
		FP-2105CP	INT 15, 22, 24, 25, 27		
		FP-2109Y20	INT 24, 26		
		FP-2110592	FOR 78, 79		

Numerical List

Part No.	Manufacturer and Line No.	Part No.	Manufacturer and Line No.	Part No.	Manufacturer and Line No.
FP-2214707S	AC 6, FRT 3	FP-23500480	AC 10, 26, 40, 48, FOR 37, 47, 48, 62, 63, GMC 38-40, 46, 47, 59, 64, MF 28, 45, MIL 35, 39, WHF 41	FP-23503588	FOR 57, 58, GMC 48, 49
FP-2214709	CON 13, 14, 23, 24, MF 14, 17			FP-23503649	FOR 57, 58, 62, 63, GMC 48, 49, MIL 39
FP-2214710	AC 17, FRD 2, 8, 9, FRT 4-6, 15, 16	FP-23500501	AC 26, 40, 48, FOR 37, 62, 63, GMC 38-40, 59, 64, MF 28, 45, MIL 35, 39, WHF 41	FP-23503687	AC 10, FOR 57, 58, 62, 63, GMC 48, 49, MIL 39
FP-2214710S	AC 17, FRD 2, 8, 9, FRT 4-6, 15, 16			FP-23503704	FOR 57, 58, 71, 74, GMC 48, 49, 57, 58, 65
FP-2214711S	CON 13, 14, 23, 24, MF 14, 17	FP-23500517	FOR 57, 58, 62, 63, GMC 48, 49, MIL 39	FP-23503706	FOR 57, 58, 62, 63, GMC 48, 49, 57-59, 64, 65, MIL 39
FP-2215CPA	WAU 20, 27, 28, 33, 37, WHF 52-54, 65-69, 72, 74	FP-23500533	AC 26, 40, FOR 37, 57, 58, 62, 63, GMC 38-40, 48, 49, 57-59, 64, 65, MF 28, 45	FP-23503707	AC 26, 40, 48, FOR 1, 19, 37, 62, 63, 71, 74, GMC 2-4, 20, 38-40, 59, 64, MF 28, 45, MIL 35, 39, WHF 40, 41
FP-2216P	AC 13, 28	FP-23500714	AC 10, 26, 40, 48, DOD 21, FOR 37, 56-58, 62-64, 72, GMC 38-40, 48-51, 57-59, 64, 65, MF 28, 45, MIL 35, 39, WHF 41	FP-23503709	AC 26, 40, 48, FOR 37, 57, 58, 62, 63, GMC 38-40, 48, 49, 57-59, 64, 65, MF 28, 45, MIL 35, 39, WHF 41
FP-223233	CAS 24, CLK 7, CON 53, 54, 60, 61, MF 32	FP-23500883	GMC 57, 65	FP-23503727	AC 26, 40, 48, FOR 19, 37, 57, 58, 62, 63, GMC 20, 38-40, 48, 49, 57-59, 64, 65, MF 28, 45, MIL 31, 35, 39, WHF 41
FP-223234A	CAS 24, CLK 7, CON 53, 54, 60, 61, MF 32	FP-23501026	FOR 57, 58, GMC 48, 49	FP-23503747	FOR 71, 74
FP-2241CP10	AC 33, 44, CAS 33, HER 21, 24, 27, 30-34, 37, 38, 41-43, MF 44, 52, WHF 36, 51, 62, 77, 81	FP-23501029	FOR 57, 58, GMC 48, 49	FP-23503769	AC 40, 48, FOR 37, 57, 58, 62, 63, GMC 38-40, 48, 49, 57-59, 64, 65, MF 45, MIL 35, 39
FP-2241CP20	AC 33, 44, CAS 33, HER 21, 24, 27, 30-34, 37, 38, 41-43, MF 44, 52, WHF 36, 51, 62, 77, 81	FP-23501143	AC 10, 26, 40, 48, FOR 37, 57, 58, GMC 38-40, 48, 49, 57-59, 64, 65, MF 28, 45, MIL 35, WHF 41	FP-23503779	GMC 4
FP-2241CP30	AC 33, 44, CAS 33, HER 21, 24, 27, 30-34, 37, 38, 41-43, MF 44, 52, WHF 36, 51, 62, 77, 81	FP-23501520	FOR 1, 19, GMC 1-3, 20, MIL 31, WHF 40	FP-23503796	FOR 19, 57, 58, GMC 3, 4, 20, 48, 49, 57, 58, 65, MIL 31, WHF 40
FP-2242CP10	AC 44, CAS 33, HER 30, 32, 34, 37, 38, 41-43, MF 44, 52, WHF 51, 62, 77, 81	FP-23501521	FOR 1, 19, GMC 1-4, 20, MIL 31, WHF 40	FP-23503810	GMC 4
FP-2242CP20	AC 44, CAS 33, HER 30, 32, 34, 37, 38, 41-43, MF 44, 52, WHF 51, 62, 77, 81	FP-23501545	GMC 48, 57-59, 64, 65	FP-23503819	GMC 4
FP-2242CP30	AC 44, CAS 33, HER 30, 32, 34, 37, 38, 41-43, MF 44, 52, WHF 51, 62, 77, 81	FP-23501576	FOR 71, 74	FP-23503821	AC 26, 40, 48, FOR 37, GMC 38-40, MF 28, 45, MIL 35, WHF 41
FP-2243CP10	AC 33, 44, CAS 33, HER 21, 24, 27, 30-34, 37, 38, 41-43, MF 44, 52, WHF 36, 51, 62, 77, 81	FP-23501577	FOR 71, 74	FP-23503825	FOR 57, 58, GMC 3, 4, 20, 48, 49, 57-59, 64, 65, MIL 39
FP-2243CP20	AC 33, 44, CAS 33, HER 21, 24, 27, 30-34, 37, 38, 41-43, MF 44, 52, WHF 36, 51, 62, 77, 81	FP-23501580	FOR 71, 74	FP-23503826	AC 26, 40, 48, FOR 37, 57, 58, 62, 63, GMC 38-40, 48, 49, 57-59, 64, 65, MF 28, 45, MIL 35, 39, WHF 41
FP-2243CP30	AC 33, 44, CAS 33, HER 21, 24, 27, 30-34, 37, 38, 41-43, MF 44, 52, WHF 36, 51, 62, 77, 81	FP-23501584	FOR 62, 63, GMC 59, 64, MIL 39	FP-23503827	AC 26, 40, 48, FOR 37, 71, 74, GMC 38-40, MF 28, 45, MIL 35, WHF 41
FP-2244CP10	AC 33, 44, CAS 33, HER 21, 24, 27, 30-34, 37, 38, 41-43, MF 44, 52, WHF 36, 51, 62, 77, 81	FP-23501587	FOR 57, 58, 62, 63, GMC 48, 49, 57-59, 64, MIL 39	FP-23503828	AC 48, FOR 37, 62, 63, GMC 38-40, MIL 35, 39
FP-2244CP20	AC 33, 44, CAS 33, HER 21, 24, 27, 30-34, 37, 38, 41-43, MF 44, 52, WHF 36, 51, 62, 77, 81	FP-23501589	AC 26, 40, 48, FOR 37, 57, 58, 62, 63, GMC 38-40, 48, 49, 57-59, 64, MF 28, 45, MIL 35, 39, WHF 41	FP-23503948	GMC 4
FP-2244CP30	AC 33, 44, CAS 33, HER 21, 24, 27, 30-34, 37, 38, 41-43, MF 44, 52, WHF 36, 51, 62, 77, 81	FP-23501590	FOR 62, 63, GMC 59, 64, MIL 39	FP-23504236	AC 26, 40, 48, FOR 19, 37, 57, 58, 62, 63, GMC 20, 38-40, 48, 49, MF 28, 45, MIL 31, 35, 39, WHF 41
FP-2244CP10	AC 33, 44, CAS 33, HER 21, 24, 27, 30-34, 37, 38, 41-43, MF 44, 52, WHF 36, 51, 62, 77, 81	FP-23501591	AC 26, 40, 48, FOR 19, 37, GMC 20, 38-40, MF 28, 45, MIL 31, 35, WHF 41	FP-23504304	FOR 57, 58, GMC 48, 49, 57, 58, 65
FP-2244CP20	AC 33, 44, CAS 33, HER 21, 24, 27, 30-34, 37, 38, 41-43, MF 44, 52, WHF 36, 51, 62, 77, 81	FP-23501595	GMC 57, 58	FP-23504305	AC 26, 40, FOR 37, 62, 63, GMC 38-40, 48, 49, MF 28, 45, MIL 35, 39, WHF 41
FP-2244CP30	AC 33, 44, CAS 33, HER 21, 24, 27, 30-34, 37, 38, 41-43, MF 44, 52, WHF 36, 51, 62, 77, 81	FP-23501596	FOR 62, 63, GMC 59, 64, MIL 39	FP-23504353	FOR 56-58, GMC 48, 49, 58
FP-22441130	AC 17, FRT 4, 15	FP-23501610	GMC 48, 57-59, 64, 65	FP-23504426	AC 26, 40, 48, FOR 19, 37, 57, 58, GMC 20, 38-40, 48, 49, MF 28, 45, MIL 31, 35, WHF 41
FP-22441135	AC 17, FRD 2, 8, 9, FRT 15, 16	FP-23501660	FOR 57, 58, 62, 63, GMC 48, 49, MIL 39	FP-23504528	AC 10, 26, 40, 48, FOR 1, 19, 37, 57, 58, GMC 1-4, 20, 38-40, 48, 49, 57, 58, 65, MF 28, 45, MIL 31, 35, WHF 40, 41
FP-22441137	FRD 2, 3, 8, 9, 11, 12, FRT 5, 6, 16, 18, 19	FP-23501687	AC 26, 40, 48, DOD 21, FOR 37, 56-58, 62, 63, 72, GMC 38-40, 48, 49, 57-59, 64, 65, MF 28, 45, MIL 35, 39, WHF 41	FP-23504892	AC 26, 40, 48, FOR 1, 19, 37, GMC 2-4, 20, 38-40, MF 28, 45, MIL 35, WHF 40, 41
FP-22441171	CON 60, 61, MF 32	FP-23501837	FOR 57, 58, 62, 63, GMC 48, 49, 57-59, 64, MIL 39	FP-23504931	AC 10, 26, 40, 48, FOR 37, GMC 38-40, MF 28, 45, MIL 35, WHF 41
FP-2244130	CLK 2, CON 3, 4, INT 3, MF 3, WHF 3	FP-23502020	AC 26, 40, 48, FOR 37, 62, 63, GMC 38-40, 59, 64, MF 28, 45, MIL 35, 39, WHF 41	FP-23504932	AC 10, 26, 40, 48, FOR 37, GMC 38-40, MF 28, 45, MIL 35, WHF 41
FP-2244132	CAS 5, 24, CLK 7, CON 9, 10, 25, 26, 53, 54, 60, 61, MF 32, WHF 25	FP-23502021	AC 26, 40, 48, DOD 21, FOR 37, 62-64, GMC 38-40, 50, 51, 59, 64, MF 28, 45, MIL 35, 39, WHF 41	FP-23504933	AC 10, 26, 40, 48, FOR 37, GMC 38-40, MF 28, 45, MIL 35, WHF 41
FP-2244137	CAS 5, 24, CLK 7, CON 9, 10, 25, 26, 31, 32, 53, 54, 60, 61, MF 32, WHF 25	FP-23502022	AC 26, 40, 48, FOR 37, 62, 63, GMC 38-40, 59, 64, MF 28, 45, MIL 35, 39, WHF 41	FP-23504934	AC 10, 26, 40, 48, FOR 37, GMC 38-40, MF 28, 45, MIL 35, WHF 41
FP-22441979	FRD 10, 14, FRT 10, 12, 13, 17, 20, 21, 23, 24, 26, 30-32, 36, 37	FP-23502023	AC 26, 40, 48, FOR 37, GMC 38-40, 59, 64, MF 28, 45, MIL 35, WHF 41	FP-23504935	AC 26, 40, 48, FOR 37, GMC 38-40, 59, 64, MF 28, 45, MIL 35, WHF 41
FP-22441993	FRT 36, 37	FP-23502024	AC 26, 40, 48, DOD 21, FOR 37, 64, GMC 38-40, 50, 51, 59, 64, MF 28, 45, MIL 35, WHF 41	FP-23504936	AC 26, 40, 48, DOD 21, FOR 37, 62-64, GMC 38-40, 50, 51, 59, 64, MF 28, 45, MIL 35, 39, WHF 41
FP-22443367S	INT 23, 37, 48, 56, 57, 59	FP-23502025	AC 26, 40, 48, FOR 37, GMC 38-40, 59, 64, MF 28, 45, MIL 35, WHF 41	FP-23504941	FOR 71, 74
FP-22443374	FRT 4	FP-23502067	FOR 47, 48, GMC 46, 47	FP-23504946	GMC 4
FP-22443459	PER 11, 12	FP-23502068	FOR 47, 48, GMC 46, 47	FP-23505024	FOR 71, 74
FP-2245CPA	FOR 22, FRT 44	FP-23502165*	GMC 59	FP-23505052	FOR 56-58, GMC 48, 49
FP-2245CPA20	FRT 44	FP-23502615	FOR 57, 58, 62, 63, GMC 48, 49, 57-59, 64, 65, MIL 39	FP-23505248	FOR 71, 74
FP-22451106	AC 6, FRT 3	FP-23502616	FOR 57, 58, 62, 63, GMC 48, 49, 57, 58, MIL 39	FP-23505305	AC 26, 40, 48, DOD 21, FOR 37, 62-64, GMC 38-40, 50, 51, 59, 64, MF 28, 45, MIL 35, 39, WHF 41
FP-22451107	AC 6, FRT 3	FP-23502879	FOR 71, 74	FP-23505306	AC 26, 40, 48, FOR 37, 62, 63, GMC 38-40, 59, 64, MF 28, 45, MIL 35, 39, WHF 41
FP-2245133	CON 7, 11-14	FP-23503535	AC 26, 40, 48, FOR 1, 19, 37, 57, 58, 71, 74, GMC 2-4, 20, 38-40, 48, 49, 57, 58, 65, MF 28, 45, MIL 31, 35, WHF 40, 41		
FP-224614138	AC 6, FRT 3				
FP-224614139	AC 6, FRT 3				
FP-2248BF	FOR 2, 22, 28, FRB 4, 6, 7, FRD 16, 37, 38, FRT 22, 27, 28, 44				
FP-2273P	INT 33, 59				
FP-2274P	AC 18, 36				
FP-2281PN	AC 47				
FP-2323233	FOR 53, 69				
FP-232323340	FOR 53, 69				
FP-23500462	FOR 47, 48, GMC 46, 47				
FP-23500463	FOR 47, 48, GMC 46, 47				

Numerical List

Part No.	Manufacturer and Line No.	Part No.	Manufacturer and Line No.	Part No.	Manufacturer and Line No.
FP-235030630	DOD 21, FOR 64, GMC 50, 51	FP-23506870	AC 26, 40, 48, FOR 37, GMC 38-40, MF 28, 45, MIL 35, WHF 41	FP-23514265	AC 26, 40, 48, FOR 37, 57, 58, 62, 63, GMC 38-40, 48, 49, MF 28, 45, MIL 35, 39, WHF 41
FP-23505308	AC 10, 26, 40, 48, FOR 37, GMC 38-40, MF 28, 45, MIL 35, WHF 41	FP-23507073	FOR 71, 74	FP-23514371	FOR 71, 74
FP-23505309	AC 10, 26, 40, 48, FOR 37, GMC 38-40, MF 28, 45, MIL 35, WHF 41	FP-23507225	AC 10, 26, 40, 48, FOR 37, 62, 63, GMC 38-40, 59, 65, MF 28, 45, MIL 35, 39, WHF 41	FP-23514608	FOR 57, 58, GMC 48, 49, 57, 58
FP-235053091	AC 10	FP-23507226	FOR 57, 58, GMC 48, 49, 57, 58, 64, 65	FP-23514965	AC 26, 40, FOR 37, 62, 63, GMC 38-40, 59, 64, MF 28, 45, MIL 39
FP-2350530910	AC 10	FP-23507231	FOR 56-58, GMC 48, 49, 58	FP-23514970	AC 26, 40, DOD 21, FOR 37, 62-64, GMC 38-40, 50, 51, 59, 64, MF 28, 45, MIL 39
FP-2350530920	AC 10	FP-235072311	FOR 56-58, GMC 48, 49, 58	FP-23515145	AC 26, 40, 48, FOR 1, 19, 37, 57, 58, 62, 63, 71, 74, GMC 1-4, 20, 38-40, 48, 49, 57-59, 64, 65, MF 28, 45, MIL 31, 35, 39, WHF 40, 41
FP-2350530930	AC 10	FP-23507238	AC 10, 26, 40, 48, CAS 15, FOR 37, 47, 48, 62, 63, GMC 38-40, 46, 47, 59, 64, MF 28, 45, MIL 35, 39, WHF 41	FP-23515470	FOR 71, 74
FP-235053095	AC 10	FP-23507306	AC 40, 48, FOR 37, 57, 58, 62, 63, GMC 38-40, 48, 49, 57-59, 64, 65, MF 45, MIL 35, 39	FP-23515500	FOR 71, 74
FP-23505397	AC 10	FP-23507438	FOR 71, 74	FP-23515581	FOR 71, 74
FP-23505398	AC 26, 40, FOR 37, 57, 58, GMC 38-40, 48, 49, 57, 58, 65, MF 28, 45	FP-23507504	FOR 71, 74	FP-23515582	FOR 71, 74
FP-23505479	AC 48, FOR 37, 62, 63, GMC 38-40, MIL 35, 39	FP-23507896	FOR 62, 63	FP-23515583	FOR 71, 74
FP-23505518	AC 26, 40, 48, FOR 37, GMC 38-40, MF 28, 45, MIL 35, WHF 41	FP-23507971	AC 26, 40, 48, DOD 21, FOR 19, 37, 56-58, 64, 72, GMC 20, 38-40, 48-51, MF 28, 45, MIL 14, 31, 35, WHF 41	FP-23515584	FOR 71, 74
FP-23505525	AC 10, 26, 40, 48, FOR 19, 37, GMC 20, 38-40, MF 28, 45, MIL 31, 35, WHF 41	FP-23508383	FOR 56-58, GMC 48, 49	FP-23515597	FOR 71
FP-23505643	FOR 71, 74	FP-23508392	FOR 71, 74	FP-23515599	FOR 74
FP-23505729	FOR 71, 74	FP-23508986	FOR 56-58, GMC 48, 49, 57, 58, 65	FP-23515630	AC 26, 40, FOR 37, GMC 38-40, MF 28, 45
FP-23505879	FOR 71, 74	FP-23509105	FOR 71, 74	FP-23516322	FOR 71, 74
FP-23505896	FOR 71, 74	FP-23509203	FOR 71, 74	FP-23516636	FOR 1, 19, GMC 1-4, 20, MIL 31, WHF 40
FP-23505992	FOR 71, 74	FP-23509204	FOR 71, 74	FP-23516681	FOR 1, 19, 57
FP-23505993	FOR 1, 19, GMC 2, 20, MIL 31	FP-23511129	AC 10, 26, 40, 48, FOR 37, GMC 38-40, MF 28, 45, MIL 35, WHF 41	FP-23516871	FOR 1, 19, 57, 58, 62, 63, GMC 1-4, 20, 48, 49, 57-59, MIL 31, 39, WHF 40
FP-23505994	FOR 1, 19, GMC 2, 20, MIL 31	FP-23511131	AC 10, 26, 40, 48, FOR 37, GMC 38-40, MF 28, 45, MIL 35, WHF 41	FP-23516969	FOR 71, 74
FP-23505995	FOR 57, 58, 62, 63, GMC 48, 49, MIL 39	FP-23511133	AC 10, 26, 40, 48, FOR 37, GMC 38-40, MF 28, 45, MIL 35, WHF 41	FP-23517217	AC 26, 40, 48, DOD 21, FOR 37, 56-58, 62-64, 72, GMC 38-40, 48-51, 57-59, 64, 65, MF 28, 45, MIL 35, 39, WHF 41
FP-23505997	AC 26, 40, 48, FOR 37, GMC 38-40, MF 28, 45, MIL 35, WHF 41	FP-23511135	AC 10, 26, 40, 48, FOR 37, GMC 38-40, MF 28, 45, MIL 35, WHF 41	FP-23517242	FOR 71, 74
FP-23505998	AC 26, 40, 48, FOR 37, GMC 38-40, MF 28, 45, MIL 35, WHF 41	FP-23511137	AC 10, 26, 40, 48, FOR 37, GMC 38-40, MF 28, 45, MIL 35, WHF 41	FP-23517623	FOR 1, GMC 2
FP-23505999	FOR 57, 58, 62, 63, GMC 48, 49, MIL 39	FP-23511304	FOR 57, 58, 62, 63, GMC 48, 49, 57-59, 64, MIL 39	FP-23517623WS	FOR 1, GMC 2
FP-23506003	FOR 1, 19, GMC 2, 20, MIL 31	FP-23511574	FOR 47, 48, 57, 58, 62, 63, 71, 74, GMC 46-49, 57-59, 64, 65, MIL 39	FP-23517624	GMC 3, 4, WHF 40
FP-23506007	FOR 1, 19, GMC 2, 20, MIL 31	FP-23511666	FOR 71, 74	FP-23517624WS	GMC 3, 4, WHF 40
FP-23506009	FOR 1, GMC 2	FP-23511745	FOR 71, 74	FP-23517625	GMC 1
FP-23506011	FOR 19, GMC 20, MIL 31	FP-23511746	FOR 71, 74	FP-23517625WS	GMC 1
FP-23506053	FOR 57, 58, 62, 63, GMC 48, 49, MIL 39	FP-23511747	FOR 71, 74	FP-23517875	FOR 71, 74
FP-23506153	FOR 71, 74	FP-23511959	FOR 71, 74	FP-23517911	FOR 71, 74
FP-23506244	FOR 1, 47, 48, GMC 2, 46, 47	FP-23511964	FOR 71, 74	FP-23517912	FOR 71, 74
FP-23506247	FOR 71, 74	FP-23511991	FOR 71, 74	FP-23517973	FOR 71, 74
FP-23506248	AC 26, 40, 48, FOR 1, 19, 37, 57, 58, 62, 63, GMC 2, 20, 38-40, 48, 49, MF 28, 45, MIL 31, 35, 39, WHF 41	FP-23511992	FOR 71, 74	FP-23518178	FOR 71, 74
FP-23506306	FOR 1, 19, GMC 2-4, 20, WHF 40	FP-23512048	FOR 71, 74	FP-23518355	FOR 71, 74
FP-23506325	FOR 71, 74	FP-23512243	AC 10, 26, 40, 48, FOR 1, 19, 37, 47, 48, 62, 63, GMC 1-4, 20, 38-40, 46-48, 57-59, 64, 65, MF 28, 45, MIL 31, 35, 39, WHF 40, 41	FP-23518571	FOR 71, 74
FP-23506350+	FOR 71, 74	FP-23512307	FOR 71, 74	FP-23518572	FOR 71, 74
FP-23506366	FOR 62, 63, MIL 39	FP-23512418	FOR 62, 63, GMC 57, 58, MIL 39	FP-23518811	AC 10
FP-23506469	AC 26, 40, FOR 57, 58, 62, 63, GMC 48, 49, 57-59, 64, 65, MF 28, 45, MIL 39, WHF 41	FP-23512674	AC 26, MF 28, WHF 41	FP-23519624	FOR 71, 74
FP-23506522	FOR 62, 63, GMC 59, 64, MIL 39	FP-23512675	AC 40, MF 45	FP-23519635	FOR 71, 74
FP-23506545	FOR 71, 74	FP-23512675WS	AC 40, MF 45	FP-23519637	FOR 71, 74
FP-23506546	FOR 71, 74	FP-23512676	AC 48, FOR 37, GMC 38-40, MIL 35	FP-23519646	FOR 71, 74
FP-23506549	FOR 71, 74	FP-23512676WS	AC 48, FOR 37, GMC 38-40, MIL 35	FP-23520012	FOR 62, 63, GMC 57, 58, 64, 65
FP-23506553	FOR 71, 74	FP-23512680	FOR 62, 63, MIL 39	FP-23520019	FOR 57, 58, GMC 48, 49, 59
FP-23506556	FOR 71, 74	FP-23512680WS	DOD 21, FOR 62-64, GMC 50, 51, MIL 39	FP-23520377	FOR 71, 74
FP-23506560	FOR 71, 74	FP-23512681	GMC 59	FP-23520818	FOR 71, 74
FP-23506564	FOR 71, 74	FP-23512681WS	GMC 59	FP-23520820	FOR 71, 74
FP-23506602	FOR 57, 58, GMC 48, 49	FP-23512682	GMC 64	FP-23521649	FOR 71, 74
FP-23506605	FOR 1, 19, GMC 2, 20, MIL 31	FP-23512682WS	GMC 64	FP-23521802	FOR 74
FP-23506606	FOR 1, 19, GMC 2, 20, MIL 31	FP-23512683	FOR 57, 58, GMC 48, 49	FP-23521894	FOR 71, 74
FP-23506704	AC 26, 40, 48, FOR 37, GMC 38-40, MF 28, 45, MIL 35, WHF 41	FP-23512684	FOR 57, 58, GMC 48, 49	FP-23521935	FOR 71, 74
FP-23506711	AC 26, 40, 48, FOR 37, GMC 38-40, MF 28, 45, MIL 35, WHF 41	FP-23512684WS	FOR 56-58, GMC 48, 49	FP-23521992	AC 26, 40, 48, FOR 37, GMC 38-40, MF 28, 45, MIL 35, WHF 41
FP-23506723	AC 26, 40, 48, FOR 37, GMC 38-40, MF 28, 45, MIL 35, WHF 41	FP-23512685	GMC 57, 58	FP-23522026	AC 26, 40, 48, FOR 37, 62, 63, GMC 38-40, 59, 64, MF 28, 45, MIL 35, 39, WHF 41
FP-23506735	AC 26, 40, 48, FOR 37, GMC 38-40, MF 28, 45, MIL 35, WHF 41	FP-23512685WS	FOR 72, GMC 57, 58	FP-23522070	AC 26, 40, 48, FOR 37, 62, 63, GMC 38-40, 59, 64, MF 28, 45, MIL 35, 39, WHF 41
FP-23506851	AC 26, 40, 48, FOR 37, GMC 38-40, MF 28, 45, MIL 35, WHF 41	FP-23512687	GMC 65	FP-23522269	FOR 71, 74
FP-23506852	FOR 57, 58, 62, 63, GMC 48, 49, MIL 39	FP-23512690	FOR 19, GMC 20, MIL 31	FP-23522279	FOR 71, 74
FP-23506858	AC 26, 40, 48, FOR 37, GMC 38-40, MF 28, 45, MIL 35, WHF 41	FP-23512690WS	FOR 19, GMC 20, MIL 31	FP-23522433	FOR 71, 74
FP-23506863	FOR 1, 19, GMC 2, 20, MIL 31	FP-23513578	FOR 71, 74	FP-23522475	AC 26, 40, 48, FOR 37, GMC 38-40, MF 28, 45, MIL 35, WHF 41
FP-23506864	FOR 1, 19, GMC 2, 20, MIL 31	FP-23513842	FOR 71, 74	FP-23522497	GMC 59, 64
FP-23506865	FOR 1, 19, GMC 2, 20, MIL 31			FP-23522521	AC 26, 40, 48, DOD 21, FOR 37, 62-64, GMC 38-40, 50, 51, 59, 64, MF 28, 45, MIL 35, 39, WHF 41
FP-23506869	FOR 1, 19, GMC 2, 20, MIL 31				

Numerical List

Part No.	Manufacturer and Line No.	Part No.	Manufacturer and Line No.	Part No.	Manufacturer and Line No.
FP-23522525	AC 26, 40, 48, DOD 21, FOR 37, 62-64, GMC 38-40, 50, 51, 59, 64, MF 28, 45, MIL 35, 39, WHF 41	FP-2409Y	AC 10, 26, 40, 48, DOD 21, FOR 37, 56-58, 62-64, 72, GMC 38-40, 48-51, 57-59, 64, 65, MF 28, 45, MIL 35, 39, WHF 41	FP-2601355	CAS 11, CON 9, 10, 15, 16, 18, 25, 26, 29-32, MF 9, 15, 20, WHF 19, 25, 26
FP-23522534	AC 26, 40, FOR 37, 62, 63, GMC 38-40, 59, 64, MF 28, 45, MIL 39	FP-2412PN	INT 71	FP-2601356	AC 6, FRT 3
FP-23522535	AC 26, 40, 48, FOR 37, 62, 63, GMC 38-40, 59, 64, MF 28, 45, MIL 35, 39, WHF 41	FP-2417PN	FRT 17, 31	FP-2601357	FRT 4
FP-23522947	AC 26, 40, 48, DOD 21, FOR 37, 62-64, GMC 38-40, 50, 51, 59, 64, MF 28, 45, MIL 35, 39, WHF 41	FP-2425CP	HER 10, INT 10, MF 11, MIL 1, 2, 4, 5, WAU 9, WIS 19, 20, 23	FP-2601358	AC 17, FRT 15
FP-23522949	AC 26, 40, 48, FOR 37, 62, 63, GMC 38-40, 59, 64, MF 28, 45, MIL 35, 39, WHF 41	FP-2439P	AC 12, MF 18, 25, PER 7, 8, 11, 12	FP-2601359	AC 17, FRT 15
FP-2352294930	DOD 21, FOR 64, GMC 50, 51	FP-2440SB	AC 25, 27, LER 2-5	FP-2601360	FRT 16
FP-23522951	AC 26, 40, 48, DOD 21, FOR 37, 62-64, GMC 38-40, 50, 51, 59, 64, MF 28, 45, MIL 35, 39, WHF 41	FP-2442P	INT 49, 51	FP-2601361	FRT 10-14, 17
FP-23522954	AC 26, 40, FOR 37, GMC 38-40, MF 28, 45	FP-2450CPA	AC 45, 46, 50, 51, BUD 18, 19	FP-2601362	FRT 30-33
FP-23522955	AC 26, 40, FOR 37, 62, 63, GMC 38-40, 59, 64, MF 28, 45, MIL 39	FP-24512501	CON 11-14, MF 10, 14, 17	FP-2601363	FRT 20, 21, 23-26
FP-23522975	FOR 71, 74	FP-24513121	CLK 1, 2, CON 3-5, INT 3, 5, MF 3, WHF 3	FP-2601364	FRT 24-26
FP-23523101	FOR 56-58, GMC 48, 49, 58	FP-2451348E1N	CAS 5, 6, 11-13, 24, CLK 3, 7, 9, 11, CON 9, 10, 17, 18, 25, 26, 31, 32, 35, 36, 39, 40, 53, 54, 62, 70, MF 20-22, WHF 19, 25, 26	FP-2601365	FRT 37-40
FP-23523930	FOR 71, 74	FP-24513753	CAS 11, 24, CLK 3, 7, CON 9, 10, 15-18, 25, 26, 39, 40, 49, 50, 53, 54, 60, 61, MF 32, WHF 19, 25, 26, 48, 49	FP-2601366	FRD 46, 47, FRT 45, 46
FP-23524191	FOR 57, 58, GMC 48, 49, 58	FP-24513755	AC 3, CAS 1, 2, 4, INT 4, 23, 30, MF 1, 6, WHF 1, 2, 4-7, WIS 3, 4, 6, 9, 17, 18, 21, 22	FP-2601367	INT 6
FP-23524192	FOR 57, 58, GMC 48, 49, 57, 58, 65	FP-24516253	CON 74, 75, 81, 82, MF 39, 42	FP-2601368	INT 7, 10
FP-23524337	FOR 56-58, GMC 48, 49, 58	FP-24516701	AC 47, 49	FP-2601369	INT 10, 11, 14, 16
FP-235243371	FOR 56-58, GMC 48, 49, 58	FP-24518125	CAS 28, 34, CON 41, 42, 74, 75, 81, 82, GMC 28, 29, 41, 43, INT 47, 50, 53, MF 23, 39, 42	FP-2601370	INT 15
FP-23524339	FOR 56-58, 72, GMC 48, 49, 58	FP-24518125N	CON 41, 42, 74, 75, 81, 82, GMC 28, 29, 41, 43, MF 23, 39, 42	FP-2601371	INT 37, 48, 55, 57, 59
FP-235243391	FOR 56-58, GMC 48, 49, 58	FP-24518141	AC 47, 49	FP-2601372	INT 24, 26
FP-2352433910	FOR 56-58, GMC 48, 49, 58	FP-2468P	INT 48	FP-2601373	INT 30
FP-2352433920	FOR 56-58, GMC 48, 49, 58	FP-2485513	FOR 67, 68, 78, 79, GMC 53, 62, MF 59	FP-2601374	INT 43, 56, 60
FP-23524340	GMC 58	FP-2487P	AC 32, MF 35, PER 15, 16	FP-2601375	INT 62
FP-235243401	GMC 58	FP-2489N	CAS 30, 45	FP-2601377	INT 46
FP-23524341	FOR 72	FP-2519PN	INT 79	FP-2601378	INT 49, 51, 54
FP-23524342	FOR 56-58, GMC 48, 49, 58	FP-2520CP	AC 9, 11, 16	FP-2601380	INT 71, 72
FP-235243421	FOR 56-58, GMC 48, 49, 58	FP-252483	INT 87	FP-2601382	INT 76, 77
FP-23524345	GMC 57, 65	FP-2525PN	INT 82	FP-2601383	INT 64, 65
FP-235243451	GMC 57, 65	FP-253	GMC 1	FP-2601402	MF 5, PER 2, 3
FP-2352434510	GMC 57, 65	FP-253OH	GMC 1	FP-2601403	AC 12, FRT 8, MF 18, PER 7, 8
FP-2352434520	GMC 57, 65	FP-253660	INT 87	FP-2601404	AC 12, FRT 8, MF 18, PER 7, 8
FP-23524349	FOR 57, 58, 72, GMC 48, 49, 57, 58, 65	FP-2538PN	INT 76, 77	FP-2601407	MF 25, PER 11, 12
FP-23524350	FOR 57, 58, GMC 48, 49, 57, 58, 65	FP-2541P	WAU 35, WHF 67, 69	FP-2601419	INT 2
FP-23524494	FOR 56-58, GMC 48, 49, 58	FP-2547P	INT 37	FP-2601543	DOD 16
FP-23524521	FOR 71, 74	FP-2550P	WHF 98-103, 106	FP-2601625	AC 52, DOD 19, 20, FOR 60, 61
FP-23524542	FOR 57, 58, GMC 48, 49, 58	FP-2554Y20	WHF 98-103	FP-2601631	MIL 14
FP-23524601	FOR 71, 74	FP-2565SB	BEW 1	FP-2601648	FOR 36, 44, FRD 51
FP-23524657	FOR 71, 74	FP-2570SA	BEW 2, 4, 6, 7	FP-2601649	FOR 36
FP-23525500	FOR 71, 74	FP-2570SA10	BEW 2	FP-2601661	INT 63, 70
FP-23525990	FOR 74	FP-2570SA20	BEW 2	FP-2602522	FOR 47, 48, GMC 46, 47
FP-23528491	FOR 71, 74	FP-2570SA30	BEW 2	FP-2606030	INT 74, 83
FP-23528493	FOR 71, 74	FP-2570SB	BEW 4, 5	FP-2606054	DOD 13
FP-23529379	FOR 71, 74	FP-2571CAW	BEW 1, 4, 6, 7	FP-2631PN	FRD 25, FRT 37
FP-23529629	FOR 71, 74	FP-2573CAW*	BEW 2	FP-2692PN	FRD 14, 47, FRT 25, 46
FP-23530359	FOR 71, 74	FP-2573CAW10*	BEW 2	FP-2693PN	AC 45, 50
FP-23530421	FOR 71, 74	FP-2575SB	BEW 1	FP-2694PN	AC 45, 50
FP-23530555	FOR 71, 74	FP-2581BFA	MF 5, PER 1-3	FP-2712V	AC 10
FP-23530768	FOR 71, 74	FP-2586PN	INT 77	FP-2729PN	AC 24, 43
FP-23531249	FOR 71, 74	FP-2590CP	CON 47, 48, 51, 52, 58, 59, 65, 66, MF 24, 26, 30, 36	FP-274746	FOR 1, 19, 57, 58, 62, 63, GMC 1-4, 20, 48, 49, 57, 58, 65, MIL 31, 39, WHF 40
FP-23531251*	FOR 71, 74	FP-2601114	INT 94	FP-2750AP	MF 56, 57, WHF 71, 79, 80, 87, 88, 90-93
FP-23531604	FOR 71, 74	FP-2601250	DOD 24, 25	FP-2783BF	AC 12, FRT 7, 8, MF 16, 18, 25, 46, PER 4-12, 23-26
FP-23531605	FOR 71, 74	FP-2601256	AC 48, MIL 35	FP-2900017*	FOR 78, 79, GMC 62
FP-23532333	FOR 71, 74	FP-2601277A	INT 94	FP-2920CP	CON 41-44, INT 32, MF 23
FP-23532361	FOR 71, 74	FP-2601330	AC 28, 35	FP-2924V	CON 35, 36, 41, 42, MF 21, 23
FP-23532436	FOR 71, 74	FP-2601331	AC 9, 11	FP-2925CP	CON 35, 36, MF 21
FP-23532468	FOR 71, 74	FP-2601332	AC 18	FP-29503153	FOR 57, 58, 62, 63, GMC 48, 49, 57-59, 64, 65, MIL 39
FP-23532468	FOR 71, 74	FP-2601333	AC 42	FP-29610	FOR 1, 19, GMC 1-4, 20, MIL 31, WHF 40
FP-23532555	FOR 71, 74	FP-2601334	AC 32, MF 35, PER 15, 16	FP-29611	FOR 1, 19, GMC 1-4, 20, MIL 31, WHF 40
FP-23532556	FOR 71, 74	FP-2601335	AC 25	FP-3S0461	FOR 53
FP-23532557	FOR 71, 74	FP-2601336	AC 27	FP-3S3977	FOR 53
FP-23532558	FOR 71, 74	FP-2601337	AC 47, 49	FP-3S4029	FOR 53
FP-23532590	FOR 71, 74	FP-2601339	CAS 12, 13	FP-3T8706	FOR 78, 79, GMC 62
FP-23532591	FOR 71, 74	FP-2601351	CLK 9-11, CON 60-62, 64, 70, MF 32, WHF 48, 49	FP-3T9561	FOR 53
FP-23532926	FOR 71, 74	FP-2601352	CLK 4, 5, WAU 13, 15	FP-3000173	FOR 82, 83
FP-23533252	FOR 71, 74	FP-2601353	CON 7, 11, 12, MF 8, 10	FP-3000174	FOR 82, 83
FP-23533259	FOR 71, 74	FP-2601354	CON 13, 14, 23, 24, MF 14, 17	FP-3000175	FOR 82, 83, MB 8
FP-23533263	FOR 71, 74			FP-3000266	FOR 66, GMC 52, MB 7
FP-23533983*	FOR 71, 74			FP-3001197	FOR 82, 83, MB 8
FP-2357PN	FRT 10, 12-14			FP-3001299	FOR 82, 83, MB 8
FP-2359PN	FRD 14, 46, FRT 24, 26, 45			FP-3001304	FOR 82, 83, MB 8
FP-2373P+	WHF 99, 101, 103			FP-3001305	FOR 82, 83, MB 8
				FP-3001314	FOR 82, 83, MB 8
				FP-3001318	FOR 82, 83, MB 8
				FP-3002158	FOR 66, 82, 83, GMC 52, MB 7, 8
				FP-3002834	FOR 82, 83, MB 8
				FP-3002901	INT 99

Numerical List

Part No.	Manufacturer and Line No.	Part No.	Manufacturer and Line No.	Part No.	Manufacturer and Line No.
FP-3003932	FOR 82, 83, MB 8	FP-3016760PR	FOR 66, GMC 52, MB 7	FP-3037523	FOR 66, GMC 52, MB 7
FP-3003933	FOR 82, 83, MB 8	FP-3016761	FOR 66, GMC 52, MB 7	FP-3038903	FOR 75, GMC 60, 61, INT 99
FP-3004316	DOD 22-25, INT 99	FP-3016761PR	FOR 66, GMC 52, MB 7	FP-3038904	FOR 75, GMC 60, 61, INT 99
FP-3005885	FOR 82, 83, MB 8	FP-3016762	FOR 66, GMC 52, MB 7	FP-3038998	DOD 22, 23, 25
FP-3005886	FOR 82, 83, MB 8	FP-3016763	FOR 66, GMC 52, MB 7	FP-3040721	FOR 82, 83, MB 8
FP-3005963	FOR 82, 83, MB 8	FP-3016792	FOR 82, 83, MB 8	FP-3040722	FOR 82, 83, MB 8
FP-3006236	FOR 82, 83, MB 8	FP-3016794	FOR 82, 83, MB 8	FP-3040750	FOR 82, 83
FP-3006237	FOR 82, 83, MB 8	FP-3016825	FOR 82, 83, MB 8	FP-3040830	INT 99
FP-3006456	DOD 24-27, FOR 75-77, 81, GMC 60, 61, INT 99	FP-3016826	FOR 82, 83, MB 8	FP-3040964	FOR 66, GMC 52, MB 7
FP-3006457	DOD 26, FOR 75-77, GMC 60, 61, INT 99	FP-3017062	FOR 59	FP-3041379	AC 10, 26, FOR 19, GMC 20, MF 28, MIL 31, WHF 41
FP-3006458	DOD 26, FOR 75-77, GMC 60, 61, INT 99	FP-3017360	FOR 82, 83, MB 8	FP-3042542	FOR 82, 83, MB 8
FP-3006736	DOD 22, 23, 25, FOR 75, GMC 60, 61, INT 99	FP-3017544	FOR 75, GMC 60, 61, INT 99	FP-3042586	FOR 82, 83, MB 8
FP-3006737	DOD 22, 23, 25, FOR 70, 75, GMC 60, 61, INT 99	FP-3017750	DOD 24-26, FOR 76, 77, INT 99	FP-3042587	FOR 82, 83, MB 8
FP-3006738	DOD 22, 23, 25, FOR 75, GMC 60, 61, INT 99	FP-3017759	DOD 24-27, FOR 76, 77, 80, 81, GMC 63, INT 99	FP-3042588	FOR 82, 83, MB 8
FP-3006742	FOR 75, GMC 60, 61, INT 99	FP-3017961	FOR 82, 83, MB 8	FP-3042590	FOR 82, 83, MB 8
FP-3006743	DOD 22, 23, 25, FOR 70, 75, GMC 60, 61, INT 99	FP-3018695	INT 99	FP-3042612	FOR 82, 83, MB 8
FP-3006744	DOD 16, 19, 20, FOR 60, 61	FP-3018772	FOR 66, GMC 52, MB 7	FP-3042745	DOD 26, FOR 75-77, GMC 60, 61, INT 99
FP-3006745	AC 52, DOD 19, 20, FOR 59-61	FP-3018818	FOR 82, 83, MB 8	FP-3042827	FOR 82, 83, MB 8
FP-3007380	FOR 82, 83, MB 8	FP-3019158	FOR 75, GMC 60, 61, INT 99	FP-3043097	FOR 82, 83, MB 8
FP-3007689S	DOD 24-26, FOR 75-77, GMC 60, 61, INT 99	FP-3019287	FOR 80, GMC 63	FP-3043909	FOR 82, 83, MB 8
FP-3007759	DOD 14, 24-26, FOR 59, 75-77, 80, GMC 60, 61, 63, INT 99	FP-3019369	FOR 59	FP-3043995	FOR 82, 83, MB 8
FP-3008017	INT 99	FP-3019634	FOR 59	FP-3044795	FOR 80, GMC 63
FP-3008400	FOR 82, 83, MB 8	FP-3019956	DOD 24-27, FOR 76, 77	FP-3045102	FOR 66, GMC 52, MB 7
FP-3008403	FOR 82, 83, MB 8	FP-3020183	DOD 22, 23, 25	FP-3045907	FOR 66, GMC 52, MB 7
FP-3008591	INT 99	FP-3020184	FOR 80, GMC 63	FP-3045979	INT 99
FP-3008706	FOR 59, 66, 82, 83, GMC 52, MB 7, 8	FP-3021068	FOR 82, 83, MB 8	FP-3045986	FOR 82, 83, MB 8
FP-3009109	FOR 82, 83, MB 8	FP-3021581	DOD 24-26, FOR 76, 77	FP-3046200	FOR 66, 82, 83, GMC 52, MB 7, 8
FP-3009362	FOR 66, GMC 52, MB 7	FP-3021676	FOR 82, 83, MB 8	FP-3046201	FOR 82, 83, MB 8
FP-3009380	FOR 82, 83	FP-3022197	FOR 82, 83, MB 8	FP-3046418	FOR 75, GMC 60, 61
FP-3009738	FOR 82, 83, MB 8	FP-3022529	DOD 19, 20, FOR 59-61	FP-3046420	DOD 24-26, FOR 75-77, GMC 60, 61, INT 99
FP-3009739	FOR 82, 83, MB 8	FP-3022530	DOD 14, 16	FP-3046430	FOR 75, GMC 60, 61, INT 99
FP-3010240	FOR 82, 83, MB 8	FP-3023066	FOR 82, 83, MB 8	FP-3046431	FOR 75, GMC 60, 61
FP-3010242	FOR 82, 83, MB 8	FP-3023867	FOR 80, GMC 63	FP-3046745	FOR 47, 48, GMC 46, 47
FP-3010457	DOD 16, 19, 20, FOR 60, 61, 70, 75, GMC 60, 61, INT 99	FP-3024709	FOR 75, 77, GMC 60, 61, INT 99	FP-3047159	FOR 82, 83, MB 8
FP-3010459	DOD 16, 19, 20, FOR 59-61	FP-3024991	FOR 82, 83	FP-3047188	FOR 66, GMC 52, MB 7
FP-3010461	FOR 59	FP-3026296	FOR 82, 83, MB 8	FP-3047464	INT 99
FP-3010464	DOD 16, 19, 20, FOR 42, 60, 61	FP-3026315	FOR 80, GMC 63	FP-3047465	INT 99
FP-3010465	FOR 59	FP-3026556	FOR 82, 83, MB 8	FP-3048650	DOD 24-26, FOR 76, 77
FP-3010510	FOR 82, 83, MB 8	FP-3026557	FOR 82, 83	FP-3049024	INT 99
FP-3010918	FOR 82, 83, MB 8	FP-3027105	FOR 66, GMC 52, MB 7	FP-3049187S	DOD 24, 25
FP-3011076	FOR 82, 83, MB 8	FP-3027108	FOR 66, GMC 52	FP-3049408	FOR 70, 73
FP-3011272	FOR 75, GMC 60, 61, INT 99	FP-3027633	FOR 82, 83, MB 8	FP-3049995	FOR 66, GMC 52, MB 7
FP-3011273	FOR 75, GMC 60, 61, INT 99	FP-3027675	DOD 22, 23, 25	FP-3049996	FOR 66, GMC 52, MB 7
FP-3012360PR	DOD 14, 16	FP-3028066	FOR 66, GMC 52, MB 7	FP-3050624	FOR 66, 82, 83, GMC 52, MB 7, 8
FP-3012361PR	DOD 14, 16	FP-3028068	FOR 66, GMC 52, MB 7	FP-3051555	INT 99
FP-3012362PR	DOD 14, 16	FP-3028291	FOR 82, 83, MB 8	FP-3051556	INT 99
FP-3012472	FOR 82, 83, MB 8	FP-3028293+	DOD 24-26, FOR 75-77, GMC 60, 61, INT 99	FP-3052514	DOD 24-26, FOR 76, 77
FP-3013036	FOR 82, 83, MB 8	FP-3028673	FOR 80, GMC 63	FP-3052794	DOD 24-26, FOR 76, 77
FP-3013300	FOR 82, 83, MB 8	FP-3029099	FOR 66, 82, 83, GMC 52, MB 7, 8	FP-3052819	FOR 82, 83, MB 8
FP-3013330	FOR 75, GMC 60, 61, INT 99	FP-3029340	FOR 75	FP-3052820	FOR 82, 83, MB 8
FP-3013331	FOR 75, GMC 60, 61, INT 99	FP-3029341	FOR 73, INT 96	FP-3053377	FOR 75, GMC 60, 61
FP-3013497	FOR 80, GMC 63	FP-3029847	INT 99	FP-3054841	DOD 24-26, FOR 76, 77, INT 99
FP-3013591	DOD 24-26, FOR 75-77, GMC 60, 61, INT 99	FP-3030038	DOD 24-26, FOR 75-77, GMC 60, 61, INT 99	FP-3054948	DOD 24-27, FOR 76, 77
FP-3013623	FOR 75, GMC 60, 61, INT 99	FP-3030808	INT 99	FP-3054948B	DOD 27
FP-3013786	FOR 82, 83, MB 8	FP-3030970	FOR 66, 82, 83, GMC 52, MB 7, 8	FP-3054948E	DOD 27
FP-3013811	FOR 82, 83, MB 8	FP-3031037	DOD 14, FOR 59	FP-3055069	FOR 66, GMC 52, MB 7
FP-3014103	FOR 82, 83	FP-3031098	FOR 82, 83, MB 8	FP-3055099	FOR 75, GMC 60, 61, INT 99
FP-3014226	FOR 82, 83, MB 8	FP-3031099	FOR 82, 83, MB 8	FP-3055622	FOR 66, GMC 52, MB 7
FP-3014228	FOR 82, 83, MB 8	FP-3032161	FOR 82, 83, MB 8	FP-3055742*	FOR 66, GMC 52, MB 7
FP-3014304	FOR 82, 83, MB 8	FP-3032348	INT 99	FP-3058532	DOD 24, 25
FP-3014458	FOR 80, GMC 63	FP-3032874	FOR 75, 80, GMC 60, 61, 63, INT 99	FP-3062096	FOR 73, 75, GMC 60, 61, INT 99
FP-3014459	DOD 27, FOR 81	FP-3033230	FOR 66, GMC 52, MB 7	FP-3062602	FOR 66, GMC 52, MB 7
FP-3014614	DOD 24-26, FOR 75-77, GMC 60, 61, INT 99	FP-3033232	FOR 66, GMC 52, MB 7	FP-3062676	FOR 82, 83, MB 8
FP-3014668	FOR 82, 83, MB 8	FP-3033233	FOR 66, GMC 52, MB 7	FP-3063052	FOR 82, 83, MB 8
FP-3015067	FOR 82, 83, MB 8	FP-3033314	FOR 66, GMC 52, MB 7	FP-3064634	FOR 66, GMC 52, MB 7
FP-3015522	FOR 66, 82, 83, GMC 52, MB 7, 8	FP-3033740	FOR 66, 82, 83, GMC 52, MB 7, 8	FP-3064919	INT 99
FP-3016652	FOR 66, GMC 52, MB 7	FP-3034245	FOR 82, 83, MB 8	FP-3065125	FOR 73, 75, GMC 60, 61, INT 99
FP-3016675	FOR 82, 83, MB 8	FP-3034946	FOR 24, MB 2	FP-3065405	FOR 75, GMC 60, 61
FP-3016676	FOR 82, 83, MB 8	FP-3035230	FOR 82, 83, MB 8	FP-3065791	FOR 82, 83, MB 8
FP-3016760	FOR 66, GMC 52, MB 7	FP-3035342	FOR 66, GMC 52, MB 7	FP-3066877	FOR 82, 83, MB 8
		FP-3035344	FOR 66, GMC 52, MB 7	FP-3066914	FOR 82, 83, MB 8
		FP-3035679	FOR 66, GMC 52, MB 7	FP-3067568	AC 54, DOD 22-27, FOR 70, 73, 75-77, 81, GMC 60, 61, INT 96, 99
		FP-3035996+	DOD 24-26, FOR 76, 77	FP-3068813	FOR 82, 83, MB 8
		FP-3036117	FOR 66, GMC 52, MB 7	FP-3069014	INT 99
		FP-3036933	FOR 75, GMC 60, 61, INT 99	FP-3069017	FOR 59, 82, 83, MB 8
		FP-3036934	FOR 75, GMC 60, 61, INT 99	FP-3069102	FOR 82, 83, MB 8
		FP-3036970	FOR 82, 83, MB 8	FP-3069717	FOR 66, GMC 52, MB 7
		FP-3037282	FOR 82, 83, MB 8	FP-3069718	FOR 66, GMC 52, MB 7
		FP-3037292	FOR 82, 83, MB 8		
		FP-3037413	FOR 80, GMC 63		

Numerical List

Part No.	Manufacturer and Line No.	Part No.	Manufacturer and Line No.	Part No.	Manufacturer and Line No.
FP-3070486	DOD 24, 25, FOR 66, 75, 80, GMC 52, 60, 61, 63, INT 99, MB 7	FP-3275356	AC 52, DOD 14, 16, 19, 20, FOR 59-61	FP-3737CA	BEW 3
FP-3071564	FOR 66, GMC 52, MB 7	FP-3275431	DOD 19, 20, FOR 59-61	FP-3790CP	INT 94
FP-3073213	FOR 82, 83, MB 8	FP-3275779	AC 52, DOD 16, 19, 20, FOR 59-61	FP-3800328	FOR 49, 50
FP-3074400	FOR 75, GMC 60, 61, INT 99	FP-3275949	AC 52, DOD 19, 20, FOR 59-61	FP-3800638	FOR 66, GMC 52, MB 7
FP-3074401	FOR 75, GMC 60, 61, INT 99	FP-3275989	FOR 59	FP-3800639	FOR 66, GMC 52, MB 7
FP-3074402	FOR 75, GMC 60, 61, INT 99	FP-3277099	DOD 14, FOR 59	FP-3800643	FOR 66, GMC 52, MB 7
FP-3074403	FOR 75, GMC 60, 61, INT 99	FP-3277332	DOD 14, 16	FP-3800800	FOR 66, GMC 52, MB 7
FP-3074404	FOR 75, GMC 60, 61, INT 99	FP-3277462	AC 52, DOD 14, 16, 19, FOR 59	FP-3800828	FOR 49, 50, MB 5, 6
FP-3074482	DOD 25	FP-3277592	DOD 14, 16	FP-3801006	FOR 82, 83, MB 8
FP-3074690	FOR 82, 83, MB 8	FP-3277608	DOD 19, 20, FOR 59-61	FP-3801030	AC 54, DOD 22-25, 27, FOR 70, 73, 81, INT 96
FP-3076489	FOR 75, 77, 82, 83, GMC 60, 61, INT 99, MB 8	FP-3277626	DOD 19, 20, FOR 59-61	FP-3801057	DOD 24-26, FOR 76, 77
FP-3077646	FOR 82	FP-3277634	FOR 59	FP-3801057WP	DOD 24-26, FOR 76, 77
FP-3080760	FOR 66, GMC 52, MB 7	FP-3278173	AC 52, DOD 14, 16, 19, 20, FOR 59-61	FP-3801058	DOD 24-26, FOR 76, 77
FP-3081081	FOR 82, 83, MB 8	FP-3278345	DOD 14, FOR 59	FP-3801058WP	DOD 24-26, FOR 76, 77
FP-3081212	DOD 24-26, FOR 76, 77	FP-3278723	AC 52, DOD 14, 16, 19, 20, FOR 59-61	FP-3801106	DOD 24-26, FOR 75-77, GMC 60, 61, INT 99
FP-3081489	FOR 82, 83, MB 8	FP-3281721	FOR 49, 50, MB 5, 6	FP-3801179	FOR 66, GMC 52, MB 7
FP-3088389	FOR 82, 83, MB 8	FP-3283337	FOR 24, MB 2	FP-3801199	INT 99
FP-3088391	FOR 82, 83, MB 8	FP-3283339	FOR 24, MB 2	FP-3801229	DOD 24-26, FOR 76, 77
FP-3088393	FOR 82, 83, MB 8	FP-3283570	FOR 24, MB 2	FP-3801229WP	DOD 24-26, FOR 76, 77
FP-3096362	FOR 82, 83, MB 8	FP-3284377	FOR 24, MB 2	FP-3801230	DOD 24, 25
FP-3096680	FOR 82, 83, MB 8	FP-3284623	FOR 24, MB 2	FP-3801231	DOD 24-26, FOR 76, 77
FP-3096681	FOR 82, 83, MB 8	FP-3290572	AC 48, FOR 37, GMC 38-40, MIL 35	FP-3801231WP	DOD 24-26, FOR 76, 77
FP-3096682	FOR 82, 83, MB 8	FP-3290577	AC 26, MF 28, WHF 41	FP-3801232	DOD 24, 25, FOR 75, GMC 60, 61
FP-3096683	FOR 82, 83, MB 8	FP-3290612	AC 40, MF 45	FP-3801233	DOD 24-26, FOR 76, 77
FP-3096684	FOR 82, 83, MB 8	FP-3328781	FOR 66, GMC 52, MB 7	FP-3801233WP	DOD 24-26, FOR 76, 77
FP-3096685	FOR 82, 83, MB 8	FP-3328785	FOR 66, GMC 52, MB 7	FP-3801235	INT 99
FP-31AX638	MIL 40	FP-3328948	FOR 66, GMC 52, MB 7	FP-3801260	AC 54, DOD 22-27, FOR 70, 73, 75-77, 81, GMC 60, 61, INT 96, 99
FP-3105CPA	FOR 36, FRB 9, FRD 47, FRT 30, 31, 33, 38, 46	FP-3335341	FOR 66, GMC 52, MB 7	FP-3801261	AC 54, DOD 22-27, FOR 70, 73, 75-77, 81, GMC 60, 61, INT 96, 99
FP-3105P	FRB 1-3, 5, 8, 10, FRD 14, 25, 46, FRT 10-14, 17, 20, 21, 23-26, 30-32, 36, 37, 39-41, 45	FP-3335342	FOR 66, GMC 52, MB 7	FP-3801262	AC 54, DOD 22-27, FOR 70, 73, 75-77, 81, GMC 60, 61, INT 96, 99
FP-31137551*	PER 17-19, 22, 33-36	FP-3349820	DOD 24-26, FOR 76, 77	FP-3801263	AC 54, DOD 22-27, FOR 70, 73, 75-77, 81, GMC 60, 61, INT 96, 99
FP-3135X042*	PER 17, 19, 34, 36	FP-3353977	FOR 49, 50, MB 5, 6	FP-3801264	INT 99
FP-3137BF	AC 32, 34, CAS 41, DOD 7, MF 27, 35, 37, 53, 54, PER 13-16, 20, 21, 29-32, 37, WHF 82-84	FP-3355CP	CON 102, 103, HER 45, MIL 36, 37, WHF 89	FP-3801329	DOD 24, 25
FP-3137BFA*	AC 32, 34, CAS 41, DOD 7, MF 27, 35, 37, 49, 53, 54, PER 13-16, 20, 21, 27-32, 37, WHF 82-84	FP-3357480	FOR 24, MB 2	FP-3801330+	INT 99
FP-3139Y15	AC 32, 34, CAS 41, MF 27, 35, 37, 53, PER 13-17, 20, 21, 29, 30, 37, WHF 82, 83	FP-3379Y20	AC 55	FP-3801330S+	INT 99
FP-3155CP	INT 98	FP-3410171	FOR 82, 83, MB 8	FP-3801332	DOD 26, FOR 76, 77
FP-3161653S	FOR 66, GMC 52, MB 7	FP-3411460	DOD 24-26, FOR 76, 77, INT 99	FP-3801332S	DOD 26, FOR 76, 77
FP-317365	DOD 13, 15, 18, INT 61, 66, 75, 90, 91	FP-3412285	INT 99	FP-3801348	DOD 24-27, FOR 76, 77, 81, INT 99
FP-3178766*	FOR 78, 79	FP-3418040	FOR 66, GMC 52, MB 7	FP-3801348C	DOD 24-26, FOR 76, 77
FP-317876610*	FOR 78, 79	FP-3418045	FOR 66, GMC 52, MB 7	FP-3801348S	DOD 24-26, FOR 76, 77, INT 99
FP-3180SB	ONA 1	FP-3418046	FOR 66, GMC 52, MB 7	FP-3801356	FOR 66, GMC 52, MB 7
FP-3181BF	ONA 1	FP-3418047	FOR 66, GMC 52, MB 7	FP-3801387	DOD 24-26, FOR 76, 77
FP-3185CP	AC 33, CON 19-22, 27, 28, 57, 71, HER 33, INT 10, 11, 14, 16, 21, MIL 10, 15, 19, 24, 26	FP-3465CPA	AC 22-24, 37, 41-43	FP-3801451S10	DOD 24, 25
FP-3200287	FOR 82, 83, MB 8	FP-3469Y20	AC 22-24, 37, 41-43	FP-380145110	DOD 24, 25
FP-3200550	FOR 82, 83, MB 8	FP-3470CPA	AC 47, 49	FP-380145310	DOD 24, 25
FP-3201125	FOR 82, 83, MB 8	FP-3474Y20	AC 47	FP-3801454	DOD 24, 25
FP-3201386	FOR 82, 83, MB 8	FP-3520CP	AC 3, CAS 2, 4, FRT 1, 2, INT 1, 4, MF 1, 4, 6, WHF 1, 2, 4-7, WIS 17, 18, 21, 22	FP-3801454	DOD 24, 25
FP-3201388	FOR 59	FP-353	GMC 2	FP-3801534	DOD 24-26, FOR 76, 77
FP-3201517	FOR 82, 83, MB 8	FP-353OH	GMC 2	FP-3801534WP	DOD 24-26, FOR 76, 77
FP-3201693+	FOR 82, 83, MB 8	FP-356005	INT 61, 66, 75	FP-3801535	DOD 24-26, FOR 76, 77
FP-3202117	FOR 82, 83, MB 8	FP-3600SB	CAS 1, WIS 6, 9, 14-16	FP-3801535WP	DOD 24-26, FOR 76, 77
FP-3202210	FOR 82, 83, MB 8	FP-3605SB	CAS 15, FRT 9, INT 18, MF 19, WIS 28	FP-3801659	AC 52, DOD 19, 20, FOR 59-61
FP-3202283	FOR 82, 83, MB 8	FP-3608833	FOR 75, INT 99	FP-3801708	INT 99
FP-3202615	AC 26, 40, 48, FOR 1, 19, 37, GMC 2, 20, MF 28, 45, MIL 35, WHF 41	FP-3629006	FOR 75, INT 99	FP-3801712	INT 99
FP-3208PS	FOR 67, 68, GMC 53, MF 59	FP-3629140+	FOR 82, 83, MB 8	FP-3801746	DOD 24, 25
FP-3210CP	INT 80, 93, 97	FP-3631241	FOR 82, 83, MB 8	FP-380175310	DOD 24, 25
FP-3220CP	AC 44, BUD 6, 13, CAS 15, FRT 9, HER 28, 29, 42, 43, INT 18, 29, MF 19, 33, 52, MIL 3, 7, 11, 13, 16, 17, 20, 23, 27, 33, WAU 4, 10, 16, 19, WHF 50, 81, WIS 26-29	FP-3631242	FOR 82, 83, MB 8	FP-3801754S10	DOD 24, 25
FP-3224CP	CAS 15, FRT 9, INT 18, MF 19, MIL 11, WIS 26-29	FP-3631243	FOR 82, 83, MB 8	FP-380175410	DOD 24, 25
FP-3224992	AC 26, 40, 48, FOR 1, 19, 37, GMC 2, 20, MF 28, 45, MIL 35, WHF 41	FP-3631244	FOR 82, 83, MB 8	FP-3801763	DOD 24, 25
FP-326874	INT 87	FP-3631245	FOR 82, 83, MB 8	FP-3801764	DOD 24-26, FOR 76, 77
FP-3275266	FOR 59	FP-3631246	FOR 82, 83, MB 8	FP-3801765	DOD 26, FOR 76, 77
FP-3275354	AC 52, DOD 14, 16, 19, 20, FOR 59-61	FP-3633840	FOR 82, 83, MB 8	FP-3801768	DOD 24-26, FOR 76, 77, INT 99
		FP-3645CP	AC 3, BUD 2, CAS 4, FRT 1, 2, INT 1, 4, MF 1, 6, WHF 1, 2, 6, 7, WIS 18, 22	FP-3801769	DOD 26, FOR 76, 77
		FP-3705CP	WHF 95, 96	FP-3801770	DOD 24-26, FOR 76, 77, INT 99
		FP-371NA	AC 26, MF 28, WHF 41	FP-3801770WP	DOD 24-26, FOR 76, 77, INT 99
		FP-371NAOH	AC 26, MF 28, WHF 41	FP-3801771	DOD 24, 25, INT 99
		FP-371XH	AC 26, MF 28, WHF 41	FP-3801773	DOD 24-26, FOR 76, 77, INT 99
		FP-371XHOH	AC 26, MF 28, WHF 41	FP-3801773WP	DOD 24-26, FOR 76, 77, INT 99
		FP-3712V	AC 26, MF 28, WHF 41	FP-3801775	DOD 24, 25
		FP-3712VOH	AC 26, MF 28, WHF 41	FP-3801776	DOD 26, FOR 76, 77
		FP-3715CP	WAW 30, 31, 35, 36, WHF 67-69, 74	FP-3801777	DOD 24-26, FOR 76, 77
		FP-3720CP	INT 2	FP-3801778	DOD 26, FOR 76, 77
		FP-3730CP	DOD 13	FP-3801779	DOD 26, FOR 76, 77
		FP-3734Y20	DOD 13	FP-3801781	DOD 24, 25
		FP-3735SB	BEW 3	FP-3801795	DOD 24, 25
				FP-3801796	DOD 24, 25
				FP-3801817	DOD 24, 25
				FP-3801823	DOD 24, 25
				FP-3801826	DOD 24-26, FOR 76, 77, INT 99

Numerical List

Part No.	Manufacturer and Line No.	Part No.	Manufacturer and Line No.	Part No.	Manufacturer and Line No.
FP-3801872	DOD 24-26, FOR 76, 77	FP-3802657	FOR 49, 50, MB 5, 6	FP-3900299	FOR 24, MB 2
FP-3801873	DOD 26, FOR 76, 77	FP-3802711	FOR 24, MB 2	FP-3900808	FOR 24, MB 2
FP-3801874	DOD 24, 25	FP-3802712	FOR 24, MB 2	FP-3901085	FOR 24, MB 2
FP-3801876	DOD 24-26, FOR 76, 77	FP-3802750	FOR 24, MB 2	FP-3901097	FOR 24, MB 2
FP-3801876WP	DOD 24-26, FOR 76, 77	FP-3802757	FOR 24, MB 2	FP-3901171	FOR 24, MB 2
FP-3801920	DOD 26, FOR 76, 77	FP-3802758	FOR 24, MB 2	FP-3901172	FOR 24, MB 2
FP-3801956	DOD 24, 25	FP-3802759	FOR 24, MB 2	FP-3901173	FOR 24, MB 2
FP-3802030	FOR 24, MB 2	FP-3802811	FOR 49, 50, MB 5, 6	FP-3901174	FOR 24, MB 2
FP-3802032	FOR 24, MB 2	FP-3802820	FOR 24	FP-3901177	FOR 49, 50, MB 5, 6
FP-3802034	FOR 24, MB 2	FP-3802863	FOR 24, MB 2	FP-3901306	FOR 24, MB 2
FP-3802040	FOR 24, MB 2	FP-3802864	FOR 24, MB 2	FP-3901356	FOR 24, MB 2
FP-3802042	FOR 24, MB 2	FP-3803040C10	DOD 24, 25	FP-3901430	FOR 49, 50, MB 5, 6
FP-3802044	FOR 24, MB 2	FP-3803040S10	DOD 24, 25	FP-3901431	FOR 49, 50, MB 5, 6
FP-3802060	FOR 24, MB 2	FP-380304010	DOD 24, 25	FP-3901432	FOR 49, 50, MB 5, 6
FP-3802062	FOR 24, MB 2	FP-380315010	DOD 24, 25	FP-3901433	FOR 49, 50, MB 5, 6
FP-3802064	FOR 24, MB 2	FP-3803153	FOR 82, 83, MB 8	FP-3901434	FOR 49, 50, MB 5, 6
FP-3802070	FOR 24, MB 2	FP-3803209	DOD 24, 25	FP-3901693	FOR 49, 50, MB 5, 6
FP-3802071	FOR 24, MB 2	FP-3803210	DOD 24, 25	FP-3901717	FOR 49, 50, MB 5, 6
FP-3802072	FOR 24, MB 2	FP-3803211	DOD 26, FOR 76, 77	FP-3901764	FOR 49, 50, MB 5, 6
FP-3802073	FOR 24, MB 2	FP-3803212	DOD 24-26, FOR 76, 77	FP-3901969	FOR 49, 50, MB 5, 6
FP-3802074	FOR 24, MB 2	FP-3803213	DOD 24-26, FOR 76, 77, INT 99	FP-3902089	FOR 49, 50, MB 5, 6
FP-3802077	FOR 73	FP-3803214	DOD 24, 25, INT 99	FP-3902425	FOR 24, 49, 50, MB 2, 5, 6
FP-3802085	FOR 49, 50, MB 5, 6	FP-3803216	DOD 24, 25	FP-3902466	FOR 49, 50, MB 5, 6
FP-3802100	FOR 24, MB 2	FP-3803217	DOD 24, 25	FP-3902666+	FOR 24, MB 2
FP-3802102	FOR 24, MB 2	FP-3803219	DOD 24-26, FOR 76, 77, INT 99	FP-3903380	FOR 24, 49, 50, MB 2, 5, 6
FP-3802104	FOR 24, MB 2	FP-3803221	DOD 24, 25	FP-3903475	FOR 24, MB 2
FP-3802132	FOR 24, MB 2	FP-3803223	DOD 24, 25	FP-3903575	FOR 24, MB 2
FP-3802134	FOR 24, MB 2	FP-3803226	DOD 24-26, FOR 76, 77	FP-3903576	FOR 24, MB 2
FP-3802160	FOR 24, MB 2	FP-3803228	DOD 24, 25	FP-3903579	FOR 24, MB 2
FP-3802170	FOR 24, MB 2	FP-3803233	DOD 24, 25	FP-3903579WP	FOR 24, MB 2
FP-3802172	FOR 24, MB 2	FP-3803346	DOD 24, 25	FP-3903655	FOR 24, MB 2
FP-3802174	FOR 24, MB 2	FP-3803402	FOR 66, GMC 52, MB 7	FP-3903655WP	FOR 24, MB 2
FP-3802210	FOR 49, 50, MB 5, 6	FP-3803403	FOR 66, GMC 52, MB 7	FP-3903656	FOR 24, MB 2
FP-3802211	FOR 49, 50, MB 5, 6	FP-3803404	FOR 66, GMC 52, MB 7	FP-3903656WP	FOR 24, MB 2
FP-3802212	FOR 49, 50, MB 5, 6	FP-3803495	FOR 66, GMC 52, MB 7	FP-3904105	FOR 24, MB 2
FP-3802230	FOR 24, MB 2	FP-3803515	FOR 82, 83, MB 8	FP-3904166	FOR 24, MB 2
FP-3802232	FOR 24, MB 2	FP-3803518	FOR 82, 83, MB 8	FP-3904353+	FOR 24, MB 2
FP-3802234	FOR 24, MB 2	FP-3803528	FOR 82, 83, MB 8	FP-3904408	FOR 24, MB 2
FP-3802245	FOR 24, MB 2	FP-3803529	FOR 82, 83, MB 8	FP-3904409	FOR 24, MB 2
FP-3802245S	FOR 24, MB 2	FP-3803596	FOR 82, 83, MB 8	FP-3905443	FOR 24, MB 2
FP-3802248	FOR 24, MB 2	FP-3803597	FOR 82, 83, MB 8	FP-3905449	FOR 49, 50, MB 5, 6
FP-3802249	FOR 24, MB 2	FP-3803703	FOR 66, GMC 52, MB 7	FP-3905870	FOR 49, 50, MB 5, 6
FP-3802250	FOR 24, MB 2	FP-3803896	FOR 66, GMC 52, MB 7	FP-3905928	FOR 49, 50, MB 5, 6
FP-3802251	FOR 24, MB 2	FP-3803961	FOR 66, GMC 52, MB 7	FP-3906080	FOR 24, MB 2
FP-3802252	FOR 24, MB 2	FP-3803974	FOR 66, GMC 52, MB 7	FP-3906081	FOR 24, 49, 50, MB 2, 5, 6
FP-3802253	FOR 24, MB 2	FP-3803995	FOR 66, GMC 52, MB 7	FP-3906206	FOR 24, MB 2
FP-3802263	FOR 49, 50, MB 5, 6	FP-3803996	FOR 66, GMC 52, MB 7	FP-3906208	FOR 24, MB 2
FP-3802273	FOR 24, MB 2	FP-3804276	DOD 26, 27, FOR 76, 77, INT 99	FP-3906208WP	FOR 24, MB 2
FP-3802344	FOR 49, 50, MB 5, 6	FP-3804276IF	DOD 26, FOR 76, 77, INT 99	FP-3906209	FOR 24, MB 2
FP-3802355	FOR 24, MB 2	FP-3804354	FOR 75, GMC 60, 61	FP-3906209WP	FOR 24, MB 2
FP-3802356	FOR 24, MB 2	FP-3804384	FOR 75, GMC 60, 61	FP-3906223	FOR 24, MB 2
FP-3802363	FOR 24, MB 2	FP-3804444	FOR 75, GMC 60, 61	FP-3906223WP	FOR 24, MB 2
FP-3802363S	FOR 24, MB 2	FP-3804456	FOR 75, GMC 60, 61	FP-3906412	FOR 49, 50, MB 5, 6
FP-3802364	FOR 24, MB 2	FP-3804474	FOR 75, GMC 60, 61	FP-3906659	FOR 24, 49, 50, MB 2, 5, 6
FP-3802364S	FOR 24, MB 2	FP-3804486	FOR 75, GMC 60, 61	FP-3906694	FOR 24, MB 2
FP-3802370	FOR 49, 50, MB 5, 6	FP-3804897	FOR 24, MB 2	FP-3906695	FOR 24, MB 2
FP-3802376	FOR 24, MB 2	FP-3804897S	FOR 24, MB 2	FP-3906698	FOR 24, MB 2
FP-3802388	FOR 49, 50, MB 5, 6	FP-3804897WOHG	FOR 24, MB 2	FP-3906783	FOR 49, 50, MB 5, 6
FP-3802389	FOR 49, 50, MB 5, 6	FP-3818885	FOR 82, 83, MB 8	FP-3906784	FOR 49, 50, MB 5, 6
FP-3802398	FOR 49, 50, MB 5, 6	FP-3819632	FOR 66, GMC 52, MB 7	FP-3906785	FOR 49, 50, MB 5, 6
FP-3802401	FOR 49, 50, MB 5, 6	FP-3819774	FOR 66, GMC 52, MB 7	FP-3906788	FOR 49, 50, MB 5, 6
FP-3802404	FOR 49, 50	FP-3819989	FOR 66, GMC 52, MB 7	FP-3906854	FOR 24, MB 2
FP-3802406	FOR 49, 50, MB 5, 6	FP-382P	AC 17, FRT 15	FP-3907156	FOR 24, MB 2
FP-3802407	FOR 49, 50, MB 5, 6	FP-3820566S	FOR 66, GMC 52, MB 7	FP-3907156WP	FOR 24, MB 2
FP-3802421	FOR 24, MB 2	FP-3820917	FOR 66, GMC 52, MB 7	FP-3907157	FOR 24, MB 2
FP-3802422	FOR 24, MB 2	FP-3820922	FOR 82, 83, MB 8	FP-3907157WP	FOR 24, MB 2
FP-3802423	FOR 24, MB 2	FP-3821572	DOD 24-26, FOR 75-77, GMC 60, 61, INT 99	FP-3907158	FOR 24, MB 2
FP-3802429	FOR 49, 50, MB 5, 6	FP-3823681	FOR 75, GMC 60, 61	FP-3907158WP	FOR 24, MB 2
FP-3802463	FOR 49, 50, MB 5, 6	FP-3880CP	CLK 4, 5, WAU 13-15	FP-3907163	FOR 24, MB 2
FP-3802487	FOR 24, MB 2	FP-3882433PS	FOR 66, GMC 52, MB 7	FP-3907163WP	FOR 24, MB 2
FP-3802489	FOR 24, MB 2	FP-3883220	FOR 66, GMC 52, MB 7	FP-3907177	FOR 49, 50, MB 5, 6
FP-3802490	FOR 24, MB 2	FP-3883284	FOR 24, MB 2	FP-3907555	FOR 49, 50, MB 5, 6
FP-3802493	FOR 24, MB 2	FP-3883472	FOR 66, GMC 52, MB 7	FP-3907792	FOR 49, 50, MB 5, 6
FP-3802495	FOR 24, MB 2	FP-3883512	FOR 66, GMC 52, MB 7	FP-3908096	FOR 49, 50, MB 5, 6
FP-3802561	FOR 24, MB 2	FP-3895487	FOR 66, GMC 52, MB 7	FP-3908815	FOR 24, MB 2
FP-3802562	FOR 24, MB 2	FP-3895488	FOR 66, GMC 52, MB 7	FP-3908815WP	FOR 24, MB 2
FP-3802563	FOR 24, MB 2	FP-3895860	FOR 66, GMC 52, MB 7	FP-3908816	FOR 24, MB 2
FP-3802564	FOR 24, MB 2	FP-3900242	FOR 24, MB 2	FP-3909356	FOR 24, MB 2
FP-3802565	FOR 24, MB 2	FP-3900245	FOR 24, MB 2	FP-3909397	FOR 24, MB 2
FP-3802601	FOR 49, 50, MB 5, 6	FP-3900250	FOR 24, MB 2	FP-3909410	FOR 24, 49, 50, MB 2, 5, 6
FP-3802602	FOR 49, 50, MB 5, 6	FP-3900267	FOR 24, MB 2	FP-3910521	FOR 49, 50, MB 5, 6
FP-3802609	FOR 49, 50, MB 5, 6	FP-3900276	FOR 24, MB 2	FP-3910739	FOR 24, 49, 50, MB 2, 5, 6
FP-3802610	FOR 49, 50, MB 5, 6				

Numerical List

Part No.	Manufacturer and Line No.	Part No.	Manufacturer and Line No.	Part No.	Manufacturer and Line No.
FP-3910810	FOR 24, MB 2	FP-3923331	FOR 24, MB 2	FP-4W5702	FOR 78, 79, GMC 62
FP-3910811	FOR 24, MB 2	FP-3923478	FOR 49, 50, MB 5, 6	FP-4W5703	FOR 78, 79, GMC 62
FP-3910824	FOR 24, 49, 50, MB 2, 5, 6	FP-3923517	FOR 24, MB 2	FP-4W5739	FOR 53, 69
FP-3911400	FOR 24, MB 2	FP-3923564	FOR 49, 50, MB 5, 6	FP-4W573940	FOR 53, 69
FP-3911400WP	FOR 24, MB 2	FP-3924492	FOR 49, 50, MB 5, 6	FP-4W573950	FOR 53, 69
FP-3911557	FOR 24, MB 2	FP-3924582	FOR 49, 50, MB 5, 6	FP-4W573960	FOR 53, 69
FP-3911558	FOR 24, MB 2	FP-3925343	FOR 49, 50, MB 5, 6	FP-4W8001DM	FOR 67, 68, GMC 53, MF 59
FP-3911559	FOR 24, MB 2	FP-3925878	FOR 49, 50, MB 5, 6	FP-4W8020DM	FOR 67, 68, GMC 53, MF 59
FP-3911563	FOR 24, MB 2	FP-3925878WP	FOR 49, 50, MB 5, 6	FP-4W8030DM	FOR 67, 68, GMC 53, MF 59
FP-3911568	FOR 24, MB 2	FP-3925879	FOR 49, 50, MB 5, 6	FP-4W8091	FOR 67, 68, MF 59
FP-3911572	FOR 24, MB 2	FP-3925879WP	FOR 49, 50, MB 5, 6	FP-4W809130	FOR 67, 68, MF 59
FP-3911575	FOR 24, MB 2	FP-3926103	FOR 24, MB 2	FP-4W809140	FOR 67, 68, MF 59
FP-3911582	FOR 24, MB 2	FP-3926126	FOR 24, 49, 50, MB 2, 5, 6	FP-4W8092	DOD 17, FOR 51, 52, 67, 68, MF 59
FP-3911587	FOR 24, MB 2	FP-3926631	FOR 24, MB 2	FP-4W809230	DOD 17, FOR 51, 52, 67, 68, MF 59
FP-3911588	FOR 24, MB 2	FP-3926632	FOR 24, MB 2	FP-4W809240	FOR 67, 68, MF 59
FP-3911941	FOR 49, 50, MB 5, 6	FP-3926633	FOR 24, MB 2	FP-4W8093	FOR 67, 68, MF 59
FP-3912049	FOR 24, MB 2	FP-3926634	FOR 24, MB 2	FP-4W809330	FOR 67, 68, MF 59
FP-3912049WP	FOR 24, MB 2	FP-3926634WP	FOR 24, MB 2	FP-4W809340	FOR 67, 68, MF 59
FP-3912050	FOR 24, MB 2	FP-3926635	FOR 24, MB 2	FP-4000504	FOR 82, 83, MB 8
FP-3912050WP	FOR 24, MB 2	FP-3926635WP	FOR 24, MB 2	FP-4001M	AC 17, FRD 2, 3, 8, 9, 11, 12, FRT 4-6, 15, 16, 18, 19
FP-3912473	FOR 24, 49, 50, MB 2, 5, 6	FP-3926700	FOR 24, MB 2	FP-4004M	CAS 5, 11, 18, CLK 3, CON 9, 10, 17, 18, 25, 26, MF 9, 15, 20, WHF 19, 25, 26
FP-3913990	FOR 49, 50, MB 5, 6	FP-3926760	FOR 24, MB 2	FP-4005M	CAS 5, 11, 18, CLK 3, CON 9, 10, 17, 18, 25, 26, MF 9, 15, 20, WHF 19, 25, 26
FP-3913994	FOR 24, MB 2	FP-3927642	FOR 49, 50, MB 5, 6	FP-4009220	FOR 82, 83, MB 8
FP-3914017+	FOR 49, 50, MB 5, 6	FP-3928031	FOR 49, 50, MB 5, 6	FP-4009221	FOR 82, 83, MB 8
FP-3914029	FOR 24, MB 2	FP-3928143+	FOR 24, MB 2	FP-4009222	FOR 82, 83, MB 8
FP-3914301	FOR 49, 50, MB 5, 6	FP-3928493	FOR 24, MB 2	FP-4009227	FOR 82, 83, MB 8
FP-3914302	FOR 49, 50, MB 5, 6	FP-3928639	FOR 49, 50, MB 5, 6	FP-4009228	FOR 82, 83, MB 8
FP-3914308	FOR 49, 50, MB 5, 6	FP-3928870	FOR 49	FP-4009230	FOR 82, 83, MB 8
FP-3914310	FOR 49, 50, MB 5, 6	FP-3929005	FOR 49, 50, MB 5, 6	FP-4009231	FOR 82, 83, MB 8
FP-3914383	FOR 24, MB 2	FP-3929027	FOR 24, MB 2	FP-4009232	FOR 82, 83, MB 8
FP-3914388	FOR 49, 50, MB 5, 6	FP-3929037	FOR 24, MB 2	FP-4009233	FOR 82, 83, MB 8
FP-3914639+	FOR 24, MB 2	FP-3929041	FOR 24, MB 2	FP-4015M	CON 13, 14, 23, 24, MF 14, 17
FP-3915772	FOR 24, MB 2	FP-3929042	FOR 24, MB 2	FP-4022500	FOR 66, GMC 52, MB 7
FP-3916588	FOR 49, 50, MB 5, 6	FP-3929161	FOR 49, 50, MB 5, 6	FP-4022907	FOR 66, GMC 52, MB 7
FP-3917324	FOR 24, MB 2	FP-3929161WP	FOR 49, 50, MB 5, 6	FP-4024767	FOR 82, 83, MB 8
FP-3917619	FOR 24, MB 2	FP-3929792	FOR 24, MB 2	FP-4024768	FOR 82, 83, MB 8
FP-3917619WP	FOR 24, MB 2	FP-3930139+	FOR 24, MB 2	FP-4024769	FOR 82, 83, MB 8
FP-3917707	FOR 49, 50, MB 5, 6	FP-3930187	FOR 24, MB 2	FP-4024770	FOR 82, 83, MB 8
FP-3917707WP	FOR 49, 50, MB 5, 6	FP-3930188	FOR 24, MB 2	FP-4024771	FOR 82, 83, MB 8
FP-3917728	FOR 49, 50, MB 5, 6	FP-3930189	FOR 24, MB 2	FP-4024772	FOR 82, 83, MB 8
FP-3917729	FOR 49, 50, MB 5, 6	FP-3930324	FOR 24, MB 2	FP-4024773	FOR 82, 83, MB 8
FP-3917780	FOR 49, 50, MB 5, 6	FP-3931348	FOR 24, 49, 50, MB 2, 5, 6	FP-4024774	FOR 82, 83, MB 8
FP-3918174	FOR 49, 50, MB 5, 6	FP-3931604+	FOR 24, MB 2	FP-4024775	FOR 82, 83, MB 8
FP-3918188	FOR 24, MB 2	FP-3931623	FOR 24, 49, 50, MB 2, 5, 6	FP-4024817	FOR 66, GMC 52, MB 7
FP-3918191	FOR 49, 50, MB 5, 6	FP-3932063	FOR 49, 50, MB 5, 6	FP-4024946	FOR 81
FP-3918192	FOR 49, 50, MB 5, 6	FP-3932453*	FOR 24, MB 2	FP-4025125	FOR 66, GMC 52, MB 7
FP-3918332	FOR 49, 50, MB 5, 6	FP-3934046	FOR 49, 50, MB 5, 6	FP-4025126	FOR 66, GMC 52, MB 7
FP-3918428	FOR 24, MB 2	FP-3934047	FOR 24, MB 2	FP-4025127	FOR 66, GMC 52, MB 7
FP-3918673	FOR 24, MB 2	FP-3934048	FOR 24, MB 2	FP-4025128	FOR 66, GMC 52, MB 7
FP-3919041	FOR 24, MB 2	FP-3934586	FOR 49, 50, MB 5, 6	FP-4025151+	FOR 66, GMC 52, MB 7
FP-3919041WP	FOR 24, MB 2	FP-3934588	FOR 49, 50, MB 5, 6	FP-4025155	FOR 66, GMC 52, MB 7
FP-3919044	FOR 24, MB 2	FP-3934864	FOR 49	FP-4025271	DOD 16, FOR 49, 50, MB 5, 6
FP-3919044WP	FOR 24, MB 2	FP-3936321	FOR 24, MB 2	FP-4025271S	DOD 14, 16
FP-3919045	FOR 24, MB 2	FP-3936324	FOR 24, MB 2	FP-4026171	FOR 82, 83, MB 8
FP-3919045WP	FOR 24, MB 2	FP-3936993	FOR 49, 50, MB 5, 6	FP-4058790	DOD 26, FOR 76, 77
FP-3919047	FOR 24, MB 2	FP-3937214*	FOR 24, MB 2	FP-4070463	FOR 66, GMC 52, MB 7
FP-3919047WP	FOR 24, MB 2	FP-3937404+	FOR 24, MB 2	FP-4082M	INT 37, 42, 43, 48, 55-57, 59, 60
FP-3919048	FOR 24, MB 2	FP-3939258*	FOR 24, 49, 50, MB 2, 5, 6	FP-4083M	INT 10
FP-3919048WP	FOR 24, MB 2	FP-3939353*	FOR 49, 50, MB 5, 6	FP-4083243	FOR 66, GMC 52, MB 7
FP-3919247	FOR 49, 50, MB 5, 6	FP-3939859	FOR 24, MB 2	FP-4086M	AC 27
FP-3919247WP	FOR 49, 50, MB 5, 6	FP-3945329	FOR 49, 50, MB 5, 6	FP-4089489	DOD 24-26, FOR 76, 77
FP-3919435	FOR 49, 50, MB 5, 6	FP-3945967	FOR 49, 50, MB 5, 6	FP-4089500	FOR 82, 83, MB 8
FP-3919937	FOR 49, 50, MB 5, 6	FP-3948071	FOR 49, 50, MB 5, 6	FP-4089501	FOR 82, 83, MB 8
FP-3920691	FOR 24, MB 2	FP-3948095	FOR 49, 50, MB 5, 6	FP-4089649*	FOR 24, MB 2
FP-3920773	FOR 24, 49, 50, MB 2, 5, 6	FP-3970880	FOR 24, MB 2	FP-4089649S*	FOR 24, MB 2
FP-3920779	FOR 24, MB 2	FP-3974815	FOR 49, 50, MB 5, 6	FP-4089810	DOD 24-27, FOR 76, 77, 81
FP-3920780	FOR 24, MB 2	FP-4A1383A	SUP 1-8	FP-4089811	DOD 24-26, FOR 76, 77
FP-3920781	FOR 24, MB 2	FP-4N0685	FOR 78, 79, GMC 62	FP-4089995	FOR 66, GMC 52, MB 7
FP-3920867	FOR 24, MB 2	FP-4N3668	FOR 53	FP-4095097	FOR 82, 83, MB 8
FP-3920868	FOR 24, MB 2	FP-4N3724	FOR 78, 79, GMC 62	FP-4101M	AC 9, 11, 16
FP-3921444	FOR 49, 50, MB 5, 6	FP-4N5893	FOR 78, 79, GMC 62	FP-41055CP	AC 6, FRD 1, FRT 3
FP-3921978	FOR 49, 50, MB 5, 6	FP-4N5906	FOR 78, 79, GMC 62	FP-41339	DOD 13, FRD 14, FRT 10-14, 45, INT 38, 45, 61, 66, 75, 86, 87, 91, WHF 13, 14
FP-3922488	FOR 24, MB 2	FP-4N6658	FOR 78, 79, GMC 62	FP-4139M	CON 47, 48, 51, 52, 58, 59, 65, 66, MF 24, 26, 30, 36
FP-3922571	FOR 24, MB 2	FP-4P3977	BEW 2	FP-4149M	CAS 13, 17, 19
FP-3922571WP	FOR 24, MB 2	FP-4P8495	FOR 78, 79, GMC 62	FP-4154M	CAS 7, 12
FP-3922572	FOR 24, MB 2	FP-4W0452	FOR 53		
FP-3922573	FOR 24, MB 2	FP-4W2430	FOR 78, 79, GMC 62		
FP-3922574	FOR 24, MB 2	FP-4W2471	FOR 78, 79, GMC 62		
FP-3922574WP	FOR 24, MB 2	FP-4W2472	FOR 78, 79, GMC 62		
FP-3922575	FOR 24, MB 2	FP-4W2474	FOR 78, 79, GMC 62		
FP-3922575WP	FOR 24, MB 2	FP-4W549240	FOR 78, 79, GMC 62		
FP-3923164	FOR 49, 50, MB 5, 6	FP-4W5698	FOR 78, 79, GMC 62		
FP-3923164WP	FOR 49, 50, MB 5, 6	FP-4W5699	FOR 78, 79, GMC 62		

Numerical List

Part No.	Manufacturer and Line No.	Part No.	Manufacturer and Line No.	Part No.	Manufacturer and Line No.
FP-4162M	MF 55-57, WHF 86-88, 90-93, 97, 104, 105	FP-4944711	FOR 24, 49, 50, MB 2, 5, 6	FP-5101033	FOR 62, 63, GMC 59, 64, MIL 39
FP-4163M	WHF 70, 71, 79, 80, 85	FP-4944712	FOR 24, 49, 50, MB 2, 5, 6	FP-5101101	AC 26, 40, 48, DOD 21, FOR 37, 62-64, GMC 38-40, 50, 51, 59, 64, MF 28, 45, MIL 35, 39, WHF 41
FP-4176M10	WHF 38, 46, 47	FP-4944713	FOR 24, 49, 50, MB 2, 5, 6	FP-5101120	AC 26, 40, 48, FOR 37, 56-58, 62, 63, GMC 38-40, 48, 49, 57-59, 64, 65, MF 28, 45, MIL 35, 39, WHF 41
FP-4181A019*	PER 17, 34	FP-4944714	FOR 24, 49, 50, MB 2, 5, 6	FP-5101138	FOR 57, 58, GMC 48, 49, 57-59, 64
FP-4181A021*	PER 19, 36	FP-4952M10	FOR 69	FP-5101160	FOR 57, 58, 62, 63, GMC 48, 49, MIL 39
FP-4181A045*	PER 22	FP-4982M	INT 21, 26, 33	FP-5101258	GMC 57-59, 64, 65
FP-4181A046*	PER 22	FP-5P7807	FOR 67, 68, GMC 53, MF 59	FP-5101315	FOR 56-58, 72, GMC 48, 49, 57, 58, 65
FP-4181A047*	PER 22	FP-5P8539	FOR 51, 52, 65, MF 58, WHF 94	FP-5101408	FOR 57, 58, 62, 63, GMC 48, 49, 57-59, 64, 65, MIL 39
FP-41830CP	AC 17, FRD 2, 3, 8, 9, 11, 12, FRT 4-6, 15, 16, 18, 19	FP-5P8768	FOR 69	FP-5101412	FOR 57, 58, 62, 63, GMC 48, 49, 57-59, 64, 65, MIL 39
FP-42245CPA	FOR 2, FRD 16, FRT 22, 27, 28	FP-5P9391	FOR 51, 52, 65, MF 58, WHF 94	FP-5101533	GMC 57, 58, 65
FP-42245CPA20	FOR 2, FRT 27, 28	FP-5P9458	FOR 53	FP-5101691	FOR 1, 19, 47, 48, 62, 63, GMC 2, 20, 46, 47, MIL 31
FP-4247M	CAS 24, CLK 7, 9, 11, CON 53, 54, 60-62, 69, 70, MF 32, WHF 39, 48, 49, 57, 58	FP-5P9561	FOR 53	FP-5101710	FOR 62, 63
FP-42580CP	MF 5, PER 1-3	FP-5P9563	FOR 53	FP-5101711	FOR 62, 63
FP-43067	AC 54, DOD 22-26, FOR 70, 73, GMC 60, 61, INT 96, 99	FP-5P9573	FOR 53	FP-5101723	FOR 56-58, GMC 48, 49, 57, 58, 65
FP-4352M	CAS 41, DOD 7, MF 53, 54, PER 29-32, 37, WHF 82-84	FP-5P9574	FOR 53	FP-5101727	FOR 56-58, GMC 48, 49, 57, 58, 65
FP-4353M	AC 32, 34, MF 27, 35, 37, 49, PER 13-22, 27, 28	FP-5P9575	FOR 53	FP-5101760	AC 10, 26, 40, 48, FOR 37, 57, 58, 62, 63, 71, 74, GMC 38-40, 48, 49, 57-59, 64, 65, MF 28, 45, MIL 35, 39, WHF 41
FP-4353M10	PER 17-19, 22	FP-5P9579	FOR 53	FP-5101884	AC 10, 26, 40, 48, FOR 37, GMC 38-40, MF 28, 45, MIL 35, WHF 41
FP-4353M20	PER 17-19, 22	FP-5S6670	FOR 69	FP-5101885	FOR 57, 58, 62, 63, GMC 48, 49, 57-59, 64, 65, MIL 39
FP-4359M	INT 12, 13, 17, 19	FP-5016X	CON 3, INT 3	FP-5102M	CLK 4, 5, WAU 13-15
FP-43643A	FOR 75, GMC 60, 61, INT 99	FP-5020X	BEW 1	FP-5102062	GMC 57, 58, 65
FP-43828B	FOR 75, 77, GMC 60, 61, INT 99	FP-5022X	BEW 4	FP-5102092	FOR 57, 58, 62, 63, GMC 48, 49, 57-59, 64, 65, MIL 39
FP-4397M	CAS 22, 23	FP-5029KX	CAS 45	FP-5102098	FOR 57, 58, 62, 63, GMC 48, 49, 57-59, 64, 65, MIL 39
FP-4397M10	CAS 22, 23	FP-5032M	INT 91, 94	FP-5102112	FOR 57, 58, 62, 63, GMC 48, 49, 57, 58, MIL 39
FP-4397M20	CAS 22, 23	FP-5032M10	INT 91	FP-5102270	AC 10, 26, 40, FOR 19, 37, 47, 48, 62, 63, GMC 20, 38-40, 46, 47, MF 28, 45
FP-4397M30	CAS 22, 23	FP-5032M20	INT 91	FP-5102316	AC 10, 26, 40, 48, FOR 37, GMC 38-40, MF 28, 45, MIL 35, WHF 41
FP-4405M	DOD 15, 18, INT 90	FP-5032M30	INT 91	FP-5102317	AC 10, 26, 40, 48, FOR 37, GMC 38-40, MF 28, 45, MIL 35, WHF 41
FP-4415M	AC 12, FRT 7, 8, MF 16, 18, PER 4-8	FP-5033KX	AC 6, FRT 3	FP-5102318	AC 10, 26, 40, 48, FOR 37, GMC 38-40, MF 28, 45, MIL 35, WHF 41
FP-4416M	MF 25, PER 9-12	FP-5033X	AC 6, FRT 3	FP-5102319	AC 10, 26, 40, 48, FOR 37, GMC 38-40, MF 28, 45, MIL 35, WHF 41
FP-443128	DOD 13, 15, 18, INT 61, 66, 75, 90, 91, 94	FP-5034M	DOD 17, FRT 51, 52, 65, 67, 68, GMC 53, MF 58, 59, WHF 94	FP-5102373	FOR 62, 63, GMC 59, 64, MIL 39
FP-443603	AC 10, 26, 40, 48, FOR 1, 19, 37, 57, 58, 62, 63, GMC 1-4, 20, 38-40, 48, 49, 57-59, 64, 65, MF 28, 45, MIL 31, 35, 39, WHF 40, 41	FP-5036X	CAS 11, CON 7, 17, 18, MF 8, 15, WHF 19	FP-5102374	FOR 62, 63, GMC 59, 64, MIL 39
FP-447196	AC 10, 26, 40, FOR 19, 37, 62, 63, GMC 20, 38-40, MF 28, 45	FP-5037X	AC 2, CON 2, MF 2	FP-5102456	AC 40, 48, FOR 37, 62, 63, GMC 38-40, 59, 64, 65, MF 45, MIL 35, 39
FP-448064	INT 91	FP-5038M	INT 63, 70	FP-5102506	AC 26, 40, 48, FOR 1, 19, 37, 57, 58, 62, 63, GMC 1-4, 20, 38-40, 48, 49, 57-59, 64, MF 28, 45, MIL 31, 35, 39, WHF 40, 41
FP-448139	DOD 15, 18, INT 90, 91, 94	FP-5039KX	AC 7, 13, BUD 4, CON 25, 26, MF 20, WHF 25, 26	FP-5102648	AC 26, 40, FOR 37, 62, 63, GMC 38-40, 59, 64, MF 28, 45, MIL 39
FP-448428	DOD 18, INT 90, 91	FP-504PREM	DOD 16	FP-5102793*	FOR 57, 58, 62, 63, GMC 48, 49, 57-59, 64, MIL 39
FP-44999C	WAU 44, 45	FP-5047M	CAS 43, 45-48	FP-5102968	AC 10, 26, 40, FOR 37, 62, 63, GMC 38-40, MF 28, 45
FP-453	GMC 3, WHF 40	FP-5051KX	AC 3, 8, CAS 4, 9, 10, INT 4, 6, 7, KOH 3, MF 6, 12, 13, WAU 7, 8, WHF 6, 7, WIS 22	FP-5103264	FOR 62, 63, MIL 39
FP-453OH	GMC 3, WHF 40	FP-5051X	AC 3, 8, CAS 4, 9, 10, INT 4, 6, 7, KOH 3, MF 6, 12, 13, WAU 7, 8, WHF 6, 7, WIS 22	FP-5103280	FOR 57, 58, GMC 48, 49, 57, 58, 65
FP-453T	GMC 4	FP-5055X	MID 1	FP-5103364	FOR 57, 58, 62, 63, GMC 48, 49, 57-59, 64, 65
FP-453TOH	GMC 4	FP-5062M	AC 47, 49	FP-5103382	FOR 1, 19, GMC 1-4, 20, MIL 31, WHF 40
FP-454992	AC 26, 40, 48, FOR 37, 57, 58, 62, 63, GMC 38-40, 48, 49, 57-59, 64, 65, MF 28, 45, MIL 35, 39, WHF 41	FP-5063M	CON 35, 36, 41, 42, MF 21, 23	FP-5103534	AC 26, 40, 48, FOR 1, 37, 57, 58, GMC 2-4, 38-40, 48, 49, 57-59, 64, 65, MF 28, 45, MIL 35, WHF 40, 41
FP-455506	AC 10	FP-5080C	WAU 38	FP-5103544	FOR 57, 58, GMC 48, 49, 57, 58, 65
FP-457008	FOR 47, 48, 62, 63, GMC 46, 47, 59, 64, MIL 39	FP-5080M	WHF 95, 96, 98-103, 106	FP-5103623	FOR 57, 58, GMC 48, 49, 57, 58, 65
FP-4671M	WAU 30, 31, 35, 36, WHF 67-69, 74	FP-5084M	INT 93, 97	FP-5103624	AC 26, 40, 48, FOR 37, 57, 58, 62, 63, GMC 38-40, 48, 49, 57-59, 64, 65, MF 28, 45, MIL 35, 39, WHF 41
FP-471NA	AC 40, MF 45	FP-509GC284AP1	MIL 40	FP-5103635	AC 26, 40, 48, FOR 37, 57, 58, 62, 63, GMC 38-40, 48, 49, 57-59, 64, 65, MF 28, 45, MIL 35, 39, WHF 41
FP-471NAOH	AC 40, MF 45	FP-509GC284AP12	MIL 40		
FP-471XH	AC 40, MF 45	FP-509GC284AP2	MIL 40		
FP-471XHOH	AC 40, MF 45	FP-509GC284AP20	MIL 40		
FP-47108F	WAU 44, 45	FP-509GC284AP6	MIL 40		
FP-4712V	AC 40, MF 45	FP-5090KX	CAS 1, 2, WHF 4, 5, WIS 9, 17, 21		
FP-4712VOH	AC 40, MF 45	FP-5090X	CAS 1, 2, WHF 4, 5, WIS 9, 17, 21		
FP-4770P	FOR 71, 74	FP-5091KX	CAS 15, MF 19, WIS 15, 28		
FP-480842	INT 91	FP-5097M	AC 37, 41-43		
FP-480843	INT 91	FP-5098KX	CON 3, HER 2, INT 2, 3		
FP-480844	INT 91	FP-5098X	CON 3, HER 2, INT 2, 3, KOH 1		
FP-480845	INT 91	FP-5099M	FOR 47, 48, GMC 46, 47		
FP-480847	INT 91	FP-5099M25MM	FOR 47, 48, GMC 46, 47		
FP-480848	INT 91	FP-5099M50MM	FOR 47, 48, GMC 46, 47		
FP-480849	INT 91	FP-5100M	ONA 1		
FP-4910M	CON 102, 103, HER 45, MIL 36, 37, WHF 89	FP-5100312	AC 10, 26, 40, 48, FOR 1, 19, 37, GMC 1-4, 20, 38-40, 48, 57-59, 64, 65, MF 28, 45, MIL 31, 35, WHF 40, 41		
FP-4918M	CON 15, 16, 31, 32	FP-5100313	AC 10, 26, 40, 48, FOR 1, 19, 37, GMC 1-4, 20, 38-40, 48, 57-59, 64, 65, MF 28, 45, MIL 31, 35, WHF 40, 41		
FP-4920751	FOR 66, GMC 52, MB 7	FP-5100404	FOR 57, 58, GMC 48, 49, 57, 58, 65		
FP-4922219	FOR 82, 83, MB 8	FP-5100408	AC 40, 48, FOR 1, 19, 37, 57, 58, GMC 1-4, 20, 38-40, 48, 49, 57, 58, 65, MF 45, MIL 31, 35, WHF 40		
FP-4933M	INT 37, 42, 43, 48, 55-57, 59, 60	FP-5100703	GMC 48, 57, 58, 65		
FP-4935M	INT 10, 11, 14, 16	FP-5100860	FOR 57, 58, 62, 63, GMC 48, 49, 57, 58, MIL 39		
FP-4936080	FOR 24, MB 2	FP-5101M	FOR 67, 68, GMC 53, MF 59		
FP-4939587	FOR 24, MB 2	FP-5101016	FOR 1, 19, GMC 1-4, 20, MIL 31, WHF 40		
FP-4944710	FOR 24, 49, 50, MB 2, 5, 6				

Numerical List

Part No.	Manufacturer and Line No.	Part No.	Manufacturer and Line No.	Part No.	Manufacturer and Line No.
FP-5118915	AC 10, 26, 40, 48, FOR 1, 19, 37, GMC 1-4, 20, 38-40, 48, 57-59, 64, 65, MF 28, 45, MIL 31, 35, WHF 40, 41	FP-5123703	FOR 19, 57, 58, 62, 63, GMC 20, 48, 49, 57-59, 64, 65, MIL 31, 39	FP-5130135	AC 26, 40, FOR 37, 57, 58, GMC 38-40, 48, 49, 57-59, 64, 65, MF 28, 45
FP-5119006	GMC 3, 4, WHF 40	FP-5123715	FOR 57, 58, 62, 63, GMC 48, 49, 57, 58, MIL 39	FP-5130509	FOR 62, 63, GMC 57-59, 64, 65, MIL 39
FP-5119266	FOR 19, GMC 20, MIL 31	FP-5123716	FOR 57, 58, 62, 63, GMC 48, 49, 57, 58, MIL 39	FP-5130750	AC 26, 40, 48, FOR 37, 62, 63, GMC 38-40, 59, 64, MF 28, 45, MIL 35, 39, WHF 41
FP-5119283	FOR 1, 19, GMC 2, 20, MIL 31	FP-5123812	AC 26, 40, 48, FOR 37, 57, 58, 62, 63, GMC 38-40, 48, 49, 57-59, 64, 65, MF 28, 45, MIL 35, 39, WHF 41	FP-5130995	AC 26, 40, 48, FOR 37, 47, 48, 62, 63, GMC 38-40, 46, 47, 59, 64, MF 28, 45, MIL 35, 39, WHF 41
FP-5119368	FOR 19, GMC 20, MIL 31	FP-5124029	FOR 57, 58, 62, 63, GMC 48, 49, 57-59, 64, 65, MIL 39	FP-5131329	AC 26, 40, 48, FOR 1, 19, 37, 57, 58, 62, 63, GMC 1-4, 20, 38-40, 48, 49, 57-59, 64, 65, MF 28, 45, MIL 31, 35, 39, WHF 40, 41
FP-5120098	FOR 1, GMC 1-4, WHF 40	FP-5124055	FOR 19, GMC 20, MIL 31	FP-5131368	FOR 62, 63
FP-5120223	AC 40, 48, FOR 37, GMC 38-40, 59, 64, 65, MF 45, MIL 35	FP-5124142	FOR 62, 63, GMC 57-59, 64, 65, MIL 39	FP-5131433	FOR 57, 58, 62, 63, GMC 48, 49, 57-59, 64, 65, MIL 39
FP-5120224	AC 40, 48, FOR 37, 62, 63, GMC 38-40, 57-59, 64, 65, MF 45, MIL 35, 39	FP-5124405	AC 26, 40, 48, FOR 1, 19, 37, GMC 2-4, 20, 38-40, MF 28, 45, MIL 31, 35, WHF 40, 41	FP-5131724	AC 10, 26, 40, 48, FOR 37, GMC 38-40, MF 28, 45, MIL 35, WHF 41
FP-5120501	FOR 57, 58, 62, 63, GMC 48, 49, 57-59, 64, 65, MIL 39	FP-5124458	FOR 1, 19, GMC 1-4, 20, WHF 40	FP-5131755	AC 10, 26, 40, 48, FOR 37, 57, 58, GMC 38-40, 48, 49, 57, 58, 65, MF 28, 45, MIL 35, WHF 41
FP-5120540	AC 40, FOR 57, 58, 62, 63, GMC 48, 49, 57-59, 64, 65, MF 45, MIL 39	FP-5124798	FOR 62, 63, GMC 59, 64, MIL 39	FP-5131961	FOR 1, GMC 2-4, MIL 14, WHF 40
FP-5120930	AC 10, 26, 40, 48, FOR 37, 62, 63, GMC 38-40, 59, 64, MF 28, 45, MIL 35, 39, WHF 41	FP-5124806	FOR 62, 63, GMC 59, 64, MIL 39	FP-5131978	AC 48, FOR 37, 57, 58, 62, 63, GMC 38-40, 48, 49, 57-59, 64, 65, MIL 35, 39
FP-5121042	FOR 1, GMC 2-4, WHF 40	FP-5124872	FOR 19, GMC 20, MIL 31	FP-5132M	AC 28-31, 35, 36, 38, 39, BUD 11, 12, 14-16
FP-5121071	FOR 1, 19, GMC 1-4, 20, MIL 31, WHF 40	FP-5124926	GMC 48, 57-59, 64, 65	FP-5132117	AC 26, 40, 48, FOR 19, 37, GMC 20, 38-40, MF 28, 45, MIL 31, 35, WHF 41
FP-5121082	FOR 1, GMC 1-4, WHF 40	FP-5125M	INT 71, 72, 76, 77	FP-5132155	AC 10, 26, 40, 48, FOR 37, 57, 58, 62, 63, 71, 74, GMC 38-40, 48, 49, 57-59, 64, 65, MF 28, 45, MIL 35, 39, WHF 41
FP-5121182	AC 10, 26, 40, 48, FOR 1, 19, 37, 47, 48, 57, 58, 62, 63, GMC 1-4, 20, 38-40, 46-49, 57-59, 64, 65, MF 28, 45, MIL 31, 35, 39, WHF 40, 41	FP-5125024	FOR 19, GMC 20, MIL 31	FP-5132383	AC 10, 26, 40, 48, FOR 37, 58, 63, GMC 38-40, 48, 49, 57-59, 64, 65, MF 28, 45, WHF 41
FP-5121205	FOR 1, 19, 62, 63, GMC 1-4, 20, 59, 64, MIL 31, 39, WHF 40	FP-5125108	AC 26, 40, 48, FOR 37, 57, 58, 62, 63, GMC 38-40, 48, 49, 57-59, 64, 65, MF 28, 45, MIL 35, 39, WHF 41	FP-5132410	FOR 57, 58, 62, 63, GMC 48, 49, 57-59, 64, 65, MIL 39
FP-5121254	FOR 1, 19, GMC 1-4, 20, MIL 31, WHF 40	FP-5125150	FOR 19, GMC 20, MIL 31	FP-5132474	FOR 19, GMC 20, MIL 31
FP-5121256	FOR 1, 19, GMC 1-4, 20, MIL 31, WHF 40	FP-5125367	FOR 19, GMC 20	FP-5132650	AC 40, FOR 37, 57, 58, 62, 63, GMC 38-40, 48, 49, 57, 58, MF 45, MIL 39
FP-5121259	AC 10, 26, 40, 48, FOR 1, 19, 37, 57, 58, GMC 1-4, 20, 38-40, 48, 49, 57, 58, 65, MF 28, 45, MIL 31, 35, WHF 40, 41	FP-5125427	AC 10	FP-5132803	FOR 1, 19, GMC 1-4, 20, MIL 31, WHF 40
FP-5121263	FOR 1, 19, GMC 1-4, 20, MIL 31, WHF 40	FP-5125428	AC 10	FP-5132962	FOR 19, 62, 63, GMC 20
FP-5121339	FOR 19, GMC 20	FP-5126160	FOR 57, 58, 62, 63, GMC 48, 49, 57, 58, MIL 39	FP-5133M	AC 13-15, 18-21, BUD 4, 5, 8-10
FP-5121342	FOR 19, GMC 20, MIL 31	FP-5126326	FOR 57, 58, 62, 63, GMC 48, 49, 57-59, 64, 65, MIL 39	FP-5133107	FOR 1, 19, GMC 2, 20, MIL 31
FP-5121403	FOR 1, 19, GMC 1-4, 20, WHF 40	FP-5126327	FOR 57, 58, 62, 63, 71, 74, GMC 48, 49, 57-59, 64, 65, MIL 39	FP-5133254	FOR 57, 58, GMC 48, 49, 57, 58
FP-5121472	FOR 19, GMC 20	FP-5126350	FOR 62, 63, GMC 59, 64, MIL 39	FP-5133450	FOR 62, 63, GMC 59, 64, MIL 39
FP-5121714	FOR 57, 58, 62, 63, GMC 48, 49, 57-59, 64, MIL 39	FP-5126473	FOR 1, 19, 47, 48, GMC 1-4, 20, 46, 47, MIL 31, WHF 40	FP-5133680	FOR 62, 63
FP-5121905	FOR 57, 58, 62, 63, GMC 48, 49, 57-59, 64, 65	FP-5126492	FOR 19, GMC 20, MIL 31	FP-5133699	GMC 57-59, 64, 65
FP-5121989	FOR 71, 74	FP-5126562	GMC 64, 65	FP-5133700	GMC 57-59, 64, 65
FP-5122M	FRB 8-10, FRD 25, FRT 30-33, 36-41	FP-5126618	FOR 62, 63, GMC 59, 64, MIL 39	FP-5133707	FOR 19, GMC 20
FP-5122165	AC 10, 26, 40, FOR 1, 19, 37, 47, 48, 62, 63, GMC 2, 20, 38-40, 46, 47, MF 28, 45	FP-5126623	AC 10, 26, 40, FOR 37, 62, 63, GMC 38-40, MF 28, 45	FP-5133795	FOR 62, 63
FP-5122270	FOR 1, 19, 62, 63, GMC 2, 20	FP-5126911	AC 26, 40, 48, FOR 37, GMC 38-40, MF 28, 45, MIL 35, WHF 41	FP-5133981	FOR 1, 19, 57, 58, 62, 63, 71, 74, GMC 2-4, 20, 48, 49, 57-59, 64, 65, MIL 31, 39, WHF 40
FP-5122445+	AC 26, 40, 48, FOR 37, 57, 58, 62, 63, GMC 38-40, 48, 49, 57-59, 64, 65, MF 28, 45, MIL 35, 39, WHF 41	FP-5126932	GMC 3, 4, WHF 40	FP-5134026	GMC 57-59, 64, 65
FP-5122533	FOR 62, 63, GMC 59, 64, MIL 39	FP-5126934	FOR 19, GMC 20, MIL 31	FP-5134838	FOR 57, 58, 62, 63, GMC 48, 49, 57-59, 64, 65, MIL 39
FP-5122692	FOR 62, 63, GMC 59, 64, MIL 39	FP-5127077	FOR 1, 19, GMC 1-4, 20, WHF 40	FP-5135262	FOR 1, 19, GMC 2-4, 20, MIL 31, WHF 40
FP-5122742	FOR 1, GMC 2	FP-5127147	FOR 1, 19, GMC 1-3, 20, MIL 31, WHF 40	FP-5135267	FOR 1, 19, GMC 2-4, 20, MIL 31, WHF 40
FP-5122798	FOR 1, GMC 2	FP-5127175	FOR 1, GMC 1-4, WHF 40	FP-5135268	FOR 1, 19, GMC 2-4, 20, MIL 31, WHF 40
FP-5123150	FOR 62, 63, MIL 39	FP-5127213	FOR 62, 63	FP-5135308	AC 26, 40, 48, FOR 1, 19, 37, 62, 63, GMC 1-4, 20, 38-40, 48, 57-59, 64, 65, MF 28, 45, MIL 31, 35, 39, WHF 40, 41
FP-5123235	FOR 62, 63, GMC 59, 64, MIL 39	FP-5127217	FOR 19, 48, GMC 20, 47, MIL 31	FP-5135547	FOR 1, 19, GMC 1-4, 20, WHF 40
FP-5123250	AC 10, 26, 40, 48, FOR 1, 19, 37, 57, 58, 62, 63, GMC 1-4, 20, 38-40, 48, 49, 57-59, 64, 65, MF 28, 45, MIL 31, 35, 39, WHF 40, 41	FP-5127247	FOR 62, 63	FP-5135662	FOR 1, 19, GMC 1-4, 20, WHF 40
FP-5123303	FOR 57, 58, 62, 63, GMC 48, 49, 57-59, 64, MIL 39	FP-5127267	FOR 62, 63	FP-5135820	AC 26, 40, 48, FOR 1, 19, 37, GMC 2, 20, MF 28, 45, MIL 35, WHF 41
FP-5123330	FOR 1, 19, GMC 2-4, 20, MIL 31, WHF 40	FP-5127375	FOR 62, 63	FP-5135936	AC 26, 40, 48, FOR 37, MF 28, 45, MIL 35, WHF 41
FP-5123383	AC 26, 40, FOR 37, GMC 38-40, MF 28, 45	FP-5127415	GMC 57-59, 64, 65	FP-5136M	AC 37, 41-43
FP-5123570	FOR 57, 58, 62, 63, GMC 48, 49, 57, 58, MIL 39	FP-5127417	GMC 57-59, 64, 65	FP-5136097	FOR 19, GMC 20, MIL 31
FP-5123575	FOR 57, 58, 62, 63, GMC 48, 49, 57, 58, MIL 39	FP-5127821	AC 26, 40, 48, FOR 1, 37, 62, 63, GMC 1, 2, 38-40, 59, MF 28, 45, MIL 35, 39, WHF 41	FP-5136160	FOR 62, 63
FP-5123700	AC 26, 40, 48, FOR 1, 19, 37, 57, 58, 62, 63, GMC 2-4, 20, 38-40, 48, 49, 57-59, 64, 65, MF 28, 45, MIL 31, 35, 39, WHF 40, 41	FP-5127843	GMC 64, 65		
		FP-5127978	FOR 71, 74		
		FP-5128217	AC 10, 26, 40, 48, FOR 1, 19, 37, GMC 1-4, 20, 38-40, 48, 57-59, 64, 65, MF 28, 45, MIL 31, 35, WHF 40, 41		
		FP-5128439	FOR 19, GMC 1, 20, MIL 31		
		FP-5128640	AC 10, 26, 40, 48, DOD 21, FOR 1, 19, 37, 56-58, 62, 63, 72, GMC 1-4, 20, 38-40, 48-51, 57-59, 64, 65, MF 28, 45, MIL 14, 31, 35, 39, WHF 40, 41		
		FP-5128917	FOR 1, 19, GMC 1-4, 20, WHF 40		
		FP-5129101	AC 10, 26, 40, 48, FOR 37, 57, 58, 62, 63, GMC 38-40, 48, 49, 57-59, 64, 65, MF 28, 45, MIL 35, 39, WHF 41		
		FP-5129919	AC 26, 40, 48, DOD 21, FOR 1, 19, 37, 56-58, 62-64, 72, GMC 1-3, 20, 38-40, 48-51, 57-59, 64, 65, MF 28, 45, MIL 14, 31, 35, 39, WHF 40, 41		

Numerical List

Part No.	Manufacturer and Line No.	Part No.	Manufacturer and Line No.	Part No.	Manufacturer and Line No.
FP-5136240	AC 10, 26, 40, 48, FOR 1, 19, 37, 47, 48, 57, 58, 62, 63, GMC 1-4, 20, 38-40, 46-49, 57-59, 64, 65, MF 28, 45, MIL 31, 35, 39, WHF 40, 41	FP-5146040	FOR 62, 63, GMC 64	FP-514931520	GMC 4
FP-5136241	AC 10, 26, 40, 48, FOR 1, 19, 37, 47, 48, 62, 63, GMC 1-4, 20, 38-40, 46-48, 57-59, 64, 65, MF 28, 45, MIL 31, 35, 39, WHF 40, 41	FP-5146165	FOR 57, 58, 62, 63, GMC 48, 49, 57-59, 64, 65, MIL 39	FP-5149359	GMC 4
FP-5136590	FOR 1, 19, 47, 48, 62, 63, GMC 2, 20, 46, 47	FP-5146679	AC 10, 26, 40, 48, FOR 1, 19, 37, 62, 63, GMC 1-4, 20, 38-40, 59, 64, MF 28, 45, MIL 35, 39, WHF 40, 41	FP-5149378	GMC 4
FP-5136591	FOR 1, 19, 47, 48, 62, 63, GMC 2, 20, 46, 47	FP-5146680	AC 10, 26, 40, 48, FOR 1, 19, 37, 57, 58, 62, 63, GMC 1-4, 20, 38-40, 48, 49, 57-59, 64, 65, MF 28, 45, MIL 35, 39, WHF 40, 41	FP-5149386	AC 26, 40, 48, FOR 37, GMC 38-40, 59, 64, MF 28, 45, MIL 35, WHF 41
FP-5136671	AC 26, 40, 48, FOR 37, GMC 38-40, MF 28, 45, MIL 35, WHF 41	FP-5146705	AC 10, 26, 40, 48, FOR 1, 19, 37, GMC 1-4, 20, 38-40, 48, 57-59, 64, 65, MF 28, 45, MIL 31, 35, WHF 40, 41	FP-5149391	AC 40, MF 45
FP-5136701	FOR 62, 63, GMC 59, 64, MIL 39	FP-5147185	FOR 62, 63, GMC 59, 64, MIL 39	FP-5149393	FOR 37, GMC 38-40, MIL 35
FP-5137KX	INT 15	FP-5147246	FOR 62, 63, GMC 48, 57-59, 64, 65, MIL 39	FP-5149447	FOR 1, GMC 2, 4, MIL 14
FP-5137618	FOR 37, GMC 38-40	FP-5147347	AC 26, 40, 48, DOD 21, FOR 37, 56-58, 62-64, 72, GMC 38-40, 48-51, 57-59, 64, 65, MF 28, 45, MIL 35, 39, WHF 41	FP-5149449	GMC 4
FP-5137620	FOR 1, 19, GMC 2, 4, 20, 59	FP-5147424	FOR 1, 19, GMC 2-4, 20, MIL 14, 31, WHF 40	FP-5149450	GMC 4
FP-5138KX	CAS 28, INT 46	FP-5147506	GMC 3, 4, WHF 40	FP-5149451	GMC 4
FP-5138619	AC 26, 40, 48, FOR 19, 37, 57, 58, GMC 20, 38-40, 48, 49, 57, 58, 65, MF 28, 45, MIL 31, 35, WHF 41	FP-5147866	AC 26, 40, FOR 37, 62, 63, GMC 38-40, MF 28, 45	FP-5149452	FOR 1, GMC 1-4, MIL 14, WHF 40
FP-5138643	FOR 71, 74	FP-5147910	FOR 62, 63	FP-5149454	FOR 1, GMC 1-4, WHF 40
FP-5138710	AC 26, 40, 48, FOR 19, 37, 57, 58, 62, 63, GMC 20, 38-40, 48, 49, 57-59, 64, 65, MF 28, 45, MIL 35, 39, WHF 41	FP-5147912	FOR 19, GMC 4	FP-5149455	FOR 1, GMC 1-4, WHF 40
FP-5138796	FOR 19, GMC 20, MIL 31	FP-5147993	GMC 1	FP-5149456	FOR 1, GMC 1-4, WHF 40
FP-5139997	FOR 1, 19, GMC 2-4, 20, WHF 40	FP-5147994	FOR 1, 19, GMC 2, 20, MIL 31	FP-5149556	FOR 62, 63, GMC 59, 64, MIL 39
FP-5140259	FOR 1, 19, GMC 2, 20	FP-5148310	FOR 57, 58, GMC 48, 49, 57, 58, 65	FP-5149557	FOR 62, 63, GMC 59, 64, MIL 39
FP-5141773	AC 26, 40, 48, FOR 37, 71, 74, GMC 38-40, 48, 57-59, 64, 65, MF 28, 45, MIL 35, WHF 41	FP-5148314	FOR 1, GMC 2-4, WHF 40	FP-5149559	FOR 62, 63, GMC 59, 64, MIL 39
FP-5142M	CLK 1, 2, CON 3-5, INT 3, 5, MF 3, WHF 3	FP-5148324	FOR 57, 58, GMC 48, 49, 57, 58, 65	FP-5149561	FOR 62, 63, GMC 59, 64, MIL 39
FP-5142266	FOR 1, 19, GMC 1-4, 20, WHF 40	FP-5148373	AC 26, 40, FOR 37, 56-58, 62, 63, GMC 48, 49, 57-59, 64, 65, MF 28, 45, MIL 39, WHF 41	FP-5149563	FOR 62, 63, GMC 59, 64, MIL 39
FP-5142549	AC 10, 26, 40, 48, FOR 1, 19, 37, 47, 48, 57, 58, 62, 63, GMC 1-4, 20, 38-40, 46-49, 57-59, 64, 65, MF 28, 45, MIL 31, 35, 39, WHF 40, 41	FP-5148399	AC 10, 26, 40, 48, DOD 21, FOR 37, 62-64, GMC 38-40, 50, 51, 59, 64, MF 28, 45, MIL 35, 39, WHF 41	FP-5149565	DOD 21, FOR 56-58, 62-64, 72, GMC 48-51, 57-59, 64, 65, MIL 39
FP-5142712	FOR 1, GMC 2	FP-5148440	AC 26, 40, 48, FOR 37, 62, 63, GMC 38-40, 59, 64, MF 28, 45, MIL 35, 39, WHF 41	FP-5149566	DOD 21, FOR 56-58, 62-64, 72, GMC 48-51, 57-59, 64, 65, MIL 39
FP-5143108	AC 40, 48, FOR 37, GMC 38-40, 57, 58, MF 45, MIL 35	FP-5148472	AC 26, 40, 48, DOD 21, FOR 37, 56-58, 62-64, 72, GMC 38-40, 48-51, 57-59, 64, 65, MF 28, 45, MIL 35, 39, WHF 41	FP-5149567	DOD 21, FOR 56-58, 62-64, 72, GMC 48-51, 57-59, 64, 65, MIL 39
FP-5143210	FOR 1, 19, GMC 2-4, 20, MIL 31, WHF 40	FP-5148475	AC 26, 40, 48, DOD 21, FOR 37, 56-58, 62-64, 72, GMC 38-40, 48-51, 57-59, 64, 65, MF 28, 45, MIL 35, 39, WHF 41	FP-5149568	DOD 21, FOR 56-58, 62-64, 72, GMC 48-51, 57-59, 64, 65, MIL 39
FP-5143405	AC 26, FOR 56-58, GMC 48, 49, MF 28, WHF 41	FP-5148490	FOR 56-58, 72, GMC 48, 49, 57, 58, 65	FP-5149572	DOD 21, FOR 56-58, 62-64, 72, GMC 48-51, 57-59, 64, 65, MIL 39
FP-5143406	AC 40, DOD 21, FOR 62-64, 72, GMC 50, 51, 57, 58, 64, 65, MF 45, MIL 39	FP-5148491	FOR 57, 58, GMC 48, 49, 57, 58, 65	FP-5149573	FOR 57, 58, 62, 63, GMC 48, 49, 57-59, 64, 65, MIL 39
FP-5143407	AC 48, FOR 37, GMC 38-40, 59, MIL 35	FP-5148502	FOR 57, 58, GMC 48, 49, 57, 58, 65	FP-5149575	DOD 21, FOR 56-58, 62-64, 72, GMC 48-51, 57-59, 64, 65, MIL 39
FP-5143866	FOR 62, 63	FP-5148504	AC 26, 40, 48, FOR 37, 62, 63, GMC 38-40, 57-59, 64, 65, MF 28, 45, MIL 35, 39, WHF 41	FP-5149577	DOD 21, FOR 56-58, 62-64, 72, GMC 48-51, 57-59, 64, 65, MIL 39
FP-5143999	FOR 57, 58, 62, 63, GMC 48, 49, 57-59, 64, MIL 39	FP-5148505WS	FOR 56-58, GMC 48, 49, 57, 58, 65	FP-5149579	DOD 21, FOR 56-58, 62-64, 72, GMC 48-51, 57-59, 64, 65, MIL 39
FP-5144019	FOR 1, 19, GMC 2-4, 20, MIL 14, 31, WHF 40	FP-514850510	FOR 56-58, GMC 48, 49, 57, 58, 65	FP-5149599	AC 10, 26, 40, 48, FOR 1, 19, 37, 47, 48, GMC 1-4, 20, 38-40, 46-48, 57-59, 64, 65, MF 28, 45, MIL 31, 35, WHF 40, 41
FP-5144178	FOR 1, 19, 47, 48, 62, 63, GMC 2, 20, 46, 47	FP-514850520	FOR 56-58, GMC 48, 49, 57, 58, 65	FP-5149711	FOR 57, 58, 62, 63, GMC 48, 49, MIL 39
FP-5144277	FOR 57, 58, 62, 63, GMC 48, 49, 57-59, 64, 65, MIL 39	FP-5148615	FOR 57, 58, GMC 48, 49, 57, 58, 65	FP-5149724	FOR 47, 48, GMC 46, 47
FP-5144484	AC 10	FP-5148794	FOR 57, 58, 62, 63, GMC 48, 49, 57-59, 64, 65	FP-5149728	FOR 47, 48, GMC 46, 47
FP-5144495	GMC 59, 64	FP-5149093	FOR 1, GMC 2	FP-5149734	GMC 4
FP-5144503	FOR 1, 19, GMC 2, 20, MIL 31	FP-5149095	GMC 3, 4, WHF 40	FP-514973410	GMC 4
FP-5144744	AC 26, 40, 48, FOR 37, 56, 62, 63, GMC 38-40, 57, 59, 64, 65, MF 28, 45, MIL 35, 39, WHF 41	FP-5149234	AC 26, 40, 48, FOR 37, 62, 63, GMC 38-40, 59, 64, MF 28, 45, MIL 35, 39, WHF 41	FP-514973420	GMC 4
FP-5144768	FOR 1, 19, GMC 1-4, 20, 59, 64, 65, WHF 40	FP-5149261	AC 26, 40, 48, DOD 21, FOR 37, 62-64, GMC 38-40, 50, 51, 59, 64, MF 28, 45, MIL 35, 39, WHF 41	FP-5149771	FOR 57, 58, GMC 48, 49, 57, 58, 65
FP-5144846	AC 26, 40, FOR 37, 56-58, 62, 63, GMC 48, 49, 57-59, 64, 65, MF 28, 45, MIL 39, WHF 41	FP-5149263	AC 26, 40, 48, DOD 21, FOR 37, 62-64, GMC 38-40, 50, 51, 59, 64, MF 28, 45, MIL 35, 39, WHF 41	FP-5149918	AC 26, 40, 48, FOR 37, GMC 38-40, MF 28, 45, MIL 35, WHF 41
FP-5144872	FOR 56-58, GMC 48, 49, 58	FP-5149264	AC 26, 40, 48, DOD 21, FOR 37, 62-64, GMC 38-40, 50, 51, 59, 64, MF 28, 45, MIL 35, 39, WHF 41	FP-5149942	FOR 1, 19, GMC 1-3, 20, MIL 31, WHF 40
FP-5145086	FOR 57, 58, 62, 63, GMC 48, 49, 57-59, 64, 65, MIL 39	FP-5149313	GMC 4	FP-5149944	FOR 1, 19, GMC 1-4, 20, MIL 31, WHF 40
FP-5145092	AC 26, 40, 48, FOR 1, 19, 37, 57, 58, 62, 63, GMC 2, 20, 38-40, 48, 49, 57-59, 64, 65, MF 28, 45, MIL 31, 35, 39, WHF 41	FP-5149314	GMC 4	FP-5149945	FOR 1, 19, GMC 1-4, 20, MIL 31, WHF 40
FP-5145172	MIL 14	FP-5149315	GMC 4	FP-5149946	FOR 57, 58, 62, 63, GMC 48, 49, 57-59, 64, MIL 39
FP-5145235	FOR 57, 58, 62, 63, GMC 48, 49, 57-59, 64, 65, MIL 39	FP-514931510	GMC 4	FP-5149963	FOR 56-58, GMC 48, 49
FP-5145238	AC 40, FOR 57, 58, 62, 63, GMC 48, 49, 57-59, 64, 65, MF 45, MIL 39			FP-5150013	FOR 1, 62, 63, GMC 2, 59, 64, MIL 39

Numerical List

Part No.	Manufacturer and Line No.	Part No.	Manufacturer and Line No.	Part No.	Manufacturer and Line No.
FP-5150193	AC 10, 26, 40, 48, FOR 1, 19, 37, 47, 48, 62, 63, 71, 74, GMC 1-4, 20, 38-40, 46-48, 57-59, 64, 65, MF 28, 45, MIL 31, 35, 39, WHF 40, 41	FP-5152148	AC 10, 26, 40, 48, FOR 1, 19, 37, 47, 48, 57, 58, 62, 63, GMC 1-4, 20, 38-40, 46-49, 57-59, 64, 65, MF 28, 45, MIL 31, 35, 39, WHF 40, 41	FP-5160542	AC 10, 26, 40, 48, FOR 19, 37, GMC 20, 38-40, MF 28, 45, MIL 31, 35, WHF 41
FP-5150194	AC 26, FOR 57, 58, GMC 48, 49, MF 28, WHF 41	FP-5152288	AC 10	FP-5161003	AC 10, 26, 40, 48, FOR 1, 19, 37, 47, 48, 62, 63, GMC 1-4, 20, 38-40, 46-48, 57-59, 64, 65, MF 28, 45, MIL 31, 35, 39, WHF 40, 41
FP-5150195	AC 40, 48, FOR 37, 62, 63, GMC 38-40, 57-59, 64, 65, MF 45, MIL 35, 39	FP-5152413	AC 10, 26, 40, 48, FOR 37, GMC 38-40, MF 28, 45, MIL 35, WHF 41	FP-5162667	FOR 62, 63, GMC 59, 64, MIL 39
FP-5150196	AC 48, FOR 37, GMC 38-40, 59, MIL 35	FP-5152525	AC 10	FP-5162888	FOR 19, GMC 4
FP-5150235	AC 26, MF 28	FP-5152929*	FOR 62, 63	FP-5163811	AC 26, 40, 48, FOR 37, 62, 63, GMC 38-40, 57-59, 64, 65, MF 28, 45, MIL 35, 39, WHF 41
FP-5150250	FOR 1, 19, 57, 58, GMC 1-4, 20, 48, 49, 57, 58, 65, MIL 31, WHF 40	AC 48, FOR 37, GMC 38-40, MIL 35	AC 26, 40, 48, FOR 37, GMC 38-40, MF 28, 45, MIL 35, WHF 41	FP-5165801	AC 10
FP-5150289	AC 10, 26, 40, 48, FOR 37, 62, 63, GMC 38-40, 59, 64, MF 28, 45, MIL 35, 39, WHF 41	FP-5153154	AC 10, 26, 40, 48, FOR 37, GMC 38-40, MF 28, 45, MIL 35, WHF 41	FP-5166KX	AC 17, FRD 8, 9, FRT 15
FP-5150291	AC 10, 26, 40, 48, FOR 37, 62, 63, GMC 38-40, 59, 64, MF 28, 45, MIL 35, 39, WHF 41	FP-5153247	AC 26, 40, 48, FOR 37, GMC 38-40, MF 28, 45, MIL 35, WHF 41	FP-5166X	AC 17, FRD 8, 9, FRT 15
FP-5150292	AC 10, 26, 40, 48, FOR 37, 62, 63, GMC 38-40, 59, 64, MF 28, 45, MIL 35, 39, WHF 41	FP-5153309	AC 26, 40, 48, FOR 37, GMC 38-40, MF 28, 45, MIL 35, WHF 41	FP-5166130	AC 10
FP-5150302	AC 10, 26, 40, 48, FOR 1, 19, 37, 62, 63, GMC 1-4, 20, 38-40, 59, 64, MF 28, 45, MIL 31, 35, 39, WHF 40, 41	FP-5153310	AC 26, 40, 48, FOR 37, GMC 38-40, MF 28, 45, MIL 35, WHF 41	FP-5166840	AC 26, 40, 48, FOR 37, GMC 38-40, MF 28, 45, MIL 35, WHF 41
FP-5150303	AC 10, 26, 40, 48, FOR 1, 19, 37, 57, 58, 62, 63, GMC 1-3, 20, 38-40, 48, 49, 57-59, 64, 65, MF 28, 45, MIL 31, 35, 39, WHF 40, 41	FP-5153560	AC 26, 40, 48, FOR 37, GMC 38-40, MF 28, 45, MIL 35, WHF 41	FP-5167714	AC 26, 40, FOR 37, 57, 58, 62, 63, GMC 38-40, 48, 49, 57-59, 64, 65, MF 28, 45
FP-5150314	AC 26, 40, 48, FOR 1, 19, 37, 57, 58, 62, 63, GMC 1-4, 20, 38-40, 48, 49, 57-59, 64, 65, MF 28, 45, MIL 31, 35, 39, WHF 40, 41	FP-5153898	AC 10	FP-5167746	AC 26, 40, 48, FOR 37, 57, 58, 62, 63, GMC 38-40, 48, 49, 57-59, 64, 65, MF 28, 45, MIL 35, 39, WHF 41
FP-5150325	AC 10, 26, 40, 48, FOR 37, 57, 58, 62, 63, GMC 38-40, 48, 49, 57-59, 64, 65, MF 28, 45, MIL 35, 39, WHF 41	FP-5153902	AC 26, 40, 48, FOR 37, GMC 38-40, MF 28, 45, MIL 35, WHF 41	FP-5167761	AC 26, 40, 48, FOR 37, GMC 38-40, MF 28, 45, MIL 35, WHF 41
FP-5150372	AC 26, 40, FOR 37, 57, 58, 62, 63, GMC 38-40, 48, 49, 57-59, 64, 65, MF 28, 45	FP-5153938	AC 26, 40, FOR 37, 57, 58, 62, 63, GMC 38-40, 48, 49, 57-59, 64, 65, MF 28, 45	FP-5169478	AC 26, 40, 48, FOR 37, 62, 63, GMC 38-40, 59, 64, MF 28, 45, MIL 35, 39, WHF 41
FP-5150568	AC 10, 26, 40, 48, FOR 1, 19, 37, GMC 1-4, 20, 38-40, MF 28, 45, MIL 31, 35, WHF 40, 41	FP-5154115	AC 10	FP-5170KX	INT 84, 85
FP-5150855	AC 26, 40, FOR 37, 57, 58, 62, 63, GMC 38-40, 48, 49, 57-59, 64, 65, MF 28, 45	FP-5154133	AC 10	FP-5170466	FOR 19, GMC 4
FP-5150856	AC 26, 40, FOR 37, 57, 58, 62, 63, GMC 38-40, 48, 49, 57-59, 64, 65, MF 28, 45	FP-5154198	AC 10	FP-5170468	FOR 19
FP-5150885	AC 26, 40, FOR 37, 62, 63, GMC 38-40, MF 28, 45	FP-5154210	AC 10	FP-5170626	AC 10
FP-5150889	AC 10, 26, 40, 48, FOR 37, GMC 38-40, MF 28, 45, MIL 35, WHF 41	FP-5154213	AC 10	FP-5172141	AC 26, 40, 48, FOR 37, GMC 38-40, MF 28, 45, MIL 35, WHF 41
FP-5150894	AC 10, 26, 40, FOR 37, 62, 63, GMC 38-40, MF 28, 45	FP-5154216	AC 10, FOR 47, 48, GMC 46, 47	FP-5172383	FOR 19, GMC 20
FP-5150923	AC 26, FOR 62, 63, MF 28	FP-5154226	AC 10	FP-5172864	AC 26, 40, FOR 37, GMC 38-40, MF 28, 45
FP-5150932	AC 26, 40, FOR 37, GMC 38-40, MF 28, 45	FP-5154227	AC 10	FP-5172874	AC 26, 40, 48, FOR 37, 57, 58, 62, 63, GMC 38-40, 48, 49, 57-59, 64, 65, MF 28, 45, MIL 35, 39, WHF 41
FP-5150941	FOR 19, GMC 20	FP-5154228	AC 10	FP-5173384	FOR 37, GMC 38-40
FP-5150943	AC 26, 40, FOR 19, 37, 62, 63, GMC 20, 38-40, MF 28, 45	FP-5154271	AC 10	FP-5173482	AC 26, 40, 48, FOR 37, GMC 38-40, MF 28, 45, MIL 35, WHF 41
FP-5151226	AC 10	FP-5154314	AC 10	FP-5174286	FOR 1, 19, 47, 48, 62, 63, GMC 2, 20, 46, 47
FP-5151227	AC 10	FP-5154316	AC 10	FP-5174924	AC 26, 40, 48, FOR 1, 19, 37, 62, 63, GMC 1-4, 20, 38-40, 48, 57-59, 64, 65, MF 28, 45, MIL 31, 35, 39, WHF 40, 41
FP-5151272	FOR 47, 48, GMC 46, 47	FP-5154398	AC 26, 40, FOR 37, 57, 58, 62, 63, GMC 38-40, 48, 49, 57-59, 64, 65, MF 28, 45	FP-5174971	AC 10, 26, 40, 48, FOR 1, 19, 37, 47, 48, 62, 63, GMC 1-4, 20, 38-40, 46-48, 57-59, 64, 65, MF 28, 45, MIL 31, 35, 39, WHF 40, 41
FP-5151277	AC 26, 40, FOR 1, 19, 37, 62, 63, GMC 1-4, 20, 38-40, 59, 64, MF 28, 45, MIL 31, 39, WHF 40	FP-5154453	AC 26, 40, FOR 1, 19, 37, 57, 58, 62, 63, GMC 1-4, 20, 38-40, 48, 49, 57-59, 64, 65, MF 28, 45, MIL 39, WHF 40	FP-5174973	AC 10, 26, 40, 48, FOR 1, 19, 37, 47, 48, 62, 63, GMC 1-4, 20, 38-40, 46-48, 57-59, 64, 65, MF 28, 45, MIL 31, 35, 39, WHF 40, 41
FP-5151430	AC 26, 40, FOR 1, 19, 57, 58, 62, 63, GMC 1-4, 20, 48, 49, 57-59, 64, 65, MF 28, 45, MIL 39, WHF 40, 41	FP-5154472	AC 10	FP-5174975	AC 10, 26, 40, 48, FOR 1, 19, 37, 47, 48, 62, 63, GMC 1-4, 20, 38-40, 46-48, 57-59, 64, 65, MF 28, 45, MIL 31, 35, 39, WHF 40, 41
FP-5151449	FOR 1, 19, GMC 1-4, 20, WHF 40	FP-5155555	AC 10	FP-5175882	AC 26, 40, 48, FOR 1, 37, 57, 58, 62, 63, GMC 1-4, 38-40, 48, 49, 57-59, 64, 65, MF 28, 45, MIL 35, 39, WHF 40, 41
FP-5151487	AC 10, 26, 40, FOR 1, 19, 37, 47, 48, 62, 63, GMC 2, 20, 38-40, 46, 47, MF 28, 45	FP-5155596	AC 10, 26, 40, 48, FOR 1, 19, 37, 57, 58, 62, 63, GMC 2-4, 20, 38-40, 48, 49, 57-59, 64, MF 28, 45, MIL 31, 35, 39, WHF 40, 41	FP-5175944	AC 26, 40, 48, FOR 37, GMC 38-40, MF 28, 45, MIL 35, WHF 41
FP-5151601	AC 10, 26, 40, 48, FOR 1, 19, 37, 57, 58, 62, 63, GMC 1-4, 20, 38-40, 48, 49, 57-59, 64, 65, MF 28, 45, MIL 31, 35, 39, WHF 40, 41	FP-5155765	AC 26, 40, 48, FOR 1, 37, GMC 2, 38-40, MF 28, 45, MIL 35, WHF 41	FP-5176557	AC 10, 26, 40, FOR 1, 19, 37, 47, 48, 62, 63, GMC 2, 20, 38-40, 46, 47, MF 28, 45
FP-5152121	FOR 57, 58, 62, 63, GMC 48, 49, 57-59, 64, MIL 39	FP-5155839	AC 26, 40, FOR 62, 63, GMC 59, 64, MF 28, 45, MIL 39, WHF 41	FP-5177763	AC 40, 48, FOR 37, GMC 38-40, MF 45, MIL 35
FP-5152122	AC 10	FP-5156KX	FRD 2, FRT 4	FP-5177769	AC 10, 26, 40, FOR 37, 57, 58, 62, 63, GMC 38-40, 48, 49, 57-59, MF 28, 45, MIL 39
		FP-5156X	FRD 2, FRT 4	FP-5177773	AC 10, 26, 40, 48, FOR 1, 19, 37, 47, 48, 57, 58, 62, 63, GMC 1-4, 20, 38-40, 46-49, 57-59, 64, MF 28, 45, MIL 31, 35, 39, WHF 40, 41
		FP-5156319	AC 10, 26, 40, 48, FOR 37, 57, 58, 62, 63, GMC 38-40, 48, 49, 57-59, 64, 65, MF 28, 45, MIL 35, 39, WHF 41	FP-5178273	AC 26, 40, 48, FOR 37, GMC 38-40, MF 28, 45, MIL 35, WHF 41
		FP-5156770	AC 10, 26, 40, 48, FOR 37, GMC 38-40, MF 45, MIL 35		
		FP-5156815	AC 26, 40, 48, FOR 37, GMC 38-40, MF 28, 45, MIL 35, WHF 41		
		FP-5156831	AC 26, 40, 48, FOR 37, GMC 38-40, MF 28, 45, MIL 35, WHF 41		
		FP-5156922	AC 48, FOR 37, GMC 38-40, MIL 35		
		FP-5157274	AC 10, 26, 40, 48, DOD 21, FOR 37, 56-58, 62-64, 72, GMC 38-40, 48-51, 57-59, 64, 65, MF 28, 45, MIL 35, 39, WHF 41		
		FP-5159353	AC 10, 26, 40, 48, FOR 19, 37, GMC 20, 38-40, MF 28, 45, MIL 31, 35, WHF 41		
		FP-5159353S	AC 10, 26, 40, 48, FOR 19, 37, GMC 20, 38-40, MF 28, 45, MIL 31, 35, WHF 41		
		FP-5159457	AC 26, 40, MF 28, 45, WHF 41		
		FP-5159714	FOR 57, 58, 62, 63, GMC 3, 4, 48, 49, 57-59, 64, 65, MIL 39, WHF 40		

Numerical List

Part No.	Manufacturer and Line No.	Part No.	Manufacturer and Line No.	Part No.	Manufacturer and Line No.
FP-5178581	AC 10, 26, 40, FOR 1, 19, 37, 47, 48, 62, 63, GMC 2, 20, 38-40, 46, 47, MF 28, 45	FP-5187316	AC 26, 40, 48, FOR 37, 62, 63, GMC 38-40, 59, 64, MF 28, 45, MIL 35, 39, WHF 41	FP-5193734	AC 26, 40, 48, DOD 21, FOR 37, 62-64, GMC 38-40, 50, 51, 59, 64, MF 28, 45, MIL 35, 39, WHF 41
FP-5178700	AC 10, 26, 40, 48, FOR 1, 19, 37, 47, 48, 62, 63, GMC 1-4, 20, 38-40, 46-48, 57-59, 64, 65, MF 28, 45, MIL 31, 35, 39, WHF 40, 41	FP-5188028	AC 26, 40, 48, FOR 37, GMC 38-40, MF 28, 45, MIL 35, WHF 41	FP-5193735	AC 26, 40, 48, DOD 21, FOR 37, 62-64, GMC 38-40, 50, 51, 59, 64, MF 28, 45, MIL 35, 39, WHF 41
FP-5178976	AC 26, 40, FOR 37, 57, 58, 62, 63, GMC 38-40, 48, 49, 57-59, 64, 65, MF 28, 45	FP-5188036	AC 26, 40, 48, FOR 37, 57, 58, 62, 63, GMC 38-40, 48, 49, 57-59, 64, 65, MF 28, 45, MIL 35, 39, WHF 41	FP-5193738	AC 10, 26, 40, 48, FOR 37, GMC 38-40, MF 28, 45, MIL 35, WHF 41
FP-5178997	AC 26, 40, 48, FOR 37, GMC 38-40, MF 28, 45, MIL 35, WHF 41	FP-5188405	AC 10, 26, 40, 48, DOD 21, FOR 37, 62-64, GMC 38-40, 50, 51, 59, 64, MF 28, 45, MIL 35, 39, WHF 41	FP-5193739	AC 10, 26, 40, 48, FOR 37, GMC 38-40, MF 28, 45, MIL 35, WHF 41
FP-5179232	FOR 1, 19, 57, 58, 62, 63, GMC 1-4, 20, 48, 49, 57-59, 64, 65, MIL 31, 39, WHF 40	FP-5188406	AC 10, 26, 40, 48, FOR 37, 62, 63, GMC 38-40, 59, 64, MF 28, 45, MIL 35, 39, WHF 41	FP-5193741	AC 10, 26, 40, 48, FOR 37, GMC 38-40, MF 28, 45, MIL 35, WHF 41
FP-5179709	AC 10, 26, 40, 48, FOR 37, 62, 63, GMC 38-40, MF 28, 45, MIL 35, WHF 41	FP-5188755	AC 26, 40, 48, FOR 37, GMC 3, 4, 38-40, 59, 64, 65, MF 28, 45, MIL 35, WHF 40, 41	FP-5194KX FP-5194073	CAS 26, 28, INT 46, 49, 51 AC 26, 40, 48, FOR 37, 62, 63, GMC 38-40, 59, 64, MF 28, 45, MIL 35, 39, WHF 41
FP-5180250	AC 26, 40, 48, DOD 21, FOR 37, 56-58, 62-64, 72, GMC 38-40, 48-51, 57-59, 64, 65, MF 28, 45, MIL 14, 35, 39, WHF 41	FP-5189054	AC 10, 26, 40, 48, FOR 37, GMC 38-40, MF 28, 45, MIL 35, WHF 41	FP-5194163	AC 26, 40, 48, FOR 37, 62, 63, GMC 38-40, 59, 64, MF 28, 45, MIL 35, 39, WHF 41
FP-5180539 FP-5181746	FOR 47, 48, GMC 46, 47 AC 10, 26, 40, 48, FOR 1, 19, 37, 62, 63, GMC 1-4, 20, 38-40, 48, 57-59, 64, 65, MF 28, 45, MIL 31, 35, 39, WHF 40, 41	FP-5192111	AC 10, 26, 40, 48, FOR 19, 37, GMC 20, 38-40, MF 28, 45, MIL 31, 35, WHF 41	FP-5194164	AC 26, 40, 48, FOR 37, 62, 63, GMC 38-40, 59, 64, MF 28, 45, MIL 35, 39, WHF 41
FP-5181747	AC 10, 26, 40, 48, FOR 1, 19, 37, 47, 48, 62, 63, GMC 1-4, 20, 38-40, 46-48, 57-59, 64, 65, MF 28, 45, MIL 31, 35, 39, WHF 40, 41	FP-5192226	AC 10, 26, 40, 48, FOR 37, GMC 38-40, MF 28, 45, MIL 35, WHF 41	FP-5194462 FP-5194609	GMC 48, 57-59, 64, 65 AC 10
FP-5181748	AC 10, 26, 40, 48, FOR 1, 19, 37, 62, 63, GMC 1-4, 20, 38-40, 48, 57-59, 64, 65, MF 28, 45, MIL 31, 35, 39, WHF 40, 41	FP-5192434 FP-5192434WS FP-5192438	AC 10 AC 10 AC 26, 40, FOR 37, 62, 63, GMC 38-40, 59, 64, MF 28, 45	FP-5194800 FP-5194801 FP-5194825	AC 26, 40, MF 28, 45, WHF 41 AC 48, FOR 37, GMC 38-40, MIL 35 AC 26, 40, 48, FOR 37, 57, 58, 62, 63, GMC 38-40, 48, 49, 57-59, 64, 65, MF 28, 45, MIL 35, 39, WHF 41
FP-5181749	AC 10, 26, 40, 48, FOR 1, 19, 37, 62, 63, GMC 1-4, 20, 38-40, 48, 57-59, 64, 65, MF 28, 45, MIL 31, 35, 39, WHF 40, 41	FP-5192496	AC 10, 26, 40, 48, FOR 37, 62, 63, GMC 38-40, 59, MF 28, 45, MIL 35, 39, WHF 41	FP-5194826	AC 26, 40, FOR 37, 57, 58, 62, 63, GMC 38-40, 48, 49, 57-59, 64, 65, MF 28, 45, MIL 39
FP-5182977	AC 10, 26, 40, 48, FOR 1, 19, 37, 62, 63, GMC 1-4, 20, 38-40, MF 28, 45, MIL 31, 35, WHF 40, 41	FP-5192717	AC 10, 26, 40, 48, FOR 37, 62, 63, GMC 38-40, 59, 64, MF 28, 45, MIL 35, 39, WHF 41	FP-5194827	AC 26, 40, FOR 37, 57, 58, 62, 63, GMC 38-40, 48, 49, 57-59, 64, 65, MF 28, 45, MIL 39
FP-5183624 FP-5183632 FP-5183704	AC 26, FOR 62, 63, MF 28 FOR 62, 63 AC 10, 26, 40, FOR 1, 19, 37, 47, 48, GMC 2, 20, 38-40, 46, 47, MF 28, 45	FP-5192718	AC 10, 26, 40, 48, FOR 37, GMC 38-40, MF 28, 45, MIL 35, WHF 41	FP-5194829	AC 10, 26, 40, 48, FOR 37, GMC 38-40, MF 28, 45, MIL 35, WHF 41
FP-5184475	AC 40, 48, FOR 37, GMC 38-40, MF 45, MIL 35	FP-5192874	AC 10, 26, 40, 48, FOR 37, GMC 38-40, MF 28, 45, MIL 35, WHF 41	FP-5194858	AC 26, 40, 48, FOR 37, 57, 58, 62, 63, GMC 38-40, 48, 49, 57-59, 64, 65, MF 28, 45, MIL 35, 39, WHF 41
FP-5184484	AC 10, 26, 40, 48, DOD 21, FOR 37, 62-64, GMC 38-40, 50, 51, 59, 64, MF 28, 45, MIL 35, 39, WHF 41	FP-5192875	AC 10, 26, 40, 48, FOR 37, GMC 38-40, MF 28, 45, MIL 35, WHF 41	FP-5195078	AC 10, 26, 40, 48, FOR 1, 19, 37, 47, 48, 62, 63, GMC 1-4, 20, 38-40, 46-48, 57-59, 64, 65, MF 28, 45, MIL 31, 35, 39, WHF 40, 41
FP-5184530	AC 10, 26, 40, 48, FOR 1, 19, 37, 47, 48, 62, 63, GMC 1-4, 20, 38-40, 46-48, 57-59, 64, 65, MF 28, 45, MIL 31, 35, 39, WHF 40, 41	FP-5192876	AC 10, 26, 40, 48, FOR 37, GMC 38-40, MF 28, 45, MIL 35, WHF 41	FP-5195101	AC 26, 40, 48, FOR 19, 37, 57, 58, 62, 63, GMC 20, 38-40, 48, 49, MF 28, 45, MIL 31, 35, 39, WHF 41
FP-5185153	AC 10, 26, 40, FOR 37, 62, 63, GMC 38-40, MF 28, 45	FP-5192877	AC 10, 26, 40, 48, FOR 37, GMC 38-40, MF 28, 45, MIL 35, WHF 41	FP-5195927 FP-5195931	FOR 19, GMC 20, MIL 31 FOR 1, 19, GMC 1-3, 20, MIL 31, WHF 40
FP-5185154	AC 26, 40, FOR 37, 62, 63, GMC 38-40, MF 28, 45	FP-5192878	AC 10, 26, 40, 48, FOR 37, GMC 38-40, MF 28, 45, MIL 35, WHF 41	FP-5195933	FOR 1, 19, GMC 1-3, 20, MIL 31, WHF 40
FP-5185325	AC 10, 26, 40, FOR 37, GMC 38-40, MF 28, 45	FP-5192921 FP-5192922 FP-5192923 FP-5193197	AC 26, MF 28, WHF 41 AC 40, MF 45 AC 48, FOR 37, GMC 38-40, MIL 35 AC 10, 26, 40, 48, FOR 37, GMC 38-40, MF 28, 45, MIL 35, WHF 41	FP-5195948	FOR 1, 19, GMC 1-3, 20, MIL 31, WHF 40
FP-5185327 FP-5185793	AC 10, 26 AC 48, FOR 37, 57, 58, 62, 63, GMC 38-40, 48, 49, 57-59, 64, 65, MIL 35, 39	FP-5193316	AC 10, 26, 40, 48, FOR 37, 62, 63, 62-64, GMC 38-40, 50, 51, 59, 64, MF 28, 45, MIL 35, 39, WHF 41	FP-5196022	AC 10, 26, 40, 48, DOD 21, FOR 37, 56-58, 62-64, 72, GMC 38-40, 48-51, 57-59, MF 28, 45, MIL 35, 39, WHF 41
FP-5186250	AC 26, 40, 48, FOR 37, GMC 38-40, MF 28, 45, MIL 35, WHF 41	FP-5193477	AC 10, 26, 40, 48, FOR 37, GMC 38-40, MF 28, 45, MIL 35, WHF 41	FP-5196023	AC 10, 26, 40, 48, FOR 37, GMC 38-40, MF 28, 45, MIL 35, WHF 41
FP-5186383 FP-5186571	AC 40, MF 45 AC 26, 40, 48, FOR 37, GMC 38-40, MF 28, 45, MIL 35, WHF 41	FP-5193552	AC 26, 40, 48, FOR 19, 37, 57, 58, GMC 20, 38-40, 48, 49, MF 28, 45, MIL 31, 35, WHF 41	FP-5196024	AC 10, 26, 40, 48, FOR 37, GMC 38-40, MF 28, 45, MIL 35, WHF 41
FP-5186579 FP-5186840	FOR 62, 63, GMC 59, 64, 65, MIL 39 AC 10, 26, 40, 48, FOR 1, 19, 37, 48, 57, 58, 62, 63, GMC 2, 4, 20, 38-40, 47-49, 57-59, 64, 65, MF 28, 45, MIL 35, 39, WHF 41	FP-5193555	AC 26, 40, 48, FOR 19, 37, 57, 58, 62, 63, GMC 20, 38-40, 48, 49, MF 28, 45, MIL 31, 35, 39, WHF 41	FP-5196026	AC 10, 48, DOD 21, FOR 37, 56-58, 62-64, 72, GMC 38-40, 48-51, 57-59, 64, 65, MIL 35, 39 GMC 1
FP-5186841	AC 26, 40, 48, FOR 37, 57, 58, 62, 63, GMC 38-40, 48, 49, 57-59, 64, 65, MF 28, 45, MIL 35, 39, WHF 41	FP-5193598 FP-5193602	FOR 62, 63, GMC 59, 64, MIL 39 AC 26, 40, 48, FOR 1, 19, 37, 47, 48, 62, 63, GMC 2, 20, 38-40, 46, 47, MF 28, 45, MIL 31, 35, 39, WHF 41	FP-5196058 FP-5196059 FP-5196060 FP-5196061 FP-5196169	FOR 19, GMC 20, MIL 31 AC 48, FOR 37, 62, 63, GMC 38-40, MIL 35, 39 AC 48, FOR 37, 62, 63, GMC 38-40, MIL 35, 39
FP-5186848	AC 10, 26, 40, 48, FOR 1, 19, 37, 62, 63, GMC 1-4, 20, 38-40, 59, 64, MF 28, 45, MIL 31, 35, 39, WHF 40, 41	FP-5193666	GMC 38-40, 59, 64, MF 28, 45, MIL 35, 39, WHF 41	FP-5196171	AC 48, FOR 37, 62, 63, GMC 38-40, MIL 35, 39
FP-5186858	AC 10, 26, 40, 48, FOR 1, 19, 37, 62, 63, GMC 1-4, 20, 38-40, 59, 64, MF 28, 45, MIL 31, 35, 39, WHF 40, 41	FP-5193676	AC 26, 40, 48, FOR 19, 37, 57, 58, 62, 63, GMC 20, 38-40, 48, 49, MF 28, 45, MIL 31, 35, 39, WHF 41	FP-5196381 FP-5196382 FP-5196513	FOR 62, 63, GMC 64, MIL 39 GMC 59 FOR 1, 19, 57, 58, 62, 63, GMC 1-4, 20, 48, 49, MIL 31, 39, WHF 40
FP-5187M	FRB 1-3, 5, FRD 14, FRT 10-14, 17, 20, 21, 23-26	FP-5193684	AC 26, 40, 48, FOR 37, GMC 38-40, MF 28, 45, MIL 35, WHF 41	FP-5196685 FP-5196686 FP-5196687 FP-5196752	FOR 19, GMC 20, MIL 31 FOR 19, GMC 20, MIL 31 FOR 19, GMC 20, MIL 31 FOR 1, 19, GMC 2, 3, 20, MIL 14, 31, WHF 40

Numerical List

Part No.	Manufacturer and Line No.	Part No.	Manufacturer and Line No.	Part No.	Manufacturer and Line No.
FP-5196753	FOR 57, 58, 62, 63, GMC 48, 49, 57-59, 64, 65, MIL 39	FP-5198877	FOR 1, 19, GMC 1-3, 20, MIL 31, WHF 40	FP-5228313	AC 10, 26, 40, 48, FOR 1, 19, 37, GMC 1-4, 20, 38-40, MF 28, 45, MIL 31, 35, WHF 40, 41
FP-5196754	FOR 57, 58, 62, 63, GMC 48, 49, 57-59, 64, 65, MIL 39	FP-5198899	FOR 1, 19, GMC 1-3, 20, MIL 31, WHF 40	FP-5228491	AC 26, 40, 48, FOR 1, 19, 37, GMC 1-4, 20, 38-40, MF 28, 45, MIL 31, 35, WHF 40, 41
FP-5196755	FOR 1, GMC 1-4, WHF 40	FP-519889910	FOR 1, 19, GMC 1-3, 20, MIL 31, WHF 40	FP-5228495	FOR 1, 19, GMC 1-4, 20, MIL 31, WHF 40
FP-5196756	FOR 1, GMC 1-4, WHF 40	FP-519889920	FOR 1, 19, GMC 1-3, 20, MIL 31, WHF 40	FP-5228554	AC 10, 26, 40, 48, FOR 37, GMC 38-40, MF 28, 45, MIL 35, WHF 41
FP-5196793	FOR 1, 19, GMC 1-4, 20, WHF 40	FP-5198901	FOR 19, GMC 20, MIL 31	FP-5228596	AC 10, 26, 40, 48, FOR 1, 19, 37, 47, 48, 57, 58, GMC 1-4, 20, 38-40, 46-49, 57, 58, 65, MF 28, 45, MIL 31, 35, WHF 40, 41
FP-5196843	AC 26, 40, 48, FOR 37, 57, 58, 62, 63, GMC 38-40, 48, 49, 57-59, 64, 65, MF 28, 45, MIL 35, 39, WHF 41	FP-5198902	FOR 1, 19, GMC 1-3, 20, MIL 31, WHF 40	FP-5228601	AC 26, 40, 48, FOR 1, 19, 37, GMC 1-4, 20, 38-40, 57, 58, 65, MF 28, 45, MIL 31, 35, WHF 40, 41
FP-5196852	FOR 1, 19, GMC 1-4, 20, WHF 40	FP-5198903	FOR 1, 19, GMC 1-3, 20, MIL 31, WHF 40	FP-5228608	AC 10, 26, 40, 48, FOR 1, 19, 37, GMC 1-4, 20, 38-40, 57, 58, 65, MF 28, 45, MIL 31, 35, WHF 40, 41
FP-5196927	AC 26, 40, 48, FOR 37, 62, 63, GMC 38-40, 59, MF 28, 45, MIL 35, 39, WHF 41	FP-519890310	FOR 1, 19, GMC 1-3, 20, MIL 31, WHF 40	FP-5228656	AC 26, 40, 48, FOR 1, 19, 37, GMC 1-4, 20, 38-40, 59, 64, MF 28, 45, MIL 31, 35, WHF 40, 41
FP-5196935	AC 10	FP-519890320	FOR 1, 19, GMC 1-3, 20, MIL 31, WHF 40	FP-5228658	AC 10, 26, 40, 48, FOR 37, GMC 38-40, 59, 64, MF 28, 45, MIL 35, WHF 41
FP-5197M	MF 5, PER 1-3	FP-5198904	FOR 1, 19, GMC 1-3, 20, MIL 31, WHF 40	FP-5228661	AC 26, 40, 48, FOR 37, GMC 38-40, 59, 64, MF 28, 45, MIL 35, WHF 41
FP-5197167	AC 26, 40, 48, FOR 37, 62, 63, GMC 38-40, 59, 64, MF 28, 45, MIL 35, 39, WHF 41	FP-519890410	FOR 1, 19, GMC 1-3, 20, MIL 31, WHF 40	FP-5228668	AC 26, 40, 48, FOR 37, GMC 38-40, 59, 64, MF 28, 45, MIL 35, WHF 41
FP-5197170	DOD 21, FOR 64, GMC 50, 51	FP-519890420	FOR 1, 19, GMC 1-3, 20, MIL 31, WHF 40	FP-5228682	AC 10, 26, 40, 48, FOR 37, GMC 38-40, 59, 64, MF 28, 45, MIL 35, WHF 41
FP-5197176	GMC 4	FP-5198908	GMC 59, 64	FP-5228684	FOR 1, 19, GMC 1-4, 20, MIL 31, WHF 40
FP-5197222	AC 48, FOR 37, 62, 63, GMC 38-40, MIL 35, 39	FP-5198978	GMC 3, 4, WHF 40	FP-5228694	AC 10, 26, 40, 48, FOR 1, 19, 37, 47, 48, GMC 1-4, 20, 38-40, 46, 47, 57, 58, 65, MF 28, 45, MIL 31, 35, WHF 40, 41
FP-5197223	AC 26, 40, 48, FOR 37, GMC 38-40, MF 28, 45, MIL 35, WHF 41	FP-5198981	GMC 3, 4, WHF 40	FP-5228696	AC 10, 26, 40, 48, FOR 1, 19, 37, GMC 1-4, 20, 38-40, 57, 58, 65, MF 28, 45, MIL 31, 35, WHF 40, 41
FP-5197224	AC 26, 40, 48, FOR 19, 37, 57, 58, GMC 20, 38-40, 48, 49, MF 28, 45, MIL 31, 35, WHF 41	FP-5198984	GMC 3, 4, WHF 40	FP-5228749	FOR 1, 19, GMC 1-4, 20, MIL 31, WHF 40
FP-5197310	AC 26, 40, 48, FOR 1, 19, 37, 57, 58, 62, 63, GMC 2, 20, 38-40, 48, 49, MF 28, 45, MIL 31, 35, 39, WHF 41	FP-5199116	FOR 19, GMC 20, MIL 31	FP-5228760	AC 26, 40, 48, FOR 37, GMC 38-40, 59, 64, MF 28, 45, MIL 35, WHF 41
FP-5197569	FOR 57, 58, 62, 63, GMC 48, 49, 57-59, MIL 39	FP-519911610	FOR 19, GMC 20, MIL 31	FP-5228766	AC 10, 26, 40, 48, FOR 1, 19, 37, 47, 48, 57, 58, GMC 1-4, 20, 38-40, 46-49, 57, 58, 65, MF 28, 45, MIL 31, 35, WHF 40, 41
FP-5197597*	AC 26, 40, 48, FOR 19, 37, 57, 58, 62, 63, GMC 20, 38-40, 48, 49, MF 28, 45, MIL 31, 35, 39, WHF 41	FP-519911620	FOR 19, GMC 20, MIL 31	FP-5228769	AC 10, 26, 40, 48, FOR 1, 19, 37, 47, 48, 57, 58, GMC 1-4, 20, 38-40, 46-49, 57, 58, 65, MF 28, 45, MIL 31, 35, WHF 40, 41
FP-5197852	FOR 1, 19, GMC 1-4, 20	FP-5199323	FOR 1, 19, GMC 2, 3, 20, MIL 31, WHF 40	FP-5228770	AC 26, 40, 48, FOR 37, GMC 38-40, 59, 64, MF 28, 45, MIL 35, WHF 41
FP-5197860	AC 10, 26, 40, 48, FOR 37, 62, 63, GMC 38-40, 59, 64, MF 28, 45, MIL 35, 39, WHF 41	FP-5199366	FOR 1, 19, GMC 1-4, 20, WHF 40	FP-5228777	AC 26, 40, 48, FOR 37, GMC 38-40, 59, 64, MF 28, 45, MIL 35, WHF 41
FP-5197944	FOR 19, GMC 20, MIL 31	FP-5199368	FOR 1, 19, GMC 1-4, 20, WHF 40	FP-5228780	AC 26, 40, 48, FOR 37, GMC 38-40, 59, 64, MF 28, 45, MIL 35, WHF 41
FP-5197945	FOR 19, GMC 20, MIL 31	FP-5199560	AC 10, 26, 40, 48, FOR 1, 19, 37, 47, 48, GMC 1-4, 20, 38-40, 46-48, 57-59, 64, 65, MF 28, 45, MIL 31, 35, WHF 40, 41	FP-5228785	AC 26, 40, 48, FOR 37, GMC 38-40, 59, 64, MF 28, 45, MIL 35, WHF 41
FP-5197946	FOR 19, GMC 20, MIL 31	FP-5199561	AC 10, 26, 40, 48, FOR 1, 19, 37, 47, 48, 62, 63, GMC 1-4, 20, 38-40, 46, 47, 59, 64, MF 28, 45, MIL 31, 35, 39, WHF 40, 41	FP-5228804	AC 10, 26, 40, 48, FOR 37, GMC 38-40, 59, 64, MF 28, 45, MIL 35, WHF 41
FP-5197975	FOR 19, GMC 20, MIL 31	FP-5199569	AC 26, 40, 48, FOR 37, 62, 63, GMC 38-40, 59, 64, MF 28, 45, MIL 35, 39, WHF 41	FP-5228878	AC 26, 40, 48, FOR 37, GMC 38-40, 59, 64, MF 28, 45, MIL 35, WHF 41
FP-5197976	FOR 19, GMC 20, MIL 31	FP-5199673	FOR 57, 58, GMC 48, 49	FP-5228900	AC 26, 40, 48, FOR 37, GMC 38-40, 59, 64, MF 28, 45, MIL 35, WHF 41
FP-5197977	FOR 19, GMC 20, MIL 31	FP-5199674	AC 10, 26, 40, 48, FOR 1, 19, 37, 47, 48, GMC 1-4, 20, 38-40, 46, 47, 59, 64, MF 28, 45, MIL 31, 35, WHF 40, 41	FP-5228928	AC 26, 40, 48, FOR 37, GMC 38-40, 59, 64, MF 28, 45, MIL 35, WHF 41
FP-5197978	FOR 19, GMC 20, MIL 31	FP-5199734	AC 10, 26, 40, 48, FOR 1, 19, 37, 47, 48, GMC 1-4, 20, 38-40, 46, 47, 59, 64, MF 28, 45, MIL 31, 35, WHF 40, 41	FP-5229026	AC 10, 26, 40, 48, FOR 1, 19, 37, GMC 1-4, 20, 38-40, 59, 64, MF 28, 45, MIL 31, 35, WHF 40, 41
FP-5197979	FOR 19, GMC 20, MIL 31	FP-5199735	AC 10, 26, 40, 48, FOR 1, 19, 37, 47, 48, GMC 1-4, 20, 38-40, 46-48, 57-59, 64, 65, MF 28, 45, MIL 31, 35, WHF 40, 41	FP-5229030	AC 10, 26, 40, 48, FOR 1, 19, 37, GMC 1-4, 20, 38-40, 59, 64, MF 28, 45, MIL 31, 35, WHF 40, 41
FP-5198092	FOR 19, GMC 20, MIL 31	FP-5199809	GMC 1	FP-5229034	FOR 1, 19, GMC 1-4, 20, MIL 31, WHF 40
FP-5198159	FOR 57, 58, GMC 48, 49, 57, 58, 64, 65	FP-5199811	FOR 1, 19, GMC 2, 20, MIL 31	FP-5229181	GMC 57, 58, 65
FP-5198175	AC 26, 40, 48, FOR 37, 57, 58, 62, 63, GMC 38-40, 48, 49, 57-59, 64, 65, MF 28, 45, MIL 35, 39, WHF 41	FP-5199812	GMC 3, 4, WHF 40	FP-5229184	GMC 57, 58, 65
FP-5198209	FOR 1, GMC 2, MIL 14	FP-5199816	FOR 19, GMC 20, MIL 31		
FP-5198230	AC 10, 26, 40, 48, FOR 37, 62, 63, GMC 38-40, 59, 64, MF 28, 45, MIL 35, 39, WHF 41	FP-5199820	FOR 1, 19, GMC 2, 20, MIL 31		
FP-5198307	AC 26, 40, 48, FOR 37, GMC 38-40, MF 28, 45, MIL 35, WHF 41	FP-5199871	AC 10, 26, 40, 48, DOD 21, FOR 37, 62-64, GMC 38-40, 50, 51, 59, 64, MF 28, 45, MIL 35, 39, WHF 41		
FP-5198410	FOR 19, GMC 20, MIL 31	FP-5199913	AC 26, 40, 48, FOR 37, 62, 63, GMC 38-40, 59, 64, MF 28, 45, MIL 35, 39, WHF 41		
FP-5198410S	FOR 19, GMC 20, MIL 31	FP-5199914	AC 10, 26, 40, 48, FOR 37, 47, 48, 62, 63, GMC 38-40, 46, 47, 59, 64, MF 28, 45, MIL 35, 39, WHF 41		
FP-5198411	FOR 19, GMC 20, MIL 31	FP-5226411	AC 10, 26, 40, 48, FOR 1, 19, 37, GMC 1-4, 20, 38-40, MF 28, 45, MIL 31, 35, WHF 40, 41		
FP-5198412	FOR 19, GMC 20, MIL 31	FP-5226440	AC 26, 40, 48, FOR 37, GMC 38-40, 59, 64, MF 28, 45, MIL 35, WHF 41		
FP-5198413	FOR 19, GMC 20, MIL 31	FP-5228304	AC 10, 26, 40, 48, FOR 37, GMC 38-40, MF 28, 45, MIL 35, WHF 41		
FP-5198414	FOR 19, GMC 20, MIL 31	FP-5228306	AC 10, 26, 40, 48, FOR 37, GMC 38-40, MF 28, 45, MIL 35, WHF 41		
FP-5198419	AC 26, 40, 48, FOR 19, 37, 57, 58, 62, 63, GMC 20, 38-40, 48, 49, MF 28, 45, MIL 31, 35, 39, WHF 41	FP-5228308	AC 10, 26, 40, 48, FOR 1, 19, 37, GMC 1-4, 20, 38-40, MF 28, 45, MIL 31, 35, WHF 40, 41		
FP-5198431	GMC 1	FP-5228312	AC 10, 26, 40, 48, FOR 37, GMC 38-40, MF 28, 45, MIL 35, WHF 41		
FP-5198468	GMC 1				
FP-5198469	GMC 1				
FP-5198470	FOR 1, GMC 2				
FP-5198471	FOR 1, GMC 2				
FP-5198502	FOR 1, 19, GMC 1-4, 20, MIL 31, WHF 40				
FP-5198503	FOR 1, 19, GMC 1-4, 20, MIL 31, WHF 40				
FP-5198558	FOR 1, 19, 47, 48, GMC 1-4, 20, 46-48, 57, 58, 65, MIL 31, WHF 40				
FP-5198572	GMC 4				
FP-5198822	FOR 1, 19, GMC 1-3, 20, MIL 14, 31, WHF 40				

Numerical List

Part No.	Manufacturer and Line No.	Part No.	Manufacturer and Line No.	Part No.	Manufacturer and Line No.
FP-5229192	AC 10, 26, 40, 48, FOR 37, GMC 38-40, 59, 64, MF 28, 45, MIL 35, WHF 41	FP-534X	INT 6, 7	FP-6N7263	FOR 53
FP-5229256	AC 10, 26, 40, 48, FOR 37, GMC 38-40, 59, 64, MF 28, 45, MIL 35, WHF 41	FP-5355X	BRI 1, CLN 1, KOH 2, MID 2	FP-6N8940S	FOR 53, 69
FP-5229268	GMC 57, 58, 65	FP-5357KX	INT 46, MF 27, PER 14-16	FP-6V53	FOR 19, GMC 20, MIL 31
FP-5229278	GMC 57, 58, 65	FP-5364KX	BEW 3, BRI 2	FP-6V53OH	FOR 19, GMC 20, MIL 31
FP-5229292	GMC 57, 58, 65	FP-5364N	BEW 3, BRI 2	FP-6V6894	FOR 67, 68, GMC 53, MF 59
FP-5229298	GMC 57, 58, 65	FP-5364X	BEW 3, BRI 2	FP-6V71NAOH	FOR 37, GMC 38, 39, MIL 35
FP-5229342	FOR 1, 19, GMC 1-4, 20, MIL 31, WHF 40	FP-5366KX	INT 64, 65, 67, 68	FP-6V92	FOR 56-58, GMC 48, 49
FP-5229345	FOR 1, 19, GMC 1-4, 20, MIL 31, WHF 40	FP-5368KX	AC 25, 27, INT 49, 51	FP-6V92OH	FOR 56-58, GMC 48, 49
FP-5229346	FOR 1, 19, GMC 1-4, 20, MIL 31, WHF 40	FP-5398KX	AC 6, FRT 3	FP-60150RA	INT 12, 13, 17, 19
FP-5229354	AC 10, 26, 40, 48, FOR 1, 19, 37, GMC 1-4, 20, 38-40, 59, 64, MF 28, 45, MIL 31, 35, WHF 40, 41	FP-5398X	AC 6, FRT 3	FP-617X	AC 5, 8, CAS 9, 10, HER 10, KOH 3, LER 1, MF 11-13, NOV 1, WAU 7, 8, WHF 17, 18
FP-5229355	AC 26, 40, 48, FOR 37, GMC 38-40, 59, 64, MF 28, 45, MIL 35, WHF 41	FP-5444KX	MIL 40	FP-62GB2382P1	MIL 40
FP-5229356	AC 26, 40, 48, FOR 37, GMC 38-40, 59, 64, MF 28, 45, MIL 35, WHF 41	FP-5446KX	WAU 20, 23, 24, WHF 42, 43, 55, 56	FP-62GB2382P10	MIL 40
FP-5229360	AC 26, 40, 48, FOR 37, GMC 38-40, 59, 64, MF 28, 45, MIL 35, WHF 41	FP-5448KX	CON 13, 14, MF 14	FP-62GB2382P20	MIL 40
FP-5229362	AC 26, 40, 48, FOR 37, GMC 38-40, 59, 64, MF 28, 45, MIL 35, WHF 41	FP-5456KX	CAS 19, INT 22, 24, 26	FP-62GB2382P30	MIL 40
FP-5229365	AC 26, 40, 48, FOR 37, GMC 38-40, 59, 64, MF 28, 45, MIL 35, WHF 41	FP-5482KX	CAS 6, 12, 13, 16	FP-62GB2382P30	MIL 40
FP-5229366	AC 10, 26, 40, 48, FOR 37, GMC 38-40, 59, 64, MF 28, 45, MIL 35, WHF 41	FP-5493KX	INT 7	FP-62GB2393P1	MIL 40
FP-5229372	AC 10, 26, 40, 48, FOR 37, GMC 38-40, 59, 64, MF 28, 45, MIL 35, WHF 41	FP-5504X	FOR 2, 22, FRB 7, FRT 28	FP-62GB2393P10	MIL 40
FP-5229516	GMC 57, 58, 65	FP-5504X	AC 16, CAS 14, CLK 4, DAB 3, 4, WAU 11-14, WHF 20, 21, 23, 37	FP-62GB2393P20	MIL 40
FP-5229518	GMC 57, 58, 65	FP-551143	DOD 14	FP-62GB2393P30	MIL 40
FP-5229622	GMC 57, 58, 65	FP-5535KX	INT 15	FP-628CP	AC 3, CAS 4, INT 4, MF 1, 6, WHF 1, 2, 6, 7, WIS 18, 22
FP-5229649	AC 10, 26, 40, 48, FOR 1, 19, 37, 57, 58, GMC 1-4, 20, 38-40, 48, 49, 57, 58, 65, MF 28, 45, MIL 31, 35, WHF 40, 41	FP-554320	FOR 59	FP-63016760PR	FOR 66, GMC 52, MB 7
FP-5229657	GMC 57, 58, 65	FP-554321	FOR 59	FP-63016761PR	FOR 66, GMC 52, MB 7
FP-5229695	AC 26, 40, 48, FOR 37, GMC 38-40, 59, 64, MF 28, 45, MIL 35, WHF 41	FP-554785	DOD 19, 20, FOR 59-61	FP-6304M	INT 20, 28
FP-5229720	FOR 47, 48, GMC 46, 47	FP-555PREM	AC 52, DOD 19, 20, FOR 60, 61	FP-6305M	INT 34, 44
FP-5229726	FOR 47, 48, GMC 46, 47	FP-555420	AC 52, DOD 19, 20, FOR 60, 61	FP-6306M	INT 62, 69
FP-5229727	FOR 47, 48, GMC 46, 47	FP-555421	FOR 59	FP-6306M25MM	INT 69
FP-5229790	AC 26, 40, 48, FOR 37, GMC 38-40, 59, 64, MF 28, 45, MIL 35, WHF 41	FP-556350PR	AC 52, DOD 19, 20, FOR 59-61	FP-63135CPA	DOD 7, MF 54, PER 31, 32, WHF 84
FP-5229795	AC 26, 40, 48, FOR 37, GMC 38-40, 59, 64, MF 28, 45, MIL 35, WHF 41	FP-556351PR	AC 52, DOD 19, 20, FOR 59-61	FP-63150CAA60	FOR 5, 15, 16, FRD 21, 30, FRT 42
FP-5229800	AC 26, 40, 48, FOR 37, GMC 38-40, 59, 64, MF 28, 45, MIL 35, WHF 41	FP-556352PR	AC 52, DOD 19, 20, FOR 59-61	FP-64070CP	FOR 36, 44
FP-5229806	GMC 57, 58, 65	FP-556353PR	AC 52, DOD 19, 20, FOR 59-61	FP-644KX	AC 28, BUD 11, CON 70, HER 31
FP-5229808	AC 10, 26, 40, 48, FOR 37, GMC 38-40, 59, 64, MF 28, 45, MIL 35, WHF 41	FP-556355	FOR 59	FP-645KX	BUD 15, 17, CAS 33, CON 85, 86, HER 38, 39, INT 58, MF 44, 47, WAU 27, WHF 42, 52-54
FP-5229814	AC 10, 26, 40, 48, FOR 37, GMC 38-40, 59, 64, MF 28, 45, MIL 35, WHF 41	FP-5579KX	AC 26, 40, 48, FOR 37, 47, 48, 57, 58, 62, 63, GMC 38-40, 46-49, 57-59, 64, MF 28, 45, MIL 35, 39, WHF 41	FP-65925CP	INT 20, 28, 34, 44, 62, 69
FP-5229823	AC 10, 26, 40, 48, FOR 37, GMC 38-40, 59, 64, MF 28, 45, MIL 35, WHF 41	FP-5579X	CAS 12, 13, INT 15	FP-6632M	CAS 5, 11, 18, CLK 3, CON 9, 10, 17, 18, 25, 26, MF 9, 15, 20, WHF 19, 25, 26
FP-5229840	FOR 47, 48, GMC 46, 47	FP-5597KX	CON 35, 36, MF 21	FP-6636M	MIL 40
FP-5229846	FOR 47, 48, GMC 46, 47	FP-5600KX	CON 7, MF 8	FP-66890	AC 54, DOD 22, 23, FOR 73, INT 96
FP-5229850	FOR 47, 48, GMC 46, 47	FP-5607KX	CON 25, 26, INT 15, WHF 25, 26	FP-670KX	CLK 2, CON 5, INT 5, 7
FP-5229895	AC 26, 40, 48, FOR 37, GMC 38-40, 59, 64, MF 28, 45, MIL 35, WHF 41	FP-5647KX	AC 44, HER 14, 16, 26, 28, 41, 42, MF 52, WHF 81	FP-670X	CLK 2, CON 5, INT 5, 7
FP-5229912	AC 10, 26, 40, 48, FOR 37, GMC 38-40, 57-59, 64, 65, MF 28, 45, MIL 35, WHF 41	FP-5648KX	CAS 35, HER 12, 22, 39	FP-670073	INT 87
FP-5229916	AC 10, 26, 40, 48, FOR 37, GMC 38-40, 57-59, 64, 65, MF 28, 45, MIL 35, WHF 41	FP-5666KX	FOR 3, FRD 17, FRT 29, 34, WHF 42, 45	FP-670079	INT 87
FP-5229930	FOR 47, 48, GMC 46, 47	FP-567M	AC 6, FRD 1, FRT 3	FP-670675	INT 87
FP-5234281	AC 10, 26, 40, 48, FOR 1, 19, 37, 57, 58, GMC 1-4, 20, 38-40, 48, 49, 57, 58, 65, MF 28, 45, MIL 31, 35, WHF 40, 41	FP-5676KX	FRD 9, FRT 16	FP-671NA	FOR 37, GMC 38-40, MIL 35
FP-5234699	FOR 71, 74	FP-5677KX	CON 41, 42, MF 23	FP-671NAOH	GMC 40
FP-5234702	FOR 71, 74	FP-5707KX	INT 24, 27	FP-671XH	FOR 37, GMC 38-40, MIL 35
		FP-5735KX	INT 10, 11	FP-671XHOH	FOR 37, GMC 38-40, MIL 35
		FP-5737KX	INT 37, 48	FP-671505	INT 87
		FP-5738KX	INT 43, 56	FP-671506	INT 87
		FP-575GC1100	MIL 40	FP-671508	INT 81
		FP-575GC31	MIL 40	FP-671543	INT 78
		FP-575M	INT 6, 7, 9	FP-671559	INT 78, 79, 81, 82, 86, 87
		FP-576M	INT 46	FP-671561	INT 86, 87
		FP-577M	INT 15	FP-671563	INT 78, 79, 81, 82, 86, 87
		FP-5809KX	MF 1, WHF 1, 2, WIS 18	FP-671565	INT 86, 87
		FP-5835KX	DAB 1, 2	FP-671821	INT 86, 87
		FP-5838X	WIT 1	FP-671825	INT 86
		FP-5840	FAI 1	FP-671827	INT 87
		FP-5841X	FAI 2	FP-67329YA	ISF 2, THE 1
		FP-5898KX	INT 12, 13	FP-673973	INT 86, 87
		FP-5923KX	CLK 5, WAU 11, 12, 15, WHF 20, 21, 23	FP-674399	INT 86, 87
		FP-5944KX	AC 12, FRT 8, MF 18, 25, PER 7, 8, 11, 12, 25, 26	FP-674399WS	INT 87
		FP-5944X	AC 12, FRT 8, MF 18, 25, PER 7, 8, 11, 12, 25, 26	FP-675006	INT 78, 79, 81, 82, 86, 87
		FP-5948KX	ONA 1, WIS 10	FP-675043	INT 87
		FP-5973KX	INT 14, 16, 21	FP-675046	INT 78, 79, 81, 82, 86, 87
		FP-598X	AC 6, CON 5, FRD 1, FRT 3, INT 5	FP-675109	INT 86, 87
		FP-6C83PREM	FOR 49, 50, MB 5, 6	FP-675384	INT 86, 87
		FP-6C83PREMOH	FOR 49, 50, MB 5, 6	FP-675439	INT 63, 70, 78, 79, 81, 82, 86, 87
		FP-6I2864	DOD 17, FOR 51, 52, 65, 67, 68, GMC 53, MF 58, 59, WHF 94	FP-675442	INT 79, 82, 86, 87
		FP-6I4954	FOR 53	FP-675450	INT 87
		FP-6N4080	FOR 78, 79, GMC 62	FP-675477	INT 87
		FP-6N4126	FOR 78, 79, GMC 62	FP-675600	INT 78, 79, 81, 82, 86, 87
		FP-6N7174	FOR 78, 79, GMC 62	FP-675609	INT 87
		FP-6N7175	FOR 78, 79, GMC 62	FP-675621	INT 86, 87
				FP-675669	INT 86, 87
				FP-675774	INT 87
				FP-675775	INT 81
				FP-675808	INT 87
				FP-675812	INT 87

Numerical List

Part No.	Manufacturer and Line No.	Part No.	Manufacturer and Line No.	Part No.	Manufacturer and Line No.
FP-675813	INT 87	FP-70183	FOR 82, 83, MB 8	FP-840277	AC 10, 26, 40, 48, FOR 1, 19, 37, 57, 58, 62, 63, GMC 2-4, 20, 38-40, 48, 49, 57, 58, MF 28, 45, MIL 31, 35, 39, WHF 40, 41
FP-675816	INT 87	FP-7039M	CAS 26, 27, 30, 34, 36, 37	FP-85042*	PER 17, 22
FP-675860	INT 87	FP-704P	CLK 9, CON 60-62	FP-85042A*	PER 17, 22
FP-67622	FOR 82, 83, MB 8	FP-7040M	CAS 42-48	FP-85042B*	PER 17, 22
FP-676679	INT 87	FP-7040M10	CAS 42-48	FP-85042C*	PER 17, 22
FP-676865	INT 78, 79, 81, 82, 86, 87	FP-7040M20	CAS 42-48	FP-85043*	PER 34
FP-677082	INT 87	FP-70624	FOR 75, 82, 83, GMC 60, 61, INT 99, MB 8	FP-85043A*	PER 34
FP-677349	INT 87	FP-70690	FOR 82, 83, MB 8	FP-85043B*	PER 34
FP-677692	INT 86, 87	FP-70705	FOR 82, 83, MB 8	FP-8547194	FOR 1, 47, 48, GMC 1-4, 46, 47, WHF 40
FP-67946	FOR 66, GMC 52, MB 7	FP-70772	FOR 75, GMC 60, 61, INT 99	FP-8547195	FOR 56-58, 62, 63, GMC 48, 49, 57, 58, MIL 39
FP-680084	INT 87	FP-7079X	MF 1, WHF 1, 2, WIS 18	FP-8547236	AC 40, FOR 19, 37, 62, 63, GMC 3, 4, 20, 38-40, MF 45, MIL 31, 39, WHF 40
FP-680086	INT 87	FP-714GB210P4	MIL 40	FP-8547237	FOR 57, 58, 62, 63, GMC 48, 49, 57-59, 64, MIL 39
FP-680117	INT 63, 70, 78, 79, 81, 82, 86, 87	FP-7214M	FOR 36, 44, FRD 46, 47, FRT 45, 46	FP-8547547	FOR 19, 57, 58, 62, 63, GMC 20, 48, 49, MIL 31, 39
FP-68061A	FOR 82, 83, MB 8	FP-722GC226	MIL 40	FP-8547548	AC 26, FOR 1, 19, GMC 2, 20, MF 28, MIL 31
FP-680899	INT 87	FP-7347	CLI 3, FAI 3	FP-8547551	AC 40, FOR 57, 58, 62, 63, GMC 48, 49, 59, MF 45, MIL 39
FP-681234	INT 78, 79, 81, 82, 86, 87	FP-7363M	FOR 71, 74	FP-8547552	FOR 57, 58, GMC 48, 49, 57, 58
FP-681314	INT 63, 70-72, 76-79, 81, 82, 86, 87	FP-7363M254MM	FOR 71, 74	FP-8547553	FOR 57, 58, 62, 63, GMC 48, 49, 57, 58, MIL 39
FP-68131440	INT 63, 70-72, 76-79, 81, 82, 86, 87	FP-7363M508MM	FOR 71, 74	FP-8547563	AC 26, 40, FOR 1, 19, 37, GMC 2-4, 20, 38-40, MF 28, 45, MIL 31, WHF 40
FP-681316	INT 63, 70-72, 76-79, 81, 82, 86, 87	FP-7363M762MM	FOR 71, 74	FP-8547581	AC 26, 40, FOR 19, 37, 57, 58, GMC 3, 4, 20, 38-40, 48, 49, 57-59, MF 28, 45, MIL 31, WHF 40
FP-682064	INT 63, 70, 78, 79, 81, 82, 86, 87	FP-7401X	BEW 1	FP-8547625	FOR 71, 74
FP-682199	INT 86, 87	FP-7407	BEW 4	FP-8547626	FOR 71, 74
FP-682810	INT 87	FP-7450630	AC 40, 48, FOR 1, 19, 37, 57, 58, GMC 1-4, 20, 38-40, 48, 49, 57, 58, 65, MF 45, MIL 31, 35, WHF 40	FP-855PREM	DOD 26, FOR 76, 77, GMC 60, 61
FP-682840	INT 87	FP-74507127	AC 13-15, 18-21, 28-31, 35, 36, 38, 39, BUD 4, 5, 8-12, 14-16	FP-855PREMOH	DOD 26, FOR 76, 77, GMC 60, 61
FP-682945	INT 87	FP-755M	CON 6, 7, 11, 12, MF 8, 10	FP-855PREMP	DOD 26, FOR 76, 77, GMC 60, 61, INT 99
FP-684065	INT 78, 81	FP-768M	CAS 6, CON 8	FP-855PREMPDN	GMC 60
FP-684065S	INT 78, 81, 87	FP-78390	WAU 44, 45	FP-855PREMPDNOH	GMC 60
FP-684255	INT 86, 87	FP-78391	WAU 44, 45	FP-855PREMPOH	DOD 26, FOR 76, 77, GMC 60, 61, INT 99
FP-684255WP	INT 87	FP-8N0701	DOD 17, FOR 51, 52, 65, 67, 68, GMC 53, MF 58, 59, WHF 94	FP-8920078	FOR 47, 48, GMC 46, 47
FP-684256	INT 79, 82, 86, 87	FP-8N0702	FOR 53	FP-8920083	FOR 47, 48, GMC 46, 47
FP-684256S	INT 79, 82, 86, 87	FP-8N0703	FOR 69	FP-8920087	FOR 47, 48, GMC 46, 47
FP-68445	FOR 82, 83, MB 8	FP-8N0705	FOR 78, 79, GMC 62	FP-8920091	FOR 47, 48, GMC 46, 47
FP-684570	INT 87	FP-8N0822	FOR 78, 79, GMC 62	FP-8920119	FOR 47, 48, GMC 46, 47
FP-684573	INT 87	FP-8N1608	FOR 78, 79, GMC 62	FP-8920144	FOR 47, 48, GMC 46, 47
FP-684576	INT 87	FP-8N1849	FOR 69	FP-8920161	FOR 47, 48, GMC 46, 47
FP-684579	INT 87	FP-8N5338	GMC 62	FP-8920180	FOR 47, 48, GMC 46, 47
FP-684582	INT 87	FP-8N5339	GMC 62	FP-8920200	FOR 47, 48, GMC 46, 47
FP-684585	INT 87	FP-8N7294	DOD 17, FOR 51, 52, 65, 67, 68, GMC 53, MF 58, 59, WHF 94	FP-8920203	FOR 48, GMC 47
FP-684930	INT 87	FP-8N7295	FOR 78, 79	FP-8920219	FOR 47, 48, GMC 46, 47
FP-684931	INT 87	FP-8N7780	FOR 69	FP-8920220	FOR 47, 48, GMC 46, 47
FP-685M	INT 2	FP-8N8221	FOR 53, 69	FP-8920246	FOR 47, 48, GMC 46, 47
FP-68513	FOR 73, 75, GMC 60, 61, INT 99	FP-8N8222	FOR 53, 69	FP-8920247	FOR 47, 48, GMC 46, 47
FP-685153	INT 87	FP-8N8223	FOR 53, 69	FP-8920271	FOR 47, 48, GMC 46, 47
FP-685155	INT 87	FP-8N8225	FOR 53, 69	FP-8920273	FOR 47, 48, GMC 46, 47
FP-686181	INT 87	FP-8N8226	FOR 53, 69	FP-8920290	FOR 47, 48, GMC 46, 47
FP-687382	INT 63, 70-72, 76-79, 81, 82, 86, 87	FP-8N8227	FOR 53, 69	FP-8920308	FOR 47, 48, GMC 46, 47
FP-687391	INT 87	FP-8N8926	FOR 67, 68, MF 59	FP-8920350	FOR 47, 48, GMC 46, 47
FP-687394	INT 87	FP-8N8929	FOR 67, 68, MF 59	FP-8920390	FOR 47, 48, GMC 46, 47
FP-687432	INT 86, 87	FP-8N8931	FOR 67, 68, MF 59	FP-8920399	FOR 47, 48, GMC 46, 47
FP-688GC337A	MIL 40	FP-8N8972	FOR 67, 68, MF 59	FP-8920462	FOR 47, 48, GMC 46, 47
FP-688928	INT 87	FP-8N8976	FOR 67, 68, MF 59	FP-8920557	FOR 57, 58, GMC 48, 49, 59
FP-690GC2187B	MIL 40	FP-8N9020	FOR 67, 68, MF 59	FP-8920717	GMC 4
FP-690437	INT 87	FP-8N9022	DOD 17, FOR 51, 52, 67, 68, MF 59	FP-8920732	FOR 47, 48, GMC 46, 47
FP-69936	DOD 24-26, FOR 76, 77, INT 99	FP-8N9023	DOD 17, FOR 51, 52, 67, 68, MF 59	FP-8920849	FOR 47, 48, GMC 46, 47
FP-69965	FOR 73	FP-8N9064	FOR 67, 68, MF 59	FP-8921033	FOR 47, 48, GMC 46, 47
FP-7C4859	FOR 78, 79	FP-8N9065	FOR 67, 68, MF 59	FP-8921209	AC 26, 40, 48, DOD 21, FOR 1, 37, 57, 58, 62-64, GMC 1-3, 38-40, 48-51, 57-59, 64, 65, MF 28, 45, MIL 14, 35, 39, WHF 40, 41
FP-7C6660	FOR 67, 68, GMC 53, MF 59	FP-8N9066	FOR 67, 68, MF 59	FP-8921253	FOR 47, 48, GMC 46, 47
FP-7E4728	FOR 67, 68, GMC 53, MF 59	FP-8PS	AC 6, FRT 3	FP-8921294	FOR 47, 48, GMC 46, 47
FP-7E7894	FOR 67, 68, GMC 53, MF 59	FP-8S2240	FOR 53	FP-8921347	FOR 47, 48, GMC 46, 47
FP-7E789430	FOR 67, 68, GMC 53, MF 59	FP-8V71NA	DOD 21, FOR 62-64, GMC 50, 51, MIL 39	FP-8921472	FOR 19, 62, 63, GMC 20
FP-7E8925	BEW 2, MID 3	FP-8V71NAOH	DOD 21, FOR 62-64, GMC 50, 51, MIL 39	FP-8921501	FOR 1, 19, GMC 2, 3, 20, MIL 14, 31, WHF 40
FP-7E892510	BEW 2, MID 3	FP-8V71XH	DOD 21, FOR 62-64, GMC 50, 51, MIL 39	FP-8921502	GMC 4
FP-7E892520	BEW 2, MID 3	FP-8V71XH	DOD 21, FOR 62-64, GMC 50, 51, MIL 39		
FP-7E892530	BEW 2, MID 3	FP-8V71XHOH	DOD 21, FOR 62-64, GMC 50, 51, MIL 39		
FP-7E9262S	FOR 78, 79, GMC 62	FP-8V92	FOR 72, GMC 57, 58		
FP-7E9520	FOR 78, 79	FP-8V92OH	FOR 72, GMC 57, 58		
FP-7M4046	FOR 53, 69	FP-82NA	FOR 47, GMC 46		
FP-7M7358	FOR 53	FP-82NAOH	FOR 47, GMC 46		
FP-7N3509	FOR 78, 79, GMC 62	FP-82T	FOR 48, GMC 47		
FP-7N3633	FOR 78, 79, GMC 62	FP-82TOH	FOR 48, GMC 47		
FP-7N9803	DOD 17, FOR 51, 52, 65, 67, 68, GMC 53, MF 58, 59, WHF 94	FP-836M	CLK 1, 2, CON 3-5, INT 3, 5, MF 3, WHF 3		
FP-7N9804	FOR 53	FP-839103	FOR 1, 19, GMC 1-4, 20		
FP-7N9805	FOR 69				
FP-7N9806	FOR 78, 79, GMC 62				
FP-7N9807	FOR 78, 79, GMC 62				
FP-7S7144	FOR 69				
FP-7W0205	FOR 78, 79, GMC 62				
FP-7W2059	FOR 51, 52				
FP-7W2136	GMC 62				
FP-7W3200	FOR 51, 52, 65, 67, 68, GMC 53, MF 58, 59, WHF 94				
FP-701GC11A	MIL 40				

Numerical List

Part No.	Manufacturer and Line No.	Part No.	Manufacturer and Line No.	Part No.	Manufacturer and Line No.
FP-8921605	FOR 47, GMC 46	FP-8923554	AC 26, 40, 48, DOD 21, FOR 1, 19, 37, 56-58, 62-64, 72, GMC 1-4, 20, 38-40, 48-51, 57-59, 64, 65, MF 28, 45, MIL 31, 35, 39, WHF 40, 41	FP-8924453	AC 26, 40, FOR 37, 57, 58, 62, 63, GMC 38-40, 48, 49, 57-59, 64, 65, MF 28, 45
FP-892160530	FOR 47, GMC 46	FP-8923654	FOR 47, 48, 57, 58, GMC 46-49, 57, 58, 64, 65	FP-8924517	AC 10, 26, 40, 48, FOR 1, 19, 37, 57, 58, 62, 63, 71, 74, GMC 1-4, 20, 38-40, 48, 49, 57-59, 64, 65, MF 28, 45, MIL 31, 35, 39, WHF 40, 41
FP-8921704	FOR 37, GMC 38-40, 59	FP-8923655	FOR 47, 48, GMC 46, 47	FP-8924563	FOR 19, GMC 20, MIL 31
FP-8921706	AC 40, GMC 57, 58, 64, 65, MF 45	FP-8923729	FOR 56-58, 72, GMC 48, 49, 57, 58, 65	FP-8924623	FOR 57, 58, 62, 63, GMC 48, 49, 57-59, 64, MIL 39
FP-8921712	FOR 47, 48, GMC 46, 47	FP-8923779	FOR 47, GMC 46	FP-8924703	FOR 47, 48, GMC 46, 47
FP-8921714	FOR 47, 48, GMC 46, 47	FP-8923780	FOR 48, GMC 47	FP-8924704	FOR 47, 48, GMC 46, 47
FP-892171420	FOR 47, 48, GMC 46, 47	FP-8923791	FOR 57, 58, 62, 63, GMC 48, 49, 57-59, 65, MIL 39	FP-8924705	FOR 47, 48, GMC 46, 47
FP-892171430	FOR 47, 48, GMC 46, 47	FP-8923792	FOR 19, 57, 58, 62, 63, GMC 20, 48, 49, 57-59, 64, 65, MIL 31, 39	FP-8924716	FOR 47, 48, GMC 46, 47
FP-8921721	FOR 47, GMC 46	FP-8923813	FOR 47, 48, GMC 46, 47	FP-8924731	GMC 4
FP-8921721S	FOR 47, GMC 46	FP-8923814	AC 10, 26, 40, 48, DOD 21, FOR 1, 19, 37, 47, 48, 56-58, 62-64, 72, GMC 1-4, 20, 38-40, 46-51, 57-59, 64, 65, MF 28, 45, MIL 14, 31, 35, 39, WHF 40, 41	FP-8924732	FOR 1, 19, GMC 2-4, 20, MIL 31, WHF 40
FP-8921721S30	FOR 47, GMC 46	FP-8923847	AC 10, 26, 40, 48, FOR 1, 19, 37, 47, 48, 57, 58, 62, 63, GMC 1-4, 20, 38-40, 46-49, 57-59, 64, 65, MF 28, 45, MIL 31, 35, 39, WHF 40, 41	FP-8924733	GMC 4
FP-892172130	FOR 47, GMC 46	FP-8923848	FOR 47, 48, GMC 46, 47	FP-8924735	GMC 4
FP-8921722	FOR 48, GMC 47	FP-8923917	FOR 47, GMC 46	FP-8924813	FOR 47, 48, GMC 46, 47
FP-8921722S	FOR 48, GMC 47	FP-8923918	FOR 48, GMC 47	FP-8924838	AC 26, 40, 48, FOR 19, 37, 57, 58, GMC 20, 38-40, 48, 49, MF 28, 45, MIL 31, 35, WHF 41
FP-8921722S30	FOR 48, GMC 47	FP-8923919	FOR 47, GMC 46	FP-8924839	AC 26, 40, 48, FOR 37, 62, 63, GMC 38-40, MF 28, 45, MIL 35, 39, WHF 41
FP-892172230	FOR 48, GMC 47	FP-8923920	FOR 48, GMC 47	FP-8924869	FOR 62, 63
FP-89217230	FOR 48, GMC 47	FP-8923959	FOR 1, 19, GMC 1-4, 20, WHF 40	FP-8925273	FOR 1, 19, GMC 2, 20, MIL 31
FP-8921741	FOR 1, 19, GMC 2-4, 20, MIL 31, WHF 40	FP-8924002	FOR 1, 19, GMC 2-4, 20, MIL 31, WHF 40	FP-8925274	GMC 3, 4, WHF 40
FP-8921817	FOR 47, 48, GMC 46, 47	FP-8924018	FOR 57, 58, GMC 48, 49, 57, 58	FP-8925603	FOR 1, 19, 57, 58, 62, 63, GMC 1-4, 20, 48, 49, 57-59, 64, 65, MIL 31, 39, WHF 40
FP-8921876	FOR 47, 48, GMC 46, 47	FP-8924083	AC 26, 40, FOR 37, GMC 38-40, MF 28, 45	FP-8925644	FOR 1, 19, GMC 1-4, 20, MIL 31, WHF 40
FP-8921883	FOR 47, GMC 46	FP-8924084	AC 26, 40, FOR 37, 62, 63, GMC 38-40, 59, 64, MF 28, 45, MIL 39	FP-8925717	FOR 47, 48, GMC 46, 47
FP-8921930	AC 26, 40, 48, FOR 37, 57, 58, 62, 63, GMC 38-40, 48, 49, 57-59, 64, 65, MF 28, 45, MIL 35, 39, WHF 41	FP-8924126	FOR 47, 48, GMC 46, 47	FP-8925731	GMC 57, 58
FP-8922045	FOR 57, 58, GMC 48, 49, 57, 58	FP-8924126CB	FOR 47, 48, GMC 46, 47	FP-8925779	FOR 1, 19, GMC 1-4, 20, MIL 31, WHF 40
FP-8922093	FOR 47, 48, GMC 46, 47	FP-8924126C10	FOR 47, 48, GMC 46, 47	FP-8925780	GMC 4
FP-8922110	FOR 47, 48, GMC 46, 47	FP-8924126WS	FOR 47, 48, GMC 46, 47	FP-8925804	AC 26, 40, 48, FOR 1, 37, 57, 58, 62, 63, GMC 1-4, 38-40, 48, 49, 57-59, 64, 65, MF 28, 45, MIL 35, 39, WHF 40, 41
FP-8922118	DOD 21, FOR 56-58, 62-64, 72, GMC 48-51, 57-59, 64, 65, MIL 39	FP-892412610	FOR 47, 48, GMC 46, 47	FP-8925816	FOR 48, GMC 47
FP-8922132	FOR 47, 48, GMC 46, 47	FP-8924127	FOR 47, 48, GMC 46, 47	FP-8925817	FOR 48, GMC 47
FP-8922140	FOR 57, 58, 62, 63, GMC 48, 49, 57-59, 64, 65	FP-8924127MV	FOR 47, 48, GMC 46, 47	FP-8925818	FOR 48, GMC 47
FP-8922200	FOR 47, 48, GMC 46, 47	FP-8924127MVB	FOR 47, 48, GMC 46, 47	FP-892581830	FOR 48, GMC 47
FP-8922221	AC 26, 40, DOD 21, FOR 37, 62-64, GMC 50, 51, 59, 64, MF 28, 45, MIL 39, WHF 41	FP-8924127V	FOR 47, 48, GMC 46, 47	FP-8925819	FOR 48, GMC 47
FP-8922234	FOR 47, GMC 46	FP-8924127VB	FOR 47, 48, GMC 46, 47	FP-8925820	FOR 48, GMC 47
FP-8922236	FOR 47, GMC 46	FP-892412710	FOR 47, 48, GMC 46, 47	FP-8925981	AC 10, 26, 40, 48, DOD 21, FOR 1, 19, 37, 57, 58, 62-64, 72, GMC 1-4, 20, 38-40, 48-51, 57-59, 64, 65, MF 28, 45, MIL 31, 35, 39, WHF 40, 41
FP-8922299	FOR 47, 48, GMC 46, 47	FP-8924195	FOR 19, GMC 20, MIL 31	FP-8925981A	FOR 47, 48, GMC 46, 47
FP-8922349	FOR 47, 48, GMC 46, 47	FP-8924297	AC 26, 40, 48, FOR 37, 57, 58, 62, 63, GMC 38-40, 48, 49, MF 28, 45, MIL 35, 39, WHF 41	FP-8926088	FOR 1, 19, GMC 2, 4, 20, MIL 31
FP-8922369	FOR 47, 48, GMC 46, 47	FP-8924354	AC 26, 40, 48, FOR 1, 19, 37, 57, 58, 62, 63, GMC 1-4, 20, 38-40, 48, 49, 57-59, 64, 65, MF 28, 45, MIL 31, 35, 39, WHF 40, 41	FP-8926090	FOR 1, 19, GMC 2, 4, 20, MIL 31
FP-8922383	FOR 57, 58, 62, 63, 71, 74, GMC 48, 49, MIL 39	FP-8924355	AC 26, 40, 48, FOR 1, 19, 37, 57, 58, 62, 63, GMC 1-4, 20, 38-40, 48, 49, 57-59, 64, 65, MF 28, 45, MIL 31, 35, 39, WHF 40, 41	FP-8926247	FOR 1, 19, 57, 58, 62, 63, GMC 1-4, 20, 48, 49, 57-59, 64, 65, MIL 31, 39, WHF 40
FP-8922407	FOR 71, 74	FP-8924357	FOR 1, GMC 1-3, WHF 40	FP-8926248	FOR 1, 19, GMC 1-4, 20, MIL 31, WHF 40
FP-8922452	FOR 47, GMC 46	FP-8924358	FOR 1, GMC 1-3, WHF 40	FP-8926285	AC 26, 40, FOR 37, 57, 58, 62, 63, GMC 38-40, 48, 49, 57-59, 64, 65, MF 28, 45, MIL 39
FP-8922453	FOR 47, GMC 46	FP-8924359	FOR 1, GMC 1-3, WHF 40	FP-8926347	FOR 1, 19, GMC 2-4, 20, WHF 40
FP-8922491	AC 40, 48, FOR 37, GMC 38-40, 59, MF 45, MIL 35	FP-8924360	FOR 1, GMC 1-3, WHF 40	FP-8926351	AC 26, 40, FOR 37, 62, 63, GMC 38-40, 59, 64, MF 28, 45, MIL 39
FP-8922492	GMC 57-59, 64, 65	FP-8924361	FOR 1, GMC 1-3, WHF 40	FP-8926365	FOR 47, 48, GMC 46, 47
FP-8922500	FOR 1, 19, GMC 1-4, 20, MIL 31, WHF 40	FP-8924380	AC 10, 26, 40, 48, FOR 1, 19, 37, 47, 48, 57, 58, 62, 63, GMC 1-4, 20, 38-40, 46-49, 57-59, 64, 65, MF 28, 45, MIL 31, 35, 39, WHF 40, 41	FP-8926480	GMC 57, 65
FP-8922516	DOD 21, FOR 64, GMC 50, 51	FP-8924412	FOR 1, 19, 57, 58, 62, 63, GMC 2-4, 20, 48, 49, 57-59, 64, MIL 31, 39, WHF 40	FP-8926631	FOR 57, 58, 62, 63, GMC 48, 49, 57-59, 64, 65
FP-8922593	AC 10, 26, 40, 48, FOR 1, 19, 37, 47, 48, 62, 63, GMC 2, 20, 38-40, 46, 47, MF 28, 45, MIL 31, 35	FP-8924413	FOR 62, 63, GMC 59, 64, MIL 39	FP-8926675	FOR 47, 48, GMC 46, 47
FP-8922740	FOR 62, 63, 71, 74, GMC 59, 64, MIL 39	FP-8924435	GMC 57, 58, 65	FP-8926761	FOR 47, 48, 57, 58, 62, 63, GMC 46-49, 57-59, 64, 65, MIL 39
FP-8922948	FOR 47, 48, GMC 46, 47	FP-8924439	AC 10, 26, 40, 48, DOD 21, FOR 1, 19, 37, 56-58, 62-64, 72, GMC 1-4, 20, 38-40, 48-51, 57-59, 64, 65, MF 28, 45, MIL 14, 31, 35, 39, WHF 40, 41	FP-8926762	GMC 48, 57-59, 64, 65
FP-8922977	FOR 47, GMC 46			FP-8926902	FOR 19, GMC 20
FP-8923090	FOR 47, 48, GMC 46, 47			FP-8926921	FOR 57, 58, GMC 48, 49
FP-8923113	FOR 57, 58, GMC 48, 49, 57, 58, 65			FP-8926922	GMC 48
FP-8923151	FOR 47, 48, GMC 46, 47			FP-8926923	GMC 57, 58
FP-8923152	FOR 47, 48, GMC 46, 47			FP-8926992	AC 10, FOR 1, 19, GMC 1-4, 20, 48, MIL 31, WHF 40
FP-8923184	FOR 48, GMC 47				
FP-8923223	AC 26, 40, 48, FOR 1, 19, 37, 57, 58, 62, 63, GMC 2-4, 20, 38-40, 48, 49, 57, 58, MF 28, 45, MIL 31, 35, 39, WHF 40, 41				
FP-8923313	AC 10, 26, 40, 48, FOR 37, 57, 58, 62, 63, 71, 74, GMC 38-40, 48, 49, 57-59, 64, 65, MF 28, 45, MIL 35, 39, WHF 41				
FP-8923328	FOR 1, 19, GMC 1-3, 20, MIL 31, WHF 40				
FP-8923391	FOR 57, 58, 62, 63, GMC 48, 49, 57-59, 64, MIL 39				
FP-8923512	FOR 57, 58, 62, 63, GMC 48, 49, 57-59, 64, MIL 39				
FP-8923526	FOR 71, 74				
FP-8923528	FOR 71, 74				

Numerical List

Part No.	Manufacturer and Line No.	Part No.	Manufacturer and Line No.	Part No.	Manufacturer and Line No.
FP-8926993	AC 26, 40, FOR 37, 57, 58, 71, 74, GMC 38-40, 48, 49, 57, 58, 65, MF 28, 45	FP-8929341	FOR 71, 74	FP-9M5238	FOR 53
FP-8927033	FOR 47, 48, GMC 46, 47	FP-8929342	FOR 71, 74	FP-9M5239	FOR 53
FP-8927189	FOR 56-58, GMC 48, 49, 57, 58, 65	FP-8929344	FOR 71, 74	FP-9M5477	FOR 53, 69
FP-8927214	FOR 47, GMC 46	FP-8929347	FOR 71, 74	FP-9M6495	FOR 53
FP-8927223	GMC 4	FP-8929348	FOR 71, 74	FP-9N0407	FOR 67, 68, GMC 53, MF 59
FP-8927224	GMC 4	FP-8929355	FOR 71, 74	FP-9N2366	FOR 67, 68, MF 59
FP-8927270	AC 10, 26, 40, 48, FOR 1, 19, 37, 57, 58, 62, 63, GMC 2, 4, 38-40, 48, 49, 57-59, 64, 65, MF 28, 45, MIL 35, 39, WHF 41	FP-8929357	FOR 71, 74	FP-9N2837	DOD 17, FOR 51, 52, 65, 67, 68, GMC 53, MF 58, 59, WHF 94
FP-8927408	FOR 47, 48, GMC 46, 47	FP-8929393	FOR 71, 74	FP-9N3139	FOR 51, 52, 65, 67, 68, MF 58, 59, WHF 94
FP-8927465	FOR 1, GMC 1-4, WHF 40	FP-8929415	FOR 71, 74	FP-9N3299	FOR 67, 68, GMC 53, MF 59
FP-8927466	FOR 1, GMC 1-4, WHF 40	FP-8929422	FOR 71, 74	FP-9N3617	DOD 17, FOR 51, 52, 65, 67, 68, GMC 53, MF 58, 59, WHF 94
FP-8927580	AC 10, 26, 40, 48, FOR 1, 19, 37, 57, 58, 62, 63, GMC 1-4, 20, 38-40, 48, 49, 57-59, 64, 65, MF 28, 45, MIL 31, 35, 39, WHF 40, 41	FP-8929425	FOR 71, 74	FP-9N3832	FOR 67, 68, GMC 53, MF 59
FP-8927581	AC 10, 26, 40, 48, FOR 1, 19, 37, 57, 58, 62, 63, GMC 1-4, 20, 38-40, 48, 49, 57-59, 64, 65, MF 28, 45, MIL 31, 35, 39, WHF 40, 41	FP-8929427	FOR 71, 74	FP-9N5082	FOR 67, 68, GMC 53, MF 59
FP-8927727	FOR 47, 48, GMC 46, 47	FP-8929479	FOR 71, 74	FP-9N5121	FOR 67, 68, GMC 53, MF 59
FP-8927743	FOR 19, GMC 20, MIL 31	FP-8929480	FOR 71, 74	FP-9N5246S	DOD 17, FOR 51, 52, 65, 67, 68, GMC 53, MF 58, 59, WHF 94
FP-8927746	FOR 62, 63, GMC 59, 64, 65, MIL 39	FP-8929504	FOR 71, 74	FP-9N5786	DOD 17, FOR 51, 52, 65, 67, 68, GMC 53, MF 58, 59, WHF 94
FP-8927747	GMC 59, 64, 65	FP-8929510	FOR 71, 74	FP-9N5920	FOR 67, 68, GMC 53, MF 59
FP-8927748	FOR 62, 63, GMC 59, 64, 65, MIL 39	FP-8929512	FOR 71, 74	FP-9N5921	FOR 67, 68, GMC 53, MF 59
FP-8927749	GMC 59, 64, 65	FP-8929529	FOR 19, 71, 74	FP-9N5923	DOD 17, FOR 51, 52, 65, 67, 68, MF 58, 59, WHF 94
FP-8927784	FOR 47, 48, GMC 46, 47	FP-8929536	FOR 71	FP-9N592330	DOD 17, FOR 51, 52, 65, 67, 68, MF 58, 59, WHF 94
FP-8927794	FOR 57, 58, GMC 48, 49, 57, 58	FP-8929573	FOR 71, 74	FP-9N5924	DOD 17, FOR 51, 52, 65, 67, 68, MF 58, 59, WHF 94
FP-8927857	FOR 47, 48, GMC 46, 47	FP-8929589+	FOR 71, 74	FP-9N5925	DOD 17, FOR 51, 52, 65, 67, 68, MF 58, 59, WHF 94
FP-8927920	AC 10, 26, 40, 48, FOR 37, 62, 63, GMC 38-40, 59, 64, MF 28, 45, MIL 35, 39, WHF 41	FP-8929590	FOR 71, 74	FP-9N5926	FOR 65, 67, 68, MF 58, 59, WHF 94
FP-8928520	FOR 47, GMC 46	FP-8929625	FOR 71, 74	FP-9N6221	FOR 67, 68, MF 59
FP-8928521	FOR 48, GMC 47	FP-8929626	FOR 71, 74	FP-9N6275	DOD 17, FOR 51, 52, 65, 67, 68, MF 58, WHF 94
FP-8928540	AC 26, 40, 48, FOR 1, 19, 37, GMC 1-4, 20, 38-40, MF 28, 45, MIL 31, 35, WHF 40, 41	FP-8929627	FOR 71, 74	FP-9S3037S	FOR 53
FP-8928545	FOR 57, 58, 62, 63, GMC 48, 49, 57-59, 64, 65, MIL 39	FP-8929628	FOR 71, 74	FP-9Y2991	FOR 69
FP-8928670	FOR 47, 48, GMC 46, 47	FP-8929629	FOR 71, 74	FP-9Y2992	FOR 69
FP-8928671	FOR 47, 48, GMC 46, 47	FP-8929630	FOR 71, 74	FP-9Y3778	FOR 51, 52, 67, 68, MF 59
FP-8928672	FOR 47, 48, GMC 46, 47	FP-8929670A	FOR 71, 74	FP-9Y4004+	FOR 78, 79, GMC 62
FP-8928967	AC 26, 40, 48, FOR 37, GMC 38-40, MF 28, 45, MIL 35, WHF 41	FP-8929671A	FOR 71, 74	FP-9Y6202	FOR 67, 68, GMC 53, MF 59
FP-8929013	FOR 71, 74	FP-8929672A	FOR 71, 74	FP-9Y9497	FOR 78, 79, GMC 62
FP-8929015	FOR 71, 74	FP-8929673A	FOR 71, 74	FP-9Y949710	FOR 78, 79, GMC 62
FP-8929019	FOR 71, 74	FP-8929680	FOR 71, 74	FP-9Y9895	FOR 53
FP-8929022	FOR 71, 74	FP-8929681	FOR 71, 74	FP-902KX	INT 46
FP-8929059	FOR 71	FP-8929682	FOR 71, 74	FP-903M	WAU 5, 6, 11-13, WHF 11, 12, 21, 24
FP-8929062	FOR 71, 74	FP-8929683	FOR 71, 74	FP-903205	AC 26, 40, 48, FOR 37, GMC 38-40, MF 28, 45, MIL 35, WHF 41
FP-8929063	FOR 71, 74	FP-8929690	FOR 71, 74	FP-9040101921*	MB 1
FP-8929064	FOR 71, 74	FP-8929691	FOR 71, 74	FP-9040102220*	MB 1
FP-8929085	FOR 71, 74	FP-8929692	FOR 71, 74	FP-9040104505*	MB 1
FP-8929085S	FOR 71, 74	FP-8929693	FOR 71, 74	FP-9040140622*	MB 1
FP-8929087	FOR 71, 74	FP-8929697	FOR 71, 74	FP-9040140722*	MB 1
FP-8929102	FOR 71, 74	FP-8929698	FOR 71, 74	FP-9040300024*	MB 1
FP-8929105	FOR 71, 74	FP-8929710	FOR 71, 74	FP-9040300040*	MB 1
FP-8929108	FOR 71, 74	FP-8929711	FOR 71, 74	FP-9040300140*	MB 1
FP-8929126	FOR 71, 74	FP-8929712	FOR 71, 74	FP-9040300240*	MB 1
FP-8929127	FOR 71, 74	FP-8929713	FOR 71, 74	FP-9040301160*	MB 1
FP-8929130	FOR 71, 74	FP-8929740	FOR 71, 74	FP-90425MM*	MB 1
FP-8929134	FOR 71, 74	FP-8929787	FOR 71, 74	FP-90450MM*	MB 1
FP-8929152	FOR 71, 74	FP-8929803	FOR 71, 74	FP-904827	FOR 1, 19, GMC 2, 20, MIL 31
FP-8929154	FOR 71, 74	FP-8929820	FOR 71, 74	FP-905M	WAU 20, 27, 28, 37, WHF 52-54
FP-8929157	FOR 71, 74	FP-8929844	FOR 71, 74	FP-9060103720*	MB 4
FP-8929158	FOR 71, 74	FP-8929845	FOR 71, 74	FP-9060104505*	MB 4
FP-8929176	FOR 71, 74	FP-8929875	FOR 71, 74	FP-9060105521*	MB 4
FP-8929213	FOR 71, 74	FP-8929878	FOR 71, 74	FP-9060140422*	MB 4
FP-8929216	FOR 71, 74	FP-8944X	CAS 20, INT 15, 29, WAU 16, 22, 25, 26, 29	FP-9060303217*	MB 4
FP-8929253	FOR 71, 74	FP-9H4015	FOR 53	FP-9060330702*	MB 4
FP-8929255	FOR 71, 74	FP-9H9164	FOR 53	FP-9060330801*	MB 4
FP-8929280	FOR 71, 74	FP-9L5854	FOR 78, 79, GMC 62	FP-9060330902*	MB 4
FP-8929285	FOR 71, 74	FP-9L6266	FOR 67, 68, MF 59	FP-9060380711*	MB 4
FP-8929289	FOR 71, 74	FP-9L7493	FOR 51, 52, 67, 68, MF 59	FP-9060380811*	MB 4
FP-8929299	FOR 71, 74	FP-9L7606	FOR 51, 52, 67, 68	FP-9060380911*	MB 4
FP-8929302	FOR 71, 74	FP-9L7669	FOR 67, 68, GMC 53, MF 59	FP-907394	FOR 1, 19, GMC 2, 20, MIL 31
FP-8929328	FOR 71, 74	FP-9L7682	DOD 17, FOR 51, 52, 65, 67, 68, GMC 53, MF 58, 59, WHF 94	FP-908337	AC 10, 26, 40, 48, FOR 37, GMC 38-40, MF 28, 45, MIL 35, WHF 41
FP-8929334	FOR 71, 74	FP-9L7683	DOD 17, FOR 51, 52, 65, 67, 68, GMC 53, MF 58, 59, WHF 94	FP-9092KX	INT 71, 72
FP-8929337	FOR 71, 74	FP-9L7735	FOR 51, 52, 65, 67, 68, MF 58, 59, WHF 94	FP-911776	INT 21, 23, 24, 26, 30, 33, 37, 38, 43, 45, 48, 52, 55-57, 59, 60, 63, 70, 78-82, 86, 87
FP-8929340	FOR 71, 74	FP-9L7737	FOR 67, 68, GMC 53, MF 59	FP-912M	INT 64, 65, 67, 68, 73
		FP-9L7737R	FOR 67, 68, GMC 53, MF 59	FP-9132KX	AC 12, FRT 8, MF 18, 25, PER 7, 8, 11, 12, 25, 26
		FP-9L7827	FOR 67, 68, GMC 53, MF 59		
		FP-9L7827R	FOR 67, 68, GMC 53, MF 59		
		FP-9L7828	FOR 67, 68, GMC 53, MF 59		
		FP-9L7828R	FOR 67, 68, GMC 53, MF 59		
		FP-9L8336	FOR 67, 68, GMC 53, MF 59		
		FP-9L9172	DOD 17		
		FP-9L9317	DOD 17, FOR 51, 52, 67, 68, MF 59		
		FP-9L9318	FOR 65, 67, 68, MF 58, 59, WHF 94		
		FP-9L9321	FOR 65, 67, 68, MF 58, 59, WHF 94		
		FP-9L9667	DOD 17, FOR 51, 52, 67, 68, MF 59		
		FP-9L9668	FOR 65, 67, 68, MF 58, 59, WHF 94		
		FP-9M4163	FOR 53		

Numerical List

Part No.	Manufacturer and Line No.	Part No.	Manufacturer and Line No.	Part No.	Manufacturer and Line No.
FP-9132X	AC 12, FRT 8, MF 18, 25, PER 7, 8, 11, 12, 25, 26	FP-9428477	FOR 1, 57, 58, 62, 63, GMC 2, 48, 49, 57-59, 64, 65, MIL 39	HT-6005	TOF 3
FP-9139809	AC 26, 40, 48, FOR 37, 57, 58, 62, 63, GMC 38-40, 48, 49, 57-59, 64, 65, MF 28, 45, MIL 35, 39, WHF 41	FP-9431887	FOR 1, GMC 2	HT-761	GMC 56
FP-914KX	WHF 27, 29, 37	FP-9431894	AC 26, 40, FOR 1, 19, 37, 47, 48, 62, 63, GMC 2, 20, 38-40, 46, 47, MF 28, 45	HT-812	CHR 8, 11, 12, 15-18, 20, 21, DOD 9, 11
FP-915KX	INT 15	FP-9431896	FOR 62, 63	HT-812B	CHR 8, 11, 12, 15-18, 20, 21, DOD 9, 11
FP-915X	INT 15	FP-9433X	WHF 99, 101, 103	HT-817	GMC 6, 10, 13, 15, 16, 19, 21-24, 28, 29, 37, 41, 43, GMI 1, MF 48, 50
FP-918KX	CAS 5, CON 8-10, INT 6, MF 9	FP-9436682	FOR 19, 62, 63, GMC 20	HT-817B	GMC 6, 10, 13, 15, 16, 19, 21-24, 28, 29, 37, 41, 43, GMI 1, MF 48, 50
FP-918X	CAS 5, CON 8-10, INT 6, MF 9	FP-9437108	AC 10, 26, 40, FOR 1, 37, 47, 48, 62, 63, GMC 2, 38-40, 46, 47, MF 28, 45	HT-855	INT 61, 66, 75
FP-9186KX	FRT 20, 21, 23	FP-9438907	FOR 19, 62, 63, GMC 20	HT-855B	INT 61, 66, 75
FP-919KX	CAS 28, CON 74-77, MF 39, 40	FP-948X	CAS 11, CON 17, 18, MF 15, WHF 19	HT-879	CAS 38, CHR 14
FP-9194KX	AC 32, CAS 41, DOD 7, MF 35, 53, PER 15, 16, 29, 30, WHF 82, 83	FP-9518KX	DOD 21, FOR 64, GMC 50, 51	HT-886+	DOD 15, INT 94
FP-9197KX	INT 23, 30	FP-9534KX	INT 63, 70, WHF 67, 74	HT-900	FOR 5, 15, 16, 29, 38, 40, FRD 21, 30, 50
FP-920KX	AC 25, HER 14, 26, LER 2-4, MF 33, 52, WHF 50	FP-9550KX	INT 76, 77	HT-900B	FOR 5, 15, 16, 29, 38, 40, FRD 21, 30, 50
FP-920X	AC 25, HER 14, 26, LER 2-4, MF 33, 52, WHF 50	FP-9596X	CAS 41, PER 15, 16, 29, 30	HT-900R	FOR 5, 15, 16, 29, 38, 40, FRD 21, 30, 50
FP-9209KX	INT 17, 19	FP-960KX	AC 51, BUD 19	HT-969	GMC 28, 41
FP-9217KX	AC 23, 24, 41-43	FP-9608KX	WIS 29	HT-969B	GMC 28, 41
FP-9245KX	INT 93	FP-962KX	CAS 6	HT-976	CHR 18-21, DOD 9, 11, 12
FP-9251KX	AC 18, 36	FP-9620CPA	AC 33, HER 21, 24, 27, 31, 33, WHF 36	HT-976B	CHR 18-21, DOD 9, 11, 12
FP-926KX	CON 25, 26, MF 20, WHF 25, 26	FP-9624CPA10	AC 33, HER 21, 24, 27, 31, 33, WHF 36	H251P	CHR 17, DOD 9
FP-926X	CON 25, 26, MF 20, WHF 25, 26	FP-9624CPA20	AC 33, HER 21, 24, 27, 31, 33, WHF 36	H254P 30	CHR 20, DOD 11
FP-92601	FOR 73, 75, GMC 60, 61, INT 99	FP-9624CPA30	AC 33, HER 21, 24, 27, 31, 33, WHF 36	H395P	FOR 26
FP-9266	FOR 75, GMC 60, 61, INT 99	FP-9624X	AC 33, HER 24, 27, 31, 33, WHF 36	H418CP	FOR 40, FRD 50
FP-9266A	FOR 75, GMC 60, 61, INT 99	FP-9629X	AC 4, 8, CAS 9, 10, INT 8, KOH 3, MF 12, 13, WAU 2, 7, 8	H418P	FOR 40, FRD 50
FP-9320CP	CAS 5, 11, 18, 24, CLK 3, 7, CON 9, 10, 17, 18, 25, 26, 33, 34, 37-40, 45, 46, 49, 50, 53-56, MF 9, 15, 20, REO 1, 2, WHF 19, 25, 26, 35, 39	FP-964KX	AC 7, CON 11-14, 23, 24, MF 10, 14, 17	H554CP	FOR 16
FP-9320CPA	CAS 5-7, 11, 12, 18, 24, CLK 3, 7, CON 8-10, 17, 18, 25, 26, 33, 34, 37-40, 45, 46, 49, 50, 53-56, MF 9, 15, 20, REO 1, 2, WHF 19, 25, 26, 35, 39	FP-964X	AC 7, CON 11-14, 23, 24, MF 10, 14, 17	H580CP	GMC 23
FP-9323KX	CLK 9, CON 62	FP-9646KX	MF 35, PER 15, 16	H580P	GMC 23
FP-9323X	CLK 9, CON 62	FP-965X	CON 60, 61, MF 32, WHF 30-32, 48, 49	H589P .50MM	MIF 3
FP-9324X	CAS 5-7, 11-13, 18, 24, CLK 3, 7, CON 8-10, 17, 18, 25, 26, 33, 34, 37-40, 45, 46, 49, 50, 53-56, MF 9, 15, 20, REO 1, 2, WHF 19, 25, 26, 35, 39	FP-9662KX	INT 33	H604CP	GMC 41
FP-934KX	AC 9, 11, BUD 7, CAS 14, 15, DAB 2, HER 15, MF 19, WAU 11, 12, WHF 20, 21, 23, WIS 28	FP-9663KX	INT 57	H705P 30	FOR 25, 27
FP-934X	AC 9, 11, BUD 7, CAS 14, 15, DAB 2, HER 15, MF 19, WAU 11, 12, WHF 20, 21, 23, WIS 28	FP-9677X	BEW 7	H706P 30	FOR 31, 33, FRD 44
FP-9362KX	FOR 28	FP-968X	CAS 2, WHF 4, 5, WIS 21	H707P	FOR 29
FP-9409060	FOR 1, 19, 57, 58, 62, 63, GMC 1-4, 20, 48, 49, 57-59, 64, 65, MIL 31, WHF 40	FP-9701N	BRI 3	H719CP	GMC 28
FP-9409077	FOR 57, 58, 62, 63, GMC 48, 49, 57-59, 64, 65	FP-9739KX	WAU 30, 31, 35, 36, WHF 67, 69, 74	H720P 20+	INT 94
FP-941M	INT 15, 22, 24, 25, 27	FP-974KX	CON 11-14, MF 10, 14, WAU 2	H721CP	GMC 28
FP-9410925	AC 10, 26, 40, 48, FOR 37, 57, 58, GMC 38-40, 48, 49, 57, 58, 65, MF 28, 45, MIL 35, WHF 41	FP-9745SB	AC 5, 7	H723CP 60	FOR 38
FP-9411502	FOR 47, 48, 71, 74, GMC 46, 47	FP-9764N	BEW 6, 7	H723P	FOR 38
FP-9411981	FOR 57, 58, 62, 63, GMC 48, 49, 57-59, 64, 65, MIL 39	FP-9766KX	INT 28, 44, 62	H724P	FOR 38
FP-9412015	AC 10, 26, 40, 48, FOR 37, 57, 58, 62, 63, GMC 38-40, 48, 49, 57-59, 64, 65, MF 28, 45, MIL 35, 39, WHF 41	FP-9785SB	WHF 27-29, 37	H730CP 30	FOR 38
FP-9415132	AC 26, 40, 48, FOR 1, 19, 37, 57, 58, GMC 2-4, 20, 38-40, 48, 49, 57, 58, 65, MF 28, 45, MIL 31, 35, WHF 40, 41	FP-9811BF	CAS 5, 11, 18, 24, CLK 3, 7, CON 6, 7, 9-12, 17, 18, 25, 26, 33, 34, 37, 38, 45, 46, 49, 50, 53-56, MF 8-10, 15, 20, REO 1, 2, WHF 19, 25, 26, 35, 39	H731CP 30	FOR 38
FP-9415285	AC 26, 40, 48, FOR 19, 37, 57, 58, 62, 63, GMC 20, 38-40, 48, 49, 57-59, 64, 65, MF 28, 45, MIL 31, 35, 39, WHF 41	FP-9822KX	DOD 23	H734P	FOR 38
FP-9417926	AC 10, 26, 40, 48, FOR 1, 19, 37, 62, 63, GMC 2, 20, 38-40, MF 28, 45, MIL 35, WHF 41	FP-9826KX	KHD 2, 4, 7, 9, 11	H811CP	GMC 28
FP-942M	INT 46, 49, 51, 54	FP-9841KX	FRD 11, 12, FRT 18, 19	H896CP	GMI 1
FP-9422203	FOR 62, 63, GMC 57-59, 64, 65, MIL 39	FP-9885CP	CLK 1, 2, CON 3-5, INT 3, 5, MF 3, WHF 3	H897CP	GMI 1
FP-9424121	AC 10, 26, 40, FOR 19, 37, 62, 63, GMC 20, 38-40, MF 28, 45	FP-9885CPA	CLK 1, 2, CON 3-5, INT 3, 5, MF 3, WHF 3	H909CP	GMC 16, MF 48
FP-9425166	FOR 1, 19, GMC 2, 20	FP-9909X	CON 72, 73, 78-80, 85-92, 95, 96, MF 47, 51	H909P+	GMC 16, MF 48
		FP-991M	AC 25, 27	H951P 30	GMC 21, MF 50
		FP-9964KX	AC 47, HER 44	H958CP	GMC 28
		FP-9981KX	BUD 2, MF 1, WHF 1, 2, WIS 18	H989CP	GMC 41
		FSM-104S	GMC 5, 7	H994P	FOR 25, 27, FRD 42
		FSM-105S	GMC 5	H995P	FOR 31, 33, FRD 44
		FSM-118S+	AC 25, LER 2-4	H996CP	INT 75
		FSM-119S+	AC 25, LER 2-4	H997CP	INT 61, 66
		HLC702CP	FOR 29	H999P	DOD 13
		HLC997CP	FOR 61, 66	J1396	AC 54, DOD 24, 26, FOR 75-77, INT 96, 99
		HT-2011	CAS 38, CHR 14, DOD 6, 8, 9, INT 40	KCT-1230C	FOR 5, 16
		HT-2011B	CAS 38, CHR 14, DOD 6, 8, 9, INT 40	KCT-274	GMC 19
		HT-2083	FOR 20, 21, 25-27, 31-33, FRD 13, 34-36, 42, 44, 48	KCT-274C	GMC 15, 21, 23, 24
		HT-2083B	FOR 20, 21, 25-27, 31-33, FRD 13, 34-36, 42, 44, 48	KCT-327	DOD 10, 12
		HT-2104	GMC 32, 33	KCT-619	FOR 20, 21, FRD 48
		HT-2104B	GMC 32, 33	KCT-619A	FOR 21, 25, 27, 31, 33
				KCT-633A	GMC 6
				KCT-636	GMC 28, 41
				KCT-643A	FOR 26, 32
				KCT-645A	DOD 6
				KCT-648	FOR 40
				KCT-648A	FOR 29, 38
				KCT-660A	GMC 43
				KCT-665	DOD 8
				KCT-669	GMC 28, 29, 41
				KCT-669A	GMC 28
				KCT-774A	GMC 28, 41
				KC-1230	FOR 5, 15, 16, FRD 21, 30
				KC-1524	FOR 38
				KC-273	GMC 13, 15
				KC-274	GMC 15, 19, 21, 23, 24
				KC-327	CHR 18-21, DOD 10, 12

Numerical List

Part No.	Manufacturer and Line No.	Part No.	Manufacturer and Line No.	Part No.	Manufacturer and Line No.
KC-327A	CHR 17, 21, DOD 9	MKP-218A	DOD 6	MK-130C	GMC 21
KC-380	CHR 4, DOD 1, 2, MF 31	MKP-243A	DOD 6	MK-130F	GMC 21, 23
KC-448	FRD 13	MKP-244C	DOD 6	MK-137E	FOR 40
KC-551	GMC 16, MF 48	MKP-601M	FOR 32	MK-142A	CHR 19
KC-619	FOR 20, 21, 25, 27, 31, 33, FRD 35, 36, 48	MKP-601P	FOR 26	MK-155A	CHR 19, DOD 10
KC-633	GMC 6, 10	MKP-602A	DOD 1, 2	MK-156A	CHR 21, DOD 12
KC-636	GMC 28, 41	MKP-6036A	GMC 16	MK-158C	GMC 23
KC-636A	GMI 2	MKP-6039A	GMC 28	MK-162H	GMC 21
KC-643	FOR 26, 32	MKP-606A	GMC 16	MK-162J	GMC 21
KC-645	CHR 14, DOD 6	MKP-606C	GMC 16	MK-167E	CHR 18
KC-648	FOR 29, 38, 40, FRD 50	MKP-607A	GMC 16	MK-183C	DOD 8
KC-660	GMC 43	MKP-6085A	GMC 41	MK-187A	FOR 29
KC-665	DOD 8	MKP-6088A	FOR 29	MK-218A	DOD 6
KC-669	GMC 28, 29, 41	MKP-6089A	FOR 29	MK-243A	DOD 6
KC-770	GMC 32	MKP-6090C	FOR 38	MK-244C	DOD 6
KC-774	GMC 28, 41	MKP-611A	FOR 20, 21	MK-601M	FOR 26, 32
KC-774A	GMC 28, 41	MKP-612D	FOR 5	MK-602A	DOD 1, 2
KS2-2423A	DOD 16	MKP-612J	FOR 15, 16	MK-6036A	GMC 16
KS2-2506A	AC 52, DOD 19, 20, FOR 60, 61	MKP-6122C	FOR 38	MK-6037C	GMC 23
KT3-160S	DOD 6, 8	MKP-613E	GMC 43	MK-6039A	GMC 28
KT3-163S	GMC 15, 21, 23, 24	MKP-614D	GMC 6	MK-606A	GMC 16
KT3-168S	CHR 19, 21, DOD 12	MKP-6189C	FOR 38	MK-606C	GMC 16
KT3-168SA	DOD 9, 11	MKP-619A	GMC 15	MK-607A	GMC 16
KT3-168SA1	FOR 29, 38	MKP-619C	GMC 15	MK-6085A	GMC 41
KT3-169SA1	FOR 20, 21	MKP-619D	GMC 15	MK-6085C	GMC 41
KT3-169SA2	FOR 21, 25, 27, 31, 33	MKP-619F	GMC 15	MK-6088A	FOR 29
KT3-171S	GMC 28, 29, 41, 43	MKP-6190C	FOR 38	MK-6089A	FOR 29
KT3-181S	GMC 33	MKP-6190D	FOR 38	MK-6090C	FOR 38
KT3-181SA	GMC 32, 33	MKP-6191C	FOR 38	MK-611A	FOR 20, 21
KT3-361S	CAS 38, CHR 14	MKP-6192C	FOR 38	MK-611C	FOR 21
KT3-4SR50S	GMC 28	MKP-6192D	FOR 38	MK-612C	FOR 5
KT3-489S	GMC 13	MKP-620B	GMC 19	MK-612E	FOR 5, 15, 16
KT3-491S	FOR 40	MKP-622C	DOD 8	MK-6122C	FOR 38
KT3-491SA	FRD 50	MKP-630L	GMC 21	MK-613E	GMC 43
KT3-494S	INT 40	MKP-631D	GMC 28	MK-614C	GMC 10
KT3-494SA1	FRD 48	MKP-631E	GMC 28	MK-614D	GMC 6
KT3-494SA3	FOR 26, 32	MKP-631F	GMC 28	MK-6189C	FOR 38
KT3-495S	CHR 17, 20	MKP-6359A	GMC 32	MK-619A	GMC 15
KT3-495SA	DOD 1, 2, MF 31	MKP-636C	GMC 41	MK-619C	GMC 15
KT3-499S	GMC 19, MF 50	MKP-636D	GMC 41	MK-619D	GMC 15
KT3-501S	CHR 18, 19, 21, DOD 10, 12	MKP-637E	FOR 40	MK-619F	GMC 15
LM29710	WIS 10, 12, 13	MKP-6396A	GMI 2	MK-6190C	FOR 38
LM29749	WIS 10, 12, 13	MKP-642A	CHR 19	MK-6190D	FOR 38
LM67010	WIS 5, 7, 8, 11	MKP-643C	FOR 25, 27	MK-6191C	FOR 38
LM67048	WIS 5, 7, 8, 11	MKP-643E	FOR 31, 33	MK-6192C	FOR 38
L-2163F 30	GMC 15	MKP-645A	FOR 20	MK-6192D	FOR 38
L-2303NF	FRD 48	MKP-655A	CHR 19, DOD 10	MK-620B	GMC 19
L-2323F	GMI 3	MKP-656A	CHR 21, DOD 12	MK-622C	DOD 8
L-2329F 30	CAS 38, CHR 14, DOD 6	MKP-659A	GMC 41	MK-630C	GMC 21
L-2378F 30	FRD 41	MKP-659C	GMC 41	MK-630F	GMC 21, 23
L-2390F 30	GMI 3	MKP-659D	GMC 41	MK-631D	GMC 28
L-2404F	FRD 50	MKP-662H	GMC 21	MK-631E	GMC 28
L-2461F+	FRD 12	MKP-662J	GMC 21	MK-631F	GMC 28
MA-1212-EL	WHF 27, 28, 37	MKP-667E	CHR 18	MK-636C	GMC 41
MKP-101M	FOR 32	MKP-683C	DOD 8	MK-636D	GMC 41
MKP-101P	FOR 26	MKP-687A	FOR 29	MK-637E	FOR 40
MKP-102A	DOD 1, 2	MKP-688A	FOR 29	MK-643C	FOR 25, 27, 31, 33
MKP-1036A	GMC 16	MKP-689A	FOR 38	MK-643E	FOR 25, 27, 31, 33
MKP-106A	GMC 16	MKP-690A	FOR 38	MK-654A	FOR 20
MKP-106C	GMC 16	MKP-7025	GMC 32	MK-655A	CHR 19, DOD 10
MKP-107A	GMC 16	MKP-7026	GMC 32	MK-656A	CHR 21, DOD 12
MKP-1088A	FOR 29	MKP-718A	DOD 6	MK-658C	GMC 23
MKP-112D	FOR 5	MKP-743A	DOD 6	MK-659A	GMC 41
MKP-112J	FOR 15, 16	MKP-744C	DOD 6	MK-659C	GMC 41
MKP-113E	GMC 43	MK-101M	FOR 26, 32	MK-659D	GMC 41
MKP-114D	GMC 6	MK-102A	DOD 1, 2	MK-662H	GMC 21
MKP-119A	GMC 15	MK-1036A	GMC 16	MK-662J	GMC 21
MKP-119C	GMC 15	MK-1037C	GMC 23	MK-667E	CHR 18
MKP-119D	GMC 15	MK-106A	GMC 16	MK-683C	DOD 8
MKP-119F	GMC 15	MK-106C	GMC 16	MK-687A	FOR 29
MKP-120B	GMC 19	MK-107A	GMC 16	MK-688A	FOR 29
MKP-122C	DOD 8	MK-1088A	FOR 29	MK-689A	FOR 38
MKP-130L	GMC 21	MK-112C	FOR 5	MK-690A	FOR 38
MKP-137E	FOR 40	MK-112E	FOR 5, 15, 16	MK-7025	GMC 32
MKP-142A	CHR 19	MK-113E	GMC 43	MK-7026	GMC 32
MKP-155A	CHR 19, DOD 10	MK-114C	GMC 10	MK-718A	DOD 6
MKP-156A	CHR 21, DOD 12	MK-114D	GMC 6	MK-743A	DOD 6
MKP-162H	GMC 21	MK-119A	GMC 15	MK-744C	DOD 6
MKP-162J	GMC 21	MK-119C	GMC 15	MR-1751	FOR 5, 15, 16, GMC 6, 10, 13, 15, 16, 19, 21-24, 37, GMI 1
MKP-167E	CHR 18	MK-119D	GMC 15	MR-1752	GMC 6, 10, 13, 15, 16, 19, 21-24, 37, MF 48, 50
MKP-183C	DOD 8	MK-119F	GMC 15	MR-1780	GMC 6, 10, 16, 22, 37, GMI 1
MKP-187A	FOR 29	MK-120B	GMC 19		
		MK-122C	DOD 8		

Numerical List

Part No.	Manufacturer and Line No.	Part No.	Manufacturer and Line No.	Part No.	Manufacturer and Line No.
MR-1783	GMC 15, 19, 21, 23, 24	PGE4127-IF 10+	FOR 47, 48, GMC 46, 47	RP-3184	FRD 40
MR-1809	FOR 5, 15, 16	PGE451EC+	CAS 47	RP-3188	GMC 16, MF 48
MR-1811	FOR 29, 30, 38-41, FRD 40, 50	PGE451LC+	CAS 47, 48	RP-3191	CHR 18, 19, DOD 10
MR-1813	GMC 28, 41, 43	PGE504LC+	CAS 49, 50	RP-3192	CHR 17, 20, DOD 11
MR-1815	GMC 28, 41, 43	PGJ-10	DOD 24, 25	RP-3193	CHR 21, DOD 12
MR-1822	GMC 15, 19, 21, 23, 24	PGN466C+	INT 78, 79, 81, 82, 87	RP-3194	CAS 38, CHR 14, DOD 6, 8
MR-1823	FOR 5, 15, 16	PGN466-IF+	INT 78, 79, 81, 82, 87	RP-3203	GMC 28, 41, 43
MR-1901	FOR 5, 16, FRD 21, 30	PGN466PS+	INT 87	RP-3204+	GMC 28, 41, 43
MR-1902	FOR 5, 16, FRD 21, 30	PGN466-1+	INT 86, 87	RP-3212R	GMC 13, 15, 19, 21, 23, 24
MR-1909	INT 40	PK1-2359C	FRD 46, FRT 45	RP-3212R 100	GMC 13, 15, 19, 21, 23, 24
MR-1945	GMI 2	PK1-2359D	FRD 14, FRT 24, 26	RP-3212R 150	GMC 13, 15, 19, 21, 23, 24
MR-1948	GMC 32, 33	PK1-2631A	FRT 37	RP-3212R 200	GMC 13, 15, 19, 21, 23, 24
MR-1948B	GMC 32, 33	PK1-2666	FOR 47, GMC 46	RP-3214R	GMC 6, 10
MR-1949	GMC 6, 10, 13, 15, 16, 19, 21-24, 37, MF 48, 50	PK1-2667+	FOR 48, GMC 47	RP-3221R	CHR 21, DOD 12
MR-1951	FOR 29, 30, 38-41, FRD 40, 50	PK1-2692A	FRT 46	RP-3226R	FRD 40
MV-110	AC 17, FRD 2, 8, 12, FRT 4, 15	PK2-2359C	FRD 46, FRT 45	RP-3227R	FOR 20, 21, 25-27, 31-33, FRD 35, 36, 42, 44, 48
MV-1231	AC 6, FRT 3	PK2-2359D	FRD 14, FRT 24, 26	RP-3229R	GMC 22, 37
MV-1233	CAS 17, 19, 21, 22, CHR 12, 15, CON 11-14, 41, 42, 66, DOD 15, FOR 21, 25, 27, 31, 33, FRD 36, 42, 44, 48, GMC 5-7, 10, 12, 13, 15-19, 21, 23, 25, 31, 33, 36, 44, 45, 56, INT 48, 52, 61, 66, 74, 75, 83, 90, 91, MF 10, 14, 17, 21-23, 30, 36, 48, 50, WHF 52, 54, 66-69, 74	PK2-2631A	FRT 37	RP-3239+	INT 86, 87
MV-1233C	CAS 17, 19, 21, 22, CHR 12, 15, CON 11-14, 41, 42, 66, DOD 15, FOR 21, 25, 27, 31, 33, FRD 36, 42, 44, 48, GMC 5-7, 10, 12, 13, 15-19, 21, 23, 25, 31, 33, 36, 44, 45, 56, INT 48, 52, 61, 66, 74, 75, 83, 90, 91, MF 10, 14, 17, 21-23, 30, 36, 48, 50, WHF 52, 54, 66-69, 74	PK2-2666	FOR 47, GMC 46	RP-3252	FOR 38-40
MV-1551	DOD 15, 18, INT 90	PK2-2667+	FOR 48, GMC 47	RP-3257	GMC 28, 41
MV-1598	CAS 41, DOD 2, GMC 23, MF 35, 53, 54, PER 15, 16, 29, 30, WHF 82-84	P-1940	DOD 9, 10	RP-3258	GMC 28, 41
MV-1598C	CAS 41, DOD 2, GMC 23, MF 35, 53, 54, PER 15, 16, 29, 30, WHF 82-84	P-2208	GMC 10, 16	RP-3260	FOR 15, 16
MV-1599	DOD 1, FOR 3, 5, 8-11, 13, 14, 16, 17, FRD 2, 3, 17, 21, 26, 29, 30, 34, FRT 29	P-2217	FOR 16, 20, 21, FRD 48	RP-3288	FOR 29, 38-40
MV-1599C	DOD 1, FOR 3, 5, 8-11, 13, 14, 16, 17, FRD 2, 3, 17, 21, 26, 29, 30, 34, FRT 29	RC-101A	FOR 34, 35, 43, 45, 46, 54, 55	RP-3342	GMC 32, 33
MV-1707	CHR 17-21, DOD 9, 11, 12	RC-107	INT 21, 23, 26, 37, 48, 55	RP-3343	GMC 28, 41
MV-1707C	CHR 17-21, DOD 9, 11, 12	RC-117A+	CAS 6, 7, 17, 21, 22	RP-3344	GMC 28, 41
MV-1769	GMC 28, 29, 41	RC-122A+	CON 35, 36, 51, 52, 58, 59, MF 21, 26, 30, 36	RS-612	CHR 17-21, DOD 9-12
MV-1769C	GMC 28, 29, 41	RC-126S	DOD 13, 15, 18, INT 61, 66, 75, 90, 91, 94	RS-619	FRD 17
MV-1771	CAS 25, 38, CHR 4, 8, 9, 11, 14, 15, DOD 1, 2, 6, 8	RC-128S	FOR 5, 15, 16, FRD 21, 30	RS-621	FOR 20, 21, 25-27, 31-33, FRD 35, 36, 42, 44, 48
MV-1771C	CAS 25, 38, CHR 4, 8, 9, 11, 14, 15, DOD 1, 2, 6, 8	RC-128SA	FOR 5, 15, 16, FRD 21, 30	RS-626	DOD 6, 8
MV-1775	FOR 20, 21, 25, 27, 29, 31-33, 38, 39, FRD 35, 36, 42, 44, 48	RC-13SA+	MIL 40	RS-676	GMC 32, 33
MV-1775C	FOR 20, 21, 25, 27, 29, 31-33, 38, 39, FRD 35, 36, 42, 44, 48	RC-139A+	CLK 9, CON 15, 16, 31, 32, 62	R-814	FOR 20, 21, 25-27, 31-33, FRD 35, 36, 42, 44, 48
MV-1796	AC 17, FOR 40, FRD 8, 9, 12, 13, 50, FRT 4-6, 15, 16, 19, INT 23, 30, 56, 60	RC-141	FOR 32, 38, 39	R-826	GMC 13, 15, 19, 21, 23, 24
MV-1796A	FRD 13, INT 60	RC-141A	FOR 32, FRD 36, 42, 44, 48	R-826A	GMC 13, 15, 19, 21, 23, 24
MV-1796C	AC 17, FOR 40, FRD 8, 9, 12, 50, FRT 4-6, 15, 16, 19, INT 23, 30, 56	RC-154+	AC 47	R-826B	GMC 13, 15, 19, 21, 23, 24
MV-1888	GMC 23	RC-157S	GMC 6, 13, 15, 16, 21, 23, 32, 33	R-827	GMC 22, 37, MF 50
MV-1888C	GMC 23	RC-163S	GMC 28, 29, 41	R-828	CHR 17-21, DOD 9-12
MV-1903	FOR 3, FRD 17, 21, 30, 34, GMC 15, 16, 23, 24	RC-45+	AC 3, CAS 1, 2, 4, INT 4, MF 1, 6, WHF 1, 2, 4-7, WIS 6, 9, 17, 18, 21, 22	R-829	CHR 17-21, DOD 9-12
MV-1906	FOR 16	RC-58	CLK 4, WAU 11, 13, 27, WHF 11, 20, 22, 30, 42, 44, 52, 65, 67	R-832	GMC 6, 10, 16, GMI 1, MF 48
MV-1912	GMC 28, 29, 43	RC-78S	CHR 18, 19, 21, DOD 1, 2, 10, 11	R-832A	GMC 6, 10, 16, GMI 1, MF 48
MV-1918	CAS 25, 38, CHR 4, 14, DOD 1, 2, 6, 8, 10	RP-3017	FOR 10	R-832B	GMC 6, 10, 16, GMI 1, MF 48
PGC20+	DOD 24, 25	RP-3018	FOR 10	R-847	INT 40
PGE207C+	CAS 22, 23	RP-3019	GMC 7, 12	R-847A	INT 40
PGE267EC+	CAS 30	RP-3020	GMC 5	R-851	GMC 28, 41, 43
PGE301EC+	CAS 37	RP-3021	GMC 7, 12	R-851A	GMC 28, 41, 43
PGE301LC+	CAS 37	RP-3022	AC 17, FOR 3, 9, 11, 17, 23, FRD 2, 3, 8, 9, 11, 12, 17, 26, 34, FRT 4-6, 15, 16, 18, 19, 29	R-851B	GMC 28, 41, 43
PGE336EC+	CAS 39, 40	RP-3028	FOR 10, 13, FRD 29	R-854	FOR 5, 15, 16, FRD 21, 30
PGE336LC+	CAS 39, 40	RP-3030	GMC 22, 37	R-854A	FOR 5, 15, 16, FRD 21, 30
PGE401DM+	CAS 45	RP-3034	CAS 38, CHR 14	R-854B	FOR 5, 15, 16, FRD 21, 30
PGE401LC	CAS 45, 46	RP-3036	CHR 21	R-855	FOR 29, 30, 38-41, FRD 40, 50
PGE4126+	FOR 47, 48, GMC 46, 47	RP-3036	CAS 25, CHR 4, DOD 2	R-855A	FOR 29, 30, 38-41, FRD 40, 50
PGE4126C 10+	FOR 47, 48, GMC 46, 47	RP-3079	DOD 1	R-855B	FOR 29, 30, 38-41, FRD 40, 50
PGE4127-IF+	FOR 47, 48, GMC 46, 47	RP-3093	GMC 13, 15, 19, 21, 23, 24, MF 50	R-861	CAS 38, CHR 14, DOD 6, 8
		RP-3099	GMC 18, 25, 31, 36, 42, 44, 56	R-861B	CAS 38, CHR 14, DOD 6, 8
		RP-3102	GMC 22, 37	R-862	CAS 38, CHR 14, DOD 6, 8
		RP-3105	GMC 28, 41	R-862B	CAS 38, CHR 14, DOD 6, 8
		RP-3106	GMC 28, 41	R-877	FOR 34, 43, 45, 46, 54, 55, FRD 52, 53
		RP-3127	INT 38, 45	R-884	INT 61, 66, 75
		RP-3131	INT 61	R-950	GMC 32, 33
		RP-3132	INT 66, 75	R-950D	GMC 32, 33
		RP-3133	INT 66, 75	R-973	GMC 23
		RP-3143	FOR 34, 43, 45, 46, 54, 55, FRD 45, 52, 53	R-973A	GMC 23
		RP-3160	FOR 29, 38-40, FRD 50	R-973B	GMC 23
		RP-3171	INT 40	SL-10M+	CON 5, INT 5, MF 15
		RP-3172	FOR 20, 21, 25-27, 31-33, FRD 35, 36, 42, 44, 48	SL-11M+	AC 3, INT 4, KOH 3, MF 1, 6, WAU 7, 8, WHF 1, 2, 6, 7, WIS 18, 22
		RP-3172A	FOR 20, 21, 25-27, 31-33, FRD 48	SL-12M	CON 62, INT 35, 36, 39, 41, MF 32, WHF 48, 49
		RP-3172B	FOR 20, 21, 25-27, 31-33, FRD 35, 36, 42, 44, 48	SL-123M	CHR 3, 6, DOD 3
		RP-3172C	FOR 20, 21, 25-27, 31-33, FRD 42, 44, 48	SL-13M	CHR 5, INT 14, 21
		RP-3176	FRD 13	SL-14M	CHR 8, CON 25, 26, 31, 32, 70, MF 20, WHF 25, 26
		RP-3176A	FRD 13	SL-140M	FOR 4
		RP-3176B	FRD 13	SL-147M+	AC 6, FRT 3
		RP-3180	GMC 6, 10, GMI 1	SL-148M+	INT 15
		RP-3183	FOR 5, 15, 16, FRD 21, 30	SL-149M+	INT 46
				SL-15M	CAS 15, FOR 7, INT 18, MF 19, WIS 28
				SL-151M+	AC 6, FRT 3

Numerical List

Part No.	Manufacturer and Line No.	Part No.	Manufacturer and Line No.	Part No.	Manufacturer and Line No.
SL-1533+	AC 25, LER 3, 4	SL-2710+	INT 10, 11	ST-2014	CHR 17, 18, 20, DOD 1, FOR 20, 32, FRD 26, 35
SL-1590+	AC 7	SL-2711+	INT 57	ST-2014BC	CHR 17, 18, 20, DOD 1, FOR 20, 32, FRD 26, 35
SL-1624+	AC 6, FRT 3	SL-2729G+	AC 24, 43	ST-2017R	CON 7, 11-14, 23, 24, MF 8, 10, 14, 17
SL-167M+	FRD 2, FRT 4	SL-2730G+	AC 49	ST-2032+	AC 12, FRT 8, MF 18, 25, PER 5, 7, 8, 11, 12, 24-26
SL-1695+	INT 15	SL-350M	GMC 23, 24	ST-2048	CAS 38, CHR 14, 19, 21, DOD 6, 8, 12, MF 31, WHF 75, 76
SL-1696A+	INT 46	SL-375M+	AC 12, FRT 8, MF 18, 25, PER 7, 8, 11, 12, 25, 26	ST-2092	INT 6, 7, 10, 11, 14-16, 22, 24, 26, 27
SL-17M	CHR 11, 12, CON 78-80, FOR 17	SL-379M+	FRT 10-14, 17, 30-33	VG-1315	MIF 1
SL-17Y+	INT 52, 55	SL-382M+	AC 32, CAS 41, MF 35, 53, 54, PER 15, 16, 29-32, WHF 82-84	VG-1315 2	MIF 1
SL-1709+	AC 6, FRT 3	SL-401M+	FRD 14, FRT 23-26, 37, 38, 45, 46	VG-1325	FOR 24, MB 2
SL-173M+	AC 17, FRD 8, 9, FRT 15, 16	SL-414M 10+	INT 76, 77	VG-1330	FOR 24, MB 2
SL-1746+	FRD 2, FRT 4	SL-416M+	INT 23, 30, 43, 56	VG-1331	FOR 24, MB 2
SL-1776+	CAS 6	SL-46M+	CON 9, 10, 39, 40, MF 9, WHF 4, 5, WIS 9, 17, 21	VG-1380	WHF 38, 46, 47
SL-1779+	INT 6, 7	SL-9M	CHR 2, CLK 6, CON 15, 16	VG-226+	AC 25, 27, INT 46, LER 2-4
SL-1814+	INT 6, 7	SL-93M	CHR 15, INT 33, 59	VG-296+	AC 4, 8, CAS 9, 10, KOH 3, WAU 2, 7, 8
SL-1844+	BUD 4, 11	SO-1154+	AC 25, LER 2-4	VG-350	GMC 5, 7, 12
SL-186M+	INT 37, 48	SO-1407+	AC 7	VG-354+	AC 25, 27, LER 2-4
SL-188M+	INT 24, 26	SO-1776+	CAS 6, 12, 13	VG-361+	INT 15, 22, 24, 27
SL-189M+	INT 23, 30, 43, 56	SO-1779+	INT 6, 7	VG-362+	INT 46, 49, 51, 54
SL-19M	CON 85, 86, INT 40, MF 47, WIS 29	SO-1814+	INT 6, 7	VG-380+	INT 15
SL-197M	FOR 25-27, 29-33	SO-1844+	BUD 4, 11	VG-386+	CAS 14
SL-1982+	CLK 4, WAU 11-14, 20, 23, 24, WHF 20, 21, 23, 42, 43, 45, 55, 56	SO-1982+	CLK 4, 5, WAU 11-15, 20, 23, 24, WHF 20, 21, 23, 42, 43, 45, 55, 56	VG-406	FOR 7
SL-1992+	AC 9, 11	SO-1992+	AC 9, 11	VG-414+	AC 44, CAS 33, 35, HER 14, 15, 20, 26, 30, 34, 37-39, 41, 42, MF 44
SL-20Y	FOR 20, 21, GMC 10, 16, INT 61, 66	SO-1993+	AC 18, 35, 36	VG-418+	CAS 11, CLK 3, 9, 11, CON 9, 10, 17, 18, 25, 26, 62, 70, MF 9, 15, 20, WHF 19, 25, 26
SL-2059+	INT 37	SO-2263G+	AC 23, 24, 41-43	VG-419	CHR 2, 3, 5-7, 9, 10, CLK 6, 8, DOD 3, 4, MF 29, 34
SL-2060+	INT 48	SO-2443+	INT 80, 93	VG-420	CHR 2, 3, 5-7, 9, 10, CLK 6, 8, DOD 3-5, MF 29, 34
SL-2076+	INT 24, 26	SO-2488+	CON 23, 24, MF 17	VG-428	AC 6, FOR 4, FRT 3
SL-2079+	INT 43	SO-2523+	WAU 30, 31, 35, 36, WHF 67-69, 74	VG-437+	CLK 1, 2, CON 3-5, INT 3, 5, MF 3, WHF 3
SL-2080+	INT 30, 56	SO-2537+	INT 63, 70	VG-450	INT 17, 19
SL-2137+	INT 10	SO-2539+	INT 98	VG-453+	WHF 27, 29
SL-2170+	FRD 9, FRT 16	SO-2584G+	AC 47, 49	VG-457+	CAS 6, 7, 12, 13, 17, 19, CON 51, 52, 58, 59, 66, MF 26, 30, 36
SL-2186+	AC 12, FRT 8, MF 18, 25, PER 7, 8, 11, 12, 25, 26	SO-2693G+	AC 45, 50	VG-459+	WAU 20, 27, WHF 30-33, 52
SL-2193+	CAS 41, MF 53, PER 29, 30, WHF 82, 83	ST-2001	AC 13, 17, 18, 28, 35, 36, CAS 6, 12, 13, 17, 19, 21, 22, 26, 42, 43, CON 66, FOR 3, 5, 8, 10, 11, 13-16, 40, FRD 8, 9, 17, 21, 29, 30, 34, FRT 4-6, 15, 16, 19, 29, GMC 5-7, 10, 12-19, 21, 23, 24, 30, INT 55, MF 21, 22, 30, 36, 48, 50, WHF 27, 29, 37	VG-461+	AC 2, CON 2, MF 2
SL-22M	CON 87-89, DOD 8, FOR 5, 15, 16, GMC 23, 24, MF 51	ST-2001BC	AC 10, 13, 17, 18, 28, 35, 36, CAS 6, 12, 13, 17, 19, 21, 22, 26, 42, 43, CON 66, FOR 3, 5, 8, 10, 11, 13-16, 40, FRD 8, 9, 17, 21, 29, 30, 34, FRT 4-6, 15, 16, 19, 29, GMC 5-7, 10, 12-19, 21, 23, 24, 30, INT 55, MF 21, 22, 30, 36, 48, 50, WHF 27, 29, 37	VG-473	GMC 5, 7, 12
SL-22Y	CON 87-89, DOD 8, FOR 5, 15, 16, GMC 23, 24, MF 51	ST-2002	AC 25, 27, CHR 11, 17, 18, 20, CON 49, 50, DOD 6, 9-13, FOR 20, 21, 25, 27, 31-33, FRD 35, 36, 42, 44, 48, GMC 22, 25, 31, 36, 37, 44, 56, INT 23, 30, 43, 46, 47, 49-56, 59, 60, 87, WHF 35	VG-474+	CON 7, 11-14, 23, 24, MF 8, 10, 14, 17
SL-2216+	AC 13, 28	ST-2002BC	AC 25, 27, CHR 11, 17, 18, 20, CON 49, 50, DOD 6, 9-13, FOR 20, 21, 25, 27, 31-33, FRD 35, 36, 42, 44, 48, GMC 22, 25, 31, 36, 37, 44, 56, INT 23, 30, 43, 46, 47, 49-56, 59, 60, 87, WHF 35	VG-483+	CAS 29, CON 74-77, 81-84, MF 39, 40, 42, 43
SL-2263G+	AC 23, 42	ST-2003	INT 6, 7, 10, 11, 14-16, 22, 24, 26, 27	VG-497+	AC 19, 20, 38, BUD 4, 5, 9-12, 15, 16
SL-2274+	AC 18, 36	ST-2003BC	INT 6, 7, 10, 11, 14-16, 22, 24, 26, 27	VG-499	INT 21, 26, 33, 37, 38, 45, 48, 52, 55, 57, 59
SL-23M	INT 75, WAU 37	ST-2004	AC 53, CAS 41, CLK 4, DOD 1, 2, 8, 10, 12, FOR 9, 17, 23, FRD 26, GMC 23, 24, 28, 29, 41, INT 37, 40, 48, 61, 66, MF 53, 54, PER 29-32, WAU 13, 23, 30, 35, WHF 21, 42-45, 52-54, 67-69, 82-84	VG-500+	AC 17, FRD 2, 3, 8, 9, 11, 12, FRT 4-6, 15, 16, 18, 19
SL-23Y	INT 75, WAU 37	ST-2004BC	AC 53, CAS 41, CLK 4, DOD 1, 2, 8, 10, 12, FOR 9, 17, 23, FRD 26, GMC 23, 24, 28, 29, 41, INT 37, 40, 48, 61, 66, MF 53, 54, PER 29-32, WAU 13, 23, 30, 35, WHF 21, 42-45, 52-54, 67-69, 82-84	VG-500B	DOD 6
SL-2314+	CON 11-14, MF 10, 14	ST-2007	CAS 28, CON 74, 75, 81, 82, DOD 9, 11, 15, 18, FOR 17, 21, 23, 25, 27, 31, 33-35, 43, 45, 46, 54, 55, FRD 36, 42, 44, 45, 48, 52, 53, GMC 25, 31, 36, 44, 56, INT 74, 83-85, 90, 95, 98, MF 39, 40, 42, 43, 55, REO 3-7, 10, WAU 40, WHF 70, 72, 73, 85, 86	VG-5005	FOR 10, 13, 14, FRD 21, 30, GMI 1, MF 48, 50
SL-2335+	AC 6, FRT 3			VG-5005B	FOR 10, 13, 14, FRD 21, 30, GMI 1, MF 48, 50
SL-24M	GMC 41, 43			VG-5005T	GMI 1
SL-24Y	GMC 41, 43			VG-5005TB	GMI 1
SL-2412+	INT 71			VG-5006	FOR 13, 14, GMI 1
SL-2419+	CON 35, 36, MF 21			VG-5006B	FOR 13, 14, GMI 1
SL-2435+	INT 72			VG-5006T	FRD 39
SL-2439+	AC 12, FRT 8, MF 18, 25, PER 7, 8, 11, 12			VG-5007	FOR 9, 26, 38, 39, FRD 26
SL-2442+	INT 49, 51			VG-5007B	FOR 9, 26, 38, 39, FRD 26
SL-2444+	INT 93			VG-5007T	FRD 26
SL-2457+	MF 54, PER 31, 32, WHF 84			VG-5007TB	FRD 26
SL-2468+	INT 48			VG-5009	FRD 13
SL-2487+	AC 32, MF 35, PER 15, 16			VG-5032	FOR 10, 13, 14, 21, 23, 25, 27, 31, 33, FRD 36, 42, 44
SL-2488+	CON 23, 24, MF 17			VG-5033	CAS 38, CHR 14, FOR 9, 33, GMC 22
SL-2519+	INT 79			VG-5034	FOR 3, 8, 13, 14, FRD 17, 26, 29, FRT 29
SL-2521+	MF 5			VG-5036	GMC 25, 31, 36, 42, 44, 56
SL-2523+	WAU 36, WHF 74			VG-5036B	GMC 25, 31, 36, 42, 44, 56
SL-2525+	INT 82			VG-5037	GMC 18
SL-2526+	INT 78			VG-5038	FOR 5, 15, FRD 21, 30, GMC 6, 10, 16, 23, 24, MF 48, 50
SL-2527+	WAU 31, WHF 74			VG-5038B	FOR 5, 15, FRD 21, 30, GMC 6, 10, 16, 23, 24, MF 48, 50
SL-2537+	INT 70			VG-5040+	GMC 45
SL-2538+	INT 76, 77				
SL-2541+	WAU 35, WHF 67, 69				
SL-2547+	INT 37				
SL-2557+	INT 43				
SL-2583+	WHF 68				
SL-2584G+	AC 47				
SL-2586+	INT 77				
SL-26Y+	CON 104, DOD 15, FOR 43, 45, 46, 54, 55				
SL-2610+	INT 98				
SL-2650+	CLK 5, WAU 15				
SL-2684+	CAS 12, 13				
SL-2691+	WHF 74				
SL-2693G+	AC 45, 50				
SL-2694G+	AC 45, 50				
SL-27Y+	CON 105				
SL-2709+	INT 81				

Numerical List

Part No.	Manufacturer and Line No.	Part No.	Manufacturer and Line No.	Part No.	Manufacturer and Line No.
VG-5046	GMC 23, 24	VK-115	AC 5-7, 9-11, 13, 16, 17, 28, 35, CAS 6, 12, 13, 15, 17, 19, 21-24, CLK 7, 9, 11, CON 15, 16, 31, 32, 35, 36, 39-42, 53, 54, 60-62, 66, 70, FOR 3-8, 11, 13-17, 23, 40, 47, 48, FRD 2, 3, 8, 9, 11, 12, 17, 21, 29, 30, 34, 48, 50, FRT 3-6, 15, 16, 19, 29, 34, 35, GMC 5-7, 10, 12-19, 21, 23-25, 30-33, 36, 42, 44-47, 56, GMI 1, INT 6, 7, 10, 11, 14-16, 18, 22, 24, 27, MF 19, 21-23, 30, 32, 36, 48, 50, ONA 1, WHF 27, 29, 37, 48, 49, WIS 28, 29	VK-144	AC 3, BUD 9, CAS 1, 2, 5, CLK 2, CON 5, DOD 21, FOR 56, 64, 72, FRD 13, GMC 50, 51, INT 2, 4, 18, 64, 65, 67, 68, MF 1, 6, 19, WHF 1, 2, 4-7, 15, 16, WIS 3, 4, 6, 9, 14-18, 21, 22, 24, 25, 28
VG-5052T	GMC 32, 33	VK-115B	AC 5-7, 9-11, 13, 16, 17, 28, 35, CAS 6, 12, 13, 15, 17, 19, 21-24, CLK 7, 9, 11, CON 15, 16, 31, 32, 35, 36, 39-42, 53, 54, 60-62, 66, 70, FOR 3-8, 11, 13-17, 23, 40, 47, 48, FRD 2, 3, 8, 9, 11, 12, 17, 21, 29, 30, 34, 48, 50, FRT 3-6, 15, 16, 19, 29, 34, 35, GMC 5-7, 10, 12-19, 21, 23-25, 30-33, 36, 42, 44-47, 56, GMI 1, INT 6, 7, 10, 11, 14-16, 18, 22, 24, 27, MF 19, 21-23, 30, 32, 36, 48, 50, ONA 1, WHF 27, 29, 37, 48, 49, WIS 28, 29	VK-144R	AC 3, 14, 15, 18-21, 30, 36, 38, 39, 53, BUD 4, 5, 9-12, 15, 16, CAS 1, 2, 4, 5, 11, 15, CLK 1-3, 7, CON 3-5, 7, 9-14, 17, 18, 23-26, 39, 40, 70, DOD 21, FOR 56, 64, 72, FRD 13, GMC 50, 51, INT 2-5, 18, 64, 65, 67, 68, MF 1, 3, 6, 8-10, 14, 15, 17, 19, 20, 32, MIL 14, WHF 1-7, 15, 16, 19, 25, 26, 48, 49, WIS 3, 4, 6, 9, 14-18, 21, 22, 24, 25, 28
VG-5055T	GMI 1	VK-115R	AC 5-7, 9-11, 13, 16, 17, 28, 35, CAS 6, 12, 13, 17, 19, 21-24, CLK 7, 9, 11, CON 15, 16, 31, 32, 35, 36, 39-42, 53, 54, 60-62, 66, 70, FOR 3-8, 11, 13-17, 23, 40, 47, 48, FRD 2, 3, 8, 9, 11, 12, 17, 21, 29, 30, 34, 48, 50, FRT 3-6, 15, 16, 19, 29, 34, 35, GMC 5-7, 10, 12-19, 21, 23-25, 30-33, 36, 42, 44-47, 56, GMI 1, INT 6, 7, 10, 11, 14-16, 18, 22, 24, 27, MF 19, 21-23, 30, 32, 36, 48, 50, ONA 1, WHF 27, 29, 37, 48, 49, WIS 28, 29	VK-174	CAS 25, 38, CHR 4, 11, 14, 17, 18, 20, 21, DOD 1, 2, 8-12, INT 40
VG-5062	CAS 38, CHR 11, 14, 17, 18, 20, FRD 35, GMC 22	VK-123+	AC 1, 4, 8, 33, BUD 3, CAS 9, 10, 14, FOR 42, HER 21, 24, 27, 31, 33, KOH 3, WAU 1, 2, 7, 8	VK-174R	CAS 25, 38, CHR 4, 11, 14, 17, 18, 20, 21, DOD 1, 2, 8-12, INT 40
VG-5070H	FRD 26, 44	VK-138	AC 24, 25, 27, 42, 43, 52, 53, CAS 38, CHR 14, 19, 21, DOD 6, FOR 9, 17, 20, 21, 23, 25, 27, 29, 31-33, 38, 39, FRD 26, 35, 36, 42, 44, FRT 17, 20, 21, 23-26, 30-32, GMC 22, 28, 29, 37, 41, 43, HER 8, 9, 12, 13, 16-19, 22, 23, 28, 29, 35, 36, 40, 43, INT 21, 23, 26, 30, 33, 37, 42, 43, 46-57, 59, 61, 63, 66, 70, 75, 78, 79, 81, 82, 86, 87, 91, LER 2-4, WHF 43, 52-54, 56, 65-69, 73, 74	VK-199+	FAI 1, 2
VG-5071	FRD 34	VK-138B	AC 24, 25, 27, 42, 43, 52, 53, CAS 38, CHR 14, 19, 21, DOD 6, 13, FOR 9, 17, 20, 21, 23, 25, 27, 29, 31-33, 38, 39, FRD 26, 35, 36, 42, 44, FRT 17, 20, 21, 23-26, 30-32, GMC 22, 28, 29, 37, 41, 43, HER 8, 9, 12, 13, 16-19, 22, 23, 28, 29, 35, 36, 40, 43, INT 21, 23, 26, 30, 33, 37, 42, 43, 46-57, 59, 61, 63, 66, 70, 75, 78, 79, 81, 82, 86, 87, 91, LER 2-4, WHF 43, 52-54, 56, 65-69, 73, 74	VK-201+	FAI 3, 4
VG-5073	CHR 4, 21, DOD 1, 2	VK-138R	AC 24, 25, 27, 42, 43, 46, 47, 49, 51-53, BUD 18, CAS 38, CHR 14, 19, 21, DOD 6, 13, FOR 9, 17, 20, 21, 23, 25, 27, 29, 31-33, 38, 39, FRD 26, 35, 36, 42, 44, FRT 17, 20, 21, 23-26, 30-32, GMC 22, 28, 29, 37, 41, 43, HER 8, 9, 12, 13, 16-19, 22, 23, 28, 29, 35, 36, 40, 43, INT 21, 23, 26, 30, 33, 37, 42, 43, 46-57, 59, 61, 63, 66, 70, 75, 78, 79, 81, 82, 86, 87, 91, LER 2-4, WHF 43, 52-54, 56, 65-69, 73, 74	VK-202+	FAI 3-5
VG-5074	FOR 35, 43, 45, 46, 54, 55	VK-140	CAS 29, 32, CON 74-77, 81-84, 97-100, 104-106, DOD 18, FOR 34, 35, 43, 45, 46, 54, 55, FRD 45, 52, 53, INT 80, 90, 94, MF 39, 40, 42, 43, REO 3-7, 9, 10	VK-210	TOF 1, 2
VG-5079T	FOR 47, 48, GMC 46, 47	VK-142+	AC 2, CAS 5, 11, CLK 1-3, 7, CON 2-5, 7, 9-14, 17, 18, 25, 26, 39, 40, 70, INT 3, 5, MF 2, 3, 8-10, 14, 15, 17, 20, 32, WHF 3, 19, 25, 26, 48, 49	VK-215	NIF 2, 6
VG-509	GMC 14, 17			VK-216	GMC 17
VG-529+	DOD 15, 18, FOR 42, INT 90			VK-216B	GMC 17
VG-538	GMC 30			VK-219	TOF 7, 9
VG-540+	INT 6, 7, 10, 11, 14, 16			VK-222+	AC 12, FRT 8, MF 5, 18, 25, PER 7, 8, 11, 12, 25, 26
VG-544+	CAS 26, 34, 42, 43			VK-223+	AC 32, 34, CAS 41, DOD 7, MF 35, 37, 49, 53, 54, PER 15, 16, 20, 21, 29-32, WHF 82-84
VG-549	CHR 17, 20, DOD 9, 11			VK-241	TOF 3
VG-552+	HER 8, 9, 12, 13, 16-19, 22, 23, 28, 29, 35, 36, 40, 43			VK-261	AC 6, 17, 44, FOR 7, 11, FRD 2, 8, 9, 12, 17, 29, FRT 3-6, 15, 16, 18, 19, GMC 14, HER 42
VG-553+	HER 8, 9, 12, 13, 16-19, 22, 23, 28, 29, 35, 36, 40, 43			VK-27+	CAS 24, CLK 7, CON 39, 40, 53, 54, 60, 61, MF 32
VG-555+	AC 14, 15, 18, 21, 30, 36, 39			VK-286	FOR 24, MB 2
VG-557+	AC 5, 7, 9, 11, 16			VK-63	CHR 2, 5, 7, 10, CLK 6, 8, DOD 3-5, MF 29, 34
VG-569+	CON 35, 36, MF 21, 22			VK-66	AC 44, CAS 25, 38, CHR 4, 8, 9, 11, 12, 14, 15, 17-21, CLI 1, CLK 4, CON 49, 50, DOD 1, 2, 6, 8-12, HER 42, MF 52, WAU 13, 20, 23, 27, 37, WHF 11, 20-23, 30-33, 35, 42-45, 52, 55, 65, 66, 72, 73, WIT 1, 2
VG-581	INT 61, 66, 75			VK-66R	AC 44, CAS 25, 38, CHR 4, 8, 9, 11, 12, 14, 15, 17-21, CLI 1, CLK 4, CON 49, 50, DOD 1, 2, 6, 8-12, HER 42, WAU 13, 20, 23, 27, 37, WHF 11, 20-23, 30-33, 35, 42-45, 52, 55, 65, 66, 72, 73, WIT 1, 2
VG-584	GMC 30			VK-88	AC 6, FOR 4, FRT 3
VG-594+	INT 23, 30, 43, 56, 60			VS-1426+	AC 5, 7, 9, 11, 16, 25, 27, LER 2-4
VG-596+	FAI 1, 2			VS-1428	FOR 20, FRD 48
VG-597+	FAI 1-5			VS-1432+	AC 32, 34, CAS 41, MF 35, 37, 49, 53, 54, PER 15, 16, 20, 21, 27-32, WHF 82-84
VG-615+	CLK 4, WAU 13, 20, 23, 27, 30, 35, WHF 55, 67			VS-1435	CAS 38, CHR 11, 14
VG-619+	AC 32, 34, CAS 41, MF 35, 53, 54, PER 15, 16, 29-32, WHF 82-84			VS-1435B	CAS 38, CHR 11, 14
VG-620+	AC 32, CAS 41, MF 35, 53, 54, PER 15, 16, 29-32, WHF 82-84			VS-1436	FOR 29, 38, 39
VG-626+	MF 55, WHF 79, 85, 86, 90, 97, 100-103			VS-1455	FOR 40, FRD 50
VG-635+	AC 3, CAS 1, 4, INT 4, MF 1, 6, WHF 1, 2, 6, 7, WIS 9, 18, 22			VS-1575	AC 17, FOR 3, 8-10, 13, 14, 17, 23, FRD 2, 3, 8, 17, 29, FRT 4-6, 15, 16, 29
VG-638+	CON 15, 16, 31, 32			VS-1576+	INT 7, 10, 11, 14, 16
VG-639+	INT 71, 72, 76, 77			VS-1577+	AC 14, 15, 18-21, 30, 36, 38, BUD 4, 5, 9-12, 15, 16
VG-644+	INT 91			VS-1578+	AC 13, 28, 35
VG-646	INT 75			VS-1579+	WHF 20, 22, 23, 68
VG-658+	AC 13, 28, 35			VS-242+	INT 6, 7, 15
VG-659+	AC 13, 28, 35			VS-286+	AC 33, HER 21, 24, 27, 31, 33
VG-660	DOD 13			VS-304	CHR 2, 3, 5-7, CLK 6, 8, DOD 3-5, MF 29, 34
VG-664+	WHF 98-103			VS-325+	AC 6, FRT 3
VG-670	TOF 2			VS-332+	CAS 14
VG-675	TOF 7, 9			VS-336	INT 71, 72, 74, 76, 77, 83
VG-676	TOF 7, 9			VS-337	INT 71, 72, 74, 76, 77, 83
VG-681+	AC 3, CAS 2, 4, INT 4, MF 1, 6, WHF 1, 2, 4-7, WIS 3, 4, 17, 18, 21, 22				
VG-688	GMC 41				
VG-689	GMC 28, 29, 41				
VG-689B	GMC 28, 29, 41				
VG-690	GMC 28, 29				
VG-694+	INT 80, 93				
VG-696+	CON 41, 42, MF 23				
VG-710	MIF 1				
VG-714	MIF 2, 3				
VG-715	MIF 2, 3				
VG-735+	MF 55, WHF 79, 85, 86, 90, 97, 100-103				
VG-738+	AC 24, 41-43, 47, 49				
VG-739+	ISF 2, THE 1				
VG-760	NIF 6				
VG-840+	INT 6, 7				
VG-842+	CAS 7, 17, 19				
VG-855	CAS 15, INT 18, MF 19, WIS 15, 28				
VG-857+	WAU 11, 23, WHF 11, 20, 22, 23, 30-33, 42, 44, 45, 52, 65-67, 69				
VG-859+	CLK 4, WAU 13, 14, 24, WHF 21, 43, 52, 53, 65, 73				
VG-860	MF 18, 25, PER 6-8				
VG-862+	INT 21, 26, 33, 37, 48, 55, 57, 59				
VG-864	INT 97				
VG-865+	MF 49, PER 27, 28				
VG-867+	INT 2				
VG-930+	HER 1, 3, 6, 7, 10, WHF 36				

Numerical List

Part No.	Manufacturer and Line No.	Part No.	Manufacturer and Line No.	Part No.	Manufacturer and Line No.
VS-356+	CAS 5, 11, CLK 1-3, 9, CON 3-5, 7, 9-18, 23-26, 31, 32, 62, 70, INT 3, 5, MF 3, 8-10, 14, 15, 17, 20, WHF 3, 19, 25, 26	V-1018+	CLK 1, 2, CON 3-5, INT 3, 5, MF 3, WHF 3	V-1700+	AC 32, 34, CAS 41, DOD 7, MF 35, 37, 53, 54, PER 15, 16, 20, 21, 29-32, WHF 82-84
VS-378+	INT 2	V-1019+	CLK 1, 2, CON 3-5, INT 3, 5, MF 3, WHF 3	V-1701+	AC 32, 34, CAS 41, DOD 7, MF 35, 37, 53, 54, PER 15, 16, 20, 21, 29-32, WHF 82-84
VS-386+	AC 6, FRT 3	V-1041	FOR 4	V-1717	FRD 13
VS-389	INT 38, 43, 45, 52, 56	V-1050+	MF 55, WHF 70, 79, 85, 86, 90, 97	V-1722	CAS 38, CHR 14, DOD 6
VS-392	FOR 4	V-1051+	MF 55, WHF 70, 79, 85, 86, 90, 97-103	V-1748+	CAS 11, 24, CLK 3, 7, CON 9, 10, 17, 18, 25, 26, 39, 40, 53, 54, 60, 61, 70, MF 9, 15, 20, 32, WHF 19, 25, 26, 48, 49
VS-400+	CLK 4, WAU 11-13, 20, 27, WHF 11, 20, 22, 23, 30-33, 42-45, 52, 53, 65-68, 73	V-1052+	CAS 6, 7, 12, 13, 19	V-1753X	GMC 28, 29, 41
VS-402+	AC 2, CON 2, MF 2	V-1053+	CAS 6, 7, 12, 13	V-1754	GMC 28, 29, 41, 43
VS-424	GMC 5, 7, 12, 14, 17	V-1054+	WAU 11, 20, 27, WHF 20, 22, 30, 33, 42, 44, 52, 55, 65	V-1755	GMI 1
VS-425+	INT 46, 49, 51, 54	V-1055+	WAU 11, 20, 23, 27, WHF 20, 22, 30, 33, 42, 44, 52, 55, 65	V-1768X	FOR 21, 25, 27, 31, 33, FRD 36, 42, 44, 48
VS-468+	AC 3, CAS 1, 2, 4, 15, INT 4, 18, MF 1, 6, 19, WHF 1, 2, 4-7, WIS 6, 9, 17, 18, 21, 22, 25, 28	V-1056+	WHF 11, 20, 22, 31, 32, 42, 44	V-1769+	FOR 21, 27, 33, FRD 36, 42, 44, 48
VS-469+	INT 22, 24, 26, 27	V-1057+	WHF 11, 20, 22, 31, 32, 42, 44	V-1809	FOR 32
VS-506	CHR 3, 6, 7, CLK 8, DOD 3-5, MF 29, 34	V-1062+	AC 2, CON 2, MF 2	V-1833X	FOR 21, 25, 27, 31, 33, FRD 36, 42, 44, 48
VS-510	CAS 25, 38, CHR 4, 14, DOD 1, 2, 6, 8	V-1076	GMC 7, 12	V-1834X	INT 75
VS-521	GMC 6, 13, 15, 16, 21, GMI 1, MF 48, 50	V-1086	CHR 3, 6, CLK 8, DOD 3, MF 29, 34	V-1836+	AC 13, 28, 35
VS-522	GMC 22, 37	V-1095+	CON 11-14, 23, 24, MF 10, 14, 17	V-1837+	AC 13, 28
VS-534	GMC 7	V-1102+	FOR 3, 8, 10, 11, FRD 29, 34, FRT 29, 34	V-1840+	AC 18, 36
VS-547	INT 23, 38, 43, 45, 52, 56	V-1115	FOR 3, 8, 10, 13, 14, FRD 2, FRT 4, 29	V-1853	FOR 26, 32
VS-551+	CAS 12, 13, 27	V-1127	AC 17, FOR 13, 14, FRD 2, 8, 12, 29, FRT 4, 15, 19	V-1854+	CLK 9, 11, CON 15, 16, 31, 32, 62, 70
VS-583+	CON 35, 36, 51, 52, 58, 59, MF 21, 22, 26, 30, 36	V-1128	AC 19, BUD 4, 9, 11, 15	V-1855+	CLK 9, 11, CON 15, 16, 31, 32, 62, 70
VS-596+	INT 21, 23, 26, 30, 33, 37, 43, 48, 55-57, 59	V-1173+	AC 17, FRT 2, 8, 12, FRT 4, 15, 19	V-1874	GMC 28, 29, 41
VS-601+	FAI 2	V-1178+	GMC 5-7, 12, 13, 15, 19	V-1888X	GMC 5-7, 10, 12, 13, 15, 16, 19, 21, 23, 24, GMI 1, MF 48, 50
VS-619+	FAI 1-5	V-1199	GMC 5-7, 12, 13, 15, 19	V-1898+	INT 98
VS-622+	HER 1, 3, 6, 7, 10	V-1199B	GMC 6, 13, 15, 16, 21, GMI 1	V-1900	CHR 21, DOD 8, 10, 12
VS-624	FRD 13	V-1200	GMC 6, 13, 15, 16, 21, GMI 1	V-1904	GMC 10
VS-630	FAI 3-5	V-1200B	GMC 6, 13, 15, 16, 21, GMI 1	V-1904B	GMC 10
VS-648	FOR 5, 15, 16, FRD 21, 30	V-1218X+	INT 49, 51, 54	V-1908	DOD 8
VS-653	GMC 6, 10	V-1219+	INT 49, 51, 54	V-1911	GMC 41
VS-656	FOR 5, 15, 16, FRD 30	V-1229X+	INT 24, 26, 27, 37	V-1911B	GMC 41
VS-666	INT 40	V-1230+	INT 24, 26, 27	V-1912	GMC 41
VS-671	GMC 28, 29, 41, 43	V-1285	FOR 10, 13, 14	V-1912B	GMC 41
VS-671B	GMC 28, 29, 41, 43	V-1326X+	AC 3, CAS 1, 2, 4, INT 4, MF 1, 6, WHF 1, 2, 4-7, WIS 6, 9, 17, 18, 21, 22	V-1927	GMC 10, 16, 19, 23, MF 48, 50
VS-673	CHR 17-21, DOD 9, 11, 12	V-1327X	INT 38, 45, 52	V-1927B	GMC 10, 16, 19, 23, MF 48, 50
VS-677	GMC 15, 19, 21, 23, 24, MF 48	V-1339	CHR 17, 18, 20, DOD 9	V-1928	GMC 10, 16, 19, 23, 24
VS-677B	GMC 15, 19, 21, 23, 24, MF 48	V-1343	CAS 38, CHR 14, DOD 6	V-1937X	FOR 5, 15, 16, FRD 21, 30
VS-680	CAS 38, CHR 14, DOD 2, 6	V-1344	CAS 38, CHR 14, DOD 6	V-1947X+	WHF 98-103
VS-682	FOR 21, 25-27, 31-33	V-1351	CHR 3, 6, CLK 8, DOD 3, MF 29, 34	V-1948+	WHF 98-103
VS-682B	FOR 21, 25-27, 31-33	V-1358X	FOR 34, 35, 43, 45, 46, 54, 55, FRD 45, 52, 53	V-1954X	FOR 20, FRD 48
VS-693	INT 61, 66, 75, 90, 91, 94	V-1386	CHR 17-21, DOD 9, 10	V-1957+	AC 52, DOD 14, 16, 19, 20, FOR 60, 61
VS-698	FOR 34, 35, 43, 45, 46, 54, 55, FRD 45, 52, 53	V-1389	CAS 38, CHR 14, DOD 6	V-1981	INT 40
VS-700	CHR 17-20, DOD 9, 11	V-1421+	CLK 1, 2, CON 3-5, 7, INT 3, 5, MF 3, 8, WHF 3	V-1984	FOR 40
VS-703	FOR 40, FRD 50	V-1422+	CON 11-14, 23, 24, MF 10, 14, 17	V-1988X	GMC 23, 24
VS-703B	FOR 40, FRD 50	V-1434	CAS 25, CHR 4, DOD 1, 2	V-1988XB	GMC 23, 24
VS-718	FRD 9, 11, 12, FRT 19	V-1438	CHR 17, 20, DOD 9, 11	V-2007+	INT 48
VS-721	FOR 21, 31, 33, FRD 36, 42, 44, 48	V-1460+	HER 8, 9, 12, 13, 16-19, 22, 23, 28, 29, 35, 36, 40, 43	V-2021X+	DOD 15, 18, INT 90
VS-721B	FOR 21, 31, 33, FRD 36, 42, 44, 48	V-1471+	CLK 4, WAU 11, 13, 27, WHF 52	V-2023	INT 40
VS-727	GMC 23, 24	V-1472+	CLK 4, WAU 11, 13	V-2029	CAS 38, CHR 14, DOD 6
VS-727B	GMC 23, 24	V-1507X+	CON 35, 36, MF 21, 22	V-2029B 15	CAS 38, CHR 14, DOD 6
VS-739R	GMC 15, 19, 21, 23	V-1508+	CON 35, 36, MF 21	V-2039	FOR 20, FRD 35
VS-739RB	GMC 15, 19, 21, 23	V-1539	FOR 26, 32	V-2040	FOR 5
VS-778	CHR 21	V-1542	INT 37, 38, 45, 48, 55	V-2041	FOR 5, 16, FRD 30
VS-781+	WHF 98-103	V-1543	INT 37, 38, 45, 48, 55	V-2065	CHR 21, DOD 12
VS-782+	AC 12, FRT 8, MF 18, 25, PER 7, 8, 11, 12, 25, 26	V-1548	INT 45	V-2072X+	FRD 50
VS-783+	AC 12, FRT 8, MF 18, 25, PER 7, 8, 11, 12, 25, 26	V-1558	GMC 18	V-2073	FRD 13
VS-789	TOF 7, 9	V-1573+	INT 23, 30, 43, 56	V-2086+	FRD 9, 11, FRT 16, 18
VS-793+	AC 3, CAS 1, 2, 4, INT 4, MF 1, 6, WHF 1, 2, 4-7, WIS 6, 9, 17, 18, 21, 22	V-1574+	INT 23, 30, 43, 56	V-2087+	FRD 9, 11, FRT 16, 18
VS-796+	CON 41, 42, MF 23	V-1577+	INT 7, 10, 11, 14, 16	V-2090X	DOD 13
VS-803	FOR 29	V-1578+	INT 7, 10, 11, 14, 16	V-2100+	INT 30, 43, 56, 60
VS-820	GMC 32, 33	V-1581+	FAI 2	V-2101+	INT 30, 43, 56, 60
VS-856+	AC 24, 42, 43, 47, 49	V-1582+	FAI 2-5	V-2113	DOD 8
VS-859	GMC 28, 29, 41	V-1586+	FAI 4	V-2114X+	INT 94
VS-920	FOR 40	V-1594+	CLI 2	V-2115+	INT 94
V-1004	CHR 7, DOD 4, 5	V-1595+	CLI 2	V-2133	FOR 29
V-1005	CHR 7, 10, DOD 4, 5, MF 29, 34	V-1596+	CLI 3	V-2134	FOR 29
V-1012+	INT 2	V-1612	GMI 1	V-2135X	FOR 29
V-1013+	INT 6, 7	V-1612B	GMI 1	V-2137X	FOR 38, 39
V-1017+	CON 7, MF 8	V-1676X+	CAS 15, INT 18, MF 19, WHF 15, 16, WIS 14, 16, 24, 28	V-2138X	FOR 38, 39
		V-1684+	CAS 5, 11, 24, CLK 3, 7, CON 9, 10, 17, 18, 25, 26, 39, 40, 53, 54, 70, MF 9, 15, 20, WHF 19, 25, 26	V-2149+	AC 12, FRT 8, MF 18, 25, PER 7, 8, 11, 12, 25, 26
		V-1696+	INT 2	V-2150+	AC 12, FRT 8, MF 18, 25, PER 7, 8, 11, 12, 25, 26
				V-2158X+	INT 80, 93
				V-2164+	INT 71, 72, 76, 77

Numerical List

Part No.	Manufacturer and Line No.	Part No.	Manufacturer and Line No.	Part No.	Manufacturer and Line No.
V-2165+	INT 71, 72, 76, 77	V-954+	CAS 5, 11, 24, CLK 3, 7, CON 9, 10, 17, 18, 25, 26, 39, 40, 53, 54, 60, 61, MF 9, 15, 20, 32, WHF 19, 25, 26, 48, 49	WE-424K	CHR 21, DOD 12
V-2192+	INT 63, 70	V-956+	AC 33, HER 27, 31, 33	WE-424X	CHR 21, DOD 12
V-2193+	INT 63, 70	V-957	GMC 7	WE-425KC	MIF 3
V-2213X+	AC 24, 42, 43	V-958	GMC 5, 7	WE-426KC	NIF 2
V-2214+	AC 24, 42, 43	V-967	AC 6, FRT 3	WE-479K	DOD 17, FOR 51, 52, MF 58
V-2215X+	AC 47, 49	V-999+	AC 6, FRT 3	WE-499KC+	FOR 47, GMC 46
V-2216+	AC 47, 49	WE-103X	GMC 5	WE-500KC	FOR 48, GMC 47
V-2219+	CON 41, 42, MF 23	WE-108X	CHR 3, 6, CLK 8, CON 49, 50, 55, 56, DOD 3, MF 29, 34, WHF 35	WE-504KC	FRD 14, 46, FRT 24, 26, 45
V-2220+	CON 41, 42, MF 23	WE-156X	FOR 3, FRD 17	WE-505KC	FRD 14, FRT 25, 38, 46
V-2249	NIF 6	WE-178K	CAS 38, CHR 14, DOD 6	WE-506KC	FRT 36, 37
V-2250	NIF 6	WE-178X	CAS 38, CHR 14, DOD 6	WE-542KC	MAF 3
V-2257	TOF 7, 9	WE-180K	FOR 26, 32	WE-611KC	TOF 3
V-2258	TOF 7, 9	WE-180X	FOR 26, 32	WE-625K	GMC 28
V-2284+	INT 94	WE-196K	CAS 25, CHR 1, 4, DOD 1, 2, MF 31	WE-626K	GMC 32, 33
V-2287	GMC 32, 33	WE-196X	CAS 25, CHR 1, 4, DOD 1, 2, MF 31	WHLC702CP	FOR 29
V-2305X	ISF 2, THE 1, 2	WE-197K	FRD 7	WH251P	CHR 17, DOD 9
V-2306+	ISF 2, THE 1, 2	WE-197X	FRD 7	WH254P 30	CHR 20, DOD 11
V-2307+	AC 35	WE-217K	GMC 16, MF 48	WH395P	FOR 26
V-2422X+	CAS 39, 40, 49, 50	WE-217X	GMC 16, MF 48	WH418CP	FOR 40, FRD 50
V-2449X	GMC 16, 23	WE-219K	FRD 13	WH418P	FOR 40, FRD 50
V-2451X	GMC 28, 29, 41	WE-219X	FRD 13	WH554CP	FOR 16
V-2494+	FRD 14, FRT 10-14, 17, 23-26, 30-32, 36, 37, 45	WE-224K	FOR 20, 21, FRD 35	WH580P	GMC 23
V-2496	TOF 3	WE-229K	FOR 5, 15, 16, FRD 21, 30	WH604CP	GMC 41
V-2497	TOF 3	WE-229X	FOR 5, 15, 16, 38, FRD 21, 30	WH706P 30	FOR 31, 33, FRD 44
V-2523	DOD 13	WE-233K	CHR 18	WH707P	FOR 29
V-2524X	INT 61, 66	WE-233X	CHR 18	WH719CP	GMC 28
V-2525	INT 61, 66	WE-234K	GMC 6, 10	WH720P 20+	INT 94
V-318+	CAS 33, 35, HER 14, 15, 20, 26, 30, 34, 37-39, 41, MF 44	WE-234X	FRD 15, GMC 7	WH721CP	GMC 28
V-3921+	INT 6, 7	WE-237K	FRD 15, GMC 7	WH723CP 60	FOR 38
V-3924+	AC 18, 36	WE-237X	CHR 11, 12	WH723P	FOR 38
V-3925	DOD 10	WE-239X	FOR 13, 14, FRD 29, GMC 13	WH724P	FOR 38
V-3928X+	INT 21, 26, 33, 37, 48, 55, 57, 59	WE-240X	CHR 17, DOD 9, GMC 22	WH731CP 30	FOR 38
V-3929	FOR 40, FRD 50	WE-243K	CHR 17, DOD 9, GMC 22	WH811CP	GMC 28
V-3929B 15	FOR 40, FRD 50	WE-245K	GMC 15, 19	WH896CP	GMI 1
V-3945+	FRD 14, FRT 10-14, 17, 23-26, 30-32, 36, 37, 45	WE-245X	GMC 15, 19	WH897CP	GMI 1
V-3955+	INT 15, 22	WE-247X	FOR 4, FRD 20	WH909CP	GMC 16, MF 48
V-3958+	DOD 15, 18, INT 90	WE-248K	GMC 30	WH909P	GMC 16, MF 48
V-4075+	CAS 17	WE-248X	GMC 30	WH951P 30	GMC 21, MF 50
V-4088X+	CON 11-14, MF 10, 14, 17	WE-251K	DOD 8, FRD 32, GMC 21, 23, 24, MF 50	WH958CP	GMC 28
V-4093	DOD 1	WE-251KC	DOD 8, FRD 32, GMC 21, 23, MF 50	WH989CP	GMC 41
V-4097+	CAS 17	WE-251X	DOD 8, FRD 32, GMC 21, 23, 24, MF 50	WH994P	FOR 25, 27, FRD 42
V-4216+	WAU 30, 35, WHF 66, 67, 69	WE-259K	GMC 28, 29	WH995P	FOR 31, 33, FRD 44
V-4238+	AC 5, 7, 9, 11, 16	WE-261K	FRD 48	WH996CP	INT 75
V-428+	HER 1, 3, 6, 7, 10, WHF 36	WE-270K	INT 61, 66	WH997CP	INT 61, 66
V-429+	HER 1, 3, 6, 7, 10, WHF 27, 29, 36	WE-270X	INT 61, 66	WH999P	DOD 13
V-4371X	FOR 40	WE-273K	CHR 17, DOD 9, 13	WL-2098F+	AC 17, FRD 8, FRT 15
V-4384	FOR 24, MB 2	WE-287X	CHR 20	WL-2163F 30	GMC 15
V-4385	FOR 24, MB 2	WE-288K	FRD 34	WL-2303NF	FRD 48
V-4491X	GMC 32, 33	WE-288X	FRD 34	WL-2323F	GMI 3
V-713+	AC 4, 8, CAS 9, 10, KOH 3, WAU 2, 7, 8	WE-289K 30	GMC 37	WL-2329F 30	CAS 38, CHR 14, DOD 6
V-748+	AC 33, HER 21, 24, 27, 31, 33	WE-289X	GMC 37	WL-2390F 30	GMI 3
V-773+	CAS 28	WE-292K	GMC 41, 43	WL-2404F	FRD 50
V-795+	AC 5, 7, 9, 11, 16	WE-296K	FOR 38, 40, FRD 50	WL-2461F+	FRD 12
V-796+	AC 5, 7, 9, 11, 16	WE-296X	FOR 38, 40, FRD 50	W1003P	FOR 4, FRD 20, MIL 25
V-800+	CAS 5, 11, 24, CLK 3, 7, CON 9, 10, 17, 18, 25, 26, 39, 40, 53, 54, 60, 61, MF 9, 15, 20, 32, WHF 19, 25, 26, 48, 49	WE-318K 30	CHR 19, DOD 10	W1011P	FOR 3, FRD 17, FRT 29
V-801+	CAS 5, 11, 24, CLK 3, 7, CON 9, 10, 17, 18, 25, 26, 39, 40, 53, 54, 60, 61, 70, MF 9, 15, 20, 32, WHF 19, 25, 26, 48, 49	WE-318X	CHR 19, DOD 10	W-10138KX	CAS 30, 45, 46
V-816+	AC 3, CAS 1, 2, 4, INT 4, MF 1, 6, WHF 1, 2, 4-7, WIS 6, 9, 17, 18, 21, 22	WE-321K 60	CHR 20, DOD 11	W-10141KX	CAS 39, 49
V-818+	CAS 15, INT 18, MF 19, WHF 15, 16, WIS 14-16, 24, 28	WE-323KC	CON 25, 26, 31, 32, MF 20, WHF 25, 26	W-10162KX	CAS 37, 47
V-839+	INT 6	WE-323X	CON 25, 26, 31, 32, MF 20, WHF 25, 26	W1021P 30	FOR 10
V-840+	INT 6	WE-324KC	CLK 11, CON 69, 70, WHF 57, 58	W1022P	FRD 29
V-841+	INT 15, 22	WE-339K	FOR 25, 27, 29, 31, 33, FRD 42, 44	W1027P+	FRD 2, FRT 4
V-842+	INT 15, 22	WE-353K	FOR 25, 27, 29, 31, 33, FRD 42, 44	W1061P 30	DOD 6
V-843+	INT 46, 49, 51	WE-357KC	MIF 2	W1080P+	CLK 11, CON 69, 70, WHF 57, 58
V-844+	INT 46, 49, 51	WE-362KC	MAF 1	W1102P+	CON 25, 26, 31, 32, MF 20, WHF 25, 26
V-868+	AC 25, 27, LER 2-4	WE-362X	MAF 1	W1105P 30+	CON 7, MF 8
V-869+	AC 25, 27, LER 2-4	WE-372K 30	FOR 38	W1115CP+	MF 1, WHF 1, 2, WIS 18
V-909+	INT 15, 22	WE-373K 30	FOR 38	W12131P	NIF 3
V-913+	INT 46	WE-377K	GMC 23	W12139P	TOF 9
		WE-377X	GMC 23	W12217P .50MM	TOF 9
		WE-381K	GMI 1, HER 14	W218NP 30	FOR 43, 45, 46, FRD 52
		WE-381X	GMI 1, HER 14	W235NP	GMC 15
		WE-393KC	TOF 9	W244NP	CAS 25, CHR 4, DOD 1, 2, MF 31
		WE-393X	TOF 9	W272AP	FRD 32
		WE-404K	DOD 9, 13, INT 75	W275NP	FRD 22
				W285NCP 30	DOD 6
				W285NP	DOD 6
				W295P	GMC 19
				W302NP	FRD 7
				W32NP	CHR 7, 9, 10, DOD 4, 5
				W329NP	FOR 20, 21, FRD 35
				W354P	FRD 48
				W366NP	CHR 18

Numerical List

Part No.	Manufacturer and Line No.	Part No.	Manufacturer and Line No.	Part No.	Manufacturer and Line No.
W37P	CHR 3, 6, CLK 8, DOD 3, MF 29, 34	W-934X	AC 9, 11, BUD 7, CAS 14, 15, DAB 2, HER 15, MF 19, WAU 11, 12, WHF 20, 21, 23, WIS 28	1160M	FOR 8, 10, 13, 14, FRD 19, 24, 27, 29
W381NP	FOR 32	W-9520KX	INT 78, 81, 87	1170M	GMC 7, 12
W382P+	AC 17, FRT 15	W-9534KX	INT 63, 70, WHF 67, 74	1177M	GMC 22, 37
W399P 30	GMC 24	W-9550KX	INT 76, 77	1198M	GMC 18, 25, 36, 44
W403CP 30	GMC 10	W-9596X	CAS 41, PER 15, 16, 29, 30	1203M	GMC 6, 10, 16, MF 48
W403P	GMC 10	W-9618KX	INT 79, 82, 87	1204M	FRD 32, 41
W405P	DOD 8	W-964KX	AC 7, CON 11-14, 23, 24, MF 10, 14, 17	1207	BEW 1
W406AP	CHR 19, DOD 10	W-9662KX 30	INT 33	1209M	INT 45
W416P	FRD 41	W-9663KX	INT 57	1211M+	FOR 1, GMC 2, MIL 14
W424NP	CHR 21, DOD 12	W-9676KX	CAS 39, 49	12131P	NIF 3
W425NP 30	FRD 40	W-9739KX	WAU 30, 31, 35, 36, WHF 67, 69, 74	12139P	TOF 9
W-5033KX	AC 6, FRT 3	W-974KX	CON 11-14, MF 10, 14	1214M+	AC 11
W-5033X	AC 6, FRT 3	W-9764N	BEW 6, 7	1214VA+	CLK 1, 2, CON 3-5, INT 3, 5, MF 3, WHF 3
W-5037X	AC 2, CON 2, MF 2	W-9769KX	CAS 40, 50	1215CPA+	CON 93, 94, 97-101
W-5039KX	AC 7, 13, BUD 4, CON 25, 26, MF 20, WHF 25, 26	W-9964KX	AC 47, HER 44	1218M	INT 61, 66, 75, MIL 12
W-5051KX 20	AC 3, 8, CAS 4, 9, 10, INT 4, 6, 7, KOH 3, MF 6, 12, 13, WAU 7, 8, WHF 6, 7, WIS 22	W-997X	AC 6, FRD 1, FRT 3	12197P	FRB 11
W-5051X	AC 3, 8, CAS 4, 9, 10, INT 4, 6, 7, KOH 3, MF 6, 12, 13, WAU 7, 8, WHF 6, 7, WIS 22	1003P	FOR 4, FRD 20, MIL 25	12217P .50MM	TOF 9
W-5098X	CON 3, HER 2, INT 2, 3, KOH 1	1005M	FOR 4, FRD 20, MIL 25	1223M	FOR 8, 10, 13, 14, FRD 19, 24, 27, 29
W-5137KX	INT 15	1010M	CHR 2, 3, 6, CLK 8, DOD 3, MF 29, 34, MIL 18, 21	1226M+	AC 44, CAS 35, HER 18, 19, 22, 23, 25, 35, 36, 39, 40, 42, 43, MF 52, WHF 34, 81
W-5156KX	FRD 2, FRT 4	1011M	CHR 5, 7, 9, 10, DOD 4, 5, MF 38, 41, MIL 27, WHF 60, 61, 63, 64	1227M+	CAS 6, 7, 12, 13, 17, 19, CON 8
W-5156X	FRD 2, FRT 4	1011P	FOR 3, FRD 17, FRT 29	1228M+	INT 15, 22, 24-27
W-5166KX	AC 17, FRD 8, 9, FRT 15	10137KX	NIF 1	1229VA	FOR 7, FRD 18, 23
W-5194KX	CAS 26, 28, INT 46, 49, 51	1017M+	AC 25, 27, LER 2-5	1235M	GMC 15, 19, 21, 23, 24, MF 50, MIL 30
W526P	DOD 6	1021P 30	FOR 10	1239V20+	INT 46, 49, 51, 54
W-534X	INT 6, 7	1022P	FRD 29	1244M	INT 40
W-5368KX	AC 25, 27, INT 49, 51	10222KX+	AC 12, FRT 8, PER 7, 8	1255M	GMC 28
W-5398KX	AC 6, FRT 3	10223X+	MID 3	1274M	MIL 40
W-5398X	AC 6, FRT 3	10224KX+	KHD 1	1275M+	WAU 30, 31, 35, 36, WHF 52, 54, 65-69, 72, 74
W-5456KX	CAS 6, 12, 13, 16	10242KX+	VOT 1	1300CP+	MIL 41, 42, WAU 39, 41-43
W-5493KX	FRB 7	1027P+	FRD 2, FRT 4	1394	AC 3, CAS 2, 4, 8, 15, FRT 1, 2, 9, INT 1, 4, 18, MF 1, 4, 6, 19, WHF 1, 2, 4-7, 15, 16, WIS 17, 18, 21, 22, 24, 28, 30
W-5504KX	AC 16, CAS 14, CLK 4, DAB 3, 4, WAU 11-14, WHF 20, 21, 23, 37	10276X+	BEW 3	1402M+	INT 71, 72, 76, 77
W-5538KX	CAS 30, INT 49, 51, 54	10304KX+	MF 57, WHF 79, 80, 85, 90, 91, 97	1403M	FRD 40
W-5579KX	CAS 12, 13, INT 15	10304X+	MF 57, WHF 79, 80, 85, 90, 91, 97	1404M	GMC 28, 41, 43
W-5642KX	INT 74, 83	10366X+	AC 3, CAS 4, INT 4, MF 6, WHF 6, 7, WIS 22	1406M+	MIL 40
W-5676KX	FRD 9, FRT 16	10380KX+	AC 45, 50	1409M+	MIL 40
W-5701KX	CAS 37	10457N+	BEW 7	1413M+	MIL 40
W-5702KX+	CAS 30, 34	1055CP+	AC 6, FRD 1, FRT 3	14130	CAS 1, WIS 6, 9, 15
W-5735KX	INT 10, 11	10579KX+	INT 28, 44, 63, 69, 70, WHF 74	1414M	FOR 29, 30, 38-41, FRD 50
W-5737KX	INT 37, 48	1061NP 30	DOD 6	1415SB 10	GMC 5, 7
W-5738KX	INT 43, 56	1080P+	CLK 11, CON 69, 70, WHF 57, 58	1420CP+	AC 44, CAS 33, 35, HER 8, 9, 12-20, 22, 23, 26, 28-30, 32, 34-43, MF 33, 44, 52, WHF 34, 50, 51, 62, 77, 81
W-5809KX	MF 1, WHF 1, 2, WIS 18	1089M	FOR 7, FRD 18, 23	1424M+	AC 37, 41-43
W-5835KX	DAB 1, 2	1090M+	AC 44, CAS 33, HER 14, 15, 18-20, 22, 23, 26, 28-30, 32, 34, 37, 38, 41-43, MF 33, 44, 52, MIL 20, 33, WHF 50, 51, 62, 77, 81	1424X+	AC 44, CAS 33, HER 15, 18-20, 22, 26, 28-30, 32, 34, 37, 38, 41-43, MF 33, 44, 52, WHF 50, 51, 62, 77, 81
W-5923KX	CLK 5, WAU 11, 12, 15, WHF 20, 21, 23	1091M	INT 31, 35, 36, 39, 41, MIL 6	14276	CAS 1, WIS 6, 9, 15
W-5948KX	ONA 1, WIS 10	1093M+	CLK 1, 2, CON 3-5, INT 3, 5, MF 3	1428M+	AC 47, 49
W-5973KX	INT 14, 16, 21	1094M	GMC 5, 7-9, 11, 12, 14, 17, MIL 29	1435SB+	WAU 3, 11, 12, 32, WHF 11, 20, 23, 24, 30, 32, 33, 42, 44, 45
W599P 40*	GMC 10	1100CP+	INT 46	1439M	FRD 7, 13, 22
W628CP+	AC 3, CAS 4, INT 4, MF 1, 6, WHF 1, 2, 6, 7, WIS 18, 22	1100P	AC 6, FRT 3	1445M	FOR 20, 21, 25-27, 31-33, FRD 35, 36, 42, 44, 48
W-644KX	AC 28, BUD 11, CON 70, HER 31	1102P+	CON 25, 26, 31, 32, MF 20, WHF 25, 26	1447M	MIL 8
W-645KX	BUD 15, 17, CAS 33, CON 85, 86, HER 38, 39, INT 58, MF 44, 47, WAU 27, WHF 42, 52-54	1105P 30+	CON 7, MF 8	1449	WIS 14, 16, 30
W-670X	CLK 2, CON 5, INT 5, 7	1105SB+	INT 15	1449M+	FOR 80, GMC 63
W704P+	CLK 9, CON 60-62	1106M+	INT 46, 49, 51, 54	1450M	FOR 5, 15, 16, FRD 21, 30, FRT 42
W718CP	GMC 41	1109P	FOR 5, FRD 21	1450SB+	CAS 3, HER 1, 3-7, 10, 11, MF 7, 11, WHF 9, 10, 17, 18
W718P+	AC 6, FRT 3	111	BEW 4, 6, 7	1451M	CAS 31, CHR 13, 14, DOD 6, 8, WHF 75, 76
W88NP	MIL 6	1115CP+	MF 1, WHF 1, 2, WIS 18	1453M	CHR 17-21, DOD 9-12, MIL 34
W-9092KX	INT 71, 72	1119M+	AC 5, 7	1454M	CAS 25, CHR 1, 4, DOD 1, 2, MF 31
W-915KX	INT 15	1133M	FOR 3, 6, 9, FRD 15, 17, 26, FRT 29, 34, 35	1455CP+	INT 2
W-918X	CAS 5, CON 8-10, INT 6, MF 9	1137M+	CLK 4, 5, MIL 3, 7, 16, 17, WAU 3-6, 10-21, 23, 24, 27, 28, 32-34, 37, WHF 11, 12, 20, 21, 23, 24, 30-33, 42-45, 52-56, 65, 66, 72, 73, 78	1456M+	MF 56, WHF 87, 88, 90, 91
W-9194KX	AC 32, CAS 41, DOD 7, MF 35, 53, PER 15, 16, 29, 30, WHF 82, 83	1142M+	AC 33, HER 21, 24, 27, 31, 33, WHF 36	1459V+	INT 2
W-9197KX	INT 23, 30	1145M	GMC 13, 15, MF 50, MIL 28	1461M	GMI 1
W92P	GMC 12	1149M	CHR 15, 16	1473M	CAS 25, CHR 4, MF 31
W-920KX	AC 25, HER 14, 26, LER 2-4, MF 33, WHF 50	1151M+	AC 13-15, 18-21, 28-31, 33, 35, 36, 38, 39, BUD 4-6, 8-16, HER 33, MIL 13, 23, 24	1474M+	CON 41-44, INT 32, MF 23
W-920X	AC 25, HER 14, 26, LER 2-4, MF 33, WHF 50	1158M+	CAS 5, 11, 18, CLK 3, CON 9, 10, 15-22, 25-32, MF 9, 15, 20, MIL 10, 15, WHF 19, 25, 26	1476M+	MIL 40
W-9217KX	AC 23, 24, 41-43			1477M+	FRB 1-3, 5, FRD 14, FRT 10-14, 17, 20, 21, 23-26
W-9251KX	AC 18, 36			1478M+	FRB 8-10, FRT 30-33, 36-41, 45, 46
W-9292KX	FOR 27, 31, 33			1481AF+	KHD 3-12
W-9330KX	CAS 23, HER 29			1481M+	ONA 1
W-934KX	AC 9, 11, BUD 7, CAS 14, 15, DAB 2, HER 15, MF 19, WAU 11, 12, WHF 20, 21, 23, WIS 28				

Numerical List

Part No.	Manufacturer and Line No.	Part No.	Manufacturer and Line No.	Part No.	Manufacturer and Line No.
1484M	CAS 31, 38, CHR 13, 14, DOD 6, 8, WHF 75, 76	1982PX+	CLK 4, WAU 11-14, 20, 23, 24, WHF 20, 21, 23, 42, 43, 45, 55, 56	205-6089	FOR 29
1496M	GMC 32, 33	1992PX+	AC 9, 11	205-6090	FOR 38
1505CAA	FOR 4, FRD 20, MIL 25	2000CPA	FOR 8, 10, 13, 14, FRD 19, 24, 27, 29	205-611	FOR 20, 21
15118	WIS 1-4	2015CPA+	AC 12, FRT 7, 8, MF 16, 18, 25, 46, PER 4-12, 23-26	205-612	FOR 5, 15, 16
1525CA 10	FOR 7, FRD 18, 23	2019Y20+	AC 12, FRT 7, 8, MF 16, 18, 25, 46, PER 4, 5, 7-9, 11, 12, 23-26	205-612M	FOR 5, 15, 16
15250X	WIS 1-4	2020CP	GMC 6, 10, 13, 15, 21, MF 50, MIL 28, 30	205-6122	FOR 38
1545AP+	MF 55, 56, WHF 70, 85-87	2025	TOF 3	205-613	GMC 43
1549Y+	MF 56, 57, WHF 71, 80, 87, 88, 91-93	2030SB+	INT 46, 49, 51, 54	205-613M	GMC 43
1557M	GMC 10, 16, MF 48	205-101	FOR 26, 32	205-614	GMC 6, 10
1570M	NIF 3-5, 7	205-101M	FOR 26, 32	205-614M	GMC 6, 10
1575CPA	INT 38, 45, 52	205-102	DOD 1, 2	205-6153	GMC 23
1579V	INT 37, 38, 43, 45, 52, 55, 56	205-102M	DOD 1, 2	205-6153M	GMC 23
1591M+	INT 12, 13, 17, 19	205-1036	GMC 16	205-6189	FOR 38
1592M	NIF 2	205-1036M	GMC 16	205-619	GMC 15
1615CP+	AC 13-15, 18-21, 28-31, 35, 36, 38, 39, BUD 1, 4, 5, 8-12, 14-16	205-1037	GMC 23	205-619M	GMC 15
1619Y20+	AC 13-15, 18-21, 28-31, 35, 36, 38, 39, BUD 4, 5, 8-12, 14-16	205-1037M	GMC 23	205-6190	FOR 38
1650CP+	AC 55, BUD 20-25	205-1088	FOR 29	205-6191	FOR 38
1660CA 60+	CON 1	205-112	FOR 5, 15, 16	205-6192	FOR 38
1660CP+	AC 2, CON 1, 2, MF 2	205-112M	FOR 5, 15, 16	205-622A	DOD 8
1664V+	AC 2, CON 1, 2, MF 2	205-113	GMC 43	205-622AM	DOD 8
1665SB+	CLK 10, CON 63, 64, 67, 68, 74, 75, 81, 82, MF 39, 42	205-113M	GMC 43	205-6264M	GMC 16
1669Y20+	CAS 29, 32, CLK 10, CON 63, 67, 74-77, 81-84, MF 39, 40, 42, 43	205-114	GMC 6, 10	205-6265	GMC 16
1670SB+	CON 6, 7, 11-14, 23, 24, MF 8, 10, 14, 17	205-114M	GMC 6, 10	205-6265M	GMC 16
1695P+	INT 15	205-1153M	GMC 23	205-6266	GMC 16
1735M	TOF 7, 9	205-1153	GMC 23	205-6266M	GMC 16
1744Y20+	INT 23, 30, 43, 56, 60, MIL 32, REO 3-8	205-119	GMC 15	205-6283	GMC 19
1746M	ISF 1, 3, THE 2	205-119M	GMC 15	205-6283M	GMC 19
1749M	GMC 15, 19, 21, 23, 24, MF 50, MIL 28, 30	205-122A	DOD 8	205-630	GMC 21, 23, 24
1750M	GMC 15, 19, 21, 23, 24, MF 50, MIL 28, 30	205-122AM	DOD 8	205-630M	GMC 21, 23, 24
1753M+	AC 52, DOD 14, 16, 19, 20, FOR 59-61	205-1264	GMC 16	205-631	GMC 28
1759V+	MIL 40-42, WAU 39, 41-43	205-1264M	GMC 16	205-631M	GMC 28
1762M	MB 3	205-1265	GMC 16	205-632A	CHR 21
1765CP+	INT 64, 65, 67, 68, 73, 88, 89	205-1265M	GMC 16	205-636	GMC 41, 43
1769V20+	INT 64, 65, 67, 68, 88, 89	205-1266	GMC 16	205-636M	GMC 41, 43
1771M	TOF 3	205-1266M	GMC 16	205-637	FOR 40
1776P+	CAS 6	205-1283	GMC 19	205-637M	FOR 40
1779P+	INT 6, 7	205-1283M	GMC 19	205-642	CHR 19
1780AP+	MF 55, WHF 70, 85, 86, 97, 104, 105	205-130	GMC 21, 23, 24	205-643	FOR 25, 27, 31, 33
1784M+	FOR 36, 44	205-130M	GMC 21, 23, 24	205-654	FOR 20
1795CP+	INT 6, 7, 9	205-132A	CHR 21	205-655	CHR 19, DOD 10
1799V+	INT 6, 7, 9	205-137	FOR 40	205-656	CHR 21, DOD 12
1800CP	CHR 15, 16	205-137M	FOR 40	205-656M	CHR 21, DOD 12
1804M	GMC 34, 35	205-142	CHR 19	205-658	GMC 23
1804V	CHR 15, 16	205-155	CHR 19, DOD 10	205-658M	GMC 23
1830CP	AC 17, FOR 3, 6, FRD 2, 3, 8, 9, 11, 12, 15, 17, FRT 4-6, 15, 16, 18, 19, 29, 34, 35	205-156	CHR 21, DOD 12	205-659	GMC 41, 43
1834V	AC 17, FOR 3, 6, 8, 10, 11, 13, 14, 17, 18, 23, FRD 2, 3, 8, 12, 15, 17, 19, 24, 27-29, 31, 33, 39, FRT 4-6, 15, 18, 19, 29, 34, 35	205-156M	CHR 21, DOD 12	205-659M	GMC 41, 43
1834V20	AC 17, FOR 3, 6, 8, 10, 11, 13, 14, 17, 18, 23, FRD 2, 3, 8, 12, 15, 17, 19, 24, 27-29, 31, 33, 39, FRT 4-6, 15, 18, 19, 29, 34, 35	205-158	GMC 23	205-662	GMC 21
1835CPA	FOR 11, 12, 17, 18, 23, FRD 28, 31, 33, 39	205-158M	GMC 23	205-662M	GMC 21
1839V+	FRD 9, FRT 16	205-162	GMC 21	205-667	CHR 18
1865CP+	CLK 4, 5, WAU 5, 6, 11-15, 17, 18, 20, 21, 23, 24, WHF 11, 12, 20, 21, 24, 31, 43, 55, 56	205-162M	GMC 21	205-670	INT 61, 66
1880CP+	CLK 4, 5, WAU 5, 6, 11-15, 17, 18, 20, 21, 23, 24, 27, 28, 33, 37, WHF 11, 12, 20, 21, 23, 24, 30-33, 42, 44, 45, 52-56, 65, 66, 72	205-167	CHR 18	205-670M	INT 61, 66
1884Y20+	CLK 4, WAU 3, 5, 6, 11-14, 17, 18, 20, 21, 23, 24, 27, 28, 30-33, 35-37, WHF 11, 12, 20-24, 30-33, 42-45, 52-56, 59, 65-69, 72-74, 78	205-170	INT 61, 66	205-671	INT 75
1904V	CHR 8, 11, DOD 3, MF 34, MIL 21	205-170M	INT 61, 66	205-673	INT 75
1905CP	GMC 9, 14, 17, MIL 29	205-183A	DOD 8	205-675	INT 75
1950CP	GMC 7, 12	205-183AM	DOD 8	205-676	INT 75
		205-187	FOR 29	205-683A	DOD 8
		205-204	FOR 43, 45, 46, 54	205-683AM	DOD 8
		205-205	CHR 20	205-686	GMC 32
		205-218A	DOD 6	205-686M	GMC 32
		205-218M	DOD 6	205-687	FOR 29
		205-243	DOD 6	205-688	FOR 29
		205-243M	DOD 6	205-689	FOR 38
		205-244A	DOD 6	205-690	FOR 38
		205-244AM	DOD 6	205-6934	GMC 32
		205-244M	DOD 6	205-6934M	GMC 32
		2056BF	NIF 1	205-718	DOD 6
		205-601	FOR 26, 32	205-718M	DOD 6
		205-601M	FOR 26, 32	205-743	DOD 6
		205-602	DOD 1, 2	205-743M	DOD 6
		205-602M	DOD 1, 2	205-744A	DOD 6
		205-6036	GMC 16	205-744AM	DOD 6
		205-6036M	GMC 16	205-744M	DOD 6
		205-6037	GMC 23	2059P+	INT 37
		205-6037M	GMC 23	2060P+	INT 48
		205-6039	GMC 28	207	BEW 3, 4
		205-6039M	GMC 28	207-L	BEW 1
		205-6085	GMC 41	207-S	BEW 4, 6, 7
		205-6085M	GMC 41	207-SS	AC 1, BUD 3, WAU 1
		205-6088	FOR 29	2079P+	INT 43
				208	BEW 1
				2080P+	INT 30, 56
				2103P+	WHF 79, 85, 90, 97
				2105CP+	INT 15, 22, 24, 25, 27

Numerical List

Part No.	Manufacturer and Line No.	Part No.	Manufacturer and Line No.	Part No.	Manufacturer and Line No.
2109Y20+	INT 24, 26	222-495	CAS 25, CHR 4, 17, 18, 20, DOD 1, 2, MF 31	224-41144	FOR 29, 30, 38, 39, FRD 50
2130CP	CAS 31, 38, CHR 13, 14, DOD 6, 8, WHF 75, 76	222-499	GMC 19, MF 50	224-41144V	FOR 29, 30, 38, 39
213-142608+	DOD 24-26, FOR 76, 77	222-501	CHR 18, 19, 21, DOD 10, 12	224-41146	FRD 13
213-3021581	DOD 24-26, FOR 76, 77	222-7CT	NIF 6	224-41154	GMC 18, 25, 26, 31, 36, 42, 44, 45
213-3052514+	DOD 24-26, FOR 76, 77	223-249	FOR 3, 8, 13, 14, FRD 17, 29	224-41171+	CON 60, 61, MF 32
2134Y	CAS 25, 31, 38, CHR 4, 14, DOD 2, 6, MF 31, WHF 75, 76	223-250	FOR 3, 8, 13, 14, FRD 17, 29	224-41173	FOR 20, 21, 26, 32, FRD 35, 48
2134Y20	CAS 31, CHR 14, DOD 6, WHF 75, 76	223-261	GMC 13	224-41176	FOR 21, 25, 27, 31, 33, FRD 36, 42, 44
2137P+	INT 10	223-262	GMC 13	224-41177	FOR 20, 21, 26, 32, FRD 35, 48
2170P+	FRD 9, FRT 16	223-273	CHR 16	224-41185	INT 30, 37, 38, 43, 45, 48, 55, 56, 59
2185CP+	WHF 37, 38, 46, 47	223-274	CAS 38, CHR 8, 11, 12, 14-16	224-41187	INT 61, 66, 75
2186P+	AC 12, MF 18, 25, PER 7, 8, 11, 12, 25, 26	223-288	GMC 15, 21, 23, 24	224-41189	DOD 13
2193PX+	CAS 41, MF 53, PER 29, 30, WHF 82, 83	223-289	GMC 15, 21, 23, 24	224-4130+	CLK 2, CON 3, 4, INT 3, MF 3, WHF 3
2195CP+	DOD 15, 18, INT 90	223-290	CHR 17, 18, 20	224-4132+	CAS 5, 24, CLK 7, CON 9, 10, 25, 26, 53, 54, 60, 61, MF 32, WHF 25
2199Y20	DOD 15, 18, INT 90	223-291	CAS 25, CHR 4, 17, 18, 20, DOD 1, 2, MF 31	224-4137+	CAS 5, 24, CLK 7, CON 9, 10, 25, 26, 31, 32, 53, 54, 60, 61, MF 32, WHF 25
221-2500	GMC 5, 7, 9, 12, 14, 17	223-297	CHR 14, DOD 6, 8	224-4140	GMC 5, 7
221-2524	GMC 6	223-308	FRD 13	224-4141	GMC 7, 12
221-2525S	GMC 6	223-311	CAS 25, CHR 4, DOD 1, 2, MF 31	224-4142	GMC 7, 12
221-2526	GMC 10, 16, MF 48	223-312	FOR 26, 32, FRD 48	224-4143	GMC 15, 19, 21-23, 37
221-2527	GMC 10, 16, GMI 1, MF 48	223-321	FOR 20, 21	224-4146	GMC 15, 19, 21-23, 37
221-2528S	GMC 10, 16, MF 48	223-331	FOR 20, 21	224-4146A	GMC 15, 19, 21, 22, 37
221-2532S	GMC 28, 41	223-339	CHR 19, 21, DOD 2, 9, 11, 12	224-4147	GMC 6, 10, 16, GMI 1, MF 48
221-2600+	CAS 5, 11, 24, CLK 3, 10, CON 8-10, 17, 18, 25, 26, 31, 32, 39, 40, 53, 54, 60-62, 64, 70, MF 9, 15, 20, 32, WHF 19, 25, 26, 48, 49	223-340A	DOD 9, 11	224-4153	GMC 28, 41
221-2601	CAS 11, 24, CLK 3, 10, CON 8-10, 17, 18, 25, 26, 31, 32, 53, 54, 60-62, 64, 70, MF 9, 15, 20, 32, WHF 19, 25, 26, 48, 49	223-353	FOR 21, 25, 27, 31, 33	224-4154	GMC 28, 29, 41, 43
221-2603A	CAS 5, 11, 24, CLK 3, 10, CON 8-10, 17, 18, 25, 26, 31, 32, 39, 40, 53, 54, 60-62, 64, 70, MF 9, 15, 20, 32, WHF 19, 25, 26, 48, 49	223-355	INT 40	224-4154G	GMC 28, 41
221-2701	FOR 4	223-358	CAS 38, CHR 14, DOD 8	224-4157	GMC 6, 10, 16
221-2727S	FOR 4	223-359	CAS 38, CHR 14, DOD 8	224-4160	CHR 7, 9, DOD 4, 5
221-2750A	FOR 5	223-375	GMC 33	224-4165C	CAS 25, CHR 4, DOD 1, 2
221-2750L	FOR 5	223-380	CHR 19, 21, DOD 12	224-4165V	DOD 1, 2
221-2750LS	FOR 5	223-388	INT 40	224-4166	CAS 38, CHR 14, DOD 6, 8
221-2764S	FOR 5, 16, FRD 21, 30	223-390	GMC 19, MF 50	224-4166V	DOD 8
221-3329A	DOD 18	223-390N	GMC 19, MF 50	224-4174	CHR 17-21, DOD 9, 11
221-3336S	INT 61, 66, 75	223-391	GMC 19, MF 50	224-4174V	DOD 9, 11, 12
221-4701+	AC 17, FRD 2, 8, 9, FRT 4-6, 15, 16	223-394	GMC 28, 29, 41, 43	224-41979+	FRD 10, 14, FRT 10, 12, 13, 17, 20, 21, 23, 24, 26, 30-32, 36, 37
221-4702	CON 7, 11, 12, MF 8, 10	223-395	GMC 28, 29, 41, 43	224-41993+	FRT 36, 37
221-4703	CON 7, 11, 12, MF 8, 10	223-396	FRD 48	224-43343	GMC 15, 19, 22, 23, 28, 41
221-4704	AC 6, FRT 3	223-397	FRD 13	224-43351	GMC 32, 33
221-4706	AC 6, FRT 3	223-401	FOR 29, 38	224-43363	GMC 13
221-4707S	AC 6, FRT 3	223-402	DOD 6, 8	224-43365A	FOR 20, 21, 26, 32, FRD 35, 48
221-4709	CON 13, 14, 23, 24, MF 14, 17	223-410	FOR 20, 21, 25, 27, 31, 33	224-43366A	DOD 9, 11, 12
221-4710	AC 17, FRD 2, 8, 9, FRT 4-6, 15, 16	223-420A	FOR 40, FRD 50	224-43367S+	INT 23, 37, 48, 56, 57, 59
221-4710S	AC 17, FRD 2, 8, 9, FRT 4-6, 15, 16	223-421	FOR 40	224-43370	FRD 32
221-4711S	CON 13, 14, 23, 24, MF 14, 17	223-438	FOR 29, 38	224-43374+	FRT 4
2215CPA+	WAU 20, 27, 28, 33, 37, WHF 52-54, 65-69, 72, 74	223-448	FOR 26, 32	224-43394+	CAS 41, PER 29, 30, 37
2216P+	AC 13, 28	223-462	NIF 6	224-43424	GMC 32, 33
221710	MIF 1	223-463	NIF 6	224-43459+	PER 11, 12
2218	DOD 13, INT 15, 24, 27, 61, 66, 75, MIL 12	223-493	FRD 50	224-43499	DOD 9, 11
222-121GP	NIF 6	223-524	GMC 32, 33	224-43621	GMC 32, 33
222-122GP	NIF 6	223-524	GMC 32, 33	224460	MIF 1
222-160	CHR 14, DOD 6, 8	223-710	GMC 28, 41	224-51106+	AC 6, FRT 3
222-162	GMC 22, 37	223-717	GMC 28, 41	224-51107+	AC 6, FRT 3
222-163	GMC 15, 21, 23, 24	223-807	GMC 32, 33	224-51139	FOR 29, 30, 38-40, FRD 50
222-168	CHR 19, 21, DOD 2, 9, 11, 12, FOR 29, 38, GMC 28, 29, 41, 43	223830	NIF 2	224-51185	INT 23, 26, 30, 33, 37, 38, 43, 45, 48, 55-57, 59
222-169	FOR 20, 21, 25, 27, 31, 33	224-11146	FRD 13	224-51187	INT 61, 66, 75
222-181	GMC 32, 33	224-1143H	GMC 32, 33	224-51297	FOR 8, 10-14, 17, 18, 23, FRD 27, 29, 33, 39
222-3DR102	MIF 2, 3	224-1146	GMC 15, 19, 22, 37	224-5133+	CON 7, 11-14
222-348	CAS 38, CHR 8, 11, 12, 14-16	224-12124	FOR 15, 16	224-51348	GMC 28
222-354	FOR 3, 8, 13, 14, FRD 13, 17, 29	224-12139	FOR 40	224-5174	DOD 9, 11, 12
222-361	CAS 38, CHR 14, DOD 8	224-1246	GMC 15	224-61104	AC 17, FOR 3, FRD 17, FRT 4, 15
222-4SR50	GMC 28, 41	224-1346	GMC 23	224-61114	FOR 20, 21, 26, 32, FRD 35, 48
222-489	CAS 24, CLK 7, CON 53, 54, 60, 61, GMC 13, MF 32	224-1347	GMC 6, 10	224-61118	FRD 32
222-49CT	MIF 2, 3	224-14124	FOR 15, 16	224-61120	FRD 13
222-491	FOR 40, FRD 50	224-14159	FOR 26, 32	224-61123	FOR 10, 13
222-494	DOD 3-5, FOR 26, 32, FRD 48, INT 40	224-14160	FOR 40	224-61124	FOR 5, 15, 16, FRD 21, 30
		224-14162	DOD 6, 8	224-61126	FOR 21, 25, 27, 31, 33, FRD 36, 42, 44
		224-14230	FOR 29, 30, 38, 39	224-61127	FOR 29, 30, 38-40, FRD 50
		224-14264	GMC 28, 41	224-614138+	AC 6, FRT 3
		224-14273	FOR 40	224-614139+	AC 6, FRT 3
		224-1647	GMC 16	224-6143H	GMC 32, 33
		224-41105	FOR 3, FRD 17	224-6146	GMC 15, 19, 22, 23
		224-41108	FOR 4	224-6146E	GMC 15, 19, 22, 23
		224-41118	FRD 32	224-6154	GMC 28, 41, 43
		224-41123	FOR 8, 10-14, 17, 18, 23, FRD 27, 29, 31, 33, 39	224-6154A	GMC 28, 41
		224-41124	FOR 5, 15, 16, FRD 21, 30	224-6166	DOD 6, 8
		224-41124V	FOR 5, 15, 16, FRD 21, 30	224-6174	DOD 9-12
		224-41128	FRD 32	224840	MIF 2, 3
		224-41130+	AC 17, FRT 4, 15		
		224-41135+	AC 17, FRD 2, 8, 9, FRT 15, 16		
		224-41137+	FRD 2, 3, 8, 9, 11, 12, FRT 5, 6, 16, 18, 19		
		224-41139	FOR 40		
		224-41139V	FOR 40		

Numerical List

Part No.	Manufacturer and Line No.	Part No.	Manufacturer and Line No.	Part No.	Manufacturer and Line No.
225040	TOF 4, 6, 8	245-1562-4	AC 18, 27, 36	2555A	GMC 16, 19, 21, 23, 24, GMI 1, MF 48, 50, MIL 30
225880	NIF 5, 8	245-1625-1	AC 6, BUD 4, 5, 11, CAS 5, 11, 24, CLK 3, 7, 9, 11, CON 9, 10, 15-18, 25, 26, 31, 32, 39, 40, 49, 50, 53, 54, 60-62, 70, DOD 3, FRT 3, INT 7, 10, 11, 14, 16, MF 9, 15, 20, 32, 40, 43, WHF 19, 25, 26, 35, 48, 49, 70, 85	2555CA 60	GMC 16, 19, 21, 23, 24, GMI 1, MF 48, 50, MIL 30
226285	NIF 9			2555CP	GMC 16, 19, 21, 23, 24, GMI 1, MF 48, 50, MIL 30
227235	MIF 1			2565SB+	BEW 1
2273P+	INT 33, 59	245-1625-1N	CAS 11, 24, CLK 3, 7, 9, 11, CON 9, 10, 15-18, 25, 26, 31, 32, 39, 40, 49, 50, 53, 54, 60-62, 70, DOD 3, MF 9, 15, 20, 32, WHF 19, 25, 26, 48, 49	2570SA+	BEW 4, 6, 7
2274P+	AC 18, 36			2570SB+	BEW 4, 5
228005	MIF 2, 3	245-1625-15	AC 6, 17, FOR 4, 7, FRD 2, 8, 9, 12, FRT 3, 4, 15, 16, 19	2575SB+	BEW 1
228010	NIF 6	245-1625-2	DOD 6	2581BFA+	MF 5, PER 1-3
228013*	TOF 2	245-1625-2N	DOD 6	2586PN+	INT 77
2281PN+	AC 47	245-1625-3+	CON 74, 75, 81, 82, MF 39, 42	2590CP+	CON 47, 48, 51, 52, 58, 59, 65, 66, MF 24, 26, 30, 36
229010	MAF 3	245-1625-4	HER 8, 9, 12, 13, 16-19, 22, 23, 28, 29, 35, 36, 40, 43	259-100A	GMC 12
2304V	FOR 20, 21, 25-27, 31-33, FRD 35, 36, 42, 44, 48	245-1630-1	FOR 8, 9, 17, 20, 21, 23, 25, 27, 31, 33, FRD 35, 36, 42, 44, 48, FRT 23-26, 36-38	259-100B	GMC 12
2304V20	FOR 20, 21, 25-27, 31-33, FRD 35, 36, 42, 44, 48			259-101A	DOD 11
231004	TOF 7, 9	245-1640-1	DOD 4, 5	259-101B	DOD 11
2319Y20	FOR 34, 35, 43, 45, 46, 54, 55, FRD 45, 52, 53, MIL 38	245-1670-1+	AC 47, 49	259-102A	FOR 8-10, 13, 14, 17
2320CP	CHR 17-21, DOD 9-12, MIL 34	245-1671-1N	FOR 29	259-102ARS	FOR 8-10, 13, 14, 17
235NP	GMC 15	245-1687-1	FOR 5, 15, 16, 26, 32	259-102B	FOR 8-10, 13, 14, 17
2357PN+	FRT 10, 12-14	245-1687-1N	FOR 5, 15, 16, 26, 32	259-102C	FOR 8-10, 13, 14, 17
2359PN+	FRD 14, FRT 24, 26, 45	245-1687-2	CAS 38, CHR 14, DOD 8, FRD 21, 30, GMC 18, WHF 72, 73	259-103A	FOR 8-10, 13, 14, 17
2373P+	WHF 99, 101, 103	245-1687-2N	CAS 38, CHR 14, DOD 8, GMC 18	259-103ARS	DOD 1, 2, 6, 8, 9, FOR 5, 15, 16, 21, 25-27, 31-35, 40
2375CP	CAS 25, CHR 1, 4, DOD 1, 2, MF 31	245-1687-3	INT 37, 38, 45, 55, 64, 65, 67, 68, 80	259-103B	DOD 1, 2, 6, 8, 9, FOR 5, 15, 16, 21, 25-27, 31-35, 40
2377	FOR 5, 15, FRD 21, 30	245-1687-4	FOR 25, 27, 31, 33	259-103BRS	DOD 1, 2, 6, 8, 9, FOR 5, 15, 16, 21, 25-27, 31-35, 40
2380CP	FRD 7, 13, 22	245-1687-7	CON 78-80, 85-92, MF 47, 51	259-103C	CAS 25, CHR 4, DOD 1, 2, 6, 8, 9, FOR 5, 15, 16, 21, 25-27, 31-35, 40
2385CP	MIL 9	245-1722-E1	FOR 24, MB 2	259-200A	GMC 5, 7
2-3950CP	GMC 34, 35	245-1750-1	AC 27	259-200B	GMC 5, 7
2400P	GMC 18, 25, 26, 31, 36, 42, 44, 45, 54-56	245-1750-1N	AC 27	259-201A	GMC 13, 19
2404Y20	GMC 18, 25, 31, 36, 42, 44, 54, 56	245-1750-2	DOD 1, 2, 8, 9, FOR 40, WHF 68	259-201ARS	GMC 13, 19
2409Y+	AC 10, 26, 40, 48, DOD 21, FOR 37, 56-58, 62-64, GMC 38-40, 48-51, 57-59, 64, 65, MF 28, 45, MIL 35, 39, WHF 41	245-1750-2N	DOD 1, 2, 8, 9	259-201B	GMC 13, 19
2410CP	INT 23, 26, 30, 37, 42, 43, 56, 59-61, 66, 75	245-1750-4	INT 23, 30, 56	259-203A	GMC 6, 10, 14-16, 21, 23, 24
2412PN+	INT 71	245-1781-E1N	FOR 38, 39	259-203ARS	GMC 6, 10, 14-16, 21, 23, 24
2417PN+	FRT 17, 31	245-1812-1	DOD 4-6	259-203B	GMC 6, 10, 14-16, 21, 23, 24
2425CP+	HER 10, INT 10, MF 11, MIL 1, 2, 4, 5, WAU 9, WIS 19, 20, 23	245-1812-1N	DOD 4-6	259-203BRS	GMC 6, 10, 14-16, 21, 23, 24
2439P+	AC 12, MF 18, 25, PER 7, 8, 11, 12	245-1812-21N	FOR 38, 39	259-203C	GMC 6, 10, 14-16, 21, 23, 24
244NP	CAS 25, CHR 4, DOD 1, 2, MF 31	245-1812-3	FOR 5, 8, 9, 15, 16, GMC 6, 10, 15, 16, 19, 21	259-303A	INT 74, 83
2440SB+	AC 25, 27, LER 2-5	245-1812-4	GMC 41	259-303ARS	INT 74, 83
2442P+	INT 49, 51	245-1812-4N	GMC 41	259-303B	INT 74, 83
2450CPA+	AC 45, 46, 50, 51, BUD 18, 19	245-1812-5+	CAS 28, 34, CON 41, 42, 74, 75, 81, 82, GMC 28, 29, 41, 43, INT 47, 50, 53, MF 23, 39, 42	259-303C	INT 74, 83
245-1187-1	INT 2, 7	245-1812-5N+	CON 41, 42, 74, 75, 81, 82, GMC 28, 29, 41, 43, MF 23, 39, 42	259-404A	GMC 28, 29, 41, 43, 45
245-1250-1+	CON 11-14, MF 10, 14, 17	245-1812-7	INT 46, 49, 54	2600A	FRD 32
245-1312-1	CLK 2, CON 3-5, WHF 3	245-1814-1+	AC 47, 49	2600CP	FRD 32
245-1348-E1N+	CAS 5, 6, 11-13, 24, CLK 3, 7, 9, 11, CON 9, 10, 17, 18, 25, 26, 31, 32, 35, 36, 39, 40, 53, 54, 62, 70, MF 20-22, WHF 19, 25, 26	245-1875-0	CON 94, 97-100	260-1000	GMC 13, 15, 19, 21, 23, 24, MF 50
245-1375-1	AC 18, 36	245-1875-1	DOD 10, 12, FOR 29, INT 45, 46, 49, 54, 74, 83	260-1000AT	GMC 15, 19, 21, 23, 24
245-1375-3+	CAS 11, 24, CLK 3, 7, CON 9, 10, 15-18, 25, 26, 39, 40, 49, 50, 53, 54, 60, 61, MF 32, WHF 19, 25, 26, 48, 49	245-1875-1N	DOD 10, FOR 29, INT 45, 74, 83	260-1000BT	GMC 23, 24
245-1375-4	AC 7, 9, 11, 16, CAS 14, CON 11-14, MF 10, 14, 17	245-1875-2	FOR 25, 27, 31, 33	260-1001	CHR 18, 19, 21
245-1375-5+	AC 3, CAS 1, 2, 4, INT 4, 23, 30, MF 1, 6, WHF 1, 2, 4-7, WIS 3, 4, 6, 9, 17, 18, 21, 22	245-1937-1	CAS 38, CHR 14	260-1002	FRD 7, 13
245-1437-1	DOD 1, 2	245-1937-17	GMC 32	260-1004	CAS 25, CHR 4, DOD 1, 2, MF 31
245-1437-2	AC 13-15, 18, 28, 30, 35, 36	245-2000-1	DOD 8, 9, 11, GMC 28, 29, 41, 43	260-1005	GMC 6, 10, 16, MF 48
245-1437-2N	AC 13-15, 18, 28, 30, 35, 36	245-2000-6	CON 78-80, 85, 87-92, MF 47, 51	260-1006	FOR 5, 15, 16, FRD 21, 30
245-1437-3	CAS 6, 7, 11-13, 24, CLK 3, 7, 11, CON 9, 10, 17, 18, 25, 26, 35, 36, 39-42, 51-54, 66, 70, INT 2, 7, MF 20, 21, 23, 26, 30, 36, WHF 19, 25, 26	245-2018E-1+	AC 34, CAS 41, MF 37, PER 20, 21, 29-32	260-1007	INT 40
245-1437-3N	CAS 11, 24, CLK 3, 7, 11, CON 9, 10, 17, 18, 25, 26, 35, 36, 39-42, 53, 54, 70, MF 20, 21, 23, WHF 19, 25, 26	245-2062-1	FOR 26, 32, GMC 18	260-1009	GMC 28, 29, 41, 43
245-1437-5	CON 58, 59	245-2125-1	DOD 13, FOR 17, 23, GMC 23	260-1009T	GMC 43
245-1500-1	AC 5, 7, 9, 11, 16, CAS 14, INT 15, 22	245-2250-1	DOD 9, 10, 12, 15, 18, FOR 38-40, GMC 36, 41, INT 90	260-1013	FOR 40, 41
245-1500-1N	AC 7, 9, 11, 16	2465CPB	FOR 3, 9, FRD 17, 26, FRT 29	260-1033	DOD 8
245-1500-3	AC 14, 15, 18, 30, 36	2468P+	INT 48	260-1035	FOR 26, 32, FRD 48
245-1562-1	AC 13, 28, 35, BUD 12, CON 51, 52, 58, 59, GMC 16, 23, INT 47, 50, 53, MF 26, 48, 50	2469V	FOR 3, 9, 12, 13, 17, 18, 23, FRD 17, 26, 28, 29, 31, 33, 39, FRT 29	260-1039	FOR 20, 21, 25, 27, 31, 33, FRD 35, 36, 42, 44
245-1562-1N	AC 13, 28, 35, BUD 12, GMC 16, 23	2470CP	FOR 34, 35, 43, 45, 46, 54, 55, FRD 45, 52, 53, MIL 38	260-1042	FOR 20, FRD 35
245-1562-2	GMC 6, 10, 12, 15, 19, 21	2487P+	AC 32, MF 35, PER 15, 16	260-1043	CHR 19, 21, DOD 10, 12
245-1562-2N	GMC 6, 10, 12, 15, 19, 21	2488P	CON 23, 24, MF 17	260-1044	GMC 16, MF 48
		2519PN+	INT 79	260-1045	GMC 23, 24
		2520CP+	AC 9, 11, 16	260-1046	GMC 41, 43
		2525PN+	INT 82	260-1050	INT 75
		2538PN+	INT 76, 77	260-1075	INT 61, 66
		2541P+	WAU 35, WHF 67, 69	260-1076	INT 75
		2550P+	WHF 98-103, 106	260-1095	DOD 8
		2554Y20+	WHF 98-103	260-1098	FOR 29, 30, FRD 43
				260-1099	FOR 38, 39, FRD 49
				260-1114	INT 94
				260-1115	DOD 15, 18, INT 90
				260-1116	FOR 34, 35, 43, 45, 46, 54, 55, FRD 45, 52, 53
				260-1121	CAS 38, CHR 14, DOD 6
				260-1125	FRD 32
				260-1152	DOD 6

Numerical List

Part No.	Manufacturer and Line No.	Part No.	Manufacturer and Line No.	Part No.	Manufacturer and Line No.
260-1154	CAS 38, CHR 14, DOD 6	260-4011	CHR 18, 19, DOD 10	3379Y20+	AC 55
260-1177	FOR 41	260-4019	CHR 21, DOD 12	3380A	FRD 41
260-1223	FOR 41	260-4031	FOR 30, 39, 41, FRD 43, 49	3380CPA	FRD 41
260-1256	AC 48, MIL 35	260-4032	CHR 20, DOD 11	3400CP	FRD 40
260-1263	FOR 56	260-6017+	INT 91, 94	3465CPA+	AC 22-24, 37, 41-43
260-1264	FOR 56	260-6030	INT 74, 83	3469Y20+	AC 22-24, 37, 41-43
260-1267	GMC 16, MF 48	260-6054	DOD 13	3470CPA+	AC 47, 49
260-1268	GMC 23, 24	2610CPA+	FOR 1, GMC 2-4, MIL 14, WHF 40	3474Y20+	AC 47
260-1270	GMC 28, 29	2611AF	FOR 1, GMC 1-4, MIL 14, WHF 40	350936	FOR 3, 13, FRD 17, 27, 29, FRT 29
260-1277A	INT 94	2611CPA+	FOR 1, GMC 1, 2, 4, MIL 14	352AP 30	FOR 5, FRD 21
260-1314V	FOR 56	2619Y20+	FOR 1, 19, GMC 1-4, 20, MIL 14, 31, WHF 40	3520CP+	AC 3, CAS 2, 4, FRT 1, 2, INT 1, 4, MF 1, 4, 6, WHF 4-6, WIS 17
260-1330	AC 28, 35	2631PN+	FRT 37	354P	FRD 48
260-1331	AC 9, 11	2692	FRD 40	3569Y	MAF 1, 2
260-1332	AC 18	2692PN+	FRD 14, FRT 25, 46	3595CP+	INT 91
260-1333	AC 42	2693PN+	AC 45, 50	3600SB+	CAS 1, WIS 6, 9, 14-16
260-1334	AC 32, MF 35, PER 15, 16	2694PN+	AC 45, 50	3605SB+	CAS 15, FRT 9, INT 18, MF 19, WIS 28
260-1335+	AC 25	272AP	FRD 32	3645CP+	AC 3, BUD 2, CAS 4, FRT 1, 2, INT 1, 4, MF 1, 6, WHF 6
260-1336	AC 27	2729PN+	AC 24, 43	366NP	CHR 18
260-1337+	AC 47, 49	275NP	FRD 22	3695RA	CAS 25, CHR 4, MF 31
260-1339	CAS 12, 13	2750AP+	MF 56, 57, WHF 71, 79, 80, 87, 88, 90-93	37P	CHR 3, 6, CLK 8, DOD 3, MF 29, 34
260-1346R+	CAS 37	2773PNA	GMC 32, 33	3705CP+	WHF 95, 96
260-1348	CAS 47	2783BF+	AC 12, FRT 7, 8, MF 16, 18, 25, 46, PER 4-12, 23-26	3715CP+	WAU 30, 31, 35, 36, WHF 67-69, 74
260-1349+	CAS 39, 40	2800P	MIL 12	3720CP+	INT 2
260-1351+	CLK 9-11, CON 60-62, 64, 70, MF 32, WHF 48, 49	285NP	DOD 6	3730CP+	DOD 13
260-1352+	CLK 4, 5, WAU 13, 15	2920CP+	CON 41-44, INT 32, MF 23	3734Y20+	DOD 13
260-1353	CON 7, 11, 12, MF 8, 10	2924V+	CON 35, 36, 41, 42, MF 21, 23	3735SB+	BEW 3
260-1354+	CON 13, 14, 23, 24, MF 14, 17	2925CP+	CON 35, 36, MF 21	3750P	GMI 1
260-1355	CAS 11, CON 9, 10, 15, 16, 18, 25, 26, 29-32, MF 9, 15, 20, WHF 19, 25, 26	2942	FOR 5, 15, 17, 20, 23, 26, 32, 40, FRD 21, 22, 30-32, 35, 39-41, 48, 50, FRT 43	3771	MIF 1
260-1356+	AC 6, FRT 3	295P	GMC 19	3779	FAI 1
260-1357+	FRT 4	302NP	FRD 7	3783	GMC 54, 55
260-1358	AC 17, FRT 15	306-S	BEW 1	3790CP+	INT 94
260-1359	AC 17, FRT 15	307	BEW 5	381NP	FOR 32
260-1360	FRT 16	3095	DOD 1, 2, MF 31	381-4011	GMC 15, 21, 23
260-1361	FRT 10-14, 17	3103	CAS 31, 38, CHR 14, 17-21, DOD 6, 8-12, MIL 34	381-4013	FOR 5, 15, 16
260-1362	FRT 30-33	3105CPA+	FOR 36, FRB 9, FRT 30, 31, 33, 38, 46	381-4014	DOD 6, 8
260-1363	FRT 20, 21, 23-26	3105P+	FRB 1-3, 5, 8, 10, FRD 14, FRT 10-14, 17, 20, 21, 23-26, 30-32, 36, 37, 39-41, 45	381-4015	FOR 20, 21, 26, 27, 31-33
260-1364	FRT 24-26	3137BF+	AC 32, 34, CAS 41, DOD 7, MF 27, 35, 37, 53, 54, PER 13-16, 20, 21, 29-32, 37, WHF 82-84	381-4017	GMC 28, 41, 43
260-1365	FRT 37-40	3137BFA+	AC 32, 34, CAS 41, DOD 7, MF 27, 35, 37, 49, 53, 54, PER 13-16, 20, 21, 27-32, 37, WHF 82-84	381-4021	FOR 29, 38, 40
260-1366	FRD 46, 47, FRT 45, 46	3139Y15+	AC 32, 34, CAS 41, MF 27, 35, 37, 53, PER 13-16, 20, 21, 29, 30, 37, WHF 82, 83	381-4031	CHR 20, 21, DOD 9-11
260-1367+	INT 6	3150CPA	FOR 5, 15, 16, FRD 21, 30, FRT 42	381-8006	GMC 10, 16
260-1368+	INT 7, 10	3155CP+	INT 98	381-8007	GMC 15, 21, 23
260-1369+	INT 10, 11, 14, 16	3160CP	AC 44, CAS 35, HER 8, 9, 12, 13, 16, 17, 22, 23, 25, 28, 29, 39, 40, 42, 43, MF 33, 52, WHF 13, 14, 34, 50, 81	381-8009	GMC 28, 41, 43
260-1370	INT 15	3180SB+	ONA 1	381-8010	DOD 6, 8
260-1371	INT 37, 48, 55, 57, 59	3185CP+	AC 33, CON 19-22, 27, 28, 57, 71, HER 33, INT 10, 11, 14, 16, 21, MIL 10, 15, 19, 24, 26	381-8011	CHR 20, 21, DOD 9-11
260-1372	INT 24, 26	3190A	GMC 22, 28, 37, 41, 43	381-8012	DOD 1, 2
260-1373	INT 30	32NP	CHR 7, 9, 10, DOD 4, 5	381-8014	FOR 5, 15, 16
260-1374+	INT 43, 56, 60	3210CP+	INT 80, 93, 97	381-8017	FOR 20, 21, 26, 27, 31-33
260-1375	INT 62	321460	INT 40	381-8018	FOR 29, 38, 40
260-1377	INT 46	3220CP+	AC 44, BUD 6, 13, CAS 15, FRT 9, HER 28, 29, 42, 43, INT 18, 29, MF 19, 33, 52, MIL 3, 7, 11, 13, 16, 17, 20, 23, 27, 33, WAU 4, 10, 16, 19, WHF 50, 81, WIS 26-29	381-8019	GMC 18, 25, 36, 44
260-1378	INT 49, 51, 54	3224CP+	CAS 15, FRT 9, INT 18, MF 19, MIL 11, WIS 26-29	381-8022	FOR 43, 45, 46, 54, 55
260-1378	INT 71, 72	3230CP	FOR 20, 21, 25-27, 31-33, FRD 35, 36, 42, 44, 48	381-8057	GMC 32, 33
260-1382	INT 76, 77	325776	GMC 28, 41	381-8059	GMC 23
260-1383	INT 64, 65	329NP	FOR 20, 21, FRD 35	381-8083	INT 61, 66, 75
260-1402	MF 5	3310CPA	INT 40	382P+	AC 17, FRT 15
260-1403	AC 12, FRT 8, MF 18, PER 7, 8	3355CP+	CON 102, 103, HER 45, MIL 36, 37, WHF 89	3860P	GMC 32, 33
260-1404+	AC 12, FRT 8, MF 18, PER 7, 8	3360CPA	FOR 29, 30, 38-41, FRD 50	3864Y20	GMC 32, 33
260-1407	MF 25, PER 11, 12	3370CP	MIL 8	3880CP+	CLK 4, 5, WAU 13-15
260-1418	GMC 41			3894V	DOD 13
260-1419+	INT 2			39302	AC 54, DOD 22-24, 26, FOR 70, 73, 75-77, INT 96, 99
260-1421	FOR 29, 30, FRD 43			3945	GMC 28, 41, 43
260-1422	FOR 38, 39, FRD 49			3952BF	GMC 34, 35
260-1527	FOR 24			39520	CAS 15, FRT 9, INT 18, MF 19, WIS 28-30
260-1529	FOR 38, 39, FRD 49			39581	WIS 30
260-1530	FOR 38, 39, FRD 49			39590	CAS 15, FRT 9, INT 18, MF 19, WIS 28, 29
260-1543	DOD 16			39701	FOR 82, 83, MB 8
260-1569	GMC 7			39703	AC 54, DOD 22-24, 26, FOR 73, 75-77, INT 96, 99
260-1571	DOD 6			39705	FOR 82, 83, MB 8
260-1625	AC 52, DOD 19, 20, FOR 60, 61			39713	MB 8
260-1636	GMC 28, 41			39715	FOR 82, 83, MB 8
260-1648+	FOR 36, 44, FRD 51			39719	MB 8
260-1649	FOR 36			39801	DOD 17, FOR 51, 52, 65, 67, 68, GMC 54, 55
260-1651	FOR 38, 39			39802	DOD 17, FOR 51, 52, 65
260-1654+	CAS 37			39803	FOR 24, 49, 50, MB 2, 6
260-1661	INT 63, 70			39804	MB 5
260-1772	GMC 32, 33			39805	FOR 24, 25, 49, 50, MB 2, 5, 6
260-1773	GMC 32, 33				
260-2500	GMC 13, 15, 19, 21, 23, 24, MF 50				
260-2507	GMC 32, 33				
260-2522+	FOR 47, 48, GMC 46, 47				
260-4005	FOR 29, 38, 40, FRD 43, 49				

Numerical List

Part No.	Manufacturer and Line No.	Part No.	Manufacturer and Line No.	Part No.	Manufacturer and Line No.
39807	AC 54, INT 96, 99, MIL 40	4222M	FRD 7, 13	4-9955SB	MIL 6
39809	AC 52, DOD 19, 20, FOR 42, 59-61	424NP	CHR 21, DOD 12	4999MA	DOD 8
39813	AC 54, DOD 22-24, 26, FOR 73, 75-77, INT 96, 99	425NP	FRD 40	5000	GMC 5-10, 12-17, 19, 21, 22, 37, MF 48, 50, MIL 28-30
39821	AC 52, 54, DOD 20, 22-24, 26, FOR 59-61, 66, 70, 73, 75-77, GMC 52, INT 96, 99, MB 7, MIL 40	4-2580CP+	MF 5, PER 1-3	5020X+	BEW 1
39823	AC 54, INT 96, 99	4261M	FOR 20, 21, 25-27, 31-33, FRD 35, 36, 42, 44, 48	5022X+	BEW 4
39835	AC 52, 54, DOD 20, 22-24, 26, FOR 59-61, 66, 70, 73, 75-77, GMC 52, INT 96, 99, MB 7	4289M	INT 40	5024MA	CAS 38, CHR 14, DOD 6, WHF 75, 76
39837	AC 52, DOD 20, FOR 59-61	4290M	FRD 13	5025MA	CHR 20, 21, DOD 11, 12
39849	FOR 82, 83, MB 8	4-3485CP	MIF 1	5026	FOR 73
39851	FOR 82, 83, MB 8	4352M+	CAS 41, DOD 7, MF 53, 54, PER 29-32, 37, WHF 82-84	5029KX+	CAS 45
39853	MB 8	4353M+	AC 32, 34, MF 27, 35, 37, 49, PER 13-16, 20, 21, 27, 28	5032M+	INT 91, 94
39861	MB 7	4359M+	INT 12, 13, 17, 19	5033KX+	AC 6, FRT 3
39865	MB 7	4359V	TOF 4, 6, 8	5033X+	AC 6, FRT 3
39867	FOR 66, GMC 52, MB 7	4-3975P	MAF 3	5034M+	DOD 17, FOR 51, 52, 65, 67, 68, GMC 53, MF 58, 59, WHF 94
39869	FOR 66, GMC 52, MB 7	4-3980RA	TOF 3	5036X+	CAS 11, CON 7, 17, 18, MF 8, 15, WHF 19
39875	FOR 66, GMC 52, MB 7	4400MA	GMC 28, 41, 43	5037X+	AC 2, CON 2, MF 2
39877	AC 54, DOD 22-24, 26, FOR 66, 70, 73, 75-77, GMC 52, INT 96, 99, MB 7	4-4000CP	ISF 1-3, THE 1, 2	5038M+	INT 63, 70
39888	FOR 78, 79, GMC 62	4405M+	DOD 15, 18, INT 90	5039KX+	AC 7, 13, BUD 4, CON 25, 26, MF 20, WHF 25, 26
39889	FOR 78, 79, GMC 62	4415M+	AC 12, FRT 7, 8, MF 16, 18, PER 4-8	5047M+	CAS 43, 45-48
39890	FOR 78, 79, GMC 62	4416M+	MF 25, PER 9-12	5051KX+	AC 3, 8, CAS 4, 9, 10, INT 4, 6, 7, KOH 3, MF 6, 12, 13, WAU 7, 8, WHF 6, 7, WIS 22
399P 30	GMC 24	4-4245CP	MIF 1	505-102A	DOD 1, 2
39958	INT 63, 70, 76-82, 86, 87	450096	MIL 22	505-1036A	GMC 16
4001M+	AC 17, FRD 2, 3, 8, 9, 11, 12, FRT 4-6, 15, 16, 18, 19	450593	AC 10	505-106A	GMC 16
4004M+	CAS 5, 11, 18, CLK 3, CON 9, 10, 17, 18, 25, 26, MF 9, 15, 20, WHF 19, 25, 26	451147H	FOR 42	505-106C	GMC 16
4005M+	CAS 5, 11, 18, CLK 3, CON 9, 10, 17, 18, 25, 26, MF 9, 15, 20, WHF 19, 25, 26	452261H	FOR 1, GMC 1	505-107A	GMC 16
4015M+	CON 13, 14, 23, 24, MF 14, 17	453A	CAS 8, 15, FRT 9, INT 18, MF 19, MIL 11, WHF 15, 16, WIS 24-28	505-112D	FOR 5
4020M	FRD 42	455S	CAS 8, 15, FRT 9, INT 18, MF 19, MIL 11, WHF 15, 16, WIS 24-28	505-112J	FOR 15, 16
403CP 30	GMC 10	455006N	AC 10, 26, 40, 48, 53, DOD 21, FOR 37, 56-58, 64, GMC 39, MF 28, MIL 35, 39	505-113E	GMC 43
403P	GMC 10	455378H	AC 10, 26, 40, 48, 53, DOD 21, FOR 37, 56-58, 64, GMC 39, MF 28, MIL 35, 39	505-114D	GMC 6
4036M	GMC 22, 37	455956H	FOR 47, 48	505-119A	GMC 15
405P	DOD 8	456641	AC 37, 41-43	505-119C	GMC 15
4056M	FOR 3, 6, 9, FRD 15, 17, 26, FRT 29, 34, 35	4663M	GMC 19, 21, 23, 24, MF 50, MIL 30	505-119D	GMC 15
406AP	CHR 19, DOD 10	4663MA	GMC 19, 21, 23, 24, MF 50, MIL 30	505-119F	GMC 15
4063M	MIL 9	4-67015CP	NIF 3	505-120A	GMC 19
4067MA	GMC 18, 25, 26, 36, 44, 45	4-67019Y	NIF 3	505-122C	DOD 8
4070M	INT 61, 66, 75, MIL 12	4671M+	WAU 30, 31, 35, 36, WHF 67-69, 74	505-130E	GMC 21
4082M+	INT 37, 42, 43, 48, 55-57, 59, 60	4-67230CP	NIF 6	505-137E	FOR 40
4086M+	AC 27	4-67260CP	NIF 4, 5	505-156A	CHR 21, DOD 12
4092M	CAS 25, CHR 1, 4, DOD 1, 2, MF 31	4-67264Y	NIF 5	505-162H	GMC 21
4093M 10	INT 38, 45, 52	4-67269Y	NIF 4, 5	505-183C	DOD 8
4094M	CHR 17-19, DOD 9, 10, MIL 34	4-67304Y	TOF 5	505-218A	DOD 6
4095M	CHR 21, DOD 11	4-67320CP	NIF 2	505-243A	DOD 6
4101M+	AC 9, 11, 16	470059	FOR 1, MIL 14, 31	505-244C	DOD 6
4-1055CP+	AC 6, FRD 1, FRT 3	470574N	FOR 29, 38	5055X+	MID 1
410708	INT 49, 50, 52, 54	470625	AC 26, 27, 40, 48, 53, DOD 21, FOR 37, 56-58, 64, GMC 39, 50, 51, MIL 35, 39	505-602A	DOD 1, 2
41163T	FOR 53	471504	MIL 6	505-6036A	GMC 16
412038N	FOR 20, 25, 27, 31, 33, FRD 42, 44	471504V	MIL 6	505-6039A	GMC 28
4123MA	GMI 1	472015	CAS 12, 13, 17, 21, 22	505-606A	GMC 16
4124MA	GMC 6, 10, 16, MF 48	472439	AC 13-15, 18, 35, 36	505-606C	GMC 16
4125M	FRD 32	472856	INT 37, 38, 48, 55, 57	505-607A	GMC 16
4125MA	FRD 32	473010N	AC 54, DOD 22-24, 26, FOR 70, 73, 75-77, INT 96, 99	505-6085A	GMC 41
4139M+	CON 47, 48, 51, 52, 58, 59, 65, 66, MF 24, 26, 30, 36	473476	FOR 47, 48	505-612D	FOR 5
414	MIL 1, 2, WIS 19, 20, 23	475003N	CAS 26, 27, 30, 34, 36, 37, 42-50	505-612J	FOR 15, 16
4149M+	CAS 13, 17, 19	4770P+	FOR 71, 74	505-613E	GMC 43
415M	CHR 3, 6, CLK 8, DOD 3, MF 29, 34, MIL 18, 21	480574H	GMC 18, 25, 26, 44	505-614D	GMC 6
415138	CAS 26, 27, 30, 34	480581	FOR 1	505-619A	GMC 15
4154M+	CAS 7, 12	480988H	DOD 17, FOR 51, 52, 65, 67, 68	505-619C	GMC 15
416P	FRD 41	482041N	FOR 1, 19, GMC 1, 2, MIL 14, 31	505-619D	GMC 15
416011	FOR 73	483246N	FOR 34, 35, 43, 45, 46, 54, 55, FRD 45-47, 53	505-619F	GMC 15
4162M+	MF 55-57, WHF 86-88, 90-93, 97, 104, 105	485M	CHR 5, 7, 9, 10, DOD 4, 5, MF 38, 41, WHF 60, 61, 63, 64	505-620A	GMC 19
4163M+	WHF 70, 71, 79, 80, 85	4907M	FOR 29, 30, 38-41, FRD 50	505-622C	DOD 8
417316	INT 45, 61, 71, 72, 74, 83	4916M	FOR 5, 15, 16, FRD 21, 22, 30, FRT 42	505-630E	GMC 21
4176M 10+	WHF 38, 46, 47	4923MA	CAS 31, 38, CHR 13, WHF 75, 76	505-631D	GMC 28
4-1830CP+	AC 17, FRD 2, 3, 8, 9, 11, 12, FRT 4-6, 15, 16, 18, 19	4924MA	CHR 20, 21, DOD 11, 12	505-631E	GMC 28
420	MIL 1, 2, WIS 19, 20, 23	4925M	FRD 40	505-631F	GMC 28
4205CP	FOR 24, MB 2	4933M+	INT 37, 42, 43, 48, 55-57, 59, 60	505-636C	GMC 41
4206DR	FOR 24, MB 2	4935M+	INT 10, 11, 14, 16	505-636D	GMC 41
4207DR	FOR 24	4959M	MIL 8	505-637E	FOR 40
		4982M+	INT 21, 26, 33	505-656A	CHR 21, DOD 12
				505-659A	GMC 41
				505-659C	GMC 41
				505-659D	GMC 41
				505-662H	GMC 21
				505-683C	DOD 8

Numerical List

Part No.	Manufacturer and Line No.	Part No.	Manufacturer and Line No.	Part No.	Manufacturer and Line No.
505-7025	GMC 32	5460	AC 10, 26, 40, 48, 53, DOD 21, FOR 37, 56-58, 64, GMC 39, MF 28, MIL 35, 39	645M 10	FOR 7, FRD 18, 23
505-7026	GMC 32	5482KX+	INT 7	646M	FOR 4, FRD 20, MIL 25
505-718A	DOD 6	5493KX+	FRB 7, FRT 28	648M	GMC 5, 7
505-743A	DOD 6	5504KX+	AC 16, CAS 14, CLK 4, DAB 3, 4, WAU 11-14, WHF 20, 21, 23, 37	65925CP+	INT 20, 28, 34, 44, 62, 69
505-744C	DOD 6	5504X+	AC 16, CAS 14, DAB 3, 4, WAU 11-14, WHF 20, 21, 23, 37	6618M	MIF 2, 3
5062M+	AC 47, 49	552A	FAI 2	6619M	ISF 1
5063M+	CON 35, 36, 41, 42, MF 21, 23	5535KX+	INT 15	6-61915CPA	MB 3
5064	DOD 13	55563	MIL 40	6632M+	CAS 5, 11, 18, CLK 3, CON 9, 10, 17, 18, 25, 26, MF 9, 15, 20, WHF 19, 25, 26
5065	DOD 18, INT 90, 91	5576KX	INT 52	6636M+	MIL 40
5070M	CAS 25, CHR 4, MF 31	5579KX+	CAS 12, 13, INT 15	6636S	CHR 3, 6, 9, 10, DOD 3-5, MF 38, 41
5071M	FRD 13	5579X+	FAI 2	6650MA	TOF 3
5072	GMC 22, 28, 37, 43	558A	MIL 6	6-67035P	TOF 7-9
5080C+	WAU 38	558M	MIL 6	6688M 10	GMC 19, 21, 23, 24, MF 50, MIL 30
5080M+	WHF 95, 96, 98-103, 106	5597KX+	CON 35, 36, MF 21	6692M	MAF 3
5082M	DOD 13	5600KX+	CON 7, MF 8	670KX+	CLK 2, CON 5, INT 5, 7
5084M+	INT 93, 97	5607KX+	CON 25, 26, INT 15, WHF 25, 26	670X+	CLK 2, CON 5, INT 5, 7
5089M+	FOR 67, 68, GMC 53, MF 59	5642KX	INT 74, 83	67006BF	ISF 1, THE 2
5090KX	CAS 1, 2, WHF 4, 5, WIS 9, 17, 21	5647KX+	AC 44, HER 14, 16, 26, 28, 41, 42	67261BF	NIF 4, 5, 8
5090X+	CAS 1, 2, WHF 4, 5, WIS 9, 17, 21	5648KX+	CAS 35, HER 12, 22, 39	67277BF	TOF 3
5091KX+	CAS 15, MF 19, WIS 15, 28	5650	DOD 2, 9, 11, MF 31	67329YA+	ISF 2, THE 1
5092	GMC 10, 15, 16, 19, 21, MF 48, 50, MIL 28-30	5659KX	GMC 18, MF 55, WHF 86	6732AF	TOF 2
5095	FOR 17, 20, 23, 26, 27, 29, 31, 32, 38, 40, FRD 3, 4, 7, 13, 22, 31, 32, 35, 39-42, 44, 48, 50, FRT 4-6, 15, 29, 43	5666KX+	FRD 17, FRT 29, 34, WHF 42, 45	6759S	AC 9, 11, 16
5095MA	CHR 14, WHF 75, 76	5676KX+	AC 6, FRD 1, FRT 3	6765M	NIF 5
5097M+	AC 37, 41-43	5677KX+	FRD 9, FRT 16	677X	INT 45
5098KX+	CON 3, HER 2, INT 2, 3	5707KX+	CON 41, 42, MF 23	685M+	INT 2
5098X+	CON 3, HER 2, INT 2, 3, KOH 1	5735KX+	INT 24, 27	6-9185CP	CHR 3, 6, CLK 8, DOD 3, MF 29, 34, MIL 18, 21
5100M+	ONA 1	5737KX+	INT 10, 11	697M	GMC 8, 9, 11, 14, 17, MIL 29
5101M+	FOR 67, 68, GMC 53, MF 59	5738KX+	INT 37, 48	7039M+	CAS 26, 27, 30, 34, 36, 37
5102M+	CLK 4, 5, WAU 13-15	575M+	INT 43, 56	704P+	CLK 9, CON 60-62
5103M	MIF 1	576M+	INT 6, 7, 9	7094M	ISF 1, THE 2
5106	DOD 8	577M+	INT 46	710022	MIL 14, 31
5106X+	INT 6	5803	INT 15	710196	NIF 1
5107M	FRD 41	5809KX+	BRI 4, LAU 1	710210	FOR 29, 38
5108	FRD 22, 39-42, 44, 48, 50	5835KX+	MF 1, WHF 1, 2, WIS 18	710313	NIF 3, 6
5111S	INT 40	5838X+	DAB 1, 2	710318	TOF 1
5112S	FOR 20, 27, 32, 33, FRD 35, FRT 43	5840+	WIT 1	710345	TOF 2, 7, 9
5117	FOR 26, 54, 55, FRD 53	5841X+	FAI 1	710349	GMC 27, 34, 35, NIF 9
5118	FOR 29, 38, 40	5898KX+	FAI 2	710390	GMC 27, 34, 35
5122M+	FRB 8-10, FRT 30-33, 36-41	5923KX+	INT 12, 13	7106M	GMC 34, 35
5125M+	INT 71, 72, 76, 77	5944KX+	CLK 5, WAU 11, 12, 15, WHF 20, 21, 23	712006	NIF 2
5128N	AC 9, 11, 16	5944X+	AC 12, FRT 8, MF 18, 25, PER 7, 8, 11, 12, 25, 26	7122MA 10	GMC 28, 41, 43
5132M+	AC 28-31, 35, 36, 38, 39, BUD 11, 12, 14-16	5948KX+	AC 12, FRT 8, MF 18, 25, PER 7, 8, 11, 12, 25, 26	712449	FOR 36, 44, FRD 52, FRT 45, 46
5136M+	AC 37, 41-43	5973KX+	ONA 1, WIS 10	712511	FOR 36, 44, FRD 52, FRT 45, 46
5137KX+	INT 15	598X+	INT 14, 16, 21	7138M	NIF 3
5138KX+	CAS 28, INT 46	599P 40	AC 6, CON 5, FRD 1, FRT 3, INT 5	714470	INT 63, 70, 76-82, 86, 87
5141X 30	CON 60, 61, MF 32	6KH554CP 30	GMC 10	7145M	TOF 9
5142M+	CLK 1, 2, CON 3-5, INT 3, 5, MF 3	60150RA+	FOR 16	714750	CAS 36, 37, 42-50
5155X	FOR 8, 10, FRD 24	60150RA+	INT 12, 13, 17, 19	7151M 10	FRD 32
5156KX+	FRD 2, FRT 4	6-1059Y	TOF 8	7153M 10	FOR 5, 15, 16, FRD 21, 22, 30, FRT 42
5156X+	FRD 2, FRT 4	6-1575CPA	INT 38, 45, 52	716102	TOF 3
5166KX+	AC 17, FRD 8, 9, FRT 15	617X+	AC 5, 8, CAS 9, 10, HER 10, KOH 3, LER 1, MF 11-13, NOV 1, WAU 7, 8	71750	FAI 5
5166X+	AC 17, FRD 8, 9, FRT 15	6-1950CA 60	GMC 7, 12	718CP	GMC 41
5170KX+	INT 84, 85	6-1950CP	GMC 6, 10	7214M+	FOR 36, 44, FRT 45, 46
5187M+	FRB 1-3, 5, FRD 14, FRT 10-14, 17, 20, 21, 23-26	6-2020CA 60	GMC 6, 10	7216M	FOR 24, MB 2
5194KX+	CAS 26, 28, INT 46, 49, 51	6-2020CP	GMC 6, 10	7329MA 10	GMC 19, 21, 23, 24, MF 50, MIL 30
5197M+	MF 5, PER 1-3	6-2375CP	CAS 25, CHR 1, 4, DOD 1, 2, MF 31	7347+	CLI 3, FAI 3
523M+	AC 5, 7	6-2380CP	FRD 7, 13, 22	7363M+	FOR 17, 74
526P+	DOD 6	6-2385CP	MIL 9	7370M	GMC 32, 33
5274	TOF 4, 6, 7	6-2555A	GMC 16, MF 48	7381MA 10X20	CHR 14, WHF 75, 76
5278	FOR 15, FRD 30	6-2555CA 60	GMC 16, MF 48	7387M	MB 3
533M	MIL 25	6-2555CP	GMC 16, MF 48	7401X+	BEW 1
534X+	INT 6, 7	6304M+	INT 20, 28	7407+	BEW 4
5355X+	BRI 1, CLN 1, KOH 2, MID 2	6305M+	INT 34, 44	7486S	FRD 3, 4, 7, 13, FRT 5, 6
5357KX+	INT 46, MF 27, PER 14-16	6-3135CPA+	DOD 7, MF 54, PER 31, 32, WHF 84	752	FAI 4
5364KX+	BEW 3, BRI 2	6-3150CPA	FOR 5, 15, 16, FRD 21, 30, FRT 42	755M+	CON 6, 7, 11, 12, MF 8, 10
5364N+	BEW 3, BRI 2	6-3150CPA 10X2	FOR 5, 15, 16, FRD 21, 30, FRT 42	7568	AC 47, 49
5364X+	BEW 3, BRI 2	6329S	FOR 37, 56-58, 64, GMC 39	7581H	DOD 18, INT 15, 66, 75, 90, 91, MIL 12
5366KX+	INT 64, 65, 67, 68	6-3310CPA	INT 40	759	FAI 4
5368KX+	AC 25, 27, INT 49, 51	6-3695RA	CAS 25, CHR 4, MF 31	7640	CLI 2
5398KX+	AC 6, FRT 3	6-4070CP+	FOR 36, 44	7641	CLI 1
5398X+	AC 6, FRT 3	6-4205CP	FOR 24, MB 2	768M+	CAS 6, CON 8
5412X	GMC 12, WHF 65, 66	644KX+	AC 28, BUD 11, CON 70, HER 31	8KH418CP 30	FOR 40
5414	CAS 31, 38, CHR 14, 17, DOD 6, MIL 34	645KX+	BUD 15, 17, CAS 33, CON 85, 86, HER 38, 39, INT 58, MF 44, 47, WAU 27, WHF 42, 52-54	8KH418P 20	FOR 40
5444KX+	WAU 20, 23, 24, WHF 42, 43, 55, 56			8KH518CP 30	FRD 50
5446KX+	CON 13, 14, MF 14			8KH580CP 30	GMC 23
5448KX+	CAS 19, INT 22, 24, 26			8K272AP 20	FRD 32
5456KX+	CAS 6, 12, 13, 16			8K285NP 20	DOD 6
				8K405CP 30	DOD 8

Numerical List

Part No.	Manufacturer and Line No.	Part No.	Manufacturer and Line No.	Part No.	Manufacturer and Line No.
8K405P 30	DOD 8	88218	CAS 31, 38, CHR 3, 6, 9, 10, 14, 17-21, DOD 3-6, 8-12, MF 38, 41, MIL 34	9610KX	FRB 11
8K526P 30	DOD 6	88233	GMC 28, 41, 43	962KX+	CAS 6
8XH418P 20	FOR 40	884M	FOR 8, 10, 13, 14, FRD 19, 24, 27, 29	9620CPA+	AC 33, HER 21, 24, 27, 31, 33, WHF 36
8X272AP 20	FRD 32	8944X+	CAS 20, INT 15, 29, WAU 16, 22, 25, 26, 29	9624X+	AC 33, HER 24, 27, 31, 33, WHF 36
8X285NP 20	DOD 6	902KX+	INT 46	9629X+	AC 4, 8, CAS 9, 10, INT 8, KOH 3, MF 12, 13, WAU 2, 7, 8
8X405P 30	DOD 8	9024V	MIL 25	964KX+	AC 7, CON 11-14, 23, 24, MF 10, 14, 17
8X526P 20	DOD 6	9024VA	FOR 4, FRD 20, MIL 25	964X+	AC 7, CON 11-14, 23, 24, MF 10, 14, 17
8-1505CAA	FOR 4, FRD 20, MIL 25	9024XBS	AC 6, FOR 4, FRD 1, 20, FRT 3, MIL 25	9646KX+	MF 35, PER 15, 16
8165	AC 37, 41-43	903M+	WAU 5, 6, 11-13, WHF 11, 12, 21, 24	965X+	CON 60, 61, MF 32, WHF 30-32, 48, 49
8-2000CPA	FOR 8, 10, 13, 14, FRD 19, 24, 27, 29	905M+	WAU 20, 27, 28, 37, WHF 52-54	9662KX+	INT 33
8-2020CP	GMC 13, 15, 21, MF 50, MIL 28, 30	9092KX+	INT 71, 72	9663KX+	INT 57
8-2130CA 60	CAS 31, 38, CHR 13, 14, DOD 6, 8, WHF 75, 76	912M+	INT 64, 65, 67, 68, 73	9677X+	BEW 7
8-2130CP	CAS 31, 38, CHR 13, 14, DOD 6, 8, WHF 75, 76	9132KX	AC 12, FRT 8, PER 7, 8, 11, 12, 25, 26	968X+	CAS 2, WHF 4, 5, WIS 21
8-2130CP 10X2	CAS 31, CHR 13, 14, DOD 6, 8, WHF 75, 76	9132X+	AC 12, FRT 8, PER 7, 8, 11, 12, 25, 26	9701N+	BRI 3
8-2320CA 60	CHR 17-21, DOD 9-12, MIL 34	914KX+	WHF 27, 29, 37	9739KX+	WAU 30, 31, 35, 36, WHF 67, 69, 74
8-2320CP	CHR 17-21, DOD 9-12, MIL 34	915KX+	INT 15	974KX+	CON 11-14, MF 10, 14, WAU 2
8-2410CP	INT 61, 66, 75	915X+	INT 15	9745SB+	AC 5, 7
8-2555A	GMC 19, 21, 23, 24, MF 50, MIL 30	916M	CHR 15, 16	9764N+	BEW 6, 7
8-2555A 10X2	GMC 19, MIL 30	918KX+	CAS 5, CON 8-10, INT 6, MF 9	9766KX+	INT 28, 44, 62
8-2555CA 60	GMC 19, 21, 23, 24, MF 50, MIL 30	918X+	CAS 5, CON 8-10, INT 6, MF 9	9785SB+	WHF 27-29, 37
8-2555CP	GMC 19, 21, 23, 24, MF 50, MIL 30	9185CP	CHR 3, 6, CLK 8, DOD 3, MF 29, 34, MIL 18, 21	9805CA 10	MIL 25
8-2555CP 10X2	GMC 19, 21, 23, 24, MF 50, MIL 30	9186KX+	FRT 20, 21, 23	9811BF+	CAS 5, 11, 18, 24, CLK 3, 7, CON 6, 7, 9-12, 17, 18, 25, 26, 33, 34, 37, 38, 45, 46, 49, 50, 53-56, MF 8-10, 15, 20, REO 1, 2, WHF 19, 25, 26, 35, 39
8-2600A	FRD 32	919KX+	CAS 28, CON 74-77, MF 39, 40	9811BFA+	CAS 5, 11, 18, 24, CLK 3, 7, CON 9, 10, 17, 18, 25, 26, 33, 34, 37-40, 45, 46, 49, 50, 53-56, MF 9, 15, 20, WHF 19, 25, 26, 35, 39
8-2600CA 60	FRD 32	9194KX+	AC 32, CAS 41, DOD 7, MF 35, 53, PER 15, 16, 29, 30, WHF 82, 83	9826KX+	KHD 2, 4, 7, 9, 11
8-2600CP	FRD 32	92P	GMC 12	9841KX+	FRD 11, 12, FRT 18, 19
8-2600CP 10X2	FRD 32	920KX+	AC 25, HER 14, 26, LER 2-4, MF 33, WHF 50	9845	GMC 5-10, 12-17, 19, 21, 22, 37, MF 48, 50, MIL 28-30
8-3190A	GMC 22, 28, 37, 41, 43	920X+	AC 25, HER 14, 26, LER 2-4, MF 33, WHF 50	9845CP	GMC 8, 9, 11, 14
8-3230CA 60	FOR 20, 21, 25-27, 31-33, FRD 35, 36, 42, 44, 48	9209KX+	INT 17, 19	9849	GMC 6, 8, 9, 11, 14
8-3230CP	FOR 20, 21, 25-27, 31-33, FRD 35, 36, 42, 44, 48	9217KX+	AC 23, 24, 41-43	9849V	GMC 6, 8, 9, 11, 14, 17, MIL 29
8-3230CP 10X2	FOR 20, 21, 25-27, 31-33, FRD 35, 36, 42, 44, 48	9219V	INT 31, 35, 36, 39, 41	9885CP+	CLK 1, 2, CON 3-5, INT 3, 5, MF 3
8-3360CPA	FOR 29, 30, 38-41, FRD 50	9219X	INT 31, 35, 36, 39, 41	9885CPA+	CLK 1, 2, CON 3-5, INT 3, 5, MF 3
8-3380A	FRD 41	9245KX+	INT 93	99068	MIF 1
8-3380A 10X2	FRD 41	9251KX+	AC 18, 36	9909X+	CON 72, 73, 78-80, 85-92, 95, 96, MF 47, 51
8-3380CPA	FRD 41	926KX+	CON 25, 26, MF 20, WHF 25, 26	99098	FOR 66, GMC 52, MB 7
8-3380CPA 10X2+	FRD 41	926X+	CON 25, 26, MF 20, WHF 25, 26	991M+	AC 25, 27
8-3400CP	FRD 40	9292KX	FOR 27, 31, 33	99101	AC 10
836M+	CLK 1, 2, CON 3-5, INT 3, 5, MF 3	9320CP+	CAS 5, 11, 18, 24, CLK 3, 7, CON 9, 10, 17, 18, 25, 26, 33, 34, 37-40, 45, 46, 49, 50, 53-56, MF 9, 15, 20, REO 1, 2, WHF 19, 25, 26, 35, 39	99111	FOR 66, GMC 52, MB 7
8-3860P	GMC 32, 33	9320CPA+	CAS 5-7, 11, 12, 18, 24, CLK 3, 7, CON 8-10, 17, 18, 25, 26, 33, 34, 37-40, 45, 46, 49, 50, 53-56, MF 9, 15, 20, REO 1, 2, WHF 19, 25, 26, 35, 39	99125	MB 8
853M	GMC 7	9323KX+	CLK 9, CON 62	99133	FOR 71, 74
8649V	CAS 5, 11, 18, 24, CHR 3, 5-7, 9, 10, CLK 3, 6-9, 11, CON 6, 7, 9-14, 17, 18, 23-26, 31-34, 37-40, 45, 46, 49, 50, 53-56, 60-62, 69, 70, DOD 3-5, MF 8-10, 14, 15, 17, 20, 29, 32, 34, 38, 41, MIL 21, WHF 19, 25, 26, 35, 39, 48, 49, 57, 58, 60, 61, 63, 64	9323X+	CLK 9, CON 62	99134	MAF 3
8649V20	CAS 5, 11, 18, 24, CHR 3, 5-7, 9, 10, CLK 3, 6-9, 11, CON 6, 7, 9-14, 17, 18, 23-26, 31-34, 37-40, 45, 46, 49, 50, 53-56, 60-62, 69, 70, DOD 3-5, MF 8-10, 14, 15, 17, 20, 29, 32, 34, 38, 41, MIL 21, WHF 19, 25, 26, 35, 39, 48, 49, 57, 58, 60, 61, 63, 64	9324X+	CAS 5-7, 11-13, 18, 24, CLK 3, 7, CON 8-10, 17, 18, 25, 26, 33, 34, 37-40, 45, 46, 49, 50, 53-56, MF 9, 15, 20, REO 1, 2, WHF 19, 25, 26, 35, 39	99139	MIF 1
8649XA	CAS 5, 11, 18, 24, CHR 3, 5-7, 9, 10, CLK 3, 6-8, 11, CON 6, 7, 9-14, 17, 18, 23-26, 31-34, 37-40, 45, 46, 49, 50, 53-56, 60, 61, 69, 70, DOD 3-5, MF 8-10, 14, 15, 17, 20, 29, 32, 34, 38, 41, MIL 21, 22, WHF 19, 25, 26, 35, 39, 48, 49, 57, 58, 60, 61, 63, 64	934KX+	AC 9, 11, BUD 7, CAS 14, 15, DAB 2, HER 15, MF 19, WAU 11, 12, WHF 20, 21, 23, WIS 28	99147	FOR 66, GMC 52, MB 7, NIF 2
8649XAS	CAS 5, 11, 18, 24, CHR 3, 5-7, 9, 10, CLK 3, 6-8, 11, CON 6, 7, 9-14, 17, 18, 23-26, 31-34, 37-40, 45, 46, 49, 50, 53-56, 60, 61, 69, 70, DOD 3-5, MF 8-10, 14, 15, 17, 20, 29, 32, 34, 38, 41, MIL 21, WHF 19, 25, 26, 35, 39, 48, 49, 57, 58, 60, 61, 63, 64	934X+	AC 9, 11, BUD 7, CAS 14, 15, DAB 2, HER 15, MF 19, WAU 11, 12, WHF 20, 21, 23, WIS 28	99149	AC 9, 11, 16, FOR 1, GMC 2-4, MIL 14, 31, WHF 40
88NP	MIL 6	935M	INT 38, 45, 52	99150	AC 26, 27, 40, 48, 53, DOD 21, FOR 37, 56-58, 64, GMC 39, 50, 51, MIL 35, 39
88176	GMC 5-10, 12-17, 19, 21, 22, 37, MF 48, 50, MIL 28-30	941M+	INT 15, 22, 24, 25, 27	99169	TOF 3
88179	INT 40	942M+	INT 46, 49, 51, 54	99174	FOR 42, FRD 3, 4, 7, 13, FRT 5, 6, MIL 6
88187	AC 13-15, 18, 35-37, 41-43, FOR 1, 3, 5, 13, 15, 17, 19, 20, 23, 25-27, 29, 31-33, 38, 40, FRD 17, 21, 22, 27, 29-32, 35, 39-42, 44, 48, 50, FRT 29, 43, GMC 1-4, 20, MIL 14, 31, WHF 40	9433X+	WHF 99, 101, 103	99176	GMC 5-10, 12-17, 19, 21, 22, 37, MF 48, 50, MIL 28-30
		948X+	CAS 11, CON 17, 18, MF 15, WHF 19	99177	TOF 2, 7, 9
		9518KX+	DOD 21, FOR 64, GMC 50, 51	99179	INT 40
		9534KX+	INT 63, 70, WHF 67, 74	99181	AC 52, 54, DOD 20, 22-24, 26, FOR 59-61, 66, 70, 73, 75-77, GMC 52, INT 96, 99, MB 7
		9550KX+	INT 76, 77	99187	AC 13-15, 18, 35-37, 41-43, FOR 1, 3, 5, 13, 15, 17, 19, 20, 23, 25-27, 29, 31-33, 38, 40, FRD 17, 21, 22, 27, 29-32, 35, 39-42, 44, 48, 50, FRT 29, 43, MIL 14, 31
		9559X	GMC 5, 7	99189	MIF 2, 3, NIF 3, 6
		9560CPA	CHR 5, 7, 9, 10, DOD 4, 5, MF 38, 41, WHF 60, 61, 63, 64	99196	TOF 4, 6, 8
		9596X+	CAS 41, PER 15, 16, 29, 30	99205	MIL 22
		960KX+	AC 51, BUD 19	99210	CAS 12, 13, 17, 21, 22, FOR 82, 83, MB 8
		960M	GMC 7, 12	99218	CAS 31, 38, CHR 3, 6, 9, 10, 14, 17-21, DOD 3-6, 8-12, MF 38, 41, MIL 34
		9608KX+	WIS 29		

Numerical List

Part No.	Manufacturer and Line No.	Part No.	Manufacturer and Line No.	Part No.	Manufacturer and Line No.
99226	DOD 1, 2, MF 31				
99233	GMC 28, 41, 43				
99235	GMC 27, 34, 35, NIF 2				
99237	DOD 17, FOR 34, 35, 43, 51, 52, 65, 67, 68, FRD 45-47				
99238	FOR 29, 38				
99240	FOR 45, 46, 54, 55, FRD 53, GMC 18, 25, 26, 44, INT 37, 38, 48, 55, 57				
99248	DOD 18, FOR 24, 49, 50, INT 15, 66, 75, 90, 91, MB 2, 6, MIL 12				
99250	FOR 47, 48, GMC 46, 47				
99260	CAS 26, 27, 30, 34, 36, 37, 42-50, INT 49, 50, 52, 54				
99262	FOR 53				
99272	INT 45, 61, 71, 72, 74, 83				
99287	AC 10, 26, 40, 48, 53, DOD 17, 21, FOR 37, 51, 52, 56-58, 64, 65, 67, 68, 72, GMC 38-40, 50, 51, 54, 55, MF 28, 45, MIL 35, 39				
99294	MB 5				
99298	INT 63, 70, 76-82, 86, 87				
99311	AC 52, DOD 19, 20, FOR 42, 59-61, 73				
99315	MIF 2, 3, NIF 6, TOF 2				
99324	MIL 40				
99333	TOF 3				
99337	AC 9, 11, 16				
99351	MB 7				
99354	MAF 3				
99363	AC 54, DOD 22-24, 26, FOR 70, 73, 75-77, INT 96, 99				
99372	AC 52, DOD 13, 20, FOR 5, 15, 59-61, FRD 21, 30, INT 15, 24, 27, 61, 66, 75, MIL 12				
99374	TOF 4, 6, 8				
99376	FOR 82, 83, MB 8				
99393	TOF 7, 9				
99395	FOR 1, 19, GMC 4, MIL 14, 31				
994M	GMC 13, 15, 21, MF 50, MIL 28, 30				
99400	CAS 12, 13, 17, 21, 22				
99413	GMC 27, 34, 35				
99435	GMC 28, 41				
99437	FOR 82, 83, MB 8				
99463	AC 37, 41-43				
99468	AC 10, 26, 40, 48, 53, DOD 21, FOR 37, 56-58, 64, 72, GMC 39, 50, 51, MF 28, MIL 35, 39				
99475	CAS 26, 27, 30, 34, 36, 37, 42-50				
99494	FOR 24, 25, 49, 50, MB 2, 5, 6				
99499	DOD 17, FOR 51, 52, 65, 67, 68, GMC 53-55				
99549	AC 47, 49				
9955SB	MIL 6				
99599	AC 54, FOR 82, 83, INT 96, 99, MB 8, MIL 40				
9964KX+	AC 47, HER 44				
99650	MB 7				
997KX	AC 6, FRD 1, FRT 3				
997X	AC 6, FRD 1, FRT 3				
99725*	FOR 83, MB 8				
9981KX+	BUD 2, MF 1, WHF 1, 2, WIS 18				



Global Technology Behind Every Part

Repower your heavy-duty engines easier than ever

Any high-horsepower engine, regardless of age, represents a brutal operating environment for pistons, rings, bearings, liners and other internal components. Yet not nearly as demanding as the engine durability and performance labs at Federal-Mogul Corporation's

Advanced Technology Centers

in Burscheid and Nuremberg, Germany; and Ann Arbor, Michigan, U.S.A.

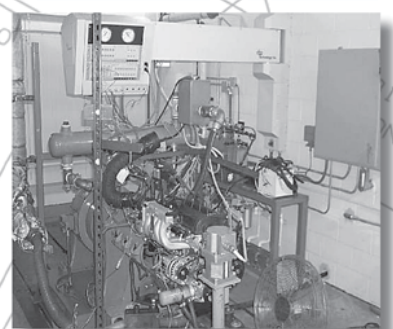
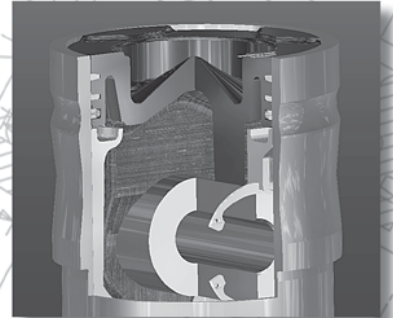
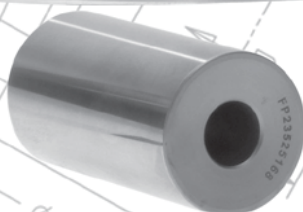
Being a global manufacturer means investing in advanced technologies worldwide. On a daily basis, our engineers work to create engine and sealing systems solutions that address the dynamic forces found in each generation of diesel engines.

As the Global Leader in Heavy-duty Powertrain Systems,

Federal-Mogul is instrumental in the development of every new generation of gasoline and diesel engine technology. Our global research centers are pioneering the use of new materials and designs that will become tomorrow's standards. And the consistent deployment of these advanced technologies throughout our technology centers means better designs for replacement applications. These include:

- Advanced-design articulated and Monosteel™ pistons for on- and off-highway engines.
- Space-age ring coatings to resist the corrosion and abrasion associated with EGR and other engine emissions solutions.
- Thinner, stronger cylinder liners that allow customers to maximize bore size.

When you choose FP Diesel, you receive much more than premium-quality engine parts. Each component is the product of the industry's very best ideas — powertrain technologies that won't merely survive, but thrive in today's hardest-working engines.





Series 60 Cross Head Piston

- Improved material properties
- Reduced stress concentration at key points
- Optimized radius of struts
- Increased standup height



FP Diesel ML⁷™ Head Gaskets

- Patented multi-layer design provides unprecedented strength
- Expanded graphite outer facings fills in minor voids in sealing surfaces
- Stainless steel armors provide robust, long lasting combustion seal
- Solid steel core provides enhanced lateral stability



Valvetrain Components

- Manufactured to the highest quality standards
- OEM specification materials used with upgrades to super alloys such as stellite, nickel, nimonic and inconel where needed for problem applications
- Available parts include valves, springs, guides, keepers, rotocaps, rocker parts, lifters, seals, seats and more



GLOBAL TECHNOLOGY behind every part